

THE No.1 MAGAZINE FOR ELECTRONICS TECHNOLOGY & COMPUTER PROJECTS

EVERYDAY

AUGUST 2001

**PRACTICAL**

# ELECTRONICS

£2.75

## DIGITIMER Digital TV Recording Controller



**PERPETUAL  
PROJECTS  
POWER FROM  
THE SUN**

L.E.D. Flasher •  
Double Door Buzzer

**COMPACT S.W.  
LOOP AERIAL  
1.6 to 30MHz  
Q-multiplied loop**

**PLUS  
New Technology Update •  
Readout • Interface**

**NOW  
AVAILABLE  
TO BUY  
ON THE WEB** **EPE**  
www.epemag.com



**PIR OPERATED WATER VALVES.** These brand new units consist of a control box with integral PIR and a water valve fitted with 15mm compression fittings. The valve is 6V d.c. operation and latches, e.g. 6V pulse will open it, 6V negative pulse will release it. Originally made to control urinals (flush when someone comes in) they have many other uses in cat scarers, automatic watering systems etc. They have built-in adjustable time delays and settings and run quite happily for months on just a 9V battery. The valve alone could have many uses in garden features, solar systems, etc. Current retail price for the complete unit is £120, we can offer them at just £19.95 while stocks last! Ref PIRVAL2.

**EMMINENCE LOUDSPEAKERS.** 12in. diameter, 50 watts nominal, 100 watts peak, 16 ohm imp. Pack of 4 just £39.95. Ref SPEAK39.

**PIR SECURITY SWITCHES.** These brand new swivel mounting PIR units will switch up to 2 kilowatts. Adjustable sensitivity, light level and time delay (9 seconds to 10 minutes), 15m detection range, mains operated, waterproof. £5.95. Ref PIR1PACK or a pack of 5 for £22.95. Ref PIR5PACK or 10 for £39.95. Ref PIR10PACK.

**12V 18Ah SEALED LEAD-ACID BATTERIES, new and boxed, unused, pack of 4 £44.95, Ref CYC7 or £15.95 each, Ref CYC6.**

**12V 6.5Ah SEALED LEAD ACID BATTERIES, new and boxed, pack of 5 £34.95, Ref CYC65A, or individually at £8.99, Ref CYC65B.**

**A new range of 12V to 240V INVERTERS**  
**IV400S (400 watt) £89**  
**IV800S (800 watt) £159**  
**IV1200S (1200 watt) £219**

**SODIUM LAMP SYSTEMS, £75.70.** Complete system with 250W or 400W SON-T Agro bulb, reflector with bulbholder and remote ballast and starter (uncased), all you need is wire. 250W system Ref SLS1, 400W system SLS2.

**HYDROPONICS - DO YOU GROW YOUR OWN?** Check our web site at [www.bullnet.co.uk](http://www.bullnet.co.uk).

**PC COMBINED UPS AND PSU.** The unit has a total power of 292 watts, standard motherboard connectors and 12 peripheral power leads for drives etc. Inside are three 12V 7.2Ah sealed lead-acid batteries. Backup time is 8 mins at full load or 30 mins at half load. Made in the UK by Magnum, 110V or 240V a.c. input, +5V at 35A, -5V at 0.5A, +12V at 9A, -12V at 0.5A outputs. 170mm x 260mm x 220mm, new and boxed. £29.95. Ref PCUPS2.

**AERIAL PHOTOGRAPHY KIT.** This rocket comes with a built-in camera, it flies up to 500 feet (150m), turns over, and takes an aerial photograph of the ground below. The rocket then returns, with its film, via its parachute. Takes 110 film. Supplied complete with everything, including a launch pad and three motors (no film). £29.98. Ref ASTRO.

**3HP MAINS MOTORS.** Single-phase 240V, brand new, 2-pole, 340mm x 180mm, 2,850 rpm, built-in automatic reset over-load protector, keyed shaft (40mm x 16mm). Made by Leeson. £99 each. Ref LEE1.

**BUILD YOUR OWN WINDFARM FROM SCRAP.** New publication gives step-by-step guide to building wind generators and propellers. Armed with this publication and a good local scrapyard could make you self-sufficient in electricity! £12. Ref LOT81.

**MAGNETIC CREDIT CARD READERS AND ENCODING MANUAL, £9.95.** Cased with fly-leads, designed to read standard credit cards! Complete with control electronics p.c.b. and manual covering everything you want to know about what's hidden in that magnetic strip on your card! Just £9.95. Ref BAR31.

**SOLAR POWER LAB SPECIAL.** 2in. x 6in. x 6in., 6V 130mA cells, 4 I.e.d.s, wire, buzzer, switch plus relay or motor. £7.99. Ref SA27.

**SOLAR NICAD CHARGERS.** 4 x AA-size, £9.99. Ref 6P476, 2 x C-size, £9.99. Ref 6P477.

**LOCKPICKS.** We sell a full range of lockpicks and lockpicking books on our website: [www.lockpicks.co.uk](http://www.lockpicks.co.uk).

**SHUT THE BOX.** Check out [www.bullybeef.co.uk](http://www.bullybeef.co.uk) for a range of pub games and magic tricks.

**AIR RIFLES FROM LESS THAN £40, CROSSBOWS, WIDE RANGE OF BB GUNS, AMMO, TARGETS, PISTOLS, REPLICAS, UZI MACHINE GUN REPLICAS (BB), REPEATERS, LASER SIGHTS, ELECTRIC BB, GAS BB**  
[www.airpistol.co.uk](http://www.airpistol.co.uk)

**INKJET CARTRIDGES FROM JUST £3 AT**  
[www.officebits.co.uk](http://www.officebits.co.uk)

**GIANT WEATHER BALLOONS**  
**NEW, BOXED, NATO, TOTEX 7 FOOT DIAMETER, £13.99**

**ONE MILLION HITS A MONTH**  
[WWW.BULLNET.CO.UK](http://WWW.BULLNET.CO.UK)

Hydrogen fuel cells. Our new Hydrogen fuel cells are 1V at up to 1A output, Hydrogen input, easily driven from a small electrolysis assembly or from a hydrogen source, our demo model uses a solar panel with the output leads in a glass of salt water to produce the hydrogen! Each cell is designed to be completely taken apart, put back together and expanded to whatever capacity you like (up to 10 watts and 12V per assembly). Cells cost £49. Ref HFC11.

**PHILIPS VP406 LASER DISC PLAYERS, SALE PRICE JUST £9.95. SCART OUTPUT, JUST PUT YOUR VIDEO DISC IN AND PRESS PLAY. STANDARD AUDIO AND VIDEO OUTPUTS. £9.95. REF VP406.**

**SMOKE ALARMS.** Mains powered, made by the famous Gent company, easy fit next to light fittings, power point. Pack of 5 £15. Ref SS23. Pack of 12 £24. Ref SS24.

**SENDER KIT.** Contains all components to build a A/V transmitter complete with case. £35. Ref VSXX2.

**CCTV CAMERAS FROM £22.** Check out our web site at [www.cctvstuff.co.uk](http://www.cctvstuff.co.uk).

**MAMOD STEAM ENGINES AND A FULL RANGE OF SPARE PARTS.**

CHECK OUT [www.mamodspares.co.uk](http://www.mamodspares.co.uk).

**14 WATT SOLAR PANEL.** Amorphous silicon panel fitted in an anodised aluminium frame. Panel measures 3ft. by 1ft. with screw terminals for easy connection. 3ft. x 1ft. solar panel £69. Ref MAG45. Unframed 4 pack (3ft. x 1ft.) £69. Ref SOLX.

**12V SOLAR POWERED WATER PUMP.** Perfect for many 12V d.c. uses, from solar fountains to hydroponics! Small and compact, yet powerful, works direct from our 10 watt solar panel in bright sun. Max hd: 17ft., max flow = 8l.p.m., 1.5A. Ref AC8. £18.99

**SOLAR MOTORS.** Tiny motors which run quite happily on voltages from 3V to 12V d.c. Works on our 6V amorphous 6in. panels, and you can run them from the sun! 32mm dia., 20mm thick. £1.50 each.

**WALKIE TALKIES. 1 MILE RANGE, £37/PAIR. REF MAG30.**

**LIQUID CRYSTAL DISPLAY.** Bargain prices, 40-character 1-line 154mm x 16mm, £6.00. Ref SMC4011A.

**YOUR HOME COULD BE SELF-SUFFICIENT IN ELECTRICITY.** Comprehensive plans with loads of info on designing systems, panels, control electronics, etc. £7. Ref PV1.

**SOLAR POWER LAB SPECIAL.** 2in. x 6in. x 6in., 6V 130mA cells, 4 I.e.d.s, wire, buzzer, switch plus relay or motor. £7.99. Ref SA27.

**SOLAR NICAD CHARGERS.** 4 x AA-size, £9.99. Ref 6P476, 2 x C-size, £9.99. Ref 6P477.

**BRAND NEW NATO ISSUE RADIATION DETECTORS, SALE PRICE JUST £39.95.** Current NATO issue standard emergency services unit used by most of the world's military personnel. New and boxed. Normal retail price £400, BULL'S bargain price just £99. Ref PDRM.

**PC COMBINED UPS AND PSU.** The unit has a total power of 292 watts, standard motherboard connectors and 12 peripheral power leads for drives etc. Inside are 3 12V 7.2Ah sealed lead-acid batteries. Backup time is 8 mins at full load or 30 mins at half load. Made in the UK by Magnum, 110V or 240V a.c. input, +5 at 35A, -5V at 0.5A, +12V at 9A, -12V at 0.5A outputs. 170mm x 260mm x 220mm, new and boxed. £29.95. Ref PCUPS2.

**BASIC GUIDE TO BIO DIESEL. HOW TO MAKE DIESEL FUEL FROM USED KITCHEN OIL, £6. REF BIOF.**

**SPECIAL OFFER! SAVE £££££££, RCB UNITS.** In-line IEC lead with fitted RC breaker. Installed in seconds. Fit to any computer, monitor, office equipment and make it safe! Pack of 10 just £9.98. Ref LOT5B.

**INFRA-RED REMOTE CONTROL WATCHES, £16.99;** vibrating watches, vibrate when your phone rings, £16.99; pulse watches, display your pulse, £16.99.

**ALTERNATIVE ENERGY CD,** packed with hundreds of alternative energy related articles, plans and information etc. £14.50. Ref CD56.

**BULL ELECTRICAL**  
 UNIT D, HENFIELD BUSINESS PARK,  
 SHOREHAM ROAD, HENFIELD, SUSSEX  
 BN5 9SL (ESTABLISHED 50 YEARS)  
 MAIL ORDER TERMS: CASH, PO  
 OR CHEQUE WITH ORDER  
 PLUS £5.00 P&P PLUS VAT  
 24 HOUR SERVICE £7.50 PLUS VAT  
 OVERSEAS ORDERS AT COST PLUS £3.50  
 (ACCESS, VISA, SWITCH, AMERICAN EXPRESS)  
 'phone orders: 0871 871 1300  
 FAX 0871 871 1301  
 Sales@bull-electrical.com

**BASIC GUIDE TO LOCKPICKING.** New publication gives you an insight! £6. Ref LPK.

**30 WATTS OF SOLAR POWER** for just £69, 4 panels, each one 3ft. x 1ft. and producing 8W, 13V. Pack of four £69. Ref SOLX.

**200 WATT INVERTERS,** plugs straight into your car cigarette lighter socket and is fitted with a 13A socket so you can run your mains-operated devices from your car battery. £49.95. Ref SS66.

**THE TRUTH MACHINE.** Tells if someone is lying by micro tremors in their voice, battery operated, works in general conversation and on the phone and TV as well! £42.49. Ref TD3.

**INFRA-RED FILM.** 6in. square piece of flexible infra-red film that will only allow IR light through. Perfect for converting ordinary torches, lights, headlights etc. to infra-red output only using standard light bulbs. Easily cut to shape. 6in. square. £15. Ref IRF2.

**33 KILO LIFT MAGNET.** Neodymium, 32mm diameter with a fixing bolt on the back for easy mounting. Each magnet will lift 33 kilos, 4 magnets bolted to a plate will lift an incredible 132 kilos! £15. Ref MAG33. Pack of 4 just £39. Ref MAG33AA.

**77 KILO LIFT MAGNET.** These Samarium magnets measure 57mm x 20mm and have a threaded hole (5/16th UNF) in the centre and a magnetic strength of 2.2 gauss. We have tested these on a steel beam running through the offices and found that they will take more than 77kg (170lb) in weight before being pulled off. Supplied with keeper. £19.95 each. Ref MAG77.

**HYDROGEN FUEL CELL PLANS.** Loads of information on hydrogen storage and production. Practical plans to build a hydrogen fuel cell (good workshop facilities required). £8 set. Ref FCP1.

**STIRLING ENGINE PLANS.** Interesting information pack covering all aspects of Stirling engines, pictures of home made engines made from an aerosol can running on a candle! £12. Ref STIR2.

**ENERGY SAVER PLUGS.** Saves up to 15% electricity when used with fridges, motors up to 2A, light bulbs, soldering irons etc. £9 each. Ref LOT71. 10 pack, £69. Ref LOT72.

**12V OPERATED SMOKE BOMBS.** Type 3 is a 12V trigger and three smoke canisters, each canister will fill a room in a very short space of time! £14.99. Ref SB3. Type 2 is a 20 trigger canisters (suitable for mock equipment fires etc.) and one smaller module for £29. Ref SB2. Type 1 is a 12V trigger and 20 large canisters. £49. Ref SB1.

**HI-POWER ZENON VARIABLE STROBES.** Useful 12V p.c.b. fitted with hi-power strobe tube and control electronics and speed control potentiometer. Perfect for interesting projects etc. 70mm x 55mm 12V d.c. operation. £6 each. Ref FLS1. Pack of 10 £49. Ref FLS2.

**HOW TO PRODUCE 35 BOTTLES OF WHISKY FROM A SACK OF POTATOES.** Comprehensive 270 page book covers all aspects of spirit production from everyday materials. Includes construction details of simple stills. £12. Ref MS3.

**NEW HIGH POWER MINI BUG.** With a range of up to 800 metres and 3 days use from a PP3 battery this is our top selling bug! Less than 1in. square and a 10m voice pick-up range. £28. Ref LOT102.

**IR LAMP KIT.** Suitable for CCTV cameras, enables the camera to be used in total darkness! £6. Ref EF18.

**INFRA-RED POWER BEAM.** Handheld battery powered lamp, 4 inch reflector, gives out powerful pure infra-red light! Perfect for CCTV use, night sights etc. £29. Ref PB1.

**SUPER WIDEBAND RADAR DETECTOR.** Whistler 1630. Detects both radar and laser, XK and KA bands, speed cameras, and all known speed detection systems. 360 degree coverage, front and rear waveguides, 1.1in. x 2.7in. x 4.6in., fits on visor or dash. New low price £99. Ref WH1630. Other models available at [www.radargun.co.uk](http://www.radargun.co.uk).

**LOPTX.** Made by Samsung for colour TV. £3 each. Ref SS52.

**WANT TO MAKE SOME MONEY? STUCK FOR AN IDEA?** We have collated 140 business manuals that give you information on setting up different businesses, you peruse these at your leisure using the text editor on your PC. Also included is the certificate enabling you to reproduce (and sell) the manuals as much as you like! £14. Ref EP74.

**ELECTRONIC SPEED CONTROLLER KIT.** For the above motor is £19. Ref MAG17. Save £5 if you buy them both together, one motor plus speed controller rrp is £41. Offer price £36. Ref MOT5A.

**INFRA-RED REMOTE CONTROLS.** Made for TVs but may have other uses. Pack of 100 £39. Ref IREM.

**RCB UNITS.** In-line IEC lead with fitted RC breaker. Installed in seconds. Pack of 3 £9.98. Ref LOT5A.

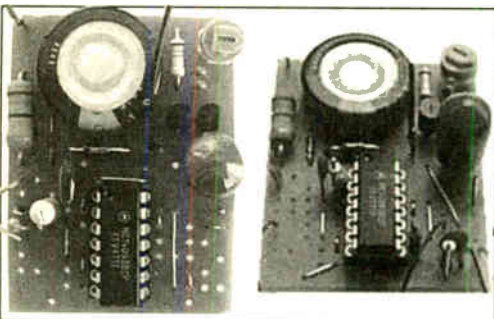
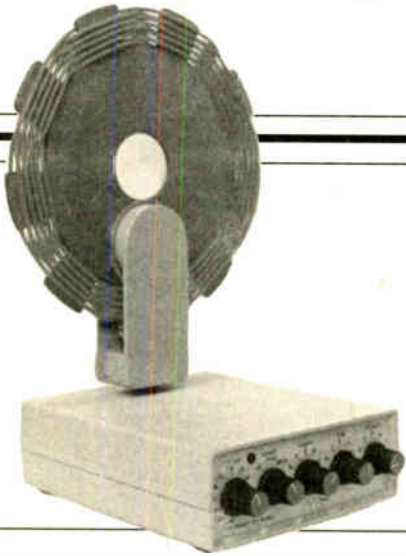
**STEPPER MOTORS.** Brand new stepper motors, 4mm fixing holes with 47.14mm fixing centres, 20mm shaft, 6-35mm diameter, 5V/phase, 0-7A/phase, 1-8 deg. step (200 step), body 56mm x 36mm. £14.99 each. Ref STEP6. Pack of 4 for £49.95.

**On our web sites you can:**

1. Order online.
2. Check your premium bonds.
3. Enter our auction or build your own.
4. Add E-commerce to your own site.
5. Discover our software site, optical site, hydroponics site, holiday home exchange site, inkjet site, radar detectors, hotels site.

<http://www.bullnet.co.uk>

ISSN 0262 3617  
 PROJECTS ... THEORY ... NEWS ...  
 COMMENTS ... POPULAR FEATURES ...  
**VOL. 30. No. 8 AUGUST 2001**  
 Cover illustration by Jonathan Robertson



**WE HAVE MOVED!**

Please note our new address and phone/fax numbers – see page 543

© Wimborne Publishing Ltd 2001. Copyright in all drawings, photographs and articles published in EVERYDAY PRACTICAL ELECTRONICS is fully protected, and reproduction or imitations in whole or in part are expressly forbidden.

Our September 2001 issue will be published on Thursday, 9 August 2001. See page 535 for details

**EVERYDAY PRACTICAL ELECTRONICS**

INCORPORATING **ELECTRONICS TODAY INTERNATIONAL**

[www.epemag.wimborne.co.uk](http://www.epemag.wimborne.co.uk)  
**EPE Online: [www.epemag.com](http://www.epemag.com)**

**Projects and Circuits**

<b>DIGITIMER</b> by Steve Challis	<b>544</b>
Enhance your ease of viewing – build an add-on VCR record timer unit for Sky TV	
<b>LEAD-ACID BATTERY CHARGER</b> by Terry de Vaux-Balbirnie	<b>556</b>
Keep your 6V and 12V batteries in a properly charged condition	
<b>PERPETUAL PROJECTS 2 – L.E.D. FLASHER AND DOUBLE DOOR-BUZZER</b> by Thomas Scarborough	<b>572</b>
Two more Perpetual Projects for which you could be “eternally” grateful!	
<b>INGENUITY UNLIMITED</b> hosted by Alan Winstanley	<b>586</b>
PC Sound System; Reliable Touch Sensitive Switch, PICO Prize Winners	
<b>COMPACT SHORTWAVE LOOP AERIAL</b> by Raymond Haigh	<b>588</b>
This Q-multiplied loop amplifies signals and nulls out electrical interference. Four plug-in loops covering 1.5MHz to 30MHz	

**Series and Features**

<b>NEW TECHNOLOGY UPDATE</b> by Ian Poole	<b>562</b>
Are nano-pipes the future for transistor technology?	
<b>INTERFACE</b> by Robert Penfold	<b>566</b>
Logic i.c. monitoring via a PC	
<b>CONTROLLING POWER GENERATION</b> by Owen Bishop	<b>569</b>
PID control systems help maintain our supplies of electrical power	
<b>NET WORK – THE INTERNET PAGE</b> surfed by Alan Winstanley	<b>580</b>
Software Overload; SuperCat; SuperSearch	
<b>CIRCUIT SURGERY</b> by Alan Winstanley and Ian Bell	<b>582</b>
New Case Alarm	

**Regulars and Services**

<b>EDITORIAL</b>	<b>543</b>
<b>SHOPTALK</b> with David Barrington	<b>552</b>
The essential guide to component buying for EPE projects	
<b>PLEASE TAKE NOTE</b> Toolkit V2.4d update	<b>552</b>
<b>NEWS</b> – Barry Fox highlights technology's leading edge	<b>554</b>
Plus everyday news from the world of electronics	
<b>BACK ISSUES</b> Did you miss these? Many now on CD-ROM!	<b>563</b>
<b>READOUT</b> John Becker addresses general points arising	<b>577</b>
<b>CD-ROMS FOR ELECTRONICS</b>	<b>584</b>
Electronic Projects; Filters; Digital Works 3.0; Parts Gallery + Electronic Circuits and Components; Digital Electronics; Analogue Electronics; PICtutor; Modular Circuit Design; Electronic Components Photos; C for PIC Micros; CAD Pack	
<b>ELECTRONICS MANUALS</b>	<b>596</b>
Essential reference works for hobbyists, students and service engineers	
<b>DIRECT BOOK SERVICE</b>	<b>598</b>
A wide range of technical books available by mail order	
<b>PRINTED CIRCUIT BOARD AND SOFTWARE SERVICE</b>	<b>601</b>
PCBs for EPE projects. Plus EPE software	
<b>ADVERTISERS INDEX</b>	<b>604</b>

**Readers Services • Editorial and Advertisement Departments 543**

Visit our website  
www.distel.co.uk

# THE ORIGINAL SURPLUS WONDERLAND!

THIS MONTH'S SELECTION FROM OUR VAST EVER CHANGING STOCKS

Surplus always  
wanted for cash!

## THE AMAZING TELEBOX

Converts your colour monitor into a QUALITY COLOUR TV!!



**TV SOUND & VIDEO TUNER**  
CABLE COMPATIBLE!

The TELEBOX is an attractive fully cased mains powered unit, containing all electronics ready to plug into a host of video monitors or AV equipment which are fitted with a composite video or SCART input. The composite video output will also plug directly into most video recorders, allowing reception of TV channels not normally receivable on most television receivers\* (TELEBOX MB). Push button controls on the front panel allow reception of 8 fully tunable 'off air' UHF colour television channels. TELEBOX MB covers virtually all television frequencies VHF and UHF including the HYPERBAND as used by most cable TV operators. Ideal for desktop computer video systems & PIP (picture in picture) setups. For complete compatibility - even for monitors without sound - an integral 4 watt audio amplifier and low level Hi-Fi audio output are provided as standard. Brand new - fully guaranteed.

TELEBOX ST for composite video input type monitors £36.95  
TELEBOX STL as ST but fitted with integral speaker £39.50  
TELEBOX MB Multiband VHF/UHF/Cable/Hyperband tuner £69.95  
For overseas PAL versions state 5.5 or 6 mHz sound specification  
\*For cable / hyperband signal reception Telebox MB should be connected to a cable type service. Shipping on all Teleboxes code (B)

**NEW** State of the art PAL (UK spec) UHF TV tuner module with composite 1V pp video & NICAM hi fi stereo sound outputs. Micro electronics all on one small PCB only 73 x 160 x 52 mm enable full tuning control via a simple 3 wire link to an IBM pc type computer. Supplied complete with simple working program and documentation. Requires +12V & +5V DC to operate. **BRAND NEW - Order as MY00. Only £49.95 code (B)**  
See www.distel.co.uk/data\_my00.htm for picture + full details

## FLOPPY DISK DRIVES 2 1/2" - 8"

All units (unless stated) are **BRAND NEW** or removed from often brand new equipment and are fully tested, aligned and shipped to you with a full 90 day guarantee. Call or see our web site www.distel.co.uk for over 2000 unlisted drives for spares or repair

- 3 1/2" Mitsubishi MF355C-D 1.4 Meg. Laptops only £25.95(B)
- 3 1/2" Mitsubishi MF355C-D 1.4 Meg. Non laptop £18.95(B)
- 5 1/4" Teac FD-55GFH 1.2 Meg (for IBM pc's) RFE £18.95(B)
- 5 1/4" Teac FD-55F-03-U 720K 40/80 (for BBC's etc) RFE £29.95(B)
- 5 1/4" BRAND NEW Mitsubishi MF5018 360K £22.95(B)
- Table top case with integral PSU for HH 5 1/4" Floppy / HD £29.95(B)
- 8" Shugart 800/801 B' SS refurbished & tested £210.00(E)
- 8" Shugart 810 B' SS HH Brand New £195.00(E)
- 8" Shugart 851 B' double sided refurbished & tested £260.00(E)
- 8" Mitsubishi M2894-63 double sided NEW £295.00(E)
- 8" Mitsubishi M2896-63-02U DS slimline NEW £295.00(E)
- Dual 8" cased drives with integral power supply 2 Mb £499.00(E)

## HARD DISK DRIVES 2 1/2" - 14"

- 2 1/2" TOSHIBA MK1002MAV 1.1Gb laptop(12.5 mm H) New £79.95
  - 2 1/2" TOSHIBA MK2101MAN 2.16 Gb laptop (19 mm H) New £89.50
  - 2 1/2" TOSHIBA MK4309MAT 4.3Gb laptop (8.2 mm H) New £105.00
  - 2 1/2" TOSHIBA MK6409MAV 6.1Gb laptop (12.7 mm H) New £190.00
  - 2 1/2" FUJIFK-308-26 20mb MFM I/F RFE £14.95
  - 3 1/2" CONNER CP3024 20 mb IDE I/F (or equiv.) RFE £59.95
  - 3 1/2" CONNER CP3044 40 mb IDE I/F (or equiv.) RFE £69.00
  - 3 1/2" QUANTUM 40S Prodriv v6 42mb SCSI I/F. New RFE £49.00
  - 5 1/4" MINISCRIBE 3425 20mb MFM I/F (or equiv.) RFE £49.95
  - 5 1/4" SEAGATE ST-238R 30 mb RLL I/F Refurb £69.95
  - 5 1/4" CDC 94205-51 40mb HH MFM I/F RFE tested £69.95
  - 5 1/4" HP 97548 850 Mb SCSI RFE tested £99.00
  - 5 1/4" HP C3010 2 Gbyte SCSI differential RFE tested £195.00
  - 8" NEC D2246 85 Mb SMD interface. New £199.00
  - 8" FUJITSU M2322K 160Mb SMD I/F RFE tested £195.00
  - 8" FUJITSU M2322K 2 Gb SMD I/F RFE tested £345.00
- Many other drives in stock - Shipping on all drives is code (C1)

## TEST EQUIPMENT & SPECIAL INTEREST ITEMS

- MTS. FA3445ETKL 14" Industrial spec SVGA monitors £245
- FARNELL 0-60V DC @ 50 Amps. bench Power Supplies £995
- FARNELL AP3080 0-30V DC @ 80 Amps. bench Supply £1850
- 1kW to 400 kW - 400 Hz 3 phase power sources - ex stock EPOA
- IBM 8230 Type 1, Token ring base unit driver £760
- Wayne Kerr RA200 Audio frequency response analyser £2500
- IBM 53F5501 Token Ring ICS 20 port lobe modules £750
- IBM MAU Token ring distribution panel 8228-23-5050N £95
- AIM 501 Low distortion Oscillator 9Hz to 330KHz, IEEE £550
- ALLGON 8360, 11805-1880 MHz hybrid power combiners £250
- Trend DSA 274 Data Analyser with 7G03(2M) 64 v0 EPOA
- Marcconi 6310 Programmable to 2 to 22 GHz sweep generator £6500
- Marcconi 2022C 10KHz-1GHz RF signal generator £1550
- Marcconi 2030 opt 30 10KHz-1.3 GHz signal generator, New £4995
- HP1650B Logic analyser £3750
- HP3781A Pattern generator & HP3782A Error Detector £3500
- HP6621A Dual Programmable GPIB PSU 0-7 V 160 watts £1800
- HP6254 Rack mount variable 0-20V @ 20A metered PSU £675
- HP54121A DC to 22 GHz 40 channel test set EPOA
- HP8130A opt 020 300 MHz pulse generator, GPIB etc £7900
- HP A1, A0 8 pen HPGL high speed drum plotters from HP DRAFTERMASTER 1.8 pen high speed plotter £550
- EG+G Brookdeal 95033C Precision lock in amp View Eng. Mod 1200 computerised inspection system £1800
- Sony DXC-3000A High quality CCD colour TV camera £995
- Keithley 590 CV capacitor / voltage analyser EPOA
- Racal ICR40 dual 40 channel voice recorder system £3750
- Fiskers 45KVA 3 ph On Line UPS Now batteries £9500
- Emerson AP130 2.5KVA industrial spec UPS £2100
- Mann Tally MT645 High speed line printer £2000
- Intel SBC 486/133SE Multibus 486 system 8Mb Ram £945
- Siemens K4400 64Kb to 140Mb demux analyser £2950

## IC's - TRANSISTORS - DIODES

OBSOLETE - SHORT SUPPLY - BULK  
10,000,000 items EX STOCK

For MAJOR SAVINGS  
CALL OR SEE OUR WEB SITE www.distel.co.uk  
**VIDEO MONITOR SPECIALS**

One of the highest specification monitors you will ever see -  
At this price - Don't miss it!!

Mitsubishi FA3415ETKL 14" SVGA Multisync colour monitor with fine 0.28 dot pitch tube and resolution of 1024 x 768 A variety of inputs allows connection to a host of computers including IBM PC's in CGA, EGA, VGA & SVGA modes. BBC, COMMODORE (including Amiga 1200), ARCHIMEDES and APPLE. Many features: Etched faceplate, text switching and LOW RADIATION MPR specification Fully guaranteed, in EXCELLENT little

used condition. Tilt & Swivel Base £4.75 Only £119 (C) Order as MITS-SVGA  
VGA cable for IBM PC Included.

External cables for other types of computers available - CALL  
Ex demo 17" 0.28 SVGA Mitsubishi Diamond Pro monitors, Full multisync etc.  
Full 90 day guarantee. Only £199.00 (E)

Just in - Microvite 20" VGA (800 x 600 res.) colour monitors. Good SH condition - from £299. CALL for info

PHILIPS HCS35 (same style as CM8833) attractively styled 14" colour monitor with built in RGB and standard composite 15.625 KHz video inputs via SCART socket and separate phono jacks. Integral audio power amp and speaker for all audio visual uses. Will connect direct to Amiga and Atari BBC computers. Ideal for all video monitoring / security applications with direct connection to most colour cameras. High quality with many features such as front conditioned flap controls, VCR correction button etc. Good used condition fully tested - guaranteed  
Dimensions: W14" x H12 3/4" x 15 1/2" D.  
Only £99.00 (E)

PHILIPS HCS31 Ultra compact 9" colour video monitor with standard composite 15.625 KHz video input via SCART socket. Ideal for all monitoring / security applications. High quality, ex-equipment fully tested & guaranteed (possible minor screen bums). In attractive square black plastic case measuring W10" x H10" x 13 1/2" D. 240 V AC mains powered  
Only £79.00 (D)

KME 10" 15M10009 high definition colour monitors with 0.28" dot pitch. Superb clarity and modern styling. Operates from any 15.625 kHz sync RGB video source, with RGB analog and composite sync such as Atari, Commodore Amiga, Acorn Archimedes & BBC. Measures only 13 1/2" x 12" x 11". Good used condition.  
Only £125 (E)

## 20" 22" and 26" AV SPECIALS

Superbly made UK manufacture. PIL all solid state colour monitors, complete with composite video & optional sound input. Attractive test style case. Perfect for Schools, Shops, Disco, Clubs, etc in EXCELLENT little used condition with full 90 day guarantee.

20"....£135 22"....£155 26"....£185 (F)

We probably have the largest range of video monitors in Europe. All sizes and types from 4" to 42" call for info.

## DC POWER SUPPLIES

Virtually every type of power supply you can imagine. Over 10,000 Power Supplies Ex Stock  
Call or see our web site.

- HP6030A 0-200V DC @ 17 Amps bench power supply £1950
- Intel SBC 486/125C08 Enhanced Multibus (MSA) New £1150
- Nikon HFX-11 (Ephiphot) exposure control unit £1450
- PHILIPS PM5518 pro TV signal generator £1250
- Motorola VME Bus Boards & Components List SAE / CALL EPOA
- Trio 0-18 vdc linear, metered 30 amp bench PSU. New £550
- Fujitsu M3041R 600 LPM high speed band printer £1950
- Fujitsu M3041D 600 LPM printer with network interface £1250
- Perkin Elmer 299B Infrared spectrophotometer £500
- Perkin Elmer 597 Infrared spectrophotometer £3250
- VG Electronics 1035 TELETEXT Decoding Margin Meter £495
- LightBand 60 output high spec 2u rack mount video VDA's £1995
- Sekonic SD 150H 18 channel digital Hybrid chart recorder £300
- B&K 2633 Microphono pre amp £750
- Taylor Hobson Tallysurf amplifier / recorder £1450
- ADC SS200 Carbon dioxide gas detector / monitor £75
- BBC AM203 PPM Meter (Ernest Turner) + drive electronics £5650
- ANRITSU 9654A Optical DC-2.5Gb waveform monitor EPOA
- ANRITSU MS9001B1 0.6-1.7 uM optical spectrum analyser £990
- ANRITSU ML93A optical power meter EPOA
- ANRITSU Fibre optic characteristic test set £650
- R&S FTDZ Dual sound unit £775
- R&S SBUFF-E1 Vision modulator £5750
- WILTRON 6630B 12 4 / 20GHz HF sweep generator £1250
- TEK 2445 150 MHz 4 trace oscilloscope £1955
- TEK 2465 300 MHz 300 MHz oscilloscope rack mount £2900
- TEK TDS380 400MHz digital realtime + disk drive, FFT etc £5100
- TEK TDS524A 500MHz digital realtime + colour display etc £3950
- HP3585A Opt 907 20Hz to 40 MHz spectrum analyser EPOA
- PHILIPS PW1730/10 60KV XRAY generator & accessories £325
- CLAUDE LYONS 12A 240V single phase auto. volt. regs £2900
- CLAUDE LYONS 100A 240/415V 3 phase auto. volt. regs

## 19" RACK CABINETS

Superb quality 6 foot 40U  
Virtually New, Ultra Smart  
Less than Half Price!

Top quality 19" rack cabinets made in UK by Optima Enclosures Ltd. Units feature designer, smoked acrylic lockable front door, full height lockable half louvered back door and louvered removable side panels. Fully adjustable internal fixing struts, ready punched for any configuration of equipment mounting, plus ready mounted integral 12 way 13 amp socket switched mains distribution strip make these racks some of the most versatile we have ever sold. Racks may be stacked side by side and therefore require only two side panels to stand singly or in multiple bays. Overall dimensions are 77 1/2" H x 32 1/4" D x 22" W. Order as:

OPT Rack 1 Complete with removable side panels. £345.00 (G)  
OPT Rack 2 Rack. Less side panels. £245.00 (G)

Over 1000 racks, shelves, accessories  
19" 22" & 24" wide 3 to 46 U high.  
Available from stock !!

## 32U - High Quality - All steel RakCab

Made by Eurocraft Enclosures Ltd to the highest possible spec, rack fronts and all steel construction with removable side, front and back doors. Front and back doors are hinged for easy access and all are lockable with five secure 5 lever barrel locks. The front door is constructed of double walled steel with a 'designer style' smoked acrylic front panel to enable status indicators to be seen through the panel, yet remain unobtrusive. Internally the rack features fully slotted reinforced vertical fixing members to take the heaviest of 19" rack equipment. The two movable vertical fixing struts (extras available) are pre punched for standard 'cage nuts'. A mains distribution panel internally mounted to the bottom rear, provides 8 x IEC 3 pin Euro sockets and 1 x 13 amp 3 pin switched utility socket. Overall ventilation is provided by fully louvered back door and double skinned top section with top and side louvers. The top panel may be removed for fitting of integral fans to the sub plate etc. Other features include: fitted castors and floor levelers, prepunched utility panel at lower rear for cable / connector access etc. Supplied in excellent, slightly used condition with keys Colour Royal blue. External dimensions mm=1625H x 635D x 603 W (64" H x 25" D x 23 3/4" W)

Sold at LESS than a third of makers price !!

A superb buy at only £245.00 (G)

42U version of the above only £345 - CALL

## 12V BATTERY SCOOP - 60% off !!

A special bulk purchase from a cancelled export order brings you the most amazing savings on these ultra high spec 12v DC 14 Ah rechargeable batteries. Made by Hawker Energy Ltd, type SBS15 featuring pure lead plates which offer a far superior shelf & guaranteed 15 year service life. Fully BT & BS6290 approved. Supplied BRAND NEW and boxed. Dimensions 200 wide, 137 high, 77 deep. M6 bolt terminals. Fully guaranteed. Current makers price over £70 each. **Our Price £35 each (C) or 4 for £99 (E)**

## RELAYS - 200,000 FROM STOCK

Save £££'s by choosing your next relay from our Massive Stocks covering types such as Military, Octal, Cradle, Hermetically Sealed, Continental, Contactors, Time Delay, Reed, Mercury Wetted, Solid State, Printed Circuit Mounting etc. CALL or see our web site www.distel.co.uk for more information. Many obsolete types from stock. Save £££'s

## COLOUR CCD CAMERAS

Undoubtedly a miracle of modern technology & our special buying power! A quality product, less than a fully cased colour CCD camera at a give away price! Unit features full automatic focusing for use in low light & high light applications. A 10 mm fixed focus wide angle lens gives excellent focus and resolution from close up to long range. The composite video output will connect to any composite monitor or TV (via SCART socket) and most video recorders. Unit runs from 12V DC so ideal for security & portable applications where mains power not available. Overall dimensions 66 mm wide x 117 deep x 43 high. Supplied BRAND NEW & fully guaranteed with user data, 100's of applications including Security, Home Video, Web TV, Web Cams etc.

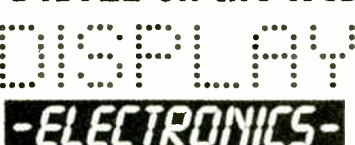


Web ref = (K33) ONLY £99.00 or 2 for £180.00 (B)

## SOFTWARE SPECIALS

- NT4 WorkStation, complete with service pack 3 and licence - OEM packaged. ONLY £89.00 (B)
  - ENCARTA 95 - CDROM. Not the latest - but at this price! £7.95
  - DOS 5.0 on 3 1/2" disks with concise books c/w QBasic. £14.95
  - Windows for Workgroups 3.11 + Dos 6.22 on 3.5" disks £55.00
  - Wordperfect 6 for DOS supplied on 3 1/2" disks with manual £24.95
- shipping charges for software is code B

**DISTEL on the web !! - Over 100,000,000 items from stock - www.distel.co.uk**



**ALL MAIL TO**  
Dept PE, 29/35 Osborne Rd  
Thornton Heath  
Surrey CR7 8PD  
Open Mon - Fri 9.00 - 5:30

**LONDON SHOP**  
Open Mon - Sat 9.00 - 5.30  
215 Whitehorse Lane  
South Norwood  
On 64A Bus Route  
N. Thornton Heath & Selhurst Park SR Rail Stations

**DISTEL**  
Visit our web site  
www.distel.co.uk  
email = admin@distel.co.uk

**ALL ENQUIRIES**  
**0208 653 3333**  
FAX 0208 653 8888



All prices for UK Mainland. UK customers add 17.5% VAT to TOTAL order amount. Minimum order £50. Cheques over £100 are subject to 10 working days clearance. Carriage charges (A)-£3.00, (A1)-£4.00, (B)-£5.50, (C)-£8.50, (C1)-£12.50, (F)-£15.00, (F)-£20.00 (G)-CALL. Allow approx 6 days for shipping - faster CALL. All goods supplied to our Standard Conditions of Sale and unless stated guaranteed for 90 days. All guarantees on a return to base basis. All rights reserved to change prices / specifications without prior notice. Orders subject to stock. Discounts for volume. Top CASH! prices paid for surplus goods. All trademarks, tradenames etc acknowledged © Display Electronics 1999. E & O. 07.99

# NEXT MONTH

## GARDEN WATERING MONITOR

*This monitor tells you not only the cost of the hose-piped water that has been used to keep your grass green and your blooms blossoming, but also allows the water to be cut off after a preset period.*

*The design is PIC controlled and includes a 32-digit alphanumeric liquid crystal display.*

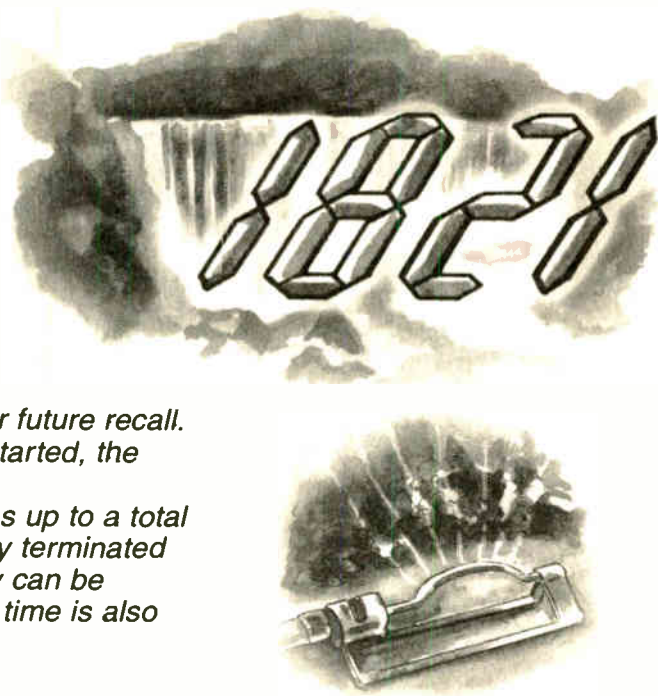
*The Water Company's charge per cubic*

*metre of water used is entered via*

*pushbutton switches and is automatically stored for future recall.*

*The l.c.d. shows the elapsed time since watering started, the number of litres used and their cumulative cost.*

*Watering duration can be set in steps of 10 minutes up to a total period of nine hours 50 minutes. It can be manually terminated earlier than the preset period if desired. The facility can be bypassed to allow unlimited water flow. The preset time is also stored for future recall.*



## HI-TECH L.E.D. TORCHES

*Presenting a brace of l.e.d. torches, for the intrepid camper or youthful illicit bed-time under-the-blankets reader! One is super-hi-tech, the other – well, less so . . .*

*The simplest of the designs, using ultra-bright red l.e.d.s, was put together using parts which happened to be available in the author's workshop. It is cheap and simple to construct, using inexpensive l.e.d.s and semiconductors.*

*The sophisticated design uses white l.e.d.s and is very impressive, being extraordinarily bright. The l.e.d.s emit a very high intensity blue light, but are backed by a phosphor which glows brilliantly white under this stimulation. Using three of these brilliant sources of light, the torch looks like no other currently on the market.*

*It is really possible to walk along a rural footpath at night with it, and it is far more economical to run than a conventional torch. Unlike the red version, colours are clearly visible in its light. It definitely has novelty value, as well as being highly useful.*

## PERPETUAL PROJECTS – 3

*How about “forever” keeping burglars at bay? Our solar-power Loop Burglar Alarm next month could certainly put you well on the road to doing so. We also have a project to help you find the keyhole on a dark night (even darker if you've had a power failure!) – a high-intensity l.e.d. Door Light. And, not that we would wish perpetual raining on you – we add a perpetual Rain Alarm as well.*

*Then, as if that's not enough for one issue, we make the offerings into a real “solar-powered” bumper bundle, with seven variations on these themes. (We are, of course, renowned for providing you with “perpetual interest”!)*

**PLUS ALL THE REGULAR FEATURES**

**NO ONE DOES IT BETTER**

EVERYDAY  
**PRACTICAL**  
**ELECTRONICS**

INCORPORATING **ELECTRONICS TODAY INTERNATIONAL**

**DON'T MISS AN  
ISSUE – PLACE YOUR  
ORDER NOW!**

**Demand is bound to be high**

**SEPTEMBER 2001 ISSUE ON SALE THURSDAY, AUGUST 9**

# QUASAR ELECTRONICS LIMITED

Unit 14 Sunningdale, BISHOPS STORTFORD, Herts. CM23 2PA

TEL: 01279 306504 FAX: 07092 203496

ADD £2.00 P.P. to all orders for 1st Class Recorded £4. Next day delivery £7. Europe £5.00. Rest of World £10.00. We accept all major credit cards. Make cheques/PO's payable to Quasar Electronics. Prices include 17.5% VAT. MAIL ORDER ONLY. FREE CATALOGUE with order or send 2 x 1st class stamps (refundable) for details of over 150 kits & publications.



## PROJECT KITS

Our electronic kits are supplied complete with all components, high quality PCBs (NOT cheap Tripad strip board!) and detailed assembly/operating instructions

- **2 x 25W CAR BOOSTER AMPLIFIER** Connects to the output of an existing car stereo cassette player, CD player or radio. Heatsinks provided. PCB 76x75mm. 1046KT £24.95
- **3-CHANNEL WIRELESS LIGHT MODULATOR** No electrical connection with amplifier. Light modulation achieved via a sensitive electret microphone. Separate sensitivity control per channel. Power handling 400W/channel. PCB 54x112mm. Mains powered. Box provided. 6014KT £24.95
- **12 RUNNING LIGHT EFFECT** Exciting 12 LED light effect ideal for parties, discos, shop-windows & eye-catching signs. PCB design allows replacement of LEDs with 220V bulbs by inserting 3 TRIACs. Adjustable rotation speed & direction. PCB 54x112mm. 1026KT £15.95; BOX (for mains operation) 2026BX £9.00
- **DISCO STROBE LIGHT** Probably the most exciting of all light effects. Very bright strobe tube. Adjustable strobe frequency 1-60Hz. Mains powered. PCB: 60x68mm. Box provided. 6037KT £28.95

- **ANIMAL SOUNDS** Cat, dog, chicken & cow. Ideal for kids farmyard toys & schools. SG10M £5.95
- **3 1/2 DIGIT LED PANEL METER** Use for basic voltage/current displays or customise to measure temperature, light, weight, movement, sound levels, etc. with appropriate sensors (not supplied). Various input circuit designs provided. 3061KT £13.95
- **IR REMOTE TOGGLE SWITCH** Use any TV/VCR remote control unit to switch onboard 12V/1A relay on/off. 3058KT £10.95
- **SPEED CONTROLLER** for any common DC motor up to 100V/5A. Pulse width modulation gives maximum torque at all speeds. 5-15VDC. Box provided. 3067KT £12.95
- **3 x 8 CHANNEL IR RELAY BOARD** Control eight 12V/1A relays by Infra Red (IR) remote control over a 20m range in sunlight. 6 relays turn on only, the other 2 toggle on/off. 3 operation ranges determined by jumpers. Transmitter case & all components provided. Receiver PCB 76x89mm. 3072KT £52.95

## PRODUCT FEATURE

### 4 WATT FM TRANSMITTER

Small but powerful 4 Watt 88-108MHz FM transmitter with an audio preamplifier stage and 3 RF stages. Accepts a wide variety of input sources - the electret microphone supplied, a tape player or for more professional results, a separate audio mixer (like our 3-Input Mono Mixer kit 1052). Can be used with an open dipole or ground plane antenna. Supply: 12-15V DC/0.5A. PCB: 45 x 145mm.

ORDERING INFO: Kit 1028KT £22.95.  
OPTIONAL EXTRAS: 3-Input Mono Mixer Kit 1052KT £17.95. AS1028 £39.95.



- **SOUND EFFECTS GENERATOR** Easy to build. Create an almost infinite variety of interesting/unusual sound effects from birds chirping to sirens. 9VDC. PCB 54x85mm. 1045KT £8.95
- **ROBOT VOICE EFFECT** Make your voice sound similar to a robot or Dorek. Great fun for discos, school plays, theatre productions, radio stations & playing jokes on your friends when answering the phone! PCB 42x71mm. 1131KT £8.95
- **AUDIO TO LIGHT MODULATOR** Controls intensity of one or more lights in response to an audio input. Sale, modern opto-coupler design. Mains voltage experience required. 3012KT £8.95
- **MUSIC BOX** Activated by light. Plays 8 Christmas songs and 5 other tunes. 3104KT £7.95
- **20 SECOND VOICE RECORDER** Uses non-volatile memory - no battery back-up needed. Record/replay messages over & over. Playback as required to great customers etc. Volume control & built-in mic. 6VDC PCB 50x73mm. 3131KT £12.95
- **TRAIN SOUNDS** 4 selectable sounds: whistle blowing, level crossing bell, 'clackety-clack' & 4 in sequence. SG01M £5.95

- **PC CONTROLLED RELAY BOARD** Convert any 286 upward PC into a dedicated automatic controller to independently turn on/off up to eight lights, motors & other devices around the home, office, laboratory or factory using 8 240VAC/12A onboard relays. DOS utilities, sample test program, full-featured Windows utility & all components (except cable) provided. 12VDC. PCB 70x200mm. 3074KT £31.95
- **2 CHANNEL UHF RELAY SWITCH** Contains the same transmitter/receiver pair as 30A15 plus the components and PCB to control two 240VAC/10A relays (also supplied). Ultra bright LEDs used to indicate relay status. 3082KT £27.95
- **TRANSMITTER RECEIVER PAIR 2-button keyboard style 300-375MHz Tx with 30m range.** Receiver encoder module with matched decoder IC. Components must be built into a circuit like kit 3082 above. 30A15 £14.95
- **PIC 16C71 FOUR SERVO MOTOR DRIVER** Simultaneously control up to 4 servo motors. Software & all components (except servos/control pots) supplied. 5VDC PCB 50x70mm 3102KT £15.95
- **UNIPOLAR STEPPER MOTOR DRIVER** for any 5/6/8 lead motor. Fast/slow & single step rates. Direction control & on/off switch. Wave, 2-phase & half-wave step modes. 4 LED indicators. PCB 50x65mm. 3109KT £14.95
- **PC CONTROLLED STEPPER MOTOR DRIVER** Control two unipolar stepper motors (3A max. each) via PC printer port. Wave, 2-phase & half-wave step modes. Software accepts 4 digital inputs from external switches & will single step motors. PCB fits in D-shell case provided. 3113KT £17.95
- **12-BIT PC DATA ACQUISITION/CONTROL UNIT** Similar to kit 3093 above but uses a 12-bit Analogue-to-Digital Converter (ADC) with internal analogue multiplexer. Reads 8 single ended channels or 4 differential inputs or a mixture of both. Analogue inputs read 0-4V. Four TTL/CMOS compatible digital input/outputs. ADC conversion time <10µs. Software (C, QB & Win), extended D shell case & all components (except sensors & cable) provided. 3118KT £52.95
- **LIQUID LEVEL SENSOR/RAIN ALARM** Will indicate fluid levels or simply the presence of fluid. Relay output to control a pump to add/remove water when it reaches a certain level. 1080KT £5.95
- **AM RADIO KIT 1 Tuned Radio Frequency front-end, single chip AM radio IC & 2 stages of audio amplification.** All components inc. speaker provided. PCB 32x102mm. 3063KT £10.95
- **DRILL SPEED CONTROLLER** Adjust the speed of your electric drill according to the job at hand. Suitable for 240V AC mains powered drills up to

## X-FACTOR PUBLICATIONS

THE EXPERTS IN RARE & UNUSUAL INFORMATION!

Full details of all X-FACTOR PUBLICATIONS can be found in our catalogue. NB Minimum order charge for reports and plans is £5.00 PLUS normal P&P.

- **SUPER-EAR LISTENING DEVICE** Complete plans to build your own parabolic dish microphone. Listen to distant voices and sounds through open windows and even walls! Made from readily available parts. R002 £3.50
- **LOCKS** - How they work and how to pick them. This fact filled report will teach you more about locks and the art of lock picking than many books we have seen at 4 times the price. Packed with information and illustrations. R008 £3.50
- **RADIO & TV JOKER PLANS** We show you how to build three different circuits for disrupting TV picture and sound plus FM radio! May upset your neighbours & the authorities! DISCRETION REQUIRED. R017 £3.50
- **INFINITY TRANSMITTER PLANS** Complete plans for building the famous Infinity Transmitter. Once installed on the target phone, device acts like a room bug. Just call the target phone & activate the unit to hear all room sounds. Great for home/office security! R019 £3.50
- **THE ETHER BOX CALL INTERCEPTOR PLANS** Grabs telephone calls out of thin air! No need to wire-in a phone bug. Simply place this device near the phone lines to hear the conversations taking place! R025 £3.00
- **CASH CREATOR BUSINESS REPORTS** Need ideas for making some cash? Well this could be just what you need! You get 40 reports (approx. 800 pages) on floppy disk that give you information on setting up different businesses. You also get valuable reproduction and duplication rights so that you can sell the manuals as you like. R030 £7.50

# SURVEILLANCE

High performance surveillance bugs. Room transmitters supplied with sensitive electret microphone & battery holder/clip. All transmitters can be received on an ordinary VHF/FM radio between 88-108MHz. Available in Kit Form (KT) or Assembled & Tested (AS).

## ROOM SURVEILLANCE

- **MTX - MINIATURE 3V TRANSMITTER** Easy to build & guaranteed to transmit 300m @ 3V Long battery life. 3-5V operation. Only 45x18mm. B 3007KT £6.95 AS3007 £11.95
- **MTX - MINIATURE 9V TRANSMITTER** Our best selling bug. Super sensitive, high power - 500m range @ 9V (over 1km with 18V supply and better aerial). 45x19mm. 3018KT £7.95 AS3018 £12.95
- **HPTX - HIGH POWER TRANSMITTER** High performance, 2 stage transmitter gives greater stability & higher quality reception 1000m range 6-12V DC operation. Size 70x15mm. 3032KT £9.95 AS3032 £16.95
- **MTMX - MICRO-MINIATURE 9V TRANSMITTER** The ultimate bug for its size, performance and price. Just 15x25mm 500m range @ 9V. Good stability 6-18V operation. 3051KT £8.95 AS3051 £14.95
- **VTX - VOICE ACTIVATED TRANSMITTER** Operates only when sounds detected. Low standby current. Variable trigger sensitivity. 500m range. Peaking circuit supplied for maximum RF output. On/off switch 6V operation. Only 63x38mm. 3028KT £12.95 AS3028 £21.95



- **HARDWIRED BUG/TWO STATION INTERCOM** Each station has its own amplifier, speaker and mic. Can be set up as either a hard-wired bug or two-station intercom. 10m x 2-core cable supplied. 9V operation. 3021KT £15.95 (kit form only)
- **TRYS - TAPE RECORDER VOX SWITCH** Used to automatically operate a tape recorder (not supplied) via its REMOTE socket when sounds are detected. All conversations recorded. Adjustable sensitivity & turn-off delay. 115x19mm. 3013KT £9.95 AS3013 £21.95

## TELEPHONE SURVEILLANCE

- **MTX - MINIATURE TELEPHONE TRANSMITTER** Attaches anywhere to phone line. Transmits only when phone is used. Tune-in your radio and hear both parties. 300m range. Uses line as aerial & power source. 20x45mm. 3016KT £8.95 AS3016 £14.95
- **TRI - TELEPHONE RECORDING INTERFACE** Automatically records all conversations. Connects between phone line & tape recorder (not supplied). Operates recorders with 1.5-12V battery systems. Powered from line. 50x33mm. 3033KT £9.95 AS3033 £18.95
- **TPA - TELEPHONE PICK-UP AMPLIFIER/WIRELESS PHONE BUG** Place pick-up coil on the phone line or near phone earpiece and hear both sides of the conversation. 3055KT £11.95 AS3055 £20.95

## HIGH POWER TRANSMITTERS

- **1 WATT FM TRANSMITTER** Easy to construct. Delivers a crisp clear signal. Two-stage circuit. Kit includes microphone and requires a simple open dipole aerial. 8-30VDC. PCB 42x45mm. 1009KT £14.95
- **4 WATT FM TRANSMITTER** Comprises three RF stages and an audio preamplifier stage. Piezoelectric microphone supplied or you can use a separate preamplifier circuit. Antenna can be an open dipole or Ground Plane. Ideal project for those who wish to get started in the fascinating world of FM broadcasting and want a good basic circuit to experiment with. 12-18VDC. PCB 44x146mm. 1028KT £22.95 AS1028 £34.95
- **15 WATT FM TRANSMITTER (PRE-ASSEMBLED & TESTED)** Four transistor based stages with Philips 6LY89 in final stage. 15 Watts RF power on the air. 88-108MHz. Accepts open dipole, Ground Plane, 5/8, J, or YAGI antennas. 12-18VDC. PCB 70x220mm. SWS meter needed for alignment. 1021KT £99.95
- **SIMILAR TO ABOVE BUT 25W Output.** 1031KT £109.95

- 700W power. PCB: 48mm x 65mm. Box provided. 6074KT £17.95
- **3 INPUT MONO MIXER** Independent level control for each input and separate bass/treble controls. Input sensitivity: 240mV. 18V DC. PCB: 60mm x 185mm 1052KT £16.95
- **NEGATIVE/POSITIVE ION GENERATOR** Standard Cockcroft-Walton multiplier circuit. Mains voltage experience required. 3057KT £10.95
- **LED DICE** Classic intro to electronics & circuit analysis. 7 LED's simulate dice roll, slow down & land on a number at random. 555 IC circuit. 3003KT £9.95
- **STAIRWAY TO HEAVEN** Tests hand-eye co-ordination. Press switch when green segment of LED lights to climb the stairway - miss & start again! Good intro to several basic circuits. 3005KT £9.95
- **ROULETTE LED 'Ball'** spins round the wheel, slows down & drops into a slot. 10 LED's. Good intro to CMOS decade counters & Op-Amps. 3006KT £10.95
- **9V XENON TUBE FLASHER** Transformer circuit steps up 9V battery to flash a 25mm Xenon tube. Adjustable flash rate (0.25-2 Sec's). 3022KT £11.95
- **LED FLASHER 1** 5 ultra bright red LED's flash in 7 selectable patterns. 3037MKT £5.95
- **LED FLASHER 2** Similar to above but flash in sequence or randomly. Ideal for model railways. 3052MKT £5.95
- **INTRODUCTION TO PIC PROGRAMMING.** Learn programming from scratch. Programming hardware, a P16F84 chip and a two-part, practical, hands-on tutorial series are provided. 3081KT £22.95
- **SERIAL PIC PROGRAMMER** for all 8/18/28/40 pin DIP serial programmed PICs. Shareware software supplied limited to programming 256 bytes (registration costs £14.95). 3096KT £13.95
- **ATMEL 89C051 PROGRAMMER** Simple-to-use yet powerful programmer for the Atmel 89C1051, 89C2051 & 89C4051 uC's. Programmer does NOT require special software other than a terminal emulator program (built into Windows). Can be used with ANY computer/operating system. 3121KT £24.95
- **3V/1.5V TO 9V BATTERY CONVERTER** Replace expensive 9V batteries with economic 1.5V batteries. IC based circuit steps up 1 or 2 'AA' batteries to give 9V/18mA. 3035KT £5.95
- **STABILISED POWER SUPPLY 3-30V/2.5A** Ideal for hobbyist & professional laboratory. Very reliable & versatile design at an extremely reasonable price. Short circuit protection. Variable DC voltages (3-30V). Rated output 2.5 Amps. Large heatsink supplied. You just supply a 24VAC/3A transformer. PCB 55x112mm. Mains operation. 1007KT £16.95.

- **STABILISED POWER SUPPLY 2-30V/5A** As kit 1007 above but rated at 5Amp. Requires a 24VAC/5A transformer. 1096KT £27.95
- **MOTORBIKE ALARM** Uses a reliable vibration sensor (adjustable sensitivity) to detect movement of the bike to trigger the alarm & switch the output relay to which a siren, bikes horn, indicators or other warning device can be attached. Auto-reset. 6-12VDC. PCB 57x84mm. 1011KT £19.95. Box 2011BX £7.00
- **CAR ALARM SYSTEM** Protect your car from theft. Features vibration sensor, courtesy/boot light voltage drop sensor and bonnet/boot earth switch sensor. Entry/exit delays, auto-reset and adjustable alarm duration. 6-12V DC. PCB: 47mm x 55mm. 1019KT £11.95. Box 2019BX £8.00
- **PIEZO SCREAMER** 110dB of ear piercing noise. Fits in box with 2 x 35mm piezo elements built into their own resonant cavity. Use as an alarm siren or just for fun! 6-9VDC. 3015KT £10.95
- **COMBINATION LOCK** Versatile electronic lock comprising main circuit & separate keypad for remote opening of lock. Relay supplied. 3029KT £10.95
- **ULTRASONIC MOVEMENT DETECTOR** Crystal locked detector frequency for stability & reliability. PCB 75x40mm houses all components. 4-7m range. Adjustable sensitivity. Output will drive external relay/circuits. 9VDC. 3049KT £13.95
- **PIR DETECTOR MODULE** 3-lead assembled unit just 25x35mm as used in commercial burglar alarm systems. 3076KT £8.95
- **INFRARED SECURITY BEAM** When the invisible IR beam is broken a relay is tripped that can be used to sound a bell or alarm. 25 metre range. Mains rated relays provided. 12VDC operation. 3130KT £12.95
- **SQUARE WAVE OSCILLATOR** Generates square waves at 6 preset frequencies in 5-18VDC from 1Hz-100kHz. Visual output indicator. 5-18VDC. Box provided. 3111KT £8.95
- **PC DRIVEN POKET SAMPLER/DATA LOGGER** Analogue voltage sampler records voltages up to 2V or 20V over periods from milli-seconds to months. Can also be used as a simple digital scope to examine audio & other signals up to about 5kHz. Software & D-shell case provided. 3112KT £18.95
- **20 MHz FUNCTION GENERATOR** Square, triangular and sine waveform up to 20MHz over 3 ranges using 'coarse' and 'fine' frequency adjustment controls. Adjustable output from 0-2V p-p. A TTL output is also provided for connection to a frequency meter. Uses MAX038 IC. Plastic case with printed front/rear panels & all components provided. 7-12VAC. 3101KT £69.95

## BARGAIN BUY!

Great introduction to electronics. Ideal for the budding electronics expert! Build a radio, burglar alarm, water detector, Morse code practice circuit, simple computer circuits, and much more! No soldering, tools or previous electronics knowledge required. Circuits can be built and unassembled repeatedly. Comprehensive 68-page manual with explanations, schematics and assembly diagrams. Suitable for age 10+. Excellent for schools. Requires 2 x AA batteries. Only £14.95 (phone for bulk discounts).

## 30-In-ONE Electronic Projects Lab



WEB: <http://www.QuasarElectronics.com>  
email: [epesales@QuasarElectronics.com](mailto:epesales@QuasarElectronics.com)

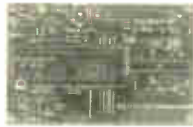
Secure Online Ordering Facilities  
Full Kit Listing, Descriptions & Photos  
Kit Documentation & Software Downloads

www.QuasarElectronics.com

Credit Card Sales: 01279 306504

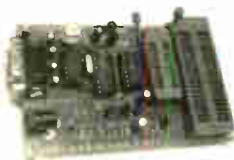
### 'PICALL' PIC Programmer

Kit will program ALL 8\*, 18\*, 28 and 40 pin serial AND parallel programmed PIC micro controllers. Connects to PC parallel port. Supplied with fully functional pre-registered PICALL DOS and WINDOWS AVR software packages, all components and high quality DSPTH PCB. Also programs certain ATMEL AVR, serial EPROM 24C and SCENIX SX devices. New PIC's can be added to the software as they are released. Software shows you where to place your PIC chip on the board for programming. Now has blank chip auto sensing feature for super-fast bulk programming. \*A 40 pin wide ZIF socket is required to program 8 & 18 pin devices (available at £15.95).



3117KT	'PICALL' PIC Programmer Kit	£59.95
AS3117	Assembled 'PICALL' PIC Programmer	£69.95
AS3117ZIF	Assembled 'PICALL' PIC Programmer c/w ZIF socket	£84.95

### ATMEL 89xxx Programmer



Powerful programmer for Atmel 8051 micro controller family. All fuse and lock bits are programmable. Connects to serial port. Can be used with ANY computer & operating system. 4 LEDs to indicate programming status. Supports 89C1051, 89C2051, 89C4051, 89C51, 89LV51, 89C52, 89LV52, 89C55, 89LV55, 89S8252,

89LS8252, 89S53 & 89LS53 devices. NO special software required - uses any terminal emulator program (built into Windows). NB ZIF sockets not included.

3123KT	ATMEL 89xxx Programmer	£32.95
AS3123	Assembled 3123	£47.95

Atmel 89Cx051 and AVR programmers also available.

### PC Data Acquisition & Control Unit

With this kit you can use a PC parallel port as a real world interface. Unit can be connected to a mixture of analogue and digital inputs from pressure, temperature, movement, sound, light intensity, weight sensors, etc. (not supplied) to sensing switch and relay states. It can then process the input data and use the information to control up to 11 physical devices such as motors, sirens, other relays, servo motors & two-stepper motors.



#### FEATURES:

- 8 Digital Outputs: Open collector, 500mA, 33V max.
  - 16 Digital Inputs: 20V max. Protection 1K in series, 5-1V Zener to ground.
  - 11 Analogue Inputs: 0-5V, 10 bit (5mV/step.)
  - 1 Analogue Output: 0-2.5V or 0-10V. 8 bit (20mV/step.)
- All components provided including a plastic case (140mm x 110mm x 35mm) with pre-punched and silk screened front/rear panels to give a professional and attractive finish (see photo) with screen printed front & rear panels supplied. Software utilities & programming examples supplied.

3093KT	PC Data Acquisition & Control Unit	£99.95
AS3093	Assembled 3093	£124.95

**See opposite page for ordering Information on these kits**

### ABC Mini 'Hotchip' Board

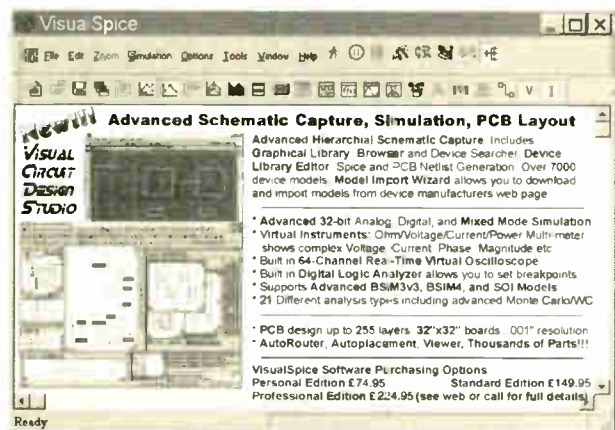


Currently learning about microcontrollers? Need to do something more than flash a LED or sound a buzzer? The ABC Mini 'Hotchip' Board is based on Atmel's AVR 8535 RISC technology and will interest both the beginner and expert alike. Beginners will find that they can write and test a simple program, using the BASIC programming language, within an hour or two of connecting it up.

Experts will like the power and flexibility of the ATMEL microcontroller, as well as the ease with which the little Hot Chip board can be "designed-in" to a project. The ABC Mini Board 'Starter Pack' includes just about everything you need to get up and experimenting right away. On the hardware side, there's a pre-assembled micro controller PC board with both parallel and serial cables for connection to your PC. Windows software included on CD-ROM features an Assembler, BASIC compiler and in-system programmer. The pre-assembled boards only are also available separately.

ABCMINISP	ABC MINI Starter Pack	£64.95
ABCMINIB	ABC MINI Board Only	£39.95

### Advanced Schematic Capture and Simulation Software



### Serial Port Isolated I/O Controller

Kit provides eight 240VAC/12A (110VAC/15A) rated relay outputs and four optically isolated inputs. Can be used in a variety of control and sensing applications including load switching, external switch input sensing, contact closure and external voltage sensing. Programmed via a computer serial port, it is compatible with ANY computer & operating system. After programming, PC can be disconnected. Serial cable can be up to 35m long, allowing 'remote' control. User can easily write batch file programs to control the kit using simple text commands. NO special software required - uses any terminal emulator program (built into Windows). All components provided including a plastic case with pre-punched and silk screened front/rear panels to give a professional and attractive finish (see photo).



3108KT	Serial Port Isolated I/O Controller Kit	£54.95
AS3108	Assembled Serial Port Isolated I/O Controller	£69.95

# SURVEILLANCE

## Electronic Surveillance Equipment Kits from the UK's No.1 Supplier

SUMA DESIGNS has been supplying professional quality electronic surveillance equipment kits for over 20 years. Whether your requirement is hobbyist, amateur or professional you can be sure that you are buying from a company that knows the business. We ONLY sell surveillance products, no alarms, disco lights or computer bits. All of our kits are designed for self assembly and are well tried, tested and proven. All kits are supplied complete with top grade components, fibreglass PCB, full instructions, circuit diagrams and assembly details. Unless otherwise stated all transmitter kits are tuneable and can be received using an ordinary VHF FM radio.

### UTX Ultra-miniature Room Transmitter

At less than 1/2 the size of a postage stamp the UTX is the smallest room transmitter kit in the world! Incredible 10mm x 20mm including microphone, 3-12V operation. Range up to 500m. . . . . **£13.95**

### MTX Micro-miniature Room Transmitter

Our best selling room transmitter kit. Just 17mm x 17mm including mic. Extremely sensitive. 3-12V operation. Range up to 1000m. . . . . **£14.95**

### STX High-performance Room Transmitter

High performance transmitter with buffered output for greater stability and range. Measures just 22mm x 22mm including mic. 6-12V operation. Range up to 1500m. . . . . **£16.95**

### VT500 High-power Room Transmitter

Our most powerful room transmitter with around 250mW of output power. Excellent range and penetration. Size 20mm x 40mm, 6-12V operation. Range up to 3000m. . . . . **£17.95**

### VXT Voice-activated Room Transmitter

Triggers only when sounds are detected by on-board mic. Variable trigger sensitivity and on-time with LED trigger indicator. Very low standby current. Size 20mm x 67mm, 9V operation, range up to 1000m. . . . . **£21.95**

### HVX400 Mains Powered Room Transmitter

Connects directly to 240V AC supply. Ideal for long-term monitoring. Size 30mm x 35mm, range up to 500m. . . . . **£21.95**

### SCRX Subcarrier Scrambled Room Transmitter

To increase the security of the transmission the audio is subcarrier modulated. Receiver now requires the decoder module (SCDM) connected to allow monitoring. Size 20mm x 67mm, 9V operation, up to 1000m range. . . . . **£24.95**

### SCDM Subcarrier Decoder for SCRX

Connects to earphone socket on receiver and provides decoded audio output to headphones. Size 32mm x 70mm, 9-12V operation. . . . . **£27.95**

### UTLX Ultra-miniature Telephone Transmitter

Smallest kit available. Connects onto telephone line, switches on and off automatically as phone is used. All conversations transmitted. Size 10mm x 20mm, powered from line, up to 500m range. . . . . **£13.95**

### TLX700 Micro-miniature Telephone Transmitter

Best selling kit. Performance as UTLX but easier to assemble as PCB is 20mm x 20mm. . . . . **£14.95**

### STLX High-performance Telephone Transmitter

High-performance transmitter with buffered output for greater stability and range. Connects onto telephone line and switches on and off automatically as phone is used. Both sides of conversation transmitted up to 1000m. Powered from line. Size 22mm x 22mm. . . . . **£16.95**

### PTS7 Automatic Telephone Recording Interface

Connects between telephone line (anywhere) and normal cassette recorder. Automatically switches recorder on and off as phone is used. Both sides of any conversation recorded. 9V operation, size 20mm x 67mm. . . . . **£21.95**

### CD400 Pocket Size Bug Detector/Locator

LED and piezo bleeper pulse slowly. Pulse rate and tone pitch increase as signal source is approached. Variable sensitivity allows pinpointing of signal source. 9V operation, size 45mm x 54mm. . . . . **£34.95**

### CD500 Professional Bug Detector/Locator

Multicolour bargraph LED readout of signal strength with variable rate bleeper and variable sensitivity allows pinpointing of any signal source. When found, unit is switched into AUDIO CONFIRM mode to distinguish between bugging devices and legitimate signals such as pagers, cellphones etc. Size 70mm x 100mm. 9V operation. . . . . **£59.95**

### QTX180 Crystal Controlled Room Transmitter

Narrow band FM crystal transmitter for ultimate in privacy. Output frequency 173.225 MHz. Designed for use with QRX180 receiver unit. Size 20mm x 67mm, 9V operation, range up to 1000m . . . . . **£44.95**

### QLX180 Crystal Controlled Telephone Transmitter

Specifications as per QTX180 but connects onto telephone line to allow monitoring of both sides of conversations. . . . . **£44.95**

### QSX180 Line Powered Crystal Telephone Transmitter

Connects onto telephone line, switches on and off as phone is used. Power is drawn from line. Output frequency 173.225 MHz. Designed for use with QRX180 receiver. Size 32mm x 37mm. Range up to 500m. . . . . **£39.95**

### QRX180 Crystal Controlled FM Receiver

Specifically designed for use with any of the SUMA 'O' range kits. High sensitivity design. Complex RF front end section supplied as pre-built and aligned sub-assembly so no difficult setting up. Headphone output. PCB size 60mm x 75mm. 9V operation. . . . . **£69.95**

### TKX900 Signalling/Tracking Transmitter

Transmits a continuous stream of audio bleeps. Variable pitch and bleep rate. Ideal for signalling, alarm or basic tracking uses. High power output. Size 25mm x 63mm, 9-12V operation, up to 2000m range. . . . . **£23.95**

### MBX-1 HI-FI Micro Broadcaster

Connects to headphone socket of CD player, Walkman or Hi-Fi and broadcasts your favourite music around house and garden up to 250m. Size 27mm x 60mm, 9V operation. . . . . **£22.95**

### DLTX/RX Radio Remote Switch System

Two kits, transmitter sends a coded signal (256 selectable codes) when button pressed. Receiver detects signal, checks code and activates relay. Can be set to be momentary or toggle (on/off) operation. Range up to 100m, 9V operation on both units. TX 45mm x 45mm, RX 35mm x 90mm. . . . . **£44.95**

#### TO ORDER:

Post, fax or telephone your order direct to our sales office. Payment can be Credit card (Visa or Mastercard), Postal Order, cash (please send registered) or cheques. Kits despatched same day (cheques need clearing). All orders sent by recorded or registered post. Please add postage as follows:

ORDER UP TO £30.00: To UK £2.50 To EUROPE £5.50 All other £7.50

ORDERS OVER £30.00: To UK £3.65 To EUROPE £7.50 All others call

Overseas customers please use credit cards or send sterling cheque or bank draft.



#### SEND 2 x 1st CLASS STAMPS FOR OUR 2000 KIT CATALOGUE CONTAINING FULL DETAILS OF THESE AND OTHER KITS.

A BUILD-UP SERVICE IS AVAILABLE ON ALL OF OUR KITS, DETAILS IN CATALOGUE. VISIT OUR WEBSITE: [www.suma-designs.co.uk](http://www.suma-designs.co.uk)

Please note: Some of our part numbers are being unscrupulously used by other companies selling kits eg. MTX, VXT. DO NOT BE MISLEAD! These are NOT GENUINE SUMA KITS which are only available direct from us or our appointed distributors.

If you wish to collect kits direct from our office PLEASE TELEPHONE

# SUMA DESIGNS

Dept. EE, The Workshops, 95 Main Road,  
Baxterley, Warwickshire, CV9 2LE, U.K.  
Website: [www.suma-designs.co.uk](http://www.suma-designs.co.uk)

TEL/FAX: 01827 714476  
(24 HOUR ORDERLINE)  
email: [sales@suma-designs.co.uk](mailto:sales@suma-designs.co.uk)



## £1 BARGAIN PACKS Selected Items

**HIVAC NUMICATOR TUBE**, Hivac ref XN3. Order Ref: 865.

**2IN. ROUND LOUDSPEAKERS**. 50Ω coil. Pack of 2. Order Ref: 908.

**2IN ROUND LOUDSPEAKERS**. 8Ω. Pack of 2. Order Ref: 908/8.

**5K POT**, standard size with DP switch, good length ¼in. spindle, pack of 2. Order Ref: 11R24.

**13A PLUG**, fully legal with insulated legs, pack of 3. Order Ref: GR19.

**OPTO-SWITCH** on p.c.b., size 2in. x 1in., pack of 2. Order Ref: GR21.

**1000W FIRE SPIRALS**. In addition to repairing fires, these are useful for making high current resistors. Price 4 for £1. Order Ref: 223.

**BRASS-ENCASED ELEMENT**. Mains working, 80W standard replacement in some fridges but very useful for other heating purposes. Price £1 each. Order Ref: 8.

**PEA LAMPS**, only 4mm but 14V at 0.04A, wire ended, pack of 4. Order Ref: 7RC28.

**HIGH AMP THYRISTOR**, normal 2 contacts from top, heavy threaded fixing underneath, think amperage to be at least 25A, pack of 2. Order Ref: 7FC43.

**BRIDGE RECTIFIER**, ideal for 12V to 24V charger at 5A, pack of 2. Order Ref: 1070.

**TEST PRODS FOR MULTIMETER** with 4mm sockets. Good length very flexible lead. Order Ref: D86.

**LUMINOUS ROCKER SWITCH**, approximately 30mm square, pack of 2. Order Ref: D64.

**30A PANEL MOUNTING TOGGLE SWITCH**. Double-pole. Order Ref: 166.

**SUB MIN TOGGLE SWITCHES**. Pack of 3. Order Ref: 214.

**HIGH POWER 3in. SPEAKER** (11W 8ohm). Order Ref: 246.

**MEDIUM WAVE PERMEABILITY TUNER**. It's almost a complete radio with circuit. Order Ref: 247.

**MAINS MOTOR** with gearbox giving 1 rev per 24 hours. Order Ref: 89.

**ROUND POINTER KNOBS** for flatted ¼in. spindles. Pack of 10. Order Ref: 295.

**CERAMIC WAVE CHANGE SWITCH**. 12-pole, 3-way with ¼in. spindle. Order Ref: 303.

**REVERSING SWITCH**. 20A double-pole or 40A single pole. Order Ref: 343.

**LUMINOUS PUSH-ON PUSH-OFF SWITCHES**. Pack of 3. Order Ref: 373.

**SLIDE SWITCHES**. Single pole changeover. Pack of 10. Order Ref: 1053.

**PAXOLIN PANEL**. Approximately 12in. x 12in. Order Ref: 1033.

**CLOCKWORK MOTOR**. Suitable for up to 6 hours. Order Ref: 1038.

**TRANSISTOR DRIVER TRANSFORMER**. Maker's ref. no. LT44, impedance ratio 20k ohm to 1k ohm; centre tapped, 50p. Order Ref: 1/23R4.

**HALL EFFECT DEVICES**, mounted on small heatsink, pack of 2. Order Ref: 1022.

**12V POLARISED RELAY**, 2 changeover contacts. Order Ref: 1032.

**PROJECT CASE**, 95mm x 66mm x 23mm with removable lid held by 4 screws, pack of 2. Order Ref: 876.

**LARGE MICROSWITCHES**, 20mm x 6mm x 10mm, changeover contacts, pack of 2. Order Ref: 826.

**PIEZO ELECTRIC SOUNDER**, also operates efficiently as a microphone. Approximately 30mm diameter, easily mountable, 2 for £1. Order Ref: 1084.

**LIQUID CRYSTAL DISPLAY** on p.c.b. with i.c.s etc. to drive it to give 2 rows of 8 figures or letters with data. 1085.

**8μF 350V ELECTROLYTICS**, pack of 2. Order Ref: 987.

**WHITE PROJECT BOX**, 78mm x 115mm x 35mm. Order Ref: 106.

**I.F. TRANSFORMERS**, 465kHz, pack of 4. Order Ref: 40.

**AIR-SPACED TUNER**, 20pF with ¼in. spindle. Order Ref: 182.

**PUSH ON TAGS**, for ¼in. spades, pack of 100. Order Ref: 217.

**FERRITE AERIAL** with medium and long wave coils, solder tags and mounting clips. Order Ref: 7/RC18.

**LEVER-OPERATED MICROSWITCHES**, ex-equipment, batch tested, any faulty would be replaced, pack of 10. Order Ref: 755.

## SPECIAL SUMMER OFFER

Here's a lot of buy-one-get-one-free offers for the months of July and August, so here's some real bargains not to be missed.

### COMPUTER DUST COVER

22in. long, 14in. wide, 6in. deep, nicely boxed, £1. Order Ref: D204.

### 12V 2A DC POWER SUPPLY

Cased with internal fuse, £6. Order Ref: 6P23.

### SAFETY LEADS

Coiled, stretches to 3m, £1. Order Ref: 846.

**DITTO** but 3-core 13A, stretches to 1m, £1. Order Ref: 847.

### POWER SUPPLIES

Cased with D.C. output, 4-5V 150mA, £1. Order Ref: 104.

6V 700mA, cased, £1. Order Ref: 103.

9V 150mA, £1. Order Ref: 733.

9V 200mA, £2. Order Ref: 2P114.

24V 200mA, £2. Order Ref: 2P4.

9-5V 500mA, AC output, £1.50. Order Ref: 1.5P97.

### PM LOUDSPEAKER

6in. x 4in., 4ohm, £1. Order Ref: 242.

### HORN SPEAKER

8ohm, £3. Order Ref: 3P82.

### LOUDSPEAKER CROSSOVER

40W, £1. Order Ref: 23.

### 1000W FIRE SPIRALS

Pack of 4, £1. Order Ref: 223.

### BIG PULL SOLENOID

Mains operated, £1. Order Ref: 871.

### BIG PUSH SOLENOID

Main operated, £1. Order Ref: 872.

### DYNAMIC MICROPHONE

500ohm, plastic body with black mesh head and on/off switch, £2. Order Ref: 2P220.

### FLASHING BEACON

12V for cars, £5. Order Ref: 5P267.

### LIGHT ALARM

Warns when cupboard door opens, etc. £3. Order Ref: 3P155.

### WATER LEVEL ALARM

For wall mounting over bath, etc., adjustable for water level, £3. Order Ref: 3P156.

### SOLAR KIT

To make aeroplane, £7.50. Order Ref: 7.5P2.

### FULL-WAVE BRIDGE RECTIFIER

35A 600V, £2. Order Ref: 2P474.

### TELEPHONE ANSWERING MACHINE

Complete with power supply, £12. Order Ref: 12P38.

### ROTEL HAIR CUTTER AND TRIMMER OUTFIT

Cutter and 8 accessories, £7.50. Order Ref: 7.5P16.

### LIGHT DIMMERS

Replace a standard wall switch. One of each: red, yellow, green, blue, £2 each. Order Ref: 2P380.

### TELEPHONE EXTENSION LEAD

Plugs into BT socket, £2. Order Ref: 2P338.

### ENGINEER'S 13A BENCH PANEL

Accepts 2 x 13A plugs individually switched and illuminated, £2. Order Ref: 2P461.

### TIME ON MAINS SWITCH

Can be set anywhere from 0 to 90 mins. and has calibrated knob, £2. Order Ref: 2P90.

### QUICK HOOK-UPS

10 leads each with an insulated crocodile clip each end, £2 a set. Order Ref: 2P459.

### MINI MAINS MOTOR WITH GEARBOX

1 rev per hour, £1. Order Ref: 500.

1/3 of a rev per minute, mains operated, £2. Order Ref: 2P460.

15 revs per minute, £2. Order Ref: 2P321.

### IN-CAR UNIT

12V-6V, plugs into lighter socket, £2. Order Ref: 2P315.

### INSTRUMENT LEAD

2m long, white, £1. Order Ref: 8TOP1.

### TRANSISTOR AMPLIFIER

By Newmarket, 12V operated, 3V output, £2. Order Ref: 1/26L2.

### ULTRASONIC CAR OR HOUSE ALARM

Operates from its own battery. Nicely cased, is reasonably loud or can be coupled to external horn, £10. Order Ref: 10P76.

### UNDERDOME BELL

Friedland, transformer or battery operated, £5. Order Ref: 5P232.

### MAINS KLAXON TYPE ALARM

Free standing, £5. Order Ref: 5P226.

### METAL BOX WITH LID

Slightly sloping, size 8in. x 3in. x 4in. approximately, £1. Order Ref: 209.

### CLOCK MODULE

2in. i.c.d. display, requires 1-5V battery, goes back to zero when switched off so ideal for timing operations. Also has panel for other switching operations, £2. Order Ref: 2P307.

### BELT-DRIVEN COUNTERS

For tape decks, etc., 2 for £1. Order Ref: 26.

### MAINS OPERATED COUNTERS

6 digit, even numbers, £1. Order Ref: 28.

### 12V AXIAL FAN

Approximately 3in. x 3in., will suck or blow, £4. Order Ref: 4P65.

### HEADPHONES

Extra lightweight, stereo, £1 per pair. Order Ref: 898.

### W-SHAPED FLUORESCENT TUBE

30W or 40W, ideal to light house name, etc., £2. Order Ref: 2P314.

### REVERSIBLE MAINS MOTOR

Beautifully made by the Japanese, probably about ½h.p. with a good length spindle, £4. Order Ref: 4P94.

### PACK OR 5 ADAPTORS

Each takes 2 x 13A plugs, £2. Order Ref: 2P187.

### TIME AND SET SWITCH

15A mains, £2. Order Ref: 2P104.

### CLOCKWORK TIME SWITCH

Calibrated, settable up to 90 mins. Will switch 25A, £2. Order Ref: 2P90.

**CASED POWER SUPPLIES** which, with a few small extra components and a bit of modifying, would give 12V at 10A. Originally £9.50 each, now 2 for £9.50. Order Ref: 9.5P4.

**3-OCTAVE KEYBOARD** with piano size keys, brand new, previous price £9.50, now 2 for the price of one. Order Ref: 9.5P5.

**ONE ½HP MAINS MOTOR**. Completely encased with good length spindle, £14.50. Order Ref: 14.5P1. Note these are heavy and only one can be included in our standard £4.50 parcel, so sorry if you can't collect then you must add £4.50 for each motor you order.

**VERY SMALL 12V RELAY**. About the size of an OXO cube but 8A changeover, sealed, p.c.b. mounting, 75p each. Order Ref: FR16.

### TERMS

Send cash, PO, cheque or quote credit card number - orders under £25 add £4.50 service charge.

**J & N FACTORS**  
Pilgrim Works (Dept.E.E.)  
Stairbridge Lane, Bolney  
Sussex RH17 5PA  
Telephone: 01444 881965  
E-mail: jnfactors@aol.com



**MAIL ORDER ONLY • CALLERS BY APPOINTMENT**

**EPE MICROCONTROLLER P.I. TREASURE HUNTER**

The latest MAGENTA DESIGN – highly stable & sensitive – with I.C. control of all timing functions and advanced pulse separation techniques.

- High stability drift cancelling
- Easy to build & use
- No ground effect, works in seawater



- Detects gold, silver, ferrous & non-ferrous metals

- Efficient quartz controlled microcontroller pulse generation.
- Full kit with headphones & all hardware

**KIT 847 ..... £63.95**

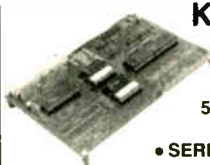
**PORTABLE ULTRASONIC PEST SCARER**

A powerful 23kHz ultrasound generator in a compact hand-held case. MOSFET output drives a special sealed transducer with intense pulses via a special tuned transformer. Sweeping frequency output is designed to give maximum output without any special setting up.

**KIT 842.....£22.56**

**68000 DEVELOPMENT TRAINING KIT**

- NEW PCB DESIGN
- 8MHz 68000 16-BIT BUS
- MANUAL AND SOFTWARE
- 2 SERIAL PORTS
- PIT AND I/O PORT OPTIONS
- 12C PORT OPTIONS



**KIT 621**  
**£99.95**

- ON BOARD 5V REGULATOR
- PSU £6.99
- SERIAL LEAD £3.99

**Stepping Motors**

- MD38...Mini 48 step...£8.65
- MD35...Std 48 step...£9.99
- MD200...200 step...£12.99
- MD24...Large 200 step...£22.95



**PIC PIPE DESCALER**

- SIMPLE TO BUILD
- HIGH POWER OUTPUT
- AUDIO & VISUAL MONITORING
- SWEPT FREQUENCY

An affordable circuit which sweeps the incoming water supply with variable frequency electromagnetic signals. May reduce scale formation, dissolve existing scale and improve lathering ability by altering the way salts in the water behave. Kit includes case, P.C.B., coupling coil and all components. High coil current ensures maximum effect. L.E.D. monitor.



**KIT 868 ..... £22.95 POWER UNIT.....£3.99**

**MICRO PEST SCARER**

Our latest design – The ultimate scarer for the garden. Uses special microchip to give random delay and pulse time. Easy to build reliable circuit. Keeps pets/pests away from newly sown areas, play areas, etc. uses power source from 9 to 24 volts.



- RANDOM PULSES
- HIGH POWER
- DUAL OPTION

Plug-in power supply £4.99

**KIT 867. .... £19.99**

**KIT + SLAVE UNIT. .... £32.50**

**WINDICATOR**

A novel wind speed indicator with LED readout. Kit comes complete with sensor cups, and weatherproof sensing head. Mains power unit £5.99 extra.

**KIT 856. .... £28.00**

**★ TENS UNIT ★**

**DUAL OUTPUT TENS UNIT**  
As featured in March '97 issue.

Magenta have prepared a FULL KIT for this excellent new project. All components, PCB, hardware and electrodes are included. Designed for simple assembly and testing and providing high level dual output drive.

**KIT 866. . Full kit including four electrodes £32.90**

Set of 4 spare electrodes £6.50

**1000V & 500V INSULATION TESTER**



Superb new design. Regulated output, efficient circuit. Dual-scale meter, compact case. Reads up to 200 Megohms. Kit includes wound coil, cut-out case, meter scale, PCB & ALL components.

**KIT 848. .... £32.95**

**EPE TEACH-IN 2000**

Full set of top quality NEW components for this educational series. All parts as specified by EPE. Kit includes breadboard, wire, croc clips, pins and all components for experiments, as listed in introduction to Part 1.

\*Batteries and tools not included.

**TEACH-IN 2000 -**

**KIT 879 £44.95**

**MULTIMETER £14.45**

**SPACEWRITER**

An innovative and exciting project. Wave the wand through the air and your message appears. Programmable to hold any message up to 16 digits long. Comes pre-loaded with 'MERRY XMAS'. Kit includes PCB, all components & tube plus instructions for message loading.

**KIT 849 .....£16.99**

**12V EPROM ERASER**

A safe low cost eraser for up to 4 EPROMS at a time in less than 20 minutes. Operates from a 12V supply (400mA). Used extensively for mobile work - updating equipment in the field etc. Also in educational situations where mains supplies are not allowed. Safety interlock prevents contact with UV.

**KIT 790 ..... £29.90**

**SUPER BAT DETECTOR**

1 WATT O/P, BUILT IN SPEAKER, COMPACT CASE 20kHz-140kHz NEW DESIGN WITH 40kHz MIC.

A new circuit using a 'full-bridge' audio amplifier i.c., internal speaker, and headphone/tape socket. The latest sensitive transducer, and 'double balanced mixer' give a stable, high performance superheterodyne design.



**KIT 861 ..... £24.99**

ALSO AVAILABLE Built & Tested. . . £39.99

**MOSFET MKII VARIABLE BENCH POWER SUPPLY 0-25V 2.5A**

Based on our Mk1 design and preserving all the features, but now with switching pre-regulator for much higher efficiency. Panel meters indicate Volts and Amps. Fully variable down to zero. Toroidal mains transformer. Kit includes punched and printed case and all parts. As featured in April 1994 EPE. An essential piece of equipment.



Kit No. 845 ..... £64.95

**EPE PROJECT PICS**

Programmed PICs for all\* EPE Projects 16C84/18F84/16C71 All **£5.90 each** PIC16F877 now in stock **£10 inc. VAT & postage** (\*some projects are copyright)

**ULTRASONIC PEST SCARER**

Keep pets/pests away from newly sown areas, fruit, vegetable and flower beds, children's play areas, patios etc. This project produces intense pulses of ultrasound which deter visiting animals.

- KIT INCLUDES ALL COMPONENTS, PCB & CASE
- EFFICIENT 100V TRANSDUCER OUTPUT
- COMPLETELY INAUDIBLE TO HUMANS



- UP TO 4 METRES RANGE
- LOW CURRENT DRAIN

**KIT 812. .... £15.00**

## SIMPLE PIC PROGRAMMER

INCREDIBLE LOW PRICE! Kit 857 **£12.99**

INCLUDES 1-PIC16F84 CHIP  
SOFTWARE DISK, LEAD  
CONNECTOR, PROFESSIONAL  
PC BOARD & INSTRUCTIONS

Power Supply £3.99

EXTRA CHIPS:  
PIC 16F84 £4.84

Based on February '96 EPE. Magenta designed PCB and kit. PCB with 'Reset' switch, Program switch, 5V regulator and test L.E.D.s, and connection points for access to all A and B port pins.

## PIC 16C84 DISPLAY DRIVER

INCLUDES 1-PIC16F84 WITH  
DEMO PROGRAM SOFTWARE  
DISK, PCB, INSTRUCTIONS  
AND 16-CHARACTER 2-LINE  
LCD DISPLAY

Kit 860 **£19.99**

Power Supply £3.99

FULL PROGRAM SOURCE  
CODE SUPPLIED – DEVELOP  
YOUR OWN APPLICATION!

Another super PIC project from Magenta. Supplied with PCB, industry standard 2-LINE x 16-character display, data, all components, and software to include in your own programs. Ideal development base for meters, terminals, calculators, counters, timers – Just waiting for your application!

## PIC 16F84 MAINS POWER 4-CHANNEL CONTROLLER & LIGHT CHASER

- WITH PROGRAMMED 16F84 AND DISK WITH SOURCE CODE IN MPASM
- ZERO VOLT SWITCHING MULTIPLE CHASE PATTERNS
- OPTO ISOLATED 5 AMP OUTPUTS
- 12 KEYPAD CONTROL
- SPEED/DIMMING POT.
- HARD-FIRED TRIACS

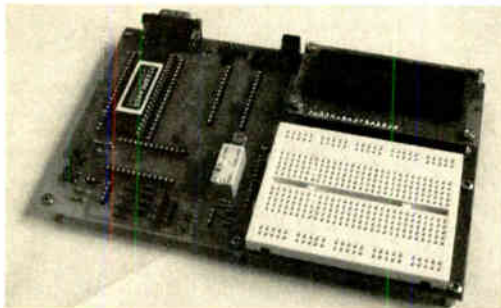
Kit 855 **£39.95**

Now features full 4-channel chaser software on DISK and pre-programmed PIC16F84 chip. Easily re-programmed for your own applications. Software source code is fully 'commented' so that it can be 'followed easily.'

LOTS OF OTHER APPLICATIONS

## ICEBREAKER

□□□□□□□□□□



## PIC Real Time In-Circuit Emulator

- Icebreaker uses PIC16F877 in circuit debugger
- Links to Standard PC Serial Port (lead supplied)
- Windows™ (95+) Software included
- Works with MPASM and MPLAB Microchip software
- 16 x 2 L.C.D., Breadboard, Relay, I/O devices and patch leads supplied

As featured in March '00 EPE. Ideal for beginners AND advanced users. Programs can be written, assembled, downloaded into the microcontroller and run at full speed (up to 20MHz), or one step at a time.

Full emulation means that all I/O ports respond exactly and immediately, reading and driving external hardware.

Features include: Reset; Halt on external pulse; Set Breakpoint; Examine and Change registers, EEPROM and program memory; Load program, Single Step with display of Status, W register, Program counter, and user selected 'Watch Window' registers.

Kit 900 . . . **£34.99**

POWER SUPPLY £3.99 STEPPING MOTOR £5.99

## EPE PIC Tutorial

At last! A Real, Practical, Hands-On Series

- Learn Programming from scratch using PIC16F84
- Start by lighting I.e.d.s and do 30 tutorials to Sound Generation, Data Display, and a Security System.
- PIC TUTOR Board with Switches, I.e.d.s, and on board programmer

### PIC TUTOR BOARD KIT

Includes: PIC16F84 Chip, TOP Quality PCB printed with Component Layout and all components\* (\*not ZIF Socket or Displays). Included with the Magenta Kit is a disk with Test and Demonstration routines.

Kit 870 .... **£27.95, Built & Tested .... £42.95**

Optional: Power Supply – £3.99, ZIF Socket – £9.99

LCD Display ..... **£7.99** LED Display ..... **£6.99**

Reprints Mar/Apr/May 98 – £3.00 set 3

## PIC TOOLKIT V2

- SUPER UPGRADE FROM V1 • 18, 28 AND 40-PIN CHIPS
- READ, WRITE, ASSEMBLE & DISASSEMBLE PICS
- SIMPLE POWER SUPPLY OPTIONS 5V-20V
- ALL SWITCHING UNDER SOFTWARE CONTROL
- MAGENTA DESIGNED PCB HAS TERMINAL PINS AND OSCILLATOR CONNECTIONS FOR ALL CHIPS
- INCLUDES SOFTWARE AND PIC CHIP

Kit 878 . . . **£22.99** with 16F84 . . . **£29.99** with 16F877

## SUPER PIC PROGRAMMER

- READS, PROGRAMS, AND VERIFIES
- WINDOWS® SOFTWARE
- PIC16C6X, 7X, AND 8X
- USES ANY PC PARALLEL PORT
- USES STANDARD MICROCHIP • HEX FILES
- OPTIONAL DISASSEMBLER SOFTWARE (EXTRA)
- PCB, LEAD, ALL COMPONENTS, TURNED-PIN SOCKETS FOR 18, 28, AND 40 PIN ICs

- SEND FOR DETAILED INFORMATION – A SUPERB PRODUCT AT AN UNBEATABLE LOW PRICE.

Kit 862 **£29.99**

Power Supply £3.99

DISASSEMBLER SOFTWARE **£11.75**

## PIC STEPPING MOTOR DRIVER

INCLUDES PCB, PIC16F84 WITH DEMO PROGRAM, SOFTWARE DISC, INSTRUCTIONS AND MOTOR.

Kit 863 **£18.99**

FULL SOURCE CODE SUPPLIED ALSO USE FOR DRIVING OTHER POWER DEVICES e.g. SOLENOIDS

Another NEW Magenta PIC project. Drives any 4-phase unipolar motor – up to 24V and 1A. Kit includes all components and 48 step motor. Chip is pre-programmed with demo software, then write your own, and re-program the same chip! Circuit accepts inputs from switches etc and drives motor in response. Also runs standard demo sequence from memory.

## 8-CHANNEL DATA LOGGER

As featured in Aug./Sept. '99 EPE. Full kit with Magenta redesigned PCB – LCD fits directly on board. Use as Data Logger or as a test bed for many other 16F877 projects. Kit includes programmed chip, 8 EEPROMs, PCB, case and all components.

Kit 877 **£49.95** inc. 8 x 256K EEPROMS

# MAGENTA

All prices include VAT. Add £3.00 p&p. Next day **£6.99**

Tel: 01283 565435 Fax: 01283 546932 E-mail: sales@magenta2000.co.uk



# EVERYDAY PRACTICAL ELECTRONICS

INCORPORATING ELECTRONICS TODAY INTERNATIONAL

THE No.1 MAGAZINE FOR ELECTRONICS TECHNOLOGY & COMPUTER PROJECTS

## VOL. 30 No. 8 AUGUST 2001

### TIME OUT

Occasionally technology overtakes us, it has with this month's *Digitimer* project. Before undertaking the design, the author asked Sky if this was a facility which they were likely to add to their digital service, they told him they had no plans to do so. However, within days of us accepting the project for publication Sky introduced a similar, though not so versatile, function within their software.

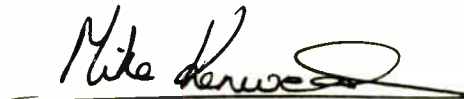
So what should we do, scrap the project or go ahead? As you can see we have decided to go ahead with publication. This decision was made on the basis that the technology and programming used in the *Digitimer* will be of interest to readers in their own right. We do know that few readers build projects exactly as published, many people customise our designs or use bits of circuits or programs in their own projects. A number of aspects of the *Digitimer* lend themselves to use in this way, including the RTC timing circuit, IR and RF interfaces etc. Our project is also more versatile than the system offered by Sky so it is worthwhile for that reason alone.

### TIME BEFORE

One well-known occasion when we were previously overtaken by technology was way back in 1972 when *Practical Electronics* published a series of eleven articles describing the *PE Digi-Cal*, a TTL-based digital calculator using some 140 logic i.c.s. The design cost about half the price of the £250 commercial ones available at the time. However, before the series of articles describing the project was past the fourth part, the single chip calculator i.c. had arrived and prices for calculators dropped dramatically almost overnight. Not only were ready made hand held calculators available for half the price of the *PE* project, before the series was completed kits had appeared for around £40.

A number of *Digi-Cals* were built by readers. The design was also welcomed by those in education because it showed exactly how a digital calculator worked. As Fred Bennett (the then Editor) said at the time, we could sit back and wait for the "ultimate" design to appear and therefore publish very little.

I guess almost everything we publish will be superseded by "better" designs within a few years (or even a few months), but that is not what our hobby is all about.



### AVAILABILITY

Copies of *EPE* are available on subscription anywhere in the world (see below) from all UK newsagents (distributed by COMAG) and from the following electronic component retailers: Omni Electronics and Yebo Electronics (S. Africa). *EPE* can also be purchased from retail magazine outlets around the world. An Internet on-line version can be purchased and downloaded for just \$9.99(US) per year available from [www.epemag.com](http://www.epemag.com)

### SUBSCRIPTIONS

Subscriptions for delivery direct to any address in the

UK: 6 months £14.50, 12 months £27.50, two years £50; Overseas: 6 months £17.50 standard air service or £27 express airmail, 12 months £33.50 standard air service or £51 express airmail, 24 months £62 standard air service or £97 express airmail

Online subscriptions, for downloading the magazine via the Internet, \$9.99(US) for one year available from [www.epemag.com](http://www.epemag.com).

Cheques or bank drafts (in £ sterling only) payable to *Everyday Practical Electronics* and sent to EPE Subs. Dept., Wimborne Publishing Ltd, 408 Wimborne Road East, Ferndown, Dorset BH22 9ND. Tel: 01202 873872. Fax: 01202 874562. E-mail: [subs@epemag.wimborne.co.uk](mailto:subs@epemag.wimborne.co.uk). Also via the Web at: <http://www.epemag.wimborne.co.uk>. Subscriptions start with the next available issue. We accept MasterCard, Amex, Diners Club, Switch or Visa. (For past issues see the *Back Issues* page.)

### BINDERS

Binders to hold one volume (12 issues) are available from the above address. These are finished in blue p.v.c., printed with the magazine logo in gold on the spine. Price £5.95 plus £3.50 p&p (for overseas readers the postage is £6.00 to everywhere except Australia and Papua New Guinea which cost £10.50). Normally sent within seven days but please allow 28 days for delivery - more for overseas.

Payment in £ sterling only please. Visa, Amex, Diners Club, Switch and MasterCard accepted, minimum card order £5. Send, fax or phone your card number and card expiry date with your name, address etc. Or order on our secure server via our UK web site. Overseas customers - your credit card will be charged by the card provider in your local currency at the existing exchange rate.

### Editorial Offices:

EVERYDAY PRACTICAL ELECTRONICS EDITORIAL  
WIMBORNE PUBLISHING LTD., 408 WIMBORNE ROAD EAST,  
FERNDOWN, DORSET BH22 9ND  
Phone: (01202) 873872. Fax: (01202) 874562.

E-mail: [editorial@epemag.wimborne.co.uk](mailto:editorial@epemag.wimborne.co.uk)

Web Site: <http://www.epemag.wimborne.co.uk>

EPE Online [www.epemag.com](http://www.epemag.com)

EPE Online Shop: [www.epemag.wimborne.co.uk/shopdoor.htm](http://www.epemag.wimborne.co.uk/shopdoor.htm)

See notes on Readers' Enquiries below - we regret lengthy technical enquiries cannot be answered over the telephone.

### Advertisement Offices:

EVERYDAY PRACTICAL ELECTRONICS ADVERTISEMENTS  
MILL LODGE, MILL LANE  
THORPE-LE-SOKEN, ESSEX CO16 0ED

Phone/Fax: (01255) 861161

E-mail: [epeds@aol.com](mailto:epeds@aol.com)

Editor: MIKE KENWARD

Deputy Editor: DAVID BARRINGTON

Technical Editor: JOHN BECKER

Business Manager: DAVID J. LEAVER

Subscriptions: MARILYN GOLDBERG

Administration: FAY KENWARD

Editorial/Admin: (01202) 873872

Advertisement Manager:

PETER J. MEW, Frinton (01255) 861161

Advertisement Copy Controller:

PETER SHERIDAN, (01202) 873872

On-Line Editor: ALAN WINSTANLEY

EPE Online (Internet version) Editors:

CLIVE (MAX) MAXFIELD and ALVIN BROWN

### READERS' ENQUIRIES

E-mail: [techdept@epemag.wimborne.co.uk](mailto:techdept@epemag.wimborne.co.uk)

We are unable to offer any advice on the use, purchase, repair or modification of commercial equipment or the incorporation or modification of designs published in the magazine. We regret that we cannot provide data or answer queries on articles or projects that are more than five years old. Letters requiring a personal reply *must* be accompanied by a **stamped self-addressed envelope or a self-addressed envelope and international reply coupons**. All reasonable precautions are taken to ensure that the advice and data given to readers is reliable. We cannot, however, guarantee it and we cannot accept legal responsibility for it.

### COMPONENT SUPPLIES

We do not supply electronic components or kits for building the projects featured, these can be supplied by advertisers (see *Shoptalk*). We advise readers to check that all parts are still available before commencing any project in a back-dated issue.

### ADVERTISEMENTS

Although the proprietors and staff of EVERYDAY PRACTICAL ELECTRONICS take reasonable precautions to protect the interests of readers by ensuring as far as practicable that advertisements are *bona fide*, the magazine and its Publishers cannot give any undertakings in respect of statements or claims made by advertisers, whether these advertisements are printed as part of the magazine, or in inserts.

The Publishers regret that under no circumstances will the magazine accept liability for non-receipt of goods ordered, or for late delivery, or for faults in manufacture.

### TRANSMITTERS/BUGS/TELEPHONE EQUIPMENT

We advise readers that certain items of radio transmitting and telephone equipment which may be advertised in our pages cannot be legally used in the UK. Readers should check the law before buying any transmitting or telephone equipment as a fine, confiscation of equipment and/or imprisonment can result from illegal use or ownership. The laws vary from country to country; readers should check local laws.



# Constructional Project

## DIGITIMER

STEVE CHALLIS



An add-on VCR record timer unit for Sky digital satellite TV.

**A**FTER many months of resisting, the author was finally persuaded to "upgrade" his motorised Pace satellite system to Sky Digital.

Once the system was installed, it soon became apparent that the Sky Digibox did not have a record timer feature. Just imagine your frustration if you carefully set your VCR and the satellite to record the match and return home only to find an episode of *Sabrina* instead!

With this in mind he set about investigating a suitable solution. The Digibox is far too complex to even think about internally modifying so a stand-alone external unit was decided upon.

The basic concept behind Digitimer is that at a preset time the Digibox is sent a series of remote control commands to change to the desired channel. These commands can be either via IR (infra-red), as per the remote handset, or r.f. (radio frequency) via the Digilink connector on the rear of the Digibox.

### BLOCK DIAGRAM

The basic block diagram of Digitimer is shown in Fig.1. The heart of the unit is a PIC16F876 microcontroller running at 3.58MHz. This handles the operation of the unit, interfacing with the peripheral devices. User input is catered for by a keypad and operational status is displayed on an alphanumeric liquid crystal display (l.c.d.).

### TECHNOLOGY ADVANCES

Since accepting the Digimeter for publication, Sky have introduced their own programmed timing options, thus replicating part of this design. However, Digimeter also offers other facilities not provided by Sky and its overall design technology is interesting in its own right. Consequently, we have concluded that the design is still very worthy of publication.

Time keeping functions are controlled by a dedicated Real Time Clock chip (RTC). This is battery backed to preserve the time should the mains power fail. Timer settings and favourite channels are stored in the internal EEPROM (electrically erasable read-only memory).

Remote control commands are conveyed to the Digibox either by an IR signal or on a 7MHz r.f. carrier to the Digilink connector. During timer operation a relay operates and disables the d.c. supply to the Digilink remote "eyes" thus stopping inadvertent changing of

the channels from other rooms of the house.

The Digitimer is split into two separate circuit boards – a main control board and an r.f. board. The main control board is mounted horizontally in the bottom of the case and contains the power supply and logic control functions.

### CONTROL CIRCUIT

Referring to Fig.2, the heart of the main circuit is the PIC16F876 microcontroller, IC2. At power up, the PIC initialises the RTC (IC3) and the liquid crystal display (l.c.d.).

The l.c.d. is used in conventional 4-bit mode and is fed data from PIC port pins RB4 to RB7. Its control signals come from port pins RC5, RC6 and RC7. Preset VR1 sets the display contrast to an acceptable level.

The l.c.d. backlight is switched by transistor TR1, which is controlled by port pin RC4 via current limiting resistor R4. Resistor R1 provides current limiting for the backlight.

After power on, the RTC device needs to be initialised to the desired 24-hour mode. By default the INT pin is set to toggle at a 1Hz rate. This is applied to the PIC via pin RA1 and causes it to flash the colon in the time display, as well as trigger some internal timing functions. Communications with the RTC are handled by I<sup>2</sup>C serial data from PIC pins RA2 and RA3.

The RTC basically comprises an oscillator and a series of counters for years, months, days, hours, minutes, seconds, and day of the week. It requires very few external components – just a 32.768kHz crystal (X1) and an 18pf load capacitor (C9). A data sheet can be found on the Philips Components web site at:

[www.semiconductors.philips.com/](http://www.semiconductors.philips.com/)

In order to maintain the correct time during a power outage, the RTC has a backup battery. This is a NiMH device which during normal operation is trickle-charged from the 5V rail via diode D4 and resistor R15.

### KEYPAD

A matrixed 4 × 4 keypad is used to input user commands to the PIC, via pins RB0 to RB3. Pins RB4 to RB7 are configured as outputs to the keypad (multiplexed with the l.c.d. display).

Referring to Fig.3, keypad monitoring is performed as follows: first the PIC sets

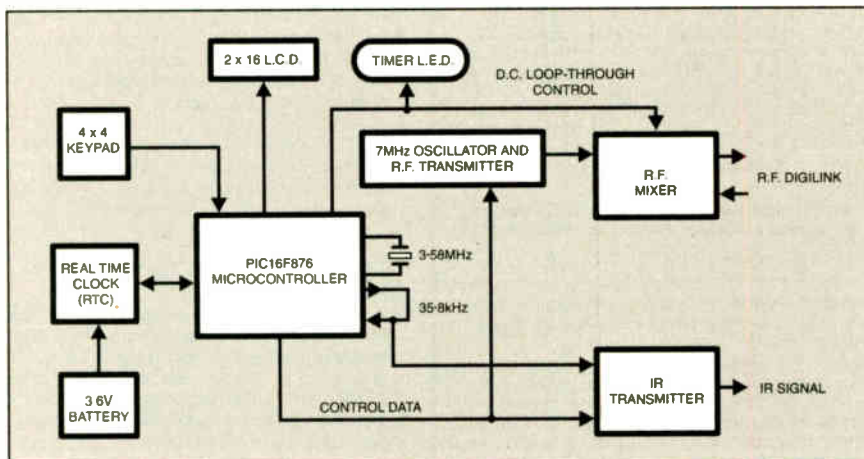


Fig.1. Block diagram for the Digitimer.



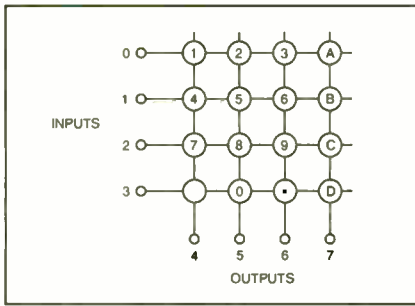


Fig. 3. Keypad matrix connections.

input 0 high. It then checks outputs 4 to 7 in turn to see if any of these are high. If not, it then sets input 0 low and input 1 high. It again checks outputs 4 to 7 in sequence. This sequence continues until either an output is found to be high, or all inputs have been set and all outputs checked.

If, for instance, key "B" is pressed, when input 1 is set high there will also be a high on output 7. The PIC reads this status and knows that this key has been pressed and takes the appropriate action.

The keyboard is continually scanned in this way during normal operation so that it is ready to respond to any keypress. Each time a key is pressed the l.c.d. backlight is illuminated for about 12 seconds.

### REMOTE CONTROL

The remote control data requires careful and accurate timing. The PIC has three internal counter/timers: RTCC (TMR0), Timer 1 and Timer 2. Here Timer 2 is used. This is configured to effectively divide the X2 crystal frequency by 100 and provide a 35.8kHz output clock signal at pin RC2. This is fed back into RC3 and is internally counted to provide a control data stream at RC1. A logic 1 on the data stream is equal in length to 16 of these pulses.

To successfully transmit data, an IR l.e.d. must have a carrier signal. The clock signal at RC2 is combined with the data stream at RC1 by NAND gate IC4a, and with IC4b re-inverting the output. The result is represented in Fig. 4.

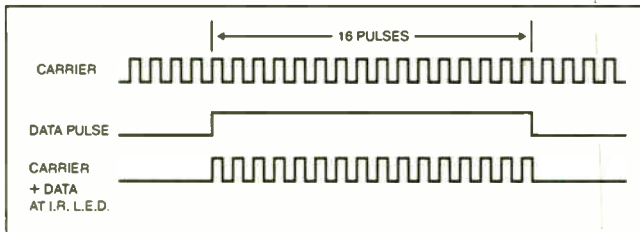


Fig. 4. IR pulse generation waveforms.

The composite signal from IC4b is fed via R3 into the base of TR2, turning it on and off. The collector of TR2 drives the IR l.e.d. which sends signals to the Digibox. R2 limits the current through the IR l.e.d.

### DIGILINK

A useful feature of the Digibox is the ability to change channels and be viewed in another room of the house. This is performed by the Sky Digilink system. A separate u.h.f. (ultra high frequency) output on the rear of the Digibox is used to feed an additional TV receiver. Along this cable



can also pass remote control information. Instead of using a 35.8kHz carrier as in the IR l.e.d. circuit, the Digilink uses a 7MHz r.f. carrier.

A Digilink "remote eye" positioned next to the additional TV receiver picks up the commands from the remote control and encodes them onto the r.f. carrier. The coaxial cable then feeds this information back to the Digibox. Also present on the coaxial cable is about 9V DC, which is used to power the "remote eye".

The circuitry around transistor TR5 forms a 7MHz oscillator that is used to provide the r.f. carrier. The output of this is combined with the remote control data stream from RC1, by NAND gates IC4c and IC4d, to form a composite data stream, in a similar way to the IR l.e.d. circuit. This is buffered by TR4 and then fed to the r.f. board.

### R.F. CIRCUIT

The circuit diagram for the r.f. section is shown to the right in Fig. 2. The 7MHz composite data from TR4 is coupled by capacitor C16 and resistor R16 to socket SK2 from where it is output to the Digibox.

pointed at the Digibox or by using the buttons on the front of the Digibox.

Secondly, if a distribution amplifier is used that relies on the power from the Digibox then this will also cease to function. This was not the case with the author's installation, however. Inductors L2 and L3 serve to isolate the r.f. signals that need to pass from the Digibox to the second TV receiver. Diode D8 suppresses the back-e.m.f. generated by the relay coil when it is de-energised.

### POWER SUPPLY

The power supply is fairly basic and its circuit diagram is shown in Fig. 5. Transformer T1 reduces the mains voltage to about 8V to 10V r.m.s. This is full-wave rectified by diodes D1 and D2 to provide about 15V d.c. across reservoir capacitor C1. This is fed to the input of regulator IC1 which delivers an output voltage of 5V.

Capacitors C2 and C3 inhibit the regulator from oscillating and C4 provides extra smoothing.

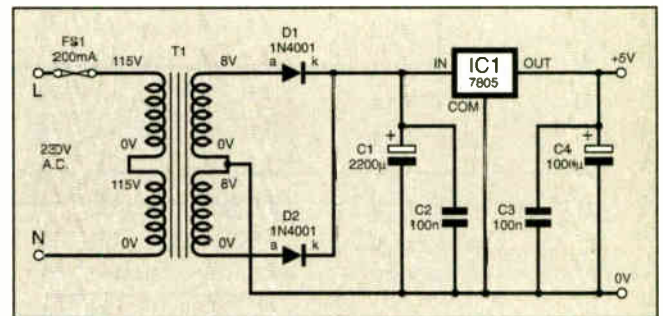


Fig. 5. Power supply circuit diagram.

In order to stop the satellite channel from being changed during a timer event, the d.c. supply from the Digibox to the "remote eye" is disconnected. This is achieved by using relay RLA. Normally, the d.c. feed from the Digibox travels through inductor L3, via the normally-closed contacts of RLA, through L2 and then out via socket SK1.

When a timer event occurs, RLA is energised and the contacts open. The d.c. feed to the "remote eye" is thus removed and it no longer functions. There are two points to note, however. First, it is still possible to change channel using a remote control

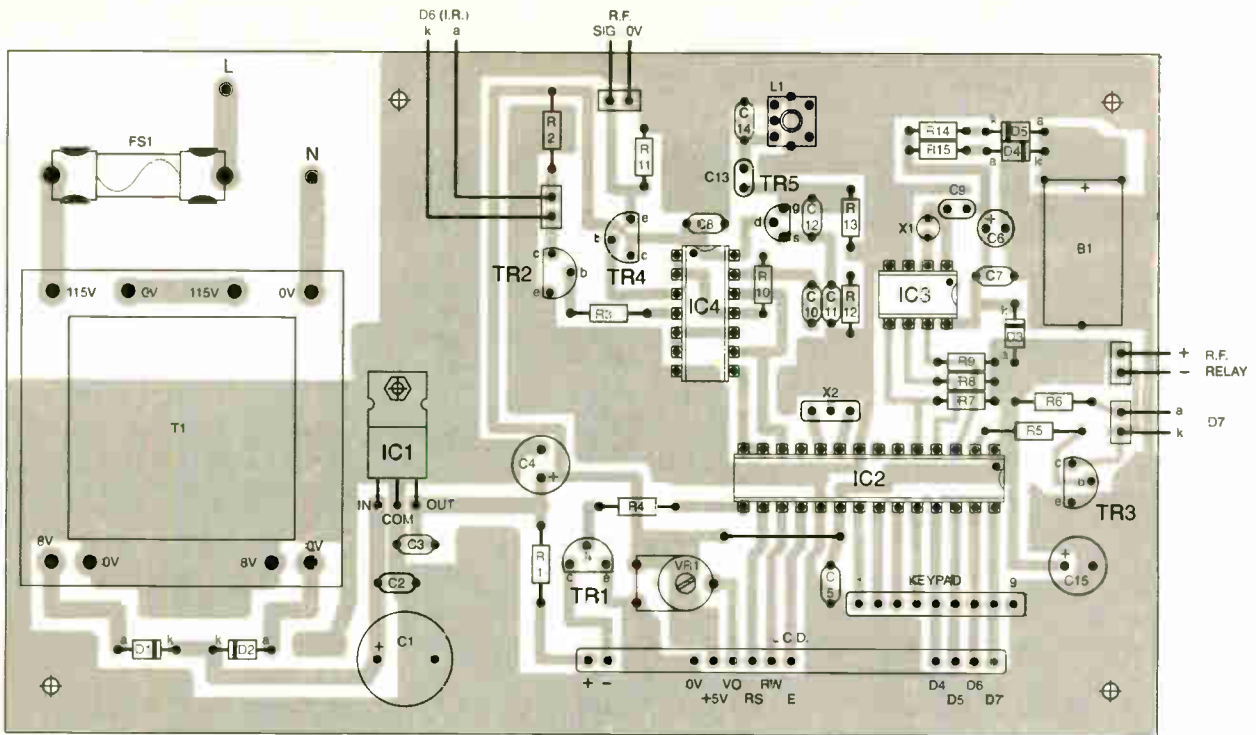
### CONSTRUCTION

Digitimer is constructed on two printed circuit boards, which are available from the EPE PCB Service, codes 311 (Main) and 312 (R.F.).

Before fitting any components to the main board, use it as a template to mark out the four corner fixing holes on the base of the case. Ensure the board is located such that there is sufficient clearance for the l.c.d. on the front panel and the r.f. board on the rear panel.

Assemble the main board first, referring to the layout in Fig. 6. Carefully fit the components to the board observing the correct





6in. (152mm)

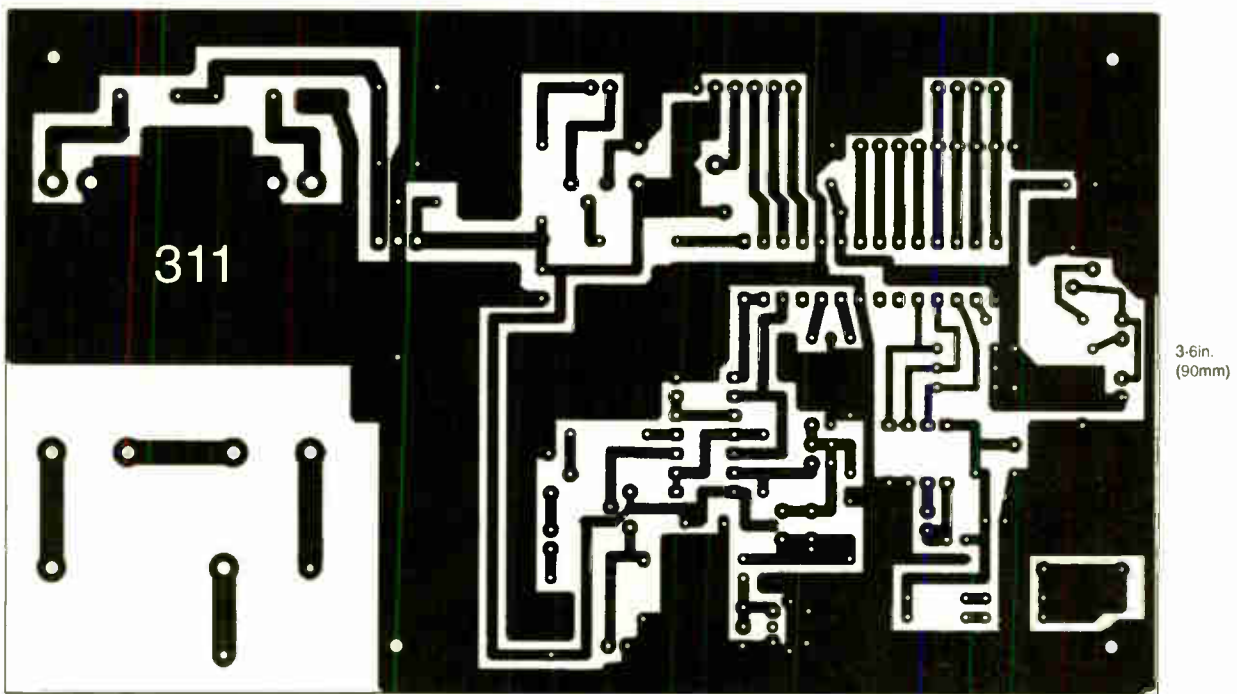


Fig.6. Component layout and full size master track pattern for the main p.c.b.

polarity of the semiconductors and the electrolytic capacitors. The order of fitting is not important, although it is advisable to leave the transformer and the battery until last.

Since the unit consumes so little power, regulator IC1 does not require a heatsink and is simply bolted to the board for mechanical stability. Use sockets for the other i.c.s. but do not insert the i.c.s or connect the display until the power supply section has been tested.

### FIRST TESTS

Once construction is completed, re-

check for correct component orientation and solder splashes. If you are satisfied, testing of the power supply section can commence.

**Mains voltages are present in this unit. Utmost care must be taken to treat them with respect, they can be lethal!**

Using a multimeter set to the Ohms range, first check across capacitor C4 to ensure that there is not a direct short. A brief reading may be obtained as C4 and C15 charge. If all is OK, continue. If not, do not attempt to apply mains power as IC1 and the transformer may be damaged.

Taking care, place the main board on an insulated surface and connect up a temporary mains lead, but do not turn on the supply yet. Tracks on the bottom of the p.c.b. will be carrying mains voltage.

Connect the multimeter, set to a suitable d.c. volts range, between the 0V and +5V output terminals of the regulator. Keeping your fingers clear of the board, switch on the mains supply. The meter should read 5V, within a few per cent.

Switch off the mains supply and disconnect it from the socket outlet. If the 5V rail is not present, carefully check around IC1

## Resistors

R1, R2	22Ω (2 off)
R3 to R5	3k3 (3 off)
R6, R11	470Ω
R12	(3 off)
R7 to R9	8k2 (3 off)
R10	1M
R13	100k
R14	120Ω
R15	270Ω
R16	47Ω SMD 0805 format

All 0.25W 5% carbon film or better, except R16.

## Potentiometer

VR1	4k7 min. horiz. skeleton preset
-----	---------------------------------

## Capacitors

C1	2200μ radial elect. 25V
C2, C3, C5, C7, C8	100n ceramic, 5mm pitch (5 off)
C4	1000μ radial elect. 16V
C6	4μ7 radial elect. 50V
C9	18p ceramic, 5mm pitch
C10, C14	68p ceramic, 5mm pitch (2 off)
C11, C12	120p ceramic, 5mm pitch (2 off)
C13	27p ceramic, 5mm pitch
C15	220μ radial elect. 10V
C16, C17	330p SMD 1206 format (2 off)
C18, C19	100n SMD 1206 format (2 off)

## Semiconductors

D1 to D3, D8	1N4001 rectifier diode (4 off)
D4, D5	1N4148 signal diode (2 off)
D6	IR l.e.d., with leads
D7	red l.e.d. with chrome bezel
TR1 to TR4	BC548 npn transistor (4 off)
TR5	J309 n-channel f.e.t.
IC1	7805 +5V voltage regulator

See  
**SHOP**  
**TALK**  
page

IC2	PIC16F876 microcontroller, pre-programmed, see text
IC3	PCF8583P real time clock (RTC)
IC4	4011 quad NAND gate

## Miscellaneous

B1	3.6V NiMH battery, p.c.b. mounting
F1	100mA 20mm fuse and p.c.b. mounting holder
L1	6μ8H Toko inductor
L2, L3	100μH inductor (2 off)
PL1	coax plug, chassis mounting
PL2	3.5mm stereo jack plug (see text)
RLA	s.p.c.o. sub. min. 5V relay, p.c.b. mounting
SK1	coax socket, chassis mounting
SK2	3.5mm stereo jack socket (see text)
T1	8V-0-8V 4VA mains transformer, p.c.b. mounting
X1	32.768kHz crystal
X2	3.58MHz ceramic resonator
X3	alphanumeric 2 x 16 l.c.d. module
X4	4 x 4 data keypad

Printed circuit boards, available from the *EPE PCB Service*, codes 311 (main), 312 (r.f.); plastic case, Vero 2-piece 180mm x 120mm x 90mm; terminal pins or pin headers for off-board connections; 8-pin d.i.l. socket; 14-pin d.i.l. socket; 28-pin d.i.l. socket; M3 x 8 threaded spacer (10 off); M3 x 6 panhead screw (10 off); M3 x 6 countersunk screw (10 off); M3 washer (14 off); M2.5 x 12 countersunk screw (4 off); M2.5 nut (12 off); M2.5 washer (4 off); M3 x 10 countersunk screw; M3 nut (2 off); mains cable locking grommit; M3 crimp-on eyelet; solder, connecting wire, etc.

for construction errors. The voltage across C1 should be around 15V.

Once you are happy that the power supply is functioning correctly then the front panel components can be connected to the main board.

## R.F. BOARD ASSEMBLY

The r.f. board is only required if you are planning to connect the Digitimer to the Digilink socket on the rear of the Digibox. Construction of this board is a little trickier than the previous board because it involves surface mount components. You need a good magnifying glass, a small pair of tweezers and a steady hand, not to mention a small soldering iron. The board's layout details are shown in Fig. 7.

As before, use the unpopulated p.c.b. as a template to mark out the mounting holes and locations of the sockets on the rear of the chosen case. Note that for good r.f. loop-through performance the rear panel should be metal and the p.c.b. mounted on metal stand-off pillars.

Temporarily assemble the r.f. sockets and p.c.b. pillars on to the rear panel and

then check that the p.c.b. lines up correctly. It is important that the r.f. board is not stressed once completed as the surface mounted components are easily damaged. A hairline fracture will not be noticeable to the eye and may cause a lot of heartache later.

Populate the p.c.b. and use only the minimum amount of solder necessary to provide a good joint. Not only does a large blob of solder look untidy, it is more likely to place stress on the delicate components when it cools.

If possible, get someone to hold the component in place whilst you solder it. With a little patience, however, it is possible to create a neat layout that will function correctly.

Leave the fitting of the relay until last as this may get in the way. Carefully bend the legs of the relay out so that they align with the pads on the board and then solder in place.

## INITIAL CASE ASSEMBLY

Using the photographs as a guide, mark and drill/cut out the case panel to suit your

components. All holes should be countersunk to suit the screw heads, except for the l.e.d. mounting hole which should be the correct size for the l.e.d. chosen.

Mount the l.c.d. to the front panel using 8mm stand-off pillars and fit the keypad and the timer l.e.d. Referring to Fig. 8, wire the keypad, l.e.d., and l.c.d. to the main board.

The functionality of the main board can be tested at this stage. No connections are necessary to the r.f. board. Insert the i.c.s into the sockets, including the pre-programmed PIC, turn VR1 fully clockwise and connect the front panel.

Switch on the power supply. If all is well the display will show "Digitimer" for one second whilst the PIC's internal EEPROM is initialised. Adjust VR1 for good display contrast. If nothing appears, switch off immediately and check for construction errors.

If the display correctly shows "Digitimer" and then goes blank this indicates a fault associated with the RTC chip.

Don't worry if the display starts normally then shows garbage. This will be corrected when the time is set.

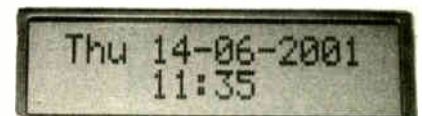
## KEYPAD CHECKING

To test the keypad functionality, set the clock, as follows:

- Press the "blank" key repeatedly until "Set Clock" appears on the display.
- Press the "." key. A flashing cursor will appear next to the Day.
- Key in the correct date, in the order DDMMYY.
- After each key press, the cursor will increment to the next digit.
- Continue until the date and time have been set.

Lastly, the day of the week needs to be set. Regarding Sunday as Day 1, press the corresponding number key.

The clock should now be showing a sensible display of day, date and time. Switch off the unit. Wait a couple of minutes then switch on again. "Digitimer" should be displayed followed by the correct date and time. This proves-out the back-up battery circuit. Switch off.



Next the IR l.e.d. can be connected and the IR functionality tested. Switch on and point the IR l.e.d. towards the Digibox. It should be possible to change channels by pressing the number keys on the keypad. If nothing happens try getting closer to the Digibox. Should there still be no results, switch off and carefully check the circuitry associated with the IR l.e.d. and its driver transistor.

If all appears OK switch off. Initial testing of the main p.c.b. is now complete.

## CASING COMPLETION

Mount the main p.c.b. in the case, whose plastic standoff pillars will need to be removed. The main p.c.b. is mounted on 8mm threaded spacers.

The r.f. p.c.b. is mounted directly to the r.f. sockets on the rear panel. On the

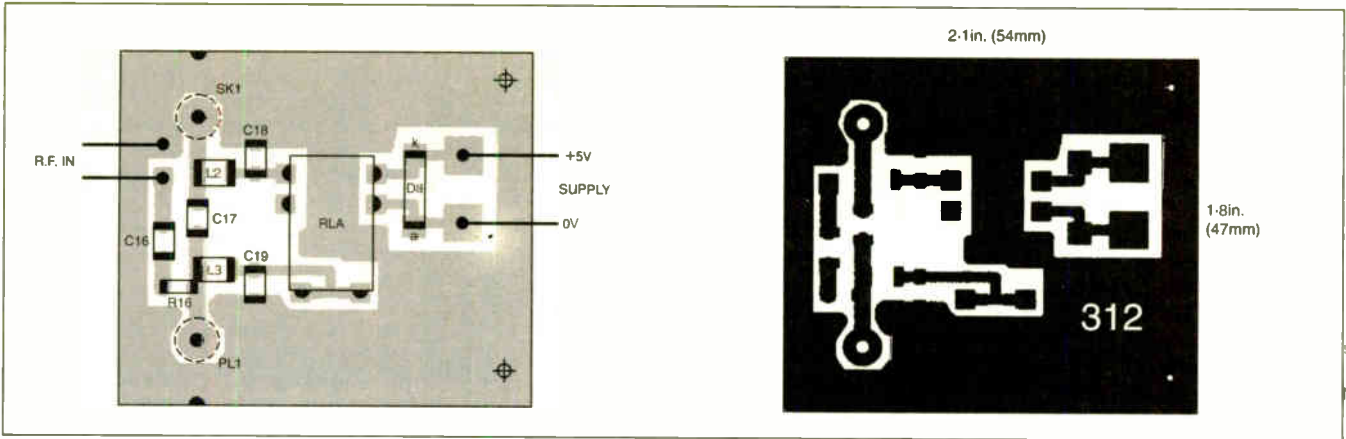


Fig. 7. Component layout and full size master track pattern for the surface mount r.f. p.c.b. Note that SK1 and PL1 require holes to be drilled in the board to accommodate their connecting pins.

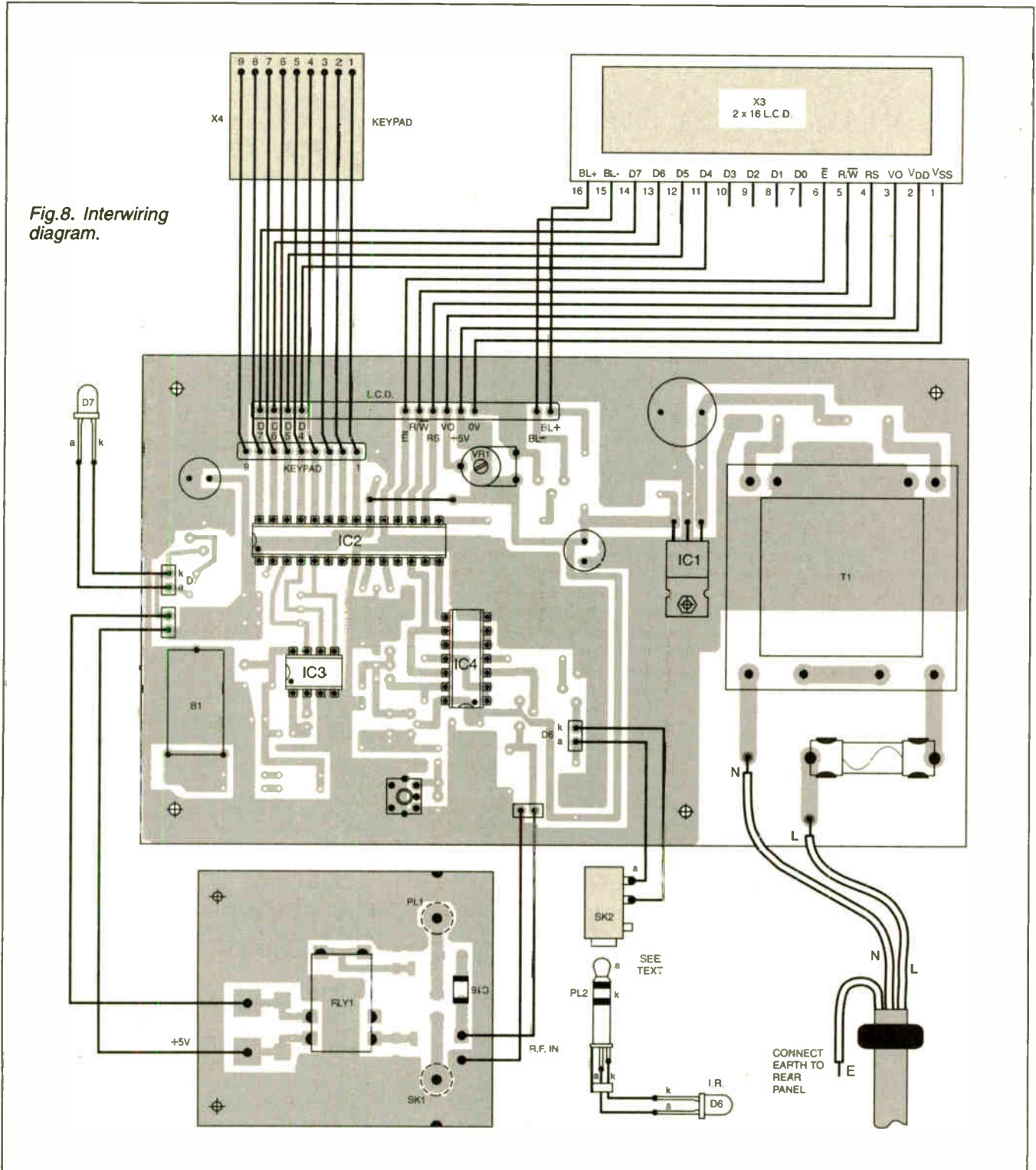
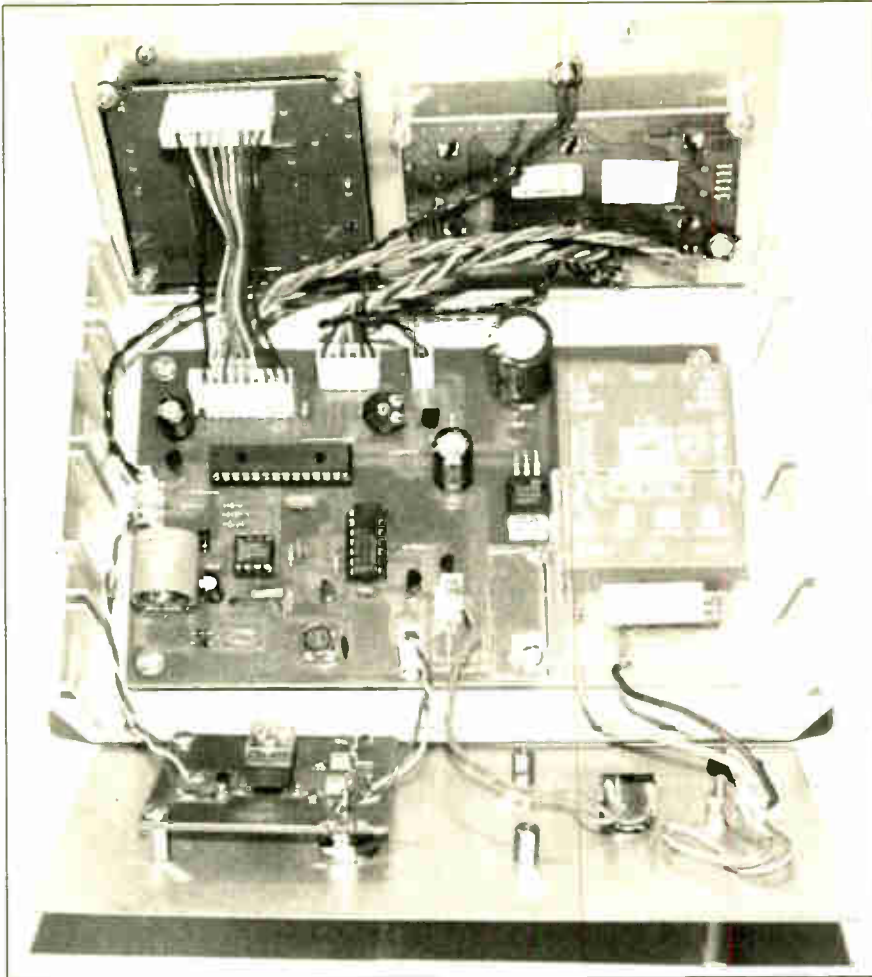


Fig. 8. Interwiring diagram.



prototype the board was mounted using 8mm threaded spacers with a couple of 3mm flat washers to provide enough clearance. As stated earlier, it is important not to put strain on the surface mounted components.

The tag washers from the sockets are bent up and soldered to the ground plane of the p.c.b., see Fig.9. Depending upon the length of the tag washers, a small extension using single strand wire may be necessary.

In the prototype the connection to the IR l.e.d. D6 is via a 3.5mm jack plug and socket (PL2/SK2 – not shown in Fig.2 but illustrated in Fig.8). Diode D6 may be hard-wired to the rear panel if preferred, using a suitable mounting clip. Choose a suitable location for the socket or clip and mount this on the rear panel.

Complete the wiring-up of the unit. Connect the earth lead from the mains cable to a solder tag and screw this to the rear panel using a screw and lock washer.

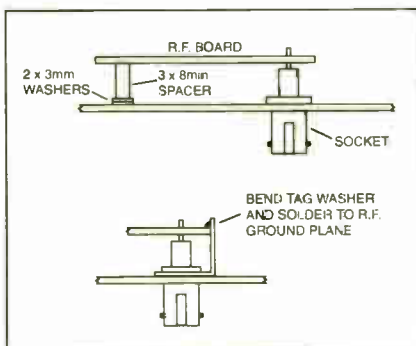


Fig.9. Mounting detail for the r.f. board.

Finally, check all connections are good and that there have been no construction errors.

On the prototype a small Perspex cover was made to shield the mains input fuse and connections so that they could not accidentally be touched.

### FINAL TESTING

Switch on the mains supply. The display should light and display "Digitimer". If not, then switch off immediately and re-check the connections. If all appears OK then the time will be displayed (correctly if the previous tests have been conducted and the battery is charged).

Press the "blank" key and the following menu items should be displayed:

"Check Timer", "Set Timer", "Set Clock" and "Set Fav Channels".

Press the "blank" key repeatedly until "Set Clock" is displayed.

Press the "." key. A flashing cursor will appear under the date. If necessary, set the correct date, time and day of the week as described earlier.

After the day has been set the unit will exit the clock-setting mode.

To re-test the IR functionality point the IR l.e.d. at the Digibox and press a number key. The display on the TV should show a number in the same way as if its normal remote control had been used.

The range of the IR signal will not be as great as the normal remote control because the Digitimer was designed to be used next to the Digibox, with a range of possibly only a meter or two. This will vary depending upon the sensitivity of the actual receiver in the Digibox.

## FAVOURITE CHANNELS

Once the IR unit has been proven, your favourite channels can be set. Press the "blank" key until "Set Fav Channels" is displayed. Then press the "." key. The display will show "Favourite?". Press one of the letter keys A, B, C or D. The display will change to:

Favourite?

A \_

Key in the three digits of the desired channel.

To enter another favourite channel press the desired letter key and enter the three digits. To exit this mode press the "." key.

If no keys are pressed within about six seconds the display will revert to showing the time. The l.c.d. backlight will also switch off about 12 seconds after the last key press.

Now test each of the favourite channels. Press key A, B, C or D. The Digibox will briefly switch off then tune to the desired channel.

## R.F. TESTING

If you have built the r.f. board this can be tested next. Set the core of inductor L1 so that it is flush with the top of the can. This position worked fine on both the prototypes. Connect the Digitimer lower socket via a short coaxial lead to the Digilink output on the rear of the Digibox.

Disconnect the IR l.e.d. to ensure that this does not interfere. Press any number key or favourite channel button on the Digitimer and the Digibox should respond accordingly. If it does not try turning on the Digilink output, as follows:

- Using the Digibox remote control, press the "Services" button.
- Choose "System set-up option (4)". Press 0 then 1 then "Select".
- Choose the "RF outlets option (4)" then select "Second outlet power supply".
- Select "On", then "Save settings".
- Press "Backup" to return to "TV viewing".

Now try again. If this does not work you will have to debug the r.f. section. An oscilloscope is probably an essential item here to trace the r.f. signal pulses from the oscillator, TR5, through to the output socket SK1.

## TIMER SETTING

If all tests have been successful, then close up the unit's case and set the timer to a few minutes in the future:

● Press the "blank" key until "Set Timer" is displayed.

● Press the "." key and the display will change to the timer setting screen, showing:

00:00 00:00 Sun  
C=000 Repeat=No

The cursor will be flashing under the first 0 of the start time. Enter the start time, followed by the stop time. Now enter the day required, via a numeral key as before.

Enter the desired 3-digit channel number. The cursor will now move to the

"Repeat=No". For weekly repeat press 1, for a one-off timer event press 0. Finally press the "." key or wait six seconds to exit the timer setting menu.

When the timer event occurs the timer l.e.d. will illuminate and the relay on the r.f. board will energise. At the same time the channel on the Digibox will change. If a Digilink remote eye is connected then this should not function for the period of the timer event.

To cancel a timer event in progress, press the "." key and the l.e.d. will go off.

### CHECKING TIMER SETTINGS

To check the timer settings, proceed as follows:

- Press the "blank" key until "Check Timer" is displayed.
- Press the "." key and the display will



show "Timer 0" followed by a screen showing the settings.

By repeatedly pressing the "." key it is possible to scroll through all the currently set timers. If a timer has not been set then "Timer n Empty" will be displayed. Where "n" is the timer number.

To erase a timer, follow the above procedure until the unwanted timer is displayed then press the "C" key. "Timer n Empty" will then be displayed.

To exit this menu either press the "blank" key or wait six seconds.

Whilst there is a degree of error checking incorporated into the software, take

care when setting timer events. If you set timers that overlap then the results will be unpredictable. The same goes for start times that occur after stop times in the same timer.

### SOFTWARE

The software for Digitimer was written in "C" and compiled using the excellent Custom Computer Services PCM "C" compiler ([www.ccsinfo.com](http://www.ccsinfo.com)). Development of the software was aided by the use of an RF Solutions ICEPIC2 in-circuit emulator ([www.rfsolutions.co.uk](http://www.rfsolutions.co.uk)).

A detailed description of the software is outside the scope of this article. The software, including the "C" source code, is available from the EPE Editorial office on 3.5-inch disk (for which there is a nominal charge), or free from the EPE ftp web site. For more details see this month's *Shoptalk* page. □



# EPE TEACH-IN 2000 Now on CD-ROM



The whole of the 12-part *Teach-In 2000* series by John Becker (published in EPE Nov '99 to Oct 2000) is now available on CD-ROM. Plus the *Teach-In 2000* software covering all aspects of the series and Alan Winstanley's *Basic Soldering Guide* (including illustrations and Desoldering).

*Teach-in 2000* covers all the basic principles of electronics from Ohm's Law to Displays, including Op.Amps, Logic Gates etc. Each part has its own section on the interactive software where you can also change component values in the various on-screen demonstration circuits.

The series gives a hands-on approach to electronics with numerous breadboarded circuits to try out, plus a simple computer interface which allows a PC to be used as a basic oscilloscope.

**ONLY £12.45** including VAT and p&p

We accept Visa, Mastercard, Amex, Diners Club and Switch cards.

NOTE: This mini CD-ROM is suitable for use on any PC with a CD-ROM drive. It requires Adobe Acrobat Reader (available free from the Internet – [www.adobe.com/acrobat](http://www.adobe.com/acrobat))

## TEACH-IN 2000 CD-ROM ORDER FORM

Please send me ..... (quantity) TEACH-IN 2000 CD-ROM

Price £12.45 (approx \$20) each – includes postage to anywhere in the world.

Name .....

Address .....

..... Post Code .....

I enclose cheque/P.O./bank draft to the value of £ .....

Please charge my card £ .....

Card No. ....

Expiry Date ..... Switch Issue No. ....

**Note: Minimum order for cards £5.**

SEND TO: **Everyday Practical Electronics, 408 Wimborne Road East, Ferndown, Dorset BH22 9ND.**

Tel: 01202 873872. Fax: 01202 874562.

E-mail: [orders@epemag.wimborne.co.uk](mailto:orders@epemag.wimborne.co.uk)

Online store: [www.epemag.wimborne.co.uk/shopdoor.htm](http://www.epemag.wimborne.co.uk/shopdoor.htm)

Payments must be by card or in £ Sterling – cheque or bank draft drawn on a UK bank.

Normally supplied within seven days of receipt of order.

Send a copy of this form, or order by letter if you do not wish to cut your issue.

# SHOP TALK

with David Barrington

## Digitimer

Most of the components used in the *Digitimer* project are RS components and readers should be able to order them through any local *bona fide* RS stockist, including some of our advertisers. They can also be ordered through **Electromail** (☎ 01536 204555 or <http://rswww.com>), their mail order outlet. The following items were obtained from them: p.c.b. mounting, 8V-0V-8V 4VA mains transformer, code 201-6934; miniature 4 x 4 Hex keypad, code 331-304; high-power 5mm infra-red l.e.d., code 267-8380; the J309 n-channel f.e.t., code 290-8451; 5V d.c. 56 ohm coil, p.c.b. mounting, sub. min. relay, code 248-526; p.c.b. mounting 3-6V 70mAh battery, code 228-6379.

The PCF8583P real time clock (RTC) chip was obtained from **Farnell** (☎ 0113 263 6311 or [www.farnell.com](http://www.farnell.com)), code 403-908. One component which may prove difficult to find is the 6-8μH Toko inductor, which, we understand, was obtained from **BEC Distribution** (☎ 01753 549502) as a sample as they only deal in quantity orders. The author informs us that **Sycom** (☎ 01372 372587), PO Box 148, Leatherhead, Surrey, KT22 9YW, handle Toko products and may be able to help. The Toko part reference is A119ANS-T10312.

For those readers unable to program their own PICs, a ready-programmed PIC16F876 microcontroller can be purchased from **Magenta Electronics** (☎ 01283 565435 or [www.magenta2000.co.uk](http://www.magenta2000.co.uk)) for the sum of £10 inclusive p&p (overseas add £1 p&p). They are also able to supply a suitable 2 x 16 character alphanumeric display module at a very reasonable price. The software is available on a 3.5in. PC-compatible disk (EPE Disk 4) from the *EPE* Editorial Office for the sum of £3 each (UK), to cover admin costs (for overseas charges see page 601). It is also available *Free* from the *EPE* web site:

<ftp://ftp.epemag.wimborne.co.uk/pubs/PICS/digitimer>

The two printed circuit boards are available from the *EPE PCB Service*, codes 311 (main) and 312 (R.F.), see page 601.

## Lead/Acid Battery Charger

No problems should be encountered when shopping for parts for the *Lead/Acid Battery Charger* project. The specified Darlington transistor and the L200CV voltage and current regulator should be stocked by most of our component advertisers. This also applies to the 100 ohm 2 watt resistor.

The components list calls for a 18VA mains transformer with twin 9V 1A secondaries, but most catalogues seem to list/stock 20VA types

which will be satisfactory. The transformer used must be generously rated and be capable of giving 1A minimum. The author's model uses a Stantronic TF00076 25VA type.

The two-part, hammertone metal case came from **Maplin** (☎ 0870 264 6000 or [www.maplin.co.uk](http://www.maplin.co.uk)), code XY45Y (case 222). They also supply the 3V to 24V d.c. 10mA piezo buzzer, code KU56L.

The printed circuit board is available from the *EPE PCB Service*, code 309. Finally, do not forget to order an insulation kit for the regulator chip.

## Compact Shortwave Loop Aerial

There are two possible sources for the Varicap tuning diodes used in the *Compact Shortwave Loop Aerial* project. The dual KV1236 type can be obtained from **JAB Electronic Components** (☎ 0121 682 7045), PO Box 5774, Birmingham, B44 8PJ. We understand they prefer orders by "mail order". The other source is **Mainline Surplus Sales** (☎ 0870 2410810), PO Box 5783, Leicester, LE3 2QL, who have large stocks of the triple KV1235 version Varicap at a very reasonable price.

In case of difficulty, the specified BF981 dual-gate MOSFET, together with a range of low-cost diecast boxes, can be purchased from **J. Birkett, Radio Component Supplies** (☎ 01522 520767). The article covers quite a range of suggestions for the other semiconductor devices.

The HT7291 low drop-out regulator and the panel mounting coaxial socket are listed by **Maplin** (☎ 0870 264 6000 or [www.maplin.co.uk](http://www.maplin.co.uk)). The codes for these are PV13P and HH08J.

The printed circuit board is available from the *EPE PCB Service*, code 310 (see page 601).

## Perpetual Projects 2 - L.E.D. Flasher and Double Door-Buzzer

Only three items could be of concern in this month's *Perpetual Projects*. The solar panel was dealt with last month.

The 5mm extreme brightness blue l.e.d., used in the *L.E.D. Flasher*, came from **Electromail** (☎ 01536 204555 or <http://rswww.com>), code 235-9922. The Motorola MC14093B quad 2-input NAND Schmitt i.c. also came from them, code 640-765.

The low profile wire-ended piezo sounder, used in the *Double Door-Buzzer*, also came from the above company, code 249-889. You could try one of the standard disc type piezoelectric sounders.

The "Uniboard" printed circuit board is obtainable from the *EPE PCB Service*, code 305 (see page 601).

## PLEASE TAKE NOTE

### Toolkit Mk 2

(May/June '99)

A bug has come to light in the Send Hex and Convert Hex to OBJ routines. It has now been fixed and the revised software is available as Toolkit V2.4d. See *PCB Service* page (601) for software ordering details.



## A COMPLETE RANGE OF INVERTERS

150W TO 2500W - 12V & 24V

A Complete range of regulated inverters to power 220V and 240V AC equipment via a car, lorry or boat battery. Due to their high performance (>90%) the inverters generate very little heat. The high stability of the output frequency (+/-1%) makes them equally suitable to power sensitive devices.

These inverters generate a modified sine wave, which are considerably superior to the square waves which are produced by most other inverters. Due to this superior feature they are capable of powering electrical equipment such as TV,s, videos, desktop & notepad computers, microwave ovens, electrical lamps, pumps, battery chargers, etc.

### Low Battery Alarm

The inverters give an audible warning signal when the battery voltage is lower than 10.5V (21V for the 24V version). The inverter automatically shuts off when the battery voltage drops below 10V (20V for the 24V version). Fuse protected input circuitry.

Order Code	Power	Voltage	Price
651.581	150W Continuous	12V	£36.39
651.578	150W Continuous	24V	£36.39
651.582	300W Continuous	12V	£50.64
651.585	300W Continuous	24V	£50.64
651.583	600W Continuous	12V	£101.59
651.593	600W Continuous	24V	£101.59
651.587	1000W Continuous	12V	£177.18
651.597	1000W Continuous	24V	£177.18
651.602	1500W Continuous	12V	£314.52
651.605	1500W Continuous	24V	£314.52
651.589	2500W Continuous	12V	£490.54
651.599	2500W Continuous	24V	£490.54



ILLUSTRATION SHOWN IS 651.583 600W VERSION.

All prices are inclusive of V.A.T. Carriage £5.00 Per Order

Many uses include:- \* Fetes \* Fairgrounds \* Airshows \* Picnics \* Camping \* Caravans \* Boats \* Carnivals \* Field Research and \* Amateur Radio field days \* Powering Desktop & Notepad Computers.



**B.K. ELECTRONICS**



UNIT 1, COMET WAY, SOUTHEND-ON-SEA, ESSEX. SS2 6TR  
TEL.: +44(0)1702-527572 FAX.: +44(0)1702-420243

DELIVERY CHARGES ARE £6-00 PER ORDER. OFFICIAL ORDERS FROM SCHOOLS, COLLEGES, GOVT. BODIES, PLC.S ETC. PRICES ARE INCLUSIVE OF V.A.T. SALES COUNTER. VISA AND ACCESS ACCEPTED BY POST, PHONE OR FAX, OR EMAIL US AT SALES@BKELEC.COM ALTERNATIVELY SEND CHEQUE OR POSTAL ORDERS MADE PAYABLE TO BK ELECTRONICS.

For Full Specifications View our web site at:-

**WWW.BKELEC.COM/INVERTERS.HTM**

**SPECIAL  
READER -  
OFFER -  
SEE WEBSITE  
FOR DETAILS**

# PROTEUS

## VSM

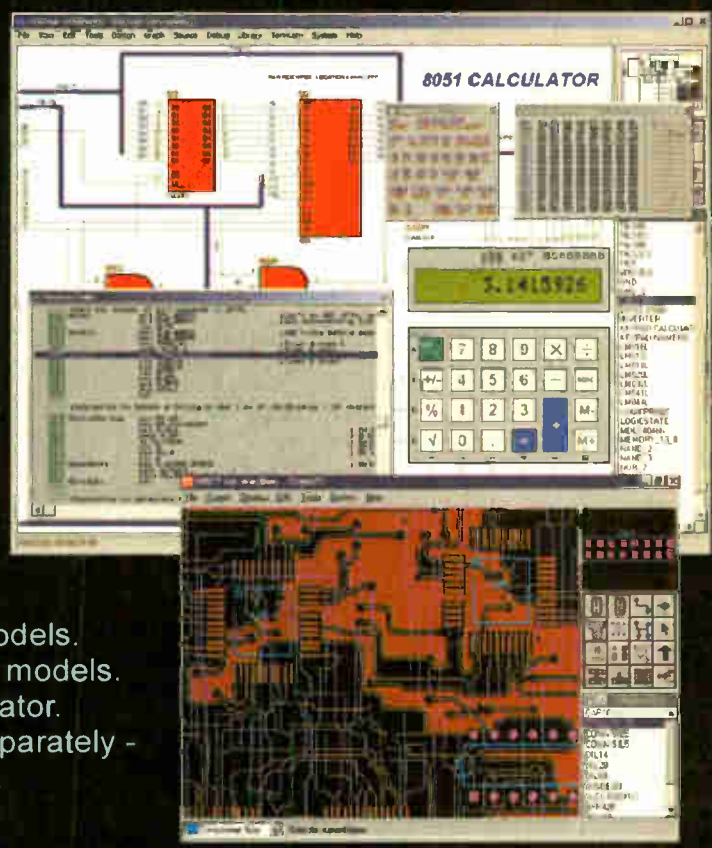
*Virtual System Modelling*

Build It In Cyberspace

[www.labcenter.co.uk](http://www.labcenter.co.uk)

**Develop and test complete micro-controller designs without building a physical prototype. PROTEUS VSM simulates the CPU and any additional electronics used in your designs. And it does so in real time. \***

- CPU models for PIC and 8051 and series micro-controllers available now. 68HC11 coming soon. More CPU models under development. See website for latest info.
- Interactive device models include LCD displays, RS232 terminal, universal keypad plus a range of switches, buttons, pots, LEDs, 7 segment displays and much more.
- Extensive debugging facilities including register and memory contents, breakpoints and single step modes.
- Source level debugging supported for selected development tools.
- Integrated 'make' utility - compile and simulate with one keystroke.
- Over 4000 standard SPICE models included. Fully compatible with manufacturers' SPICE models.
- DLL interfaces provided for application specific models.
- Based on SPICE3F5 mixed mode circuit simulator.
- CPU and interactive device models are sold separately - build up your VSM system in affordable stages.
- ARES Lite PCB Layout also available.



**labcenter**  
Electronics

\*E.g. PROTEUS VSM can simulate an 8051 clocked at 12MHz on a 300MHz Pentium II

Write, phone or fax for your free demo CD - or email [info@labcenter.co.uk](mailto:info@labcenter.co.uk).  
Tel: 01756 753440. Fax: 01756 752857. 53-55 Main St, Grassington. BD23 5AA.

## HIGH-RESOLUTION L.C.D. FLAT SCREENS

Barry Fox reports that it's all done with mirrors and prisms.

**P**HILIPS has taken the wraps off a large flat screen monitor that displays bright, high resolution images, is much lighter and consumes less power than a cathode ray tube and costs half the price of an l.c.d. or plasma panel. The monitor looks like a CRT set but contains a compact rear projector with a Liquid Crystal On Silicon light valve and scrolling prism light that adds full colour to a monochrome image.

Monitor designers are currently trapped in a tangle of compromises. CRT screen size is limited by the weight of the glass needed to stop the vacuum tube imploding under atmospheric pressure. (See the "Truly Flat CRT" item opposite - Ed.) The electron beam guns waste power as heat. L.C.D. screens run cool but factories have great difficulty making large panels because a single faulty cell creates a permanent blip on the screen. Plasma panels are bulky, gobble power and cost over \$10,000.

### Rear-Projection

The new trend is to use a rear-projector instead of a direct view screen. A cabinet has a translucent screen and a bright lamp which beams white light onto a light valve panel the size of a large postage stamp. The panel displays the graphic or TV image and modulates the light beam before it goes through a projection lens behind the translucent screen. "Folding" the light path with mirrors keeps the cabinet small.

The light valve panel can be a miniature version of a conventional l.c.d. screen, with a matrix of cells each containing liquid crystal and switched by a thin-film transistor. Three separate panels, and red, green and blue light beams, are needed to get full colour on the screen. The images must be very accurately aligned for pure colours. The transistors on the l.c.d. panel block light and dull the image.

So some rear projectors use a light panel made from a matrix of tiny mirrors which switch position to form a video picture which then reflects light through the lens. Colour is added by borrowing an idea from TV pioneer John Logie Baird and spinning a wheel with red, green and blue filters in the light beam. Texas Instruments is the sole supplier of Digital Micromirror light valves.

Philips uses a new kind of l.c.d. panel made by depositing liquid crystal cells directly onto a slice of silicon, topping the sandwich with a transparent electrode sheet and backing it with a reflective layer. Light is shone through the top sheet,

modulated by the cells and reflected by the backing into a projection lens. The projected image is very bright because there are no transistors in the light path. Resolution is high because the cells can be very small and just two micrometres apart.

### Dichroic Mirrors

To avoid the cost and complexity of using three precisely aligned panels, Philips's researchers at Briarcliff Manor, New York devised a clever new way of getting colour from a single panel. Dichroic mirrors split white light from an arc lamp into three beams, red, green and blue. Each beam is shaped as a rectangular strip, one third the height of a TV or PC image. The three strip beams then pass through a rapidly rotating prism which continually scrolls red, green and blue strips of light

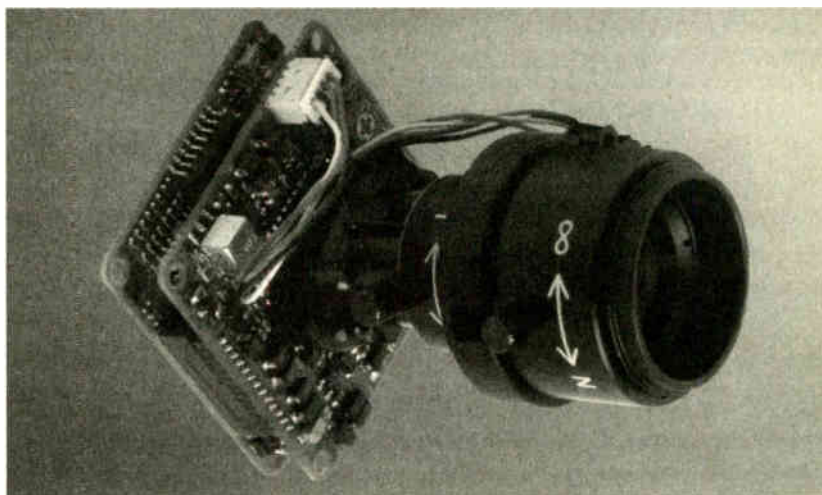
down the LCOS panel. So the LC cells are sequentially reflecting red, green and blue light.

The video signal fed to the panel is sequentially switched in synchronism so that cells bathed in red light display only the red content of the picture, cells in blue light display blue content and so on. The prism scrolls at 200Hz which fools the eye into full colour without flicker.

Philips frontman for the project Ad de Vaan says 100cm displays will be ready by 2003 and cost under \$3000. "Until now it has not been possible to make the silicon substrate flat enough, but factories making D-RAM chips now have polishing equipment that can do it."

Says de Vaan, "Philips owns LCOS. We have 85 per cent of all LCOS patents and 95 per cent of the important ones".

## CCD CAMERA MODULE



An extremely high-quality dual-board colour CCD camera module has been added to the established Pecan range of CCTV cameras from Stortech Electronics.

Stortech state that the camera sets a new standard in price-performance for products of its type and that it offers very high levels of flexibility, excellent picture quality, true colour and high reliability. The camera is suitable for wide range of applications, both indoors and outdoors, where p.c.b. cameras would not previously have been considered.

Designed around a Sony 1/3-inch (8.5cm) CCD imager, the Pecan CB60H offers horizontal picture resolution of 450 lines and will deliver quality images in light levels as low as 3 lux. Power consumption is typically around 1.85W, the p.c.b.s measure 38mm x 78mm and the module is supplied with an integral varifocal lens with d.c.-controlled auto-iris. We are advised that the price is basically around £170 but various dealers may be offering good discounts.

For more information contact Stortech Electronics Ltd., Dept EPE, Unit 2, Spire Green Centre, Pinnacles West, Harlow, Essex CM19 5TS. Tel: 01279 419913. Fax: 01279 419925. E-mail and Web addresses not quoted.



# TRULY FLAT CRT

By Barry Fox

**P**ATENTS reveal that IBM's research laboratory at Greenock in Scotland has spent seven years developing the world's first truly flat cathode ray tube, for use as a TV or PC screen. The CRT can be at least 45cm in size, while only 2cm or 3cm thick. It is cheaper to make than an l.c.d. panel, more robust and uses permanent magnets instead of coils. So hackers will find it far harder to sit outside a secure building and pick up leaking signals to reconstruct on-screen data.

The original invention was made by John Beeteson and Andrew Knox in 1994. The work is so novel that Patent Offices have been unable to find anything similar that has been previously patented. Knox (who has won more patents than anyone else in IBM's UK and Irish laboratories) recently completed three years at Glasgow University on a PhD for the enabling technology.

The flat tube is a sealed device, like a large rectangular button, with a flat cathode plate on the bottom, and a slightly curved glass plate at the top. The inside of the glass top is coated with red, green and blue phosphor stripes. A large permanent magnet plate is sandwiched between the cathode and the glass, and the magnet is peppered with small holes.

Electrons emitted by the cathode plate are pulled towards the magnetic plate, channelled through the perforations and accelerated and focussed into tight beams by the intense magnetic field inside the perforations.

As the electron beams leave the plate perforations, and rush towards the glass, they pass anodes on either side of each exit hole. When a switching voltage is fed to the anodes on both sides of an exit hole, the beam accelerates straight and hits a green phosphor stripe. If one anode is on and the other off, the beam is slightly deflected to left or right, and hits a red or blue phosphor stripe.

So when a digital video signal is fed to the anodes, the beams paint a full colour picture on the screen glass.

Because the beams travel only a few centimetres from cathode to glass, the tube need only contain a small volume vacuum. So the glass can be much thinner and lighter than needed for a conventional, large volume CRT.

Conventional CRTs use electromagnet coils to deflect the beams, and these coils leak electromagnetic radiation. The perforated plate in the IBM tube leaks only steady magnetism and the beam switching anodes leak only weak electrostatic fields. Inventor Andrew Knox says this will reassure anyone worried about the health risks, and also makes it much harder for hackers to eavesdrop electronically.

John Beeteson retired at Christmas when IBM shut its Advanced Displays Technology laboratory. Andrew Knox still works in an office under a sign which proclaims "The World is Flat", but fears there is little chance of IBM finishing the job he started - the design is up for sale and has already been offered to a Far Eastern manufacturer.

## MICROCHIP TECHNICAL CD-ROM



MICROCHIP have introduced their revised Technical Library CD-ROM 1st Edition 2001. This is a complete compilation of technical documentation on the company's PIC microcontrollers and associated development tools. Other related products are covered as well. Microchip's product line includes more than 230 stand-alone analogue and interface products that complement their existing PIC microcontroller products.

The information on the two CD-ROM set replicates Microchip's popular web site and can be viewed with an HTML browser. For more information contact Arizona Microchip Technology Ltd., Microchip House, 505 Eskdale Road, Winnersh Triangle, Wokingham, Berks RG41 5TU. Tel: 0118 921 5858.

Fax: 0118 921 5835.

Web: [www.microchip.com](http://www.microchip.com).

## TIME-SLIP VIDEO

Videos with simultaneous read-write modes allow you to view one recording while making another. Barry Fox reports.

**YOU STILL** haven't had time to watch the TV programme you taped last week, and now it's time to record the next episode. Then, while you are watching, a long-lost friend phones and interrupts.

New technology which goes on sale for Christmas, solves both problems. A recorder will capture live TV on a blank DVD, with a laser which continually switches so fast between write and read modes that it seamlessly plays a previous recording while making a new one. The viewer can watch either the old or the new programme, as the new recording is made - and pause playback to answer the phone, while the disk continues to record.

Japanese company Matsushita, maker of Panasonic VCRs, gave a sneak preview of its Time Slip DVD technology recently at a European trade seminar in Greece, ahead of official unveiling at the Berlin electronics show in late August. Matsushita's rivals in DVD recording, Pioneer and Philips, are already saying they can develop their own versions.

### Disk Not Tape

VHS VCRs rely on tape and can either record or play back, but not at the same

time. The TiVo Personal Video Recorder from the US uses a computer magnetic hard disk instead of tape and can play back while recording. But TiVo needs separate recording and playback heads, and the disk cannot be removed from the recorder to shelve in a home library. TiVo recordings must be erased before new ones are made.

Panasonic's Time Slip uses blank erasable DVDs instead of a magnetic disk. The recorder has a laser which continually switches between high power mode to "burn" a recording, and low power mode to read it. At the same time the laser skips fast between different physical positions on the disk. To let all this happen without gaps on screen, the video data streams into buffer memory at 22Mbps and comes out at 11Mbps.

If someone comes to the door, or phones, while the recorder is making a new recording and playing an old one, the viewer just presses "pause". The recorder goes on recording but temporarily stops playing.

Matsushita says Time Slip DVD recorders will cost around £1000 or \$1500 and be in the shops in time for Christmas.

## Maplin Electronics Sold

MAPLIN Electronics has been sold in a £42 million transaction. The sale represents a huge opportunity for Maplin, with Graphite Capital, the independent private equity provider formerly known as F&C Ventures, providing the backing to further develop and expand the business.

For almost 30 years Maplin has been providing business customers, hobbyists and enthusiasts with a reliable source of good quality electronic products. The range covers 15,000 products, available via 59 high street stores, mail order catalogue and online shopping site. The company employs over 800 people in the UK.

Keith Pacey, Maplin's Managing Director, said "This transaction represents a very important and positive step in Maplin's development. With Graphite's backing we now have the appropriate structure and resources for the future, and this represents an excellent opportunity for our management team to grow the business. We are looking to expand the retail network to 100 stores over the next few years and further develop our e-commerce operations"

For product information contact Maplin Electronics Ltd, Dept EPE, Valley Road, Wombwell, Barnsley S73 0BS. Tel: 01226 751155. Fax: 01226 340167. Web: [www.maplin.co.uk](http://www.maplin.co.uk).

# LEAD-ACID BATTERY CHARGER



TERRY de VAUX-BALBIRNIE

Keep those 6V or 12V batteries properly charged!

**T**HIS article describes the construction of a charger specially designed for small lead-acid batteries.

Lead-acid batteries are found in many pieces of electronic equipment. The small type provides a convenient and relatively inexpensive means of storing a useful amount of energy.

Unlike nickel-cadmium cells, they do not suffer from the "memory effect" which results in the gradual loss of capacity when they are not fully discharged before re-charging.

In fact, they provide their best service life when used in "float" applications where the charge is kept "topped-up" rather than allowing it to fall to a low state.

One particular advantage of this type of battery is its very small self-discharge rate. All batteries are subject to some loss of charge even when not delivering current to an external circuit. However, the lead-acid type will still hold some 50 per cent of its charge after a year or more (in a reasonably cool climate – at higher temperatures, the charge falls much more quickly).

The low self-discharge rate makes the lead-acid battery attractive to use in devices which are needed only occasionally – for example an emergency hand lamp. If one of these was powered using nickel cadmium cells (and they often are) and it was left in the boot of a car without regular charging, it would probably be "flat" when you needed it most.

## LEAD-ACID TECHNOLOGY

The principle on which the lead-acid battery is based is very old and practical examples have been in use for many years. However, the materials used in their construction and the technology of the manufacturing process have improved greatly.

In a lead-acid cell, the negative electrode is made of metallic lead and the positive one, lead dioxide. In practice, these are made in a spongy form pressed into a grid in lead-alloy plates. The electrolyte

(the liquid between the electrodes) consists of a moderately strong mixture of sulphuric acid and water. Passing current between the electrodes causes a chemical reaction to occur and this stores energy. The process is reversible and, after charging, current may be drawn from the cell.

During the discharge process, both the lead in the negative plate and the lead dioxide in the positive one are converted into lead sulphate. As this happens, the density of the electrolyte falls. During charging, current is forced to flow in the opposite direction. The materials return to their original form and the density of the electrolyte rises again. The nominal terminal voltage of a single cell is 2V but this rises to 2.2V approximately when fully charged and drops to 1.8V when discharged.

In theory, it should be possible to repeat the charge/discharge process any number of times. However, with each cycle, the working material tends to work loose from the plates and a small amount is dislodged. This happens very quickly when an excessive current flows through the cell (whether during charging or discharging) because the plates become warm and expand.

A very large current buckles the plates and ruins the battery very quickly. In normal use, the effect is gradually to reduce its capacity. Manufacturers use materials such

as glass fibre to keep the active material pressed in place while allowing the chemical reaction to proceed freely.

Another problem is that normal "soft" lead sulphate gradually turns into a hard form. This insulates the plates, impedes the flow of current and eventually ruins the cell. Such "sulphation" happens very quickly when the cell is discharged below a certain level (nominally 1.8V), especially when it is left like that for a time.

Single cells are available. However, most practical units consist of an outer case containing several cells connected in series internally. The most popular types contain three or six cells, providing a nominal 6V and 12V output respectively.

## TOPPING-UP

The original type of lead-acid battery needed regular topping-up with de-ionised water. This was to make up the loss due to evaporation and electrolysis (the sulphuric acid remains inside). During charging, some electrolysis takes place whereby the water splits into its constituent gases, oxygen and hydrogen. In the traditional design, the gases are allowed to escape through vent holes.

The modern type of battery is constructed as a sealed unit. The gases are re-combined within it so no water should be lost. In fact, in the larger types there is often some means to allow topping-up in case a little water does "disappear". In the small ones, no such facility exists.



However, although sealed, the battery does have a venting system which allows gases to escape if the internal pressure rises (probably due to over-charging). When the pressure falls, the vent closes again.

As well as being maintenance-free, small batteries have the electrolyte formed into a jelly-like consistency. This allows the unit to be mounted in the case with any orientation, which can simplify the design of a piece of equipment.

When freshly charged, a nominal 12V battery will develop a terminal voltage of a little over 13V (that is, 2.2V per cell). When discharged, it will be some 11V (1.8V per cell). The practical low point is often regarded as slightly below the "discharged" value – say 10.5V for a 12V battery.

The corresponding figures for a nominal 6V battery are, of course, half those for a 12V unit. Since discharging the battery below the low point will result in serious sulphation, it is important to re-charge it promptly and, if possible, before it reaches the "discharged" level.

### STORAGE CAPACITY

The amount of charge a battery can store is usually expressed in amp-hours (Ah). When considering what capacity is needed for a given application, it is necessary to consider two factors: the current required (in amps) and the period over which this is needed (in hours). Multiplying these two figures together provides a measure of the capacity required, the Ah value.

In practice, a battery having a somewhat higher capacity than required would then be used. Note that the capacity is based on discharging the battery to its nominally discharged level, not to the point where it becomes dangerously "flat".

If a 12V battery has a capacity of 6Ah, in rough terms it can supply one amp for six hours, 500mA for twelve hours or any other multiple of current and time which makes six.

However, the capacity appears smaller for large discharge currents. The battery used in this example could not, in practice, supply six amps for one hour, so the figure is standardised for a 10-hour rate (or for some other stated discharge time). Thus, the battery could supply 0.6A (600mA) for ten hours.

Conversely, the capacity appears to increase with decreasing load. The battery would be found capable of supplying 100mA for more than 60 hours.

When assessing the amp-hour capacity required, it is therefore necessary to update it if the current required is greater than that at the specified rate.

### GET A LIFE

For the reasons given earlier, the capacity of a lead-acid battery decreases over time to the point where it fails to deliver a useful amount of charge. It has then reached the end of its service life. Even when carefully used, it is likely to have lost a significant fraction of its original capacity after a few years. If mistreated, it will fail much more quickly.

If a battery is subjected to repeated fully discharging before re-charging (so-called cyclic use), it will provide a much shorter

life compared with one used in "float" applications. Note that some batteries are designed specifically for cyclic use and perform better in this respect than the ordinary kind (but are more expensive).

With only a small discharge (a small "depth of discharge"), one thousand or more cycles may be expected from a typical battery. With deeper degrees of discharge, it may be found that fewer than 200 cycles are possible.

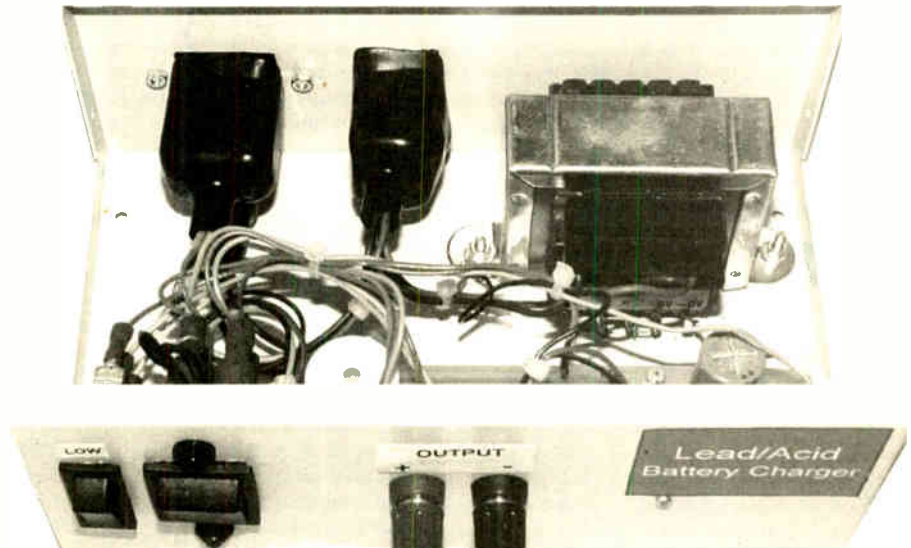
### CIRCUIT OVERVIEW

This circuit has been designed for charging 6V and 12V lead-acid batteries of 1Ah capacity and above. It will be found most convenient for units up to 8Ah

capacity. With larger ones, the charging times become rather long.

The completed unit is shown in the photographs. On the front are voltage select and current limit switches, plus a pair of terminals to which the battery is connected. On the back is a mains input plug, on-off switch and fuse. The switches on the front will be set according to the battery being charged, more on which will be said later.

If the battery is forgotten and left connected beyond its normal charging time, it will not be harmed in the short term because the current eventually falls to a very low value. Note, however, that it is not designed to be connected continuously – so called, "trickle" charging (the circuit



**COMPONENTS** Approx. Cost Guidance Only **£30** excluding case.

#### Resistors

R1	100Ω 2W (2 off)	
	(see text)	
R2	1k	
R3	1Ω	
R4	8Ω2	
	(see text)	
R5	1Ω8	
	(see text)	
R6	3k3	
R7	1k5	
R8, R10	220k (2 off)	
R9	560Ω	
R11	220Ω	
R12, R13	10Ω (2 off) (see text)	

All 0.6W 1%, except R1.

#### Potentiometers

VR1, VR2	1k min. multiturn preset, vertical (2 off)
----------	--

#### Capacitors

C1	1000μ radial elect. 63V
C2	220n ceramic
C3	100n ceramic

#### Semiconductors

IC1	L200CV adjustable voltage and current regulator
REC1	W01 bridge rectifier, 100V 1.5A
D1	1N4148 signal diode
D2, D3	1N4001 rect. diode (2 off)
D4	red l.e.d., 5mm
D5	green l.e.d., 5mm

TR1, TR2 MPSA14 low power npn Darlington transistor (2 off)

#### Miscellaneous

T1	mains transformer, twin 9V 1A secondary windings (18VA)
WD1	piezo buzzer 3V to 24V d.c., 10mA
FS1	1A ceramic fuse plus fuseholder, panel mounting
FS2	2A 20mm quick blow fuse plus fuseholder, chassis mounting
S1	d.p.s.t. rocker switch, mains-rated
S2	d.p.d.t. rocker switch, 1A
S3	s.p.d.t. rocker switch, 1A
TB1	terminal post, panel mounting, red
TB2	terminal post, panel mounting, black

Printed circuit board, available from the EPE PCB Service, code 309; aluminium instrument case, 200mm x 125mm x 75mm; TO220 semiconductor insulated mounting kit; l.e.d. panel mounting clip (2 off); mains inlet connector, male, panel mounting; insulating boots for mains inlet connector, mains on-off switch and mains fuseholder; insulating shield for transformer primary tags; spade receptacle connectors; connecting wire; solder tag; solder etc..



may be adjusted to allow this but the charging time is increased).

If the charger is switched off (or the supply interrupted) with the battery still connected, there will be a very small discharge current. However, this should represent only a negligible drain even over a day or two.

### CONSTANT VOLTAGE

The most usual way to charge a lead-acid battery is from a constant voltage source and this is the method used here. The value of the voltage must be greater than the highest voltage developed by the battery or, when they are equal, no current will flow into it.

It is generally accepted that charging at between 2.30V and 2.50V per cell is appropriate. A nominal 6V battery will therefore need a charging voltage somewhere between 6.9V and 7.5V, while a 12V unit will require between 13.8V and 15V.

These values are highly significant. Suppose a nominal 12V battery is put on charge at an actual terminal voltage of 11V. The difference between the charger output voltage and that of the battery would be quite large – between 2.8V and 4V. This difference in voltage is available to drive current through the battery and charge it.

The actual value of the current can be found by dividing the voltage difference by the resistance of the output circuit (that is, using Ohm's Law). The resistance will include the output impedance of the actual charger circuit, the internal resistance of the battery, that of the connecting wires and so on.

The total resistance is likely to be very small so the current would be correspondingly high. This could be destructive either to the battery itself (because of excessive internal heating) or to the charging circuit.

### DAMAGE LIMITATION

To prevent excess current flow, some form of current limiting is therefore essential. A practical value may be regarded as 0.25 multiplied by the amp-hour capacity of the battery. Thus, a 4Ah unit would be limited to a charging current of 1A. A smaller current, of course, simply extends the charging time. In this circuit, the current limit switch on the front panel may be set to either 250mA or 500mA.

As the battery charges, its terminal voltage rises so the difference between the charger output voltage and that of the battery becomes smaller. For a time, it remains sufficient to maintain the current

at the limiting value. At some point, this cannot be done and the current begins to fall. It then continues to drop more slowly until the end point is reached. The end-point current was measured at 10mA in the prototype unit.

In Fig.1 is shown a graph of current plotted against time for the prototype unit charging a 3Ah battery set for a 500mA limit. This is illustrative only and is not reproduced exactly to scale. There are three distinct phases and a typical percentage of charge acquired during each of them is given.

It will be seen that almost 90 per cent of the charge is given during the first two phases. It may therefore not be thought worthwhile leaving the battery connected for longer than that. A practical charging time could be regarded as three hours per amp-hour using a 500mA limit, or six hours per amp-hour using a 250mA limit. It would need twice as long for a near-100 per cent charge.

The advantage of using a low charger output voltage (say, 2.3V per cell) would be a very small end-point current and the battery could be left connected indefinitely (trickle charging) if required. The disadvantage would be an extended charging period.

A high charger voltage (2.5V per cell) would reduce the charging time but the end point current would be too great to allow the battery to be connected continuously.

Although the output of the circuit may be adjusted at the setting-up stage to any value between these limits, 2.4V per cell is recommended. This is a reasonable compromise. The overall charging time is not much affected yet if the battery is forgotten and left connected, it will not be harmed in the short term.

### DESIGN CONSIDERATIONS

If the charger achieved a current limit of, say, 1.5A (which would be appropriate for batteries of 6Ah or more) the size and cost would be increased compared with using a lower limit. This is mainly

because the transformer would need to be more substantial.

Trying to achieve the minimum charging time is often not important when balanced against cost. This was why an upper limit of 500mA was chosen for this circuit. This is the maximum for a 2Ah battery.

For a smaller unit (down to 1Ah), it will need to be limited still further, so a 250mA limit is also provided. The current select switch on the front panel sets the limit required.

### CIRCUIT DESCRIPTION

The complete circuit diagram for the Lead-Acid Battery Charger is shown in Fig.2. The a.c. mains supply is connected to the primary winding of transformer T1 via fuse FS1 and double-pole on-off switch S1.

The transformer has two 9V secondary windings which are connected in series. With voltage selector switch S2a in the 6V position, only one winding is used. In the 12V position, both are in circuit giving a nominal 18V. The higher voltage is used for charging 12V batteries while the lower one is used for 6V units.

Note that the labelling of switch S2 refers to the nominal voltage of the battery being charged rather than the actual voltage existing there.

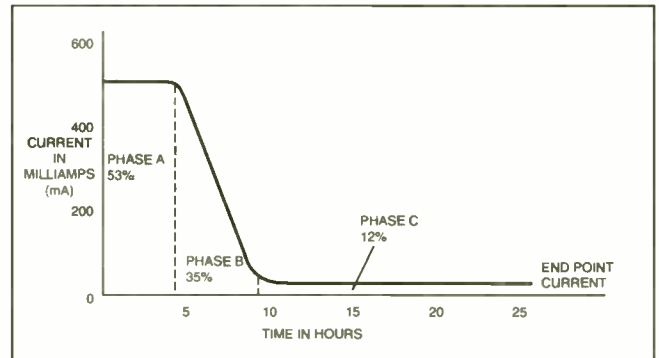


Fig.1. Graph of current plotted against time for charging a 3Ah battery set for a 500mA limit.

The a.c. output from the transformer is applied to the conventional arrangement of bridge rectifier REC1 and smoothing capacitor C1. The capacitor charges up to the peak of the a.c. waveform (minus the forward voltage drop of the diodes within the bridge rectifier) – giving some 11V d.c. and 24V d.c. on the 6V and 12V settings respectively.

The rectified voltage is then applied to the input of the voltage and current regulator IC1. This i.c. has a maximum rated output of 2A so in this circuit it is being used well below its capacity.

Current flowing from output pin 5 passes through either resistor R5, or the parallel resistors R3 and R4, according to the setting of current limit switch S3. The value of the R3/R4 parallel combination is approximately 0.9Ω.

With current flowing through the appropriate resistor(s), a voltage is developed across the resistance according to Ohm's Law. This voltage is detected by IC1's limiting input, pin 2. When it rises above a threshold value of 0.45V, the device "turns down" and the output current is reduced. The current is

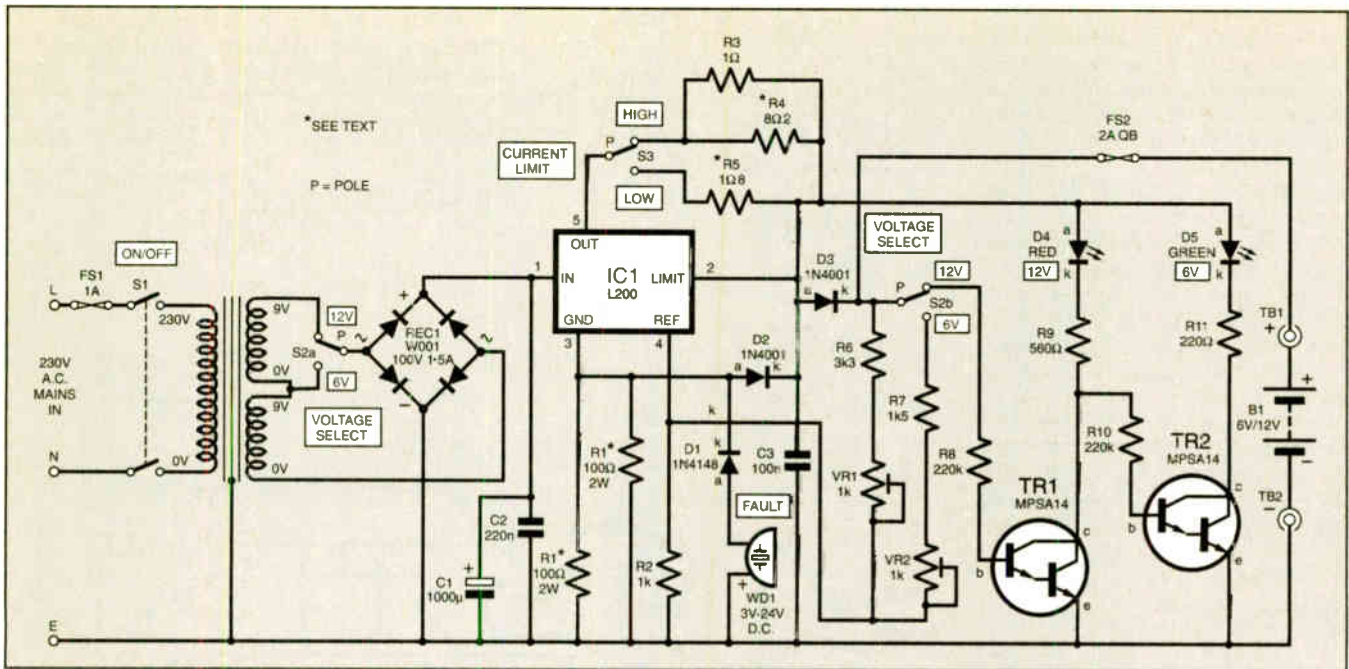


Fig.2. Complete circuit diagram for the Lead-Acid Battery Charger. The labelling of switch S2 is the nominal voltage of the charging battery B1.

therefore maintained at the value required according to the formula:

$$I = 0.45/R$$

With the specified resistors, the current will be 500mA (with S3 in the High position) and 250mA (in the Low one). These are nominal values only because the threshold voltage is subject to a fairly wide tolerance. Also, it may be necessary to reduce the value of these resistors at the testing stage to take account of stray resistances such as those of the relevant copper tracks on the p.c.b. and the wiring to switch S3.

Note that the practical output of IC1 may be regarded as at the common junction of resistors R3, R4 and R5.

If IC1 becomes too hot in operation, it has the effect of lowering the threshold voltage. The current is then reduced which allows it to cool down. This could happen if the output terminals were short-circuited and the heatsink was inadequate.

For the moment, disregard the pair of resistors (both labelled R1) in parallel and connecting IC1 pin 3 to the 0V line. Ignore also diodes D1, D2 and the audible warning device, WD1. These have little effect on normal operation. They are part of the reverse-polarity detection system which will be explained later.

## OUTPUT VOLTAGE

The output voltage from IC1 is jointly determined by the value of resistor R2 connected between IC1 pin 4 (the reference input) and the 0V line, and the resistance appearing between pin 4 and pin 2. This is the purpose of the series potentiometer/resistor arrangements VR1/R6, VR2/R7 and voltage select switch S2b.

Preset potentiometers VR1 and VR2 allow the voltages to be slightly adjusted as required. Note that diode D3 is placed within the voltage regulation loop so its effect is taken into account by the i.c. The purpose of this diode will be explained later.

When switch S2 is in the 12V position as shown, R6 and VR1 only are connected

in series between IC1 pins 2 and 4. With the switch in the 6V position, R7 and VR2 are connected in parallel with the R6/VR1 combination. This reduces the overall loop resistance value. The presets are multiturn devices which simplify adjustment of the operating voltages.

## L.E.D. FUNCTIONS

With switch S2b in the 12V position, current flows into the base of Darlington transistor TR1, through resistor R8. This turns it on and the collector goes low. Current then flows from IC1 through the red ("12V") light emitting diode D4 via current-limiting resistor R9. At the same time, the low state of TR1 collector holds Darlington transistor TR2 turned off and so the green ("6V") l.e.d. D5 is therefore off also.

When S2b is in the 6V position, no current enters TR1 base and the transistor remains off with its collector high. This allows current to flow into the base of TR2 via the path D4, R9 and R10, causing it to turn on. Current then flows through l.e.d. D5 via current-limiting resistor R11.

The current flowing into TR2 is extremely small due to the high value of R10. It is therefore not sufficient to allow D4 to operate.

Current-limiting resistors R9 and R11 have different values because each l.e.d. operates from a different voltage as set by switch S2. The l.e.d.s provide confirmation of which voltage setting is being used. Also, the fact that one of them will be on during operation confirms that the circuit is connected to the mains. Note, however, that if the output is short-circuited (which is not harmful in itself due to the current-limiting), both l.e.d.s will be off.

Since the path for current to reach the l.e.d.s is made before diode D3, if the charger is switched off and the battery left connected, neither l.e.d. can operate. This is because current cannot flow to them from the battery because diode D3 is now reverse-biased.

## REVERSE POLARITY

A problem could arise if the battery were to be connected with incorrect polarity. Doing this by accident is certainly a possibility and cannot be ruled out. The usual way of protecting against this type of eventuality is to include a diode in the positive output feed. If the battery were connected in the wrong sense, the diode would be reverse-biased and nothing would happen.

In this application, the above method is not really appropriate. This is because the diode develops a voltage of about 0.7V across its ends while conducting. This cannot be simply taken into account when the output voltage is being adjusted because the forward voltage drop will vary to some extent depending on such factors as the load. It would therefore affect the operating conditions. However, without any form of protection current would flow through IC1 in reverse entering at pin 3, and this would ruin it.

Here, reverse-polarity protection is provided by the two low-value resistors (both labelled R1) in parallel connected between IC1 pin 3 and the 0V line. Diode D2 then connects pin 3 to the charger output. In normal operation, resistors R1 have little effect (because only a very small current flows through them). Any small effect on the output voltage is taken into account when VR1 and VR2 are adjusted. Diodes D1 and D2 do nothing because they are reverse-biased.

## FAULT CONDITION

If the polarity of the battery is reversed, a circuit will be formed through the path R1, D2 and D3. Diode D2 shunts the current around IC1 and protects it from damage. The fault current flowing through resistor(s) R1 develops considerable power (more than two watts) and they will become quite hot. It is essential, therefore, that they are adequately rated. Note also that they should, preferably, be of the 1% tolerance type (although 5% tolerance will be reasonably satisfactory).

With resistors R1 carrying the fault current, a large voltage is developed across them. Current then flows through the audible warning device, WD1, via diode D1. WD1 sounds and draw the user's attention to the fault condition.

There could be a further problem if the charger is switched off with the battery still connected. This should not happen because it would normally be removed at the end of the charging period. However, it would occur if there was a failure of the mains supply. Current could then flow back into the regulator circuit and discharge the battery.

Diode D3 prevents this because it is reverse-biased. The battery can still discharge through resistor R2 and the networks R6/VR1 or R7/VR2, but their values are relatively high and, in practice, the current only amounts to 3mA approximately on the 12V setting.

### HEAT DISSIPATION

It will be seen that the difference between the voltage applied to IC1 input (pin 1) and that at the output (pin 5) will result in heat being generated within the device. The worst case (in normal operation) is on the 12V setting while delivering 500mA. With an input voltage of 24V and an output of 14.4V, the voltage difference is 9.6V.

The power developed in IC1 will then be almost five watts. This needs to be removed using a heatsink. In practice, this is provided by attaching the i.c. to the aluminium case, which effectively dissipates the excess heat into the air. On the 6V setting, the power dissipation is much less.

If the output terminals are short-circuited, the entire input voltage appears between IC1 pins 1 and 5. On the 12V setting, this is 24V approximately and with 500mA flowing the power dissipation will be some 12W. This will make the case quite hot around the area of IC1.

### SAFETY

The circuit *must* be constructed in an earthed metal case. Since mains connections need to be made, seek competent advice if you are not sure how to do this safely.

All mains connections must be completely shrouded so that it is impossible to make conductive contact with them. Even so, the lid of the case must always be on while the unit is plugged into the supply and the case *must* be earthed.

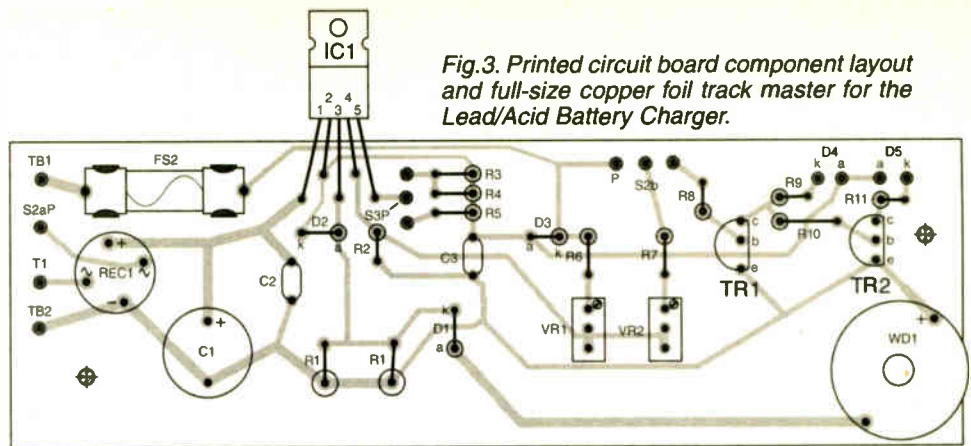
The transformer must be generously rated. It is not good enough to use a unit rated at 500mA. When a transformer is connected to a load which is not simply a resistive one, it must be up-rated. The transformer used must be specified as supplying 1A minimum (18VA rating).

### CONSTRUCTION

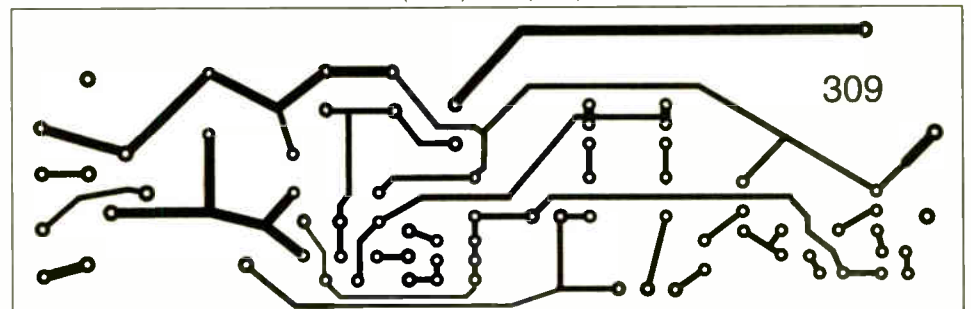
Construction is based on a single-sided printed circuit board (p.c.b.). The topside component layout and full size underside copper foil track master are shown in Fig.3. This board is available from the *EPE PCB Service*, code 309.

Begin by drilling the two fixing holes. Solder fuseholder FS2 in position. Add all resistors (including preset potentiometers VR1 and VR2) and capacitors. Note that capacitor C1 is an electrolytic device

Fig.3. Printed circuit board component layout and full-size copper foil track master for the Lead/Acid Battery Charger.



5in. (125mm) x 1.6in. (40mm)



Components mounted on the completed circuit board.

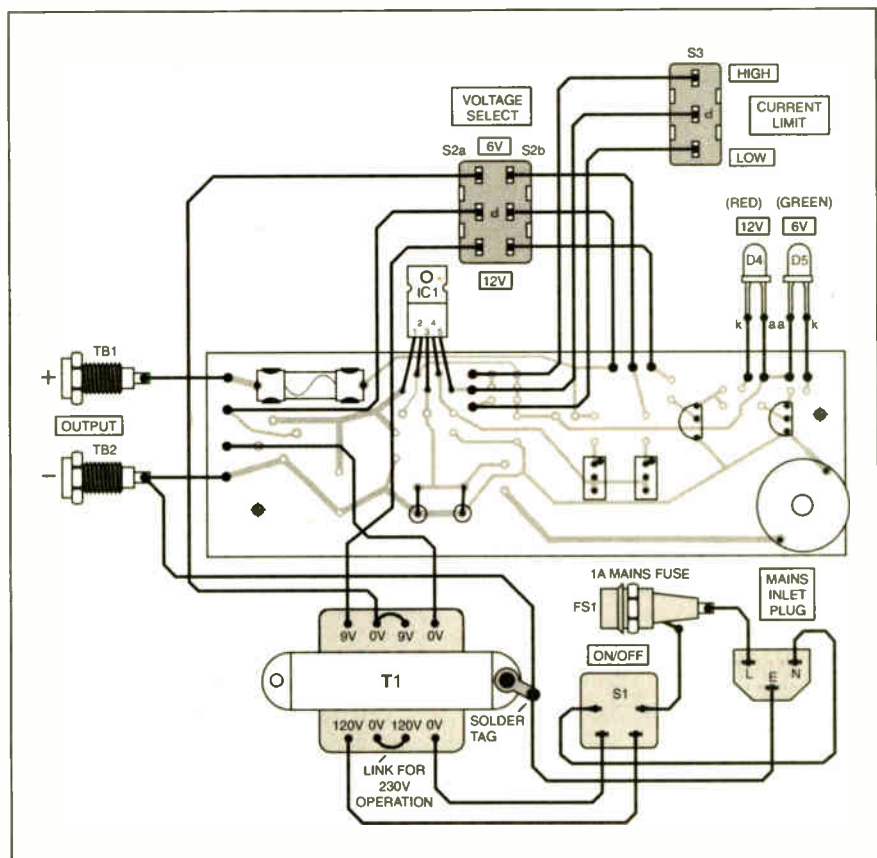


Fig.4. Interwiring between the off-board components and p.c.b.

and must be mounted with the correct orientation.

The adjustment screw on VR1 and VR2 should be placed at top right as shown in the photograph and Fig.3. The adjustments will then increase the operating voltages with clockwise rotation.

It would be a good idea to solder two short wire "stalks" to the R4 and R5 positions (although this was not done in the prototype unit). The resistors would then be soldered to these. This would enable the values to be easily changed if the current limits needed to be adjusted. Note that for the 500mA limit, resistor R3 is left as it is, changing R4's value if required.

Solder bridge rectifier REC1 in position using about 8mm of its end leads. Add diodes D1 to D3, transistors TR1 and TR2, regulator IC1, and the audible warning device WD1, taking care over the orientation of all these components.

Note particularly that the polarity of WD1 is correct as shown – remember, it operates under conditions of reverse polarity of the battery.

Adjust VR1 and VR2 to approximately mid-track position. Insert the fuse in fuseholder FS2.

## INTERNAL LAYOUT

Plan the internal layout of the case by placing the p.c.b. and transformer on the base. Leave a clear space around the transformer to allow air to circulate.

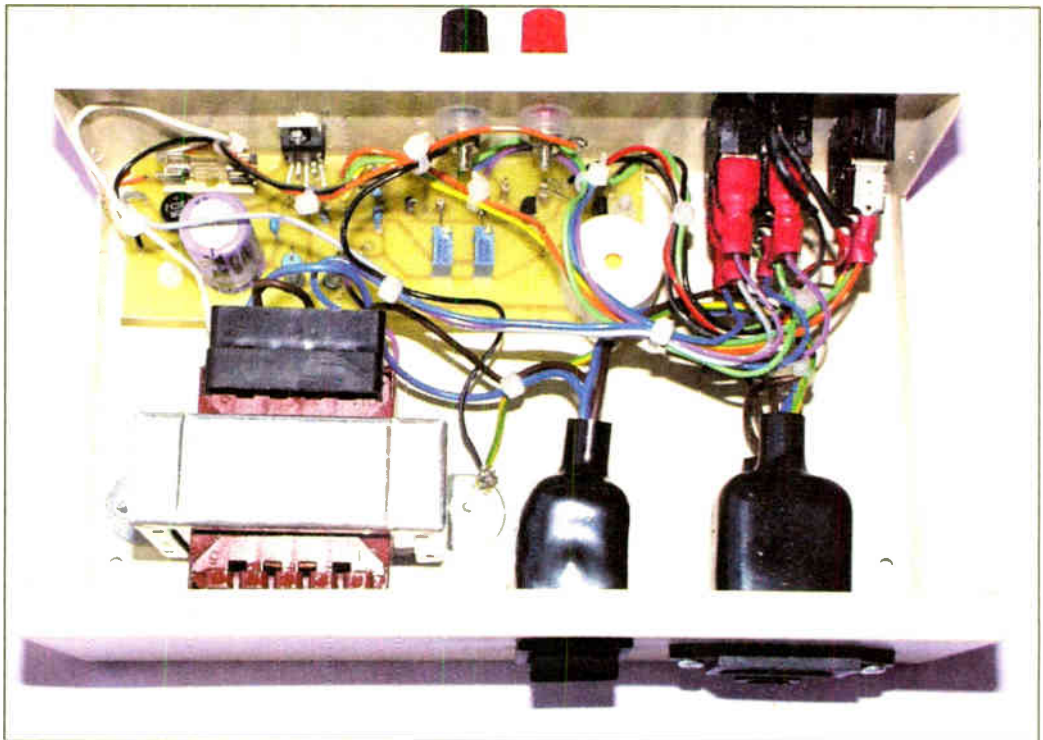
Keep the mains connections well away from the low voltage components. Drill mounting holes as appropriate.

Before attaching the transformer, scrape off the paint on the outside of the case around the area of the fixing bolt heads. Use self-grip washers and a solder tag to help ensure that good metallic and earthing contact is made with the case.

Attach the p.c.b. using 5mm plastic stand-off insulators on the bolt shanks. It must be positioned so that the metal tab of IC1 can be bolted to the case.



Rear-mounted male mains connector, mains switch and fuseholder.



Internal arrangement of components inside the prototype metal case. All mains connections must be shrouded with insulating sleeves or boots. Also cover the mains transformer wiring tags with some form of insulating material.

If necessary, scrape away the paint on the inside of the panel around the area of contact with IC1 tab, to allow good heatsinking contact. Attach IC1 to the panel using a small nut and bolt and an insulating kit.

The positive output terminal (TB1) must be electrically isolated from the case using the insulating kit usually supplied with it.

## INTERWIRING

Referring to Fig.4, complete the internal mains wiring using flexible mains-type wire of 3A rating. Fit insulating boots to the connector, on-off switch S1 and fuse FS1. Fit a protective shield on the exposed transformer primary tags.

Complete the low-voltage wiring, preferably using multi-coloured wire. Sleeve the connections to the l.e.d.s.

Check that all mains connections are completely insulated. Attach the lid of the case, checking that no wires are trapped.

## TESTING

Insert the fuse into fuseholder FS1. Set the mains switch off, the voltage selector to 12V and the current limit to 500mA. Connect the unit to the mains using a 3-core (earthed) lead with a 2A or 3A fuse in its plug.

Switch on and check that the 12V red l.e.d. operates. Using a multimeter, note the voltage across the TB1/TB2 terminals. It should read somewhere between 12V and 20V d.c..

Unplug the unit from the mains and remove the lid. In a series of steps, replacing the lid of the case each time, adjust VR1 to provide an output of between 13.8V and 15V, as required. Clockwise adjustment of VR1 sliding contact raises the voltage and vice versa. From this point leave VR1 alone.

Now set the voltage selector to 6V. Check that the green 6V l.e.d. glows. In a

similar manner, adjust VR2 to provide between 6.9V and 7.5V.

If VR1 or VR2 cannot be adjusted to obtain the correct value, either resistor R6 or R7 will need to be changed, as appropriate. A smaller value reduces the output voltage.

## TESTED TO THE LIMIT

The current limit values should now be checked. Switch the unit off and set switch S2 to 6V. Twist together the end leads of the two 10 ohm test resistors (R12, R13) so that they are connected in parallel. Connect one end to terminal TB1. Connect a multimeter, set on a current range, between the other end of the resistor pair and TB2.

Switch on and observe the reading on both the high and low current limits. Note that the test resistors will become quite hot when passing 500mA so do not touch them. Also, switch off immediately afterwards.

If the current limit values are found to be too low or too high (more than about 10 per cent), you could change the value of R4 (for 500mA) or R5 (for 250mA). Reducing the value will raise the current and vice versa. Only small changes should be necessary.

Make up a connecting lead for the battery, using spade receptacle connectors or crocodile clips. Test the unit with a battery connected to the output. Check that the unit does not become excessively hot when left operating for several hours.

## FINALLY

It only remains to make labels for the switches. The charger is then ready to be put into use. Remember, check the voltage, current limit and polarity of the battery first and make the appropriate adjustments. Connect the battery then switch on the mains. Check that the correct l.e.d. operates. □

# New Technology Update

*Nano-technology is showing signs that it may be a major player in the electronic device scene in years to come, reports Ian Poole.*

**R**ESearch into nano-technology has been progressing for some time. This column last reported on it in Dec '99. A considerable amount of the initial work has been undertaken at the Georgia Institute of Technology. In early work they made some nano-tubes from carbon. These had inside diameters measuring less than ten nanometres

The investigations performed on these minute tubes led researchers to believe they could ultimately have important applications in microelectronics where extremely small conductors and other structures are required. It was seen that these tubes were capable of carrying very high levels of current and offering very low levels of resistance. This prompted further work into the technology.

As a result other solid structures called nano-wires were discovered and fabricated. These were made from a variety of materials including carbides and nitrides.

Nano-tubes were also developed for use in transistors. These nano-tubes were subtly different, forming a semiconductor rather than an ordinary conductor and having carbon walls made up from hexagonal shaped matrices and just a single molecule thick. Essentially, they were vaporised carbon that had been condensed into a series of hexagons.

To give a better view of them, they could be considered as a very thin strip cut out of a graphite carbon plane which has been rolled up and sealed at either end. The dimensions were naturally extremely small, with figures measured in atomic proportions.

The carbon hexagons that were used to make the tubes had a natural tendency to curl. The way in which they curled determined the electrical characteristics of the nano-tube. Fortunately, it was possible to control the way in which this curling took place. By rolling it in a way that gave a straight molecular alignment it was found that the nano-tube behaved like an ordinary conductor. However, if the curl was arranged so that molecular structure was twisted then the nano-tube behaved like a semiconductor.

## Nano-belts

Now researchers at the Georgia Institute of Technology led by Dr Zhong Lin Wang have created a new form of nano-structure. It is envisaged that it might be used in a variety of applications including flat panel displays, ultra-small sensors and a variety of other devices.

The new flat structures are termed nano-belts as a result of their appearance under an electron microscope.

Effectively they are ribbon like structures having a narrow rectangular cross section. They are unlike the previous nano-tube structures that have been based around carbon. Instead the new structures are formed from oxides of zinc, tin, indium, cadmium and gallium. Like the nano-tube structures, these new nano-belt structures also conduct electricity.

The nano-belts appear to have significant advantages over their hexagonal tubular counterparts. The carbon nano-wires and nano-tubes suffer from oxidation whereas the new nano-belts do not suffer from this. They have much "cleaner" surfaces that are free from defects and this enables them to provide a high level of performance in view of their atomic level structure.

Chemically the nano-belts are very pure, and the atomic structure is uniform. They are composed of a crystal with specific surface planes. This is a distinct advantage and as a result of their uniform structure this may enable the mass production of nano-scale electronic and optical devices.

## Production

The techniques for fabricating the nano-belts are based on the thermal evaporation of oxide powders under carefully controlled conditions and without the use of a catalyst. In experiments to produce the nano-belts the required oxide powders were placed at the centre of an alumina tube that was inserted into a furnace. This was brought to the right temperature and evaporation was allowed for a controlled period of time.

The temperature was determined on the basis of the melting point of the oxide being used. To enable the new nano-structures to be deposited, a small air flow in the chamber was maintained and the nano-belts were deposited on a small alumina plate placed downstream from the evaporating oxides.

Analysis of deposited nano-belts was undertaken using a variety of techniques. X-ray diffraction, scanning electron microscopes, transmission electron microscopy and energy-dispersive X-ray spectroscopy were all used.

## Results

A variety of materials were used during the experimentation work. The deposit from zinc oxide, collected on the alumina plate, was found to be a wool-like material. This consisted of a quantity of wire like nano-structures. These ranged from several tens to several hundreds of micrometers in length, some

were even a millimetre or more. Analysis showed that they had a distinct belt-like structure. The width was uniform along its length, and was found to be in the range 50nm to 300nm.

Other oxides produced similar results, although the conditions under which they were created varied slightly to accommodate the different temperatures required. For example, tin oxide was used and very long belts were produced – lengths of several millimetres were common. The widths varied between 50nm and 200nm with a width to thickness ratio of between 5 and 10.

In a further example, the nano-belts made with Indium oxide were found to be very interesting. Like the others they produced nano-belts with a uniform width and thickness along their length. However, some exhibited a sharp shrinkage in width whilst the thickness was preserved. Further investigations into the mechanism behind this are being undertaken.

## Applications

The technology is still very much in its experimental stages. Any applications must naturally be thought of only as possibilities at this early stage in their development. However, the very well defined geometry and perfect crystallinity of the structures make them ideal for further experiments to discover their electrical, thermal, optical and ionic transport properties. These have the advantages of having perfect structures with no dislocations and defects.

It is thought that the nano-belts could be doped with different elements and used in a variety of applications. These could include minute sensors, optical devices and possibly many more devices and applications that have not even been conceived. Although the technology is still very young it is likely that it could be very important in the years to come as more is understood about these interesting structures, and more applications are found for them.

It will be particularly interesting to see what electronic devices might come out of these nano-belts and to see just how many applications are found for them. Any devices made with this technology are likely to be many years away, but many years of investigations into semiconductor materials had to be undertaken before the first devices were made, the same is true for these new structures. Whatever happens from these early indications they appear to be another useful and important tool in the electronic device manufacturer's toolkit.



We can supply back issues of *EPE* by post, most issues from the past three years are available. An *EPE* index for the last five years is also available – see order form. Alternatively, indexes are published in the December issue for that year. Where we are unable to provide a back issue a photostat of any *one article* (or *one part* of a series) can be purchased for the same price. Issues from Dec. 2000 onwards are also available to download from [www.epemag.com](http://www.epemag.com).

# BACK ISSUES

## DID YOU MISS THESE?

### APRIL '00

**PROJECTS** • Flash Slave • Garage Link • Micro-PICscope • High Performance Regenerative Receiver-2.  
**FEATURES** • Teach-In 2000-Part 6 • Ingenuity Unlimited • Technology Timelines-3 • Circuit Surgery • Interface • Telcan Home Video • Net Work – The Internet.

### MAY '00

**PROJECTS** • Versatile Mic/Audio Preamplifier • PIR Light Checker • Low-Cost Capacitance Meter • Multi-Channel Transmission System-1.  
**FEATURES** • Teach-In 2000-Part 7 • Technology Timelines-4 • Circuit Surgery • Practically Speaking • Ingenuity Unlimited • Net Work – The Internet • **FREE** Giant Technology Timelines Chart.

### JUNE '00

**PROJECTS** • Atmospheric Electricity Detector-1 • Canute Tide Predictor • Multi-Channel Transmission System-2 • Automatic Nightlight.  
**FEATURES** • Teach-In 2000 – Part 8 • Technology Timelines-5 • Circuit Surgery • Interface • New Technology Update • Ingenuity Unlimited • Net Work – The Internet.



### JULY '00

**PROJECTS** • G-Meter • Camera Shutter Timer PIC-Gen Frequency Generator/Counter • Atmospheric Electricity Detector-2.  
**FEATURES** • Teach-In 2000-Part 9 • Practically Speaking • Ingenuity Unlimited • Circuit Surgery • PICO DrDAQ Reviewed • Net Work – The Internet.

### AUG '00

**PROJECTS** • Handy-Amp • EPE Moodloop • Quiz Game Indicator • Door Protector  
**FEATURES** • Teach-In 2000-Part 10 • Cave Electronics • Ingenuity Unlimited • Circuit Surgery • Interface • New Technology Update • Net Work – The Internet.

### SEPT '00

**PROJECTS** • Active Ferrite Loop Aerial • Steeplechase Game • Remote Control IR Decoder • EPE Moodloop Power Supply.  
**FEATURES** • Teach-In 2000-Part 11 • New Technology Update • Circuit Surgery • Ingenuity Unlimited • Practically Speaking • Net Work – The Internet Page.

### OCT '00

**PROJECTS** • Wind-Up Torch • PIC Dual-Chan Virtual Scope • Fridge/Freezer Alarm • EPE Moodloop Field Strength Indicator.  
**FEATURES** • Teach-In 2000-Part 12 • Interface • Ingenuity Unlimited • New Technology Update • Circuit Surgery • Peak Atlas Component Analyser Review • Net Work – The Internet Page.

### NOV '00

**PROJECTS** • PIC Pulsometer • Opto-Alarm System • Sample-and-Hold • Handclap Switch.  
**FEATURES** • The Schmitt Trigger-Part 1 • Ingenuity Unlimited • PIC Toolkit Mk2 Update V2.4 • Circuit Surgery • New Technology Update • Net Work – The Internet • **FREE** Transistor Data Chart.

### DEC '00

**PROJECTS** • PIC-Monitored Dual PSU-Part 1 • Static Field Detector • Motorists' Buzz-Box • Twinkling Star • Christmas Bubble • Festive Fader • PICtogram.  
**FEATURES** • The Schmitt Trigger-Part 2 • Ingenuity Unlimited • Interface • Circuit Surgery • New Technology Update • Quasar Kits Review • Net Work – The Internet • 2000 Annual Index.



### JAN '01

**PROJECTS** • Versatile Optical Trigger • UFO Detector and Event Recorder • Two-Way Intercom • PIC-Monitored Dual PSU-Part 2.  
**FEATURES** • Using PICs and Keypads • The Schmitt Trigger-Part 3 • New Technology Update • Circuit Surgery • Practically Speaking • Ingenuity Unlimited • CIRSIM Shareware Review • Net Work – The Internet.

### FEB '01

**PROJECTS** • Ice Alert • Using LM3914-6 Bargraph Drivers • Simple Metronome • PC Audio Power Meter.  
**FEATURES** • The Schmitt Trigger-Part 4 • Ingenuity Unlimited • Circuit Surgery • New Technology Update • Net Work – The Internet • **Free** 16-page supplement – How To Use Graphics L.C.D.s With PICs.

### MAR '01

**PROJECTS** • Doorbell Extender • Body Detector • DIY Tesla Lightning • Circuit Tester  
**FEATURES** • Understanding Inductors • The Schmitt Trigger-Part 5 • Circuit Surgery • Interface • New Technology Update • Net Work – The Internet Page.

### APRIL '01

**PROJECTS** • Wave Sound Effect • Intruder Alarm Control Panel-Part 1 • Sound Trigger • EPE Snug-Bug Pet Heating Control Centre.  
**FEATURES** • The Schmitt Trigger-Part 6 • Practically Speaking • Ingenuity Unlimited • Circuit Surgery • Net Work – The Internet Page • **FREE** supplement – An End To All Disease.

### MAY '01

**PROJECTS** • Camcorder Mixer • PIC Graphics L.C.D. Scope • D.C. Motor Controller • Intruder Alarm Control Panel-Part 2.  
**FEATURES** • The Schmitt Trigger-Part 7 • Interface • Circuit Surgery • Ingenuity Unlimited • New Technology Update • Net Work – The Internet Page.



### JUNE '01

**PROJECTS** • Hosepipe Controller • In-Circuit Ohmmeter • Dummy PIR Detector • Magfield Monitor.  
**FEATURES** • Controlling Jodrell Bank • PIC1687x Extended Memory Use • Practically Speaking • Ingenuity Unlimited • New Technology Update • Circuit Surgery • Net Work – The Internet Page.

### JULY '01

**PROJECTS** • Stereo/Surround Sound Amplifier • PIC to Printer Interface • Perpetual Projects 1- Solar-Powered Power Supply and Voltage Regulator • MSF Signal Repeater and Indicator.  
**FEATURES** • The World of PLCs • Ingenuity Unlimited • Circuit Surgery • New Technology Update • Net Work – The Internet Page.

### BACK ISSUES ONLY £3.00 each inc. UK p&p.

Overseas prices £3.50 each surface mail, £4.95 each airmail.

We can also supply issues from earlier years: 1998 (except Jan. to May, July, Nov., Dec.), 1999, 2000 (except Feb.). Where we do not have an issue a photostat of any *one article* or *one part* of a series can be provided at the same price.

#### ORDER FORM – BACK ISSUES – PHOTOSTATS– INDEXES

- Send back issues dates .....
- Send photostats of (article title and issues date) .....
- Send copies of last five years indexes (£3.00 for five inc. p&p – Overseas £3.50 surface, £4.95 airmail)

Name .....

Address .....

.....Tel

I enclose cheque/P.O./bank draft to the value of £ .....

Please charge my Visa/Mastercard/Amex/Diners Club/Switch £ ..... Switch Issue No. ....

Card No. .... Card Expiry Date .....

Note: Minimum order for credit cards £5.

SEND TO: Everyday Practical Electronics, Wimborne Publishing Ltd., 406 Wimborne Road East, Ferndown, Dorset BH22 9ND.

Tel: 01202 873872. Fax: 01202 874562.

E-mail: [orders@epemag.wimborne.co.uk](mailto:orders@epemag.wimborne.co.uk) On-line Shop: [www.epemag.wimborne.co.uk/shopdoor.htm](http://www.epemag.wimborne.co.uk/shopdoor.htm)

Payments must be in £ sterling – cheque or bank draft drawn on a UK bank. Normally supplied within seven days of receipt of order.

Send a copy of this form, or order by letter if you do not wish to cut your issue.

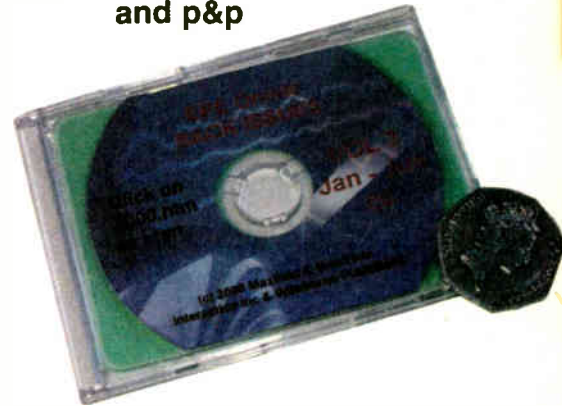
M08/01

# STORE YOUR BACK ISSUES IN YOUR WALLET!



**VOL 4  
NOW AVAILABLE**

**ONLY  
£12.45** each  
including VAT  
and p&p



A great way to buy *EPE* Back Issues – our wallet-sized CD-ROMs contain back issues from our *EPE Online* website plus bonus articles, all the relevant PIC software and web links. All this for just £12.45 each including postage and packing.

## VOL 1 CONTENTS

**BACK ISSUES** – November 1998 to June 1999 (all the projects, features, news, IUs etc. from all eight issues). Note: No advertisements or Free Gifts are included.

**PIC PROJECT CODES** – All the available codes for the PIC based projects published in issues from November 1998 to June 1999.

## VOL 2 CONTENTS

**BACK ISSUES** – July 1999 to December 1999 (all the projects, features, news, IUs, etc. from all six issues). Note: No advertisements or Free Gifts are included.

**PIC PROJECT CODES** – All the available codes for the PIC-based projects published in issues from July to December 1999.

## VOL 3 CONTENTS

**BACK ISSUES** – January 2000 to June 2000 (all the projects, features, news, IUs, etc. from all six issues). Note: No advertisements or Free Gifts are included.

**PIC PROJECT CODES** – All the available codes for the PIC-based projects published in issues from January to June 2000.

## VOL 4 CONTENTS

**BACK ISSUES** – July 2000 to Dec. 2000 (all the projects, features, news, IUs etc. from all six issues). Note: No Free Gifts are included.

**PROJECT CODES** – All the available codes for the programmable projects from July to Dec. 2000.

## EXTRA ARTICLES – ON ALL VOLUMES

**BASIC SOLDERING GUIDE** – Alan Winstanley's internationally acclaimed fully illustrated guide.

**UNDERSTANDING PASSIVE COMPONENTS** – Introduction to the basic principles of passive components.

**HOW TO USE INTELLIGENT L.C.D.s**, By Julyan Ilett – An utterly practical guide to interfacing and programming intelligent liquid crystal display modules.

**PhyzzzyB COMPUTERS BONUS ARTICLE 1** – Signed and Unsigned Binary Numbers. By Clive "Max" Maxfield and Alvin Brown.

**PhyzzzyB COMPUTERS BONUS ARTICLE 2** – Creating an Event Counter. By Clive "Max" Maxfield and Alvin Brown.

**INTERGRAPH COMPUTER SYSTEMS 3D GRAPHICS** – A chapter from Intergraph's book that explains computer graphics technology in an interesting and understandable way with full colour graphics.

## EXTRA ARTICLE ON VOL 1 & 2

**THE LIFE & WORKS OF KONRAD ZUSE** – a brilliant pioneer in the evolution of computers. A bonus article on his life and work written by his eldest son, including many previously unpublished photographs.

**NOTE:** This mini CD-ROM is suitable for use on any PC with a CD-ROM drive. It requires Adobe Acrobat Reader (available free from the Internet – [www.adobe.com/acrobat](http://www.adobe.com/acrobat))

Order on-line from

[www.epemag.wimborne.co.uk/shopdoor.htm](http://www.epemag.wimborne.co.uk/shopdoor.htm)

or [www.epemag.com](http://www.epemag.com) (USA \$ prices)

or by phone, Fax, E-mail or Post

### BACK ISSUES CD-ROM ORDER FORM

Please send me ..... (quantity) BACK ISSUES CD-ROM VOL 1

Please send me ..... (quantity) BACK ISSUES CD-ROM VOL 2

Please send me ..... (quantity) BACK ISSUES CD-ROM VOL 3

Please send me ..... (quantity) BACK ISSUES CD-ROM VOL 4

Price £12.45 each – includes postage to anywhere in the world.

Name .....

Address .....

..... Post Code .....

I enclose cheque/P.O./bank draft to the value of £ .....

Please charge my Visa/Mastercard/Amex/

Diners Club/Switch

£ .....

Card No. ....

Expiry Date ..... Switch Issue No. ....

**SEND TO: Everyday Practical Electronics,  
Wimborne Publishing Ltd.,**

**408 Wimborne Road East, Ferndown, Dorset BH22 9ND.**

Tel: 01202 873872. Fax: 01202 874562.

**E-mail: [orders@epemag.wimborne.co.uk](mailto:orders@epemag.wimborne.co.uk)**

Payments must be by card or in £ Sterling – cheque or bank draft drawn on a UK bank.

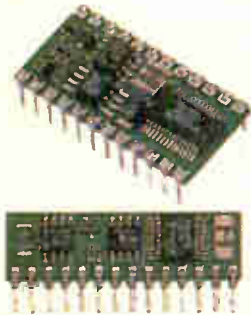
Normally supplied within seven days of receipt of order. Send a copy of this form, or order by letter if you do not wish to cut your issue.

# CONTROL & ROBOTICS

Milford Instruments

## BASIC Stamp Microcontrollers

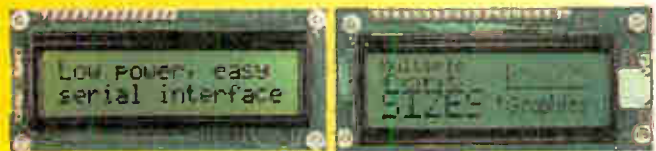
Still the simplest and easiest way to get your project or development work done. BASIC Stamps are small computers that run BASIC programmes. With either 8 or 16 Input-Output pins they may be connected directly to push-buttons, LEDs, speakers, potentiometers and integrated circuits such as digital thermometers, real-time clocks and analog-digital converters. BASIC Stamps are programmed using an ordinary PC running DOS or Windows. The language has familiar, easy-to-read instructions such as FOR...NEXT, IF...THEN and GOTO. Built-in syntax make it easy to measure and generate pulses, read push-buttons, send/receive serial data etc. Stamps from **£25** (single quantities), Full development kits from **£79**



Full information on using BASIC Stamps plus lots of warked projects and practical electronics help. CD-ROM also includes 30+ past magazine articles and Stamp software. **£29.95**

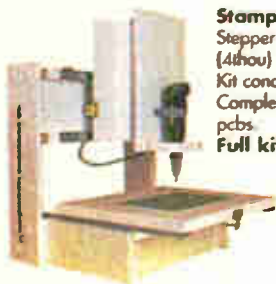


New to PICs or just wanting to learn more tricks? We stock the excellent PIC primer books from David Benson - suitable for the complete beginner to the advanced user.



### SERIAL LCDs

Banish the hassle of interfacing to LCD displays. We stock a comprehensive range of alphanumeric and Graphic LCDs - all with an easy-to-use standard RS232 serial Interface. Sizes from 2x16 to 4x40 plus 128x64 graphic panels. Prices start at **£25** (single quantity)



**Stamp2 based 3-axis machine**  
Stepper drive to X, Y and Z axes with 0.1mm (4thou) resolution. Kit contains pre-machined frame components. Complete with Windows software for drilling pcbs. Full kit at **£249**, Part kit at **£189**

### TecArm4

New range of robotic arms for educational and hobbyist use with super powerful servos. Controlled from PC (Windows freeware provided) or from optional keypad. Stands about 450mm high when fully extended. Kit includes all pre-cut body parts, servo controller board, servos and software. Requires 9v Dc. Kits start at **£189**



### Alex- Animated Head

Stamp2 based controller with voice record-playback capability, PIR input and/or random playback. 4-servo actions are recorded/edited one track at a time. May also be controlled from PC. Head kits start at **£29**. Controllers from **£29**



**On Screen Display**  
Superimpose text onto standard CCTV from simple RS232 serial line. Ready built/tested at **£59**

### IR Decoder Board

Control your project using a standard domestic IR remote. 7 Output lines (5v @ 20mA) may be set to momentary or toggle action. Simple teaching routine. Requires 9-12vDC. Supplied built and tested. **£29** single quantity



### Servo Driver Board

Control up to 8 standard hobby servos from an RS232 serial data line using this controller board. Simple command structure holds servos in position until update is received. Fully built and tested- requires 9vDC and servos. Supplied with Windows freeware. **£29** single quantity. Optional keypad available.



## Milford Instruments

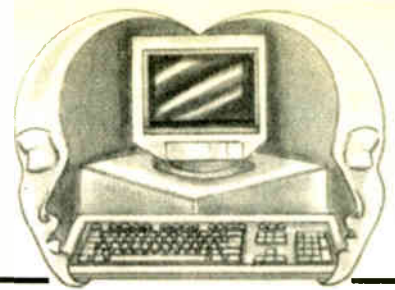
120 High Street, South Milford, LEEDS LS25 5AQ  
Tel: 01977 683665 Fax: 01977 681465

All prices exclude VAT and shipping.

**BASIC Stamp** is the registered trademark of Parallax Inc. For further details on the above and other interesting products, please see our web site- [www.milinst.demon.co.uk](http://www.milinst.demon.co.uk)

# INTERFACE

Robert Penfold



## LOGIC I.C. MONITORING VIA A PC

PREVIOUS *Interface* articles have shown the ease with which large digital readouts and analogue displays can be produced using a visual programming language such as Delphi or Visual BASIC. If you require large digits you simply specify a large point size for the label used to provide the display.

If an analogue display is required, just draw it on the screen and alter the appropriate set of co-ordinates to make the display respond to readings from your add-on circuit. This will usually require some mathematical manipulation to get the scaling just right, but the mathematics is easily achieved using a high level programming language.

### Getting In Shape

Using the graphics capability of a programming language such as Visual BASIC it is possible to produce displays of various types, making programs easier and more fun to use. The program shown in operation in Fig.1 is designed to show the logic state at each pin of a 16-pin logic integrated circuit. It will work just as well with a 14-pin type by leaving the bottom pair of pins unused.

Although it does not require any advanced graphics, this type of thing can be very time consuming to produce using conventional programs. With Visual BASIC it is very quick and easy. The shape tool is used to draw a rectangle to represent the body of the chip, and another is drawn to represent the notch at the top. The dot and line used on some integrated circuits in addition to the notch can be added using the shape and line controls.

The shape tool produces rectangles by default, but once in place it is possible to change the shape by altering the setting of the Shape property. The colours of the shapes can be altered using the FillColor property, but this will probably have no effect if you try it. This is due to the FillStyle being set to Transparent by default. Change this to Solid and any colour changes should be then implemented.

The 16 "pins" are produced using further rectangle shapes, and these should be renamed to "Pin1", "Pin2", etc., for easy identification when writing the software. They are set to have a solid fill, but the fill colour used is unimportant, as the program will set this.

### Highs and Lows

The idea is to have one colour for a high logic level and another for a low level. The FillColor property, in common with practically all properties of every component, can be placed under program control. The fill colour for "Pin1" for example,

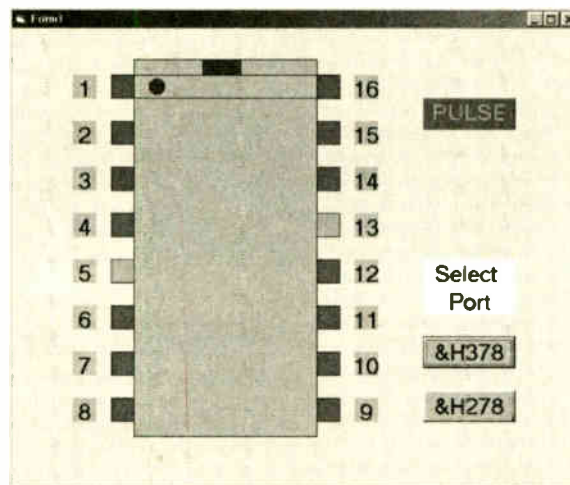


Fig.1. Logic i.c. monitoring program in action.

is controlled via the variable called "Pin1.FillColor". Setting this to the appropriate value will give the required colour.

If you select a fill colour from the palette in the Properties window, its value will be added beside the FillColor property. This provides an easy means of finding the right value to produce any of the standard colours. In this case bright red (&HFF) and green (&HFF00) are respectively used to indicate logic 1 and logic 0 levels. This method enables the logic level at any pin to be seen at a glance.

### Line Interface

It is clearly necessary to have 16 input lines for this monitoring system to work properly, which is more than a single PC parallel port can provide unaided. However, as pointed in previous *Interface* articles, the eight data lines of a bidirectional printer port can be used to provide 16 inputs with the aid of a handshake output and some external hardware.

The 16-bit input port circuit diagram of Fig.2 uses two octal tristate buffers (IC2 and IC3) to double the number of inputs available. With the ALF (auto linefeed) output set high, IC2 is activated and couples its inputs through to the printer port while IC3 is switched off. Taking the ALF output low reverses the states of the two buffers, with IC3 coupling its outputs to the printer port and IC2 being switched off.

Inverter IC1 ensures that the two buffers are operated out-of-phase. All 16 pins of the test device can therefore be monitored, but as two separate bytes of data.

The circuit requires a +5V supply, which is not available from the printer port. However, this supply can be obtained from a standard game/MIDI port, the keyboard port, or a USB port, as explained in a number of previous articles. Note that this interface will only

work with a standard bidirectional printer port, which must be set to a suitable mode such as the SPP mode.

### Pinhead

Some means of simultaneously making all 16 connections to the integrated circuit "under test" is required. Integrated circuit test clips are manufactured, but can be difficult to track down these days.

If a suitable test clip cannot be obtained it is possible to improvise something. One of the more expensive integrated circuit holders having stout pins does the job quite well if the pins are all bend slightly inwards. It is then possible to press the pins of the holder against the tops of the test device's pins. With any form of improvised connector be careful not to slip and accidentally short-circuit any pins of the test device.

The connections to the integrated circuit holder can be made via a 16-pin d.i.l. header plug. Note that the lead from the test connector to the interface should be no more than about 400 millimetres long, and the lead from the interface to the printer port should be no more than about one metre in length.

### On the Pulse

The trouble with any simple monitoring system of this type, whether PC based or otherwise, is that short and intermittent pulse signals will not be indicated. Signals having a mark-space ratio of around 1-to-1 tend to produce random levels, resulting in the on-screen indication rapidly alternating between its two states. It is then pretty obvious to the user that the input is pulsing. Short and intermittent pulses can be missed though, as they may not occur during the periods when the interface is monitoring the test device.

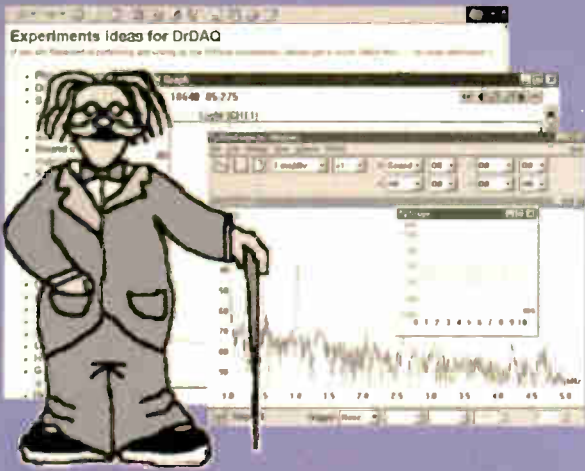
A simple solution to the problem is to use a pulse stretcher to elongate input pulses. This ensures that the intermittent monitoring of this system cannot overlook the pulses. A simple monostable circuit is all that is needed, and the circuit diagram of Fig.3 is a simple 5V CMOS compatible design.

This circuit uses a couple of 2-input NOR gates from a 4001BE connected to operate as a positive edge triggered monostable. The output pulse duration is approximately 500 milliseconds, which is more than adequate to ensure a clear indication from the on-screen display.

One way of handling things is to have an additional 16 input lines plus 16 monostables so that each pin can be continuously monitored for pulses. Each pin would then have its own on-screen pulse indicator.



# Measure pH, Voltage, Humidity, Sound & Light, on your PC!



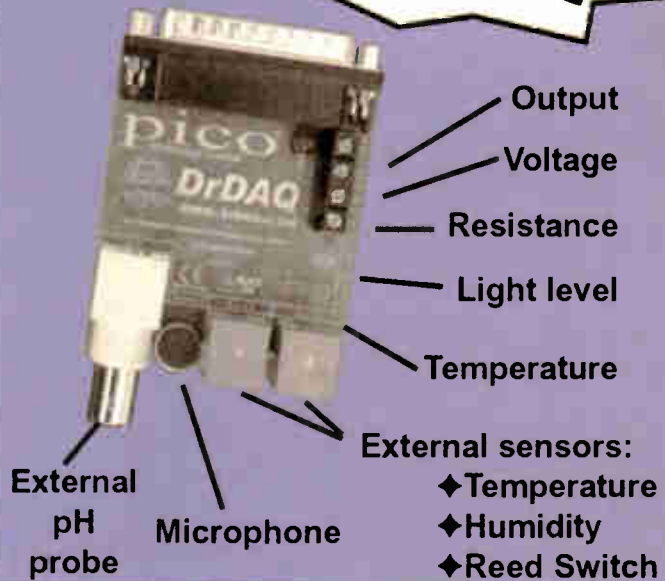
- ✓ Very low cost
- ✓ Built in sensors for light, sound (level and waveforms) and temperature
- ✓ Use DrDAQ to capture fast signals (eg sound waveforms)
- ✓ Outputs for control experiments
- ✓ Supplied with both PicoScope (oscilloscope) and PicoLog (data logging) software

**Only £59!**  
+ VAT

The DrDAQ is a low cost data logger from Pico Technology. It is supplied ready to use with all cables, software and example science experiments.

**DrDAQ represents a breakthrough in data logging.** Simply plug DrDAQ into any Windows PC, run the supplied software and you are ready to collect and display data. DrDAQ draws its power from the parallel port, so no batteries or power supplies are required.

As well as the built in sensors, DrDAQ has two sockets for external sensors. When a sensor is plugged in, the software detects it and automatically scales readings. For example, if a temperature sensor is plugged in, readings are displayed in °C. Details are provided to allow users to develop their own sensors.



To order the DrDAQ please choose one of the following options:

- i) Visit our web site and place an order over the Internet,
- ii) Place an order over the phone by ringing the number below, or,
- iii) Fill out the order form and either fax it, or post it back to Pico Technology.

## DrDAQ Order Form:

Quantity	Package	Price inc VAT	Total
	DrDAQ + Software	£69.32	
	DrDAQ + 2 Temp Sensors	£92.85	
	DrDAQ + 2 Temp, pH Electrode, Humidity + Reed Switch Sensors	£175.08	
	Delivery	£4.11	£4.11
Grand Total		£	

Name			
Address			
Post code			
Phone			
Credit Card	Visa / Mastercard / Switch / Amex		
Card Number			
Expiry Date	/	Start Date & or Issue No.	
Cheque with order	<input type="checkbox"/>		

Pico Technology Ltd, The Mill House, Cambridge Street, St Neots, Cambridgeshire. PE19 1QB  
Tel: 01480 396395, Fax: 01480 396296, E-mail: [post@picotech.com](mailto:post@picotech.com), Web: [www.drdaq.com](http://www.drdaq.com)

WorldRadioHistory.com

A Data Logging Breakthrough

**PICO**  
Technology Limited

# CONTROLLING POWER GENERATION

OWEN BISHOP

*Proportional Integral Derivative (PID) control systems help to reliably maintain our supplies of electrical power.*

**N**ESTLING in a steep-sided Shropshire valley, not far from Telford, the cooling towers of the Ironbridge Power Station come into view only as one actually arrives at the site. This is a coal-fired station with two turbines.

Although it is the turbines that produce the electrical power, it is the steam generation plant that converts the energy from burning coal dust into the energy of high-pressure steam to drive the turbines. In short, the control of power generation at Ironbridge depends mainly on the control of the steam boilers.

The theory of turbines and how they produce electrical power was described by Alan Winstanley in his *Power Generation from Pipelines to Pylons* (Aug-Sep '99).

In this article, we are concerned with the essential control system, the system that produces steam at a temperature of exactly 566°C and a pressure of exactly 150 bars, ready to drive the turbines.

## EARLY SYSTEMS

When the power station was first commissioned in the late 1960s, it was controlled by analogue electronic circuits. Later, the station was modified to use full Proportional Integral Derivative control (PID – see Panel 1). Like the early cheese-packing system described in *The World of PLCs* of July '01, it was implemented as relay logic.

By the early 1980s a DEC PDP11 mini-computer had been installed to control certain aspects of the plant. For this purpose, the Central Electricity Generating Board developed CUTLASS, its own programming language for boiler control.

Many large industrial organisations have good reason for developing their own computer languages. Another example is Lucas Aerospace with its flight control language, LUCOL.

Although developing a language is expensive and there are numerous general-purpose languages such as C or BASIC already available, a special language can include commands and functions applicable to the industry. This simplifies programming and, if the algorithms are rigorously tested, eliminates many or all possible causes of system failure.

By the middle of the 1980s the power station had installed about 120



*The generator hall at Ironbridge, showing one of the two turbines and generators.*

programmable logic controllers working alongside the minicomputer. These too were programmed in CUTLASS. This system was operational until the late 1990s.

## AUTOMATIC BOILER CONTROL

The most recent system, ABC (Automatic Boiler Control), comprises five individual computer control systems, all running under a central control system. Such an architecture is known as a distributed control system.

Each sub-system is autonomous and is told what to do by the central control system. From then on, it executes its own control algorithms, reporting its progress back to the central control system from time to time until it has completed its allotted task.

The five control systems of ABC comprise:

- Feed control: This controls the flow of feed water to the boiler. It is alternatively known as Drum Level Control.
- Superheater temperature control: Controls the final temperature of the steam as it passes to the turbine.

- Master pressure control: This acts by controlling the rate of burning of coal dust in the furnace.

- Load control: Controls the electrical load placed on the generator.

- Fan controls: There are two sets of fans for producing a current of air through the furnace.

These five systems work together to supply steam to the turbines at exactly 566°C and 150 bars. Given that one bar is equal to just over one standard atmosphere, 150 bars is the equivalent of 155kg/cm<sup>2</sup> (2204 psi).

## FEED CONTROL

Water is pumped into the system by three pumps (Fig.1). The main boiler feed pump is steam driven and thus can only be used when the station is already generating. In practice, it is used when the generators are running at 200MW or more. The other two water pumps are the starting and standby boiler feed pumps. These are electrically driven, but have only half the pumping capacity of the main pump.

The output from the three pumps goes to a common line in which the water pressure is maintained at 160 bars. From this line, the water passes through six feed regulating valves. Two of these are used when the system is being started and the other four are brought into use as the system becomes operational. In this way, the amount of water delivered to the boiler is controlled by:

- Varying the speed of the pumps
- Adjusting the apertures of the valves
- Selecting which valves are open and which are closed

From the six valves, the water enters another common line in which the pressure is held at 154 bars. On its way to the main boiler, known as the drum, it passes through a number of preheater stages (including an economiser). These make use of hot exhaust gases from the main boiler to start raising the temperature of the water.

The heated water then enters the drum. The purpose of feed control is to keep a constant water level there. The drum has a sensor to measure the water level. It would be possible to mount a pressure sensor (see Panel 2) in a pipe leading from the drum, but a problem would arise when water collected or condensed in the pipe. The varying amount of water in the pipe would produce an error in the level reading.

To overcome this difficulty the sensor measures the pressure difference between two levels in the drum. There are two pipes, one above the typical water level and one below it. Both pipes are kept full of water, so that the difference of pressure in the two pipes is related to the level of water in the drum. The output from this sensor is fed back to the feed control system, which adjusts the water flow accordingly.

## FAN CONTROL

There are two sets of fans, the forced draught set blowing air into the furnace and the induced draught set extracting air

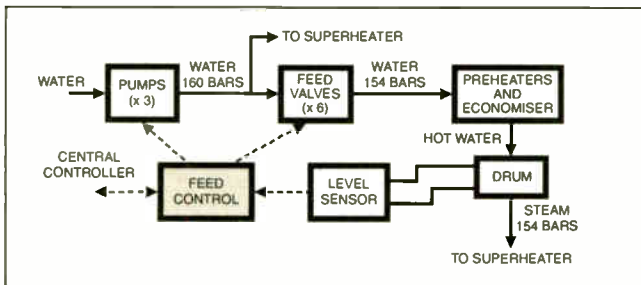


Fig.1. The feed control system regulates the level of water in the drum.

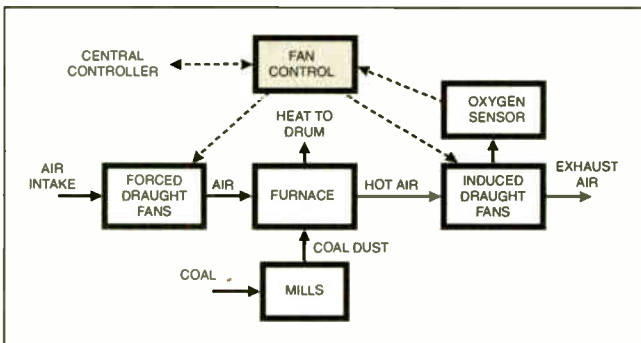


Fig.2. The fan control system is responsible for conditions within the furnace.

## PANEL 1. CONTROL STRATEGIES

The analysis of control systems is a highly mathematical topic, particularly the analysis of regulators intended to maintain a constant temperature, pressure or rate of flow in a system. Explaining in words what is in reality a complex situation, there are four principal kinds of regulatory control system:

● **Bang-bang control:** A simple thermostat switches a heater on when the room is too cold and switches it off when it is too hot. This commonly used system is easily analysed. It uses negative feedback.

● **Proportional control (P):** The existing condition of the system is compared with the desired condition (the Set Point, Fig.4a). The difference is the error signal. The corrective action is in proportion to the error. For example, a heater of variable power is switched more fully on when the existing temperature is a long way below the set point. The heater is switched to lower powers as the temperature approaches the set point. Because the error signal is inverted and fed back into the system, the system never comes exactly to the set point. There is always an offset.

● **Proportional + Integral control (P + I):** The feedback includes an additional amount proportional to the time integral of the error signal. This ensures that the system eventually reaches the set point.

● **Proportional + Integral + Derivative (P + I + D):** P + I control alone does not allow the system to respond quickly to disturbances. In PID control, the feedback includes a third quantity, proportional to the derivative or rate of change of the error signal. The system is then able to respond effectively to sudden or large changes in its operating condition. A PID system is generally preferred to the other systems, though the control algorithms are necessarily more complex.

from the furnace (Fig.2). The forced draught fans blow coal dust from the mills, where coal is ground by 5cm diameter steel balls, into the ball of fire around the drum and superheaters. They also propel a supply of air to burn the coal dust.

The hot gases from this combustion heat the water in the drum and then pass on to warm the water flowing through the economiser toward the drum. The induced draught fans remove air from the furnace and, as it passes out, there are sensors that measure its oxygen content. The fan control system acts to keep the oxygen content to at least three per cent (compared with the normal content of 20 per cent in air) to ensure that combustion is efficient.

## SUPERHEATER CONTROL

A rather unexpected feature of the system is that the furnace heats the steam above the

finally required temperature and it is then slightly cooled by spraying water into it. This procedure gives finer temperature control and takes place in the desuperheater (Fig.3).

The spray water is taken from the 160 bars line between the pumps and the feed valves. The pressure in the desuperheater is lower than this (154 bars) so there is no

difficulty in spraying. There is a temperature sensor on the outlet from the desuperheater and this feeds data back to the superheater controller.

There are two separate controllers in this part of the system. Controller 1 receives feedback from the temperature sensor on the outlet of the desuperheater and operates the spray valve accordingly. The steam passes on to the superheater stage and its temperature as it proceeds to the turbine is monitored by a second temperature sensor. This feeds back a signal to Controller 2.

The set point of this controller is manually adjustable, and is set to the required temperature of 566°C. Now comes a more unusual technique for temperature control, for the error signal from this controller is fed back to determine the set point of Controller 1.

Thus we have two control loops, the second of which controls the setting of the first. These are known as cascaded loops, and provide a finer degree of temperature control than a single loop.

## A COMPLEX SYSTEM

The ABC system mentioned earlier is an example of multivariable control. As we have seen, there are several individual control systems but they all interact with one another. For example, if the fan control system lets the furnace get too hot, more water will be converted to steam and the feed control system will have to supply more water to the drum.

There are many such interactions, which are affected too by the amount of electrical power being generated at the time.

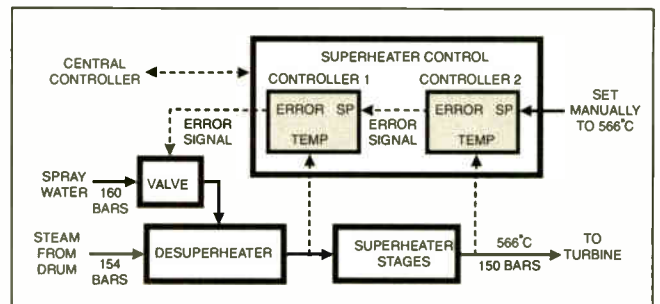


Fig.3. Superheater control comprises two control loops in cascade.



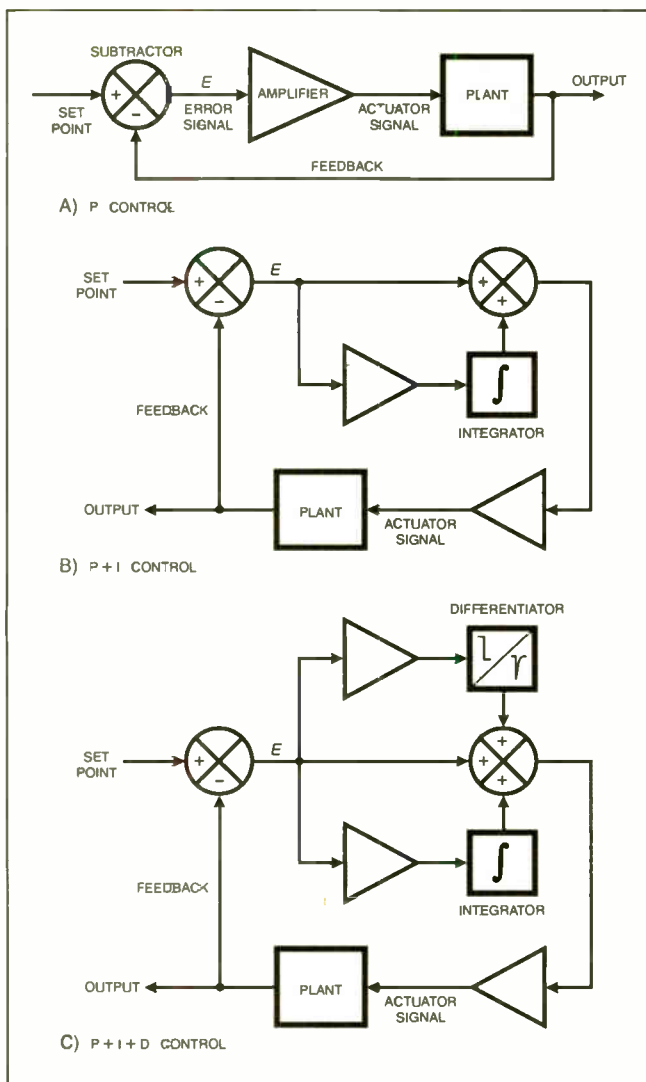


Fig.4. A range of control strategies of increasing complexity and effectiveness.

Computer models allow the operator to study how each system responds and how the different systems interact.

There are a few "unknowns" in the system, however, such as the energy being provided by a particular mixture of air and coal dust. This leads to inaccuracies in the model, and a human operator is needed to keep the whole system in balance.

### CONTROL ROOM

Ironbridge has a new control room that well reflects the state of the art of control technology. Instead of a control panel laden with massive switches, rheostats and bulky meters for pressure temperature and current, the whole control panel is presented in virtual form.

The operator sits in front of a bank of four large colour monitors. On a diagrammatic plan of the whole system, these VDUs display critical data (mainly temperatures and pressures), and indicate the state of all pumps and valves. There are buttons and sliders on screen just like those we meet in typical Windows software.

There are no keyboards for these displays for the power station is controlled simply by using a mouse. The operator sweeps the mouse across the screen, calling up data here, adjusting a setting somewhere else. The four screens act as one, so that, as the mouse moves the cursor off the edge of one screen, it appears on the screen next to it.

In addition to these screens, the control room has large back-projection monitors that give a complete overview of the plant. As we all know, computers sometimes crash and, with a system that provides essential power for an appreciable area of the country, a back-up is essential.

Although not showing in the photograph, there is also a hard-wired manual control desk. This has real switches and real meters on it and, while it does not provide for the sophisticated control of the virtual control panel, it does at least allow the power station to continue operating (or to be rapidly shut down!) in an emergency.

### PANEL 2. PRESSURE SENSORS

A fluid pressure sensor consists of a chamber with a diaphragm dividing it into two parts. Either or both parts may be filled with gas or liquid under pressure, and then connected by two tubes to the sources of pressure. In the power plant, the chamber on the two sides of the diaphragm is connected to the two levels inside the drum.

A strain gauge is mounted on the diaphragm and this consists of a pattern of parallel strands of thin metal foil. When a difference of pressure causes the diaphragm to bulge, the foil is distorted and its strands may become shorter and wider or longer and narrower. This alters their electrical conductivity and the change in resistance is measured by a bridge circuit. The change in resistance is interpreted as the difference in pressure between the two sides.



At the control desk, the operator uses a mouse to control the power station.

### ACKNOWLEDGEMENTS

The author thanks Eastern Power Generation Ltd. for permission to visit their site and, in particular, thanks Dave Potter, Head of Process Control Section, for his helpful explanations of the control systems.

# SQUIRES

## MODEL & CRAFT TOOLS

A COMPREHENSIVE RANGE OF MINIATURE HAND AND POWER TOOLS AND AN EXTENSIVE RANGE OF

### ELECTRONIC COMPONENTS

FEATURED IN A FULLY ILLUSTRATED

### MAIL ORDER CATALOGUE

2002 COPY DUE FOR RELEASE

SEPTEMBER 2001

Note: If you have ordered from 2001 copy you will receive the new catalogue automatically

**SAME DAY DESPATCH**

**FREE POST AND PACKAGING**

Catalogues: FREE OF CHARGE to addresses in the UK. Overseas: CATALOGUE FREE, postage at cost charged to credit card

Squires, 100 London Road, Bognor Regis, West Sussex, PO21 1DD

TEL: 01243 842424

FAX: 01243 842525

SHOP NOW OPEN



## PERPETUAL L.E.D. FLASHER

### THOMAS SCARBOROUGH



- Solar-Powered - no batteries ● Uses a common - Uniboard - p.c.b. ●
- Will run indefinitely, without attention ● Ideal for the novice ●

**W**HILE CONTINUE this month with the second part of our four-part series of "perpetual" projects. All are based on one small printed circuit board (p.c.b.) called a Uniboard. Each is powered around the clock - perpetually - by a single one farad "Goldcap" capacitor and a small solar cell (no battery). Each is designed to run unattended for months at a time without attention - in fact for years!

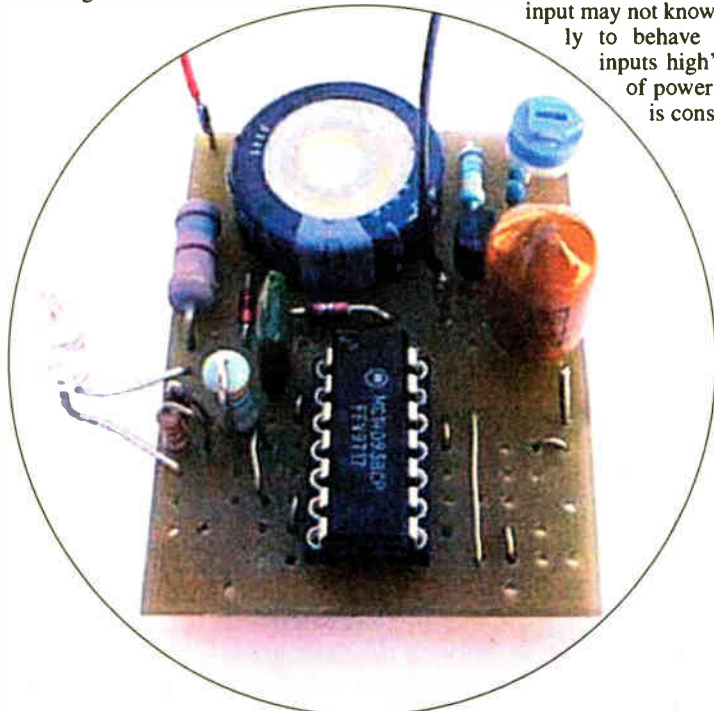
The solar power supply and regulator constructed last month form the basis for all of the projects in this short series. This month we cover the following two Perpetual Projects:

- ☆ Perpetual L.E.D. Flasher ☆
- ☆ Double Door-Buzzer ☆

Besides these projects, suggestions are made for one variation - a Single Door-Buzzer.

### L.E.D. FLASHER

This simple solar-powered flasher could be used as a thief deterrent almost anywhere - maybe on a dummy bell box or in an outbuilding etc. Or use it to mark a switch or keyhole so you can find it at night.



Last month we discussed the miniscule power requirements of the Perpetual Projects in this series. As with all the circuits in the series, the power requirement of the Perpetual L.E.D. Flasher needs to be extremely small to see it around the clock - in fact so small that, if it were run off AA batteries, it would live longer than the shelf life of the batteries (if that were possible)!

At the same time, this does not mean that the l.e.d. flasher is feebly dim. It is so designed that it will produce an extraordinarily bright flash for its minute current drain. Do not be disappointed if the l.e.d. flasher looks dim in the daylight - if the specified blue l.e.d. is used, it will flash brightly at night.

### CIRCUIT DETAILS

The single most active component in this circuit (regulator components excepted), is IC1 - a 4093 quad 2-input NAND Schmitt trigger.

There are various manufacturers of the 4093 i.c., and the make used in this series is the Motorola MC14093BCP. The make significantly affects both the power consumption and characteristics of the 4093 i.c. - see last month.

Any unused inputs should not be left "floating" (unconnected), otherwise an input may not know what to do, and is likely to behave erratically. By "tying inputs high", a significant amount of power (as much as one third) is conserved.

The Perpetual L.E.D. Flasher circuit diagram shown in Fig.1 is based on a simple RC oscillator - also called a clock generator in digital circuits. (Note that the component reference numbers follow on from the *Solar-Powered Power Supply & Voltage Regulator* described last month.)

In this circuit, the basic oscillator includes one "innovation", namely the combination of diode D3 and resistor R6. These enable rapid charging of capacitor C3, while blocking current in the opposite direction, so as to give very brief pulses of light.

The operation of the oscillator is easily understood if one refers back to Part 1 of this series. As capacitor C3 charges, so gate IC1a is triggered to discharge C3 - as it discharges, so IC1a is triggered again to charge C3 once more. This sets up a continuous oscillation.

A feature of this circuit that is common to all the "Uniboard" projects in the series is the very high value of R (R5), as well as the small value of C (C3). This ensures that the oscillator draws only a minute amount of current.

### EXTREMELY BRIGHT

An extreme brightness 5mm blue l.e.d. with a narrow viewing angle (15° or so) is used for D4. This is chosen not only for its brightness, but especially for its efficiency. These l.e.d.s produce a very strong light output. *Do not even think of using another l.e.d. in this position.* A standard l.e.d. is

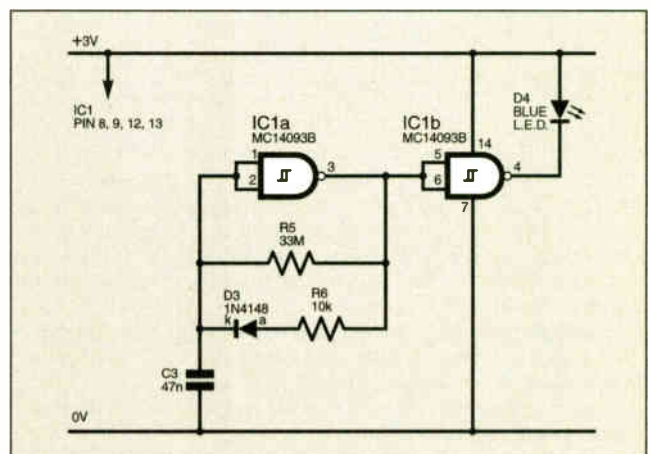


Fig.1. Circuit diagram for the Perpetual L.E.D. Flasher. Note component numbering continues on from last month's *Solar-Powered Power Supply & Voltage Regulator*.

likely to be virtually useless – and a wider viewing angle might seriously compromise brightness.

Extreme brightness red or green l.e.d.s with a narrow viewing angle may be tried, if a suitable ballast resistor is wired in series. The standard current limiting formula is used – the value of the resistance being calculated by subtracting the l.e.d.'s forward voltage from the regulator voltage, then dividing by 0.02 (which is current). This gives a value of about 39 ohms for green, and 56 ohms for red. A blue l.e.d. (rated at 3V) requires no ballast resistor, since the effective current flow is limited by the regulator.

Note that a buffer gate (IC1b) is employed in this circuit. This is good practice, particularly when very small currents are involved, as is the case with oscillator IC1a. Such a buffer gate isolates the small currents of the oscillator from the relatively heavy current drain of the load (that is, the l.e.d.), and ensures that capacitor C3 is able to fully charge (this would not necessarily be the case without a buffer – a red l.e.d., for instance, would stop the oscillator).

The l.e.d. flasher will flash at about 1Hz, which would easily take it through twenty-four hours of darkness. In fact in sunny climes, the spare gates within the MC14093BCP (IC1) might well be capable of flashing an additional l.e.d. flasher around the clock.

The brightness of the flash may be increased considerably by changing the value of resistor R6 to 47 kilohms, and the flasher circuit would still outlast a good night. However, its life-span would be reduced to about fifteen hours.

The rate of flashing may be increased by decreasing the value of resistor R5.

## CONSTRUCTION

For the sake of simplicity and clarity, two features of the circuits throughout this Uniboard series is that pin 7 and pin 14 of IC1 are wired to 0V and +V<sub>E</sub> respectively (this was taken care of with the insertion of the d.i.l. socket last month). Also, the inputs of all unused gates are (or should be) wired to the positive rail. This is shown in all the circuit board layouts.

The Perpetual L.E.D. Flasher circuit is built up on the Uniboard p.c.b., which already holds the regulator and d.i.l. socket (see Fig.2 July issue). This board (*minus components*) is available from the *EPE PCB Service*, code 305. The topside component layout and copper foil master are shown in Fig.2.

Commence construction by soldering in position the link wires and resistors, continuing with the diodes and capacitor C3. The cathode (k) of D3 is banded. The cathode (k) of l.e.d. D4 has the shortest lead.

Finally, insert IC1 in the d.i.l. socket, being sure to observe the correct polarity (CMOS i.c.s in the 4000 series are easily destroyed by reverse voltages). Observe anti-static precautions with IC1 – the first of these being to earth your body (e.g. by touching a metal water tap – not the mains earth!) immediately before handling the i.c. Extreme brightness l.e.d.s may also be static sensitive, and should be handled with the same precautions.

Although some high-sounding descriptions are given for component types in the

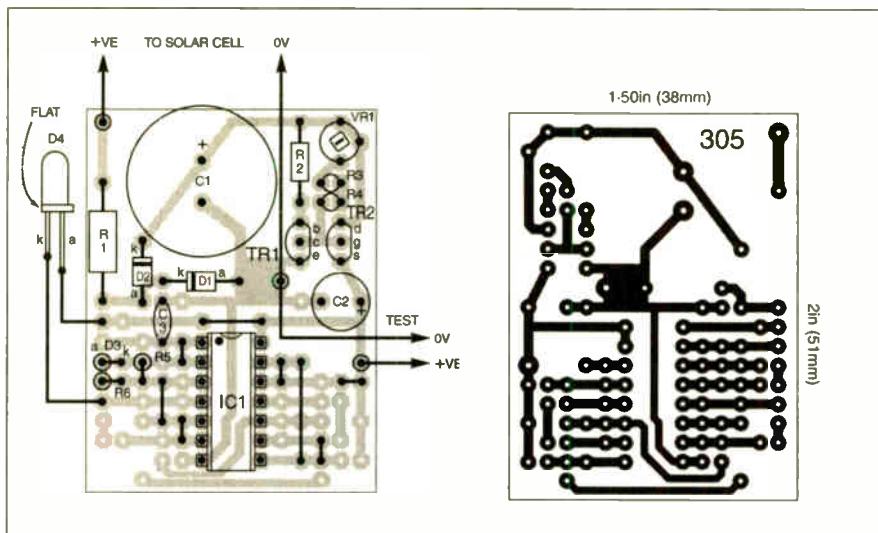
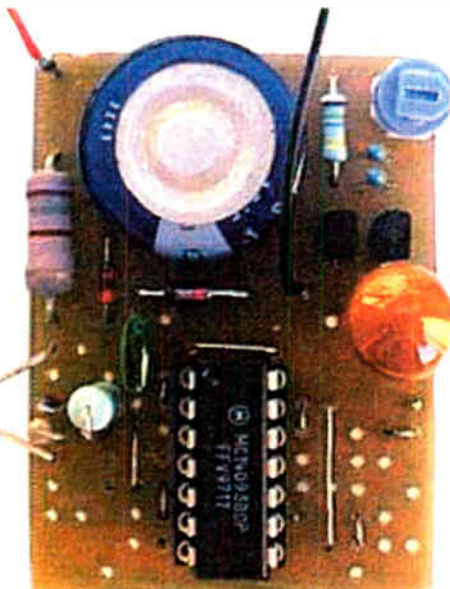


Fig.2. Uniboard component layout for the L.E.D. Flasher. Not all the holes/pads are used. The board includes the Power Supply from last month.



Completed circuit board.

Components lists, these merely serve as a guide. In all the projects which follow, only the specifications of IC1 and the l.e.d.s are critical. Rough equivalents should work in every other instance without trouble.

## CALIBRATION

Once C1 has been fully charged in the sun (see last month), adjust the regulator's preset trimmer VR1 until 3V is measured across electrolytic capacitor C2 (solder pins are provided for this purpose on both sides of C2). Remember that C2 causes a short delay to any adjustments that are made to the voltage.

Current consumption (excluding the regulator) is below 15µA. If you measure more than 20µA, or if the l.e.d. flasher fades too soon, make IC1 your prime suspect. A CMOS i.c. can be partially damaged by static, while seeming to function correctly. If the i.c. is not the one specified in the Components list, this will almost certainly be the problem.

Now place the solar panel (not the p.c.b., which should be protected from wide temperature swings) in a position where it will receive half an hour's direct sunlight each day. The sun should strike the *whole* solar panel, not just part of it.

## COMPONENTS

### L.E.D. FLASHER

<b>Resistors</b>		<b>See SHOP TALK page</b>
R5	33M metal film 0.25W	
R6	10k carbon film 0.2W	
<b>Capacitor</b>		
C3	47n polyester	
<b>Semiconductors</b>		
D3	1N4148 signal diode	
D4	5mm 15° extreme brightness blue l.e.d.	
IC1	MC14093BCP quad 2-input NAND Schmitt trigger (see text)	

### Miscellaneous

Printed circuit board (Uniboard) available from the *EPE PCB Service*, code 305 (see text); multistrand connecting wire; solder etc.

Note: Component designations run on from the Solar-Powered Power Supply & Voltage Regulator described last month.

Approx. Cost Guidance Only

£5

All being well, your l.e.d. flasher should flash continuously through the 21st Century and into the next!

IT'S A BUZZ



# DOUBLE DOOR-BUZZER

## Solar-powered, personalised call button

**A** CIRCUIT diagram for a simple Double Door-Buzzer is shown in Fig.3 and is ideally suited to a smaller space (e.g. one or two rooms), since its volume is quite modest. For instance, it would be ideal for an allotment "hut" where there may be no electricity supply, and where it would remain perpetually on standby to alert you to the presence of visitors.

A double door-buzzer will conveniently distinguish between a front door, a back door, or perhaps a gate by sounding a higher or lower tone, depending on which touch-switch button is pressed. It may also alert different occupants of the same house to who is required.

### TAKE NOTE

The piezo disc, WD1, is wired between the output terminals (pin 4 and pin 11) of the output buffers IC1b and IC1d. This is an easy way to share one piezo disc between two oscillators. When buzzer No.1 (IC1a and IC1c) sounds, buzzer No.2's output (IC1b and IC1d) is low. When buzzer No.2 (IC1c and IC1d) sounds, No.1's output (IC1a and IC1b) is low.

In each case, it is as though the piezo disc had been connected straight to the 0V rail. If both oscillators (IC1a and IC1c) sound at the same time, the two waveforms merge, so that the two "tones" are heard simultaneously.

Notice also that if each oscillator is activated alternately, the current reverses direction. This means that the piezo disc could be replaced with a bi-colour l.e.d., which would indicate a different colour depending on which touch-switch is pressed. If a bi-colour l.e.d. is used, remember to add a ballast resistor – the standard current limiting formula (see earlier) applies. The l.e.d. may be wired *in place* of the piezo disc, or *parallel* with it.

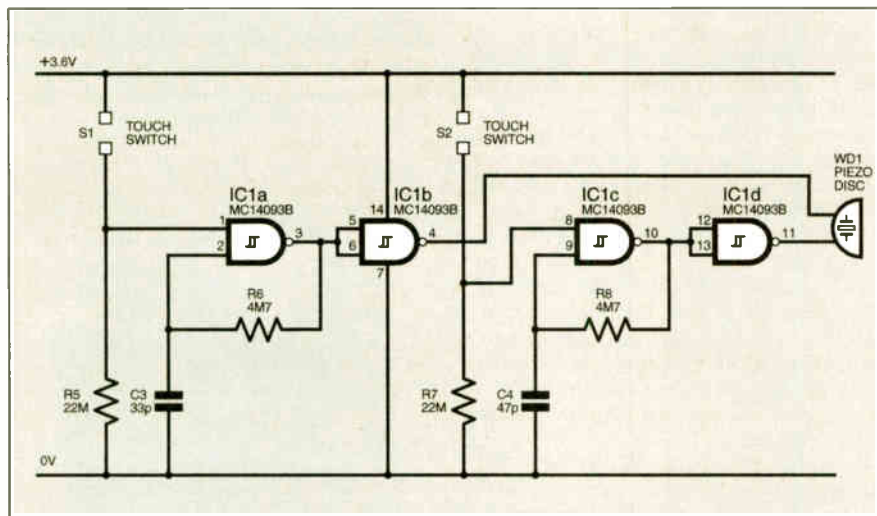


Fig.3. Circuit diagram for the Solar-Powered Double Door-Buzzer. Note: Component numbering continues on from the Solar-Powered Power Supply & Voltage Regulator from last month.

The tone of the "two" buzzers may be altered by changing the values of resistors R6 and R8 – choosing higher values for a lower tone, and vice versa.

The Double Door-Buzzer is so designed that only three wires are required for the two touch-switches S1 and S2.

### TOUCH-TONE

We return now to the theory of the *potential divider*. Instead of taking an input directly to the positive or negative rails, the voltage at an input may be set anywhere between these extremes by means of a potential divider, see Fig.4.

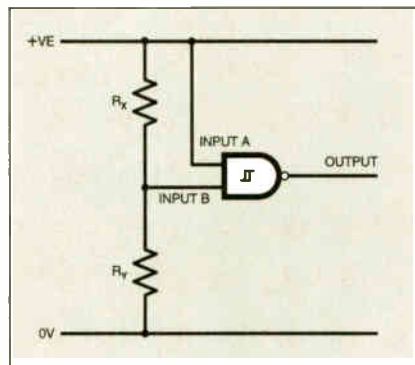
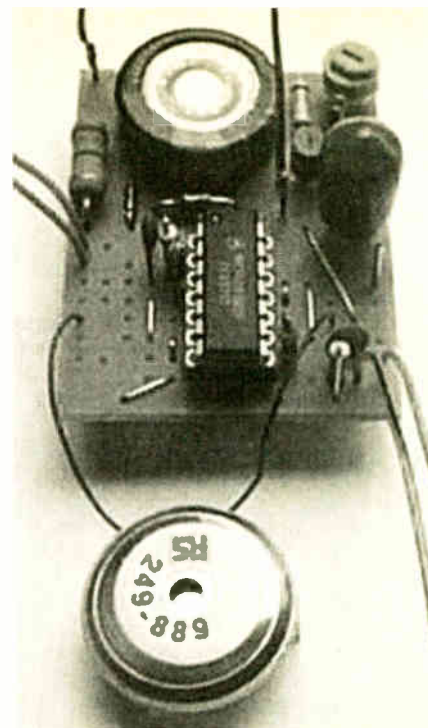


Fig.4. Potential divider.

In order for an input to go "high" (Logic 1), it needs to be *above* the hysteresis voltage upper threshold. In order for it to go "low" (Logic 0), it needs to be *below* the hysteresis voltage lower threshold. The hysteresis is typically about 0.5V above and below the midway voltage and we can safely assume that, referring to Fig.4, if the value of  $R_x$  is one-third or less of the value of  $R_y$ , Input B goes high. If  $R_x$  is two-thirds or more of the value of  $R_y$ , Input B goes low.

Now consider that the skin has a resistance of roughly one megohm (but this may



vary considerably). Skin resistance may thus form one half of a voltage divider – serving more or less the same end as a 1M resistor would do. When the skin bridges (or touches simultaneously) the two sensor plates of a touch-switch wired between IC1 pin 1 and the positive rail (see Fig.3), IC1 pin 1 goes high.

Some circuits choose a value as low as 4.7 megohms (4M7) for resistors R5 and R7. However, the author found this undependable, and chose instead a value of 22M – the only problem here being that the touch-switches would be more sensitive to rain or dampness. The values of R5 and R7 may also be *increased* if the touch-switches are found to be too insensitive.



The author's "touch-switch" was made from a broken ultrasonic transducer.

Mechanical pushbuttons (push-to-make, release-to-break) could be used in place of the touch-switches S1 and S2. In this case, R5 and R7 are replaced with 100k resistors, and the wires from two pushbutton switches are taken from the positive supply rail to IC1 pin 1 and pin 8 respectively.

Wherever a touch-switch is encountered in this Uniboard series, it may be replaced by a pushbutton switch in this way.

### TOUCH-SWITCH

It was decided to use touch-switches throughout the series, since the symbolism of the "perpetual" might be compromised if any mechanical switches were included – particularly if these would interrupt the power supply. The option of mechanical

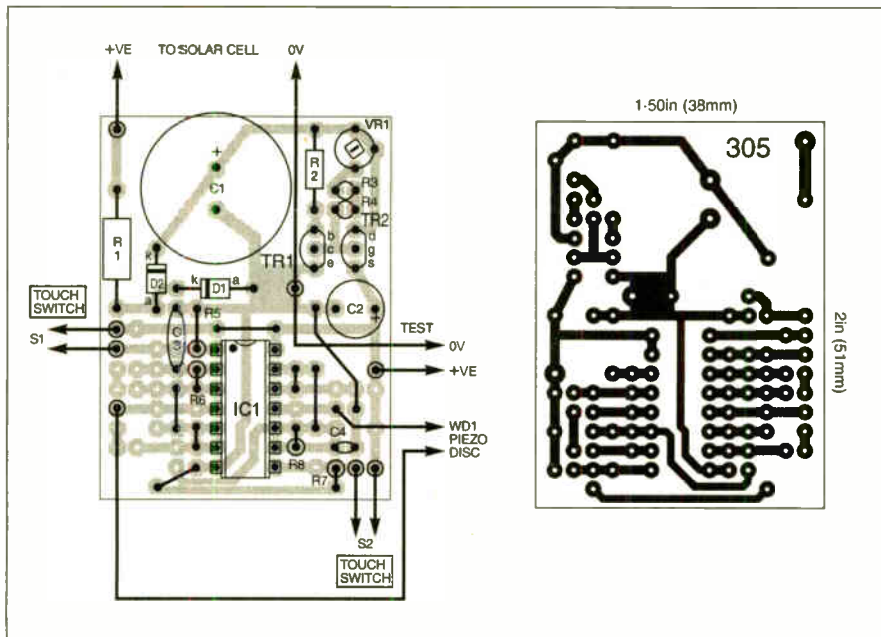


Fig.5. Uniboard component layout and full-size foil master for the Double Door-Buzzer. Includes last month's power supply.

switches is included, since touch-switches may become troublesome in a wet or damp environment.

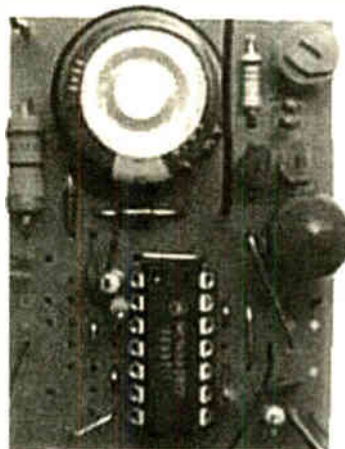
A touch-switch which was constructed by the author from the pieces of a broken ultrasonic transducer is shown in the photographs. The cavity was filled with "quick-set" putty (the connections in this case required aluminium solder). A touch-switch should preferably resemble a push-button switch, so that others can intuitively grasp its purpose. It should also be constructed in such a way that a finger is sure to close the gap across the two contacts.

It would be worth noting that touch-switches can pick up static. One way of protecting a CMOS i.c.'s inputs from such static is to wire a one megohm resistor (approx.) between the junction of a potential divider and an input. The author experienced no problems in this regard, so left out such protection.

A recommended simple means of protecting all the circuits in this series against static would be to wire a one megohm resistor *in series* with each touch-switch. This would be desirable especially if there is an expanse of carpeting near the touch-switch.

### CONSTRUCTION

The Double Door-Buzzer is built up on the Uniboard p.c.b., as shown in the topside component layout details of Fig.5. Follow the same procedures as previously described, soldering the components to the



board in sequence, adding the piezo sounder WD1, and finally inserting IC1, observing anti-static precautions.

Adjust the regulator's voltage to 3-6V – while one buzzer is *sounding*. Current consumption is less than 1µA on standby, and about 250µA when one buzzer is sounding. Note that the current consumption of the Perpetual Projects is in some cases so low on standby (as in this case) that more than one project may be run off one "Goldcap" capacitor.

As soon as a finger bridges the plates of one of the two touch switches, a relevant buzzer tone will be heard.



## COMPONENTS

### DOUBLE DOOR-BUZZER

#### Resistors

- R5, R7 22M metal film 0-25W (2 off)  
R6, R8 4M7 carbon film 0-25W (2 off)

#### Capacitors

- C3 33p ceramic plate  
C4 47p ceramic plate

See **SHOP**  
**TALK**  
page

#### Semiconductor

- IC1 MC14093BCP quad 2-input NAND Schmitt trigger

#### Miscellaneous

- WD1 low profile wire-ended piezo sounder  
S1, S2 touch-switches – see text

Printed circuit board available from the *EPE PCB Service*, code 305 (see text); multistrand connecting wire; solder etc.

*Note: component designations run on from the Solar-Powered Power Supply & Voltage Regulator described last month (July '01).*

Approx. Cost  
Guidance Only

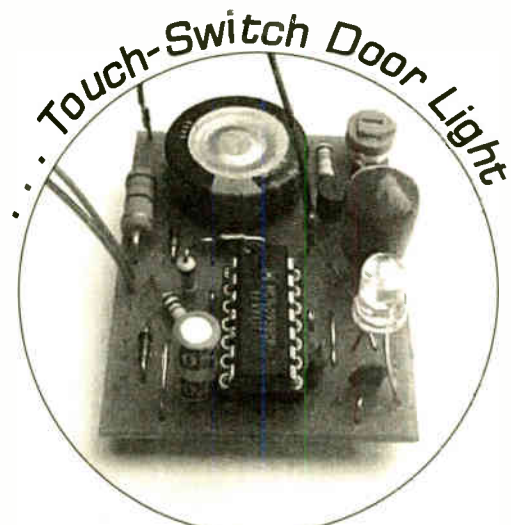
**£4**

Next month a Perpetual Projects bonanza: *Loop Burglar Alarm, Door Light and Rain Alarm. Plus suggestions for: Broken Beam Beeper, Power Failure Alarm, Soil Moisture Monitor, Thermostat, Timer, Liquid-Level Alarm, and Wake-Up Alarm.*

## SUGGESTION 1 – SINGLE DOOR-BUZZER

A Double Door-Buzzer might not be required for your purposes. Try making a Single Door-Buzzer:

- Remove all the components from IC1c and IC1d.
- Tie the inputs of IC1c (pins 8 and 9) and IC1d (pins 12 and 13) high – positive supply line.
- You may increase the volume, too. Instead of taking the piezo disc WD1 from pin 4 and to the negative rail, try taking it from pin 4 to pin 3. The reason for the increase in volume will be explained in Project 4 next month.



# L.E.T PIC BASIC PRO COMPILER

**The Fast and Easy way to Program the PIC Microcontroller**

Write and Compile your first Program in under 5 minutes  
Distribute your applications ROYALTY FREE  
Technical Support direct from the authors  
Dedicated user group mailing list  
Easy to navigate Windows (GUI)  
CDROM Includes software and example programs  
Book Includes worked examples and Projects  
Supports the popular PIC micro's including Flash devices

## INCLUDES:

- LET PIC BASIC Pro Compiler on CD-ROM
- LET PIC BASIC User Guide on CD-ROM
- Data Sheets and support documents on CD-ROM
- Adobe Acrobat reader on CD-ROM
- StampPlot Lite
- LET PIC BASIC Unleashed Book
- Printed User Guide

Includes  
CD-ROM



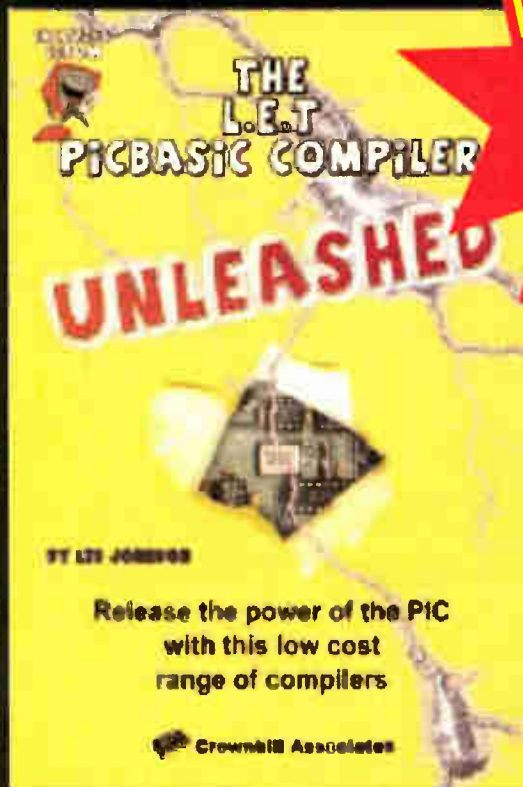
**LAUNCH  
Price!**

**£49.95**

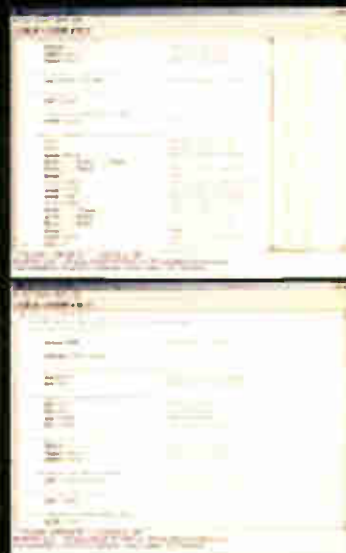
+ £5.50 p+p  
+VAT

**Download StampPlot**

**Free at [www.letbasic.com](http://www.letbasic.com)**



LET PICBASIC produces tight concise code from your program written in the easy to learn yet powerful BASIC language. You no longer have to struggle to learn machine code to use the popular PIC Microcontrollers, the compiler will produce code for both the 12 bit and 14 bit micros, therefore it can be used to produce code for any of the popular PIC devices including the 12C508 and 12C509 and the 16F84 and 16F877 and other popular Flash Devices.



LET PIC BASIC Unleashed by Les Johnson

Covering the following subjects:  
Interfacing to LCD and LED Displays  
Interfacing to Keypads  
Infrared Remote Control  
Using the 433Mhz Transmitter/Receiver Modules  
Interfacing to Serial Devices  
Temperature Measurement  
Downloading the computer's time  
Using the on board A to D Converter  
Advanced Programming Techniques  
RS232 serial communications demystified  
Implementing interrupts in BASIC  
Temperature data Logging Project

**FREE Download  
L.E.T PIC BASIC LITE  
[www.letbasic.com](http://www.letbasic.com)**

**Crownhill Associates Limited**

32 Broad Street Ely Cambridge CB7 4AH  
Tel:01353 666709 Fax:01353 666710



ORDER ONLINE [www.crownhill.co.uk](http://www.crownhill.co.uk)

All prices are subject to a delivery charge + VAT@17.5%

# READOUT

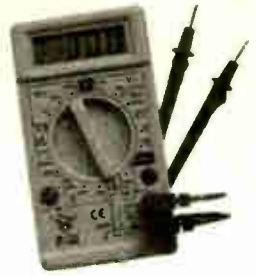
E-mail: [editorial@epemag.wimborne.co.uk](mailto:editorial@epemag.wimborne.co.uk)

**John Becker addresses some of the general points readers have raised. Have you anything interesting to say? Drop us a line!**

## WIN A DIGITAL MULTIMETER

A 3½ digit pocket-sized l.c.d. multimeter which measures a.c. and d.c. voltage, d.c. current and resistance. It can also test diodes and bipolar transistors.

Every month we will give a Digital Multimeter to the author of the best *Readout* letter.



## ★ LETTER OF THE MONTH ★ WHOSE COMPUTER IS IT ANYWAY?

Dear EPE,

I have been reading first *Practical Electronics* and then *EPE* together with *ETI* for quite a long time now. In fact, I started reading *PE* (at school!) in its second year of publication – but this is the first time I've ever written to you.

I have been using Microsoft products since the early days of the Amateur Computer Club (ACC), and since 1993 I have been a consultant to a retailer that sells Microsoft products – amongst many others.

Recently, my colleagues went to the Microsoft launch of the new XP Office product. They came back very angry. Apparently, they were not the only ones to be angered: many people (we are talking mostly of dealers, here) had walked out.

I have, after much discussion and pondering, arrived at a decision: if the information I have been given so far is in fact accurate and true, I am not going to promote (or buy, or sell, and eventually even use) Microsoft products any more. The reasons for this are very relevant to hobby and small-scale industrial electronics and are as follows:

There are two new product ranges coming shortly from Microsoft, the first – which has to all intents and purposes already been launched – is XP Office. Coming soon will be Windows XP the operating system. XP Office promises various interesting innovations, and will no doubt deliver some 30 to 70 per cent of them.

However, there is also a "Gotcha": XP office will not be supplied in functional form. It will be supplied in installable form, but to activate the product it will be necessary to register with Microsoft and get an "activation" key. This is an irritating but not altogether surprising innovation clearly designed to limit the activities of software pirates, at all levels.

But it doesn't end there. The activation key is tagged to the specific hardware setup of the machine – if more than three elements of the hardware setup of the computer are changed the key will expire. It will then be necessary to contact Microsoft again to get a new activation key.

Now it is evident that for a typical "office" user of Microsoft XP Office all this will have little effect – such users typically are not allowed to touch the insides of their computer anyway. But I have been known to make ten changes in my machine in a day – or more when I am messing around with some add-on and rebuilding and changing and reconfiguring and . . . well, use your imagination. I expect XP Office will not work well for me. And that's not all folks – there's more!

Windows XP is (as I understand it) the final amalgamation of the old Windows NT stream with Windows 95. Windows 95 was in my view a much underrated product: it was a brilliant expedient that managed backward and forward compatibility and, remarkably, it worked well enough. Windows NT, however, has always been a much more stable product. So the convergence of NT and 95 into one product should be welcomed – no?

Well, perhaps not. According to the information I have, Windows XP will *require* all executable software to have a digital signature before the operating system will run it. Yes, I did say "require". What is wrong with that? Obviously, virus packages, Trojans, worms and so on won't be digitally signed (if they were the author could be traced!) so the system will be protected against them – since they will not be executed.

So far, so good. And plainly, if you are a developer of mass-market software, all that is needed is to validate the product and get a digital signature. This is quite expensive, but amortized against sales of hundreds of thousands of units will lead to only a small cost increase.

But what if you are a small-scale manufacturer writing customised software for, say – machine tool fabrication? Or, specialised accounts packages? Garment manufacturer quality control? Production control of a small electronics fab? In that case, it is likely that no two of the packages you sell will ever be the same, and so you will have to enter into the expense of getting a validated digital signature for every single package you sell. And what if you are (shock horror!) a hobbyist?

Progressively, with each new version of Windows, operating security system has been improved – but at the same time making it harder and harder to actually use the machine for anything that is outside the narrow definition conceived by the package designers. Whose computer is it – anyway? Well the answer is – it is *my* computer, not Microsoft's computer, and I will do with it what I like.

Languages such as QBASIC are insecure because they can do anything on, and to, the machine. Languages such as Visual Basic are much more "secure", because all hardware access is restricted by the operating system kernel. But then you need to write/get a DLL to be able to talk to the hardware of the machine. Any security provisions are there to protect me and my data and my machine, and if they don't do that they are useless to me. These new provisions seem to have a lot more to do with protecting Microsoft.

There's still more! Not only are there changes to the office software and to the operating system, but there are also going to be changes to the whole development language structure that Microsoft has used to date. The ".net" initiative will replace all Microsoft development languages with new versions, significantly changing Visual Basic, Visual C++ (which now becomes C#) and replacing Visual Basic for Applications altogether, while dropping Java – Sun seem to have shot themselves in the foot with their recent court victory over Microsoft regarding Java.

So what to do? I have no doubt that Microsoft applications will continue to dominate the office and home application market for the foreseeable future, largely because they are in fact better than any of the alternatives in many respects. But I have decided to move to UNIX-style operating

systems – perhaps Linux, perhaps Free BSD. They are now a viable and usable alternative.

I don't have to pay retail prices for my Microsoft software, but if I did I would have stopped upgrading with Word 6 and Excel 5 – none of the "improvements" since then have had anything to offer me. The level of the KDE and Gnome interfaces now is competitive with NT4, Word 6 and Excel 5.

Although I have been messing about with Linux since 1993, it is still going to be a wrench, but I will get back full control over my computing machinery. Back in 1979, when I built my first computer (a Nascom-2) from a bag of parts, the whole point was to have one's own computer under one's own control – unlike the IBM 360 I used by day. I want to get my computer back!

James Roberts, via the Net

*We forwarded James' interesting but alarming letter to Barry Fox for his opinion. He responded:*

Much of what James says is already making the PC press cross. I wouldn't disagree. Personally, having tried to install it and talked to others more PC clever than me, I do not believe that Linux is the answer for PCs. Better to stick with old versions Windows. Most people will, I bet.

Barry Fox

*To which James comments:*

I quite agree that many people will just not upgrade anymore – that's what I'm planning to do on a personal basis. stick with what I have.

But things will continue to move forward – what about in five years? I am not (heaven forefend) a "Linux activist" – but it's not (nowadays!) that hard to try it out . . . there are three easy ways to try it which don't involve messing about with partitioning drives and so on, all run in a standard FAT32 Win 98 partition:

1. Easiest: download Winlinux from: [www.winlinux.net/usa-index.html](http://www.winlinux.net/usa-index.html) and run the install. It installs in a Windows partition with a Windows setup and configure tool – completely problem-free setup in my experience. Just play about a bit, find out what the buttons do and so on – it is different from Windows, and it takes a bit of time to get the idea. Try the (card!) games, good start...

In the DOS properties for the "Start WinLinux" shortcut, change it to "Close on Exit" or you may get a blank screen on exit (not a problem).

2. Next easiest – Big Slack from:

[www.slackware.org](http://www.slackware.org)

Ditto more or less as above.

3. Red Hat 7.1 from:

[www.redhat.org](http://www.redhat.org)

Run the install, and elect to install on Windows partition.

The latest versions are as easy to install as (and detect hardware as well as) Windows 2000 – and believe me, I've done my share of both! (Err... best not use a major production machine!)

James Roberts

*Thank you very much James, that's useful info. I for one shall look into your suggestions.*

## RIFE – THE AUTHOR RESPONDS

Dear EPE,

I've received numerous responses regarding my article *An End to All Disease* in the April '01 issue. It appears that some people have misread parts of the article or jumped to conclusions about what they think I meant as opposed to what I actually said! So I'd just like to clear up a few points that have been misinterpreted.

Firstly, the circuit described in the article is for a simple magnetic pulse device. It is NOT a Rife device and I have never made any claim to that effect. The only association with Rife's work is the fact that I personally tried it with Crane frequencies that have been (probably wrongly) attributed to Rife.

The article is designed to throw some light on several aspects of electrotherapy. Whilst Rife is the main focus of the article it is not exclusively about Rife – so the fact that various devices are mentioned does not imply that they are all forms of Rife device or that they have anything to do with Rife.

The reason I decided to try a magnetic pulse device was to test an initial theory of my own that it was the magnetic field from the Rife ray device that was responsible for the bactericidal effect. I have since found that I can duplicate the effect with pure electric fields, magnetic fields and even infra-red light.

I haven't tried electromagnetic fields – all the pure scientific research I have seen indicates that normal EM fields (i.e. radio waves) do NOT (in general – there are exceptions) exhibit the Rife effect. So to all the people who have commented to the effect that my circuit doesn't produce EM fields or is an inefficient EM transmitter – it is *not* an EM transmitter, it's just a crude prototype designed to create pulses of magnetic flux, nothing else.

As for the coil mentioned in the article, the one described measures at an inductance of 931µH. The 35mH coil referred to was a first prototype, the construction of which is not described in the article. As I did mention in the article, the circuit described is for my *second* prototype which was much simpler and more efficient than the first.

Some readers have asked me for therapeutic recommendations for the magnetic pulse device – I mentioned clearly in the article that I am *not* recommending medical treatment with this pulser. It was not designed as a proper therapeutic tool. It was meant to confirm some crude experimental results. I have no idea of what the long term effects of exposure to pulsed magnetic fields might be and recommend that anyone who wants to experiment with this should do so with extreme caution.

If you want to see if the Rife effect works, try it on a sample of mould or bacteria in a culture

dish – don't go around trying to cure people with it. If you want to try it on yourself that's up to you, *but I didn't tell you to do it!* I did not comment anywhere in the article that I recommended this kind of treatment and that I thought it was unconditionally safe. On the contrary I clearly stated that I thought it could potentially be very dangerous.

I did mention that other people had claimed it was safe – but I didn't make that claim myself. There are many different forms of electrotherapy and many different kinds of devices – each should be independently assessed and treated on its own merits, something I didn't try to do in my article.

A few readers have commented that the super-regeneration wavelengths quoted from Rife's papers are higher frequencies than the carriers. This is true but one should not literally accept that an original Rife machine consisted of a simple modulated carrier – in fact the little information that does exist about those original machines indicates that they may have been more like mixers than simple modulators.

I believe I now know the significance of the "super-regeneration" aspect of Rife's original machine and intend to expand on that in a forthcoming follow-up article. With regard to how the Rife effect works, I believe that magnetic and electric fields are inducing electrochemical changes in cell membranes which affect electrochemical pumping mechanisms.

In particular I believe that the Rife type machines interfere with proton pumps that are fundamental to the operation of bacterial cells, but which are not present in animal cells. I have no idea how the Rife effect works on viruses and as yet I don't even have the basis of any theory because viruses are very different to animal/bacterial cells.

I am working on an expanded theory that may account for how infra-red pulses can produce the effect by photoelectrochemical absorbance, but I would like to clarify that I do not endorse the view that the Rife effect is due to mechanical resonance – Rife thought it might be, but I didn't say I agreed with that idea!

I do encourage readers to do their own research – look at proper published scientific research papers – don't just accept what you read on some web site or book or advert (or even magazine article!) either for or against – the only way to find the truth is to look for it yourself with an open mind.

Some people have commented that the only correct way to approach this is with skeptical thinking, but there is a flaw in that because a skeptic in my definition at least is someone who refuses to believe the facts before them unless

they can be made to fit an accepted, conventional theory. But the facts are the facts, the theory needs to be modified to fit the facts, not the other way around!

Unconditional belief is just as bad because despite the best intentions of some of the "distributors", a lot of the material that one reads about Rife etc., on places like the web is unresearched and in many cases just plain wrong. But you can read from some of Rife's original papers, you can find proper scientific research papers and finally, best of all, you can do your own experiments and see it for yourself.

You can do historical research too. The full story is a lot more interesting than just my brief description. You can find information on the people mentioned and events referred to – look it up and decide for yourself what is true or not.

I recommend that readers read Barry Lynes book, look at James Bare's experiments, the reports on Peter Walker's Rife Information Web Site and also check out the recently available reproductions of audio tapes and video films of Rife himself talking about his work – but don't stop there, keep looking!

The true spirit of scientific method is to investigate something with no preconceived ideas about whether it's right or wrong etc. It involves simply looking at the facts, checking and verifying them, and then formulating a theory to fit them. The moment one makes any assumption either way, the scientific method has been lost. The same applies if you discard any facts you don't like or introduce unverified information as fact.

The fundamental reason why such a promising field of research is still in its infancy is simply because many people are more concerned with forming themselves into opposing camps of skeptics and believers than with simply looking for the truth for themselves. I have a couple of personal rules of thumb that are not strictly in accordance with the true spirit of scientific enquiry but may be valuable in general.

Firstly, if someone is trying to sell you something, then any information offered in support of their product should be treated with the utmost suspicion unless it can be independently verified.

Secondly, if anyone quotes a dozen pages of their professional qualifications in support of their pet theory whether for or against, that should also be viewed with suspicion, because facts speak for themselves – they don't need qualifications, accreditations, certifications and accolades to be facts. Anyone who needs to do this to promote their "facts" probably has a very weak case, because facts should stand on their own merits.

Aubrey Scoon

## MORE PIC TRICKS

Dear EPE,

Thank you for publishing Alan Bradley's *PIC Tricks* in May's *Readout*, another useful snippet to add to my note book.

My offering, while not exactly a trick, is a very useful library routine which has been used on many occasions for scaling data. Many amateur programmers who do not fully understand binary numbers often find binary arithmetic a daunting prospect and may resort to cheating, i.e. using multiple additions and subtractions to perform multiplication and division.

The routine divides two 16-bit numbers, the dividend by the divisor, which have been pre-loaded into **dividl,h** and **divisl,h** respectively, and returns the result (quotient) in **dividl,h** with the remainder in **remdr,h**. The original dividend is lost, being overwritten by the quotient.

Readers who are familiar with arithmetic routines will not find anything unusual in the listing,

in fact it is a standard algorithm, optimised for the PIC instruction set. Lines 10 to 17 show how to compare two 16-bit numbers using the limited instructions of the PIC.

```

divide    movlw d'16'      ; 16-bit division
          movwf counter
          clrf remdrh      ; clear remainder
          clrf remdrf
          dvloop          bcf status,c      ; set quotient bit
                                     to 0
          rlf dividl,f     ; shift left dividend
                                     and quotient
          rlf dividh,f     ; MSB into Carry
          rlf remdrf
          rlf remdrh,f
          movf divish,w    ; compare partial
                                     remainder and
                                     divisor
          subwf remdrh,w
          btfsz status,z   ; not equal, so test
          goto testgt     ; if remdrh is greater
    
```

```

          movf divisl,w   ; high bytes are
                                     equal, so compare
                                     low bytes
          subwf remdrf,w
          testgt          btfsz status,c   ; Carry set if remdr
                                     >= divisl
          goto remrlt    ; remdr < divisl
          movf divisl,w   ; subtract divisor
                                     from partial
                                     remainder
          subwf remdrf,f
          btfsz status,c  ; test for borrow
          decf remdrh,f   ; subtract borrow
          movf divish,w
          subwf remdrh,f
          bsf dividl,0
          remrlt          decfsz counter,f
          goto dvloop
          return
    
```

Peter Hensley, via the Net

Another highly useful contribution from you Peter. Many thanks.



## NEW From FED – In Circuit Debugging for PIC 16F87x series

Operates with all FED PIC Development applications (PIXIE, WIZPIC, PICDESIM, C Compiler)



**In Circuit Debugger Board**

### What is In-Circuit Debugging (ICD) ?

In Circuit Debugging is a technique where a monitor program runs on the PIC in the application circuit. The ICD board connects to the PIC and to the PC. From any of our applications it is then possible to set breakpoints on the PIC, run code, single step, examine registers on the real device and change their values. The ICD makes debugging real time applications faster, easier and more accurate than simulation tools available for the PIC.

### Features

- Allows real hardware to be examined & programs to be debugged and to be *run in real time* on your application
- Powered from the application circuit (3.3V to 5V)
- The FED ICD requires only *one data I/O* pin on the PIC which can be chosen from any of ports B, C or D.
- Can *program and re-program* applications in circuit
- Up to 3 *breakpoints*
- Run, single step and step over, run to cursor line, set PC to any value in the program
- Trace execution in the original C or Assembler source files
- *Animate* operation to trace variables at breakpoints or watch the program executing
- Auto Run application if ICD not connected
- *View and change values* of PIC special function and general purpose registers, W and the ports.
- Uses a standard (3 wire) serial interface to a PC

### Prices

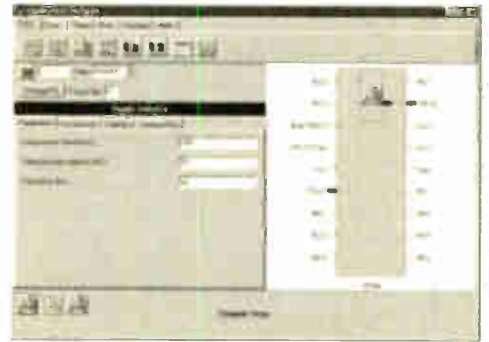
**In Circuit Debugger Board - £30.00**

You will also need a copy of PICDESIM, WIZPIC, our C Compiler, or PIXIE, all of which operate with the ICD board.

## PIXIE

## Visual Development for the FED PIC C Compiler

- An application designer for the FED PIC C Compiler FULLY including the PIC C Compiler
- Drag a software component on to your design & set up the parameters using check boxes, drop down boxes and edit boxes (see shot right).
- Connect the component to the PIC pins using the mouse
- Select your own C functions to be triggered when events occur (e.g. Byte received, timer overflow etc.)
- Simulate, Trace at up to 10x the speed of MPLAB
- Generate the base application automatically and then add your own functional code in C or assembler
- Supports 14/16 bit core PICS - 16F87x, 16C55x, 16C6x, 16F8x, 16C7xx 18Cxx
- C Compiler designed to ANSI C Standards



### Prices

**PIXIE with Introductory manual (C Manuals on CD) - £70**

**PIXIE with WIZPIC, Serial Programmer, or Development Board £50.00 CD-ROM**

## PIC & AVR Programmiers

## NEW - PIC Development Board



### PIC Serial Programmer (Left) including 18Cxxx

Handles serially programmed PIC devices in a 40 pin multi-width ZIF socket. 16C55X, 16C6X, 16C7X, 16C8X, 16F8X, 12C508, 12C509, 16C72XPIC 14000, 16F87X, 18Cxxx etc. Also In-Circuit programming. Operates on PC serial port  
**Price : £45/kit**  
**£50/built & tested**

**PIC Introductory** – Programs 8 & 18 pin devices : 16C505, 16C55X, 16C61, 16C62X, 16C71, 16C71X, 16C8X, 16F8X, 12C508/9, 12C671/2 **£25/kit.**  
**AVR** – AVR1200,2313,4144,8515 8535, 4434 etc. in ZIF. 4.5V battery powered.  
**Price : £40 for the kit or £45 built & tested.**

All our Programmiers operate on PC serial interface. No hard to handle parallel cable swapping ! Programmiers supplied with instructions, + Windows 3.1/95/98/NT software. **Upgrade programmiers from our web site !**



### Prices

**Kit with integrated programmer hardware £35.00**  
**CD-ROM including FED PIC BASIC compiler £5.00**  
 Other options available – please ring or see web site

For ALL 40 pin PICS from 16cxxx, 16Fxxx and 18cxxx

- Includes In-Circuit Programmer – NO separate programmer required
- LCD module interface (1:1) plus contrast control
- Hex keypad interface
- 4 LED's and driver
- 32 I/O pins available on IDC headers
- Variable resistor for A/D
- Socket for 12C EEPROM
- 1A 5V regulator on board
- 2 serial interfaces
- CD-ROM supplied with FED PIC BASIC and Compiler
- Peripherals operate only on port D and E leaving others free

Manual on CD-ROM or download free from our web site

## Forest Electronic Developments

60 Walkford Road, Christchurch, Dorset, BH23 5QG.

Email – info@fored.co.uk, or sales@fored.co.uk

Web Site – <http://www.fored.co.uk>

01425-274068 (Voice/Fax)

**Prices are fully inclusive**, Add £3.00 for P&P and handling to each order. Cheques/P.O.s payable to Forest Electronic Developments, or phone with credit card details.



## 18C452

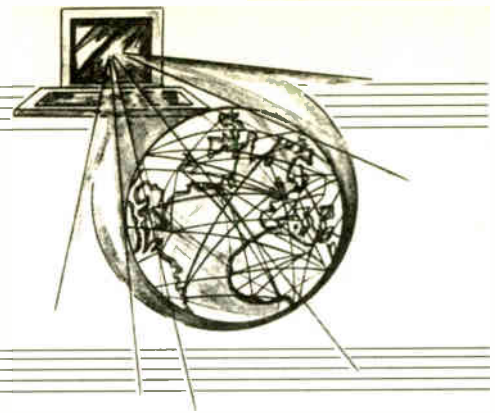
New architecture (more instructions + Hardware multiply), 40MHz clock, 16K program words, 1536 bytes RAM. Easy to upgrade from 16F877

18C452/JW £20.00  
 18C452/OTP £8.00

# SURFING THE INTERNET

# NET WORK

## ALAN WINSTANLEY



**W**ELCOME to this month's *Net Work*, our column for Internet users everywhere. Don't forget to browse the *EPE* web site ([www.epemag.wimborne.co.uk](http://www.epemag.wimborne.co.uk)), where you can join in on our Chat Zone message board and read a brief summary, complete with project photos, of current and previous issues. Of course, you can also subscribe or renew your subscription online using our secure order forms.

Our "Online Shop" is the place to go to buy all your *EPE* back issues, reprints, electronics books (including *Radio Bygones* selections), CD-ROMs and more, so hop over to [www.epemag.wimborne.co.uk/shopdoor.htm](http://www.epemag.wimborne.co.uk/shopdoor.htm) to check service announcements or to enter the shop. We deliver worldwide and accept all the usual credit cards.

### Software Overload

There is a massive amount of personal computer software available from high street retailers as well as box-shifting mail order suppliers. I have a heap of new software here vying for my attention, and usually the amount spent purchasing the software is often incomparable with the investment in time needed to install it, patch in any upgrades, learn the program and generally get the best out of it. Programs such as Microsoft Word have become over-elaborate for very many users and if you're hoping to start from scratch with, say, Corel Draw 10 or Paint Shop Pro 7 then a steep learning curve may await you!

As an antidote to this software overload madness, from time to time I will be highlighting some worthwhile examples of software which can be downloaded from the internet, either as freeware or for just a modest cost. They are hopefully undemanding and easy to use and will quickly pay for themselves (in terms of helping you keep your sanity if nothing else). Many programs are shareware – you can try them for a period without payment, and simply buy them online to continue using them. The sad thing is that more genuinely useful little programs never find their way into mainstream retail channels in their own right, but magazine cover-disks often contain a wealth of useful gems worth trying out.

### Is it a bird... no it's SuperCat!

If you have an office wall anything like mine, covered in racks of CD-ROMs and Zip disks then trying to keep track of their contents can be a nightmare. Searching disks until you find what you were looking for, can be endlessly frustrating. If you have ever needed to fumble around with handfuls of disks trying to locate one file or another, then help is at hand in the form of SuperCat from

No-Nonsense Software ([www.no-nonsense-software.com](http://www.no-nonsense-software.com)), a great little cataloguing utility which is available direct over the internet.

Supercat will index any removable drive as well as the contents of hard disks. The all-important advantage of doing this is to enable you to keep a "catalogue" of all your removable floppies, CDs and Zip disks on your hard disk. It is very easy to launch SuperCat and search the catalogue to locate a file (and the disk it is stored on), and SuperCat is perfect for keeping track of software patches, upgrades, demos and all those other essential files (including driver updates) that you accumulate over time on a motley collection of disks.

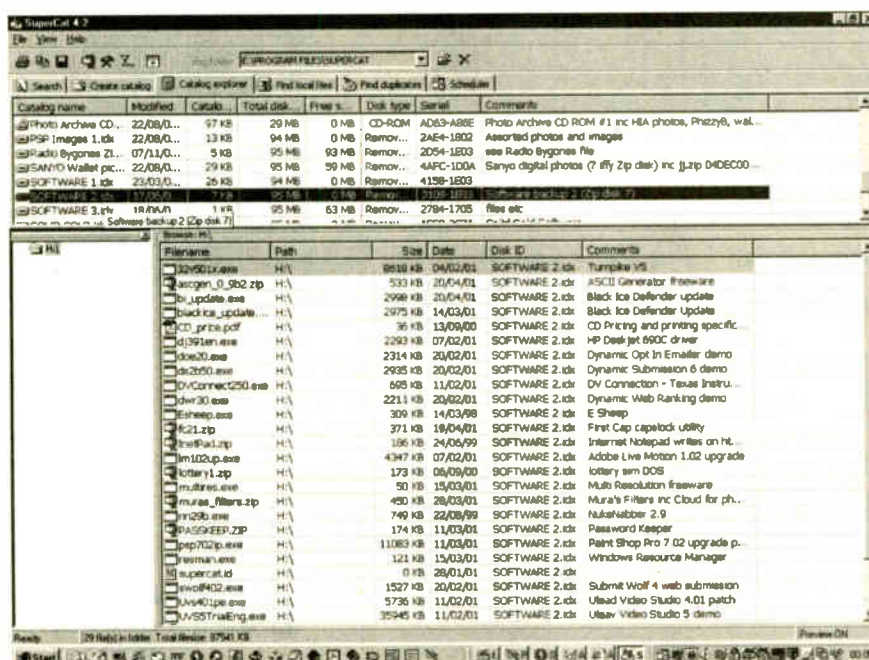
Supercat for Windows downloads from the web as a simple *.exe* and soon you're ready to begin the process of indexing your disks. You do this by pointing to the correct disk or folder, then hitting the Catalog button. You can also type in your own notes and descriptions alongside each disk (and individual files themselves) in the catalog. I find this completely invaluable for annotating the functions of files. So now I can use SuperCat's Comments feature (F12) to remind me that *dvconnect250.exe* is (obviously) the Texas Instruments Digital Video driver and *32V501x.exe* is (of course) Version 5 upgrade of *Turnpike for Windows*. Any downloaded demos are also filed on Zip disks and then catalogued in SuperCat.

### SuperSearch

You can quickly search the SuperCat Catalog Explorer to turn up a filename. The program will search your Comments fields as well, which is a great boon – so I could search for "Video" or "Turnpike" and turn up the corresponding files. If you change a disk's contents at any time, or want to add more comments, simply re-index it using Update Catalog (right-click or hit F5). This will update SuperCat's file data without deleting any existing notes relating to current files.

Other handy features include a simple unzip utility and an image preview function, and you can filter search results to a certain extent too. There are one or two "gotchas" to be expected in cheap and cheerful utilities such as SuperCat, but the folks at No-Nonsense have been

friendly and responsive to suggestions. In particular, I found that it's possible to accidentally overwrite a catalogue index file by inserting the "wrong" disk and pointing to the "wrong" catalogue when you catalogue it. At worst, you would have to re-index the disk and type in your comments again, as the actual contents of the disks are unaffected. SuperCat by No-Nonsense Software is a genuinely handy must-have utility – download a trial and see for yourself! If you have any internet software recommendations of your own which you would like to share with readers, let me know by E-mail to: [alan@epemag.co.uk](mailto:alan@epemag.co.uk)



Screenshot of SuperCat (top window: list of all catalogued disks. Left: selected disk catalogued contents. Main window: files in catalogue plus comments.)

Are you looking for more hands-on application articles, construction projects, and regular design columns every month?

# CIRCUIT CELLAR®

THE MAGAZINE FOR COMPUTER APPLICATIONS

## Project Articles

Every month Circuit Cellar features a variety of application articles that include diagrams, schematics, code listings, downloadable software for each project. Below are just a few of the kinds of projects you'll read about in Circuit Cellar each month:

Low-Cost Weather Station Project  
-September 2000  
Build a Lightweight R/C Receiver  
-March 2001  
SCUBA Dive Monitor  
-June 2001

## Design Contests

Every year Circuit Cellar sponsors design contests that give you the opportunity to show the world your project as well as win great cash and prizes. The Texas Instruments MSP430 Ultra Low-power Flash MCU Design Contest starts on July 15, so visit [www.circuitcellar.com/contests.htm](http://www.circuitcellar.com/contests.htm) to find out more about this contest and previous contest winners.

With over 120 advertisers in each issue, Circuit Cellar is more than just a resource for great projects, it's also your gateway to some of the most practical design products and services.

Published since 1988, Circuit Cellar brings you 100 pages of quality technical content every month in a style that's easy to read. Having feature articles that are written by everyday designers means that you won't find a lot of hype in Circuit Cellar. It also means that we can cover a variety of technologies ranging from Microchip's PIC processors to the latest FPGA modules. And best of all, you can get this insight and information in either printed magazine format or in an electronic edition! Download your free sample copy of the electronic edition at [www.circuitcellar.com/electronic-edition](http://www.circuitcellar.com/electronic-edition).

## Monthly Themes

Data Acquisition  
Robotics  
Graphics & Video  
Embedded Applications  
Wireless Communications  
Signal Processing  
Embedded Development  
Internet & Connectivity  
Measurement & Sensors

## Regular Columns

Circuit Cellar also gives you regular columns so you can follow the exploits of our columnists from month to month and project to project.

### From the Bench

Jeff Bachiochi tackles monthly design projects ranging from vehicle tracking via GPS to solar cells, and everything in between.

### Silicon Update

Tom Cantrell keeps you posted on the latest and greatest designs coming out of Silicon Valley.

### Applied PCs

Fred Eady has one mission every month—to prove that it doesn't have to be complicated to be embedded!

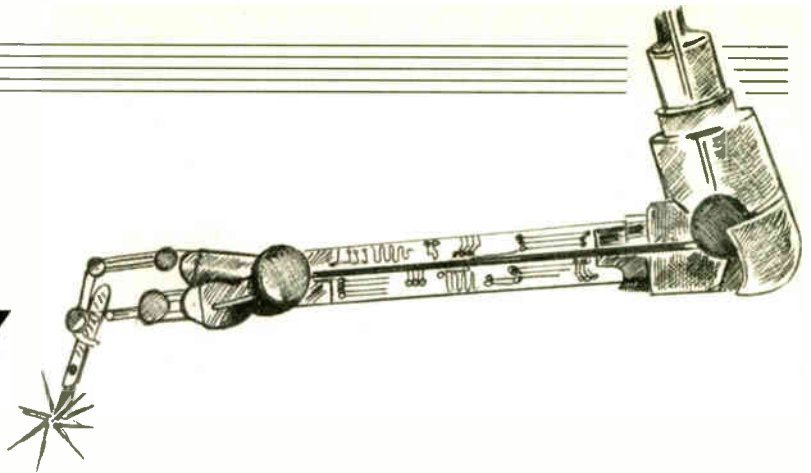
Get 12 issues  
of the Electronic Edition for only \$15  
[www.circuitcellar.com/electronic-edition](http://www.circuitcellar.com/electronic-edition)

Get the information you need for your next project and find the best deals for all of your component needs in Circuit Cellar. To find out more about Circuit Cellar, go to

[www.circuitcellar.com](http://www.circuitcellar.com)

World Radio History

# CIRCUIT SURGERY



**ALAN WINSTANLEY  
and IAN BELL**

*Our consultant troubleshooters diagnose the pitfalls of the simple application of thyristors in d.c. circuits*

## A New Case Alarm

*I am thinking of embarking on the project Case Alarm in the Nov. '97 issue, but some advice would be appreciated.*

*Instead of having all those components, why not just have a simple latching circuit, such as the C106D thyristor. This should only take one or two resistors and the mercury switch should still operate fine. Any ideas?"* ACB via the Internet.

The Case Alarm is a compact electronic "tumbler" alarm which drives a small piezo disc with an alarm tone whenever the unit is moved. It can be used to protect luggage, briefcases and other possessions. It uses a couple of CMOS NOR gates and 4046 phase-locked loop chips (we covered PLLs in *Circuit Surgery*, March 2001) at the heart of the circuit.

Whilst it is true that there are many ways to implement this function, one of the tasks we undertake at *EPE* is to teach by example, so readers and novices learn differing aspects of practical electronics. Therefore we often suggest different ways of doing the same thing.

In the project itself, the use of CMOS logic meant that the power consumption was tiny and the alarm circuit is likely to be more practical than using, say, one of those bulkier vibrating reed sounders. The designer also incorporated a "delay on" circuit to ensure that the alarm is not immediately triggered when it is being armed and put into position.

## Thyristor Alarm

Nevertheless, it is true that a simple alarm could be built using just a simple thyristor as you suggested. The circuit diagram of Fig. 1a shows the most basic battery-powered alarm imaginable, using just four components! When the switch S1 is closed, the thyristor will be triggered into conduction so the alarm operates (I used a bulb LP1 for demonstration purposes), and it stays that way until you reset it.

There are two ways of doing this, shown in Fig. 1b – usually the power is interrupted by using (say) a normally-closed switch, or less commonly, you can temporarily short the anode to cathode using a

switch, which causes the current through the thyristor to fall below its "holding" value ( $I_H$  in data sheets – 5mA in this case). The latter method is neat because the reset switch doubles as an "alarm test" button.

This simple circuit is a very good example of something that *should* work "on paper" but it's when you start experimenting with components that a number of practical issues arise, which the newcomer should take on board. The main problem is that of false triggering. Obviously this is undesirable in an alarm circuit.

If you quickly apply a d.c. supply voltage to many thyristors, they may be triggered into conduction at power up, as they are sensitive to the rate of voltage applied (dV/dt). Many a thyristor circuit has been built only to find that it operates immediately the power is applied, even though there is no trigger signal available!

One solution is to apply a large capacitor (say 470µF) across the supply to slow down the rate of voltage rise during power up. Another way is to use an RC network across the thyristor anode/cathode, say 100 ohms plus 100nF in series.

## Noise

The other common problem is that of "noise" and if the gate terminal is left floating, the thyristor is wide open to false triggering. I have seen alarm circuits with very long wires connected directly to the gate terminal; these wires act as antennae and can feed spurious trigger signals into the thyristor.

How extra capacitors can be added to improve reliability is shown in Fig. 1c. The downside is that the response time of the alarm must invariably be slowed down, but not appreciably so.

The C106D thyristor is always a handy device, having plenty of muscle to cope with the currents of larger loads, it's rated at 5A r.m.s. Of course, this circuit has none of the extra features that the original design had, but you can see how alternative approaches are indeed possible – the real answer is to use what works for you! A.R.W.

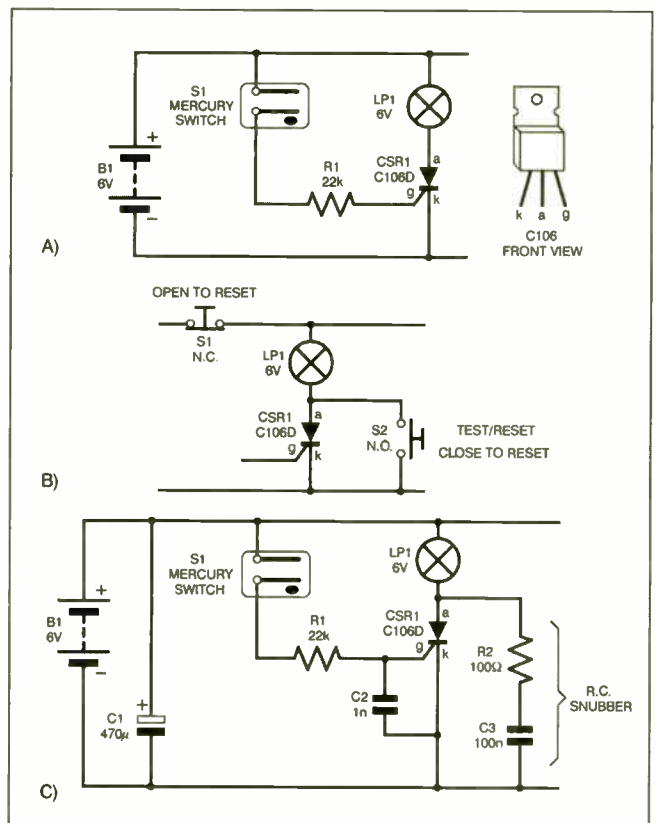
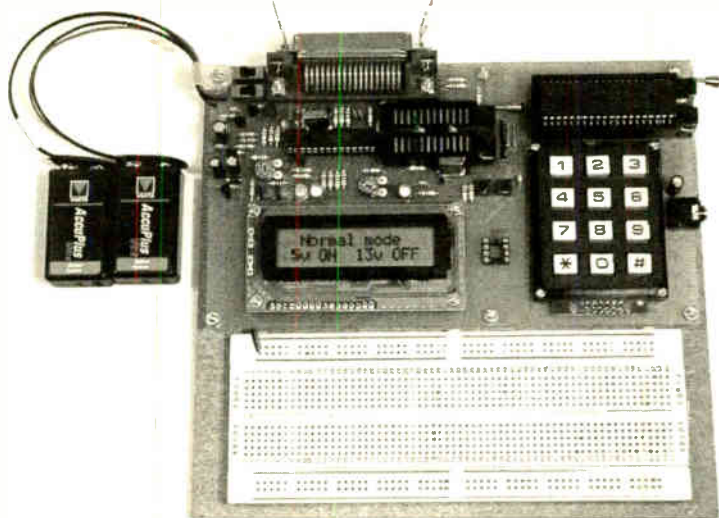


Fig. 1a. Circuit diagram showing the simplest possible application of a thyristor in an alarm system. (b) Two ways of resetting a thyristor using simple normally-open or normally-closed switches. (c) The same circuit with capacitors added to prevent false triggering.

# Learn The Easy Way!



## PIC Training & Development System

The heart of our system is a real book which lies open on your desk while you use your computer to type in the programme and control the hardware. Start with four very simple programmes. Run the simulator to see how they work. Test them with real hardware. Follow on with a little theory....

The best place to start learning about microcontrollers is the PIC16F84. This is easy to understand and very popular with construction projects. Then continue on using the more sophisticated PIC16F877 family.

Our complete PIC training and development system consists of our universal mid range PIC programmer, a 306 page book covering the PIC16F84, a 212 page book introducing the PIC16F877 family, and a suite of programmes to run on a PC. The module is an advanced design using a 28 pin PIC16F872 to handle the timing, programming and voltage switching requirements. The module has two ZIF sockets and an 8 pin socket which between them allow most mid range 8, 18, 28 and 40 pin PICs to be programmed. The plugboard is wired with a 5 volt supply. The software is an integrated system comprising a text editor, assembler disassembler, simulator and programming software. The programming is performed at normal 5 volts and then verified with plus and minus 10% applied to ensure that the device is programmed with a good margin and not poised on the edge of failure. Requires two PP3 batteries which are not supplied.

- Universal mid range PIC programmer module
- + Book *Experimenting with PIC Microcontrollers*
- + Book *Experimenting with the PIC16F877*
- + Universal mid range PIC software suite
- + PIC16F84 and PIC16F872 test PICs ..... £157.41
- UK Postage and insurance ..... £ 7.50
- (Europe postage & insurance ..... £13.00. Rest of world ..... £22.00)

## Experimenting with PIC Microcontrollers

This book introduces the PIC16F84 and PIC16C711, and is the easy way to get started for anyone who is new to PIC programming. We begin with four simple experiments, then having gained some practical experience we study the basic principles of PIC programming, learn about the 8 bit timer, how to drive the liquid crystal display, create a real time clock, experiment with the watchdog timer, sleep mode, beeps and music, including a rendition of Beethoven's *Für Elise*. Finally there are two projects to work through, using the PIC16F84 to create a sinewave generator and investigating the power taken by domestic appliances.

## Experimenting with the PIC16F877

We start with the simplest of experiments to get a basic understanding of the PIC16F877 family. Then we look at the 16 bit timer, efficient storage and display of text messages, simple frequency counter, use a keypad for numbers, letters and security codes, and examine the 10 bit A/D converter.

## Ordering Information

Telephone with Visa, Mastercard or Switch, or send cheque/PO for immediate despatch. All prices include VAT if applicable. Postage must be added to all orders. UK postage £2.50 per book, £1.00 per kit, maximum £7.50. Europe postage £3.50 per book, £1.50 per kit. Rest of world £6.50 per book, £2.50 per kit. Web site: [www.brunningssoftware.co.uk](http://www.brunningssoftware.co.uk)

## Assembler for the PC

*Experimenting with PC Computers* with its kit is the easiest way ever to learn assembly language programming, simple circuit design and interfacing to a PC. If you have enough intelligence to understand the English language and you can operate a PC computer then you have all the necessary background knowledge. Flashing LEDs, digital to analogue converters, simple oscilloscope, charging curves, temperature graphs and audio digitising.

- Book *Experimenting with PCs* ..... £21.50
- Kit 1a 'made up' with software ..... £45.00
- Kit 1u 'unmade' with software ..... £38.00

## C & C++ for the PC

*Experimenting with C & C++ Programmes* uses a similar approach. It teaches us to programme by using C to drive the simple hardware circuits built using the materials supplied in the kit. The circuits build up to a storage oscilloscope using relatively simple C techniques to construct a programme that is by no means simple. When approached in this way C is only marginally more difficult than BASIC and infinitely more powerful. C programmers are always in demand. Ideal for absolute beginners and experienced programmers.

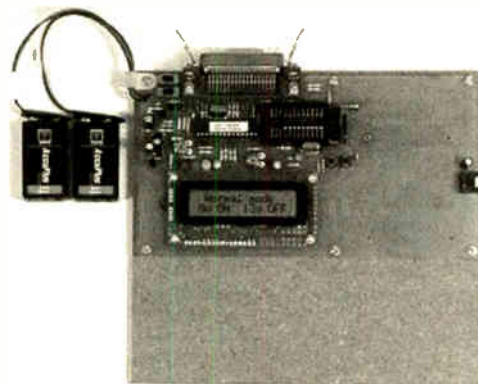
- Book *Experimenting with C & C++* ..... £24.99
- Kit CP2a 'made up' with software ..... £32.51
- Kit CP2u 'unmade' with software ..... £26.51
- Kit CP2t 'top up' with software ..... £12.99

## The Kits

The assembler and C & C++ kits contain the prototyping board, lead assemblies, components and programming software to do all the experiments. The 'made up' kits are supplied ready to start. The 'unmade' Kits require the prototyping board and leads to be assembled and soldered. The 'top up' kit CP2t is for readers who have purchased a kit to go with the first book. The kits do not include the book.

## Hardware required

All systems in this advertisement assume you have a PC (386 or better) and a printer lead. The experiments require no soldering.



## Part built PIC Training System

This has the same specification as the complete system but is supplied without the keypad, 40 pin ZIF socket and plugboard, with just one book *Experimenting with PIC Microcontrollers*, and with software to programme the PIC16F84 & PIC16C711. Can be upgraded later to the full specification.

- Part built universal PIC programmer module
- +Book: *Experimenting with PIC Microcontrollers*
- +84/711 software suite and PIC16F84 ..... £92.50
- UK postage and packing ..... £ 5.00
- (Europe postage .... £7.50. Rest of world .... £13.00)

Mail order address:

**Brunning Software** 138 The Street, Little Clacton, Clacton-on-sea, Essex, CO16 9LS. Tel 01255 862308

# ELECTRONICS CD-ROMS

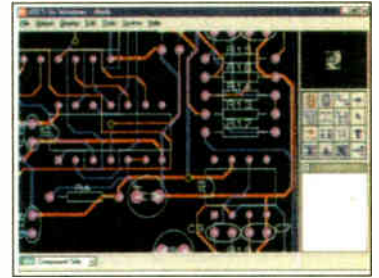
## ELECTRONICS PROJECTS



Logic Probe testing

*Electronic Projects* is split into two main sections: **Building Electronic Projects** contains comprehensive information about the components, tools and techniques used in developing projects from initial concept through to final circuit board production. Extensive use is made of video presentations showing soldering and construction techniques. The second section contains a set of ten projects for students to build, ranging from simple sensor circuits through to power amplifiers. A shareware version of Matrix's CADPACK **schematic capture, circuit simulation and p.c.b. design** software is included. The projects on the CD-ROM are: Logic Probe; Light, Heat and Moisture Sensor; NE555 Timer; Egg Timer; Dice Machine; Bike Alarm; Stereo Mixer; Power Amplifier; Sound Activated Switch; Reaction Tester. Full parts lists, schematics and p.c.b. layouts are included on the CD-ROM.

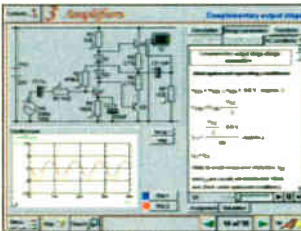
## ELECTRONICS CAD PACK



PCB Layout

Electronics CADPACK allows users to design complex circuit schematics, to view circuit animations using a unique SPICE-based simulation tool, and to design printed circuit boards. CADPACK is made up of three separate software modules: **ISIS Lite** which provides full schematic drawing features including full control of drawing appearance, automatic wire routing, and over 6,000 parts. **PROSPICE Lite** (integrated into ISIS Lite) which uses unique animation to show the operation of any circuit with mouse-operated switches, pots, etc. The animation is compiled using a full mixed mode SPICE simulator. **ARES Lite** PCB layout software allows professional quality PCBs to be designed and includes advanced features such as 16-layer boards, SMT components, and even a **fully functional autorouter**.

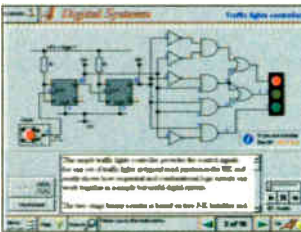
## ANALOGUE ELECTRONICS



Complimentary output stage

*Analogue Electronics* is a complete learning resource for this most difficult branch of electronics. The CD-ROM includes a host of virtual laboratories, animations, diagrams, photographs and text as well as a SPICE electronic circuit simulator with over 50 pre-designed circuits. Sections on the CD-ROM include: **Fundamentals** – Analogue Signals (5 sections), Transistors (4 sections), Waveshaping Circuits (6 sections). **Op.Amps** – 17 sections covering everything from Symbols and Signal Connections to Differentiators. **Amplifiers** – Single Stage Amplifiers (8 sections), Multi-stage Amplifiers (3 sections). **Filters** – Passive Filters (10 sections), Phase Shifting Networks (4 sections), Active Filters (6 sections). **Oscillators** – 6 sections from Positive Feedback to Crystal Oscillators. **Systems** – 12 sections from Audio Pre-Amplifiers to 8-Bit ADC plus a gallery showing representative p.c.b. photos.

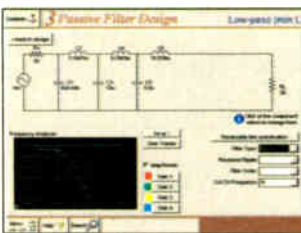
## DIGITAL ELECTRONICS



Virtual laboratory – Traffic Lights

*Digital Electronics* builds on the knowledge of logic gates covered in *Electronic Circuits & Components* (opposite), and takes users through the subject of digital electronics up to the operation and architecture of microprocessors. The virtual laboratories allow users to operate many circuits on screen. Covers binary and hexadecimal numbering systems, ASCII, basic logic gates, monostable action and circuits, and bistables – including JK and D-type flip-flops. Multiple gate circuits, equivalent logic functions and specialised logic functions. Introduces sequential logic including clocks and clock circuitry, counters, binary coded decimal and shift registers. A/D and D/A converters, traffic light controllers, memories and microprocessors – architecture, bus systems and their arithmetic logic units.

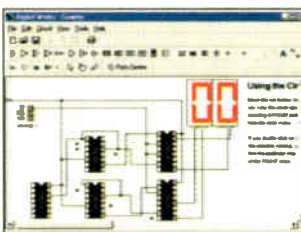
## FILTERS



Filter synthesis

*Filters* is a complete course in designing active and passive filters that makes use of highly interactive virtual laboratories and simulations to explain how filters are designed. It is split into five chapters: **Revision** which provides underpinning knowledge required for those who need to design filters. **Filter Basics** which is a course in terminology and filter characterization, important classes of filter, filter order, filter impedance and impedance matching, and effects of different filter types. **Advanced Theory** which covers the use of filter tables, mathematics behind filter design, and an explanation of the design of active filters. **Passive Filter Design** which includes an expert system and filter synthesis tool for the design of low-pass, high-pass, band-pass, and band-stop Bessel, Butterworth and Chebyshev ladder filters. **Active Filter Design** which includes an expert system and filter synthesis tool for the design of low-pass, high-pass, band-pass, and band-stop Bessel, Butterworth and Chebyshev op.amp filters.

## DIGITAL WORKS 3.0



Counter project

*Digital Works Version 3.0* is a graphical design tool that enables you to construct digital logic circuits and analyze their behaviour. It is so simple to use that it will take you less than 10 minutes to make your first digital design. It is so powerful that you will never outgrow its capability.

- Software for simulating digital logic circuits
- Create your own macros – highly scalable
- Create your own circuits, components, and i.c.s
- Easy-to-use digital interface
- Animation brings circuits to life
- Vast library of logic macros and 74 series i.c.s with data sheets
- Powerful tool for designing and learning

## “C” FOR PICMICRO MICROCONTROLLERS



*C for PICmicro Microcontrollers* is designed for students and professionals who need to learn how to use C to program embedded microcontrollers. This product contains a complete course in C that makes use of a virtual C PICmicro which allows students to see code execution step-by-step. Tutorials, exercises and practical projects are included to allow students to test their C programming capabilities. Also includes a complete Integrated Development Environment, a full C compiler, Arizona Microchip's MPLAB assembler, and software that will program a PIC16F84 via the parallel printer port on your PC. (Can be used with the *PICtutor* hardware – see opposite.)

Although the course focuses on the use of the PICmicro series of microcontrollers, this product will provide a relevant background in C programming for any microcontroller.

## PRICES

Prices for each of the CD-ROMs above are:

Hobbyist/Student .....£45 inc VAT  
Institutional (Schools/HE/FE/Industry).....£99 plus VAT  
Institutional 10 user (Network Licence).....£199 plus VAT

(UK and EU customers add VAT at 17.5% to “plus VAT” prices)

# Interested in programming PIC microcontrollers? Learn with **PICtutor** by John Becker



The Virtual PIC



Deluxe PICtutor Hardware

This highly acclaimed CD-ROM, together with the PICtutor experimental and development board, will teach you how to use PIC microcontrollers with special emphasis on the PIC16x84 devices. The board will also act as a development test bed and programmer for future projects as your programming skills develop. This interactive presentation uses the specially developed **Virtual PIC Simulator** to show exactly what is happening as you run, or step through, a program. In this way the CD provides the easiest and best ever introduction to the subject.

Nearly 40 Tutorials cover virtually every aspect of PIC programming in an easy to follow logical sequence.

## HARDWARE

Whilst the CD-ROM can be used on its own, the physical demonstration provided by the **PICtutor Development Kit**, plus the ability to program and test your own PIC16x84s, really reinforces the lessons learned. The hardware will also be an invaluable development and programming tool for future work. Two levels of PICtutor hardware are available – Standard and Deluxe. The **Standard** unit comes with a battery holder, a reduced number of switches and no displays. This version will allow users to complete 25 of the 39 Tutorials. The **Deluxe Development Kit** is supplied with a plug-top power supply (the **Export Version** has a battery holder), all switches for both PIC ports plus l.c.d. and 4-digit 7-segment l.e.d. displays. It allows users to program and control all functions and both ports of the PIC. All hardware is supplied **fully built and tested** and includes a PIC16F84.

## PICtutor CD-ROM

Hobbyist/Student .....£45 inc. VAT  
 Institutional (Schools/HE/FE/Industry) ...£99 plus VAT  
 Institutional 10 user (Network Licence) .£199 plus VAT

## HARDWARE

Standard PICtutor Development Kit .....£47 inc. VAT  
 Deluxe PICtutor Development Kit .....£99 plus VAT  
 Deluxe Export Version .....£96 plus VAT

(UK and EU customers add VAT at 17.5% to "plus VAT" prices)

## ELECTRONIC COMPONENTS PHOTOS

A high quality selection of over 200 JPG images of electronic components. This selection of high resolution photos can be used to enhance projects and presentations or to help with training and educational material. They are royalty free for use in commercial or personal printed projects, and can also be used royalty free in books, catalogues, magazine articles as well as worldwide web pages (subject to restrictions – see licence for full details). Also contains a **FREE** 30-day evaluation of Paint Shop Pro 6 – Paint Shop Pro image editing tips and on-line help included!

Price **£19.95** inc. VAT



## ELECTRONIC CIRCUITS & COMPONENTS + THE PARTS GALLERY

Provides an introduction to the principles and application of the most common types of electronic components and shows how they are used to form complete circuits. The virtual laboratories, worked examples and pre-designed circuits allow students to learn, experiment and check their understanding. Sections include: **Fundamentals:** units & multiples, electricity, electric circuits, alternating circuits. **Passive Components:** resistors, capacitors, inductors, transformers. **Semiconductors:** diodes, transistors, op.amps, logic gates. **Passive Circuits . Active Circuits**

The **Parts Gallery** will help students to recognise common electronic components and their corresponding symbols in circuit diagrams. Selections include: **Components, Components Quiz, Symbols, Symbols Quiz, Circuit Technology**

Hobbyist/Student.....£34 inc VAT  
 Institutional (Schools/HE/FE/Industry).....£89 plus VAT  
 Institutional 10 user (Network Licence).....£169 plus VAT

(UK and EU customers add VAT at 17.5% to "plus VAT" prices)

## MODULAR CIRCUIT DESIGN

This CD-ROM contains a range of tried and tested analogue and digital circuit modules, together with the knowledge to use and interface them. Thus allowing anyone with a basic understanding of circuit symbols to design and build their own projects.

Essential information for anyone undertaking GCSE or "A" level electronics or technology and for hobbyists who want to get to grips with project design. Over seventy different Input, Processor and Output modules are illustrated and fully described, together with detailed information on construction, fault finding and components, including circuit symbols, pinouts, power supplies, decoupling etc.

Single User Version **£19.95** inc. VAT  
 Multiple User Version **£34** plus VAT

(UK and EU customers add VAT at 17.5% to "plus VAT" prices)

Minimum system requirements for these CD-ROMs: PC with 486/166MHz, VGA+256 colours, CD-ROM drive, 32MB RAM, 10MB hard disk space. Windows 95/98, mouse, sound card, web browser.

**CD-ROM ORDER FORM** B3

**Please send me:**

Electronic Projects

Analogue Electronics

Digital Electronics

Filters

Digital Works 3.0

Electronics CAD Pack

C For PICmicro Microcontrollers

PICtutor

Electronic Circuits & Components +The Parts Gallery

**Version required:**

Hobbyist/Student

Institutional

Institutional 10 user

Note: The software on each version is the same, only the licence for use varies.

PICtutor Development Kit – Standard

PICtutor Development Kit – Deluxe

Deluxe Export

Note: The CD-ROM is not included in the Development Kit prices.

Electronic Components Photos

Modular Circuit Design – Single User

Modular Circuit Design – Multiple User

Note: The software on each version is the same, only the licence for use varies.

Full name: .....

Address: .....

..... Post code: ..... Tel. No: .....

Signature: .....

I enclose cheque/PO in £ sterling payable to WIMBORNE PUBLISHING LTD for £ .....

Please charge my Visa/Mastercard/Amex/Diners Club/Switch: £ ..... Card expiry date: .....

Card No: ..... Switch Issue No. ....

### ORDERING

ALL PRICES INCLUDE UK POSTAGE

Student/Single User/Standard Version price includes postage to most countries in the world

EU residents outside the UK add £5 for airmail postage per order

**Institutional, Multiple User and Deluxe Versions** – overseas readers add £5 to the basic price of each order for airmail postage (do not add VAT unless you live in an EU (European Union) country, then add 17½% VAT or provide your official VAT registration number).

**Send your order to:**  
**Direct Book Service**  
**Wimborne Publishing Ltd**  
**408 Wimborne Road East**  
**Ferndown, Dorset BH22 9ND**

To order by phone ring  
**01202 873872. Fax: 01202 874562**

Goods are normally sent within seven days

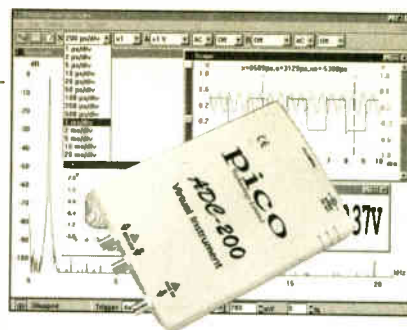
E-mail: [orders@wimborne.co.uk](mailto:orders@wimborne.co.uk)

Online shop:  
[www.epemag.wimborne.co.uk/shopdoor.htm](http://www.epemag.wimborne.co.uk/shopdoor.htm)

# INGENUITY UNLIMITED



Our regular round-up of readers' own circuits. We pay between £10 and £50 for all material published, depending on length and technical merit. We're looking for novel applications and circuit designs, not simply mechanical, electrical or software ideas. Ideas *must be the reader's own work* and **must not have been submitted for publication elsewhere**. The circuits shown have NOT been proven by us. *Ingenuity Unlimited* is open to ALL abilities, but items for consideration in this column should be typed or word-processed, with a brief circuit description (between 100 and 500 words maximum) and full circuit diagram showing all relevant component values. **Please draw all circuit schematics as clearly as possible.** Send your circuit ideas to: Alan Winstanley, *Ingenuity Unlimited*, Wimborne Publishing Ltd., 408 Wimborne Road East, Ferndown Dorset BH22 9ND. (We do not accept submissions for *IU* via E-mail.) Your ideas could earn you some cash and a prize!



## WIN A PICO PC BASED OSCILLOSCOPE

- 50MSPS Dual Channel Storage Oscilloscope
- 25MHz Spectrum Analyser
- Multimeter • Frequency Meter
- Signal Generator

If you have a novel circuit idea which would be of use to other readers then a Pico Technology PC based oscilloscope could be yours. Every six months, Pico Technology will be awarding an ADC200-50 digital storage oscilloscope for the best *IU* submission. In addition, two single channel ADC-40s will be presented to the runners-up.

## PC Sound System – Louder Computing

LIKE the writer, some readers may have encountered a problem with low sound output from their PC. The solution shown in Fig.1 may help. It is a stereo audio amplifier based on an LM358 dual op.amp and a Philips TDA7056B d.c. controlled 5W audio power amplifier.

The signal output from a typical PC was found to be 1V peak-to-peak. As the TDA7056B requires an input signal of approximately 5V maximum to give the required output, the preamplifier stage needed to have a gain of five.

Two identical circuits are used for the left-hand and right-hand audio channels, of which one is shown in Fig.1. The pin numbers in brackets around IC1 are the ones used for the second channel.

The input to the preamp is fed via socket SK1, capacitor C1 and resistor R2 to the inverting input of IC1a, pin 2. The gain of the preamp is set by the ratio of R2 and R5, i.e.  $R5/R2 = 4.7$ .

The output of the preamp is a.c. coupled by capacitor C2 to pin 3 of the TDA7056B power amplifier, IC2. Control of the output volume from the TDA7056B is achieved by varying the d.c. potential on its pin 5. A d.c. voltage control gives the advantage of there being no signal noise from the potentiometer, the smoothness of control being due to the decoupling capacitor C3. A dual-ganged stereo potentiometer should be used for VR1.

### Power Supply

The power supply for the amplifier is a simple non-regulated 12V supply. This can be a ready-made 12V 3A d.c. external type, or as suggested in Fig.2. The design uses two 2,200µF capacitors, a provision which offers two advantages: firstly it gives a lower ESR (Effective Series Resistance), and secondly, it reduces physical size, advantageous when fitting the amplifier into a speaker enclosure. The usual precautions must be taken when dealing with mains voltages.

(If the TDA7056B is difficult to track down, the Philips web site offers plenty of alternative devices at [www.semiconductors.philips.com](http://www.semiconductors.philips.com). ARW.)

Steve Cartwright,  
Kilbarchan,  
Renfrewshire

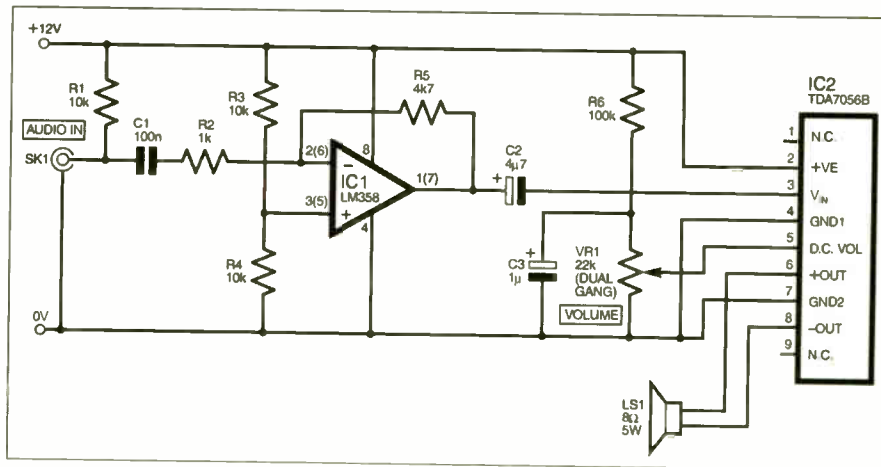


Fig.1. Circuit diagram for one channel of the PC Sound System Stereo Amplifier. The second channel is identical, but does share the dual op.amp IC1.

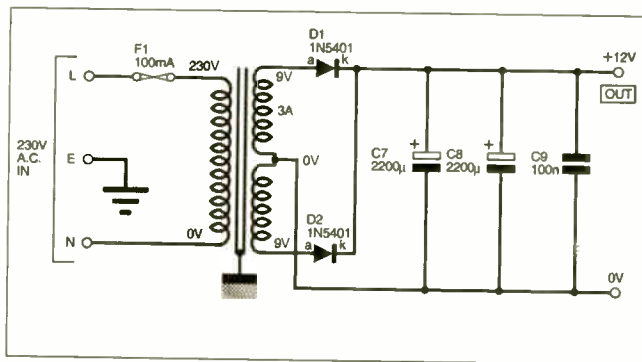


Fig.2. Suggested power supply circuit diagram for the PC Sound System.

**WHY NOT  
SEND US YOUR  
CIRCUIT IDEA?  
Earn some extra  
cash and possibly  
a prize!**





# Reliable Touch Sensitive Switch - Into Touch

There are different touch sensitive circuits around, most of them are based on the phenomenon that the human body can be considered as a capacitor to the earth or can accumulate a static charge during everyday activities. Having built several different touch controlled circuits, I have found the results to have been quite disappointing regarding the operational reliability, particularly when the circuits were battery powered.

For example, one circuit would only respond to a colleague's finger and not my own! Another would only respond to "fresh" touches and would gradually show a lack of sensitivity if I kept touching it.

By using a low cost piezo disc and a 555 i.c., a reliable touch sensitive monostable circuit can be constructed as shown in Fig.3. The piezo sensor is connected to the trigger through a capacitor C1. Resistor R2 provides a pull-up voltage to pin 2.

The time constant of the circuit is determined by R4 and C3; in this case it is set to about three seconds. When the piezo disc is touched, an a.c. voltage is generated across its terminals. The positive-going aspect of the a.c. cycle is clamped by diode D1, whereas the negative-going aspect triggers the monostable, which causes the l.e.d. to light for a preset period.

The circuit is very reliable and sensitive, and responds to a very light touch force. The circuit will find many applications including as a doorbell, vibration alarm, and a step bell or footswitch.

M. Yang, Cardiff

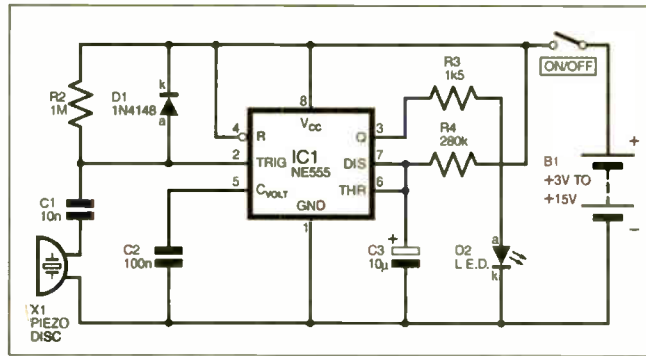


Fig.3. Circuit diagram for the Reliable Touch Sensitive Switch.

## PICO PRIZEWINNERS - AUGUST 2001

It's time once again to award three lucky *Ingenuity Unlimited* contributors with prizes of excellent PC-based oscilloscopes, generously donated to *Everyday Practical Electronics* by PICO Technology Ltd., to whom we extend our thanks for their continued sponsorship of this column. You can obtain more details of these test instruments by checking the Pico web site at [www.picotech.com](http://www.picotech.com) or check their advert in this issue.

All entries published were judged on the basis of originality, ingenuity or novelty, technical merit, appropriateness and general completeness, with presentation of submissions being used as the tie-breaker. The final selection was made by *EPE* Editor Mike Kenward and *Ingenuity* host Alan Winstanley, drawn from the circuits published in the January to July 2001 issues.

**WINNER** - receives a superb first prize of a PICO ADC50-200 PC-based Digital Storage Oscilloscope worth over £450!

**Kate Turner** - MODEL POLICE CAR L.E.D.s by Kate Turner (April 2001)

We felt this was an appropriate use of discrete CMOS logic, carefully optimised to produce a double-strobe blue l.e.d. effect.

**RUNNERS-UP** - Two lucky runners-up each are awarded PICO ADC-40 single channel PC-based oscilloscopes.

**Simon Guest** - Electronic Tuning Fork (May 2001)

A well designed and considered circuit designed to generate an accurate musical tone using off-the-shelf components.

**Richard Neil** - Cupboard Door Monitor (July 2001)

A novel circuit which generates a warning sound when a cupboard door is opened.

### MARCONI 2019A



AM/FM SYNTHESISED SIGNAL GENERATOR  
80 kHz - 1040MHz  
NOW ONLY **£400**

H.P. 3312A Function Gen., 0-1Hz-13MHz, AM/FM Sweep/Tri/Gate/Burst etc. £300  
H.P. 3310A Function Gen., 0-005Hz-5MHz, Sine/Sq/Tri/Ramp/Pulse £125  
FARNELL LF44 Sine/Sq Oscillator, 10Hz-1MHz, low distortion, TTL output, Amplitude Meter £125  
H.P. 545A Logic Probe with 546A Logic Pulser and 547A Current Tracer £90  
FLUKE 77 Multimeter, 3½-digit, handheld £70  
FLUKE 77 Series 11 £60  
HEME 1000 L.C.D. Clamp Meter, 00-1000A, in carrying case £80

### RACAL 9008



Automatic Modulation Meter, AM/FM  
1.5MHz-2GHz  
ONLY **£95**

H.P. 8494A Attenuator, DC-4GHz, 0-11dB, N/SMA £250  
H.P. 8492A Attenuator, DC-18GHz, 0-6dB, APC7 £95  
MANY OTHER ATTENUATORS, LOADS, COUPLERS ETC. AVAILABLE

### DATRON 1061

HIGH QUALITY 5½-DIGIT BENCH MULTIMETER  
True RMS/4 wire Res/Current Converter/IEEE **£150**

### TIME 1051 LOW OHM RES. BOX

0-01 ohm to 1Mohm in 0-01 ohm steps. **£100**  
UNUSED

### STILL AVAILABLE AS PREVIOUSLY ADVERTISED WITH PHOTOS

MARCONI 893C AF Power Meter, Sinad Measurement Unused £100, Used £80  
MARCONI 893B, No Sinad £30  
MARCONI 2610 True RMS Voltmeter, Autoranging, 5Hz-25MHz £195  
GOULD J3B Sine/Sq Osc., 10Hz-100kHz, low distortion £75-£125  
AVO 8 Mk. 6 in Every Ready case, with leads etc. £80  
Other AVOs from £50  
GOODWILL GFC8010G Freq. Counter, 1Hz-120MHz, unused £75  
GOODWILL GVT427 Dual Ch AC Millivoltmeter, 10mV-300V in 12 ranges, Freq. 10Hz-1MHz £100-£125  
SOLARTRON 7150 DMM 6½-digit Tru RMS-IEEE £395-£150  
SOLARTRON 7150 Plus £200

### RACAL TRUE RMS VOLTMETERS

9300 5Hz-20MHz usable to 60MHz, 10V-316V £95  
9300B Version £150  
9301/9302 RF Version to 1.5Hz from £290-£300

### HIGH QUALITY RACAL COUNTERS

9904 Universal Timer Counter, 50MHz £50  
9916 Counter, 10Hz-52MHz £75  
9918 Counter, 10Hz-52MHz, 9-digit £50  
FARNELL AMM295 Automatic Mod Meter, 5MHz-2GHz, unused £400

### CLASSIC AVOMETER DA116

Digital 3-5 Digit Complete with batteries and leads  
ONLY **£30**



ONLY **£30**

### SOLARTRON 7045 BENCH MULTIMETER

4½-Digit bright l.e.d. with leads  
It's so cheap you should have it as a spare **£30**



ONLY **£30**

MARCONI TF2015 AM/FM sig gen. 10-520MHz £175  
RACAL 9008 Auto Mod Meter, 1.5MHz-2GHz £200  
LEVELL TG2000MP RC Oscillator, 1Hz-1MHz £50  
Sine/Sq. Meter, battery operated (batts. not supplied)  
FARNELL LF1 Sine/Sq. Oscillator, 10Hz-1MHz £75  
RACAL/AIM 9343M LCR Databridge, Digital Auto measurement of R, C, L, Q, D £200  
HUNTRON TRACKER Model 1000 £125  
H.P. 5315A Universal Counter, 1GHz, 2-ch £80  
FLUKE 8050A DMM 4½-digit 2A True RMS £75  
FLUKE 8010A DMM 3½-digit 10A £50

### RADIO COMMUNICATIONS TEST SETS

MARCONI 2955/2956 £2000  
MARCONI 2955A/2956 £2500  
MARCONI 2022E Synth AM/FM sig gen 10Hz-1.01GHz L.c.d. display etc £525-£750  
H.P. 8672A Synth 2-16GHz sig gen £4000  
H.P. 8657A Synth sig gen, 100kHz-1040MHz £2000  
H.P. 8656B Synth sig gen, 100kHz-990MHz £1350  
H.P. 8656A Synth sig gen, 100kHz-990MHz £395  
H.P. 8640A AM/FM sig gen, 500kHz-1024MHz £400  
H.P. 8640A AM/FM sig gen, 500kHz-512MHz £250  
PHILIPS PM5328 sig gen, 100kHz-180MHz with 200MHz, freq. counter, IEEE £550  
RACAL 9081 Synth AM/FM sig g en. 5-520MHz £250  
H.P. 3325A Synth function gen, 21MHz £800  
MARCONI 6500 Amplitude Analyser £1500  
H.P. 4275A LCR Meter, 10Hz-10MHz £2750  
H.P. 8903A Distortion Analyser £1000  
WAYNE KERR 3245 Inductance Analyser £2000  
H.P. 8112A Pulse Generator, 50MHz £1250  
DATRON AutoCal Multimeter, 5½-7½-digit, 1065/1061A/1071 from £300-£600

MARCONI 2400 Frequency Counter, 20GHz £1000  
H.P. 5350B Frequency Counter, 20GHz £2000  
H.P. 5342A 10Hz-18GHz Frequency Counter £800  
FARNELL AP10030 Power Supply £1000  
FARNELL AP7030 Power Supply £800  
PHILIPS PM5418TN Colour TV Pattern Generator £1750  
PHILIPS PM5418TX1 Colour TV Pattern Generator £2000  
B&K Accelerometer, type 4365 £300  
H.P. 11692D Dual Directional Coupler, 2MHz-18GHz £1600  
H.P. 11691D Dual Directional Coupler, 2MHz-18GHz £1250  
TEKTRONIX PE109B Probe, 100MHz readout, unused £60  
TEKTRONIX PE106A Probe, 250MHz readout, unused £85  
FARNELL AMM2000 Auto Mod Meter, 10Hz-2.4GHz Unused £950  
MARCONI 2036 Mod Meter, 500kHz-2GHz from £750  
TEKTRONIX 577 Transistor Curve Tracer £500

### ROHDE & SCHWARZ APN 62

Synthesised 1Hz-260MHz Signal Generator  
Balanced/unbalanced output LCD display **£425**  
H.P. 6012B DC PSU, 0-60V, 0-50A, 1000W £1000  
FARNELL AP6050 1kW Autoranging £1000  
FARNELL H6050 0-60V, 0-50A £750  
FARNELL H6025 0-60V, 0-25A £400  
Power Supply HPS3010 0-30V, 0-10A £140  
FARNELL L30-2 0-30V, 0-2A £80  
FARNELL L30-1 0-30V, 0-1A £80  
Many other Power Supplies available  
Isolating Transformer 250V In/Out 500VA £40

### WELLER EC3100A

Temperature controlled Soldering Station 200°C-450°C, Unused **£125**

### PORTABLE APPLIANCE TESTER

Megger Pat 2 ONLY **£180**

### SCOPE FOR IMPROVEMENT



GOULD OS 300  
Dual Trace, 20MHz  
Tested with Manual  
FOR THE FIRST TIME EVER ONLY **£95**  
It's so cheap you should replace that old scope

### SPECTRUM ANALYSERS

TEKTRONIX 492 50kHz-18GHz £3500  
EATONWALTECH 757 0-001-22GHz £2500  
H.P. 853A (Dg. Frame) with 8559A 100kHz-21GHz £2750  
H.P. 8558B with main frame, 100kHz-1500MHz £1250  
H.P. 3590A Audio Analyser 5Hz-50kHz, as new £1000  
MARCONI 2382 100Hz-400MHz, high resolution £2000  
B&K 2033R Signal Analyser £1500  
H.P. 182 with 8557 10kHz-350MHz £500  
MARCONI 2370 30Hz-110MHz from £500  
8553 10Hz-110MHz from £500  
8554 500kHz-1250MHz from £750  
8555 10MHz-18GHz from £1000

### UNISECO OSCILLOSCOPES

TEKTRONIX TAS 485 4-ch, 200MHz, etc £300  
TEKTRONIX THS720A dual trace, lcd, 100MHz, 500MWS £300  
TEKTRONIX THS710 dual trace, 60MHz, 250MWS £750  
HITACHI VC8523, dual trace, 20MHz, 20MS, delay etc £600

### OSCILLOSCOPES

PHILIPS PM3092 2+2-ch, 200MHz, delay etc, £800 as new £950  
PHILIPS PM3082 2+2-ch, 100MHz, delay etc, £700 as new £800  
TEKTRONIX TAS465 dual trace, 100MHz, delay etc, £800  
TEKTRONIX 2465B 4-ch, 400MHz, delay cursors etc £1250  
TEKTRONIX 2465 4-ch, 300MHz, delay cursors etc £900  
TEKTRONIX 2445A/B 4-ch 150MHz, delay cursors etc £500-£900  
TEKTRONIX 468 dig storage, dual trace, 100MHz, delay £490  
TEKTRONIX 466 Analogue storage, dual trace, 130MHz £250  
TEKTRONIX 485 dual trace, 350MHz, delay sweep £600  
TEKTRONIX 475 dual trace, 200MHz, delay sweep £400  
TEKTRONIX 465B dual trace, 100MHz, delay sweep £325  
PHILIPS PM3217 dual trace, 50MHz delay £250-£300  
GOULD OS1100 dual trace, 30MHz delay £280  
HAMEG HM303.4 dual trace, 30MHz component tester £260  
HAMEG HM303 dual trace, 30MHz component tester £250  
HAMEG HM203.7 dual trace, 20MHz component tester £380  
FARNELL DTV20 dual trace, 20MHz component tester £140

### RACAL RECEIVER RA1772

50kHz - 30 MHz LED Display  
Basically working **£250**

## STEWART of READING

110 WYKEHAM ROAD, READING, BERKS. RG6 1PL

Telephone: (0118) 9268041. Fax: (0118) 9351696

Callers welcome 9am-5.30pm Monday to Fr/day (other times by arrangement)

### Used Equipment - GUARANTEED. Manuals supplied

This is a VERY SMALL SAMPLE OF STOCK. SAE or Telephone for lists.

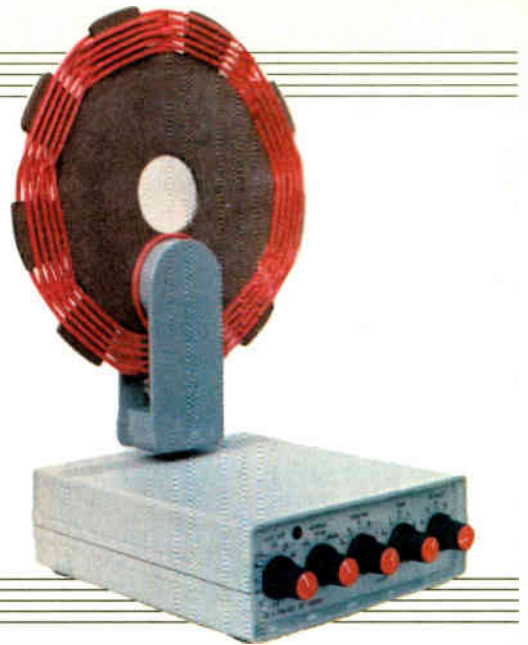
Please check availability before ordering.

CARRIAGE all units £16. VAT to be added to Total of Goods and Carriage

## Constructional Project

# COMPACT SHORTWAVE LOOP AERIAL

RAYMOND HAIGH



*This Q-multiplied loop will deliver as much signal as a long wire and null out local electrical interference.*

SOME of the readers who constructed the *Active Ferrite Loop Aerial* (Sept '00) have asked if its coverage can be extended to long waves and through the shortwave bands.

Tuning to a lower wavelength presents no problems: simply increase the turns of wire on the loop to 144 for the main and three for the feedback winding. Use 38 s.w.g. (34 a.w.g.) enamelled wire arranged in four "pies" or piles of 36 turns to reduce self-capacity. Performance, in terms of signal output and depth of null, is very satisfactory at the lower frequency.

Extending coverage through the short-wave spectrum is not so easy. The performance of ferrite rods available to home-constructors deteriorates above 2MHz or 3MHz until, at around 10MHz, they are no longer of benefit. Moreover, the original loop was designed specifically for medium wave working and its efficiency and ease of operation diminish as frequency increases.

A new circuit has, therefore, been developed for reception between 1.6MHz and 30MHz. Although similar in concept to the medium wave version, plug-in air-cored loops are used, modifications have been made to the tuning and Q-multiplier circuits, and a second buffer stage has been incorporated. In addition to making the operation of the controls smoother at high frequencies, this extra stage also provides signal amplification.

### TUNING ARRANGEMENTS

The circuit diagram of the Compact Shortwave Loop Aerial is given in Fig.1.

Signal pick-up is via loop winding (inductor) L1, which is tuned by a back-to-back arrangement of varicap diodes, D1 and D2. Connecting the diodes in this way halves the capacitance swing and ensures an acceptable LC (inductance-capacitance) ratio with the lower inductance shortwave loops. The reduction also makes it easier to

obtain consistent Q multiplication at higher frequencies. More important, if the system is to tune to 30MHz, is the halving of the minimum capacitance to around 20pF.

Diode capacitance is controlled by a reverse bias voltage set by potentiometer VR2a (increasing the bias reduces the capacitance). Signal voltages are isolated from the bias circuit by resistor R1, and bypass capacitor C1 eliminates potentiometer noise.

A potentiometer of lower value, VR1, produces a small shift in the bias voltage and acts as a fine tuning control. Readers who are primarily interested in the amateur bands could usefully reduce the value of VR1 to 4k7 to produce a slower tuning rate.

Capacitance change is not linear: it falls off noticeably as the bias approaches its maximum value. Because of this, the shift produced by the fine tuning control is not constant. The arrangement does, however, make it much easier to adjust loop tuning when the Q control is set close to maximum.

Diode bias must be held absolutely constant or tuning will drift, particularly at higher frequencies. Accordingly, the voltage to the tuning

potentiometers is regulated by IC1. Bypass capacitor C11 shunts broad-band electrical noise in the regulator's output to ground (0V).

### Q MULTIPLICATION

The performance of the unit is greatly enhanced by applying positive feedback to the tuned circuit. Dual gate MOSFET TR1 amplifies the signal developed across inductor L1, and a proportion is fed back by grounding its source via L2. Gain and feedback are preset by VR5, a variable source bias resistor located in the base of each loop unit. This preset, wired as a variable resistor, is bypassed by capacitor C2.

Potentiometer VR3 controls the amount of Q multiplication by setting the voltage on gate g2 of TR1, thereby controlling its gain. Wiper noise is eliminated by C3.

As the capacitance across the tuned circuit increases (i.e., as frequency lowers), so does the amount of feedback needed to keep the Q of the tuned circuit high. This necessitates the constant adjustment of VR3 if the circuit is to be maintained in its most sensitive condition. The need for constant attention is reduced by potentiometer VR2b.

This component is ganged with VR2a, the tuning control, and connected so that the voltage on gate g2 increases as the tuning bias is lowered. In this way the relationship between feedback and tuning capacitance is kept roughly in step. Preset resistor VR4 enables the circuit to be



optimised for different types and specimens of dual-gate MOSFET.

The stage is decoupled from the supply rail by R4 and C4, and R2 ties gate *g1* (and the gate of TR2) to the 0V rail when the loop is unplugged.

## BUFFERS

The signal developed across the loop is extracted via buffer stage TR2. Configured as a source follower, the f.e.t. (field effect transistor) has a high input impedance and loading on the tuned circuit is minimal. The output is developed across source bias resistor R6, and R5 and C5 decouple the stage from the supply line.

Voltage gain of the stage is slightly less than unity. It does not provide sufficient isolation at high frequencies, and *Q* multiplication is excessively affected by the setting of the output attenuator and receiver input circuits.

A second buffer, TR3, eliminates the interaction, and provides a modest amount of gain. By arranging this transistor in the grounded base (*b*) mode, best use is made of its frequency response, there is good isolation between input and output ports, and no instability problems.

The low input impedance at TR3's emitter (*e*) roughly matches the impedance at the source (*s*) of TR2, but output impedance is high. During the development of the circuit, a broad-band toroidal transformer was used to match this to 50 ohms. However, no difference in performance could be discerned between the transformer and an r.f. choke as a collector load, and the simpler and less expensive circuit was adopted in the final version. The value of the r.f. choke, L3, is not critical: anything between 100 $\mu$ H and 1mH will be suitable.

# COMPONENTS

Approx. Cost  
Guidance Only

£28

excl. case and batts.

## Resistors

R1, R9	100k (2 off)
R2	1M
R3	4k7
R4, R7,	
R14	100 $\Omega$ (3 off)
R5, R11	220 $\Omega$ (2 off)
R6, R8	1k (2 off)
R10	22k
R12	150 $\Omega$
R13	120 $\Omega$
R15, R16	82 $\Omega$ (2 off)
R17, R18,	
R19	47 $\Omega$ (3 off)
R20	68 $\Omega$
R21	27 $\Omega$
R22	10 $\Omega$
R23	3k9

All 0.25W 5% carbon film or better.

## Potentiometers

VR1, VR3	10k rotary, lin. (2 off, see text)
VR2	100k dual-gang rotary, lin.
VR4	47k preset, min. round
VR5	4k7 preset, min. round (Range 1)
VR5	2k2 preset, (Range 2, 3) min. round (2 off)
VR5	1k preset min. round (Range 4)

## Capacitors

C1, C4,	
C5, C7,	100n ceramic,
C8, C13	5mm pitch (6 off)
C2	1n ceramic,
	5mm pitch (4 off)
C3	1 $\mu$ radial elect. 16V

See  
SHOP  
TALK  
page

C6, C9,	10n ceramic,
C10	5mm pitch (3 off)
C11	4 $\mu$ 7 tantalum bead, 35V
C12	100 $\mu$ radial elect. 16V

All 16V working or greater.

## Semiconductors\*

D1, D2	KV1236 varicap diode
D3	red i.e.d. low current (2mA)
TR1	BF981 dual-gate MOSFET transistor
TR2	2N3819 <i>n</i> -channel f.e.t.
TR3	BF494 <i>n</i> p <i>n</i> transistor
IC1	HT7291 +9V voltage regulator

\*See Text

## Miscellaneous

L1, L2	tuning coil (see text)
L3	470 $\mu$ H min. r.f. choke (see text)
S1	4-pole 3-way rotary switch
S2	1-pole 12-way rotary switch (see text)
SK1	6.35mm stereo jack socket
SK2, SK3	aerial and earth terminals to suit
SK4, SK5	coaxial aerial socket (2 off)
PL1	6.35mm stereo jack plug, (4 off)

Printed circuit board, available from the *EPE PCB Service*, code 310; metal case (see text); control knobs (5 off); i.e.d. holder; battery holder and connectors to suit (see text); hardboard for formers and supports; 300mm length of 21mm x 21mm hardwood strip for base blocks; 12 metres of two core and earth house wiring cable (1.5mm<sup>2</sup> conductors, 15A); hook-up wire, solder, solder pins, nuts, bolts, washers, screws, stand-offs and adhesives.

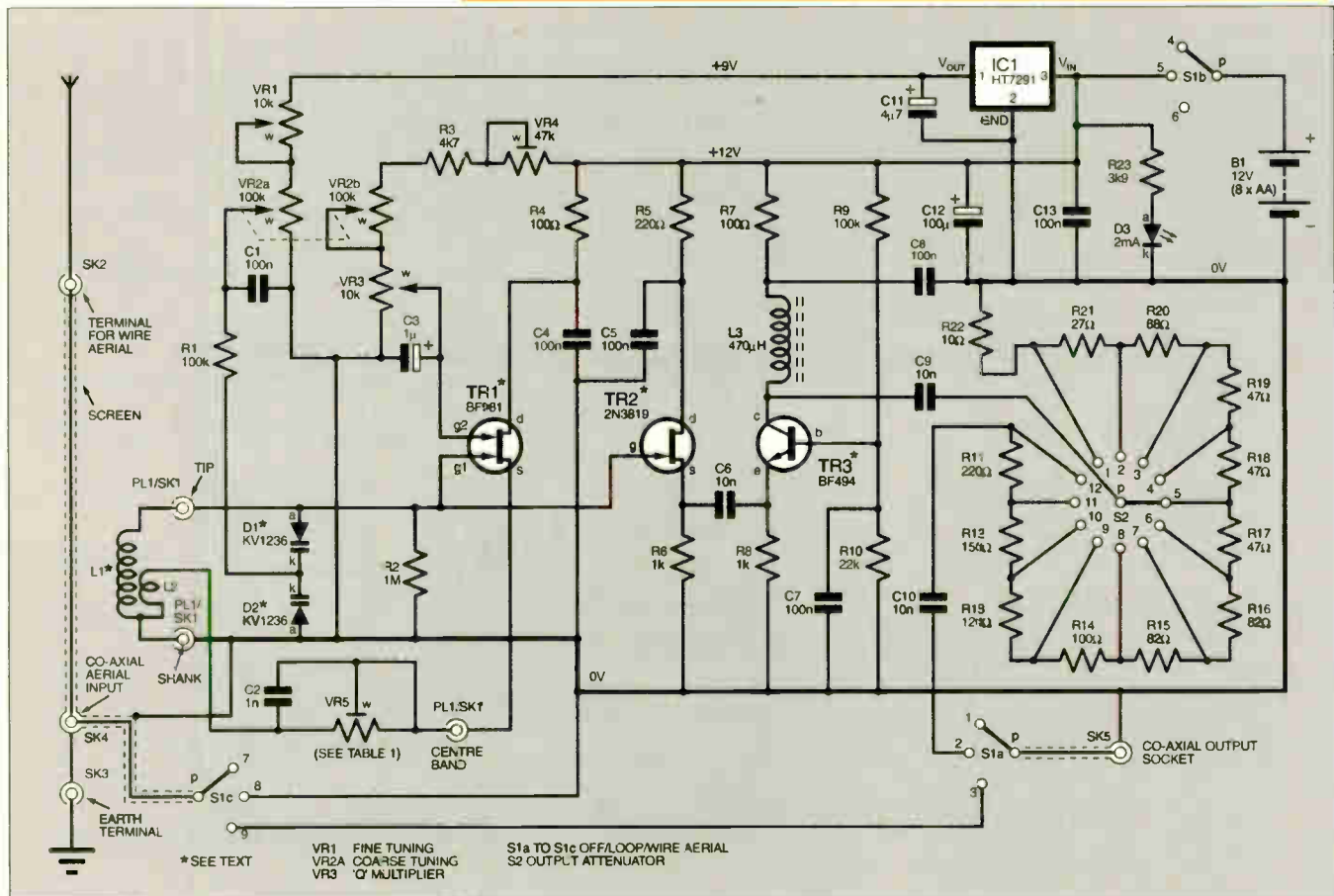


Fig.1. Complete circuit diagram for the Compact Shortwave Loop Aerial. PL1/SK1 are a jack plug and socket linking the coil assembly to the unit.

Signal is applied across emitter resistor R8, via d.c. blocking capacitor C6. Transistor TR3 is biased by R9 and R10, capacitor C7 grounds the base at radio frequencies, and R7 and C8 are supply line decouplers.

### ATTENUATOR

Signal output from the unit will overload simple receivers, and an attenuator is essential. Volume-control type potentiometers can be noisy and erratic when they are used in low-level circuits operating at high frequencies. For these reasons a 12-way rotary switch, S2, connects the output along a chain of resistors, R11 to R22, to produce varying amounts of attenuation. A make-before-break type is preferred but is not essential.

The resistor values have been calculated to give logarithmically scaled voltage ratios, and the approximate attenuation levels, in decibels (dB), are given in Fig.4, later.

The arrangement is simple and the quoted attenuation figures take no account of capacitance effects or the change in the loading of TR3. It does, however, work well, and enables differences in performance between the loop and other aerials to be roughly quantified. (Assuming, of course, that the output of the loop is greater than that of the other aerial.)

Blocking capacitors C9 and C10 prevent disturbance of the d.c. voltage levels in the loop unit or the receiver (some miniature shortwave receivers carry power and control voltages to add-on pre-selectors via their aerial sockets).

### AERIAL SWITCHING

Provision for switching between the loop and the station's wire aerial, so that an instant comparison can be made, is a great operating convenience. Three-way rotary switch S1a to S1c combines this function with the on-off switching.

### POWER SUPPLY

Current consumption is a modest 6mA, and battery powering the unit reduces the possibility of mains interference. Although the circuit will work well with a 9V supply, provision has to be made for a voltage drop across the regulator, IC1, and a pack of eight AA cells, delivering 12V, powers the prototype unit.

Stability of the circuit, particularly as the battery pack ages, is ensured by bypass capacitors C12 and C13. Low current light emitting diode (l.e.d.) D3, with its voltage dropping resistor R23, affords a visual indication that current is being consumed.

### SEMICONDUCTORS

Any varicap diodes intended for medium wave tuning with a 9V maximum reverse bias should prove suitable for D1 and D2. These devices are usually retailed in snap-apart packs, the KV1235 (three diodes) and the KV1236 (two diodes) probably being the most common.

A number of dual-gate mosfets, including the BF961, BF980, BF981, 3SK81, 3SK85, MFE201 and 40673 were tried in the TR1 position and they all worked well. The type of f.e.t. used in the source follower buffer stage, TR2, does not seem to be particularly critical, and the BF244A,

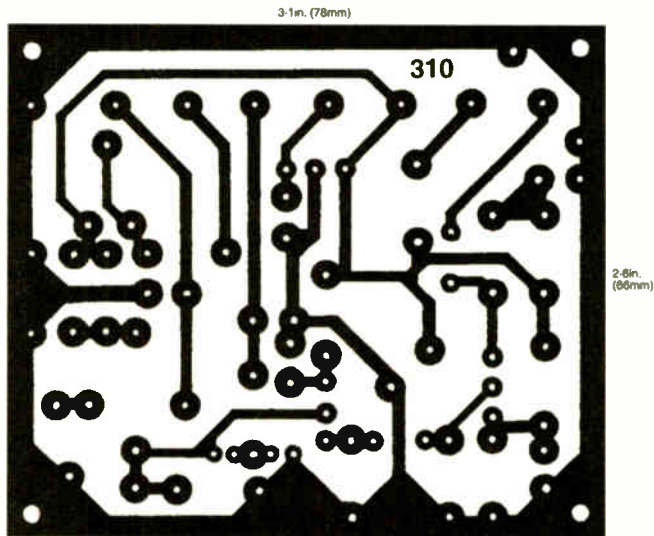
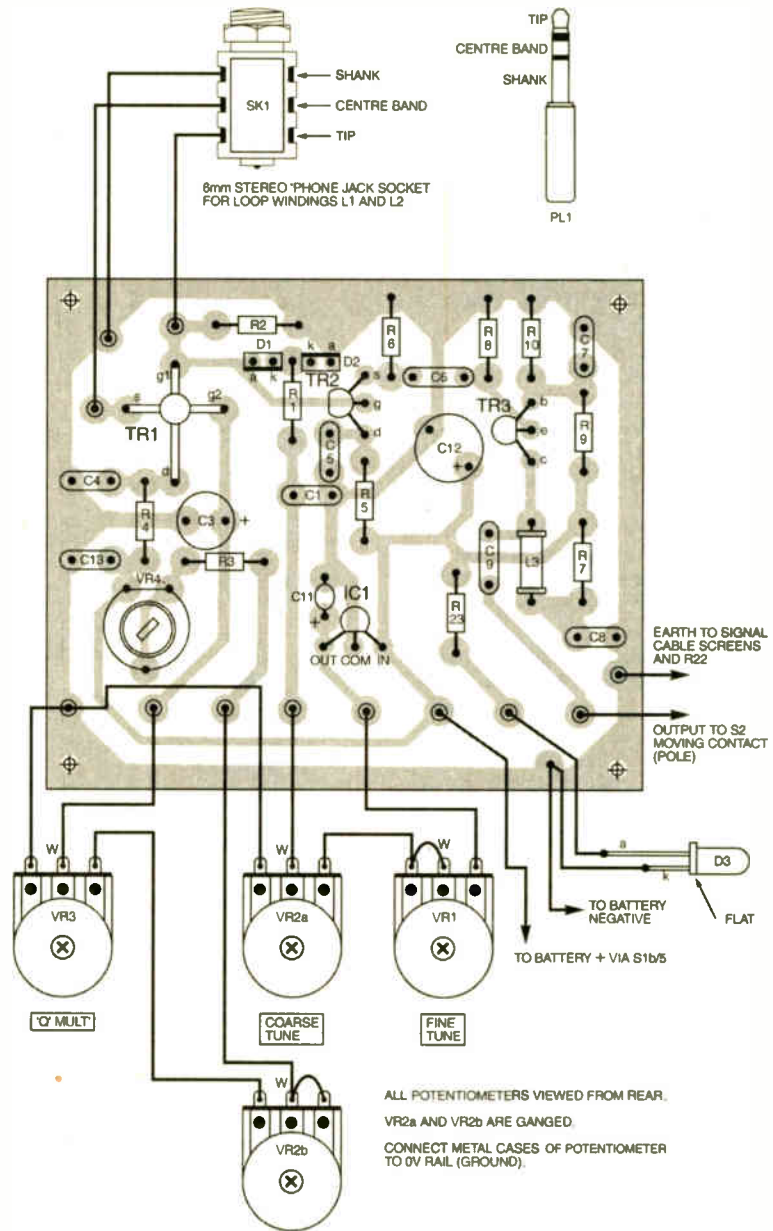


Fig.2. Loop Aerial printed circuit board component layout, wiring and full-size copper foil track master pattern.

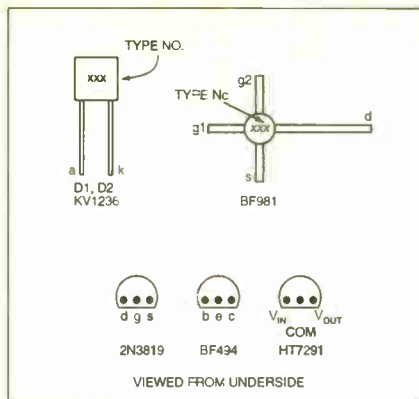


Fig.3. Pinout details for the varicap diode, voltage regulator and transistors.

BF245, MPF102, TIS14, 2N3819 and J310 all proved suitable.

Most *npn* r.f. transistors will function as the final buffer, TR3. For good results select a device which combines an  $f_T$  in excess of 250MHz with an  $h_{FE}$  of at least 70 at collector current levels of 1mA or 2mA. The BF199, BF240, BF241, BF494, 2N3904, 2N3866 and 2N5179 all worked well in the prototype unit.

Low drop-out voltage (100mV) and power consumption make the HT7291 +9V voltage regulator (IC1) a natural choice for battery powered equipment, but any 9V positive output regulator will be suitable. The more common 8V types can be used, but the high frequency coverage of each coil range will be slightly curtailed.

Connections to the above mentioned devices vary and should be checked.

## CONSTRUCTION

Most of the parts are assembled on a printed circuit board (p.c.b.), the component and copper track sides of which are illustrated in Fig.2. This board is available from the *EPE PCB Service*, code 310.

Commence construction by soldering the smaller items into place first, and the semi-conductors last. Solder pins inserted into the connection pads for transistor TR1 will enable this device to be mounted on the component side of the board. It is a wise precaution to use a small crocodile clip, or a pair of tweezers, as a heat shunt when soldering the f.e.t.s into circuit. Solder pins inserted at the various lead-out points will make it easier to carry out the off-board wiring.

Details of the wiring to the potentiometers is also given in Fig.2, and the wiring between the switches and aerial and earth sockets in Fig.4. Use 50Ω or 75Ω co-axial cable to link switches and sockets, and keep the co-axial cable between loop unit and receiver below one metre in length to avoid excessive losses.

## HOUSING THE UNIT

Printed circuit board, sockets and controls can be mounted in a shallow aluminium case or chassis, at least 150mm wide x 175mm deep x 50mm high.

Locate the loop jack socket SK1 at the rear to space it as far as possible from the controls, see photograph opposite.

The unit is not particularly susceptible to hand-capacity effects, but spacing helps when the  $Q$  multiplier is set close to maximum.

Alternatively, the p.c.b. and loop socket can be enclosed within a smaller aluminium or diecast box and the controls and

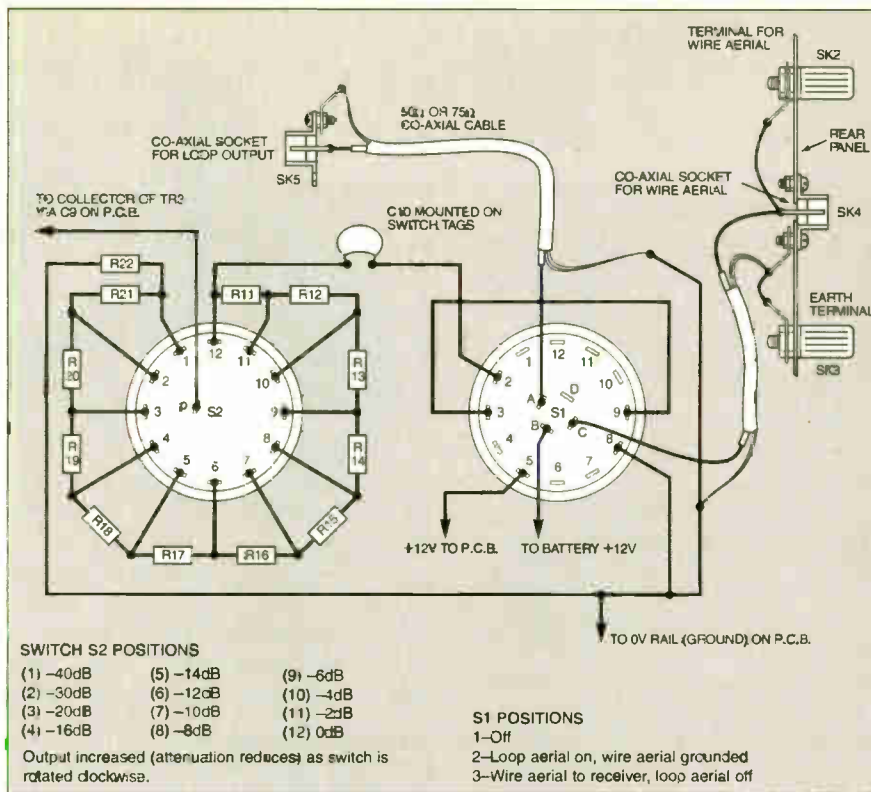
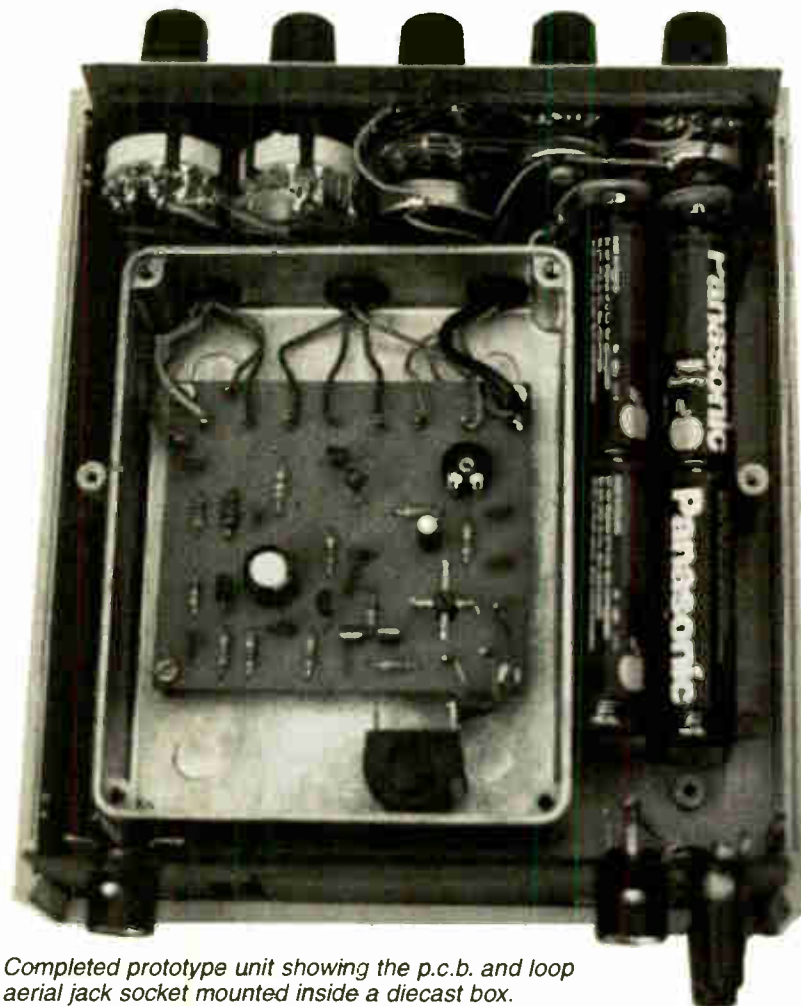


Fig.4. Interwiring between rotary switches, coaxial sockets and terminal post/sockets.

sockets mounted close to it. This is the arrangement adopted for the prototype unit which has a plastic outer case. If this method is chosen, remember to connect any electrically isolated front panel and the potentiometer cases to the 0V rail.

Readers wishing to duplicate the arrangement in the photographs will need an aluminium or diecast box no smaller than 80mm x 100mm x 30mm internally plus an outer plastic case at least 150mm x 175mm x 50mm.



Completed prototype unit showing the p.c.b. and loop aerial jack socket mounted inside a diecast box.

## LOOPS QUANTITY

Coverage from 1.6MHz to 30MHz can be obtained with only three loops, but performance is improved if four are used as this ensures better LC ratios. Details of the number of turns and frequency coverage are given in Table 1. Loop construction is illustrated in Fig.5.

Hardboard (Masonite in the USA) or fibreboard discs, 3mm thick, support the windings which are connected to 6mm jack plugs so that they can be rotated.

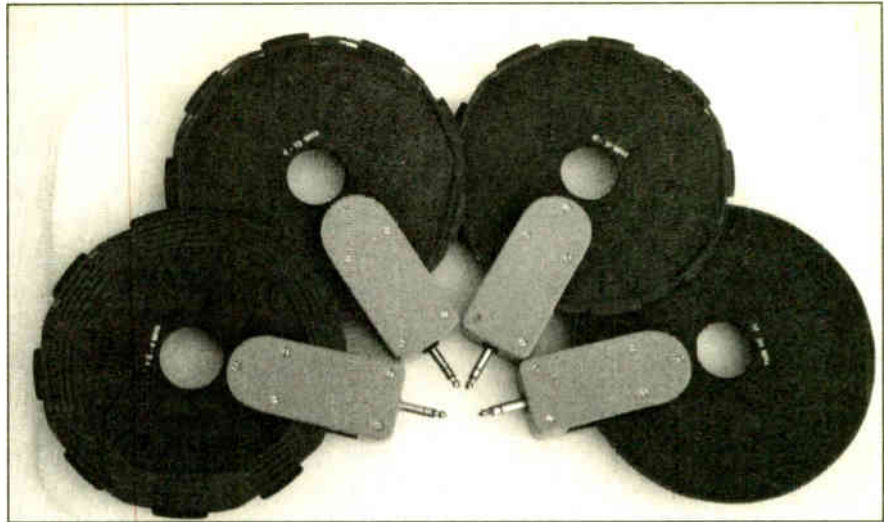
The large discs for the tuned windings, L1, can be cut out with a coping or fret saw. The smaller discs which carry the feedback windings, L2, and space the loop assembly, can be produced with a hole saw mounted in an electric drill.

The odd number of notches formed around the perimeter of the large discs results in a "basket weave" effect. This is necessary to reduce the self-capacitance of the winding and extend high frequency coverage. The single-turn Range 4 coil is held in a groove filed around the perimeter of the disc.

## LOOP WINDINGS

Plastic insulated house-wiring cable is used for the loop windings. The type with a solid core of 1.5mm<sup>2</sup> cross-sectional area and a 15A rating is rigid enough to stay in place on the former. Its thick insulation separates the turns, again keeping self-capacitance low and extending the high frequency coverage.

The cores have to be stripped from their outer grey PVC covering, but wire obtained in this way is cheaper than enamelled copper wire of comparable gauge, and performance is enhanced by the thick insulation.



Tuning into the shortwaves could not be easier with these four plug-in loops covering the ranges of: 1.5MHz to 4MHz; 4MHz to 12MHz; 6MHz to 17MHz and 12MHz to 30MHz.

Sky wave propagation dominates reception on the shortwave bands. The vertical angle is often high, and polarisation of the signal, at the receiving aerial, is usually random. Directional effects are, therefore, usually less pronounced, and the deep nulls achievable on medium and long waves, by rotating and tilting the loop, are no longer evident.

However, tests revealed that by simply rotating the loop, local electrical interference can be effectively nulled out.

Because of this, provision is not made for tilting. The additional mechanical complexity was considered not worth while in a unit intended only for reception on the high frequency bands. (More complex loop aerials used for shortwave direction finding often incorporate a tilting mechanism.)

## FEEDBACK

The feedback winding, L2, is a single 50mm diameter turn for all of the loops. It must, of course, be connected to give in-phase or positive feedback.

The cut-down plastic cover of the jack plug is a tight push fit into a hole drilled through the wooden base block. One of the loop's outer supporting plates is secured by screws to permit access to the

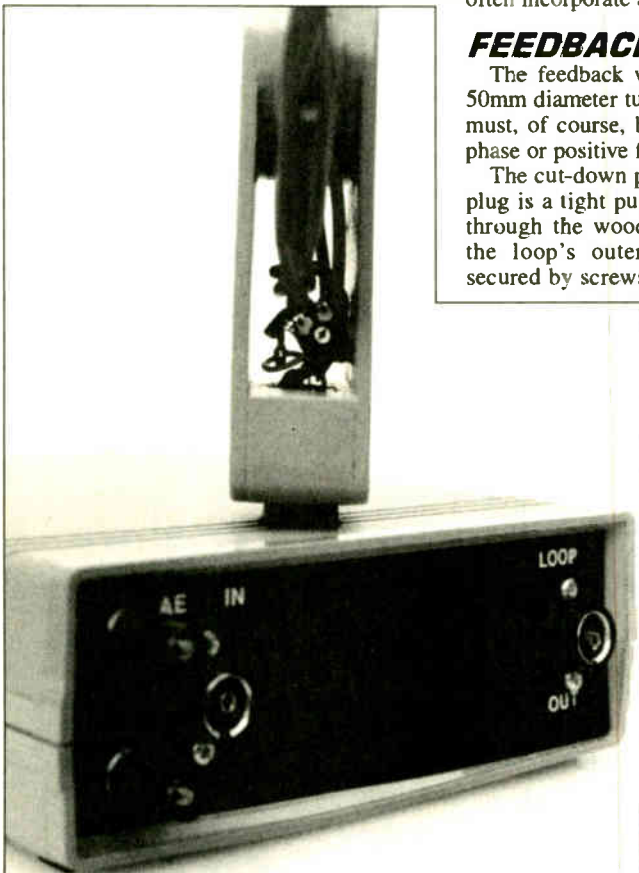
winding connections and to preset VR5 and capacitor C2. The other plate, feedback winding discs and loop disc are glued together with Durofix or similar. On completion, two or three coats of clear cellulose will firmly secure the windings in place and make the hardboard more impervious to moisture.

## SETTING UP AND TESTING

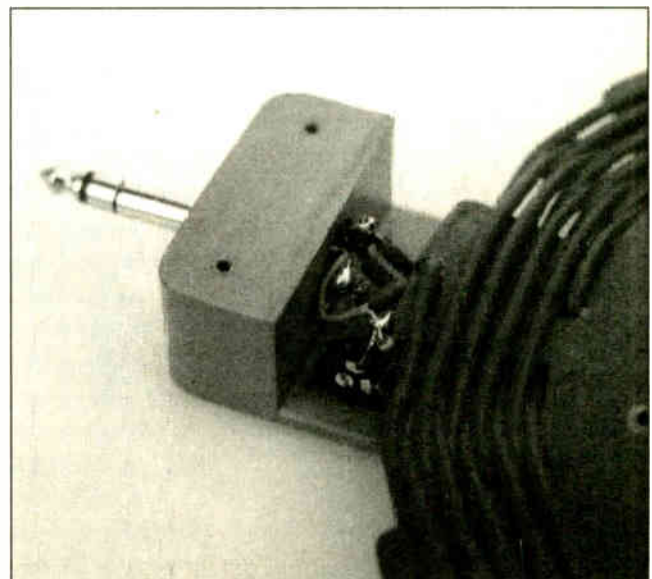
Check the orientation of the semiconductors and polarised capacitors, then check the p.c.b. for badly soldered joints or bridged tracks. Set VR2 for zero bias, connect the 12V battery pack and check that the output from the regulator, IC1, is 9V, and the current drawn from the battery is in the region of 6mA.

Set preset VR4 to minimum resistance, rotate the slider of VR3 to the 0V end of the track, switch S2 to maximum output, and set preset VR5 in the Range 2 loop unit to mid travel. Insert the loop into the jack, connect the unit to a receiver and, using a wire aerial, tune in a station around 9MHz.

Switch in the loop aerial and adjust VR2 to tune it for maximum signal. Advance Q multiplier control VR3. Output should rise dramatically and loop tuning will need

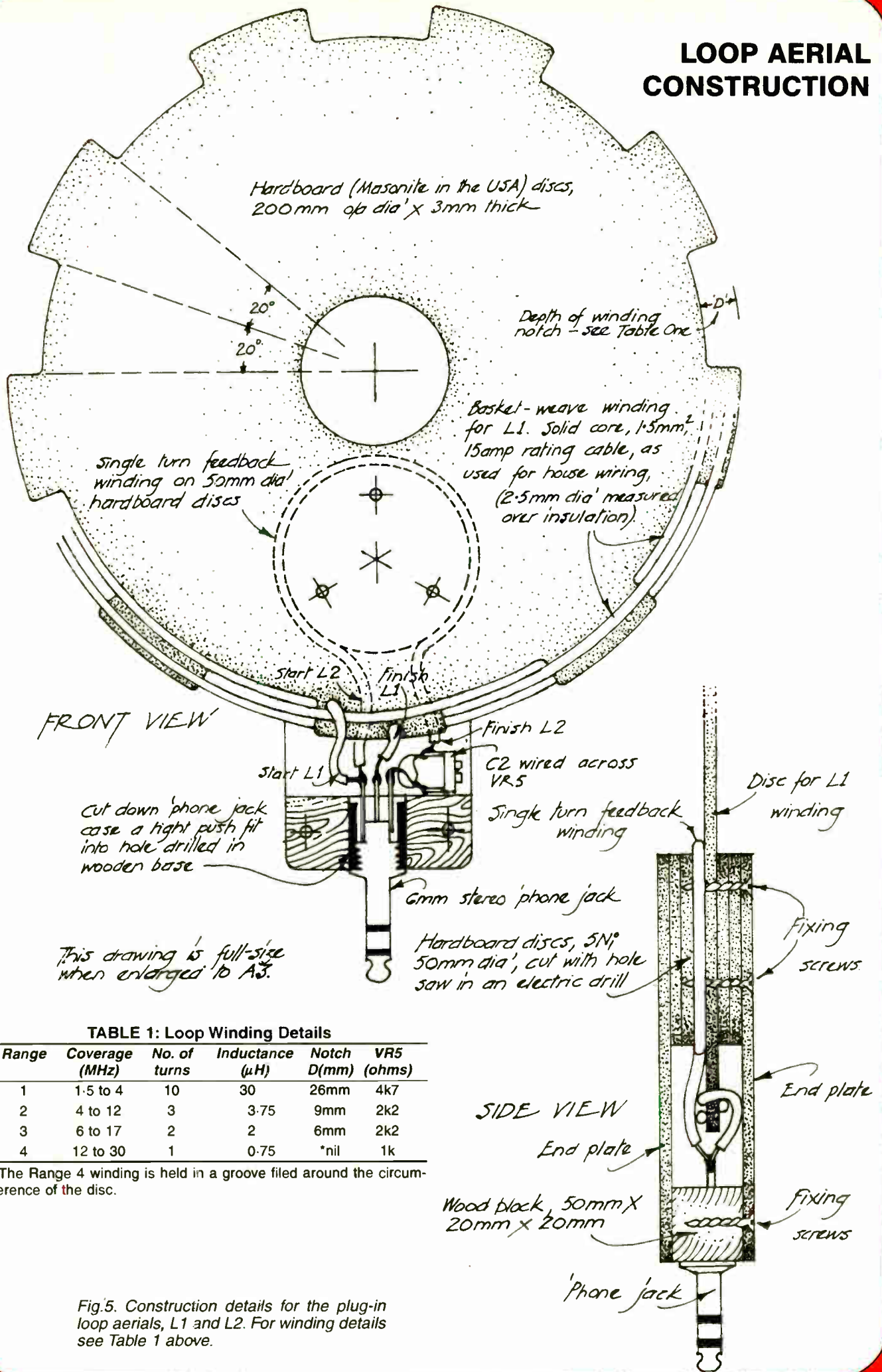


Range feedback components (VR5, L2, C2) located in the base of an aerial loop.



Cutdown jack plug embedded in a wooden base block and wiring to the feedback components.

# LOOP AERIAL CONSTRUCTION



FRONT VIEW

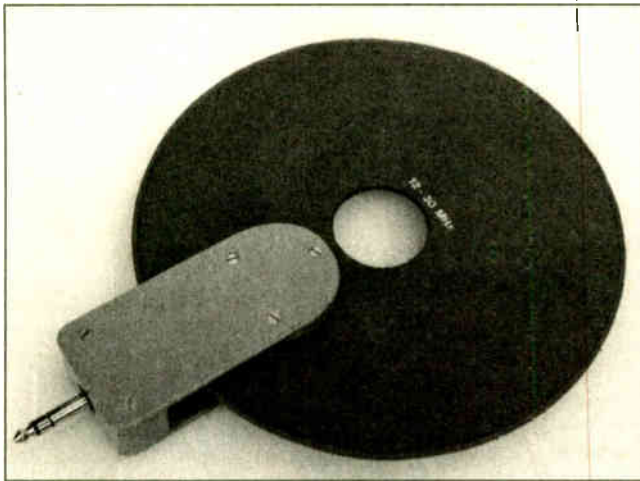
SIDE VIEW

TABLE 1: Loop Winding Details

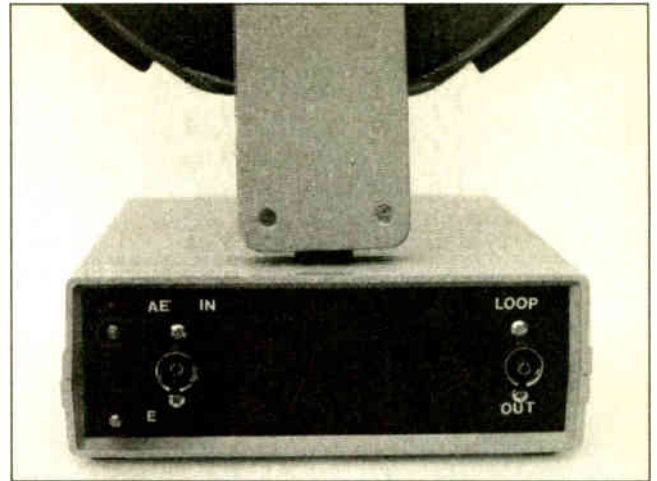
Range	Coverage (MHz)	No. of turns	Inductance (µH)	Notch D(mm)	VR5 (ohms)
1	1.5 to 4	10	30	26mm	4k7
2	4 to 12	3	3.75	9mm	2k2
3	6 to 17	2	2	6mm	2k2
4	12 to 30	1	0.75	*nil	1k

\*The Range 4 winding is held in a groove filed around the circumference of the disc.

Fig.5. Construction details for the plug-in loop aerials, L1 and L2. For winding details see Table 1 above.



The single-turn Range 4 (12MHz to 30MHz) plug-in loop aerial.



Input and output socket positioning on the rear panel.

refining as selectivity increases. If there is only a modest signal increase, reduce the resistance of VR5 (mounted in the loop unit) until the circuit comes close to the point of oscillation when the  $Q$  multiplier control is set at maximum.

Repeat this procedure with the remaining loops, setting VR5 so that maximum  $Q$  multiplication can be obtained over the full tuning range (the full sweep of VR2a) for each loop. Preset potentiometer VR4 determines the maximum voltage which can be applied to gate  $g_2$  of TR1, and is included so that the circuit can be optimised for different types and samples of MOSFET.

If VR5 is set to ensure maximum  $Q$  multiplication (circuit just short of oscillation) when the loop is tuned to the lowest frequency (VR2a slider at the 0V end of the track), the amount of feedback will usually be adequate for the whole of the tuning range.

Should the type or sample of dual-gate MOSFET have a comparatively low gain, it may be necessary to wire a 100 kilohm (or lower value) resistor in parallel with VR2b in order to ensure effective  $Q$  multiplication on all loop ranges and at every setting of the tuning control.

The procedure is not critical, but a little time spent adjusting VR4 and each preset VR5 will be repaid by a smooth  $Q$  control which is completely free from back-lash. If the unit can be tuned but the  $Q$  multiplier function does not appear to be working, the cause is almost certainly the out-of-phase connection of the feedback winding, L2. Reversing the connections should resolve the problem.

## RESULTS

Selectivity is good even without  $Q$  multiplication, and loop and receiver tuning must be kept in step. When the  $Q$  control is advanced, selectivity and output increase dramatically, and the loop has to be very precisely tuned. Fine tuning control VR1 will be found useful under these circumstances.

Directional effects are sometimes pronounced, and the loop should be rotated for best reception. It is not balanced, and the signal maxima and minima are not 180° apart.

The loop has been tested with regenerative receivers, direct conversion receivers, simple superhets and communications receivers of advanced design. The aerial

used for comparison purposes comprises 20 metres of wire mounted 10 metres above ground and connected into a screened down-lead via a broad band transformer.

Output from the loop with little or no  $Q$  multiplication is invariably equal to that delivered by the long wire. With the  $Q$  multiplier control well advanced, but some way short of the critical maximum, output is usually 20dB to 30dB greater (measured on a calibrated signal strength meter). Adjustment of the controls becomes more critical as the frequency of operation increases, but it is not too difficult to focus in on individual amateur stations on 14MHz if the value of VR1 is reduced to about 4k7, as suggested earlier.

## ENHANCED PERFORMANCE

The performance of simple receivers is greatly enhanced by the high degree of front-end selectivity imparted by the loop, and loop output has to be set low to avoid overloading. Broadcast station breakthrough on the amateur bands, which can be troublesome with direct conversion receivers, is eliminated by the unit.

Spurious responses in simple superhets and overloaded regenerative receivers, which become increasingly evident as the operating frequency increases, are heavily suppressed. With the wire aerial connected, responses of this kind can make an almost empty band seem crowded. When the loop is switched in and correctly tuned, the images and unwanted responses disappear and only stations actually transmitting on the band remain.

Complex, high-performance receivers do not have faults of this kind, and the difference in performance between wire and loop is hardly noticeable. (Under quiet conditions, the additional noise introduced by the loop amplifier is just discernible when a weak signal is being received). The loop is, however, invaluable for eliminating local electrical interference no matter what type of receiver is used.

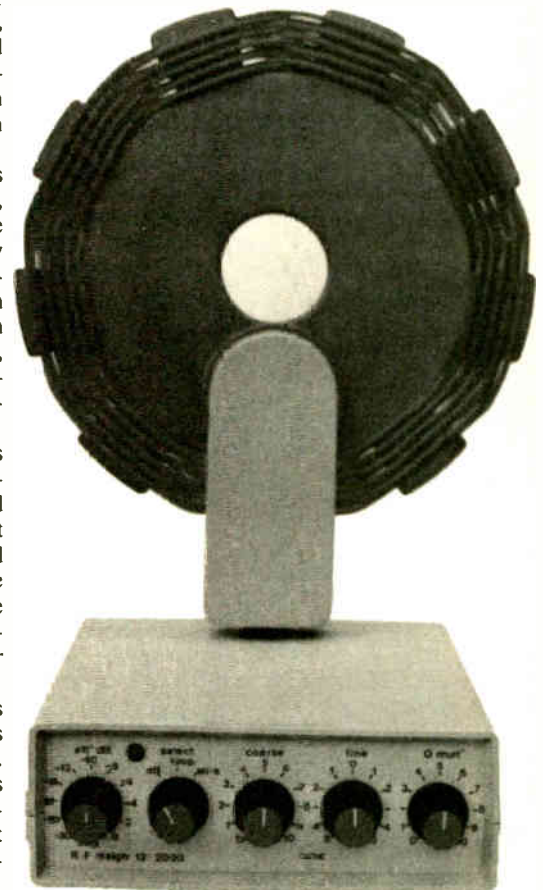
Whip aerials with untuned amplifiers are sometimes used by shortwave listeners who lack the space for a long wire. Although the complete absence of controls makes these units easier to use, they cannot match the performance of the Compact Short Wave Loop, especially at frequencies below 20MHz or so.

Digital dials emit electrical noise which can be picked up by the loop. Locating the loop towards the rear of the set and about 300mm distant avoids the problem.

## LOWER FREQUENCIES

The shortwave loop will work at lower frequencies if the inductance of L1 is increased. However, the reduced maximum tuning capacitance curtails coverage and the action of the  $Q$  multiplier is much too fierce.

Readers interested in medium wave reception, which calls for a loop that tilts as well as turns, are urged to consider the earlier article which details the construction of a loop designed specifically for this purpose. □





## VARIABLE VOLTAGE TRANSFORMERS

INPUT 220V/240V AC 50/60Hz OUTPUT 0V-260V  
PANEL MOUNTING

	Price	P&P
0.5KVA 2.5 amp max	£33.00	£6.00 (£45.84 inc VAT)
1KVA 5 amp max	£45.25	£7.00 (£61.39 inc VAT)

### SHROUDED

0.5KVA 2.5 amp max	£34.00	£6.00 (£47.00 inc VAT)
1KVA 5 amp max	£46.25	£7.00 (£62.57 inc VAT)
2KVA 10 amp max	£65.00	£8.50 (£86.36 inc VAT)
3KVA 15 amp max	£86.50	£8.50 (£111.83 inc VAT)

5KVA 25 amp max £150.00 (+ Carriage & VAT)  
Buy direct from the Importers. Keenest prices in the country.

### 500VA ISOLATION TRANSFORMER

Input lead 240V AC. Output via 3 pin 13A socket. 240V AC continuously rated. mounted in fibreglass case with handle. Internally fused. Price £35.00 carriage paid + VAT (£41.13)

### TOROIDAL L.T. TRANSFORMER

Primary 0-240V AC. Secondary 0-30V + 0-30V 600VA. Fixing bolt supplied. Price £25.00 carriage paid + VAT (£29.38)

### COMPREHENSIVE RANGE OF TRANSFORMERS - LT- ISOLATION & AUTO

110V-240V Auto transfer either cased with American socket and mains lead or open frame type. Available for immediate delivery.

### ULTRA VIOLET BLACK LIGHT BLUE FLUORESCENT TUBES

4ft. 40 watt £14.00 (callers only)	£16.45 inc VAT
2ft 20 watt £9.00 (callers only)	£10.58 inc VAT
12in 8 watt £4.80 + 75p p&p	£6.52 inc VAT
9in 6 watt £3.96 + 50p p&p	£5.24 inc VAT
6in 4 watt £3.96 + 50p p&p	£5.24 inc VAT

### 230V AC BALLAST KIT

For either 6in, 9in or 12in tubes £8.06+£1.40 p&p (£8.75 inc VAT)  
The above tubes are 3500/4000 angstrom (350-400nm) ideal for detecting security markings, effects lighting & Chemical applications  
Other Wavelengths of UV TUBE available for Germicidal & Photo Sensitive applications. Please telephone your enquiries.

### 400 WATT BLACK LIGHT BLUE UV LAMP

GES Mercury Vapour lamp suitable for use with a 400W P.F. Ballast. Only £39.95 incl. p&p & VAT



### 5 KVA ISOLATION TRANSFORMER

As New. Ex-Equipment, fully shrouded. Line Noise Suppression, Ultra Isolation Transformer with terminal covers and knock-out cable entries. Primary 120V/240V. Secondary 120V/240V, 50/60Hz, 0.005pF Capacitance. Size, L 37cm x W 19cm x H 16cm. Weight 42 kilos. Price £120 + VAT. Ex-warehouse. Carriage on request.

### 24V DC SIEMENS CONTACTOR

Type 3TH8022-08 2 x NO and 2 x NC 230V AC 10A. Contacts. Screw or Din Rail fixing. Size H 120mm x W 45mm x D 75mm. Brand New Price £7.83 incl. p&p & VAT.

### 240V AC WESTCOOL SOLENOIDS

Model TT2 Max. stroke 16mm, 5lb. pull. Base mounting. Rating 1. Model TT6 Max. stroke 25mm, 15lb. pull. Base mounting. Rating 1. Series 400 Max. stroke 28mm, 15lb. pull. Front mounting. Rating 2. Prices inc. p&p & VAT: TT2 £5.88, TT6 £8.81, Series 400 £8.84.

### AXIAL COOLING FAN

230V AC 120mm square x 38mm 3 blade 10 watt Low Noise fan. Price £7.29 incl. p&p & VAT. Other voltages and sizes available from stock. Please telephone your enquiries.

### INSTRUMENT CASE

Brand new. Manufactured by Imhof. L 31cm x H 18cm x 19cm Deep. Removable front and rear panel for easy assembly of your components. Gray textured finish, complete with case feet. Price £16.45 incl. p&p & VAT. 2 off £28.20 inclusive.

### DIECAST ALUMINIUM BOX

with internal PCB guides. Internal size 265mm x 165mm x 50mm deep. Price £9.93 incl. p&p & VAT. 2 off £17.80 incl.

### 230V AC SYNCHRONOUS GEARED MOTORS

Brand new Ovoid Gearbox. Crouzet type motors. H 65mm x W 55mm x D 35mm. 4mm dia. shaft x 10mm long. 6 RPM anti cw. £9.99 incl. p&p & VAT. 20 RPM anti cw. Depth 40mm. £11.16 incl. p&p & VAT.

### 16 RPM REVERSIBLE Crouzet 220V/230V

50Hz geared motor with ovoid geared box. 4mm dia. shaft. New manuf. surplus. Sold complete with reversing capacitor, connecting block and circ. Overall size: h 68mm x w 52mm x 43mm deep. PRICE incl. P&P & VAT £9.99

### EPROM ERASURE KIT

Build your own EPROM ERASURE for a fraction of the price of a made-up unit. Kit of parts less case includes 12in. 8watt 2537, Angst Tube Ballast unit, pair of bi-pin leads, neon indicator, on/off switch, safety microswitch and circuit £15.00+£2.00 p&p. (£19.98 inc VAT)

### WASHING MACHINE WATER PUMP

Brand new 240V AC fan cooled. Can be used for a variety of purposes. Inlet 1/2in., outlet 1in. dia. Price includes p&p & VAT. £11.20 each or 2 for £20.50 inclusive.

## SERVICE TRADING CO

57 BRIDGMAN ROAD, CHISWICK, LONDON W4 5BB

Tel: 020 8995 1560 FAX: 020 8995 0549



Ample Parking Space

## FRUSTRATED!

### Looking for ICs TRANSISTORS?

A phone call to us could get a result. We offer an extensive range and with a world-wide database at our fingertips, we are able to source even more. We specialise in devices with the following prefix (to name but a few).



2N 2SA 2SB 2SC 2SD 2P 2SJ 2SK 3N 3SK 4N 6N 17 40 AD  
ADC AN AM AY BA BC BD BDT BDV BDW BDX BF  
BFR BFS BFT BFV BLY BLX BS BR BRX BRY BS  
BSS BSV BSW BSX BT BTA BTB BRW BU BUK BUT BUV  
BUW BUX BUY BUZ CA CD CX CXA DAC DG DM DS  
DTA DTC GL GM HA HCF HD HEF ICL ICM IRF J KA  
KIA L LA LB LC LD LF LM M M5M MA MAB MAX MB  
MC MDAJ MJE MJF MM MN MPS MPMA MPMH MPSU  
MRF NJM NE OM OP PA PAL PIC PN RC S SAA SAB  
SAD SAJ SAS SDA SG SI SL SN SO STA STK STR STRD  
STRM STRS SVI T TA TAA TAG TBA TC TCA TDA TDB  
TEA TIC TIP TPL TEA TL TLC TML TMS TPU U UA  
UAA UC UDN ULN UM UPA UPC UPD VN X XR Z ZN  
ZTS + many others

We can also offer equivalents (at customers' risk)

We also stock a full range of other electronic components  
Mail, phone, Fax Credit Card orders and callers welcome



Connect

## Cricklewood Electronics Ltd

40-42 Cricklewood Broadway London NW2 3ET  
Tel: 020 8452 0161 Fax: 020 8208 1441

## Video Surveillance

- CMOS B&W Camera 15mm x 15mm £29.00
- CMOS Colour Camera 15mm x 15mm £65.00
- Board Camera, B&W, 32mm x 32mm £24.00
- Board Camera, Colour, with Audio, 32mm £65.00
- 23cm (1.3GHz) Video/Audio Transmitter £35.00
- 13cm (2.4GHz) Video/Audio Transmitter £35.00
- 1W Booster for 2.4GHz £120.00
- 2W Booster for 1.3GHz £130.00
- 1.3GHz/4-channel Receiver and Switcher £85.00
- 2.4GHz/4-channel Receiver and Switcher £85.00
- Quad (B&W) £95.00
- 4in. boxed TFT Colour Monitor with Audio £110.00
- 2in. TFT Colour Monitor Module £85.00

Order your list for 100 electronics kits free of charge

Also we stock RF parts, power modules and more  
CCTV/security products

## BITZ TECHNOLOGY LTD

Tel: 01753 522902 Fax: 01753 571657

E-mail: sales@bitztechnology.com

Website: www.bitztechnology.com



## DISTANCE LEARNING SHORT COURSES with BTEC CERTIFICATION

Analogue and Digital Electronics, Fibre Optics,  
Fault Diagnosis, Mechanics, Mathematics and  
Programmable Logic Controllers

- Suitable for beginners and those wishing to update their knowledge and practical skills
- Courses are very practical and delivered as self contained kits
- No travelling or college attendance
- Learning is at your own pace
- Each course can stand alone or be part of a modular study programme
- Tutor supported and BTEC certified

For information contact:

NCT Ltd., P.O. Box 11

Wendover, Bucks HP22 6XA

Telephone 01296 624270; Fax 01296 625299

Web: http://www.nct.ltd.uk

**WHETHER ELECTRONICS IS YOUR HOBBY  
OR YOUR LIVELIHOOD . . .  
YOU NEED THE MODERN ELECTRONICS MANUAL  
and the ELECTRONICS SERVICE MANUAL**

## THE MODERN ELECTRONICS MANUAL



**SALE  
40%  
OFF**  
while stocks last Buy either Manual at  
40% off regular price.  
Or buy both and save even more.

**DON'T MISS  
THIS!**

*The essential reference  
work for everyone  
studying electronics*

- Over 900 pages
- In-depth theory
- Projects to build
- Detailed assembly instructions
- Full components checklists
- Extensive data tables
- Detailed supply information
- Easy-to-use format
- Clear and simple layout
- Comprehensive subject range
- Professionally written
- Regular Supplements
- Sturdy gold blocked ring-binder

## EVERYTHING YOU NEED TO GET STARTED AND GO FURTHER IN ELECTRONICS!

The revised edition of the Modern Electronics Base Manual contains practical, easy-to-follow information on the following subjects:

**BASIC PRINCIPLES:** Electronic Components and their Characteristics (16 sections from Resistors and Potentiometers to Crystals, Crystal Modules and Resonators), Circuits Using Passive Components (9 sections), Power Supplies, The Amateur Electronics Workshop, The Uses of Semiconductors, Digital Electronics (6 sections), Operational Amplifiers, Introduction to Physics, Semiconductors (6 sections) and Digital Instruments (5 sections).

**CIRCUITS TO BUILD:** There's nothing to beat the satisfaction of creating your own project. From basic principles, like soldering and making printed circuit boards, to circuit-building, the Modern Electronics Manual and its Supplements describe clearly, with appropriate diagrams, how to assemble radios, loudspeakers,

amplifiers, car projects, computer interfaces, measuring instruments, workshop equipment, security systems, etc. The Base Manual describes 13 projects including a Theremin and a Simple TENS Unit.

**ESSENTIAL DATA:** Extensive tables on diodes, transistors, thyristors and triacs, digital and linear i.c.s.

**EXTENSIVE GLOSSARY:** Should you come across a technical word, phrase or abbreviation you're not familiar with, simply turn to the glossary included in the Manual and you'll find a comprehensive definition in plain English.

The Manual also covers **Safety** and **Suppliers**. The most comprehensive reference work ever produced at a price you can afford, the revised edition of **THE MODERN ELECTRONICS MANUAL** provides you with all the *essential* information you need.

## THE MODERN ELECTRONICS MANUAL

**Revised Edition of Basic Work:** Contains over 900 pages of information. Edited by John Becker.

**Regular Supplements:** Approximately 160-page Supplements of additional information which, if requested, are forwarded to you immediately on publication (four times a year). These are billed separately and can be discontinued at any time.

**Presentation:** Durable looseleaf system in large A4 format

**Price of the Basic Work:** ~~£39.95~~ **SALE PRICE £23.97** (to include a recent Supplement **FREE**)

### Guarantee

Our 30 day money back guarantee gives you **complete peace of mind**. If you are not entirely happy with either Manual, for whatever reason, simply return it to us in good condition within 30 days and we will make a **full refund of your payment** – no small print and no questions asked.  
(Overseas buyers do have to pay the overseas postage charge)

# ELECTRONICS SERVICE MANUAL

## EVERYTHING YOU NEED TO KNOW TO GET STARTED IN REPAIRING AND SERVICING ELECTRONIC EQUIPMENT

**SAFETY:** Be knowledgeable about Safety Regulations, Electrical Safety and First Aid.

**UNDERPINNING KNOWLEDGE:** Specific sections enable you to Understand Electrical and Electronic Principles, Active and Passive Components, Circuit Diagrams, Circuit Measurements, Radio, Computers, Valves and manufacturers' Data, etc.

**PRACTICAL SKILLS:** Learn how to identify Electronic Components, Avoid Static Hazards, Carry Out Soldering and Wiring, Remove and Replace Components.

**TEST EQUIPMENT:** How to Choose and Use Test Equipment, Assemble a Toolkit, Set Up a Workshop, and Get the Most from Your Multimeter and Oscilloscope, etc.

**SERVICING TECHNIQUES:** The regular Supplements include vital guidelines on how to Service Audio Amplifiers, Radio Receivers, TV Receivers, Cassette Recorders, Video Recorders, Personal Computers, etc.

**TECHNICAL NOTES:** Commencing with the IBM PC, this section and the regular Supplements deal with a very wide range of specific types of equipment – radios, TVs, cassette recorders, amplifiers, video recorders etc..

**REFERENCE DATA:** Detailing vital parameters for Diodes, Small-Signal Transistors, Power Transistors, Thyristors, Triacs and Field Effect Transistors. Supplements include Operational Amplifiers, Logic Circuits, Optoelectronic Devices. etc.

## The essential work for servicing and repairing electronic equipment

- Around 900 pages
- Fundamental principles
- Troubleshooting techniques
- Servicing techniques
- Choosing and using test equipment
- Reference data
- Easy-to-use format
- Clear and simple layout
- Vital safety precautions
- Professionally written
- Regular Supplements
- Sturdy gold blocked ring-binder

## ELECTRONICS SERVICE MANUAL

**Basic Work:** Contains around 900 pages of information. Edited by Mike Tooley BA

**Regular Supplements:** Approximately 160-page Supplements of additional information which, if requested, are forwarded to you immediately on publication (four times a year). These are billed separately and can be discontinued at any time.

**Presentation:** Durable looseleaf system in large A4 format

**Price of the Basic Work:** ~~£39.95~~ **SALE PRICE £23.97** (to include a recent Supplement **FREE**)

## ORDER BOTH MANUALS TOGETHER AND SAVE ANOTHER £8

*A mass of well-organised and clearly explained information is brought to you by expert editorial teams whose combined experience ensures the widest coverage*  
**Regular Supplements to these unique publications, each around 160 pages, keep you abreast of the latest technology and techniques if required**

### REGULAR SUPPLEMENTS

Unlike a book or encyclopedia, these Manuals are living works – continuously extended with new material. If requested, Supplements are sent to you approximately every three months. Each Supplement contains around 160 pages – all for only £23.50+£2.50 p&p. You can, of course, return any Supplement (within ten days) which

you feel is superfluous to your needs. You can also purchase a range of past Supplements to extend your Base Manual on subjects of particular interest to you.

### RESPONDING TO YOUR NEEDS

We are able to provide you with the most important and popular, up to date, features in our

Supplements. Our unique system is augmented by readers' requests for new information. Through this service you are able to let us know exactly what information you require in your Manuals.

You can also contact the editors directly in writing if you have a specific technical request or query relating to the Manuals.

**PLEASE** send me



THE MODERN ELECTRONICS MANUAL plus a FREE SUPPLEMENT

ELECTRONICS SERVICE MANUAL plus a FREE SUPPLEMENT

I enclose payment of £23.97 (for one Manual) or £39.94 for both Manuals (saving another £8 by ordering both together) plus postage if applicable.

I also require the appropriate Supplements four times a year. These are billed separately and can be discontinued at any time. (Please delete if not required.)

Should I decide not to keep the Manual/s I will return it/them to you within 30 days for a full refund.

FULL NAME .....  
(PLEASE PRINT)

ADDRESS .....

.....POSTCODE .....

SIGNATURE .....

I enclose cheque/PO payable to Wimborne Publishing Ltd.

Please charge my Visa/Mastercard/Amex/Diners Club/Switch Switch Issue No.....

Card No. .... Card Exp. Date .....

### ORDER FORM

Simply complete and return the order form with your payment to the following address:

**Wimborne Publishing Ltd, Dept. Y8, 408 Wimborne Road East, Ferndown, Dorset BH22 9ND**

**We offer a 30 day MONEY BACK GUARANTEE**

– if you are not happy with either Manual simply return it to us in good condition within 30 days for a full refund.

Overseas buyers do have to pay the overseas postage – see below.

### POSTAGE CHARGES

Postal Region	Price PER MANUAL	
	Surface	Air
Mainland UK	FREE	–
Scottish Highlands, UK Islands & Eire	£5.50 each	–
Europe (EU)	–	£20 each
Europe (Non-EU)	£20 each	£26 each
USA & Canada	£25 each	£33 each
Far East & Australasia	£31 each	£35 each
Rest of World	£25 each	£45 each

Please allow four working days for UK delivery.  
 NOTE: Surface mail can take over 10 weeks to some parts of the world. Each Manual weighs about 4kg when packed

esm2

# DIRECT BOOK SERVICE

SOFTBACK  
EDITION

Only £15.99

**THE INVENTOR OF STEREO – THE LIFE AND WORKS OF ALAN DOWER BLUMLEIN**  
**Robert Charles Alexander**

This book is the definitive study of the life and works of one of Britain's most important inventors who, due to a cruel set of circumstances, has all but been overlooked by history.

Alan Dower Blumlein led an extraordinary life in which his inventive output rate easily surpassed that of Edison, but whose early death during the darkest days of World War Two led to a shroud of secrecy which has covered his life and achievements ever since.

His 1931 Patent for a Binaural Recording System was so revolutionary that most of his contemporaries regarded it as more than 20 years ahead of its time. Even years after his death, the full magnitude of its detail had not been fully utilized. Among his 128 patents are the principal electronic circuits critical to the development of the world's first electronic television system. During his short working life, Blumlein produced patent after patent breaking entirely new ground in electronic and audio engineering.

During the Second World War, Alan Blumlein was deeply engaged in the very secret work of radar development and contributed enormously to the system eventually to become 'H2S' – blind-bombing radar. Tragically, during an experimental H2S flight in June 1942, the Halifax bomber in which Blumlein and several colleagues were flying, crashed and all aboard were killed. He was just days short of his thirty-ninth birthday.

420 pages **Order code NE32** £15.99



**TEACH-IN No. 7. ANALOGUE AND DIGITAL ELECTRONICS COURSE**  
(published by *Everyday Practical Electronics*)  
**Alan Winstanley and Keith Dye B.Eng(Tech)AMIEE**

This highly acclaimed *EPE Teach-In series*, which included the construction and use of the *Mini Lab* and *Micro Lab* test and development units, has been put together in book form.

An interesting and thorough tutorial series aimed specifically at the novice or complete beginner in electronics. The series is designed to support those undertaking either GCSE Electronics or GCE Advanced Levels, and starts with fundamental principles.

If you are taking electronics or technology at school or college, this book is for you. If you just want to learn the basics of electronics or technology you must make sure you see it. *Teach-In No. 7* will be invaluable if you are considering a career in electronics or even if you are already training in one. The *Mini Lab* and software enable the construction and testing of both demonstration and development circuits. These learning aids bring electronics to life in an enjoyable and interesting way; you will both see and hear the electron in action! The *Micro Lab* microprocessor add-on system will appeal to higher level students and those developing microprocessor projects.

152 pages **Order code T17** £4.95

**TEACH-IN 2000 plus FREE software** **CD-ROM**  
**John Becker**

The *Teach-In 2000* series is now available on CD-ROM, see advert elsewhere in this issue.

The books listed have been selected by *Everyday Practical Electronics* editorial staff as being of special interest to everyone involved in electronics and computing. They are supplied by mail order to your door. Full ordering details are given on the last book page.

FOR A FURTHER SELECTION OF BOOKS SEE THE NEXT TWO ISSUES OF EPE.

All prices include UK postage

## RADIO / TV VIDEO

**ELECTRONIC PROJECTS FOR VIDEO ENTHUSIASTS**  
**R. A. Penfold**

This book provides a number of practical designs for video accessories that will help you get the best results from your camcorder and VCR. All the projects use inexpensive components that are readily available, and they are easy to construct. Full construction details are provided, including stripboard layouts and wiring diagrams. Where appropriate, simple setting up procedures are described in detail; no test equipment is needed.

The projects covered in this book include: Four channel audio mixer, Four channel stereo mixer, Dynamic noise limiter (DNL), Automatic audio fader, Video faders, Video wipers, Video crispener, Mains power supply unit.

109 pages **Order code BP356** £5.45

**SETTING UP AN AMATEUR RADIO STATION**  
**I. D. Poole**

The aim of this book is to give guidance on the decisions which have to be made when setting up any amateur radio or short wave listening station. Often the experience which is needed is learned by one's mistakes, however, this can be expensive. To help overcome this, guidance is given on many aspects of setting up and running an efficient station. It then proceeds to the steps that need to be taken in gaining a full transmitting licence.

Topics covered include: The equipment that is needed; Setting up the shack; Which aerials to use; Methods of construction; Preparing for the licence.

An essential addition to the library of all those taking their first steps in amateur radio.

86 pages **Order code BP300** £4.45

**EXPERIMENTAL ANTENNA TOPICS**  
**H. C. Wright**

Although nearly a century has passed since Marconi's first demonstration or radio communication, there is still research and experiment to be carried out in the field of antenna design and behaviour.

The aim of the experimenter will be to make a measurement or confirm a principle, and this can be done with relatively fragile, short-life apparatus. Because of this, devices described in this book make liberal use of cardboard, cooking foil, plastic bottles, cat food tins, etc. These materials are, in general, cheap to obtain and easily worked with simple tools, encouraging the trial-and-error philosophy which leads to innovation and discovery.

Although primarily a practical book with text closely supported by diagrams, some formulae which can be used by straightforward substitution and some simple graphs have also been included.

72 pages **Order code BP278** £4.00

**25 SIMPLE INDOOR AND WINDOW AERIALS**  
**E. M. Noll**

Many people live in flats and apartments or other types of accommodation where outdoor aerials are prohibited, or a lack of garden space etc. prevents aerials from being erected. This does not mean you have to forgo shortwave-listening, for even a 20-foot length of wire stretched out along the skirting board of a room can produce acceptable results. However, with some additional effort and experimentation one may well be able to improve performance further.

This concise book tells the story, and shows the reader how to construct and use 25 indoor and window aerials that the author has proven to be sure performers. Much information is also given on shortwave bands, aerial directivity, time zones, dimensions etc.

50 pages **Order code BP136** £2.25

## PROJECT CONSTRUCTION

**PRACTICAL REMOTE CONTROL PROJECTS**  
**Owen Bishop**

Provides a wealth of circuits and circuit modules for use in remote control systems of all kinds; ultrasonic, infrared, optical fibre, cable and radio. There are instructions for building fourteen novel and practical remote control projects. But this is not all, as each of these projects provides a model for building dozens of other related circuits by simply modifying parts of the design slightly to suit your own requirements. This book tells you how.

Also included are techniques for connecting a PC to a remote control system, the use of a microcontroller in remote control, as exemplified by the BASIC Stamp, and the application of ready-made type-approved 418MHz radio transmitter and receiver modules to remote control systems.

160 pages **Order code BP413** £6.49

**PRACTICAL ELECTRONIC MODEL RAILWAY PROJECTS**  
**R. A. Penfold**

The aim of this book is to provide the model railway enthusiast with a number of useful but reasonably simple projects that are easily constructed from readily available components. Stripboard layouts and wiring diagrams are provided for each project. The projects covered include: constant voltage controller; pulsed controller; pushbutton pulsed controller; pulsed controller with simulated inertia, momentum and braking; automatic signals; steam whistle sound effect; two-tone horn sound effect; automatic two-tone horn effect; automatic chuffer.

The final chapter covers the increasingly popular subject of using a computer to control a model railway layout, including circuits for computer-based controllers and signalling systems.

151 pages **Order code BP384** £5.49

**A PRACTICAL INTRODUCTION TO SURFACE MOUNT DEVICES**  
**Bill Mooney**

This book takes you from the simplest possible starting point to a high level of competence in handworking with surface mount devices (SMD's). The wider subject of SM technology is also introduced, so giving a feeling for its depth and fascination.

Subjects such as p.c.b. design, chip control, soldering techniques and specialist tools for SM are fully explained and developed as the book progresses. Some useful constructional projects are also included.

Whilst the book is mainly intended as an introduction it is also an invaluable reference book, and the browser should find it engrossing.

120 pages **Order code BP411** £5.49

**FAULT-FINDING ELECTRONIC PROJECTS**  
**R. A. Penfold**

Starting with mechanical faults such as dry joints, short-circuits etc, coverage includes linear circuits, using a meter to make voltage checks, signal tracing techniques and fault finding on logic circuits. The final chapter covers ways of testing a wide range of electronic components, such as resistors, capacitors, operational amplifiers, diodes, transistors, SCRs and triacs, with the aid of only a limited amount of test equipment.

The construction and use of a Tristate Continuity Tester, a Signal Tracer, a Logic Probe and a CMOS Tester are also included.

136 pages **Order code BP391** £5.49

**TEST EQUIPMENT CONSTRUCTION**  
**R. A. Penfold**

This book describes in detail how to construct some simple and inexpensive but extremely useful, pieces of test equipment. Stripboard layouts are provided for all designs, together with wiring diagrams where appropriate, plus notes on construction and use.

The following designs are included:- AF Generator, Capacitance Meter, Test Bench Amplifier, AF Frequency Meter, Audio Multivoltmeter, Analogue Probe, High Resistance Voltmeter, CMOS Probe, Transistor Tester, TTL Probe. The designs are suitable for both newcomers and more experienced hobbyists.

104 pages **Order code BP248** £4.49

**HOW TO DESIGN AND MAKE YOUR OWN P.C.B.s**  
**R. A. Penfold**

Deals with the simple methods of copying printed circuit board designs from magazines and books, and covers all aspects of simple p.c.b. construction including photographic methods and designing your own p.c.b.s.

66 pages **Order code BP121** £4.49

**ELECTRONIC PROJECT BUILDING FOR BEGINNERS**  
**R. A. Penfold**

This book is for complete beginners to electronic project building. It provides a complete introduction to the practical side of this fascinating hobby, including the following topics:

Component identification, and buying the right parts; Resistor colour codes, capacitor value markings, etc; Advice on buying the right tools for the job; Soldering, with advice on how to produce good joints and avoid "dry" joints; Making easy work of the hard wiring; Construction methods, including stripboard, custom printed circuit boards, plain matrix board, surface mount boards and wire-wrapping; Finishing off, and adding panel labels; Getting "problem" projects to work, including simple methods of fault-finding; In fact everything you need to know in order to get started in this absorbing and creative hobby.

135 pages **Order code BP392** £5.45

# TWO EXCITING BOOKS

Specially imported by **EPE**

**FREE  
CD-ROM**

## Bebop To The Boolean Boogie

By Clive (call me Max) Maxfield  
ORDER CODE BEB1 **£26.95**

An Unconventional Guide to Electronics Fundamentals, Components and Processes

The Foreword by Pete Waddell, Editor, *Printed Circuit Design* reads:

"Personally, I think that the title of this tome alone (hmmm, a movie?) should provide some input as to what you can expect. But, for those who require a bit more: be forewarned, dear reader, you will probably learn far more than you could hope to expect from *Bebop to the Boolean Boogie*, just because of the unique approach Max has to technical material. The author will guide you from the basics through a minefield of potentially boring theoretical mish-mash, to a Nirvana of understanding.

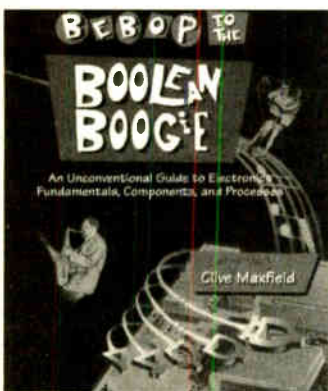
You will not suffer that fate familiar to every reader: re-reading paragraphs over and over wondering what in the world the author was trying to say. For a limey, Max shoots amazingly well and from the hip, but in a way that will keep you interested and amused. If you are not vigilant, you may not only learn something, but you may even enjoy the process. The only further advice I can give is to 'expect the unexpected'."

This book gives the "big picture" of digital electronics. This indepth, highly readable, up-to-the-minute guide shows you how electronic devices work and how they're made. You'll discover how transistors operate, how printed circuit

boards are fabricated, and what the innards of memory ICs look like. You'll also gain a working knowledge of Boolean Algebra and Karnaugh Maps, and understand what Reed-Muller logic is and how it's used. And there's much, MUCH more (including a recipe for a truly great seafood gumbo!).

Hundreds of carefully drawn illustrations clearly show the important points of each topic. The author's tongue-in-cheek British humor makes it a delight to read, but this is a REAL technical book, extremely detailed and accurate. A great reference for your own shelf, and also an ideal gift for a friend or family member who wants to understand what it is you do all day. . . .

**By importing these books ourselves we have managed to make them available at an exceptional price.**



## Bebop Bytes Back

By Clive "Max" Maxfield and Alvin Brown

ORDER CODE BEB2 **£31.95**

An Unconventional Guide To Computers

Plus **FREE CD-ROM** which includes: Fully Functional Internet-Ready Virtual Computer with Interactive Labs

The Foreword by Lee Felsenstein reads:

"1. The more time you spend with this book and its accompanying CD-ROM, the more you'll get out of it. Skimming through it won't take you where you want to go. Paying serious attention, on the other hand, will teach you more about computers than you can imagine. (You might also see a few beautiful sunrises.)

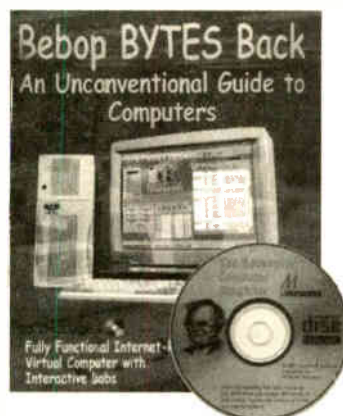
2. The labs work on two levels: on and under the surface. When you're performing the labs you'll need to look for patterns that build up from individual events.

3. When you're done, you won't look any different. You won't get a trophy or a certificate to hang on your wall. You'll have some knowledge, and some skill, and you'll be ready to find more knowledge and develop more skill. Much of this will be recognisable only to someone who has the same knowledge and skill."

This follows on to *Bebop to the Boolean Boogie* is a multimedia extravaganza of information about how computers work. It picks up where "Bebop!" left off, guiding you

through the fascinating world of computer design . . . and you'll have a few chuckles, if not belly laughs, along the way. In addition to over 200 megabytes of mega-cool multimedia, the accompanying CD-ROM (for Windows 95 machines only) contains a virtual microcomputer, simulating the motherboard and standard computer peripherals in an extremely realistic manner. In addition to a wealth of technical information, myriad nuggets of trivia, and hundreds of carefully drawn illustrations, the book contains a set of lab experiments for the virtual microcomputer that let you recreate the experiences of early computer pioneers.

If you're the slightest bit interested in the inner workings of computers, then don't dare to miss this one!



## Audio and Music

### VALVE & TRANSISTOR AUDIO AMPLIFIERS

John Linsley Hood

This is John Linsley Hood's greatest work yet, describing the milestones that have marked the development of audio amplifiers since the earliest days to the latest systems. Including classic amps with valves at their heart and exciting new designs using the latest components, this book is the complete world guide to audio amp design.

Contents: Active components; Valves or vacuum tubes; Solid-state devices; Passive components; Inductors and transformers; Capacitors, Resistors, Switches and electrical contacts; Voltage amplifier stages using valves; Valve audio amplifier layouts; Negative feedback; Valve operated power amplifiers; Solid state voltage amplifiers; Early solid-state audio amplifiers; Contemporary power amplifier designs; Pre-amplifiers; Power supplies (PSUs); Index.

250 pages

Order code NE24

£21.99

### AUDIO AMPLIFIER PROJECTS

R. A. Penfold

A wide range of useful audio amplifier projects, each project features a circuit diagram, an explanation of the circuit operation and a stripboard layout diagram. All constructional details are provided along with a shopping list of components, and none of the designs requires the use of any test equipment in order to set up properly. All the projects are designed for straightforward assembly on simple circuit boards.

Circuits include: High impedance mic preamp, Low impedance mic preamp, Crystal mic preamp, Guitar and

GP preamplifier, Scratch and rumble filter, RIAA preamplifier, Tape preamplifier, Audio limiter, Bass and treble tone controls, Loudness filter, Loudness control, Simple graphic equaliser, Basic audio mixer, Small (300mW) audio power amp, 6 watt audio power amp, 20/32 watt power amp and power supply, Dynamic noise limiter.

A must for audio enthusiasts with more sense than money!

116 pages

Order code PC113

£10.95

### MAKING MUSIC WITH DIGITAL AUDIO

Ian Waugh

In this practical and clearly written book, Ian Waugh explains all aspects of the subject from digital audio basics to putting together a system to suit your own music requirements. Using the minimum of technical language, the book explains exactly what you need to know about: Sound and digital audio, Basic digital recording principles, Sample rates and resolutions, Consumer sound cards and dedicated digital audio cards.

On a practical level you will learn about: sample editing, digital multi-tracking, digital FX processing, integrating MIDI and digital audio, using sample CDs, mastering to DAT and direct to CD, digital audio and Multimedia.

This book is for every musician who wants to be a part of the most important development in music since the invention of the gramophone. It's affordable, it's flexible, it's powerful and it's here now! It's digital and it's the future of music making.

256 pages

Temporarily out of print

## POSTAGE

**ALL  
PRICES  
NOW  
INCLUDE  
UK  
POSTAGE**

Overseas readers see  
ORDERING DETAILS on the  
next page for overseas  
postage prices

# CIRCUITS AND DESIGN

## AN INTRODUCTION TO PIC MICROCONTROLLERS

Robert Penfold

Designing your own PIC based projects may seem a daunting task, but it is really not too difficult providing you have some previous experience of electronics.

The PIC processors have plenty of useful features, but they are still reasonably simple and straightforward to use. This book should contain everything you need to know.

Topics covered include: the PIC register set; numbering systems; bitwise operations and rotation; the PIC instruction set; using interrupts; using the analogue to digital converter; clock circuits; using the real time clock counter (RTCC); using subroutines; driving seven segment displays.

166 pages Order code BP394 £6.49

## PRACTICAL OSCILLATOR CIRCUITS

A. Flind

Extensive coverage is given to circuits using capacitors and resistors to control frequency. Designs using CMOS, timer i.c.s and op.amps are all described in detail, with a special chapter on "waveform generator" i.c.s. Reliable "white" and "pink" noise generator circuits are also included.

Various circuits using inductors and capacitors are covered, with emphasis on stable low frequency generation. Some of these are amazingly simple, but are still very useful signal sources.

Crystal oscillators have their own chapter. Many of the circuits shown are readily available special i.c.s for simplicity and reliability, and offer several output frequencies. Finally, complete constructional details are given for an audio sinewave generator.

133 pages Order code BP393 £5.49

## PRACTICAL ELECTRONIC CONTROL PROJECTS

Owen Bishop

Explains electronic control theory in simple, non-mathematical terms and is illustrated by 30 practical designs suitable for the student or hobbyist to build. Shows how to use sensors as input to the control system, and how to provide output to lamps, heaters, solenoids, relays and motors.

Computer based control is explained by practical examples that can be run on a PC. For stand-alone systems, the projects use microcontrollers, such as the inexpensive and easy-to-use Stamp BASIC microcontroller.

198 pages Order code BP377 £6.49

## PRACTICAL ELECTRONICS HANDBOOK -

Fifth Edition. Ian Sinclair

Contains all of the everyday information that anyone working in electronics will need.

It provides a practical and comprehensive collection of circuits, rules of thumb and design data for professional engineers, students and enthusiasts, and therefore enough background to allow the understanding and development of a range of basic circuits.

Contents: Passive components, Active discrete components, Circuits, Linear I.C.s, Energy conversion components, Digital I.C.s, Microprocessors and microprocessor

systems, Transferring digital data, Digital-analogue conversions, Computer aids in electronics, Hardware components and practical work, Microcontrollers and PLCs, Digital broadcasting, Electronic security.

440 pages Order code NE21 £15.99

## COIL DESIGN AND CONSTRUCTIONAL MANUAL

B. B. Babani

A complete book for the home constructor on "how to make" RF, IF, audio and power coils, chokes and transformers. Practically every possible type is discussed and calculations necessary are given and explained in detail. Although this book is now twenty years old, with the exception of keroids and pulse transformers little has changed in coil design since it was written.

96 pages Order code 160 £4.49

## OPTOELECTRONICS CIRCUITS MANUAL

R. M. Marston

A useful single-volume guide to the optoelectronics device user, specifically aimed at the practical design engineer, technician, and the experimenter, as well as the electronics student and amateur. It deals with the subject in an easy-to-read, down-to-earth, and non-mathematical yet comprehensive manner, explaining the basic principles and characteristics of the best known devices, and presenting the reader with many practical applications and over 200 circuits. Most of the i.c.s and other devices used are inexpensive and readily available types, with universally recognised type numbers.

182 pages Order code NE14 £15.99

## OPERATIONAL AMPLIFIER USER'S HANDBOOK

R. A. Penfold

The first part of this book covers standard operational amplifier based "building blocks" (integrator, precision rectifier, function generator, amplifiers, etc), and considers the ways in which modern devices can be used to give superior performance in each one. The second part describes a number of practical circuits that exploit modern operational amplifiers, such as high slew-rate, ultra low noise, and low input offset devices. The projects include: Low noise tape preamplifier, low noise RIAA preamplifier, audio power amplifiers, d.c. power controllers, opto-isolator audio link, audio millivolt meter, temperature monitor, low distortion audio signal generator, simple video fader, and many more.

120 pages Order code BP335 £5.45

## A BEGINNERS GUIDE TO CMOS DIGITAL ICs

R. A. Penfold

Getting started with logic circuits can be difficult, since many of the fundamental concepts of digital design tend to seem rather abstract, and remote from obviously useful applications. This book covers the basic theory of digital electronics and the use of CMOS integrated circuits, but does not lose sight of the fact that digital electronics has numerous "real world" applications.

The topics covered in this book include: the basic concepts of logic circuits; the functions of gates, inverters and other logic "building blocks"; CMOS logic i.c. characteristics, and their advantages in practical circuit design; oscillators and monostables (timers); flip/flops, binary drivers and binary counters; decade counters and display drivers.

119 pages Order code BP333 £5.45

# AUDIO AND MUSIC

## INTRODUCTION TO DIGITAL AUDIO

(Second Edition) Ian Sinclair

The compact disc (CD) was the first device to bring digital audio methods into the home.

This development has involved methods and circuits that are totally alien to the technician or keen amateur who has previously worked with audio circuits. The principles and practices of digital audio owe little or nothing to the traditional linear circuits of the past, and are much more comprehensible to today's computer engineer than the older generation of audio engineers.

This book is intended to bridge the gap of understanding for the technician and enthusiast. The principles and methods are explained, but the mathematical background and theory is avoided, other than to state the end product.

128 pages Order code PC102 £8.95

## PROJECTS FOR THE ELECTRIC GUITAR

J. Chatwin

This book is for anyone interested in the electric guitar. It explains how the electronic functions of the instrument work together, and includes information on

the various pickups and transducers that can be fitted. There are complete circuit diagrams for the major types of instrument, as well as a selection of wiring modifications and pickup switching circuits. These can be used to help you create your own custom wiring.

Along with the electric guitar, sections are also included relating to acoustic instruments. The function of specialised piezoelectric pickups is explained and there are detailed instructions on how to make your own contact and bridge transducers. The projects range from simple preamps and tone boosters, to complete active controls and equaliser units.

92 pages Order code BP358 £5.45

## VALVE AMPLIFIERS

Second Edition. Morgan Jones

This book allows those with a limited knowledge of the field to understand both the theory and practice of valve audio amplifier design, such that they can analyse and modify circuits, and build or restore an amplifier. Design principles and construction techniques are provided so readers can devise and build from scratch, designs that actually work.

The second edition of this popular book builds on its main strength - exploring and illustrating theory with practical applications. Numerous new sections include: output transformer problems; heater regulators; phase splitter analysis; and component technology. In addition to the numerous amplifier and preamplifier circuits, three major new designs are included: a low-noise single-ended LP stage, and a pair of high voltage amplifiers for driving electrostatic transducers directly - one for headphones, one for loudspeakers.

488 pages Order code NE33 £26.99

## VALVE RADIO AND AUDIO REPAIR HANDBOOK

Chas Miller

This book is not only an essential read for every professional working with antique radio and gramophone equipment, but also dealers, collectors and valve technology enthusiasts the world over. The emphasis is firmly on the practicalities of repairing and restoring, so technical content is kept to a minimum, and always explained in a way that can be followed by readers with no background in electronics. Those who have a good grounding in electronics, but wish to learn more about the practical aspects, will benefit from the emphasis given to hands-on repair work, covering mechanical as well as electrical aspects of servicing. Repair techniques are also illustrated throughout.

A large reference section provides a range of information compiled from many contemporary sources, and includes specialist dealers for valves, components and complete receivers.

288 pages Order code NE34 £20.99

## LOUDSPEAKERS FOR MUSICIANS

Vivan Capel

This book contains all that a working musician needs to know about loudspeakers: the different types, how they work, the most suitable for different instruments, for cabaret work, and for vocals. It gives tips on constructing cabinets, wiring up, when and where to use wadding, and when not to, what fittings are available, finishing, how to ensure they travel well, how to connect multi-speaker arrays and much more.

Ten practical enclosure designs with plans and comments are given in the last chapter, but by the time you've read that far you should be able to design your own!

164 pages Order code BP297 £5.49

## BOOK ORDERING DETAILS

All prices include UK postage. For postage to Europe (air) and the rest of the world (surface) please add £1 per book. For the rest of the world airmail add £2 per book. Send a PO, cheque, international money order (£ sterling only) made payable to **DIRECT BOOK SERVICE** or card details, Visa, Mastercard, Amex, Diners Club or Switch - minimum card order is £5 - to: **DIRECT BOOK SERVICE, WIMBORNE PUBLISHING LIMITED, 408 WIMBORNE ROAD EAST, FERNDOWN, DORSET BH22 9ND.**

Books are normally sent within seven days of receipt of order, but please allow 28 days for delivery - more for overseas orders. Please check price and availability (see latest issue of *Everyday Practical Electronics*) before ordering from old lists.

For a further selection of books see the next two issues of *EPE*.

Tel 01202 873872 Fax 01202 874562. E-mail: [dbs@epemag.wimborne.co.uk](mailto:dbs@epemag.wimborne.co.uk)  
Order from our online shop at: [www.epemag.wimborne.co.uk/shopdoor.htm](http://www.epemag.wimborne.co.uk/shopdoor.htm)

## BOOK ORDER FORM

Full name: .....

Address: .....

.....

..... Post code: ..... Telephone No: .....

Signature: .....

I enclose cheque/PO payable to **DIRECT BOOK SERVICE** for £ .....

Please charge my card £ ..... Card expiry date: .....

Card Number ..... Switch Issue No. ....

Please send book order codes: .....

.....

Please continue on separate sheet of paper if necessary

# PCB SERVICE

Printed circuit boards for most recent *EPE* constructional projects are available from the PCB Service, see list. These are fabricated in glass fibre, and are fully drilled and roller tinned. All prices include VAT and postage and packing. Add £1 per board for airmail outside of Europe. Remittances should be sent to **The PCB Service, Everyday Practical Electronics, Wimborne Publishing Ltd., 408 Wimborne Road East, Ferndown, Dorset BH22 9ND. Tel: 01202 873872; Fax 01202 874562; E-mail: orders@epemag.wimborne.co.uk. On-line Shop: www.epemag.wimborne.co.uk/shopdoor.htm.** Cheques should be crossed and made payable to *Everyday Practical Electronics* (Payment in £ sterling only).  
**NOTE: While 95% of our boards are held in stock and are dispatched within seven days of receipt of order, please allow a maximum of 28 days for delivery – overseas readers allow extra if ordered by surface mail. Back numbers or photostats of articles are available if required – see the Back Issues page for details.**

**Please check price and availability in the latest issue.**  
 Boards can only be supplied on a payment with order basis.

PROJECT TITLE	Order Code	Cost
★ PIC Tape Measure	207	£6.82
Electronic Thermostat – T-Stat	208	£4.00
PhizzyB		£14.95 each
A – PCB B – CD-ROM C – Prog. Microcontroller	Bee (A)(B)(C)	
15-Way IR Remote Control		
Switch Matrix	211	£3.00
15-Way Rec/Decoder	212	£4.00
Handheld Function Generator	213	£4.00
★ Fading Christmas Lights	215	£5.16
PhizzyB I/O Board (4-section)	216	£3.95
Twinkle Twinkle Reaction Game	210	£7.55
★ EPE Mind PICKler	214	£6.30
PhizzyB I/O Board (4-section)	216	£3.95
Alternative Courtesy Light Controller	217	£6.72
Light Alarm	218	£6.78
★ Wireless Monitoring System Transmitter	219+a	£9.92
Receiver	220+a	£8.56
★ PIC MIDI Sustain Pedal	Software only	–
★ Wireless Monitoring System-2		See Feb '99
F.M. Trans/Rec Adaptors	219a/220a	£7.37
★ Time and Date Generator	221	£7.37
Auto Cupboard Light	222	£6.36
Ironing Board Saver	224	£5.15
Voice Record/Playback Module	225	£5.12
Mechanical Radio (pair)	226A&B	£7.40
★ Versatile Event Counter	207	£6.82
PIC Toolkit Mk2	227	£8.95
A.M./F.M. Radio Remote Control – Transmitter	228	£3.00
Receiver	229	£3.20
★ Musical Sundial	231	£9.51
PC Audio Frequency Meter	232	£8.79
★ EPE Mood PICKler	233	£6.78
12V Battery Tester	234	£6.72
Intruder Deterrent	235	£7.10
L.E.D. Stroboscope (Multi-project PCB)	932	£3.00
Ultrasonic Puncture Finder	236	£5.00
★ 8-Channel Analogue Data Logger	237	£8.88
Buffer Amplifier (Oscillators Pt 2)	238	£6.96
Magnetic Field Detective	239	£6.77
Sound Activated Switch	240	£6.53
Freezer Alarm (Multi-project PCB)	932	£3.00
Child Guard	241	£7.51
Variable Dual Power Supply	242	£7.64
Micro Power Supply	243	£3.50
★ Interior Lamp Delay	244	£7.88
Mains Cable Locator (Multi-project PCB)	932	£3.00
Vibralarm	230	£6.93
Demister One-Shot	245	£6.78
★ Ginormous Stopwatch – Part 1	246	£7.82
★ Ginormous Stopwatch – Part 2		
Giant Display	247	£7.85
Serial Port Converter	248	£3.96
Loft Guard	249	£4.44
Scratch Blanker	250	£4.83
Flashing Snowman (Multi-project PCB)	932	£3.00
★ Video Cleaner	251	£5.63
Find It	252	£4.20
★ Teach-In 2000 – Part 4	253	£4.52
High Performance Regenerative Receiver	254, 255	£5.49
★ EPE Icebreaker – PCB257, programmed PIC16F877 and floppy disc	256	Set
Parking Warning System	Set only	£22.99
★ Micro-PICscope	258	£5.08
Garage Link – Transmitter	259	£4.99
Receiver	261	£5.87
262	Set	
Versatile Mic/Audio Preamp	260	£3.33
PIR Light Checker	263	£3.17
★ Multi-Channel Transmission System – Transmitter	264	
Receiver	265	
Interface	266	Set £6.34
★ Canute Tide Predictor	267	£3.05
★ PIC-Gen Frequency Generator/Counter	268	£5.07
g-Meter	269	£4.36
★ EPE Moodloop	271	£5.47
Quiz Game Indicator	272	£4.52
Handy-Amp	273	£4.52
Active Ferrite Loop Aerial	274	£4.67
★ Remote Control IR Decoder	Software only	–
★ PIC Dual-Channel Virtual Scope	275	£5.15
Handclap Switch	270	£3.96
★ PIC Pulsometer	Software only	–

PROJECT TITLE	Order Code	Cost
Twinkling Star	DEC '00 276	£4.28
Festive Fader	277	£5.71
Motorists' Buzz-Box	278	£5.39
★ PICogram	279	£4.91
★ PIC-Monitored Dual PSU-1 PSU	280	£4.75
Monitor Unit	281	£5.23
Static Field Detector (Multi-project PCB)	932	£3.00
Two-Way Intermom	JAN '01 282	£4.76
UFO Detector and Event Recorder		
Magnetic Anomaly Detector	283	} Set £6.19
Event Recorder	284	
Audio Alarm	285	
★ Using PICs and Keypads	Software only	–
Ice Alarm	FEB '01 287	£4.60
★ Graphics L.C.D. Display with PICs (Supp)	288	£5.23
Using the LM3914-6 L.E.D. Bargraph Drivers		
Multi-purpose Main p.c.b.	289	} Set £7.14
Relay Control	290	
L.E.D. Display	291	
★ PC Audio Power Meter	Software only	–
Doorbell Extender: Transmitter	MAR '01 292	£4.20
Receiver	293	£4.60
Trans/Remote	294	£4.28
Rec./Relay	295	£4.92
EPE Snug-bug Heat Control for Pets	APR '01 296	£6.50
Intruder Alarm Control Panel		
Main Board	297	£6.97
External Bell Unit	298	£4.76
Camcorder Mixer	MAY '01 299	£6.34
★ PIC Graphics L.C.D. Scope	300	£5.07
Hosepipe Controller	JUNE '01 301	£5.14
Magfield Monitor (Sensor Board)	302	£4.91
Dummy PIR Detector	303	£4.36
★ PIC16F87x Extended Memory Software only		–
Stereo/Surround Sound Amplifier	JULY '01 304	£4.75
Perpetual Projects Uniboard	305	£3.00
Solar-Powered Power Supply & Voltage Reg.		
MSF Signal Repeater and Indicator		
Repeater Board	306	£4.75
Meter Board	307	£4.44
★ PIC to Printer Interface	308	£5.39
Lead/Acid Battery Charger	AUG '01 309	£4.99
Shortwave Loop Aerial	310	£5.07
★ Digitimer – Main Board	311	£6.50
– R.F. Board	312	£4.36

## EPE SOFTWARE

Software programs for *EPE* projects marked with an asterisk \* are available on 3.5 inch PC-compatible disks or free from our internet site. The following disks are available: **PIC Tutorial** (Mar-May '98 issues); **PIC Toolkit Mk2 V2-4d** (May-Jun '99 issues); **EPE Disk 1** (Apr '95-Dec '98 issues); **EPE Disk 2** (Jan-Dec '99); **EPE Disk 3** (Jan-Dec '00); **EPE Disk 4** (Jan '01 issue to current cover date); **EPE Teach-In 2000**; **EPE Interface Disk 1** (October '00 issue to current cover date). The disks are obtainable from the *EPE PCB Service* at £3.00 each (UK) to cover our admin costs (the software itself is free). Overseas (each): £3.50 surface mail, £4.95 each airmail. All files can be downloaded free from our internet FTP site: <ftp://ftp.epemag.wimborne.co.uk>.

## EPE PRINTED CIRCUIT BOARD SERVICE

Order Code      Project      Quantity      Price

Name .....

Address .....

Tel. No. ....

I enclose payment of £..... (cheque/PO in £ sterling only) to:



**Everyday Practical Electronics**

MasterCard, Amex, Diners Club, Visa or Switch



Minimum order for cards £5      Switch Issue No. ....

Card No. ....

Signature..... Card Exp. Date.....

NOTE: You can also order p.c.b.s by phone, Fax, E-mail or via our internet site on a secure server:

<http://www.epemag.wimborne.co.uk/shopdoor.htm>

Everyday Practical Electronics reaches twice as many UK readers as any other UK monthly hobby electronics magazine, our audited sales figures prove it. We have been the leading monthly magazine in this market for the last sixteen years.

If you want your advertisements to be seen by the largest readership at the most economical price our classified and semi-display pages offer the best value. The prepaid rate for semi-display space is £8 (+VAT) per single column centimetre (minimum 2.5cm). The prepaid rate for classified adverts is 30p (+VAT) per word (minimum 12 words).

All cheques, postal orders, etc., to be made payable to Everyday Practical Electronics. VAT must be added. Advertisements, together with remittance, should be sent to Everyday Practical Electronics Advertisements, Mill Lodge, Mill Lane, Thorpe-le-Soken, Essex CO16 0ED. Phone/Fax (01255) 861161.

For rates and information on display and classified advertising please contact our Advertisement Manager, Peter Mew as above.

Valve Output Transformers: Single ended 50mA, £4.50; push/pull 15W, £27; 30W, £32; 50W, £38; 100W, £53. Mains Transformers: Sec 220V 30mA 6V 1A, £3; 250V 60mA 6V 2A, £5; 250V 80mA 6V 2A, £6. High Voltage Caps: 50µF 350V, 68µF 500V, 150µF 385V, 330µF 400V, 470µF 385V, all £3 ea., 32+32µF 450V £5, 4µF 800V oil filled paper block, £10. Postage extra.  
Record Decks and Spares: BSR, Garrard, Goldring, motors, arms, wheels, headshells, spindles, etc. Send or phone your want list for quote.

**RADIO COMPONENT SPECIALISTS**

**337 WHITEHORSE ROAD, CROYDON SURREY, CR9 2HS. Tel: (020) 8684 1665**  
Lots of transformers, high volt caps, valves, output transformers, speakers, in stock. Phone or send your wants list for quote.

**Z88** NOW AVAILABLE WITH 128K AND 512K - OZ4  
**ALSO SPECTRUM AND QL PARTS**  
**W. N. RICHARDSON & CO.**  
PHONE/FAX 01494 871319  
E-mail: wnr@compuserve.com  
RAVENSMEAD, CHALFONT ST PETER, BUCKS, SL9 0NB

**TIS - Midlinbank Farm Ryeland, Strathaven ML10 6RD**  
*Manuals on anything electronic*  
Circuits - VCR £8, CTV £6  
Service Manuals from £10  
Repair Manuals from £5  
P&P any order £2.50  
*Write, or ring 01357 440280 for full details of our lending service and FREE quote for any data*

**BTEC ELECTRONICS TECHNICIAN TRAINING**  
VCE ADVANCED ENGINEERING ELECTRONICS AND ICT  
HNC AND HND ELECTRONICS  
NVQ ENGINEERING AND IT  
*Next course commences SEPTEMBER 2001*  
*FULL PROSPECTUS FROM*  
**LONDON ELECTRONICS COLLEGE (Dept EPE) 20 PENYWERN ROAD EARLS COURT, LONDON SW5 9SU**  
**TEL: (020) 7373 8721**

**THE BRITISH AMATEUR ELECTRONICS CLUB**  
exists to help electronics enthusiasts by personal contact and through a quarterly Newsletter.  
For membership details, write to the Secretary:  
**Mr. M. P. Moses,**  
5 Park View, Cwmaman, Aberdare CF44 6PP  
Space donated by **Everyday Practical Electronics**

**Miscellaneous**

**X-10® Home Automation**  
**We put you in control™**

**Why tolerate when you can automate?**  
An extensive range of 230V X-10 products and starter kits available. Uses proven Power Line Carrier technology, no wires required. Products Catalogue available Online. Worldwide delivery.

**Laser Business Systems Ltd.**  
E-Mail: info@laser.com  
http://www.laser.com  
Tel: (020) 8441 9788  
Fax: (020) 8449 0430

**BEAM ROBOTS**  
View them Online  
Also: Robot Arms  
Mobile Arms  
Micromice  
Rovers  
Cybugs  
Robot Books  
[www.technologyindex.com](http://www.technologyindex.com)

**Test Equipment**  
Service Manuals.  
Contact  
[www.cooke-int.com](http://www.cooke-int.com)  
Tel: +44 01243 55 55 90

**SURPLUS ELECTRONIC COMPONENTS FOR SALE** - Visit our website at [www.cns.farnell.co.uk/surplus\\_component.htm](http://www.cns.farnell.co.uk/surplus_component.htm) for a full list. Pick what you want or take the lot! All offers considered.  
**AMPLIFIER BARGAINS!!** Catalogue + projects + samples, pushbutton stereo chassis, £7.99. K.I.A., 1 Regent Road, Ilkley LS29 (s.a.e.).

- Prototype PCB manufacture
- PCB's designed from schematics
- Circuit design & construction
- Ideas developed & turned into reality
- Software written for PIC, PC, etc.

**Circuit Innovations**  
24 Leasmires Avenue Easingwold York YO61 3DU  
[www.circuit-innovations.co.uk](http://www.circuit-innovations.co.uk)

**PRINTED CIRCUIT BOARDS - QUICK SERVICE.** Prototype and production artwork raised from magazines or draft designs at low cost. PCBs designed from schematics. Production assembly, wiring and software programming. For details contact Patrick at Agar Circuits, Unit 5, East Belfast Enterprise Park, 308 Albertbridge Road, Belfast, BT5 4GX. Phone 028 9073 8897, Fax 028 9073 1802, E-mail agar@argonet.co.uk.  
**FREE PROTOTYPE PRINTED CIRCUIT BOARDS!** Free prototype p.c.b. with quantity orders. Call Patrick on 028 9073 8897 for details. Agar Circuits, Unit 5, East Belfast Enterprise Park, 308 Albertbridge Road, Belfast BT5 4GX.  
**G.C.S.E. ELECTRONIC KITS**, at pocket money prices. S.A.E. for FREE catalogue.  
**SIR-KIT Electronics**, 52 Severn Road, Clacton, CO15 3RB, <http://www.geocities.com/sirkituk/index.htm>  
**WANTED**, or can you make me a box for 20 cigarettes, electronically timed, to open at specified intervals? Tel: 02920 515191.  
**EDUCATIONAL ELECTRONIC KITS**, GCSE, Physics, Hobbyist. 2 x 1st class stamps for catalogue. Electroteach, PO Box 2594, Cannock, WS12 4YH. [www.electroteach.com](http://www.electroteach.com).

**BUILD A SHORTWAVE RECEIVER!** Fascinating projects from £8.50. No soldering required, full materials and instructions. Free catalogue for s.a.e.: QRP, 27 Amberley Street, Bradford, W. Yorkshire, BD3 8QZ.  
**WANTED! WANTED! WANTED!** Strip-board magic or equivalent software that will convert a schematic to stripboard layout. Name your price! Phone 023 80879 712 or E-mail julesdavy@yahoo.co.uk.

**EPE NET ADDRESSES**

EPE FTP site: <ftp://ftp.epemag.wimborne.co.uk>  
Access the FTP site by typing the above into your web browser, or by setting up an FTP session using appropriate FTP software, then go into quoted sub-directories:  
PIC-project source code files: /pub/PICS  
PIC projects each have their own folder; navigate to the correct folder and open it, then fetch all the files contained within. *Do not try to download the folder itself!*  
EPE text files: /pub/docs  
Basic Soldering Guide: solder.txt  
Ingenuity Unlimited submission guidance: Ing\_unlit.txt  
New readers and subscribers info: epe\_info.txt  
Newsgroups or Usenet users advice: usenet.txt  
Ni-Cad discussion: nicadfaq.zip and nicad2.zip  
Writing for EPE advice: write4us.txt  
Shop now on-line: [www.epemag.wimborne.co.uk/shopdoor.htm](http://www.epemag.wimborne.co.uk/shopdoor.htm)

Ensure you set your FTP software to ASCII transfer when fetching text files, or they may be unreadable.  
Note that any file which ends in .zip needs unzipping before use. Unzip utilities can be downloaded from:  
<http://www.winzip.com> or  
<http://www.pkware.com>



## TRAIN TODAY FOR A BETTER FUTURE

Now you can get the skills and qualifications you need for career success with an ICS Home Study Course. Learn in the comfort of your own home at the pace and times that suit you. ICS is the world's largest, most experienced home study school. Over the past 100 years ICS have helped nearly 10 million people to improve their job prospects. Find out how we can help YOU. Post or phone today for FREE INFORMATION on the course of your choice

Electrical Contracting & Installation  
Electrical Engineering  
C&G/ICS Basic Electronic Engineering  
C&G/ICS Basic Mechanical Engineering  
TV and Video Servicing  
Radio and Hi-Fi Servicing  
Refrigeration Heating & Air Conditioning  
Motorcycle Maintenance

**FREEPHONE 0500 581 557**

Or write to: International Correspondence Schools, FREEPOST B82, 8 Elliot Place, Clydebank Skypark, Glasgow, G3 9BR. Tel: 0500 581 557 or Tel/Fax: Dublin 285 2533.

Please send me my Free Information on your Electronics Courses.

Mr/Mrs/Ms/Miss (BLOCK CAPITALS PLEASE) \_\_\_\_\_ Date of Birth / / \_\_\_\_\_  
Address \_\_\_\_\_  
Post-code \_\_\_\_\_  
Occupation \_\_\_\_\_ Tel. No. \_\_\_\_\_

From time to time, we permit other carefully screened organisations to write to you about products and services. If you would prefer not to hear from such organisations please tick box  Dept. ZEEVC1G1



MANUFACTURER OF HIFI AUDIO MODULES AND TOROIDAL TRANSFORMERS SINCE 1971

CONTACT US NOW FOR A FREE CATALOGUE

**ILP DIRECT LTD.**

SPONG LANE, ELMSTED, ASHFORD, KENT TN25 5JU  
TEL +44 1233 750481 FAX +44 1233 750578

VISA



## COVERT VIDEO CAMERAS

Black and White Pin Hole Board Cameras with Audio. Cameras in P.I.R., Radios, Clocks, Briefcases etc. Transmitting Cameras with Receiver (Wireless). Cameras as above with colour. Audio Surveillance Kits and Ready Built Units, Bug Detector etc.

**A.L. ELECTRONICS**

Please phone 0181 203 6008 for free catalogue.  
Fax 0181 201 5359

E-mail: [surveillance@btclick.com](mailto:surveillance@btclick.com) [www.uspy.com](http://www.uspy.com)

New DTI approved Video Transmitters and Receivers (Wireless)

Major credit cards now taken

## Crotech POWER Value for Money

•European Design  
•IEC 1010-1 & CE

•>50K units sold  
•Prices that Please

ZEBRA DC Lab Supplies (With Two 3Digit DPM's)			1KW DC Lab Supplies 3U High 19" Rack Adaptable (With Two 3Digit DPM's)		
ZS3202	0-32V / 0-2A	£ 93/-	L1650	0-16V / 0-50A	£ 645/-
ZS3203	0-32V / 0-3A	£ 112/-	L3220	0-32V / 0-20A	£ 593/-
ZS3205	0-32V / 0-5A	£ 136/-	L3230	0-32V / 0-30A	£ 904/-
ZT3203	0-32V / 0-3A		L6410	0-64V / 0-10A	£ 645/-
	0-32V / 0-2A	£ 232/-	L6415	0-64V / 0-15A	£ 1122/-
	5V/3A		L1285	0-128V / 0-5A	£ 818/-
ZT3205	0-32V / 0-5A		L1288	0-128V / 0-8A	£ 1232/-
	0-32V / 0-5A	£ 323/-			
	5V/3A				

Prices are excluding VAT & Delivery Custom Units Available on Request

Crotech Instruments Ltd.  
Unit A1, Faraday Road, Newbury, Berks, RG14 2AD  
Tel: 01835 550789 Email: [sales@crotech.co.uk](mailto:sales@crotech.co.uk)  
[www.crotech.co.uk](http://www.crotech.co.uk)

**Area Distributors Wanted**

## SSE ADJUSTABLE MULTIMETER TESTER STAND

Solid State Electronics (UK)

Does your meter keep on falling over - even if it is fitted with a plastic holster? Then get a sturdy, metal SSE Test Meter Holder TMH2001

SAFE & SECURE - EASY TO USE - CONVENIENT SUPPORT

NEW!



PATENT PENDING

For FREE information contact:

Solid State Electronics (UK)  
6 The Orchard  
Bassett Green Village  
Southampton  
SO16 3NA  
Tel: 023 80769598  
Fax: 023 80768315  
[solidstate@ssejim.co.uk](mailto:solidstate@ssejim.co.uk)  
[www.ssejim.co.uk](http://www.ssejim.co.uk)

PAYMENT ONLY BY:  
Cash, Postal Order or  
Cheque (prices  
include P & P)

**INTRODUCTORY  
SPECIAL PRICE**

Two Models Available:  
LARGE  
£13.00  
SMALL  
£12.00

We stock thousands of products - send now for our FREE catalogue. Telephone, fax, email or write today!

## Specialist Mail Order Supplier Of Electronic Components

Power Supplies • Surplus Bargains  
Electronic Components & Equipment  
Tools • Valve Radio Kits • Etc

Delivered direct from our new warehouse and distribution facility in Brentwood, Essex

48 pages filled with useful tools, electronic kits, books, hardware, batteries, etc, etc

Visit our website: [www.greenweld.co.uk](http://www.greenweld.co.uk)

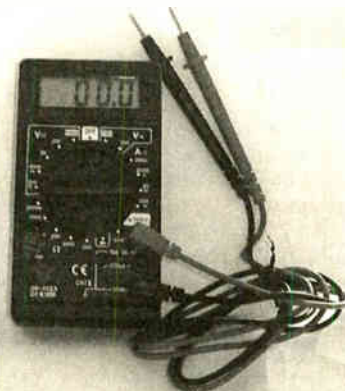
**GREENWELD**

Greenweld Limited  
Unit 24 Horndon Industrial Park  
West Horndon Brentwood  
Essex - CM13 3XD  
Tel: 01277 811042 Fax: 01277 812419  
Email: [service@greenweld.co.uk](mailto:service@greenweld.co.uk)  
Office Hours: Monday - Friday 08.00 to 17.00

## N. R. BARDWELL LTD (Est. 1948)

100	Signal Diodes 1N4148	£1.00	85	Asstd capacitors electrolytic	£1.00
75	Rectifier Diodes 1N4001	£1.00	80	Asstd capacitors 1nF to 1µF	£1.00
50	Rectifier Diodes 1N4007	£1.00	200	Asstd disc ceramic capacitors	£1.00
10	W01 Bridge Rectifiers	£1.00	50	Asstd. Skel Presets (sm, stand, cermet)	£1.00
10	555 Timer I.C.s	£1.00	50	Asstd. RF chokes (inductors)	£1.00
4	741 Op Amps	£1.00	50	Asstd. grommets	£1.00
50	Assorted Zener Diodes 400mW	£1.00	10	Asstd. solder tags, p/cons, terminals	£1.00
12	Assorted 7-segment Displays	£1.00	10	Asstd. crystals - plug in	£1.00
25	5mm l.e.d.s. red, green or yellow	£1.00	8	Asstd. diil switches	£1.00
25	3mm l.e.d.s. red, green or yellow	£1.00	30	Miniature slide switches spco	£1.00
75	5mm l.e.d.s. green, 6-5mm legs	£1.00	100	Asstd. beads (ceramic, leflon, fish spine)	£1.00
50	Axial l.e.d.s. 2mcd red Diode Package	£1.00	50	Asstd. small stand offs, Vthroughs etc	£1.00
25	Assd. High Brightness l.e.d.s, var coils	£1.00	30	Asstd. diil sockets up to 40 way	£1.00
20	BC182L Transistors	£1.00	10	TV coax plugs, plastic	£1.00
25	BC212L Transistors	£1.00	40	metres very thin connecting wire, red	£1.00
20	BC237 Transistors	£1.00	20	1in. glass reed switches	£1.00
20	BC327 Transistors	£1.00	100	Any one value 1/4W 5% cf resistors range	£1.00
30	BC328 Transistors	£1.00	1R to 10M		£0.45
30	BC547 Transistors	£1.00	10	7812 Voltage Regulators	£1.00
30	BC548 Transistors	£1.00			
30	BC549 Transistors	£1.00			
25	BC557 Transistors	£1.00			
30	BC558 Transistors	£1.00			
30	BC559 Transistors	£1.00			
20	2N3904 Transistors	£1.00			
100	1nf 50V wkg Axial Capacitors	£1.00			
100	4N7 50V wkg Axial Capacitors	£1.00			

288 Abbeydale Road, Sheffield S7 1FL  
Phone: 0114 255 2886 ★ Fax: 0114 255 5039  
e-mail: [sales@bardwells.co.uk](mailto:sales@bardwells.co.uk) Web: [www.bardwells.co.uk](http://www.bardwells.co.uk)  
Prices include VAT. Postage £1.65  
44p stamp for lists or disk



## DIGITAL TEST METER

Built-in transistor test socket and diode test position.  
DC volts 200mV to 1000V.  
AC volts 200V to 750V.  
DC current 200mA to 10A.  
Resistance 200 ohms to 2000K ohms.

**£5.99** incl. VAT

# SHERWOOD ELECTRONICS

**FREE COMPONENTS**

Buy 10 x £1 Special Packs and choose another one FREE

SP1	15 x 5mm Red LEDs	SP133	20 x 1N4004 diodes
SP2	12 x 5mm Green LEDs	SP134	15 x 1N4007 diodes
SP3	12 x 5mm Yellow LEDs	SP136	3 x BFY50 transistors
SP6	15 x 3mm Red LEDs	SP137	4 x W005 1.5A bridge rectifiers
SP7	12 x 3mm Green LEDs	SP138	20 x 2-2/63V radial elect. caps.
SP8	10 x 3mm Yellow LEDs	SP140	3 x W04 1-5A bridge rectifiers
SP10	100 x 1N4148 diodes	SP142	2 x CMOS 4017
SP11	30 x 1N4001 diodes	SP143	5 Pairs min. crocodile clips (Red & Black)
SP12	30 x 1N4002 diodes	SP145	6 x ZTX300 transistors
SP20	20 x BC184 transistors	SP146	10 x 2N3704 transistors
SP21	20 x BC212 transistors	SP147	5 x Stripboard 9 strips x 25 holes
SP23	20 x BC549 transistors	SP151	4 x 8mm Red LEDs
SP24	4 x CMOS 4001	SP152	4 x 8mm Green LEDs
SP25	4 x 555 timers	SP153	4 x 8mm Yellow LEDs
SP26	4 x 741 Op.Amps	SP154	15 x BC548 transistors
SP28	4 x CMOS 4011	SP156	3 x Stripboard, 14 strips x 27 holes
SP29	3 x CMOS 4013	SP160	10 x 2N3904 transistors
SP31	4 x CMOS 4071	SP161	10 x 2N3906 transistors
SP36	25 x 10/25V radial elect. caps.	SP165	2 x LF351 Op.Amps
SP37	15 x 100/35V radial elect. caps.	SP166	20 x 1N4003 diodes
SP39	10 x 470/16V radial elect. caps.	SP167	6 x BC107 transistors
SP40	15 x BC237 transistors	SP168	6 x BC108 transistors
SP41	20 x Mixed transistors	SP172	4 x Standard slide switches
SP42	200 x Mixed 0.25W C.F. resistors	SP175	20 x 1/63V radial elect. caps.
SP47	5 x Min. PB switches	SP177	10 x 1A 20mm quick blow fuses
SP102	20 x 8-pin DIL sockets	SP182	20 x 4-7/63V radial elect. caps.
SP103	15 x 14-pin DIL sockets	SP183	20 x BC547 transistors
SP104	15 x 16-pin DIL sockets	SP187	15 x BC239 transistors
SP105	4 x 74LS00	SP191	3 x CMOS 4023
SP109	15 x BC557 transistors	SP192	3 x CMOS 4066
SP111	12 x Assorted polyester caps	SP193	20 x BC213 transistors
SP112	4 x CMOS 4093	SP195	3 x 10mm Yellow LEDs
SP115	3 x 10mm Red LEDs	SP197	6 x 20 pin DIL sockets
SP116	3 x 10mm Green LEDs	SP198	5 x 24 pin DIL sockets
SP118	2 x CMOS 4047	SP199	5 x 2.5mm mono jack plugs
SP120	3 x 74LS93		
SP124	20 x Assorted ceramic disc caps		
SP130	100 x Mixed 0.5W C.F. resistors		
SP131	2 x TL071 Op.Amps		

## RESISTOR PACKS - C.Film

RP3	5 each value - total 365 0-25W	£2.95
RP7	10 each value - total 730 0-25W	£4.20
RP10	1000 popular values 0-25W	£5.95
RP4	5 each value-total 365 0-5W	£3.90
RP8	10 each value-total 730 0-5W	£6.55
RP11	1000 popular values 0-5W	£8.25

**2001 Catalogue now available £1 inc. P&P or FREE with first order. P&P £1.25 per order. NO VAT**

Orders to:

**Sherwood Electronics,  
7 Williamson St., Mansfield,  
Notts. NG19 6TD.**

## Watch Slides on TV.

Make videos of your slides. Digitise your slides (using a video capture card)

"Liesgang diatv" automatic slide viewer with built in high quality colour TV camera. It has a composite video output to a phono plug (SCART & BNC adaptors are available). They are in very good condition with few signs of use. More details see [www.diatv.co.uk](http://www.diatv.co.uk).  
£91.91 + VAT = £108.00



Board cameras all with 512 x 582 pixels 8.5mm 1/3 inch sensor and composite video out. All need to be housed in your own enclosure and have fragile exposed surface mount parts. They all require a power supply of between 10V and 12V DC 150mA.  
47MIR size 60 x 36 x 27mm with 6 infra red LEDs (gives the same illumination as a small torch but is not visible to the human eye) £37.00 + VAT = £43.48  
30MP size 32 x 32 x 14mm spy camera with a fixed focus pin hole lens for hiding behind a very small hole £35.00 + VAT = £41.13  
40MC size 39 x 38 x 27mm camera for 'C' mount lens these give a much sharper image than with the smaller lenses £32.00 + VAT = £37.60  
Economy C mount lenses all fixed focus & fixed iris  
VSL1220F 12mm F1.6 12 x 15 degrees viewing angle £15.97 + VAT £18.76  
VSL4022F 4mm F1.22 63 x 47 degrees viewing angle £17.65 + VAT £20.74  
VSL6022F 6mm F1.22 42 x 32 degrees viewing angle £19.05 + VAT £22.38  
VSL8020F 8mm F1.22 32 x 24 degrees viewing angle £19.90 + VAT £23.38

## Better quality C Mount lenses

VSL1614F 16mm F1-6 30 x 24 degrees viewing angle £26.43 + VAT £31.06  
VWL813M 8mm F1.3 with iris 56 x 42 degrees viewing angle £77.45 + VAT = £91.00  
1206 surface mount resistors E12 values 10 ohm to 1M ohm  
100 of 1 value £1.00 + VAT 1000 of 1 value £5.00 + VAT

866 battery pack originally intended to be used with an orbital mobile telephone it contains 10 1.6Ah sub C batteries (42 x 22 dia. the size usually used in cordless screwdrivers etc.) the pack is new and unused and can be broken open quite easily  
£7.46 + VAT = £8.77



Please add £1.66 + vat = £1.95 postage & packing per order

## JPG Electronics

276-278 Chatsworth Road, Chesterfield, S40 2BH.  
Tel 01246 211202 Fax 01246 550959

Mastercard/Visa/Switch

Callers welcome 9.30 a.m. to 5.30 p.m. Monday to Saturday

**FREE 240-page  
colour catalogue**

Great value for Speakers, Microphones, Headphones, Aerials, Transmitters, TV Amps, Plugs, Sockets, Leads, CD Storage Cases, CCTV, Security, Connectors, Adaptors, Switch Boxes, Gadgets, Disco Lighting & Effects, Mixers, Amplifiers, Turntables, Musicians' Leads, Car Audio, Test Equipment, Hobby Kits, Computer Leads & Accessories, Power Supplies, Inverters, Transformers, Battery Chargers, Tools, Soldering, Switches, Fuses, Indicators, Cable & Wire, Crossovers, Speaker Hardware, PA Amps, and a great deal more... all for the price of a stamp.



2000  
2001

SKY ELECTRONICS

Tel: 020 8450 0995

Fax: 020 8208 1441

## Sky Electronics

40-42 Cricklewood Broadway London NW2 3ET

Tel: 020 8450 0995 Fax: 020 8208 1441

[www.skyelectronics.co.uk](http://www.skyelectronics.co.uk)

The Catalogue is FREE to callers or send stamps to the value of £1.85 to cover postage.

**ELECTRONICS 2001**

## ADVERTISERS INDEX

A.L. ELECTRONICS	603
N. R. BARDWELL	603
BITZ TECHNOLOGY	595
B.K. ELECTRONICS	Cover (iii)/552
BRUNNING SOFTWARE	583
BULL ELECTRICAL	Cover (ii)
CIRCUIT CELLAR	581
CRICKLEWOOD ELECTRONICS	595
CROTECH INSTRUMENTS	603
CROWNHILL ASSOCIATES	576
DISPLAY ELECTRONICS	534
EPTSOFT	Cover (iv)
ESR ELECTRONIC COMPONENTS	542
FOREST ELECTRONIC DEVELOPMENTS	579
GREENWELD	603
ICS	603
ILP DIRECT	603
J&N FACTORS	539
JPG ELECTRONICS	604
LABCENTER ELECTRONICS	553
MAGENTA ELECTRONICS	540/541
MILFORD INSTRUMENTS	565
NATIONAL COLLEGE OF TECHNOLOGY	595
PICO TECHNOLOGY	568
QUASAR ELECTRONICS	536/537
SERVICE TRADING CO	595
SHERWOOD ELECTRONICS	604
SKY ELECTRONICS	604
SOLID STATE ELECTRONICS (UK)	603
SQUIRES	571
STEWART OF READING	587
SUMA DESIGNS	538

**ADVERTISEMENT MANAGER: PETER J. MEW**

**ADVERTISEMENT OFFICES:**

EVERYDAY PRACTICAL ELECTRONICS, ADVERTISEMENTS,

MILL LODGE, MILL LANE, THORPE-LE-SOKEN,

ESSEX CO16 0ED.

Phone/Fax: (01255) 861161

For Editorial address and phone numbers see page 543



# POWER AMPLIFIER MODULES-LOUDSPEAKERS-MIXERS 19 INCH STEREO AMPLIFIERS-ACTIVE CROSS/OVERS.

\* PRICES INCLUDE V.A.T.  
\* PROMPT DELIVERY

## OMP MOS-FET POWER AMPLIFIERS HIGH POWER, TWO CHANNEL 19 INCH RACK

10,000's  
SOLD  
TO PRO  
USERS



### THE RENOWNED MXF SERIES OF POWER AMPLIFIERS

FOUR MODELS:- MXF200 (100W + 100W) MXF400 (200W + 200W)  
MXF600 (300W + 300W) MXF900 (450W + 450W)

ALL POWER RATINGS ARE R.M.S. INTO 4 OHMS, WITH BOTH CHANNELS DRIVEN  
FEATURES:- \* Independent power supplies with two toroidal transformers \*  
Twin L.E.D. Vu Meters \* Level controls \* Illuminated on/off switch \* Jack / XLR inputs \*  
Speakon Outputs \* Standard 775mv inputs \* Open and Short circuit proof \* Latest Mos-Fets  
for stress free delivery into virtually any load \* High slew rate \* Very low distortion \* Aluminium  
cases \* MXF600 & MXF900 fan cooled with D.C. Loudspeaker and thermal protection.

USED THE WORLD OVER IN CLUBS, PUBS, CINEMAS, DISCOS ETC

SIZES:-  
MXF200 W19" D11" H3 1/2" (2U)  
MXF400 W19" D12" H5 1/2" (3U)  
MXF600 W19" D13" H5 1/2" (3U)  
MXF900 W19" D14" H5 1/2" (3U)

PRICES:- MXF200 £175.00 MXF400 £233.85  
MXF600 £329.00 MXF900 £449.15  
SPECIALIST CARRIER DEL £12.50 Each

## FLIGHTCASED LOUDSPEAKERS

A new range of quality loudspeakers, designed to take advantage of latest loudspeaker technology and enclosure designs. All models utilise high quality studio cast aluminium loudspeakers with factory fitted grilles, wide dispersion constant directivity horns, extruded aluminium corner protection and steel ball corners, complimented with heavy duty black covering. The enclosures are fitted as standard with top hats for optional loudspeaker stands. The FC15-300 incorporates a large 16 X 6 inch horn. All cabinets are fitted with the latest Speakon connectors for your convenience and safety. Five models to choose from.



PLEASE NOTE:- POWER RATINGS QUOTED ARE IN WATTS R.M.S. FOR EACH INDIVIDUAL CABINET ALL ENCLOSURES ARE 8 OHMS

15=15 Inch speaker  
12=12 Inch speaker

- ibl FC15-300 WATTS Freq Range 35Hz-20kHz, Sens 101dB, Size H695 W502 D415mm Price:- £299.00 per pair
- ibl FC12-300 WATTS Freq Range 45Hz-20kHz, Sens 96dB, Size H600 W405 D300mm Price:- £249.00 per pair
- ibl FC12-200 WATTS Freq Range 40Hz-20kHz, Sens 97dB, Size H600 W405 D300mm Price:- £199.00 per pair
- ibl FC12-100 WATTS Freq Range 45Hz-20kHz, Sens 100dB, Size H546 W380 D300mm Price:- £179.00 per pair
- ibl WM12-200 WATTS Freq Range 40Hz-20kHz, Sens 97dB, Size H418 W600 D385mm Price:- £125.00 Each

SPECIALIST CARRIER DEL:- £12.50 per pair, wedge monitor £7.00 each  
Optional Metal Stands PRICE:- £49.00 per pair Delivery:- £6.00

## 10 INCH AND 12 INCH 100W RMS SUB BASS LOUDSPEAKERS

TWO SUPERB SUB WOOFER LOUDSPEAKER DRIVERS TO ACCOMPANY OUR SUB BASS AMPLIFIER PANEL BELOW. BOTH DRIVERS OFFER GOOD BASS RESPONSE AT A REASONABLE COST. THE BSB12-100 HAS BEEN USED FOR MANY YEARS IN AN AWARD WINNING SUB BASS SYSTEM

FOR TH/SM SPECIFICATIONS VIEW OUR WEB SITE AT <http://www.bkelec.com>

12 INCH LOUDSPEAKER	BSB12-100	10 INCH LOUDSPEAKER	BSB10-100
POWER	100W	POWER	100W
IMPEDANCE	8 OHMS	IMPEDANCE	8 OHMS
SENSITIVITY	90dB	SENSITIVITY	89dB
WEIGHT	3.0Kg	WEIGHT	2.3Kg
PRICE	£24.95	PRICE	£19.99
CARRIAGE	£5.00	CARRIAGE	£5.00

## OMP MOS-FET POWER AMPLIFIER MODULES

SUPPLIED READY BUILT AND TESTED

These modules now enjoy a world-wide reputation for quality, reliability and performance at a realistic price. Four models are available to suit the needs of the professional and home market i.e. Industry, Leisure, Instrumental and Hi-Fi etc. When comparing prices, NOTE that all models include toroidal power supply, integral heatsink, glass fibre P.C.B. and drive circuits to power a compatible Vu meter. All models are open and short circuit proof

### THOUSANDS OF MODULES PURCHASED BY PROFESSIONAL USERS

- OMP/MF 100 Mos-Fet Output Power 110 watts R.M.S. into 4 ohms, frequency response 1Hz - 100kHz -3dB, Damping Factor >300, Slew Rate 45V/uS, T.H.D. typical 0.002%, Input Sensitivity 500mV, S.N.R. 110dB, Size 300 x 123 x 60mm. Price:- £42.85 + £4.00 P&P
- OMP/MF 200 Mos-Fet Output Power 200 watts R.M.S. into 4 ohms, frequency response 1Hz - 100kHz -3dB, Damping Factor >300, Slew Rate 50V/uS, T.H.D. typical 0.001%, Input Sensitivity 500mV, S.N.R. 110dB, Size 300 x 155 x 100mm. Price:- £66.35 + £4.00 P&P
- OMP/MF 300 Mos-Fet Output Power 300 watts R.M.S. into 4 ohms, frequency response 1Hz - 100kHz -3dB, Damping Factor >300, Slew Rate 60V/uS, T.H.D. typical 0.001%, Input Sensitivity 500mV, S.N.R. 110dB, Size 330 x 175 x 100mm. Price:- £83.75 + £5.00 P&P
- OMP/MF 450 Mos-Fet Output Power 450 watts R.M.S. into 4 ohms, frequency response 1Hz - 100kHz -3dB, Damping Factor >300, Slew Rate 75V/uS, T.H.D. typical 0.001%, Input Sensitivity 500mV, S.N.R. 110dB, Fan Cooled, D.C. Loudspeaker Protection, 2 Second Anti Thump Delay, Size 385 x 210 x 105mm. Price:- £135.85 + £6.00 P&P
- OMP/MF 1000 Mos-Fet Output Power 1000 watts R.M.S. into 2 ohms, frequency response 1Hz - 100kHz -3dB, Damping Factor >300, Slew Rate 75V/uS, T.H.D. typical 0.001%, Input Sensitivity 500mV, S.N.R. 110dB, Fan Cooled D.C. Loudspeaker Protection, 2 Second Anti Thump Delay, Size 422 x 300 x 125mm. Price:- £261.00 + £12.00 P&P

NOTE: MOS-FET MODULES ARE AVAILABLE IN TWO VERSIONS: STANDARD - INPUT SENS 500mV, BANDWIDTH 100kHz, OR PEC (PROFESSIONAL EQUIPMENT COMPATIBLE) - INPUT SENS 775mV, BANDWIDTH 50kHz. ORDER STANDARD OR PEC

**B.K. ELECTRONICS**  
UNIT 1 COMET WAY, SOUTHEND-ON-SEA,  
ESSEX, SS2 6TR.  
TEL.: 01702-527572 FAX.: 01702-420243  
Web:- <http://www.bkelec.com> E-Mail [sales@bkelec.com](mailto:sales@bkelec.com)

REF D4

## OMP X03-S STEREO 3WAY ACTIVE CROSSOVER SWITCHABLE 2-WAY



CONFIGURED 3 WAY 2 WAY BASS/MID COMBINED 2 WAY MID/TOP COMBINED

FEATURES:-  
Advanced 3-Way Stereo Active Cross-Over (Switchable two way), housed in a 19" x 1U case. Each channel has three level controls: Bass, Mid & Top. The removable front fascia allows access to the programmable DIL switches to adjust the cross-over frequency: There are two versions available:- X03-S Bass-Mid 125/250/500Hz, Mid-Top 1.8/3/5kHz, all at 24 dB per octave. X03 Bass-Mid 250/500/800Hz, Mid-Top 1.8/3/5kHz, all at 24 dB per Octave. Please make sure you ask for the correct model when ordering. The 2/3 way selector switches are also accessed by removing the front fascia. Each stereo channel can be configured separately. Bass Invert Switches are incorporated on each channel. Nominal 775mV input/output. Fully compatible with the OMP Rack Amplifier and Modules.

BOTH MODELS PRICED AT :- £117.44 + £5.00 P&P

## TEST AND MEASUREMENT Kenwood CS-4125 20Mhz Oscilloscope



Inheriting the design concept of the higher-version models the CS-4100 series 2-channel oscilloscopes provide excellent performance for general purpose applications. They feature high quality components; ensuring long term reliability, plus relay attenuators which minimise the need for re-calibration. The CS-4100 Series with excellent cost efficiency were designed to meet the needs of engineers over the widest range of applications. CS-4125 Price : £351.33 Free Delivery

## Kenwood FGE-1202 Programmable function generator

The FGE-1202 is a microprocessor controlled programmable function generator providing a full featured, accurate generator in compact low cost instrument. The design incorporates an LED back lite 16x2 LCD giving clear easily read characters. The main output has wave-shapes of sine, square, triangle and DC. The output frequency is continuously displayed along with the current edit parameters. As standard an RS-232C interface allowing remote control via a computer. Output has offset, amplitude and symmetry control. An external input allows for external sweep and modulation (AM and FM). Internal sweep is also provided with a sweep rate of 20mS to 20Seconds with sweep modes log and lin.



FGE-1202  
Price : £280.83  
Free Delivery

For full specifications and more equipment view our web site at [www.bkelec.com](http://www.bkelec.com) and press the Test & Measurement button

## 100 WATT ACTIVE SUB BASS AMPLIFIER PANEL



AN ACTIVE SUB BASS AMPLIFIER WITH A TRUE 100W RMS OUTPUT. SUPERB CONSTRUCTION WITH THE FACILITIES TO INTEGRATE SEAMLESSLY INTO MOST HI-FI OR HOME CINEMA SETUPS. USE THIS PANEL PLUS ONE OF OUR LOUDSPEAKERS TO MAKE YOUR OWN SUB WOOFER THAT WILL MATCH OR BEAT MOST COMMERCIALY AVAILABLE SUB WOOFERS.

FEATURES:- \* 100W RMS INTO 8 OHMS \* HIGH AND LOW LEVEL INPUTS \* TOROIDAL TRANSFORMER \* SHORT CIRCUIT PROTECTION \* D.C. SPEAKER PROTECTION \* FREQUENCY ROLL OFF, LOWER 10Hz, UPPER 60Hz TO 240Hz (FULLY ADJUSTABLE) \* AC3 COMPATIBLE FILTER CAN BE BYPASSED FOR 5-1 FORMATS \* AIRTIGHT CONSTRUCTION \* TENS OF THOUSANDS OF OUR PANELS ALREADY IN USE. \* COMPLETE WITH LEADS

SPECIFICATIONS:- \* POWER 100W RMS @ 8 OHMS \* FREQ RESP. 10Hz 15kHz -3dB \* DAMPING FACTOR >200 \* DISTORTION 0.05% \* S/N A WEIGHTED >100dB \* SUPPLY 230V A.C. \* WEIGHT 2.7Kg \* SIZE H254 X W254 X D94mm

THERE ARE 2 VERSIONS OF THE ABOVE PANEL AVAILABLE :- BSB100/8 8 OHM VERSION BSB100/4 4 OHM VERSION BOTH PANELS ARE PRICED AT £117.44 + £5.00 P&P INCL. V.A.T

DELIVERY CHARGES:- PLEASE INCLUDE AS ABOVE TO A MAXIMUM AMOUNT £30.00. OFFICIAL ORDERS FROM SCHOOL COLLEGES GOVT. PLCs ETC. PRICES INCLUSIVE OF V.A.T. SALES COUNTER. CREDIT CARD ORDERS ACCEPTED BY POST PHONE OR FAX.



# 'Electronics and Computing Principles V7'

## '95, '98, NT or 2000 Principles V7'

Interested in PIC micro controllers, this is the software for you!

**PIC16F84 ARCHITECTURE**

**PIC16F84 BYTE ORIENTATED INSTRUCTIONS: MOVF f,d: Move f**

**Syntax [label] MOVF f,d**

**Encoding**

**Description**  
The contents of register 'f' are moved to destination 'd'.  
If 'd' is 0, destination is W register. If 'd' is 1, the destination is file register 'f' itself. d = 1 is useful to test a file register since status flag 'Z' is affected.

**Example**  
Code example 'Configuring the Ports'  
Example  
RA0/AN0 = 2.3V  
ADCON0 = 17h, select input  
ADCON1 = 01h, select ref  
RA3/AN3/Vref = 3.6V

**Voltage Conversion**  
$$= \frac{255}{VDD} \times RA0/AN0 \text{ V}$$
  
$$= 229 = '11100101'$$

**RETlw k: Return Literal to W.**

Visit [www.eptsoft.com](http://www.eptsoft.com) or telephone for full details, including a description by Robert Penfold.

Electronics and Computing Principles V7 comprises more than a thousand main topics, covering AC and DC theory, Transistors, Op-Amps, Electrical, Digital techniques, Micro processors and Mathematics, PLUS: Components and Equipment Picture dictionary, SAQ's, Electronics toolbox etc. and more...

Also included is an enormous amount of interactive technical information about PIC micro controllers and the full instruction set.

Schools, colleges and industry use V7 alongside their own programmers enabling students and engineers to play with ALL the Byte, Bit and Literal instructions to explore their effect. V7 is listed on the Microchip university web site as a training resource for PICs.

FREE programming software to accompany EPV7 is available from the Microchip web site. Details provided

Personal user £99.95 +VAT  
Education\* £299.95 +VAT  
(\* Includes unlimited multi-user site licence.)

For beginners our PIC topics start with an interactive introduction to the PIC program structure and basic operation with a summary of the complete instruction set and code examples.

PIC16F84 Architecture is shown whereby a context sensitive description of its action is displayed. Every PIC component is discussed (even the more advanced are explained) and as it occurs inside a PIC, we show it in colour on the screen.

PIC16C71 A/D functions are given the same treatment, along with a full explanation of the A/D conversion process, even the calculations.

A visually attractive set of Windows designed to help you quickly and easily get started in the development of your own PIC programs.

More than 80 PIC topics and it's still only a tiny part of the complete V7 package.

eptsoft limited, Pump House, Lockram Lane, Witham, Essex, UK, CM8 2BJ.  
Tel: +44 (0)1376 514008. Fax: +44 (0)870 0509660. Email: [info@eptsoft.com](mailto:info@eptsoft.com).  
Switch, Delta, Visa and MasterCard accepted.  
No additional postage or airmail charges.  
World Radio History