

EVERYDAY

JANUARY 2000

PRACTICAL

ELECTRONICS

With

ETI
ELECTRONICS
TODAY INTERNATIONAL



£2.65

SCRATCH BLANKER

Improve the sound of your old Lps

FROST BOX

Car ice warning unit



FLASHING SNOWMAN

Unusual Christmas decoration

EPE TEACH-IN 2000 - PART 3

Potentiometers, Sensor Resistors, Ohm's Law

THE No.1 MAGAZINE FOR
ELECTRONICS TECHNOLOGY
& COMPUTER PROJECTS

PLUS

New Technology Update



<http://www.epemag.wimborne.co.uk>

12v 18Ah SEALED LEAD ACID BATTERIES, new and boxed, unused pack of 4 £39.95 ref CYC7 or £15 each ref CYC6

AUTOMATIC CHARGER For the above batteries, charges 2 at once, charge level indicator circuitry, 6 hour charge. £10 ref CYC8

A new range of 12v to 240v INVERTERS

IV400S (400 watt) £89, IV800S (800 watt) £159, IV1200S (1200 watt) £219

ECG MACHINES 7/6v 10AH BATT/24V 8A TX Ex government ECG machines! Measures 390X320X120mm on the front are controls for scan speed, scan delay, scan mode loads of connections on the rear including video out etc. On the front panel are two DIN sockets for connecting the body sensors to. Sensors not included. Inside 2 x 6v 10AH lead acid batts (not in good condition), pcb's and a 8A? 24v toroidal transformer (mains in) sold as seen, may have one or two broken knobs etc due to poor storage. £15.99 ref VP2

SODIUM LAMP SYSTEMS £75.70 Complete system with 250w or 400 watt SON-T Agro bulb, reflector with bulb holder and remote ballast and starter (uncased) all you need is wire. 250W system ref SLS1, 400W system SLS2.

PC SUPPORT HANDBOOK The ultimate technical guide to building and maintaining PC's. Over 460 A4 pages packed with technical data and diagrams just £10 ref PCBK1. If you want 4 copies for £33 ref PCBK2. Also available is a CD packed with diagnostic programmes to use with the book £5 ref PCBK1

D SIZE NICADS Tagged, 1200mA, 1.2v pack of 4 for £6 ref CYC9 or as a pack of 24 for £22 ref CYC10

D SIZE SEALED LEAD ACID BATTERIES

2v 2.5ah rechargeable sealed lead acid battery made by Cyclon 60x45mm (standard D size) supplied as a pack of 12 or 20 giving you options for battery configurations eg 12v at 5ah, 24v at 2.5ah, 6v at 10ah. These batteries are particularly useful in that you can arrange them in your project to optimise space etc (eg boat ballast etc) Pack of 12 £10 ref CYC4, pack of 20 £16 ref CYC5

HYDROPONICS DO YOU GROW YOUR OWN?

We have a full colour hydroponics catalogue available containing nutrients, pumps, fittings, environmental control, light fittings, plants, test equipment etc Ring for your free copy.

PC COMBINED UPS AND PSU The unit has a total power of 292 watts, standard mother board connectors and 12 peripheral power leads for drives etc. Inside is 3 12v 7.2ah sealed lead acid batteries. Backup time is 8 mins at full load or 30 mins at half load. Made in the UK by Magnum, 110 or 240vac input, +5v at 35A, -5v at 5A, +12v at 9A, +12v at 5A outputs 170x260x220mm new and boxed £29.95 Ref PCUPS2.

ALTERNATIVE ENERGY CD PACKED WITH HUNDREDS OF ALTERNATIVE ENERGY RELATED ARTICLES PLANS AND INFORMATION ETC £14.50 REF CDS6

AERIAL PHOTOGRAPHY KIT This rocket comes with a built in camera! it flies up to 500 feet (150 m) turns over, and takes an aerial photograph of the ground below. The rocket then returns with its film via its parachute. Takes 110 film. Supplied complete with everything including a launch pad and 3 motors (no film) £29.98 ref astro

PROJECT BOXES Another bargain for you are these smart ABS project boxes, smart two piece screw together case measuring approx 6"x5"x2" complete with panel mounted LED. Inside you will find loads of free bits, tape heads, motors, chips resistors, transistors etc Pack of 20 £19.95 ref MD2

TELEPHONES Just in this week is a huge delivery of telephones, all brand new and boxed. Two piece construction - illuminated keypad, tone or pulse (switchable), recall, redial and pause, high/low and off ringer switch and quality construction. Off white colour and is supplied with a standard international lead (same as US or modems) if you wish to have a BT lead supplied to convert the phones these are: £1.55 each ref BTLX. Phones £4.99 each ref PH2. 10 off £30 ref SS2

3HP MAINS MOTORS Single phase 240v, brand new, 2 pole, 340x180mm, 2850 rpm, builtin automatic reset overload protector, keyed shaft (40x16mm) Made by Leeson £99 each ref LEE1

BUILD YOUR OWN WINDFARM FROM SCRAP New publication gives step by step guide to building wind generators and propellers. Armed with this publication and a good local scrap yard could make you self sufficient in electricity! £12 ref LOT81

CHIEFTAN TANK DOUBLE LASERS 9 WATT + 3 WATT + LASER OPTICS Could be adapted for laser listener, long range comms etc. Double beam units designed to fit in the barrel of a tank, each unit has 2 semi conductor lasers and motor drive units for alignment. 7 mile range, no circuit diagrams due to MOD, new price £50,000? us? £199. Each unit has two gallium Arsenide injection lasers, 1 x 9 watt, 1 x 3 watt, 900nm wavelength, 28vdc, 600hz pulse freq. The units also contain a receiver to detect reflected signals from targets. £199 ref LOT4

MAGNETIC CREDIT CARD READERS AND ENCODING MANUAL £9.95 Cased with flyleads, designed to read standard credit cards! complete with control electronics PCB and manual covering everything you could want to know about what's hidden in that magnetic strip on your card! just £9.95 ref BAR31

SOLAR POWER LAB SPECIAL 2x 6"x6" 6v 130mA cells, 4 LED's, wire, buzzer, switch + relay or motor. £7.99 REF SA27

SOLAR NICAD CHARGERS 4 x AA size £9.99 ref 6P476, 2 x C size £9.99 ref 6P477

YOUR HOME COULD BE SELF SUFFICIENT IN ELECTRICITY Comprehensive plans with loads of info on designing systems, panels, control electronics etc £7 ref PV1

AUTO SUNCHARGER 155x300mm solar panel with diode and 3 metre lead and cigar plug 12v 2w £12.99 REF AUG10P3

STEPPER MOTORS Brand new stepper motors 4mm fixing holes with 47 14mm fixing centres, 20mm shaft, 6.35mm diameter, 5v/phase, 0.7A/phase, 1.8 deg step (200 step) Body 56x36mm, £14.99 ea ref STEP6, pack of 4 for £49.95 PIC based variable speed controller kit £15 ref STEP7

WAREHOUSE CLOSING SALE

Come and visit our Sussex warehouse, fill you car (or van) with loads of goodies at bargain prices. We must clear this warehouse regardless of cost, first come, first served, 10,000 square feet of bargains to browse. Call us for an appointment and directions. Appointments only.

Hydrogen fuel cells

Our new Hydrogen fuel cells are 1v at up to 1A output, Hydrogen input, easily driven from a small electrolysis assembly or from a hydrogen source, our demo model uses a solar panel with the output leads in a glass of salt water to produce the hydrogen! Each cell is designed to be completely taken apart, put back together and expanded to what ever capacity you like, (up to 10watts and 12v per assembly. Cells cost £49 ref HFC11

PHILIPS VP406 LASER DISC PLAYERS, SCART OUTPUT, JUST PUT YOUR VIDEO DISK IN AND PRESS PLAY, STANDARD AUDIO AND VIDEO OUTPUTS, FULLY TESTED AND WORKING. £24.95 REF VP406

SMOKE ALARMS Mains powered, made by the famous Gent company, easy fit next to light fittings, power point. Pack of 5 £15 ref SS23, pack of 12 £24 ref SS24

4AH D SIZE NICADS pack of 4 £10 ref 4AHPK

SENDER KIT Contains all components to build a VAV transmitter complete with case. £35 ref VSXX2

10 WATT SOLAR PANEL Amorphous silicon panel fitted in a anodized aluminium frame. Panel measures 3' by 1' with screw terminals for easy connection. 3' x 1' solar panel £55 ref MAG45 Unframed 4 pack (3'x1') £58.99 ref SOLX

12V SOLAR POWERED WATER PUMP Perfect for many 12v DC uses - from solar fountains to hydroponics! Small and compact yet powerful works direct from our 10 watt solar panel in bright sun. Max hd 17 ft. Max flow = 8 Lpm 1.5A Ref AC8 £18.99

SOLAR ENERGY BANK KIT 50 x 6"x12"x6" 6v solar panels (amorphous) + 50 diodes £99 ref EF112

PINHOLE CAMERA MODULE WITH AUDIO! Superb board camera with on board sound! extra small just 28mm square (including microphone) ideal for covert surveillance. Can be hidden inside anything - even a matchbox! Complete with 15 metre cable, psu and tv/rv connectors. £49.95 ref CC6J

SOLAR MOTORS Tiny motors which run quite happily on voltages from 3-12vdc. Works on our 6v amorphous 6" panels and you can run them from the sun! 32mm dia 20mm thick £1.50 each

WALKIE TALKIES 1 MILE RANGE £37/PAIR REF MAG30

LIQUID CRYSTAL DISPLAYS Bargain prices, 16 character 4 line, 62x25mm £5.99 ref SMC1640A

40 character 1 line 154x16mm £6.00 ref SMC4011A

YOUR HOME COULD BE SELF SUFFICIENT IN ELECTRICITY Comprehensive plans with loads of info on designing systems, panels, control electronics etc £7 ref PV1

AUTO SUNCHARGER 155x300mm solar panel with diode and 3 metre lead and cigar plug 12v 2w £12.99 REF AUG10P3

SOLAR POWER LAB SPECIAL 2x 6"x6" 6v 130mA cells, 4 LED's, wire, buzzer, switch + relay or motor. £7.99 REF SA27

SOLAR NICAD CHARGERS 4 x AA size £9.99 ref 6P476, 2 x C size £9.99 ref 6P477

MINATURE TOGGLE SWITCHES These top quality Japanese panel mount toggle switches measure 35x13x12mm, are 2 pole changeover and will switch 1A at 250vac, or 3 A at 125vac. Complete with mounting washers and nuts. Supplied as a box of 100 switches for £29.95 ref SWT35 or a bag of 10 £4.99 ref SWT34

VOICE CHANGERS Hold one of these units over your phone mouth piece an you can adjust your voice using the controls on the unit! Battery operated £15 ref CC3

BULL ELECTRICAL

250 PORTLAND ROAD, HOVE, SUSSEX.
BN3 5QT. (ESTABLISHED 50 YEARS).
MAIL ORDER TERMS: CASH, PO OR CHEQUE
WITH ORDER PLUS £4.00 P&P PLUS VAT.
24 HOUR SERVICE £6.50 PLUS VAT.
OVERSEAS ORDERS AT COST PLUS £3.50
(ACCESS, VISA, SWITCH, AMERICAN EXPRESS)
'phone orders : 01273 203500

FAX 01273 323077

Sales@bull-electrical.com

30 WATTS OF SOLAR POWER for just £69, 4 panels each one 3'x1' and producing 8w, 13v. PACK OF FOUR £69 ref SOLX

200 WATT INVERTERS plugs straight into your car cigarette lighter socket and is fitted with a 13A socket so you can run your mains operated devices from your car battery. £49.95 ref SS66

THE TRUTH MACHINE Tells if someone is lying by micro tremors in their voice, battery operated, works in general conversation and on the 'phone and TV as well! £42.49 ref TD3

INFRA RED FILM 6" square piece of flexible infra red film that will only allow IR light through. Perfect for converting ordinary torches, lights, headlights etc to infra red output only using standard light bulbs. Easily cut to shape. 6" square £15 ref IRF2

33 KILO LIFT MAGNET Neodymium, 32mm diameter with a fixing bolt on the back for easy mounting. Each magnet will lift 33 kilos, 4 magnets bolted to a plate will lift an incredible 132 kilos! £15 ref MAG33 Pack of 4 just £39 ref MAG33AA

HYDROGEN FUEL CELL PLANS Loads of information on hydrogen storage and production. Practical plans to build a hydrogen fuel cell (good workshop facilities required). £8 set ref FCP1

STIRLING ENGINE PLANS Interesting information pack covering all aspects of Stirling engines, pictures of home made engines made from an aerosol can running on a candle! £12 ref STIR2

ENERGY SAVER PLUGS Saves up to 15% electricity when used with fridges, motors up to 2A light bulbs soldering irons etc. £9 ea ref LOT71, 10 pack £69 ref LOT72

12V OPERATED SMOKE BOMBS Type 3 is a 12v trigger and 3 smoke cannisters, each cannister will fill a room in a very short space of time! £14.99 ref SB3. Type 2 is 20 smaller cannisters (suitable for mock equipment fires etc) and 1 trigger module for £29 ref SB2. Type 1 is a 12v trigger and 20 large cannisters £49 ref SB1

HIPOWER ZENON VARIABLE STROBES Useful 12v PCB fitted with hi power strobe tube and control electronics and speed control potentiometer. Perfect for interesting projects etc. 70x55mm 12vdc operation. £6 ea ref FLS1, pack of 10 £48 ref FLS2

NEW LASER POINTERS 4 5mw, 75 metre range, hand held unit runs on two AA batteries (supplied) 670nm. £29 ref DEC49J

HOW TO PRODUCE 35 BOTTLES OF WHISKY FROM A SACK OF POTATOES Comprehensive 270 page book covers all aspects of spirit production from everyday materials. Includes construction details of simple stills. £12 ref M53

NEW HIGH POWER MINI BUG With a range of up to 800 metres and a 3 days use from a PP3, this is our top selling bug! less than 1" square and a 10m wire pickup range. £28 Ref LOT102

IR LAMP KIT Suitable for CCTV cameras - enables the camera to be used in total darkness! £8 ref EF138

INFRA RED POWERBEAM Handheld battery powered lamp, 4 inch reflector, gives out powerful pure infrared light! perfect for CCTV use, night sights etc. £29 ref PB1

SUPER WIDEBAND RADAR DETECTOR Detects both radar and laser, X, K and KA bands, speed cameras, and all known speed detection systems. 360 degree coverage, front & rear waveguides. 1" x 2" 7"x4" 6" fits on visor or dash. £149

LOPTX Made by Samsung for colour TV. £3 each ref SSS2

LAPTOP LCD SCREENS 240x175mm. £12 ref SSS1

WANT TO MAKE SOME MONEY? STUCK FOR AN IDEA? We have collated 140 business manuals that give you information on setting up different businesses, you peruse these at your leisure using the text editor on your PC. Also included is the certificate enabling you to reproduce (and sell) the manuals as much as you like! £14 ref EP74

HIGH POWER DC MOTORS, PERMANENT MAGNET 12 - 24v operation, probably about 1/4 horse power, body measures 100mm x 75mm with a 60mm x 5mm output shaft with a machined flat on it. Fixing is simple using the two threaded bolts protruding from the front. £22 ref MO14



Online web catalogue
bull-electrical.com

ELECTRONIC SPEED CONTROLLER KIT For the above motor is £19 ref MAG17. Save £5 if you buy them both together. 1 motor plus speed controller rrp is £41. offer price £36 ref MOT5A

INFRA RED REMOTE CONTROLS made for TVs but may have other uses. pack of 100 £39 ref IREM

RCB UNITS Inline IEC lead with fitted RC breaker. Installed in seconds. Pack of 3 £9.98 ref LOT5A

On our web sites you can

1. Order online.
2. Check your premium bonds.
3. Enter our auction or build your own.
4. Add E-commerce to your own site.
5. Discover our software site, optical site, hydroponics site, holiday home exchange site, inkjet site, hotels site.
6. View our web camera.
7. Invest in our future.

<http://www.bullnet.co.uk>

ISSN 0262 3617
 PROJECTS ... THEORY ... NEWS ...
 COMMENT ... POPULAR FEATURES ...

VOL. 29 No. 1 JANUARY 2000

Cover illustration – stylus on an I.p. –
 by Jonathan Robertson

EVERYDAY PRACTICAL ELECTRONICS



<http://www.epemag.wimborne.co.uk>

The No. 1 Magazine for Electronics Technology and Computer Projects

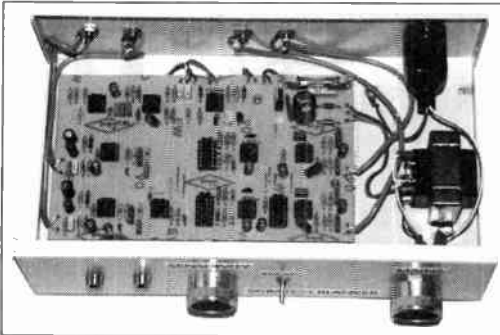


Projects and Circuits

- FLASHING SNOWMAN** by Robert Penfold 12
Add a "sparkle" to your festive decorations with this fun Starter Project!
- VERSATILE BURGLAR ALARM** by Ian March 22
Simple, extendable and easy-to-use indoor security monitoring
- SCRATCH BLANKER** by Robert Penfold 38
Spin-doctoring for a better sound bite!
- INGENUITY UNLIMITED** hosted by Alan Winstanley 61
Low Cost AA to PP3 Converter; Electric Garage Door Status Indicator
- VEHICLE FROST BOX** by Steve Dellow 66
Helps to predict the presence of black ice

Series and Features

- NEW TECHNOLOGY UPDATE** by Ian Poole 16
New SAW devices act as chemical detectors
- NET WORK - THE INTERNET PAGE** surfed by Alan Winstanley 28
Half a Decade On; Effective Suggestions; Pet Hates; The End is Nigh
- TEACH-IN 2000 - 3. Potentiometers, Sensor Resistors, Ohm's Law** by John Becker 30
Essential info for the electronics novice, with breadboard experiments and interactive computer simulations.
- TINA PRO REVIEW** by Mike Tooley BA 54
Examining an excellent CD-ROM based electronics teaching, design and analysis tool
- PRACTICALLY SPEAKING** by Robert Penfold 58
A novice's guide to mains power projects
- CIRCUIT SURGERY** by Alan Winstanley and Ian Bell 75
Teach-In Amplifiers; More on Op.amps - Electrical Ratings



Regulars and Services

- EDITORIAL** 11
- SHOPTALK** with David Barrington 15
The *essential* guide to component buying for *EPE* projects
- NEWS** - Barry Fox highlights technology's leading edge 19
Plus everyday news from the world of electronics
- BACK ISSUES** Did you miss these? 26
- READOUT** John Becker addresses general points arising 49
- CD-ROMS FOR ELECTRONICS** 52
Parts Gallery + Electronic Circuits and Components; Digital Electronics; Analogue Electronics; *plus* PICtutor, *plus* Modular Circuit Design; see also *Direct Book Service* pages
- ELECTRONICS MANUALS** 64
Essential reference works for hobbyists, students and service engineers. Plus digital multimeter special offer
- ELECTRONICS VIDEOS** Our range of educational videos 70
- DIRECT BOOK SERVICE** 72
A wide range of technical books available by mail order, plus more CD-ROMs
- PRINTED CIRCUIT BOARD AND SOFTWARE SERVICE** 77
PCBs for *EPE* projects. Plus *EPE* software
- ADVERTISERS INDEX** 80

OHM'S LAW AND RELATIONSHIPS

CURRENT FLOWS FROM +VE TO -VE

U = 4700R I = 4.7V

EXAMPLE:
 $U = 0.01A \times 4700R = 4.7V$

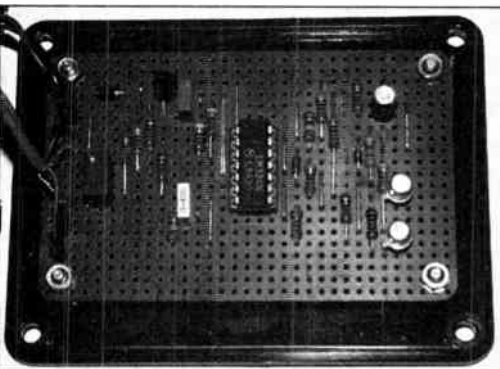
OHM'S LAW	POWER	RELATIONSHIPS
$U = I \times R$	$P = I \times U$	$U = 4(P/R)$
$I = U / R$	$I = P / U$	$R = P / I^2$
$R = U / I$	$U = P / I$	$P = U^2 / R$

where:
 U = P.D. IN VOLTS R = RESISTANCE IN OHMS
 I = CURRENT IN AMPS P = POWER IN WATTS

PRESET VALUES:
 U = 0.01A
 R = 4700R
 I = ADJUSTABLE

VALUE CONTROLS:
 U I R P = +/-
 FORMULA CONTROLS:
 KEYBOARD ARROWS

C CURRENT
 E ELECTRONICS
 X SCALE
 S SELFTEST
 H MENU



© Wimborne Publishing Ltd 1999. Copyright in all drawings, photographs and articles published in EVERYDAY PRACTICAL ELECTRONICS/ETI is fully protected, and reproduction or imitations in whole or in part are expressly forbidden.

Our February 2000 issue will be published on Friday, 7 January 2000. See page 3 for details.

Readers Services • Editorial and Advertisement Departments 11

Visit our website
www.distel.co.uk

THE ORIGINAL SURPLUS WONDERLAND!

THIS MONTH'S SELECTION FROM OUR VAST EVER CHANGING STOCKS

Surplus always
wanted for cash!

THE AMAZING TELEBOX

Converts your colour monitor into a QUALITY COLOUR TV!!



**TV SOUND &
VIDEO TUNER**
CABLE COMPATIBLE*

The TELEBOX is an attractive fully cased mains powered unit, containing all electronics ready to plug into a host of video monitors or AV equipment which are fitted with a composite video or SCART input. The composite video output will also plug directly into most video recorders, allowing reception of TV channels not normally receivable on most television receivers (TELEBOX MB). Push button controls on the front panel allow reception of 8 fully tunable 'off air' UHF colour television channels. TELEBOX MB covers virtually all television frequencies VHF and UHF including the HYPERBAND as used by most cable TV operators. Ideal for desktop computer video systems & PiP (picture in picture) setups. For complete compatibility - even for monitors without sound - an integral 4 watt audio amplifier and low level Hi Fi audio output are provided as standard. Brand new - fully guaranteed.

TELEBOX ST for composite video input type monitors £36.95
TELEBOX STL as ST but fitted with integral speaker £39.50
TELEBOX MB Multiband VHF/UHF/Cable/Hyperband tuner £69.95
For overseas PAL versions slate 5.5 or 6 mhz sound specification.
*For cable hyperband signal reception Telebox MB should be connected to a cable type service. Shipping on all Telebox's, code (B)

NEW State of the art PAL (UK spec) UHF TV tuner module with composite 1V pp video & NICAM hi fi stereo sound outputs. Micro electronics all on one small PCB only 73 x 160 x 52 mm enable full tuning control via a simple 3 wire link to an IBM pc type computer. Supplied complete with simple working program and documentation. Requires +12V & +5V DC to operate.
BRAND NEW - Order as MY00. Only £49.95 code (B)
See www.distel.co.uk/data_my00.htm for picture + full details

FLOPPY DISK DRIVES 2 1/2" - 8"

All units (unless stated) are **BRAND NEW** or removed from often brand new equipment and are fully tested, aligned and shipped to you with a full 90 day guarantee. Call or see our web site www.distel.co.uk for over 2000 unlisted drives for spares or repair.

- 3 1/2" Mitsubishi MF355C-L 1.4 Meg. Laptops only £25.95(B)
- 3 1/2" Mitsubishi MF355C-D 1.4 Meg. Non laptop £18.95(B)
- 5 1/4" Teac FD-55GRF 1.2 Meg (for IBM pc's) RFE £18.95(B)
- 5 1/4" Teac FD-55F-03-U 720K 40/80 (for BBC's etc) RFE £29.95(B)
- 5 1/4" BRAND NEW Mitsubishi MF501B 360K £22.95(B)
- Table top case with integral PSU for HH 5 1/4" Floppy / HD £29.95(B)
- 8" Shugart 800/801 B' SS refurbished & tested £210.00(E)
- 8" Shugart 810 B' SS HH Brand New £195.00(E)
- 8" Shugart 851 B' double sided refurbished & tested £260.00(E)
- 8" Mitsubishi M2894-63 double sided NEW £295.00(E)
- 8" Mitsubishi M2896-63-02U DS slimline NEW £295.00(E)
- Dual 8" cased drives with integral power supply 2 Mb £499.00(E)

HARD DISK DRIVES 2 1/2" - 14"

- 2 1/2" TOSHIBA MK1002MAV 1.1Gb laptop (12.5 mm H) New £79.95
 - 2 1/2" TOSHIBA MK2101MAN 2.16 Gb laptop (19 mm H) New £89.50
 - 2 1/2" TOSHIBA MK4309MAT 4.3Gb laptop (8.2 mm H) New £105.00
 - 2 1/2" TOSHIBAMK6409MAV 6.4Gb laptop (12.7 mm H) New £190.00
 - 2 1/2" to 3 1/2" conversion kit for Pc's, complete with connectors £14.95
 - 3 1/2" FUJII FK-309 26 20mb MFM w/ RFE £59.95
 - 3 1/2" CONNER CP3024 20 mb IDE w/ (or equiv.) RFE £59.95
 - 3 1/2" CONNER CP3044 40 mb IDE w/ (or equiv.) RFE £69.00
 - 3 1/2" QUANTUM 40S Prodr II w/ 42mb SCSI w/ RFE £49.00
 - 5 1/4" MINISCRIBE 3425 20mb MFM w/ (or equiv.) RFE £49.95
 - 5 1/4" SEAGATE ST-238R 30 mb RLL w/ RFE Refurb £69.95
 - 5 1/4" CDC 94205-51 40mb HH MFM w/ RFE tested £69.95
 - 5 1/4" HP 97548 850 Mb SCSI RFE tested £99.00
 - 5 1/4" HP C3010 2 Gbyte SCSI differential RFE tested £195.00
 - 8" NEC D2246 85 Mb SMD interface, New £199.00
 - 8" FUJITSU M23222 160Mb SMD w/ RFE tested £195.00
 - 8" FUJITSU M2392K 2 Gb SMD w/ RFE tested £345.00
- Many other drives in stock - Shipping on all drives is code (C1)

TEST EQUIPMENT & SPECIAL INTEREST ITEMS

- MITTS. FA3455ETKL 14" industrial spec SVGA monitors £245
- FARNELL 0-60V DC @ 50 Amps, bench Power Supplies £995
- FARNELL AP3080 0-30V DC @ 80 Amps, bench Supply £1850
- 1kW to 400 kW - 400 Hz 3 phase power sources - ex stock EPOA
- IBM 8230 Type 1, Token ring base unit driver £760
- Wayne Kerr RA200 Audio frequency response analyser £2500
- IBM 53F5801 Token Ring ICS 20 port lobe modules £750
- IBM MAU Token ring distribution panel 8228-23-5050N £95
- AIM 501 Low distortion oscillator 9Hz to 330kHz, IEEE £550
- ALLGON 8360.11805-1880 MHz hybrid power combiners £250
- Trend DSA 274 Data Analyser with G703(2M) 64 io EPOA
- Marconi 6310 Programmable 2 to 22 GHz sweep generator £8500
- Marconi 2022C 10kHz-1GHz RF signal generator £1550
- Marconi 2030 opt 3 10kHz-1.3 GHz signal generator, New £4995
- HP 1650B Logic Analyser £3750
- HP3781A Pattern generator & HP3782A Error Detector £1800
- HP6821A Dual Programmable GPIB PSU 0.7 V 160 watts £675
- HP6264 Rack mount variable 0-20V @ 20A metered PSU £1800
- HP54121A DC to 22 GHz four channel test set EPOA
- HP8130A opt 020 300 MHz pulse generator, GPIB etc £7900
- HP A1, A0 8 pen HPGL high speed drum plotters - from HP DRAFTERMASTER 1.8 pen high speed plotter £550
- EG-C Brookdeal 95035C Precision lock in amp £1800
- View Eng. Mod 1200 computerised inspection system EPOA
- Sony DXC-3000A High quality CCD colour TV camera £995
- Kethley 590 CV capacitor / voltage analyser EPOA
- Rascal ICR40 dual 40 channel video recorder system £3750
- Fiskers 45KVA 3 Ph On Line UPS - New batteries £9500
- Emerson AP130 2.5KVA industrial spec UPS £2100
- Mann Tally MT645 High speed line printer £2200
- Intel SBC 486/133SE Multibus 486 system, 8Mb Ram £945
- Siemens K4400 64Kb to 140Mb demux analyser £2950

IC's - TRANSISTORS - DIODES

OBSOLETE - SHORT SUPPLY - BULK
10,000,000 items EX STOCK
For MAJOR SAVINGS

CALL OR SEE OUR WEB SITE www.distel.co.uk

VIDEO MONITOR SPECIALS

One of the highest specification monitors you will ever see -
At this price - Don't miss it!!

Mitsubishi FA3415ETKL 14" SVGA Multisync colour monitor with fine 0.28 dot pitch tube and resolution of 1024 x 768. A variety of inputs allows connection to a host of computers including IBM PC's in CGA, EGA, VGA & SVGA modes, BBC, COMMODORE (including Amiga 1200), ARCHIMEDES and APPLE. Many features: Etched faceplate, text switching and LOW RADIATION MPR specification. Fully guaranteed, in EXCELLENT little used condition.
TR & Swivel Base £4.75
VGA cable for IBM PC included.
External cables for other types of computers available - CALL

Only £119 (E) Order as MITS-SVGA

Ex demo 17" 0.28 SVGA Mitsubishi Diamond Pro monitors, Full multisync etc. Full 90 day guarantee. Only £199.00 (E)

Just in - Microvitec 20" VGA (800 x 600 res.) colour monitors. Good SH condition - from £299 - CALL for info

PHILIPS HCS35 (same style as CM8833) attractively styled 14" colour monitor with both RGB and standard composite 15.625 KHz video inputs via SCART socket and separate phono jacks. Integral audio power amp and speaker for all audio visual uses. Will connect direct to Amiga and Atari BBC computers. Ideal for all video monitoring / security applications with direct connection to most colour cameras. High quality with many features such as front concealed filter controls, VCR correction button etc. Good used condition - fully tested - guaranteed Dimensions: W14" x H12 1/4" x 15" D.
Only £99.00 (E)

PHILIPS HCS31 Ultra compact 9" colour video monitor with standard composite 15.625 KHz video input via SCART socket. Ideal for all monitoring / security applications. High quality, ex-equipment fully tested & guaranteed (possible minor screen bums). In attractive square black plastic case measuring W10" x H10" x 13 1/2" D. 240 V AC mains powered.
Only £79.00 (D)

KME V10 15M10009 high definition colour monitors with 0.28" dot pitch. Superb clarity and modern styling. Operates from any 15.625 khz sync RGB video source, with RGB analog and composite sync such as Atari, Commodore Amiga, Acorn Archimedes & BBC. Measures only 13 1/2" x 12" x 11". Good used condition.
Only £125 (E)

20" 22" and 26" AV SPECIALS

Superbly made UK manufacture. PILL all solid state colour monitors, complete with composite video & optional sound input. Attractive teak style case. Perfect for Schools, Shops, Disco, Clubs, etc. In EXCELLENT little used condition with full 90 day guarantee.

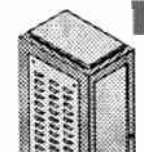
20".....£135 22".....£155 26".....£185 (F)

We probably have the largest range of video monitors in Europe, All sizes and types from 4" to 42" call for info.

DC POWER SUPPLIES

Virtually every type of power supply you can imagine. Over 10,000 Power Supplies Ex Stock. Call or see our web site.

- HP6030A 0-200V DC @ 17 Amps bench power supply £1950
- Intel SBC 486/125C08 Enhanced Multibus (MSA) New £1150
- Nikon HF-X11 (Ephiphot) exposure control unit £1450
- PHILIPS PM5518 Pro. TV signal generator £1250
- Motorola VME Bus Boards & Components List. SAE / CALL EPOA
- Trilo 0-18v dc linear, metered 30 amp bench PSU. New £550
- Fujitsu M3041R 600 LPM high speed band printer £1950
- Fujitsu M3041D 600 LPM printer with network interface £1500
- Perkin Elmer 299B Infrared spectrophotometer £2500
- Perkin Elmer 597 Infrared spectrophotometer £3500
- VG Electronics 1035 TELETEXT Decoding Margin Meter LightBand 60 output high spec 2u rack mount video VDA's £250
- Sekonic SD 150H 18 channel digital Hybrid chart recorder £495
- B&K 2633 Microphone pre amp £300
- Taylor Hobson Talysurf amplifier / recorder £750
- ADC S5200 Carbon dioxide gas detector / monitor £1450
- BBC AM203 PPM Meter (Ernest Turner) + drive electronics £75
- ANRITSU 9654A Optical CD-2.5Gb waveform monitor £5650
- ANRITSU MS9001B 1.0-6.17 uM optical spectrum analyser EPOA
- ANRITSU ML93A optical power meter £990
- ANRITSU Fibre optic characteristic test set EPOA
- R&S FTDZ Dual sound unit £650
- R&S SBUFE-1 Vision modulator £775
- WILTRON 6630B 12.4 / 20GHz RF sweep generator £5750
- TEK 2445 150 MHz 4 trace oscilloscope £1250
- TEK 2465 300 MHz 300 MHz oscilloscope rack mount £1950
- TEK TDS380 400MHz digital realtime + disk drive, FFT etc £2900
- TEK TD524A 500MHz digital realtime + colour display etc £5100
- PH3585A Opt 907 20Hz to 40 MHz spectrum analyser £3950
- HPILSUS PW173010 60KV XRAY generator & accessories EPOA
- CLAUDE LYONS 12A 240V single phase auto. volt. regs £325
- CLAUDE LYONS 100A 240/415V 3 phase auto. volt. regs £2900



19" RACK CABINETS

Superb quality 6 foot 40U
Virtually New, Ultra Smart
Less than Half Price!

Top quality 19" rack cabinets made in UK by Optima Enclosures Ltd. Units feature designer, smoked acrylic lockable front door, full height lockable half louvered back door and louvered removable side panels. Fully adjustable internal fixing struts, ready punched for any configuration of equipment mounting plus ready mounted integral 12 way 13 amp socket switched mains distribution strip make these racks some of the most versatile we have ever sold. Racks may be stacked side by side and therefore require only two side panels to stand singly or in multiple bays. Overall dimensions are: 77 1/2" H x 32 1/2" D x 22" W. Order as:

- OPT Rack 1 Complete with removable side panels. £345.00 (G)
- OPT Rack 2 Rack Less side panels. £245.00 (G)

Over 1000 racks, shelves, accessories
19" 22" & 24" wide 3 to 46 U high.
Available from stock !!

32U - High Quality - All steel RakCab

Made by Eurocraft Enclosures Ltd to the highest possible spec, rack features all steel construction with removable side, front and back doors. Front and back doors are hinged for easy access and all are lockable with five secure 5 lever barrel locks. The front door is constructed of double walled steel with a 'designer style' smoked acrylic front panel to enable status indicators to be seen through the panel, yet remain unobtrusive. Internally the rack features fully slotted reinforced vertical fixing members to take the heaviest of 19" rack equipment. The two movable vertical fixing struts (extras available) are pre punched for standard 'cage nuts'. A mains distribution panel internally mounted to the bottom rear, provides 8 x IEC 3 pin Euro sockets and 1 x 13 amp 3 pin switched utility socket. Overall ventilation is provided by fully louvered back door and double skinned top section with top and side louvers. The top panel may be removed for fitting of integral fans to the sub plate etc. Other features include: fitted castors and floor levelers, prepunched utility panel at lower rear for cable / connector access etc. Supplied in excellent, slightly used condition with keys. Colour Royal blue. External dimensions mm=1625H x 635D x 603 W. (64" H x 25" D x 23 3/4" W)

Sold at LESS than a third of makers price !!

A superb buy at only £245.00 (G)
42U version of the above only £345 - CALL

12V BATTERY SCOOP - 60% off !!

A special bulk purchase from a cancelled export order brings you the most amazing savings on these ultra high spec 12V DC 14 Ah rechargeable batteries. Made by Hawker Energy Ltd, type SBS15 featuring pure lead plates which offer a far superior shelf & guaranteed 15 year service life. Fully BT & BS6290 approved. Supplied BRAND NEW and boxed. Dimensions 200 wide, 137 high, 77 deep. M6 bolt terminals. Fully guaranteed. Current makers price over £70 each. **Our Price £35 each (C) or 4 for £99 (E)**

RELAYS - 200,000 FROM STOCK

Save ££££'s by choosing your next relay from our Massive Stocks covering types such as Military, Octal, Cradle, Hermetically Sealed, Continental, Contactors, Time Delay, Reed, Mercury Wetted, Solid State, Printed Circuit Mounting etc. CALL or see our web site www.distel.co.uk for more information: Many obsolete types from stock. Save ££££'s

COLOUR CCD CAMERAS

BIG & SAVER

Undoubtedly a miracle of modern technology & our special buying power! A quality product featuring a fully cased COLOUR CCD camera at a give away price! Unit features full autolight sensing for use in low light & high light applications. A 10 mm fixed focus wide angle lens gives excellent focus and resolution from close up to long range. The composite video output will connect to any composite monitor or TV (via SCART socket) and most video recorders. Unit runs from 12V DC so ideal for security & portable applications where mains power not available. Overall dimensions 66 mm wide x 117 deep x 43 high. Supplied BRAND NEW & fully guaranteed with user data, 100's of applications including Security, Home Video, Web TV, Web Cams etc.

Web ref = LK33 **ONLY £99.00 or 2 for £180.00 (B)**

SOFTWARE SPECIALS

- NT4 WorkStation, complete with service pack 3 and licence - OEM packaged. **ONLY £89.00 (B)**
 - ENCARTA 95 - CDROM, Not the latest - but at this price! £7.95
 - DOS 5.0 on 3 1/2" disks with concise books c/w OBasic. £14.95
 - Windows for Workgroups 3.11 + Dos 6.22 on 3.5" disks £55.00
 - Wordperfect 6 for DOS supplied on 3 1/2" disks with manual £24.95
- shipping charges for software is code B

DISTEL on the web !! - Over 16,000 items from stock - www.distel.co.uk



ALL MAIL TO
Dept PE, 29/35 Osborne Rd
Thornton Heath
Surrey CR7 8PD
Open Mon - Fri 9.00 - 5.30

LONDON SHOP
Open Mon - Sat 9.00 - 5.30
215 Whitehorse Lane
South Norwood
On 6th Bus Route
N. Thornton Heath &
Selhurst Park SR Rail Stations

DISTEL
Visit our web site
www.distel.co.uk
email = admin@distel.co.uk

ALL ENQUIRIES
0208 653 3333
FAX 0208 653 8888

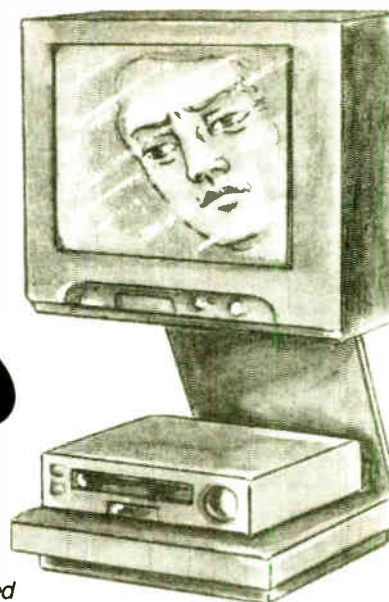
All prices for UK Mainland. UK customers add 17.5% VAT to TOTAL order amount. Minimum order £10. Bona Fide account orders accepted from Government, Schools, Universities and Local Authorities - minimum account order £50. Cheques over £100 are subject to 10 working days clearance. Carriage charges (A)=£3.00, (A1)=£4.00, (B)=£5.50, (C)=£8.50, (D)=£12.50, (E)=£18.00, (F)=£20.00, (G)=CALL. Allow approx 6 days for shipping - faster CALL. All goods supplied to our Standard Conditions of Sale and unless stated guaranteed for 90 days. All guarantees on a return to base basis. All rights reserved to change prices / specifications without prior notice. Orders subject to stock. Discounts for volume. Top CASH prices paid for surplus goods. All trademarks, tradenames etc acknowledged. © Display Electronics 1999. E & O.E. 07/99.

NEXT MONTH

PIC CONTROLLED VIDEO CLEANER

Macrovision, the VCR to VCR copy-prevention system used on many commercial videotapes, can lead to picture brightness variation when played through some TV sets. This PIC controlled project overcomes the problem.

Using a PIC16F83 and a handful of other components, this self-contained unit is automatic in operation; just plug in the SCART leads and away you go.



TECHNOLOGY TIMELINES

All about how technology developed in the Millennium before the one we'll be in soon. In other words – Boldly going behind the beyond, behind which no-one has boldly gone behind, beyond, before!

The 20th Century saw phenomenal technological progress (along with corresponding impacts on our culture). In many respects we've gone from close to nothing (technology-wise) to where we are today in the last 100 years, and many observers feel that our current accomplishments represent only the "tip of the iceberg". Thus, as we enter the 21st Century we are poised on the brink of unimaginable possibilities and potentialities.

The purpose of this new series is to review how we got where we are today (and where we look like ending up tomorrow). We shall first cast our gaze into the depths of time to consider the state of the art as the world was poised to enter the 20th Century. Then, over the coming months, we will take a retrospective view of the technological developments of the last millennium as we investigate the key people and events in three arenas: Physics and Electronics, Communications, and Computers.

During our discussions we shall discover the way in which everything is interrelated, such that inventions in disparate fields can be combined in ways their originators never dreamt of, catapulting us into a future none of us can conceive in our wildest dreams.

Knowing how rapidly things have changed over the last few decades, only a fool would dare to predict the future with any level of confidence. Thus, we shall leave such pontifications to the final installment, where we shall consider emerging new technologies and peer into our crystal balls to cast some predictions for technological advancements over the next 100 years.

THE EASY-TYPIST

This little project was devised to speed the task of typing text into a computer, though it will probably find plenty of other uses. It plays recorded speech a few words at a time, waiting for a prompt before continuing. This allows people who cannot type without looking at the screen or keyboard to type rapidly and continuously since it removes the need to refer frequently to the text being typed, which, in the case of handwriting, can be extremely tedious.

VOLTAGE MONITOR

This simple device has two l.e.d. indicators that switch on if the monitored supply voltage falls below separate threshold levels. The obvious application is in battery operated equipment where erroneous results could be obtained if the battery potential falls below a critical level. The twin threshold levels are then useful, as one can be set slightly above the critical voltage, and it will then give a warning if the battery will soon need replacement. The circuit can also be used with mains powered equipment to monitor the d.c. supply voltage, and it will then give a warning if the supply voltage drops to an inadequate level due to a malfunction. It can be set at any potentials from 3-5V to 30V.

Starter Project

PLUS: EPE TEACH-IN 2000 PART 4 AND ALL THE REGULAR FEATURES

NO ONE DOES IT BETTER

EVERYDAY
PRACTICAL
ELECTRONICS

ETI
ELECTRONICS
TODAY INTERNATIONAL

DON'T MISS AN
ISSUE – PLACE YOUR
ORDER NOW!
Demand is bound to be high

FEBRUARY ISSUE ON SALE FRIDAY, JANUARY 7



PLASTIC BOXES & ENCLOSURES

Contact us for your free catalogue

S.L.M. (Model) Engineers Ltd
Chiltern Road
Prestbury
Cheltenham
GL52 5JQ

Telephone 01242 525488
Fax 01242 226288

Components, Equipment & Accessories from Sky Electronics

Audio & Video - Music & Disco - Car Hi-Fi - Communications - CCTV - Electrical -
Computer - Test Equipment - Power Supplies - Tools - Connectors - Cable - Speakers

• Quality Products
• Wide Range
• Lowest Prices
• Substantial Stock
• Experienced Staff

Sky Electronics

40-42 Cricklewood Broadway,
London NW2 3ET

Tel: 020 8450 0995 Fax: 020 8208 1441

£2.00 for a Catalogue including post & package apply to the above address

ELECTRONICS 2000

HOW DOES YOUR EQUIPMENT MEASURE UP? AT STEWART OF READING THERE'S ALWAYS 'SCOPE' FOR IMPROVEMENT!

TEKTRONIX 2445 - 4-ch. delay sweep, cursors, readout. ONLY **£700**

PHILIPS PM3217 - Dual Trace 50MHz Delay VERY GOOD OSCILLOSCOPE incl. 2 probes, Pouch & Front cover FROM **£200-£300**

GOULD OS300 Dual Trace 20MHz Light weight. Very good value ONLY **£160**

THIS IS THE BEST CHEAP SCOPE YOU WILL EVER BUY!!!

GOULD OS1100 - Dual Trace, 30MHz Delay. Very bright, supplied with manual and two probes **£200**

TEKTRONIX 400 SERIES

468 Digital Storage Dual Trace 100MHz Delay	£550
465 Analogue Storage Dual Trace 100MHz Delay	£250
485 Dual Trace 350MHz Delay Sweep	£750
475 Dual Trace 200MHz Delay Sweep	£450
465 Dual Trace 100MHz Delay Sweep	£350

FLUKE SCOPE METERS
Models 93/96/99. Dual Trace 50MHz + Digital Storage etc. Unused from £400 to £650

MARCONI 2022E Syn AM/FM SIG GEN. 10 KHz-1.01GHz. Up to +10dBm output. phase mod. i.c.d. display, keyboard entry, etc., small, lightweight **£525-£750**

MARCONI 6311 prog sweep gen, 10MHz-20GHz	£3750
HP 8657A syn sig gen, 100KHz-1040MHz	£2500
HP 8655B syn sig gen, 100KHz-990MHz	£1350
HP 8656A syn sig gen, 100KHz-990MHz	£995
GIGATRONIC 7100 syn sig gen, 10MHz-20GHz, good signal purity	£5000
MARCONI 2107 AM/FM phase locked sig gen, 10KHz-1024MHz	£1200
HP 8640A sig gen, 500KHz-1024MHz	£450
HP 8640A sig gen, 500KHz-1024MHz	£250
HP4275A LCR meter, 10KHz-10MHz	£5000
HP4192A LF impedance analyser, 5Hz-13MHz	£750
HP 8903E distortion analyser	from £900
MARCONI 2205 mod meter, 500KHz-2GHz	£350
FARNELL AMM2000 auto mod meter, 10Hz-2.4GHz, unused	£2250
STABLOCK 4015 radio comm test set	£2000
HP 5350B freq counter, 20GHz	£2000
HP 346B noise source, 10MHz-18GHz	£1500
HP 11892D dual dir coupler, 2GHz-18GHz	£1600
HP 11891D dual dir coupler, 2GHz-18GHz	£1250
WAYNE KERR inductance analyser 3245	£2000
H.P. 8112A pulse generator, 50MHz	£1250
DATRON AutoCal multimeter, 5 1/2-7 1/2 digit, 1065/1061A/1071	From £300-£900

UNUSED OSCILLOSCOPES

TEKTRONIX TDS360 dual trace, 200MHz, 1GS/Sec	£1500
TEKTRONIX TAS485 4-channel, 200MHz etc.	£1000
HP 54610B dual trace, 500MHz, 20MS	£2000
HP 54600B dual trace, 100MHz, 20MS	£1000
GOULD 400 dual trace, 20MHz, 100MS	£800

MARCONI 2610 TRUE RMS VOLTMETER
Digital/Analogue. As new ONLY **£250**

SPECTRUM ANALYSERS

H.P. 8562A 1KHz-22GHz	£9000
H.P. 8595E 9KHz-6.5KHz with Opts 004/041/101/105/110, 857171A card and 85024A high freq. probe	£9000
H.P. 8590A 10KHz-1.8GHz (75+ ohms)	£2250
H.P. 8558B with main frame 100KHz-1500MHz	£1250
H.P. 853A (sig frame) with 8559A 100KHz-21GHz	£2750
H.P. 3582A dual channel 25KHz	£1500
MARCONI 2382 100Hz-400MHz high resolution	£2000
B&K 22033R signal analyser	£1500
ADVANTEST TR4131 10KHz-3.5GHz	£2750
MARCONI 2570 30Hz-110MHz	From £500

MARCONI TF2015 AM/FM Sig Gen 10-520MHz **£175**

RACAL 900B Automatic mod meter 1-5MHz-2GHz **£200**

WAYNE KERR AMM255 Automatic Modulation Meter AM/FM 1-5MHz-2GHz 3.5 digit **Unused £400**

GOODWILL GFC 8010G FREQUENCY COUNTER, Range 1Hz-120MHz, 8-Digit Display, 15mV RMS Sensitivity **Unused £75**

GOODWILL GV1427 DUAL CHANNEL A.C. MILLIVOLTMETER 10V-300V in 12 ranges Frequency 10Hz-1MHz **Used £100 Unused £125**

A Classic Bench Multimeter Solatron 7045 - 4 1/2 Digit bright l.e.d. Working with leads. ONLY **£30**
It's so cheap you should have it as a spare

FARNELL L30/2 Bench Power Supply 0-30 Volts; 0-2 Amps. Constant D.C. outputs/Constant current. ONLY **£80**

SPECIAL OFFERS
FOR ORDERS BEFORE 31st JANUARY 22000 OR WHILST STOCK LASTS
TEKTRONIX 2215 - Dual Trace 60MHz Sweep Delay includes 2 probes **NOW ONLY £275**

HC3502 Dual Trace 20MHz 5mV/20V/Div; 0.2u sec/4.5 Sec/Div; X.Y.Z Magnifier; TV Sync etc. **UNUSED £140**

POWER SUPPLY Model HSP3010, 0-30V, 0-10 Amps constant limiting, 2 meters **£120**

Solatron 7150 DMM 6.5 digit True RMS IEEE **£150**

FLUKE MULTIMETERS
Type 8050A 4 1/2-digit, 2A True RMS **£75**
Type 8010A 3 1/2-digit, 10A **£50**
Type 8012A 3 1/2-digit, 2A **£40**
H.P. 5315A Universal Counter, 1GHz 2 ch. **£80**
RACAL 9910 Frequency Counter, 10Hz-560MHz **£30**

GOULD J3B Sine/Square Oscillator 100Hz-100KHz. Low distortion **ONLY £95**

FARNELL LF1 Sine/Sq Oscillator 10Hz-1MHz **ONLY £75**

LEVELL TG200DMP RC Oscillator 1Hz-1MHz Sine/Square, meter, battery operated (Batteries not supplied) **£50**

STEWART OF READING
110 WYKEHAM ROAD, READING, BERKS. RG6 1PL
Telephone: (0118) 9268041. Fax: (0118) 9351696
Callers welcome 9am-5.30pm Monday to Friday (other times by arrangement)

Used Equipment - GUARANTEED. Manuals supplied
This is a VERY SMALL SAMPLE OF STOCK. SAE or Telephone for lists. Please check availability before ordering.
CARRIAGE all units £16. VAT to be added to Total of Goods and Carriage

PIC BASIC

Write your PICmicro programs in BASIC!

Quicker and easier than "C" or assembler Expanded BASIC Stamp I compatible instruction set. True compiler provides faster program execution and longer programs than BASIC interpreters. 12CIN and 12ICOUT instructions to access external serial EEPROMs. More user variables Peek and Poke instructions to access any PICmicro register from BASIC. Serial speeds to 115k baud. In-line assembler and Call support (call your assembly routines). Supports PIC12C67x, PIC14Cxxx, PIC16C55x, 6xx, 7xx, 84, 92x and PIC16F8x/PIC16F8xx microcontrollers. Use in DOS or Windows Compatible with most PICmicro programmers. The low-cost PicBasic Compiler (PBC) makes it easy to write programs for the fast Microchip PICmicros. PBC converts these programs into hex or binary files that can be programmed directly into a PICmicro microcontroller. The easy-to-use BASIC language makes PICmicro programming available to everyone with its English-like instruction set. No more scary assembly language!

With Support for 16F877 and Smart Memory Card

The **PicBasic Pro** Compiler runs on PC compatibles. It can create programs for the PIC12C67x, PIC12CE67x, PIC14Cxxx, PIC16C55x, 6xx, 7xx, 84, 9xx, PIC16CE62x and PIC16F8x and 16F8xx microcontrollers. The PicBasic Pro Compiler instruction set is upward compatible with the BASIC Stamp II and Pro uses BS2 syntax. Programs can be compiled and programmed directly into a PICmicro, eliminating the need for a BASIC Stamp module. These programs execute much faster than their Stamp equivalents. They may also be protected so no one can copy your code!

Pic Basic – £49.95

Pic Basic Pro – £149.95

Supplied with full 168-page manual

Free PIC MACRO compiler

Free program Editor

Free Windows Front End

and sample basic programs including code to support 1M Smart memory card

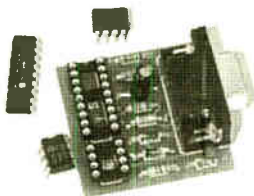
PIC PROGRAMMER KIT

Now with WINDOWS SOFTWARE DRIVER!

Programs the Popular PIC 16C84, 16F84, 24xx series serial memory devices. Connects to the serial port of a PC and requires NO EXTERNAL power supply. The kit includes instructions for assembly, circuit diagram and component layout.

This handy little programmer is easy to build, taking no more than 30 minutes to assemble and test. The Professional quality PCB is double-sided, through-plated with solder resist and screen printing to aid efficient assembly. It is supplied with driver software to run in DOS on a 386 PC upwards and under Windows 95 on 486 or Pentium and a Disk full of interesting projects, tips and data sheets for PIC devices, including FREE Assembler and Simulator.

Only £15.00 including Delivery and VAT (requires 9-pin D-type to 9-pin D-type cable to connect to serial port of PC). CABLE £5 INC. VAT AND DELIVERY



PIC Micro CD ROMs NOW TWO CD ROMS!

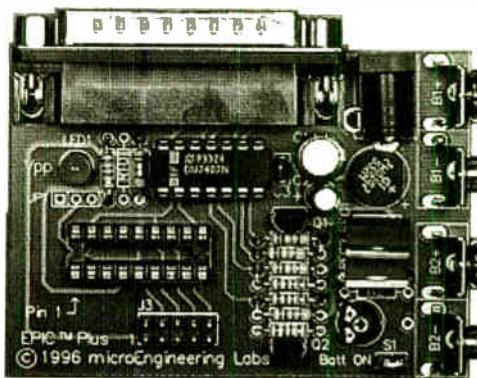
Packed with information. PIC MICRO data sheets, Programs and Diagrams, Application notes, PDF Viewer includes PING-PONG and TETRIS with video and sound out of a PIC'84. BASIC language ASSEMBLY routines! Data sheets on thousands of Micro-controllers and support parts categorised by manufacturer. This must be the best value for money.

£10 inc P&P & VAT – a "MUST BUY!"

EPIC™

Download the full 168-page PICBASIC Manual and sample programs <http://www.crownhill.co.uk> and order On-Line via our secure server.

- Low cost programmer for PIC12Cxxx, PIC12CExxx, PIC14Cxxx, PIC16C505, 55x, 6xx, 7xx, 84, 9xx, PIC16CE62x and PIC16F8xx microcontrollers
- ZIF adapters available for 8/18- and 40/28-pin DIP, 8-, 18- and 28-pin SOIC, 44-pin MQFP and 44- and 68-pin PLCC PICmicros
- Runs off two 9-volt batteries or optional AC adapter
- Connects to PC parallel printer port
- Software upgradeable for future PICmicros
- Includes "8051" style PICmicro macro assembler
- Available assembled and tested or as bare board with diskette



EPIC Programmer £49.95

or **£35** if purchased with

PIC BASIC or PIC BASIC Pro

25-pin Parallel Cable £5.95

PIC16F84 £1.90 each

PIC 16F877 4MHz £5.75 each

PIC 16F877 20MHz £6.75 each

PIC 16F876 4MHz £5.20 each

PIC 16F874 4MHz £5.35 each

PIC 16F873 4MHz £4.75 each

PIC 12C508/509 £0.65 each

24LC116 £0.75 each

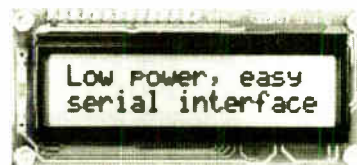
24LC32 £0.75 each

25LC65 £1.50 each

PIC 16C622 £2.50 each

Call for other PIC devices

All PICs stocked!



LCD DISPLAYS £7.50 each

(2 x 16-line) Ideal for use with PIC Basic & Pro

Crownhill Associates Limited

The Old Bakery, New Barns Road, Ely, Cambridge, CB7 4PW

Tel: 01353 666709

Fax: 01353 666710

www.crownhill.co.uk

E-mail: sales@crownhill.co.uk

Unless shown as in VAT and P&P, all prices are exclusive of £5 P&P and 17.5% VAT

Pay via:

ACCESS, VISA or SWITCH

Secure On-line ordering

www.crownhill.co.uk

£1 BARGAIN PACKS - List No. 4

1 item per pack unless otherwise stated.

IN HANDLE MAINS ON/OFF SWITCHES. Sometimes known as pistol grip switches, pack of 2. Order Ref: 839.

5A DOUBLE POLE CHANGEOVER TOGGLE SWITCHES, ideal reversing DC motors, etc., pack of 2. Order Ref: 841.

3M 2-CORE CURLY LEAD, 5A. Order Ref: 846.

1M 3-CORE CURLY LEAD, 13A. Order Ref: 847.

AC SHADED POLE MAINS MOTOR with base fixing plate. Order Ref: 848.

4in. PLASTIC DIAL, fits flatted ¼in. spindle, transparent so dial can be underneath, pack of 2. Order Ref: 851.

2500μF 12V CAPACITORS, pack of 5. Order Ref: 853.

DELAY SWITCH on B7G base. Order Ref: 854.

3 CHANGEOVER RELAY, 6V AC or 3V DC, 3 changeover contacts. Order Ref: 859.

NORMALLY ON, V3 MICRO SWITCH, pack of 4. Order Ref: 862.

HIVAC NUMICATOR TUBE, Hivac ref. XN3. Order Ref: 865.

BITTO but reference XN11. Order Ref: 866.

SUB MIN NORMALLY OFF MICRO SWITCH, pack of 4. Order Ref: 867.

SUB MIN CHANGEOVER MICRO SWITCH, pack of 3. Order Ref: 868.

EX-GPO TELEPHONE DIAL, rotary type. Order Ref: 904.

QUARTZ LINEAR HEATING TUBES, 360W but 110V so would have to be joined in series, pack of 2. Order Ref: 907.

2in. ROUND LOUDSPEAKERS, 50 ohm coil, pack of 2. Order Ref: 908.

EDGE TYPE PUSHSWITCHES, BCD system, pack of 2. Order Ref: 915.

10M 4-CORE FLEX, suitable for telephone extension. Order Ref: 918.

OLD TYPE KETTLE ELEMENT, 2-pin plug. Order Ref: 925.

6V 24W HEADLAMP BULB, normal BC plug in cap. Order Ref: 928.

20 LAMP UNIT to make a figure or letter display. Order Ref: 930.

10K HORIZONTAL PRESET RESISTORS, pack of 10. Order Ref: 931.

1M 64-WAY RIBBON CABLE. Order Ref: 932.

MAINS PSU, 115V 320mA AC. Order Ref: 934.

15V-15V 1.5VA POTTED PCB MAINS TRANSFORMER. Order Ref: 937.

16 OHM 3in. SPEAKERS, pack of 2. Order Ref: 962.

MAINS RELAY with 15A changeover contacts. Order Ref: 965.

IN-LINE FUSE HOLDERS, take 20mm fuse, just cut the flex and insert, pack of 4. Order Ref: 969.

OBLONG PANEL MOUNTING NEONS, pack of 4. Order Ref: 970.

COPPER CLAD PANELS, size 7in. x 4in., pack of 2. Order Ref: 973.

STANDARD SIZED AUDIO PLUG adapted to take two 3mm plugs. Order Ref: 974.

3-5mm JACK PLUGS, pack of 10. Order Ref: 975.

DRILL CONTROL CASE, ready punched and with control logos. Order Ref: 979.

8μF 350V ELECTROLYTICS, pack of 2. Order Ref: 987.

VERY SMALL SLIDE SWITCH, pack of 4. Order Ref: 992.

8700μF 7V WORKING ELECTROLYTIC. Order Ref: 996.

1 MEG PRESET POTS, pack of 4. Order Ref: 998.

WHITE PROJECT BOX, 78mm x 115mm x 35mm. Order Ref: 1006.

SLIDELock 15A FUSES, panel mounting, pack of 3. Order Ref: 1011.

6V SOLENOIDS, good length pull, pack of 2. Order Ref: 1012.

RELAY WITH 3 SETS OF CHANGEOVER 8A CONTACTS, 24V AC or 12V DC, 3 sets 8A changeover contacts. Order Ref: 1016.

WHITE TOGGLE SWITCH, push in spring retain type, pack of 4. Order Ref: 1019.

2M MAINS LEADS, 2 core, black outer, pack of 4. Order Ref: 1020.

2M MAINS LEADS, 3 core, black outer, pack of 3. Order Ref: 1021.

FERRITE SLAB AERIAL with coils, pack of 2. Order Ref: 1027.

12V DC POLARISED RELAY, 2 changeover contacts. Order Ref: 1032.

12 x 12 PAXOLIN PANEL, medium thickness. Order Ref: 1033.

TUNING CAPS, solid DIA, for LW and MW, pack of 2. Order Ref: 377.

TRIMMER CAPS, screw down type, 10 assorted. Order Ref: 38.

I.F. TRANSFORMERS, 465KC, pack of 4. Order Ref: 40.

SOCKETS for stripboard, make your own IC holders, pack of 10. Order Ref: 54.

6¼in. 4 OHM SPEAKER. Order Ref: 137.

100K STEREO POTS, pack of 4. Order Ref: 143.

FUSE HOLDERS, chassis mounting for 20mm fuses, pack of 5. Order Ref: 144.

SOCKET COVERS, child protectors for twin 13A sockets, pack of 4. Order Ref: 149.

BITTO but for single 13A sockets, pack of 4. Order Ref: 150.

POT CORES, circular, ferrite, 54mm x 18mm, pack of 2 pairs. Order Ref: 156.

AIR SPACED TUNER, 20pf with ¼in. spindle. Order Ref: 182.

METAL BOX, slightly sloping, 8 x 3 x 4, 1 only. Order Ref: 209.

TELEPHONE LEADS, 5 core curly reinforced telephone leads, pack of 2. Order Ref: 213.

STEREO PRE-AMP, Mullard 9001, 1 only. Order Ref: 216.

PUSH-ON TAGS for ¼in. spades, pack of 100. Order Ref: 217.

BITTO but right angled, pack of 100. Order Ref: 218.

UNDER KNOB SCALE, engraved 0-10 for fitting under control knob, 3in. diameter, pack of 2. Order Ref: 1074.

FERRITE AERIAL, with medium and long wave coils, solder tags and mounting clips. Order Ref: 7/RC18.

COMPONENT MOUNTING PANEL, heavy paxolin, size 10in. x 2in., has 32 pairs of pillars for soldering or binding on components. Order Ref: 7/RC26.

MINI RELAY BY STC, 4 sets changeover contacts, operates any voltage from 5 to 8. Order Ref: 11/R11.

5K POT, standard size with DP switch and good length ¼in. spindle, pack of 2. Order Ref: 11/R24.

BITTO, but 10k. Order Ref: 22/R6.

OVENSTAT BY SATCHWELL, single hole fixing by hex nut. Order Ref: 16/R38.

12V 8A DC POWER SUPPLY. Totally enclosed with its own cooling fan. Normal mains operation. Price £11. Order Ref: 11P6.

SOUND SWITCH. Can be operated by clapping hands, shouting or almost any other noise. Comes complete with instructions, assembled and ready to work but needs casing. Price only £3. Order Ref: 3P246.

1MA PANEL METER. Approximately 80mm x 55mm, front engraved 0-100. Price £1.50 each. Order Ref: 1/16R2.

VERY THIN DRILLS. 12 assorted sizes vary between 0.6mm and 1.6mm. Price £1. Order Ref: 128.

EVEN THINNER DRILLS. 12 that vary between 0.1mm and 0.5mm. Price £1. Order Ref: 129.

TWIN TELEPHONE JACK PLUG. Enables you to plug 2 telephones into the one socket for all normal BT plugs. Price £1.50. Order Ref: 1.5P67.

D.C. MOTOR WITH GEARBOX. Size 60mm long, 30mm diameter. Very powerful, operates off any voltage between 6 and 24 D.C. Speed at 6V is 200 rpm, speed controller available. Special price £3 each. Order Ref: 3P108.

FLASHING BEACON. Ideal for putting on a van, a tractor or any vehicle that should always be seen. Uses an Xenon tube and has an amber coloured dome. Separate fixing base is included so unit can be put away if desirable. Price £5. Order Ref: 5P267.

MOTOR SPEED CONTROLLER. These are suitable for D.C. motors for voltage up to 12 and any power up to 1/6 h.p. They reduce the speed by intermittent full voltage pulses so there should be no loss of power. In kit form these are £12. Order Ref: 12P34. Or made up and tested, £20. Order Ref: 20P39.

MOST USEFUL POWER SUPPLY. Rated at 9V 1A, this plugs into a 13A socket. Is really nicely boxed. £2. Order Ref: 2P733.

BT TELEPHONE EXTENSION WIRE. This is proper heavy duty cable for running around the skirting board when you want to make a permanent extension. 4 cores properly colour coded, 25m length. Only £1. Order Ref: 1067.

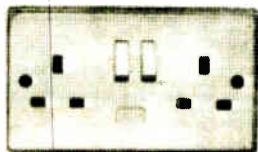
NOW YOURS FOR £12.50!

A 12V 18Ah sealed lead acid battery by high class manufacturer, brand new and with a 12 months guarantee. If you can buy a pack of 4 saving us carriage and packing costs, then you can have the 4 for £48 including VAT. Order Ref: 12.5P3.

LIGHT ALARM. A circuit for this appears in the February issue, however, we have a rather less complicated model already made up and in a nice case. Price only £3. Order Ref: 3P155.

ULTRA VIOLET VIEWING UNIT. This is a very neat metal enclosure about the size of a 6in. cube. The lamp and control gear are in the top compartment and an open space with a platform below allows you to inspect paper or other objects under the UV light. Intended for 230V mains operation. Price £12. Order Ref: 12P35.

TWIN 13A SWITCHED SOCKET. Standard in all respects and complete with fixing screws. White, standard size and suitable for flush mounting or in a surface box. Price £1.50. Order Ref: 1.5P61.



VERY POWERFUL BATTERY MOTORS. Were intended to operate portable screwdrivers. Approximately 2¼in. long, 1½in. diameter, with a good length of spindle. Will operate with considerable power off any voltage between 6V and 12V D.C. Price £2. Order Ref: 2P456. Quantity discount 25% for 100.

RECHARGEABLE BATTERIES. AA size, pack of 4. £2.50. Order Ref: 2.5P32.

BIG 12V TRANSFORMER. It is 55VA so that is over 4A which is normal working, intermittently it would be a much higher amperage. Beautiful transformer, well made and very well insulated, terminals are in a plastic frame so can't be accidentally touched. Price £3.50. Order Ref: 3.5P20.

SPECIAL YUASA BATTERY OFFER. You can have 5 x 12V Yuasa batteries, the one we normally sell for £3.50, for £15. These batteries have a capacity of 2.3AH. This may be a bit low for some jobs, but remember you can join them in parallel to give you a higher amperage. Order Ref: 15P77.

CHARGER FOR YUASA BATTERY. This battery charger plugs into a 13A socket, charges at approximately 1/2A so it would charge this battery overnight. Complete with croc clips, ready to go. £5. Order Ref: 5P269.

GROWERS PLEASE NOTE: We now have a very useful 100W soil heater. This is essentially 5V 20A power supply, completely encased and with built-in cooling fan. We supply with it 10m of cable with instructions on how to couple it to give the recommended 10W per sq. ft. or 5W per sq. ft. or a very low 2.5W per sq. ft. Price for complete i.c.u. £15. Order Ref: 15P79.

BIG 12V TRANSFORMER. It is 55VA so over 4A. Beautifully made and well insulated. Live parts are in a plastic frame so cannot be accidentally touched. £3.50. Order Ref: 3.5P20.

1mA PANEL METER. Approximately 80mm x 50mm, front engraved 0-100, price £1.50. Order Ref: 1/16R2.

LIGHT ALARM. Or it could be used to warn when any cupboard door is opened. The light shining on the unit makes the bell ring. Completely built and neatly cased, requires only a battery, £3. Order Ref: 3P155.

WATER LEVEL ALARM. Be it bath, sink, cellar, sump or any other thing that could flood. This device will tell you when the water has risen to the present level. Adjustable over quite a useful range. Neatly cased for wall mounting, ready to work when battery fitted. £3. Order Ref: 3P156.

BIKE RADIO. In fact, it's more than a radio, it's an alarm and a spotlight. The radio is battery operated, of course, and needs 3 AA cells. Only one band but this is the FM band so will receive Radio 1 and 2. Comes complete with handlebar fixing clips. Price £4. Order Ref: 4P72.

PHILIPS 9in. MONITOR. Not cased, but it is in a frame for rack mounting. It is high resolution and was made to work with the IBM 'One per disk' computer. Price £15. Order Ref: 15P1.

METAL CASE FOR 9in. MONITOR. Supplied as a flat pack. Price £12. Order Ref: 12P3.

INSULATION TESTER WITH MULTIMETER. Internally generates voltages which enable you to read insulation directly in megohms. The multimeter has four ranges AC/DC volts, 3 ranges DC milliamps, 3 ranges resistance and 5 amp range. Ex-British Telecom but in very good condition, tested and guaranteed, probably cost at least £50 each, yours for only £7.50 with leads, carrying case £2 each. Order Ref: 7.5P4.

REPAIRABLE METERS. We have some of the above testers but faulty, not working on all ranges, should be repairable, we supply diagrams. £3. Order Ref: 3P176.

FOR QUICK HOOK-UPS.

You can't beat leads with a croc clip each end. You can have a set of 10 leads, 2 each of 5 assorted colours with insulated crocodile clips on each end. Lead length 36cm, £2 per set. Order Ref: 2P459.



RECHARGEABLE NICAD AA BATTERIES. You can have these at a bargain price of 50p each, but you have to buy a pack of 10 which would give you a 12V rechargeable battery. However, it is quite easy to divide into 2 x 6V rechargeables or 10 x 1.2V rechargeables. Order Ref: 5P287. Made by Varta.

BUY ONE GET ONE FREE

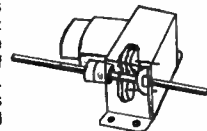
ULTRASONIC MOVEMENT DETECTOR. Nicely cased, free standing, has internal alarm which can be silenced. Also has connections for external speaker or light. Price £10. Order Ref: 10P154.

CASED POWER SUPPLIES which, with a few small extra components and a bit of modifying, would give 12V at 10A. Originally £9.50 each, now 2 for £9.50. Order Ref: 9.5P4.

3-OCTAVE KEYBOARD with piano size keys, brand new, previous price £9.50, now 2 for the price of one. Order Ref: 9.5P5.

1.5-6V MOTOR WITH GEARBOX.

Motor is mounted on the gearbox which has interchangeable gears giving a range of speeds and motor torques. Comes with full instructions for changing gears and calculating speeds, £6. Order Ref: 7P26.



TERMS

Send cash, PO, cheque or quote credit card number - orders under £25 add £3.50 service charge.

J & N FACTORS
Pilgrim Works (Dept. E.E.)
Stairbridge Lane, Bolney,
Sussex RH17 5PA
Telephone: 01444 881965

Transform your PC.... Into an oscilloscope, spectrum analyser and multimeter...

The ADC-200 range of PC based oscilloscopes offer performance only previously available on the most expensive 'benchtop' scopes. By intergrating several instruments into one unit, the ADC-200 is both flexible and cost effective.

Connection to a PC gives the ADC-200 the edge over traditional oscilloscopes: the ability to print and save waveforms is just one example. Units are supplied with PicoScope for Windows which is powerful, yet simple to use, with comprehensive on line help.



Applications

- ▼ Video
- ▼ Automotive
- ▼ Electronics design
- ▼ Production line tests
- ▼ Fault finding
- ▼ Education

All units are supplied with software, cables and power supply. Prices exclude VAT.

Features

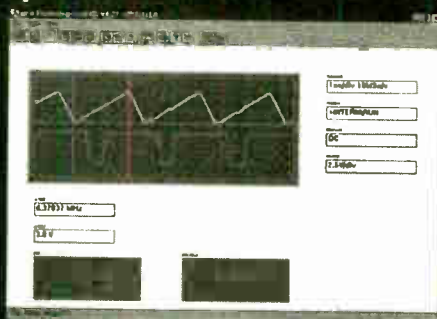
- ▼ A fraction of the cost of comparable benchtop oscilloscopes
- ▼ Up to 100 MS/s sampling
- ▼ Advanced trigger modes- capture one off events.
- ▼ Up to 50 MHz spectrum analyser
- ▼ Large buffer memory

<i>ADC-200/100</i>	£499
<i>ADC-200/50</i>	£399
<i>ADC-200/20</i>	£299



A scope at your fingertips.....

Once oscilloscopes were heavy and clumsy to handle, but over the years they have become smaller and smaller. The latest development in this field has just arrived: a digital storage oscilloscope in a handy slim housing, scarcely longer than a pencil and about as thick as your thumb. Despite its small size, its performance can match that of a service oscilloscope.



ONLY £80

Applications

- ▼ On-the-spot measurements
- ▼ Hobby electronics
- ▼ Measurements in amplifiers
- ▼ Production line tests

- ▼ Can use PC display
- ▼ Sample rates from 50ns to 1ms
- ▼ Up to 20 MS/s

Prices exclude VAT

Call for a FREE software demonstration disk or visit our web site

Fax: +44 (0)1954 211830 Tel: +44 (0)1954 211716

E-mail: post@picotech.co.uk Web: www.picotech.com

PICO
Technology Limited

MAIL ORDER ONLY • CALLERS BY APPOINTMENT

EPE MICROCONTROLLER P.I. TREASURE HUNTER

The latest MAGENTA DESIGN - highly stable & sensitive - with I.C. control of all timing functions and advanced pulse separation techniques.

- High stability drift cancelling
- Easy to build & use
- No ground effect, works in seawater



- Detects gold, silver, ferrous & non-ferrous metals

- Efficient quartz controlled microcontroller pulse generation.
- Full kit with headphones & all hardware

KIT 847.....£63.95

PIC PIPE DESCALER

- SIMPLE TO BUILD
- HIGH POWER OUTPUT
- AUDIO & VISUAL MONITORING
- SWEPT FREQUENCY

An affordable circuit which sweeps the incoming water supply with variable frequency electromagnetic signals. May reduce scale formation, dissolve existing scale and improve lathering ability by altering the way salts in the water behave. Kit includes case, P.C.B, coupling coil and all components. High coil current ensures maximum effect. L.E.D. monitor



KIT 868£22.95 POWER UNIT.....£3.99

MICRO PEST SCARER

Our latest design - The ultimate scarer for the garden. Uses special microchip to give random delay and pulse time. Easy to build reliable circuit. Keeps pets/pests away from newly sown areas, play areas, etc. Uses power source from 9 to 24 volts.



- RANDOM PULSES
- HIGH POWER
- DUAL OPTION

Plug-in power supply £4.99

KIT 867.....£19.99

KIT+SLAVE UNIT.....£32.50

WINDICATOR

A novel wind speed indicator with LED readout. Kit comes complete with sensor cups, and weatherproof sensing head. Mains power unit £5.99 extra.

KIT 856.....£28.00

★ TENS UNIT ★

DUAL OUTPUT TENS UNIT

As featured in March '97 issue.

Magenta have prepared a FULL KIT for this excellent new project. All components, PCB, hardware and electrodes are included. Designed for simple assembly and testing and providing high level dual output drive.

KIT 866.... Full kit including four electrodes £32.90

Set of 4 spare electrodes £6.50

1000V & 500V INSULATION TESTER



Superb new design. Regulated output, efficient circuit. Dual-scale meter, compact case. Reads up to 200 Megohms. Kit includes wound coil, cut-out case, meter scale, PCB & ALL components.

KIT 848.....£32.95

EPE TEACH-IN 2000

Full set of top quality NEW components for this educational series. All parts as specified by EPE. Kit includes breadboard, wire, croc clips, pins and all components for experiments, as listed in Introduction to Part 1. *Batteries and tools not included.

TEACH-IN 2000 -

KIT 879 **£44.95**

MULTIMETER **£14.45**

SPACEWRITER

An innovative and exciting project. Wave the wand through the air and your message appears. Programmable to hold any message up to 16 digits long. Comes pre-loaded with "MERRY XMAS". Kit includes PCB, all components & tube plus instructions for message loading.

KIT 849.....£16.99

12V EPROM ERASER

A safe low cost eraser for up to 4 EPROMs at a time in less than 20 minutes. Operates from a 12V supply (400mA). Used extensively for mobile work - updating equipment in the field etc. Also in educational situations where mains supplies are not allowed. Safety interlock prevents contact with UV.

KIT 790.....£29.90

SUPER BAT DETECTOR

1 WATT O/P, BUILT IN SPEAKER, COMPACT CASE
20kHz-140kHz

NEW DESIGN WITH 40kHz MIC.

A new circuit using a 'full bridge' audio amplifier i.c., internal speaker, and head-phone/tape socket. The latest sensitive transducer, and 'double balanced mixer' give a stable, high performance superheterodyne design.

KIT 861.....£24.99

ALSO AVAILABLE Built & Tested£39.99

PORTABLE ULTRASONIC PEST SCARER

A powerful 23kHz ultrasound generator in a compact hand-held case. MOSFET output drives a special sealed transducer with intense pulses via a special tuned transformer. Sweeping frequency output is designed to give maximum output without any special setting up.

KIT 842.....£22.56

MK. II ACOUSTIC PROBE

NEW DESIGN
HIGH SENSITIVITY & POWER
Picks up vibrations amplifies, and drives headphones. Sounds from engines, watches, pipes and speech through walls can be heard clearly. Useful for mechanics, instrument engineers and nosey parkers! Very effective device.

KIT 876.....£29.95

DC Motor/Gearboxes

Our Popular and Versatile DC motor/Gearbox sets. Ideal for Models, Robots, Buggies etc. 1.5 to 4.5V Multi ratio gearbox gives wide range of speeds.



LARGE TYPE - MGL £6.95
SMALL - MGS - £4.77

Stepping Motors

MD38...Mini 48 step...£8.65
MD35...Std 48 step...£9.99
MD200...200 step...£12.99
MD24...Large 200 step...£22.95



MOSFET MKII VARIABLE BENCH POWER SUPPLY 0-25V 2-5A.

Based on our Mk1 design and preserving all the features, but now with switching pre-regulator for much higher efficiency. Panel meters indicate Volts and Amps. Fully variable down to zero. Toroidal mains transformer. Kit includes punched and printed case and all parts. As featured in April 1994 EPE. An essential piece of equipment.



Kit No. 845.....£64.95

EPE PROJECT PICs

Programmed PICs for all* EPE Projects
16C84/16F84/16C71

All **£5.90** each
PIC16F877 now in stock
£10 inc. VAT & postage
(*some projects are copyright)

ULTRASONIC PEST SCARER

Keep pets/pests away from newly sown areas, fruit, vegetable and flower beds, children's play areas, patios etc. This project produces intense pulses of ultrasound which deter visiting animals.

- KIT INCLUDES ALL COMPONENTS, PCB & CASE
- EFFICIENT 100V TRANSDUCER OUTPUT
- COMPLETELY INAUDIBLE TO HUMANS
- UP TO 4 METRES RANGE
- LOW CURRENT DRAIN

KIT 812.....£15.00



SIMPLE PIC PROGRAMMER

INCREDIBLE LOW PRICE! Kit 857 **£12.99**

INCLUDES 1-PIC16F84 CHIP
SOFTWARE DISK, LEAD
CONNECTOR, PROFESSIONAL
PC BOARD & INSTRUCTIONS

Power Supply **£3.99**

EXTRA CHIPS:
PIC 16F84 **£4.84**

Based on February '96 *EPE*. Magenta designed PCB and kit. PCB with 'Reset' switch, Program switch, 5V regulator and test L.E.D.s, and connection points for access to all A and B port pins.

PIC16C84 LCD DISPLAY DRIVER

INCLUDES 1-PIC16F84
WITH DEMO PROGRAM
SOFTWARE DISK, PCB,
INSTRUCTIONS AND
16-CHARACTER 2-LINE
LCD DISPLAY

Kit 860 **£19.99**

Power Supply **£3.99**

FULL PROGRAM SOURCE
CODE SUPPLIED - DEVELOP
YOUR OWN APPLICATION!

Another super PIC project from Magenta. Supplied with PCB, industry standard 2-LINE x 16-character display, data, all components, and software to include in your own programs. Ideal development base for meters, terminals, calculators, counters, timers - Just waiting for your application!

PIC16F84 MAINS POWER 4-CHANNEL CONTROLLER & LIGHT CHASER

- WITH PROGRAMMED 16F84 AND DISK WITH SOURCE CODE IN MPASM
- ZERO VOLT SWITCHING MULTIPLE CHASE PATTERNS
- OPTO ISOLATED 5 AMP OUTPUTS
- 12 KEYPAD CONTROL
- SPEED/DIMMING POT.
- HARD FIRED TRIACS

Kit 855 **£39.95**

LOTS OF OTHER APPLICATIONS

Now features full 4-channel chaser software on DISK and pre-programmed PIC16F84 chip. Easily re-programmed for your own applications. Software source code is fully 'commented' so that it can be followed easily.

PIC TOOLKIT V1

• PROGRAMS PIC16C84 and 16F84 • ACCEPTS TASM AND MPASM CODE
Full kit includes PIC16F84 chip, top quality p.c.b. printed with component layout, turned pin PIC socket, all components and software*
*Needs QBASIC or QUICKBASIC

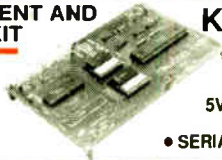
KIT 871 . . . **£13.99**. Built and tested **£21.99**

PhizzyB ALL PARTS FOR SERIES INCLUDING PCBs, PROGRAMMED CHIP, CD-ROM AND DISPLAYS

MAIN BOARD - FULL KIT	£131.95	BUILT	£149.95
I/O PORT KIT	£16.99	BUILT	£24.99
L.C.D.	£12.49	POWER SUPPLY	£3.99
8-BIT SWITCH/LATCH	£7.95	INT. MODULE	£10.45

68000 DEVELOPMENT AND TRAINING KIT

- NEW PCB DESIGN
- 8 MHz 68000 16-BIT BUS
- MANUAL AND SOFTWARE
- 2 SERIAL PORTS
- PIT AND I/O PORT OPTIONS
- I2C PORT OPTIONS



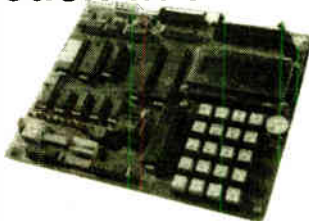
KIT 621 **£99.95**

- ON BOARD 5V REGULATOR
- PSU **£6.99**
- SERIAL LEAD **£3.99**

Mini-Lab & Micro Lab Electronics Teach-In 7

As featured in *EPE* and now published as Teach-In 7. All parts are supplied by Magenta. *Teach-In 7* is £3.95 from us or *EPE*

Full Mini Lab Kit - £119.95 - Power supply extra - £22.55
Full Micro Lab Kit - £155.95
Built Micro Lab - £189.95



EPE PIC Tutorial

At Last! A Real, Practical, Hands-On Series

- Learn Programming from scratch using PIC16F84
- Start by lighting I.e.d.s and do 30 tutorials to Sound Generation, Data Display, and a Security System
- PIC TUTOR Board with Switches, I.e.d.s, and on board programmer

PIC TUTOR BOARD KIT

Includes: PIC16F84 Chip, TOP Quality PCB printed with Component Layout and all components* (*not ZIF Socket or Displays). Included with the Magenta Kit is a disk with Test and Demonstration routines.

KIT 870 **£27.95**, Built & Tested **£42.95**

Optional: Power Supply - **£3.99**, ZIF Socket - **£9.99**
LCD Display **£7.99** LED Display **£6.99**
Reprints Mar/Apr/May 98 - **£3.00** set 3

PIC TOOLKIT V2

- SUPER UPGRADE FROM V1 • 18, 28 AND 40-PIN CHIPS
- READ, WRITE, ASSEMBLE & DISASSEMBLE PICS
- SIMPLE POWER SUPPLY OPTIONS 5-20V
- ALL SWITCHING UNDER SOFTWARE CONTROL
- MAGENTA DESIGNED PCB HAS TERMINAL PINS AND OSCILLATOR CONNECTIONS FOR ALL CHIPS
- INCLUDES SOFTWARE AND PIC CHIP

KIT 878 . . . **£22.99** with 16F84 . . . **£29.99** with 16F877

SUPER PIC PROGRAMMER

- READS, PROGRAMS, AND VERIFIES
- WINDOWS® SOFTWARE
- PIC16C6X, 7X, AND 8X
- USES ANY PC PARALLEL PORT
- USES STANDARD MICROCHIP • HEX FILES
- OPTIONAL DISASSEMBLER SOFTWARE (EXTRA)
- PCB, LEAD, ALL COMPONENTS, TURNED PIN SOCKETS FOR 18, 28, AND 40 PIN ICs.

- SEND FOR DETAILED INFORMATION - A SUPERB PRODUCT AT AN UNBEATABLE LOW PRICE.

Kit 862 **£29.99**

Power Supply **£3.99**

DISASSEMBLER SOFTWARE **£11.75**

PIC STEPPING MOTOR DRIVER

INCLUDES: PCB, PIC16F84 WITH DEMO PROGRAM, SOFTWARE DISK, INSTRUCTIONS AND MOTOR.

Kit 863 **£18.99**

FULL SOURCE CODE SUPPLIED. ALSO USE FOR DRIVING OTHER POWER DEVICES e.g. SOLENOIDS.

Another NEW Magenta PIC project. Drives any 4-phase unipolar motor - up to 24V and 1A. Kit includes all components and 48 step motor. Chip is pre-programmed with demo software, then write your own, and re-program the same chip! Circuit accepts inputs from switches etc and drives motor in response. Also runs standard demo sequence from memory.

8-CHANNEL DATA LOGGER

As featured in Aug./Sept. '99 *EPE*. Full kit with Magenta redesigned PCB - LCD fits directly on board. Use as Data Logger or as a test bed for many other 16F877 projects. Kit includes programmed chip, 8 EEPROMs, PCB, case and all components.

KIT 877 **£49.95** inc. 8 x 256K EEPROMS

MAGENTA

All prices include VAT. Add **£3.00** p&P. Next Day **£6.99**

Tel: 01283 565435 Fax: 01283 546932 E-mail: sales@magenta2000.co.uk



Station Road, Cullercoats, Tyne & Wear, NE30 4PQ



All Major Credit cards Accepted
 Prices Exclude Vat @17½%. Add £1.25 carriage & Vat to all orders. Cheques / Postal orders payable to ESR Electronic Components.

See Next / Last Months Ad. for COMPONENT ACCESSORIES

DIL Sockets

4 Pin DIL 0.3"	£0.06
8 Pin DIL 0.3"	£0.06
14 Pin DIL 0.3"	£0.11
16 Pin DIL 0.3"	£0.11
18 Pin DIL 0.3"	£0.12
20 Pin DIL 0.3"	£0.12
24 Pin DIL 0.6"	£0.13
28 Pin DIL 0.6"	£0.13
40 Pin DIL 0.6"	£0.19

Terminal Pins

8 Pin DIL 0.3"	£0.11
14 Pin DIL 0.3"	£0.20
16 Pin DIL 0.3"	£0.23
18 Pin DIL 0.3"	£0.25
20 Pin DIL 0.3"	£0.28
24 Pin DIL 0.6"	£0.35
28 Pin DIL 0.6"	£0.41
40 Pin DIL 0.6"	£0.64

0.1" Pin Header Strip

1 x 36 Way Straight	£0.38
2 x 36 Way Straight	£0.56
2 x 36 Way 90°	£0.54
2 x 36 Way 90°	£0.80

Available in 2, 3, 4, 5 & 10 way. Also female PCB sockets & jumper links.

20 Way Socket Strip £0.48

Transistor Sockets

T018-4 Base Socket	£0.24
T05 Base Socket	£0.24

IDC Cable Sockets

10 Way Socket	£0.25
14 Way Socket	£0.35
16 Way Socket	£0.37
20 Way Socket	£0.37
24 Way Socket	£0.38
34 Way Socket	£0.39
40 Way Socket	£0.55
50 Way Socket	£0.80

PCB Box Headers

10 Way Straight	£0.27
14 Way Straight	£0.36
16 Way Straight	£0.36
20 Way Straight	£0.37
24 Way Straight	£0.37
34 Way Straight	£0.57
40 Way Straight	£0.63
50 Way Straight	£0.96
10 Way 90°	£0.33
16 Way 90°	£0.42
20 Way 90°	£0.53
24 Way 90°	£0.70
34 Way 90°	£0.81
40 Way 90°	£0.83
50 Way 90°	£0.95

PCB Latch Headers

10 Way Straight	£0.50
16 Way Straight	£0.70
20 Way Straight	£0.78
24 Way Straight	£0.81
34 Way Straight	£0.86
40 Way Straight	£1.56
50 Way Straight	£1.29
10 Way 90°	£0.58
16 Way 90°	£0.78
20 Way 90°	£0.82
24 Way 90°	£1.06
34 Way 90°	£1.14
40 Way 90°	£1.26
50 Way 90°	£1.74

DIL Headers

14 Way DIL	£0.54
16 Way DIL	£0.59
24 Way DIL	£0.90
40 Way DIL	£1.02

Transition Headers

10 Way Transition	£0.49
14 Way Transition	£0.47
16 Way Transition	£0.47
20 Way Transition	£0.54
24 Way Transition	£0.62
34 Way Transition	£0.67
40 Way Transition	£0.90
50 Way Transition	£1.02

D Type Connectors

Solder Bucket

9 Way Male Plug	£0.26
9 Way Female Socket	£0.27
15 Way Male Plug	£0.36
15 Way Female Socket	£0.39
15 Way H.D. Plug	£0.47
15 Way H.D. Socket	£0.48
23 Way Male Plug	£0.49
23 Way Female Socket	£0.49
25 Way Male Plug	£0.36
25 Way Female Socket	£0.37

IDC Ribbon Mounting Right Angled PCB

9 Way Male Plug	£0.08
9 Way Female Socket	£0.93
25 Way Male Plug	£1.18
25 Way Female Socket	£1.13

Plastic D Covers

9 Way Cover - Grey	£0.30
9 Way Cover - Black	£0.30
15 Way Cover - Grey	£0.33
15 Way Cover - Black	£0.36
23 Way Cover - Grey	£0.36
23 Way Cover - Black	£0.36
25 Way Cover - Grey	£0.34
25 Way Cover - Black	£0.37
9 to 9 Cover / Case	£0.96
25 to 25 Cover / Case	£0.84
9 to 25 Cover / Case	£0.96

Audio Connectors

2.5mm Jock Plug	£0.21
2.5mm Line Socket	£0.16
2.5mm Chassis Socket	£0.20
3.5mm Mono Plug	£0.30
3.5mm Mono Chassis	£0.14
3.5mm Stereo Plug	£0.36
3.5mm Stereo Line Skt	£0.37
3.5mm Stereo Chassis	£0.34
¼" Mono Plug	£0.34
¼" Mono Line Skt	£0.35
¼" Mono Chassis Skt	£0.40
¼" Stereo Plug	£0.40
¼" Stereo Line Socket	£0.38
¼" Stereo Chassis Skt	£0.40

NURUK Speakon Plug £2.81

DIN Series

2 Pin Line Plug	£0.19
3 Pin Chassis Socket	£0.15
3 Pin Line Plug	£0.27
3 Pin Chassis Socket	£0.28
4 Pin Line Plug	£0.24
4 Pin Chassis Socket	£0.24
5 Pin Line Plug 180°	£0.30
5 Pin Chassis Skt 180°	£0.33
5 Pin Line Plug 240°	£0.24
5 Pin Chassis Skt 240°	£0.32
5 Pin Line Plug 360°	£0.24
5 Pin Chassis Skt 360°	£0.32
6 Pin Line Plug	£0.34
6 Pin Chassis Socket	£0.35
7 Pin Line Plug	£0.35
7 Pin Chassis Socket	£0.37
8 Pin Line Plug	£0.44
8 Pin Chassis Socket	£0.36

Phone Series

Red Line Plug	£0.20
Black Line Plug	£0.20
Yellow Line Plug	£0.20
White Line Plug	£0.20
Red Line Socket	£0.20
Black Line Socket	£0.20
Yellow Line Socket	£0.20
White Line Socket	£0.20
Red Chassis Socket	£0.20
Black Chassis Socket	£0.20
Gold Plated Plug Red	£0.66
Gold Plated Plug Black	£0.66

XLR Series - metal

3 Pin Line Plug	£1.46
3 Pin Line Socket	£1.71
3 Pin Chassis Plug	£1.50
3 Pin Chassis Socket	£1.49
Neutrik Line Plug	£1.68
Neutrik Line Socket	£1.99
Neutrik Chassis Plug	£2.13
Neutrik Chassis Socket	£2.32

RF Connectors

BNC Plug 50Ω Solder	£0.99
BNC Plug 50Ω Crimp	£0.68
BNC Plug 75Ω Solder	£0.95
BNC Plug 75Ω Crimp	£0.68
BNC Chassis Socket	£0.24
F Plug - Twist	£0.24
F Plug - Crimp	£0.26
TNC Plug 50Ω Solder	£1.24
TNC Plug 50Ω Crimp	£0.85
TNC Plug 75Ω Solder	£1.40
TNC Plug 75Ω Crimp	£1.16
UHF Plug 5mm Cable	£0.63
UHF Plug 11mm Cable	£0.75
UHF Chassis Skt - Sqr	£0.50
UHF Chassis Skt - Rnd	£0.73

Extensive range of RF connectors in stock. inc.FME, SMA, Mini UHF & N Type.

Terminals

Colours Red, Black, Green, Blue, White or Yellow	£0.18
2mm Solder Plugs	£0.81
2mm Chassis Sockets	£0.26
4mm Solder Plugs	£0.35
4mm Stackable Plugs	£0.40
4mm Chassis Sockets	£0.23
4mm Binding Posts	£0.54
33mm Crocodile Clips	£0.13

Power Connectors DC Low Voltage

DC Plug 0.7ID 2.35OD	£0.47
DC Plug 1.3ID 3.4OD	£0.32
DC Plug 1.7ID 4.0OD	£0.47
DC Plug 1.7ID 4.75OD	£0.47
DC Plug 2.1ID 5.0OD	£0.25
DC Plug 2.5ID 5.0OD	£0.24
DC Plug 3.1ID 6.3OD	£0.46
DC Line Socket 2.1mm	£0.57
DC Line Socket 2.5mm	£0.56
DC Chassis Skt 2.1mm	£0.40
DC Chassis Skt 2.5mm	£0.41

IEC Mains 6A 250Vac

3 Pin IEC Line Socket	£1.08
3 Pin IEC Line Plug	£1.78
3 Pin Chassis Socket	£0.55
3 Pin Chassis Plug	£0.72

8 Way Buzlin

8 Pin Line Plug P551	£4.08
8 Pin Chassis Skt P552	£1.39

Toggle Switches

3A 125V 1A 250V	£0.60
5mm Ø Mounting Hole	£0.58
SPST 5 x 10mm	£0.60
SPDT C/Off 5 x 10mm	£0.81
DPDT 9.2 x 10mm	£0.66

Sub-Minature

6A 125V 3A 250V	£0.62
6.2mm Ø Mounting Hole	£0.65
SPST 8 x 13mm	£0.56
SPDT 8 x 13mm	£0.60
SPDT C/O Biased 2 way	£0.97
SPDT C/O Biased 1 way	£0.71
DPDT 12 x 13mm	£0.72
DPDT C/Off 12 x 13mm	£0.80
DPDT C/O Biased 2 way	£1.28
DPDT C/O Biased 1 way	£1.28

Standard

10A 250V Push on terminals	£0.72
12mm Ø Mounting Hole	£1.28
SPST 18 x 30mm	£1.31
SPDT 18 x 30mm	£1.31
SPDT C/Off 18 x 30mm	£1.43
DPDT 21 x 30mm	£1.65
DPDT C/Off 21 x 30mm	£1.68

Slide Switches

Miniature 300mA 125V	£0.20
7 x 15mm Mounting Hole	£0.20
DPDT 7 x 23mm	£0.20
Standard 1A 125V	£0.20
5.5 x 12mm Mounting Hole	£0.20
DPDT 12 x 35mm	£0.25
DPDT C/O 12 x 35mm	£0.27

Rotary Switches

150mA 250V	£0.84
Make before Break 22mm Ø	£0.84
9.8mm Ø Mounting Hole	£0.84
1 Pole 12 Way	£0.84
2 Pole 6 Way	£0.84
3 Pole 4 Way	£0.84
4 Pole 3 Way	£0.84

Push Switches

Miniature Round	£0.23
250mA 125V 28 x 10mm	£0.23
7mm Ø Mounting Hole	£0.23
Non Latching Push to Make	£0.23
Black PTM	£0.23
White PTM	£0.23
Yellow PTM	£0.23
Green PTM	£0.23
Blue PTM	£0.23
White PTM	£0.23
Non Latching Push to Break	£0.24
Black PTB	£0.24
White PTB	£0.24

Standard Square

1A 250V	£0.60
39 x 15MM	£0.60
12mm Ø Mounting Hole	£0.60
Non Latching Push to Make	£0.60
Black PTM	£0.60
Red PTM	£0.60
Blue PTM	£0.60
White PTM	£0.60
Latching - push On push Off	£0.65
Black	£0.65
Blue	£0.65
White	£0.65

Rocker Switches Miniature

6A 250V Solder Togs	£0.69
SPST 21 x 14 x 16mm	£0.69
DPDT 21 x 24 x 22mm	£0.96
SPST - Red Neon	£1.02
SPST - Green Neon	£1.02
SPST - Amber Neon	£1.02
Standard	£0.58
15A 250V Push on Togs	£0.58
SPST 30 x 11 x 22mm	£1.12
DPDT 30 x 25mm	£1.12
Illustrated	£0.84
15A 250V Push on Togs	£0.84
SPST 30x14mm Red	£0.84
DPST 30x25mm Amber	£1.40
DPST 30x25mm Green	£1.40

Relays PCB Mounting

1A 24Vdc DPDT 5V	£1.38
1A 24Vdc DPDT 12V	£2.00
3A 110V SPDT 6V	£0.58
3A 110V SPDT 12V	£0.58
5A 110V SPDT 6V	£0.72
5A 110V SPDT 12V	£0.72
5A 110V DPDT 6V	£0.93
5A 110V DPDT 12V	£0.93
5A 240V DPDT 6V	£1.76
5A 240V DPDT 12V	£1.76
10A 240V SPDT 6V	£1.25
10A 240V SPDT 12V	£1.44
10A 240V SPDT 24V	£1.44

Computer Accessories Adaptors

9M Gender Changer	£2.18
9F Gender Changer	£2.29
25M Gender Changer	£2.60
25F Gender Changer	£2.80
9 Male - 25 Female	£1.90
9 Female - 25 Male	£1.90
9M - 6 Mini Din Mole	£2.40
9F - 6 Mini Din Mole	£2.40
5M Din - 6F Mini Din	£2.08
5F Din - 6M Mini Din	£2.08

Testers / Patch Boxes

Mini Tester 7 LEDs	£4.72
Check Tester 18 LEDs	£5.32
Enclosed + Switches	£15.25
25D Jumper Box M-F	£2.90
25D Patch Box M-F	£7.32
Anti-Static Wrist Strap	£4.76
RS232 Surge Protector	£5.43
Mains Surge Protector	£11.99
4 Gang Surge Block	£15.50

Leads & Cables

1.5m Printer Lead	£3.40
5m Printer Lead	£9.38
10m Printer Lead	£8.75
Serial Printer 25M-9F	£4.50
Serial Printer 25M-25F	£4.45
Null Modem Leads	£3.16
25 Female - 25 Female	£4.63
9 Female - 25 Female	£3.18
9&25F to 9&25F	£5.52
Modem Leads	£4.08
25Mole to 9Female	£4.75
25Mole to 25Female	£4.75
PC Link Leads	£4.38
Interlink 25M to 25M	£4.50
25Mole to 25Mole	£4.50
36Mole to 36Mole	£2.60
Internal Leads	£3.00
Floppy Cable A/B	£1.65
Hord Disk 2xIDE	£1.88
Power 3½-2 x 3½	£1.50
Power 3½-2 x 5¼	£2.24
Power 5¼-2 x 3½	£2.24
Power 5¼-3½, 5¼	£2.24
Networking	£1.71
BNC T Piece FFF	£2.40
BNC Coupler F	£0.95
BNC Coupler M	£1.65
BNC Rotchet Crimper	£17.44
50Ω BNC Terminator	£1.24
Thinner Cable per m	£0.39

Boxes & Cases Many more sizes available

General Purpose Plastic	£0.99
75 x 56 x 25mm	£0.99
75 x 51 x 22mm	£0.99
111 x 57 x 22mm	£1.12
79 x 61 x 40mm	£1.70
100 x 76 x 41mm	£1.79
118 x 98 x 45mm	£2.08
150 x 100 x 60mm	£2.77
150 x 80 x 50mm	£2.72

Diecast Aluminium

50 x 50 x 31mm	£2.67
100 x 50 x 25mm	£1.24
112 x 62 x 31mm	£3.55
120 x 65 x 40mm	£4.05
150 x 80 x	

VOL. 29 No. 1 JANUARY 2000

BYGONE MILLENNIUM

As some of you may have noticed from the advertisements now appearing in *EPE*, we have recently taken over publication of *Radio Bygones*. This has introduced me to the fascinating world of early (sometimes very early and very primitive in technology terms) radio equipment. What has impressed me most about these old "wireless" sets is the quality of workmanship that went into them. This not only applies to the chassis and cabinet construction, but also to the construction of individual items like coils and tuning capacitors. I wonder if our descendants will look back on equipment made in the 90s (the 1990s I mean!) and marvel at the quality of workmanship?

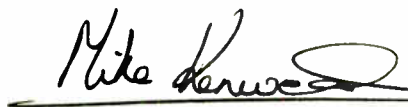
Of course, many early receivers were constructed as one-offs by experimenters and hobbyists and in the early 1900s there were a number of kits available for constructors. It's fascinating to look back at the roots of our hobby and we will be doing this over an extended period in our millennium feature – presently titled *The Millennium Before The One We're In Now*, although we might change that if we can dream up something equally quirky but less cumbersome. It starts next month.

The feature brings out some fascinating points about when developments took place. For instance, the first rudimentary calculator was dreamed up by Leonardo da Vinci before the pencil had been invented. But obviously most of what is interesting to us electronics people took place from around the turn of the century onwards, with the pace increasing rapidly as the century wore on. It continues to do so, of course, and is presently doubling in speed of development every decade – where will it all end?

We have come a long way from valves and plug-in coils to microprocessors and surface mount devices in a relatively short period, and our hobby has changed along with technology. Though it is of course still possible to build, and get a great deal of pleasure from, a single valve receiver to a 1920s design. I doubt it will be possible to build any of our PIC projects in 20 years time, let alone 80 years time, but that's progress I guess.

MILLENNIUM GREETINGS

The season's greetings to you all and may we wish you all the very best for the new millennium. I don't suppose many of you will be around for the next one! I know I won't, even with the wonders of modern science.



Editor: MIKE KENWARD

Deputy Editor: DAVID BARRINGTON

Technical Editor: JOHN BECKER

On-Line Editor: ALAN WINSTANLEY

Business Manager: DAVID J. LEAVER

Subscriptions: MARILYN GOLDBERG

Editorial: Wimborne (01202) 881749

Advertisement Manager:

PETER J. MEW, Frinton (01255) 861161

Advertisement Copy Controller:

PETER SHERIDAN, Wimborne (01202) 882299

READERS' ENQUIRIES

E-mail: techdept@epemag.wimborne.co.uk

We are unable to offer any advice on the use, purchase, repair or modification of commercial equipment or the incorporation or modification of designs published in the magazine. We regret that we cannot provide data or answer queries on articles or projects that are more than five years old. Letters requiring a personal reply *must* be accompanied by a **stamped self-addressed envelope or a self-addressed envelope and international reply coupons. Due to the cost we cannot reply to overseas queries by Fax.**

All reasonable precautions are taken to ensure that the advice and data given to readers is reliable. We cannot, however, guarantee it and we cannot accept legal responsibility for it.

COMPONENT SUPPLIES

We do not supply electronic components or kits for building the projects featured, these can be supplied by advertisers (see *Shoptalk*). We advise readers to check that all parts are still available before commencing any project in a back-dated issue.

ADVERTISEMENTS

E-mail: adverts@epemag.wimborne.co.uk
Although the proprietors and staff of EVERYDAY PRACTICAL ELECTRONICS/ETI take reasonable precautions to protect the interests of readers by ensuring as far as practicable that advertisements are *bona fide*, the magazine and its Publishers cannot give any undertakings in respect of statements or claims made by advertisers, whether these advertisements are printed as part of the magazine, or in inserts.

The Publishers regret that under no circumstances will the magazine accept liability for non-receipt of goods ordered, or for late delivery, or for faults in manufacture. Legal remedies are available in respect of some of these circumstances, and readers who have complaints should first address them to the advertiser.

TRANSMITTERS/BUGS/TELEPHONE EQUIPMENT

We advise readers that certain items of radio transmitting and telephone equipment which may be advertised in our pages cannot be legally used in the UK. Readers should check the law before buying any transmitting or telephone equipment as a fine, confiscation of equipment and/or imprisonment can result from illegal use or ownership. The laws vary from country to country; readers should check local laws.

AVAILABILITY

Copies of *EPE/ETI* are available on subscription anywhere in the world (see right), from all UK newsagents (distributed by COMAG) and from the following electronic component retailers: Omni Electronics and Maplin in S. Africa. *EPE* can also be purchased from retail magazine outlets around the world. An Internet on-line version can be purchased from www.epemag.com

SUBSCRIPTIONS

Annual subscriptions for delivery direct to any address in the UK: £26.50 Overseas: £32.50 standard air service, £50 express airmail. Cheques or bank drafts (in £ sterling only) payable to Everyday Practical Electronics and sent to EPE Sub. Dept., Allen House, East Borough, Wimborne, Dorset BH21 1PF. Tel: 01202 881749. Fax: 01202 841692. E-mail: subs@epemag.wimborne.co.uk. Also via the Web at: <http://www.epemag.wimborne.co.uk>. Subscriptions start with the next available issue. We accept MasterCard or Visa. (For past issues see the *Back Issues* page.)

BINDERS

Binders to hold one volume (12 issues) are available from the above address. These are finished in blue p.v.c., printed with the magazine logo in gold on the spine. Price £5.95 plus £3.50 p&p (for overseas readers the postage is £6.00 to everywhere except Australia and Papua New Guinea which cost £10.50). *Normally sent within seven days but please allow 28 days for delivery – more for overseas.*

Payment in £ sterling only please. Visa and MasterCard accepted, minimum credit card order £5. Send, fax or phone your card number and card expiry date with your name, address etc. Or order on our secure server via our web site. Overseas customers – your credit card will be charged by the card provider in your local currency at the existing exchange rate.



FLASHING SNOWMAN

ROBERT PENFOLD

Add a "sparkle" to your festive decorations with this fun starter project.

IF YOU wish to make an electronic project popular you give it some flashing l.e.d.s (light-emitting diodes), or you do if you believe the in-joke that was popular in the electronic magazine publishing business some years ago. This joke came about because one of the magazines now incorporated into *EPE* published a project that was basically just a soap dish fitted with some l.e.d.s that flashed. Apart from looking pretty it did not actually do anything, but that did not stop it from being by far the most popular project ever published by that magazine!

This project is very much in the flashing soap dish tradition, and it is just a polystyrene ceiling tile fitted with some l.e.d.s that flash. It is a simple but amusing Christmas decoration that should raise a smile or two.

MR SNOWMAN

The tile is fashioned and painted to look like a Snowman (or Snowperson?), and it has l.e.d.s to form the eyes, nose, and mouth. The l.e.d.s for the eyes and nose are lit continuously, but there are three sets of l.e.d.s to form the mouth. Some are lit continuously, while the other two sets are operated in anti-phase (when one set is switched on the other set is switched off).

The idea is to arrange the l.e.d.s so that the Snowman's expression alternates between an internet style smile and frown. This is just a suggestion, and there is plenty of scope for doing your own thing. You could use a different character, such as Father Christmas, as the basis of the project, and he could be made to wink for example.

ON THE FACE OF IT

There are eleven l.e.d.s (D2 to D12) in the suggested configuration, but it is easy to modify the unit to suit alternative arrangements. The l.e.d.s are used in the configuration shown in Fig.1. Light emitting diodes D8 and D9 form the eyes, and D10 is the nose. Together with D11 and D12, these l.e.d.s are lit continuously.

To produce the smiling face l.e.d.s D2, D3, and D4 are switched on, while D5, D6, and D7 are switched off. To produce the unhappy face D2 to D4 are switched off, and D5 to D7 are switched on.

CIRCUIT OPERATION

In order to operate the flashing l.e.d.s out of phase a low frequency oscillator is required, but it must be capable of handling fairly high output currents. The full circuit diagram for the Flashing Snowman project appears in Fig.2.

Starting with the l.e.d.s that are lit continuously (D8 to D12), these are simply fed from the 9V supply via resistor R7. This resistor limits the current to a suitable level.

Ideally each l.e.d. would have its own series resistor, as this would guarantee virtually the same drive current to each one. In practice there seems to be no problem if the l.e.d.s are simply wired in parallel and supplied with current via a common resistor.

This will only work properly if they are all of the same type. Using l.e.d.s of various shapes, colours and sizes would almost certainly result in one or two operating at high brightness and others failing to glow visibly.

RELAXATION

The oscillator is based on operational amplifier IC1 and uses a standard configuration. IC1 is actually connected as a simple trigger circuit, which is then used in a form of relaxation oscillator.

Resistors R1 and R2 bias the non-inverting input (pin 3) to half the supply voltage, and normally the output, at pin 6, would go low if the inverting input (pin 2) was taken

above this potential. Taking the inverting input below this bias level would send the output high. In this case there is positive feedback from the output to the non-inverting input via resistor R3.

This feedback takes the bias level higher when output of IC1 is high, and lower when it is low. Consequently, there are actually two threshold levels. Taking the inverting input below the lower threshold sends the output high, and taking it above the higher threshold sends the output low.

Adding a C/R timing circuit (R4 and C2) between the output of IC1 and its inverting input produces oscillation. At switch-on capacitor C2 is fully discharged and the inverting input is at the lower potential, which sends the output high. Capacitor C2 then charges, via resistor R4, until the charge potential exceeds the upper threshold level of the trigger circuit.

The output of IC1 now goes low and C2 discharges through R4 and the output circuit of IC1 until the potential goes below the trigger circuit's lower threshold level. The output of IC1 then goes high again, C2 charges via R4 until the upper threshold is exceeded, and so on.

The circuit oscillates continuously at a rate that is governed by the values of various components, but primarily by the timing resistor R4 and capacitor C2. The specified values set the operating frequency at a little under 1Hz, which means that the flashing l.e.d.s are switched on for about half a second or so, and then off for about the same period of time.

IN A FLASH

The flash rate is easily changed by altering the value of C2 and/or R4. The on/off time is proportional to the value of both timing components, so extending this time to (say) one second could be achieved by doubling the value of either component.

In practice it is necessary to compromise slightly and use the nearest preferred value, which is 4.7 μ F for capacitor C2 or 1.5M for resistor R4. Note that C2 *must* be a good quality component or the operating frequency will be much lower than expected, if the circuit manages to oscillate at all. There should be no problems with the specified timing component values, but if a much lower frequency is used it would be best to use a tantalum capacitor for C2.

An output current of about 5mA per l.e.d. is required in order to produce reasonable brightness. Six l.e.d.s are driven from the output of the unit, but only three

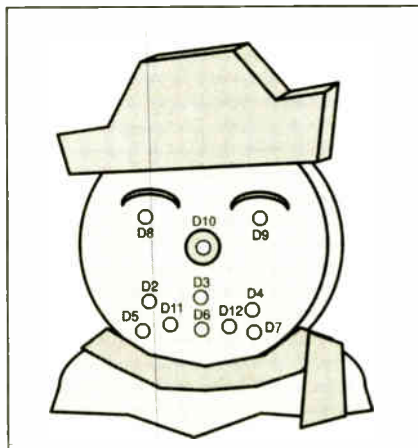


Fig.1. Suggested layout for the l.e.d. "face" display.

are switched on at any one time. The maximum output current is therefore 15mA, but could be about 25mA to 30mA if the unit is used to drive more l.e.d.s.

This is more than op.amp IC1 can reliably supply, and a simple emitter follower output stage (transistors TR1 and TR2) has therefore been added at the output. The output stage is a sort of simplified version of a class-B audio output stage.

Transistor TR1 acts as the emitter follower output stage when the output of IC1 is high and l.e.d.s D5 to D7 are switched on. TR2 acts as the output stage when the output of IC1 is low and l.e.d.s D2 to D4 are switched on. R5 and R6 are the current limiter resistors for the two sets of l.e.d.s.

When the output of the circuit is low, the output voltage is still high enough to produce a slight glow from l.e.d.s D5 to D7. Rectifier diode D1 is used to effectively reduce the minimum output voltage by

means adapter that will provide 9V at around 50mA or more. This is the more practical option if the unit will be used for long periods.

If you use an adapter make sure it is connected to the unit with the right polarity. Most adapters are marked with diagrams showing the polarity of the supply lead, and the polarity might be switchable.

Non-stabilised adapters are not recommended for use with this circuit. Units of this type have output voltages that vary greatly with changes in the output current, and the actual output voltage is often very much higher than the stated output potential.

A BRIGHT NUMBER

The number of fixed state and flashing l.e.d.s can be altered to suit alternative designs, but the value of the series resistor (R5, R6, or R7) should be changed to suit the number of l.e.d.s wired in parallel. This will keep the

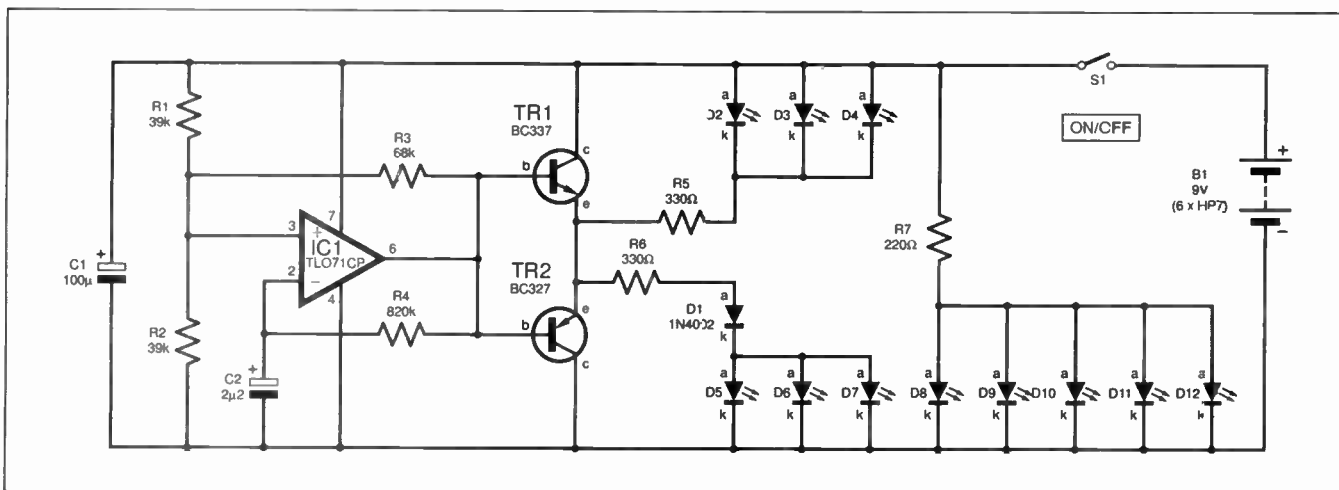
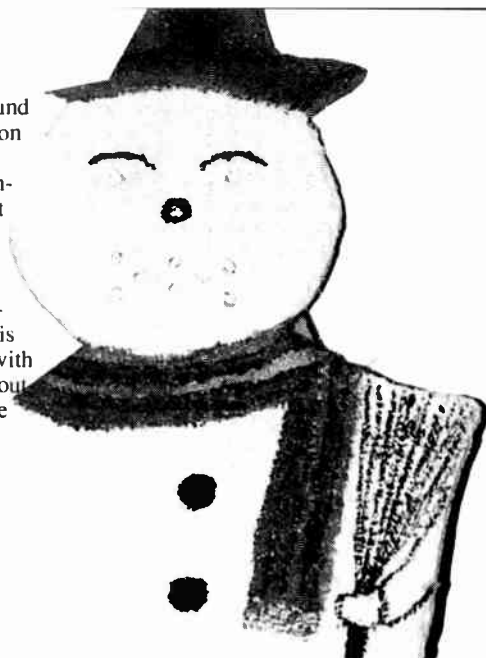


Fig.2. Complete circuit diagram for the Flashing Snowman.

about 0.6V, so that D5 to D7 fully switch off when IC1's output is low.

STABLE SUPPLY

The current consumption of the main circuit is about 20mA, but the consumption of the non-flashing l.e.d.s. add about 25 milliamps to this. The circuit can be powered from a reasonably high capacity battery, such as six HP7 size cells in a holder, *but NOT a small type such as a PP3.*

Alternatively, the circuit seems to work well when powered from a *stabilised*

brightness of the l.e.d.s reasonably uniform. Table 1 shows suitable values for one to six l.e.d.s.

Table 1: L.E.D. Series Resistor Values

No. L.E.D.s	Resistor Values (R5/R6/R7)
1	1k
2	470Ω
3	330Ω
4	270Ω
5	220Ω
6	180Ω

COMPONENTS

Resistors

R1, R2	39k (2 off)
R3	68k
R4	820k
R5, R6	330Ω (2 off)
R7	220Ω

All 0.25W 5% carbon film

Capacitors

C1	100µ radial elect. 10V
C2	2µ2 radial elect. 50V

Semiconductors

IC1	TL071CP bi-f.e.t. op.amp
TR1	BC337 silicon <i>n</i> pn transistor
TR2	BC327 silicon <i>p</i> np transistor
D1	1N4002 rectifier diode
D2 to D12	5mm red l.e.d. (11 off)

Miscellaneous

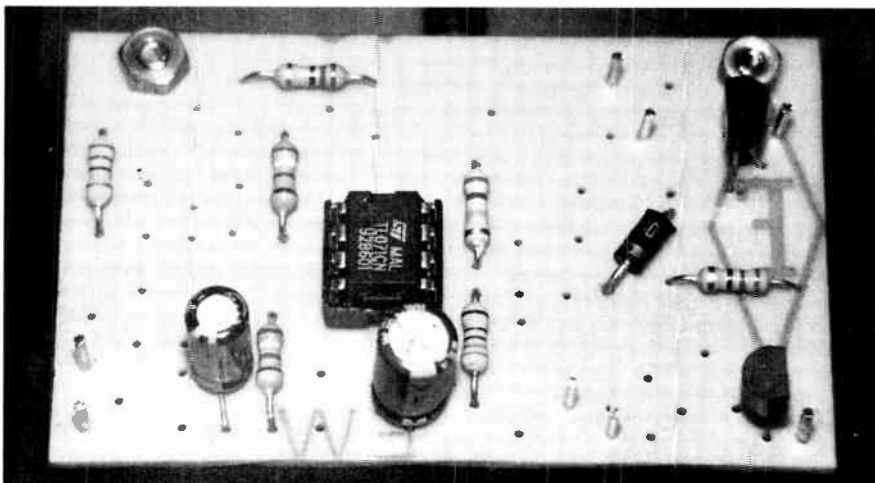
S1	s.p.s.t. min toggle switch
B1	9V battery pack (6 x HP7 cells in holder)

Multi-project printed circuit board available from the *EPE PCB Service*, code 932; small plastic case, size to suit; battery connector (PP3 type); 8-pin d.i.l. holder; multistrand connecting wire; single-sided solder pins; solder; plain polystyrene ceiling tile, etc.

Approx. Cost
Guidance Only

£7

excl. batts, case & tile



Component layout on the completed multi-project circuit board.

CONSTRUCTION

This "easy" starter project is based on the *EPE* multi-project printed circuit board (p.c.b.). This board is available from the *EPE PCB Service*, code 932.

The components fit onto this p.c.b. with few difficulties because the board was designed to take this oscillator configuration and output stage. Even so, the usual warning has to be given.

Unlike a normal custom printed circuit board the multi-project board has numerous holes that are unused. This makes it a little trickier to get all the components in the right place, and it is essential to take a little more care than usual when fitting the components on the p.c.b., and to double-check the finished board for errors.

In all other respects construction of the board is perfectly straightforward and should follow along the normal lines, starting with the resistors, capacitors, diode and, finally, the two transistors. The component layout is shown in Fig.3, together with the actual size copper foil pattern and

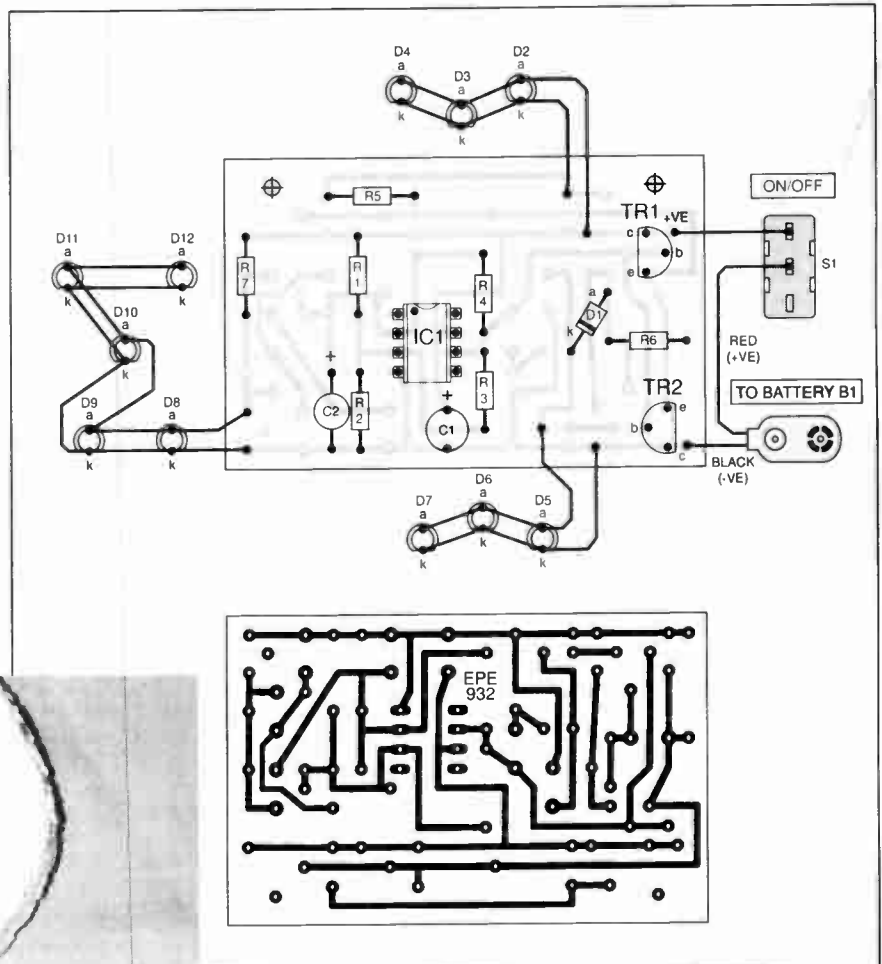


Fig.3. Snowman multi-project p.c.b. component layout, inter-wiring and full-size copper foil master. Take care, not all holes/pads are used.

a case that is large enough to take the rather chunky battery pack. Incidentally, the connections to the battery holder are made using an ordinary PP3 battery clip.

The printed circuit board is mounted on the case using 6BA or metric M2.5 bolts, with short spacers included between the board and the case. On/Off switch S1 is mounted on the lid of the case. Drill small holes in the case sides to take the three twin-leads that will carry

the output of the unit to the three sets of "face" l.e.d.s.

The small amount of hard wiring is added next. Fit leads, about 300mm long, on the three sets of output solder pins. These leads can be trimmed to length and prepared for connection to the l.e.d.s once the body of the Snowman has been completed.

SHAPING UP

The body of the Snowman (or other character) does not have to be made from a polystyrene ceiling tile, but this material has the advantage of being easy to cut into awkward shapes. It is a bit brittle, but with care the expanded polystyrene can be cut

using scissors, or a sharp modelling knife is also suitable.

A more substantial material such as plywood or MDF is equally suitable or perhaps even better than expanded polystyrene, but a jig-saw is needed to cut these tougher materials to shape. There is no need to get too clever when making the body of the unit, and with this type of thing something simple and basic often works best.

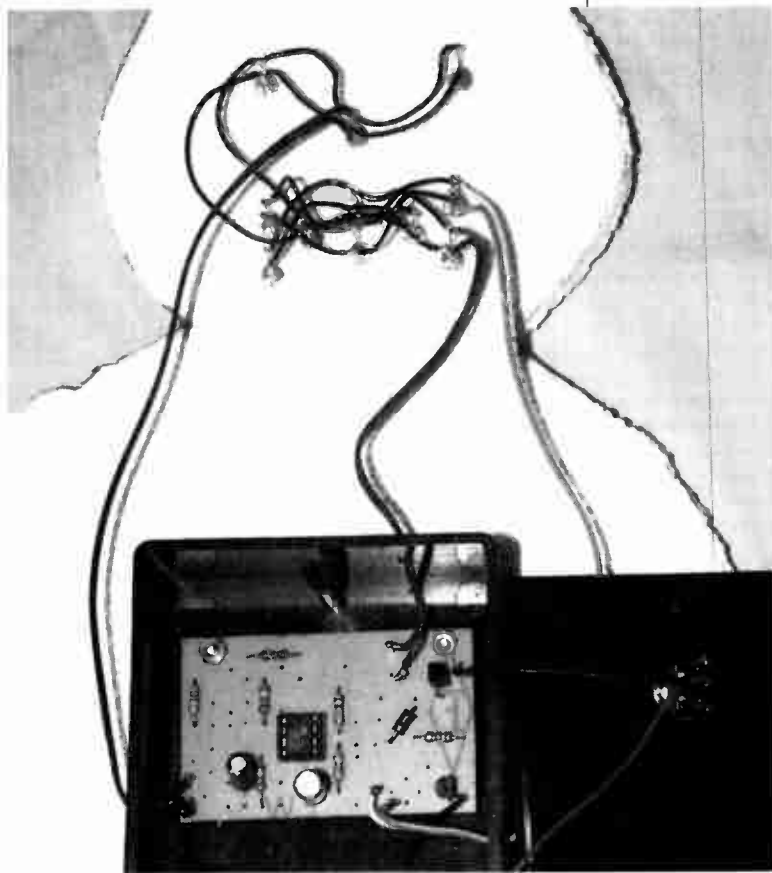
When using plywood or MDF the l.e.d.s are mounted in 5mm diameter holes, and they are glued in place using any good quality general-purpose adhesive. With expanded polystyrene the best approach is to make small holes and then *genily* push the l.e.d.s into position.

The natural sponginess of the material holds the l.e.d.s in place quite well, but they can still be glued if preferred. However, many adhesives attack polystyrene, and the hot glue from glue guns tends to melt the polystyrene. A quickset epoxy adhesive is probably the best type to use.

WIRING UP

Wiring up the l.e.d.s is much easier if you give them a uniform orientation, such as having all the cathode (k) terminals towards the bottom. This helps to keep the wiring neat and you can tell at a glance which lead is which.

The l.e.d.s will almost certainly be supplied with quite long leads, and they will have to be trimmed back to a length of about 10mm. The polarity is usually indicated by the cathode lead being slightly



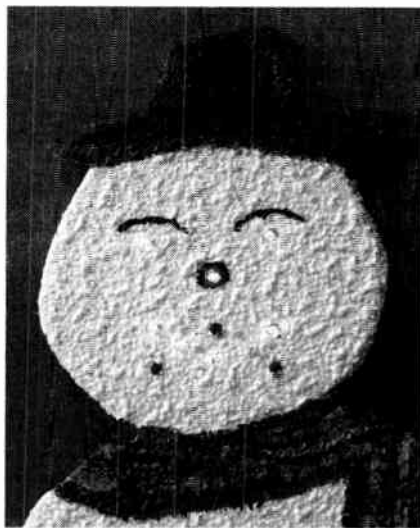
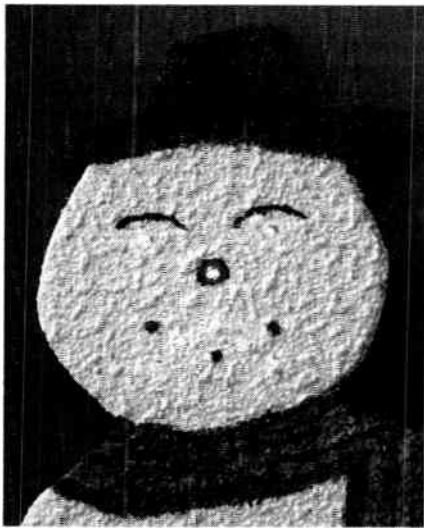
Wiring to the l.e.d. display and to the p.c.b. mounted inside the small box. Allow space for the battery pack.

interwiring details. Fit single-sided solder pins to the board at the points where it will connect to the battery, on/off switch S1, and the l.e.d. display.

The TL071CP op.amp used for IC1 is not a static sensitive component, but it is still a good idea to mount it on the board via an i.c. holder. Be careful to fit diode D1, transistors TR1/TR2, op.amp IC1 and the two electrolytic capacitors the correct way round on the p.c.b.

CASING UP

Virtually any small plastic or metal box should accommodate this project, but if the unit is battery powered be careful to select



The two faces of Mr. Snowman – a "thaw" and a "snowfall"!

shorter than the anode lead, and it is advisable to keep this disparity. Also, the cathode is often indicated by a "flat" on that side of the body, but this is something less than universal.

There is some advantage in using l.e.d.s that are red when switched on, but clear when switched off. These blend into the background better when switched off, and give a slightly more convincing effect.

The wiring is completed using ordinary multistrand connecting wire. Wire up the three sets of l.e.d.s one set at a time, fol-

lowing the wiring pattern shown in Fig.3. The easiest way of tackling this job is to use a single wire to connect each set of anodes and cathodes. This means making some connections along the length of the wire and not just at the ends. This is much easier using non-insulated wire, but pieces of sleeving must then be added onto the wires to ensure that accidental short circuits are avoided.

An easier alternative is to use ordinary connecting wire, with wire strippers being used to cut through the insulation at the

points where connections will be made. The insulation can then be opened out slightly, so that the exposed wire can be "tinned" with solder. With the ends of the leadout wires "tinned" with solder as well the wire should readily connect to the leadouts.

FINAL TOUCH

The case containing the electronics must be mounted on the rear of the "body", and double-sided adhesive pads are probably the best way of doing this. The traditional hat, scarf, eyebrows, and buttons must be painted onto the Snowman. Artists' acrylic paints are good for this, but fibre-tip pens provide a good low cost alternative.

To complete the unit the leads from the circuit board are trimmed to length and connected to the display, being careful to connect them with the right polarity. A double-sided adhesive pad is probably the best way of doing this.

The unit is then ready for testing, and if all is well some of the l.e.d.s should light up at switch-on, followed by the simple animation effect. If there is any sign of a fault switch off at once and recheck the wiring.

If one set of l.e.d.s fails to operate there is probably a short circuit at the connections to one of the l.e.d.s in the set. Alternatively, the l.e.d.s could be connected to the circuit board with the wrong polarity. If one l.e.d. in a set fails to work, that l.e.d. is faulty or connected with the wrong polarity. □

SHOP TALK

with David Barrington

Versatile Burglar Alarm

Looking through the components list for the *Versatile Burglar Alarm* project, a few decisions will need to be made by readers as to the complexity/cover they wish to have as this will have a considerable effect on the costing of the project. This applies particularly to the separate listing of the alarm devices.

Starting with the main listing. The bridge rectifier used in the prototype unit is a type W005 and should be generally available. Advertisers should be able to offer a suitably rated 20VA mains transformer. Also, note that the type BC184B transistor must be ordered (base being the centre pin) and *not* one with the suffix L.

The d.i.l. type 12V 2-pole miniature relay was purchased from **Maplin** (<http://www.maplin.co.uk>), code GU36P. The stripboard for this circuit will have to be cut down to size from a larger piece.

Turning our attention now to the alarm devices, readers may wish to investigate some of our "security" advertisers, such as **Suma Designs**, **A.S.A.** or general component suppliers like **Bull Electrical**, **Chevet Supplies**, **J&N Factors**, who sometimes carry warning sounders, pressure mats, vibration sensors, magnet-operated reed switches etc. at special discount prices.

The warning devices used in the prototype came from **Farnell** (☎ 0113 263 6311 or www.farnell.com), order codes as follows: siren/klaxon 676-843; alarm bell 107-843; bell enclosure 149-797; 12V xenon strobe beacon 223-712. The miniature reed switch (code CL37S) and operating magnet (code FX71N) both came from Maplin.

Scratch Blanker

The only real cause for concern when getting together parts for the *Scratch Blanker* is more than likely to be in finding a source for some of the semiconductor devices. Most of the other components for this project should be available from your usual local supplier or by mail order.

If any readers do experience problems in obtaining the MN3004 512-stage "bucket-brigade" delay line and its companion MN3101 clock generator/driver i.c.s, the author obtained his from **Maplin** (☎ 01702 554000), quote codes UM64U and UM66W respectively. Incidentally, in case you are wondering about the connecting of the "ground" pins to the positive supply line, these two chips are PMOS devices; mystery solved.

The above company also supplied the small double-pole mains rotary switch, code FH57M. The original mains transformer used in the prototype came from **ElectroValue**, type BR515 rated 5VA. but as it is

mounted off-board most of our component advertisers should be able to match its electrical characteristics. They will probably offer a 6VA type.

The 8-pin *low power* TS555CN timer should be used in this circuit and is widely stocked. It is not advisable to use a standard 555. It is also best to stick with the NE5532N high quality audio amp i.c. in this project. Both the 4066 and 4016 analogue switch i.c.s are popular, well stocked, devices.

The large printed circuit board is available from the **EPE PCB Service**, code 250.

Flashing Snowman

Our "starter project" this month has a timely festive theme and all the components (tile excluded) needed to make up our *Flashing Snowman* should be readily available from our components advertisers. They will also be able to offer a suitable *stabilised* mains adaptor unit at a reasonable price if the Snowman is to be left "running" for long periods.

Note that the l.e.d.s should all be of the same type and size, and that electrolytic capacitor C2 should be a new good quality component. The translucent type of l.e.d. seems to be fairly widely stocked and should not be a serious sourcing problem. The TL071 op.amp and the two transistors should also be stock items.

The *Flashing Snowman* is easily built up on our multi-project printed circuit board, which is available from the **EPE PCB Service**, code 932. As for the polystyrene tile, a trip down to your local DIY store should soon sort this one out.

Vehicle Frost Box

We cannot foresee any component buying problems for constructors of the *Vehicle Frost Box* project. They all appear to be "off-the-shelf" items. The only point we would highlight is the use of heavy-duty auto-wire for the unit's power supply leads. This should be obtainable from any good motoring store.

Teach-In 2000

No additional components are called for in this month's instalment of the *Teach-In 2000* series. For details of special packs readers should contact: **ESR Electrical Components** (☎ 0191 251 4363 or web <http://www.esr.co.uk>) Hardware/Tools and Components Pack.

Magenta Electronics (☎ 01283 565435 or <http://www.magenta2000.co.uk>) – Multimeter and Components Kit 879.

FML Electronics (☎ 01677 425840) – Basic Components Sets.

N. R. Bardwell (☎ 0114 2552886) – Digital Multimeter special offer.

PLEASE TAKE NOTE

8-Channel Data Logger

(Aug '99/Sept '99)

An updated software version V1.2 became available on **EPE Disk 2** and the **EPE** web site on 1 Nov '99.

New Technology Update

Surface acoustic wave devices have been developed to act as chemical detectors. Ian Poole investigates.

SURFACE acoustic wave devices are not everyday devices for the electronic designer. They are normally seen as being for use in a small number of specialist applications, particularly as filters.

However, it is likely that they will achieve widespread use in a role as chemical detectors in the future because, in a new development, they are able to provide an extremely compact detector.

What are SAW devices?

A surface acoustic wave (SAW) device uses a piezoelectric material as its base. Piezoelectric materials have the unique and very useful property that an electric potential applied across the crystal lattice will cause it to deform. The inverse is also true that when the material is stressed or deformed then an electric potential appears across it. This phenomenon is used in a variety of devices.

Piezoelectric transducers are quite common. They can be used as the basis of a cheap microphone, and many of the old pick-up heads used in vinyl disc record players used this principle. Now the technology is used for transducers found in vibration equipment and for sensing other forms of movement or vibration. The principle is also used for quartz crystals that can provide the resonant element in oscillators to give very stable signals or in filters to give high degrees of selectivity.

The principle is also used in surface acoustic wave devices. Here the device consists of a polished piezoelectric substrate that acts as a propagation path for the mechanical signals or vibrations. There is an input transducer that converts the incoming signal to a mechanical vibration and an output transducer that picks up the incoming signals and converts them back into electrical signals. It is worth noting that the signal has a defined delay across the device and this fact is applied when the device is used as a chemical detector.

A basic diagram of an SAW filter is shown in Fig. 1. When a signal is applied to the input transducer it creates a mechanical vibration that propagates outwards from the electrodes along the surface of the material. The vibration passing away from the output transducer has to be absorbed otherwise it would reflect off the back surface of the material causing an echo, and an absorber is used for this.

When the signal propagating towards the output transducer reaches it the vibration is converted back into an electrical form. Again the signal that might pass beyond the transducer has to be

absorbed otherwise it would cause an echo off the other surface.

The design of the transducers is critical to the operation of the device as a filter. Their length varies, but they are connected alternately to signal and ground. The signal is delayed by an amount determined by the spacing between the input and output transducers. The actual response of the filter is determined by the electrode spacing. As the signal arrives at the output it creates an oscillating impulse. The filter will give maximum output when the time for one cycle of the signal is the same as the time for the signal to travel from one of the signal fingers to the next.

New Applications

Whilst SAW devices have chiefly found uses as filters in the past, a whole new area of applications is appearing. Developments have been undertaken at the Sandia National Laboratories that use surface acoustic wave principles to enable traces of dangerous chemicals to be detected.

These detectors are being developed to detect a wide range of chemicals. This can be achieved because the devices based on SAWs form an extremely sensitive gravimetric detector that can be coated with a thin film to enable it to collect specific types of chemical. These devices are surprisingly sensitive and have been shown to be capable of detecting traces as low as a few parts per million, and in some cases they are expressed in terms of parts per billion.

With the ability of these devices to detect chemicals with such low levels it opens an enormous number of possibilities. They are expected to be used in a wide range of applications including monitoring the state of the environment and other health aspects.

Normally transducers for this type of application are made using a quartz substrate. However, those in this development were fabricated using gallium arsenide as the substrate because this material also exhibits the piezoelectric effect.

The use of gallium arsenide means that not only is the chemical sensing transducer integrated onto the substrate, but so are

the associated electronics. This enables the whole assembly to be contained on a single piece of gallium arsenide little larger than a button and enabling the whole testers to be made very small and easy to carry.

The transducer itself is made by fabricating the surface acoustic wave device. A thin selectively absorbing polymer layer is then applied into the piezoelectric surface. It is found that when specific chemicals are absorbed, the surface acoustic waves travel more slowly across the device. By analysing very closely the delays on the signals the chemicals can be detected and analysed.

One of the chief concerns of the development team was that the integration of the transducer and the electronics onto the same chip would degrade the performance of one or both of the functions. This might occur because the fabrication techniques would not suit both of the technologies as they could have conflicting requirements.

The development team addressed this possible problem from the outset. They were able to design the surface acoustic wave device so that it would use traditional integrated circuit fabrication techniques. Once this had been achieved the task became much simpler and neither area of the development was compromised. Naturally, the advantages of being able to integrate both electronics and detector onto the same substrate are enormous in terms of convenience and overall performance.

One problem did need to be overcome. To ensure high degrees of reliability integrated circuits are normally sealed and not exposed to the atmosphere. However, the sensor obviously needs to be exposed. This was overcome by using a "lid" that was attached directly onto the gallium arsenide surface. Several channels were machined into this to allow the gas to flow over the sensor whilst still protecting the remaining parts of the circuit from contaminants that might degrade the performance of the electronics over time.

Complete Unit

With the ability to have the sensor and electronics on one chip, the possibilities for having a small yet advanced detector are enormous. The ultimate aim is to produce a hand-held chemical detection system.

This would not only incorporate the sensors with their associated electronics, but also a computer to enable much of the advanced processing to be undertaken. Although this may still take some more time to perfect, units like these will undoubtedly be extremely useful in many applications.

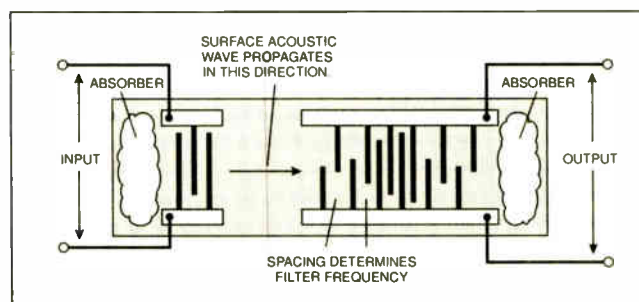


Fig. 1. A Surface Acoustic Wave filter.

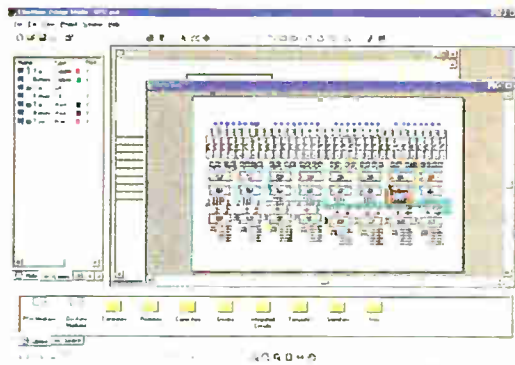
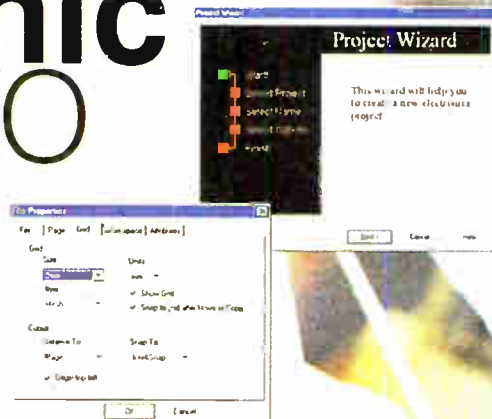


THE NEW FORCE IN EDA

The brief was clear. To create a next generation CAD system for electronic engineers that used state of the art desktop integration and customisability together with unrivaled ease of use.

electronic design STUDIO

From the creators of Quickroute, Electronic Design Studio (EDS) is an entirely new program designed for today's EDA performance needs. Integrating schematic and PCB design into a powerful design studio, EDS lets you view and edit all the files in your projects, and through OLE2, EDS integrates with your desktop letting you drag and drop documents into and from your favorite Office applications.



EDS also includes the new CADObjects engine with tools and flexibility that approaches the power of desktop publishing systems. With its comprehensive drawing and shaping tools, professional support for True Type fonts (even at the PCB stage), high resolution, large design size, polygon fill and shaping tools, EDS represents a genuine advance in EDA price performance. Visit our web site, or call now to find out how EDS can help you.

- State of the art multiple-document user interface offering unrivalled ease of use and customisability.
- OLE 2 support including drag and drop, allows integration with your favorite Office applications.
- Project Wizard and Project Manager make creating and navigating all the documents in your projects easy.
- New heiracial symbol browser, makes creating, editing and managing symbols a breeze!
- High resolution (1um) and large design size (up to 2m x 2m) combined with IntelliSNAP makes metric/imperial design mixing easy!
- Unlimited schematic sheets, with full support for data busses, power rails, etc
- CADCheck automatically synchronises schematic and PCB designs. No more capture worries!
- Unlimited Undo/Redo, print preview and a wide range of import/export options including CAD-CAM.
- Up to 32 layers can be assigned to be copper, silk, gold, mask, drill, mechanical, or annotation layers.
- New CADObjects engine supports a wide range of graphic objects including professional True Type fonts, object shaping and property support, in-situ editing of symbols, high resolution and arbitrary rotation/scaling of objects.
- Unlimited range of pad and track sizes supported.
- Create flood fills and power planes quickly with the new polyfill tool.
- Fast fully customisable poly-algorithmic autorouter

Electronic Design Studio	£199	\$319
Electronic Design Studio Cross Grade	£149	\$239
Electronic Design Studio LITE	£49	\$79

TRY AND BUY TODAY ONLINE

AT www.quickroute.co.uk

PLUS Your first double-sided Eurosize PCB produced FREE by BETA-LAYOUT



Prices exclude P&P and VAT where applicable. 30 DAY MONEY BACK GUARANTEE

WORK FASTER
WORK BETTER
WORK EASIER



Quickroute Systems Ltd Regent House, Heaton Lane, Stockport SK4 1BS. UK - Tel 0161 476 0202 - Fax 0161 476 0505
[http www.quickroute.co.uk](http://www.quickroute.co.uk) Email info@quicksys.demon.co.uk

Copyright © 1999 Quickroute Systems Ltd. All rights reserved. Prices and specifications subject to change without notice. Overseas distributors wanted!

World Radio History

Teach-Yourself Assembler or C & C++

*Programming, circuit design and interfacing to a PC computer.
Ideal for absolute beginners and perfect for experienced programmers.*

Assembler

There was a time when learning to programme in assembly language was thought of as only being possible by the cream of intellectuals. Peter Brunning has long held the belief that absolutely anyone can learn assembler and this teaching package puts his ideas into reality. If you have enough intelligence to understand the English language and you can operate a PC computer then you have all the necessary background knowledge.

This is a very practical system where you learn by building various circuits starting with just a few components. You then write the software so that your PC can perform simple tasks starting with LED flashing and building up gradually to quite complex operations. The idea is to capture the interest of the experimenter and once that is achieved the task of learning becomes fun.

Experimenting with PC Computers

Peter Brunning

A Beginner's introduction to the design of simple electronic circuits writing of assembly language programmes and interfacing to a PC computer

Brunning Software



The circuits are built by plugging the components into a special plugboard which plugs onto the end of your printer lead. You do not open up your PC and a soldering iron is not needed, making this ideal for complete beginners. The first few chapters go very slowly and, just like when you were a child learning to speak, the book takes you deeper and deeper into the world of computer control and analysis. Complex ideas are best learnt by being introduced in a practical environment and then later, perhaps years later, being examined in detail. This is a system designed for absolute beginners and the author offers no apology for taking you to a level which experienced engineers would appreciate.

C & C++

This second teaching package uses a similar approach and the same plugboard system to construct the experimental circuits. The book teaches the user to programme by using C to drive the simple hardware circuits built using the materials supplied in the kit of parts. The programming techniques for the experiments are kept simple enough for a complete beginner to follow. The experimental circuits build up to the construction of a storage oscilloscope circuit which combines the relatively simple C techniques to construct an overall programme that is by no means simple.

Peter Brunning believes that most beginners' packages are written by experienced C programmers who have long since forgotten how complicated the subject can be to a complete beginner. Peter has brought his 20 years of programming experience to learning C and C++ from scratch at the outset of the project, and the first part of *Experimenting with C & C++ Programmes* was written as he went. A second section was then written and the early chapters reviewed with the benefit of the accumulated C programming knowledge. His experience has shown that typical C programmes use complex procedures very difficult to follow by anyone other than an expert programmer, while BASIC appears much easier to understand. In reality, at equivalent levels of complexity C is only marginally more difficult than BASIC, and is infinitely more powerful. There is also a ready demand for C programmers, which is no longer the case with BASIC.

The programming learned will be C, but the methods are selected to prepare the reader to programme in C++.

Hardware required

To perform the experiments you will need a PC computer and a printer lead. Most of the experiments can be performed with a few limitations using any IBM compatible PC but ideally and to get the full benefit of the systems you need at least a 386 PC with hard drive and VGA monitor.

Experimenting with C & C++ Programmes

Peter Brunning

A Beginner's introduction to the design of simple electronic circuits writing of C & C++ programmes and interfacing to a PC computer

Brunning Software



The Kits

The kits contain the prototyping board, lead assemblies, components and programming software to do all the experiments. The 'made up' kits are supplied assembled and ready to start the first experiment. The 'unmade' kits require the prototyping board and leads to be assembled and soldered before you can start. The 'top up' kit CP2t is for readers who have purchased a kit to go with the first book, and contains all the components and programming software but not the prototyping board or leads. The kits do not include the book. For more information see the latest Maplin catalogue on pages 861 and 866.

Mail Order Form

Please make your cheque/PO payable to *Brunning Software* and send with this form to Brunning Software, 138 The Street, Little Clacton, Clacton-on-sea, Essex, CO16 9LS. Your order will be processed as soon as your cheque arrives. Despatch is usually the same day. Software supplied on 3.5in. HD discs. *The kits do not include the book.*

Please supply:

Book Experimenting with PCs (Maplin code NV68) £23.99
Kit 1a 'made up' and ready to start (Not from Maplin) £46.00
Kit 1u 'unmade' needs assembling (Maplin code NV67) .. £39.99

Book Experimenting with C & C++ (Maplin code NW47) . £24.99
Kit CP2a 'made up' and ready to start (Not from Maplin) . £46.00
Kit CP2u 'unmade' needs assembling (Maplin code NW48) £39.99
Kit CP2t 'top up' to add to Kit 1 (Maplin code NW49) £22.99

UK postage: Free for orders above £30 otherwise add £3 per order.

Prices include VAT where applicable

Name

Address

.....

.....

.....

Postcode

Date

Mail order address:

138 The Street, Little Clacton, Clacton-on-sea,
Essex, CO16 9LS. Tel: 01255 862308

Brunning Software



DIGITAL TV'S PROBLEMATIC FUTURE

Yet again different standards pose a threat to technology's development. Barry Fox reports.

THE US government's plan to convert from analogue to digital TV by 2006 is now "in disarray and on the verge of collapsing", warns Strategy Analytics (formerly BIS Mackintosh). The international research company previously and correctly predicted that the Divx limited-play DVD system would flop. "Less than five per cent of households will be watching DTV by 2005", says SA's David Mercer.

The European and US governments want to switch viewers onto digital viewing so that they can sell off the liberated analogue frequencies for more TV or mobile radio. But the two Continents have adopted radically different approaches.

1250-LINE FAILURE

Ten years ago the European Commission tried to convert European viewers from 625-line PAL TV to the 1250-line high definition MAC system. HD-MAC flopped because viewers did not want to buy the expensive new widescreen HD receivers needed. Learning from this mistake, Europe has adopted digital standards initially based on 625 lines.

DVB, developed by the Digital Video Broadcasting Group in Geneva, lets viewers plug a new set-top box between a terrestrial antenna and existing TV set. DVB has the option to heighten resolution in the future if the public think it is worth buying new sets.

DVB uses COFDM, Coded Orthogonal Frequency Division Multiplex, which spreads the broadcast signal between several thousand narrow carriers. This slows the data rate in each stream and lets the receiver reject unwanted signal reflections or "ghosts". Terrestrial DVB can work with a set-top aerial or mobile receiver.

Any viewer in the UK can now get a DVB box free if they subscribe to a pay-TV service. After one year nearly 0.5m DTTV boxes are in use. The Sky digital satellite service also uses 625 lines and carries most of the digital terrestrial channels free to around 1.8m set-top boxes.

GHOST BUSTERS

The US government's Federal Communications Commission and its Advanced Television Standards Committee preferred a high definition digital system, tailored to the hierarchy of display standards used by PCs. The FCC also opted for Vestigial Sideband transmission, a more simple technique than COFDM, similar to that used for North America's 525-line NTSC analogue TV.

The VSB system carries the TV signal at high data rate in a single channel, so it is

much more susceptible to echoes than a COFDM signal. The echoes corrupt the bitstream.

US set-makers are trying to improve reception with ghost-cancelling circuitry, as pioneered by the UK's Independent Television Commission in 1993.

Reference pulses, like a radar "chirp", are broadcast along with the TV signal, and the TV set has a memory which permanently stores an image of the pulse. The set continually compares the reference and received pulses. This reveals the echo characteristic, and the set uses this tell-tale information to cancel out the delayed TV signal.

The ITC was stymied because chips could not work fast enough to cancel in real time. Seven years on, the US set-makers have a better chance of making the system work, and making VSB do what COFDM does naturally.

VIEWERS WON'T PAY

US viewers are now baulking at the need to spend several thousand dollars on a new

TV set that can decode digital signals and display them in higher resolution. Set-top antennae do not work.

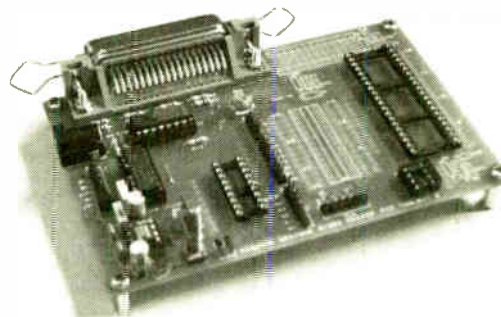
US broadcast chain Sinclair has rallied 400 stations, more than a third of all US commercial broadcasters, to ask the FCC for permission to use COFDM instead of VSB. Nokia of Finland has built COFDM receivers for the US broadcasters' tests.

CEMA, the Consumer Electronics Manufacturers Association, argues that poor reception is the fault of poor sets, not VSB. CEMA President Gary Shapiro warns that splitting the standard would have "devastating results for the DTV transition".

Says David Mercer of Strategy Analytics in Boston, MA, "Analogue broadcasting is an anachronism but switching off NTSC is going to be a far greater challenge than most people realise".

He predicts that terrestrial broadcasters in the US will end up using their digital capacity for data services.

MAGENTA TOOLS UP



With the PIC16F877 well and truly available from Microchip (you may recall that it's introduction was much delayed), Magenta Electronics have produced a kit of components for the *EPE PIC Toolkit Mk2* (May/June '99), including a revised version of the p.c.b.

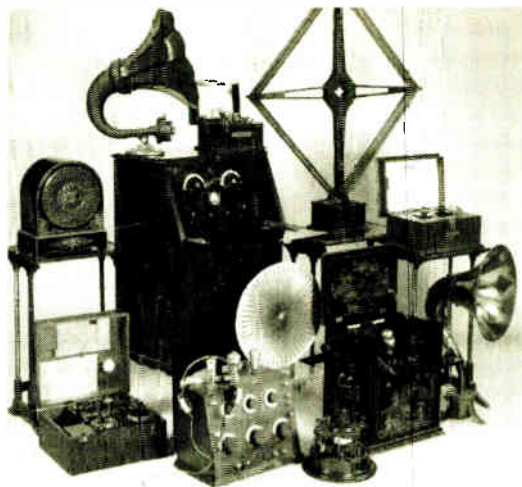
Magenta's p.c.b. is very similar to that published in *EPE* but, following suggestions from *Toolkit's* author John Becker has some new features included. Principally, these entail the separation of the combined socketing for IC3 into two sockets, one each for the two PIC16F87x package sizes.

Additionally, connection points have been added to each of the pins for both new IC3 sockets, allowing external circuits to be connected directly to Magenta's board. The option to install separate crystal control components for the two IC3 version sizes has also been added.

In common with other Magenta produced boards, all component position notations have been silk-screened onto the upper side of the board. The underside is solder-resist coated.

For more details, contact Magenta Electronics Ltd., Dept EPE, 135 Hunter Street, Burton-on-Trent, Staffs, DE14 2ST. Tel: 01283 565435. Fax: 01283 546932. E-mail: sales@magenta2000.co.uk. Web: <http://www.magenta2000.co.uk>.

VINTAGE RADIO SALE



Front cover photo from the Vintage Radio sale catalogue.

RECENTLY, a sale of Vintage Radios, the Duncan Neale Collection, took place at Donnington Priory, Newbury. It thoroughly confirmed that vintage radio equipment continues to be much sought after.

Top price of the day was achieved for a Marconiphone receiver, which fetched £3000. This was a fascinating set, seen to the bottom right of the photo, with the cabinet very finely japanned in oriental style. Two other four-figure prices were tendered for pre-broadcasting items, one of them a tuner from 1918. Even vintage crystal sets were fetching in excess of £200, one example reaching £520.

Duncan Neale had concentrated his collecting on the early broadcasting years of the 1920s and into the 1930s but he also had a small group of much later communications receivers. These were unexpectedly well received!

Auctioneers Dreweatt Neate tell us that at the end of an exciting afternoon, all but two of the 244 lots had sold for a total of over £45,000, comfortably in excess of the top estimate. The innovative live presence of the Internet was felt in that at least 15 lots sold to Internet bidders, who were also active underbidders on other items. Clearly a pointer to the future.

For more details, contact Dreweatt Neate, Donnington Priory, Donnington, Newbury, Berks RG14 2JE.

Tel: 01635 553553. Fax: 01635 553599. Web: <http://dreweatt-neate.co.uk>.

Sky Electronics

COLOURFUL and comprehensive are our first reactions in receipt of the latest catalogue from Sky Electronics. There are over 140 pages of full-colour details of an enormous and diversified range of products. It is a catalogue that will delight anyone who is into ready-made equipment and the accessories that maintain it.

The main titles of the sections include Audio and Video, Music and Disco, Car, Communication, CCTV, Electrical, Computer, Test, Power Supplies, Tools, Connectors, Cable, Loudspeakers.

Each of these sections is filled with beautifully photographed products that really show off the product quality and desirability. Where detailed specifications are required, these are well-itemised. All products have code reference numbers and the prices are then cross-referenced in an accompanying 16-page list.

Sky tell us that they also stock a massive range of other components, including semi-conductors, capacitors, resistors, video parts, remote controls etc., all at "what we believe are very reasonable prices".

For more details contact Sky Electronics, Dept EPE, 40-42 Cricklewood Broadway, London NW2 3ET. Tel: 020 8450 0995. Fax: 020 8208 1441.

Tape Drops In Easily

PREMIER Elmech remind us that we've probably all experienced old or "tired" cassettes – they don't run smoothly, the sound is distorted, tape spills out, or wraps itself up inside. These happenings are due to tightness within the cassette case, which can result from a number of causes.

To combat this effect, Premier Elmech have developed a specially formulated lubricant which is said to restore the treated cassette to its former glory. The lubricant is non-toxic, non-flammable and will not affect the rubber drive belts, the tape, or any adhesive tape joins.

The lubricant is supplied in a 10cc dropper bottle, which dispenses the correct quantity to treat one cassette hub at a time, and contains sufficient to treat upwards of 50 cassettes. A hand-operated cassette winder is included to enable the treatment to be accomplished outside the machine. The cost is £4.50, including VAT and postage.

For more details, contact Premier Elmech, 65 High Town Road, Luton, LU2 0BW. Tel: 01582 611991. Fax: 01582 611911.

E-mail: premier@interdart.co.uk.

FML Electronics Catalogue

ANOTHER catalogue received is that of FML Electronics. Comprised of five A4 pages of closely type-set lists of components, this cat contains masses of items for which readers will be frequently on the look out. Semiconductors are heavily featured on pages 1 and 2, from discretes through digital and analogue i.c.s to PICs.

The other pages include capacitors, crystals, connectors, cases, all sorts of hardware, including switches and stripboard. Page five features a selection of development and "popular assortment" packs.

Separately enclosed with the main cat sent to HQ were details of FML's very wide range of kits for EPE projects, including not only those for *Ingenuity Unlimited* designs, but also for our current *Teach-In 2000* series.

For more details contact FML Electronics, Dept EPE, Freepost NEA3627, Bedale, N. Yorks DL8 2BR. Tel: 01677 425840.

Pico Cat

Pico Technology's latest catalogue has been received, covering the period for Sep '99 to March '00. As many of you will know, Pico have become leaders in the field of virtual instrument technology solutions. Their range of PC-based instruments covers oscilloscopes, spectrum analysers, meters, data acquisition, environment monitoring and signal conditioning. The entire range is extensive, and of excellent quality and value.

Amongst the selection of accessories shown in Pico's cat is a dual parallel port for only £15. If you are one of the (few) readers who cannot get your PC parallel port to function with some of our published software, this interface might provide you with a solution.

New products in this cat include a higher-speed thermocouple to PC converter, and some more signal conditioners.

For more details, contact Pico Technology Ltd., Dept EPE, 149-151 St Neots Road, Hardwick, Cambs CB3 7QJ. Tel: 01954 211716. Fax: 01954 211880. E-mail: post@picotech.com.

Web: www.picotech.com.

Sherwood Cat

SHERWOOD Electronics have been advertisers with us for many years and it's good to receive and publicise their latest catalogue, that for the year 2000, appropriately subtitled the Millennium Edition. Containing around 100 pages in A5 format, this catalogue of essential electronic components is one which ought to be prominently on your bookshelves or workbench.

Products include batteries, buzzers, capacitors, connectors, semiconductors galore, displays, motors, pots, speakers, switches, tools and much, much more, to just name a few groups in Sherwood's range.

The cat is cleanly laid-out with prices well-prominent, and line-drawing illustrations where appropriate. It costs £1 but there is £1 worth of discount vouchers included.

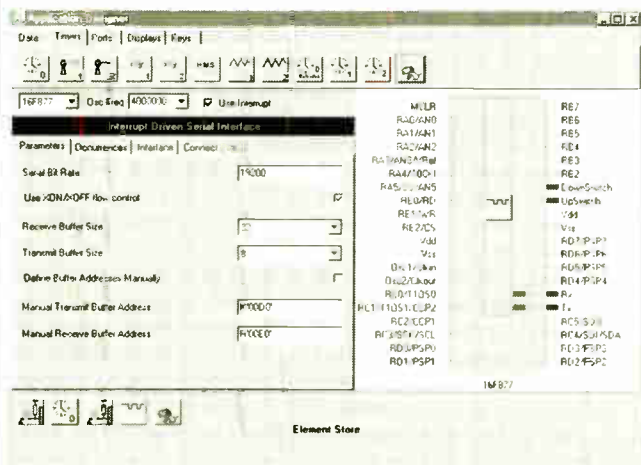
For more details contact Sherwood Electronics, Dept EPE, 7 Williamson Street, Mansfield, Notts NG19 6TD.

WIZPIC - A Totally new way to develop PIC software



WIZPIC - a new front end to FED's popular PICDESIM development program

- Rapid Application Development for the PIC microcontroller
- Drag and drop your software component selections on to your design
- Included components support timers, serial interfaces, I2C, LCD, 7 Seg displays, keypads, switches, port controls, and many more.
- Connect software components to PIC pins by point & click using the mouse
- Set parameters for each component from drop down list boxes, check boxes, or text entry
- Links your code automatically into library events (e.g. Button Pressed, Byte Received etc

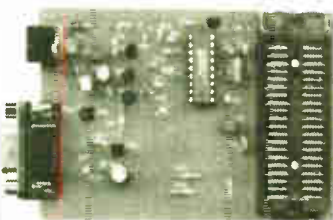


- Automatically generates your base application including full initialisation, interrupt handling and main program loop
- The complete PICDESIM program is integrated into WIZPIC - total editing/assembly/simulation support in one program
- Blazingly fast - simulates up to 10 times faster than MPLAB
- Includes Waveform Analyser - examine your simulation results on a logic analyser style window
- Also includes the Element Editor to enable you to create your own components with ease.
- WIZPIC supports all 14 bit core PIC's - 12C67x, 16C55x, 16C6x, 16C7x, 16C8x, 16C87x etc.

Prices

PICDESIM £20. WIZPIC - £30, or buy the WIZPIC CD-ROM including PIC data sheets & source material - £35. Upgrade - PICDESIM users £10.00 floppy / £15.00 CD-ROM

Programmiers for PIC & AVR



PIC Serial Programmer (Left)

Handles serially programmed PIC devices in a 40 pin multi-width ZIF socket. 16C55X, 16C6X, 16C7X, 16C8x, 16F8X, 12C508, 12C509, 16C72XPIC 14000, 16F87X, etc. Also In-Circuit programming. Operates on PC serial port

Price : £45/kit - £50/built & tested

PIC Introductory - Programs 8 & 18 pin devices : 16C505, 16C55X, 16C61, 16C62X, 16C71, 16C71X, 16C8X, 16F8X, 12C508/9, 12C671/2 etc. £25/kit.

AVR - AVR - 1200, 2313, 4144, 8515, 8535, 4434 etc. in ZIF. 4.5V battery powered. Price : £40 for the kit or £45 built & tested.

All our Programmiers operate on PC serial interface. No hard to handle parallel cable swapping ! Programmiers supplied with instructions, + Windows 3.1/95/98/NT software. Upgrade programmiers from our web site !

C Compiler

FED PIC C Compiler Price Crash !

Supports all PIC 16Cxx, 12C6xx devices
Designed to ANSI Standards

Integrated Compiler Environment includes FED's PICDESIM for simulation/debugging

Ring/Write for details or visit our Web Site:
<http://www.fored.co.uk>

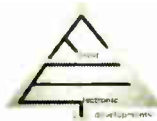
Now - £60 CD-ROM, £75 with printed manuals

Forest Electronic Developments

60 Walkford Road, Christchurch, Dorset, BH23 5QG.
E-mail - info@fored.co.uk, or sales@fored.co.uk
Web Site - <http://www.fored.co.uk>

01425-274068 (Voice/Fax)

Prices are fully inclusive. Add £3.00 for P&P and handling to each order. Cheques/POs payable to Forest Electronic Developments, or phone with credit card details.



16F877

Fully supported by WIZPIC, PICDESIM, the serial programmer and our C Compiler.

16F877-04	£5.50
16F877-20	£6.00

<http://www.fored.co.uk>

VERSATILE BURGLAR ALARM

IAN MARCH

An easy-to-construct and install "closed-loop" alarm that is readily extendable. Ideal as a secondary back-up system.

A BURGLAR alarm system can be as complicated or as simple as you wish. The need was for one that would offer a good degree of protection, without being horrendously awkward to install or operate.

It was decided, therefore, that no attempt would be made to detect an initial entry, since this would entail a switch on every outside door and window frame, and glass break detectors on panes of glass. Instead, sundry internal doors would be alarmed. This has the advantage of not requiring a delayed arming system, to cover exit after setting the alarm, or a delayed actuation, to allow the returning owner to disarm the system.

If the owner has followed police guidelines and fitted a mortice lock to the front door, any attempt at entry, once the usual "lock picking" attack on the front door has failed, would most likely be made at the rear of the property. At the side and rear, PIR-operated floodlights provide some deterrence, although, of course, they will not see off the determined professional housebreaker, or have any effect during daylight hours when most burglaries are carried out.

SYSTEM FACILITIES

The preferred system finished up using a simple series-loop of door switches. A small "Form A" n.o. (normally open) reed relay was recessed into each alarmed door-frame, as near floor level as practicable. Then an operating magnet was let into the

edge of the door, closing the switch when the door is shut.

A further consideration was that two cats should have the run of the house downstairs, and also the stairs and landing, but not any of the upstairs rooms. So the switches were fitted to all the doors opening onto the landing – namely the bedrooms and the bathroom.

However, if pets do not feature in your household, some or all of the downstairs internal doors can be included in the loop. But upstairs switches only are probably adequate, as a burglar invariably makes for the main bedroom where, traditionally, any valuables are kept. (But be aware that valuables in

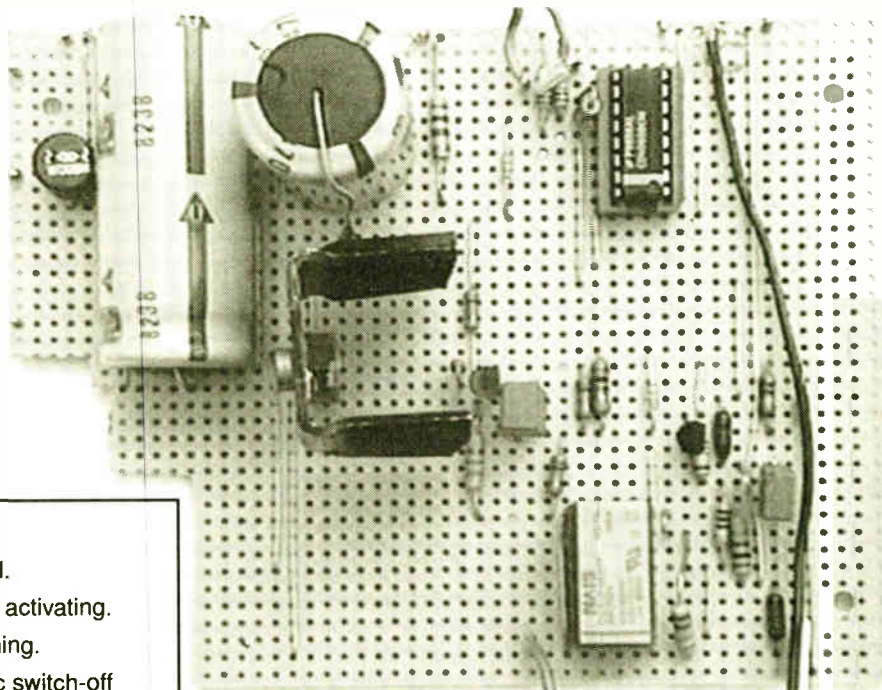
unprotected rooms could be removed or rooms ransacked before the alarm is triggered.)

This conveniently confined all wiring to the first floor, concealed under the edge of the fitted carpet on the landing. The control box containing all the electronics is neatly tucked away out of sight under the rear of a chest of drawers on the landing.

Two switches are provided on the Control Box. The On/Off (Reset) switch enables or disables the alarm, and also resets it if the alarm has been activated. The alarm itself can consist of an internal high power klaxon, an external bell, and/or a flashing strobe light.

All three were fitted in the author's system, with the klaxon at ceiling level in the hall, by the front door. Outside, a translucent weatherproof box above the porch in an obvious "easy-to-see" position to act as a deterrent, houses the bell and strobe.

The other switch provides Normal and Test positions. In the Normal position,



Component layout on the completed prototype circuit board. The final layout may differ slightly from this.

when the alarm is activated, it operates for some 15 minutes (or until Reset). In the Test position, if an alarmed door is opened while the system is On, a buzzer in the control box sounds instead, for a brief three seconds, showing that all systems are GO!

Features . . .

- Does not require front door to be alarmed.
- No need to exit in so many seconds after activating.
- No need to rush to switch off when returning.
- Meets local authority byelaws – automatic switch-off after less than 20 minutes.
- Extendable if and when desired – additional door and/or window switches; PIR sensor; glass-break detectors, etc.
- Includes Test facility to check system is operational.

CIRCUIT OPERATION

The circuit diagrams that make up the Versatile Burglar Alarm, together with the power supply, are shown in Fig.1 and Fig.2. Assuming all the door sensor switches are closed, switch S1 is set to On (open circuit), and S2 is at Normal (Fig.1), circuit operation is as follows.

If any of the alarmed doors are opened, resistor R1 applies a positive-going edge, via R2, C1, D2 and R8, to the base (b) of transistor TR1. This operates the relay

RLA, which in turn maintains the transistor in conduction, via self-held contact RLA1. Relay contact RLA2 applies 12V d.c. power to the internal klaxon, and outside bell and strobe – see Fig.2.

The positive-going edge is also applied via R3 to the Reset of IC1, pin 12, setting all the counter stages to logic 0. The positive edge then dies away, as capacitor C1 charges up. Output Q14 at pin 3 of IC1 having been set to logic 0, the device's internal oscillator starts to run, as it is no longer disabled via diode D3. On reaching the count of 2^{13} , pin 3

of IC1 returns to the high level, inhibiting the oscillator section of the device.

This positive-going edge at IC1 pin 3 turns on transistor TR2, and via C4, R14 and D5 momentarily turns off TR1, causing the relay to drop out and removing the self-hold action of RLA1. Thus the klaxon, bell and strobe cease to operate; having been energised (with the component values shown) for a period of not more than 20 minutes.

This self-cancelling action is a requirement of most local authority bye-laws. In the event of the owner returning to find the

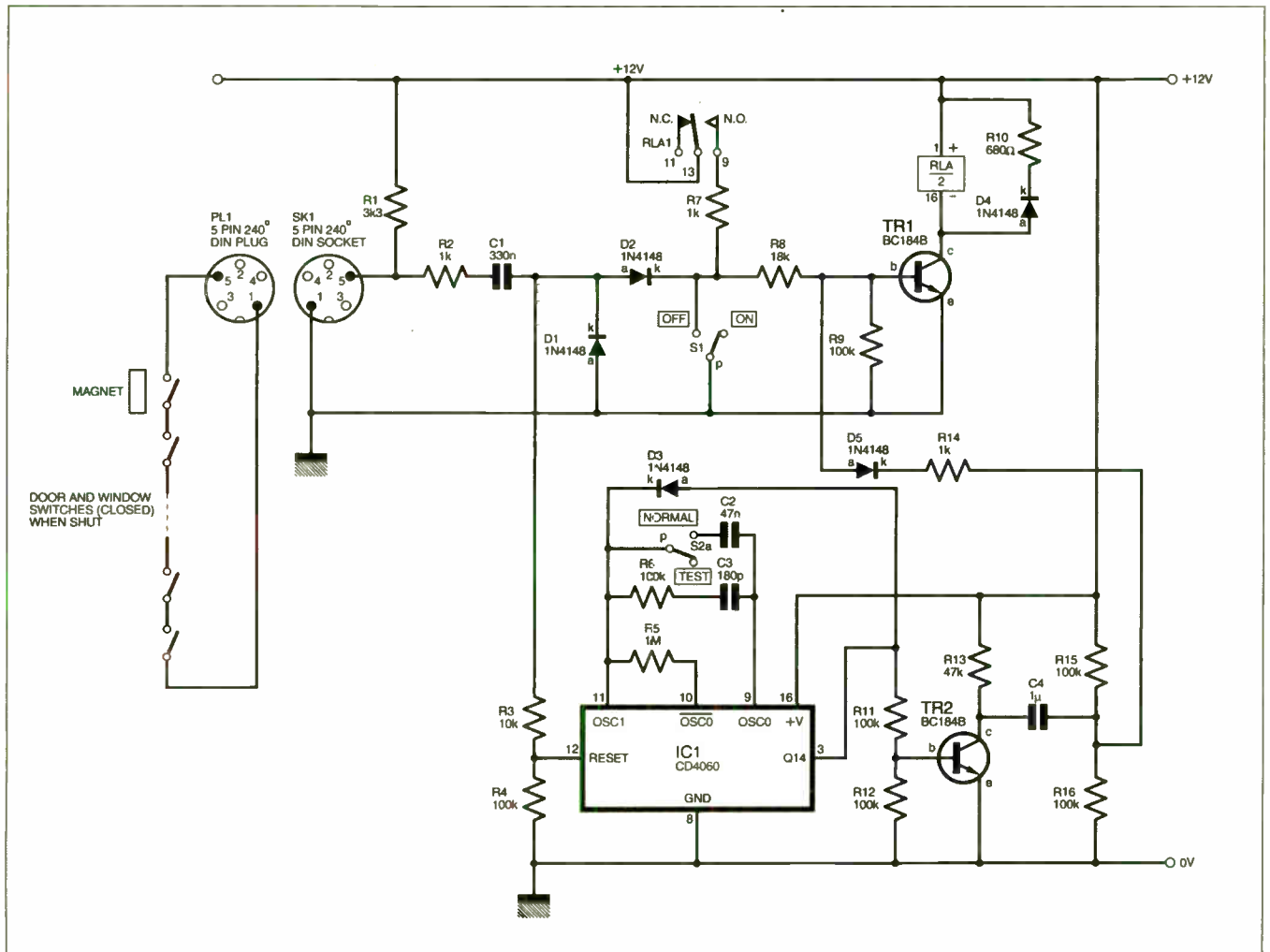


Fig. 1. Circuit diagram for the control section and "closed-loop" sensor switching for the Versatile Burglar Alarm.

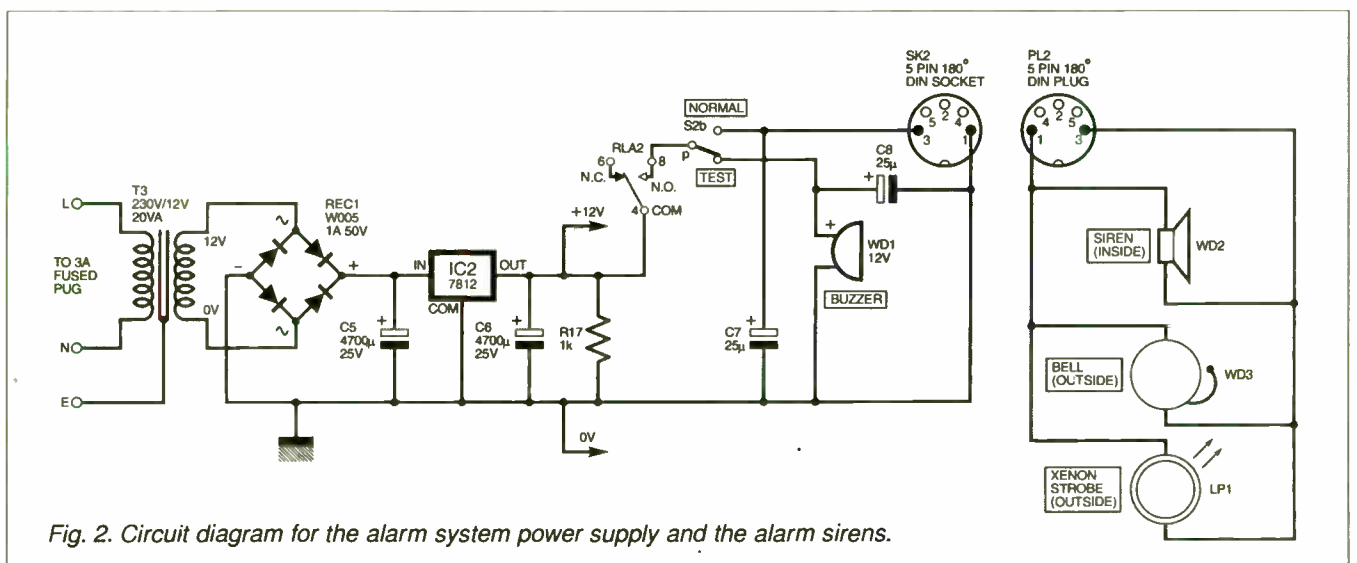


Fig. 2. Circuit diagram for the alarm system power supply and the alarm sirens.

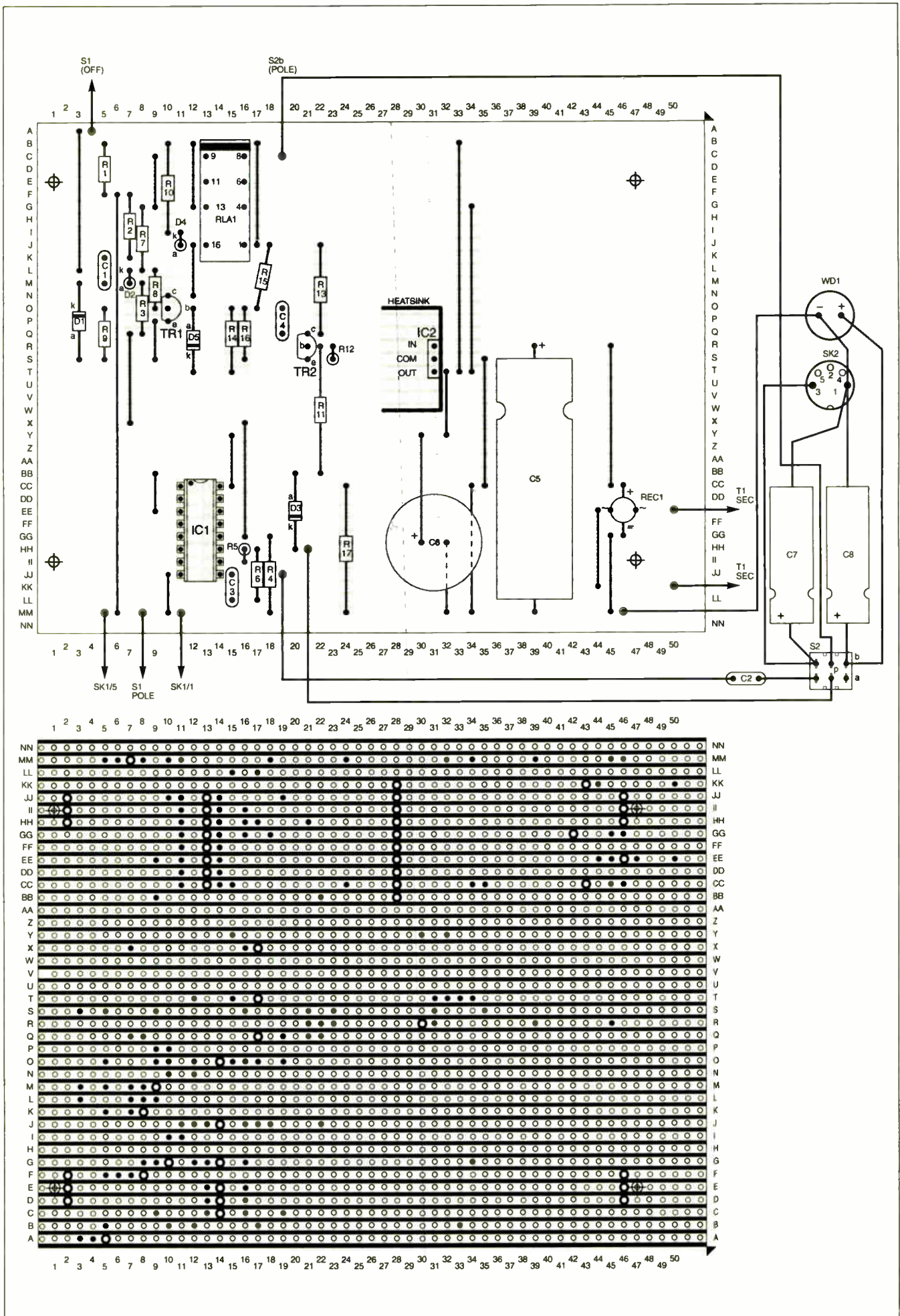


Fig.3. Stripboard component layout and details of breaks required in the underside copper strips. Wiring to the mains transformer, switches and sockets will depend on types used. Capacitors C2, C7 and C8 are wired directly to off-board components.

alarm sounding, it can be cancelled immediately by setting switch S1 to Off (Reset).

Operation with switch S2 in the Test position is the same, apart from two crucial differences. First, S2 enables the control unit's internal buzzer WD1, rather than the klaxon, etc. Second, with the oscillator timing capacitor reduced to 180pF (C3), the Q14 output terminates the sounding period after some three seconds.

COMPONENTS

A full list of components is given, but many readers will, no doubt, have most of the smaller components in stock. For example, the mains transformer used in the prototype was a 20VA unit, with two 6.3V a.c. secondaries, salvaged from an old valve job.

The larger components, such as the klaxon, bell and strobe will probably have to be bought in, but can be added piecemeal at a later date, after the system has been constructed, installed and tested. Obviously, it will pay to use only good quality components, to minimize the possibility of embarrassing false alarms!

CONSTRUCTION

The average constructor may well have a suitable enclosure in stock, perhaps left over from some previous project. Bizarre as it may seem, the prototype was constructed in the wooden case of an old home-made transistor portable radio, about 230mm wide, by 152mm by 152mm, with the original On/Off switch used as S1. Switch S2 was mounted on the side of the cabinet, and the two sockets and mains lead at the rear.

From the outside, it still looks like its former self! Otherwise, any box of about the stated dimensions will prove suitable.

Two 5-pin DIN connectors were used for sockets SK1 and SK2 as these happened to be in stock. Any 2-pin connector will do for SK1, but SK2 *must* be a non-reversible type, to ensure that the 12V d.c. is applied to the klaxon, bell and strobe in the correct polarity.

The circuit was built up on 0.1in. matrix copper stripboard, as it was developed. The layout of the prototype is therefore not the tidiest, but the circuit is not critical in this respect. The topside component layout and details of breaks required in the underside copper tracks are shown in Fig.3.

All the components, except the mains transformer, switches, sockets and buzzer, were mounted on the stripboard, with the following further exceptions. Capacitor C2 was mounted directly on switch S2, C7 between S2 and a common earth point on the stripboard and C8 directly across the buzzer terminals.

Counter IC1 was fitted in a 16-pin i.c. socket, the relay in a 14-pin i.c. socket, and IC2 was provided with a TO220 twisted-vane heatsink. Note that the TO92 plastic transistors TR1 and TR2 are the variety where the centre lead is the base (b) connection, BC184B; *NOT* BC184L where the centre lead is collector.

TESTING

Testing is straightforward, but is most conveniently carried out on the workbench, rather than in situ. *However, as a mains supply is involved, great care is necessary. Make sure that all mains connections, including the primary terminals of mains transformer T1 are well insulated, and always disconnect the mains lead from the*

supply before working on or touching any part of the unit.

Having double-checked all your wiring and tested with a multimeter for any possible shorts across the +12V rail, connect a "test" toggle switch, set to On, temporarily across DIN plug PL1, in place of the sensor loop switches. Set switch S2 to Test and S1 to Off/(Reset).

Connect up to the mains, switch on and check that the raw supply voltage across capacitor C5 is in the range +15V to +18V, depending upon the particular mains transformer used. Check that the stabilised +12V rail is present and correct.

Now set S1 to On and then switch off the "test" toggle switch temporarily attached to plug PL1. The buzzer should sound for approximately 3 seconds. This shows that the unit is basically working.

Disconnect the mains, and wait 20 seconds for resistor R17 to discharge the supply capacitors. Now temporarily short the Normal and Test terminals of S2a and leave switch S2 in the Normal position, so that capacitor C2 is now in circuit. Reconnect the short circuit (switch on test switch) at PL1, set S1 to Off and reconnect the mains. Now set S1 to On and then switch off the toggle switch at PL1. This time, the buzzer should sound for about 15 minutes.

Repeat the above test, checking after a minute or so that setting S1 to Off terminates the alarm. This completes the testing, so the short at S2 can be removed and the unit boxed up and installed.

It only remains to check that, with all the alarmed doors shut and S1 at On, opening any of the doors triggers the alarm. This can be done initially with S2 at Test, but must of course be repeated with S2 at Normal, to check that the klaxon and bell really do sound, and that the strobe light (if fitted) does flash. As soon as this has been shown to be OK, S1 can be set to Off, mercifully terminating the racket!

USING THE ALARM

Using the Versatile Burglar Alarm is very simple, no dash from the front door to turn it off again when you come home. When leaving, close all the alarmed doors, check that the unit is plugged in and the mains is on, and set switch S1 to On. Now, opening any alarmed door will trigger the alarm.

Before leaving the house, make sure that switch S2 is at Normal. On your return, remember to set S1 to Off, before opening any of the alarmed doors. If you forget, and activate the alarm, setting S1 to Off will silence it immediately.

It is a good idea to set S2 to Test occasionally, and check that the system is working by opening any of the alarmed doors. This should be done on a regular basis. You can leave S2 in the Test position except when going out, as a matter of course, if you want. If all the alarmed doors are normally kept closed, the system will be tested every time one is opened, as indicated by a discreet 3 seconds buzz.

FURTHER FACILITIES

The "closed-circuit loop" may be extended at any time, to additional door and/or window switches, including the front door. It would also be possible to link the unit to a PIR (passive infra-red) sensor fitted, say, in the hall.

COMPONENTS

Resistors

R1	3k3
R2, R7, R14	
R17	1k (4 off)
R3	10k
R4, R6, R9,	
R11, R12,	
R15, R16	100k
	(7 off)
R5	1M
R8	18k
R10	680Ω
R13	47k

All 0.25W 5% metal film

See
SHOP
TALK
page

Capacitors

C1	330n polyester
C2	47n polyester
C3	180p ceramic
C4	1μ polyester
C5, C6	4700μ axial elect.
	25V (2 off)
C7, C8	25μ axial elect. 25V
	(2 off)

Semiconductors

D1 to D5,	1N4148 signal diode
	(5 off)
REC1	50V 1A bridge rectifier
TR1, TR2	BC184B npn transistor
	(2 off)
IC1	4060 14-stage
	counter/oscillator
IC2	7812 1A 12V voltage reg.

Miscellaneous

S1	s.p.s.t. toggle switch
S2	d.p.d.t. toggle switch
SK1/PL1	5-pin 240° DIN socket
	and plug
SK2/PL2	5-pin 180° DIN socket
	and plug
RLA	1A 12V coil 2-pole min.
	changeover relay
T1	20VA mains transformer,
	12V secondary
WD1	12V piezoelectric buzzer
	Case for control unit, size 230mm x
	152mm x 152mm approx.; stripboard,
	0.1in. matrix size 53 holes x 40 copper
	strips; 14-pin d.i.l. socket; 16-pin d.i.l.
	socket; fused (3A) mains plug and lead;
	multistrand connecting wire; solder pins;
	solder etc.

ALARM DEVICES

WD2	12V piezo siren
WD3	9V to 15V alarm bell
LP1	12V d.c. xenon beacon
	Bell enclosure; miniature reed relay
	with operating magnet, one of each per
	alarmed door needed.

Approx. Cost
Guidance Only

£28

excl. alarm devices

This can be problematic in a household including pets, especially large dogs. However, with cats a sensitivity setting can usually be found which will ignore them, but detect humans. Other sensors, such as an IR beam across the hall at waist height, can be used where necessary.

Another possibility is the addition of a 12V backup battery, to maintain operability in the event of temporary mains failure. This has not been included in the present system, since mains failures are nowadays virtually unheard-of. But some readers living in sensitive areas may wish to add a float-charged battery to the system. □

EVERYDAY

PRACTICAL

ELECTRONICS

BACK ISSUES



We can supply back issues of *EPE* and *ETI* (see panel) by post, most *EPE* issues from the past five years are available. An *EPE* index for the last five years is also available - see order form. Alternatively, indexes are published in the December issue for that year. Where we are unable to provide a back issue a photostat of any *one article* (or *one part* of a series) can be purchased for the same price.

DID YOU MISS THESE?

AUG '98

PROJECTS • Lightbulb Saver • Float Charger • PC Transistor Tester • Greenhouse Computer - 2 • Time Machine Update.
FEATURES • TEACH-IN '98 - 10 • Circuit Surgery • Techniques • Ingenuity Unlimited.

SEPT '98

PROJECTS • Mains Socket Tester • Personal Stereo Amplifier • Greenhouse Radio Link • PIC Altimeter.
FEATURES • TEACH-IN '98 - 11 • Ingenuity Unlimited • Circuit Surgery • Interface • Net Work • Crocodile Clips Review.

OCT '98

PROJECTS • Voice Processor • Digiserv R/C Channel Expander • Reliable Infra-Red Remote Control • PC Capacitance Meter.
FEATURES • Easy PCB Making • Using LM335 and LM35 Temperature Sensors • Circuit Surgery • Ingenuity Unlimited • Net Work.

NOV '98 Photostats Only

PROJECTS • PIC Tape Measure • T-Stat Electronic Thermostat - 1 • PhizzyB Computers - 1 • 15-way Infra-Red Remote Control.
FEATURES • Circuit Surgery • Ingenuity Unlimited • New Technology Update • Net Work - The Internet • Easy PC for Windows 95 Review • FREE *EPE* CD-ROM No.1.

DEC '98 Photostats Only

PROJECTS • *EPE* Mind PICKler-1 • Fading Christmas Lights • Handheld Function Generator • Damp Stat Electronic Thermostat • PhizzyB Computers-2.
FEATURES • PhizzyB Computers-2 Understanding Computers • Circuit Surgery • Ingenuity Unlimited • Index • FREE 48-page Understanding Passive Components booklet.

JAN '99

PROJECTS • Alternative Courtesy Light Controller • Twinkle Twinkle Reaction Game • Volume Compressor • PhizzyB Computers-3 • *EPE* Mind PICKler-2.
FEATURES • New Technology Update • From Russia With Love • Circuit Surgery • PhizzyB Computers-3 • Net Work.



FEB '99

PROJECTS • PIC MIDI Sustain Pedal • Light Alarm • Wireless Monitoring System-1 • PhizzyB Computers-4.
FEATURES • Ingenuity Unlimited • Sclar Project • PhizzyB Computers-4.

MAR '99

PROJECTS • Smoke Absorber • Auto Cupboard Light • PhizzyB Computers-5 • Time and Date Generator • Wireless Monitoring System-2.
FEATURES • Ingenuity Unlimited • I/ITSEC Show Report • PhizzyB Computers-5 • Practically Speaking • Circuit Surgery • Net Work.

APRIL '99

PROJECTS • Mechanical Radio • Voice Record/Playback Module • Versatile Event Counter • PhizzyB Computers-6 • Ironing Board Saver.
FEATURES • Microcontrollers • PhizzyB Computers-6 • MAX761 D.C. to D.C. Converter • Interface • Circuit Surgery • Net Work • FREE 48-page Basic Soldering Guide booklet.



MAY '99

PROJECTS • MIDI Handbells • A.M./F.M. Radio Remote Control • PhizzyB Computers-7 • PIC Toolkit Mk2-1.
FEATURES • PC Engines - From 4004 to Pentium III • Ingenuity Unlimited • Practically Speaking • PhizzyB Computers-7 • Circuit Surgery • New Technology Update • Net Work • FREE pu'l-out 7400 series Pinout Data Chart.

JUNE '99

PROJECTS • Clipping Video Fader (Starter Project) • PC Audio Frequency Meter • Musical Sundial • PIC Toolkit Mk2-2.
FEATURES • Alan Dower Blumlein • Circuit Surgery • Interface • PhizzyB Computers-8 • Ingenuity Unlimited • Edison 3 Review • Net Work - The Internet.

JULY '99

PROJECTS • 12V Lead-acid Battery Tester • L.E.D. Stroboscope • *EPE* Mood Picker • Intruder Deterrent.
FEATURES • Practical Oscillator Designs-1 • Practically Speaking • Circuit Surgery • Ingenuity Unlimited • New Technology Update • Net Work - The Internet.

AUG '99

PROJECTS • Ultrasonic Puncture Finder • Magnetic Field Detective • Freezer Alarm • 8-Channel Analogue Data Logger-1 • Sound Activated Switch.
FEATURES • Practical Oscillator Designs-2 • Power Generation from Pipelines to Pylons-1 • Ingenuity Unlimited • Circuit Surgery • New Technology Update • Interface • Net Work - The Internet.

SEPT '99

PROJECTS • Loop Aerial SW Receiver • Child Guard • 8-Channel Analogue Data Logger-2 • Variable Dual Power Supply.
FEATURES • Practical Oscillator Designs-3 • Power Generation from Pipelines to Pylons-2 • Practically Speaking • Circuit Surgery • Ingenuity Unlimited • New Technology Update • Net Work - The Internet.

OCT '99

PROJECTS • Interior Lamp Delay • Mains Cable Detector • QWL Loudspeaker System • Micro Power Supply.
FEATURES • PIC16F87x Mini Tutorial • Practical Oscillator Designs-4 • Circuit Surgery • Interface • New Technology Update • Ingenuity Unlimited • Net Work - The Internet.

NOV '99

PROJECTS • Acoustic Probe • Vibralarm • Ginormous Stopwatch-1 • Demister One-Shot.
FEATURES • Teach-In 2000-Part 1 • Ingenuity Unlimited • Practically Speaking • Practical Oscillator Designs-5 • Circuit Surgery • New Technology Update • Net Work - The Internet. FREE Identifying Electronic Components booklet.

DEC '99

PROJECTS • PIC Micro-Probe • Magnetic Field Detector • Loft Guard • Ginormous Stopwatch - Giant Display-2.
FEATURES • Teach-In 2000-Part 2 • Practical Oscillator Designs-6 • Interface • Ingenuity Unlimited (Special) • Circuit Surgery • Network-The Internet • 1999 Annual Index.



BACK ISSUES ONLY £2.75 each inc. UK p&p.
Overseas prices £3.35 each surface mail, £4.35 each airmail.

We can also supply issues from earlier years: 1992 (except March, April, June to Sept. and Dec.), 1993 (except Jan. to March, May, Aug., Dec.), 1994 (except April, May, June, Nov.), 1995 (except Jan., May to Sept., Nov., Dec.), 1996 (except Jan., Feb., April, May, July, Aug., Nov.), 1997, 1998 (except Jan., March to May, Nov., Dec.).

We can also supply back issues of *ETI* (prior to the merger of the two magazines) for 1998/9 - Vol. 27 Nos 1 to 13 and Vol. 28 No. 1. We are not able to supply any material from *ETI* prior to 1998. Please put *ETI* clearly on your order form if you require *ETI* issues.

Where we do not have an issue a photostat of any *one article* or *one part* of a series can be provided at the same price.

ORDER FORM - BACK ISSUES - PHOTOSTATS - INDEXES

Send back issues dated

Send photostats of (article title and issue date)

Send copies of last five years indexes (£2.75 for five inc. p&p - Overseas £3.35 surface, £4.35 airmail)

Name

Address

I enclose cheque/P.O./bank draft to the value of £.....

Please charge my Visa/Mastercard £.....

Card No. Card Expiry Date

Note: Minimum order for credit cards £5. Please supply name and address of cardholder if different from that shown above.
SEND TO: **Everyday Practical Electronics, Allen House, East Borough, Wimborne, Dorset BH21 1PF.**
Tel: 01202 881749. Fax: 01202 841692. (Due to the cost we cannot reply to overseas queries or orders by Fax.)
E-mail: orders@epemag.wimborne.co.uk
Payments must be in £ sterling - cheque or bank draft drawn on a UK bank. Normally supplied within seven days of receipt of order.
Send a copy of this form, or order by letter if you do not wish to cut your issue.

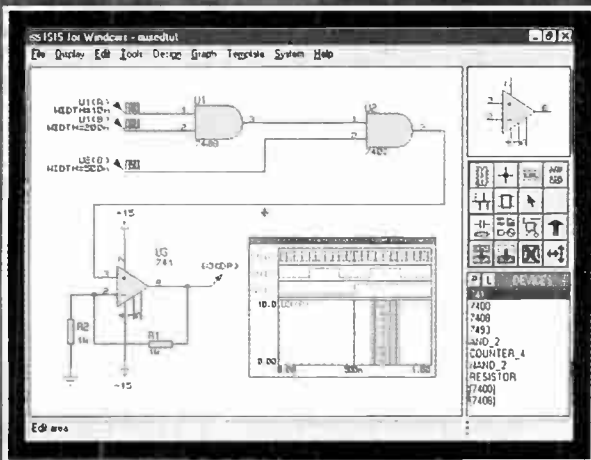
M1/00

PROTEUS

including NEW SIMULATOR

PRO SPICE 3F5

NEW
NOW WITH
Interactive Circuit
Animation



Simulation

- Berkeley SPICE3F5 analogue simulation kernel.
- True mixed mode simulation.
- New analysis types include multi-point sweeps, transfer curves, distortion and impedance plots.
- Active Components: Switches, Pots etc.
- Over 1000 new library parts with SPICE models.
- Greater ease of use.

"a constant high level
of capability throughout"

EWV CAD Review Round Up September 1998

Schematic Capture

- Produces attractive schematics like in the magazines.
- Netlist, Parts List & ERC reports.
- Hierarchical Design.
- Full support for buses including bus pins.
- Extensive component/model libraries.
- Advanced Property Management.
- Seamless integration with simulation and PCB design.

PCB Design

- Automatic Component Placement.
- Rip-Up & Retry Autorouter with tidy pass.
- Pinswap/Gateswap Optimizer & Back-Annotation.
- 32 bit high resolution database.
- Full DRC and Connectivity Checking.
- Shape based gridless power planes.
- Gerber and DXF Import capability.

Available in 5 levels - prices from £295 to £1625 + VAT.
Call now for further information & upgrade prices.

SHAREWARE VERSIONS
NOW WITH INTERACTIVE CIRCUIT ANIMATION
Download your copy now

<http://www.labcenter.co.uk>

"the
BEST all-round
PROGRAM"

EWV CAD Review Round Up September 1998

labcenter
Electronics

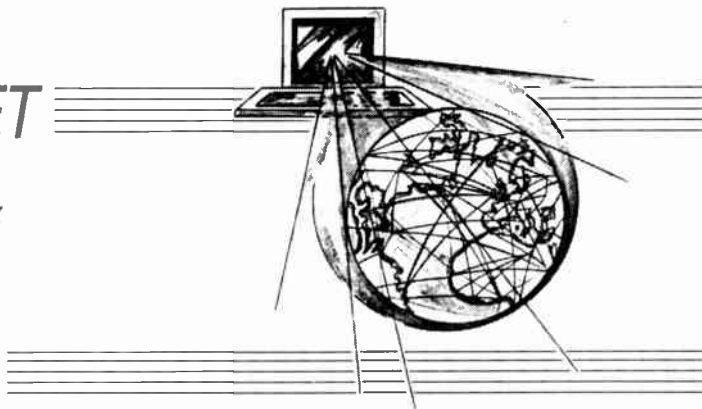
Write, phone or fax for your free demo disk, or ask about our full evaluation kit.
Tel: 01756 753440. Fax: 01756 752857. EMAIL: info@labcenter.co.uk
53-55 Main St, Grassington. BD23 5AA. WWW: <http://www.labcenter.co.uk>

Fully interactive demo versions available for download from our WWW site.
Call for educational, multi-user and dealer pricing - new dealers always wanted.
Prices exclude VAT and delivery. All manufacturer's trademarks acknowledged.

SURFING THE INTERNET

NET WORK

ALAN WINSTANLEY



Half a Decade On

How time has flown: it's hard to think that 1995 was the year in which work started on the development of a web site for *EPE Magazine*. In the absence of any precedents, I decided early on that the best place to find out what potential users really wanted would be to listen in on Usenet (using my DOS-based newsreader). Reading the now defunct newsgroup *sci.electronics* (where, incidentally, I met Clive Maxfield, who now operates *EPE Online* in the USA), it became apparent that the microcontroller was here to stay and that it would probably form the basis of all but the very simplest logic circuits in the future.

You said that hobbyists and constructors wanted the source codes for microcontrollers to be given away for free. After all, you argued, without the source code we may as well not publish a circuit diagram or the p.c.b. foil either: simply solder the chip into place along with the other parts and away you go. Hardly likely to be very satisfying for the average electronics constructor though, especially if they want to learn from the experience or wish to tweak the source code for their own applications.

At a very early stage we decided to provide the source codes for transfer by anonymous FTP. No matter where readers lived, provided that they had Internet access they could obtain nearly all our source codes for our PIC and Atmel project files, completely free. Suddenly, overseas readers were able to obtain codes instantly instead of waiting two or three weeks for a floppy disk to arrive from the UK. You were overjoyed!

The web service proper launched in September 1996, followed by secure on-line ordering of subscriptions and back issues. The *EPE Chat Zone* was added later on, and this asynchronous message service has now been extended to our sister magazine *Radio Bygones*, which has been given its own "Message Board" (www.epemag.wimborne.co.uk/radiobygones/wwwboard).

Effective Suggestions

Occasionally I receive readers' suggestions for future developments. Some ideas come under the heading of "Nice but not really feasible", such as posting older magazine indexes onto the web, or trying to publish old magazine articles: the difficulties here are that some parts become obsolete, or the design becomes so long in the tooth that it is increasingly less rewarding to build that circuit, and trying to support readers who may be struggling with ancient designs becomes very challenging indeed for the Editorial team. There may be scope for publishing basic "starter" projects from old issues though.

I concurred with one reader's suggestion in that it would be nice to publish the project p.c.b. CAD files so that users could download them straight into their local systems and accurately fabricate the board that way. The problem is the wide variety of software packages used by our contributors. We need "camera ready" artwork to input into our own graphics software, so it is difficult to standardise on, say, gerber output or whatever. Another suggestion is to publish *EPE* on CD ROM. Well we're nearly there, with our International version available from www.epemag.com and anything is possible in the future.

At this stage we can also say that a shopping cart system is being evaluated, and it is hoped to expand the *Direct Book Service* onto the web as well. A complete overhaul and redesign of the *EPE* web site is very much on the cards, but when all our resources are focussed at getting the printed magazine out on time every month – writing this column at midnight to meet tomorrow's deadline is more important than posting the 1999 Index! – we hope you can be patient. One thing's for sure, the Year 2000 will be an exciting one at *EPE*. Tell us what you would like to see.

Pet Hates

According to a Webpedia poll (www.webpedia.com) published for the benefit of web designers, the average web site visitor may be sufficiently irritated by the following factors to cause them to give up and go look elsewhere. The users' biggest complaint, said the poll, related to long loading times, caused mainly by bloated and superfluous graphics. Using images to display words without also offering an alternative text-only navigation aid is bad form.

Next came the much-hated "File Not Found" (404) error messages, a sort of cyber-slap in the face for navigating around the site only to eventually hit a brick wall. The third most common cause for complaint was the way in which some links, banner adverts etc. entice users to click on them but actually misled users. Badly described links of this nature came in for some criticism.

Moving down the scale of annoyances, respondents highlighted complicated-looking navigation aids followed by unappealing-looking pages as culprits. Last of all, long pages that need scrolling to view their content, came in as a feature which was least likely to force users to go elsewhere.

At the end of the day, people look at web sites for information. My sister-in-law checked the web site for a particular product, but couldn't see the local distributors listed anywhere and therefore considered her search a total waste of time. A site's visual appeal came very near the bottom of the list of pet hates and there is now a trend toward the use of simple, solid colour (which loads fast in standard HTML) instead of bloated graphical images.

Apart from that, the Webpedia survey would seem to confirm the future trend for fast, blippy web pages which I guess reflects the likely nano-second attention spans of tomorrow's Internet generation.

The End is Nigh

In the early days of the *Net Work* column, I wrote about this strange thing called "Y2K". At that time all talk about the Year 2000 Bug was strictly the domain of the professional, managerial and technical sectors, certainly not of the UK public, a minority of whom were too busy trying to surf the net at 14.4Kbps on a dodgy connection. An increasing amount of public uncertainty about Y2K caused people to fret about simple electrical appliances failing and airplanes falling out of the sky at midnight, December 31st 1999.

If you have a 486-based PC or earlier, there is every chance that it may be affected by the Year 2000 date and leap year rollover bug. You can apply a simple patch that will fool the computer's clock into thinking that 2000 has arrived, and this is available free for personal use from the FTP site (<ftp://ftp.epemag.wimborne.co.uk>). Go to the Software folder and fetch the **year2000.zip** file.

Our Y2K patch is kindly provided by Tom Becker (no relation to our Tech Ed!) of RightTime Inc. in Miami, USA (www.RightTime.com). The program **year2000.com** is a small resident program for DOS, OS/2 and Windows that fixes the year 1999 to 2000 date change flaw of the CMOS RTC (Real Time Clock) in AT-class PCs and PS/2s, 286 through Pentium and its clones. I use it on an old 486, and it's free for personal, non-business use (a licensed business version is available separately).

Even if your hardware is Y2K proof, you should check any software which timestamps any events, including PIMs, E-mail or accounting software. Also keep a wary eye for the February 29 Leap Year rollover as well. I wonder what H.G. Wells would have made of Y2K when he wrote *The War of the Worlds* 101 years ago, when a bug of a different sort actually saved the Earth from near oblivion.

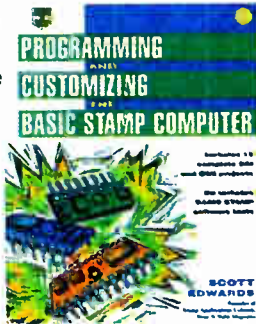
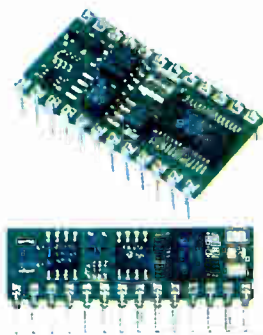
To all *Net Work* readers everywhere – compliments of the season and I wish you a Happy New Year.

CONTROL & ROBOTICS

Milford Instruments

BASIC Stamp Microcontrollers

Still the simplest and easiest way to get your project or development work done. BASIC Stamps are small computers that run BASIC programmes. With either 8 or 16 Input-Output pins they may be connected directly to push-buttons, LEDs, speakers, potentiometers and integrated circuits such as digital thermometers, real-time clocks and analog-digital converters. BASIC Stamps are programmed using an ordinary PC running DOS or Windows. The language has familiar, easy-to-read instructions such as FOR...NEXT, IF...THEN and GOTO. Built-in syntax make it easy to measure and generate pulses, read push-buttons, send/receive serial data etc. Stamps from **£25** (single quantities), Full development kits from **£79**



Full information on using BASIC Stamps plus lots of worked projects and practical electronics help. CD-ROM also includes 30+ past magazine articles and Stamp software. **£29.95**



New to PICs or just wanting to learn more tricks? We stock the excellent PIC primer books from David Benson - suitable for the complete beginner to the advanced user.



SERIAL LCDs

Banish the hassle of interfacing to LCD displays. We stock a comprehensive range of alphanumeric and Graphic LCDs - all with an easy-to-use standard RS232 serial Interface. Sizes from 2x16 to 4x40 plus 128x64 graphic panels. Prices start at **£25** (single quantity)

Stamp2 based 3-axis machine
Stepper drive to X, Y and Z axes with 0.1mm (4thou) resolution. Kit contains pre-machined frame components. Complete with Windows software for drilling pcbs. **Full kit at £249, Part kit at £189**



StampBug
Stamp1 based walking insect. Forwards, backwards and left/right turn when feelers detect object in path. Up to 2 hours roving from 4xAA Nicads. Chips pre-programmed but programme may be changed (software supplied). Body parts pre-cut. **Full kit £68**



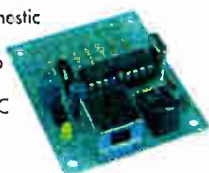
TecArm4
New range of robotic arms for educational and hobbyist use with super powerful servos. Controlled from PC (Windows freeware provided) or from optional keypad. Stands about 450mm high when fully extended. Kit includes all pre-cut body parts, servo controller board, servos and software. Requires 9v Dc. Kits start at **£189**



On Screen Display
Superimpose text onto standard CCTV from simple RS232 serial line. Ready built/tested at **£59**



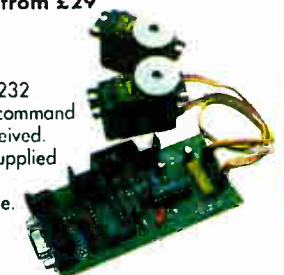
IR Decoder Board
Control your project using a standard domestic IR remote. 7 Output lines (5v @ 20mA) may be set to momentary or toggle action. Simple teaching routine. Requires 9-12vDC. Supplied built and tested. **£29 single quantity**



Alex- Animated Head
Stamp2 based controller with voice record-playback capability, PIR input and/or random playback. 4-servo actions are recorded/edited one track at a time. May also be controlled from PC. **Head kits start at £29. Controllers from £29**



Servo Driver Board
Control up to 8 standard hobby servos from an RS232 serial data line using this controller board. Simple command structure holds servos in position until update is received. Fully built and tested- requires 9vDC and servos. Supplied with Windows freeware. **£29 single quantity.** Optional keypad available.



Milford Instruments
120 High Street, South Milford, LEEDS LS25 5AQ
Tel: 01977 683665 Fax: 01977 681465

All prices exclude VAT and shipping. **BASIC Stamp** is the registered trademark of Parallax Inc. For further details on the above and other interesting products, please see our web site- www.milinst.demon.co.uk

TEACH-IN 2000

Part Three – Potentiometers, Sensor Resistors, Ohm's Law

JOHN BECKER



What we are doing during this 10-part *Teach-In 2000* series is to lead you through the fascinating maze of what electronics is all about! We are assuming that you know nothing about the subject, and are taking individual components and concepts in simple steps and showing you, with lots of examples, what you can achieve, and without it taxing your brain too much!

Having examined fixed resistors, capacitors and basic RC timing in the previous two parts, we now discuss variable components, including those whose values can be changed by the user, and others whose values change in response to surrounding conditions, such as light and temperature. An oscillator and light emitting diodes help us tell our tale. We also discuss some simple but highly useful Rules and Relationships.

CONCLUDING last month's Experimental article, we left you with the suggestion that you should try getting the oscillator to run at an exact frequency of your choosing.

What must have become apparent to you, though, is that resistors and capacitors of fixed values needed to be used in multiples to achieve specific timing values – not a convenient matter. But no doubt you found it interesting to play around with various combinations.

Doing so will have helped to reinforce your understanding of calculating RC relationships, and resistors and capacitors in series or parallel. Excellent – but now we are going to demonstrate a method of frequency control that does not require that amount of brain power!

In Fig.3.1 is a modified bread-board layout of that shown last month in Fig.2.14. The modification is the inclusion of component VR1 in the feedback path between IC1 pin 6 (Vout3) and resistor R1 (Vin). This component has various names, which we state presently. For the moment just call it a *preset*.

Delving into your bag of components, and referring to Photo 3.1 (see the first small item at the left) choose a preset that has the value 100k printed on it (or a coded value of 104, which means 10 plus four zeroes = 100000 = 100kΩ).

Using this preset as VR1, modify your Fig.2.14 board layout to that in Fig.3.1. Also change the value of resistor R1 to 1kΩ. There is slot at the top of the preset, which can be rotated back and forth using a small screwdriver. Now you'll find it much easier to change the circuit's frequency!

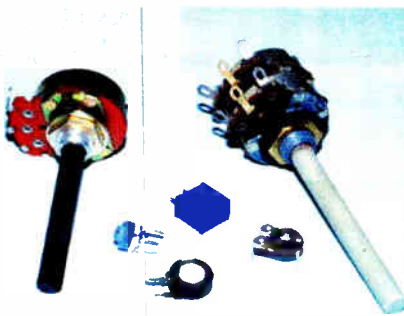


Photo 3.1. A selection of potentiometers: single and dual controls with shaft, plus four miniature preset types suited to printed circuit board mounting.

With hands on experience of this newly introduced device, let's examine the realm of variable components in general.

VARIABLE RESISTORS

Irrespective of the material used to make them, conventionally, "ordinary" resistors are regarded as belonging to one of two physical types: *fixed resistors* and *variable resistors*, the latter more commonly known as *potentiometers*. There are also *sensor resistors*, whose value is also variable; they will be discussed later in this Tutorial.

First, let's examine potentiometers, resistors which have a sliding contact that allows us to set an exact value of resistance at that point and, by implication, to set not only precise current flow values, but also precise voltage levels. This family of components makes life so much easier when fine-tuning a circuit to your needs – as you've just found!

Circuit diagram symbols for potentiometers are shown in Fig.3.2. As with resistors, there are two standards in common use, zig-zags and boxes. Other differences between the symbols will become apparent. As we said in Part 1, *EPE* has standardised on zig-zags.

POTENTIOMETERS

A basic potentiometer has three connections or terminals (as you will see from the symbols in Fig.3.2a and Fig.3.2b). As with a fixed resistor, there are two connections at either end of the resistance material, which is commonly known as the *track*. The third (middle) connection is made to a conducting slider, commonly known as the *wiper*, which is in contact with the track and can be slid along it from one end to the other.

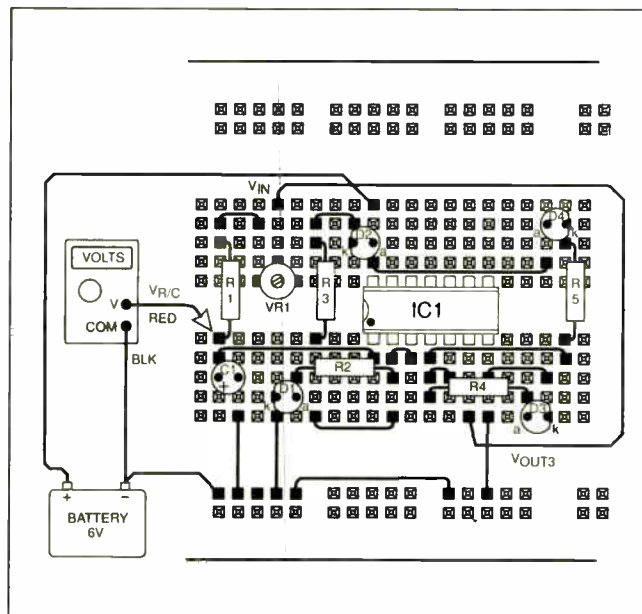


Fig.3.1. The oscillator of Fig.2.14 (Part 2) modified to include a preset potentiometer for variable control.

The current or voltage available at the wiper is related to the position that it has along the track. It should be noted, however, that the *basic* resistance of the component itself does not vary, it is only the *relative* resistance between the wiper and each end terminal which can be varied.

Physically, potentiometers fall into two main types: first, there are the *control potentiometers*, those that have a shaft or tab which usually protrudes through the panel of the case in which the circuit is mounted.

This type of potentiometer is intended where frequent correction of its wiper position is required, such as when it is used as a volume control, for example. The symbol for this type of potentiometer has a small arrow on the middle line representing its wiper (Fig.3.2a).

The other type is commonly known both as a *preset potentiometer* (or just *preset*), and as a *trimmer potentiometer*. A preset is normally a much smaller component than a control potentiometer and is usually mounted on a printed circuit board. As you have just found, it has a slot by which it can be adjusted using a small screwdriver or similar tool.

Presets are usually intended to be adjusted to set an exact resistance or voltage value which may seldom need to be adjusted again. The symbol for a preset does not use an arrow on its wiper, but a short line shown in parallel to the track outline (Fig.3.2b).

CALLING THE POT

It's worth noting that the use of the term *potentiometer* (often abbreviated just to *pot*) may in many circumstances actually be an incorrect use of the term. In strict definition, the correct term is really as we first named it, *variable resistor*, even though its *actual* resistance along the full length of the track does not change.

Strictly speaking, the term *potentiometer* applies only when the variable resistor is used as a *potential divider* whose output potential (voltage) at the wiper can be varied, a situation in which all three terminals of the device *have* to be used. (You met the concept of a potential divider when resistors in series were examined in Part 1.)

There are many instances, though, when the *voltage* is not the condition which needs to be varied but the *resistance*. In this case only the wiper and one other terminal need to be connected, and the true description of

variable resistor is the one which should be used rather than *potentiometer*. There are specific symbols which are commonly used in this situation, as shown in Fig.3.2c and Fig.3.2d.

Even though only two terminals *need* to be used, it is usually desirable to connect the third terminal of a variable resistor to the wiper. This ensures that a minimum circuit resistance still exists even if the wiper comes away from the track in a fault condition.

Control potentiometers are available as rotary shaft and slider types, both of which are manufactured in single and dual configurations. Photo 3.1 shows standard single and dual rotary types (top left and right in the photo) – see a major component supplier's catalogue for illustrations of the other types.

Dual rotary types have two tracks and wipers mounted in separate enclosures, secured one behind the other, and are available in two versions.

The dual *tandem* type has a single shaft which controls both wipers at the same time. The dual *concentric* type (which is not commonly available) has two shafts, one within the other, which allows each wiper to be controlled separately.

Dual *slider* pots have a single tab which controls both wipers simultaneously.

LINEAR AND LOGARITHMIC

All control potentiometers have a choice of track resistance type: *linear*, *logarithmic* or *anti-logarithmic*, terms which are commonly abbreviated to *lin*, *log* and *anti-log*.

Linear tracks have the same change of resistance per track length along the whole of the track; in other words, the output at their wiper changes *linearly* with linear movements along the track. With *logarithmic* tracks, the resistance per track length step changes along the track, by a small amount at one end, progressing logarithmically to a larger amount at the other; in other words, their output varies *logarithmically* with linear movements along the track.

Logarithmic rotary types have the minimum track-to-wiper resistance change with their shaft rotated fully anti-clockwise (to the "left"). Anti-log types (rarely available from retail sources) behave in the opposite direction. Slider pots (not illustrated) are not made as anti-log versions – just turn log types round the other way!

Some rotary pots and presets are available as

PANEL 3.1 – POTENTIOMETER TYPES

- Panel mounting, rotary with shaft
sub types: single, dual tandem, dual concentric, linear, log, anti-log, multiturn linear
 - Panel mounting, slider with tab
sub types: single, dual tandem, linear, log
 - Printed circuit board (p.c.b.) mounting, rotary with shaft
sub types: single, dual tandem, dual concentric, linear, log, anti-log, multiturn linear
 - P.C.B. mounting, slider with tab
sub types: single, dual tandem, linear, log
 - P.C.B. mounting, preset rotary with adjustment slot
sub-types: vertical or horizontal mounting, open (skeleton) or enclosed tracks. All tracks are single, linear.
 - P.C.B. mounting, preset slider with screw adjustment
sub-types: vertical or horizontal mounting, single turn or multiturn. All are enclosed and all tracks are single, linear.
- All pots are available in a variety of body and shaft or tab sizes. Anti-log and dual concentric types are only available through specialist suppliers.

multi-turn varieties; the adjustment shaft is geared so that the wiper rotation is less than the shaft rotation. These pots are only available in single, linear forms. An example of a multi-turn preset is shown in Photo 3.1, see the small "square" device (other types exist).

POTENTIOMETER PROGRAM

We have set up a software program that illustrates the difference in response between linear and logarithmic potentiometers. From the main menu, select option Potentiometers. See Photo 3.2.

At the top left of the screen are two nearly-circular yellow arcs. These represent the resistive tracks of a rotary potentiometer. The wiper of each pot is represented by the white line angled from the centre of the arc to its left-hand end. This line's angle can be changed by using the <+> (plus) and <-> (minus) keys for angle steps of 1, or <*> (multiply) and </> (divide) for steps of 10. Try them.

The angle between the start and end of each pot's track is approximately 270°. This is the typical angle through which an average pot's track is effective. Note that there are slight differences of maximum angle between pots from different manufacturers. Some pots may also have a greater physical angle of wiper travel than their track.

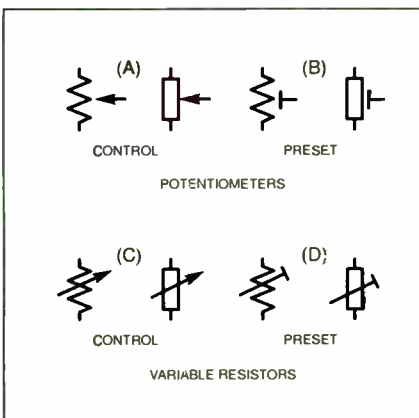


Fig.3.2. Typical potentiometer and variable resistor symbols.

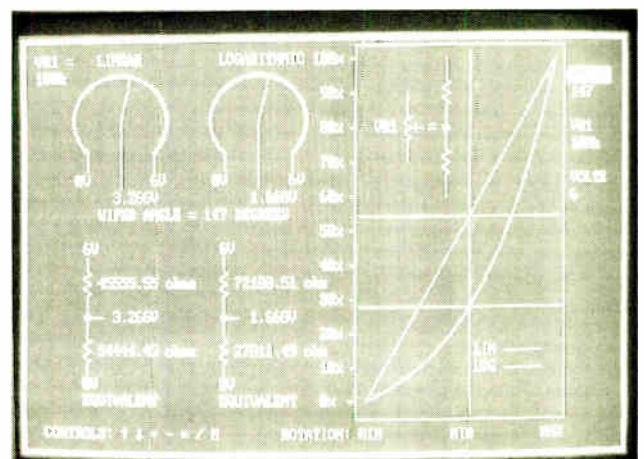


Photo 3.2. Linear and logarithmic control potentiometers illustrated on the interactive computer screen.

You will have noticed a lot of screen activity occurring when you pressed the <+> and <-> keys. The first point of interest is that the voltage shown at the line connecting vertically to the wipers changes according to the rotation angle. It is also relative to the voltage between the left and right hand ends of the track, which at present is shown as 10V.

You also will have seen that the wiper voltages of the two pots are significantly different for most positions around the track. The progressions are, of course, linear and logarithmic respectively. The two graphs at the right of the screen illustrate how the wiper voltages change with their positions along the tracks.

EQUIVALENT RESISTANCES

Looking to the right of the pot arcs, the symbol for a control potentiometer is shown. As we mentioned earlier, the arrow pointing to its central position represents the wiper. To the right of the symbol are two resistors in series. These represent the equivalent resistances between the wiper and the two outer terminals.

The twin-resistors are repeated below each pot arc and there you will see that the resistance values for each section of the pot are numerically shown in ohms. Additionally, the voltage at their junction (the wiper) is also given, and is identical to that in the illustrations above them.

As you change the rotation angle, its numerical value in degrees is shown top right of the screen.

Within the graph area, three movable lines are shown. The white vertical line represents the position of the wiper, with a simple Min, Mid and Max notation along the bottom edge of the boxed outline.

The green and yellow horizontal lines represent the percentage rotation of the wipers, lin and log respectively. The position where these lines cross the movable vertical line and the graph line of the same colour is the relative co-ordinate for the wiper.

The graph illustration is really only for interest and has little practical application. It's the voltage and resistance numerical values that are of greatest significance.

PROGRAM VARIABLES

The potentiometers are each of the same value, 100k Ω as shown. This can be changed by using the up or down arrow keys to highlight VR1 on the right-hand side.

Potentiometers are normally only available in values of three steps per decade: 1, 2.2 and 4.7. Some manufacturers use steps of 1, 2.5 (or even 2) and 5. Normally, it doesn't matter which group you use - 2.2 can be used in place of 2.5, and 4.7 can be used in place of 5 (and vice versa).

Potentiometer VR1 values can be changed using the arithmetic keys (with the same steps as for the angle). The range is from 100 Ω to 10M Ω (2M2 is generally the maximum value available to buy).

The voltage across the pots can also be changed when VOLTS at the screen right is highlighted. Use the up/down keys to access it, and the arithmetic keys to change it. As with our other software menu options, the voltage steps are in 1V, from 1V to 10V.

PANEL 3.2 – TRACK TYPES

- Carbon film. General purpose
- Cermet (ceramic-metal). Precision (cermet tracks have a less coarse nature than carbon, resulting in a smoother change of resistance when rotated)
- Conductive plastic. Precision - smoother wiping
- Wire-wound. Higher wattage rating
- Wire-wound, very heavy duty, length-wise with slider, as sometimes used for stage lighting control and often known as a *rheostat* - not really an electronics component

Not all track types are available in all physical forms - see major supplier's catalogues.

Apart from the mechanical and physical specifications listed above and in Panel 3.1, the other principal parameters for a potentiometer are the same as for fixed resistors:

- Value of the resistance track, which may be expressed in ohms (Ω), thousands of ohms (kilohms, k Ω or K Ω) or millions of ohms (megohms or M Ω). Standard values are 1, 2.2 (or 2 or 2.5), and 4.7 (or 5) in decade multiples of 100, 1000 (1k), 10000

(10k), 100000 (100k) and 1000000 (1M up to 2M2).

- Power rating in watts (W)
- Resistance tolerance, expressed as a percentage of its set value
- Temperature coefficient, expressed as the amount by which the set value will change with temperature, variously expressed as parts per million (ppm) or percentage change per degree Celsius (%/°C).

As we implied earlier, most pots are incapable of being rotated through a full circle. About 270° is an average maximum wiper rotation around the track, at which point the track ends and there is usually a tab to prevent further shaft rotation.

However, at a price, pots with a track rotation angle approaching 360° can be found from specialist suppliers, those dealing with robotics and other automation supplies, for example.

Shaft rotation angles may sometimes be greater than track angles, and some shafts may rotate through 360° even though the track does not. Good catalogues normally quote rotation factors.

There are no self-test exercises for this display, which is purely for informative demonstration.

NOTATIONS

In circuit diagrams and constructional charts, a potentiometer's numerical identity may be prefixed by "VR" (Variable Resistor), e.g. VR1 as we used earlier, and in the computer display, or "RV" (Resistor Variable) or "P" (Potentiometer) or even "PR" (Preset Resistor).

Logarithmic pots are normally notated as such on circuit diagrams. Linear pots are not always notated accordingly; if the pot is shown without a *lin* or *log* notation, it is a linear type unless an associated components list states otherwise (barring circuit drawing errors, of course).

Potentiometer identities are usually printed on them in text and numbers, although some presets may be colour-coded in resistor fashion. As you may have discovered, presets may also have a coded value of the form 104, where 4 states the number of zeroes following the 10; in this instance the preset's value is 100000 ohms (100k Ω).

There is a wide variety of general and specific information on potentiometers in Panels 1 to 3. Read through them now.

SENSOR RESISTORS

We shall now tell you a bit about some other groups of components that come into the resistor category - *sensor resistors*.

Environment-sensitive resistors known as *varistors* (v.d.r.s), *thermistors* and *light dependent resistors* (l.d.r.s) are a special class of resistor whose resistance changes in response to changes in voltage, temperature and light, respectively. Unlike the potentiometer which is often called a variable resistor, even though the actual resistance between its ends is fixed, these three component types have a resistance which *literally* changes according to ambient (surrounding) conditions.

Circuit diagram symbols which might be encountered for these components are shown in Fig.3.3. The symbols are similar but have specific identifying features: the dot or notation beside the thermistor signifies its temperature sensing nature; the arrows pointing at the l.d.r. signify light falling on it; the v.d.r. is without any additional feature beyond the angled line with a "kink" at the top through the resistance symbol to indicate inherent variability, although an operational voltage may sometimes be quoted alongside the symbol. All three types of sensor resistor are not

PANEL 3.3 – SHAFTED!

Rotary control potentiometers are generally supplied with a shaft that is considerably longer than usually required. The shafts may be metal or plastic and require cutting to length, an action which can be hazardous to the pot's track if not done carefully.

Don't hold the body of the pot in a vice and then cut the shaft with a hacksaw - the sawing action and consequent movement of the wiper against

the track can damage both. At the very least resulting in uneven contact of the wiper with its track and consequent poor electrical results when turning the pot.

Instead, put the *shaft* in the vice to clamp it, then saw through it, gently holding the body end to stop it falling when the cut is complete. Carefully file down any burrs on the shaft, to allow a knob to slide on easily.

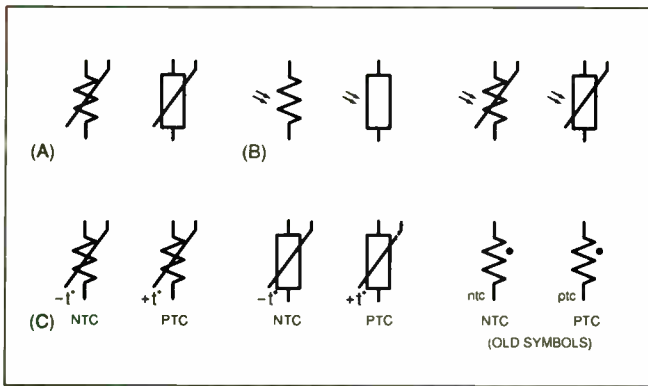


Fig.3.3. Typical Sensor resistor symbols: (a) voltage dependent (v.d.r.); (b) light dependent (l.d.r.); (c) temperature dependent (thermistor). (Symbols may be circled.)

polarised and may be connected either way round.

Let's examine the three sensor types in turn (and put one of them to use in the Experimental article – an l.d.r.).

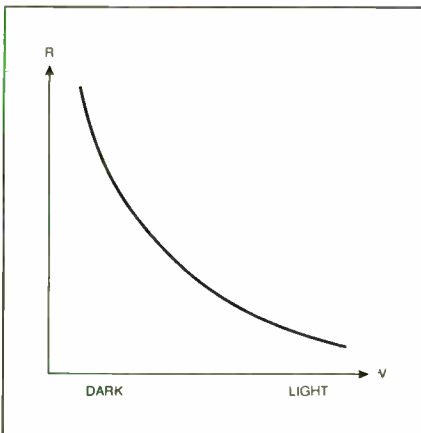


Fig.3.4. Typical response graph for an l.d.r.

LIGHT DEPENDENT RESISTORS (L.D.R.s)

As the name implies, a light dependent resistor (l.d.r.) is a device whose resistance changes in response to the amount of light falling on it. An l.d.r.'s resistance value in the presence of strong light is just a few ohms, but in the absence of light the value can be many tens of megohms (millions of ohms).

A typical resistance/illumination graph is shown in Fig.3.4. Note how non-linear is the l.d.r.'s response. The base material from which l.d.r.s are made is cadmium sulphide or lead sulphide.

The l.d.r. you will be most likely to use is the ORP12 (or the equivalent NORP12), and is one of the components we recommended that you bought for this *Teach-In*. There are other types available, but less commonly. A really nice example of a miniature type is the VT935G used in the *Musical Sundial* of June '99.

An important characteristic specified for l.d.r. types is the *spectral sensitivity* (sensitivity to different colours of light and expressed in nanometres – nm) which indicates how the resistance varies depending on the wavelength of light reaching the device. Types are available which respond to infrared and ultraviolet wavelengths as well as "visible" light.

or phototransistors (discussed in a future part).

In circuit diagrams and constructional charts, a light dependent resistor's numerical identity may be prefixed by "R" or "LDR". In catalogues, l.d.r.s may be listed under "Optoelectronics" rather than under "Sensors" or "Resistors".

THERMISTORS

The term *thermistor* could, perhaps, be abbreviated to TDR (Temperature Dependent Resistor) to more accurately describe its function, although this is not common practice. There are two basic types of thermistor, one of which is having a *positive temperature coefficient* (PTC) and the other as having a *negative temperature coefficient* (NTC).

The characteristic of a thermistor is that its resistance changes according to its temperature, a reduction in resistance with increases in temperature for an NTC type, and vice versa for a PTC type. It is the NTC type that we recommended that you bought for this *Teach-In*. A typical graph for a PTC type is shown in Fig.3.5; an NTC graph smoothly descends with a similar degree of curvature (as in Fig.3.4, for example). You will notice that thermistors also have a non-linear response.

Thermistors are available in metal, glass, ceramic and plastic cases. Their body shapes include discs, studs, probes, rods and beads. Types are available which can sense temperatures between -80°C and 400°C , though the ranges for which they are specifically designed are narrower than these extremes.

Resistance values for thermistors are quoted in relation to that which exists at a

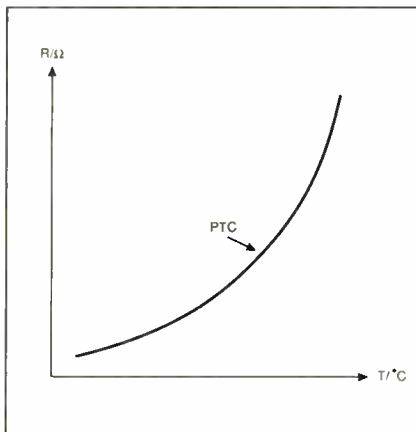


Fig.3.5. Typical response graph for a PTC thermistor.

The value of l.d.r.s is usually quoted in relation to their resistance at a particular wavelength and intensity. Since l.d.r.s are purely ohmic (resistive), they can be used in both a.c. and d.c. circuits.

It is worth noting that l.d.r.s are fairly slow in their response to changing light levels, consequently circuits which require a high speed response, such as in optical communications systems, use photodiodes

specific ambient temperature, e.g. 10k (ohms) at 25°C . Tolerance factors are also quoted, such as $\pm 0.2^{\circ}\text{C}$ between 0°C and 70°C , for example.

Thermistors are likely to be found as circuit protection elements, and as sensing and corrective elements in measurement and control systems. However, since the advent of sophisticated integrated circuits which have linear temperature sensing characteristics, the use of thermistors as separate entities has become less common in many applications. They still find favour, though, where low costs or simplicity are important. Diodes can also be used in some temperature sensing applications.

Until you know more about electronics generally, it is probably best if you only use the types of thermistor you see specified for particular constructional projects.

In circuit diagrams and constructional charts, a thermistor's numerical identity may be prefixed by "R", or perhaps with "TH". In catalogues, they are likely to be listed under "Sensors".

VARISTORS (V.D.R.s)

The abbreviation v.d.r. is often used in place of the term *varistor* and more accurately defines its function as a Voltage Dependent Resistor. V.D.R.s are devices that you will seldom encounter in normal hobbyist projects, but we include mention of them so that you know they exist!

When v.d.r.s have a voltage connected across them, their resistance depends on the value of that voltage. At a low voltage, the resistance is high, but as the voltage rises so the resistance decreases accordingly, but non-linearly (similar to Fig.3.4).

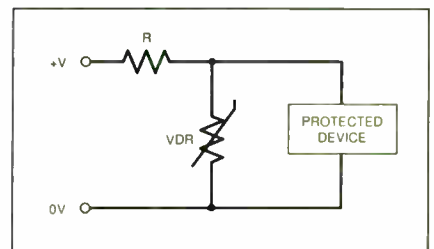


Fig.3.6. Use of a varistor to protect a component or circuit from excess voltage.

With this property, v.d.r.s are often used to protect components which are sensitive to excessive voltage. In this application, they might typically be preceded by a normal fixed resistor so that the two components behave as a variable potential divider, as shown in Fig.3.6. If used without the additional resistor, changes in voltage level across the v.d.r. would simply result in a change in the current flowing through it.

V.D.R.s are typically made from a metal oxide material. They are available in many values for specific voltage ranges. There are other types of voltage suppression components made as silicon-based semiconducting devices. Diodes can also be used in some voltage suppression applications.

In circuit diagrams and constructional charts, a varistor's numerical identity may be prefixed "VDR" (Voltage Dependent Resistor) or just by "R" (Resistor). In catalogues, varistors may be listed under "Suppression" components rather than under "Sensors" or "Resistors".

OHM'S LAW

Having now covered the basic resistive components that you are likely to come across, we feel we ought to tell you more about Mr Ohm and what he achieved for electronics with his famous Law.

George Ohm was one of the great researchers into the phenomenon of electricity and its effects. We gave his dates in Part 1. He proved that there was a precise relationship between voltage, resistance and current, which can be expressed as:

$$\text{Volts} = \text{Current} \times \text{Resistance}$$

which is usually abbreviated to:

$$V = I \times R$$

where:

V = voltage in volts

I = current in amps

R = resistance in ohms

Letters V and R in the formula are obvious, Volts and Resistance. You will recall from Part 1 that current is measured in *amps* (amperes), symbol "A", but symbol "I" for current in Mr Ohm's formula – why on earth? Well, we are addressing you in English and quite naturally you might expect A for Amps to be used in the formula. In fact, "I" stands for Intensity and derives from a similar word in another European language (Italian we think – anyone care to clarify it?). Anyway, by international agreement, I for current is what we're stuck with!

As anyone who's been to (or is still at) school should know, from a simple formula like this, two others can be derived:

$$I = V / R \text{ and } R = V / I$$

As we shall see, a total of 11 other relationships can be traced back to the basic formula of $V = I \times R$, but do drill at least one of the first three into your head – they are invaluable!

CURRENT RECALL

On your computer go back to menu option Resistors in Series and Parallel. Underneath each of the three simple circuit diagrams it shows not only the total resistance offered by the particular combinations of resistor values, but it also shows the current that will flow through the total resistance relative to a specified voltage across it.

Take the case where all three resistors each have a value of 10kΩ, and the voltage supplied is 10V. The current is stated to be 500μA, 2mA and 3mA in order of the combinations.

For the two resistors in series, which have a total resistance of 20kΩ, the Ohm's Law variant applied is:

$$I = V / R$$

In other words

$$I = 10V / 20k\Omega$$

However, we cannot establish a proper answer as this stands because the values are expressed in different decade multiples. We need to convert them to the common standard specified by the formula – V in volts, R in ohms and I in amps. V can stay as it is since it's already in volts, but we must convert 20kΩ back to its base value of 20,000 ohms. This now gives us:

$$I = 10V / 20000\Omega = 0.0005A$$

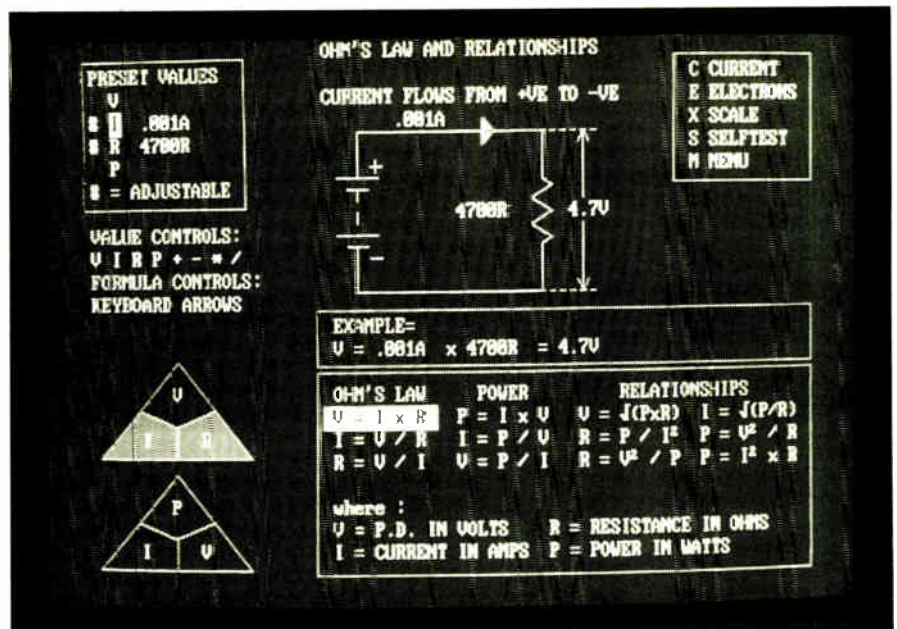


Photo 3.3. Ohm's Law and its relationships as illustrated via the interactive computer program screen.

If we want, we are now free to express the current in milliamps and microamps by multiplying by 1000 and 1000000 respectively:

$$0.5mA \text{ and } 500\mu A$$

the latter being the value as expressed on the display screen.

For the two resistors in parallel:

$$I = 10V / 5000\Omega = 0.002A = 2mA = 2000\mu A$$

and for the three resistors in parallel:

$$I = 10V / 3333.333\Omega = 0.003A = 3mA = 3000\mu A$$

Set up other resistance values through the program Resistors in Series and Parallel and check that your calculations of the currents tally with those shown on the screen.

Now turn the questions around and ask yourself, for example:

If $R = 4k\Omega$ and $I = 2mA$ then what is V? and:

If $I = 3.2A$ and $V = 8V$ then what is R?

The answers to both these questions can be provided via the program display with suitable selection of R and V values (after you've done your best to solve them, of course!)

Invent some other situations that test your ability to compensate for units not expressed in the value form required. Include values expressed in V, mV, μV, Ω, kΩ, MΩ, GΩ, A, mA, μA and pA (picoamps).

OHM'S LAW PROGRAM

When you've tested yourself with that last suggestion, and realised that, simple as the formulae are, they take a bit of thinking with your calculator, have a look at menu option Ohm's Law and Relationships (see Photo 3.3).

There is a lot of information offered through this screen's options. It will be of enormous value to you in the future if you want the computer to provide answers via the 12 formulae shown.

In the main box, you will see the three formulae for Ohm's Law itself. The next column shows three very similar-looking formulae to do with power calculation. The next two columns show the six formulae that can be derived from the previous two columns.

At present, you should see that Ohm's Law $V = I \times R$ is highlighted. This highlight can be moved to any of the other formulae using the arrow keys. Try them and then return to $V = I \times R$.

OHM'S LAW TRIANGLE

You can't help but notice how other things change on the screen as well when you press the arrows. Let's take the uppermost of the two triangles first. It shows a very easy way of visualising Ohm's Law.

Observe how the letters V, I and R are arranged, and how V is shown on a red background. This illustrates the formula $V = I \times R$, notice that I and R are alongside each other.

Press the down arrow once to select $I = V / R$. See how it is now I that has the red background, and how V is shown over R? Another press of the down arrow shows the triangle arrangement for $R = V / I$, with R now having the red background, and V is shown over I.

The colouring is unimportant, but the position of the three letters within the triangle is extremely useful to remember.

Press the down arrow again to make the highlight enter the Power column, with $P = I \times R$ selected. The second triangle has now come into play. Again the order of the letters and the way they are positioned illustrates the highlighted formula. Press the down arrow for the other two power formulae.

There are no visual aids for remembering the Relationships formulae (what a shame!).

Again return the highlight to $V = I \times R$, then look at the simple circuit diagram shown, in which a battery is connected to a resistor.

Three values are shown, the resistor value in ohms (where the capital R is used

in place of the Ω symbol), i.e. 4700 Ω , a battery voltage of 4.7V across the resistor, and the current flowing through this closed circuit, 0.001A (note that the program drops any leading zeroes in a number).

SEE HOW IT FLOWS!

Before discussing the circuit values, let's show you something that's a bit of fun (but, at the end of the day, of no great consequence)! Press <C>.

A smidgeon of simple animation shows a moving yellow arrow that illustrates the direction in which current is said to flow from a battery (or other d.c. power source), through a circuit (in this case just a resistor) and back to the battery – from +ve to -ve. Press <C> again if you wish.

Now press <E>. This time, a red blob flows from the battery's -ve terminal, through the resistor and back into +ve. This represents the way in which electrons are said to flow through a circuit, in the opposite direction to current flow.

Electrons are those mysterious electrical charges that revolve at high speed around atoms, sometimes breaking loose to provide the energy we call *electricity*. And that's almost as far as we go with this subject!

However, we must comment (very briefly) on the directions in which current and electrons are said to flow. They are concepts perceived by the original researchers into electrical phenomena in earlier centuries who, for reasons best known to themselves, decided that this was The Way Things Are! In everyday situations you're going to find yourselves in, forget the concepts! It makes life far easier if you just think of *electricity* (or *power*, or

current if you wish) as flowing from +ve to -ve (where -ve is often just expressed as 0V or Ground).

Which is all we're going to say on that!

IT'S VALUABLE

Back to the values shown in the circuit diagram. If you look at the box at the top left of the screen, you will see the values for I and for R as shown in the circuit. Either of these can be changed from your keyboard. Since I is highlighted, it's the one immediately available to be changed. Again the arithmetic keys are the ones to do it, with the same step multiples that we've used in other program options.

To select R instead of I, press <R>. The resistance values can now be changed as before. Pressing the keys for any of the letters shown (V, I, R, P) highlights that letter. When the letter and value have a hash symbol (#) to the left, that value can be changed. If a hash is not present, the value is not changeable from the keyboard.

The values available for changing vary depending on which formula is highlighted. At present it is $V = I \times R$ selected. In other words, we want the computer to calculate the value for V when I and R have values which we have given them. In this case, $R = 4700\Omega$ and $I = 0.001A$, and the computer states that, because of this, $V = 4.7V$.

The value of 4.7V is shown in the circuit diagram, and also as the answer in the Example box above the formulae. Change the values for I and R, and observe the results. Experiment by selecting other formulae.

You can change the way in which values are shown by using <X>, the scaling key.

This allows, for example, V to be expressed in volts, millivolts or microvolts.

All the function keys you can use are stated on the screen.

IT'S TESTING TIME AGAIN

You've spotted the Self-test option haven't you? OK, select it!

Knowing how good your memory is, we've cleared the formulae, put some random values in the Preset Values box and now ask you to calculate an answer to the question posed where the Examples used to be. Do as the question requires.

It was too complicated to set up a points awarding scheme via the computer, so calculate your answer and then press <A> for the computer's answer to be shown. Hopefully, your answer will tally. If not, think about what you may have done wrong. The full formulae are re-displayed each time you press <A>.

To try another question, press <S> again. Once more the question is randomly selected by the computer. However, although the formula you are being tested on is fixed, you can cheat a bit if you like, by changing the values shown. Not often you get that option in exams!

When you've had enough, press <M> to return to the main menu. We suggest you then move on to this month's accompanying Experimental article.

NEXT MONTH

In Part 4, we shall look more closely at frequency and it's different waveforms. We shall also start looking at ways in which your computer can be used to monitor frequency and some of the waveforms.

TEACH-IN 2000 – Experimental 3

OHM'S LAW AND RESISTANCES

ARE you raving to have a go at some more experiments? Great, but the author's going to leave you on your own while he goes back (he says) to contemplating the answer to the Universal Theory of Everything – as *Hitch Hiker's Guide to the Galaxy* fans already know, rumour has it that it's 42, but it needs checking! Before he goes, though, here's what he suggests you do:

Refer back to Part 2 and revisit the circuits and experiments you did there, including the oscillator. This time, though, (as you did with Fig.3.1) add a potentiometer in series with the timing resistor and find out how easy it can be now to readily provide different values of resistance without using calculators and hordes of resistors.

You were recommended to buy a selection of preset potentiometer values, so choose various values as you wish, and just

generally see what happens. You will soon discover what relationship of potentiometer to resistor values can be appropriate in different circumstances.

PRACTICING POTS

You can also try using two or more pots in series and/or parallel and see what effect the configuration might have. You may find, for example, that a high value of pot is useful for setting a rough voltage or current setting, and then a low value of pot used with it can set a more finely tuned value. The presets can be just plugged in and out of the board and connection wires added.

Some suggested configurations are shown as circuit diagrams in Fig.3.7. The equivalent breadboard arrangement for Fig.3.7a is the one you used at the beginning of this month's Tutorial, Fig.3.1. The basic circuit diagram, if you care to draw it

out, will be found to be identical to Fig.2.15 in Part 2, with the potentiometer(s) inserted in the feedback path between IC1 pin 6 and resistor R1.

Also try using not only the 74HC14 Schmitt trigger inverter that you ended up using for last month's oscillator, but also the original 74HC04.

A further suggestion is to gain experience of rotary linear and logarithmic control potentiometers. Use crocodile-clipped leads to make the connections. Fig.3.8 shows an example of where the control pot can be connected (note that the preset has been removed in this example).

APPLYING OHM'S LAW

Something else to keep you amused (and reinforce your knowledge) is to experiment with Ohm's Law. This will also introduce you to using your multimeter for measuring current.

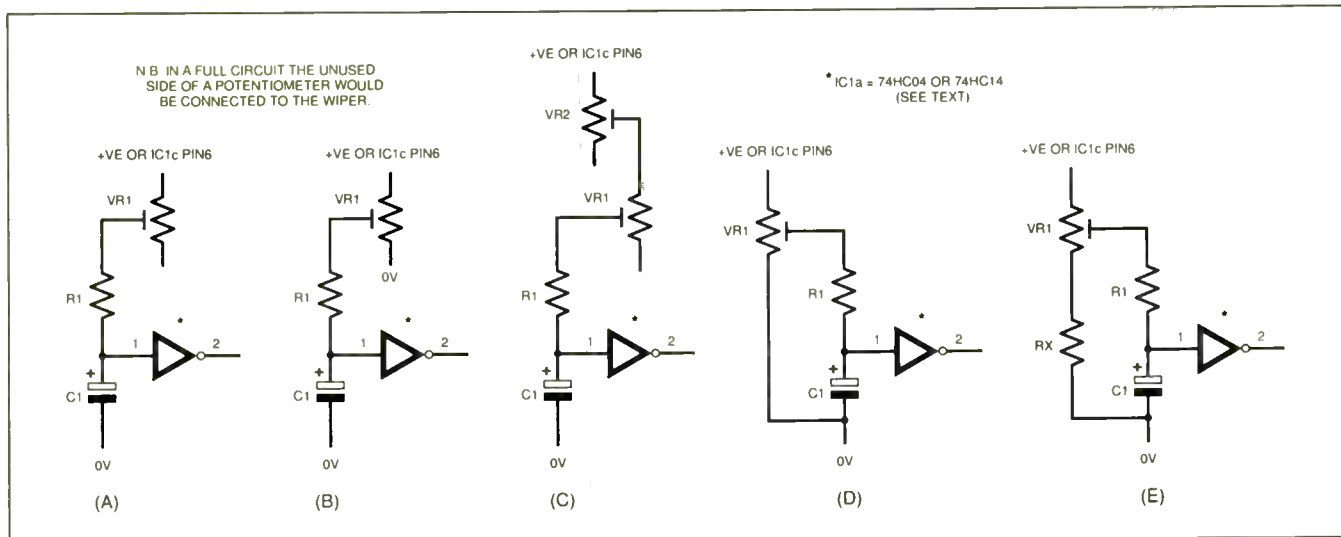


Fig.3.7. Some suggested configurations of pots for use in the breadboard experiments in Fig.3.1 and Fig.3.8.

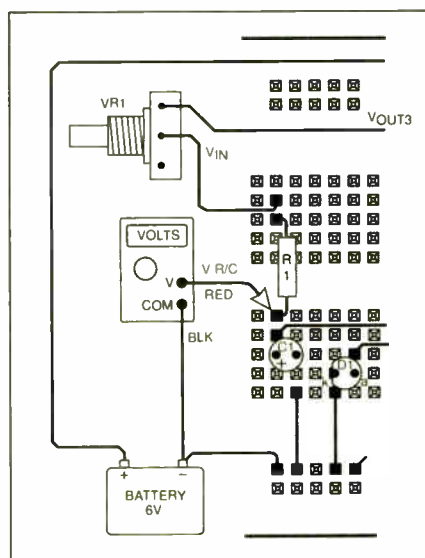


Fig.3.8. Using a control pot in place of a preset in the breadboard experiments.

First, check your multimeter's manual to see which sockets you need to use for current measurement. One is likely to be different from that used for voltage and resistance measurements.

Now for a further caution (yes, they will keep cropping up from time to time). Whenever you use a multimeter to measure an unknown current, *always* set it to the highest range (e.g. 10 amps – 10A) before connecting it into the circuit. If a low range were to be selected when in fact a large current is going to flow through the meter, you could seriously damage the meter.

This is especially true with analogue meters (which sooner or later you'll probably find yourself using). They have a moving pointer that rotates across a scale. If too low a range is set, the pointer could slam hard up against the end-stop, possibly causing mechanical damage, and perhaps even electrical damage to the rest of the meter.

Always play it safe with meter ranges – select a higher one than you think you need, then you can work downwards once the connections are made and you discover what range is best suited to the reading being taken.

CURRENT AFFAIRS

So, with your meter set to the highest d.c. amps range it has, start making some current measurements along the following lines:

Take a 10kΩ resistor, and using the breadboard arrangement shown in Fig.3.9, connect it to the power supply via your meter. Read off the current flowing through this simple circuit. Does it correspond with the current value you calculate using Ohm's Law? It should if the resistor is truly a 10kΩ component and the battery is truly supplying exactly 6V.

Chances are, of course, that neither is true, so your calculated result will be inaccurate. So what have you discovered? You have discovered that before you take a reading of one factor and relate it to others in a calculation, you should make sure of your facts!

One fact you did not check first was the exact voltage that exists across the resistor. The other fact is that you did not measure the resistor's precise value.

However, you do not need to measure both resistance and voltage in order to make sense of the current reading. You only need one fact to be established beyond a shadow of reasonable doubt, either the voltage, or the resistance. Knowing one or

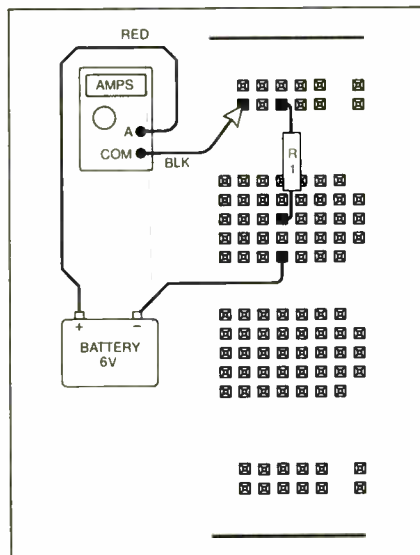


Fig.3.9. Measuring current flow through a resistor.

the other, and the current reading shown by your meter, you can calculate what the other (unknown) value will be.

Here and now, let's assume the *resistance* value is unknown, and establish the true *voltage* value. Disconnect your meter and set it to a suitable voltage range. Now you can measure the voltage supplied by the battery, or can you? No, not at the moment!

BATTERY RESISTANCE

What you are likely to be unaware of right now is that the battery itself has an internal resistance. Because of this resistance, the voltage actually available for use from the battery depends on the resistance across which the battery is connected.

It's like having two resistors in series with a known voltage across them. The voltage at the resistor junction will be less than that across them both.

So too with the battery, it is one of the resistors in the chain (the one nearest to the positive supply – R1 in Fig.3.10) whilst the circuit itself is the second resistor (R2).

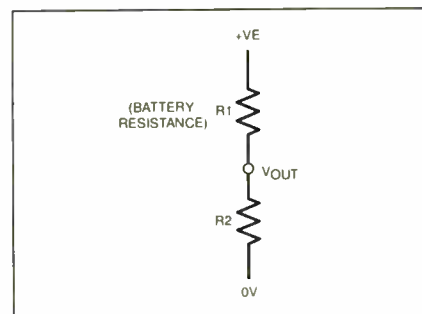


Fig.3.10. Since a battery has internal resistance, its output voltage depends on the load (R2) it is powering.

Consequently, if you measure the voltage on the battery you will find a higher voltage present when the battery is not connected to a circuit than you will if it is supplying power to one.

Elementary My Dear Watson, once you know the facts.

What you need to do now, is to connect the battery to the resistor, and *then* take a reading of the battery's voltage. Now you're getting somewhere!

Knowing the current reading you made

previously, you can relate it to the voltage reading just taken, and from them both discover the exact resistance of the simple circuit.

Why not just measure the resistor on the meter's resistance range? Yes, we could, in this particular case. But suppose that you have a complex circuit with all sorts of components, both active and passive, and you want to know the total resistance of that circuit?

You may not be able to directly measure the resistance itself, either because you simply cannot get your meter probes into the right place, or because some of the components will have different resistance values depending on whether the power is turned on or off.

It is, of course, not possible (or permissible) to connect a multimeter set on a resistance range across a circuit that has power on it. Severe disruption could occur to both the meter and the circuit should you do so. You certainly won't get a meaningful resistance value reading in this way!

But, won't the meter's own resistance affect the battery voltage when placed in the circuit to take current measurements? A very good point! Yes, it will, but the resistance is so very, very small that it can be ignored in this instance (unlike when voltages at more significantly resistive junctions are being measured, when the meter's resistance can affect the reading – as we discussed last month).

You've learned quite a bit from that single resistor, haven't you?

ANOTHER SUGGESTION

Ask a friend to select two resistors at random (without you seeing them), cover their colour codes with opaque sticky tape (black insulating tape, for example). Then you or he plug them into the breadboard as a series across the power supply (battery). Your task is to find out the value of each resistor, without measuring it on the meter's resistance ranges!

Knowing Ohm's Law and the rule that applies to the voltage at the junction of two resistors in series, you should have no difficulty in figuring out the answers! (You may disconnect anything in order to insert

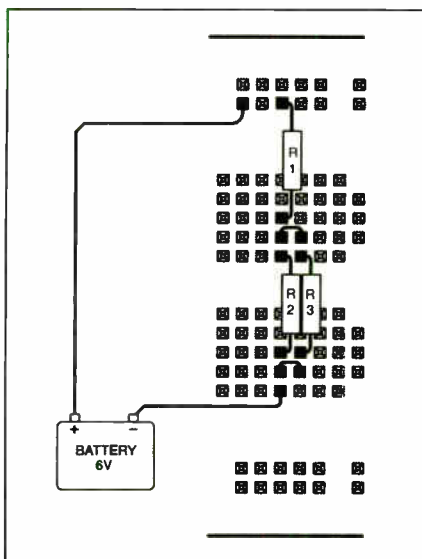


Fig.3.11. Breadboard layout for a slightly tricky exercise!

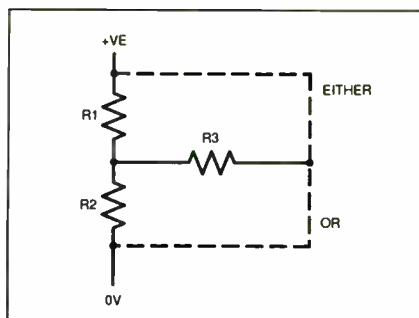


Fig.3.12. Circuit alternatives for another exercise.

the meter for current measurements, but do not change the basic order of the components.)

Now for a slightly trickier one. Ask your friend to pass you three resistors selected at random and with their codes taped over. Place them (in any order) into your breadboard as shown in Fig.3.11, R1 and R2 in series, with R3 in parallel with R2. Now find out all three values, without cheating or rearranging the circuit! (Again you may insert the meter wherever you wish, but don't use the Ohm's range.)

Next, suppose your meter's current and resistance ranges have packed up for some obscure reason. You know the voltage of the power supply, and you need to know the current flowing through two unknown resistors in series (R1 and R2 again, but of different values to the last experiment) across the power supply.

Indeed, once more let your friend be the one who selects those obscured value resistors and you place them in circuit (or let him do it – he might as well learn electronics while you do!).

You now have the whole range of your stock of resistors available, with their value codes in full view. Using any value of your choice, connect that resistor (call it R3) to the junction of R1/R2.

By connecting the other end of the resistor to either power line of your choice (see Fig.3.12), find out the values of the two unknown resistors, and the total current flowing through them. As a hint, it's the resistors in series and in parallel rules that are needed, plus Ohm's Law.

Now, before we move on to this month's final enlightenment, how much power is being used by R1 and R2, both separately, and in total?

The calculations needed for all the above problems can be done using the relevant sections of the computer program, although the basic concept of how you set about finding the answers is up to you to figure out!

SPEED OF LIGHT

Finally (for this time), have a bit of light entertainment while you're pining for next month's *Teach-In*.

We spoke of l.d.r.s (light dependent resistors) in this month's Tutorial. As we mentioned, one such type is the ORP12 (and NORP12), see Photo 3.4. Whichever of the two was supplied to you in your bag of parts – connect it into the oscillator circuit of Fig.3.1 in series with resistor R1, in place of VR1. Point the l.d.r.'s face upwards from the board.

In fact, it does not matter which side of

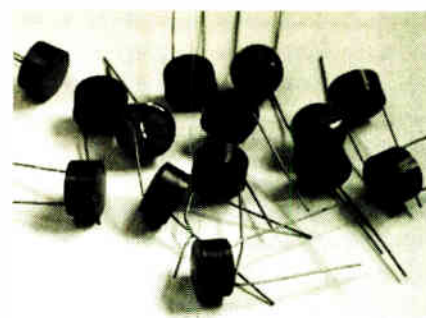


Photo 3.4. A handful of ORP 12 light dependent resistors (l.d.r.s).

R1 you place the l.d.r., the total resistance is the same in whichever order you have a series of resistors. Nor does it matter which way round the l.d.r.'s pins are connected; as with "ordinary" resistors, it is a non-polarised device.

Make R1 about 10kΩ. The 74HC14 Schmitt Trigger should be used as the inverter for this experiment.

In a fairly well-lit room, connect power to the oscillator. The l.e.d.s should flash at a fairly high, but still discernable, rate. If the rate is too fast, amend the value of the capacitor.

Now pass your hand slowly, very slowly, across the board so that a shadow begins to cover the l.d.r. The rate at which the l.e.d.s flash should progressively decrease, and then speed up again as the shadow moves away.

What you are demonstrating is how the l.d.r.'s resistance value changes depending on the amount of light that reaches it. If you actually cover the l.d.r. with a finger, you might even stop the oscillator.

MORE L.D.R. TESTS

Also, come back to the timing circuit in Part 2 in which we first suggested using an l.e.d. with an inverter gate (Fig.2.11). Place the l.d.r. in series with R1 in that circuit, and alternately connect up to the +ve and -ve connections on the battery. Note the rate at which the l.e.d. turns on or off, as appropriate, depending on the amount of light falling on the l.d.r.

You could also take the l.d.r. on its own and measure the resistance it has under different light levels, from near full darkness (just enough light to read your meter) to full blazing sunlight.

For any fixed level of light at a given distance from the l.d.r., see if you can plot a graph of the resistance according to the amount of the l.d.r.'s face that is obscured from the light. Strips of opaque insulating tape placed on the l.d.r. face will help in this. You should be able to get at least four readings.

Do your observations suggest any possible applications to which you could put such timing and oscillating circuits? We shall return to look at some ideas another time.

CHALLENGING

Incidentally, that question whose answer might be 42 – the nearest the author can get to it is 666 – what a beast! Still, like you, he'll keep on trying ...

Be with you again in a month – till then Millennial Greetings!

Constructional Project

SCRATCH BLANKER

ROBERT PENFOLD



A high-class "spin-doctor" for your ageing collection of classic vinyl discs.

IT SEEMS that reports of the death of vinyl discs have been somewhat exaggerated. While it is true that new vinyl records are not made in significant numbers any more, there is a thriving second-hand market. In fact many types of record are now hotly collected, including some that were manufactured quite recently.

Interest in vinyl records may still be quite strong, but the drawbacks that resulted in compact discs taking over have not gone away. Noise caused by dust getting into the grooves is one problem, but with proper care and handling this can be minimised.

Physical damage to this very vulnerable form of recording is probably the main problem, and there is no easy solution to this one. Most new vinyl recordings were supplied complete with a few "clicks" and "pops", and even when handled with due care they tend to gain some more over the years.

SCRATCHING AROUND

Digital signal processing continues to progress and some "golden oldie" recordings of the 1940s and earlier have been given remarkable "clean-ups" using this technology. Unfortunately, as far as we are aware, there is no, reasonably priced, digital signal processing unit yet available that will take a signal from a vinyl recording and process it to give "click" and "hiss" free reproduction. At the moment the only practical method of combating "clicks" and "pops" is to use analogue signal processing.

Minor surface noise can be greatly reduced by using simple top cut filtering, although this inevitably removes some of the high frequency content in the recording as well. Larger scratches produce strong signals at frequencies well into the middle audio range, and simple filtering is not a viable option. Filtering that would greatly reduce the noise spikes would also remove most of the main signal!

Analogue signal processing can be used to significantly reduce the larger "pops" and "cracks" using blanking or switch-around techniques. With the switch-around technique the output signal is normally delayed by a few milliseconds.

When a click is detected, the circuit waits for the noise pulses to end on the

non-delayed signal. A changeover is then made so that the listener hears the non-delayed signal, avoiding the "click" which by then has completely passed.

listener again hears what is actually a slightly delayed version of the signal, but with this system a delay of under a millisecond is adequate. This minute delay is needed to give the unit time to detect the click before it starts to appear at the output.

When a click is detected the audio signal is switched off, and it is held off for slightly

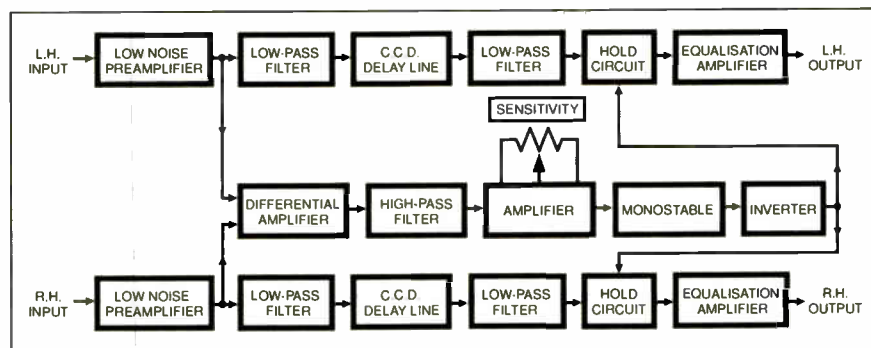


Fig.1. Full block diagram for the Scratch Blanker.

After a delay of perhaps a hundred milliseconds or so, the unit switches back to the original set-up with the listener hearing the delayed signal. Of course, by this time the click has also passed on the delayed signal. What is actually happening here is that the signal is being shortened slightly, with the section around the click being removed.

To make up for this missing signal, a few milliseconds are repeated when the unit switches back to its normal state. This system works well, but there is a danger of two slight glitches being audible as it switches around the click.

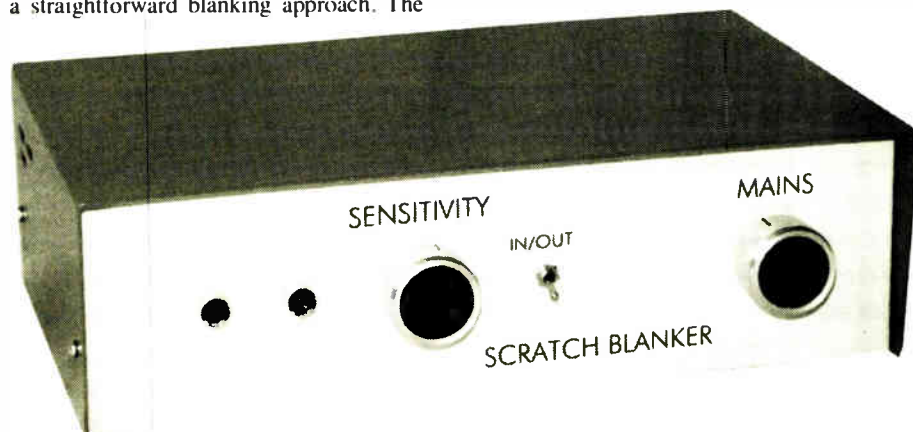
SCRATCH BLANKER

The more simple method adopted here is a straightforward blanking approach. The

longer than the duration of the noise caused by a bad scratch. In other words, the click and the signal immediately either side of it is replaced by silence.

Although one might reasonably expect the gap in the signal would be clearly audible, provided the blanking period is no more than about 10 milliseconds it will not be perceived as a gap in the signal. It may be heard as a slight glitch, or it might be "invisible" to the listener.

This all depends on the nature of the signal and the relative signal voltages at the beginning and end of the blanking period. Even if a slight glitch can be perceived, it will be nothing like as disconcerting as the noise pulses it replaces.



DESIGN CONSIDERATIONS

This Scratch Blanker project is designed to be fed direct from a *magnetic* pickup, and its output feeds into a high level input of the power amplifier such as a Tape, Tuner or Aux input. With many hi-fi amplifiers it is possible to extract the output signal from the RIAA preamplifier, process it in some way, and then feed the signal into the power amplifier.

This offers what is undoubtedly a more simple approach, but there are definite advantages to having the preamplifier built into the Scratch Blanker. One of these is simply that the system is not reliant on the existing audio equipment having some form of preamplifier output and power amplifier input arrangement. This Scratch Blanker should work with any power amplifier that has a spare high level input.

Another advantage of this approach is that it helps to reduce the noise and distortion produced through the delay-line. Noise is not a major problem as only a short delay is required, and the delay-line chip provides good performance under these conditions. Its distortion performance is also quite good.

However, it could still significantly degrade the performance of the system. In order to provide a flat overall frequency response a RIAA preamplifier must provide a 6dB per octave roll-off above 2120Hz, and a 6dB per octave boost from 500Hz to 50Hz. By placing the equalisation stage at the output of the blanker the high frequency roll-off helps to counteract noise and distortion through the delay-line, and also helps to minimise any slight switching glitches produced by the blanking process itself.

SYSTEM OPERATION

The block diagram of Fig.1 shows a slightly simplified version of the arrangement used in this Scratch Blanker. Each stereo channel is processed by an identical series of stages, so here we will only consider one channel.

The output level from a magnetic cartridge is quite low, and is typically just a few millivolts r.m.s. A Low Noise Preamplifier at the input boosts the signal

to a level that gives better noise performance from the delay-line.

It is important that high frequency signals are not allowed to enter the delay-line as they could react with the clock signal to produce audible heterodynes on the output. In theory there will be no input signals at these frequencies anyway, but in practice there can be problems with stray pick-up of radio signals in the input wiring. A Lowpass Filter is therefore used ahead of the delay-line to remove any high frequency signals.

TIME DELAY

A c.c.d. (charge-coupled device) Delay-Line is used, and this operates by sampling the input at regular intervals and feeding the sampled voltages along a chain of capacitors. Eventually the signal reaches the end of the chain and the output of the delay-line.

The time it takes to go through the system, and the delay obtained, depends on the number of stages and the clock frequency. The device used in this design has 512 stages, and can produce delays of several milliseconds, but in this case a delay of only around half a millisecond is adequate, and a high clock frequency is therefore used.

As with any sampling system, the output from the delay-line is stepped, and it is effectively modulated with the clock signal. Another Lowpass Filter at the output filters out the clock signal to give a normal audio output signal. Like the lowpass filter at the input of the delay-line, it does not produce significant losses at audio frequencies.

ON HOLD

The next stage in the main signal path is a Hold Circuit, which provides the signal blanking. It would be easy to design a scratch blanker that put in a larger noise pulse than the one it removed. To work well a blanking circuit must smooth over the gap in the signal in such a way that the gap is as unobtrusive as possible.

The hold circuit is normally fed with a high control voltage, and it then acts as a simple buffer stage. When a "click" is detected, a negative pulse is applied to the control input, and the output voltage is then held at its current level until the control

pulse ends. The hold circuit then acts as a simple buffer stage again, and a normal output signal is produced.

Ideally the blanking period would last for exactly one cycle, as in the top waveform of Fig.2. This avoids any sudden change in level at the end of the blanking period, and should avoid any audible glitch.

In practice things will not usually be quite as convenient as this, and there will be some jump in level, as in the middle waveform of Fig.2. Under worse case conditions there could be a much larger jump, as in the bottom waveform of Fig.2. The equalisation attenuates the high frequencies generated by any sudden changes in the signal level and keeps the switching glitches as unobtrusive as possible.

The oscillograph of Fig.3 shows the effect of the blanking process. The scratch pulses should be in the initial part of the trace. Instead, the signal has been blanked and this part of the trace is flat.

Depending on the circuit values used, the unit can also blank the signal by holding the signal at the central bias level during the blanking period. Again this ensures that there are no major glitches introduced by the blanking process itself.

Returning to Fig.1, the final stage in the main signal path is the Equalisation Amplifier stage. As pointed out previously, by having this stage at the output of the unit it effectively gives noise reduction over the entire circuit, including the delay-line.

CLICK DETECTION

In order to provide the desired blanking action the circuit must provide suitable control pulses to the hold circuits. The ease or difficulty with which this can be done is entirely dependent on the programme material.

With something like a recording of piano music where the general modulation level is quite low, any serious scratches should "stick out like a sore thumb". Things are much more difficult with a recording of pop music at high modulation levels and masses of high frequency "crashes" and "bangs".

Reliably blanking scratches on a recording of this latter type while leaving the main signal intact might not be possible. Fortunately, signals that make scratch

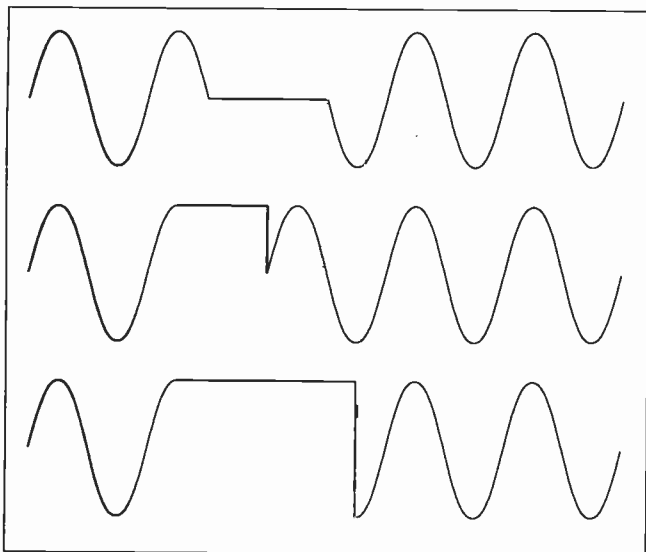


Fig.2. Ideally the blanking pulse would last for one cycle (top), but in practice this will not normally happen.

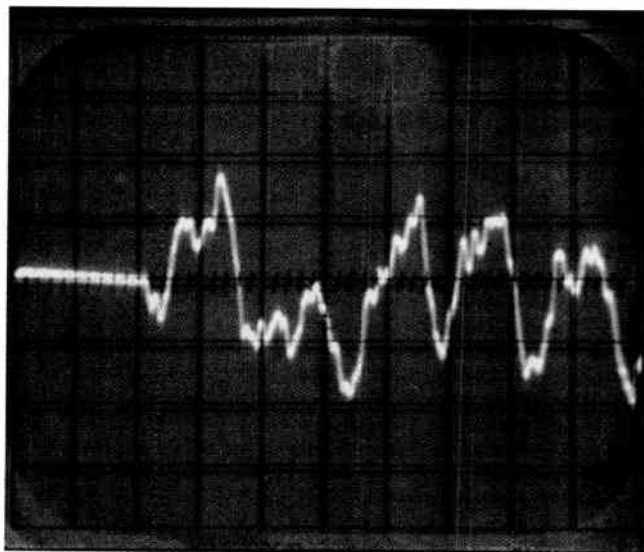


Fig.3. The initial part of the waveform shows the effect of the blanking process.

detection difficult also tend to mask the "clicks" and "pops" from the human ear. It is in situations where the clicks are most noticeable that a blanker can most easily detect and remove them.

The outputs of the two preamplifiers are fed to a Differential Amplifier. The main signal is generally in-phase in the two stereo channels (to produce the centre of the sound stage), or signals only appear in one channel or the other (to produce the sides of the sound stage). By contrast, the noise pulses produced by scratches tend to produce anti-phase signals. Combining the signals from the two stereo channels using a differential amplifier therefore adds together the anti-phase scratch signals, but to some extent cancels out the main signal.

The next stage is a Highpass Filter. The scratch signals are predominantly at upper middle and high frequencies, and the high-pass filtering provides further attenuation of the main signal in relation to the scratch signals.

TRIGGER LEVEL

Next the signal is amplified to a level that enables it to trigger a monostable. A Sensitivity control enables the trigger level to be set high enough to give reliable triggering of the monostable, but low enough to prevent large parts of the main signal from being obliterated. The monostable produces an output pulse of about 3.5 milliseconds in duration, which should be sufficient to blank any scratch.

The hold circuits require low output pulses, but the output of the monostable is normally low and pulses high. An Inverter stage is therefore used to process the output of the monostable and produce a suitable control signal for the hold circuits. A l.e.d. indicator is also driven from the inverter stage, and this flashes each time the unit is triggered.

CIRCUIT OPERATION

The main circuit diagram for the Scratch Blanker, showing the signal processing stages, appears in Fig.4. The

circuits for the "click" detection and mains power supply unit appear separately in Fig.5 and Fig.6.

Starting with circuit Fig.4 and the left-hand channel (the right channel is identical), the input stage uses operational amplifier IC1a as a non-inverting circuit having its closed-loop voltage gain set at 45 by resistors R5 and R6. The input impedance is set at about 50k (kilohms) by resistor R1, which is the optimum figure for most magnetic cartridges. Increase the value of R1 and R2 to 120k for types that require a load impedance of 100k.

The lowpass filter ahead of the delay-line is a conventional three stage (18dB per octave) type based on IC1b. Its cut-off frequency is at approximately 20kHz.

DELAY-LINE

The charge-coupled delay-line IC2, is a MN3004 512-stage device. In common with other c.c.d. delay-line chips it makes available the outputs of the last two stages.

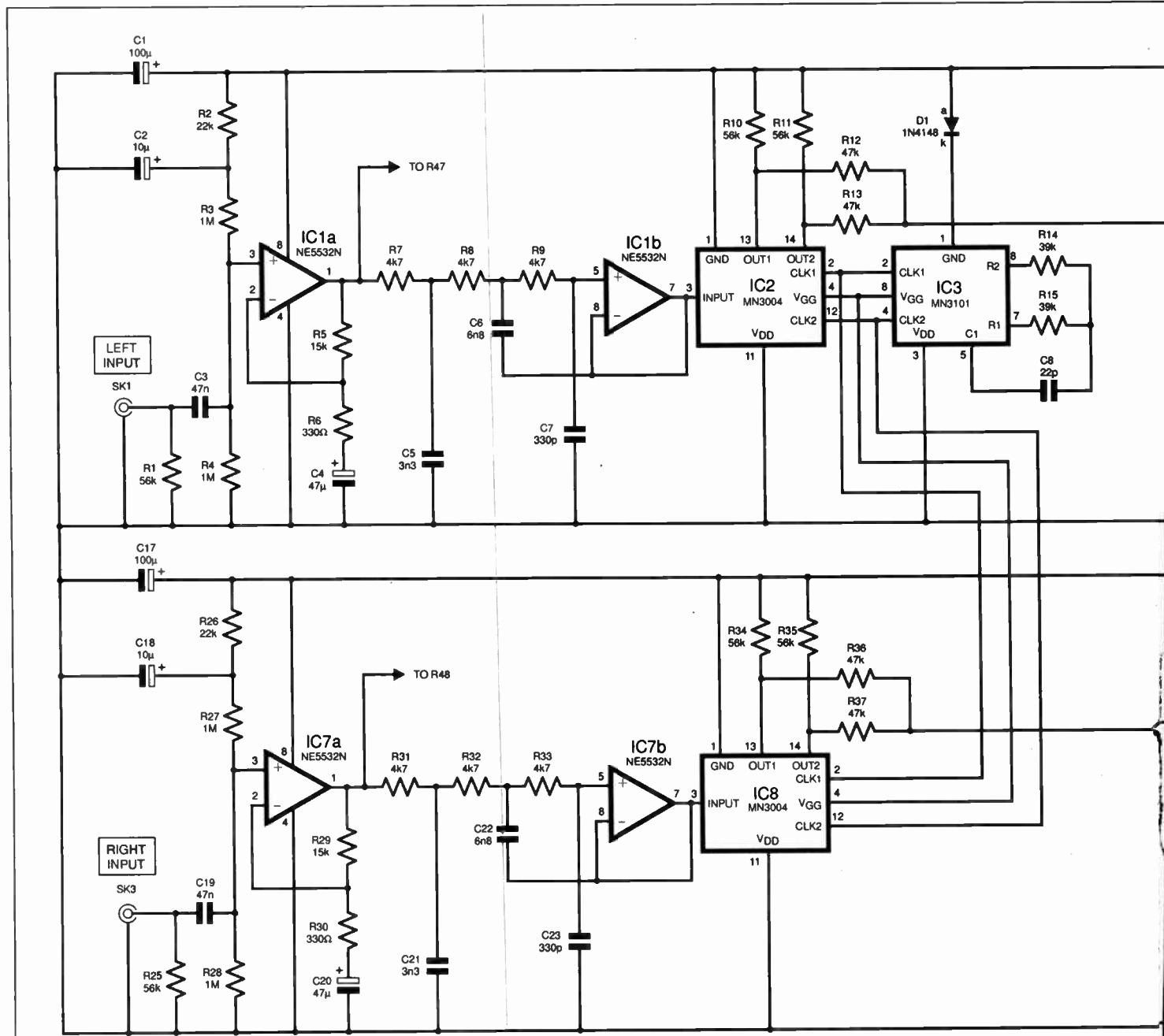


Fig.4. The main circuit diagram for the Scratch/Blanker.

The point of this is that it is not possible for a stage to simultaneously receive a fresh sample and provide an output at the previous sample voltage.

A simple solution to this problem is to mix the output signals from the last two stages. One or other of the stages will always have its output switched on and will supply a valid sample voltage.

Resistors R10 and R11 are load resistors for the last two stages of the delay-line, with R12 and R13 acting with IC4 as a conventional summing mode mixer to combine the two output signals.

Capacitor C10 provides a 6dB per octave roll-off above the audio range and provides the initial lowpass filtering to remove the stepping on the output signal. The equalisation amplifier provides most of this filtering though.

CLOCKING ON

The delay-line requires a two-phase clock signal and a bias voltage, both of which are provided by matching support

chip IC3. Most components are duplicated in the right-hand channel, but this stage provides the clock and bias signals for *both* channels.

The clock frequency is about 300kHz, which gives a delay of just under one millisecond. This gives more than enough time for the "click" detector to activate the hold circuit. The latter uses one of the four analogue switches in a CMOS 4016BE or 4066BE (IC5a). The 4016BE is the device normally recommended for audio applications, but several samples of the 4066BE were tried in this circuit and worked equally well. One of the other switches in IC5 (d) is used in the right-hand channel, but the other two are left unused.

With the specified values for resistor R19 and capacitor C11 the hold circuit produces an output at a central bias level during the blanking periods. Using values of 330 ohms and 10 nanofarads provides a true hold action, with the final signal voltage being held until the end of the blanking period. Results seem to sound much the

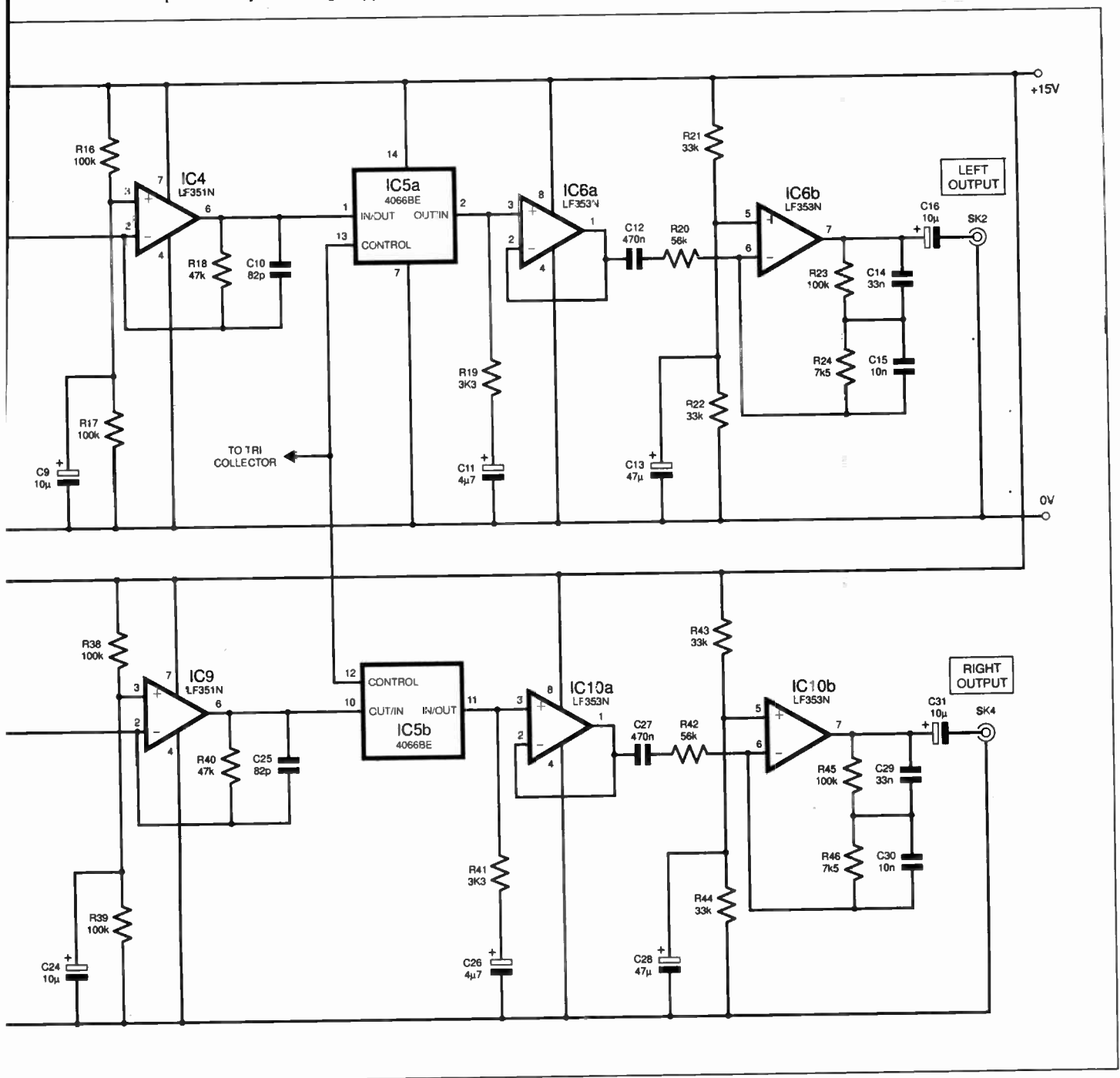
same either way. IC6a is the buffer amplifier for the hold circuit.

EQUAL MEASURE

The other section of IC6 (b) is used in the equalisation amplifier. Normally a stage of this type would be required to produce large amounts of amplification at middle and low audio frequencies.

This is not the case here, because the input stage provides most of the amplification, and only a modest amount of gain is required from the equalisation stage. In fact, a degree of attenuation is required at high frequencies.

This stage is, therefore, based on an inverting mode circuit rather than the more usual non-inverting type, and the value of resistor R20 has been made quite high so that the voltage gain is kept in check. With some power amplifiers and cartridges the output level might be inadequate. Reducing the value of resistors R20 and R42 to about 10k (kilohms) will increase the gain of the equalisation circuit and cure this problem.



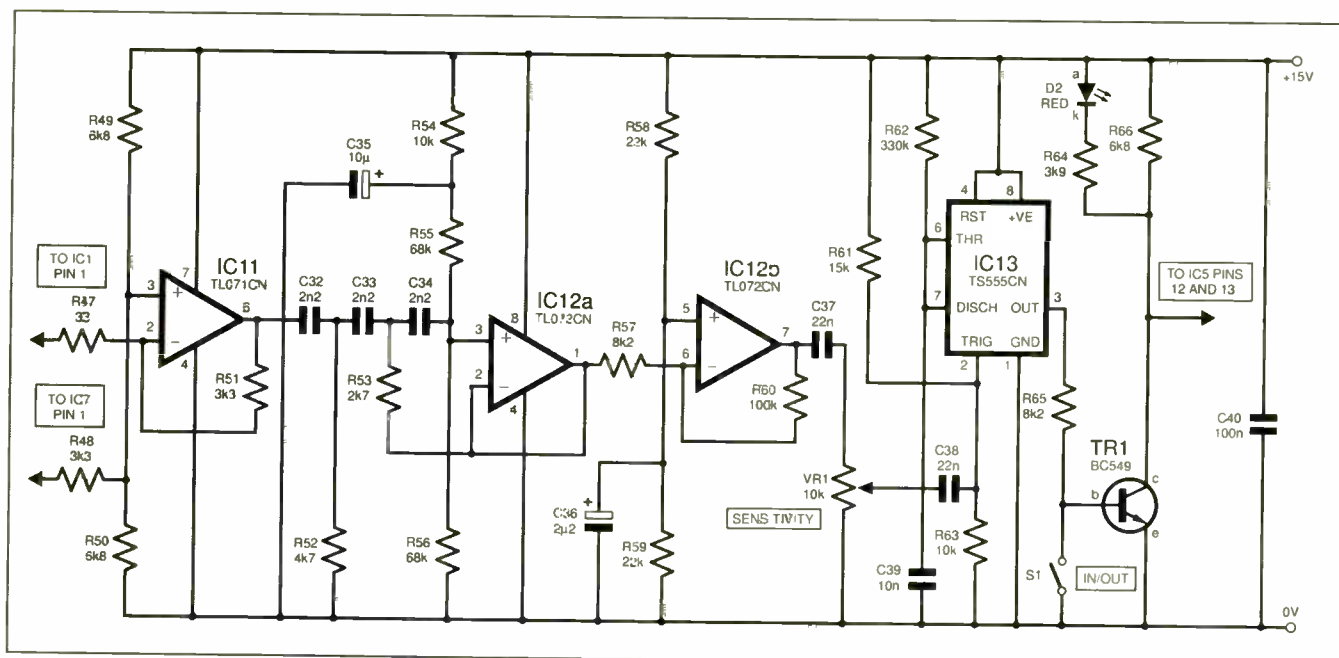


Fig.5. Circuit diagram for the "click" detector stages of the Scratch Blanker.

The circuit has only a limited amount of "headroom" so this modification should only be made if it is really necessary. Otherwise at high volume levels the signal may be clipped.

CLICK DETECTOR

In the Click Detector circuit (see Fig.5) op.amp IC11 is used as a conventional differential amplifier at the input. An active three-stage (18dB per octave) highpass filter based on IC12a follows this. The filtered output signal from IC12a is amplified by IC12b, which operates as an inverting amplifier having a voltage gain of about 12. The boosted signal from IC12b is fed, via capacitor C37, to Sensitivity control VR1, and this is connected as a volume control style variable attenuator.

The monostable stage has low power timer IC13 connected as a standard 555 monostable. It is not advisable to use an ordinary 555 timer for IC13 as the standard 555 chip tends to "crowbar" the power supply on output transitions. This would

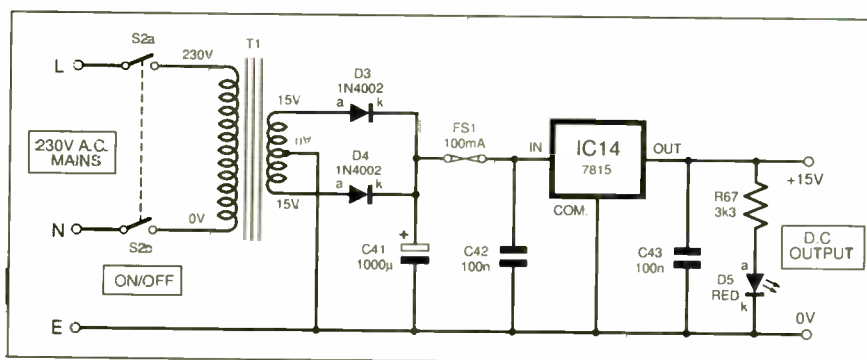


Fig.6. Scratch Blanker power supply circuit diagram.

tend to introduce noise spikes into the signal paths, reducing the effectiveness of the unit. Low power 555 timers such as the TS555CN are free from this defect.

Resistor R62 and capacitor C39 are the timing components and they set the nominal output pulse duration at 3-63 milliseconds. The trigger input at pin 2 of IC13 must be taken below one third of the supply

potential in order to trigger the circuit. Under quiescent conditions resistors R61 and R63 bias pin 2 just above this level, but strong negative half cycles from control VR1 will take the input below the threshold voltage and trigger the monostable.

Transistor TR1 is a simple common emitter switching stage that inverts the output signal from IC13 and also drives i.e.d. indicator D2. This i.e.d. will flash briefly each time the unit is triggered.

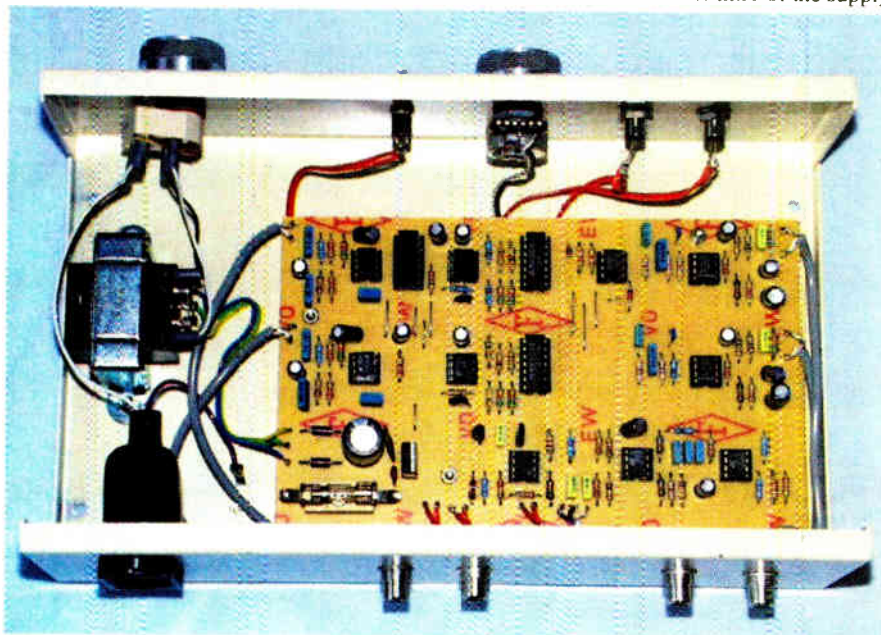
Switch S1 provides in/out switching. The unit functions normally when S1 is open, but closing this switch holds TR1 in the off state, and inhibits the blanking action.

POWER SUPPLY

The power supply must provide a well smoothed 15V supply at a maximum current of no more than about 60mA or so. A suggested mains driven Power Supply circuit diagram is given in Fig.6.

Mains transformer T1 provides isolation from the mains and the required voltage step-down. Rectifier diodes D3 and D4 provide full-wave rectification and capacitor C41 the smoothing. The unregulated supply is fed, via fuse FS1, to a 15V monolithic voltage regulator (IC14) that produces a well stabilised output and also contributes further smoothing.

A 78L15 (100mA) regulator can handle the currents involved here, but



might overheat due to the power levels involved. Hence, a 7815 (1A) regulator is specified for IC14. Diode D5 is the power indicator i.e.d., and R67 is its current limiter resistor.

CONSTRUCTION

As this project is mains powered and is fairly complex it is not really suitable for beginners. The use of a custom printed circuit board (p.c.b.) does, however, help to keep things reasonably straightforward.

The component overlay for the circuit board appears in Fig.7, together with the

actual size copper foil master pattern. This board is available from the *EPE PCB Service*, code 250.

The only static-sensitive components are IC2, IC3, IC5 and IC8, and the normal handling precautions should be observed when dealing with these devices. It is advisable to use holders for all the other d.i.l. integrated circuits as well. Voltage regulator IC14 might become quite warm in use, but it should not be necessary to fit it with a heatsink.

Construction of the board largely follows conventional lines. A few link-wires (9 off)

are required, and these are made from 22s.w.g. or 24s.w.g. tinned copper wire. They are reasonably well spaced out so it is not essential to insulate them with pieces of sleeving.

The capacitors must be miniature p.c.b. mounting types in order to fit into this layout properly. The polyester capacitors should have a lead spacing of 5mm (0.2 inches).

Fuse FS1 fits into an ordinary 20mm chassis mounting fuseholder that is bolted to the circuit board. The board is connected to the tags of the fuseholder by way of two

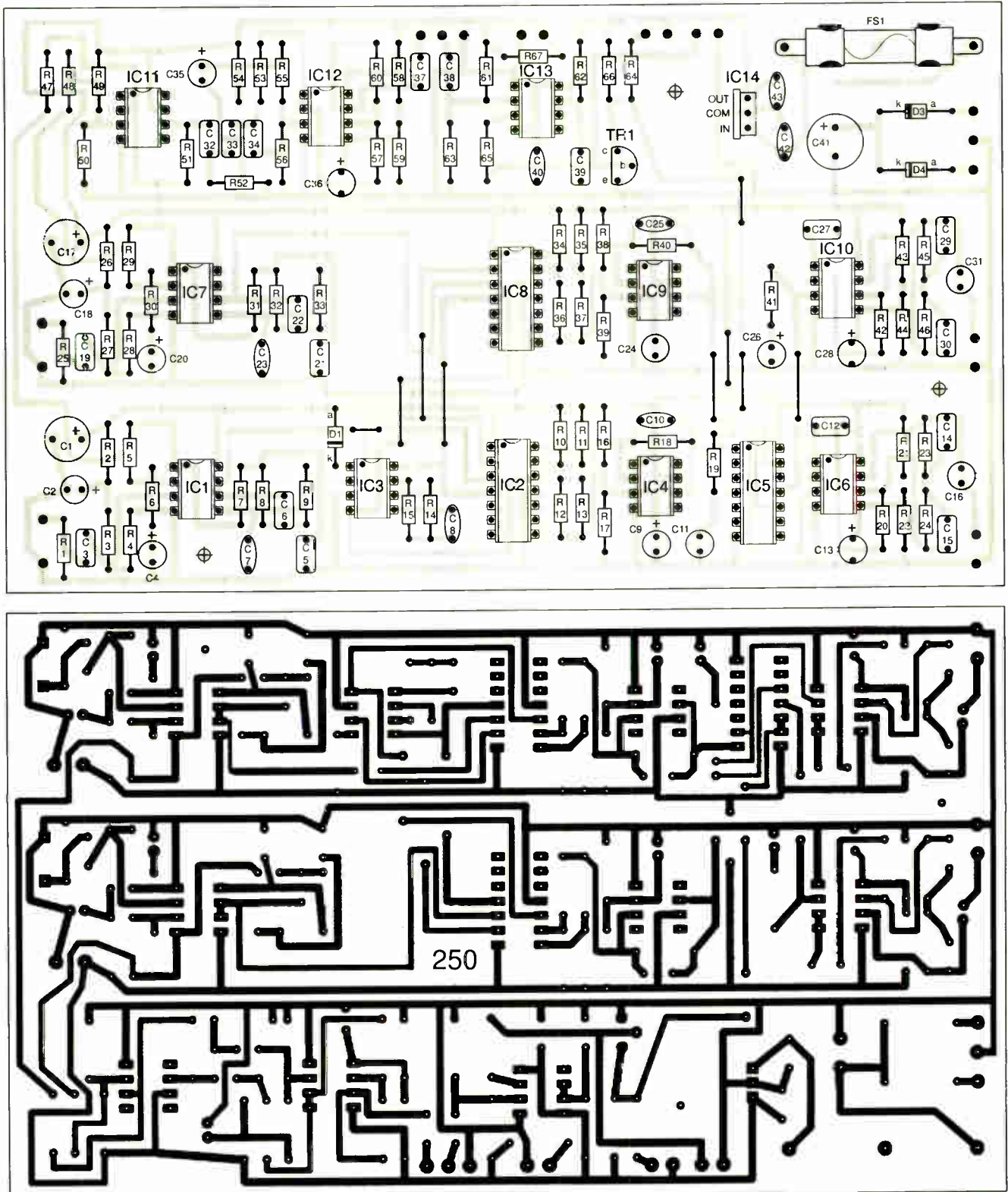


Fig.7. Printed circuit board topside component layout and full size underside copper foil master for the Scratch Blanker. The interwiring between the p.c.b. and off-board components is shown in Fig.8.

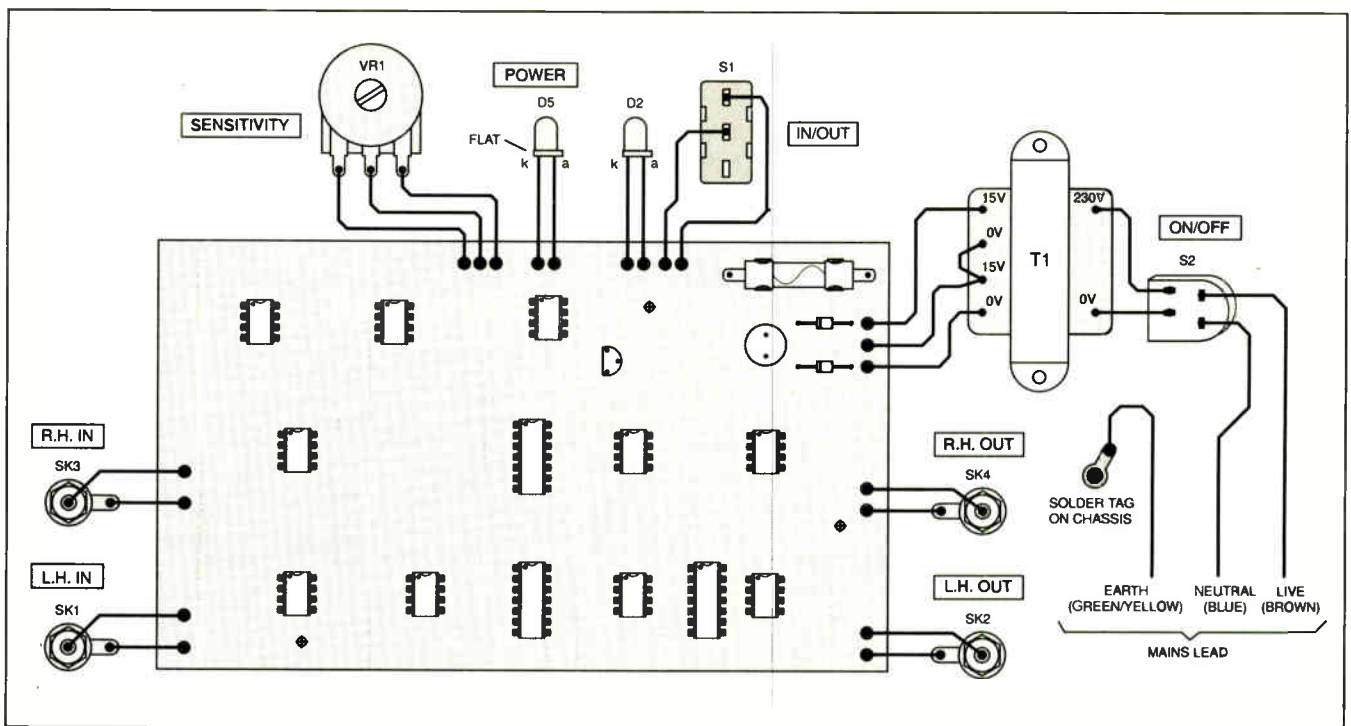


Fig. 8. Interwiring details from the p.c.b. to off-board components. Note you must use screened leads from the p.c.b. to the input and output sockets (SK1-SK4).

solder pins fitted on the board. With the tags of the holder in an almost horizontal position it should be quite easy to solder them to the pins.

CASING UP

Readymade hi-fi style cases are "a bit thin on the ground" these days, so it is a choice between the do-it-yourself approach and settling for an instrument case. Either way the case must be about 250mm wide and 150mm deep in order to accommodate everything comfortably.

As this project is mains powered it must have a case that is made from METAL, and the case must be reliably EARTHED to the mains Earth lead. It is also essential to use a case that has a screw fitting lid, and not a clip-on type that would permit easy access to the dangerous mains wiring. The mains lead can be wired direct to the unit, but the safer option is to mount an IEC mains inlet on the rear panel of the case and use a standard IEC mains lead.

The circuit board is mounted on the left-hand section of the base panel using 6BA or metric M3 screws (see photographs), plus the usual spacers to keep the underside of the board clear of the metal case. Mains transformer T1 is mounted on the extreme right-hand section of the base panel so that it is as far away from the circuit board as possible.

The input and output connectors are phono sockets, and they are mounted on the rear panel of the case. The controls and the two i.e.d.s are mounted on the front panel, the exact layout is not too important.

However, On/Off switch S2 should be positioned well towards the right-hand end of the panel close to T1, with the other controls reasonably well separated from it. A solder tag bolted to the base panel provides a connection point for the mains Earth lead.

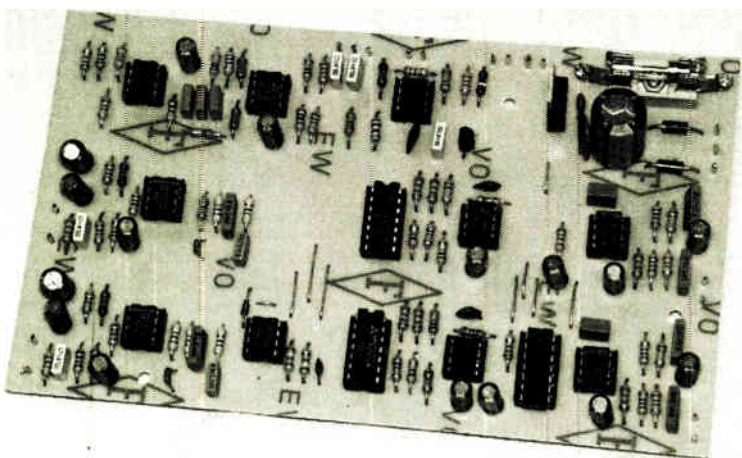
INTERWIRING

Details of the hard wiring to the p.c.b. and off-board components are provided in Fig. 7

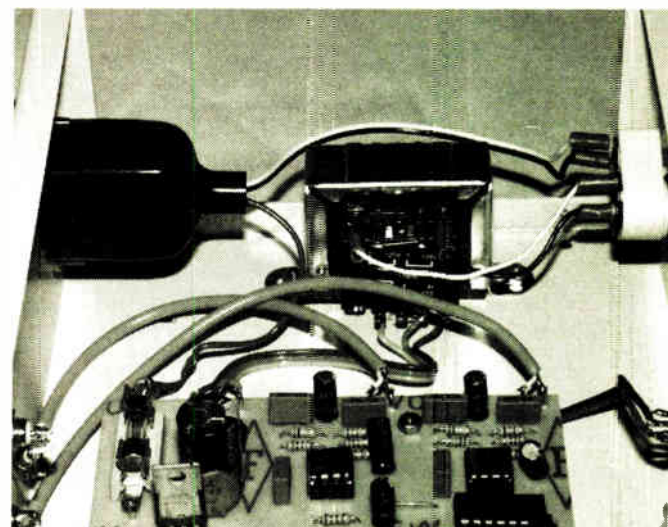
and Fig. 8. This is largely straightforward, but as some of the wiring carries the mains supply it is essential to take extra care and to double-check the entire wiring once it has been completed. The input wiring is very sensitive to stray pick-up of mains "hum", and screened cable *MUST*, therefore, be used for the connections from phono sockets SK1 and SK3 to the circuit board.

Indicator i.e.d.s D2 and D5 will not work properly unless they are connected the right way round. The polarity of i.e.d.s is normally indicated by the cathode (k) lead being shorter than the anode (a) lead. It is advisable to use high brightness i.e.d.s, particularly for D2, which receives only very brief pulses of current.

A mains transformer having a 15V-0V-15V secondary winding is required for T1, but modern mains transformers almost invariably have twin secondary windings. These can effectively produce the required type of secondary winding if they are connected in the manner shown in Fig. 8.



Completed circuit board ready for mounting inside the metal case.



Prototype model showing, in close up, positioning and wiring to the mains transformer.

COMPONENTS

Resistors

- R1, R10, R11, R20, R25, R34, R35, R42 56k (8 off)
- R2, R26, R58, R59 22k (4 off)
- R3, R4, R27, R28 1M (4 off)
- R5, R29, R61 15k (3 off)
- R6, R30 330Ω (2 off)
- R7, R8, R9, R31, R32, R33, R52 4k7 (7 off)
- R12, R13, R18, R36, R37, R40 47k (6 off)
- R14, R15, 39k (2 off)
- R16, R17, R23, R38, R39, R45, R60 100k (7 off)
- R19, R41, R47, R48, R51, R67 3k3 (6 off)
- R21, R22, R43, R44 33k (4 off)
- R24, R46 7k5 (2 off)
- R49, R50, R66 6k8 (3 off)
- R53 2k7
- R54, R63 10k (2 off)
- R55, R56 68k (2 off)
- R57, R65 8k2 (2 off)
- R62 330k
- R64 3k9

All 0.25W 5% carbon film

Potentiometer

- VR1 10k carbon rotary, lin.

Capacitors

- C1, C17 100μ radial elect. 16V (2 off)
- C2, C9, C16, C18, C24, 10μ radial elect. 25V
- C31, C35 (7 off)
- C3, C19 47n polyester (2 off)
- C4, C13, C20, C28 47μ radial elect. 25V (4 off)
- C5, C21 3n3 polyester (2 off)
- C6, C22 6n8 polyester (2 off)
- C7, C23 330p ceramic plate (2 off)
- C8 22p ceramic plate
- C10, C25 82p ceramic plate (2 off)
- C11, C26 4μ7 radial elect. 50V (2 off)
- C12, C27 470n polyester (2 off)
- C14, C29 33n polyester (2 off)
- C15, C30, C39 10n polyester (3 off)
- C32 to C34 2n2 polyester (3 off)
- C36 2μ2 radial elect. 50V
- C37, C38 22n polyester (2 off)
- C40, C42, C43 100n ceramic (3 off)
- C41 1000μ radial elect. 25V

Semiconductors

- D1 1N4148 silicon signal diode
- D2, D5 5mm red panel l.e.d. (2 off)
- D3, D4 1N4002 100V 1A rect. diode (2 off)
- TR1 BC549 silicon npn transistor
- IC1, IC7 NE5532N dual op.amp (2 off)

- IC2, IC8 MN3004 512-stage delay-line (2 off)
- IC3 MN3101 clock generator
- IC4, IC9 LF351N bi-fet op.amp (2 off)
- IC5 4066BE or 4016BE quad CMOS switch
- IC6, IC10 LF353N dual bi-f.e.t. op.amp (2 off)
- IC11 TL071CN bi-f.e.t. op.amp
- IC12 TL072CN dual bi-f.e.t. op.amp
- IC13 TS555CN low power timer
- IC14 7815 15V 1A positive regulator

Miscellaneous

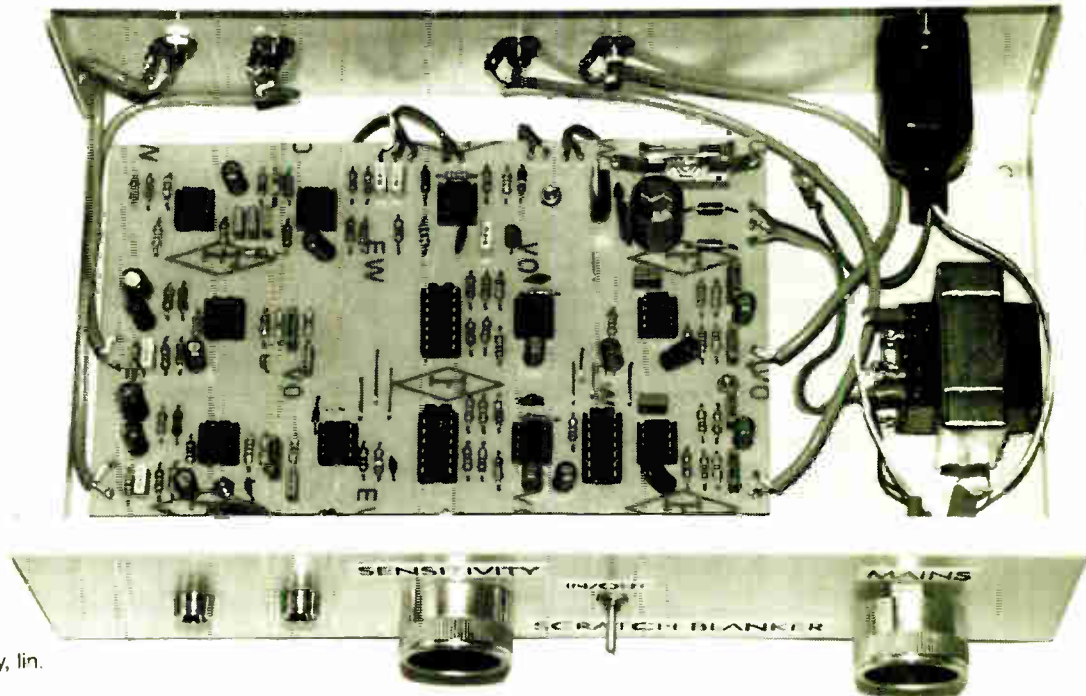
- S1 s.p.s.t. min toggle
- S2 rotary mains dual-pole on/off switch
- SK1 to SK4 chassis mounting phono socket (4 off)
- FS1 100mA 20mm quickblow fuse
- T1 standard mains transformer, with 15V-0V-15V 100mA secondary

Printed circuit board available from *EPE PCB Service*, code 250; medium to large instrument case, see text; 8-pin d.i.l. holder (10 off); 14-pin d.i.l. holder (3 off); 20mm chassis mounting fuseholder; control knob (2 off); mains lead and plug; screened cable; connecting wire; solder pins; solder, etc.

See
**SHOP
TALK**
page



Front panel arrangement of the completed Scratch Blanker.



Layout of components inside the case of the finished Scratch Blanker. Note the p.c.b. and mains transformer should be kept as far apart as possible.

Note that some mains transformers also have twin primary windings. For use on the 230V UK mains supply the two primary windings must be connected in *series*. Use pieces of sleeving to insulate any connections that carry the mains supply.

TESTING

In use the record deck connects to input sockets SK1 and SK3, and the output sockets (SK2 and SK4) connect to the power amplifier using normal screened phono leads. The record deck will probably have an earth lead, and results will probably be best with this connected to the earth terminal of the power amplifier. If this gives problems with "hum" loops try adding a suitable connector to the case of the Scratch Blanker so that the deck can be earthed here instead.

Using a suitably "click" infested test recording it should soon be obvious whether or not the unit is functioning. With Sensitivity control VR1 fully advanced in a clockwise direction the "clicks" should be blanked, but it is likely that sections of the recording at high modulation levels will also be removed.

Control VR1 should be adjusted for the highest sensitivity that does not result in significant blanking of the wanted signal. Since modulation levels vary slightly from one record to another, the optimum setting for VR1 will also be slightly different for each record. □

Approx. Cost Guidance Only

£54

excl. case and mains lead/plug

Radio Bygones

The leading magazine
for vintage radio
enthusiasts

Radio
Bygones

The
Polish BP5
clandestine
transmitter/
receiver



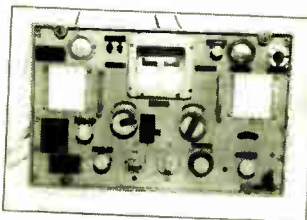
Radio
Bygones

And
Tomorrow
the World!
The citystone
All World Tone



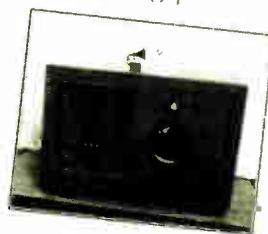
Radio
Bygones

German WWII transmitters
and receivers



Radio
Bygones

HMV's Model 471



WHETHER your interest is in domestic radio and TV or in amateur radio, in military, aeronautical or marine communications, in radar and radio navigation, in instruments, in broadcasting, in audio and recording, or in professional radio systems fixed or mobile, RADIO BYGONES is the magazine for you.

ARTICLES on restoration and repair, history, circuit techniques, personalities, reminiscences and just plain nostalgia – you'll find them all. Plus features on museums and private collections and a full-colour photo-feature in every issue.

IT'S MOSTLY about valves, of course, but 'solid-state' – whether of the coherer and spark-gap variety or early transistors – also has a place.

FROM THE DAYS of Maxwell, Hertz, Lodge and Marconi to what was the state-of-the-art just a few short years ago . . .

There is also a selection of free readers' advertisements in every issue.

Radio Bygones covers it all!

THE MAGAZINE is published six times a year, and is available by postal subscription. It is **not available at newsagents.**

TO TAKE OUT a subscription, or to request a sample copy, please complete the form below and return it to:
RADIO BYGONES, Allen House, East Borough, Wimborne, Dorset BH21 1PF.

Tel: 01202 881749. Fax 01202 841692. Web sites: www.radiobygones.co.uk www.radiobygones.com

RADIO BYGONES ORDER FORM

A SAMPLE COPY of Radio Bygones £3.25
(Add 50p for overseas airmail)

SUBSCRIPTIONS (post paid):	1 YEAR	2 YEAR
UNITED KINGDOM	£18.50	£35.00
REST OF EUROPE (AIRMAIL)	£19.50	£37.00
REST OF THE WORLD (AIRMAIL)	£23.75	£44.25

- Yes, I would like a sample copy of RADIO BYGONES
- Yes, I would like to take out a subscription for:
- One year (6 issues) Two years (12 issues)
- I enclose a cheque/Eurocheque/PO for £ payable to Wimborne Publishing Ltd
- Please debit my Visa/Mastercard
- NOTE Minimum credit card payment is £5

My credit card number is:

--	--	--	--	--	--	--	--	--	--	--	--	--	--	--	--	--	--	--	--	--

Please print clearly, and check that you have the number correct

The Card is valid from:to:

My name is

My address

Post Code/Zip

Signed

12/99



**8 CAVANS WAY,
BINLEY INDUSTRIAL
ESTATE.
COVENTRY CV3 2SF
Tel: 01203 650702
Fax: 01203 650773
Mobile: 0860 400683**

(Premises situated close to Eastern-by-pass in Coventry with easy access to M1, M6, M40, M42, M45 and M69)

OSCILLOSCOPES

Beckman 9020 - 20MHz - Dual Channel	£150
Gould CS 245A/250/255/300/305/351/4000	from £125
Hewlett Packard 180A/180C/181A/182C	from £150
Hewlett Packard 1740A, 1741A, 1744A, 100MHz Dual Channel	from £300
Hewlett Packard 54100D - 1GHz Digitizing	£1250
Hewlett Packard 54200A - 50MHz Digitizing	£300
Hewlett Packard 54201A - 300MHz Digitizing	£1250
Hewlett Packard 54512B - 300MHz - 1 GS/s 4-Channel	£2250
Hewlett Packard 54501A - 100MHz - 100 Ms/s 4-Channel	£1250
Hitachi V152FV302B/V302F/V353F/V550B/V650F	from £105
Hitachi V650F - 60MHz Dual Channel	£200
Hitachi V1100A - 100MHz 4-Channel	£900
Intron 2020 - 20MHz Digital Storage (NEW)	£450
Iwatsu SS5710/35702 - 20MHz	from £125
Iwatsu MSO 1270A - 20 MHz Digital Storage (NEW)	£450
Lecroy 9304 AM - 200MHz - 100 Ms/s 4-Channel	£3000
Lecroy 9450A - 300MHz/400 Ms/s D.S.O. 2-Channel	£2250
Philips PM 3055 - 50MHz Dual Timebase	£450
Philips PM 3211/PM 3212/PM 3214/PM 3217/PM 3234/PM 3240/PM 3243/PM 3244/PM 3261/PM 3262/PM 3263/PM 3540	from £125
Philips PM 3295A - 400MHz Dual Channel	£1600
Philips PM 3335 - 50MHz/20 Ms/s D.S.O. 2-Channel	£950
Tektronix 455 - 50MHz Dual Channel	£200
Tektronix 464/466 - 100MHz Analogue Storage	from £300
Tektronix 465/465B - 100MHz Dual Channel	from £300
Tektronix 468 - 30MHz D.S.O.	£50
Tektronix 1AS 475 - 100MHz - 4-Channel	£995
Tektronix 475/475A - 200MHz/250MHz Dual Channel	from £400
Tektronix 485 - 350MHz - 2-Channel	£750
Tektronix 2211 - Digital Storage - 50MHz	£800
Tektronix 2213 - 60MHz Dual Channel	£350
Tektronix 2215 - 60MHz Dual Channel	£375
Tektronix 2220 - 60MHz Dual Channel D.S.O.	£950
Tektronix 2221 - 60MHz Digital Storage 2-Channel	£950
Tektronix 2225 - 50MHz Dual Channel	£350
Tektronix 2235 - 100MHz Dual trace	£600
Tektronix 2335 - Dual Trace 100MHz (portable)	£600
Tektronix 2440 - 300MHz/500 Ms/s D.S.O. 2-Channel	£2500
Tektronix 2445 - 150MHz - 4-Channel DMU	£900
Tektronix 2445A - 100MHz - 4-Channel	£6500
Tektronix 2476B - 400MHz - 4-Channel	from £150
Tektronix 5403 - 60MHz - 2 or 4-Channel	from £225
Tektronix 7313, 7603, 7623, 7633 - 100MHz 4-Channel	from £250
Tektronix 7704 - 250MHz 4-Channel	from £400
Tektronix 7904 - 500MHz	£125
Trio CS-1022 - 20MHz - Dual Channel	£125

Other scopes available too

SPECIAL OFFER

HITACHI V212 - 20MHz DUAL TRACE	£160
HITACHI V222 - 20MHz DUAL TRACE + ALTERNATE MAGNIFY	£180

SPECTRUM ANALYSERS

Ando ACB211 - Spectrum Analyser 1-7GHz	£1995
Anritsu MS62B - 10kHz-1700MHz	£1995
Anritsu MS3401A + MS3401B - (10Hz-30MHz)	£3500 + £3995
Anritsu MS510B - 10kHz-2GHz - (Mini)	£4500
Anritsu MS710B - 10kHz-2GHz Spectrum Analyser	£5500
Avcom PSA655 - 1000MHz - portable	£850
Hameg 802B/803B - Spectrum Analyser/Tracking Gen + 100MHz Oscilloscope	£1000
Hewlett Packard 182R with 8559A (10MHz-21GHz)	£2750
Hewlett Packard 182T + 8558B - 0.1 to 1500MHz	£1250
Hewlett Packard 853A + 8558B - 0.1 to 1500MHz	£2250
Hewlett Packard 852A - Dual Channel Dynamic Sig. Analyser	£2750
Hewlett Packard 3580A - 5Hz-50kHz	£800
Hewlett Packard 3582A - 0.02Hz-25.5kHz (Dual Channel)	£2000
Hewlett Packard 3585A - 20Hz-40MHz	£4000
Hewlett Packard 8569B - (0.01 to 22GHz)	£4250
Hewlett Packard 85046A - 'S' Parameter Test Set	£2500
Hewlett Packard 875A - Network Analyser	from £3000
Hewlett Packard 8753B - Network Analyser	from £4500
IFR 7750 - 10kHz-1GHz	£2000
Meguro MSA 4901 - 1-300GHz (AS NEW)	£750
Meguro MSA 4912 - 1-1GHz (AS NEW)	£1000
Rohde & Schwarz - SWOB 5 Polyskop 0.1-1300MHz	£1500
Takeda Rilken 412 - 1GHz Spectrum Analyser	£2100
Tektronix 7L18 with mainframe (1.5-60GHz with external mixers)	£2000
Tektronix 495P - 100Hz-1.8GHz programmable	£4500
Tektronix 496P - 1kHz-1.8GHz Spectrum Analyser	£4250

MISCELLANEOUS

Adret 740A - 100kHz-1120MHz Synthesised Signal Generator	£800
Anritsu MG 3601A Signal Generator 0.1-1040MHz	£1250
Anritsu ME 462B DF/3 Transmission Analyser	£2500
Anritsu MG 645B Signal Generator 0.05-1050MHz	£750
Boonton 92C R/F Millivoltmeter	£195
Boonton 93A True RMS Voltmeter	£195
Dranetz 626 - AC/DC - Multifunction Analyser	£500
EIP 331 - Frequency Counter 18GHz	£450
EIP 545 - Frequency Counter 18GHz	£1250
EIP 575 - Frequency Counter 18GHz	£1450
Eitek SMP5 - Power Supply 60V-30V	£350
Farnell TSV-70 MKII Power Supply (70V - 5A or 35V - 10A)	£200
Farnell DSG-1 Synthesised Signal Generator	£125
Farnell AP 30250A Power Supply 3V - 250A	£1750
Feedback PFG 605 Power Function Generator	£150
Fluke 5100A - Calibrator	£1950
GN ELM1 EPR31 PCM Signalling Recorder	£2000
Guildline 9152 - T12 Battery Standard Cell	£550
Hewlett Packard 1630D - Logic Analyser (43 Channels)	£500
Hewlett Packard 16500A/B and C - Fitted with 16510A/1651A/165130A/16531A	from £2000
Logic Analyser	from £300
Hewlett Packard 331A - Distortion Analyser	£300
Hewlett Packard 333A - Distortion Analyser	£300
Hewlett Packard 334A - Distortion Analyser	£300
Hewlett Packard 3325A - 21MHz Synthesiser/Function Generator	£900
Hewlett Packard 3335A - Synthesised Signal Generator (200Hz-81MHz)	£2750
Hewlett Packard 3338C - Synthesised Signal Generator (10Hz-21MHz)	£800
Hewlett Packard 3455A - 5% Digital Voltmeter (Autocal)	£500
Hewlett Packard 3456A - Digital Voltmeter	£600
Hewlett Packard 3488A - HP - 1B Switch Control Unit (various Plug-ins available)	£550
Hewlett Packard 35600A - Dual Channel Dynamic Signal Analyser	£3750
Hewlett Packard 3586A - Selective Level Meter	£800
Hewlett Packard 3711A/3712A/3791B/3793B - Microwave Link Analyser	£1500
Hewlett Packard 3766A - PCM Terminal Test Set	£500
Hewlett Packard 3776A - PCM Terminal Test Set	£1000
Hewlett Packard 3779A/3779C - Primary Mux Analyser	from £400
Hewlett Packard 3784A - Digital Transmission Analyser	£5000

Hewlett Packard 3785A - Jitter Generator + Receiver	£1250
Hewlett Packard 37900D - Signalling Test Set (No. 7 and ISDN)	£4250
Hewlett Packard P382A - Variable Attenuator	£250
Hewlett Packard 4192A - LF Impedance Analyser	£6500
Hewlett Packard 4262A - Digital LCR Meter	£800
Hewlett Packard 4342A - Q Meter	£350
Hewlett Packard 435A or B Power Meter (with 8481A/8484A)	from £400
Hewlett Packard 436A and 437B - Power Meter and Sensor	from £300
Hewlett Packard 4948A - (TIMS) Transmission Impairment M/Set	£1000
Hewlett Packard 4972A - Lan Protocol Analyser	£1250
Hewlett Packard 5183 - Wavelorn Recorder	£250
Hewlett Packard 5271B - Frequency Counter 100MHz	£250
Hewlett Packard 5314A - (NEW) 100MHz Universal Counter	£250
Hewlett Packard 5316A - Universal Counter (IEEE)	£400
Hewlett Packard 5335A - 200MHz High Performance Systems Counter	£600
Hewlett Packard 5324A - Microwave Frequency Counter (500MHz-18GHz) Opts 1 + 3	£300
Hewlett Packard 5359A - High Resolution Time Synthesiser	£250
Hewlett Packard 5970B - Universal Timer/Counter	£2950
Hewlett Packard 5384A - 225MHz Frequency Counter	£500
Hewlett Packard 5385A - Frequency Counter - 1GHz - (HP1B) with OPTS 001/003/004/005	£750
Hewlett Packard 6033A - Power Supply Autoranging (20V - 30A)	£750
Hewlett Packard 6253A - Power Supply 20V - 3A 1W	£200
Hewlett Packard 6255A - Power Supply 40V - 1.5A 1W	£200

HEWLETT PACKARD 6261B

Power Supply 20V - 50A £350 Discount for Quantities

Hewlett Packard 6264B - Power Supply (0-20V, 0-25A)	£300
Hewlett Packard 6266B - Power Supply 40V - 5A	£220
Hewlett Packard 6271B - Power Supply 80V - 3A	£225
Hewlett Packard 6524A - Quad Power Supply	£2000
Hewlett Packard 6632A - Power Supply (20V - 5A)	£800
Hewlett Packard 6652A - 20V - 2A System P.S.U.	£750
Hewlett Packard 7475A - 6 Pen Plotter	£250
Hewlett Packard 7550A - 8 Pen Plotter	£800
Hewlett Packard 7780 - Coax Dual Directional Coupler	£500
Hewlett Packard 8015A - 50MHz Pulse Generator	£1250
Hewlett Packard 8165A - 50MHz Programmable Signal Source	£1500
Hewlett Packard 8180A - Data Generator	£1500
Hewlett Packard 8182A - Data Analyser	£1500
Hewlett Packard 8350B - Sweep Oscillator Mainframe (various plug-in options available)	£2500
Hewlett Packard 83554A - Wave Source Module 28.5 to 40GHz	£2500
Hewlett Packard 83555A - Millimeter - Wave Source Module 33-50GHz	£4250
Hewlett Packard 8405A - Vector Voltmeter	£350
Hewlett Packard 8620C - Sweep Oscillator Mainframe	from £250
Hewlett Packard 8640B - Signal Generator (512MHz + 1024MHz)	from £850
Hewlett Packard 8642A - Signal Generator (0.01 to 1050MHz) High Performance Synthesiser	£6500
Hewlett Packard 8656A - Synthesised Signal Generator (90MHz)	£1450
Hewlett Packard 8657A - Signal Generator (100kHz-1040MHz)	£1900
Hewlett Packard 8660D - Synthesised Signal Generator (10kHz-2600MHz)	£3250
Hewlett Packard 4750A - Storage Normaliser	£295
Hewlett Packard 4756A - Scalar Network Analyser	£1500
Hewlett Packard 4757A - Scalar Network Analyser	£1500
Hewlett Packard 4901A - Modulation Analyser	£1000
Hewlett Packard 4901B - Modulation Analyser	£2000
Hewlett Packard 4903E - Distortion Analyser	£1600
Hewlett Packard 4903B - Distortion Analyser (Mint)	£1500
Hewlett Packard 4920A - R/F Comms Test Set	from £8000
Hewlett Packard 4922B/G/H - Radio Comms Test Sets (G.S.M.)	from £1000
Hewlett Packard 4925A - Cellular Radio	£850
Keytek MZ-15/EC - Minuzap 15KV Hand-Held ESD Simulator	£1750
Krohn-Hite 2200 - Lin/Log Sweep Generator	£995
Kroh-Hite 4024A - Oscillator	£250
Kroh-Hite 5200 - Sweep, Function Generator	£350
Kroh-Hite 6500 - Phase Meter	£350
Kroh-Hite LDM-170 - Distortion Meter	£350
Leader 3216 - Signal Generator (100kHz-140kHz) AM/FM/CW with built-in FM stereo modulator (mint)	£995
Marconi 1066B - Demultiplexer and Frame Alignment Monitor (new)	£POA
Marconi 2019 - 80kHz-1040MHz Synthesised Signal Generator	£750
Marconi 2019A - 30kHz-1040MHz Synthesised Signal Generator	£1000
Marconi 2111 - L/F Synthesiser (new)	£POA
Marconi 2185 - 1.5GHz Programmable Attenuator (new)	£POA
Marconi 2305 - Modulation Meter	£1750
Marconi 2337A - Automatic Distortion Meter	£150
Marconi 2610 - True RMS Voltmeter	£700
Marconi 2671 - Data Comms Analyser	£1700
Marconi 2955 - Radio Comms Test Set	£2000
Marconi 6310 - Sweep Generator - Programmable - new (2-20GHz)	£3500
Marconi 6950/6960 - Power Meter & Sensor	from £500
Marconi 6960 - Power Meter & Sensor	from £950
Marconi 893 - A/F Power Meter	£250
Philips PM5167 M/z Function Generator	£400
Philips 5190 - L/F Synthesiser (G.P.F.B.)	£800
Philips 518 - Synthesised Function Generator	£1500
Philips PM5519 - TV Pattern Generator	£350
Philips PM5716 - 50MHz Pulse Generator	£525
Prema 4000 - 6 1/2 Digit Multimeter (NEW)	£350
Quartzlock 2A - CR-Air Frequency Standard	£200
Racal 1992 - 1.9GHz Frequency Counter	£700
Racal 6114/6151 - GSM Radio Comms Test Set	£POA
Racal Dana 9081/9082 - Synthesised Signal Generator 520MHz	from £400
Racal Dana 9084 - Synthesised Signal Generator 104MHz	£450
Racal 9301A - True RMS R/F Multivoltmeter	£300
Racal Dana 9302A - R/F Multivoltmeter (new version)	£375
Racal Dana 9303 - R/F Level Meter & Heat	£650
Racal Dana 9917 - UHF Frequency Meter 560MHz	£175
Rohde & Schwarz LFM2 - 60MHz Group Delay Sweep Generator	£950
Rohde & Schwarz CMTA 94 - GSM Radio Comms Analyser	£6995
Schaffner NSG 2H3A - Line Voltage Variation Simulator	£750
Schaffner NSG 22A - Interference Simulator	£700
Schaffner NSG 223 - Interference Generator	£700
Schlumberger 2720 - 1250MHz Frequency Counter	£400
Schlumberger 4731 - 1GHz Radic Comms Test Set	£4995
Schlumberger Stablock 4040 - Radio Comms Test Set	£1995
Schlumberger 7060/7065/7075 - Multimeters	from £350
Stanford Research DS 340 - 15MHz Synthesised Function (NEW) and Arbitrary Waveform Generator	£1200
Sytron Donner 6030 - Microwave Frequency Counter (26-5GHz)	£1995
Tektronix AM503 + TM501 + P6302 - Current Probe Amplifier	£995
Tektronix PG506 + TG501 + SG503 + TM503 - Oscilloscope Calibrator	£1995
Tektronix 577 - Curve Tracer	£1150
Tektronix 1240 - Logic Analyser	£250
Tektronix 141A - PAL Test Signal Generator	£250
Tektronix AA5001 + TM5006 M/F - Programmable Distortion Analyser	£1995
Tektronix TM5003 + AFG 5101 - Arbitrary Function Generator	£1500
Tektronix - Plug-ins - many available such as SC504, SW503, SG502, PG508, FG504, FG503, TG501, TR503 + many more	£POA
Time 9811 - Programmable Resistance	£400
Time 9814 - Voltage Calibrator	£550
Valhalla Scientific - 2724 Programmable Resistance Standard	£POA
Wandel & Goltermann PFJ-B - Error/Jitter Test Set	£11500
Wandel & Goltermann PCM4 (+ options)	£9950
Wandel & Goltermann MU30 - Test Point Scanner	£1500
Wayne Kerr 4225 - LCR Bridge	£600
Wavetek 171 - Synthesised Function Generator	£250
Wavetek 172B - Programmable Signal Source (0-0001Hz-13MHz)	£POA
Wavetek 184 - Sweep Generator - 5MHz	£250
Wavetek 3010 - 1-1GHz Signal Generator	£1250
Willtron 6409 - RF Analysers (1MHz-2GHz)	£POA
Willtron 6620S - Programmable Sweep Generator (3-6GHz-6.5GHz)	£1650
Willtron 6747-20 - Sweep Frequency Synthesiser (10MHz-20GHz)	£3950
Yokogawa 3655 - Analysing Recorder	£POA

**MANY MORE ITEMS AVAILABLE -
SEND LARGE SAE FOR LIST OF EQUIPMENT
ALL EQUIPMENT IS USED -
WITH 30 DAYS GUARANTEE.
PLEASE CHECK FOR AVAILABILITY BEFORE ORDERING -
CARRIAGE & VAT TO BE ADDED TO ALL GOODS**

SURVEILLANCE PROFESSIONAL QUALITY KITS

No. 1 for Kits

Whether your requirement for surveillance equipment is amateur, professional or you are just fascinated by this unique area of electronics SUMA DESIGNS has a kit to fit the bill. We have been designing electronic surveillance equipment for over 20 years and you can be sure that all our kits are very well tried, tested and proven and come complete with full instructions, circuit diagrams, assembly details and all high quality components including fibreglass PCB. Unless otherwise stated all transmitters are tuneable and can be received on an ordinary VHF FM radio.

Genuine SUMA kits available only direct from Suma Designs. Beware Inferior Imitations!

UTX Ultra-miniature Room Transmitter

Smallest room transmitter kit in the world! Incredible 10mm x 20mm including mic. 3V-12V operation. 500m range **£16.45**

MTX Micro-miniature Room Transmitter

Best-selling micro-miniature Room Transmitter. Just 17mm x 17mm including mic. 3V-12V operation. 1000m range **£13.45**

STX High-performance Room Transmitter

High performance transmitter with a buffered output stage for greater stability and range. Measures 22mm x 22mm, including mic. 6V-12V operation, 1500m range **£15.45**

VT500 High-power Room Transmitter

Powerful 250mW output providing excellent range and performance. Size 20mm x 40mm. 9V-12V operation. 3000m range **£16.45**

VXT Voice-Activated Transmitter

Triggers only when sounds are detected. Very low standby current. Variable sensitivity and delay with LED indicator. Size 20mm x 67mm. 9V operation. 1000m range **£19.45**

HVX400 Mains Powered Room Transmitter

Connects directly to 240V A.C. supply for long-term monitoring. Size 30mm x 35mm. 500m range **£19.45**

SCRX Subcarrier Scrambled Room Transmitter

Scrambled output from this transmitter cannot be monitored without the SCDM decoder connected to the receiver. Size 20mm x 67mm. 9V operation. 1000m range **£22.95**

SCLX Subcarrier Telephone Transmitter

Connects to telephone line anywhere, requires no batteries. Output scrambled so requires SCDM connected to receiver. Size 32mm x 37mm. 1000m range **£23.95**

SCDM Subcarrier Decoder Unit for SCRX

Connects to receiver earphone socket and provides decoded audio output to headphones. Size 32mm x 70mm. 9V-12V operation. **£22.95**

ATR2 Micro-Size Telephone Recording Interface

Connects between telephone line (anywhere) and cassette recorder. Switches tape automatically as phone is used. All conversations recorded. Size 16mm x 32mm. Powered from line **£13.45**

UTLX Ultra-miniature Telephone Transmitter

Smallest telephone transmitter kit available. Incredible size of 10mm x 20mm! Connects to line (anywhere) and switches on and off with phone use. All conversation transmitted. Powered from line. 500m range **£15.95**

TLX 700 Micro-miniature Telephone Transmitter

Best-selling telephone transmitter. Being 20mm x 20mm it is easier to assemble than UTLX. Connects to line (anywhere) and switches on and off with phone use. All conversations transmitted. Powered from line. 1000m range **£13.45**

STLX High-performance Telephone Transmitter

High performance transmitter with buffered output stage providing excellent stability and performance. Connects to line (anywhere) and switches on and off with phone use. All conversations transmitted. Powered from line. Size 22mm x 22mm. 1500m range **£16.45**

TKX900 Signalling/Tracking Transmitter

Transmits a continuous stream of audio pulses with variable tone and rate. Ideal for signalling or tracking purposes. High power output giving range up to 3000m. Size 25mm x 63mm. 9V operation **£22.95**

CD400 Pocket Bug Detector/Locator

LED and piezo bleeper pulse slowly, rate of pulse and pitch of tone increase as you approach signal. Gain control allows pinpointing of source. Size 45mm x 54mm. 9V operation **£30.95**

CD600 Professional Bug Detector/Locator

Multicolour readout of signal strength with variable rate bleeper and variable sensitivity used to detect and locate hidden transmitters. Switch to AUDIO CONFORM mode to distinguish between localised bug transmission and normal legitimate signals such as pagers, cellular, taxis etc. Size 70mm x 100mm. 9V operation **£50.95**

QTX180 Crystal Controlled Room Transmitter

Narrow band FM transmitter for the ultimate in privacy. Operates on 180MHz and requires the use of a scanner receiver or our QRX180 kit (see catalogue). Size 20mm x 67mm. 9V operation. 1000m range **£40.95**

QLX180 Crystal Controlled Telephone Transmitter

As per QTX180 but connects to telephone line to monitor both sides of conversations. 20mm x 67mm. 9V operation. 1000m range **£40.95**

QSX180 Line Powered Crystal Controlled Phone Transmitter

As per QLX180 but draws power requirements from line. No batteries required. Size 32mm x 37mm. Range 500m **£35.95**

QRX 180 Crystal Controlled FM Receiver

For monitoring any of the 'Q' range transmitters. High sensitivity unit. All RF section supplied as pre-built and aligned module ready to connect on board so no difficulty setting up. Output to headphones. 60mm x 75mm. 9V operation **£60.95**

A build-up service is available on all our kits if required.

UK customers please send cheques, POs or registered cash. Please add £2.00 per order for P&P. Goods despatched ASAP allowing for cheque clearance. Overseas customers send Sterling Bank Draft and add £5.00 per order for shipment. Credit card orders welcomed on 01827 714476.



OUR LATEST CATALOGUE CONTAINING MANY MORE NEW SURVEILLANCE KITS NOW AVAILABLE. SEND TWO FIRST CLASS STAMPS OR OVERSEAS SEND TWO IRCS.

★★★ Specials ★★★

DLTX/DLRX Radio Control Switch

Remote control anything around your home or garden, outside lights, alarms, paging system etc. System consists of a small VHF transmitter with digital encoder and receiver unit with decoder and relay output, momentary or alternate, 8-way d.i.l. switches on both boards set your own unique security code. TX size 45mm x 45mm. RX size 35mm x 90mm. Both 9V operation. Range up to 200m.

Complete System (2 kits) **£50.95**

Individual Transmitter DLTX **£19.95**

Individual Receiver DLRX **£37.95**

MBX-1 Hi-Fi Micro Broadcaster

Not technically a surveillance device but a great idea! Connects to the headphone output of your Hi-Fi, tape or CD and transmits Hi-Fi quality to a nearby radio. Listen to your favourite music anywhere around the house, garden, in the bath or in the garage and you don't have to put up with the DJ's choice and boring waffle.

Size 27mm x 60mm. 9V operation. 250m range **£20.95**

**SUMA
DESIGNS**

**DEPT. EE
THE WORKSHOPS, 95 MAIN ROAD,
BAXTERLEY, NEAR ATHERSTONE,
WARWICKSHIRE CV9 2LE
VISITORS STRICTLY BY APPOINTMENT ONLY**



**Tel/Fax:
01827 714476**

READOUT

John Becker addresses some of the general points readers have raised. Have you anything interesting to say? Drop us a line!

WIN A DIGITAL MULTIMETER

A 3½ digit pocket-sized I.c.d. multimeter which measures a.c. and d.c. voltage, d.c. current and resistance. It can also test diodes and bipolar transistors.

Every month we will give a Digital Multimeter to the author of the best Readout letter.



★ LETTER OF THE MONTH ★

A-LIVE-A-LIVE-OH!

Dear EPE,

A friend recently drew my attention to the current series you are running on Oscillators (since July '99). Having obtained the September issue, I sent for the previous issues. What interesting reading they make!

I have been pleasantly surprised by the exchange of information with readers in *Readout*, and the informative level of *Circuit Surgery*.

I also wish to add to various previous discussions about mains electrical power lines. Being long in the tooth, I can say that I was an apprentice on the Southern Electric Board not long after Nationalisation. I was involved in the huge task of replacing old equipment with new certified units. At the time there were still people with gas lighting, but many were on d.c. or 200 volts a.c. Many of the installations used the designations *Main*, *Line* and an *Earth* symbol. The new equipment used *Line*, *Neutral* and *Earth*. There was some confusion when L, N, E was used instead of M, L, E. I believe that this confusion still exists to some degree.

All the electricians I have been associated with in industry over the last 30 years have referred to *Live* or *Dead* circuits. Only on official drawings does the label *Line* appear. Anyone capable of reading them understands the obvious. It is typical of standards groups to

choose long winded labels that when abbreviated, result in an ambiguous *Line*. There is "Hold the line please!", "Shoot a line", "Cast a line", "Cloths line", and "Draw a line". I believe that bomb disposal squads refer to a bomb as *Live*. Sensible people with a lot to lose!

Another wonder decision was to insist that a light bulb or torch bulb (to mention just a few) should be called a *lamp*. To most of us, I think, a lamp is a structure or package containing a light source, which could be a wick and oil, a carbon rod and an arc, a bulb and battery, or light bulb and flexible cord. How about *fluorescent light lamp*? Really rolls off the tongue, doesn't it!

Arthur Lawrance, via the Net

It is an interesting fact that, despite attempts at standardisation, English continues to evolve and, irrespective of "official" definitions, the perceived meaning of many words changes amongst the general population. There are many cases, too, where words have acquired different meanings depending on the context in which they are used.

It's worth remembering (or is it?!) what Alice's Wonderland friend Humpty-Dumpty said (in a rather scornful tone), "When I use a word it means just what I choose it to mean – neither more nor less!"

CGA40WOA.FON
WA80WOA.FON
DOSAPP.FON
EGA40WOA.FON
EGA80WOA.FON

Try running the program in a Windows 95/98 MS-DOS box again, then force full screen mode by hitting ALT+ENTER. Repeat this again to see if it toggles back to a Windows box. A warning message will be displayed if it doesn't like the graphics mode. There may be an issue on your system when running the software in character mode rather than graphics mode in a DOS box. Try experimenting with this, and also with the MS DOS menu settings above your Windows box.

Tim: Thanks for all your efforts. I've solved the problem messily by copying all the files to an old Compaq 386, where the program works perfectly. I loaded the various font files you mentioned onto the Windows 95 machine (which is a Viglen) but it made no difference to the text. You must be right when you say there is a fault on the video adapter, but as everything else works fine, I'm loth to fiddle around with it too much.

John: Another reader (anonymous) also made the following comment to Alan (having been following correspondence on the EPE Chat Line):

Anon: Had a similar problem with *PIC Toolkit*, characters were all garbled. The cause was a faulty video card in my PC, every other program worked fine. Suspect your *Teach-In 2K* users may have a similar problem. A new video card solved my problem.

John: I also had a similar problem with one machine a couple of years ago. The cause of the problem turned out to be due to a *config.sys/autoexec.bat* problem with the country code settings. Amending the code to that on my other machines (country code 437) solved the problem. This was the comment I made to those readers who phoned me saying they had a "hieroglyphics" problem. I am interested to note that Alan also thought that Tim's problem might be due to a similar situation, but that this turned out not to be the case.

What also intrigues is that we have published many programs written in *QBasic/QuickBASIC*, many of them mine, but, with the exception of a couple of hieroglyph queries with *Toolkit*, there have been no reported display problems with any of them. However, it's pertinent to comment that I have an early *EasyPC* program that I use for all my p.c.b. design work which runs cleanly on three of my computers, but not on two others, it too producing hieroglyphs. This despite all machines having the same apparent display settings and working perfectly with *Basic* in all *QB* and *GW* forms. Whilst I normally run my programs in *Basic* from *DOS*, I can also run them through *Windows* without problems.

We would welcome feedback from readers on this puzzling hieroglyph situation, and its definitive solution! Thanks Alan for discussing matters with Tim and for the information you've brought to light.

HIEROGLYPHS

Dear EPE,

I've downloaded the *EPE Teach-In 2000* software from your website, unzipped and loaded it. It works perfectly on my machine, except that it is completely unreadable. I see from the note on *EPE* page 854 (Nov '99) that FTP software has to be set to ASCII transfer. Should this be done for downloading from the website, and if so, how is it done? Is FTP software something that is included in Outlook Express?

Tim Rollin, via the Net

Tim addressed his query to our On-Line Editor Alan. Here's a summary of the subsequent on-line conversation:

Alan: Hmmmm... are you seeing funny characters? Readers have reported this once or twice. Explorer or Navigator will handle FTP automatically. If you fetched it as ASCII, the file would arrive broken and wouldn't run properly. You don't need to worry about ASCII/FTP. Please could you let me have more details of what you're actually seeing. Are the graphics OK but the lettering and wording weird?

Tim: Yes – the graphics seem to work fine, but the letters are a series of jumbled capital letters, numbers and characters, of which half only is visible, as if some were partly on the line above and some partly on the line below. The characters make no sort of sense and seem to be randomly distributed. The menu screen is not rectangular – the vertical sides are bowed outwards. I can move from one screen to the other

fine, and back to the menu once I'd worked out that I needed to press "M"! The program is fine – I just can't read it. My machine uses Windows 95.

Alan: Sounds like you have the *Teach-In 2000* file OK, it's your PC system which may be configured for a different country or codepage, or video driver issues. I'm unsure at the moment, but one or two others have said the same sort of thing.

Send me a copy of your *config.sys* and *autoexec.bat*, I need to look at the setup, and ask my team at Hull University. Also, are you running the software in a DOS box, or from the C:\ prompt (command prompt) – i.e. a true DOS screen without the Windows shell running in the background (not that I'm sure it will make any difference yet)?

Tim: I thought that in Windows 95, DOS was only an emulation. However, I tried the program after restarting the computer in DOS mode (that took me back!), but the program was still unreadable.

Alan: Your codepage and country code settings are the same as the ones I use, so that cause is eliminated.

This is starting to sound like your video adaptor is failing to display EGA text correctly. I don't think this is a codepage problem. I might be wrong, but we think your card is either non-standard or has failed in one circuit, the alternative is that there is a problem with font tables looked up by *QBasic*. The following display fonts are commonly used by MS-DOS, ensure they are installed:

LISTEN WITH TOOLKIT

Dear EPE,

I am in the process of constructing PIC Toolkit Mk2 (May/June '99) and recently downloaded the software (V2.3) from your web site. Up to this time I have been using Microchip's MPASM software package including simulator with an inexpensive home constructed programmer from a kit provided by a UK electronic supplier. This system has worked well and is very fast but the programmer is limited to PIC16x84 microcontrollers.

The Toolkit Mk2 appears to provide a flexible and comprehensive way of expanding projects to incorporate the new PIC16F87x family with their substantially greater capabilities, avoiding the need for too much additional memory (my particular interest is neural networks for small mobile robots). It also provides, in my case, the opportunity to familiarise myself with the TASM version of PIC assembly language. I have been trying out the V2.3 software and it generally operates very well and is easy to use.

However, I have discovered one or two glitches running under both QB (*.BAS) and executable file (*.EXE):

1. When converting MPASM (*.ASM) files to TASM (*.ASM) files the END instruction in MPASM never appears as in the TASM conversion. Having looked briefly at the QB program I noticed a line which appears to convert the string END to .END but have not yet discovered why the error is occurring.

2. The conversion of MPASM to TASM always closes with the error message "MS-DOS ERROR 62 ROUTE 9". However, the conversion is always completed with exception of points 1 and 3.

3. Labels in my MPASM source code that start with the alpha characters LISTxxxx (e.g. LIST, LISTEN, LISTVAL) do not translate to TASM as labels. Instead they appear after a semicolon as in a comment statement. Subsequent statements such as GOTO LISTxxxx are also prefixed with a semicolon.

Since LIST is a functional command in QB, usually prefixed by other code, I wondered whether this is an inherent limitation of the software, although I have tried changing the label in the MPASM code to other QB commands such as RUN or VAL to see what happens but they translate satisfactorily with no problems. I would welcome any comments or information you might have.

I am looking forward to completing this programmer which I am sure will provide substantial scope for much more complex projects.

Christopher Knight, via the Net

Neither points 1 nor 2 have occurred with the MPASM files I've converted from time-to-time. These two problems seem related, however. DOS Error 62 is "Input Past End of File" (ignore Route 9, that's for my info only). If your input file is terminating early, then the END statement may not be received by Toolkit, hence the omission on the conversion file.

Examine the MPASM text file through DOS EDIT and ensure that END is indented and clear of other statements. Remove any strange characters that might also be part of your text file. There is one ASCII value that can be a problem on occasion, value 26 decimal (hex \$1A) which is the "end of file" marker. Toolkit does not have an intercept for this code (though one day I might add one).

LIST is a reserved word used by MPASM to indicate such matters as PIC type and radix, etc. Toolkit constantly looks for this group of four letters (which as you've found might precede other letters as well) and takes any necessary action as specified after it in relation to MPASM's protocols. Having done that, the line is then "commented out" with a semicolon to avoid confusion to TASM.

TRUMPET VOLUNTARY

Dear EPE,

In the two years or so since I first subscribed to EPE, I've enjoyed reading the magazine tremendously. It's certainly the best edited of the four or so electronics magazines I read regularly, and I find the Teach-Ins very valuable. Keep up the good work!

**Professor John Hagge,
Iowa State University, via the Net**

Thank you Professor John, appreciation is appreciated!

There was a time, though, when we were reluctant to blow our trumpet too loudly by publishing the complimentary letters received. Such self-praise when seen in other magazines can become tedious. However, the situation has changed somewhat in that we have many new readers joining us from around the world (principally through our Internet presence) and we know that they are unlikely to be aware yet of our longstanding good name, acquired over 30-odd years of existence.

At present, we feel that it is in our interests to occasionally boast a bit to these new-comers (old-comers already know our merits!) by telling them what others think of us. (In case you've ever wondered, we never invent letters for Readout - they are all genuine, although we may well edit them for length, grammar or spelling.)

KEEP ON PIC'N

Dear EPE,

The reason I subscribe to EPE is because it has more PIC projects than any other magazine that I am aware of. I subscribe to at least five other electronics-related magazines and they cannot touch what you offer regarding the PIC. Thank you!!!

I took an embedded controller course for my bachelors degree at Northern Michigan University (USA) using the PIC. That course changed my whole outlook on electronics. This versatile chip opened a whole new world of projects and experiments for me and the other students. What an eye opener! It revived my interest in electronics.

In your Nov '99 issue you gave an Editorial on how some readers are not embracing the PIC. Well, this is my testimonial and letter of encouragement to the readers that learning to PIC is not all that hard and it is a very cheap hobby to get started in. It can and will open so many more doors in the world of electronics. Keep on PIC'n!

Steve Patterson,

Lake Orion, USA, via the Net

My feelings entirely - although my interest in electronics has never wavered, I have found that the challenge of writing control programs, whether in PIC or other languages, has opened up a whole new realm opportunities for me.

MS-DOS ERROR 5

Dear EPE,

When using PIC Toolkit V2.3 and attempting to assemble one of my own .ASM files, I kept getting MS-DOS Error 5. Further investigation revealed that the software would not recognise the following command: `MOVLW ';`. When the line was changed to `MOVLW 44` (44 is the ASCII value of a comma) the program assembled okay.

Keep up the excellent work with the magazine.

Stuart Pearson, via the Net

There was I thinking that V2.3 was bug-free! MS-DOS Error 5 is "Illegal function call", and I can see what causes the problem, but amending it through a version V2.4 will have to wait until another year! It is basically to do with an intercept for commas which Basic will not import through normal string input commands. In itself the intercept is OK but I made an oversight in what would happen when another intercept is actioned for the same command line, that for specifying characters within single quotes. The end result is that Basic then tries to return an ASCII value for a null string - which it can't do.

It's a bit more complicated than that, but that's the gist of it.

The problem, now that I see it, will also manifest itself through the use of constructions such as `MOVLW '\` and `MOVLW ';`. For these "quoted" characters, backslash and semicolon, their ASCII values should be used, i.e. `MOVLW 92` and `MOVLW 59`.

TEACH-IN AND PSION

Dear EPE,

I've recently downloaded your Teach-In 2000 (Nov '99, current series) software and had no problems running it on a modern PC. I've tried also running it on an XT emulator but it fails to load. I get the following error "Illegal function call in module TY2KMENU at address 1153:0041". Can the software run on an old XT, or only on a '286 and above?

I currently run your TASM software on the XT emulator on a Psion Series 5 (Palmtop) so that I can write PIC code and compile while on the move. I would also like to run the Teach-In 2000 application on the Psion but this will not work if the requirements are for a higher spec machine than an IBM XT. I'm aware that the emulator has its limitations and that you can't possibly know what it's doing, but I can only ask...

Federica Apolloni, via the Net

And I can only answer... negatively, I regret. I have run the TY2K software on '386, '486 and Pentium based desk-top machines, under Win3.1 and Win95, but I do not know how other machines/systems will cope. I would expect, though, that Microsoft (who wrote the QuickBASIC version 4.50 software which I used to write the program and compile it to a run-time .EXE stand-alone format) would have made their software compatible with as many machines as were current at the time the software was first released. By-and-large, I have found commercial software to be nearly always upwards compatible. Does any reader know an answer for Federica?

HUMOUR II

Dear EPE,

Correspondents, including me, can say anything we like. We have no responsibility. If we are wrong, sooner or later someone will sort us out. So after reading the comments on my "quibbles" (Readout Aug '99), I resisted the temptation to leap back into the fray.

Professional writers, on the other hand, do have a responsibility to get things right. So, after seeing *viril/virii* offered once again as alternatives (Net Work Nov '99), here I am again. If I said "mans" or "oxes" instead of "men" or "oxen", you wouldn't say I was choosing an acceptable alternative, you'd say I was just plain wrong. The same applies to *virii*. Second declension Latin nouns ending in -us have their plurals in -i, and that is that.

I hope I am not being too one-eyed (forgive the pun) about this. For what it is worth, I have a theory about it. Perhaps "radius", with its plural "radii", accounts for the wide-spread misconception that other words ending in -us take -ii in the plural. The point, of course, is that the first -i in "radii" is part of the stem, and only the second i is the plural ending.

Peter Kelly,

Woombye, Queensland, Australia

Apart from electronics, one of the things I am interested in is language, especially its origins, but also in its use (and misuse, either unwittingly or purposefully). Whilst my colleagues and I try to be correct with our grammar and spelling (puns and other words-play excluded!), as I implied in my Readout reply to your original letter, we do not claim perfection in this matter.

However, you read far more into Alan's Net Work "misuse" of "virii" than you should. One characteristic of the English is that we are prone to making fun of our own foibles. Alan has a keen sense of humour and by using the word in the context of what he was saying, he was humorously (humorily?) commenting on his own

Advertisement

Prices include VAT and free delivery (UK only)

Vann Draper Electronics Ltd

Stenson House, Stenson, Derby DE73 1HL
Tel 01283 704706 Fax 01283 704707

E-mail sales@vanndraper.co.uk Home page www.vanndraper.co.uk

Valid until 28th February 2000

EPE reader offers

SL30

Soldering station ~~£81.08~~ £65.00



- Digital readout of set & actual temp
- Powerful 24V 48W iron
- Adjustable between 160°C to 480°C
- Earthed tip for static sensitivity
- Includes base station, iron and tip
- Spare tip 0.8, 1.6, 3.2mm £1.65 ea

APPA201

Bench multimeter ~~£139.83~~ £99.00



- 3.5 digit back lit display
- Auto & manual ranging
- Battery & mains operation
- AC/DC voltage & current
- Resistance to 20Mohm
- Diode & continuity test
- Carrying strap & tilt stand

SG4160B

Rf signal gen ~~£151.58~~ £99.00



- 0-1-150MHz (450MHz 3rd H)
- 100mV output (no load)
- Output high/low switch
- Int: mod 1kHz (AM) 30%
- Ext mod 50Hz-20kHz
- C-rystal checker facility
- 115/230Vac 50/60-Hz

H6000

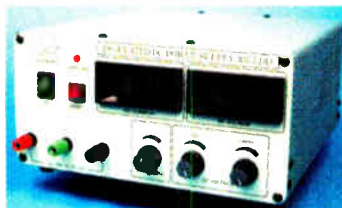
10MHz function gen ~~£198.58~~ £149.00



- 0-1Hz-10MHz range
- Sine, square & triangle
- 50ohm output
- TTL output
- 20mVpp to 20V pp o/p
- 0, -20, -40dB o/p control
- Ext freq mod/sweep

305LDD

Power supply ~~£175.08~~ £139.00



- 0-30V 5A output
- Twin LCD displays
- Coarse & fine adjustment
- Short circuit protection
- Audible & visual over current alarm
- Ripple <10mV
- Optional service manual £15.00

MX450

Multimeter ~~£41.13~~ £29.00



- AC and DC voltage
- AC and DC current to 20A
- Resistance to 20Mohm
- Capacitance to 20µF
- Diode, Hfe & continuity test
- 10Mohm input
- Includes holster & test leads

AG2601

1MHz Audio gen ~~£151.58~~ £99.00



- 10Hz-1MHz in 5 ranges
- Sine and square outputs
- 600ohm output impedance
- 0, -20, -40dB output control
- Sync input
- Distortion <0.05%
- 115/230Vac 50/60 Hz

DT830B

Multimeter ~~£12.56~~ £8.00



- AC & DC volts
- DC current to 10A
- Transistor test
- Diode test
- Basic accuracy 0.5%
- Incl. probes & battery
- Soft carry case £3.50

Full technical data sheets for all products are available as hard copies either by post or from our web site at www.vanndraper.co.uk and all equipment is supplied ready to use complete with operating manuals, accessories, mains leads and a 12-month guarantee.

Ex-demonstration units of Grundig equipment are also available. These are unmarked, in virtually new condition and have mostly only been used once for exhibitions/demonstrations. All models include accessories and a 12-month guarantee. prices as follows:

MO30	30MHz 2ch oscilloscope	£499.38	£369.00	RF1000	Rf millivoltmeter	£527.58	£359.00
UZ2400	2.4GHz frequency counter	£386.58	£275.00	FG100	20MHz function generator	£581.63	£429.00
RLC100	LCR meter	£445.33	£325.00	DM100	4.5 digit bench multimeter	£515.83	£369.00

Use this coupon for your order

or phone, fax or E-mail quoting S280200

Name Address Tel No

Model	Description	Quantity	Price each	Total
.....
.....

Cheques payable to Vann Draper Electronics Ltd, or debit my Visa, Mastercard or Switch:

Card No Exp date Switch Iss No Signature

Everyday Practical Electronics are pleased to be able to offer all readers these **ELECTRONICS CD-ROMS**

ANALOGUE ELECTRONICS

by Mike Tooley

Analogue Electronics is a complete learning resource for this most difficult branch of electronics. The CD-ROM includes a host of virtual laboratories, animations, diagrams, photographs and text as well as a SPICE electronic circuit simulator with over 50 pre-designed circuits.

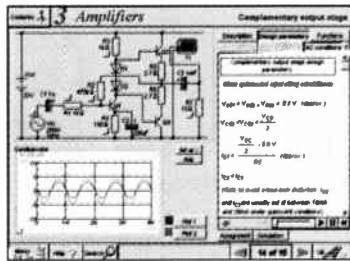
FUNCTIONS

The component values on all circuits can be edited and the user can use the simulation engine to see how the value of each component affects circuit performance. You can, for instance, alter frequency and phase angle and plot outputs on a virtual oscilloscope or show load line graphs etc.

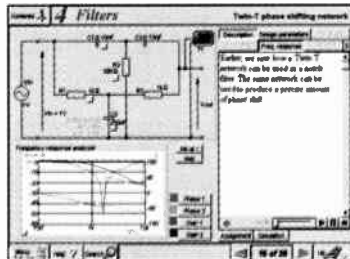
COVERAGE

Sections on the CD-ROM include: **Fundamentals** – Analogue Signals (5 sections), Transistors (4 sections), Waveshaping Circuits (6 sections); **Op.Amps** – 17 sections covering everything from Symbols and Signal Connections to Differentiators; **Amplifiers** – Single Stage Amplifiers (8 sections), Multi-stage Amplifiers (3 sections); **Filters** – Passive Filters (10 sections), Phase Shifting Networks (4 sections), Active Filters (6 sections); **Oscillators** – 6 sections from Positive Feedback to Crystal Oscillators; **Systems** – 12 sections from Audio Pre-Amplifiers to 8-Bit ADC plus a gallery showing representative p.c.b. photos.

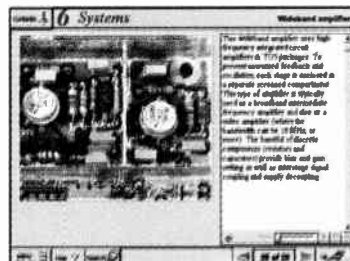
- Includes SPICE circuit simulator with over 50 circuits
- Unique virtual laboratories
- Editable assignments
- Design parameters for circuits included
- Complete hi-fi amplifier case study



Complimentary output stage.



Twin-T phase shifting network

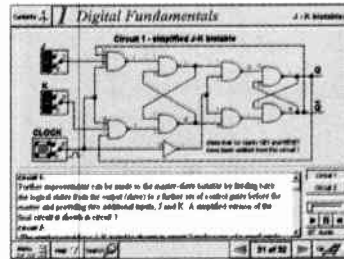


Gallery – Wideband Amplifier

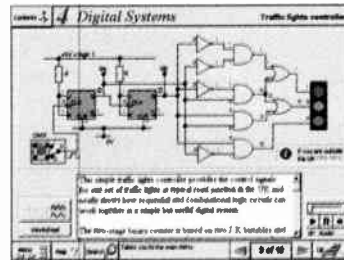
DIGITAL ELECTRONICS

by Mike Tooley

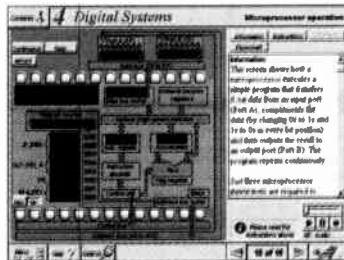
Digital Electronics builds on the knowledge of logic gates covered in *Electronic Circuits & Components* (below), and takes users through the subject of digital electronics up to the operation and architecture of microprocessors. The virtual laboratories allow users to operate many circuits on screen.



Virtual laboratory – Flip-Flops



Virtual laboratory – Traffic Lights



Microprocessor

FUNDAMENTALS

Fundamentals introduces the basics of digital electronics including binary and hexadecimal numbering systems, ASCII, basic logic gates and their operation, monostable action and circuits, and bistables – including JK and D-type flip-flops.

COMBINATIONAL LOGIC

Multiple gate circuits, equivalent logic functions and specialised logic functions such as majority vote, parity checker, scrambler, half and full adders. Includes fully interactive virtual laboratories for all circuits.

SEQUENTIAL LOGIC

Introduces sequential logic including clocks and clock circuitry, counters, binary coded decimal and shift registers.

DIGITAL SYSTEMS

A/D and D/A converters and their parameters, traffic light controllers, memories and microprocessors – architecture, bus systems and their arithmetic logic units.

GALLERY

A catalogue of commonly used IC schematics taken from the 74xx and 40xx series. Also includes photographs of common digital integrated circuits and circuit technology.

Prices for each of the two CD-ROMs above are:

Hobbyist/Student£45 inc VAT
 Institutional (Schools/HE/FE/Industry).....£99 plus VAT
 Institutional 10 user (Network Licence)£199 plus VAT

(UK and EU customers add VAT at 17.5% to "plus VAT" prices)

ELECTRONIC CIRCUITS & COMPONENTS + THE PARTS GALLERY by Mike Tooley

Electronic Circuits & Components provides an introduction to the principles and application of the most common types of electronic components and shows how they are used to form complete circuits. The virtual laboratories, worked examples and pre-designed circuits allow students to learn, experiment and check their understanding as they proceed through the sections on the CD-ROM. Sections on the disk include: **Fundamentals**: units & multiples, electricity, electric circuits, alternating circuits. **Passive Components**: resistors, capacitors, inductors, transformers.

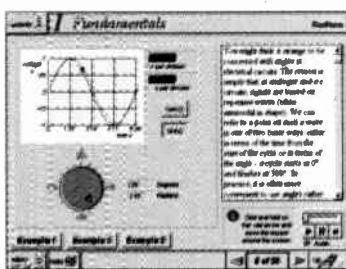
Semiconductors: diodes, transistors, op.amps, logic gates. **Passive Circuits**. **Active Circuits**

The Parts Gallery – many students have a good understanding of electronic theory but still have difficulty in recognising the vast number of different types of electronic components and symbols.

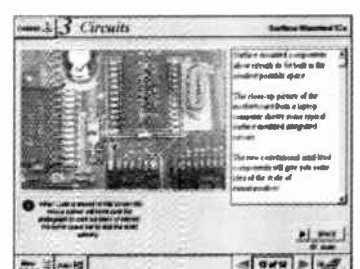
The Parts Gallery helps overcome this problem; it will help students to recognise common electronic components and their corresponding symbols in circuit diagrams. Selections on the disk include: **Components**, **Components Quiz**, **Symbols**, **Symbols Quiz**, **Circuit Technology**

Hobbyist/Student£34 inc VAT
 Institutional (Schools/HE/FE/Industry)£89 plus VAT
 Institutional 10 user (Network Licence)£169 plus VAT

(UK and EU customers add VAT at 17.5% to "plus VAT" prices)

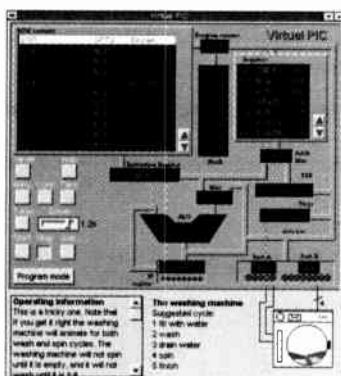


Virtual laboratory – sinusoids



Circuit technology screen

Interested in programming PIC microcontrollers? Learn with PICtutor by John Becker



The Virtual PIC

This highly acclaimed CD-ROM, together with the PICtutor experimental and development board, will teach you how to use PIC microcontrollers with special emphasis on the PIC16x84 devices. The board will also act as a development test bed and programmer for future projects as your programming skills develop. This interactive presentation uses the specially developed **Virtual PIC Simulator** to show exactly what is happening as you run, or step through, a program. In this way the CD provides the easiest and best ever introduction to the subject.

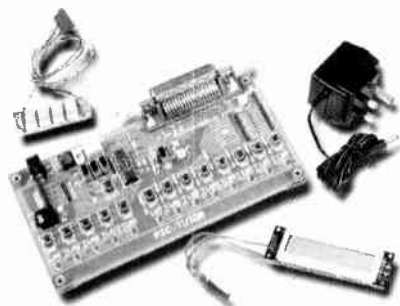
Nearly 40 Tutorials cover virtually every aspect of PIC programming in an easy to follow logical sequence.

HARDWARE

Whilst the CD-ROM can be used on its own, the physical demonstration provided by the **PICtutor Development Kit**, plus the ability to program and test your own PIC16x84s, really reinforces the lessons learned. The hardware will also be an invaluable development and programming tool for future work once you have mastered PIC software writing.

Two levels of PICtutor hardware are available – Standard and Deluxe. The **Standard** unit comes with a battery holder, a reduced number of switches and no displays. This version will allow users to complete 25 of the 39 Tutorials.

The **Deluxe** Development Kit is supplied with a plug-top power supply (the **Export** version has a battery holder), all switches for both PIC ports plus I.C.D. and 4-digit 7-segment I.E.D. displays. It allows users to program and control all functions and both ports of the PIC and to follow the 39 Tutorials on the CD-ROM. All hardware is supplied **fully built and tested** and includes a PIC16F84 electrically erasable programmable microcontroller.



Deluxe PICtutor Hardware

PICtutor CD-ROM

Hobbyist/Student£45 inc. VAT
 Institutional (Schools/HE/FE Industry)£99 plus VAT
 Institutional 10 user (Network Licence).....£199 plus VAT

HARDWARE

Standard PICtutor Development Kit£47 inc. VAT
 Deluxe PICtutor Development Kit£99 plus VAT
 Deluxe Export Version£96 plus VAT
 (UK and EU customers add VAT at 17.5% to "plus VAT" prices)

MODULAR CIRCUIT DESIGN by Max Horsey and Philip Clayton

This CD-ROM contains a range of tried and tested analogue and digital circuit modules, together with the knowledge to use and interface them. Thus allowing anyone with a basic understanding of circuit symbols to design and build their own projects.

Essential information for anyone undertaking GCSE or "A" level electronics or technology and for hobbyists who want to get to grips with project design. Over seventy different Input, Processor and Output modules are illustrated and fully described, together with detailed information on construction, fault finding and components, including circuit symbols, pinouts, power supplies, decoupling etc.

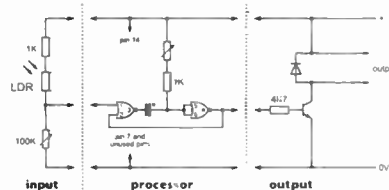
Single User Version £19.95 inc. VAT

Multiple User Version £34 plus VAT

(UK and EU customers add VAT at 17.5% to "plus VAT" prices)

designing your circuit

Simply select your modules from the wide choice available, react how they work and join them up to make your circuit



"I found that I could design a circuit without my teacher's help. And it worked! Everything was to hand - which chips to use - and which pins did what." Andrew Preston (GCSE student)

A Web Browser is required for Modular Circuit Design - one is provided on the *EPE CD-ROM No. 1* (see below) but most modern computers are supplied with one.

Minimum system requirements for these CD-ROMs: PC with 486/33MHz, VGA+256 colours, CD-ROM drive, 8MB RAM, 8MB hard disk space. Windows 3.1/95/98/NT, mouse, sound card (not required for *PICtutor* or *Modular Circuit Design*).

CD-ROM ORDER FORM

Please send me:

- Electronic Circuits & Components +The Parts Gallery
 Analogue Electronics
 Digital Electronics
 PICtutor

- Hobbyist/Student
 Institutional
 Institutional 10 user

Note: The software on each version is the same, only the licence for use varies.

- PICtutor Development Kit - Standard
 PICtutor Development Kit - Deluxe Deluxe Export

Note: The PICtutor CD-ROM is not included in the Kit prices.

- Modular Circuit Design - Single User
 Modular Circuit Design - Multiple User

Full name:

Address:

Post code: Tel. No:

Signature:

I enclose cheque/PO in £ sterling payable to WIMBORNE PUBLISHING LTD for £

Please charge my Visa/Mastercard: £ Card expiry date:

Card No:

Please supply name and address of cardholder if different to the delivery address.

ORDERING

ALL PRICES INCLUDE UK POSTAGE

Student/Single User/Standard Version price includes postage to most countries in the world
 EU residents outside the UK add £5 for airmail postage per order

Institutional, Multiple User and Deluxe Versions - overseas readers add £5 to the basic price of each order for airmail postage (do not add VAT unless you live in an EU country, then add 17½% VAT or provide your official VAT registration number).

Send your order to:

Direct Book Service
 Allen House, East Borough, Wimborne
 Dorset BH21 1PF
 (Mail Order Only)

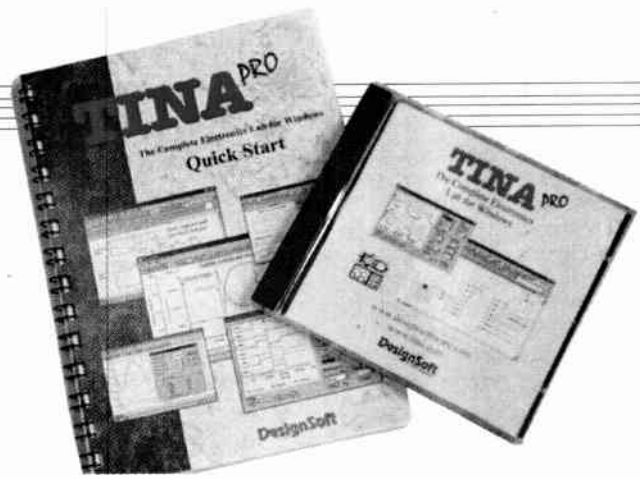
Direct Book Service is a division of Wimborne Publishing Ltd. To order by phone ring
 01202 881749. Fax: 01202 841692
 We cannot reply to overseas orders by Fax
 Goods are normally sent within seven days

Demos (not Modular Circuit Design) available on the *EPE CD-ROM No. 1* (Free with the November '98 issue of *Everyday Practical Electronics* magazine) - send £2 for this CD-ROM if you require the demos. Minimum order for credit card payment is £5.

TINA PRO REVIEW

MIKE TOOLEY BA

Director of Learning Technology, Brooklands College



DesignSoft's TINA PRO is the latest version of two extremely popular programs; TINA for Windows and TINA Plus for Windows. Founded in 1992, DesignSoft is based in Budapest, Hungary, and the company's stated mission is to develop high-tech engineering and educational software including electronics, physics, architectural design, multimedia and 3D-graphics. DesignSoft currently has distributors in 22 countries including the well known UK electronics design software house, Quickroute Systems. DesignSoft describes TINA PRO as a "Complete Electronics Lab for Windows". Mike Tooley sets out to investigate this claim.

TINA PRO is a powerful yet affordable software package for designing, simulating, and analysing analogue, digital and mixed (analogue/digital) electronic circuits. Results of circuit analysis can be displayed in various ways, including displays produced by TINA PRO's virtual instruments. A comprehensive range of desktop publishing tools are available with which you can easily produce professional-looking reports and publications. Cutting and pasting TINA PRO's output into a Windows application program (such as Microsoft Word or Microsoft Publisher) is also quick and simple.

TINA PRO is available in several different versions, including a trial/demo version containing a selection of self-demonstrating examples (but with save and print disabled), a single user version (licensed for use on a single computer), and a network version suitable for use with Novell Netware (version 3.12 or later) and Windows NT (version 4.0 or later).

It also includes unique tools for testing students' knowledge, monitoring progress and introducing troubleshooting techniques. With optional hardware it can be used to test real circuits for comparison with the results obtained from simulation. Teachers and lecturers will be delighted with TINA PRO's training and examination modes that allow the package to be used as a powerful tool in the classroom or as a standalone training aid in the school/college open-learning centre.

DesignSoft has placed TINA PRO in the middle of the market, between Electronics Workbench EDA (at the professional end of the market) and Crocodile Clips (at the student end of the market). Despite its simplicity – the program really is easy to learn and use – TINA PRO is extremely powerful and should easily satisfy the requirements of the hobbyist and enthusiast as well as the professional user wishing to carry out in-depth circuit analysis.

SYSTEM REQUIREMENTS

TINA PRO is a 32-bit application that will run well on virtually any modern Windows-compatible PC. However, for the benefit of those readers who may be unsure of whether or not their hardware will support TINA PRO, the basic requirements are:

- Microsoft Windows 95/98 (or Windows NT 4.0, or later)
- IBM PC/AT compatible computer with a 486 (or later) processor
- 16 Mbyte RAM
- 20 Mbyte hard disk space
- Mouse (or equivalent pointing device)

INSTALLATION

Installation is quite straightforward and TINA PRO's CD-ROM installer will auto run on a system configured for autorunning applications from CDs placed in the CD-ROM drive. Once started, the set-up program will display a menu offering users the choice of:

- Installing Internet Explorer
- Installing TINA PRO
- Viewing a tutorial covering the most important features of the program
- Obtaining information on upgrading and ordering

A full TINA PRO installation requires 22,189 Kbyte of space on a local hard disk drive. With modern multi-Gbyte hard drives this should not place too many demands on your system!

Having selected the option to install TINA PRO, you are next offered the choice of either American (ANSI) or European symbols. Installation takes just a few seconds, thereafter you are presented with a message that informs you that the "Trial Installation" is valid for "15 runs". In common with most well-behaved applications these days, TINA PRO provides its own uninstaller. This program cleans up the

Windows system files and removes all of the TINA PRO files without removing any user-created data files.

For the educational user, TINA PRO may be installed on a network (Novell 3.x, Novell 4.x or Windows NT) and configured for multiple user access. After running the network set-up utility, users will be able to run TINA simultaneously, just as though each workstation had a single user version installed.

Unfortunately, TINA PRO registration is a little cumbersome. Program branding not only involves a "Registration Code" but it also requires a "Site Code", and a "Site Key" (supplied as part of the registration process). Doubtless there are good reasons for this somewhat complicated process.

FEATURES

TINA PRO provides more than 10,000 built in components. Component selection is based on a simple "Component Bar" with tabs that are used to arrange components in manageable groups. The program also provides more than 1,000 manufacturer made components in Spice sub-circuit format. Compared with earlier TINA versions, a number of new component models, including nonlinear coils, transformers, relays, Darlington transistors, opto-couplers, voltage regulators, fuses, comparators, and CMOS logic i.e.s, are provided. Other useful features include:

- Analogue, digital and mixed (analogue/digital) mode simulation
- Powerful editing tools (schematic, netlist, text, equation, and waveform editors)
- Customizable presentations of Bode plots, Nyquist diagrams, transient responses, or use of virtual instruments in order to produce conventional instrument displays.
- Spice library manager
- Symbolic analysis (results appear as closed form expressions)

- Fourier analysis (Fourier spectrum, Fourier series and distortion)
- Noise analysis (including noise spectrum and signal-to-noise ratio)
- Tolerance analysis (Monte Carlo and worst-case scenario)
- HTML-based component help
- Sub-circuits which may include both spice macros or schematics
- Schematic symbol editor for creating custom sub-circuit components
- Average and r.m.s. value determination for arbitrary periodic waveforms

TINA PRO SCREEN

The TINA PRO screen format is shown in Fig.1. The screen comprises a conventional Windows menu bar that provides access to all of the main program functions, such as File, Edit, Insert, View, Analysis, etc. Below this is a toolbar that provides access to some of the most commonly used editing features, such as cut, paste and zoom.

The component bar is located beneath the toolbar. The component bar provides access to the extensive library of components that is supported by TINA PRO. Components are arranged in groups, named by the tabs on the Component Bar. Once a particular group has been selected, the available components appear as a row of symbols immediately above the component tabs.

When you click on a particular component in the toolbar (and release the mouse button), the cursor changes to show the currently selected component. The component can be moved anywhere within the circuit drawing area of the screen. The component can then be rotated (by pressing the + and - keys) or mirrored (using the * key). Once you have selected the position and orientation for the component you can simply press the left mouse button to lock the symbol in place.

The Task bar appears at the bottom of the screen and provides rapid access to the various tools or test/measuring instruments currently in use. Each tool or instrument operates in its own window and can be made active by clicking on the respective Task bar button. Finally, TINA PRO provides a single line of help text at the bottom edge of the screen.

INTERACTIVE MODE

The ultimate test of a circuit simulation is to try it in a "real life" situation using interactive controls (such as keypads and switches) whilst watching displays and other indicators. Fortunately, TINA PRO provides you with an interactive mode that will allow you to do just this!

Not only can you play with the controls but you can also change component values and even add or delete components while the analysis is in progress.

SUB-CIRCUITS AND MACROS

As with other SPICE programs, TINA PRO allows you to simplify a complex circuit schematic by turning portions of it into a sub-circuit. In addition, you can create new TINA PRO components from any SPICE sub-circuit, whether created by yourself, downloaded from the Internet, or

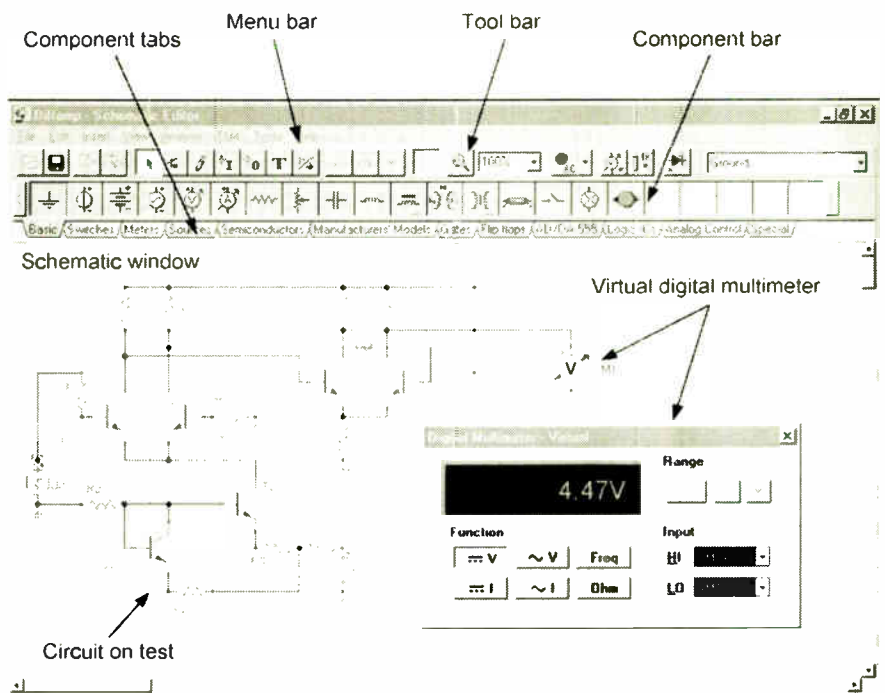


Fig.1. The TINA PRO screen.

obtained from a manufacturer or component supplier's CD. A typical example of where you might wish to use a sub-circuit is that of a half-adder, replacing the five discrete gates with just one "black box" subsystem. Once the subsystem has been created (and tested) it can be used over and over again.

TINA IN THE CLASSROOM

TINA has two special modes for educational purposes. In examination mode, the student has to solve a series of problems (a problem set) either by traditional pencil-and-paper methods or by using the TINA Interpreter and analysis functions. When the student finds the answer, the program sends it immediately to the teacher's machine, where it is promptly displayed by the TSuper supervision utility. Operation is similar in training mode, except that TINA gives the student feedback about the correctness of his or her answer. In training mode, the student may turn to the Advisor to get help prepared by the teacher.

TINA PRO can be set into one of the special educational modes by the use of a command line switch, the general format of which is:

TINA [MODE SWITCH] [FILENAME]

where [mode switch] is either /EXAM or /TRAIN, and the [filename] is the relative path and filename (with the optional .EXA extension) of the problem set descriptor file. This file must have been prepared using the TTask program, and should give the names of the problems in the set, along with their train/exam options. This path is always relative to the TINA home directory; that is, the descriptor file must reside in the TINA directory (where TINA was installed) or one of its subdirectories. If this is all beginning to sound a little complex, here's an example:

Assume that you have a descriptor file TEST_B.EXA that resides in the TEST subdirectory, the program can be started with the commands:

TINA /EXAM TEST\TEST_B or TINA /TRAIN TEST\TEST_B

The TINA PRO installation program actually provides you with two icons in the TINA program group that can be used to start the program in training/examination mode. You then only need to click on the required icon in order to start the program in either training or examination mode. TINA will then prompt you for the name of the descriptor file. When the program is started, it will request the student's name. The student can then select a problem using the Tasks List on the Examination/Training Panel.

The Examination/Training Panel appears automatically when TINA is started in examination or training mode. The current mode (Training or Examination) is displayed at the top of the panel. Beneath the mode display is the total accumulated time display. This starts counting when the student selects the first task.

ADVISOR

An Advisor Panel gives access to the hints prepared by the teacher. Some advice items carry a penalty, in which case the student will be warned that a penalty applies. The Current Task panel allows the student to prepare and submit a solution to the problem. The contents of this panel are dependent on the type of the problem.

The Interpreter standard button will launch the built-in TINA PRO interpreter. The Submit standard button will validate the solution and file it in the student records.

It is important to note that TINA PRO will only accept as correct those solutions that are formally valid; e.g. in d.c. problems both the numerical value and the units must be correct. If the answer is a

numerical/symbolic expression, the correct units *must* also be given. When using the training mode, TINA will either confirm the answer or tell the student how the solution is incorrect (e.g. missing units, syntax problems, etc.).

Doubtless this will be music in the ears for long suffering teachers and lecturers who, like me, find that students are all too often hazy about the units that they are working in or are simply too lazy to state the answer in full!

SUPPLEMENTARY HARDWARE

DesignSoft has developed a variety of external hardware modules that can be attached to a PC for use with TINA PRO. This includes:

- TINA Lab, a data acquisition card with multimeter, oscilloscope, and signal generator functions
- ExtBox, an experimenter box that allows users to assemble prototype circuits as well as making measurements on up to 16 external modules
- FaultGen, an expansion card (for use in conjunction with the experimenter box) that allows faults to be placed in tested circuits
- DigiCard, an expansion card (for use in conjunction with the experimenter box)

that facilitates measurements on digital circuits

- Experiment modules, a series of modules that can be used to demonstrate the operation of basic electronic circuits. The modules are automatically recognized and displayed when they are connected to the experiment box.

IMPROVING THE OUTPUT

Having designed and analysed your circuit, you will, at some point, probably want to disseminate your results to others in the form of a paper or technical article. TINA PRO will help you to do this – at least by providing you with all of the graphical content – in the form of Bode plots, Nyquist diagrams, transient responses, digital waveforms, etc. You can create, edit and print documents from within TINA PRO or cut and paste the results into another Windows application using the Windows clipboard.

A particularly useful feature is that TINA PRO's graphics editing facilities allow you to add your own information to the results of a circuit analysis. It makes it easy to add markers, special annotation, and circuit schematics to the results of any circuit analysis. This facility is a real boon for students as it can save hours of graph plotting, drawing and sketching.

VIRTUAL INSTRUMENTS

TINA PRO provides you with a Function Generator, Digital Multimeter, Frequency Analyser, Logic Analyser and a dual-channel Oscilloscope. These instruments provide the same displays and control as found on real instruments and will help you make measurements in just the same way as you would in a real laboratory.

As an added bonus, if you have TINA PRO's supplementary hardware, the program will allow you to switch to "Real Measurement" mode. This facility lets you work with the same on-screen instruments and settings when making real measurements on a real circuit.

HELP!

The "Quick Start" manual comprises around 70 pages in A5 spiral bound format. The manual is divided into four sections; Welcome, Introduction, Installation and Start-Up, and Getting Started. Of these, the last section is by far the largest (comprising 43 pages). On its own, the manual is not particularly extensive. However, TINA PRO's help system provides a wealth of reference information (including a comprehensive description of the SPICE models). One unfortunate omission from the manual is the lack of an index.

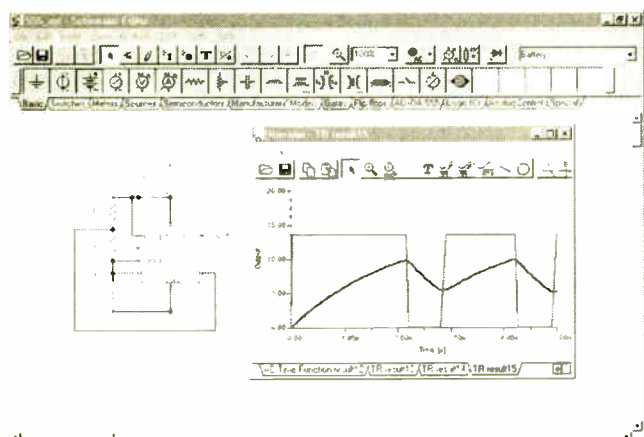


Fig.2. Using TINA PRO to analyse the operation of a simple astable oscillator based on a 555 timer.

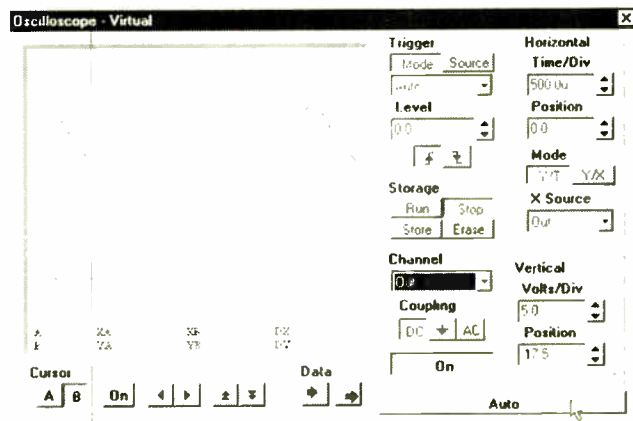


Fig.3. Using TINA PRO's virtual oscilloscope to view the output waveforms produced by the astable oscillator in Fig.2.

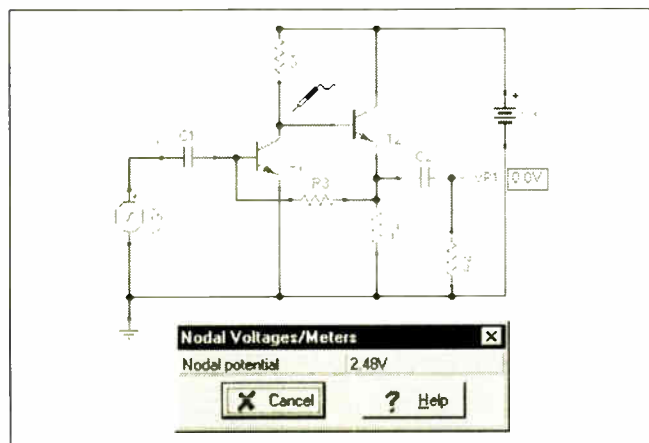


Fig.4. The first attempt using TINA PRO involved "building" and testing this simple two-stage amplifier. Having assembled the components in the schematic window TINA PRO's nodal voltage analysis tool is being used to check the bias conditions (note the test probe at the collector of TR1).

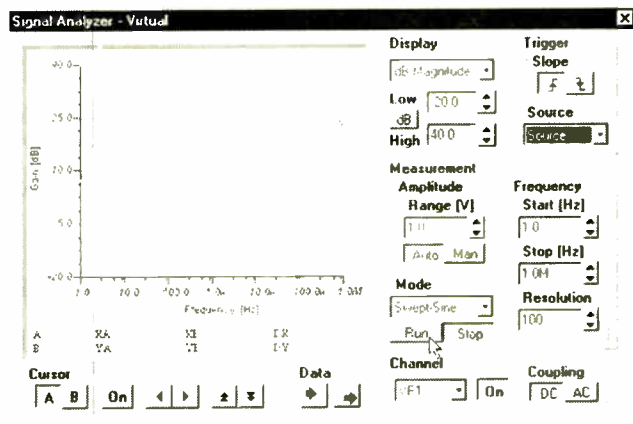


Fig.5. Frequency response of the two stage amplifier using TINA PRO's virtual frequency analyser (the amplifier's upper cut-off frequency has been limited to about 100kHz by applying some h.f. negative feedback).

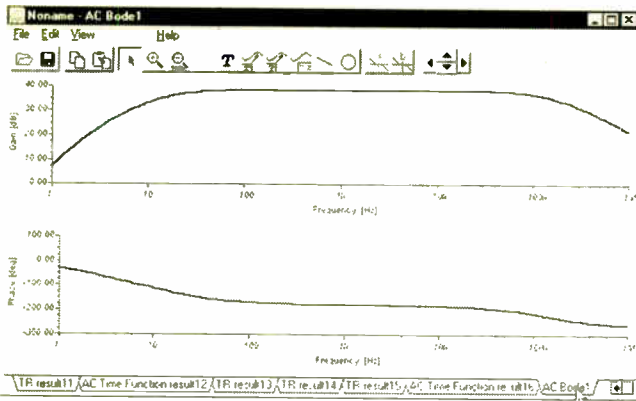


Fig.6. An alternative to using one of TINA PRO's virtual instruments is that of using one of the built-in analysis tools. This shows the alternative gain and phase versus frequency display (without the controls and adjustments that would be present with the signal analyser virtual instruments).

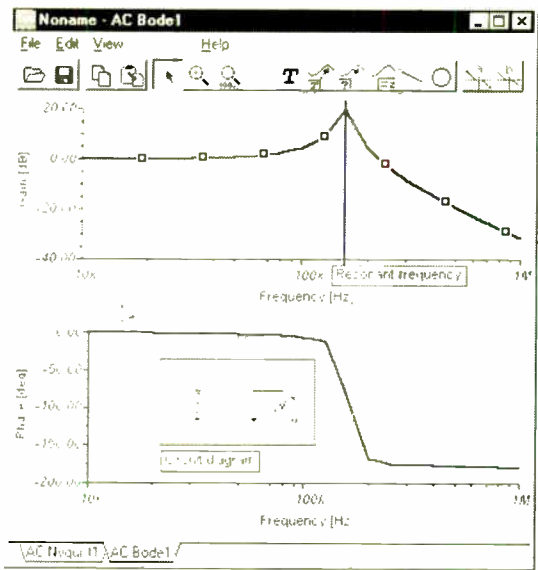


Fig.7. The graphic displays produced by TINA PRO can be enhanced and customized by the user. Here some captions, markers and a circuit diagram have been added to a basic Bode plot that shows the gain and phase response of a simple L-C-R series resonant circuit.

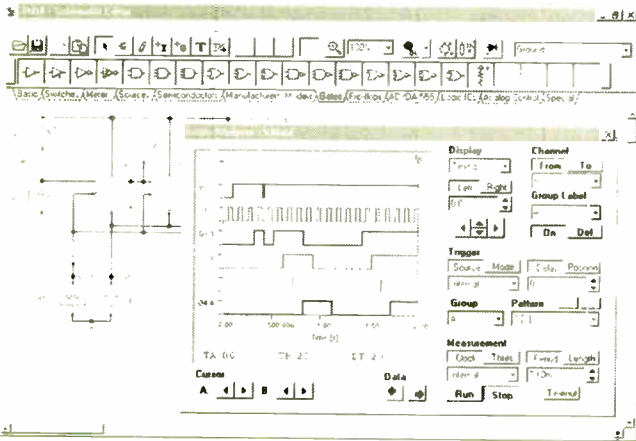


Fig.8. TINA PRO is equally at home analysing digital circuits. Here we are displaying the output of a four-stage shift register using TINA PRO's logic analyser virtual instrument.

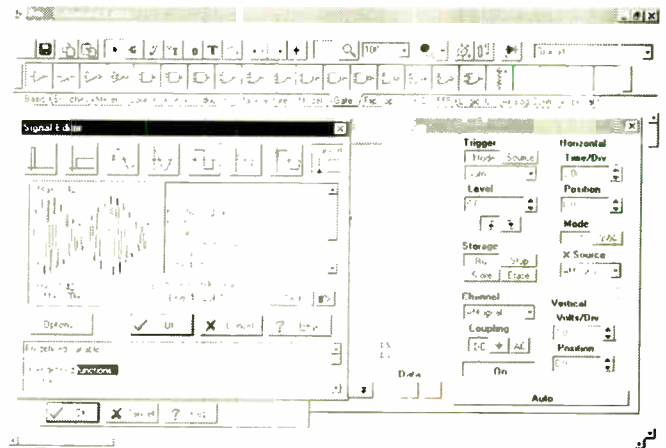


Fig.9. TINA PRO has many advanced features, including signal and equation editors. This screen shows how the signal editor can be programmed to produce an amplitude modulated signal (part of the resulting signal appears in the virtual oscilloscope window below the signal editor window).

IN USE

In use, I found TINA PRO extremely intuitive. My first task was to "build" and test a simple two-stage amplifier. This was accomplished quickly and easily and without having to refer to either the manual or the help text. Next, I put TINA PRO to work solving some network problems that form the basis of assignments carried out by my HND students. Once again, TINA PRO excelled at the task, delivering not only the response curves required but also formulae required to produce the transient response for each circuit.

TINA PRO incorporates a number of features that make it a real pleasure to use. These include the orthogonal wiring tool, the multiple undo facility, and the automatic component numbering. The various output displays produced by the program are excellent, as are the virtual instruments.

There are two features that I would like to see in the next version of TINA PRO. The first is a menu option that will allow users to open a selection of the most recently used files (*Since this review was written we have been advised by Quickroute Systems that this request has been implemented. Users can now open a selection of the most recently used files.* – Ed) whilst the second is a facility that will allow me to print the virtual instrument displays and settings (I use this facility regularly in

Electronics Workbench to keep a record of circuit performance as I make changes to circuit parameters, component values, etc). That said, I have very few other concerns and niggles!

IN CONCLUSION

TINA PRO is packed with features, simple to use and represents really good value. So, if you are thinking of moving up to a Windows SPICE package (or are planning to upgrade your current SPICE software) you should take a serious look at DesignSoft's latest offering – it can be highly recommended!

DesignSoft can be contacted at: www.designsoftware.com

The TINA website is at: www.tina.com

Note that a demonstration version of TINA PRO can be downloaded from this site. The site also features a Students' Forum and a downloadable "Student Contest" with a chance to win a free upgrade to the full version of TINA.

In the UK, TINA PRO is available from: Quickroute Systems (Dept EPE), Regent House, Heaton Lane, Stockport SK4 1BS. Phone: 0161-476-0202. Fax: 0161-476-0505. (Please mention this review when contacting Quickroute.)

PRICES

There is a wide range of TINA PRO software available, together with various different site licences for those that need them (prices on request from Quickroute Systems).

TINA PRO Basic – a cut down starter version suitable for hobbyists and students (particularly helpful for students who have access to a full version at college etc): £57.58 including VAT and p&p.

TINA PRO Educational – includes full Teacher Pack: £204.45 including VAT and p&p.

TINA PRO Industrial Classic Edition – similar to the full Industrial Edition but without the SPICE library, a symbol designer, or the ability to form component models from manufacturers' data. £204.45 including VAT and p&p.

TINA PRO Industrial Edition – the full version with all the options. £363.08 including VAT and p&p.

Further information on the various versions is available from Quickroute Systems, also see their web site at: www.quickroute.co.uk.

PRACTICALLY SPEAKING

Robert Penfold looks at the Techniques of Actually Doing It!

THIS series of articles is aimed primarily at complete beginners, but this month we move on slightly to consider the subject of transformers and mains powered projects. No excuses are given for pointing out yet again that mains powered projects, or indeed any projects that involve direct connection to the mains supply, are **unsuitable** for beginners. **The mains supply is potentially lethal and has to be treated as such by those that deal with it.**

Until they have gained sufficient experience to tackle mains oriented projects beginners should settle for building battery powered gadgets. If you make a mistake with a project powered from a PP3 battery it is unlikely that anything will be damaged, and you should certainly be in no real danger.

A similar mistake with a mains powered project would probably cause a lot of expensive damage and could be extremely dangerous. **When dealing with a mains powered project you have to proceed as if your life depended on it, because it does!**

Adaptable

Beginners should not overlook that very useful invention, the battery eliminator (mains adaptor). The regulated types mostly have accurate and well-smoothed outputs that can be used to power projects that would be uneconomical to operate from batteries. (Most of our components advertisers carry stocks.)

A unit of this type should comply with the commercial safety regulations, and provide a safe means of obtaining mains power for a wide range of circuits. A few projects have specialised supply requirements that no battery eliminator can meet, but the vast majority of projects can be powered in this way.

Unless you know what you are doing it is advisable not to use non-regulated eliminators. In general these have large amounts of mains "hum" on their outputs and the actual output potential varies considerably with variations in loading. When lightly loaded the output can easily be more than 50 per cent higher than the nominal output voltage, which could be sufficient to damage some circuits.

Down To Earth

When copying a battery powered project you are largely free to "do your own thing", but with a project that connects to the mains supply you must be more cautious. Everything must be done in a manner that will be completely safe.

This does not mean that you have to produce an exact clone

of the author's original, but everything must be done in a way that satisfies some basic rules of safety. For instance, any exposed metalwork **must be reliably earthed to the mains Earth lead.**

In practice, this invariably means using a case that is largely or entirely constructed from *metal*. With the case earthed, any metal parts mounted on it will also be earthed. In the past, a solder tag mounted on one of the mains transformer's mounting bolts has been used as the earthing point on the case, but it is apparently considered safer to have a separate mounting bolt for the earthing point – see Fig.1.

Another important point about the case is that it should be a type that cannot be opened easily. In other words, a screwdriver or other tool should be required in order to open the case so that there is no easy way of gaining access to the dangerous mains wiring. An enclosure that has some form of clip-on lid should **not** be used, as this would make it too easy for young hands to open the case.

Cover Up

As a second line of defence, it is advisable to insulate any connections that carry the mains supply. There are matching insulators, known as "boots", available for some components (also shown in Fig.1). These make it easy to completely and reliably insulate all the connections to a component. Unfortunately, these "boots" are not as widely available as they should be, and are not available for all components that could be used to carry the mains supply.

However, in most cases it is possible to insulate the tags and the connections to them using large diameter

p.v.c. sleeving. In order to accommodate the tag, the wire, and the connection, an inside diameter of around 4mm to 6mm is usually required.

Trip Wire

It is possible to connect the mains lead direct to the on/off switch and earth tag, and this is again a method that has been used extensively in the past. However, it does have the disadvantage of being a bit dangerous if someone should trip over the cable. The person doing the tripping over could injure themselves, and the project could be left with a damaged cable and exposed mains wiring.

A better, if somewhat more expensive option, is to use a standard IEC connector at the rear of the unit, and to connect this to the on/off switch and earth tag. If anyone should accidentally kick the cable it should simply pull free from the rear of the project with no harm done. The IEC connector takes a standard mains lead of the type used with PCs and many other electrical and electronic gadgets.

For the ultra-safe approach you can use an IEC connector that has an integral on/off switch. There is a slight drawback in this method in that it means having the on/off switch inconveniently located at the rear of the project.

Transformers

The mains transformer in a modern project performs two functions. One is to step-down the 230-volt a.c. supply to one that is more suitable for modern low voltage circuits. The other is to provide isolation from the mains supply.

The mains supply connects to the *primary* winding of the transformer, and this produces a low voltage signal in the secondary winding, but there is **no direct connection** between the primary and secondary windings.

Provided you use a modern transformer that conforms to the current safety regulations, there will be comprehensive insulation between the primary and secondary windings, and there will be no significant danger in touching any wiring in the secondary circuit of the transformer. Even if a fault should occur in the insulation, with the case and one supply rail earthed there should be little danger anyway.

Having Twins

Modern mains transformers tend to cause a certain amount of confusion as they mostly have "twin" secondary windings, and sometimes have two primary windings as well. In the

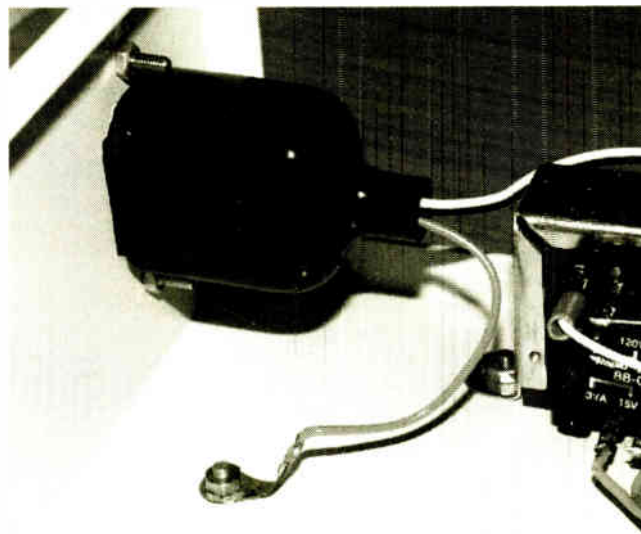


Fig.1. A solder tag provides an Earthing point on the base of the metal case. The IEC inlet is comprehensively insulated by a matching insulating "boot".

past there were sometimes two 230V or 240V primary windings that had to be connected in *parallel* for operation on the UK mains supply – see Fig.3a.

On the face of it there is no point in having two 230V or 240V windings since there would seem to be no 460V or 480V mains supplies that could use the alternative method of series connection. This type of transformer seems to have died out, but there could still be some in circulation.

The more common form of twin primary winding has two 115V or 120V windings. These can be used in series for operation on the 230V UK mains supply, or in parallel for use with some continental or USA supplies that operate at about 115V.

For operation on the UK mains it is essential to connect these transformers in the manner shown in Fig.3b. The alternative methods of series connection (with the two "0" or "115" tags connected together) will give no significant output from the secondary winding.

Things are worse with the use of parallel connection, which will give an excessive primary current and double the expected secondary voltage. In addition to the likely cost of replacing damaged components, this could also be very dangerous.

Secondary Education

It is probably on the secondary winding side of things that mains transformers produce most problems. The reason that so many of these components have twin secondary windings is that it enables one transformer to mimic three different types of transformer.

As an example we will consider the three ways in which a transformer having twin 12V 0.5A secondary windings can be used. If the two windings are connected in series, as in Fig.4a, the output voltages are added together to give what is effectively a single 24-volt secondary. The current rating remains at 0.5A.

Parallel connection, as in Fig.4b, gives a 12V output, but the current rating is doubled to 1A. It has to be pointed out here that parallel connection is only usable with transformers that are specifically designed for use in this manner.

This mode of operation requires the two secondary windings to be very accurately matched, since any imbalance could result in one winding forcing a very large current through the other winding. Do not use this method unless the retailer's or manufacturer's literature specifically states that a transformer can be used with parallel connection.

Power Points

Power supply circuits that use two rectifiers to provide full-wave rectification require a centre-tapped secondary winding. The centre-tap goes to the earth rail and is labelled "0V" while the other two outputs drive the rectifiers and are labelled something like "12V". Twin secondary windings can be used

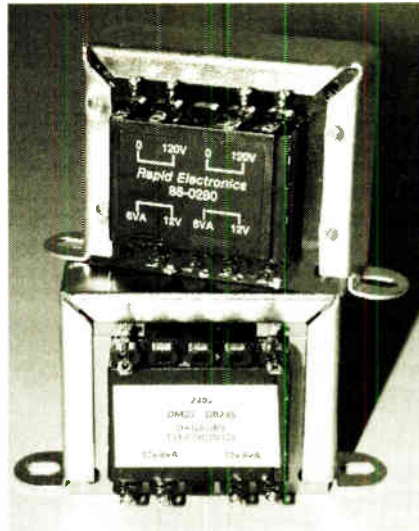


Fig.2. The mains transformer at the bottom has twin secondary windings while the one at the top has twin primary windings as well.

with this type of supply circuit, but many constructors run into difficulties because they do things in the obvious way.

With our example transformer, simply connecting the two "0V" tags together appears to give the required 12V-0V-12V output. In reality this gives two windings operating in-phase, whereas it is out-of-phase windings that are needed.

In other words, the two windings should provide power to the supply circuit on alternate half cycles, but they will actually supply power on the same half cycles. This results in no output on

one set of half cycles, and what is really just a simple half-wave power supply.

The circuit may actually seem to work after a fashion, but with what is likely to be a great deal of mains "hum" on the output. The output voltage might also be inadequate.

The correct method of connection for centre-tapped operation is shown in Fig.4c. This is basically just ordinary series operation, but with the point where the two windings are joined now used as the centre-tap. Although this method of connection may look nonsensical, it is quite definitely the right way of doing things.

Finally

When dealing with battery powered projects many constructors keep the amount of checking to a minimum. This is a bit dubious even with battery powered circuits but is definitely not acceptable with mains powered projects. The mains wiring is usually very simple, but mistakes could cause costly damage and could also be very dangerous.

Always carefully double-check the mains wiring, and all the other wiring to the power supply circuit. If possible get someone else to check the wiring as well. Never be tempted to save money by leaving out fuses, and always use a fuse of the correct type and rating.

Never work on a project while it is connected to the mains supply – remove the mains plug. Mains powered projects should be perfectly safe provided you adhere to the basic safety precautions and do not "cut corners".

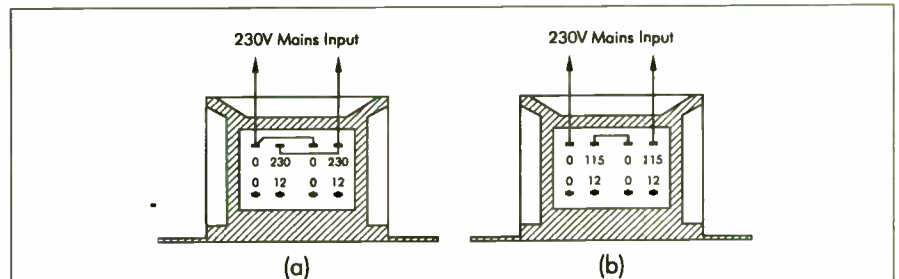


Fig.3. (a) Twin 230V primary windings are connected in parallel, while twin 115V windings (b) are used in series for the UK mains supply.

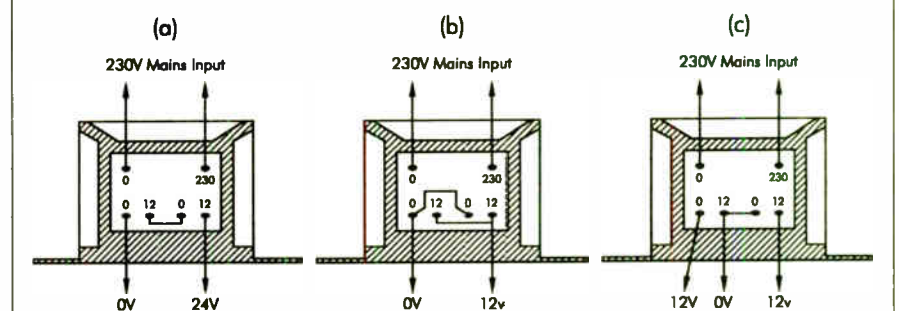


Fig.4. The three possible ways of using the twin secondary windings of the mains transformer: (a) series operation; (b) parallel operation; (c) centre-tapped operation.

SQUIRES

MODEL AND CRAFT TOOLS

A comprehensive range of Miniature Hand and Power Tools
and now an extensive range of

ELECTRONIC COMPONENTS

featured in a fully illustrated

336-page Mail Order Catalogue

1999 Issue

*SAME DAY DESPATCH
FREE POST & PACKING*

Catalogue free of charge to addresses in United Kingdom.

For overseas send 6 International Reply Coupons to:

**Squires, 100 London Road,
Bognor Regis, West Sussex
PO21 1DD**

Tel: 01243 842424

Fax: 01243 842525

SHOP NOW OPEN



NATIONAL
COLLEGE OF
TECHNOLOGY

DISTANCE LEARNING COURSES in:

Analogue and Digital Electronics
Circuits, Fibres & Opto-Electronics
Electronic Testing & Fault Diagnosis
Programmable Logic Controllers
Mechanics and Mechanisms
GCSE and BTEC Mathematics

Courses to suit **beginners**
and those wishing to **update**
their knowledge and practical skills
Courses are delivered
as self-contained kits
No travelling or college attendance
Learning is at your own pace
Courses may have
BTEC Certification and Tutoring

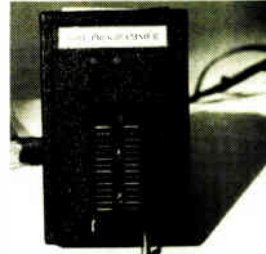
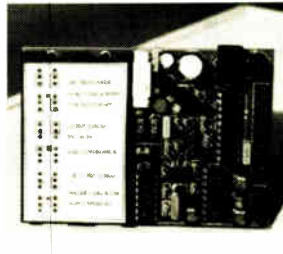
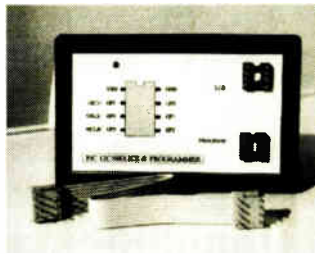
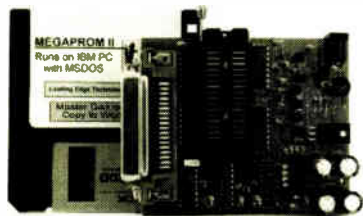
For information contact:

NCT Ltd., P.O. Box 11

Wendover, Bucks HP22 6XA

Telephone 01296 624270; Fax 01296 625299

Web: <http://www.nct.ltd.uk>



UNIVERSAL PIC PROGRAMMER

£49.95

SERIAL and PARALLEL. Programming modes (unlike cheap programmers).
Universal ZIF socket, no more damaged/broken pins, inferior products can ruin expensive chips!
Supports: PIC12C5XX, 12C6XX, 14XXX, 16C5XX, 16C50X, 16C6X, 16C7X, 16C9XX, 16C55X, 16C6XX, 16C8X, 16F8X Memory 24LCXX, 85CXX, 93CXX
Includes CD with PIC-BASIC, DataSheets and Programming software.
Download latest Windows 95/98 software from our website now.

PIC12C508/9 ICE and PROGRAMMER

£59.95

In-Circuit Emulator and Programmer. Supplied with Software, Data sheets, Manual, leads, 10 breadboard circuits which include DVM, Stopwatch, Smoke Alarm, Sound and Light. Includes FREE PIC BASIC COMPILER.

PIC ICE II

£59.95

In-Circuit Emulator for 54/55/56/57/71/84 PICs. A/D emulated for 16C71. Supplied with leads, manual, software and hardware projects. Includes FREE PIC BASIC COMPILER.

DELUXE SMARTCARD PROGRAMMER

£79.95

Read and Write to all types of Smartcard ISO. Memory, PIC, GSM, VideoCrypt, Satellite, D2Mac, CashCards, Petrol Station, StoreCards etc. Supplied with a large amount interesting smartcard information, commands, encryption methods and operating software.

All products manufactured in Malta and carry 12 months Parts and Labour guarantee.

LEADING EDGE TECHNOLOGY LTD

Unit KW18D Kordin Industrial Estate, Paola, MALTA.

ORDER DIRECT: Tel: (00 356) 678509 Fax (00 356) 667484.

SAME DAY DESPATCH

P/P UK, EEC £4.00. NO VAT PAYABLE

ALL MAJOR CREDIT CARDS ACCEPTED



DISTRIBUTORS Telephone
SPAIN COELMA 003449 215061
FRANCE MULTIPOWER 0033169301379



MEGAPROM EPROM PROGRAMMER

£69.95

Programs up to 8 Meg devices (32-pin), including 27xx, 28xx, 29xx, EEPROM, FLASH and 24X series. Built-in RAM tester. Universal quality ZIF socket, free software updates.

GAL PROGRAMMER

£49.95

Read/Write/Copy SGS/NSC/Lattice etc. 16V8A/B/D/Z, 20V8A/B/D/Z and 22V10 standard JEDEC files. Smart case with ZIF. Supplied with PSU, Manual and Compiler software. One GAL can replace up to 21 different PALs and they are re-programmable!

P87C51/52 PROGRAMMER

£59.95

Read/Write/Copy and Edit all 8751/2 including ATMEL 89 Flash types. Supplied with Assembler and BASIC compiler (produces 8051 M/Code). Smart Case, 40-pin ZIF

EPROM EMULATOR

£59.95

128K by 8-bit or 2 x 64K by 8-bit Software to Read/Write when connected to target board. Suitable for CPU development and Car EM Systems.

FREE PIC BASIC COMPILER for Windows 95/98

Supports PIC16C54-57, 71, 84, 508 produces stand-alone machine code (no runtime modules).

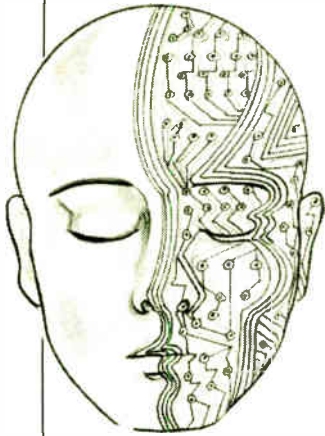
Standard BASIC syntax includes Peek/Poke, Input, Output, etc., etc. Why pay £50+ when ours is FREE? Download it from our Website now!

ALL PRODUCTS REQUIRE AN IBM PC TO OPERATE UNLESS OTHERWISE STATED. FOR FURTHER INFORMATION SEE OUR WEB SITE OR TELEPHONE/FAX.

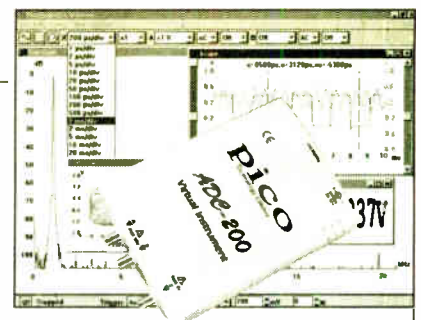
WEBSITE <http://LET.cambs.net/> johnmorr@keyworld.net

Always in stock - Working D2Mac 27-Channel Wafer Cards £19.95

INGENUITY UNLIMITED



Our regular round-up of readers' own circuits. We pay between £10 and £50 for all material published, depending on length and technical merit. We're looking for novel applications and circuit tips, not simply mechanical or electrical ideas. Ideas *must be the reader's own work and not have been submitted for publication elsewhere.* The circuits shown have NOT been proven by us. *Ingenuity Unlimited* is open to ALL abilities, but items for consideration in this column should preferably be typed or word-processed, with a brief circuit description (between 100 and 500 words maximum) and full circuit diagram showing all relevant component values. **Please draw all circuit schematics as clearly as possible.** Send your circuit ideas to: Alan Winstanley, *Ingenuity Unlimited*, Wimborne Publishing Ltd., Allen House, East Borough, Wimborne, Dorset BS21 1PF. They could earn you some real cash and a prize!



WIN A PICO PC BASED OSCILLOSCOPE

- 50MSPS Dual Channel Storage Oscilloscope
- 25MHz Spectrum Analyser
- Multimeter • Frequency Meter
- Signal Generator

If you have a novel circuit idea which would be of use to other readers then a Pico Technology PC based oscilloscope could be yours. Every six months, Pico Technology will be awarding an ADC200-50 digital storage oscilloscope for the best IU submission. In addition, two single channel ADC-40s will be presented to the runners-up.

Low Cost AA to PP3 Converter – Service Call

THERE are a variety of integrated devices available which perform single cell d.c. conversion. However, for some applications these may be limited in output voltage or be relatively expensive. The circuit diagrams shown in Fig.1 perform the same service for a very low cost and at a reasonable efficiency.

The simplest, Fig.1a is suited to applications which present a constant load. Transistor TR1, transformer T1, resistor R1 and preset potentiometer VR1 form a current-controlled switching oscillator. Each time TR1 turns off the collapsing magnetic field in T1 generates a high voltage positive pulse at TR1's collector. This, in series with the supply, is fed via diode D1 to capacitor C2. Under no-load it contains 30V. At constant load it remains stable and can be adjusted with preset VR1, but as loading increases it drops.

In applications exhibiting variable loading, regulation is necessary. The circuit shown in Fig.1b uses a pulse skipping technique i.e., occasionally inhibiting oscillation to maintain constant output. Transistors TR1 and TR2 form a simple Schmitt trigger

comparator. Although both collector loads are identical a switching differential is maintained because TR2 is directly coupled to TR1; its base current contributes to the voltage across resistor R3.

The Schmitt threshold consists of TR1 V_{BE} and the voltage across resistor R3. As the monitored voltage rises above this, TR1 turns on, TR2 turns off and TR3 turns on which disables transistor TR4. When it drops the reverse occurs. Hysteresis ensures clean switching and preset VR1 adjusts the output voltage. Diode D1 prevents negative pulses being routed via transistor TR3 and affecting the Schmitt trigger; it must be a Schottky diode otherwise TR3 will not switch TR4. The recommended ZTX650 transistor used for the oscillator is a high performance device with a very low V_{CE(SAT)}. This is necessary because there is little headroom at 1.0V.

As switching occurs at a very high frequency, T1 is extremely small. A micro-toroid centre tapped transformer is constructed using an anti-parasitic bead 6mm by 4mm in diameter with a 2mm hole. Fold 90cm of

38s.w.g. enamelled copper wire in half, press the crease tightly together and then thread the folded wire repeatedly through the bead hole until 20 turns are wound. Trim protruding wires to 25mm.

The bead now contains two sets of 20 turns with two starts at one extremity and two ends at the other. Join an appropriate start and end together to form the tap (ct). If the circuit fails to oscillate, check the tap is correctly formed; otherwise, it is most likely a shorted turn.

Using a NiCad or NiMH battery with its virtually flat discharge characteristic will minimise supply drift.

Z. Kaparai,
Swindon, Wilts.

BE INTERACTIVE

IU is *your* forum where you can offer others readers the benefit of your Ingenuity. Share those ideas, earn some cash and possibly a prize!

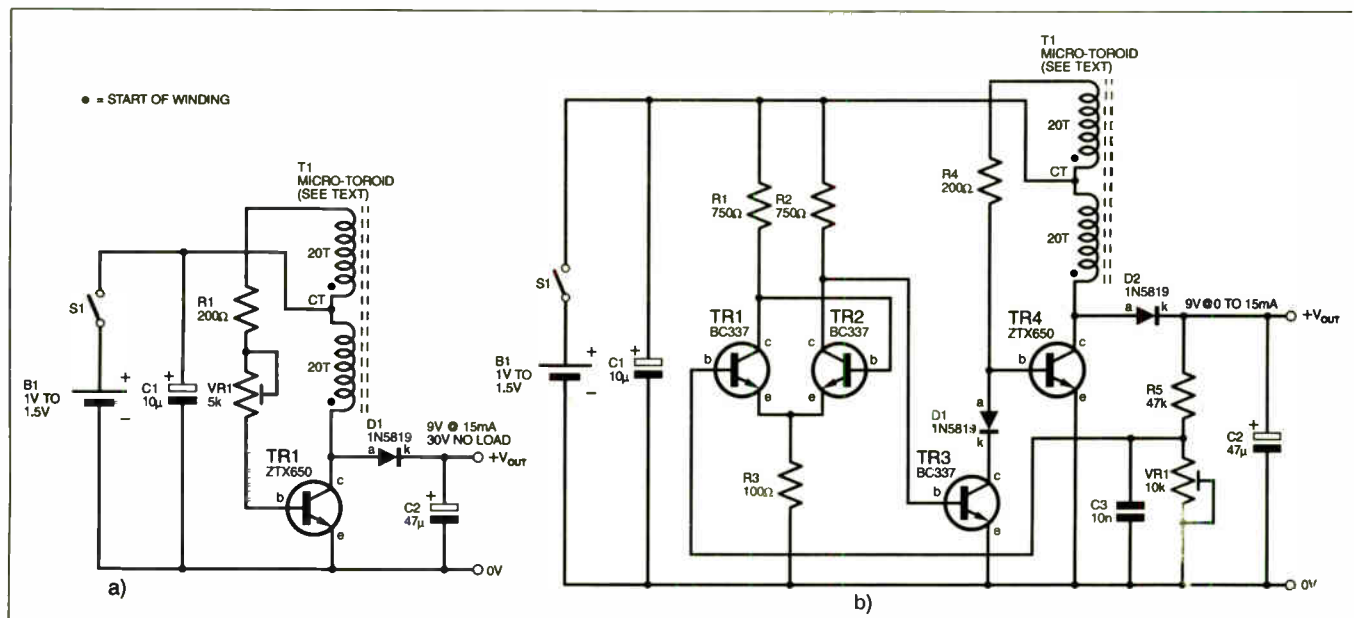


Fig.1. Low Cost AA to PP3 Converter. (a) Simple converter and (b) pulse skipping regulated version.

Unit 14 Sunningdale, BISHOPS STORTFORD, Herts. CM23 2PA
TEL: 01279 306504 FAX: 0870 7064222
 WEB: <http://www.QuasarElectronics.com>

Product data
FAX back
 01279 306504

ADD £2.00 P&P to all orders (or 1st Class Recorded £4, Next day (Insured) £7, Europe £3.50, Rest of World £5.00). We accept all major credit cards. Make cheques/PO's payable to Quasar Electronics. Prices include 17.5% VAT. MAIL ORDER ONLY. FREE 1999 CATALOGUE with order or send 2 x 1st class stamps (refundable) for details of over 150 kits & publications.

PROJECT KITS

OUR PROJECT KITS COME COMPLETE WITH ALL COMPONENTS, HIGH QUALITY PCBs, DETAILED ASSEMBLY/OPERATING INSTRUCTIONS

- **2 x 25W CAR BOOSTER AMPLIFIER** Connects to the output of an existing car stereo cassette player, CD player or radio. Heatsinks provided PCB 76x75mm. 1046-KT £24.95
- **1W+1W STEREO AMPLIFIER MODULE** Uses Samsung KA2209 IC (equivalent to the TDA2822) designed for portable cassette players & radios. 1.8-9VDC. PCB 35x50mm. 3087-KT £3.95
- **10W+10W STEREO AMPLIFIER MODULE** Uses TDA2009 class audio power amp IC designed for high quality stereo applications. 8-28VDC. PCB 45x80mm. 3088-KT £3.95
- **18W BTL AUDIO AMPLIFIER MODULE** Low voltage, high power mono 18W BTL amp using HA13118 IC. Delivers 14W into 4 Ohms (1% THD) with 13.2V supply. Thermal/surge protection. 8-18VDC. Heatsink provided. PCB 57x55mm. 3105-KT £8.50
- **3-CHANNEL WIRELESS LIGHT MODULATOR** No electrical connection with amplifier. Light modulation achieved via a sensitive electret microphone. Separate sensitivity control per channel. Power handling 400W/channel. PCB 54x112mm. Mains powered. Box provided. 6014-KT £23.45
- **12 RUNNING LIGHT EFFECT** Exciting 12 LED light effect ideal for parties, discos, shop-windows & eye-catching signs. PCB design allows replacement of LEDs with 220V bulbs by inserting 3 TRIACs. Adjustable rotation speed & direction. PCB 54x112mm. 1026-KT £10.95; BOX (for mains operation) 2026-KT £8.50
- **DISCO STROBE LIGHT** Probably the most exciting of all light effects. Very bright strobe tube. Adjustable strobe frequency. 1-60Hz. Mains powered. PCB: 60x88mm. Box provided. 6037-KT £28.90
- **SOUND EFFECTS GENERATOR** Easy to build. Create an almost infinite variety of interesting/unusual sound effects from birds chirping to sirens. 9VDC. PCB 54x85mm. 1045-KT £8.95
- **ROBOT VOICE EFFECT** Make your voice sound similar to a robot or Darlek. Great fun for discos, school plays, theatre productions, radio stations & playing jokes on your friends when answering the phone! PCB 42x71mm. 1131-KT £7.55
- **AUDIO TO LIGHT MODULATOR** Controls intensity of one or more lights in response to an audio input. Safe, modern opto-coupler design. Mains operation required. 3012-KT £6.95
- **MUSIC BOX** Activated by light. Plays 8 Christmas songs and 5 other tunes. 3104-KT £6.50
- **20 SECOND VOICE RECORDER** Uses non-volatile memory - no battery backup needed. Record/replay messages over & over. Playback as required to greet customers etc. Volume control & built-in mic. 5VDC. PCB 50x73mm. 3131-KT £11.95
- **TRAIN SOUNDS** 4 selectable sounds: whistle blowing, level crossing bell, 'clackety-clack' & 4 in sequence. SG01M £4.95
- **ANIMAL SOUNDS** Cat, dog, chicken & cow. Ideal for kids farmyard toys & schools. SG10M £4.50
- **3 1/2 DIGIT LED PANEL METER** Use for basic voltage/current displays or customise to measure temperature, light, weight, movement, sound levels, etc. with appropriate sensors (not supplied). Various input circuit designs provided. 3061-KT £11.95
- **IR REMOTE TOGGLE SWITCH** Use any

TV/VCR remote control unit to switch onboard 12V/1A relay on/off. 3058-KT £8.95

SPEED CONTROLLER for any common DC motor up to 100V/5A. Pulse width modulation gives maximum torque at all speeds. 5-15VDC. Box provided. 3067-KT £10.95

● **3 x 8 CHANNEL IR RELAY BOARD** Control eight 12V/1A relays by Infra Red (IR) remote control over a 20m range in sunlight. 6 relays turn on only, the other 2 toggle on/off 3 operation ranges determined by jumpers. Transmitter case & all components provided. Receiver PCB 76x89mm. 3072-KT £4.95

● **PC CONTROLLED RELAY BOARD** Convert any 286 upward PC into a dedicated automatic controller to independently turn on/off up to



eight lights, motors & other devices around the home, office, laboratory or factory using 8 240VAC/12A onboard relays. DOS utilities, sample test program, full-featured Windows utility & all components (except cable) provided. 12VDC. PCB 70x200mm. 3074-KT £28.95

● **2 CHANNEL UHF RELAY SWITCH** Contains the same transmitter/receiver pair as 30A15 below plus the components and PCB to control two 240VAC/10A relays (also supplied). Ultra bright LEDs used to indicate relay status. 3082-KT £25.95

● **TRANSMITTER RECEIVER PAIR** 2-button keyboard style 300-375MHz Tx with 30m range. Receiver encoder module with matched decoder IC. Components must be built into a circuit like kit 3082 above. 30A15 £13.95

● **TELEPHONE LINE RELAY SWITCH** Turn on/off 4 relays over your phone line from anywhere in the world. 4-digit security code. Line protection circuitry built-in (non-approved). PCB 78x105mm. 3086-KT £42.95

● **PC DATA ACQUISITION CONTROL UNIT** Use your PC to monitor physical variables (eg. pressure, temperature, light, weight, switch state, movement, relays, etc.), process the information & use results to control physical devices like motors, sirens, relays, servo & stepper motors. Inputs: 16 digital & 11 analogue. Outputs: 8 digital & 1 analogue. Plastic case with printed front/rear panels, software utilities, programming examples & all components (except sensors & cable) provided. 12VDC. 3093-KT £79.95

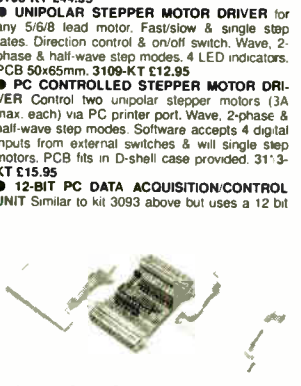
● **PIC 16C71 FOUR SERVO MOTOR DRIVER** Simultaneously control up to 4 servo motors. Software & all components (except sensor/control pots) supplied. 5VDC. PCB 50x70mm. 3102-KT £13.95

● **PC SERIAL PORT ISOLATED I/O BOARD** Provides eight 240VAC/10A relay outputs & 4 optically isolated inputs. Designed for use in various control & sensing applications e.g. load switching, external switch input sensing, contact closure & external voltage sensing. Controlled via serial port & a terminal emulator program (built into Windows). Can be used with ANY computer/operating system. Plastic case with printed front/rear panels & all components (except cable) provided. 3108-KT £44.95

● **UNIPOLAR STEPPER MOTOR DRIVER** for any 5/6/8 lead motor. Fast/slow & single step rates. Direction control & on/off switch. Wave, 2-phase & half-wave step modes. 4 LED indicators. PCB 50x65mm. 3109-KT £12.95

● **PC CONTROLLED STEPPER MOTOR DRIVER** Control two unipolar stepper motors (3A max. each) via PC printer port. Wave, 2-phase & half-wave step modes. Software accepts 4 digital inputs from external switches & will single step motors. PCB fits in D-shell case provided. 3113-KT £15.95

● **12-BIT PC DATA ACQUISITION CONTROL UNIT** Similar to kit 3093 above but uses a 12 bit



Analogue-to-Digital Converter (ADC) with internal analogue multiplexer. Reads 8 single ended channels or 4 differential inputs or a mixture of both. Analogue inputs read 0-4V. Four TTL/CMOS compatible digital input/outputs. ADC conversion time <10µs. Software (C, QB & Win), extended D shell case & all components (except sensors & cable) provided. 3118-KT £44.95

● **LIQUID LEVEL SENSOR/RAIN ALARM** Will indicate fluid levels or simply the presence of fluid. Relay output to control a pump to add/remove water when it reaches a certain level. 1080-KT £6.95

● **UNIVERSAL TIMER** Seven crystal controlled timing operations in steps of 0.1s from 0.1-6553.6s or 1 second steps from 0.1-65536s.

SURVEILLANCE

High performance surveillance bugs. Room transmitter: supplied with sensitive electret microphone & battery holder clip. All transmitters can be received on an ordinary VHF/FM radio between 88-108MHz. Available in Kit Form (KT) or Assembled & Tested (AS).

ROOM SURVEILLANCE

- **MTX - MINIATURE 3V TRANSMITTER** Easy to build & guaranteed to transmit 300m @ 3V Long battery life. 3-5V operation. Only 45x18mm. ● 3007KT £4.95
- **AS3007 £9.95**
- **MTX - MINIATURE 9V TRANSMITTER** Our best selling bug. Super sensitive, high power - 500m range @ 9V (over 1km with 18V supply and better aerial) 45x19mm. 3018KT £5.95 AS3018 £11.95
- **HPTX - HIGH POWER TRANSMITTER** High performance, 2 stage transmitter gives greater stability & higher quality reception 1000m range 6-12V DC operation. Size 70x15mm. 3028KT £6.95
- **AS3028 £16.95**
- **MTX/T - MICRO-MINIATURE 9V TRANSMITTER** The ultimate bug for its size, performance and price. Just 15x25mm. 500m range @ 9V. Good stability 6-18V operation. 3015KT £7.95 AS3015 £13.95
- **VTX - VOICE ACTIVATED TRANSMITTER** Operates only when sounds detected. Low standby current. Variable trigger sensitivity 500m range. Peaking circuit supplied for maximum RF output. On/off switch 6V operation. Only 63x38mm. 3028KT £7.95 AS3028 £24.95
- **HARD-WIRED BUG-TWO STATION INTERCOM** Each station has its own amplifier, speaker and mic. Can be set up as either a hard-wired bug or two-station intercom. 10m x 2-core cable supplied. 9V operation. 3021KT £11.35 (kit form only)
- **TRYS - TAPE RECORDER VOX SWITCH** Used to automatically operate a tape recorder (not supplied) via its REMOTE socket when sounds are detected. All conversations recorded. Adjustable sensitivity & turn-off delay. 115x19mm. 3013KT £6.95 AS3013 £16.95

TELEPHONE SURVEILLANCE

- **MTXX - MINIATURE TELEPHONE TRANSMITTER** Attaches anywhere to phone line. Transmits info when phone is used! Tune-in your radio and hear both parties 300m range. Uses line as aerial & power source. 20x45mm. 3016KT £4.95 AS3016 £10.95
- **TR1 - TELEPHONE RECORDING INTERFACE** Automatically record all conversations. Connects between phone line & tape recorder (not supplied). Operates recorders with 1.5-12V battery systems. Powered from line. 50x33mm. 3033KT £5.95 AS3033 £15.95
- **TPA - TELEPHONE PICK-UP AMPLIFIER WIRELESS PHONE BUG** Place pick-up coil on the phone line or near phone earpiece and hear both sides of the conversation. 3055KT £9.25 AS3055 £18.95
- **1 WATT FM TRANSMITTER** Easy to construct. Delivers a crisp, clear signal. 1W stage circuit. Kit includes microphone and requires a simple open dipole aerial. 8-30VDC. PCB 42x45mm. 1009-KT £9.95
- **4 WATT FM TRANSMITTER** Comprises three RF stages and an audio preamplifier stage. Piezoelectric microphone supplied or you can use a separate preamplifier circuit. Antenna can be an open dipole or Ground Plane. Ideal project for those who wish to get started in the fascinating world of FM broadcasting and want a good basic circuit to experiment with. 12-18VDC. PCB 44x146mm. 1028-KT £18.95
- **15 WATT FM TRANSMITTER (PRE-ASSEMBLED & TESTED)** Four trans-isor based stages with Philips BLY 88 in final stage. 15 Watts RF power on the air. 88-108MHz. Accepts open dipole, Ground Plane, 5/8 λ, or YAGI configuration antennas. 12-18VDC. PCB 70x220mm. SWS meter needed for alignment. 1021-KT £24.95
- **SIMILAR TO ABOVE BUT 25W Output.** 1028-KT £29.95

- **RFI POWER SUPPLY** Designed to power RF transmitters/receivers. Blocks high frequencies & eliminates problems like noise, overheating, standing waves etc. Output: 12-14VDC/3A. Thermal/short circuit protection & electronic stabilisation. You just supply a 18VAC/3A transformer. PCB 72x82mm. 1171-KT £24.95
- **MOTORBIKE ALARM** Uses a reliable vibration sensor (adjustable sensitivity) to detect movement of the bike to trigger the alarm & switch the output relay to which a siren, bees horn, indicators or other warning device can be attached. Auto-reset. 6-12VDC. PCB 57x64mm. 1011-KT £10.95 Box £5.95
- **CAR ALARM SYSTEM** Protect your car from theft. Features vibration sensor, courtesy/boot light voltage drop sensor and bonnet/boot earth switch sensor. Entry/exit delays, auto-reset and adjustable alarm duration. 6-12V DC. PCB 47mm x 55mm. 1019-KT £9.95 Box £6.50
- **LIGHT ALARM** Protect your valuables. Alarm sounds if circuit detects smallest amount of light. Place in cash box etc. 3008-KT £4.50
- **PIEZO SCREAMER** 110dB of ear piercing noise. Fits in box with 2 x 35mm piezo elements built into their own resonant cavity. Use as an alarm siren or just for fun! 6-9VDC. 3015-KT £8.95
- **COMBINATION LOCK** Versatile electronic lock comprising main circuit & separate keypad for remote opening of lock. Relay supplied. 3029-KT £8.95
- **ULTRASONIC MOVEMENT DETECTOR** Crystal detector frequency for stability & reliability. PCB 75x40mm. It uses all components. 4-7m range. Adjustable sensitivity. Output will drive external relay/circuits. 9VDC. 3049-KT £11.95
- **PIR DETECTOR MODULE** 3 lead assembled unit just 25x35mm. As used in commercial burglar alarm systems. 3076-KT £7.95
- **INFRARED SECURITY BEAM** When the visible IR beam is broken a relay is triggered that can be used to sound a bell or alarm. 25 metre range. Mains rated relays provided. 12VDC operation. 3130-KT £10.95
- **SQUARE WAVE OSCILLATOR** Generates square waves at 6 preset frequencies in factors of 10 from 1Hz-104KHz. Visual output indicator. 5-18VDC. Box provided. 3111-KT £7.95
- **PC DRIVEN POCKET SAMPLER DATA LOGGER** Analogue voltage sampler records voltages up to 2V or 20V over periods from milli-seconds to months. Can also be used as a simple digital scope to examine audio & other signals up to about 5KHz. Software & D-shell case provided. 3112-KT £18.95
- **20 MHz FUNCTION GENERATOR** Square, triangular and sine waveform up to 20MHz over 3

- **4 signal input types** from push button to electrically isolated voltage switching sources. On-board relay will switch 240V/5A. Box, software & all components provided. PCB 56 x 97mm. 3054-KT £24.95
- **STEREO VU METER** Shows peak music power using 2 rows of 10 LEDs (mixed green & red) moving bar display 0-30db. 3089-KT £10.95
- **AM RADIO KIT 1** Tuned Radio Frequency, front-end, single chip AM radio IC & 2 stages of audio amplification. All components inc speaker provided. PCB 32x102mm. 3063-KT £9.95
- **DRILL SPEED CONTROLLER** Adjust the speed of your electric drill according to the job at hand. Suitable for 240V AC mains. powered 3 drills up to 700W power. PCB: 48mm x 65mm. Box provided. 6074-KT £15.90
- **3 INPUT MONO MIXER** Independent level control for each input and separate bass/treble controls. Input sensitivity: 240mV, 18V DC. PCB: 60mm x 185mm. 1052-KT £16.95
- **ELECTRONIC SIREN** 5 Watt, impressive 5W power output. Suitable for alarm systems, car, motorbikes, etc. Output frequency 1-2kHz. 6-12V DC. PCB: 37mm x 71mm. Siren not provided. 1003-KT £5.95
- **NEGATIVE POSITIVE ION GENERATOR** Standard Cockcroft-Walton multiplier circuit. Mains voltage experience required. 3057-KT £8.95
- **LED DICE** Classic intro to electronics & circuit analysis. 7 LED's simulate dice roll, slow down & land on a number at random. 555 IC circuit. 3003-KT £7.95
- **STAIRWAY TO HEAVEN** Tests hand-eye co ordination. Press switch when green segment of LED lights to climb the stairs. Press start again! Good intro to several basic circuits. 3005-KT £7.95
- **ROULETTE LED 'Ball'** spins round the wheel, slows down & drops into a slot. 10 LED's Good intro to CMOS decade counters & Op Amps. 3006-KT £9.95
- **DUAL LED DICE PIC** 16C54 circuit performs similar function to 3003-KT above but two dice. Good intro to micro-controllers. 3071-KT £11.95
- **9V XENON TUBE FLASHER** Transformer circuit steps up 9V battery to flash a 25mm Xenon tube. Adjustable flash rate (0.25-2 Secs). 3022-KT £10.95
- **LED FLASHER 1** 5 ultra bright red LED's flash in 7 selectable patterns. 3052M-KT £4.50
- **LED FLASHER 2** Similar to above but flash in sequence or randomly. Ideal for model railways. 3052M-KT £4.50
- **16C84 PIC PROGRAMMER** Reads, programs & verifies. Uses any PC parallel port. All hardware, software & documentation needed to learn & test this up provided. 3007-KT £21.95
- **SERIAL PIC PROGRAMMER** Suitable for all 8 pin DIP serial programmed PICs. 3rd party software supplied expires after 21 days (costs US\$25 to register). 3096-KT £12.95
- **PICALL SERIAL & PARALLEL PIC PROGRAMMER** for all 8/18/28/40 pin DIP parallel AND serial PICs. Includes fully functional & registered software (DOS, W3.1, W95.8). 3117-KT £54.95
- **ATMEL 89C051 PROGRAMMER** Simple-to-use yet powerful programmer for the Atmel 89C1051, 89C2051 & 89C4051 uCs. Programmer does NOT require special software other than a terminal emulator program (built into Windows). Can be used with ANY computer/operating system. 3121-KT £24.95
- **3V/1.5V TO 9V BATTERY CONVERTER** Replace expensive 9V batteries with economic 1.5V batteries. IC based circuit steps up 1 or 2 'AA' batteries to give 9V/18mA. 3035-KT £4.95
- **STABILISED POWER SUPPLY 3-30V/2.5A** Ideal for hobbyist & professional laboratory. Very reliable & versatile design at an extremely reasonable price. Short circuit protection. Variable DC voltages (3-30V). Rated output 2.5 Amps. Large heatsink supplied. You just supply a 24VAC/3A transformer. PCB 55x112mm. Mains operation. 1007-KT £17.50. Custom Designed Box 2007 £34.95
- **STABILISED POWER SUPPLY 2-30V/5A** As kit 1007 above but rated at 5Amp. Requires a 24VAC/5A transformer. 1096-KT £29.95. Custom Designed Box 2096 £34.95

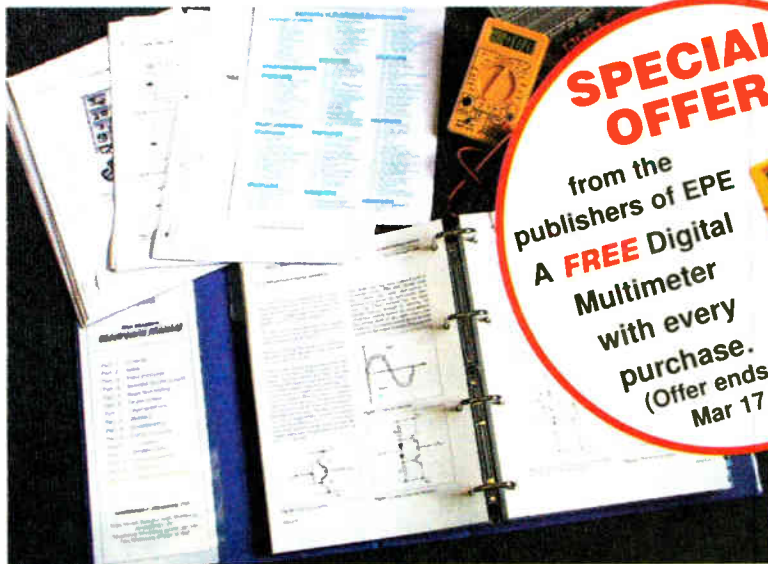
X FACTOR PUBLICATIONS

THE EXPERTS IN RARE & UNUSUAL INFORMATION!

- Full details of all X-FACTOR PUBLICATIONS can be found in our catalogue. N.B. Minimum order charge for reports and plans is £3.00 PLUS normal P&P.
- **SUPER-EAR LISTENING DEVICE** Complete plans to build your own parabolic dish microphone. Listen to distant voices and sounds through open windows and even walls! Made from readily available parts. R002 £3.50
 - **TELEPHONE BUG PLANS** Build your own micro-beetle telephone bug. Suitable for any phone. Transmits over 250 metres - more with good receiver. Made from easy to obtain, cheap components. R008 £2.50
 - **LOCKS** - How they work and how to pick them. This fact filled report will teach you more about locks and the art of lock picking than many books we have seen at 4 times the price. Packed with information and illustrations. R008 £3.50
 - **RADIO & TV JOKER PLANS** We show you how to build three different circuits for disrupting TV picture and sound plus FM radio! May upset your neighbours & the authorities!! DISCRETION REQUIRED. R017 £3.50
 - **INFINITY TRANSMITTER PLANS** Complete plans for building the famous Infinity Transmitter. Once installed on the target phone, device acts like a room bug. Just call the target phone and activate the unit to hear all room sounds. Great for home/office security!! R019 £3.50
 - **THE ETHER BOX CALL INTERCEPTOR PLANS** Grants telephone calls out of thin air! No need to wire in a phone bug. Simply place this device near the phone lines to hear the conversations taking place! R025 £3.00
 - **CASH CREATOR BUSINESS REPORTS** Need ideas for making some cash? Well this could be just what you need! You get 40 reports (approx 800 pages) on floppy disk that give you information on setting up different businesses. You also get valuable reproduction and duplication rights so that you can sell the manuals as you like. R030 £7.50

**WHETHER ELECTRONICS IS YOUR HOBBY
OR YOUR LIVELIHOOD . . .
YOU NEED THE MODERN ELECTRONICS MANUAL
and the ELECTRONICS SERVICE MANUAL**

THE MODERN ELECTRONICS MANUAL



**SPECIAL
OFFER**

from the
publishers of EPE
A **FREE** Digital
Multimeter
with every
purchase.
(Offer ends
Mar 17, 2000)

**The essential reference
work for everyone
studying electronics**

- Easy-to-use format
- Clear and simple layout
- Comprehensive subject range
- In-depth theory
- Projects to build
- Detailed assembly instructions
- Full components checklists
- Extensive data tables
- Detailed supply information
- Professionally written
- Regular Supplements
- Sturdy ring-binder

EVERYTHING YOU NEED TO GET STARTED AND GO FURTHER IN ELECTRONICS!

The revised edition of the Modern Electronics Base Manual contains practical, easy-to-follow information on the following subjects:

BASIC PRINCIPLES: Electronic Components and their Characteristics (16 sections from Resistors and Potentiometers to Crystals, Crystal Modules and Resonators), Circuits Using Passive Components (9 sections), Power Supplies, The Amateur Electronics Workshop, The Uses of Semiconductors, Digital Electronics (6 sections), Operational Amplifiers, Introduction to Physics, Semiconductors (6 sections) and Digital Instruments (5 sections).

CIRCUITS TO BUILD: There's nothing to beat the satisfaction of creating your own project. From basic principles, like soldering and making printed circuit boards, to circuit-building, the Modern Electronics Manual and its Supplements describe clearly, with appropriate diagrams, how to assemble radios, loudspeakers,

amplifiers, car projects, computer interfaces, measuring instruments, workshop equipment, security systems, etc. The Base Manual describes 13 projects including a Theremin and a Simple TENS Unit.

ESSENTIAL DATA: Extensive tables on diodes, transistors, thyristors and triacs, digital and linear i.c.s.

EXTENSIVE GLOSSARY: Should you come across a technical word, phrase or abbreviation you're not familiar with, simply turn to the glossary included in the Manual and you'll find a comprehensive definition in plain English.

The Manual also covers **Safety** and **Suppliers**. The most comprehensive reference work ever produced at a price you can afford, the revised edition of **THE MODERN ELECTRONICS MANUAL** provides you with all the **essential** information you need.

THE MODERN ELECTRONICS MANUAL

Revised Edition of Basic Work: Contains over 900 pages of information. Edited by John Becker.

Regular Supplements: Approximately 160-page Supplements of additional information which, if requested, are forwarded to you immediately on publication (four times a year). These are billed separately and can be discontinued at any time.

Presentation: Durable looseleaf system in large A4 format

Price of the Basic Work: £39.95 (to include a recent Supplement **FREE**)

Guarantee

Our 30 day money back guarantee gives you **complete peace of mind**. If you are not entirely happy with either Manual, for whatever reason, simply return it to us in good condition, together with the Digital Multimeter, within 30 days and we will make a **full refund of your payment** – no small print and no questions asked.

(Overseas buyers do have to pay the overseas postage charge)

Wimborne Publishing Ltd., Dept Y1, Allen House, East Borough, Wimborne, Dorset BH21 1PF. Tel: 01202 881749. Fax: 01202 841692.

ELECTRONICS SERVICE MANUAL

EVERYTHING YOU NEED TO KNOW TO GET STARTED IN REPAIRING AND SERVICING ELECTRONIC EQUIPMENT

SAFETY: Be knowledgeable about Safety Regulations, Electrical Safety and First Aid.

UNDERPINNING KNOWLEDGE: Specific sections enable you to Understand Electrical and Electronic Principles, Active and Passive Components, Circuit Diagrams, Circuit Measurements, Radio, Computers, Valves and manufacturers' Data, etc.

PRACTICAL SKILLS: Learn how to identify Electronic Components, Avoid Static Hazards, Carry Out Soldering and Wiring, Remove and Replace Components.

TEST EQUIPMENT: How to Choose and Use Test Equipment, Assemble a Toolkit, Set Up a Workshop, and Get the Most from Your Multimeter and Oscilloscope, etc.

SERVICING TECHNIQUES: The regular Supplements include vital guidelines on how to Service Audio Amplifiers, Radio Receivers, TV Receivers, Cassette Recorders, Video Recorders, Personal Computers, etc.

TECHNICAL NOTES: Commencing with the IBM PC, PC-XT, PC-AT, this section and the regular Supplements deal with a very wide range of specific types of equipment.

REFERENCE DATA: Detailing vital parameters for Diodes, Small-Signal Transistors, Power Transistors, Thyristors, Triacs and Field Effect Transistors. Supplements include Operational Amplifiers, Logic Circuits, Optoelectronic Devices, etc.

The essential work for servicing and repairing electronic equipment

- Easy-to-use format
- Clear and simple layout
- Vital safety precautions
- Fundamental principles
- Troubleshooting techniques
- Servicing techniques
- Choosing and using test equipment
- Reference data
- Professionally written
- Regular Supplements
- Sturdy ring-binder

ELECTRONICS SERVICE MANUAL

Basic Work: Contains around 900 pages of information. Edited by Mike Tooley BA

Regular Supplements: Approximately 160-page Supplements of additional information which, if requested, are forwarded to you immediately on publication (four times a year). These are billed separately and can be discontinued at any time.

Presentation: Durable looseleaf system in large A4 format

Price of the Basic Work: £39.95 (to include a recent Supplement FREE)

ORDER BOTH MANUALS TOGETHER AND SAVE OVER £10!

A mass of well-organised and clearly explained information is brought to you by expert editorial teams whose combined experience ensures the widest coverage. Regular Supplements to these unique publications, each around 160 pages, keep you abreast of the latest technology and techniques if required.

REGULAR SUPPLEMENTS

Unlike a book or encyclopedia, these Manuals are living works – continuously extended with new material. If requested, Supplements are sent to you approximately every three months. Each Supplement contains around 160 pages – all for only £23.50+£2.50 p&p. You can, of course, return any Supplement (within ten days) which

you feel is superfluous to your needs. You can also purchase a range of past Supplements to extend your Base Manual on subjects of particular interest to you.

RESPONDING TO YOUR NEEDS

We are able to provide you with the most important and popular, up to date, features in our

Supplements. Our unique system is augmented by readers' requests for new information. Through this service you are able to let us know exactly what information you require in your Manuals.

You can also contact the editors directly in writing if you have a specific technical request or query relating to the Manuals.

PLEASE send me a Digital Multimeter (offer ends Mar 17, 2000) together with

THE MODERN ELECTRONICS MANUAL plus a FREE SUPPLEMENT

ELECTRONICS SERVICE MANUAL plus a FREE SUPPLEMENT

I enclose payment of £39.95 (for one Manual) or £69.75 for both Manuals (saving over £10 by ordering both together) plus postage if applicable.

I also require the appropriate Supplements four times a year. These are billed separately and can be discontinued at any time. (Please delete if not required.)

Should I decide not to keep the Manual/s I will return it/them and the Digital Multimeter to you within 30 days for a full refund.

FULL NAME
(PLEASE PRINT)

ADDRESS

.....POSTCODE

SIGNATURE

I enclose cheque/PO payable to Wimborne Publishing Ltd.

Please charge my Visa/Mastercard

Card No. Card Exp. Date

ORDER FORM

Simply complete and return the order form with your payment to the following address:

Wimborne Publishing Ltd, Dept. Y1, Allen House, East Borough, Wimborne, Dorset BH21 1PF

We offer a 30 day MONEY BACK GUARANTEE

– if you are not happy with the Manual simply return it to us in good condition together with the Multimeter within 30 days for a full refund.

Overseas buyers do have to pay the overseas postage – see below.

POSTAGE CHARGES

Postal Region	Price PER MANUAL	
	Surface	Air
Mainland UK	FREE	–
Scottish Highlands, UK Islands & Eire	£5.50	–
Europe (EU)	–	£20
Europe (Non-EU)	£20	£26
USA & Canada	£25	£33
Far East & Australasia	£31	£35
Rest of World	£25	£45

Please allow four working days for UK delivery.

NOTE: Surface mail can take over 10 weeks to some parts of the world. Each Manual weighs about 4kg when packed.

esm2

VEHICLE FROST BOX



STEVE DELLOW

Black ice on the road can be a killer. This design helps predict when it might occur.

VEHICLE manufacturers strive to make our driving experience ever more comfortable. Such items as ride control, power steering, electronic engine management, and air-conditioning now appear as standard fit on many vehicles. As a result we become more and more detached from the outside environment.

One of the most important considerations would seem to be the quality of the contact between tyres and road surface, a factor that directly affects our style of driving. We generally notice if the road is wet, muddy or covered in leaves and take appropriate precautions, but we can't see black ice. For this we need an external temperature sensor, warning us when the likely conditions for ice on the road are developing.

A cheap solution is the liquid crystal strip attached to the driver's wing mirror, but despite looking very pretty (especially if you have heated mirrors . . .), it tells us nothing about conditions down at road level. The Vehicle Frost Box gets us right there!

DESIGN BASIS

The Vehicle Frost Box is powered from the vehicle ignition supply, and uses a remote temperature sensor that can be mounted close to the road surface. The display is a single tri-colour light emitting diode (l.e.d.) element mounted within the driver's compartment, and some simple circuitry drives it in three modes to indicate the variation of external temperature.



Above 4°C, the l.e.d. shows a steady green, indicating that the likelihood of ice is low, and reassures us that the Frost Box is operational. As soon as the sensor detects the temperature dropping below the 4°C threshold, the l.e.d. turns a steady red, warning that things are deteriorating outside – time to start driving with black ice in mind!

Finally, when the temperature falls below freezing (0°C), the l.e.d. flashes alternately red and green to indicate that maximum care should be taken.

OPTIONS

There are a number of temperature sensing methods available to us – thermistors, thermometers, thermocouples to mention a few – all are used in environment monitoring, but most are outside the budget (or practicality) of the average home constructor. We are therefore looking for an approach that's cheap, reliable, linear, and has low thermal mass allowing a quick response to variation in air temperature.

The chosen technique here is to make use of the physical characteristics of a silicon semiconductor junction, in the shape of a diode. The voltage drop across these devices when forward biased is related to a number of factors, but the two we are interested in (and have control over) are current and temperature.

COOL GRAPH

The graph in Fig.1 shows the voltage/current (V/I) characteristics for a silicon diode and we can see that the forward voltage varies in a distinctly non-linear fashion in relation to current – not desirable for our measuring device.

However, if we can keep the current through the diode constant, we can make use of the other variable that affects the forward voltage – temperature – and under constant current conditions, the forward voltage drop across a silicon junction falls by 2.5mV for every 1°C rise. We therefore have a sensor that suits our requirements, especially if we use a small signal diode such as the 1N4148 – exceedingly cheap and very cheerful.

CIRCUIT DESCRIPTION

The Frost Box is based around a type 324 integrated circuit which contains four op.amp blocks. The complete circuit diagram is illustrated in Fig.2.

Each op.amp block is used in a different way to process the sensor signal. The first, IC1a, creates a constant current through the sensor diode, D1. IC1b amplifies the diode voltage variations. IC1c is used as a comparator and IC1d is configured as an oscillator.

To create the constant current, a fixed voltage is applied to the non-inverting input of IC1a, this being set at half supply level by resistors R1 and R2. With the sensor diode in the feedback loop to the inverting input, and with R3 connected to ground, the voltage output of the op.amp moves in the appropriate direction towards supply or ground to make both inputs become equal.

In other words, it tries to make the voltage at the top of R3 the same as that at the junction of R1 and R2. If it achieves this, then the voltage at the top of R3 is always the same (about 2.5V) and the current through the diode will always be constant (about 2.5mA) even when the voltage across the diode is varying with temperature. The outcome of all this is that the voltage at the output of IC1a is directly related to the temperature of the diode – a good start!

AMPLIFICATION

Although we now have a voltage related to temperature, the variations are very small and they need amplifying for us to be able to

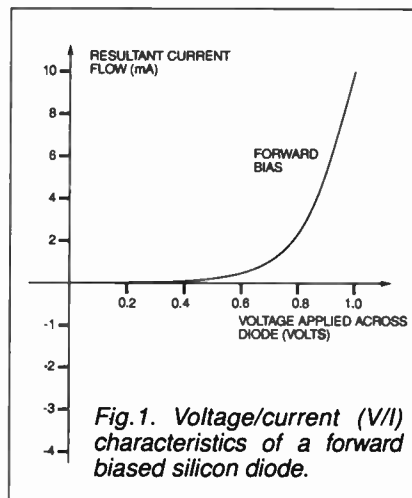


Fig.1. Voltage/current (V/I) characteristics of a forward biased silicon diode.

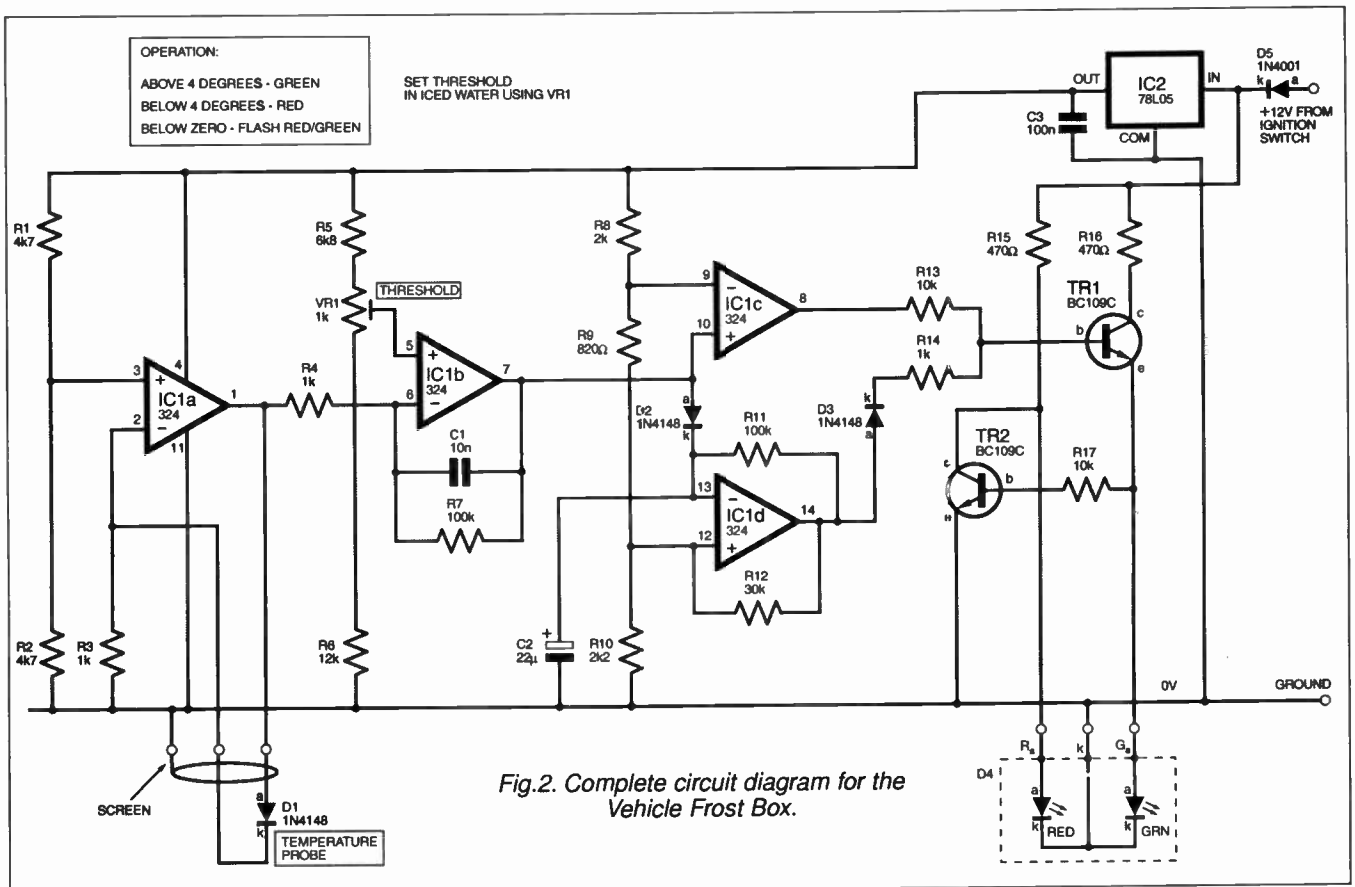


Fig.2. Complete circuit diagram for the Vehicle Frost Box.

make any use of them. The second op.amp, IC1b, is configured as a voltage amplifier, and to make things simpler in the later stages, the inverting mode is used so that we create a voltage that rises with temperature.

The amplification factor is controlled by the ratio of resistors R7 and R4, and the values shown give a d.c. gain of -100 (100k/1k). This results in an output that varies by +0.25V/°C, which is much easier to work with.

To make sure that the amplified voltage is at a sensible level (i.e. nicely between the supply rails!), preset potentiometer VR1 is used to adjust the voltage at the non-inverting input. When setting up the unit this is used to calibrate the threshold for 0°C.

Finally, capacitor C1 reduces the a.c. gain of the stage at frequencies above about 100Hz to prevent any h.f. (high frequency) problems.

At the output of IC1b there is now a voltage that is of a sensible magnitude, and moving in the right direction. It just remains to process it to recognise the three temperature stages.

TEMPERATURE MEASUREMENT

Since the voltage output from IC1b is directly proportional to the temperature of the sensor, it can be compared to the desired thresholds at 0°C and 4°C by the use of a simple resistive ladder.

The third op.amp, IC1c, is used to control the red/green l.e.d. (D4) switchover at 4°C. It is wired as a simple voltage comparator, i.e. when the input voltage at the non-inverting input (pin 9) is above the inverting input (pin 10), the output is driven high (towards the +5V supply rail). This indicates that the temperature is above 4°C.

When the input voltage falls below that at pin 10, the output swings low (towards

0V), to indicate that the temperature is now below the upper temperature threshold.

FLASHING CLEVER!

Now for the clever bit! When the voltage falls further and reaches freezing point, we want to enable an oscillator that will flash the l.e.d. at a controlled rate. This is achieved by the components around the fourth op-amp, IC1d. Fundamentally, the comparator function is present again here, but used to much greater effect!

The oscillator function is created by setting a voltage threshold at the non-inverting input (pin 12) which varies when the output of the op.amp changes state - this is basically referred to as a *Schmitt trigger* action.

The use of feedback related to the output state (high or low) controls the threshold at which the comparator switches. This configuration sees most use as an input circuit buffer to "clean-up" slowly varying signals and create a sharp switching point. By linking a C/R (capacitor/resistor) network to the inverting input (pin 13) the circuit can be made to oscillate in a controlled fashion.

When the output of this op.amp is high, capacitor C2 will charge up through resistor R11, but when the output switches low, it starts to discharge along the same route.

Since the junction of R11 and C2 is connected to pin 13 of the op.amp, the voltage on the capacitor will influence what state the output is in, and therefore whether it is charging or discharging. Consequently, current flows backwards and forwards through R11 as the output switches high and low. In other words we have an oscillator!

FLASH RATE

The oscillation frequency is related to the values of R11 and C2, and to the voltage at the non-inverting input (controlled mainly by R12). But how do we control

when the oscillator is switched on? This is where diode D2 comes into play. The temperature-related voltage from pin 7 of IC1b is fed via this diode to the inverting input pin 13 of the oscillator op.amp IC1c.

While the temperature is above freezing, the voltage through D2 keeps the input from falling below the threshold voltage at the non-inverting input. Basically, it stops the capacitor from discharging enough to flip the output state. As the temperature falls, there is a point where the voltage threshold is reached, and the inhibition is removed, allowing the circuit to oscillate away!

L.E.D. CONTROL

A tricolour l.e.d. is used to convey the temperature information to the driver. These devices have separate green and red junctions, and allow us to create all the warning signals we require within one discrete package.

Above 4°C, the output from op.amp IC1c is high (towards about 5V) and this provides base current to transistor TR1 via current limiting resistor R13, causing it to switch on.

Current now flows through the green element of the l.e.d. informing us that the circuit and outside temperature are healthy. The voltage drop across an illuminated l.e.d. is typically about 2V and this is used to turn on TR2 and inhibit the red element of the l.e.d. by shunting its current through the transistor.

When the temperature falls below 4°C, the output from IC1c switches low, and TR1 is switched off. The green l.e.d. element is therefore turned off and, with TR2 now also disabled, the red l.e.d. lights up, signalling that the temperature is falling.

Op.amp IC1d has no effect at this point as its output is held low by the action of D2,

but as soon as freezing point is reached, it bursts into oscillation!

When the oscillator's output is high, it overrides IC1c's control of TR1 and forces it to turn on the green l.e.d. Then, when the output goes low the red l.e.d. comes back on, thus giving us an l.e.d. that flashes alternately red and green. The current through the l.e.d. is controlled by resistors R15 and R16, and is set quite high (about 20mA) to give a good bright output.

POWER SUPPLY

Power for the circuit is taken from the vehicle ignition supply, and series diode D5 prevents any catastrophes if the supply is wired the wrong way round!

Since some constant voltage references are needed to keep the temperature measurements accurate, a 5V voltage regulator (IC2) is used to provide stability and isolate the circuit from variations in the vehicle supply. To prevent the switching currents from the l.e.d.s affecting this stabilised voltage, their supply is taken before the regulator.

CONSTRUCTION

The component layout shown in Fig.3 is constructed on a piece of 0.1 inch strip-board, size 35 holes by 23 strips. These dimensions permit a tidy layout and allow room for some mounting holes. Having cut your board to the desired size, the track breaks should be made as indicated, either by using the appropriate spot face cutter, or a sharp drill bit.

Before commencing component assembly, the board mounting holes should be drilled where shown on the layout diagram, with adjacent track breaks to prevent electrical shorts if metal mounting hardware is used.

It is recommended that the following assembly sequence is followed: i.c. socket, wire links, resistors, capacitors, semiconductors and terminal pins.

Make sure that the copper tracks are bright and clean before beginning to solder – a rub with a piece of emery cloth or a p.c.b. cleaning stick would do the job. Keeping the soldering iron tip in a similar good condition also helps enormously! The result of a little care and attention here will be quick soldering, tidier joints, not to mention a more reliable construction.

CHECK IT!

When you have completed the assembly of your board, a few careful minutes should be spent rechecking the board layout: the component positions, wire links, all the track breaks and, most importantly, a close examination of the copper side for any dry joints, solder splashes, and "bridges" between tracks.

Time spent here can save hours later on. Once you have confidence in your efforts, the board can be temporarily fitted in the chosen box using stand-off pillars as necessary. Off-board connections to the circuit can also be added, these being the tricolour l.e.d. (D4), temperature sensing diode (D1) on a pair of flying leads, and power. This will allow you to make a basic bench test of the circuit and do a rough calibration.

Before inserting IC1, a couple of final checks are advisable. Measure the resistance across the power leads, and also

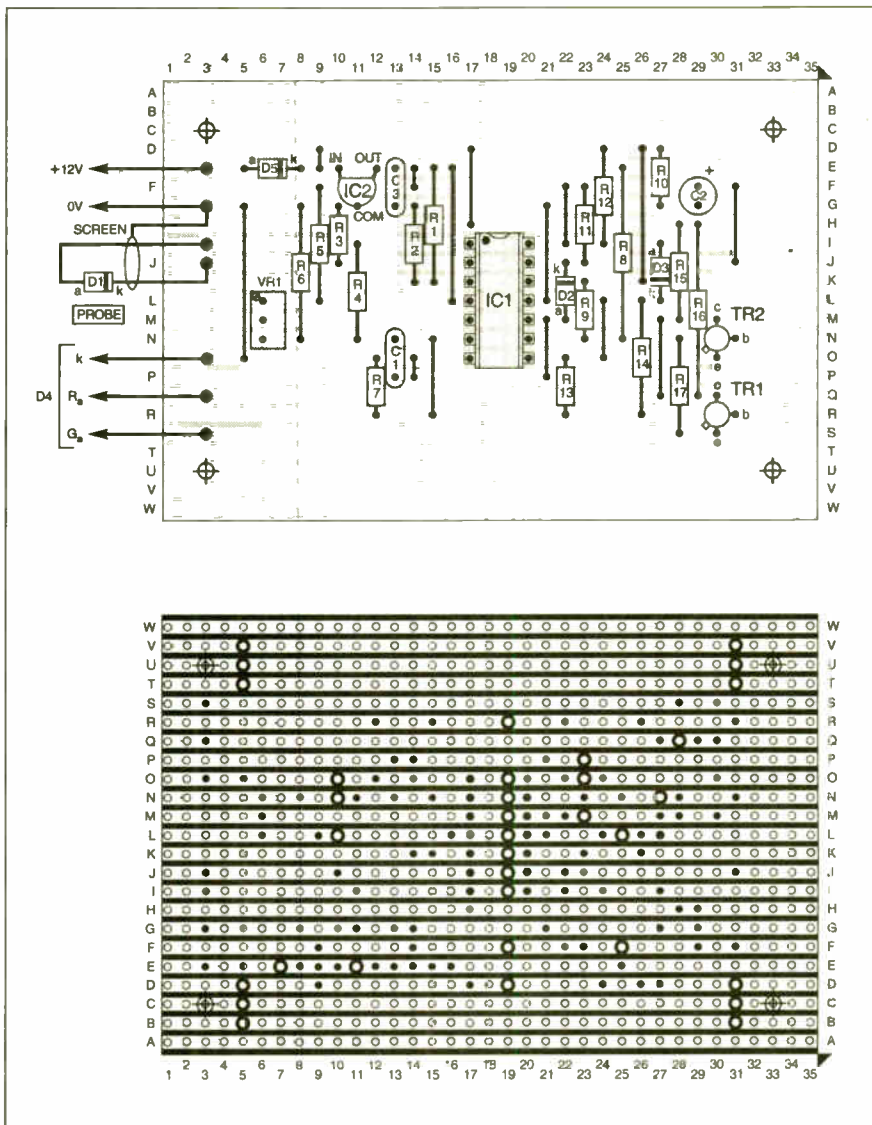
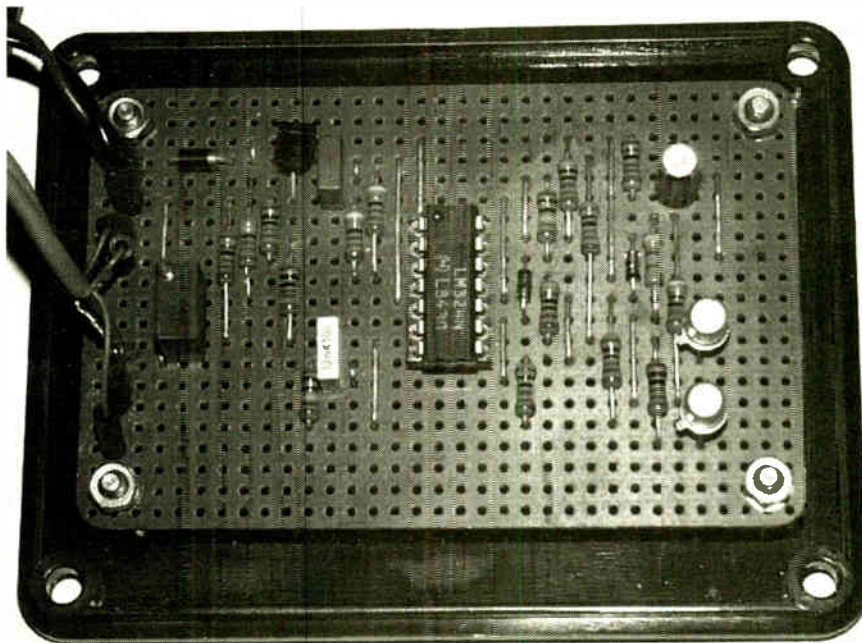


Fig.3. Component layout and track cuts on the stripboard assembly.



between the +5V and 0V lines on the circuit board to see if there are any shorts that haven't been spotted. If all's well, remove the meter and apply 12V to the circuit.

Use the meter to check that IC1 is receiving a 5V supply across its power pins (11

and 4). Short wire extensions to the meter probes are useful to get into the i.c. socket holes. The l.e.d. should be glowing red at this time. If things are looking good, remove the power and install IC1 in its socket, not forgetting to take care over orientation and pins not being bent underneath!

COMPONENTS

Resistors

R1, R2	4k7 (2 off)
R3, R4, R14	1k (3 off)
R5	6k8
R6	12k
R7, R11	100k (2 off)
R8	2k
R9	820Ω
R10	2k2
R12	30k
R13, R17	10k (2 off)
R15, R16	470Ω (2 off)

All resistors 0.25W 5%, or better

Potentiometer

VR1	1k min. preset, 15-turn, vertical adjustment
-----	--

Capacitors

C1	10n ceramic, 0.2in spacing
C2	22μ elect. radial, 16V
C3	100n ceramic, 0.2in spacing

Semiconductors

D1 to D3	1N4148 signal diode
D4	tricolour l.e.d., 3mm
D5	1N4001 rectifier diode
TR1, TR2	BC109C npn transistor
IC1	324 quad op.amp
IC2	78L05 +5V 100mA regulator

Miscellaneous

Stripboard, 0.1in matrix, 35 holes x 23 strips; 14-pin d.i.l. socket; p.c.b. supporting pillars (4 off); screened cable, stereo, length to suit vehicle; cable ties; self-adhesive cable ties; electrical "bullet" connector (see text); plastic case to suit; terminal pins, 1mm; connecting wire, vehicle grade, for power supply, length to suit vehicle; heat-shrink sleeving; solder, etc.

Approx. Cost
Guidance Only
excl. auto-connectors/cable

£12

See SHOP TALK page

CHILLY FUN!

Now for some fun and games with the circuit! Get some ice out of the fridge or freezer and put it in a small beaker with some tap water. After a few minutes, this should settle at 0°C and create the freezing point reference. Use a thermometer to check this if you wish.

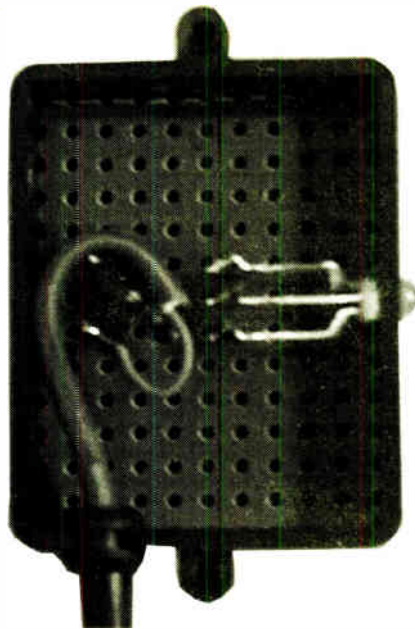
Apply power to the circuit, and dip the sensor diode in the water (keeping the sensor away from the ice). Use a small screwdriver or trim tool to adjust the preset pot (VR1) until the l.e.d. is just into the flashing mode, i.e. flashing red/green. The pot is a multiturn device, so it may take a few turns to find the right spot.

If everything's looking good, remove the sensor diode from the water, and allow it to warm up. The l.e.d. should stop flashing and turn to a steady red, and then to green. Finally, put the sensor back in the water and make sure it goes back "down" to the flashing state.

With the preliminary testing finished it's time to think about fitting the Frost Box to the car!

L.E.D. MOUNTING

Decide where you want to mount things in the vehicle. If everything is going on the dashboard, the l.e.d. can be mounted on the



box itself. But, if a remote mounting solution is preferred with the box under the dash, the l.e.d. could be mounted in another small box, or in an unused vehicle switch location through a hole drilled in its blanking panel.

The positioning of the l.e.d. should be such that it is readily visible to the driver, and although the type specified is a high brightness device, care should be taken to avoid the upper dash areas where sunlight may cause "wash-out".

All wiring should be undertaken with care as there are various approaches to tricolour l.e.d. leg identification by different manufacturers (ask your component supplier to state which leg is which if it's not obvious from his catalogue). Sleeving should be added around all wire connections to prevent short circuits, and to add physical strength.

SENSOR

Remove the temporary sensor diode (D1) from the board, and set about constructing the temperature sensor.

First you must decide where you're going to fit it and the general aim is to get close to the surface of the road. A good position would be behind the front number plate or bumper, because it is essential that the sensor is mounted in a sheltered position to reduce any wind-chill error to a minimum.

Another good spot is the front wall of a wheel arch. When a suitable site has been identified, measure the length of cable required to get you back to the circuit board, and cut a suitable piece of twin core screened cable. The cable screen reduces any pick-up of unwanted signals from the ignition system, and adds a bit of physical strength.

Remember that the cable route chosen must avoid fan blades, exhaust pipes, battery acid, etc.

WEATHER-PROOF

Since the diode will be exposed to the elements it's a good idea to provide it with a bit of protection. The method adopted was to fit the diode inside an electrical "bullet" connector and surrounded by Araldite. The author has found this to be a very reliable method. A sample has survived for well over five years in a wheel arch using this approach!

Prepare the cable by cutting back the external insulation and screen to expose just over a centimetre of the two signal

wires. Take the sensor diode and trim the wires to leave about 3mm at each end, then connect the signal wires as shown in Fig.4.

Give the assembly a quick spray of conformal coating or lacquer. While this is drying, prepare a small amount of Araldite and fill the bullet connector. Make sure it's filled properly with no air trapped, then push the sensor carefully inside. Wipe off any excess epoxy and leave to harden in a warm place overnight.

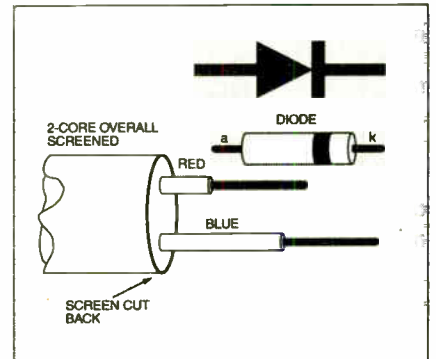


Fig.4. Temperature sensor diode wiring (before encapsulation).

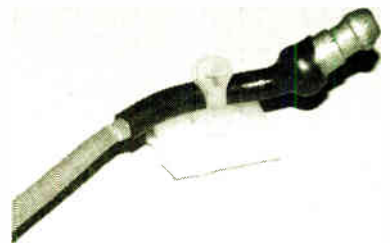
To finish off, add a piece of heatshrink sleeving to give some extra strain relief, and make it look like a professional job!

Finally, wire up the sensor to the circuit (taking care to get the polarity right), and go through the calibration routine once again. Only a fine adjustment of preset VR1 should be needed.

INSTALLATION

Having sorted out your preferred positions on the vehicle, it's time to start on the permanent installation. Before making any connections to the electrical system, it's sensible to disconnect the battery. To be really safe, add a 1A fuse in line with the supply to the unit, which should ideally be from an ignition-switched circuit.

Feed the sensor through to the chosen mounting position, securing it along the way with tie-wraps if available. The circuit works best if the sensor tip is mounted proud of any surface using, for example, a self-adhesive tie-wrap base, as seen in the close-up photograph.



IN USE

The author has found the Frost Box to be a most useful addition to his car.

The sensor assembly is very responsive, being able to quickly pick out cold "hollows" on the road where cooler air collects.

The application of the circuit is by no means limited to vehicles, and could be easily adapted to use as a general purpose temperature warning unit, such as a reminder to turn on a greenhouse heater. □

VIDEOS ON ELECTRONICS

A range of videos selected by *EPE* and designed to provide instruction on electronics theory. Each video gives a sound introduction and grounding in a specialised area of the subject. The tapes make learning both easier and more enjoyable than pure textbook or magazine study. They have proved particularly useful in schools, colleges, training departments and electronics clubs as well as to general hobbyists and those following distance learning courses etc



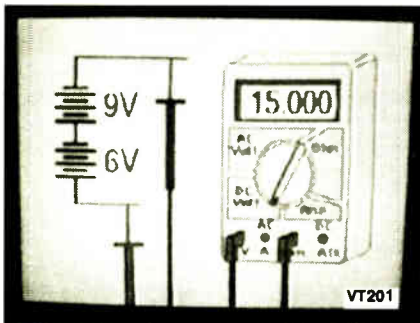
BASICS

VT201 to VT206 is a basic electronics course and is designed to be used as a complete series, if required.

VT201 54 minutes. Part One; D.C. Circuits. This video is an absolute must for the beginner. Series circuits, parallel circuits, Ohms law, how to use the digital multimeter and much more. **Order Code VT201**

VT202 62 minutes. Part Two; A.C. Circuits. This is your next step in understanding the basics of electronics. You will learn about how coils, transformers, capacitors, etc are used in common circuits. **Order Code VT202**

VT203 57 minutes. Part Three; Semiconductors. Gives you an exciting look into the world of semiconductors. With basic semiconductor theory. Plus 15 different semiconductor devices explained. **Order Code VT203**



VT204 56 minutes. Part Four; Power Supplies. Guides you step-by-step through different sections of a power supply. **Order Code VT204**

VT205 57 minutes. Part Five; Amplifiers. Shows you how amplifiers work as you have never seen them before. Class A, class B, class C, op.amps. etc. **Order Code VT205**

VT206 54 minutes. Part Six; Oscillators. Oscillators are found in both linear and digital circuits. Gives a good basic background in oscillator circuits. **Order Code VT206**

£34.95 each
inc. VAT & postage

Order 8 or more get one extra FREE
Order 16 get two extra FREE

VCR MAINTENANCE

VT102 84 minutes: Introduction to VCR Repair. Warning, not for the beginner. Through the use of block diagrams this video will take you through the various circuits found in the NTSC VHS system. You will follow the signal from the input to the audio/video heads then from the heads back to the output. **Order Code VT102**

VT103 35 minutes: A step-by-step easy to follow procedure for professionally cleaning the tape path and replacing many of the belts in most VHS VCR's. The viewer will also become familiar with the various parts found in the tape path. **Order Code VT103**

DIGITAL

Now for the digital series of six videos. This series is designed to provide a good grounding in digital and computer technology.

VT301 54 minutes. Digital One; Gates begins with the basics as you learn about seven of the most common gates which are used in almost every digital circuit, plus Binary notation. **Order Code VT301**

VT302 55 minutes. Digital Two; Flip Flops will further enhance your knowledge of digital basics. You will learn about Octal and Hexadecimal notation groups, flip-flops, counters, etc. **Order Code VT302**

VT303 54 minutes. Digital Three; Registers and Displays is your next step in obtaining a solid understanding of the basic circuits found in today's digital designs. Gets into multiplexers, registers, display devices, etc. **Order Code VT303**

VT304 59 minutes. Digital Four; DAC and ADC shows you how the computer is able to communicate with the real world. You will learn about digital-to-analogue and analogue-to-digital converter circuits. **Order Code VT304**

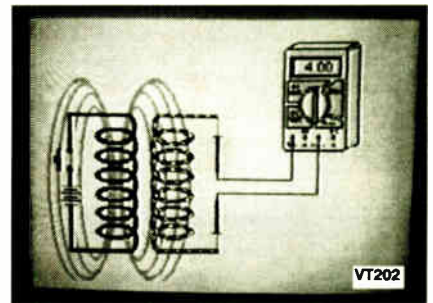
VT305 56 minutes. Digital Five; Memory Devices introduces you to the technology used in many of today's memory devices. You will learn all about ROM devices and then proceed into PROM, EPROM, EEPROM, SRAM, DRAM, and MBM devices. **Order Code VT305**

VT306 56 minutes. Digital Six; The CPU gives you a thorough understanding in the basics of the central processing unit and the input/output circuits used to make the system work. **Order Code VT306**

RADIO

VT401 61 minutes. A.M. Radio Theory. The most complete video ever produced on a.m. radio. Begins with the basics of a.m. transmission and proceeds to the five major stages of a.m. reception. Learn how the signal is detected, converted and reproduced. Also covers the Motorola C-QUAM a.m. stereo system. **Order Code VT401**

VT402 58 minutes. F.M. Radio Part 1. F.M. basics including the functional blocks of a receiver. Plus r.f. amplifier, mixer oscillator, i.f. amplifier, limiter and f.m. decoder stages of a typical f.m. receiver. **Order Code VT402**

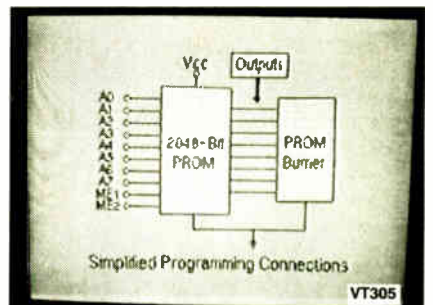


VT403 58 minutes. F.M. Radio Part 2. A continuation of f.m. technology from Part 1. Begins with the detector stage output, proceeds to the 19kHz amplifier, frequency doubler, stereo demultiplexer and audio amplifier stages. Also covers RDS digital data encoding and decoding. **Order Code VT403**

MISCELLANEOUS

VT501 58 minutes. Fibre Optics. From the fundamentals of fibre optic technology through cable manufacture to connectors, transmitters and receivers. **Order Code VT501**

VT502 57 minutes. Laser Technology A basic introduction covering some of the common uses of laser devices, plus the operation of the Ruby Rod laser, HeNe laser, CO₂ gas laser and semiconductor laser devices. Also covers the basics of CD and bar code scanning. **Order Code VT502**



Each video uses a mixture of animated current flow in circuits plus text, plus cartoon instruction etc., and a very full commentary to get the points across. The tapes are imported by us and originate from VCR Educational Products Co, an American supplier. We are the worldwide distributors of the PAL and SECAM versions of these tapes. (All videos are to the UK PAL standard on VHS tapes unless you specifically request SECAM versions.)

ORDERING: Price includes postage to anywhere in the world.

OVERSEAS ORDERS: We use the VAT portion of the price to pay for airmail postage and packing, wherever you live in the world. Just send £34.95 per tape. All payments in £ sterling only (send cheque or money order drawn on a UK bank). Make cheques payable to Direct Book Service.

Visa and Mastercard orders accepted - please give card number, card expiry date and cardholder's address if different from the delivery address.

Orders are normally sent within seven days but please allow a maximum of 28 days, longer for overseas orders.

Send your order to: Direct Book Service, Allen House, East Borough, Wimborne, Dorset BH21 1PF (Mail Order Only)

Direct Book Service is a division of Wimborne Publishing Ltd., Publishers of *EPE*
Tel: 01202 881749. Fax: 01202 841692

Due to the cost we cannot reply to overseas orders or queries by Fax.

E-mail: db_s@epemag.wimborne.co.uk

NEW SPECIAL OFFERS

Amiga penlock pcb (uncased) for titling videos it has a 23pin D lead to plug into the computer and pcb pins for composite video in and out. When no video input is connected the normal computer display is shown on the composite video out when the video input is added the white areas on the screen are replaced by the video image. The pcb is powered from the computer.....£19.98

WATCH SLIDES ON TV "Liesegang diat" automatic slide viewer with built in high quality colour tv camera, composite video output with a BNC plug. In very good condition with few signs of use.....£108.00

Board cameras all with 512x512 pixels 4:3 3mm sensor with composite video out. All need to be housed in your own enclosure and have fragile exposed surface mount parts and require 10V to 12V dc power supply.

47MIR size 60x36x27mm with 6 infra red leds (gives the same illumination as a small torch would) £50.00+vat=£58.75

MP size 39x38x23mm spy camera with a fixed focus pin hole lens in hiding behind a very small hole.....£57+vat=£366.98

40MC size 39x38x28mm camera for 'C' mount lens this gives a much clearer picture than with the small lenses.....£68.79

Standard 'C' mount lens F1.6 16mm for 40MC.....£26.43+vat=£31.06

Waterproof camera with stylish tilt & swivel case.....£92.76+vat=£109.00 or 10x£89.32+vat=£104.95

DTA30 Handheld transistor analyser It tells you which lead is the base, the collector and emitter and if it is NPN or PNP or faulty. HMA20 handheld MOSFET analyser identifies gate drain and source and if P or N channel DTA30 & HMA20.....£38.34 each

DTA30 component analyser with led readout identifies transistors, mosfets, diodes & LEDs lead connections.....£69.95

Speaker cabinets 2-way speaker systems with Motorola tweeters

speaker dia	15"	12"	8"
power rating	250W RMS	175W RMS	100W RMS
impedance	8ohm	8ohm	8ohm
freq. range	40Hz-20kHz	45Hz-20kHz	50Hz-20kHz
sensitivity(1W/1m)	97dB	94dB	92dB
size in mm	500x720x340	450x640x345	315x460x220
weight	21.1kg	16.8kg	7.4kg

price each for black vinyl coating £139.95 £99.99 £54.94
grey felt coating £159.97** £119.97** £64.99
(**not normally in stock allow 1 week for delivery)

Power amplifiers 19" rack mount with gain controls

STA150 2x160Wrms (4ohm load) 14kg	£202.11
STA300 2x190Wrms (4ohm load) 11kg	£339.00
STA900 2x490Wrms (4ohm load) 15kg	£585.00

LEDs 3mm or 5mm red or green.....7p each yellow 11p each
Cable ties 1p each £3.95 per 1000 £49.50 per 10,000

Rechargeable Batteries

AA(HP7) 500mAh.....£0.99	AA 500mAh with solder tags	£1.55
AA 950mAh.....£1.75	C(HP11) 1.2AH.....£2.20	
C 2AH with solder tags	£3.60	D(HP2) 1.2AH.....£2.80
0.4AH with solder tags	£4.95	PP3 8.4V 1100mAh.....£4.95
12AA with solder tags	£1.55	Sub C with solder tags.....£2.99
AAA (HP16) 180mAh	£1.75	1/3 AA with tags (Philips) CVT1E1 95

Nickel Metal Hydride AA cells high capacity with no memory. If charged at 100mA and discharged at 250mA or less 1300mAh capacity (lower capacity for high discharge rates).....£2.95

Special offers please check for availability stick of 4 42x16mm Nicad batteries 171mmx16mm dia with red & black leads 4.8V.....£5.95

5 button cell 6V 280mAh battery with wires (Varta 5x250DK).....£2.45

Orbital 866 battery pack 12V 1.60AH contains 10 sub C cells with solder tags (the size most commonly used in cordless screwdrivers and drills 22 diax42mm tall) it is easy to crack open and was manufactured in 1994.....£8.77 each or £110.50 per box of 14

BC1 box 190x106x50mm with slots to house a pcb the lid contains an edge connector (12-way 8mm pitch) and screw terminals to connect in wires and 5 slide in cable blanks.....£2.95

7-segment common anode led display 12mm.....£0.45

GaAs FET low leakage current S8873 £12.95 each £9.95 10x £7.95 100x BC547A transistor 20 for £1.00

SL952 UHF limiting amplifier LC 16 surface mounting package with data sheet.....£1.95

DC-DC converter Reliability model V12P5 12V in 5V 200mA out 300V input to output Isolation with data £4.95 each or pack of 10 £39.50

Airpax A82903-C large stepping motor 14V 7.5' step 27ohm 68mm dia body 6.3mm shaft.....£3.95 or £200.00 for a box of 30

Philips 123 series solid aluminium axial leads 33uF 10V & 2.2uF 40V 40p each, 25p 100+

Solid carbon resistors very low inductance ideal for RF circuits 27ohm 2W, 68ohm 2W 25p each 15p each 100+, we have a range of 0.25W 0.5W 1W and 2W solid carbon resistors, please send SAE for list

MX180 Digital multimeter 17 ranges 1000V dc 750V ac 2Mohm 200mA transistor Hfe 9V and 1.5V battery test.....£9.95

Hand held ultrasonic remote control.....£3.95

CV2486 gas relay 30x10mm dia with 3 wire terminals will also work as a neon light.....20p each or £8.50 per 100

Verbatim R300NH Streamer tape commonly used on mc machines and printing presses etc. it looks like a normal cassette with a slot cut out of the top.....£4.95 each (£3.75 100+)

Heatsink compound tube.....£0.95

HV3-2405-E5 5-24V 50mA regulator ic 18-264V ac input 8 pin DIL package.....£3.49 each (100+ £2.25)

All products advertised are new and unused unless otherwise stated. Wide range of CMOS TTL 74HC 74F Linear Transistors kits, rechargeable batteries, capacitors, tools etc always in stock.

Please add £1.95 towards P&P (orders from the Scottish Highlands, Northern Ireland, Isle of Man, Isle of Wight and overseas may be subject to higher P&P for heavy items) VAT included in all prices.

JPG ELECTRONICS
276-278 Chatsworth Road
Chesterfield S40 2BH
Access Visa orders:
Tel: (01246) 211202 Fax: (01246) 550959
Callers welcome 9.30 am to 5.30 pm
Monday to Saturday

HALF PRICE CCTV CAMERAS!



HIGH QUALITY EXTRA SMALL B&W CAMERA

1/3in. CCD BOARD CAMERA WITH AUTO BACKLIGHT COMPENSATION 128 STEP ELECTRONIC IRIS AND 380 TV LINES RESOLUTION 320,000 PIXELS AND 0.2 LUX LEVEL GIVES REMARKABLE CRYSTAL CLEAR PICTURES 32mm (w) x 32mm(l) x 20mm (h) MAPLINS PRICE £79.99
OUR PRICE £35.00
3.6mm WIDE ANGLE LENS ADD £5 AUDIO



Camera PSU and Cable Kit

A total solution for powering and connecting to our range of board camera modules and covert cameras. The kit contains a quality plug-in mains adaptor and a 20m pre-wired cable. One end of the cable has a SCART plug, an audio phono plug, a video phono plug and a DC power socket. The lead from the mains adaptor is plugged into the DC socket and either the SCART plug or audio and video phono plugs are plugged into your TV, monitor or VCR.

MAPLINS PRICE £24.99. **OUR PRICE £12.90**

CAMERA CASING WITH SWIVEL WALL BRACKET TO TAKE ANY OF OUR BOARD CAMERAS £3.90

LASER POINTERS

Professional model fires a small red laser dot over 250 metres. Built into executive ballpoint pen with case and battery.

LIST £39.95 **NOW £10.00**

Gold-plated Keyfob model

LIST £29.95 **NOW £6.00**

Multi Keyfob with 5 tips fires a dot, horizontal line, star, arrows and circle

LIST £41.25 **NOW £9.00**

Add £3 p&p any quantity.

(Only sold to schools or tradesmen - no minors under 21)



SONY COLOUR CCTV BOARD CAMERAS

The best colour cameras we have ever seen - the rich colours and crystal clear images amazed our buyer! High grade Sony image sensor chip has auto iris and 290,000 pixels, 330 TV line resolution and LUX level 2. Standard UK PAL works on any TV or monitor. Use with our camera PSU and cable kit (see above).



NEW LOWER PRICE £56.00 (audio add £5)

ALL GOODS ARE BRAND NEW AND PERFECT. BULK BUYERS PLEASE ASK FOR JOHN. PRICES INCLUDE VAT. £3 P.P. ANY SIZE ORDER



A.S.A. (Est 1979)
51 Cambridge Road
Middlesbrough
TS5 5NL

Order Hotline
01642 851256
Fax:
01642 823173



Get your magazine
"instantly" anywhere
in the world -
buy from the web.

TAKE A LOOK, A FREE ISSUE IS AVAILABLE

A one year subscription (12 issues) costs just \$9.99 (US)

Everyday Practical Electronics/ETI, January 2000

KIT MASTER - EDUCATIONAL - KITS

RADIO CLUBS - NOVICES - COLLEGES - SCHOOLS

ALL KITS BUILT ON TRIPAD PCBs BUILD AS YOU SEE SYSTEM	FULL KIT & INSTRUCTIONS	ASSEMBLED KITS	SEPARATE MANUALS
B49 PEST SCARER HIGH PITCH	£12.00	£15.00	£4.00
B50 VARIABLE FREQ. OSCILLATOR	£5.00	£8.00	£2.50
B51 AUTOMATIC NIGHT LIGHT	£7.50	£10.00	£3.00
B52 FROST ALARM	£5.80	£7.50	£2.50
B53 PRESSURE MAT & ALARM	£13.50	£15.50	£3.50
B54 GUITAR TUNER	£9.00	£12.00	£3.00
B55 TOUCH ALARM	£5.80	£8.50	£2.50
B56 SIMPLE LIGHT METER	£13.50	£15.50	£3.50
B57 L.E.D. CONTINUITY METER	£3.80	£5.50	£2.50
B58 SOUND-OPERATED SWITCH	£7.50	£10.00	£3.00
B58A 8 FLASHING L.E.D.s	£6.80	£9.50	£2.80
B59 TBA 820M AUDIO AMP	£10.50	£13.00	£3.50
B60 TDA 2030 AUDIO AMP	£19.80	£16.50	£4.00
B61 MW SIGNAL BOOSTER	£12.50	£15.50	£4.00
B62 ELECTRONIC DICE GAME	£7.00	£10.00	£3.00
B63 ADVANCED THERMIN-MUSIC	£10.50	£13.50	£3.50
B64 TOUCH DELAY LAMP	£5.50	£8.00	£2.50
B65 FISHERMAN'S ROD BITE ALARM	£4.50	£7.00	£2.50
B66 BEAM BREAK DETECTOR ALARM	£8.00	£11.00	£3.00
B67 LATCHING BURGLAR ALARM	£7.50	£10.50	£3.00
B68 LIGHT-OPERATED RELAY	£7.50	£10.50	£3.00
B69 MICROPHONE PRE-AMP	£7.50	£10.50	£3.00
B70 MAGNETIC ALARM - MODELS	£7.80	£11.00	£3.00
B71 ELECTRO FIELD DETECTOR	£12.50	£15.00	£4.00
B72 BATH OR WATER SUIT ALARM	£5.75	£8.50	£2.75
B73 0-18 VOLT POWER SUPPLY UNIT	£6.50	£8.50	£2.50
B74 FM BUG POWER SUPPLY 0-9V	£6.25	£8.00	£2.50
B75 1 TRANSISTOR FM BUG	£5.50	£8.50	£2.80
B76 2 TRANSISTOR FM BUG	£7.50	£10.00	£3.00
B77 CHIRP GENERATOR	£6.80	£9.50	£2.50
B78 TONE BURST GENERATOR	£6.80	£9.50	£2.50
B79 SOUND EFFECTS GENERATOR	£10.50	£13.00	£4.00
B80 LIGHT METER - PHOTOGRAPHY	£13.50	£17.50	£4.00
B81 LIGHT OSCILLATOR - PHOTOGRAPHY	£8.75	£12.00	£3.00
B82 LIGHT-ACTIVATED RELAY	£9.50	£12.50	£3.50
B83 DARK-ACTIVATED RELAY	£9.50	£12.50	£3.50
B84 SOUND SIREN + LOUD AMPLIFIER	£10.50	£12.50	£3.50
C1 BASIC CRYSTAL SET	£6.50	£8.50	£2.50
B5 M.W. TUNER	£13.00	£16.00	£4.50
C2 TRANSISTOR RADIO M.W.	£10.00	£12.50	£3.50
B17 SIREN - TOY	£3.50	£6.00	£2.50
B18 RAIN DETECTOR	£3.80	£6.00	£2.50
B22 LOOP SECURITY SYSTEM	£5.00	£7.50	£2.50
B25 DIODE TESTER	£3.80	£6.00	£2.50
B7 3-TRANSISTOR S.W. RADIO	£32.00	£35.00	£5.50
B9 FAKE CAR ALARM FLASHER	£4.00	£6.50	£2.50
B19 CONTINUITY TESTER	£4.50	£6.50	£2.50
B3 4-TRANSISTOR M.W. RADIO	£30.00	£33.00	£5.50
B12 LIE DETECTOR WITH METER	£10.00	£12.50	£3.00

BUY ANY TWO KITS - GET FREE WATER ALARM

CHRISTMAS GIFTS

3 CHOICES TO BUY

1 FULL KIT & INSTRUCTIONS

2 ASSEMBLED KITS

3 SEPARATE MANUALS

WE JUST HAVE TOO MANY KITS SO FAX OR SEND FOR FREE DETAILED CATALOGUE ON ALL OUR KITS & MANUALS

POSTAGE & PACKING KITS £3 MANUALS £1.50

MAKE POSTAL ORDERS/CHEQUES PAYABLE TO DAVID JOHNS AND SEND TO:
37 GOSBECKS ROAD, COLCHESTER, ESSEX CO2 9JR
TEL. 07714 366210 FAX: 01206 369226
http://www.davidjohns.f9.co.uk

Everyday Practical Electronics Books

TEACH-IN No. 7 plus FREE Software
ANALOGUE AND DIGITAL
ELECTRONIC COURSE

FREE
SOFTWARE

(Published by *Everyday Practical Electronics*)
Alan Winstanley and Keith Dye
B.Eng(Tech)AMIEE

The highly acclaimed *Teach-In* series, which included the construction and use of the *Mini Lab* and *Micro Lab* test and development units, has been put together in book form. Additionally EPT Educational Software have developed a GCSE Electronics software program to complement the course and a FREE DISC covering the first two parts of the course is included with the book.

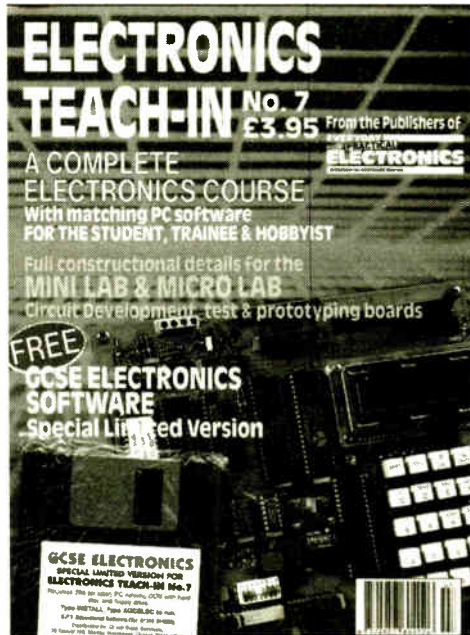
An interesting and thorough tutorial series aimed specifically at the novice or complete beginner in electronics. The series is designed to support those undertaking either GCSE Electronics or GCE Advanced Levels, and starts with fundamental principles.

If you are taking electronics or technology at school or college, this book is for you. If you just want to learn the basics of electronics then this is for you. If you are teaching electronics or technology you must make sure you see it. *Teach-In No. 7* will be invaluable if you are considering a career in electronics or even if you are already training in one. The *Mini Lab* and software enable the construction and testing of both demonstration and development circuits. These learning aids bring electronics to life in an enjoyable and interesting way; you will both see and hear the electron in action! The *Micro Lab* microprocessor add-on system will appeal to higher level students and those developing microprocessor projects.

152 pages

Order code T17

£3.95



DIRECT BOOK SERVICE

The books listed have been selected by Everyday Practical Electronics/ETI editorial staff as being of special interest to everyone involved in electronics and computing. Books are supplied by mail order direct to your door. Full ordering details are given on the last book page.

For another selection of books see the next two issues

Testing and Test Gear

HOW TO USE OSCILLOSCOPES AND OTHER TEST EQUIPMENT

R. A. Penfold

This book explains the basic function of an oscilloscope, gives a detailed explanation of all the standard controls, and provides advice on buying. A separate chapter deals with using an oscilloscope for fault finding on linear and logic circuits, plenty of example waveforms help to illustrate the control functions and the effects of various fault conditions. The function and use of various other pieces of test equipment are also covered, including signal generators, logic probes, logic pulsers, and crystal calibrators.

104 pages

Order code BP267

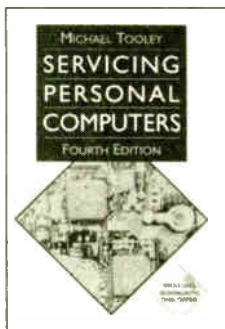
£3.50

SERVICING PERSONAL COMPUTERS - 4th EDITION

Mike Tooley BA

The revised and enlarged fourth edition has been completely re-written to cover the latest technology, such as 32-bit microprocessors and serial communications servicing. It includes a diagnostic disk of Essential for anyone concerned with the maintenance of personal computer equipment or peripherals, whether professional service technician, student or enthusiast.

387 pages Hardback



Temporarily out of print

Radio

BASIC RADIO PRINCIPLES AND TECHNOLOGY

Ian Poole

Radio technology is becoming increasingly important in today's high technology society. There are the traditional uses of radio which include broadcasting and point to point radio as well as the new technologies of satellites and cellular phones. All of these developments mean there is a growing need for radio engineers at all levels.

Assuming a basic knowledge of electronics, this book provides an easy to understand grounding in the topic.

Chapters in the book: Radio Today, Yesterday, and Tomorrow; Radio Waves and Propagation; Capacitors, Inductors, and Filters; Modulation; Receivers; Transmitters; Antenna Systems; Broadcasting; Satellites; Personal Communications; Appendix - Basic Calculations.

263 pages

Order code NE30

£14.99

PROJECTS FOR RADIO AMATEURS AND S.W.L.S.

R. A. Penfold

This book describes a number of electronic circuits, most of which are quite simple, which can be used to enhance the performance of most short wave radio systems.

The circuits covered include: An aerial tuning unit; A simple active aerial; An add-on b.f.o. for portable sets; A wavetrap to combat signals on spurious responses; An audio notch filter; A parametric equaliser; C.W. and S.S.B. audio filters; Simple noise limiters; A speech processor; A volume expander.

Other useful circuits include a crystal oscillator, and RTTY/C.W. tone decoder, and a RTTY serial to parallel converter. A full range of interesting and useful circuits for short wave enthusiasts.

92 pages

Order code BP304

£3.95

AN INTRODUCTION TO AMATEUR RADIO

I. D. Poole

Amateur radio is a unique and fascinating hobby which has attracted thousands of people since it began at the turn of the century.

This book gives the newcomer a comprehensive and easy to understand guide through the subject so that the reader can gain the most from the hobby. It then remains an essential reference volume to be used time and again. Topics covered include the basic aspects of the hobby, such as operating procedures, jargon and setting up a station. Technical topics covered include propagation, receivers, transmitters and aerials etc.

150 pages

Order code BP257

£4.99

SIMPLE SHORT WAVE RECEIVER CONSTRUCTION

R. A. Penfold

Short wave radio is a fascinating hobby, but one that seems to be regarded by many as an expensive pastime these days. In fact it is possible to pursue this hobby for a minimal monetary outlay if you are prepared to undertake a bit of d.i.y., and the receivers described in this book can all be built at low cost. All the sets are easy to construct, full wiring diagrams etc. are provided, and they are suitable for complete beginners. The receivers only require simple aerials, and do not need any complex alignment or other difficult setting up procedures.

The topics covered in this book include: The broadcast bands and their characteristics; The amateur bands and their characteristics; The propagation of radio signals; Simple aerials; Making an earth connection; Short wave crystal set; Simple t.r.f. receivers; Single sideband reception; Direct conversion receiver.

Contains everything you need to know in order to get started in this absorbing hobby.

88 pages

Order code BP275

£3.95

Computers and Computing

MULTIMEDIA ON THE PC

Ian R. Sinclair

In this book, you'll find out what a CD ROM is, how it works, and why it is such a perfect add-on for a PC, allowing you to buy programmes, text, graphics and sound on a CD. It also describes the installation of a CD ROM drive and a sound card, pointing out the common problems that arise, and then shows how to use them to create a complete multimedia presentation that contains text, photos, a soundtrack with your own voice recorded as a commentary, even animation and edited video footage.

184 pages

Order code PC112

£11.95

HOW TO BUILD YOUR OWN PC

Morris Rosenthal

More and more people are building the own PCs. They get more value for their money, they create exactly the machine they want, and the work is highly satisfying and actually fun. That is, if they have a unique beginner's guide like this one, which visually demonstrates how to construct a state-of-the-art computer from start to finish.

Through 150 crisp photographs and clear but minimal text, readers will confidently absorb the concepts of computer building. The extra-big format makes it easy to see what's going on in the pictures. For non-specialists, there's even a graphical glossary that clearly illustrates technical terms. The author goes "under the hood" and shows step-by-step how to create a socket 7 (Pentium and non-intel chipsets) and a Slot 1 (Pentium II) computer, covering: What first-time builders need to know; How to select and purchase parts; How to assemble the PC; How to install Windows 98.

The few existing books on this subject, although badly outdated, are in steady demand. This one delivers the expertise and new technology that fledgling computer builders are eagerly looking for.

224 pages - large format Order code MGH2 £19.99

UNDERSTANDING PC SPECIFICATIONS

R. A. Penfold (Revised Edition)

If you require a microcomputer for business applications, or a high quality home computer, an IBM PC or compatible is often the obvious choice. They are competitively priced, and are backed up by an enormous

range of applications programs, hardware add-ons, etc. The main difficulty for the uninitiated is deciding on the specification that will best suit his or her needs. PCs range from simple systems of limited capabilities up to complex systems that can happily run applications that would have been considered beyond the abilities of a microcomputer not so long ago. It would be very easy to choose a PC system that is inadequate to run your applications efficiently, or one which goes beyond your needs and consequently represents poor value for money.

This book explains PC specifications in detail, and the subjects covered include the following: Differences between types of PC (XT, AT, 80386, etc); Maths co-processors; Input devices (keyboards, mice, and digitisers); Memory, including both expanded (EMS) and extended RAM; RAM disks and disk caches; Floppy disk drive formats and compatibility; Hard disk drives (including interleave factors and access times); Display adaptors, including all standard PC types (CGA, Hercules, Super VGA, etc); Contains everything you need to know if you can't tell your EMS from your EGA!

128 pages

Order code BP282

£4.95

Theory and Reference

Bebop To The Boolean Boogie

By Clive (call me Max)
Maxfield

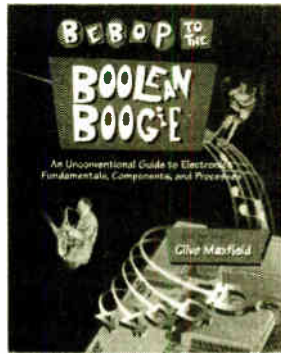
**Specially imported by EPE –
Excellent value**

An Unconventional Guide to Electronics Fundamentals, Components and Processes

This book gives the "big picture" of digital electronics. This in-depth, highly readable, up-to-the-minute guide shows you how electronic devices work and how they're made. You'll discover how transistors operate, how printed circuit boards are fabricated, and what the innards of memory ICs look like. You'll also gain a working knowledge of Boolean algebra and Karnaugh maps, and understand what Reed-Muller logic is and how it's used. And there's much, MUCH more (including a recipe for a truly great seafood gumbo!). Hundreds of carefully drawn illustrations clearly show the important points of each topic. The author's tongue-in-cheek British humor makes it a delight to read, but this is a REAL technical book, extremely detailed and accurate. A great reference for your own shelf, and also an ideal gift for a friend or family member who wants to understand what it is you do all day....

470 pages – large format

Order code BEB1 £24.95



Bebop Bytes Back

**FREE
CD-ROM**

By Clive "Max" Maxfield
and Alvin Brown

**Specially imported by
EPE – Excellent value**

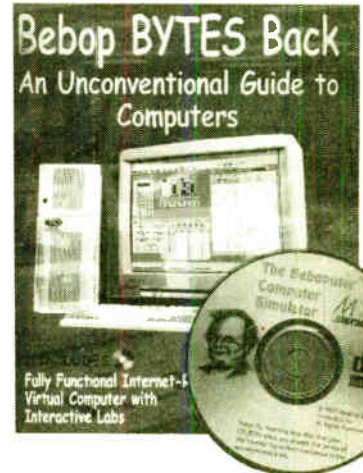
An Unconventional Guide To Computers

Plus **FREE CD-ROM** which includes:
Fully Functional Internet-Ready
Virtual Computer with Interactive
Labs

This follow-on to *Bebop to the Boolean Boogie* is a multimedia extravaganza of information about how computers work. It picks up where "Bebop I" left off, guiding you through the fascinating world of computer design... and you'll have a few chuckles, if not belly laughs, along the way. In addition to over 200 megabytes of mega-cool multimedia, the accompanying CD-ROM (for Windows 95 machines only) contains a virtual microcomputer, simulating the motherboard and standard computer peripherals in an extremely realistic manner. In addition to a wealth of technical information, myriad nuggets of trivia, and hundreds of carefully drawn illustrations, the book contains a set of lab experiments for the virtual microcomputer that let you recreate the experiences of early computer pioneers. If you're the slightest bit interested in the inner workings of computers, then don't dare to miss this one!

over 500 pages – large format

Order code BEB2 £29.95



DIGITAL ELECTRONICS – A PRACTICAL APPROACH With **FREE Software: Number One Systems – EASY-PC Professional XM and Pulsar (Limited Functionality)**

**FREE
SOFTWARE**

Richard Monk

Covers binary arithmetic, Boolean algebra and logic gates, combination logic, sequential logic including the design and construction of asynchronous and synchronous circuits and register circuits. Together with a considerable practical content plus the additional attraction of its close association with computer aided design including the **FREE** software.

There is a 'blow-by-blow' guide to the use of **EASY-PC Professional XM** (a schematic drawing and printed circuit board design computer package). The guide also conducts the reader through logic circuit simulation using **Pulsar** software. Chapters on p.c.b. physics and p.c.b. production techniques make the book unique, and with its host of project ideas make it an ideal companion for the integrative assignment and common skills components required by BTEC and the key skills demanded by GNVQ. The principal aim of the book is to provide a straightforward approach to the understanding of digital electronics.

Those who prefer the 'Teach-In' approach or would rather experiment with some simple circuits should find the book's final chapters on printed circuit board production and project ideas especially useful.

250 pages

Order code NE28 £16.99

DIGITAL GATES AND FLIP-FLOPS

Ian R. Sinclair

This book, intended for enthusiasts, students and technicians, seeks to establish a firm foundation in digital electronics by treating the topics of gates and flip-flops thoroughly and from the beginning.

Topics such as Boolean algebra and Karnaugh mapping are explained, demonstrated and used extensively, and more attention is paid to the subject of synchronous counters than to the simple but less important ripple counters.

No background other than a basic knowledge of electronics is assumed, and the more theoretical topics are explained from the beginning, as also are many working practices. The book concludes with an explanation of microprocessor techniques as applied to digital logic.

200 pages

Order code PC106 £8.95

Music, Audio and Video

AN INTRODUCTION TO LOUDSPEAKERS AND ENCLOSURE DESIGN

V. Capel

This book explores the various features, good points and snags of speaker designs. It examines the whys and wherefores so that the reader can understand the principles involved and so make an informed choice of design, or even design loudspeaker enclosures for him – or herself. Crossover units are also explained, the various types, how they work, the distortions they produce and how to avoid them. Finally there is a step-by-step description of the construction of the *Kapellmeister* loudspeaker enclosure.

148 pages

Order code BP256 £3.99

ACOUSTIC FEEDBACK – HOW TO AVOID IT

V. Capel

Feedback is the bane of all public address systems. While feedback cannot be completely eliminated, many things can be done to reduce it to a level at which it is no longer a problem.

Much of the trouble is often the hall itself, not the equipment, but there is a simple and practical way of greatly improving acoustics. Some microphones are prone to feedback while others are not. Certain loudspeaker systems are much better than others, and the way the units are positioned can produce a reduced feedback. All these matters are fully explored as well as electronic aids such as equalizers, frequency-shifters and notch filters.

The special requirements of live group concerts are considered, and also the related problem of instability that is sometimes encountered with large set-ups. We even take a look at some unsuccessful attempts to cure feedback so as to save readers wasted time and effort duplicating them.

Also included is the circuit and layout of an inexpensive but highly successful twin-notch filter, and how to operate it.

92 pages

Order code BP310 £4.99

VIDEO PROJECTS FOR THE ELECTRONICS CONSTRUCTOR

R. A. Penfold

Written by highly respected author R. A. Penfold,

this book contains a collection of electronic projects specially designed for video enthusiasts. All the projects can be simply constructed, and most are suitable for the newcomer to project construction, as they are assembled on stripboard.

There are faders, wipers and effects units which will add sparkle and originality to your video recordings, an audio mixer and noise reducer to enhance your soundtracks and a basic computer control interface. Also, there's a useful selection on basic video production techniques to get you started.

Complete with explanations of how the circuit works, shopping lists of components, advice on construction, and guidance on setting up and using the projects, this invaluable book will save you a small fortune.

Circuits include: video enhancer, improved video enhancer, video fader, horizontal wiper, improved video wiper, negative video unit, fade to grey unit, black and white keyer, vertical wiper, audio mixer, stereo headphone amplifier, dynamic noise reducer, automatic fader, pushbutton fader, computer control interface, 12 volt mains power supply.

124 pages

Order code PC115 £9.95

COMPUTERS AND MUSIC – AN INTRODUCTION

R. A. Penfold

Computers are playing an increasingly important part in the world of music, and the days when computerised music was strictly for the fanatical few are long gone.

If you are more used to the black and white keys of a synth keyboard than the QWERTY keyboard of a computer, you may be understandably confused by the jargon and terminology bandied about by computer buffs. But fear not, setting up and using a computer-based music making system is not as difficult as you might think.

This book will help you learn the basics of computing, running applications programs, wiring up a MIDI system and using the system to good effect, in fact just about everything you need to know about hardware and the programs, with no previous knowledge of computing needed or assumed. This book will help you to choose the right components for

a system to suit your personal needs, and equip you to exploit that system fully

174 pages

Temporarily out of print

THE INVENTOR OF STEREO – THE LIFE AND WORKS OF ALAN DOWER BLUMLEIN

Robert Charles Alexander

This book is the definitive study of the life and works of one of Britain's most important inventors who, due to a cruel set of circumstances, has all but been overlooked by history.

Alan Dower Blumlein led an extraordinary life in which his inventive output rate easily surpassed that of Edison, but whose early death during the darkest days of World War Two led to a shroud of secrecy which has covered his life and achievements ever since.

His 1931 Patent for a Binaural Recording System was so revolutionary that most of his contemporaries regarded it as more than 20 years ahead of its time. Even years after his death, the full magnitude of its detail had not been fully utilized. Among his 128 patents are the principal electronic circuits critical to the development of the world's first electronic television system. During his short working life, Blumlein produced patent after patent breaking entirely new ground in electronic and audio engineering.

During the Second World War, Alan Blumlein was deeply engaged in the very secret work of radar development and contributed enormously to the system eventually to become 'H2S' – blind-bombing radar. Tragically, during an experimental H2S flight in June 1942, the Halifax bomber in which Blumlein and several colleagues were flying, crashed and all aboard were killed. He was just days short of his thirty-ninth birthday.

420 pages Hardback

Order code NE32 £29.99

HIGH POWER AUDIO AMPLIFIER CONSTRUCTION

R. A. Penfold

Practical construction details of how to build a number of audio power amplifiers ranging from about 50 to 300/400 watts r.m.s. includes MOSFET and bipolar transistor designs.

96 pages

Order code BP277 £3.99

Circuits, Data and Design

PRACTICAL ELECTRONIC FILTERS

Owen Bishop

This book deals with the subject in a non-mathematical way. It reviews the main types of filter, explaining in simple terms how each type works and how it is used.

The book also presents a dozen filter-based projects with applications in and around the home or in the constructor's workshop. These include a number of audio projects such as a rhythm sequencer and a multi-voiced electronic organ.

Concluding the book is a practical step-by-step guide to designing simple filters for a wide range of purposes, with circuit diagrams and worked examples.

88 pages **Order code BP299** £4.99

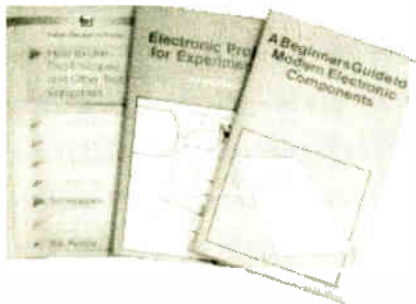
ELECTRONIC HOBBYISTS DATA BOOK

R. A. Penfold

This book should tell you everything you are ever likely to want to know about hobby electronics, but did not know where to ask or refer. Comprehensive contents pages makes it easy to quickly locate the data you require.

The subjects covered include: Common circuits, and related data (including helpful graphs and tables of values); Colour codes for resistors, capacitors and inductors; Pinout details for a wide range of CMOS and TTL devices, plus basic data on the various logic families; Pinout details and basic data for a wide range of operational amplifiers; Data and leadout information for a wide range of transistors, FETs, power FETs, triacs, thyristors, diodes, etc; General data including MIDI message coding, radio data, ASCII/Baudot coding, decibel ratios, etc.

242 pages **Order code BP396** £5.95



50 SIMPLE LED CIRCUITS

R. N. Soar

Contains 50 interesting and useful circuits and applications, covering many different branches of electronics, using one of the most inexpensive and freely available components - the light-emitting diode (LED). Also includes circuits for the 707 common anode display.

64 pages **Order code BP42** £2.99

BOOK 2 50 more l.e.d. circuits.

50 pages **Order code BP87** £2.99

CIRCUIT SOURCE BOOK 1

A. Penfold

Written to help you create and experiment with your own electronic designs by combining and using the various standard "building block" circuits provided. Where applicable, advice on how to alter the circuit parameters is given.

The circuits covered in this book are mainly concerned with analogue signal processing and include: Audio amplifiers (op.amp and bipolar transistors); audio power amplifiers; d.c. amplifiers; highpass, lowpass, bandpass and notch filters; tone controls; voltage controlled amplifiers and filters; triggers and voltage comparators; gates and electronic switching; bargraphs; mixers; phase shifters, current mirrors, hold circuits, etc.

Over 150 circuits are provided, which it is hoped will be useful to all those involved in circuit design and application, be they professionals, students or hobbyists.

182 pages **Order code BP321** £4.99

A BEGINNER'S GUIDE TO TTL DIGITAL ICs

R. A. Penfold

This book first covers the basics of simple logic circuits in general, and then progresses to specific TTL logic integrated circuits. The devices covered include gates, oscillators, timers, flip/flops, dividers, and decoder circuits. Some practical circuits are used to illustrate the use of TTL devices in the "real world"

142 pages **Order code BP332** £4.95

HOW TO USE OPAMPS

E. A. Parr

This book has been written as a designer's guide covering many operational amplifiers, serving both as a source book of circuits and a reference book for design calculations. The approach has been made as non-mathematical as possible.

160 pages **Order code BP88** £3.99

CIRCUIT SOURCE BOOK 2

R. A. Penfold

This book will help you to create and experiment with your own electronic designs by combining and using the various standard "building blocks" circuits provided. Where applicable, advice on how to alter the circuit parameters is provided.

The circuits covered are mainly concerned with signal generation, power supplies, and digital electronics.

The topics covered in this book include: 555 oscillators; sine-wave oscillators; function generators; CMOS oscillators; voltage controlled oscillators; radio frequency oscillators; 555 monostables; CMOS monostables; TTL monostables; precision long timers; power supply and regulator circuits; negative supply generators and voltage boosters; digital dividers; decoders, etc; counters and display drivers; D/A and A/D converters; opto-

isolators, flip/flops, noise generators, tone decoders, etc.

Over 170 circuits are provided, which it is hoped will be useful to all those involved in circuit design and application, be they professionals, students or hobbyists.

192 pages **Order code BP322** £4.99

Project Building

ANDROIDS, ROBOTS AND ANIMATRONS

John Lovine

Build your own working robot or android using both off-the-shelf and workshop constructed materials and devices. Computer control gives these robots and androids two types of artificial intelligence (an expert system and a neural network). A lifelike android hand can be built and programmed to function doing repetitive tasks. A fully animated robot or android can also be built and programmed to perform a wide variety of functions.

The contents include an Overview of State-of-the-Art Robots; Robotic Locomotion; Motors and Power Controllers; All Types of Sensors; Tilt; Bump; Road and Wall Detection; Light; Speech and Sound Recognition; Robotic Intelligence (Expert Type) Using a Single-Board Computer Programmed in BASIC; Robotic Intelligence (Neural Type) Using Simple Neural Networks (Insect Intelligence); Making a Lifelike Android Hand; A Computer-Controlled Robotic Insect Programmed in BASIC; Telepresence Robots With Actual Arcade and Virtual Reality Applications; A Computer-Controlled Robotic Arm; Animated Robots and Androids; Real-World Robotic Applications.

224 pages **Order code MGH1** £20.99

ELECTRONIC PROJECTS FOR EXPERIMENTERS

R. A. Penfold

Many electronic hobbyists who have been pursuing their hobby for a number of years seem to suffer from the dreaded "seen it all before" syndrome. This book is fairly and squarely aimed at sufferers of this complaint, plus any other electronics enthusiasts who yearn to try something a bit different. No doubt many of the projects featured here have practical applications, but they are all worth a try for their interest value alone.

The subjects covered include: Magnetic field detector, Basic Hall effect compass, Hall effect audio isolator, Voice scrambler/descrambler, Bat detector, Bat style echo location, Noise cancelling, LED stroboscope, Infra-red "torch", Electronic breeze detector, Class D power amplifier, Strain gauge amplifier, Super hearing aid.

138 pages **Order code BP371** £4.95

PRACTICAL FIBRE-OPTIC PROJECTS

R. A. Penfold

While fibre-optic cables may have potential advantages over ordinary electric cables, for the electronics enthusiast it is probably their novelty value that makes them worthy of exploration. Fibre-optic cables provide

an innovative interesting alternative to electric cables, but in most cases they also represent a practical approach to the problem. This book provides a number of tried and tested circuits for projects that utilize fibre-optic cables.

The projects include: Simple audio links, F.M. audio link, P.W.M. audio links, Simple d.c. links, P.W.M. d.c. link, P.W.M. motor speed control, RS232C data links, MIDI link, Loop alarms, R.P.M. meter.

All the components used in these designs are readily available, none of them require the constructor to take out a second mortgage.

4132 pages **Order code BP374** £4.95

ELECTRONIC PROJECT BUILDING FOR BEGINNERS

R. A. Penfold

This book is for complete beginners to electronic project building. It provides a complete introduction to the practical side of this fascinating hobby, including the following topics:

Component identification, and buying the right parts; resistor colour codes, capacitor value markings, etc; advice on buying the right tools for the job; soldering; making easy work of the hard wiring; construction methods, including stripboard, custom printed circuit boards, plain matrix boards, surface mount boards and wire-wrapping; finishing off, and adding panel labels; getting "problem" projects to work, including simple methods of fault-finding.

In fact everything you need to know in order to get started in this absorbing and creative hobby.

135 pages **Order code BP392** £4.95

A BEGINNER'S GUIDE TO MODERN ELECTRONIC COMPONENTS

R. A. Penfold

The purpose of this book is to provide practical information to help the reader sort out the bewildering array of components currently on offer. An advanced knowledge of the theory of electronics is not needed, and this book is not intended to be a course in electronic theory. The main aim is to explain the differences between components of the same basic type (e.g. carbon, carbon film, metal film, and wire-wound resistors) so that the right component for a given application can be selected. A wide range of components are included, with the emphasis firmly on those components that are used a great deal in projects for the home constructor.

166 pages **Order code BP285** £4.99

BOOK ORDERING DETAILS

Our postage price is the same no matter how many books you order, just add £1.50 to your total order for postage and packing (overseas readers add £3 for countries in the EEC, or add £6 for all countries outside the EEC, surface mail postage) and send a PO, cheque, international money order (£ sterling only) made payable to **Direct Book Service** or credit card details, Visa or Mastercard - minimum credit card order is £5 - to: **DIRECT BOOK SERVICE, ALLEN HOUSE, EAST BOROUGH, WIMBORNE, DORSET BH21 1PF (mail order only).**

Books are normally sent within seven days of receipt of order, but please allow 28 days for delivery (more for overseas orders). Please check price and availability (see latest issue of Everyday Practical Electronics) before ordering from old lists.

For a further selection of books see the next two issues of EPE.

DIRECT BOOK SERVICE IS A DIVISION OF WIMBORNE PUBLISHING LTD. Tel 01202 881749

Fax 01202 841692. Due to the cost we cannot reply to overseas orders or queries by Fax.

E-mail: dbs@epemag.wimborne.co.uk

BOOK ORDER FORM

Full name:

Address:

.....

..... Post code: Telephone No:

Signature:

I enclose cheque/PO payable to DIRECT BOOK SERVICE for £

Please charge my Visa/Mastercard £ Card expiry date

Card Number

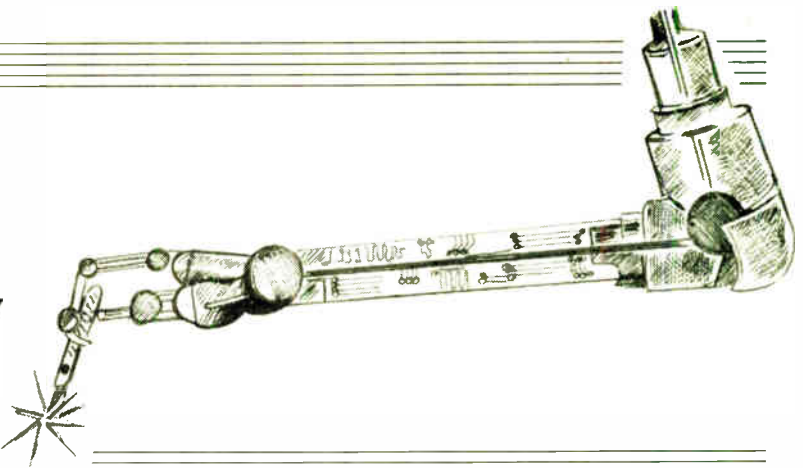
Please send book order codes:

.....

Please continue on separate sheet of paper if necessary

2a

CIRCUIT SURGERY



**ALAN WINSTANLEY
and IAN BELL**

Single transistor common emitter amplifiers come under our surgeon's microscope, along with a follow-up on op.amps.

BEFORE we continue with our in-depth look at op.amps, first a couple of interesting questions from Mike Tinker via E-mail.

Teach-In Amplifiers

Hopefully, readers and electronics novices everywhere are already engrossed in our latest educational tutorial – *Teach-In 2000*, written by our own Technical Editor John Becker. The series is specially written for beginners and includes an interactive program which runs on virtually any IBM-compatible PC. The *Teach-In* programs are available free from the *EPE* FTP site, see our web page for details and links.

Previous *Teach-In* series still continue to be popular as well – our *Teach-In '93* series was prepared for GCSE and Advanced Level electronics students. We developed a modular-built test-bed called the *Mini Lab* (still available from Magenta Electronics – see their ad. elsewhere in this issue). An optional add-on *Micro Lab* microprocessor demo unit was also produced for more advanced readers, and the entire series was re-published as *Teach-In No. 7*, still available from our *Direct Book Service*.

Reader **Mick Tinker** writes by E-mail: "Whilst flicking through *EPE* I noticed the *Teach-In No. 7*. I thought my electronics skills could do with some dusting off and thought there is no better place to start than at the beginning. I then immediately discovered the *Mini Lab*, which I am

thoroughly enjoying building and doing the experiments – my involvement and interest in electronics has laid dormant for many years but is once again alive and kicking! Please could you help with some questions as follows.

Teach-In No. 7 talks about the "10% Rule" for potential dividers. I tried an experiment with a 5k6 resistor and l.d.r. (light dependent resistor), which I'm trying to use as a potential divider with a 5V supply to drive a light-emitting diode (yes – l.e.d.).

The l.d.r. has a resistance of 29k (kilohms) in the dark. However, there is insufficient current to drive the l.e.d. How can I arrange this so that 10mA is available to drive the light-emitting diode without loading the divider? Or should I try a different l.d.r.?

Can you also help with common emitter amplifiers. How does such a circuit work with regard to any subsequent amplifier stages? Could you clarify what happens to the bias voltages which are set up using resistors and potential dividers."

The "10% Rule" for potential dividers is depicted in Fig.1 to Fig.3. If you strap two resistors across a supply voltage then a potential divider is produced, Fig.1. The voltage across each resistor is proportional to the resistance value, so if R_a and R_b are one kilohm (1k) in value, then with a 10V rail, 5V would appear across each resistor. Usually, it is the potential divider's

"output" voltage with respect to 0V that we are interested in, so we would say that this potential divider has an output of 5V.

This is fine provided that no "load" current is drawn from the output of the potential divider. If any current (shown as I_L in Fig.2) is drawn then the equation for calculating the output voltage is affected.

Imagine that we now place a load resistor R_L in the shape of a 100 ohm resistor on the output. What happens? Simply, it is placed in parallel with R_b , whose value is now "shunted". It reduces in resistance, so the voltage divider output must start to fall.

Using the formula for calculating the resistance of any two resistors in parallel:

$$R_p = \frac{(R_b \times R_L)}{(R_b + R_L)}$$

the value of R_b is modified by the presence of R_L to form a 90.9Ω resistor so, unless we now take R_L into account, our potential divider formula (Fig.1.) no longer holds true. The 10% Rule says that it's OK to add a load to a potential divider this way as long as the current I_L flowing out of the divider is no more than roughly 10 per cent of the input current, see Fig.3. As a general rule of thumb, the load R_L should be at least ten times greater than R_b , or you will affect the potential divider.

Overruled

It is very important to understand that in practice, the load resistor R_L can represent a

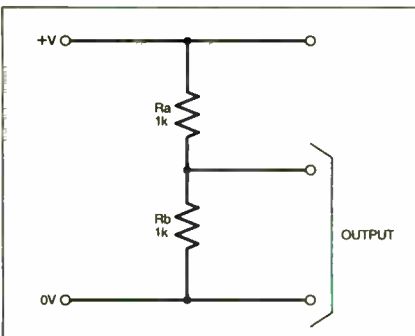


Fig.1. A simple potential divider. The output voltage is calculated using the standard formula $V_o = \frac{R_b}{(R_a + R_b)} \times$ supply voltage.

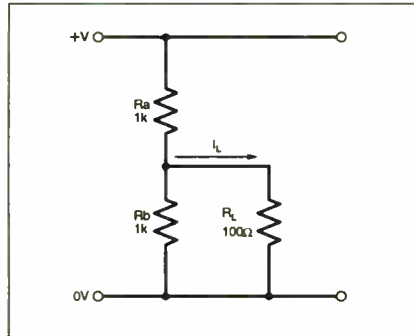


Fig.2. The load resistance R_L shunts the resistor R_b and causes a load current I_L to flow out of the divider.

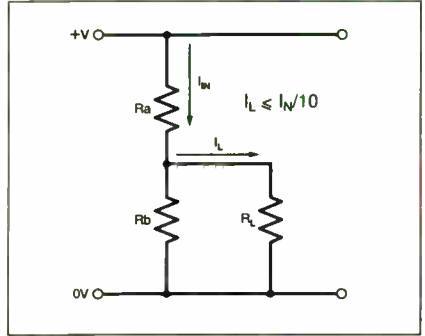


Fig.3. The "10% Rule" says that the load should not affect a potential divider unduly – ideally R_L should be at least ten times the value of R_b .

much more complex circuit, including the input impedance of a subsequent amplifier stage. Resistors Ra and Rb could be the output impedance of a preceding amplifier stage.

The same rule holds true: provided that the amplifier does not "load" the potential divider by more than 10 per cent or so, you can apply potential divider formulae with reasonable impunity. If it does, then the amplifier's bias voltages may be affected, and this could lead to distortion. Some writers aptly describe how "stiff" a potential divider is, which refers to its ability not to be unduly affected by an intended load.

Mike Tinker quotes values of 5k6 for the resistor and an l.d.r. of 29k and clearly there's a problem with the available current. With a 5V rail the current flowing into the divider will only be 0.14mA. Under the 10% Rule, the maximum load current we can safely draw is even less – a meagre 14µA.

The only solution is to "buffer" the potential divider by adding an amplifier stage, such as an op.amp. A CMOS-input op.amp would act as a suitable load for the potential divider because the op.amp's input resistance is incredibly high: so high that you can ignore the current flowing into its input. This means it will not load the potential divider whatsoever, see Fig.4. The op.amp has a gain of one (it's a unity gain buffer) and its output can then be used to drive an l.e.d. if that's what you wanted to do.

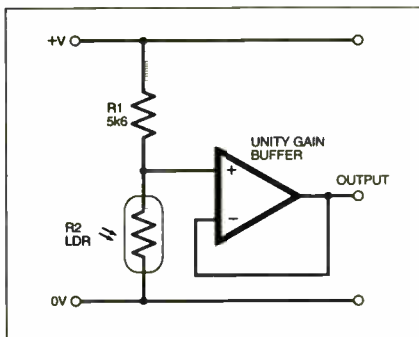


Fig.4. An op.amp can be used to act as a "buffer" and avoid loading the l.d.r. at all.

Common Emitter Amplifiers

Your second point relates to "common emitter" amplifiers. How can a transistor actually amplify a voltage? A single-transistor amplifier is shown in Fig.5, which Mike noted from our *Teach-In No. 7* book. Resistors R1 and R2 set a voltage at transistor TR1 base (b) of 1.7V and approximately 0.7V is dropped by the base-emitter "diode" (junction), meaning that 1.0V appears across the emitter (e) resistor R4.

Using Ohm's Law, a current of 1mA passes through resistor R4, so a voltage of 5.6V appears across resistor R3 (see Fig.5). With a 12V rail, this leaves 5.4V across the transistor between collector and emitter ($P=IV$ says that TR1 dissipates 5.4mW at this time).

Note that the gain of this stage is:

$$-V_{out}/V_{gain}.$$

(the minus indicating that the output signal is inverted, or the opposite polarity to the input).

Let us suppose the base voltage rises by 0.5V to 2.2V, so the voltage across R4 rises too and the current through the collector/emitter increases as well. You can soon

calculate that the voltage across R3 must rise to 8.4V as a consequence.

This amplifier's output voltage falls dramatically for a small increase in input signal. In Fig. 5, a change of 0.5V input causes a change of -2.8V, so the amplifier's gain is -5.6. It is no coincidence that this gain figure is also the ratio of R3/R4.

A coupling capacitor C1 is used to apply the alternating input signal. A capacitor is good at letting a.c. signals pass, but blocks any d.c. content, so the effect of C1 is to allow us to "superimpose" the alternating signal onto the steady d.c. bias voltage at TR1 base. It ensures that TR1's base voltage is separated from any d.c. bias voltages on the input side of C1.

To answer your final query, an amplifier stage has its own "local" bias voltages but by using capacitors to couple stages together, the alternating signal can be shifted along from one stage to the next without interfering with (or being affected by) these bias levels.

Of course, the designer needs to ensure that there is sufficient "headroom" to permit the amplified signal to swing between ever increasing voltage levels. Otherwise the signal will be clipped, which will cause distortion. This is explained with practical examples in the *Teach-In No. 7* book – see the *Direct Book Service* pages elsewhere in this issue. ARW.

More on Op.Amps

Now we return to the op.amp extravaganza. Recall that last month *Mohab Refaat* asked how to select an op.amp for a particular application out of a large number of candidates. Also, *Tony Soueid* wanted to know about the innards of op.amps.

We continue now by looking at op.amp specifications: it is these parameters that designers of op.amp circuitry will strive to meet, so it helps to know what they are before we look inside the op.amp itself.

Electrical Ratings

● **Maximum Differential Input Voltage** – The maximum value of (V_2-V_1) which can be applied (see Fig.2 in last month's *Circuit Surgery*).

Typically this is equal to the supply voltage or is a largish value such as $\pm 40V$. In a few cases it may be much lower, less than $\pm 1V$, for example. You will need to take note of this if your application causes large differential inputs to occur.

In actual operation the differential input voltage is often very low due to the high gain of the op.amp. Consider an op.amp with a gain of 1 million operating on a $\pm 10V$ supply. The maximum output voltage will be $\pm 10V$, which only requires a differential input of $\pm 10\mu V$ (ten microvolts). A differential input larger than this will cause saturation – i.e the output cannot go any higher (10V in this example).

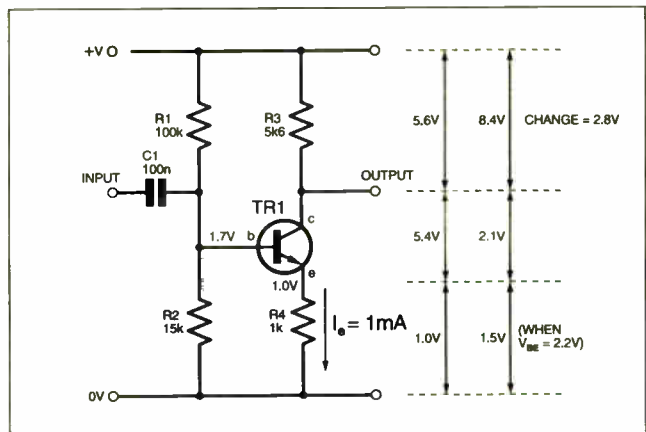


Fig.5. A common-emitter amplifier. A change of 0.5V on the input produces a change of 2.8V across resistor R3. Its gain = -5.6.

Amplifiers, filters and similar signal processing circuits use the op.amp in this way, but other circuits such as comparators and some types of oscillator may use large differential inputs which switch the op.amp between positive and negative saturation. Fig. 3 (last month) shows the relationship between op.amp differential input voltage and output voltage.

Saturation should usually be avoided in circuits that must operate at high speed as the op.amps take longer to recover from saturation than to respond to signals within their linear operating range.

● **Maximum Input Voltage** – The maximum V_1 or V_2 . Like maximum differential input voltage this is often specified in terms of the applied supply voltage.

● **Maximum and Minimum Power Supply Voltage** (or Supply Voltage Range) – The maximum is typically $\pm 15V$ to $\pm 18V$ for dual supplies and 3V to 36V for single supplies, but some devices have a much lower maximum voltage (e.g. $\pm 6V$). The minimum voltage is typically $\pm 2V$ to $\pm 3V$ for op.amps with $\pm 15V$ maximum supplies, but this varies quite a bit.

There are a number of low voltage op.amps that have minimum supply voltages down to $\pm 1V$ or less. These are usually designed for low power applications.

Exceeding maximum supply voltages can cause damage to integrated circuits due to excessive current flow and power dissipation. This can even occur with short over-voltage transients that can cause the circuit to latch in a state where high supply current flows even after the supply has returned to its normal level. However, great care is taken with most integrated circuit designs to make sure this does not tend to happen.

● **Power Dissipation** – The product of supply current and supply voltage.

Power dissipation will increase as the power supply voltage is increased and if higher output currents are demanded from the op.amp.

If an op.amp is available in more than one type of package these may have different power dissipation ratings. For special low power (micropower) op.amps the amount of power consumed in typical operation is often quoted. For most op.amps the maximum power dissipation that can occur without causing damage is quoted.

We'll press on with more inside info. about op.amps next month. *IMB*.

PCB SERVICE

Printed circuit boards for certain EPE constructional projects are available from the PCB Service, see list. These are fabricated in glass fibre, and are fully drilled and roller tinned. All prices include VAT and postage and packing. Add £1 per board for airmail outside of Europe. Remittances should be sent to **The PCB Service, Everyday Practical Electronics, Allen House, East Borough, Wimborne, Dorset BH21 1PF. Tel: 01202 881749; Fax 01202 841692 (NOTE, we cannot reply to overseas orders or queries by Fax); E-mail: orders@epemag.wimborne.co.uk**. Cheques should be crossed and made payable to *Everyday Practical Electronics (Payment in £ sterling only)*.

NOTE: While 95% of our boards are held in stock and are dispatched within seven days of receipt of order, please allow a maximum of 28 days for delivery – overseas readers allow extra if ordered by surface mail.

Back numbers or photostats of articles are available if required – see the Back Issues page for details.

Please check price and availability in the latest issue.

Boards can only be supplied on a payment with order basis.

PROJECT TITLE	Order Code	Cost
Micropower PIR Detector – 1	152	£6.69
Infra-Red Remote Control Repeater (Multi-project P.C.B.)	932	£3.00
Karaoke Echo Unit – Echo Board	159	£6.40
– Mixer Board	160	£6.75
Computer Dual User Interface	161	£6.70
★PEsT Scarer	162	£6.60
Variable Bench Power Supply	932	£3.00
Universal Input Amplifier	146	£6.55
Micropower PIR Detector – 2 Controller	163	£6.72
★PIC-OLO	164	£7.02
Active Receiving Antenna	140	£6.59
Soldering Iron Controller	157	£6.63
★PIC Noughts & Crosses Game	165	£7.82
Micropower PIR Detector – 3		
Alarm Disarm/Reset Switch	166	£5.72
Ironing Safety Device	167	£5.12
Remote Control Finder	168	£6.32
Rechargeable Handlamp	169	£6.23
★PIC Water Descaler	170	£6.90
★EPE Time Machine	171	£8.34
Auto-Dim Bedlight	172	£6.63
Portable 12V PSU/Charger	173	£6.61
Car Immobiliser	175	£7.00
Safe and Sound (Security Bleeper)	179	£7.32
Surface Thermometer	174	£7.64
Disco Lights Flasher	178	£8.30
Waa-Waa Pedal (Multi-project PCB)	932	£3.00
★Virtual Scope – Digital Board	176	£14.49
Analogue Board (per board)	177	£7.34
★Water Wizard	180	£7.69
Kissometer	181	£7.67
★EPE PIC Tutorial	182	£7.99
The Handy Thing (Double-Sided)	183	£6.58
Lighting-Up Reminder	184	£5.90
★Audio System Remote Controller – PSU	185	£7.05
Main Board	186	£8.29
Simple Metal Detector (Multi-project PCB)	932	£3.00
Single or Dual-Tracking Power Supply	187	£7.90
★RC-Meter	188	£7.66
Security Auto-Light	189	£8.10
Stereo Tone Control plus 20W Stereo Amplifier		
Tone Control	190	£7.78
20W Amplifier	191	£8.58
★Dice Lott	192	£8.05
EPE Mood Changer	193	£7.75
★AT89C2051/1051 Programmer		
Main Board	194	£8.50
Test Board	195	£8.69
★Reaction Timer Software only	–	–
★PIC16x84 Toolkit	196	£6.95
★Greenhouse Computer Control Board	197	£9.08
PSU Board	198	£8.10
Float Charger	199	£6.59
Lightbulb Saver	202	£3.00
Personal Stereo Amplifier (Multi-project PCB)	932	£3.00
★Greenhouse Radio Link	200	£8.32
★PIC Altimeter	201	£8.15
Voice Processor	203	£7.18
★Digiserv R/C Expander	204	£7.69
IR Remote Control		
Transmitter	205	£3.00
Receiver	206	£3.50
★PIC Tape Measure	207	£6.82
Electronic Thermostat		
T-Stat	208	£4.00
PhizzyB		£14.95
A-PCB B-CD-ROM C-Prog. Microcontroller	Bee (A)(B)(C)	each
15-Way IR Remote Control		
Switch Matrix	211	£3.00
15-Way Rec/Decoder	212	£4.00
Damp Stat	209	£4.50
Handheld Function Generator	213	£4.00
★Fading Christmas Lights	215	£5.16
PhizzyB I/O Board (4-section)	216	£3.95

PROJECT TITLE	Order Code	Cost
Twinkle Twinkle Reaction Game	JAN '99	210 £7.55
★EPE Mind PICkler	214	£6.30
PhizzyB I/O Board (4-section)	216	£3.95
Alternative Courtesy Light Controller	217	£6.72
Light Alarm	FEB '99	218 £6.78
★Wireless Monitoring System – Transmitter	219+a	£9.92
Receiver	220+a	£8.56
★PIC MIDI Sustain Pedal	Software only	–
★Wireless Monitoring System-2	MAR '99	See Feb'99
F.M. Trans/Rec Adaptors	219a/220a	£7.37
★Time and Date Generator	221	£6.36
Auto Cupboard Light	222	£5.94
Smoke Absorber	223	£5.15
Ironing Board Saver	APR '99	224 £5.12
Voice Record/Playback Module	225	£7.40 pr.
Mechanical Radio (pair)	226A&B	£6.82
★Versatile Event Counter	207	£8.95
★PIC Toolkit Mk 2	MAY '99	227
A.M./F.M. Radio Remote Control		
Transmitter	228	£3.00
Receiver	229	£3.20
★Musical Sundial	JUNE '99	231 £9.51
PC Audio Frequency Meter	232	£8.79
★EPE Mood PICkler	JULY '99	233 £6.78
12V Battery Tester	234	£6.72
Intruder Deterrent	235	£7.10
L.E.D. Stroboscope (Multi-project PCB)	932	£3.00
Ultrasonic Puncture Finder	AUG '99	236 £5.00
★8-Channel Analogue Data Logger	237	£8.88
Buffer Amplifier (Oscillators Pt 2)	238	£6.96
Magnetic Field Detective	239	£6.77
Sound Activated Switch	240	£6.53
Freezer Alarm (Multi-project PCB)	932	£3.00
Child Guard	SEPT '99	241 £7.51
Variable Dual Power Supply	242	£7.64
Micro Power Supply	OCT '99	243 £3.50
★Interior Lamp Delay	244	£7.88
Mains Cable Locator – (Multi-project PCB)	932	£3.00
Vibralarm	NOV '99	230 £6.93
Demister One-Shot	245	£6.78
★Ginormous Stopwatch – Part 1	246	£7.82
★Ginormous Stopwatch – Part 2		
Giant Display	247	£7.85
Serial Port Converter	248	£3.96
Loft Guard	249	£4.44
Scratch Blanker	JAN '00	250 £4.83
Flashing Snowman (Multi-project PCB)	932	£3.00

EPE SOFTWARE

Software programs for EPE projects marked with an asterisk ★ are available on 3.5 inch PC-compatible disks or free from our Internet site. Five disks are available: **PIC Tutorial** (Mar-May '98 issues); **PIC Toolkit Mk2** (May-Jun '99 issues); **PIC Disk 1** (Apr '95-Dec '98 issues); **EPE Disk 2** (Jan '99 issue to current cover date); **EPE Teach-In 2000**. The disks are obtainable from the *EPE PCB Service* at £2.75 each (UK) to cover our admin costs (the software itself is free). Overseas (each): £3.35 surface mail, £4.35 each airmail. All files can be downloaded free from our Internet FTP site: <ftp://ftp.epemag.wimborne.co.uk>.

EPE PRINTED CIRCUIT BOARD SERVICE

Order Code Project Quantity Price

Name.....

Address.....

I enclose payment of £..... (cheque/PO in £ sterling only) to:

Everyday Practical Electronics
MasterCard or Visa No.
Minimum order for credit cards £5



--	--	--	--	--	--	--	--	--	--

Signature..... Card Exp. Date.....

Please supply name and address of cardholder if different from the address shown

NOTE: You can order p.c.b.s via our Internet site on a secure server:
<http://www.epemag.wimborne.co.uk>

PRACTICAL ELECTRONICS



Everyday Practical Electronics/ETI reaches twice as many UK readers as any other independent monthly hobby electronics magazine, our audited sales figures prove it. We have been the leading independent monthly magazine in this market for the last fifteen years.

If you want your advertisements to be seen by the largest readership at the most economical price our classified and semi-display pages offer the best value. The prepaid rate for semi-display space is £8 (+VAT) per single column centimetre (minimum 2.5cm). The prepaid rate for classified adverts is 30p (+VAT) per word (minimum 12 words).

All cheques, postal orders, etc., to be made payable to Everyday Practical Electronics. VAT must be added. Advertisements, together with remittance, should be sent to Everyday Practical Electronics/ETI Advertisements, Mill Lodge, Mill Lane, Thorpe-le-Soken, Essex CO16 0ED. Phone/Fax (01255) 861161.

For rates and information on display and classified advertising please contact our Advertisement Manager, Peter Mew as above.

RCS VARIABLE VOLTAGE D.C. BENCH POWER SUPPLY

Up to 20 volts d.c. at 1 amp continuous, 1.5 amps peak, fully variable from 1 to 20 volts. Twin Voltage and Current meters for easy read-out. 240 volt a.c. input. Fully smoothed, size 23cmx14cmx8cm.



£45 inc. VAT
Post £4

RADIO COMPONENT SPECIALISTS



337 WHITEHORSE ROAD, CROYDON SURREY, CR0 2HS. Tel: 0181-684 1665



Lots of transformers, high volt caps, valves, output transformers, speakers, in stock. Phone or send your wants list for quote.

Z88

NOW AVAILABLE WITH 128K AND 512K - OZ4

ALSO SPECTRUM AND QL PARTS

W. N. RICHARDSON & CO.
PHONE/FAX 01494 8713196
RAVENSMEAD, CHALFONT ST PETER, BUCKS, SL9 0NB

X-10® Home Automation
We put you in control™

Why tolerate when you can automate?

An extensive range of 230V X-10 products and starter kits available. Uses proven Power Line Carrier technology, no wires required. Products Catalogue available Online. Worldwide delivery.

Philips Pronto Intelligent Remote now available!

Laser Business Systems Ltd.



E-Mail: info@laser.com
http://www.laser.com
Tel: (0181) 441 9788
Fax: (0181) 449 0430



*** Seasons Greetings ***

BTEC ELECTRONICS TECHNICIAN TRAINING

GNVQ ADVANCED ENGINEERING (ELECTRONIC) - PART-TIME
HND ELECTRONICS - FULL-TIME
B.Eng FOUNDATION - FULL-TIME
Next course commences
Monday 10th January 2000
FULL PROSPECTUS FROM

LONDON ELECTRONICS COLLEGE
(Dept EPE) 20 PENYWERN ROAD
EARLS COURT, LONDON SW5 9SU
TEL: 0171-373 8721

THE BRITISH AMATEUR ELECTRONICS CLUB

exists to help electronics enthusiasts by personal contact and through a quarterly Newsletter.

For membership details, write to the Secretary:

Mr. M. P. Moses,
5 Park View, Cwmaman,
Aberdare CF44 6PP

Space donated by
Everyday Practical Electronics

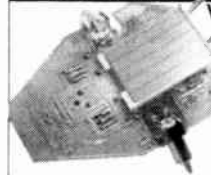
Miscellaneous

ELECTRONIC ENGINEER required to design temperature, humidity, airflow measuring instruments within small company in Hounslow. Experience with analogue, digital, circuit design, layout, PIC, prototyping. Tel. 020 8570 6031, E-mail md@electrocontrols.co.uk.

PRINTED CIRCUIT BOARDS - QUICK SERVICE. Prototype and Production. Artwork raised from magazines or draft designs at low cost. PCBs also designed from schematics. Production assembly also undertaken. For details send to P. Agar, Unit 5, East Belfast Enterprise Park, 308 Albertbridge Road, Belfast, BT5 4GX, or phone/fax 01232 738897.

BARGAIN PARCELS of new electronic components, including mains adaptor (9V), power supplies, 20+ miniature relays, movement detector, i.e.d.s, i.c.s, transistors, diodes, switches, sockets, car alarm bits, etc. Board mounted and loose. Cash/cheque for £20 (incl. p&p) to Battlebury, 6 Woodshaw Mead, Wootton Bassett, Wilts. SN4 8RB.

BEAM > ROBOTS



View them Online
Also: Robot Arms
Mobile Arms
Micromice
Rovers
Cybugs
Robot Books

www.technologyindex.com

PROTOTYPE PRINTED CIRCUIT BOARDS one offs and quantities, for details send s.a.e. to B. M. Ansbro, 38 Poynings Drive, Hove, Sussex BN3 8GR, or phone Brighton 883871, fax 01273 706670.

GOLDEN GOOSE SERIAL EEPROM COPIERS, copies to/from 24C16, 24LC16B, 25C166, 24C32, 24LC32A, etc. Call (01245) 358209 after 6 pm, or visit www.golden-goose.co.uk for details.

G.C.S.E. ELECTRONIC KITS, at pocket money prices. S.A.E. for FREE catalogue. SIR-KIT Electronics, 52 Severn Road, Clacton, CO15 3RB.

BARGAIN COMPONENT BAGS. Miniaturise for the Millennium with surface mount components. Perfect for stripboard use (just solder on tracks). Mixed bags of resistors (plus some capacitors). Most common values. Exceptional offer whilst stocks last. Just send £2.50 + 50p p&p for 500 mixed components. SAE for further information. Cheques/Postal Orders payable to Bridge Contract Electronics, P.O. Box 328, Peterborough RM, PE2 5YJ.

1995-1999 EVERYDAY PRACTICAL ELECTRONICS magazines for sale, including folders plus spare magazines, some missing, £150. Contact Tony, 93 Galloway Road, Hamworthy, Poole, Dorset.

VALVE ENTHUSIASTS: Capacitors and other parts in stock. For free advice/lists please ring. Geoff Davies (Radio), Tel. 01788 574774.

EPE NET ADDRESSES

EPE FTP site: ftp://ftp.epemag.wimborne.co.uk

Access the FTP site by typing the above into your web browser, or by setting up an FTP session using appropriate FTP software, then go into quoted sub-directories:

PIC-project source code files: /pub/PICS

PIC projects each have their own folder; navigate to the correct folder and open it, then fetch all the files contained within. *Do not try to download the folder itself!*

EPE text files: /pub/docs

Basic Soldering Guide: solder.txt

EPE TENS Unit user advice: tens.doc and tens.txt

Ingenuity Unlimited submission guidance: ing_unlt.txt

New readers and subscribers info: epe_info.txt

Newsgroups or Usenet users advice: usenet.txt

Ni-Cad discussion: nicadfaq.zip and nicad2.zip

UK Sources FAQ: uksource.zip

Writing for EPE advice: write4us.txt

On-line readers! Try the new EPE Chat Zone - a virtually real-time Internet "discussion board" in a simple to use web-based forum!

http://www.epemag.wimborne.co.uk/wwwboard

Or buy EPE Online: www.epemag.com

Ensure you set your FTP software to ASCII transfer when fetching text files, or they may be unreadable.

Note that any file which ends in .zip needs unzipping before use. Unzip utilities can be downloaded from:

http://www.winzip.com or
http://www.pkware.com

TRAIN TODAY FOR A BETTER FUTURE

Now you can get the skills and qualifications you need for career success with an ICS Home Study Course. Learn in the comfort of your own home at the pace and times that suit you. ICS is the world's largest, most experienced home study school. Over the past 100 years ICS has helped nearly 10 million people to improve their job prospects. Find out how we can help YOU. Post or phone today for FREE INFORMATION on the course of your choice

Electrical Contracting & Installation
Electrical Engineering
C&G/ICS Basic Electronic Engineering
C&G/ICS Basic Mechanical Engineering
TV and Video Servicing
Radio and Hi-Fi Servicing
Refrigeration Heating & Air Conditioning
Motorcycle Maintenance

FREEPHONE 0500 581 557

Or write to: International Correspondence Schools, FREEPOST 882, 8 Elliot Place, Cityway Skypark, Glasgow, G3 8BR. Tel: 0500 581 557 or Tel/Fax: Dublin 285 2533

Please send me my Free Information on your Electronics Courses.

Mr/Mrs/Ms/Miss (BLOCK CAPITALS PLEASE) _____ Date of Birth / / _____
Address _____
Postcode _____
Occupation _____ Tel. No. _____
From time to time, we permit other carefully screened organisations to buy about products and services. If you would prefer not to hear from such organisations please tick box Dept. ZEEC 031299

Professional 88-108MHz FM Broadcasting Kits

All Our Kits Include

Detailed Instructions with Schematics
High Quality Screen Printed PCBs
High Quality Components

Our Product Range Includes

Transmitters from 0.05W to 35W
FM Stereo Coders
Audio Compressor Limiters
Antennas
RF Power Amps

Our Kits Are Also Available Fully Assembled And Tested

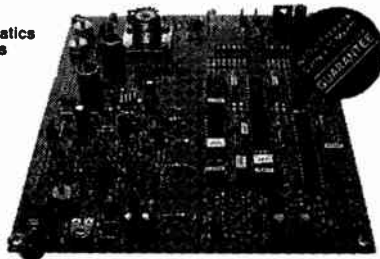


WE DELIVER WORLD-WIDE AND ACCEPT MAJOR CREDIT CARDS

Contact Us Now For A Free Brochure

Tel 01274 883434 Fax 01274 428665
email info@veronica.co.uk

Unit 5/6 1A Sandbeds/Albert Rd Queensbury BRADFORD BD13 1AA



1W Professional PLL FM Transmitter for Licensed Use in the UK

Visit our Website at <http://www.veronica.co.uk>



INTERESTED IN VINTAGE WIRELESS OR MILITARY RADIO?

Why not subscribe to *The Vintage Wireless Trader*. Published approx. every six weeks. Contains 100s of out-of-print old and collectable wireless books, magazines, ephemera, vintage communication and domestic receivers, government surplus military equipment, valves and components etc. at affordable prices as well as subscribers wants and sales. Send £8 for next 8 issues.

The Vintage Wireless Handbook. An invaluable reference book for the vintage wireless enthusiast that gives useful information on 1920-1930s wireless components and apparatus, terms, data, etc. 149 pages profusely illustrated throughout. Facsimile reprint. £9.75 incl. p&p.

Valve and Vintage components
32+32uF at 350V Hi-Vol electrolytics. Can type £4 each 2 for £7 post free.
Single 32uF 350V. Can type £3 each 2 for £5 post free.
32uF 500V axial. 3in. long. £3 each 2 for £5 post free.
32uF 450V axial. 2in. long. £2.50 each 2 for £4 post free.
50-50uF 300V TCC electrolytics. £3.50 each 2 for £6 post free.
Vintage 1 watt carbon resistors. Useful values. 50 mixed. £3.50 incl. post.
500k log pots with switch. 2 for £4.50 post free.
Octal valve holders. 6pin each 5 for £2.50 post free.
B9A valve holders. 5 for £2 post free.
B7G valve holders skinned. 4 for £2 post free.

MES diode bulbs, 63V 3A. Box of 10 £2.95 + 60p p&p
High voltage caps
0-1uF 1000V wkg. Mixed dielectric 1 1/2in. x 1/2in. axial wire ended. 80p each. 5 for £3.50 incl. post.
0-0.001uF 800V wkg. Mylar dipped 1 1/2in. x 1/2in. axial wire ended. 70p each. 5 for £3 incl. post.
0-5uF Metalpack paperfoil. Wire ended 2350V 2 1/2in. x 1 1/2in. 70p. 5 for £3 incl. post.
0-22 1000V wkg. Mixed dielectric 1 1/2in. x 3/8in. 70p each. 5 for £3 incl. post.
1uF 400V wkg. Mixed dielectric 1 1/2in. x 1/2in. wire ended. 80p each. 5 for £3.50 incl. post.

VALVES GALORE! Most valves available at low prices from stock otherwise obtained. Amateur radio, vintage audio and military. Phone or SAE for quote.

(Dept E) CHEVET SUPPLIES LTD

157 Dickson Road, BLACKPOOL FY1 2EU
Tel: (01253) 751858. Fax: (01253) 302979
E-mail: chevet@globalnet.co.uk Telephone Orders Accepted



VARIABLE VOLTAGE TRANSFORMERS

INPUT 220V/240V AC 50/60Hz OUTPUT 0V-260V
PANEL MOUNTING

	Price	p&p
0.5KVA 2.5 amp max	£33.00	£6.00 (£45.84 inc VAT)
1KVA 5 amp max	£45.25	£7.00 (£61.39 inc VAT)
SHROUDED		
0.5KVA 2.5 amp max	£34.00	£6.00 (£47.00 inc VAT)
1KVA 5 amp max	£46.25	£7.00 (£67.57 inc VAT)
2KVA 10 amp max	£63.00	£8.50 (£86.36 inc VAT)
3KVA 15 amp max	£86.50	£8.50 (£111.63 inc VAT)
5KVA 25 amp max	£150.00 (+ Carriage & VAT)	

500VA ISOLATION TRANSFORMER
Input lead 240V AC. Output via 3-pin 13A socket. 240V AC continuously rated. mounted in fireproof case with handle internally fused. Price £35.00 carriage paid + VAT (£41.13)

TOROIDAL L.T. TRANSFORMER
Primary 0-240V AC. Secondary 0-30V + 0-30V 600VA. Fixing bolt supplied. Price £25.00 carriage paid + VAT (£29.38)

COMPREHENSIVE RANGE OF TRANSFORMERS - LT - ISOLATION & AUTO
110V-240V Auto transfer either cased with American socket and mains lead or open frame type. Available for immediate delivery.

ULTRA VIOLET BLACK LIGHT BLUE FLUORESCENT TUBES

4ft 40 watt £14.00 (callers only)	(£16.45 inc VAT)
2ft 20 watt £9.00 (callers only)	(£10.58 inc VAT)
12in 8 watt £4.80 + 75p p&p	(£6.52 inc VAT)
9in 6 watt £3.96 + 50p p&p	(£5.24 inc VAT)
6in 4 watt £3.96 + 50p p&p	(£5.24 inc VAT)

230V AC BALLAST KIT
For either 6in, 9in or 12in tubes £8.05+£1.40 p&p (£9.75 inc VAT)
The above tubes are 3500/4000 agost. (350-400um) ideal for detecting security markings, reflects lighting & Chemical applications.
Other Wavelengths: of UV TUBE available for Germicidal & Photo Sensitive applications. Please telephone your enquiries.

400 WATT BLACK LIGHT BLUE UV LAMP
GIES Mercury Vapour lamp suitable for use with a 400W P.F. Ballast. Only £39.95 incl. p&p & VAT

5 KVA ISOLATION TRANSFORMER
As New. Ex-Equipment, fully shrouded, Line Noise Suppression, Ultra Isolation Transformer with terminal covers and knock-out cable entries. Primary 120V/240V. Secondary 120V/240V. 50/60Hz. 0-005pF Capacitance. Size, L 37cm x W 19cm x H 16cm. Weight 42 kilos. Price £120 + VAT. Ex-warehouse. Carriage on request.

24V DC SIEMENS CONTACTOR
Type 3TH1022.0B 2 x NC and 2 x NO 230V AC 10A Contacts. Screw or Din Rail fixing. Size H 120mm x W 45mm x D 75mm. Brand New Price £7.63 incl. p&p and VAT.

240V AC WESTCOOL SOLENOIDS
TT2 Mod. 1 Rat. 1 Max. stroke 1/2in. Base mounting 1/2in. stroke 5lbs pull approx. TT8 Mod. 1 Rat. 1 Max. stroke 1in. Base mounting 1/2in. stroke 15lb pull approx. SERIES 400 Mod. 1 Rat. 2 Max. stroke 1 1/2in. Front mounting 1/2in. stroke 15lbs pull approx. Price incl. p&p & VAT TT5 £5.88, TT6 £8.81, SERIES 400 £7.64.

AXIAL COOLING FAN
230V AC 120mm square x 38mm 3 blade 10 watt Low Noise Fan. Price £7.29 incl. p&p and VAT.
Other voltages and sizes available from stock. Please telephone your enquiries.

INSTRUMENT CASE
Brand new. Manufactured by Imhof. L 31cm x H 18cm x 19cm Deep. Removable front and rear panel for easy assembly of your components. Grey textured finish, complete with case feet. Price £16.45 incl. p&p and VAT. £21.20 inclusive.

DIECAST ALUMINIUM BOX
with internal PCB guides. Internal size 265mm x 165mm x 50mm deep. Price £9.93 incl. p&p & VAT. £21.20 incl.

230V AC SYNCHRONOUS GEARED MOTORS
Brand new Ovoid Gearbox Crouzet type motors. H 65mm x W 55mm x D 35mm, 4mm dia. shaft x 10mm long. 6 RPM anti cw. £3.99 incl. p&p & VAT.
20 RPM anti cw. Depth 43mm. £11.16 incl. p&p & VAT.

SOLID STATE EHT UNIT
Input 230V/240V AC. Output approx 15KV. Producing 10mm spark. Built-in 10 sec timer. Easily modified for 20 sec 30 sec to continuous. Designed for boiler ignition. Dozens of uses in the field of physics and electronics, e.g. supplying neon or argon tubes etc. Price less case £8.50+£2.40 P&P (£12.81 inc VAT) NMS.

EPROM ERASURE KIT
Build your own EPROM ERASURE for a fraction of the price of a made-up unit. Kit of parts less case includes 12in. 8watt 2537 Angst Tube Ballast unit, pair of bi-pin leads, neon indicator, on/off switch, safety microswitch and circuit £15.00+£2.00 p&p. (£19.98 inc VAT)

WASHING MACHINE WATER PUMP
Brand new 240V AC fan cooled. Can be used for a variety of purposes. Inlet 1/2in. outlet 1in. dia. Price includes p&p & VAT. £11.20 each or 2 for £20.50 inclusive.

SERVICE TRADING CO

57 BRIDGMAN ROAD, CHISWICK, LONDON W4 5BB
Tel: 0181-995 1560 FAX: 0181-995 0549



Ample Parking Space

SUPPLIER OF QUALITY USED TEST INSTRUMENTS

Cooke International
Unit Four, Fordingbridge Site, Barnham, Bognor Regis, West Sussex, PO22 0HD, UK
Tel: (+44) 01243 545112. Fax: (+44) 01243 542457
FREE MONTHLY MAIL ORDER CATALOGUE
Web: <http://www.cooke-int.com>
E-mail: info@cooke-int.com

OPERATING & SERVICE MANUALS

Cooke International
Unit Four, Fordingbridge Site, Barnham, Bognor Regis, West Sussex, PO22 0HD, UK
Tel: (+44) 01243 545112. Fax: (+44) 01243 542457
FREE MONTHLY MAIL ORDER CATALOGUE
Web: <http://www.cooke-int.com>
E-mail: info@cooke-int.com

N. R. BARDWELL LTD (EPE)

100	Signal Diodes 1N4148	£1.00	200	Assid. disc ceramic capacitors	£1.00
75	Rectifier Diodes 1N4001	£1.00	50	Assid. Sikel Presets (sm. stand. cermet)	£1.00
50	Rectifier Diodes 1N4007	£1.00	50	Assid. RF chokes (inductors)	£1.00
10	W01 Bridge Rectifiers	£1.00	50	Assid. grommets	£1.00
10	555 Timer IC's	£1.00	80	Assid. solder tags, pincorns, terminals	£1.00
4	741 Op Amps	£1.00	10	Assid. crystals - plug in	£1.00
5	Assorted Zener Diodes 400mW	£1.00	24	Assid. coil formers	£1.00
12	Assorted 7-segment Displays	£1.00	8	Assid. diode switches	£1.00
25	5mm I.e.d.s. red, green or yellow	£1.00	20	Miniature slide switches sp/co	£1.00
25	3mm I.e.d.s. red, green or yellow	£1.00	20	Standard slide switches dp/dt	£1.00
25	Axial I.e.d.s. 2mcd red Diode Package	£1.00	100	Assid. beads (ceramic, teflon, fish spine)	£1.00
25	Assid. High Brightness I.e.d.s. var cols	£1.00	80	Assid. small stand offs, Vthroughs etc	£1.00
20	BC182L Transistors	£1.00	30	Assid. diode sockets up to 40 way	£1.00
25	BC212L Transistors	£1.00	10	TV coax plugs, plastic	£1.00
30	BC237 Transistors	£1.00	20	Small spring loaded terminals	£1.00
30	BC327 Transistors	£1.00	40	metres very thin connecting wire, red	£1.00
30	BC328 Transistors	£1.00	20	1in. glass reed switches	£1.00
30	BC547 Transistors	£1.00	20	Magnetic ear pipe with lead and plug	£1.00
30	BC548 Transistors	£1.00	100	Any one value 1/4W 5% of resistors range	
30	BC549 Transistors	£1.00	1R to 10M		£0.45
25	BC557 Transistors	£1.00	10	7812 Voltage Regulators	£1.00
30	BC558 Transistors	£1.00			
30	BC559 Transistors	£1.00			
20	2N3904 Transistors	£1.00			
100	1nf 50V wkg Axial Capacitors	£1.00			
100	4n7 50V wkg Axial Capacitors	£1.00			
12	1uf 250V encapsulated radial plastic cased capacitors	£1.00			
80	Assid capacitors electrolytic	£1.00			
80	Assid capacitors 1nF to 1uF	£1.00			

Prices include VAT. Postage £1.45. 31p stamp for Lists
288 Abbeydale Road, Sheffield S7 1FL
Phone (0114) 2552886 Fax (0114) 2500689

E-mail sales@bardwells.co.uk
Web site: <http://www.bardwells.co.uk>

DIGITAL TEST METER

Ideal for TEACH-IN 2000

Built-in transistor test socket and diode test position.
DC volts 200mV to 1000V.
AC volts 200V to 750V.
DC current 200mA to 10A.
Resistance 200 ohms to 2000K ohms.

Special offer to EPE readers
£5.99 incl. VAT



VISA **KITS FOR THE MILLENNIUM**

KIT REF	DESCRIPTION	EPE REF	GUIDE PRICE
K9870	PIC MICRO PROBE	DEC99	£19
K9879	MAGNETIC FIELD DETECTOR	DEC99	£18
K9905	LOFT GUARD	DEC99	£19
K9926	GINORMOUS STOPWATCH (PART 2)	DEC99	£25
K9788	GINORMOUS STOPWATCH (PART 1)	NOV99	£25
K9798	VIBRALARM	NOV99	£24
K9812	ACOUSTIC PROBE starter project	NOV99	£9
TEACH-IN 2000 - All parts available separately if required			
K9815H	TEACH-IN 2000 HARDWARE TOOLS	NOV99	£40
K9816B	TEACH-IN 2000 BASIC COMPONENTS	NOV99	£14
K9816C	TEACH-IN 2000 PART 4 COMPONENTS	NOV99	£18
K9842	DEMISTER ONE SHOT	NOV99	£14
K9716	INTERIOR LAMP DELAY	OCT99	£24
K9726	MAINS CABLE DETECTOR	OCT99	£9
K9762	MICRO POWER SUPPLY	OCT99	£12
K9636	LOOP AERIAL SW RECEIVER (EX VAR)	SEP99	£11
K9645	VARIABLE DUAL POWER SUPPLY	SEP99	£31
K9662	CHILD GUARD on PIR	SEP99	£30
K9556	ULTRASONIC PUNCTURE FINDER	AUG99	£20
K9565	MAGNETIC FIELD DETECTOR	AUG99	£24
K9580	FREEZER ALARM	AUG99	£12
K9585	8-CHANNEL ANALOGUE DATA LOG	AUG99	£43
K9608	SOUND ACTIVATED SWITCH	AUG99	£9

Send LARGE SAE for OCT99 COMPONENT LISTS
UK P&P NOW FREE ON ORDERS OVER £7 (otherwise £1)

KIT REF	DESCRIPTION	EPE REF	GUIDE PRICE
K9484	12V BATTERY TESTER	JUL99	£15
K9486	LED STROBOSCOPE	JUL99	£9
K9507	EPE MOOD PICKER	JUL99	£19
K9512	INTRUDER DETERRANT	JUL99	£10
K9404	CLIPPING VIDEO FADER	JUN99	£6
K9420	PC AUDIO FREQUENCY METER	JUN99	£22
K9431	MUSICAL SUNDIAL	JUN99	£35
K9324	MIDI HANDBELLS	MAY99	£24
K9344	AM/FM RADIO REMOTE CONTROL	MAY99	£54
K9360	PHZZYB COMPUTERS - PHZZYBOT EYES	MAY99	£15
K9369	PIC TOOLKIT MK2	MAY99	£19
K9248	VOICE RECORD/PLAYBACK MODULE	APR99	£25
K9250	VERSATILE EVENT COUNTER	APR99	£25
K9280	PHZZYB COMPUTERS - LIMIT DETECTOR	APR99	£8
K9369	IRONING BOARD SAVER	APR99	£37
K9166	AUTO CLIPBOARD LIGHT	MAR99	£19
K9184	PHZZYB COMPUTERS - THE PHZZYBOT	MAR99	£24
K9196	TIME AND DATE GENERATOR	MAR99	£26

SEND SAE FOR FURTHER DETAILS OF KITS THAT INTEREST YOU
ALL MAJOR CREDIT CARDS, CHEQUES AND POS ACCEPTED NO VAT

**FML ELECTRONICS, FREEPOST NEA3627
BEDALE, NORTH YORKSHIRE, DL8 2BR
TEL: 01677 425840**

Millions of quality components at lowest ever prices!

Plus anything from bankruptcy - theft recovery - frustrated orders - over productions etc.

Send 50p stamped self-addressed label or envelope for clearance lists.

Brian J Reed
6 Queensmead Avenue, East Ewell, Epsom, Surrey KT17 3EQ
Tel: 07775 945386 or 0208 393 9055
Mail Order UK only.

Lists are updated and only 40 are sent out every 2 weeks. This normally ensures that orders can be fulfilled where only a few thousands of an item is available. (Payment is returned if sold out. I do not deal in credit notes).

COVERT VIDEO CAMERAS

Black and White Pin Hole Board Cameras with Audio. Cameras in P.I.R., Radios, Clocks, Briefcases etc. Transmitting Cameras with Receiver (Wireless). Cameras as above with colour. Audio Surveillance Kits and Ready Built Units, Bug Detector etc.

A.L. ELECTRONICS

Please phone **0181 203 0161** for free catalogue.
Fax **0181 201 5359**

New DTI approved Video Transmitters and Receivers (Wireless)

SHERWOOD ELECTRONICS

FREE COMPONENTS

Buy 10 x £1 Special Packs and choose another one FREE

SP1	15 x 5mm Red LEDs	SP133	20 x 1N4004 diodes
SP2	12 x 5mm Green LEDs	SP134	15 x 1N4007 diodes
SP3	12 x 5mm Yellow LEDs	SP135	6 x Min. slide switches
SP6	15 x 3mm Red LEDs	SP136	3 x BFY50 transistors
SP7	12 x 3mm Green LEDs	SP137	4 x W005 1-5A bridge rectifiers
SP10	100 x 1N4148 diodes	SP138	20 x 2-2/63V radial elect. caps.
SP11	30 x 1N4001 diodes	SP140	3 x W04 1-5A bridge rectifiers
SP12	30 x 1N4002 diodes	SP142	2 x CMOS 4017
SP18	20 x BC182 transistors	SP143	5 Pairs min. crocodile clips (Red & Black)
SP20	20 x BC184 transistors	SP145	6 x ZTX300 transistors
SP21	20 x BC212 transistors	SP146	10 x 2N3704 transistors
SP23	20 x BC549 transistors	SP147	5 x Stripboard 9 strips x 25 holes
SP24	4 x CMOS 4001	SP151	4 x 8mm Red LEDs
SP25	4 x 555 timers	SP152	4 x 8mm Green LEDs
SP26	4 x 741 Op.Amps	SP153	4 x 8mm Yellow LEDs
SP28	4 x CMOS 4011	SP154	15 x BC548 transistors
SP29	3 x CMOS 4013	SP156	3 x Stripboard, 14 strips x 27 holes
SP31	4 x CMOS 4071	SP160	10 x 2N3904 transistors
SP36	25 x 10/25V radial elect. caps.	SP161	10 x 2N3906 transistors
SP37	15 x 100/35V radial elect. caps.	SP165	2 x LF351 Op.Amps
SP39	10 x 470/16V radial elect. caps.	SP167	6 x BC107 transistors
SP40	15 x BC237 transistors	SP168	6 x BC108 transistors
SP41	20 x Mixed transistors	SP175	20 x 1/63V radial elect. caps.
SP42	200 x Mixed 0-25W C.F. resistors	SP177	10 x 1A 20mm quick blow fuses
SP47	5 x Min. PB switches	SP182	20 x 4-7/63V radial elect. caps.
SP102	20 x 8-pin DIL sockets	SP183	20 x BC547 transistors
SP103	15 x 14-pin DIL sockets	SP187	15 x BC239 transistors
SP104	15 x 16-pin DIL sockets	SP191	3 x CMOS 4023
SP105	4 x 74LS00	SP192	3 x CMOS 4066
SP109	15 x BC557 transistors	SP193	20 x BC213 transistors
SP111	15 x Assorted polyester caps	SP194	8 x OA90 diodes
SP112	4 x CMOS 4093	SP195	3 x 10mm Yellow LEDs
SP115	3 x 10mm Red LEDs	SP197	6 x 20 pin DIL sockets
SP116	3 x 10mm Green LEDs	SP198	5 x 24 pin DIL sockets
SP118	2 x CMOS 4047		
SP120	3 x 74LS93		
SP124	20 x Assorted ceramic disc caps		
SP130	100 x Mixed 0-5W C.F. resistors		
SP131	2 x TL071 Op.Amps		

RESISTOR PACKS - C.Film

RP3	5 each value - total 365 0-25W	£2.80
RP7	10 each value - total 730 0-25W	£4.00
RP10	1000 popular values 0-25W	£5.80
RP4	5 each value-total 365 0-5W	£3.75
RP8	10 each value-total 730 0-5W	£6.35
RP11	1000 popular values 0-5W	£8.10

1999 Catalogue now available £1 inc. P&P or FREE with first order. P&P £1.25 per order. NO VAT

Orders to:
**Sherwood Electronics,
7 Williamson St., Mansfield,
Notts. NG19 6TD.**

ADVERTISERS INDEX

A.L. ELECTRONICS	80
A.S.A.	71
N. R. BARDWELL	79
B.K. ELECTRONICS	Cover (iii)
BRIAN J. REED	80
BRUNNING SOFTWARE	18
BULL ELECTRICAL	Cover (ii)
CHEVET SUPPLIES	79
COOKE INTERNATIONAL	79
CROWNHILL ASSOCIATES	5
DAVID JOHNS	71
DISPLAY ELECTRONICS	2
EPT EDUCATIONAL SOFTWARE	Cover (iv)
ESR ELECTRONIC COMPONENTS	10
FML ELECTRONICS	80
FOREST ELECTRONIC DEVELOPMENTS	21
ICS	79
J&N FACTORS	6
JPG ELECTRONICS	71
LABCENTER ELECTRONICS	27
LEADING EDGE TECHNOLOGY	60
MAGENTA ELECTRONICS	8/9
MILFORD INSTRUMENTS	29
NATIONAL COLLEGE OF TECHNOLOGY	60
PICO TECHNOLOGY	7
QUASAR ELECTRONICS	63
QUICKROUTE SYSTEMS	17
SERVICE TRADING CO	79
SHERWOOD ELECTRONICS	80
SKY ELECTRONICS	4
SLM (MODEL) ENGINEERS	4
SQUIRES	60
STEWART OF READING	4
SUMA DESIGNS	48
TELNET	47
VANN DRAPER ELECTRONICS	51
VERONICA KITS	79

ADVERTISEMENT MANAGER: PETER J. MEW
ADVERTISEMENT OFFICES:
EVERYDAY PRACTICAL ELECTRONICS, ADVERTISEMENTS,
MILL LODGE, MILL LANE, THORPE-LE-SOKEN,
ESSEX CO16 0ED.
Phone/Fax: (01255) 861161

For Editorial address and phone numbers see page 11

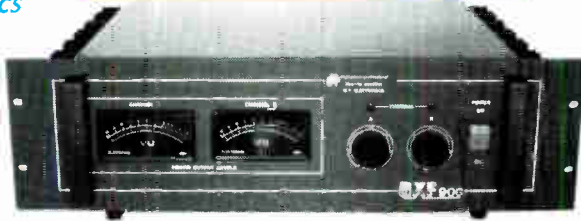


POWER AMPLIFIER MODULES-LOUDSPEAKERS-MIXERS
19 INCH STEREO AMPLIFIERS-ACTIVE CROSS/OVERS.

★PRICES INCLUDE V.A.T.★PROMPT DELIVERIES
 ★LARGE [A4] S.A.E. 60p STAMPED FOR CATALOGUE

OMP MOS-FET POWER AMPLIFIERS
 HIGH POWER, TWO CHANNEL 19 INCH RACK

1000's
 SOLD
 TO PRO
 USERS



THE RENOWNED MXF SERIES OF POWER AMPLIFIERS

FOUR MODELS:- MXF200 (100W + 100W) MXF400 (200W + 200W)
 MXF600 (300W + 300W) MXF900 (450W + 450W)

ALL POWER RATINGS ARE R.M.S. INTO 4 OHMS, WITH BOTH CHANNELS DRIVEN
 FEATURES: ★ Independent power supplies with two toroidal transformers ★ Twin LED Vu Meters
 ★ 1 level controls ★ illuminated on/off switch ★ Jack/XLR inputs ★ Speaker outputs ★ Standard 775mV
 inputs ★ Open and short circuit proof ★ Latest Mos Fets for stress free power delivery into virtually any
 load ★ High slew rate ★ Very low distortion ★ Aluminium cases ★ MXF 600 & MXF 900 fan cooled with D.C
 loudspeaker and thermal protection

USED THE WORLD OVER IN CLUBS, PUBS, CINEMAS, DISCOS ETC

SIZES:-
 MXF200 W19" D11" H3 1/2" (2U)
 MXF400 W19" D12" H5 1/2" (3U)
 MXF600 W19" D13" H5 1/2" (3U)
 MXF900 W19" D14 1/2" H5 1/2" (3U)

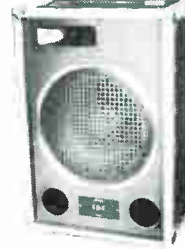
PRICES:- MXF200 £175.00 MXF400 £233.85
 MXF600 £329.00 MXF900 £449.15

SPECIALIST CARRIER DEL. £12.50 EACH

**FLIGHTCASED
 LOUDSPEAKERS**

A new range of quality loudspeakers, designed to take
 advantage of the latest loudspeaker technology and
 enclosure designs. All models utilize high quality studio
 cast aluminium loudspeakers with factory fitted grilles, wide dispersion constant
 directivity horns, extruded aluminium corner protection and steel ball corners,
 complimented with heavy duty black covering. The enclosures are fitted as standard
 with top hats for optional loudspeaker stands. The FC15-300 incorporates a large
 16 X 6 inch horn. All cabinets are fitted with the latest Speakon connectors
 for your convenience and safety. Five models to choose from.

WEDGE
 MONITOR



PLEASE NOTE:- POWER RATINGS
 QUOTED ARE IN WATTS R.M.S. FOR
 EACH INDIVIDUAL CABINET.
 ALL ENCLOSURES ARE 8 OHM.

15-15 inch speaker
 12-12 inch speaker

ibl FC15 300 WATTS Freq Range 35Hz-20KHz, Sens 10dB, Size H695 W502 D415mm
 PRICE:- £299.00 per pair
 ibl FC12 300 WATTS Freq Range 45Hz-20KHz, Sens 96dB, Size H600 W405 D300mm
 PRICE:- £249.00 per pair
 ibl FC12-200 WATTS Freq Range 40Hz-20KHz, Sens 97dB, Size H600 W405 D300mm
 PRICE:- £199.00 per pair
 ibl FC12 100 WATTS Freq Range 45Hz-20KHz, Sens 100dB, Size H546 W380 D300mm
 PRICE:- £179.00 per pair
 ibl WM12 200 WATTS Freq Range 40Hz-20KHz, Sens 97dB, Size H418 W600 D385mm
 PRICE:- £125.00 EACH

SPECIALIST CARRIER DEL:- £12.50 per pair, Wedge Monitor £7.00 each
 Optional Metal Stands PRICE:- £49.00 per pair Delivery:- £6.00

OMP X03-S STEREO 3-WAY ACTIVE CROSS OVER SWITCHABLE 2 WAY



BASS MID TOP BASS/MID TOP BASS MID/TOP
 CONFIGURED 3 WAY 2 WAY BASS/MID COMBINED 2 WAY MID/TOP COMBINED

FEATURES:

Advanced 3 Way Stereo Active Cross Over (switchable two way) housed in a 19" x 1U case. Each channel
 has three level controls Bass, Mid & Top. The removable front fascia allows access to the programmable DIL
 switches to adjust the cross-over frequency. Bass Mid 125/250/500Hz, Mid Top 18/3/51Hz, all at 24dB per
 octave. The 2/3 way selector switches are also accessed by removing the front fascia. Each stereo channel
 can be configured separately. Bass Invert Switches are incorporated on each channel. Nominal 775mV
 input/output. Fully compatible with OMP Rack Amplifier and Modules

PRICE £117.44 + £5.00 P&P

FANE COLOSSUS POWER
 VERY HIGH POWER LOUDSPEAKERS

THE COLOSSUS RANGE OF LOUDSPEAKERS
 ARE DESIGNED FOR USE IN SUPERIOR HIGH
 POWER OUTPUT SYSTEMS. ALL MODELS ARE 8 OHM
 COLOSSUS 12MB: ★ 12 INCH ★ 450WATT R.M.S.
 ★ 900 WATTS PEAK ★ Sens 98 dB ★ Res Freq. 55 Hz.
 ★ Frequency Range 40 Hz - 3.5KHz PRICE £129.00
 COLOSSUS 15XB: ★ 15 INCH ★ 600WATTS R.M.S.
 ★ 1200 WATTS PEAK ★ Sens 99 dB ★ Res Freq. 35 Hz.
 ★ Frequency Range 30 Hz - 1.0KHz PRICE £159.00
 COLOSSUS 18XB: ★ 18 INCH ★ 600WATTS R.M.S.
 ★ 1200 WATTS PEAK ★ Sens 100dB ★ Res Freq. 30 Hz.
 ★ Frequency Range 27 Hz - 1.0KHz PRICE £183.00
 ALL MODELS ARE DELIVERED CARRIAGE FREE(UK ONLY)



OMP MOS-FET POWER AMPLIFIER MODULES SUPPLIED READY BUILT AND TESTED

These modules now enjoy a world wide reputation for quality, reliability and performance at a realistic price. Four
 models are available to suit the needs of the professional and hobby market i.e. Industry, Leisure, Instrumental and
 Hi Fi etc. When comparing prices, NOTE that all models include toroidal power supply, integral heat sink, glass fibre
 PCB and drive circuits to power a compatible Vu meter. All models are open and short circuit proof.

THOUSANDS OF MODULES PURCHASED BY PROFESSIONAL USERS



OMP/MF 100 Mos-Fet Output power 110 watts
 R.M.S. into 4 ohms, frequency response 1Hz - 100KHz -
 3dB, Damping Factor >300, Slew Rate 45V/uS, T.H.D
 typical 0.002%, Input Sensitivity 500mV, S.N.R. -
 110dB. Size 300 x 123 x 60mm
 PRICE:- £42.85 + £4.00 P&P



OMP/MF 200 Mos-Fet Output power 200 watts
 R.M.S. into 4 ohms, frequency response 1Hz - 100KHz
 -3dB, Damping Factor >300, Slew Rate 50V/uS, T.H.D.
 typical 0.001%, Input Sensitivity 500mV, S.N.R. -110dB.
 Size 300 x 155 x 100mm.
 PRICE:- £66.35 + £4.00 P&P



OMP/MF 300 Mos-Fet Output power 300 watts
 R.M.S. into 4 ohms, frequency response 1Hz - 100KHz
 -3dB, Damping Factor >300, Slew Rate 60V/uS, T.H.D.
 typical 0.001%, Input Sensitivity 500mV, S.N.R. -110dB.
 Size 330 x 175 x 100mm.
 PRICE:- £83.75 + £5.00 P&P



OMP/MF 450 Mos-Fet Output power 450 watts
 R.M.S. into 4 ohms, frequency response 1Hz - 100KHz
 -3dB, Damping Factor >300, Slew Rate 75V/uS, T.H.D.
 typical 0.001%, Input Sensitivity 500mV, S.N.R. -
 110dB, Fan Cooled, D.C. Loudspeaker Protection, 2
 Second Anti-Thump Delay. Size 385 x 210 x 105mm.
 PRICE:- £135.85 + £6.00 P&P



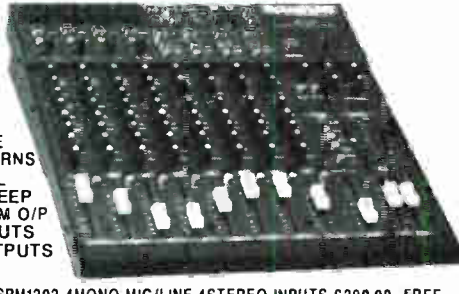
OMP/MF 1000 Mos-Fet Output power 1000 watts
 R.M.S. into 2 ohms, 725 watts R.M.S. into 4 ohms,
 frequency response 1Hz - 100KHz -3dB, Damping
 Factor >300, Slew Rate 75V/uS, T.H.D. typical
 0.002%, Input Sensitivity 500mV, S.N.R. -110dB, Fan
 Cooled, D.C. Loudspeaker Protection, 2 Second
 Anti Thump Delay. Size 422 x 300 x 125mm
 PRICE:- £261.00 + £12.00 P&P

NOTE: MOS FET MODULES ARE AVAILABLE IN TWO VERSIONS
 STANDARD INPUT SENS 500mV, BAND WIDTH 100KHz OR
 PEC (PROFESSIONAL EQUIPMENT COMPATIBLE) INPUT SENS
 775mV, BAND WIDTH 50KHz ORDER STANDARD OR PEC

SoundLAB SPM 12 AND 16 CH.MIXERS

The 12 and 16 Channel SPM Series Of Studio Quality Mixers
 Are Ideal For Fixed Installation Stage And Mobile Use.

- ★ 48v PHANTOM POWER
- ★ BUILT IN POWER SUPPLY
- ★ 230V AC/50Hz
- ★ PEAK INPUT LEVEL LEDS
- ★ PRE FADE LISTEN (PFL)
- ★ SUB MASTER OUTPUT
- ★ COMBINED XLR/1/4 JACK
- ★ 80mm FADERS ★ CH.MUTE
- ★ 2 STEREO AUX.SEND/RETURNS
- ★ CONSTANT PAN CONTROL
- ★ 3 BAND EQ WITH MID SWEEP
- ★ HEADPHONE/CONTROL ROOM O/P
- ★ CD/TAPE INPUTS & OUTPUTS
- ★ BALANCED INPUTS & OUTPUTS
- ★ BUS ASSIGN SWITCH
- ★ MONITOR SEND



PRICES:- SPM1202 4MONO MIC/LINE.4STEREO INPUTS £299.00 FREE
 SPM1602 8MONO MIC/LINE.4STEREO INPUTS £399.00 UK P&P

STEREO DISCO MIXER MPX-7700

ECHO & SOUND EFFECTS



- ★ 4 STEREO INPUT CHANNELS
- ★ 2 DJ MIC INPUT CHANNELS
- ★ 2X7 BAND GRAPHIC EQUALISERS
- ★ HEADPHONE MONITOR WITH PFL
- ★ ASSIGNABLE CROSSFADE
- ★ DIGITAL ECHO

STEREO DISCO MIXER WITH:- ★2X7 GRAPHIC EQUALISERS ★2 MONO MIC INPUTS ★DJ MIC
 WITH FADER, TALKOVER AND VOICE CHANGER ★4 STEREO CHANNELS WITH INDIVIDUAL
 FADERS AND ASSIGNABLE CROSSFADE ★CHANNELS SWITCHABLE, TURNTABLE (MAG
 CARTRIDGE), CD, LINE, TAPE, ETC. ★ECHO WITH BALANCE, REPEAT AND DELAY
 ★HEADPHONE MONITOR WITH PREFADE LISTEN ★CHOICE OF 6 SOUND EFFECTS ★STEREO
 MONO SWITCH ★2 X LED VU METERS ★MASTER FADER ★OUTPUT 775mV
 ★SIZE: 482X240X115mm ★POWER: 230V AC 50 60Hz PRICE:- £169.00 + £5.00 P&P

RADIO MICROPHONE CYBERWAVE FMM 1000

- ★ IDEAL FOR LIVE BANDS PUBLIC ADDRESS & KARAOKE ETC.
- ★ ON/STANDBY/OFF SWITCH MOUNTED ON MIC BARREL FOR EASE OF USE
- ★ 100 HOURS BATTERY RUNNING TIME. 1 PP3 (NOT SUPPLIED)
- ★ SINGLE CHANNEL RF MICROPHONE 174.23 OR 174.56MHz
- ★ MAINS ADAPTOR FOR RECEIVER SUPPLIED ★ FM LOCK INDICATOR
- ★ VOL CONTROL ON RECEIVER. PRICE:- £119.99 FREE UK P&P



B.K. ELECTRONICS

UNIT 1 COMET WAY, SOUTHEND-ON-SEA,
 ESSEX, SS2 6TR.

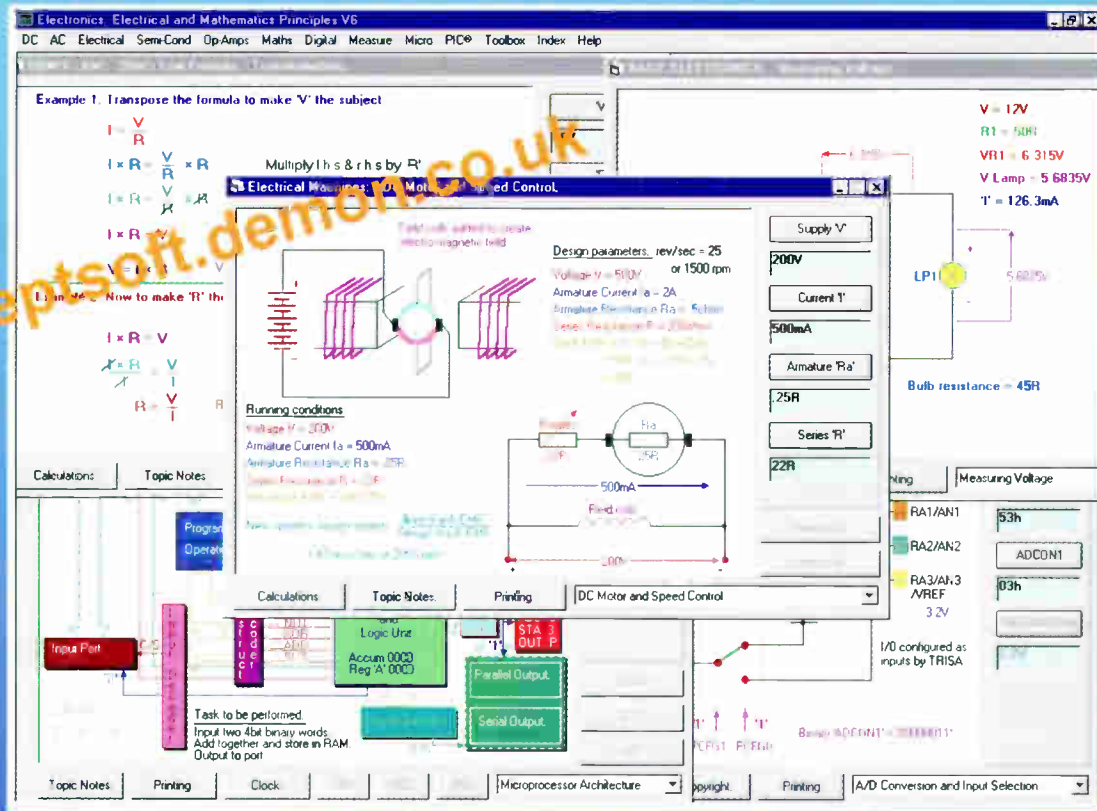
TEL.: 01702 527572 FAX.: 01702-420243

Web:- <http://www.bkelec.com> E-mail:- Sales@bkelec.com

REF
 3

'Electronics, Electrical & Mathematics Principles V6'

If you are looking for an easy and enjoyable way of studying or improving your knowledge of electronics and maths then this is the software for you.



CD-ROM for Windows '95, '98 & NT.

A COMPLETE PC BASED ELECTRONICS & MATHEMATICS COURSE

From Ohm's law and simple DC through AC theory to the latest PIC16F84 and PIC16C71 micro controllers where the architecture and complete instruction set can be explored through the interactive graphics. Approved by Microchip. Mathematics are developed from simple number systems to solving linear equations and applying statistics.

Over 900 main menu selections. Please telephone or visit our web site for a complete list.

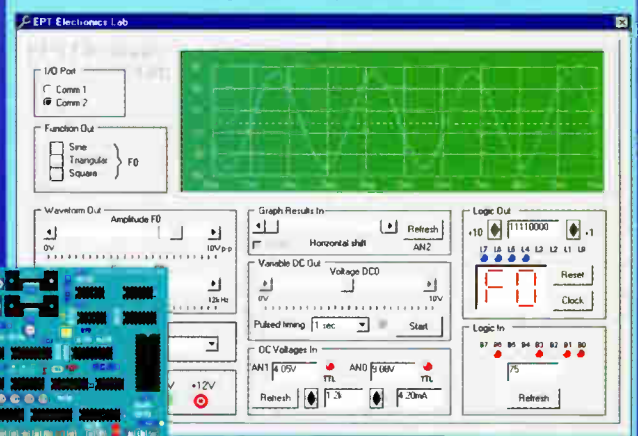
"Electronics Principles is a well thought out and comprehensive program that is also easy to install and stable in operation. It can be wholeheartedly recommended."

Robert Penfold. Everyday Practical Electronics magazine October 1998.

£99.95 +VAT
Postage FREE

EPT Electronics Lab. kit approx £200 +VAT
www.eptsoft.demon.co.uk

An additional **Serial Port** hardware interface for all those practical plugboard experiments and circuit



EPT Educational Software. Pump House, Lockram Lane, Witham, Essex. UK. CM8 2BJ.

Tel/Fax: 01376 514008. sales@eptsoft.demon.co.uk www.eptsoft.demon.co.uk

Switch, Delta, Visa and MasterCard payments accepted - please give card number and expiry date. Cheques & Postal Orders should be made payable to EPT Educational software.