

HOBBIES WEEKLY

IN THIS ISSUE

	Page
Trellis Screen	337
Books to Read	338
Contemporary Wall Display	339
'Coal Scuttle' Vase Holder	339
Completing the 'Victory'	340
Make These Door Chimes	342
Marquetry Design for Handkerchief Box	344
Contemporary Foot Stool	346
Recipes for Cosmetics	348
Patterns for Vase Holder	351



FEBRUARY 20th 1957

VOL. 123

NUMBER 3199

A GARDEN PROJECT FOR THE HANDYMAN

ONE of the joys of a garden is that there is something interesting to do all the year round. Spring and summer are taken up with sowing, planting and cultivation, whilst autumn is the time for harvesting the crops. In winter, however, we find time for constructional work, both utilitarian and decorative.

The trellis screen illustrated here demands no special skill in woodwork and is within the scope of any handyman. The overall sizes will depend largely upon your own requirements but it will not be necessary to alter the construction materially. Simply duplicate the design as many times as needful until the length is sufficient.



TRELLIS SCREEN

Most of the measurements are shown in Fig. 1. To make a strong structure the uprights (B) and (E), also the cross pieces (A), should be of 3ins. square oak. To save expense these pieces could well be rough sawn timber and would not detract from the appearance of the finished work. Pieces (B) are cut 8 ft. 4½ins. long and the long uprights (E)

7ft. 9ins. long. They are all let into the ground to a depth of 2ft. 6ins.

The best way to work is to make the trellis in two sections, fix these in the ground and lastly nail the pieces (F) and (G) in position. Both sections are similar so it will only be necessary to describe the construction of one. Note first of all that the cross pieces (A) are

tenoned into the uprights as shown in Fig. 2. The tenons are cut scant and then secured by wedges as indicated in Fig. 3. The wedges are driven in as far as possible and are then cut off flush. An alternative method of fixing is to drive a dowel or nail through from the side to secure the tenon. Remember to shape a 1½in. square stub tenon on the

All correspondence should be addressed to The Editor, Hobbies Weekly, Dereham, Norfolk

For Modellers, Fretworkers
and Home Craftsmen

4½^D/₂

PAGE 337

top of each post. The length of the tenon should be about $\frac{3}{4}$ in.

Having satisfactorily assembled the main pieces (A), (B) and (E) you can now commence to nail in position the narrow strips of wood to give the decorative effect. These strips (C) and (D) should be about $\frac{3}{8}$ in. thick and of suitable width, say about 1 in. to $1\frac{1}{2}$ in. for (C) and 2 ins. for pieces (D). It will be obvious from Fig. 1 how these are nailed to pieces (A).

If the length of the trellis is to be extended, then the tenons on pieces (A) should be cut down by half so that the next rail can be secured.

The work thus far completed should now be well coated with creosote. Pay particular attention to the ends that go in the ground. These should be stood in creosote for as long as possible.

Having dug the holes a little deeper than required, put a little loose rubble in the bottom. Put in a dab of cement

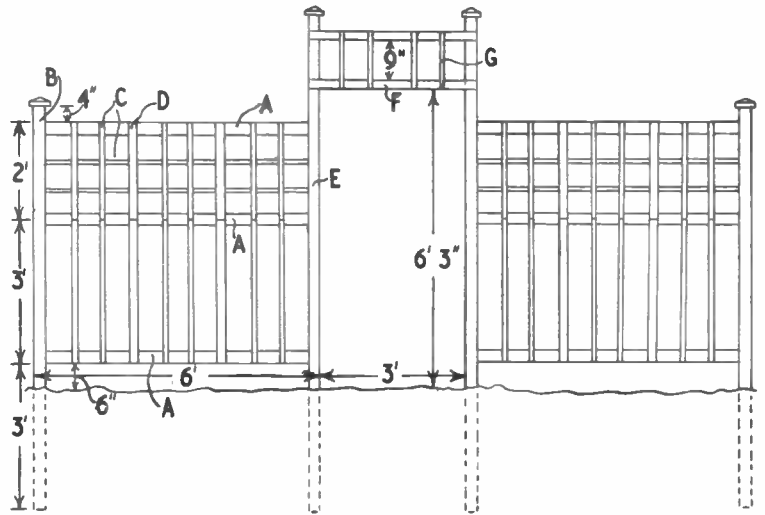


Fig. 1

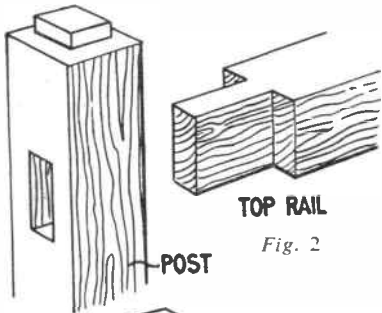


Fig. 2

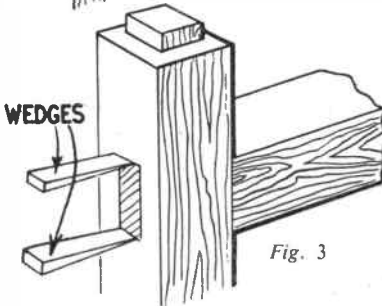


Fig. 3

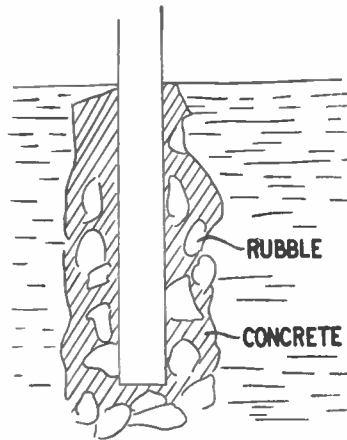


Fig. 4

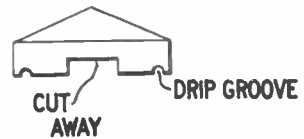
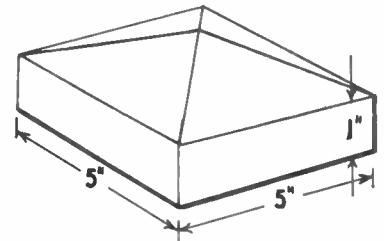


Fig. 5

and sand mixture, 1 to 5 proportion, and then set the posts in position. Prop them up with odd boards and ensure that they are upright and in line. Make sure that the supporting props cannot move and then fill in the holes with rubble and cement mixture and level off at the top as in Fig. 4. Leave the props in position for a few days until the cement has hardened.

The pieces (F) and (G) are now assembled and nailed across the top of the uprights (E). Coat them with creosote before nailing in position. Finally shape the caps from 2 ins. thick blocks as shown in Fig. 5. A mortise should be cut in the underside to fit the tenon on the top of the posts. Do not forget the drip grooves on the underside of the caps.

(M.h.)

Books to Read

WE have had the opportunity of studying some of the publications issued by Educational Productions Ltd. and found these of particular interest to readers of *Hobbies Weekly*.

ANGLING. This is an excellent example of the well-known 'Know the Game' Series and provides a clear and concise explanation of all aspects of this peaceful sport. Well illustrated in line and colour it is remarkable value for its modest price of 2/6.

CAMPING. Here is another member of the 'Know the Game' Series. Everything under the subject of camping in the broadest sense is covered in this well illustrated booklet, from Camp Site to Equipment, Cooking, Camp Hy-

giene and country manners. Price 2/6.

ALL ABOUT STAMPS. This is a volume in the 'Do You Know' Series and contains information on the history of stamps up to the present day. It is profusely illustrated in line and colour and many rare issues are depicted. Price 2/6d.

MODELS AND MODEL MAKING. Another member of the 'Do You Know' Series, this booklet provides a comprehensive introduction to the fascinating hobby of model making. It is well illustrated in line and colour and should prove of great interest to all hobbyists. Price 2/6.

All the above publications can be obtained through any good bookseller.

A charming effect

CONTEMPORARY WALL DISPLAY

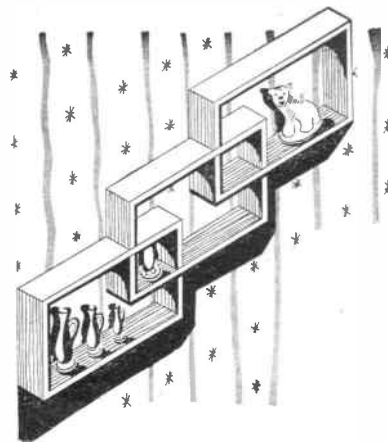
IF you can make an open housing joint and a halving joint (see Figs. 1 and 2) there is no reason why you should not make this attractive, modern fitment to display special pieces of china, small ornaments or potted plants.

You will need six pieces of planed softwood 16ins. by 3½ins. by ½in. and six pieces 9½ins. by 3½ins. by ½in., together with three hanging plates for securing the finished display to the wall. This fitment will look well anywhere in the house, be it kitchen, dining room, lounge, bedroom or hall. It will be admired by all, yet the total cost,

smoothing-plane, removing all sharp corners and edges with glasspaper.

The three boxes are now joined together by means of halving joints as in Fig. 2. If these joints are accurately made, there is no need to glue them. The illustration shows the position of these joints. Each overlapping section should measure 5ins. by 4ins. internally.

Three hanging plates are screwed into the back of the top rail of each section by means of six countersunk screws. Three round-headed screws secure the display to the wall, which should be plugged in the appropriate places.



existing colour scheme or one's own particular taste. Painting is best done after fixing to the wall, slipping a piece of paper behind the rack to protect the wall. Rub down the undercoat when

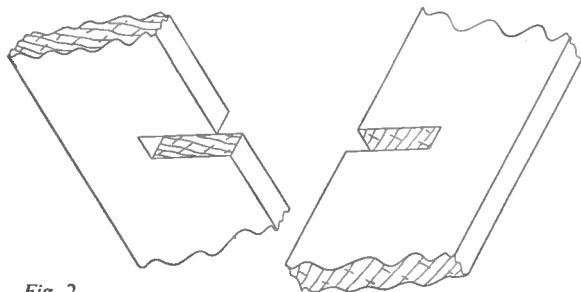


Fig. 2

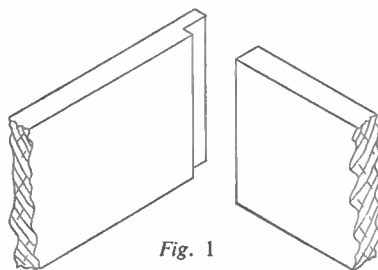


Fig. 1

excluding paint, should not exceed four shillings.

Three separate identical boxes are made up as in Fig. 3, using the open housing joint as shown in Fig. 1. Note the ½in. projections of the long sides to allow for cleaning up.

Before gluing and nailing, glasspaper the insides of each box. Once assembled, the corners are difficult to clean up satisfactorily for painting, so do not forget this important point. The nail heads should be punched in and when the glue has set, any surplus should be carefully removed with a sharp chisel. Fill in the nail holes with wax or other filler and clean up each box with a

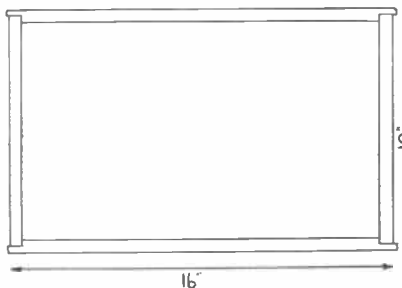


Fig. 3

The display should have at least two coats of paint in accordance with the

dry with fine glasspaper and when smooth give the final coat. (K.J.)

'Coal Scuttle' Vase Holder

MAKE up this vase holder in the shape of a coal scuttle. The patterns of the sides, base, etc., are shown full size on page 351 and should be traced and transferred to ⅝in. wood. There is a certain amount of chamfering required in order to fit the pieces together, but this will easily be accomplished with a fretworker's plane or with coarse glasspaper.

Glue the pieces together and clean up with fine grade glasspaper. Give two or three coats of paint and when dry fix the handles. These can be cut from odd pieces of crinothene or leather. Fix them with small brass-headed drawing pins.

A small glass container should be purchased for the flowers. It should not be too big or it will detract from the holder. Fill the vase with dainty flowers, using colours to contrast with the holder. (M.p.)



**FULL-SIZE
PATTERNS ON PAGE 351**

Strike a popular note

MAKE THESE DOOR CHIMES

THE average handyman thinks twice before he contemplates the purchase of a household fixture he can quite easily make for himself, apart from the additional satisfaction of having made something useful for the home.

The increasingly popular door chime with its discreet 'ding-dong' is gradually ousting the old fashioned bell, and, no doubt, there are many readers of this journal who would welcome the opportunity to try their hands in the not too

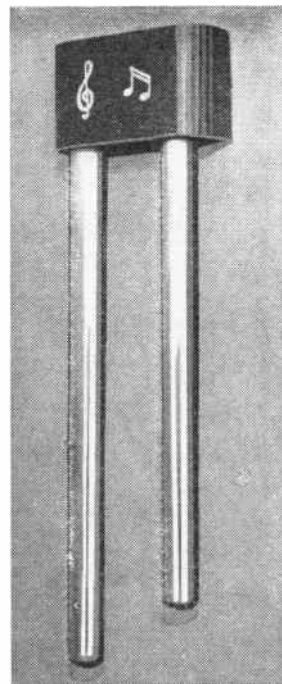
or striker to be attracted. Owing to its inertia, it overshoots, striking the shorter gong tube and rebounding slightly. On releasing the button switch, the striker returns to its original position by the action of a return spring, again slightly overshooting and striking the longer gong tube, finally coming to rest ready for another operation.

The Solenoid

Cut out two brass discs 1½ ins. diameter from 1/32 in. sheet brass as shown at Fig. 2, and drill a hole ¼ in. in diameter in the centre of each. Polish the inner edge of the holes with fine emery paper. These are the cheeks of the coil former.

To make the barrel of the former roll some thin sheet brass about 1/64 in. thick by 2 ins. wide round the end shank of a ⅝ in. drill and solder in position. Smooth the lapped-over portion with a fine file and with the ends of the tube thus formed held concentric with the holes in the cheeks, solder into position.

Bend up two pieces of 1/64 in. sheet brass ⅝ in. by ¼ in. to form a right-angle bracket ⅝ in. by ¼ in.; drill an ¼ in. hole in each ¼ in. side, chamfer the corners of the longer side and solder to the coil former cheeks. These are the mounting brackets.



Wrap up two layers of paper round the former and stick with a dab of shellac varnish. Then cut out two discs of paper with holes to fit the former and stick them on to the inner surface of the end cheeks also with a little shellac. The coil former is now ready for winding.

Wind on the wire wrapping a layer of paper every two layers of wire to keep the winding even. When the former is nearly full, secure the ends, leaving about 8 ins. for connecting to the terminals, and paint on some shellac varnish.

First of two articles by R. Mapplebeck

difficult task of building a set of such chimes for themselves.

The only items that may need to be purchased are the brass tubes for the gongs, 1½ ozs. of 26 S.W.G. enamelled copper wire, some twin flex for connecting up, a button switch and two 4½ volt dry batteries or a bell transformer.

How They Work

Briefly, the chimes operate as follows — on pressing the button switch (Fig. 1) current flows from the batteries through the solenoid, causing an internal plunger

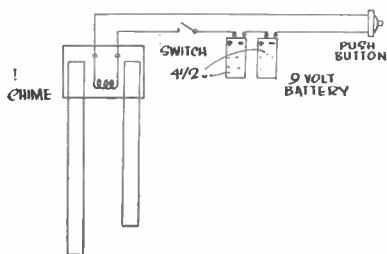


Fig. 1—Schematic wiring diagram showing alternative circuits

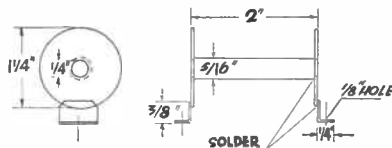


Fig. 2—Solonoid former and mounting bracket

Fig. 4—Spring anchoring washer

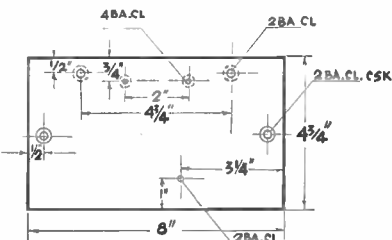


Fig. 7—Baseboard layout showing positions for mounting the component parts



Fig. 3—Dimensions of striker rod

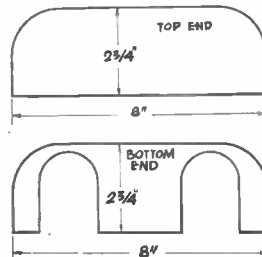


Fig. 6—Dimensions of cover top and bottom plates

Put on one side to dry, preferably in a warm place. The solenoid may then be finished off by wrapping on a few layers of paper. Alternatively, rexine or one of the embossed paper tapes obtainable at most stationery shops gives it a professional finish.

The striker should be made from $\frac{1}{2}$ in. diameter mild steel rod to the dimensions given in Fig. 3. An iron bolt will do just as well if the shank is at least 2ins. long.

Altering the tone

Square off the ends and tin one end with solder. The other end is then drilled $\frac{1}{8}$ in. deep with a No. 44 drill. Tap the hole 6 B.A. To the tinned end solder a 1in. length of $\frac{1}{2}$ in. brass, making certain that the two pieces of rod are exactly in line. If a lathe is not at hand for trimming up, the rod may be placed in the chuck of a wheelbrace clamped in the vice and trimmed up with a fine file. Round off the brass end and burnish all over with fine emery paper, finishing off with metal polish.

If the constructor likes a softer and more mellow tone, it is a fairly simple operation to fit small bakelite end-pieces to this rod, always bearing in mind that the length must remain at 3ins. overall.

The return spring is made by winding about 8ins. of 24 S.W.G. piano wire round a $\frac{1}{8}$ in. former. On release, it will spring out to about 1in. diameter. One end is soldered to the outside of the left-hand coil bobbin cheek and the other will eventually be fastened to the special washer by bending over the two tags. Fig. 4.

The Baseboard

Cut, plane and smooth a nice grained piece of wood to the dimensions given in Fig. 7. Drill two 4 B.A. clearance holes for the terminals, two 2 B.A. clearance holes for both the gong supports and wall fixing screws. The first two pairs of holes are counter-bored at the rear to clear the 4 B.A. and 2 B.A. nuts and washers respectively, but the wall-mounting screw holes are counter-sunk on the front.

Slightly chamfer the corners of the baseboard to leave room for the solder on the edges of the cover, then drill the hole for the solenoid connections and cut the groove on the upper edge for the connecting wires to the terminals.

Placing the baseboard face down on the workbench, cut two grooves about $\frac{1}{2}$ in. wide and the same depth from the solenoid connection hole to each terminal hole, using sharp chisels.

The Gongs

The brass tubes forming the gongs are, undoubtedly, a somewhat expensive item and constitute the bulk of the cost. They are made from two lengths of $1\frac{1}{2}$ ins. diameter seamless brass tubing measuring 22 $\frac{1}{2}$ ins. and 25 $\frac{1}{2}$ ins.

The individual may find means of obtaining such material without much difficulty, but for those not so fortunate, Messrs. Bonds, 357 Euston Rd., London, N.W.1 usually carry a stock.

Having cut the tubes to the required length, they may be tuned up. To do this, drill two $\frac{1}{8}$ in. holes diametrically oppo-

site each other at one end of each tube and thread through a short length of 18 S.W.G. tinned copper wire. With the ends twisted together, the tubes may now be hung on a peg of wood or dowel rod held in the vice jaws, taking care to see

paper and finally polished with metal polish. Two or three coats of a good quality lacquer will give a permanent finish, but it must be remembered thoroughly to degrease the tubes before applying the lacquer.

The Cover

Cut out the top, bottom and centre-piece from good, flat tinplate to the dimensions in Fig. 6. The centre-piece measures 4 $\frac{1}{2}$ ins. by 12ins.

That portion towards the outer ends of the centre-piece must be coaxed into a curve to match the radii of the top and bottom front edges by bending round a cylindrical object of slightly smaller radius, so that when released, it will spring back to the radius required. These three pieces must be about 1/64in. larger than the baseboard over which the cover is to fit, otherwise it may prove necessary

to plane down the edges of the baseboard when fitting the cover at a later stage.

Solder the three pieces together at their edges and cover with coloured rexine to taste using Bostik cement as an adhesive. Trim round the edges with a razor blade. Alternatively, the cover may be enamelled.

Cutting the Motifs

Cut out the motifs from 24 S.W.G. aluminium sheet with a metal-cutting fretsaw and stick them on the cover over the rexine with Bostik. Full size patterns are given at Fig. 5, which may be cut out and pasted on the aluminium sheet as a guide.

Great delicacy of touch must be exercised in order to avoid damaging the motifs whilst cutting, as parts of them are thin and the metal very soft.

(Assembly of the parts will be described next week.)

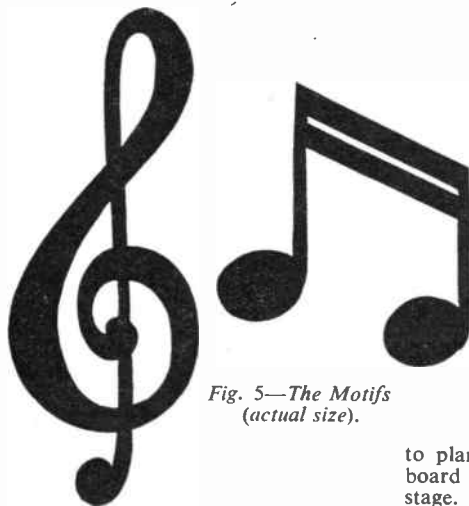


Fig. 5—The Motifs (actual size).

that they are suspended quite freely.

The tone interval is a musical third similar to the note of the cuckoo, and if the tubes are struck with the handle of a screwdriver, the truth of the tone can be assessed.

Due to differences in material it may prove necessary to alter the length of one of the gongs slightly relative to the other. This is accomplished by sawing off a very small section of tube at a time. Shortening the tube will give the musical note a higher pitch, and with this in mind, no difficulty should be experienced in deciding which tube needs the adjustment.

The gongs may now be rubbed smooth with progressively finer grades of emery

● Continued from page 348

Recipes for Cosmetics

liquid paraffin (NOT paraffin oil) until the stearic acid has dissolved in the paraffin. Next heat together to 80 degrees Centigrade (175 degrees Fahrenheit) 60 c.c. soft water, 2 grams of triethanolamine, 6 grams of diethyleneglycol and 4 grams of diethyleneglycol ethyl ether, stirring thoroughly. Pour this last mixture in a thin stream and with rapid stirring into the stearic acid-paraffin mixture. A white emulsion forms. Remove the vessel from the water-bath and continue stirring until hand warm.

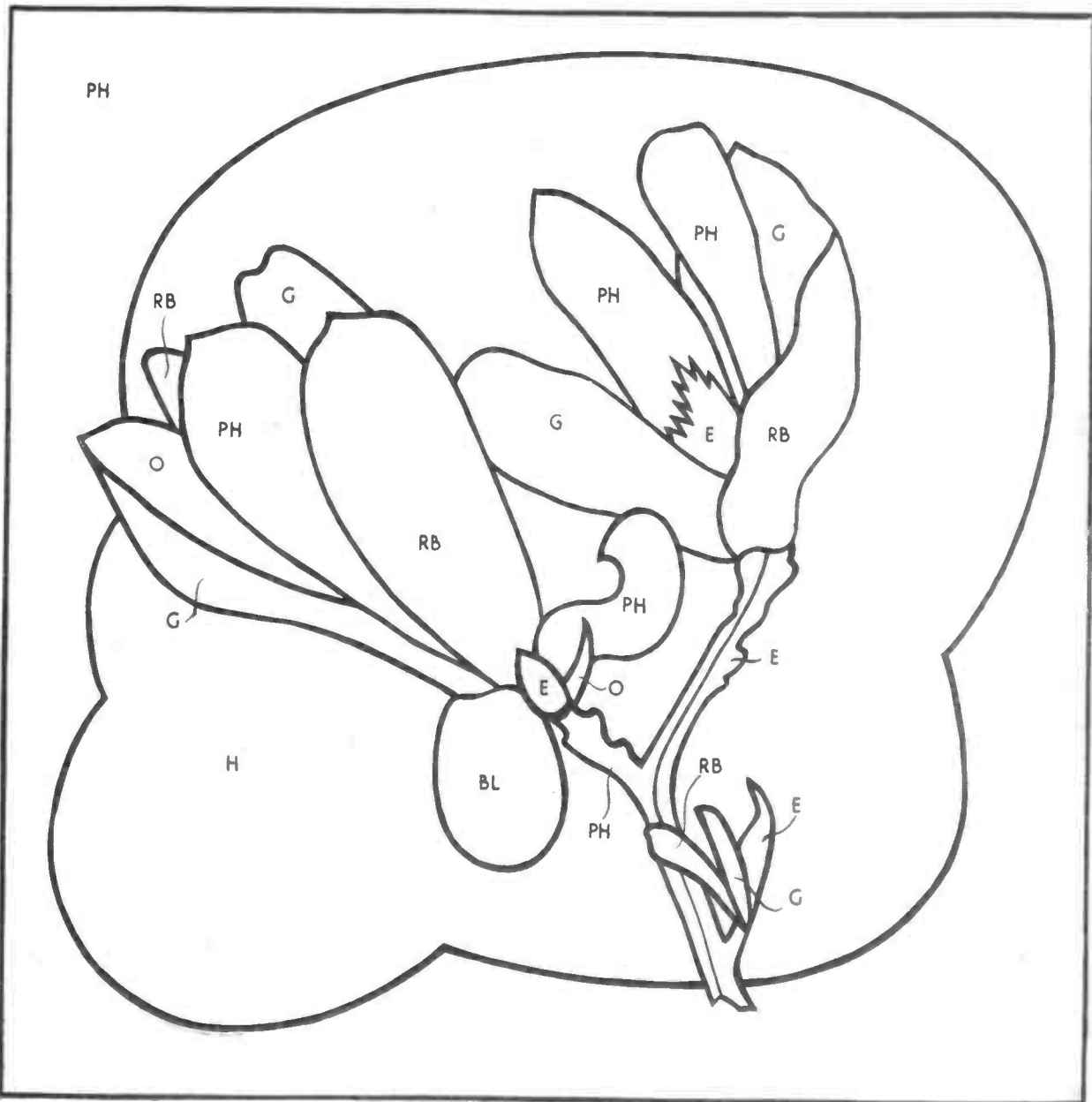
Sufficient perfume oil may be stirred in at this stage, the stirring being continued until the emulsion is tepid, when

it may be bottled. An alternative method of perfuming it, if you do not wish to go to the expense of buying a perfume oil, is to add ordinary scent to the melted mixture of stearic acid and paraffin. The heat will drive off the alcohol which is used as a solvent in scents and leave a small quantity of neat perfume oil in the mixture.

Naturally, in making cosmetics only pure materials should be employed. To ensure this, always ask for 'B.P.' or 'B.P.C.' quality, and where these are not manufactured, for 'pure laboratory grade'.

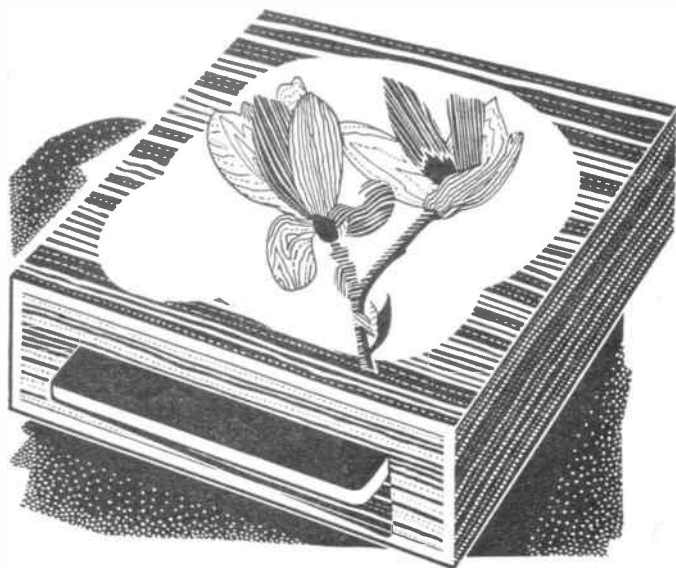
(L.A.F)

HOBBIES PANELS REQUIRED TWO H3 ONE G3



HANDKERCHIEF BOX

3/16 IN. WOOD USED THROUGHOUT

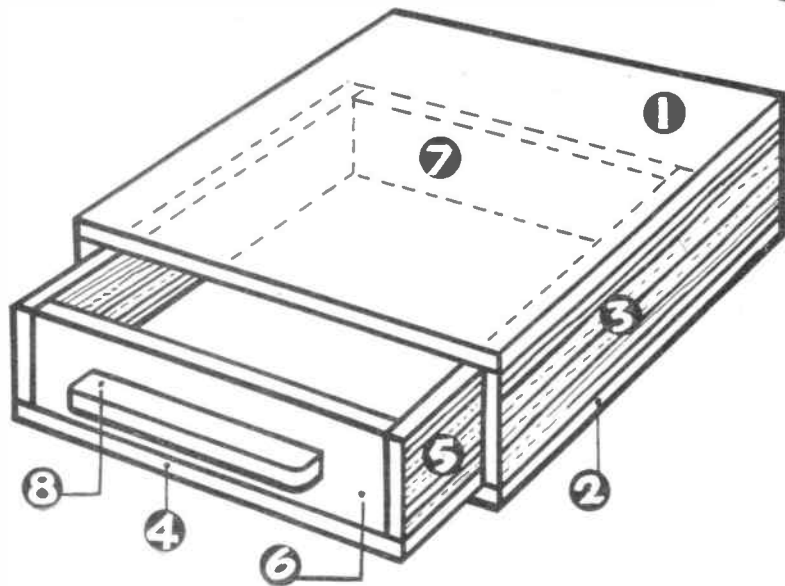


VENEERS

- P.H. PURPLE HEART
- R.B. RED BIRCH
- G. GREYWOOD
- O. OBECHI
- B.L. BLACKWOOD
- E. EBONY
- H. HOLLY



PIECE 8. CUT ONE



- ① ONE PIECE 6½ in. SQUARE
- ② ONE PIECE 6½ in. SQUARE
- ③ TWO PIECES 6½ in. × 2 in.
- ④ ONE PIECE 6½ in. × 6½ in.
- ⑤ TWO PIECES 6½ in. × 1 11/16 in.
- ⑥ ONE PIECE 5 3/8 in. × 1 11/16 in.
- ⑦ ONE PIECE 5 3/8 in. × 1 11/16 in.

CONTEMPORARY FOOTSTOOL

THIS neat design of a footstool will please the handyman who likes making things for his home. The shape is modern enough to fit into the contemporary home, yet not too fanciful to be out of place in an orthodox setting.

The construction is so simple and it makes an ideal subject for a wedding or birthday gift. No long hours of difficult carpentry; it can be constructed and practically finished in a couple of evenings.

The cover is not permanently fixed; it can easily be removed for washing or dry-cleaning. This is quite an advantage where a footstool is concerned. It is advisable to make two covers so that one is available while the other is being cleaned.

The stool is made up in two separate sections, the top and the legs. The top is covered and can therefore be con-

*Make it
for the
home in
a few
hours*

structed from any kind of timber at hand, but the legs should be cut from the best quality timber available. Close grained woods like beech or Spanish chestnut will be found to work well and give a pleasing appearance.

The exploded diagram in Fig. 1 shows the entire construction. Note that the side (A) is broken away to show the dowels in the end rails (B). These should be let into side (A) to a

depth of $\frac{3}{16}$ in. to $\frac{1}{4}$ in. Take care when boring that the bit does not come right through the side.

The sides and end rails are cut from $\frac{3}{4}$ in. thick timber, the lengths being given in Fig. 1. The exact shape of the sides is shown in Fig. 2. Enlarge the squares to 1 in. and draw in the shape carefully. It will save time if you draw half in, trace, and transfer the other half.

After shaping the dowels, the sides and end rails are glued together and cramped up until dry. Meanwhile cut the supporting strips (C) and (D) and drill them ready for screwing to the inside of pieces (d) and (B) as shown in Fig. 1.

The legs (E) are cut from 1 in. thick wood and are halved at the top as indicated in the inset diagram. The legs will splay outwards and the cut-away portion must conform to the curve of pieces (A).

The top is made up in the form of an open box which is shaped as shown in Fig. 1. It can be nailed and glued together. It is then covered with stout canvas over which is placed foam rubber or flock padding. This in turn is covered by a piece of material and finally the covering material proper. The latter will be tacked underneath using a minimum of tacks so that it can easily be removed for cleaning. Finish off by coating exposed parts with clear lacquer or wax polish. (M.h.)

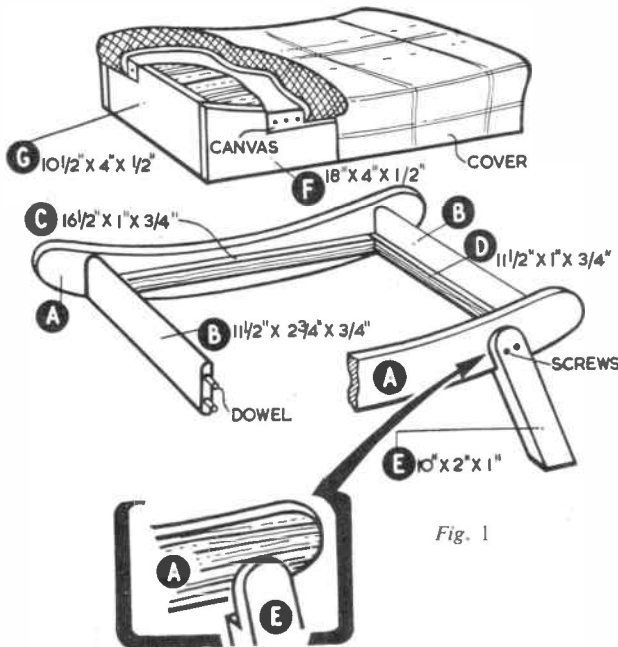
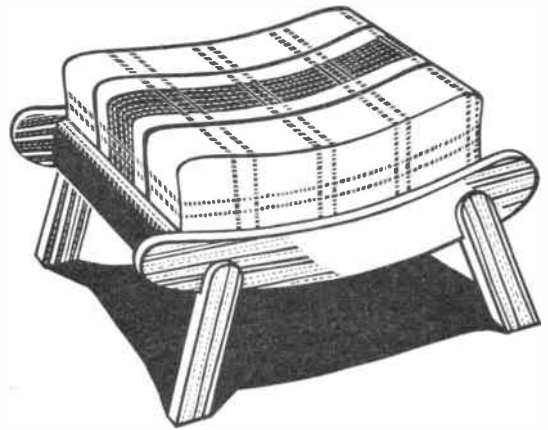


Fig. 1

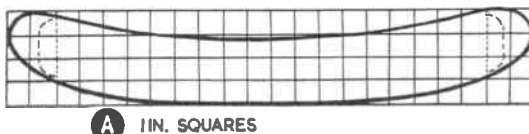


Fig. 2

SOLUTION TO CROSSWORD NO. 2 PUBLISHED LAST WEEK

Across: 3. Chic. 7. Saint. 8. Over. 9. Slow. 10. Neutral. 12. Some. 15. Havoc. 18. Fete. 19. Omega. 21. Where. 22. Amen. 23. Debit. 26. Tote. 29. Much Ado. 30. Meet. 31. Magi. 32. Oddly. 33. Toys
Down: 1. Paper. 2. Another. 4. Hallo. 5. Cows. 6. Deem. 9. Save. 11. Rated. 13. Open. 14. Elan. 16. Comic. 17. Twit. 18. Feat. 20. Methods. 22. Abut. 24. Emery. 25. Adult. 27. Opal. 28. Emit.

Another puzzle next month

NEW!

THE EASY PRACTICAL WAY of learning RADIO • TELEVISION • ELECTRONICS

COMPLETE EXPERIMENTAL COURSES IN RADIO ENGINEERING and SERVICING

An entirely new series of courses designed to teach Radio, Television and Electronics more quickly and thoroughly than any other method. Specially prepared sets of radio parts are supplied and with these we teach you, in your own home, the working of fundamental electronic circuits and bring you easily to the point when you can construct and service radio receivers, etc.

With these outfits, which you receive upon enrolment and which remain your property, you are instructed how to build basic Electronic Circuits (Amplifiers, Oscillators, Power Units, etc.) leading to designing, testing and servicing of complete Radio and Television Receivers.

COURSES FROM 15/- PER MONTH

EMI INSTITUTES

associated with "His Master's Voice", Marconiphone, Columbia, etc.

- Beginner's Radio Course ●
- Advanced Radio ●
- Short Wave Technique ●
- Lesson Manuals ●



Experimental work includes construction of Basic Oscillators, Amplifiers, Deflectors, Power Units, 1, 2 and Multi-valve TRF and Superhet receivers.

POST THIS COUPON TODAY

To E.M.I. Institutes, Dept. 31, Grove Park Road, London, W.4.
Please send me your FREE book on Practical Courses

NAME _____

ADDRESS _____

20/2/57

IC74

HOME DECORATION & CARPENTRY

New ideas in the lounge? Fitted cupboards in the kitchen? This is the opportunity to do those jobs you've always THOUGHT you could do. Here is a special reprint for the spring of these well-known and popular books. They sell fast! Do not miss this chance to get your set NOW

All the information you need at your finger tips

Numerous illustrations and plans given at every stage for all types of work

HOME DECORATION

Part I deals with outside work—order of procedure, safety precautions, tools and equipment—preparing and repairing cement, brick, stone and glass—rubbing and scrubbing paint and varnish—undercoating and finishing doors, gutters, windows, pipes and other features. Part II fully covers interior decorating. Separately deals with Ceilings, Walls, Woodwork and Floors—their cleaning and preparation, best materials and methods—suggests schemes for different rooms—tackles individual problems. Instructions all through for estimating materials needed and for mixing and matching colour.

CARPENTRY

Forgotten how to do a dovetail joint? First remind yourself of the basic practices and then follow this book through the house and out into the garden and garage. Full chapters on tools—woodworking and finishing—all kinds of joints—how to make carcasses, frames, drawers, how to fit hinges—glue—veneers. Chapters on furniture and fittings throughout the house together with instructions for smaller articles. Garden 'fittings' are also dealt with. Cutting lists are given for ordering and there are sketches and plans for every stage.

FREE EXAMINATION FORM

To the New Era Publishing Co. Ltd.,
45 New Oxford Street, London, W.C.1

Please send me, carriage paid, for my inspection **Home Decoration and Carpentry** in two volumes. I understand that I am under no obligation to purchase, provided the books are returned within seven days. If I keep the books I agree to remit to your address 5/- within eight days of receipt of books, five monthly payments of 5/- and a final payment of 7/6 (completing the subscription price of £1 17s. 6d.). Cash price within eight days £1 15s. 0d.

Surname

Name
(Block letters please)

Residence

Date..... Age (if under 21).....
HOB.104

WILL BE SENT ON SEVEN DAY'S APPROVAL FREE OF COST OR OBLIGATION TO PURCHASE—COMPLETE & POST COUPON TODAY

Make them at home

RECIPES FOR COSMETICS

UNUSUAL nail varnishes are now often seen, especially for evening use for matching dresses or accessories, or even just for striking contrast. In a former article instructions were given for making clear, pink and scarlet varnishes. With a few extra materials a wide range of effects can be obtained and these are simply arrived at.

The principle is to add the substances for producing the desired effect to a clear nail varnish base. The base is made by thinning down cellulose cement with about an equal volume of amyl acetate,

bleak are best, but any silvery fish will serve. Scrape off the scales and place them in a bottle with a mixture of clear household ammonia and water in equal volumes. Stopper the bottle and shake occasionally during the next few days until the scales are exhausted. The pearly nacre will be seen swimming among the scales when the bottle is agitated. Strain off the scales through a fine sieve and let the nacre settle. Decant the upper liquid and reject it. Pour out the nacre sludge into a saucer and let it dry in a warm room. It is then ready for use.

enough lavender oil to give the intensity you want while the soap is still fluid in the water-bath.

SOLID BRILLIANTINE

Solid brilliantines are especially convenient when camping or travelling, since they cannot spill. If you like the clear type, melt in a water-bath $2\frac{1}{2}$ ounces of white petroleum jelly and $\frac{1}{2}$ ounce of white wax (bleached beeswax). Sufficient perfume oil, such as lavender, can now be stirred in. This will give a colourless brilliantine. Should you prefer it coloured, you will need to add to the melted brilliantine base in the water-bath a little oil-soluble dye. It should be stirred in a few specks at a time and allowing it to dissolve before adding more. Green is a popular colour, of course. These oil soluble dyes may be had from the larger laboratory furnishers, and many dispensing chemists will order them for you.

Many prefer crystal brilliantine. You can make this type by melting in a water-bath 4 fluid ounces of olive oil and 1 ounce of spermaceti, perfuming and colouring as before. Both of these products should be poured into the tins or jars while still fluid.

ASTRINGENT LOTION

Turning back to the ladies, a good astringent lotion is often a favourite. For a really good one, dissolve in 175 c.c. of iso-propyl alcohol, 0.06 gram of borax, 2 grams of zinc phenol-sulphonate, 1 c.c. of perfume oil, 0.25 gram of camphor and 15 c.c. of glycerine. They can all be put into a bottle together and shaken to dissolve. Enough distilled water to bring the volume up to 500 c.c. must now be added and the whole well mixed.

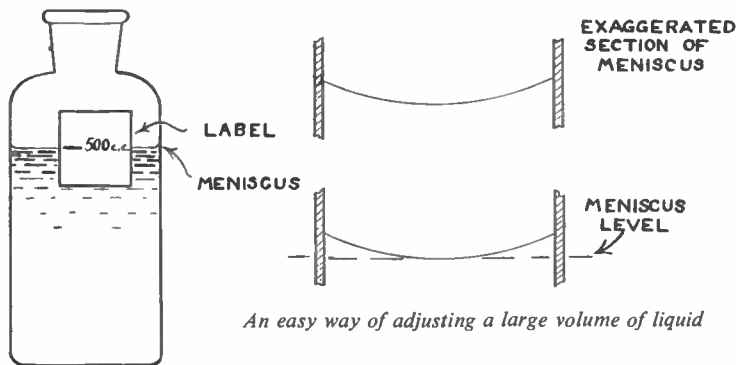
If you lack a large measuring cylinder, the 500 c.c. volume can easily be attained by pouring a final total of 500 c.c. of water into a bottle by means of several fills of a small measuring cylinder. Stick a small label on the bottle, crossing the meniscus of the water, and pencil on the meniscus level, as shown in the diagram. Empty out the water, pour in the iso-propyl alcohol solution and bring up the volume to the 500 c.c. mark with distilled water.

SKIN CREAMS

Skin milks and creams are popular with the ladies for removing lipstick and rouge and for a general clean up. The following recipe also serves as a good powder base.

First heat up in a water-bath 6 grams of stearic acid and 35 grams of medicinal

● Continued on page 343



An easy way of adjusting a large volume of liquid

in order to give it nail varnish consistency.

Just as pink and scarlet varnishes are produced by stirring in a few specks of appropriate dyes, so can other colours be made. Green, for instance, calls for the dye Malachite Green; blue for Methylene Blue; violet for Methyl Violet. Yellow, orange and brown shades are not likely to be in demand, but if you want to make them, use the dyes Auramine, Chrysoidine and Bismarck Brown respectively. Some of these dyes are sold in the form of small crystals and must be powdered before adding them to the base. Their tinctorial effect is powerful, and as a crystal takes longer to dissolve than the same quantity in powder, you may overshoot the mark. This can be rectified by adding more base, but this means making more varnish than you intended. The safe procedure is to add just a few specks of the dye and stir until it is thoroughly dissolved and to test on your nail before adding more.

Bronze, silver and gold effects are easily attained with bronze powder and imitation silver and gold powders. For pearl varnish, stir in enough of the so-called pearl powder. If you have difficulty in buying the latter, you can make it yourself from fish scales. Those of the

There is no need to stop at a plain pearl effect. By adding to the pearl varnish rather less of the dyes than is needed to produce ordinary coloured varnishes, striking and delicately coloured pearl finishes can be attained.

SHAVING SOAP

Passing to male interests, perhaps you would like to make yourself a luxury shaving soap. If your beard is tough, or getting tougher with the passage of the years, here is a recipe which will certainly make shaving comfortable. It is a rather soft product and is used in a dish. Opal glass dishes, such as are now used for meat pastes, are excellent receptacles. To use it, the wetted shaving brush is rubbed on the soap and lathering proceeded with in the usual way.

You will need 1 ounce of spermaceti, 1 fluid ounce of almond oil, $1\frac{1}{2}$ ounces of Castile soap and 3 fluid ounces of water. Heat up the water in a water-bath, dissolve the Castile soap in it then add the spermaceti and almond oil and leave it awhile. When the spermaceti has melted stir the whole thoroughly, so as to mix in the spermaceti and oil. You can now pour it into the warmed dishes, or allow it to cool and then press it into the dishes with a spatula or clean knife. If you want a perfumed soap, stir in



AUNTIE WANTED ANOTHER PRINT

When Aunt Sarah said she would like a copy of a snap in the family album, Peter made one for her the same evening before she left.

He used his Johnson Junior Printing Pack. This is a photographic set, costing only 13/3, which contains everything needed for making contact prints at home. The equipment includes a Johnson plastic printing frame, two 5 x 4 in. dishes, one black and one orange, two plastic print forceps, a set of printing masks and 25 sheets of contact paper. Chemicals for processing prints are also enclosed and consist of two packets of M-Q Developer and two packets of fixing powder. The outfit contains full instructions and a 16-page booklet describing in detail the process of making contact prints.

The JOHNSON JUNIOR PRINTING PACK is very easy to use and if you would like to see one, why not go round to your nearest photo-shop and ask the dealer for more information. He'll be glad to help you.

Printing your own snaps is the first step towards photography as a hobby and an inexpensive way to start is with this outfit which, complete, costs only 13/3.

JOHNSONS OF HENDON LTD.

The Handy Paint in Tubes

Starlon is perfect for handicrafts and small painting jobs. Quick drying. No brush marks. Brilliant finish. No waste—you squeeze out exactly the quantity required.

Starlon

PLASTIC ENAMEL PAINT

Obtainable at handicraft shops everywhere
STARLINE, SOUTHEND-ON-SEA, ESSEX



1/-

PER TUBE
In 13 lovely
colours and
clear varnish

HARD HITTING ACCURATE

Webley AIR PISTOLS

AIR RIFLES · ACCESSORIES

Write for Catalogue

WEBLEY & SCOTT Ltd., 166 WEAMAN ST., BIRMINGHAM, ENGLAND



BE TALLER

in 12 days or money back. New gland and spinal discovery increases height 2 to 9 inches. 'I have gained 4½ inches in height. My weight increased from 9-stone 4-lb. to 10-stone 3½-lb.—P.D. 'Increased 3 inches.—H.G. Guaranteed harmless. Full course 10/- (or \$1.50). Air Mail 16/3. Details 2d. Sent under plain cover. J. H. MORLEY, 28 (H/165) Dean Rd., London, N.W.2. Practical Courses, all subjects. List free.

YOU can make - and give

wonderful

WREN CRAFT FURNITURE

Save pounds
on presents
with these easy
to-assemble outfits



Here's the best money-saving idea for years — beautiful WREN CRAFT Furniture. It's so simple, satin-smooth parts, step-by-step instructions, pins, glue — everything supplied. Fit the parts together and you have lovely furniture at a fraction of shop prices.

Choose from OAK, WALNUT, MAHOGANY or BEECH — all top quality timber and with a money back guarantee of workmanship.

Here are just a few of the wonderful things you can make with WREN CRAFT outfits:
COT, PLAY PEN,
CHILD'S DESK AND CHAIR,
COFFEE TABLES AND TROLLEYS,
BOOKCASES, COMPLETE BED-ROOM SUITE.
BATHROOM AND NEEDLEWORK CABINETS.
In fact 53 ARTICLES.

ACT NOW!



Get the exciting FREE
WREN CRAFT CATALOGUE
Post the coupon NOW


Please send me FREE COPY of the
WREN CRAFT CATALOGUE

NAME

ADDRESS

WREN CRAFT FURNITURE LTD.
Wellington Cr., New Malden S7
H14.

LOOK



WHAT YOU CAN MAKE

Make your own Micromodel Museum

Micromodel Set PG. VII. includes M.R. 4-4-0 Compound, G.W.R. "Great Bear", and G.W.R. "Duke" Class. Three little museum pieces for you to make.

● Send stamped addressed envelope for Illustrated List of 100 Models, Ships, Aero, Loco, Architectural, etc. Free.


MICROMODELS LTD
3 (H) Racquet Court, Fleet Street
London, E.C.4



'PAINTSPRAYING' HANDBOOK. Covers Car, Industrial & Flock Spraying. 3/6, post 4d. Catalogue of our Cellulose and Paints and all Allied Sundries 2½d. — Leonard Brooks Ltd., 81 Oak Road, Harold Wood, Essex.

GENUINE Swiss Musical Movements. The best and largest selection of tunes in the country, lowest prices 16/3 each. Genuine Thorens Movements. 22/9 each. All guaranteed. P & P. 9d. extra on all orders. — Richardson & Forder, HW, 5 Chapel Place, White Hart Lane, London, N.17.

LEARN it as you do it — we provide practical equipment combined with instruction in Radio, Television, Electricity, Mechanics, Chemistry, Photography, etc. — Write for full details to E.M.I. Institutes, Dept. HW47, London, W.4.



BRANCHES: LONDON
78a New Oxford St., W.C.1
(Phone MUSEum 2975)
87 Old Broad Street, E.C.2
(LONdon Wall 4375)
81 Streatham Hill, S.W.2
(TULse Hill 8796)

GLASGOW
326 Argyle Street
(Phone CENTral 5042)

Head Office & Factories—HOBBIES LTD, DEREHAM, NORFOLK

MANCHESTER
10 Piccadilly
(Phone CENTral 1787)

BIRMINGHAM
100a Dale End, Birmingham 4

SHEFFIELD
4 St. Paul's Parade

LEEDS
10 Queen Victoria Street

HULL
10 Paragon Square
(Phone 32959)

SOUTHAMPTON
134 High St. (Below Bar)

BRISTOL
30 Narrow Wine Street

NEWCASTLE
42 Dean Street

525 STAMPS FREE !!

Request approvals and details how to obtain this and other wonderful gifts, send 2½d. stamp.

Myers (HA) 42 Castlevew Gdns, Ilford, Essex

STAMP ALBUM ABSOLUTELY FREE

Request approvals sending 9d. Postal Order to cover postage and packing.

Myers (FA) 42 Castlevew Gdns, Ilford, Essex

● **DON'T MISS IT!**

The superb, novelty-packed

1957 GADGETS ANNUAL

HOW TO MAKE over 350 of the latest and cleverest gadgets and devices for home... garden... hobbies... garage... tools... gifts... puzzles... novel inventions... With patent spiral binding, and lully illust.

The huge 1957 GADGETS ANNUAL only costs 10/- from POSTLIB PUBLICATIONS, Kingsbury, London N.W.9

BRASS, COPPER, DURAL, ALUMINIUM, BRONZE

ROD, BAR, SHEET, TUBE, STRIP, WIRE
3,000 STANDARD STOCK SIZES
No Quantity too small. List on Application

H. ROLLET & Co. Ltd
6 CHESHAM PLACE, LONDON, S.W.1
Also at
Liverpool, Manchester, Leeds, Birmingham

MUSICAL BOX MOVEMENTS
14/9d. ONLY

Complete kits 21/6d.

SAE for details:—
SWISSCROSS CO., Dept. B,
116 Winifred Rd., COULSDON, SURREY

HOW TO STOP SMOKING

and permanently overcome that ceaseless craving for tobacco. Save money, safeguard health. Send stamp for details of the world-famous inexpensive Stanley Treatment for tobacco habit

THE STANLEY INSTITUTE LTD (Dept 30)
12 Bridewell Place, London E.C.4

*** GREAT CAMPING OFFER ***

RIDGE TENT SENT FOR 4/-



BRAND NEW de luxe 'Safety' Tent. All colours. Complete. Ideal cyclists, campers. Length 7' 3" sleeping base x 4' 6" wide x 3' 6" high x 12" walls, all approx. Weight 3½ lb. Cash 55/-. or 4/- deposit and 6/- monthly. WITH FLYSHEET 83/6, or 9/3 deposit and 9/9 monthly. Both carriage 2/6. LISTS OTHER EQUIPMENT, TENTS, CLOTHING, ETC., TERMS.

THE **Tom-Tom WIGWAM** TENT



SENT 2/6 FOR CASH 21/- POST 2/6

SUPERB 'TOM-TOM' COTTON PROOFED FABRIC. NOT NYLON. Height 5' 6". Built with collapsible poles, dismantle swiftly & transport elsewhere. No centre pole. Erected anywhere. A real waterproofed Tent. Holds 4/5 children. SEND 2/6 DEP., then 4 monthly payts. 5/9. Cash 21/-. Post 2/6. Waterproof Groundsheet 10/6 if req. Lists, Terms. Open Sat., 1 p.m. Wed.

HEADQUARTER & GENERAL SUPPLIES LTD.
(HOBW47), 196-200 Coldharbour Lane
Loughboro Junction, London, S.E.5

Classified advertisements are accepted at a cost of 6d. per word prepaid. Send P.O. with Advertisement to Advertisement Dept., Hobbies Weekly, Dereham, Norfolk

SWISS MUSICAL MOVEMENTS. Before you buy send 2d. stamp for our illustrated brochure — Metwood Accessories (Dept. HW), Church St., Wolverton, Bucks. (Trade enquiries invited.)

STAMPS FREE — Empire Packet including Pictorials and Victorians with approvals, — Robert J. Peck, 7A Kemp Road, Bournemouth.

100 DIFFERENT stamps free! Request ½d. upwards discount approvals. — Bush, 53 Newlyn Way, Parkstone, Dorset.

STOP SMOKING!! Quick guaranteed remedy Free testing sample!! — Triumph Remedies (H), Exeter.

CHEMICALS & APPARATUS
FOR 7/6 (POST FREE)

SAVE 2/6 — USUAL COST 10/-

BOOKLET, CHEMICALS & APPARATUS TO CARRY OUT OVER **50 EXPERIMENTS**

FREE 20 PAGE ILLUSTRATED CATALOGUE. Send 2½d stamp

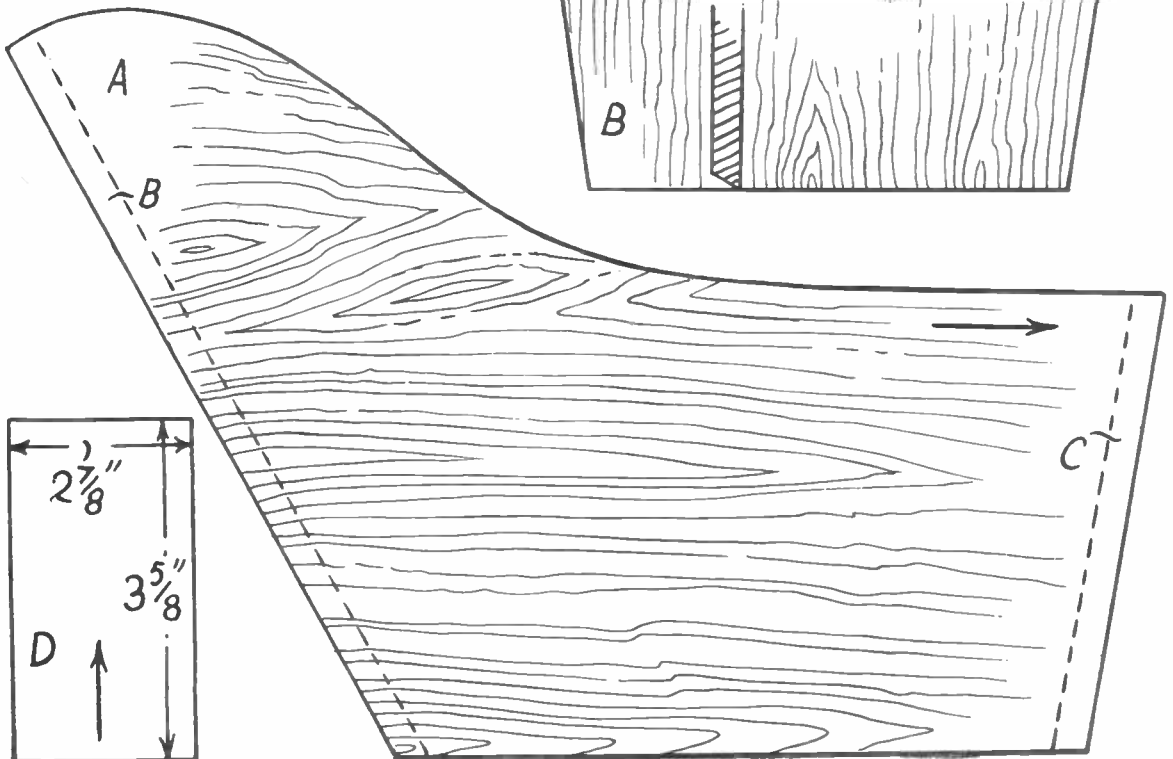
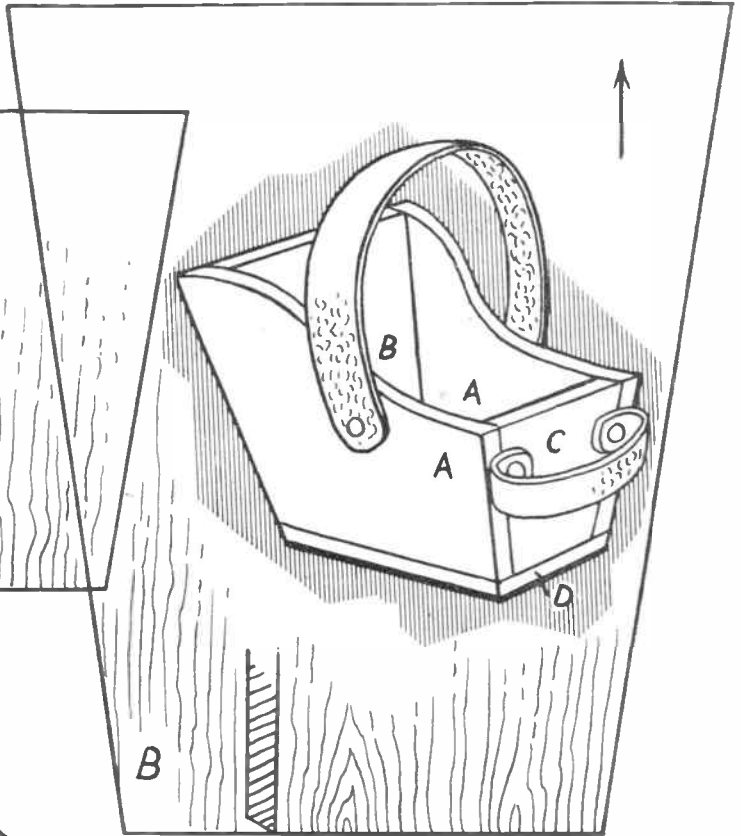
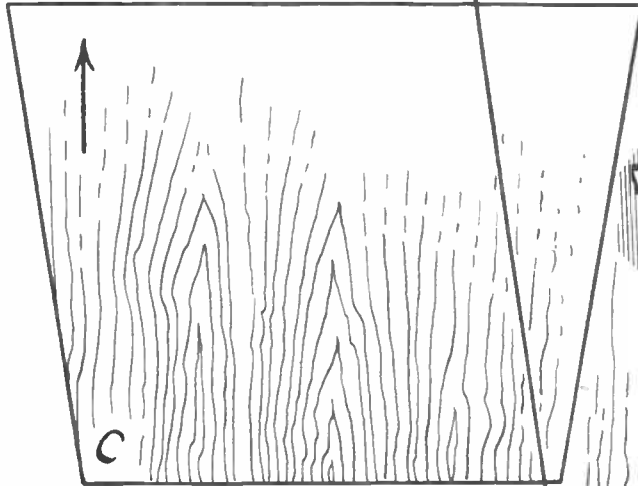
SPECIAL OFFER CHEMISTRY SETS £1 (Post free)

Send for details
SCIENTIFIC & TECHNICAL SUPPLIES
(NOTTINGHAM) LTD, 9 Wellington Circus, Nottingham

Full-size patterns

MODERN VASE HOLDER

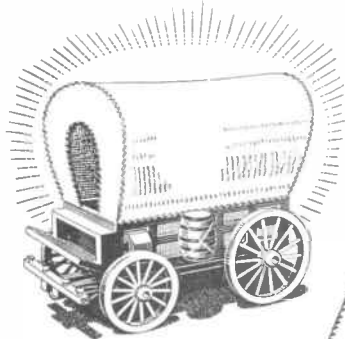
See page 339



Make Leisure a Pleasure with



Some of our
Kits which can
be made up as
GRAND GIFTS



24/6 'Covered Wagon'
Kit No. 3156

**NOVEL,
PRACTICAL
ELECTRIC
LIGHTS**



23/11 'Yacht' Kit No. 3110



6/9 'Bird' Vase Holders
Kit No. 3140
(for a pair, including vases)



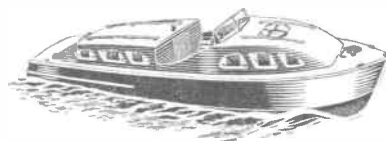
3/6 'Windmill' Egg Timer
Kit No. 3118

**CHARMING
DESIGNS
WHICH WILL
DELIGHT
EVERY
HOUSEWIFE**



Electric Tug 'Climax' Kit No. 251 Special
(including motor and propeller unit) **52/6**

— AND
**THRILLING
JOBS FOR
THE BOYS**



45/- Cruiser 'Crusader' Kit No. 3154
(including motor and propeller unit)

To Hobbies Ltd, Dept. 99, Dereham, Norfolk

Please send kit marked X (all post free)

Covered Wagon
No. 3156, 24/6

Egg Timer
No. 3118, 3/6

Tug 'Climax'
No. 251 Spl., 52/6

Yacht Light
No. 3110, 23/11

Vase Holders
No. 3140, 6/9

Cruiser 'Crusader'
No. 3154, 45/-

NAME

ADDRESS

P.O. enclosed for

**From Branches,
Stockists etc, or fill
in coupon for one
of these fine kits
TODAY**