

EVERYDAY

JULY 1997

PRACTICAL

ELECTRONICS

<http://www.epemag.wimborne.co.uk>

£2.65

MICRO PEST SCARER

Silently keeps pests away from your garden



IR REMOTE CONTROL REPEATER

Control your video, satellite, audio, etc, from another room

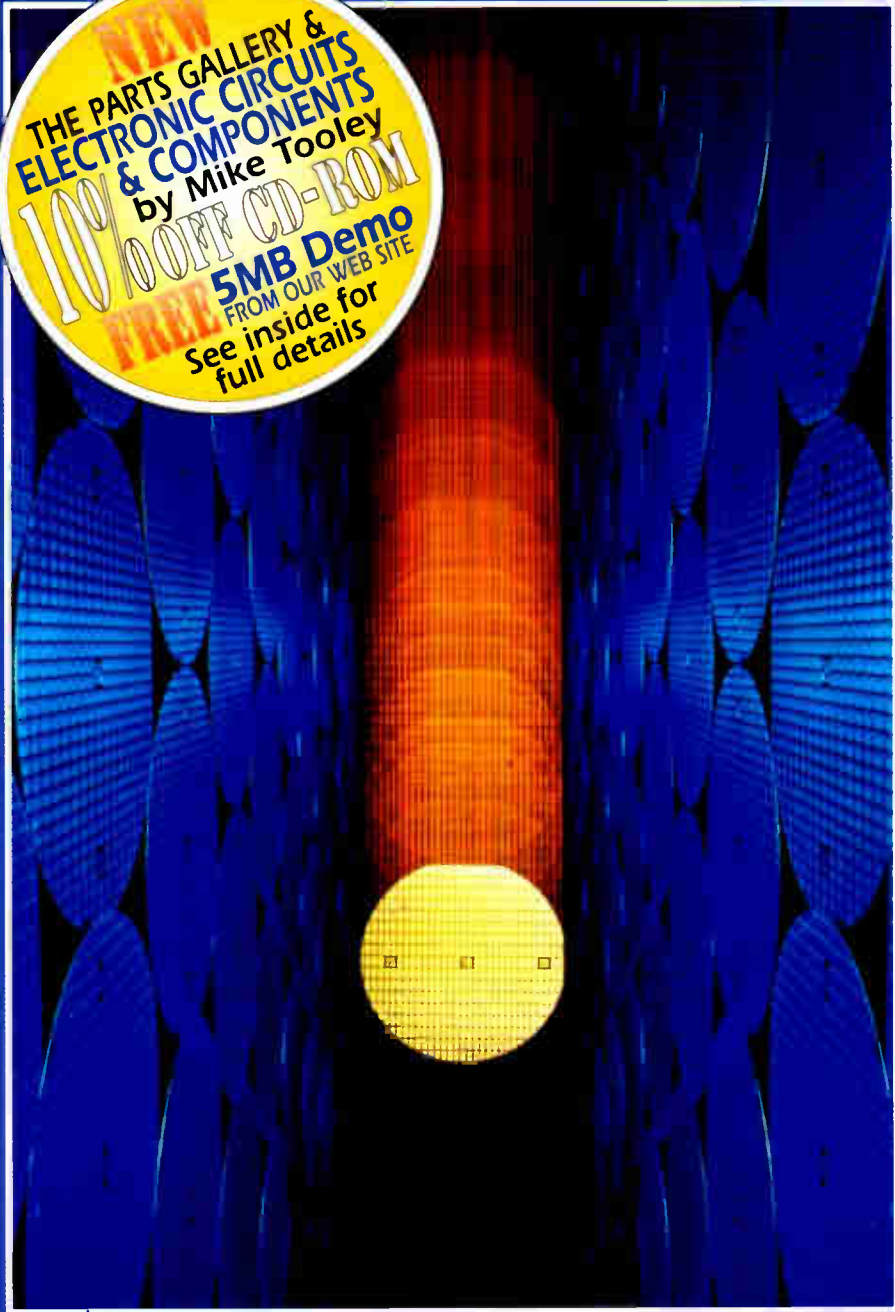
MICROPOWER PIR DETECTOR

Build an integrated battery powered alarm system

KARAOKE ECHO UNIT

TOTP & Stars In Their Eyes await you!

NEW
THE PARTS GALLERY &
ELECTRONIC CIRCUITS
& COMPONENTS
by Mike Tooley
100% OFF CD-ROM
5MB Demo
FROM OUR WEB SITE
See inside for full details



THE No.1 MAGAZINE FOR
ELECTRONICS TECHNOLOGY
& COMPUTER PROJECTS



PLUS Techniques - Ingenuity Unlimited - **Circuit Surgery**

THERE IS ONE DANGER YOU CAN'T SEE, HEAR, SMELL OR FEEL - ITS RADIATION. THERE ARE OVER 10,000 SHIPMENTS OF RADIOACTIVE MATERIAL IN THE UK EVERY YEAR BY ROAD AND RAIL! WOULD ANYBODY TELL YOU OF A RADIATION LEAK?

NEW GEIGER COUNTER IN STOCK Hand held unit with LCD screen, auto ranging, low battery alarm, audible 'click' output. New and guaranteed. £129 ref GE1

RUSSIAN BORDER GUARD BINOCULARS £1799 Probably the best binoculars in the world! ring for colour brochure.

RUSSIAN MULTIBAND WORLD COMMUNICATIONS RECEIVER, Exceptional coverage of 9 wave bands, (5 short, 1 LW, 1FM, 1MW) internal ferrite and external telescopic aerials, mains/battery. £45 ref VEGA

NEW LASER POINTERS 4.5mw, 75 metre range, hand held unit runs on two AA batteries (supplied) 670nm. £29 ref DEC49

HOW TO PRODUCE 35 BOTTLES OF WHISKY FROM A SACK OF POTATOES Comprehensive 270 page book covers all aspects of spirit production from everyday materials. Includes construction details of simple stills etc. £12 ref MS3

NEW HIGH POWER MINI BUG With a range of up to 800 metres and a 3 days use from a PP3 this is our top selling bug! less than 1" square and a 10m voice pickup range. £28 Ref LOT102.

BUILD YOUR OWN WINDFARM FROM SCRAP New publication gives step by step guide to building wind generators and propellers. Armed with this publication and a good local scrap yard could make you self sufficient in electricity! £12 ref LOT81

PC KEYBOARDS PS2 connector, top quality suitable for all 286/386/486 etc £10 ref PCKB. 10 for £65.

NEW LOW COST VEHICLE TRACKING TRANSMITTER KIT £29 range 1.5-5 miles, 5,000 hours on AA batteries, transmits info on car direction, left and right turns, start and stop information. Works with any good FM radio. £29 ref LOT101a

HIGH SECURITY ELECTRIC DOOR LOCKS Complete brand new Italian lock and latch assembly with both Yale type lock (keys inc) and 12v operated deadlock. £10 ref LOT99

***NEW HIGH POWER WIRELESS VIDEO AND AUDIO BUG KIT 1/2 MILE RANGE** Transmits video and audio signals from a miniature CCTV camera (included) to any standard television! Supplied with telescopic aerial. £169

CCTV PAN AND TILT KIT Motonize your CCTV camera with this simple 12vdc kit. 2 hermetically sealed DC linear servo motors 5mm threaded output 5 secs stop to stop, can be stopped any where, 10mm travel, powerful. £12 ref LOT125

GPS SATELLITE NAVIGATION SYSTEM Made by Garmin, the GPS38 is hand held, pocket sized, 255g, position, altitude, graphic compass, map builder, nitro filled. Bargain price just £179 ref GPS1.

CCTV CAMERA MODULES 46X70X29mm, 30 grams, 12v 100mA, auto electronic shutter, 3.6mm F2 lens, CCIR, 512x492 pixels, video output is 1v p-p (75 ohm). Works directly into a scart or video input on a tv or video. IR sensitive. £79.95 ref EF137.

IR LAMP KIT Suitable for the above camera, enables the camera to be used in total darkness! £6 ref EF138

INFRA RED POWERBEAM Handheld battery powered lamp, 4 inch reflector, gives out powerful pure infrared light! perfect for CCTV use, night sights etc. £29 ref PB1.

SUPER WIDEBAND RADAR DETECTOR Detects both radar and laser, X, K and KA bands, speed cameras, and all known speed detection systems, 360 degree coverage, front & rear waveguides, 1.1"x2.7"x4.8" fits on sun visor or dash £149 ref

CHIEFTAN TANK DOUBLE LASERS 9 WATT+3 WATT+LASER OPTICS

Could be adapted for laser listener, long range communications etc. Double beam units designed to fit in the gun barrel of a tank, each unit has two semi conductor lasers and motor drive units for alignment. 7 mile range, no circuit diagrams due to MOD, new price £50,000? us? £199. Each unit has two gallium Arsenide injection lasers, 1 x 9 watt, 1 x 3 watt, 900nm wavelength, 28vdc, 600hz pulse frequency. The units also contain an electronic receiver to detect reflected signals from targets. £199 for one. Ref LOT4.

EASY DIY/PROFESSIONAL TWO WAY MIRROR KIT Includes special adhesive film to make two way mirror(s) up to 60"x20". (glass not included) includes full instructions. £12 ref TW1.

NEW LOW PRICED COMPUTER/WORKSHOP/HI-FI RGB UNITS Complete protection from faulty equipment for everybody! Inline unit fits in standard IEC lead (extends it by 750mm), fitted in less than 10 seconds, reset/test button, 10A rating. £6.99 each ref LOT5 Or a pack of 10 at £49.90 ref LOT6. If you want a box of 100 you can have one for £250!

TWO CHANNEL FULL FUNCTION B GRADE RADIO CONTROLLED CARS From World famous manufacturer these are returns so they will need attention (usually physical damage) cheap way of buying TX and RX plus servos etc for new projects etc. £12 each sold as seen ref LOT2.

MAGNETIC CREDIT CARD READERS AND ENCODING MANUAL £9.95 Cased with flyleads, designed to read standard credit cards! complete with control electronics PCB and manual covering everything you could want to know about whats hidden in that magnetic strip on your card! just £9.95 ref BAR31



HIGH POWER DC MOTORS, PERMANENT MAGNET 12 - 24v operation, probably about 1/4 horse power, body measures 100m x 75mm with a 80mm x 5mm output shaft with a machined flat on it. Fixing is simple using the two threaded bolts protruding from the front of the motor 4mm x 12mm). These motors are perfect for model engineering etc they may even be suitable as a cycle motor? We expect high demand so if you would like one or think you may require one in the future place your order today! £22 ref MOT4 10 pack £185

WANT TO MAKE SOME MONEY? STUCK FOR AN IDEA? We have collated 140 business manuals that give you information on setting up different businesses, you peruse these at your leisure using the text editor on your PC. Also included is the certificate enabling you to reproduce (and sell) the manuals as much as you like! £14 ref EP74

RUSSIAN 900X MAGNIFICATION ZOOM MICROSCOPE metal construction, built in light, mirror etc. Russian shhmp farm!, group viewing screen, lots of accessories. £29 ref ANAYLT.

AA NICAD PACK Pack of 4 tagged AA nicads £2.99 ref BAR34

RUSSIAN NIGHTSIGHTS Model TZ54 with infra red illuminator, views up to 75 metres in full darkness in infrared mode, 150m range, 45mm lens, 13 deg angle of view, focussing range 1.5m to infinity, 2 AA batteries required. 950g weight. £199 ref BAR61. 1 years warranty

LIQUID CRYSTAL DISPLAYS Bargain prices, 16 character 2 line, 99x24mm £2.99 ref SM1623A

20 character 2 line, 83x19mm £3.99 ref SM2024A

16 character 4 line, 62x25mm £5.99 ref SMC1640A

TAL-1, 110MM NEWTONIAN REFLECTOR TELESCOPE Russian. Superb astronomical 'scope, everything you need for some serious star gazing! up to 189x magnification. Send or fax for further information. 20kg, 885x800x1850mm ref TAL-1, £249

YOUR HOME COULD BE SELF SUFFICIENT IN ELECTRICITY Comprehensive plans with loads of info on designing systems, panels, control electronics etc £7 ref PV1



COLOUR CCTV VIDEO CAMERAS

BRAND NEW AND CASED. FROM £99

Works with most modern video's, TV's, Composite monitors, video grabber cards etc Pal, 1v P-P, composite, 75ohm, 1/3" CCD, 4mm F2.8, 500x582, 12vdc, mounting bracket, auto shutter, 100x50x180mm, 3 months warranty, 1 off price £119 ref XEF150, 10 or more £99 ea 100+ £89

MICRO RADIO It's tiny, just 3/8" thick, auto tuning, complete with headphones. FM £9.99 ref EP35

25 SQUARE FOOT SOLAR ENERGY BANK KIT 100 6"x6" 6v Amorphous 100mA panels, 100 diodes, connection details etc to build a 25 square foot solar cell for just £99 ref EF112.

CONVERT YOUR TV INTO A VGA MONITOR FOR £25! Converts a colour TV into a basic VGA screen. Complete with built in psu, lead and swears... Ideal for laptops or a cheap upgrade. Supplied in kit form for home assembly. SALE PRICE £25 REF SA34

***15 WATT FM TRANSMITTER** Already assembled but some RF knowledge will be useful for setting up. Preamp req'd, 4 stage 80-106mhz, 12-18vdc, can use ground plane, yagi or dipole £69 ref 1021

***4 WATT FM TRANSMITTER KIT** Small but powerful FM transmitter kit 3 RF stages, mic & audio preamp included £24 ref 1028

YUASHITA SEALED LEAD ACID BATTERIES 12v 15AH at £18 ref LOT8 and below spec 6v 10AH at £5 a pair

ELECTRIC CAR WINDOW DE-ICERS Complete with cable, plug etc. SALE PRICE JUST £4.99 REF SA28

AUTO SUNCHARGER 155x300mm solar panel with diode and 3 metre lead fitted with a cigar plug. 12v 2watt. £12.99 REF AUG10P3.

SOLAR POWER LAB SPECIAL You get 2 6"x6" 6v 130mA cells, 4 LED's, wire, buzzer, switch + 1 relay or motor. £7.99 REF SA27

12V DC MOTOR SPEED CONTROL KIT Complete with PCB etc. Up to 30A. A heat sink may be required. £19.00 REF: MAG17

SOLAR NICAD CHARGERS 4 x AA size £9.99 ref 6P476, 2 x C size £9.99 ref 6P477

MEGA POWER BINOCULARS Made by Helios, 20 x magnification, precision ground fully coated optics, 60mm objectives, shock resistant caged prisms, case and neck strap. £89 ref HPH1

GIANT HOT AIR BALLOON KIT Build a 4.5m circumference, fully functioning balloon, can be launched with home made burner etc. Reusable (until you loose it!) £12.50 ref HA1

AIR RIFLES .22As used by the Chinese army for training purposes, so there is a lot about! £39.95 REF EF78. 500 pellets £4.50 ref EF80.

***NEW MEGA POWER VIDEO AND AUDIO SENDER UNIT.** Transmits both audio and video signals from either a video camera, video recorder, TV or Computer etc to any standard TV set in a 500m range! (tune TV to channel 31) 12v DC op. Price is £65 REF: MAG16 12v psu is £5 extra REF: MAG5P2

***MINIATURE RADIO TRANSCIVERS** A pair of walkie talkies with a range up to 2 km in open country. Units measure 22x52x155mm.

BULL ELECTRICAL

250 PORTLAND ROAD, HOVE, SUSSEX.
BN3 5QT. (ESTABLISHED 50 YEARS).

MAIL ORDER TERMS: CASH, PO OR CHEQUE
WITH ORDER PLUS £3.50 P&P PLUS VAT.
24 HOUR SERVICE £4.50 PLUS VAT.
OVERSEAS ORDERS AT COST PLUS £3.50

'phone orders: 01273 203500
(ACCESS, VISA, SWITCHE, AMERICAN EXPRESS)
FAX 01273 323077
E-mail bull@pavilion.co.uk

Including cases and earpieces. 2xPP3 req'd. £37.00 pr. REF: MAG30

***FM TRANSMITTER KIT** housed in a standard working 13A adapter!! the bug runs directly off the mains so lasts forever! why pay £700? or price is £18 REF: EF62 (kit) Transmits to any FM radio. Built and tested version now available of the above unit at £45 ref EXM34

***FM BUG BUILT AND TESTED** superior design to kit. Supplied to detective agencies. 9v battery req'd. £14 REF: MAG14

GAT AIR PISTOL PCK Complete with pistol, darts and pellets £14.95 Ref EF82B extra pellets (500) £4.50 ref EF80.

HEAT PUMPS These are mains operated air to air units that consist of a aluminium plate (cooling side) and a radiator (warming side) connected together with a compressor. The plate if inserted into water will freeze it. Probably about 3-400 watts so could produce 1kw in ideal conditions. £30 ref HP1

3 FOOT SOLAR PANEL Amorphous silicon, 3' x 1' housed in an aluminium frame, 13v 700mA ouput. £55 ref MAG45

SOLAR/WIND REGULATOR Prevents batteries from over charging. On reaching capacity the regulator diverts excess power into heat avoiding damage. Max power is 60 watts. £27.99 ref S/C/A11-05

FANCY A FLUTTER? SEEN OUR NEW PUBLICATION? Covers all aspects of horse and dog betting, systems etc and gives you a betting system that should make your betting far more profitable! £6 a copy ref BET1

FIBRE OPTIC CABLE BUMPER PACK 10 metres for £4.99 ref MAG5P13 ideal for experimental! 30 m for £12.99 ref MAG13P1

4X28 TELESCOPIC SIGHTS Suitable for all air rifles, ground lenses, good light gathering properties. £24.95 ref R7.

GYROSCOPES Remember these? well we have found a company that still manufactures these popular scientific toys, perfect gift or for educational use etc. £6 ref EP70

NICAD CHARGERS AND BATTERIES Standard universal mains operated charger, takes 4 batts + 1 PP3, £10 ref PD11D. Nicads- AA size (4 pack) £4 ref 4P44, C size (2 pack) £4 ref 4P73, D size (4 pack) £9 ref 9P12.

RECHARGE ORDINARY BATTERIES UP TO 10 TIMES! With the Battery Wizard! Uses the latest pulse wave charge system to charge all popular brands of ordinary batteries AAA, AA, C, D, four at a time! Led status shows when batteries are charged, automatically rejects unsuitable cells, complete with mains adaptor. BS approved. Price is £21.95 ref EP31

PHOTOGRAPHIC RADAR TRAPS CAN COST YOU YOUR LICENCE! The new multiband 2000 radar detector can prevent even the most responsible of drivers from losing their licence! Adjustable audible alarm with 8 flashing leds gives instant warning of radar zones. Detects X, K, and Ka bands, 3 mile range, 'over the hill' 'around bends' and 'rear trap' facilities. micro size just 4.25"x2.5"x.75". Can pay for itself in just one day! £89 ref EP3.

3" DISCS As used on older Amrad machines, Spectrum plus 3's etc £3 each ref BA400

STEREO MICROSCOPES BACK IN STOCK Russian, 200x complete with lenses, lights, filters etc very comprehensive microscope that would normally be around the £700 mark, our price is just £299 (full money back guarantee) full details in catalogue.

SECOND GENERATION NIGHT SIGHTS FROM £748 RETRON Russian night sight, 1.8x, infra red lamp, 10m-inf, standard M42 lens, 1.1kg, £349 ref RET1

LOW COST CORDLESS MIC 500' range, 90 - 105mhz, 115g, 193 x 26 x 39mm, 9v PP3 battery required. £17 ref MAG15P1

HIPOWER SURVEILLANCE TELESCOPE Continuous zoom control from 20 times to an amazing 60 times magnification, 60mm fully coated objective lens for maximum light transmission, complete with tripod featuring micro elevation control. £75 ref ZT1

JUMBO LED PACK 15 10mm bicolor leds, plus 5 giant (55mm) seven segment displays all on a pcb £8 ref JUM1. Pack of 30 55mm seven seg displays on pcbs is £19 ref LED4, pack of 50 £31 ref LED50

12VDC 40MM FANS MADE BY PANAFLO, NEW. £4. REF FAN12



WIND GENERATORS 380 WATT

1.14 dia blades, carbon matrix blades, 3 year warranty, 12vdc output, control electronics, brushless neodymium cubic curve alternator, only two moving parts, maintenance free, simple roof top installation, start up speed 7mph, max output (30mph) 380w, £499 ref AIR1

Check out our WEB SITE

full colour interactive

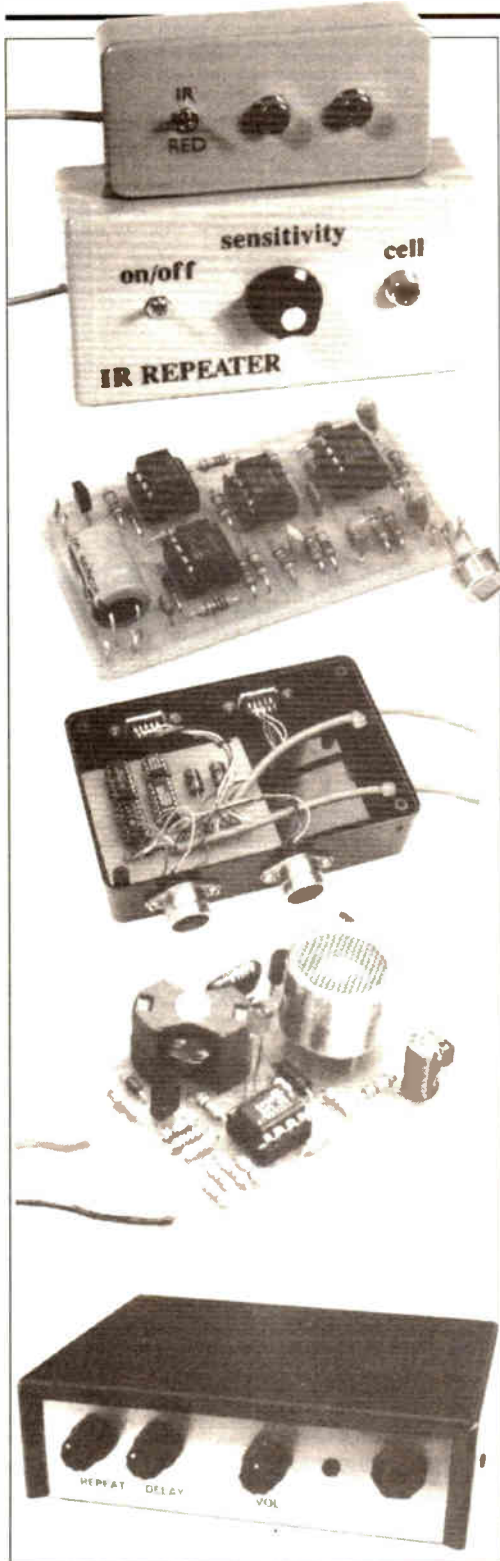
1997 catalogue

<http://www.pavillon.co.uk/bull-electrical>

FREE COLOUR CATALOGUE
WITH EVERY ORDER

*SOME OF OUR PRODUCTS MAY BE UNLICENSABLE IN THE UK

WE BUY SURPLUS STOCK
FOR CASH
SURPLUS STOCK LINE 0802 660335



Projects and Circuits

- MICRO PeS T SCARER** by Mark Stuart **452**
 PIC who you want to visit your garden or allotment
- KARAOKE ECHO UNIT** by Terry de Vaux-Balbirnie **458**
 Become a star turn and mix with the best
- INFRA-RED REMOTE REPEATER** by Robert Penfold **476**
 Control your video, satellite, audio etc. from another room
- COMPUTER DUAL USER INTERFACE** by Martin Campbell **488**
 Key into your computer from two different locations
- INGENUITY UNLIMITED** hosted by Alan Winstanley **492**
 Multi-sided Dice; Spatial Stereo Effect; Intruder Alarm; F.E.T. Tester;
 Versatile Linear Regulator; Novel Fibre-Optic Tester
- MICROPOWER PIR DETECTOR** - by Andy Flind **498**
 Low-Cost, battery powered, stand-alone sensor. First of three projects
 designed to form an integrated IR alarm system

Series and Features

- NEW TECHNOLOGY UPDATE** by Ian Poole **464**
 Disk drives are becoming cheaper and able to store more information
- TECHNIQUES - ACTUALLY DOING IT** by Robert Penfold **470**
 Advice on selecting and recognising components
- CIRCUIT SURGERY** by Alan Winstanley **472**
 Bring on the Subs; DIY Coil; Low Drop-Out Regulators;
 Precision Resistors; New Line-up
- GREAT EXPERIMENTERS - A Short History - 3** by Steve Knight **480**
 Despite difficulties from some of his contemporaries, Ohm eventually
 established his Law
- ELECTRONICS WORKBENCH V5.0 REVIEWED** by Robert Penfold **495**
 On-screen circuit design and testing made easy
- NET WORK - THE INTERNET PAGE** surfed by Alan Winstanley **508**
 Welcome to American Readers; How Secure Is Secure; Hot Links

Regulars and Services

- EDITORIAL** **451**
- INNOVATIONS** - Barry Fox highlights technology's leading edge. **466**
 Plus everyday news from the world of electronics
- READOUT** John Becker addresses general points arising **474, 484**
- PARTS GALLERY CD-ROM** **485**
 Special Offer to *EPE* readers
- BACK ISSUES** Did you miss these? **486**
- FAX ON DEMAND** **487**
 Need a recent *EPE* article now? Dial our "instant" response service!
- SHOPTALK** with David Barrington **497**
 Component buying for *EPE* projects
- ELECTRONICS VIDEOS** **502**
 Our range of educational videos
- DIRECT BOOK SERVICE** **504**
 A wide range of technical books available by mail order
- PRINTED CIRCUIT BOARD SERVICE** **506**
 PCBs for *EPE* projects - some at "knockdown" prices! Plus *EPE* software
- ADVERTISERS INDEX** **512**

© Wimborne Publishing Ltd 1997. Copyright in all drawings, photographs and articles published in **EVERYDAY PRACTICAL ELECTRONICS** is fully protected, and reproduction or imitations in whole or in part are expressly forbidden.

Our August '97 Issue will be published on Friday, 4 July 1997. See page 487 for details.

Everyday Practical Electronics, July 1997

Readers Services • Editorial and Advertisement Departments **451**

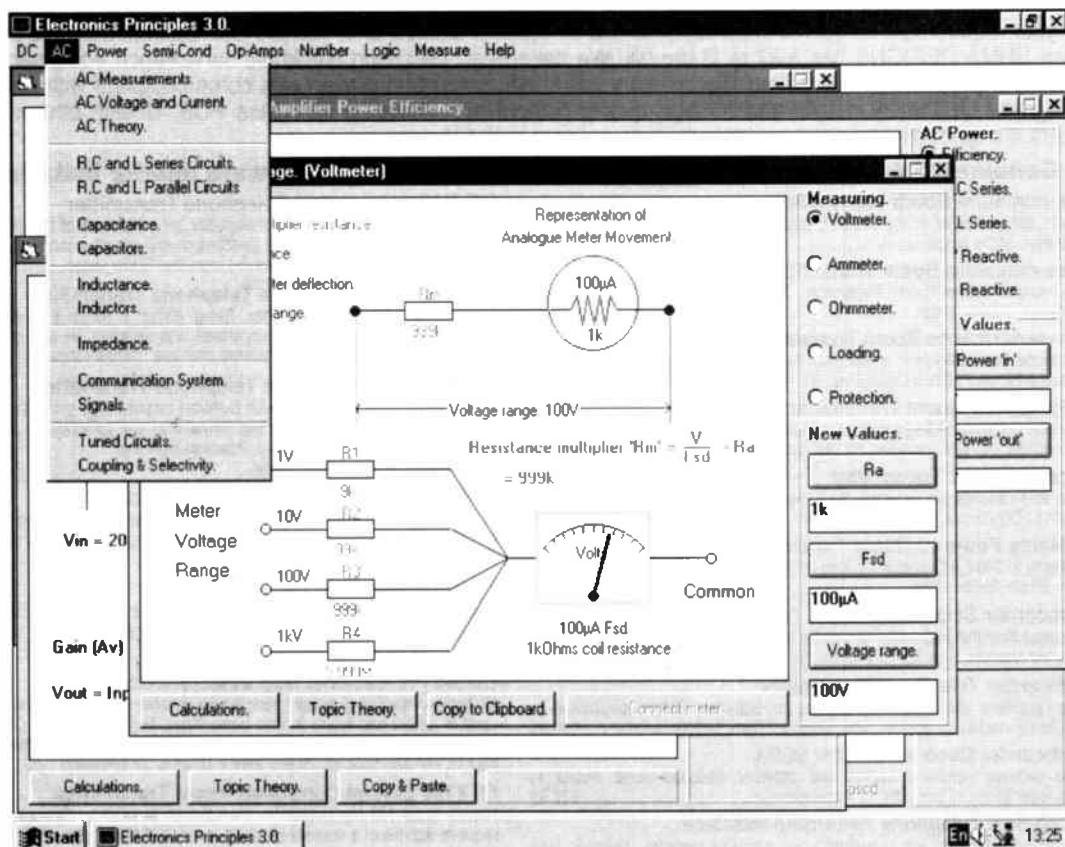
441

Electronics Principles 3.0

For Windows 3.1, '95 & NT.

If you are looking for an easy and enjoyable way of studying or improving your knowledge of electronics then this is the software for you.

Electronics Principles 3.0 now contains fifty-eight Windows and an extended range of nearly 300 fully interactive analogue and digital electronics topics and is currently used in hundreds of UK and overseas schools & colleges to support GCSE, A-level, BTEC, City & Guilds and university foundation courses. Also NVQ's and GNVQ's where students are required to have an understanding of electronics principles.



Other titles available.

Electronics Toolbox 3.0 £19.95*

Presents commonly used electronics formulae and routines in a way that makes calculations easy. Just select the topic, 'pop' in your values and find the result.

Mathematics Principles 3.0 £49.95*

Study or revise mathematics in what we believe is an interesting and enjoyable way. Nearly two hundred topics, including the GCSE syllabus with interactive, full colour graphics to enable 'learning through doing'.

Electronics Principles 4.0 £99.95*

Contains all of the extended version 3 and many more digital and analogue topics. Plus: Microprocessor & microcomputer operation, registers, arithmetic and logic unit, ROM, RAM etc. Addressing modes and full instruction set can be executed on the screen.

Inputs & outputs use electronics symbols.

Scientific notation avoided where possible to make numbers & calculations meaningful.

Experiment with standard textbook examples, even check your homework!

Hundreds of electronics formulae available for circuit investigation.

Multi-user site licence for schools & colleges.

Produce OHP slides & student handouts.

Complete Package just £49.95*

For more information, upgrades or software by return.

Telephone (01376) 514008.

EPT Educational Software. Pump House, Lockram Lane, Witham, Essex. UK. CM8 2BJ. Tel/Fax: 01376 514008.

E-Mail sales@eptsoft.demon.co.uk Web pages <http://www.octacon.co.uk/ext/ept/software.htm>

* UK Please Add £2 per order for post & packing + VAT. Make cheques payable to EPT Educational Software.

Switch, Delta, Visa and Mastercard orders accepted - please give card number and expiry date.

OVERSEAS ORDERS: Add £2.50 postage for countries in the EEC. Outside EEC add £3.50 for airmail postage.

SURVEILLANCE PROFESSIONAL QUALITY KITS

No. 1 for Kits

Whether your requirement for surveillance equipment is amateur, professional or you are just fascinated by this unique area of electronics SUMA DESIGNS has a kit to fit the bill. We have been designing electronic surveillance equipment for over 12 years and you can be sure that all our kits are very well tried, tested and proven and come complete with full instructions, circuit diagrams, assembly details and all high quality components including fibreglass PCB. Unless otherwise stated all transmitters are tuneable and can be received on an ordinary VHF FM radio.

Genuine SUMA kits available only direct from Suma Designs. Beware inferior imitations!

UTX Ultra-miniature Room Transmitter

Smallest room transmitter kit in the world! Incredible 10mm x 20mm including mic. 3V-12V operation. 500m range..... £16.45

MTX Micro-miniature Room Transmitter

Best-selling micro-miniature Room Transmitter. Just 17mm x 17mm including mic. 3V-12V operation. 1000m range..... £13.45

STX High-performance Room Transmitter

High performance transmitter with a buffered output stage for greater stability and range. Measures 22mm x 22mm, including mic. 6V-12V operation. 1500m range. £15.45

VT500 High-power Room Transmitter

Powerful 250mW output providing excellent range and performance. Size 20mm x 40mm. 9V-12V operation. 3000m range..... £16.45

VXT Voice-Activated Transmitter

Triggers only when sounds are detected. Very low standby current. Variable sensitivity and delay with LED indicator. Size 20mm x 67mm. 9V operation. 1000m range. £19.45

HVX400 Mains Powered Room Transmitter

Connects directly to 240V A.C. supply for long-term monitoring. Size 30mm x 35mm. 500m range..... £19.45

SCRX Subcarrier Scrambled Room Transmitter

Scrambled output from this transmitter cannot be monitored without the SCDM decoder connected to the receiver. Size 20mm x 67mm. 9V operation. 1000m range..... £22.95

SC LX Subcarrier Telephone Transmitter

Connects to telephone line anywhere, requires no batteries. Output scrambled so requires SCDM connected to receiver. Size 32mm x 37mm. 1000m range..... £23.95

SCDM Subcarrier Decoder Unit for SCRX

Connects to receiver earphone socket and provides decoded audio output to headphones. Size 32mm x 70mm. 9V-12V operation..... £22.95

ATR2 Micro-Size Telephone Recording Interface

Connects between telephone line (anywhere) and cassette recorder. Switches tape automatically as phone is used. All conversations recorded. Size 16mm x 32mm. Powered from line..... £13.45

UTLX Ultra-miniature Telephone Transmitter

Smallest telephone transmitter kit available. Incredible size of 10mm x 20mm! Connects to line (anywhere) and switches on and off with phone use. All conversation transmitted. Powered from line. 500m range..... £15.95

TLX 700 Micro-miniature Telephone Transmitter

Best-selling telephone transmitter. Being 20mm x 20mm it is easier to assemble than UTLX. Connects to line (anywhere) and switches on and off with phone use. All conversations transmitted. Powered from line. 1000m range..... £13.45

STLX High-performance Telephone Transmitter

High performance transmitter with buffered output stage providing excellent stability and performance. Connects to line (anywhere) and switches on and off with phone use. All conversations transmitted. Powered from line. Size 22mm x 22mm. 1500m range..... £16.45

TKX900 Signalling/Tracking Transmitter

Transmits a continuous stream of audio pulses with variable tone and rate. Ideal for signalling or tracking purposes. High power output giving range up to 3000m. Size 25mm x 63mm. 9V operation..... £22.95

CD400 Pocket Bug Detector/Locator

LED and piezo bleeper pulse slowly, rate of pulse and pitch of tone increase as you approach signal. Gain control allows pinpointing of source. Size 45mm x 54mm. 9V operation..... £30.95

CD600 Professional Bug Detector/Locator

Multicolour readout of signal strength with variable rate bleeper and variable sensitivity used to detect and locate hidden transmitters. Switch to AUDIO CONFORM mode to distinguish between localised bug transmission and normal legitimate signals such as pagers, cellular, taxis etc. Size 70mm x 100mm. 9V operation..... £50.95

QTX180 Crystal Controlled Room Transmitter

Narrow band FM transmitter for the ultimate in privacy. Operates on 180MHz and requires the use of a scanner receiver or our QRX180 kit (see catalogue). Size 20mm x 67mm. 9V operation. 1000m range..... £40.95

QLX180 Crystal Controlled Telephone Transmitter

As per QTX180 but connects to telephone line to monitor both sides of conversations. 20mm x 67mm. 9V operation. 1000m range..... £40.95

QSX180 Line Powered Crystal Controlled Phone Transmitter

As per QLX180 but draws power requirements from line. No batteries required. Size 32mm x 37mm. Range 500m..... £35.95

QRX 180 Crystal Controlled FM Receiver

For monitoring any of the 'Q' range transmitters. High sensitivity unit. All RF section supplied as pre-built and aligned module ready to connect on board so no difficulty setting up. Output to headphones. 60mm x 75mm. 9V operation..... £60.95

A build-up service is available on all our kits if required.

UK customers please send cheques, POs or registered cash. Please add £2.00 per order for P&P. Goods despatched ASAP allowing for cheque clearance. Overseas customers send Sterling Bank Draft and add £5.00 per order for shipment. Credit card orders welcomed on 01827 714476.

OUR LATEST CATALOGUE CONTAINING MANY MORE NEW SURVEILLANCE KITS NOW AVAILABLE. SEND TWO FIRST CLASS STAMPS OR OVERSEAS SEND TWO IRCS.

★★★ Specials ★★★

DLTX/DLRX Radio Control Switch

Remote control anything around your home or garden, outside lights, alarms, paging system etc. System consists of a small VHF transmitter with digital encoder and receiver unit with decoder and relay output, momentary or alternate, 8-way d.l.l. switches on both boards set your own unique security code. TX size 45mm x 45mm. RX size 35mm x 90mm. Both 9V operation. Range up to 200m.

Complete System (2 kits)..... £50.95

Individual Transmitter DLTX..... £19.95

Individual Receiver DLRX..... £37.95

MBX-1 Hi-Fi Micro Broadcaster

Not technically a surveillance device but a great idea! Connects to the headphone output of your Hi-Fi, tape or CD and transmits Hi-Fi quality to a nearby radio. Listen to your favourite music anywhere around the house, garden, in the bath or in the garage and you don't have to put up with the DJ's choice and boring waffle.

Size 27mm x 60mm. 9V operation. 250m range..... £20.95

**SUMA
DESIGNS**

DEPT. EE
THE WORKSHOPS, 95 MAIN ROAD,
BAXTERLEY, NEAR ATHERSTONE,
WARWICKSHIRE CV9 2LE

VISITORS STRICTLY BY APPOINTMENT ONLY



**Tel/Fax:
01827 714476**

SEETRAX CAE RANGER PCB DESIGN

WITH COOPER & CHYAN AUTOROUTER

RANGER2 + SPECCTRA £400.00

RANGER & SPECCTRA AUTOROUTER
Together giving the most cost effective PCB design system on the market TODAY !
SEETRAX'S ease of use combined with COOPER & CHYAN'S renowned gridless autorouter, at an outstanding price.

R2 Outputs: 8/9 & 24 pin printers, HP Desk & Laser Jet, Cannon Bubble Jet, HP-GL, Gerber, NC Drill, AutoCAD DXF
Demo Disk available at £5.00 +VAT

RANGER2 £150

Upto 8 pages of schematic linked to artwork
Gate & pin swapping - automatic back annotation
Copper flood fill, Power planes, Track necking,
Curved tracks, Clearance checking,
Simultaneous multi-layer auto-router

RANGER2 UTILITIES £250

COOPER & CHYAN SPECCTRA auto-router (SPI)
Gerber-in viewer, AutoCAD DXF in & out

UPGRADE YOUR PCB PACKAGE
TO RANGER2 £60

TRADE IN YOUR EXISTING PACKAGE TODAY

Seetrax CAE, Old Buriton Limeworks, Kiln Lane, Buriton, Petersfield, Hants, GU31 5SJ
Call 01730 260062 or Fax 01705 599036. + VAT & P.P.

All Trademarks Acknowledged

GREENWELD
ELECTRONIC COMPONENTS

GREENWELD

Greenweld has been established for 23 years specialising in buying and selling surplus job lots of Electronic Components and Finished Goods. We also keep a wide range of new stock regular lines. Why not request our 1997 Catalogue and latest Supplement - both absolutely FREE!

BECOME A BARGAIN LIST SUBSCRIBER TO SEE WHAT'S ON OFFER BEFORE IT'S ADVERTISED GENERALLY

Standard Bargain List Subscription

For just £6.00 a year UK/BFPO (£10.00 overseas), we'll send you **The Greenweld Guardian** every month. With this newsletter comes our latest **Bargain List** giving details of new surplus products available and details of new lines being stocked. Each issue is supplied with a personalised **Order Form** and details of exclusive offers available to Subscribers only.

Gold Bargain List Subscription

For just £12.00 a year (£20.00 overseas) the **GOLD** Subscriber category offers the following advantages:

- The Greenweld Guardian** and latest **Bargain List** every month, together with any brochures or fliers from our suppliers
- A REDUCED POSTAGE RATE** of £1.50 (normally £3.00) for all orders (UK only) and a reply paid envelope
- 5% DISCOUNT** on all regular Catalogue and Bargain List items on orders over £20.00

So Don't Miss Out - Subscribe Today!

27D Park Road · Southampton · SO15 3UQ
TELEPHONE: 01703 236363 FAX: 01703 236307
INTERNET: <http://www.herald.co.uk/clients/G/Greenweld/greenweld.html>



**1997
CATALOGUE
OUT NOW!**

Our stores (over 10,000 sq. ft.) have enormous stocks. We are open 8:00 am - 5:30 pm Monday to Saturday. Come and see us!



£1 BARGAIN PACKS

1,000 items appear in our Bargain Packs List - request one of these when you next order.

12V STEPPER MOTOR. 7.5 degree, pack of 1. Order Ref: 910.
SCREWDRIVERS. Pack of 10. Order Ref: 909.
REELS INSULATION TAPE. Pack of 5. Order Ref: 911.
10A 40V BRIDGE RECTIFIER. Pack of 1. Order Ref: 889.
LIGHTWEIGHT STEREO HEADPHONES. Moving coil so superior sound. Order Ref: 896.
25W CROSSOVERS. For 4ohm loudspeakers, pack of 2. Order Ref: 22.
REED RELAY KITS. You get 8 reed switches and 2 coil sets, Pack of 2. Order Ref: 148.
12V-0V-12V 6VA MAINS TRANSFORMER. P.C.B. mounting. Order Ref: 938.
MINI MONO AMP. 3W into 4 ohm speaker or 1W into 8 ohm. Order Ref: 495.
MINI STEREO 1W AMP. Pack of 1. Order Ref: 870.
0-1mA PANEL METER. Full vision face 70mm square. Scaled 0-100, pack of 1. Order Ref: 756.
12V SOLENOID. Has good 1/2" pull or could push if modified. Order Ref: 232.
6V 1A MAINS TRANSFORMERS. Upright mounting with fixing clamps, pack of 2. Order Ref: 9.
VERY FINE DRILLS. For PCB boards etc. Normal cost about 80p each, pack of 12. Order Ref: 128.
MOTORS FOR MODEL AEROPLANES. Spin to start so needs no switch, pack of 5. Order Ref: 134.
MICROPHONE INSERTS. Magnetic 400 ohm, also act as speakers, pack of 6. Order Ref: 139.
NEON INDICATORS. In panel mounting holders with lens, pack of 6. Order Ref: 180.
12V ALARMS. Makes a noise about as loud as a car horn. All brand new, pack of 4. Order Ref: 221.
OBLONG PUSH SWITCHES. For bell or chimes, these can switch mains up to 5A so could be footswitch if fitted in pattress, pack of 2. Order Ref: 263.
MIXED SILICON DIODES. Pack of 50. Order Ref: 293.
SHADED-POLE MAINS MOTOR. 3 4" stack, so quite powerful, pack of 1. Order Ref: 85.
5" ALUMINIUM BLADES. Could be fitted to the above motor, pack of 2. Order Ref: 86.
LUMINOUS ROCKER SWITCHES. 10A mains, pack of 4. Order Ref: 793.
BATTERY MODEL MOTORS. Tiny, medium and large, pack of 3. Order Ref: 35.
TEST PRODS FOR MULTIMETERS with 4mm sockets. Good length, very flexible lead. Order Ref: D66.
PAXOLIN PANELS, size 8" x 6", approximately 1/16" thick, pack of 2. Order Ref: D103.
PIEZO BUZZER with electronic sounder circuit, 3V to 9V DC operated. Order Ref: D76.
ROTARY SWITCH. 6-pole 6-way, small size and 1 4" spindle, pack of 2. Order Ref: D54.
FERRITE RODS. 7" with coils for long and medium waves, pack of 2. Order Ref: D52.
DITTO but without the coils, pack of 3. Order Ref: D52.
SLIDE SWITCHES. SPDT. pack of 20. Order Ref: D50.
TELESCOPIC AERIAL. Chrome plated, extendable and folds over for improved FM reception. Order Ref: 1051.
MES LAMP HOLDERS. Slide on to 1 4" tag, pack of 10. Order Ref: 1054.
PAXOLIN TUBING. 1 4" internal diameter. Pack of 2, 12" lengths. Order Ref: 1056.
HALL EFFECT DEVICES. Mounted on small heat-sink, pack of 2. Order Ref: 1022.
PAXOLIN PANEL. 12" x 12". Order Ref: 1033.
WHITE PROJECT BOX with rocker switch in top left-handed side, size 78mm x 115mm x 35mm, unprinted. Order Ref: 1006.
NEON PILOT LIGHTS. Oblong for front panel mounting, with internal resistor for normal mains operation, pack of 4. Order Ref: 970.
WANDER PLUGS. Pack of 10. Order Ref: 986.
ANOTHER PSU. Mains operated, output 15V AC at 320mA. Order Ref: 989.
230V ROD ELEMENTS. 750W terminal-ended, 10" long, pack of 2. Order Ref: 943.
LOUDSPEAKER. 4" circular, 6ohm 3W, pack of 2. Order Ref: 951.
PROJECT CASE. 95mm x 66mm x 23mm with removable lid, held by 4 screws, pack of 2. Order Ref: 876.
SOLENOIDS. 12V to 24V, will push or pull, pack of 2. Order Ref: 877.
CROCODILE CLIPS. Superior quality, flex can be attached without soldering. 5 each red and black. Order Ref: 886.
12V-0V-12V 10W MAINS TRANSFORMER. Order Ref: 811.
18V-0V-18V 10W MAINS TRANSFORMER. Order Ref: 813.

12V RECHARGEABLE BATTERY. The Yuasa 2.3AH, whose regular price is £15, you can buy for £3.50 and with the normal 12 month guarantee. We understand these batteries have never really been used but have simply been installed as a reserve. Order Ref: 3.5P14, or 10 for £30, VAT and carriage paid.

DO YOU NEED 240V D.C. IN A REMOTE PLACE? One easy way to get this would be using 20 of the 12V Yuasa batteries. These can easily be joined in series using our push-on tags and we will supply the 20 batteries and the 40 push-on tags for £55, including VAT and carriage. Order Ref: 55P2.

CHARGING THESE REMOTE BATTERIES. The ideal way, of course, would be to use solar chargers but unless you have a fortune to spend you can rule these out. The cheapest way to charge these batteries reliably is to buy an additional pack of 5 which you can carry away to a mains point. We will supply all parts to make a 75V charger which would charge the 5 up overnight. The cost of the charger kit, which includes the case and leads, is £9. Order Ref: 9P17.

WIND GENERATORS. Our 50V alternator, price £5, Order Ref: 5P249, would also charge them and has been suggested as a suitable means of generating electricity from the wind. At normal speeds this gives 75V and this could easily give you enough voltage and could charge the batteries in a remote place.

FIELD TELEPHONES. Outdoor events will soon be in full swing. These telephones are useful on building sites, rallies, horse shows, etc. Just join two phones together by a twin wire and you have 2-way calling and talking. You can also join one of them into the regular telephone line for outside

calls if you wish to. The telephones we have are ex-British Telecom, in excellent condition, tested and in good working order, powered by batteries (not included) complete in cases with carrying sling. Price £16 each. Order Ref: 16P8.

CHARGER FOR YUASA BATTERIES (the 12V one which we are selling for £3.50). This battery charger plugs into a 13A socket, charges at approximately 1/2A so it would charge the battery overnight. Complete with croc clips, ready to go, £5. Order Ref: 5P269.

VENNER 75A TIME SWITCH. This is a top class instrument, costs probably around £60 new. Electricity board but taken out of service because they changed to solar control. These have 2 on/off per 24 hours, price £8 each. Order Ref: 8P66.

12V MOTOR. 1/10hp with 1 1/4" spindle extending from each end. Motor body diameter is 3" and body length 5". Price £8. Order Ref: 8P65.

SOLDERING IRON. Super mains powered with long life ceramic element, heavy duty 40W for that extra special job. Complete with plated wire stand and 245mm lead, £3. Order Ref: 3P221.

DIGITAL THERMOMETER. Suitable for outdoors or indoors, has an extra wide temperature range -50°C to +70°C, complete with heavy duty battery which should last several years. Its sensor can be outside but with the readout inside, £4. Order Ref: 4P104.

MINI AM/FM TUNING CAPACITOR. Only 1" square but has a good length of 1/4" diameter spindle, with 4 variable preset caps for fine tuning. Price £1. Order Ref: D202.

ANOTHER 7" FERRITE ROD AERIAL. This is an extra special 1/2" diameter with long and medium wave coils. Price £1 each. Order Ref: D203.

SMART HIGH QUALITY ELECTRONIC KITS

All kits are complete with PCB and other components in a blister pack. We feel that most readers will know these kits but if you want more information about them, then we have copies of the illustrated Smart catalogue available price £1, deductible if you order kits to the value of £20.

Cat. No.	Description	Price £	Cat. No.	Description	Price £
1003	5 watt electronic siren	2.53	1083	Video signal amplifier	2.76
1005	Touch switch	2.87	1085	D.C. converter: 12V to 6V or 7.5V or 9V	2.53
1008	SF function generator	6.90	1086	Music-to-light for your car	4.60
1010	5-input stereo mixer, with monitor output	19.31	1089	L.e.d. flasher/555 tester	1.61
1016	Loudspeaker protection unit	3.22	1090	Stress meter	3.22
1023	Dynamic headphone preamp	2.50	1093	Windscreen wiper controller	3.68
1024	Microphone preamp	2.20	1094	Home alarm system	12.42
1025	7 watt hi-fi power amplifier	2.53	1098	Digital thermometer with l.c.d. display	11.50
1026	Running lights	4.60	1100	2 x 18 watt integrated amplifier	18.39
1027	Nicad battery charger	3.91	1103	L.e.d. power meter	1.84
1029	4-sound electronic siren	3.00	1106	Thermometer with l.e.d.s	6.9
1030	Light dimmer	2.53	1107	Electronics to help win the pools	3.68
1035	Space sound effects	2.30	1112	Loudspeaker protection with delay	4.60
1039	Stereo VU meter	4.60	1113	2 x 18 watt power amplifier	5.98
1041	25 watt hi-fi power amplifier	4.60	1115	Courtesy light delay	2.07
1042	AF generator 250Hz-16KHz	1.70	1118	Time switch, with triac, 0-10 mins	4.14
1043	Loudness stereo unit	3.22	1123	Morse code generator	1.84
1047	Sound switch	5.29	1124	Electronic bell	2.76
1048	Electronic thermostat	3.68	1125	Telephone lock	2.68
1050	3-input hi-fi stereo preamplifier	12.42	1126	Microphone preamplifier	4.60
1052	3-input mono mixer	6.21	1127	Microphone tone control	4.60
1053	Electronic metronome	3.22	1128a	Power flasher 12v d.c.	2.53
1054	4-input instrument mixer	2.76	1133	Stereo sound-to-light	5.26
1056	8-20V 8A stabilised power supply	12.42			
1057	Cassette headphone preamplifier	3.22			
1058	Electronic car ignition	7.82			
1059	Telephone amplifier	4.60			
1060	+40V 8A power supply	8.28			
1062	5V 0.5A stabilised supply for TTL	2.30			
1063	12V 2A power supply	2.30			
1064	+12V 0.5A stabilised supply	3.22			
1067	Stereo vu meter with leads	9.20			
1068	18V 0.5A stabilised power supply	2.53			
1070	Hi-fi preamplifier	7.47			
1071	4-input selector	6.90			
1080	Liquid level sensor -rain alarm	2.30			
1082	Car voltmeter with l.e.d.s	7.36			

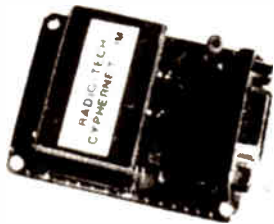
TERMS

Send cash, PO, cheque or quote credit card number - orders under £25 add £3 service charge.

J & N FACTORS
Pilgrim Works (Dept. E.E.)
Stairbridge Lane, Bolney,
Sussex RH17 5PA
Telephone: 01444 881965
(Also fax but phone first)

PIC16C84 and BIM Transceiver Development Platform in one!

A hardware development platform for exploring high speed, PC-PC, half duplex, two way Radio Data Communications!



Radio-Tech Limited CYPHERNET - 1M
Measures only 39 x 56mm x 17mm

- INCLUDES:-**
- 10MHz PIC16C84
 - BIM-418-F Transceiver
 - 9-Pin D-Type Connector
 - 2-Wire RS232 Interface
 - Transmitter On LED
 - Receiver On LED
 - 1/4 Wave Wire Antenna

Supplied with a free firmware driver the Cyphernet transceiver will permit you to link PC's and transfer data using Windows terminal mode. Only £79.95 each. Combined power and data cable only £ 6.95 each.

Dedicated PIC16C84 programming tool for re-programming the internal control firmware, permitting the user to explore and develop applications of their own. Only 94.95 each.

Unit featured above is Licence Exempt to MPT1340 within the UK Export Versions on 433.92MHz to ETS300-220 available with 1 and 10mW output power. Prices exclude VAT and Carriage



Free Catalogue!

Radio - Tech Limited, Overbridge House, Weald Hall Lane
Thornwood Common, Epping, Essex CM16 6NB.
Sales +44 (0) 1992 57 6107 (4-lines) Fax +44 (0) 1992 56 1994
<http://www.radio-tech.co.uk> E-mail radtec@radtec.demon.co.uk

BTEC approved
TUTOR supported



DISTANCE LEARNING COURSES in:

Analogue and Digital Electronic Circuits, Fibres & Opto-Electronics Programmable Logic Controllers Mechanics and Mechanisms Mathematics

- Courses to suit **beginners** and those wishing to **update** their knowledge and practical skills
- Courses are delivered to the student as self-contained kits
- No travelling or college attendance is required
- Learning is at your own pace

For information contact:
NCT Enterprises
Barnfield Technology Centre
Enterprise Way, Luton LU3 4BU
Telephone 01582 569757 • Fax 01582 492928

Established 1990



Product data
FAX back
01279 832269

NEW!

PROJECT KITS

COMBINATION LOCK Versatile electronic lock comprising main circuit & separate keypad for remote opening of lock. Relay supplied. 3029-KT £8.95

LIGHT ALARM Protect your valuables. Alarm sounds if circuit detects smallest amount of light. Place in cash box etc. 3006-KT £4.50

ALARM SIREN 110db of ear piercing noise. PCB fits in box with has 2 x 35mm piezo elements built into their own resonant cavity. Use as an alarm siren or just for fun! 6-9VDC. 3015-KT £8.75

LED COUNTER 3 digit basic event counter circuit on main board. Count & Reset switches & debounce circuit on 2nd. Cascaded on 3 kits for more digits. Box provided. 3001-KT £12.95

FUNCTION GENERATOR Quad Op-Amp oscillator & wave shaper circuit generates audio range square waves (6Hz-6KHz), triangle & pseudo sine outputs 9VDC. 3023-KT £4.25

LOGIC PROBE tests CMOS & TTL circuits & detects fast pulses. Visual & audio indication of logic state. Full instructions supplied. 3024-KT £7.25

ROULETTE LED 'Ball' spins round the wheel, slows down & drops into a slot. 10 LED's. CMOS decade counter & Op-Amp. Educational & fun! 3006-KT £9.75

PELTIER JUNCTION HEAT PUMP Boil & freeze water instantly! Use for regulated cooling of temperature sensitive components & much more. Heat sink required. 3086-KT £18.50

9V XENON TUBE FLASHER Transformer circuit steps up 9V battery supply to flash the 25mm long Xenon tube. Adjustable flash rate (0.25-2 Sec's). 3022-KT £10.95

LM383 AUDIO AMPLIFIER Popular module for any general (Class B) audio application. 1/2 Wp. output 10W @ 16V & 2W speaker; 1W @ 9V & 6W. 3047-KT £9.25

LED FLASHER 5 ultra bright red LED's flash in sequence or randomly. Ideal for model railways. 3062-KT £4.50

MULTI SEQUENCE LED FLASHER same as 3062-KT above but you have 7 patterns to choose from. 3037-KT £4.50

LED DICE Classic intro to electronics & circuit analysis. 7 LED's simulate dice roll, slow down & land on a number at random. 565 IC circuit. 3003-KT £7.75

DUAL LED DICE PIC 16C54 circuit performs similar function to 3003-KT above but two dice. Good intro to micro-controllers. Software code supplied on disk. 3071-KT £18.25

16C84 PIC PROGRAMMER Reads, programs & verifies. Uses any PC parallel port. All hardware, software & documentation needed to learn & test this IC provided. 3081-KT £25.50

STAIRWAY TO HEAVENS Tests hand-eye co-ordination. Press switch when green segment of LED lights to climb the stairway - miss & start again! Good intro to several basic circuits. 3005-KT £7.75

SPEED CONTROLLER for any common DC motor up to 100V/5A. Pulse width modulation gives maximum torque at all speeds. 5-15VDC. 3067-KT £17.50

3V/1.5V to 9V BATTERY CONVERTER Replace expensive 9V batteries with economic 1.5V batteries. IC based circuit steps up 1 or 2 'AA' batteries to give 9V/18mA. 3036-KT £4.75

AM RADIO KIT Tuned Radio Frequency front-end, single chip AM radio IC & 2 stages of audio amplification. All components inc. speaker provided. PCB 32x102mm. 3063-KT £8.95

TRAIN SOUNDS 4 selectable sounds - whistle blowing, level crossing bell, chugging, & 'clickety-click'. All components inc. speaker supplied. SG1 £4.50

AUDIO TO LIGHT MODULATOR Controls intensity of one or more lights in response to an audio input. Safe, modern opto-coupler design. Mains voltage experience required. 3012-KT £8.75

THREE TIMER CIRCUITS in one kit! 3 PCB's & all components to make timers for a few seconds or up to 21 years! Onboard relay outputs. 3095-KT £18.25

8 CHANNEL IR TX/RX Controls 8 relays using IR remote control unit. 3072-KT £24.95

TELEPHONE ACTIVATED SWITCH Control 4 relays from anywhere in world by phone. (Not BT approved). 3086-KT £28.95

10W STEREO AMPLIFIER MODULE Uses TDA2009 class AB audio power amp IC designed for quality stereo applications. 3085-KT £9.95

17W BRIDGE AMPLIFIER 40W of 'brute' power @ 12VDC into 4W speakers. Ideal car booster amp. 3091-KT £7.95

STEREO VU METER shows peak music power using 2 rows of 10 LED's (green, yellow, red) moving bar display. 0-30db. 3089-KT £18.95

IR REMOTE TOGGLE SWITCH Use any remote control unit to switch onboard relay on/off. 3058-KT £9.50

PC DATA ACQUISITION UNIT Enables your PC to monitor & control external events & devices through it's parallel port. 3093-KT £28.95

PIC 16C71 FOUR SERVO MOTOR DRIVER Independently control 4 servo motors (not supplied). 3102-KT £18.75

UNIPOLAR STEPPER MOTOR DRIVER for any 5, 6 or 8 lead motors. 3 run modes. 3109-KT £17.50

LASER POINTER KIT 5mW Hitachi 670nm red laser diode. Attractive plastic case supplied. 3070-KT £49.95

ULTRASONIC MOVEMENT DETECTOR Xtal controlled oscillator, detector circuit & edge mounted transducers on a 75x40mm PCB. 4-7m range. Adjustable sensitivity. Outputs to drive external relay/circuits. 9VDC. 3049-KT £12.95

SURVEILLANCE

High performance surveillance kits. Room transmitters supplied with sensitive electret microphones & battery holders/clips. All transmitters can be received on an ordinary VHF FM radio

MTX - Miniature 3V Transmitter
Easy to build & guaranteed to transmit 500 metres (over 1000m possible with higher voltage & better aerial). 3-9V operation. Only 45x18mm. 3007-KT £4.95

MRTX - Miniature 9V Room Transmitter
Our best selling 'bug'. Super sensitive, high power 1000m range (up to 2 miles with 18V supply & better aerial!). 9V operation. 45x19mm. 3018-KT £5.95

HPXT - High Power Room Transmitter
High performance, 2 stage transmitter gives greater stability & high quality reception. 1000m range with 9V operation. On/off switch. Size 70x15mm. 3032-KT £8.95

VTX - Voice Activated Transmitter
Powerful 2 stage voice activated transmitter. Only operates when sounds are detected. 1km range. Low standby current - conserves battery power. Adjustable sensitivity & turn-off delay. Only 63x38mm. 3029-KT £7.95

TRH - Telephone Recording Interface
Connect between phone line & cassette recorder. Automatically switches on tape when phone is used. Records all conversations. Powered from line. 46x32mm. 3033-KT £3.95

TRVS - Tape Recorder Vox Switch
Very sensitive, voice activated switch - automatically turns on cassette recorder when sounds are detected. Adjustable sensitivity & turn-off delay. 115x91mm inc. mic. 3013-KT £8.95

MTXK - Miniature Telephone Transmitter
Attaches anywhere to phone line. Transmits only when phone is used! Uses phone line as aerial & power source. 500m range. 45x15mm. 3016-KT £4.95

Two Station Intercom/Hard Wired Bug
Each unit has its own speaker, microphone & amplifier (LM388). Turn into a hard wired bug by using 4 strand ribbon cable supplied to send power from the receiving unit to the remote bug unit. 9V. 3021-KT £11.75

Telephone Amplifier Kit
Pick-up coil & sensitive amplifier let you hear conversations without even holding the phone! Can be used for surveillance purposes. 3086-KT £9.25

X-FACTOR PUBLICATIONS

THE EXPERTS IN RARE & UNUSUAL INFORMATION!

Full details of all X-FACTOR PUBLICATIONS can be found in our catalogue. N.B. Minimum order charge for reports and plans is £5.00 PLUS normal P&P

SUPER-EAR LISTENING DEVICE Complete plans to build your own parabolic dish microphone. Listen to distant voices and sounds through open windows and even walls! Made from readily available parts. R002 £3.50

TELEPHONE BUG PLANS Build your own micro-bee telephone bug. Suitable for any phone. Transmits over 250 metres - more with good receiver. Made from easy to obtain, cheap components. R006 £2.50

LOCKS - How they work and how to pick them. This fact filled report will teach you more about locks and the art of lock picking than many books we have seen at 4 times the price. Packed with information and illustrations. R008 £3.50

RADIO & TV JOKER PLANS We show you how to build three different circuits for disrupting TV picture and sound plus FM radio! May upset your neighbours & the authorities!!

DISCRETION REQUIRED. R017 £3.50

INFINITY TRANSMITTER PLANS
Complete plans for building the famous Infinity Transmitter. Once installed on the target phone, device acts like a room bug. Just call the target phone & activates the unit to hear all room sounds. Great for home/office security! R019 £3.50

THE ETHER BOX CALL INTERCEPTOR PLANS Grabs telephone calls out of thin air! No need to wire-in a phone bug. Simply place this device near the phone line to hear the conversations taking place! R025 £3.50

MINI CCTV CAMERA

Latest high quality IR-sensitive monochrome camera module for Video Intercom CCTV. Surveillance etc. Simply plug into scart or video. Six on-board IR LED's. Less than half the size of a cigarette packet!

ASSEMBLED UNIT: 30A7-AS £89.95

FEATURES

- * Compact & light camera PCB module. 54Wx28Lx30mmH. 33 grams
- * Low power consumption 12V DC. 150mA
- * Low light requirement 0.1Lux (IR LED on)
- * High quality, high resolution CCD image. 512x562 pixels
- * Video output 1Vp-p/75Ω
- * Lens 3.6mm. F1.8
- * Field of view 74° x 55°
- * Maintenance free
- * Built-in electronically controlled auto-iris
- * Internal synchronisation

plus AUDIO • EDUCATIONAL • LASER • SECURITY • TEST GEAR • BOOKS & more

Our high quality project kits are supplied with all components, fibre glass PCB's & comprehensive instructions. **FREE CATALOGUE** with order or send 2 x 1st Class stamps (refundable) for details of over 100 kits & publications. Mail order only. Please ADD £2.00 P & P to all orders (Europe £3, Rest of World £4) & make cheques/PO's payable to Quasar Electronics. Goods normally despatch within 5 working days but please allow 28 days for delivery. Prices include VAT at 17.5%.

Quasar Electronics Unit 14 Sunningdale BISHOP'S STORTFORD Herts CM23 2PA
E-mail: QuasarElectronics@compuserve.com
Web site: <http://ourworld.compuserve.com/homepages/QuasarElectronics>

MAIL ORDER ONLY • CALLERS BY APPOINTMENT

*** NEW IN THIS ISSUE**

EPE MICROCONTROLLER P.I. TREASURE HUNTER

The latest MAGENTA DESIGN - highly stable & sensitive - with MC control of all timing functions and advanced pulse separation techniques.

- New circuit design 1994
- High stability drift cancelling
- Easy to build & use
- No ground effect, works in seawater
- Detects gold, silver, ferrous & non-ferrous metals
- Efficient quartz controlled microcontroller pulse generation.
- Full kit with headphones & all hardware



KIT 847.....£63.95

DIGITAL LCD THERMOSTAT

A versatile thermostat using a thermistor probe and having an I.c.d. display. MIN/MAX memories, -10 to 110 degrees Celsius, or can be set to read in Fahrenheit. Individually settable upper and lower switching temperatures allow close control, or alternatively allow a wide 'dead band' to be set which can result in substantial energy savings when used with domestic hot water systems. Ideal for greenhouse ventilation or heating control, aquaria, home brewing, etc. Mains powered, 10A SPCO Relay output. Punched and printed case.

KIT 841.....£29.95

PORTABLE ULTRASONIC PEST SCARER

A powerful 23kHz ultrasound generator in a compact hand-held case. MOSFET output drives a special sealed transducer with intense pulses via a special tuned transformer. Sweeping frequency output is designed to give maximum output without any special setting up.

KIT 842.....£22.56

DIGITAL CAPACITANCE METER

A really professional looking project. Kit is supplied with a punched and printed front panel, case, p.c.b. and all components. Quartz controlled accuracy of 1%. Large clear 5-digit display and high speed operation. Ideal for beginners - as the μF , nF and pF ranges give clear unambiguous read out of marked and unmarked capacitors from a few pF up to thousands of μF .

KIT 493.....£39.95

SUPER ACOUSTIC PROBE

Our very popular project - now with ready built probe assembly and diecast box. Picks up vibrations amplifies, and drives headphones. Sounds from engines, watches, and speech through walls can be heard clearly. Useful for mechanics, instrument engineers and nosey parkers! A very useful piece of kit.

KIT 865.....£29.95

MICRO PEST SCARER

Our latest design - The ultimate scarer for the garden. Uses special microchip to give random delay and pulse time. Easy to build reliable circuit. Keeps pets/pests away from newly sown areas, play areas, etc. Uses power source from 9 to 24 volts.

- RANDOM PULSES
- HIGH POWER
- DUAL OPTION

KIT 867.....£19.99



Plug-in power supply £4.99

WINDICATOR

A novel wind speed indicator with LED readout. Kit comes complete with sensor cups, and weatherproof sensing head. Mains power unit £5.99 extra.

KIT 856.....£28.00

★ TENS UNIT ★

DUAL OUTPUT TENS UNIT

As featured in March '97 issue.

Magenta have prepared a FULL KIT for this excellent new project. All components, PCB, hardware and electrodes are included. Designed for simple assembly and testing and providing high level dual output drive.

KIT 866.... Full kit including four electrodes £32.90

1000V & 500V INSULATION TESTER

Superb new design. Regulated output, efficient circuit. Dual-scale meter, compact case. Reads up to 200 Megohms. Kit includes wound coil, cut-out case, meter scale, PCB & ALL components.

KIT 848.....£32.95



MOSFET MkII VARIABLE BENCH POWER SUPPLY 0-25V 2.5A.

Based on our Mk1 design and preserving all the features, but now with switching pre-regulator for much higher efficiency. Panel meters indicate Volts and Amps. Fully variable down to zero. Toroidal mains transformer. Kit includes punched and printed case and all parts. As featured in April 1994 EPE. An essential piece of equipment.

KIT 845.....£64.95



SPACEWRITER

An innovative and exciting project. Wave the wand through the air and your message appears. Programmable to hold any message up to 12 digits long. Comes pre-loaded with "MERRY XMAS". Kit includes PCB, all components & tube plus instructions for message loading.

KIT 849.....£16.99

12V EPROM ERASER

A safe low cost eraser for up to 4 EPROMS at a time in less than 20 minutes. Operates from a 12V supply (400mA). Used extensively for mobile work - updating equipment in the field etc. Also in educational situations where mains supplies are not allowed. Safety interlock prevents contact with UV.

KIT 790.....£28.51

SUPER BAT DETECTOR

1 WATT O/P, BUILT IN SPEAKER, COMPACT CASE
20kHz-140kHz

NEW DESIGN WITH 40kHz MIC.

A new circuit using a 'full bridge' audio amplifier i.c., internal speaker, and head-phone/tape socket. The latest sensitive transducer, and 'double balanced mixer' give a stable, high performance superheterodyne design.

KIT 861.....£24.99

ALSO AVAILABLE Built & Tested£39.99

E.E. TREASURE HUNTER P.I. METAL DETECTOR MKI

Magenta's highly developed & acclaimed design. Quartz crystal controlled circuit MOSFET coil drive. D.C. coupled amplification. Full kit includes PCB, handle, case & search coil.

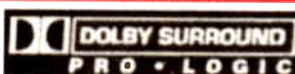
- KIT INC. HEADPHONES
- EFFICIENT CMOS DESIGN
- POWERFUL COIL DRIVE

- DETECTS FERROUS AND NON-FERROUS METAL - GOLD, SILVER, COPPER ETC.
- 190mm SEARCH COIL
- NO 'GROUND EFFECT'

KIT 815.....£45.95



DOLBY PRO-LOGIC DECODER



Brings full Genuine PRO-LOGIC Surround Sound to you at a fantastic price. The circuit meets all "DOLBY specifications, with "Stereo", "3-Stereo" and "Surround" selections. Featured in EPE APRIL '96

Full kit with case and transformer, Kit Ref: 869 £124.99

Short Form KIT, Kit Ref: 858 £99.00

*DOLBY and the double-D symbol are trademarks

ULTRASONIC PEST SCARER

Keep pets/pests away from newly sown areas, fruit, vegetable and flower beds, children's play areas, patios etc. This project produces intense pulses of ultrasound which deter visiting animals.

- KIT INCLUDES ALL COMPONENTS, PCB & CASE
- EFFICIENT 100V TRANSDUCER OUTPUT
- COMPLETELY INAUDIBLE TO HUMANS
- UP TO 4 METRES RANGE
- LOW CURRENT DRAIN

KIT 812.....£14.81



DC Motor/Gearboxes

Our Popular and Versatile DC motor/Gearbox sets. Ideal for Models, Robots, Buggies etc. 1-5 to 4-5V Multi ratio gearbox gives wide range of speeds.

LARGE TYPE - MGL £6.95
SMALL - MGS - £4.77



Stepping Motors

- MD38...Mini 48 step...£8.65
- MD35...Std 48 step...£12.98
- MD200...200 step...£16.80
- MD24...Large 200 step...£22.95



SIMPLE PIC PROGRAMMER

INCREDIBLE LOW PRICE!

Kit 857 **£12.99**

INCLUDES 1-PIC16C84 CHIP SOFTWARE DISK, LEAD CONNECTOR, PROFESSIONAL PC BOARD & INSTRUCTIONS

Power Supply £3.99

EXTRA CHIPS:
PIC 16C84 £7.36

Based on the design in February '96 *EPE* article, Magenta have made a proper PCB and kit for this project. PCB has 'reset' switch, Program switch, 5V regulator and test L.E.D.s. There are also extra connection points for access to all A and B port pins.

PIC16C84 LCD DISPLAY DRIVER

INCLUDES 1-PIC16C84 WITH DEMO PROGRAM SOFTWARE DISK, PCB, INSTRUCTIONS AND 16-CHARACTER 2-LINE LCD DISPLAY

Kit 860 **£17.99**

Power Supply £3.99

FULL PROGRAM SOURCE CODE SUPPLIED - DEVELOP YOUR OWN APPLICATION!

Another super PIC project from Magenta. Supplied with PCB, industry standard 2-LINE x 16-character display, data, all components, and software to include in your own programs. Ideal development base for meters, terminals, calculators, counters, timers - Just waiting for your application!

★ Chip is pre-programmed with demo display ★

SUPER PIC PROGRAMMER

- READS, PROGRAMS, AND VERIFIES
- WINDOWS™ SOFTWARE
- PIC16C6X, 7X, AND 8X
- USES ANY PC PARALLEL PORT
- USES STANDARD MICROCHIP • HEX FILES
- OPTIONAL DISASSEMBLER SOFTWARE (EXTRA)
- PCB, LEAD, ALL COMPONENTS, TURNED PIN SOCKETS FOR 18, 28, AND 40 PIN ICs.

NEW!

- SEND FOR DETAILED INFORMATION - A SUPERB PRODUCT AT AN UNBEATABLE LOW PRICE.

Kit 862 **£29.99**

Power Supply £3.99

PIC STEPPING MOTOR DRIVER

INCLUDES: PCB, PIC16C84 WITH DEMO PROGRAM, SOFTWARE DISK, INSTRUCTIONS AND MOTOR.

Kit 863 **£18.99**

FULL SOURCE CODE SUPPLIED. ALSO USE FOR DRIVING OTHER POWER DEVICES e.g. SOLENOIDS.

NEW!

Another NEW Magenta PIC project. Drives any 4-phase unipolar motor - up to 24V and 1A. Kit includes all components and 48 step motor. Chip is pre-programmed with demo software, then write your own, and re-program the same chip! Circuit accepts inputs from switches etc and drives motor in response. Also runs standard demo sequence from memory.

PIC16C84 MAINS POWER 4-CHANNEL CONTROLLER & LIGHT CHASER

- WITH PROGRAMMED 16C84 AND DISK WITH SOURCE CODE IN MPASM
- ZERO VOLT SWITCHING - 10 CHASE PATTERNS
- OPTO ISOLATED
- 4 X 3 KEYPAD CONTROL
- SPEED CONTROL POT.
- HARD FIRED TRIACS
- 4 CHANNELS @5 AMPS

Now features full 4-channel chaser software on DISK and pre-programmed PIC16C84 chip. Easily re-programmed for your own applications. Software source code is fully 'commented' so that it can be followed easily.

Kit 855 **£39.95** LOTS OF OTHER APPLICATIONS

PIC16C5X

IN CIRCUIT EMULATOR - WITH ON-LINE MONITOR.

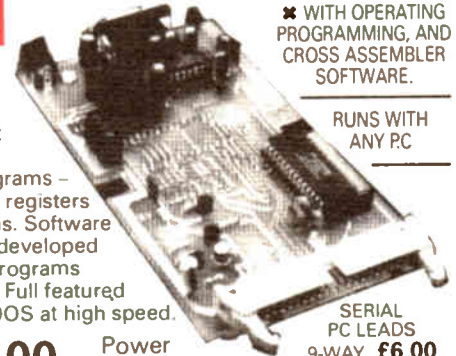
The easiest way to get started. Allows single stepping through programs - displaying the internal registers and driving the I/O pins. Software and hardware can be developed and tested together. Programs 16C54, 5, 6, & 7 chips. Full featured software runs under DOS at high speed.

Kit 853 **£99.00**

Power Supply £8.99

★ WITH OPERATING PROGRAMMING, AND CROSS ASSEMBLER SOFTWARE.

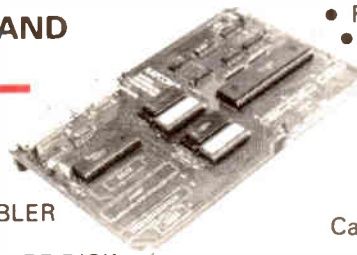
RUNS WITH ANY PC



SERIAL PC LEADS
9-WAY **£6.00**
25-WAY **£7.00**

68000 DEVELOPMENT AND TRAINING KIT

- USED WORLDWIDE IN SCHOOLS COLLEGES & UNIVERSITIES
- DOUBLE EUROCARD, 2 SERIAL PORTS
- NOW WITH EXPANDED RAM & ROM
- FULL FEATURED MONITOR & LINE ASSEMBLER IN ROM
- CROSS-ASSEMBLER AND COMMS SOFTWARE DISK



- FULL 8MHz 68000 16-BIT DATA BUS
- EXPANDABLE - PIT OPTION 68230
- FULL MANUAL PLUS DATA
- SUPER LOW PRICE:

KIT 601.....**£69.95**

EXTRAS: 9-way P.C. lead **£6.99**

25-way P.C. lead **£6.99**

Case - black bottom, clear lid - **£5.99**

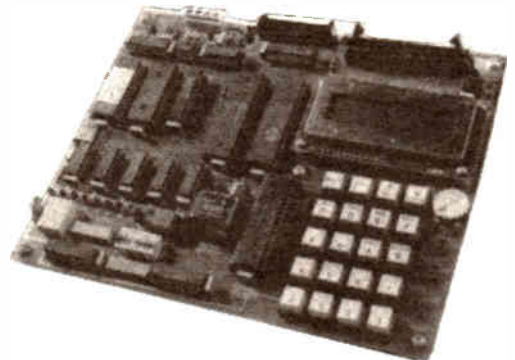
PSU + 5V, + 12V, - 12V **£12.99**

Mini-Lab & Micro Lab Electronics Teach-In 7

As featured in *EPE* and now published as Teach-In 7. All parts are supplied by Magenta. *Teach-In 7* is £3.95 from us or *EPE* Full Mini Lab Kit - £119.95 - Power supply extra - £22.55 Full Micro Lab Kit - £155.95 Built Micro Lab - £189.95

MAGENTA

All prices include VAT. Add £3.00 p&P.



Tel: 01283 565435 Fax: 01283 546932 E-mail: Magenta_Electronics@compuserve.com

EVERYDAY

PRACTICAL

ELECTRONICS

VOL. 26 No. 7

JULY '97

Editorial Offices:

EVERYDAY PRACTICAL ELECTRONICS EDITORIAL
ALLEN HOUSE, EAST BOROUGH, WIMBORNE
DORSET BH21 1PF
Phone: Wimborne (01202) 881749
Fax: (01202) 841692. **Due to the cost we cannot reply to orders or queries by Fax.**

E-mail: editorial@epemag.wimborne.co.uk
Web Site: <http://www.epemag.wimborne.co.uk>

See notes on Readers' Enquiries below - we regret lengthy technical enquiries cannot be answered over the telephone.

Advertisement Offices:

EVERYDAY PRACTICAL ELECTRONICS
ADVERTISEMENTS
HOLLAND WOOD HOUSE, CHURCH LANE
GREAT HOLLAND, ESSEX CO13 0JS
Phone/Fax: (01255) 850596

FOREVER ONWARDS

One of the interesting things about electronics as a hobby is that it is continually moving forwards. Over the last couple of years we have seen microcontroller chips make large inroads into the project scene. They can be used for a wide variety of projects, and basic designs can be tailored to meet the needs of individual constructors.

Perhaps their popularity is partly due to the explosion of computer hobbyists - now they can cheaply program their own dedicated chips to perform exactly the functions they require and extend their hobby into the real world. We are beginning to see serious computer fanatics coming into electronics because of this merging of the disciplines. With programs available for under £20 and chips for under £5, it's not difficult to see why our PIC projects have taken off so rapidly.

COMPUTER LEARNING

Software for a wide range of electronics design and construction operations has been available for some time, as have educational packages. However, only now has CD-ROM software become available for the hobbyist, student and trainee. We have been so impressed by the new *Parts Gallery and Electronic Circuits and Components* that we have arranged to make it available direct to readers via our own *Direct Book Service*. Now multimedia is being used to train those with computers in electronics.

The quality of the illustrations and the text/audio commentary on this CD-ROM are of a very high standard - not surprising since the material was produced by Mike Tooley, who should be well-known to longstanding readers of *EPE*. As an introductory offer, this package is available at a discount to *EPE* readers - see page 485. Don't miss out.

The subject has always been interesting, now the learning methods are also becoming more varied and more interesting to a wider range of potential hobbyists and engineers.



SUBSCRIPTIONS

Annual subscriptions for delivery direct to any address in the UK: £24. Overseas: £30 standard air service (£47.50 express airmail). Cheques or bank drafts (in £ sterling only) payable to *Everyday Practical Electronics* and sent to EPE Subscriptions Dept., Allen House,

East Borough, Wimborne, Dorset BH21 1PF. Tel: 01202 881749. Subscriptions start with the next available issue. We accept MasterCard or Visa. (For past issues see the *Back Issues* page.)

BINDERS

Binders to hold one volume (12 issues) are available from the above address. These are finished in blue p.v.c., printed with the magazine logo in gold on the spine. Price £5.95 plus £3.50 post and packing (for overseas readers the postage is £6.00 to everywhere except Australia and Papua New Guinea which cost £10.50). *Normally sent within seven days but please allow 28 days for delivery - more for overseas orders.*

Payment in £ sterling only please. Visa and MasterCard accepted, minimum credit card order £5. Send or phone your card number and card expiry date with your name, address etc.



Editor: MIKE KENWARD

Secretary: PAM BROWN

Deputy Editor: DAVID BARRINGTON

Technical Editor: JOHN BECKER

Business Manager: DAVID J. LEAVER

Subscriptions: MARILYN GOLDBERG

Editorial: Wimborne (01202) 881749

Advertisement Manager:
PETER J. MEW, Frinton (01255) 850596

Advertisement Copy Controller:
PETER SHERIDAN, Wimborne (01202) 882299

READERS' ENQUIRIES

We are unable to offer any advice on the use, purchase, repair or modification of commercial equipment or the incorporation or modification of designs published in the magazine. We regret that we cannot provide data or answer queries on articles or projects that are more than five years old. Letters requiring a personal reply *must* be accompanied by a **stamped self-addressed envelope or a self-addressed envelope and international reply coupons. Due to the cost we cannot reply to queries by Fax.**

All reasonable precautions are taken to ensure that the advice and data given to readers is reliable. We cannot, however, guarantee it and we cannot accept legal responsibility for it.

COMPONENT SUPPLIES

We do not supply electronic components or kits for building the projects featured, these can be supplied by advertisers.

We advise readers to check that all parts are still available before commencing any project in a back-dated issue.

We regret that we cannot provide data, or answer queries, on projects that are more than five years old.

ADVERTISEMENTS

Although the proprietors and staff of EVERYDAY PRACTICAL ELECTRONICS take reasonable precautions to protect the interests of readers by ensuring as far as practicable that advertisements are *bona fide*, the magazine and its Publishers cannot give any undertakings in respect of statements or claims made by advertisers, whether these advertisements are printed as part of the magazine, or in inserts.

The Publishers regret that under no circumstances will the magazine accept liability for non-receipt of goods ordered, or for late delivery, or for faults in manufacture. Legal remedies are available in respect of some of these circumstances, and readers who have complaints should first address them to the advertiser.

TRANSMITTERS/BUGS/TELEPHONE EQUIPMENT

We advise readers that certain items of radio transmitting and telephone equipment which may be advertised in our pages cannot be legally used in the UK. Readers should check the law before buying any transmitting or telephone equipment as a fine, confiscation of equipment and/or imprisonment can result from illegal use or ownership. The laws vary from country to country; overseas readers should check local laws.

MICRO PEsT SCARER



MARK STUART

** PIC Control * External Triggering * Two Unit Option **

Take the humane approach to banishing unwanted "visitors" to your garden or allotment beds.

THIS project is the natural successor to our very successful earlier published design (*Everyday Electronics* May '89). It will keep pets/pests away from newly sown garden areas, and will deter them from visiting areas where they are not welcome. The frequency of operation is completely inaudible to humans, and so it can be used without annoying (or alerting!) the neighbours.

Apart from its use in gardens, there are many other possible applications – some of them of benefit to the animals concerned. One that springs to mind is as an early warning device for milk floats and other electric vehicles – which start instantly without any engine sound – and are responsible for a number of "pet" casualties each year.

ADDED EXTRAS

Additional triggering features have been incorporated into this design so that it can be driven from an external sensor

– e.g. a passive infra-red detector (*see this issue*). The circuit will operate for a limited period each time it is triggered, and will then stay "silent" until the next trigger is detected. This option can be enabled or disabled as required.

Another important feature is the provision of a second output to drive another "remote" transmitter. This pulses at different times from the local one, and so gives the appearance of a separate signal coming from another direction.

As ultrasound is very directional, this will help to confuse the animal and increase the effectiveness. It will also allow wider areas to be covered.

DESIGN

A simplified functional block diagram for the Micro PEsT Scarer is shown in Fig.1. The circuit uses a 32kHz Ultrasonic Transmitter driven with short high power pulses at randomly varying intervals of between two and four seconds. Current

consumption is low enough for temporary use from batteries – averaging 15mA, and would give 80 hours use from a set of six C-size rechargeable NiCads. For continuous use, it is preferable to operate the unit either from a large power source such as an old car battery, or from a simple double-insulated plug-in power supply.

A voltage regulator is included in the circuit and will accept any d.c. input from 9V to 24V and give the same performance. The supply does not need to be smoothed, as the circuit includes a suitably sized reservoir capacitor, and will work over at least 80 metres of thin twin figure-8 cable.

Another attractive possibility for power is to use a small solar panel and eight "float charged" AA size NiCad batteries. This arrangement would work for most of the "gardening" year and would be especially useful for allotments where power is not readily available, and unattended use would be an advantage.

CIRCUIT DESCRIPTION

The full circuit diagram for the Micro PEsT Scarer is shown in Fig.2. IC1 is a programmed microcontroller chip that delivers bursts of 32kHz pulses via current limiting resistor R12 to the base (b) of output transistor TR2.

The load circuit for TR2 is a resonant circuit consisting of inductor L1 in parallel with capacitor C2 tuned to 32kHz. During each ultrasonic burst TR2 is switched on and off at 32kHz.

Whilst it is turned on, current flows through TR2 into inductor coil L1 which stores up energy by magnetising the ferrite core. As soon TR2 is switched off, this stored energy causes the voltage across L1 to rise to over +50V charging capacitor C2 as it goes.

All the energy is then in C2 which discharges back into L1 driving the voltage down almost to –50V. The circuit would continue to "ring" in this way and the voltage peaks would gradually reduce, but during each cycle TR2 is turned on again, adding energy to maintain the "ringing".

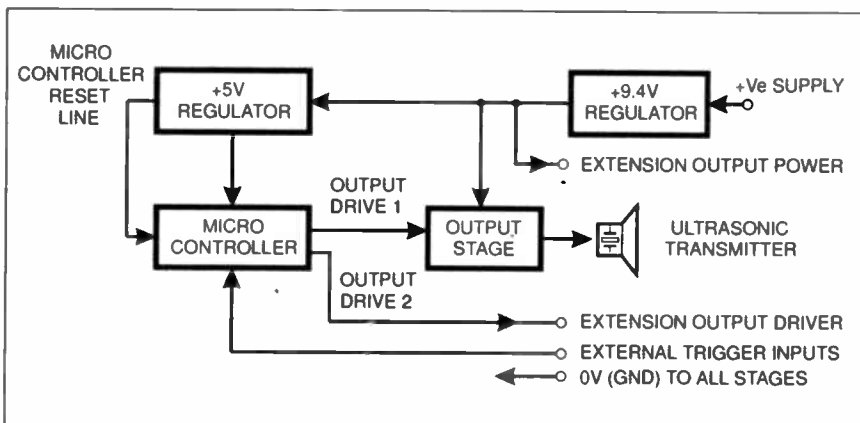


Fig.1. Simplified schematic block diagram for the Micro PEsT Scarer.

Provided the tuning is correct, and TR2 is turned on for the correct amount of time, a continuous high voltage 32kHz signal appears across coil L1, and is passed to the transmitter TX1 via Zener diode D3 and I.e.d. D4.

Diode D2 is a particularly important part of this circuit. It allows the voltage across coil L1 to swing below the negative rail. Without it, TR2 would be turned on in the reverse direction and would limit the voltage swing. To minimise energy losses, D2 *must* be of the type specified.

Current through the transducer TX1 is monitored by I.e.d. D4 which lights during positive half cycles to show that the circuit is operating correctly and delivering power to TX1. During negative half cycles of the output, current is routed around D4 via D3.

A low voltage Zener diode has been used for D3 so that if required, the I.e.d. can be omitted and the circuit will still operate correctly. This option can be useful if it is important not to attract attention to the device.

POWER REGULATION

The circuit power supply has been designed to tolerate a wide range of voltages. This is important because TX1 is driven very hard and would be damaged by overvoltage. Standard unregulated plug-in power units can produce anything up to 20V on their 9V setting, and so would be very likely to cause damage.

A voltage regulator circuit overcomes this problem by providing a constant 9.4V from any supply between 10V and 24V. Diode D6 protects against power supply reversal and passes current to 10V Zener diode D5 via limiting resistor R13.

Zener D5 works in such a way that the voltage across it is maintained at 10V over a wide range of input voltages. This regulated 10V is used as a reference voltage for the base of regulator transistor TR3.

Transistor TR3 is turned on when the voltage at its emitter (e) falls to 0.6V below its base voltage. Current then passes via D6 and TR3 to the load. If the voltage should attempt to rise above 9.4V, TR3 would be turned off, preventing any further voltage rise and so stabilising the output. Capacitor C3 provides smoothing for rough supplies, and acts as a decoupling capacitor for the 9.4V rail.

Prototype Scarer circuit board.

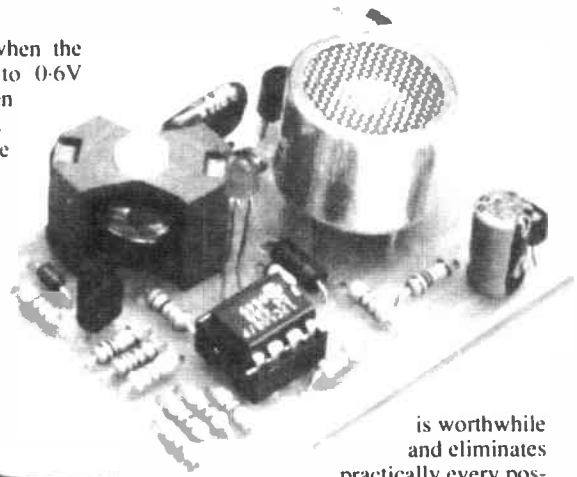
The 9.4V supply is used to power the output stage and to provide Extension Power if a second output stage is to be connected for "Dual Output" operation.

BROWN OUT

Power for IC1 is reduced to around 5V by means of a second voltage regulator consisting of current limiting resistor R11, Zener diode D1 and the base-emitter "diode junction" of TR1. As well as providing the low voltage supply these components also provide "Brown out" protection for IC1. Brown out is the American term for fading voltage (presumably because of the way tungsten lighting fades as the voltage is reduced).

Microcontroller i.c.s are inclined to malfunction at reduced voltage and can latch into obscure behaviour. To overcome this it is necessary to have a "Reset" pin to allow the processor to start again from the first line of the program and resume normal operation.

The device used here is normally very well behaved and will tolerate considerable supply errors without problems, however, the addition of a few components



is worthwhile and eliminates practically every possibility for error. Pin 4 of IC1 is the "Reset" pin, and will return the processor to step one of the program and reset all of the internal registers when it is connected to the negative supply.

When power is first applied, resistor R3 pulls pin 4 down to the negative supply holding the processor in the reset condition. Pin 4 will remain at the negative supply voltage until transistor TR1 is turned on by base current flowing via Zener diode D1.

As the supply voltage continues to rise the voltage across D1 rises and steadies at 4.7V as D1 begins to conduct. The voltage applied to IC1 is now well within its operating range, but TR1 still remains turned off and holds the "reset" condition until the voltage at its emitter rises by another 0.6V. At this point base-emitter current flows, TR1 turns on and pulls up pin 4 to the positive supply voltage.

As soon as the "reset" pin rises, the processor starts to run, and proceeds with normal operation. In the reverse of this process, if for any reason the voltage begins to fall, TR1 turns off, the voltage on pin 4 falls, and the processor is held in

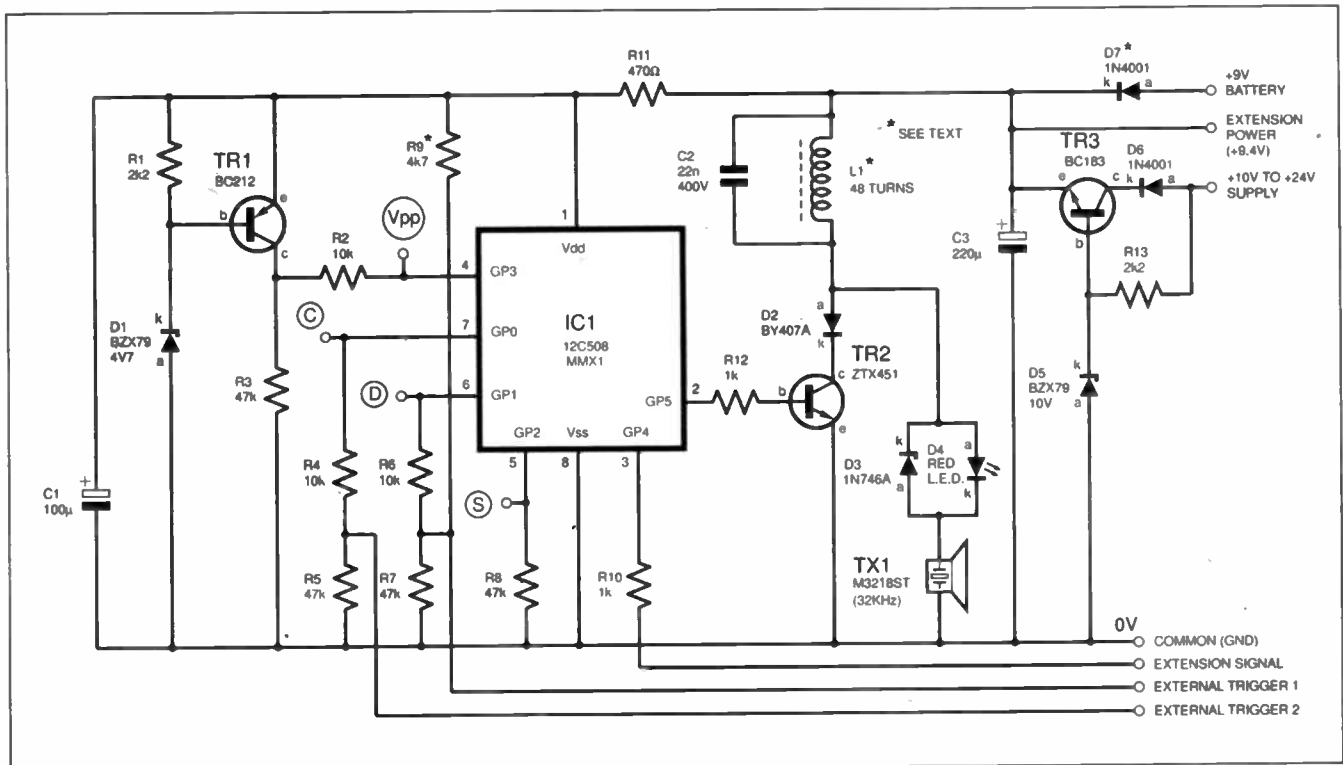
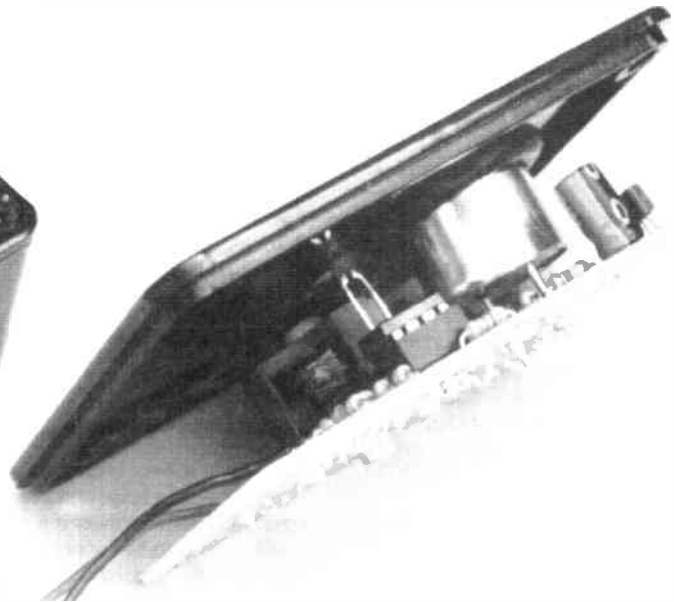


Fig.2. Complete circuit diagram for the Micro PEST Scarer.



the reset state until power returns to normal.

Regulation of the supply voltage to IC1 is provided by the series combination of D1 and the base-emitter junction of TR1. This is an unorthodox arrangement, but works very well and incorporates the "brown out" function with very few extra components.

EXTERNAL TRIGGERING

Pin 6 and pin 7 of IC1 provide the external trigger options. Resistors R4, and R6 protect IC1 from excessive current, and R5 and R7 pull down the pins to the negative supply voltage for normal operation.

Pull-up resistor R9 overrides R7 in "external trigger" mode and allows the circuit to be triggered by a negative going signal. For normal untriggered operation, the two trigger pins should be linked together so that both are pulled up by R9.

The dual output signal is always available on IC1 pin 3. This signal is used to drive a second output transistor, coil, and ultrasonic transmitter arrangement. R10 is the base limiting resistor with a similar function to R12.

To minimise the effects of cable capacitance the distance to the second output should not exceed 10 metres. For greater distances it is better to use two separate circuits – a single power supply could run two units without difficulty.

Since the two units would be operating independently, they would produce their signals at random and would therefore provide the same "confusing" signals to would-be pests.

CONSTRUCTION

The Micro PESt Scarer is built on a small printed circuit board. Fig.3 shows the component layout and full size copper foil master. This board is available from the *EPE PCB Service*, code 162.

To make construction as simple as possible, all of the components including the l.e.d. and ultrasonic transmitter are mounted directly onto the board which becomes a complete working "module". The only wiring required is to the power supply, and to the optional output and sensing devices.

Mounting the prototype circuit board on the case lid using the rubber grommet and the body of the transducer to form a tight, board supporting, fit. The l.e.d. also helps to locate the p.c.b. in position.

Before fitting any components, use the bare board as a template to mark the positions of the holes for mounting the ultrasonic transmitter (TX1) and l.e.d. (D4) in the case. Do this by marking through the two transducer pin holes and the two l.e.d. lead holes with a sharp point. The centres for the mounting holes are mid-way between each pair of marks.

The board can be mounted either in the lid or the base of the specified plastic box. Using the lid is more convenient as it allows better access, but it means that the four lid fixing screws are visible. Drill a 3mm hole for the l.e.d. and a hole to suit the transmitter.

CIRCUIT BOARD

Begin assembling the board by fitting all of the low profile components – resistors, and diodes. Take care to identify all of these correctly, and to insert the diodes the right way round. The line on the component layout drawing indicates the cathode (k) end of the diodes.

Make sure that the components lie flat against the board surface before soldering them. It is easier to fit and solder one or two components at a time and crop off the surplus leads on the rear of the board before fitting the next components.

Once all of the low profile parts are in place, fit a socket for IC1, and then fit

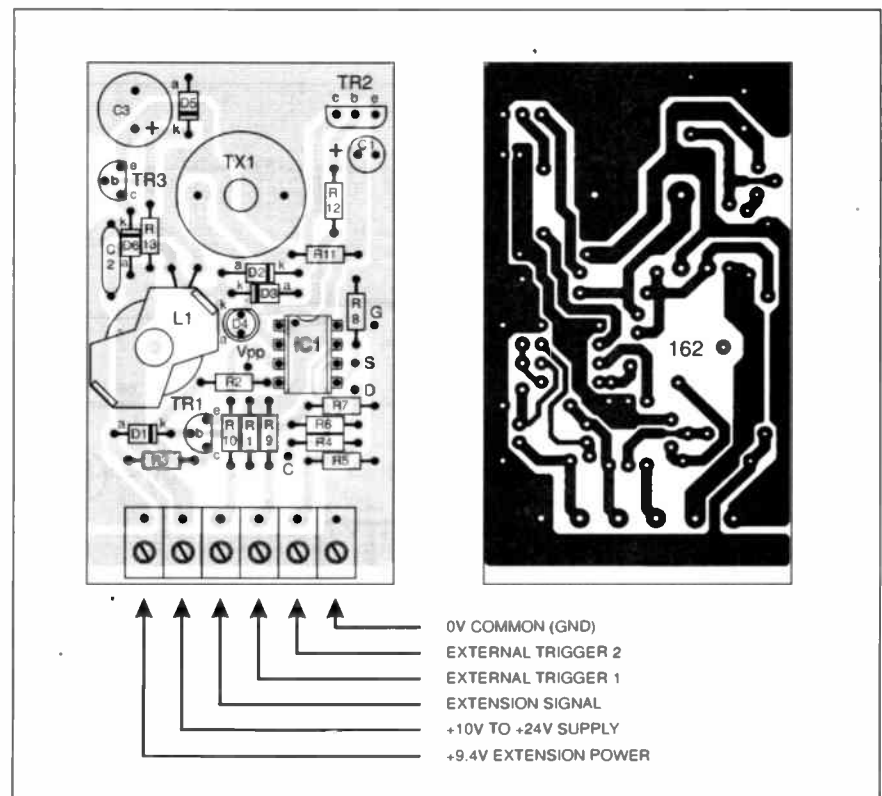


Fig.3. Printed circuit board component layout and full size copper foil master pattern. Connections to the p.c.b. are via the 6-way screw terminal block.

the capacitors. Capacitor C2 can be fitted either way round, but C1 and C3 are polarised and must be fitted with the correct polarity. The polarity is identified by a stripe – usually marked with “-” signs along the side of the capacitor nearest to the negative lead.

The transistors are all different types and cannot be interchanged. Check carefully to be sure that they are correct and fit them with their outlines matching the component layout diagram.

Do be careful to use the correct transistors – there are two pin out variations for BC212 and BC183 types, the ones used must NOT have the “L” suffix i.e. BC212L. These have the collector terminal in the middle and will not work. The correct transistors will have either a “K” suffix or none at all.

INDUCTOR COIL

Inductor coil L1 is supplied as a set of parts – a pair of ferrite cores, a coil former, a length of 28s.w.g. enamelled wire, a nylon M3 screw and a metal nut. Wind 48 turns of wire onto the coil former and secure the winding with a layer of adhesive tape. The winding does not need to be in neat layers, and can be wound in random fashion as there is plenty of space.

The two winding ends must be brought out on the same side of the ferrite cores so

the anode lead is the longer one, and the cathode is connected to TX1. The board can then be fitted over the transmitter pins and soldered into position.

The l.e.d. can then be pushed forward so that it fits into its hole and its leads soldered into position. If the l.e.d. is reversed it will not be damaged, but it won't light up!

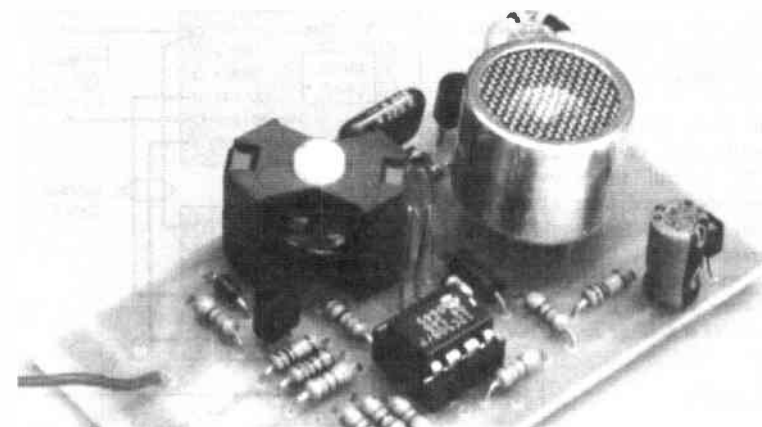
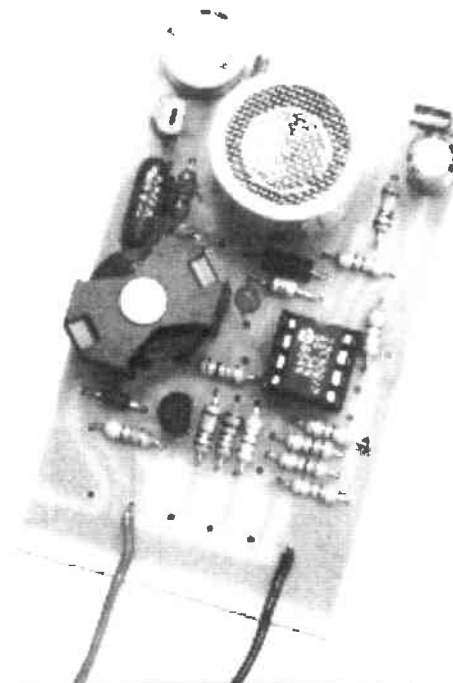
The board should now be removed from the case by pressing the rim of the transmitter out of the grommet so that the circuit can be tested.

TESTING

Before fitting IC1 give the board a thorough inspection to ensure that all of the components are in the correct positions and the right way round. Check the soldering of each joint and make sure that there are no dry joints or solder bridges. Careful inspection and the use of a magnifying glass can save hours of fault finding.

The power supply sections of the circuit should be tested before IC1 is fitted. A simple multimeter reading 0V to 10V d.c. is all that is needed, along with a power supply capable of supplying between 12V and 20V.

The supply can be either from an adaptor, or batteries, and should have some form of current limiting device to prevent



The ferrite cores and inductor coil are held together by the board mounting nylon screw and metal nut (on the underside).

that there are 48 complete turns. Leave the wire ends 30mm long, scrape off 6mm of the enamel using a folded piece of fine abrasive paper, or a craft knife, and tin the two ends.

The whole assembly can now be fitted to the board using the nylon screw and fitting the metal nut on the copper track side. Cut off the unused length of the screw flush with the nut using a sharp pair of side cutters. The two wires from the coil can be connected either way round to the points marked L1 on the board.

FINAL ASSEMBLY

The board is held in position in the case by means of the ultrasonic transmitter which fits into a 18mm rubber grommet in the case panel. The l.e.d. is fitted so that it aligns with its close fitting hole in the case.

The best way to assemble this arrangement is first to fit the l.e.d. loosely into the board and then to fit the ultrasonic transmitter into the grommet in the case. Take care to fit the l.e.d. the right way round –

damage in the event of a fault – a resistor of between 10 ohms and 100 ohms will do.

Connect the supply to the common and positive supply terminals of the board, and measure the voltage across Zener D5. This should read 10V – approximately.

If it is very low, check that D5 is the right way round. If it is higher, check that D5 is correctly soldered and that the correct component is fitted. If the voltage is correct check that there is approximately 9V across capacitor C3.

If this voltage is low, check that TR3 is fitted correctly, and then check around L1, D2, and TR2 for possible short circuits that could be responsible for excessive current drain.

Once the 9V supply is correct, check that pin 1 of the socket for IC1 is at just over 5V and that pin 4 is almost the same. If these voltages are wrong, check TR1, D1, R11, and C1.

If a variable voltage supply is available it should be possible to see the voltage on pin 4 of IC1 fall to zero as the voltage

COMPONENTS

Resistors

R1, R13	2k2 (2 off)
R2, R4,	
R6	10k (3 off)
R3, R5,	
R7, R8	47k (4 off)
R9	4k7
R10,	
R12	1k (2 off)
R11	470Ω

All 0.25W 5% carbon film

See
SHOP
TALK
Page

Capacitors

C1	100μ radial elect. 6.3V
C2	22n metallised polyester, 10mm pitch, 400V
C3	220μ radial elect. 16V

Semiconductors

D1	BZX79 4.7V 200mW Zener diode
D2	BY407A 1A fast rect.
D3	1N746A low voltage Zener diode
D4	3mm low current l.e.d. red
D5	BZX79 10V 200mW Zener diode
D6, *D7	1N4001 1A 50V rect. diode (2 off) *see text
TR1	BC212 <i>npn</i> silicon transistor
TR2	ZTX451 <i>nnp</i> high voltage switching transistor
TR3	BC183 <i>nnp</i> silicon transistor
IC1	PIC12C508 MMX1 pre-programmed microcontroller

Miscellaneous

TX1	M3218ST high output 32kHz ultrasonic transducer
L1	Low loss, ferrite resonator coil (48 turns 28s.w.g. enamelled wire), plus ferrite core kit

Printed circuit board available from the *EPE PCB Service*, code 162; plastic case, size 62mm x 79mm x 39mm; 8-pin d.i.l. socket; 6-way p.c.b. mounting terminal block; 18mm rubber grommet for transducer mounting; optional plug-top “double-insulated” power supply; optional power input socket; solder etc.

Approx Cost
Guidance Only **£20**
excluding power supply

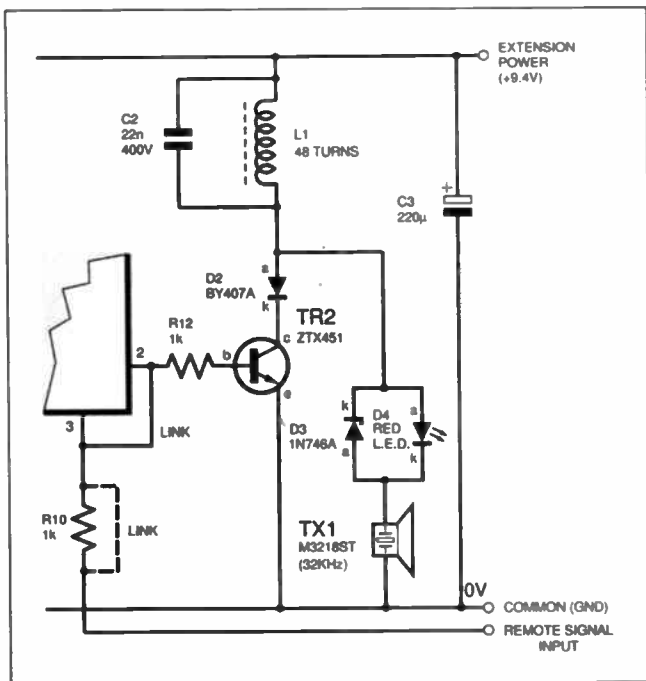


Fig.4. Extension unit modifications, just two links, one across the i.c. holder pins 2 and 3 and one across the R10 position. Plus a repeat of the components in this section of the circuit are all that is needed for the "slave" unit.

on pin 1 falls below 5V. It will also be possible to check that the 5V and 9V supplies remain stable over the range of input voltages from 10V to 24V.

PULSE CHECK

Once all is well, disconnect the power, insert IC1 – the right way round with its notched end matching the component layout – and switch on. Light emitting diode D4 should light after a four second delay and should flash at two to four second intervals after that.

If D4 fails to light, check that IC1 is working by checking with a multimeter the voltages at pins 1, and 4 which should be around 5V, and by checking for the output from pin 2 which should pulse up to 1V at two to four second intervals. If the pulsing is correct, check TR2 base, which should show the pulses at a reduced level of around 0.1V. If the luxury of an oscilloscope is available it will show bursts of 32kHz on pin 2 and the base of TR2.

If the pulses are present but the l.e.d. still does not light, check the voltage at the collector of TR2 which should be 9V. If this is low, check that D2 is the right way round and that coil L1 is connected correctly and is not open circuit.

The only other components to check are TX1, D3 and l.e.d. D4. A useful way of checking D4 is to touch a one kilohm (1k) or similar value resistor across TX1. This will allow a current to pass which should light D4 if it is correctly connected and D3 is the right way round.

IN USE

With everything working, it is possible to hear a slight click each time the ultrasonic burst begins and ends. The circuit is efficient, and all of the components should stay cold in normal operation.

The circuit should not require further adjustment, and should be installed in a

suitable position for use. If it is to be used outdoors the case lid should be sealed with a strip of p.v.c. tape around the joint, and the transmitter should be protected from rain by a simple plastic or wooden "shelf" or cowl.

Pieces cut from plastic drink bottles are very useful for constructing such enclosures. Be careful to allow some ventilation and not to construct a "greenhouse" around the unit that could cause excess temperature rise.

A mains adaptor is ideal for continuous use, **but be sure that it is double-insulated and provides a voltage in the correct range.**

DUAL UNITS

The PIC microcontroller provides a second output that can be used to drive another output stage. A second board is needed and should be fitted with R12, TR2, TX1, D2, D3, D4, C2, C3 and L1.

Power is taken from the extension power connection and the common negative line, and the drive signal from the extension signal connection. A length of unscreened 3-core cable should be used for the link.

The Extension Unit must have a link fitted between pin 2, and pin 3 of the area where IC1 would fit and a link in the R10 position so that the extension signal connection is linked to R12. Fig. 4 shows this circuit alteration and Fig.5 shows the connection between the two units.

As mentioned earlier, it is also possible to power several units from a single power supply by linking them in parallel. This is shown in Fig. 6.

TAKE YOUR PIC

The chip used in this project is a recent addition to the PIC microcontroller range. It is a one time programmable (OTP) device with an internal clock oscillator, and up to six input/output pins all in an 8-pin package.

PIC 12C508 MICROCONTROLLER

This project uses a new addition to the Microchip PIC range which has been pre-programmed by Magenta so that the project can be built without any programming knowledge.

In many simple applications, the flexibility and power of a microcontroller are needed, but only a few input or output ports are required. Before this device was available it was necessary to use an 18-pin component – using more space and costing more than was necessary. (The package and shipping cost of i.c.s contributes significantly to their cost.)

With this device, Microchip have not only reduced the package size but have made full use of the available pins, and apart from the two power pins all of the other six pins can be used as I/O lines. In this configuration, an internal R/C clock oscillator is used instead of an external crystal. The frequency tolerance of internal oscillators is usually poor, but in this device a special "calibration" code has been programmed into each chip during manufacture to trim the oscillator to a tight specification.

Circuit Programming

Programming of the Scarer circuit is via three of the pins – one for Clock (C), one for Data (D), and a third for the Programming voltage (Vpp). The device is an OPT (one time programmable) part with 512 bytes of program memory, and 25 bytes of RAM.

For details of the programming method, refer to the Simple PIC Programmer article, published in EPE February, 1996, which covers a similar chip, the PIC 16C84.

It is expected that this chip will appear in many more projects – perhaps it will become the modern equivalent of the 555 timer! It is interesting to note that it costs no more than the 555 did when it was first introduced.

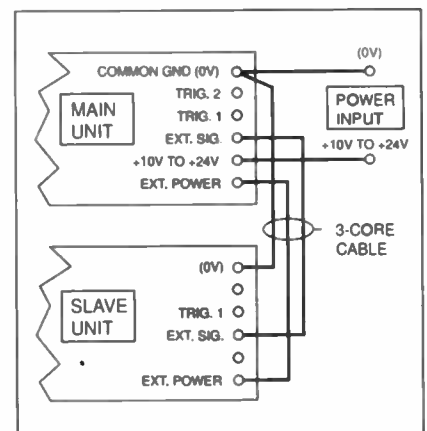


Fig.5. Interwiring between the main Scarer and a slave unit, using 3-core cable.

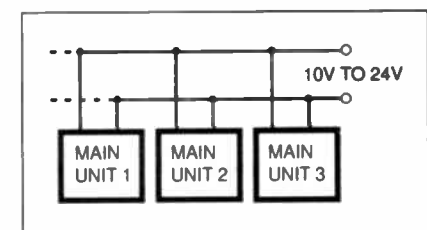


Fig.6. Running several units from a single power supply source by linking them in parallel.

The program has been written by Magenta and is already programmed into their chips – see *Shoptalk* page.

Readers who wish to program their own PICs can acquire the software either on disk from the EPE editorial office or download it from our Web site (there is a nominal charge for the former, but the latter is free – again see *Shoptalk* for details). The Web site file is in sub-directory PICaPEsT.



"attractive to those seeking a less fraught introduction to pcb cad"

Electronics World Dec 96

For over 5 years, Quickroute has been a solution for those seeking easy to use Schematic & PCB design software. Users from all walks of life have found Quickroute's simple approach a refreshing alternative.

"probably the most intuitive of the integrated schematic-drawing and autorouter products"
Electronics World Dec 96

For example, because Quickroute integrates both schematic & PCB design into one package, you only have to learn how to use one set of tools!

"The drawing facility is logical, sequentially organised and really user-friendly"
Educational Computing & Technology Oct/Nov 96

Furthermore, with schematic capture available at the touch of a button, there is no need to mess with net-lists or files.

We haven't forgotten value for money either.

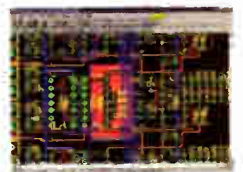
"extremely good value for money for such a comprehensive package"
Practical Wireless July 96

Quickroute 3.6 Designer costs just £149 and includes "one click" schematic capture to turn your circuit into a PCB rats-nest, auto-routing, design checking and support for drill & B.O.M-files. For those seeking more power, we have Quickroute PRO+, together with a range of plug in modules and extended libraries. Phone us now or fill in the coupon for a free demonstration pack.

Tel 0161 476 0202

Fax 0161 476 0505

**WWW <http://www.quickroute.co.uk>
EMail info@quicksys.demon.co.uk**



***FREE Demonstration Pack *FREE Technical Support
*FULL Printed Documentation *Windows 3.1/95/NT Compatible**

All trademarks acknowledged & respected. Our Terms & Conditions are available on request

Tell me more!

Quickroute Systems Ltd, Regent House, Heaton Lane,
Stockport, SK4 1BS, U.K.

Name

Address

Phone/Fax



KARAOKE ECHO UNIT



TERRY de VAUX-BALBIRNIE

Assure yourself of a really tuneful way to liven up the party and a guaranteed repeat performance!

THERE is nothing like Karaoke to get the party going. For the uninitiated, this involves singing the words of a song to a professionally-made musical accompaniment or backing. For occasional use, there is no need buy a commercial Karaoke machine because most of the expensive parts will probably already exist in the home. (*Karaoke*, according to the Oxford dictionary, is Japanese for *empty orchestra*.)

BASIC REQUIREMENTS

All you need is this Karaoke Echo unit, a microphone, a domestic hi-fi amplifier and a pair of speakers. Check that the amplifier has auxiliary (Aux) inputs to enable the Karaoke Echo to be plugged in.

You must also have a recording of the music and, of course, some means of playing it. Karaoke music is available in the form of audio cassettes, compact discs and videos.

The Karaoke Echo Unit is housed in a small metal case. On the front panel there are controls which adjust the echo effect and volume. There is also a standard 6.35mm (0.25 inch) microphone jack socket and an l.e.d. (light emitting diode) indicator which serves as a reminder that the circuit is switched on. On the back there are sockets for input and output connections and an on-off switch.

The circuit consumes approximately 30mA and will normally be powered by an internal battery. An alkaline PP3 type may be expected to provide about 15 hours of service and a standard one rather less. For long periods of use, a commercial d.c. plug-in power supply unit could be used or, of course, a larger external battery.

MANY SOURCES

If an audio cassette or a CD is to be the source of the backing music, then a suitable player will be needed. This could be an inexpensive personal stereo having

a headphone output socket from which to feed the Karaoke Echo Unit.

If a video cassette is used, then the video playback machine will need to have line output sockets or, as is more usual, a SCART output. A video cassette has the advantage that the words will be displayed on the television screen. The alternative is to sing from the song sheet usually supplied with the tape or CD.

The popularity of Karaoke comes about because the professional musical accompaniment, plus echo applied to the voice, makes a poor singer sound quite tolerable. The echo effect in a bathroom is, presumably, why people like to sing there!

Just about anyone can make a passable attempt at Karaoke singing. This boosts their confidence, adds to the fun, and brings quieter members of the party out of their shell.

Note that if the user is going to use this system for public performances, a Performing Rights Licence is required. The address of the issuing authority in the UK is given at the end.

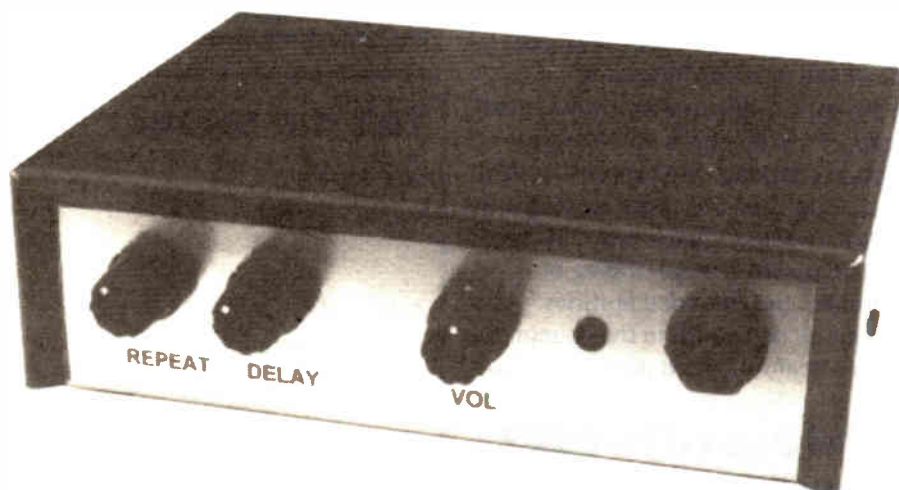
Although this Karaoke Echo Unit is a "budget" system, it is of a high quality. The price is kept low by providing only limited features.

For example, a commercial system will probably be fitted with at least two microphone inputs having independent controls. In this design, there is provision for only one microphone, so two or more singers will need to share it.

Also, there is no separate microphone volume control. If using the headphone output on the playback machine, the volume control on this will be used to balance the sound from the microphone with that of the backing. In other cases, the volume from the microphone will be adjusted by varying its position.

HELLO, HELLO, HELLO

The system is shown in block diagram form in Fig.1. Producing the echo involves delaying some of the microphone output and feeding it back to the input. The delay time and number of times the echo repeats as it gradually fades away are both adjustable using controls on the unit. These will



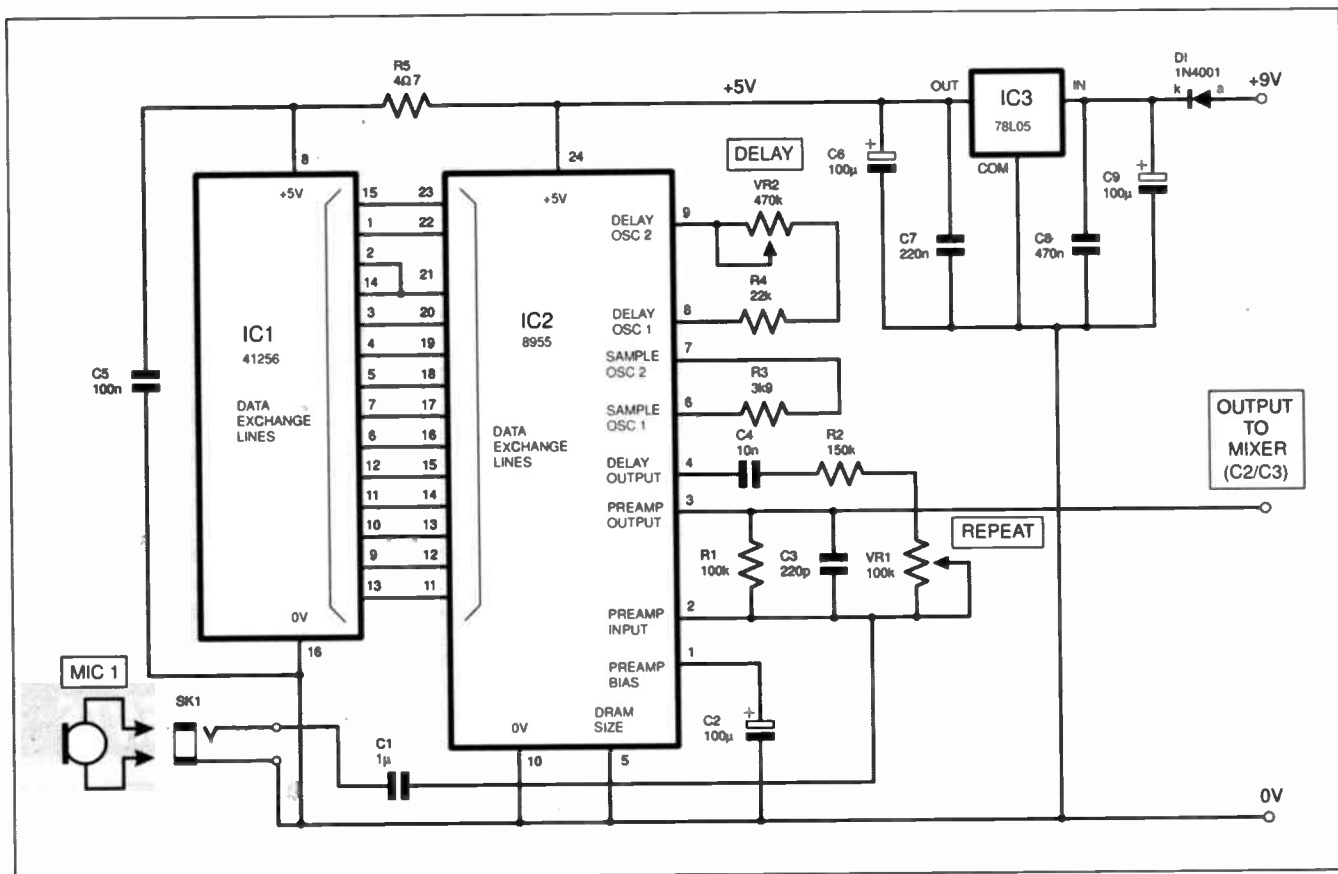


Fig.2. Circuit diagram for the Echo section of the Karaoke Echo Unit.

be set to best effect for a particular singer and song.

The output from the echo circuit is applied equally to each channel of the external power amplifier via a mixer circuit. The voice will therefore appear to come from the centre position between the speakers. This saves quite a lot of cost by not having to duplicate the echo circuit and, of course, avoids the need to purchase a second microphone.

If the levels between the left and right channels are not quite the same, the balance control on the amplifier may be used to correct them.

The echo circuit and audio mixer are described and constructed separately. The reason is that some constructors will require only a simple voice echo unit (possibly for a stage production) or they may already have a suitable mixer.

ECHO UNIT

Most of the microphone signal processing, including the echo effect, takes place in a single 24-pin integrated circuit. This is not the only way of achieving echo, of course, and this system appears to work

in a very roundabout way. However, the final effect is one of high quality with little background noise.

Firstly, the microphone signal is boosted by an on-chip preamplifier. It is then digitised by a 10-bit analogue-to-digital converter. The sampling rate is set by an on-chip oscillator which operates at 25kHz. This rate (although less than that for a CD) provides a good digital representation of the microphone signal.

The digital samples are stored in a separate 256 kilobit (32Kbyte) DRAM (dynamic random access memory) i.c. This allows alternative memory chips to be used. Thus a 64 kilobit one would provide a shorter delay time.

The larger capacity unit was chosen for this design because longer delay times are appropriate to certain material and may be useful for special effects.

For example, the delay time may be increased on the last word of the song. Under the action of a further oscillator (the time delay oscillator), the digital information is drawn out of the DRAM after a period ranging from almost zero up to 0.8 seconds. The result is applied to a 10-bit digital-to-analogue converter so that a copy of the original sound signal is obtained.

Some of this is fed back to the input, where it begins a further cycle so that the echo repeats and gradually fades away. The final output is therefore a composite of

direct microphone output and echo. This is passed to an external mixer where it is combined with the output from the musical backing source.

Only a small number of external components are required for decoupling, to set the oscillator frequencies and to provide adjustments to delay and repeat times.

ECHO DETAIL

The complete circuit diagram of the Echo section is shown in Fig.2. IC2 is the digital audio processing i.c. and IC1 is the memory chip.

It is appropriate to explain the action of the unit by giving a pin-by-pin description of IC2, the digital processor:

Pin 1 is the bias input of the on-chip preamplifier. This is simply connected to the 0V line via decoupling capacitor C2.

Pin 2 is the preamplifier input and this accepts the output from the microphone, MIC1, through a.c. coupling capacitor C1.

Pin 3 is the preamplifier output. This provides a boosted signal which is passed on to the separate Mixer stage. Resistor R1 is needed for correct operation of the preamp and capacitor C3 prevents any tendency for the system to oscillate (becoming unstable and generating a high frequency signal, which sometimes happens in this type of circuit).

Pin 4 is the delayed audio output. Capacitor C4 a.c. couples this signal back to the input, where it begins a further cycle so that the echo repeats and gradually fades away. The final output is therefore a composite of

Pin 5 selects the size of DRAM chip used. If the 64K variety were to be used,

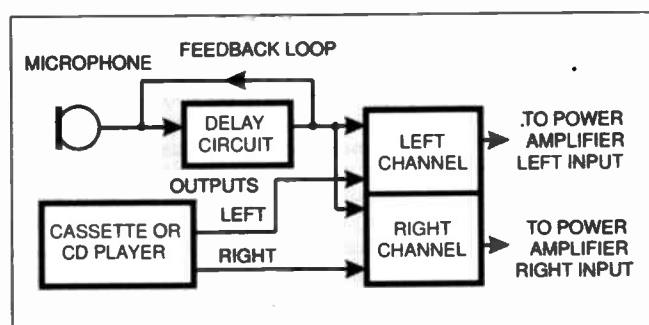


Fig.1. Block diagram for the Karaoke Echo Unit.

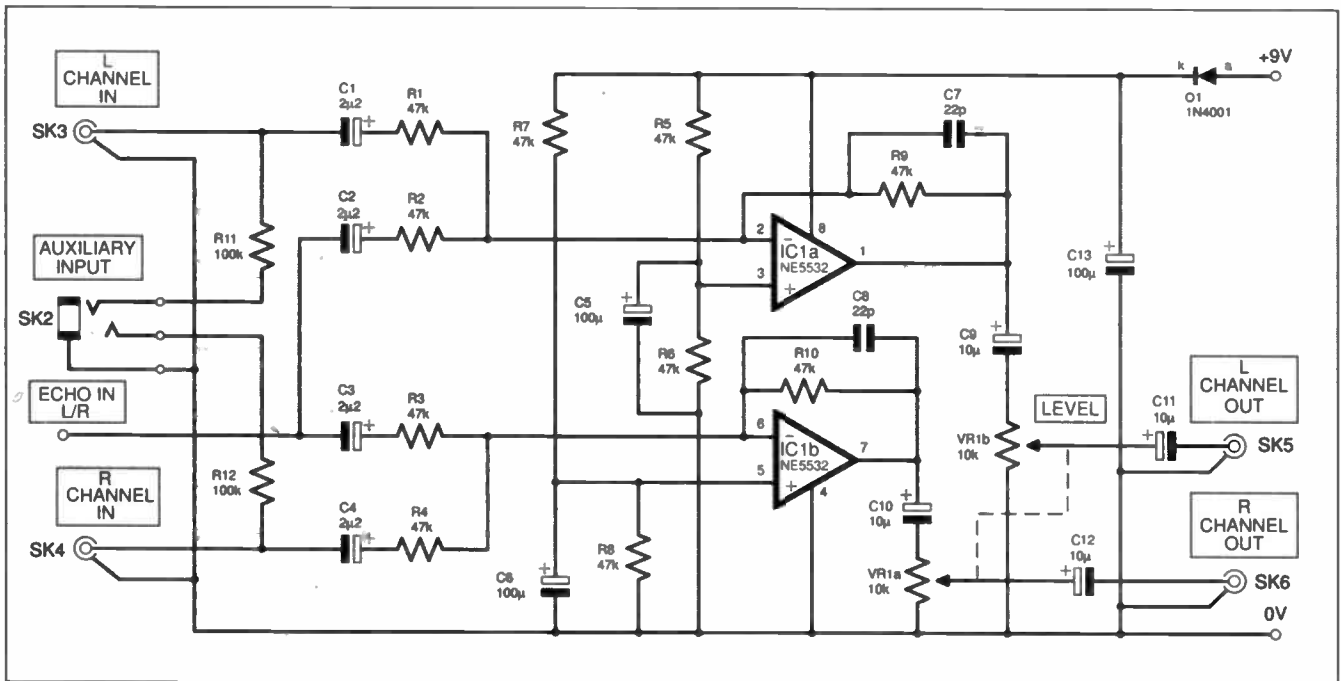


Fig.3. Circuit diagram for the Mixer stage.

COMPONENTS

ECHO UNIT

Resistors

R1	100k
R2	150k
R3	3k9
R4	22k
R5	47k
R6	470Ω

All 0.25W 5% metal film.

Potentiometers

VR1	100k min. rotary carbon, p.c.b. mounting (17mm dia.) lin.
VR2	470k min. rotary carbon, p.c.b. mounting (17mm dia.) lin.

Capacitors

C1	1μ min. metallised polyester (5mm pin spacing)
C2, C6, C9	100μ radial elect. 16V (3 off)
C3	220p polystyrene
C4	10n min. disc ceramic
C5	100n min. disc ceramic
C7	220n min. metallised polyester (5mm pin spacing)
C8	470n min. metallised polyester (5mm pin spacing)

Semiconductors

D1	1N4001 50V 1A rect. diode
D2	3mm red l.e.d.
IC1	41256 256Kbit DRAM
IC2	HT8955A digital audio processor
IC3	78L05 +5V 100mA voltage regulator

Miscellaneous

SK1	6.35mm (0.25in.) mono jack socket
B1	9V alkaline battery (PP3)
S1	min. s.p.s.t. toggle switch

Printed circuit board, available from the EPE PCB Service, code 159; battery holder, chassis mounting; knob (2 off); l.e.d. mounting clip; 16-pin d.i.l. socket; 24-pin d.i.l. socket (0.3 inch width); plastic feet (4 off); aluminium case (155mm x 120mm x 46mm); connecting wire; solder, etc.

Approx Cost Guidance Only

£26

See SHOP TALK Page

then pin 5 would be left unconnected. For the 256K chip used here, it is taken to 0V.

SAMPLING SPEED

Pins 6 and 7: resistor R3, connected between pins 6 and 7, determines the frequency of the system oscillator, so controlling the rate at which the analogue input signal is sampled. With the resistance value specified, the rate will be 25kHz.

Pins 8 and 9: the resistance between pin 8 and pin 9 determines the frequency of the delay oscillator. Since this needs to be adjustable, potentiometer VR2 (labelled Delay), which is connected as a variable resistor, provides the variation, while fixed resistor R4 sets the minimum delay time (VR2 set to zero).

Pin 10 is the 0V connection for the chip. Pins 11 to 23 are associated with the DRAM interface and are responsible for exchanging information between the two i.c.s. The method of processing this information is fairly complex and a detailed description would not be appropriate here. It is sufficient to say that pins 11 to 23 are connected to IC1, the DRAM chip, via its pins 1 to 15 (excluding pin 8).

Pin 24 is the 5V positive supply input.

ECHO POWER SUPPLY

IC3 is a 5V regulator which provides the correct operating voltage for the i.c.s of the Echo circuit, allowing a nominal 9V d.c. supply to be used as the power source. Diode D1 provides protection against connecting the battery with incorrect polarity.

Capacitors C6 to C9 improve the stability of the power lines. The inclusion of resistor R5 and capacitor C5 were found to be necessary to limit power line surges during the DRAM's read/write cycle (memory chips can be hungry for power by varying amounts during this cycle).

MIXER UNIT

The circuit diagram of the Mixer unit is shown in Fig.3. This is based on IC1 which is a dual low noise operational

COMPONENTS

MIXER UNIT

Resistors

R1 to R10	47k (10 off)
R11, R12	100k (2 off)

All 0.25W 5% metal film.

Potentiometer

VR1	10k min dual rotary carbon, p.c.b. mounting (17mm dia.) log.
-----	--

Capacitors

C1 to C4	2μ2 radial elect. 16V (4 off)
C5, C6, C13	100μ radial elect. 16V (3 off)
C7, C8	22pF polystyrene (2 off)
C9 to C12	10μ radial elect. 16V (4 off)

Semiconductors

D1	1N4001 50V 1A rectifier diode
IC1	NE5532 dual low noise op.amp

Miscellaneous

SK2	3.5mm stereo jack socket
SK3 to SK6	phono socket, chassis mounting (4 off)

Printed circuit board, available from the EPE PCB Service, code 160; knob; 8-pin d.i.l. socket.

Approx Cost Guidance Only

£12

amplifier; that is, it contains two separate op.amps in one encapsulation.

The two op.amp sections, labelled IC1a and IC1b, are responsible for the Left and Right channels respectively. They are used as identical inverting amplifiers. The arrangement is fairly standard and only a basic description, referring to the lefthand channel around IC1a, will be given here.

IC1a's non-inverting input, pin 3, is connected to a potential divider consisting of equal-value resistors R5 and R6. This fixes the d.c. operating level to one-half that of the supply, nominally 4.5V for a 9V supply.

The signals to be mixed are fed to the inverting input, pin 2, via a.c. coupling capacitors C1 and C2, and equal-value resistors R1 and R2. Resistor R9 feeds some of the output back to pin 2 and has the same value as the input resistors. This results in unity gain, in other words, no amplification (or attenuation) is given to the signals.

Feedback capacitor C7 very slightly restricts the upper frequency limit of the circuit, helping to reduce noise levels.

The mixer is designed to accept medium level "line" input signals, brought in from the audio source via phono sockets SK3 and SK4. Higher level signals, such as those from the headphone output socket of an audio source, can be brought in via the auxiliary input socket, SK2. Here resistors R11 and R12 are included to suitably attenuate the signals.

Processed vocal signals arriving from the Echo unit are passed, via capacitors C2 and C3, to the inverting inputs of each op.amp (that is, equally to left and right channels), where they are mixed with the music signals. Depth and realism will be provided by the stereo effect of the backing.

The audio output from each op.amp is a.c. coupled to the dual-ganged potentiometer VR1 by capacitors C9 (left channel) and C10 (right channel). The left and right outputs are then passed on to the "Aux" inputs of any ordinary power amplifier via capacitors C11 and C12 and phono sockets SK5 and SK6.

As with the Echo circuit, 9V power is brought in via a diode, D1, which gives protection against connecting the battery with incorrect polarity. Decoupling is provided by capacitor C13. Note that the exact operating voltage of this circuit is unimportant (it could be between about 5V and 18V), unlike the 5V limit imposed by the i.c.s in the Echo circuit.

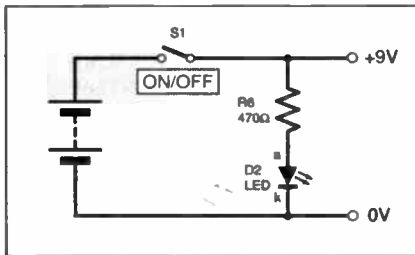


Fig.4. Details of the power supply.

POWER SUPPLY

Circuit details of the 9V power supply are shown in Fig.4. Battery B1 is switched on by S1 and is fed to both circuits.

Diode D2 is a light emitting diode which shows when the circuit is switched on. Resistor R6 limits the current drawn by D2 to about 20mA. Omitting R6 and D2 will increase the working life of the battery.

CONSTRUCTION

As in the circuit descriptions earlier, the Echo and Audio circuits are constructed on separate printed circuit boards (p.c.b.s) and will be considered separately. This will enable readers who wish to use only one of them to act accordingly.

It is best to cut the potentiometer spindles to the correct length before

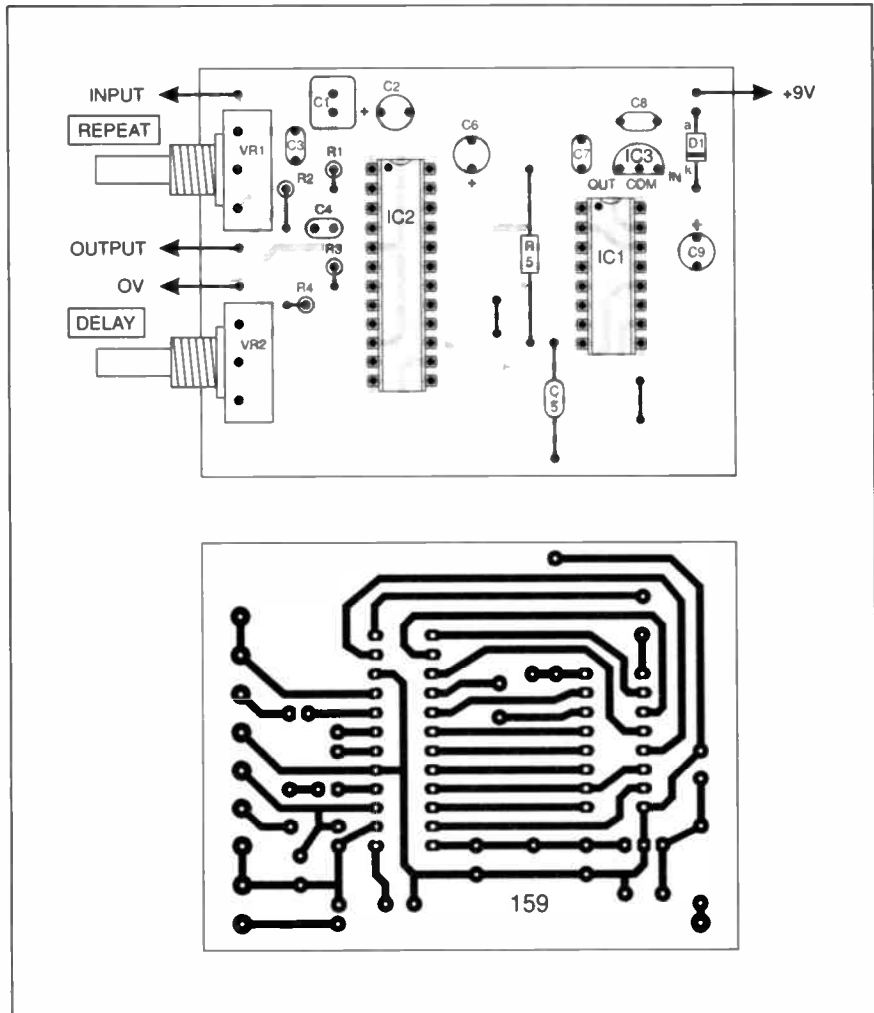
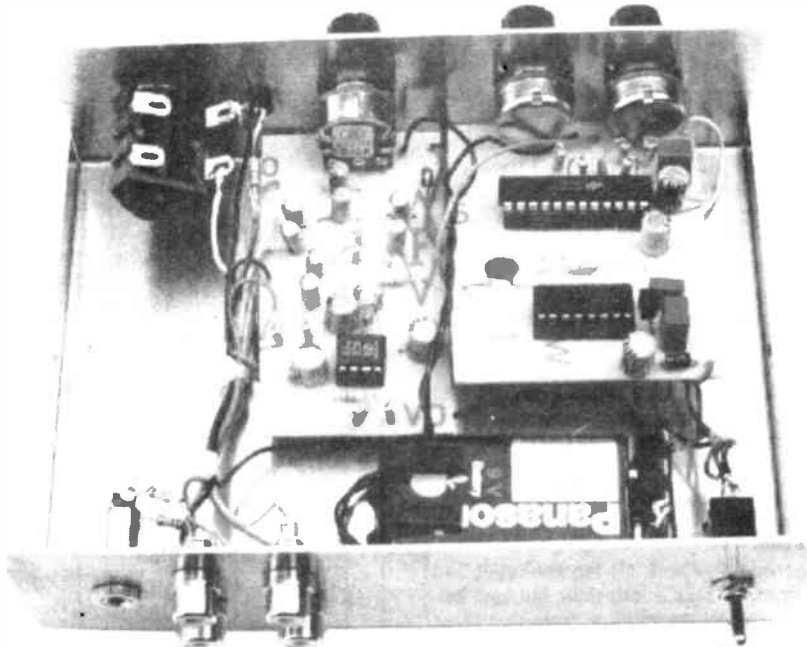


Fig.5. Printed circuit board component layout and full size copper foil track master pattern for the Echo unit.



proceeding. This will avoid possible damage in cutting them after they have been soldered to the circuit boards.

First, fit control knobs to the spindles and decide on the length which needs to be removed. Remove the knob and, using a small vice, hold the spindle near the cutting point (do not grip the body). Support the potentiometer body with one hand and

cut the spindle to size using a sharp hacksaw. Cut the other two spindles similarly and file all edges smooth.

ECHO BOARD

The printed circuit board (p.c.b.) layout for the Echo stage is illustrated in Fig.5. This board is available from the *EPE PCB Service*, code 159.

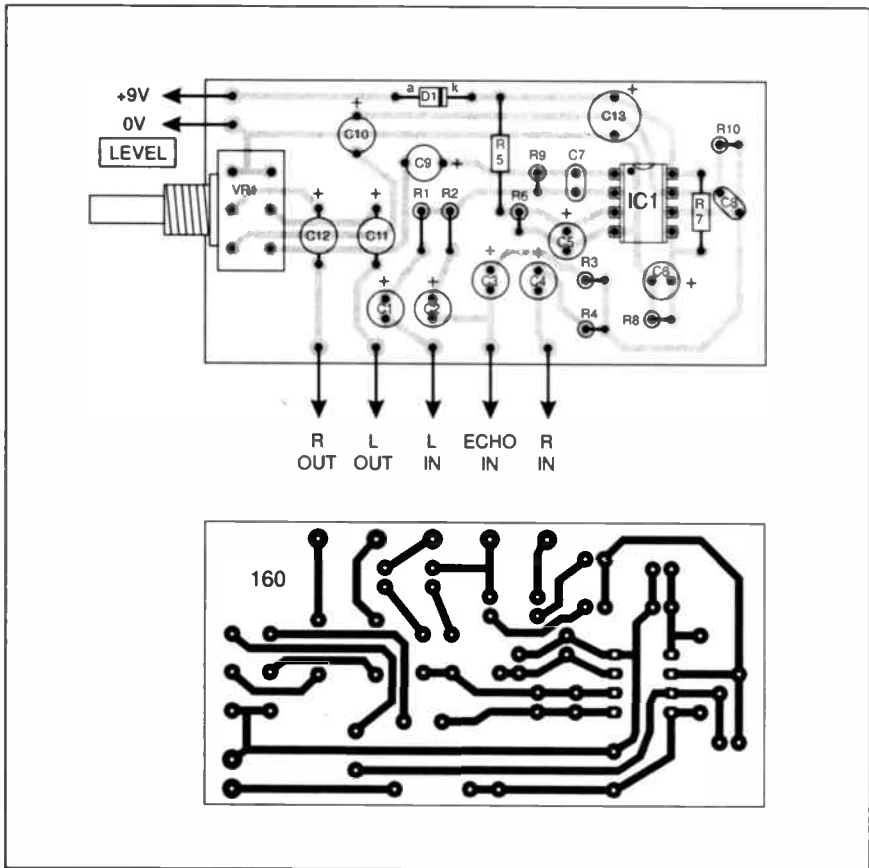


Fig.6. Printed circuit board component layout and full size copper foil track master pattern for the Mixer unit.

Begin by soldering the i.c. sockets in position. Note that the 24-pin socket is the narrow type, i.e. 0.3 inch width (7.62mm). Insert the two link wires and diode D1 (observing its correct polarity).

Follow with all resistors and capacitors. Note that three of the capacitors (C2, C6 and C9) are of the electrolytic type and must be connected with the correct polarity.

Solder regulator IC3 in position. It is important to note that with the specified device, the flat face will be adjacent to IC1. It seems that certain regulators of a similar type have their outer pins interchanged. If there is any doubt over this point, measure the voltage between IC2 socket pin 24 and the 0V line at the end of construction. This must be done with IC1 and IC2 removed because an excessive voltage would ruin them.

Solder potentiometers VR1 and VR2 to the board; use either p.c.b. mounting types, or solder them to 1mm terminal pins inserted into the board. Then solder 15cm pieces of light-duty stranded connecting wire to the points labelled Input, Output, +9V and 0V.

Thoroughly check all the soldering and then insert the i.c.s into their holders, observing correct orientation. Note that these are CMOS components and, as such, are liable to damage by static charge which might exist on your body. To prevent possible problems, touch something which is earthed (a water tap, for example) before handling the pins.

MIXER

The p.c.b. layout for the Mixer section is shown in Fig.6. This board is available from the EPE PCB Service, code 160.

Begin assembly of the p.c.b. by soldering the i.c. socket in position. Follow with diode D1 (observing the polarity) and all resistors and capacitors. It is essential to observe the polarity of all of the electrolytic capacitors.

Solder the potentiometer to the board. Now solder 15cm pieces of light-duty

stranded connecting wire to the points labelled +9V, 0V, R Out, L Out, L In and R In (but not to Echo In). Insert the i.c. into its socket with the correct orientation. Check all your work!

CASE PREPARATION

It is necessary to use a metal case as a housing for this circuit. This provides screening and gives common earth (0V) returns for the input and output sockets.

Temporarily hold the p.c.b.s inside the case, positioning them so that there is adequate clearance between their track-sides and the base to prevent short circuits. Mark the positions of the potentiometer spindles. Remove the p.c.b.s and drill holes in the front panel to correspond. Make holes also for the l.e.d. clip and the microphone jack socket SK1.

Drill holes in the rear panel for the four phono sockets (SK3 to SK6), jack socket SK2 and the on-off switch S1. Drill holes in the base for the battery holder.

Mount the phono sockets. All but one of the solder tags supplied with them may be discarded; retain a solder tag on only one socket. Solder the output wire from the Echo unit p.c.b. to the Echo In pad on the Mixer board.

PANEL ATTACHING

Secure the p.c.b.s to the case via the potentiometer bushes and their nuts. Mount all remaining components. Check that the tip of the microphone jack plug makes proper contact with the corresponding one on the socket, SK1. This does not always happen if budget price sockets are used.

Plug in the microphone and check that the tags are not open circuit by using a multimeter set to an ohms range (expect a reading of about 600 ohms). The author had to bend the tip contact of the socket inwards slightly so that it made reliable contact.

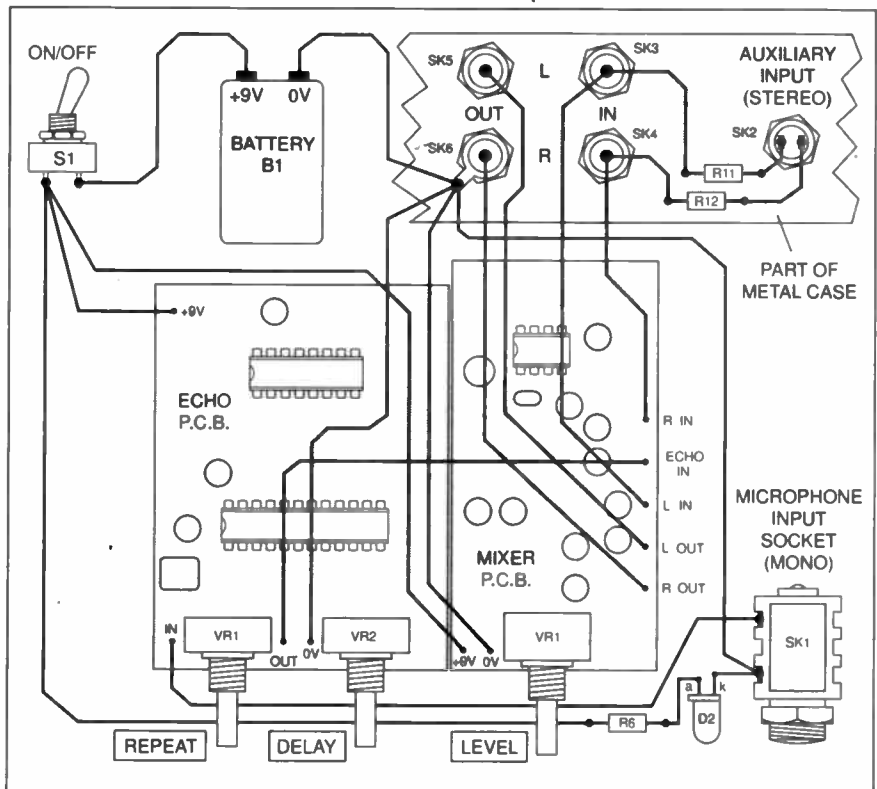


Fig.7. Details of the interwiring to all the off-board components.

Note that the mono jack socket may have four tags. Two of them are "break" contacts and can be ignored.

With the 3.5mm socket it may not be immediately obvious which tag is which; if necessary insert an open jack plug and check with a multimeter.

When satisfied about the above points, refer to Fig.7, which shows the point-to-point wiring details. Complete the wiring, shortening any wires as necessary. Use the solder tag on the chosen phono socket as a common anchorage point as shown.

Note that the l.e.d. (D2) must be connected with the correct polarity or it will not work – the slightly shorter end lead is normally the cathode (k) as marked in the diagrams. This connects directly to the outer tag of the microphone jack socket SK1 (which is a convenient nearby earth point).

Resistor R6 is soldered in series with the l.e.d. as shown (do not connect the l.e.d. to the power supply without this resistor – that would destroy it. Solder resistors R11 and R12 between the tags of socket SK2 and those on the Left and Right channel phono input sockets (SK3 and SK4).

The nuts for the battery holder fixings should be on the underside of the case. Cut off any excess bolt shank so that it is level with the nuts, then file the edges smooth. Attach self-adhesive plastic feet to the base of the case and check that the nuts remain clear of the work surface.

Attach the potentiometer control knobs and label their functions; also label the output sockets on the back.

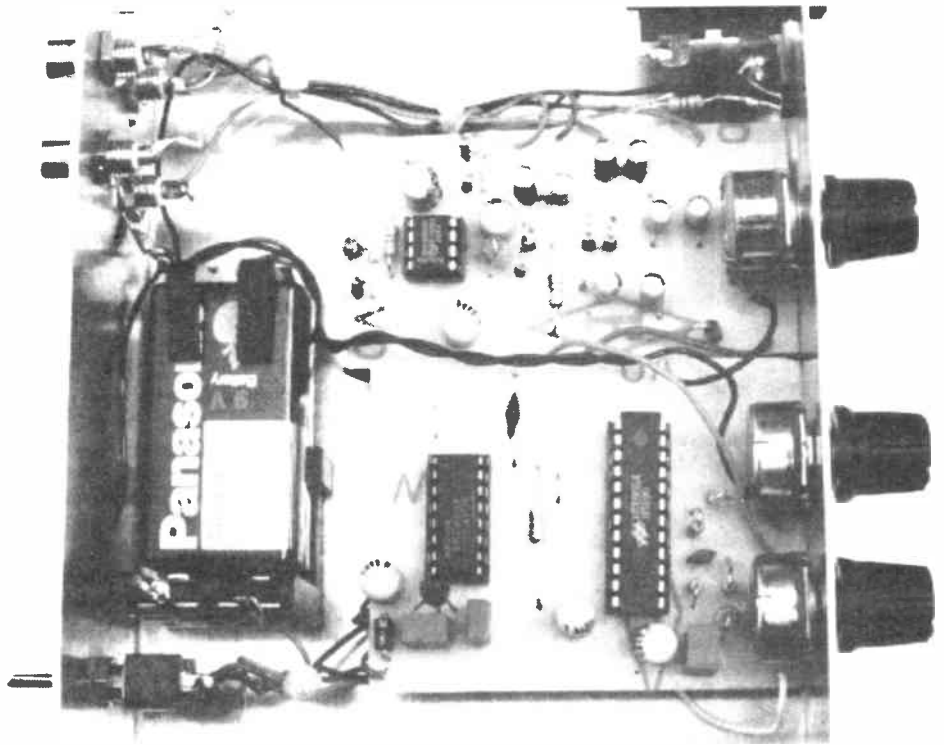
Make up suitably long leads with phono plugs on each end (or as appropriate for the amplifier).

TESTING

Testing is simply a matter of checking for correct operation. With switch S1 in the Off position, and with all three controls adjusted fully anti-clockwise, connect the battery, taking care over its polarity.

Using the phono-plugged leads, connect left and right outputs of the unit to the respective "Aux" inputs on the amplifier. If a video cassette player having a SCART socket on the back is to be used, obtain a lead which provides both audio output channels in the form of phono plugs.

Ready-made leads are available and these generally also have video input and output plugs. The latter, of course, are ignored. A cheaper alternative would be to make a lead yourself to provide access only to the audio signals.



If using the headphone output of a personal cassette or CD player, use twin screened cable with a 3.5mm stereo jack plug (or as appropriate to the player) on one end and a 3.5mm stereo jack plug on the other. Ready made leads of this type are also available.

Adjust the Volume control on the music playback unit to about one-quarter of total rotation. Set the amplifier to "Aux" input, adjust its Volume control to minimum and switch it on. Switch on the unit and note that the l.e.d. comes on.

Play the music and turn up the Volume on the amplifier to about one-quarter of its total rotation. Turn up the Volume control (Level) on the unit until the music reaches a listenable level without distortion, then turn up the amplifier Volume control for best effect.

If the output from a headphone socket is too high or low, change the values of the resistors (R11 and R12) connected between the phono input sockets (SK3 and SK4) and the auxiliary jack socket (SK2). Raising their values will reduce the level, and vice versa.

If the volume is too high, the sound will be distorted even when the Volume control on the unit is set very low.

When satisfied, check the microphone input without the music playing. Speak closely into the microphone. If the Volume controls are set too high, acoustic feedback will be heard (a howling noise from the speakers). Reduce the level slightly so that it stops.

Check the effects of the Repeat and Delay controls. Now try with the backing music. Make further adjustments for best effect.

ALTERNATIVE P.S.U.

For long periods of use, a plug-in d.c. power supply would be more appropriate. This should have an output of between 7.5V and 9V. Note that inexpensive unregulated units often provide a much higher output voltage than their nominal value under conditions of small load (this circuit classifies as a small load). Check with a voltmeter before using this type of power supply.

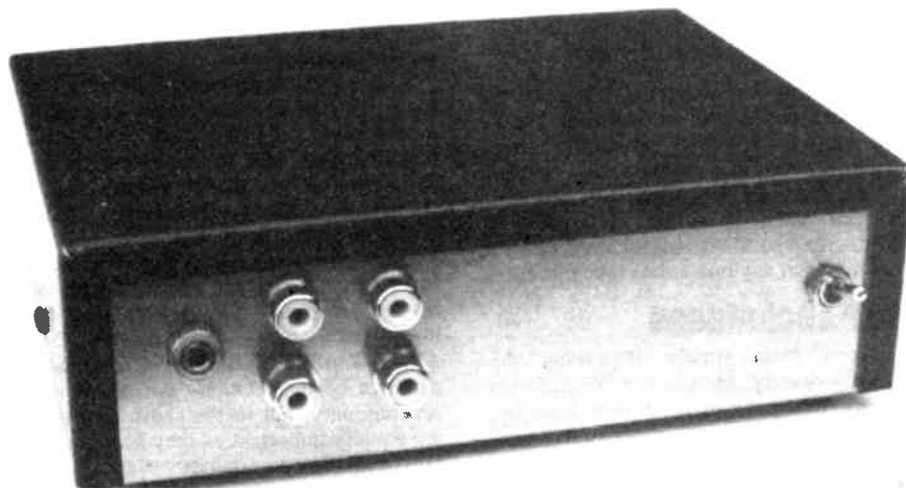
To avoid any such problem, preferably use a regulated supply having a 9V d.c. output. A power-in type socket could be fitted on the back of the unit and the connection previously taken to the battery soldered to this instead. The outer (sleeve) connection should be the negative (0V) line.

When using the system, don't forget to make a recording of the outcome using the cassette deck of the hi-fi system. Hearing their efforts played back is very entertaining for all concerned. You could also use the result as a new backing tape and add further voices.

Let's party!

PERFORMING LICENCE

Licences permitting the public performance of music are available from:
Phonographic Performances Ltd.
Ganton House
14-22 Ganton Street
London W1V 1LB
Tel: 0171 437 0311.



New Technology Update

Anyone interested in computing cannot fail to recognise the fact that disk drives are becoming cheaper and able to store more – reports Ian Poole.

THE EVER increasing requirements for even more storage space are pushing disk drive manufacturers to make cheaper and larger drives. Much of this has been fuelled by the success of "Windows" and all its associated software.

In the early days of PCs the operating systems were very crude by today's standards. Windows, in its recent forms, is now the accepted standard for PCs. It is far more user friendly, but at the cost of the use of far more memory, both within the computer as RAM and in long term storage as disk capacity. Not only is the operating system more sophisticated, but so too are all the other programs which can be run, from word processors and spreadsheets to games and teaching aids.

Too Small

To give a measure of this increase, less than ten years ago a 20Mbyte drive was considered large. Nowadays, a 20Mbyte drive would not be worth installing into a new machine because it is too small to take most of today's new software.

Currently manufacturers are seeing an increase in density of around 60 per cent per year, and there appears to be no slow down in the requirements for improvements. Not only has the capacity increased, but the physical size of the drives has also decreased. Some years ago 140mm was the accepted size. Now this has been reduced to 90mm or even 64mm.

To keep up with the requirements for increased capacity, increased speed and reduced size, drive manufacturers have needed to employ many new techniques. Although existing techniques have been refined to very high degrees, this alone has not been sufficient to provide the levels of performance which are required now.

Many new techniques have been introduced, and many existing techniques are approaching the limits of the technology. For example, improvements in read/write head sensitivity, or reduction in the height above the disk can only be taken to certain limits, beyond that new methods must be sought.

MR Heads

In the early days of disk drives, inductive heads, akin to those used on tape decks were employed. Now many manufacturers are using magneto-resistive (MR) heads. These rely on the flux around the head changing the resistance of the element in the head. This enables much smaller track widths to be used as well as higher data densities.

They also have the advantage that the

output is not proportional to speed, which is the case for inductive heads. As a result, this overcomes the problem that towards the centre of the disk, where the linear speeds are slower for a given rotational speed, the output is less and densities have to be reduced.

The actual head simply consists of the resistive element whose resistance changes with the varying magnetic field. As this is not a wound element it can be made very much smaller and more cheaply than the inductive heads. However, the main advantage is that these heads can be used to read data off higher densities than inductive ones.

The drawback of MR heads is that they cannot be used for writing. This means that an inductive head is still required to perform this function, but despite this it is still possible to gain significant improvements in density. Track widths can be made much smaller because they are able to cope with much greater levels of tolerance when the read head is slightly off the centre of the write track.

The use of separate read and write heads also means that each head can be optimised for its particular function of either writing or reading data. Previously one head had to perform both operations.

High Flyers

For the future there are further developments which are being undertaken. IBM are looking into an MR head which can detect field strengths of one fifth of that required at the moment. This could significantly increase the data densities which could be attained on the disk by a factor of around five or six, and this may only be a few years away from being introduced onto the market.

Those companies which are not using MR heads still have to increase the data stored on the disks if they are to keep their market share. To achieve this many are flying their inductive heads much closer to the disk.

This can be dangerous because it increases the likelihood of a head crash. To help reduce this possibility some manufacturers have introduced a system where the head flies higher off the disk surface when it is not undergoing a read/write operation, and then reduces the height when any operations take place.

DSP Techniques

Apart from simply improving the storage density, there are other methods of improving the drive storage capacity. These include the use of Digital Signal Processing (d.s.p.) techniques to encode

and decode the data in more sophisticated ways.

One of the methods being used is called Partial Response Maximum Likelihood or p.r.m.l. Using this system, advanced digital filtering techniques are used to examine the shape of the pulse.

This data is processed by the d.s.p. circuits and a maximum likelihood algorithm is used in the processing to determine whether the received signal matches the profile of an actual pulse or a spurious signal. The algorithm which is most commonly used is one named a Viterbi algorithm.

IBM has already introduced p.r.m.l. into some of its larger drives, and in the future all its drives will use the process. A number of other manufacturers also use the process.

Currently, a number of chips are available on the market which enable p.r.m.l. techniques to be used. In view of the number of manufacturers which produce them it shows a definite trend in the market towards this process. In the not too distant future it should mean that most of the drives which are bought for inclusion into PCs will use these advanced techniques.

Future

With the ever increasing pressure on storage space, the rate of disk drive development is unlikely to abate in the foreseeable future. Other developments are also taking place alongside the technical improvements.

One of these is associated with the standards which are used. The IDE standard has been most widely used for many years now, having a number of advantages over the SCSI interface which is less frequently used.

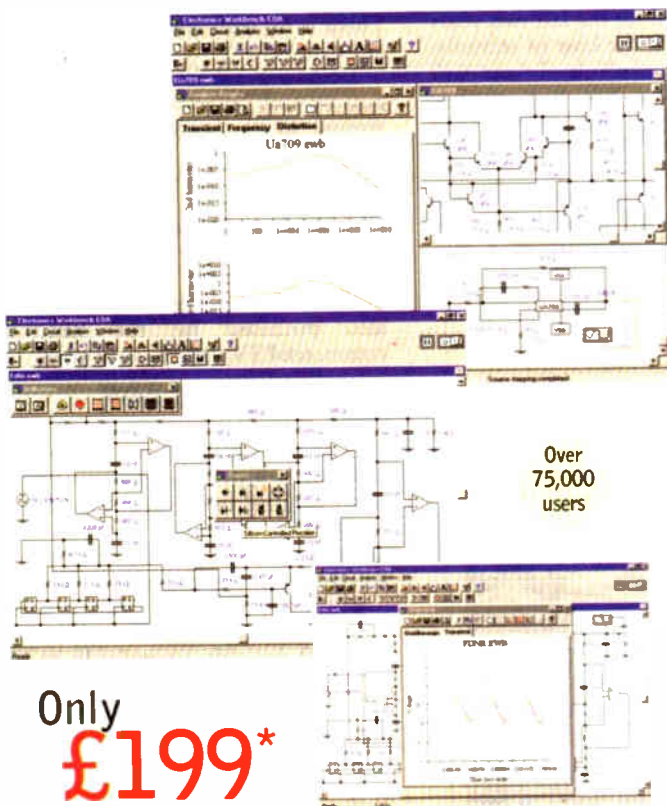
However, in its original form it had a maximum limit of 528Mbytes. Nowadays most new machines are fitted with drives of 1Gbyte and more.

Although systems could be configured as two separate drives this is clearly inconvenient. As a result the drive manufacturers had to cooperate in the definition of a new standard, EIDE (Extended IDE) which enables larger drives to be used with ease.

Other developments for further into the future are also taking place. Some are revolutionary and may not be seen for many years, but if they succeed they will be capable of storing vastly greater amounts of data. Others are much less revolutionary, but in the short term they are equally important as they keep up the rate of increase in capacity.

Mix it up with Electronics Workbench®

The analog, digital and mixed-mode circuit simulator that really moves!



NEW! Electronics Workbench Version 5 with analog, digital and mixed A/D SPICE simulation, a full suite of analyses and over 4,000 devices. Still the standard for power and ease of use. Now ten times faster. Still the same low price.

Join over 75,000 customers and find out why more engineers and hobbyists buy Electronics Workbench than any other SPICE simulator. You'll be working productively in 20 minutes, and creating better designs faster. We guarantee it!

High-End Features

True Mixed Analog/Digital	Yes
Fully Interactive Simulation	Yes
Analog Engine	Spice 3F5, 32-bit
Digital Engine	Native, 32-bit
Temperature Control	Yes
Pro Schematic Editor	Yes
Hierarchical Circuits	Yes
Virtual Instruments	Yes
On-Screen Graphs	Yes
Analog Components	Over 100
Digital Components	Over 200
Device Models	Over 4,000
Money-Back Guarantee	30-day
Technical Support	Free

Powerful Analyses

DC Operating Point	Yes
AC Frequency	Yes
Transient	Yes
Fourier	Yes
Noise	Yes
Distortion	Yes



Turn on the power to your designs...
CALL + 44 (0) 1203 233216 today!

No-risk 30-day money-back for first time buyers!
Runs on Windows 95/NT/3.1

*Special upgrade prices are available. All prices are exclusive of VAT and £7.99 p+p.

RM Robinson Marshall (Europe) Plc.
Leofric Business Park, Progress Close, Coventry CV3 2TF

Phone: +44 (0) 1203 233216 Fax: +44 (0) 1203 233210 E-mail: sales@rme.co.uk www.rme.co.uk

Shipping Charges UK £7.99. All prices are plus VAT. Electronics Workbench is a trademark of Interactive Image Technologies Ltd, Toronto, Canada. All other trademarks are the property of their respective owners



Australia • Belgium • Brazil • Canada • Chile • Colombia • Cyprus • Czech Republic • Denmark • Finland • France • Germany • Greece • Hong Kong • Hungary • India • Indonesia • Israel • Italy • Japan • Malaysia • Mexico • Netherlands • New Zealand • Norway • Philippines • Portugal • Romania • Singapore • Slovenia • South Africa • South Korea • Spain • Sweden • Switzerland • Taiwan • Thailand • Turkey • United Arab Emirates • United Kingdom

Trademarks are the property of their respective holders.

DIRECT TV SHOPPING

A Stop-Press report from Barry Fox
*It's been predicted for ages, but at last shopping
can become an armchair activity.*

BY EARLY next year TV viewers in the UK will be able to bank, shop and book tickets from their armchairs. Video demonstrations of products and services will beam down from a digital satellite while viewers use a remote control or keyboard to authorise payment by phone line. HMV, Sainsbury, the Midland Bank and Great Universal Stores have already said they will provide interactive services, free.

Clever technology will be used to smooth the transition from analogue to digital broadcasting, and the equipment needed to access the new services will be heavily subsidised. But it will still cost £300 to install and the owner must then pay satellite broadcaster BSKyB a regular monthly subscription to watch a new

range of digital entertainment channels. BSKyB currently charges £27 a month to watch all its analogue entertainment channels. There will be more digital entertainment channels so digital subscriptions are unlikely to be cheaper.

BSkyB AND PARTNERS

BSkyB has been promising a digital satellite TV service for the last two years but has baulked at the cost of subsidising the equipment which viewers will need to buy. Now BSKyB is sharing the financial burden with British Telecom, the Midland Bank and Japanese company Matsushita Electric. Their new company British Interactive Broadcasting (BIB) will spend £265 million on subsidising the manufacture of a mil-

lion set-top decoders by four contracted manufacturers, Amstrad, Grundig and Hyundai, Matsushita and Pace.

Says BSKyB's Deputy Managing Director David Chance, "Subsidy is the key cog that starts the virtuous circle. Britain is leapfrogging the rest of the world. This is the first mass scale introduction of the information society. There is no truly interactive TV service anywhere else".

Despite a subsidy of over 100 per cent on each decoder, they will still cost around £200. Professional installation of the necessary aerial and phone connection is essential and will cost another £100. The £200 receiver will also need modification, with add-on "sidecar" circuitry costing another £100, if the owner wants to use it for the new digital terrestrial TV services also promised by the BBC and commercial TV stations next year.

DIGITAL UPGRADE

BSkyB broadcasts its existing analogue services from Astra satellites at 19 degrees East. The new services will be transmitted in digital code, on higher frequencies, from new satellites which Astra will launch at 28 degrees East shortly before the end of this year.

BIB reassures the four million viewers who already have satellite dishes that they will be able to upgrade to digital interaction with a "simple adjustment" of the existing dish and then relegate their old analogue receiver to a bedroom or children's room. To make this possible BSKyB will simulcast all its analogue programmes from the digital satellite as well. But the simple adjustment is a difficult job which BSKyB admits must be done by a professional fitter.

The digital decoder will contain a 28.8 kilobits/second modem which must connect to an ordinary telephone line to send control signals back to the service provider, while a mix of data is delivered by digital satellite and the phone line. Many homes do not have a telephone socket close to the TV, so the fitter will need to install new phone wiring.

CHANGING DIRECTION

All existing dish aerials are pointed at Astra's analogue satellites at 19 degrees East and will need moving or replacing so that they point at the new digital satellites at 28 degrees East. Most existing dishes will also need some new

MONDO MAPLIN



Maplin Electronics have opened yet another store, this time a Superstore named Mondo, at Lakeside Thurrock Retail Superpark, Essex.

Mondo aims to bring "the world of technology to everyday living with a huge range of computer peripherals, hi-fi and home entertainment accessories, security devices and fun gadgets".

The new superstore reflects the growing consumer demand for hi-tech products both in the home and business. It also includes an MPS Trade Counter, and an Internet Cafe. The latter lets customers get on-line and develop their net-surfing skills.

Commenting on the choice of Thurrock as the new site, Operations Manager Bill Hobden said "this time we've purposefully gone for a site in a prime retail location". It was a major step in Maplin's strategy to find exactly the right locations in which to develop Mondo superstores in between 15 and 20 major conurbations throughout the UK.

This is now the third Mondo Maplin Superstore to open, bringing the total of Mondo and Maplin stores in the UK to 40. The other two Mondo sites are in Leeds and Nottingham.

For more information, contact: Maplin Electronics Plc, PO Box 3, Rayleigh, Essex SS6 8LR. Tel (enquiries): 01702 552911. Tel (sales): 01702 554161. Fax: 01702 553935. E-mail: <recipient>@maplin.co.uk. Web: <http://www.maplin.co.uk>.

electronics, called a Universal Low Noise Block converter, to pick up the high frequency digital signals. If the connecting cable from the dish is old, kinked or damp, it may not be able to carry the high frequency digital signal and will need replacing with new cabling.

If viewers want to continue using their analogue receivers, while also using a new digital receiver, they will need to add a high frequency LNB to their existing dish. This will be offset from the existing low frequency LNB by around 8cm, so that it picks up digital signals from 28 degrees East while the original LNB continues to receive analogue signals from 19 degrees East. The fitter will then have to lay a second run of cable to connect to the digital receiver.

Because the second LNB is offset, it will receive only a relative weak signal from the digital satellite. But BSkyB believes the extra power Astra is promising from its digital transmitters will make up the difference. To play safe BSkyB will use around 20 megabits/second of the 55Mb/s data

stream available from each satellite transmitter, for error correction. The correction is a stream of extra bits of code which check for gaps in the programme and repair them. The 34Mb/s programme stream can carry up to 16 programmes if there is a careful mix of sports channels, which need more bits per second to cope with fast action, with studio chat shows and movies, which need fewer bits per second.

BSkyB will provide the movies on "near demand". The same film will be transmitted on half a dozen different channels, with the running times staggered by 15 minutes so that viewers never need wait more than a quarter of an hour for the opening titles.

Viewers who replace their existing analogue dishes with new ones, or new customers who fit new dishes, will also benefit from the higher transmission power and more powerful error correction. The new digital services should come through loud and clear on 40cm dishes, whereas analogue programmes have needed 60cm aerials.

PROUD BOARD MAKERS

Proto Design, the company who manufacture p.c.b.s for the *EPE PCB Service*, have proudly told us that, as part of their continued improvement to service and facilities, they have applied for and received UL certification.

This required submission of examples of their work to Underwriters Laboratories Inc. in the USA and resulted in approval to UL94 and UL796. Proto Design can now supply p.c.b.s bearing the UL marking.

The UL Standard is essential for exporting to the USA and is the most accepted and recognised certification mark in that country. UL provides unbiased thorough product evaluations and quality assurance assessments. The British Standards Institution visits Proto Design's factory every three months to monitor production and ensure compliance.

Further improvements made by the company include increasing their Hot Air Solder Levelling capacity and introducing SMT/conventional board assembly. Proto Design offer an excellent service right across the board!

For more information, contact Proto Design, Dept EPE, Units 8/9, Ilford Trading estate, Paycocke Road, Basildon, Essex SS14 3DR. Tel: 01268 289923. Fax: 01268 289447.

ETCH-TECH

Still on the subject of p.c.b.s, hobbyist p.c.b. designers will be interested to know that Etch-Tech Boards, the manufacturers who specialise in providing services for hobbyists, have just expanded their services by introducing a range of PC based p.c.b. design packages, and "traditional" artwork preparation materials.

As a special introductory offer, Etch-Tech are offering 10 per cent off all their p.c.b. design packages until the end of July '97. What's more, if you are a member of the B.A.E.C. you can get 10 per cent off the cost of manufacturing your p.c.b.s as well.

For more details, write to Etch-Tech Boards, Dept EPE, PO Box 1566, Salisbury, Wilts SP1 3XX.

The New Solution

The options for readers who wish to design their own p.c.b.s using CAD software has never been so buoyant. Two more interesting CAD packages have hit the amateur market. They are from a company called The PC Solution which has just launched them in the UK as WinDraft and WinBoard, both originating from Ivex Design International.

Ivex was founded three years ago in the USA with the objective of providing affordable Windows based EDA tools. Their products include proven solutions for schematic design and p.c.b. layout under Windows 3.1, 3.11, NT and 95. They are currently represented in 15 countries.

WinDraft is the schematics design package, in which "everything's included for wiring, drawing, printing and finishing your design". It is also a front end tool for the p.c.b. layout package WinBoard, which, say Ivex, is an easy to use software toolset that rivals the features and functions previously only available in more expensive programs.

Minimalist (cut down) versions of the two packages are available at the all-inclusive price of £19.95. The fuller versions start at £175 each.

For more information, contact The PC Solution, Dept EPE, 2a High Road, Leyton, London E15 2BP. Tel: 0181 926 1161. Fax: 0181 926 1160.

E-mail: info@ThePCSol.Demon.co.uk.
Web: <http://www.ivex.com>.

Radio Jobs

Management reform of Britain's radio spectrum could mean a wider choice of mobile communications and thousands more jobs. John Battle MP, Minister of State at the DTI said recently while announcing publication of the new Wireless Telegraphy Bill, which will provide new tools to manage the radio spectrum more effectively.

Speaking in London, Mr Battle said: "Our aim is to promote spectrum efficiency, competition and innovation and to sustain economic success and growth. A wide range of businesses throughout the economy use and rely on radio. Their use of radio currently contributes £13bn to GDP and supports over 400,000 jobs in radio service provision, equipment manufacture, distribution and retail activities. These figures are growing at a rate of £1bn a year and over 1,000 jobs a week.

PCS32 SCOPE



In our Jan '97 issue, Robert Penfold reviewed the Velleman "Virtual Instrument" kit for the PCS32 Storage Oscilloscope Interface. An excellent product it appeared to be.

From Holland, we have now been advised by software developers Omnia & Nedon, that they have introduced a new software package for use with the PCS32. It is Windows-based (3.1X and 95 quoted) and has been developed in association with Velleman.

Called Scope-it For Windows, it features two-channel oscilloscope and spectrum analysis functions, and both can be displayed simultaneously. Displays can be saved to disk, printed or copied to other applications. The software is fully supported for English, French, German and Dutch.

Distribution will take place via Velleman's usual agents. Maplin handle the PCS32 kit, so ask them for details of this new product (Tel: 01702 554002). Alternatively, you can find out more about this package via the Internet, at <http://www.velleman.be>

C5'S AERIAL BATTLE THICKENS

The good news is that Astra now transmits C5; the bad news is that it's not that simple!

Barry Fox updates the story

CHANNEL 5, the UK's fifth terrestrial TV station, has found a way to improve reception for the millions of viewers who cannot tune in. C5 has hired a transmitter on the Astra satellite, making it the first land-based TV station in Britain to simulcast its programmes from space for free reception.

The move is expensive to C5 and reception is still not plain sailing. Astra charges around £4 million per transmitter per year and at least a quarter of all existing satellite receivers will not tune into the frequencies which Astra has allocated to C5.

The use of satellite transmitters to broadcast a terrestrial station also raises new copyright issues.

When fully operational by late 1997, C5's 42 terrestrial transmitters should cover 80 per cent of the UK population. But to avoid interference with existing transmitters in the UK and France, C5's licence from the Independent Television Commission for terrestrial transmission requires C5 to broadcast at low powers on frequencies which are outside the band for many existing TV aerials. So many terrestrial viewers cannot get clear pictures, or get no pictures at all.

C5 admits that "some people may need a new aerial". The Confederation of Aerial Installers puts the number at over three million, each costing the viewer around £150.

FREE ASTRA CHANNEL

C5 had been negotiating with Luxembourg satellite operator Astra since before the terrestrial station launched, but all 64 of Astra's transmitters were already in use. Now Continental movie channel Filmnet has moved from Astra to the Scandinavian satellite Thor, vacating channel 63 on the Astra's 1D satellite. C5 has now taken over Filmnet's transmitter.

The channel 63 transmitter is not ideal because it is on Astra's fourth satellite, 1D, which operates in a lower frequency band than Astra's first three satellites, 1A, 1B and 1C. Modern dishes and receivers are designed to receive this low band and are pre-tuned to switch between 64 channels, but older systems were designed to receive only the 48 channels transmitted by Astra 1A, 1B and 1C. Astra estimates that over 25 per cent of all satellite systems in the UK are still of the old type and thus unable to receive signals from 1D.

Owners of these old systems must either replace their existing dish and receiver or fit a device called an Expander, costing around £30, to the old receiver. This shifts the low frequency signals from 1D up in frequency by

500MHz. So satellite channel 63 behaves as if it were channel 15, and C5's programmes appear on the TV screen instead of the MTV pop music channel.

COPYRIGHT PROBLEMS

Over 23 million dishes in Europe can now pick up Astra's signals, but C5 does not have copyright clearance to broadcast its programmes outside the UK. So C5 must try to control viewing, but without charging viewers for programmes which are supposed to be free. So C5 is scrambling its signals with the VideoCrypt system, as used by Rupert Murdoch's Sky channels. But whereas most Sky channels can only be received by viewers who pay for a smart card to slot into their VideoCrypt decoder, C5 is "soft-encrypted". Unscrambling requires only a decoder, not a smart card.

C5 estimates that two million homes with satellite dishes are outside the range of its terrestrial transmitters and thus now able to receive C5 for the first time. But of these two million, 500,000 are likely to have old receivers which cannot tune in to C5 without modification.

In addition, around 100,000 homes in Eire have satellite systems with the VideoCrypt decoders needed to receive Sky. These homes can now receive C5, even though it is a British terrestrial station. As in the UK, the number of dishes is growing fast.

The ITC says that C5 is not breaching its licence by extending its broadcasting range into Eire. "If the Irish government is unhappy, it can make representations to the British government", says a spokeswoman.

Sally Osman of C5 says "All our programme deals are for the UK but all the programme providers are happy that they cover all types of distribution, whether terrestrial, cable or satellite. They are sanguine about the idea of spillover, when British TV is picked up abroad. This already happens with the BBC".

INEQUITABLE

Equity, the British actors' union, already accepts that spillover from terrestrial transmitters across the sea is inevitable, and gets a share of the money the BBC and ITV earn when they authorise Irish cable stations to relay British programmes to Irish subscribers. But Equity is not sanguine about Irish satellite viewers being able to watch the UK's C5 without anyone paying.

"We did not know this was happening; C5 has not told us", says Equity's Angela Little. "Our current agreement is for the UK only. Channel 5 will need to come back and renegotiate for Eire".

COUNTDOWN SAFETY SWITCH

A new 13A plug-in safety device, designed to supply power to a wide range of appliances, tools and equipment for only a user-set period of time, has been launched by Technotrend Ltd.

Called the Countdown Safety Switch, the low cost device will, it is claimed, improve safety and energy consumption in a variety of domestic, workshop, commercial and public sector environments.

Unlike ordinary timer switches, which are designed to switch lights or appliances on and off repeatedly to a preset pattern, with this new device the controlled appliance can be used whenever required, and will then be switched off automatically a preset time after the last use has ended. No chance, then, of it switching off during use.



It is easily set, simply by plugging it in to a normal 13A socket and then pressing two clearly marked buttons. One switches on the power, the other sets the time.

There are two versions of the switch. The first allows a range of power times to be selected, from 40 minutes down to five minutes, in five minute intervals. The second offers a choice of three fixed power times, 30, 60 and 120 minutes. In

both cases, the device will switch equipment with power ratings up to 3kW.

The Countdown Safety Switch is priced at £22.99 plus VAT and is available from Technotrend Ltd., Dept EPE, Unit B5, Armstrong Mall, Southwood Summit Centre, Farnborough, Hants GU14 0NR. Tel: 01252 373242. Fax: 01252 373440.



TAKING A COUNT

Lascar Electronics have added a new up/down counter module to their range of low profile DIN-cased meters. The C790 incorporates a high contrast, 4-digit l.e.d. display for 14mm digit height. The counter's display and internal comparison register are presettable, ideal for applications such as batch counting and process control.

The C790 is mounted in a stylish 36mm x 72mm enclosure and is eminently suitable for applications that require easy installation with soldering. This has been achieved by using a snap-in enclosure, link-selectable decimal points, and the option for a screw terminal block.

For more information, contact Lascar Electronics, Dept EPE, Module House, Whiteparish, Salisbury, Wilts SP5 2SJ. Tel: 01794 884567. Fax: 01794 884616.

Robotica

Ltd



Robotic Arm Kits

TOYBOT - EDUBOT

5 Axis open Kinematic Robotic arm kits with superb precision CNC machined parts, PC controlled with comprehensive WINDOWS Software and fully programmable. Can be interfaced with four external devices or other robots.

PIC Servo Controller

Controls up to 8 Servo Fully Addressable features two in and out ports for interfacing with up to 4 external devices or other controllers

Phone for a brochure and price list

Robotica

Ltd

3 PARK GATE, GLASGOW, G3 6DL

TELEPHONE: +44 141 353 2261 FAX: +44 141 353 2614



SQUIRES

MODEL AND CRAFT TOOLS

A comprehensive range of craft tools and equipment featured in a fully illustrated

100 page Mail Order Catalogue

1997 Issue

**SAME DAY DESPATCH
FREE POST & PACKING**

For your free copy of our catalogue write, telephone or fax to:

Squires, The Old Corn Store,
Chessels Farm, Hoe Lane,
Bognor Regis, West Sussex
PO22 8NW



Tel/Fax: 01243 587009



Summer '97 Catalogue

Includes 40 page full colour
Computer Equipment Catalogue

The Summer '97 Edition brings you:

- ▶ Even further additions to the Computer section extending our range of PC components and accessories at unbeatable prices.
- ▶ **WIN!** a 15" CTX SVGA Monitor in our easy to enter competition.
- ▶ 100's of new products including: Books, Connectors, Entertainment, Test Equipment, Security, Speakers, Satellite Equipment and Tools.
- ▶ A full range of Aver Multimedia products for PC and Mac.
- ▶ £25 worth discount vouchers.
- ▶ 232 Page main Catalogue, plus 40 Page full Colour Computer Catalogue, incorporating 24 Sections and over 4000 Products from some of the Worlds Finest Manufacturers.
- ▶ Available at WH Smith, John Menzies and most large newsagents, or directly from Cirkit.
- ▶ **Get your copy today!**

£2.20
+ 30p p&p

Cirkit



Cirkit Distribution Ltd

Park Lane · Broxbourne · Hertfordshire · EN10 7NQ
Tel: 01992 448899 · Fax: 01992 471314
Email: mailorder@cirkit.co.uk

Techniques

ACTUALLY DOING IT!

by Robert Penfold

HAVING previously considered what tools and equipment you need to get started in electronic project construction, this time we will look at one of the more important things you need to know once you are under way. How do you tell which component is which?

Diagrams and photographs in the magazine article should sort out most of the problems. It is also well worth buying one or two of the larger component catalogues. Apart from making component buying much easier, the photographs and other illustrations help with precise identification of the components.

It is mainly the smaller components such as resistors and capacitors that seem to give beginners most problems. At least a few resistors are used in every project, and large numbers of them are used in most circuits. One of the first things you will notice about low power resistors is that they are not labelled with values.

Banding Together

Instead they are marked with coloured bands which indicate the value and a tolerance rating using a very simple method of coding. Details of this code are provided in Table 1. Fig. 1 (top left) also helps to explain the way in which the standard four band code operates.

The first task is to determine the order of the bands. You will not get a sensible result if you decode the bands "back-to-front". Bands one to three are grouped close together, and band four is out on its own, so getting their order right should be easy.

Unfortunately, some "real-world" resistors have bands that are not spaced as accurately as they might be, but it is not usually too difficult to sort out which band is which. In most cases you will get a nonsensical result if you get the bands back-to-front, so your mistake should be obvious.

The first two bands indicate the first two digits of the value. For example, suppose that the first two bands are orange and white. These bands represent 3 and 9 respectively, giving 39 as the first two digits of the value.

The third band is the multiplier, and the first two digits are multiplied by the value represented by this band. If the third band was red, the multiplier would be 100, and the value of the resistor would be 3900 ohms ($39 \times 100 = 3900$) i.e. $3k9\Omega$. A gold third band would represent a multiplier value of 0.1, giving a value of 3.9 ohms ($39 \times 0.1 = 3.9$).

Band four indicates the tolerance rating of the resistor. For most resistors this band is gold, indicating that

the actual value of the component is within five per cent of its marked value. If a components list specifies that 5% resistors should be used, it is in order to use components having a lower tolerance such as 1%, although this might prove to be expensive.

Do not use components which have a *higher* tolerance rating than that specified in a components list (e.g. 10% components where a tolerance of 5% is specified).

Added Colour

Rather unhelpfully, some resistors have one of two methods of five band colour coding. Both types are included in Fig. 1.

One method is essentially the same as the four band type, but the fourth band is replaced by a group of two bands. The fourth band indicates the tolerance rating in the normal way, and the fifth band shows the temperature coefficient. Since the temperature coefficient is not normally of any practical significance to the hobbyist, the fifth band can be ignored and the other four bands then show the value in the usual way.

The other method of five band coding works in much the same way as the four band variety, but the first three bands indicate the first three digits of the value. Bands four and five provide the multiplier value and tolerance ratings in the usual fashion. The third band invariably seems to be black (0), which means that it can be ignored if the multiplier is boosted by a factor of ten.

For example, if the first two digits are red and violet (two and seven), and the fourth band is brown ($\times 10$) the value would normally be 270 ohms: Multiplying this value by ten gives the actual value of 2700 ohms ($2k7\Omega$). Fortunately, this method of coding seems to be much less common than it was a few years ago, and with luck you will never encounter it.

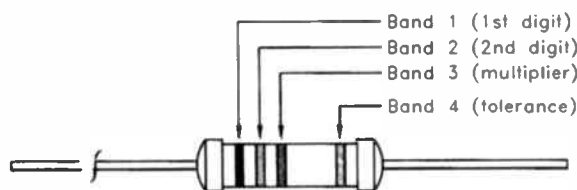


Table 1: Resistor Colour Coding

COLOUR	BAND 1	BAND 2	BAND 3	BAND 4
Black	0	0	X1	-
Brown	1	1	X10	1%
Red	2	2	X100	2%
Orange	3	3	X1000	-
Yellow	4	4	X10000	-
Green	5	5	X100000	0.5%
Blue	6	6	X1000000	0.25%
Violet	7	7	-	0.1%
Grey	8	8	-	-
White	9	9	-	-
Gold	-	-	X0.1	5%
Silver	-	-	X0.01	10%
None	-	-	-	20%

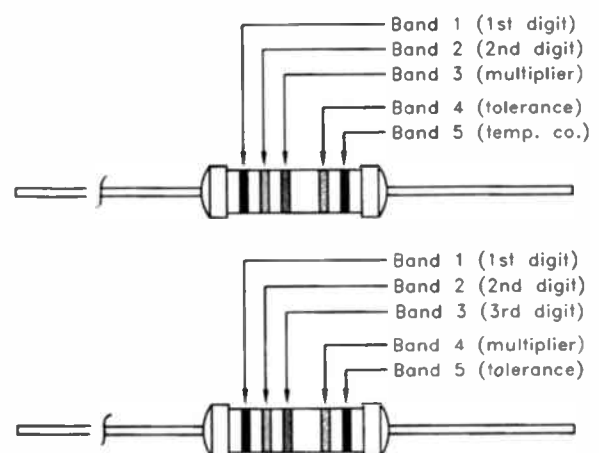


Fig. 1. Standard four band resistor colour coding (top left) and two methods of five band coding.

At one time colour codes were commonly used for capacitors, but this practice seems to have died out. Four band colour codes are sometimes used on inductors, and this gives the value in standard resistor fashion. However, the value is in microHenries rather than in ohms.

Little And Large

One slight problem with many units of measurement used in electronics is that an enormous range of values are used. It is not uncommon for the highest value resistor in a circuit to be a hundred thousand to a million times higher in value than the lowest value resistor. The resistors in my spares box have values from 0.1 ohms to 10 million ohms (10Meg).

To make high values easier to deal with, they are normally expressed in kilohms (k) or megohms (M). A kilohm is 1000 ohms (1k), and a megohm is one million ohms (1000k). Thus a resistor having a value of 3300 ohms would normally be referred to as a 3.3 kilohm resistor, and a resistor having a value of 2700000 ohms would normally have its value given as 2.7 megohm.

It is now common practice for values to be given in a slightly shortened form where the letter indicating the units of measurement also shows the position of the decimal point. A value of 5.6 kilohms would therefore be given as 5k6, and a value of 4.7 megohms would be given as 4M7. The letter "R", or Ω (omega symbol), is used as the abbreviation for ohms, and values of 0.47 ohms and 470 ohms would therefore be given as (0 Ω 47) 0R47 and (470 Ω) 470R respectively.

This method was devised to keep values as short as possible on cluttered circuit diagrams, but it is now commonly used in components lists as well. In fact, it might be encountered anywhere that component values are given. It is even used to mark the values on some higher wattage resistors.

These are physically much larger than the resistors used in everyday project construction, which makes it possible to mark them with letters and numbers that can be read without the aid of a microscope! The value is normally followed by a letter which indicates the tolerance rating, using this method of coding:

Code Letter	Tolerance Rating
F	1%
G	2%
J	5%
K	10%
M	20%

Capacitors

Capacitors provide a similar problem to resistors, in that a very wide range of values are used in day-to-day electronics. The problem is slightly different though, because capacitors have what appear to be tiny values.

This is simply because the basic unit of capacitance is the Farad, and a Farad is an enormous amount of capacitance. Very large capacitors have values that are around one thousandth of a Farad, and small capacitors have values as low as millionth of a millionth of a Farad!

The values of capacitors are usually expressed in microFarads (μ F), nanoFarads (nF), and picoFarads (pF). These are respectively a millionth, a thousand millionth, and a million millionth of a Farad.

Basically, all you need to remember is that 1000 picofarads equals one nanofarad, and 1000 nanofarads equals one microfarad. A capacitor having a value of 10nF could also have its value correctly given as 10000pF or 0.01 μ F.

To The Letter

Capacitors often have their values marked in the same way that they would appear in a circuit diagram. The value is usually followed by a letter which indicates the tolerance, and this operates in the same way as the system used for high wattage resistors. There may be a few numbers after the tolerance letter, and this indicates the maximum working voltage for the component.

For example, a capacitor taken at random from my spares box is marked "10nJ400." It has a value of 10nF, a tolerance of 5 per cent, and a maximum voltage rating of 400V. Another is marked "2n2" across the middle, with "400" marked above and below this. It clearly has a value 2.2nF and a voltage rating of 400V. In this case the tolerance is not indicated.

A few types of capacitor, but mainly ceramic types, have their values marked in a slightly cryptic manner. The value is marked using a three digit number, possibly together with a tolerance letter and a figure denoting the maximum voltage rating.

The three figure group operates in a manner that is similar to the first three bands in a resistor colour code. The first two numbers are the first two digits of the value, and the third digit is the multiplier. Simply add to the first two digits the number of zeros indicated by the third digit. This gives the value in picofarads.

For instance, if a capacitor is marked "473K", the first two digits of the value are 47, and three zeros must be added to these. This gives a value of 47000pF, or 47n in other words.

Beginners are often confused by the fact that capacitors sometimes have markings other than those which indicate the value, tolerance, and maximum operating voltage. This is also a problem with semiconductors, which sometimes have the type number buried in a mass of apparently random characters. These are such things as the manufacturer's logo in miniature, the date of manufacture in some highly cryptic form (the number of working days since the factory was opened), and batch numbers.

You simply have to learn to sort out the "wheat from the chaff." Home-in on anything that can be decoded into sensible information, and ignore anything that has no obvious relevance. Manufacturers should ensure that they do not mark components with extraneous characters that could be confused as value markings.

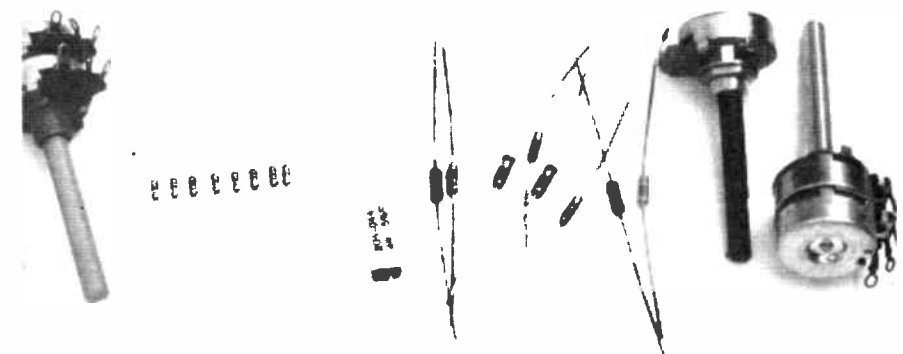
Easy As ABC

Potentiometers are available in three basic types, which are linear, logarithmic, and anti-logarithmic. Logarithmic potentiometers are mainly used for volume controls, while linear potentiometers are used for just about everything else. Anti-logarithmic potentiometers are only used in a few specialist applications.

Many potentiometers are marked "log" or "lin" to show which type they are, but some only carry a code letter after the value marking. This coding is perfectly straightforward, and operates as follows:

Letter	Potentiometer Type
F	1%
A	Linear
B	Logarithmic
C	Antilog

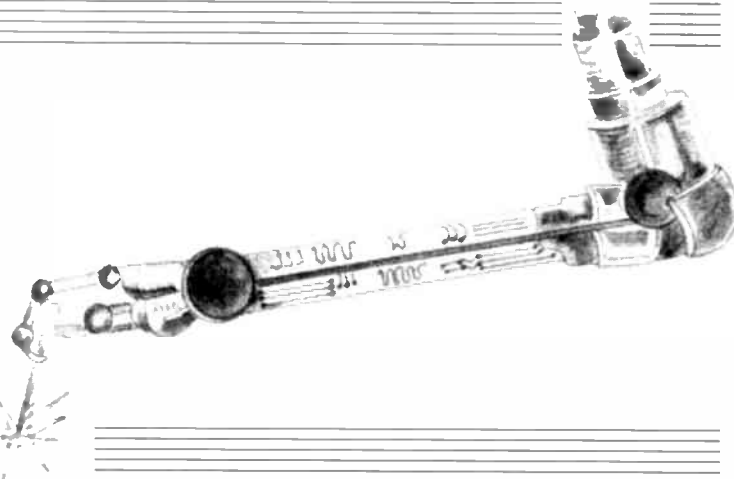
If you should use the wrong type of potentiometer it will not stop the project from working, but you will obtain an odd control characteristic. This might make the project difficult to use.



Just a small sample of resistive components. Single and dual potentiometers are shown on the right.

CIRCUIT SURGERY

ALAN WINSTANLEY



This month, our In-House "Surgeon" checks out low drop-out voltage regulators, re-visits resistors and helps a reader to track down some components for the Simple Dual Output TENS unit. We also announce some important new additions to the Circuit Surgery line-up!

Bring on the Subs

OVERSEAS readers – and there are lots of you – occasionally puzzle over the problem of substituting components used in certain projects, and the more esoteric-sounding semiconductors can cause real headaches sometimes!

If you know the basic data, you can often make an educated guess for a substitute – if you're struggling to locate a part, though, you can always ask us for advice. Here's a component sourcing question, raised by *Adele Williams* of South Africa who writes via E-mail:

I'm interested in building the Simple Dual Output TENS unit from the March '97 issue, but I have a problem in finding some of the components. I have searched through all the data books I've got, and I've phoned around to all the major electronics shops here in South Africa, but no luck. I would like to know if there might be equivalents available for the following components:

- ZTX108 npn silicon transistor
- ZVN4310A n-channel MOSFET transistor

Furthermore, it seems that nobody keeps stock of a 470 microhenry ferrite-cored miniature choke. Is there a way to make this yourself? Thanks!

The easy bit first. The ZTX108 is just a "vanilla" equivalent, manufactured by Zetex, of the BC108 npn general purpose small signal transistor. The BC108 is made in a TO18 can, but there is also a BC548 in a plastic TO92 package and this is a direct alternative.

In fact, in this application, you could probably use almost any general purpose type of transistor (e.g. the ZTX300 or 2N3711 etc.) in place of the ZTX108. All you need to do is watch the pinouts, and you may have to orientate the body of a substitute transistor in order to make it fit the p.c.b.

A typical selection of common devices is shown in Fig.1a which may help you choose and fit an alternative.

A much trickier problem is posed by the ZVN4310A. This is an n-channel MOSFET which is also made by Zetex, and it uses the same style of "E-line" miniature plastic package as the ZTX108. I struggled to find a direct equivalent. Checking the specifications, though, the catalogue data quotes the following ratings:

- $V_{ds} = 100V$
- I_d maximum – 1 amp
- $R_{ds(on)} = 0.5$ ohms
- $P_d = 1.13$ watts

The maximum drain-source voltage rating (V_{ds}) is probably the most significant parameter here, given the high voltage nature of the switch-mode generator circuit used in the TENS design. It is necessary to match or exceed this rating, especially as some 80V or so appears across the capacitor C3 in the circuit, depending on the tolerance of the two Zener diodes used (page 157, March '97).

The peak drain current (I_d) of about one amp provides a comfortable margin (the designer quotes a figure of 150mA flowing for some 8µs when switched on) and thus 1A or so seems a reasonable figure to specify for the drain current rating I_d . The value given in a data sheet may be a conservative one in any case, in order to guarantee long-term reliability.

The $R_{ds(on)}$ characteristic is an equivalent "resistance" between drain and source when the MOSFET is switched on. It is probably less critical to match this exactly with a substitute, but the lower the value, the more "ideal" the MOSFET will be.

Power Deal

Lastly, the power rating P_d of 1.13 watts (quite a lot for a small E-line package) must be borne in mind but, in this circuit, even though it operates at a high voltage, the MOSFET is only switched on for tiny fractions of a second and the power dissipated is minimal.

One further complication is that some types of MOSFET are optimised for use at 5V logic levels, and the ZVN4310A happens to be one of them. This takes into account the likely spread of voltages which will be encountered on the threshold levels of logical devices, and a logic-optimised MOSFET will operate reliably if driven by, say, a CMOS or TTL gate.

It's probably less of a problem here as the CMOS is powered from a 9V battery. Furthermore, the designer used two NAND gates in parallel (IC1a and IC1b): this improves the switching of the MOSFET, because the gates charge and discharge the capacitance on the MOSFET's gate terminal quicker: remember that MOSFET's are voltage-operated charge devices rather than current-driven ones like bipolar transistors.

For possible substitutes – which I haven't tried in-circuit – I came across the Toshiba 2SK941 ($V_{ds} = 100V$, $I_d = 1.8A$ pulsed, $R_{ds(on)} = 1.8\Omega$, $P_d = 0.9W$); alternatively, the Siemens BSS296 (100V, 3.2A pulsed, 0.8Ω, 0.8W). Pinouts are shown in Fig.1b – both substitutes have the same package but differing pinouts.

My final effort is to suggest the International Rectifier IRF D110 (100V, 0.54A,

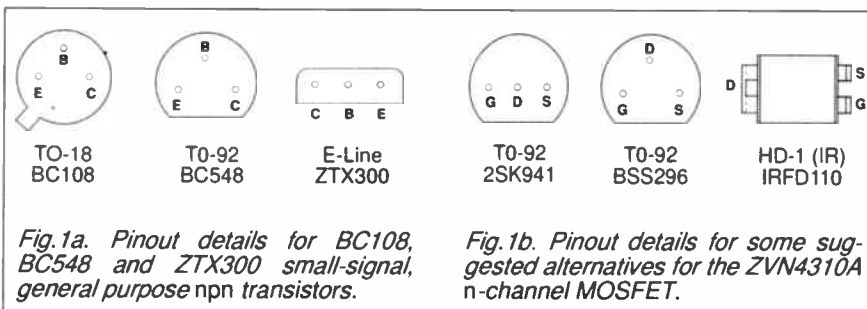


Fig.1a. Pinout details for BC108, BC548 and ZTX300 small-signal, general purpose npn transistors.

Fig.1b. Pinout details for some suggested alternatives for the ZVN4310A n-channel MOSFET.

1.0A max., 1.2W), but there's a snag: it's a special 4-pin d.i.l. device (called the HD-1 outline), which is also shown in Fig.1b, courtesy of my I.R. Data Book. This would need to be soldered to a small adaptor board, say, and then wired into place on the main board.

DIY Coil

If you really do want to wind your own coil, you could try using one of the RM or similar ferrite core kits. Here's a worked example. To calculate the number of turns required on a typical pot core, the formula is:

$$\text{Number of turns} = \sqrt{L/A_L}$$

where L is the required inductance in nanoHenrys and A_L is the "inductance factor" (also called specific inductance) of the core, which is also usually quoted in nanoHenrys. Ensure that you use the same units throughout the formula – convert everything to nanoHenrys or Henrys, but be consistent!

$$L = 470 \text{ microHenrys or } 470,000\text{nH} \\ (\text{i.e. } 4.7 \times 10^{-4} \text{ Henrys})$$

The inductance factor of a small "RM6" type pot core is said to be 160nH (1.6×10^{-7} Henrys), so using the above formula you require about 54 turns of enamelled copper wire. The next question is, what size wire? Answer: as large a diameter as the bobbin will allow!

Happily, the manufacturer's data sheet obligingly quotes the maximum number of turns of a given wire size which can be accommodated on a bobbin: you can get almost 50 turns of 0.4mm diameter wire onto the core, so if you use say 0.35mm dia. (29s.w.g.), the core should be able to take those 54 turns nicely.

Lastly, of course, you would have to adapt this part somehow to fit the p.c.b. of the *Simple Dual Output TENS Unit* because the board was not designed with a pot core in mind. You must also be prepared for some trial and error: you can use ferrite adjusters in the cores.

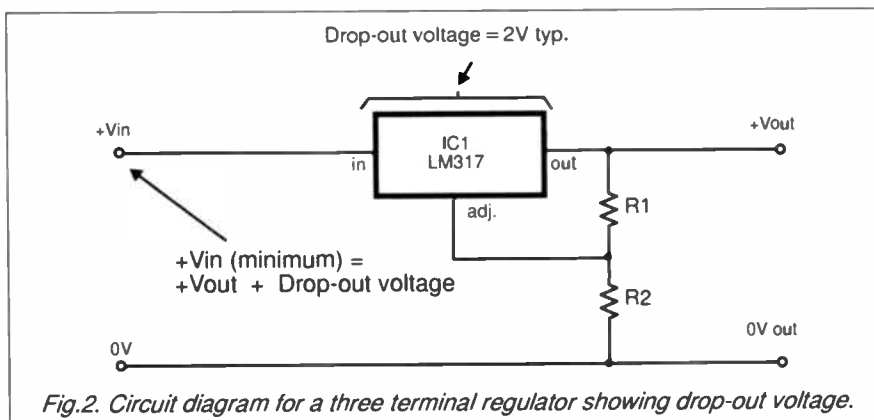
Alternatively, Philips produce a range of do-it-yourself pot core kits, retailed by Maplin (who also sell the 470µH inductor!), e.g. the LA4345 pot core has a specific inductance of 400nH and would require 34 turns of wire on a bobbin. Perhaps you can source these or similar parts in South Africa.

Incidentally, if you want a source of copper wire data, in imperial Standard Width Gauge (s.w.g.) as well as American Wire Gauge (a.w.g.), then the *Coil Design and Construction Manual* by B.B. Babani is a time-honoured and handy little paperback book worth keeping on the bookshelf (it is available through the *EPE Book Service*, code BP160). ISBN 0-85934-050-3.

Low Drop-Out Regulators

You've probably seen those ordinary 3-terminal fixed and variable voltage regulators. They ensure that the voltage supply is "stabilised" (regulated) so that it will remain fairly constant no matter how much current is drawn by the load, within limits.

Without regulation, a power supply voltage will tend to fall when the current drawn rises. Many logic circuits need a stabilised voltage supply, and will malfunction on an unregulated supply.



The problem with most ordinary three-terminal regulators is that they have a "drop-out" voltage which you can't always afford to ignore. Fig.2 shows a typical set-up using an LM317 voltage regulator. This will provide a variable stabilised supply for the load, at a voltage set by the two resistors (R1/R2).

This will only hold true if the input voltage does not fall below a certain figure – the reason being that approximately 2V appears across the LM317 itself, between input and output. This input-output differential figure is known as the *drop-out voltage*.

You might have to dig deeply to find the drop-out voltage, but National Semiconductor's Data Sheet depicts it as a graph (Fig.3). The value depends on the junction temperature and the current drawn.

If you set an output level of, say, 5V, then the minimum input voltage needed by the regulator is at least 7.5V because up to 2.5V will be dropped across the LM317 itself. If the input voltage falls below this figure, the output will fall too and the device will fall out of regulation.

Power On

A simple query posed on the Internet highlights a typical problem:

I'm a keen beginner in electronics. Could anyone tell me the best way of making a steady 5V power supply for my circuit, in which I have used the 74 range of logic chips. from a 9V battery? I am told I need to use a small 9V battery but that I also need something to change the voltage from 9V to 5V. S.A., United Kingdom.

An ordinary 5V regulator is probably not suitable, because you cannot afford to lose the drop-out voltage. If the battery falls by just two volts, then with 2V (say) also dropped by the regulator, you have no further "headroom" for the battery voltage to fall any further before the regulator ceases to operate.

A *low drop-out (LDO) regulator* would be an excellent choice here, because they make a feature of having a very low drop-out voltage. For example, the LM2930T-5.0 is a standard TO220 package 5V 150mA regulator, boasting a drop-out voltage of 350mV – see the graph of Fig.4. In the example, we could continue to power the logic circuit even when the battery had fallen to a mere +5.3V!

Thus LDO regulators are ideal for battery applications, and they include the usual protection features of current limiting and thermal overload: the LM2930

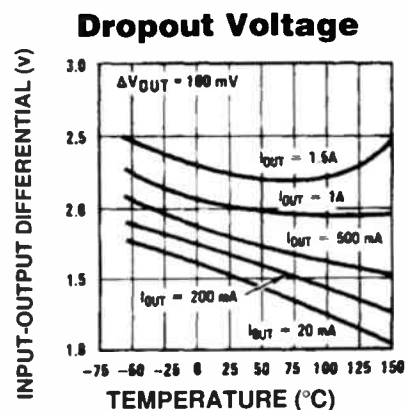


Fig.3. LM317 drop-out voltage. (National Semiconductor)

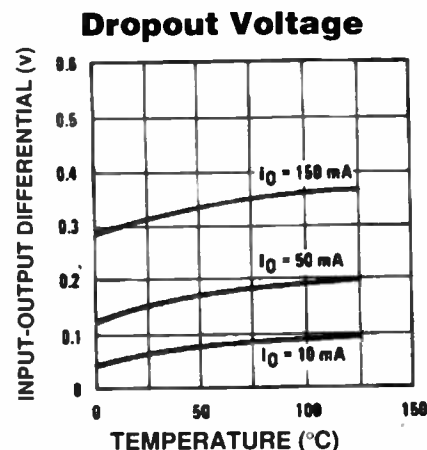


Fig.4. LM2930 low drop-out voltage. (National Semiconductor)

also has reverse battery protection, too. Alternatives include the LM2931-Z which is a 5V 100mA LDO regulator in a small TO92 package, ideal for small low power circuits.

Next time you're considering a stabilised voltage supply, remember to check out what those "low drop-out" regulators have to offer.

Precision Resistors

Back to resistor values, a subject covered in recent issues. The standard colour codes were described in the April '97 *Circuit Surgery*. Jose Luis of Brazil tells us:

I tried to use those freeware Windows resistor programs I downloaded from your FTP site (ftp://ftp.epemag.wimborne.co.uk/pub/software) but they don't resolve for values

less than one ohm (1Ω). Would you mind letting me have any information you have for colour codes for these precision resistors?

According to my information, the fourth band (multiplier) for values under 1Ω is:

Silver	$\times 0.01$ ohms
Gold	$\times 0.1$ ohms

The first three bands are the significant digits of the code, as usual. The fifth band (tolerance) where used, is:

Silver	$\pm 10\%$
Gold	$\pm 5\%$
Brown	$\pm 1\%$
Red	$\pm 2\%$
Green	$\pm 0.5\%$
Blue	$\pm 0.25\%$
Violet	$\pm 0.1\%$

All of which goes to show that if anyone tells you that all resistors are standard, don't believe them! The above codes are used by Welwyn, a major manufacturer of resistors. Hope this helps.

New Line-Up

For the past four years or so I've been privileged to have helped answer hundreds of readers' problems and queries from many dozens of countries, gaining many new friends and contacts along the way. Clearly, with the *Surgery*, *Ingenuity Unlimited* (now with an extra incentive from PICO Technology Ltd.) and *Net Work* columns – not to mention the design of our Internet site too – you can well appreciate how hectic things are getting round here! All this and a day job, too!

We've now decided to broaden the scope of *Circuit Surgery*, notably in the higher educational and advanced sectors where I now receive more mail than I can possibly hope to handle. In the next few months I will be joined by a couple of colleagues, **Ian Bell** and **Tony Wilkinson** of the Department of Electronic Engineering at the University of Hull.

Ian and Tony have generously offered to help handle some of the burgeoning

caseload and will be helping out with digital and analogue queries and whatever else comes our way. Watch for a new E-mail address, as well.

You will also see further extensive projects commencing towards the end of the year, co-written in association with the Departmental Staff of the University. Many exciting and interesting things are in store – so be sure to watch this space! You can count on *Circuit Surgery* and *EPE* to educate, encourage and entertain you in the world of electronics. Join myself, Ian and Tony next month.

If you have any queries or comments, please write to Alan Winstanley, *Circuit Surgery*, Wimborne Publishing Ltd., Allen House, East Borough, Wimborne, Dorset, BH21 1PF, United Kingdom. Please indicate clearly if your letter is not for publication. A personal answer cannot always be guaranteed but we try to help wherever possible.

READOUT

John Becker addresses some of the general points readers have raised. Have you anything interesting to say? Drop us a line!

PIC UP THE PHONE

Dear EPE

I would be very interested to see you doing an article on "How PICs Work" or even a series on "How To Use PICs". Could you recommend some books on the subject?

Also, I recently developed a project of my own which would be ideal for incorporation into a PIC-based system. It detects the number which was last dialled on my telephone, allowing me to check on the baby-sitter's use of the phone while I've been out. It would be useful, too, to extend the design for PIC control so that taped telephone conversations can be related to the numbers called.

As yet, my PIC knowledge is not up to doing this, would you consider designing this aspect for me as an *EPE* project?

Terry Murphy, Co. Carlow, Eire

A lot of points arise here! Firstly, describing how PICs actually work would possibly be interesting to a few people but not really very useful for most constructors. More beneficial is information on how to get them to work for you. We ran an introductory article on them, complete with a programmer, in Feb '96 and have since published several constructional projects in which additional PIC information has been included, either directly in the text or in the software itself.

Perhaps the time is approaching when we should take another general look at PICs and their capabilities and uses. In the meantime, though, readers who have not yet become familiar with PICs should browse our Back Issues pages for PIC-related articles, and obtain our PIC software disk (see PCB Service page), studying the source code files to see what's involved in the programming.

For more detailed information about PICs, you should obtain the Microchip Data Book and the Embedded Control Handbook from the manufacturers of the PICs, Arizona Microchip (also known as Microchip Technology Inc.). The former book gives full technical details of all the PICs in what has become a very large family of microcontrollers. The latter book

gives masses and masses of program listings. Each book measures about 18cm x 23cm x 5cm – a treasure trove of info! They can be obtained from Arizona Microchip, Unit 6, The Courtyard, Meadowbank, Furlong Road, Bourne End, Bucks, SL8 5AJ. Tel: 01628 851077.

Projects involving telephones are a difficult subject! There are strict regulations regarding the types of equipment that may be connected to the public phone lines and all such equipment must be "approved" for this use.

Whilst a particular design may actually meet approval as a prototype, when assembled as a DIY project by a variety of people whose electronics capabilities may be rudimentary, there would then be no guarantee that each construction would actually meet approval.

Consequently, we feel honour-bound not to publish designs intended for direct connection to telephones. Indirect connection, by means of an inductive pick-up coil for example, is another matter and designs using this technique would not necessarily be rejected by us; they would be considered purely on merit.

*As a magazine, though, we do not undertake the design of projects on behalf of individual readers. Although members of *EPE* staff do actually design projects which we publish, they do so as private individuals. In this respect, their designs may well have been inspired by a suggestion made by a reader, but the design is not done for that reader.*

Also, of course, other readers may too be inspired by something which they have read. Thus, having read this letter, someone may decide to design a PIC circuit which will do what you suggest and offer it to us for possible publication.

*Although you will see familiar names frequently cropping up as authors of *EPE* articles, any reader is welcome to submit articles for our consideration. We will examine them from several points of view: their originality, usefulness, interesting nature, technical merit, availability of components, cost, ease of assembly and setting up, reasonable use of English grammar, adequacy of description, clarity of drawings, etc.*

If they meet our approval, we publish them some months later, having edited them to meet our "in-house" format and grammar requirements, then making payment to the authors at £55 per published page, pro-rata, for which sum we also purchase full copyright of the material. An additional payment of £55 is made in respect of software involved but which is not published on the pages (i.e. that which is made available to readers on disk). Prior to publication, we require the completed project for examination and photography.

If readers have an idea they think we might be interested in, ask us by phone, letter, fax or E-mail. Please don't send entire projects (i.e. the physical item) to us "on-spec", though typescripts and drawings may be sent in "without permission", at the sender's own risk.

We have guide line sheets (and Net downloads) for prospective authors, contact us if you would like a copy. JB

REAL COMPONENTS

Dear EPE

I am currently doing a degree in Electronic Engineering and am seeking information on "real" components, that is, real and actual characteristics as opposed to their ideal characteristics. As we know, electronic components are not perfect and do not always do what they are supposed to do!

I am finding it difficult to locate primary material on this subject. Can you point me in a suitable direction?

Tony Balzano, Cambridge

Curious, at your presumed locality (Cambridge University?) one might have expected that relevant electronic research material would abound. My instinctive response to people searching for in-depth electronic material is normally two-fold: to recommend Foyle's bookshop in London as being an excellent source of fascinating books on electronics (and other subjects); to recommend asking a local lending library for the address of the nearest reference library that specialises in books on electronics (all reference libraries probably have some books on the subject, but specific ref-libs specialise in particular subjects).

Another good source of specialist technical material is Butterworth Heinemann, Linacre House, Jordan Hill, Oxford OX2 8DP. Tel: 01865 310366. Give them call.

However, it strikes me that you really might be better off going straight to the 'horses' mouth(s) – the manufacturers. They will, of course, have done extensive work in the design of their components, whatever their nature. Their data sheets (many of which I assume you have) will only be a summary of the results of that work. If you are doing this research for your thesis, I would expect that most manufacturers would be sympathetic to your request for more exclusive information. It's worth a try. Ref-libs can be good sources of manufacturer's addresses (there quite a few quoted in our sister publication, the Electronics Service Manual, as well). JB

More Letters on page 484

BRAND NEW!

PCB-POOL®



TRIED & TRUSTED STRAIGHT FROM GERMANY

- 1 Eurocard**
- + Tooling**
- + Photoplots**
- + V.A.T.**

=

CONTOUR ? ANY !

NO INCREASE IN COSTS FOR INCREASE IN DRILLS

MULTILAYER ?

NO PROBLEM !

ASK FOR DETAILS !

£

49

FREE

ON YOUR FIRST ORDER
(only as long as stock lasts)



ill. similar

NO. OF DRILLS ?
NO LIMITS !

NO INCREASE IN COSTS FOR INCREASE IN DRILLS

SERIE XXS

10^{board} POOL



only £ 25 per 10 V.A.T. included

20^{board} POOL



only £ 19 per 10 V.A.T. included

30^{board} POOL



only £ 16 per 10 V.A.T. included

40^{board} POOL



only £ 14 per 10 V.A.T. included

50^{board} POOL



only £ 12 per 10 V.A.T. included

Pay more ? NO !

ALL IN ONE PRICE

Incl. Tooling
Photoplots
V.A.T.

Eurocard + Soldermask + Position print



Beta LAYOUT Ltd.
IRELAND
PCB-Brokerage
6 College Grove
Ennis - Co. Clare

My address/Fax number

Fax/send back

- Send/ fax me the PCB-POOL® participation requirements.
- Please send me the PREVUE-DISC free of charge.



INFO: ☎ ++353 (0) 65 66500 FAX 66514 475



FAX
on Demand
66515

EURO
File-Transfer
66520

analog
BBS
66516

jsdn
BBS
66518

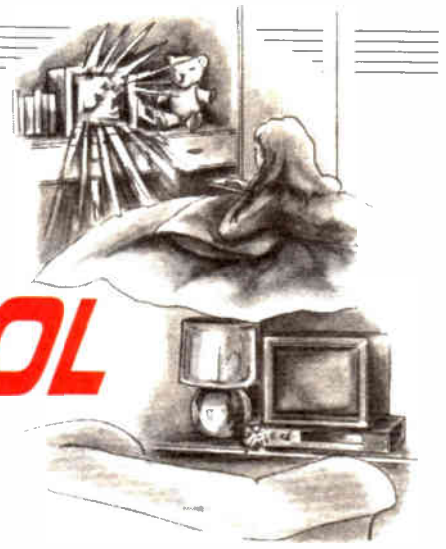


German Office
Beta LAYOUT GmbH
PCB-Brokerage
Feldstraße 2
65326 Aarbergen

pcbpool@betalayout.ie
http://www.pcb-pool.com

INFRA-RED REMOTE CONTROL REPEATER

ROBERT PENFOLD



Indulge in the hi-tech art of laziness - control your video or satellite tuner from the bedroom when it's in the lounge!

ON the face of it, this project may seem about as useful as ready-sealed envelopes and non-soluble soap. It effectively turns a "wireless" infra-red remote control system for a satellite receiver, video recorder, etc. into a wired remote control system.

You simply aim the infra-red remote control at the "repeater" receiver unit, and it sends a signal along a cable to the transmitter. The latter then transmits an infra-red signal that controls the video recorder or satellite receiver.

This may seem to be a waste of effort, but it is very useful if you have a television set in (say) a bedroom wired to the video recorder or satellite receiver in the lounge. From the bedroom you can watch a video or a preselected satellite channel, but you have no control over the signal source. To change channels, switch off the recorder, fast-forward, or whatever, you have to go downstairs to the lounge.

ALL WIRED-UP

A wired remote control system is a crude way of doing things, but, unlike an infra-red system, it is not restricted to short range line-of-sight control. A cable can be taken through walls, ceilings and floors, and it can carry the control signals for many metres if necessary. In this case there should be no major problem in installing the cable, as it will run alongside the existing cable which carries the signal to the television set.

The simple infra-red repeater system featured here has been tested with a maximum cable length of 20 metres. This should be adequate for most purposes, but the system would probably work perfectly well with substantially longer cables if necessary.

A simple direct coupled circuit is used, and this gives a very limited operating

range at the receiving end of the Repeater. In fact, the remote control must be within about 0.5 metres of the Repeater. A greater operating range would obviously be preferable, but the system is still workable with this limited range.

At the transmitter end of the system, a range of up to a few metres is obtained. Although the unit will be left running for hours at a time, the circuit has a very low standby current consumption which makes battery operation a practical proposition.

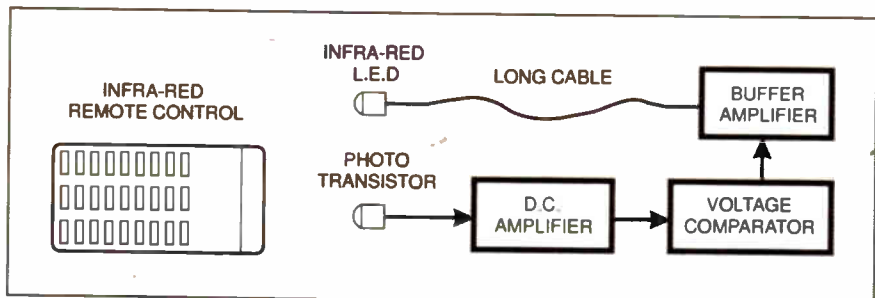


Fig.1. System block diagram for the Infra-Red Remote Control Repeater. The infra-red l.e.d. (transmitter) is sited with the main household receiver and the "repeater" phototransistor with the second TV.

The system has been tested with Ferguson and Toshiba equipment, but it should work with any infra-red remote control that utilizes one of the standard chip sets.

SYSTEM OPERATION

The block diagram of Fig.1 helps to explain the way in which the unit functions. The normal remote control emits pulses of infra-red light, and a system of pulse coding is used to tell the receiver which function is required (increase volume, change to channel three, less/more colour etc.).

With some forms of pulse coding it is essential that there is no significant distortion of the signal's timing, and even slight changes to the mark-space ratio can prevent the signal from being decoded properly. Fortunately, the coding used in infra-red remote control systems seems to be fairly tolerant, and some "smearing" of the reconstituted signal will not prevent the system from working.

On the other hand, the output from the repeater must be reasonably accurate if the system is to function reliably.

A phototransistor receives the pulses of infra-red from the handheld remote control, and converts them into minute current pulses. A simple d.c. amplifier stage boosts the current pulses, and provides an output signal that is a reasonable replica of the original pulse signal.

The original intention was to use this signal to drive the infra-red l.e.d. (light emitting diode) at the far end of the system, but this did not work. The l.e.d. current is slightly too low to give worthwhile range, and the rise and fall times of the signal are too long.

The signal is speeded up by feeding it to a voltage comparator, where it is compared to a reference voltage. If the signal is below the reference level, the output of the comparator goes high, and if it is above the reference potential it goes low.

This "squares" the output signal, as shown in Fig.2, where the upper waveform

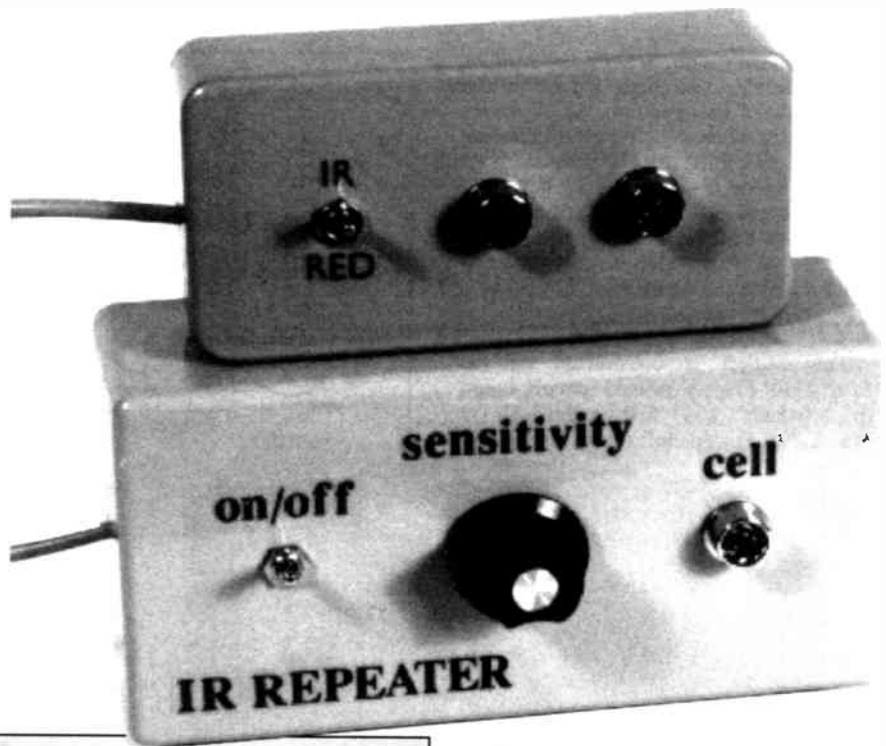
(a) is the input to the comparator, and the lower one (b) is the output signal. The voltage comparator drives the infra-red l.e.d. via a buffer stage that enables a suitably high drive current to be provided.

CIRCUIT DESCRIPTION

The complete circuit diagram for the Infra-Red Remote Control Repeater system is shown in Fig.3. The phototransistor is designated as TR1, and under dark conditions it has the minute leakage currents associated with normal silicon transistors.

Light falling on TR1 causes its leakage current to rise, and the higher the light level, the higher the leakage current. The pulses of infra-red "light" from the remote control handset therefore produce small pulses of current through TR1.

Following TR1, the current pulses drive the base of common emitter amplifier TR2 via current limiting resistor R1. It is unlikely that TR1 would ever conduct strongly enough to cause an excessive current flow, and R1 is really included to protect TR2 if the leadout wires of TR1 should be accidentally short circuited.



The completed IR Repeater. The small box on top contains the IR l.e.d. transmitter.

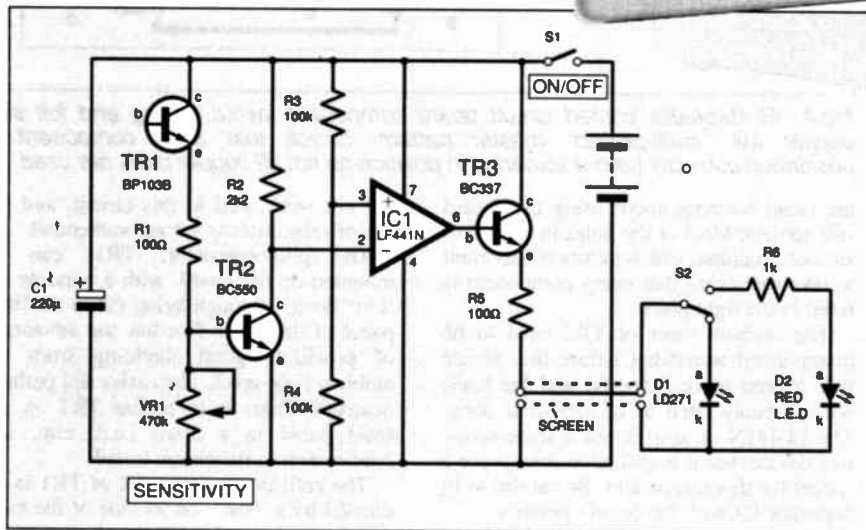


Fig.3. Complete circuit diagram for the Infra-Red Remote Control Repeater.

Its value must be close to the minimum that will do the job so that it interferes with the normal running of the circuit as little as possible.

SENSITIVITY

Potentiometer VR1 acts as a sensitivity control, and the unit will only function properly if this control is given a suitable setting. With VR1 at maximum resistance it only takes a few microamps through TR1 in order to switch on TR2, giving high sensitivity.

In practice, such high sensitivity is unlikely to give usable results. One reason for this is that the background light level

would almost certainly be high enough to produce a leakage of a few microamps through TR1, and hold TR2 in the "on" state. Also, TR1 would be operating at such a low current that it would be too slow to respond properly to the pulses of infra-red.

At the other extreme, with VR1 near to minimum resistance, a current of several milliamps would be needed through TR1 in order to switch on TR2. A current of this order might not be reached even with the remote control receiver used at point-blank range.

At a range of in-between settings, the sensitivity will be such that TR2 is not biased into conduction by the ambient light level, and TR1 operates at a high enough current to give a fast switching speed.

Component IC1 is an operational amplifier, but it is used here as a voltage comparator. Resistors R3 and R4 provide a reference potential of half the supply voltage to the non-inverting input of IC1, and the output from the collector of TR2 is coupled to the inverting input.

An op.amp amplifies the voltage difference across its inputs, and has a very high voltage gain (typically 100,000 or more). Therefore, the non-inverting (+)

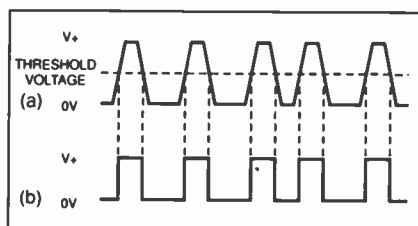


Fig.2. The "slow" waveform at the top (a) is "squared" to produce the lower waveform (b).

input only needs to be at a fractionally higher voltage than the inverting (-) input in order to send the output fully positive, or a fractionally lower voltage in order to send the output fully negative. This gives the required "squaring" of the relatively slow pulse signal from TR2.

IN-PHASE

Transistor TR3 is used as an emitter follower buffer stage at the output of IC1, and this drives the infra-red l.e.d. (D1) via current limiting resistor R5. The l.e.d. is pulsed with a current of about 50 milliamps, which is high enough to give a reasonable operating range, but is not so high as to risk "zapping" D1.

The signal is inverted through common emitter amplifier TR2, but IC1 is used to provide a further inversion so that the input and output signals are in-phase. This is an important point, since an inverted version of the signal would probably not be decoded properly.

It would also result in infra-red l.e.d. D1 being switched on under standby conditions, which would give the circuit a high current consumption. Instead, under standby conditions D1 is switched off, as are TR1 and TR2.

A low power op.amp is used for IC1 and the values of resistors R3 and R4 have been made quite high so that a very low current passes through this potential divider. Consequently the circuit has a standby current consumption of only about 200µA. Even a cheap PP3 size battery will provide a few thousand hours of use.

TRANSMITTER

The transmitter could simply consist of infra-red l.e.d. D1, but it is useful to have the option of switching the output of the unit to an ordinary red l.e.d. (D2). Switch S2 provides the changeover switching, and R6 limits the current to a safe level for an ordinary l.e.d.

The problem with an infra-red l.e.d. is that it provides no light output in the visible part of the spectrum, which makes life difficult when initially testing the system. By switching to D2 instead, it is possible to see if the sensitivity is so low that no output signal is being produced, or so high so that the l.e.d. is permanently switched on. This makes it much easier to find a suitable setting for VR1.

CONSTRUCTION

This project is constructed on the *EPE Multi-Project* printed circuit board (p.c.b.) which was first published in March '95. For this Infra-red Remote

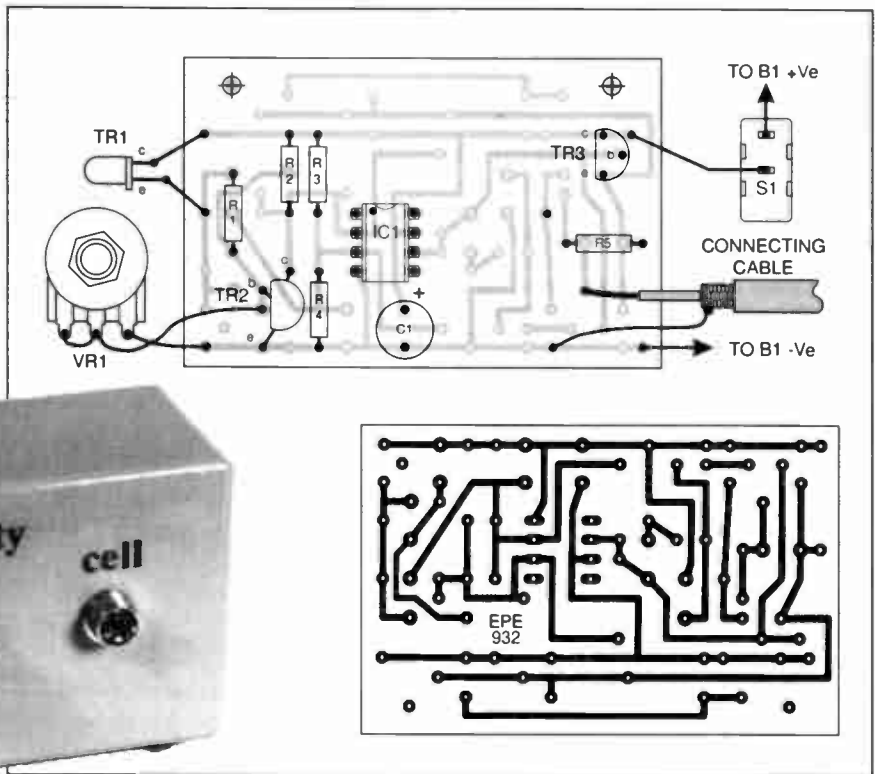


Fig.4. IR Repeater printed circuit board component layout, wiring and full size copper foil "multi-project" master pattern. Check that each component is positioned correctly before soldering in position as not all copper pads are used.

Control Repeater design, the board is used with the component layout and wiring shown in Fig.4, along with the full-size master copper track layout. This board is available from the *EPE PCB Service* code 932.

Although the IR circuit is very simple,

the usual warning about using this board still applies. Most of the holes in the board are not occupied, which makes it important to take extra care that every component is fitted in the right place.

The leadout wires of TR2 need to be manipulated somewhat before this device will fit into place properly, and the leads will probably need to be left quite long. The LF441N op.amp is not a static-sensitive device, but it is still advisable to use a socket for this component. Be careful to fit capacitor C1 with the correct polarity.

did not work well in this circuit, and the use of substitutes is not recommended.

The phototransistor, TR1, can be mounted on the board, with a window for it to "look" through being cut in the front panel of the case. This has the advantage of providing good shielding from the ambient light level. The easier and perhaps neater solution is to mount TR1 on the front panel in a 5mm l.e.d. clip, and hard-wire it to the circuit board.

The collector (c) terminal of TR1 is indicated by a "flat" on its side of the case, and the collector lead is the shorter of the two. The base terminal is not connected in this circuit, and there is no base leadout wire on the BP103B, anyway.

Virtually any small to medium size plas-

PHOTOTRANSISTOR

The BP103B device used for TR1 looks more like a 5mm l.e.d. than a transistor. Other phototransistors, such as the TIL81,

COMPONENTS

Resistors

- R1, R5 100Ω (2 off)
 - R2 2k2
 - R3, R4 100k (2 off)
 - K6 1k
- All 0.25W 5% carbon film.

See
**SHOP
TALK**
Page

Potentiometer

- VR1 470k carbon rotary, lin.

Capacitor

- C1 220μ radial elect, 16V

Semiconductors

- D1 LD271 infra-red l.e.d. (or similar), 5mm
- D2 red l.e.d., 5mm
- TR1 BP103B silicon npn phototransistor
- TR2 BC550 silicon npn transistor
- TR3 BC337 silicon npn transistor
- IC1 LF441N op.amp

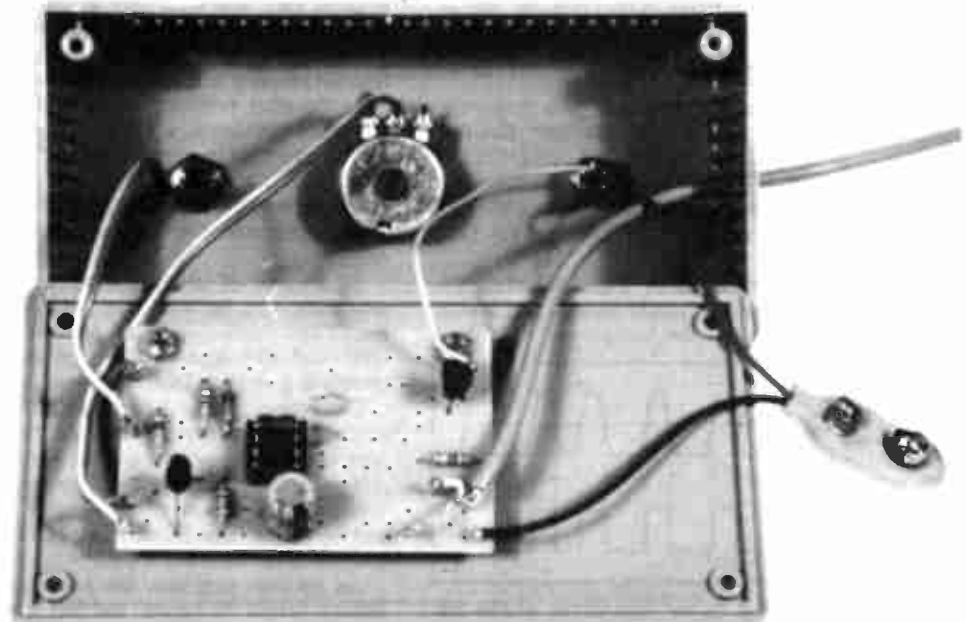
Miscellaneous

- S1 s.p.s.t. min. toggle switch
 - S2 s.p.d.t. min. toggle switch
 - B1 9V battery (PP3 size)
- Printed circuit board, available from the *EPE PCB Service*, code 932; plastic case (2 off) see text; knob; 8-pin d.i.l. socket; connecting cable; 5mm l.e.d. holder (2 off); battery connector; screened audio cable; multistrand wire; solder, etc.

Approx Cost
Guidance Only

£15

excluding screened cable



The completed Repeater board is mounted on the lid of the Receiver.

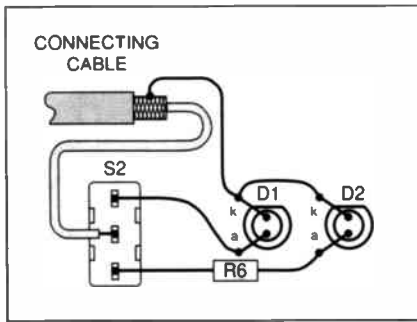


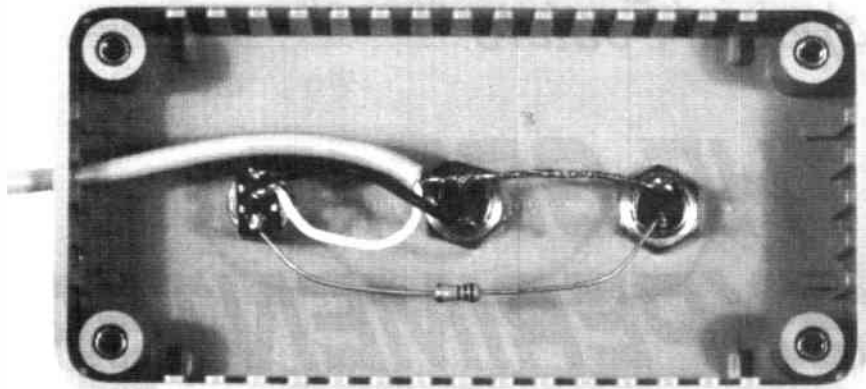
Fig.5. Remote transmitter wiring and (right) infra-red l.e.d. transmitter box.

tic box will accommodate the main circuit. The circuit board is mounted on the lid of the case, which then becomes the removable rear panel. It is bolted in place using 6BA or metric M3 screws.

Controls VR1, S1 and (where appropriate) TR1 are mounted on the front panel of the larger Repeater case. The cable from the transmitter can be connected to the p.c.b. via a plug and socket if desired, and 3.5mm jack connectors are a good choice.

On the prototype, the cable is simply threaded through a 3.5mm diameter hole drilled in one side of the case and then soldered direct to the p.c.b. It is not essential to use a screened cable, but a thin screened audio type is probably the most practical choice.

The smallest of plastic boxes should comfortably house the four components of the transmitter unit. The wiring for this is shown in Fig.5, and is very straightforward



indeed. Resistor R6 is simply wired between the appropriate tag of switch S2 and anode (a) of diode D2.

TESTING AND USE

Start the simple testing procedure with normal l.e.d. D2 switched into circuit by S2. With the unit switched on and TR1 aimed towards a light source, it should be possible to switch D2 on and off by adjusting VR1. Due to the very high gain of the circuit, there should be a well defined switch-over point, with no intermediate brightness available. If the unit does not operate correctly, switch off at once and recheck the wiring.

In normal use, phototransistor TR1 must be aimed away from any light sources that could block proper operation of the circuit. Start with VR1 almost fully backed off in a counter-clockwise direction, and then direct the output of the

handheld remote control transmitter at TR1.

Bear in mind that both the remote control and TR1 are fairly directional, and must be aimed at each other reasonably accurately. It is unlikely that the signal from the remote control will cause D2 to flash, but D2 should soon respond if VR1 is gradually advanced.

The unit should work with VR1 at around this setting if S2 is used to switch the IR diode D1 into circuit. D1 must be aimed in the general direction of the video recorder or satellite receiver, and initially it is best to use it at a range of only a metre or two.

Adjusting VR1 further in a clockwise direction should give improved sensitivity, but advancing it too far will result in the unit ceasing to work. It is just a matter of using a little experimentation to find the optimum setting for VR1.

SHOP TALK

with David Barrington

Micro PESt Scarer

As the PIC12C508 microcontroller, used in the *Micro PESt Scarer*, is a "One Time Programmable (OTP)" chip, **Magenta Electronics** are making it available to readers *ready programmed* for the sum of only £6 inclusive. If you wish to do your own programming, the software listing is available on a 3.5-in. disk from the Editorial Office - see PCB page 507. If you are an internet user, it is available *Free* from our FTP site: <ftp://ftp.epemag.wimbome.co.uk/pub/PICS/PICapest>

A complete kit of parts, including p.c.b. and a suitable plastic case, has been put together by **Magenta** for £19.99, plus £3 post & packing. They are also offering a plug-top "double-insulated" power supply for £4.99 if you want mains operation. For full details contact **Magenta** ☎ 01283 565435 or E-mail: Magenta_Electronics@compuserve.com

The PESt Scarer printed circuit board is available from the *EPE PCB Service*, code 162.

Karaoke Echo Unit

Signal processing, including the echo effect, in the *Karaoke Echo Unit* project is carried out by the 24-pin digital audio processor i.c. type HT8955A. Obviously, this "special" i.c. is not likely to be stocked by your favourite local component stockist and may take some finding.

However, it is currently listed in the "New" **Maplin** catalogue as a Voice Echo, code AE14Q. They also stock the 41256 256Kb DRAM, code QY74R.

Moving on to the Mixer stage. The dual low-noise op.amp type NE5532 should be generally available from most of our components advertisers. This device offers better noise figures than standard 741/TL081 op.amps and it is suggested that this i.c. be used here. If difficulties arise in obtaining it, **Maplin** have it listed as code YY68Y.

Remember to specify a dual "logarithmic" type when ordering the Level control potentiometer for the Mixer circuit.

The choice and size of case is left to the individual, but it *must* be a *metal* type and be able to take one or two p.c.b.s. The two printed circuit boards are available from the *EPE PCB Service*, codes 159 (Echo) and 160 (Mixer).

Infra-Red Remote Repeater

Only the phototransistor (BP103B) and infra-red l.e.d. could possibly cause sourcing problems for constructors wishing to undertake the *Infra-Red Remote Repeater*.

The BP103B device looks more like a 5mm l.e.d. than a normal transistor. Other phototransistors, such as the TIL81, did not work well in this circuit and substitutes are not recommended. The BP103B was obtained through **Maplin**, code CY87U.

The high intensity LD271 infra-red emitter is "matched" to the phototransistor and also came from the above source, code CY85G. Some alternative 5mm

infra-red l.e.d.s might be offered by suppliers and may work in this circuit; but they have *not* been "bench tested" with the model.

This project is built on the *EPE Multiple Project PCB*, this board is available from the *EPE PCB Service*, code 932 for the sum of just £3 inclusive! More projects using this p.c.b. will be appearing in the next few months.

Micropower PIR Detector

The miniature pyroelectric PIR sensor called for in the *Micropower PIR Detector* comes in a package similar to a TO5 transistor, with a "window" in its top. The Murata E600ST0 appears to be only listed by **Maplin**, code UR69A.

Another item that seems to be only available from one source is the ZVN4424A *n*-channel MOSFET. This device appears in the RS listing and is available through **Electromail** (☎ 01356 204555), quote code 157-4619.

The μ PIR printed circuit board is available from the *EPE PCB Service*, code 152.

Computer Dual User Interface

We do not expect any component buying problems to arise when ordering parts for the *Computer Dual User Interface* project. The exception is going to be the triple video amplifier chip type MAX467.

For nearest stockists, or "one-off" price on credit card orders, readers can contact **Maxim (UK)** on ☎ 01734 303388. The other semiconductors should be readily available.

Most advertisers stock a fairly large selection of connectors and cables, and it will also depend on the particular system set-up. The printed circuit board is available from the *EPE PCB Service*, code 161.

Printed Circuits in Minutes Direct from LaserPrint!

8 1/2" x 11"

*Or Photocopy

**Use standard household iron



1. LaserPrint*

2. Press On**

3. Peel Off

4. Etch

Use Standard Copper Clad Board

PRESS-N-PEEL	5 sheets £12.50
ETCHING SUPPLIES	10 sheets £25
Plus VAT & Postage	

18 STAPLETON ROAD · PETERBOROUGH PE2 6TD
TEL: 01733 233043 FAX: 01733 231096

THE GREAT EXPERIMENTERS

A short history - Part Three

STEVE KNIGHT

Despite difficulties, including opposition from some of his contemporaries, Ohm eventually established his Law.

IN THE previous instalments of this series we have seen how the work of Galvani, Volta and Schweigger developed the qualitative principles of the electric cell and the galvanometer, and how Andre Ampere carried the study of electro-magnetism into the quantitative arena of the new science.

Now the time has come to look at the researches of Georg Simon Ohm, a German physicist who struggled for a long while against poverty and isolation to discover the famous law which bears his name and so develop the quantitative study of current electricity.

My own personal encounter with Ohm's Law was many years ago when, at the local Technical College, we were being introduced to the mysteries of the electric circuit. We had to perform a simple experiment in the course of this work using a voltmeter, an ammeter and an adjustable rheostat (plus, of course, a battery) in a set-up where we recorded a range of voltages against the corresponding currents.



Georg Simon Ohm (1789-1854).

When a graph of voltage versus current was plotted, the points all lay closely on a straight line, from which we deduced that current was directly proportional to voltage. At the conclusion of my written work I stated: "As the graph is a straight line, we may assume that Ohm's Law is correct". I still have the book.

The physics master was outraged at this message. "Assumed, lad!", he remarked. "Nothing is assumed about Ohm's Law". And with that he crossed out the last part of my conclusion and wrote in its place: "we have proved that Ohm's Law is correct".

Well, we had actually done nothing of the sort. We cannot *prove* Ohm's Law from the use of voltmeters and ammeters which are instruments calibrated in terms of Ohm's Law being valid, so begging the question.

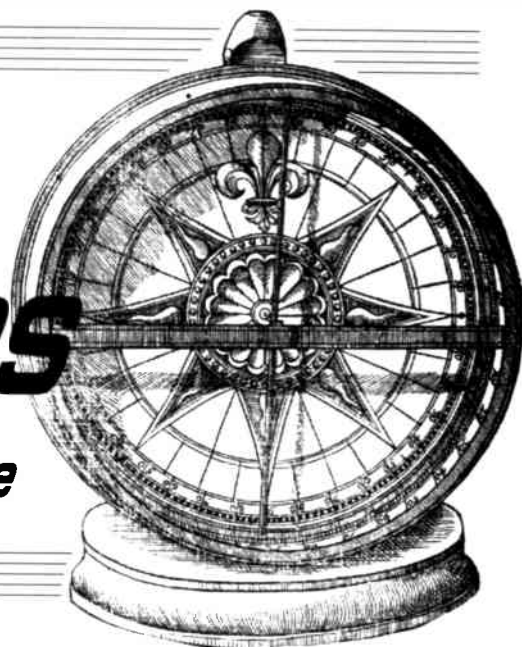
It might have been better if the physics master had written: "we have verified Ohm's Law"; but I accepted his decision and wondered afterwards how Mr Ohm had managed to sort the problem out in the first place, having no voltmeters or ammeters and even lacking the words "volts" and "amps".

Let us see how he did it.

EARLY DAYS

Ohm was born in 1789 at Erlangden in Bavaria, and was the eldest of two sons of a locksmith, who happened to be a man of good commonsense and appreciation of the value of learning. Father was a poor man but he managed to send both of his sons first to an elementary school and later to a secondary school or Gymnasium as it was then known in Germany, though it dealt with other things than parallel bars and weight lifting.

Here the lads were able to learn the basics of both science and mathematics, and both of them displayed considerable ability in these subjects, Georg particularly so in science; and although their father had



wished for them that they would carry on his trade, he felt himself unable to insist upon their doing so.

With some financial assistance, he managed to send his sons for a while to Erlangden University which was in their home town. On leaving the University prematurely because of the lack of funds, Simon went to Switzerland and did work as a private tutor, so that by the time he was twenty-two years old he had saved enough money to go back to Erlangden and complete his university degree.

It was an unfortunate time in Europe then because of the difficulties brought about by the Napoleonic wars, and Simon was forced to return to his father's shop. The mechanical skills that he learned there throughout this period no doubt helped him in later years when, being unendingly short of money, he was able to construct much of the experimental apparatus that he used for his research at the Cologne college, where he eventually found a position as a teacher of mathematics and physics.

It was during his ten year stay at this college that he carried out the experiments which by 1826 established his name among the great men of electrical science.

ELECTRICAL CONDUCTION

In 1822, the French mathematician, Jean Baptiste Fourier, published a work called "The Analytical Theory of Heat" in which he formulated and solved the then difficult equations concerning the flow of heat energy through solid bodies. He also introduced the mathematical world to the now familiar Fourier series which have proved of immense usefulness to physicists ever since.

One of the primary features of Fourier's publication dealt with the conductivity of heat along various materials. In its simplest sense, this examined the relative ability of rods of different substances to transmit the passage of heat energy along their lengths when one end was subjected to a higher temperature than the other; that is to say, different metal rods, having the same temperature difference between their ends, transferred quite different quantities of heat energy.

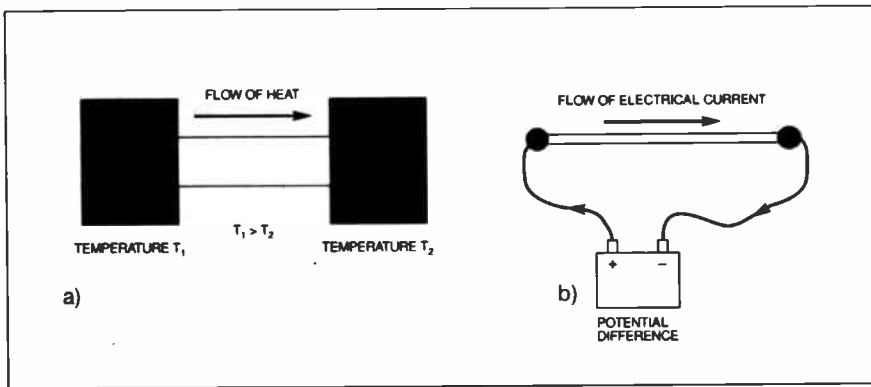


Fig. 1. The flow of heat between two temperature levels (a) is analogous to the flow of electrical current between two points at different voltage levels (b).

Fourier's conclusion was that the total quantity of heat which flows in a given time is directly proportional to the temperature gradient between the relevant ends or faces, see Fig. 1a.

The contents of Fourier's work attracted the attention of Ohm. He considered the mathematics of heat flow along a metallic rod and compared it with the flow of electric current along a metallic conductor or wire. He related the idea of heat flow or "flux of heat" as Fourier called it, with the idea of current strength in electricity.

Fourier's conclusion that the "flux" was proportional to the differences of temperature, suggested to Ohm the related idea that electrical current strength could be proportional to the voltage (or potential) difference between the terminals of a battery, see Fig. 1b.

Fourier had provided a list of the relative heat conductivities for a number of metal rods, and Ohm picked as a starting point in his investigations the effect of electrical conductivity using wires of different materials.

He took a number of wires, each of the same gauge (or thickness) but of different metals and, starting off with copper, he determined the lengths of each of the wires so as to get the same deflection on his galvanometer; which, of course, indicated the same current strengths. So he was in this experiment finding the effect of length on the conductivity of different metals.

Taking the relative length of the copper conductor as 1000 units (this could be quite arbitrary, of course), the lengths of the other materials which gave the same current strengths were as follows:

Copper	1000	Iron	174
Gold	574	Platinum	170
Zinc	333	Tin	168
Brass	280	Lead	97

So, for example, copper was three times as good as zinc or roughly six times as good as tin. You may ask: where is silver? which we know now is marginally better than copper. Well, Ohm *did* include silver wires in his experiment and initially gave its relative value as 356, so making it fit between gold and zinc.

This error, which he later corrected, could have arisen and most probably did arise due to a poorly gauged specimen of silver wire, since the technology for accurately drawing wire may have been, in those days, rather suspect. I don't know, but with an identical length of silver to the other wires he used, the problem must have come

about from an incorrect assessment of what the cross-section or thickness of the silver specimen was.

Ohm now turned his attention to what effect the cross-sectional area of his wires had on their conductivities. He soon discovered the fact that for all his specimens the conductivity was unchanged if the cross-sectional area was kept proportional to the length; this would follow, of course, from the fact that if, for example, we double the cross-sectional area of a wire, then we are effectually using two of the original wires in parallel and to restore the conductivity it is then necessary to double the length.

It was probably this result that drew Ohm's attention back to the silver wire in the first experiment, where a smaller cross-section than he anticipated led to a lower value for the conductivity.

Whatever the truth was, the conductivity of a given specimen of wire depended upon three factors (actually four, but Ohm did not look into this fourth factor) and we can summarize his conclusions as follows:

1. the length of the wire
2. its cross-sectional area
3. the material from which it is made

The temperature of the wire also influences its conductivity but the effect is small enough over the range of room temperatures that Ohm no doubt worked in, that the omission of this factor was not significant. (Although, in 1817 he had published an essay on geometry which, he mentioned, had been "written in a room without a fire".)

RESISTANCE

Now, looking at conductivity from another angle, as it were, if a wire has a high conductivity, that is, it conducts electricity very well, then its opposition to the flow of current is very low; and conversely. This approach introduced Ohm to the concept of *resistance* in a conductor and this resistance, from his experiments, was seen to be proportional to the length of the wire and *inversely* proportional to the cross-sectional area.

For instance, making the cross-sectional area smaller results in a lower conductivity but a higher resistance; thin wires show more resistance per unit length than do thick wires. Hence:

$$\text{resistance} = 1/\text{conductance} = k \times (l/a)$$

where:

l is the wire length

a the cross-sectional area, and
 k is some constant of proportionality which depends upon the wire material.

Today we call k the "resistivity" or the "specific resistance" of a specimen.

TROUBLE WITH BATTERIES

As his researches continued, Ohm became aware of the inadequacy of the batteries he was using. His days were not those of energetic sources or of those which last up to six times as long as the competition; rather "Never Steady" than "Ever Ready".

We must keep in mind, of course, that he was not agonizing over voltage variations; it was simply that *whatever* it was that drove the current (whatever that was) around the circuit was not very stable.

Ohm had by now begun his researches into the establishment of his famous law and the last thing he wanted was an unreliable component within his circuits.

We have already noted how Fourier's work on the flow of heat had suggested to Ohm the influence of the voltage between the two terminals of a battery as a factor in deriving the relationship he suspected. He quickly recognised that the circuit resistance was the other factor.

In his experiments the resistance was seen to be made up of two parts: first of all there was the resistance of the wires joining up the battery terminals, and he called this the *external* resistance. There was also the resistance of the battery itself which he called the *internal* resistance. This internal resistance lay at the root of all his troubles.

So long as he was forced to use batteries, he was at the mercy of something which could not be directly determined, as could that of a plain wire conductor. That is to say, his formula could not be used to find internal resistance, and at this stage he did not have Ohm's Law to assist him! His problem can be well appreciated.

However, he had sent a record of his observations to a couple of scientific journals, one of which was edited by Johann Schweigger, and in the course of his accounts he pointed out the difficulties he was experiencing with batteries. To this he received a suggestion that he might do better if he dispensed with batteries altogether and replaced them with a thermo-electric supply.

Now there are a number of ways of generating an electric current besides the use of batteries, and at about this time one of these had been discovered by Thomas Seebeck. Seebeck was an Estonian-born German physicist then living in Berlin. He came from a wealthy family (which was rarely the lot of those other experimenters who seemed to be endlessly strapped for cash) and studied medicine, though he spent much of his life on researching physics.

In 1822 he demonstrated that if a circuit is made up of a loop of two dissimilar metals with two junctions, then when the junctions are maintained at different temperatures, a current flows around the loop. Seebeck's invention is shown in Fig. 2 where his original metals were copper and bismuth; the points where these metals meet are known today as *thermocouples*, typically used now to measure temperature.

Ohm, on getting this information,

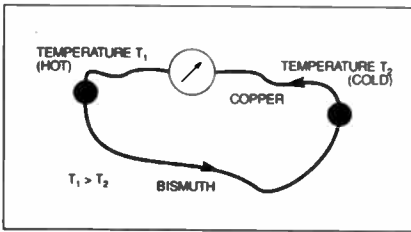


Fig.2. The thermo-electric principle.

decided to use the Seebeck effect in place of his troublesome batteries. He set to work using an apparatus such as is shown in Fig.3, maintaining one of the junctions at 100°C by immersion in a steam-jacket and the other at 0°C by immersing it into an ice-jacket.

The copper part of the circuit loop was arranged to provide a sort of on-off switch; by introducing or removing the connecting wire from the cups of mercury, which acted as the terminals of the "switch". Ohm could make or break this circuit as required, without affecting the total wire length in the system.

To measure the current strength, Ohm used a galvanometer, but not the tangent instrument which we have already discussed. He used instead a torsion galvanometer which was similar in form to that employed by Coulomb, but adapted to his own particular purpose.

This galvanometer functioned by having a magnetic needle suspended by the fibre or ribbon thread and adjustable from a graduated restoring head. When the needle was placed under one of the wires making up the circuit and a current flowed, the angle through which the needle deflected was measured to provide an indication of the current strength.

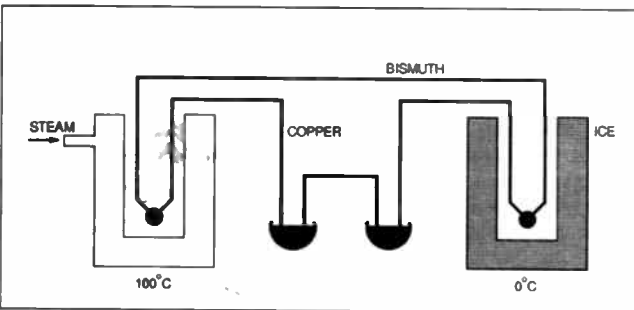
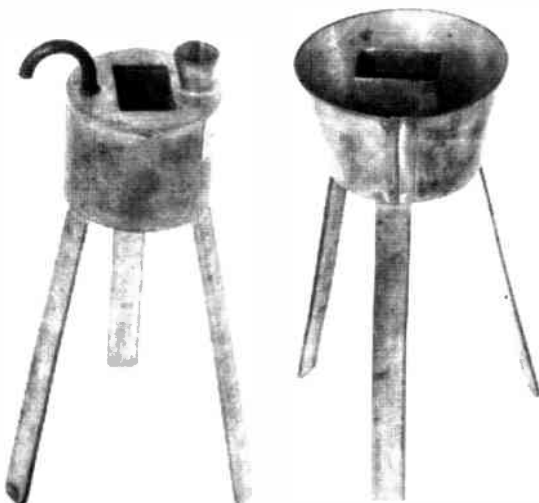


Fig.3. Ohm's apparatus using thermo-electricity as his source of voltage.



Above: Ohm's torsion galvanometer.
Left: Part of Ohm's thermo-electric apparatus.

As in Coulomb's experiment, the deflection was not measured directly but the needle was restored to its initial or zero position by rotating the calibrated brass head, so unwinding the twist in the suspension. It is therefore the angle θ through which the head is rotated which is observed and recorded.

Ohm was now ready to confirm what he had mentally deduced about the relationship between voltage, current and resistance in an electric circuit.

OHM'S LAW

Ohm used in succession eight samples of copper wire, each of the same cross-sectional area but of different lengths, and obtained a table of values connecting the wire lengths against the restoring angle of the galvanometer head. When he plotted these related figures (the graph is shown in Fig.4). Ohm concluded that he had an inverse relationship and to use his own words, "the numbers can be represented satisfactorily by the equation:

$$X = a/(x + b)$$

where X demonstrates the magnetic intensity of the conductor whose length is x , and a and b are constants depending upon the exciting force and the resistance of the remaining parts of the circuit".

Without getting into any complicated mathematics, let us see how this equation leads us to Ohm's Law. Since "the intensity of the magnetic effect" on the needle depends upon the current strength (the Oersted effect), we can now replace X with our modern day symbol for the current, I .

Ohm now says that a is a constant "depending upon the exciting force": this exciting force is what we know today as the *electromotive force* acting in the circuit, symbol E .

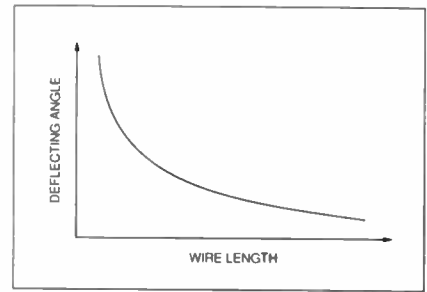


Fig.4. The graph of restoring angle (current strength) against wire length (resistance) from which Ohm deduced his law.

What did his denominator, $x + b$ signify? Well, x was the length of the copper conductor and Ohm had already shown that the resistance of a conductor is proportional to its length; and b is a constant "depending on the resistance of the remaining parts of the circuit".

So $x + b$ represents the *total* resistance of the circuit: the copper part x and the resistance of the bismuth part, the two mercury cups and the switch wire, which is b . As these items remained constant all the time, Ohm was able to calculate a definite value for b ; hence $x + b$ is a measure of the external circuit wires, symbol R , and the in-series resistance of the thermo-electric battery itself, symbol r .

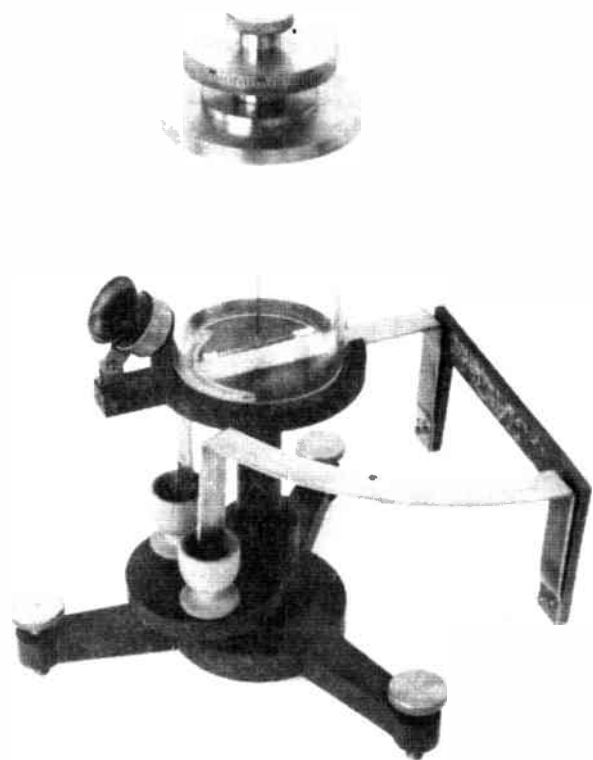
Thus, in today's symbols we have

$$I = E/(R + r) \text{ or,}$$

Current = electromotive force/total resistance

This, of course, is our favourite ingredient, Ohm's Law.

Ohm consolidated the results of his research by changing the conditions of the



component parts of his equipment; using brass, for example, in place of copper, and thermo-junction temperatures which were different from 0°C and 100°C used in his original experiment. These variations, of course, changed both the current strength and the electromotive force as well as both the external and internal resistances, but his formula remained unaffected.

POORLY RECEIVED

When in 1827 Ohm published his results in a book entitled "The Galvanic Circuit Worked Mathematically", which set out the theoretical basis and the practical results of his law from first principles, a number of critical voices turned up, just as they had over Ampere's work; and in some scientific circles (if they deserve that title) the book seemed to be ignored altogether.

To be entirely unbiased, some of this may have resulted from the fact that Ohm's occasional articles about his experimental work which appeared in German scientific journals, principally then edited by Schweigger as we have noted, did not attract any serious attention. As a consequence, when Ohm's book appeared, it was treated by a number of critics as a fanciful theoretical argument about the workings of the electric circuit unsupported by experiment.

To quote one of these critical voices, Ohm's theory was "a web of fancies" which need not be considered or appraised by even the most superficial examination. And he carries on, "Those who regard the world with an eye of respect should turn away from this book as a manifestly incurable delusion, whose only purpose is to detract thought away from nature's honour and prestige".

Well, whatever nature may have thought about this, it is not difficult to visualize Ohm's reaction to such criticism. Any seeker after truth, as Ohm had been for his ten years at Cologne, was bound to be offended, even deeply disappointed, by this reception of his work. His ambition had been to become a university professor, and the work he had accomplished over those ten years, based as it was on the undisputed logic of experimental fact, should have enabled him to achieve his ambition.

But the barrage of criticism went on unabated. A particularly nasty feature came from the Minister of Education himself; a certain school official, who was an opponent of the experimental approach to



Henry's electromagnet of 1828.

science and who had come into contact with Ohm, possibly through some administrative matter, became particularly hostile to Ohm's work and his attack reached the ears of the Minister.

This man, whose thoughts seemed far removed from his position, expressed his opinion that "a physicist who perceived such heresies was an unworthy teacher of science".

Following upon this, Ohm resigned his appointment at Cologne and for the next six years took up casual coaching in Berlin, plus a few lessons a week at a school where the yearly salary was totally inadequate. But Ohm's work was sound, it existed in black and white, and it covered a subject that was being increasingly investigated by the scientific world.

It was no credit to his home country that the first recognition of his labours came from abroad, particularly from the enquiries of Joseph Henry, the American physicist whose name is given to the unit of inductance (the Henry). He discovered the principle of electro-magnetic induction

independently of Michael Faraday, and together with the physicists Lenz in Russia and Wheatstone in England, looked to the rumoured theories of Ohm among his colleagues.

These included Alexander Bache, great grandson of Benjamin Franklin who was professor of science at Pennsylvania University, but he had little information to give. But international communication was difficult and it was not until Henry visited England in 1837 that he obtained the information he was looking for.

In the meanwhile, Ohm had obtained an appointment at the Nuremberg Polytechnic and it was here that he spent most of his time working on subjects outside the province of electrical research. Whether this was some kind of internal revolt against the subject that had brought him so much misery and disappointment, we don't know. But from the interest that Henry and several other physicists showed in his electrical writings his achievements were brought out of obscurity and criticism, and from that time onwards Ohm's fortunes changed.

In 1841 the Royal Society of London awarded him the coveted Copley medal in recognition of his services to science by the discovery of his now celebrated law. Finally, in 1849 he received the mark of recognition that he had most prized; that of professor at Munich University, where he worked quietly and unassumingly until his death in 1854.

Yet for all that, it was not until nearly thirty years later that the true recognition of his achievement came at the 1881 meeting of the International Congress of Electricians in Paris which, as we have already seen, paid its respects to Andre Ampere by naming the practical unit of electric current after him. It also paid a similar honour to the memory of Georg Simon Ohm, after whom was named the practical unit of resistance: the Ohm.

PART FOUR

Michael Faraday, arguably the greatest experimental physicist of them all, and an Englishman at that, is the subject of next month's feature.

ACKNOWLEDGEMENT

The illustrations used in this article have been kindly supplied by the Science Museum, London

N. R. BARDWELL LTD (EPE)		
100	Signal diodes 1N4148.....	£1.00
75	Rectifier Diodes 1N4001.....	£1.00
50	Rectifier Diodes 1N4007.....	£1.00
10	W04 Bridge Rectifiers.....	£1.00
5	NE555 Timer I.C.s.....	£1.00
50	Asstd. Zener Diodes.....	£1.00
20	BC182L Transistors.....	£1.00
25	BC212L Transistors.....	£1.00
30	BC213L Transistors.....	£1.00
30	BC214C Transistors.....	£1.00
30	BC237 Transistors.....	£1.00
20	BC327 Transistors.....	£1.00
30	BC328 Transistors.....	£1.00
20	BC337 Transistors.....	£1.00
30	BC478 Transistors.....	£1.00
30	BC546 Transistors.....	£1.00
30	BC547 Transistors.....	£1.00
30	BC548 Transistors.....	£1.00
30	BC549 Transistors.....	£1.00
25	BC557 Transistors.....	£1.00
30	BC558 Transistors.....	£1.00
30	BC559 Transistors.....	£1.00
25	BC640 Transistors.....	£1.00
30	MPSA42 Transistors.....	£1.00
30	MPSA92 Transistors.....	£1.00
20	2N3904 Transistors.....	£1.00
5	78L12 12V 100mA Pos Regulators.....	£1.00
10	79M08 8V 500mA Neg Regulators.....	£1.00
25	5mm red l.e.d.s.....	£1.00
25	3mm red l.e.d.s.....	£1.00
25	Asstd. high brightness l.e.d.s.....	£1.00
50	Axial l.e.d.s (Diode package).....	£1.00
12	Asstd. 7-segment displays.....	£1.00
30	Asstd. IF transformers.....	£1.00
24	Asstd. coil formers.....	£1.00
50	Asstd. RF chokes (inductors).....	£1.00
30	Asstd. connectors edge,d.i.l. all etc.....	£1.00
30	Asstd. d.i.l. sockets up to 40-pin.....	£1.00
200	Asstd. disc ceramic capacitors.....	£1.00
80	Asstd. capacitors 1nF to 1µF.....	£1.00
80	Asstd electrolytic capacitors.....	£1.00
10	4P3W MBB min. rotary switches.....	£1.00
20	Min. SP/CO slide switches.....	£1.00
20	1" glass reed switches.....	£1.00
200	4N7 mini axial capacitors.....	£1.00
24	24-pin d.i.l. wire wrap I.C. skts.....	£1.00
1	12V motorised volume control 50K.....	£1.00
50	Chromelia 6-3mm id, 9-5mm od.....	£1.00
100	of 1/4W 5% resistors any one value, E24, range 1R to 10M.....	£0.45

Prices include VAT, postage £1.25, 3tp stamp for Lists
288 Abbeydale Road, Sheffield S7 1FL
Phone (0114) 2552886 Fax (0114) 2500689

COLOUR VIDEO CAMERAS

LIMITED SPECIAL OFFER JVC GR-S505 ONLY £75

Ideal for image capture, home videos, security, digital photography etc.

Excellent image quality from 1/2" CCD, 410,000 pixels. Has 8X zoom lens, shutter speeds to 1/10,000 second, auto focus, auto exposure, full aperture control, digital effects & S-VHS o/p. These are brand new camcorders but the cassette mechanism has been removed.

Part of the casing is dismantled so some assembly work and soldering of some wires is required. Full details of connections and assembly are supplied. The camera can be used with most televisions, monitors and some VCRs.

Matching mains power supply and charger unit £12.
NiCad 9.6V 1Ah battery £12. UHF modulator £6. All the above & camera only £95.

Also available is a viewfinder which has standard video input. Has high resolution 0.6" CRT screen.

Ideal as compact video monitors for camera or aerial alignment and virtual reality. Requires only 8Vdc at 90mA (eg 9V battery). Not many left.
Only £39.



Please add 17.5% VAT to all prices.

LASERTECH Telephone 01284 788108 Fax 01284 788135
Mall Road, Great Barton, Bury St. Edmunds, Suffolk, IP31 2RU

READOUT

John Becker addresses some of the general points readers have raised. Have you anything interesting to say? Drop us a line!

PIN BOARD WIZARD

Dear EPE

Each new year I have hoped to see a change in the policy of *EPE*, but this year you have gone even further down the murky lane of printed circuit boards. For the DIY person and small scale producer, whom I assume are your main readers, the only advantages of p.c.b.s over so-called pin boards are that they look prettier and it is easier to replace a faulty i.c. The relative advantages of pin boards are that they are cheaper, easier, quicker to produce, have a lower fault liability, are more compact and offer a better layout.

With the pin boards that we have been using continuously here in my part of South Africa for over 30 years, we use 1/8in chipboard with 1/2in brass nails, which have become very cheap because the shoe trade now use glue in place of brads. These are driven through guide holes into the chipboard to provide mounting posts for the component leads. I.C. sockets can be used but we prefer to solder wires to the i.c. tags and glue the i.c.s to the chipboard.

Perhaps you could persuade Alan Winstanley to describe such pin boards with the same, or greater, enthusiasm he recently displayed for p.c.b.s (Jan '97 issue).

Kind regards, all in fun,

Freddie Clifford, Wetton, South Africa.

We admire ingenuity and thoroughly uphold the belief that in an emergency anything that has the possibility of being substituted for the proper tool could and should be used. Never mind calling a spade a spade, if a bit of tin roof sheeting can dig a hole, use it if the spade's gone walk-about. Your ingenuity, though, seems to excel in taking electronics back to the Brass Age!

Although you sign off "all in fun" I'll assume for the sake of general courtesy that you are not "boarding" on the fringe (of technophobia, that is - but I must admit to having checked your letter's date for signs of April 1st), and that you are actually reporting the technological approach which best suits your local environment in South Africa. Having travelled widely, I am aware that the ultimate in technology is not always appropriate to developing cultures.

Nonetheless, we are obliged to disappoint you and not request Alan to do a chipboard appraisal treatise. We have to take a compromise approach regarding constructional projects, reflecting the "recent" in component sophistication whilst taking into account the capabilities and facilities of the majority of our readers. This means, for example, that we will happily use the latest in microcontrollers, but we would probably not use its surface mount version which would be difficult for many readers to handle conveniently.

Experience has also taught us that, as useful as stripboard construction techniques can be (and, by implication, other non-p.c.b. techniques), the achieved constructional accuracy of readers is less satisfactory than for those who assemble projects based on p.c.b.s. With a p.c.b., the tracking is already correctly routed on the board. With stripboard, much of the tracking is only accomplished by the correct insertion of wire links across the board. Also with stripboard, it is not uncommon for track cuts to be omitted or made in the wrong tracks. With ready-made p.c.b.s., all that basically is required is to ensure that the components are soldered into their allocated positions.

With both p.c.b.s and stripboards, the occurrence of bad soldered joints is equally possible,

so from that point of view there is little to choose between them, though admittedly closely-run tracks on a p.c.b. can be more prone to solder shorts.

Your belief that nailed boards make for better layouts than p.c.b.s leaves us puzzled (although maybe Indian fakirs might agree with you!).

We agree that p.c.b.s are inevitably more expensive than stripboard, but for most of our readers the proven fact that constructional success is more assured through using them, far outweighs the cost consideration in all but the most minor cases. Despite chipboard's name, we certainly wouldn't recommend it for chip assembly. It's better used for workshop pin-ups than pinouts. JB

WHO'S GOT FIVE?

Dear EPE

I have always accepted that TV aerials fall into three groups, "A", "B" and "CD". My own installation generally receives the Fenton transmitter which transmits group "A" signals. Now along comes Channel 5 transmitting on approximately channel 35. In theory, the response of group "A" aerials falls off at about that frequency. How do I explain to customers that their poor reception of C5 may be due to "fall-off" at this frequency? How do I replace their aerial, and with what - a group "CD" aerial with its accompanying "wideband" disadvantages? E. Steele, Hanley

Barry Fox commented on this expected problem in Innovations of May '97, pointing out that existing aerials are not suitable for UHF channels 35 and 37 as used by Channel 5. There is another report from him on C5 and its new satellite link in this current issue.

Here in Wimborne we are not served (terrestrially) by C5 yet, but I have first hand experience of trying to receive C5 in Orpington, Kent, a few miles from C5's transmitter at Beulah Hill, which is not far from the big Crystal Palace aerial that serves the other London TV channels. Even though it is possible to actually see the Crystal Palace aerial from the outskirts of Orpington, I have been unable to receive a clear C5 picture. It's not just "snow", it's almost total obliteration.

Asking a major audio retail chain store in the district for recommendations on what to do, sales staff advised me that they did not know and that their roof-top aerial, which is about 40 feet high and a mile closer to Beulah Hill, could not receive a good picture.

Although I have not done so yet, I recommend that if you have C5 reception problems, you contact C5 at 22 Long Acre, London WC2E 9LY. Main tel: 0990 770021. That number has an answerphone service which gives you details of which other numbers to call for specific queries. The number for reception queries is 0541 555551.

What experience have other readers had with C5 reception? JB

UPDATING SPEED

Dear EPE

Further to Ian Poole's interesting *New Technology Update* column in *EPE* May '97 regarding processing speeds, the company I work for, Digital Equipment Corporation (sometimes known as DEC), has been shipping "Alpha" processors with speeds of 150MHz and greater for four to five years; in fact our current top of the range system clocks in at 600MHz and you can imagine that faster systems are in the pipeline.

For further information, see DEC's page at <http://www.digital.com/info/semiconductor> and follow links to "Alpha".

Gerald Connolly, via the Internet

As Ian said, "Pentium chips running at over 100MHz are commonplace". Indeed, some might even say that they are now "pedestrian". By coincidence, I recently chanced upon an article about microprocessors published some 15 years ago in which the statement was made: "whilst microprocessor speeds of as high as 1MHz may seem incredible ...! Could we, in 15 years (or even less), be putting an exclamation mark as a editorial comment after a similar statement made now about speeds of 1GHz or even 100GHz?"

Does anyone have any idea what the highest likely possible "commonplace" maximum speed will turn out to be? Is there, as with the (assumed) light speed barrier, a supposed processing speed barrier which can never be broken? If so, why? And, in answering, remember that "experts" have often made statements about things being "impossible", assertions which have subsequently turned out to be fallacious. JB

COLOURED SHORTS

Dear EPE

I read, with real interest, the letter from P.P. Doncaster in the May '97 issue (*Current Shorts*).

As with most things, there must be a deal of compromise - and in this case, based solidly on the level of understanding of electronics. The "smaller" circuits of yesteryear can really be equated to "n joints per sq. cm". I suspect that P.P. would be very content to introduce a "level of joints per sq. cm" and swat-up like mad - as I do - on what is going on between them.

To me, the crucial point is good, clear, circuit descriptions: that's the aspect which prods me into a project, or kills it stone dead at fence No.1. In this respect, my ideal would be sections of the circuit diagrams identified by various colours for the voltages, and the lines to be straight for d.c. and undulating for a.c. And, please, please, quoting the various voltages that to be expected at relevant points.

My interest in electronics is relatively new - I am struggling with the RAE (B Licence) - but have found a real hobby for my retiring years.

Ken L. Sapsed, Langstone, Hants

Colour can indeed enhance a circuit's clarity, but at a price. Its use in this way would add to our production costs, resulting in an increase in the cover price. Our research indicates that readers would prefer to pay for content rather than cosmetics. Although we make limited use of "spot" colour which does not add to the cover price, this is due to a spin-off from advertisers' requirements.

EPE is sectionally printed as eight pages per side of a printing block (which is subsequently folded, cut and combined with other blocks). If one of those pages is for an advertiser who requires colour (and pays for it), we can also use the same colour for editorial purposes on the other seven pages (depending on the page positioning within the mag) without incurring significant extra costs. You will have seen many examples of this in recent issues - examine the relative positioning of the colour pages in this issue. But the cost of preparing artwork (schematics, etc.) would increase significantly if we used various coloured lines rather than just tinting selected areas as we do now.

We agree that the inclusion of voltages at strategic points could be beneficial. Somehow, though, it's not something we've ever really done. Perhaps we are remiss in this. (With tongue in cheek, we could reply that we don't in order to encourage readers to learn how to make their own calculations from the component values shown and that it is an educationally desirable exclusion!) JB

More letters on page 474

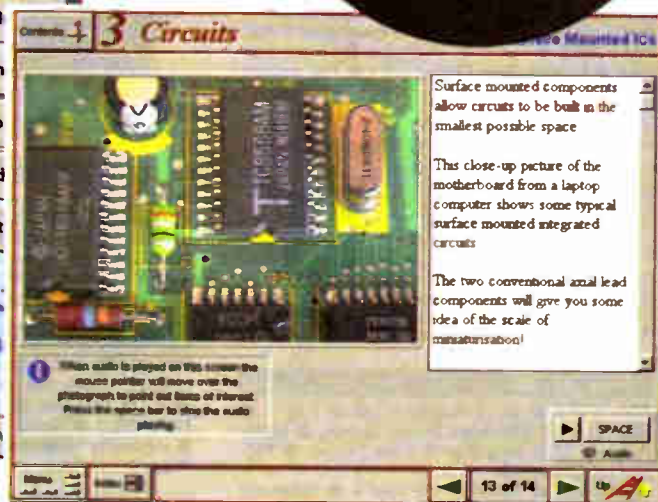
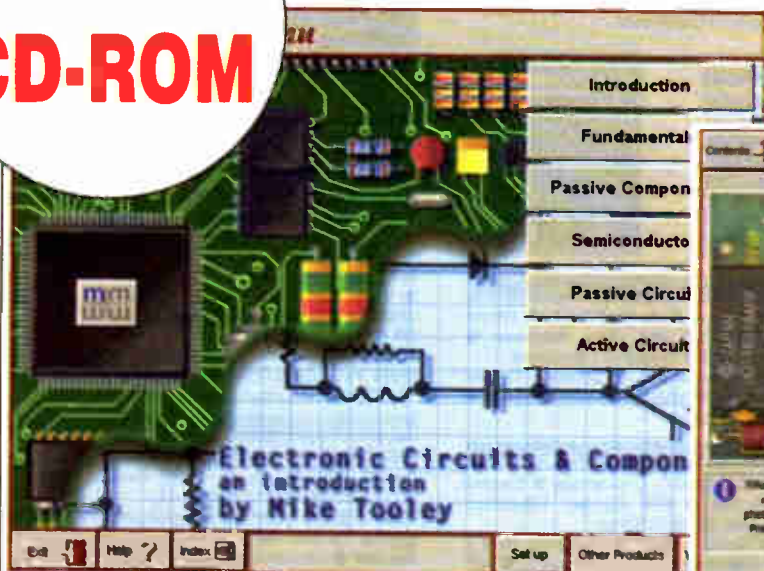
THE PARTS GALLERY + ELECTRONIC CIRCUITS AND COMPONENTS

by MIKE TOOLEY Brooklands
College of Further and Higher Education

**NEW
CD-ROM**

**SPECIAL EPE
INTRODUCTORY
OFFER**

10% OFF
with the coupon
below



FREE 5MB DEMO

from our Web site – <http://www.epemag.wimborne.co.uk>

Many students have a good understanding of electronic theory, but still have difficulty in recognising the vast number of different types and makes of electronic components. **The Parts Gallery** has been designed to help overcome this problem; it will enable students to recognise common electronic components and their corresponding symbols in circuit diagrams.

This CD-ROM also incorporates component and symbol quizzes so that students can test their knowledge.

- ★ Over 150 component and circuit photographs
- ★ 100's of electronic symbols
- ★ Self-test component and symbol quizzes

Electronic Circuits and Components provides a sound introduction to the principles and application of the most common types of electronic components and how they are used to form complete circuits. Sections on the disc include: fundamental electronic theory, active components, passive components, analogue circuits and digital circuits.

- ★ Virtual laboratories,
- ★ Full audio commentary.
- ★ Over 20 links to pre-designed Electronics Workbench circuits

All text shown on each page is also spoken. Suitable for hobbyists, trainees and students. Covers Design Stage 4 Electronics GCSE, Key Stage 3 Science. GNVQ Electronics Key Stage 4. Intermediate BTEC Electronics.

Minimum system requirements: PC with 486/25MHz, VGA + 256 colours, CD-ROM drive, 8MB RAM, 8MB hard disk space. Windows 3.1, DOS 3.1, mouse, sound card.

CUT OUT AND SEND WITH YOUR ORDER

PRICES PLUS VAT (UK postage FREE)	Normal Price	Discount Price (with valid coupon)
CD-ROM with HOBBYIST/STUDENT LICENCE	£29	£26.10
INSTITUTIONAL LICENCE (Schools/HE/FE/Industry)	£89	£80.10
INSTITUTIONAL 10 USER NETWORK LICENCE	£169	£152.10

ORDERING: UK and EU readers ADD VAT at 17.5% to your order (UK postage FREE). Overseas airmail postage add £5. All payments in £ sterling only (send cheque or money order drawn on a UK bank).

Visa and Mastercard orders accepted – please give card number, card expiry date and cardholder's address if different from the delivery address.

Orders are normally sent within seven days but please allow a maximum of 28 days – longer for overseas orders.

Send your order to: Direct Book Service, 33 Gravel Hill, Merley, Wimborne, Dorset BH21 1RW (Mail Order Only)

Direct Book Service is a division of Wimborne Publishing Ltd., publishers of EPE.

Tel: 01202 881749. Fax: 841692

Due to the cost we cannot reply to overseas orders or queries by Fax.

E-Mail: editorial@epemag.wimborne.co.uk

10% OFF

EPE OFFER

If you cut out and send this coupon with your order and post it before Aug 31st 1997. (Copies not accepted – orders posted after Aug. 31st charged at full price)

EVERYDAY

PRACTICAL ELECTRONICS

BACK ISSUES

We can supply back issues of *EPE* by post, many issues from the past five years are available. An index for each year is also available – see order form. Alternatively, indexes are published in the December issue for that year. Where we are unable to provide a back issue a photostat of any *one article* (or *one part* of a series) can be purchased for the same price.

DID YOU MISS THESE?

JAN '96

PROJECTS ● Printer Sharer ● Mains Signalling Unit ● Automatic Camera Panning System ● Audio Signal Generator ● EPE Met Office – 2.
FEATURES ● Teach-In '96 Part 3 ● Ingenuity Unlimited ● European Consumer Electronics Show ● Techniques – Actually Doing It ● Maths Plus Review ● Decibels and dBm Scale.

FEB '96 Photostats Only (see below)

PROJECTS ● Simple PIC16C84 Programmer ● Mains Signalling Unit – 2 ● PIC Electric Meter – 1 ● Vari-Speed Dice ● Analogue Frequency Meter.
FEATURES ● Teach-In '96 Part 4 ● Circuit Surgery ● Making Your Own P.C.B.s ● Techniques – Actually Doing It.



MARCH '96

PROJECTS ● Mind Machine Mk III Part 1 ● High Current Stabilized Power Supply ● Multi-Purpose Mini Amplifier ● Infra-Zapper ● PIC-Electric Meter – 2.
FEATURES ● Teach-In '96 Part 5 ● Ingenuity Unlimited ● Flight PAL Trainer Review.
FREE ● Headphones (UK copies only).

APRIL '96

PROJECTS ● Dolby Pro-Logic Decoder (Free Booklet) ● Bat-Band Converter ● Event Counter ● Mind Machine Mk III Part 2 – Programmer ● Hearing Tester.
FEATURES ● Teach-In '96 Part 6 ● Circuit Surgery ● Thermionic Valves Part 1.

MAY '96

PROJECTS ● Midi Analyser ● Mind Machine Mk III Part 3 – Tape Controller ● Versatile PIR Detector Alarm ● Countdown Timer ● Bat Band Converter B.F.O.
FEATURES ● Teach-In '96 Part 7 ● Ingenuity Unlimited ● Thermionic Valves Part 2 – The C.R.T.

JUNE '96

PROJECTS ● Sarah's Light ● Ultra-Fast Frequency Generator and Counter Part 1 ● VU Display and Alarm ● Pulstar ● Home Telephone Link.
FEATURES ● Teach-In '96 Part 8 ● More Scope for Good Measurements Part 1 ● Circuit Surgery ● Miniscope Review.

JULY '96 Photostats Only (see below)

PROJECTS ● Advanced NiCad Chargers ● Single-Station Radio 4 Tuner ● Games Compendium ● Twin-Beam Infra-Red Alarm ● Ultra-Fast Frequency Generator and Counter – 2.
FEATURES ● Teach-In '96 Part 9 ● More Scope for Good Measurements Part 2 ● Circuit Surgery ● The Internet ● Ingenuity Unlimited.

AUG '96 Photostats Only (see below)

PROJECTS ● Component Analyser ● Garden Mole-Ester ● Mono "Cordless" Headphones ● Bike-Speedo ● Mobile Miser.
FEATURES ● Teach-In '96 Part 10 ● Circuit Surgery ● Ingenuity Unlimited ● Spies, Lies and Electronics ● EPT 3.0 Review.

SEPT '96

PROJECTS ● Analogue Delay and Flanger ● Simple Exposure Timer ● PIC-Tock Pendulum Clock ● Draught Detector ● Power Check.
FEATURES ● Circuit Surgery ● Ingenuity Unlimited ● Net Work – The Internet ● MAX038 Waveform Generator.



OCT '96

PROJECTS ● Video Fade-To-White ● Direct Conversion Topband and 80m Receiver ● Vehicle Alert ● 10MHz Function Generator.
FEATURES ● Introduction to Satellite Television ● Ingenuity Unlimited ● Circuit Surgery ● Net Work – The Internet.

NOV '96

PROJECTS ● D.C.-to-D.C. Converters ● Central Heating Controller ● EPE Elysian Theremin, Part 1 ● Tuneable Scratch Filter.
FEATURES ● Build Your Own Projects, Part 1 ● Ingenuity Unlimited ● Circuit Surgery ● Net Work ● Interface.

DEC '96

PROJECTS ● Vari-Colour Christmas Tree Lights ● PIC Digital/Analogue Tachometer ● Stereo Cassette Recorder ● EPE Elysian Theremin, Part 2.
FEATURES ● Build Your Own Projects, Part 2 ● Interface ● Circuit Surgery ● Ingenuity Unlimited ● Net Work – Internet News.

JAN '97

PROJECTS ● Earth Resistivity Meter, Part 1 ● Psycho Rat ● Theremin MIDI/CV Interface, Part 1 ● Mains-Failure Warning.
FEATURES ● Ingenuity Unlimited ● Build Your Own Projects, Part 3 ● Circuit Surgery ● Interface ● Net Work – Internet News ● PCS32 Storage 'Scope Interface Review.

URGENT?
NEED AN ARTICLE TODAY?
TRY OUR FAX ON DEMAND SERVICE
- see opposite for details

FEB '97

PROJECTS ● Pacific Waves ● How To Use Intelligent L.C.D.s, Part 1 ● PsiCom Experimental Controller ● Earth Resistivity Meter, Part 2 ● Theremin MIDI/CV Interface, Part 2.
FEATURES ● Ingenuity Unlimited ● Build Your Own Projects, Part 4 ● Circuit Surgery ● Interface ● Net Work – Internet News.

MARCH '97

PROJECTS ● Simple Dual-Output TENS Unit ● Video Negative Viewer ● Tri-Colour NiCad Checker ● How To Use Intelligent L.C.D.s – 2 ● Oil Check Reminder.
FEATURES ● Interface ● Ingenuity Unlimited ● Build Your Own Projects, Part 5 ● Digital TV – The Reality ● Circuit Surgery ● Net Work.

APRIL '97

PROJECTS ● 418MHz Remote Control System ● Midi Matrix ● Puppy Puddle Probe ● PIC-Agoras Wheelie Meter – 1.
FEATURES ● Interface ● Ingenuity Unlimited ● Digital TV and MPEG2 ● EDWin NC Software Review ● Circuit Surgery ● Net Work.

MAY '97

PROJECTS ● 2 Metre F.M. Receiver ● EPE PIC-A-Tuner ● Alarm Operated Car Window Winder ● Quasi-Bell Door Alert ● PIC-Agoras Wheelie Meter – 2.
FEATURES ● Ingenuity Unlimited ● Circuit Surgery ● Techniques – Actually Doing It ● Great Experimenters – 1 ● Type 7660 Voltage Converters ● ADC200 Storage Oscilloscope Interface Review ● Net Work.

JUNE '97

PROJECTS ● PIC Digilogue Clock ● Child Minder Protection Zone ● Pyrotechnic Controller ● Narrow Range Thermometer.
FEATURES ● Great Experimenters – 2 ● Circuit Surgery ● Interface ● Reactobot and Virtual Reality ● Ingenuity Unlimited ● Net Work.

BACK ISSUES ONLY £2.75 each inc. UK p&p.

Overseas prices £3.35 each surface mail, £4.35 each airmail.

We can also supply issues from earlier years: 1990 (except Jan., March and Dec.), 1991 (except May, June, Aug., Sept. and Nov.), 1992 (except April and Dec.), 1993 (except Jan., Feb., March, April and May), 1994 (except April, May, June and Nov.), 1995 (except Jan., May, June, Sept., Nov. and Dec.), 1996 (except Feb., July, Aug.). Please note we are not able to supply copies (or 'stats of articles) of *Practical Electronics* prior to the merger of the two magazines in November 1992.

Where we do not have an issue a photostat of any *one article* or *one part* of a series can be provided at the same price.

ORDER FORM – BACK ISSUES – PHOTOSTATS – INDEXES

Send back issues dated

Send photostats of (article title and issue date)

Send copies of last five years indexes (£2.75 for five inc. p&p – Overseas £3.35 surface, £4.35 airmail)

Name

Address

.....

I enclose cheque/P.O./bank draft to the value of £.....

Please charge my Visa/Mastercard £.....

Card No. Card Expiry Date

Note: Minimum order for credit cards £5. Please supply name and address of cardholder if different from that shown above.

SEND TO: **Everyday Practical Electronics, Allen House, East Borough, Wimborne, Dorset BH21 1PF.**

Tel: 01202 881749. Fax: 01202 841692. (Due to the cost we cannot reply to overseas queries or orders by Fax.)

E-mail: editorial@epemag.wimborne.co.uk

Payments must be in £ sterling – cheque or bank draft drawn on a UK bank. Normally supplied within seven days of receipt of order.

Send a copy of this form, or order by letter if you do not wish to cut your issue. M7/97

FAX ON DEMAND EVERYDAY PRACTICAL ELECTRONICS ON FAX

WHY WAIT?

We Give You The Fax!
Projects and Series
From Past Issues of *EPE*
AVAILABLE INSTANTLY!
24 HOURS A DAY!

HAVE you ever wanted to get hold of a past project or part of a Teach-In series fast? *EPE ON FAX* is a service aimed at providing you with the article you need, on-demand, seven days a week, 365 days a year, 24 hours a day.

All the projects and major series from the the April '95 issue onwards have been stored on computer and linked to a sophisticated selection system that uses the latest voice and Fax technology. You can select the article you require from a menu and have it downloaded to any UK Fax machine on demand.

The service will be constantly updated with new material as each issue is published, thus providing a live, instantly available, resource.

HOW TO USE *EPE ON FAX*

- From your tone telephone or Fax machine call 0991 002 225, making sure that your handset is switched to "tone". You will then hear a series of messages, which will help to guide you through the system.
- For a copy of the index, which contains the article numbers and the number of pages of each article, press "1" when prompted.
- To obtain a particular article, press "2" when prompted and, when requested, enter the article number you want from the keypad on your phone or Fax machine. The system will then confirm your selection.
- When you have selected the document that you require, you will then be prompted to enter the phone number of the Fax machine you want the article or index sent to, including the dialing code, finishing with the # key; the system will then confirm the phone number. Ring off and the Fax will automatically be sent to the given number.

HOW MUCH WILL IT COST?

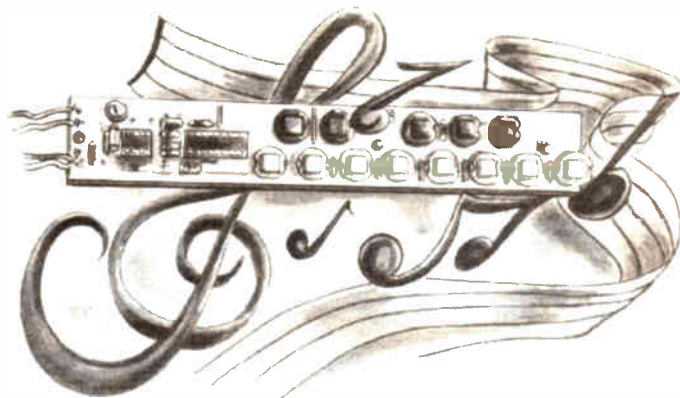
EPE ON FAX service is a higher rate premium line phone service. Calls cost £1.50 a minute. First time use should cost no more than £3 per index or article. Subsequent use should only be £1.50 per article.

NOTE. Articles over six pages long are split in two, requiring two calls.

FURTHER INFORMATION

If you would like further information about how this project was put together, ring Starcomm Limited on (0113) 294 0600.

TRY IT NOW!
CALL 0991 002 225



PIC-OLO!

Some of you will remember the days before Rolf Harris became involved with Animal Hospital and recall the Stylophone which he made famous. That extraordinary (for its time) little musical instrument used a stylus which, when touched on metallic keyboard-like pads, caused single notes to be played.

Over the years, there have been many imitations and, unashamedly, PIC-OLO is the latest. But, it has taken the idea a triplet of logical steps forward: it uses a microcontroller (the PIC16C84), 13 keypads arranged in piano keyboard style, C to C1 including five sharps, and it can chord – up to four notes at a time can be played. It's in a slimline case (electrical conduit!) and can be used with headphones, a small speaker or plugged into the hi-fi. Not a stylus in sight!

COLOSSUS RECREATED

**Wartime technology outperforms
Pentium PC!**

Every other weekend a group of volunteers welcomes visitors to a cluster of decaying huts in the grounds of a stately home near Bletchley. Despite what the British security services would wish, and thanks to the accidental publication of top secret documents in the US, the Bletchley volunteers can for the first time recreate the technology used during World War II to crack the codes used by the German military.

Barry Fox relates the fascinating tale of how UK engineers built the world's first electronic computer and cracked the codes to win the war. The surprise discovery, which raises questions on the best future for computing, is that the wartime technology can still outperform the latest Pentium PC.

UNIVERSAL INPUT AMPLIFIER

It is unfortunate that the sound quality of many items of low cost PA and recording sound equipment are let down by the performance of their input amplifiers. This is because the demands placed on a PA or recording input amplifier are really quite heavy. Ideally it should be able to cope with input signals ranging from the quietest microphone to the output of a CD player, whilst having low distortion and low noise at all times.

The circuit described here is designed to replace the input stage of a mixer or pre-amp and will provide a gain adjustable over a very wide range with low noise. It is also a straightforward task to assemble several of these circuits to form a simple mixer.

VARIABLE BENCH POWER SUPPLY

Simple, safe, inexpensive and easy to build, this project will appeal to a wide range of readers. A regulated mains power supply unit is undoubtedly one of the most useful pieces of equipment for the electronics experimenter. Ideally, the supply should have a wide output voltage range, and be capable of providing high currents, but a high specification is invariably accompanied by a high price.

Fortunately, for most purposes a supply unit having a modest specification will suffice. This p.s.u. has an output voltage of 1.2V to 12V at up to 500mA. Despite the simplicity of the circuit it provides excellent regulation.

EVERYDAY

PRACTICAL

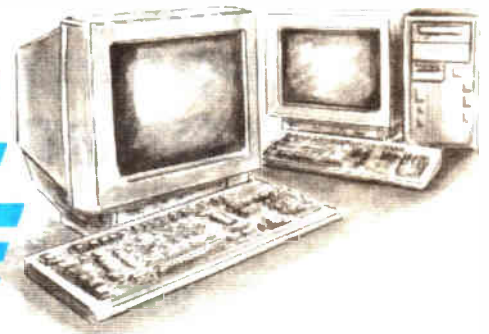
ELECTRONICS

DON'T MISS THIS ISSUE

**AUGUST ISSUE ON SALE
FRIDAY, JULY 4**

**HT
M
O
M
T
H
N
E
X
T
M
O
N
T
H**

COMPUTER DUAL USER INTERFACE



MARTIN CAMPBELL

How to easily and cheaply key into your computer from two different locations.

DESCRIBED here is an interface that allows one computer to be used by two users at different locations, up to approximately ten metres apart, although *not* at the same time. The unit's cost is far below any currently available commercial equivalent. It is self-contained and takes its supply from the host computer.

SYSTEM OPERATION

The block diagram of Fig.1 helps to explain how the unit functions. The two keyboards, one local and one remote, are connected to the computer via an electronic switch. A flip-flop toggles the switch into a state where one or other of the keyboards is connected to the computer.

The VGA monitor output from the computer is fed directly to the local

monitor and to the remote monitor via a buffer amplifier.

Touching any key on either keyboard toggles that keyboard into operation. The information will always be displayed on both monitors.

CIRCUIT OPERATION

The circuit diagram for the complete Computer Dual User Interface appears in Fig.2.

Both keyboards are connected to IC1,

a type 4066 quad bidirectional analogue switch, which is wired as a dual double-pole single-throw (d.p.s.t.) switch.

Operation of these switches is by IC2, a type 4093 quad dual-input Schmitt trigger NAND gate, of which only gates IC2a and IC2b are used, wired in the standard flip-flop configuration.

Assume that, initially, IC2a output pin 3 is high, "enabling" IC1 control pins 5 and 6 and so turning on switches S2 and S3 within IC1. Switches S1 and S4

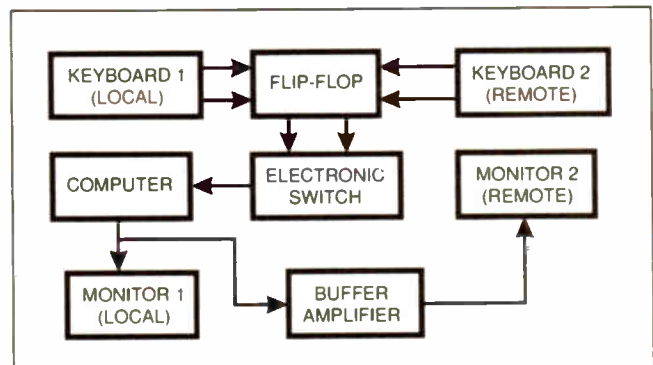


Fig.1. System block diagram for the Computer Dual User Interface.

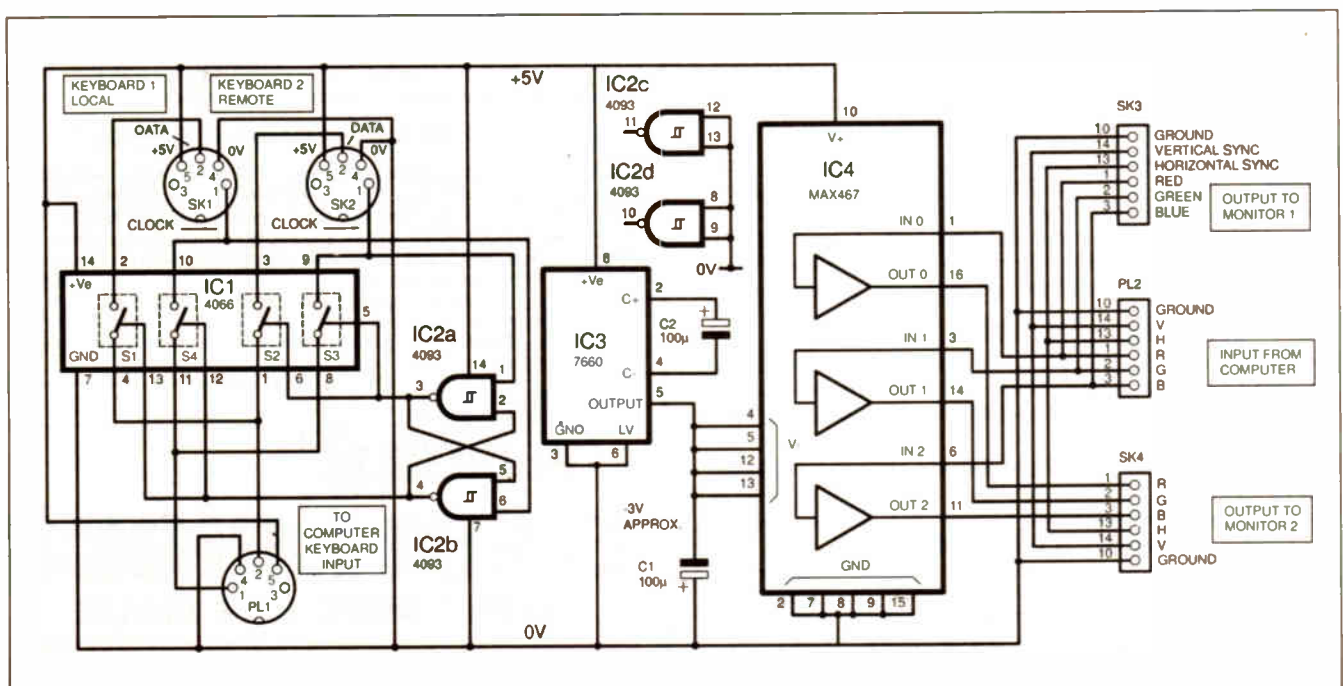
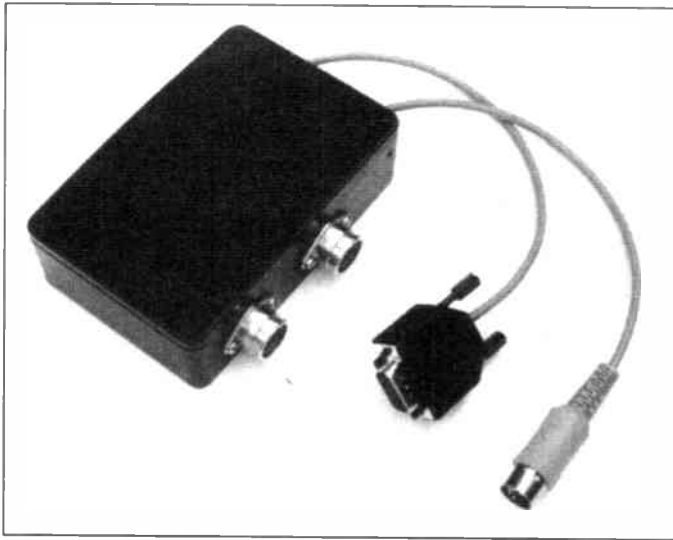
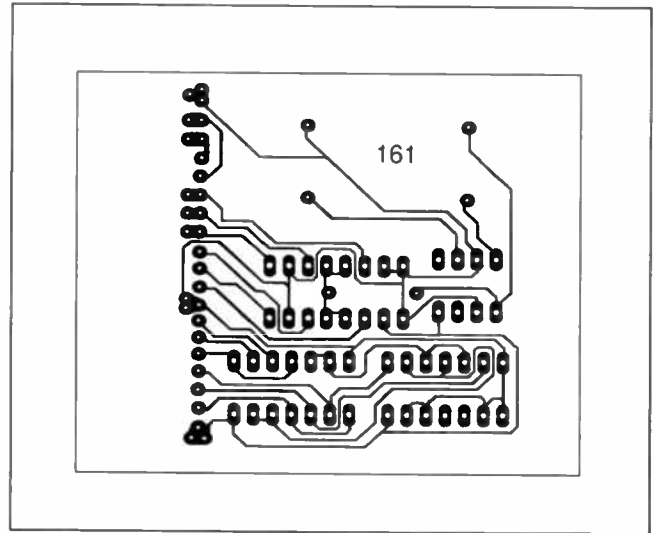


Fig.2. Complete circuit diagram for the Computer Dual User Interface.



Completed Interface showing the DIN and D-type line plugs.



Printed circuit board full size copper foil master.

are held turned off by the inverted logic level of IC2 output pin 4. This allows the clock and data signals from the remote keyboard (KB2) to pass to the computer.

If, now, a key press is made on the local keyboard (KB1), the clock signal from this keyboard will be sensed at IC2b input pin 6. This will force the flip-flop action, resulting in IC2a output pin 3 and IC2b output pin 4 going low and high respectively. Switches S1 and S4 within IC1 now turn on, whilst switches S2 and S3 turn off. The data and clock signals from the local keyboard (KB1) are now acknowledged by the computer.

VIDEO MULTIPLEXER

Irrespective of which keyboard is in use, the video output signal from the computer is routed to both VDU (visual display unit) monitors. So that it can cleanly drive the remote monitor as well,

although the signal needs to be buffered. This is done by IC4, a MAX467 triple video amplifier.

The amplifier has a fixed gain of one and, by buffering the signal between the two monitors, helps to prevent interference patterns. It was found that the vertical and horizontal synchronizing signals did not need to be buffered.

POWER SUPPLY

The power supply for the Interface is provided by the +5V line of the computer's keyboard connector. IC4 requires a split supply of plus and minus 3V minimum. A 7660 voltage inverter, IC3, is used to generate the negative supply needed.

In conditions of no load on IC3's output, the inverter will generate an almost equal but opposite polarity voltage to that of its power supply. However, the output

voltage is affected by the current drawn and, in this instance, approximately -3V is delivered, which is as required by IC4.

CONSTRUCTION

Details of the printed circuit board layout and the off-board wiring are shown in Fig.3. This board is available from the EPE PCB Service, code 161.

First solder in the single link wire on the board, followed by the four i.c. sockets, and then the electrolytic capacitors, C1 and C2, observing their correct polarity.

Connections between the board and the case-mounted sockets should be kept as short as possible. Thin, light-duty stranded wire was used in the prototype; ribbon cable could be used.

Shielded (screened) wire is not necessary for the keyboard and local monitor, though it *must* be used for the

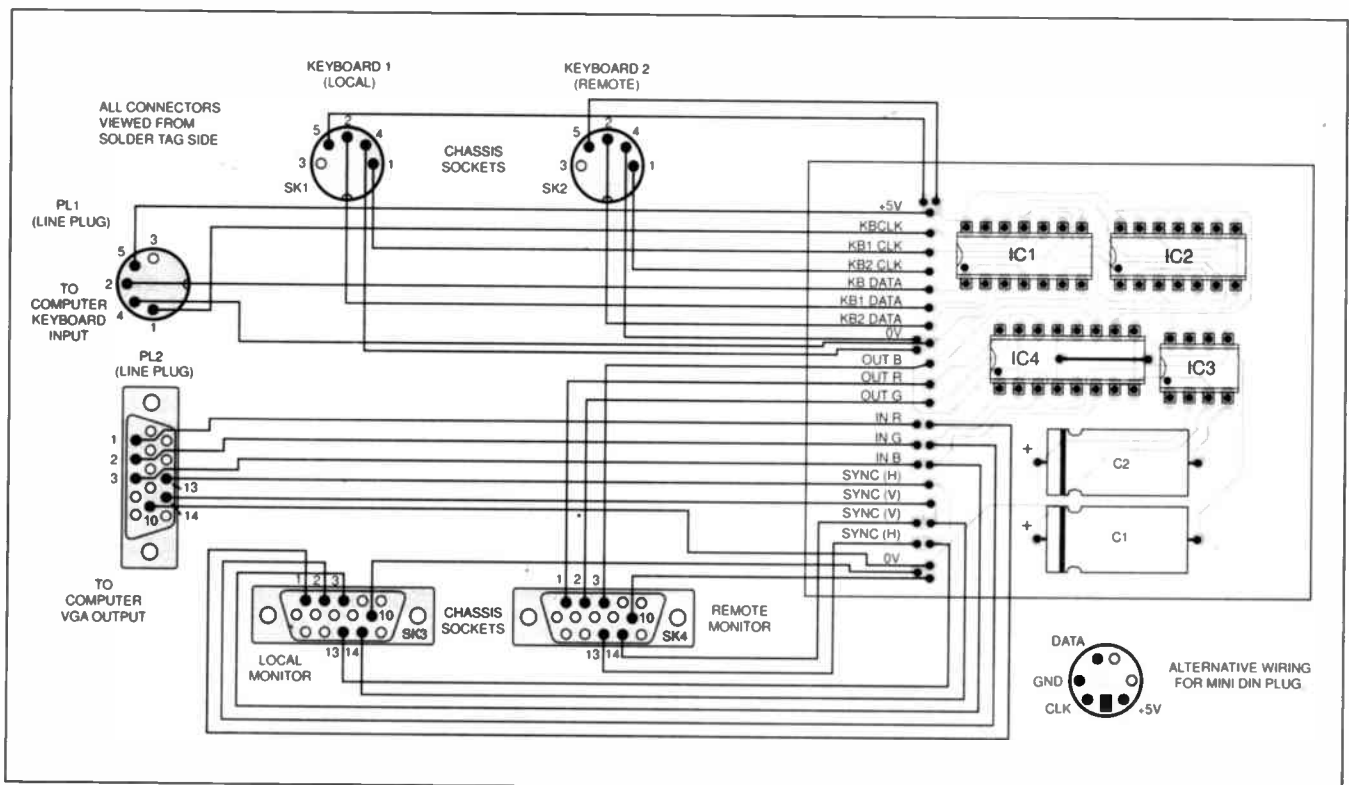


Fig.3. P.C.B. layout and interwiring to the off-board DIN and D-type sockets and line plugs.

COMPONENTS

Capacitors

C1, C2 100 μ axial
elect. 16V
(2 off)

See
**SHOP
TALK**
Page

Semiconductors

IC1 4066 quad analogue
switch
IC2 4093 quad Schmitt
NAND gate
IC3 7660 voltage
inverter
IC4 MAX467 triple
video amplifier

Miscellaneous

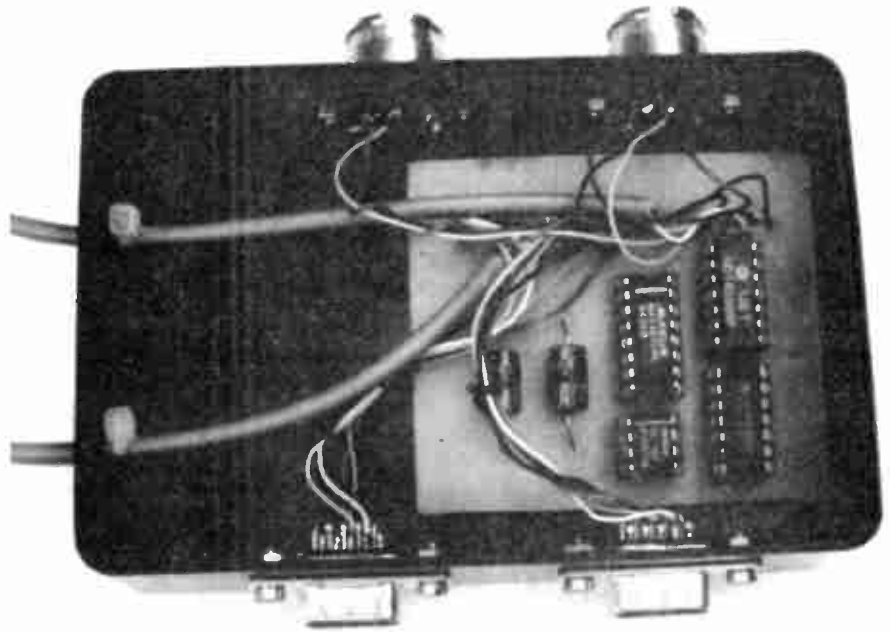
SK1, SK2 5-way 180° DIN socket
(2 off)
SK3, SK4 15-way high-density
VDU connector,
female (2 off)
PL1 5-way 180° DIN line plug
PL2 15-way high-density
VDU connector, male

Printed circuit board, available from
the *EPE PCB Service*, code 161;
8-pin d.i.l. socket; 14-pin d.i.l. socket
(2 off); 16-pin d.i.l. socket; 6-way in-
dividually-screened cable with high-
density male and female 15-way con-
nectors for remote VDU; plastic case,
120mm x 80mm x 35mm; connect-
ing wire; solder, etc.

Approx Cost
Guidance Only

£21

excluding cables



Layout of components inside the completed Interface case. To keep wiring neat, use cable ties or wire off-cuts to group each socket wiring together.

remote monitor if it is some distance
away, otherwise the image sharpness may
deteriorate. The remote monitor wires
should be *individually* screened, with
their screens connected together at the
monitor end.

Some computers now use miniature
DIN connectors for keyboard connection

and the pinout order for this type is also
shown in Fig.3.

Take the usual anti-static precautions
before handling the i.c.s, by touching a
grounded (earthed) item, for example. If the
computer does not respond as usual when
first connecting this Interface, *immediately*
switch off and recheck your assembly. □

MONITOR BREAKTHROUGH

SUPERB SECOND USER WINDOWS
MONITORS FOR SALE

Ideal for CAD, DTP or Graphics use, all with a full
3 month return to base warranty and technical
support hotline.

Will run with any standard 486 or above PC on any
1MB or above graphics card in Windows 3.1, 95 or
NT [DOS applications must be run within Windows].

17" SVGA 1024*768 at 70 or 75 cycles
£225 + VAT.

0.26 dot pitch, non interlaced.

20" XVGA 1024*768 at 70 or 75 cycles
£325 + VAT.

0.26 dot pitch, non interlaced.

MEMORY BONANZA

1 meg 30-PIN PARITY SIMMS **£6** each plus VAT
4 meg 30-PIN PARITY SIMMS **£20** each plus VAT
4 meg 72-PIN SIMMS **£16** each plus VAT

ACCUCARD UNINTERRUPTABLE POWER
SUPPLY SPECIAL OFFER JUST
£14.95

Cheque with order plus £2 p&p.

Tel. or write to BBA Ltd., 22 Granville Road,
Melton Mowbray, Leicestershire.
01664 410370

Power Robotics . . . for your PC

A series of high-powered kits that link to your PC's serial port

Robotic Arm



This 5 axis arm delivers fast, accurate and
repeatable movement. The kit includes
all hardware, structural components, 6
Hitec servos, a Mini Serial Servo
Controller kit, software, sample programs
and a detailed assembly manual.

Mobile Arm

The mobile version adds to the
excitement. The kit includes everything
mentioned in the standard arm kit with
the addition of wheels and 2 Hitec servos.
This makes a great foundation to add
sensors to create a fully featured robot.



Hexapod Walker



Micro Mouse



Visit our web site for further details

All prices exclude V.A.T.
and £4.50 carriage charge.

technologyindex@btinternet.com
http://www.technologyindex.com



Technology Education Index
40 Wellington Road
Orpington
Kent BR5 4AQ
Tel: (01689) 876880

Transform your PC

into a digital oscilloscope, spectrum analyser, frequency meter, voltmeter, data logger . . for as little as £49.00

Pico's Virtual Instrumentation enable you to use your computer as a variety of useful test and measurement instruments or as an advanced data logger.

Hardware and software are supplied together as a package - no more worries about incompatibility and no programming required.

Pico Technology specialises only in the development of PC based data acquisition instrumentation. We have the product range and experience to help solve your test and measurement problem.

**Call for your guide on 'Virtual Instrumentation'.
We are here to help you.**



The ADC-10 supplied with PicoScope gives your computer a single channel of analog input.

**ADC-10 £49
with PicoLog £59**

Data Logging

Pico's range of PC based data logging products enable you to easily measure, display and record temperature, pressure and voltage signals.

TC-08 Thermocouple to PC Converter

- Supplied with PicoLog data logging software for advanced temperature processing, min/max detection and alarm.
- 8 Thermocouple inputs
- No power supply required.

TC-08 £199 TC-08 £224 with cal. Cert. complete with serial cable & adaptor. Thermocouple probes available.



Virtual Instrumentation

Pico's PC based oscilloscopes simply plug into the parallel port turning your PC into a fully featured oscilloscope, spectrum analyser and meter. Windows and DOS software supplied.

ADC-100 Dual Channel 12 bit resolution

The ADC-100 offers both a high sampling rate 100kHz and a high resolution. Flexible input ranges ($\pm 50\text{mV}$ to $\pm 20\text{V}$) make the unit ideal for audio, automotive and education use.

ADC-100 £199 ADC-100 with PicoLog £219

ADC-200 Digital Storage Oscilloscope

- 50 MSPS Dual Channel Digital Storage Scope
- 25 MHz Spectrum Analyser
- Windows or DOS environment
- $\pm 50\text{mV}$ to $\pm 20\text{V}$
- Multimeter
- 20 MSPS also available

ADC 200-20 £359.00

ADC 200-50 £499.00

Both units are supplied with cables, power supply and manuals.



Call for free demo disk and product range catalogue

Post & Packing UK £3.50, Export customers add £9 for carriage & insurance.

Pico Technology Ltd. Broadway House, 149-151 St Neots Rd, Hardwick, Cambridge. CB3 7QJ UK Tel: + 44 (0)1954 211716 Fax: + 44 (0)1954 211880
E-mail: post@picotech.co.uk Web site: <http://www.picotech.co.uk/>

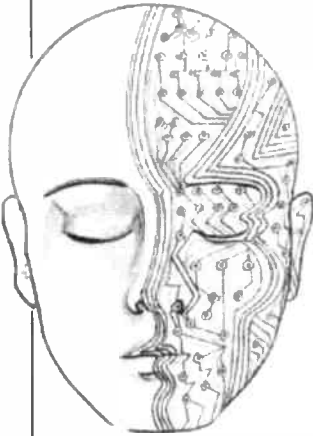
Phone or FAX for sales, ordering information, data sheets, technical support. All prices exclusive of VAT

releasing PC potential

releasing PC potential

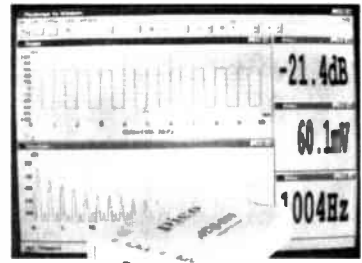
PICO
Technology Limited

INGENUITY UNLIMITED



Our regular round-up of readers' own circuits. We pay between £10 and £50 for all material published, depending on length and technical merit. We're looking for novel applications and circuit tips, not simply mechanical or electrical ideas. Ideas *must be the reader's own work* and **not have been submitted for publication elsewhere**. The circuits shown have NOT been proven by us. *Ingenuity Unlimited* is open to ALL abilities, but items for consideration in this column should preferably be typed or word-processed, with a brief circuit description (between 100 and 500 words) and full circuit diagram showing all relevant component values. **Please draw all circuit schematics as clearly as possible.**

Send your circuit ideas to: Alan Winstanley, *Ingenuity Unlimited*, Wimborne Publishing Ltd., Allen House, East Borough, Wimborne, Dorset BH21 1PF. They could earn you some real cash and a prize!



WIN A PICO PC BASED OSCILLOSCOPE

- 50MSPS Dual Channel Storage Oscilloscope
- 25MHz Spectrum Analyser
- Multimeter
- Frequency Meter
- Signal Generator

If you have a novel circuit idea which would be of use to other readers then a Pico Technology PC based oscilloscope could be yours.

Every six months, Pico Technology will be awarding an ADC200-50 digital storage oscilloscope for the best IU submission. In addition, two single channel ADC-40s will be presented to the runners up.

Multi-sided Dice – Playing the Game

DEPICTED in Fig.1 is a circuit diagram for a Multi-sided Dice – one which will display counts from 1 to 4, 6, 8, 10, 12 or 20 depending on the position of selector switch S2. This is very useful not just for traditional games, but also role-playing games and similar, when multi-sided dice are essential equipment!

The circuit is formed of a clock (IC1) driving a divide-by-two counter (IC2) followed by a decade counter (IC3). When pushswitch

S1 is closed, the counter advances at a rate of several kilohertz and displays one number when S1 is released. Because of the high clock rate, the choice of numbers appears to be random.

The decade counter IC3 outputs each drive two l.e.d.s. However, the cathodes (k) of the l.e.d.s (D1 to D20) are toggled by the flip-flop IC2, so that only one l.e.d. can be illuminated at a time. The number of "sides" is determined by resetting the

decade counter IC3 as soon as it counts outside of the allowable range, e.g. for a six-sided dice the counter resets as soon as it reaches seven.

The Multi-sided Dice is powered from battery B1, a 9V PP3 type. Capacitor C2 provides decoupling for the supply. Remember to use anti-static precautions when handling the CMOS devices.

Andrew Gale,
Weston-Super-Mare, Avon.

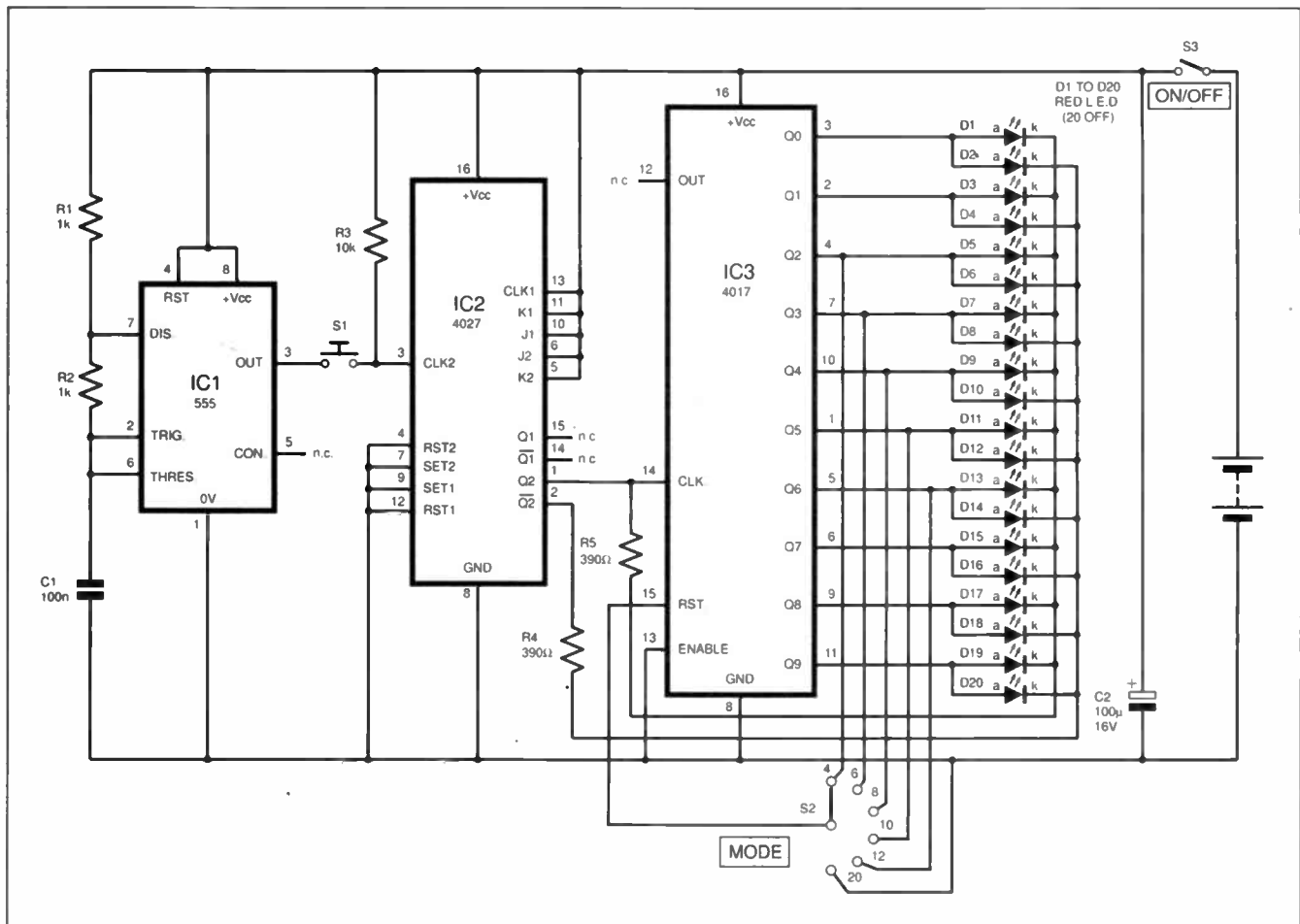


Fig. 1. Circuit diagram for a battery powered Multi-sided Dice.

Intruder Alarm – Detects Light Fingers!

A FEATURE of the Intruder Alarm circuit of Fig.2 is that it utilises the 50Hz signal emitted by an ordinary electric light bulb as a signal source. The source of light was an exterior ornamental lamp powered from the mains, mounted adjacent to the window. Filaments are driven at the mains frequency which cannot be discerned readily by the human eye.

A light-dependent resistor (l.d.r.) R1 is mounted *inside* the room to one side of the window where it detects the light signal and converts it to a sine wave. The result is then amplified by transistors TR1 and TR2, with potentiometer VR1 allowing the sensitivity to be adjusted. The amplified output is rectified by diodes D1 and D2 as part of a voltage doubling circuit.

Under normal conditions, the d.c. voltage saturates transistor TR3 on, which shunts TR4 base (b) towards 0V and prevents it from conducting. Any movement between the lamp and the l.d.r. causes a reduction in the signal, cutting off TR3 and so now TR4 conducts.

This sends a negative-going trigger signal to IC2, a 555 monostable, which triggers immediately and powers IC3 (entry delay timer), another monostable which drives a relay RLA on when it times out (pin 3 goes low). With resistor RC at a value of 180 kilohms, the entry delay is about 30 seconds. Contacts RLA1 are used to drive an external bell or siren.

The value of resistor RB on IC2 sets the alarm ring period; a value of 2M2 (2.2 megohms) produces a period of about 3½ to 4 minutes. The timer IC1 acts as power-on delay which will disconnect IC2 and IC3 from the 0V rail for about 30 seconds with a value of 2M2 for resistor RA.

*Mike Brown,
Poole, Dorset.*

Spatial Stereo Effect – Spaced Out Sound

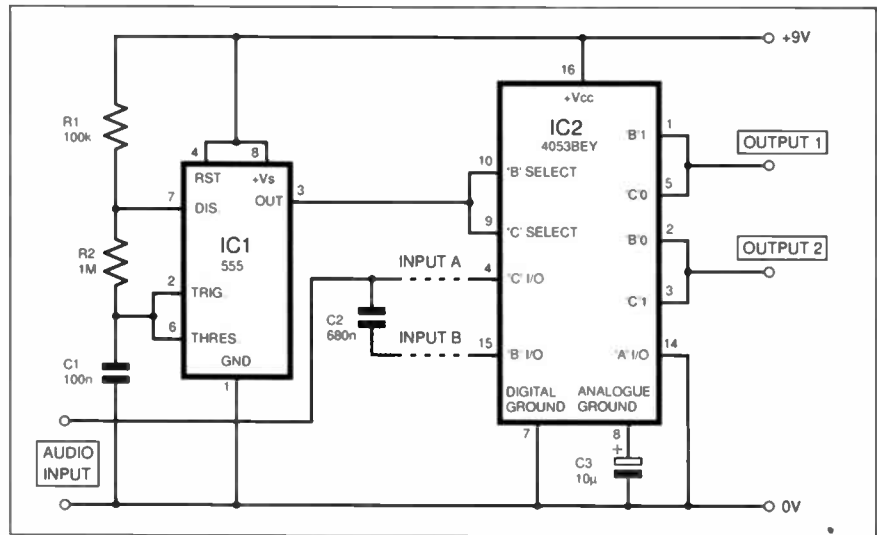


Fig.3. Spatial Stereo Effect circuit diagram.

THE simple Spatial Stereo Effects circuit diagram shown in Fig.3 was designed to put some "space" into a mono sound source when heard over a pair of stereo speakers. This is achieved by filtering out some of the lower frequencies and alternating this with the original signal into the left and right audio channels.

Using a 555 timer in astable mode, running at about 14Hz, IC1 output (pin 3) toggles the "B Select" and "C Select" lines of IC2, a 3-pole 2-way bi-directional switch of which switches B and C are used. At one stage, the signal input A at pin 4 (C in/out) appears at Output 1, and the signal input B at pin 15 (B in/out) appears at Output 2. Seven hundredths of a second later the situation is reversed, with

input A being connected to Output 2, and input B connected through to Output 1.

Capacitor C2 filters some of the lower frequencies from input A and sends it to input B. Capacitor C3 was incorporated to help prevent IC2 from picking up 50Hz mains hum which otherwise leads to it switching prematurely.

The two outputs can be connected to the stereo inputs of an amplifier, or directly to stereo headphones. The circuit worked well with the audio input being connected to a mono earphone of a radio, whilst listening to the resultant signal with stereo headphones.

*Mohab S. Refaat,
Cairo,
Egypt.*

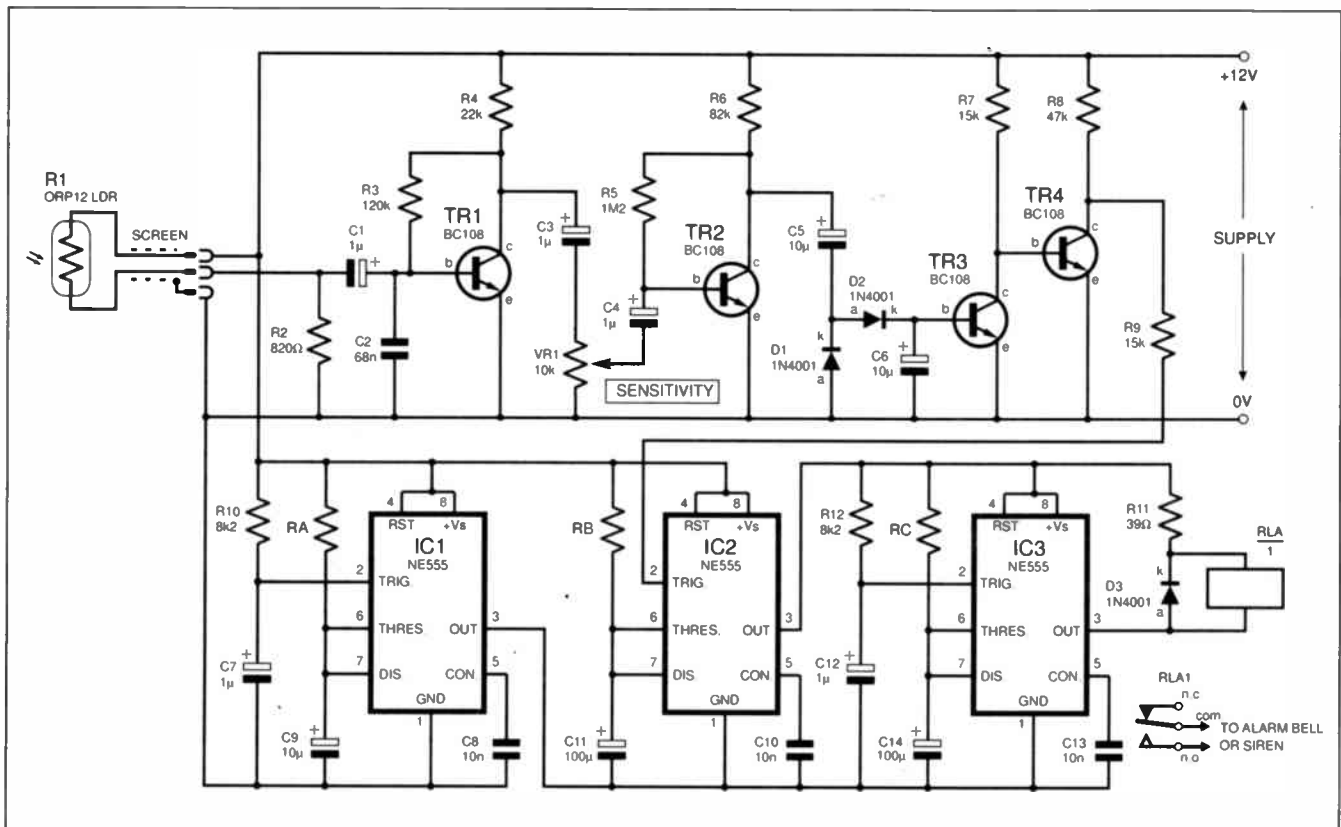


Fig.2. Circuit diagram for a "light bulb" Intruder Alarm. For values of RA, RB and RC see text.

F.E.T. Tester - Go-No-Go Glow

THE junction F.E.T. Tester circuit diagram shown in Fig.4 will allow a rapid "go-no-go" check of small-signal *n*-channel field-effect transistors (f.e.t.s) of the MPF102, 2N3819 etc. variety. A small modification enables the circuit to be used to check the less common *p*-channel types.

The circuit chosen was a "Pierce" crystal oscillator which has very few components. L1 is a small 1mH r.f. inductor. A readily-available 4-433MHz crystal is used in the feedback network, and when the oscillator is running its output is fed, via capacitor C2, to the base (b) of transistor TR1, which drives the l.e.d. (D1) on. No base bias was found necessary.

Three flying leads terminated in crocodile clips are taken from the circuit and hooked to the relevant pins of the f.e.t. The l.e.d. D1 will glow when a functional f.e.t. is connected. To check a *p*-channel device, TR1 should be replaced with a *pn*p BC212 transistor, and the battery and l.e.d. polarities reversed.

The circuit was constructed on stripboard, and you could also assemble a simple crystal checker by mounting a crystal socket on the housing in place of X1.

D. Allen, Cheltenham, Glocs.

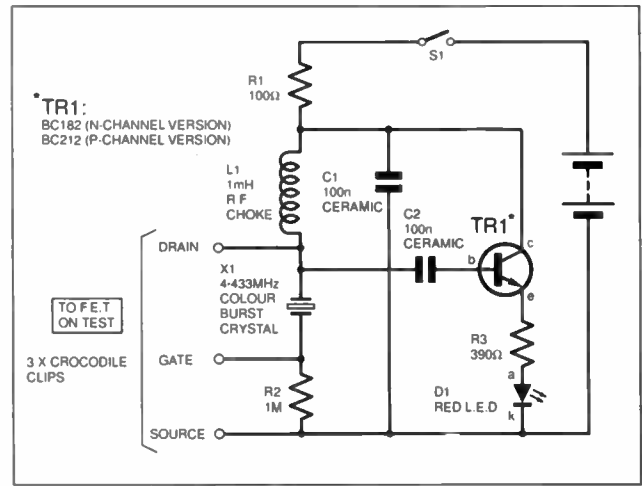


Fig.4. F.E.T. Tester circuit diagram.

Versatile Linear Regulator - Power Charge

THE Voltage Regulator illustrated in Fig.5 has been used in the field in various forms for battery charging. It uses discrete components with a power MOSFET, TR3, to provide a variable supply which has several desirable features. It has a low drop-out voltage (typically 150mV @ 6A) plus good line and load regulation - approximately 80mV. The regulator will shut down under short-circuit overload conditions.

With the values of components shown, it is ideal for charging 12V gell cells up to 13.8V d.c., using a 16V d.c. unregulated input derived from a conventional capacitor-input filtered supply. The output voltage is trimmed using potentiometer VR1.

The main shunt element TR3 is an *n*-channel BUK456/60 rated at 41A continuous, and this should be mounted on a suitable heatsink depending on the load.

Gerard La Rooy, Christchurch, New Zealand.

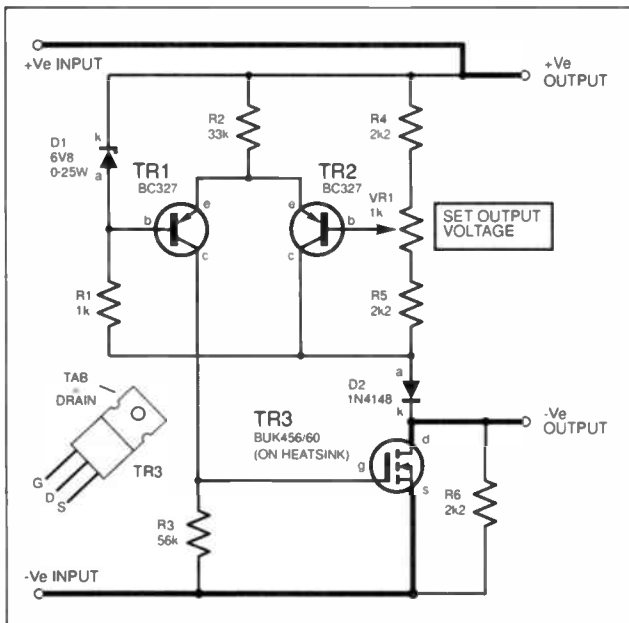


Fig.5 (left). Circuit diagram for a Versatile Linear Regulator.

Novel Fibre-Optic Tester - Sound-to-Light

PROFESSIONAL engineers involved with fibre optics may find the novel circuit of Fig.6 interesting. It gives a quick indication of the state of both multi-mode and single/mono mode fibre links and consists of a Transmitter containing a professional-grade high-power infra-red (IR) SMA-type emitter l.e.d. (D1) modulated by IC2 - nothing more sophisticated than a chip removed from a musical greeting card! After much experimentation, this proved to be the best and most simplistic solution.

The musical i.c. is a "chip-on-board" type to which some flying leads were soldered and hooked-up to some stripboard. A 9V battery was added and a 78L05 voltage regulator, IC1, is also mounted on the stripboard to provide a 5V rail. Diode D3 limits the reverse voltage across the infra-red emitter D1 and it also gives an indication that the source is actually working.

Receiver

The Receiver is based on D2, an IR SMA-type detector, biased by resistor R1. This is fed to a non-inverting op.amp. IC3a having a gain of 30. Its output is buffered by IC3b which drives a piezo sounder X1 directly (the piezo also having been recovered from the greetings card).

Both units were built into small plastic boxes with on-off switches and powered by PP3 batteries. The system can be tested by pointing the emitter l.e.d. D1 at the receiving l.e.d. D2 and the tune played by IC2 should be heard over the piezo sounder.

The Novel Fibre-Optic Tester can be used not only to test installed fibre optic links but also fibre-optic patch cords, the level of the received signal giving an indication of the losses in the link. With experience, it soon becomes apparent what kind of signal strength to expect under various circumstances.

John Barker, Morley, Leeds.

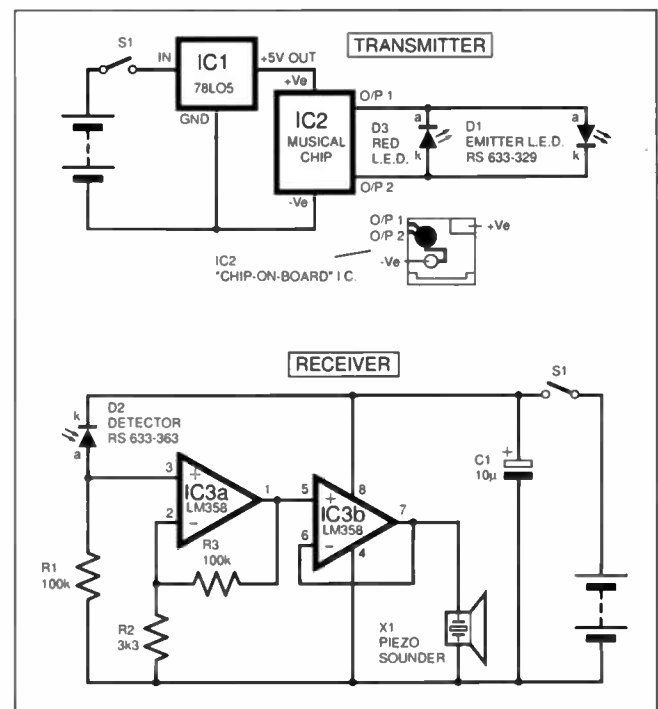


Fig.6. Transmitter and Receiver circuit diagrams for the "musical" Fibre-Optic Tester. The emitter and detector l.e.d.s are expensive and should be handled with care.

(Electromail (Tel: 01536 204555) codes 6.33-329 and 6.33-363.)

ELECTRONICS WORKBENCH V5.0



ROBERT PENFOLD

On-screen circuit design and testing made easy.

NO DOUBT many readers will have tried the demonstration disk of the Electronics Workbench program that was supplied free with *Everyday Practical Electronics* a few years ago (Oct. 94). The introduction of this program produced a bit of a stir due to its use of virtual instruments, which were new to most of us at that time. The idea was to have a circuit simulator that was as easy to use as possible, with test instruments, and not just circuits, being simulated. Testing a circuit with the simulator was, as far as possible, just like testing a real circuit using real test instruments.

Touch of SPICE

Electronics Workbench has now reached version 5.0, but the basic concept remains the same. You draw up a circuit diagram for the circuit you wish to test, and then use virtual function generators, oscilloscopes, etc. to test various aspects of its performance. Although the word "SPICE" does not appear in the name of this program, in common with most other advanced analogue circuit simulators it utilizes the Berkeley Institute SPICE (Simulation Program with Integrated Circuit Emphasis) algorithms for analogue circuit simulations. It utilizes the latest 32-bit version (3F5), and this rendering of Electronics Workbench is claimed to be some five to ten times faster than previous versions.

Electronics Workbench is available in two forms incidentally, which are the standard program, and the up-market EDA version reviewed here. The two programs are essentially the same, but the more expensive EDA version offers more simulation types (see Table 1), and is supplied with 8000 or so rather than 4000 component models.

The SPICE algorithms are augmented by "native" 32-bit routines which permit the simulation of digital circuits. The

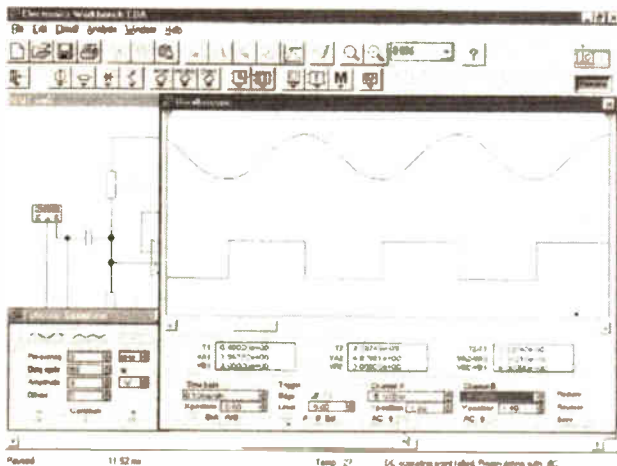
analogue and digital simulators are fully integrated to provide a mixed mode simulator. In other words, digital and analogue circuits can be simulated, but so can circuits that contain a mixture of the two, such as pulse width modulators and frequency-to-voltage converters.

Circuits can be simulated using idealised components, but the supplied library also includes a vast range of "real world" components. This means that most circuits can be easily simulated using models of the actual components you will use in the real thing. It will not normally be necessary to choose a near equivalent or to seek out suitable library component models elsewhere.

Installation

The minimum hardware required to run this software under Windows 3.1 or 95 is a 486 PC with 8 megabytes of RAM (16 megabytes recommended), and 20 megabytes of hard disk space. The program will run under Windows NT, but then requires a minimum of 12 megabytes of RAM. As the program uses 32-bit routines it requires the Win32s extensions to run under Windows 3.1, but these are automatically loaded with the main software unless the installation program is instructed to the contrary. The software is supplied on six high density disks, and installation under Windows 95 proved to be very straightforward.

The screen layout follows the Windows convention, with title and menu bars at the top of the screen. Beneath these are two rows of control buttons, and the upper row gives quick access to general functions (open, save, etc.) and editing functions which enable the circuit symbols to be flipped, rotated, etc. The lower row of control buttons is used to actually place circuit symbols and virtual instruments on the drawing area. Apart from the usual



The virtual function generator at the bottom left hand section of the screen is producing a squarewave signal. This is fed to a filter circuit which produces a (more or less) sinewave output signal. Both signals are displayed on the screen of the "expanded" virtual oscilloscope.

Table 1

Comparison of Version 5.0 with the EDA version

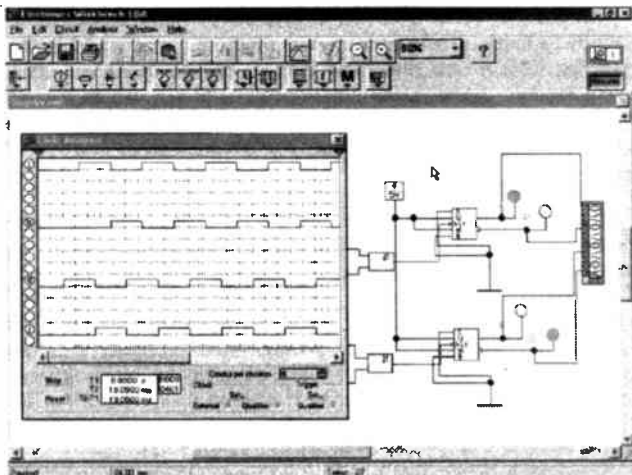
ANALYSES	VERSION 5.0	EDA
DC Operating Point	Yes	Yes
AC Frequency	Yes	Yes
Transient	Yes	Yes
Fourier	Yes	Yes
Noise	Yes	Yes
Distortion	Yes	Yes
Parameter Sweep	No	Yes
Temperature Sweep	No	Yes
Pole Zero	No	Yes
Transfer Function	No	Yes
DC Sensitivity	No	Yes
AC Sensitivity	No	Yes
Worst Case	No	Yes
Monte Carlo	No	Yes

scrollbars and a status line at the bottom of the screen, the remaining screen area is used for the circuit diagram.

In order to place a component on the screen you first operate the appropriate button for that type of component, such as the analogue integrated circuit button if you wish to use an operational amplifier. You then select the most suitable of the available options. In most cases this will not give you exactly the desired component model straight away, but having dragged a component onto the drawing area it is easily "fine tuned". Simply double-clicking on a component brings up a dialogue box which enables the value to be changed, the required operational amplifier to be selected, or whatever. A wide range of components are available, including such things as voltmeters, ammeters, bulbs, buzzers, and seven segment displays.

"running the simulation is just a matter of operating the virtual on/off switch"

Placing interconnections is very simple, and it is just a matter of clicking on the leadout of a component and then dragging a "wire" to the next component. The program automatically routes the wires, but they can be tidied up manually with a bit of "clicking" and dragging. The library of basic circuit symbols includes the all-important dot which enables multiple connection points to be produced. Editing circuits is very simple, as the mouse can be used to drag wires and symbols around the screen, and there are a range of easily accessed editing tools. The finished circuit



Here the logic analyser is used to monitor the four outputs of a stepper motor driver circuit. The analyser can handle up to 16 input signals, and data is recorded so that it can be examined in detail later.

diagrams are not the neatest you will encounter, but the program is not really intended for the production of pretty diagrams. Its purpose is to provide an easy means of entering circuits into the simulator, and this it does very well. However, if required, circuits can be printed out on any Windows compatible printer.

Virtual Instruments

Once the circuit has been produced, the virtual instruments must be connected to it. This is very easy, since these instruments are represented by special circuit symbols, and are added in the same way as normal components. The available instruments include a multimeter, a function generator, an oscilloscope, a bode plotter (for frequency response and phase measurements), a word generator, and a logic analyser. Once the circuit has been completed and the virtual instruments have been added, running the simulation is just a matter of operating the virtual on/off switch at the top left-hand corner of the screen. No compilation stage is required in order to convert the circuit schematic into data for the circuit simulator.

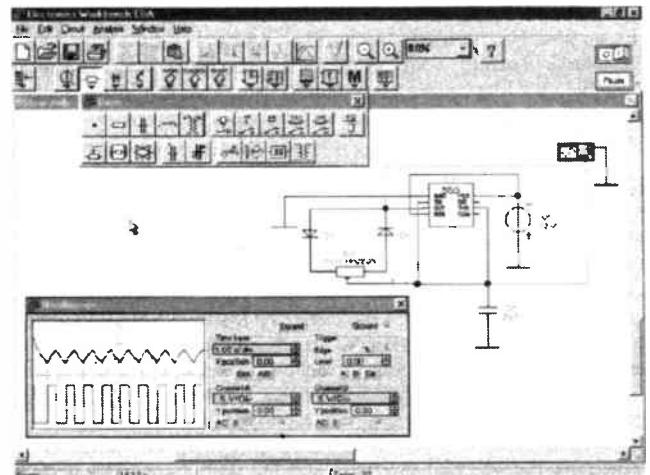
Changes can be made to component values and virtual instrument control settings "on the fly", which makes it quick and easy to perfect circuits that do not work properly at the first attempt. The virtual instruments are rather small, but the oscilloscope can be expanded to fill a large portion of the screen. Also, the "Analysis" option on the main menu bar gives access to conventional analysis routines which produce almost screen filling

graphs. These have the slightly idiosyncratic frequency scaling that is virtually a standard feature of circuit analysers, complete with occasional lapses into scientific notation that use more digits than simply giving the frequency in Hertz. Fortunately, a grid having more sensible scaling can be added at the touch of a button. There seems to be no table of results available for some of the analyses, but the Bode plotter has a moveable cursor and a digital readout which provides phase and magnitude values for each test frequency.

The "Analyse" menu option also provides access to the types of analysis that are not available via the virtual instruments. These include Fourier, noise, and distortion analysis. For this review Electronics Workbench was run on a PC fitted with a 166MHz 6X86 processor, and everything seemed to happen impressively quickly. Of course, things inevitably slow down significantly when testing complex circuits, such as multi-stage elliptic filters, but the general speed of operation compares well with the other circuit analysers that I have tried.

Ease of Use

Virtual multimeters, oscilloscopes, function generators, and so on are not just a gimmick, and they genuinely make the program more user friendly. Some software which takes the virtual instrument approach to circuit simulation is only intended for use by novices, but Electronics Workbench is definitely not in this category. It is a heavy-weight circuit simulator which uses on-screen test equipment to make the program quicker and easier to use, as well as providing facilities that would not otherwise be



The component library includes the all-important 555 timer. Here the virtual oscilloscope shows the waveforms across the timing capacitor and at the output pin. This screen also shows one of the component selection boxes.

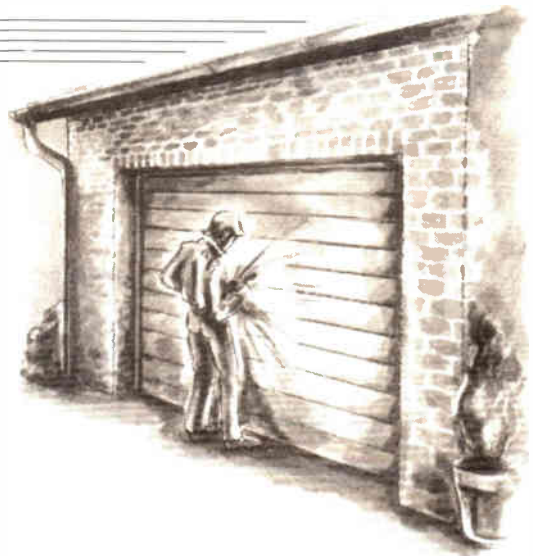
possible. You need to have a good understanding of conventional circuit design and testing techniques in order to make full use of the program. In fact some aspects of the program require an advanced knowledge of circuit testing, but you can simply ignore the more advanced facilities if you do not require them.

"the virtual approach works well, and makes circuit testing more fun as well as quicker and easier"

The program is generally easy to use, and this is demonstrated by the fact that it is possible to draw up and test simple circuits without recourse to the manuals. By "playing" with the on-screen controls you soon get the hang of things. Four A5 size manuals are supplied. The "User's Guide" provides an introduction to using the program that includes some simple step-by-step examples. This manual is all right as far as it goes, but it is a bit vague on some topics such as the bode plotter and some types of analysis. It is sometimes necessary to adopt the "suck it and see" approach whether you want to or not.

The "User Guide" is backed up by a much larger "Technical Reference" manual which gives details of the components, indicators, virtual instruments and other technical information. The other two manuals are a comprehensive list of the component models supplied, and a manual covering the import and export of SPICE netlists.

MICROPOWER PIR DETECTOR



ANDY FLIND

Part 1

A three module integrated intruder deterrent. The PIR is a self-setting, stand-alone, battery powered module for boats, caravans, garages or garden sheds.

include simple installation, as a single sensor can cover a wide area.

With careful siting it may detect people "loitering with intent" before any attempt is made to force entry and warn them off by activating a siren or security lighting, thereby preventing damage to the property. It is also self-resetting, a feature not al-

THE Micropower PIR Detector (μ PIR) is the first of three projects designed to form an integrated intruder alarm system. This can be used to protect any property but is intended especially for premises where battery power is an essential requirement.

The μ PIR Detector project may be used on its own, but the block diagram in Fig.1 shows it as part of a complete system, the rest of which will be described in the forthcoming issues.

The Controller Unit, to be described next month, considerably increases versatility by providing adjustable sensitivity and timed alarm periods. It incorporates a power output stage for the direct operation of Sirens, Beacons and similar deterrent devices.

The final part of this short, three part, series will describe the provision of a neat, weatherproof "secret" disarming switch featuring a "delay on reset" to allow the user to leave the protected area.

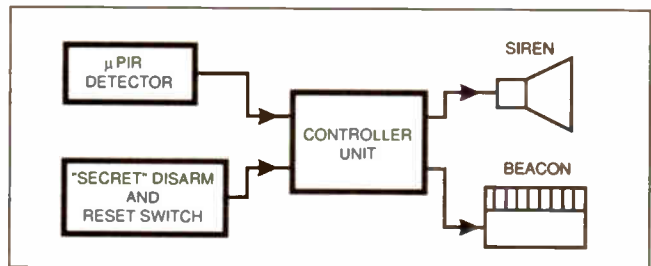


Fig. 1. Block schematic of the integrated system.

PIR DETECTOR

A passive infra-red (PIR) detector is probably the most popular and widely used type of sensor found in modern intruder alarm systems. Its many advantages

ways inherent in door or window operated switches or glass-breakage detectors.

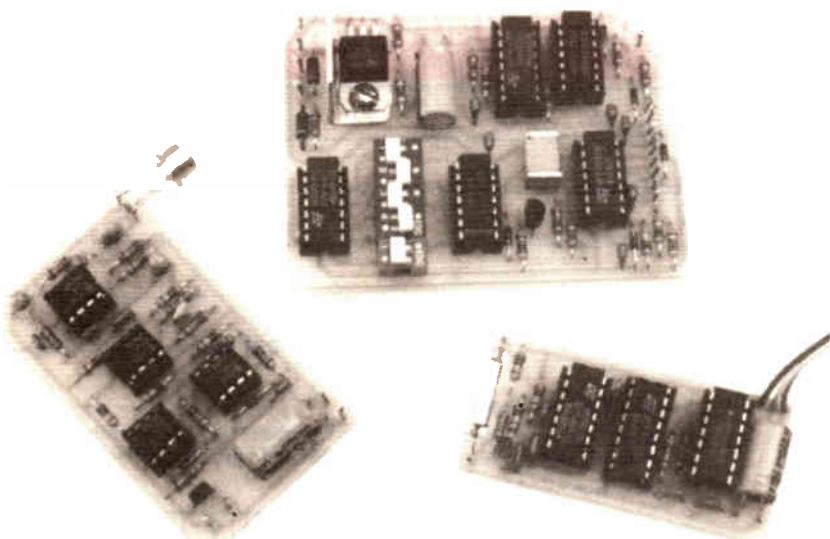
For example, an intruder might force a window but make off when this triggers a siren. However, if the owner of the property does not wish to alienate the neighbours or suffer prosecution for noise nuisance, the alarm should stop automatically after a preset time.

Meanwhile, the felon could be hiding nearby, and on realising that the alarm has stopped with the window still open, might return to continue the job! In contrast a PIR will reset to the "ready" state when the intruder leaves the area and retrigger the alarm on further intrusions.

CUSTOM-BUILT

Although complete PIR sensors can be purchased at reasonable cost there are still instances where it is worth constructing one from scratch. Most commercially made sensors are readily identifiable. This is not always wise, as knowledgeable thieves are apparently in the habit of creeping up beneath these and disabling them!

A custom-built detector can be concealed to prevent this. Of course, it's often sensible to have detectors visible within the property as the sight of these through windows can deter potential thieves. A combination of visible sensors (dummies?) and concealed ones should prove really effective.



The "custom-built" three module line-up that can be linked together to form an integrated alarm system: (left to right) μ PIR Detector, Control Board and Disarm/Reset Board.

The main advantage of the present design is that it uses "micropower" circuit techniques. Most PIR sensors draw too much current for use in continuously operating battery-powered systems. The prototype of this project operates with a quiescent current of around 30µA from 6V, which makes operation for over two years possible from a pack of four alkaline AA cells.

These days it is not just houses that are targeted by the burglars. The average garden shed often contains a lawnmower and expensive garden tools, all easy to dispose of at car boot sales. Add to this the ease with which a shed in a dark, secluded corner of the garden may be broken into compared with a secure, well-lit house where the occupants may be at home, and the security hazard becomes obvious.

Other potential targets where mains power may not be available are garages, caravans and boats. Readers will no doubt be able to think of many more examples. For these, a PIR sensor capable of long-term operation from a battery will have a serious advantage.

CIRCUIT DESIGN

The aim with this design is to produce a circuit that will operate reliably but use a quiescent current of only 50µA or less. The first challenge was the provision of adequate supply voltage regulation.

The PIR sensor used is supplied in a package similar to a TO5 transistor with a "window" for the infra-red radiation to enter (see Fig.2). Inside it has a piezoelectric element which produces a tiny voltage when the radiation strikes it. This behaves like a small capacitor so a resistor is placed across it to discharge any standing voltage, so the output responds to changes of the radiation intensity.

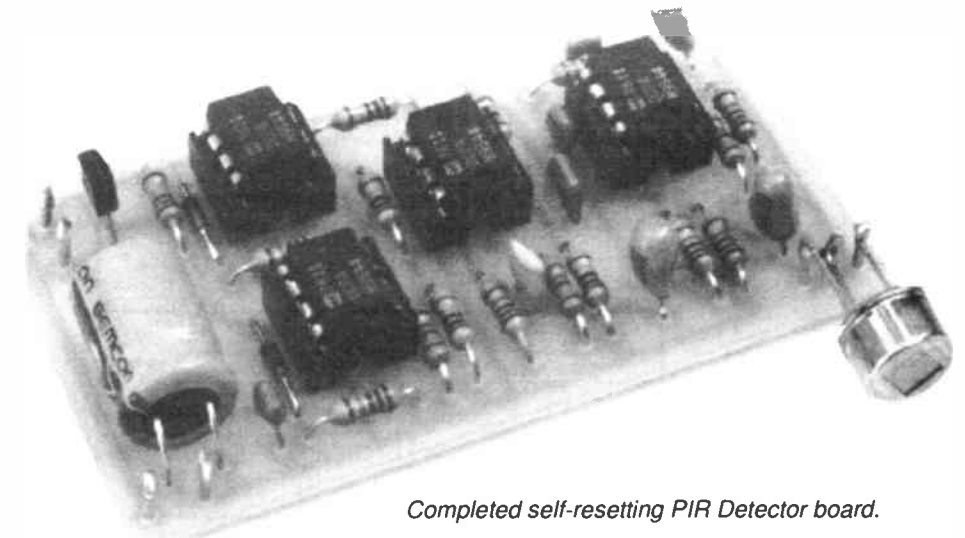
The capacitance of the element is tiny, so the value of the parallel resistor is many tens of megohms hence the output is buffered by an internal f.e.t. An external source resistor must be provided for this, so that the output voltage can be developed across it.

Typically, this has a value of one hundred kilohms (100k) so the current taken by the sensor is a few microamps at most. However, the voltage changes in response to infra-red radiation are tiny, typically half-a-millivolt, and the output voltage also varies quite a bit with any change of supply voltage so a reliable detector circuit needs a very stable supply.

Voltage regulators draw current when operating. One of the best is the LP2950, a high-performance 5V CMOS device that draws just 125µA of quiescent current. However, this is still nearly three times the target consumption for the whole circuit.

A breakthrough arose when it was realised that voltage regulation is not actually necessary! The supply voltage doesn't have to be precise, just stable. A battery supplying a tiny and virtually constant current will have short-term voltage stability that is perfectly adequate for this project.

The necessary amplification and level sensing functions are handled by ICL7611 op.amps, which can be connected to draw only 10µA each. In fact, the two used as voltage comparators in this project draw even less, probably because their outputs are always driven to



Completed self-resetting PIR Detector board.

one of the supply rails and therefore never operate in "class A-B".

This leaves only the problem of providing an output connection that uses no supply current. This is done by using a small MOSFET device as a switch. This uses virtually no drive current at all when turned "on" by a positive gate voltage, but can sink sufficient current from an external circuit to operate it reliably. The MOSFET used can withstand a drain (d) to source (s)

voltage of 240 volts when "off", allowing interfacing to just about anything.

CIRCUIT DESCRIPTION

The complete circuit diagram for the Micropower PIR Detector is shown in Fig. 3. IC1 is the sensor, supplied through the resistor R1 with additional local decoupling from capacitor C1. This and the two capacitors C3 and C5 are tantalum bead

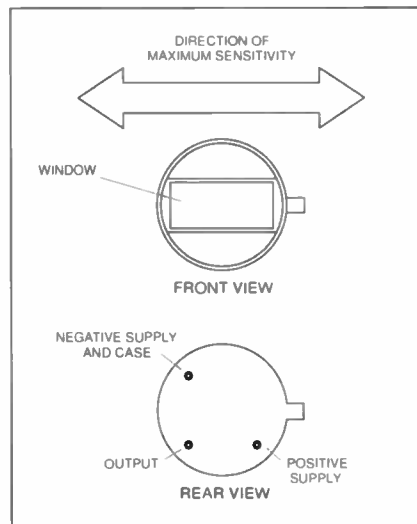
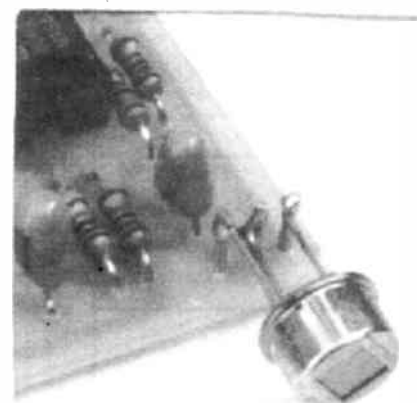


Fig.2. PIR sensor operation and pinout details.



Close-up of the PIR detector "viewing window".

COMPONENTS

µPIR DETECTOR

Resistors

R1, R2	100k (2 off)
R3, R4,	
R6	180k (3 off)
R5, R9,	
R14, R15	10M (4 off)
R7, R8, R10,	
R11, R12	1M (5 off)
R13	680k
R16	2M2

All 0-6W 1% metal film

See
SHOP
TALK
Page

Capacitor

C1	10µ bead, tantalum 16V
C2	22n resin-dipped ceramic
C3, C5	3µ3 bead, tantalum (2 off)
C4	4n7 resin-dipped ceramic
C6	100n resin-dipped ceramic
C7	1000µ radial elect. 10V
C8	470n resin-dipped ceramic
C9	2n2 resin-dipped ceramic

Semiconductors

D1, D2	1N4148 signal diode (2 off)
TR1	ZVN 4424A n-channel MOSFET
IC1	PIR detector, Murata E600STO
IC2, IC3,	
IC4, IC5	7611 CMOS op.amp (4 off)

Miscellaneous

B1	6V battery pack (4 x AA cells), with holder
----	--

Printed circuit board available from EPE PCB Service, code 152; case, size and type to choice (see text); 8-pin d.i.l. socket (4 off); multistrand connecting wire; solder pins (4 off); solder etc.

Note: Components for test circuit and interface circuits not included.

Approx Cost
Guidance Only

£21

excluding case & Batts.

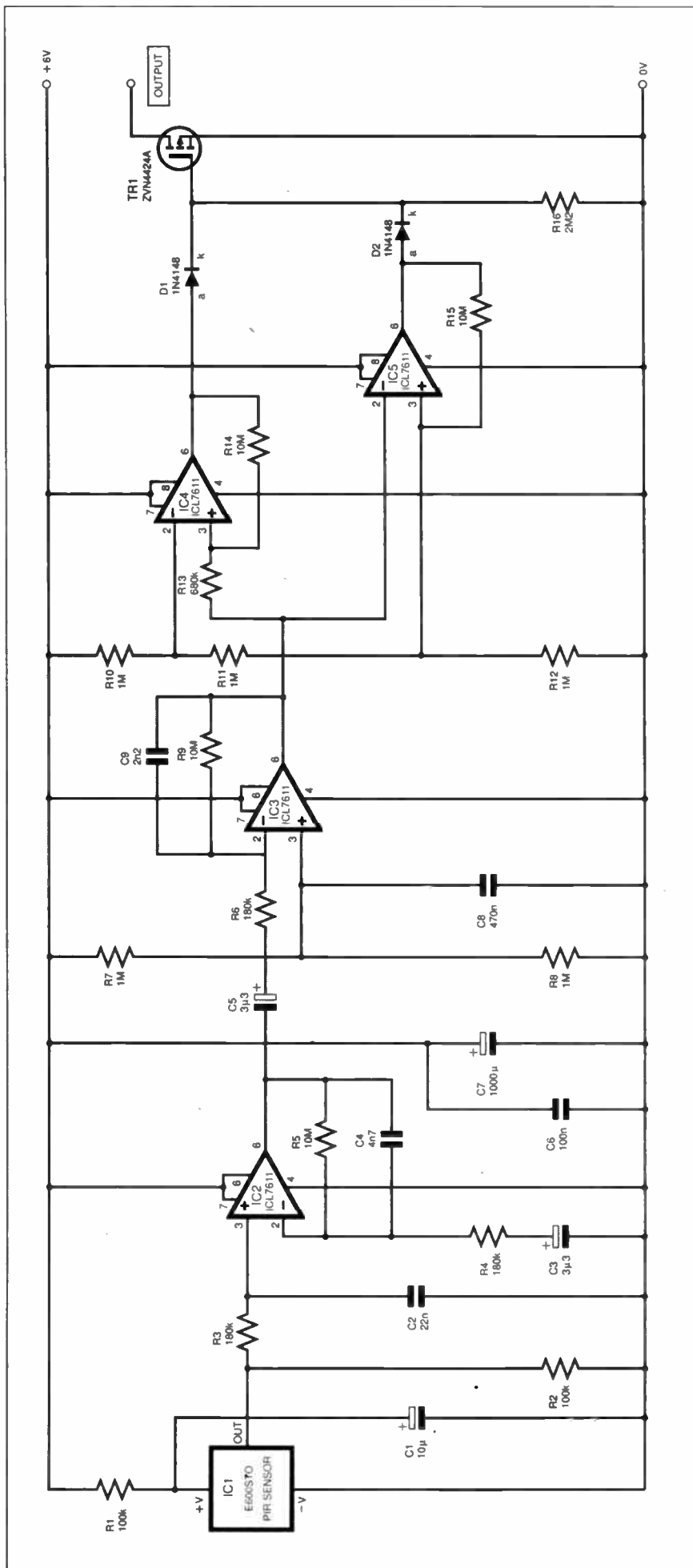


Fig. 3. Complete circuit diagram for the "stand-alone" Micropower PIR Detector.

types, chosen for their exceptionally low leakage. The sensor's output voltage appears across resistor R2 which is the source resistor for the internal f.e.t. in IC1.

Two amplification stages are provided by the two op.amps IC2 and IC3, the first is a non-inverting stage and the second is inverting. Together they provide a total maximum voltage gain of 2800 at a frequency of just over 1Hz, reducing rapidly both above and below this. The quiescent output of IC3, from pin 6, is half the supply voltage.

A "window" comparator, formed by IC4 and IC5, detects voltage changes below about one third of the supply and above two-thirds. Both op.amps have positive feedback, supplied through resistors R14 and R15, to provide a clean switching action, and both outputs go positive to indicate active input.

The gate of MOSFET TR1 is normally held low by resistor R16 so that it is "off", but a positive voltage input from either of the diodes D1 or D2 will turn it "on" to activate an external circuit (see Fig.5). Whilst "on" a couple of microamps of extra supply current flows through R16 but this is too small to have any effect on circuit operation. The unusually large value of the main decoupling capacitor C7 helps to maintain supply voltage stability at low frequencies.

Each of the four ICL7611 op.amps is arranged to draw just 10µA by connecting pin 8 to the positive supply, which is conveniently present at pin 7. This gives them a rather low slew rate, but this is not a problem with this application.

The supply voltage for the circuit may be anywhere between 4V and 10V, though it is intended for operation from the 6V given by four AA cells. A 9V PP3 can be used.

If the constructor wishes to operate it with a mains power supply it may be supplied from a 5V regulator. If this is the case the LP2950 regulator is recommended as it offers better rejection of input voltage variations than the 78L05 type.

CONSTRUCTION

All components for the Micropower PIR Detector are mounted on a small single-sided printed circuit board (p.c.b.) and the component layout, together with a full size copper foil master, is shown in Fig.4. This includes the simple test circuit but not the output drive components, see later. This p.c.b. is available from the *EPE PCB Service*, code 152.

The board is fairly compact since in most cases it will have to share a case with the battery pack. However, construction should prove straightforward.

Because of the high impedances present in much of the circuit it is advisable to take extra care to avoid any contamination of the p.c.b. A good "scrub-up" before commencing construction is a worthwhile precaution, and if there is any doubt about the cleanliness of the board it should be wiped over with suitable solvent.

The usual procedure of fitting resistors, diodes and small capacitors, followed by d.i.l. sockets for the four op.amps and the larger capacitors makes for an easy task. The mounting of MOSFET TR1 can also be carried out at this stage. Precautions against damage by static are advisable during construction to avoid the possibility

of damage to TR1 and the op.amps, which are CMOS types.

BOARD TESTING

Testing can commence with the temporary connection of PIR sensor IC1 and the insertion of IC2 before connecting a 6V power supply. Unless a very stable bench supply is available this should be a pack of four AA cells. It will probably be necessary to cover the window of IC1 with a bit of black adhesive tape whilst testing to obtain stable voltage readings.

The output of IC2 will take around twenty seconds to settle due to the long time constants used in this circuit. During this period it will swing from rail to rail, but should eventually settle to about half a volt, the exact value depending on the individual PIR sensor in use.

Before inserting IC3, electrolytic capacitor C7 should be discharged by placing a 100 ohm resistor across the supply connections, as it will take a very long time to discharge otherwise. With power reapplied, the output of IC3 should settle to about half the supply voltage, again after around twenty to thirty seconds.

If the window of IC1 is now uncovered and a hand moved across it, the output should swing violently. It will probably be necessary to restrict the field of view of IC1 for this test by placing a tube of some kind over it.

Finally, IC4 and IC5 can be inserted and the complete circuit tested. For this a means of indicating the output from TR1, with its own power source, will be necessary. The off-board components to the bottom right corner of the p.c.b. in Fig.4 shows how this can be done with an l.e.d., though a meter set to a "resistance" range could also be used. An analogue meter may be preferred to a digital one for this, but it should be remembered that the lead polarity of many analogue meters is reversed when measuring resistance so this should be checked first.

FINAL ASSEMBLY

The detector can be housed in virtually any case of the constructor's choice. It is very sensitive so if interference problems are experienced a metal case may effect a cure. If it is to be used in a harsh or damp environment, such as a garden shed or boat, the assembly will have to be moisture proof, though an alternative approach would be to pot the p.c.b. in a resin potting compound.

The PIR sensor "window" is rectangular and maximum sensitivity is to objects moving across the area in front of it in the directions indicated in Fig.2. Various lenses can be obtained for use with these sensors to increase sensitivity, though this design is really intended for use without these as a sensitive short range device to pick up, for instance, intruders loitering in front of a doorway or window.

In such applications it will usually be necessary to restrict the field of view with a tube, or a small hole in the case. Such a hole will need covering to prevent moisture and insects entering.

Materials transparent to visible light are often almost totally opaque to the long wavelength infra-red detected by this type of sensor. Thin polythene sheet seems to work well though, and "cling-film" has also proved very successful.

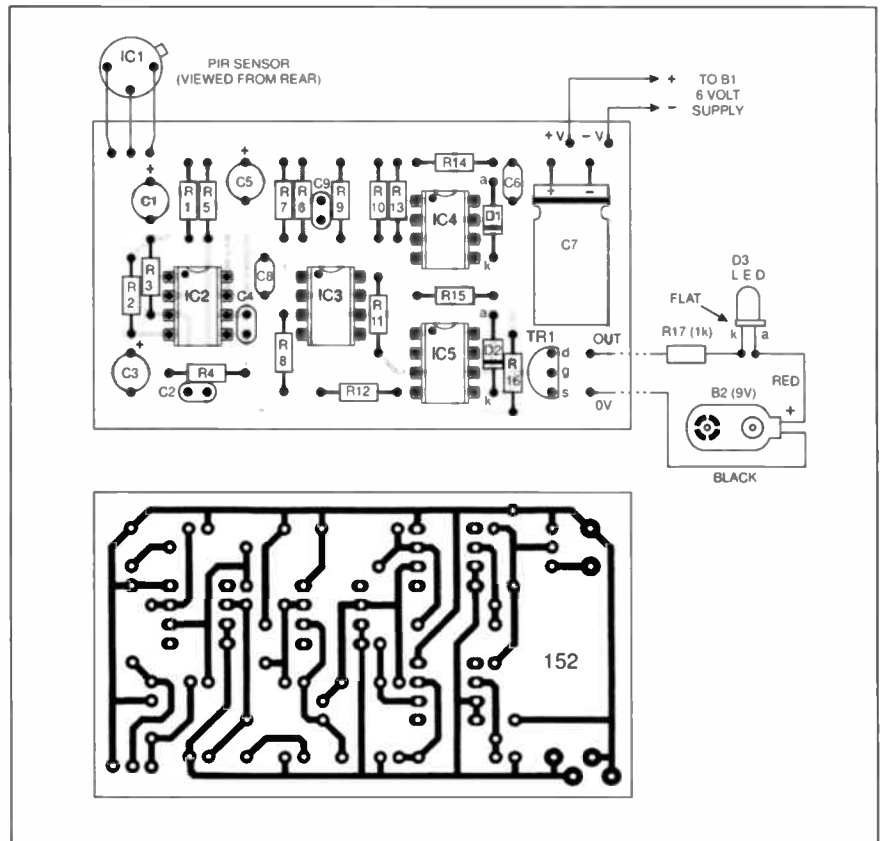


Fig.4. Component layout and full size p.c.b. copper foil master.

INTERFACE CIRCUITS

Some simple output interfaces are shown in Fig.5. The first shows how a relay can be operated by the output. Note the diode across the coil which must always be used to prevent back-e.m.f. from damaging MOSFET TR1 when it breaks the circuit. The second circuit shows a transistor used with the PIR Detector for controlling a power MOSFET which can switch a current of several amperes.

However, to be of really practical use the detector should form part of a system.

A "pulse-counting" circuit can be used for adjusting the sensitivity to prevent false alarms and a timer should be included to set the duration of the alarm once triggered.

Using CMOS components it is possible to construct a control circuit which provides these functions but uses virtually no current at all during standby, and next month this will be described in detail.

NEXT MONTH: Control System.

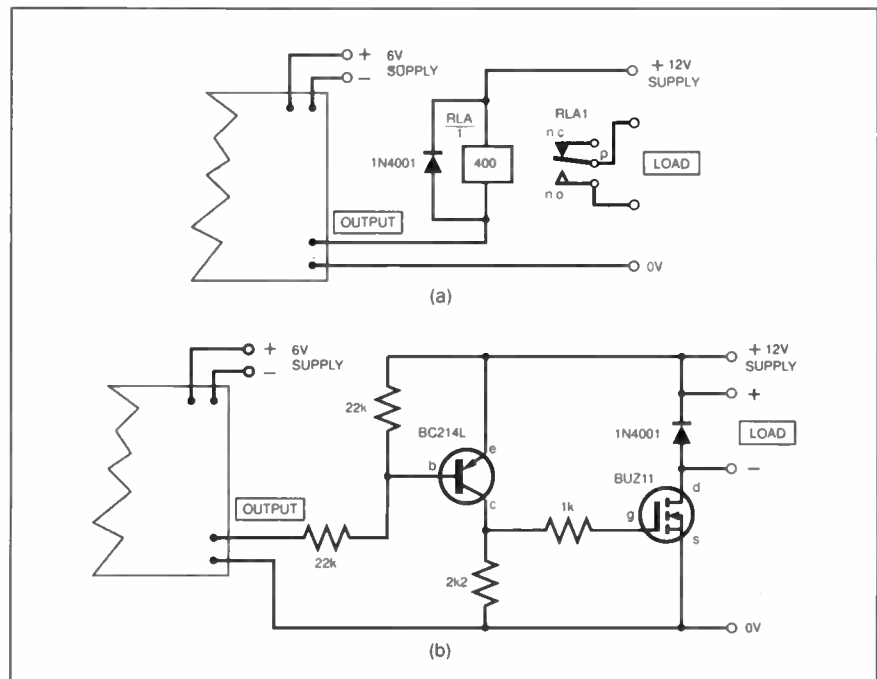


Fig. 5(a) Using the PIR Detector to "trigger" a relay and (b) controlling a power MOSFET alarm (load) driver.

VIDEOS ON ELECTRONICS

A range of videos selected by EPE and designed to provide instruction on electronics theory. Each video gives a sound introduction and grounding in a specialised area of the subject. The tapes make learning both easier and more enjoyable than pure textbook or magazine study. They have proved particularly useful in schools, colleges, training departments and electronics clubs as well as to general hobbyists and those following distance learning courses etc.



BASICS

VT201 to VT206 is a basic electronics course and is designed to be used as a complete series, if required.

VT201 54 minutes. Part One; D.C. Circuits. This video is an absolute must for the beginner. Series circuits, parallel circuits, Ohms law, how to use the digital multimeter and much more.

Order Code VT201

VT202 62 minutes. Part Two; A.C. Circuits. This is your next step in understanding the basics of electronics. You will learn about how coils, transformers, capacitors, etc are used in common circuits.

Order Code VT202

VT203 57 minutes. Part Three; Semiconductors. Gives you an exciting look into the world of semiconductors. With basic semiconductor theory. Plus 15 different semiconductor devices explained.

Order Code VT203

VCR MAINTENANCE

VT102 84 minutes: Introduction to VCR Repair. Warning, not for the beginner. Through the use of block diagrams this video will take you through the various circuits found in the NTSC VHS system. You will follow the signal from the input to the audio/video heads then from the heads back to the output.

Order Code VT102

VT103 35 minutes: A step-by-step easy to follow procedure for professionally cleaning the tape path and replacing many of the belts in most VHS VCR's. The viewer will also become familiar with the various parts found in the tape path.

Order Code VT103

RADIO

VT401 61 minutes. A.M. Radio Theory. The most complete video ever produced on a.m. radio. Begins with the basics of a.m. transmission and proceeds to the five major stages of a.m. reception. Learn how the signal is detected, converted and reproduced. Also covers the Motorola C-QUAM a.m. stereo system. **Order Code VT401**
VT402 58 minutes. F.M. Radio Part 1. F.M. basics including the functional blocks of a receiver. Plus r.f. amplifier, mixer oscillator, i.f. amplifier, limiter and f.m. decoder stages of a typical f.m. receiver. **Order Code VT402**

DIGITAL

Now for the digital series of six videos. This series is designed to provide a good grounding in digital and computer technology.

VT301 54 minutes. Digital One; Gates begins with the basics as you learn about seven of the most common gates which are used in almost every digital circuit, plus Binary notation.

Order Code VT301

VT302 55 minutes. Digital Two; Flip Flops will further enhance your knowledge of digital basics. You will learn about Octal and Hexadecimal notation groups, flip-flops, counters, etc.

Order Code VT302

VT303 54 minutes. Digital Three; Registers and Displays is your next step in obtaining a solid understanding of the basic circuits found in today's digital designs. Gets into multiplexers, registers, display devices, etc.

Order Code VT303

VT304 59 minutes. Digital Four; DAC and ADC shows you how the computer is able to communicate with the real world. You will learn about digital-to-analogue and analogue-to-digital converter circuits.

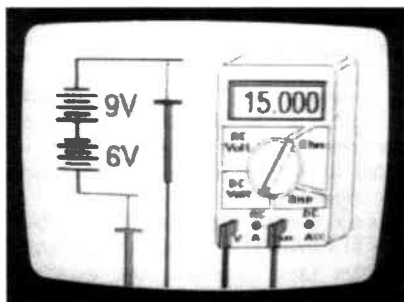
Order Code VT304

VT305 56 minutes. Digital Five; Memory Devices introduces you to the technology used in many of today's memory devices. You will learn all about ROM devices and then proceed into PROM, EPROM, EEPROM, SRAM, DRAM, and MBM devices.

Order Code VT305

VT306 56 minutes. Digital Six; The CPU gives you a thorough understanding in the basics of the central processing unit and the input/output circuits used to make the system work.

Order Code VT306



VT204 56 minutes. Part Four; Power Supplies. Guides you step-by-step through different sections of a power supply.

Order Code VT204

VT205 57 minutes. Part Five; Amplifiers. Shows you how amplifiers work as you have never seen them before. Class A, class B, class C, op.amps, etc.

Order Code VT205

VT206 54 minutes. Part Six; Oscillators. Oscillators are found in both linear and digital circuits. Gives a good basic background in oscillator circuits.

Order Code VT206

£34.95 each

inc. VAT & postage

Order 8 or more get one extra FREE

Order 16 get two extra FREE

ORDERING: Price includes postage to anywhere in the world.

OVERSEAS ORDERS: We use the VAT portion of the price to pay for airmail postage and packing, wherever you live in the world. Just send £34.95 per tape. All payments in £ sterling only (send cheque or money order drawn on a UK bank).

Visa and Mastercard orders accepted - please give card number, card expiry date and cardholder's address if different from the delivery address.

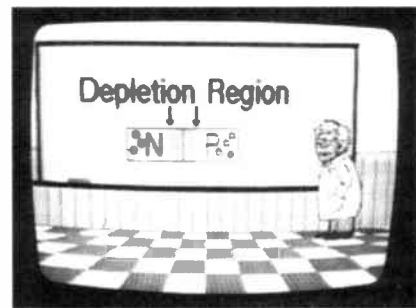
Orders are normally sent within seven days but please allow a maximum of 28 days - longer for overseas orders.

Send your order to: Direct Book Service, 33 Gravel Hill, Merley, Wimborne, Dorset BH21 1RW (Mail Order Only)

Direct Book Service is a division of Wimborne Publishing Ltd., Publishers of EPE
Tel: 01202 881749. Fax: 01202 841692

Due to the cost we cannot reply to overseas orders or queries by Fax.

E-mail: editorial@epemag.wimborne.co.uk



VT403 58 minutes. F.M. Radio Part 2. A continuation of f.m. technology from Part 1. Begins with the detector stage output, proceeds to the 19kHz amplifier, frequency doubler, stereo demultiplexer and audio amplifier stages. Also covers RDS digital data encoding and decoding. **Order Code VT403**

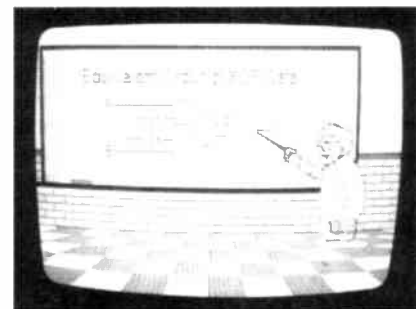
MISCELLANEOUS

VT501 58 minutes. Fibre Optics. From the fundamentals of fibre optic technology through cable manufacture to connectors, transmitters and receivers.

Order Code VT501

VT502 57 minutes. Laser Technology A basic introduction covering some of the common uses of laser devices, plus the operation of the Ruby Rod laser, HeNe laser, CO₂ gas laser and semiconductor laser devices. Also covers the basics of CD and bar code scanning.

Order Code VT502



Each video uses a mixture of animated current flow in circuits plus text, plus cartoon instruction etc., and a very full commentary to get the points across. The tapes are imported by us and originate from VCR Educational Products Co, an American supplier. (All videos are to the UK PAL standard on VHS tapes)

DIFFERENTIAL THERMOSTAT KIT Perfect for heat recovery, solar systems, boiler efficiency etc. Two sensors will operate a relay when a temp difference (adjustable) is detected. All components and pcb. £29 ref LOT93

MAGNETIC RUBBER TAPE Selfadhesive 10 metre reel, 8mm wide perfect for all sorts of applications! £15 ref LOT87

MAINS POWER SAVER UK made plug in unit, fitted in seconds, can reduce your energy consumption by 15%. Works with fridges, soldering irons, conventional boilers etc. Max 2A rating. £9 each ref LOT71, pack of 10 £89 ref LOT72

YUASHA SEALED LEAD ACID Batteries, ex equipment but ok bargain price just £5.99 each ref YA.1. 100 or more £3.50 each

DC TO DC CONVERTERS

DRM58 input 10-40vdc output 5v 8A £15 DRM128 input 17-40vdc output 12v 8A £18 DRM158 input 20-40vdc output 15v 8A £18 DRM248 input 29-40vdc output 24v 8A £12 DRS123 input 17-40vdc output 12v 3A £10 DRS153 input 20-40vdc output 15v 3A £20 DRS243 input 29-40vdc output 24v 3A £8

HITACHI LM225X LCD SCREENS 270x150mm, standard 12 way connector, 640x200 dots, tec spec sheet. £15 each ref LM2

VARIABLE CAPACITORS Dual gang, 60x33x45mm, reduction gearing, unknown capacity but probably good quality (military spec) general purpose radio tuner. £9 ref VC1

ELECTRONIC FLASH PCB Small pcb fitted with components including a flash tube, just connect 12vdc and it flashes, variable speed potentiometer. £8 ref FLS1

THIEF PROOF PENI Amazing new ball point pen fitted with a combination lock on the end that only you know! £2.49 ref TP2

JUMBO BI COLOUR LEDS PCB with 15 fitted also 5 giant seven segment displays (55mm) £8 ref JUM1

HOME DECK CLEARANCE These units must be cleared! leads, a n infra red remote qwerty keyboard and receiver, a standard UHF modulator, a standard 1200/75 BT approved modem and loads of chips, capacitors, diodes, resistors etc all for just £10 ref BAR33.

6.8MM HELIUM NEON LASERS New units, £65 ref LOT33

COINSL0T TOKENS You may have a use for these? mixed bag of 100 tokens £5 ref LOT20.

PORTABLE X RAY MACHINE PLANS Easy to construct plans on a simple and cheap way to build a home X-ray machine! Effective device, X-ray sealed assemblies can be used for experimental purposes. Not a toy or for minors! £6/£set Ref FXP1

TELEKINETIC ENHANCER PLANS Mystify and amaze your friends by creating motion with no known apparent means or cause. Uses no electrical or mechanical connections, no special gimmicks yet produces positive motion and effect. Excellent for science projects, magic shows, party demonstrations or serious research & development of this strange and amazing psychic phenomenon. £4/£set Ref FITKE1.

ELECTRONIC HYPNOSIS PLANS & DATA This data shows several ways to put subjects under your control. Included is a full volume reference text and several construction plans that when assembled can produce highly effective stimuli. This material must be used cautiously. It is for use as entertainment at parties etc only, by those experienced in its use. £15/£set Ref F/EH2.

GRAVITY GENERATOR PLANS This unique plan demonstrates a simple electrical phenomena that produces an anti-gravity effect. You can actually build a small mock spaceship out of simple materials and without any visible means- cause it to levitate. £10/£set Ref F/GRA1.

WORLDS SMALLEST TESLA COIL/LIGHTENING DISPLAY GLOBE PLANS Produces up to 750,000 volts of discharge, experiment with extraordinary HV effects. 'Plasma in a jar', St Elmo's fire, Corona, excellent science project or conversation piece. £5/£set Ref F/BTC1/LG5.

COPPER VAPOUR LASER PLANS Produces 100mw of visible green light. High coherence and spectral quality similar to Argon laser but easier and less costly to build yet far more efficient. This particular design was developed at the Atomic Energy Commission of NEGERV in Israel. £10/£set Ref F/ICV11.

VOICE SCRAMBLER PLANS Miniature solid state system turns speech sound into indecipherable noise that cannot be understood without a second matching unit. Use on telephone to prevent third party listening and bugging. £6/£set Ref FVS9.

PULSED TV JOKER PLANS Little hand held device utilises pulse techniques that will completely disrupt TV picture and sound! works on FM tool DISCRETION ADVISED. £8/£set Ref FJTJ5.

BODYHEAT TELESCOPE PLANS Highly directional long range device uses recent technology to detect the presence of living bodies, warm and hot spots, heat leaks etc. Intended for security, law enforcement, research and development, etc. Excellent security device or very interesting science project. £8/£set Ref F/BHT1

BURNING, CUTTING CO2 LASER PLANS Projects an invisible beam of heat capable of burning and melting materials over a considerable distance. This laser is one of the most efficient, converting 10% input power into useful output. Not only is this device a workhorse in welding, cutting and heat processing materials but it is also a likely candidate as an effective directed energy beam weapon against missiles, aircraft, ground-to-ground, etc. Particle beams may very well utilize a laser of this type to blast a channel in the atmosphere for a high energy stream of neutrons or other particles. The device is easily applicable to burning and etching wood, cutting, plastics, textiles etc £12/£set Ref FLC7.

MYSTERY ANTI GRAVITY DEVICE PLANS Uses simple concept. Objects float in air and move to the touch. Defies gravity, amazing gift, conversation piece, magic trick or science project. £8/£set Ref F/ANTI1K.

FRUIT POWERED CLOCK Just add a fresh orange, tomato, banana or any other fruit plug in the probes and the clock works! £9.95 ref SC154

DYNAMO FLASHLIGHT Interesting concept, no batteries needed just squeeze the trigger for instant light apparently even works under water in an emergency although we haven't tried it yet! £8.99 ref SC152

ULTRASONIC BLASTER PLANS Laboratory source of sonic shock waves. Blow holes in metal, produce 'cold' steam, atomize liquids. Many cleaning uses for PC boards, jewellery, coins, small parts etc. £6/£set Ref F/ULB1.

ULTRA HIGH GAIN AMP/STETHOSCOPIC MIKE/SOUND

AND VIBRATION DETECTOR PLANS Ultrasensitive device enables one to hear a whole new world of sounds! Listen through walls, windows, floors etc. Many applications shown, from law enforcement, nature listening, medical heartbeat, to mechanical devices. £8/£set Ref F/HGA7

WOLVERHAMPTON ELECTRONICS
STORE NOW OPEN IN
WORCESTER ST TEL 01902 23039

ANTI DOG FORCE FIELD PLANS Highly effective circuit produces time variable pulses of acoustical energy that dogs cannot tolerate £6/£set Ref F/DOG2

LASER BOUNCE LISTENER SYSTEM PLANS Allows you to hear sounds from a premises without gaining access. £12/£set Ref F/LLIST1

LASER LIGHT SHOW PLANS Do it yourself plans show three methods. £8 Ref F/LLS1

PHASOR BLAST WAVE PISTOL SERIES PLANS Handheld, has large transducer and battery capacity with external controls. £6/£set Ref FPSP4

INFINITY TRANSMITTER PLANS Telephone line grabber/room monitor. The ultimate in home/office security and safety! simple to use! Call your home or office phone, push a secret tone on your telephone to access either A) On premises sound and voices or B) Existing conversation with break-in capability for emergency messages. £7 Ref F/TELEGRAB.

BUG DETECTOR PLAN Is that someone getting the goods on you? Easy to construct device locates any hidden source of radio energy! Sniffs out and finds bugs and other sources of bothersome interference. Detects low, high and UHF frequencies. £5/£set Ref F/BD1

ELECTROMAGNETIC GUN PLANS Projects a metal object a considerable distance-requires adult supervision £5 ref F/EMIL2

ELECTRIC MAN PLANS, SHOCK PEOPLE WITH THE TOUCH OF YOUR HAND! £5/£set Ref F/EMA1.

PARABOLIC DISH MICROPHONE PLANS Listen to distant sounds and voices, open windows, sound sources in 'hard to get' or hostile premises. Uses satellite technology to gather distant sounds and focus them to our ultra sensitive electronics. Plans also show an optional wireless link system. £8/£set Ref F/PMS

2 FOR 1 MULTIFUNCTIONAL HIGH FREQUENCY AND HIGH DC VOLTAGE, SOLID STATE TESLA COIL AND VARIABLE 100,000VDC OUTPUT GENERATOR PLANS Operates on 9-12vdc, many possible experiments. £10 Ref F/HVM7/TCL4.

MEGA LED DISPLAYS PCB fitted with 51 seven segment displays each measuring 55 x 38mm. £5 ref LEDs5.

MOD TRANSMITTING VALVES 5J180E £80 ref LOT112

SWITCHED MODE PSU'S 244 watt, +5.32A, +12.6A, -5.0.2A, -12.0.2A. There is also an optional 3.3v 25A rail available 120/240v U/P. Cased, 175x90x145mm. IEC inlet Suitable for PC use (8 d/drive connectors 1 m/board) £15 ref LOT135

HYDROGEN FUEL CELL PLANS There is a lot of interest in using Hydrogen as the fuel of the future. Hydrogen is easy to produce using chemicals and surplus solar generated electricity. It is also easy to store with little or no loss Hydrogen fuel cells are designed to store hydrogen and weight for weight will hold twice as much energy as a full petrol tank. Our plans give you loads of information on Hydrogen production, storage and practical plans to build your own Hydrogen fuel cell! you will need access to a well equipped workshop for this but full construction details and drawings are included. Full call plans £9 ref HY1

VIDEO PROCESSOR UNITS/76V 10AH BATT/24V 8A TX Not too sure what the function of these units is but they certainly make good stoppers! Measures 390X320X120mm, on the front are controls for scan speed, scan delay, scan mode, loads of connections on the rear. Inside 2 x 6v 10AH sealed lead acid batts, pcb's and a BA? 24v toroidal transformer (main in) sold as seen, may have one or two broken knobs etc due to poor storage £15.99 ref VP2

RETRON NIGHT SIGHT Recognition of a standing man at 300m in 1/4 moonlight, hermetically sealed, runs on 2 AA batteries. 80mm F1.5 lens, 20mw infrared laser included. £325 ref RETRON.

MAKE YOUR OWN CHEWING GUM KIT Everything you need to make real chewing gum, even the bowl and tree sap from the Sapodilla tree £7.99 ref SC190

MINI FM TRANSMITTER KIT Very high gain preamp, supplied complete with FET electret microphone. Designed to cover 88-108 MHz but easily changed to cover 63-130 MHz Works with a common 9v (PP3) battery. 0.2W RF. £9 Ref 1001

3-30V POWER SUPPLY KIT Variable, stabilized power supply for lab use. Short circuit protected, suitable for professional or amateur use 24v 3A transformer is needed to complete the kit. £14 Ref 1007.

1 WATT FM TRANSMITTER KIT Supplied with piezo electric mic. 8-30vdc. At 25-30v you will get nearly 2 watts! £15 ref 1009.

FM/AM SCANNER KIT Well not quite, you have to turn the knob yourself but you will hear things on this radio that you would not hear on an ordinary radio (even TV). Covers 50-180mhz on both AM and FM. Built in 5 watt amplifier, inc speaker. £18 ref 1013

3 CHANNEL SOUND TO LIGHT KIT Wireless system, mains operated, separate sensitivity adjustment for each channel, 1,200 w

BULL ELECTRICAL
250 PORTLAND ROAD, HOVE, SUSSEX.
BN3 5QT. (ESTABLISHED 50 YEARS)
MAIL ORDER TERMS: CASH, PO OR CHEQUE
WITH ORDER PLEASE £3.50 P&P PLUS VAT.
24 HOUR SERVICE £4.50 PLUS VAT.
OVERSEAS ORDERS AT COST PLUS £15
(ACCESS, VISA, SWITCH, AMERICAN EXPRESS)
'phone orders : 01273 203500
FAX 01273 323077
E-mail bull@pavillion.co.uk

power handling, microphone included. £17 Ref 1014

4 WATT FM TRANSMITTER KIT Small but powerful FM transmitter, 3RF stages, microphone and audio preamp included. £24 Ref 1028.

STROBE LIGHT KIT Adjustable from 1-80 hz (a lot faster than conventional strobes). Mains operated. £17 Ref 1037

COMBINATION LOCK KIT 9 key, programmable, complete with keypad, will switch 2A mains. 9v dc operation. £13 ref 1114

PHONE BUG DETECTOR KIT This device will warn you if somebody is eavesdropping on your line. £9 ref 1130

ROBOT VOICE KIT Interesting circuit that distorts your voice! adjustable, answer the phone with a different voice! 12vdc £9 ref 1131

TELEPHONE BUG KIT Small bug powered by the 'phone line, starts transmitting as soon as the phone is picked up! £12 Ref 1135.

3 CHANNEL LIGHT CHASER KIT 800 watts per channel, speed and direction controls supplied with 12 LEDs (you can fit trics instead to make led mains, not supplied) 9-12vdc £17 ref 1026.

12V FLOURESCENT LAMP DRIVER KIT Light up 4 foot tubes from your car battery! 9v 2a transformer also required. £8 ref 1069

HELPING HANDS Perfect for those fiddly jobs that need extra hands, 6 ball and socket joints, magnifier. £7.99 ref YO57A

VOX SWITCH KIT Sound activated switch ideal for making bugging tape recorders etc, adjustable sensitivity. £10 ref 1073.

PREAMP MIXER KIT 3 input mono mixer, sep bass and treble controls plus individual level controls, 18vdc, input sens 100mA. £15 ref 1052.

SOUND EFFECTS GENERATOR KIT Produces sounds ranging from bird chirps to sirens. Complete with speaker, add sound effects to your projects for just £9 ref 1045.

15 WATT FM TRANSMITTER (BUILT) 4 stage high power, preamp required 12-18vdc, can use ground plane, yaqi or open dipole. £89 ref 1021

HUMIDITY METER KIT Builds into a precision LCD humidity meter, 9ic design, pcb, led display and all components included. £29

PC TIMER KIT Four channel output controlled by your PC, will switch high current mains with relays (supplied). Software supplied so you can program the channels to do what you want whenever you want. Minimum system configuration is 286, VGA, 4.1.840k, serial port, hard drive with min 100k free. £24.99

MAGNETIC MARBLES They have been around for a number of years but still give rise to curiosity and amazement. A pack of 12 is just £3.99 ref G/RR20

NICKEL PLATING KIT Professional electroplating kit that will transform rusting parts into showpieces in 3 hours! Will plate onto steel, iron, bronze, gunmetal, copper, welded, silver soldered or brazed joints. Kit includes enough to plate 1,000 sq inches. You will also need a 12v supply, a container and 2 12v light bulbs. £45 ref NIK39

Miniature adjustable timers, 4 pole 0/0 output 3A 240v, HY1230S, 12vDC adjustable from 0-30 secs. £4.99

HY1260M, 12vDC adjustable from 0-60 mins. £4.99

HY2405S, 240v adjustable from 0-5 secs. £4.99

HY24060m, 240v adjustable from 0-60 mins. £6.99

BUGGING TAPE RECORDER Small voice activated recorder, uses micro cassette complete with headphones. £28.99 ref MAR29P.1.

POWER SUPPLY fully cased with mains and oip leads 17v DC 900mA output. Bargain price £5.99 ref MAG6P9

COMPOSITE VIDEO KIT. Converts composite video into separate H sync, V sync, and video 12v DC. £12.00 REF: MAG8P2.

FUTURE PC POWER SUPPLIES These are 295x135x80mm, 4 drive connectors 1 mother board connector, 150watt, 12v fan, sec inlet and on/off switch. £12 Ref EF8.

VENUS FLY TRAP KIT Grow your own carnivorous plant with this simple kit £3 ref EF34

6"x12" AMORPHOUS SOLAR PANEL 12v 155x310mm 130mA. Bargain price just £5.99 ea REF MAG6P12.

FIBRE OPTIC CABLE BUMPER PACK 10 metres for £4.99 ref MAG5P13 ideal for experimenters! 30 m for £12.99 ref MAG13P1

ROCK LIGHTS Unusual things these, two pieces of rock that glow when rubbed together! believed to cause rain! £3 a pair Ref EF29.

3' by 1' AMORPHOUS SOLAR PANELS 14.5v, 700mA 10 watts, aluminium frame, screw terminals, £55 ref MAG45

ELECTRONIC ACCUPUNCTURE KIT Builds into an electronic version instead of needles! good to experiment with £9 ref 7P30

SHOCKING COIL KIT Build this little battery operated device into all sorts of things, also gets worms out of the ground! £9 ref 7P36.

HIGH POWER CATAPULTS Hinged arm brace for stability, tempered steel yoke, super strength latex power bands. Departure speed of ammunition is in excess of 200 miles per hour! Range of over 200 metres! £8.99 ref R/9

COMPAQ POWER SUPPLIES WITH 12V DC FANS Ex equipment psu's, some ok some not but worth it for the fan alone! probably about 300 watt PC unit with IEC input. £3.50 each ref CQ1

BALLON MANUFACTURING KIT British made, small blob blows into a large, longlasting balloon, hours of fun! £3.99 ref G/IE99R

9-0-9V 4A TRANSFORMERS, chassis mount. £7 ref LOT19A

MEGA LED DISPLAYS Build your own clock or something with these mega 7 seg displays 55mm high, 38mm wide. 5 on a pcb for just £4.99 ref LOT16 or a bumper pack of 50 displays for just £29 ref LOT17.

SOLID STATE RELAYS

CMP-DC-200P 3-32vdc operation, 0-200vdc 1A £2.50

SMT20000/3 3-24vdc operation, 28-280vac 3A £4.50

FREE COLOUR CATALOGUE WITH EVERY ORDER

WE BUY SURPLUS STOCK FOR CASH
SURPLUS STOCK LINE 0802 660335

Everyday Practical Electronics Books



ELECTRONIC PROJECTS - BOOK 1
Published by *Everyday Practical Electronics* in association with *Magenta Electronics*. Contains twenty of the best projects from previous issues of EE each backed with a kit of components. The projects are: Seashell Sea Synthesiser, EE Treasure Hunter, Mini Strobe, Digital Capacitance Meter, Three Channel Sound to Light, BBC 16K Sideways Ram, Simple Short Wave Radio, Insulation Tester, Stepper Motor Interface, Eprom Eraser, 200MHz Digital Frequency Meter, Infra Red Alarm, EE Equaliser Ioniser, Bat Detector, Acoustic Probe, Mains Tester and Fuse Finder, Light Rider - (Lapel Badge, Disco Lights, Chaser Light), Musical Doorbell, Function Generator, Tilt Alarm, 10W Audio Amplifier, EE Buccaneer Induction Balance Metal Detector, BBC Midi Interface, Variable Bench Power Supply, Pet Scarer, Audio Signal Generator.
128 pages (A4 size) **Order code EP1** **£2.45**

ELECTRONICS TEACH-IN 88/89 - INTRODUCING MICROPROCESSORS
Mike Tooley BA (published by *Everyday Practical Electronics*)
A complete course that can lead successful readers to the award of a City and Guilds Certificate in Introductory Microprocessors (726/303). The book contains everything you need to know including full details on registering for assessment, etc. Starting with basic terminology, integrated circuits, logic families and numbering systems the text builds in stages, with revision and assessments built in, up to programming, languages, flow charts, etc. The course is ideal for the newcomer to the subject.
80 pages (A4 size) **Order code TI-88/89** **£2.45**

ELECTRONICS TEACH-IN No. 6 DESIGN YOUR OWN CIRCUITS
(Published by *Everyday Practical Electronics*)
Mike Tooley BA
This book is designed for the beginner and

experienced reader alike, and aims to dispel some of the mystique associated with the design of electronic circuits. It shows how even the relative newcomer to electronics can, with the right approach, design and realise quite complex circuits.

Fourteen individual p.c.b. modules are described which, with various detailed modifications, should allow anyone to design and construct a very wide range of different projects. Nine "hands-on" complete DIY projects have also been included so readers can follow the thinking behind design, assembly, construction, testing and evaluation, together with suggested "mods" to meet individual needs. The practical projects have each been designed to stand on their own as complete items of equipment. P.C.B.s for all the modules and projects are available by mail order.

The subjects covered in each chapter of the book are: Introduction and Power Supplies; Small Signal Amplifiers; Power Amplifiers; Oscillators; Logic Circuits; Timers; Radio; Power Control; Optoelectronics.

The nine complete constructional projects are: Versatile Bench Power Supply; Simple Intercom; Bench Amplifier/Signal Tracer; Waveform Generator; Electronic Die; Pulse Generator; Radio Receiver; Disco Lights Controller; Optical Communications Link.
136 pages (A4 size) **Order code T16** **£3.45**

TEACH-IN No. 7 plus FREE Software ANALOGUE AND DIGITAL ELECTRONIC COURSE
(Published by *Everyday Practical Electronics*)
Alan Winstanley and Keith Dye
B.Eng(Tech)AMIEE

The highly acclaimed *Teach-In* series, which included the construction and use of the *Mini Lab* and *Micro Lab* test and development units, has been put together in book form. Additionally EPT Educational Software have developed a GCSE Electronics software program to compliment the course and a FREE DISC covering the first two parts of the course is included with the book.

Computers and Computing

HOW TO CHOOSE A SMALL BUSINESS COMPUTER SYSTEM

D. Weale
This book is for anyone intending to buy an IBM compatible computer system, whether it is their first system or a replacement. There are sections on hardware, application and systems programs and how to actually make your choice as well as sections on the law, ergonomics and a glossary of common terms.
The text contains many useful tips and some warnings (which could save much effort and expense).
114 pages **Order code BP323** **£4.95**

MAKING MS-DOS WORK FOR YOU (covers version 6.2)

N. Kantaris & P. R. M. Oliver
This book was written with the busy person in mind and, as such, it has an underlying structure based on "what you need to know first, appears first". Nonetheless, the book has also been designed to be circular, which means that you don't have to start at the beginning and go to the end.

The book explains: How to write customised batch files which allow you to display what you want on your screen, and in the form and order you want it, instead of being forced to use the DOS prompt on a blank screen. How to design and set up a fast interactive and professional looking menu system, so that you or anyone else can run utility applications or commercial software packages easily. How the ANSI.SYS display and keyboard commands can be used to position the cursor on any part of the screen, change the intensity of the displayed characters or change their colour. How the Edit screen editor or the Edlin line editor can be used to enter ESCape (ANSI.SYS) commands into simple ASCII files to allow control of both your screen display and your printer. How to control the operation of the two main types of printers in use today, Epson compatible dot matrix and HP compatible laser printers. How to use several routines, such as moving and finding files, protecting

files from accidental erasure, a simplified backup process, a screen saver, and a disc cataloguing system.

The Debug program and how it can be used to create, see and change the contents of any file, including those of programs written in assembler code. This includes how to find your way around the names and tasks of the CPU registers and the meeting of some simple assembler mnemonics.
182 pages **Temporarily out of print**

MULTIMEDIA ON THE PC

Ian R. Sinclair
In this book, you'll find out what a CD ROM is, how it works, and why it is such a perfect add-on for a PC, allowing you to buy programmes, text, graphics and sound on a CD. It also describes the installation of a CD ROM drive and a sound card, pointing out the common problems that arise, and then shows how to use them to create a complete multimedia presentation that contains text, photos, a soundtrack with your own voice recorded as a commentary, even animation and edited video footage.
184 pages **Order code PC112** **£11.95**

A CONCISE INTRODUCTION TO MS-DOS

N. Kantaris
(Revised Edition Covers Version 6.2)
This guide is written with the non-expert, busy person in mind and, as such, it has an underlying structure based on "what you need to know first, appears first". Nevertheless, the guide is also designed to be circular, which means that you don't have to start at the beginning and go to the end. The more experienced user can start from any section.
176 pages **Order code BP232** **£3.95**

SPECIAL
SUMMER '97
OFFER
10% OFF all orders
Received before
Sept. 30 '97

DIRECT BOOK SERVICE

The books listed have been selected by Everyday Practical Electronics editorial staff as being of special interest to everyone involved in electronics and computing. They are supplied by mail order direct to your door. Full ordering details are given on the last book page. For another selection of books see next month's issue.

An interesting and thorough tutorial series aimed specifically at the novice or complete beginner in electronics. The series is designed to support those undertaking either GCSE Electronics or GCE Advanced Levels, and starts with fundamental principles.

If you are taking electronics or technology at school or college, this book is for you. If you just want to learn the basics of electronics then this is for you. If you are teaching electronics or technology you must make sure you see it. *Teach-In No. 7* will be invaluable if you are considering a career in electronics or even if you are already training in one. The *Mini Lab* and software enable the construction and testing of both demonstration and development circuits. These learning aids bring electronics to life in an enjoyable and interesting way: you will both see and hear the electron in action! The *Micro Lab* microprocessor add-on system will appeal to higher level students and those developing microprocessor projects.

152 pages (A4 size) **Order code T17** **£3.95**

UNDERSTANDING PC SPECIFICATIONS

R. A. Penfold (Revised Edition)
If you require a microcomputer for business applications, or a high quality home computer, an IBM PC or compatible is often the obvious choice. They are competitively priced, and are backed up by an enormous range of applications programs, hardware add-ons, etc. The main difficulty for the uninitiated is deciding on the specification that will best suit his or her needs. PCs range from simple systems of limited capabilities up to complex systems that can happily run applications that would have been considered beyond the abilities of a microcomputer not so long ago. It would be very easy to choose a PC system that is inadequate to run your applications efficiently, or one which goes beyond your needs and consequently represents poor value for money.

This book explains PC specifications in detail, and the subjects covered include the following: Differences between types of PC (XT, AT, 80386, etc.); Maths co-processors; Input devices (keyboards, mice, and digitisers); Memory, including both expanded (EMS) and extended RAM; RAM disks and disk caches; Floppy disk drive formats and compatibility; Hard disk drives (including interleave factors and access times); Display adaptors, including all standard PC types (CGA, Hercules, Super VGA, etc.); Contains everything you need to know if you can't tell your EMS from your EGA!
128 pages **Order code BP282** **£4.95**

AN INTRODUCTION TO 6800 ASSEMBLY LANGUAGE

R. A. & J. W. Penfold
Obtain a vast increase in running speed by writing programs for 6800 based micros such as the Commodore, Amiga, Atari ST range or Apple Macintosh range etc., in assembly language. It is not as difficult as one might think and this book covers the fundamentals.
112 pages **Order code BP184** **£2.95**

Circuits, Data and Design

PRACTICAL ELECTRONIC FILTERS

Owen Bishop

This book deals with the subject in a non-mathematical way. It reviews the main types of filter, explaining in simple terms how each type works and how it is used.

The book also presents a dozen filter-based projects with applications in and around the home or in the constructor's workshop. These include a number of audio projects such as a rhythm sequencer and a multi-voiced electronic organ.

Concluding the book is a practical step-by-step guide to designing simple filters for a wide range of purposes, with circuit diagrams and worked examples.

88 pages **Order code BP299** £4.95

ELECTRONIC ALARM CIRCUITS MANUAL

R. M. Marston

One hundred and forty useful alarm circuits, of a variety of types, are shown in this volume. The operating principle of each one is explained in concise but comprehensive terms, and brief construction notes are given where necessary.

Aimed at the practical design engineer, technician and experimenter, as well as the electronics student and amateur.

124 pages **Order code NE11** £13.95

DIGITAL GATES AND FLIP-FLOPS

Ian R. Sinclair

This book, intended for enthusiasts, students and technicians, seeks to establish a firm foundation in digital electronics by treating the topics of gates and flip-flops thoroughly and from the beginning.

Topics such as Boolean algebra and Karnaugh mapping are explained, demonstrated and used extensively, and more attention is paid to the subject of synchronous counters than to the simple but less important ripple counters.

No background other than a basic knowledge of electronics is assumed, and the more theoretical topics are explained from the beginning, as also are many working practices. The book concludes with an explanation of microprocessor techniques as applied to digital logic.

200 pages **Order code PC106** £8.95

ELECTRONIC HOBBYISTS DATA BOOK

R. A. Penfold

This book should tell you everything you are ever likely to want to know about hobby electronics, but did not know where to ask or refer. Comprehensive contents pages makes it easy to quickly locate the data you require.

The subjects covered include: Common circuits, and related data (including helpful graphs and tables of values); Colour codes for resistors, capacitors and inductors; Pinout details for a wide range of CMOS and TTL devices, plus basic data on the various logic families; Pinout details and basic data for a wide range of operational amplifiers; Data and leadout information for a wide range of transistors, FETs, power FETs, triacs, thyristors, diodes, etc; General data including MIDI message coding, radio data, ASCII/Baudot coding, decibel ratios, etc.

242 pages **Order code BP396** £5.95

integrated circuits. The devices covered include gates, oscillators, timers, flip/flops, dividers, and decoder circuits. Some practical circuits are used to illustrate the use of TTL devices in the "real world"

142 pages **Order code BP332** £4.95

CIRCUIT SOURCE BOOK 2

R. A. Penfold

This book will help you to create and experiment with your own electronic designs by combining and using the various standard "building blocks" circuits provided. Where applicable, advice on how to alter the circuit parameters is provided.

The circuits covered are mainly concerned with signal generation, power supplies, and digital electronics.

The topics covered in this book include: 555 oscillators; sine-wave oscillators; function generators; CMOS oscillators; voltage controlled oscillators; radio frequency oscillators; 555 monostables; CMOS monostables; TTL

monostables; precision long timers; power supply and regulator circuits; negative supply generators and voltage boosters; digital dividers; decoders, etc; counters and display drivers; D/A and A/D converters; opto-isolators, flip/flops, noise generators, tone decoders, etc.

Over 170 circuits are provided, which it is hoped will be useful to all those involved in circuit design and application, be they professionals, students or hobbyists.

192 pages **Temporarily out of print**

HOW TO USE OPAMPS

E. A. Parr

This book has been written as a designer's guide covering many operational amplifiers, serving both as a source book of circuits and a reference book for design calculations. The approach has been made as non-mathematical as possible.

160 pages **Order code BP88** £3.99

Project Building

ELECTRONIC PROJECTS FOR EXPERIMENTERS

R. A. Penfold

Many electronic hobbyists who have been pursuing their hobby for a number of years seem to suffer from the dreaded "seen it all before" syndrome. This book is fairly and squarely aimed at sufferers of this complaint, plus any other electronics enthusiasts who yearn to try something a bit different. No doubt many of the projects featured here have practical applications, but they are all worth a try for their interest value alone.

The subjects covered include:- Magnetic field detector, Basic Hall effect compass, Hall effect audio isolator, Voice scrambler/descrambler, Bat detector, Bat style echo location, Noise cancelling, LED stroboscope, Infra-red "torch", Electronic breeze detector, Class D power amplifier, Strain gauge amplifier, Super hearing aid.

138 pages **Order code BP371** £4.95

PRACTICAL FIBRE-OPTIC PROJECTS

R. A. Penfold

While fibre-optic cables may have potential advantages over ordinary electric cables, for the electronics enthusiast it is probably their novelty value that makes them worthy of exploration. Fibre-optic cables provide an innovative interesting alternative to electric cables, but in most cases they also represent a practical approach to the problem. This book provides a number of tried and tested circuits for projects that utilize fibre-optic cables.

The projects include:- Simple audio links, F.M. audio link, P.W.M. audio links, Simple d.c. links, P.W.M. d.c. link, P.W.M. motor speed control, RS232C data links, MIDI link, Loop alarms, R.P.M. meter.

All the components used in these designs are readily available, none of them require the constructor to take out a second mortgage.

132 pages **Order code BP374** £4.95

ELECTRONIC PROJECT BUILDING FOR BEGINNERS

R. A. Penfold

This book is for complete beginners to electronic project building. It provides a complete introduction to the practical side of this fascinating hobby, including the following topics:

Component identification, and buying the right parts; resistor colour codes, capacitor value markings, etc; advice on buying the right tools for the job; soldering; making easy work of the hard wiring; construction methods, including stripboard, custom printed circuit boards, plain matrix boards, surface mount boards and wire-wrapping; finishing off, and adding panel labels; getting "problem" projects to work, including simple methods of fault-finding.

In fact everything you need to know in order to get started in this absorbing and creative hobby.

135 pages **Order code BP392** £4.95

45 SIMPLE ELECTRONIC TERMINAL BLOCK PROJECTS

R. Bebbington

Contains 45 easy-to-build electronic projects that can be constructed, by an absolute beginner, on terminal blocks using only a screwdriver and other simple hand tools. No soldering is needed.

Most of the projects can be simply screwed together, by following the layout diagrams, in a matter of minutes and readily unscrewed if desired to make new circuits. A theoretical circuit diagram is also included with each project to help broaden the constructor's experience and knowledge.

The projects included in this book cover a wide range of interests under the chapter headings: Connections and Components, Sound and Music, Entertainment, Security Devices, Communication, Test and Measuring.

163 pages **Order code BP378** £4.95

HOW TO DESIGN AND MAKE YOUR OWN P.C.B.S

R. A. Penfold

Deals with the simple methods of copying printed circuit board designs from magazines and books and covers all aspects of simple p.c.b. construction including photographic methods and designing your own p.c.b.s.

80 pages **Order code BP121** £2.50

A BEGINNER'S GUIDE TO MODERN ELECTRONIC COMPONENTS

R. A. Penfold

The purpose of this book is to provide practical information to help the reader sort out the bewildering array of components currently on offer. An advanced knowledge of the theory of electronics is not needed, and this book is not intended to be a course in electronic theory. The main aim is to explain the differences between components of the same basic type (e.g. carbon, carbon film, metal film, and wire-wound resistors) so that the right component for a given application can be selected. A wide range of components are included, with the emphasis firmly on those components that are used a great deal in projects for the home constructor.

166 pages **Temporarily out of print**

SPECIAL OFFER

If your order is posted before September 30th 1997 you can deduct 10% from the total amount. Note: Orders posted after September 30th will be returned if the full amount has not been included.

DIRECT BOOK SERVICE ORDERING DETAILS

Please state the title and order code clearly, print your name and address and add the required postage to the total order.

Add £1.50 to your total order for postage and packing (overseas readers add £3 for countries in the EEC, or add £6 for all countries outside the EEC, surface mail postage) and send a PO, cheque, international money order (£ sterling only) made payable to **Direct Book Service** or credit card details (including card expiry date), Visa or Mastercard (Access) - minimum credit card order is £5 - quoting your name and address, the order code and quantities required to **DIRECT BOOK SERVICE, 33 GRAVEL HILL, MERLEY, WIMBORNE, DORSET BH21 1RW (mail order only).**

Although books are normally sent within seven days of receipt of your order, please allow a maximum of 28 days for delivery. Overseas readers allow extra time for surface mail post.

Please check price and availability (see latest issue of Everyday Practical Electronics) before ordering from old lists.

For a further selection of books see next month's issue.

DIRECT BOOK SERVICE is a division of **WIMBORNE PUBLISHING LTD**, publishers of **EPE**.
Allen House, East Borough, Wimborne, Dorset BH21 1PF. Tel 01202 881749 Fax 01202 841692

29



50 SIMPLE LED CIRCUITS

R. N. Soar

Contains 50 interesting and useful circuits and applications, covering many different branches of electronics, using one of the most inexpensive and freely available components - the light-emitting diode (LED). Also includes circuits for the 707 common anode display.

64 pages **Order code BP42** £2.99

BOOK 2 50 more I.e.d. circuits.

50 pages

Order code BP87 £1.95

CIRCUIT SOURCE BOOK 1

A. Penfold

Written to help you create and experiment with your own electronic designs by combining and using the various standard "building block" circuits provided. Where applicable, advice on how to alter the circuit parameters is given.

The circuits covered in this book are mainly concerned with analogue signal processing and include: Audio amplifiers (op.amp and bipolar transistors); audio power amplifiers; d.c. amplifiers; highpass, lowpass, bandpass and notch filters; tone controls; voltage controlled amplifiers and filters; triggers and voltage comparators; gates and electronic switching; bargraphs; mixers; phase shifters, current mirrors, hold circuits, etc.

Over 150 circuits are provided, which it is hoped will be useful to all those involved in circuit design and application, be they professionals, students or hobbyists.

192 pages **Order code BP321** £4.99

A BEGINNER'S GUIDE TO TTL DIGITAL ICs

R. A. Penfold

This book first covers the basics of simple logic circuits in general, and then progresses to specific TTL logic

BABANI BOOKS

We now supply *all* the books published by Bernard Banani (Publishing) Ltd. We have always supplied a selected list of Babani books and you will find many of them described on the previous pages or in next months issue of *Everyday Practical Electronics* (all books with a BP prefix to the order code are Babani books). Many readers have asked us to also supply various other Babani books, which have a reputation for value for money.

Our customers tell us they appreciate our speedy service and low postage charge and they would like to be able to purchase all the books for UK and thus keep the postage charge to an absolute minimum (£1.50p for UK p&p no matter how many books you buy). We are pleased to be able to respond; we are now able to meet all your requirements for Babani books.

Code	Title	Price	Code	Title	Price	Code	Title	Price
BP37	50 Projects using Relays, SCRs and TRIACs	£2.95	BP292	Public Address Loudspeaker Systems	£3.95	BP350	Electronic Board Games	£4.95
BP44	IC 555 Projects	£3.99	BP293	An Introduction to Radio Wave Propagation	£3.95	BP351	WordPerfect 6 Explained	£5.95
BP48	Electronic Projects for Beginners	£1.95	BP294	A Concise Introduction to Microsoft Works	£4.95	BP352	Excel 5 Explained	£5.95
BP76	Power Supply Projects	£2.50	BP298	A Concise Introduction to the Mac System & Finder	£3.95	BP353	WordPerfect 6.0 for Windows Explained	£5.95
BP78	Practical Computer Experiments	£1.75	BP301	Antennas for VHF and UHF	£4.95	BP354	Word 6 for Windows Explained	£5.95
BP90	Audio Projects	£2.50	BP305	Learning CAD with AutoSketch for Windows	£5.95	BP357	A Concise Introduction to Pressworks	£5.95
BP115	The Pre-computer Book	£1.95	BP306	A Concise introduction to Am Pro 3	£5.95	BP360	A Practical Introduction to Sage Sterling + 2 for Windows	£4.95
BP125	25 Simple Amateur Band Aerials	£1.95	BP311	An introduction to Scanners and Scanning	£4.99	BP361	Sage Sterling + 2 for Windows Explained	£5.95
BP132	25 Simple SW Broadcast Band Aerials	£1.95	BP312	An Introduction to Microwaves	£3.95	BP362	Access One Step at a Time	£4.95
BP144	Further Practical Electronics Calculations & Formulae	£5.95	BP313	A Concise Introduction to Sage	£3.95	BP363	Practical Electronic Music Projects	£4.95
BP145	25 Simple Tropical and MW Band Aerials	£1.75	BP315	An introduction to the Electromagnetic Wave	£4.95	BP364	A Concise Introduction to Designworks 2	£5.95
BP147	An Introduction to 6502 Machine Code	£2.95	BP317	Practical Electronic Timing	£4.95	BP367	Electronic Projects for the Garden	£4.95
BP171	Easy Add-on Projects for Amstrad CPC 464, 664, 6128 and MSX Computers	£2.95	BP320	Electronic Projects for Your PC	£3.99	BP370	The Superhet Radio Handbook	£4.95
BP182	MIDI Projects	£2.95	BP324	The Art of Soldering	£3.95	BP372	CA-SuperCalc for Windows Explained	£5.95
BP192	More Advanced Power Supply Projects	£2.95	BP325	A Concise User's Guide to Windows 3.1	£4.95	BP373	An Introduction to Networks for PC and Mac Users	£5.95
BP193	LOGO for Beginners	£2.95	BP326	An Introduction to Satellite Communications	£5.95	BP375	The Novice Radio Amateurs Examination Handbook	£4.95
BP198	An Introduction to Antenna Theory	O.O.P.	BP327	DOS One Step at a Time (covers Version 6.2)	£4.99	BP380	Advanced Projects For The Electric Guitar	£4.99
BP245	Digital Audio Projects	£2.95	BP328	Sage Explained	£5.95	BP385	Easy PC Interfacing	£4.95
BP246	Musical Applications of the Atari ST's	£5.95	BP329	Electronic Music Learning Projects	£4.95	BP387	Windows One Step at a Time	£4.95
BP249	More Advanced Test Equipment Construction	£3.50	BP330	A Concise User's Guide to Lotus 1-2-3 Release 2.4	£4.95	BP388	Why Not Personalise Your PC	£4.95
BP250	Programming in FORTRAN 77	£4.95	BP331	A Beginners Guide to MIDI	£4.95	BP389	Power Point for Windows Explained	£5.95
BP251	Computer Hobbyists Handbook	£5.95	BP334	Magic Electronics Projects	£4.95	BP393	Practical Oscillator Circuits	£4.99
BP258	Learning to Program in C	£4.95	BP336	A Concise Users Guide to Lotus 1-2-3 Release 3.4	£5.95	BP396	Electronics Hobbyists Data Book	£5.95
BP259	A Concise Introduction to UNIX	£2.95	BP337	A Concise Users Guide to Lotus 1-2-3 for Windows	£5.95	BP398	Sage Instant Accounting Explained	£5.95
BP261	A Concise Introduction to Lotus 1-2-3 (Revised Edition)	£3.95	BP341	MS-DOS 6 Explained (covers V6.2)	£5.95	BP399	Windows '95 One Step at a Time	£4.95
BP262	A Concise Introduction to Wordperfect (Revised Edition)	£3.95	BP343	A Concise Introduction to Microsoft Works for Windows	£5.95	BP400	Windows 95 Explained	£5.95
BP264	A Concise Advanced User's Guide to MS-DOS	£2.95	BP345	Getting Started in Practical Electronics	£4.95	BP401	Transistor Data Tables	£5.95
BP273	Practical Electronic Sensors	£4.95	BP346	Programming in Visual BASIC for Windows	£5.95	BP402	MS - Office One Step at a Time	£5.95
BP274	A Concise Introduction to SuperCalc5	£3.95	BP349	Practical Opto-Electronic Projects	£4.95	BP403	The Internet and World Wide Web Explained	£5.95
BP276	Short Wave Superhet Receiver Construction	£2.95				BP405	MS Works for Windows 95 explained	£5.95
BP281	An Introduction to UHF/VHF for Radio Amateurs	£4.99				BP409	MS Office 95 one step at a time	£6.99
BP284	Programming in QuickBASIC	£4.95						

IF NO PRICE IS SHOWN THE BOOK IS OUT OF PRINT (O.O.P.)
SEE PREVIOUS PAGE FOR FULL ORDERING DETAILS

PCB SERVICE

Printed circuit boards for certain EPE constructional projects are available from the PCB Service, see list. These are fabricated in glass fibre, and are fully drilled and roller tinned. All prices include VAT and postage and packing. Add £1 per board for airmail outside of Europe. Remittances should be sent to The PCB Service, *Everyday Practical Electronics*, Allen House, East Borough, Wimborne, Dorset BH21 1PF. Tel: 01202 881749; Fax 01202 841692 (NOTE, we cannot reply to orders or queries by Fax); E-mail: editorial@epemag.wimborne.co.uk. Cheques should be crossed and made payable to *Everyday Practical Electronics* (Payment in £ sterling only).

NOTE: While 95% of our boards are held in stock and are dispatched within seven days of receipt of order, please allow a maximum of 28 days for delivery - overseas readers allow extra if ordered by surface mail.

Back numbers or photostats of articles are available if required - see the *Back Issues* page for details.

Please check price and availability in the latest issue. Boards can only be supplied on a payment with order basis.

Special KNOCK DOWN SALE of PCBs.

We have a few p.c.b.s left from past projects these are being offered at the knock down price of £2.00 each - no matter what size they are (some of these boards are worth over £15.00 each) while stocks last. This price includes VAT and UK post - overseas orders please add 50p postage (or £1 per board for airmail postage).

Audio Lead Tester 641; Hand Tally, main board 699 and display board 700; Modular Disco Lights - Masterlink 752 - Dimmer Interface 765; Kickerbox 775; Electronic Fire, 820; Electronic Snooker Scoreboard, 832; Bike Odometer (pair of boards), 836/7; Amstrad PCW A to D Converter (double-sided), 838; Linear Power Supply (double-sided), 844; 1W Stereo Amplifier, 851; Visual Doorbell, 863; CCD TV Camera - Control Board, 865; CCD TV Camera - Combined Video, Test & Ext Plug Boards, 866a/e; EPE SounDAC PC Sound Board, 868; Digital Water Meter - Scaler, 878; Microprocessor Smartwatch, 881; Print Timer, 874; Simple NiCad Charger, 884; Stereo HiFi Controller - Power Supply, 886 - Main Board, 887 - Expansion/Display Boards, (pair) 888; Dancing Fountains - Pre.amp, 889 - Pump Controller, 890 - Filter, 891 - PC-Compatible Interface (double-sided), 892; Seismograph - Sensor/Filter, 896 - PC-Compatible Interface (double-sided), 898 - Clock/Mixer, 897; Visual/Audio Guitar Tuner, 900; Hobby Power Supply, 902; Audio Auxplexer - Control Board, 903 - Receiver, 904.

Any of the above for just £2 each inc. VAT and p&p.

Back numbers or photostats of articles are available see the *Back Issues* page for details.

£2.00
EACH
inc. VAT
and p&p

PROJECT TITLE	Order Code	Cost
Experimental Electronic Pipe Descaler	AUG '93 839	£5.50
Power Controller	NOV '94 905	£4.99
1000V/500V Insulation Tester	906	£5.78
Active Guitar Tone Control	907	£4.50
TV Off-er (pair)	908/909	£7.25
Video Modules - 1 Simple Fader	910	£5.12
Improved Fader	911	£6.37
Video Enhancer	912	£5.15
Rodent Repeller	DEC '94 913	£6.26
EPE Fruit Machine	914	£8.14
Video Modules - 2 Horizontal Wiper	916	£6.23
Vertical Wiper	917	£6.35
4-Channel Audio Mixer	918	£6.20
Spacewriter Wand	921	£4.00
Universal Digital Code Lock	922	£6.25
Video Modules - 3	JAN '95	
Dynamic Noise Limiter	919	£5.92
System Mains Power Supply	920	£4.98
Magnetic Field Detector	923	£5.77
Model Railway Track Cleaner	924	£5.11
Moving Display Metronome	925	£6.24
The Ultimate Screen Saver	FEB '95 927	£5.66
Foot-Operated Drill Controller	928	£5.73
Model Railway Signals	929	£5.96
12V 35W PA Amplifier	930	£12.25
Multi-Purpose Thermostat	MAR '95 931	£6.30
Multi-Project PCB	932	£3.00
Sound-Activated Switch		
Audio Amplifier		
Light Beam Communicator (2 boards required)		
Multi-Project PCB	APR '95 932	£3.00
Light-Activated Switch		
Switch On/Off Timer		
Continuity Tester		
Auto Battery Charger	934	£5.36
*National Lottery Predictor	935	£5.34
MIDI Pedal	MAY '95 938	£7.78
Club Vote Totaliser	939	£6.05
PIC-DATS Development System (double-sided p.t.h.)	940	£9.90
EPE HiFi Valve Amplifier - Phase splitter	JUNE '95 941	£6.71
PIC-DATS 4-channel Light Chaser	942	£7.90
HV Capacitor Reformer	JULY '95 943	£5.60
Ramp Generator		
Logic Board (double-sided p.t.h.) & Analogue board (pair)	944/5	£32.00
Automatic Curtain Winder	946	£6.75
Windicator	947	£4.10

PROJECT TITLE	Order Code	Cost
Low-Range Ohmmeter Adaptor SEPT '95	926	£5.55
Simple Theremin	952	£6.68
Vandata		
Boot Control Unit	953	£10.52
Display Unit	954	£6.61
Sound Switch OCT '95	915	£6.55
Multiple Project PCB	932	£3.00
Audio Sinewave Generator		
Treble Booster		
Infra-Red Controller/Alarm (2 boards required)		
Capacitor Check	955	£5.76
Ginormous VU Meter	956	£9.31
Multiple Project PCB NOV '95	932	£3.00
Video Enhancer – Current Tracer – Distortion Effects Unit		
Digital Delay Line	958	£8.04
50Hz Field Meter	959	£8.32
Temperature Warning Alarm (Teach-In '96)	960	£6.15
Stereo "Cordless" Headphones DEC '95		
Transmitter	961	£8.04
Receiver	962	£7.66
*EPE Met Office – Sensor/Rainfall/Vane	963/965	£11.33
Spiral transparency free with above p.c.b.		
Light-Operated Switch	966	£6.37
Modular Alarm System (Teach-In '96)	967a/b	£7.12
Audio Meter and Amplifier	968	£5.99
*EPE Met Office – JAN '96		
Computer Interface (double-sided)	964	£7.69
Audio Signal Generator	969	£6.58
Mains Signalling Unit, Transmitter and Receiver	970/971 (pr)	£9.09
Automatic Camera Panning (Teach-In '96)	972	£6.63
Printer Sharer	973	£9.93
Analogue Frequency Meter FEB '96	957	£6.70
Vari-Speed Dice (Teach-In '96)	974	£5.69
Mains Signalling Unit – 2		
12V Capacitive PSU	975	£6.07
*PIC-Electric Meter – Sensor/PSU– Control/Display	977/978 (pr)	£9.90
Multi-Purpose Mini Amplifier MAR '96	976	£6.12
*PIC-Electric – Sensor/PSU – Control/Display	977/978 (pr)	£9.90
High Current Stabilised Power Supply	979	£6.62
Mind Machine Mk III – Sound and Lights	980	£7.39
Infra-Zapper Transmitter/Receiver (Teach-In '96)	981/982 (pr)	£8.01
Mind Machine Mk III – Programmer APR '96	983	£7.36
Bat Band Converter/B.F.O.	984a/b	£5.80
Hearing Tester	985	£6.87
Event Counter (Teach-In '96)	986	£8.39
B.F.O. and Bat Band Converter MAY '96	984a/b	£5.80
Versatile PIR Detector Alarm	988	£6.76
Mind machine Mk III – Tape Controller	989	£6.70
Midi Analyser	992	£6.74
Countdown Timer (Teach-In '96)	993	£9.44
Sarah's Light JUNE '96	996	£7.17
Home Telephone Link	997 (pr)	£10.72
*PulStar	998	£6.60
VU Display and Alarm	999	£7.02
Ultra-Fast Frequency Generator JULY '96		
and Counter – Oscillator/L.C.D. Driver	994/995 (pr)	£12.72
Timed NiCad Charger	100	£6.99
Single-Station Radio 4 Tuner	101	£7.02
Twin-Beam Infra-Red Alarm – Transmitter/Receiver	102/103 (pr)	£10.50
*Games Compendium	104	£6.09
Mono "Cordless" Headphones AUG '96		
– Transmitter/Receiver	990/991 (pr)	£10.16
Component Analyser (double-sided p.t.h.)	105	£12.18
Garden Mole-Ester	106	£6.07
Mobile Miser	107	£6.36
Bike Speedo	108	£6.61
*PIC-Tock Pendulum Clock SEPT '96	109	£6.31
Power Check	110	£6.42
Analogue Delay/Flanger	111	£7.95
Draught Detector	112	£6.22
Simple Exposure Timer	113	£6.63
Video Fade-to-White OCT '96	114	£6.98
Direct Conversion 80m Receiver	116	£7.52
Vehicle Alert	117	£6.55
10MHz Function Generator		
– Main Board	118	£7.33
– PSU	119	£5.39
Tuneable Scratch Filter NOV '96	115	£7.83
*Central Heating Controller	120	£7.85
D.C. to D.C. Converters		
– Negative Supply Generator	122	£5.96
– Step-Down Regulator	123	£6.01
– Step-Up Regulator	124	£6.12

PROJECT TITLE	Order Code	Cost
EPE Elysian Theremin DEC '96		
(double-sided p.t.h.)	121	£22.00
*PIC Digital/Analogue Tachometer	127	£7.23
Stereo Cassette Recorder		
Playback/PSU	128	£7.94
Record/Erase	129	£9.04
*Earth Resistivity Meter JAN '97		
Current Gen. – Amp/Rect.	131/132 (pr)	£12.70
Theremin MIDI/CV Interface (double-sided p.t.h.)	130 (set)	£40.00
Mains Failure Warning	126	£6.77
Theremin MIDI/CV Interface FEB '97		
(double-sided p.t.h.)	130 (set)	£40.00
Pacific Waves	136	£9.00
PsiCom Experimental Controller	137	£6.78
Oil Check Reminder MAR '97	125	£7.16
Video Negative Viewer	135	£6.75
Tri-Colour NiCad Checker	138	£6.45
Dual-Output TENS Unit (plus Free TENS info.)	139	£7.20
*PIC-Agoras APRIL '97	141	£6.90
418MHz Remote Control – Transmitter	142	£5.36
– Receiver	143	£6.04
Puppy Puddle Probe	145	£6.10
MIDI Matrix – PSU	147	£5.42
– Interface	148	£5.91
Quasi-Bell Door Alert MAY '97	133	£6.59
2M F.M. Receiver	144	£7.69
*PIC-A-Tuner	149	£7.83
Window Closer – Trigger	150	£4.91
– Closer	151	£4.47
Child Minder Protection Zone JUN '97		
– Transmitter	153	£6.58
– Receiver	154	£6.42
Pyrotechnic Controller	155	£6.93
*PIC Digilogue Clock	156	£7.39
Narrow Range Thermometer	158	£6.37
Micropower PIR Detector JULY '97	152	£6.69
Infra-Red Remote Control Repeater (Multi-project P.C.B.)	932	£3.00
Karaoke Echo Unit – Echo Board	159	£6.40
– Mixer Board	160	£6.75
Computer Dual User Interface	161	£6.70
*PEsT Scarer	162	£6.60

EPE SOFTWARE

Software programs for the EPE projects marked above with an asterisk (*) are available altogether on a single 3.5 inch PC-compatible disk, or as needed via our Internet site. The same disk also contains the following additional software: Simple PIC16C84 Programmer (Feb '96). The disk (order as "PIC-disk") is available from the EPE PCB Service at £2.75 (UK) to cover our admin costs (the software itself is free). Overseas £3.35 surface mail, £4.35 airmail. Alternatively, the files can be downloaded free from our Internet FTP site: <ftp://ftp.epemag.wimborne.co.uk>.

EPE PRINTED CIRCUIT BOARD SERVICE

Order Code	Project	Quantity	Price
.....

Name.....

Address.....

I enclose payment of £..... (cheque/PO in £ sterling only) to:



Everyday
Practical Electronics



Access (MasterCard) or Visa No.
Minimum order for credit cards £5

--	--	--	--	--	--	--	--	--	--

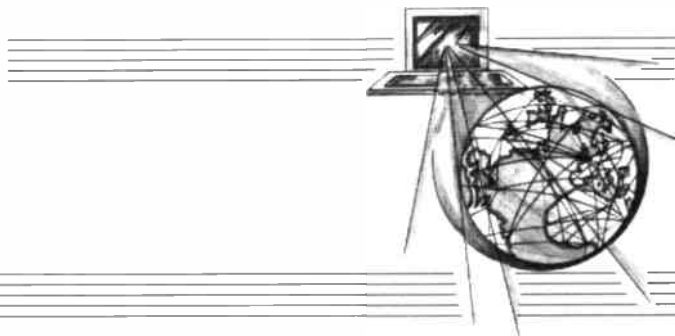
Signature..... Card Exp. Date.....

Please supply name and address of cardholder if different from the address shown

SURFING THE INTERNET

NET WORK

ALAN WINSTANLEY



Hi, y'all

EPE Net Work is our monthly column specially written for electronics enthusiasts with Internet access. We offer a special "welcome" to new readers in the USA, who from this issue have their own version of the magazine now available in Silicon City and other stores in the States! We hope you like what you see – E-mail us and say hello!

The *EPE* Web Site, <http://www.epemag.wimborne.co.uk>, is fast and functional, and offers you the latest information on current and previous issues, subscription rates, back issue availability, a 1996 A-Z project index, the *EPE On-line Soldering Guide*, readers' letters and more. Remember, too, our FTP site, where you can download the files needed for most of our PIC projects and more besides. This month's new addition, is at <ftp://ftp.epemag.wimborne.co.uk/pub/PICS/PICapest>

How Secure Is Secure?

One of the burning issues on the web is that of "secure trading". In the context of the Internet, this implies the wisdom, safety and prudence of buying merchandise on-line. All you have to do is fill out a form on the screen, tap in your credit card number, and sit back and wait for the stuff to be delivered.

In the case of a "secure" web site, your details are encrypted in such a way as to make it unreadable by any party except the intended recipient. Otherwise, your name, address and credit card details are sent over the network as an ordinary E-mail: this data will pass through many machines and routes, alongside tens of millions of other E-mails. The worry for many Internet users is that this data could fall into the hands of criminals en route.

But how secure are we already? In a celebrated case in the UK, a schoolboy found the discarded carbon copies of credit card payment vouchers in the dustbin of a local restaurant. He used them to run up a hefty series of purchases which were charged to the credit accounts of the unsuspecting diners.

His scam was soon uncovered, but it highlights how ordinary credit transactions – like paying a restaurant bill – carry a degree of risk which we seem to accept as routine. Also, once you've bought something, whether in person, by phone, fax, letter or Internet, your credit card details can remain in the supplier's records for ever, or at least until they're dumped in a dustbin.

Probably No Riskier

Personally speaking, I think there is probably no more risk in transacting over the Internet than there is in everyday shopping. As part of the agreement with your credit card provider, you are protected against fraud and theft, though a provider could argue that in transmitting your details by Internet, you have failed to take adequate precautions to guard your card, and may try to hold you at least partly liable. This would be unprecedented.

I think that non-delivery or damage in transit pose a greater potential problem with on-line transacting than the risk of your card number being intercepted: it boils down to how well the goods are packed and transported and you can always dispute any related payment with the credit provider.

However, it makes good sense to try and authenticate the credentials of the supplier if you stumble across a web site where you're tempted to buy on-line. You need to use your judgement: does the supplier have a reputable name? Is it widely advertised? Overall, does the supplier's web site hang together well, and look genuine and professional? Is there an E-mail address for contacting the supplier? If you're unsure, don't buy, or maybe return in a week or two and see if it's still there! The chances are, it will be.

For example, I had no problems at all when some merchandise (my highly coveted Pop Rocket T-shirts!) arrived from California when I ordered via their web site. The URL was

advertised in their software which I'd bought a month or two earlier, and it seemed a safe bet, even though the Pop Rocket's site is "insecure".

I also order books from the USA by Internet (<http://www.amazon.com>). Perversely, it is the genuine on-line trader who probably faces greater risks from Internet ordering, because he exposes himself to the entire planet's on-line community. For example, we have already had instances where overseas readers attempted to buy reprints etc. from our web site, using forged credit card numbers.

When ordering, you can recognise when you are connected to, say, a Netscape Secure Server because a blue bar appears across the edge of the browser window, and the "broken key" symbol at the bottom left will become a solid key. The URL will also appear as <https://> to indicate that a Netscape Secure Sockets Layer (SSL) has been implemented and your data is safe. MS Internet Explorer shows a padlock symbol in the status bar, rather than a key.

In all the on-line excitement it's easy to get carried away, so consider configuring the "nagware" in your browser to ensure that it pops up with warning messages at appropriate times whenever security issues are involved. In Netscape 3, click Options/ Security Preferences/General and Show An Alert Before, and click all the boxes to act as a reminder. Also remember in the same dialogue box to enable SSL2 and SSL3 Secure Sockets Layers. In Microsoft Internet Explorer 3, click View/ Options/Advanced and Warnings and check everything you see.

However, many genuine on-line forms are technically insecure, meaning that the information is transmitted just as an ordinary E-mail. Some hardened users will never order using such a system, and so we intend to implement Netscape Secure Sockets Layer technology on the *EPE* web server quite soon. Meantime, the SET (Secure Electronic Transactions) standard systems adopted by Visa and Mastercard are still undergoing trials in the UK, and won't be ready much before the end of 1997.

Hot Links

Keep me posted with your suggestions for electronics-related sites! Here are more electronics sites for you to try: these URL's are ready-made for you on the *Net Work* page of our web site.

Firstly, definitely worth bookmarking is Alex's Electronic Test Bench, packed with links to many electrical and electronic sites at <http://www.iserv.net/~alex>. It includes a superb electronics glossary index. Charles Triccas in Malta offers <http://www.arec.org/> as the web site for the Amateur Radio, Electronics & Computers Association of Malta with a Call Book for all Malta hams. Planning a trip overseas?

There's a splendid resource of electrical and telephone information for world travellers at <http://www.concentric.net/~Kropia> with data on phone systems and worldwide supplies. Beware of the music though!

A new resource at <http://www.computerfairs.co.uk> lists forthcoming UK computer fairs, radio rallies and shows. Novices discovering the 555 might try <http://www.totalweb.co.uk/lizard1/> (that's lizard-one) for suitable projects, with interactive forms for obtaining component values. There are several excellent on-line projects for beginners, too.

Also there is Find-A-Sat, helping with set-up details for any TV satellite over Europe. Finally, <http://www.geocities.com/BourbonStreet/4589/index.html> lists a variety of pointers to FAQs, Q&A, circuits and resources and is worth browsing. (GeoCities have a unique way of organising their "homesteaders", go back to their Home Page to see how.)

See you next month for more *Net Work*. My E-mail address is alan@epemag.demon.co.uk. My Home Page is http://ourworld.compuserve.com/homepages/alan_winstanley.

PIC DEVELOPMENT

PROGRAMMER PIC EEZE-V2

Program/read/verify 16C54/55/56/57/58/61/62/620/621/622/63/64/71/73/74/84/Serial EEPROMs. Expansion port.

Built and Tested Only £52.95

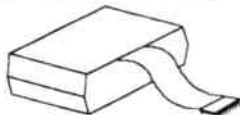
PROGRAMMER/ICE PIC EEZE-V3

As above but with In-Circuit Emulation Capability.

Built and Tested Only £72.95

Both systems have ZIF sockets already fitted and expansion ports for current and future developments!

Other PIC developments. Learning pack for beginners, demonstration pack, PIC basic (Tel/write for details).



True PIC
Real Time
In
Circuit
Emulator



TRICE™
PIC Real Time In-Circuit Emulation.

- Emulation to 20MHz.
- Step/Skip/Animate/Run etc.
- Variable speed selection.
- 8k x 16 Emulation RAM.
- Target Probes included.
- Supports 18/28 pin PIC's.

Only £149.95

Test your code in a 'TRICE'

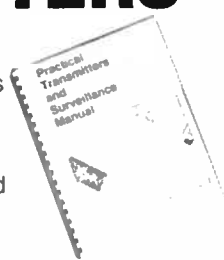


Please add £2.00 P&P and make cheques payable to LENNARD RESEARCH

Lynnwood Business Centre, Lynnwood Terrace,
Newcastle upon Tyne, NE4 6UL.
Tel: (0191) 273 2233. Fax: (0191) 226 0876.
Product pictures/info on our web site:
<http://www.lennardresearch.demon.co.uk>

TRANSMITTERS

NEW Fully comprehensive guide to building and using short/medium range radio transmitters and receivers. Includes detailed and practical information on all aspects of construction, from simple FM room transmitters to more sophisticated and powerful audio and data transceivers.



Manual includes:

- **AM, FM and UHF Transmitters** from micro power up to 3 Watts. Covers simple 'bugs' as well as circuits operating on 27MHz and 418MHz etc.
- **TRACKING AND SIGNALLING.** How to build micro circuits for finding animals, cars etc.
- **CRYSTAL CONTROLLED TRANSMITTERS.** High stability circuits.
- **RADIO PAGER AND RADIO CONTROL.** How to build coded radio keys, multi-channel remote controls, radio alarms etc.
- **RECEIVER CIRCUITS.** Wide range of receiver projects for building high security audio links and transceivers.
- **EXTENSIVE** assembly information. Includes sections on construction, testing, mics, aerials, coils and miniaturisation.

Over 100 detailed PCB, strip-board and point to point designs. Manual comes with **FREE** micro transmitter PCB.

(Some of the circuits included in the manual may not be used legally in the UK)



Make cheques/POs payable to
JCG ELECTRONICS
P.O. Box 73, YORK YO2 1YJ.
E-Mail: jrc115@york.ac.uk

£8.95
+ £1.00 p&p

Wide range of Audio/Radio kits available. Send stamp for list. Mail order only.

COVERT VIDEO CAMERAS

Black and White Pin Hole Board Cameras with Audio. Cameras in P.I.R., Radios, Clocks, Briefcases etc. Transmitting Cameras with Receivers (Wireless). Cameras as above with colour. Audio Surveillance Kits and Ready Built Units, Bug Detector etc.

A.I. ELECTRONICS

Please phone 0181 201 5359 for free catalogue.

Fax 0181 203 0161

Callers by appointment only.

THE CR SUPPLY CO

RESISTORS

1/8 Watt Carbon film resistors 5% E24 series
1 ohm to 10 Megohm 1p
100 off per value - 85p even hundreds
per value totalling 1000 £7.50
1/4 Watt Metal film resistors 5% E12 series
10 ohm to 1 Meg - 14p; 1% E24 series 2p
NEW Resistor development kits, 1/4 Watt C/Film
5x78 different values from 1 ohm to 10 Megohm,
comes in storage drawer with printed colour code
on outside, ideal for laboratories, education,
service depts., repairers and hobbyists, etc. £6.95

CAPACITORS

Radial Aluminium Electrolytics (mid/Volts).
163, 2.2/63, 4.7/100, 10/25, 10/63 - 6p
100/16, 100/25 - 8p, 100/63 - 13p, 22/16,
22/25, 22/50, 33/16, 47/16, 47/35, 47/50 - 7p,
220/16 - 8p, 220/25, 220/50 - 11p, 470/16,
470/25 - 13p, 1000/25 - 23p, 2200/25 - 42p,
4700/25 - 74p

TRANSISTORS
BC107/8/9 - 18p; BC547/8/9 - 7p, BC557/8/9 -
8p; BC182, 182L, BC183, 183L, BC184, 184L,
BC212, 212L - 10p, BC327, 337, 337L - 8p
BC727, 737 - 12p, BD135/6/7/8/9 - 27p
BCY70 - 28p, BFY50/51/52 - 32p, BFX88 -
38p, 2N3055 - 55p, TIP31, 32 - 40p, TIP41, 42
- 40p, BU208A - £1.50; BF195, 197 - 12p

DIODES (PIV/amper)

75-150mA 1N4148 - 2p, 800-1A 1N4006 - 5p, 400-3A
1N5404 - 14p, 115-50mA OA91 - 18p, 100-1A
1N4002 - 4p, 1000-1A 1N4007 - 5p, 60-1.5A 5M11
- 7p, 100-1A bridge - 28p, 400-1A 1N4004 - 4p,
1250-1A BY 127 - 14p
Zener diodes E24 series 3V3 to 33V 400mW - 6p, 1
watt - 12p

L.E.D.'s
3mm, and 5mm, Red, Green, Yellow - 14p, Grom.
meets to suit 3mm - 2p, 5mm - 3p, 5mm Tricolor &
Bicolor - 22p, Red flashing L.E.D.'s require 9V-12V
supply only, 5mm - 70p

MISCELLANEOUS

High speed PCB drill bits 0.8, 1.0, 1.3, 1.5 2.0mm -
47p, 12V mini drill, 3 jaw chuck - £14.75
Glass reed switches with single-pole make
contacts - 12p; Magnets - 28p
0.1" Stripboard 2 1/2 x 1 1/2 rows 25 holes - 26p,
3 x 2 1/2 x 24 rows 37 holes - 80p
Jack plugs 2.5 & 3.5mm - 16p; Sockets Panel Mtg
2.5 & 3.5mm - 11p
741 Op Amp - 24p, 555 Timer - 25p, 555L Low
Power - 30p, 556 Dual Timer - 40p, 556L Low
Power - 74p, 358 Dual Op. Amp. - 22p

Large SAE for lists, P&P £1.00. No VAT.
44 Chapelfield Way, Rotherham,
South Yorkshire S61 2TL.
Tel/Fax: 0114 2468049

NEW MINI CAMERA and SPECIAL OFFERS

NEW - Mini Waterproof TV Camera, 40 x 40 x 15mm
requires 10V to 16V at 120mA with composite video
output (lead into a Video or a TV with a SCART plug)
It has a high resolution of 450 TV lines vertical and 380
TV lines horizontal, electronic auto lens for nearly dark
(1:10) to bright sunlight operation and a pinhole lens
with a 92 degree field of view, it focuses down to a few
cm. It is fitted with a 3-wire lead (12V in, gnd and video
out) £93.57 + VAT = £109.95 or 10 - £89.32 + VAT
= £104.95

High quality **Stepping Motor Kits** (all including stepping
motors) Comstep - independent control of two stepping
motors by PC (via the Parallel Port) with two motors and
software Kit £67.00, Built £98.00
Software support and 4-digital inputs kit £27.00
Power Interface: 4A kit £36.00, 8A kit £46.00
Stepper kit 4 (manual control) includes 200 step stepping
motor and control circuit £23.00
Hand Held Transistor Analyser. It tells you which lead is
the base the collector and emitter and if it is NPN or
PNP or faulty. £33.45 Spare 6V battery £1.20

LEDs 3mm or 5mm Red or Green 7p each, Yellow 11p each
Cable Ties 1p each £5.95 per 1000, £49.50 per 10,000

RECHARGEABLE BATTERIES

AA (HP7) 500mAh £0.99
AA 700mAh £1.75
C 2AH with solder tags £3.60
D 4AH with solder tags £4.95
12AA with solder tags £1.55
AAA (HP16) 180mAh £1.75
AA 500mAh with solder tags £1.55
C (HP11) 12AH £2.20
D (HP2) 12AH £2.60
PP3 8-4V 110mAh £2.50
Sub C with solder tags £1.95
1.3 AA with tags (Philips CTV) £1.95

Standard Charger, charges 4 AA cells in 5 hours or 4 Cs
or Ds in 12 to 14 hours plus 1 PP3 (1, 2, 3 or 4 cells may
be charged at a time) £5.95
High Power Charger, as above but charges the Cs and Ds in
5 hours. AAs, Cs and Ds must be charged in twos or
fours £10.95

Nickel metal Hydride AA cells, high capacity with no memory
1 charged at 100mA and discharged at 250mA or less 1100mAh
capacity (lower capacity, for high discharge rates) £3.75

SPECIAL OFFERS - PLEASE CHECK FOR AVAILABILITY

Stick of 4, 42mm x 16mm Ni-Cd batteries 171mm x 16mm
dia with red and black leads 4 6V £5.95
Five button cell, 6V 280mAh battery with wires £2.45
(Varta 5 x 2500)
Shaded-pole motor, 240V a.c. 5mm x 20mm shaft, £4.95
80mm x 60mm x 55mm excluding the shaft
115V a.c. 80V d.c. motor, 4mm x 22mm shaft, 50mm dia x
60mm long body (excluding the shaft) it has a replaceable
thermal fuse and brushes £4.94 each £3.95 100
7 Segment, common anode LED display, 12mm
LM337K, TO3 case, Variable regulator £1.95, 100 - £1.44
GaAs F.E.T. low leakage current 58873 £12.95 each £9.95 100 - £7.95 1000 -
8S250 p-channel MOSFET 45p
BC559 transistor £3.95 per 100
BC547A transistor 20 for £1.00
741305 Hex inverter £10.00 per 100
Used 8748 Microcontroller £3.50
SL852 UHF limiting amplifier LC 16 surface mounting
package with data sheet £1.95
DC-DC Converter, Reliable model V12P5 12V in 5V
200mA out, 300V input to output isolation, with data
£4.95 each or pack of 10 £39.50

Hour Counter used 7 digit 240V a.c. 50Hz £1.45

QWERTY keyboard, 58 key, good quality switches, new £6.00
Airpax AB2903-C large stepping motor 14V 7.5 step
27 ohm, 68mm dia body, 6.3mm shaft, £8.95 or £200
for a box of 30
Polyester capacitors, box type 22.5mm lead pitch
0.9uF 250V d.c. 18p each, 14p 100 + 9p 1000 +
1uF 250V d.c. 20p each, 15p 100 - 10p 1000 -
1uF 50V bipolar electrolytic axial leads, 15p each, 7.5p
1000 -
0.22uF 250V polyester axial leads, 15p each, 100 + 7.5p each
Polypropylene 1uF 400V d.c. (Wima MKP10) 27.5mm pitch,
32mm x 29mm x 17mm case 75p each, 60p 100 +
Philips 123 series solid aluminum axial leads,
33uF 10V and 2uF 40V 40p each, 25p 100 -
Philips 108 series long life 30p each, 15p 1000 +
22uF 63V axial 30p each, 15p 100V
100pF 150pF 220pF 10,000pF (10n) 10p each,
5p 100 + 3.5p 1000 +
500pF compression trimmer capacitor 60p
40uF 370V a.c. motor start capacitor (dielectric type
containing no p.c.b.s.) £3.95 or £49.50 for 10
Solid carbon resistors, very low inductance, ideal for r.f.
circuits, 27 ohm 2W, 68 ohm 2W 25p each,
15p each 100 -

We have a range of 0.25W 0.5W 1W and 2W solid carbon
resistors - please send SAE for list

P.C. 400W PSU (Intel part 201035-001) with standard
motherboard and five disk drive connectors, fan and mains
input/output connectors on back and switch on the side
10p for lower case! dims: 212mm x 148mm x 149mm
excluding switch £26.00 each, £138.00 for 6
MX180 Digital Multimeter 17 ranges, 1000V d.c.
750V a.c. 2Megohm 200mA transistor He 9v and 1.5V
battery test £9.95

AMD 27256 3 EPROMs £2.00 each, £1.25 100 +
DIP switch 3PCC 12-pin (ERG SDC-3-023)
60p each 40p 100 +
Disk Drive Boxes for a 5.25 disk drive, with room for a power
supply, light-grey plastic 67mm x 268mm x 247mm £7.95 or
£49.50 for 10

Handheld Ultrasonic Remote Control £3.95
CV2486 Gas Relay 30mm x 10mm dia with 3-wire terminals,
will also work as neon light 20p each
or £7.50 per 100
Varebit R300NH Streamer tape commonly used on nc
machines and printing presses etc. It looks like a normal
cassette with a slot out of the top £4.95 each £3.75 100 -
95p

Heatsink Compound Tube 95p
HV3-2405-E5 5V 24V 50mA Regulator c. 18V 264V a.c.
input, 8-pin DIL package £3.49 each 100 - £2.25
LM555 timer IC, 16p 8-pin DIL socket, 6p

All products advertised are new and unused
unless otherwise stated

Wide range of CMOS TTL 74HC74F Linear Transistors kits,
rechargeable batteries, capacitors, tools etc. always in stock.
Please add £1.95 towards P&P VAT included in all prices

JPG ELECTRONICS

276-278 Chatsworth Road
Chesterfield S40 2BH
Access/Visa Orders:
Tel: (01246) 211202 Fax: (01246) 550959
Callers welcome 9.30am to 5.30pm
Monday to Saturday

PRACTICAL

ELECTRONICS

Everyday Practical Electronics reaches nearly twice as many UK readers as any other independent monthly hobby electronics magazine, our audited sales figures prove it. We have been the leading independent monthly magazine in this market for the last twelve years.

If you want your advertisements to be seen by the largest readership at the most economical price our classified and semi-display pages offer the best value. The prepaid rate for semi-display space is £8 (+VAT) per single column centimetre (minimum 2.5cm). The prepaid rate for classified adverts is 30p (+VAT) per word (minimum 12 words).

All cheques, postal orders, etc., to be made payable to Everyday Practical Electronics. VAT must be added. Advertisements, together with remittance, should be sent to Everyday Practical Electronics Advertisements, Holland Wood House, Church Lane, Great Holland, Essex CO13 0JS. Phone/Fax (01255) 850596.

For rates and information on display and classified advertising please contact our Advertisement Manager, Peter Mew as above.

RCS VARIABLE VOLTAGE D.C. BENCH POWER SUPPLY

Up to 38 volts d.c. at 6 amps continuous, 10 amps peak, fully variable from 1 to 38 volts. Twin Voltage and Current meters for easy read-out. 240 volt a.c. input. Fully smoothed, size 14½ x 11 x 4½ inches.



£76 inc. VAT carriage £6

RADIO COMPONENT SPECIALISTS

337 WHITEHORSE ROAD, CROYDON
SURREY, CR0 2HS. Tel: 0181-684 1665

Lots of transformers, high volt caps, valves, speakers, in stock
Phone or send your wants list for quote.

Electronic Components by Post

Microcontrollers - PIC12CXX - PIC17CXX, 8031/32, 8051/52 etc. EPROMs. RAM. Semiconductors. Japanese Transistors, Capacitors, Resistors, Inductors, Computer products. Audio Amps, 41MHz Radio TXs/RXs, Holtek Encoders/Decoders. Security Systems - Car and Domestic Alarms, Electronic Kits and accessories. Please send 2 x 1st class stamps for complete range.

FF COMPONENTS, 10 CHELSFIELD GARDENS,
LONDON SE26 4DJ. TEL./FAX 0181-244 9360.

Professional
AUDIO TRANSFORMERS

FREE 16 PAGE CATALOG AVAILABLE
Fax Toll-Free 0800-96-7106

SESCOM, INC. sescom@anv.net

2100 WARD DR., HENDERSON, NV 89015

Tech Line 702-565-3993 (weekdays 8 am - 4 pm PST)

Office 702-565-3400 Fax 702-565-4828

MEC SYSTEMS

<http://ds.dial.pipex.com/mecsystems/>

PIC 16C84-04 Only £3.75

1, 2 Chip PCB Cards for Satellite Decoding £2.50
Post & Packing £1.50

Write or see Web Site for details of our New range of PIC Development Boards, PIC Programmers and PIC Bus Boards for Embedded Control Applications. Home to the EPE PIC Mirror Site!

Cheques Payable to: MEC SYSTEMS

18-20 William St., Herne Bay, Kent CT6 5EJ
E-mail: Picinfo@dial.pipex.com

LIGHT ENGINEERING
SERVICES (PRECISION)

Machining, sheet metalwork, instrument/toolmaking etc - most engineering processes in most materials. One offs, parts, prototypes, panels, mods, jigs, repairs, anything - no job too small - trade or private - for quick friendly service contact Richard:
Tel/Fax: 01954 260804

BTEC ELECTRONICS
TECHNICIAN TRAINING

GNVQ ADVANCED ENGINEERING (ELECTRONIC) - PART-TIME
HND ELECTRONICS - FULL-TIME
B.Eng FOUNDATION - FULL-TIME

Next course commences
Monday 15th September 1997
FULL PROSPECTUS FROM

LONDON ELECTRONICS COLLEGE
(Dept EPE) 20 PENYWERN ROAD
EARLS COURT, LONDON SW5 9SU
TEL: 0171-373 8721

MINI CCD
CAMERA SALE

Great opportunity for camera enthusiasts! Miniature b/w PCB cameras 56mm x 38mm x 30mm (high), incl 6 infra red LEDs for low light conditions. 1V p-p composite video output for connection direct to monitor or standard TV set (via modulator).

£39.99 (incl p + p)

Send cheque or P.O. to

Hob Electrics Ltd, Unit 5 James Cl.
off Caroline St, Wigan, WN3 4HQ
Tel: 01942-497544 Fax: 01942-493690

BRAND NEW SINCLAIR SPECTRUM
& QL PARTS

ZX MICRODRIVES £15, INTERFACE ONE £20,
CARTRIDGES 10 FOR £15, 50 FOR £50.

QL BOARDS 5, 6, 67, POPULATED WITH
JS RAMS, £30; UNPOPULATED, £12; MICRODRIVES
£10 EACH. TOP & BOTTOM CASES £15,
MEMBRANES £15

THE P.C., MAC and QL's "Little Friend"
MAC LINK £10 - P.C. LINK £25 - QL LINK £12

CAMBRIDGE Z88 A4 NOTEBOOK
COMPUTER AVAILABLE AGAIN £99,
RECONDITIONED £60

ONLY 1" THICK, 4xAA BATT'S, 20 HOURS WORK,
LCD SCREEN, 72 Crs, 6 LINES, 32K RAM, EXTRA
RAMS & EPROMS, 9 pin D SERIAL PORT, ROM HAS
BBC BASIC, W/PROCESSOR, SPREADSHEET, DATA
BASE, IMP/EXPORT TO PC etc, V52 TERMINAL.

W.N. RICHARDSON & CO.

PHONE/FAX 01494 871319

6 RAVENSMEAD, CHALFONT ST PETER,
BUCKS, SL9 0NB.

POST £5. ACCESS, VISA, ETC. SAE

THE BRITISH AMATEUR
ELECTRONICS CLUB

exists to help electronics
enthusiasts by personal contact and
through a quarterly Newsletter.

For membership details, write to the
Secretary:

Mr. J. F. Davies, 70 Ash Road, Cuddington,
Northwich, Cheshire CW8 2PB.

Space donated by Everyday Practical Electronics

This 3cm space in
Everyday with
Practical Electronics
will ONLY cost you

£24 + VAT

SAVE OVER £7
Subscribe Now

Everyday Practical Electronics

Annual subscription rates
UK £24.00.

Overseas £30.00 standard air service,
£47.50 express airmail.

Rates must go up on Sept. 1st,
subscribe now for a great saving.

Send your name and address with £
sterling cheque, bank draft or credit
card number and card expiry date to:

Everyday Practical Electronics,
Allen House, East Borough,
Wimborne,



Dorset BH21 1PF
Tel: 01202 881749
Fax: 01202 841692



Web Site: <http://www.epemag.wimborne.co.uk>
E-mail: editorial@epemag.wimborne.co.uk

Miscellaneous

PROTOTYPE PRINTED CIRCUIT
BOARDS one offs and quantities, for details
send s.a.e. to B. M. Ansbro, 38 Poynings Drive,
Hove, Sussex BN3 8GR, or phone Brighton
883871.

VALVE ENTHUSIASTS: Capacitors and
other parts in stock. For free advice/lists
please ring, Geoff Davies (Radio), Tel: 01788
574774.

G.C.S.E. ELECTRONICS KITS, at pocket
money prices. S.A.E. for FREE catalogue.
SIR-KIT Electronics, 70 Oxford Road, Clacton,
CO15 3TE.

PRINTED CIRCUIT BOARDS - QUICK
SERVICE. Prototype and Production. Artwork
raised from magazines or draft designs at low
cost. PCBs also designed from schematics.
Production assembly also undertaken. For details
send to P. Agar, 36 Woodcot Avenue, Belfast,
BT5 5JA or phone 01232 473533 (7 days).

SALE!! MURPHY RADIOS, FM/MW/LW,
£7.95; Goodmans speakers (wood), £8.95; 100
watt amplifiers, 240V, cased, £19.95. K.I.A.,
1 Regent Road, Ilkley (s.a.e).

SMARTCARD READER/WRIER KIT.
Connects to PC serial port. Full kit of parts, £30,
including instructions, extensive application
software and UK postage. Many other kits
available. Please send for details to: P. Clark, PO
Box 197, Portsmouth, Hampshire, PO2 7YX, or
e-mail: p.clark@bigfoot.com

COPIES OF TELEVISION MAGAZINE
from Oct. 1983 to present, including indexed
guide to TV and VCR faults. Offers to: 01952
460618.

EPROM PROGRAMMER (MQP 200), in-
cludes PC software, cable and instructions, £150;
Eprom eraser (Lawtronics ME15), £75; both in
excellent condition. Telephone 0114 276 9663
(between 10 a.m. and 6.0 p.m.).

TRAIN TODAY FOR A BETTER FUTURE

Now you can get the skills and qualifications you need for career success with an ICS Home Study Course. Learn in the comfort of your own home at the pace and times that suit you. ICS is the world's largest, most experienced home study school. Over the past 100 years ICS have helped nearly 10 million people to improve their job prospects. Find out how we can help YOU. Post or phone today for FREE INFORMATION on the course of your

Electrical Contracting & Installation
Electrical Engineering
C&G Basic Electronic Engineering
C&G Basic Mechanical Engineering
TV and Video Servicing
Radio and Hi-Fi Servicing
Refrigeration Heating & Air Conditioning
Motorcycle Maintenance

FREEPHONE 0500 581 557

Or write to: International Correspondence Schools, FREEPOST 882, 8 Elliot Place, Clydeaway Skypark, Glasgow, G3 8BR. Tel: 0500 581 557 or Tel/Fax: Ireland 01 285 2533

Please send me my Free Information on your Electronics Courses

Mr Mrs Ms/Miss
(BLOCK CAPITALS PLEASE)

Date of Birth

Address

Postcode

Occupation

Tel. No.

From time to time we permit other carefully screened organisations to write to you about products and services. If you would prefer not to hear from such organisations please tick box Dept. ZEEE090497

VISA



MasterCard

Cooke International

SUPPLIER OF QUALITY USED TEST INSTRUMENTS

ANALYSERS, BRIDGES, CALIBRATORS, VOLTMETERS, GENERATORS, OSCILLOSCOPES, POWER METERS, ETC. ALWAYS AVAILABLE

ORIGINAL SERVICE MANUALS FOR SALE
COPY SERVICE ALSO AVAILABLE

EXPORT, TRADE AND U.K. ENQUIRIES WELCOME
SEND FOR LISTS OF EQUIPMENT & MANUALS
ALL PRICES EXCLUDE VAT AND CARRIAGE

DISCOUNT FOR BULK ORDERS SHIPPING ARRANGED

OPEN MONDAY TO FRIDAY 9AM-5PM

Unit Four, Fordingbridge Site, Main Road, Barnham, Bognor Regis, West Sussex, PO22 0HD, U.K.

Tel (+ 44) 01243 545111/2 Fax (+ 44) 01243 542457

EQUIPMENT & ACCESSORIES PURCHASED

DOMESTIC CCTV AGENTS WANTED

See & Hear Who's Outside on Your Own TV Screen

Domestic CCTV is a security camera that links into your own TV set, creating a security channel to monitor your property, effectively and cheaply.

Established manufacturer selling into the wholesale and retail markets, requires commission only agents to service existing accounts and set up new business. 6 out of 10 people who see our products buy them which is why we wish to expand our coverage.

Please reply with CV to:

Boundary Marketing

14 Thorngrove Road, Wilmslow SK9 1DD

TECHNICAL INFORMATION SERVICES

76 Church St, Larkhall, Lanarks, ML9 1HE
Tel: 01698 883334/884585 Fax: 01698 884825

PHONE NOW FOR YOUR FREE QUOTE

We have the World's Largest Collection of

SERVICE MANUALS

Why not join Europe's fastest growing "Information Library Service"

Buy ANY Service Manual for £10.00 and return any manual no longer needed for a £5.00 credit

CALL/WRITE NOW FOR FURTHER DETAILS

Initial joining fee of £70 : Thereafter £20 Yearly

Join Now: Get your first Manual FREE!

TECHNICAL INFORMATION SERVICES

76 Church St, Larkhall, Lanarks, ML9 1HE
Tel: 01698 883334/884585 Fax: 01698 884825

PHONE NOW FOR YOUR FREE QUOTE

We have the World's Largest Collection of SERVICE MANUALS

Why not join Europe's fastest growing "Information Library Service"

Buy ANY Service Manual for £10.00 and return any manual no longer needed for a £5.00 credit

CALL/WRITE NOW FOR FURTHER DETAILS

Initial joining fee of £65 : Thereafter £20 Yearly

Join Now: Get your first Manual FREE!



88-108MHz FM TRANSMITTERS

Professional PLL transmitter, Stereo Coder, and Compressor/Limiter kits licensable in the UK.

Also very stable VFO transmitter kits.

Prices from under £10 and a 'Ready Built' service is available.

Contact us for a free brochure including prices and more detailed information.

VISA

18 Victoria St., Queensbury,
BRADFORD, BD13 1AR



Tel 01274 816200 Email veronica@legend.co.uk

Website: <http://www.legend.co.uk/~veronica/>

Visible Sound Limited

The following features apply to all our PC control cards:

Standard 8 bit ISA, base address fully selectable via dip switches, Installation instructions, application notes, circuit schematic and software examples in 'C', BASIC and assembler (on 3.5" floppy disk). All connections to the cards made via a standard 25 way female D-type connector on the end plate.

£29 H134A
24 Digital I/O's

Fully programmable TTL level digital I/O's based around the 8255. Kit K134A £27

£35 H130A
8 Channel Relay

Completely isolated programmable relay output card. 3 contacts available per channel, NO, NC and C. Contacts rated 1A @ 30v DC. (Readback feature!). Kit £32

£35 Isolated I/O: For ultimate protection this virtually indestructible card

offers 8 opto isolated inputs and 4 relay outputs. 5v H131A, 12v H132A, 24v H133A. Kits 5v K131A, 12v K132A, 24v K133A £32

A057A M/M 25 way cable £6 each

A058A M/F 25Way cable £6



Voice Command Module H138A

Based on the Sensory Devices RSC neural network recognition processor. Simply train this stand alone module with up to 40 words, giving you 99% speaker dependant recognition. 20 individual digital word ID outputs on IDC header. Automatic gain control on microphone jack input. Runs off 9-12volt dc supply via 2.1mm plug. £55

H136A £33
Stepper motor driver

Directly controls two 4 phase stepper motors whilst providing 8 optically isolated general purpose inputs. Ideal for implementing 2 channel positional control loops. Suitable motors and connector cables available. Kit K136A £30

H137A Pic Programmer: £25

PIC16C17, PIC16C84 and the new 8 pin PIC12C508 and PIC12C509. Connects to parallel port. Kit K137A £24

PC compatible software F.O.C. when supplied with programmer.

12C508/JW £13.50, 12C508-04/P £2.30

12C509/JW £15, 12C509-04/P £2.70

16C71/JW £25, 16C17-04/P £6.99

16C84-04/P £6

ALL Prices INCLUSIVE of vat and delivery (UK Only) Same day despatch.

151, The Exchange Building, Mount Stuart Square, Cardiff, CF1 6EB.

Tel (01222) 458417 Fax (01222) 625797 <http://www.vsltec.demon.co.uk>

DREMEL X-ACTO MINICRAFT

DREMEL
D-3950 Multi Tool Set w/ 40 Accs. £84.75
D-1371 Precision Scroll Saw £139.95
D-751 Mini Mite Cordless Tool Kit £36.50

MINICRAFT
MB1012 High Precision Drill £42.99
MB750 Univ Variable Speed Trans. £64.99
MB450 Bench Sander £44.99

ANTEX
GasCat Torch With S1 Fine Tip £21.99
GasCat Butane Torch Kit £34.99

X-ACTO
Dlx Knife Set & Free A4 Cutting Mat £41.95



• FREE UK Postage (orders over £10)
• Fully Illustrated Catalogue - £1.50

134 CROSSLET VALE, LONDON, SE10 8DL
TEL: 0181-694 9913 FAX: 0181-691 4399
e-mail: Ventura.Hobby@compuserve.com

THE ONLY CHOICE for the
Best Names in the Business!

(E&OE)



Dremel 3950 Multi Tool



Dremel 1371 Scroll Saw

VENTURA
HOBBY
It's not just a hobby, it's your hobby.

Millions of quality components at lowest ever prices!

Plus anything from bankruptcy - theft recovery - frustrated orders - over production etc.

NO VAT to add on.

Send 45p stamped self addressed label or envelope for clearance lists.

Brian J Reed

6 Queensmead Avenue, East Ewell

Epsom, Surrey KT17 3EQ

Tel: 0181-393 9055 Mail order UK only.

Lists are updated and only 40 are sent out every 2 weeks. This normally ensures that orders can be fulfilled where only a few thousand of an item is available. (Payment is returned if sold out. I do not deal in credit notes). This will sometimes entail a delay of up to eight weeks - but the prices will be worth the wait!

3lb mixed component pack.....£4.95
Jumbo component pack.....£10
250 off mixed capacitors.....£4.95
250 off i.c. sockets.....£3.95
1000 off mixed ceramic caps.....£7.50*
20 off mixed crystals/filters.....£4.95
25 off mixed relays.....£3.50
100 off phono plugs.....£2.95*
10 off mixed displays.....£3.75*
50 off d.i.l. switches.....£3.75*
30 off mixed heatsinks.....£3.75*
30 off mixed switches.....£3.75*
Brand new 360k 5 1/4" floppy drive.....£4.50
5 1/4" to 3 1/2" floppy drive converter leads.....£1.50*
1.2MB 5 1/4" floppy drive.....£10
200MB 3 1/2" E.S.D.I. hard drive.....£28
12V d.c. 200 r.p.m. geared motor.....£1.50 each, 10 for £12
220V 1500 r.p.m. geared motor.....£6 each, 10 for £50
7V-12V d.c. motor, 4/6000 r.p.m. 700mA-1450mA. £4 each, 10 for £30
12V d.c. motor, 13,000 r.p.m. 180mA.....£1 each, 10 for £8

6V d.c. motor, 1,200 r.p.m. 600mA.....£1 each, 10 for £8
9V d.c. motor, 13,000 r.p.m. 460mA.....£1 each, 10 for £8
10-5V d.c. motor, 9,000 r.p.m., 220mA.....£1 each, 10 for £8
S.M. P.S.U., mains input, +5-2V 6A, +24V 0-5A, +24V 5-5A outputs.....£6 each

QUANTITY DISCOUNTS AVAILABLE PLEASE RING.

We also buy all forms of electronic components, p.s.u.'s, disk drives etc. Lists to below address.

ALL PRICES INCLUDE V.A.T.
PLEASE ADD £2.00 p&p EXCEPT ITEMS MARKED * WHICH ARE S.O.P.
SAE FOR BULK BUYING LIST PAYMENT WITH ORDER TO:
Dept EE, COMPELEC,
14 Constable Road,
St. Ives, Huntingdon,
Cambs PE17 6EQ
Tel/Fax: 01480 300819

ADVERTISERS INDEX

A.L. ELECTRONICS.....	509
N. R. BARDWELL.....	483
BBA.....	490
BETA LAYOUT.....	475
B.K. ELECTRONICS.....	Cover (iii)
BOUNDARY MARKETING.....	511
BRIAN J. REED.....	512
BULL ELECTRICAL.....	Cover (ii)/503
CIRKIT DISTRIBUTION.....	469
COMPELEC.....	512
COOKE INTERNATIONAL.....	511
CR SUPPLY CO.....	509
DISPLAY ELECTRONICS.....	442
EPT EDUCATIONAL SOFTWARE.....	443
ESR ELECTRONIC COMPONENTS.....	450
GREENWELD ELECTRONICS.....	445
ICS.....	511
JCG ELECTRONICS.....	509
J&N FACTORS.....	446
JPG ELECTRONICS.....	509
LASERTECH.....	483
LENNARD RESEARCH.....	509
MAGENTA ELECTRONICS.....	448/449
MAPLIN ELECTRONICS.....	Cover (iv)
MAURITRON.....	511
NATIONAL COLLEGE OF TECHNOLOGY.....	447
PICO TECHNOLOGY.....	491
PRESS-N-PEEL.....	479
QUASAR ELECTRONICS.....	447
QUICKROUTE SYSTEMS.....	457
RADIO-TECH.....	447
ROBINSON MARSHALL (EUROPE).....	465
ROBOTICA.....	469
SEETRAX CAE.....	445
SHERWOOD ELECTRONICS.....	512
SQUIRES.....	469
SUMA DESIGNS.....	444
TECHNICAL INFORMATION SERVICES.....	511
TECHNOLOGY EDUCATION INDEX.....	490
VENTURA HOBBY.....	512
VERONICA KITS.....	511
VISIBLE SOUND.....	511

ADVERTISEMENT MANAGER: PETER J. MEW
ADVERTISEMENT OFFICES:

EVERYDAY PRACTICAL ELECTRONICS,
ADVERTISEMENTS,
HOLLAND WOOD HOUSE, CHURCH LANE, GREAT
HOLLAND, ESSEX CO13 0JS.
Phone/Fax: (01255) 850596

For Editorial address and phone numbers see page 451.

SHERWOOD ELECTRONICS

FREE COMPONENTS

Buy 10 x £1 Special Packs and choose another one FREE

SP1 15 x 5mm Red Leds	SP135 6 x Min. slide switches
SP2 12 x 5mm Green Leds	SP136 3 x BFY50 transistors
SP3 12 x 5mm Yellow Leds	SP137 4 x W005 bridge rectifiers
SP11 30 x 1N4001 diodes	SP138 20 x 2.2/50V radial elect. caps.
SP12 30 x 1N4002 diodes	SP139 12 x 1000/10V rad. elect. caps.
SP18 20 x BC182 transistors	SP142 2 x Cmos 4017
SP20 20 x BC184 transistors	SP144 3 x TIP31A transistors
SP21 20 x BC212 transistors	SP145 6 x ZTX300 transistors
SP22 20 x BC214 transistors	SP147 5 x Stripboard 9 strips/25 holes
SP23 20 x BC549 transistors	SP148 6 x 2mm lighthouse Leds-Red
SP24 4 x Cmos 4001	SP151 4 x 8mm Red Leds
SP25 4 x 555 timers	SP152 4 x 8mm Green Leds
SP26 4 x 741 Op.amps	SP154 15 x BC548 transistors
SP27 4 x Cmos 4002	SP156 3 x Stripboard, 14 strips/27 holes
SP28 4 x Cmos 4011	SP157 5 x BCY70 transistors
SP29 4 x Cmos 4013	SP160 10 x 2N3904 transistors
SP36 25 x 10/25V radial elect. caps.	SP161 10 x 2N3906 transistors
SP37 15 x 100/35V radial elect. caps.	SP164 2 x C106D thyristors
SP39 10 x 470/16V radial elect. caps.	SP165 2 x LF351 Op.amps
SP41 20 x Mixed transistors	SP167 6 x BC107 transistors
SP42 200 x Mixed 0.25W C.F. resistors	SP168 6 x BC108 transistors
SP47 5 x Min. pushbutton switches	SP170 2 x LM339
SP102 20 x 8-pin DIL sockets	SP173 10 x 220/25V rad. elect. caps.
SP103 15 x 14-pin DIL sockets	SP175 20 x 1/63V radial elect. caps.
SP104 15 x 16-pin DIL sockets	SP176 4 x 20mm PCB fuse holders plus covers
SP105 5 x 74LS00	SP182 20 x 4.7/50V rad. elect. caps.
SP106 5 x 74LS02	SP183 20 x BC547 transistors
SP112 4 x Cmos 4093	SP187 15 x BC239 transistors
SP115 3 x 10mm Red Leds	SP192 3 x Cmos 4066
SP116 3 x 10mm Green Leds	SP194 10 x OA90 diodes
SP117 15 x BC556 transistors	SP195 3 x 10mm Yellow Leds
SP118 2 x Cmos 4047	SP197 6 x 20 pin DIL sockets
SP119 4 x Cmos 4072	SP198 5 x 24 pin DIL sockets
SP130 100 x Mixed 0.5W C.F. resistors	
SP131 2 x TL071 Op.amps	
SP132 2 x TL082 Op.amps	
SP133 20 x 1N4004 diodes	

1997 Catalogue £1 inc. P&P or FREE with first order.
P&P £1.25 per order. NO VAT.
Orders to:
Sherwood Electronics,
7 Williamson St., Mansfield,
Notts. NG19 6TD.

RESISTOR PACKS - C.Film
RP3 5 each value - total 365 0.25W £2.75
RP7 10 each value - total 730 0.25W £3.95
RP10 1000 popular values 0.25W £5.75
RP4 5 each value-total 365 0.5W £3.70
RP8 10 each value-total 730 0.5W £6.30
RP11 1000 popular values 0.5W £8.00

Published on approximately the first Friday of each month by Wimborne Publishing Ltd., Allen House, East Borough, Wimborne, Dorset BH21 1PF. Printed in England by Wiltshire (Bristol) Printers Ltd., Bristol, BS20 9XP. Distributed by Seymour. Windsor House, 1270 London Road, Norbury, London SW16 4DH. Subscriptions INLAND £24 and OVERSEAS £30 (£47.50 airmail) payable to "Everyday Practical Electronics". Subs. Dept, Allen House, East Borough, Wimborne, Dorset BH21 1PF. EVERYDAY PRACTICAL ELECTRONICS is sold subject to the following conditions, namely that it shall not, without the written consent of the Publishers first having been given, be lent, resold, hired out or otherwise disposed of by way of Trade at more than the recommended selling price shown on the cover, and that it shall not be lent, resold, hired out or otherwise disposed of in a mutilated condition or in any unauthorised cover by way of Trade or affixed to or as part of any publication or advertising, literary or pictorial matter whatsoever.

POWER AMPLIFIER MODULES-TURNABLES-OIMMERS- LOUSPEAKERS-19 INCH STEREO RACK AMPLIFIERS

PRICES INCLUDE V.A.T. PROMPT DELIVERIES FRIENDLY SERVICE • LARGE (A4) S.A.E. 60p STAMPED FOR CATALOGUE

OMP MOS-FET POWER AMPLIFIERS HIGH POWER, TWO CHANNEL 19 INCH RACK

THOUSANDS PURCHASED BY PROFESSIONAL USERS



THE RENOWNED MXF SERIES OF POWER AMPLIFIERS FOUR MODELS:- MXF200 (100W + 100W) MXF400 (200W + 200W) MXF600 (300W + 300W) MXF900 (450W + 450W)

ALL POWER RATINGS R.M.S. INTO 4 OHMS, BOTH CHANNELS DRIVEN
FEATURES: ★Independent power supplies with two toroidal transformers ★ Twin L.E.O. Vu meters ★ Level controls ★ Illuminated on/off switch ★ XLR connectors ★ Standard 775mV inputs ★ Open and short circuit proof ★ Latest Mos-Fets for stress free power delivery into virtually any load ★ High slew rate ★ Very low distortion ★ Aluminium cases ★ MXF600 & MXF900 fan cooled with D.C. loudspeaker and thermal protection.

USED THE WORLD OVER IN CLUBS, PUBS, CINEMAS, DISCOS ETC.

SIZES:- MXF200 W19" xH3½" (2U)xD11"
 MXF400 W19" xH5" (3U)xD12"
 MXF600 W19" xH5" (3U)xD13"
 MXF900 W19" xH5" (3U)xD14"

PRICES:- MXF200 £175.00 MXF400 £233.85
 MXF600 £329.00 MXF900 £449.15
 SPECIALIST CARRIER DEL. £12.50 EACH



OMP X03 STEREO 3-WAY ACTIVE CROSS-OVER



Advanced 3-Way Stereo Active Cross-Over, housed in a 19" x 1U case. Each channel has three level controls: bass, mid & top. The removable front fascia allows access to the programmable OIL switches to adjust the cross-over frequency: Bass-Mid 250/500/800Hz, Mid-Top 1.8/3/5KHz, all at 24dB per octave. Bass invert switches on each bass channel. Nominal 775mV input/output. Fully compatible with OMP rack amplifier and modules.

Price £117.44 + £5.00 P&P

STEREO DISCO MIXER SDJ3400S

★ ECHO & SOUND EFFECTS ★

STEREO DISCO MIXER with 2 x 7 band L & R graphic equalisers with bar graph LEO Vu meters. **MANY OUTSTANDING FEATURES:-** including Echo with repeat & speed control, DJ Mic with talk-over switch, 6 Channels with individual faders plus cross fade, Cue Headphone Monitor, 8 Sound Effects. Useful combination of the following inputs:- 3 turntables (mag), 3 mics, 5 Line for CD, Tape, Video etc.



Price £144.99 + £5.00 P&P

SIZE: 482 x 240 x 120mm

PIEZO ELECTRIC TWEETERS - MOTOROLA

Join the Piezo revolution! The low dynamic mass (no voice coil) of a Piezo tweeter produces an improved transient response with a lower distortion level than ordinary dynamic tweeters. As a crossover is not required these units can be added to existing speaker systems of up to 100 watts (more if two are put in series). **FREE EXPLANATORY LEAFLETS ARE SUPPLIED WITH EACH TWEETER.**

TYPE 'A' (KSN1036A) 3" round with protective wire mesh. Ideal for bookshelf and medium sized Hi-Fi speakers. Price £4.90 - 50p P&P.
TYPE 'B' (KSN1005A) 3½" super horn for general purpose speakers, disco and P.A. systems etc. Price £5.99 - 50p P&P.
TYPE 'C' (KSN1016A) 2" x 5" wide dispersion horn for quality Hi-Fi systems and quality discos etc. Price £6.99 - 50p P&P.
TYPE 'D' (KSN1025A) 2" x 6" wide dispersion horn. Upper frequency response retained extending down to mid-range (2KHz). Suitable for high quality Hi-Fi systems and quality discos. Price £9.99 - 50p P&P.
TYPE 'E' (KSN1038A) 3½" horn tweeter with attractive silver finish trim. Suitable for Hi-Fi monitor systems etc. Price £5.99 - 50p P&P.
LEVEL CONTROL Combines, on a recessed mounting plate, level control and cabinet input jack socket. 85x85mm. Price £4.10 - 50p P&P.



IBI FLIGHT CASED LOUSPEAKERS

A new range of quality loudspeakers, designed to take advantage of the latest speaker technology and enclosure designs. Both models utilize studio quality 12" cast aluminium loudspeakers with factory fitted grilles, wide dispersion constant directivity horns, extruded aluminium corner protection and steel ball corners, complemented with heavy duty black covering. The enclosures are fitted as standard with top hats for optional loudspeaker stands

POWER RATINGS QUOTED IN WATTS RMS FOR EACH CABINET FREQUENCY RESPONSE FULL RANGE 45Hz - 20KHz

ibi FC 12-100WATTS (100dB) PRICE £159.00 PER PAIR
ibi FC 12-200WATTS (100dB) PRICE £175.00 PER PAIR

SPECIALIST CARRIER DEL. £12.50 PER PAIR

OPTIONAL STANDS PRICE PER PAIR £49.00

Delivery £6.00 per pair



IN-CAR STEREO BOOSTER AMPS



PRICES: 150W £49.99 250W £99.99 400W £109.95 P&P £2.00 EACH

THREE SUPERB HIGH POWER CAR STEREO BOOSTER AMPLIFIERS

150 WATTS (75 - 75) Stereo, 150W Bridged Mono
 250 WATTS (125 - 125) Stereo, 250W Bridged Mono
 400 WATTS (200 - 200) Stereo, 400W Bridged Mono
ALL POWERS INTO 4 OHMS

Features:
 ★ Stereo, bridged mono ★ Choice of high & low level inputs ★ L & R level controls ★ Remote on-off ★ Speaker & thermal protection

OMP MOS-FET POWER AMPLIFIER MODULES

SUPPLIED READY BUILT AND TESTED.

These modules now enjoy a world-wide reputation for quality, reliability and performance at a realistic price. Four models are available to suit the needs of the professional and hobby market i.e. Industry, Leisure, Instrumental and Hi-Fi etc. When comparing prices, NOTE that all models include toroidal power supply, integral heat sink, glass fibre P.C.B. and drive circuits to power a compatible Vu meter. All models are open and short circuit proof.

THOUSANDS OF MODULES PURCHASED BY PROFESSIONAL USERS



OMP/MF 100 Mos-Fet Output power 110 watts R.M.S. into 4 ohms, frequency response 1Hz - 100KHz -3dB, Damping Factor >300, Slew Rate 45V/uS, T.H.D. typical 0.002%, Input Sensitivity 500mV, S.N.R. -110 dB. Size 300 x 123 x 60mm.
PRICE £40.85 - £3.50 P&P



OMP/MF 200 Mos-Fet Output power 200 watts R.M.S. into 4 ohms, frequency response 1Hz - 100KHz -3dB, Damping Factor >300, Slew Rate 50V/uS, T.H.D. typical 0.001%, Input Sensitivity 500mV, S.N.R. -110 dB. Size 300 x 155 x 100mm.
PRICE £64.35 - £4.00 P&P



OMP/MF 300 Mos-Fet Output power 300 watts R.M.S. into 4 ohms, frequency response 1Hz - 100KHz -3dB, Damping Factor >300, Slew Rate 60V/uS, T.H.D. typical 0.001%, Input Sensitivity 500mV, S.N.R. -110 dB. Size 330 x 175 x 100mm.
PRICE £81.75 - £5.00 P&P



OMP/MF 450 Mos-Fet Output power 450 watts R.M.S. into 4 ohms, frequency response 1Hz - 100KHz -3dB, Damping Factor >300, Slew Rate 75V/uS, T.H.D. typical 0.001%, Input Sensitivity 500mV, S.N.R. -110 dB, Fan Cooled, D.C. Loudspeaker Protection, 2 Second Anti-Thump Delay. Size 385 x 210 x 105mm.
PRICE £132.85 - £5.00 P&P



OMP/MF 1000 Mos-Fet Output power 1000 watts R.M.S. into 2 ohms, 725 watts R.M.S. into 4 ohms. frequency response 1Hz - 100KHz -3dB, Damping Factor >300, Slew Rate 75V/uS, T.H.D. typical 0.002%, Input Sensitivity 500mV, S.N.R. -110 dB, Fan Cooled, D.C. Loudspeaker Protection, 2 Second Anti-Thump Delay. Size 422 x 300 x 125mm.
PRICE £259.00 - £12.00 P&P

NOTE: MOS-FET MODULES ARE AVAILABLE IN TWO VERSIONS: STANDARD - INPUT SENS 500mV, BAND WIDTH 100KHz. PEC (PROFESSIONAL EQUIPMENT COMPATIBLE) - INPUT SENS 775mV, BAND WIDTH 50KHz. ORDER STANDARD OR PEC.

LOUDSPEAKERS

LARGE SELECTION OF SPECIALIST LOUSPEAKERS AVAILABLE, INCLUDING CABINET FITTINGS, SPEAKER GRILLES, CROSS-OVERS AND HIGH POWER, HIGH FREQUENCY BULLETS AND HORNS, LARGE (A4) S.A.E. (60p STAMPED) FOR COMPLETE LIST.



McKenzie and Fane Loudspeakers are also available.

EMINENCE- INSTRUMENTS, P.A., DISCO, ETC

ALL EMINENCE UNITS 8 OHMS IMPEDANCE

- 8" 100 WATT R.M.S. ME8-100 GEN. PURPOSE. LEAD GUITAR, EXCELLENT MID, DISCO. PRICE £32.71 - £2.00 P&P
- RES. FREQ. 72Hz, FREQ. RESP. TO 4KHz, SENS 97dB.
- 10" 100 WATT R.M.S. ME10-100 GUITAR, VOCAL, KEYBOARD, DISCO, EXCELLENT MID. PRICE £33.74 - £2.50 P&P
- RES. FREQ. 71Hz, FREQ. RESP. TO 7KHz, SENS 97dB.
- 10" 200 WATT R.M.S. ME10-200 GUITAR, KEYB'D, DISCO, VOCAL, EXCELLENT HIGH POWER MID. PRICE £43.47 - £2.50 P&P
- RES. FREQ. 65Hz, FREQ. RESP. TO 3.5KHz, SENS 99dB.
- 12" 100 WATT R.M.S. ME12-100LE GEN. PURPOSE, LEAD GUITAR, DISCO, STAGE MONITOR. PRICE £35.64 - £3.50 P&P
- RES. FREQ. 49Hz, FREQ. RESP. TO 6KHz, SENS 100dB.
- 12" 100 WATT R.M.S. ME12-100LT (TWIN CONE) WIDE RESPONSE, P.A., VOCAL, STAGE MONITOR. RES. FREQ. 42Hz, FREQ. RESP. TO 10KHz, SENS 98dB. PRICE £36.67 - £3.50 P&P
- 12" 200 WATT R.M.S. ME12-200 GEN. PURPOSE, GUITAR, DISCO, VOCAL, EXCELLENT MID. PRICE £46.71 - £3.50 P&P
- RES. FREQ. 58Hz, FREQ. RESP. TO 6KHz, SENS 98dB.
- 12" 300 WATT R.M.S. ME12-300GP HIGH POWER BASS, LEAD GUITAR, KEYBOARD, DISCO ETC. PRICE £70.19 - £3.50 P&P
- RES. FREQ. 47Hz, FREQ. RESP. TO 5KHz, SENS 103dB.
- 15" 200 WATT R.M.S. ME15-200 GEN. PURPOSE BASS, INCLUDING BASS GUITAR. PRICE £50.72 - £4.00 P&P
- RES. FREQ. 46Hz, FREQ. RESP. TO 5KHz, SENS 99dB.
- 15" 300 WATT R.M.S. ME15-300 HIGH POWER BASS, INCLUDING BASS GUITAR. PRICE £73.34 - £4.00 P&P
- RES. FREQ. 39Hz, FREQ. RESP. TO 3KHz, SENS 103dB.

ARMENDERS:- HI-FI, STUDIO, IN-CAR, ETC

ALL EARBENDER UNITS 8 OHMS (Except EB8-50 & EB10-50 which are dual impedance tapped @ 4 & 8 ohm)

- BASS, SINGLE CONE, HIGH COMPLIANCE, ROLLED SURROUND**
- 8" 50watt EB8-50 QUAL IMPEDANCE, TAPPED 4/8 OHM BASS, HI-FI, IN-CAR. PRICE £8.90 - £2.00 P&P
- RES. FREQ. 40Hz, FREQ. RESP. TO 7KHz SENS 97dB.
- 10" 50WATT EB10-50 QUAL IMPEDANCE, TAPPED 4/8 OHM BASS, HI-FI, IN-CAR. PRICE £13.65 - £2.50 P&P
- RES. FREQ. 40Hz, FREQ. RESP. TO 5KHz, SENS. 99dB.
- 10" 100WATT EB10-100 BASS, HI-FI, STUDIO. PRICE £30.39 - £3.50 P&P
- RES. FREQ. 35Hz, FREQ. RESP. TO 3KHz, SENS 96dB.
- 12" 100WATT EB12-100 BASS, STUDIO, HI-FI, EXCELLENT DISCO. PRICE £42.12 - £3.50 P&P
- RES. FREQ. 26Hz, FREQ. RESP. TO 3KHz, SENS 93dB.
- FULL RANGE TWIN CONE, HIGH COMPLIANCE, ROLLED SURROUND**
- 5½" 60WATT EB5-60TC (TWIN CONE) HI-FI, MULTI-ARRAY DISCO ETC. PRICE £9.99 - £1.50 P&P
- RES. FREQ. 63Hz, FREQ. RESP. TO 20KHz, SENS 92dB.
- 6½" 60WATT EB6-60TC (TWIN CONE) HI-FI, MULTI-ARRAY DISCO ETC. PRICE £10.99 - 1.50 P&P
- RES. FREQ. 38Hz, FREQ. RESP. TO 20KHz, SENS 94dB.
- 8" 60WATT EB8-60TC (TWIN CONE) HI-FI, MULTI-ARRAY DISCO ETC. PRICE £12.99 - £1.50 P&P
- RES. FREQ. 40Hz, FREQ. RESP. TO 18KHz, SENS 89dB.
- 10" 60WATT EB10-60TC (TWIN CONE) HI-FI, MULTI-ARRAY DISCO ETC. PRICE £16.49 - £2.00 P&P
- RES. FREQ. 35Hz, FREQ. RESP. TO 12KHz, SENS 98dB.

TRANSMITTER HOBBY KITS

PROVEN TRANSMITTER DESIGNS INCLUDING GLASS FIBRE PRINTED CIRCUIT BOARD AND HIGH QUALITY COMPONENTS COMPLETE WITH CIRCUIT AND INSTRUCTIONS

3W TRANSMITTER 80-108MHz, VARICAP CONTROLLED PROFESSIONAL PERFORMANCE. RANGE UP TO 3 MILES, SIZE 38 x 123mm, SUPPLY 12V @ 0.5AMP. PRICE £14.85 - £1.00 P&P

FM MICRO TRANSMITTER 100-108MHz, VARICAP TUNED, COMPLETE WITH VERY SENS FET MIC, RANGE 100-300m. SIZE 56 x 46mm, SUPPLY 9V BATTERY. PRICE £8.80 - £1.00 P&P



PHOTO: 3W FM TRANSMITTER

B.K. ELECTRONICS

UNITS 1 & 5 COMET WAY, SOUTHERN-ON-SEA, ESSEX, SS2 6TR.

Tel.: 0702 - 527572 Fax: 0702 - 420243

POSTAL CHARGES PER ORDER £1.00 MINIMUM. OFFICIAL ORDERS FROM SCHOOLS, COLLEGES, GOVT. BODIES, PLCs ETC. PRICES INCLUSIVE OF V.A.T. SALES COUNTER, VISA AND ACCESS ACCEPTED BY POST, PHONE OR FAX.



AUDIO LEAD CHECKER KIT

- No home or professional studio should be without one!

FEATURES:

- Easily and clearly identifies interconnections on most types of audio cable
 - Battery powered and portable
 - Easy to build
 - No setting up required
 - EMC / CE Compliant
- IDEAL FOR:**
- PA/sound engineers
 - Gigging Bands
 - Home & professional studios
 - Audio/Hi-Fi

Kit includes all components, PCB, box, box label, sockets, wire, etc., and full instructions. Requires Alkaline PP3 battery (not included in kit).

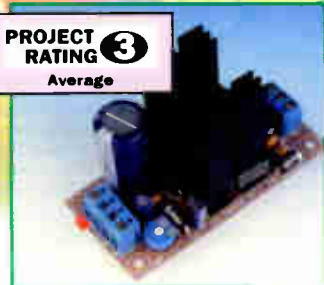


AUDIO LEAD CHECKER KIT LU26D £19.99

Construction details: Audio Lead Checker Leaflet XZ20W 80p
Issue 114 / June 1997 Electronics & Beyond XD14Q £2.25

1.5A VARIABLE VOLTAGE POSITIVE AND NEGATIVE REGULATED PSU KITS

PROJECT RATING 3
Average



FEATURES:

- Output reverse polarity and back-voltage protection
- Output voltage range: 1.25V to 37V (depending on input)
- LED power-on indication
- Variable output voltage
- Low noise
- Compact dimensions
- Easy to build
- Can be used with single, split and twin secondary transformers
- EMC / CE compliant

Kit includes all components, PCB, heatsink and full instructions. Mains transformer, other mains-side components and enclosure are dependant on users intended application and therefore not included in the kit.

VARIABLE POSITIVE PSU KIT LU86T £10.99

VARIABLE NEGATIVE PSU KIT LU87U £10.99

Construction details: Positive and Negative Variable PSU Leaflet XZ40T 50p
Issue 113 / May 1997 Electronics & Beyond XD13P £2.25

SIREN SOUND GENERATOR KITS

FEATURES:

- Easy to build - ideal beginners' project
- Three versions available
- Auto power-off for long battery life
- Low quiescent current (typically 1µA @ 3V)
- Wide supply voltage range: 2.4V to 24V
- Speaker or buzzer output drive
- Touch, switch contact or digital input to trigger siren
- Pulsed LED output
- Compact PCB
- EMC / CE Compliant

IDEAL FOR:

- Audible warning devices
- Sirens and alarms
- Children's toys



Kit includes all components, PCB, LED, piezo sounder and full instructions. Enclosure, loudspeaker, switch/touch pads, battery, etc., are dependant on user's intended application and therefore not included in the kit.

CAR ALARM SIREN KIT LU85G £7.99 USA POLICE SIREN KIT LU88V £7.99

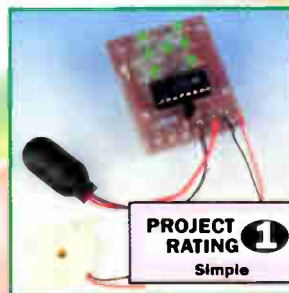
WAILING POLICE SIREN KIT LU89W £7.99

Construction details: Siren Sound Generator Leaflet XZ42V 50p
Issue 112 / April 1997 Electronics & Beyond XD12N £2.25

These kits are:

- Supplied with high-quality fibre-glass PCBs - pre-tinned, with printed legend and solder resist
 - Supplied with comprehensive instructions and a constructors' guide
 - Covered by the Maplin Get-You-Working Service and 12-month warranty
- Kits do not include tools or test equipment. Kits may require additional components or products, depending on application, please refer to construction details or contact the Maplin Technical Support Helpline (Tel: 01702 556001) if in doubt.

ELECTRONIC DICE KIT



FEATURES:

- Easy to build - ideal beginners' project
- Auto power-off for long battery life
- Low quiescent current (typically 1µA)
- 3V supply voltage (2 x 1.5V cells ideal)
- Touch, switch contact or digital input to 'roll' dice
- 'Rolling dice' sound effect
- Dice can be interlinked for games requiring more than one dice
- EMC / CE Compliant

Kit includes all components, PCB, LEDs, piezo sounder and full instructions. Enclosure, fixing hardware, switch/touch pads, battery, etc., are dependant on user's intended application and therefore not included in the kit.

ELECTRONIC DICE KIT LU78K £7.99

Construction details: Electronic Dice Leaflet XZ43W 50p
Issue 112 / April 1997 Electronics & Beyond XD12N £2.25

VIDEO DISTRIBUTION AMPLIFIER KIT

FEATURES:

- Composite video input/output
- Four outputs as standard
- Units can be cascaded for multiple outputs
- Easy to build and use
- Compact dimensions
- Video gain (0dB to 8dB) control
- HF boost (0dB to 8dB) controls
- Wide bandwidth: 20Hz to 50MHz
- 75Ω or high impedance input
- 75Ω outputs
- Single +12V DC @ 50mA Supply
- EMC / CE Compliant



IDEAL FOR:

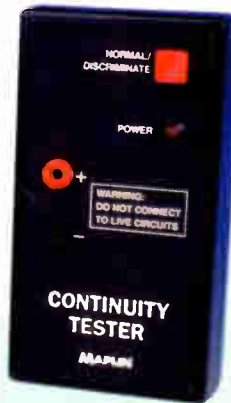
- Video signal distribution
- Video dubbing/duplication
- CCTV/Security

Kit includes all components, PCB, potentiometers and full instructions. Enclosure, knobs, coaxial cable, connectors, etc., are dependant on user's intended application and therefore not included in the kit.

VIDEO DISTRIBUTION AMPLIFIER KIT LU79L £14.99

Construction details: Video Distribution Amplifier Leaflet XZ38R 50p
Issue 111 / March 1997 Electronics & Beyond XD11M £2.25

CONTINUITY TESTER KIT



FEATURES:

- Easy to build - ideal beginners' project
- Audible continuity indication
- Can discriminate between semiconductor junctions and 'true short-circuits'
- Compact, lightweight and portable
- Battery powered
- No setting up required
- EMC / CE Compliant

IDEAL FOR:

- Tracing faults on PCBs
- Checking components
- Tracing wiring

Kit includes all components, PCB, box, box label, sockets, wire, speaker, test leads, etc., and full instructions. Requires Alkaline PP3 battery (not included in kit).

CONTINUITY TESTER KIT JA13P £19.99

Construction details: Continuity Tester Leaflet XZ39N 50p
Issue 111 / March 1997 Electronics & Beyond XD11M £2.25

.....**ORDER NOW!**.....

Tel: 01702 554000, Fax: 01702 554001, E-mail: Sales@maplin.co.uk
Or write to Maplin MPS, P.O. Box 777, Rayleigh, Essex, SS6 8LU
Or Tel: 01702 554002 for details of your nearest Maplin or Mondo store.

Please quote **Priority Reference Code MA034** When ordering.



For orders over £30.00 inc VAT goods are dispatched free of handling charges. A small order charge of £2.95 inc VAT is applied to orders less than £30.00 inc VAT. All items subject to availability. All prices are inclusive of VAT and are subject to change. E&OE.

MAPLIN

Internet Web Site: <http://www.maplin.co.uk>