

EVERYDAY

MARCH 1995

With

PRACTICAL

ELECTRONICS

INCORPORATING ELECTRONICS MONTHLY

FULLY S.O.R. £2.25

Free **PROBABLY**
THE MOST USEFUL
PCB EVER! *Worth*
Build any of *£3*
these projects
on the **FREE** pcb:

SOUND ACTIVATED SWITCH

AUDIO AMPLIFIER

LIGHT BEAM

COMMUNICATOR

Plus three more projects

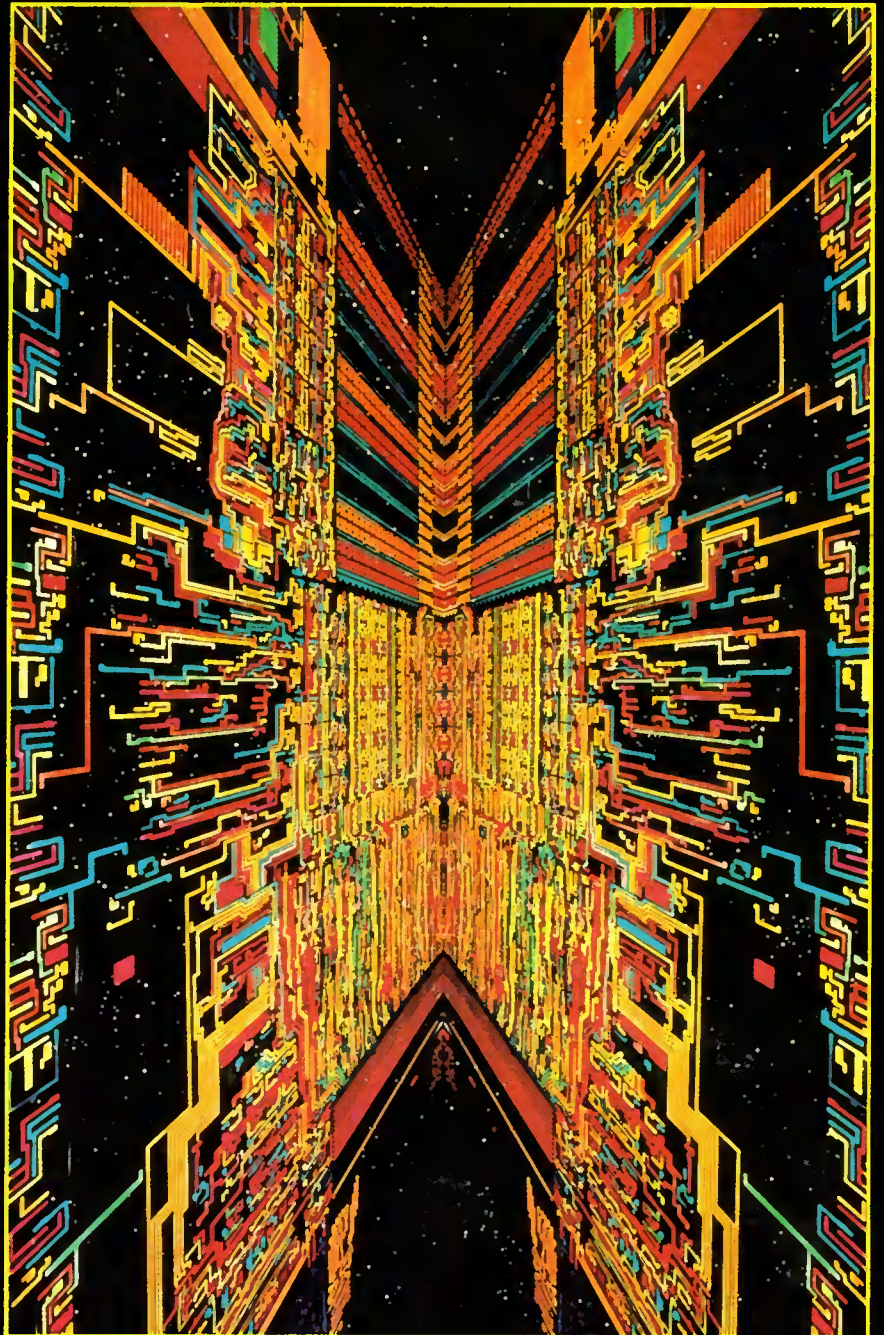
next month – details inside

Also **UNDERSTANDING**

PIC MICROCONTROLLERS

Learn how to use these

inexpensive, versatile chips



THE No. 1 INDEPENDENT
MAGAZINE FOR
ELECTRONICS, TECHNOLOGY
& COMPUTER PROJECTS



A4 DTP MONITORS Brand new, 300 DPI. Complete with diagram but no interface details. (so you will have to work it out!) Bargain at just £12.99 each!!!!

OPD MONITORS 9" mono monitor, fully cased complete with raster board, switched mode psu etc. CGA/TTL input (15way D), IEC mains. £15.99 ref DEC23. Price including kit to convert to composite monitor for CCTV use etc is £21.99 ref DEC24

LOW COST LASER NIGHT SIGHT JUST £79!!!
Cheaper version of our £245 Cyclops model, works ok in low light levels or in complete darkness with the built in Laser. ref 95/79 (please allow about 1 month delivery for these due to import difficulties)

PC CONTROLLED 4 CHANNEL TIMER Control (on/off times etc) up to 4 items (8A 240v each) with this kit. Complete with Software, relays, PCB etc £25.99 ref 95/26

LOW COST RADAR DETECTOR Built and tested pocket radar detector, ideal for picking up speed traps etc. Why pay £70 or more? ours is just £24.99 ref 95/25.

COMPLETE PC 300 WATT UPS SYSTEM Top of the range UPS system providing protection for your computer system and valuable software against mains power fluctuations and cuts. New and boxed. UK made. Provides up to 5 mins running time in the event of complete power failure to allow you to run your system down correctly. **SALE PRICE JUST £119.00.**

RACAL MODEM BONANZA! 1 Racal MDS1223 1200/75 modem, telephone lead, mains lead, manual and comms software, the cheapest way onto the net! all this for just £13 ref DEC13

HOW LOW ARE YOUR FLOPPIES? 3.5" (1.44) unbranded. We have sold 100,000+ so ok! Pack of 50 £24.99 ref DEC16

BRITISH TELECOMM MULTIMETERS SA9083 These are 'returns' so they may have faults but look ok. Complete with new leads and leather case. Price for two meters & 1 case is £10 ref DEC89.

6mw LASER POINTER. Supplied in kit form, complete with power adjuster, 1-5mw, and beam divergence adjuster. Runs on 2AAA batteries. Produces thin red beam ideal for levels, gun sights, experiments etc. Cheapest in the UK! just £39.95 ref DEC49

SHOP WOBLERS! Small assemblies designed to take D size batteries and 'wobble' cardboard model signs about in shop windows! £3.99 ref SEP42

RADIO PAGERS Brand new, UK made pocket pagers clearance price is just £4.99 each 100x40x15mm packed with bits! Ref SEP5.

BULL TENS UNIT Fully built and tested TENS (Transcutaneous Electrical Nerve Stimulation) unit, complete with electrodes and full instructions. TENS is used for the relief of pain etc in up to 70% of sufferers. Drug free pain relief, safe and easy to use. can be used in conjunction with analgesics etc. £49 Ref TEN/1

STEREO MICROSCOPE 155x195MM, up to 600mm high, so items up to 10" will fit under lens. Rack and pinion focusing, 6 interchangeable rotating objective lenses, interchangeable eye pieces, +scaled eyepiece for accurate measuring etc. Powerful low voltage illumination system with green filter and variable intensity, 100mm black/white + ground glass stage plate, 70mm swivel mirror, adjustable eyepieces (both focus and width). Magnification range 4-16-100, field of view 39-2.4mm. Price is £299 for complete setup. Ref 95/300.

3D 36MM CAMERA SYSTEM Complete kit to convert a standard 35mm camera into a 3D version!, enable you to take 3D colour slides with your own camera! Kit contains a prism assembly for the front of your existing lens, a sample 3D slide, a 3D slide viewer and 2 different lens mounts 49mm and 52mm, (other sizes available from photo shops at about £3 ea) all you need is standard slide film. Price for the complete kit is £29.99 ref 95/30

COMPUTER RS232 TERMINALS. (LIBERTY) Excellent quality modem units, (like wyse 50 s) 2xRS232, 20 function keys, 50 to 38,400 baud, menu driven port, screen, cursor, and keyboard setup menus (18 menus) £29 Ref NOV4

OMRON TEMPERATURE CONTROLLERS (E6C2). Brand new controllers, adjustable from -50 deg C to +1,200 deg C using graduated dial, 2% accuracy, thermocouple input, long life relay output. 3A 240v o/p contacts. Perfect for exactly controlling a temperature. Normal trade £50+, ours £15. Ref E5C2.

ELECTRIC MOTOR BONANZA! 110x60mm. Brand new precision, cap start (or spin to start), virtually silent and features a moving outer case that acts as a fly wheel. Because of their unusual design we think that 2 of these in a tube with some homemade fan blades could form the basis for a wind tunnel etc. Clearance price is just £4.99 FOR A PAIR! (note- these will have to be wired in series for 240v operation Ref NOV1

MOTOR NO 2 BARGAIN 110x90mm. Similar to the above motor but more suitable for mounting vertically (ie turntable etc). Again you will have to wire 2 in series for 240v use. Bargain price is just £4.99 FOR A PAIR!! Ref NOV3

OMRON ELECTRONIC INTERVAL TIMERS.

Miniature adjustable timers, 4 pole c/o output 3A 240v,
HY1230S, 12VDC adjustable from 0-30 secs £9.99
HY1210M, 12VDC adjustable from 0-10 mins £9.99
HY1260M, 12VDC adjustable from 0-60 mins £9.99
HY2460M, 24VAC adjustable from 0-60 mins £5.99
HY241S, 24VAC adjustable from 0-1 secs £5.99
HY2460S, 24VAC adjustable from 0-60 secs £5.99
HY243H, 24VAC adjustable from 0-3 hours £8.99
HY2401S, 240v adjustable from 0-1 secs £9.99
HY2405S, 240v adjustable from 0-5 secs £9.99
HY24060m, 240v adjustable from 0-60 mins £12.99

PC PAL VGA TO TV CONVERTER Converts a colour TV into a basic VGA screen. Complete with built in psu, lead and s/ware. £49.95. Ideal for laptops or a cheap upgrade.

EMERGENCY LIGHTING UNIT Complete unit with 2 double bulb floodlights, built in charger and auto switch. Fully cased. 6v 8AH lead acid req'd (secondhand) £4 ref MAG4P11

GUIDED MISSILE WIRE. 4,200 metre reel of ultra thin 4 core insulated cable, 28lbs breaking strain, less than 1mm thick! Ideal alarms, intercoms, fishing, dolls house's etc. £14.99 ref MAG15P5

300v PANEL METER 70x60x50MM, AC, 90 degree scale. Good quality meter. £5.99 ref MAG 6P14. Ideal for monitoring mains etc.

ASTEC SWITCHED MODE PSU BM41012 Gives +5 @ 3.75A, +12@1.5A, -12@.4A 230/110, cased, BM41012. £5.99 ref AUG6P3

TORRODIAL TX 30-0-30 480VA. Perfect for Mosfet amplifiers etc. 120mm dia 55mm thick. £18.99 ref APR19

AUTO SUNCHARGER 155x300mm solar panel with diode and 3 metre lead fitted with a cigar plug. 12v 2watt. £9.99 ea ref AUG10P3.

FLOPPY DISCS D5DD Top quality 5.25" discs, these have been written to once and are unused. Pack of 20 is £4 ref AUG4P1

ECLATRON FLASH TUBE As used in police car flashing lights etc. full spec supplied, 60-100 flashes a min. £9.99 ref APR10P5

24v AC 96WATT Cased power supply. New £13.99 ref APR14.

MILITARY SPEC GEIGER COUNTERS Unused anstraight from Her Majesty's forces. £50 ref MAG 50P3

STETHOSCOPE Fully functioning stethoscope, ideal for listening to hearts, pipes, motors etc. £6 ref MAR6P6

OUTDOOR SOLAR PATH LIGHT Captures sunlight during the day and automatically switches on a built in lamp at dusk. Complete with sealed lead acid battery etc. £19.99 ref MAR20P1

ALARM VERSION Of above unit comes with built in alarm and pr to deter intruders. Good value at just £24.99 ref MAR25P4

CARETAKER VOLUMETRIC ALARM. will cover the whole of the ground floor against forced entry. Includes mains power supply and integral battery backup. Powerful internal sounder, will take external bell if req'd. Retail £150+, ours? £49.99 ref MAR50P1

TELEPHONE CABLE White 6 core 100m reel complete with a pack of 100 dials. Ideal phone extns etc. £7.99 ref MAR8P3

MICRODRIVE STRIPPER Small cased tape drives ideal for stripping. lots of useful goodies including a smart case, and lots of components. £2 each ref JUN2P3

SOLAR POWER LAB SPECIAL You get TWO 6"x6" 6v 130mA solar cells, 4 LED's, wire, buzzer, switch plus 1 relay or motor. Superb value kit just £5.99 REF: MAG6P8

SOLID STATE RELAYS Will switch 25A mains. Input 3.5-26v DC 57x43x21mm with terminal screws £3.99 REF MAG4P10

300DPI A4 DTP MONITOR Brand new but shop soiled so hence bargain price! TTL/ECL inputs, 15" landscape, 1200x1664 pixel complete with circuit diag to help you interface with your projects. JUST £14.99. REF JUN15P2.

BUGGING TAPE RECORDER Small voice activated recorder, uses micro cassette complete with headphones £28.99 ref MAR29P1

ULTRAMINI BUC MG6 6mmx3.5mm made by AKG, 5-12v electret condenser. Cost £12 ea, Ours? just four for £9.99 REF MAG10P2

RGB/CGA/EGA/TTL COLOUR MONITORS 12" in good condition. Back anodised metal case. £79.99 ref JUN7/9

ANSWER PHONES Returns with 2 faults, we give you the bits for 1 fault, you have to find the other yourself. BT Response 200's £18 ea REF MAG18P1. PSU £5 ref MAG5P12

SWITCHED MODE PSU ex equip, 60w +5v @ 5A, -5v @ 5A +12v @ 2A, -12v @ 5A 120/220v cased 245x88x55mm IEC input socket £6.99 REF MAG7P1

PLUG IN PSU 9V 200mA DC £2.99 each REF MAG3P9

PLUG IN ACORN PSU 19v AC 14w, £2.99 REF MAG3P10

POWER SUPPLY fully cased with mains and o/p leads 17v DC 900mA output. Bargain price £5.99 ref MAG6P9

ACORN ARCHIMEDES PSU +5v @ 4.4A on/off sw uncased, selectable mains input, 145x100x45mm £7 REF MAG7P2

GEIGER COUNTER KIT Low cost professional twin tube, complete with PCB and components. Now only £19 Ref AUG19

9V DC POWER SUPPLY Standard plug in type 150mA 9V DC with lead and DC power plug. price for two is £2.99 ref AUG3P4

AA NICAD PACK encapsulated pack of 8 AA nicad batteries (tagged) ex equip, 55x32x32mm £3 a pack REF MAG3P11

13.8V 1.9A psu cased with leads. Just £9.99 REF MAG10P3

PPCMODE CARDS These are high spec plug in cards made for the Amstrad laptop computers. 2400 baud dial up unit complete with leads. Clearance price is £5 REF: MAG5P1

INFRA RED REMOTE CONTROLLERS Originally made for hi spec satellite equipment but perfect for all sorts of remote control projects. Our clearance price is just £2 REF: MAG2

200 WATT INVERTER Converts 10-15v DC into either 110v or 240v AC. Fully cased 115x36x156mm, complete with heavy duty power lead, cigar plug, AC output socket. Auto overload shutdown, auto short circuit shut down, auto input over voltage shutdown, auto input under voltage shut down (with audible alarm), auto temp control, unit shuts down if overheated and sounds audible alarm. Fused reversed polarity protected. output frequency within 2%, voltage within 10%. A extremely well built unit at an excellent price. Just £64.99 ref AUG65

UNIVERSAL SPEED CONTROLLER KIT Designed by us for the C5 motor but ok for any 12v motor up to 30A. Complete with PCB etc. A heat sink may be required. £17.00 REF: MAG17

MAINS CABLE Precut black 2 core 2 metre lengths ideal for repairs, projects etc. 50 metres for £1.99 ref AUG2P7

COMPUTER COMMUNICATIONS PACK Kit contains 100m of 6 core cable, 100 cable clips, 2 line drivers with RS232 interfaces and all connectors etc. Ideal low cost method of communicating between PC's over a long distance. Complete kit £8.99

MINICYCLOPS PIR 52x62x40mm runs on PP3 battery complete with shrill sounder. Cheap protection at only £5.99 ref MAR6P4

ELECTRIC MOTOR KIT Comprehensive educational kit includes all you need to build an electric motor. £9.99 ref MAR10P4

VIDEO SENDER UNIT. Transmits both audio and video signals from either a video camera, video recorder, TV or Computer etc to any standard TV set in a 100' range! (tune TV to a spare channel) 12v DC op. Price is £15 REF: MAG15 12v psu is £5 extra REF: MAG5P2

*SOME OF OUR PRODUCTS MAY BE UNLICENSABLE IN THE UK

BULL ELECTRICAL

250 PORTLAND ROAD HOVE SUSSEX

BN3 5QT (ESTABLISHED 50 YEARS)

MAIL ORDER TERMS: CASH PO OR CHEQUE WITH ORDER PLUS £3.00 POST PLUS VAT.

PLEASE ALLOW 7 - 10 DAYS FOR DELIVERY

TELEPHONE ORDERS WELCOME

TEL: 01273 203500

FAX: 01273 323077



***FM CORDLESS MICROPHONE** Small hand held unit with a 500' range! 2 transmit power levels. Reqs PP3 9v battery. Tuneable to any FM receiver. Price is £15 REF: MAG15P1

LOW COST WALKIE TALKIES Pair of battery operated units with a range of about 200'. Ideal for garden use or as an educational toy. Price is £8 a pair. REF: MAG 8P1 2 x PP3 req'd

***MINIATURE RADIO TRANSCIVERS** A pair of walkie talkies with a range of up to 2km in open country. Units measure 22x52x155mm. Including cases and earpieces. 2xPP3 req'd £30.00 p/r. REF: MAG30

COMPOSITE VIDEO KIT. Converts composite video into separate H sync, V sync, and video. 12v DC. £8.00 REF: MAG8P2

LQ3600 PRINTER ASSEMBLIES Made by Amstrad they are entire mechanical printer assemblies including printhead, stepper motors etc etc. In fact everything bar the case and electronics, a good stunner! £5 REF: MAG5P3 or 2 for £8 REF: MAG8P3

LED PACK of 100 standard red 5mm leds £5 REF MAG5P4

UNIVERSAL PC POWER SUPPLY complete with flyleads, switch, fan etc. Two types available 150w at £15 REF MAG15P2 (23x23x23mm) and 200w at £20 REF: MAG20P3 (23x23x23mm)

***FM TRANSMITTER** housed in a standard working 13A adapter! the bug runs directly off the mains so lasts forever! why pay £700? or price is £26 REF: MAG26 Transmits to any FM radio

***FM BUG KIT** New design with PCB embedded col for extra stability. Works in any FM radio. 9v battery req'd. £5 REF: MAG5P5

***FM BUG BUILT AND TESTED** superior design to kit. Supplied to detective agencies. 9v battery req'd £14 REF: MAG14

TALKING COINBOX STRIPPER Originally made to retail at £79 each, these units are designed to convert an ordinary phone into a payphone. The units have the locks missing and sometimes broken hinges. However they can be adapted for their original use or used for something else?? Price is just £3 REF: MAG3P1

TOP QUALITY SPEAKERS Made for Hi Fi televisions these are 10 watt 4R Jap made 4" round with large shielded magnets. Good quality £2 each REF: MAG2P4 or 4 for £6 REF: MAG6P2

TWEETERS 2" diameter good quality tweeter 140R (ok with the above speaker) 2 for £2 REF: MAG2P5 or 4 for £3 REF: MAG3P4

AT KEYBOARDS Made by Apricot these quality keyboards need just a small mod to run on any AT, they work perfectly but you will have to put up with 1 or 2 foreign keycaps! Price £6 REF: MAG6P3

HEADPHONES Ex Virgin Atlantic. 8 pairs for £2 REF: MAG2P8

DOS PACKS Microsoft version 3.3 or higher complete with all manuals or price just £5 REF: MAG5P8 Worth it just for the very comprehensive manual! 5.25" only

DOS PACK Microsoft version 5 Original software but no manuals hence only £5.99 3.5" only

PIR DETECTOR Made by famous UK alarm manufacturer these are hi spec. long range internal units. 12v operation. Slight marks on case and unboxed (although brand new) £8 REF: MAG8P5

MOBILE CAR PHONE £5.99 Well almost complete in car phone excluding the box of electronics normally hidden under seat. Can be made to illuminate with 12v also has built in light sensor so display only illuminates when dark. Totally convincing! REF: MAG6P6

ALARM BEACONS Zenon strobe made to mount on an external bell box but could be used for caravans etc. 12v operation. Just connect up and it flashes regularly! £5 REF: MAG5P11

6"x12" AMORPHOUS SOLAR PANEL 12v 155x310mm 130mA. Bargain price just £5.99 ea REF: MAG6P12

FIBRE OPTIC CABLE BUMPER PACK 10 metres for £4.99 ref MAG5P13 ideal for experimenters! 30m for £12.99 ref MAG13P1

HEATSINKS (finned) TO220, designed to mount vertically on a pcb 50x40x25mm you can have a pack of 4 for £1 ref JUN1P11

INFRARED LASER NIGHT SCOPES

Image intensifier complete with hand grip attachment with built in adjustable laser lamp for zero light conditions. Supplied with Pentax 42mm camera mount and normal eye piece. 1.6kg, uses 1xPP3, 3xAA's. Please allow us about 1 month for delivery on this product due to import problems! £245+Vat

NEW HIGH POWER LASERS

15mW. Helium neon, 3 switchable wavelengths. 63um, 1.15um, 3.39um (2 of them are infrared) 500 1 p/nalyzer built in so good for holography. Supplied complete with mains power supply 790x65mm. Use with EXTREME CAUTION AND QUALIFIED GUIDANCE. £349+Vat

WE BUY SURPLUS STOCK FOR CASH

1995 100 PAGE CATALOGUE NOW AVAILABLE, 45P STAMP OR FREE WITH ORDER.

3FT X 1FT 10WATT SOLAR PANELS

14.5v/700mA

£44.95

(PLUS £2.00 SPECIAL PACKAGING CHARGE)

TOP QUALITY AMORPHOUS SILICON CELLS HAVE ALMOST A TIMELESS LIFESPAN WITH AN INFINITE NUMBER OF POSSIBLE APPLICATIONS, SOME OF WHICH MAY BE CAR BATTERY CHARGING, FOR USE ON BOATS OR CARAVANS, OR ANYWHERE A PORTABLE 12V SUPPLY IS REQUIRED.

PORTABLE RADIATION DETECTOR

WITH NEW COMPUTER INTERFACE.

£59.00

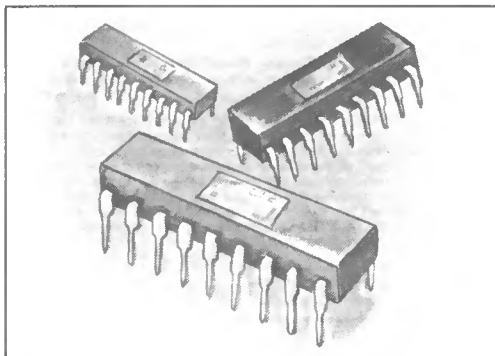
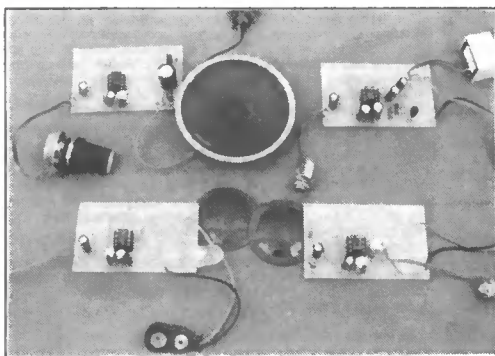
A Hand held personal Gamma and X Ray detector. This unit contains two Geiger Tubes, has a 4 digit LCD display with a Piezo speaker, giving an audio visual indication. The unit detects high energy electromagnetic quanta with an energy from 30K eV to over 1.2M eV and a measuring range of 5-9999 UR/h or 10-99990 N/rh. Supplied complete with handbook. Ref. NOV 18.

ISSN 0262 3617
 PROJECTS ... THEORY ... NEWS ...
 COMMENT ... POPULAR FEATURES ...

VOL. 24 No. 3 MARCH 1995

EVERYDAY
 With **PRACTICAL**
ELECTRONICS
 INCORPORATING ELECTRONICS MONTHLY

**The No. 1 Independent Magazine for Electronics,
 Technology and Computer Projects**



© Wimborne Publishing Ltd 1995. Copyright in all drawings, photographs and articles published in **EVERYDAY with PRACTICAL ELECTRONICS** is fully protected, and reproduction or imitations in whole or in part are expressly forbidden.

Our April '95 Issue will be published on Friday, 3 March 1995. See page 171 for details.

Everyday with Practical Electronics, March 1995

Projects

- MULTI-PURPOSE THERMOSTAT** by Alan Winstanley **182**
Build a safe, reliable, low-cost and versatile temperature controller
- NAME OF THE GAME - 1 COUNTERSPELL** by Roy Bebbington **194**
A series of easy-build modules to enhance your quiz and party games
- SOUND ACTIVATED SWITCH** by Robert Penfold **214**
Activates a relay when talking into a microphone (Free p.c.b. project)
- AUDIO AMPLIFIER** by Robert Penfold **216**
A versatile module for the workshop or general use (Free p.c.b. project)
- LIGHT BEAM COMMUNICATOR** by Robert Penfold **220**
Be secure from bugs with a far-sighted comms-link (Free p.c.b. project)

Series

- INGENUITY UNLIMITED** by Enthusiastic Readers **192**
The circuit show-case for readers' designs
- ELECTRONICS FROM THE GROUND UP - 6** **230**
by Mike Tooley B.A.
First steps in understanding electronics, with optional computer aided design software. Feedback
- INTERFACE** by Robert Penfold **238**
The page for computer enthusiasts
- AMATEUR RADIO** by Tony Smith G4FAI **248**
Licence revocations and revalidations, space calls; and extra bands

Features

- EDITORIAL** **181**
- NEW TECHNOLOGY UPDATE** by Ian Poole **190**
New p.c.b. materials and tougher semiconductors
- INNOVATIONS** **191**
Everyday news from the world of electronics
- SHOPTALK** with David Barrington **198**
Component buying for EPE projects
- UNDERSTANDING PIC MICROCONTROLLERS** **200**
by Brett Gossage
Worked examples of how constructors can get started using PICs
- FOX REPORT** by Barry Fox **208**
Might BT's Caller Line Identity be expensively deficient?
- BACK ISSUES** Did you miss these? **224**
- VISIO 3.0 GRAPHICS SOFTWARE REVIEW** by Alan Winstanley **226**
A highly refined Windows drawing package from Shapeware
- OHM SWEET OHM** by Max Fidling **228**
More amazing adventures of Max and his devoted companion Piddles
- ELECTRONICS SOFTWARE** **240**
Educational software - Electronics Principles II, Electronics PC Toolbox 2.0, GCSE Electronics, and GCSE Mathematics
- ELECTRONICS VIDEOS** **241**
Our range of educational videos to complement your studies
- DIRECT BOOK SERVICE** **243**
A wide range of technical books available by mail order
- PRINTED CIRCUIT BOARD SERVICE** **246**
PCBs for EPE projects - some at knock-down price!
- ADVERTISERS INDEX** **252**

FREE
 Cover mounted multi-use printed circuit board - what it's for **213**

Readers Service • Editorial and Advertisement Departments 181

Surplus always wanted for cash!

THE ORIGINAL SURPLUS WONDERLAND!

THIS MONTH'S SELECTION FROM OUR VAST EVER CHANGING STOCKS

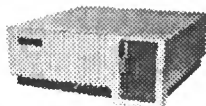
Surplus always wanted for cash!

LOW COST PC's - ALL EXPANDABLE - ALL PC COMPATIBLE

SPECIAL OFFER

SPECIAL BUY

AT 286
40Mb HD + 3Mb Ram

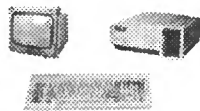


LIMITED QUANTITY only of these 12MHz HI GRADE 286 systems Made in the USA to an industrial specification, the system was designed for total reliability. The compact case houses the motherboard, PSU and EGA video card with single 5 1/4" 1.2 Mb floppy disk drive & integral 40Mb hard disk drive to the front. Real time clock with battery backup is provided as standard. Supplied in good used condition complete with enhanced keyboard, 640K + 2Mb RAM, DOS 4.01 and 90 DAY Full Guarantee. Ready to Run!
Order as HIGRADE 286 **ONLY £149.00 (E)**
CALL FOR QTY DISCOUNTS

Optional Fitted extras: VGA graphics card	£29.00
1.4Mb 3 1/2" floppy disk drive (instead of 1.2 Mb)	£32.95
NE2000 Ethernet (thick, thin or twisted) network card	£49.00

PC SCOOP

COMPLETE
COLOUR SYSTEM
ONLY £99.00



A massive bulk purchase enables us to bring you a COMPLETE ready to run colour PC system at an unheard of price! The Display Electronics PC99 system comprises of fully compatible and expandable XT PC with 2Mb of RAM, 5 1/4" 360k floppy disk drive, 12" CGA colour monitor, standard 84 key keyboard, MS DOS and all connecting cables - just plug in and go!! Ideal students, schools or anybody wishing to learn the world of PC's on an ultra low budget. Don't miss this opportunity. Fully guaranteed for 90 Days.

Optional Fitted extras: 640K RAM	£29.00
2nd floppy drive, specify 5 1/4" 360k or 3 1/2" 720k	£29.95

Above prices for PC99 offer ONLY.

VIDEO MONITOR SPECIALS

Superb quality 14" FOREFRONT MTS-9600 SVGA Multisync - Multimode monitor 0.28" dot pitch with resolution of 1024 x 768. The multi mode input allows direct connection to a host of computers including IBM PC's in CGA, EGA, VGA & SVGA modes. BBC, COMMODORE (including Amiga 1200), ARCHIMIDES etc. The H version will also function with the ATARI in all modes inc. Hi RES monochrome. Complete with text switching for WP use (possible minor screen buds) Syncs down to 15 kHz. Supplied in EXCELLENT little used condition with full 90 day guarantee.

Order as MTS-9600/H for ATARI £149.00 (E)
All modes as above Order as MTS-9600/S £129.00 (E)

ELECTROHOME ECM-12115BU 12" VGA multisync monitor with resolution 640 x 480. Multi input selection; 9pin CGA/ EGA; 15 pin VGA or 5 BNC connectors. 0.31 pitch. Compatible with PCs, Amiga, Atari and others. In good used condition (possible minor screen burns) 90 day guarantee. £99.00 (E)

KME 10" high definition colour monitors. Nice tight 0.28" dot pitch for superb clarity and modem styling. Operates from any 15.625 khz sync RGB video source, with RGB analog and composite sync such as Atari, Commodore Amiga, Acorn Archimedes & BBC. Measures only 13.5" x 12" x 11". Only £125 (E)
Good used condition. 90 day guarantee.

KME 10" as above for PC EGA standard £145.00 (E)

NEC CGA 12" colour IBM-PC compatible. High quality ex-equipment fully tested with a 90 day guarantee. In an attractive two tone ribbed grey plastic case measuring 15" L x 13" W x 12" H. The front cosmetic bezel has been removed for contractual reasons.

Only £49.00 (E)

20" 22" and 26" AV SPECIALS
Superbly made UK manufacture. PIL all solid state colour monitors, complete with composite video & optional sound inputs. Attractive teak style case. Perfect for Schools, Shops, Disco, Clubs, etc. In EXCELLENT little used condition with full 90 day guarantee.

20"....£135 22"....£155 26"....£185 (F)
12" Mono. Philips BM7542 /05G for CCTV NEW £69.95 (C)

DC POWER SUPPLIES
10,000 Power Supplies Ex Stock
Call for info / list

Power One SPL200-5200P 200 watt (250 w peak). Semi open frame giving +5v 35a, -5v 1.5a, +12v 4a (8a peak), -12v 1.5a, +24v 4a (8a peak). All outputs fully regulated with over voltage protection on the +5v output. AC input selectable for 110/240 vac. Dims 13" x 5" x 2.5". Fully guaranteed RFE. £85.00 (B)

Power One SPL130. 130 watts. Selectable for 12v (4A) or 24 v (2A), 5v or 20A, & 12v or 1.5A. Switch mode. New. £59.95 (B)

Astec AC-8151 40 watts. Switch mode. +5v or 2.5a. +12v or 2a. -12v or 0.1a. 6-1/4" x 4" x 1-3/4" RFE tested £22.95 (B)

Lambda LVS-PV-12 200 watt switch mode. +12V DC @ 29a semi enclosed. 10" x 5" x 5". RFE and fully tested. £49.95 (C)

Conver AC130. 130 watt hi-grade VDC spec. Switch mode. +5v @ 15a, -5v @ 1a, +12v @ 6a 27 x 12.5 x 6.5cms. New. £49.95 (C)

Boshart 13090. Switch mode. Ideal for drives & system. +5v @ 6a, +12v @ 2.5a, -12v @ 0.5a, -5v @ 0.5a. £29.95 (B)

Farnell G6/40A. Switch mode. 5v @ 40a. Encased £95.00 (C)

SPECIAL INTEREST
INTEL SBC 486/133SE Multibus 486 system. 8Mb Ram £1975
Zeta 3220-05 A0 4 pin HPGL RS232C fast drum plotter £1950
3M VDA - Video Distribution Amps. 1 in 32 out £375
Trio 0-18 vdc bench PSU. 30 amps. New £470
Fujitsu M3041 600 LPM band printer £1950
VG Electronics 1035 TELETEXT Decoding Margin Meter £3750
Andrews LARGE 3.1 m Satellite Dish + mount (For Voyager) £950
RED TOP IR Heat seeking missile (not armed!!) POA
Tektronix 1L30 Spectrum analyser plug in £330
Thurlby LA 160B logic analyser £375
GEC 1.5kw 115v 60hz power source £950
Brush 2Kw 400 Hz 3 phase frequency converter £850
Anton Pillar: 75 kW 400 Hz 3 phase frequency converter POA
Newton Derby 70 kW 400 Hz 3 phase frequency converter POA
Nikon PL-2 Projection lens meter/scope £750
Sekonic SD 150H 18 channel digital Hybrid chart recorder £1995
HP 7580A A1 8 pin HPGL high speed drum plotter £1850
Kenwood DA-3501 CD tester, laser pickup simulator £350
Computar MCA1613APC 16mm auto iris lenses "C" mount £125
Seaward PAT 2001 dual voltage computerised PAT tester £585

Computer Controlled Laser Video Disk Player

One of the most amazing surplus deals that we ever been able to offer you! The Philips VP410 LaserVision player, in as new condition, unit features full computer control, Plays standard 12" LaserVision disks with starting visual and audio quality in two channel stereo or mono. When controlled by a computer, it may also be used as a versatile high quality storage / retrieval medium. It will play back either LaserVision CAV (active play) or CLV (Long Play) discs (which covers most types of commercially available video discs). Some of the many features of this incredible machine are:

- RS-232 INTERFACE
- BNC+SCART INTERFACE
- IR-WIRED REMOTE CONTROL
- RGB / COMPOSITE VIDEO OUTPUT
- PAL / RGB DECODER
- FAST RANDOM ACCESS

SPECIAL PURCHASE Only £399.00 (F)

19" RACK CABINETS

Superb quality 6 foot 40U Virtually New, Ultra Smart Less than Half Price!

Top quality 19" rack cabinets made in UK by Optima Enclosures Ltd. Units feature designer, smoked acrylic lockable front door, full height lockable half louvered back door and removable side panels. Fully adjustable internal fixing struts, ready punched for any configuration of equipment mounting plus ready mounted integral 12 way 13 amp socket switched mains distribution strip make these racks some of the most versatile we have ever sold. Racks may be stacked side by side and therefore require only two side panels to stand singly or in bays.

Overall dimensions are: 77-1/2" H x 32-1/2" D x 22" W. Order as:

- Rack 1 Complete with removable side panels. £335.00 (G)
- Rack 2 Rack, Less side panels £225.00 (G)

Over 1000 racks in all sizes 19" 22" & 24" 3 to 44 U. Available from stock!! Call with your requirements.

TOUCH SCREEN SYSTEM
The ultimate in 'Touch Screen Technology' made by the experts - MicroTouch - but sold at a price below cost!! System consists of a flat translucent glass laminated panel measuring 29.5 x 23.5 cm connected to a PCB with on board sophisticated electronics. From the board comes a standard serial RS232 or TTL output. The output continuously gives simple serial data containing positional X & Y co-ordinates as to where a finger is touching the panel - as the finger moves, the data instantly changes. The X & Y information is given at an incredible matrix resolution of 1024 x 1024 positions over the screen size!!! So, no position, however small fails detection. A host of available translation software enables direct connection to a PC for a myriad of applications including: control panels, pointing devices, POS systems, controllers for the disabled or computer un-trained etc. Imagine using your finger in 'Windows' instead of a mouse!! (a driver is indeed available!) The applications for this amazing product are only limited by your imagination!! Supplied as a complete system including Controller, Power Supply and Data at an incredible price of only: £145.00 (B)
RFE. Full Software Support Available - Fully Guaranteed

LOW COST RAM UPGRADES
INTEL 'ABOVE' Memory Expansion Board. Full length PC-XT and PC-AT compatible card with 2 Mbytes of memory on board. Card is fully selectable for Expanded or Extended (286 processor and above) memory. Full data and driver disk supplied. In good used condition fully tested and guaranteed.
Windows compatible. Order as ABOVE CARD £59.95 (A1)
Half length 8 bit memory upgrade cards for PC AT XT expands memory either 256k or 512k in 64k steps. May also be used to fill in RAM above 640K DOS limit. Complete with data.
Order as: XT RAM UG. 256k £32.95 (A1)
512k £38.95 (A1)
1 MB x 9 SIMM 9 chip 120ns only £19.50 (A)
1 MB x 9 SIMM 9 chip 80 ns only £23.50 (A)
1 MB x 9 SIMM 3 chip 80 ns only £22.50 (A)

NO BREAK UNINTERRUPTIBLE PSU'S
Brand new and boxed 230 volts 1 KVA uninterruptible power supply from system from Densel. Model MUD 1085-AHBH. Complete with sealed lead acid batteries in matching case. Approx time from interrupt is 15 minutes. Complete with full manual. £575.00 (G)
EMERSON ACCUCARD UPS, brand new 8 Bit half length PC compatible card for all IBM XT/AT compatibles. Card provides DC power to all internal system components in the event of power supply failure. The Accusaver software provided uses only 8k of base RAM and automatically copies all system, expanded and video memory to the hard disk in the event of loss of power. When power is returned the machine is returned to the exact status when the power failed!! The unit features full self diagnostics on boot and is supplied brand new, with full, easy fitting instructions and manual. Normally £189.00 NOW! £69.00 or 2 for £120 (E)

FLOPPY DISK DRIVES 3.5"- 8"

5.25" from £22.95 - 3.5" from £24.95
Massive purchases of standard 5.25" and 3.5" drives enables us to present prime product at industry beating low prices! All units (unless stated) are BRAND NEW or removed from often brand new equipment and are fully tested, aligned and shipped to you with a 90 day guarantee and operate from standard voltages and are of standard size. All are IBM-PC compatible (if 3.5" supported on your PC).

3.5" Panasonic JU363/4 720K or equivalent	£24.95 (B)
3.5" Mitsubishi MF355C-L 1.4 Meg. Laptops only *	£26.95 (B)
3.5" Mitsubishi MF355C-D 1.4 Meg. Non laptop	£29.95 (B)
5.25" Teac FD-55GFR 1.2 Meg	£29.95 (B)
5.25" BRAND NEW Mitsubishi MF501B 360K	£22.95 (B)

* Data cable included in price.

Shugart 800/801 8" DS refurbished & tested	£195.00 (E)
Shugart 851 8" double sided refurbished & tested	£250.00 (E)
Mitsubishi M2894-63 8" double sided NEW	£275.00 (E)
Mitsubishi M2896-63 8" DS slimline NEW	£285.00 (E)

Dual 8" drives with 2 mbyte capacity housed in a smart case with built in power supply. Ideal as exterior drive! £499.00 (F)

HARD DISK DRIVES

End of line purchase scoop! Brand new NEC D2246 8" 85 Mbyte of hard disk storage! Full Industry standard SMD interface. Ultra hi speed data transfer and access time, replaces Fujitsu equivalent model. Complete with manual. Only £299.00 (E)

3.5" FUJII FK-309-26 20mb MFM I/F RFE	£59.95 (C)
3.5" CONNER CP3024 20 mb IDE I/F (or equiv.) RFE	£69.95 (C)
3.5" CONNER CP3044 40mb IDE I/F (or equiv.) RFE	£89.00 (C)
3.5" RODIME RO3057S 45mb SCSI I/F (Mac & Acorn)	£99.00 (C)
5.25" MINISCRIBE 3425 20mb MFM I/F (or equiv.) RFE	£49.95 (C)
5.25" SEAGATE ST-238R 39 mb RLL I/F Refurb	£69.95 (C)
5.25" CDC 94205-51 40mb HFM MFM I/F RFE tested	£69.95 (C)
8" FUJITSU M2322K 160Mb SMD I/F RFE tested	£195.00 (E)

Hard disc controllers for MFM, IDE, SCSI, RLL etc. from £16.95

THE AMAZING TELEBOX

Converts your colour monitor into a QUALITY COLOUR TV!!

TV SOUND & VIDEO TUNER!

The TELEBOX consists of an attractive fully cased mains powered unit, containing all electronics ready to plug into a host of video monitors made by makers such as MICROVITEC, ATARI, SANYO, SONY, COMMODORE, PHILIPS, TATUNG, AMSTRAD etc. The composite video output will also plug directly into most video recorders, allowing reception of TV channels not normally receivable on most television receivers (TELEBOX MB). Push button controls on the front panel allow reception of 8 fully tunable 'off air' UHF colour television channels. TELEBOX MB covers virtually all television frequencies VHF and UHF including the HYPERBAND as used by most cable TV operators. A composite video output is located on the rear panel for direct connection to most makes of monitor or desktop video systems. For complete compatibility - even for monitors without sound - an integral 4 watt audio amplifier and low level Hi Fi audio output are provided as standard.

TELEBOX ST for composite video input type monitors	£34.95
TELEBOX STL as ST but with integral speaker	£37.50
TELEBOX MB Multiband VHF-UHF-Cable-Hyperband tuner	£69.95

For overseas PAL versions state 5.5 or 6mhz sound specification.
*For cable / hyperband reception Telebox MB should be connected to cable type service. Shipping cost on all Teleboxes is (B)

FANS & BLOWERS

MITSUBISHI MMF-D6D12DL 60 x 25 mm 12v DC	£4.95 10 / £42
MITSUBISHI MMF-09B12DH 92 x 25 mm 12v DC	£5.95 10 / £57
PANCAKE 12-3.5 92 x 18 mm 12v DC	£7.95 10 / £69
EX-EQUIP 120 x 38mm AC fans - tested specify 110 or 240 v	£6.95
EX-EQUIP 80 x 38mm AC fans - tested specify 110 or 240 v	£5.95
VERO rack mount 1U x 19" fan tray specify 110 or 240v	£45.95 (A)
IMHOF B25 1900 rack mnt 3U x 19" Blower 110/240v NEW	£79.95

Shipping on all fans (A). Blowers (B). 50,000 Fans Ex Stock CALL

IC's - TRANSISTORS - DIODES

OBsolete - SHORT SUPPLY - BULK
5,000,000 items EX STOCK
For MAJOR SAVINGS - SAE or CALL FOR LATEST LIST

Issue 13 of Display News now available - send large SAE - PACKED with bargains!

Display Electronics

LONDON SHOP
Open Mon - Sat 9.00 - 5.30
215 Whitehorse Lane
South Norwood
On 68A Bus Route
N. Thornton Heath & Selhurst Park SR Rail Stations

ALL MAIL & OFFICES
Open Mon-Fri 9.00-5.30
Dept EE. 32 Biggin Way
Upper Norwood
LONDON SE19 3XF

DISTEL © The Original
FREE On line Database
Info on 1000's of items
V21, V22, V22 BIS
0181 679 1888

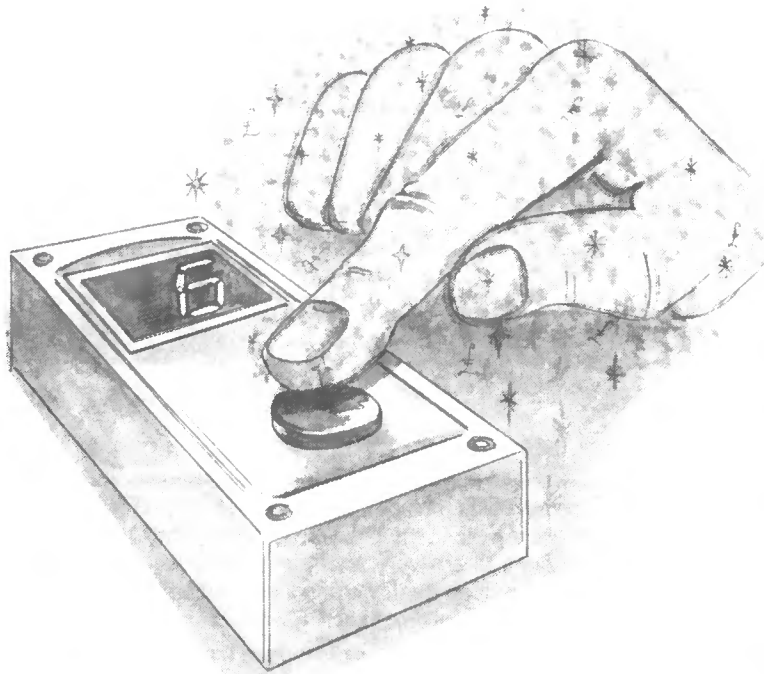
ALL ENQUIRIES
0181 679 4414
FAX 0181 679 1927

All prices for UK Mainland. UK customers add 17.5% VAT to TOTAL order amount. Minimum order £10. Bona Fide account orders accepted from Government, Schools, Universities and Local Authorities - minimum account order £50. Cheques over £100 are subject to 10 working days clearance. Cabbage charges (A)-£3.00, (A1)-£4.00, (B)-£5.50, (C)-£8.50, (D)-£12.00, (E)-£15.00, (F)-£18.00, (G)-CALL. Allow approx 6 days for shipping - faster CALL! Scotland surcharge CALL. All goods supplied to our Standard Conditions of Sale and unless stated guaranteed for 90 days. All guarantees on a return to base basis. All rights reserved to change prices / specifications without prior notice. Orders subject to stock. Discounts for volume. Top CASH prices paid for surplus goods. All trademarks etc acknowledged. © Display Electronics 1995. E & O.E. 1/11

NATIONAL LOTTERY PREDICTOR

We know that if you win the lottery it will not change your life and you will keep reading EPE! So it is without hesitation that we bring you the National Lottery Predictor. It employs a PIC Microcontroller to produce numbers for your lottery entry.

This high tech. piece of equipment comes with a cast iron guarantee that it will not enhance your chances of winning! It also provides an example of PIC programming that will reinforce the lessons in this month's Understanding PIC Microcontrollers article.



Plus Three more projects that can be built on this months Free P.C.B. These are: a Continuity Tester, a Timer and a Light Activated Switch.

EVERYDAY

With PRACTICAL

ELECTRONICS

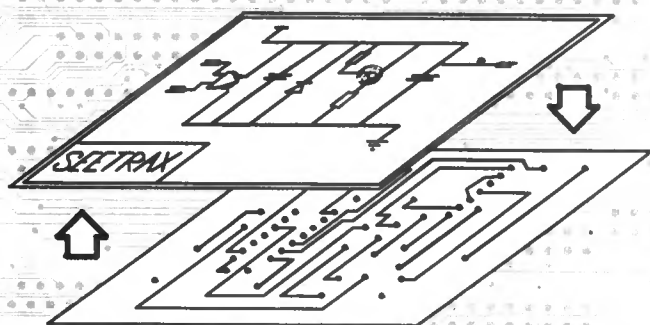
APRIL '95 ISSUE ON SALE FRIDAY, MARCH 3

NEXT MONTH

SEETRAX CAE - RANGER - PCB DESIGN

Ranger1 £100

- * Schematic capture linked to PCB
- * Parts and wiring list entry
- * Outline (footprint) library editor
- * Manual board layout
- * Full design rule checker
- * Back annotation (linked to schematic)
- * Power, m...y and signal autorouter - £50



Ranger2 £599

- All the features of Ranger1 plus
- * Gate & pin swapping (linked to schematic)
 - * Track highlighting
 - * Auto track necking
 - * Copper flood fill
 - * Power planes (heat-relief & anti-pads)
 - * Rip-up & retry autorouter

Ranger3 £3500

- All the features of Ranger2 plus
- * UNIX or DOS versions
 - * 1 Micron resolution and angles to 1/10th degree
 - * Hierarchical or flat schematic
 - * Unlimited design size
 - * Any-shaped pad
 - * Split power planes
 - * Optional on-line DRC
 - * 100% rip-up & retry, push & shove autorouter

All systems upward compatible. Trade-in deals available.

Call **Seetrax CAE** for further information demo packs.
Tel 0705 591037 Fax 0705 599036

Seetrax CAE, Hinton Daubnay House, Broadway Lane,
Lôvedean, Hampshire, PO8 0SG

All trademarks acknowledged.

Outputs to:

- * 8/9 and 24 pin dot-matrix printers
- * HP Desk/Laser Jet, Canon BJet, Postscript (R3 only)
- * HP-GL, Houston Instruments plotters
- * Gerber photoplotters
- * NC Drill Excellon, Sieb & Meyer
- * AutoCAD DXF

SURVEILLANCE PROFESSIONAL QUALITY KITS

No. 1 for Kits

Whether your requirement for surveillance equipment is amateur, professional or you are just fascinated by this unique area of electronics SUMA DESIGNS has a kit to fit the bill. We have been designing electronic surveillance equipment for over 12 years and you can be sure that all our kits are very well tried, tested and proven and come complete with full instructions, circuit diagrams, assembly details and all high quality components including fibreglass PCB. Unless otherwise stated all transmitters are tuneable and can be received on an ordinary VHF FM radio.

Genuine SUMA kits available only direct from Suma Designs. Beware inferior imitations!

UTX Ultra-miniature Room Transmitter

Smallest room transmitter kit in the world! Incredible 10mm x 20mm including mic. 3-12V operation. 500m range.....£16.45

MTX Micro-miniature Room Transmitter

Best-selling micro-miniature Room Transmitter
Just 17mm x 17mm including mic. 3-12V operation. 1000m range.....£13.45

STX High-performance Room Transmitter

Hi performance transmitter with a buffered output stage for greater stability and range. Measures 22mm x 22mm including mic. 6-12V operation, 1500m range.....£15.45

VT500 High-power Room Transmitter

Powerful 250mW output providing excellent range and performance. Size 20mm x 40mm. 9-12V operation. 3000m range.....£16.45

VXT Voice Activated Transmitter

Triggers only when sounds are detected. Very low standby current. Variable sensitivity and delay with LED indicator. Size 20mm x 67mm. 9V operation. 1000m range...£19.45

HVX400 Mains Powered Room Transmitter

Connects directly to 240V AC supply for long-term monitoring. Size 30mm x 35mm. 500m range.....£19.45

SCRX Subcarrier Scrambled Room Transmitter

Scrambled output from this transmitter cannot be monitored without the SCDM decoder connected to the receiver. Size 20mm x 67mm. 9V operation. 1000m range.....£22.95

SCXL Subcarrier Telephone Transmitter

Connects to telephone line anywhere, requires no batteries. Output scrambled so requires SCDM connected to receiver. Size 32mm x 37mm. 1000m range.....£23.95

SCDM Subcarrier Decoder Unit for SCRX

Connects to receiver earphone socket and provides decoded audio output to headphones. Size 32mm x 70mm. 9-12V operation.....£22.95

ATR2 Micro Size Telephone Recording Interface

Connects between telephone line (anywhere) and cassette recorder. Switches tape automatically as phone is used. All conversations recorded. Size 16mm x 32mm. Powered from line.....£13.45

UTLX Ultra-miniature Telephone Transmitter

Smallest telephone transmitter kit available. Incredible size of 10mm x 20mm! Connects to line (anywhere) and switches on and off with phone use. All conversation transmitted. Powered from line. 500m range.....£15.95

TLX700 Micro-miniature Telephone Transmitter

Best-selling telephone transmitter. Being 20mm x 20mm it is easier to assemble than UTLX. Connects to line (anywhere) and switches on and off with phone use. All conversations transmitted. Powered from line. 1000m range.....£13.45

STLX High-performance Telephone Transmitter

High performance transmitter with buffered output stage providing excellent stability and performance. Connects to line (anywhere) and switches on and off with phone use. All conversations transmitted. Powered from line. Size 22mm x 22mm. 1500m range.....£16.45

TKX900 Signalling/Tracking Transmitter

Transmits a continuous stream of audio pulses with variable tone and rate. Ideal for signalling or tracking purposes. High power output giving range up to 3000m. Size 25mm x 63mm. 9V operation.....£22.95

CD400 Pocket Bug Detector/Locator

LED and piezo bleeper pulse slowly, rate of pulse and pitch of tone increase as you approach signal. Gain control allows pinpointing of source. Size 45mm x 54mm. 9V operation.....£30.95

CD600 Professional Bug Detector/Locator

Multicolour readout of signal strength with variable rate bleeper and variable sensitivity used to detect and locate hidden transmitters. Switch to AUDIO CONFORM mode to distinguish between localised bug transmission and normal legitimate signals such as pagers, cellular, taxis etc. Size 70mm x 100mm. 9V operation.....£50.95

QTX180 Crystal Controlled Room Transmitter

Narrow band FM transmitter for the ultimate in privacy. Operates on 180 MHz and requires the use of a scanner receiver or our QRX180 kit (see catalogue). Size 20mm x 67mm. 9V operation. 1000m range.....£40.95

QLX180 Crystal Controlled Telephone Transmitter

As per QTX180 but connects to telephone line to monitor both sides of conversations. 20mm x 67mm. 9V operation. 1000m range.....£40.95

QSX180 Line Powered Crystal Controlled Phone Transmitter

As per QLX180 but draws power requirements from line. No batteries required. Size 32mm x 37mm. Range 500m.....£35.95

QRX180 Crystal Controlled FM Receiver

For monitoring any of the 'Q' range transmitters. High sensitivity unit. All RF section supplied as a pre-built and aligned module ready to connect on board so no difficulty setting up. Output to headphones. 60mm x 75mm. 9V operation.....£60.95

A build-up service is available on all our kits if required.

UK customers please send cheques, POs or registered cash. Please add £1.50 per order for P&P. Goods despatched ASAP allowing for cheque clearance. Overseas customers send sterling bank draft and add £5.00 per order for shipment. Credit card orders welcomed on 0827 714476.

OUR LATEST CATALOGUE CONTAINING MANY MORE NEW SURVEILLANCE KITS NOW AVAILABLE. SEND TWO FIRST CLASS STAMPS OR OVERSEAS SEND TWO IRCS.

★★★ Specials ★★★

DLTX/DLRX Radio Control Switch

Remote control anything around your home or garden, outside lights, alarms, paging system etc. System consists of a small VHF transmitter with digital encoder and receiver unit with decoder and relay output, momentary or alternate, 8-way dii switches on both boards set your own unique security code. TX size 45mm x 45mm. RX size 35mm x 90mm. Both 9V operation. Range up to 200m.

Complete System (2 kits).....£50.95
Individual Transmitter DLTX.....£19.95
Individual Receiver DLRX.....£37.95

MBX-1 Hi-Fi Micro Broadcaster

Not technically a surveillance device but a great idea! Connects to the headphone output of your Hi-Fi, tape or CD and transmits Hi-Fi quality to a nearby radio. Listen to your favourite music anywhere around the house, garden, in the bath or in the garage and you don't have to put up with the DJ's choice and boring waffle. Size 27mm x 60mm. 9V operation. 250m range.....£20.95

**SUMA
DESIGNS**

DEPT. EE
THE WORKSHOPS, 95 MAIN ROAD,
BAXTERLEY, NEAR ATHERSTONE,
WARWICKSHIRE CV9 2LE

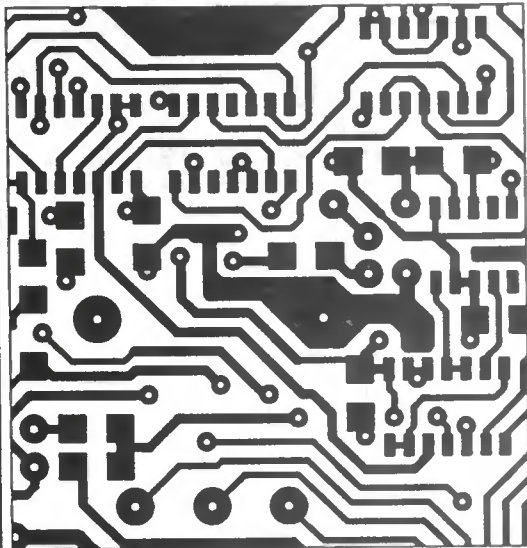


Tel/Fax:
0827 714476

VISITORS STRICTLY BY APPOINTMENT ONLY

EASY-PC, Schematic and PCB CAD

Over 18,000 Installations
in 80 Countries World-wide!

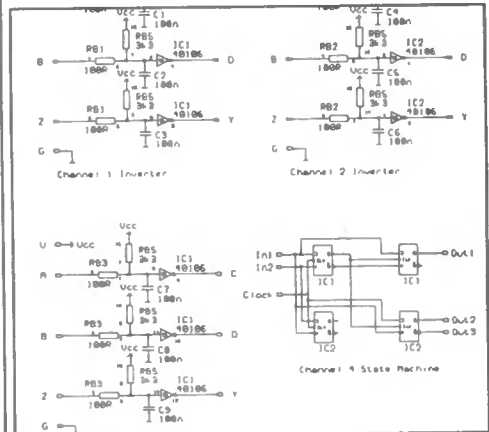


- Runs on:- PC/XT/AT/286/386/486 with Hercules, CGA, EGA or VGA display and many DOS emulations.
- Design:- Single sided, Double sided and Multi-layer (8) boards.
- Provides full Surface Mount support.
- Standard output includes Dot Matrix / Laser / Ink-jet Printer, Pen Plotter, Photo-plotter and N.C. Drill.
- Tech Support - free.
- Superbly easy to use.

**Still
Only
£98.00!**

Plus P&P+VAT

**BRITISH
DESIGN
AWARD
1989**

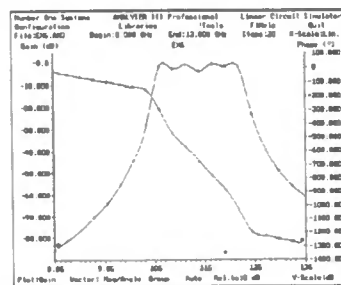
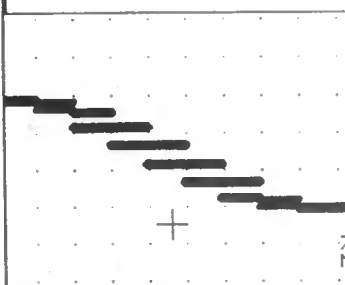
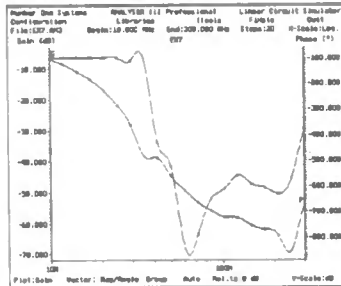
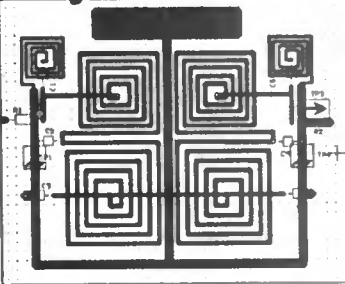


Options:-500 piece Surface Mount Symbol Library £48,
1000 piece Symbol Library £38, Gerber Import facility £98.

Electronic Designs Right First Time?

See us on Stand A107 at ICAT 95 (CAD/CAM) Show, NEC 7-9 March

New! ELECTRO-MAGNETIC Layout Simulation ONLY £495



Affordable Electronics CAD

LAYAN: Electro-magnetic Layout Simulator. Links to EASY-PC Professional XM and ANALYSER III Professional.	£495.00
EASY-PC Professional: Schematic Capture and PCB CAD. Links to ANALYSER III and PULSAR.	From £195.00
PULSAR: Digital Circuit Simulator	From £98.00
ANALYSER III: Linear Analogue Circuit Simulator	From £98.00
Z-MATCH for Windows: Smith Chart based problem solving program for R.F. Engineers	£245.00
FILTECH: Active and Passive Filter design	£145.00
EASY-PC: Entry level PCB and Schematic CAD	£98.00
<i>Prices exclude P&P and VAT.</i>	

For full information, please write, phone or fax:-

Number One Systems

UK/EEC: Ref. EVD, HARDING WAY, ST.IVES, CAMBS., ENGLAND, PE17 4WR.

Telephone UK: 01480 461778 (7 lines) Fax: 01480 494042

International +44 1480 461778

USA: Ref. EVD, 1795 Granger Avenue, Los Altos, CA 94024

Telephone/Fax: (415) 968 9306

- TECHNICAL SUPPORT FREE FOR LIFE
- PROGRAMS NOT COPY PROTECTED.
- SPECIAL PRICES FOR EDUCATION.

MASTERCARD, VISA, DELTA, SWITCH Welcome.

PCB Designer

For Windows 3.1

Runs on any PC running Windows 3.1 in standard or enhanced mode with 2MB RAM
Will work with any Windows supported printer and monitor

PCB Designer - [c:\pcb\sample1.pcb]

File Edit Board Text Snap Window Help

SOT89

X 1.000 X 0.000

Phone (01432) 355 414
FAX (01432) 264 800

Did you see this advert last month?
Were you looking for the price?
It's just £49.00 all inclusive!
No VAT, No Postage

- ✓ Produce *Single* or *Double* sided PCBs.
- ✓ Print out to *any* Windows supported printer.
- ✓ *Toolbar* for rapid access to commonly used components.
- ✓ Helpful prompts on screen as you work.
- ✓ Pad, track & IC sizes fully customisable.
- ✓ No charges for technical support.
- ✓ Snap-to grid sizes 0.1", 0.05" 0.025" and unrestricted.
- ✓ SMT pads and other pad shapes.
- ✓ Prints at the resolution of your printer - much higher than the screen shot shown here.

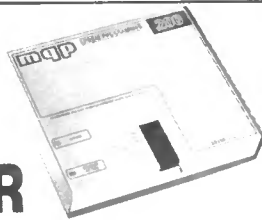
Internet
A working demo is available via FTP from [ftp.demon.co.uk](ftp://ftp.demon.co.uk/pub/lbmpc/windows/pcbdemo/pcbdemo.zip)
as /pub/lbmpc/windows/pcbdemo/pcbdemo.zip
e-mail enquiries to orders@niche.demon.co.uk

Niche Software (UK)

22 Tavistock Drive, Belmont, Hereford, HR2 7XN.

Please Note: Since PCB designer is so easy to use, and to keep costs down, PCB Designer has an On-Line manual, in Windows Help format. A FREE tutorial is also supplied.

SYSTEM 200 DEVICE PROGRAMMER



SYSTEM

Programs 24, 28, 32 pin EPROMS, EE-PROMS, FLASH and Emulators as standard, quickly, reliably and at low cost.

Expandable to cover virtually any programmable part including serial E², PALS, GALS, EPLD's and microcontrollers from all manufacturers.

DESIGN

Not a plug in card but connects to the PC serial or parallel port; it comes complete with powerful yet easy to control software, cable and manual.

SUPPORT

UK design, manufacture and support. Same day dispatch, 12 month warranty. 10 day money back guarantee.

ASK FOR FREE INFORMATION PACK



MQP ELECTRONICS Ltd.

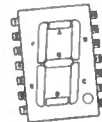
Unit 2, Park Road Centre, Malmesbury, Wiltshire, SN16 0BX UK
TEL. 0666 825146 FAX. 0666 825141

GERMANY 089/4602071; NORWAY 0702-17890; ITALY 02 92 10 3554
FRANCE (1)69.41.28.01; IRELAND 1-2800395; SWEDEN 08-590-32185;
Also from ELECTROSPEED UK

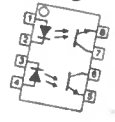
OMNI ELECTRONICS

174 Dalkeith Road, Edinburgh EH16 5DX ★ 031 667 2611

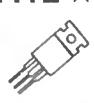
The supplier to use if you're looking for:-



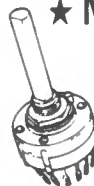
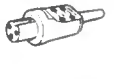
A WIDE RANGE OF
★ COMPONENTS AIMED AT THE ★
HOBBYIST



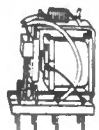
★ COMPETITIVE VAT INCLUSIVE ★
PRICES



★ MAIL ORDER - generally by ★
RETURN OF POST



★ FRIENDLY SERVICE ★



OPEN:

Monday-Thursday 9.15 - 6.00

Friday 9.15-5.00

Saturday 9.30-5.00

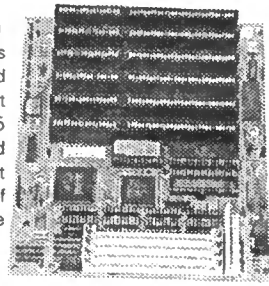


A SELECTION OF SURPLUS FROM OUR LISTS

286 PANEL

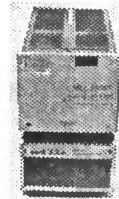
Brand new and boxed, this 222x184mm PCB is complete except for one thing - memory. On board is an 80L286-16 processor + necessary support chips, 6x16 bit expansion slots, keyboard skt (std 5 pin DIN), back-up battery, sockets for 4 SIMMs and 8 cache chips. A few years ago it would have cost hundreds of pounds, but such is the pace of technology there's limited demand for 286's these days. So it's a Special Bargain Buy at

£12.50



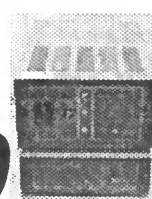
UNINTERRUPTIBLE POWER SUPPLIES

These are all in good working order, offered at a fraction of their original cost. Please note carriage is extra on these items only and will vary with distance; ring for details.



Z9298 Made by Sola, this UPS is rated 600VA and comes with a separately cased sealed lead acid battery of 36 cells.

£400



Z9297 Rated 1000VA, this UPS is made by Sola and is supplied with a separately cased sealed lead acid battery of 36 cells.

£500

BACK IN STOCK - MINIATURE DRILL PACKS!

REDUCED SHANKTUNGSTEN CARBIDE
These were very popular when last advertised and sold out quite quickly. Don't miss out this time - although we have plenty of 0.95mm, the other sizes are in short supply.
All have 3.15mm shank. They normally cost around £3 each.
Available in the following packs:
K901 8 drills - 0.35, 0.85, 4 x 0.95, 1.10 and 1.15mm for **£5.95**
These sizes only available separately:
Z3233 0.95mm **75p**; 25+ 0.40; 100+ 0.30
Z3234 1.10mm **£1.00**; 25+ 0.50; 100+ 0.40

ANOTHER SUPER DISK DEAL!

X6043 Star LC24-30/LC24-300 printer driver disk, individually packaged. There's also 15 TrueType Fonts for use with Windows 3.1, but we're just selling this for the media value - the software is free! It's a 3.5" 1.44M formatted high density disk.

10 for £3.95
100 for £30

HOUR METER

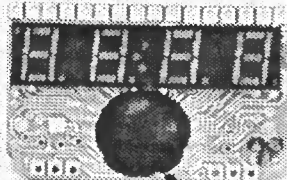
X6018 Lovely little hour meter which unusually measures down to 1/100th hours. Made by Muller, model no BW40. 220V 50Hz. Complete with fixing clip. Need 45x45mm cut out. List price 14.48. Our Price

£4.95

FANS



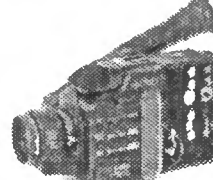
Some ex-equip axial flow fans, all in good working order at substantial savings over new models.
Z3855 Smallest fan we've seen! 42x42 by just 10mm thick! Made by Nitav, model TA1500C. Rated 12V DC 0.11A. Only **£3.00**
X6015 Papst (mostly) 612L 60x60x25mm 12V DC (6-15V) 0.7V fans. List is 27.47. Our Price **£3.00**



99P CLOCK

Z3873 Super Offer! A complete clock in a 40x25mm module. 9V operation with sleep & snooze, 24hr alarm, PM, colon and alarm indicators. Simple fast/slow setting controls. 5 display modes, 12/24hr selectable, display brightness control. Full info supplied. **All this for 99p!**

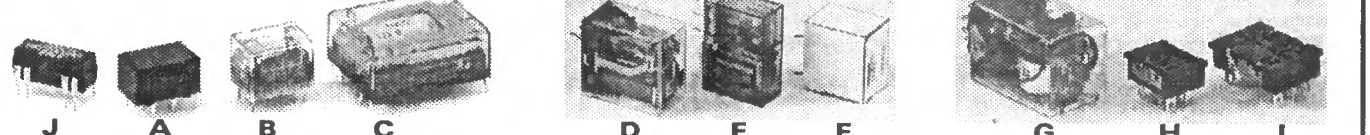
NEW VIDEO CAMERA FOR £149.95!



Z9277 There has to be a catch - and there is! Although these are brand new Canon H850A 8mm Hi-8 stereo camcorders, they've had the tape mechanism removed. So you're left with plastic case, containing the video lens with 8x zoom, monitor tube and electronics, but nothing to record on to. No reason why it couldn't be hooked up to the mains machine, though. Full details are provided of how to wire it up, but it's not for beginners. (Send SAE for further info). Offered at the sparkling price of

£149.95

RELAY PARCEL



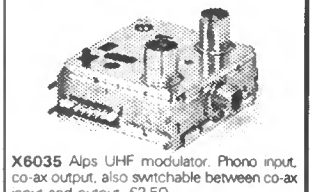
Code	Man & Type	Size	V	R	Contacts	Pic	Qty	DP	Price	100+
Z3877	Omron G5A 234P-63/1	16x10x8	4.5	101R	DPCO 1A	A	2000	3.56	1.00	0.65
Z3899	Hamlin HE72 1A5262	19x6.5x7	5	500R	SPM	J	2500	2.55	1.00	0.65
Z3878	211NC DO09-P	16x11x10	9	390R	SPCO	B	2600		1.00	0.65
Z3879	NEC MR24-12S	30x24x10	12	330R	4PCO	C	800	7.97	2.00	1.20
Z3880	KV23/9 PW	30x24x18	12	550R	DPCO	D	800	5.98	1.50	0.90
Z3881	National NF4-24	30x24x10	24	1200R	4PCO	C	100	7.97	2.00	1.20
Z3882	KV 1002-027	28x24x12	24	820R	DPCO 2A	E	300		1.00	0.65
Z3883	Omron LC1M-US	22x21x16	24	1500R	SPCO 10A	F	200	1.79	1.00	0.65
Z3884	AMF KAP14 DG	53x34x34	24	450R	3PCO 6A	G	900	5.86	2.00	1.20
Z3885	Omron PT08 (FOR LY2)	29x22x12	8 PIN	BASE	2PCO	H	300	1.48	0.60	0.35
Z3886	Omron PT14 (FOR LY4)	42x29x12	14 PIN	BASE	4PCO	I	800	1.73	0.80	0.50

MINIATURE SWITCHES



Code	Type	Size	Contacts	Pos	Mntg	Qty	Price	100+
X3070	A13HAO	13x10x7	SPCO	NB	PCBH	1150	3/£1.00	0.15
X3071	A12GVAO	13x10x7	SPCO	NN	PCBH	1000	3/£1.00	0.15
X3072	A14SAO	13x10x7	SPCO	Push	PCBV	900	3/£1.00	0.15
X3073	A24AO	13x10x12	DPCO	NFN	ST	3600	5/£2.00	0.20
X3074	A22TSAO	13x10x12	DPCO	NN	PCBV	250	5/£2.00	0.20

UHF MODULATOR



X6035 Alps UHF modulator. Phono input, co-ax output, also switchable between co-ax input and output. **£2.50**

HEADPHONE OFFER



CD04 - Neat rectangular style CD Headphones, compact design with extremely good sound. These retail for up to £19.95 (depending on how posy the store is!) Spec: 16-22,000Hz Somanium cobalt transducers. Gold plated 3.5mm plug & adaptor. 32R impedance.



MDR20 - Personal stereo headphones. Again top quality using somanium cobalt transducers. Spec as CD04 alongside. Attractively packaged with spare covers.

SUPER PRICE £4.95 **SUPER PRICE £3.95**

Phone Nos: **SALES 01703 236363**; Technical 325999; Accounts 231003; Fax (All depts) 236307; FaxOnDemand 236315*

*To obtain latest lists, info etc, just dial 01703 236315 from any fax machine and follow instructions. Prices in this advert include VAT. Quantity prices don't. P&P £3 per order (£9.50 next day). Min Credit Card £12; Official Orders welcome from Education - min invoice charge £15. Payment accepted by cheque, PO, cash, book tokens, Access, Visa, Connect. Our stores (over 10,000 sq ft) have enormous stocks. We are open from 8-5.30 Mon-Sat. Come and see us!

GREENWELD
ELECTRONIC COMPONENTS



27D Park Road Southampton SO15 3UQ

LOUDSPEAKERS

2" ROUND 50 ohm COIL 1/2W, 2 for £1, Order Ref: 908.
2 1/4" 8 ohm, 2 for £1, Order Ref: 454.
2 1/2" 35 ohm, 2 for £1, Order Ref: 514.
3 1/2" 8 ohm, 2 for £1, Order Ref: 682.
6 1/2" 4 ohm, WITH TWEETER, £1, Order Ref: 895.
6 1/2" 6 ohm, £1, Order Ref: 896.
6 1/2" 8 ohm, WITH TWEETER, £1, Order Ref: 897.
6" x 4" 4 ohm, £1, Order Ref: 242.
5" x 5" 15 ohm, £1, Order Ref: 906.
5" x 5" 16 ohm, £1, Order Ref: 725.
6" x 4" 16 ohm, 2 for £1, Order Ref: 684.
8" 15 ohm AUDAX, £1, Order Ref: 504.
9" x 3" 8 ohm 5W, £1, Order Ref: 138.
3" 4 ohm TWEETER, £1, Order Ref: 433.
GOODMANS 6 1/2" 10W 4 ohm, £2, Order Ref: 2P27.
HORN SPEAKER 4 1/2" 8 ohm, £3, Order Ref: 3P82.
20W 5" 4 ohm by GOODMANS, £3, Order Ref: 3P145.
20W 4" 4 ohm TWEETER, £1.50, Order Ref: 1.5P9.
AMSTRAD 8" 15W 8 ohm with matching tweeter, £4, Order Ref: 4P57.
CASED PAIR OF STEREO SPEAKERS by Bush, 4 ohm, £5 per pair, Order Ref: 5P141.
DOUBLE WOUND VOICE COIL, 25W ITT with tweeter and crossover, £7, Order Ref: 7P12.
25W 2-WAY CROSSOVER, 2 for £1, Order Ref: 22.
40W 3-WAY CROSSOVER, £1, Order Ref: 23.

MAINS TRANSFORMERS

5V 45A, £20, Order Ref: 20P16.
6V 1A, 2 for £1, Order Ref: 9.
8V 1A, £1, Order Ref: 212.
9V 1/2A, 2 for £1, Order Ref: 266.
9V 1A, £1, Order Ref: 236.
10V 1A, £1, Order Ref: 492.
12V 1/2A, 2 for £1, Order Ref: 10.
12V 1A, £1, Order Ref: 436.
12V 2A, £2, Order Ref: 2P337.
15V 1A, £1, Order Ref: 267.
17V 1A, £1, Order Ref: 492.
18V 1/2A, £1, Order Ref: 491.
20V 4A, £3, Order Ref: 3P106.
24V 1/2A, £1, Order Ref: 337.
30V 2 1/2A, £4, Order Ref: 4P24.
36V 3A, £3, Order Ref: 3P14.
40V 2A, £3, Order Ref: 3P107.
43V 3 1/2A, £4, Order Ref: 4P14.
50V 2A fully shrouded, £5, Order Ref: 5P210.
50V 15A, £20, Order Ref: 20P2.
90V 1A, £4, Order Ref: 4P39.
675V 100mA, £5, Order Ref: 5P166.
3kV 3mA, £7, Order Ref: 7P7.
4kV 2mA, £5, Order Ref: 5P139.
6V-0V-6V 10VA, £1, Order Ref: 281.
8V-0V-8V 8VA, £1, Order Ref: 212.
12V-0V-12V 2V 3VA, £1, Order Ref: 636.
12V-0V-12V 6VA, £1, Order Ref: 811.
12V-0V-12V 50VA, £3.50, Order Ref: 3.5P7.
15V-0V-15V 1VA, £1, Order Ref: 937.
15V-0V-15V 15VA, £2, Order Ref: 2P68.
18V-0V-18V 10VA, £1, Order Ref: 813.
20V-0V-20V 10VA, £1, Order Ref: 812.
20V-0V-20V 10VA, £2, Order Ref: 2P85.
20V-0V-20V 20VA, £2, Order Ref: 2P138.
20V-0V-20V 80VA, £4, Order Ref: 4P36.
36V-0V-36V 20VA, £2, Order Ref: 2P156.

SPECIAL TRANSFORMERS

15VA gives 1V, 7V, 8V, 9V or 10V, £1, Order Ref: 744.
38V-0V-38V 15VA with regulator winding, £10, Order Ref: 10P36.
230V-115V auto transformer 100VA, £2, Order Ref: 2P6.
230V-115V auto transformer 10VA, £1, Order Ref: 822.
230V-115V auto transformer 1kVA, £20, Order Ref: 20P29.
MULTI VOLTAGE auto transformer, gives 115V and voltages above and below this, £4, Order Ref: 4P79.

ISOLATION TRANSFORMERS

230V-230V 10VA, £1, Order Ref: 821.
230V-230V 150VA, £7.50, Order Ref: 7.5P5.
440V-240V 220VA, £10, Order Ref: 10P115.

MISCELLANEOUS BARGAINS

We have approximately 2,000 various bargains available. We cannot possibly list them all on this page. Most of those we have previously advertised are still available. If there is anything you especially want, then please give us a ring.

DC MOTOR SPEED CONTROLLER. Now available made up, cased and tested. Two versions, one for motors up to 1/4HP, £29.50, Order Ref: 29.5P2, and a more powerful model suitable for motors up to 1/2HP is £37.50, Order Ref: 37.5P1. Still available in kit form, £18, Order Ref: 18PB, and £26, Order Ref: 26P1.

1/3rd HORSE POWER 12V MOTOR (Sinclair C5) £29.50, Order Ref: 29.5P1.

0V-20V DC PANEL METER. This is a nice size 65mm square it is ideal if you are making a voltage variable instrument or battery charger. Price £3, Order Ref: 3P188.

FLASHING BEACON. Ideal for putting on a van, a tractor or any vehicle that should always be seen. Uses a XENON tube and has an amber coloured dome. Separate fixing base is included so unit can be put away if desirable. Price £7.50, Order Ref: 7.5P13.

ANOTHER 12V-0V-12V TRANSFORMER. Is 50VA and is suitable for dropping through the chassis or, as it is fitted with 4 pillars, it can be mounted above the chassis. Also should you want a 12V 4A transformer, then this one should be quite suitable, you use just one half of the secondary. Price £3.50, Order Ref: 3.5P7.

HIGH RESOLUTION MONITOR. 9" by Philips, in metal frame for easy mounting. Brand new, offered at less than price of tube alone, only £15, Order Ref: 15P1.

15W 8" 8 OHM SPEAKER & 3" TWEETER. Amstrad, made for their high quality music centre, £4 per pair, Order Ref: 4P57.

INSULATION TESTER WITH MULTIMETER. Internally generates voltages which enables you to read insulation directly in megohms. The multimeter has four ranges, AC/DC volts, 3 ranges milliamps, 3 ranges resistance and 5 amp range. These instruments are ex-British Telecom but in very good condition, tested and guaranteed OK, probably cost at least £50, yours for only £7.50 with leads, carrying case £2 extra, Order Ref: 7.5P4.

WE HAVE SOME of the above testers but slightly faulty, not working on all ranges, should be repairable, we supply diagram, £3, Order Ref: 3P176.

250W LIGHT DIMMER. Will fit in place of normal wall switch, only £2.50 each, Order Ref: 2.5P9. Note these are red, blue green or yellow but will take emulsion paint to suit the colour of your room. Please state colour required.

TOUCH DIMMERS. 40W-250W, no knob to turn, just finger on front plate, will give more, or less light, or off. Silver plated on white background, right size to replace normal switch, £5, Order Ref: 5P230.

LCD 3 1/2 DIGIT PANEL METER. This is a multi-range voltmeter/ammeter using the A-D converter chip 7106 to provide five ranges each of volts and amps. Supplied with full data sheet. Special snip price of £12, Order Ref: 12P19.

MULTI TESTER. 19 range, ex-British Telecom, reconditioned. These measure AC and DC volts, DC milliamps and have three resistance ranges. Made to BT specification with 20,000 opv movement. Complete with test prods, £8.50, Order Ref: 8.5P3. Carrying case with handle £2 extra.

CLOCK MODULE. 2" LCD display, requires 1.5V battery, goes back to zero when switched off so ideal for timing operations, £2, Order Ref: 2P307.

MINI BLOW HEATER, 1kW, ideal under desk, etc, but needs simple case, £5, Order Ref: 5P23.

MEDICINE CUPBOARD ALARM. Or it could be used to warn when any cupboard door is opened. The light shining on the unit makes the bell ring. Completely built and neatly cased, requires only a battery, £3, Order Ref: 3P155.

DON'T LET IT OVERFLOW! Be it bath, sink, cellar, sump or any other thing that could flood. This device will tell you when the water has risen to the preset level. Adjustable over quite a useful range. Neatly cased for wall mounting, ready to work when battery fitted, £3, Order Ref: 3P156.

FIGURE-OF-8 FLEX. A wire with a thousand uses. It will carry 5A and is insulated up to 300V but is thin enough to hide away along the carpet or skirting. Also ideal for burglar alarms, door bells, etc, etc. 50m coil £2, Order Ref: 2P345.

£1 BARGAIN PACKS - List 2

This is the £1 Bargain Packs List 2 - watch out for lists 3 and 4 next month.

3 x Battery Model Motors, tiny, medium and large. Order Ref: 35.

2 x Tuning Capacitors for medium wave radios, Order Ref: 36.

Miniature 12V Relay with low current consuming coil, 2 x 3A changeover contacts, Order Ref: 51.

2 x Ferrite Slab Aerials with medium wave coils. Ideal for building small radio, Order Ref: 61.

2 x 25W 8 OHM Variable Resistors. Ideal for loudspeaker volume control, Order Ref: 69.

2 x Wirewound Variable Resistors in any of the following values. 18, 35, 50, 100 ohms, your choice, Order Ref: 71.

4 x 30A Procelain Fuse Holders. Make your own fuse board, Order Ref: 82.

2 x 6 1/2" Metal Fan Blades for 5/16" shaft, Order Ref: 86/6 1/2.

Mains Motor to suit the 6 1/2" blades, Order Ref: 88.

1 x 4.5V 150mA DC Power Supply. Fully enclosed so quite safe, Order Ref: 104.

10 each red and black small size Crocodile Clips, Order Ref: 116.

15m Twin Wire, screened, Order Ref: 122A.

100 Plastic Headed Cable Clips, nail in type, several sizes, Order Ref: 123.

4 x MES Batten Holders, Order Ref: 126.

Complete Pocket Size MW Radio, believed OK but not tested, Order Ref: 133R.

4 x 2 Circuit Micro Switches (Licon) Order Ref: 157.

1 x 13A Switch Socket, quite standard but coloured, Order Ref: 164.

1 x 30A Panel Mounting Toggle Switch, double-pole, Order Ref: 166.

2 x Neon Numicator Tubes, Order Ref: 170.

100 x 3/8 Rubber Grommets, Order Ref: 181.

6 x BC Lamp Holder Adaptors, Order Ref: 191.

8 x Superior Type Push Switches. Make your own keyboard, Order Ref: 201.

Mains Transformer 8V-0V-8V 1/2A, Order Ref: 212.

2 x Sub Min Toggle Switches, (Licon) Order Ref: 214.

High Power 3" Speaker (11W 8ohm) Order Ref: 246.

Medium Wave Permeability Tuner. Its almost a complete radio with circuit, Order Ref: 247.

6 x Screwdown Terminals with through panel insulators, Order Ref: 264.

LCD Clock Display, 1/2" figures, Order Ref: 329.

10 x Push-On Long Shafted Knobs for 1/4" spindle, Order Ref: 339.

2 x ex-GPO Speaker Inserts, ref 4T, Order Ref: 352.

100 x Sub Min 1F Transformers. Just right if you want coil formers, Order Ref: 360.

1 x 24V 200mA PSU, Order Ref: 393.

1 x Heating Element, mains voltage 100W, brass encased, Order Ref: 8.

1 x Mains Interference Suppressor, Order Ref: 21.

3 x Rocker Switches, 13A mains voltage, Order Ref: 41.

1 x Mini Uni-Selector with diagram for electronic jig-saw, Order Ref: 56.

2 x Appliance Thermostats, adjustable up to 15A, Order Ref: 65.

1 x Mains Motor with gearbox giving 1 rev per 24 hrs, Order Ref: 89.

10 x Round Pointer Knobs for flatted 1/4" spindles, Order Ref: 295.

1 x Ceramic Wave Change Switch, 12-pole, 3-way with 1/4" spindle, Order Ref: 303.

1 x Tubular Hand Mike, suits cassette recorders, etc, Order Ref: 305.

2 x Plastic Stethosets, take crystal or magnetic inserts, order Ref: 331.

20 x Pre-set Resistors, various types and values, Order Ref: 332.

6 x Car Type Rocker Switches, assorted, Order Ref: 333.

10 x Long Shafted Knobs for 1/4" flatted spindles, Order Ref: 339.

1 x Reversing Switch, 20A double-pole or 40A single-pole, Order Ref: 343.

4 x Skirted Control Knobs, engraved 0-10, Order Ref: 355.

3 x Luminous Rocker Switches, Order Ref: 373.

2 x 1000W Tubular Heating Elements with terminal ends, Order Ref: 376.

1 x Mains Transformer Operated NiCad Charger, cased with leads, Order Ref: 385.

2 x Clockwork Motors, run for one hour, Order Ref: 389.

Prices include VAT. Send cheque/postal order or ring and quote credit card number.

Add £3 post and packing.

Orders over £25 post free.

M & B ELECTRICAL SUPPLIES LTD

Pilgrim Works (Dept. E.E.)
Stairbridge Lane, Bolney,
Sussex RH17 5PA

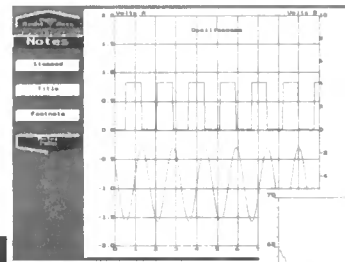
Telephone: 0444 881965

(Also fax but phone first)

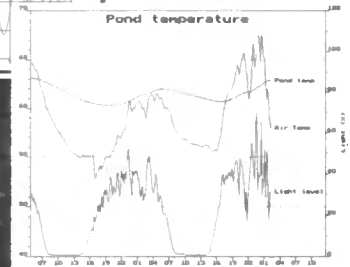
Callers to 12 Boundary Road,
Hove, Sussex.

Pico Releases PC Potential

Pico's Virtual Instrumentation enable you to use your computer as a variety of useful test and measurement instruments or as an advanced data logger.



PicoScope
'Virtual instrument' software.



PicoLog
Advanced data logging software.

Hardware and software are supplied together as a package - no more worries about incompatibility or complex set-up procedures. Unlike traditional 'plug in' data acquisition cards, they simply plug into the PC's parallel or serial port, making them ideal for use with portable PC's.

Call for your Guide on 'Virtual Instrumentation'.

NEW SLA-16 Logic Analyser

Pocket sized 16 channel Logic Analyser



- Connects to PC serial port.
- High Speed - up to 50MHz sampling.
- Internal and external clock modes.
- 8K Trace Buffer.

SLA-16
with software, power supply and cables £ 219

NEW ADC-100 Virtual Instrument

Dual Channel 12 bit resolution



- Digital Storage Scope
- Spectrum Analyser
- Frequency Meter
- Chart Recorder
- Data Logger
- Voltmeter

The ADC-100 offers both a high sampling rate (100kHz) and a high resolution. It is ideal as a general purpose test instrument either in the lab or in the field. Flexible input ranges ($\pm 200\text{mV}$ to $\pm 20\text{V}$) allows the unit to connect directly to a wide variety of signals.

ADC-100 with PicoScope £199
with PicoScope & PicoLog £209

ADC-10

1 Channel 8 bit

- Lowest cost
- Up to 22kHz sampling
- 0 -5V input range

The ADC-10 gives your computer a single channel of analog input. Simply plug into the parallel port and your ready to go.

ADC-10 with PicoScope £49

PicoScope & PicoLog £59

Carriage UK free, Overseas £9
Oscilloscope Probes (x1, x10) £10
Existing ADC 10/11/12/100 users can add PicoLog for £25

ADC-11

11 Channel 10 bit

- Digital output
- Up to 18kHz sampling
- 0 -2.5V input range

The ADC-11 provides 11 channels of analog input in a case slightly larger than a matchbox. It is ideal for portable data logging using a "notebook" computer.

ADC-11 with PicoScope £85

PicoScope & PicoLog £95

ADC-12

1 Channel 12 bit

- High resolution
- Up to 17kHz sampling
- 0 -5V input range

The ADC-12 is similar to the ADC-10 but offers an improved 12 bit (1 part in 4096) resolution compared to the ADC-10's 8 bit (1 part in 256).

ADC-12 with PicoScope £85

PicoScope & PicoLog £95



ADC-10 Simply plug into the parallel port and your ready to go.

ADC-16

8 Channel 16 bit+sign

- Highest resolution
- 2Hz sampling - 16bit
- $\pm 2.5\text{V}$ input range

The ADC-16 has the highest resolution of the range, it is capable of detecting signal changes as small as $40\ \mu\text{V}$. Pairs of input channels can be used differentially to reject noise. Connects to serial port.

ADC-16 with PicoLog £115

PICO TECHNOLOGY



Pico Technology Ltd. Broadway House, 149-151 St Neots Rd, Hardwick, Cambridge. CB3 7QJ

Tel: 01954 - 211716

Fax: 01954 - 211880



Phone or FAX for sales, ordering information, data sheets, technical support. All prices exclusive of VAT



SHOP OPEN 9-5 MON-FRI. CLOSED SAT --- OFFICIAL ORDERS WELCOME

EPE MICROCONTROLLER P.I. TREASURE HUNTER

The latest MAGENTA DESIGN - highly stable & sensitive - with μ C control of all timing functions and advanced pulse separation techniques.

- New circuit design 1994
- High stability drift cancelling
- Easy to build & use
- No ground effect, works in seawater



- Detects gold, silver, ferrous & non-ferrous metals

- Efficient quartz controlled microcontroller pulse generation.
- Full kit with headphones & all hardware

KIT 847.....£63.95

DIGITAL LCD THERMOSTAT

A versatile thermostat using a thermistor probe and having an I.C.D. display. MIN/MAX memories, -10 to 110 degrees Celsius, or can be set to read in Fahrenheit. Individually settable upper and lower switching temperatures allow close control, or alternatively allow a wide 'dead band' to be set which can result in substantial energy savings when used with domestic hot water systems. Ideal for greenhouse ventilation or heating control, aquaria, home brewing, etc. Mains powered, 10A SPCO relay output. Punched and printed case.

KIT 841.....£29.95

PORTABLE ULTRASONIC PEST SCARER

A powerful 23kHz ultrasound generator in a compact hand-held case. MOSFET output drives a special sealed transducer with intense pulses via a special tuned transformer. Sweeping frequency output is designed to give maximum output without any special setting up.

KIT 842.....£22.56

DIGITAL CAPACITANCE METER

A really professional looking project. Kit is supplied with a punched and printed front panel, case, p.c.b. and all components. Quartz controlled accuracy of 1%. Large clear 5 digit display and high speed operation. Ideal for beginners - as the μ F, nF and pF ranges give clear unambiguous read out of marked and unmarked capacitors from a few pF up to thousands of μ F.

KIT 493.....£39.95

ACOUSTIC PROBE

A very popular project which picks up vibrations by means of a contact probe and passes them on to a pair of headphones or an amplifier. Sounds from engines, watches, and speech travelling through walls can be amplified and heard clearly. Useful for mechanics, instrument engineers, and nosy parkers!

KIT 740.....£19.98



1000V & 500V INSULATION TESTER

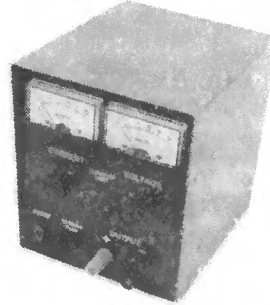
Superb new design. Regulated output, efficient circuit. Dual-scale meter, compact case. Reads up to 200 Megohms. Kit includes wound coil, cut-out case, meter scale, PCB & ALL components.

KIT 848.....£32.95

MOSFET MkII VARIABLE BENCH POWER SUPPLY 0-25V 2.5A.

Based on our MkI design and preserving all the features, but now with switching pre-regulator for much higher efficiency. Panel meters indicate Volts and Amps. Fully variable down to zero. Toroidal mains transformer. Kit includes punched and printed case and all parts. As featured in April 1994 EPE. An essential piece of equipment.

KIT 845.....£64.95



ULTRASONIC PEST SCARER

Keep pets/pests away from newly sown areas, fruit, vegetable and flower beds, children's play areas, patios etc. This project produces intense pulses of ultrasound which deter visiting animals.

- KIT INCLUDES ALL COMPONENTS, PCB & CASE
- EFFICIENT 100V TRANSDUCER OUTPUT
- COMPLETELY INAUDIBLE TO HUMANS
- UP TO 4 METRES RANGE
- LOW CURRENT DRAIN

KIT Ref. 812.....£14.81



'COMSTEP' P.C. COMPUTER STEPPING MOTOR INTERFACE

An exciting project supplied with two 200 step motors, interface board, and easy to use P.C. software.

Allows independent control of both motors - speed, direction, number of steps, and half/full step mode. Connects to computer parallel port. Requires 12V 1A D.C. supply and printer lead.

KIT 846 (with 2 motors)£62.99 (Printer lead £5.00)

IONISER

A highly efficient mains powered Negative Ion Generator that clears the air by neutralising excess positive ions. Many claimed health benefits due to the ioniser removing dust and pollen from the air and clearing smoke particles. Costs virtually nothing to run and is completely safe in operation. Uses five point emitters.

KIT 707.....£17.75

BAT DETECTOR

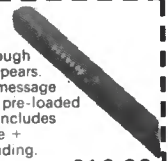
An excellent circuit which reduces ultrasound frequencies between 20 and 100 kHz to the normal (human) audible range. Operating rather like a radio receiver the circuit allows the listener to tune-in to the ultrasonic frequencies of interest. Listening to Bats is fascinating, and it is possible to identify various different types using this project. Other uses have been found in industry for vibration monitoring etc.

KIT 814.....£21.44

SPACEWRITER

An innovative and exciting project. Wave the wand through the air and your message appears. Programmable to hold any message up to 16 digits long. Comes pre-loaded with "MERRY XMAS". Kit includes PCB, all components & tube + instructions for message loading.

KIT 849.....£16.99



12V EPROM ERASER

A safe low cost eraser for up to 4 EPROMS at a time in less than 20 minutes. Operates from a 12V supply (400mA). Used extensively for mobile work - updating equipment in the field etc. Also in educational situations where mains supplies are not allowed. Safety interlock prevents contact with UV.

KIT 790.....£28.51

MOSFET 25V 2.5A POWER SUPPLY

High performance design has made this one of our classic kits. Two panel meters indicate Volts and Amps. Variable from 0-25 Volts and current limit control from 0-2.5A. Rugged power MOSFET output stage. Toroidal mains transformer.

KIT 769.....£56.82

INSULATION TESTER

A reliable and neat electronic tester which checks insulation resistance of wiring and appliances etc., at 500 Volts. The unit is battery powered, simple and safe to operate. Leakage resistance of up to 100 Megohms can be read easily. A very popular college project.

KIT 444.....£22.37

DIGITAL COMBINATION LOCK

Digital lock with 12 key keypad. Entering a four digit code operates a 250V 16A relay. A special anti-tamper circuit permits the relay board to be mounted remotely. Ideal car immobiliser, operates from 12V. Drilled case, brushed aluminium keypad.

KIT 840.....£19.86

E.E. TREASURE HUNTER P.I. METAL DETECTOR MKI

Magenta's highly developed & acclaimed design. Quartz crystal controlled circuit MOSFET coil drive. D.C. coupled amplification. Full kit includes PCB, handle, case & search coil.

- KIT INC. HEADPHONES
- EFFICIENT CMOS DESIGN
- POWERFUL COIL DRIVE

- DETECTS FERROUS AND NON-FERROUS METAL - GOLD, SILVER, COPPER ETC.
- 190mm SEARCH COIL
- NO 'GROUND EFFECT'

KIT 815.....£45.95



HAMEG HM303 30 MHz DUAL TRACE OSCILLOSCOPE & COMPONENT CHECKER

Western Europe's best selling oscilloscope - now improved. It now features 30MHz bandwidth, triggering to 100MHz and 2mV/div sensitivity.

Sharp bright display on 8 x 10cm screen with internal graticule. Special component tester built in - allows capacitors, resistors, transistors, diode, and many other components to be checked at a glance.

As with its predecessor, the QUALITY OF THIS INSTRUMENT IS OUTSTANDING. It is supported with a two year warranty covering parts and labour. If you are buying an oscilloscope, this is the one. It costs a fraction more than some others, but it is far far superior. Supplied with test probes, mains lead, and manual.

£392.00 + £68.60 VAT Includes FREE Next-day delivery (Cheques must be cleared)

EDUCATIONAL BOOKS & PACKS

ADVENTURES WITH ELECTRONICS

The classic book by Tom Duncan used throughout schools. Very well illustrated, ideal first book for age 10 on. No soldering. Uses an S.DEC breadboard.
Book & Components £28.95, Book only £7.25

FUN WITH ELECTRONICS

An Usborne book, wonderfully illustrated in colour. Component pack allows 6 projects to be built and kept. Soldering is necessary. Age 12 on, or younger with adult help.
Book & Components £20.88, Book only £2.95

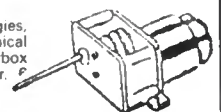
30 SOLDERLESS BREADBOARD PROJECTS

A more advanced book to follow the others. No soldering. Circuits cover a wide range of interests.
Book & Components £30.69, Book only £2.95

DC MOTOR/GEARBOXES

Ideal for robots, buggies, and many other mechanical projects. Min. plastic gearbox with 1.5-4.5V DC motor. P ratios can be set up.

Small type MGS....£4.77



STEPPING MOTORS

For computer control via standard 4 pole unipolar drivers.

MD38 - miniature 48 steps per rev.....£9.15
MD38 1/4 - standard 48 steps per rev.....£12.99

Motors and Controllers

A range of kits and components for motion control and computer interfacing. Ideal for Design & Technical projects, and a whole range of up to the minute 'Home Automation' applications.

Comstep PC Computer Interface and driver board.

Drives two motors from PC parallel port. Supplied with comprehensive software. Needs 12Volt 1A supply.

With 2-200 Step Motors

Kit 846.....£67.00

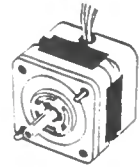
Stepping Motors

MD38...Mini 48 step...£8.65

MD35...Std 48 step...£12.98

MD200...200 step...£16.80

MD24...Large 200 step...£22.95



Power Booster for Comstep.

Adds to Comstep and allows motors up to 4 Amps to be driven. Two boosters drive two motors from a single Comstep. Uses standard Comstep software.

With MD24 Motors

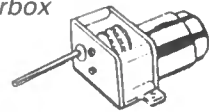
Kit 850.....£39.95

DC Motor/Gearboxes.

Our Popular and Versatile DC motor/Gearbox sets. Ideal for Models, Robots, Buggies etc. 1.5 to 4.5V Multi ratio gearbox gives wide range of speeds.

LARGE TYPE - MGL £5.95

SMALL - MGS - £4.77



PC Communications Protocol for Comstep.

An interface board adding four switched inputs to the Comstep + All the code to develop your applications. Files in C, BASIC, FORTRAN & ASSEMBLER + demo.

Kit 851.....£26.98

Versatile Stepping motor Interface.

A Magenta design, gives Half and Full-Wave drive. Up to 1Amp and 24Volts. CMOS inputs - Drive from logic or computer port. Needs power supply.

Kit 816.....£9.82

PC Joystick Interface for Comstep.

Software for operating Comstep from a standard PC Joystick. Allows two Axis control, with acceleration, speed, and X-Y position control. Stores co-ordinates.

Kit 852.....£28.95

Stand-Alone Stepping motor Driver/Interface.

A Stand alone interface giving full control in all modes. Pushbutton operation with adjustable acceleration and speed. Ideal for demo and setting up. Then connect to computer port for full control.

Kit 850.....£39.95

BBC Computer Interface.

A versatile and easy to use interface giving 16 Power I/O lines from the User and Printer Ports. Use those old Beebs for control and Motor drive applications.

Kit 844...£37.95 or Built...£51.95

More Information:

All listed items come with data and instructions.

For more information, including reprints of the appropriate magazine articles, send an SAE + £1.00 per kit - or phone and use Mastercard/Visa etc.

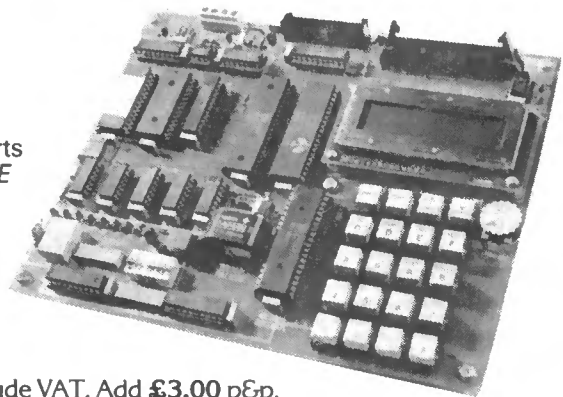
Mini-Lab & Micro Lab Electronics Teach-In 7

As featured in EPE and now published as Teach-In 7. All parts are supplied by Magenta. Teach-In 7 is £3.95 from us or EPE Full Mini Lab Kit - £119.95 - Power supply extra - £22.55 Full Micro Lab Kit - £155.95 Built Micro Lab - £189.95

MAGENTA

Tel: 0283 565435 Fax: 0283 546932

All prices include VAT. Add £3.00 p&p.





ESR ELECTRONIC COMPONENTS

Station Road, Cullercoats,
Tyne & Wear NE30 4PQ

Tel. 091 251 4363

Fax. 091 252 2296

74LS-Series		4000 Series		TRANSISTORS				LINEAR ICs				EPROMS & RAMS		SOLDERING IRONS		RF CONNECTORS	
74LS00	£0.22	4000	£0.17	2N1613	£0.31	BC186	£0.33	BD534	£0.47	CA311E	£0.28	2716	£4.46	Antex Soldering Irons		BNC Solder Plug 50R	
74LS01	£0.14	4001	£0.17	2N1711	£0.26	BC204C	£0.72	BD535	£0.50	CA324	£0.35	M 12 Watt	£8.18	BNC Solder Plug 75R		£0.93	
74LS02	£0.29	4002	£0.17	2N1823	£0.29	BC206B	£0.72	BD536	£0.65	CA556	£0.25	C 15Watt	£8.18	BNC Crimp Plug 50R		£0.68	
74LS03	£0.14	4006	£0.40	2N2219A	£0.28	BC207C	£0.72	BD646	£0.52	CA741CE	£0.25	G 18Watt	£8.41	BNC Crimp Plug 75R		£0.68	
74LS04	£0.14	4007	£0.18	2N2219A	£0.25	BC208	£0.72	BD648	£0.52	CA747CE	£0.39	CS 17Watt	£8.31	BNC Solder Skt		£1.08	
74LS05	£0.14	4008	£0.31	2N2222A	£0.18	BC209A	£0.72	BD650	£0.53	CA3046	£0.37	XS 25Watt	£8.41	BNC Chassis Skt		£0.80	
74LS08	£0.23	4009	£0.19	2N2646	£0.86	BC212	£0.08	BD707	£0.42	CA3080	£0.42	ST4 Stand	£2.97	PL259 5.2mm		£0.68	
74LS09	£0.14	4010	£0.23	2N2904A	£0.25	BC212L	£0.08	BD807	£0.80	CA3130	£0.98	35Watt Gas Iron	£11.58	PL259 11mm		£0.62	
74LS10	£0.14	4011	£0.26	2N2905A	£0.23	BC212BL	£0.08	BDX32	£1.78	CA3130E	£0.98	'Gascat' Gas Iron	£15.26	RND UHF socket		£0.68	
74LS107	£0.23	4012	£0.16	2N2907	£0.20	BC213	£0.08	BDX33C	£0.49	CA3140	£0.56	Low Cost 15 Watt Iron	£3.93	Solder UHF socket		£0.45	
74LS109	£0.21	4013	£0.24	2N2926	£0.16	BC213LC	£0.08	BDX34C	£0.50	CA3240	£1.22	Desolder Pump	£3.00	F Plug RG56		£0.37	
74LS11	£0.17	4014	£0.30	2N3053	£0.27	BC214	£0.08	BDX53C	£0.47	ICL7621	£1.70	Antistatic Pump	£4.25	F Plug RG6		£0.37	
74LS112	£0.24	4015	£0.31	2N3054	£0.90	BC214L	£0.08	BDX54C	£0.50	ICM7555	£0.43	22SWG 0.5kg Solder	£7.40	F Plug RG8		£0.20	
74LS113	£0.21	4016	£0.18	2N3055	£0.62	BC237B	£0.09	BF180	£0.31	ICM7556	£0.96	18SWG 0.5kg Solder	£6.60	N Socket RG8		£1.40	
74LS114	£0.21	4018	£0.27	2N3070	£0.09	BC238C	£0.09	BF181	£0.31	LM303A	£1.60	1mm 3 yds Solder	£0.62	BNC Crimp Pliers		£17.44	
74LS112	£0.14	4019	£0.48	2N3703	£0.10	BC251	£0.13	BF194	£0.19	LM348N	£0.43	Desolder Braid	£0.87				
74LS123	£0.31	4020	£0.31	2N3704	£0.10	BC252	£0.13	BF195	£0.19	LM358N	£0.27						
74LS125	£0.21	4021	£0.31	2N3705	£0.10	BC261B	£0.24	BF244	£0.35	LM358N	£0.27						
74LS126	£0.25	4022	£0.32	2N3706	£0.10	BC262B	£0.24	BF257	£0.33	LM377	£2.57						
74LS13	£0.14	4024	£0.21	2N3771	£1.44	BC267B	£0.30	BF259	£0.33	LM380N	£1.12						
74LS132	£0.21	4025	£0.15	2N3772	£1.51	BC307	£0.10	BF337	£0.36	LM381	£2.70						
74LS133	£0.21	4025	£0.15	2N3773	£1.79	BC308	£0.10	BF355	£0.38	LM386	£0.48						
74LS136	£0.16	4026	£0.78	2N3819	£0.39	BC327	£0.10	BF423	£0.13	LM387	£1.60						
74LS138	£0.24	4027	£0.18	2N3820	£0.66	BC328	£0.10	BF451	£0.19	LM392N	£0.79						
74LS139	£0.25	4028	£0.22	2N3904	£0.84	BC337	£0.09	BF459	£0.29	LM393N	£0.62						
74LS139	£0.25	4028	£0.22	2N3905	£0.10	BC338	£0.10	BF469	£0.36	LM394A	£1.60						
74LS14	£0.25	4029	£0.40	2N3906	£0.10	BC414C	£0.13	BFX29	£0.29	LM1458	£0.28						
74LS145	£0.56	4031	£0.70	2N4036	£0.31	BC441	£0.40	BFX84	£0.31	LM3900	£0.72						
74LS147	£1.26	4033	£0.58	2N5296	£0.57	BC461	£0.40	BFX85	£0.32	LM3914	£2.70						
74LS148	£0.70	4034	£1.24	2N5321	£0.57	BC463	£0.29	BFY50	£0.29	LM3915	£2.70						
74LS151	£0.25	4035	£0.40	2N5104	£0.41	BC478	£0.20	BFY51	£0.29	LM3931	£1.60						
74LS151	£0.25	4035	£0.40	2N5104	£0.41	BC478	£0.20	BFY52	£0.28	MC4558	£0.60						
74LS153	£0.25	4040	£0.29	AC127	£0.30	BC479	£0.32	BFY52	£0.28	MC4558	£0.60						
74LS154	£0.70	4042	£0.22	AC128	£0.28	BC490	£0.24	BS107	£0.21	NE531	£1.56						
74LS155	£0.25	4043	£0.28	AC187	£0.45	BC516	£0.22	BS170	£0.21	NE566N	£0.36						
74LS156	£0.36	4044	£0.35	AC188	£0.37	BC527	£0.20	BSW66	£1.35	NE567N	£0.39						
74LS157	£0.22	4046	£0.40	AC189	£0.28	BC527	£0.20	BU126	£1.70	NE5532	£0.25						
74LS158	£0.22	4046	£0.40	AD149	£1.67	BC537	£0.20	BU126	£1.70	NE5532	£0.25						
74LS160	£0.48	4047	£0.25	AD161	£0.92	BC546C	£0.08	BU208A	£1.24	TBA120S	£0.90						
74LS161	£0.32	4049	£0.22	AD162	£0.92	BC547C	£0.09	BU326A	£1.80	TBA810S	£0.68						
74LS162	£0.44	4050	£0.20	BC107	£0.16	BC548C	£0.08	BU500	£1.54	TBA820M	£0.39						
74LS163	£0.32	4051	£0.43	BC108	£0.13	BC549C	£0.10	BU508A	£1.76	TD2002	£1.04						
74LS164	£0.26	4052	£0.32	BC108A	£0.14	BC556A	£0.08	BU526	£2.24	TD2030	£1.18						
74LS165	£0.48	4053	£0.40	BC108C	£0.16	BC557C	£0.08	BU806	£1.36	TL061	£0.35						
74LS170	£0.48	4054	£0.56	BC109C	£0.17	BC558C	£0.08	BU884	£1.06	TL062	£0.60						
74LS173	£0.24	4056	£0.48	BC109C	£0.17	BC559C	£0.08	IRF540	£1.63	TL071CP	£0.32						
74LS174	£0.24	4060	£0.48	BC115	£0.41	BC637	£0.21	MJ11015	£2.11	TL072CP	£0.68						
74LS175	£0.24	4063	£0.29	BC116	£0.41	BC638	£0.21	MJ11016	£2.11	TL072CP	£0.68						
74LS190	£0.25	4066	£0.24	BC118	£0.41	BC639	£0.21	MJ2501	£1.60	TL081	£0.33						
74LS191	£0.24	4067	£1.96	BC132	£0.36	BC640	£0.21	MJ3001	£1.80	TL082CP	£0.54						
74LS192	£0.42	4068	£0.16	BC134	£0.36	BCY70	£0.21	MJE350	£0.42	TL084CN	£0.46						
74LS193	£0.24	4069	£0.28	BC134	£0.36	BCY71	£0.21	MPSA13	£0.12	UA733	£0.84						
74LS195	£0.24	4070	£0.10	BC140	£0.25	BCY72	£0.20	MPSA42	£0.17	ULN2003	£0.51						
74LS196	£0.24	4071	£0.22	BC141	£0.27	BD136	£0.20	MRF475	£7.28	ULN2004	£0.48						
74LS197	£0.24	4072	£0.17	BC142	£0.31	BD136	£0.20	PI121	£0.37	ZN414Z	£1.16						
74LS20	£0.16	4073	£0.17	BC143	£0.34	BD137	£0.23	PI122	£0.37	ZN425E	£4.68						
74LS21	£0.14	4075	£0.17	BC149	£0.38	BD187	£0.31	PI123	£0.40	ZN426E	£3.03						
74LS22	£0.14	4077	£0.17	BC154	£0.36	BD187	£0.31	PI127	£0.37	ZN427E	£8.82						
74LS221	£0.32	4078	£0.20	BC157	£0.12	BD150C	£0.82	PI132	£0.46	ZN428E	£8.12						
74LS240	£0.32	4081	£0.22	BC159	£0.12	BD165	£0.42	PI137	£0.46	ZN448E	£7.50						
74LS242	£0.32	4082	£0.21	BC160	£0.28	BD166	£0.35	PI142	£1.08								
74LS243	£0.30	4085	£0.28	BC170B	£0.16	BD187	£0.31	PI147	£1.12								
74LS244	£0.32	4086	£0.26	BC171B	£0.16	BD202	£0.40	PI295	£0.63								
74LS245	£0.36	4093	£0.18	BC171B	£0.16	BD202	£0.40	PI295	£0.63								
74LS247	£0.32	4094	£0.31	BC172	£0.13	BD203	£0.40	TIP305	£0.63								
74LS251	£0.24	4095	£0.58	BC172B	£0.13	BD204	£0.40	TIP30C	£0.31								
74LS252	£0.24	4098	£1.20	BC172B	£0.13	BD204	£0.40	TIP31C	£0.34								
74LS258	£0.24	4097	£0.48	BC178	£0.18	BD222	£0.40	TIP32	£0.42								
74LS26	£0.14	4099	£0.32	BC179	£0.17	BD232	£0.38	TIP33C	£0.72								
74LS266	£0.14	4502	£0.38	BC182	£0.08	BD237	£0.32	TIP42C	£0.38								
74LS27	£0.14	4503	£0.40	BC182L	£0.08	BD238	£0.32	TIF47	£0.48								
74LS273	£0.32	4508	£1.40	BC182L	£0.08	BD240B	£0.37	TIF48	£0.62								
74LS279	£0.25	4508	£1.00	BC183	£0.08	BD243B	£0.32	TIF50	£0.65								
74LS30	£0.14	4510	£0.26	BC183L	£0.08	BD244A	£0.53	VN10KM	£0.48								
74LS32	£0.14	4511	£0.56	BC183L	£0.08	BD246	£1.06	VN66AF	£1.50								
74LS365	£0.21	4514	£0.77	BC184	£0.08	BD441	£0.41	ZTX300	£0.16								

EVERYDAY With PRACTICAL ELECTRONICS

INCORPORATING ELECTRONICS MONTHLY

VOL. 24 No. 3

MARCH '95

Editorial Offices:
EVERYDAY with PRACTICAL ELECTRONICS EDITORIAL
ALLEN HOUSE, EAST BOROUGH, WIMBORNE
DORSET BH21 1PF
Phone: Wimborne (01202) 881749
Fax: (01202) 841692. DX: Wimborne 45314
Due to the cost we cannot reply to orders or queries by Fax.

See notes on **Readers' Enquiries** below – we regret lengthy technical enquiries cannot be answered over the telephone.

Advertisement Offices:
EVERYDAY with PRACTICAL ELECTRONICS
ADVERTISEMENTS
HOLLAND WOOD HOUSE, CHURCH LANE
GREAT HOLLAND, ESSEX CO13 0JS
Phone/Fax: (01255) 850596

FREE P.C.B.

It is many years since we last gave away any form of circuit board with the magazine and in the past these have been "universal" wiring boards, e.g. stripboard or plain perforated boards. It has not been our policy to give away a p.c.b. which is only suitable for one project as we believe this limits its value to a large proportion of readers.

This issue carries three projects which use the cover mounted Free p.c.b., next month there will be another three – see page 171 for details – and in the Autumn we will publish a further six projects and give away the same p.c.b. again. So, if you are not interested in any of the projects this time around, save your p.c.b. for the Autumn. Alternatively, you will find the board can be used to build almost any circuit which is designed around a single op.amp – things like the Guitar Treble Booster in our *Ingenuity Unlimited* section should go on the Free p.c.b.

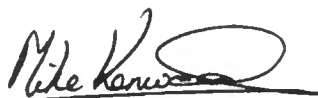
MORE!

Because the board is so adaptable it will also be very useful to those who are building projects for various examinations, particularly for GCSE Electronics or Technology students. We can supply extra boards if you need them – see page 247 – alternatively, you can get another one by buying another issue; it will then cost £2.25 instead of £3. If you do this can we ask that you pass the spare issue to a friend or school, etc., so that someone can make use of it. The same thing applies to the p.c.b., if you don't want it why not pass it on to someone who might be able to put it to good use?

COVER PRICE

As you may have noticed the cover price of this issue has been increased by 10p. Let me assure you that this has not been done to cover the cost of the gift. Unfortunately we are faced with massive paper price increases over which we have absolutely no control. We have no wish to reduce the number of pages we publish and have, therefore, been forced to increase the cover price. Note that the price of annual subscription has presently been held at £24 (UK) – see below.

We will continue to make sure that our pages are packed with information and that each issue covers a wide range of subjects and projects, thus providing what we believe to be the best value for money publication for the electronics enthusiast. The rise in the price of paper is due to a worldwide shortage and this is now starting to affect *all* publishers.



SUBSCRIPTIONS

Annual Subscriptions for delivery direct to any address in the UK: £24. Overseas: £30 (£47.50 airmail). Cheques or bank drafts (in £ sterling only) payable to *Everyday with Practical Electronics* and sent to EPE Subscriptions Dept., Allen House, East

Borough, Wimborne, Dorset BH21 1PF. Tel: 01202 881749. Subscriptions start with the next available issue. We accept Access (MasterCard) or Visa.

BINDERS

Binders to hold one volume (12 issues) are now available from the above address. These are finished in blue p.v.c., printed with the magazine logo in gold on the spine. Price £5.95 plus £3.50 post and packing (for overseas readers the postage is £6.00 to everywhere except Australia and Papua New Guinea which cost £10.50). *Normally sent within seven days but please allow 28 days for delivery – more for overseas orders.*

Payment in £ sterling only please. Visa and Access (MasterCard) accepted, minimum credit card order £5. Send or phone your card number and card expiry date with your name, address etc.

Editor: MIKE KENWARD

Secretary: PAM BROWN

Deputy Editor: DAVID BARRINGTON

Technical Editor: JOHN BECKER

Business Manager: DAVID J. LEAVER

Subscriptions: MARILYN GOLDBERG

Editorial: Wimborne (01202) 881749

Advertisement Manager:

PETER J. MEW, Frinton (01255) 850596

Advertisement Copy Controller:

DEREK NEW, Wimborne (01202) 882299

READERS' ENQUIRIES

We are unable to offer any advice on the use, purchase, repair or modification of commercial equipment or the incorporation or modification of designs published in the magazine. We regret that we cannot provide data or answer queries on articles or projects that are more than five years old. Letters requiring a personal reply *must* be accompanied by a **stamped self-addressed envelope or a self-addressed envelope and international reply coupons. Due to the cost we cannot reply to queries by Fax.**

All reasonable precautions are taken to ensure that the advice and data given to readers is reliable. We cannot, however, guarantee it and we cannot accept legal responsibility for it.

COMPONENT SUPPLIES

We do not supply electronic components or kits for building the projects featured, these can be supplied by advertisers.

We advise readers to check that all parts are still available before commencing any project in a back-dated issue.

We regret that **we cannot provide data or answer queries on projects that are more than five years old.**

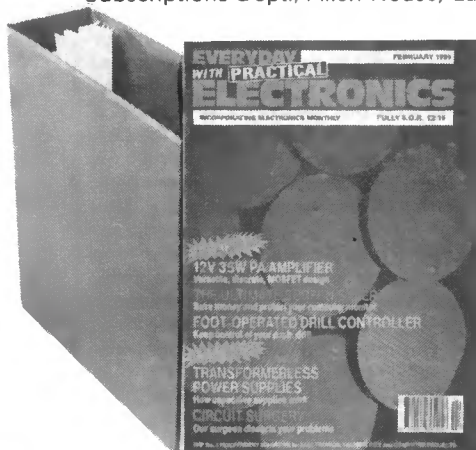
ADVERTISEMENTS

Although the proprietors and staff of EVERYDAY with PRACTICAL ELECTRONICS take reasonable precautions to protect the interests of readers by ensuring as far as practicable that advertisements are *bona fide*, the magazine and its Publishers cannot give any undertakings in respect of statements or claims made by advertisers, whether these advertisements are printed as part of the magazine, or in inserts.

The Publishers regret that under no circumstances will the magazine accept liability for non-receipt of goods ordered, or for late delivery, or for faults in manufacture. Legal remedies are available in respect of some of these circumstances, and readers who have complaints should first address them to the advertiser.

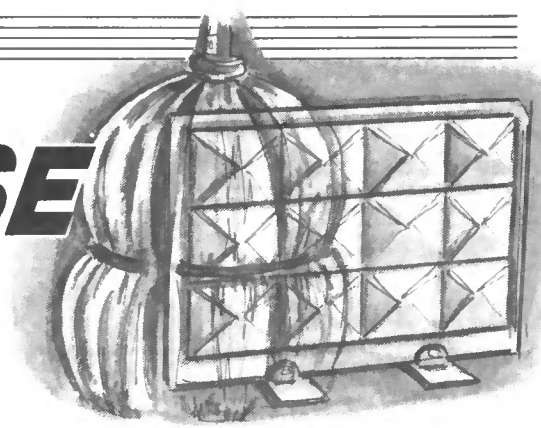
TRANSMITTERS/BUGS/TELEPHONE EQUIPMENT

We advise readers that certain items of radio transmitting and telephone equipment which may be advertised in our pages cannot be legally used in the UK. Readers should check the law before buying any transmitting or telephone equipment as a fine, confiscation of equipment and/or imprisonment can result from illegal use or ownership. The laws vary from country to country; overseas readers should check local laws.



MULTI-PURPOSE THERMOSTAT

ALAN WINSTANLEY



An adaptable design for precise control of electric heaters. Useful in domestic, horticultural, photographic, aquatic applications and more. Full 13A 250V rating.

TEMPERATURE control is just one area where electronics excels over its electromechanical counterparts. Mechanical bi-metallic strips are often used in heating systems not requiring a particularly fine degree of temperature control, for instance in tropical aquaria an immersible bi-metallic strip thermostat is the usual means of sensing the water temperature since it is cheap to implement and is reasonably reliable. The initial setting up, however, is often a matter of trial and error because these devices are generally completely uncalibrated and the only way to know whether you've got it right is to try it and see – and hope that the fish agree!

In other domestic applications a bi-metallic strip may find its way into a typical central heating thermostat, and refrigerator or electric fire temperature controls. In the case of a fan or convector heater thermostat, for instance, the control may be calibrated with just an arbitrary scale and secondly, there is almost always a proportion of "overshoot" where the temperature has to reach a peak before the bi-metallic strip will switch off the heater.

Then the temperature may have to fall to an undesirably low level before the heater switches in again. Therefore the control might well be set with the minimum required temperature in mind, paying scant attention to the unnecessary temperature peaks and surges which may occur before the bi-metallic thermostat turns the fire off. Hence, you either freeze or fry!

Another problem with electromechanical thermostats is their tendency to "waver" at the desired setting, resulting in a second or two of buzzing and contact arcing as the bi-metallic strip trips over. Sometimes a magnet is included on the strip to help guard against this, to accelerate the movement of the contacts when they switch over.

APPLICATIONS

It's a simple matter to overcome all of these disadvantages with an electronic thermostat such as the one to be described here. This general purpose unit can be adapted to suit the reader's specific requirements. It was designed to be safe and reliable to construct, whilst keeping a keen eye on cost.

It has a full 13A 250V rating which enables it to control a load of up to 3kW (3,000 watts).

By fitting a temperature sensor of suitable design, it can be used to detect both air and liquid ambient temperatures. This makes it useful for:

- General domestic applications (electric fires, space heating etc.).
- Horticultural use (greenhouse heating, propagator and nursery bench temperature control).
- Photography (dish warming, developer process control).
- Printed circuit board (p.c.b.) production – etchant temperature control.
- Tropical aquaria – fishtank heating.
- Homebrewing – fermentation control.

An extra feature of this design is the inclusion of an optional "hysteresis" control. This permits the user to adjust the difference between the high and low temperature switching points, which then allows further control over the temperature accuracy.

This means that the operating band of the thermostat can be narrowed or widened somewhat, which may help to compensate for the thermal "inertia" of the heating system: a larger inertia means more stored warmth in the heater, producing a temperature overshoot even after the heater has switched off. The hysteresis control feature could, however, be omitted if necessary.

CIRCUIT DESCRIPTION

The complete circuit diagram of the Multi-Purpose Thermostat is shown in Fig. 1. This is a straightforward design centred around an operational amplifier i.c. IC3, configured as a Schmitt trigger. It is powered from a mains-derived regulated 12V d.c. rail. A high-stability adjustable shunt regulator (IC2) is set to provide an accurate reference voltage for the op.amp, which compares a temperature-dependent signal against this reference and operates a heavy duty relay to turn the mains load on and off accordingly.

A thermally-sensitive resistor or thermistor R9 forms the temperature sensor for this unit. In order to economise, a readily available bead thermistor was selected rather than a glass bead type, which although more accurate is both more expensive and quite delicate to handle.

The thermistor has a negative temperature co-efficient (n.t.c.) which implies that its resistance falls when its temperature



increases. It's usual to specify the thermistor resistance at a given temperature: a 4k7 at 25°C bead is used.

This is located remotely from the main thermostat and is connected by a 3.5mm jack plug and socket, PL1/SK2. Capacitor C4 helps reduce any noise picked up on the connecting cable. By suitably mounting the thermistor, it can be adapted to sense either liquids or ambient air temperatures, see later.

Along with Temperature control potentiometer VR1 and resistor R5, the thermistor forms a potential divider which is connected to the non-inverting (+) input, pin 3, of the op.amp IC3, which has a high impedance MOSFET input. When the thermistor's temperature increases, its resistance falls and so the non-inverting input voltage falls also.

The op.amp amplifies the difference between the voltages of the non-inverting and inverting input (pins 3 and 2 respectively). If the + input is greater than the - input then the output swings "high". Conversely, should the - input be greater than the + input then the output will move negatively "low".

Because a single rail supply is used here rather than a split supply, the output pin can only switch either to the positive rail or to 0V, depending on the polarity of the two input voltages. In this mode the op.amp is actually operating as a comparator.

REFERENCE VOLTAGE

The inverting (-) input is firmly clamped at a fixed reference voltage. This is set for precisely 6V d.c. (half the rail voltage) and is generated by IC2, a TL431 adjustable shunt regulator.

This is quite a handy device to become acquainted with, and its basic principle of operation is shown in Fig. 2. The device

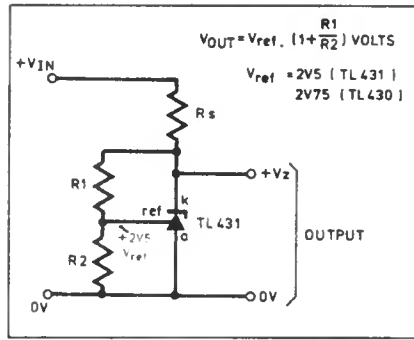


Fig. 2. Operation of the high stability TL431 adjustable shunt regulator.

has three pins, namely anode (a), cathode (k) and a third "reference" (ref) terminal. The TL431 has its own temperature-compensated "bandgap" reference which is highly stable and contributes to the great accuracy of the component - important in a thermostat application where the reference voltage should not drift unduly with temperature.

The TL431 reference voltage is 2.5V which appears between the anode and reference pins as shown. A potential divider consisting of resistors R1 and R2 is used to determine the output voltage of the device. It's preferable to allow a 1mA current to flow through the potential divider and the designer allowed a further 5mA forward current to flow through the TL431 itself.

The formula is:

$$V_z = V_{ref} \left[1 + \frac{R1}{R2} \right]$$

To generate a 6V "Zener" output voltage, a little equation solving produced values of 4k7 and 3k3 for R1 and R2

respectively. Happily, these values are readily available in the E12 series thus no special precision resistors are needed.

A series current limiting resistor Rs is also needed which is calculated in the same way as that for an ordinary Zener diode. If we assume a supply rail of 12V d.c., and a Zener output of 6V, then with a total of 6mA (1mA + 5mA) flowing through the series resistor, a 1k value is fine.

DYNAMIC RESISTANCE

This reference circuit has several key advantages over an ordinary Zener diode. Apart from the fact that the output voltage can be controlled precisely with external resistors, it has a much greater temperature stability (typically 50 parts per million per degree C.) and also has a much lower internal resistance.

The "dynamic" resistance of a standard Zener diode could be some 40 ohms or more, which produces an unwanted error voltage when the Zener current increases (the resistance causing an undesirable "internal" voltage drop within the Zener diode). Even the dynamic or "slope" resistance of a 1N821 temperature compensated Zener is 15 ohms, for instance. The dynamic resistance of the TL431 is only 0.2 ohms, so the reference output is largely independent of the current flowing through the component.

The result is a highly stable reference voltage which is used to clamp the inverting input of the op.amp IC3 at 6V. Hence, whenever the voltage at pin 3 is greater than 6V, the op.amp output switches high. This turns on the transistor switch TR1 and completes the circuit to the power relay RLA, also the l.e.d. D7 will illuminate whenever the relay is switched on. Diode D6, as usual, guards against back e.m.f. from the coil when the relay switches out.

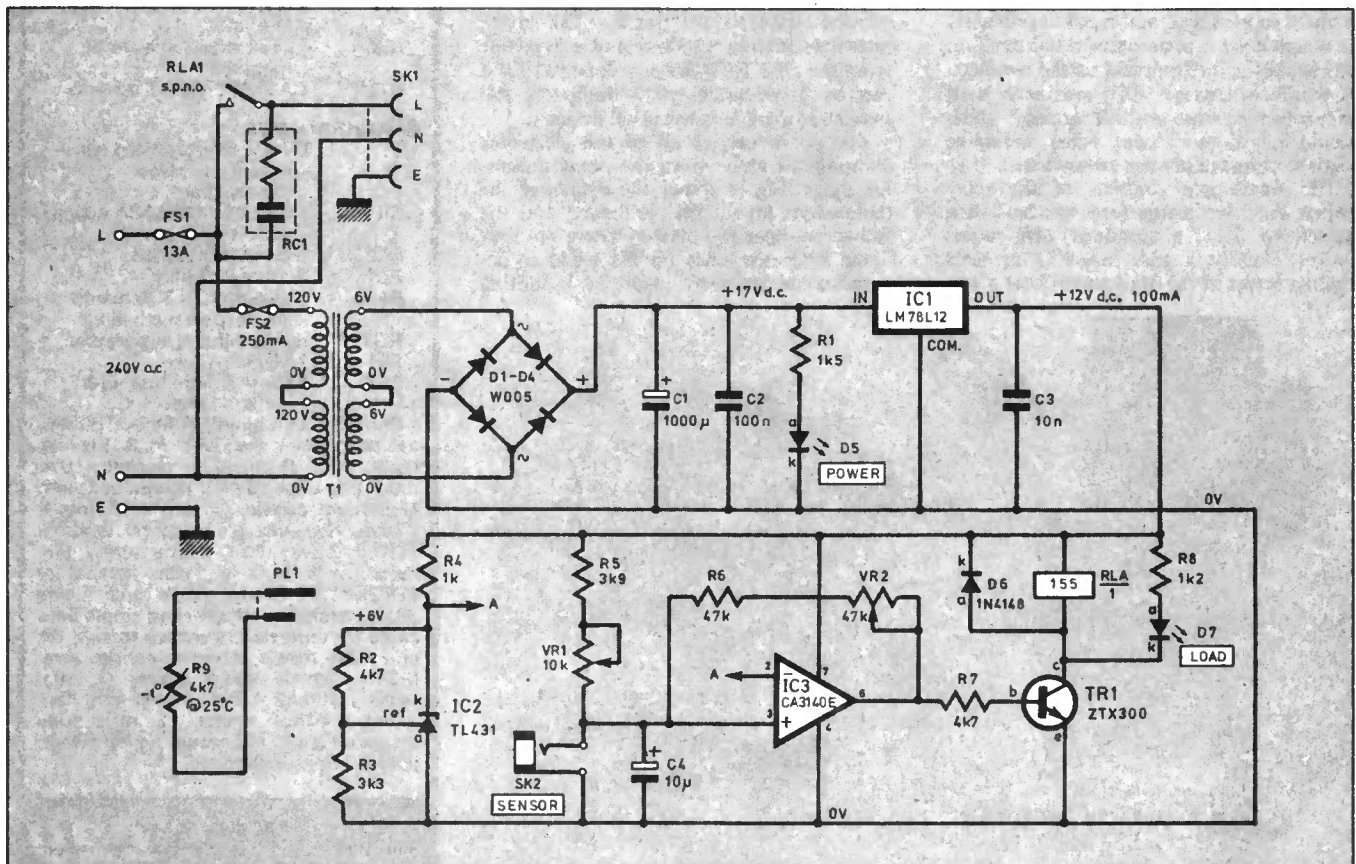


Fig. 1. Circuit diagram for the Multi-Purpose Thermostat.

HYSTERESIS

A potential drawback with this arrangement is that it is very sensitive, and the op.amp will amplify the tiniest difference between its two inputs and switch the output high or low. With an input signal which is relatively slow-moving, there are often occasions when the circuit may seem to "jitter" just on the switching point. This can be very undesirable when switching mains loads, and can be overcome by converting the circuit into a clean "snap action" Schmitt trigger.

To do this, a feedback arrangement is introduced with VR2 and R6. This effectively causes the switching point to have two levels – a higher and a lower set point with a small difference in between called the "hysteresis."

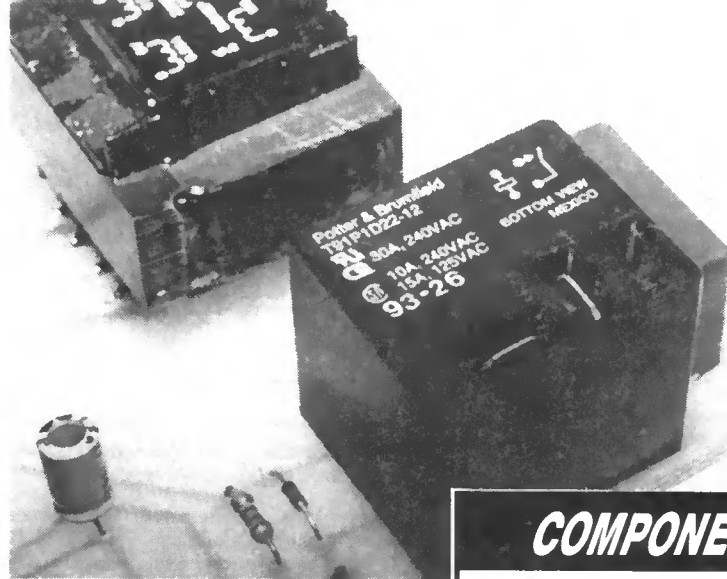
Now the circuit is no longer able to "jitter" at the set point: instead, the temperature must reach a particular level to switch the heater off, and then it must fall to a lesser temperature before the heater can switch on again. By making this hysteresis variable, it's possible to adjust the operating characteristics of the thermostat so that you can compensate for any temperature overshoots. This feature could be left out if desired, see later.

Turning to the power supply section, mains voltage is stepped down by transformer T1 to 12V a.c. which is then rectified and smoothed by bridge rectifier D1-D4 and capacitor C1, to produce approximately 17V d.c. This is fed to a standard three terminal 12V 100mA fixed voltage regulator IC1 and forms the power rail for the electronics. An l.e.d. D5 placed before the regulator, lights as a "Power On" indicator.

RELAY

The specified relay has an important constructional feature in that it is very heavy duty (rated up to 30A) but is extremely economical, and most importantly although it is p.c.b. mounted it has push-on terminals for direct access to the contacts. A snubber network RC1 was also used to protect against contact arcing, which would be more evident when inductive loads such as fan heaters are switched.

The single-pole contacts of the relay switch the Live mains feed which is then passed to SK1, a standard 13A mains socket. Finally, a 13A fuse FS1 protects against faults in the load and FS2 is a low



Close-up of the power relay showing the push-on "spade" terminals accessible from the top.

current quick blow fuse to protect against transformer faults etc. No mains on/off switch was included but guidance notes are given at the end should you wish to fit one.

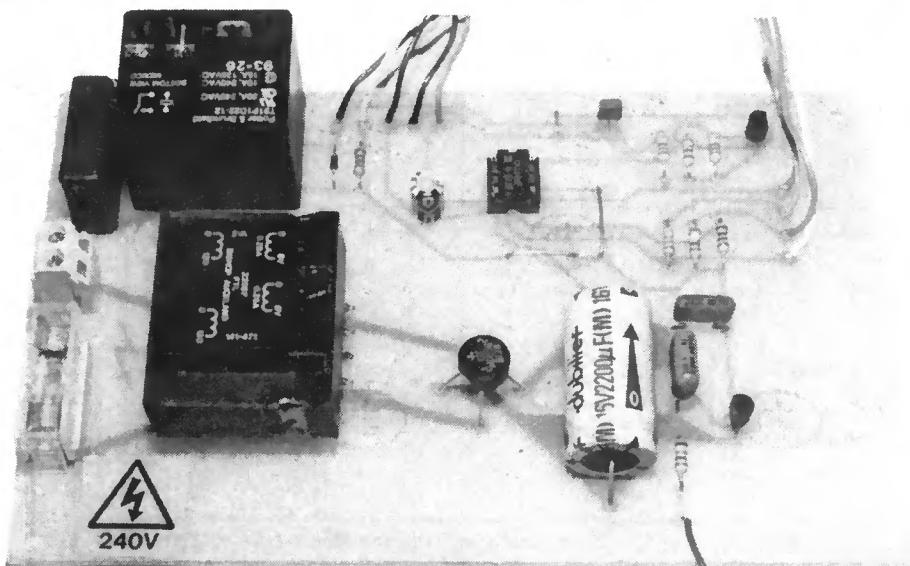
CONSTRUCTION

This project contains a mixture of both mains a.c. and low d.c. voltages. The unit was designed to ensure that construction was kept as simple and as safe as possible. If you are an inexperienced constructor then you must follow the details closely or seek help from a qualified person.

Do not substitute components but use those recommended in the Components List and you should have no difficulty in producing a safe and trouble free project. The use of an ELCB/RCD is strongly recommended during the initial testing and calibration stages.

In order to simplify construction, the circuit was constructed on a single-sided printed circuit board (p.c.b.). The board measures 160mm x 100mm and is available from the *EPE PCB Service*, code 931, or it can be home-made using the p.c.b. foil pattern as a guide in the usual manner.

The p.c.b. carries all of the electronic components apart from the panel mounting parts. Fig. 3 shows the details of the component layout on the board and the full size copper foil master. There are four 3mm clearance holes on the p.c.b. to accommodate the fully insulated mounting



Layout of components on the completed printed circuit board.

COMPONENTS

Resistors

R1	1k5
R2, R7	4k7 (2 off)
R3	3k3
R4	1k
R5	3k9
R6	47k
R8	1k2
R9	bead thermistor, 4k7 at 25°C

All 0.25W 5% carbon film, except R9

See
**SHOP
TALK**
Page

Potentiometers

VR1	10k rotary carbon, lin. 0-4W
VR2	47k rotary carbon, lin. 0-4W

Capacitors

C1	1000µ axial elect. 25V
C2	100n polyester
C3	10n polyester
C4	10µ radial elect. 16V

Semiconductors

D1-D4	W005 50V PIV 1A bridge rectifier
D5	3mm red l.e.d.
D6	1N4148 signal diode
D7	3mm green l.e.d.
TR1	ZTX300 npn transistor
IC1	LM78L12ACZ, 12V 100mA regulator
IC2	TL431 adjustable shunt regulator
IC3	CA3140E CMOS op.amp

Miscellaneous

T1	0V-6V, 0V-6V 3VA p.c.b. mounting mains transformer
SK1	panel mounting 13A mains socket
SK2	3.5mm jack socket
PL1	3.5mm jack plug
RLA	155 ohm 12V 30A mains single-pole p.c.b. relay
RC1	mains contact suppressor
FS1	13A mains fuse
FS2	250mA 20mm fuse with p.c.b. holder

Printed circuit board, 100mmx160mm, available from the *EPE PCB Service*, code 931; 8-pin d.i.l. socket; l.e.d. mounting clips (2 off); plastic box with aluminium panels 231mm x 181mm x 77mm; two-way p.c.b. screw terminal (TB1); 3-way 13A mains screw terminal, with built-in 1/4in. fuseholder (TB2); 13A 3-core cable and mains plug, materials and screened single core cable for temperature sensor to suit, 6A and 13A mains interconnecting wire; 0.25in. female crimp blades (2 off); cable restraint; 10mm crimp ring terminal; control knobs (2 off); fully insulated p.c.b. M3 mounting hardware; solder, hook-up wire etc.

Approx cost
guidance only

£29

excluding case

MULTI-PURPOSE THERMOSTAT

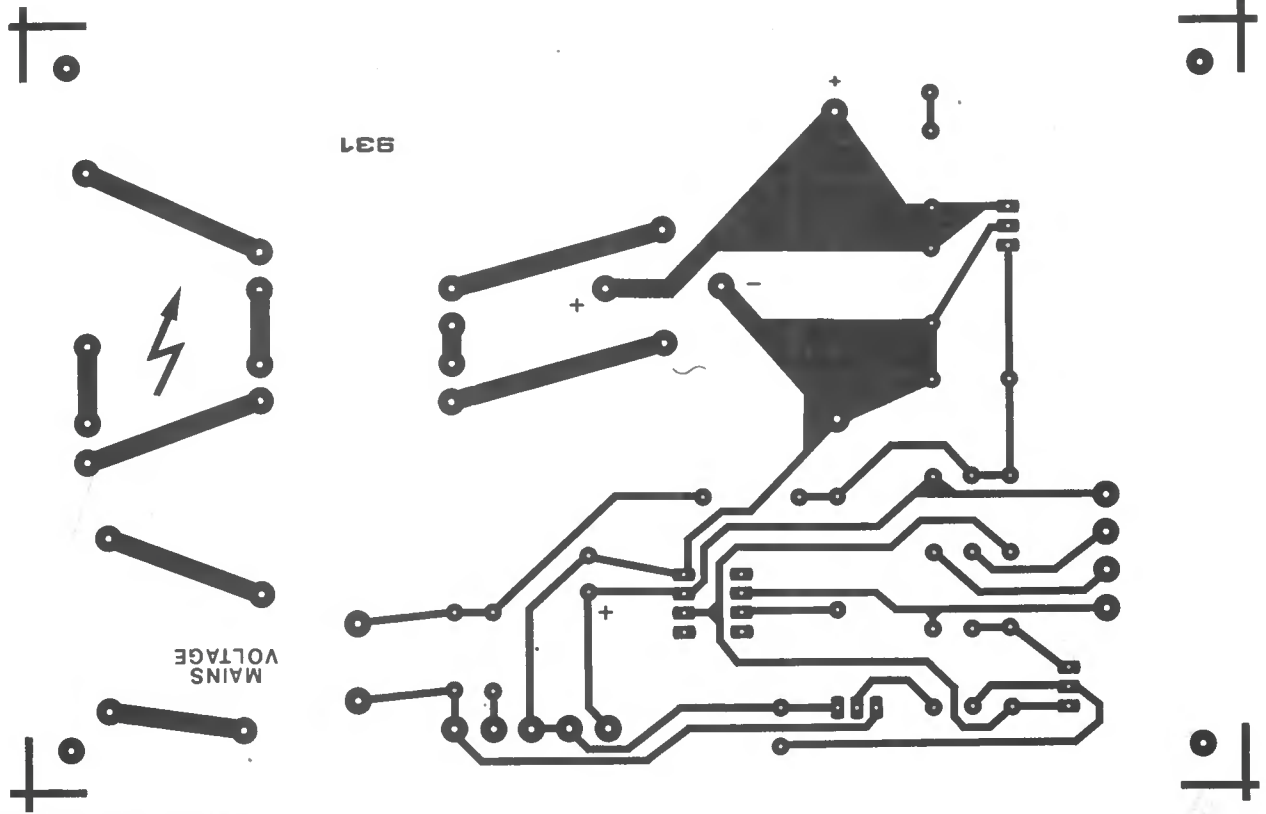
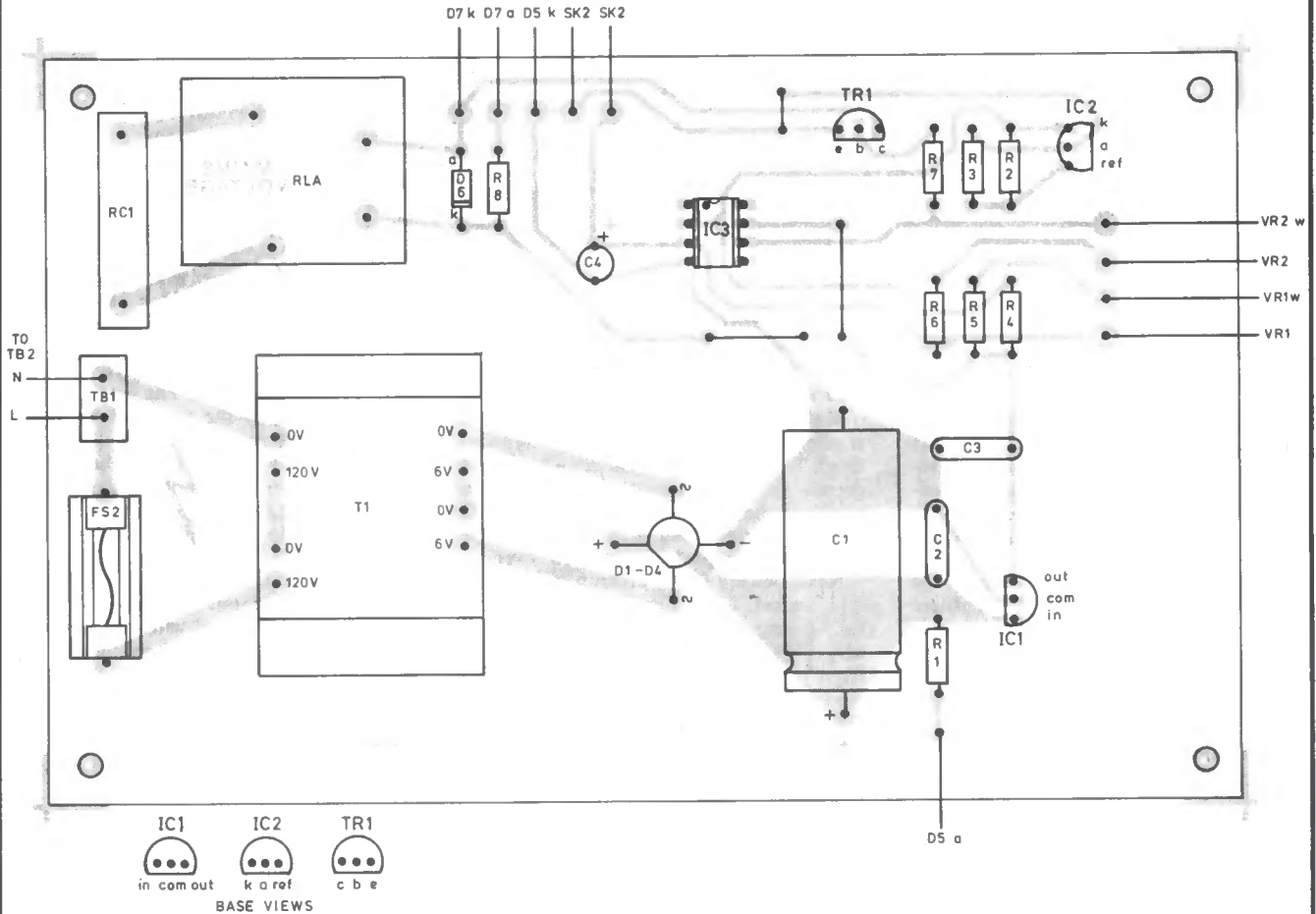


Fig. 3. Thermostat printed circuit board component layout and full size underside copper foil master pattern. Also shown are the pinout details for IC1, IC2 and transistor TR1.



Front panel layout and lettering.

hardware. The empty p.c.b. can be used as a template to mark out the drilling centres on the chosen case.

For convenience it is best to commence assembly by fitting the smallest and fiddliest parts first, finishing with the heaviest and largest components. There is plenty of space on the board, so start by soldering into place the three tinned copper link wires, then continue with the discrete components.

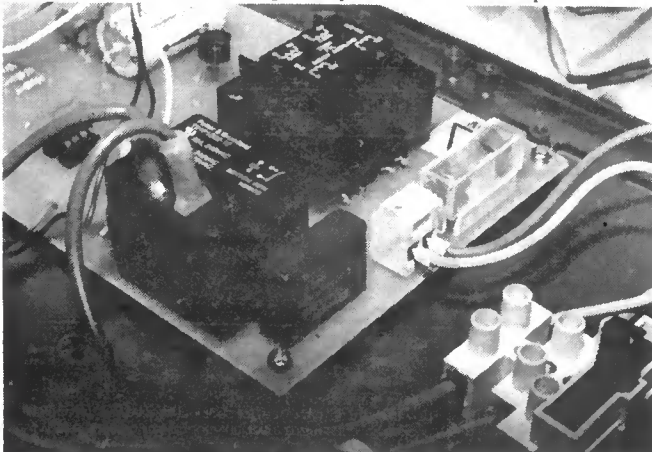
An 8-pin d.i.l. socket may be used for IC3, but do not fit the static-sensitive op.amp into position yet. Continue with the power supply section, noting that the polarities of the bridge rectifier D1-D4 and the smoothing capacitor C1 are absolutely *critical*.

Also you must observe the polarity of the semiconductor devices carefully as these are likely to be damaged if their connections are reversed (it's one of the few ways you can destroy an overload-protected i.c. such as a regulator). Pinout connections are shown separately for the TL431, 12V regulator and transistor, and must be followed closely.

RELAY

As explained earlier, the relay RLA is an interesting choice (see Components List) because although it is a p.c.b. mounting type, it has heavy duty contact terminals accessible on top, as well as via the p.c.b. This means that it is not necessary for the p.c.b. to carry a full 13A load, instead the load is routed to the relay directly through heavy gauge connecting wire.

In fact, only the relay *coil* is driven through the p.c.b. foil pattern and separate 13A wire will be used for the load connections which are taken straight off the relay housing (see photos) via 0.25in. blades – a very neat solution to an age-old problem.



The "snubber network" RC1 mounted on the p.c.b. and heavy duty connections to the relay.

Whilst the main contacts also have solder pins, these are soldered to the board just to make the mounting of the relay more secure, and to connect the snubber RC1.

Mains input to the printed circuit board is effected via a two-way screw terminal block TB1 but this only carries a moderate current for the thermostat circuit. It does not carry the heater load current. Fuse FS2 is a p.c.b. mounting type which on the prototype has a protective clip-on cover.

Next, quickly fit the op.amp IC3 into its d.i.l. socket, using Fig. 3 as a guide, and taking any anti-static precautions necessary: it's safest to discharge any static away from your body through an Earthed point prior to handling the chip.

Finish off by soldering the mains transformer into place. It will only fit one way round but ensure that it is flush against the p.c.b. before soldering.

Having fitted all parts to the board, check the soldering very carefully, looking for signs of dry or incomplete joints, or stray whiskers of solder shorting adjacent copper pads. You may wish to finish off by spraying the copper foil with a coat of p.c.b. lacquer. Normally this can be through-soldered when connecting the flying leads.

HOUSING

These days, the enclosure is often amongst the most expensive of a project's components and it pays to compare sizes and shop around; alternatively you might consider saving money by producing a box yourself from suitable materials. The prototype was constructed in a plastic housing which had attractive front and rear aluminium panels coupled together with pressed steel members. It appeared to be the most competitively priced box for the required size.

The dimensions are primarily determined by the size of the mains socket which is fitted to the rear panel, also the "footprint" of the box must accommodate the p.c.b. together with a heavy duty 3-way terminal block (see photographs).

After some consideration the prototype used a plastic case no. BIM 3503 measuring 231 × 181 × 77mm, sourced from ElectroValue. This box was (only) just high enough to carry the mains socket as shown in the photographs.

Ventilation slots are also formed into the rear panel and plastic base though these are superfluous in this design. It also had tilt feet as a finishing touch. Any other suitable case of appropriate dimensions could be used but one with metal panels will facilitate good earthing, and aluminium is a more easy to work than steel.

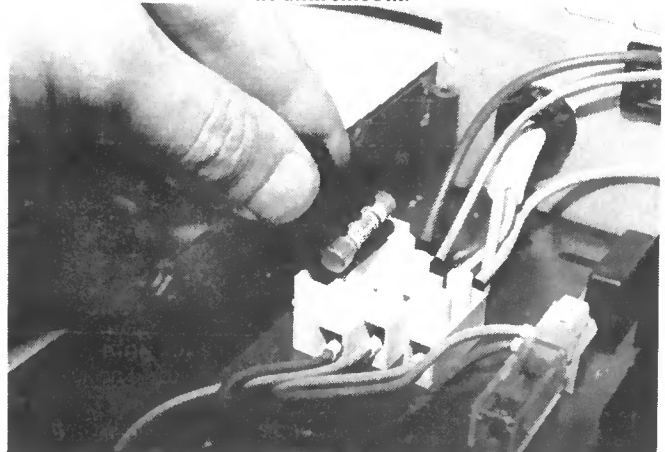
The base needs preparing to accept the p.c.b. mounting hardware if you haven't already done so earlier. The front panel is punched to carry the two potentiometers and two light emitting diodes (l.e.d.s): a 10mm or 3/8in Q-Max chassis punch will make light work of the pot. mounting holes whilst the l.e.d.s can be supported with plastic lens-clips or similar, of appropriate size. The prototype used 3mm l.e.d.s in transparent clips for an attractive finish.

After carrying out the metalwork, the panel can be enhanced with rub-down lettering which is now widely available in the High Street in many typefaces. If desired, the two rotary controls can also be embellished with rub-down "scales" such as those provided by Alfac (their part no. EC802). These vastly simplify the accurate marking out of the dials. Finally, spray on several coats of protective lacquer before turning to the rear panel.

REAR PANEL

The panel at the back of the case needs punching to accept the 13A mains socket SK1 together with the 3.5mm jack socket SK2 and the mains cable inlet. The actual layout depends on the type of box used, and due care must be taken to ensure that when all parts are in place, nothing will interfere with any other parts or cause an obstruction which would prevent the box from being closed together properly.

A Q-Max punch is the best way to machine out the socket opening, however at 50mm diameter for the specified socket such a punch is a luxury. As an alternative, you could drill a ring of holes just inside the diameter of the proposed cut-out, and join them together with an Abrafile or similar, then file the edges with a half round file until smooth.



Inserting the 13A fuse into the fused mains terminal block.

Another approach would be to use a surface mounting socket, this will cover any cut-outs in the panel and perhaps avoid some of the need for neat metalworking. The case dimensions may need reviewing if a different socket is used. Use the mains socket as a template or mark out the two mounting holes for the fixing screws.

The mains cable inlet on the prototype consisted of a plastic cable gland capable of gripping the 8mm diameter 13A cable. This cushions the cable insulation and prevents it from wearing on the aluminium chassis, and also acts as a strain relief to ensure that the cable cannot be pulled out – an essential safety feature.

The other normally-accepted method of cable retention is to utilise a PVC grommet of 10mm internal diameter together with a nylon "P" clip. A suitable hole is also drilled in the rear panel to take the jack socket.

INTERWIRING

The final aspect of construction is the interwiring. *It is imperative that due attention is paid to the current rating of certain wires; those which may potentially carry a full load MUST be rated at a full 13A.*

The complete interwiring diagram for the Multi-Purpose Thermostat is shown in Fig. 4. The mains inlet was fed, on the prototype, to a 16A 3-way fused screw terminal block TB2. This obviated the need for a separate fuseholder, and also the terminal block mounting screw (supplied) is automatically Earthed.

This connection block is strongly recommended (see Components List) but an ordinary 13A terminal block with a separate chassis mounting fuseholder could be used instead – in which case a one inch or 1½in fuseholder is needed. As a further precaution against stray short circuits, crimp-on ferrules were utilised to terminate

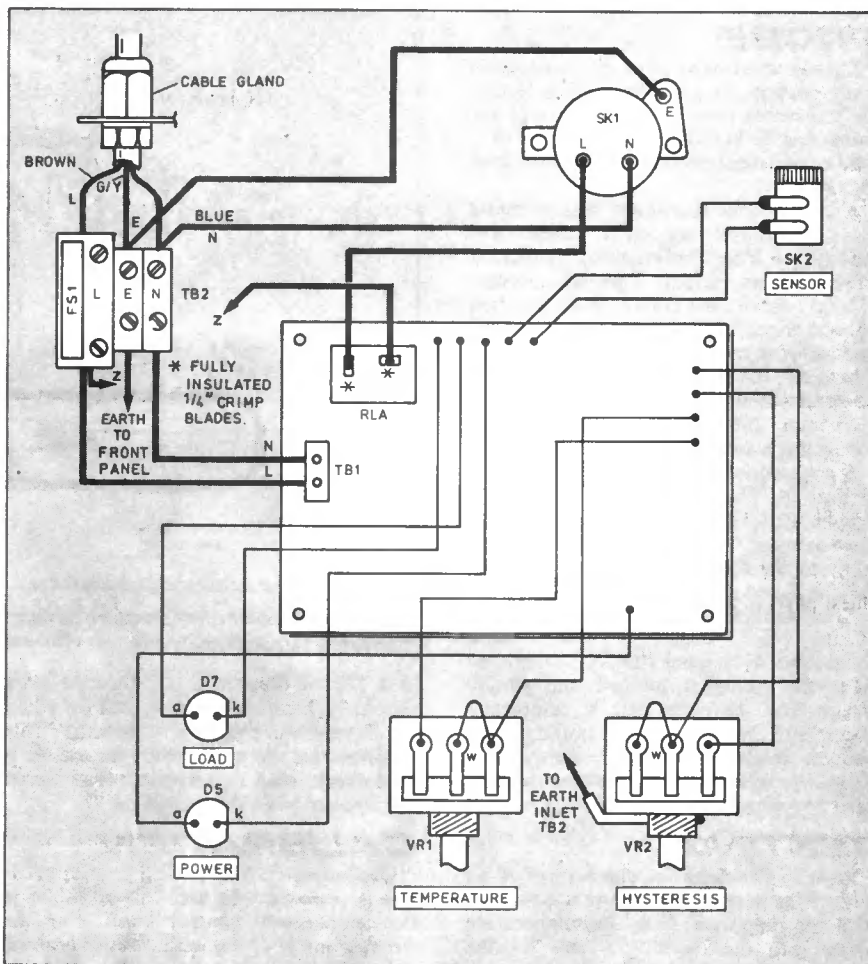


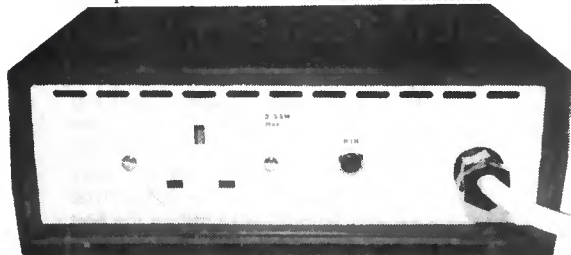
Fig. 4. Interwiring between off-board components and the circuit board. The "thick" leads are rated at 13A mains, except the two leads to TB1 which are rated at 6A.

polarity of the l.e.d.s is as shown in Fig. 4.

Precautions must be taken to ensure that all the metalwork of the case is earthed soundly. A large size (10mm internal diameter) crimp ring terminal was used on the prototype, being placed under one of the potentiometer mounting bushes to form an electrical contact with the aluminium. (Note that the rear

panel is automatically earthed through the mains socket mounting screws which effectively connect to the panel.)

After connecting all flying leads in accordance with Fig. 4., the printed circuit board, can be fitted to the base of the housing, and it is essential that fully insulated hardware is used here. Typically, p.v.c. spacers with short self tapping screws at each end can be utilised. Finally, fit a plug fused at 13A to the mains inlet lead.



Rear panel showing the mains outlet socket.

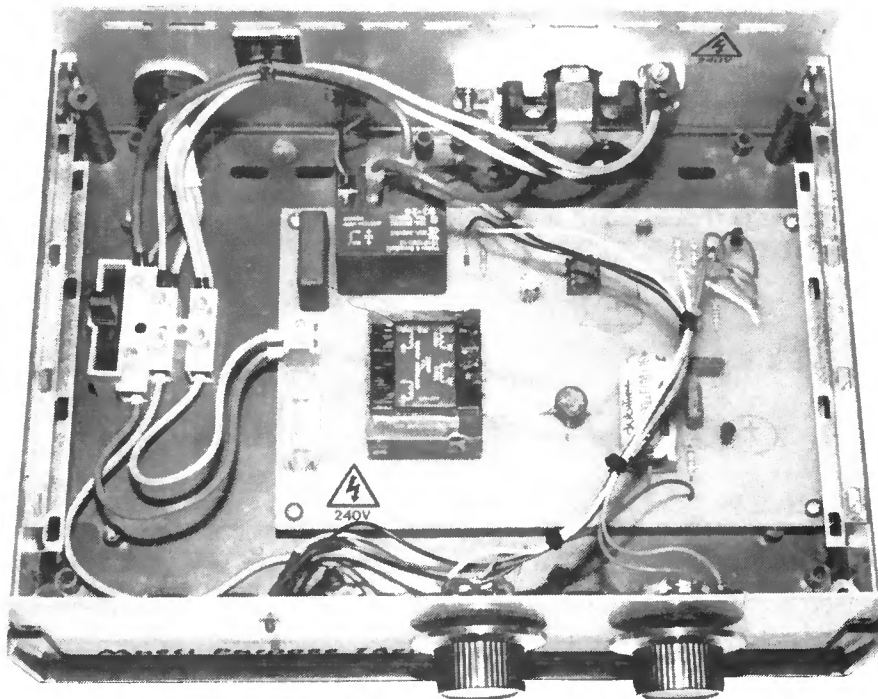
the stripped wires neatly prior to inserting into the terminal blocks. Continue with the interwiring as follows.

The p.c.b. mains input to the two-way block TB1 can be connected with 6A mains wire. The heavy load-bearing cables carry current between the mains inlet, via the relay to the mains socket. Use 13A rated mains cable to interconnect the relay and mains socket in accordance with Fig. 4.

The specified relay is equipped with 0.25in shrouded male blades whilst the relay coil's power is derived from the p.c.b. Terminate the relay connecting wires with crimp automotive-type female connectors, preferably fully insulating them with heat-shrink sleeve or expanding insulation tubing (see close-up photographs). It is desirable to use the mains colour code for the live (brown) and neutral (blue) wiring.

FRONT PANEL

The front panel components can be hooked up via flying leads with standard multi-stranded interconnecting wire, using several different colours to simplify the checking process later on. The



PROBE

Choose which type of probe you require – it's possible to adapt the probe design for measuring free air temperature or for immersing in liquids. The prototype of a simple air temperature probe is shown in Fig. 5a.

A cheap bead thermistor was soldered to a piece of tag strip which was mounted in a small plastic box measuring 70mm × 49mm × 25mm. This has a pattern of large holes drilled into the front (finished off with a countersinking bit) to allow the thermistor to monitor ambient air; connection to the main unit was performed with a screened lead one metre long, terminated in a 3.5mm plug, but a much longer connecting lead could be used in practice.

A suggestion for a liquid probe is given in Fig. 5b. This time a small glass phial may be used, such as an aftershave or perfume sampler. Leads could be soldered directly to the thermistor, ensuring they are fully insulated with sleeving.

After positioning the bead in the bottom of the phial, embed it with potting compound or silicone rubber sealant, or leave the container unfilled and simply ensure that the cable exit is completely waterproof. Note that some potting compounds contain hazardous components (cyanide, actually) and the instructions must be followed very carefully.

TESTING

Prior to switching on, check through all interwiring carefully to ensure it conforms with the diagrams. Plug the temperature probe into the thermostat and set the potentiometers to mid-way.

Probably the best way to proceed after construction is to bench test the unit with a d.c. bench power supply. If available, clip a 15V to 17V d.c. (approximately) supply across the smoothing capacitor, observing polarity. There is no need to plug any heater load into the mains outlet.

Correct operation can be confirmed with a couple of quick voltmeter readings, measured with reference to 0V: the +12V regulator output was +12.09V and the reference voltage at IC3 pin 2 was +5.98V, as noted on the prototype. Check that rotating the potentiometer(s) causes the relay to switch in and out.

Warming the thermistor with a hairdryer should encourage the relay to switch out. Freezer aerosol will help cool it, if available (though the one the author used ruined the plastic finish of the prototype sensor!).

Before proceeding further, close up the case to avoid accidental electric shock and plug the unit into the mains, using an ELCB/RCD (Powerbreaker) if available. Upon powering up at the mains, the power

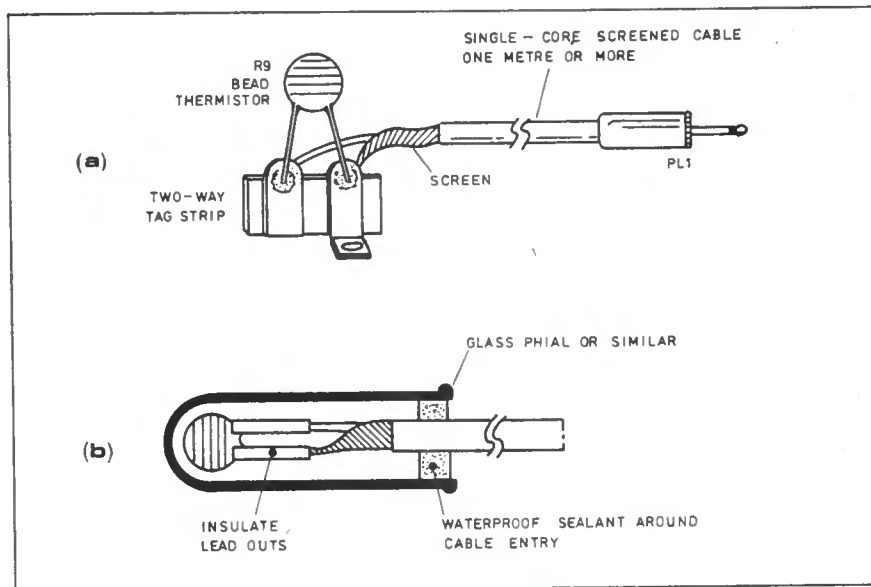


Fig. 5. (a) Ambient temperature sensor for mounting in a small box, with ventilation holes and (b) suggestion for an immersible probe for liquids.

i.e.d. D5 will illuminate, and then the relay should be heard to click on and off when the Temperature control is rotated. This indicates that the unit is ready for use. As a final check, plug in a suitable load which will operate when the relay is on.

CALIBRATION

Depending on how critical your application is, it may not be necessary to calibrate the temperature control knob. For the simple control of domestic electric heaters, for example, it may be perfectly acceptable to simply mark the dial 1 to 10 and then set the control from experience. If you do need to calibrate the control knob then it is necessary to refer the thermistor against a known temperature.

If the immersible probe is used, then possibly insert it into a bowl of iced water along with a thermometer and then compare the temperature readings against the control knob settings.

Rotate the control until the relay clicks off: read off the thermometer and calibrate the dial accordingly. Repeat this at a variety of temperatures. The Hysteresis control is best disconnected for this initial setting up, by temporarily unsoldering a flying lead on VR2.

If you have assembled the thermistor to measure air temperature, as per the prototype, then it's possible to simulate various temperatures using a cool box filled with ice packs, with the probe inside and a thermometer alongside it. Let the temperature drop down to near freezing point and then remove the ice box lid – allow

the temperature to climb gradually and calibrate the setting of the control knob when the relay clicks, against the readings of the thermometer.

Again it is best to unhook the hysteresis control during setting up, to avoid any misleading errors. A digital thermometer was used against the prototype and the general range of the design was shown to be approximately +2 to +30 degrees Celsius. The Multi-Purpose Thermostat is then complete and ready for use.

FURTHER NOTES

When setting up the Thermostat in its intended application, it is worth experimenting with the thermistor position to obtain the best overall effect. Obviously hot air rises and if the Multi-Purpose Thermostat is being used to sense room temperatures, then if the thermistor is placed too low down it may be "fooled" by the lower temperatures – or if it is too high or too close to the heater the thermostat may switch off prematurely. Some initial trial and error may be needed to obtain the best results, and the Hysteresis control may help to compensate as explained earlier.

Although the prototype design did not include a mains on/off switch, one can easily be incorporated into the reader's own version if desired. A double-pole rocker or toggle switch, capable of carrying the FULL mains load current, can be inserted into the circuit by connecting the mains Live and Neutral mains inputs to the poles of the switch, and then connect the wipers of the switch to the mains inlet terminal block.

Furthermore, a "bypass switch" can easily be incorporated by adding a single-pole mains rated switch in parallel with the relay contacts, then the heater can be forced to operate full-time independently of the thermostatic control.

If you wish to omit the Hysteresis control VR2, it is still best to include a degree or two of feedback in the op.amp circuit to avoid jitter. Change resistor R6 for a value of roughly 220 kilohms and then link the two adjacent take-off points for VR2 together on the p.c.b. with a jumper wire. In effect, this shorts out VR2 and places a 220 kilohm resistor in the feedback loop.

You will find that the Multi-Purpose Thermostat can be readily adapted for many temperature control applications. □

Suggested construction for the "air temperature" probes.

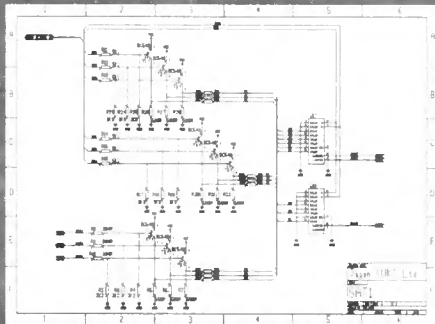
Is your PCB design package not quite as "professional" as you thought? Substantial trade-in discounts still available.

Board Capture

Schematic Capture Design Tool

- Direct netlist link to BoardMaker2
- Forward annotation with part values
- Full undo/redo facility (50 operations)
- Single-sheet, multi-paged and hierarchical designs
- Smooth scrolling
- Intelligent wires (automatic junctions)
- Dynamic connectivity information
- Automatic on-line annotation
- Integrated on-the-fly library editor
- Context sensitive editing
- Extensive component-based power control
- Back annotation from BoardMaker2

£395



BoardMaker

BoardMaker1 - Entry level

- PCB and schematic drafting
- Easy and intuitive to use
- Surface mount and metric support
- 90, 45 and curved track corners
- Ground plane fill
- Copper highlight and clearance checking

£95

BoardMaker2 - Advanced level

- All the features of BoardMaker1
- Full netlist support- BoardCapture, OrCad, Schema, Tango, CadStar
- Full Design Rule Checking both mechanical and electrical
- Top down modification from the schematic
- Component renumber with back annotation
- Report generator- Database ASCII, BOM
- Thermal power plane support with full DRC

£395

Board Router

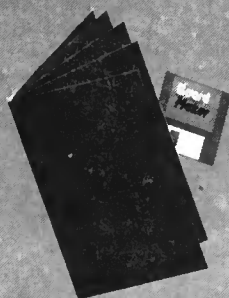
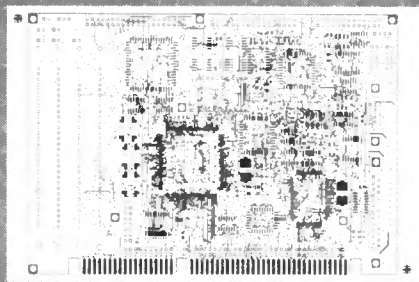
Gridless re-entrant autorouter

- Simultaneous multi-layer routing
- SMD and analogue support
- Full interrupt, resume, pan and zoom while routing

£200

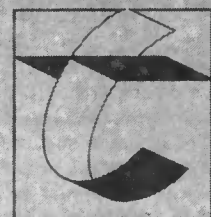
Output drivers - Included as standard

- Printers - 9 & 24 pin Dot matrix, HPLaserjet and PostScript
- Penplotters - HP, Graphtec & Houston
- Photoplotters - All Gerber 3X00 and 4X00
- Excellon NC Drill and Annotated drill drawings (BM2)



All trademarks acknowledged

For further information contact
 Tsien (UK) Limited
 Aylesby House
 Wenny Road, Chatteris
 Cambridge, PE16 6UT
 Tel 01354 695959
 Fax 01354 695957
 E-mail Sales@tsien.demon.co.uk



tsien

New Technology

Update

Ian Poole investigates new, and old, materials being used to manufacture printed circuit boards and a tough new family of semiconductors.

PRI NTED circuit boards are at the very heart of today's electronics manufacturing. As a method of construction the p.c.b. has been so successful that virtually 100 per cent of all electronic assemblies use them.

Introduced about 40 years ago, they were initially used to improve reliability and ease of production. During their lifetime they were initially used with valves, then transistors and now with i.c.s. Many other new technologies also use the basic idea of printing circuits onto a flat substrate, so it is likely that printed circuits and their derivatives will be around for many years to come.

There are a number of types of printed circuit boards. For applications where cost is of paramount importance, materials like s.r.b.p. are used. Glass fibre boards are also in widespread use.

Where r.f. performance is of critical importance p.t.f.e. is used because it offers much lower levels of loss and a far greater consistency of dielectric constant. This is particularly important when coils and transmission lines are printed onto the board.

Whilst existing materials are satisfactory in many respects they do have a number of shortcomings in certain applications. To help overcome them, IBM researchers at the Watson Research Centre in New York have developed a new resin which will offer some significant improvements in board materials.

Cyanate-esters

The new material, called CYTUF, took many months to develop to a point where its capabilities enable it to compete in the market place against epoxy resin based products. The new material is based around a group of compounds known as cyanate-esters.

Initially their brittle nature meant that they could not be used. However, by using a specialised additive the strength was retained without the tendency to crack.

Now fully developed CYTUF offers many advantages in terms of thermal stability, low moisture absorption, flame retardancy, and high strength. It also allows copper to be securely bonded to it. This is very important as many home constructors will know only too well.

Most of today's materials allow the copper to be bonded sufficiently well for manufacture. However, it is often very easy to lift pads and tracks when carrying out any rework or repair on the board. This is becoming even more important as track and pad sizes are being reduced as components become smaller and component densities rise.

Another of the advantages is that the new material is very heat resistant, and this allows monolithic i.c.s to be bonded directly onto the board. This gives the possibility of removing a level of packaging and thereby reducing the cost of the product. As such it is an ideal substrate for multi-chip modules (m.c.m.s) which are appearing in certain sectors of the market.

As the material is inherently fire resistant no further additives are required. Many existing types of board require the addition of fire retardant chemicals which tend not to be environmentally friendly.

As the material has a high degree of dimensional stability, and it is strong, it is also ideal for use as a base for printed antennas. This may prove to be a major use for the material because aerials for direct broadcast satellite television reception lend themselves to this type of approach. There is also a wide variety of other microwave aerials which can use printed aerials.

Silicon Carbide Semiconductors

For many years germanium and silicon have been the mainstay of the semiconductor industry. Now gallium arsenide is also being used more widely. However for i.c. manufacture silicon is still used far more than any other substance.

With developments taking place all the time, new semiconductor materials are being found and used. One of these is silicon carbide. Being the hardest material known to man next to diamond, it is usually used for drills and in various grinders. However it is also a very useful semiconductor.

The advantages of using silicon carbide for semiconductor applications have been known for some time, but it has taken until now for the first i.c.s to be manufactured using the material.

One of the main advantages of silicon carbide for use in electronic circuits is its resilience to heat. Normal commercial i.c.s have a temperature range extending up to 70°C, and those for extended temperature operation may be quoted up to 125°C.

Despite this it is always good practice to ensure that the operating temperatures are kept well down and do not approach the maximum limits. Operating any device close to its limits will reduce its reliability. In many applications where reliability is of paramount importance temperatures must be kept to a minimum.

As most designers know this is not always easy. If the equipment is to operate in a hot environment, the outside of the equipment may keep within the specifications, but temperature rises within the unit can cause the internal temperatures to exceed the limits.

As a result temperature considerations always have to be kept in mind. Designing circuits for very hostile environments is difficult. Where it is absolutely necessary to be able to measure or detect anything in one of these environments a very simple sensor has to be used and any processing applied at a point away from the sensor where the temperature can be kept within reasonable limits.

Running a Temperature

Now with silicon carbide semiconductor technology, more sophisticated sensors with in-built electronics are a possibility. General Electric, at their research centre in New York have now fabricated an i.c. capable of running in temperatures of over 450°C, significantly above that of any other silicon based circuits.

The first i.c. to be made using the new material is a monolithic operational amplifier. It is expected that it will be used mainly in conjunction with complex sensors in engines.

By using them it is expected that the general running and efficiency will be able to be improved by electronically controlling the conditions for the engine. It will also help in the design of new power plants, as it will be possible to measure aspects of the engine's performance more accurately.

Silicon carbide is similar to silicon in many respects, exhibiting the basic semiconductor characteristics. Naturally there are a few differences which enable the silicon carbide to perform differently to basic silicon. The major one is that it has a much wider bandgap. It is this aspect of its operation which enables it to perform at very much higher temperatures.

Although the first uses for the new i.c.s are expected to be with sensors, it is also anticipated that they will find uses in many other areas. Silicon carbide exhibits advantages over standard silicon in a number of other respects.

It has a higher breakdown voltage, better thermal conductivity, and also a high electron mobility. These make it an ideal candidate for uses in r.f. applications. Once sub-micron technology has been developed and refined for the material, it should be able to easily outperform silicon, and find widespread use.

Another distinct advantage is that silicon carbide technology does not differ greatly from its silicon counterpart during manufacture. This means that very few changes will be needed to any fabrication processes to enable silicon carbide components to be made. This is a major advantage in its favour, and it should mean that silicon carbide i.c.s become relatively common before too long.

Innovations

A roundup of the latest
Everyday News from the
world of electronics

YOUTH SHOWS THE WAY

Schoolgirls take hi-tech awards – by Hazel Cavendish

AN ingenious electronic invention designed to help the blind has been developed by three British schoolgirls studying at St Swithuns School in Winchester, under the guidance of Technology master Vaughan Clarke. A shuttlecock which can be heard as it travels through the air is a triumph of miniaturisation in its electronic parts, fitted to enable totally blind people to play badminton.

Claire Dally and Elizabeth Kershaw, both aged 15, and 14-year-old Sara Haddows won the team project for *Young Engineers* in the countrywide competition sponsored by the Engineering Council last autumn, taking the much-coveted prize from 1,000 young inventors from all over Britain.

"The three girls conceived the idea themselves, but the difficulty they experienced was fitting the electronics into the space provided," said Vaughan Clarke. "Basically, it is achieved by using a 555 astable multivibrator which operates at a frequency of 2.1kHz – the optimum frequency for the human ear – to obtain the highest volume with the lowest amount of power, so that the smallest batteries can be used.

They fitted 3V Lithium batteries that were both thin and light, and a tiny solid-state resonator as a loudspeaker. Finally the circuit board itself was reduced to 0.4 grams and the whole circuit with resonator and battery only weighs about four grams. Reducing their invention to fit into the shuttlecock took them two school terms to achieve – an excellent lesson in attaining the miniaturisation which is essential in today's fast-moving electronic world.

"We travelled to the Bracknell Sports Centre to try the invention on some blind people who wanted to learn badminton. Our trials were very encouraging. The players were able to track the shuttlecock with their sharply developed hearing powers, and were soon beginning to play like normal people. We are now producing a dozen shuttlecocks for the trainer of the blind at Stoke Mandeville Hospital."

Best Electronics entry in the Southern Counties finals of the *Young Engineers for Britain* was won by Anniina Salonen, aged 16. A pupil at St Swithuns School, she invented an ultrasonic height calculator for use by District Nurses when measuring children's height. She incorporated a unit taken from a Polaroid camera's ranging system in a portable device 50cm x 25cm x 4cm which can be rested on a child's head and by sending a sonar signal to the ground, gives an instant height reading.

Claire Dally, from West Meon in Hampshire, described by Vaughan Clarke as "a very gifted girl with great potential" was a member of another three-girl team from the school which won one of five first prizes in last summer's *Duracell Science and Technology UK Schools Competition* for their invention of a Toddler Alarm, which the judges described as displaying "outstanding creativity and innovation". Claire, Anna Hadfield and Stephanie Biden won an all-expenses-paid trip to the United States, where they visited the Massachusetts Institute of Technology.

The three girls thought up the principle of a toddler alarm when they studied a radio-controlled toy car borrowed from a little brother, which had both a transmitter and a receiver. They worked out a package which could be used by a mother wearing a receiver and the child a small transmitter, with an alarm which went off if a child wandered more than 20 metres from the mother.

Originally conceived by them to enable mothers to find small children who wandered off in shopping centres, they decided to go ahead with the project after reading about the James Bulger abduction and



The three girls from St Swithuns School, Winchester show off their award-winning shuttlecock design.

murder case. A frequency of 27MHz was used for the transmitter and receiver, and the package was eventually reduced to 5cm x 7cm x 2cm in size.

The team is now working on a batch of toddler alarms intended for British theme parks. They hope their product may prove suitable for park owners to hire out to families with small children for day use, designed on a coded system so that units do not react with one another.

Professor Ian Fells of Newcastle University has welcomed the numbers of girls who are not only entering technology competitions, but winning them and featuring in all the prize lists as well. "It is very encouraging for the future of science and technology", he said when making the awards at the Royal Institution.

SHARP AND LARGE LCDS

Until recently, the world's largest colour LCD display has been a 17-inch (43cm on the diagonal) high-resolution TFT LCD developed by Sharp in 1992. The company have now introduced an even larger one!

The new display features an effective screen area 1.5 times larger, and with a thickness of a mere 2.7cm (1.06 inch), it promises to open up new possibilities for direct-view wall-mount colour TVs and monitors with screen sizes exceeding 20 inches.

Several other LCDs have also been introduced by Sharp, some could revolutionise car dashboard display systems. They also have potential applications in other transportation areas.

Ranging from 10cm to 14cm (4 to 5.6 inch), these LCDs incorporate advances made over the last two years which enable such displays to be used in the relatively hostile environments of cars.

The technology is now maturing and embodies both NTSC and PAL formats as well as the facility to superimpose graphics. The displays exhibit resistance to high temperatures, shock and vibration, and also have improved viewing-angle characteristics.

For further information contact: Sharp Electronics (Europe) GmbH, MED London Office, Centennial Court, Easthampstead Road, Bracknell, Berks, RG12 1JA. Tel: + 44-(0)344-869922.

INGENUITY UNLIMITED

Our regular round-up of readers' own circuits. We pay between £10-£50 for all material published, depending on length and technical merit. We're looking for novel applications and circuit tips, not simply mechanical or electrical ideas. Ideas must be the reader's own work and **not have been submitted for publication elsewhere**. The circuits shown have NOT been proven by us. *Ingenuity Unlimited* is open to ALL abilities, but items for consideration in this column should preferably be typed or word-processed, with a brief circuit description showing all relevant component values. Please draw all circuit schematics as clearly as possible.

Send your circuit ideas to: Alan Winstanley, *Ingenuity Unlimited*, Wimborne Publishing Ltd., Allen House, East Borough, Wimborne, Dorset, BH21 1PF. They could earn you some real cash!

Truly Simple TENS Unit

— helps provide pain relief

Following on from the *EPE Simple TENS Unit* (May 1994 issue), I wish to submit my own *truly* simple design which uses only five components. My father who was suffering intense leg pain through diabetes, found instant relief through the use of this device, and permanent relief after several months. The device will give at least one month of all-night service from an alkaline PP3 9V battery.

It is based around a UJT (unijunction transistor) oscillator, see Fig. 1. The frequency of operation is determined by resistor R1 and capacitor C1, whose charging action results in a pulse passing

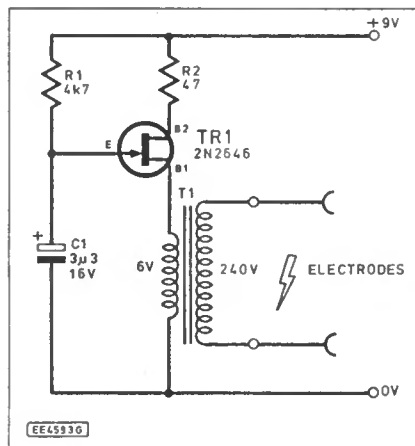


Fig. 1. Circuit diagram for a Truly Simple TENS Unit.

through the primary winding of the transformer T1. This is a mains to 6V step-down transformer used in reverse "step up" mode. With R2 having the value shown, the pulse on the primary is barely perceptible.

This unit was found to be most helpful when the electrodes (the transformer primary connections) were applied to either side of the painful area, between a toe and the knee. **Rev. Thomas O. Scarborough, Cape Town 8001, South Africa.**

(Readers are **STRONGLY RECOMMENDED** to read and follow Andy Flind's recommendations concerning usage and the SAFETY precautions needed when considering using a TENS device. These were clearly highlighted in Andy's original article in the May 1994 issue. A.R.W.)

Auto Level Control for Car Radios

— for 'easier listening'

This experimental circuit, Fig. 2, automatically increases the volume of a car radio when the vehicle's speed (and consequent road and wind noise) rises, returning the volume to a pleasant level at lower speeds. This relieves the driver of the distracting chore of continually fiddling with the radio's Volume control.

In Fig. 2, a special tachometer i.e. type LM2917 takes its input from the ignition system's contact breaker points and converts this into a voltage which is directly proportional to engine speed. This voltage will always be in the range of 0V to 5V and is used to illuminate a miniature filament lamp LP1. (The LM2917 device has a sink

source rating of 50mA typically - A.R.W.)

Either side of this lamp are mounted a pair of light-dependent resistors (l.d.r.s) which are connected in series with the wipers of the radio's Volume control potentiometers. A ganged pot. across each of the l.d.r.s sets the minimum volume level, the radio's own volume being used for the high level.

The value of capacitor C2 determines the rev. range over which the unit will function satisfactorily. A suggested value of 4n7 would be a suitable starting point for further experimentation - it proved ideal for my car.

The complete circuit can be constructed onto a square inch of stripboard and mounted inside the radio itself, ensuring steps are taken to make the l.d.r./lamp assembly lightproof. Power to the unit can be derived from the switched live side of the radio, and the remaining leads can be fed through a convenient hole in the radio casing, perhaps using 4-core flat ribbon for the ganged potentiometer.

The 100 kilohm input resistor (R1) should be placed as near as possible to the ignition coil end to prevent RFI (radio frequency interference) and to ensure the contact breaker points are not shorted out should the wire short to earth (chassis) for any reason.

Martin Campbell, Bradford, Yorkshire.

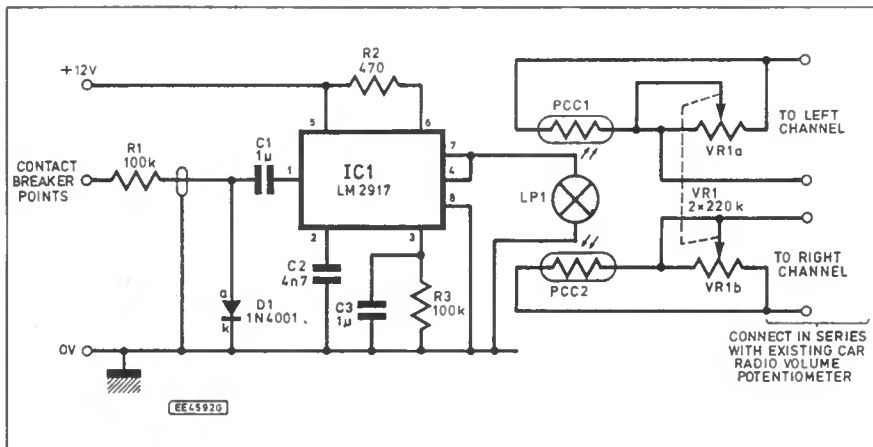


Fig. 2. Circuit diagram for the Auto Level Control for Car Radios.

Electric Guitar Treble Booster – restores ‘muddy’ sound

All electric guitars work on the same principle: the signal is produced in a coil and fed to the amplifier through a screened cable. Every cable has a certain capacitance which, combined with the impedance of the pick-up coil, will produce a low pass (treble cut) filter. This explains why some guitars sound ‘muddy’ when fed directly to an amplifier.

The circuit diagram shown in Fig. 3 was designed to increase the treble content of an electric guitar’s output. It boosts frequencies above 1kHz and helps to restore any higher frequency losses. IC1 is a TL071 op.amp connected as a non-inverting amplifier which is connected in line between the guitar and main amplifier.

Potentiometer VR1 determines the level of Treble Boost applied and, with the values of components shown, will give between 3dB to 20dB. Resistor R6 and the potentiometer VR1 could be replaced by a fixed resistor if required.

The actual boost frequency is set by the values of resistor R4 and capacitor C2. With switch S1 open, the circuit acts as a voltage follower with no effect on the guitar signal. Closing S1 grounds C2 to the 0V line, which introduces the boost.

Resistor R5 holds the ‘earthy’ end of C2 at 0V when switch S1 is open, and prevents switching noise appearing on the signal when S1 is operated. Resistors R2 and R3 set the input impedance of the circuit at 50 kilohms, which should suit most electric guitars.

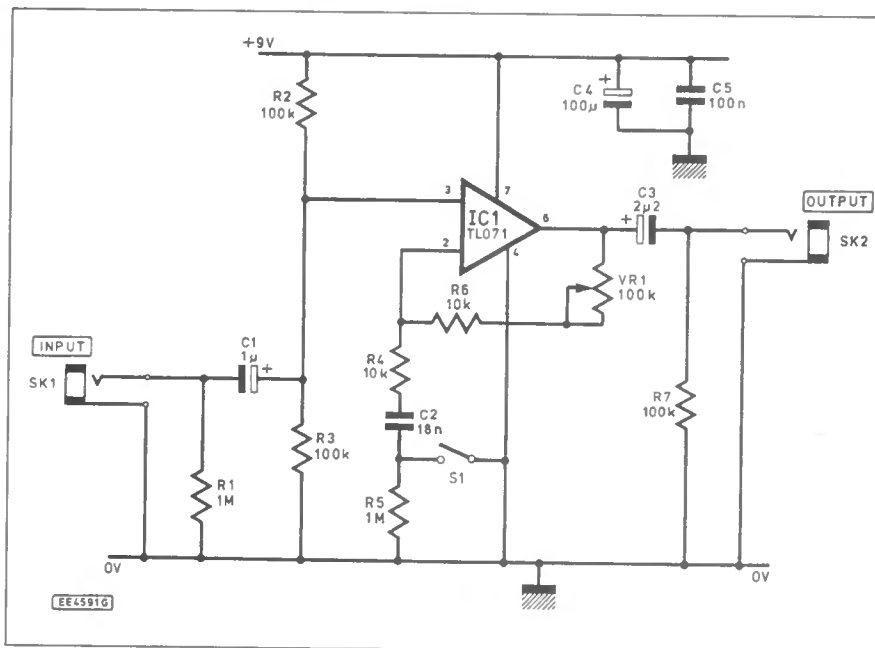


Fig. 3. Electric Guitar Treble Booster circuit diagram.

If the circuit is housed in a diecast case, S1 can be a foot-operated switch and SK1 could be a stereo jack socket with the sleeve and ring connections connected to the battery negative and 0V rail respectively. Thus the unit will switch on automatically

whenever the guitar is plugged in. Connect the case to the ‘earth’ side of the circuit. Expect reasonable life from a PP3 battery.

Alan Jones,
London SE16

THE ONLY COMPANY ON FIRST NAME TERMS WITH THE NOISE POLLUTION AGENCY!

RTVC

PA 400 AMPLIFIER £129.99

- INPUT 0.75V-1.2V ● INPUT IMPEDANCE 47Kohms
- OUTPUT POWER 2 × 200 WATT MAX (4ohms)
- RMS OUTPUT POWER 2 × 125W RMS/MAX
- FREQUENCY RESPONSE 14Hz-26kHz (3db)
- S/N RATIO 10db ● SEPARATION 70db
- DIMS 482mm/308mm/132mm 3U ● WEIGHT 8.4kg

STANDARD FEATURES: BOTH AMPS HAVE INDEPENDENT LEFT/RIGHT VOLUME CONTROLS, VU METERS, AND ARE FAN COOLED.

BRITISH MADE

PA 700 BEEFY 700 WATT AMPLIFIER ONLY £204.95

- ★ ● INPUT 0.75V-1.2V VIA ¼" (6.35mm) JACK SOCKETS
- ★ ● CHANNEL SEPARATION 85db
- ★ ● SIGNAL TO NOISE RATIO 100db
- ★ ● FREQUENCY RESPONSE 20Hz-30kHz
- ★ ● OUTPUT MAX 2 × 350W (4 ohms) VIA 3-PIN XLR FM
- ★ ● OUTPUT RMS 2 × 230W
- ★ ● SIZE 438mm (W) × 87mm (H) × 268mm (D) 2U ● WEIGHT 7.65kg (8.25kg boxed)

UTILISES 8 TO3 MOSFETS WITH DUAL TOROID TRANSFORMER P.S.U.

AUTHORISED DEALERS IN:– EMINENCE & RCF SPEAKERS, VESTAX, KAM, GEMINI & HW MIXERS, STANTON, ORTOFON, & SHURE CARTRIDGES.

RTVC

376 EDGWARE ROAD LONDON W2 1EB Tel: 071-723 8432/071-723 3462 Fax 071-723 3467
2 mins. from Edgware Road Tube Station.



CRAZY PRICE!

THE NAME OF THE GAME COUNTERSPELL



ROY BEBBINGTON PART 1

THE Name of the Game is a series of electronics projects based on party games or TV quiz games. Featuring something old, something new, there are electronic versions of popular, well-established TV games such as Countdown and Catchword with alphanumeric

displays, new games employing electronic word-making, and games of skill.

Accessories, used in various games, such as an interval timer, an electronic dice, a precedence switch, a heads/tails unit, are the subjects of later constructional articles.

WHAT'S IT ALL ABOUT?

Counterspell is an electronic selector of letters for such popular TV quiz games as *Countdown* and *Catchword*. It features a decade counter driving a 7-segment i.e.d. capable of randomly displaying one of ten letters at the touch of a button. The series of letters can be switch-selected so that the freeze push-button switch provides one letter from:

- the five vowels,
- a selection of ten consonants, or
- a mixture of five vowels and five consonants.

In addition, the project suggests a number of other simple word games.

ANCILLARY PROJECTS

A complementary unit, *Counterspin* is described next month and takes care of a Numbers game for *Countdown*. Equipped with *Counterspin*, you can pit your wits against a contestant, not only selecting the vowels and consonants for your word-making, but in addition (or perhaps it's *multiplication?*), selecting small digits, a large digit and the target for the numbers game.

Two other units, described in a later article, come into play after letters or numbers have been selected and written down: a pushbutton switch on a *Time's Up!* unit sets a thirty-seconds timer; at the end of this interval, a buzzer sounds to announce decision time. Then, at the end of the game, you could need the *On Your Marks!* unit with which two precedence switches eliminate any argument as to who reacted first if both contestants manage to unravel a selected conundrum. Merely add a good dictionary to sharpen your wordcraft, and for good measure, rope in a host who you can rely on to see fair play.

Other forthcoming *Name of the Game* projects include *Star Struck*, *6-Shot Light Zapper*, *Electronic A-Z*, and *Wander Wands*.



COUNTERSPELL PRINCIPLE

The game of *Counterspell* presented here has been designed as a junior version broadly based on *Countdown*. Normally, in the TV game, a mixture of eight letters using vowels and consonants are chosen by a contestant, points being awarded to the one who can form the longest word. However, this version is limited to the five vowels (a, e, i, o, u) and nine of the 21 consonants (c, p, l, n, d, t, h, b, r). All the letters are presented in lower-case (as near as a 7-segment display can allow!). In addition, a "wild-card" letter represented by two vertical lines can stand for any chosen consonant, which extends the word-making possibility, for instance as a "g" to obtain a useful "ing" ending.

If desired, the word-making length can be limited to six or seven letters. Neverthe-

less, for children, a restricted word length would still provide plenty of skill with the available letters. The project offers a number of useful variations, which are considered later when the method of play is discussed.

FRONT PANEL DISPLAY

The front panel, as seen in the photo, contains a 7-segment one-inch display (X1), which serves as a dual-purpose indicator for the five vowels and the ten consonants. The top left-hand slider switch (S3) has three positions. The upper *Off* position disconnects the +9V supply from the unit. In the *On* position the supply is connected and the display X1 runs through its i.e.d. segments in fast sequence. Operating the left-hand *Freeze* pushbutton switch (S1) stops the counter and one of the letters is displayed.

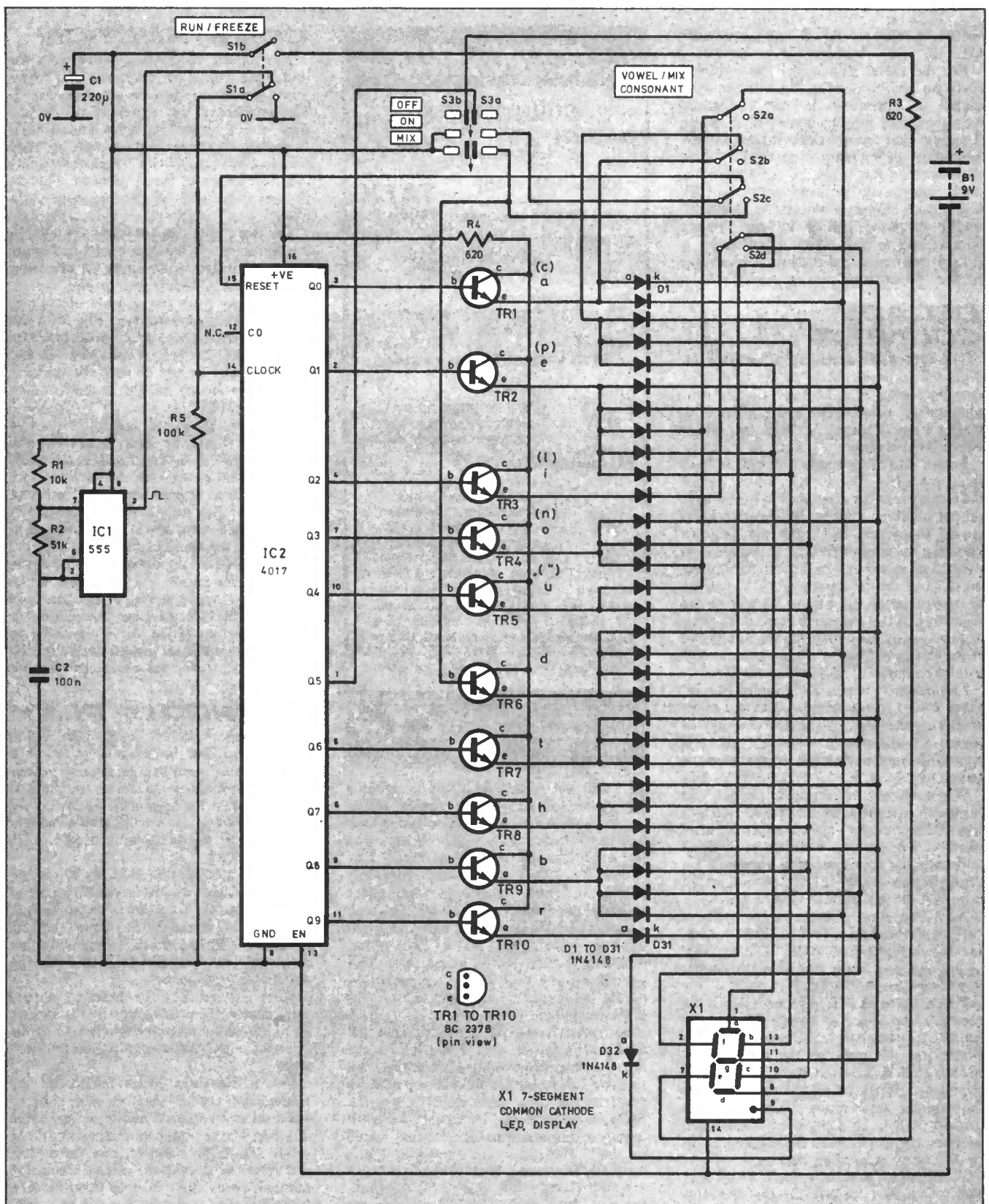


Fig. 1. Circuit diagram for the Counterspell unit.

The mode of the right-hand pushbutton switch (S2) determines whether one of the five vowels (button released) is displayed, or one of the ten consonants (button pressed). In the vowel mode, a mixture of five vowels and five consonants is available if the *On* slider switch S3 is moved to the *Mix* position.

OPERATION

The Counterspell unit operates as follows:
 S3 (OFF)
 Battery is disconnected - circuit is not powered

S3 (ON), S2 (VOWEL)
 Five vowels run sequentially
 S1 (FREEZE) operated - one vowel is displayed

S3 (ON), S2 (CONSONANT)
 Ten consonants run sequentially
 S1 (FREEZE) operated - one consonant is displayed

S3 (MIX), S2 (VOWEL)
 Vowels and consonants run sequentially
 S1 (FREEZE) operated - one consonant or vowel is displayed.

COUNTERSPELL CIRCUIT

The circuit diagram for the *Counterspell* is shown in Fig. 1. Basically, it can conveniently be split into three stages: a clock generator stage supplying the timing pulses for a decade counter stage and the letters decoder stage for the display.

The clock pulses are generated by a type 555 timer, IC1, connected as an astable multivibrator. When the supply is turned on by switch S3b, pulses are output from IC1 pin 3 at a frequency dependent on the

values of resistors R1, R2 and capacitor C2.

For the values shown, the rate is about forty per second (40Hz), but this could be varied, if necessary, to suit individual requirements. For instance, if a game suggests that some skill would be an advantage in selecting a particular letter, then resistor R1 could be replaced by a panel mounting potentiometer of 500 kilohms. A slower count rate is especially useful in some games to give young competitors a head start. Conversely, a faster count rate can provide a handicap for the "clever clogs".

DECADE COUNTER

The output pulses available from IC1 pin 3 are fed to input pin 14 of the type 4017 decade counter IC2. This gives a fast-running display through the letters selected by the position of switch S2 until the *Freeze* switch S1 is pressed.

Switch S1a disconnects the pulses from input pin 14 of counter IC2, which freezes the display number according to the counter output at which it stops. Resistor R5 is included to prevent IC2 input pin 14 from "floating" when switch S1a is operated, so preventing spurious signals from developing on this pin. At the same time, S1b switches the +9V supply via resistor R3 to energise segment *e* of the 7-segment display X1. This is an economy ruse, reducing the number of multiplexing diodes by ten since the *e* segment is common to all the chosen letters.

The point at which the counter is reset plays a vital role in which letters are available for selection. In the *On* position of switch S3, the output from IC2 pin 1 is routed through switch S3a to the wiper of switch S2c.

When *Vowel* is selected (switch S2 released), this provides a link from IC2 pin 1 to IC2's reset pin 15. Consequently, after the first five counter outputs go high in sequence, the high logic level appearing on the sixth output (pin 1) is fed to reset pin 15 to restart the sequence.

As shown, these outputs supply the base current to transistors TR1 to TR5. In turn, via the multiplexing diodes (D1 to D31, as appropriate), these transistors drive the vowel segments of display X1.

When *Consonant* is selected (switch S2 pressed), the wiper of switch S2c is connected to the base of transistor TR6. Therefore, the path to the reset pin is broken and IC2 output pin 1 is linked to the base of transistor TR6. This means that the counter now resets after ten pulses instead of five. In *Consonant* mode, each output causes one of the ten consonants to be displayed, as listed earlier.

When *Mix* is selected (switch S3 on *Mix* and switch S2 released), the first five outputs offer the vowels and the last five outputs offer the consonants "d", "t", "h", "b" and "r" as a useful variation. When switch S2 is in the *Vowel/Mix* position, in order to prevent a reset immediately after the vowels, the *Mix* contacts of switch S3a break the reset path to IC2 pin 15.

LETTERS DECODER

Although only one output of IC2 can be active at any time, the display segments required for each letter can demand more current than the 10mA maximum allowed from any output of a type 4017 counter chip. Consequently, driver transistors TR1

COMPONENTS

COUNTERSPELL

Resistors

R1	10k (see text)
R2	51k
R3, R4	620 (2 off)
R5	100k
All 0.25W 5% carbon film	

See
SHOP
TALK
Page

Capacitors

C1	220µ radial elect 25V
C2	100n polyester

Semiconductors

D1 to D32	1N4148 signal diode (32 off)
TR1 to TR10	BC237B npn transistor (10 off)
IC1	555 timer
IC2	4017 decade counter
X1	1-inch 7-segment i.e.d. common cathode display

Miscellaneous

S1	2-pole changeover p.c.b. mounting pushbutton switch (non-latching)
S2	4-pole changeover p.c.b. mounting switch (latching)
S3	2-pole 3-way slider switch
Plastic ABS case, 109.5mm x 179.5mm x 60mm (internal measurements); stripboard 0.1 inch matrix, 20 strips x 73 holes; 8-pin d.i.l. socket; 16-pin d.i.l. socket; AA-type cells (6 off) and communal holder with clip; stranded connecting wire; solder; etc.	

Approx cost
guidance only

£14

ex batteries

to TR10 have been included to provide the required i.e.d. segment current. Resistor R4 provides a common collector load to limit the current via the diode networks (D1 to D31) to the segments of display X1.

This load limiting method inevitably results in some letters glowing more brightly than others. Alternatively, each segment could be driven via its own current limiting resistor of about 560 ohms, replacing resistor R4 by a link wire. This should ensure that these segments are evenly illuminated irrespective of the displayed letter.

However, it should be noted that the total maximum current drawn could rise heavily. It is recommended, therefore, that six type-AA rechargeable cells are used instead of the disposable variety. Alternatively, a rechargeable 9V battery, or a 9V battery eliminator (mains adaptor), could be used. The circuit, as shown in Fig.1, normally consumes about 30mA.

In the *Vowel* mode (switch S2 released), the first five outputs of IC2 provide the vowels. As discussed, the count is limited to these five vowels by the reset switched routing.

For the "a" vowel, diodes D1 to D5 are necessary to activate display segments *a*, *b*, *c*, *d* and *g*. When consonant is selected, vowel "a" is converted to "c" by switch contacts S2b which disconnect diodes D3, D4 and D5 (segments *a*, *b*, *c*).

Similarly, to convert "e" to "p", "o" to "n", and "u" to two short vertical lines, switch contacts S2a disconnect segment *d*. Conversely, to convert "i" to "l", switch S2d contacts connect segment *f* and disconnect the decimal point (which flashes to indicate when *Vowel* is selected).

CONSTRUCTION

The topside component layout and the underside stripboard track cuts and solder joints for *Counterspell* are shown in Fig. 2. The stripboard has a matrix of 20 vertical x 73 horizontal holes and is used to mount all components except the front panel switch S3 and the 7-segment display X1. The length of the stripboard is cut to slot into the walls of the suggested ABS case.

The two pushbutton switches, S1 and S2, are mounted on the stripboard and holes must be drilled accordingly in the front panel to accommodate their knobs.

Wire links from the outputs of counter IC2 have been omitted from Fig. 2 for the sake of clarity, but their transistor base destinations have been stated. Multi-strand insulated wire should be used for the connections to switch S3, the battery and to the display X1.

It is advisable to use sockets for the two i.c.s. Care should be taken to prevent any static damage to the i.c.s and it is advisable to keep them in their transit packing until ready for use, fitting them last. Note that all cathode (k) ends of diodes (normally denoted by a black band) are connected to the display segment bus-lines.

The stripboard copper-side layout shows all the solder points and the breaks to be cut in the copper strips. Make sure you leave no whiskers of copper that can short-circuit adjacent strips. It is advisable to check against this at various stages during construction, using an ohmmeter or continuity tester.

METHOD OF PLAY

One game idea for which the *Counterspell* unit can be used is to select a predetermined number of letters, vowels and/or consonants, to form the longest words against an opponent, as in the TV game *Countdown*. For a children's version, the length of word can be restricted to six or seven letters.

In turn, a contestant switches to *on* and selects a mixture of letters, consonants and vowels, by pressing the *Freeze* switch, having first selected the *Vowel* or the *Consonant* setting. Each letter is written down by both contestants onto a playing pad divided into sections.

After 30 seconds, or another pre-arranged time, the contestant with the longest word scores points for each letter, or in the event of a tie, both score points for each letter.

For a Numbers game (aided by the *Counterspin* article - next month), contestant's select five small numbers, one large number, and a target number. Any of the small and large numbers can be added, multiplied or divided to obtain the target number, or as close to it as possible. The score awarded could be five for *on target*, reducing by the difference number of the player nearest to the target.

OTHER GAMES

A simple version of the TV game *Catchword* can be played using the consonant mode of the *Counterspell* unit. Three consonants are selected and displayed in succession. A contestant must then try to find a word starting with the first consonant and including the other two consonants in the order selected. A limited time of a few seconds is set for each selection. Several selections are made for each contestant in turn. A bonus is given for the contestant offering the longest

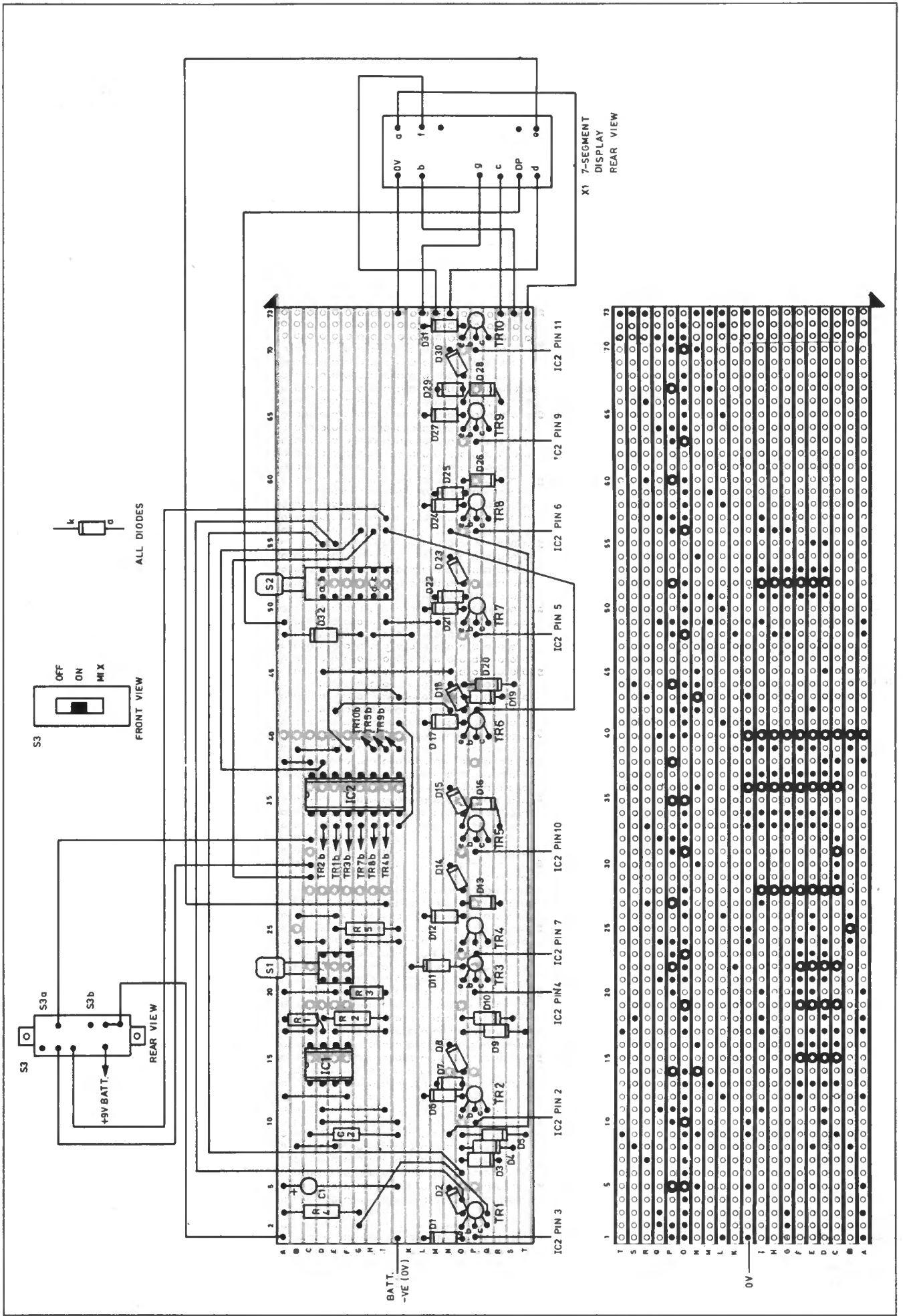


Fig. 2. Topside component layout and underside stripboard track cuts and solder joints for the Counterspell.

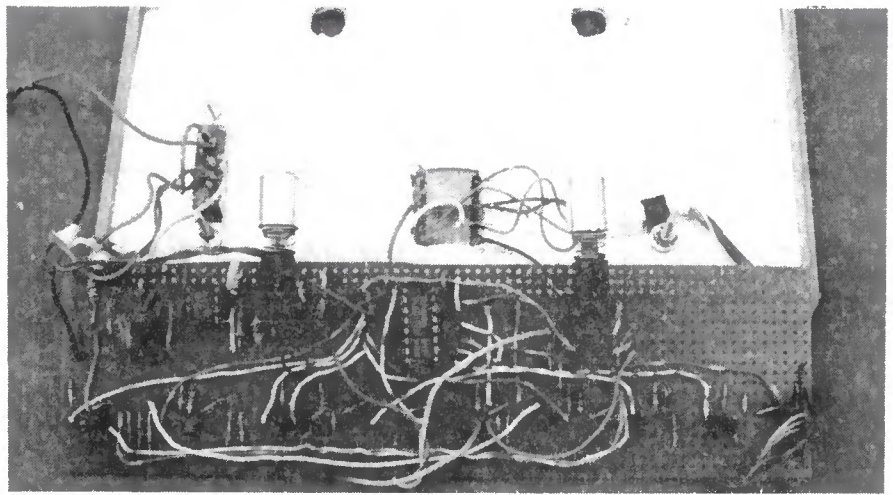
word. For example, the letters "NTL" may prompt the word "NaTural" from one player, another with the same combination of letters may suggest the longer word "NaTionalisation".

Also, two consonants may be selected and a further consonant, as chosen by the contestant, slotted in between. The contestant then has 30 seconds to think up as many words as possible that start with the first consonant and include the other two in the right order. Again, the contestant with the longest word adds a bonus to his or her score.

Another simple game, *Famous Initials*, can use the *Mix* facility. Two letters are selected and contestants have to write down the names of famous people or characters in history, in sport or on TV, etc., that fit the initials, e.g. Abraham Lincoln, Ryan Giggs, Eric Cantona, Ian Botham, Donald Duck.

In the game *Word Power*, a *Mix* of letters is displayed, say six or seven, and written down in turn. Each contestant has to make as many words as possible from three or more letters in a pre-arranged time.

In another game, *Word String*, while again in the *Mix* mode, letters are displayed, and written down in sequence until a contestant spots a word in the string. The contestant shouts out the word (or pushes a precedence switch on an appropriate additional unit) and is awarded points according to the word length. A false claim incurs a penalty. A new string is started whenever a word is claimed. The first player to reach a target number, 20 points for example, is the winner.



Assembled stripboard showing wired interconnections to the front panel components.

VARIATIONS

After much deliberation, the illustrated circuit was designed to generate a useful selection of lower-case letters. Nevertheless, it must be admitted that the vowels would look better if displayed as upper-case letters. The slight problem is with the vowels "a" and "e", which are larger. However, the multiplexing principle should be clear to experienced constructors and, if desired, circuit changes can be made accordingly along the following lines:

A number of variations are possible by using a separate counter for consonants.

For instance, one of the author's prototype models used upper-case letters: the five vowels (A, E, I, O, U) on one counter and five consonants (L, P, F, C, H) on another. Resets occurred after each set of five characters by strapping output pin 1 to reset pin 15 on each counter.

For games with small children this combination gave a reasonable vocabulary, but adding more consonants considerably extends the word power. For example, upper-case consonants B, J, F, L, P, H, C, G, and S could be used in the second counter.

SHOP TALK

with David Barrington

Multi-Purpose Thermostat

Several parts for the Multi-Purpose Thermostat require a special mention. The relay specified by the designer features automotive type crimp "spade" terminals, accessible from the top, for the heavy duty contacts. This avoids any problems associated with connecting heavy mains loads directly to a p.c.b.

The specified relay is a Siemens type, is fairly inexpensive, and was supplied by *Farnell* of Leeds (☎ 0532 636317), order code 224-607. Other relays can, of course, be used but we do not recommend it. Although different types may have a similar electrical rating they may not have the same safety features.

The unique 3-way screw terminal block used by the author incorporates a fuseholder which simplifies construction. This was also purchased from the above mentioned company and the 1½ inch version is needed for the 13A rating, code 151-999. *Electromail* (☎ 0536 204555) will only supply these in "standard multiples of 10", stock code 452-619. Separate parts could be used instead, if desired.

The adjustable, reference voltage, precision shunt regulator type TL431 is currently listed and stocked by *Farnell*, code TL431CLP and *Electromail*, code 283-845. If difficulties are experienced in sourcing a supplier of the CR snubber network, the one used in the model was purchased from *Electromail* and is the radial p.c.b. mounting version, code 238-463.

The box used on the prototype came from *ElectroValue* (☎ 0704 442253) stock no. 3503. Most of our component advertisers should be able to supply a suitable mains transformer. The model used the *Farnell* one, code 141-471.

The Thermostat printed circuit board is available from the *EPE PCB Service*, code 931. Finally, due to the presence of mains voltage on the p.c.b., *extreme care MUST* be taken when constructing and testing this project.

Name Of The Game – Counterspell

A couple of minor problems could arise when ordering components for *Counterspell*, the first project in the *Name Of The Game* series.

Looking through our library of component catalogues, it appears that a piece of stripboard with the exact number of "holes" is not going to be available over the counter and a certain amount of wastage will have to be tolerated. The answer here is to go for the extra outlay and purchase a piece with enough "extra" holes/strips to cater for a possible future project.

The 2-hole 3-way slider switch is an item that seems a rarity and may take some finding locally. Some suppliers stock a right-angled p.c.b. mounting version and, as the switch is fixed to the case lid and then interwired to the circuit board, this could be used here. However, a standard vertical type, with screw fixing, is currently listed by *Electromail* (☎ 0536 204555), code 334-101.

A similar situation could arise with the one inch 7-segment display. You will have to check very carefully the pinout arrangement of this device as various versions are marketed. The display is also attached (glued) to the case lid, so each lead should be double-checked against each segment when soldering wires to the pins or holder.

Sound Activated Switch

The first of our free p.c.b. projects is a *Sound Activated Switch* and only one component needs careful selection. The item in question is the relay and if it is to be used to switch mains voltages the contact rating *MUST* be chosen so it can handle the appliance to be controlled.

The relay can be any 12V type which has a coil resistance of about 300 ohms or more, plus suitable contacts for your particular application. The specified relay can control currents up to 10A, and can be used with a.c. voltages of up to 240V (or a maximum of 30V d.c.). This was purchased from *Maplin*, code YX97F (10A Mains Relay).

Light Beam Communications

Practically any "ultra-bright" I.e.d. having a light output of about 1.5cd or more at a current of 20mA can be used for the Transmitter output source in the *Light Beam Communication*, free p.c.b. project.

Various 5mm, 8mm, and 10mm I.e.d.s were tried by the author, and the *ElectroValue* (☎ 0704 442253) 10mm type (code L8135RC) gave the best results. The highest output *Maplin* 5mm and 8mm I.e.d.s also worked well. All these I.e.d.s have the usual shorter lead to denote the cathode ("k") terminal.

Turning now to the Receiver, all components seem straightforward and should not present any sourcing difficulties. Most of our component advertisers should stock the BPX25 phototransistor or its equivalent. This includes the TIL81 and the BPY62 types.

The lenses used in this system do not have to be high quality types, and the cheapest of plastic lenses are perfectly satisfactory. The ones used in the models are the red plastic type sold by *Maplin*, code FA95D, and have a focal length of 80mm, an overall diameter of 37mm, and a lens diameter of 30mm.

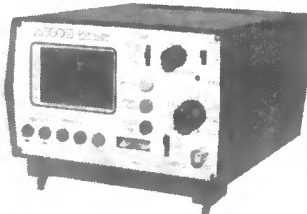
Extra printed circuit boards for all the "Multi-board" projects are available from the *EPE PCB Service*, code 932.

All components for the *Audio Amplifier* are standard "off-the-shelf" devices and should be readily available.

A SAMPLING OSCILLOSCOPE AND LOGIC ANALYSER IN AN AFFORDABLE PORTABLE PACKAGE

- 10 Mega samples per second single channel DSO
- 1MHz analogue bandwidth
- 0.2V-50V input range
- Various Triggering options
- 10 Mega samples per second 8-channel logic analyser
- 5V TTL/4.5-15V CMOS logic level inputs
- Crisp, clear LCD screen
- Zoom and Scroll facilities (selected range only)
- Battery or mains adapter powered
- 12 Months Warranty (Built version only)
- "Get you working" service (kits only)

The Miniscope



MINISCOPE KIT £139
MINISCOPE BUILT £179
 MAINS PSU £6 P&P £6
 PLEASE ADD VAT AT 17.5%

Write or phone for a **FREE** Information Pack to

AUDON AUDON ELECTRONICS

36 Attenborough Lane, Chilwell, Nottingham NG9 5JW
 ☎ 0602 259737

LÔÔKING FOR...

**ICs ★
TRANSISTORS ★ SEMIS?**
especially those hard to find?
Why not give us a buzz?

WE STOCK A MASSIVE RANGE

We specialise in devices with the following prefix
 (to name but a few):

**2N 2SA 2SB 2SC 2SD 2SJ 2SK AN BA BC BD BDT BF
 BFR BFY BFX BU BUK BUT BV BUW BUZ CA DTA
 HA IRF LA LB LC LF LM M MC MJ MJE MM MPS
 MPSA MPSU NE RC SAA SAB SDA SI SL SN STA
 STK STR TA TBA TC TDA TIP TEA TL UAA ULN UPC
 XR ZN ZTX... plus daily arrival of new numbers.**

ALSO

**RESISTORS ★ CAPACITORS ★ CHOKES ★ CABLES
 LEADS ★ CONNECTORS ★ VIDEO HEADS ★ DRIVE BELTS
 SWITCHES ★ TTL ★ CMOS ★ OP AMPS ★ VOLTAGE REGS
 SPECIAL FUNCTION ★ TRANSFORMERS ETC ETC ETC**

**WE SPECIALISE IN PHONE & FAX MAIL ORDERS
 BY CREDIT CARD**



Callers & Mail orders welcome



CRICKLEWOOD ELECTRONICS

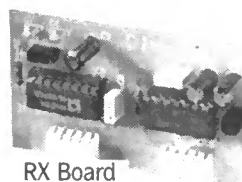
40 CRICKLEWOOD BROADWAY, LONDON NW2 3ET
 TEL: 081 452 0161 & 081 450 0995 FAX: 081 208 1441

!!! CATALOGUE DUE OUT AUTUMN 1994 !!!

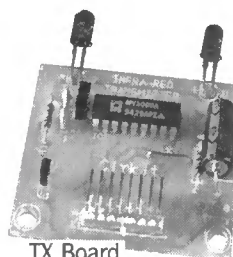
New Kits from CirkIt

IR Remote Control System

A complete Infra Red remote control system with a wide choice of outputs, both relay and transistor, configured for maximum flexibility for control of external systems.



RX Board



TX Board

- ▶ 5 relay outputs (mains rated)
- ▶ 3 transistor outputs (open collector)
- ▶ RX and TX boards available separately
- ▶ Ideal for use around the home
- ▶ 12 independent codes
- ▶ Range: 15m (approx)

IR Remote RX	41-05002 £13.20
IR Remote TX	41-05000 £9.10
Remote TX Case Kit	41-05001 £19.98
IR Control Board	41-05003 £15.99
Control Board Case Kit	41-05004 £8.99

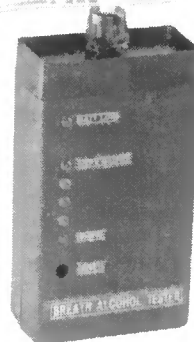
Breath Alcohol Tester

Enjoy and have fun at parties with this interesting project giving indication of the amount of Alcohol on your breath.

N.B. The results from this tester must not be taken as proof of your fitness to drive a vehicle.

- ▶ LED indication of OK, caution and danger
- ▶ Components, case, tube, fitting and full instructions

**41-05008
£37.99**



Logic Chiptester

- ▶ Test those salvaged stocks of IC's (TTL & CMOS) provided they are less than 24 pins and operate from a 5V supply.
- ▶ IBM PC compatible
- ▶ Create test parameters
- ▶ PCB, components, software and comprehensive instructions

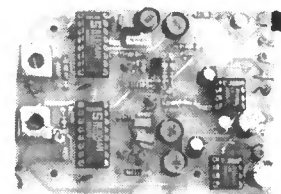
**41-05022
£59.90**



IR Stereo Headphones

- ▶ Keep those neighbours friendly and get rid of those unwanted leads with this useful project for all Hi-Fi buffs.
- ▶ No test equipment needed
- ▶ Excellent stereo sound
- ▶ TX and RX available separately

IR TX	41-05025	£25.75
IR RX	41-05024	£32.50



Full details of all the above are included in our comprehensive catalogue, £1.95 (plus 30p p&p)

All the above are currently in stock and available for immediate delivery. Standard p&p £1.50, next day delivery £5.29 (UK Mainland).

CirkIt

All prices include VAT (at 17.5%)



CirkIt Distribution Ltd

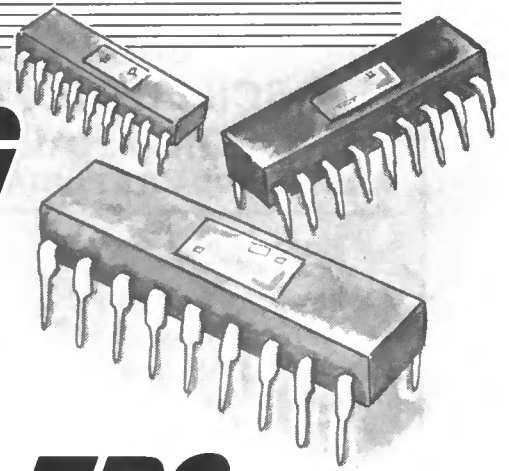
Park Lane · Broxbourne · Hertfordshire · EN10 7NQ
 Telephone (01992) 448899 · Fax (01992) 471314

UNDERSTANDING

PIC

MICROCONTROLLERS

BRETT GOSSAGE



A short and simple guide to the new and exciting world of the microcontroller chip, and what it can do for the electronic designer/constructor.

THE NEW buzzword that's been flying around for quite a while now is "microcontroller". It all sounds very "techy" and interesting, but what actually is it all about?

Electronics was revolutionized in the late seventies when the microprocessor chip became readily available to the average electronics buff at a price that he could afford. Thousands of would-be designers got these chips to do what they wanted in their mainly "digital" projects. They learnt about the memory chip and how it could store large amounts of data.

The EPROM allowed you to permanently store "bytes" or "words" in the form of a program which actually did

something useful, and keen programmers spent endless nights in front of a VDU screen writing various forms of assembly code that looked quite awe inspiring and frighteningly complex (as well as boring) to the non-technical bod. The I/O chip allowed you to connect your lonely microprocessor to the outside world so you could see things happening when programs were "run". Even timer chips allowed accurate synchronization with other devices.

When all these chips were put together, you essentially had a simple "computer" and an exciting world of possibilities opened up, as you dreamt up new applications for such fast machines.

MICROCONTROLLER

Enter the *microcontroller* - all those i.c.s that you painstakingly learnt about and connected together now appear in the guise of a single chip. Gone are the days of designing complicated address decoding circuits, involving lots of extra logic i.c.s. No more need to design stable oscillators, power-up or memory refresh circuits. Everything that you could ever think of has now been designed and sorted out for you.

A disadvantage I hear you cry! well, this is one of the few disadvantages of microcontrollers - the design of the basic computer part of your circuit has been done for you, and this may take away some of the satisfaction of building your project. But the advantages are endless.

This new technology uses very high clock speeds up to 20MHz, and together with efficient single word processor instructions, makes programming a lot simpler. Of course traditional microprocessors will still be used for the more ambitious projects, or applications where lots of data needs to be handled or processed. So it's not quite the end for the good old 8-bit micro ... well not yet anyway!

Microcontroller projects have already begun to appear in *EPE*, especially in recent issues. However, I did find one project in *EPE* dating back over two years to June 1992 (*Digital Servo Interface*) which used a PIC 16C54 type microcontroller.

Those of you with microprocessor experience who have not succumbed to this new idea should be warned that it looks like microcontrollers are becoming very popular already, so familiarising yourself with these beasts is definitely a good thing. I'm sure that a lot of simple projects will start to use them, and because they are so easy to use, they might attract new designers into the field who could never really get the hang of microprocessor circuits!

TAKE YOUR PIC

Here are a few of the advantages of using a microcontroller in your next project as opposed to the usual microprocessor and its associated hardware:

a) Because the microcontroller takes the place of several discreet i.c.s, there is a

Table 1: Comparison of PIC devices.

PIC type	16C54	16C55	16C56	16C57	16C64	16C71	16C74	17C42
EPROM (bytes)	512	512	1024	2048	2048	1024	1024*	2048
RAM (bytes)	32	32	32	80	128	36	36+64*	232
I/O pins (ports)	12 (4+8)	20 (4+8+8)	12 (4+8)	20 (4+8+8)	33 (6+8+8+8+3)	13 (5+8)	13 (5+8)	33 (6+8+8+8+3)
No. instructions	33	33	33	33	35	35	35	55
Instruction size (bits)	12	12	12	12	14	14	14	16
Stack size (bytes)	2	2	2	2	8	8	8	16
Number of pins	18	28	18	28	40	18	18	40
Interrupt sources	-	-	-	-	-	4	4	11
A/D converter	no	no	no	no	no	yes	no	no
Power up timer	no	no	no	no	yes	yes	yes	yes
Direct Microprocessor Interfacing	no	no	no	no	yes	no	no	yes

lower component count, so your circuit will:

- i) Cost less to build
 - ii) Have a simpler p.c.b. and overlay design and will therefore be easier to make.
 - iii) Due to ii), will have a reduced overall physical size, allowing a neater design and construction with fewer possibilities of error in both.
- b) Higher clock speeds coupled together with single word instructions allow faster processing of data, opening up more applications for microcontrollers.
- c) Power saving. As microcontrollers are CMOS devices, a minuscule amount of power is required to supply them, and even the voltage levels have reduced to around 1.5V in some cases. Yes, battery power seems to be the thing!

DESCRIPTION

There are several families of microcontrollers currently available from different manufacturers, and each family has a varied range of i.c.s which have different functions, so the idea is to pick out a particular microcontroller from a range to fit your project's needs. As it would be too difficult to outline all types of microcontroller, only one of the more popular series is described in this article. The one chosen is the "PIC" (Peripheral Interface Controller) series, manufactured by Arizona Microchip.

As with most i.c.s, these are manufactured in 0.3 and 0.6 inch d.i.l. style packages. The 0.3in. type are 18-pin devices, and are no bigger than most logic i.c.s.

The 0.6 inch EPROM variety look so much like ordinary EPROMS that a close look inside the "window" is needed to tell the difference. Whereas the EPROM has one or two distinct regions on the silicon wafer that constitute the memory areas, the microcontroller has several smaller regions.

GENERAL OVERVIEW

There are essentially two differing families of PIC microcontroller. These are denoted by the 16CXX or the 17CXX series. The "XX" denotes various members within the family, and some of the pinout differences are outlined in Fig. 1. The smaller i.c.s have two "ports" A and B whose pins are denoted by RAn and RBn. (where "n" refers to each bit of the respective ports which can be programmed as an input or an output).

The 16C71 has a four channel analogue-to-digital converter (AIN0-3). The 16C84 is an EEPROM version of the 16C71 (without the A/D converter). The 17C42 has five ports of various sizes, serial comms. functions with various timers, as well as the ability to connect directly to existing microprocessor circuits.

The main distinct advantage of the microcontroller design is that the RAM

and EPROM (and sometimes EEPROM as in the new PIC 16C84) are located all within the one package, and as mentioned earlier, there is no more need to worry about address decoding.

In PIC microcontrollers, these memory areas tend to be small, in the order of 1K or 2K bytes, and therefore the types of programs that can be run using them is limited. It is only in the most demanding of applications requiring large blocks of memory for data storage in which microcontrollers become less useful.

Never mind, they can't be all good! As a matter of fact, the widespread use of microcontrollers in simple applications has worried a lot of the manufacturers of "peripheral" i.c.s (memory I/O TTL logic etc.), as they are no longer required. In a way, it seems a bit of a cheat putting most of these functions all on one chip, but that's technology for you!

It seems that two of the main differences between the controller chips is the amount of memory they have on board, and the number of I/O or Input/Output pins they have available. To compare the differences between the different PIC microcontrollers, see Table 1.

EPROM VERSUS OTP

For development and test purposes, you need to alter any on-board program within the microcontroller chip, so all devices are available in EPROM and OTP (One Time

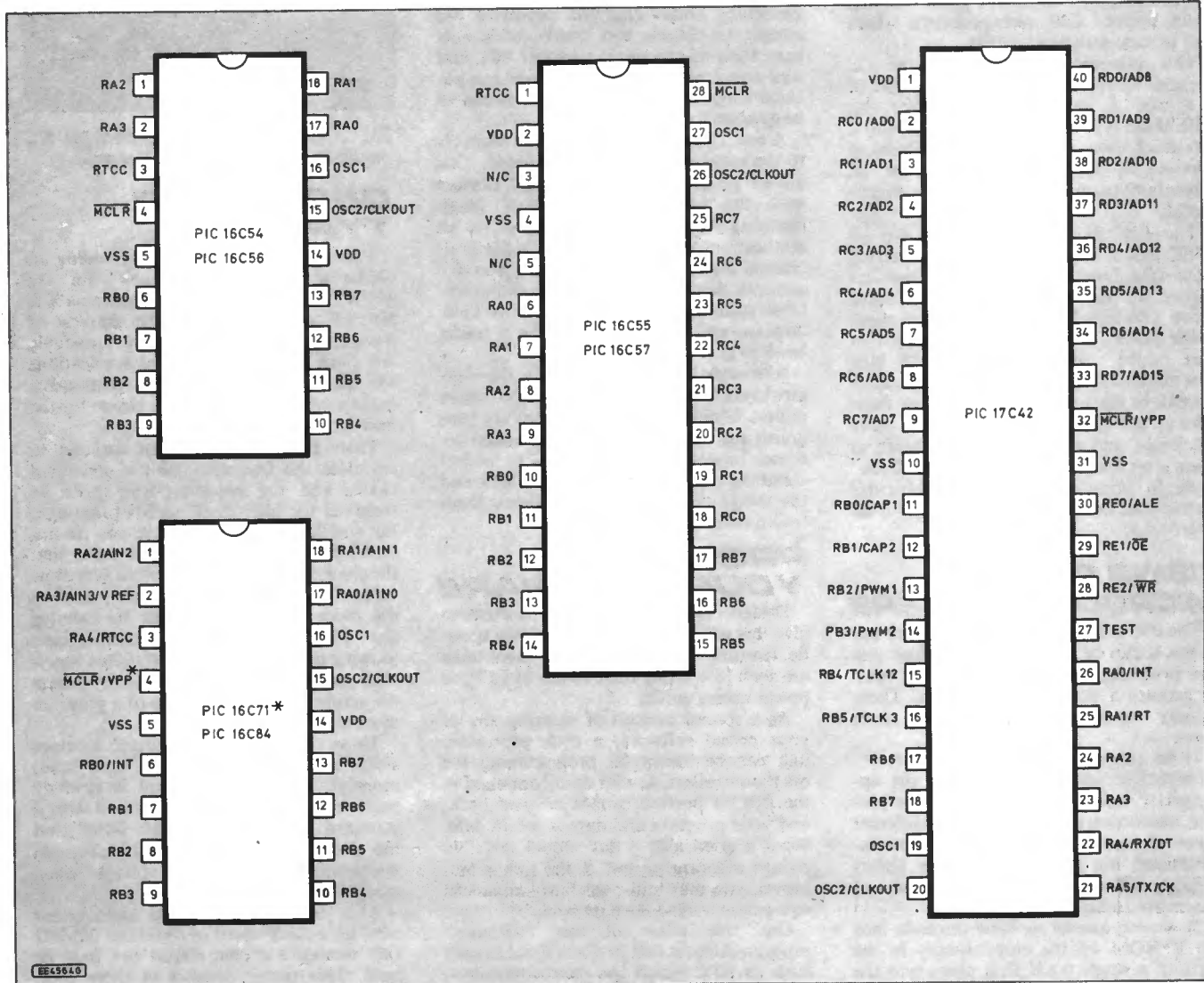


Fig. 1. Pinout details for part of the family of PIC Microcontrollers.

Programmable) types. The latter are relatively cheap but can only be "blown" with a program once – if you get your program wrong, the chip will be useless and it will have to be consigned to the bin! So, the idea is to thoroughly debug and test your software before programming it into an OTP device.

The EPROM types, as already mentioned, look like ordinary EPROMs and similarly, have a life of over 10,000 program/erase cycles, so under normal use should never wear out! Their cost runs at about three or four times that of their OTP counterparts, e.g. about £25 for the EPROM 16C71 PIC and about £7 for the OTP version. The design engineer will typically buy only one or two types of EPROM PIC to experiment with.

One point to mention is that the OTP devices come with specific oscillator configurations, so not all combinations of OTP chip are available. Check by looking at the last two letters on the chip markings, which denote the oscillator type.

RISCY BUSINESS

For quite some time now, there have been dedicated microprocessor i.c.s on the market designed for use in everyday items such as washing machines or drink dispensers. Because of the simple and often repetitive functions that they have to control within these machines, they operate using a program which may be large, but consists only of a handful of different instructions (much unlike the good old, and much revered Z80 microprocessor which had to cope with nearly 700!).

This inherent design makes the i.c. cheaper to manufacture and also easier to program. A name was coined for this specialised type of "controller" chip, and it has stuck ever since. "RISC" or Reduced Instruction Set Computer, is now an important acronym in today's computer world.

The PIC microcontroller i.c.s are all RISC based, having around thirty instructions (the functions of some of the i.c.s higher up the range warrant a couple more additional instructions than those lower down), and all of these consist of one "word" containing 14 or 16 bits. The advantages of single word instructions should be obvious: Programs using them take up less space in ROM, they run more efficiently, and consequently run faster, as there is no need to execute a second "fetch" cycle to bring in data for a particular instruction, unlike many of the usual 8-bit micro i.c.s.

USING PIC MICROCONTROLLERS

The PIC chip on its own is not much use unless it can be programmed! Before you can program any such chip, you'll need to acquire a development system. These usually consist of the following three items:

1) An assembler program, run on a PC, to assemble your programs into the appropriate "machine" code for the respective microcontroller (Yes! – the different types of controller may have similar instructions, but the object code is unfortunately different! – as some are 14-bit and others are 16-bit devices).

2) A programmer to blow the code into the EPROM on the chip, usually in the form of a single p.c.b. that plugs into the serial or parallel port of a PC.

3) A simulator, again a program for your PC that simulates running a PIC program at a greatly reduced speed, so you can see how the contents of various registers are changing as each instruction is executed.

Armed with a set-up consisting of these three basic elements, you're ready to go!

The manufacturers of PIC microcontrollers, Arizona Microchip (who have their European headquarters based at Bourne End near Henley-On-Thames), offer several kits, and these usually comprise of hardware connected to a PC via a comms. port, and PC software in the form of floppy disks.

The "Picstart" system (available from Radio Spares (Electromail), Maplin Electronic Supplies etc.) is regarded by Arizona Microchip as a basic "Low-cost" system. The price of approx £170 certainly made me think twice about spending a fair sum of hard-earned cash on a system which I knew nothing about. Once I'd spent a while playing with the software and consulting the concise manuals, I found this package quite acceptable, and a good introduction to the PIC microcontroller devices, although it did not cater for the 17CXX series.

The items supplied in the kit are: a data book, laid out in the standard form of data books! and can therefore be quite difficult to follow in certain areas, especially for beginners. A floppy disk containing an assembler to assemble the code for any of the 16CXX chips, and a simulator to "run" the assembled code to check for programming errors etc. The simulator did appear to operate too slowly, (this may have been due to my rickety old PC), and was not very useful for the more complicated programs, however, it was found to be a necessary tool.

A small piece of hardware, that connects to the serial port of a PC is included. This allows programming of the said devices with the usual verification and blank checking features. Also thrown in, is an applications manual which includes both circuits and software for typical "starter" projects, ranging from serial communications (simplex and duplex), driving i.e.d. displays and multiplexing. Quite a useful book to give you some ideas.

Although the whole idea of a development system sounds inconceivably complex at first, having to learn how to use the programs and hardware all at once, it soon becomes interesting as you begin to understand the concepts of microcontrollers, and the things that make them different from traditional microprocessors.

PROTECTING YOUR SOFTWARE

Designers have been working overtime to give this new range of i.c.s their own specific features. Those yet to be mentioned are such interesting ones as the SLEEP, or power saving mode.

As a special method of securing any of your prized software, a code protection link can be blown on programming the microcontrollers, so that data contained in the PROM portion cannot be read back, and your program and data is totally safe. What a good idea – this should certainly reduce software piracy! If the link is not blown, you may still need fairly advanced equipment to read the data back.

One side effect of this "designer" programming, is that projects in magazines such as *EPE* which use microcontrollers, require the constructor to "buy" the

software in the form of a pre-programmed PIC i.c. to make that project do anything. As it is obviously useless without it, and because most microcontroller projects use few i.c.s (sometimes only the PIC i.c. itself), the excitement of constructing and testing bits of your circuit might be reduced.

The current price of the cheapest PIC device, the 16C54 OTP, is about £5.

FEATURES

Here is a brief outline of some of the more common features that most PIC i.c.s have in common (see Table. 1 for some specific differences). A large amount of flexibility has been designed into these i.c.s, one area being the type of oscillator that can be used to drive the devices.

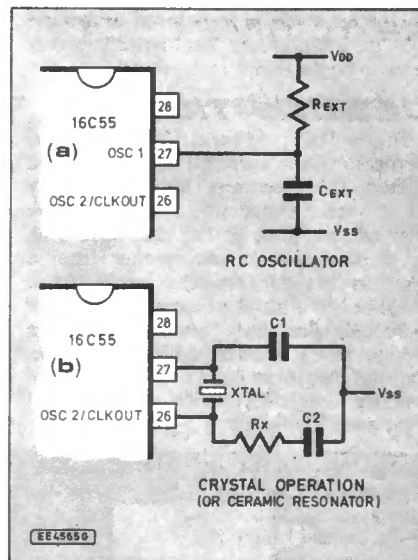


Fig. 2. Oscillator configuration (a) RC oscillator and (b) crystal operation.

OSCILLATOR TYPE

There are four methods of providing an oscillator to act as a "clock" for the 16CXX series i.c.s, these are known as XT, HS, LP and RC modes. The simplest of these and the most convenient is the simple RC clock (See Fig. 2a). Most applications will use this, as only two extra components make a neat and simple clock circuit for the microcontroller.

There is no hard and fast formula to calculate the frequency of the generated clock, and the capacitor can even be removed for high clock speeds (although, for stability purposes, this is not recommended). Another unusual feature is that the clock speed can be reduced to very slow values by using a large capacitor, enabling the more ambitious designer to monitor any PIC signals on an oscilloscope. Slowing down the clock speed in this way is also good for tuition purposes, by seeing the action of each instruction of a program more clearly.

Those applications requiring a more stable clock signal, e.g. for serial communications, a crystal circuit is strongly recommended. "XT" mode is used with a standard crystal. (A few tests found that the clock speed varied dramatically with temperature and supply voltage when using the simple RC circuit!)

Also, for any high speed applications needing a clock speed of 8MHz to 20MHz (HS mode), a crystal circuit can only be used. This circuit consists of three components (See Fig 2b), the crystal itself (or

ceramic resonator), and two low value stabilizing capacitors. For certain crystals, an additional resistor (Rx) may be required to prevent overdriving of the crystal. The fourth oscillator configuration is the "LP" or Low Power mode. For use with low frequency crystals.

OSCILLATOR START-UP TIMER

Quite important for the dedicated designer – when power is supplied to a crystal or ceramic resonator type oscillator circuit, it takes a while for it to stabilize. Here, a start-up timer acts as a power-on-reset circuit for the i.c., and waits for 18mS after the level on the MCLR pin has gone "high", before the chip starts running its program.

REAL TIME CLOCK

The use of a real time clock for controlling any I/O is invaluable. I once tried to write a 24-hour digital clock program using software timing loops, and having spent ages adjusting and re-adjusting these loops on a day-to-day basis, its inaccuracies soon became very apparent! A crystal oscillator is an absolute must to give good timing accuracy.

The Real Time Clock has its own eight-bit register or file, address 01H, and it is incremented at a quarter of the oscillator's clock speed. There is a built-in (surprise!) "prescaler" which is basically a divider which slows down the count in file 01H by one of a set of fixed amounts which is set up by a special register called the OPTION file.

On power up, the default division is set to 1, and the Real Time Clock file, 01H, increments as each instruction is executed. If an external signal is present on the RTCC pin, the file will be incremented by that. It is up to the programmer to make use of the number in this file, testing it for particular values such as zero, and then acting on that condition.

Another use for the Real Time Clock is in the transmission or reception of serial data. Accurate communication with an external device without any form of synchronization can be achieved. If the PIC clock speed is known, an accurate calculation can be made to determine what value the Real Time Clock file needs to count up to, during the output of each bit of data.

ARE YOU ASLEEP YET?

An interesting feature of all PIC microcontroller i.c.s is the ability to shut down if not required, and then "wake up" dependent on some specific input. This has the tremendous advantage of power saving when the circuit is not in use, and, dependent on what your application is, can even eliminate the need to incorporate an On/Off switch into the circuit.

Power consumption is so small during this "sleep" mode that the device can be left on continuously, making it ideal for battery operated projects. How many times have you left your project running, and returned to find yet another set of flat batteries? The PIC also knows whether it was woken from the sleep mode, or merely just reset, such a clever little chip!

WATCHDOG TIMER

Also included on board the i.c. is a Watchdog Timer. This is a totally independent piece of circuitry with its own

clock, that detects if the program has "crashed", i.e. has stopped running, and resets the chip automatically to restart the program again. This can be disabled.

The delay before the Watchdog Timer "times out" can be programmed. A feature of this sort is important in security applications, or projects where continuous monitoring is required. A sudden short power failure may cause a circuit to "glitch" or lock up, so here, a Watchdog Timer is necessary.

If you've got this far, you should now know a little about the hardware and the features of PIC microcontrollers. Now is the time to take the "lid" off them and see how to drive them.

INTERNAL ARCHITECTURE

Those of you with some microprocessor experience will notice some similarity in the hardware design of the register "map". Fig. 3 shows the basic layout of registers or "files" used with most of this particular series of PIC microcontrollers. Most are 8-bit, and have a unique file address allotted to them, i.e. when outputting data to PORT A, the data is written to file 05H (See "Use the Instructions").

The working register or "accumulator" is W, and general purpose registers are allotted file numbers from 08H through to 7FH, so there are many more of these user

registers, (up to 72 depending on which PIC i.c.) compared to the six that are available in a Z80 micro for instance. These general purpose registers constitute the RAM in the chip, and at first, seem to be a measly amount. Surprisingly, they usually end up being quite adequate, depending on the complexity of the program.

All the 16CXX series PIC i.c.s have PORTS, (some 4 or 5-bit – usually PORT A, and some 8-bit – PORTS B and C) and these always have the same file addresses of 5, 6 and 7 respectively (some i.c.s do not have port C, address 07H, see Fig. 1).

The STATUS or "Flags" register's job is to keep a running commentary on the result of various mathematical operations, among other functions, and is labelled as file 03H.

The PROGRAM COUNTER is always file 02H, and can be written to, like any of the other registers. Writing to the PC would cause the program to "jump" and continue running from a different location in memory, rather like executing a GOTO instruction.

File 01H contains the count for a REAL TIME CLOCK chip that is built into the hardware and can be used or disabled as appropriate.

Finally, file 00H is not a register at all, but is used to indirectly address other registers via the FILE SELECT REGISTER, file 04H.

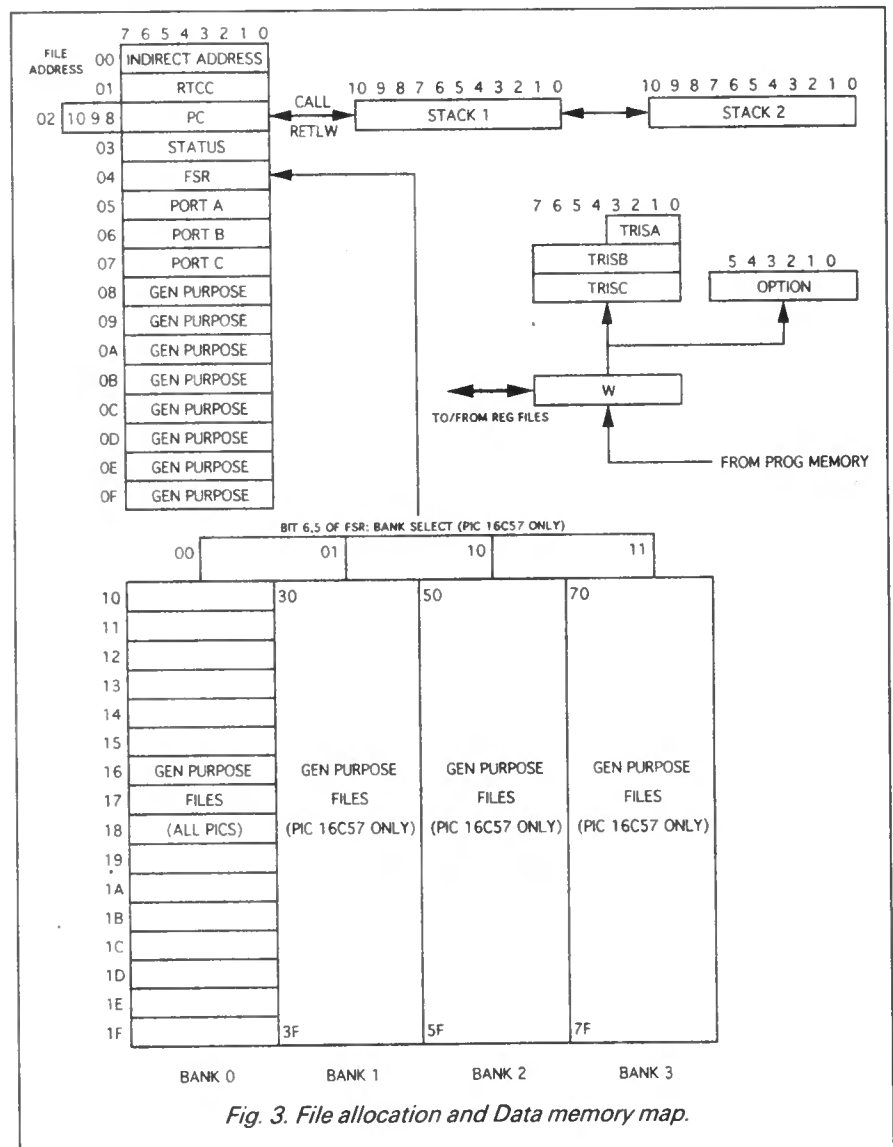


Fig. 3. File allocation and Data memory map.

A two level stack of 10 bits is incorporated on some PIC i.c.s, so your program can only have up to two nested subroutines, or "calls".

The TRIS files are set-up, usually at the beginning of a program to configure the ports. Each bit of any port can be defined as an input or an output. i.e. loading TRIS B with 0FH would set up the higher four bits of PORT B as outputs, with the rest of the bits as inputs. The default on boot-up is to set all ports as inputs, to protect the chip should these pins be shorted to ground etc.

USE THE INSTRUCTIONS

As already mentioned, due to the PIC's RISC based operation, it's easy to get to know all the thirty or so instructions, and then use them in quite complex programs. Fig. 4 shows the complete list of the instructions. Again this section is mainly useful to those who have experience of microprocessors and machine code assembly, to compare the types and functions of, these instructions with those of their favourite micro.

Label	Instruction	Comments
	CLRW	Clear the Working register
	MOVWF 10,f	and clear file 10H
NEXT	MOVF 10,W	Put value in file 10H into W
	CALL TABLE	Go and get data from 'TABLE'
	MOVWF 5,f	'Output' data in W to port A
	INCF 10,f	Increment the data count in 10H
	BCF 10,2	Reset bit 2 (count must not exceed 3)
	GOTO NEXT	Continue
TABLE	ADDWF 2,f	Add value in W to Program Counter
	RETLW 5AH	Return to main prog. with 5AH in W
	RETLW 01H	Return to main prog. with 01H in W
	RETLW 88H	Return to main prog. with 88H in W
	RETLW 59H	Return to main prog. with 59H in W

Fig. 5. Using subroutines.

Instruction (Hex)	Name	Mnemonic	Operands
1Cf	Add W and f	ADDWF	f, d
14f	AND W with f	ANDWF	f, d
06f	Clear f	CLRF	f
040	Clear W	CLRW	-
24f	Complement f	COMF	f, d
0Cf	Decrement f	DECf	f, d
2Cf	Dec f & skip if 0	DECFSZ	f, d
28f	Increment f	INCF	f, d
3Cf	Inc f & skip if 0	INCFsz	f, d
10f	Inclusive OR W & f	IORWF	f, d
20f	Move f	MOVF	f, d
02f	Move W to f	MOVWF	f
000	No operation	NOP	f, d
34f	Rotate left f	RLF	f, d
30f	Rotate right f	RRF	f, d
08f	Subtract W from f	SUBWF	f, d
38f	Swap halves f	SWAPF	f, d
18f	Exclusive OR W and f	XORWF	f, d
4bf	Bit clear f	BCF	f, b
5bf	Bit set f	BSF	f, b
6bf	Bit test f, skip if clear	BTFSC	f, b
7bf	Bit test f, skip if set	BTFSS	f, b
Ekk	AND literal and W	ANDLW	k
9kk	Call subroutine	CALL	k
004	Clear watchdog timer	CLRWDt	-
Akk	Goto address	GOTO	k
Dkk	Incl. OR literal and W	IORLW	k
Ckk	Move literal to W	MOVLW	k
002	Load option register	OPTION	-
8kk	Return, literal in W	RETLW	k
003	Go into standby mode	SLEEP	-
00f	Tristate port f	TRIS	f
Fkk	Excl. OR literal and W	XORLW	k

Fig. 4. The Instruction Set.

The following section briefly shows the use of most of the instructions for the PIC i.c. family:

To load a user register, say file 10H, with some data, say 55H, the following two steps are required:-

```
MOVLW 55
MOVWF 10
```

Here, the data is first moved into the W, or "Working" register (the accumulator). The instruction means "Move Literal W", and then the contents of this register are then moved into the "f" or file register specified, in this case file 10H.

Similarly, to move data from one file to another requires the use of the W register as shown, and this is also achieved in two steps:

```
MOVF 10,W
MOVWF 11
```

Here, the data in file 10H is first moved into the W register using the "Move File" instruction, and then the data is as in the previous example, moved into file 11H. This may appear long-winded when compared to some micros, but remember that each line is executed as a single 14 or 16-bit instruction.

THE SECOND OPERAND

To increment or decrement the contents of a file, the corresponding INCF or DECf instruction is used. The result however, can be put into the W register leaving the file register unchanged.

This can be useful if you need to test the result of a function before putting the value back into its file register. A lot of instructions have this feature, and it is determined by the second operand in the instruction.

e.g. XORWF 10,f

means exclusive OR the contents of the W register with the contents of file 10H, and then put the result back in file 10H, overwriting the original data in file 10H, whereas

```
XORWF 10,W
```

places the contents of the result in W, leaving file 10H unchanged. This second operand does not always need to be specified in the assembler code, if it does not, the

default value is "f" so the following instruction format is valid:

XORWF 10

Other "logical" instructions include:

'inclusive OR' (IORLW, IORWF);

'AND' (ANDLW, ANDWF);

'ADD' and 'SUB'tract (ADDWF, SUBWF)

(Note that on some of the smaller PIC i.c.s, the ADDLW and SUBLW instructions are unusually omitted).

BIT FILE INSTRUCTIONS

The simplest form of the bit manipulation instructions is BSF, which need two operands to be specified, i.e. which bit in which file is to be "SET":

e.g. BSF 10,6

this sets bit 6 in file 10H. Conversely, the BCF instruction works in the same way, but resets the bit. A useful extension of the bit manipulation instructions are the bit test pair of instructions.

BTFSS means bit test the file and skip if the bit is set:

e.g. BTFSS 10,6

means test bit 6 of file 10H, and then skip the next instruction of the code if it is SET. This is where a GOTO or branch instruction is placed, and splits the program execution into two sections. Depending on the result of the bit test, the GOTO is either executed, or skipped.

There are only two "rotate" instructions, but these both work differently dependent on the status of the "carry" bit, which is bit 0 in the STATUS file (03H):

e.g. RLF 10

rotates the contents of file 10H to the left, which is effectively the same as multiplying the contents by two, whereas:

RRF 10

rotates the contents to the right, effectively dividing by two.

AND THE REST

Several instructions are self explanatory, NOP is the famous "no operation" and its opcode is not surprisingly 00H. Complementing (2's complement) file 10H can be achieved using:

COMF 10.

A specific file can be cleared, or loaded with 0 using CLRF, and similarly, the working register W can be cleared using CLRW.

The TRIS instruction sets up the function of the ports:

e.g. TRISA 1F = (00011111)

sets the three high bits of port A to act as outputs, and the lower five bits to become inputs. All the bits of all ports are set up as inputs on boot-up of the i.c.

The SWAPF instruction swaps the higher and lower "nibbles" (four bits) of any register, this could be quite useful for 7-segment display driving purposes.

SUBROUTINES

Most of the PIC microcontrollers only have two levels of "stack" i.e. only two "nested" subroutines can be called. These are 10-bit registers (see Fig. 3).

The CALL instruction calls a subroutine directly, and that subroutine must end with the instruction RETLW. The RETLW instruction (return with a "literal" value in W) is the same as the more familiar RETURN instruction used with most micros, but has the additional feature of going back to the main program with this value in W.

This may not appear very useful when used as in a normal subroutine call,

Label	Instruction	Comments
	CLRW 0	Put 0 in the Working register
	TRIS 6	Set up PORT B as all outputs
NEXT	BSF 6,0	Set bit 0 of port B
DELAY	DECFSZ 10,f	Decrement delay count and skip if 0
	GOTO DELAY	Repeat until 0
	BCF 6,0	Clear bit 0 of port B
DELAY2	DECFSZ 10,f	Decrement delay count and skip if 0
	GOTO DELAY2	Repeat until 0
	GOTO NEXT	

Fig. 6. Software routine to flash an l.e.d. on bit 0 of PORT B.

but suddenly becomes invaluable when accessing a table of data. Remember that the RAM in a microcontroller is effectively the general purpose files or registers. Data in the EPROM can be accessed indirectly by adding a value to the program counter file (02H). The example in Fig. 5 repeatedly outputs a set of four bytes of data to port A.

SLEEP INSTRUCTION

The clock on the OSC pins of any PIC device is stopped when a SLEEP instruction is executed. This is known as the power-down mode.

The i.c. can be "woken up" by an externally applied low pulse on the MCLR pin, or the watchdog timer with its own oscillator can cause a "wake up" condition if it times out (if enabled). The useful aspect is that the i.c. knows whether it was woken from sleep, or just powered up normally via a bit in the STATUS register (03H).

GETTING STARTED

The first attempt at working with a 16C54 PIC controller was to flash an l.e.d on one bit of one of the ports. This may seem a little unambitious, but it was thought that it was essential to get to know the basic programming concepts of the PIC.

It was simply done by outputting an alternating high and low logic level on bit 0 of PORT B (RB0), with a suitable software delay in between. This simple exercise was useful to appreciate the setting up of the port configurations, and the use of software delays. An example of the software is shown in Fig. 6.

The description of what each instruction does should be fairly straightforward, especially for those familiar with microprocessors. If not, try reading the "Use the Instructions" section of this article. The two delays, to slow down the flashing, use file 10H in each case and are shown separately for simplicity. Notice how the circuit, shown in Fig. 7, has a minimum of components.

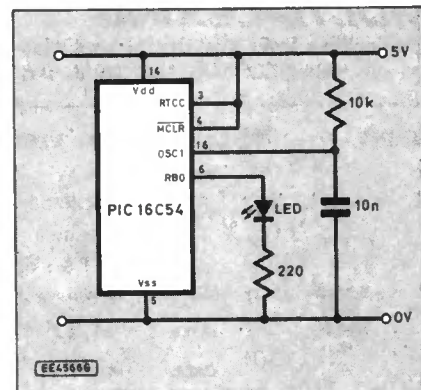


Fig. 7. Circuit diagram for the flashing l.e.d. example.

After that, the above was expanded to increment a binary count on eight l.e.d.s, again on PORT B (RB0-7), and then only after pressing a button which grounded a bit set up as an input on the other port, PORT A (RA0). Again, the software for this is shown in Fig. 8, and the circuit in Fig. 9.

Notice how the software execution is confined to the small section called "LOOP" until the button is pressed. Port A does not need to be set up because it is already configured as inputs on power-up of the i.c.

Next, a table of data in ROM was made up, in which each value was called sequentially, to drive a 7-segment display connected to PORT B, (RB0-6), so that it counted from 0 to 9 repeatedly. This introduced the use of subroutines and the ability to access data stored in a table in memory (See Fig. 10).

The 7-segment display used was the common cathode type, so the common was tied "low" (See Fig. 11). The display therefore works with "positive" logic, i.e. segments light up when the outputs from PORT B go "high".

File 10H is used for the delay as in the previous example, and file 11H, "digit count", is the offset which is added to the program counter when the subroutine is called, to return with segment data. i.e. first time through the program, its value is

Label	Instruction	Comments
	CLRW 0	Put 0 in the Working register
	TRIS 6	Set up PORT B as all outputs
LOOP	BTFSC 5,0	Has button been pressed?
	GOTO LOOP	Back to 'LOOP' if not
NEXT	INCF 6,f	'Increment' data in PORT B
DELAY	DECFSZ 10,f	Decrement delay count and skip if 0
	GOTO DELAY	Repeat until 0
	GOTO NEXT	

Fig. 8. A binary count on PORT B (8 l.e.d.s).

zero, so it picks up the first value from the table "3F" which is the data for the segments of digit "0".

DISPLAY MULTIPLEXING

Moving on from this, driving one digit was not enough! Finally that night, the

ambition was to drive four 7-segment displays by multiplexing them. Once again, the 16C54 i.c. is designed beautifully to accommodate the drive for the segments of the displays a to f on PORT B, (RB7 is not used), and the four bits of PORT A were used to drive each digit sequentially.

The idea being that data would be written to only one display at a time, but due to

Label	Instruction	Comments
	CLRW 0	Put 0 in the Working register
	TRIS 6	Set up PORT B as all outputs
RESET	CLRF 11,f	Start/reset the digit count at 0
NEXT	MOVF 11,W	Put next digit count in W
	CALL CONVRT	Call subroutine to get segment data
	MOVWF 6	Output the segment data to PORT B
DELAY	DECFSZ 10,f	Decrement delay count and skip if 0
	GOTO DELAY	Repeat until 0
	INCF 11,f	Increment the digit count
	MOVF 11,W	Put this value in W
	XORLW 0A	Check if count is beyond '9'
	BTFSC 3,2	Check zero flag in the Status File
	GOTO RESET	If flag set then reset digit count
	GOTO NEXT	Get data for next digit (0-9)
CONVRT	ADDWF 2,f	Add offset to PC to get segment data
	RETLW 3F	'0' in 7-segment code
	RETLW 06	'1' in 7-segment code
	RETLW 5B	'2' in 7-segment code
	RETLW 4F	'3' in 7-segment code
	RETLW 66	'4' in 7-segment code
	RETLW 6D	'5' in 7-segment code
	RETLW 7D	'6' in 7-segment code
	RETLW 07	'7' in 7-segment code
	RETLW 7F	'8' in 7-segment code
	RETLW 6F	'9' in 7-segment code

Fig. 10. Software routine to drive a 7-segment display count on PORT B.

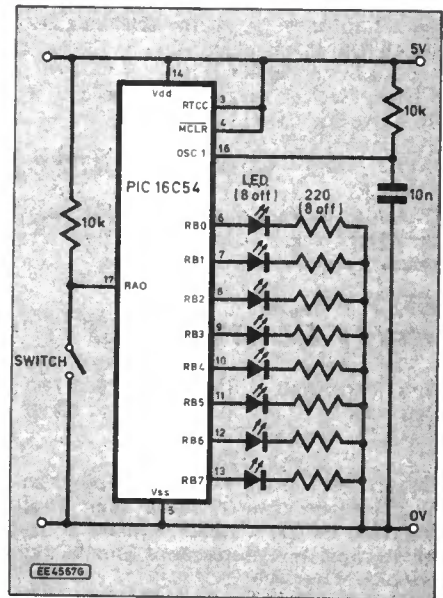


Fig. 9. Circuit diagram for the binary count example.

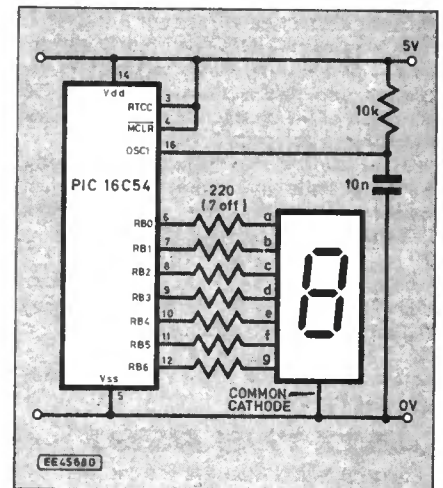


Fig. 11. Circuit diagram for driving a 7-segment display.

the speed of operation of the i.c. (800kHz in this case), all four digits would appear to be lit. See the circuit diagram shown in Fig. 12.

Multiplexing in this way is useful to simplify the circuitry, but it does tend to increase the complexity of the software. Fig. 13 shows a simplified example of multiplexing, with all four displays driven with a count of 0-9.

The complete listing consists of a large repeating loop of instructions, and every time around that loop, a different display is driven. So with four 7-segment displays, each digit is driven only once in every four "loops" of the program. A bit cycles around the lower "nibble" of PORT A, corresponding to the digit to be driven.

Good programming should ensure that only one display is driven at a time, and also that the data for it is not changed whilst it is being driven, otherwise uneven illumination or flickering may occur. A flowchart shows this procedure more clearly in Fig. 14.

SIDE EFFECTS

There are some side effects of multiplexing displays in this way. One is that because each display is only on for a quarter of the time, it appears relatively dim. A simple

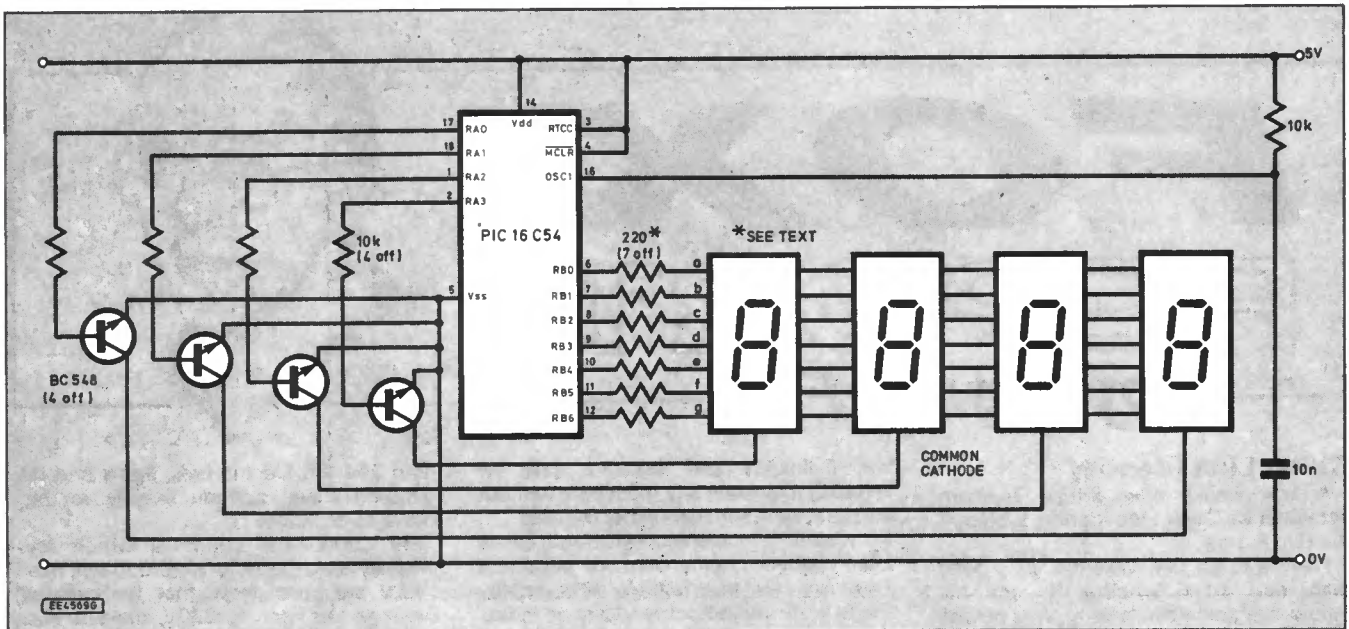


Fig. 12. Circuit diagram for driving four 7-segment displays using multiplexing.

Label	Instruction	Comments
	CLRW 0	Put 0 in the Working register
	TRIS 5	Set up PORT A as all outputs
	TRIS 6	Set up PORT B as all outputs
	MOVLW 1	Put 1 in the Working register
	MOVWF 12	Start drive on first digit
NEXT	BTFSC 12,3	File 12 is digit drive data
	GOTO NEXT1	Goto NEXT1 if 4th digit just driven
	RLF 12,f	Rotate file to select next digit
	GOTO NEXT2	Miss the next two instructions
NEXT1	BCF 12,3	Reset drive to 4th digit
	BSF 12,0	Set drive to 1st digit
NEXT2	CLRF 5	Switch off drive to any digit
	MOVF 13,W	File 13 holds any new segment data
	MOVWF 6	Output this to PORT B
	MOVF 12,W	Put digit drive data in W
	MOVWF 5	Switch on drive by output to PORT A
DELAY	DECFSZ 10,f	Decrement delay count and skip if 0
	GOTO NEXT	Repeat whole loop until count is 0
DIGIT	INCF 11,f	File 11 contains offset for digit
	MOVF 11,W	Move this into W
	XORLW 0A	Check if count beyond '9'
	BTFSC 3,2	Result would set zero flag if true
	CLRF 11	Reset offset count if zero flag set
	MOVF 11,W	Put this into W
	CALL CONVRT	Call subroutine to get segment data
	MOVWF 13	Put this new data into File 13
	GOTO NEXT	Go back to main loop
CONVRT	(As per Fig. 10)	

Fig. 13. Software routine to drive four 7-segment displays by multiplexing.

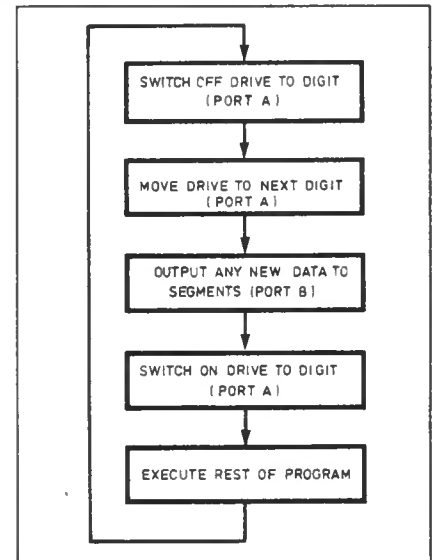


Fig. 14. A software procedure for multiplexing.

solution is to reduce the value of the current limiting resistors shown to 56 ohms and "overdrive" the segments with four times their rated current. The displays should survive this, but care should be taken as the i.c. is now also providing four times its rated "port" current to drive them! (The maximum rated port current as a whole, is around 40mA, so current limiting resistors are needed when driving this number of l.e.d.s).

Transistors are also needed to sink current from each of the common cathodes of the displays, as this could be around 150mA if all segments are on. This process of expanding on a simple idea is great to get to know the features of PIC microcontrollers. Notice how simple the circuits can be!

I'm now totally engrossed, and have no end of projects and ideas I want to try out using these chips, and I'm sure other keen experimenters will be the same once they've caught the Microcontroller bug! □

NOTE: We intend to publish a PIC Development and Training System for the PIC16C5X range of microcontrollers in two or three months - Ed.

FOX REPORT

by Barry Fox



Caller Line Identity

A few weeks after British Telecom launched its Caller Line Identity system, I did two things.

I wrote to Sir Iain Vallance, BT's head man, and asked whether he and his fellow directors were leaving their private business and home lines unblocked – so that those numbers could be displayed or recorded on any phones that Vallance *et al* called. This seems a reasonable question when you bear in mind that British Telecom have imposed CLI on the British public on an opt-out basis, i.e. people's numbers are by default displayed or recorded unless callers know how to take the positive steps needed to block display.

I have to hand it to Sir Iain Vallance for his fancy-footwork and first attempt at dodging the question. He just passed my letter to a BT minion who then said he could not divulge confidential information about his boss's telephone numbers.

I have now written back to Sir Iain Vallance pointing out that the whole point of my writing to him personally was to give him the opportunity to answer personally, without breaching any confidences. If necessary I will write to all other directors personally, although I should have thought it was easier all round simply to copy them my letter.

Surely if Sir Iain Vallance and the other directors of BT have confidence in CLI, they will be only too pleased to publicize the fact that they are not defeating their own service by withholding their own numbers?

Number Unavailable

The other thing I did was buy one of BT's CLI display units. Made in the Philippines "for BT" it costs £50 and stores 50 numbers. But to use it I had to sign a year's service contract, costing a total of £16.

Using it was a revelation. Out of the first fifty calls, only 11 displayed numbers, and in some cases I have my doubts on whether the numbers displayed were correct. Twenty-six showed up as "number unavailable", often because the callers were large businesses using Mercury lines.

All calls from the BBC and publisher IPC, for instance, show up as "number unavailable". The other thirteen showed up as "number withheld", either because callers had dialled 141 ahead of their calls or had put a permanent display block on their line.

This makes CLI completely, utterly useless for the purpose for which BT promotes it, namely filtering and sifting

out malicious and obscene calls by refusing to answer any that come without a displayed number ahead of the ring.

I would have rejected two-thirds of the calls received, many of them important business calls from people who employ me to write articles or broadcast on radio.

When Less Means the Same

On 1 January, the UK reduced its mains supply voltage from 240V to 230V, while other countries in Europe increased from 220V to 230V. Northern Ireland was already on 230V so needed no change.

The boring bit is that voltage harmonisation conforms to document HD 472-S1 drafted by CENELEC, the European Committee for Electrotechnical Standardization. The surprise is that this is one piece of European legislation that makes sense. Consumer electronics factories around the world can now make just one European model, instead of several with different voltage ratings.

If you do the paper sums, using Ohm's Law, you end up with a 4 per cent drop in voltage which means an 8 per cent drop in power through resistive loads. A one kilowatt fire bar will dissipate 918 watts, so will give out less heat and cost less to run. Likewise electric light bulbs will give out less light, and give a slightly redder light, but last much longer. On the Continent exactly the opposite should happen, with hotter, brighter glows and shorter life.

Computers, and other equipment which uses switch mode power supplies, will self-adjust. But hifi amplifiers use transformer power supplies and should also deliver less output. A 100 watt amplifier will only pump around 90 watts into the speakers.

In fact, the situation is quite different. No-one should notice any change. The reason is some very clever drafting of the new voltage regulations, and the tolerances under load e.g. when everyone is cooking their Sunday lunch and the mains voltage drops.

When the UK was running on a nominal 240V, the permissible swing was ± 6 per cent, giving a legal range of 225.6V to 254.4V. The new voltage, nominally 230V, can vary by $+10$ per cent or -6 per cent. This creates a legal range of between 216.2 volts and 253V. So the electricity supply authorities can go on delivering power just as before, without replacing any distribution transformers. All they have to do is keep a slightly closer check on voltage peaks to make sure they do not stray into the now forbidden territory between 253V

and 254.4V. Electric fires, lights and hifi amplifiers will perform exactly as they have done before.

In continental countries which previously used 220V, the latitude has been ± 10 per cent. Now that the nominal voltage has risen to 230V, the tolerance has been changed to $+6$ per cent or -10 per cent. This preserves the status quo there, too. But manufacturers can take advantage of single production runs for Europe.

Over the next few years, manufacturers must re-design their equipment for the next stage of the change, which is scheduled for 1 January 2003. On that date the latitude on the 230V across Europe changes to ± 10 per cent in all countries. In the meantime we can expect to see more equipment like electric fires and light bulbs labelled with a power rating 230V.

Frequency

The situation on frequency has not changed at all. Under continuing regulations the mains frequency can vary by ± 1 per cent. But over a 24 hour period the gains and losses must even out. So although a mains powered clock may seem to gain or lose a little at different points of the day, at the same time every day or night it is back to spot-on accuracy.

In practice, this does not matter very much. Most wall clocks are now battery powered and thus independent of main frequency. Record and tape decks now seldom rely on mains frequency for their running speed. TV systems are never now locked to the mains, even though the European and North American standards were originally tailored to the 50Hz and 60Hz mains. Everything is now locked to an internal oscillator.

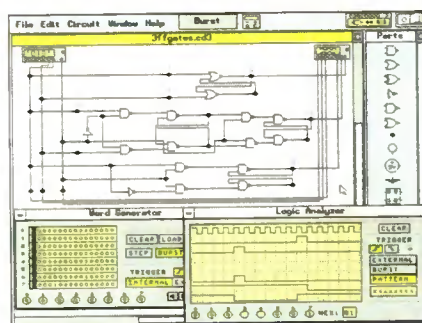
The Japanese had especially good reasons to push down the price of oscillator control. Their factories supply both Europe, with 50Hz mains and the USA with 60Hz mains. And Japanese cities Osaka and Tokyo use different frequencies. One is on 50Hz and the other on 60Hz.

Please mention
EVERYDAY with
**PRACTICAL
ELECTRONICS**
when replying to
Advertisements in this
Magazine.

**“Electronics Workbench
is the best simulator to
design and verify circuits.”**

*Gordon MacDonald
Production Engineer Technician*

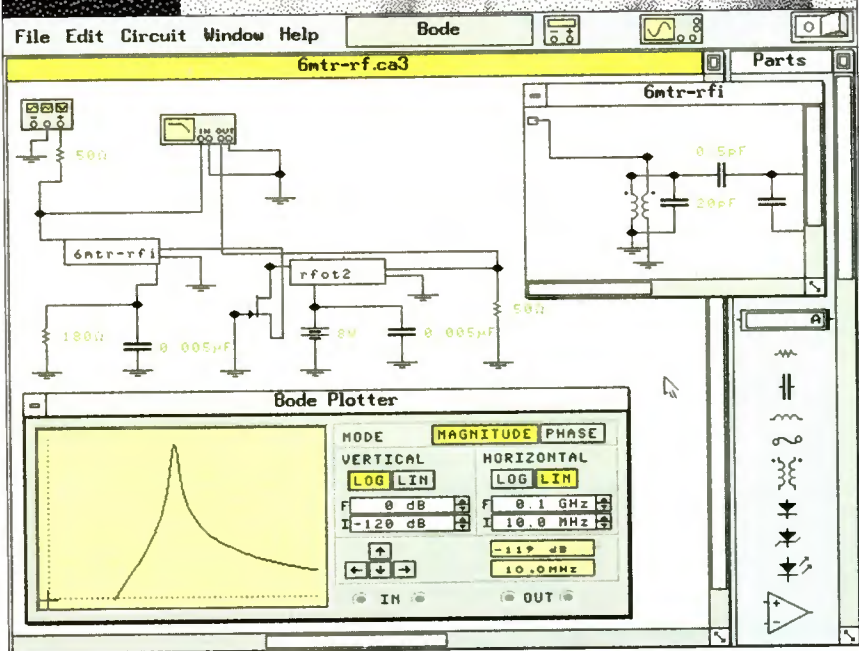
Electronics Workbench is a highly productive bench where you design and verify circuits in a fraction of the time. Connections are always perfect. Wires route themselves. And the simulated components and test instruments work just like the real thing.



Digital Module: Analyzing a logic circuit.

It's faster than building with actual components because you change connections and component values instantly. And since the simulated components are free, you don't need to replace burnt-out parts or keep an extensive inventory. The result: You save precious time and money. Guaranteed!

The standard for simplicity and power for over six years, Electronics Workbench is the most popular tool of its kind. It has gained worldwide acclaim as the ideal complement to any test bench. **Fact: Over 90% of our customers recommend it to their friends and colleagues.**



Analog Module: Tuning an RF front end.

Electronics Workbench®

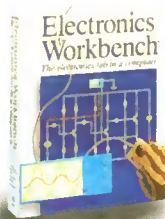
The electronics lab in a computer™

Call: 44 01203 233216

Robinson Marshall (Europe) PLC
Nadella Building, Progress Close, Leofric Business Park, Coventry, Warwickshire CV3 2TF
FAX: (44) 0203 233210

*30-day money-back guarantee.

Shipping charges - UK £4.99. All prices are plus V.A.T.
All trademarks are the property of their respective owners.



Just £199*

For DOS, Windows or Mac Version.



**WHETHER ELECTRONICS IS YOUR HOBBY
OR YOUR LIVELIHOOD . . .
YOU NEED THE MODERN ELECTRONICS MANUAL
and the ELECTRONICS SERVICE MANUAL**

THE MODERN ELECTRONICS MANUAL



The essential reference work

- Easy-to-use format
- Clear and simple layout
- Comprehensive subject range
- Regular Supplements
- News of developments
- Sturdy ring-binder
- Projects to build
- Detailed assembly instructions
- Ready-to-transfer PCBs
- Full components checklists
- Extensive data tables
- Detailed supply information
- Professionally written

**ORDER NOW
and get a
FREE SUPPLEMENT
plus our
30 DAY MONEY BACK GUARANTEE**

EVERYTHING YOU NEED TO KNOW ABOUT ELECTRONICS!

The revised edition of the Modern Electronics Base Manual contains practical, easy-to-follow information on the following subjects:

BASIC PRINCIPLES: Symbols, components and their characteristics, active and passive component circuits, power supplies, acoustics and electroacoustics, the workshop, principles of metrology, measuring instruments, digital electronics, analogue electronics, physics for electronics.

CIRCUITS TO BUILD: There's nothing to beat the satisfaction of creating your own project. From basic principles to circuit-building, the Modern Electronics Manual and its Supplements describe clearly, with appropriate diagrams, how to assemble radios, loudspeakers, amplifiers, car projects, computer interfaces, measuring instruments, workshop equipment, security systems, etc.

REPAIRS AND MAINTENANCE: Basic circuit operation for radio, television, audio/hi-fi, telephones, computers.

ESSENTIAL DATA: Extensive tables on diodes, transistors, thyristors and triacs, digital and linear i.c.s, microprocessors.

EXTENSIVE GLOSSARY: Should you come across a technical word, phrase or abbreviation you're not familiar with, simply turn to the glossary included in the Manual and you'll find a comprehensive definition in plain English.

The Manual also covers **Safety, Specialist Vocabulary with Abbreviations and Suppliers.** The most comprehensive reference work ever produced at a price you can afford, the revised edition of **THE MODERN ELECTRONICS MANUAL** provides you with all the essential information you need.

THE MODERN ELECTRONICS MANUAL

- Revised Edition of Basic Work:** Now contains over 1,000 pages of information.
- Regular Supplements:** Approximately 160-page Supplements of additional information which are forwarded to you immediately on publication. These are billed separately and can be discontinued at any time.
- Presentation:** Durable looseleaf system in large A4 format (297mm × 210mm)
- Price of the Basic Work:** £29.95 + £5.50 p&p (to include a recent Supplement free).

GUARANTEE

Our 30 day money back guarantee gives you **complete peace of mind**. If you are not entirely happy with either Manual, for whatever reason, simply return it to us in good condition within 30 days and we will make a **full refund of your payment** – no small print and no questions asked.
(Overseas buyers do have to pay the overseas postage charge).

Wimborne Publishing Ltd., Allen House, East Borough, Wimborne, Dorset BH21 1PF. Tel: 01202 881749. Fax: 01202 841692

ELECTRONICS SERVICE MANUAL

NEW

EVERYTHING YOU NEED TO KNOW TO GET STARTED IN REPAIRING AND SERVICING ELECTRONIC EQUIPMENT:

SAFETY: Be knowledgeable about Safety Regulations, Electrical Safety and First Aid.

UNDERPINNING KNOWLEDGE: Specific sections enable you to Understand Electrical and Electronic Principles, Active and Passive Components, Circuit Diagrams, Circuit Measurements, Radio, Logic Gates, Computers, Microprocessors, Valves and Manufacturers' Data, etc.

PRACTICAL SKILLS: Learn how to Identify Electronic Components, Avoid Static Hazards, Assemble a Toolkit, Set Up a Workshop, Carry Out Soldering and Wiring, Remove and Replace Components.

TEST EQUIPMENT: How to Choose and Use Test Equipment, and Get the Most out of your Multimeter and Oscilloscope, etc.

SERVICING TECHNIQUES: The regular Supplements will include vital guidelines on how to Service Audio Amplifiers, Radio Receivers, TV Receivers, Cassette Recorders, Video Recorders, Personal Computers, etc.

TECHNICAL NOTES: Commencing with the IBM PC, PC-XT, PC-AT, this section and the regular Supplements will deal with a very wide range of specific types of equipment.

REFERENCE DATA: Detailing vital parameters for Diodes, Small-Signal Transistors, Power Transistors, Thyristors, Triacs and Field Effect Transistors. Supplements will include Operational Amplifiers, Logic Circuits, Optoelectronic Devices, etc

The essential work for servicing and repairing.

- Easy-to-use format
- Clear and simple layout
- Regular Supplements
- Sturdy ring binder
- Vital safety precautions
- Troubleshooting techniques
- Fundamental principles
- Active and passive components
- Choosing and using test equipment
- Professionally written
- Servicing techniques
- Reference data

ELECTRONICS SERVICE MANUAL

TOTALLY NEW Basic Work: Contains around 900 pages of information. Edited by Mike Tooley BA.

Regular Supplements: Approximately 160-page Supplements of additional information which are forwarded to you immediately on publication. These are billed separately and can be discontinued at any time – the first Supplement is scheduled for publication in April '95.

Presentation: Durable looseleaf system in large A4 format (297mm x 210mm).

Price of the Basic Work: £39.95 + £5.50 p&p.

ORDER BOTH MANUALS TOGETHER AND SAVE OVER £15!

A mass of well-organised and clearly explained information is brought to you by expert editorial teams whose combined experience ensure the widest coverage

Regular Supplements to these unique publications, each around 160 pages, keep you abreast of the latest technology

REGULAR SUPPLEMENTS

Unlike a book or encyclopedia, these Manuals are living works – continuously extended with new material. Supplements are sent to you approximately every two to three months. Each Supplement contains around 160 pages – all for only £23.50 +

£2.50 p&p. You can of course return any Supplement (within ten days) which you feel is superfluous to your needs.

RESPONDING TO YOUR NEEDS

We are able to provide you with the most important and popular, up to date, features

in our Supplements. Our unique system is based on readers requests for new information. Through this service you are able to let us know exactly what information you require in your Manuals. You can also contact the editors directly in writing if you have a specific technical request or query relating to the Manuals.

PLEASE send me

- THE MODERN ELECTRONICS MANUAL plus a FREE SUPPLEMENT
 ELECTRONICS SERVICE MANUAL

I enclose payment of £45.45 (for one manual) or £75.45 for both manuals (saving over £15 by ordering both together). I shall also receive the appropriate Supplements several times a year. These are billed separately and can be discontinued at any time. Should I decide not to keep the Manual/s I will return it/them to you within 30 days for a full refund.

FULL NAME
(PLEASE PRINT)

ADDRESS.....
.....
.....

POSTCODE

SIGNATURE.....

- I enclose cheque/PO payable to Wimborne Publishing Ltd.
 Please charge my Visa/Mastercard (Access)

Card No. Card Exp. Date

ORDER FORM

Simply complete and return the order form with your payment to the following address:

Wimborne Publishing Ltd, Allen House,
East Borough, Wimborne, Dorset BH21 1PF

We offer a 30 day MONEY BACK GUARANTEE
– If you are not happy with the Manual simply return it to us in good condition within 30 days for a full refund.

Overseas buyers do have to pay the overseas postage – see below.

OVERSEAS ORDERS: All overseas orders must be prepaid and are supplied under a money-back guarantee of satisfaction. If you are not entirely happy with the Manual return it within a month for a refund of the purchase price (you do have to pay the overseas postage). SEND £39.95 (or £64.45 for both manuals) PLUS THE POSTAGE SHOWN BELOW for EACH Manual:

EIRE	AIR MAIL ONLY £11
EUROPE (E.E.C. Countries)	AIR MAIL ONLY £20
EUROPE (non E.E.C.)	SURFACE MAIL £20, AIR MAIL £26
U.S.A. & CANADA	SURFACE MAIL £25, AIR MAIL £32
FAR EAST & AUSTRALIA	SURFACE MAIL £31, AIR MAIL £33
REST OF WORLD	SURFACE MAIL £25, AIR MAIL £44

Note surface mail can take over 10 weeks to some parts of the world. Each manual weighs around 4kg when packed.

All payments must be made in £s Sterling payable to Wimborne Publishing Ltd. We accept Mastercard (Access) and Visa credit cards.

ELECTROMAIL

Bursting with new ideas
The 94/95 Electromail Catalogue
Now available

OVER
53,000
PRODUCTS



NOW AVAILABLE
£4.99
ONLY
NOW AVAILABLE



Part 1

More ...

Semiconductors, Surface Mount Technology, fuses, batteries, potentiometers, capacitors

Part 2

More ...

Fire & security, wiring accessories, lights, plugs, fittings, Datacom products

Part 3

More ...

Hand tools, power tools, screwdrivers, wire cutters, drills, taps, workshop and machine tools

To Order: Phone: **01536 204555** OR Fax: **01536 405555** quoting your Access/Visa card number and expiry date. OR Write: Send written orders, accompanied by cheque, postal order or include your Access/Visa card number and expiry date, ensuring that your order is signed. Cheques and postal orders must be crossed and made payable to ELECTROMAIL.

ENTIRELY
11
NEW SECTIONS

DO NOT SEND CASH OR CREDIT CARD.

Electromail (Dept EPE) PO Box 33, Corby, Northants. NN17 9EL.
- RS, RS and Electromail are registered trademarks of RS Components Ltd.

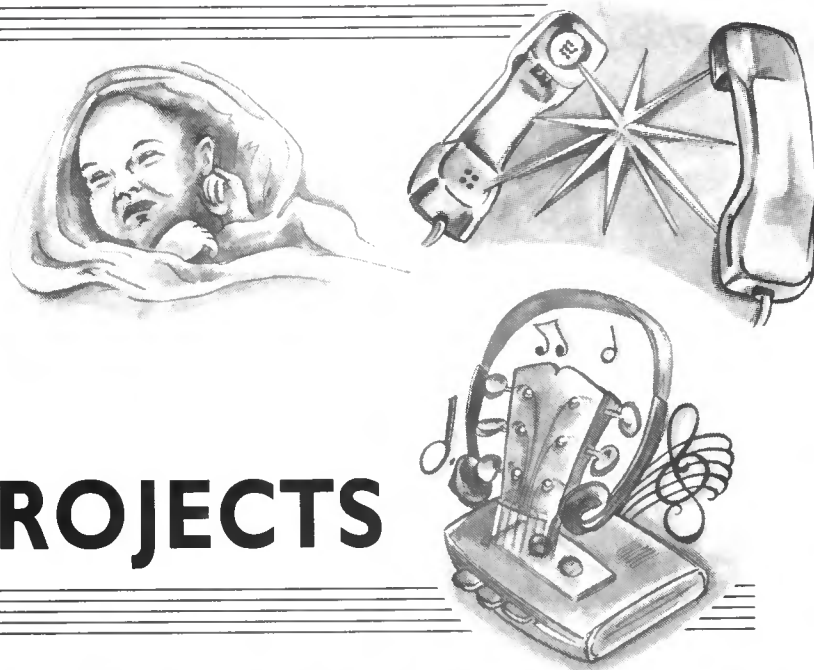


Order by phone - pay by Access or Visa - it couldn't be easier
PHONE: 01536 204555 FAX: 01536 405555



3 volumes that add up to the UK's biggest technical superstore, at the end of your 'phone.

ABOUT YOUR FREE PCB MULTI-PCB PROJECTS



A SELECTION of "Pick and Mix" projects that can all be built on the FREE, cover mounted, printed circuit board attached to this issue.

This month we present three projects: a **Sound Activated Switch** ★ **Audio Amplifier** ★ **Light Beam Communicator**. Next month's three projects will be a **Switch On/Off Timer** ★ **Light Activated Switch** ★ **Continuity Tester**.

If you wish to build all these "mini board" projects, then extra p.c.b.s. will be needed and can be purchased from the *EPE PCB Service*, code 932, for the sum of £3 each (including VAT and postage). Alternatively, you can purchase extra copies of the March '95 issue from your Newsagent, whilst it is still on sale, and make a small saving on each additional p.c.b.

A further selection of projects, all "tailored" for this p.c.b. will be published in the Autumn when another FREE p.c.b. will be attached to an issue.

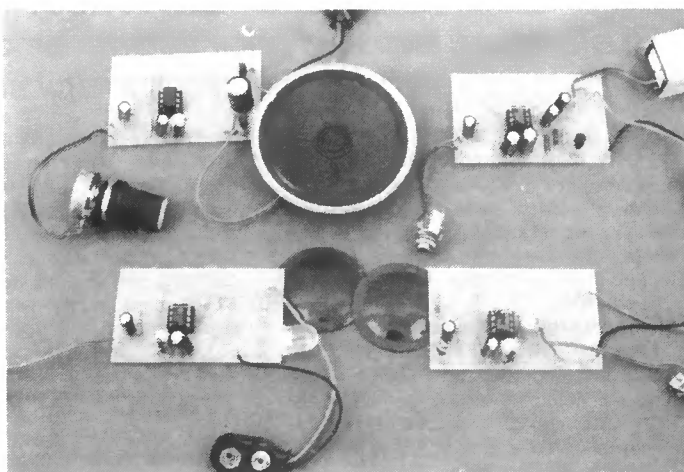
Circuit Board

These simple projects cover a wide range of applications, but they are all based on the same printed circuit board design. The board is designed to take a single operational amplifier having an 8 pin d.i.l. encapsulation and the standard 741 style pinout arrangement. The operational amplifier can be used in the inverting and non-inverting amplifier modes, as a voltage comparator, or as a trigger. At least two types of oscillator can also be accommodated. The board has provision for discrete relay driver and complementary class B output stages.

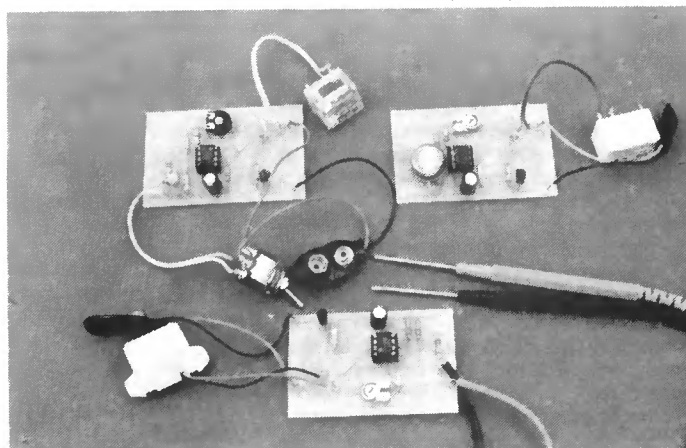
While the restriction of a single operational amplifier clearly limits the complexity of projects based on this board, using various modern operational amplifiers it is still possible to accommodate a wide range of projects within its confines. Further projects will be featured in the Autumn, and many readers will no doubt be able to fit their own designs onto the board.

Pad Carefully

Using the board is reasonably straightforward, but it does require slightly more care than when using a custom printed circuit board. None of the projects utilize all the pads, and in most cases more than 50 per cent of the holes in the board are left vacant. This makes it essential to take a little more care when fitting the components, and to double-check the positioning of each one. Apart from this, using the multi-pcb should be as easy as project building on a custom board.



THIS MONTH'S PROJECTS (left to right, top to bottom):
★ AUDIO AMPLIFIER ★ SOUND ACTIVATED SWITCH
★ LIGHT BEAM COMMUNICATOR (two p.c.b.s) ★



NEXT MONTH'S PROJECTS (left to right):
★ SWITCH ON/OFF TIMER ★ LIGHT ACTIVATED SWITCH
★ CONTINUITY TESTER ★

ORDER YOUR COPY FROM YOUR NEWSAGENT NOW!

SOUND ACTIVATED SWITCH



ROBERT PENFOLD

Use your FREE p.c.b. to build this useful sound-operated switch. Ideal for alarms, sound monitors and as a sound trigger for photographic work.

THIS automatic switch activates a relay when the user talks into the microphone. The relay contacts can be used to control virtually any piece of electronic or electrical equipment, but probably the most common use for a sound activated switch is for automatic control of a tape recorder.

Most inexpensive cassette recorders have a remote control switch on the microphone, and it is not difficult to use this sound activated switch instead of the microphone switch. Another possible application of a sound switch is as a sensor for a burglar alarm system.

Sound switches can also be used to automatically operate a suitable camera, and no doubt they have many other applications.

HOW IT WORKS

The block diagram of Fig. 1 helps to explain the way in which the Sound Activated Switch functions. The signal from the microphone will normally be at a very low level. In fact it will usually be no more than about one millivolt peak-to-peak. A high gain amplifier is therefore used to boost this signal to a more useful level of a few volts peak-to-peak.

The boosted signal is fed to a simple rectifier and smoothing circuit. This provides a positive d.c. output signal that is roughly proportional to the amplitude of the input signal. The output of the smoothing circuit drives a relay via a driver stage that provides the relatively high current required to activate the relay coil.

Under standby conditions the output voltage from the smoothing circuit is too low to operate the relay driver, and the relay remains switched off. In the presence of a strong input signal the output from the smoothing circuit is strong enough to activate the relay.

A relay is a mechanical switch that is operated by an electromagnet. Although this is a rather old fashioned component, a relay has its advantages. One of these is that the switch contacts can be used to

control practically any a.c. or d.c. powered equipment, with no significant voltage drop. There is also complete electrical isolation between the driver circuit and the controlled equipment. This avoids restrictions on the way in which the switch contacts can be used, and enables the unit to be used safely with mains powered equipment.

CIRCUIT DESCRIPTION

The circuit diagram for the Sound Activated Switch appears in Fig. 2. A

low-noise op.amp IC1 is used as the basis of the high gain amplifier, and this is an inverting mode circuit. Resistors R1 and R4 set the voltage gain and input impedance of the circuit at approximately 4700 times and one kilohm (1k) respectively.

This gives good results with low impedance dynamic and electret microphones. The audio quality of the microphone is clearly of no importance in this case, and the cheapest low impedance microphone you can obtain is the best choice.

Due to the high closed loop voltage gain of IC1 it is essential that this is a high quality operational amplifier having a large gain-bandwidth product. Even the 10MHz gain-bandwidth product of the NE5534A only provides a bandwidth of just over 2kHz in this circuit. This is substantially less than the full audio bandwidth, but is

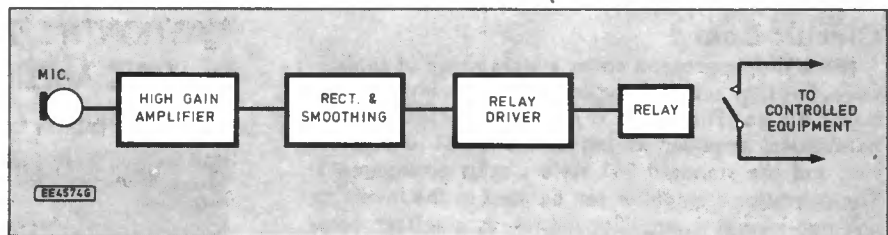


Fig. 1. Block diagram for the Sound Activated Switch.

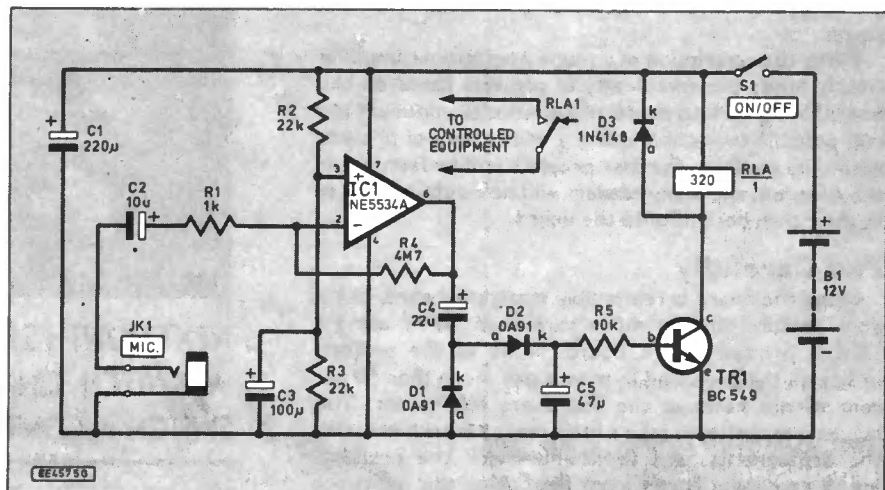


Fig. 2. Circuit diagram for the Sound Activated Switch.

wide enough to give good results with a speech signal. The slight lack of high frequency response will not significantly reduce the sensitivity of the circuit.

The output from IC1 is coupled by capacitor C4 to a simple half wave rectifier circuit which utilizes diodes D1 and D2 in a standard configuration. Germanium diodes are used in the D1 and D2 positions because they have lower voltage drops than silicon diodes. This gives the circuit slightly improved sensitivity.

Capacitor C5 is the smoothing capacitor, and the value used here determines the decay time of the circuit. The specified value gives a decay time of approximately one second.

This is long enough to ensure that the relay does not cut out during the brief pauses that occur in normal speech. On the other hand, it is short enough to avoid having the relay remain switched on for a long time after the user has finished speaking. If a shorter decay time is preferred, reduce C5 to 22 μ .

A longer decay time can be obtained by increasing the value of C5, but this might increase the attack time to an unacceptable degree. The relatively low output impedance of IC1 helps to give a short attack time, so that the unit responds rapidly when the user starts to speak, but it inevitably takes a short time for C5 to charge up.

RELAY DRIVER

Transistor TR1 is the relay driver, and it operates as a simple common emitter

switch. D3 is a protection diode which suppresses the high reverse voltage that is generated in the relay coil as the relay switches off.

Although at a high impedance, this voltage spike might otherwise cause damage to semiconductors in the circuit. The relay can be any 12V type which has a coil resistance of about 300 ohms or more, plus suitable contacts for your particular application.

The quiescent current consumption of the circuit is about six milliamps, but about an extra 30mA is drawn when the relay is switched on. The unit must therefore be powered from a fairly high capacity battery, such as eight HP7 cells in a holder.

The circuit might work properly using a 9V supply (such as six HP7 size cells in a holder), which would give substantially reduced running costs. This is only possible if the particular relay used will operate reliably at a coil voltage as low as 7.5V, which most 12V relays seem to do.

CONSTRUCTION

This simple circuit can be built on the FREE printed circuit board (p.c.b.) attached to the front cover of this magazine. (If you intend to build all the designs using this p.c.b., you can obtain extra boards from the EPE PCB Service, code 932, for the sum of £3 each. Alternatively, you can, of course, purchase extra copies of this issue from your Newsagent and make a small saving on the cost of the p.c.b. – the extra copies could be passed to a friend.) The topside component layout and underside full size copper foil master pattern for the Sound Activated Switch is shown in Fig. 3.

Although the NE5534A is not a static sensitive device, it is worthwhile fitting it in a holder. Diodes D1 and D2 are germanium types, and are therefore fairly susceptible to heat damage when they are being soldered into place.

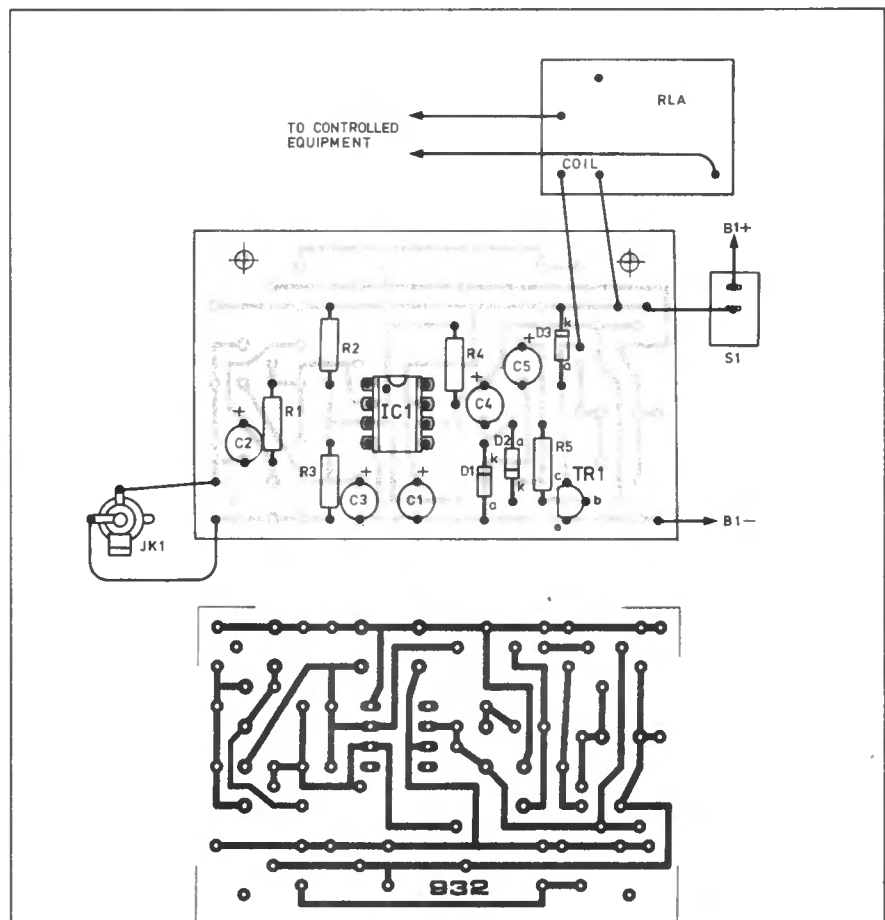


Fig. 3. Sound Activated Switch printed circuit board (p.c.b.) component layout, full size foil master pattern and photograph of completed board.

COMPONENTS

Resistors

R1	1k
R2, R3	22k (2 off)
R4	4M7
R5	10k

All 0.25W 5% carbon film

See
**SHOP
TALK**
Page

Capacitors

C1	220 μ radial elect. 16V
C2	10 μ radial elect. 25V
C3	100 μ radial elect. 10V
C4	22 μ radial elect. 25V
C5	47 μ radial elect. 16V

Semiconductors

D1, D2	OA91 germanium signal diode (2 off)
D3	1N4148 signal diode
TR1	BC549 npn silicon transistor
IC1	NE5534A low-noise op.amp

Miscellaneous

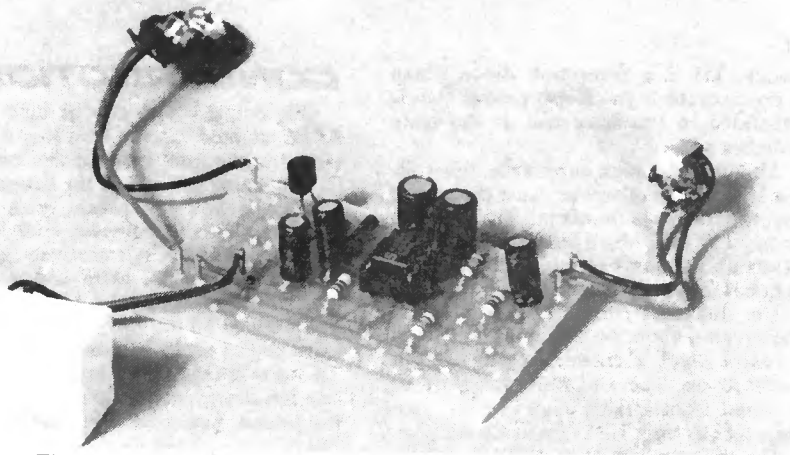
JK1	3.5mm jack socket
RLA	12V 320 ohm coil relay, with s.p.d.t. 10A changeover contacts (see text)
S1	s.p.s.t. min. toggle switch
B1	12V battery pack (8 x HP7 size cells in holder)

Printed circuit board, one FREE cover-mounted (or additional boards from EPE PCB Service, code 932); case, size to suit; low impedance dynamic microphone; 8-pin d.i.l. socket; PP3 type battery clip; multistrand connecting wire; solder, etc.

Approx cost
guidance only

£9

excl. Mic. & Batts



The "power switching" relay connected to the completed p.c.b.

Normally, it has not been found necessary to use a heatsink when fitting germanium diodes, but the soldering iron should not be applied to each joint for more than a second or two. Be very careful when fitting diode D3. Fitting it with the wrong polarity could easily result in the destruction of both transistor TR1 and D3 itself.

The connections to the battery pack are made via a standard PP3 style battery connector. JK1 is a 3.5mm jack socket, which matches the plugs normally fitted to low impedance dynamic microphones.

Many of these microphones are actually fitted with two plugs, which are 3.5mm and 2.5mm jacks. The 3.5mm plug connects to JK1, and the 2.5mm plug (which connects to the microphone's remote control switch) is left unused.

The connections to the "off-board" relay shown in Fig. 3 are correct for the specified "10A mains relay". This has s.p.d.t. con-

tacts, but in most sound switch applications only basic on/off switching is needed. Consequently, one tag of the relay is left unused.

If you use an alternative relay it will almost certainly have a different pinout configuration. The retailer's literature should provide connection details for other relays.

There is no room for the relay on the circuit board, and it must therefore be mounted off-board. The specified relay, in common with most modern types, is intended for printed circuit mounting, and has no provision for screw-fixing. However, it can be fixed to the inside of a suitable case using a high quality adhesive, such as an epoxy type.

If the unit is to be used to control a cassette recorder the two switch contacts of the relay are connected to a two-way lead terminated with a 2.5mm jack plug. The latter connects to the remote control socket of the recorder. The leads can be connected to the plug with either polarity.

The specified relay can control currents at up to 10A, and can be used with a.c. voltages of up to 240V (or a maximum of 30V d.c.). The relay can therefore be used to control mains powered equipment, but it should only be used in this way by those who have the necessary experience. *Those of limited experience should not use this unit with mains powered equipment.*

IN USE

At switch-on there will probably be a delay of a few seconds before the unit starts to function correctly. This is simply the time it takes for capacitor C2 to charge via resistors R4 and R1 to its normal working level.

The unit should be reasonably sensitive, but it is unlikely to work well with the microphone more than about half a metre or so from the user's mouth. High sensitivity is not really a good idea with equipment of this type as it tends to produce frequent spurious triggering.

When using the unit it must be borne in mind that the relay does not respond instantly when someone starts talking into the microphone. The electronics and the relay itself produce a delay of a few milliseconds before the relay contacts close.

If the unit is used with a cassette recorder there will almost certainly be a somewhat longer delay before it gets up to speed and operates normally. This will not necessarily cause major problems, but it might result in the first word of each block of speech being lost. The normal solution is to simply add a "dummy" word such as "start" at the beginning of each block of speech, so that the system is up and running properly before you start dictating in earnest. □

Constructional Project

AUDIO AMPLIFIER

A low-cost, low-voltage 350mW amplifier that can be built on the FREE p.c.b. attached to this issue.

THIS small Audio Amplifier module is suitable for use as a general purpose test bench amplifier, or it could be incorporated into a larger project such as a radio receiver. Before too long practically every electronics hobbyist finds the need for a simple audio amplifier such as this.

The amplifier is powered from a 9V battery and it provides an output power of about 350mW r.m.s. into an 8 ohm impedance loudspeaker. With the volume control at maximum the input impedance is about 23 kilohms, and approximately 250 millivolts r.m.s. is needed in order to produce maximum output.

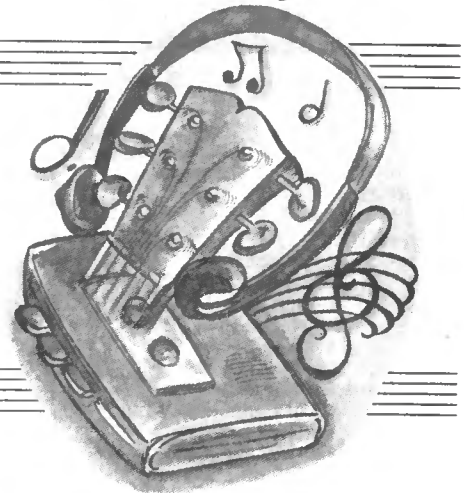
CIRCUIT OPERATION

The full circuit diagram for the Audio Amplifier is shown in Fig. 1. IC1 is an

operational amplifier which is used in the inverting mode.

The NE5534A specified for IC1 can provide quite a high output current by the standards of operational amplifiers, but it is not able to drive an 8 ohm load with a few hundred milliwatts r.m.s. A complementary emitter follower output stage is therefore used to increase the maximum output current to a satisfactory level.

Adding a discrete output stage of this type presents a problem with "cross-over" distortion. This occurs with all semiconductor complementary output stages due to the forward transfer characteristics of transistors. In this case the output transistors are ordinary bipolar transistors, and as such they do not begin to conduct until the base to emitter voltage reaches about 0.5V to 0.6V.



When used in a complementary output stage this produces some odd results. Output signals of less than about one volt peak-to-peak fail to materialise at all, because they are too small to bring the output transistors into conduction.

At higher volume levels the output signal is present, but it is severely distorted, with the bottom 0.5V to 0.6V of each half cycle totally absent. Fig. 2a shows a sinusoidal input signal, and the waveform of Fig. 2b shows the same signal if it is subjected to this severe form of crossover distortion.

DISTORTION

The normal way of avoiding severe crossover distortion is to provide a quiescent bias to the output transistors so that they are just about brought into conduction. This tends to be problematic, since the output transistors are operating on the verge of destruction.

In order to prevent an excessive bias current from flowing it is normally necessary to have this current carefully controlled. In fact it is usually essential to have a circuit that accurately compensates for changes in the temperature of the output devices.

Even with a quiescent bias current through the output transistors the crossover distortion is not eliminated. This is due to the fact that bipolar transistors tend to have relatively low gains at low operating currents.

The result is a relatively mild form of crossover distortion, but even in this mild form it tends to be quite noticeable. Unfortunately, crossover distortion is at its worst at low volume levels, and it is at these low volume levels that distortion tends to be most noticeable.

FEEDBACK

Most class B audio power amplifiers use negative feedback to reduce crossover distortion to an insignificant level. This circuit is slightly unusual (but not unique) in that it relies solely on negative feedback to counteract crossover distortion.

The effect of the feedback is to distort the output signal from IC1 in a way which counteracts the distortion through the output stage (Fig. 2c). This is not a particularly hi-fi way of doing things, but it works well enough when applied to a small power amplifier such as this one. It also has the advantage of avoiding the complication of having to stabilise the quiescent current through the output stage.

In order to give acceptable results it is necessary to use a fair amount of negative feedback. The amplifier has its closed loop

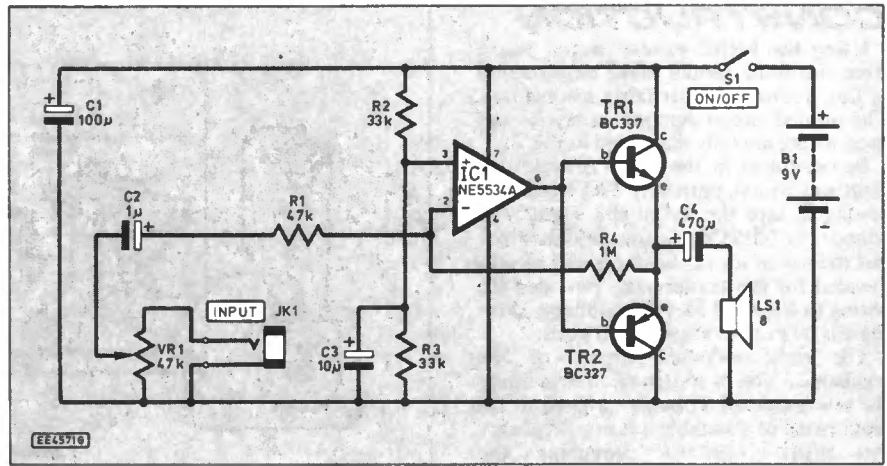


Fig. 1. Full circuit diagram for the Audio Amplifier.

voltage gain set at about 20 times (26dB) by resistors R1 and R4.

The NE5534A has a gain-bandwidth product of 10MHz, which gives an open loop voltage gain of 500 (54dB) at 20kHz. The circuit therefore has nearly 30dB of feedback at the highest audio frequencies, but this increases to around 60dB at middle audio frequencies where the open loop gain of IC1 is much higher.

There is over 80dB of feedback at the lowest audio frequencies. This is sufficient to give good results.

The crossover distortion can actually be heard quite clearly if the amplifier is run at extremely low volume and you place an ear close to the loudspeaker. However, in normal use there is no obvious distortion, and the audio quality of this amplifier compares quite well with most other small power amplifiers.

On the input side of the amplifier VR1 acts as a conventional Volume control. At the output capacitor C4 provides d.c. blocking. It is possible to use the amplifier with a high impedance loudspeaker, but the maximum output power will be greatly reduced.

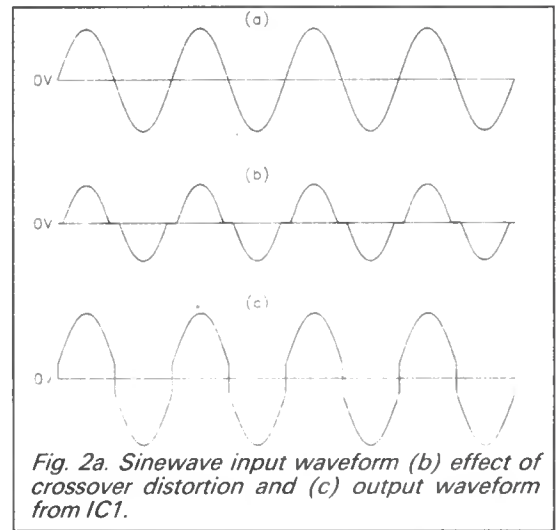


Fig. 2a. Sinewave input waveform (b) effect of crossover distortion and (c) output waveform from IC1.

A loudspeaker having an impedance of less than 8 ohms should not be used, and neither should a supply potential of more than 9V. The result in either case could be the destruction of the output transistors.

The quiescent current consumption of the amplifier is approximately 4mA, but the consumption can rise to nearly 100mA at high volume levels. The battery must therefore be something more substantial than a PP3, such as six HP7 size cells in a holder.

COMPONENTS

Resistors

R1 47k
R2, R3 33k (2 off)
R4 1M
All 0.25W 5% carbon film

See
**SHOP
TALK**
Page

Potentiometer

VR1 47k rotary carbon, log

Capacitors

C1 100µ radial elect. 10V
C2 1µ radial elect. 50V
C3 10µ radial elect. 25V
C4 470µ radial elect. 10V

Semiconductors

TR1 BC337 npn silicon transistor
TR2 BC327 pnp silicon transistor
IC1 NE5534A low-noise op.amp

Miscellaneous

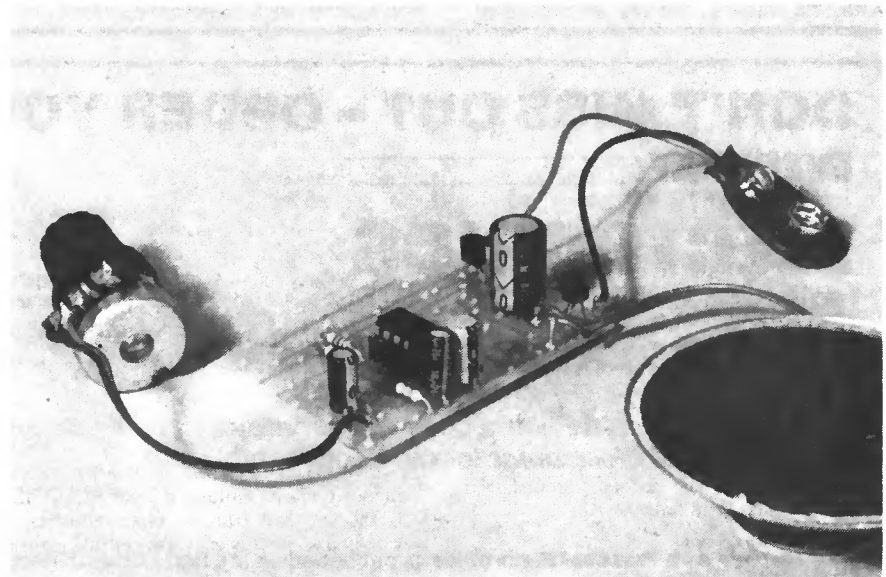
JK1 3.5mm jack socket
S1 s.p.s.t. min. toggle switch
LS1 miniature 8 ohm loudspeaker
B1 9V battery pack (6 x HP7 size cells in holder)

Printed circuit board, FREE (cover mounted with this issue or additional boards from EPE PCB Service, code 932); case, size to suit; PP3 type battery clip; control knob; 8-pin d.i.l. i.c. holder; connecting wire; solder, etc.

Approx cost
guidance only

£9

excl. Batts.



The completed Audio Amplifier p.c.b. with the Volume control and loudspeaker connected to it.

CONSTRUCTION

Using the FREE printed circuit board from this issue should make construction of this Audio Amplifier fairly trouble free. The printed circuit component layout and hard wiring are fully illustrated in Fig. 3.

Be careful to fit the two transistors the right way round, especially TR1 which will readily fit into the layout the wrong way round. The NE5534A is not static sensitive, but the use of an i.c. holder is still recommended for this component. Provided the wiring to VR1 and SK1 is reasonably short there is no need to use screened leads.

The only awkward aspect of the mechanical side of construction is in fitting the loudspeaker LSI behind a grille in the front panel of a suitable housing. Probably the easiest way of producing the loudspeaker grille is to drill a neat matrix of holes about 5mm in diameter.

This is slightly more difficult than you might imagine, since even very small errors in the positioning of any holes tends to be quite obvious. Be very careful with the positioning of the holes, and drill small pilot holes first.

Alternatively, a round cutout having a slightly smaller diameter than the loudspeaker can be made in the panel. This can be cut roughly to size using a needle file, "Abrafile", coping saw, etc., and then carefully filed to the correct size and a neat finish using a large half round file. Some loudspeaker material or fret is then glued in place behind the cutout using a good quality adhesive such as an epoxy type.

Most miniature loudspeakers do not have provision for fixing screws, and must be glued in place. Again, use a good quality general purpose adhesive. Only apply the adhesive to the outer rim of the loudspeaker, using no more than is really necessary. Be careful not to smear any onto the loudspeaker's diaphragm.

IN USE

If possible it is a good idea to use a multimeter to check that the quiescent current is only about 4mA. Switch off at once and recheck the wiring if it is significantly more than this.

A simple way of checking that the amplifier is functioning properly is to feed the output from the earphone socket of a radio set to the input jack of the amplifier. With the radio's Volume control well

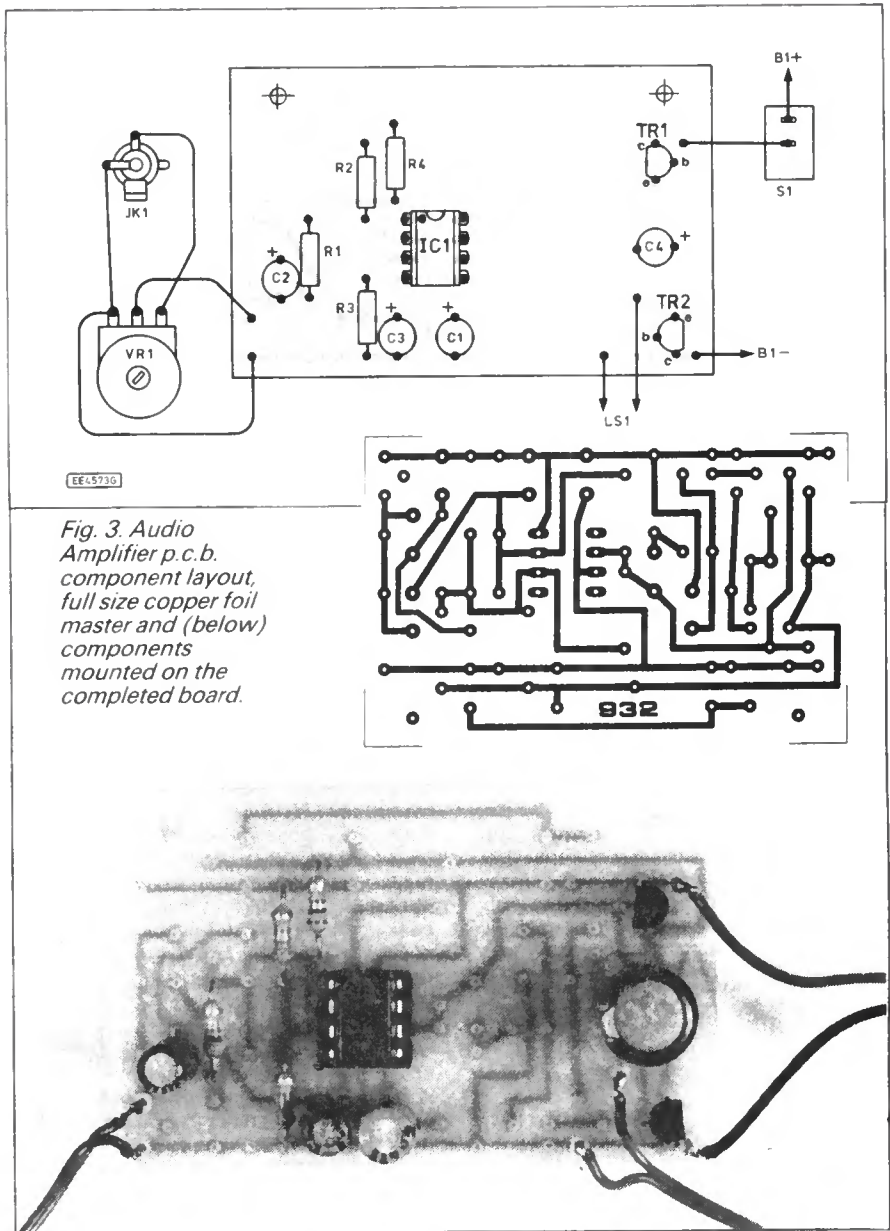


Fig. 3. Audio Amplifier p.c.b. component layout, full size copper foil master and (below) components mounted on the completed board.

advanced it should be possible to get plenty of volume from the amplifier, with an audio quality that will be limited mainly by the small size of the loudspeaker.

The amplifier will work well with high level sources, such as personal stereos and

f.m. tuners, but it is not sensitive enough for direct use with low level sources such as microphones and some guitar pick-ups. For operation with low level input signals a suitable preamplifier must be added ahead of the Audio Amplifier. □

DON'T MISS OUT - ORDER YOUR COPY NOW!

EVERYDAY

With PRACTICAL

ELECTRONICS

INCORPORATING ELECTRONICS MONTHLY

NEWSAGENTS ORDER FORM

Please reserve/deliver a copy of *Everyday with Practical Electronics* for me each month.

Everyday with Practical Electronics is published on the first Friday of each month and distributed by Seymour.

Make sure of your copy of EPE each month - cut out or photostat this form, fill it in and hand it to your newsagent.

Signed

Name and Address

(BLOCK CAPITALS PLEASE)

HART

HART AUDIO KITS – YOUR VALUE FOR MONEY ROUTE TO ULTIMATE HI-FI

HART KITS give you the opportunity to build the very best engineered hifi equipment there is, designed by the leaders in their field, using the best components that are available.

Every HART KIT is not just a new equipment acquisition but a valuable investment in knowledge, giving you guided hands-on experience of modern electronic techniques.

In short HART is your 'friend in the trade' giving you, as a knowledgeable constructor, access to better equipment at lower prices than the man in the street.

You can buy the reprints and construction manual for any kit to see how easy it is to build your own equipment the HART way. The FULL cost can be credited against your subsequent kit purchase.

Our list will give you fuller details of all our Audio Kits, components and special offers.

AUDIO DESIGN 80 WATT POWER AMPLIFIER.



This fantastic John Linsley Hood designed amplifier is the flagship of our range, and the ideal powerhouse for your ultimate hifi system. This kit is your way to get £K performance for a few tenths of the cost! Featured on the front cover of 'Electronics Today International' this complete stereo power amplifier offers World Class performance allied to the famous HART quality and ease of construction. John Linsley Hood's comments on seeing a complete unit were enthusiastic: "The external view is that of a thoroughly professional piece of audio gear, neat elegant and functional. This impression is greatly reinforced by the internal appearance, which is redolent of quality, both in components and in layout." Options include a stereo LED power meter and a versatile passive front end giving switched inputs using ALPS precision, low-noise volume and balance controls. A new relay switched front end option also gives a tape input and output facility so that for use with tuners, tape and CD players, or indeed any other 'flat' inputs the power amplifier may be used on its own, without the need for any external signal handling stages. 'Slave' and 'monobloc' versions without the passive input stage and power meter are also available. All versions fit within our standard 420 x 260 x 75mm case to match our 400 Series Tuner range. ALL six power supply rails are fully stabilised, and the complete power supply, using a toroidal transformer, is contained within a heavy gauge aluminium chassis/heatsink fitted with IEC mains input and output sockets. All the circuitry is on professional grade printed circuit boards with roller tinned finish and green solder resist on the component ident side, the power amplifiers feature an advanced double sided layout for maximum performance. All wiring in this kit is pre-terminated, ready for instant use!

K1100 Standard Amplifier Kit complete with IEC mains lead and Hart Super Audiograde Silver Solder. Total cost of all parts is over £500.

Our Special Discount Kit Price..... **Only £395.21**

K1100SA Super Audiophile Version with internal wiring and capacitor upgrade..... **£449.01**

K1100M Monobloc Amplifier Kit..... **£261.20**

A large range of other options is available including factory assembly and test. Full details are in our free lists.

MAINS LEADS AND ACCESSORIES

We keep a large range of IEC cordsets and distribution sockets for your HI-FI setup. Send for our lists for full details.

HART AUDIO CABLES

The HART range of cables has been chosen to satisfy the most fastidious audiophile taste. We can offer these at extremely competitive prices because we buy large quantities for our export customers all over the World. All are priced per metre. We will cut to any length you require.

780-911 Super Low-Noise Signal Cable. Single core double screened Audiophile signal cable. Features Linear crystal oxygen free high purity copper construction with foamed polyethylene insulation. Screening is by a close lapped screen with conductive thermoplastic sheathing. Overall covered with blue soft matt finish PVC. Dia. 6mm. Core to screen Capacitance 110pf/m. Per Metre..... **£8.98**

780-803 Speaker Cable. 322 strands 0.1mm oxygen free copper. Flat Twin. Recommended up to 40W/5mtrs. Tested & approved by John Linsley Hood. Mtr..... **£8.42**

780-804 Giant Speaker Cable. 511/0.1. Up to 80W/10mtrs **£15.90**

RLH11 Reprints of latest articles..... **£1.80**

K1100CM HART Construction Manual..... **£5.50**

★★★★★★

SPECIAL OFFER

PRECISION Triple Purpose TEST CASSETTE TC1D.

Are you sure your tape recorder is set up to give its best? Our latest triple purpose test cassette checks the three most important tape parameters without test equipment. Ideal when fitting new heads.

A professional quality, digitally mastered test tape at a price anyone can afford.

Test Cassette TC1D Our price only **£10.99**

★★★★★★

DISK-COUNT Classical CD's.

Many New Titles This Month

Top quality, Full Digital (DDD) Compact Disks of the great classical favourites. Like everyone else we didn't like the idea of paying silly prices for CD's. After a long search we have now located a source of top quality classical recordings at prices that make you suspect the quality – until you try them! Send for our list of titles.

HART PCB SOLDERING PRACTICE KIT

Your chance to learn or try your soldering skills on a real Hart printed circuit board! This kit comes with a range of modern components, a typical Hart quality PCB, a roll of the correct grade of solder and your full learning guide. It enables the enthusiast who is uncertain of his, or indeed her, ability to put together and solder a printed circuit to try their hand first at minimum cost.

The instructions explain the right technique and guide even an absolute beginner through the seemingly daunting, but in fact very simple, art of making a good soldered joint.

The Hart Printed Circuit Board Soldering Practice Kit represents excellent value for money at only **£4.99**.

TECHNICAL BOOKSHELF

The Following are a Small Selection of the Books we Offer. Full Details are in our Free List.

"THE ART OF LINEAR ELECTRONICS", John Linsley Hood.

Just Out! Hot Off the Press, the definitive electronics and audio book by the renowned John Linsley Hood. This 300+ page book will give you an unparalleled insight into the workings of all types of audio circuits. Learn how to read circuit diagrams and understand amplifiers and how they are designed to give the best sound. The virtues and vices of passive and active components are examined and there are separate sections covering power supplies and the sources of noise and hum. As one would expect from this writer the history and derivation of audio amplifier circuitry have an entire chapter, as does test and measurement equipment.

Copiously illustrated this book is incredible value for the amount of information it contains on the much neglected field of linear, as opposed to digital, electronics. Indeed it must be destined to become the standard reference for all who work, or are interested in, this field.

SPECIAL OFFER. With each book purchased you may request a **FREE** extended index, written by the Author, exclusively from HART.

0-7806-0868-4 **£16.95**

Don't forget most of our kits have reprints of articles by John Linsley Hood that you can purchase separately.

"TOWERS' INTERNATIONAL TRANSISTOR SELECTOR". This will give you the specification, pin connections, case outline, manufacturer, equivalents and substitutes for over 27,000 European, American and Japanese transistors. Latest update 4 offers over 2,000 new entries plus surface mount cross index.

1990 432 Pages. 247 x 173.

0-572-01062-1 **£19.95**

"DIGITAL AUDIO AND COMPACT DISC TECHNOLOGY" 2nd Edition. Baert, Theunissen and Vergult. (SONY Europe).

A thoroughly well written book covering the whole field of recording media starting with the Phonograph right through to modern professional PCM digital recording systems with particular and extensive coverage on the compact disc. All aspects of the recording and reproduction processes are explained with separate chapters on such things as compact disc encoding and the use of cross interleave Reed-Solomon error correction code (CIRC). This book is of course essential reading for engineers and students involved in the field but its very low prices makes it ideal for the enthusiast of recorded music who wants to know more about the hidden processes going on in his CD player.

1992/94 248 Pages. 247 x 190.

0-7506-0614-2 **£17.95**

INTRODUCING DIGITAL AUDIO CD, DAT AND SAMPLING 2nd Edition. Ian R. Sinclair.

For enthusiasts, technicians and students.

Covers CD and DAT, Philips DCC and Sony Mini Disc, the digital techniques involved are explained non-mathematically.

Digital audio involves methods and circuits that are totally alien to the technician or keen amateur who has previously worked with audio circuits. This book is intended to bridge the gap of understanding for the technician and enthusiast. The principles and methods are explained, but the mathematical background and theory are avoided other than to state the end product. This second edition has been updated to include sections on oversampling methods and bitstream techniques. The opportunity has also been taken to add a glossary of technical terms.

1992 168 Pages. 217 x 138. 64 line drawings.

ISBN 1870775 22 8 **£7.95**

"THE ART OF SOLDERING", R. Brewster.

Absolutely essential reading for anyone who ever picks up a soldering iron. Written from knowledge gained in a lifetime in the field, this is the first book ever solely devoted to this essential and neglected skill for all electronic enthusiasts. Covers everything from the correct choice of soldering iron and solder to the correct procedures to follow with many illustrations and practical exercises.

0-85935-324-3 **£3.95**

"HOW TO USE OSCILLOSCOPES & OTHER TEST EQUIPMENT", R.A. Penfold, 112 pages. 178 x 111. Publ. 1989.

BP267 **£3.50**

Postage on Single Books is £1.50 except for The Art of Linear Electronics, Digital Audio and Compact Disc Technology and The Towers International Transistor Selector which are £3.50.

Two, or more, books are only £4.50, any size, any quantity.

Send or phone for your copy of our **FREE** List of these and many other Kits & Components. Enquiries from Overseas customers are equally welcome, but PLEASE send 2 IRCs if you want a list sent surface post, or 5 for Airmail. Ordering is easy. Just write or telephone your requirements to sample the friendly and efficient HART service. Payment by cheque, cash or credit card. A telephoned order with your credit card number will get your order on its way to you **THAT DAY**. Please add part cost of carriage and insurance as follows: **INLAND Orders up to £20 - £1.50, Orders over £20 - £3.50. Express Courier, next working day £10. OVERSEAS - Please see the ordering information with our lists.**



QUALITY AUDIO KITS

24 hr. SALES LINE (0691) 652894

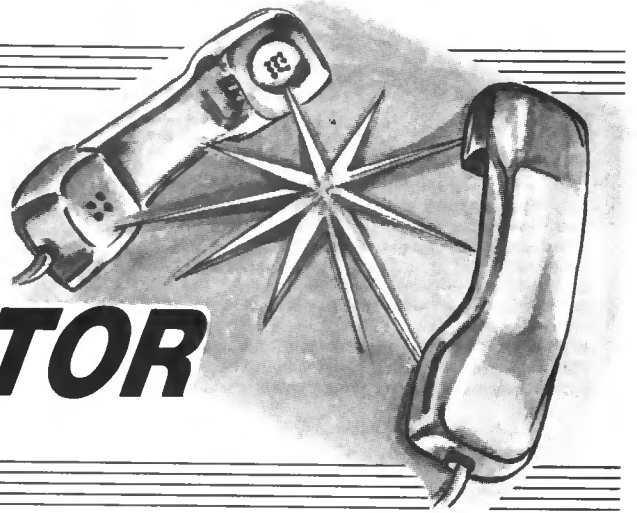
ALL PRICES INCLUDE UK/EC VAT

HART

HART ELECTRONIC KITS LTD
6 PENYLAN MILL
OSWESTRY, SHROPSHIRE
SY10 9AF

LIGHT BEAM COMMUNICATOR

ROBERT PENFOLD



Use your FREE p.c.b., and one extra board, to build a modern-day version of the old "torch bulb" telephone!

COMMUNICATION using a modulated light system is very topical, with fibre-optic cables now starting to play an important role in modern telecommunications. However, light beam voice links predate fibre-optic cables by many years, and at one time simple "light-beam telephones" were popular amongst electronic project builders.

Systems of this type were mainly based on a torch at the transmitter end of the system. The audio input signal was used to amplitude modulate the torch beam.

In other words, the brightness of the light beam was made to vary in sympathy with the input voltage from the microphone. Positive input voltages gave a proportionate increase in the bulb's brightness, and negative input voltages gave a proportionate decrease.

At the receiver end it required nothing more than a photocell and a load resistor to convert the variations in light level into corresponding voltage changes. This gave an output signal that is, more or less, the same as the signal from the microphone at the transmitter.

BRIGHT LIGHT

This Light Beam Communicator system is really just a modern version of the old torch bulb type. It differs from a torch bulb design in one important respect. It has a large ultra-bright I.e.d. instead of a torch bulb. One advantage of an I.e.d. is that it

requires far less power than even a small torch bulb.

The light output from this unit is admittedly rather less than that from most filament bulb designs, but it is adequate in this respect. The average power fed to the I.e.d. is only about 20 milliwatts, but its high efficiency ensures that the light output level is sufficient to give an adequate operating range.

it is possible to accommodate the full audio bandwidth without the need for any equalisation.

One possible drawback of using an I.e.d. is a lack of linearity through the system. Any lack of linearity results in distortion on the audio output signal. A torch bulb is not perfect in this respect, but is adequate for speech signals.

An I.e.d. performs rather better than one might expect, and this system provides a distortion level that is at least as good as a torch bulb equivalent. With the wider audio bandwidth provided by the I.e.d., the overall audio quality is far better than that of a torch bulb communications system.

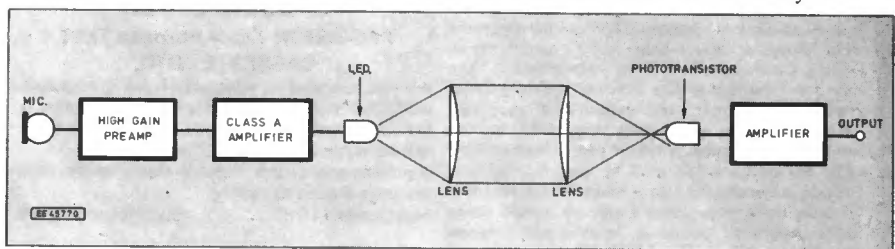


Fig. 1. Light Beam Communicator system block diagram.

Another advantage of using an I.e.d. is that it gives a very wide frequency response. Systems based on filament bulbs have rather restricted frequency responses due to the so-called thermal inertia of the bulb. Even with the aid of some treble boost the bandwidth is barely sufficient for intelligible speech.

An I.e.d. is a low temperature light source which does not have to heat up and cool down on each cycle. It can handle frequencies well beyond the 20kHz upper limit of the audio range. Using an I.e.d.

SYSTEM OPERATION

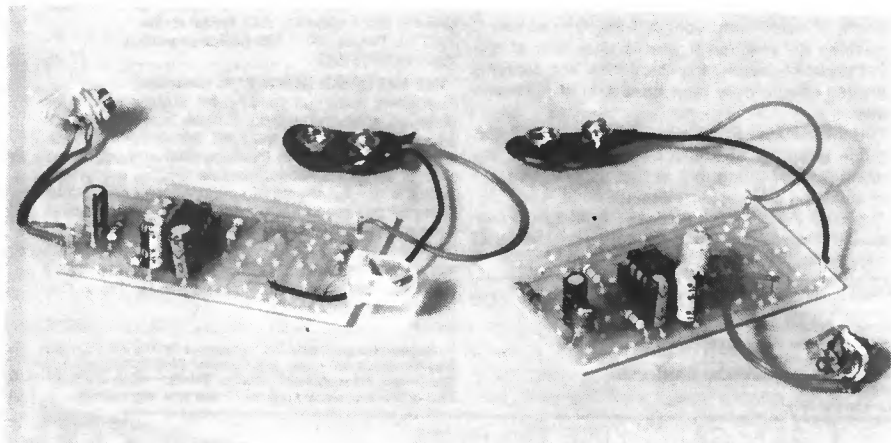
The block diagram for the Light Beam Communicator is shown in Fig. 1. The output signal from the microphone is at a very low level, and it is therefore boosted to a more useful level using a high gain preamplifier.

The boosted signal is then fed to the input of a simple class A output stage. This must be biased so that the I.e.d. operates at normal brightness under quiescent conditions. The brightness of the I.e.d. is varied around this bias current by the input signal.

The fluctuations in the bulb's brightness are not obvious to a human observer, since the input frequencies are too high. Some perceivable flashing usually occurs, but this is due to the non-symmetry of most speech signals.

The I.e.d. does vary in brightness though, and a phototransistor is able to follow even the highest input frequencies. The output signal from the phototransistor will usually be quite weak, and some amplification is needed in order to produce sufficient volume from headphones or an earphone.

It would be desirable to use a high level of gain here in order to give the unit a large operating range. In practice the maximum usable voltage gain is limited to a moderate level by the relatively high noise level from the phototransistor.



The completed Transmitter and Receiver printed circuit board. You will need an extra p.c.b. to build both sections of this project.

FAR SIGHTED

Both the l.e.d. and the phototransistor have built-in lenses which help to give good efficiency. The lens on the l.e.d. concentrates the light into a relatively narrow and intense beam. The lens of the phototransistor gathers light over a relatively large area and concentrates it onto the small silicon chip.

Unfortunately, the built-in lenses provide a rather restricted operating range. In fact they give a maximum range of just a few metres. In order to obtain a useful range from the system it is essential to use additional lenses.

The additional optics have the same basic function as the built-in lenses, but they take things a stage further. The lens at the Transmitter concentrates the light into a very tight beam that diverges very little, even over a range of many metres. The intensity of the light within the beam therefore decreases very gradually as the range of the system is increased.

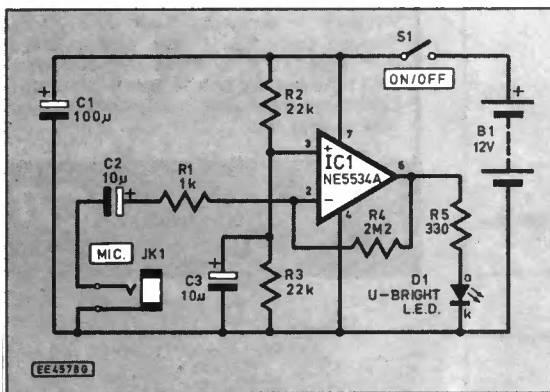


Fig. 2. Circuit diagram for the Modulated Light Transmitter.

The beam does become progressively weaker at longer ranges, since the beam will not be perfectly focused and there will be some attenuation through the atmosphere (which is not totally transparent). However, an additional lens at the transmitter can boost the range of the system by a factor of about ten times.

Like the phototransistor's built-in lens, the additional lens at the Receiver gathers up light over a relatively large area, and then concentrates that light onto the silicon chip. The larger the lens, the greater its light gathering capability, and the greater the range that can be obtained. In practice it is probably not worthwhile using a large and expensive lens, but a small and very cheap lens will provide a very worthwhile increase in the system's operating range.

It is impossible to accurately specify a maximum range for a system such as this, since the range is dependent on a number of variable factors. The most important of these is the accuracy of the optical system.

This is not just a matter of getting the photocells accurately centred behind their lenses, and separated from them by the correct distance. Both the Transmitter and the Receiver are highly directional, and must be aimed very accurately if the system is to operate at all.

It is not too difficult to obtain a range of about 50 metres, but the aim of the Transmitter and Receiver need to be carefully adjusted. Greater operating ranges were not tried, but a range of well over 100 metres

should be possible. However, at such long ranges the optics would have to be spot-on in order to provide good results, and it might be difficult to get everything set up with adequate precision.

TRANSMITTER CIRCUIT

The circuit diagram for the Modulated Light Transmitter is shown in Fig. 2. This is basically just an operational amplifier used in the inverting amplifier mode.

The circuit is designed for use with a low impedance dynamic microphone, which is the type sold as low cost replacements for use with cassette recorders. Most low impedance dynamic microphones do not provide a particularly high quality output signal, but they are more than adequate for a simple speech link.

The output from the microphone is likely to be no more than about one or two millivolts peak-to-peak, and IC1 must therefore operate with a high closed loop gain in

very long life from the 12V battery pack, which is comprised of eight HP7 size cells in a holder.

RECEIVER CIRCUIT

The circuit diagram for the Modulated Light Receiver appears in Fig. 3. TR1 is the phototransistor, and although a BPX25 is specified for this component, almost any silicon *npn* phototransistor seems to work in this circuit. This includes the TIL81, the BPY62, and the RS type 585-220.

The collector (c) to emitter (e) leakage of TR1 is used as a sort of light dependent resistance, and no connection is made to its base (b) terminal. This makes it possible to use phototransistors which do not have a base leadout wire, which includes the RS device, which is physically the same size as a 5mm l.e.d.

The leakage through TR1 varies in sympathy with the changes in the light level received from the transmitter. This gener-

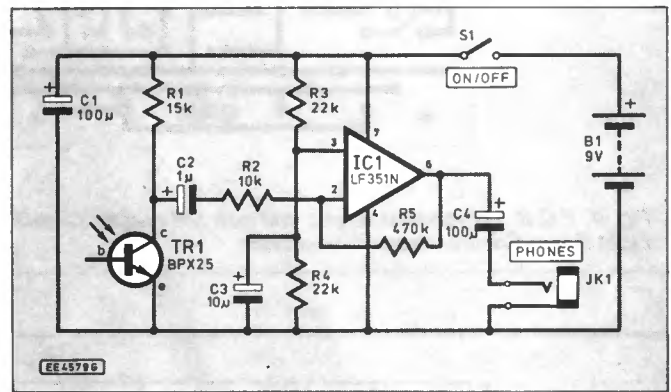


Fig. 3. Circuit diagram for the Modulated Light Receiver using a phototransistor.

order to fully modulate the l.e.d. D1. The negative feedback network is formed by resistors R1 and R4, which set the input impedance and closed loop voltage gain at one kilohm (1k) and 2200 times respectively. This should give good results with any low impedance dynamic microphone, or a type which has similar output characteristics (an electret type for example).

The NE5534A specified for IC1 is a high quality type designed for use in low noise, low distortion preamplifiers. This may seem to be an over-specified component for this application, but the high closed loop gain of the circuit makes it essential to use a high quality device.

A standard 741C has a gain-bandwidth product of 1MHz, which would give a bandwidth of only about 450Hz in this circuit. Even the NE5534A with its 10MHz gain-bandwidth product gives a bandwidth of only 4.5kHz, but this is comfortably more than the 2.5kHz or so needed for intelligible speech.

The ultra-bright l.e.d. D1 is driven from the output of IC1 via current limiter resistor R5. This sets the quiescent l.e.d. current at about 12mA, which is sufficient to give a good light output level. The output stage of IC1 is probably a class B type rather than a class A design, but due to the way in which the l.e.d. is driven, it effectively operates as a class A output stage, with the l.e.d. current varying in sympathy with changes in IC1's output voltage.

The current consumption of the circuit is approximately 16 milliamps. This gives a

ates a low level audio signal at the collector of TR1.

An inverting mode amplifier, IC1, boosts the output from TR1 to a high enough level to drive headphones or an earphone at good volume. It operates at a closed loop voltage gain of about 47 times.

The output of the circuit will drive a crystal earphone, or medium impedance headphones of the type sold as replacements for use with personal stereo units. With the latter the two phones should be driven in series. The circuit will *not* work properly with a *low* impedance earphone.

A PP3 size 9V battery is adequate to power the receiver circuit, which has a current consumption of only about 2mA.

CONSTRUCTION

The Light Beam Communicator can be built on the FREE, cover mounted, printed circuit board (p.c.b.) You will however need an extra p.c.b. Extra p.c.b.s can be purchased from the *EPE PCB Service* for the sum of £3 each; code 923. Alternatively, you can, if you wish, buy an extra copy of this issue.

The component layouts, full size underside copper foil master and wiring for the Transmitter and Receiver are shown in Fig. 4 and Fig. 5. Commence construction of the Transmitter by fitting single-sided pins to the board at the points where the connections to off-board components will be made. Then fit the resistors, capacitors, and the semiconductors.

COMPONENTS

TRANSMITTER

Resistors

R1	1k
R2, R3	22k (2 off)
R4	2M2
R5	330
All 0.25W 5% carbon film	

See
**SHOP
TALK**
Page

Capacitors

C1	100 μ radial elect. 16V
C2, C3	10 μ radial elect. 25V (2 off)

Semiconductors

D1	ultra-bright l.e.d. (see text)
IC1	NE5534A low-noise op.amp

Miscellaneous

JK1	3.5mm jack socket
S1	s.p.s.t. min. toggle switch
B1	12V battery pack (8 x HP7 size cells in holder)

Printed circuit board, FREE with this issue (plus one extra board for Receiver - available from EPE PCB Service, code 932); case, size to suit; low impedance dynamic microphone; PP3 type battery connector; 8-pin d.i.l. i.c. holder; lens (see text); connecting wire; solder, etc.

Approx cost
guidance only

£8

excl. Case, Mic. & Batt



COMPONENTS

RECEIVER

Resistors

R1	15k
R2	10k
R3, R4	22k (2 off)
R5	470k
All 0.25W 5% carbon film	

See
**SHOP
TALK**
Page

Capacitors

C1, C4	100 μ radial elect. 10V (2 off)
C2	1 μ radial elect. 50V
C3	10 μ radial elect. 25V

Semiconductors

TR1	BPX25 npn phototransistor (see text)
IC1	LF351N Bifet op.amp

Miscellaneous

JK1	3.5mm jack socket
S1	s.p.s.t. min. toggle switch
B1	9V battery (PP3 size)

Printed circuit board (extra) available from EPE PCB Service, code 932); case, size to suit; 8-pin d.i.l. i.c. holder; lens (see text); crystal earphone or medium impedance headphones; battery clip; connecting wire; solder, etc.

Approx cost
guidance only

£9

excl. Case, Phones & Batt.

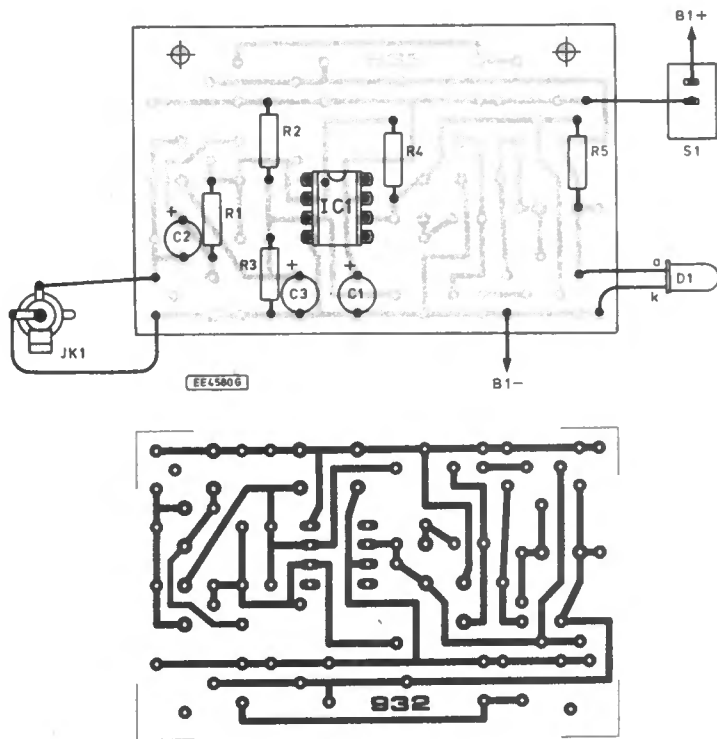


Fig. 4. P.C.B. component layout, full size foil master pattern and wiring for the Light Beam Communicator Transmitter.

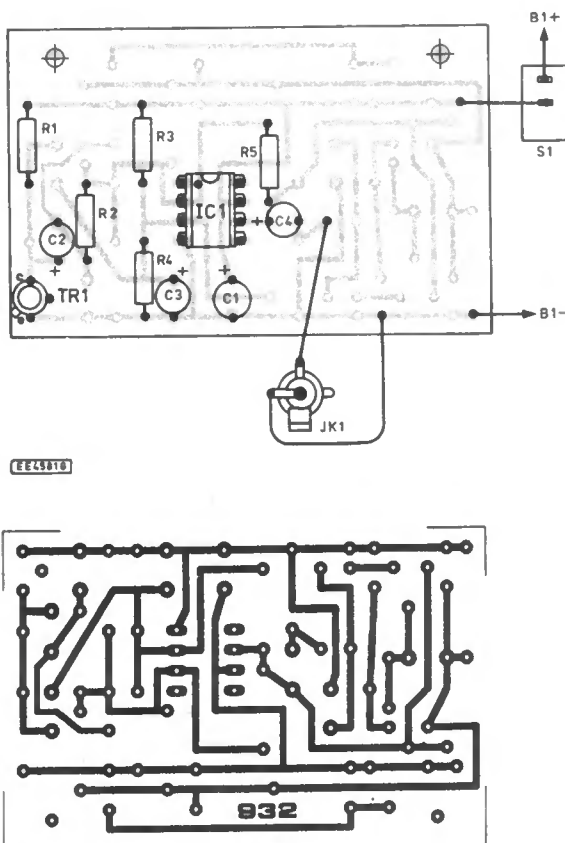


Fig. 5. Receiver p.c.b. component layout and full size foil master pattern. An extra printed circuit board will be required for this project and can be purchased from the EPE PCB Service, code 932.

The NE5534A is not a static sensitive component, but it is not the cheapest of operational amplifiers either. It is therefore worthwhile using a holder for this device.

Practically any ultra-bright l.e.d. having a light output of about 1.5cd or more at a current of 20mA can be used for D1. Various 5mm, 8mm, and 10mm types were tried, and the ElectroValue 10mm type gave the best results. The highest output Maplin 5mm and 8mm l.e.d.s also worked well. All these l.e.d.s have the usual shorter lead to denote the cathode ("k") terminal.

The lead from the Microphone input jack socket JK1 to the board must be kept quite short (about 50mm or less), or a *screened* lead must be used here. Otherwise there is a risk of excessive "hum" and general noise pick up in this lead.

Some low impedance dynamic microphones are fitted with 3.5mm and 2.5mm plugs. The 3.5mm plug carries the output signal from the microphone and connects to socket JK1. The 2.5mm plug connects to the microphone's remote control switch, and is not used in this application. The connections to the plastic battery holder are made via a standard PP3 size battery clip.

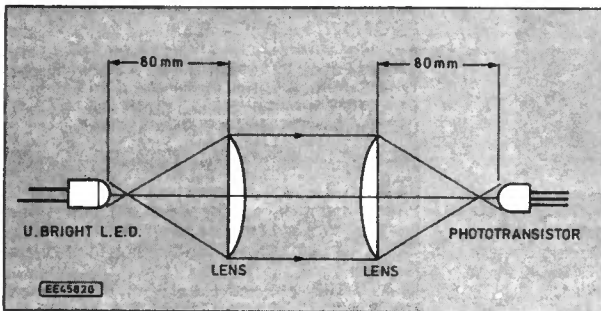


Fig. 6. Details of the optical system. The photocell-to-lens distance is equal to the focal length of the lenses.

RECEIVER

The component layout and wiring for the Modulated Light Receiver are provided in Fig. 5. This is very straightforward and should present no real construction difficulties. If a phototransistor having an l.e.d. type encapsulation is used for TR1, the shorter lead is the collector (c) terminal.

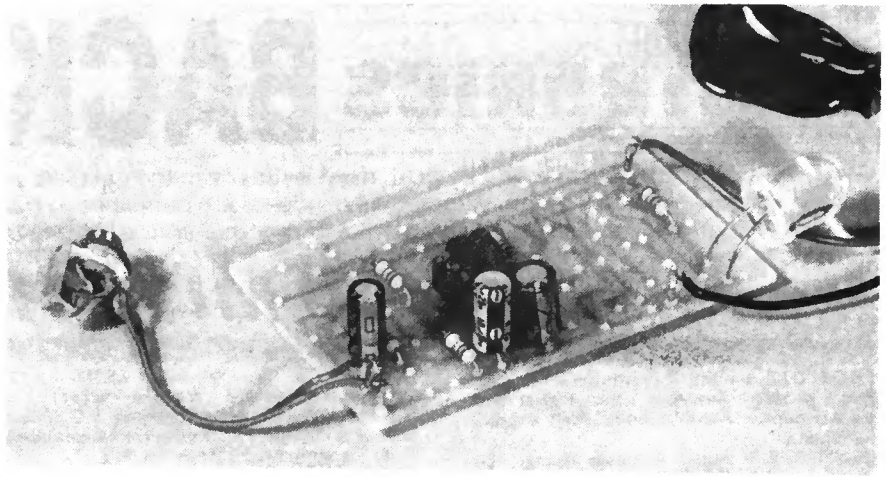
The wiring to JK1 is correct for a 3.5mm mono jack socket for use with a crystal earphone. If medium impedance stereo headphones are used, JK1 must be a 3.5mm stereo socket. The two leads from the printed circuit board then connect to the two non-earth tags of the socket, so that the phones are driven in series. No connection is made to the earth tag.

OPTICS

The mechanical side of construction is complicated by the additional optics. Any positive (convex) lens having a diameter of about 25mm to 50mm and a focal length of about 50mm to 100mm should give good results.

The lenses do not need to be high quality types, and the cheapest of plastic lenses are perfectly satisfactory. The lenses used in the models have an overall diameter of 37mm, and a lens diameter 30mm. The focal length is 80mm.

In order to obtain good results the distance from the front of each photocell to the rear of its lens (the flat surface) should be equal to the 80mm focal length of the



The completed Transmitter board showing the "ultra-bright" l.e.d.

lens, as shown in Fig. 6. If you use lenses having a different focal length, then the photocell to lens distance must be adjusted accordingly.

For optimum results the distance between the l.e.d. and its lens should be adjustable, so that it can be set to produce the narrowest beam of light. The l.e.d. produces light in the visible red part of the spectrum, and the width of the beam can be seen by holding a piece of paper a metre or so in front of the transmitter. The position of the l.e.d. is adjusted for the smallest and brightest patch of light on the piece of paper.

There is no easy way of optimising the position of the phototransistor relative to its lens, so it is just a matter of using careful measurement to get the phototransistor positioned as accurately as possible.

It is obviously necessary to use a certain amount of ingenuity when dealing with the mechanical side of construction, but it should not be too difficult to get everything set up correctly. Each lens has a rim about 3.5mm wide which enables it to be glued in front of or behind a 30mm diameter hole in the case. Any good general purpose adhesive will do, but try not to smear any onto the lens itself.

IN USE

It is probably best to give the unit an initial check before the lenses are finally glued in place. The unit will then be less directional, although the built-in lens of the l.e.d. and phototransistor still make the system fairly directional. A maximum operating range of about two or three metres should be obtained if the circuits are working properly.

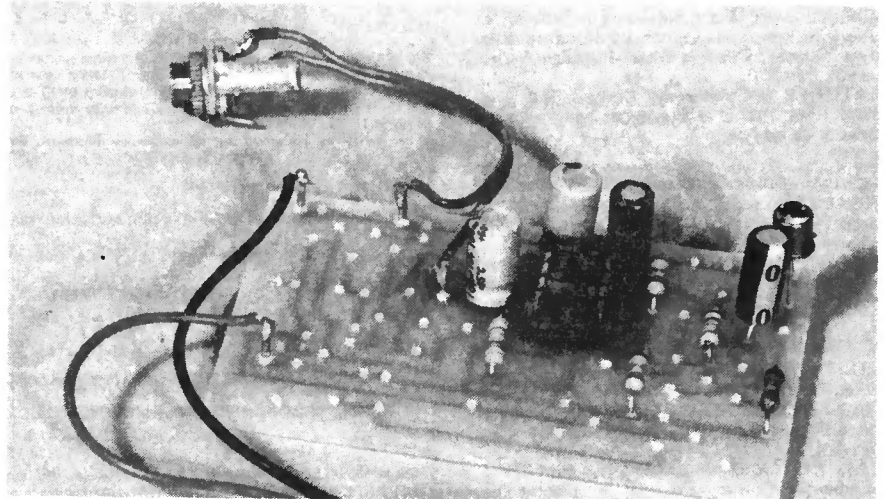
With both lenses in place the equipment becomes *highly directional*, and even at short distances a link will only be established if the aim of the transmitter and receiver are both very accurate. When setting things up it is best to get the aim of the transmitter correct first.

The l.e.d. looks very much brighter when you are within its beam than when you are even slightly off axis, making it easy to detect and correct any error in the aim of the transmitter. With the receiver within the beam, it is then carefully oriented for maximum audio output with someone speaking into the transmitter microphone.

Any system of this type tends to be vulnerable to interference from light sources near the transmitter. In particular, mains lighting near to the transmitter should be avoided, as it will produce 100Hz "hum" on the audio output from the receiver.

As described here the unit only provides one-way communications. For two-way operation it is merely necessary to build a second system to provide the link in the opposite direction. □

Next Month: Three more projects for your Free p.c.b.



Completed Receiver board. The phototransistor can be seen on the right corner of the p.c.b.

We can supply back issues of *EPE* by post, most issues from the past five years are available. An index for each year is also available – see order form. Alternatively, indexes are published in the December issue for that year. Where we are unable to provide a back issue a photostat of any *one article* (or *one part* of a series) can be purchased for the same price.

DID YOU MISS THESE?

OCT. '93

PROJECTS • Multi-Purpose Audio System, Part 1 • Magic Socket • Linear Power Supply • Fake Car Alarm • Kettle Alert • L.E.D. Sandglass.
FEATURES • Audio Amplifier Design, Engineering or Alchemy, Part 3 • Teach-In '93, Part 12 • Becoming a Radio Amateur.



NOV. '93

PROJECTS • Portable Miniguard (PIR alarm) • Tracktronic Projects (Thyristor Latched L.E.D. Display, Night Light, Twin Input Status Indicator) • 20 Metre Direct Conversion Receiver • Inside the Electric Guitar • Multi Purpose Audio System, Part 2.
FEATURES • Velleman View • Electronics Principles, Special Software Supplement.

DEC. '93

PROJECTS • Three-Way Christmas Tree Lights Flasher • Auto Alarm • 250W/600W Inverter and Uninterruptable Power Supply, Part 1 • Multi-Purpose Audio System, Part 3 • Waterproof Delay Switch.
FEATURES • Safety First, Part 1 • Index for Volume 22.

JAN. '94

PROJECTS • Autolight (automatic nightlight) • Timer and NiCad Capacity Checker • 250W/600W Inverter and Uninterruptable Power Supply, Part 2 • Multi-Purpose Audio System, Part 4 • Pond Heater Thermostat.
FEATURES • Safety First, Part 2 • Calculation Corner, Part 1 • Electronics Testing and Fault Diagnosis, Course Review.

FEB. '94

PROJECTS • Whistle Controlled Light Switch • Reviving the Valve Sound (rebuilding the Quad II power amp) • Introduction to Microcontrollers – Timeout • Battery To Mains Inverter and Uninterruptable Power Supply, Part 3 • Multi-Purpose Audio System, Part 5.
FEATURES • Calculation Corner, Part 2 • Safety First, Part 3 • European International Audio & Video Fair.

MARCH '94

PROJECTS • Smart-Key Immobiliser • Audio/R.F. Monitor • CCD TV Camera, Part 1 • Visual Doorbell • Three-Phase Generator.
FEATURES • Safety First, Part 4 • Calculation Corner, Part 3 • Free Wall Chart – Electronics Formulae 1.

APRIL '94

PROJECTS • MOSFET Variable Bench Power Supply • *EPE* Soundac PC sound output board • CCD TV Camera, Part 2/Frame Grab • Impulse Clock Master Unit • Telephone Ring Detector.
FEATURES • Best of British, Part 1 • Calculation Corner, Part 4 • Electronics Workbench Review • Free Wall Chart – Electronics Formulae 2.

MAY '94

PROJECTS • Simple TENS Unit (transcutaneous pain relief) • Capacitance/Inductance Meter • L.E.D. Matrix Message Display, Part 1 • Stereo Noise Gate • Dual Stepping Motor Driver for PCs.
FEATURES • Calculation Corner, Part 5 • Best of British, Part 2.

JUNE '94

PROJECTS • Microcontroller P.I. Treasure Hunter • Digital Water Meter • Microprocessor Smart Switch • Advanced TENS Unit (transcutaneous pain relief) • L.E.D. Matrix Message Display, Part 2.
FEATURES • Best of British, Part 3 • Calculation Corner, Part 6.



JULY '94

PROJECTS • Voxbox Voice Recording Board • Simple NiCad Charger • Watering Wizard (automatic garden watering) • Pocket Print Timer • Stereo HiFi Controller, Part 1.
FEATURES • Best of British, Part 4 • Calculation Corner, Part 7.

AUG. '94

PROJECTS • Experimental Noise Cancelling Unit • Dancing Fountains, Part 1 • Charged-Up (PC battery tip) • 6802 Development Board • TV Camera Update • Stereo HiFi Controller, Part 2.
FEATURES • Calculation Corner, Part 8 • Best of British, Part 5 • I'll Be Seeing You (multimedia communications)

SEPT. '94

PROJECTS • Protector Plus Car Alarm • Greenhouse Watering System • Experimental Seismograph, Part 1 • Three-Channel Lamp Controller • Dancing Fountains, Part 2.
FEATURES • Calculation Corner, Part 9 • The Invisible Force (magnetic force).



OCT. '94

PROJECTS • Digilogue Clock • Visual/Audio Guitar Tuner • Hobby Power Supply • Audio Auxplexer • Experimental Seismograph, Part 2.
FEATURES • Electronics from the Ground Up, Part 1 with Free PC Software • Calculation Corner, Part 10.

NOV. '94

PROJECTS • 1000V/500V Insulation Tester • Video Modules, Part 1 (Simple Fader, Improved Fader, Video Enhancer) • Active Guitar Tone Control • Power Controller • TV Off-er.
FEATURES • Electronics from the Ground Up, Part 2 • Consumer Electronics Show.

DEC. '94

PROJECTS • Spacewriter Wand • *EPE* Fruit Machine • Universal Digital Code Lock • Video Modules, Part 2 (Horizontal Wiper, Vertical Wiper, Audio Mixer) • Rodent Repeller.
FEATURES • Electronics from the Ground Up, Part 3 • Embedded Controllers • Index for Volume 23.

JAN. '95

PROJECTS • Magnetic Field Detector • Moving Display Metronome • Model Railway Track Cleaner • Beating the Christmas Lights • *EPE* Fruit Machine, Part 2 • Video Modules, Part 3 (Dynamic Noise Limiter, System Mains Power Supply).
FEATURES • Electronics from the Ground Up, Part 4 • Electromagnetic Compatibility • Checking Transistors.

FEB. '95

PROJECTS • 12V 35W PA Amplifier • Foot-Operated Drill Controller • The Ultimate Screen Saver • MIDI Pedal Board • Model Railway Signals.
FEATURES • Electronics from the Ground Up, Part 5 • Transformerless Power Supplies • Quickroute 3.0 Review.

BACK ISSUES ONLY £2.50 each inc. UK p&p.

Overseas prices £3.10 each surface mail, £4.10 each airmail.

We can also supply the following issues from earlier years: 1989 (except March, June and Nov), 1990 (except March), 1991 (except Aug. and Sept.), 1992 (except April and Dec.), 1993 (except Jan., Feb. and March). Please note we are not able to supply copies of *Practical Electronics* prior to the merger of the two magazines in November 1992. Where we do not have an issue a photostat of any *one article* or *one part* of a series can be provided at the same price.

ORDER FORM – BACK ISSUES – PHOTOSTATS – INDEXES

Send back issues dated

Send photostats of (article title and issue date)

Send copies of last five years indexes (£2.50 for five inc. p&p – Overseas £3.10 surface, £4.10 airmail)

Name

Address

I enclose cheque/P.O./bank draft to the value of £.....

Please charge my Visa/Mastercard £.....

Card No. Card Expiry Date

Note: Minimum order for credit cards £5. Please supply name and address of cardholder if different from that shown above.

SEND TO: Everyday with Practical Electronics, Allen House, East Borough, Wimborne, Dorset BH21 1PF.

Tel: 01202 881749. Fax: 01202 841692.

Send a copy of this form, or order by letter if you do not wish to cut your issue.

M3/95

GETTING FROM A → B COULDN'T BE SIMPLER

TYPICAL AF AMPLIFIER SECTION

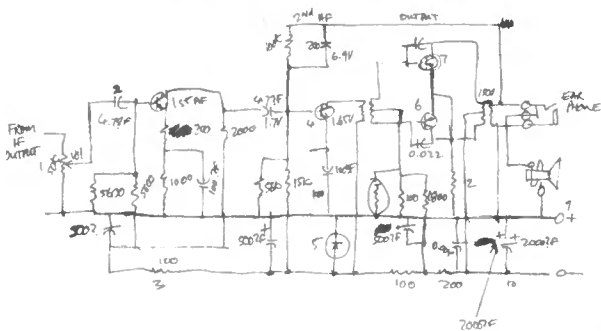


Fig. A

Rough Sketch of an AF Amplifier Section

TYPICAL AF AMPLIFIER SECTION

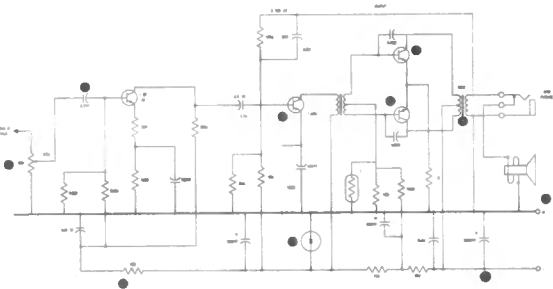


Fig. B

Visio Diagram of an AF Amplifier Section



With Visio®, turning a rough concept into a professional drawing couldn't be simpler - producing the diagram in Figure B took about 5 minutes. You need no drawing skills - with Visio, diagramming is as simple as dragging and dropping SmartShapes™ onto your page. You can even connect the Shapes up automatically using the unique SmartConnector™ tool. Which means of course that you can spend more time on communicating your concepts and less time drawing them.

Visio® comes complete with 22 job-specific stencils with over 750 SmartShapes which will enable you to make short work of Flowcharting, Org Charts, Space Planning, Total Quality Management (ISO 9000 Standard), Project Management and much more. As a reader of Everyday with Practical Electronics, however, we expect you will be particularly interested in the add-on Advanced

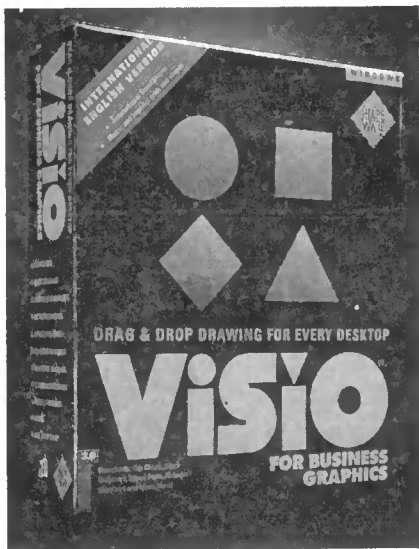
Electrical Engineering Shapes pack which was used to create the above drawing.

Advanced Electrical Engineering includes 12 stencils with more than 330 Shapes for creating electrical and electronic diagrams, such as printed circuit layouts, logic diagrams, bus architecture and schematics, input and output functions, state tables, decoders and encoders and timing diagrams.

Visio will also allow you to create your own objects and turn them into SmartShapes if you have more specific requirements. What's more, Visio's support of Microsoft's OLE automation allows you to further customise Visio by using programming languages such as Visual Basic to write add-ons via the OLE standard Dispatch interface. And because Visio fully supports OLE 2.0 connectivity, you can easily include and edit Visio diagrams within your favourite Windows programs.

OFFER

So to ensure you make short work of getting from A to B, why not take advantage of this Special Offer, which is exclusive to readers of Everyday with Practical Electronics from Watford Electronics and Shapeware:



Visio 3.0
plus Advanced Electrical
Engineering Shapes pack

- Normal Price £149 + £59 = £209 (ex VAT)
- Special Price for both products only £99 (ex VAT)

To place your order please phone or fax Watford Electronics on:

Tel: 01582 745555 Fax: 01582 488588

SYSTEM REQUIREMENTS
• Microsoft Windows 3.1 or higher • 386, 486 or Pentium-based computer or higher runner at 25MHz, with 4MB RAM or more • VGA, Super VGA, XGA, 8514/A or other Windows-compatible graphics card and monitor • Microsoft Mouse, or other Windows pointing device • Supports all Windows 3.1 compatible printers • Network compatible, network licences available.
© Copyright 1994, Shapeware Corporation. Shapeware, Visio and SmartShapes are registered trademarks and SmartConnectors and Business Drawing for People whose Business isn't Drawing is a trademark of Shapeware Corporation. All other trademarks are held by their respective companies.



Shapeware Visio 3.0 Business Graphics Software

ALAN WINSTANLEY

A highly refined Windows drawing package for your schematic diagrams.

IF YOU own a personal computer then you might have considered enlisting it to help draft your own circuit diagrams, thereby gaining the advantages of flexible on-screen graphic designing over good old pen and ink. The process of "schematic capture" using printed circuit board software will produce a workman-like circuit diagram with an engineering emphasis – but the results whilst functional, generally aren't always so "readable" or appealing to look at.

If you just want a presentation-quality circuit diagram – for use in theses, projects, articles or educational material perhaps – then Shapeware's *Visio 3.0* could be for you. Intended for the production of two-dimensional graphics such as flowcharts or floorplans, Visio 3.0 has several inherent features which lend themselves to circuit schematic capture.

DRAG AND DROP

Unlike popular graphics design packages such as CorelDraw!, Visio 3.0 centres around "drag and drop" drawing, whereby circuit symbols can be dragged from a "library" of standard shapes and dropped into place, and then "connected" to other components to form a complete schematic. However, if a component needs repositioning to improve the overall diagram layout then it can be repositioned easily, and the connectors will automatically re-route themselves, "rubber-banding" the lines as necessary. A similar technique is widely used in electronics p.c.b. CAD systems.

Hence it's possible to re-arrange circuit diagrams quite easily to produce the most attractive effect, without the hassle of having to completely re-route any associated connector lines by hand. Visio 3.0 uses the Windows GUI to the full to produce a highly polished and appealing package which is friendly and easy to use, yet has a host of powerful features to take much of the pain out of circuit drawing, enabling you to produce presentation-quality circuit diagrams efficiently.

Visio 3.0 requires up to 16MB (5.5MB minimum) of hard disk, and this gives you a mighty two-dimensional drawing package with a raft of useful symbol

libraries or "stencils" – from flowcharts to maps, computer network diagrams and graphics, project control, space planning, quality or project management and more.

Windows' graphical abilities really are exploited to the maximum by Visio 3.0, with each symbol (or "master shape") being represented by individual thumbnail icons, themselves gathered together into stencils. Open a stencil and you have a selection to hand of shapes all related to a specific task.

You can open as many or as few stencils as you need for a particular job, or group your own favourite shapes in new stencils of your own. I found I was soon dragging and dropping and switching between different stencils without any problem once I had navigated myself around the libraries.

The Electrical Engineering symbol set which arrives with Visio 3.0 is basic but technically accurate – about 30 symbols to BS3939 which limits the initial capacity to lay down elaborate circuit diagrams. Resistors are shown as rectangles, for example, and the smattering of rectangular (and unloved) logic gate symbols will not be familiar to most *EPE* readers accustomed to our ANSI logic symbols.

Visio's basic symbols may be adequate for your needs but in any case it proved

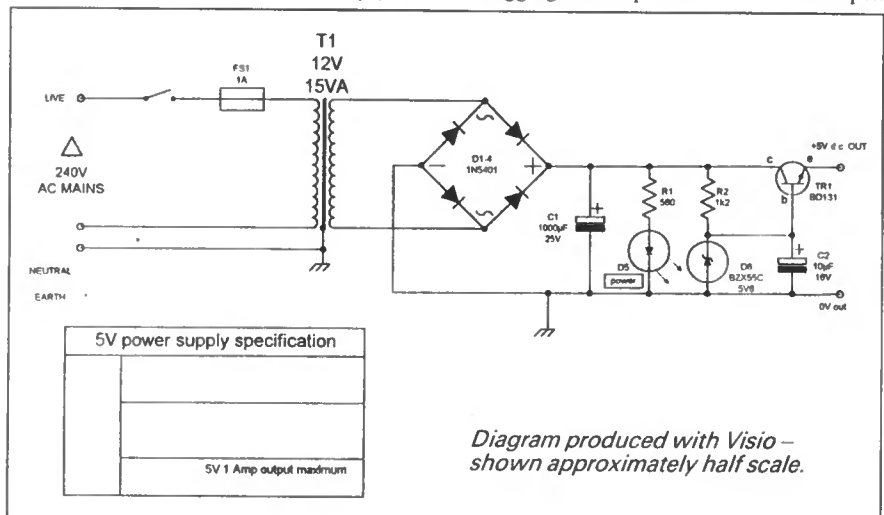
simple enough to create and save new symbols using Visio's comprehensive drawing tools. Connector "glue" points can be included as required to facilitate snap-to-gluing of shapes.

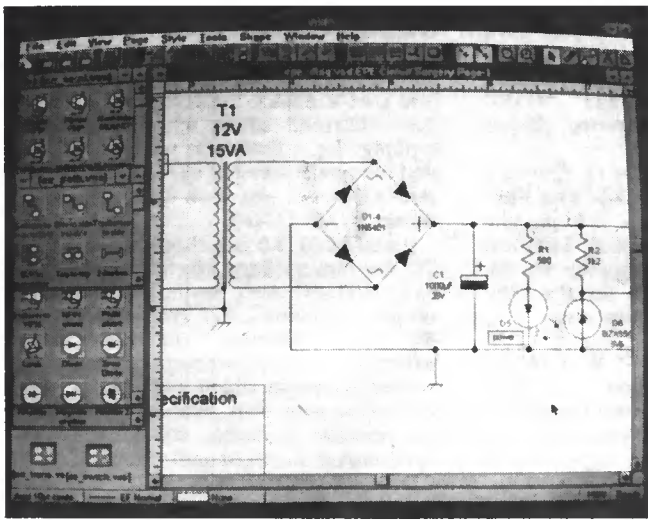
SHIP SHAPE

Shapeware have produced a variety of add-on "Shape Libraries" covering many technical and commercial disciplines, available at extra cost. The optional Advanced Electrical Engineering symbols library uses a further 3MB of disk space and contains another dozen collections totalling 300 electronics-related symbols, each with individual help files, and definitely worth investing in if you are a more advanced user. These symbols are currently produced to American ANSI standards, so that capacitor symbols for instance resemble those found in the raft of US Data Sheets whilst the comprehensive selection of semi-conductors and logic gates are similar to the regular *EPE* style.

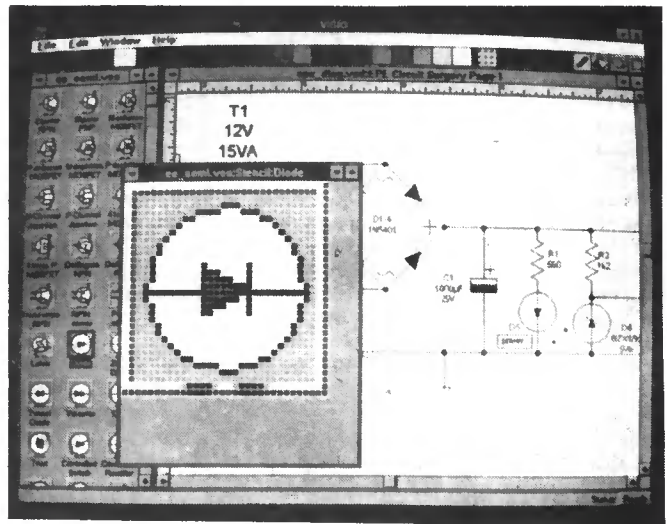
Shapeware say they are looking at converting symbols to the British Standard at the moment. I think that the vast majority of requirements will be met by the symbols included in the add-on library, but you may need to draft your own more advanced i.c., logic or analogue symbols – not a problem with a little practise, I found.

Producing circuit diagrams involves dragging a Shape's icon from an open





Visio drawing with open stencils.



Visio icon editor.

stencil and then dropping it into place on the drawing. For text, Visio 3.0 recognises True Type fonts installed on the PC, and lines, boxes and circles can be incorporated too. The "micro" μ symbol for capacitor values can be accessed with a quick combination of keystrokes. Fonts, line weights and fill colours can all be modified as needed.

Templates can be created which are a collection of styles, stencils and scale drawing settings, so that you can ensure a consistent style, in a way similar to the style sheets found in some word processors. Indeed virtually everything is fully customisable, including the neat bitmap representations of the individual symbol icons.

The overall end result of your labours depends on your choice of printer. There were no problems outputting to my trusty HP IIIP LaserJet printer, and Visio 3.0 has an ability to split a large drawing over several sheets, so an A3 drawing can be tiled automatically and printed over several A4 pages, for example.

ICON TOOLBAR

An extremely welcome touch is Visio 3.0's ability to take on a Lotus Smartsuite or Microsoft Office appearance on the icon toolbar by adopting their respective icons wherever possible, alongside Visio's own dedicated icons. Being a seasoned Lotus Ami Pro user, I soon found myself very much at home with Visio's Lotus icons,

which soon made me feel comfortable with the new software.

I liked the cute Lotus Organiser-like pop-up "help balloons" which appear automatically when the mouse pointer hovers over an icon for a short time. The package also automatically installed a Visio SmartIcon and macro in my Lotus Ami Pro as well.

Being primarily a graphics package, there is currently no order-checking or auto-numbering of electronic component designations, so care is needed not to duplicate part numbers and all i.c. pins need to be numbered and labelled by hand. Shapeware tell me that because of Visio's deliberately "open-ended" structure, it could be possible to incorporate an "add on" which could enumerate components automatically. This is not possible with the current version, though.

VISIO-THERAPY

Comprehensive multiple help screens are included though the novice might still find the sophisticated capabilities of Visio a bit daunting or frustrating to start with, especially if they have no hands-on experience with any other drawing programs. Schematics drawn in Visio can be pasted into other Windows applications (such as a word processor) and Visio supports Lotus Notes and OLE - updating a Visio drawing results in all examples of that drawing being updated in other OLE

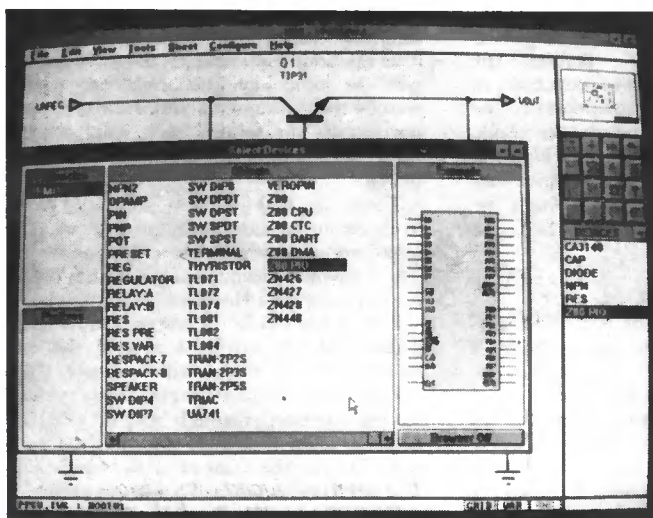
linked applications. Also, drawings can be produced in layers, progressively adding or peeling away layers of graphics to strip the drawing down as required.

Each shape is supported by its own "ShapeSheet", a sort of mini-spreadsheet of data related to the symbol attributes themselves. These can be edited for more precise needs and symbols can be made to acquire clever characteristics - switches can be shown as open or closed, for example, at the double-click of a mouse, or diodes can be shown as with or without encapsulation. There's a whole raft of neat touches to keep users engrossed for hours.

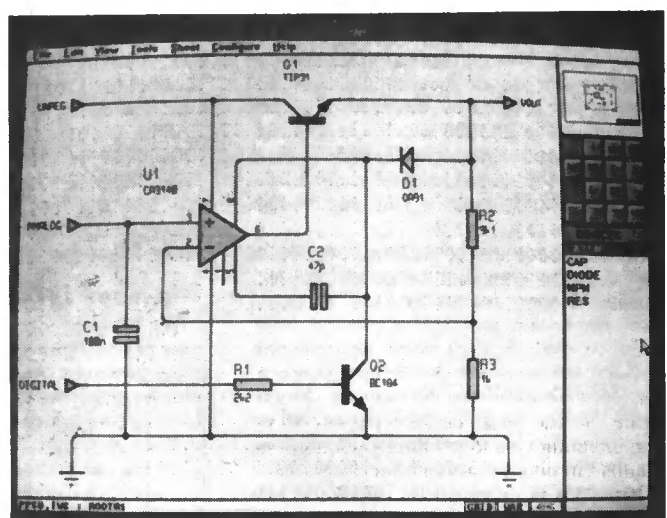
One drawback in this current version is that unlike traditional electronics-specific CAD packages, Visio does not automatically place a junction "blob" where connector lines join. These joints are either treated as separate symbols which have to be dragged and dropped in manually as a finishing touch using the rubber-stamping tool, or alternatively lay down a suitable connector SmartShape line with blobs (which can be sized with the mouse) at each end, which takes a little practise.

The requisite individual "junction blob" symbol was found in the add-on library set but isn't supplied in the basic stencil. Shapeware agreed that adding a connector junction automatically to a line joint could be done quite easily on a future update. It probably isn't a major setback though.

My other concern is the speed for



ISIS Illustrator symbol library.



ISIS Illustrator drawing.

drawing and refreshing. Unfortunately my 486SX didn't do full justice to the package, even copying a modest shape such as a junction took a second or two each on my PC. Other more demanding routines reduced my system to a crawl for up to nearly a minute.

This is very relevant to new PC owners such as students who may only just have invested in their first 486 machine, given that the SX is still touted as the entry level system. A co-processor is virtually essential, implying that this software is far better run on a 486DX or higher machine: otherwise expect some thumb-twiddling at times on an SX. Running Visio on a 486DX2-50 produced a much sprightlier performance.

Overall, I thought Visio 3.0 to be a first rate drag and drop graphics package for the more experienced Windows user, an intuitive and sophisticated drawing system using the graphics power of Windows to its fullest extent. Visio 3.0 enables you to produce a wide variety of 2D graphics, with Lotus and Microsoft toolbars making this package friendly and welcoming. Streets ahead of its nearest rival but really only feasible on faster co-processor machines. The Advanced Electrical Engineering Shapes library is

worth having on tap if you can afford it, or you're faced with creating your own collection of symbols. **Shapeware Visio 3.0 £89.00 + P&P + VAT from Watford Electronics Ltd. Tel. 01582 745555. Advanced Electrical Engineering Shapes £49 + P&P + VAT.**

Exclusive Offer to readers of *Everyday with Practical Electronics*: Watford Electronics and Shapeware are offering the Visio 3.0 plus the Advanced Electrical Engineering Shapes pack together for the sum of just £99 (ex. VAT). See the Visio advertisement elsewhere in this issue.

Also worth considering:

Labcenter ISIS Illustrator – a Windows package dedicated to electronics schematic capture. Features drag and drop placement with auto re-routing of connectors. On the same 486SX machine, I found Illustrator considerably quicker than Visio 3.0 when processing – Labcenter tells me that a co-processor is unnecessary. It will also automatically lay down junction blobs at connection points, plus automatic component annotation, so I found I was quickly producing circuit schematics. However, I thought it was much less intuitive to use than Visio, and had a less refined "feel".

It costs about the same as basic Visio 3.0, is less elaborate but on the other hand has a comprehensive electronics symbol library, with device pins named and numbered. If you own a 486SX machine and want to draw electronic circuit schematics – and nothing else – Illustrator will get you up and running quickest of all. **£99.00 + P&P + VAT. Demo. disk from Labcenter Electronics, 01756 753440.**

CorelFLOW 2.0 is a cheap and cheerful 2D diagram package which might appeal to CorelDraw! users, having a similar sort of feel. Includes 2,000 symbols in over 40 "Smart Libraries", including basic American and a disappointing range of United Kingdom circuit symbols, or you can create your own. Features a tutorial, customisable connector styles, plus text Spellchecker. Supplied on floppies and also CD-ROM, bulked with 1,000 clip art images of varying degrees of relevance, 1,000 low resolution Corel Photos and 100 True Type fonts.

As a CorelDraw! user, I found the package reasonably straightforward to use, but uninspiring and much less satisfying or sophisticated than Visio. Co-processor recommended. New low price of **£54.00 + P&P + VAT** is good value from **Watford Electronics. ☎ 01582 745555.**

Ohm Sweet Ohm

Max Fidling

Stand by for action

MANY years ago, my technical twiddling brought forth a request from an acquaintance who had just bought his first car. Having become independently mobile albeit on a shoestring budget, his next problem was how to have music on the move.

Since car radio cassettes were still a bit expensive, I hit upon the idea of powering his ordinary portable cassette player from the electrical supply of the car. The theory was to place the cassette player on the passenger seat and plug it in to the car's electrics. Another example of Fidling's inventiveness!

The problem was that the 12V of the vehicle wasn't compatible with the 7.5V d.c. needed by the portable player. Some kind of an adapter was needed and this is where yours truly came in.

My friend brought the car round at the weekend for me to measure up and admire. I was greeted by the sight of a very old Morris Minor 1000 which was coloured mushroom and rust and had faded red vinyl seats, with the fungal smell of ancient rubber and mouldy interior you only find in clapped-out cars.

A quick rummage behind the dingy dashboard (in between coming up for fresh air) revealed a spare fuseholder dangling there, held back with gaffer tape around some faded wiring. A glint came into my eye like the sparkle from the chrome bezels of the Minor's art-deco instruments. Meantime, Piddles, my feline sidekick, arrived on the scene. Having given up on the mousing for the day, the cat ambled over to see what was going on, sensing that something was afoot.

I soon set about designing a simple voltage regulator circuit. The three-terminal

regulator hadn't yet been invented and the more complex 723 chip was standard issue for these jobs. I prodded the buttons of my new Sinclair Cambridge calculator impressively, sketching out a rough circuit in front of my friend.

Fitting a suitable power socket to the cassette player posed no problem, once I had whizzed off the back using my multi-purpose screwdriver kit to reveal its innards. I traced through the battery wiring and soldered in a 3.5mm jack socket, such that when a "power" lead was plugged into it, the internal batteries were disconnected.

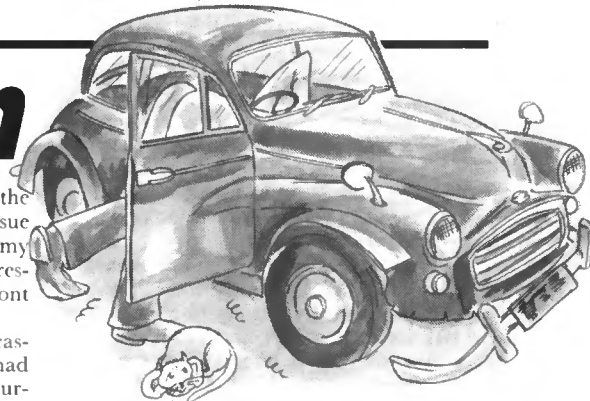
My friend looked on quite nervously – I think the sight of me madly drilling holes into the back of his cassette player with a whirring Black and Decker had unnerved him somewhat. No confidence, some people, I sniffed indignantly.

The regulator was built into an aluminium box during the following week, and my friend returned next weekend, driving the rusty relic. The alloy box was soon bolted into place behind the dashboard. There were a few extra holes in the box where I had miscalculated the drilling centres, but I glossed over those, hoping he wouldn't notice. "Ventilation holes, those" I told him. Anyway, the shiny box looked a bit incongruous amongst the scruffy car wiring, but there it was, bolted in and ready to go.

We have ignition

We grabbed the suitably modified cassette player and plonked it onto the Minor's vinyl passenger seat, then I plugged in the new power connecting lead. Piddles nosed his way through to the driver's seat, his tail tickling my right ear as I tried to complete the installation process. I'll bet NASA doesn't have this problem with its rockets, I mused, as I brushed the cat out of the way.

After hooking everything up, I instructed my friend to switch on the ignition of the



elderly vehicle. Piddles' tail swished in anticipation – he had learned to recognise the tense atmosphere just before I switched on a project for the first time. A loud "crack" was heard from under the dashboard, quickly followed by a misty cloud of white smoke which filled the car with fumes, taking my credibility with it! Piddles disappeared underneath a tartan travel rug on the rear seat, fearing the worst. He had been here before.

Quickly switching off, the alloy box was opened to reveal the 723 had burst apart and was cooked to a crisp. I knew the design itself was sound enough because I'd checked it on my home-made bench power supply. I tried to look cool and unruffled, whilst secretly shrivelling with embarrassment and not having the faintest idea what should cause the premature death of my latest design.

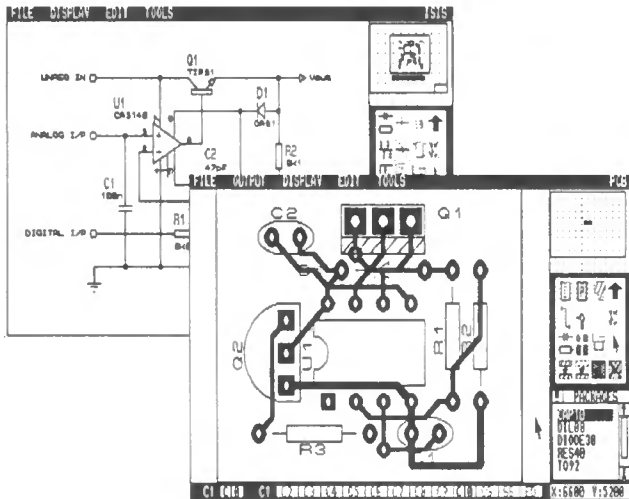
There was nothing for it – I would have to check out the car's antiquated electrics. It took both of us to raise the rusty bonnet lid which yawned open with a groan that could have come from a Hammer horror movie.

Poking around in the engine bay, amidst decades of oily grime, I spotted the car battery, bolted down with a rusty strip of steel. Its terminals were crusty white, having corroded through several years of neglect. Then I slapped my forehead as I suddenly saw the cause of all my confusion! The wretched wreck had a positive earth!

Piddles' tail swished smugly as I retreated to the workshop and switched on the iron, muttering dark oaths. Cat One, Fidling Nil.

POWERFUL SCHEMATIC CAPTURE, PCB DESIGN AND AUTOROUTING ALL FOR JUST £395...

PROPAK AR for DOS provides all the features you need to create complex PCB designs quickly and easily. Draw the circuit diagram using the powerful facilities of ISIS DESIGNER+ and then netlist into ARES AUTOROUTE for placement, autorouting and tidy up. Advanced real time design rule checks guarantee that the final PCB will correspond exactly with the schematic thus saving you from costly layout errors and time consuming debugging.



- Attractive, easy to use graphical interface.
- Object oriented schematic editor with automatic wire routing, dot placement and mouse driven place/edit/move/delete.
- Netlist generation for most popular CAD software.
- Bill of Materials and Electrical Rules Check reports.
- Two schemes for hierarchical design.
- Automatic component annotation and packaging.
- Comprehensive device libraries and package libraries including both through hole and SMT parts.
- User definable snap grids (imperial and metric) and Real Time Snap to deal with tricky SMT spacings.
- Manual route editing features include Auto Track Necking, Topological editing and Curved tracks.
- Autorouting for single, double and multi-layer boards.
- Non autorouting PROPAK is available for just £250 if you do not need or want the router.
- Full connectivity and design rule checking.
- Power plane generator with thermal relief necking.
- Graphics support to 800x600 Super VGA.
- Output to dot matrix and laser printers, HP and Houston plotters, Postscript devices, Gerber and Excellon NC machines plus DXF and other DTP file formats.

CADPAK

Two Programs for the Price of One

ISIS SUPERSKETCH

A superb schematic drawing program for DOS offering Wire Autorouting, Auto Dot Placement, full component libraries, export to DTP and much more.

**Only
£79**

Exceptionally easy and quick to use. For example, you can place a wire with just two mouse clicks - the wire autorouter does the rest.

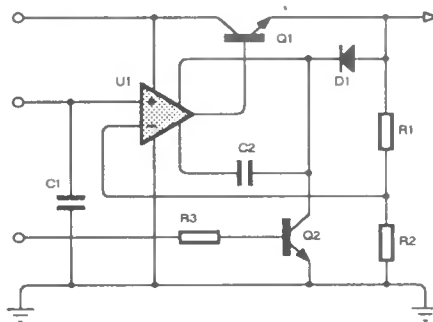
PCB II

High performance yet easy to use manual PCB layout package. Many advanced features including curved tracks, auto track necking, DXF export, Gerber and NC file generation, Gerber viewing and more.

Alan Chadwick writing in ETI (January 94) concluded...
"At £79 I thought this was an excellent buy."

ISIS ILLUSTRATOR

Schematic Drawing for Windows



**From
£99**

Running under Windows 3.1, ISIS ILLUSTRATOR lets you create presentation quality schematic drawings like you see in the magazines. Furthermore, when the drawing is done, transferring it to another document is just a matter of pasting it through the Clipboard.

Now used by a number of prominent technical authors to illustrate their latest books and magazine articles.

Labcenter
Electronics



WE HAVE MOVED - NOTE NEW ADDRESS

Call us today on 0756 753440 or fax 0756 752857 for a demo pack - state DOS or Windows. Multi-copy and educational discounts available.

Prices exclude p&p (£5 for U.K.) and VAT. All manufacturers' trademarks acknowledged.

53-55 Main St, Grassington, North Yorks. BD23 5AA.

Electronics from the Ground Up

Mike Tooley, BA

Part 6

ELECTRONICS from the Ground Up is designed to provide you with a comprehensive and up-to-date introduction to the world of electronics. The series is based on *Electronics Workbench*, a remarkable software package that lets you use your PC to build and test a wide range of circuits. Back issues of earlier parts of this series are available – see *Back Issues* page.

In this sixth part we introduce oscillators. We begin by discussing the differences between negative and positive feedback and continue by describing a variety of astable circuits, beginning with a simple transistor “multi-vibrator”. In addition, two forms of sinusoidal oscillator are described.

POSITIVE AND NEGATIVE FEEDBACK

In Part 5 of *Electronics from the Ground Up*, we showed how an operational amplifier (op.amp) could be used to form the basis of a simple amplifier stage which has a precisely controlled gain, the exceptionally high open-loop voltage gain being reduced to a manageable value by feeding a small proportion of the output voltage back to the inverting input.

The amount of feedback (and hence the value of closed-loop gain) is determined by the ratio of feedback resistance to input resistance. Because this form of feedback has the effect of reducing the overall gain of the circuit, this form of gain is known as *negative feedback*.

An alternative form of feedback, where the output is fed back in such a way as to reinforce the input (rather than to subtract from it) is known as *positive feedback*. Such feedback can result in spontaneous oscillation.

The conditions for oscillation are:

- the feedback must be positive (i.e., the signal fed back must arrive back in-phase with the signal at the input)
- the overall loop voltage gain must be greater than one (i.e., the amplifier's gain must be sufficient to overcome the losses associated with any frequency selective feedback network).

Fig. 6.1 shows the block diagram of an amplifier stage with negative feedback applied. In this circuit, the proportion of the output voltage fed-back to the input is given by the Greek letter β and the overall voltage gain will be given by:

$$\text{Overall gain} = \frac{V_{OUT}}{V_{IN}}$$

Now $V_{IN}' = V_{IN} - \beta V_{OUT}$ (by applying Kirchhoff's Voltage Law)

(note that the amplifier's input voltage has been *reduced* by applying negative feedback)

$$\text{thus } V_{IN} = V_{IN}' + \beta V_{OUT}$$

and $V_{OUT} = A_V \times V_{IN}'$ (A_V is the *internal gain* of the amplifier)

$$\begin{aligned} \text{Hence, overall gain} &= \frac{A_V \times V_{IN}'}{V_{IN}' + \beta V_{OUT}} \\ &= \frac{A_V \times V_{IN}'}{V_{IN}' + \beta(A_V \times V_{IN}')} \end{aligned}$$

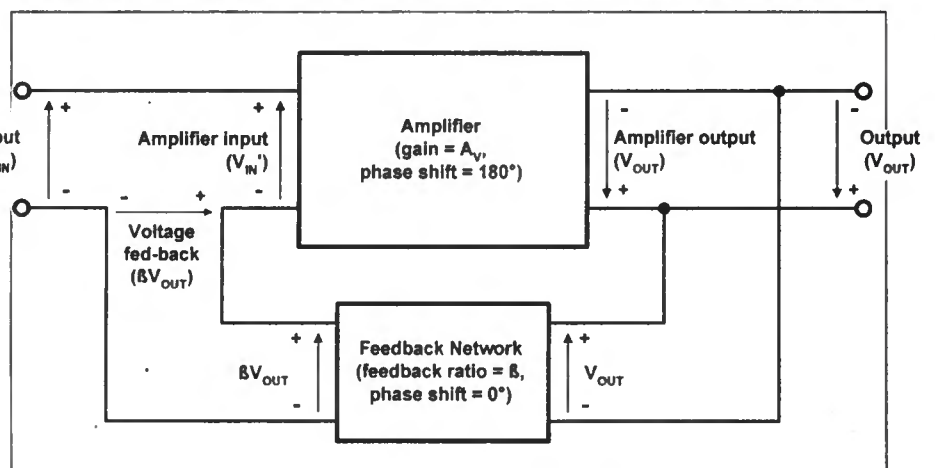
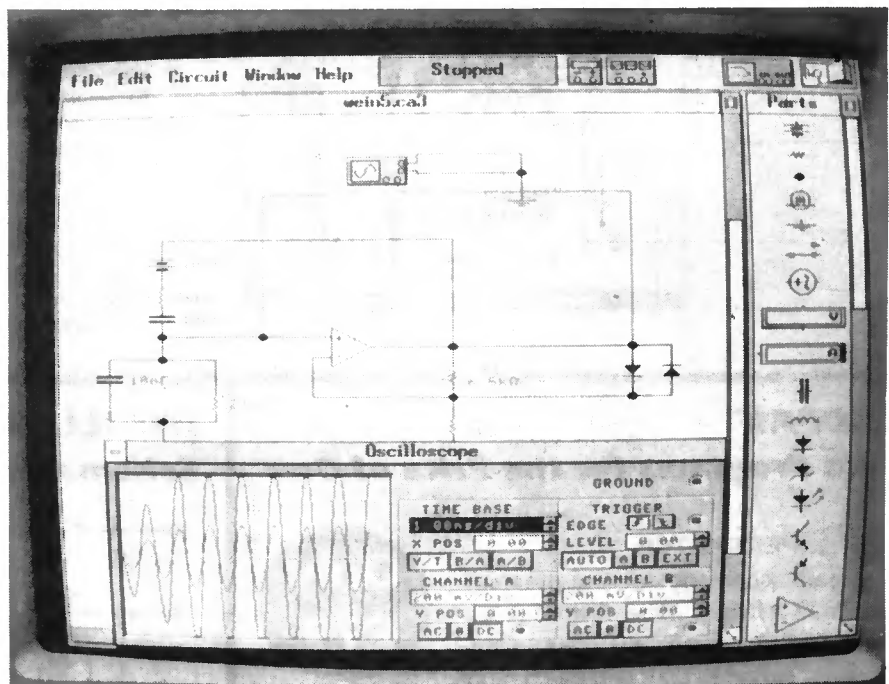


Fig. 6.1 Amplifier with negative feedback applied.

$$\text{Thus overall gain} = \frac{A_V}{1 + \beta A_V}$$

Since β is always less than 1,

$$\frac{A_V}{1 + \beta A_V}$$

will always be less than A_V .

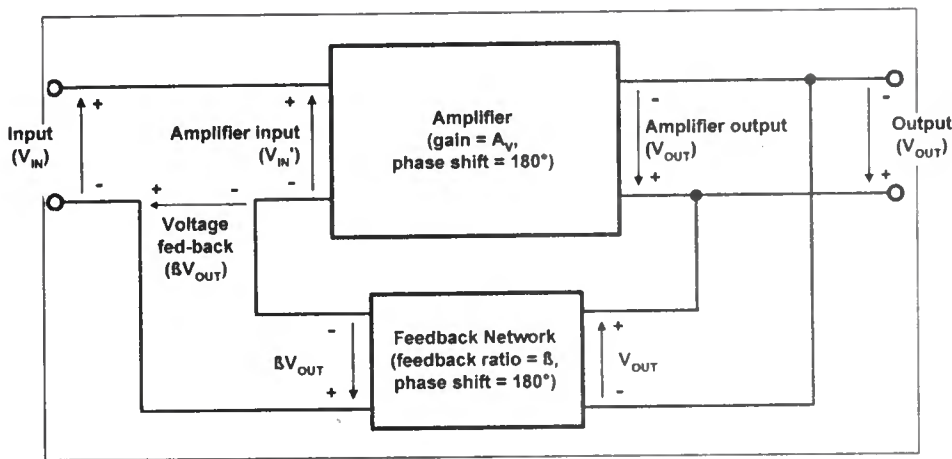


Fig. 6.2 Amplifier with positive feedback applied.

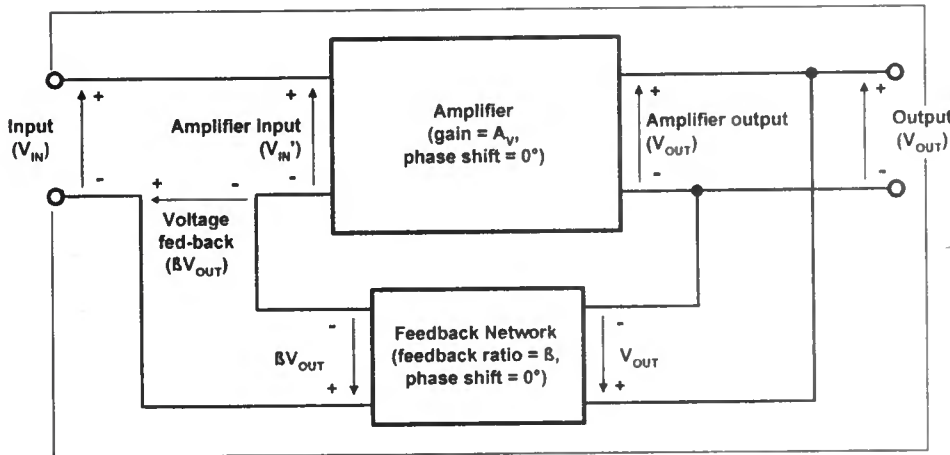


Fig. 6.3 Amplifier with positive feedback applied.

Hence, the overall gain with negative feedback applied, will be less than the gain without feedback. Furthermore, if A_v is very large (as is the case with an op.amp) the overall gain with negative feedback applied will be given by:

$$\text{Overall gain (when } A_v \text{ is very large)} = 1/\beta$$

Fig. 6.2 and Fig. 6.3 show the block diagram of an amplifier stage with positive feedback applied (note that in both cases the overall phase shift is 0°). In either case, the overall voltage gain is given by:

$$\text{Overall gain} = \frac{V_{OUT}}{V_{IN}}$$

Now $V_{IN}' = V_{IN} + \beta V_{OUT}$ (by applying Kirchhoff's Voltage Law)

$$\text{thus } V_{IN} = V_{IN}' - \beta V_{OUT}$$

and $V_{OUT} = A_v \times V_{IN}'$ (A_v is the internal gain of the amplifier)

$$\begin{aligned} \text{Hence, overall gain} &= \frac{A_v \times V_{IN}'}{V_{IN}' - \beta V_{OUT}} \\ &= \frac{A_v \times V_{IN}'}{V_{IN}' - \beta(A_v \times V_{IN}')} \end{aligned}$$

$$\text{Thus overall gain} = \frac{A_v}{1 - \beta A_v}$$

LOOP GAIN

Now consider what will happen when the loop gain (βA_v) approaches unity. The denominator ($1 - \beta A_v$) will become close to zero. This will have the effect of increasing the overall gain, i.e., the overall gain with positive feedback applied will be greater than the gain without feedback.

It is worth illustrating this difficult concept using some practical figures. Assume

that you have an amplifier with a gain of nine and one tenth of the output is fed back to the input (i.e., $\beta = 0.1$). In this case the loop gain ($\beta \times A_v$) is 0.9.

With negative feedback applied the overall voltage gain will fall to:

$$\begin{aligned} \frac{A_v}{1 + \beta A_v} &= \frac{9}{1 + (0.1 \times 9)} = \frac{9}{1 + 0.9} \\ &= \frac{9}{1.9} = 4.7 \end{aligned}$$

With positive feedback applied the overall voltage gain will be:

$$\begin{aligned} \frac{A_v}{1 - \beta A_v} &= \frac{9}{1 - (0.1 \times 9)} = \frac{9}{1 - 0.9} \\ &= \frac{9}{0.1} = 90 \end{aligned}$$

Now assume that you have an amplifier with a gain of 10 and, once again, one tenth of the output is fed back to the input (i.e., $\beta = 0.1$). In this example the loop gain ($\beta \times A_v$) is exactly one.

With negative feedback applied the overall voltage gain will fall to:

$$\begin{aligned} \frac{A_v}{1 + \beta A_v} &= \frac{10}{1 + (0.1 \times 10)} = \frac{10}{1 + 1} \\ &= \frac{10}{2} = 5 \end{aligned}$$

With positive feedback applied the overall voltage gain will be:

$$\begin{aligned} \frac{A_v}{1 - \beta A_v} &= \frac{10}{1 - (0.1 \times 10)} = \frac{10}{1 - 1} \\ &= \frac{10}{0} = \text{infinity} \end{aligned}$$

This simple example shows that a loop gain of unity (or larger) will result in infinite gain and an amplifier which is unstable. In fact, the amplifier will oscillate since any input disturbance will be amplified and result in an output change.

Clearly, as far as an amplifier is concerned, positive feedback may have an undesirable effect – instead of reducing the overall gain the effect is that of reinforcing any signal present and the output can build up into continuous oscillation if the loop gain is one, or greater. Continuous oscillation is, however, essential in oscillator circuits. Such circuits can be thought of as amplifiers that generate an output signal without the need for any input.

MULTIVIBRATORS

Multivibrators are a family of oscillator circuits that produce output waveforms consisting of one or more rectangular pulses. The term "multivibrator" simply originates from the fact that this type of waveform is rich in harmonics (i.e., "multiple vibrations").

Multivibrators use regenerative (positive) feedback; the active devices present within the oscillator circuit being operated as switches, being alternately cut-off and driven into saturation.

The principal types of multivibrator are:

- astable multivibrators that provide a continuous train of pulses (these are sometimes also referred to as free-running multivibrators)
- monostable multivibrators that produce a single output pulse (they have one stable state and are thus sometimes also referred to as one-shot circuits)
- bistable multivibrators that have two stable states and require a trigger pulse or control signal to change from one state to another.

In this part we shall confine our investigation to astable multivibrators. Bistable multivibrators will be described in a later part of the series.

ASTABLE MULTIVIBRATOR

A classic form of astable multivibrator based on two transistors is shown in Fig. 6.4. Fig. 6.5 shows how this circuit can be re-drawn in an arrangement that more closely resembles a two-stage common emitter amplifier with its output connected back to its input.

The operation of the circuit shown in Fig. 6.4 is as follows. The values of the base resistors, R3 and R4 are such that sufficient base current will be available to completely saturate the respective transistor. The values of the collector load resistors, R1 and R2, are very much smaller than R3 and R4. When power is first applied to the circuit, assume that transistor TR2 saturates before transistor TR1 when the power is first applied (in practice one transistor would always saturate before the other due to variations in component tolerances and transistor parameters).

As TR2 saturates, its collector voltage will fall rapidly from $+V_{CC}$ to 0V. This drop in voltage will be transferred to the base of TR1 via capacitor C2. This negative going voltage will ensure that TR1 is initially placed in the non-conducting state. As long as TR1 remains cut-off, TR2 will continue to be saturated. During this time, C2 will charge via R4 and TR1's base voltage will try to rise exponentially from $-V_{CC}$ towards $+V_{CC}$.

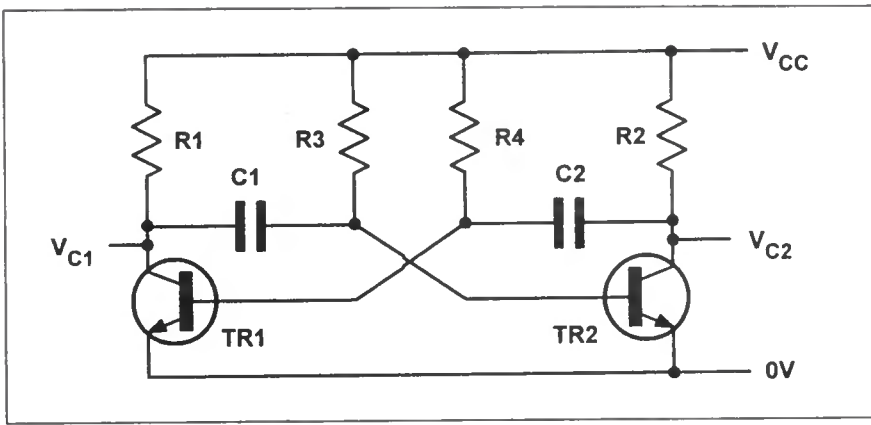


Fig. 6.4 Astable multivibrator using bipolar transistors.

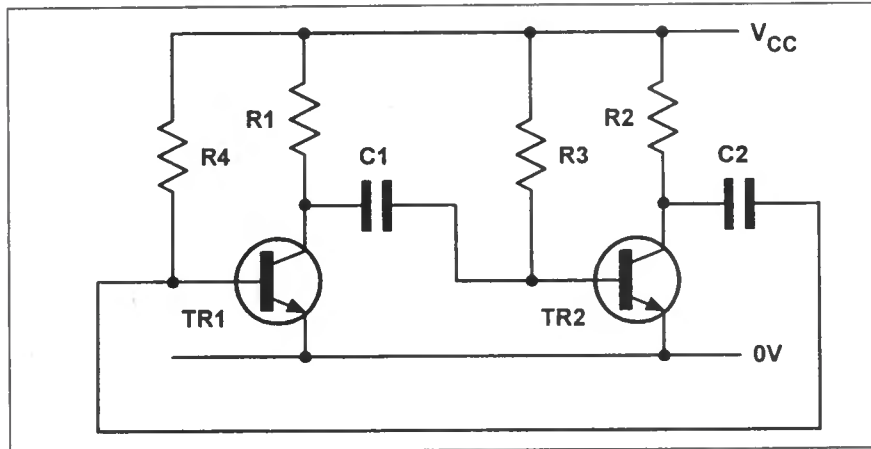


Fig. 6.5 Circuit of Fig. 6.4 redrawn to show the two common emitter stages.

However, TR1's base voltage will not rise much above 0V because, as soon as it reaches +0.7V (sufficient to cause base current to flow) TR1 will begin to conduct. As TR1 begins to turn on, its collector voltage will rapidly fall from +V_{CC} to 0V. This fall in voltage is transferred to the base of TR2 via capacitor C1 and, as a consequence, TR2 will turn off. C1 will then charge via R3 and TR2's base voltage will try to rise exponentially from -V_{CC} towards +V_{CC}. As before, TR2's base voltage will not rise much above 0V because, as soon as it reaches +0.7V (sufficient to cause base current to flow) TR2 will start to conduct. The cycle is then repeated indefinitely.

The time for which the collector voltage of TR2 is low and TR1 is high (T1) will be determined by the time constant, R4 × C2. Similarly, the time for which the collector voltage of TR1 is low and TR2 is high (T2) will be determined by the time constant, R3 × C1.

The following approximate relationships apply:

$$T1 = 0.7 C2 R4 \text{ and } T2 = 0.7 C1 R3$$

Since one complete cycle of the output occurs in a time, $T = T1 + T2$, the periodic time of the output is given by:

$$T = 0.7 (C2 R4 + C1 R3)$$

Finally, we often require a symmetrical "square wave" output where $T1 = T2$. To obtain such an output, we should make $R3 = R4$ and $C1 = C2$, in which case the periodic time of the output will be given by:

$$T = 1.4 CR$$

where $C = C1 = C2$ and $R = R3 = R4$.

Waveforms for the astable oscillator are shown in Fig. 6.6.

Astable oscillators can be built using a variety of amplifying devices, including op.amps (see Fig. 6.7), as our next practical assignment shows.

Practical assignment 6.1:

Astable multivibrator

In this practical assignment using the *Electronic Workbench* software you will investigate the action of an astable multivibrator based on two op.amps.

Objectives:

- 6.1.1 To investigate the behaviour of a simple astable multivibrator.
- 6.1.2 To determine the relationship between component values and output frequency for a simple astable multivibrator.

Instructions:

1. Connect the circuit shown in Fig. 6.8. Note that the 1V battery is used to unbalance the circuit so that oscillation commences. This component would not be required in a real circuit as the components would not be perfectly balanced.
2. Switch on the power to your circuit and display the output waveform using the oscilloscope. Recommended initial settings for this instrument are shown in Fig. 6.9.
3. Use the oscilloscope to accurately measure the periodic time of the output waveform. Record this together with the value of feedback resistance (100kΩ) in Table 6.1.

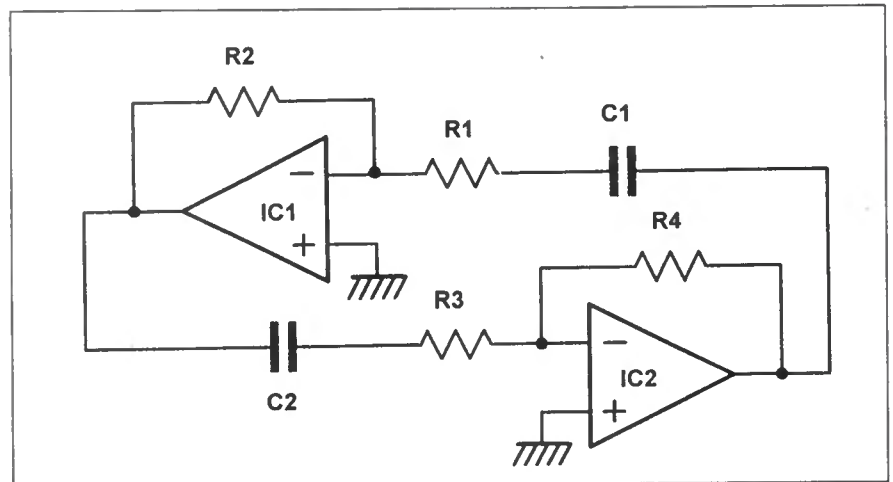


Fig. 6.7 Astable oscillator using operational amplifiers.

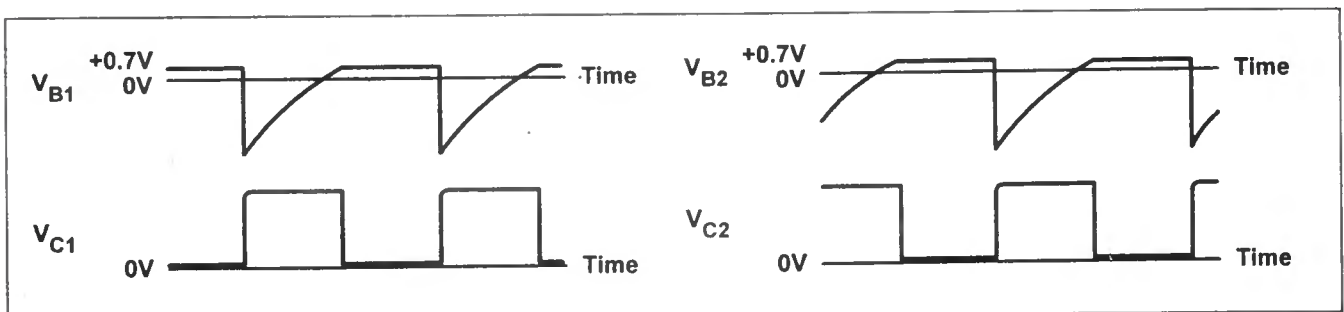


Fig. 6.6 Waveforms for the transistor astable multivibrator.

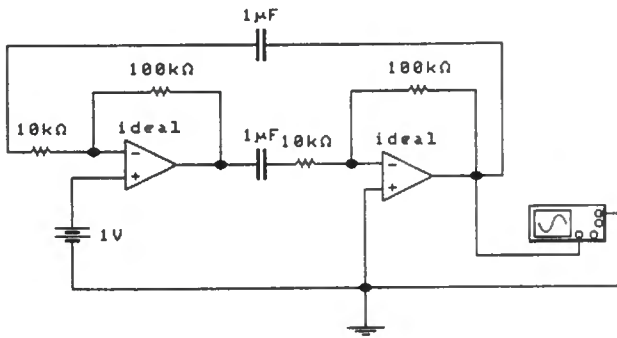


Fig. 6.8 (Above) Circuit for Assignment 6.1.

Fig. 6.9 (Below) Initial oscilloscope settings for Assignment 6.1.

Fig. 6.10 (Right) Results for Assignment 6.1.

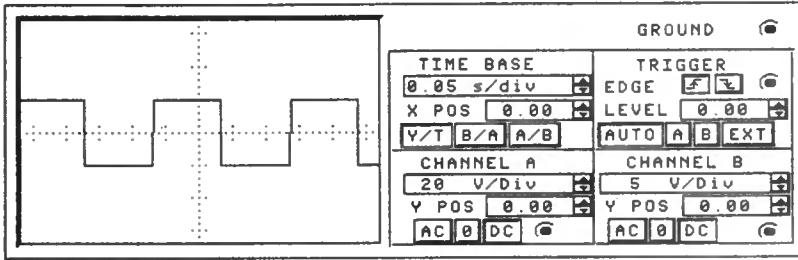
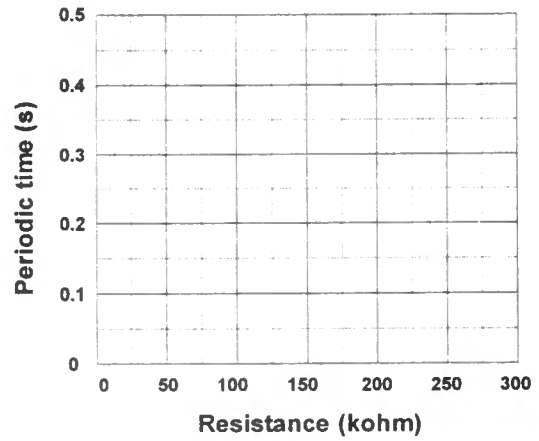


Table 6.1 Measured values for the simple astable multivibrator

Feedback resistance (kΩ)	100	200	50
Periodic time (s)			

- Repeat step 3 for values of feedback resistor (both stages) of 50kΩ and 200kΩ. Again, record your results in Table 6.1.
- Plot a graph (using the axes in Fig. 6.10) to show the relationship between periodic time and feedback resistance.

Conclusions:

To what extent have the objectives for this assignment been met? Comment on the shape of the graph. Can you explain why the periodic time should depend on the value of feedback resistance? What other component(s) determine the periodic time of the output? What value of feedback resistance would be required to provide an output frequency of exactly 4Hz?

OTHER FORMS OF ASTABLE OSCILLATOR

The circuit diagram of an alternative form of astable oscillator is shown in Fig. 6.11. This oscillator is ideal for producing a triangular wave output. IC1 forms an integrating stage whilst IC2 is connected with positive feedback to ensure that oscillation takes place.

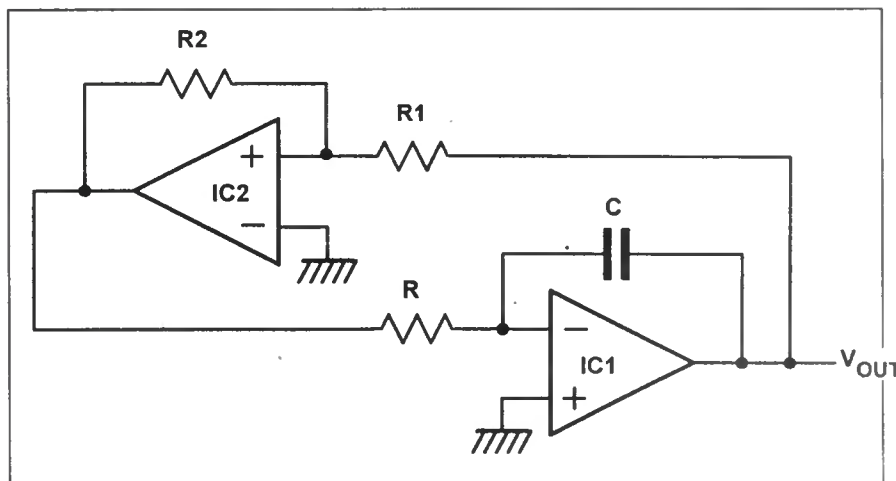


Fig. 6.11 Two-stage astable oscillator using operational amplifiers.

Assume that the output from IC2 is initially at, or near, +V_{CC} and the capacitor, C, is uncharged. The voltage at the output of IC2 will be passed, via resistor R, to IC1. Capacitor C will start to charge and the output voltage of IC1 will begin to fall. Eventually, the output voltage will have fallen to a value that causes the polarity of the voltage at the non-inverting input of IC2 to change from positive to negative.

At this point, the output of IC2 will rapidly fall to -V_{CC}. Again, this voltage will be passed, via resistor R, to IC1. Capacitor C will then start to charge in the other direction and the output voltage of IC1 will begin to rise. Eventually, the output voltage will have risen to a value that causes the polarity of the non-inverting input of IC2 to revert to its original (positive) state and the cycle will continue indefinitely.

The upper threshold voltage (the maximum positive value for V_{OUT}) will be given by:

$$V_{UT} = V_{CC} \times (R1/R2)$$

The lower threshold voltage (the maximum negative value for V_{OUT}) will be given by:

$$V_{LT} = -V_{CC} \times (R1/R2)$$

Practical assignment 6.2: Two-stage astable oscillator

In this practical assignment you will construct and test an astable oscillator that produces a triangular wave output. Once again, the oscillator is based on two op.amps.

Objectives:

- 6.2.1 To investigate the behaviour of a two-stage astable oscillator.
- 6.2.2 To determine the relationship between component values and output frequency for a two-stage astable oscillator.
- 6.2.3 To measure the threshold voltages for a two-stage astable oscillator and relate these to the component values.

Instructions:

1. Connect the circuit shown in Fig. 6.12. Once again, the 1V battery has been included in order to unbalance the circuit so that oscillation reliably commences.
2. Switch on the power to your circuit and display the output waveform using the oscilloscope. Recommended initial settings for this instrument are shown in Fig. 6.13.
3. Use the oscilloscope to accurately measure the periodic time of the output waveform. Record this together with the value of resistance (R in Fig. 6.11) in Table 6.2.
4. Repeat step 3 for values of R of 100kΩ, 200kΩ, 20kΩ and 10kΩ. Note that you will have to change the oscilloscope timebase setting in order to make accurate measurements of the periodic time. Add these results to Table 6.2.
5. Plot a graph (using the axes in Fig. 6.14) to show the relationship between periodic time and resistance.
6. Finally, measure the upper and lower threshold voltages (V_{UT} and V_{LT}). Compare the measured values with the calculated values.

Conclusions:

To what extent have the objectives for this assignment been met? Comment on the shape of the graph. Can you explain

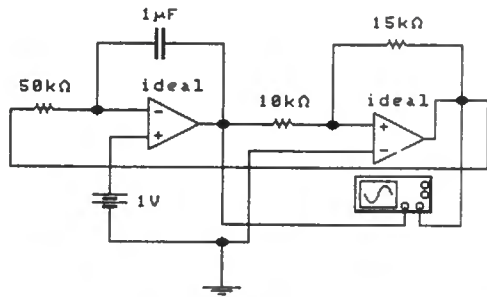


Fig. 6.12 (Above) Circuit for Assignment 6.2.

Fig. 6.13 (Below) Initial oscilloscope settings for Assignment 6.2.

Fig. 6.14 (Right) Results for Assignment 6.2.

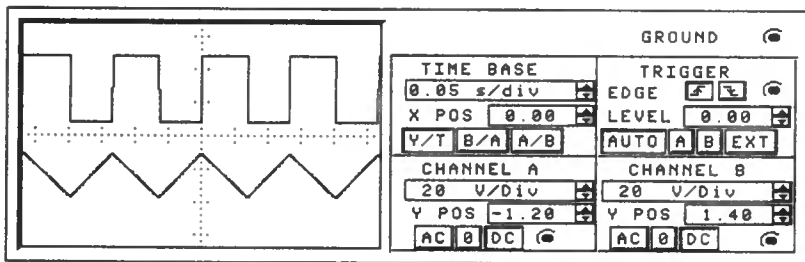
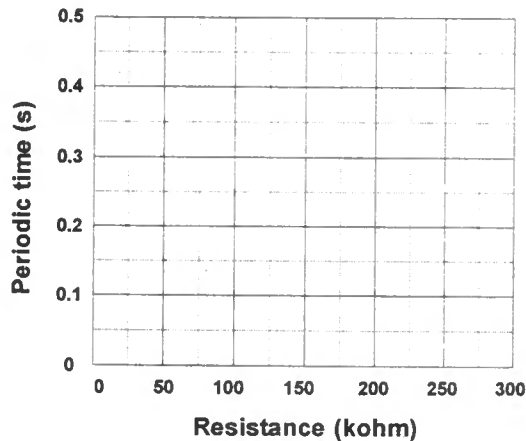


Table 6.2 Measured values for the two-stage astable oscillator

Feedback resistance (kΩ)	50	100	200	20	10
Periodic time (s)					

how the circuit operates? Which other component determines the periodic time of the output? What component values would be required to produce an output of 100Hz? Did the measured values of threshold voltage agree with those obtained from calculation? If not, why?

SINGLE-STAGE ASTABLE OSCILLATOR

A simple form of astable oscillator can be built using just one op.amp, as shown in Fig. 6.15. This circuit employs positive feedback with the output fed back to the non-inverting input via the potential divider formed by resistors R1 and R2.

Assume that capacitor C is initially uncharged and the voltage at the inverting input is slightly less than the voltage at the non-inverting input. The output voltage will rise rapidly to +V_{CC} and the voltage at the inverting input will begin to rise exponentially as capacitor C charges through resistor R. Eventually, the voltage at the inverting input will have reached a value that

exceeds that present at the non-inverting input.

At this point, the output voltage will rapidly fall to -V_{CC}. Capacitor C will then start to charge in the other direction and the voltage at the inverting input will begin to fall exponentially. Eventually, the voltage at the inverting input will have reached a value that is less than that present at the non-inverting input.

At this point, the output voltage will rise rapidly to +V_{CC} once again and the cycle will continue indefinitely.

The upper threshold voltage (i.e., the maximum positive value for the voltage at the inverting input) will be given by:

$$V_{UT} = V_{CC} \times \frac{R2}{R1 + R2}$$

The lower threshold voltage (i.e., the maximum negative value for the voltage at the inverting input) will be given by:

$$V_{LT} = -V_{CC} \times \frac{R2}{R1 + R2}$$

Practical assignment 6.3: Single-stage astable oscillator

In this practical assignment you will construct and test a single-stage astable oscillator.

Objectives:

- 6.3.1 To investigate the behaviour of a single-stage astable oscillator.
- 6.3.2 To determine the relationship between component values and output frequency for a single-stage astable oscillator.
- 6.3.3 To measure the threshold voltages for a single-stage astable oscillator and relate these to the component values.

Instructions:

1. Connect the circuit shown in Fig. 6.16. Once again, the 1V battery has been included in order to unbalance the circuit so that oscillation reliably commences.
2. Switch on the power to your circuit and display the output waveform using the oscilloscope. Recommended initial settings for this instrument are shown in Fig. 6.17.
3. Use the oscilloscope to accurately measure the periodic time of the output waveform. Record this together with the value of resistance (R in Fig. 6.15) in Table 6.3.

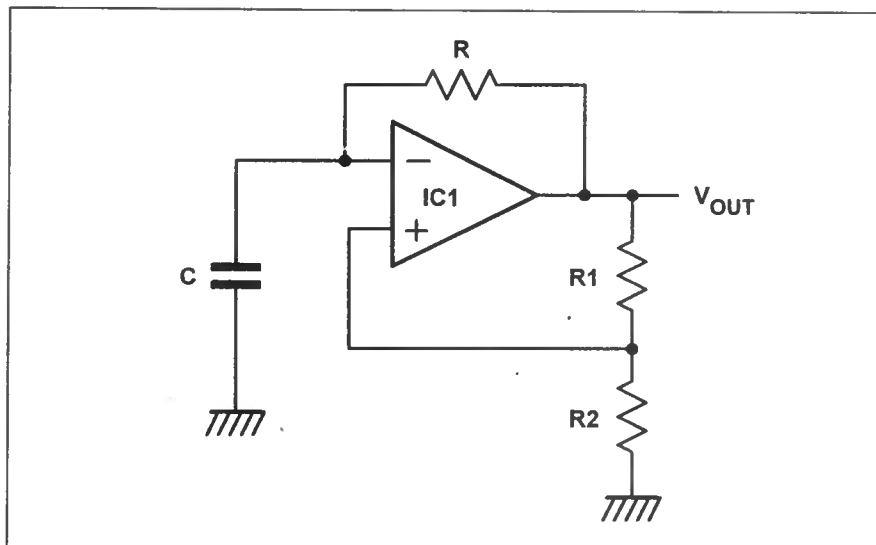


Fig. 6.15 Single-stage astable oscillator using an operational amplifier.

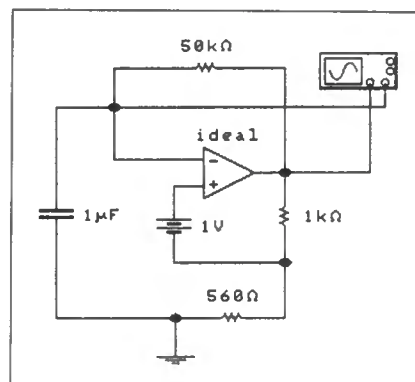


Fig. 6.16 Circuit for Assignment 6.3.

Table 6.3 Measured values for the single-stage astable oscillator

Feedback resistance (kΩ)	50	100	200	20	10
Periodic time (s)					

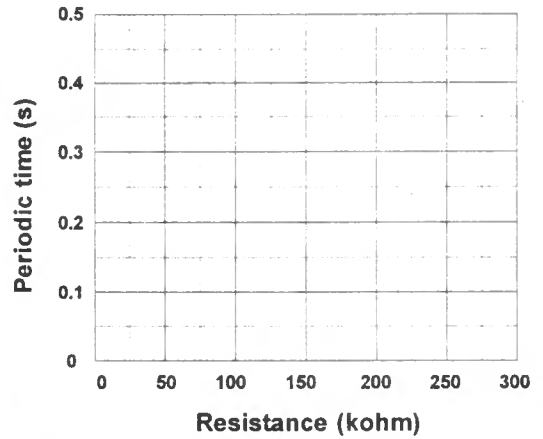
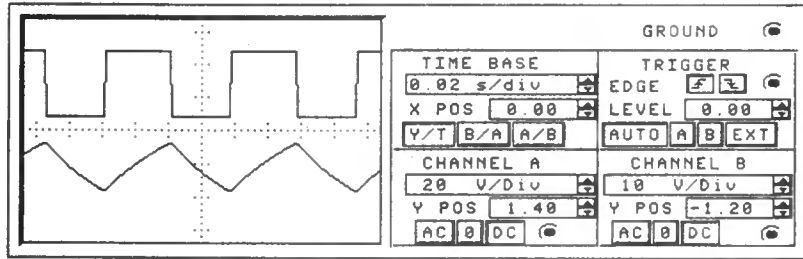


Fig. 6.17 (Left) Initial oscilloscope settings for Assignment 6.3.

Fig. 6.18 (Above) Results for Assignment 6.3.

- Repeat step 3 for values of R of 100kΩ, 200kΩ, 20kΩ and 10kΩ. Note that you will have to change the oscilloscope timebase setting in order to make accurate measurements of the periodic time. Add these results to Table 6.3.
- Plot a graph (using the axes in Fig. 6.18) to show the relationship between periodic time and resistance.
- Finally, measure the upper and lower threshold voltages (V_{UT} and V_{LT}). Compare the measured values with the calculated values.

Conclusions:

To what extent have the objectives for this assignment been met? Comment on the shape of the graph. Can you explain how the circuit operates? Which other component determines the periodic time of the output? What component values would be required to produce an output of 100Hz? Did the measured values of threshold voltage agree with those obtained from calculation? If not, why?

SINUSOIDAL OSCILLATORS

Phase shift oscillators

Thus far, the oscillators that we have described have produced square, pulse, or triangular wave outputs. There are many

occasions when we require a sinusoidal rather than a rectangular output. Sine wave oscillators are based either on tuned L-C circuits or on phase shifting networks.

A simple phase-shift oscillator based on a three-stage C-R ladder network is shown in Fig. 6.19. Transistor TR1 operates as a conventional common-emitter amplifier stage with resistor R1 and R2 providing base bias potential and resistor R3 and capacitor C1 providing emitter stabilization. Each C-R section of the ladder network (connected between collector and base) provides a 60° phase shift at the operating frequency. The total phase shift produced by the ladder network is thus 3 × 60° or 180°. The transistor provides the other 180° phase shift in order to realize an overall phase shift of 360° or 0°.

Wien bridge oscillator

The Wien bridge network (Fig. 6.20) provides a phase shift which varies with frequency. The input signal is applied to A and B whilst the output is taken from C and D. At one particular frequency, the phase shift produced by the network will be exactly zero (i.e., the input and output signals will be in-phase). If we connect the network to an amplifier (see Fig. 6.21), oscillation will result provided:

- the amplifier has sufficient gain to over-

- come the losses in the network (i.e., the loop gain is greater than one), and
- the amplifier provides a phase-shift of 0° (or 360°).

The minimum amplifier gain required to sustain oscillation is given by:

$$A_v = 1 + C1/C2 + R2/R1$$

and the frequency at which the phase-shift will be zero is given by:

$$f = \frac{1}{2\pi \sqrt{(C1 C2 R1 R2)}}$$

In practice, we normally make R1 = R2 and C1 = C2 hence:

$$A_v = 1 + C/C + R/R = 1 + 1 + 1 = 3$$

and the frequency at which the phase-shift will be zero is given by:

$$f = \frac{1}{2\pi \sqrt{(CCRR)}} = \frac{1}{2\pi CR}$$

where R = R1 = R2 and C = C1 = C2.

Practical assignment 6.4: Wien bridge oscillator

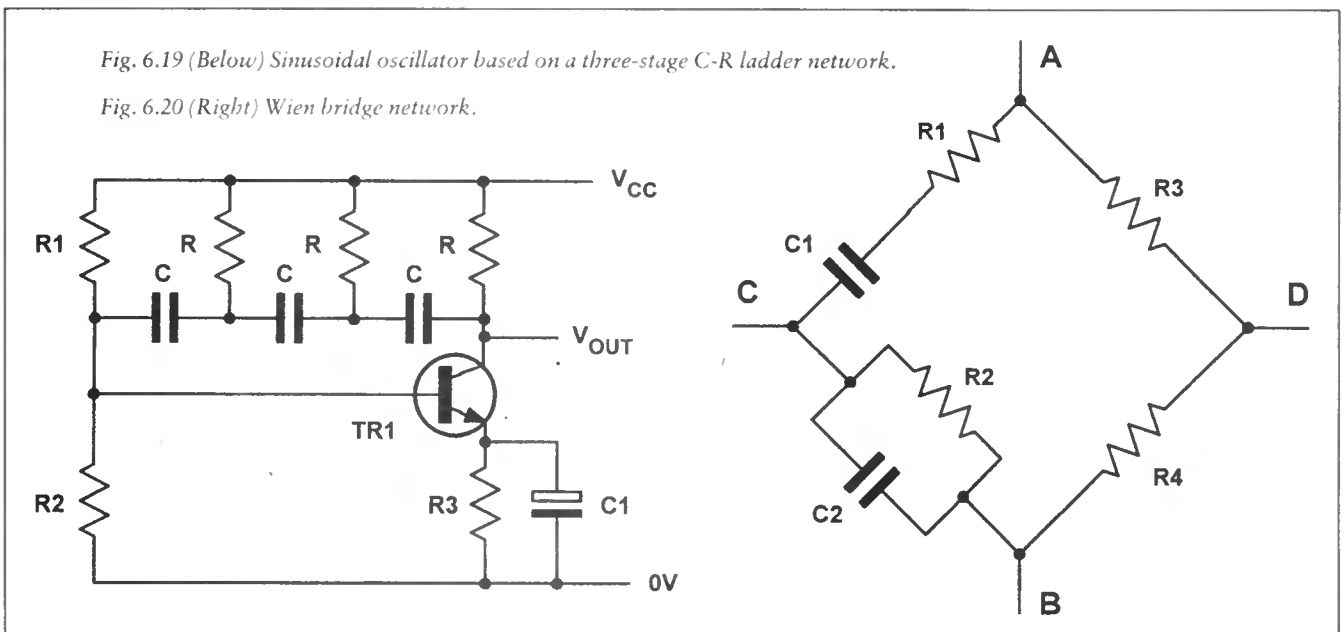
In this practical assignment you will construct and test a Wien bridge oscillator.

Objectives:

- To investigate the behaviour of a Wien bridge oscillator.

Fig. 6.19 (Below) Sinusoidal oscillator based on a three-stage C-R ladder network.

Fig. 6.20 (Right) Wien bridge network.



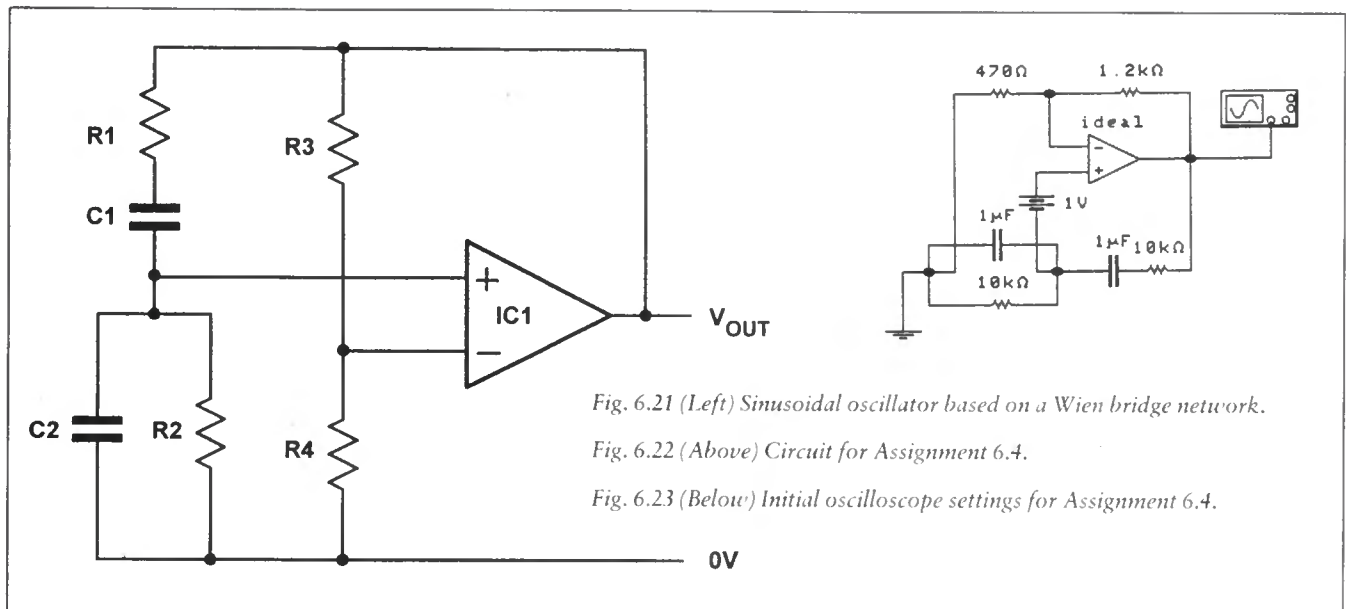


Fig. 6.21 (Left) Sinusoidal oscillator based on a Wien bridge network.

Fig. 6.22 (Above) Circuit for Assignment 6.4.

Fig. 6.23 (Below) Initial oscilloscope settings for Assignment 6.4.

6.4.2 To determine the relationship between component values and output frequency for a Wien bridge oscillator.

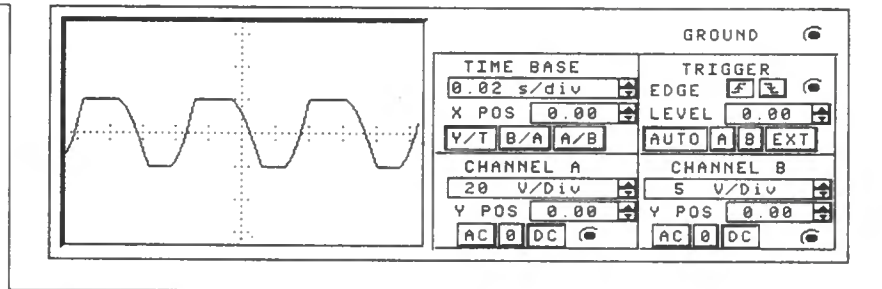
6.4.3 To observe the effect of different values of loop gain on the operation of a Wien bridge oscillator.

Instructions:

1. Connect the circuit shown in Fig. 6.22. Once again, the 1V battery has been included in order to ensure that oscillation reliably commences.
2. Switch on the power to your circuit and display the output waveform using the oscilloscope. Recommended initial settings for this instrument are shown in Fig. 6.23.
3. Use the oscilloscope to accurately measure the periodic time of the output waveform and use this to calculate the frequency of the output signal.
4. Note the distortion present on the output waveform (the peaks will appear to be "clipped"). Now change the value of the 470Ω resistor (R4 in Fig. 6.19) to 560Ω, 600Ω, and 680Ω. Note the effect on the output signal (oscillation will stop for larger values).

Conclusions:

To what extent have the objectives for this assignment been met? Compare the measured output frequency with that



obtained by calculation. Explain why the value of R4 affects the output signal. Which value would you consider to be optimum? Why?

BRAIN TEASER

This month's challenge for those of you who are using the full *Electronics Workbench* package is to design a circuit that produces complementary square wave outputs with an amplitude of 1V and a frequency of 50Hz.

Answer to last month's Brain Teaser

Last month's Brain Teaser involved the design of a circuit based on a single op.amp that will perform according to the following specifications:

- Voltage gain: 20
- Frequency response: d.c. to 10kHz
- Input resistance: 10kΩ
- Phase-shift (mid-band): 180°

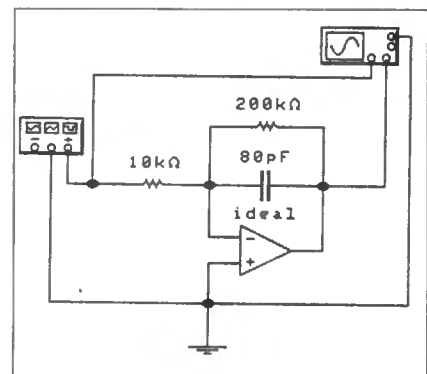


Fig. 6.24 Solution to last month's Brain Teaser.

Fig. 6.24 shows one solution arrived at using the full version of *Electronics Workbench*.

NEWMARKET TRANSFORMERS LTD.

Unit 15, Craven Way Industrial Est., Newmarket, Suffolk. CB8 0AP
 Telephone: (0638) 662989 Facsimile: (0638) 660799
TOROIDAL TRANSFORMER MANUFACTURERS
220/240V ANY Two Secondaries

VA	Price	Dimensions
30	£11.30	70 x 35mm
50	£12.40	80 x 45mm
80	£13.90	90 x 35mm
120	£14.80	90 x 45mm
160	£17.85	110 x 45mm
225	£19.20	110 x 50mm
300	£19.86	110 x 60mm
500	£26.70	140 x 60mm
625	£28.90	140 x 70mm
800	£33.90	125 x 90mm
1000	£39.90	160 x 70mm

Prices include VAT & Carriage
 For further information and quantity discounts, contact Michael Doman
 Phone: 0638 662989 Fax: 0638 660799

SHERWOOD ELECTRONICS
7 Williamson Street, Mansfield, Notts. NG19 6TD
 CHOOSE 1 x £1 packs **FREE** with every 10 purchased

SP1 15 x 5mm Red Leds	SP37 15 x 100/35V radial elect caps
SP2 15 x 5mm Green Leds	SP42 200 x Mixed 0.25W C.F. resistors
SP3 12 x 5mm Yellow Leds	SP47 5 x Min. push button switches
SP4 10 x 5mm Amber Leds	SP102 20 x 8 pin DIL sockets
SP10 100 x 1N4148 diodes	SP103 15 x 14 pin DIL sockets
SP11 30 x 1N4001 diodes	SP104 15 x 16 pin DIL sockets
SP12 30 x 1N4002 diodes	SP112 5 x Cmos 4093
SP18 20 x BC182 transistors	SP125 10 x 1000/16V radial elect caps
SP20 20 x BC184 transistors	SP130 100 x Mixed 0.5W C.F. resistors
SP22 20 x BC214 transistors	SP133 20 x 1N4004 diodes
SP23 20 x BC549 transistors	SP137 4 x W005 1.5A rectifiers
SP25 4 x 555 timers	SP142 2 x Cmos 4017
SP28 5 x Cmos 4011	SP147 5 x Stripboard 9 strips/25 holes
SP29 4 x Cmos 4013	SP156 3 x Stripboard 14 strips/27 holes
SP33 5 x Cmos 4081	SP167 6 x BC107 transistors
SP36 25 x 10/25V radial elect caps	SP183 20 x BC547 transistors

RESISTOR PACKS - 0.25W C Film		Catalogue available - £1	
RP3 5 each value - total 365	£2.75	or FREE with first order	
RP7 10 each value - total 730	£4.15	over £5 goods value	
RP10 1000 popular values	£5.60		

Cheques or P.O. to **SHERWOOD ELECTRONICS** NO VAT
 Please add £1.25 P&P to all orders

Take the

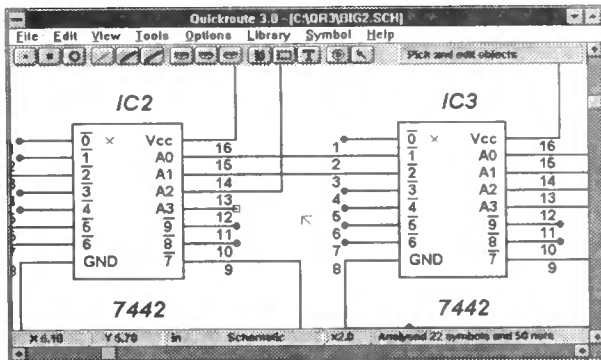
Quickroute

from
£99.00

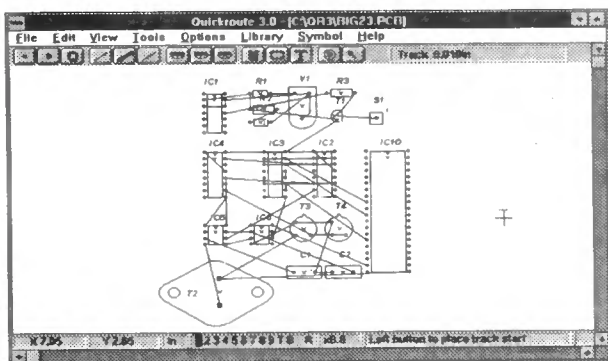
to successful PCB &
Schematic Design



Design PCBs and Schematics quickly



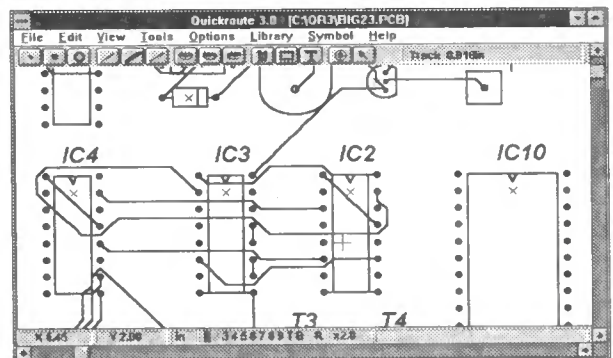
After schematic capture, components can be re-arranged prior to manual or automatic routing.



	Auto Router Max Layers	Schematic Capture	Gerber & NC-Drill	Design Size K nodes
DESIGNER	2 Standard	None	None	10
DESIGNER+	2 Medium	None	Export	20
PRO	8 Fast	Standard	Export	30
PRO+	8 Fast	Advanced	Export/ Import*	40

*PRO+ can import Gerber files

All versions include an auto-router.



Telephone or FAX POWERware on 061 449 7101

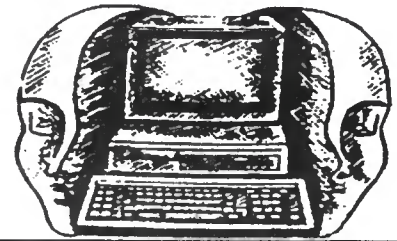
POWERware, 14 Ley Lane,
Marple Bridge, Stockport,
SK6 5DD, UK.

Quickroute 3.0 for Windows 3.1
DESIGNER £99.00 DESIGNER+ £149.00
PRO £199.00 PRO+ £299.00
All prices exclude post & packing, and V.A.T.

DEMO
DISK
Available

INTERFACE

Robert Penfold



THIS month we will continue to explore the general interfacing possibilities of the PC's printer ports. Last month's *Interface* article provided details of how to use four printer port handshake inputs plus a handshake output to provide an 8-bit input port. A single 8-bit port is adequate for many purposes, but what if you require two or more byte-size input ports?

The easiest solution is to use two printer ports, but in most cases this will be impractical as there will only be one spare printer port available. It is possible to use one printer port to provide two or more 8-bit inputs, but the more input ports you use, the less straightforward things become.

No Comparison

One way of tackling the problem is to effectively use the eight data outputs of the ports to act as an 8-bit input. This can be achieved in conjunction with an 8-bit comparator and a spare handshake input.

This is a ploy that can be used in any situation where you have eight outputs but require eight inputs, provided there is a spare input line available. The drawback of this method is that it is not particularly fast, although it is still faster than a normal serial port provided the control routine is written in a reasonably speedy language.

The basic scheme of things for an input port of this type is shown in Fig. 1. The 8-bit comparator has one set of inputs fed with the input signal, and the other set is fed from the eight data outputs of the printer port.

The output of the comparator is monitored via the spare handshake input. This output is normally high, but goes low when the two 8-bit input codes are the same.

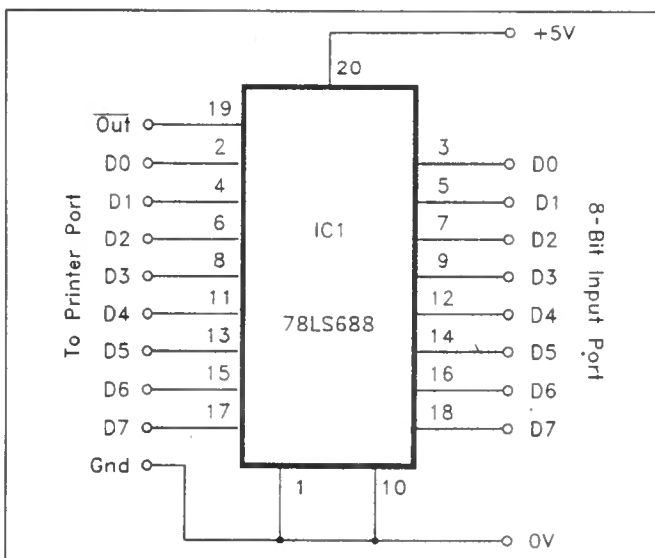


Fig. 1. A circuit which effectively converts an 8-bit output to an 8-bit input.

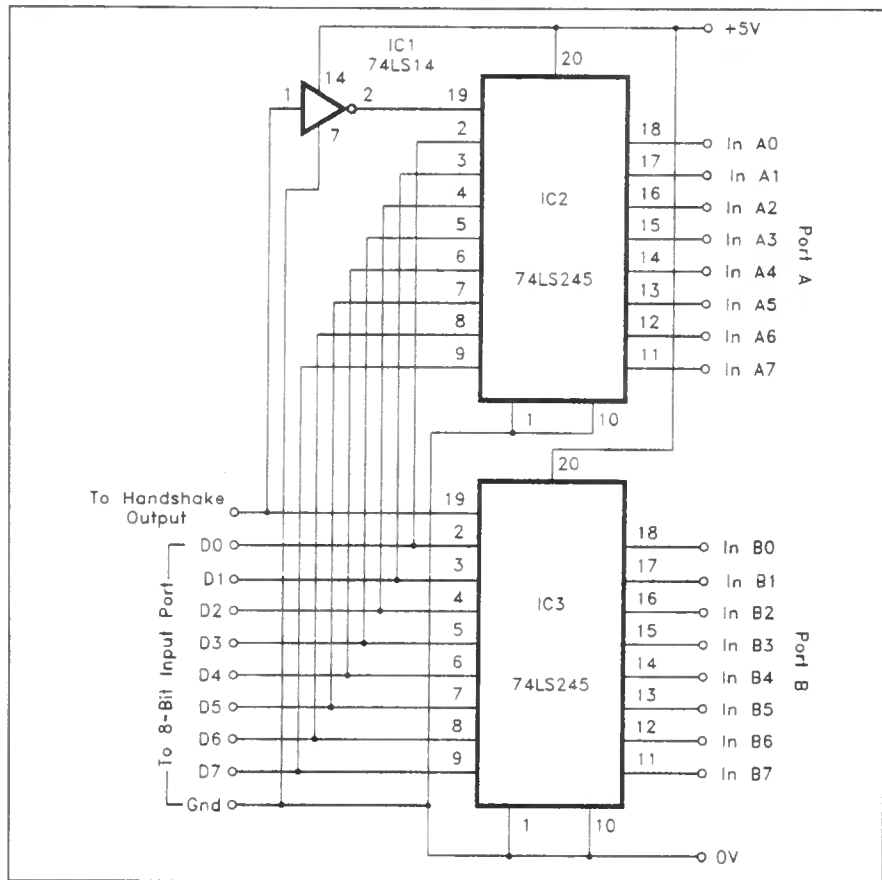


Fig. 2. An add-on circuit to provide two 8-bit input ports.

In order to take a reading a value of zero is output to the data lines, and the state of the handshake input is checked. While the handshake input is in the high state the two 8-bit codes to the comparator do not match, and the reading routine must continue. This means incrementing the value on the data output lines by one, and checking the handshake input again.

Eventually, the handshake input will be taken high by the output of the comparator. The last value written to the printer port's data lines is then equal to the value on the eight input lines.

This method has its limitations, the main one being that it can only be guaranteed to work if the input pattern remains unchanged while the

reading routine is in progress. It is therefore unsuitable for use with rapidly changing input values, even if a fast machine code routine is used to take readings.

It is advisable to include a "catch" in the software routine that will repeat the process if the value on the output lines is incremented to 255 and no match is obtained. In many applications there will be a risk of this happening occasionally due to a change in the input value while a reading is being taken.

Four Into One

The input port described in last month's article reads each byte as two 4-bit nibbles. A handshake output is used to control which nibble of the input signal is connected through to the four inputs of the printer port. Some mathematics in the software then manipulates the two readings in order to reassemble the 8-bits of data and give the correct value.

An obvious way of providing more inputs is to take this a stage further, with two 8-bit inputs being multiplexed into eight output lines which can then be read by the circuit described last month. In other words, overall some 16 input lines are multiplexed down to four output lines that can be read by the printer port's nibble input.

Of course, you do not get something for nothing in this world, and the extra multiplexing is only possible if an extra handshake output is available. However, there are four handshake outputs available on each printer port, and this will not normally be a problem. An obvious advantage of this method is that it leaves the eight data lines for use as outputs, and it should also permit readings to be taken at a substantially higher rate.

There is more than one way of providing the multiplexing, but the method described here uses the original input port circuit to provide eight input lines. The circuit of Fig. 2 is added ahead of the original input port circuit, and provides two 8-bit input ports.

It is based on two 74LS245 octal transceivers, but in this case pin 1 of each transceiver is permanently wired low. Both devices are therefore held in the "receive" mode, and they act as straightforward octal tristate buffers.

The outputs of the buffers drive the data inputs of the 8-bit input port. The negative enable inputs of the buffers are controlled via one of the printer port's handshake outputs. IC2's enable input is controlled via an inverter (IC1), but the enable input of IC3 is controlled directly. Thus, IC2 and port A are enabled when the handshake line is high, while IC3 and port B are enabled when the handshake line is low.

This method of reading 16 lines via four inputs of the printer port obviously makes the software side of things a little involved. Matters are not made any easier by the fact that three of the four handshake outputs are inverted.

We will assume here that the "initialise" output at pin 16 of the port is used to control the basic 8-bit input port, and that the "strobe" output at pin 1 is used to control the circuit of Fig. 2. Using the GW BASIC routine provided last month will read port A.

In order to read port B it is necessary to set bit 0 at address &H37A to 1, which sets the "strobe" line low due to the built-in inversion on this line. This necessitates slight modifications at lines 10 and 40 of the program, where the "initialise" input is set to the correct states.

This is basically just a matter of adding one to the values output in the original program so that the "strobe" line is set low.

The modified routine needed to read port B is as follows:

```

10 OUT &H37A,1
20 X = INP(&H379) AND 120
30 X = X/8
40 OUT &H37A,5
50 Y = INP(&H379) AND 120
60 Y = Y * 2
70 Z = X + Y
80 PRINT Z

```

The multiplexing could be extended further, and with a total of four handshake outputs available it should be possible to have up to eight input ports, with some 64 lines in total. In practice I doubt if it would be worthwhile going this far, as the circuit and the software would both get rather convoluted. Also, there would be numerous 8-bit input ports available, but no handshake lines left to aid their use.

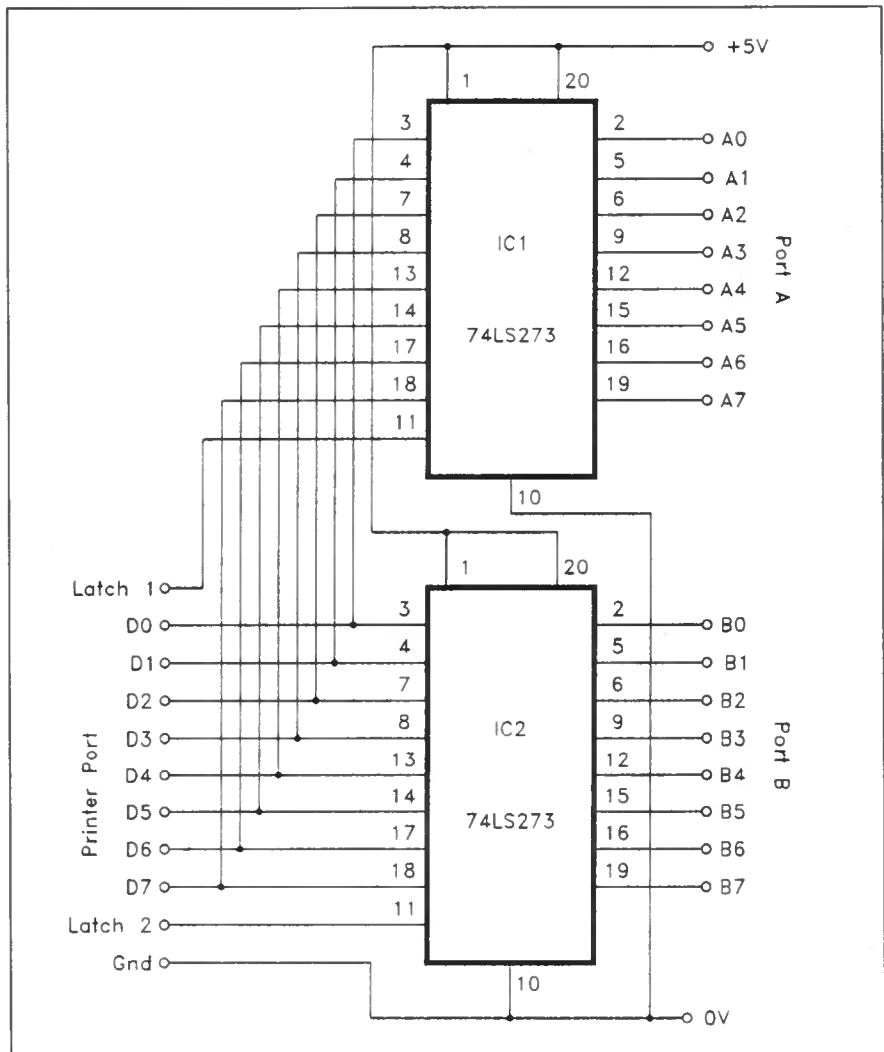


Fig. 3. A method for obtaining two 8-bit output ports.

This method represents a reasonably neat and practical solution if two 8-bit input ports are available, but if more input lines are needed it is probably better to opt for a proper PIA expansion card.

Dual Outputs

With the aid of two handshake outputs it is possible to make the eight data outputs of the port provide two 8-bit output ports. Fig. 3 shows how this can be achieved.

Two octal D-type flip/flops IC1 and IC2 are used, but in this circuit they are used as 8-bit data latches. The eight data outputs of the printer port are fed to the data inputs of IC1 and IC2.

The clock inputs of the flip/flops act as latch inputs in this case, and they should normally be held high. In order to latch data onto the Q outputs of a flip/flop, first the appropriate data should be placed on the data outputs of the printer port. Then the appropriate latch input is taken low, and immediately set high again.

It is on the low to high transition that the data is latched, and any subsequent changes at the data inputs will not affect the outputs of the flip/flop. This makes it possible to write new data to one output port without affecting the data already present at the outputs of the other port.

Suppose that "Latch 1" and "Latch 2" are respectively driven from the "auto linefeed" (pin 14) and "select out" (pin 17)

handshake lines. These lines are at bits 1 and 3 at output address &H37A. This GW BASIC routine would write a value of 185 to port A.

```

10 OUT &H37A,0
20 OUT &H378,185
30 OUT &H37A,2
40 OUT &H37A,0

```

The first line simply sets both the latch lines high, which is their correct standby state. Bear in mind that both the "auto linefeed" and "select out" lines are inverted, and that this must be taken into account when writing software routines that utilize them. Line 20 writes a value of 185 to the data lines, and the next two lines pulse "Latch 1" low so that this data is latched on the outputs of port A.

This next program writes a value of 127 to port B, and it functions in the same basic fashion as the program for port A. The only difference is that the last two lines pulse the "Latch 2" input low, so that the data is latched onto the outputs of port B.

```

10 OUT &H37A,0
20 OUT &H378,127
30 OUT &H37A,8
40 OUT &H37A,0

```

Next month we will continue to delve into the PC printer ports, including their use with A/D and D/A converters.

ELECTRONICS SOFTWARE

from E.P.T. Educational Software
(Tel: 0376 514008)

If you are looking for a means of improving your knowledge of the basics of electronics then this software is for you.

ELECTRONICS PRINCIPLES II

- ★ Insulators, Conductors, Resistance ★ D.C. Circuits
- ★ Capacitance and Inductance ★ A.C. Series Circuits
- ★ A.C. Parallel Circuits ★ Reactance and Impedance
- ★ A.C. and D.C. Power ★ Frequency and Tuned Circuits
- ★ Using Numbers ★ Complex Numbers, Phase Angles
- ★ P.N. Junction Diode ★ Transistors ★ Operational Amplifiers
- ★ Logic Gates ★ Digital Number Systems ★ Combinational Logic
- ★ Flip Flops ★ Counters and Shift Registers ★ Memory
- ★ Microcomputer operation

Electronics Principles II is a major revision of the successful original version currently used by electronics hobbyists, schools, colleges, and for training within industry throughout the U.K. and overseas. Some of the modifications are as a result of feedback from teachers, but mostly the changes are due to making greater use of the available improvements in software development technology.

The individual sub-menus are changed to selection buttons, this makes all those topics available within a module, clearly visible to the user. The layout of the calculations is considerably enhanced, firstly by providing the formulae used and secondly by showing the calculation steps, exactly as in a textbook; the advantage here being that you can input your own values.

Having reviewed a dozen, or more, educational software packages designed to "teach" electronics, I was more than a little sceptical when I first heard about Electronics Principles: there seemed to be little that could be done that has not been done elsewhere. When I started to use the package my views changed. Indeed, I was so impressed with it that I quickly came to the conclusion that Everyday with Practical Electronics readers should have an opportunity to try the package out for themselves! – MIKE TOOLEY B.A. Dean of Faculty of Technology, Brooklands Technical College

Over 200 menu driven screens with interactive graphics enabling a learning by doing approach to encourage experimentation.

Complete package **Only £49.95** inc. VAT.

ELECTRONICS PC TOOLBOX VERSION 2.0

An extended and improved version of the popular Toolbox software. Presents commonly used formulae in a way that makes calculations easier thus encouraging experimentation in circuit design.

Covers D.C. Calculations from Ohm's Law to Loading a Potential Divider; Further D.C. Calculations from Power Ratio Decibels to Kirchhoff's Laws; A.C. Calculations from Average Peak Current to Filters and Admittance; Capacitance Calculations from Values to RC Time Constants; Inductance Calculations from Values to Selectivity; Binary Calculations from Addition to 2's Complement; Numbers and Phase Angles from Addition to Polar to Rectangular; Operational Amplifiers from Inverting Op.Amp to Op.Amp Differentiator.

Only £19.95 inc. VAT

These programs require a PC (or fully compatible system) running DOS with an 80286 or better processor and VGA (ideally colour) graphics. In addition you must have 4Mb of hard disk space, a high density (1.44Mb) floppy drive and at least 640K of RAM. We also recommend the use of a mouse. Site licences are available – please enquire.

Distributed by Direct Book Service, 33 Gravel Hill, Merley, Wimborne, Dorset, BH21 1RW. (Mail Order Only).

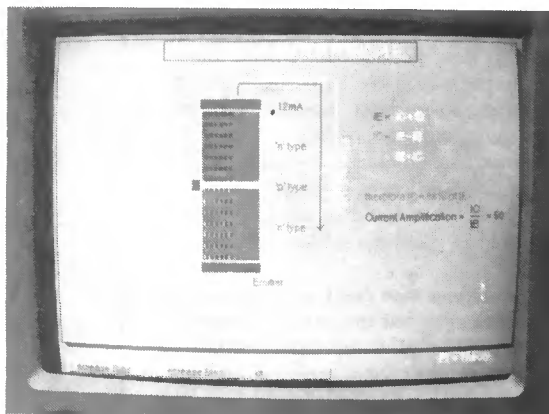
Add £1 per order for UK post and packing. Make cheques payable to Direct Book Service.

Direct Book Service is a division of Wimborne Publishing Ltd. publishers of *Everyday with Practical Electronics*.

Tel: 0202 881749. Fax: 0202 841692.

Visa and Mastercard orders accepted (minimum credit card order £5) – please give card number, card expiry date and cardholders address if different from the delivery address. Orders are normally sent within seven days but please allow a maximum of 28 days – longer for overseas orders.

OVERSEAS ORDERS: Add £2 postage for countries in the E.E.C. Overseas readers, outside the E.E.C. countries add £3 for airmail



GCSE ELECTRONICS

Designed to complement our *Teach-In No. 7* publication, which contains a complete electronics course aimed at GCSE and A Level students, this software can also be used as a stand alone learning package for everyone interested in electronics. From simple current flow and Ohm's Law it covers the whole GCSE syllabus from a.c. to semiconductors, op.amps, digital electronics and even a grounding in microprocessors.

An interactive, user friendly medium which assists learning in an enjoyable and interesting way.

Only £24.95 inc. VAT

Teach-In No 7 152 page A4 book £3.95 including a Special Limited Version of GCSE Electronics software which covers the first two of the 12 parts of the course, thus enabling an assessment of the complete package. Both the book and the software can be used on their own.

DEMONSTRATION DISK
Special demonstration disk containing Electronics Principles II, GCSE Maths and Mathematics Principles is available for £2 (Overseas orders send £3) – includes post and packing.

GCSE MATHS

A series of programs covering all the major topics required by the school syllabus. Designed to be user friendly enabling you to study or revise in what we believe is an interesting and enjoyable way. There are nearly one hundred and fifty menu driven screens with interactive graphics, enabling a "learning through doing" approach to encourage experimentation. Now being used in many schools throughout the U.K.

Overseas customers or those with general interest in maths order *Mathematics Principle* – covers the same subjects without reference to GCSE.

Only £49.95 inc. VAT

VIDEOS ON ELECTRONICS

A range of videos designed to provide instruction on electronics theory. Each video gives a sound introduction and grounding in a specialised area of the subject. The tapes make learning both easier and more enjoyable than pure textbook or magazine study. They should prove particularly useful in schools, colleges, training departments and electronics clubs as well as to general hobbyists and those following distance learning courses etc.

VT201 to VT206 is a basic electronics course and is designed to be used as a complete series, if required.

VT201 54 minutes. Part One; D.C. Circuits. This video is an absolute must for the beginner. Series circuits, parallel circuits, Ohms law, how to use the digital multimeter and much more. **Order Code VT201**

VT202 62 minutes. Part Two; A.C. Circuits. This is your next step in understanding the basics of electronics. You will learn about how coils, transformers, capacitors, etc are used in common circuits. **Order Code VT202**

VT203 57 minutes. Part Three; Semiconductors. Gives you an exciting look into the world of semiconductors. With basic semiconductor theory. Plus 15 different semiconductor devices explained. **Order Code VT203**

VT204 56 minutes. Part Four; Power Supplies. Guides you step-by-step through different sections of a power supply. **Order Code VT204**

VT205 57 minutes. Part Five; Amplifiers. Shows you how amplifiers work as you have never seen them before. Class A, class B, class C, op.amps. etc. **Order Code VT205**

VT206 54 minutes. Part Six; Oscillators. Oscillators are found in both linear and digital circuits. Gives a good basic background in oscillator circuits. **Order Code VT206**

By the time you have completed VT206 you have completed the basic electronics course and should have a good understanding of the operation of basic circuit elements.

VCR MAINTENANCE

VT102 84 minutes: Introduction to VCR Repair. Warning, not for the beginner. Through the use of block diagrams this video will take you through the various circuits found in the NTSC VHS system. You will follow the signal from the input to the audio/video heads then from the heads back to the output. **Order Code VT102**

VT103 35 minutes: A step-by-step easy to follow procedure for professionally cleaning the tape path and replacing many of the belts in most VHS VCR's. The viewer will also become familiar with the various parts found in the tape path. **Order Code VT103**

Each video uses a mixture of animated current flow in circuits plus text, plus cartoon instruction etc., and a very full commentary to get the points across. The tapes are imported by us and originate from VCR Educational Products Co, an American supplier.

(All videos are to the UK PAL standard on VHS tapes)

Now for the digital series of six videos. This series is designed to provide a good grounding in computer technology.

VT301 54 minutes. Digital One; Gates begins with the basics as you learn about seven of the most common gates which are used in almost every digital circuit, plus Binary notation. **Order Code VT301**

VT302 55 minutes. Digital Two; Flip Flops will further enhance your knowledge of digital basics. You will learn about Octal and Hexadecimal notation groups, flip-flops, counters, etc. **Order Code VT302**

VT303 54 minutes. Digital Three; Registers and Displays is your next step in obtaining a solid understanding of the basic circuits found in today's digital designs. Gets into multiplexers, registers, display devices, etc. **Order Code VT303**

VT304 59 minutes. Digital Four; DAC and ADC shows you how the computer is able to communicate with the real world. You will learn about digital-to-analogue and analogue-to-digital converter circuits. **Order Code VT304**

VT305 56 minutes. Digital Five; Memory Devices introduces you to the technology used in many of today's memory devices. You will learn all about ROM devices and then proceed into PROM, EPROM, EEPROM, SRAM, DRAM, and MBM devices. **Order Code VT305**

VT306 56 minutes. Digital Six; The CPU gives you a thorough understanding in the basics of the central processing unit and the input/output circuits used to make the system work. **Order Code VT306**

By now you should have a good understanding of computer technology and what makes computers work. This series is also invaluable to the computer technician to understand the basics and thus aid troubleshooting.

VT401 61 minutes. A.M. Radio Theory. The most complete video ever produced on a.m. radio. Begins with the basics of a.m. transmission and proceeds to the five major stages of a.m. reception. Learn how the signal is detected, converted and reproduced. Also covers the Motorola C-QUAM a.m. stereo system. **Order Code VT401**

VT402 58 minutes. F.M. Radio Part 1. F.M. basics including the functional blocks of a receiver. Plus r.f. amplifier, mixer oscillator, i.f. amplifier, limiter and f.m. decoder stages of a typical f.m. receiver. **Order Code VT402**

VT403 58 minutes. F.M. Radio Part 2. A continuation of f.m. technology from Part 1. Begins with the detector stage output, proceeds to the 19kHz amplifier, frequency doubler, stereo demultiplexer and audio amplifier stages. Also covers RDS digital data encoding and decoding. **Order Code VT403**

VT501 58 minutes. Fibre Optics. From the fundamentals of fibre optic technology through cable manufacture to connectors, transmitters and receivers. **Order Code VT501**

ORDERING: Add £1.50 p&p per order for UK orders. **OVERSEAS ORDERS:** Add £3 postage for countries in the EEC. Overseas orders outside the EEC countries add £3 per tape airmail postage (or £6 per order surface mail postage).

All payments in £ sterling only (send cheque or money order drawn on a UK bank).

Visa and Mastercard orders accepted - please give card number, card expiry date and cardholder's address if different from the delivery address.

Orders are normally sent within seven days but please allow a maximum of 28 days - longer for overseas orders.

Send your order to: Direct Book Service, 33 Gravel Hill, Merley, Wimborne, Dorset BH21 1RW (Mail Order Only)

Direct Book Service is a division of
Wimborne Publishing Ltd.,
Tel: 01202 881749. Fax: 01202 841692

£29.95
each inc. VAT



EXPRESS COMPONENTS

MAINS IONIZER KIT. Very useful kit that increases the flow of negative ions, helps clear cigarette smoke, dust, pollen etc. Helps reduce stress and respiratory problems. £15. kit, £20 built.

COMBINATION LOCK. Electronic 9 key combination lock suitable for alarms, cars, houses etc, easily programmable. Includes mains 2A relay o/p. 9v operation. £10 kit, £14 built.

VARIABLE POWER SUPPLY. Stabilized, short circuit protected. Gives 3-30v DC at 2.5A, ideal for workshop or laboratory. £14 kit, £18 built. 24VAC required.

LEAD ACID CHARGER. Two automatic charging rates (fast and slow), visual indication of battery state. Ideal for alarm systems, emergency lighting, battery projects etc. £12 kit, £16 built.

PHONE LINE RECORDER. Device that connects to the 'phone line and activates a cassette recorder when the handset is lifted. Ideal for recording 'phone conversations etc. £8 kit, £12 built.

ROBOT VOICE. Turns your voice into a robot voice! answer the phone with a different voice! £9 kit, £13 built.

PHONE BUG DETECTOR. This device will warn you if somebody is eavesdropping on your 'phone line. £6 kit £9 built.

PHONE BUG. Small bug powered by the telephone line. Only transmits when the phone is used. Popular surveillance product. £8 kit, £12 built.

STROBE LIGHT. Bright strobe light with an adjustable frequency of 1-60hz. (a lot faster than conventional strobes!) £16 kit, £20 built.

4W FM TRANSMITTER. 3 RF stages, audio preamp. 12-18vDC. Medium powered bug £20 kit, £28 built.

3 CHANNEL LIGHT CHASER. 3x 800w output, speed and direction controls, can be used with 12 led's (supplied) or TRIACS for mains lights (also supplied). 9-15v DC. £17 kit, £23 built.

25W FM TRANSMITTER. 4 stage, a preamp will be required. (Our preamp below is suitable) £79 built. (no kits).

SOUND EFFECTS GENERATOR. Produces any thing from bird chips to sirens! add sounds to all sorts of things £9 kit £13 built.

FM/AM SCANNER. Well not quite, you have to turn the knob yourself but you will hear things on this radio (even TV) that you would not hear on an ordinary radio! A receiver that covers 50-160MHZ both AM and FM. Built in 5w amplifier. £15 kit, £20 built.

CAR ALARM SYSTEM. Works on vibration and/or voltage drop from door etc being opened. Entry and exit delays plus adjustable alarm duration. Low cost protection! £12 kit, £16 built.

15W FM TRANSMITTER. 4 stage, high power bug. You will need a preamp for this (see our preamp below which is ok) £69 built. (no kits).

1W FM TRANSMITTER. 2 stage including preamp and mic. Good general purpose bug. 8-30VDC. £12 kit, £16 built.

50 I/C's for £1.50
Nice mix of chips at a bargain price!

CERAMIC CAPACITOR PACK
Good mixed pack of 100 capacitors for just £1.00

ELECTROLYTIC PACK 1
100 small mixed electrolytic capacitors just £1.00

ELECTROLYTIC PACK 2
50 larger electrolytic mixed capacitors

RESISTOR PACK NO 1
250 low wattage resistors, ideal for most projects etc. Just £1.00

RESISTOR PACK NO 2
Hi wattage pack, good selection of mixed wattages and values 50 in all, bargain price just £1.00

PRESET PACK
Nice selection of 25 mixed preset pots for just another £1!

RELAY PACK NO 1
6 mixed relays for £1, that's just 17p each.

CONNECTOR PACK
10 different connectors, again for £1

FUSE PACK NO 1
40 mixed 20mm fuses, ideal for repairs etc, or just to stock up the spares box! Just £1.00

FUSE PACK NO 2
30 mixed 1.25" fuses again ideal for spares etc. Just £1.00

WIRE PACK
25 Metres of insulated wire for just £1.00, good for projects etc.

SLEEVING PACK
100 assorted pieces of sleeving for connectors etc. Yours for just £1.00

DIODE PACK
100 assorted diodes for just £1.00

LED PACK
20 light emitting diodes for £1.00

TRANSISTOR PACK
50 mixed transistors, another bargain at £1.00

BUZZER PACK
10 things that make a noise for just £1.00!

POT PACK
10 pots for £1, (5 different types) a snip at £1.00

DISPLAYS
10 seven segment displays for £1.00

ORDER 10 PACKS OR MORE AND CHOOSE ONE FREE PACK!!

FREE COMPONENT CATALOGUE WITH EVERY ORDER!!

BULK PACKS

PREAMP MIXER. 3 channel input, independent level and tone controls. Ideal for use with the hi power FM transmitters. £15 kit, £19 built.

TREMBLER ALARM. Designed for bikes etc, adjustable sensitivity, preset alarm time, auto reset. Could be adapted for all sorts of "borrowable" things £12 kit, £16 built.

ULTRASONIC RADAR. A project that can be used as a movement detector in an enclosed space. Range about 10 metres, 12vDC. Good basis for car, shed, caravan alarm etc. £14 kit, £19 built.

PHONE CALL RELAY. Very useful kit that incorporates a relay that operates when the phone rings. Can be used to operate more bells, signalling lights etc. Good for noisy environments or if you have your headphones on! £10 kit, £14 built.

PORTABLE ALARM SYSTEM. Small 9v alarm system based on a mercury switch. The alarm continues to sound until disabled by the owner. Buzzer included. £11 kit £15 built.

800W MUSIC TO LIGHT EFFECT. Add rhythm to your music with this simple sound to light kit. £8 kit, £12 built.

MOSQUITO REPELLER. Modern way to keep the midges away! Runs for

about a month on one 1.5v battery. Frequency is set to drive away mosquitos etc. £7 kit, £11 built.

3 CHANNEL SOUND TO LIGHT. Can be used anywhere as no connection is made to hi fi. Separate sensitivity controls for each channel, 1,200W power handling. Microphone included. £14 kit, £19 built.

MINI METAL DETECTOR. Detects pipes, wires etc up to 20cm deep. Useful before you drill those holes! £8 kit, £12 built.

0-5 MINUTE TIMER. Simple time switch adjustable from 0-5 mins, will switch 2A mains load. 12v op. Ideal for laboratory, photographic projects etc. £7 kit, £11 built.

7 WATT HI FI AMPLIFIER. Useful, powerful amplifier 20hz-15khz, 12-18vdc. Good for intercoms, audio systems, car etc. £7 kit £11 built.

INCAR SOUND TO LIGHT. Put some atmosphere in your car with this kit. Each channel has 6 led's that create a beautiful lighting effect! £10 kit, £14 built.

VOX SWITCH. This is a sound activated switch, ideal for use on transmitters, CB's, tape recorders etc. Adjustable sensitivity, built in delay. Mic input. £7 kit, £11 built.

99p
Post

KITS 'N MODULES

LIQUID LEVEL DETECTOR. Useful item, can be used to detect fluid levels in watertanks, baths, ponds, fish tanks etc. Could also be used as rain alarm with an easily constructed sensor. £5 kit, £9 built.

FM TRANSMITTER. Mini FM transmitter 2 transistor, comes with FET miniature mic and is tuneable from 63 to 130MHZ. £7 kit, £11 built.

FUNCTION GENERATOR. Generates sinusoidal, saw tooth and square waveforms from 20hz up to 20khz. Separate level controls for each waveform. 24vac. £15 kit, £20 built.

5 WATT SIREN. Powerful siren kit with an impressive 5 watts output. Ideal for alarms etc. £6 kit £10 built.

TELEPHONE AMPLIFIER. Very sensitive amplifier which using a 'phone pickup coil (supplied) will let you fol-

low a telephone conversation without holding the handset to your ear! £11 kit £15 built.

SWITCH PACK
10 switches for just £1.00

12v FLOURESCENT. A useful kit that will enable you to light large fluorescent tubes from your car battery etc. 9v mains transformer required. £8 kit, £12 built.

KNOB PACK
10 knobs for just £1.00

REMEMBER! YOUR FREE COPY OF OUR CUT PRICE COMPONENTS CATALOGUE SENT WITH EVERY ORDER!!!

How to place your order.....

By phone.....0273 771156

By FAX.....0273 206875

By Post...PO box 517 Hove Sussex BN3 5QZ

Payment by ACCESS, VISA, CHEQUE OR POSTAL ORDER.

Cheques and postal orders should be payable to Express Components.

ALL PRICES ARE SUBJECT TO 99p POST AND VAT. Some of our products may be unlicensable for use in the UK (particularly the FM transmitters.)

DIRECT BOOK SERVICE

ELECTRONICS TEACH-IN 88/89 INTRODUCING MICROPROCESSORS Mike Tooley B.A. (published by *Everyday Electronics*)

A complete course that can lead successful readers to the award of a City and Guilds Certificate in Introductory Microprocessors (726/303). The book contains everything you need to know including full details on registering for assessment, etc.

Sections cover Microcomputer Systems, Microprocessors, Memories, Input/Output, Interfacing and Programming. There are various practical assignments and eight Data Pages covering popular microprocessors.

And excellent introduction to the subject even for those who do not wish to take the City and Guilds assessment.
80 pages **Order code IT 88/89** £2.45

ELECTRONICS TEACH-IN No.6 DESIGN YOUR OWN CIRCUITS (published by *Everyday with Practical Electronics*) Mike Tooley B.A.

This book is designed for the beginner and experienced reader alike, and aims to dispel some of the mystique associated with the design of electronic circuits. It shows how even the relative newcomer to electronics can, with the right approach, design and realise quite complex circuits.

Fourteen individual p.c.b. modules are described which, with various detailed modifications, should allow anyone to design and construct a very wide range of different projects. Nine "hands-on" complete DIY projects have also been included so readers can follow the thinking behind design, assembly, construction, testing and evaluation, together with suggested "mods" to meet individual needs.

The subjects covered in each chapter of the book are: Introduction and Power Supplies; Small Signal Amplifiers; Power Amplifiers; Oscillators; Logic Circuits; Timers; Radio; Power Control; Optoelectronics.

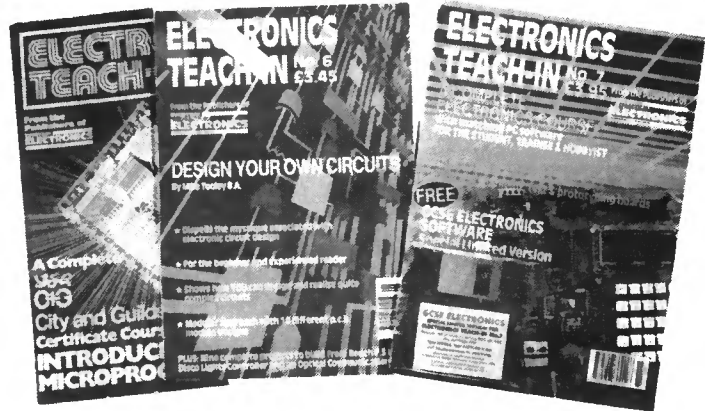
The nine complete constructional projects are: Versatile Bench Power Supply; Simple Intercom; Bench Amplifier/Signal Tracer; Waveform Generator; Electronic Die; Pulse Generator; Radio Receiver; Disco Lights Controller; Optical Communications Link.
136 pages **Order code IT6** £3.45

TEACH-IN No. 7, plus FREE SOFTWARE ANALOGUE AND DIGITAL ELECTRONICS COURSE (published by *Everyday with Practical Electronics*) Alan Winstanley and Keith Dye B.Eng(Tech)AMIEE

This highly acclaimed *EPE Teach-In* series, which included the construction and use of the *Mini Lab* and *Micro Lab* test and development units, has been put together in book form. Additionally, EPT Educational Software have developed a GCSE Electronics software program to complement the course and a FREE DISK covering the first two parts of the course is included with the book.

An interesting and thorough tutorial series aimed specifically at the novice or complete beginner in electronics. The series is designed to support those undertaking either GCSE Electronics or GCE Advanced Levels, and starts with fundamental principles.

If you are taking electronics or technology at school or college, this book is for you. If you just want to learn the basics of electronics or technology you must make sure you see it. *Teach-In No. 7* will be invaluable if you are considering a career in electronics or even if you are already training in one. The *Mini Lab* and software enable the construction and testing of both demonstration and development circuits. These learning aids bring electronics to life in an enjoyable and interesting way: you will both see and hear the electron in action! The *Micro Lab*



microprocessor add-on system will appeal to higher level students and those developing microprocessor projects.
160 pages **Order code IT7** £3.95

ELECTRONIC PROJECTS BOOK 1 (published by *Everyday Electronics* in association with *Magenta Electronics*)

Contains twenty projects from previous issues of *EE* each backed with a kit of components. The projects are: Seashell Sea Synthesizer, EE Treasure Hunter, Mini Strobe, Digital Capacitance Meter, Three-Channel Sound to Light, BBC 16K sideways RAM, Simple Short Wave Radio, Insulation Tester, Stepper Motor Interface, Eprom Eraser, 200MHz Digital Frequency Meter, Infra Red Alarm, EE Equaliser, Ioniser, Bat Detector, Acoustic Probe, Mainstester and Fuse Finder, Light Rider - (Lapel Badge, Disco Lights, Chaser Light), Musical Doorbell, Function Generator, Tilt Alarm, 10W Audio Amplifier, EE Buccaneer Induction Balance Metal Detector, BBC Midi Interface, Variable Bench Power Supply, Pet Scarer, Audio Signal Generator.
128 pages **Order code EP1** £2.45

The books listed have been selected by *Everyday with Practical Electronics* editorial staff as being of special interest to everyone involved in electronics and computing. They are supplied by mail order to your door. Full ordering details are given on the last book page. For another selection of books see next month's issue.

PROJECT CONSTRUCTION

POPULAR ELECTRONIC PROJECTS

R. A. Penfold

Included in this book are a collection of the most popular types of project which, we feel sure, will provide many designs to interest all electronics enthusiasts. All the circuits utilise modern, inexpensive and freely available components. The 27 projects selected cover a very wide range and are divided into four basic areas: Radio Projects, Audio Projects, Household Projects and Test Instruments. An interesting addition to the library of both the beginner and more advanced constructor.
135 pages **Order code BP49** £2.50

TEST EQUIPMENT CONSTRUCTION

R. A. Penfold

This book describes in detail how to construct some simple and inexpensive but extremely useful, pieces of test equipment. Stripboard layouts are provided for all designs, together with wiring diagrams where appropriate, plus notes on construction and use.

The following designs are included—
AF Generator, Capacitance Meter, Test Bench Amplifier, AF Frequency Meter, Audio Multivoltmeter, Analogue Probe, High Resistance Voltmeter, CMOS Probe, Transistor Tester, TTL Probe.

The designs are suitable for both newcomers and more experienced hobbyists.
104 pages **Order code BP248** £2.95

HOW TO DESIGN AND MAKE YOUR OWN P.C.B.s

R. A. Penfold

Deals with the simple methods of copying printed circuit board designs from magazines and books, and covers all aspects of simple p.c.b. construction including photographic methods and designing your own p.c.b.s.
80 pages **Order code BP121** £2.50

HOW TO GET YOUR ELECTRONIC PROJECTS WORKING

R. A. Penfold

We have all built projects only to find that they did not work correctly, or at all, when first switched on. The aim of this book is to help the reader overcome just these problems by indicating how and where to start looking for many of the common faults that can occur when building up projects.
96 pages **Order code BP110** £2.95

AUDIO AMPLIFIER CONSTRUCTION

R. A. Penfold

The purpose of this book is to provide the reader with a wide range of preamplifier and power amplifier designs that will, it is hoped, cover most normal requirements.

The preamplifier circuits include low noise microphone and RIAA types, a tape head preamplifier, a guitar preamplifier and various tone controls. The power amplifier designs range from low power battery operation to 100W MOSFET types and also include a 12 volt bridge amplifier capable of giving up to 18W output.

All the circuits are relatively easy to construct using the p.c.b. or stripboard designs given. Where necessary any setting-up procedures are described, but in most cases no setting-up or test gear is required in order to successfully complete the project.
100 pages **Order code BP122** £2.95

BEGINNER'S GUIDE TO BUILDING ELECTRONIC PROJECTS

R. A. Penfold

Shows the complete beginner how to tackle the practical side of electronics, so that he or she can confidently build the electronic projects that are regularly featured in magazines and books. Also includes examples in the form of simple projects.
112 pages **Order code 227** £1.95

RADIO / TV / VIDEO

ELECTRONIC PROJECTS FOR VIDEO ENTHUSIASTS

R. A. Penfold

This book provides a number of practical designs for video accessories that will help you get the best results from your camcorder and VCR. All the projects use inexpensive components that are readily available, and they are easy to construct. Full construction details are provided, including stripboard layouts and wiring diagrams. Where appropriate, simple setting up procedures are described in detail; no test equipment is needed.

The projects covered in this book include: Four channel audio mixer, Four channel stereo mixer, Dynamic noise limiter (DNL), Automatic audio fader, Video faders, Video wipers, Video crispener, Mains power supply unit.
109 pages **Order code BP356** £4.95

SETTING UP AN AMATEUR RADIO STATION

I. D. Poole

The aim of this book is to give guidance on the decisions which have to be made when setting up any amateur radio or short wave listening station. Often the experience which is needed is learned by one's mistakes, however, this can be expensive. To help overcome this, guidance is given on many aspects of setting up and running an efficient station. It then proceeds to the steps that need to be taken in gaining a full transmitting licence.

Topics covered include: The equipment that is needed; Setting up the shack; Which aeriels to use; Methods of construction; Preparing for the licence.

An essential addition to the library of all those taking their first steps in amateur radio.
86 pages **Order code BP300** £3.95

EXPERIMENTAL ANTENNA TOPICS

H. C. Wright

Although nearly a century has passed since Marconi's first demonstration or radio communication, there is still research and experiment to be carried out in the field of antenna design and behaviour.

The aim of the experimenter will be to make a measurement or confirm a principle, and this can be done with relatively fragile, short-life apparatus. Because of this, devices described in this book make liberal use of cardboard, cooking foil, plastic bottles, cat food tins, etc. These materials are, in general, cheap to obtain and easily worked with simple tools, encouraging the trial-and-error philosophy which leads to innovation and discovery.

Although primarily a practical book with text closely supported by diagrams, some formulae which can be used by straightforward substitution and some simple graphs have also been included.
72 pages **Order code BP278** £3.50

NEWNES SHORTWAVE LISTENING HANDBOOK

Joe Pritchard G1UOW

Part One covers the "science" side of the subject, going from a few simple electrical "first principles", through a brief treatment of radio transmission methods to simple receivers. The emphasis is on practical receiver designs and how to build and modify them, with several circuits in the book.

Part Two covers the use of sets, what can be heard, the various bands, propagation, identification of stations, sources of information, QSLing of stations and listening to amateurs. Some computer techniques, such as computer Morse decoding and radio teletype decoding are also covered.
224 pages **Order code NE16** £15.95

TESTING, THEORY, DATA AND REFERENCE

PRACTICAL ELECTRONICS HANDBOOK - Third Edition Ian Sinclair

A completely updated and revised third edition of this popular title. It still contains a carefully selected collection of standard circuits, rules-of-thumb, and design data for professional engineers, students and enthusiasts involved in radio and electronics, but is now over one hundred pages bigger.

The book covers many areas not available elsewhere in such a handy volume, and this new edition now includes chapters on: **Microprocessors and Microprocessor Systems:** Instruction Registers, Clocking, Memory, Read-Write Memory, Buses, Reading and Writing Actions, Three-state Control, Control Bus, Timing and Bus Control, PC Register and Addressing, Addressing Methods, Interrupts, Inputs and Outputs, Ports, Keyboard Interfacing, Video Interfacing. **Digital-Analogue conversions:** Analogue-to-Digital Conversion, Sampling and Conversion, Digital-to-Analogue Conversion, Current Addition Methods, Conversion Problems, Bitstream Methods, Computer Plug-in Boards. **Computer Aids in Electronics:** The Computer, Linear Circuit and Nodes, PCB Layouts, Circuit Diagrams, Public Domain Software Library. **Hardware Components and Practical Work:** Hardware, Video connectors, Control Knobs and switches, Cabinets and cases, Packages for semiconductors, Integrated circuit packages, Constructing circuits, Surface mounting, Testing and trouble-shooting, Practical work on microprocessing equipment, Instruments for digital servicing work, Logic analysers.

Other chapters cover Passive Components, Active Discrete Components, Discrete Component Circuits, Linear ICs, Digital ICs, Transferring Digital Data and Computer Aids in Electronics. **338 pages** **Order code NE19** **£14.95**

MORE ADVANCES USES OF THE MULTIMETER R. A. Penfold

This book is primarily intended as a follow-up to BP239. (See below), and should also be of value to anyone who already understands the basics of voltage testing and simple component testing. By using the techniques described in Chapter 1 you can test and analyse the performance of a range of components with just a multimeter (plus a very few inexpensive components in some cases). Some useful quick check methods are also covered.

While a multimeter is supremely versatile, it does have its limitations. The simple add-ons described in Chapter 2 extended the capabilities of a multimeter to make it even more useful. **84 pages** **Order code BP265** **£2.95**

ELECTRONIC TEST EQUIPMENT HANDBOOK Steve Money

The principles of operation of the various types of test instrument are explained in simple terms with a minimum of mathematical analysis. The book covers analogue and digital meters, bridges, oscilloscopes, signal generators, counters, timers and frequency measurement. The practical uses of the instruments are also examined.

Everything from Audio Oscillators, through R, C & L measurements (and a whole lot more) to Waveform Generators and testing Zeners. **206 pages** **Order code PC109** **£8.95**

A REFERENCE GUIDE TO BASIC ELECTRONICS TERMS F. A. Wilson, C.G.I.A., C.Eng., F.I.E.E., F.I.E.R.E., F.B.I.M.

The wonders of electronics multiply unceasingly and electronic devices are creeping relentlessly into all walks of modern life. As with most professions, ours too has a language of its own, ever expanding and now encompassing several thousands of terms. This book picks out and explains some of the more important fundamental terms (over 700), making the explanations as easy to understand as can be expected of a complicated subject and avoiding high-level mathematics.

Through its system of references, each term is backed up by a list of other relevant or more fundamental terms so that a chosen subject can be studied to any depth required. **472 pages** **Order code BP286** **£5.95**

GETTING THE MOST FROM YOUR MULTIMETER R. A. Penfold

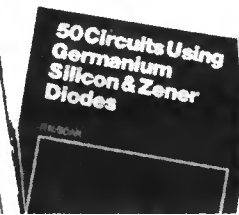
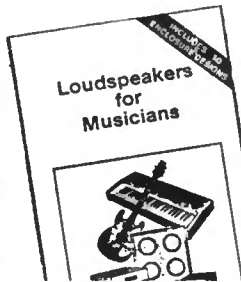
This book is primarily aimed at beginners and those of limited experience of electronics. Chapter 1 covers the basics of analogue and digital multimeters, discussing the relative merits and the limitations of the two types. In Chapter 2 various methods of component checking are described, including tests for transistors, thyristors, resistors, capacitors and diodes. Circuit testing is covered in Chapter 3, with subjects such as voltage, current and continuity checks being discussed.

In the main little or no previous knowledge or experience is assumed. Using these simple component and circuit testing techniques the reader should be able to confidently tackle servicing of most electronic projects. **96 pages** **Order code BP239** **£2.95**

ELECTRONICS-BUILD AND LEARN R. A. Penfold

The first chapter gives full constructional details of a circuit demonstrator unit that is used in subsequent chapters to introduce common electronic components - resistors, capacitors, transformers, diodes, transistors, thyristors, fets and op.amps. Later chapters go on to describe how these components are built up into useful circuits, oscillators, multivibrators, bistables and logic circuits.

At every stage in the book there are practical tests and experiments that you can carry out on the demonstrator unit to investigate the points described and to help you understand the principles involved. You will soon be able to go on to more complex circuits and tackle fault finding logically in other circuit you build. **120 pages** **Order code PC103** **£6.95**



PRACTICAL ELECTRONICS CALCULATIONS AND FORMULAE

F. A. Wilson, C.G.I.A., C.Eng., F.I.E.E., F.I.E.R.E., F.B.I.M.

Bridges the gap between complicated technical theory, and "cut-and-try" methods which may bring success in design but leave the experimenter unfulfilled. A strong practical bias - tedious and higher mathematics have been avoided where possible and many tables have been included.

The book is divided into six basic sections: Units and Constants, Direct-Current Circuits, Passive Components, Alternating-Current Circuits, Networks and Theorems, Measurements. **256 pages** **Order code BP53** **£3.95**

NEWNES ELECTRONICS TOOLKIT Geoff Phillips

The author has used his 30 years experience in industry to draw together the basic information that is constantly demanded. Facts, formulae, data and charts are presented to help the engineer when designing, developing, evaluating, fault finding and repairing electronic circuits. The result is this handy workmate volume: a memory aid, tutor and reference source which is recommended to all electronics engineers, students and technicians.

Have you ever wished for a concise and comprehensive guide to electronics concepts and rules of thumb? Have you ever been unable to source a component, or choose between two alternatives for a particular application? How much time do you spend searching for basic facts or manufacturer's specifications? This book is the answer, it covers resistors, capacitors, inductors, semiconductors, logic circuits, EMC, audio, electronics and music, telephones, electronics in lighting, thermal considerations, connections, reference data. **158 pages** **Order code NE20** **£12.95**

INTERNATIONAL TRANSISTOR EQUIVALENTS GUIDE

A. Michaels

Helps the reader to find possible substitutes for a popular selection of European, American and Japanese transistors. Also shows material type, polarity, manufacturer and use. **320 pages** **Order code BP85** **£3.95**

AUDIO AND MUSIC

INTRODUCTION TO DIGITAL AUDIO (Second Edition) Ian Sinclair

Digital recording methods have existed for many years and have become familiar to the professional recording engineer, but the compact disc (CD) was the first device to bring audio methods into the home. The next step is the appearance of digital audio tape (DAT) equipment.

All this development has involved methods and circuits that are totally alien to the technician or keen amateur who has previously worked with audio circuits. The principles and practices of digital audio owe little or nothing to the traditional linear circuits of the past, and are much more comprehensible to today's computer engineer than the older generation of audio engineers.

This book is intended to bridge the gap of understanding for the technician and enthusiast. The principles and methods are explained, but the mathematical background and theory is avoided, other than to state the end product. **128 pages** **Order code PC102** **£7.95**

AUDIO

F. A. Wilson, C.G.I.A., C.Eng., F.I.E.E., F.I.E.R.E., F.B.I.M.

Analysis of the sound wave and an explanation of acoustical quantities prepare the way. These are followed by a study of the mechanism of hearing and examination of the various sounds we hear. A look at room acoustics with a subsequent chapter on microphones and loudspeakers then sets the scene for the main chapter on audio systems - amplifiers, oscillators, disc and magnetic recording and electronic music. **320 pages** **Order code BP111** **£3.95**

MAKE MONEY FROM HOME RECORDING Clive Brooks

Now that you've spent a fortune on all that recording gear, MIDI and all, wouldn't it be nice to get some back? Well here's the book to show you how.

It's packed with money making ideas, any one of which will recoup the price of the book many times over. Whether you have a fully fledged recording studio at home, or just a couple of stereo cassette recorders and a microphone, you'll be able to put the ideas in this book into practice and make money. **105 pages** **Order code PC104** **£6.95**

AN INTRODUCTION TO LIGHT IN ELECTRONICS F. A. Wilson

Marconi first bridged the Atlantic with radio waves, then of a mere 200 kilohertz. Since then for communication we have moved up the frequency scale through megahertz and microwaves and are now probing light waves. Accordingly no self-respecting electronics engineer can afford not to be conversant with light and its uses in electronics since development of opto-electronic devices and communication systems is proceeding at a truly explosive rate.

This book is not for the expert but neither is it for the completely uninitiated. It is assumed the reader has some basic knowledge of electronics. After dealing with subjects like Fundamentals, Waves and Particles and The Nature of Light such things as Emitters, Detectors and Displays are discussed. Chapter 7 details four different types of Lasers before concluding with a chapter on Fibre Optics. **161 pages** **Order code BP359** **£4.95**

PRACTICAL ELECTRONIC DESIGN DATA Owen Bishop

This book is a comprehensive ready-reference manual for electronics enthusiasts of all levels, be they hobbyists, students or professionals. A helpful major section covers the main kinds of component, including surface-mounted devices. For each sort, it lists the most useful and readily available types, complete with details of their electronic characteristics, pin-outs and other essential information.

Basic electronic units are defined, backed up by a compendium of the most often required formulae, fully explained. There are five more extensive sections devoted to circuit design, covering analogue, digital, radio, display, and power supply circuits. Over 150 practical circuit diagrams cover a broad range of functions. The reader is shown how to adapt these basic designs to a variety of applications. Many of the circuit descriptions include step-by-step instructions for using most of the standard types of integrated circuit such as operational amplifiers, comparators, filters, voltage converters and switched-mode power supply devices, as well as the principal logic circuits. **328 pages** **Order code BP316** **£4.95**

MIDI SURVIVAL GUIDE Vic Lennard

Whether you're a beginner or a seasoned pro, the MIDI Survival Guide shows you the way. No maths, no MIDI theory, just practical advice on starting up, setting up and ending up with a working MIDI system.

Over 40 cabling diagrams. Connect synths, sound modules, sequencers, drum machines and multitracks. How to budget and buy secondhand. Using switch, turn and merger boxes. Transfer songs between different sequencers. Get the best out of General MIDI. Understand MIDI implementation charts. No MIDI theory. **104 pages** **Order code PC111** **£6.95**

PRACTICAL ELECTRONIC MUSICAL EFFECTS UNITS R. A. Penfold

This book provides practical circuits for a number of electronic musical effects units. All can be built at relatively low cost, and use standard, readily available components. The projects covered include: Waa-Waa Units; Distortion Units; Phaser; Guitar Envelope Shaper; Compressor; Tremolo Unit; Metal Effects Unit; Bass and Treble Boosters; Graphic Equaliser; Parametric Equaliser. The projects cover a range of complexities, but most are well within the capabilities of the average electronics hobbyist. None of them require the use of test equipment and several are suitable for near beginners. **102 pages** **Order code BP368** **£4.95**

LOUDSPEAKERS FOR MUSICIANS Vivan Capel

This book contains all that a working musician needs to know about loudspeakers; the different types, how they work, the most suitable for different instruments, for cabaret work, and for vocals. It gives tips on constructing cabinets, wiring up, when and where to use wadding, and when not to, what fittings are available, finishing, how to ensure they travel well, how to connect multi-speaker arrays and much more.

Ten practical enclosure designs with plans and comments are given in the last chapter, but by the time you've read that far you should be able to design your own! **164 pages** **Order code BP297** **£3.95**

CIRCUITS AND DESIGN

REMOTE CONTROL HANDBOOK (Revised Edition)

Owen Bishop

Remote control systems lend themselves to a modular approach. This makes it possible for a wide range of systems, from the simplest to the most complex, to be built up from a number of relatively simple modules. The author has tried to ensure that, as far as possible, the circuit modules in this book are compatible with one another. They can be linked together in many different configurations to produce remote control systems tailored to switch a table lamp on and off, or to operate an industrial robot, this book should provide the circuit you require.

240 pages **Order code BP240** £4.95

COIL DESIGN AND CONSTRUCTIONAL MANUAL

B. B. Babani

A complete book for the home constructor on "how to make" RF, IF, audio and power coils, chokes and transformers. Practically every possible type is discussed and calculations necessary are given and explained in detail. Although this book is now twenty years old, with the exception of toroids and pulse transformers little has changed in coil design since it was written.

96 pages **Order code 160** £2.50

30 SOLDERLESS BREADBOARD PROJECTS - BOOK 1

R. A. Penfold

Each project, which is designed to be built on a plug-in breadboard, is presented in a similar fashion with a brief circuit description, circuit diagram, component layout diagram, components list and notes on construction and use where necessary. Whenever possible, the components used are common to several projects, hence with only a modest number of reasonably inexpensive components, it is possible to build in turn, every project shown.

160 pages **Order code BP107** £2.95

AUDIO IC CIRCUITS MANUAL

R. M. Marston

A vast range of audio and audio-associated i.c.s are readily available for use by amateur and professional design engineers and technicians. This manual is a guide to the most popular and useful of these devices, with over 240 diagrams. It deals with i.c.s such as low frequency linear amplifiers, dual pre-amplifiers, audio power amplifiers, charge coupled device delay lines, bar-graph display drivers, and power supply regulators, and shows how to use these devices in circuits ranging from simple signal conditioners and filters to complex graphic equalizers, stereo amplifier systems, and echo/reverb delay lines etc.

168 pages **Order code NE13** £13.95

50 CIRCUITS USING GERMANIUM, SILICON AND ZENER DIODES

R. N. Soar

Contains 50 interesting and useful circuits and applications, covering many different branches of electronics, using one of the most simple and inexpensive of components - the diode. Includes the use of germanium and silicon signal diodes, silicon rectifier diodes and Zener diodes, etc.

64 pages **Order code BP36** £1.95

A BEGINNERS GUIDE TO CMOS DIGITAL ICs

R. A. Penfold

Getting started with logic circuits can be difficult, since many of the fundamental concepts of digital design tend to seem rather abstract, and remote from obviously useful applications. This book covers the basic theory of digital electronics and the use of CMOS integrated circuits, but does not lose sight of the fact that digital electronics has numerous "real world" applications.

The topics covered in this book include: the basic concepts of logic circuits; the functions of gates, inverters and other logic "building blocks"; CMOS logic i.c. characteristics,

and their advantages in practical circuit design; oscillators and monostables (timers); flip/flops, binary dividers and binary counters; decade counters and display drivers.

The emphasis is on a practical treatment of the subject, and all the circuits are based on "real" CMOS devices. A number of the circuits demonstrate the use of CMOS logic i.c.s in practical applications.

119 pages **Order code BP333** £4.95

OPTOELECTRONICS CIRCUITS MANUAL

R. M. Marston

A useful single-volume guide to the optoelectronics device user, specifically aimed at the practical design engineer, technician, and the experimenter, as well as the electronics student and amateur. It deals with the subject in an easy-to-read, down-to-earth, and non-mathematical yet comprehensive manner, explaining the basic principles and characteristics of the best known devices, and presenting the reader with many practical applications and over 200 circuits. Most of the i.c.s and other devices used are inexpensive and readily available types, with universally recognised type numbers.

182 pages **Order code NE14** £13.95

OPERATIONAL AMPLIFIER USER'S HANDBOOK

R. A. Penfold

The first part of this book covers standard operational amplifier based "building blocks" (integrator, precision rectifier, function generator, amplifiers, etc), and considers the ways in which modern devices can be used to give superior performance in each one. The second part describes a number of practical circuits that exploit modern operational amplifiers, such as high slew-rate, ultra low noise, and low input offset devices. The projects include: Low noise tape preamplifier, low noise RIAA preamplifier, audio power amplifiers, d.c. power controllers, opto-

isolator audio link, audio millivolt meter, temperature monitor, low distortion audio signal generator, simple video fader, and many more.

120 pages **Order code BP335** £4.95

CMOS CIRCUITS MANUAL

R. M. Marston

Written for the professional engineer, student or enthusiast. It describes the basic principles and characteristics of these devices and includes over 200 circuits.

All the circuits have been designed, built and fully evaluated by the author; all use inexpensive and internationally available devices.

187 pages **Order code NE12** £13.95

TIMER/GENERATOR CIRCUITS MANUAL

R. M. Marston

This manual is concerned mainly with waveform generator techniques and circuits. Waveform generators are used somewhere or other in most types of electronic equipment, and thus form one of the most widely used classes of circuit. They may be designed to produce outputs with sine, square, triangle, ramp, pulse, staircase, or a variety of other forms. The generators may produce modulated or unmodulated outputs, and the outputs may be of single or multiple form.

Waveform generator circuits may be built using transistors, op.amps, standard digital i.c.s, or dedicated waveform or "function" generator i.c.s.

The manual is divided into eleven chapters, and presents over 300 practical circuits, diagrams and tables. The subjects covered include: Basic principles; Sine wave generators; Square wave generators; Pulse generator circuits; "Timer i.c." generator circuits; Triangle and sawtooth generators; Multi-waveform generation; Waveform synthesizer i.c.s; Special waveform generators; Phaselocked loop circuits; Miscellaneous "555" circuits.

267 pages **Order code NE18** £13.95

COMPUTING

INTERFACING PCs AND COMPATIBLES

R. A. Penfold

Once you know how, PC interfacing is less involved than interfacing many eight-bit machines, which have tended to use some unusual interfacing methods.

This book gives you: A detailed description of the lines present on the PC expansion bus. A detailed discussion of the physical characteristics of PC expansion cards. The I/O map and details of the areas where your add-on can be fitted. A discussion of address decoding techniques. Practical address decoder circuits. Simple TTL 8-bit input and output ports. Details of using the 8255 parallel interface adaptor. Digital to analogue converter circuits. In fact everything you need to know in order to produce successful PC add-ons.

80 pages **Order code BP272** £3.95

HOW TO CHOOSE A SMALL BUSINESS COMPUTER SYSTEM

D. Weale

This book is for anyone intending to buy an IBM compatible computer system, whether it is their first system or a replacement. There are sections on hardware, application and systems programs, and how to actually make your choice as well as sections on the law, ergonomics and a glossary of common terms. The text contains many useful tips and some warnings (which could save much effort and expense). After having read this book you should have a better idea of what is suitable for your needs, how to obtain it and how to ensure that the system is operated with the minimum of difficulty.

144 pages **Order code BP323** £4.95

HOW TO EXPAND, MODERNISE AND REPAIR PCs AND COMPATIBLES (Revised Edition)

R. A. Penfold

Not only are PC and compatible computers very expandable, but before long most users actually wish to take advantage of that expandability and start upgrading their PC system. Some aspects of PC upgrading can be a bit confusing, but this book provides advice and guidance on the popular forms of internal PC expansion, and should help to make things reasonably straightforward and painless. Little knowledge of computing is assumed. The only assumption is that you can operate a standard PC of some kind (PC, PC XT, PC AT, or an 80386 based PC).

The subjects covered include: PC overview; Memory upgrades; Adding a hard disk drive; Adding a floppy disk drive; Display adaptors and monitors; Fitting a maths co-processor; Keyboards; Ports; Mice and digitisers; Maintenance (including preventative maintenance) and Repairs, and the increasingly popular subject of d.i.y. PCs.

156 pages **Order code BP271** £5.95

THE PRE-BASIC BOOK

F. A. Wilson, C.G.I.A., C.ENG., F.I.E.E., F.I.E.R.E., F.B.I.M.

Another book on BASIC but with a difference. This one does not skip through the whole of the subject and thereby leave many would-be programmers floundering but instead concentrates on introducing the technique by looking in depth at the most frequently used and more easily understood computer instructions. For all new and potential micro users.

192 pages **Order code BP146** £2.95

SERVICING PERSONAL COMPUTERS - 3rd EDITION

Mike Tooley BA

The revised and enlarged third edition contains a new chapter on servicing 68000 based microcomputers. It has been updated throughout and includes many new photos and diagrams. It is essential for anyone concerned with the maintenance of personal computer equipment or peripherals, whether professional service technician, student or enthusiast.

240 pages **Order code NE15** £25

A CONCISE USER'S GUIDE TO MS-DOS 5

N. Kantaris

If you are a PC user and want to get the most out of your computer in terms of efficiency and productivity, then you must learn the intricacies of its MS-DOS operating system. With this book you will learn to do just that in the shortest and most effective way.

The book explains: The enhancements to be found in MS-DOS version 5, over previous versions of the operating system. How the DOS operating system is structured so that you can understand what happens when you first switch on your computer. How directories and subdirectories can be employed to structure your hard disk for maximum efficiency. How to use the DOS Shell program (a menu-driven graphical interface) to perform various house-keeping operations on your disk. How to manage disk files, and how to use the MS-DOS Editor to fully configure your system by writing your own CONFIG.SYS and AUTOEXEC.BAT files. How to optimise your system by either increasing its conventional memory or increasing its speed. How to write batch files to automate the operation of your system.

A summary of all DOS commands, illustrated with examples, is given in the penultimate chapter, which turns it into a useful reference guide.

124 pages **Order code BP318** £4.95

DIRECT BOOK SERVICE ORDERING DETAILS

Please state the title and order code clearly, print your name and address and add the required postage to the total order.

Add £1.50 to your total order for postage and packing (overseas readers add £3 for countries in the EEC, or add £6 for all countries outside the EEC, surface mail postage) and send a PO, cheque, international money order (£ sterling only) made payable to Direct Book Service or credit card details (including card expiry date), Visa or Mastercard (Access) - minimum credit card order is £5 - quoting your name and address, the order code and quantities required to DIRECT BOOK SERVICE, 33 GRAVEL HILL, MERLEY, WIMBORNE, DORSET BH21 1RW (mail order only).

Although books are normally sent within seven days of receipt of your order, please allow a maximum of 28 days for delivery. Overseas readers allow extra time for surface mail post.

Please check price and availability (see latest issue of Everyday with Practical Electronics) before ordering from old lists.

For a further selection of books see next month's issue.

DIRECT BOOK SERVICE IS A DIVISION OF WIMBORNE PUBLISHING LTD.

BABANI BOOKS

We now supply *all* the books published by Bernard Babani (Publishing) Ltd. We have always supplied a selected list of Babani books and you will find many of them described on the previous pages or in next month's issue of *Everyday with Practical Electronics* (all books with a BP prefix to the order code are Babani books). Many readers have asked us to also supply various other Babani books, which have a reputation for value for money.

Our customers tell us they appreciate our speedy service and low postage charge and they would like to be able to purchase all the books from us and thus keep the postage charge to an absolute minimum (**£1.50 for UK p&p no matter how many books you buy**). We are pleased to be able to respond; we are now able to meet all your requirements for Babani books.

Code	Title	Price	Code	Title	Price	Code	Title	Price
BP37	50 Projects using Relays, SCRs and TRIACS	£2.95	BP250	Programming in FORTRAN 77	£4.95	BP306	A Concise Introduction to AmiPro 3	£4.95
BP39	50 (FET) Field Effect Transistor Projects	£2.95	BP251	Computer Hobbyists Handbook	£5.95	BP307	A Concise Introduction to QuarkXPress	£4.95
BP44	IC 555 Projects	£2.95	BP258	Learning to Program in C (revised edition)	£4.95	BP308	A Concise Introduction to Word 5.1 on the Macintosh	£5.95
BP48	Electronic Projects for Beginners	£1.95	BP259	A Concise Introduction to UNIX	£2.95	BP311	An Introduction to Scanners and Scanning	£4.95
BP49	Popular Electronic Projects	£2.50	BP260	A Concise Introduction to OS/2	£2.95	BP312	An Introduction to Microwaves	£3.95
BP56	Electronic Security Devices	£2.95	BP261	A Concise Introduction to Lotus 1-2-3 (revised edition)	£3.95	BP313	A Concise Introduction to Sage	£3.95
BP74	Electronic Music Projects	£2.95	BP262	A Concise Introduction to WordPerfect (revised edition)	£3.95	BP314	A Concise Introduction to Quattro Pro 3.0	£4.95
BP76	Power Supply Projects	£2.50	BP264	A Concise Advanced User's Guide to MS-DOS (revised edition - covers version 6.2)	£4.95	BP315	An Introduction to the Electromagnetic Wave	£4.95
BP78	Practical Computer Experiments	£1.75	BP269	An Introduction to Desktop Publishing	£5.95	BP320	Electronic Projects for Your PC	£3.95
BP84	Digital IC Projects	£1.95	BP273	Practical Electronic Sensors	£4.95	BP322	Circuits Source Book 2	£4.95
BP90	Audio Projects	£2.50	BP274	A Concise Introduction to SuperCalc5	£4.95	BP324	The Art of Soldering	£3.95
BP95	Model Railway Projects	£2.95	BP276	Short Wave Superhet Receiver Construction	£2.95	BP326	An Introduction to Satellite Communications	£5.95
BP115	The Pre-computer Book	£1.95	BP280	Getting the Most From Your PC's Hard Disk	£3.95	BP327	DOS One Step at a Time (covers Version 6.2)	£3.95
BP125	25 Simple Amateur Band Aerials	£1.95	BP283	A Concise Introduction to SmartWare II	£4.95	BP328	Sage Explained	£5.95
BP126	BASIC & PASCAL in Parallel	£1.50	BP284	Programming in QuickBASIC	£4.95	BP330	A Concise User's Guide to Lotus 1-2-3 Release 2.4	£4.95
BP132	25 Simple SW Broadcast Band Aerials	£1.95	BP291	A Concise Introduction to Ventura	£3.95	BP331	A Beginners Guide to MIDI	£4.95
BP136	25 Simple Indoor and Window Aerials	£1.75	BP292	Public Address Loudspeaker Systems	£3.95	BP334	Magic Electronics Projects	£4.95
BP144	Further Practical Electronics Calculations & Formulae	£4.95	BP293	An Introduction to Radio Wave Propagation	£3.95	BP336	A Concise Users Guide to Lotus1-2-3 Release 3.4	£5.95
BP145	25 Simple Tropical and MW Band Aerials	£1.75	BP294	A Concise Introduction to Microsoft Works (revised edition)	£4.95	BP337	A Concise Users Guide to Lotus1-2-3 for Windows	£5.95
BP147	An Introduction to 6502 Machine Code	£2.95	BP298	A Concise Introduction to the Mac System & Finder	£3.95	BP338	A Concise Introduction to Word for Windows	£5.95
BP148	Computer Terminology Explained	£1.95	BP301	Antennas for VHF and UHF	£4.95	BP339	A Concise Introduction to WordPerfect 5.2 for Windows	£5.95
BP171	Easy Add-on Projects for Amstrad CPC 464, 664, 6128 and MSX Computers	£2.95	BP303	Understanding PC Software	£4.95	BP343	A Concise Introduction to Microsoft Works for Windows	£5.95
BP176	A TV-DXers Handbook (revised edition)	£2.95	BP305	Learning CAD with AutoSketch for Windows	£5.95			
BP182	MIDI Projects	£2.95						
BP190	More Advanced Electronic Security Projects	£2.95						
BP192	More Advanced Power Supply Projects	£2.95						
BP193	LOGO for Beginners	£2.95						
BP196	BASIC & LOGO in Parallel	£2.95						
BP198	An Introduction to Antenna Theory	£2.95						
BP230	A Concise Introduction to GEM	£2.95						
BP243	BBC BASIC86 on the Amstrad PCs and IBM Compatibles - Book 1: Language	£3.95						
BP244	BBC BASIC86 on the Amstrad PCs and IBM Compatibles - Book 2: Graphics and Disk Files	£3.95						
BP245	Digital Audio Projects	£2.95						
BP246	Musical Applications of the Atari ST's	£5.95						
BP247	More Advanced MIDI Projects	£3.95						
BP249	More Advanced Test Equipment Construction	£3.50						

NEW THIS MONTH

BP317	Practical Electronic Timing	£4.95	BP354	Word 6 for Windows Explained	£5.95
BP329	Electronic Music Learning Projects	£4.95	BP360	A Practical Introduction to Sage Sterling + 2 for Windows	£4.95
BP345	Getting Started in Practical Electronics	£4.95	BP363	Practical Electronic Music Projects	£4.95
BP349	Practical Opto-Electronic Projects	£4.95	BP368	Practical Electronic Musical Effects Units	£4.95
BP350	Electronic Board Games	£4.95			
BP353	Wordperfect 6.0 for Windows Explained	£5.95			

IF NO PRICE IS SHOWN THE BOOK IS OUT OF PRINT (O.O.P.)
SEE PREVIOUS PAGE FOR FULL ORDERING DETAILS

PCB SERVICE

Printed circuit boards for certain EPE constructional projects are available from the PCB Service, see list. These are fabricated in glass fibre, and are fully drilled and roller tinned. All prices include VAT and postage and packing. Add £1 per board for airmail outside of Europe. Remittances should be sent to **The PCB Service, Everyday with Practical Electronics, Allen House, East Borough, Wimborne, Dorset BH21 1PF**. Cheques should be crossed and made payable to *Everyday with Practical Electronics* (Payment in £ sterling only).

NOTE: While 95% of our boards are now held in stock and are dispatched within seven days of receipt of order, please allow a maximum of 28 days for delivery - overseas readers allow extra if ordered by surface mail.

Back numbers or photostats of articles are available if required - see the **Back Numbers** page for details.

Please check price and availability in the latest issue.

Boards can only be supplied on a payment with order basis.

Special KNOCK DOWN SALE of PCB's.

We have a few p.c.b.s left from past projects these are being offered at the knock down price of **£1.00 each - no matter what size they are (some of these boards are worth over £6.00 each)** This price includes VAT and UK post - overseas orders please add 50p postage (or £1 per board for airmail postage).

£1.00 EACH inc. VAT and p&p

Tea Tune Thermostat 609; Suntan Timer 610; Time Switch 614; Doorbell Delay 616; Sound to Light Interface 637; Midi Pedal 639; Midi Merge 640; Audio Lead Tester 641; 4-Channel Auto Fader Interface 642; Electronic Spirit Level 649; Music on Hold 646; Power Supply 25V 700mA 656; Quick Cap Tester 668; Stereo Noise Generator 681; Amstrad Speech Synthesiser 689; Hand Tally, main board 699 and display board 700; Ghost Waker 703; Frequency Meter 704; EE Musketeer TV/Video/Audio Remote Control 706; Spatial Power Display 714; Amstrad PCW Sound Generator 715; Humidity Tester 716; Simple Basic Alarm 731; Model Train Controller 736; Digital LCD Thermostat, control board 740 and power relay board 741; Modular Disco Lights - Simple Chaser 745 and Sweeper Module 746; Automatic Light Control - PSU board 747 and logic board 748; Modular Disco Lights - Master-link 752; Ultrasonic Proximity Meter, Display Unit 753 & Sensor Unit 754; Mod. Disco Lights - Pattern Gen. 760; Capacitance Meter, 751; Modular Disco Lights - Dimmer Interface, 765.

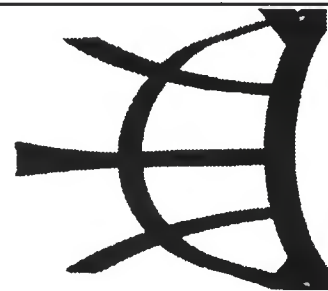
Any of the above for just £1 each inc. VAT and p&p.

Back numbers or photostats of articles are available see the **Back Numbers** page for details.

PROJECT TITLE	Order Code	Cost
Mod. Disco Lights	OCT '91	
VU Sound Module (Double-sided)	767	£8.68
UV Exposure Unit	768	£4.63
Mod. Disco Lights	NOV '91	
Superchaser (Double-sided)	771	£6.91
Supersweep (Double-sided)	772	£8.26
Bicycle Alarm	773	£5.01
Knockerbox	DEC '91	
Mind Machine - Main Board	775	£5.35
Auto Nightlight	778	£7.00
	779	£5.03
Mind Machine - Programmer Board	JAN '92	
Transistor Checker	780	£7.39
Stepping Motor Driver/Interface	781	£4.63
Micro-Sense Alarm	782	£10.39
	783	£5.42
Telesound	FEB '92	
Programmable Timer	784	£4.66
	785	£4.63
Auto Garage Light	MAR '92	
Versatile BBC Computer Interface	786	£6.10
Economy Seven Timer	787	£11.59
	788	£5.20
Sonic Continuity Tester	APR '92	
Telephone Ringer	789	£4.79
	790	£5.46
Experimental Weighing Scale	MAY '92	
12V Drill Charger/PSU (both boards)	792	£5.17
	793	£5.31
Digital Servo Interface	JUNE '92	
Tie Pulsar	791	£4.73
CCD Reverb Unit	794	£5.19
Switch-Mode Power Supply	795	£6.39
	796	£7.01
UV Exposure Timer	JULY '92	
Cricket Game	797	£5.33
Quick Prom	798	£6.77
	799	£5.61
Gas Alarm	AUG '92	
Dual Metronome	800	£5.47
	801	£6.74
Ultrasonic Tape Measure	SEP '92	
Quicktest	802	£6.06
	803	£4.82
Extended Range Capacitance Meter	OCT '92	
Traffic Lights System	804	£5.63
	806	£5.04
Mini Lab	NOV '92	
EPE Altimet (Altimeter)	807	£14.95
Personal Stereo Amplifier	808	£6.30
		£6.47

REPORTING

AMATEUR RADIO



Tony Smith G4FAI

OFFENDERS TO BE PUBLICISED

The Radiocommunications Agency (RA) has announced that in future details of the revocation of amateur and CB radio licences will be published where this is deemed appropriate.

Previously, says the Agency, it has not been able to inform the hobby radio community that a licence has been revoked as details about licensees have always been regarded as confidential between the Agency and the licensee. This has made it appear that the Agency has been too lenient with offenders.

The decision to publish this information will be based on the consideration that it is important to make other amateur and CB licensees aware of the revocation of a licence, and the ensuing ban on radio for the person concerned. This outweighs the normal rule that information about licensees should be regarded as private.

OCCASIONAL REVOCATIONS

Occasionally, says the Agency, there are cases of abusive behaviour on air, particularly in hobby radio. One or two of these per annum, following a prosecution, result in the revocation of amateur radio or CB licences, but it rarely needs to revoke other kinds of radio licence for misuse.

The latest figures available, in the Agency's report for 1993/94, show the number of prosecutions in that year as follows. As these were published under the previous rules, details of licence revocations, if any, are not given:

Prosecutions/Convictions – Amateur 4; CB AM 18; CB FM 19.

Forfeiture Orders – Amateur 2; CB AM 13; CB FM 8.

Warning Letters Sent – Amateur 4; CB AM 64; CB FM 371.

SSL CONTRACT RENEWED

The contract held by Subscription Services Ltd (SSL) for issuing amateur and CB radio licences on behalf of the Radiocommunications Agency is to be renewed for a further three years from 1 April 1995. In view of the delays experienced by many amateurs in renewing their licences, and various other problems encountered in the last three years, this news has not been received with much enthusiasm by the amateur community.

Readers may remember a letter from SSL, quoted in this column last September, in which they admitted "We have experienced a number of unique problems but have been working since Day One to iron them out, making a number of computer system revisions to achieve success. Ever since we took over the RA contract, in fact, we have been working hard to eradicate a number of extremely annoying and disruptive glitches."

BETTER PERFORMANCE PROMISED

The RA is aware of these difficulties and has felt it necessary to write a reassuring letter to all the licensees affected, both amateur and CB, to tell them that the new contract requires SSL to meet more demanding standards of performance which have been "specified clearly and in some detail".

In particular the practice of delaying issue of the licence validation document until the licence renewal date, even though payment may have been made weeks beforehand, is to stop and the document will be issued as soon as payment has been received.

Other changes are proposed, "with the aim of increasing efficiency", and we are all promised a further letter later explaining what these are.

I won't try to cost it out, but in these times of government economies I'm wondering about the expense of sending out a double mailshot totalling over 226,000 letters just to tell us that things will be more efficient in the future!

SPACE NEWS

A radio amateur has been appointed chief of the Johnson Space Center's Astronaut Office. He is Col. Robert D. Cabana, KC5HBV, a veteran of three Shuttle flights. Looking ahead, it is understood that negotiations are taking place to include an amateur radio station on the joint Russian-United States "International Space Station" due to orbit in 1995 or 1996. (W5YI Report).

Incidentally, all shuttle air-to-ground communications are re-transmitted on the amateur bands, as they happen. Using the callsign WA3NAN, the Goddard Amateur Radio Club, at the Goddard Space Flight Centre, Maryland, begins transmission about an hour before a launch and continues intermittently, depending on the astronauts' sleep/work schedules, until the mission ends.

There are also black-out periods of up to 30 minutes when no communications can be heard, but during loss of signal, audio from Mission Control may be transmitted.

The frequencies on which WA3NAN may be heard are 3.860MHz, 7.185MHz, 14.295MHz, 21.395MHz and 28.650MHz. The most likely frequency for reception in the UK is 14.295MHz, so if you hear on the news that a launch has taken place tune in to 20 metres on the WA3NAN frequency and leave the rig on.

Listeners' reports are welcomed and rewarded with the WA3NAN QSL card which is a photograph of a space shuttle in orbit. Reports should be sent to: WA3NAN, Goddard Amateur Radio Club Inc., PO Box 86, Greenbelt, Maryland 20768-0086, USA.

NEWS FROM THE RSGB

The VHF Committee of the Radio Society of Great Britain has published a discussion document on a number of matters on which comments are invited.

An IARU Region 1 Working Party, of which the RSGB is a member, is discussing possible changes to the lower half of the 144MHz band plan. The VHF Committee is considering making proposals for distinct sections to be allocated for CW/SSB EME (moonbounce); CW; CW/SSB; All Narrow-band Modes (narrow-band data modes as well as CW and SSB, with data communications strictly human-to-human, i.e., no computers, digipeaters or network nodes); Beacons; Data Communications; and All Modes.

It seeks comments on its suggestions, particularly on the relative amount of space for SSB/CW, All Narrow-band modes and Beacons. It wants also to investigate the possibility of adopting 12.5kHz channels for FM operation on 145MHz. Comments are welcome on the possibility of such a change, especially the time-scale that would be required for its implementation.

Consideration has also been given to the possibility of a Novice allocation on the 2m band. This could be restricted to certain frequencies and modes and, again, the Committee will welcome comments on this idea.

EXTRA SUB-BAND FOR PACKET?

It has also been considering proposals for an extra sub-band for packet radio use in the 432MHz band in order to relieve congestion and improve linking. Five alternatives have been proposed and it is the Committee's intention to allocate one of these for this purpose. Comments and alternative proposals are sought.

Comments should be sent to: Peter Burden G3UBX, 2 Links Road, Penn, Wolverhampton WV4 5RF. It is stressed, however, that the full text of the consultation document should be read first. This is printed in the December issue of *Rad-Com*, the Society's monthly journal.

According to the RSGB Press Bulletin, those wishing to submit comments may telephone RSGB HQ on 01707 659015 and ask for a complimentary copy of that issue. Please mention that you read about this invitation in *Everyday with Practical Electronics*.

The Bulletin also announces that purchasers of the 1995 RSGB Amateur Radio Diary have a chance to win an ICOM IC-728 transceiver worth nearly £1000. Just fill in a simple questionnaire, which comes with the diary, and send it to RSGB HQ in time for the free draw which takes place at the London Amateur Radio Show in March. The diary is available from RSGB Sales, Lambda House, Cranborne Road, Potters Bar, Herts EN6 3JE, price £4.20 plus 50p post & packing.

BTEC
Certificated



TUTOR
Supported

NATIONAL COLLEGE OF TECHNOLOGY

DISTANCE LEARNING COURSES

The National College of Technology offer a range of packaged learning short courses for study at home or in an industrial training environment which carry modular BTEC awards leading to a higher BTEC certificate. Study can commence at any time and at any level enabling you to create a study routine to fit around existing commitments. Courses on offer include:

Analogue Electronics
Digital Electronics
Fibre/Optoelectronics
Mechanics & Mechanisms
Programmable Logic Controllers
Electronic Testing & Fault Diagnosis

Tutor support and BTEC certification are available as options with no travelling or college attendance required. These very popular courses which are ideal for vocational training contain workbooks, audio cassette lecturettes, PCB's, instruments, tools, components and leads as necessary to support the theoretical and practical training. Whether you are a newcomer to electronics or have some experience and simply need an update or certification, there is probably a distance learning course ready for you. Write or telephone for details to:

National College of Technology
NCT Ltd., PO Box 11
Wendover, Bucks
Tel: (0296) 624270

revised
edition

TRANSMITTERS

AT LAST. A comprehensive, easy to follow guide to building short range transmitters and surveillance devices. Packed with useful information and circuits.

★ Only **£3.95** inc p&p.

(Some of the circuits included cannot be used legally in the UK)

RADIO KITS

All kits come with pre-drilled PCBs and high spec. components.

- MICRO FM TRANSMITTER (a).** 1km range, 80-100MHz preset inc. mic., very small (2-3cm) **£6.95**
- MICRO FM TRANSMITTER (b).** Variable mic. sens., tunable 90-110MHz, 1km range **£7.95**
- FM TRACKER.** Transmits an audio tone for direction finding, tracking etc. 80-110MHz **£8.50**
- ULTRA MINIATURE FM TRANSMITTER.** Runs off watch battery (inc), only 1x2cm, 200mtrs range. 80-100MHz **£8.95**
- FM RECEIVER (a).** Tiny high quality FM radio. Will drive headphones direct (not inc) **£10.90**
- FM RECEIVER (b).** As (a) but with 3 watt audio output and tuning LED **£13.50**
- CRYSTAL RADIO.** Includes tuner, earphone, ferrite aerial, etc. **£7.50**
- AM RADIO.** Single chip radio for headphones (not inc.) **£8.90**

AUDIO KITS

- AUDIO POWER AMPS**
- 15 WATT** General purpose upgrade **£8.95**
- 40 WATT** High quality, HD 0.003%, switch on mute ideal for compact disc **£15.50**
- 150 WATT** Rugged and powerful MOSFET design. PA/sound systems **£22.95**

PREAMPS ETC

- GENERAL PURPOSE PREAMP.** Variable gain 9-25V 40mV max in **£4.00**
- ULTRA LOW NOISE.** For high quality mixers, mics etc 9-25V **£4.50**
- ACTIVE TONE.** 12dB c/b bass and treble with variable gain **£8.95**
- 7 BAND EQ.** 150Hz-18kHz for EQ units and tone control, includes on-board preamp and pots. Variable gain **£12.95**
- NOISE GATE.** Dynamic noise reduction system. Variable input and cut off level. Will accept instruments, tape decks etc **£15.95**
- MUSIC KITS.** Full range of on-board units for guitars and other instruments. Tone boosters, active circuits, delay lines, transducers. Send for list.

Prices include P&P. **Mail Order Only.** Make cheques and postal orders payable to:

JCG

PO Box HP79, Woodhouse Street, Leeds LS6 3XN

COMPAC ELECTRONICS

3L WEYLONG ROAD, DAGENHAM, ESSEX RM8 3AB
Tel: 081 984 0831

L.O.P.T. TRANSFORMERS - WIDE RANGE STOCKED.
PHILIPS, FERGUSON etc.

Handsets: Amstrad, Toshiba, Ferguson, Philips, from **£10**.
Universal Remote Control, operates TV, Video, Satellite, with Teletext buttons, **£16.99**
We repair Philips hand sets, **£5.00**.
Pinch Rollers from **£2.99**.
Video Fig. 8 Mains Lead, Telefunken type, **£1.00**.
R.F. Video leads, **50p**.
SCART to SCART leads, **£1.75**.
SCART to SCART leads, all pins connected, **£2.33**.
Aerial R.F. cable, RG62, **30p per mtr**.
Aerial R.F. male plugs, **30p each**.
TV on/off switches, from **£1.95**, most types.
Halogen Lamps, 240V, 500W, for outdoor floodlamps, **£1.75**.
Miniature Tool Kit, comprises: side cutters knife, screwdrivers, **£7.00**.
Ferguson TV TX100 Ni-Cad Battery, 2.4V, **£1.20**.
Sony Hi-Fi Tweeters, **£2** a pair.
Loudspeakers, 8" x 5", 15 ohms, **£1**.
Power Supply p.c.b., with mains transformer, 18V-1A, **£2**.
Philips Krypton Torches, **£1.50**.
Philips Television G11 line output panel, complete, **£5 plus £2**, post & carr.
Philips Soldering Iron, 240V, 25W, **£5.99**.
Voltage Regulators, LM340T, **44p**.
Marconi Blue Cap, ex-rental, **£5 plus £2**, post & carr.
Amstrad Compact black cap. LNB **£29.95 plus £2**, post & carr.

Satellite dishes, **£28 plus £5**, post & carr.
Satellite cable, **30p mtr**.
F. Connectors, **40p each**.
MASPRO LNB FSS, 1-3dB max., **£13.33**.
NOKIA LNB FSS 1-3, **£13.33**.
NOKIA Feed Horns, for offset antenna, **£10.67**.
NOKIA Electromagnetic, Polarizers, **£8.00**.
I.C.s: SAA3010P **£3.40**;
TDA3651SI **£1.10**; TDA3654 **£1.89**; TDA3651A **£2.85**;
TDA3562A **£2.85**; TDA2600 **£5.73**; TDA2578 **£3.43**;
TDA2579 **£2.86**; TDA2030 **£2.28**; TDA3653 **£3.43**;
TDA3651 **£2.29**; TDA3562 **£3.44**; TDA 3564 **£4.59**;
TDA4500 **£3.43**; TDA8180 **£5.48**;
TDA8190 **£3.43**; TDA8361, **£19.99**; STK4793 **£9.00**.
DIODES: Type RH1, **£2.00**.
TRANSISTORS: BU208A **£1.20**;
BU508AF **£1.75**; BU11AF **55p**;
BC327 **10p**; BC337 **10p**; BC338 **10p**; BC548 **10p**; BC549 **10p**.
CAPACITORS ELECTROLYTIC:
0-22µ 50V **5p**; 1µ 50V **5p**; 2-2µ 50V **6p**; 4-7µ 25V **10p**; 47µ 100V **20p**;
470µ 25V **20p**; 680µ 63V **60p**;
2,200µ 40V **60p**; 3,300µ 25V **80p**.
High quality loudspeaker cable, **50p per mtr**.
Servicing Sprays **£3.00** most types.
Ceramic Type Pulse Capacitors, 20 for **£1**.
Philips Audio Cassette Head Cleaning Kit, **£2**.

This is just a small sample of components available, please phone with your requirements. Please add **£1.00** postage & packing, all prices include VAT.

!!! SPECIAL OFFERS !!!

from

MEJDAF EUROPE LTD

Some examples are:

A high quality rugged Digital Multimeter, model 03-930C, with 20mm LCD display; 10M ohm input impedance; 1000V DC; 700V AC; 20 Amps AC/DC; 200M ohm resistance range. Capacitance range to 20µF; temp range to 400°. Frequency measurement to 20kHz; diode and transistor test; fuse protected..... **£35.20**

Analogue Multimeter, model YS-360TRe, 20K ohm/volt; AC/DC V to 1000. Current DC 0-250A. Resistance to 20M ohms, decibels, diode and transistor test..... **£12.75**

Soldering kit comprising of 30W iron, desoldering pump, mini-stand, tip cleaner, side-cutter, pliers, solder, 2 screwdrivers all in a foam lined box..... **£18.77**

Many other kits in stock and A GOOD RANGE OF components at competitive prices. The above kits are made by **PRO'S-KIT**.

We are sole agents for "ENGINEER" brand tools from Japan - one of the most respected brands in the world.

For list please send SAE.

Prices quoted are without VAT and carriage.
Please allow 17½% VAT and £4.50 carriage.

Callers welcome -

We are open Monday to Saturday 9am to 5.30pm.

MEJDAF EUROPE LTD.,

196 Preston Road, Wembley, Middlesex HA9 8PA.

Tel: 0181 904 9671 Fax: 0181 904 9546

P.S. Prices quoted apply to current stocks.

EVERYDAY CLASSIFIED With PRACTICAL ELECTRONICS

Everyday with Practical Electronics reaches twice as many UK readers as any other independent monthly hobby electronics magazine, our audited sales figures prove it. We have been the leading independent monthly magazine in this market for the last ten years

If you want your advertisements to be seen by the largest readership at the most economical price our classified and semi-display pages offer the best value. The prepaid rate for semi-display space is £8 (+VAT) per single column centimetre (minimum 2.5cm). The prepaid rate for classified adverts is 30p (+VAT) per word (minimum 12 words).

All cheques, postal orders, etc., to be made payable to Everyday with Practical Electronics. VAT must be added. Advertisements, together with remittance, should be sent to Everyday with Practical Electronics Advertisements, Holland Wood House, Church Lane, Great Holland, Essex CO13 0JS. Phone/Fax (01255) 850596.

For rates and information on display and classified advertising please contact our Advertisement Manager, Peter Mew as above.



★★★ SURVEILLANCE KITS ★★★
MRT1 MICRO TRANSMITTER, 26mm x 20mm including sensitive electret microphone, tuneable 80-115MHz, 500M range. Kit £4.95, Assembled £8.95.
MTT1 TELEPHONE TRANSMITTER, 35mm x 10mm, powered from line, transmits all conversations, 500M range, 80-120MHz. Kit £5.95, Assembled £10.95.
 All prices include p&p. Send 2x2nd class stamps for Catalogue. Cheques/P.O.s payable to:
EXCEL PRODUCTS (Dept. EPE)
 Unit 14, Sunningdale, Bishop's Stortford, Herts CM23 2PA

★★★ SURPLUS STOCK ★★★
 5mm BOXED POLYESTER
 63V 0.047µF - 0.068µF 4p
 63V 0.1µF, 0.15, 0.22, 0.33µF 5p
 100V 0.01µF to 0.033µF 3p
LARGE QUANTITIES PHONE FOR QUOTE.
 p&p 75p, above £7.50 n.c. All prices inc. VAT.
 Kingsbeech Ltd., Chelworth Ind. Est., Cricklade, Wilts.
 Tel./Fax. 0793 751114.

MINI CCD CAMERA
 Latest low-light (0.1lux), IR-sensitive mini camera from KOCOM #CA-H34C. 6 IR LEDs on board. 54mm x 38mm. 12V. Uncased. 33gm. Plugs direct into VCR or video monitor. **£145** reg. airmail. Bank draft on any HK bank.

DIY ELECTRONICS
 PO Box 88458, Sham Shui Po, Hong Kong.

THE BRITISH AMATEUR ELECTRONICS CLUB
 exists to help electronics enthusiasts by personal contact and through a quarterly Newsletter.
 For membership details, write to the Secretary:
Mr. J. F. Davies, 70 Ash Road, Cuddington, Northwich, Cheshire CW8 2PB.
 Space donated by Everyday with Practical Electronics

 A DOS disk packed with Psion Series 3a software for just **£10!**
 Also ask about our GB electronic map and route-planner for the Series 3a.
 Send cheque, P.O. for **£10** or S.A.E. for information to:
INFOCATION, Box 527, Burslem, Stoke-on-Trent, ST6 5UY.

YUGA ENTERPRISE
 BA, LA, LB, LC, UP, A,
 UPB, UPC, TA,
 TBA, TDA, TEA,
 2SA, 2SB, 2SC,
 2SJ, 2SK, SAA,
 STA, STK, STR,
 HA, AC, KA, KIA,
 IX, LM, MN, PA

Buy & Sell Japanese ICs & Transistors

TEL: (65) 741 0300
FAX: (65) 749 1048
 705 Sims Drive #03-09
 Shun Li Industrial Complex,
 Singapore 1438.

BTEC ELECTRONICS TECHNICIAN FULL-TIME TRAINING
 THOSE ELIGIBLE CAN APPLY FOR E.T. GRANT SUPPORT AN EQUAL OPPORTUNITIES PROGRAMME
 O.N.C., O.N.D. and H.N.C.
 Next course commences
Monday 24th April 1995
 FULL PROSPECTUS FROM

LONDON ELECTRONICS COLLEGE (Dept EPE) 20 PENYVERN ROAD EARLS COURT, LONDON SW5 9SU TEL: 071-373 8721

RCS VARIABLE VOLTAGE D.C. BENCH POWER SUPPLY
 1 to 24 volts up to 1/2 amp. 1 to 20 volts up to 1 amp. 1 to 16 volts up to 1 1/2 amps d.c. Fully stabilised. Twin panel meters for instant voltage and current readings. Overload protection.
 Fully variable. Operates from 240V a.c. Compact unit. Size 9 x 5 1/2 x 3 in.
NEW MODEL. Up to 38volts d.c. at 6 amps. 10 amps peak. Fully variable. Twin panel meters. Size 14 1/2 x 11 x 4 1/2 in. **£95** inc VAT. Carr £6.
RADIO COMPONENT SPECIALISTS
 337 WHITEHORSE ROAD, CROYDON SURREY, U.K. Tel: 0181-6841665
 Lots of transformers, high volt caps, valves, speakers, in stock. Phone or send your wants list for quote.

PELTIER MODULE
 Solid state 9 cm², 8V/5.4A. One side heats, the other cools. To 59°C difference. **£12** reg. airmail. Bank draft on any HK bank.
DIY ELECTRONICS
 PO Box 88458, Sham Shui Po, Hong Kong.

Looking for a Job!
 Are you too old, way over-qualified, got some capital & a little attitude? Interested in electronics? So was I. In 4 years I have set up my own, profitable electronic kit business from nothing. Now I need people to work with me to sell into UK/Europe. Good designs, modern Kits. I can also supply electronic components.
Peter Crowcroft, DIY ELECTRONICS
 PO Box 88458, Sham Shui Po, Hong Kong.
 Fax: 852-2725 0610.

Miscellaneous

PROTOTYPE PRINTED CIRCUIT BOARDS one offs and quantities, for details send s.a.e. to B. M. Ansbro, 38 Poynings Drive, Hove, Sussex BN3 8GR, or phone Brighton 883871.
G.C.S.E. ELECTRONICS KITS, at pocket money prices. S.A.E. for FREE catalogue. SIR-KIT Electronics, 70 Oxford Road, Clacton, CO15 3TE.
PLDs AND EPROMS copied or programmed. We supply logic devices/convert discrete logic to PLDs. Also PCBs designed. Send for details to PO Box 1561 Bath (0225 444467).
VALVE ENTHUSIASTS: Capacitors and other parts in stock. For free advice/lists please ring, Geoff Davies (Radio), Tel: 0788 574774.
PRINTED SERVICE BOARDS - QUICK SERVICE. Prototype and Small Production. We can raise your artwork from magazines or your draft designs at low cost. PCB's also designed from schematics. For details send to P. Agar, 54 Forthill Street, Enniskillen, BT74 6AJ or phone 0365 326800 (7 days).
LASER POINTERS 5mW 670nm (RED). German quality, £69.50 post paid. Also complete He-Ne Laser systems from £85.00. Telephone 01925 575848 for details. Cheques or PO to, English Scientific, 12 Orford Avenue, Warrington, Cheshire, WA2 7QL.
IBM PC FREEWARE. Easytrax PCB Design (Excellent), 640K, Herc/G/E/VGA, two 720K/one 1.44M drive(s), Scoptrax 8-bit Sample Editor (E/VGA). Excellent: plays through printer port DADs. 3.5in. 720K, £3 per disk. Write to Alan Bradley, 13 Martinville Park, Belfast BT8 4JH.
AMAZING VALUE computers, components, kits, electrical goods, stamp for full descriptive list. Nelso Electronics, 196 Leighton Park, Crewe, Cheshire, CW1 3UR.
FREE 10 Watt amplifier built! plus catalogue, samples £1 P&P. 60 Watt amplifiers. £5.00, ex-equipment. K.I.A., 1 Regent Road, Ilkley.
BOARDMAKER 2 v2.51, BoardCapture and BoardRouter, all disks and manuals as new. £900 new, sell for £300. 0395 512660.

EVERYDAY WITH PRACTICAL ELECTRONICS

Name

Address

.....

.....

SUBSCRIPTION ORDER FORM

Annual subscription rates (1994/5):
 UK £24.00.
 Overseas £30.00 surface mail,
 £47.50 airmail.

I enclose payment of £.....

(cheque/PO in £ sterling only, payable to Everyday with Practical Electronics). Alternatively send Access or Visa number and card expiry date.

Signature

Please supply name and address of card-holder if different from the subscription address shown above. Subscriptions can only start with the next available issue. For back numbers see the Editorial page.

Everyday with Practical Electronics,
 Allen House, East Borough, Wimborne,
 Dorset BH21 1PF
 Tel: 01202 881749 Fax: 01202 841692

M3/95

MAKE YOUR INTERESTS PAY!

Over the past 100 years more than 10 million students throughout the world have found it worth their while! An ICS home-study course can help you get a better job, make more money and have more fun out of life! ICS has over 100 years experience in home-study courses, and is the largest correspondence school in the world. You learn at your own pace, when and where you want under the guidance of expert 'personal' tutors. Find out how we can help YOU. Post or phone today for **FREE INFORMATION** on the course of your choice. (Tick one box only!)

GCSE/A' LEVEL over 20 examination subjects to choose from. Ask for details.

Electronics <input type="checkbox"/>	TV, Video & Hi-Fi Servicing <input type="checkbox"/>
C & G Basic Electronic Engineering <input type="checkbox"/>	Refrigeration & Air Conditioning <input type="checkbox"/>
Electrical Engineering <input type="checkbox"/>	PC Repair <input type="checkbox"/>
Electrical Contracting/Installation <input type="checkbox"/>	Computer Programming <input type="checkbox"/>

Mr/Mrs/Miss/Ms

Address

P.Code

ICS International Correspondence Schools, Dept. ECS 35, 312/314 High Street, Sutton, Surrey SM1 1PR. Tel: 041-221 7373 (24 hours). Fax: 041-221 8151

VISA



Cooke International

SUPPLIER OF QUALITY USED TEST INSTRUMENTS

ANALYSERS, BRIDGES, CALIBRATORS, VOLTMETERS, GENERATORS, OSCILLOSCOPES, POWER METERS, ETC. ALWAYS AVAILABLE

ORIGINAL SERVICE MANUALS FOR SALE
COPY SERVICE ALSO AVAILABLE

EXPORT, TRADE AND U.K. ENQUIRIES WELCOME
SEND LARGE S.A.E. (50p POSTAGE) FOR LISTS OF EQUIPMENT & MANUALS
ALL PRICES EXCLUDE VAT AND CARRIAGE
DISCOUNT FOR BULK ORDERS SHIPPING ARRANGED

OPEN MONDAY TO FRIDAY 9AM-5PM

Unit Four, Fordingbridge Site, Main Road, Barnham, Bognor Regis,
West Sussex, PO22 0EB

Tel (+ 44) 0243 545111/2 Fax (+ 44) 0243 542457

EQUIPMENT & ACCESSORIES PURCHASED

N. R. BARDWELL LTD (EPE)

200 Signal diodes 1N4148.....£1.00	25 3mm red l.e.d.s.....£1.00
75 Rectifier Diodes 1N4001.....£1.00	25 Assid. high brightness l.e.d.s.....£1.00
50 Rectifier Diodes 1N4007.....£1.00	50 Axial l.e.d.s (Diode package).....£1.00
25 Rectifier Diodes 1N5401.....£1.00	12 Assid. 7-segment displays.....£1.00
10 NE555 Timer I.C.s.....£1.00	2 ORP12 light dependant resistors.....£1.00
50 Assid. Zener Diodes.....£1.00	30 Assid. IF transformers.....£1.00
30 BC212L Transistors.....£1.00	48 Assid. coil formers.....£1.00
30 BC213L Transistors.....£1.00	100 Assid. RF chokes (inductors).....£1.00
30 BC327 Transistors.....£1.00	30 Assid. connectors edge.d.i.l., sil etc £1.00
30 BC328 Transistors.....£1.00	30 Assid. d.i.l. sockets up to 40-pin.....£1.00
30 BC337 Transistors.....£1.00	200 Assid. disc ceramic capacitors.....£1.00
30 BC478 Transistors.....£1.00	80 Assid. capacitors 1nF to 1µF.....£1.00
30 BC546 Transistors.....£1.00	80 Assid. electrolytic capacitors.....£1.00
30 BC548 Transistors.....£1.00	10 4P3W MBB min. rotary switches.....£1.00
30 BC549 Transistors.....£1.00	20 Min. SP/CO slide switches.....£1.00
30 BC550 Transistors.....£1.00	20 1" glass reed switches.....£1.00
25 BC557 Transistors.....£1.00	200 4N7 mini axial capacitors.....£1.00
30 BC558 Transistors.....£1.00	24 24-pin d.i.l. wire wrap i.c. skts.....£1.00
30 BC559 Transistors.....£1.00	1 12V motorised volume control 50k.....£1.00
25 BC640 Transistors.....£1.00	50 Grommets 6.3mm id, 9.5mm od.....£1.00
30 MPSA42 Transistors.....£1.00	100 c/w 1/4W 5% resistors any one value, E24, range 1R to 10M.....£0.45
30 MPSA92 Transistors.....£1.00	
20 2N3702 Transistors.....£1.00	
20 2N3904 Transistors.....£1.00	
10 78M08 8V 500mA Pos Regulators.....£1.00	
10 78M08 8V 500mA Neg Regulators.....£1.00	
30 5mm red l.e.d.s.....£1.00	

Prices include VAT, postage £1.25. Stamp for Lists
288 Abbeydale Road, Sheffield S7 1FL
Phone (0114) 2552886 Fax (0114) 2500689

SERVICE MANUALS

We have what is probably the largest range of Service Information available anywhere. From the Earliest Valve Wireless to the Latest Video Recorders. Colour Televisions, Test Gear, Audio, Computers, Amateur Radio in fact practically anything. Write, Fax or Phone for immediate Quote. Originals or Photostats as available.

Also available. Our **FREE** catalogue detailing Hundreds of Technical Books and Repair Guides available.

STOP PRESS

Now Available. Our Service Manuals Index on P.C. Disc (3.5") for use on your Computer. Just £3.50 with **FREE** everlasting Updates. Order MP-285.

MAURITRON TECHNICAL SERVICES (EPE),
8 Cherry Tree Road, Chinnor, Oxon, OX9 4QY.
Tel:- 01844-351694. Fax:- 01844 352554.

Please forward your latest catalogue for which I enclose 2 x 1st Class Stamps, or £3.50 for the Technical Books Catalogue plus Manuals Index on PC Disc(s).

NAME _____

ADDRESS _____

POSTCODE _____

If you do not wish to cut your magazine photocopy this coupon or use a separate sheet

INFOTECH & STREE

76 Church St, Larkhall, Lanarks, ML9 1HE

Phone (0698) 883334/888343 or Fax (0698) 884825

Remember: Not only do we have every sheet ever produced, but we also have

The World's Largest Collection of SERVICE MANUALS & CIRCUITS

We are now successfully running a *Library Service* which allows you to borrow any manual you want for as long as you want, and when you need another manual, just return the one you have, plus a £4.95 exchange fee and tell us what you want next.

Borrow any Service Manual for £4.95 regardless of its size or normal cost

The cost of this service is a yearly subscription fee of only £59.95. Join now & get a free 'Data Ref Guide'.

High quality stepping motor kits (all including stepping motors) 'Comstep' independent control of 2 stepping motors by PC (Via the Parallel Port) with 2 motors and software. Kit £67.00, ready built £99.00

Software support and 4 digital inputs kit £27.00
Power interface 4A kit £36.00, power interface 8A kit £46.00

Stepper kit 4 (manual control) includes 200 step stepping motor and control circuit £23.00

We are now stocking a range of stepping motors and kits to drive them - please ask for the stepping motor data sheet for full information

Inverter toroidal transformers 225VA 10 5-0-10V primary 0.260-285V secondary £29.95

LEDs 3mm or 5mm red or green 7p each, yellow 11p each

Cable Ties 1p each, £5.95 per 1000, £49.50 per 10,000

High quality photo resist copper clad epoxy glass boards

Dimensions	single-sided	double-sided
3x4 inches	£1.09	£1.23
4x8 inches	£2.75	£2.99
6x12 inches	£6.20	-
12x12 inches	£12.25	-

RECHARGEABLE BATTERIES

AA (HP7) 500MAH £0.99

AA 700MAH £1.75

C 2AH with solder tags £3.60

D 4AH with solder tags £4.95

1/2AA with solder tags £1.55

AAA (HP16) 180MAH £1.75

AA 500MAH with solder tags £1.55

C (HP11) 1.8AH £2.20

D (HP2) 1.2AH £2.60

PP3 8.4V 110MAH £4.95

Sub C with solder tags £2.50

1/3 AA with tags (Philips CTV) £1.95

Standard Charger, charges 4 AA cells in 5 hours or 4Cs or Ds in 12 to 14 hours plus 1xPP3 (1, 2, 3 or 4 cells may be charged at a time) £5.95

High power charger, as above but charges the Cs and Ds in 5 hours, AAs, Cs and Ds must be charged in twos or fours £10.95

Nickel Metal Hydride AA cells, high capacity, with no memory, 1000MAH £3.50, 1200MAH £3.75

SPECIAL OFFERS - PLEASE CHECK FOR AVAILABILITY

42mm x 16mm dia 1.2V battery £1.45

Stick of 4: 171mm x 16mm dia, with red and black leads, 4 8V £5.95

Computer grade capacitors with screw terminals, 87000µF 10V £1.95; 68000µF 15V £2.95; 10000µF 16V £1.50; 58000µF 60V £4.95

7-segment common anode l.e.d. display £1.55

LM337K TO3 case variable regulator £1.95

100 + £1.44 each

GaAs F.E.T. low leakage current 58873 £12.95

each, £9.95 10 + £7.95 100 +

BS250 p-channel MOSFET £4.5p

BC559 transistor £3.95 per 100

74LS05 Hex inverter £10.00 per 100

Used 8748 Microcontroller £3.50

SL952 UHF Limiting amplifier, LC 16 surface mounting package with data sheet £1.95

AM27502 £1.25 each, 90p 100 +

CD4007UB 10p 100 + 6p 1000 +

Sinclair light gun terminated with a jack plug and PP3 clip gives a signal when pointed at 50Hz flickering light, with output waveform chart £3.95

DC-DC converter, Reliability model, V12P5, 12V input 5V 200mA out, 300V input to output isolation, with data £4.95 each or pack of 10 £39.50

Hour counter used 7-digit 240V a.c. 50Hz, £1.45

QWERTY keyboard, 58-key good quality switches, new £6.00

Airpax A82903-C large stepping motor 14V 7.5 step, 27 ohm, 68mm dia body, 6.3mm shaft £8.95 or £200.00 for a box of 30

Polyester capacitors, box type, 22mm lead pitch 0.9µF 250V d.c. 18p each, 14p 100 + 9p 1000 + 3.3p 250V d.c. 20p each, 15p 100 + 10p 1000 + 1µF 50V bipolar electrolytic axial leads, 15p each, 7.5p 1000 +

0.22µF 250V polyester axial leads, 15p each, 100 + 7.5p each

Polypropylene 1µF 400V d.c. (Wima MKP10) 27.5mm pitch, 32 x 29 x 17mm case, 75p each, 60p 100 +

Philips 123 series solid aluminium axial leads, 33pF 10V and 2.2µF 40V 40p each, 25p 100 + 1µF 50V bipolar electrolytic axial leads, 15p each, 15p each 100 +

Multilayer AVX ceramic capacitors, 15p 1000 + pitch, 100V 100pF 150pF, 220pF, 1000pF (10n), 10p each, 5p 100 + 3.5p 1000 +

500pF compression trimmer 60p

40pF 370V a.c. motor start capacitor (dialectrol type containing no p.c.b.s.) £5.95 or £49.50 for 10

Solid carbon resistors, very low inductance, ideal for r.f. circuits, 270hm 2W, 680hm 2W 25p each, 15p each 100 +

we have a range of 0.25W, 0.5W, 1W and 2W solid carbon resistors - please send SAE for list

P.C. 400W PSU (Intel part 201035-001) with standard motherboard and 5 disk drive connectors, fan and mains inlet/outlet connectors on back and switch on the side (top for tower case) dims 212 x 149 x 149mm excluding switch, £26.00 each, £138.00 for 6

MX180 Digital Multimeter, 17 ranges, 1000V d.c. 750V a.c. 2Mohm 200mA transistor Hfe 9V and 1.5V battery test £12.95

AMD 27256-3 EPROMS £2.00 each, £1.25 100 + DIP switch, 3PCO 12-pin (ERG SDC 3-023) 60p each, 40p 100 +

Disk Drive Boxes for a 5.25 disk drive, with room for a power supply, light grey plastic, 67mm x 268mm x 247mm, £7.95 or £49.50 for 10

Handheld Ultrasonic remote control £3.95

CV2486 gas relay 30mm x 10mm dia with 3 wire terminals, will also work as a neon light, 20p each, £7.50 per 100

All products advertised are new and unused unless otherwise stated

Wide range of CMOS TTL 74HC 74F Linear Transistors kits, rechargeable batteries, capacitors, tools etc. always in stock

Please add £1.95 towards P&P VAT included in all prices

JPG ELECTRONICS

276-278 Chatsworth Road
Chesterfield S40 2BH
Access/Visa Orders (0246) 211202
Callers welcome

Mixed metal/carbon film resistors 1/4W E12 series 10 ohms to 1 Megohm	2p
Carbon Film resistors 1/4W 5% E24 series 0.51 R to 10MΩ	1p
100 off per value - 75p, even hundreds per value totalling 1000	£6.00p
Metal Film resistors 1/4W 10R to 1 MΩ 5% E12 series - 1/4p, 1% E24 series	2p
Mixed metal/carbon film resistors 1/4W E24 series 1R to 10MΩ	1 1/2p
1 watt mixed metal/Carbon Film 5% E12 series 4R7 to 10 Megohms	5p
Linear Carbon pre-sets 100mW and 1/4W 100R to 2M2 E6 series	7p
Miniature polyester capacitors 250V working for vertical mounting	
015, 022, 033, 047, 068-4p 0.1 - 5p, 0.12, 0.15, 0.22 - 6p, 0.47 - 8p, 0.68 - 8p, 1.0 - 12p	
Mylar (polyester) capacitors 100V working E12 series vertical mounting	
1000p to 8200p - 3p, 0.1 to 0.68 - 4p, 0.1 - 5p, 0.12, 0.15, 0.22 - 6p, 0.47/50V - 8p	
Submin ceramic plate capacitors 100V wkg vertical mountings. E12 series	
2% 18pf to 47pf - 3p, 2% 56pf to 330pf - 4p, 10% 390p-4700p	4p
Disc/plate ceramics 50V E12 series 1P0 to 1000P, E6 Series 1500P to 47000P	2p
Polystyrene capacitors 63V working E12 series long axial wires	
10pf to 820pf - 5p, 1000pf to 10,000pf - 6p, 12,000pf	7p
741 Op Amp - 20p, 555 Timer - 20p, LM3900	80p
CMOS 4001 - 20p, 4011 - 22p, 4017 - 40p, 4069UB unbuffered	20p
DIL holders, 8-pin 9p, 14-, 16-, 18-pin 12p, 24-pin 18p, 28-pin 20p, 40-pin 25p	
ALUMINIUM ELECTROLYTICS (Mfds/Volts)	
1/50, 2/250, 4/750, 10/25, 10/50	5p
22/16, 22/25, 22/50, 33/16, 47/16, 47/25, 47/50	12p
100/16, 100/25 7p, 100/50	12p
220/16 8p, 220/25, 220/50 10p, 470/16, 470/25	11p
1000/25 25p, 1000/35, 2200/25 35p, 4700/25	70p
Subminiature, tantalum bead electrolytics (Mfds/Volts)	
0.1, 0.22, 0.47, 1.0, 2.2, 3.3 @ 35V - 4.7/16, 6.8/10, 10/6, 10p, 6.8/35, 12p	
4.7/25, 6.8/16, 10/6, 11p, 15/16, 22/6, 33/10, 15p, 10/25, 16p, 10/35, 22/16, 20p	
47/10, 20p, 47/16, 25p, 47/20, 30p, 47/35, 32p, 100/3, 18p, 100/6, 220/6, 20p	
VOLTAGE REGULATORS	
1A + or - 5V, 8V, 12V, 15V, 18V & 24V - 55p, 100mA, 5.8, 12, 15, V +	30p
DIODES (piv/amps)	
75/25mA 1N4148 2p, 800/1A 1N4006 4 1/2p, 400/3A 1N5404 14p, 115/15mA OA91	8p
100/1A 1N4002 3 1/2p, 1000/1A 1N4007 5p, 60/1.5A S1M1 5p, 100/1A bridge	25p
400/1A 1N4004 4p, 1250/1A BY 127 10p, 30/150mA OA47 gold bonded	18p
Zener diodes E24 series 3V3 to 33V 400mW - 6p, 1 watt	10p
Battery snaps for PP3 - 7p for PP9	12p
L.E.D.'s 3mm, & 5mm, Red, Green, Yellow - 10p, Grommets 3mm - 2p, 5mm	2p
Red flashing L.E.D.'s require 9-12V supply only, 5mm	50p
Mains indicator neons with 220k resistor	10p
20mm fuses 100mA to 5A, O blow 6p, A/surge 10p, Holders, chassis, mounting	6p
High speed pc drill 0.8, 1.0, 1.3, 1.5, 2.0mm - 40p, Machines 12V dc	£15.00
HELPING HANDS 6 ball joints and 2 croc clips to hold awkward jobs	£4.50
AA/HP7 Nicad rechargeable cells 90p each, Universal charger unit	£6.50
AA/HP7 zinc/carbon batteries in packs of 4	£1.10 per pack
Glass reed switches with single pole make contacts - 8p, Magnets	20p
0.1" Stripboard 2 1/2" x 1" 9 rows 25 holes - 25p, 3 1/2" x 2 1/2" 24 rows 37 holes	70p
Jack plugs 2.5 & 3.5mm - 14p; Sockets Panel Mtg. 2.5 & 3.5mm	10p
Ear pieces 2.5 & 3.5mm, dynamic - 20p; 3.5mm crystal	£1.50
Multi cored solder, 22G - 8p yard, 18G - 14p yard.	
TRANSISTORS	
BC107/8/9 - 12p, BC547/8/9 - 8p, BC557/8/9 - 8p, BC182, 182L, BC183, 183L, BC184, 184L, BC212, 212L - 10p	
BC327, 337, 337L - 12p, BC727, 737 - 12p, BD135/6/7/8/9 - 25p, BCY70 - 18p, BFY50/51/52 - 20p	
BFX88 - 15p, 2N3055 - 55p, TIP31, 32 - 30p, TIP41, 42 - 40p, BU208A - £1.50, BF195, 197 - 12p	
Transistors with seven year guarantee, 240V AC, list price £16.95 or more	£12.50
Do not add VAT. Postage 30p (free over £5). Stamp for list	

THE CR SUPPLY CO

127 Chesterfield Rd., Sheffield S8 0RN Tel: 0742 557771 Return posting

20 Amstrad Games	£5.00*	Giant 2-digit v.f. display	£2.95*
20 Spectrum Games	£5.00*	12V stepper motors, 48 steps per rev., 7-3° step angle	£3.95*
£1 PACKS		250 off mixed electrolytic caps	£4.95*
50 BC184; 50 BC547A; 20 BS107; 20 BSS92; 20 2N2907A; 20 2N5086; 50 2N5551; 5 2N5657; 20 2N5769; 4 2N6394; 5 2N6400; 12 BCY69; 3 BD144; 3 BD145; 10 BD237; 10 BD239A; 5 BDX42; 2 BDX94; 5 BFW43; 10 BFX30; 3 BSU78; 5 BSW68; 3 BSX59; 2 BUF410A; 4 BUV26; 20 MPSA93; 10 VN2010-L; 20 ZTX304; 20 ZTX311; 20 ZTX510; 20 ZTX551; 5 5v d.i.l. relays; 10 21-10MHz crystals; 10 811MHz filters; 50 6-way i.c. skts.; 50 14-way d.i.p. hors; 20 TO18 heatsinks; 20 TO5 heatsinks; 200 TO5 mounting pads; 200 TO18 mountings pads; 2 100Ω LOPT Tx; 5 12-way terminal blocks; 10 silver control knobs; 10 95V V.D.R.; 3 12V counters; 25 3-5mm jack plugs; 10 PCB MT microswitch; 10 6-way d.i.l. switch; 10-1 pole 3-way rotary switch; 25 slide switches; 5 3A 250V power toggle switch; 50 4-7μF 25V caps; 15 2200μF 25V caps; 50 10μF 16V caps; 10 0.047μF suppression caps; 25 neons; 10 1μF 250V polyesters.		250 off poly polyester caps	£4.95*
5 1/4" to 3 1/2" floppy converter leads.	£1.50 ea*	1000 off mixed resistors 1/4W	£4.95*
STC p.s.u. 240V Input; 5V 6A Output, (converts to 12V 3A, details supplied)	£5.95	100 off phono plugs	£2.95*
Temperature probes, with data	£3.95*	50 off mixed terminal blocks	£2.50*
Universal Timer (10 min. delay and 20 min. cut-off functions)	£3.95*	25 off buzzers & sounders	£3.50*
12V 400mW Zeners, 100 off	£1*	25 off mixed relays	£4.95*
UM1287 sound and video modulator	£2.50 ea*	50 off mixed switches	£7.50*
3AMP mains filters	£1.00 ea*	250 off i.c. sockets	£3.95*
40 Character x 1-line dot matrix display	£4.95 ea*	1000 off Ceramic caps	£7.50*
Car Dashboard Display (shows lights, indicators, doors, on picture of car)	£4.95*	5 off 3V Lithium memory back-up batteries	£2.00*
4-digit clock display	£2.50*	100 off 2200μF 25V caps	£6.00*
4-digit l.c.d. with 7211 driver	£3.50*	100 off 4-7μF 25V caps	£2.50*
17-digit v.f. display	£2.95*	31b mixed component pack	£4.95
		Jumbo component pack	£10
		Crystal oscillators 10/12MHz	£1 ea
		5V DPCO D.I.L. relay	60p ea*
		5V SPCO S.I.L. reed relay	40p ea*
		12V Piezoelectric Sounders	50p ea
		DIL Switches 3/4/6 and 12-way	35p ea*
		3-5mm jack plugs	10 for £1*
		100 off Zener diodes, mixed	£2*
		21-piece mini screwdriver set	£3.95*
		Universal test lead kit	£3.95*
		10 crocodile clip leads	£3.50*
		20 off mixed R.F. Filters, Crystals, etc	£4.95*
		100m P.V.C. sleeving	£4.50*
		QUANTITY DISCOUNTS AVAILABLE PLEASE RING.	
		We also buy all forms of electronic components, p.s.u.s, disk drives etc. Lists to below address.	
		ALL PRICES INCLUDE V.A.T. PLEASE ADD £2.00 p+p EXCEPT ITEMS MARKED * WHICH ARE 50P. SAE FOR BULK BUYING LIST PAYMENT WITH ORDER TO.	
		Dept EE, COMPELEC, 14 Constable Road, St. Ives, Huntingdon, Cambs PE17 6EQ Tel/Fax: 0480 300819	

Millions of quality components at lowest ever prices!

Plus Tools, Watches, Fancy Goods, Toys. Mail order UK only.

All inclusive prices - **NO VAT** to add on.

Send 43p stamped self addressed label or envelope for catalogue/clearance list.

At least 2,100 offers to amaze you.

Brian J Reed

6 Queensmead Avenue, East Ewell Epsom, Surrey KT17 3EQ Tel: 081-393 9055

ADVERTISERS INDEX

AUDON ELECTRONICS	199
N. R. BARDWELL	251
B.K. ELECTRONICS	Cover (iii)
BRIAN J. REED	252
BULL ELECTRICAL	Cover (ii)
CHATWIN GUITARS (JCG)	249
CIRKIT DISTRIBUTION	199
COMPAC ELECTRONICS	249
COMPELEC	252
COOKE INTERNATIONAL	251
CRICKLEWOOD ELECTRONICS	199
CR SUPPLY COMPANY	252
DISPLAY ELECTRONICS	170
ELECTROMAIL	212
ESR ELECTRONIC COMPONENTS	180
EXPRESS COMPONENTS	242
GREENWELD ELECTRONICS	175
HART ELECTRONIC KITS	219
ICS	251
INFOTECH & STREE	251
JPG ELECTRONICS	251
LABCENTER	229
MAGENTA ELECTRONICS	178/179
MAPLIN ELECTRONICS	Cover (iv)
MAURITRON	251
M&B ELECTRICAL SUPPLIES	176
MEJDEF EUROPE	249
MQP ELECTRONICS	174
NATIONAL COLLEGE OF TECHNOLOGY	249
NEWMARKET TRANSFORMERS	236
NICHE SOFTWARE	174
NUMBER ONE SYSTEMS	173
OMNI ELECTRONICS	174
PICO TECHNOLOGY	177
POWERWARE	237
RADIO & TV COMPONENTS	193
ROBINSON MARSHALL	209
SEETRAX CAE	171
SHAPEWARE INTERNATIONAL	225
SHERWOOD ELECTRONICS	236
SUMA DESIGNS	172
TSIEN	189

ADVERTISEMENT MANAGER:

PETER J. MEW

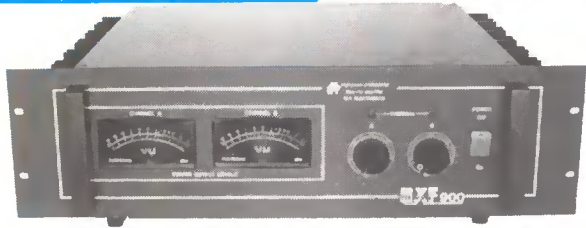
ADVERTISEMENT OFFICES:

EVERYDAY with PRACTICAL ELECTRONICS, ADVERTISEMENTS, HOLLAND WOOD HOUSE, CHURCH LANE, GREAT HOLLAND, ESSEX CO13 0JS. Phone/Fax: (01255) 850596

For Editorial address and phone numbers see page 181.

OMP MOS-FET POWER AMPLIFIERS HIGH POWER, TWO CHANNEL 19 INCH RACK

THOUSANDS PURCHASED BY PROFESSIONAL USERS



THE RENOWNED MXF SERIES OF POWER AMPLIFIERS
FOUR MODELS:- MXF200 (100W + 100W) MXF400 (200W + 200W)
MXF600 (300W + 300W) MXF900 (450W + 450W)
ALL POWER RATINGS R.M.S. INTO 4 OHMS, BOTH CHANNELS DRIVEN

FEATURES: ★ Independent power supplies with two toroidal transformers ★ Twin L.E.D. Vu meters ★ Level controls ★ illuminated on/off switch ★ XLR connectors ★ Standard 775mV inputs ★ Open and short circuit proof ★ Latest Mos-Fets for stress free power delivery into virtually any load ★ High slew rate ★ Very low distortion ★ Aluminium cases ★ MXF600 & MXF900 fan cooled with D.C. loudspeaker and thermal protection.

USED THE WORLD OVER IN CLUBS, PUBS, CINEMAS, DISCOS ETC.

SIZES:- MXF200 W19"xH3 1/2" (2U)xD11"
 MXF400 W19"xH5 1/4" (3U)xD12"
 MXF600 W19"xH5 1/4" (3U)xD13"
 MXF900 W19"xH5 1/4" (3U)xD14 1/2"

PRICES:- MXF200 £175.00 MXF400 £233.85
 MXF600 £329.00 MXF900 £449.15
 SPECIALIST CARRIER DEL. £12.50 EACH

OMP X03 STEREO 3-WAY ACTIVE CROSS-OVER

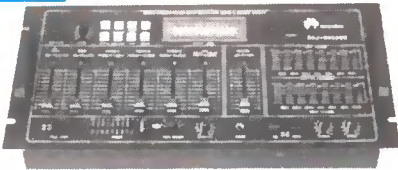


Advanced 3-Way Stereo Active Cross-Over, housed in a 19" x 1U case. Each channel has three level controls: bass, mid & top. The removable front fascia allows access to the programmable DIL switches to adjust the cross-over frequency: Bass-Mid 250/500/800Hz, Mid-Top 1.8/3/5KHz, all at 24dB per octave. Bass invert switches on each bass channel. Nominal 775mV input/output. Fully compatible with OMP rack amplifier and modules.

Price £117.44 + £5.00 P&P

STEREO DISCO MIXER SDJ3400SE ★ ECHO & SOUND EFFECTS ★

STEREO DISCO MIXER with 2 x 7 band L & R graphic equalisers with bar graph LED Vu meters. **MANY OUTSTANDING FEATURES:-** including Echo with repeat & speed control, DJ Mic with talk-back switch, 6 Channels with individual faders plus cross fade, Cue Headphone Monitor, 8 Sound Effects. Useful combination of the following inputs:- 3 turntables (mag), 3 mics, 5 Line for CD, Tape, Video etc.



Price £144.99 + £5.00 P&P

SIZE: 482 x 240 x 120mm

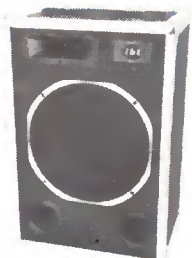
PIEZO ELECTRIC TWEETERS - MOTOROLA

Join the Piezo revolution! The low dynamic mass (no voice coil) of a Piezo tweeter produces an improved transient response with a lower distortion level than ordinary dynamic tweeters. As a crossover is not required these units can be added to existing speaker systems of up to 100 watts (more if two are put in series. **FREE EXPLANATORY LEAFLETS ARE SUPPLIED WITH EACH TWEETER.**

TYPE 'A' (KSN1036A) 3" round with protective wire mesh. Ideal for bookshelf and medium sized Hi-Fi speakers. Price £4.90 - 50p P&P.
TYPE 'B' (KSN1005A) 3 1/2" super horn for general purpose speakers, disco and P.A. systems etc. Price £5.99 - 50p P&P.
TYPE 'C' (KSN1016A) 2' x 5" wide dispersion horn for quality Hi-Fi systems and quality discos etc. Price £6.99 - 50p P&P.
TYPE 'D' (KSN1025A) 2' x 6" wide dispersion horn. Upper frequency response retained extending down to mid-range (2KHz). Suitable for high quality Hi-Fi systems and quality discos. Price £9.99 - 50p P&P.
TYPE 'E' (KSN1038A) 3 3/4" horn tweeter with attractive silver finish trim. Suitable for Hi-Fi monitor systems etc. Price £5.99 - 50p P&P.
LEVEL CONTROL. Combines, on a recessed mounting plate, level control and cabinet input jack socket. 85x85mm. Price £4.10 - 50p P&P.

IBI FLIGHT CASED LOUDSPEAKERS

A new range of quality loudspeakers. designed to take advantage of the latest speaker technology and enclosure designs. Both models utilize studio quality 12" cast aluminium loudspeakers with factory fitted grilles. wide dispersion constant directivity horns, extruded aluminium corner protection and steel ball corners. complemented with heavy duty black covering. The enclosures are fitted as standard with top hats for optional loudspeaker stands



POWER RATINGS QUOTED IN WATTS RMS FOR EACH CABINET
FREQUENCY RESPONSE FULL RANGE 45Hz - 20KHz

ibi FC 12-100WATTS (100dB) PRICE £159.00 PER PAIR
ibi FC 12-200WATTS (100dB) PRICE £175.00 PER PAIR

SPECIALIST CARRIER DEL. £12.50 PER PAIR

OPTIONAL STANDS PRICE PER PAIR £49.00
 Delivery £6.00 per pair

IN-CAR STEREO BOOSTER AMPS

THREE SUPERB HIGH POWER CAR STEREO BOOSTER AMPLIFIERS

150 WATTS (75 + 75) Stereo, 150W Bridged Mono
 250 WATTS (125 + 125) Stereo, 250W Bridged Mono
 400 WATTS (200 + 200) Stereo, 400W Bridged Mono
ALL POWERS INTO 4 OHMS
Features: ★ Stereo, bridgable mono ★ Choice of high & low level inputs ★ L & R level controls ★ Remote on-off ★ Speaker & thermal protection.

PRICES: 150W £49.99 250W £99.99
400W £109.95 P&P £2.00 EACH

OMP MOS-FET POWER AMPLIFIER MODULES

SUPPLIED READY BUILT AND TESTED.

These modules now enjoy a world-wide reputation for quality, reliability and performance at a realistic price. Four models are available to suit the needs of the professional and hobby market i.e. Industry, Leisure, Instrumental and Hi-Fi etc. When comparing prices, NOTE that all models include toroidal power supply, integral heat sink, glass fibre P.C.B. and drive circuits to power a compatible Vu meter. All models are open and short circuit proof.

THOUSANDS OF MODULES PURCHASED BY PROFESSIONAL USERS



OMP/MF 100 Mos-Fet Output power 110 watts R.M.S. into 4 ohms, frequency response 1Hz - 100KHz -3dB, Damping Factor > 300, Slew Rate 45V/uS, T.H.D. typical 0.002%, Input Sensitivity 500mV, S.N.R. -110 dB. Size 300 x 123 x 60mm.
PRICE £40.85 - £3.50 P&P



OMP/MF 200 Mos-Fet Output power 200 watts R.M.S. into 4 ohms, frequency response 1Hz - 100KHz -3dB, Damping Factor > 300, Slew Rate 50V/uS, T.H.D. typical 0.001%, Input Sensitivity 500mV, S.N.R. -110 dB. Size 300 x 155 x 100mm.
PRICE £64.35 - £4.00 P&P



OMP/MF 300 Mos-Fet Output power 300 watts R.M.S. into 4 ohms, frequency response 1Hz - 100KHz -3dB, Damping Factor > 300, Slew Rate 60V/uS, T.H.D. typical 0.001%, Input Sensitivity 500mV, S.N.R. -110 dB. Size 330 x 175 x 100mm.
PRICE £81.75 + £5.00 P&P



OMP/MF 450 Mos-Fet Output power 450 watts R.M.S. into 4 ohms, frequency response 1Hz - 100KHz -3dB, Damping Factor > 300, Slew Rate 75V/uS, T.H.D. typical 0.001%, Input Sensitivity 500mV, S.N.R. -110 dB, Fan Cooled, D.C. Loudspeaker Protection, 2 Second Anti-Thump Delay, Size 385 x 210 x 105mm.
PRICE £132.85 - £5.00 P&P



OMP/MF 1000 Mos-Fet Output power 1000 watts R.M.S. into 2 ohms, 725 watts R.M.S. into 4 ohms, frequency response 1Hz - 100KHz -3dB, Damping Factor > 300, Slew Rate 75V/uS, T.H.D. typical 0.002%, Input Sensitivity 500mV, S.N.R. -110 dB, Fan Cooled, D.C. Loudspeaker Protection, 2 Second Anti-Thump Delay, Size 422 x 300 x 125mm.
PRICE £259.00 + £12.00 P&P

NOTE: MOS-FET MODULES ARE AVAILABLE IN TWO VERSIONS: STANDARD - INPUT SENS 500mV, BAND WIDTH 100KHz. PEC (PROFESSIONAL EQUIPMENT COMPATIBLE) - INPUT SENS 775mV, BAND WIDTH 50KHz. ORDER STANDARD OR PEC.

LOUDSPEAKERS

LARGE SELECTION OF SPECIALIST LOUDSPEAKERS AVAILABLE, INCLUDING CABINET FITTINGS, SPEAKER GRILLES, CROSS-OVERS AND HIGH POWER, HIGH FREQUENCY BULLETS AND HORNS, LARGE (A4) S.A.E. (60p STAMPED) FOR COMPLETE LIST.



McKenzie and Fane Loudspeakers are also available.

EMINENCE- INSTRUMENTS, P.A., DISCO, ETC

ALL EMINENCE UNITS 8 OHMS IMPEDANCE
 8" 100 WATT R.M.S. ME8-100 GEN. PURPOSE, LEAD GUITAR, EXCELLENT MID, DISCO. RES. FREQ. 72Hz. FREQ. RESP. TO 4KHz, SENS 97dB. **PRICE £32.71 + £2.00 P&P**
 10" 100 WATT R.M.S. ME10-100 GUITAR, VOCAL, KEYBOARD, DISCO, EXCELLENT MID. RES. FREQ. 71Hz. FREQ. RESP. TO 7KHz, SENS 97dB. **PRICE £33.74 + £2.50 P&P**
 10" 200 WATT R.M.S. ME10-200 GUITAR, KEYB'D, DISCO, VOCAL, EXCELLENT HIGH POWER MID. RES. FREQ. 65Hz. FREQ. RESP. TO 3.5KHz, SENS 99dB. **PRICE £43.47 + £2.50 P&P**
 12" 100 WATT R.M.S. ME12-100LE GEN. PURPOSE, LEAD GUITAR, DISCO, STAGE MONITOR. RES. FREQ. 49Hz. FREQ. RESP. TO 6KHz, SENS 100dB. **PRICE £35.64 + £3.50 P&P**
 12" 100 WATT R.M.S. ME12-100LT (TWIN CONE) WIDE RESPONSE, P.A., VOCAL, STAGE MONITOR. RES. FREQ. 42Hz. FREQ. RESP. TO 10KHz, SENS 98dB. **PRICE £36.67 + £3.50 P&P**
 12" 200 WATT R.M.S. ME12-200 GEN. PURPOSE, GUITAR, DISCO, VOCAL, EXCELLENT MID. RES. FREQ. 58Hz. FREQ. RESP. TO 6KHz, SENS 98dB. **PRICE £46.71 + £3.50 P&P**
 12" 300 WATT R.M.S. ME12-300GP HIGH POWER BASS, LEAD GUITAR, KEYBOARD, DISCO ETC. RES. FREQ. 47Hz. FREQ. RESP. TO 5KHz, SENS 103dB. **PRICE £70.19 + £3.50 P&P**
 15" 200 WATT R.M.S. ME15-200 GEN. PURPOSE BASS, INCLUDING BASS GUITAR. RES. FREQ. 46Hz. FREQ. RESP. TO 5KHz, SENS 99dB. **PRICE £50.72 + £4.00 P&P**
 15" 300 WATT R.M.S. ME15-300 HIGH POWER BASS, INCLUDING BASS GUITAR. RES. FREQ. 39Hz. FREQ. RESP. TO 3KHz, SENS 103dB. **PRICE £73.34 + £4.00 P&P**

EARBENDERS- HI-FI, STUDIO, IN-CAR, ETC

ALL EARBENDER UNITS 8 OHMS (Except EB8-50 & EB10-50 which are dual impedance tapped @ 4 & 8 ohm)
BASS, SINGLE CONE, HIGH COMPLIANCE, ROLLED SURROUND
 8" 50watt EB8-50 DUAL IMPEDANCE, TAPPED 4/8 OHM BASS, HI-FI, IN-CAR. RES. FREQ. 40Hz. FREQ. RESP. TO 7KHz, SENS 97dB. **PRICE £8.90 - £2.00 P&P**
 10" 50WATT EB10-50 DUAL IMPEDANCE, TAPPED 4/8 OHM BASS, HI-FI, IN-CAR. RES. FREQ. 40Hz. FREQ. RESP. TO 5KHz, SENS 99dB. **PRICE £13.65 - £2.50 P&P**
 10" 100WATT EB10-100 BASS, HI-FI, STUDIO. RES. FREQ. 35Hz. FREQ. RESP. TO 3KHz, SENS 96dB. **PRICE £30.39 - £3.50 P&P**
 12" 100WATT EB12-100 BASS, STUDIO, HI-FI, EXCELLENT DISCO. RES. FREQ. 26Hz. FREQ. RESP. TO 3 KHz, SENS 93dB. **PRICE £42.12 - £3.50 P&P**
FULL RANGE TWIN CONE, HIGH COMPLIANCE, ROLLED SURROUND
 5 1/2" 60WATT EB5-60TC (TWIN CONE) HI-FI, MULTI-ARRAY DISCO ETC. RES. FREQ. 63Hz. FREQ. RESP. TO 20KHz, SENS 92dB. **PRICE £9.99 - £1.50 P&P**
 6 1/2" 60WATT EB6-60TC (TWIN CONE) HI-FI, MULTI-ARRAY DISCO ETC. RES. FREQ. 38Hz. FREQ. RESP. TO 20KHz, SENS 94dB. **PRICE £10.99 - 1.50 P&P**
 8" 60WATT EB8-60TC (TWIN CONE) HI-FI, MULTI-ARRAY DISCO ETC. RES. FREQ. 40Hz. FREQ. RESP. TO 18KHz, SENS 89dB. **PRICE £12.99 - £1.50 P&P**
 10" 60WATT EB10-60TC (TWIN CONE) HI-FI, MULTI ARRAY DISCO ETC. RES. FREQ. 35Hz. FREQ. RESP. TO 12KHz, SENS 98dB. **PRICE £16.49 - £2.00 P&P**

TRANSMITTER HOBBY KITS

PROVEN TRANSMITTER DESIGNS INCLUDING GLASS FIBRE PRINTED CIRCUIT BOARD AND HIGH QUALITY COMPONENTS COMPLETE WITH CIRCUIT AND INSTRUCTIONS

3W TRANSMITTER 80-108MHz. VARICAP CONTROLLED PROFESSIONAL PERFORMANCE. RANGE UP TO 3 MILES. SIZE 38 x 123mm. SUPPLY 12V @ 0.5AMP **PRICE £14.85 - £1.00 P&P**

FM MICRO TRANSMITTER 100-108MHz. VARICAP TUNED, COMPLETE WITH VERY SENS FET MIC. RANGE 100-300m. SIZE 56 x 46mm. SUPPLY 9V BATTERY. **PRICE £8.80 - £1.00 P&P**

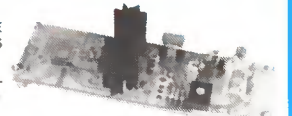


PHOTO: 3W FM TRANSMITTER

NEW

FULL COLOUR GUIDE TO ELECTRONIC PRODUCTS

Sept 1994–Aug 1995

Maplin



BS 5750
Part 2 1987

Level B:
Quality Assurance
RS12750

Order your copy of the New MAPLIN Catalogue on sale NOW!
Pick up a copy from any branch of WHSMITH, branches of John Menzies in Scotland ONLY, Eason & Son in N. Ireland ONLY, and Maplin stores nationwide for just £3.45 or post this coupon now to receive your copy for just £3.95 inc. p&a. If you live outside the U.K. send £7.30 or 18 IRCs for Airmail in Europe (including Republic of Ireland), £6.50 or 16 IRCs for surface mail outside Europe, or £12.30 or 30 IRCs for Airmail outside Europe. I enclose £3.95/£7.30/£6.50/£12.30 (delete as applicable).

Name
Address
Post Code
Send to Maplin Electronics,
P.O. Box 3, Rayleigh,
Essex, England
SS6 8LR

Over 800 colour packed pages
with hundreds of Brand New
Products at Super Low Prices.

**OUT OF THIS WORLD
ON SALE NOW**

**ONLY
£3.45**

Available from all branches of WHSMITH, John Menzies in Scotland ONLY, Eason & Son in N. Ireland ONLY, and Maplin stores nationwide. The Maplin Electronics 1995 Catalogue – **OUT OF THIS WORLD!**