



**ELECTRONICS**  
TODAY INTERNATIONAL

11674-9379  
R15-53  
OSP

# VIBRATION DETECTOR MODEL CONTROL SERIES

Add trafficators  
to your cars  
and trucks

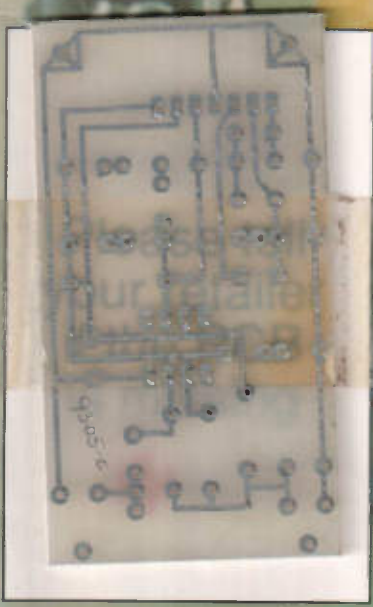
# INFRA GUIDE 2

Infra-red remote  
controlled  
telescope

# LOW VOLTAGE CIRCUITS



**FUZZTONE**  
Make a Guitar  
Fuzz box using  
our cover PCB



**BEST VALUE**  
**Argus**  
SPECIALIST PUBLICATION

9 770142 722023

05

**OMP MOS-FET POWER AMPLIFIERS**  
HIGH POWER, TWO CHANNEL 19 INCH RACK

**THOUSANDS PURCHASED BY PROFESSIONAL USERS**



**THE RENOWNED MXF SERIES OF POWER AMPLIFIERS**

FOUR MODELS:- MXF200 (100W + 100W) MXF400 (200W + 200W)  
MXF600 (300W + 300W) MXF900 (450W + 450W)

ALL POWER RATINGS R.M.S. INTO 4 OHMS, BOTH CHANNELS DRIVEN  
FEATURES: \* Independent power supplies with two toroidal transformers \* Two LED Vu meters \* Level controls \* Illuminated on/off switch \* XLR connectors \* Standard 775mV inputs \* Open and short circuit proof \* Latest Mos-Fets for stress free power delivery into virtually any load \* High slew rate \* Very low distortion \* Aluminium cases \* MXF600 & MXF900 fan cooled with D.C. loudspeaker and thermal protection.

USED THE WORLD OVER IN CLUBS, PUBS, CINEMAS, DISCOS ETC.

SIZES:- MXF200 W19"xH3 1/2" (2U)xD11"  
MXF400 W19"xH5 1/4" (3U)xD12"  
MXF600 W19"xH5 1/4" (3U)xD13"  
MXF900 W19"xH5 1/4" (3U)xD14 1/2"

PRICES:- MXF200 £175.00 MXF400 £233.85  
MXF600 £329.00 MXF900 £449.15  
SPECIALIST CARRIER DEL. £12.50 EACH



**OMP VARISPEED TURNTABLE CHASSIS**



\* Manual arm \* Steel chassis \* Electronic speed control 33 & 45 R.P.M. \* Vari pitch control \* High torque servo driven DC motor \* Transit screws \* 12" die cast platter \* Neon strobe \* Calibrated balance weight \* Removable head shell \* 1/2" cartridge fixings \* Cue lever \* 220/240V 50/60Hz \* 390x305mm \* Supplied with mounting cut-out template.

PRICE £61.30 + £3.70 P&P

**OPTIONAL MAGNETIC CARTRIDGES**

STANTON AL500MMII  
PRICE £16.95 + 50P P&P

**STEREO DISCO MIXER DJ6500**

\* WITH ECHO \*

STEREO DISCO MIXER with 2 x 7 band L & R graphic equalisers with bar graph LED Vu meters. MANY OUTSTANDING FEATURES:- including Echo with repeat & speed control, DJ Mic with tone control & talk-over switch, 7 Channels with individual faders plus cross fade, Cue Headphone Monitor. Useful combination of the following inputs:- 3 turntables (mag), 3 mics, 5 Line for CD, Tape, Video etc.



Price £134.99 + £5.00 P&P

SIZE: 482 x 240 x 120mm

**PIEZO ELECTRIC TWEETERS - MOTOROLA**

Join the Piezo revolution! The low dynamic mass (no voice coil) of a Piezo tweeter provides an improved transient response with a lower distortion level than ordinary dynamic tweeters. As a crossover is not required these units can be added to existing speaker systems of up to 100 watts (more if two are put in series). FREE EXPLANATORY LEAFLETS ARE SUPPLIED WITH EACH TWEETER.

- TYPE 'A' (KSN1036A) 3" round with protective wire mesh. Ideal for bookshelf and medium sized Hi-Fi speakers. Price £4.90 - 50p P&P.
- TYPE 'B' (KSN1005A) 3 1/2" super horn for general purpose speakers, disco and P.A. systems etc. Price £5.99 - 50p P&P.
- TYPE 'C' (KSN1016A) 2 x 5" wide dispersion horn for quality Hi-Fi systems and quality discos etc. Price £6.99 - 50p P&P.
- TYPE 'D' (KSN1025A) 2 x 6" wide dispersion horn. Upper frequency response retained extending down to mid-range (2KHz). Suitable for high quality Hi-Fi systems and quality discos. Price £8.99 - 50p P&P.
- TYPE 'E' (KSN1038A) 3 1/2" horn tweeter with attractive silver finish. Suitable for Hi-Fi monitor systems etc. Price £5.99 - 50p P&P.
- LEVEL CONTROL Combines on a recessed mounting plate, level control and cabinet input jack socket. 85x35mm. Price £4.10 - 50p P&P.

**IBI FLIGHT CASED LOUDSPEAKERS**

A new range of quality loudspeakers, designed to take advantage of the latest speaker technology and enclosure designs. Both models utilise studio quality 12" cast aluminium loudspeakers with factory lined grilles, wide dispersion constant directivity horns, extruded aluminium corner protection and steel ball corners, complimented with heavy duty black covering. The enclosures are fitted as standard with top hats for optional loudspeaker stands.



POWER RATINGS QUOTED IN WATTS RMS FOR EACH CABINET  
FREQUENCY RESPONSE FULL RANGE 45Hz - 20KHz

ibi FC 12-100WATTS (100dB) PRICE £159.00 PER PAIR  
ibi FC 12-200WATTS (100dB) PRICE £175.00 PER PAIR  
SPECIALIST CARRIER DEL. £12.50 PER PAIR

OPTIONAL STANDS PRICE PER PAIR £48.00  
Delivery £6.00 per pair

**IN-CAR STEREO BOOSTER AMPS**

THREE SUPER HIGH POWER CAR STEREO BOOSTER AMPLIFIERS



150 WATTS (75 - 75) Stereo, 150W Bridged Mono  
250 WATTS (125 - 125) Stereo, 250W Bridged Mono  
400 WATTS (200 - 200) Stereo, 400W Bridged Mono  
ALL POWERS INTO 4 OHMS

Features:  
\* Stereo, bridged mono \* Choice of high & low level inputs \* L & R level controls \* Remote on-off \* Speaker & thermal protection.

PRICES: 150W £49.99 250W £69.99  
400W £109.95 P&P £2.00 EACH

POSTAL CHARGES PER ORDER £1.00 MINIMUM. OFFICIAL ORDERS FROM SCHOOLS, COLLEGES, GOVT. BODIES, P.L.C.s ETC. PRICES INCLUSIVE OF V.A.T. SALES COUNTER, VISA AND ACCESS ACCEPTED BY POST, PHONE OR FAX.

**OMP MOS-FET POWER AMPLIFIER MODULES SUPPLIED READY BUILT AND TESTED.**

These modules now enjoy a world-wide reputation for quality, reliability and performance at a realistic price. Four models are available to suit the needs of the professional and hobby market i.e. Industry, Leisure, Instrumental and Hi-Fi etc. When comparing prices, NOTE that all models include toroidal power supply, integral heat sink, glass fibre P.C.B. and drive circuits to power a compatible Vu meter. All models are open and short circuit proof.

**THOUSANDS OF MODULES PURCHASED BY PROFESSIONAL USERS**



OMP/MF 100 Mos-Fet Output power 110 watts R.M.S. into 4 ohms, frequency response 1Hz - 100KHz -3dB, Damping Factor > 300, Slew Rate 45V/uS, T.H.D. typical 0.002%, Input Sensitivity 500mV, S.N.R. -110 dB. Size 300 x 123 x 60mm.  
PRICE £40.85 + £3.50 P&P



OMP/MF 200 Mos-Fet Output power 200 watts R.M.S. into 4 ohms, frequency response 1Hz - 100KHz -3dB, Damping Factor > 300, Slew Rate 50V/uS, T.H.D. typical 0.001%, Input Sensitivity 500mV, S.N.R. -110 dB. Size 300 x 155 x 100mm.  
PRICE £64.35 + £4.00 P&P



OMP/MF 300 Mos-Fet Output power 300 watts R.M.S. into 4 ohms, frequency response 1Hz - 100KHz -3dB, Damping Factor > 300, Slew Rate 60V/uS, T.H.D. typical 0.001%, Input Sensitivity 500mV, S.N.R. -110 dB. Size 330 x 175 x 100mm.  
PRICE £81.75 + £5.00 P&P



OMP/MF 450 Mos-Fet Output power 450 watts R.M.S. into 4 ohms, frequency response 1Hz - 100KHz -3dB, Damping Factor > 300, Slew Rate 75V/uS, T.H.D. typical 0.001%, Input Sensitivity 500mV, S.N.R. -110 dB, Fan Cooled, D.C. Loudspeaker Protection, 2 Second Anti-Thump Delay. Size 385 x 210 x 105mm.  
PRICE £132.85 + £5.00 P&P

NOTE: MOS-FET MODULES ARE AVAILABLE IN TWO VERSIONS: STANDARD - INPUT SENS 500mV, BAND WIDTH 100KHz. PEC (PROFESSIONAL EQUIPMENT COMPATIBLE) - INPUT SENS 775mV, BAND WIDTH 50KHz. ORDER STANDARD OR PEC.



Vu METER Compatible with our four amplifiers detailed above. A very accurate visual display employing 11 L.E.D.s (7 green, 4 red) plus an additional on/off indicator. Sophisticated logic control for very fast rise and decay times. Tough moulded plastic case, with acrylic tinted front. Size 84 x 27 x 45mm.  
PRICE £8.70 + 50p P&P

**LOUDSPEAKERS**

LARGE SELECTION OF SPECIALIST LOUDSPEAKERS AVAILABLE, INCLUDING CABINET FITTINGS, SPEAKER GRILLES, CROSS-OVERS AND HIGH POWER, HIGH FREQUENCY BULLETS AND HORNS, LARGE (A4) S.A.E. (50p STAMPED) FOR COMPLETE LIST.

P - From McKenzie Professional Series  
S - From McKenzie Studio Series

**McKENZIE- INSTRUMENTS, P.A., DISCO, ETC**

- ALL McKENZIE INSTRUMENTS 8 OHMS IMPEDANCE
- 8" 100 WATT P C8-100GP GEN. PURPOSE. LEAD GUITAR, EXCELLENT MID, DISCO. PRICE £31.45 + £2.00 P&P
- RES. FREQ. 80Hz. FREQ. RESP. TO 7KHz. SENS 96dB.
- 10" 100WATT S C10-100GP GUITAR, VOICE, KEYBOARD, DISCO, EXCELLENT MID. PRICE £38.89 + £2.50 P&P
- RES. FREQ. 72Hz. FREQ. RESP. TO 6KHz. SENS 97dB.
- 10" 300WATT S C10-200GP GUITAR, KEYB D, DISCO, EXCELLENT HIGH POWER MID. PRICE £53.21 + £2.50 P&P
- RES. FREQ. 69Hz. FREQ. RESP. TO 5KHz. SENS 97dB.
- 12" 100WATT P C12-100GP HIGH POWER GEN. PURPOSE. LEAD GUITAR, DISCO. PRICE £40.35 + £3.50 P&P
- RES. FREQ. 32Hz. FREQ. RESP. TO 7KHz. SENS 96dB.
- 12" 100WATT P C12-100TC (TWIN CONE) HIGH POWER, WIDE RESPONSE, P.A., VOICE, DISCO. PRICE £41.39 + £3.50 P&P
- RES. FREQ. 65Hz. FREQ. RESP. TO 12KHz. SENS 97dB.
- 12" 200WATT S C12-200B HIGH POWER BASS, KEYBOARDS, DISCO, P.A. PRICE £71.91 + £3.50 P&P
- RES. FREQ. 45Hz. FREQ. RESP. TO 5KHz. SENS 99dB.
- 12" 300WATT S C12-300B HIGH POWER BASS, LEAD GUITAR, KEYBOARDS, DISCO ETC. PRICE £95.66 + £3.50 P&P
- RES. FREQ. 48Hz. FREQ. RESP. TO 7KHz. SENS 100dB.
- 15" 100WATT P C15-100B BASS GUITAR, LOW FREQUENCY, P.A., DISCO. PRICE £ 59.05 + £4.00 P&P
- RES. FREQ. 40Hz. FREQ. RESP. TO 8KHz. SENS 98dB.
- 15" 200WATT P C15-200B VERY HIGH POWER BASS. PRICE £80.57 + £4.00 P&P
- RES. FREQ. 40Hz. FREQ. RESP. TO 8KHz. SENS 98dB.
- 15" 250WATT S C15-250B VERY HIGH POWER BASS. PRICE £90.23 + £4.50 P&P
- RES. FREQ. 39Hz. FREQ. RESP. TO 4KHz. SENS 99dB.
- 15" 400WATT S C15-400B VERY HIGH POWER, LOW FREQUENCY BASS. PRICE £105.46 + £4.50 P&P
- RES. FREQ. 40Hz. FREQ. RESP. TO 4 KHz. SENS 100dB.
- 15" 500WATT S C15-500B EXTREMELY HIGH POWER, LOW FREQUENCY BASS. PRICE £174.97 + £5.00 P&P
- RES. FREQ. 27Hz. FREQ. RESP. TO 2KHz. SENS 98dB.

**EARBENDERS- HI-FI, STUDIO, IN-CAR, ETC**

- ALL EARBENDERS USE 8 OHMS IMPEDANCE
- ALL EARBENDERS USE 8 OHMS IMPEDANCE
- 8" SINGLE CONE, HIGH COMPLIANCE, ROLLED SURROUND
- 4" 80WATT EB8-50 DUAL IMPEDANCE TAPPED 4/8 OHM BASS, HI-FI, IN-CAR. PRICE £8.90 + £2.00 P&P
- RES. FREQ. 40Hz. FREQ. RESP. TO 7KHz. SENS 93dB.
- 6" 60WATT EB10-50 DUAL IMPEDANCE TAPPED 4/8 OHM BASS, HI-FI, IN-CAR. PRICE £13.65 + £2.50 P&P
- RES. FREQ. 40Hz. FREQ. RESP. TO 5KHz. SENS 96dB.
- 10" 100WATT EB10-100 BASS, HI-FI, STUDIO. PRICE £30.39 + £3.50 P&P
- RES. FREQ. 35Hz. FREQ. RESP. TO 3KHz. SENS 96dB.
- 12" 100WATT EB12-100 BASS, STUDIO, HI-FI, EXCELLENT DISCO. PRICE £42.12 + £3.50 P&P
- RES. FREQ. 28Hz. FREQ. RESP. TO 3 KHz. SENS 93dB.
- FULL RANGE TWIN CONE, HIGH COMPLIANCE, ROLLED SURROUND
- 6" 60WATT EB6-60TC (TWIN CONE) HI-FI, MULTI-ARRAY DISCO ETC. PRICE £9.99 + £1.50 P&P
- RES. FREQ. 63Hz. FREQ. RESP. TO 20KHz. SENS 92dB.
- 8" 60WATT EB8-60TC (TWIN CONE) HI-FI, MULTI-ARRAY DISCO ETC. PRICE £10.99 + 1.50 P&P
- RES. FREQ. 38Hz. FREQ. RESP. TO 20KHz. SENS 94dB.
- 10" 60WATT EB8-60TC (TWIN CONE) HI-FI, MULTI-ARRAY DISCO ETC. PRICE £12.99 + £1.50 P&P
- RES. FREQ. 40Hz. FREQ. RESP. TO 18KHz. SENS 99dB.
- 10" 60WATT EB10-60TC (TWIN CONE) HI-FI, MULTI-ARRAY DISCO ETC. PRICE £16.49 + £2.00 P&P
- RES. FREQ. 35Hz. FREQ. RESP. TO 12KHz. SENS 98dB.

**TRANSMITTER HOBBY KITS**

PROVEN TRANSMITTER DESIGNS INCLUDING GLASS FIBRE PRINTED CIRCUIT BOARD AND HIGH QUALITY COMPONENTS COMPLETE WITH CIRCUIT AND INSTRUCTIONS

3W TRANSMITTER B-100Hz. VARIAC CONTROLLED PROFESSIONAL PERFORMANCE. RANGE UP TO 7 MILES. SIZE 80 x 100mm. SUPPLY 230V @ 0.5AMP. PRICE £14.99 + £3.00 P&P

FM MICRO TRANSMITTER 10-100MHz. VARIAC TUNED. COMPLETE WITH VERY SENS FET MIC. RANGE 10-20 Miles. SIZE 80 x 100mm. SUPPLY 3W BATTERY. PRICE £2.99 + £1.00 P&P



PHOTO: 3W FM TRANSMITTER

**B.K. ELECTRONICS**

UNITS 1 & 5 COMET WAY, SOUTHEND-ON-SEA, ESSEX. SS2 6TR.  
Tel: 0702-527572 Fax: 0702-420243

# Features & Projects

<b>The Fuzztone</b> .....	16
An effects pedal for your guitar. Commentary by Daniel Coggins.	
<b>Pentacode Lock</b> .....	20
Install this security module into computer games to time-limit your kids addiction. The unpopular Bob Noyes emerges with a convenient circuit.	
<b>Moving Coil Meters Part 2</b> .....	26
Ray Marston continues with his look at circuit applications for moving coil meter circuits.	
<b>Radio Control Trafficators</b> .....	32
Add flashing indicators to your radio-controlled models. The first of a series of three RC control add-ons by A. Craig Talbot.	
<b>AutoMate Mixer PPM</b> .....	36
Mike Meehan produces a final instalment for the Peak Programme project.	
<b>Low Voltage Circuits</b> .....	44
Circuit ideas from Douglas Clarkson.	
<b>Infra-red Remote controlled Telescope Part 2</b> .....	47
This month, Paul Clements features the main board construction.	
<b>Vibration Detector</b> .....	54
A sensitive vibration detector can have a wide variety of applications. It can give early warning for the safety of many structures and its inhabitants. Colin Meikle constructs this simple device.	



**Volume 22 No.5  
May 1993**



Page 16

# Contents

## Regulars

<b>Open Channel</b> .....	4
<b>News</b> .....	5
<b>News Stateside</b> .....	9
<b>Subscriptions</b> .....	65
<b>PCB Service</b> .....	60
<b>PCB Foils</b> .....	61

## Editorial

by Paul Freeman

  
SUBSCRIPTION  
& BACK ISSUES  
HOTLINE  
0737 768611

**I**t looks like Personal Digital Assistants are on their way to the shops, but will they sell in their hundreds of thousands? Amstrad are launching the first PDA onto the mass market. It may be able to take notes, memos and do calculations but will it make the tea?

Seriously though, if a personal digital assistant is effectively a mini-computer with maybe a communicator thrown in, how small can it get before it becomes ergonomically difficult to use?

We all know of the achievements of miniaturising the technology - the calculator wristwatch is one example that comes to mind. It's fine as a toy but totally impractical for everyday use. The same goes for an alpha-numeric keyboard, if it cannot be

used at speed with both hands then its use will decrease with a reduction in size. An alternative to this 'law' of diminishing returns would be to take the mechanical element out of the operation, but speech operated computers seem a long way off let alone any futuristic eye motion operation. Can you imagine the verbal mayhem on the '7-55 to Waterloo' with everyone talking to their filofax computers.

The operational elements of a computer are now extremely small, leaving the mechanical input and visual output determining the optimum size of any portable instrument. My guess is that we have reached that size with the 'laptop', and will only change when the display is taken up to both eyes providing 3D visualisation and sound activated operation.

# OPEN CHANNEL



**T**here's no doubt, the future of portable communication looks positively rosy. In the old days, portable communications was possible using standard 'phone boxes or if you needed quicker communications over a local area a grotty radio transceiver system.

Over the last few years, several new and wonderful portable communications methods have arrived on the scene. There are cellular 'phones, simple cordless 'phones for use around the house (known cryptically as CT1), longer-range cordless 'phones for use around the house or within range of a locally-based transmitter/receiver (Telepoint, otherwise known as CT2), newer personal communications networks (see later), and second generation cellular systems which have yet to see the light of day.

Now all of these must mean only good news for users. After all, in terms of competition, there seems to be rather a lot of providers, with just a limited number of users. You're not going to buy both a cellular 'phone and a Telepoint one are you? So, all these communications providers are competing against only a fixed potential user base.

Nevertheless, there are around 20 million potential users in the UK alone (given that the same number of people with plain bog-standard telephones might want to have a portable version, too). So the market, despite being limited in size, is still large. You'd think it could withstand competition from so many communications providers, wouldn't you?

Well, yes and no. The first and most important problem with this viewpoint is that users have a strict budget. They might and in most cases do weigh up the pros of portable communications against the cons of cost. Although there are 20 million or so telephone users, there is only that number because the bog-standard telephone is reasonably cheap. Portable communications - so far at least - is not cheap.

Cost rules out portable communications (apart from basic CTI-type cordless 'phones) for most potential users. Generally, only business users can afford to have cellular and other portable communications devices.

Second problem with the competition viewpoint is that, despite the cost problem, the competition in the market has not drastically reduced prices. True, cellular systems have fallen into two general price structures: one for regular users, and one for casual users. However, the casual user price structure is still really not low enough to tempt most people. Even if you rarely use the cellular 'phone (and what's the point of having it, if you rarely use it?) standing charges and so on still amount to over £300 a year. Couple this with the fact that most people already have a decent enough communications system (the bog-standard 'phone) albeit it's not particularly portable, and you can see that users have to pay twice - once for the ordinary 'phone, once for a cellular one. That's just too much for most people.

## *Getting the Message*

Mercury is on the point of establishing one of the first personal communications networks (PCNs) in the country. These differ from cellular networks in several ways, one of

which is the method of transmission and reception. Mercury, unlike the cellular providers appear, has realised the importance of low cost. Mercury's aim is to enable a straightforward portable 'phone network which can rival the landline 'phone system in price. In case you haven't already worked out the next stage, a portable system as cheap as a landline system will make the landline system very much obsolete. Who's going to keep paying for a fixed 'phone network when you can have a portable 'phone for the same price?

Mercury hopes to have its PCN working by the end of the year, but will initially only operate with the M25 area. By the end of the century it hopes to cover most of the UK.

Given the same cost as landline networks, this illustrates the real point of portable networks. While business users can and do benefit from portable communications at relatively expensive prices, home users will only use them when the cost is the same as a landline network.

## *No Strings Attached*

Apart from cheaper personal communications there's a big move to create new communications systems between computers. It's part of the general trend towards smaller portable computers such as notebooks and the latest personal digital assistants (PDAs) about to hit the streets.

Companies such as Sony, Matsushita, Philips, AT&T, and Motorola have all invested in a company called General Magic with the intention of defining and standardising wireless communications systems for computers. General Magic was set up three years ago by Apple Computers with this very aim and, now these electronics and communications giants are involved, looks set to do its job quite soon. Software (called Magic Cap) and programming language (Telescript) are both in place and it seems to be just the question of a short time until hardware solutions will appear.

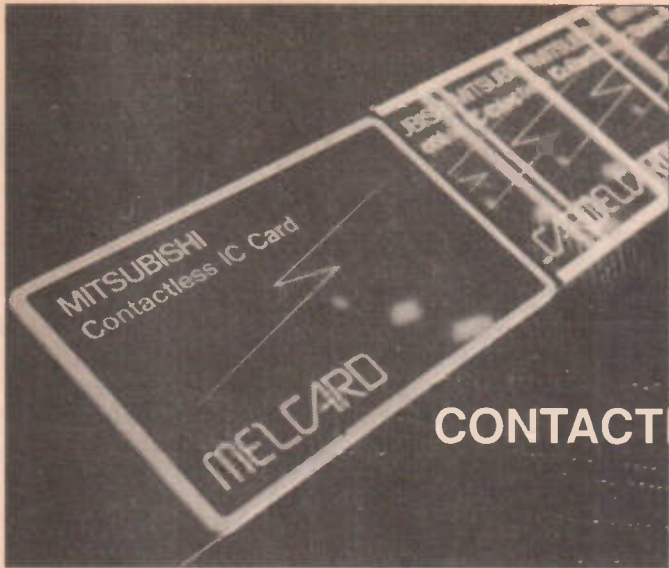
## *CFC's Time is Short*

Recent moves within worldwide electronics industries to reduce and restrict the use of chlorofluorocarbon (CFC).

After May 15, all products sold in the States must carry a label if any substance known to destroy ozone in the atmosphere is used to manufacture the product. So printed circuit boards cleaned using chlorofluorocarbon chemicals must be labelled prior to sale. Equipment manufactured by a single manufacturer using such products has also to be labelled. However, a non-USA manufacturer who assembles parts built by another manufacturer who does use chlorofluorocarbons, is not required to label products.

In the rush to eliminate the use of chlorofluorocarbons, the Montreal Protocol, which was the original deciding factor in reducing worldwide use of chlorofluorocarbons and which was signed by all major worldwide governments (including that of the US), specifically intended to do it without legislation. It was felt that legislation would create unfair opportunities within industry. Legislating is exactly what the USA has just done, of course.

*Keith Brindley*



## CONTACTLESS IC CARD

Mitsubishi has introduced a new contactless IC card. This latest technology provides fast access to mass user systems such as buying tickets, automatic warehousing and production control, providing authorisation for transactions and even proof of payment.

The contactless IC card operates using a read/write head linked via a controller to a computer network for data In/Out. The card is presented near to the reader/

54 x 85.5 x 2.5mm, weighs 15g and incorporates a five year life battery, while the other is only 1.4mm thick, weighs 10g and has a battery life of three years.

Both versions have a single chip micro-controller and communicate with the reader/writer via half duplex amplitude shift keying transmission.

Electromagnetic inductance transmission obviates the need for electrical connections, avoiding problems of dirty contacts and resultant transmission failure. It provides an ideal solution to the problems of speedily handling mass throughput.

Under extensive testing, the contactless IC card has proved highly reliable, withstanding extensive bending and torsion tests in temperatures down as low as -20°C.

writer head which automatically transmits data at up to 455kHz and receives at a set frequency around half that of the transmitted rate. Exact frequencies can be customised to specific applications, allowing the card to operate a ticket barrier, for example, or read part recognition data in factory automation and CIM.

Based on principles of electromagnetic inductance, the simply constructed card operates at communication distances of up to 500mm and typically operates in around 0.2s. Two versions of the card are available - one measures

## ALL FORMATS COMPUTER FAIR

The organisers have made a big mistake! The venue for the London Fair on Saturday 24th April is not Sandown Park - it is in fact the Novotel, Hammersmith.

The wrong information has appeared on 1.5 million £1 off

vouchers, tens of thousands of advance tickets, countless adverts and many press releases!

The organisers apologise for any inconvenience their mistake may cause.

## SOPHISTICATED COUNTER WITH RS232

The SC-230 frequency counter is the latest offering from Saje Electronics. Built in the UK, this micro based frequency meter has a range of 5Hz to 1.3GHz with a sensitivity of 10mV.

The SC-230 also provides multi gating rates, a view feature to display minimum, maximum, average or difference readings and a hold facility to freeze the dis-

play. Several modes are provided including count period, frequency and RPM with a low pass filter. It is priced at £149.00 plus VAT, which could make it a cost effective instrument.

For further information please contact:

Saje Electronics, Tel: 0223 425440.



## RNIB LAUNCHES FIRST DAILY ELECTRONIC NEWSPAPER FOR BLIND PEOPLE IN THE UK

Judith Hann, presenter of BBC's Tomorrow's World, launched the first daily electronic newspaper for visually impaired people at the Royal National Institute for the Blind last month.

The RNIB Electronic Newspaper, was designed by RNIB in association with The Guardian and provides visually impaired people with the full text of the Guardian newspaper in a form

they can independently read for themselves at the same time as a print version is delivered to their sighted neighbours. All that is required is a television aerial, a special decoder, a personal computer and a speech synthesiser or braille display.

The Guardian pages are processed to remove photographs, graphics, tables and advertisements before being coded and

broadcast using TV teletext signals. The newspaper is divided into sections according to subject, so readers can browse through the headlines and choose which article they want to read. The system also gives full access to BBC and ITV teletext services and the sound of all four channels can be provided via external speakers or headphones. The minimum cost for the system is £560, which

includes installation of the decoder and a one year subscription to The Guardian.

ETI first reported on the pilot system three years ago and since then a number of recommendations, which were made by users on the pilot scheme, have been implemented.

For further information please contact: Kevin Johnston, RNIB, Tel: 071 3881266 ext 2320.

## COUNTDOWN TO PHONEDAY BEGINS

A campaign to prepare customers for changes to national and international dialling codes has been launched by BT.

The changes, announced last year by the Office of Telecommunications (OfTel), will take place at Easter 1995 - more than two years away. BT is starting its publicity campaign now, however, so that everyone is ready for Phoneday.

The changes follow extensive and lengthy consultation by OfTel with representatives of telephone users, operators and equipment manufacturers.

They will create the additional codes and numbers which are needed to cater for the rapid growth of telecommunications services well into the next century and provide capacity for any new

operators entering the market. Advertisements appearing in the national press marked the beginning of a two year communications programme, while a Phoneday logo has been developed to help publicise the event and raise customer awareness.

Phoneday is Easter Sunday, April 16, 1995, when an extra digit, 1, will be added after the initial 0 of area dialling codes. Five cities - Leeds, Sheffield, Nottingham, Leicester and Bristol - will be given new codes and the international dialling code from the UK changes from 010 to 00.

Alan Croft, BT Phoneday project manager, said: "OfTel, telephone users and the industry chose these changes as the best way forward. Obviously we regret any inconvenience to

customers, but the timing of OfTel's announcement gives everyone more than two years to plan for the changes. BT's aim will be to minimise any cost and inconvenience by ensuring that everyone is well prepared.

"We have researched the specific needs of our business and residential customers and we will be providing them with the information, advice and practical help they need, when they need it."

The first phase of the campaign will address the specific needs of businesses and certain trade sectors who need to plan well in advance of the actual changeover date.

Communications managers will be contacted about reprogramming telecommunications and computer equipment which

store numbers in memories or bar calls to certain destinations.

Businesses will also be advised about planning changes to stationery and other literature. Specific messages will be addressed to Operators and users of security and care alarms which report to distant monitoring centres. Many existing alarm systems will need to be reprogrammed to dial the correct new code and account will be taken of the special needs of vulnerable groups such as disabled customers and old people.

Anyone wanting information about Phoneday can phone BT's free helpline on (0800) 010101.

## NEW 64K ELECTRONIC ORGANIZER

The new 64k Electronic Organizer and Diary from Maplin Electronics is a multi-function electronic organizer which features 64k of memory and a large, 8 line dot matrix display (256 characters) with 5 x 7 font. The memory can store approximately 1400 names or 850 appointments, while names and telephone numbers can be recalled by direct, sequential and repeat data search methods.

The Organizer has a qwerty-style keyboard and many features, including appointment reminder

with calendar alarm, anniversary reminders, daily alarm for three daily events, world time and weather data. A 'secret' feature is available with up to eight characters for security protection of telephone data, a calculator, imperial/metric conversion, currency conversion (user selectable), direct or sequential search by name or company information, infra-red data transfer and auto-power off after 8 minutes.

The price is £89.95 (to include VAT).



## MINI SOLDERING IRONS FROM WELLER

Cooper Tools, manufacturers of Weller soldering equipment, have introduced a new range of mini, lightweight soldering irons.

The Weller Mini Series 2000 provides a choice of seven different soldering irons rated at 12, 15 and 20Watts.

The new mini irons have long lasting nickel soldering tips and all models come complete with moulded-on 13-amp 3 pin plug.

For further information contact: Cooper Tools, Tel: 091 4166062



# COMPUTING & ELECTRONICS COMPANIES STILL FAILING TO BRING NEW PRODUCTS TO MARKET

Companies in the computing and electronics sectors are still missing opportunities to gain competitive advantage through speedier new product introductions, according to an executive briefing from Coopers & Lybrand. Three years ago, over 60% of

companies in the industry said that the inability to bring new products to market quickly was the most significant factor limiting company performance.

Despite implementing improvement programmes across a range of business practices, 57%

of these companies still cite speed-to-market as the single most limiting factor today.

Despite widespread understanding of the principals of simultaneous engineering, the brief claims that difficulties in implementation are resulting in a loss

to industry of potentially major improvements in speed-to-market, engineering cost reduction, productivity gains and increased customer satisfaction.

British company has come up with a new design for CPU boards and back planes, intended to bring low-cost modularity to

the personal computer market for the first time.

Array Technology of Camberley has introduced the

CAT series of modular units in order that the price-sensitive PC OEMs and users can share the benefits highlighted in industrial controls applications.

This CPU board, the first to be launched by Array, is less than 20% of the cost of modular cards

no cache, all the way up to a 66MHz 486DX2 with 1 MByte cache.

"The development allows the PC to break free from its home computer parentage and take advantage of true state of the art technology to the benefit of manufacturers and users alike," says Array Technology Managing Director, Paul Johnson.

Johnson is committed to rolling back the tide of "inflexible" Far Eastern imports and has already begun shipping Cougar to a number of European OEMs.

Cougar is the first of a series of CPU boards, graphics cards and backplanes being launched over the next few months. Further information is available from Array Technology, Tel: 0276 691798.

## CHEAPER MODULAR PCS

used in industrial controls. The Cougar AT CPU board is a high performance 486SX/DX designed to be loaded into an active backplane. It is available with a 486SX-20 PQFP processor and

## SINGLE-ELECTRON MEMORY POSSIBILITY

A team of Japanese and British scientists, working at the Cavendish Laboratory, Cambridge University, have published research which, for the first time, demonstrates that one bit of information can, in principle, be stored by just one electron in a semiconductor memory.

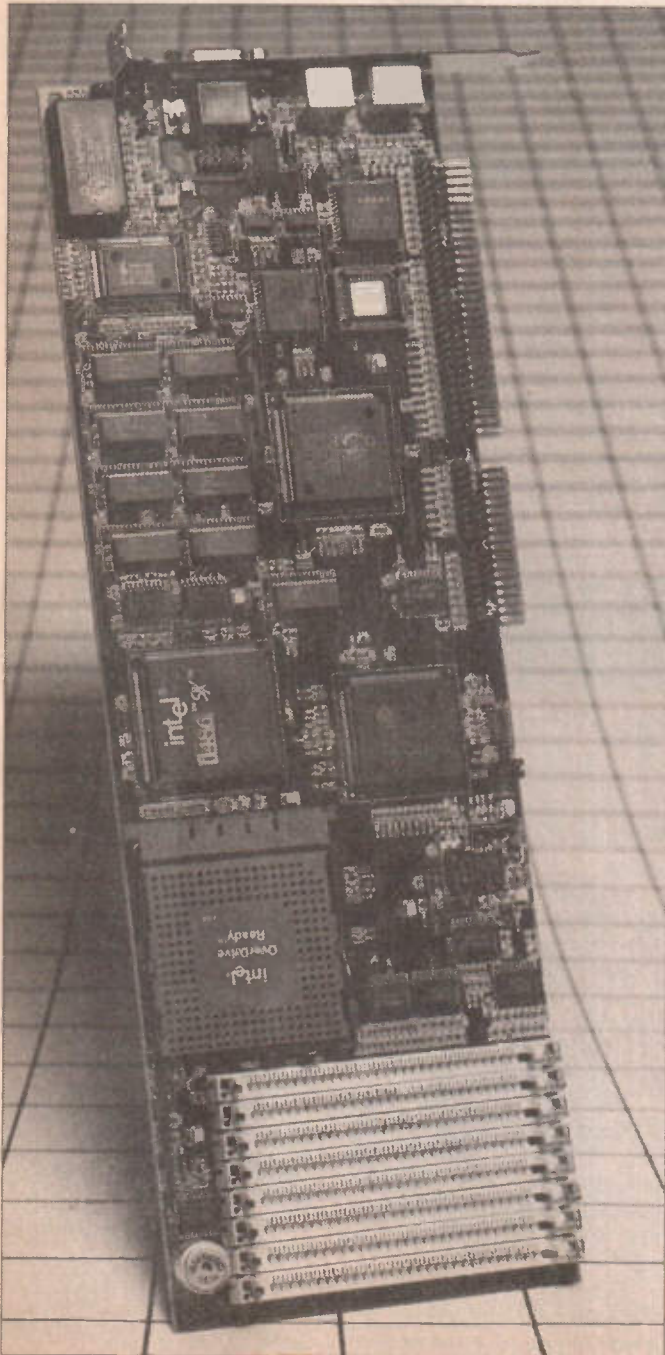
The implications of a single-electron memory for the future commercial production of semiconductors and therefore for the electronics and computer industries, are enormous, as it represents a first step towards the manufacture of chips with vastly increased memory capacity but without any associated increase in power consumption.

This breakthrough is the result of the collaboration, begun 1989, between researchers from the Hitachi Cambridge Laboratory (HCL) and the Microelectronics Research Centre (MRC) of the Cavendish Laboratory. The

joint venture is funded by Hitachi and it is believed to be the first time that an Anglo-Japanese team has made such a breakthrough in the field of semiconductor devices in the UK.

Dr Kazuo Nakazato, HCL's senior researcher, explained: "At present, 16-Mbit memories consume around 0.1W. If we were to construct a 1-Tbit memory using conventional semiconductor technology, the power consumption increases to 10kW which would be impossible to dissipate in a mobile computer. In a single-electron memory, by contrast, consumption for an equivalent memory size would be less than 0.1W."

"In addition," he continued, "the space required for a 1-Tbit memory will be reduced 100,000 times. So, while today's technology means that an area larger than a tennis court would be needed to hold a 1Tbit memory, a single-



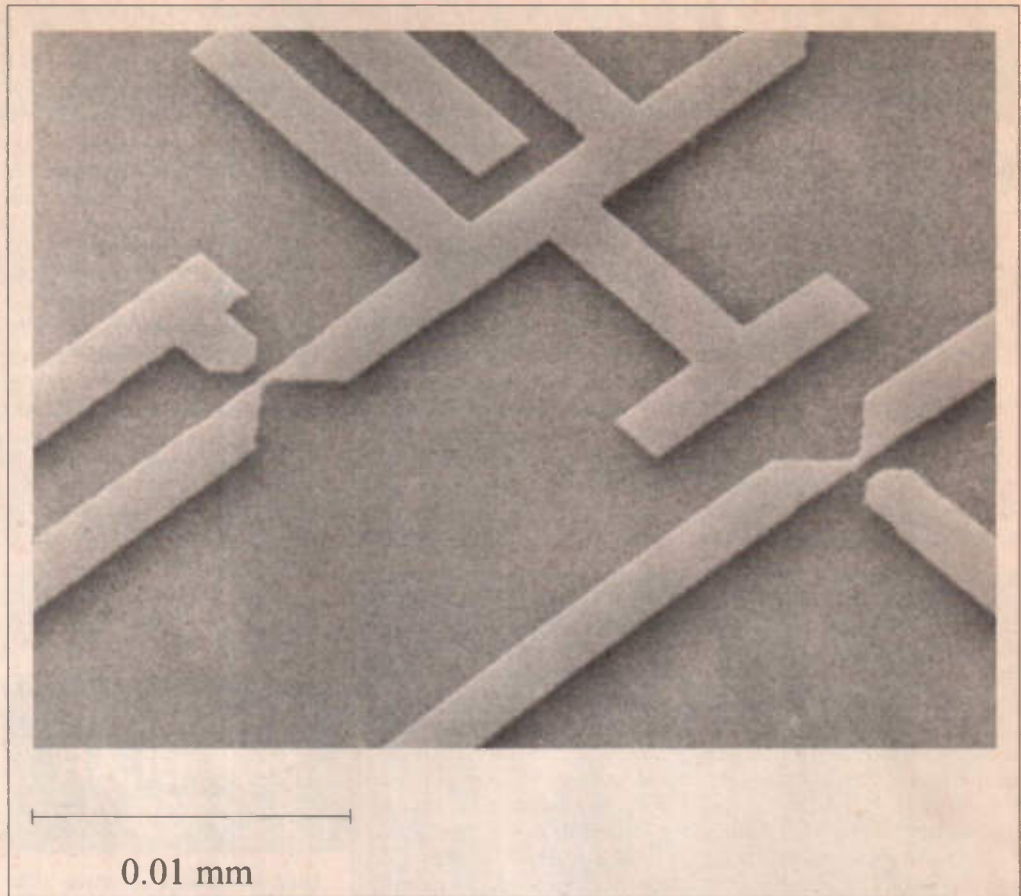
electron memory would reduce that area to something approaching the size of a fifty pence piece."

Conventional 16-Mbit semiconductors need around 500,000 electrons to store one bit of information and only an average number of electrons can be controlled. In a single-electron memory, however, individual electrons are fully controlled, with a precise number of electrons present or absent in a memory cell.

Scientists around the world have been aware for some years that a single-electron memory is achievable, but the Cambridge team's work is the first to demonstrate the concept.

"There are many practical problems to overcome in producing a commercial single-electron semiconductor memory," said Haroon Ahmed, Professor of Microelectronics at Cambridge University and team leader. "However, it is feasible that within 20 years, if single-electron memory chips are produced, they will allow PCs to perform the range of functions and store the quantities of data currently only possible using huge, mainframe computers."

"We invest around three-and-a-half million pounds each year in research and development programmes in Europe, of which around one million pounds goes into funding the Hitachi Cam-



bridge Laboratory," said Akira Koizumi, Managing Director of Hitachi Europe Ltd.

"In today's world, where technology has become so complex, R&D can only be successfully

undertaken in the context of global, collaborative research. The realisation of a single-electron memory by the Cambridge team provides important justification for Hitachi's belief in joint

research undertakings which can make profound contributions to the progress of science and technology in Europe - and throughout the world," Mr Koizumi said.

## GLOBAL SMART CARD COVERAGE AIM

German electronics giant Siemens has signed a long-term agreement with McCorquodale Smart Card Systems (MSCS) to license its Smart Card operating system software for distribution throughout the world, including former Eastern Bloc countries.

The endorsement is the latest confidence boost for the recently established Bowater company, MSCS, and signifies a serious commitment from Siemens to the development and success of the emerging Smart Card industry.

Already, Siemens and MSCS are working together to develop new chip technologies specifically for Smart Card use. An integral part of the contract is a new microcontroller line designed by Siemens, using submicron CMOS technology and one of the world's fastest encryption techniques for

chip card applications. It is hoped that reinforced market presence will increase awareness of the technology and put greater pressure on certain sectors to speed up the introduction of Smart Card systems.

MSCS is currently pursuing contracts in a variety of market sectors including banking, retail loyalty, health care and security. A range of card technologies is offered by the company, which launched Europe's only 16-application Smart Card earlier this year.

MSCS manufactures cards in the UK and the company also has distributors in Scandinavia, Spain and Ireland, agents in North Africa and the Middle East, and strategic links in the United States, Brazil, South Africa and Australasia.

## WOMENS TECHNOLOGY SCHEME

The Women's Technology Scheme (WTS) based in Liverpool is celebrating its first 10 years of helping women to break into the world of high technology.

On March 5th, there was a special Birthday Party at the Philharmonic Hall, Liverpool. Guest speakers included Jenni Murray, presenter of Radio 4's popular 'Woman's Hour', the Lord Mayor of Liverpool, Rosemary Cooper, and MP, Jane Kennedy.

The Irish President, Mary Robinson, has joined in the plaudits: "I send my warmest congratulations to you on your wonderful achievements and my very best wishes for the future," she said.

Despite a growing need for technological skills, women find it hard to gain access to training.

Less than 3% of scientists, technologists and technicians are women, and 94% of women in engineering are at the lowest grades. The WTS is striving to change those depressing statistics by offering realistic vocational training, built around the fundamental needs of women.

WTS aims to redress the imbalance in technology training for women, thus broadening and strengthening employment opportunities.

The scheme evolved from the ideas of a concerned group, aware of a lack of training for women which was related to their needs and to those of local employers.

The Scheme is funded by Liverpool City Council, Merseyside TEC, the European Social Fund, and the government's City Challenge Initiative.



## All optical signal path

What is claimed to be the first general-purpose optical computer that uses an all-optical signal path has been built at the University of Colorado. Electronic latches for synchronizing bit streams are eliminated by "storing" the streams in fibre-optic loops.

Unlike AT&T Co.'s efforts of a couple of years ago - in which simple computational blocks performed tasks like counting and decoding - the bitserial optical computer manages 16-bit words, one bit at a time. It can execute a stored computer programme based on a repertoire of instructions.

The BSOC, which has a 1,024-bit main memory, two counters, an arithmetic and logic unit, three temporary storage registers, and a complex systemcontrol unit, was built at the University's Optoelectronic Computing Systems Centre. The centre is designing a palm-sized version of the machine that will be 400 times faster than the current 50MHz BSOC. Applications are seen in telephone, data communications, cable television and virtual reality.

A virtual-world software component called a human interface for interaction between virtual-world databases and standard hardware has been developed at the Human Interface Laboratory (Hit Lab) of Seattle, Washington, dubbed Mercury, the software helps immerse participants within a virtual reality and responds to their actions there in real-time.

The interface is available to all members of the Hit Lab, a roster of major computer and communications companies. These companies constitute the Virtual World Consortium. The Hit Lab also plans to make Mercury available to non-members through a licensing programme.

Mercury propels participants into virtual worlds by putting to-

## Non-linear transmission line gated sampling circuits

Research workers at the University of California are developing nonlinear transmission line gated sampling circuits that they believe will pave the way to making Terahertz test and measurement instruments.

Fabricated on standard GaAs wafers in a five-mask process, the new sampling circuits offer a simple solid-state alternative to advanced measurements systems

together various pieces now available from separate vendors. The software shuffles input from sensors to virtual-world databases and collects images and sound from the databases for output to the participants. The virtual-world databases can be user supplied or can be encapsulated by the Hit Lab's Virtual-Environment Operating System.

Mercury handles all rendering task management, including stereo images (one for each eye) and binaural sound (four-channel), to create a three-dimensional virtual space. When used with conventional flat-display devices and stereo headphones, it automatically translates three-dimensional objects for the two-dimensional media.

Available processors routinely split the image-rendering tasks. Sound is managed over a separate musical instrument digital interface to permit integration of live, recorded and synthesized sound effects.

Mercury accommodates any type of tracking and orientation sensor via plug-ins for any six-degree positioning device - from radar-based position sensors to electronic gloves and 3D trackballs. The data from sensors is fed to the visual and auditory display systems and then back to the virtual-world database to inform it of the participant's current activities.

Mercury is written entirely in C and currently runs only on high-speed Unix-based workstations, but can be easily ported to other platforms with similar horsepower.

based on femtosecond lasers. The researchers are using the NLTL-gated circuits in a prototype test system for millimetre-wave analogue components.

NLTL-gated devices are based on a GaAs transmission line that is periodically loaded with reverse-biased diodes. The diodes compress the negative side of a sine wave to generate shock waves with a 1.8ps fall time. The resulting output, a sawtooth wave with 4.5V amplitude, is used in two different ways to test materials or circuits. For circuit testing, the signal is fed to a probe tip that can be placed at specific points in a circuit. A second probe acquires the signal at some other point and feeds the result into a receiver NLTL device, which then decompresses the signal for analysis.

The result is a high-frequency electro-optic spectroscope that is useful in characterizing semiconductor materials. The receiver side of the system could also be used to analyze the output from millimetre-wave circuits.

The director of the project is confident that a twofold to threefold increase in NLTL speeds will result from the current research. The performance of the probe tips has been more of a problem, however, because of parasitic capacitance between the tip and the circuit under test. The University of California is looking for better materials to reduce that problem, and also for a structure that will be durable and reliable under repeated use.

## Compressing digital imagery

Iterated Systems Inc. has recently harnessed fractals to compress digital imagery. Previously available only for systems with expensive hardware accelerators, the new Pictures for Ori-

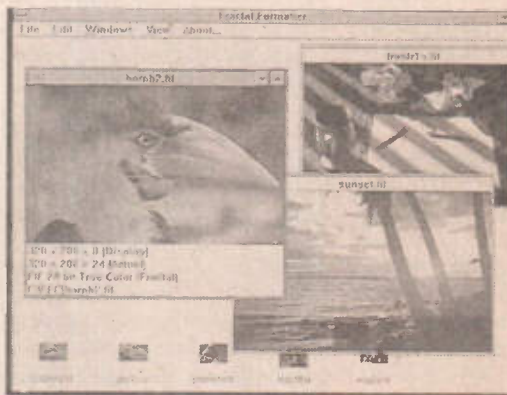
PC. Images up to 768 x 640 pixels can be compressed in a single session, with larger images tiled and compressed in multiple sessions. The company recommends one of its accelerator boards for applications involving images larger than 640 x 400 pixels.

Decompression is always faster with fractal technology. Decompressing a 320 x 200-pixel image, the POEM ColourBox takes just 3 seconds on a 386 PC and 1 second on a 486 PC.

Ordinary image-storage mechanisms record a rectangular array of colour values - one for each pixel. Those colour values are mapped onto the pixels of the display. All is well if the

number of pixels in the image match the number of pixels on the display, but zoom in or out and there will inevitably be a mismatch, necessitating either throwing away over-abundant pixels or adding redundant ones. In either case, the image distorts.

Images compressed with this fractal transform technology can be recreated not only at the original and smaller magnifications, but also at larger sizes than the original - called resolution enhancement.



ginal Equipment Manufacturers (POEM) ColourBox offers software-only fractal compression and decompression to software developers.

Packaged in the form of a dynamically linked library for Windows, developers use it to incorporate real-time compression and decompression into their programmes.

POEM ColourBox can compress images by 10- 600fold, with a 10-to-1 compression of a 320 x 200-pixel image taking 36 seconds on a 386-based PC and 11 seconds on a 486-based machine

## Spotting The Fault

An engineer working within a repair centre often spends a great deal of time probing around a board in an effort to trace a faulty signal back to its source.

On occasions, however, the alert engineer may notice that a component is unusually hot to the touch. Upon replacing these components, a cure is found without having to 'signal trace', thus saving a great deal of time for the repair department. In my experience this occurs in roughly 8% of cases.

Clearly, a 'resistive short' has developed internally to the component, or sometimes the amount of heat generated is enough to physically blow apart the component.

More often than not, the faulty component, once located, does not feel unusually hot as although a resistive short may have developed initially, the amount of heat generated was so intense that the short was literally melted, leaving an open circuit within the component.

This is very similar to the principle used in fuses. Under normal conditions, a fuse will feel warm to the touch. Under heavy load conditions the current generates so much heat that the fuse melts away and for a brief period, the fuse will be unbearably hot to the touch.

In some component failures, it may be that an excessive amount of heat is not generated during the failure. It may also be that some component failures are so catastrophic and sudden that the relatively very large thermal mass of the average IC does not have time to heat up.

It is quite reasonable to assume that at least some component failures do lead to excessive heat generation over a period of time sufficient for the component body to heat up briefly, before cooling. These failed components will give no indication of their failure to the repair engineer and will have to be located using tra-

## Mains Safety

I have been a regular reader of Electronics Today International for thirteen years now and, although the interest and inventiveness of the projects has remained good (despite the quantity being reduced somewhat and the latest Tech Tips being mainly repeats), I am appalled at the electrical safety of some of the projects that have been presented in 1993. Whilst the clearance and creepage distances between live and earth on the printed circuits in Magnus Pihl's Disco Amiga fall a long way short of the 3mm required by BS415, the main culprit is Ken Blackwell with his IR controlled dimmer. With or without the corrections in the March issue, his project is potentially lethal and I would strongly advise anyone against building it.

BS415 treats both neutral and live as being potentially live, as reversal of the two is not uncommon, especially in lighting circuits and does not lead to the apparatus not working. It requires insulation between live/neutral and earth which will withstand 2.5kV peak AC. I don't know how the IR receiver hopes to achieve this with a diode between neutral and earth. Although the corrections state that the terminal block should be changed to a two way live/neutral terminal block, it makes no mention that the circuit should no longer be connected to earth (the circuit diagram shows an earth symbol as well as the earth terminal of the terminal block). If the earth connection remains, an accidental reversal of live and neutral will result in the destruction of the bridge rectifier. With live and neutral connected

ditional fault finding methods.

If it could be demonstrated that these types of failures represent a significant proportion of all component failures, it may be of use to spot the ICs on a board after manufacture and test using one of the new thermal indicating paints. These paints remain opaque until a specific temperature is reached,

correctly, part of the bridge rectifier will be redundant as neutral and earth are connected at the PME point where the mains supply enters the house and the circuit will also allow enough current to earth through the power supply to trip any RCCB to which it may be connected.

Assuming that the earth connection was to be removed, the circuit in operation will connect the touch pad to mains neutral. If the house has no PME (as some older houses do not), which could put the touch pad at potentials up to about 50 Volts. If, however, live and neutral were reversed, the pad would be directly connected to 240V AC, which could prove fatal to anyone who happened to touch it at the same time as the remote control was being operated.

My advice to Mr Blackwell is that he should stay with battery power supplies until he has mastered the art of mains derived supplies. The obvious choice for this project would be a low voltage isolating transformer. Quite how Mr Blackwell's transformer generated radio frequency interference whilst operating at 50Hz I am not sure, but solving the problems of transformer interference (which I presume was of a magnetic nature) would have proved far safer to your readers than attempting to build a capacitive-dropper supply.

I am not sure what Mr Blackwell hopes to achieve by the inclusion of L1: in practice it produces a series resonant circuit at either 13kHz or 18kHz (depending on his final choice of capacitor), the impedance of which drops to zero at the resonant frequency, leaving only the 47R resistor in

after which they remain translucent.

While the idea of fault finding with a dab of paint may appear rather, hopeful it is worth remembering that all components carry electric current and therefore obey the law Power = Potential Difference x Current. Any change in activity within the component will

result in a change in the ambient temperature of that component.

Even if only 15-20% fail in this fashion, the amount of time saved in fault finding may make this a practical proposition.

A Peirson,  
Luton,  
Beds

I agree that safety is of the utmost importance when dealing with mains electricity. Suggested modifications to the earth/neutral problem were published in the March issue. Anyone experimenting with the circuit should check first with a qualified electrician that everything is OK.

On the positive side, the circuit was published because, as a prototype, it is interestingly different, a point made at the beginning of your letter. Part of the reason for a transformerless supply in this project was space limitation - the project was designed to fit in a mains electrical box.

The most common mains transformerless appliance is the television, and was designed this way in the interests of reducing bulk and costs. - Ed.

## Dog Repellers

Over the years there have been a number of ultra-sonic audio generators proposed for repelling dogs, rodents and even people. A 'Shoo Dog!' circuit appeared in Elektor '300 Circuits', published in 1979. This circuit is a answer to the doubters who denied the existence of such circuits and there have been two or three others published since. I have vague memories of one magazine having a PCB for such a circuit within the last three years.

Guy Selby-Lownes,  
Billinghurst,  
West Sussex

## Symbol Conventions

Following my recent purchase of the March 1993 issue of ETI, I see that you are inviting comment on the circuit diagram symbols used in the magazine.

For the record, my own preference is for a hybrid of the two options offered and is as currently used in Elektor with box resistors but transistors shown in circles.

I am a little hesitant about the new style logic symbols, although I am sure that it is only a matter of time before I become accustomed to these.

Finally, may I express my pleasure at the return of the Automate Mixer series (although part 9 seems to have escaped since the series leapt from 8b to 10a). I hope that no further interruptions will occur before the series is concluded.

Tony Crane,  
Kings Lynn,  
Norfolk.

*You spotted the numbering anomaly. Part 9 of Automate (switching circuits) has been held in cold storage. It will appear next month.*

With reference to your readers' ideas about circuit conventions, I have just one criticism of circuit presentation.

Circuit junctions should always be staggered and emphasised with a dot. This is especially important when photocopies are made because the dot can be lost and the join misread as a crossing. The old-fashioned method of

showing crossovers with a loop is probably best forgotten. As for other conventions, I prefer wiggly lines for resistors but I'm not particularly worried either way.

Gordon Pope,  
Hampstead,  
London.

Having read the letter from J. Treeby in the March 1993 issue, I can only agree wholeheartedly with his comments. I bought my first copy of ETI in 1974 and had not looked back, but lately, more typos have been slipping in and then you started producing circuit diagrams on DTP. Suddenly, the superb clarity we had come to know and love became scruffy and unclear, with components all out of proportion. Our hobby is already full of anonymous boxes and confusions, so wouldn't it be better if ETI returned to being an oasis of clear meaningful diagrams in a desert of little boxes? Bring back the old circuit diagrams!

Stephen C. Varley,  
Cheltenham,  
Glos.

## Printed Circuit Transparencies

Although I use a computer with Easy PC Software to design and print transparencies, my problem is that I only have a dot matrix printer to lay a circuit on to a transparency. This doesn't work in practice, as the contrasting dark areas are too transparent to put under an ultra-violet light.

I could have purchased a laser printer or a graphics plotter, both of which are expensive, or used black etch transfers, a time consuming business, but there is a fourth solution that is both cheap and practical.

I now use A4 draughting film sandwiched between two sheets of inward facing black carbon paper. Using a bold print selection from the computer, the dot matrix printer gives first class high definition prints. The density is even high enough to allow the use of an Ultra-violet exposure unit. For etching the developed boards I only use a clear etchant. This allows you to watch the etching progress when using a bubble tank, eliminating the chances of over exposure.

LEDs 3mm or 5mm red or green 6p each, yellow 11p each. High intensity red, green or yellow, 5mm 30p each.	Resistor jumbo pack 25000, 1/4 and 1/2W resistors our choice of values and size, will be mainly in boxes or rolls of 1000, 2000 and 5000 of one type	£25.00
Cable ties 1p each. £5.95 per 1000, £49.50 per 10,000.	Qwerty keyboard, 58 key good quality switches new.	£5.00
Stepping motor 4 phase 12V 7.5' step 50 ohms.	Qwerty keyboard with serial output, no data (used).	£8.00
SAAT027 stepping motor driver chip	Polyester capacitors, box type, 22.5mm lead pitch 1µf 250V dc 20p each, 15p 100+, 10p 1000+ 2.2µf 250V ac 30p each, 20p 100+, 15p 1000+ 3.3µf 100V dc 30p each, 20p 100+ 15p 1000+	
FM Transmitter kit, good quality sound.	1µf 50V bipolar electrolytic axial leads, 15p each, 7.5p 1000+	
High quality photo resist copper clad epoxy glass boards	0.22µf 250v polyester axial leads, 15p each, 100+ 7.5p each	
Dimensions	Philips 123 series solid aluminium axial leads, 33µf 10V & 2.2µf 40V 40p each, 25p 100+	
3x4 inches	Multilayer AVX ceramic capacitors, all 5mm pitch, 100p 100pl, 150pl, 220pl, 10,000pl (10n)	
4x8 inches	10p each, 5p 100+, 3.5p 1000+	
6x12 inches	Welwyn W23 9W 120 ohm 35p each, 20p 100+ 680 ohm 2W metal film resistor, 4p 100+, 2p 1000+	
12x12 inches		
Rechargeable Batteries	Solid carbon resistors, very low inductance, ideal for RF circuits, 27ohm 2W, 68ohm 2W 25p each, 15p each 100+, we have a range of 0.25W, 0.5w, 1w and 2w solid carbon resistors - please send SAE for list	
AA (HP7) 500mAh	Intelligent 4 digit alphanumeric (5x7 dot 0.145") red LED display, 12 pin 0.6 inch wide package, Siemens type DLR1414 £2.50 each, £2.00 30+ data sheets £1.00	
AA 700mAh	AMD 27256, 3 Eeproms £2.00 each, £1.25 100+ DIP switch 3PCO 12 pin (ERG SDC-3-023) 60p each, 40p 100+	
C 2AH with solder tags	Disk Drive Boxes for 5.25 disk drive with room for a power supply light grey plastic 67x268x247mm £7.95 or £49.50 for 10	
D 4AH with solder tags	Hand Held Ultrasonic remote control £3.95	
1/2AA with solder tags	Computer grade 5800uf 60v capacitors with screw terminals	£4.95
AAA (HP16) 180mAh	CV 2486 gate relay 30mm x 10mm dia with 3 wire terminals will also work as a neon light 20p each £7.50 per 100	
AA 500mAh with solder tags	A23 12v car alarm remote control and lighter battery 75p each £50.00 100+	
C (HP11) 1.8AH	40 uf 370vac motor start capacitor (dielectric type containing no PCBs) £5.95 each £49.50 for 10.	
C (HP2) 1.2AH		
PP3 8.4V 110mAh		
Sub C with solder tags		
1/3 AA with tags (Philips CTV)		
Standard charger, charges 4 AA cells in 5 hours or 4Cs or Ds in 12-14 hours + 1xPP3 (1, 2, 3 or 4 cells may be charged at a time)		
High power charger, as above but charges the Cs and Ds in 5 hours. AAs, Cs and Ds must be charged in 2s or 4s.		
Special offers - please check for availability		
F cells 32dia x 87mm		£3.95
F cell with solder tags, 1.2V		£4.30
42mm x 18mm dia, 1.2V		£1.45
8 pack of 4 171mm x 18mm dia, with red & black leads 4.8V		£5.95
4 cell battery 94mm x 25mm dia, (1/2C cells)		£3.50
Computer grade capacitors with screw terminals, 38000uf 20V £2.50, 97000uf 10V £1.95, 68000uf 15V £2.95, 10000uf 16V £1.50		
7 segment common anode led display, 12mm		£0.45
LM2931 AT 5.0 low drop out 5V regulator TO220 package		£0.85
7812 and 7812 12V 1A regulators		£20.00 per 100
LM337L TO3 case variable regulator		£1.60 100+ £1.10
88250 P channel mosfet 45p, BC559 transistor		per 100 £3.95
74LS05 hex inverter		£10.00 per 100
Used 8748 Microcontroller		£3.50
SL952 UHF Limiting amplifier LC 16 surface mounting package with data sheet		£1.95
AM27S02		£1.25 each, 90p 100+
CD4007UB		10p 100+, 6p 1000+
TV Mains switch, 4A double pole with momentary contacts for remote control, pack of 10		£3.95 box of 60 £19.95
DC-DC converter, Reliability model, V12P5, 12V in 5V 200mA out, 300V input to output, Isolation with data, £4.95 each or pack of 10 - £39.50		
Hour counter used 7 digit 240V ac 50Hz		£1.45
Resistor pack 2500 resistors 1/8-2W 50 different values		£8.95

**JPG ELECTRONICS**  
276-278 Chatsworth Road  
Chesterfield S40 2BH  
Access Visa Orders  
(0246) 211202  
Callers welcome

# Photo-Copies

ETI has been published for over 20 years and in time a great many interesting feature and valuable projects have graced it's pages. Although back numbers are available for only the last 12 month's issues we can supply photo-copies of any individual article ever published in ETI

Photo-copies cost £2.00 per article regardless of their length. Please note that projects published over several issues must be ordered as a series of individual articles, each for £2.00

PCB foil patterns (where published) and any errata are included with all photo-copies where applicable.

Please supply photo-copies of the following articles from ETI (Complete in BLOCK CAPITALS)

Month ..... Year ..... Page (if known) .....

Title .....

Month ..... Year ..... Page (if known) .....

Title .....

Month ..... Year ..... Page (if known) .....

Title .....

I enclose a cheque/postal order made out to ASP Ltd. to the value of £2.00 per photocopy ordered.

Total remittance £ ..... Date .....

Name .....

Address .....

.....

.....

Postcode .....

Send the completed form and the remittance to:  
ETI Photocopy Service, Argus House, Boundary Way,  
Hemel Hempstead, Hertfordshire, HP2 7ST

# Multicore Copperset PTH Kit

*A review by Andrew Armstrong*



**T**he purpose of the Copperset PTH kit is to provide a means to simulate the effect of a plated through hole in a PCB. It contains three diameters of thin copper tube, scored to break at lengths equal to the standard thickness of a PCB.

The tube is supplied filled with solder, which may be removed with a solder sucker, or with the desolder braid supplied, after installation. The tubes, referred to as 'bail bars', are made by plating 25 to 30 microns of copper on to solder wire (without flux) and then plating with a thin layer of tin to prevent corrosion.

To fit a bail, you must ream out the PCB hole to the correct size. Three drill bits fixed in colour coded plastic handles are provided for this purpose. I do not know what the bits are made of, but they seem hard enough that they won't wear out too quickly.

When the hole has been reamed, the bail is inserted using the insertion pen supplied, which is colour coded to identify the correct diameter. The bail is then formed to make a tight fit using the punch and anvil supplied.

This procedure is sufficiently time-consuming that I would not recommend it where dozens of plated through holes are needed, but there are occasions when it is invaluable. I delayed writing this review until I had an opportunity to use the kit for serious work, so that I could test its efficiency in earnest.

Eventually, a control chip on a prototype switched mode power unit failed and I needed to replace it. Despite all my care in removing the failed chip, one of the plated through holes was damaged. Inevitably, this hole connected to a top track running under the IC. One can repair this type of break by linking from top to bottom with a thin piece of wire, but

the PTH kit allowed a neater and easier repair. It did prove difficult to get an ideal position for the anvil, with other components in the way and because I dropped one of the tubes while trying to fit it, but it was well worth while to achieve a clean and invisible repair.

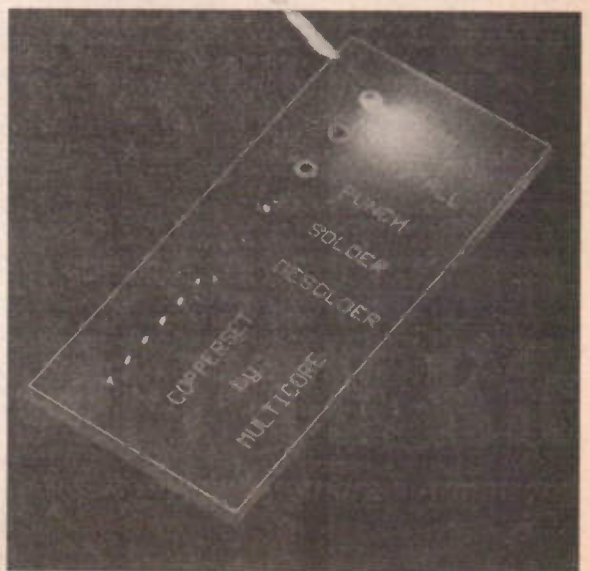
The PTH kit seems to have two main uses. It appears to be designed mainly for use with home made or in-house prototype PCBs but will also enable repairs to be made to purpose-built PTH boards. For PCB repair, an anvil with a finer point is supplied, but even so it can be difficult to fit between closely packed components.

When designing for amateur construction, or for an in-house prototype, it is often possible to allow an extra pad to place a link from top to bottom with a track pin or piece of tinned wire. However, there are some areas where this is impossible and the Copperset PTH kit offers a much more reliable solution for these cases than simply top-soldering a component pin. It also makes it possible to change a component without the serious risk of tearing off the top track to which it is connected.

Even if a separate top-to-bottom link is being used, the Copperset kit can make the via connection in a smaller diameter than can a track pin and is quite practical to use with a 50thou pad to make via connections. With skill, it will work with 40thou pads (the smallest hole size needed is 31thou). The downside to this is that track pins are quicker to insert, so may be preferred where there is no space constraint.

The kit contains three sizes of bail bars, three reamers, three insertion tools, a punch with three nose-pieces, an anvil base with two anvil bars, thin wire to link tracks where pads have been destroyed, solder and desoldering braid. The only other item required is a soldering iron, though a solder-sucker is also useful.

I'm not sure that I would have been motivated to buy this kit simply on the strength of press advertising, but now that I have tried it I find that it is well worth having and I shall continue to use and maintain mine.



**REVIEW**

# Grand Clearance SALE

## Everything must go!

*There will never be another chance to buy so much, so cheap!*

### ALL NEW AND UN-USED HARDWARE

Semi Conductors

Resistors

Ic's & Much,

Loud Speakers

Hardware

Much More!

Cable/Wire

Tweeters

**BULK  
BUY**

Capacitors

Screws

**ORDERS ONLY**

ORDERS IN BULK AND APPOINTMENTS ON SUNDAYS ONLY. PLEASE PHONE FOR DETAILS OF YOUR REQUIREMENTS!



Warehouse Tel. 081 992 8430. Fax. 071 723 3467

**Tel. 071 723 8432**

*Goods available from Warehouse only!*

RETAIL SHOP ONLY AT: 376 Edgware Rd, London W2 1EB WAREHOUSING ONLY AT: 21 High St, London W3 6NG



# Chelmer Valve Company for Audio Valves

Audio valves with famous Brand Names of yesteryear such as MULLARD, MOV, GEC, RCA etc., are in very limited supply and their scarcity also makes them very expensive.

We at Chelmer Valve Company however provide high quality alternatives to these old makes. We have over 30 years experience in the supply of electronic valves of all types and during this time have established close ties with factories and sources worldwide.

For high fidelity use we further process valves from these sources using our specially developed facilities. After rigorous testing – including noise, hum, microphony, post burn-in selection and matching as needed – we offer this product as CVC PREMIUM valves.

A selection of the more popular types is listed here.

## Price list & Order Form for CVC PREMIUM Audio Valves

	UNIT PRICE	QTY.	TOTAL PRICE		UNIT PRICE	QTY.	TOTAL PRICE
<b>PRE-AMP VALVES</b>				CARRIED FORWARD . . . .			
ECC81/12AT7	5.00			<b>RECTIFIERS</b>			
ECC82/12AU7	4.00			GZ33	4.50		
ECC83/12AX7	5.00			GZ34/5AR4	4.50		
ECC85	4.00			5U4G	5.00		
ECC88	5.00			5Y3GT	3.20		
EF86	4.00			5Z4GT	3.50		
E81CC (GOLD PIN)	6.00			<b>SOCKETS</b>			
E82CC " "	6.00			B9A (PCB)	1.60		
E83CC " "	6.00			B9A (CHASSIS)	1.60		
E88CC " "	7.00			OCTAL (CHASSIS)	1.75		
E80F	12.00			4 PIN (UX4)	3.00		
E83F	5.50			<b>MATCHING CHARGES*</b> . . . . .			
6SL7GT	4.00			<b>POST &amp; PACKING</b> . . . . .			
6SN7GT	4.20						
<b>POWER VALVES</b>							
2A3 (4 PIN)	14.00			<b>TOTAL EXC. VAT</b> . . . . .			
2A3 (OCTAL)	14.00			<b>VAT @ 17%</b> . . . . .			
211	22.00			<b>TOTAL TO PAY</b> . . . . .			
300B	50.50						
811A	9.50						
845	29.90						
EL34/6CA7	7.50						
EL84/6BQ5	4.00						
E84L/7189A	5.10						
KT66	9.20						
KT88	12.50						
KT88 (GOLD Q)	18.50						
6L6GC	6.50						
6L6WGC/5881	8.00						
6V6GT	5.00						
6146B	10.20						
6336A	30.00						
6550A	11.00						
7581A	10.00						
<b>TOTAL CARRIED FORWARD</b> . . . . .							
				* MATCHING, if required; state valve types & if PAIRS, QUADS or OCTETS – Allow £1.00 per valve for this service.			
				Make <b>CHEQUES</b> payable to <b>'CHELMER VALVE COMPANY'</b> or pay by <b>ACCESS/MASTERCARD/VISA</b> , give details:- <input type="text"/>			
				Signature ..... Expiry ..... Name ..... Address ..... ..... ..... Post Code .....			

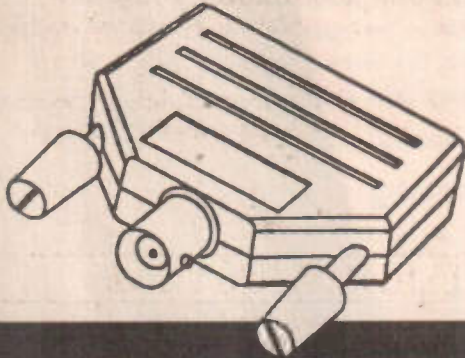
**Valve amplifiers sound better still with CVC PREMIUM valves!**

130 New London Road. Chelmsford. Essex CM2 0RG, England. Telephone: (0245) 355296/265865 Fax: (0245) 490064

# Low cost data acquisition for IBM PCs & compatibles...

All our products are easy to install - they connect directly to either the printer or serial port and require no power supply. They are supplied with easy to use software which collects data for either display or print-out.

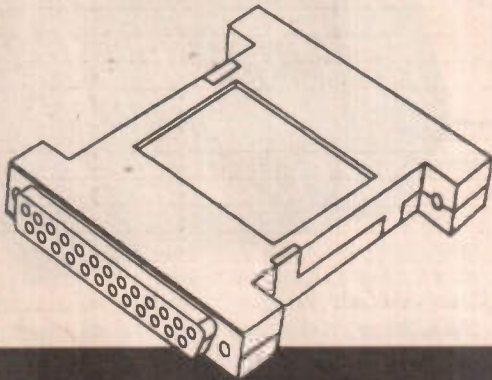
## ADC-10



- 8-bit resolution
- one channel
- 10-25k samples per second
- Oscilloscope/Voltmeter software
- 0-5 V input range
- Connects to printer port

**£49**

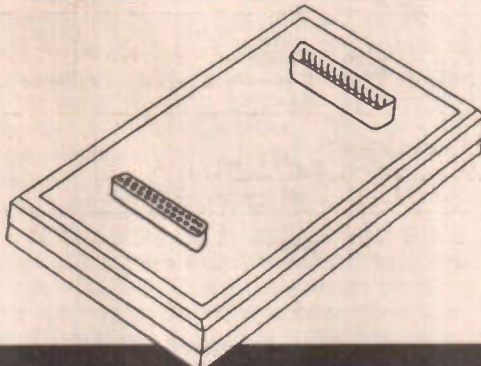
## ADC-11



- 10-bit resolution
- 11 channel
- 5-10k samples per second
- Data logger software
- 0-2.5 V input range
- Connects to printer port

**£75**

## ADC-16



- 8, 12, 16-bit resolution + sign
- 8 s/e or 4 differential inputs
- 2 16 or 300 8-bit samples per second
- $\pm 2.5$  V input range
- Data logger software
- Connects to serial port

**£99**

All prices exclusive of V.A.T.

## PICO TECHNOLOGY LTD

Broadway House, 149 - 151 St Neots Road, Hardwick, Cambridge, CB3 7QJ



Tel: 0954 - 211716

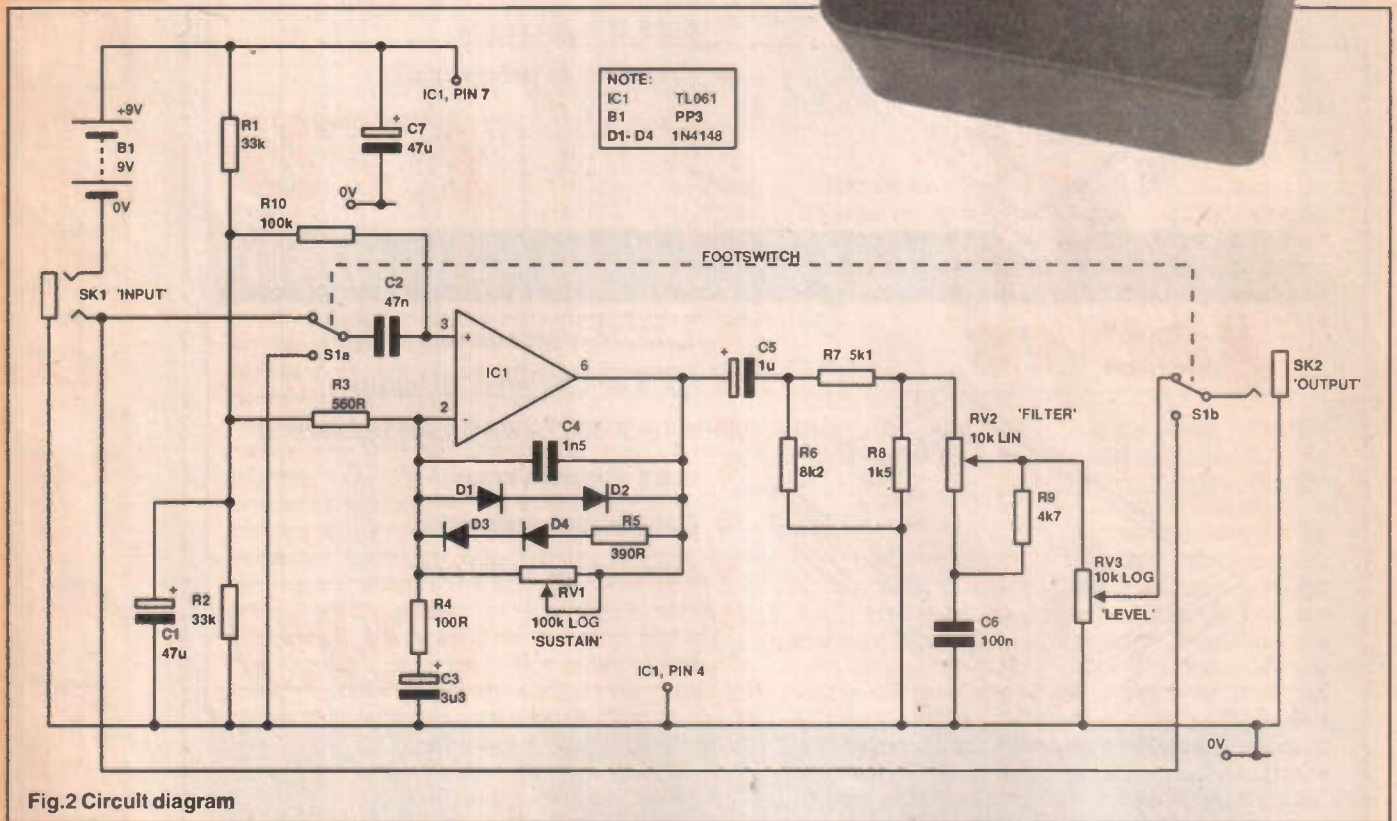
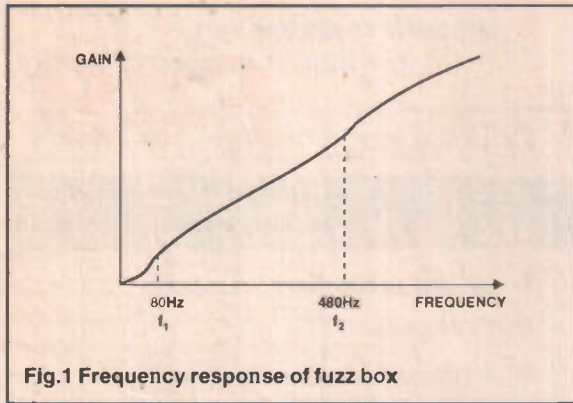
Fax: 0954 - 211880

PICO TECHNOLOGY

# The Fuzztone



An easy-to-make fuzz box for your guitar by Daniel Coggins



Over the years, many designs for distortion pedals (also known as fuzzboxes and overdrives) have appeared in the pages of electronics magazines and there are countless models available on the market, all of which seem to claim to sound superior to the rest. This design was borne out of an experiment by the author (a

guitarist with experience in electronics) to make a distortion pedal that could give a useable, controllable sound with as simple a design as possible. When the prototype was tested, it was found to give an impressive range of sounds, which could easily rival some of the more expensive pedals available in the shops and certainly makes a viable project.



Built from readily available parts, it is straightforward to construct, and features controls for sustain (the overall amount of distortion, or 'drive'), a filter control (to provide varying degrees of high frequency harmonics, giving a wide range of tonal variations) and a level control to match up the 'straight-through' sound and distorted sounds, when the foot-operated switch is pressed.

### Design considerations

Several considerations were made at the design stage, from a musicians perspective, namely that the unit must have battery operation with minimal current consumption (this design uses about 300µA, which is very low and will give long life from a PP3 battery). Also, the input jack must switch

the unit on and off when the guitar lead is plugged in or removed respectively.

Finally, and perhaps most importantly, the unit must give a range of easily controllable and useable, musical sounds. All too many fuzzboxes, despite giving lots of sustain, can sound weak and fizzy, due to the high proportion of odd order harmonics produced by the clipping in the circuit. By simply adding a tone control, most of these can be removed judiciously, leaving the low to mid frequencies intact, which results in a rounder sound, more akin to that of a valve amplifier being pushed into overload. This design does not pretend to emulate a valve amplifier sound - there is no substitute for the real thing - although it does go some way to approaching this by virtue of two features; asymmetric clipping, which increases the dynamic range of the effect and a midrange boost which adds 'body' to the sound. These features are explained in the 'How it works' section.

### Construction

This should be quite straight forward. First, assemble the components on the PCB starting with the resistors and capacitors (double check the polarity of C1, 3, 5 and 7), followed by IC1 and D1-4. Take care when soldering these, ensuring that they don't get too hot, and again double check their polarities (see overlay).

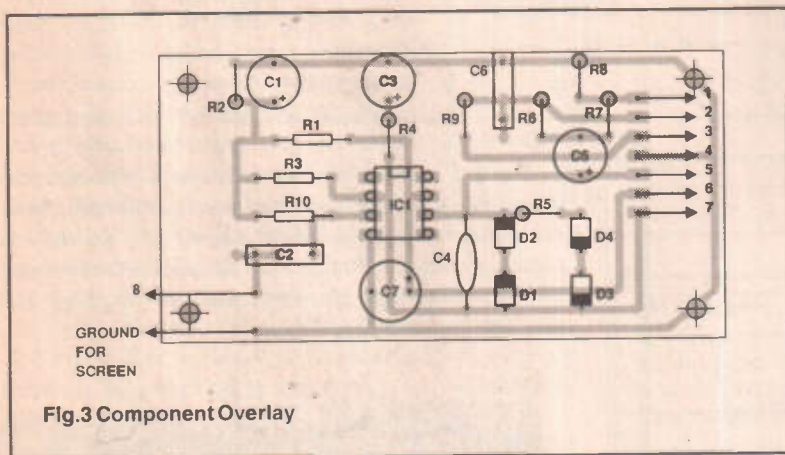


Fig.3 Component Overlay

### HOW IT WORKS

In principle, the sound of a guitar (or, indeed, any musical source) can be distorted by over-amplifying it and using the circuit's limit to clip the signal. In practice, the results are governed by how it is clipped. If valves are used, their distortion will sound different than that of their solid state counterparts. This design uses an operational amplifier IC, providing high signal gain, with a diode clipping network, to square off the complex signal and thus distort it. This waveform can then be modified by the rest of the circuit.

### CIRCUIT DESCRIPTION

The supply taken from the battery is decoupled by C7 and split and decoupled by R1, R2 and C1. IC1 is configured as a non-inverting amplifier with adjustable negative feedback. The ratio of the 'Sustain' control, RV1 and resistor, R3, sets the gain between zero and several hundred. Resistor R10 sets the input impedance to 100k, which works with most guitars to provide the correct response to adjustment of the guitar volume control, to clean up the distortion if desired. The incoming signal is either switched via coupling capacitor, C2, to the circuit, or bypassed to the output, directly - with no loss of clean signal, which is often a problem with some pedal designs. The frequency response of the circuit is tailored by R4 and C3 to give an increase in gain above about 480Hz, and in conjunction with R3, gives a slope between about 80Hz and 480Hz, with much less gain below 80Hz. This has the advantage of rejecting 50Hz mains hum to a degree (remember, this is a sensitive high gain circuit, hence the screening from the diecast case). This also makes the unit very effective with bass guitars, where the fundamental notes can be as low as 40Hz and can cause a rather confused sound. This unit works by mainly distorting the upper harmonics of the fundamental.

Clipping, and hence distortion, is achieved by connecting an anti-parallel network of cascaded diodes across the feedback loop. Capacitor C4 filters out the high-order harmonics, which sound very brittle and unpleasant. It also doubles as an RF bypass capacitor, to avoid the unit

picking up Radio Moscow after dark. Four diodes are used to give a larger voltage swing on the op-amp's output (up to 1.2 volts p-p) which gives greater headroom and plenty of level to drive the passive filter and volume controls that follow it. Another benefit of this is to provide sufficient output boost to overdrive the front end of a guitar amplifier, if so desired.

A resistor, R5, is added in one of the diode branches in order to offset the clipped waveform. This asymmetric clipping is beneficial in musical terms, as it not only allows greater headroom of the original waveform on alternate half-cycles (this goes some way to preserving the original tone), but also encourages generation of even harmonics, not unlike an overdriven valve amplifier. The effect of this is to give a more 'responsive' design, which most guitarists will feel is desirable.

The output of the op-amp is coupled via C5 into a passive filter network. Resistors R6, 7, 8 and 9 ensure that the overall sweep of the control is relatively even. Capacitor C6 filters out the high frequencies, and the blend of frequencies can be selected by setting the potentiometer, RV2. Finally, the required output level is adjusted with the 'Level' potentiometer, RV3.

As an aside, readers may wish to experiment with the sound of the unit by altering the values of R3, R4 and C3. Overall gain is set by R3, so by reducing its value, gain is increased and vice-versa. By choosing values for R4 and C3, the overall frequency response can be 'tweaked'. Use the following formulae to achieve this:-

$$f2 = 1/(R4 \times C3) \times 2\pi \text{ where } \pi = 3.14$$

This gives the upper boost frequency. The lower frequency where the slope starts is given by :-

$$f1 = 1/(R3+R4) \times C3 \times 2\pi$$

As C3 effectively 'sees' R3 in series with R4 (see diagram of frequency response).

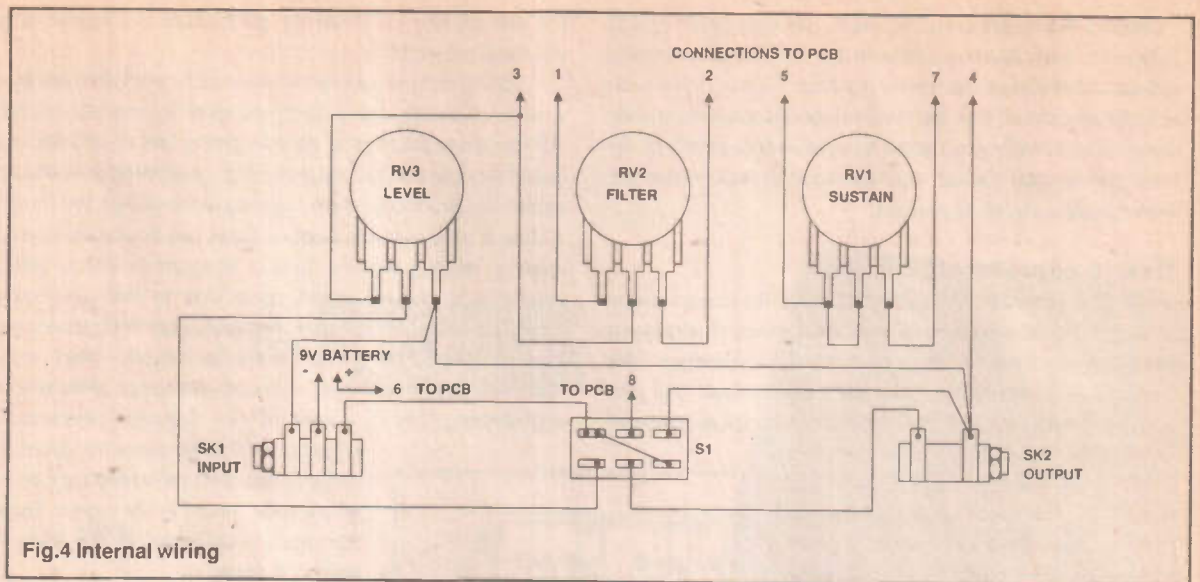


Fig.4 Internal wiring

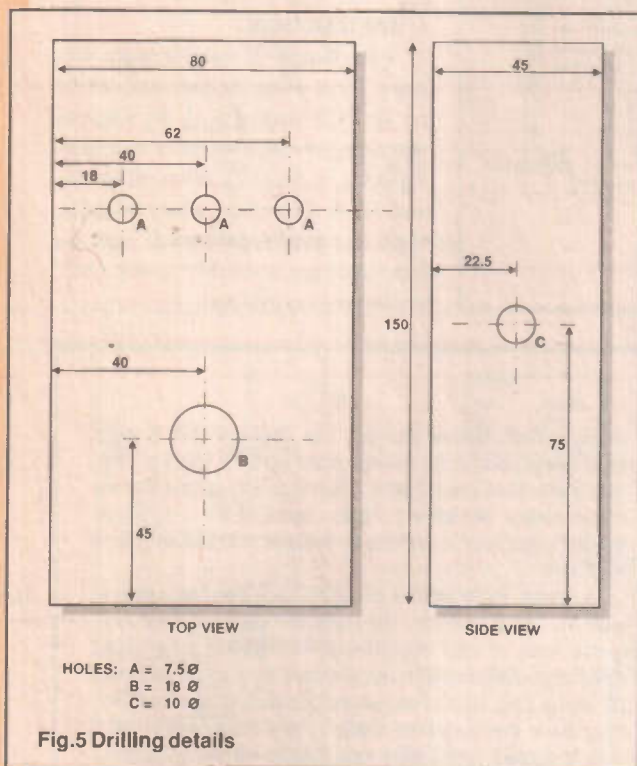
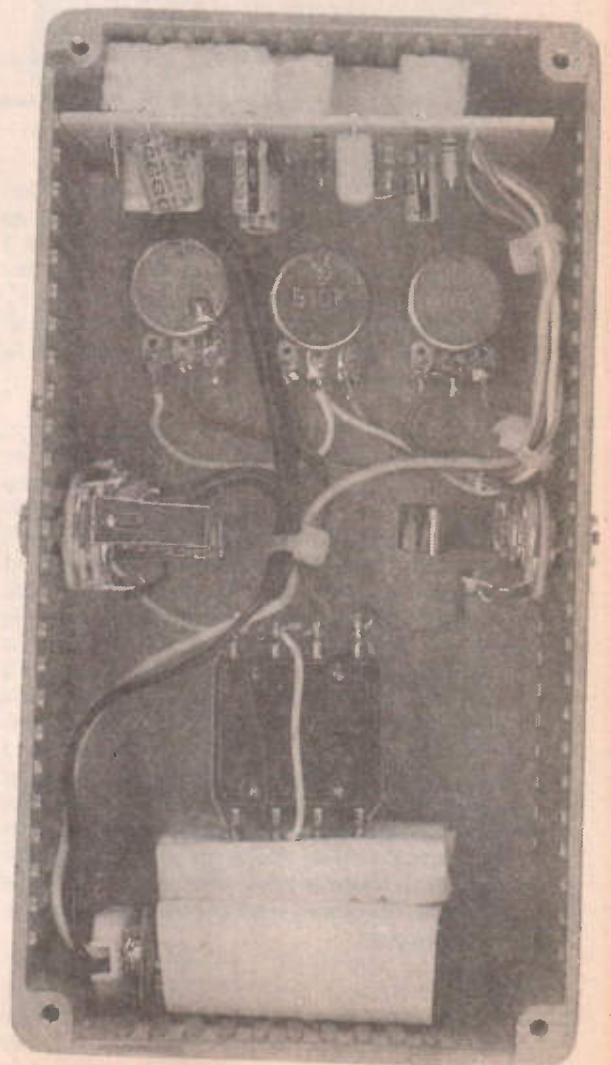


Fig.5 Drilling details

The case can then be sprayed the colour of your choice - the prototype was sprayed a rather fetching metallic blue - and rub down lettering can be used to label the controls. Finally, give the finished case several generous coats of clear lacquer, to withstand the continuous stomping from your foot, and general abuse.



Connect all the flying leads to the PCB and use colour coding if possible, to avoid confusion. Leave them all approximately 6 inches long - these can be trimmed down as they are soldered to the various pots, switch and sockets once the case has been completed (see layout). Use screened lead for the input cable coming from the foot switch to the capacitor C2, earthing the screen at the PCB end only to avoid earth loops. If the jack sockets are of the moulded plastic variety, connect the earthy side of RV3 to its metal housing to earth the case.

Using the diecast case specified, mark out the holes with a centre punch (see drilling details) and drill 3mm pilot holes. These can then easily be drilled out to size as required. There is no reason why the unit could not be housed in a smaller case, but experience tells this author that miniaturisation is not necessarily an advantage, especially as he possesses size 12 feet!

## Testing And Use

When the wiring has been completed and checked, connect the battery in series with an ammeter. Plug a lead into the input and check that the total current flowing is around 300µA. If all is well, you are ready to test. If not, go back and check your wiring and component values. Check again the position of IC1.

With the input lead connected between the guitar and the unit, the battery will be switched on, therefore when the unit is not in use remember to unplug the input jack, to conserve battery life.

With all the controls positioned centrally, connect a second lead between the output jack and the input of your amplifier. According to how the switch is pressed, the guitar will either sound normal or distorted. Distorted sounds can be adjusted by setting the Sustain and Filter controls to taste (lower settings of the sustain control will give greater dynamics than it will when set fully clockwise). The relative level between distorted and 'straight' sounds can be adjusted with the Level control. Bear in mind that when in use, if you are too close to the loudspeaker of the amplifier, you will encounter mains hum. This is the inevitable result of the high gain circuit in a fuzzbox and will be more prevalent in guitars using single coil (non-humbucking) pickups.

If the unit doesn't work, double check all the wiring and

component values and ensure that battery and component polarities are correct. Also, ensure that no wires or PCB tracks (other than the border track) are shorting against the metal casing.

Now go and make some noise - and remember, this device isn't limited to use by guitarists! You can distort just about anything with it if you wish.

## PARTS LIST

### RESISTORS

(all 1/4 watt 5%)

R1,2 33k  
R3 560R  
R4 100R  
R5 390R  
R6 8k2  
R7 5k1  
R8 1k5  
R9 4k7  
R10 100k  
RV1100k log mini pot.  
RV2 10k lin mini pot.  
RV3 10k log mini pot.

### CAPACITORS

C1,7 47µ 16V PCB electrolytic  
C2 47n polyester or ceramic  
C3 3µB 16V PCB electrolytic  
C4 1n5 polystyrene  
C5 1µ 16V PCB electrolytic  
C6 100n polyester or ceramic

### SEMICONDUCTORS

IC1 TLO61 JFET op-amp  
D1,2,3,4 1N4148 silicon diodes

### MISCELLANEOUS

SK1 stereo 1/4' jack socket  
SK2 mono 1/4' jack socket  
B1 9V battery type PP3 and clip  
S1 DPDT heavy duty foot switch

### DIECAST CASE

150 ∞80 ∞50 mm (bimbox number 5005); 3 knobs to suit RV1, 2, 3; Rub-down letters, spray, lacquer, wire, solder, screened lead, PCB.

## BUYLINES

All parts are readily available, with the exception of the footswitch, pots and diecast case, all of which are supplied by MAPLIN. For a more robust footswitch, try your local music shops - Rhino products make a suitable type.

## JUST LOOK AT WHAT'S AVAILABLE FROM BONEX .....

### Balance Mixers

#### Batteries

Button Cells, Ni-cads,  
Battery Holders,  
Battery Eliminators,  
Ni-cad Chargers,

#### Boxes

ABS Plastic, Die-cast,  
Hand-Held Enclosures,

#### Bridge Rectifiers

#### Bulbs

#### Cables

Audio, BBC, Camcorder,  
Cassette/Calculator, Mains,  
Computer, IBM PC/AT,  
Serial, Monitor Extension,  
Parallel, Patch/Video Leads,  
Scart Cables, Serial Printer,  
Video/Audio Dubbing Kit,

#### Cable Ties

#### Capacitors

Ceramic Discs  
Ceramic Feedthroughs,  
Chip, Electrolytics,  
Monolithics, Mylars,  
Polycarbonates,  
Polystyrenes, Polyesters,  
Tantalum Beads,

#### Capacitors Variable

Film Dielectric Trimmers,  
Ceramic Trimmers,

### CMOS Devices

#### Computer Accessories

Adaptors 9W to 25W,  
Data Switch Boxes,  
Gender Changers,  
RS232 - Patch Boxes, Null  
Modems, Plug in Testers,  
Surge Protectors,  
Surge Protector Plugs,

#### Connectors

Audio Adaptor/Plugs,  
Banana Connectors,  
Binding Posts BNCs,  
Centronics, D,  
D High Density,  
DC Power, DIL IC,  
DINs, IDCs, Edge, F,  
Jack 2.5mm, 3.5mm, 6.3mm,  
Mains, Microphones,

#### Diodes

Molex, N-Type, Phono,  
PL259, RF Adaptors,  
Scart, TNC, Terminal

#### Strips, TV, XLR,

#### Crocodile Clips

#### Crystals

#### Desolder Pumps

#### Diodes

Plastic IN4000 / IN5400,

#### Toko Varicaps

#### Signal Diodes,

Zener, BZYs and BZXs,

### Drills

Bits and Burrs,  
Expo,  
Pin Chucks,  
Power Supplies,  
Saws and Slitting Discs,

### Fans

### Feet, Rubber

### Ferrites

### Filters

FM Ceramics, Mechanical  
IFs, Ceramic Resonators,  
Crystal, Helicals, NTSC /  
PAL, Pilot Tone, Quadrature  
Detector, Satellite TV, Video,

### Fuses

### Grommets

### Howes Kits

### Heatsinks

### Inductors Fixed

### Inductors Moulded

### Inductors Surface Mount

### Inductors Variable

### Infra-red Source Sensor

### Insulating Tape

### Integrated Circuits

### CMOS,

### Eproms,

### Linears,

### Memory,

### TTL,

### Kits and Modules

### L.E.D.s, 3mm and 5mm

### Light Dep Resistors

### Loudspeakers

### Microphone Inserts

### Multimeters

### Neon Indicators

### Nuts and Bolts

### Opto Switches

### Optoisolators

### P.C.B.s

### Copper Clad, Etch Resist

### Transfers, Photo Resist,

### Pins, Proto-type,

### Polishing Mops

### Potentiometers

### Control Pots, 16mm, 24mm,

### Pre-sets, Horizontal/Vertical

### Trimmer Pots,

### Power Supplies

### Relays

### Resistors

Carbon Film, Metal Oxide,

### Wirewound,

### Screening Cans

### Semi's Mount Kits

### Solder

### Soldering Irons

### Switches

DIL, Key, Microswitches,

Push, Rotary, Slide, Toggles,

### Test Leads

### Test Probes

### Tools

Crimping, Cutters,

Files, Insertion,

Reamers,

Screwdrivers,

Strip Board, Trimtools,

Toroid Cores

### Thyristors

### Transformers, Mains

### Transistors

Audio Power,

Darlington, F.E.T.s

GaAsFETs,

Low Power RF,

Microwave,

MosFETs,

Power RF,

Small Signal,

VMOS,

Triacs

### TTL

### Video Modulators

### Voltage Regulators

### Wire

Enamelled Copper,

Tin Plated,

Silver Plated,

Zero Insert Force

### Sockets



12 Elder way  
Langley Business Park  
Slough

Berkshre SL3 6EP . Telephone : 0753 549502 Fax : 0753 543812

CATALOGUE AVAILABLE

**SPECIAL OFFER**  
**SBL-1 BALANCE MIXERS £3.75**

*An electronic timelock  
providing limited  
amusement for the kids.  
Commentary by an  
unpopular Bob Noyes.*

# Pentacode

The kids come in from school, sling their bags down in the hall and swear blind they haven't got a scrap of homework to do. They tear upstairs and on goes the Nintendo or the TV. After some subtle or not so subtle questioning, you ascertain that there is a list of spellings to be learnt by one son and Science, Maths and French homework to be done by the other. You march into their rooms and turn off the TV/computer, then tell the kids in no uncertain terms that homework comes first and that there's no TV or anything else until it's done. By the time you've turned your back and got halfway through the door, the TV is on again with the volume turned down a bit and the homework takes twice as long to get done because of the distraction.

What was needed was some sort of electronic padlock that could be put on the TV and computer to stop them from being used at certain times.

A keyswitch was considered first, but was quickly dis-

counted as keys disappear in our house almost as quickly as packets of crisps. Instead I came up with Pentacode, a system which has an up to five digit code that must be entered correctly for the TV/computer not be disabled by mains starvation. Each time a button is pressed the system beeps indicating that a) a button has been pressed and contact has been made (essential on cheap keypads that have no tactile feedback) and b) that someone is attempting to enter a code or to find it by trial and error. When the five digits have been entered correctly, the output is used to switch a relay, the safest way to switch mains. However, if an incorrect button is pressed, the code is reset and will require the full code to be entered again from the beginning. Pentacode uses two standard ICs, which are very cheap and, if mounted in holders can be used again in a variety of projects if and when this particular one isn't needed anymore. The chips are 4013 double D type flip flops with independent clock.

## Use 1

The original objective of Pentacode was to turn off a TV and games unit so a mains switch was required on the output. This can be done in one of two ways: an opto triac (solid state), or a relay. A relay was chosen as it is easy to see if a relay is energised or not and it is easier and cheaper for largish currents. The relay is mounted on the power supply board but great care must be taken with this, as the output contacts of the relay are at mains potential when wired and should be treated with the greatest of respect.

## Relay PSU Board Description

This board was designed to work on either a straight AC supply of 12V or a centre tapped supply 12-0-12V. For straight 12V, all four diodes of the bridge are used with the

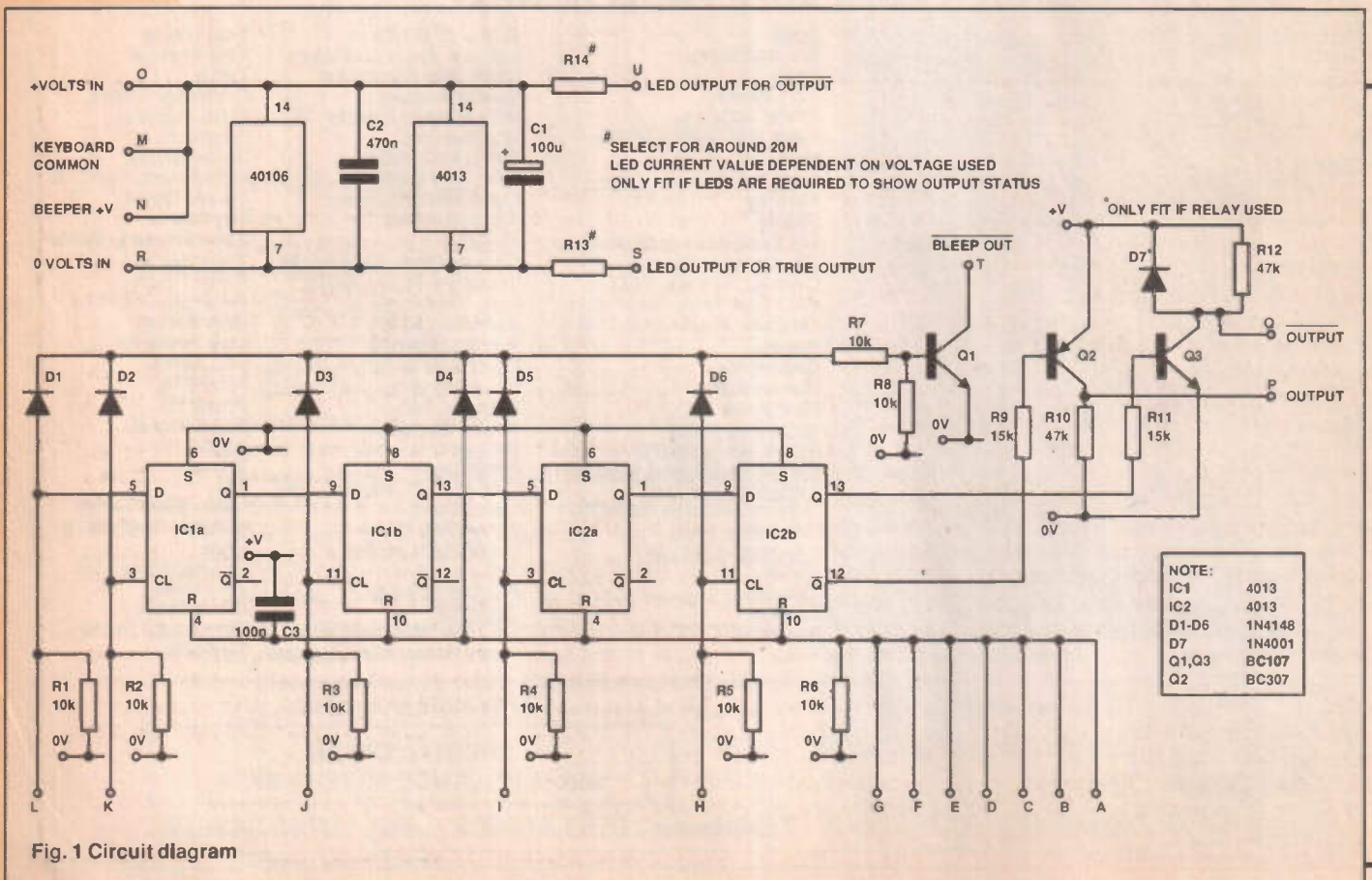


Fig. 1 Circuit diagram

12V AC going to pins 3 and 4. For an AC supply of 12-0-12V, Diodes D10, D11 are omitted. The two 12V inputs go to 3 and 4 and the centre tap goes to pin 5. Full wave rectification takes place and C4 smooths the pulsating DC into a relatively smooth 17V or so. IC3, the 12V regulator (7812) produces a stable 12V out to pins 11 and 12. C5 and C6 suppress any high speed oscillation and C7 ensures a low impedance output. All this is straightforward and this 12V is used to power the Pentacode board (pin 11 12V, pin 9 0V).

To make this a standard board, usable on other projects, the relay is not tied to either supply and both terminals are brought out - the positive to pin 7 and the negative to pin 8 (orientation required because of the protection diode D12). In this case, LK2 is required to connect the positive side to 12V. The relay now needs an active low on pin 8 to power it. This is provided by Q3 on the Pentacode board pin A. There is a protection diode on both boards; this is okay although the

one on the Pentacode board may be removed (D7), keeping the closest one (D12).

The relay is a change-over type but only the common and N/O output function is required, so no connection is needed on pin 103. Pins 102 and 101 have male spade connectors soldered to the board - these provide a good safe mains connection to the relay. Insulated female spade connectors are used here to minimise the amount of mains exposed. These connectors provide the live connection to the mains output socket, which is an IEC type. If a normal 13 amp socket is used, the 13 amp plug can be removed and plugged in the normal mains socket. By using the IEC plug/socket there is nowhere else to plug it in (pretty sneaky).

Great care must be taken when mounting this relay board in the box: check the board is held well clear of the base - enough to allow for a nut, bolt or washer to freely pass under it if one should work loose in use. The ones used and recommended are 14mm long and M3 tapped. The wiring diagrams show the full circuit. The transformer used is a 12-0-12V type so D10 and D11 have been omitted.

### Connecting Up

The transformer can be mounted in the box for safety and longish wires should take the secondary 12V AC onto the relay board. This allows the board to be worked on away from the mains, in safety, because at this stage there is no mains, as the output of the relay is left disconnected. While the

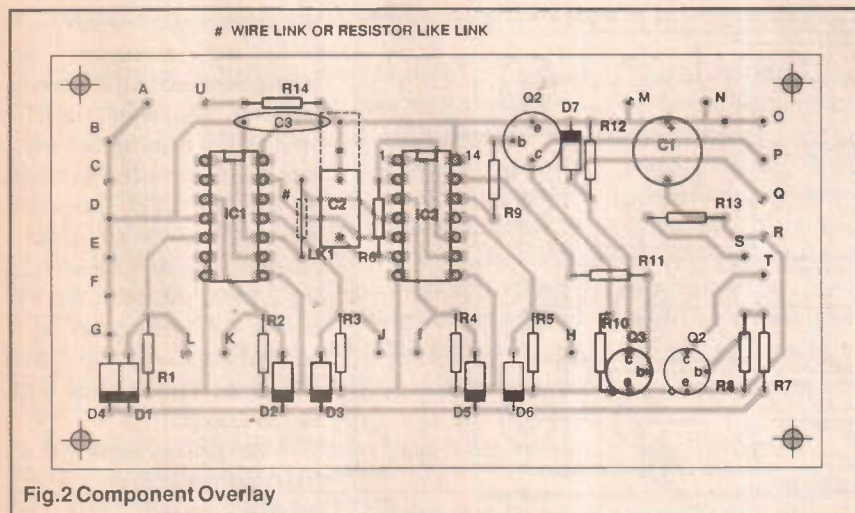


Fig.2 Component Overlay

## HOW IT WORKS

### FIGURE 1

The principle of a D type flip flop is that the input on the 'D' is transferred to the 'Q' output on the rising edge of the clock pulse, but can be overridden by the set or reset which takes priority if used. This function is used to reset the whole combination if a wrong number is entered. The input stage of Pentacode is different from most code systems, achieved by bringing the D pin 5 and the clock pin 3 to the keypad via pins L and K respectively. These are normally held low by pull down resistors R1 and R2. In order to produce a high at the Q output pin 1, two buttons must be pressed. Firstly the D input must be made high and held high by holding down the button connected to it, while the clock is made high by pressing its button and releasing it before the D1 button is released. The sequence must be adhered to, to allow for 'switch bounce'. Switch bounce happens to all but the most expensive switches and, as the diagram shows, not only occurs when the switch is pressed but also upon releasing the switch.

### FIGURE 3

To allow for the bounce on releasing the clock button, the D button is held down until the clock has been released, which ensures reliable operation. From now on the remaining three digits can be

entered normally as the following Ds are connected to the previous Q outputs and hence are not prone to switch bounce because the source is stable. Assuming the complete code has been entered correctly the output Q pin 13 of IC2 will go high, which will turn on Q3 via R11. If an incorrect number is pressed (not one of the numbers connected to pins A-G) the resets, which are all connected together, go high and the whole code circuit resets requiring the full code to be entered from the beginning.

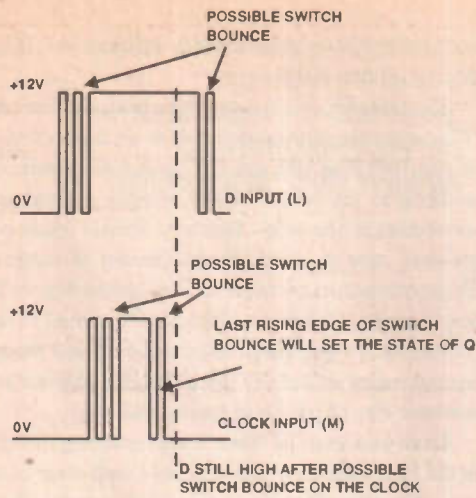
All of the input pins have a path through diodes to the bleep line which is normally held low by R7 and RS. Q1 is turned on when any button is pressed. The collector is taken to a piezo buzzer to indicate that a button has been pressed.

As well as turning on a relay, there is a digitally compatible signal output pin P, which is normally low, held down by R10 and goes high when the correct combination is applied. This is done by using the a output pin 12 of IC2b, which is high before the correct combination is entered holding TR2 off, but goes low on completion of the correct combination. This low will turn on Q2 giving a high out of pin P. Care must be taken that the voltage running the board is the same as the voltage used in any following circuit connected to pin P or

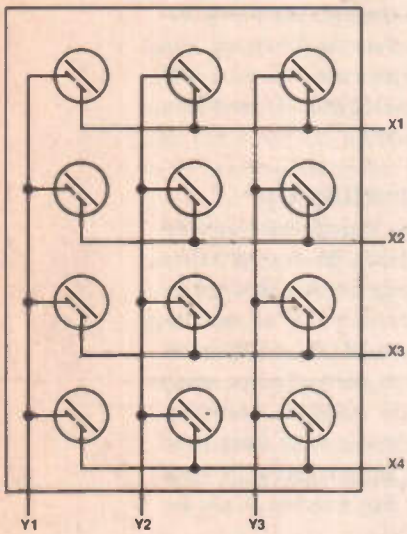
damage may result.

If a relay drive is not required, then D7 can be removed and the output pin Q is now a digital signal going low on completion of the correct code. Again the voltages should be the same for any subsequent electronics. If there is a voltage difference, either up or down, both D7 and R12 can be omitted - this then allows Q3 to be run as an 'open collector' and any voltage can be applied below 30V, while the current should be below 100mA, compatible with the output transistor Q3.

Normally only one of the outputs will be required, either a digital drive to another circuit, for instance as a standby control for alarms, or the relay output used for switching large loads. Two resistors have been provided, R14 and R13, which are to allow a LED to be used to indicate that the combination has been successfully entered. Either the active high transistor Q2 or the active low transistor Q3 can be used, normally the one not used for any following circuit or to drive the relay (see diagram). If batteries are being used, the LED can be omitted to prolong battery life. As can be seen from the circuit diagram, this is a very useful and, with its range of options, adaptable board.

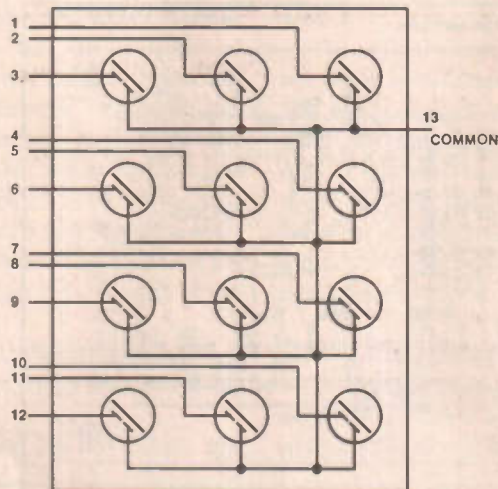


MULTIPLEXED KEY PAD 12 SWITCHES 7 WIRES



THIS TYPE IS NOT SUITABLE

12 SWITCHES 13 WIRES



EACH SWITCH IS BROUGHT OUT ON A SEPERATE CONTACT

THIS IS THE TYPE TO USE

Fig.3 Switch bounce keyswitch diagram

buzzer should sound. Holding down switch (1) press switch (2), IC1 pin 3 should show 12V. Release switches (2) and then (1), now IC1 pin 1 should show 12V. When the next digit/switch is pressed, the corresponding stat should set: this happens for the following two stages. At any time, if one of the unused (in the code) digits/switches is pressed then the whole code must be started again as the unused ones are connected to pins A-G - the reset to all four stages.

Pressing any key passes a high through to the bleep line and turns on Q1 which in turn activates the buzzer connected between pin N (+12V) and T (active low). Assuming the Pentacode is working after the fifth digit/switch is pressed, Q3 turns on and energizes the relay, which should pull in. The 'set' LED connected between pins P (positive) and S (negative) should illuminate giving a visual indication that the relay is on. Pressing any digit/switch not in the code should turn off the set LED and the relay should drop out.

When you are happy that all stages and functions are working, the boards can be mounted in the box. The temporary heatsink can

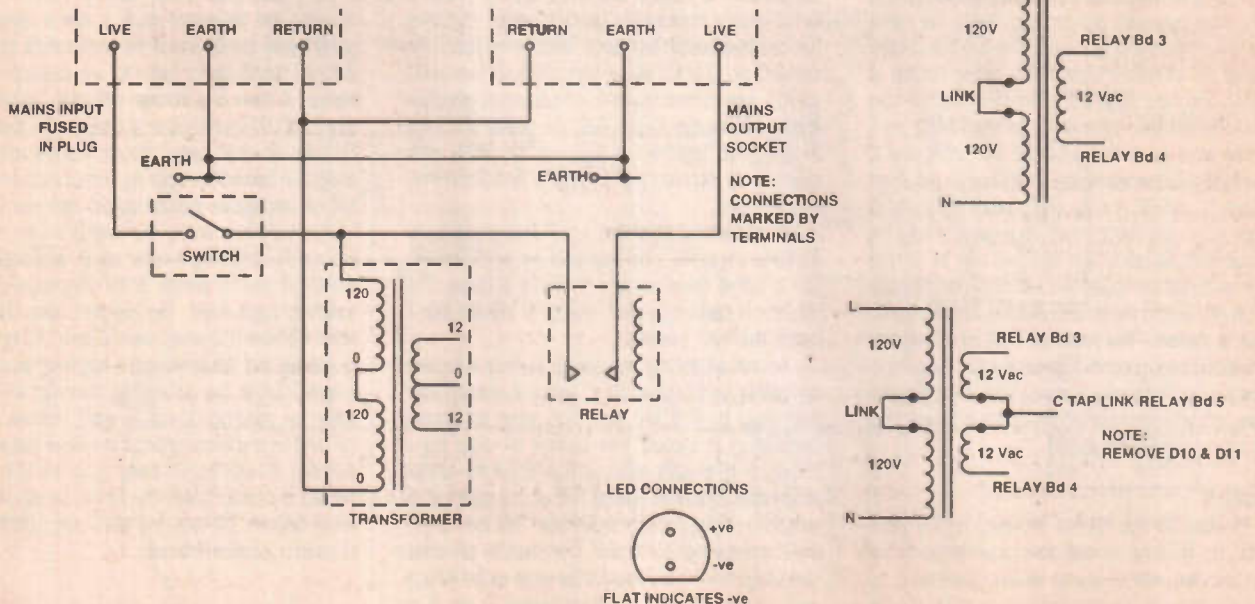


Fig.4 Mains transformer connections

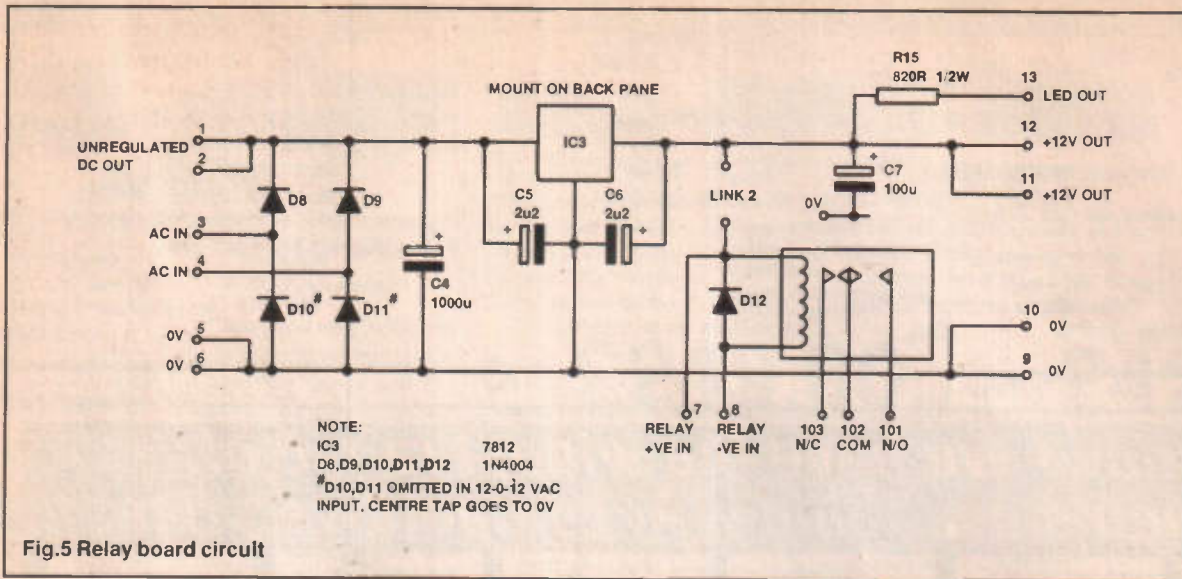


Fig.5 Relay board circuit

be removed from IC3 which should be bolted to the back panel. The transformer secondary wires must be shortened and the output of the relay connected - great care should be taken that the wiring is correct and that no wires have been allowed to separate and short out or even be exposed.

All the metal panels, front, back and base should be earthed with thick green/yellow wire (normal earth). Solder tags should be held down with crimped washers to prevent the bolts becoming loose. When everything has been mounted and connected, turn the unit upside down to check that nothing is loose and that no odd nuts or washers are hiding.

Remove the mains plug from the 13 amp socket and, with your meter, check between the earth pin of the 3-pin plug mains in. The earth pin of the IEC socket and the front and back panels should all show direct continuity on the lowest range of the meter set to resistance. Now check the mains in earth on the 3-pin plug, to both live and return. With the resistance range on the highest range there should be no path at all. Care should be taken not to touch the pins as body resistance will show up on this test. This should be done on the output IEC socket as well.

If all is well, connect a lamp or other low current device into the IEC socket and try it out. Enter the code and the lamp should illuminate - pressing any other switch should turn it off. When everything is working well, a larger fuse can be fitted to the mains plug but this should not exceed 5 Amps.

Several other uses have been found for Pentacode such turning off mains PA equipment at fetes and the like when they has to be left unattended for a while. I added a key switch to my unit, which turns on the relay by connecting pin 8 to pin 10 of the relay board. This still switches the mains via the relay as the key switch used can only handle 1 amp and we are switching 3 amps or so via the relay. It also reduces the amount of mains wiring because the key switch only switches 12V at under 0.1 Amp to the relay.

### Stand Alone Use

Several alarm systems use a key switch to disable them. This is OK, but keys are easily lost. This board can be mounted normally in the original alarm box and can provide an active high, pin (P) or an active low, pin (Q). The supply to Pentacode is also taken from the alarm - this is to prevent spurious currents flowing between the boards an possibly causing damage. The wide range of voltages 5-18 makes the board ideal for such purposes. The LED supply resistors, R13 and R14 will need to be lowered if a voltage below 10V is

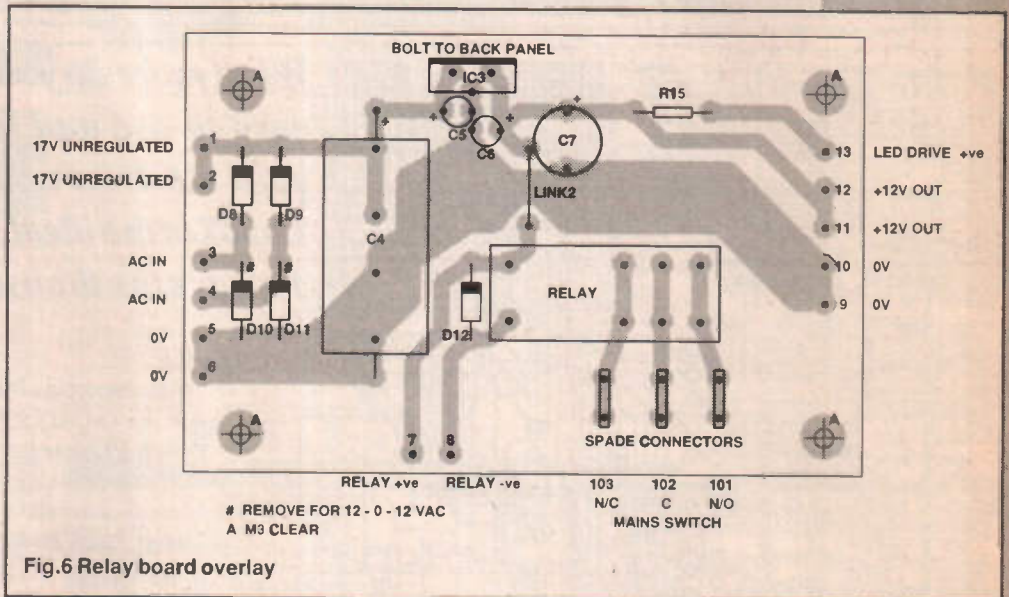


Fig.6 Relay board overlay

used. The Piezo buzzer works well down to 9V or so. A lower voltage sounder will be needed below 8V.

A neighbour has mounted Pentacode and relay board on a model train set. The AC supply is taken from that of the trains secondary and the relay switches the trains AC supply (15V AC) from the controllers when not required. This prevents the kids from playing with the layout when Dad (who's train set it really is) isn't around to oversee things. Because no mains is used in this set up, the boards are mounted in a smaller box, alongside the controllers.

## PARTS LIST

### RESISTORS

R1, 2, 3, 4, 5, 6, 7, 8 10k  
R9,11 15k  
R10,12 47k  
R13,14 820R 1/2W

### CAPACITORS

C1 100µ16V  
C2 470n/16V  
C3 100n/16V Disc

### SEMICONDUCTORS

Q1,3 BC107  
Q2 BC307  
IC1,2 4013  
D1-6 1N4148  
D7 1N4001

### MISCELLANEOUS

Keyboard Electromail Cat  
no. 333-704 (must  
be 12 switches  
with common)  
Buzzer 12V Piezo Maplin  
CR34M

### RELAY BOARD

### RESISTORS

R15 820R 1/2W

### CAPACITORS

C4 1000µ15V  
C5 2µ25V  
C6 2µ2/25V  
C7 100µ25V

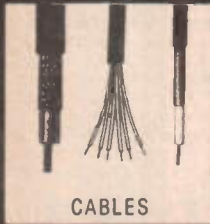
### SEMICONDUCTORS

IC3 7812  
D8-12 1N4004

### MISCELLANEOUS

Relay 12V coil at least 10A contacts  
Transformer 6VA 12-0-12V secondary  
Spade connectors, suitable box,  
mains socket and plug, mains switch  
Keyswitch Only if permanent override required  
2 x panel mounted LEDs 1 red 1 green

**Call us now! We have the widest range of components available – At competitive prices**



CABLES



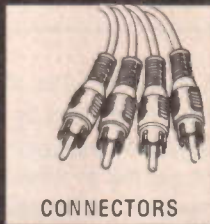
CAPACITORS



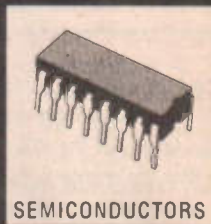
VIDEO HEADS



SPEAKERS



CONNECTORS

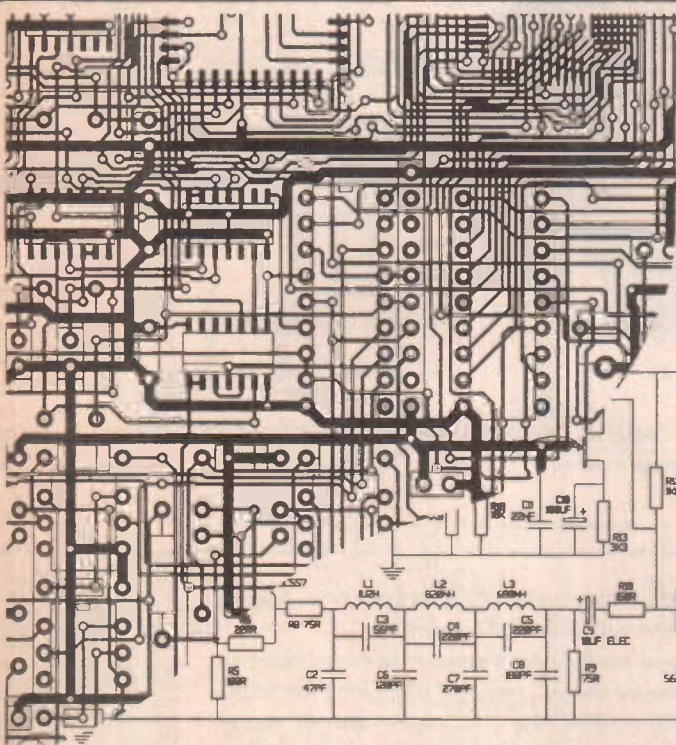


SEMICONDUCTORS

**CRICKLEWOOD**  
ELECTRONICS

Cricklewood Electronics Ltd. 40 Cricklewood Broadway, London NW2 3ET.  
Telephone: 081 452 0161 Faxsimile: 081 208 1441

All Major Credit Cards Accepted



**What more do you need than a practical, easy to use and fast program to design your electronics in your own way? Layo1 is the ideal solution to do just that. Just ask the thousands of satisfied users!**

#### Layo1

- > Netlist import via Project Manager from Layo1 Schematics
- > Also for OrCAD/SDT, Schema III, Tango etc.
- > Forward Annotation
- > Graphics netlist entry
- > Manual-, Interactive and Auto Routing
- > Design Rule Checking
- > SMD Support
- > Extensive component library
- > User definable Macro's

#### Powerfull output drivers for:

- > Gerber photoplotters
- > Excellon, Sieb&Meyer and HPGL drillingmachines
- > HPGL, DMPL compatible penplotters (with open pads)
- > Adobe 2.0 Postscript (with open pads and 10 greyscales)
- > HP-Laserjet, Deskjet and Epson compatible printers

Layo1 is priced at £99 up to £999 (ex. carriage & VAT) which includes: Layo1 Schematics, 90 days FREE updates and technical support.

#### UK Distributor

Pentagram Electronic Designs  
6, Pasture Close, Clayton, Bradford BD14 6 LY  
Phone: (0274) 882609 Fax: (0274) 882295

**LAYO1**

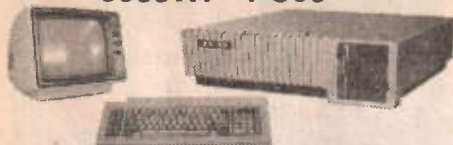
#### International headquarters

Baas Electronics bv Rijksweg 42  
3281 LW Numansdorp The Netherlands  
Phone: (+31) 1865 4211 Fax: (+31) 1865 3480



## LOW COST PC SPECIALISTS - ALL EXPANDABLE - ALL PC COMPATIBLE

### 8088 XT - PC99



- 256k RAM - expandable to 640k
- 4.7 Mhz speed
- 360k 5-1/4" floppy
- 2 serial & 1 parallel ports
- MS-DOS 4.01
- Factory burnt-in
- Standard 84 key keyboard
- 12" green screen included
- In good used condition

Optional FITTED extras: 640K RAM £39. 12" CGA colour monitor with card £39. 2nd 5-1/4" 360K floppy £29.95. 20 mbyte MFM hard drive £99.

Only **£99.00** (F)

### 286 AT - PC286



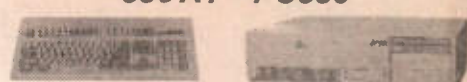
- 640k RAM expandable with standard SIMMS
- 12 Mhz Landmark speed
- 20 meg hard disk
- 1.2 meg 5-1/4" floppy
- 1.4 meg 3-1/2" floppy
- EGA driver on board
- 2 serial & 1 parallel ports
- MS-DOS 4.01
- Co-processor socket
- Enhanced 102 key keyboard
- Clock & calendar with battery back up

BRAND NEW AND BOXED!

Only **£249.00** (F)

The Philips 9CM073 is suggested for the PC286 and the CM8873 for the PC386. Either may use the SVGA MTS-9600 if a suitable card is installed. We can fit this at a cost of £49.00 for the PC286 and £39.00 for the PC386.

### 386 AT - PC386



- 2 meg RAM expanded by slots
- 20 Mhz with 32k cache. Expandable to 64k
- 40 meg hard disk
- 1.2 meg 5-1/4" floppy
- VGA card installed
- 2 serial & 1 parallel ports
- MS-DOS 4.01
- Co-processor socket
- Enhanced 102 keyboard
- Kwik Disk Accelerator Software - FREE

BRAND NEW AND BOXED!

Only **£425.00** (F)

### FLOPPY DISK DRIVES

5 1/4" from £22.95 - 3 1/2" from £21.95!

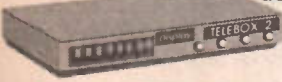
Massive purchases of standard 5 1/4" and 3 1/2" drives enables us to present prime product at industry beating low prices! All units (unless stated) are removed from often brand new equipment and are fully tested, aligned and shipped to you with a 90 day guarantee and operate from standard voltages and are of standard size. All are IBM-PC compatible (if 3 1/2" supported).

- 3.5" Panasonic JU363/4 720K or equivalent £29.95(B)
- 3.5" Mitsubishi MF355C-L. 1.4 Meg. Laptops only\* £29.95(B)
- 3.5" Mitsubishi MF355C-D. 1.4 Meg. Non laptop £29.95(B)
- 5.25" EXTRA SPECIAL BRAND NEW Mitsubishi MF501B 360K. Absolutely standard fits most computers £22.95(B)
- \* Data cable included in price.
- Shugart 800/801 SS refurbished & tested £175.00(E)
- Shugart 851 double sided refurbished & tested £275.00(E)
- Mitsubishi M2894-63 double sided switchable hard or soft sectors- BRAND NEW £250.00(E)

Dual 8" drives with 2 mbyte capacity housed in a smart case with built in power supply! Ideal as exterior drives! £499.00(F)  
End of line purchase scoop! Brand new NEC D2246 8" 85 megabyte of hard disk storage! Full CPU control and industry standard SMD interface. Ultra hi speed transfer and access time leaves the good old ST506 interface standing. In mint condition and comes complete with manual. Only £299.00(E)

### THE AMAZING TELEBOX!

Converts your colour monitor into a QUALITY COLOUR TV!



TV SOUND & VIDEO TUNER!

The TELEBOX consists of an attractive fully cased mains powered unit, containing all electronics ready to plug into a host of video monitors made by manufacturers such as MICROVITEC, ATARI, SANYO, SONY, COMMODORE, PHILIPS, TATUNG, AMSTRAD and many more. The composite video output will also plug directly into most video recorders, allowing reception of TV channels not normally receivable on most television receivers (TELEBOX MB). Push button controls on the front panel allow reception of 8 fully tuneable "off air" UHF colour television or video channels. TELEBOX MB covers virtually all television frequencies VHF and UHF including the HYPERBAND as used by most cable TV operators. Composite and RGB video outputs are located on the rear panel for direct connection to most makes of monitor. For complete compatibility - even for monitors without sound - an integral 4 watt audio amplifier and low level Hi Fi audio output are provided as standard.  
Telebox ST for composite video input monitors £32.95  
Telebox STL as ST but with integral speaker £36.50  
Telebox MB as ST with Multiband tuner VHF-UHF-Cable. & hyperband For overseas PAL versions state 5.5 or 6mhz sound specification. £69.95  
Telebox RGB for analogue RGB monitors (15kHz) £69.95  
Shipping code on all Teleboxes is (B)  
RGB Telebox also suitable for IBM multisync monitors with RGB analog and composite sync. Overseas versions VHF & UHF call. SECAM / NTSC available.

### No Break Uninterruptable PSU's

Brand new and boxed 230 volts uninterruptable power supplies from Densel. Model MUK 0565-AUAF is 0.5 kva and MUD 1085-AHBH is 1 kva. Both have sealed lead acid batteries. MUK are internal, MUD has them in a matching case. Times from interrupt are 5 and 15 minutes respectively. Complete with full operation manuals.....MUK.....£249 (F) MUD.....£525 (G)

### POWER SUPPLIES

- Power One SPL200-5200P 200 watt (250 w peak). Semi open frame giving +5v 35a, -5v 1.5a, +12v 4a (8a peak), -12v 1.5a, +24v 4a (6a peak). All outputs fully regulated with over voltage protection on the +5v output. AC input selectable for 110/240 vac. Dims 13" x 5" x 2.5". Fully guaranteed RFE. £85.00 (B)
- Power One SPL130. 130 watts. Selectable for 12v (4A) or 24v (2A). 5v @ 20A. ±12v @ 1.5A. Switch mode. New. £59.95(B)
- Astec AC-8151 40 watts. Switch mode. +5v @ 2.5a. +12v @ 2a. -12v @ 0.1a. 6-1/4" x 4" x 1-3/4". New £22.95(B)
- Greendale 19A80E 60 watts switch mode. +5v @ 6a ±12v @ 1a, +15v @ 1a. RFE and fully tested. 11 x 20 x 5.5cms. £24.95(C)
- Conver AC130. 130 watt hi-grade VDE spec. Switch mode. +5v @ 15a, -5v @ 1a ±12v @ 6a. 27 x 12.5 x 6.5cms. New. £49.95(C)
- Boshert 13090. Switch mode. Ideal for drives & system. +5v @ 6a, +12v @ 2.5a, -12v @ 0.5a, -5v @ 0.5a. £29.95(B)
- Farnell G6/40A. Switch mode. 5v @ 40a. Encased £95.00(C)
- Farnell G24/5S. As above but 24v @ 5a. £85.00(C)

### BBC Model B APM Board

£100 CASH FOR THE MOST NOVEL DEMONSTRATABLE APPLICATION!



BBC Model B type computer on a board. A major purchase allows us to offer you the PROFESSIONAL version of the BBC computer at a parts only price. Used as a front end graphics system on large networked systems the architecture of the BBC board has so many similarities to the regular BBC model B that we are sure that with a bit of experimentation and ingenuity many useful applications will be found for this board! It is supplied complete with a connector panel which brings all the I/O to 'D' and BNC type connectors - all you have to do is provide +5 and ±12 v DC. The APM consists of a single PCB with most major ic's socketed. The ic's are too numerous to list but include a 6502, RAM and an SAA5050 teletext chip. Three 27128 EPROMS contain the custom operating system on which we have no data. On application of DC power the system boots and provides diagnostic information on the video output. On board DIP switches and jumpers select the ECONET address and enable the four extra EPROM sockets for user software. Appx. dims: main board 13" x 10". I/O board 14" x 3". Supplied tested with circuit diagram, data and competition entry form.

only **£29.95** or 2 for **£53** (B)

### SPECIAL INTEREST

- Trio 0-18 vdc bench PSU. 30 amps. New £ 470
- Fujitsu M3041 600 LPM band printer £295.00
- DEC LS/02 CPU board £ 150
- Rhode & Schwarz SBUF TV test transmitter 25-1000mhz. Complete with SBT2 Modulator £6500
- Calcomp 1036 large drum 3 pen plotter £ 650
- Thurby LA 160B logic analyser £ 375
- 1.5kw 115v 60hz power source £ 950
- Anton Pillar 400 Hz 3 phase frequency converter 75Kw POA
- Newton Derby 400 Hz Kw converter POA
- Nikon PL-2 Projection lens meter/scope £750
- Sekonic SD 150H 18 channel Hybrid recorder £2000
- HP 7580A A1 8 pen high speed drum plotter £1850
- Kenwood DA-3501 CD tester, laser pickup simulator £ 350

### BRAND NEW PRINTERS

- Microline 183. NLQ 17x17 dot matrix. Full width. £139 (D)
- Hyundai HDP-920. NLQ 24x18 dot matrix full width. £149 (D)
- Qume LetterPro 20 daisy. Qume QS-3 interface. £39.95 (D)
- Centronics 152-29 x 7 dot matrix. Full width. £149 (D)
- Centronics 159-4 9 x 7 dot matrix. Serial. 9-1/2" width £ 99 (D)

### MONITORS

- 14" Forefront Model MTS-9600 SVGA multisync with resolution of 1024 x 768. 0.28 pitch. "Text" switch for word processing etc. Overcan switch included. Ideal for the PC-386 or PC-286 with SVGA card added. Also compatible with BBC, Amiga, Atari (including the monochrome high resolution mode), Archimedes etc. In good used condition (possible minor screen bums). 90 day guarantee. 15" x 14" x 12". Only £159(E)
- 14" Philips Model CM8873 VGA multisync with 640 x 480 resolution. CGA, EGA or VGA, digital/analog, switch selectable. Sound with volume control. There is also a special "Text" switch for word processing, spreadsheets and the like. Compatible with IBM PC's, Amiga, Atari (excluding the monochrome high resolution mode), BBC, Archimedes etc. Good used condition (possible minor screen bums) 90 day guarantee. 15" x 14" x 12". Only £139(E)
- Philips 9CM073 similar (not identical) to above for EGA/CGA PC and compats. 640 x 350 resolution. With Text switch with amber or green screen selection. 14" x 12" x 13-1/2" £99(E)
- KME 10" high definition colour monitors. Nice tight 0.28" dot pitch for superb clarity and modem styling. Operates from any 15.625 khz sync RGB video source, with RGB analog and composite sync such as Atari, Commodore Amiga, Acom Archimedes & BBC. Measures only 13.5" x 12" x 11". Also works as quality TV with our RGB Telebox. Good used condition. 90 day guarantee. Only £125 (E)
- KME as above for PC EGA standard. £145 (E)
- Brand new Centronic 14" monitor for IBM PC and compatibles at a lower than ever price! Completely CGA equivalent. Hi-res Mitsubishi 0.42 dot pitch giving 669 x 507 pixels. Big 28 Mhz bandwidth. A super monitor in attractive style moulded case. Full 90 day guarantee. Only £129 (E)
- NEC CGA 12" IBM-PC compatible. High quality ex-equipment fully tested with a 90 day guarantee. In an attractive two tone ribbed grey plastic case measuring 15"L x 13"W x 12"H. The front cosmetic bezel has been removed for contractual £69 (E) reasons. Only £129 (E)

### 20", 22" and 26" AV SPECIALS

Superbly made UK manufacture. PIL all solid state colour monitors, complete with composite video & sound inputs. Attractive tight style case. Perfect for Schools, Shops, Disco, Clubs. In EXCELLENT little used condition with full 90 day guarantee. 20"....£135 22"....£155 26"....£185 (F)

CALL FOR PRICING ON NTSC VERSIONS!

### Superb Quality 6 foot 40u

### 19" Rack Cabinets

#### Massive Reductions

#### Virtually New, Ultra Smart!

#### Less Than Half Price!

Top quality 19" rack cabinets made in UK by Optima Enclosures Ltd. Units feature designer, smoked acrylic lockable front door, full height lockable half louvered back door and removable side panels. Fully adjustable internal fixing struts, ready



punched for any configuration of equipment mounting plus ready mounted integral 12 way 13 amp socket switched mains distribution strip make these racks some of the most versatile we have ever sold. Racks may be stacked side by side and therefore require only two side panels or stand singly. Overall dimensions are 77-1/2"H x 32-1/2"D x 22"W. Order as:  
Rack 1 Complete with removable side panels.....£275.00 (G)  
Rack 2 Less side panels.....£145.00 (G)

1992 Winter Issue of Display News now available - send large SAE - PACKED with bargains!

# DISPLAY

MAIL ORDER & OFFICES  
Open Mon-Fri 9.00-5.30  
Dept ET.32 Biggin Way,  
Upper Norwood,  
London SE19 3XF.

LONDON SHOP  
Open Mon-Sat 9.5-3.30  
Thursday till 9.00pm  
215 Whitehorse Lane,  
South Norwood,  
London. SE25.

DISTEL © The Original  
Free dial-up database!  
1000's of items+info on line  
V21, V22 & V22 bis  
081-679-1888

ALL ENQUIRIES  
**081-679-4414**  
Fax- 081-679-1927



# -ELECTRONICS-

All prices for UK Mainland. UK customers add 17.5% VAT to total order amount. Minimum order £10. PO orders from Government, Universities, Schools & Local Authorities welcome - minimum account order £30. Carriage charges (A)=£2.00. (B)=£3.75. (C)=£5.50. (D)=£11.50. (E)=£14.00 (F)=£18.00 (G)=Call. Scotland surcharge: call. All goods supplied subject to our standard Conditions of Sale and unless otherwise stated guaranteed for 90 days. All guarantees on a return to base basis. Rights reserved to change prices & specifications without prior notice. Orders subject to stock. Quotations willingly given for higher quantities than those stated. Bulk surplus always wanted for cash.

Ray Marston continues his in-depth look at modern electronic analogue V, I, and R meter circuitry.

The opening part of this mini-series, in March, looked at DC metering circuits and at transistor-based AC meters. This month we continue the AC theme by looking at op-amp based AC meters and at precision AC/DC voltage converter circuits.

### Op-Amp AC Meter Circuits

The general AC-metering principles outlined last month can be applied to any type of amplifier device, including op-amps and Figure 23 shows a type-741 op-amp used as a direct equivalent of the Figure 6.19 transistor circuit, with the meter network wired directly between the op-amp's output and its inverting input. This circuit gives excellent linearity, but its frequency response is severely limited (to 37kHz at -1dB) by the op-amp's slew rate limitations and this design offers no real advantage over the simple circuit of Figure 6.19.

# Moving Coil Meters

values shown, the circuit thus has an FSD sensitivity of 1V; although the circuit's input impedance (100k) is determined by R2 and is independent of the meter's value and the meter does not have to be a particularly sensitive type. In the Figure 24 design, R3 is used to give the meter overload protection,

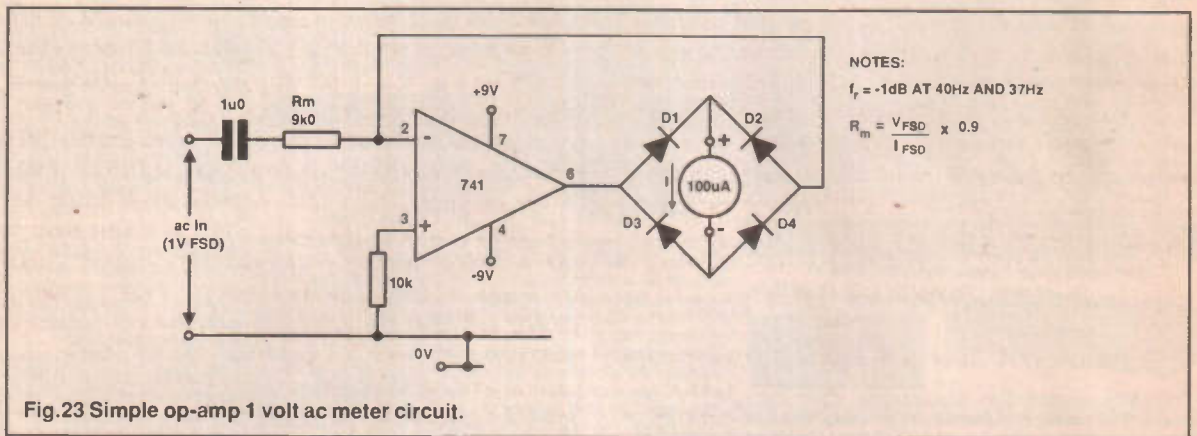


Fig.23 Simple op-amp 1 volt ac meter circuit.

Figure 24 shows an improved version of the above design. In this case the meter network is wired between the op-amp's output and ground via Rm (which sets the meter's basic FSD sensitivity at 1V), and the rectifier network is linearized by feeding Rm's output voltage back to the inverting input terminal via the R1-R2 network, which sets the circuit's overall (input-to-Rm) gain at unity. With the component

and (in conjunction with Rm) limits its peak current to about treble the FSD value. This protection is gained at the expense of reduced bandwidth, which is typically about 15kHz at the upper -1dB point when using a 741 op-amp (the bandwidth can easily be extended by a factor of ten, to about 150kHz, by using a 'fast' op-amp such as a 3140). The effective FSD sensitivity of this circuit can be increased to 100mV by

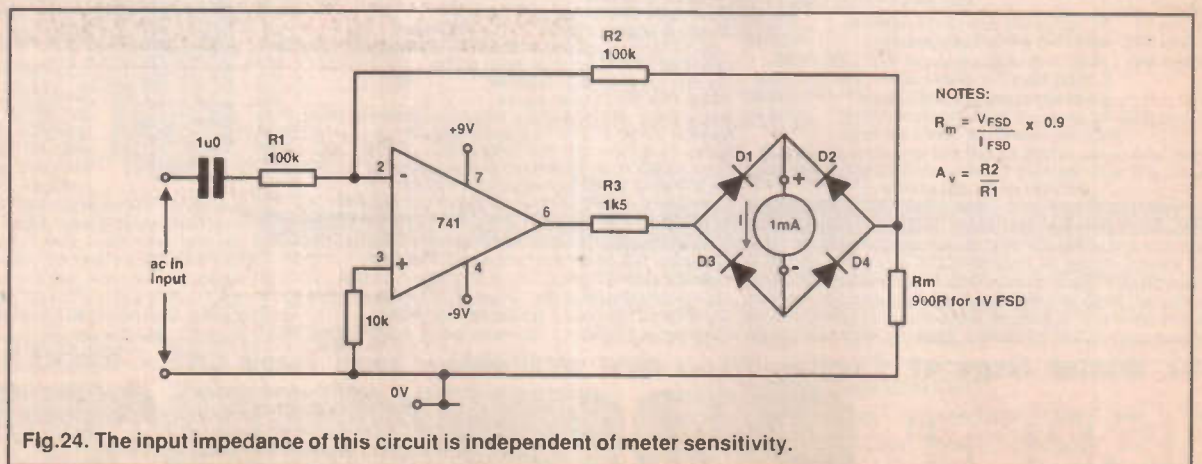


Fig.24. The input impedance of this circuit is independent of meter sensitivity.

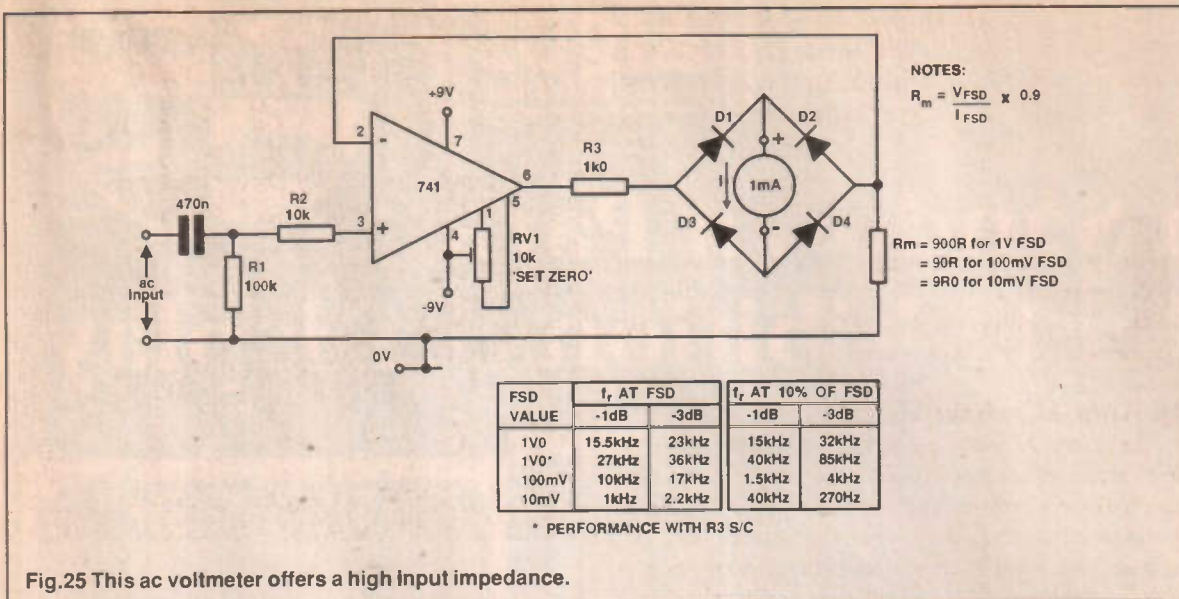


Fig.25 This ac voltmeter offers a high input impedance.

reducing the R1 value to 10k (to give an overall gain of x10, or 20dB), but in this case the bandwidth falls to only 6kHz at the upper -1dB point.

Figure 25 shows an AC voltmeter circuit that is a great improvement over the previous two types. The meter network is again wired between the op-amp output and ground via  $R_m$ , which thus sets the meter's basis FSD sensitivity, but in this case the circuit is wired as a unity-gain, non-inverting amplifier or voltage follower and gives an input impedance equal to the R1 value. The op-amp is provided with input overload protection via R2 and with meter overload protection via R3. When wired as a 1V meter, the circuit's bandwidth reaches 15.5kHz at the upper -1dB point if the meter protection facility is used, but extends to 27kHz if R3 is shorted out.

This circuit's sensitivity can be increased by reducing the  $R_m$  value, at the expense of reduced bandwidth, as indicated in the table, which lists the circuit's performance details both at FSD and at 10% of FSD. Thus, at 10mV sensitivity, the upper -1dB point occurs at 1kHz at FSD and at 40Hz at 10% of FSD. This abysmal performance is attributable to the inherent limitations of the 741 op-amp.

### Op-Amp Limitations

The performance of the Figure 25 circuit is actually limited by the op-amp's output slew rate and  $f_t$  or 'gain/bandwidth' characteristics. The 741 op-amp's slew rate limit is about 0.5V/ $\mu$ s and its  $f_t$  value is 1MHz. Figure 26 shows the 741's typical 'small signal' output characteristics. Its maximum voltage gain is 105dB, but is frequency dependant and falls off at a 20dB/decade rate, equaling unity at 1 MHz.

Returning to Figure 25, note the following points from the measured performance data:

1. When the meter is scaled to read 1V FSD with R3 shorted out, the FSD performance is limited mainly by the op-amp's slew rate and is 1dB (about 10%) down at 27kHz and 3dB down at 36kHz; it's 1/10th of FSD 'linearity' performance is limited mainly by the op-amp's  $f_t$  characteristics, and falls by 3dB at 85kHz as the available 'linearizing' gain falls to about 20dB.
2. When the meter is scaled to read 1V FSD, with R3 in place, the slew rate limitations increase and effect the

'1/10th of FSD readings'; the -3dB points then occur at 23kHz at FSD at 32kHz 1/10th of FSD.

3. When the meter is scaled to read 100mV FSD, the sensitivity is increased by 20dB and available bandwidths reduced by a combination of slew rate and  $f_t$  limitations; the -3dB points occur at 17kHz at FSD, 4kHz at 1/10th of FSD.

4. When the meter is scaled to read 10mV FSD the basic sensitivity is increased by a further 20dB and the available bandwidths are reduced by a proportionate amount; the -3dB points occur at 2.2kHz at FSD and at 270Hz at 1/10th of FSD.

The important thing to note from the above data is the point already made in last month's 'AC Voltmeter Basics' section, namely that the op-amp gain factor needed to give 1% linearity =  $100/V_{FSD}$  that is +40dB at 1V FSD, +60dB at 100mV, and +80dB at 10mV. Linearity and FSD accuracy start to decline when the available gain falls below the required 'critical' value. Thus, on the 10mV range, the 741's open-loop gain starts to fall below the critical +80dB level at about 100Hz and the meter's low-level linearity starts to decline as the gain falls below this value. It is 3dB down at 270Hz and the FSD precision starts to collapse after a further decline of about 20dB (and is 3dB down at 2.2kHz in this example). Thus, a combination of wide bandwidth and high FSD sensitivity can only be obtained by using a 'fast' op-amp, or by cascading a number of op-amps to give the desired gain-bandwidth product.

## TO BE CONTINUED

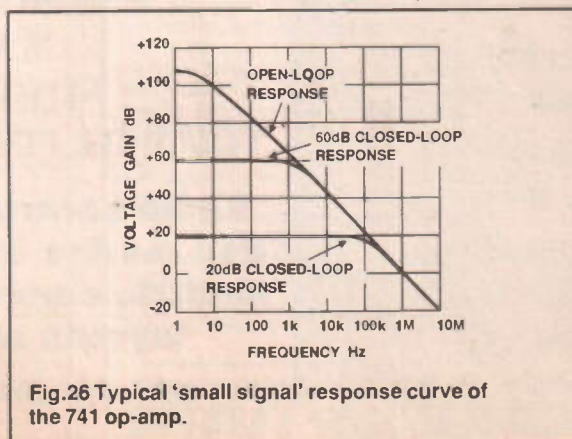
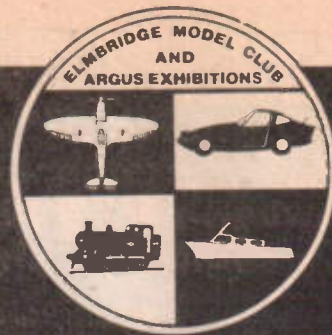


Fig.26 Typical 'small signal' response curve of the 741 op-amp.

AN  
**Argus**  
SPECIALIST EXHIBITION



# 18th Sandown Park Model Exhibition & Display



**SANDOWN  
EXHIBITION  
CENTRE,**

**Esher, Surrey  
on 15th &  
16th May 1993**

*Calling all model enthusiasts  
and families –*  
**Enjoy a day out at Sandown Park.**

Watch \* Continuous Flying Displays \* Novelties on the Boat Pool  
\* Model Car Racing \* Railway Display

Admission: Adults £5 Senior Citizens £3.50 Children £2  
Family Tickets £12 (2 Adults & up to 4 children)  
Advance & Group tickets available on request: Adults £4.50  
Senior Citizens £3.00 Children £2

*Further details available from:*

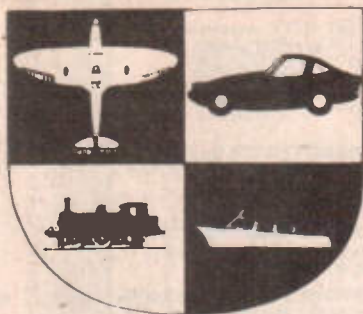
**Argus Specialist  
Exhibitions  
Argus House,  
Boundary Way,  
Hemel Hempstead,  
Herts.  
Tel: 0442 66551**

**WANDER ROUND THE  
NUMEROUS TRADE STANDS  
YOU WILL FIND EVERYTHING AT SANDOWN**

**Radio control equipment • Aircraft • Car  
and marine engines • Helicopters • IC and  
electric cars • Boats and yachts • Railway  
layouts and engineering products.**

Please look out for new parking arrangements, traffic control  
and directional signs

# SANDOWN PARK MODEL SYMPOSIUM EXHIBITION & DISPLAY



## 15th & 16th May 1993

Sandown Park Racecourse, Esher, Surrey

## ADVANCE BOOKING INFORMATION

ADULTS	£4.50	NO	.....	£	.....
SENIOR CITIZENS	£3.00	NO	.....	£	.....
CHILD	£2.00	NO	.....	£	.....
FAMILY	£12.00	NO	.....	£	.....
(2 adults & up to 4 children)					

### GROUPS 10-20 PERSONS

ADULT	£4.00	NO	.....	£	.....
SENIOR CITIZENS	£2.80	NO	.....	£	.....
CHILD	£1.80	NO	.....	£	.....

### GROUPS 21 and MORE PERSONS

ADULT	£3.80	NO	.....	£	.....
SENIOR CITIZENS	£2.60	NO	.....	£	.....
CHILD	£1.70	NO	.....	£	.....

(Coach Drivers Free of Charge)

TOTAL ENCLOSED £ .....

Please complete and return the enclosed form with your cheque/P.O. made payable to Argus Specialist Exhibitions, Argus House, Boundary Way, Hemel Hempstead, Herts. HP2 7ST.

Name .....

Address .....

Name of coach operator .....

Signed ..... Date .....

CLOSING DATE - 26TH APRIL 1993

ORGANISED BY  
ARGUS SPECIALIST EXHIBITIONS  
IN ASSOCIATION WITH  
THE ELMBRIDGE MODEL CLUB

# SANDOWN PARK MODEL SYMPOSIUM EXHIBITION & DISPLAY

## 15th & 16th May 1993

**Argus**  
SPECIALIST EXHIBITION



# HILTON

## SANDOWN MODEL EXHIBITION

# HILTON STYLE

## 1993



Argus Specialist Exhibitions offer you yet another great deal with Hilton Hotels. If you require accommodation when visiting the Model Exhibition this year or simply just fancy a weekend break, why not stay at The Hilton National, Cobham, which is about 10 minutes drive away from Sandown Park. The hotel has free car parking so you can leave your car at the hotel and take the courtesy coach to the Model Exhibition, commencing at 9.30am and returning you at 1pm or 6pm.

This beautiful country retreat is in the heart of Surrey, and the Terrace Restaurant offers a fine and varied cuisine. For leisure: enjoy the all-weather tennis courts, squash courts, exercise room, indoor swimming pool and steam bath.

#### THE PRICE:

£36.80 each guest each night (Twin/Double room) including full English breakfast and VAT. £16.00 single room supplement. Add £5 per person to the price if you require the courtesy coach for transfer to and from Sandown Park.

#### HOW TO BOOK:

Call Heidi Ross, Hilton Reservations today quoting Argus Specialist Exhibitions on 0923 238877 (Monday-Friday 8.30am-6.30pm and Saturday 8.30am-4.30pm). £10 deposit is required and you can give us your credit card number an expiry date.

## ENJOY A MODEL STAY

# READER OFFER

## MAGNIFEYERS

If you do a lot of fine, detailed close up work you may find that some assistance is required to avoid tiredness and eye strain, whether you wear spectacles or not. A magnifying glass helps, but even on a stand you're constantly adjusting its position and it takes up work space. What's needed is a device worn on the head, directly in front of the line of sight, leaving both hands free for work. Such a device must be lightweight and comfortable over extended periods of wear.



ONLY £9.95  
inc p&p  
R.R.P.  
£12.95

SAVE £3.00!

We have the answer! "MAGNIFEYES" is a British made lightweight binocular magnifier, moulded in soft plastic it has a fully adjustable moulded headband and lens holder. Three sets of clip-in optically correct, crystal clear plastic lenses of, 1.75, 2.5 and 2.75 magnification are supplied, giving sufficient choice for many different tasks where detail work is encountered.

Whatever your hobby you'll find the "MAGNIFEYES" indispensable, comfortable to wear and easy to use. It will also make a difference to everything you do. Give it a try and judge it for yourself. You'll probably wonder how you managed without it!

### TELEPHONE ORDERS 0442 66551 (24 HRS)

Please return coupon to: ASP Reader Offers, Argus House, Boundary Way, Hemel Hempstead, Herts. HP2 7ST

Please supply ..... ROSM/8 @ £9.95 inc of p&p  
I enclose my cheque/P.O. for £ ..... payable to ASP or please debit  
my Access/Visa

.....

Signature ..... Expiry .....

Name .....

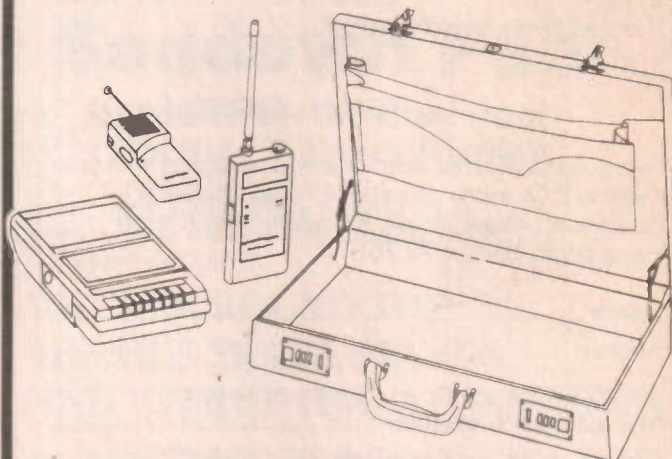
Address .....

..... Post code .....

Please allow 28 days for delivery U.K. only. Overseas upon request. ASP Reader Offers, Argus House, Boundary Way, Hemel Hempstead, Herts. HHP2 7ST  
Please note the above information may be used for marketing purposes.

# SURVEILLANCE SURVEILLANCE

A SMALL SAMPLE OF OUR RANGE	KIT	MODULE	PROF FINISHED
<b>ROOM TRANSMITTER RT1</b> An extremely sensitive miniature transmitter with long battery life. Dimensions: 20 x 20mm	9.95	13.75	19.00
<b>MAINS TRANSMITTER MT4</b> Can be connected inside any equipment that is mains powered. Dimensions 35 x 20mm	19.75	31.50	45.00
<b>TELEPHONE TRANSMITTER TTS</b> Small enough to conceal within a telephone. Will transmit both sides of a conversation (series connection) Dimensions: 10 x 20mm	12.75	17.50	25.00
<b>TELEPHONE SOCKET TRANSMITTER TSTS</b> Replace your telephone socket with this one within which a transmitter has been concealed.	14.74	—	29.00
<b>ROOM AND TELEPHONE TRANSMITTER RTT</b> Operates as a room transmitter, then switches to telephone transmitter mode during telephone calls. Dimensions: 30 x 25mm	31.50	45.50	65.00
<b>AUTOMATIC TELEPHONE RECORDER SWITCH TRS2</b> Record telephone conversations with this interface unit and your own tape recorder. Dimensions: 36 x 50mm	16.80	25.90	39.00
<b>AUTOMATIC TELEPHONE RECORDER ATR1</b> Adapt the tape recorder included to record telephone calls automatically.	34.95	—	59.00
<b>TELEPHONE TAP ALERT TTA1</b> Visual warning of any invasions of privacy on your telephone line. Dimensions: 38 x 52mm	21.95	31.50	45.00
<b>RF DETECTOR RFD1</b> Highly sensitive hand-held detector. Range between 10Mhz and 600Mhz. Silent operation. Dimensions: 70 x 50mm	42.75	69.00	95.00
<b>CAMERA DETECTOR CD8</b> Detects hidden video cameras (even miniature CCD models). Dimensions: 63 x 38mm	69.00	89.00	125.00
<b>RECORDING BRIEFCASE RBC1</b> Completely discreet recordings at a value for money price.	—	—	145.00
<b>SHOTGUN MICROPHONE AMPLIFIER SMA</b> Ideal for surveillance. The amplifier will pick up sounds from a long distance.	24.95	36.00	45.00
<b>SIGNALLING TRANSMITTER SIGT</b> Sends a continual audio pulse. Can be integrated into alarm, tracking or warning systems. Dimensions: 20 x 50mm	21.95	34.89	45.00
<b>TELEPHONE AMPLIFIER TA5</b> Connected directly to the telephone, this unit will amplify both sides of a telephone call. Dimensions: 25 x 52mm	10.95	16.95	19.95
<b>PROFESSIONAL SOUND TO LIGHT UNIT SK72</b> Custom built for disco or home use. Audio signal divided into bass, mid and treble bands, with internal microphone and spotlight option. Dimensions 210 x 45mm	21.95	32.49	44.95
<b>MICRO METAL DETECTOR MMD</b> Detect the presence of ferrous and various non-ferrous metals. Useful for all those DIY jobs. Dimensions: 40 x 25mm	9.95	16.95	—



Please add £2.00 P & P to all orders and 17.5% VAT on all U.K. orders.

For full catalogue please send two 1st class stamps or 2 IRC'S

172 Caledonian Road  
Dept ET

CANAL

London N1 0SG

BRIDGE AUDIO

071-837 4423



# Scanning Receivers

## MVT 7000

- 100kHz to 1300MHz, continuous coverage
- 200 programmable channels
- Search and scan facilities
- AM, FM and WBFM modes
- 10 programmable bands
- Excellent sensitivity
- LC display with signal strength meter
- Supplied with ni-cad batteries, mains charger/adaptor, telescopic aerial, carry strap, belt clip, 12Vdc lead and manual.

**£289.00**  
40-17000



## HP2000

- Continuous tuning from 500kHz to 1300MHz
- 1000 programmable channels
- Search and scan facilities
- AM, FM and WBFM modes
- 10 programmable bands
- Supplied with telescopic, UHF and VHF antennae, ni-cad batteries, carrying case, dc cable, mains charger/adaptor and manual.

**£269.00**  
40-31001



## VT225

- Civil and military airband receiver
- Covers 108 to 391MHz in 3 bands
- AM and FM modes
- 100 programmable channels
- Scan and search facilities
- LC display with signal meter
- Supplied with ni-cad batteries, mains charger/power supply, rubber duck antenna, carry strap, belt clip, 12Vdc lead and manual.

**£229.00**  
40-00225



## VT125UK

- VHF, AM Airband receiver
- Covers 108 to 142MHz
- 30 programmable channels
- LC display with signal meter
- Supplied with ni-cad batteries, mains charger/power supply, rubber duck antenna, carry strap, 12Vdc lead and manual

**£149.00**  
40-00125

Full details of all the above are included in our comprehensive catalogue, £1.70 (plus 30p p&p)

All the above are currently in stock and available for immediate delivery. Standard p&p £1.40, next day delivery £4.60.

# Cirkit

All prices include VAT (at 17.5%)



## CIRKIT DISTRIBUTION LTD

Park Lane · Broxbourne · Hertfordshire · EN10 7NQ  
Telephone (0992) 444111 · Fax (0992) 464457

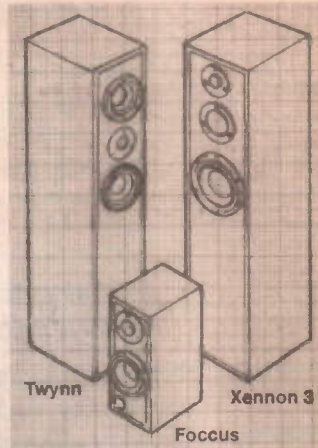
# DYNAUDIO®

AUTHENTIC FIDELITY

Dynaudio is considered one of the most distinguished manufacturers in audio. By means of untiring and successful research and exceptional solutions to questions of concept, design and construction Dynaudio has acquired this excellent reputation, yet

success has not altered their independence and single minded concentration on creating products of the highest quality. Dynaudio continues to search for solutions to the basic problems of loudspeaker engineering and then puts these solutions to the test in loudspeakers of their own design. This is especially true for chassis technology. They have set the standards that others must follow.

There are three new speaker kits available from Wilmslow Audio, each kit contains all necessary components to build a superb pair of speakers. 18mm M.D.F. flat pack cabinets are also available.



	Plus Kit	Carr/Ins	Total Kit	Carr/Ins
Gemini	£590.00	£10.00	£645.00	£15.00
Foccus	£360.00	£10.00	£395.00	£15.00
Twynn	£425.00	£10.00	£510.00	£18.00
Xennon 3	£675.00	£10.00	£750.00	£20.00
Finale	£1200.00	£15.00	£1600.00	£25.00

## Wilmslow Audio

Dept. ET1  
Wellington Close,  
Parkgate Trading Estate  
Knutsford, Cheshire  
WA16 8DX  
Tel: (0565) 650605  
Fax: (0565) 650080

DIY Speaker catalogue £2.00  
post free (export £3.50)



Telephone credit card  
orders welcome



Open Tuesday to Saturday, 4 demonstration rooms available.

# Devantech

## Industrial Electronic Controls

### 80C552 Expandable Single Board Processor

- 80C552 at 14.7456Mhz
- 128k EPROM
- 128k Battery Backed RAM
- Ideal for use with Compilers
- RS232 Serial Port
- DIN41612 for Bus & I/O
- 10 Bit 8 channel A/D Convertor
- User Presettable Reference
- 2 X 16 bit timers
- 4 Capture, 3 Compare Registers
- 2 X 8 bit PWMs
- 12C Serial Port
- Watchdog timer
- 2 Relays
- Small size - 80 X 100mm
- Quality Multilayer PCB
- Hardware & Software Options

Comprehensive Data available on Request.

Tel: 0379 640450 Fax: 0379 650482

# Radio Control Trafficators

In the start of a mini-series, Craig Talbot describes some useful extras for your model control.

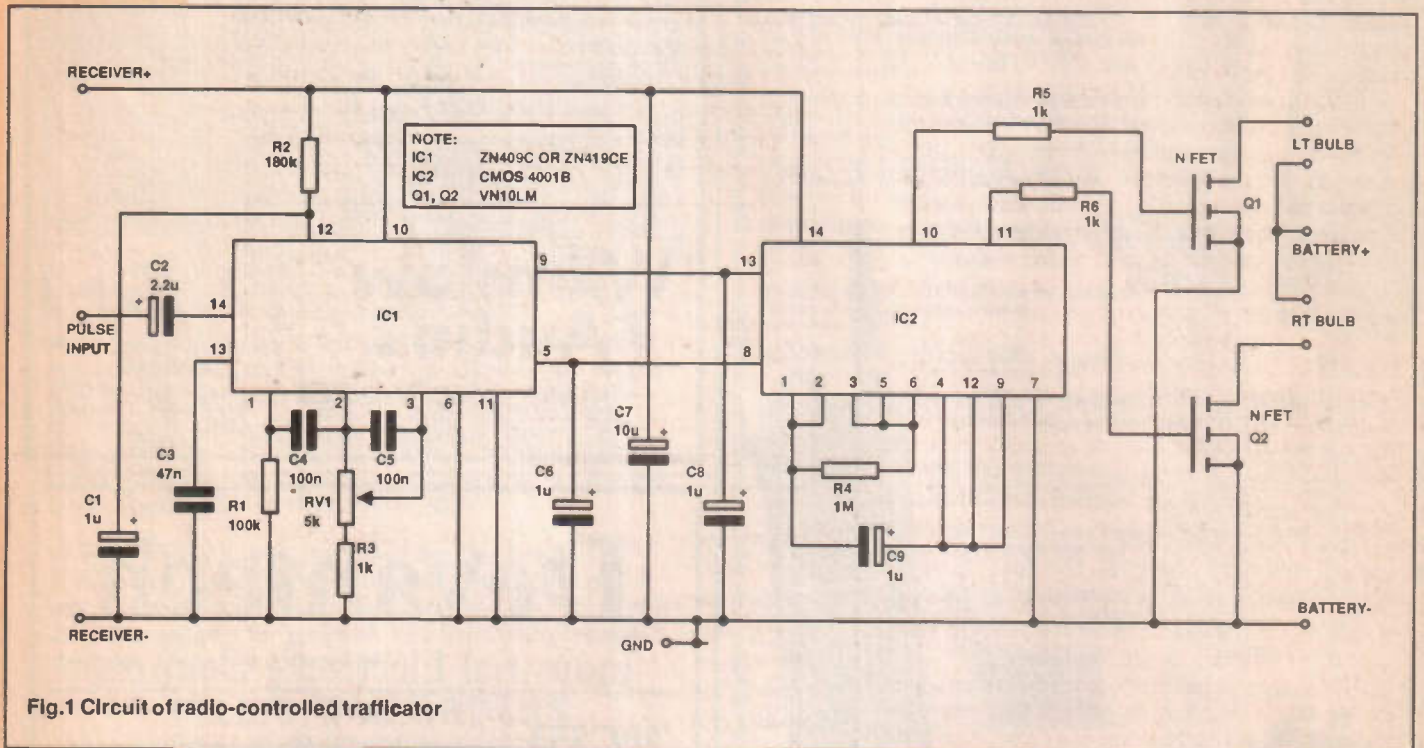


Fig.1 Circuit of radio-controlled trafficator

**R**adio control transmitters, receivers and servos, which are normally referred to as the outfit, are available at prices that make home construction appear very expensive. The Transmitter must comply with the regulatory bodies in terms of the band width and purity of the transmission. The Receiver must have a very high performance, in comparison to broadcast band receivers, as it will have to give totally reliable performance when placed either right next to a transmitter or half a mile away from it. It will also need to have excellent rejection of transmitters just a few tens of kHz away from its frequency. The Servo, the muscle of the outfit, with its precision motor and gearbox, not to mention the electronics, represents remarkable value for money at its present market price and would be almost impossible to build without buying the greater part of it.

For all these reasons, the Electronics enthusiast's best contribution to his outfit would be in the area of Add-On projects, concentrating on doing the jobs that the basic outfit does not do well, like switching on and off lights, sounds, speed Control of drive motors and so forth.

## Direction Indicators (Flashers)

This project is an add-on circuit for any Digital Proportional radio controlled model which requires direction indicators. The Radio Control equipment must be the type which gives an output of 1ms to 2ms positive signal from the decoder. This is far and away the most common type of output - in fact it is probably the closest to a universal standard that I know of, in any field. Both AM and FM outfits use the same standard.

## Digital Proportional Radio Control

A few words about the method used in the so called Digital Proportional type of control system will explain





## How It Works

The circuit uses a Servo control IC, ZN409CE (ZN419CE is basically the same) and a CMOS 4001, both of which are readily available in the UK. The 409 is an IC which I find very useful as it gives the normal complementary outputs and, in addition, a direction output which is handy for switch functions and forward reverse speed controllers. In this application however, only the complementary outputs are used to drive the right and left signals which are in turn ANDed (the LOGIC term) with the flasher oscillator to drive the output powerfet switches.

As can be seen in the circuit diagram (Figure 1), the input from the selected receiver channel is fed via C2 to remove the DC voltage at the output of the decoder. The input circuit of the IC1 is triggered by the leading edge of the pulse and starts a monostable timer, the timing of which is set up by RV1 together with R3, R1 and C4 at 1.5ms (neutral).

C5 is to decouple any RF from entering the circuit from a transmitter in close proximity. The outputs at pins 5 and 9 will give a stretched version of the positive or negative error between the input and the 1.5ms monostable.

R2 together with C1 stretch the output pulses on pins 9 and 5 so that the lights do not flicker between successive frames of information from the receiver which you may remember is 20ms. Unfortunately I was unable to stretch the pulses long enough with this method as the IC was designed to drive a motor which will continue to run between frames, even if the drive is only pulsed. To this end C6 and C8 were added and this overcomes the problem.

C3 is a dead space capacitor to ensure that around the neutral position nothing at all will be output from pins 5 or 9. For anyone who has used this IC it will probably seem quite a high value, but the reason for this is very simple. When using a two axis stick to drive this circuit, it is not easy to move the stick up and down without some straying left or right in the process. Just a small movement would trigger the flashers if the dead space was too small, hence the high value of C5.

Two gates of the 4001 together with R4 and C9 produce a standard CMOS oscillator which pulses at about 1 to 2 pulses a second, about right for flashers (the best advice I could get was that they should pulse between 60 and 120 pulses a minute). This is ANDed with the left or right outputs of the 419 which in turn drive the two output devices. The powerfets Q1 and Q2 are fed by R5 and R6 which limit the current into the gate of each device.

Although these are field effect transistors the gate capacitance can be quite large and charging this can cause high current to flow into the gate. This may result in damage, so it is good practice to limit this current although in this design the CMOS driving it probably wouldn't cause any problems. Still, better safe than sorry.

the terminology used in this project and give a better understanding of how the circuit functions. I say so called, because the latest state-of-the-art Radio gear uses Microprocessors and is truly digital, whereas the Digital Proportional type could better be described as pulse position multiplex or PPM.

Information about what the operator wishes to have happen at the receiver is sent by the transmitter in frames of pulses. These frames are normally around 20 milliseconds long, normally written as 20ms (0.02s). A frame contains a series of pulses, the number of which depends on the number of channels. A six channel outfit, for instance, will transmit seven short pulses. The time from the leading edge of the first pulse to the leading edge of the second will be decoded as the required position of channel 1. This will be a value between 1ms and 2ms with 1.5ms as a centre or neutral value. Channel 2 will be from the second to the third pulse and so on until the seventh, then back to the first which is the reset period. A little bit of basic arithmetic will show that 6 (channels) times a maximum of 2ms equals 12ms, which leaves 8ms reset. It is a simple matter for the receiver decode circuit to discriminate between a proper channel and a reset pulse and so

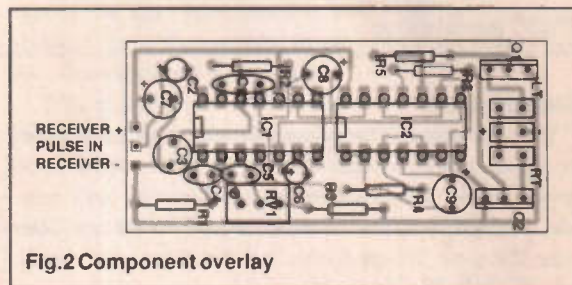


Fig.2 Component overlay

perform a reset to ensure that the decoder faithfully follows the encoder in the transmitter.

If we move a stick from its centre position we are in fact moving that channel from 1.5ms (neutral) towards either 1ms or 2ms depending on the direction that the stick is moved. The output of the decoder will follow this and produce an output for each channel. The decoder is in fact a simple shift register with reset.

All of this happens quite quickly in human terms, the frames are updated fifty times a second and even a long channel pulse is only one five hundredth of a second.



In electronic terms however, this is slow, as modern circuits do the business at tens or even hundreds of millionths of a second, so we will be working far from the frontiers of high speed circuits. This slow speed makes life easy, as the layout of the circuit is by no means critical, allowing the circuit to be built on Veroboard and similar board materials. This construction project is based on a printed circuit layout for the compact nature and physical strength that this form allows, not because it is the only way.

easily be left until last, which is handy because these are the ones we need to take special care with.

Watch out for the polarity of the tantalum capacitors, which are clearly marked on the layout diagram. Most tantalums appear to be marked with positive, but if you come across one that is not, I have found that the positive is the pin to the right of the markings as you read them.

The input lead should be connected as per the layout with + (positive), in (input) and - (negative). This is a lead to match the radio control outfit that you are using which is

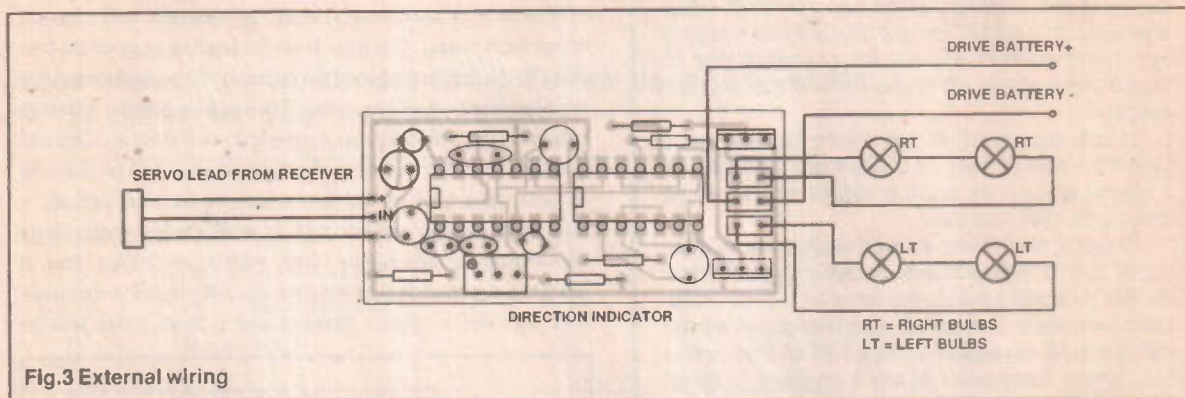


Fig.3 External wiring

## Background

The normal method of driving the indicators is to use the steering to operate switches which in turn drive some kind of flasher circuit. This method ensures that you will only indicate after the vehicle has started to perform the turn (I am aware that some drivers do this, but this is not what should happen). To be like the real thing, a spare channel should be used for this task, thus enabling a signal before a turn. As far as I was aware no such device could be purchased, so I set about designing one.

The unit was to be simple to ensure a low component count and hence a low component cost. The finished unit should of course be small, in order that it could be used on smallish models. It should also be easy to build.

Due to these requirements, a Printed Circuit Board (PCB) was the obvious construction method to keep the size down. The unit should also be able to drive bulbs of a reasonably wide wattage range so that the same circuit can be used whenever this function is required on a model of any size.

The prototype has been run for over a year and I have constructed several examples of the circuit. At least three versions were built to improve the board layout, and make it reasonably compact.

## Construction

As IC2 (4001), Q1 & Q2 are all FET devices, care should be taken in handling them as they are sensitive to damage by static charges. Observe the normal handling precautions with these devices.

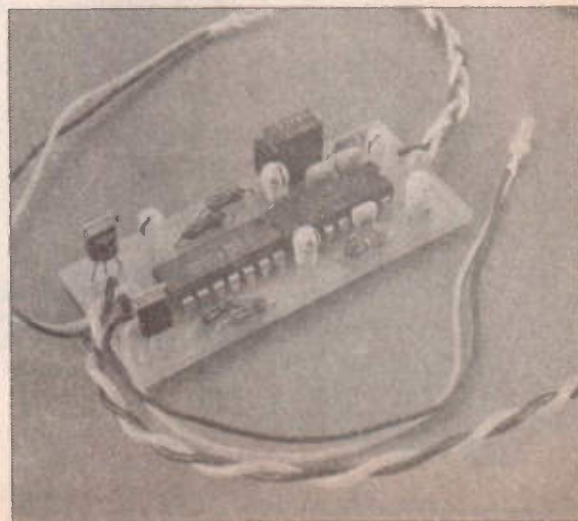
This is a very simple radio control circuit to construct as the components are not very tightly packed and small in number (see Figure 2 Layout). No particular order of placement is required, although I do find that fitting the components along one side and then working my way across the board is as good a method as any.

IC1 will have to be fitted when you can still easily get it located, but, as the board has a very low profile at the end where IC2, (CMOS) FET1 and FET2 are fitted, these can

probably coloured red white and black. Naturally enough red is +, black is -, and white is the input to our circuit from the receiver.

On the layout diagram (Figure 2) you will see a triple box at the right hand side. This is for the connections to the flasher bulbs and the drive battery. The box marked LT should have a pair of twisted wires to the Left Trafficator lamps, same again for the RT box (Right Trafficator lamps). Figure 3 should help here.

The two connections in the centre box are the + and - connections to the drive battery. I say the drive battery because most Radio Control vehicles and boats have a battery for the Radio and another for power to the drive motor. At this point you will need to know the voltage of the drive battery in order to select the correct lamps for the job. As you will require two lamps for front and rear Left and two for front and rear Right, you will have to decide which is the best way to wire them, either in series or parallel. The voltage of the battery and available lamps will determine this. In my case it was very easy as, since my drive voltage was 12V and 6V



lamps were readily obtainable, I wired in series.

A visit to your local model shop will enable you to purchase both the lamps and the input lead. The output transistors will handle currents up to half an amp so this should prove adequate for the largest of modellers bulbs. Torch bulbs could also be used, although these tend to be a bit on the large size. Many drive batteries are 8.6V nicads and these will require 9V bulbs wired in parallel. Of course LEDs can be used (with a suitable current limiting resistor) but they will need to be Hi-Brightness types as normal LEDs will be difficult to see in sunlight.

That is about all I can say on the construction except make sure your do a check of all the under board soldering. There must be no solder bridges between tracks and all the components should be cropped off close to the board. Also check for good solder joints, as it is no exaggeration to say that most construction projects that don't work first time are due to badly soldered joints. Bear in mind the vibration your model will probably undergo during its life.

### Testing

Clear the bench of all the construction clutter, so we can test the circuit. Imagine how annoyed you would be if a stray bit of wire blew up your new circuit!

As with the construction, the testing is almost too easy. Get out your Transmitter and receiver and make sure the batteries are good, or charged, whichever the case may be.

Connect the input lead of the circuit to your receiver and switch on the transmitter then receiver, in that order.

You will probably have a pair of bulbs flashing at this point. The object is to adjust RV1 to the off position with your selected channel stick at centre (and stick adjuster at centre).

As the adjustment pot on the board is a twenty turn device and we don't know where it is set, you will have to wind it clockwise and anti-clockwise until you find the neutral position. When you have done this you can then move the transmitter stick in each direction to test that the lamps stop flashing when the stick is in the centre position.

RV1 may need a little tweak to ensure that it is set in the middle of the dead space so that small drifts in the radio gear will not cause sporadic flashes when you don't want them. When you are happy with the adjustment you can apply a spot of paint (or nail varnish) to the preset to stop any movement of the adjustment screw due to vibration. That's all the testing and calibration it requires.

You may find, as I do, that heat-shrink tubing is a good encapsulation for model electronics, or a small plastic box - it really depends on the model and where it has to be fitted. On the subject of plastic boxes, small potting boxes can be useful for very small boards. They are available in a large range of sizes but it's not usually possible to find a plastic box exactly the right size, which is why I normally use heat-shrink. Clear is the best type to use so that it is easy to find the adjuster and cut a small hole.

That is just about it, and I hope you find the project a useful addition to your Radio Control Equipment.

### PARTS LIST

RESISTORS are quoted as 1/8 Watt minimum, but the 0.6 Watt will do.

- R1 100k
  - R2 180k
  - R3 1k
  - R4 1M
  - R5 1k
  - R6 1k
  - RV1 5k LIN 20turn 5/8" square (0.1" lead spacing)
- In line pins - miniature preset potentiometer.

### CAPACITORS

- C1,6,8,9 1µ10V tantulum bead
- C2 2.2µ10V tantulum bead
- C3 47n ceramic (473K)
- C4,5 100n ceramic (104K)
- C7 10µ10V electrolytic

### SEMICONDUCTORS

- Q1 V10LM POWERFET (handle with care - MOS)
- Q2 V10LM POWERFET (handle with care - MOS)
- IC1 ZN409CE or ZN419CE IC
- IC2 CMOS 4001B IC (handle with care - MOS)
- PCB see PCB layout
- Lamps These will have to be selected for the supply. See construction notes.
- Input Input lead (servo lead/connector) available from model shops to suit your radio gear.
- Wire Red/White/Black or any other colour you prefer (length to your requirements)

### QUALITY COMPONENTS

	PRICE EACH
<b>COMMON IC'S</b>	
LM 741 8/DIL	0.17
LM 741CH TO-5	0.99
LM 741H TO-5	2.89
LM 747 14/DIL	0.60
NE 555 8/DIL	0.22
NE 556 14/DIL	0.34
<b>LATEST IC'S</b>	
X9C102P 8/DIL	3.49
X9C103P 8/DIL	3.49
X9C104P 8/DIL	3.49
<b>AUDIO IC'S &amp; TRANSISTORS</b>	
2N3055 TO-3	0.55
2N3055H TO-3	0.99
LM 394N 8/DIL	8.75
TBA 820 8/DIL	0.38
TDA 2004 11/SIL	1.99
TDA 2006 S/TO-220	1.00
TDA 2030 S/TO-220	1.00
TDA 2040 S/TO-220	1.99
<b>BATTERIES, SUPPRESSION &amp; MISC.</b>	
AAA 180mA	1.65
AA 600mA	1.30
IEC MAINS FILTER	6.49
BLUE LEDs	1.99
IMMOBILIZE YOUR CAR Manual Explains how, with simple step by step instruction and detailed diagrams. Ideal for DIY or own Business.	4.95
Add £0.95 Carriage Then VAT	
<b>BD ELECTRONICS, PO BOX 103, DURHAM DH7 8YY</b>	
TEL: (091) 3780193	
<small>Sorry no counter facilities.</small>	

## Hesing Technology

Cromwell Chambers, 8 St. Johns Street,  
Huntingdon, Cambs. PE18 6DD

Tel: (0480) 433156  
Fax: (0480) 413357

### TEST EQUIPMENT      SYSTEM CONSULTANCY

- |               |                     |
|---------------|---------------------|
| Supply        | Replacement Parts   |
| Maintenance   | Supply of Service & |
| Commissioning | Operators Manuals   |
|               | Components          |

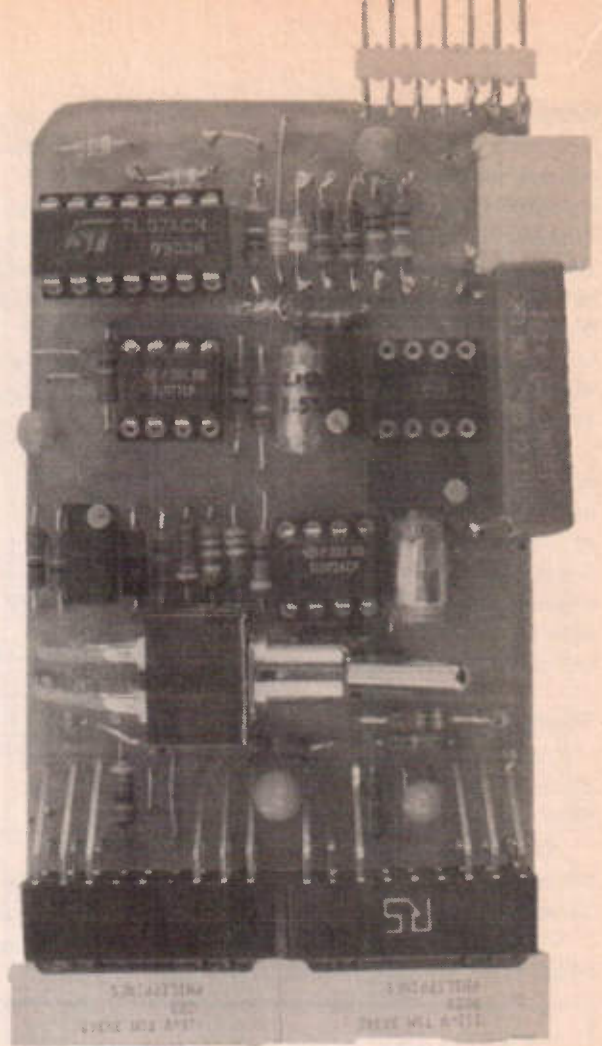
Distributors for:  
WAUGH INSTRUMENTS, RAMTEST LTD, KRENZ ELECTRONICS, PANTHER

*The final instalment of  
the Peak Programme  
Meter project  
by Mike Meehan*

**D**ecide at this point if you want to experiment with both types of ballistic response. This is important, because if you do wish to experiment with the ballistic response, all of the components marked with an asterisk on the overlay must not be soldered directly to the PCB, but to Veropins soldered into the relevant holes. Why do this? The board/tracks will only tolerate about one soldering/desoldering operation after which they decide to part company on less than amicable terms. Using pins, however, means that components can be soldered and unsoldered as many times as necessary (when converting from VU to PPM or vice versa), with no detrimental effect to the trackwork. If you are intending to cascade boards, both types of responses can be accommodated using the two PCB's.

Resistors and diodes come next (ensuring correct orientation of the polarity-conscious components) and then the smaller capacitors. It is important that IC sockets are used. The op-amps, while not particularly expensive, are FET input types and require appropriate handling precautions. Fit the PCB connector next. If the constructor opts for the hard-wired approach, all flying leads should be soldered to Veropins and *not* directly to the board.

Choice of capacitor type, for the main time constant-determining component, was wide. Capacitance values of this order normally dictate electrolytics. Tolerances on these range from +/-20% for some to -50% to +100% for others. If



# AutoMate Anniversary

you have a capacitance meter to hand, use it to select the most accurately valued one from a batch of 10 or so. Commercial designs use electrolytics, with the discharging resistor adjustable on test (AOT). Aside from requiring a PPM dynamics test apparatus, there is no single resistor which can be trimmed, since altering the value of the discharge resistor in our example (R805) would necessitate changing four other, non-equal resistors (R801 to 804).

Polyester layer capacitors are available in values up to 2u2. These are smaller than other polyester types and will fit on the board. If you can live with a release time constant which falls a little short of the specified one, this is an easy, repeatable option. 3u3 and 4u7 values are obtainable in larger, polyester or polycarbonate packages and their bulk limits how close adjacent boards can be fitted. Another option is the solid electrolyte tantalum type. This is small in stature but big in capacitance and with a tolerance rating identical to the polyester types. The board can accommodate all types. The Table in Figure 12 gives associated resistor values for various sizes of capacitors. The polyester layer capacitor is one of two components on the board which must be purchased from the suppliers specified. This is because the

PCB layout has been arranged to suit exclusively these components and others, while perhaps offering the same performance, will not fit physically onto the board. Apart from the polyester layer, electrolytic or tantalum types, others must have their mounting pins bent through 90 and soldered to Veropins. The alternative mounting position for this type of capacitor is shown dashed on the component overlay.

If the budget version is constructed, the discrete transistors should be soldered onto the board at this point, with each transistor in as close as possible in contact with its neighbour. This ensures good thermal tracking and temperature drift compensation in the log amplifier. I've specified E-line types, since each of these can be abutted to its neighbour with the minimum of fuss. Mount the other capacitors with particular regard to orientation for the polarity-conscious ones and conclude with the previously mentioned C802. Decide at this point if you wish to cascade two or more boards. The lower-most board of each section should be constructed as per overlay 1 in Figure 8. Others follow overlay 2, which is shown in Figure 9. If you do wish to cascade boards, one of the specified capacitors must be used, since other types overhang the edge and don't allow adjacent

boards to butt together. Next are the cermet multturn presets. I have specified types with the actuating screw mounted on the side of the body. Follow the diagrams closely with regard to correct orientation - with the screws positioned as they are, in-situ adjustments are possible. A case in point might be the meter bridge of the AutoMate. If you wish to save some money, normal ones can be substituted for PR802 and PR803, although line-up becomes a little difficult. Do not replace PR801 with a normal type as nulling the op-amp with an ordinary pot is well nigh impossible.

The penultimate part to be soldered onto the board is the switch (if required). It allows selection of either 'bar' or 'dot' mode and so may be mounted off the PCB. Should you wish to set mode of operation via the PCB switch only, the specified switch type *must* be used since no others will fit onto the PCB. Where the switch is omitted entirely, wire links soldered to Veropins should provide the necessary hard-wired module configuration.

The PCB will normally be mounted at right-angles, so the bargraph modules must be mounted on right-angled sockets. The last, most awkward operation, is the fitting of DIL sockets and great care

# y Mixer

must be taken when bending the wirewrap pins to the required shape. Figure 11 gives the recommended bending point on the legs. Each set of three legs must be bent simultaneously using a pair of fine taper-nosed pliers. Crop all of the unwanted legs, thus making the bending easier and the remaining legs less prone to fracturing. A useful aid when working out where to bend the leads is a strip of thin tape placed along the surface - PCB track layout tape is ideal.

## Testing and Setting Up

To set up the unit accurately, a tone source with variable output level control is required, as well as a high impedance voltmeter, 'scope or digital multimeter. For those not fortunate enough to possess the tone source item, I have included a circuit (Figure 13) which will generate

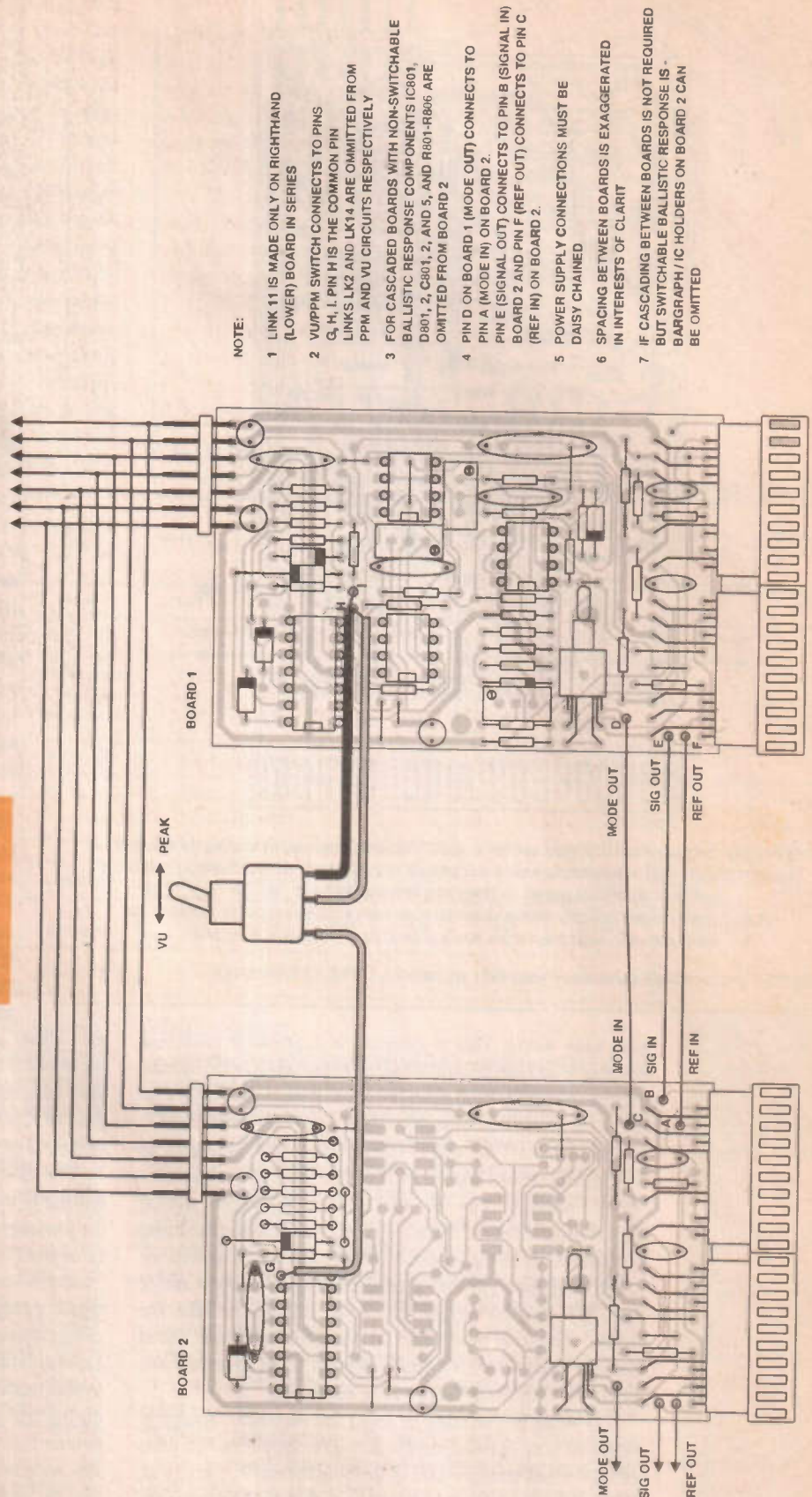
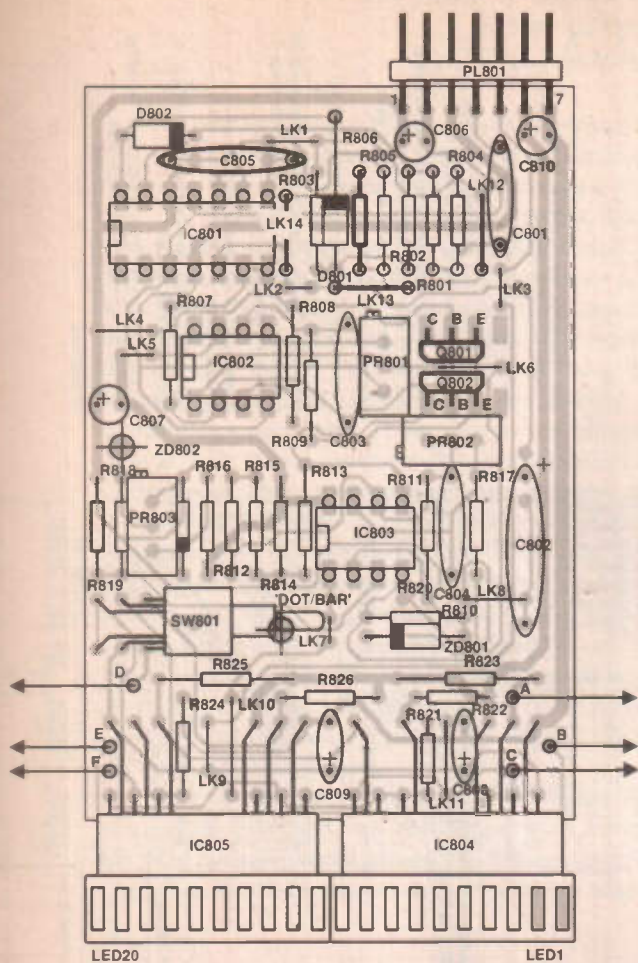


Fig.9 Cascading boards



COMPONENT OVERLAY FOR VU OPTION. SHOWN IS SECTION WHERE COMPONENT VALUES OR PLACEMENTS ARE DIFFERENT FROM PPM VERSION. PARTS NOT SHOWN ARE IDENTICAL TO PPM OVERLAY. VEROPINS (OR COMPONENTS SOLDERED TO VEROPINS) ARE SHOWN THUS ⊙ OR ⊙. ALSO SHOWN IS IC806 (SSM2210 SUPER-MATCHED PAIR) REPLACED BY DISCRETE TRANSISTORS Q801 AND Q802. SPACE BETWEEN IS EXAGGERATED IN INTERESTS OF CLARITY.

10 VU component overlay (Note LK1 not made, LK12,13 & 14 made)

pure sine waves. This is coupled to a precision switched attenuator and can be built either on breadboard or Veroboard and used for the setting-up of the PPM. It was first featured as part of a design for a distortion meter/spot oscillator in ETI, January-March 1985 and I believe that both photocopies of the original article, and the PCB for the oscillator in question are still available. The only alterations to the original design are a resistor in the feedback loop of the final op-amp (to bring output level up to the required 775mV) and minor alterations to the attenuator (so that attenuation steps are 10dB rather than 20). Resistor values have been changed to fake the output voltage at each level, so that the conditions found emulate those which would be present when using a 600R oscillator with 600R terminating resistance.

For those not wishing to build the oscillator, a slightly nefarious way of lining up the unit is to remove IC801 from its socket and attach a wire to the hole for pin 7. Then, with reference to the line-up voltages specified for this test point in Table 2 of Figure 12, inject the relevant DC voltage into this point and line-up as per the following instructions, altering the DC voltage rather than the oscillator output level, when a change is required. There is also the problem of providing a suitable power supply (if the unit isn't to be kept

and used with the AutoMate itself). An ideal power supply to use is the one developed for The Nightfighter, a fledgling project of mine from last year. It has split supply rails for all of the op-amp circuitry and the 5V LED supply. The 5V supply can be dispensed with if the unit will only ever be used in 'dot' mode. In this instance, current consumption of the unit is reduced with fewer LEDs on - and so they can be powered from the common 12V rail rather than from a separate one. In true AutoMate style, the audio and switching power supply rails have been kept entirely separate. Should the module be built for a unit other than the AutoMate mixer, both of the appropriate rails - audio and switching - can be commoned together, either at the board end, or at the PSU.

If the unit is to be switched between 'dot' and 'bar' mode, a separate supply rail *must* be used or the 660mW maximum power dissipation of the bargraph driver IC's will be exceeded, causing their immediate destruction.

To set the unit up, double check once more that all of the ICs have been inserted correctly. (The bargraph chips aren't labelled as such with a pin 1 detent - very remiss of NSC. Pin 1 is, the one at the top left hand corner of the device when the writing printed along one side is on the left). They are correctly mounted when the board is component side up and the writing along the edge of the modules can be seen. Now set all of the preset pots to their mid positions. In the case of cermet multi-turn presets, where no visual indication of the wiper position is given, use a trimmer tool to turn the actuating screw clockwise until the slipping clutch action of the mechanism is felt or heard. Now, wind the screw back anticlockwise ten complete turns - the cermet is of the twenty turn type and this should now be their approximate mid-position. Connect power to the unit as per the pin-out on the component overlay and, then connect

either a source of programme or the output of the oscillator to the PPM input terminals. If a 'scope is available, look for a rectified version of the input on pin 14 of IC 801. Pin 7 of IC801 should have a smoothed, positive-going version of this. If all is well, turn off the power.

The first operation which must be performed is the nulling of the log amp. A low level input signal, lower than the envisaged lowest which the meter must indicate, should be applied to the input while this is being done. A level of -30dBu or lower normally suffices. This should come from a signal generator calibrated in dB's or from the oscillator design shown in Figure 13. Using a 'scope, preferably, or a moving coil multimeter, such as an AVO, adjust PR801 for approximately 0V on pin 6 of IC 802. There will come a point during the null procedure when the 'scope trace or meter pointer flies full-scale. The point of correct null is just before this happens. With a -30dBu sinusoidal input, the op-amp can be considered approximately nulled when there is a reading of around -0.44V on pin 6 of IC2. Now, using the DMM, measure the voltage on pin 7 of IC803. This should be around 3.42V. Adjust PR802 until this is so. Transfer the probe to pin 1 of IC803 and adjust PR803 for around 0.11V on this pin.

PROJECT

Next, apply zero level (0dBu) tone to the input. There should be around 2.11V on pin 7 of IC801, -0.74V on pin 6 of IC802, 1.58V on pin 7 of IC803 and 1.94V on pin 1 of this IC. Reducing the level by 10dBu should cause five of the LED's to extinguish. If this is not the case, adjust PR802, constantly flicking between 0 and -10dBu to verify this. Once the setting of the preset is deemed correct, reduce the input level by a further 10dBu and verify that a further 5 LED's have gone off. The scale is now set for 2dB per division. Reduce the level further to check that the bottom-most LED extinguishes. If it doesn't, adjust PR801 null control until it does. Then check that the scale factor is as before. Finally, input zero level tone again and adjust PR803 for the desired full-scale deflection. Now all that remains is to check whether the Bar/Dot switch operates as it should. All of the above readings assume use of 17V split supply rails. These readings hold good when the unit is used with 9V, 12V and 15V rails, although the presets will need to be re-adjusted if the supply rails are changed. When units are cascaded, scale factor and FSD for each of the units is altered from its stand-alone value.

The differences, assuming two units in cascade, 1dB/division and FSD of 10dB, are shown in Tabulated form in Figure 12. Cascaded displays follow the same procedure, but with PR802 adjusted initially for a reading of 3.31V on pin 7 of IC803 (with zero level tone inputted) and 3.64V on pin 1 of the same IC. This gives a convenient 1dB per division scale factor. As mentioned in the How It Works section, the bargraph modules are very susceptible to hum loops and earthing arrangements. With one PCB, the grounding has been optimised. This is no longer the case when two or more boards are connected together. The 'ground follows signal' arrangement must be followed, with the earth wire from the bottom-most module daisy-chained along to each succeeding board. Failure to do this causes shifts of the reference voltages of boards further 'along the line', to such an extent that levels indicated can be different when the display is

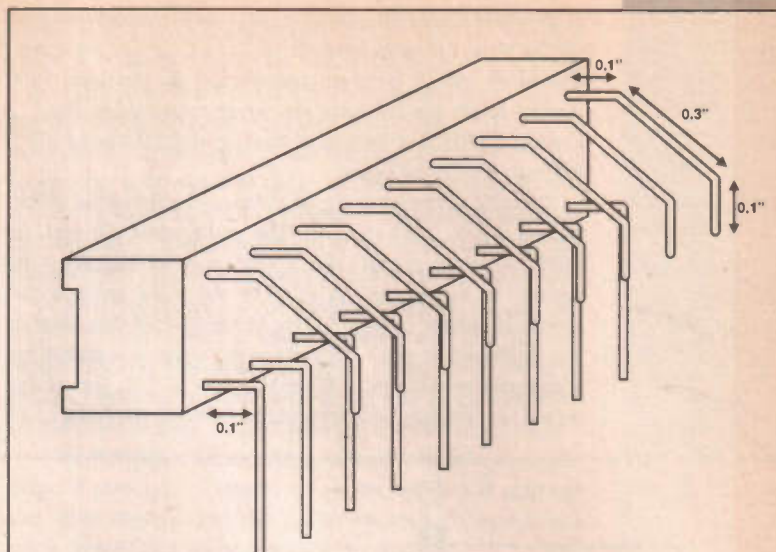


Fig.11 Detail of bends for bargraph IC holder

Capacitor C802	Capacitor Type	R801, 2, 3	R804, 5	R806	Time Constants			Mounting Position	RS Order Code No.
					Attack ms	Decay s	Tolerance		
4u7	tantulum	110k	220k	390R	1.833	1.036	+/-10%	A	104-685
4u7	radial elect	110k	220k	390R	1.833	1.036	+/-20%	B	107-381
4u7	min poly dipped	110k	220k	390R	1.833	1.036	+/-10%	C	115-629
4u7	metal poly film	110k	220k	390R	1.833	1.036	+/-20%	C	113-601
3u3	radial elect	150k	300k	560R	1.804	0.992	+/-20%	B	
2u2	min poly layer	150k	300k	820R	1.804	0.662	+/-10%	A	114-446
2u2	min poly dipped	150k	300k	820R	1.804	0.662	+/-10%	C	115-613
2u2	polycarbonate	150k	300k	820R	1.804	0.662	+/-20%	C	114-620
2u2	radial electrolytic	150k	300k	820R	1.804	0.662	+/-20%	B	
2u2	metal poly film	150k	300k	820R	1.804	0.662	+/-20%	B	113-594

Test Point	Input Condition			
	-30dBu	-20dBu	-10dBu	0dBu
IC801 PIN7	0.061V	0.203V	0.66V	2.11V
IC802 PIN6 (Adjust PR801)	≈ -0.44V	-0.49V	-0.57V	≈ -0.74V
IC803 PIN7 (Adjust PR802)	3.42V 6.82V	2.77V 5.56V	2.16V 4.41V	1.49V 3.31V
IC803 PIN7 (Adjust PR802)	≈ 0.11	0.76V 1.44V	1.37V 2.56V	1.94V 3.36V

Fig 12b Table of calibration voltages

switched between bar and dot mode. Also, segments of succeeding stages light before they should. No amount of decoupling was found to cure any of these problems, though proper earthing did. A piece of suitably-shaped celluloid or gel (red for green modules, green for red) creates a contrasting colour.

### Mode Select

This is the really clever part of the IC and is used to control the bar and dot modes of operation, as well as more importantly from our point of view, the correct display operation when devices are cascaded. In single device operation, tying this pin to V+ gives bar mode while leaving it open circuit yields a dot display. When cascaded together, bar mode control for each individual IC remains the same. The versatility of the IC is not fully realised until drivers are cascaded in dot mode. The reference output of the lower IC is connected to the REF ADJ/R pins of the IC next along the line, so that, for example, the first driver will respond to 0 to 1.25V inputs and the second to 1.25V to 2.5V inputs. Consider what might happen should a 1.5V input be applied. It lies within the threshold range of the upper IC and so will light LED 2 only (in dot mode). It will also, however, cause FSD of the first driver which will cause LED number 10 to light.

What we actually want is LED 10 to be switched off when the input voltage is higher than the upper threshold limit for that device. Special circuitry has been incorporated into the

Fig.12a Table of component values for various types and sizes of time constant capacitor C802

IC to do this. Cascading devices in dot mode involves connecting the Mode pin of the lower driver to LED1 pin of the upper. This holds true for however many devices are cascaded, with the last Mode pin left open circuit or connected to Pin 11. Causing LED10 of the lower device to shut off when LED 1 of the upper device lights.

As long as the input signal is below the threshold of the second driver, LED 11 is off. The mode select pin sees, in effect, an open circuit, which causes driver number 1 to operate in dot mode. As soon as the input reaches the threshold voltage of LED 11, the Mode pin of driver number 1 is depressed by one LED voltage drop, which is sensed by a comparator referenced 600mV below V. This forces the output low, shutting off the output transistor and turning LED

resistors for each LED. Aside from the space considerations which 20 further resistors would cause on an already-cramped PCB, it is a method which is not applicable to the bargraph modules, since individual LED anodes and cathodes are not available externally on these.

Instead, our design drives the LEDs from a separate, low voltage 5V supply. Chip power dissipation with this arrangement is below the maximum specified.

The heavy currents drawn in bar mode can cause problems if grounding rules are not followed, as the currents flowing out of the module ground pin cause voltage drops in external wiring and hence errors and oscillations. Liberal decoupling of the supply rails, to the ICs improves matters considerably. C806 to 810 provide this function.

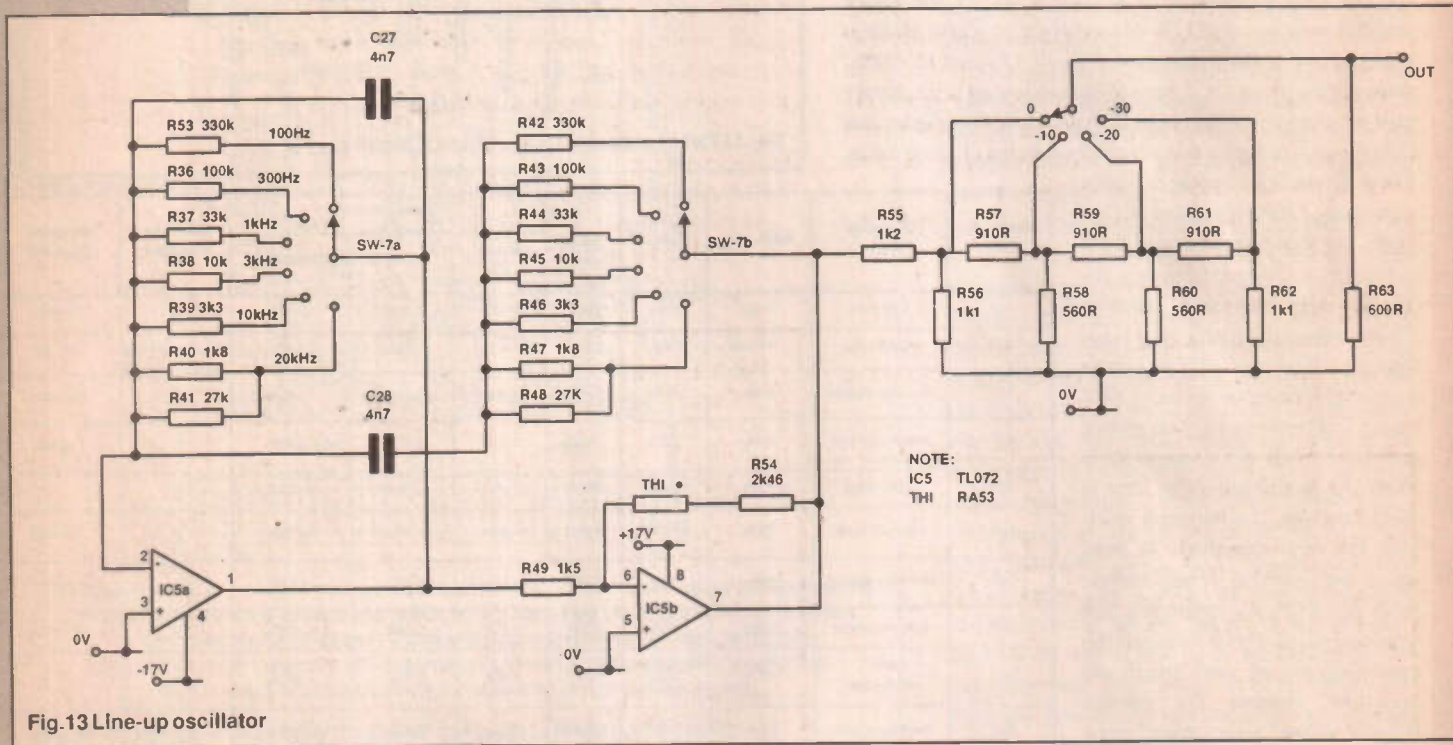


Fig. 13 Line-up oscillator

10 off. V is sensed by the 20k resistors, R822 and R825 connected to pin 4 on each module. The very small current shunted as a consequence (around the 100µA mark), has little noticeable effect on LED intensity.

Maintaining a low current flow through LED 11 (via R822, 825) even when the input voltage is such that the LED is, in fact off ensures that the Mode pin of driver 1 is held low enough to force LED 10 off when any LED further up the chain is illuminated. Unfortunately, the 100µA flowing from this point has one troublesome side effect. Sometimes, this causes discernible illumination of LED 10 when high efficiency packages are used. Shunting the LED with a 10k resistor cures the problem, since the 1V drop is more than the 900mV worst case needed to hold LED10 off, though small enough that LED 11 shows no significant conduction. R823 and 826 facilitate this. We've concerned ourselves primarily with dot mode at the present, but bar mode yields some unique problems of its own. The module has a maximum power dissipation rating of 500mW. Even with low programmed LED currents, this rating is easily exceeded in bar mode, when many of the LEDs will be lit. There are two ways of tackling the problem. One is to run the IC and LEDs from a common positive supply rail, but with current limiting

### Cascading Boards

For cascaded boards, it was necessary to make the following pins externally available: Ref Adj/R, Ref Hi/R Signal In/Out, and LED 1, LED 9 for the necessary dot mode sensing (Mode In and Mode Out on the diagrams). When the board is used singly, a link LK11 connecting Ref Adj/R to 0V is made on the board (this is also true of the lowermost board in a cascaded arrangement). All other pins are left unconnected. In cascade mode, Ref Out/R is connected to Ref Adj/R on the next upper board, Sig Out is connected to Sig In and the mode pin is connected to LED 1. Unless the switch connections are brought from the board to a multipole switch, Mode will need to be changed simultaneously on each individual board. Only one rectifier/time constant/log amp/level shifter is required to drive all of the cascaded sections. As boards are cascaded, the effective reference voltage from the Ref Out pin is higher. This voltage programmes the LED 'on' currents. Higher voltages necessitate higher resistor values. R821 and 824 must be altered in value on any cascaded boards, to the extent that  $V_{ref}/R \text{ prog} = 10\text{mA}$ . Since  $V_{ref}$  alters by 1.25V in every succeeding module, R821 on the second board would be 3k6, R824 would be 4k8 (R preferred = 4k7) and so on.



## VU Option

Provision has been made on the board for the fitting of the components necessary to recreate a VU-type ballistic response. The VU is a relatively slow full-wave averaging type, as we've already discussed. The ANSI specification calls for the meter to reach 99% deflection in 0.3s, with a 1 to 1.5% overshoot. This is met by an underdamped second order response with a resonant frequency of 2.1Hz and a Q of 0.62. Figure 7 shows the circuit. Capacitors C801 and 802 and resistors R801 to 806 are altered from their PPM values, with C803 now added and D803 and 804 omitted. The amended layout is shown in Figure 10.

I mentioned in the main text that there just wasn't enough space on one board to provide both VU and PPM characteristics as a switchable facility. With two boards, this becomes possible. One board is built with a PPM front end stage while the second is constructed using VU components. The signals from both stages are brought off the board and into a SPDT switch, with the common terminal connected to IC801 pin 5 on whichever board the log amp and associated circuitry are fitted. If the audio input is paralleled to both boards, the switch can be used to alternate between VU and PPM ballistics. See Figure 9 for further details.

## Using the Meter

The meter can be fitted and used with just about any kind of audio equipment. It is quite sobering to connect it to the line

output of an FM tuner and to see just how small the dynamic range of broadcast material is - about 24dB on BBC stations and even less on some of the commercial stations. When the meter is connected to the output of a cassette deck, it shows the restricted dynamic range of this medium too. A further use is as a pocket level meter. In dot mode, current consumption is low enough to be used with PP3 batteries (although they don't last too long). This arrangement is useful for verifying the presence and level of a signal (perhaps at the end of a lead).

If you've constructed two meters, one with VU and one with PPM ballistics, it is useful sometimes to line them up identically and then apply the same programme source to them. In this way, it is self-evident just how much difference in indicated reading there is between the two meter types.

One final point. Last months cover photographs are of the original prototype. Component values, types and placings may alter slightly from the design shown here, which is a more streamlined, second generation version.

## References

Radio Spares Data Sheet No. 3835

An Introduction to Practical Electronic Circuits - Integrated Circuit Building Blocks (Martin Hartley Jones).

## PARTS LIST

### RESISTORS

R801-3 110k or select from Table 1 (\*PPM only - see text)  
 R804,5 220k or select from Table 1 (\* PPM only- see text)  
 R806 390R or select from Table 1(\* PPM only- see text)  
 R807,8,11,17-20,23,26 10k  
 R809,10,16 1k  
 R812 470R  
 R813 10M  
 R814 22k  
 R815 2k2  
 R821 1k2  
 R822,25 20k  
 R24 2k4  
 PR801,3 10k miniature vertical multiturn preset (side actuating)  
 PR802 50k miniature vertical multiturn preset (side actuating)

### CAPACITORS

C801 220n polyester (\* PPM only - see text)  
 C802 4 $\mu$ 7 solid electrolyte tantalum or select from Table in Fig 12 (\* PPM only - see text)  
 C803 In polystyrene C804 2n2 polystyrene C805 omitted in PPM version  
 C806, 7 4 $\mu$ 7 25V miniature radial electrolytic  
 C808, 9 4 $\mu$ 7 25V tantalum bead  
 C810 10 $\mu$  25V miniature radial electrolytic

### SEMICONDUCTORS

IC801 TL074  
 IC802 TL071  
 IC803 TL072  
 IC804,5 TSM39341 (green) or TSM39342 (red)  
 IC806 SSM2210 (optional - see text)  
 Q801,2 ZTX108C (optional - see text)  
 D801-2 1N4148  
 D803-4 1N4148 (\* only for PPM - see text)  
 ZD801,2 8V2 400mW Zener

## BUYLINES

Capacitors are available from RS Components (order codes in Figure 12), as are the wirewrap sockets (Order No. 402-276) and the sub-miniature right-angled PCB-mounted toggle switch (Order No. 664-401). The bargraph modules are available from Farnell (Order No. TSM 39341 (red) and TSM 39342 (green). Capacitors from other suppliers will probably fit in the PCB holes provided - take the board along with you to the shop!

A full kit of parts (excluding PCB) is available from the author. Price £29.00 (including switch) or £26.50 (excluding switch). Please specify whether you require the VU or PPM type. Write to:

22 Cintra Ave, Reading Berks RG2 7AU. Make crossed cheques payable to the author and allow 28 days for delivery. Orders outside the UK should also enclose two international reply coupons.

## MISCELLANEOUS

SW801 horizontal PCB-mounting DPDT ultra-miniature toggle switch (see text and Buylines)  
 PL1 10 way right-angled Minicon socket PCB, DIL IC Sockets to suit (8 pin, 14 pin,) DIL 18 pin wirewrap sockets (see text and Buylines), PCB, Veropins, suitable power supply (see text)

Optional Additional Parts for VU version

### RESISTORS

R801,2 20k  
 R803 150k  
 R804 300k  
 R805 100k  
 R806 43k

### CAPACITORS

C801 47n polystyrene  
 C802 2 $\mu$ 2 polycarbonate  
 C803 56p polystyrene



**MICROWAVE CONTROL PANEL.** Mains operated, with touch switches. Complete with 4 digit display, digital clock, and 2 relay outputs one for power and one for pulsed power (programmable). Ideal for all sorts of precision timer applications etc. Now only £4.00 ref 4P151. Good experimenters board.

**FIBRE OPTIC CABLE.** Stranded optical fibres sheathed in black PVC. Five metre length £7.00 ref 7P29R or £2 a metre.

**12V SOLAR CELL.** 200mA output ideal for trickle charging etc. 300 mm square. Our price £15.00 ref 15P42R. Gives up to 15v.

**PASSIVE INFRARED MOTION SENSOR.** Complete with daylight sensor, adjustable lights on timer (8 secs -15 mins). 50' range with a 90 deg coverage. Manual override facility. Complete with wall brackets, bulb holders etc. Brand new and guaranteed. Now only £19.00 ref 19P29

**PACK OF TWO PAR38 BULBS** for above unit £12.00 ref 12P43F

**VIDEO SENDER UNIT** Transmits both audio and video signals from either a video camera, video recorder or computer to any standard TV set within a 100' range (tune TV to a spare channel). 12v DC op £15.00 ref 15P39R Suitable mains adaptor £5.00 ref 5P191R. Turn your camcorder into a cordless cameral

**FM TRANSMITTER** Housed in a standard working 13A adapter (bug in mains driven). £26.00 ref 26P2R. Good range

**MINIATURE RADIO TRANSCIEVERS** A pair of walkie talkies with a range of up to 2 kilometres. Units measure 22x52x155mm. Complete with cases and earpieces. £30.00 ref 30P12R

**FM CORDLESS MICROPHONE.** Small hand held unit with a 500' range! 2 transmit power levels. Reqs PP3 battery. Tuneable to any FM receiver. Our price £15 ref 15P42AR.

**12 BAND COMMUNICATIONS RECEIVER.** 9 short bands, FM, AM and LWDX, local switch, tuning 'eye' mains or battery. Complete with shoulder strap and mains lead. £19 ref 19P14R. Ideal for listening all over the world.

**CAR STEREO AND FM RADIO.** Low cost stereo system giving 5 watts per channel. Signal to noise ratio better than 45db, wow and flutter less than .35%. Neg earth. £19.00 ref 19P30

**LOW COST WALKIE TALKIES.** Pair of battery operated units with a range of about 200'. Our price £8.00 a pair ref 8P50R. Ideal for garden use or as an educational toy.

**7 CHANNEL GRAPHIC EQUALIZER** plus a 60 watt power amp! 20-21KHZ 4-8R 12-14v DC negative earth. Cased. £25 ref 25P14R.

**NICAD BATTERIES.** Brand new top quality. 4 x AA's £4.00 ref 4P44R. 2 x C's £4.00 ref 4P73R. 4 x D's £9.00 ref 9P12R. 1 x PP3 £6.00 ref 6P35R. Pack of 10 AA's £4.00 ref 4P92R

**TOWERS INTERNATIONAL TRANSISTOR SELECTOR GUIDE.** The ultimate equivalents book. New ed. £20.00 ref 20P32R

**GEIGER COUNTER KIT.** Complete with tube, PCB and all components to build a battery operated geiger counter. £39.00 ref 39P1R

**FM BUG KIT.** New design with PCB embedded coil. Transmits to any FM radio. 9v battery req'd. £5.00 ref 5P158R. 35mm square.

**FM BUG** Built and tested superior 9v operation. £14.00 ref 14P3R

**COMPOSITE VIDEO KITS.** These convert composite video into separate H sync, V sync and video. 12v DC. £8.00 ref 8P39R.

**SINCLAIR C5 MOTORS** 12v 29A (full load) 3300 rpm 6.3x4" 1/4" O/P shaft. New. £20.00 ref 20P22R. Limited stocks.

As above but with fitted 4 to 1 inline reduction box (800rpm) and toothed nylon belt drive cog £4.00 ref 40P8R. 800 rpm.

**ELECTRONIC SPEED CONTROL KIT** for C5 motor, PCB and all components to build a speed controller (0-95% of speed). Uses pulse width modulation. £17.00 ref 17P3R. Potentiometer control.

**SOLAR POWERED NICAD CHARGER.** Charges 4 AA nicads in 8 hours. Brand new and cased. £6.00 ref 6P3R. 2x cell model £6.00.

**ACORN DATA RECORDER ALF503** Made for BBC computer but suitable for others. Includes mains adaptor, leads and book. £15.00 ref 15P43R

**VIDEO TAPES.** Three hour superior quality tapes made under licence from the famous JVC company. Pack of 10 tapes New low price £15.00 ref J15P4

**PHILIPS LASER.** 2MW HELIUM NEON LASER TUBE. BRAND NEW FULL SPEC £40.00 REF 40P10R. MAINS POWER SUPPLY KIT £20.00 REF 20P33R READY BUILT AND TESTED LASER IN ONE CASE £75.00 REF 75P4R.

**12 TO 220V INVERTER KITS** supplied it will handle up to about 15w at 220v but with a larger transformer it will handle 80 watts. Basic kit £12.00 ref 12P17R. Larger transformer £12.00 ref 12P41R.

**25 WATT STEREO AMPLIFIER IC.** STK403. With the addition of a handful of components you can build a 25 watt amplifier. £4.00 ref 4P69R (Circuit dia included).

**BARGAIN NICADS AAA SIZE 200MAH 1.2V PACK OF 10** £4.00 REF 4P92R, PACK OF 100 £30.00 REF 30P16R

**FRESNEL MAGNIFYING LENS** 83 x 52mm £1.00 ref BD827R.

**12V 19A TRANSFORMER** Ex equipment £20 but OK.

**POWER SUPPLIES** Made for the Spectrum plus 3 give +5 @ 2A, +12 @ 700mA & -12 @ 50mA. £8 ref Q8P3

**UNIVERSAL BATTERY CHARGER.** Takes AA's, C's, D's and PP3 nicads. Holds up to 5 batteries at once. New and cased, mains operated. £6.00 ref 6P36R.

**IN CAR POWER SUPPLY.** Plugs into cigar socket and gives 3,4,5,6,7,9, and 12v outputs at 800mA. Complete with universal speaker plug. £5.00 ref 5P167R.

**QUICK CUPPA?** 12v immersion heater with lead and cigar lighter plug £3.00 ref 3P92R. Ideal for tea on the move!

**LED PACK.** .50 red, .50 green, .50 yellow all 5mm £8.00 ref 8P52

**IBM PRINTER LEAD.** (D25 to centronics plug) 2 metre parallel. £5.00 ref 5P186R. 3 metre version £6.00 ref 6P50.

**COPPER CLAD STRIP BOARD** 17" x 4" of .1" pitch 'vero' board. £4.00 a sheet ref 4P62R or 2 sheets for £7.00 ref 7P22R.

**STRIP BOARD CUTTING TOOL** £2.00 ref 2P352R.

**WINDUP SOLAR POWERED RADIO!** FM/AM radio takes rechargeable batteries. Complete with hand charger & solar panel 14P200R. Set of 2 AA nicads £2 ref L2P9

**PC STYLE POWER SUPPLY** Made by AZTEC 110v or 240v input. +5 @ 15A, +12 @ 5A, -12 @ 5A, -5 @ .3A. Fully cased with fan, on/off switch, IEC inlet and standard PC flyleads £15.00 ref F15P4

**TELEPHONE HANDSETS** 10 brand new handsets with mic and speaker only £3.00 for 10 ref 3P146R

**BENCH POWER SUPPLIES** Superbly made fully cased (metal) giving 12v at 2A plus a 6V supply. Fused and short circuit protected. For sale at less than the cost of the case! Our price is £4.00 ref 4P103R

**SPEAKER WIRE** Brown twin core 100 feet for £2.00 REF 2P79R

**720K 3 1/2" DISC DRIVE FOR £8** Brand new units made by JVC complete with tech info just £9.00! They have a metal tab instead of a button and you may want to fit an led. Combined power and data cable easily modified to IBM standard. ref L9P2

**MONO VGA MONITORS** £59 Standard IBM compatible monitor made by Amstrad. EX display Our price just £59 Ref 59P4RB

**CAR BATTERY CHARGER** Brand new units complete with panel meter and leads. 6 or 12v output £7.00 ref J7P2

**CUSTOMER RETURNED SPECTRUM +2** Complete but sold as seen so may need attention £25.00 ref J25P1

**CUSTOMER RETURNED SPECTRUM +3** Complete but sold as seen so may need attention £25.00 ref J25P2

#### AMSTRAD 1640DD BASE UNITS

BRAND NEW AND CASSED

TWO BUILT IN 5 1/4" DRIVES

MOTHER BOARD WITH 640K MEMORY

KEYBOARD, MOUSE & MANUAL

OUR PRICE JUST

£79!!!!

#### SCART TO D TYPE LEADS

Standard Scart on one end, Hi density D type (standard VGA connector) on the other. Pack of ten leads only £7.00 ref 7P2R

#### OZONE FRIENDLY LEXAT

250ml bottle of liquid rubber sets in 2 hours. Ideal for mounting PCB's fixing wires etc. £2.00 each ref 2P379R

#### VIEWDATA SYSTEMS

Brand new units made by TANDATA complete with 1200/75 built in monof infra red remote controlled qwerty keyboard BT approved Prestel compatible, Centronics printer port RGB colour and composite output (works with ordinary television) complete with power supply and fully cased. Our prices are only £20.00 ref 20P1R

**COMMODORE 64 COMPENDIUM** Pack consisting of a Commodore 64 computer, power supply, data recorder and software. All for £69 ref O6P91

**PPC MODEM CARDS** Made for the Amstrad PPC1640/1512 range these are plug in modules that operate at 2400 baud. No data. £15 ref Q15P5

**AMSTRAD LQ3500 PRINTER ASSEMBLIES** Entire mechanical assemblies including print head, platen, cables, stepper motors etc. etc. infact everything bar the electronics and case! Our price just £10 ref Q10P3

**AMSTRAD DMP4000 PRINTER ASSEMBLIES** Entire printer assemblies including print head, platen, cables, stepper motors etc. Everything bar the electronics and case. Our price just £20 ref Q20P2

**TOROIDAL TRANSFORMER** 146VA with tapings at 8v, 10v and 32v will give 50v at 3A or 32 at 4A etc. Centre tapped primary £9 ref Q9P2. Fixing kit is £2 ref Q2P1

**AERIAL BRACKETS** Wall plate 7.5" sq complete with rawl bolts. 1" stand off brackets with standard tube clamps. Will take up to 2" mast. Substantial bracket (would take body weight). £7 ref Q7P1

**TV SOUND RECEIVERS** Popular units that with the addition of a speaker act as a tv sound receiver. Ideal as a stand alone unit or for connecting into HI FI! £12 ref Q12P2

**2,000 COMPONENTS FOR £3** Yes that's right! just send us £3 and you can have 1,000 resistors plus 1,000 capacitors! Our choice of value. Order ref Q3P1

**ETRI FANS** Mains, 11 watt 80mm diameter. £6. Ref O6P3

**LIGHTGUNS** Originally made for the Spectrum+2 but may have other uses (good stunner). £2 Ref Q2P3

**GX4000 GAMES CONSOLES** Complete with motor racing game, pad and joystick. £15 ref Q15P3. Extra 4 games £12 ref Q12P2

**VCR RABBIT SYSTEM** Lets you control your VCR from a second set using the VCR remote control. Retail £99 ours £39!!!

**CAMERAS** Customer returned units 3 for £10 ref L10P2

**STEAM ENGINE** Standard Mamod 1332 engine complete with boiler piston etc. £30 ref 30P200

**HANDHELD TONE DIALERS** Small units that are designed to hold over the mouth piece of a telephone to send MF dialling tones. Ideal for the remote control of answer machines. £5.00 ref 5P208R

**AMAZING TALKING COINBOX!** Fully programmable talking, lockable coinbox BT approved, retail price is £79 ours is just £29! ref J29P2

**ANSWER PHONES** £15 Customer returned units with 2 faults one we tell you how to fix the other you do yourself! £18 ref J18P2 or 4 for £60 ref J60P3 BT approved (retail price £79.95!) each

**COMMODORE 64 MICRODRIVE SYSTEM** Complete cased brand new drives with cartridge and software! 10 times faster than tape machines works with any Commodore 64 setup. The original price for these was £49.00 but we can offer them to you at only £25.00! Ref 25P1R



## BULL ELECTRICAL

250 PORTLAND ROAD HOVE SUSSEX

BN3 5QT TELEPHONE 0273 203500

MAIL ORDER TERMS; CASH PO OR CHEQUE

WITH ORDER PLUS £3.00 POST PLUS VAT.

PLEASE ALLOW 7 - 10 DAYS FOR DELIVERY

FAX 0273 323077

SOME OF OUR PRODUCTS MAY BE UNLICENSEABLE IN THE UK

90 WATT MAINS MOTORS Ex equipment but ok. Good general purpose unit £9.00 ref F9P1

**HI FI SPEAKER BARGAIN** Originally made for TV sets they consist of a 4" 10 watt 4R speaker and a 2" 140R tweeter. If you want two of each plus 2 crossovers for £5.00 ref F5P2.

**EMERGENCY LIGHTING SYSTEM** Fully cased complete with 2 adjustable flood lights. All you need is a standard 6v lead acid battery. Our price is just £10 ref J10P29

**AMSTRAD 464 COMPUTERS** Customer returned units complete with a monitor for just £35! These units are faulty non returnable

**WOLSEY DMC DECODERS** Made for installation in hotels etc as the main sat receiver no data but fully cased quality unit. £20 ref K20P1. Suitable pau £8 ref K8P3.

**REMOTE CONTROLS** Brand new infra red CONTROLS originally made for controlling WOLSEY satellite receivers £2 ea ref K2P1 or 20 for 10 ref K19P1.

**DOS PACKS** Complete set of PC discs with DOS 3.2, basic, gemdoskit & gem print. No manuals. 5 1/4" discs £10 ref K10P2

**CORDLESS TIE CLIP MICROPHONE** transmits between 88-108MHz FM 5.2cm x 2cm, uses LR44 watch battery. Complete with wire aerial & holder £16 ref K16P1.

**CHASSIS MOUNT TRANSFORMERS** 240v primary, 12v secondary 20VA £2 ref K2P2

240v primary, 16v secondary 10A (split winding) £10 ref L10P1

**100 RED LED PACK (5MM)** £5 REF K5P2

**12V STEPPER MOTOR** Ideal for models etc. 3" dia £2 ref J2P14

**CAPACITOR BARGAIN PACK 100 CERAMICS** £2 REF J2P2.

**SPECTRUM JOYSTICK TWO FOR** £5 REF J5P2.

#### AMSTRAD PC CASE, POWER SUPPLY AND 720K FLOPPY DRIVE ALL THIS FOR £30 REF Q30P15

**USEFUL POWER SUPPLIES.** 18v 900mA dc output (regulated) fully cased with mains cable and DC out cable. £6 ref K6P1

**UNCASSED PC POWER SUPPLIES.** Standard PC psu without case, fan etc. Good for spare or low cost PCI £4 ref L4P6

**RADAR DETECTORS.** Detects X and K bands (ie speed traps). Not legal in the UK so only available if you intend to 'export' it. £59 ref J59P1.

**100 WATT MOSFET PAIR.** Same spec as 2Sk343 and 2SJ413 (8A,140v, 100w) 1 N channel and 1 P channel. £3 a pair ref J3P9.

**LOW COST CAPS.** 1,000 capacitors £3 (33uf,25v) ref J3P10.

**VCLRCO.** 1 metre length 20mm wide, blue £2 ref J2P16

**JUG KETTLE ELEMENTS.** Good general purpose heating element just £3 ea ref £3P8 or 5 for £10 ref J10P3

**VERY BIG MOTOR.** 200v induction 11kw 1410 rpm 10"x7" GEC 1" keyed shaft. Brand new. £95 ref J95P1

**BIG MOTOR.** 220-240v 1425rpm 2.8A 5/8" keyed shaft GEC 6.5" x 8" complete with mounting plate. £38 ref J38P1

**SMALL MOTOR.** Electroflux 160 watt 3,000 rpm. 220-240v 5/8" shaft precision built £18 ref J18P1

**EPROMS 27C64 PACK OF 10 £7 REF M7P1.** 27C256 PK OF 10 £9 REF M9P1. 27C512 PK OF 10 £10 REF M10P1.

**MODEMS FOR £1.25?** These modems are suitable for stripping only hence they are only 4 for £5 ref J5P3.

**SOLAR POWERED WOODEN MODELS.** Complete with solar panel, motor and full instructions. £9 ref J9P2. 3 diff £20 ref J20P3.

**SOUND OPERATED LIGHT.** Clap your hands and light comes on. Turns after preset delay (4 AA's req'd). £2 ref J2P3.

**FERGUSON SRB1 REMOTE CONTROLS.** Brand new units ideal for a spare or have two remotes! £4 each.

**5 1/4" 360K DISC DRIVE** MADE FOR AMSTRAD 1640/1512 machines. White front. Our price just £9 ref Q9P1

### PC CORNER

**PC CASES** Desktop case +psu £51.60 ref BPCC1. Deluxe slimline case +psu £60.00 ref BPCC2. Minitor case +psu £51.60 ref BPCC3. Deluxe midi case +psu £90.00 ref BPCC4

**MONITORS** Mitac 14" SVGA 39DP £174 ref BPCM02, Mitac 14" SVGA 28DP £202 ref BPCM01.

**MEMORY** 256K Simm 70ns £8.40 ref BPCM11, 1MB Simm 70ns £26.40 ref BPCM12, 4MB Simm 70ns £96 ref BPCM13

**MOUSE** 2 button serial mouse with 3.5" s/ware £8.40 ref BPCM16, 3button serial mouse with 3.5" s/ware £9.60 ref BPCM17.

**KEYBOARDS** 102 AT UK standard keyboard £18.60 ref BPCM14, Deluxe keyboard 102 AT UK £26.40 ref BPCM15

**SOFTWARE** MS DOS V5 OEM version £39.60 ref BPCM18, MS WINDOWS V3.1 OEM version. £42 ref BPCM19.

**MOTHERBOARDS** 286-16 Headland chipset £46.80 ref BPCB1, 386SX-33 Acer chipset £82.80 ref BPCB2, 386SX-40 UMC with 64k cache £110 ref BPCB3, 486SX-25 UMC with 64k cache £191 ref BPCB4, 486DX-33 UMC with 256k cache £378 ref BPCB5, 486DX-66 UMC with 256k cache £515 ref BPCB6.

**FLOPPY DRIVES** 1.44m 3.5" drive £32.34 ref BPCDD05, 1.2MB 5.25" drive £38.40. 3.5" mounting kit £5 ref BPCDD07.

**HARD DRIVES** 42MB IDE 17ms £99 ref BPCDD01, 89MB IDE 16ms ref BPCDD02, 130MB IDE 15ms £215 ref BPCDD03, 213MB IDE 14ms £298 ref BPCDD04.

**VIDEO CARDS** 256K C&T 8 bit SVGA card £19.20 ref BPCV001, 512K Trident 9000 16 bit SVGA card £31.20 ref BPCV02, 1MB Trident 8900 16 bit SVGA card £45 ref BPCV03, 1MB Cirrus AVGA3 16.7M colours £48 ref BPCV04, 1MB Tseng multimedia £82.80 ref BPCV05.

**ADD ON CARDS** Multi I/O Card 2 serial, 1 parallel, 1 game, 2 floppy, 2 IDE hard drives £11 ref BPCAOC01. ADLIB sound card with speakers £37 ref BPCAOC02. Orchid sound card with speakers £63 ref BPCAOC03.

EXAMPLES OF COMPLETE SYSTEMS

**386SX-33 SYSTEM** 386SX-33 board at £82.80, case £51.60, 2MB ram £52.80, 42MB drive £99, 512SVGA card £31.20, 3.5" FDD £32.34, multi I/O card £11. SVGA colour monitor £174, 102 keyboard, £25 build fee if required. Total £579.34

**486DX-33 SYSTEM** 486DX-33 board £378, case £51.60, 2MB ram £52.80, 89MB drive £166, 512 SVGA card £31.20, 3.5" FDD £32.34, multi I/O card £11, SVGA monitor £174, 102 keyboard £18.60, £25 build fee if required. Total £939.84.

**ALL PC PARTS AND SYSTEMS ARE GUARANTEED FOR 1 YEAR PARTS AND LABOUR.**

**1993 CATALOGUE AVAILABLE WITH ALL ORDERS IF REQUESTED OTHERWISE A4 SAE FOR FREE COPY.**

IN SUSSEX? CALL IN AND SEE US!

# Low Voltage Circuits

by Douglas Clarkson

**W**ith more and more electronic and computing equipment being designed and manufactured as portable battery operated equipment, there is a move towards utilising a 'new' 3.3V logic standard. Major chip manufacturers are poised ready to take advantage of the expected surge in demand for such devices.

While there has existed a standard for 3.3V logic for nearly a decade, the dominance of the TTL 5V standard has been driven by very large device volumes during this period. As, however, suppliers of portable computing equipment try to increase battery life, 3.3V logic is proving extremely attractive. The move to 3.3V logic reduces power requirements by around 50% and where, for example, fewer batteries are required, equipment can be made smaller, lighter and cheaper.

There is, nevertheless, an awareness, that while the 3.3V is gaining favour, it may in time be replaced by even lower values. Designers are looking to extend as far as possible the range over which devices function. This is especially true of support chips.

Digital circuits require extensive support devices and manufacturers are responding rapidly with an ever increasing array of devices to meet the demand to support low voltage logic.

A growing number of linear suppliers are also providing circuits which provide the high performance of previous 5V devices with a 3V supply.

## 'Closed' and 'Open' Systems

In seeking to use 3.3V logic in systems, it is useful to differentiate between 'closed' and 'open' systems. A 'closed' system is one where there is no requirement to connect to additional external items. Thus the logic to control a CD player or a digital watch can be considered to be 'closed' because such items are not communicating to other systems. A PC, however, if it is connected to peripheral devices, needs to be compatible in its data transfer and handshaking with TTL and other standard voltage levels.

This leads to the concept of mixed logic design, where 'internal' circuits can work at 3.3V but circuits which require linking to external devices can be driven at TTL levels.

## Achieving the New 3.3 V Standard

A range of options are available to the semiconductor designer in implementing such technology. The simplest one is to derate CMOS circuits for operating at the lower voltage. This works satisfactorily as long as all circuits operate within the 3.3V standard. Problems, however, can arise when 5V circuitry drives 3.3V circuitry.

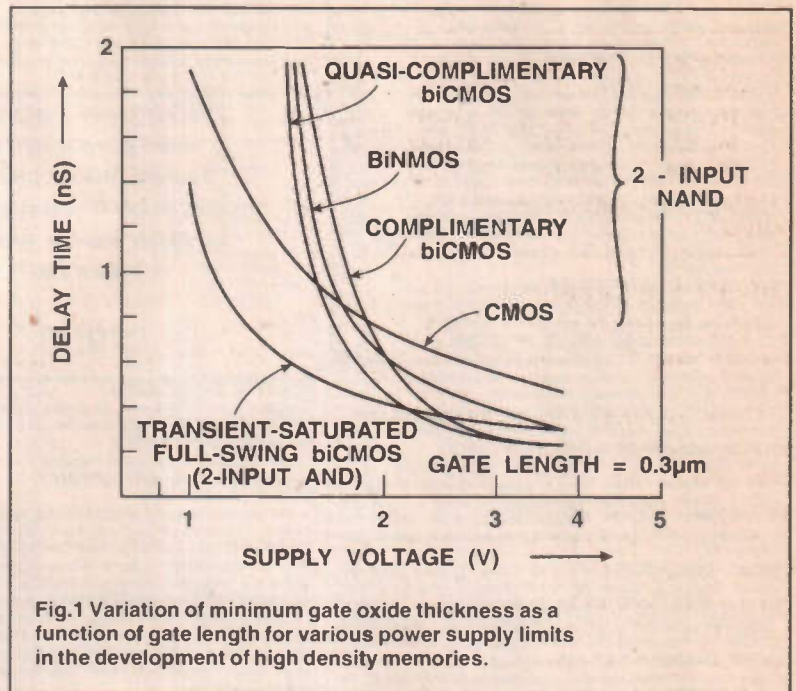


Fig.1 Variation of minimum gate oxide thickness as a function of gate length for various power supply limits in the development of high density memories.

This can be partially overcome by altering the chip design to be more resilient in such conflict situations, but the most radical solution is to undertake a redesign of the entire chip function in order to optimise a range of response characteristics. Some manufacturers are using so called SIMOX technology (separation by implantation of oxygen) to produce the substrate layers. This gives improved resistance isolation between structures and provides a 'thinner' layer of silicon to minimise possible interaction of ionising radiation.

There is a more fundamental reason, however, for the adoption of the 3.3V power supply level. Figure 1 shows that as the gate diode thickness decreases in Silicon, there is a limit voltage which if exceeded results in stress holes being punched in the oxide. There are also indications, that for gate-oxide thicknesses of less than 80 Angstroms, the power supply voltage will need to be dropped to 2.5V. It can be seen, therefore, that there are a range of factors tending to reduce the power supply voltage of digital circuits.

Various manufacturers have tried to determine the eventual limit for reduction of power supply values. Researchers at Hitachi indicate that power supply levels could eventually be reduced as low as 0.75V and still retain adequate functionality, though with increased delay times.

Figure 2 shows the complex relationships between delay time (ns) and supply voltage for a gate length of 0.3 micron over a range of differing chip fabrication technologies.

## Offerings From National Semiconductor

National Semiconductor has recently announced a set of so called LVQ devices (Low Voltage Quiet). Table 1 indicates the first members of the LVQ family, but this is very much early days and the availability of such devices is limited.

Translation devices (5V to 3V) LVX244 are currently available as samples. Devices draw typically 50 $\mu$ A static current and can function at signal rates as high as 33 MHz. In addition, the LVQ range are available with QSOP (Quarter Size Outline Packaging) to reduce PCB footprint. Such devices are also designed to produce minimal EMI.

74LVQ00	74LVQ32	74LVQ157	74LVQ273
74LVQ02	74LVQ74	74LVQ174	74LVQ373
74LVQ04	74LVQ86	74LVQ241	74LVQ374
74LVQ08	74LVQ138	74LVQ244	74LVQ573
74LVQ14	74LVQ151	74LVQ245	

Listing of National Semiconductor LVQ 3.3V logic devices

### Other Chip Suppliers

Philips has introduced the LV-HCMOS range of devices as an extension of the existing Philips HCMOS range to work at 3.3V.

Functional speeds of up to 30MHz can be achieved. To provide additional speed also at low voltage, Philips have introduced the ultra fast HLL range which can function at speeds of up to 200MHz.

Advanced Micro Devices have developed a 3 volt technology version of a 386 processor (Am386) that will allow two AA alkaline cells to power a 386 computer for up to 8 hours. This will allow further reduction in the size and weight of laptop and palmtop PC systems.

Sharp has introduced low power 3 volt Static RAM - the LH5168SHN. Using 1 micron technology the 8K x 8 static

that such devices will be generally available from all the major linear device manufacturers before long.

PCs require extensive sets of clock signals. These tend now to be produced by PLL frequency synthesisers. Avesem has produced a device which can operate from a supply between 2.7V and 5.5V and deliver clock frequencies up to 67MHz, giving flexibility within different architectures.

LDO linear regulators are available from a range of suppliers (National, Micrel, Motorola) to provide a regulated 3V supply from a 5V unregulated supply.

### Support Devices

Already a range of suppliers of support devices are providing options for 3.3V work. Datel (Basingstoke, UK), for example, have available a range of DC-DC converters delivering 3.3V from a range of input voltages.

The Maxim MAX706/MAX708 provide micro powered power supply monitoring for 3.3V thresholds, with various options providing reset at specific thresholds (2.63V, 2.93V and 3.08V).

### Conclusion

During the 1990's there will certainly be a range of logic power supplies functioning within circuits. Tried and tested 5V will share space with 3.3V and possibly other, as yet undetermined, supplies may be introduced. It seems certain that portable computing equipment and other portable electronic equipment such as mobile radios will certainly take advantage of significantly reduced power requirements - resulting in even smaller systems.

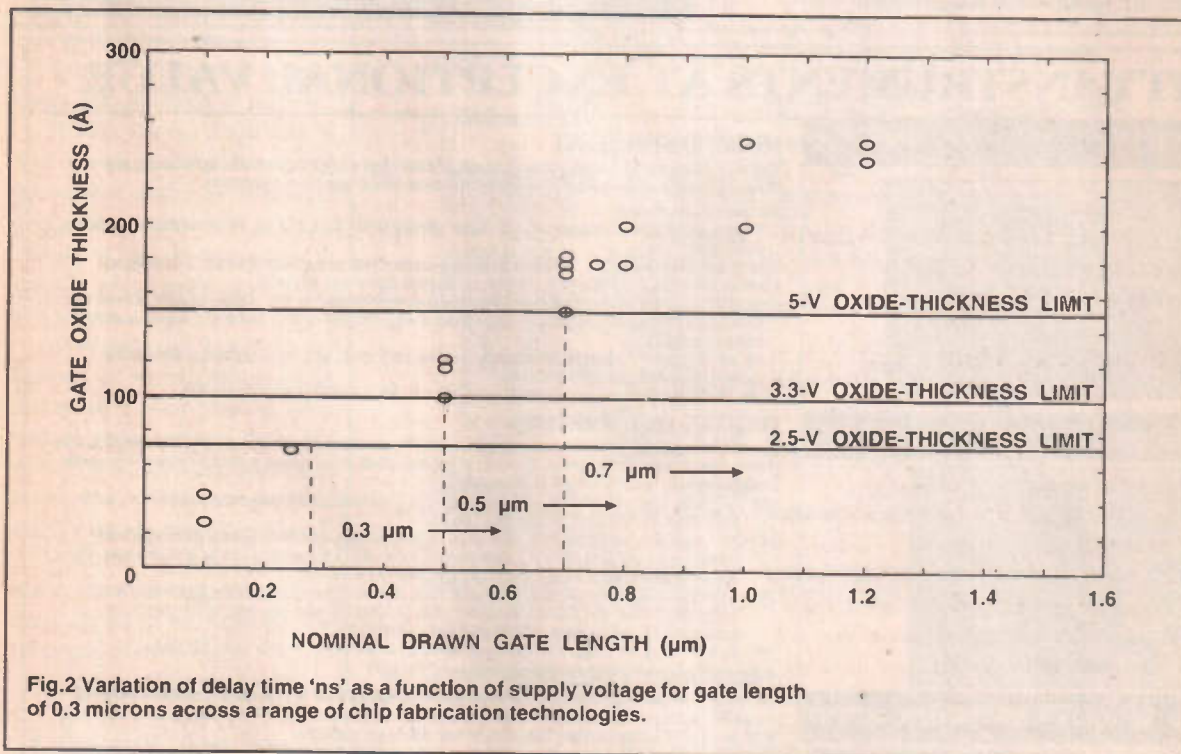
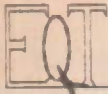


Fig.2 Variation of delay time 'ns' as a function of supply voltage for gate length of 0.3 microns across a range of chip fabrication technologies.

RAM consumes 1 $\mu$ A of standby current and 0.6 $\mu$ A of data retention current. This power supply requirement is a factor of 30 less than comparable devices.

Linear Technology has announced a range of devices including RS232 interface, 12bit/10bit/8bit A/D, operational amplifiers, voltage references and voltage comparators which operate from a 3V supply. It can be anticipated

It also looks like a good time to review ranges of data books stocked. There are likely to be significant changes taking place not in relation to current 5V logic systems, but in new ranges of products providing 3V functionality.



**EQT LTD STEVENAGE**

**Professional Sub-Contract Manufacturing & Suppliers to the Electronics Industry**

Do you have a requirement for any of the following services:

PCB Assembly (Conventional and Surface Mount)  
Wave & Hand Soldering  
Complete Equipment Manufacture  
Device Programming from hand written sheets or PC 3 1/2" disc  
Cable Harness Assembly /loom Manufacture  
Card Cage and Module Wiring  
Full Inspection

Product Design/Consultation  
Full Procurement Service  
PCB Test & "Burn in" Facilities  
Enclosure Design & Manufacture  
PCB Artwork Manufacture  
Circuits Drawn Professionally  
Kit Procurement & Supply  
Component Sales  
Refurbishment a speciality  
Top Quality Work at Reasonable Rates

Phone Tracey on (0438) 310066 or Fax details of your requirements to us on (0438)315829

**EQT LTD, BTC, Bessemer Drive, STEVENAGE, HERTS, SG1 2DX**

### BADGER BOARDS

*Printed Circuit Boards*

Prototype-Singles-Multiple runs. Minimum charge £15.00. Artwork, Plotting from Schematic to final board layout. Send S.A.E. now for Catalogue of Kits-Boards-Projects available. Many magazine boards produced for individual customers.

Dept: HRT 87, Blackberry Lane, Four Oaks, Sutton Coldfield, B74 4JF \*\*\* 021-353 9326

### PROFESSIONAL SERVICES

We offer a full R.F. DESIGN SERVICE from design and development to prototype. Our extensively equipped laboratory with screened room is available for EMC PRE-TESTING to ensure products comply with the EC Directive on emissions and susceptibility.

**R. N. Electronics EMC**

1 ARNOLDS COURT, ARNOLDS FARM LANE, MOUNTNESSING ESSEX CM13 1UT. Tel: 0277 352219 Fax: 0277 352968

**NEW**

## THE DEFINITIVE 'OFF-AIR' FREQUENCY STANDARD



Only **£195 + VAT** carriage extra

- \* Provides 10MHz, 5MHz & 1MHz
- \* Use it for calibrating equipment that relies on quartz crystals. TCXOs VCXOs, oven crystals
- \* Phase locks to DROITWICH (rubidium controlled and traceable to NPL)
- \* For ADDED VALUE also phase locks to ALLOUIS (cesium controlled and traceable to DP - French eq to NPL)
- \* British designed and British manufactured

Output frequencies - 10MHz, 5MHz, 1MHz  
Short term stability - better than 1x10<sup>-8</sup> (1 sec)  
Typical - +2x10<sup>-9</sup> (1 sec)  
Long term - tends to 2x10<sup>-12</sup> (1000sec)

LEADER LB0522 20MHz DUAL TRACE	£225	KAYE DEE, PNEUMO UV EXP UNIT 390x260mm	£175
TELEQUIPMENT D61A 10MHz DUAL TRACE	£149	BARCO CDCT5451 20" M/SYNC RGB I/Ps	£495
SE LABS SM111 18MHz DUAL TRACE	£129	CONRAC 20" RGB HI-RES LONG PERS. M/SYNC	£495
TEK 4655 100MHz DUAL TRACE DEL T/B	£475	HITACHI 20" CM2073A/301 RGB CAD/DTP ETC	£285
HP 1740A 100MHz DUAL TRACE DEL T/B	£450	BOONTON 928D R.F. MILLIVOLT METER	£295
HAMEG HZ85 COMPONENT TESTER	£29	HP 5420A DIGITAL SIGNAL ANALYSER, WITH	
TEKTRONIX 520 521A PAL V/SCOPES	From £475	HP 54410A ANALOG/DIGITAL CONVERTER, AND	
TELEQUIPMENT D67A 25MHz, 2T, DEL T/B	£215	HP 54470B DIGITAL FILTER	£750
H.P. 1700A 35MHz DUAL TRACE	£249	FARNELL E350 0-350v 100mA, 2 x 6.3V	£49 to £59
SCOPEX 4D25 25MHz DUAL TRACE	£169	DEFIBRILATOR 50-400 JOULES BATT/MAINS	£49
BECKMAN 9020 20MHz DUAL TRACE	£249	FARNELL FG1 FUNC GEN. 2-2.2MHz	£129
HAMEG 203-5 20MHz, 2 TRACE, COMP TESTER	£249	COMMUNICATIONS RECEIVERS, VARIOUS	POA
HITACHI VC 6015 10MHz DIGITAL STORAGE	£345	PERISCOPE MILITARY No. 43 Mk.3	£119
H.P. 1340A X-Y DISPLAYS	£99	LCR MARCONI TF2701 IN SITU BRIDGE	£125
TEK 514N 100kHz SPECT ANAL WITH 5110 M/F, 2x 5A18N, 5B10N TIME BASE	£750	LCR MARCONI TF968A BRIDGE	£59
TEK 545/585 SERIES PLUG-INS	From £10	LCR COMPONENT COMPARATOR AVO C2457S	£75
WANDEL/GOLTERMANN SPM-2 LEVEL METER	£169	WAYNE KERR B321 LOW IND. BRIDGE	£39
WANDEL/GOLTERMANN SPM-3 LEVEL METER	£189	LEVELL TM68 MICRO V-METER 450MHz	£95
WANDEL/GOLTERMANN PS-3 SIGNAL GEN	£169	LEVELL TM38 MICRO V-METER 3MHz	£85
MARCONI TF2304 AM/FM MOD METER PRITBLE	£249	DETLING V20 SINGLE PAN BALANCES 200GM	£95
XFORMERS SEC 30-0-30V 20A. UNIV PRIS, C-Core	£20	ANALYTICAL BALANCES WITH WEIGHTS 250GM	£69
CONSTANT VOLTAGE TRANSFS 150VA-2KVA	POA	VACUUM PUMPS TYP 100 MBAR (28"/MIN)	£95
MARCONI TF2331 DISTN FACTOR METER	£175	CALIBRATION STANDARDS C/V/L/R	POA
MARCONI TF2300 FM/AM MODULATION METER	£195	COSSOR CRM533A VHF NAV/COM RF SIG GEN WITH	
NASCOM/GEMINI CARDS, VARIOUS	POA	COSSOR CRM511 ILS/VOR AUDIO SIG GEN	£750
DECADE R/C/V BOXES	FROM £15	TOPAZ 91007-117 5kVA 120/240-120/240 ISOL	£175
		KINGSHILL NS1540 15V 40A PSU CASED, AS NEW	£195



**HALCYON ELECTRONICS**

423, KINGSTON ROAD, WIMBLEDON CHASE, LONDON SW20 8JR  
SHOP HOURS 9-5.30 MON-SAT. TEL 081-542 6383.

## QUALITY INSTRUMENTS AT EXCEPTIONAL VALUE

### MULTI INSTRUMENT

**MX9000**



### MULTI INSTRUMENT

The MX9000 combines four instruments to suit a broad range of applications in both education and industrial markets including development work stations where space is at a premium.

The instruments include:

1. A triple output power supply with LCD display offering 0-50V 0.5A, 15V 1A, 5V 2A with full overcurrent protection.
2. An 8 digit LED display 1Hz - 100MHz frequency counter with gating rates of 0.1Hz, 1Hz, 10Hz and 100Hz providing resolution to 0.1Hz plus attenuation inputs and data hold.
3. A 0.02Hz to 2MHz full featured sweep/function generator producing sine, square, triangle, skewed sine, pulse and a TTL output and linear or logarithmic sweep. Outputs of 50  $\Omega$  and 600  $\Omega$  impedance are standard features.
4. An auto/manual 3 1/2 digit LCD multimeter reading DCV, DCA, ACV, ACA, resistance, and relative measurement with data hold functions.

The MX9000 represents exceptionally good value at only £399.00 plus VAT (468.83).

### DIGITAL MULTIMETERS

**183, 185, 187, 285**



### DIGITAL MULTIMETERS

The 180 series of high performance multimeters provide advanced features and are supplied complete with probes, battery and rubber holster. The case is dust and splash proof making it ideal in most environments. Designed to meet IEC348 Class II safety standard.

- 183 - 3 1/2 digit large LCD display, ACV, DCV, ACA, DCA resistance, continuity buzzer, diode test, hold, basic accuracy 0.5%. £39.50 plus VAT (£46.41)
- 185 - 3 1/2 digit LCD, bar graph, ACV, DCV, ACA, DCA, resistance, continuity buzzer, diode test, hold, temperature (-40°C to 1370°C), capacitance (1pf to 40uf), frequency (1Hz to 200kHz), max min, edit, % compare, basic accuracy 0.3%. £74.50 plus VAT (£87.54)
- 187 - 3 1/2 digit LCD, bar graph, ACV, DCV, ACA, DCA, resistance, continuity buzzer, diode test, hold, temperature (-40°C to 1370°C), frequency (1Hz to 200kHz), max min, edit, %, compare, basic accuracy 0.3%, auto ranging. £99.50 plus VAT (£116.91)
- 285 - As 185 except 4 1/2 digit true RMS, basic accuracy 0.05%. £109.50 plus VAT (£128.66)

### COUNTERS SC-130, SC-40 LCR METER MIC-4070D



### FREQUENCY COUNTERS

The SC-130 and SC-40 are full featured, micro processor based, hand held frequency counters providing portability and high performance. Both instruments provide measurement of frequency, period, count and RPM plus a view facility enabling min, max, av and difference readings.

SC-130: 5Hz 1.3GHz, 8 digit readout, sensitivity typically 10mV, high impedance input, battery condition indicator. £109.00 plus VAT (£128.08)

SC-40: As SC-130 except 5Hz to 400MHz. £89.00 plus VAT (£104.58)

### LCR METER

The MIC-4070D LCD digital LCR meter provides capacitance, inductance, resistance and dissipation measurement. Capacitance ranges are from 0.1pf to 20,000uf plus dissipation. Inductance ranges from 0.1pH to 200H plus a digital readout of dissipation. Resistance ranges from 1m $\Omega$  to 20M  $\Omega$ . Housed in a rugged ABS case with integral stand it is supplied complete with battery and probes at £105.00 plus VAT (£123.38).

**SAJE ELECTRONICS**

For further information contact SAJE now on tel (0223) 425440 or fax (0223) 424711, or for fast delivery send your order direct enclosing cheque/postal order made payable to SAJE ELECTRONICS to: SAJE Electronics, 117 Lovell Road, Cambridge, CB4 2QW. Free postage for UK orders, for overseas orders add £10.00. Trade orders welcome.

# Infra Guide

# 2

## Main board construction

**Paul Clements continues the details of his infra-red telescope control system.**

**T**he main PCB should be constructed first, taking great care as some of the tracks are very close to component pads and if too large a soldering iron is used it is highly likely that solder short-circuits will occur. It is recommended that the PCBs be purchased as directed, since these will include the component designators in the form of a silk screen overlay, making the construction simplicity itself as only the parts list and the PCB will need to be referred to.

Solder all the passive components first, followed by the ICs.

**NOTE:** The ICs are all CMOS and thus it is advisable to touch an earthed surface or conductor every few minutes or so to avoid imparting high static voltages to the ICs, which could cause internal failure.

At all points where squares are printed, cut pins off the pin-strips and solder these in position. Note that in certain places there are rows of these squares spaced 0.1 in apart, which means that the pins may be cut as a row and soldered.

When all these connections are made, the following connections must be made by hand on the underside of the PCB:

- 1 Connect IC11 pin 2 to IC9 pin 2.
- 2 Connect IC20 pin 14 to IC26 pin 3.
- 3 Connect the leg of C11 nearest the IR IN pin to GND (there was insufficient room for these on the PCB layout).
- 4 Solder C15 directly between pins 7 and 11 of IC5.
- 5 Connect a 1k resistor directly across the terminals of the piezo electric buzzer.

Once this is done, the Y, X, W and Z inputs of gates IC4, IC7, IC10 and IC13 must be connected up, after calculating

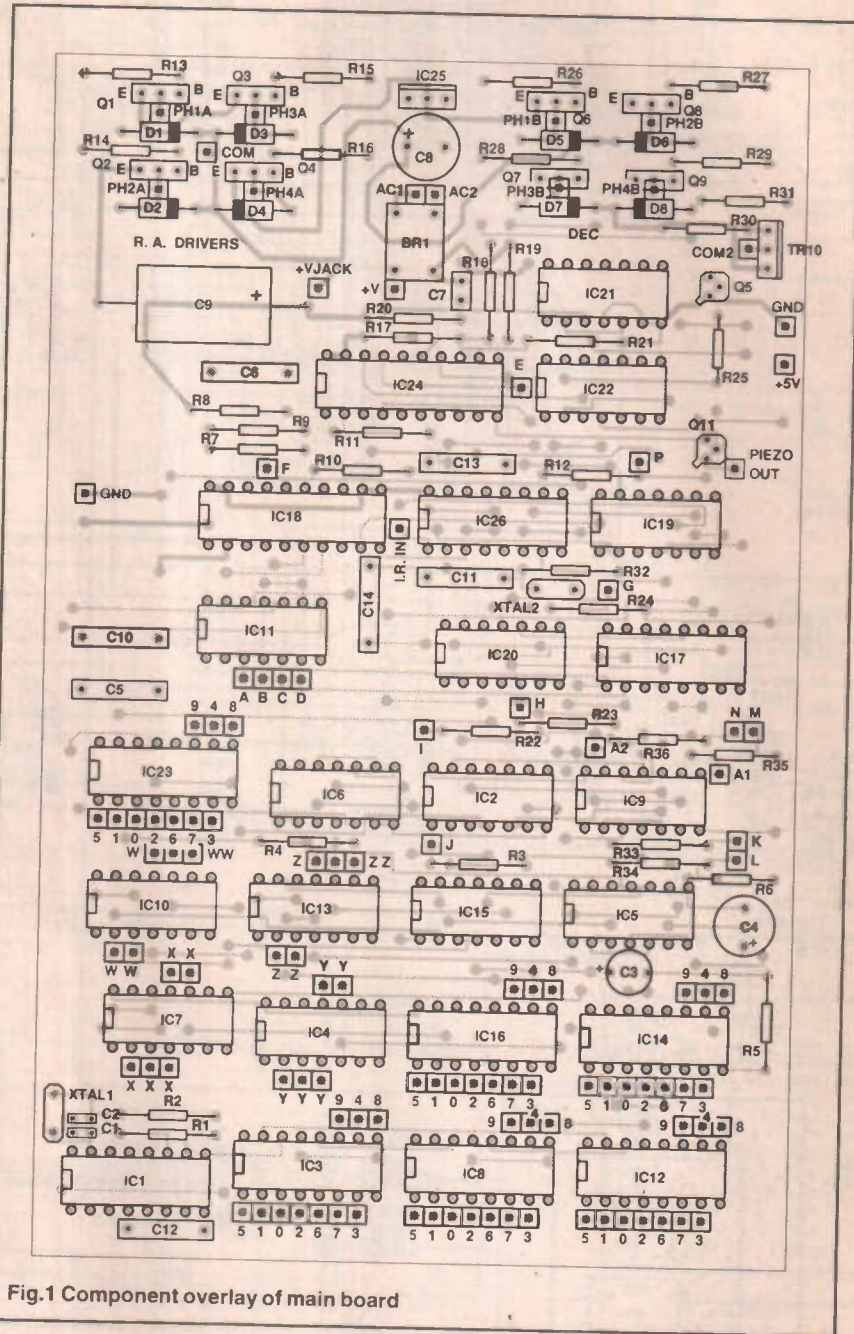


Fig.1 Component overlay of main board

the required drive frequencies and divide ratios as detailed in the Designs Considerations section.

Remember to connect any unused W, X, Y and Z inputs to +5V, using a wiring pen for simplicity.

When the receiver pre-amplifier has been constructed, the whole system can be temporarily wired up for quick testing prior to mounting in the case:

- A Connect the 5V (Vcc) and GND pins on the pre-amplifier to the same labelled pins on the main PCB.

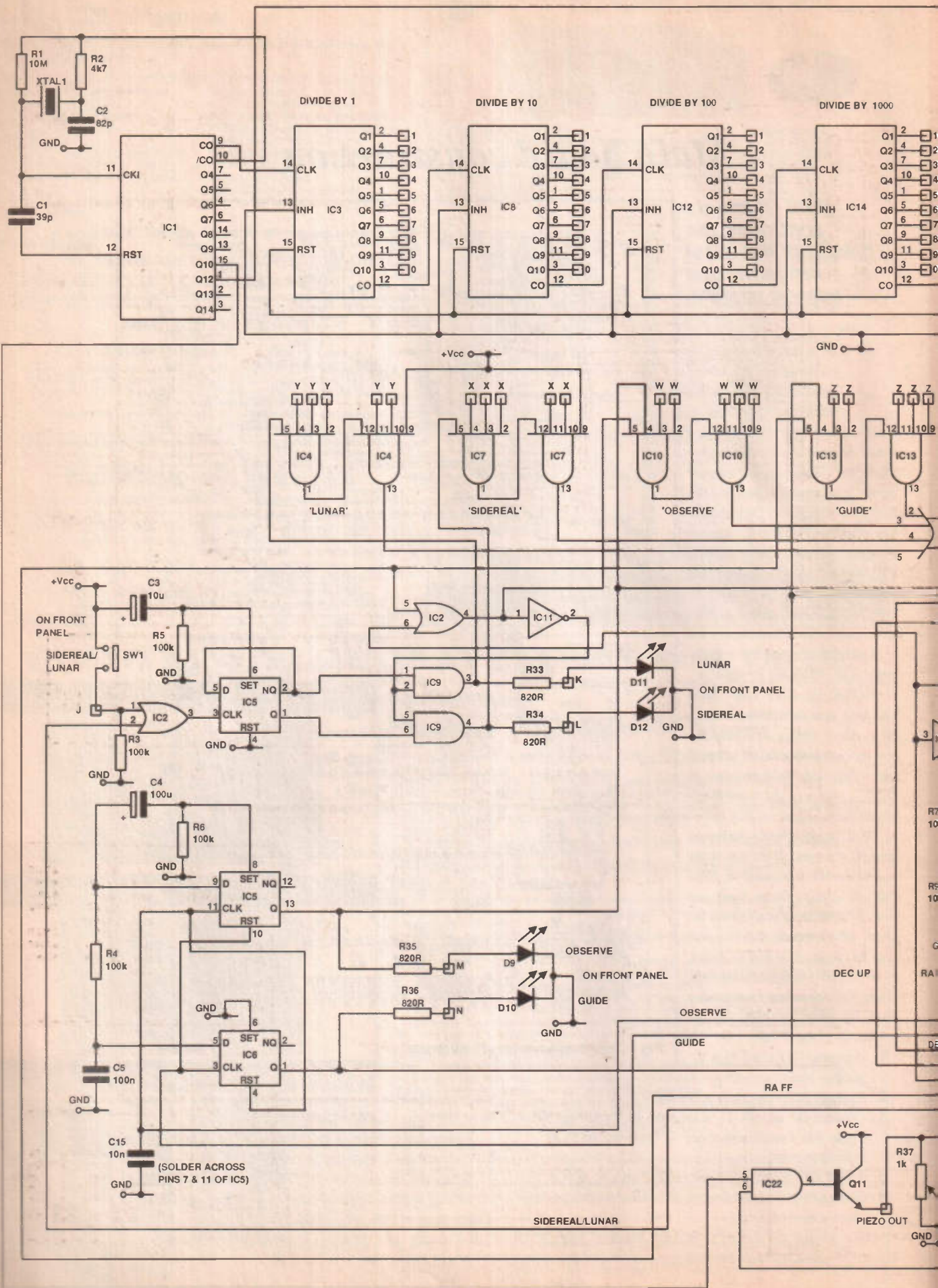
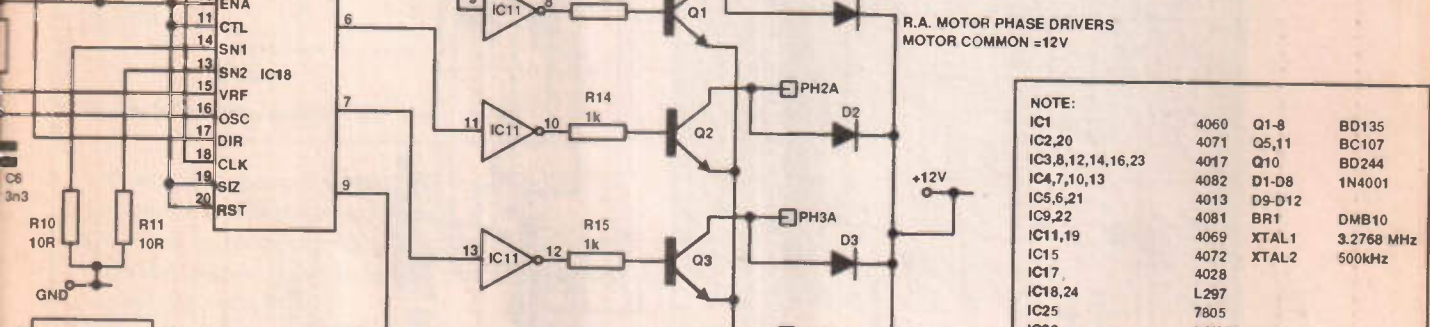
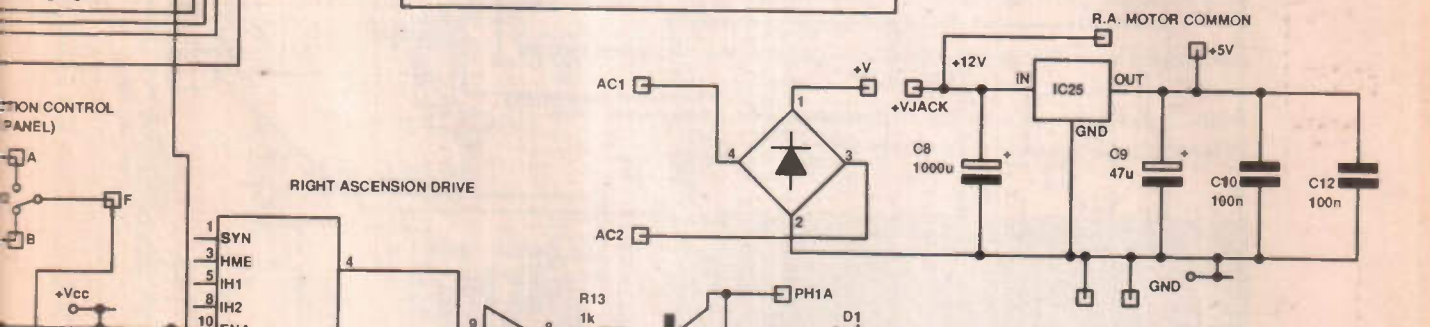
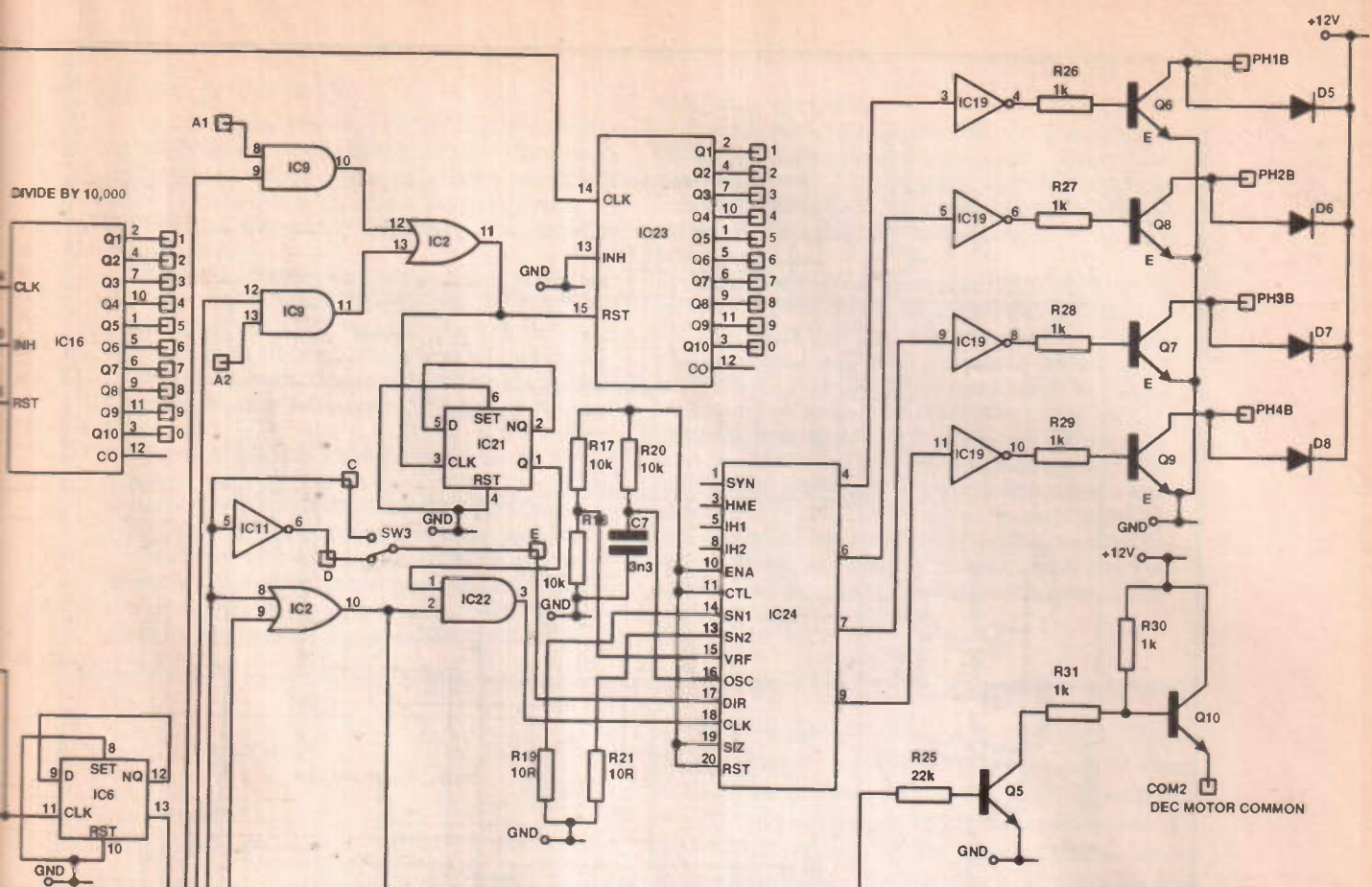


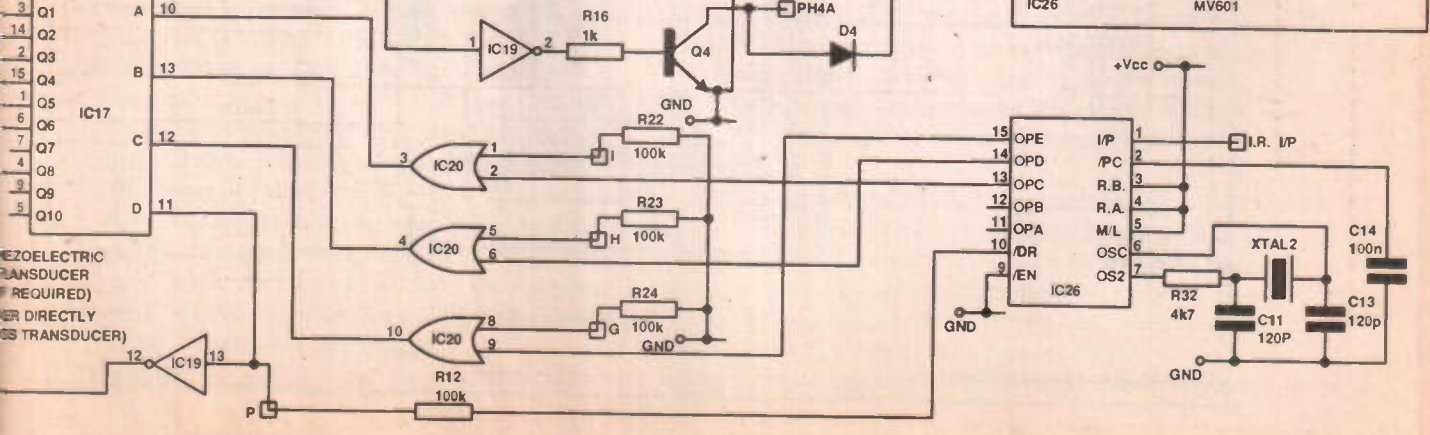
Fig.2 Circuit diagram of main board





**NOTE:**

IC1	4060	Q1-8	BD135
IC2,20	4071	Q5,11	BC107
IC3,8,12,14,16,23	4017	Q10	BD244
IC4,7,10,13	4082	D1-D8	1N4001
IC5,6,21	4013	D9-D12	
IC9,22	4081	BR1	DMB10
IC11,19	4069	XTAL1	3.2768 MHz
IC15	4072	XTAL2	500kHz
IC17	4028		
IC18,24	L297		
IC25	7805		
IC26	MV601		



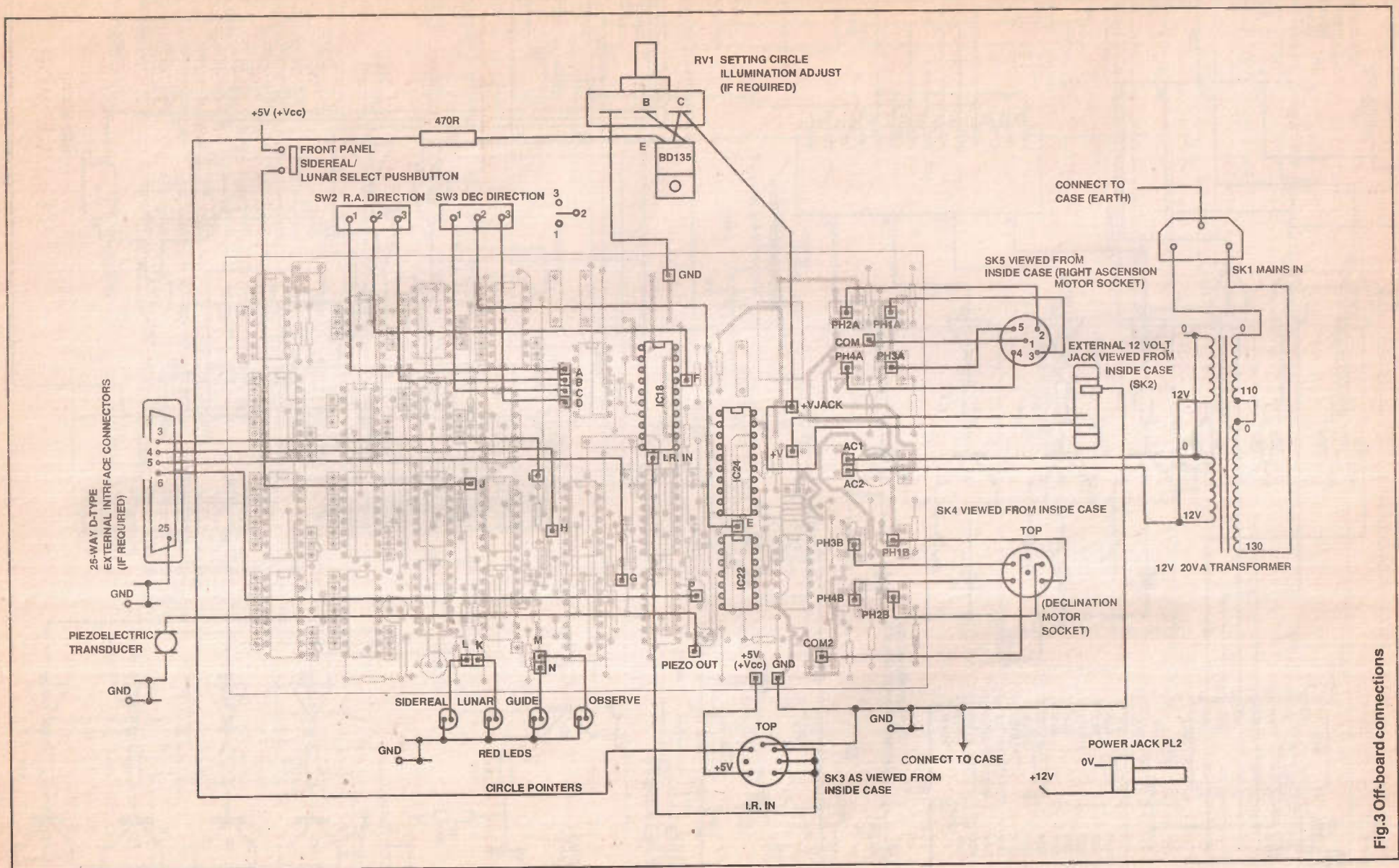


Fig.3 Off-board connections

PROJECT

## HOW IT WORKS

The right ascension drive rates for SIDEREAL, LUNAR, GUIDE (2 times SIDEREAL rate) and OBSERVE (up to 12 times sidereal rate for rapid slewing) are produced by the crystal oscillator IC1 and the 4017 divider chain IC3,8,12,14,16. The output at IC15 pin 1 is a train of very fast reset pulses which are twice the frequency of the square wave present at IC6 pin 13.

The drive rates for sidereal and lunar are selected by pulsing the clock input to IC5a, the outputs from which enable the SIDEREAL and LUNAR and gates IC4 and IC7. Repeated pulsing of the clock input to IC5a causes the output drive rate to toggle between sidereal and lunar.

When RA fast forward or reverse are keyed, the sidereal and lunar outputs are inhibited for the duration of the keypress by the inverter IC11a.

When the RA reverse key is pressed in GUIDE mode, the RA motor is prevented from turning by virtue of the GUIDE AND gate only being enabled for RA FAST FORWARD. This allows the apparent slewing rate for fast and reverse to be the same for this mediocre slewing rate.

When the unit is first powered up, it is in SIDEREAL mode and the slewing rate is set to 12 times sidereal (observe mode). Only one front panel control is provided, this is a single switch for selecting between sidereal and lunar drive rates. This and all other functions are present

on the remote control handset.

The right ascension drive frequencies are fed to the stepper motor driver IC, IC18, via the square wave generator, IC6b. IC18 is connected in half stepping mode, Q1,2,3 and 4 providing a high degree of buffering to the RA stepper motor. SW2/IC11b provide direction control of the stepper motor such that the motor may be mounted at either end of the worm shaft.

Declination drive rates for slewing at the GUIDE (SIDEREAL x 2) and OBSERVE (SIDEREAL x 12) are provided by IC23; drive rates are selected by connecting the inputs of the AND gates IC9c and IC9d to the count out pins of IC23 (this is gearbox/motor dependent and is defined in table 1 in the design considerations section). IC23 outputs a chain of very fast reset pulses is present at the clock input of IC21, which divides these reset pulses by 2 to provide a 1:1 square wave. This square wave is fed via the enabling AND gate to the stepper motor driver IC24. the stepper motor driver IC only drives the declination motor when either the DEC UP or DEC DOWN keys on the remote handset are pressed. To prevent current from being fed continuously to one of the stepper motor coils when none of the declination functions have been activated, Q5 and Q10 disconnect the motor common connection when no declination function key is pressed.

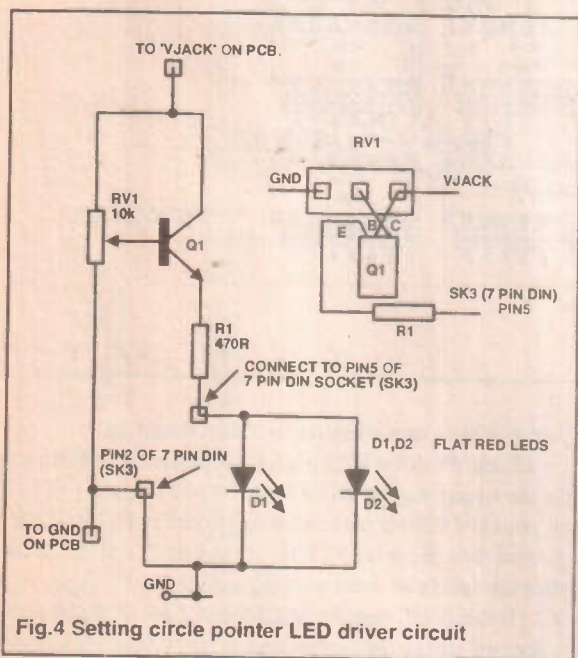


Fig.4 Setting circle pointer LED driver circuit

Connect the o/p pin on the pre-amplifier to the IR IN pin on the main PCB (between IC18 and IC26).

- B** Connect the motor terminals identified in Figure 2 on the right ascension and declination motors to the same terminals on the PCB.
  - C** Connect pin E (between IC22 and IC24) to pin D (beside pin 6 of IC11). Connect pin A to pin F.
  - D** If a car battery or 12V 1.2 amp supply is available, connect this between +V jack (+12V) and GND (0V). If a 12V supply is not available, connect the pins AC1 and AC2 to the secondary of the 240V:12V mains transformer (if Farnell type 141-485 is being used, the two 12V secondaries must be connected in parallel and the two primary windings connected in series). Temporarily connect the terminals +V and +Vjack together.
  - E** Check the PCBs for short circuits and if all appears to be OK, connect to the power supply.
- The RA motor should be turning continuously, at the

correct rate to drive your telescope at sidereal rate. Monitor the voltage at pin L - this should be greater than 4V. Check pins K, M and N. These should be less than 1V, greater than 4V and less than 1V respectively. Aim the remote at the pre-amplifier and press dec up. The declination motor should turn at approximately 12 times the RA rate whilst the push button is being held down.

Press dec down. The dec motor should turn at the same rate but in the opposite direction, until the button is released. Press RA ff. The RA motor should turn at approximately 12 times its default rate. Press RA rev/stop. The motor should turn at 12 times default rate in reverse.



If all these tests are OK, the system is working correctly in Observe mode. Press the guide key on the handset (aiming it at the preamplifier). Check the voltage at pin n on the main PCB, which should be greater than 4V. Press the RA ff button and the RA motor should spin at approximately twice the default rate.

Press ra rev/stop and the RA motor should stop. Press dec up and the dec motor should spin at approximately twice the default rate (while the push button is keyed), then press dec down. The motor should spin at the same rate as for dec up but in the opposite direction. Press lunar. Measure the voltage at pin L, which should be greater than 4V. A small change in the audible note from the RA stepper motor may be

heard which indicates the change in drive rates between sidereal and lunar.

If all the above tests are passed, the system is functioning correctly. Remove the links between pins A and F, pins D and E and pins +V and +Vjack.

Provided that the unit has been carefully constructed, very few problems, if any, should arise, but here is a list of possible faults and their remedies (an oscilloscope will be needed for some of these tests):

1 Symptom: system apparently completely dead, RA

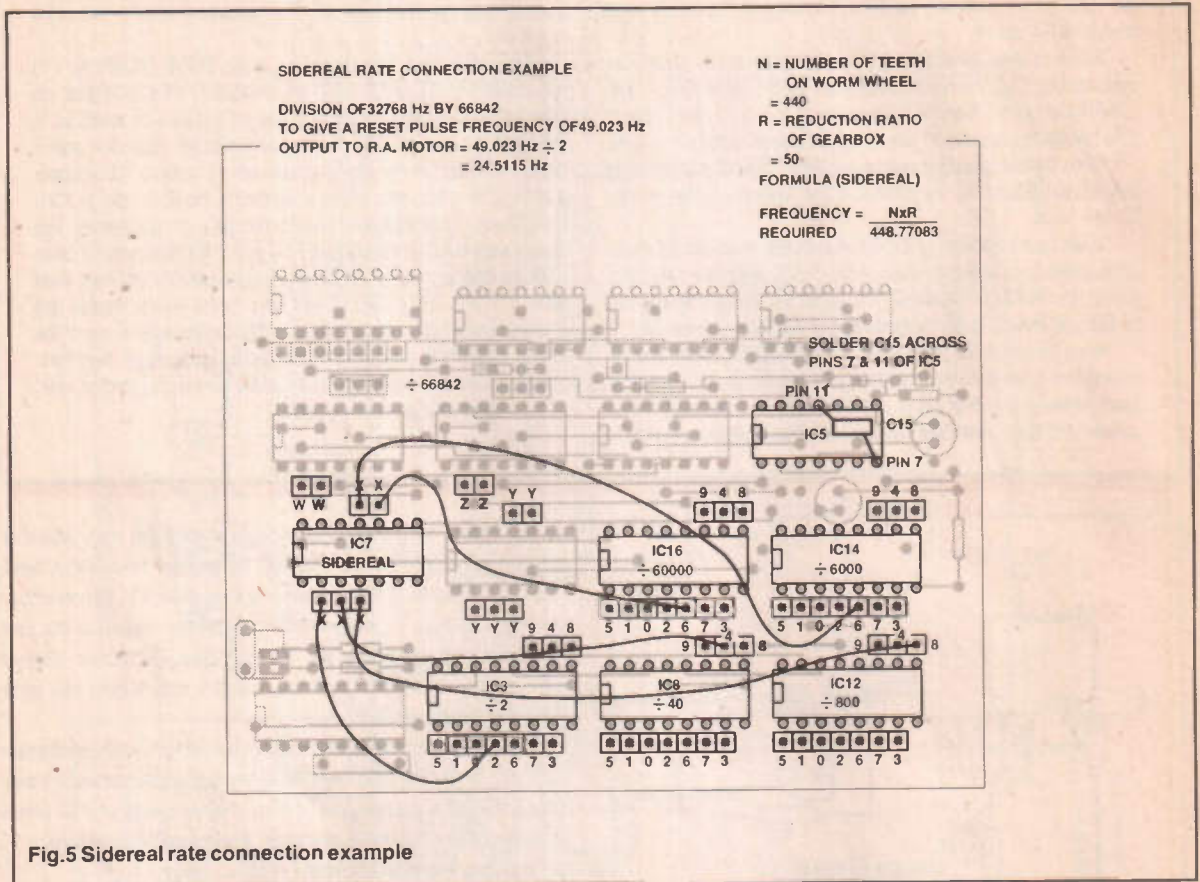


Fig.5 Sidereal rate connection example

### Case Construction

It is entirely up to the constructor how the electronics are mounted, but the author recommends the use of the Maplin enclosure, the part number of which is given in the parts list. It is of a very professional appearance and reasonably priced. The metal chassis is discarded and the main PCB and transformer mounted on the base. The hole for the setting circle illuminator LED brightness pot should only be drilled if this additional facility is required.

The Sidereal, Lunar, Guide and Observe LEDs are mounted on the front panel and the RA and declination motor direction set switches are mounted on the rear panel, above the RA and dec motor sockets. Again, the constructor may have other ideas, such as using a single large connector for the RA and dec motor sockets instead of the recommended din sockets. The author has built his unit for use in an observatory and thus the need for damp protection is not as important as if the unit were to be used in the open air or lying on the ground.

### Interconnecting Leads

The leads from the Infra-Guide to the motors and pre-amplifier/sensor should be at least the full length of the telescope tube. A neat shroud at the motor ends can be made by first covering with several layers of insulating tape and then covering this with a layer of heatshrink tubing.

### Trouble Shooting

motor fails to turn when the unit is powered up.

Check: 5V rail at IC25 pin3. If not present, then IC25 may be the wrong way round. If there's no 12V at pin 1 of IC25 or pin 14 of IC20 is not hand-wired to pin 3 of IC26. If 5V is present then check for 3.2MHz at pin 9 of IC1. If this is OK, then the oscillator is not working - check for 5V at pin 16 of IC1. If this is OK then R1, R2, C1 or C2 are of the incorrect value or there is a fault in this area. If the oscillator is working OK, check for continuity of connections to the X, Y, W and Z inputs to IC4, IC7, IC10 and IC13. If these are right, check for a low frequency square wave at IC6 pin 13. If this is not present then there is a fault around the 4017 divider chain or IC15 or IC6.

Check the 5V power supplies to these and for good connections around the pins. If the waveform is present then there is probably a fault around IC18 - check for slow changing levels at pins 4, 6, 7, and 9 of IC18. If these are present then there is probably a wiring fault to the stepper motor or one or all of the transistors Q1, Q2, Q3 and Q4 are the wrong way round. This may also apply to transistors Q6, Q7, Q8 and Q9 or diodes D1-8.

2 Symptom: declination motor turns correctly when keys are pressed but there is no output to the right ascension motor.

Check: The right ascension functions, i.e. Lunar, Sidereal, Guide mode fast forward or Observe mode fast forward or reverse. If only one or two of these functions are defective,

## PARTS LIST

## MAIN PCB

## RESISTORS

R1	10M
R2,32	4k7
R3,4,5,6,12, 22,23,24	100k
R7,8,9,17, 18,20	10k
R19,21,10,11	10R
R33,34,35,36	820R
R26,27,28,29, 13,14,15,16, 30,31,37	1k
R25	22k

## CAPACITORS

C1	39p
C2	82p
C11,13	120p
C3,4	10u/16V ELECT
C5,10,12,14	100n
C6,7	3n3
C8	1000u/25V ELECT
C9	47u/16V ELECT
C15	10n

## CRYSTALS

XT1	3.2768MHz
XT2	500kHz Ceramic Resonator

## SEMICONDUCTORS

IC1	74HC4060
IC2,20	4071
IC3,8,12, 14,16,23	4017
IC4,7,10,13	4082
IC5,6,21	4013
IC9,22	4081
IC15	4072
IC18,24	L297
IC11,19	4069
IC17	4028
IC26	MV601
IC25	7805
D1-D8	1N4001
D9-D11	5mm RED LED

Q1-4,Q6-9	BD135
Q5,11	BC107
Q10	BD244
BR11.5A,50VRRM	Bridge rectifier

## TRANSDUCER

Piezo electric transducer, Maplin type FM59P

## TRANSFORMER

T1 240V:12V 20VA

## MISCELLANEOUS

Pin strips 36-way cuttable 36-way 0.1 spacing, 4 off  
 Panel mountings for the 5mm LEDs, 4 off, Famell type 170-808  
 SW1 'Push to make' switch, panel mounting  
 SW2,3 SPDT Toggle  
 SK1 3 PIN IEC mains inlet socket, panel mounting  
 SK2 Small DC Power jack, panel mounting - See Buylines  
 SK3 7 PIN DIN Socket, panel mounting  
 SK4 6 PIN DIN Socket, panel mounting  
 SK5 5 PIN DOMINO DIN Socket, panel mounting  
 PL2 DC Power jackplug to mate with SK2 - See Buylines  
 PL3 7 PIN DIN Plug  
 PL4 6 PIN DIN Plug  
 PL5 5 PIN DOMINO DIN Plug  
 SK6 25-WAY D-Type Socket  
 M3 Screws ∞25  
 M3 Nuts  
 M3 Shakeproof washers  
 M3 Spacers ∞6  
 IEC Mains lead  
 5-Way cable for connection to stepper motors, 5m minimum twin screened  
 cable for connection to preamplifier and seating circle illuminators.  
 Printed circuit board (double sided plated through holes)  
 Photo resist PCB for handset and infra-red pre-amplifier PCB's

OPTIONAL SETTING CIRCLE LED DRIVER  
PARTSLIST

## RESISTOR

R1	470R
RV1	10k

## SEMICONDUCTORS

Q1	BD135
D1,2	FLAT RED LED See Buylines

check the connections to the Y, X, W, and Z pins and check that any of these pins that are unused are connected to +5V. If none of the right ascension functions are working, check that the connections to the motor are correct and that the transistors Q1, Q2, Q3 and Q4 are the right way round. Check that D1-4 are also inserted correctly and for +5V supply to IC11 pin 14. Check the components around IC18 (R7-11, C6). Check that when Observe is keyed, the voltage at pin m is greater than 4V. If it is not, there is a fault around IC5 or IC6.

Check that when the Sidereal/Lunar button is keyed, pin 4 of IC17 goes high for the duration of the key press. If it does not happen there may be a fault in the remote control handset. Check that IC19 pin 12 goes high (greater than 4V) when any key of the remote control is pressed.

3 Symptom: All right ascension functions work but there is no drive to declination motor in Guide or Observe mode.

Check: That pins A1 and A2 are connected up as in

## BUYLINES

Recommended sources of unusual components TSIP5200 (Infra red emitter diodes used in the handset), 2 off Famell 178-544  
 Mounting clips for TSIP5200, 2 off Famell 233-547  
 Ultra bright led for use as "red torch" in handset (D3), 1 off Famell253-649  
 Mounting clip for ultra bright led, 1 off Famell 179-037  
 Infra red receiver diode (on preamp pcb) Famell BPW41N  
 Flat red LED's for illuminating setting circles Famell MV57123-17 (2 off)  
 DC power jack plug and socket Famell 224-923 Famell 224-972  
 Clear mounting box for infra red receiver/preamplifier Famell MP4511  
 Pushbuttons for remote handset, 8 off Famell 151-149  
 Mains transformer 12V 20VA Famell 141-485  
 Main PCB (double sided plated through hole and silkscreened),  
 Handset and IR preamplifier (both single sided non-silkscreened).

Table 1. Check that pin 4 of IC21 is hand wired to pins 6 and 7 of IC21 on the underside of the PCB and that the connections to the declination motor are correct. Check that Q6, Q7, Q8 and Q9 are inserted correctly as should be D6, D7, D8 and D9. Check that Q5 and Q10 are correctly inserted and that Q10 collector goes to greater than 10V when Dec Up or Dec Down are pressed. If this does not happen, check that pin 10 of IC2 goes to greater than 4V when Dec Up or Dec Down are pressed. If it does, then there is a fault around Q5 and Q10 (possibly Q10 being the wrong way round). Check for correct component values around IC24 (R17, R18, R19, R20, R21, C7) and for short-circuits in this area.

**4 Symptom:** Declination motor only turns in either Guide or Observe modes.

Check: That pins a1 and a2 are wired up.

**5 Symptom:** Right ascension motor turns continuously when the unit is powered up but no other functions work.

Check: That when any key is pressed, pin 12 of IC19 goes high. If this does not happen, check the components and connections around IC26. If these are OK, there is a fault in either the infra-red pre-amplifier or the remote control handset. On handset: check that the infra red emitting diodes D1 and D2 are the right way round, that the ceramic resonator is the correct type, soldered correctly and that the components around it are alright.

Also, check that the battery is connected! Check for pulse waveforms at Q1 collector, when each key is pressed, if an oscilloscope is available.

On the infra-red receiver, check that the connections to the main PCB are correct and that the infra-red diode D1 is the right way round. Check that the ceramic resonator on the main PCB is the same type as that on the handset.

**6 Symptom:** RA or dec motor shaft 'hunts' backwards and forwards.

Check: The connections to the motor phases are correct and that the connections to the bases of Q1-8 are properly soldered. Check for short circuits around IC18 and IC24.

## In Use

Once the construction has been completed and the unit tested inside the case, it can be attached to the astronomical telescope for which it has been custom built. The manner in which the gearboxes and motors are attached to the wormwheels must be decided by the constructor if no previous dual axis drive system was in use on the telescope. There are many different shapes, sizes and types of equatorial mounting so I will not attempt to describe how to fit the gearbox to any particular wormwheel, but I would suggest that the motor and gearbox assemblies be permanently mounted on the telescope and the Infra-Guide removed at the end of a night's observing and taken indoors, if the telescope is normally stored outside.

The unit can be very quickly connected and disconnected from the telescope. The sensor pre-amplifier should be mounted on a piece of velcro just beside the focussing mount such that it can be easily removed and replaced. This is actually the most sensible place to put the sensor since the user is likely to have their hands close to the focussing mount when observing. When you use it for the first time, a star should be centred in the eyepiece using the RA and dec forward and reverse keys and its motion observed under a magnification of approximately 200. If it appears not to be stationary over a few seconds, the right ascension motor is turning in the wrong direction - flick the RA direction motor switch on the rear panel. This should now be left in the same position at all times.

The user will quickly become familiar with the layout of the keys and the range of the handset should be around six feet.

## Remote Control Interface

Input pulses from the infra-red pre-amplifier PCB are fed to pin 1 of IC26, the remote receiver/decoder IC. The first three parallel binary data bits from the decoder are used to provide the seven functions on the handset; these are fed to the binary-to-octal decoder IC17. External interfacing is achieved by virtue of ORing together the inputs to the IC17. The outputs from IC17 drive the Sidereal, Lunar, RA fast forward, RA reverse, Dec Up, Dec Down, Guide and Observe select lines. A Receive Data OK indicator is provided by the piezo electric transducer driver IC22b/Q11. This outputs a 3kHz tone each time any of the push buttons on the handset are pressed.

### Corrections to part one

Page 54, Column 1: 'Nearest divide ratio obtainable = 4369' should read 'Nearest divide ratio obtainable = 5573'.

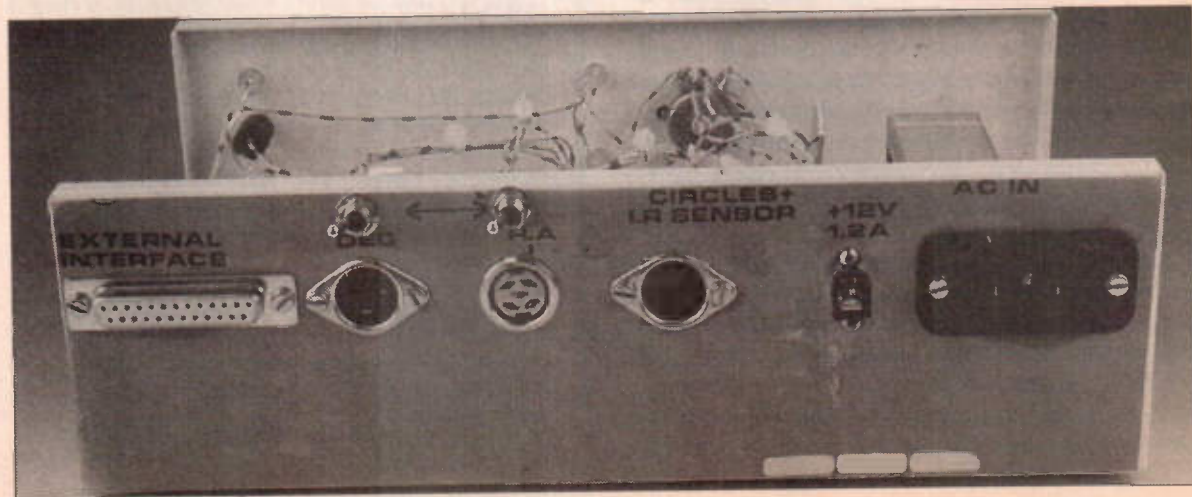
Page 54, Column 2: 'As shown in Figure 1' should read 'As shown in Figure 5'.

Page 55, top left: '(see Figure 4)' should read '(see figure 5)'

Page 55, Column 1: 'As shown in Figure 3' should read 'As shown in Figure 8'.

Page 55, top right: 'As detailed in Figure 4' should read 'As detailed in Figure 6'.

**Note:** The minimum divide ratio allowed for RA Fast Forward (Observe Mode) = 3700. Below this the RA motor shaft will not turn.





Protect your car, house or anything else with this sensitive instrument  
by Colin Meikle

# Vibration Detector

**T**his vibration detector is small, cheap but also an effective circuit, which can detect a wide range of vibration strengths.

The detector was primarily designed to interface with a home or car alarm system but could be used anywhere that vibration or shock detection is required. The circuit has an Open Collector output which should interface with most alarm systems.

Vibration detection is a very effective way of protecting areas which would otherwise be difficult and/or expensive to protect. It often gives a much earlier warning of an intruder, for instance detecting an intruder trying to break in, rather than after the event. As a result, if the alarm is set off early enough, the damage from the actual break-in can be avoided. Some examples of where this detector could be used are in ceilings, car chassis, alarm boxes and windows (often one vibration detector on a window frame can protect several windows).

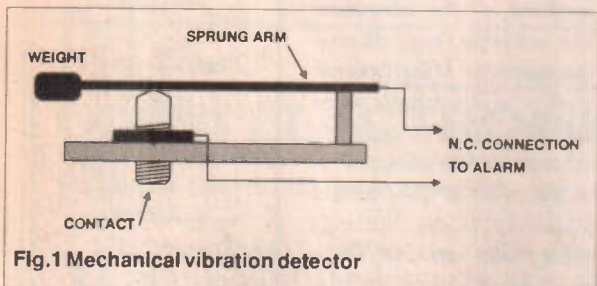


Fig.1 Mechanical vibration detector

Vibration detectors can work in a number of different ways. One of the most common is the mechanical setup shown in Figure 1. Here, a sprung arm makes and breaks with a contact, as vibrations cause it to bounce. This type of detector is often difficult to set up accurately and they often don't work well with some alarm systems (the inputs of some alarm systems are heavily damped to prevent false triggering and the small

pulse widths from these detectors are often seen as noise rather than a valid signal).

## Construction And Testing

Construction is a very simple procedure - just follow the component layout in Figure 3. Note that at this stage you omit R1. Use screened cable for the connection to the piezo transducer, solder the screen to the rim of the brass plate and the insulated wire to the ceramic center (be careful not to use excessive heat as this may damage the transducer). Try to keep the distance between the transducer and the PCB to a minimum.

To test the circuit, attach 0V and +12V to the PCB and connect a LED to the PCB as shown in Figures 2 & 3 (this may be left in place or removed later). When the transducer is tapped the LED should briefly flash.

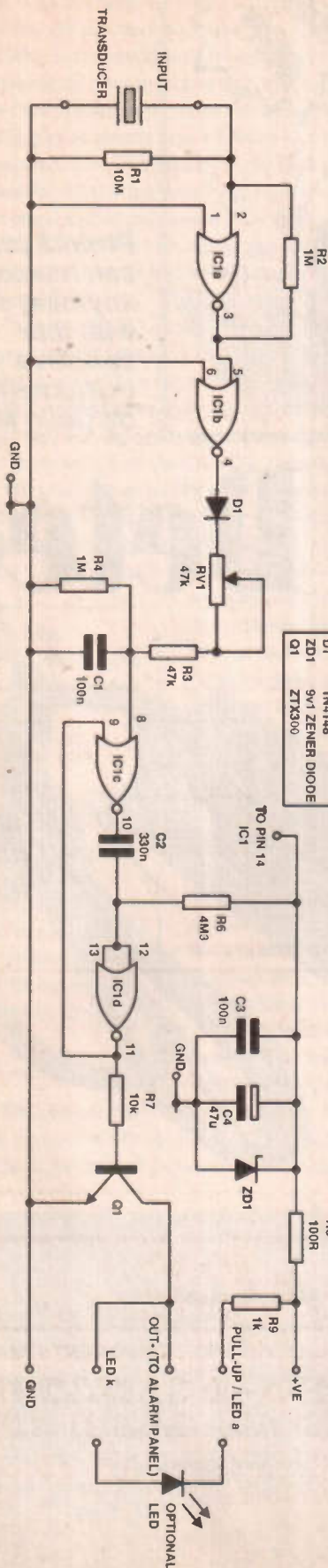


Fig.2 Circuit of vibration detector

## HOW IT WORKS

Referring to the circuit diagram in Figure 2, the operation of the circuit is as follows.

The sensor is a piezo-ceramic transducer (the type used for buzzers/sounders), which has the advantage of being small, robust and very cheap. The transducer generates a small signal when it is excited by the vibrations from the surface it is attached to. This signal is amplified by IC1a, a slightly unusual use of a digital gate as it is being used as an analog amplifier. It is important that an unbuffered 4001 is used (i.e. the UB version), as a buffered gate will not work as an analogue amplifier.

The amplified signal is rectified and passed to a simple RC network (R3, R4, RV1 and C1). By altering the time constant of this network (by adjusting RV1), the sensitivity can be altered and this has proved much more effective than trying to alter the gain of the amplifier. When a signal of sufficient amplitude and duration is detected, (when the voltage on C1 exceeds the threshold of IC1c), the monostable comprising of IC1c, IC1d, C2 and R6 is triggered, which drives the output transistor. A LED can be connected to the output, which will flash when the circuit has been triggered, to simplify the adjustment of the sensitivity.

## Setting up And Installation

Setting the sensitivity of the detector is a trial and error affair and depends greatly on how the sensor is mounted.

For this reason the transducer must be mounted on the surface from where it is to operate, before any of the setting up can be done.

The transducer can be simply glued in place with a strong glue, although to obtain better sensitivity one of the methods shown in Figure 4 could be used. The sensitivity of the circuit will also depend upon the surface on which the transducer is mounted. It will work well on a metal surface, simply glued in place, but for wooden or plaster surfaces the methods in Figure 4 will give significantly better results.

RV1 allows the sensitivity of the whole circuit to be adjusted, although it may be found that the circuit is too sensitive/insensitive. It is probably best to alter the mounting of the transducer first, as this has a large effect on the sensitivity. If that does not work or is impractical, adjust the value of C1 (increase its value to make it less sensitive or decrease it to make it more sensitive). If the circuit is greatly over sensitive, which may happen on metal surfaces, add R1 (10M), which will decrease the sensitivity.

To connect the vibration detector to an alarm panel, connect the +12V and 0V line to the appropriate power connections and connect the outline to the normally open (NO), active low, connection on the panel. If the LED is connected, it may light when other devices in the alarm circuit are activated. If 0/12V levels are required, replace the LED with

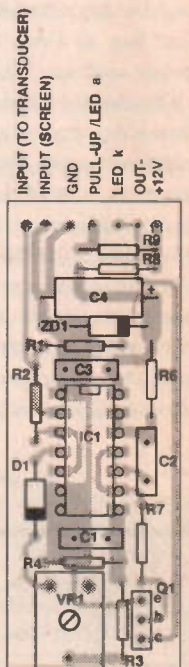
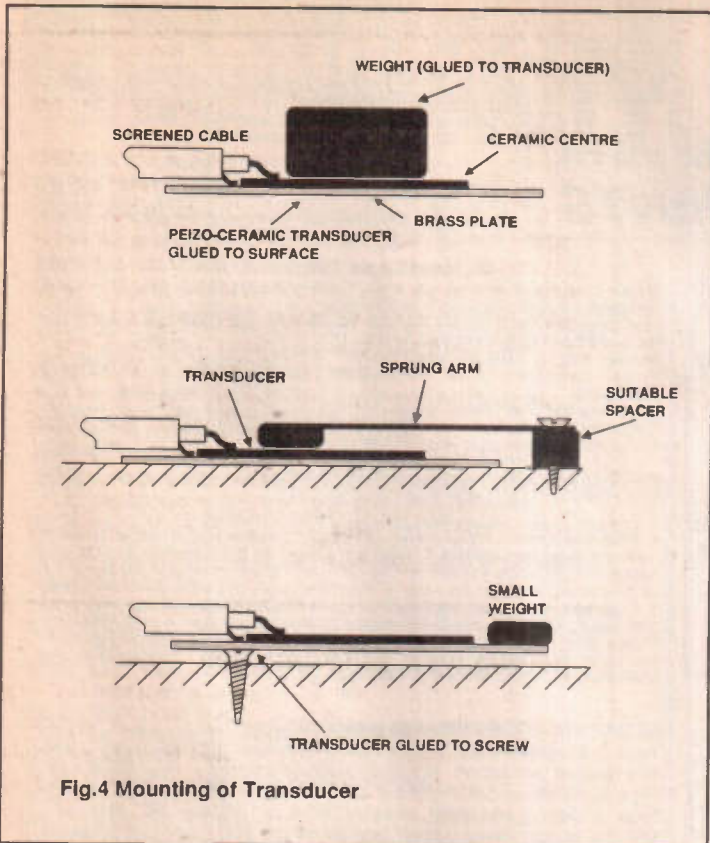


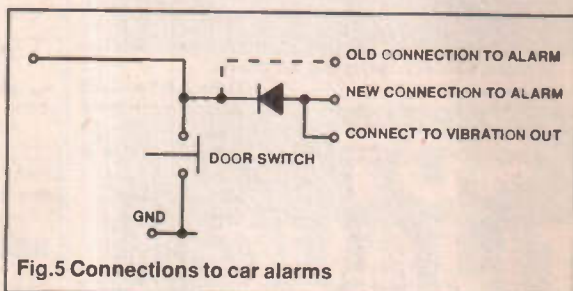
Fig.3 Component overlay





- ### PARTS LIST
- RESISTORS**  
 R1 10M  
 R2 1M  
 R3 47k  
 R4 1M  
 R6 3M3  
 R7 10k  
 R8 100R  
 R9 1k  
 RV1 47k
- CAPACITORS**  
 C1 100n  
 C2 330n  
 C3 100n  
 C4 47u
- SEMICONDUCTORS**  
 IC1 4001UB CMOS unbuffered NOR gate  
 D1 1N4148  
 ZD1 9V1 Zener  
 Q1 ZTX300 (or any Gen Purpose NPN Transistor)
- MISCELLANEOUS**  
 Small piezo-electric transducer  
 LED for test purposes  
 Suitable length of screened cable

a link. This will pull the output of the circuit high when inactive. If connecting to a car alarm which uses the courtesy light door switch, the modification shown in Figure 5 should be made. A pull up may also be required on the Out-line although most alarms will not need this. If you do, remove the LED and replace it with a link. If your alarm detects voltage drops in the car's electrical system rather than the door switches, use the vibration detector to drive a relay which in turn should drive a suitable dummy load.



### Possible Problems

If the open collector output is unsuitable (for example, an alarm system which only has closed loop circuits), the output could drive a small relay. The relay contacts could then drive the required device, that is the NC contacts could be included in the closed loop of an alarm circuit.

If false triggering is a problem, it will probably be due to the mounting of the transducer. Try moving it or mounting it differently. It is also advisable not to mount any of the circuit next to other electrical equipment, as it may pick up stray signals.

## OMNI ELECTRONICS

174 Dalkeith Road, Edinburgh EH16 5DX · 031 667 2611

The supplier to use if you're looking for —

- ★ A WIDE RANGE OF COMPONENTS AIMED AT THE HOBBYIST ★
- ★ COMPETITIVE VAT INCLUSIVE PRICES ★
- ★ MAIL ORDER - generally by RETURN OF POST ★
- ★ FRIENDLY SERVICE ★

Open: Monday-Thursday 9.15-6.00  
 Friday 9.15-5.00 Saturday 9.30-5.00

## AGE A & G ELECTRONICS

ELECTRONIC COMPONENTS MAIL ORDER COMPANY

### 1992-93 CATALOGUE IS AVAILABLE NOW.

Please Send £2 for your copy

0.5" ORANGE DUAL LED DISPLAY  
 Value £2.00 & Advance Ticket to "All Formats Computer Show"  
 Value £4.00 With Every Catalogue!

100 Park Avenue, London E6 2SR  
 Tel: 081 552 2386 Fax: 081 471 7968

# HITACHI

## ELECTRONIC COMPONENTS

**MAINS TRANSFORMER** Pri. 120V-0V, 120V-0V.

Sec. 0V-12V, 0V-12V, at 3VA

£2.62 each

**PROJECT BOXES** A range of high quality boxes moulded in black high impact ABS, easily drilled or punched to produce a professional looking end product

TYPE	W	L	H	PRICE
T2	75	56	25	£0.77
T4	111	57	22	£0.92
MB1	79	61	40	£1.35
MB2	100	76	41	£1.47
MB3	118	98	45	£1.71
MB4	216	130	85	£5.19
MB5	150	100	60	£2.35
MB6	220	150	64	£3.95
MB7	177	120	83	£3.42
MB8	150	80	50	£2.22

All sizes are in millimetres

### SPECIAL OFFER - PROJECT BOX

As above boxes  
50 x 70 x 25mm  
60p each 10 for £5.00

### KEY SWITCH

3 Position keyswitch £2.35

### CRYSTAL OSCILLATORS

4.0 mhz	ALL
7.5 mhz	£1.50 each
12.0 mhz	OR
18.432 mhz	4 FOR
33.33 mhz	£5.00

**MICRO SWITCH** roller arm operation spdt 40p each

### MINIATURE TOGGLE SWITCHES

spdt	60p each	spdt 3 position c/off	70p each
dpdt	70p each	dpdt 3 position c/off	80p each
spdt biased	60p each	spdt 3 position c/off biased both ways	70p each
		dpdt 3 position c/off biased one way	80p each

**MINIATURE TOGGLE SWITCH** pcb mounting 3pdt 50p each 10 for £4.00

**MINIATURE PUSH TO MAKE SWITCH** 50p each  
**DIL RELAYS** 5 volt dp/changeover 60p 10 for £5.00  
12 volt dp/changeover 80p 10 for £6.00

**RELAY** 10 amp contacts sp/changeover 12 volt coil £1.20 each

**CAR HORN RELAY** in metal can with fixing lug, s/pole on 10 amp contacts £1.00 each 6 for £5.00

**20 AMP RELAY** dp on 12 volt coil £1.50 each 4 for £5.00

**REED RELAY** 12 volt 50p each 10 for £4.00

**240 VOLT AC RELAY** 3-pole c/o 10 amp contacts £1.50 each 4 for £5.00

### DIL SKTS

8 pin	10 for	£0.60
14 pin	10 for	£0.90
16 pin	10 for	£1.00
18 pin	10 for	£1.00
20 pin	8 for	£1.00
24 pin	8 for	£1.00
28 pin	6 for	£1.00
40 pin	5 for	£1.00

### 'D' CONNECTORS

	plug	socket	cover
9 pin	30p	30p	35p
15 pin	40p	40p	35p
25 pin	50p	50p	40p

### ALL COMPONENTS FULL SPECIFICATION DEVICES

## SEMICONDUCTORS - TRANSISTORS - ICS - DIODES - REGULATORS - ETC

### VOLTAGE REGS

7812/7805/7912/7905

all 35p each, any 4 for £1.20

AD592An Temperature Sensor i.c.

mounted on 1.5m screened

lead complete with data and

application notes £1.50 each

LM3914/LM3915 Bargraph ics £2.95 each

**MICRO IC'S** - Z80A CPU £1.20; Z80A PIO £1.50; Z80B SIO-1 £4.00

## OPTO DEVICES - LEDS - ETC

5mm rnd red/yellow/green/amber 10p each 12 for £1.00 any mix

5mm rnd high brightness red/green 20p each 6 for £1.00 any mix

5mm rnd flashing red 60p each, yellow/green 70p each

5mm rnd bi-colour 35p each, tri-colour 45p each

LED mounted in chrome bezel red, yellow or green 30p each, 4 for £1

LED mounted in a black bezel red only 25p each, 5 for £1.00

PLASTIC BEZEL for 5mm rnd leds 10 for 40p

High brightness bi-colour I.e.d., rectangular, red/green, 40p each

two leads

### LCD DOT MATRIX GRAPHICS DISPLAY

made by Hitachi

part No. LM225

module size

270w x 150h x 13t (mm)

display area

239w x 104h

640 x 200 dots

data sheet supplied

ONLY £23.50

### COOLING FANS - BRAND NEW!

230V a.c. 50/60Hz impedance protected

80mm x 80mm x 25mm £6.96 each

115V a.c. 50/60Hz impedance protected

92mm x 92mm x 25mm £5.25 each

24V d.c. brushless fan motor

2.9 watt 80mm x 80mm x 25mm

£5.25 each

12V d.c. brushless fan motor

0.15 amp 60mm x 60mm x 25mm

£6.96 each

## PS68K/CPU-2B 68000 HIGH PERFORMANCE VMEBUS BASED MICROCOMPUTER BOARD

6800 CPU (8MHz), 246K Dual ported RAM expandable to 1 mega byte. Up to 32 kbyte eeprom space. 8 bit status register, Fast multi-protocol comms interface llnk, (RS232 compatible), VEMBUS INTERFACE. On-board single chip floppy disk controller, Real time clock, 24-bit parallel/0, Over 200 pages of data supplied £88.50 each.

### RESET TIMER PCB

Gives a timed relay closure following a momentary input. Requires 12V d.c. supply SP c/o relay output LED indication. 19 different time intervals from 25sec to 35min 20sec. £5.98 each.

### ALARM CONTROL UNIT

Single zone alarm control unit built into a domestic light switch box. Ideal for home, caravan, boat, garage, shed etc.

Facilities:- Normally closed loop for pir sensors, door/window contact etc.

Normally open loop for pressure mats.

24-hour loop for personal attack button

Visual indication that the system is operational. 12 volt dc for external use 115db

Automatic ebtry/exit delay.

Automatic system reset. A plastic box cover supplied with backplate. Red/yellow/white £8.99 each

Alarm output cmos logic level.

PRICE COMPLETE WITH FULL INSTRUCTIONS

BELL/SIREN INTERFACE BOARD COMPLETE £3.95

### ALARM CONTROL PANEL

★ Wire free alarm control panel, detectors communicate with the panel by means of radio transmitters

★ Speech synthesis for programming and general operating guidance

★ Built in user programmable telephone dialler

★ Up to 32 transmitters can be used

★ Programmable exit/entry and bell timers

★ Programmable user codes

★ Full installation data supplied, the only thing that has to be hardwired is the output to the siren/bell unit (not supplied). Please note we do not supply the transmitters but some information as to source of these will be included. ★ These control panels originally cost over £300.00 each. Yours for only £49.92

### EX INSTALLATION SENSORS tested working.

Type 1. Measures 180 x 112 x 70mm with walk test led, relay output and tamper protection. 12 volt dc supply required £8.50 each

Type 2. As above but a smaller unit 123 x 62 x 50mm £11.75 each

Type 3. Ceiling mounting passive, infra red sensor 360° detection, 12V d.c. supply relay output, tamper circuit and pulse count option. Data supplied. £15.70 each

Please note: There may be variations in the size of the above passive infra red sensors depending on stock at the time of ordering. But the unit will certainly be within the stated sizes.

<b>DOOR/WINDOW CONTACTS</b>	
Surface or flush mounting, white	£1.10 each
<b>JUNCTION BOX</b>	
white 6 way	60p

**DUAL TECH SENSOR** Microwave and passive infra-red combined.

Separate led indication for each function. Measures 120 x 75 x 50mm.

12 volt d.c. supply, Relay output. Tamper protection. £29.95 each

### BREADBOARD

173 X 65mm 840TP £5.25 each

TEXTTOOL ZIF SOCKET

28 pin zero insertion socket £5.95 each

SOLID STATE RELAY

Switch mains up to 7 amp 12 volt control voltage. Data supplied. £2.95 each

### MERCURY TILT SWITCH

Standard on/off £1.00 each

4 Contact (Directional) £1.50 each

### PIEZO VIBRATION SENSOR

with data sheet £1.00 each

### BREADBOARD

# £1.00 BARGAIN PACKS

## SUB-MINIATURE TOGGLE SWITCHES P.C.B. Mounting

- BO1 S.P. on 4 for £1.00  
 BO2 D.P. on 3 for £1.00  
 BO3 3 x D.P. 3 pos, centre off  
 BO04 **DIL SWITCHES** 4-way S.P. on 3 for £1.00  
 BO05 **DIL SWITCHES** 8-way S.P. on 2 for £1.00  
 BO06 **DIL SWITCHES** 12-way 90° sp on 2 for £1.00  
 BO07 **12 x PP3 BATTERY SNAPS**  
 BO08 **1 x CAPACITOR 1 FARAD 5.5 VOLT 20mm dia. x 7mm high**  
 BO09 **INSTRUMENT KNOBS (0.25" SHAFT)** High quality grey plastic knob, collet fixing 15mm dia, 5 for £1.00  
 BO10 as above but 29mm dia, 3 for £1.00  
 BO11 **4 x MAGNETIC EARPIECE** 8 ohm with 3.5mm plug  
 BO12 **4 x 28-WAY TURNED PIN DIL SOCKET**  
 BO13 **15 x 12 VOLT WIRE-ENDED LAMPS**  
 BO14 **8 x 2 PIN DIN PLUGS** screw terminal connection  
 BO15 **2 x LIGHT DEPENDENT RESISTOR** Less than 200 ohms in daylight, greater than 10 megohms in darkness  
 BO16 **1 x KEYPAD** 20-key in 5 x 4 matrix bubble type switch contacts  
 BO17 **2 x PIEZO BUZZERS** approx 3 to 20 volt d.c.  
 BO18 **5 x 78M12 VOLTAGE REGULATORS** positive 12V 500mA  
 BO19 **4 x TL082CP** bi-fet op-amps  
 BO20 **20 x ASSORTED LEDS** full spec. various shapes and sizes  
 BO21 **3 x INFRA-RED DIODE TX/RX PAIRS** made by Honeywell (no info)  
 BO22 **4 x CONSTANT CURRENT LED** 5mm round, red 2-18V d.c. or a.c. nominal 14mA  
 BO23 **50 x IN4148 diode**  
 BO24 **2 x INFRA-RED TRANSISTOR FPT5133**  
 BO25 **5 x DIACS**  
 BO26 **3 BDX33C** 10 amp 100V npn transistor  
 BO27 **12 x 2N3702** Transistor  
 BO28 **12 x 2N3904** Transistor  
 BO29 **12 x BC337** Transistor  
 BO30 **4 x LM317T** Variable regulator mounted on a small heatsink  
 BO31 **2 x MAN6610** 2 digit 0.6" 7 segment display Com anode, amber  
 BO32 **3 x PHONO TO PHONO LEAD** 63cm long  
 BO33 **15 x RECTANGULAR RED LEDs** 6 x 6 x 2mm stackable  
 BO34 **1 x PHOTO SENSITIVE SCR** mounted on a PCB, data sheet supplied  
 BO35 **4 x IEC Panel Mounting Mains Plug Snap** fix  
 BO36 **5 x ASSORTED PIEZO TRANSDUCERS**  
 BO37 **5 LENGTHS OF HEATSHRINK SLEEVING** 8mm dia. 400mm long  
 BO38 **25 x CERAMIC DISC CAPACITORS** 0.1 mfd 63V  
 BO39 **15 x MONOLITHIC CERAMIC CAPACITORS** 0.1 mfd 63V, in a dil package  
 BO40 **25 x ASSORTED ELECTROLYTIC CAPACITORS** PCB mounting useful values  
 BO41 **25 ASSORTED PRE-SET RESISTORS**  
 BO42 **8 x 3-5mm LINE JACK SOCKETS** (mono)  
 BO43 **8 x 3-5mm JACK PLUG** (mono)  
 BO44 **8 x 3-5mm CHASSIS SOCKET** (mono)  
 BO45 **2 x TRIACS** 800 volt 8 amp  
 BO46 **12 x BC213L** Transistor  
 BO47 **12 x MIN SLIDE SWITCH** dpdt  
 BO48 **15 x MIN CERMET TRIMMER POTS** (good range of values)  
 BO49 **1 x PCB WITH TWO LARGE LEDS** 15mm square, one red and one green  
 BO50 **1 x 12V DC RELAY** 4-pole c/o with plug in base  
 BO51 **4 x LM324** quad op-amps  
 BO52 **4 x 555** Timer  
 BO53 **5 x 741** op-amp  
 BO54 **25 x IN4001** diode  
 BO55 **20 x IN4007** diode  
 BO56 **1 x SLOTTED OPTO**  
 BO57 **1 x DAC08** Digital to analogue convertor with data  
 BO58 **4 x OPTO ISOLATOR**  
 BO59 **20 ASSORTED 74LS IC'S**

Please use order code when ordering the bargain packs.  
 Please make cheques and postal orders payable to Mailtech.

All prices include VAT.  
 Please add 75p postage to all orders.

At the moment it is not possible to have a full telephone answering service. But we will have the phone definitely manned on Tuesdays, Wednesdays and Thursdays between 10am and 5pm.

**Dept EE, Mailtech  
 PO Box 16 Ludlow  
 Shropshire SY8 4NA  
 Tel: 058 474475**



## UK DISTRIBUTOR AND STOCKIST FOR THE COMPLETE ILP RANGE

- ★ AMPLIFIER MODULES
- ★ PRE-AMPLIFIERS
- ★ 100V LINE TRANSFORMERS
- ★ TOROIDAL TRANSFORMERS
- ★ LIGHTING TRANSFORMERS

*Write, phone or fax  
for data and prices*

### Jaytee Electronic Services

143 Reculver Road, Beltinge, Herne Bay, Kent CT6 6PL  
 Telephone: (0227) 375254. Fax: (0227) 365104

# TOP QUALITY BINDERS

TO TREASURE YOUR COLLECTION OF

# ETI

12 copies of your magazine kept in pristine condition in these classic, sturdy binders

Please supply binder/s at only £6.95 each, including postage & packing (UK only, Overseas please add £1.50).

I enclose my cheque M/O for £ ..... made payable to ASP or please debit my Access/Visa Expiry

.....

Signature .....

**PLEASE FILL IN THE FOLLOWING IN BLOCK CAPITALS:**

Name .....

Address .....

..... Post Code .....

Send this coupon and payment to: ASP ETI Binders Offers, Argus House, Boundary Way, Hemel Hempstead, Herts HP2 7ST.  
 Or why not order by phone? Call us on (0442) 66551  
 You may receive further information which may be of interest to you.  
 Please allow 28 days for delivery

TELEPHONE  
ORDERS  
may be made on  
**(0442)**  
**66551**  
ACCESS or VISA



# PCB Service May

Price code	Price (inc. VAT)
C	£1.80
D	£2.50
E	£3.25
F	£4.00
G	£4.75
H	£5.50
J	£6.62
K	£7.20
L	£8.80
M	£10.60
N	£13.10
O	£15.80
P	£17.90
Q	£21.80
R	£23.90
S	£25.90
T	£29.00
U	£32.20
V	£35.80
W	£37.90
X	£40.70

<b>E9305-1</b>	<b>Pentacode Main Board</b> .....	<b>F</b>
<b>E9305-2</b>	<b>Pentacode Relay Board</b> .....	<b>F</b>
<b>E9305-3</b>	<b>Radio Control Trafficators</b> .....	<b>D</b>
<b>E9305-4</b>	<b>Vibration Detector</b> .....	<b>D</b>
<b>E9305-FC</b>	<b>The Fuzztone</b> .....	<b>E</b>

PCBs for the remaining projects are available from the companies listed in Buylines.  
Use the form or a photocopy for your order. Please fill out all parts of the form. Make sure you use the board reference numbers. This not only identifies the board but also tells you when the project was published. The first two numbers are the year, the next two are the month.  
Terms are strictly payment with order. We cannot accept official orders but we can supply a proforma invoice if required.  
Such orders will not be processed until payment is received.

E9112-3	Nightfighter Sensor Switch Sound Trigger	H
E9112-4	Nightfighter Connector Board	F
E9112-5	Nightfighter Sensor Switch PSU	K
E9112-6	Nightfighter 8-Channel Input Interface (2 sided)	P
E9112-7	Power On and Overload Regulator	P
E9201-1	Laboratory Power Supply	F
E9201-2	Test Card Generator Board	M
E9201-3	LED Star (2 sided)	L
E9201-4	Enlarger Timer Main PCB (2 sided)	N
E9201-5	Enlarger Timer Selector Board (2 sided)	K
E9201-6	Enlarger Timer Switch PCB	E
E9203-1	MIDI Switcher- Main Board	L
E9203-2	MIDI Switcher- Power Supply	E
E9203-3	Sine Wave Generator (surface mount)	F
E9204-1	Auto Car Lights	F
E9205-1	Bat Detector	E
E9205-2	Pond Controller	F
E9206-FC	Stereo amplifier	G
E9206-2	Xenon flash trigger Main Board	J
E9206-3	Xenon flash trigger Flash Board	F
E9206-4	Scanner for audio generator	D
E9207-1	Improved Rear Bike Lamp	D
E9207-2	Mini Baby Bug Monitor	C
E9207-3	Ultrasonic Audio Sender (2 boards)	H
E9207-4	Camera Add-on unit (4 boards)	O
E9207-5	AutoMate 5V/48V Mixer power supply	J
E9207-6	AutoMate Precision 17V power supply	J
E9207-FC	Surround Sound Decoder	F
E9208-1	Dynamic Noise Limiter	F
E9208-2	Touch Controlled Intercom (2 boards)	H
E9208-3	MIDI Keyboard	K
E9208-FC	Battery charger	F
E9209-1	Intercom for light aircraft	H
E9209-2	Alarm protector	C
E9209-3	Temperature controller	M
E9209-FC	45W Hybrid power amp	F
E9210-1	Universal I/O Interface for PC (2 Sided)	N
E9210-2	Rapid Fuse Checker	E
E9210-3	Heartbeat/Audio Listener	E
E9210-FC	Wizards Hat	E
E9211-1	Electronic Die	E
E9211-FC	Car Alarm	F
E9212-1	Digital Circuit Tester	F
E9212-2	Communications Link by RS232	L
E9212-FC	Mains Inverter	E
E9301-2	Fading Festoonery	G
E9301-FC	Infra Red Receiver	F
E9302-1	EPROM Programmer (2 Sided)	N
E9302-2	Sound to MIDI Board	L
E9302-3	Puddle Tec	E
E9302-FC	Infra Red Transmitter	E
E9303-1	Ni-Cd Battery Charger	E
E9303-2	IC Tester	E
E9303-3	Disco Amiga (motor driver board)	H
E9303-4	Direct Conversion Receiver (2 Sided)	N
E9303-FC	LED Stoboscope	F
E9304-1	Solo Mic Pre-Amplifier	F
E9304-2	Multimate Tester	C
E9304-3	The Keepsafe Alarm	F
E9304-4	Proving Unit	E
E9304-5	Infra Guide Receiver Module	C

**ETI PCB Service, Reader's Services, Argus House,  
Boundary Way, Hemel Hempstead HP2 7ST**

Please Supply:

Quantity	Ref No.	Price Code	Price	Total Price
	E		£	£
	E		£	£
	E		£	£
			<b>Post &amp; Packing</b>	<b>£ 0.75</b>
			<b>Total Enclosed</b>	<b>£</b>

Please send my PCBs to:

Name .....

Address .....

.....

.....

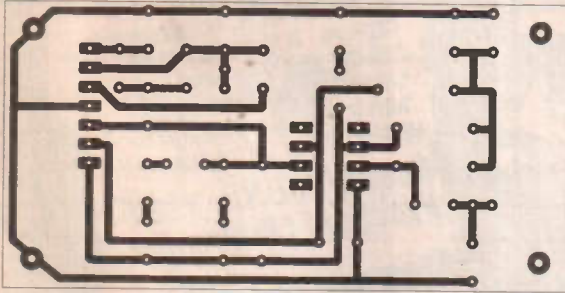
..... Postcode .....

**CHEQUES SHOULD BE MADE PAYABLE TO ASP Ltd.**

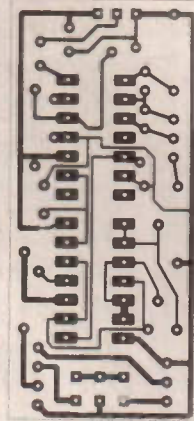


# PCB Foils

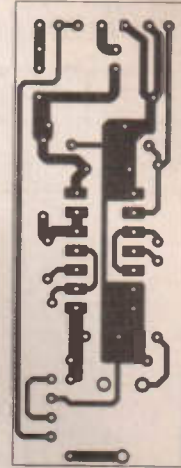
The PCB foil patterns presented here are intended as a guide only. They can be used as a template when using tape and transfer for the creation of a foil.



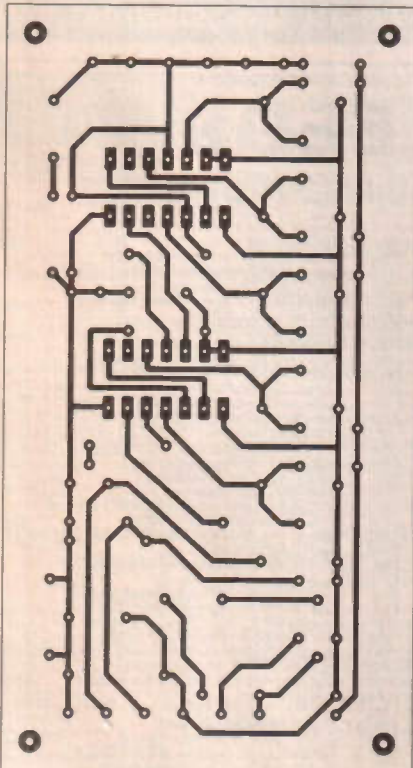
The Fuzztone



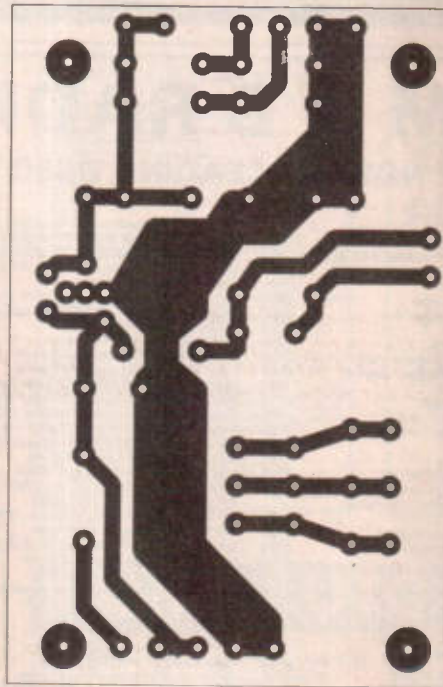
Radio Control Trafficators



Vibration Detector



Pentacode



Pentacode Relay

# LOW COST RANGER 1 PCB DESIGN FROM SEETRAX

- **Circuit Schematic**
- **Circuit Capture**
- **PCB Design**
- **Host Of Outputs**



## WHAT THE PRESS SAID ABOUT RANGER 1

For most small users, Seetrax Ranger 1 provides a sophisticated system at an affordable price. It is better than Easy PC or Tsien's Boardmaker since it provides a lot more automation and takes the design all the way from schematic to PCB - other packages separate designs for both, that is, no schematic capture. It is more expensive but the ability to draw in the circuit diagram and quickly turn it into board design easily makes up for this.

Source **JUNE 1991**  
**Practical Electronics**

**ALL-IN-ONE DESIGN SYSTEM.....£100**

**FULLY INTEGRATED AUTO ROUTER....£50**

*Ask about trade-in Deals! Call Now For Demo Disk on 0705 591037*



Seetrax CAE, Hilton Daubnay House, Broadway Lane, Lovedean, Hants, PO8 0SG. TEL. 0705 591037. FAX. 0705 599036

## M & B RADIO (LEEDS)

THE NORTH'S LEADING USED TEST/EQUIPMENT DEALER

### OSCILLOSCOPES

Tektronix 2445A 150MHz Four Trace	£1500
Tektronix 475 200MHz Oscilloscopes with probes/manual	£400
Tektronix 465B 100MHz with Digital Multimeter (as new)	£475
Tektronix 465B 100MHz Dual Trace	£375
Tektronix 465 100MHz Dual Trace	£300
Tektronix 466 100MHz Storage with DVM option	£450
Kikusui COS6100 100MHz 5 channel	£650
Iwatsu S56122 100MHz 4 trace + cursors	£900
Tektronix 5103/5610N 1.B. 2.5A20N Differential plugins	£195
Philips PM3217 50MHz Dual Trace with probes/manual	£375
Philips 3200 15MHz Mains/Batt portable	£90
Tektronix T935A 35MHz Dual Trace Portable	£175
Ballantine 1022B 15MHz Dual Trace Batt Portable	£195
Tequipment D32 15MHz Dual Trace Batt Portable	£135
Hitachi V650F 60MHz 3 Trace	£275
Hitachi V222 20MHz Dual Trace	£225
Gould OS3600 100MHz Dual Trace with DVM Opt	£275
Gould OS4000 10MHz Dual Trace Digital Storage Scope	£195
Gould OS250B 15MHz Dual Trace Complete with Probe/Manual	£125
Gould OS1420 20MHz Digital Storage Oscilloscope	£325
Farnell DTC12 12MHz Dual Trace/Component Tester	£195
Farnell DT12-5 12MHz Dual Trace	£150
Tequipment D67A 35MHz Dual Beam	£195
Tequipment DM64 20MHz Storage Oscilloscope	£135
HP 1727A 275MHz Storage Oscilloscope	£450

### SIGNAL GENERATORS

Marconi 2019A 1040MHz AM/FM	£1950
Marconi 201B 520MHz AM/FM	£850
Marconi 2017 10KHz to 1024MHz	£2250
HP 8640B 1024MHz Complete with opt 001/002/003	£1550
Wavetek 2520 200KHz to 2.7GHz Synthesized	£1950
Marconi 2015, 2171 Synchronizer 10MHz to 520MHz AM/FM/CW	£325
Singal Generator (as new condition)	£195
Marconi 2016A 10KHz to 120MHz (RF Trip)	£145
Marconi 2016 10KHz to 120MHz AM/FM	£145
Farnell SSG2000 10KHz to 2GHz Synthesized	£2250
Farnell SSG1000 10KHz to 1GHz Synthesized	£1500
Farnell SSG520 520MHz Synthesized	£500
Farnell SSG520+TTS520 Mobile Radio Test Station (pair)	£900
Adret 740A 10KHz to 2.7GHz Synthesized Generator	£1950
Adret 20230A 1MHz Synthesized Source	£195
Polrad 1105ET 1.B to 4.9GHz Complete with Modulator	£550
Wavetek 193 20MHz Sweep Function Generator	£295
Philips 5324 100KHz to 110MHz AM/FM/Sweep	£200

Eaton 3552B Broadband RF Amplifier	£1000
Kalamus Wideband RF Power Amplifier 5 to 1000MHz	£750
Farnell LA520 RF Amplifier 1.5 to 520MHz	£175
Farnell LFM2 Sine Square Wave Oscillator	£85
Farnell LFM2 Oscillator	£200
Farnell TMB True RMS Sampling RF Millivoltmeter 1GHz	£350
Racal Dana 9301A True RMS Voltmeter	£450
HP 340A True RMS Voltmeter	£145
HP 3403C True RMS Voltmeter	£150
Racal Dana 1998 Frequency Counter	£750
Racal 9841 3GHz Frequency Counter	£225
Marconi 2432A 560MHz Frequency Counter	£200
Narda 3020A Bi Directional Coupler 50 to 1GHz	£250
Narda 3001-30 Directional Coupler 460 to 960 MHz	£85
Narda 3022 Bi Directional Coupler 1 to 4GHz	£250
Narda 769/6 150W 6BB High Power Att (NEW)	£100
Bird Tenuline 8343 100W 6DB Att	£100
Bird Terminaline B201 50 OHM 500W	£100
HP 9133 Computer 150 Touch Screen/Printer	£500
Racal Dana 1002 Thermal Printer	£150
HP 3485A High Stability Voltmeter GPIB	£1200
HP 3478A LCD Digital Multimeter	£400
HP 3468D Digital Multimeter 5 1/2 Digit	£400
HP 5306 GPIB Multimeter/Counter	£225
HP B750A Storage Normalizer	£400
HP 5382A 225MHz Frequency Counter	£195
HP 461A Amplifier 1KHz 150MHz	£100
HP 6294 PSU 0 to 60 Volts 1AMP	£85
HP 3556A pospometer	£50
HP 4271B 1MHz Digital LCR Meter	£950
Tektronix 521A PAL Vectorscope	£1000
Tektronix 1481R Waveform Monitor	£500
Tektronix 141A PAL Test Signal Generator	£750
Racal Dana 5002 Wideband Levell Meter	£750
Racal Dana 9303 True RMS RF Levell Meter	£750

### SPECTRUM ANALYSERS

Tektronix 496P 1.8GHz Programmable	£3500
H/P B558B 1.5GHz 182T Main Frame	£1800
H/P 141T B552B IF B554B 1250MHz + B553B 110MHz Complete	£2250
Audio o RF System	£2350
H/P B555B 1.8GHz Plugin (New Boxed)	£750
Rohde/Schwarz ZAM 52 20GHz Scalar Network Analyser	£2000
Wayne Kerr RA200/AD51/ALM2 Frequency Response Analyser (AS New)	£650
H/P 3580A 5Hz to 50KHz Spectrum Analyser (New)	£2000
H/P B566B 22GHz Spectrum Analyser	£1700

### TEST EQUIPMENT

Marconi 2955 Communications Test Set	£3000
Marconi 2950 Mobile Radio Test Set	£250
Dymer 20B5 AF Powwer Meter	£225
Marconi TF2331 Distortion Factor Meter	£295
HP 651B Test Oscillator	£200
HP 333A Distortion Meter	£225
Marconi 2305 Modulation Meter	£1600
Efratom FRT Atomic Frequency Standard	£2500
Fluke 540B Thermal Transfer Standard	£850
Bradley 232 AC Calibration Source	£1000
Bradley 156 Oscilloscopes Calibrator	£200
Wayne Keer 44C Measuring Set	£150
HP 745A AC Calibrator	£750
HP 8405A Vector Voltmeter + Accessories	£1000
Fluke 103A Frequency Comparator	£500
Bicctest T431M Cable Test Set	£250
Cossor 437 Cable Logger	£250
HP 435B Power Meter 8482+30DB ATT (As New)	£975
HP 435A Power Meter 8482H Head	£650
Marconi 6950 RF Power Meter 6912 Head 30KHz to 4.2GHz 6920	£1200
Head 10MHz to 20GHz	£1000
HP 394A Variable Attenuator 1GHz to 2GHz	£125
Powersense Line Analyser	£450
Leader LCT910A CRT Tester/Rejuvenator	£195
Amber 4400A Multipurpose Audio Test Set	£560
Ferroglyph RTS2/ATU1 Tape Recorder Test Set	£300
Racal Dana 6000 Microprocessing DVM	£350
Racal Dana 9000 Microprocessing Timer Counter 510MHz	£295
Philips PM2434 DC Microvoltmeter	£75
Racal Dana 48B IEEE STD 48B Bus Analyser	£260
Sinadder 3 Meter	£145

### BULK PURCHASE SPECIALS

HP 180 50MHz Oscilloscopes Tested	£145
Marconi 1101 RC Oscillator 20CS to 20KCS	£45
Avo B Multimeters Case + Battery Leads	£25
Unachm EP594 TV Field Strength Meter 48 to 860MHz	£55
Adcola 777 Desoldering Station	£150
Fluke 8000A High Grade Digital Multimeter	£100

### RADIO EQUIPMENT

Racal RA1792 HF Receivers	£1800
Racal RA2309B + RA2295 90 to 400MHz	£950
Eddystone 770J 150 to 500MHz	£185
Eddystone 990S 250 to 850MHz	£195
Philips 88MHz to 108MHz Broadcast TX	£4000

ALL PRICES PLUS VAT AND CARRIAGE

**86 Bishopsgate Street, Leeds LS1 4BB**  
**Tel: 0532 435649 Fax: (0532) 426881**

# ETI Classified



## James Gale

### 0442 66551

Send your requirements to:  
 ETI Classified Department, ASP, Argus House,  
 Boundary Way, Hemel Hempstead, HP2 7ST  
 Lineage: 60p per word (+VAT) (minimum 15 words)  
 Semi display: (minimum 2.5cms)  
 £15.00 per single column centimetre (+VAT) } Per  
 Electromart £24.00 (+VAT) } Insertion



Ring for information on series bookings/discounts.  
 All advertisements in this section must be prepaid.  
 Advertisements are accepted subject to the terms and conditions  
 printed on the advertisement rate card (available on request).

## FOR SALE

### COOKE INTERNATIONAL

**SUPPLIER OF QUALITY USED TEST INSTRUMENTS**

ANALYSERS, BRIDGES, CALIBRATORS, VOLTMETERS,  
 GENERATORS, OSCILLOSCOPES, POWER METERS, ETC  
 ALWAYS AVAILABLE

**ORIGINAL SERVICE MANUALS FOR SALE**  
 COPY SERVICE ALSO AVAILABLE

EXPORT, TRADE AND U.K. ENQUIRIES WELCOME  
 SEND S.A.E. FOR LISTS OF EQUIPMENT AND MANUALS ALL  
 PRICES EXCLUDE VAT AND CARRIAGE  
 DISCOUNT FOR BULK ORDERS SHIPPING ARRANGED

OPEN MONDAY TO FRIDAY 9AM - 5PM  
**ELECTRONIC TEST & MEASURING INSTRUMENTS**  
 Unit Four, Fordingbridge Site, Main Road, Barnham, Bognor Regis,  
 West Sussex, PO22 0EB  
 Tel (+ 44) 0243 545111/2 Fax + 44) 0243 542457

### N.R. BARDWELL LTD (ETI)

200 Signal diodes 1N4148	£1.00	20	24-way turned pin I.C. sockets	£1.00
76 Rectifier Diodes 1N4001	£1.00	16	40 pin d.i.l. wire wrap I.C. sockets	£1.00
50 Rectifier Diodes 1N4007	£1.00	2	ORP12 light dependent resistors	£1.00
56 Rectifier Diodes 1N5401	£1.00	200	Printed circuit board 20mm fuse clips	£1.00
100 Ass'd Zeners	£1.00	200	Ass'd disc ceramic capacitors	£1.00
10 NE555 Timer ICs	£1.00	80	Ass'd capacitors 1ml to 1ul	£1.00
8 C106D 400V 6 amp thyristors	£1.00	80	Ass'd electrolytic capacitors	£1.00
8 BFY51 Transistors	£1.00	80	4 7UF 50V Radial electrolytics	£1.00
30 BC478 Transistors	£1.00	75	4 7UF 50V Radial electrolytics	£1.00
30 MPS42 Transistors	£1.00	80	10UF 16V Radial electrolytics	£1.00
30 SMM Rec. l.e.d.s.	£1.00	60	10UF 50V Radial electrolytics	£1.00
25 Ass'd. high brightness l.e.d.s.	£1.00	80	22UF 25V Radial electrolytics	£1.00
24 Miniature red l.e.d.s. 3mm dia	£1.00	60	33UF 16V Radial electrolytics	£1.00
50 Axial l.e.d.s. (Diode package) wide angle	£1.00	50	47UF 50V Radial electrolytics	£1.00
l.e.d.s.	£1.00	60	100UF 10V Radial electrolytics	£1.00
12 Ass'd. seven segment displays	£1.00	50	220UF 16V Radial electrolytics	£1.00
30 Ass'd. I.F. transformers	£1.00	60	470UF 10V Radial electrolytics	£1.00
48 Ass'd. coil formers	£1.00	40	1000UF 10V Radial electrolytics	£1.00
100 Ass'd. RF chokes (inductors)	£1.00	12	1000UF 25V axial electrolytics	£1.00
30 Ass'd. connectors edge-dill etc.	£1.00	1	1 Farad 5.5V memory back up capacitor	£1.00
10 4P 3W MBB min. rotary switches	£1.00	1	Peltier effect heat pump	£1.95
20 1 inch Glass reed switches	£1.00	1	10 watt Stereo amplifier, 4 controls plus data	£2.95
20 Magnetic ear pipe plus lead & plug	£1.00			
20 Min SP/CO slide switches	£1.00			
30 Ass'd. diode sockets up to 40 pin	£1.00			

Prices include VAT, postage £1.25. Stamp for Lists  
 288 Abbeydale Road, Sheffield S7 1FL  
 Phone (0742) 552886. Fax (0742) 500689

### VARIABLE VOLTAGE TRANSFORMERS

INPUT 220/240V AC 50/60  
 OUTPUT 0-260V

Price	P&P
0.5KVA 2.5 amp max	£29.00 (£39.54 inc VAT)
1KVA 5 amp max	£37.40 (£51.29 inc VAT)
2KVA 10 amp max	£54.00 (£72.62 inc VAT)
3KVA 15 amp max	£71.50 (£93.18 inc VAT)
5KVA 25 amp max	£126.50

(Plus Carriage)  
 Buy direct from the Importers. Kinest prices in the country

#### COMPREHENSIVE RANGE OF TRANSFORMERS - I.T. ISOLATION & AUTO

(110-240V Auto transfer either case with American socket and mains lead or open frame type. Available for immediate delivery)

#### ULTRA VIOLET BLACK LIGHT FLOUORESCENT TUBES

4ft 40 watt	£12.00 (callers only)	(£14.10 inc VAT)
2ft 20 watt	£7.44 + £1.25 p&p	(£10.21 inc VAT)
13in 10 watt	£5.80 + 75p p&p	(£7.70 inc VAT)
12in 8 watt	£4.80 + 75p p&p	(£6.52 inc VAT)
9in 6 watt	£3.96 + 50p p&p	(£5.24 inc VAT)
6in 4 watt	£3.96 + 50p p&p	(£5.24 inc VAT)

#### 230V AC BALLAST KIT

For either 6in, 9in or 12in tubes £5.50 + £1.15 p&p  
 (£7.81 inc VAT)  
 For 13in tubes £6.00 + £1.35 p&p  
 (£8.64 inc VAT)

#### 400 WATT UV LAMP

Only £34.00 + £2.50 p&p (£42.89 inc VAT)  
 180 WATT SELF BALLASTED BLACK LIGHT MERCURY BULBS

Available with BC or ES fitting, price inc VAT & p&p and VAT £25.55

#### 12V D.C. BILGE PUMPS

500 GPH 15ft head 3 amp £18.21  
 1750 GPH 15ft head 9 amp £31.73  
 Also now available: 24V D.C. 1750 GPH 15ft head 5 amp £32.90. All designed to be used submerged. PRICES INCLUDE P&P & VAT

#### EPROM ERASURE KIT

Build your own EPROM ERASURE for a fraction of the price of a made-up unit kit of parts. Less case includes 12in x 2.5in Angol Tube Ballast unit, pair of bi-pin leads, neon indicator, on/off switch, safety microswitch and circuit £14.00 + £2.00 p&p  
 (£18.80 inc VAT)

#### SUPER HY-LIGHT STROBE KIT

Designed for Disco, Theatrical use etc.  
 Approx 16 joules Adjustable speed £60.00 + £3.00 p&p  
 (£82.26 inc VAT)  
 Case and reflector £24.00 + £3.00 p&p  
 (£31.73 inc VAT).  
 SAE for further details including Hy-Light and industrial Strobe Kits.

### "BOFFINS SPECIAL" - UNIQUE OFFER

Surplus Precision Medical Unit, assembly in excellent condition. Designed primarily to inject a precise controllable amount of fluid from a medical syringe (latter not supplied). Consists of the following removable components: Dual Micro Processor Boards and EPROMS Escap Precision 12V DC Motor with 300:1 Gear Box and optical encoder coupled to a precision threaded drive mechanism. Means supply with 6 x 1.5V Ni-Cad A.A. cells back-up L.C.D. Digital read-out 17mm high with legends. Audible warning.

These are sold for the dismantling of the exceptional quality components. Request no Credits available.  
 Ridiculously low price: ~~£18.00~~ - £4.80 p&p  
 (£23.50 inc VAT)

#### WIDE RANGE OF XENON FLASH TUBES

Write/Phone your enquiries

#### 12V D.C. GEARED MOTOR

12V D.C. Reversible precision-built motor Output speeds no load approx: 12V-26 rpm, 3V-20 rpm, 6V-12 rpm. Will work at lower voltages and still offers a reasonable torque. Ideal for robotics etc. Size: L. 40mm, W. 29 mm, H. 35mm. Shaft 3mm dia x 10mm long. Price: £8.00 + 50p p&p (£8.00 inc. VAT)

#### TORIN CENTRIFUGAL BLOWER

230V AC, 2.800 RPM, 0.9 amp, 130mm diameter, impeller outlet 63 x 37mm, overall size 195 x 180 x 150mm. long. Price £17.50 + £2.50 p&p (£23.50 inc. VAT)

#### SOUD STATE RELAY

7 amp x 240V, A.C. when mounted on suitable heat-sink. Can be driven from T.T.L or Computer output between 3-10V D.C. Size: 24mm x 17mm x 15mm high. Fixing centres 30mm (TO-3). Price £3.00 - 40p p&p (£4.00 inc. VAT)

#### GEARED MOTORS

71 RPM 20lb inch torque reversible 115V AC input including capacitor and transformer for 240V AC operation. Price inc VAT & p&p £23.90.

#### SOUD STATE EMT UNIT

Input 230/240V AC Output approx 15kV Producing 10mm spark. Built in 10 sec timer. Easily modified for 20 sec. 30 sec to continuous. Designed for boiler ignition. Occurs all areas in the field of physics and electronics, eg supplying ozone or argon tubes etc. Price less case £8.99 + £2.40 p&p (£12.81 inc VAT) NMS

#### SAVE POUNDS

Build your own forged brass note detector. Can detect counterfeit amongst a quantity of notes. Complete kit of parts less case 240p a.c. including 5" uv black light tube, strob and holder, a pair bi-pin lamp holders. Total price including p&p & VAT only £13.06

#### RHEOSTAT

50W 2 ohm 5 amp ceramic power resistor, price inc VAT & p&p £10.81

#### MICROSWITCH

Pye 15 amp changeover lever microswitch, type S171. Brand new price 5 for £7.05 inc VAT & p&p

### CATALOGUE £1.00 + 25p P&P

LEDs 3mm or 5mm red or green 6p each yellow 11p each  
 High intensity red, green or yellow 5mm 30p each  
 Cable ties 1p each £5.95 per 1000 £49.50 per 10,000  
 Stepping motor 4 phase 12v 7.5 step 50 ohms £8.95  
 SAA1127 stepping motor driver chip £3.95  
 FM Transmitter kit good quality sound £8.60  
 High quality photo resist copier clad epoxy glass boards  
 Dimensions single sided double sided  
 3x4 inches £9.95 £1.07  
 4x6 inches £2.40 £2.66  
 6x12 inches £5.37  
 12x12 inches £10.66

Special Offers  
 Computer grade capacitors with screw terminals 38000uf 20v £2.50  
 87000uf 10v £1.95, 58000uf 15v £2.95, 10000uf 16v £1.50  
 7 segment common anode led display 12mm £0.45  
 LM2575 AT5.0 low drop out 5v regulator TO220 package £0.85  
 BS250 P channel mosfet £0.45, BS259 transistor £3.95 per 100  
 74LS05 hex inverter £10.00 per 100, used 8748 microcontroller £3.50  
 TV Mains switch 4A double pole with momentum contacts for remote control pack of 10 £3.95 box of 60 £19.95  
 DC-DC converter Reliability model V12P5 12v in 5v 200ma out 300v input to output isolation with data £4.95 each or pack of 10 £39.50  
 Hour counter used 7 digit 240v ac 50Hz £1.45  
 Resistor pack 2500 resistors 1/8-2W 50 different values £8.95  
 OVERTY keyboard 58 keypunch quality switches new £5.00  
 OVERTY keyboard with serial output no data (used) £5.00  
 Wide range of CMOS TTL 74HC 74S Linear Transistors kits rechargeable batteries capacitors tools etc always in stock. Please add 95p towards P&P vat included.

#### JPG ELECTRONICS

276-278 Chatsworth Road Chesterfield S40 2BH  
 Access:V7a Orders (02475) 211292 callers welcome

## FOR ALL DETAILS OF ADVERTISING RATES TELEPHONE JAMES GALE ON 0442 66551

## HOME AUTOMATION

### LAMP MODULE

Plugs in to wall socket to control incandescent lamps up to 300W  
 Responds to ON/OFF/DIM/BRIGHT commands from controllers. LM585 £22.45

### MINI TIMER

Timed control of up to 4 modules twice a day. Also features direct ON/OFF/DIM/BRIGHT control plus clock functions. MT522 £29.95.

### ENERGOLIC 1400e Controller

The first intelligent home automation system. A remarkable hardware + software package that adds brains to the range of X-10 modules and controllers. £349.95

Part of a remarkable range of home automation components from

## SMART HOUSE SYSTEMS LTD

3 Buchanan Street, Largs, Ayrshire KA30 8PP  
 Tel: 0475 672589

## FOR SALE

# DNM Slit Foil

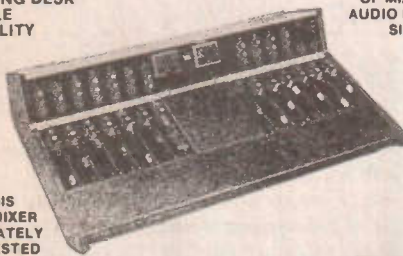
## The Ultimate Electrolytic Capacitor For Audio

Upgrade your amplifier by improving its weakest link, the power supply electrolytics. Purpose designed for audio, the Slit Foil Capacitor eliminates unwanted eddy currents greatly improving amplifier resolution.

Full details from:-

**DNM Design,**  
15 Highland Avenue, Brentwood,  
Essex CM15 9DD  
Fax and Tel: 0277 225865

THE AFFORDABLE COMMUNITY  
BROADCAST MIXING DESK  
ELEGANT IN STYLE  
SOUND AND QUALITY  
THE NO SQUARE  
BOX LOOK



MANUFACTURERS  
OF MIXERS AND  
AUDIO EQUIPMENT  
SINCE 1951

TRIED AND  
PROVEN  
PRODUCTS

EVERY PART OF THIS  
FULLY MODULAR MIXER  
AVAILABLE SEPARATELY  
IN KIT FORM OR TESTED  
SUB UNITS FOR DESIGNER  
CONSTRUCTORS CLIENT DESKS

VISIT OUR  
WORKING STUDIO  
AND TEST DRIVE THIS DESK  
PHONE: 0268 793256

## PARTRIDGE ELECTRONICS

A.C. PARTRIDGE LTD.  
PHONE: 0268 793381 FAX: 0268 565759

- ★ Uncluttered Operational Area
- ★ Presenter Designed Layout
- ★ Full remote Control Facilities
- ★ The Low Profile User Friendly

WORKS: UNIT D,  
318 HIGH ROAD  
BENFLEET, ESSEX SS7 5HB

**AUDIOAMPS!!** 50W Mosfet -  
Module £4 + regulated PSU-240V  
£10 - Rack £14 - Ideal for P.A. -  
Disco!! K.I.A. 1 Regent Road, Ilkley.  
Catalogue +9-25V variable power  
supply £1.

**HP 1651A** Logic Analyser 20  
channels 32 Probes Manual full  
working condition £500 0923  
820940.

## KITS

**HEATHKIT.** U.K. spares and  
service centre/Educational  
Products Distributor. Cedar  
Electronics, 12, Isbourn Way,  
Winchcombe, Cheltenham  
GL54 5NS Tel. (0242) 602402.

**NEW VHF MICROTRANS-  
MITTER KIT** tuneable 80-  
135MHz, 500 metre range  
sensitive electret microphone, high  
quality PCB. Special offer  
complete kit only £5.95, assembled  
and ready to use £9.95 inclusive  
P&P. 3 Watt FM transmitter kit  
£14.95. Credit card orders  
telephone 021 411 1821, Fax 021  
411 2355. Cheques/PO's to:  
Quantek Electronics, (Dept ETI), 3  
Houldey Road, Birmingham, B31  
3HL. Send 2 x 1st class stamps  
for details of these and other kits.

Miniature Micro F.M. Transmitter Kits  
"As used by the Professionals"  
9 volt D.C./F.M./T.X.  
Measuring only 30x55mil  
ampstage increased output roller  
tined F.G./P.C.B. range up to 1  
mile kit £5.95  
Micro Model only 10x15 mil 1 1/2  
volt D.C. spec as above £8.95  
Hundreds sold to delighted  
customers. Other kits available  
send SAE. All prices inclusive no  
more to pay.

C.G. BATEMAN, 65 Roseland  
Road, Waunarfwydd,  
Swansea SA5 4ST

## PLANS

**ELECTRONIC PLANS,** laser  
designs, solar and wind generators,  
high voltage teslas, surveillance  
devices, pyrotechnics and com-  
puter graphics tablet. 150 projects.  
For catalogue. SAE to Plancentre  
Publications, Unit 7, Old Wharf  
Industrial Estate, Dymock Road,  
Ledbury, Herefordshire, HR8 2HS.

## COURSES

Start training now for the following  
courses. Send for our brochure —  
without obligation or Telephone us on  
0626 779398

ETI 593

Name \_\_\_\_\_

- Telecomms  
Tech C&G 271
- Radio Amateur  
Licence C&G
- Micro-  
processor
- Introduction to  
Television

Radio & Telecommunications Correspondence School  
12 Moor View Drive, Teignmouth, Devon TQ14 9UN

## TO ADVERTISE TELEPHONE JAMES GALE ON 0442 66551

## WANTED

**WANTED**  
**RE-USABLE AND ALL TYPES**  
**OF ELECTRIC SCRAP**  
P.C.B.'s, PLUGS AND  
SOCKETS, EDGE  
CONNECTIONS, TEST  
EQUIPMENT, VALVES, ETC.  
PAID ON CLEARANCE.

A.R.S.  
2 NORMANS LANE, RABLEY  
HEATH, WELWYN,  
HERTS AL6 9TO  
TEL: 0438 812193 FAX: 0438  
812387 MOBILE: 0860 214302

TURN YOUR SURPLUS  
TRANSISTORS, ICS ETC INTO CASH  
immediate settlement.  
We also welcome the opportunity  
to quote for complete factory  
clearance.

Contact:  
**COLES-HARDING & CO.**  
Sandall Road, Wisbech,  
Cambs PE13 2PS  
BUYERS OF SURPLUS INVENTORY  
ESTABLISHED OVER 15 YEARS  
Tel: 0945 584188  
Fax: 0945 475216

## ELECTROMART

## AVON

**L.F. HANNEY**  
Your Electric Component  
Specialist for Avon, Wilts  
& Somerset.  
77 Lower Bristol  
Road, Bath, Avon.  
Tel: 0225 424811

## LIVERPOOL

**PROGRESSIVE RADIO**  
87/93 Dale Street  
Tel: 051 236 0982 051 236 0154  
47 Whitechapel  
Tel: 051 236 5489  
Liverpool 2  
"THE ELECTRONICS SPECIALISTS"  
Open: Tues-Sat 9.30-5.30

## TO ADVERTISE IN ETI TELEPHONE 0442 66551

## SERVICE MANUALS

Available for Most Equipment.  
TV, Video, Audio, test etc.  
Any Age, Make or Model.  
Write or Phone for Quotation.  
**MAURITRON (ETI)**  
8 Cherry tree Road, Chinnor,  
Oxon, OX9 4QY.  
Tel:- (0844) 351694.  
Fax:- (0844) 352554



# DON'T MISS OUT!

## SUBSCRIBE!

Guarantee your home delivery of  
**ELECTRONICS TODAY INTERNATIONAL**  
 at no extra cost to you,  
**SUBSCRIBE NOW**  
 - make SURE of your post-free\* copy.

**Get inside every issue!**

*\*U.K. only.*

### GET IT DELIVERED!

Please commence my subscription to *ELECTRONICS TODAY INTERNATIONAL* with the ..... issue. (If renewal please quote subscription number).....

I enclose my cheque/MO for £..... made payable to ASP or please debit my Access/Visa

Card No..... Expiry Date.....

Signature..... Name.....

Address.....

..... Post Code.....

**SUBSCRIPTION RATES: UK £23.40, Europe £29.50, Sterling Overseas £31.00, US Dollars \$56**

Please return coupon to: Argus Subscription Services, QUEENSWAY HOUSE, 2 QUEENSWAY, REDHILL, SURREY RH11 0QS.

*Please note you may receive further information about offers and services which may be of particular interest to you.*

**CREDIT CARD HOTLINE 0737 768611**

DMO



**ELECTRONICS TODAY INTERNATIONAL**  
**CLASSIFIED ADVERTISEMENT DEPARTMENT**  
**ARGUS HOUSE, BOUNDARY WAY, HEMEL HEMPSTEAD HP2 7ST**

Rates: Lineage 55p per word + VAT minimum 15 words.  
 Semi-display £14.00 per single column cm plus VAT. No reimbursement for cancellations. All ads must be pre-paid.

Name .....

Address.....

..... Daytime Tel. No: .....

Signature ..... Date .....

PLEASE DEBIT MY ACCESS/BARCLAYCARD No.  Expiry Date.....

FOR SALE  COMPONENTS  PLANS  OTHERS STATE


# ETI

## ELECTRONICS TODAY INTERNATIONAL

### EDITORIAL

Editor **Paul Freeman**  
Sub Editor **Jim Bluck**

### CREATIVE

Art Editor **Peter Kirby**  
Designer **Iain Houston**  
Technical Illustration **John Puczynski**  
Photography **Manny Cefai**

### ADVERTISEMENT SALES

Advertisement Manager  
**Mark Linacre**  
Advertisement Sales  
**Michele Donovan**  
Advertisement Copy Control  
**Marie Quilter**  
Key Accounts Manager  
**Donna Wells**

### MANAGEMENT

Managing Director  
**Terry Pattison**  
Circulation & Promotions Manager  
**Debra Stuppel**  
Production Manager  
**Tony Dowdeswell**  
Group Editor  
**Stuart Cooke**  
Group Advertisement Manager  
**Claire Jenkinson**



ETI is normally published on the first Friday in the month preceding the cover date. The contents of this publication including all articles, plans, drawings and programs and all copyright and all other intellectual property rights therein belong to Argus Specialist Publications. All rights conferred by the Law of Copyright and other intellectual property rights and by virtue of international copyright conventions are specifically reserved to Argus Specialist Publications and reproduction requires the prior written consent of the company ©1990 Argus Specialist Publications. All reasonable care is taken in the preparation of the magazine contents, but the publishers cannot be held legally responsible for errors. Where mistakes do occur, a correction will normally be published as soon as possible afterwards. All prices and data contained in advertisements are accepted by us in good faith as correct at the time of going to press. Neither the advertisers nor the publishers can be held responsible, however, for any variations affecting price or availability which may occur after the publication has closed for press.

● Subscription rates...UK £23.40 Europe £29.50 Sterling Overseas £31.00 US Dollars Overseas \$59.00

Published by Argus Specialist Publications, Argus House, Boundary Way, Hemel Hempstead HP2 7ST. Telephone (0442) 66551. UK newstrade distribution by SM Distribution Ltd, 6 Leigham Court Road, London SW16 2PG. Telephone 081-667 8111. Overseas and non-newstrade sales by Magazine Sales Department, Argus House, Boundary Way, Hemel Hempstead, HP2 7ST. Telephone (0442) 66551. Subscriptions by Argus Subscription Services, ETI, Queensway House, 2 Queensway, Redhill, Surrey RH1 1QS. US subscriptions by Wise Owl Worldwide Publications, 4314 West 238th Street, Torrance, CA90505 USA. Telephone (310) 375 6258. Typesetting and origination by Ebony, Liskeard, Cornwall. Printed by Wiltshire Ltd. Bristol.



Argus House, Boundary Way,  
Hemel Hempstead HP2 7ST  
Telephone (0442) 66551 Fax (0442) 66998

# Next Month

A personal attack alarm can be a very useful item to have in your possession. With this in mind it comes as no surprise that ETI provides you with such a useful project and a cover PCB to go with it.

Very much on the audio scene, we have two projects to keep music lovers happy. They are a five-band graphic equaliser and a middle and side stereo encoder that can provide you with mind or ear stretching results. For the radio control enthusiast we present the second in our series with a look at a low power speed controller. On the features side we take a detailed look at battery technology.

So make sure of ordering your copy of ETI from your nearest newsagent or pick up a copy on 7th May.

*The above articles are in preparation but circumstances may prevent publication*

# Last Month

Our April issue featured:

The Latest News on Digital TV  
Solo Mic Pre-amp  
All About...Liquid Crystal  
The Spoiler  
AutoMate Mixer PPM module  
Multimate Tester  
The Keepsafe Alarm  
Proving Unit  
Infra Guide Part 1

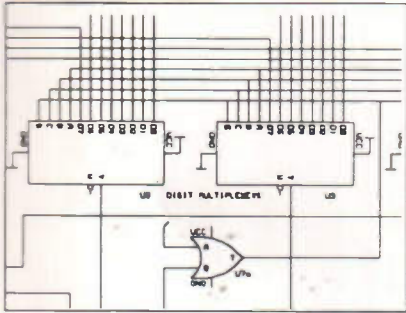
Back issues can be obtained from Argus Subscription Services.  
Address in column to left.

## ADVERTISERS' INDEX

AG ELECTRONICS .....	57	J&N BULL .....	42,43
BK ELECTRONICS .....	IFC	JAY TEE ELECTRONICS .....	59
BAAS ELECTRONICS .....	24	JPG .....	11
BADGER BOARDS .....	46	M&B RADIO .....	62
BD ELECTRONICS .....	35	MAILTECH .....	58,59
BONEX .....	19	MAPLIN ELECTRONICS .....	OBC
CP TECHNOLOGY .....	11	NUMBER ONE SYSTEMS .....	ICB
CANAL BRIDGE AUDIO .....	30	OMNI ELECTRONICS .....	57
CHELMER VALVE Co. ....	14	PICO TECHNOLOGY .....	15
CIRKIT .....	31	R&TV COMPONENTS .....	13
CRICKLEWOOD ELECTRONICS .....	24	RN ELECTRONICS .....	46
DATUNG .....	59	SAJE ELECTRONICS .....	46
DEVAN TECH .....	31	SEETRAK .....	62
DISPLAY ELECTRONICS .....	25	STEWARTS OF READING .....	59
EQT .....	46	TECHNICAL INFORMATION .....	11
HALCYON ELECTRONICS .....	46	TELNET .....	62
HESING TECHNOLOGY .....	35	WILMSLOW AUDIO .....	31

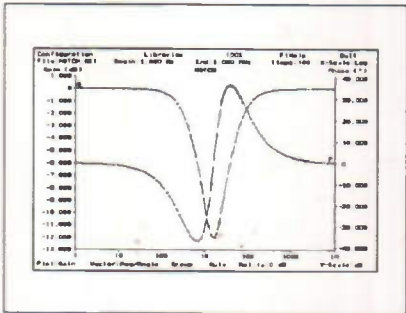
# Electronic Designs Right First Time?

From Schematic Capture -

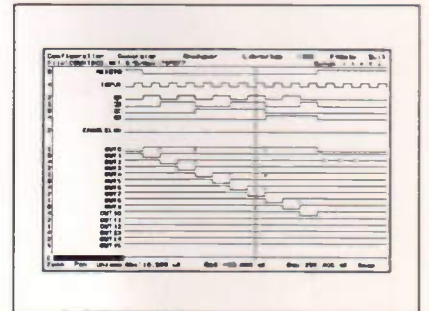


Create your schematics quickly and efficiently using EASY-PC Professional. Areas of the circuit can be highlighted on screen and simulated automatically using ANALYSER III and PULSAR, our analogue and digital simulation programs.

through Analogue and Digital Simulation -

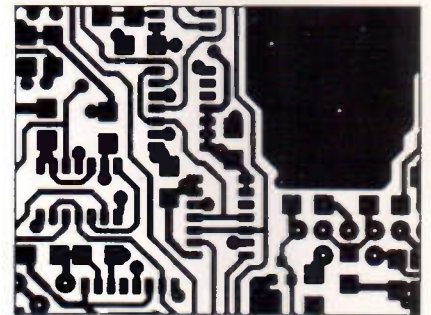


If the results of the simulations are not as expected, the configuration and component values of the circuit can be modified until the required performance is achieved.



to Printed Circuit Board Design!

The design, complete with connectivity, can then be translated into the PCB. The connectivity and design rules can be checked automatically to ensure that the PCB matches the schematic.



## Affordable Electronics CAD

<b>EASY-PC Professional:</b> Schematic Capture and PCB CAD. Links directly to ANALYSER III and PULSAR.	\$375.00	£195.00
<b>PULSAR:</b> Low cost Digital Circuit Simulator ~ 1500 gate capacity.	\$195.00	£98.00
<b>PULSAR Professional:</b> Digital Circuit Simulator ~ 50,000 gate capacity.	\$375.00	£195.00
<b>ANALYSER III:</b> Low cost Linear Analogue Circuit Simulator ~ 130 nodes.	\$195.00	£98.00
<b>ANALYSER III Professional:</b> Linear Analogue Circuit Simulator ~ 750 nodes.	\$375.00	£195.00
<b>EASY-PC:</b> Low cost, entry level PCB and Schematic CAD.	\$195.00	£98.00

We operate a no penalty upgrade policy. You can upgrade at any time to the professional version of a program for the difference in price.

US\$ prices include Post and Packing  
Sterling Prices exclude P&P and VAT.

## Number One Systems Ltd.

Harding Way, St. Ives, Huntingdon,  
Cams. PE17 4WR, UK.

For Full Information: Please Write, Phone or Fax.

**Tel: 0480 461778**

**Fax: 0480 494042**

USA tel: 011- 44 - 480 461778 fax 011- 44 - 480 494042

# SERIOUS SOUND SERIOUS SAVING

## HIGH QUALITY PROFESSIONAL 100W POWER AMPLIFIER KIT – SAVE £30

★ Ideal for Instrument Amplification ★ Stage Foldback ★ Small Venue P.A. ★ Studio Monitor Amplifier



1992/3 Catalogue Price **£159.95**

**NOW ONLY** [H]

**£129.95**

Order Code **LT11M**

**T**his superb amplifier kit brings together five of the best and most popular 'Audio Building Blocks', to produce an amplifier of unrivalled sound quality at the price. The Power Output Stage is an excellent 150W MOSFET design which is currently Maplin's Best Selling Audio Kit. It is complemented by the excellent performance of the SSM2016 Differential Preamplifier which has also featured in Maplin's 'Top 20' kits. The superb audio stages are supported by a High Quality Power Supply Unit, sophisticated Monitoring Circuitry and a Thermal Protection System. Housed in a rugged 19in. rack mounting case, this outstanding amplifier is designed for longevity, purity of sound reproduction and ease of integration with other professional equipment.

The kit contains everything you need to build this superb amplifier and is supplied complete with comprehensive constructional information.

### Features:

- ★ Standard 19in. 2U Rack Mounting Case
- ★ 100W RMS Power Output
- ★ Balanced Line Input
- ★ Loudspeaker Protection
- ★ Switch-on Mute
- ★ Thermal Protection

### Typical Specification:

Rated Load Impedance: 4 to 8Ω

Maximum Power Output:

4Ω 105W RMS

8Ω 90W RMS

THD @ 75W (1kHz): 0.02%

Frequency Response: 10Hz to 40kHz, -1dB

**Maplin**  
ELECTRONICS

**CREDIT CARD HOTLINE**  
**0702 554161**

Mail Order to: P.O. Box 3, Rayleigh, Essex SS6 8LR

For a friendly welcome and the best of service, visit your local Maplin store: **BIRMINGHAM**; Sutton New Road, Erdington. **BRIGHTON**; 65 London Road. **BRISTOL**; 302 Gloucester Road. **CARDIFF**; 29-31 City Road. **CHATHAM**; 2 Luton Road. **COVENTRY**; 12 Bishop Street. **EDINBURGH**; 126 Dalry Road. **GLASGOW**; 264-266 Great Western Road. **ILFORD**; 302-304 Green Lane. **LEEDS**; Carpet World Building, 3 Regent Street. **LEICESTER**; Office World Building, Burton Street. **LONDON**; 146-148 Burnt Oak Broadway, Edgware. 107-113 Stanstead Road, Forest Hill. 120-122 King Street, Hammersmith. **MANCHESTER**; 8 Oxford Road. **NEWCASTLE-UPON-TYNE**; Unit 4, Allison Court, The Metro Centre, Gateshead. **NOTTINGHAM**; 86-88 Lower Parliament Street. **PORTSMOUTH**; 98-100 Kingston Road. **READING**; 129-131 Oxford Road. **SHEFFIELD**; 413 Langsett Road, Hillsborough. **SOUTHAMPTON**; 46-48 Bevois Valley Road. **SOUTHEND-ON-SEA**; 282-284 London Road, Westcliff. Plus a NEW STORE opening soon in **MIDDLESBROUGH**. Phone 0702 552911 for further details. Subject to availability. Price subject to change. Price inclusive of VAT. [H] indicates a carriage charge of £5.50.