

**WAVES AND  
PARTICLES**  
The nature of energy

**SWITCHED  
-MODE  
POWER  
SUPPLY**  
Versatile voltage  
control

**HYBRID AUDIO  
PRE-AMP**  
A high quality  
transistor/valve design

**DIGITAL  
CODE LOCK**  
Protecting  
valuables by a code

**DIGITAL  
PULSE  
TRANSMISSION**  
**TEST GEAR BASICS**





**POWER AMPLIFIER MODULES-TURNABLES-DIMMERS-LOUDSPEAKERS-19 INCH STEREO RACK AMPLIFIERS**

PRICES INCLUDE V.A.T. PROMPT DELIVERIES FRIENDLY SERVICE LARGE (A4) S.A.E. 50p STAMPED FOR CATALOGUE

**OMP MOS-FET POWER AMPLIFIERS**  
HIGH POWER, TWO CHANNEL 19 INCH RACK

**THOUSANDS PURCHASED BY PROFESSIONAL USERS**



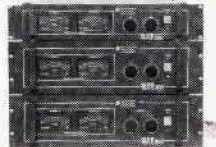
**THE RENOWNED MXF SERIES OF POWER AMPLIFIERS**  
FOUR MODELS:- MXF200 (100W + 100W) MXF400 (200W + 200W)  
MXF600 (300W + 300W) MXF900 (450W + 450W)  
ALL POWER RATINGS R.M.S. INTO 4 OHMS, BOTH CHANNELS DRIVEN

**FEATURES:** ★Independent power supplies with two toroidal transformers ★ Twin L.E.D. Vu meters ★ Level controls ★ Illuminated on/off switch ★ XLR connectors ★ Standard 775m inputs ★ Open and short circuit proof ★ Latest Mos-Fets for stress free power delivery into virtually any load ★ High slew rate ★ Very low distortion ★ Aluminium cases ★ MXF600 & MXF900 fan cooled with D.C. loudspeaker and thermal protection.

**USED THE WORLD OVER IN CLUBS, PUBS, CINEMAS, DISCOS ETC.**

**SIZES:-** MXF200 W19"xH3 1/2" (2U)xD11"  
MXF400 W19"xH5 1/4" (3U)xD12"  
MXF600 W19"xH5 1/4" (3U)xD13"  
MXF900 W19"xH5 1/4" (3U)xD14 1/2"

**PRICES:-** MXF200 £175.00 MXF400 £233.85  
MXF600 £329.00 MXF900 £449.15  
SPECIALIST CARRIER DEL. £12.50 EACH



**OMP VARISPEED TURNTABLE CHASSIS**



★ Manual arm ★ Steel chassis ★ Electronic speed control 33 & 45 R.P.M. ★ Vari pitch control ★ High torque servo driven DC motor ★ Transit screws ★ 12" die cast platter ★ Neon strobe ★ Calibrated balance weight ★ Removable head shell ★ 1/2" cartridge fixings ★ Cue lever★ 220/240V 50/60Hz ★ 390x305mm ★ Supplied with mounting cut-out template.

**PRICE £61.30 + £3.70 P&P**

**OPTIONAL MAGNETIC CARTRIDGES**

**STANTON AL500mkII GOLDRING G950**  
PRICE £16.95 + 50P PRICE £7.15 + 50P

**STEREO DISCO MIXER DJ6500**

★ WITH ECHO ★

**STEREO DISCO MIXER** with 2 x 7 band L & R graphic equalisers with bar graph LED Vu meters. **MANY OUTSTANDING FEATURES:-** including Echo with repeat & speed control, DJ Mic with tone control & talk-over switch, 7 Channels with individual faders plus cross fade, Cue Headphone Monitor. Useful combination of the following inputs:- 3 turntables (mag), 3 mics, 5 Line for CD, Tape, Video etc.

**Price £134.99 + £5.00 P&P**



**SIZE: 482 x 240 x 120mm**

**PIEZO ELECTRIC TWEETERS - MOTOROLA**

Join the Piezo revolution! The low dynamic mass (no voice coil) of a Piezo tweeter produces an improved transient response with a lower distortion level than ordinary dynamic tweeters. As a crossover is not required these units can be added to existing speaker systems of up to 100 watts (more if two are put in series. **FREE EXPLANATORY LEAFLETS ARE SUPPLIED WITH EACH TWEETER.**

**TYPE 'A' (KSN1036A)** 3" round with protective wire mesh. Ideal for bookshelf and medium sized Hi-Fi speakers. Price £4.90 + 50p P&P.  
**TYPE 'B' (KSN1005A)** 3 1/2" super horn for general purpose speakers, disco and P.A. systems etc. Price £5.99 + 50p P&P.  
**TYPE 'C' (KSN1016A)** 2" x 5" wide dispersion horn for quality Hi-Fi systems and quality discos etc. Price £6.99 + 50p P&P.  
**TYPE 'D' (KSN1025A)** 2" x 6" wide dispersion horn. Upper frequency response retained extending down to mid-range (2KHz). Suitable for high quality Hi-Fi systems and quality discos. Price £9.99 + 50p P&P.  
**TYPE 'E' (KSN1038A)** 3 3/4" horn tweeter with attractive silver finish trim. Suitable for Hi-Fi monitor systems etc. Price £5.99 + 50p P&P.  
**LEVEL CONTROL** Combines, on a recessed mounting plate, level control and cabinet input jack socket. 85x85mm. Price £4.10 + 50p P&P.

**OMP LINNET LOUDSPEAKERS**

**THE VERY BEST IN QUALITY AND VALUE**

Made especially to suit today's need for compactness with high output sound levels, finished in hard wearing black vinylite with protective corners, grille and carrying handle. Each unit incorporates a 12" driver plus high frequency horn for a full frequency range of 45Hz-20KHz. Both models are 8 Ohm impedance. Size: H20" x W15" x D12".

**CHOICE OF TWO MODELS**

**POWER RATINGS QUOTED IN WATTS RMS FOR EACH CABINET**

**OMP 12-100WATTS (100dB) PRICE £163.50 PER PAIR**  
**OMP 12-200WATTS (200dB) PRICE £214.55 PER PAIR**

SPECIALIST CARRIER DEL. £12.50 PER PAIR



**IN-CAR STEREO BOOSTER AMPS**

**THREE SUPERB HIGH POWER CAR STEREO BOOSTER AMPLIFIERS**  
150 WATTS (75 + 75) Stereo, 150W Bridged Mono  
250 WATTS (125 + 125) Stereo, 250W Bridged Mono  
400 WATTS (200 + 200) Stereo, 400W Bridged Mono  
**ALL POWERS INTO 4 OHMS**

**Features:** ★ Stereo, bridgable mono ★ Choice of high & low level inputs ★ L & R level controls ★ Remote on-off ★ Speaker & thermal protection.



**PRICES: 150W £49.99 250W £99.99**  
**400W £109.95 P&P £2.00 EACH**

POSTAL CHARGES PER ORDER £1.00 MINIMUM. OFFICIAL ORDERS FROM SCHOOLS, COLLEGES, GOVT. BODIES, PLCs ETC. PRICES INCLUSIVE OF V.A.T. SALES COUNTER. VISA AND ACCESS ACCEPTED BY POST, PHONE OR FAX.

**OMP MOS-FET POWER AMPLIFIER MODULES** SUPPLIED READY BUILT AND TESTED.

These modules now enjoy a world-wide reputation for quality, reliability and performance at a realistic price. Four models are available to suit the needs of the professional and hobby market (i.e. Industry, Leisure, Instrumental and Hi-Fi etc. When comparing prices, NOTE that all models include toroidal power supply, integral heat sink, glass fibre P.C.B. and drive circuits to power a compatible Vu meter. All models are open and short circuit proof.

**THOUSANDS OF MODULES PURCHASED BY PROFESSIONAL USERS**



**OMP/MF 100 Mos-Fet Output power 110 watts**  
R.M.S. into 4 ohms, frequency response 1Hz - 100KHz -3dB, Damping Factor >300, Slew Rate 45V/uS, T.H.D. typical 0.002%, Input Sensitivity 500mV, S.N.R. -110 dB. Size 300 x 123 x 60mm.  
**PRICE £40.85 + £3.50 P&P**



**OMP/MF 200 Mos-Fet Output power 200 watts**  
R.M.S. into 4 ohms, frequency response 1Hz - 100KHz -3dB, Damping Factor >300, Slew Rate 50V/uS, T.H.D. typical 0.001%, Input Sensitivity 500mV, S.N.R. -110 dB. Size 300 x 155 x 100mm.  
**PRICE £64.35 + £4.00 P&P**



**OMP/MF 300 Mos-Fet Output power 300 watts**  
R.M.S. into 4 ohms, frequency response 1Hz - 100KHz -3dB, Damping Factor >300, Slew Rate 60V/uS, T.H.D. typical 0.001%, Input Sensitivity 500mV, S.N.R. -110 dB. Size 330 x 175 x 100mm.  
**PRICE £81.75 + £5.00 P&P**



**OMP/MF 450 Mos-Fet Output power 450 watts**  
R.M.S. into 4 ohms, frequency response 1Hz - 100KHz -3dB, Damping Factor >300, Slew Rate 75V/uS, T.H.D. typical 0.001%, Input Sensitivity 500mV, S.N.R. -110 dB, Fan Cooled, D.C. Loudspeaker Protection, 2 Second Anti-Thump Delay. Size 385 x 210 x 105mm.  
**PRICE £132.85 + £5.00 P&P**

**NOTE: MOS-FET MODULES ARE AVAILABLE IN TWO VERSIONS: STANDARD - INPUT SENS 500mV, BAND WIDTH 100KHZ. PEC (PROFESSIONAL EQUIPMENT COMPATIBLE) - INPUT SENS 775mV, BAND WIDTH 50KHZ. ORDER STANDARD OR PEC.**



**Vu METER** Compatible with our four amplifiers detailed above. A very accurate visual display employing 11 L.E.D.s (7 green, 4 red) plus an additional on/off indicator. Sophisticated logic control for very fast rise and decay times. Tough moulded plastic case, with acrylic tinted front. Size 84 x 27 x 45mm.  
**PRICE £8.70 + 50p P&P**

**LOUDSPEAKERS**

**LARGE SELECTION OF SPECIALIST LOUDSPEAKERS AVAILABLE, INCLUDING CABINET FITTINGS, SPEAKER GRILLES, CROSS-OVERS AND HIGH POWER, HIGH FREQUENCY BULLETS AND HORNS, LARGE (A4) S.A.E. (50p STAMPED) FOR COMPLETE LIST.**

From McKenzie Professional Series  
From McKenzie Studio Series

**McKENZIE- INSTRUMENTS, P.A., DISCO, ETC**

**ALL McKENZIE UNITS 8 OHMS IMPEDANCE**  
**8" 100 WATT C18-100GP GEN. PURPOSE, LEAD GUITAR, EXCELLENT MID, DISCO.** RES. FREQ. 80Hz. FREQ. RESP. TO 7KHz, SENS 96dB. PRICE £31.45 + £2.00 P&P  
**10" 100WATT C10-100GP GUITAR, VOICE, KEYBOARD, DISCO, EXCELLENT MID.** RES. FREQ. 72Hz. FREQ. RESP. TO 6KHz, SENS 97dB. PRICE £38.89 + £2.50 P&P  
**10" 200WATT C10-200GP GUITAR, KEYB'D, DISCO, EXCELLENT HIGH POWER MID.** RES. FREQ. 69Hz. FREQ. RESP. TO 5KHz, SENS 97dB. PRICE £53.21 + £2.50 P&P  
**12" 100WATT C12-100GP HIGH POWER GEN. PURPOSE, LEAD GUITAR, DISCO.** RES. FREQ. 49Hz. FREQ. RESP. TO 7KHz, SENS 98dB. PRICE £40.35 + £3.50 P&P  
**12" 100WATT C12-100TC (TWIN CONE) HIGH POWER, WIDE RESPONSE, P.A., VOICE, DISCO.** RES. FREQ. 45Hz. FREQ. RESP. TO 12KHz, SENS 97dB. PRICE £41.39 + £3.50 P&P  
**12" 200WATT C12-200B HIGH POWER BASS, KEYBOARDS, DISCO, P.A.** RES. FREQ. 45Hz. FREQ. RESP. TO 5KHz, SENS 98dB. PRICE £71.91 + £3.50 P&P  
**12" 300WATT C12-300GP HIGH POWER BASS, LEAD GUITAR, KEYBOARDS, DISCO ETC.** RES. FREQ. 49Hz. FREQ. RESP. TO 7KHz, SENS 100dB. PRICE £95.66 + £3.50 P&P  
**15" 100WATT C15-100BS BASS GUITAR, LOW FREQUENCY, P.A., DISCO.** RES. FREQ. 40Hz. FREQ. RESP. TO 5KHz, SENS 98dB. PRICE £59.05 + £4.00 P&P  
**15" 200WATT C15-200BS VERY HIGH POWER BASS.** RES. FREQ. 40Hz. FREQ. RESP. TO 3KHz, SENS 98dB. PRICE £90.57 + £4.00 P&P  
**15" 250WATT C15-250BS VERY HIGH POWER BASS.** RES. FREQ. 39Hz. FREQ. RESP. TO 4KHz, SENS 99dB. PRICE £90.23 + £4.50 P&P  
**15" 400WATT C15-400BS VERY HIGH POWER, LOW FREQUENCY BASS.** RES. FREQ. 40Hz. FREQ. RESP. TO 4KHz, SENS 100dB. PRICE £105.46 + £4.50 P&P  
**18" 500WATT C18-500BS EXTREMELY HIGH POWER, LOW FREQUENCY BASS.** RES. FREQ. 27Hz. FREQ. RESP. TO 2KHz, SENS 98dB. PRICE £174.97 + £5.00 P&P

**EARBENDERS- HI-FI, STUDIO, IN-CAR, ETC**

**ALL EARBENDER UNITS 8 OHMS** (Except EB8-50 & EB10-50 which are dual impedance tapped @ 4 & 8 Ohm)  
**BASS, SINGLE CONE, HIGH COMPLIANCE, ROLLED SURROUND**  
**8" 50watt EB8-50 DUAL IMPEDANCE, TAPPED 4/8 OHM BASS, HI-FI, IN-CAR.** RES. FREQ. 40Hz. FREQ. RESP. TO 7KHz SENS 97dB. PRICE £8.90 + £2.00 P&P  
**10" 50watt EB10-50 DUAL IMPEDANCE, TAPPED 4/8 OHM BASS, HI-FI, IN-CAR.** RES. FREQ. 40Hz. FREQ. RESP. TO 5KHz, SENS 99dB. PRICE £13.65 + £2.50 P&P  
**10" 100WATT EB10-100 BASS, HI-FI, STUDIO.** RES. FREQ. 35Hz. FREQ. RESP. TO 3KHz, SENS 96dB. PRICE £30.39 + £3.50 P&P  
**12" 100WATT EB12-100 BASS, STUDIO, HI-FI, EXCELLENT DISCO.** RES. FREQ. 26Hz. FREQ. RESP. TO 3KHz, SENS 93dB. PRICE £42.12 + £3.50 P&P  
**FULL RANGE TWIN CONE, HIGH COMPLIANCE, ROLLED SURROUND**  
**5 1/2" 60WATT EB5-60TC (TWIN CONE) HI-FI, MULTI-ARRAY DISCO ETC.** RES. FREQ. 63Hz. FREQ. RESP. TO 20KHz, SENS 92dB. PRICE £9.99 + £1.50 P&P  
**6 1/2" 60WATT EB6-60TC (TWIN CONE) HI-FI, MULTI-ARRAY DISCO ETC.** RES. FREQ. 38Hz. FREQ. RESP. TO 20KHz, SENS 94dB. PRICE £10.99 + 1.50 P&P  
**8" 60WATT EB8-60TC (TWIN CONE) HI-FI, MULTI-ARRAY DISCO ETC.** RES. FREQ. 40Hz. FREQ. RESP. TO 18KHz, SENS 95dB. PRICE £12.99 + £1.50 P&P  
**10" 60WATT EB10-60TC (TWIN CONE) HI-FI, MULTI ARRAY DISCO ETC.** RES. FREQ. 35Hz. FREQ. RESP. TO 12KHz, SENS 98dB. PRICE £16.49 + £2.00 P&P

**TRANSMITTER HOBBY KITS**

**PROVEN TRANSMITTER DESIGNS INCLUDING GLASS FIBRE PRINTED CIRCUIT BOARD AND HIGH QUALITY COMPONENTS COMPLETE WITH CIRCUIT AND INSTRUCTIONS**

**3W TRANSMITTER 80-108MHz, VARICAP CONTROLLED PROFESSIONAL PERFORMANCE, RANGE UP TO 3 MILES, SIZE 36 x 123mm, SUPPLY 12V @ 0.5AMP.** PRICE £14.85 + £1.00 P&P

**FM MICRO TRANSMITTER 100-108MHz, VARICAP TUNED, COMPLETE WITH VERY SENS FET MIC, RANGE 100-300mm, SIZE 56 x 46mm, SUPPLY 9V BATTERY.** PRICE £8.80 + £1.00 P&P

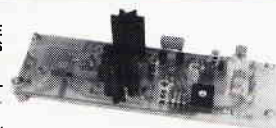


PHOTO: 3W FM TRANSMITTER

**B.K. ELECTRONICS**

UNITS 1 & 5 COMET WAY, SOUTHEND-ON-SEA, ESSEX, SS2 6TR.  
Tel.: 0702-527572 Fax.: 0702-420243



# TREAT YOURSELF . . . TREAT A FRIEND!

**S**ubscribe to  
**E.T.I. And**  
**Choose One Of**  
**These Superb Gifts**  
**Absolutely FREE!**

That's right take out a subscription to E.T.I. for either yourself or as a gift for a friend, and not only will we make sure its delivered to you each month at no extra charge\*, but you or the recipient of your gift subscription can choose one of these superb gifts with the compliments of E.T.I.

Just fill in the coupon below and send it to the address given with a cheque, money order or credit card instructions to cover the cost of the subscription. Please also indicate in the space provided which option choice — 1 or 2 you would like.  
We'll do the rest!

## SUBSCRIPTION RATES

UK £19.20 POST FREE  
Europe £24.10  
Middle East £24.40  
Far East £26.80  
Rest of World £25.85  
\*UK only post free

*Overseas rates include postage*  
*Airmail rates upon request*

## TERMS AND CONDITIONS

This offer closes 30 December 1991 and is open to current ETI subscribers who wish to renew or extend their current subscription, but must do so using the order form provided. Please allow 28 days for receipt of gift.

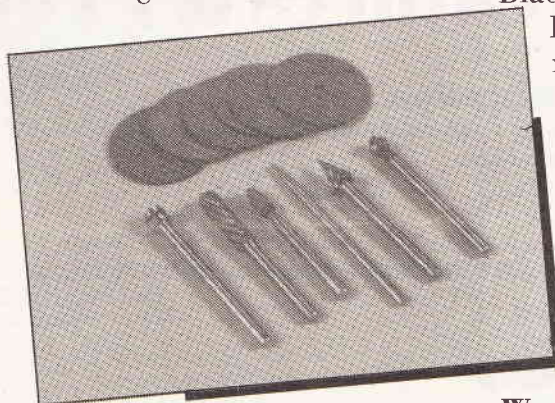
To guarantee your gift before Christmas orders **MUST** be received by **FRIDAY 6TH DECEMBER 1991.**

### CHOOSE YOUR GIFT FROM ...

**OPTION 1** How many times do you wish you had a third hand to hold components together whilst soldering the joints? Helping hands, with gripper support and magnifying glass can help you perform this task with ease. Whether it is on the work-bench or out on site, this handy little jig can help you through the awkward moments in soldering. **WORTH £6.00**



**OPTION 2** The 12-piece Black & Decker Carving and Engraving kit is a must for any home constructor. The tools are ideal for enlarging and cleaning burred holes on PCBs and finishing-off front panel slots. The disc can be used for cutting square holes and shaping PCBs to fit into cabinet housings.



**WORTH £10.00**

**Why not telephone or fax your subscription to us on:**  
**TELEPHONE 0442 66551 EXT 210 (office hours only)**  
**Please quote ETI/13. Fax: 0442 66998**

- I would like to subscribe to ETI and receive a free gift  
 I would like to send ETI gift subscription and free gift

My Name ..... Recipient's Name .....

Address ..... Address .....

..... Post Code .....

- New Subscriber     Renewal     New Subscriber     Renewal  
 OPTION 1     OPTION 2     OPTION 1     OPTION 2

Please commence with the ..... issue

I enclose my cheque/P.O. for £..... payable to ASP or please debit my

Access/Visa

Signature..... Expiry.....

Please return to Subscription Department, Argus Specialist Publications, Argus House, Boundary Way, Hemel Hempstead, Herts. HP2 7ST.

ETI/13

# Contents

NOVEMBER '91

VOLUME 20 No 11

---

## Regulars

<b>Open Channel</b>	<b>6</b>
<b>News</b>	<b>7</b>
<b>News Stateside</b>	<b>11</b>
<b>Read/Write</b>	<b>12</b>
<b>Blueprint</b>	<b>14</b>
<b>PCB Service</b>	<b>31</b>
<b>PCB Foils</b>	<b>60</b>
<b>Classified Ads</b>	<b>63</b>

---

## Features & Projects

<b>Digital Pulse Transmission</b>	<b>17</b>
Bryan Hart introduces the mechanisms and some simple mathematics behind sending pulsed code information down transmission lines.	
<b>The Nightfighter</b>	<b>22</b>
In this third part Mike Meechan ties up some constructional loose ends with the master controller and 8kW Dimmer pack.	
<b>Hybrid Audio Pre-amp</b>	<b>32</b>
Not only is there a curious fascination with valves but the use of such devices for audio can be advantageous. Couple them with the versatility of the transistor and you have the best of both worlds. Jeff Macaulay outlines the theory and construction of this audio project with a lower-than-expected voltage supply.	
<b>Test Gear Basics</b>	<b>40</b>
Instrumentation starts this new mini series by Ray Marston.	
<b>Waves and Particles</b>	<b>44</b>
A P Stephenson unravels some of the mysteries of electromagnetic radiation.	
<b>Switched Mode Power Supply</b>	<b>47</b>
Andrew Armstrong presents an interesting variation to the world of variable power supplies.	
<b>Digital Code Lock</b>	<b>50</b>
Protect your valuables with this combination lock. The construction is brought to you by Edward Barrow.	
<b>Back To Basics 9</b>	<b>54</b>
Paul Coxwell examines transformer action in this final part of his beginner series.	

---



# Editorial

## Technomania

One thing we have to be careful of here at ETI is not to publish the sorts of projects that would be as useful as an electric fridge on a desert island. Some are glaringly obvious like musical toilet rolls that play tunes every time you pull the roll or an electronic milk monitor to tell the household that the fridge is devoid of milk.

Some project ideas appear in the 'let's find a use for it' category and could fill some spare time in construction on a cold night. The final category are the ones where we wonder how we could ever do without.

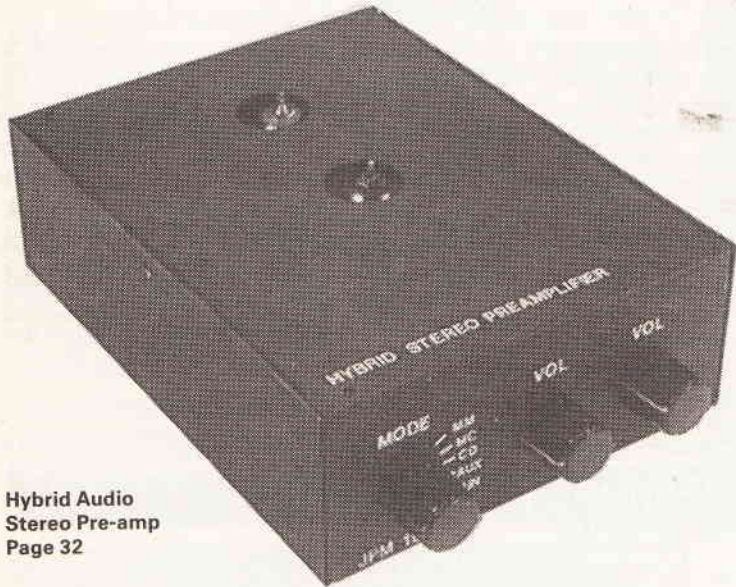
But it has to be said a gadget-ridden home would lead to a waste of resources. Consumption of electricity, replacement of batteries and maintenance are all aspects we could do without. The degree of usefulness for any aid depends upon who is using it and for what purpose. Some may find an automatic stock-taker for food that prints out a shopping list ready for your next shopping trip, really useful. Why go out shopping? What's wrong with teleshopping? say the residents of Milton Keynes whose houses are wired for everything. It is true, we could amuse ourselves ordering by TV screen when the system has been fully implemented nationwide by most shops, but it still doesn't tell us what we need. Using the same system of bar code reading is ideal since most items have these labels, but it might be difficult for the poor old laser to zig zag its way through all the nooks and crannies of the cupboard terrain like a cruise missile seeking out the targets. Maybe that's where those involved in military semi intelligent targetting systems (leave the machines to argue amongst themselves over matters of war) should divert all their accumulated knowledge into 'home-help' systems.

Technology has taken away some of the tiresome and dreadful jobs in society leaving more time to be creative in other areas, but for some it does then present the problem of what to do next!

**Paul Freeman**

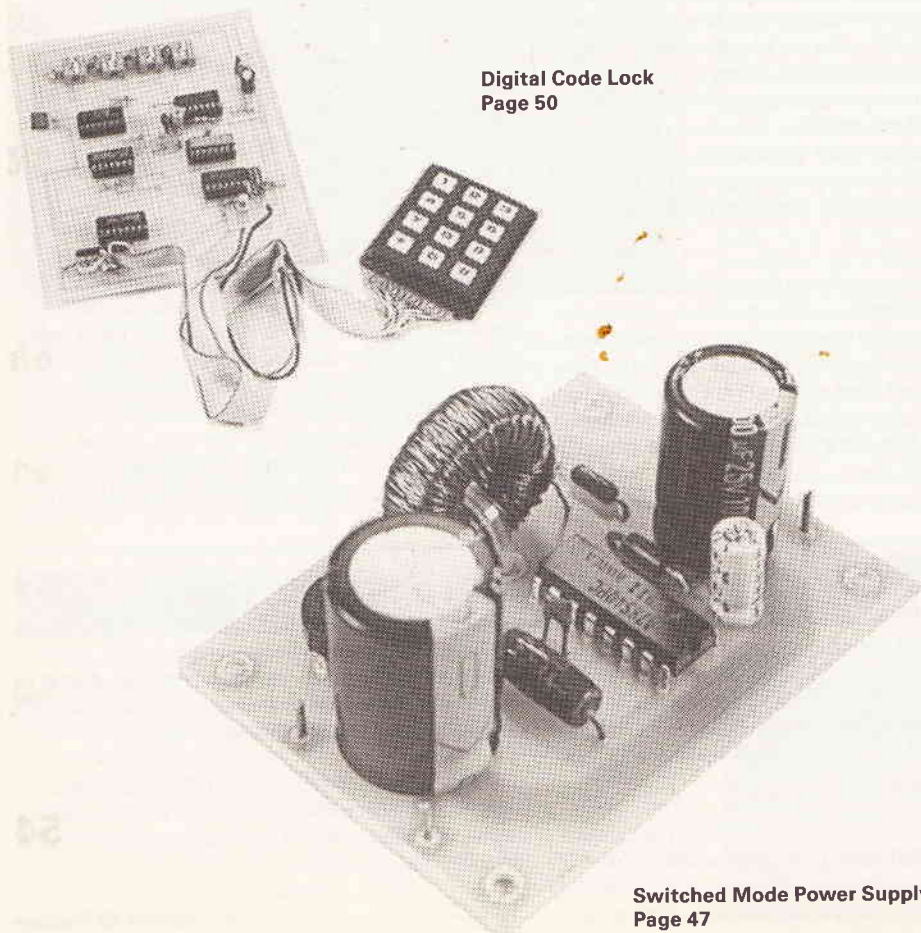


The Nightfighter Page 22



Hybrid Audio Stereo Pre-amp Page 32

Digital Code Lock Page 50



Switched Mode Power Supply Page 47



# OPEN CHANNEL



**T**here's no doubt in my mind, and I'm known for my accurate predictions — if only by my cat and all you ETI readers — that Philip's digital compact cassette (DCC) is going to win the race to gain credibility as a new digital audio recording medium against Sony's mini-disc.

Needless to say, I've recounted the main differences between the two technologies in this column before. Briefly, DCC is a tape medium which uses a stacked recording and playback head to layer digitally converted audio parts onto tape, with pretty conventional electromagnetic techniques. Mini-disc, on the other hand, is much like a compact disc using magnetic-optical techniques to create a reusable format.

Nothing remarkable here you might say, and there's potentially nothing between the two in the end result. Big difference between them, however, is apparent when you note the fact DCC is backwards compatible in that it can be used to replay conventional minicassettes — the kind we all know, use and love in analogue form. So, your valuable cassette collection containing all the archived accumulations of the last decade or two's influence on your musical sentimentality is not simply defunct if you choose the DCC route.

Choose mini-disc though and your cassettes rely on you maintaining a cassette player alongside your mini-disc player. What the world does not need at this time is yet another black box sitting in the heartlung machine which masquerades as your hi-fi system in the corner. We're all still smarting from a wonderful conversion to digital compact discs which, in reality, only meant you need to keep your grotty old LP turntable as well as your new CD machine. Ain't technology wonderful.

Naturally Sony is playing down this simple advantage. But it's enough to make me put my money on DCC. It's also enough to make Matsushita and Thomson (which both helped in DCC development), Grundig, Tandy and Kenwood join the ranks of manufacturers who will be promoting FCC and not mini-disc. Interestingly, it is rumoured Sony will also produce DCC equipment.

## We're Alright, MAC

There is growing concern among satellite broadcasters that D2MAC is not where it's at. After being almost bamboozled by the science of higher quality pictures and sound if broadcasters transmit signals in the D2MAC format, than being hoodwinked into rushing towards agreeing an operational date, they're all now having second thoughts.

Originally, the European Commission was persuaded to go the D2MAC route by a consortium of European manufacturers headed by Philips and Thomson. Quite naturally, they wanted a format which would

beat off Japanese attempts to impose high definition television systems on the European market. At the time any of the MAC variations (specifically DMAC and D2MAC) seemed able to do this job and provide a basis for development into our own high definition television system.

All this is great — MAC does provide this option and ensures existing users don't need to buy new and expensive high definition televisions yet, if they don't want to. They do, however, need slightly more expensive MAC receivers.

These manufacturers and the European Commission assumed, though, two things which I do not believe have been shown to be the case. First incorrect assumption was that users actually wanted high definition television. Second incorrect assumption was that a two-stage process to get it is necessary at all.

Proof the first assumption is incorrect can be seen by the public's acceptance of Sky Television's satellite broadcasts (using bogstandard PAL transmissions), alongside its almost total dismissal of British Satellite Broadcasting's (BSB) MAC transmissions.

If the first assumption is proved incorrect by this argument, then it's only a small step to realise the second is also incorrect, simply by default.

Société Européenne des Satellites (SES) the organisation running the Astra satellites which broadcast the five Sky Television (now British Sky Broadcasting after the merger with BSB) channels has made it clear it believes D2MAC is a dead duck. Most channels transmitted from the 32 existing transponders from its two satellites are already broadcasting in conventional PAL formats. Viewers are apparently more than pleased with the quality. Cost of conversion to MAC formats is not therefore seen as a viable imposition on users. Such is the strength of the SES (and other broadcasters) argument that the EC seems to be in minor disarray over the question. A recent deadline for agreement on high definition television was cancelled, simply because nothing would have been agreed. While manufacturers are only too happy to impose a standard, users at the front-end feel they should have been consulted.

It all boils down to the fact D2MAC transmissions only form a stepping-stone towards a high definition television system. True, while D2MAC itself allows a higher quality picture to be received than PAL formats, the higher quality is only barely perceivable, if at all to the untrained eye. It is by no means high definition. So what's the point of changing to D2MAC?

It is only with the adoption of HDMAC formats in years to come that true high definition television will be possible. In effect D2MAC is a stepping-stone which we could well do without.

**Keith Brindley**



# ETI NEWS

## TOROIDS FOR EUROPE

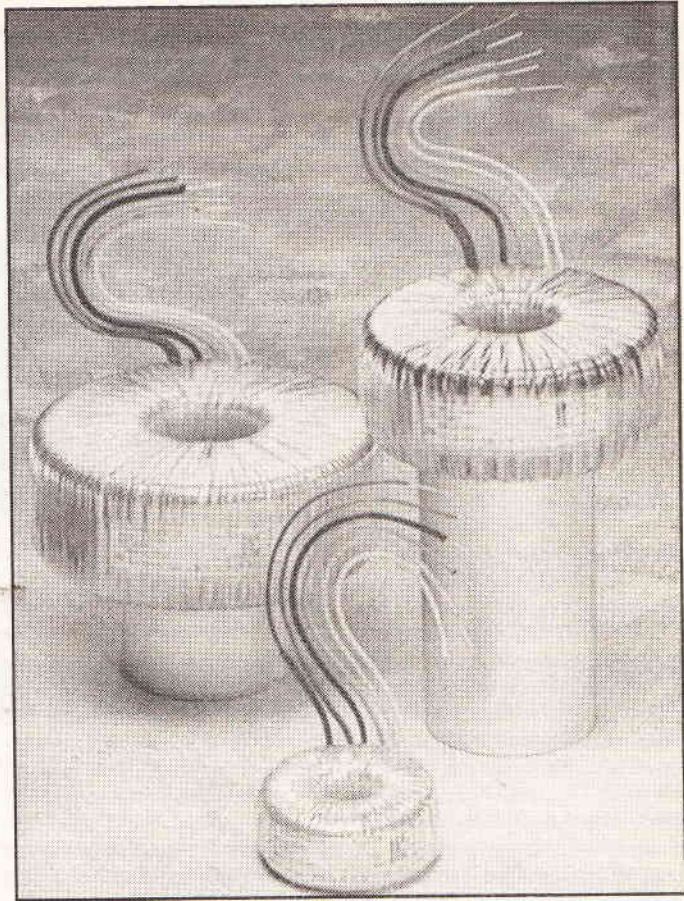
**A** new range of toroidal transformers, made by Avel in their South Wales plant, can now be supplied for use in professional electronics equipment manufactured by member countries of the EEC as they adopt the 230V mains supply voltages by the year 2003. The Avel toroid specification includes 220, 230 and 240V single wound primary windings which will meet DIN IEC38 nominal operating voltage range requirements of 207 and 253V. The operating frequency range is

47 to 400Hz (nominally 50 to 60Hz); and the power ratings are 30, 60, 100, 120, 160, 230 and 530VA.

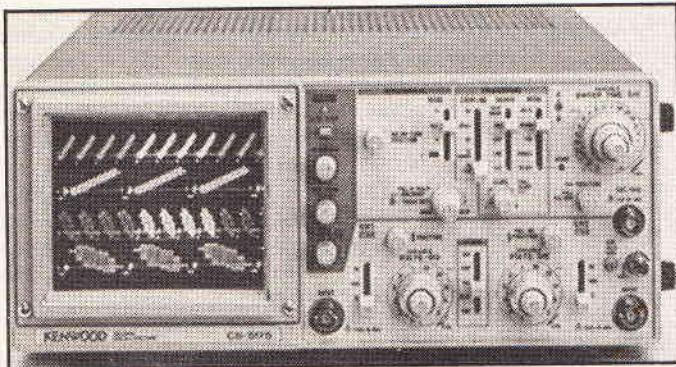
The secondary windings are wound on the outside of the primaries and enable virtually any dual secondary voltage to be provided from 6 to 240V RMS. The secondaries can be connected in series or parallel, but if they are isolated, the applied potential must not exceed 250V DC. The primary to secondary must withstand 2500V RMS; and each transformer is flash tested at 4kV RMS.

These toroids have built-in thermal cut-out protection; the permitted operating temperature rise is between 55 and 65°C depending on the VA rating. Toroidal transformers are 50% lighter, have eight times lower radiated magnetic field, 50% lower volume and have very low open circuit power loss — when compared to stacked lamination types.

Contact for further information: Avel-Lindberg Ltd, Tel: 0708 853444.



## LOW COST 100MHz OSCILLOSCOPE



**A** dual channel four trace 100MHz oscilloscope model with delayed timebase is now available from Thurlby-Thandar Ltd.

Input sensitivity can be varied between 1mV/division and 5V/division in 1-2-5 steps with fine

adjustment over the whole range. A signal delay line enables a display of leading edges. Crosstalk between channels is quoted at -40dB or lower at 1kHz.

Sweep times on the main (A) timebase can be varied between

0.05 $\mu$ s/division and 0.5s/division and between 0.05 $\mu$ s/division and 50ms/division on the delayed (B) timebase. The  $\times 10$  magnifier gives a maximum sweep speed of 5ns/division.

To ensure measurement reliability, the major specifications of vertical axis sensitivity and sweep time are guaranteed to within  $\pm 3\%$  from 10 to 35°C and at humidities up to 85%. Other specifications are within stated limits.

The true alternate delayed sweep allows an intensified portion of the waveform of sweep A to be observed using sweep B simultaneously with the original waveform. If this is performed on both input channels then a four trace display is possible.

A vertical signal output scaled to 50mV/division enables connection of a frequency counter for accurate measurement while observing the waveform.

Observation of both vertical and horizontal TV signals with stable triggering is made possible with the video clamp function. The large, dome-mesh, post accelerator (12kV) CRT provides high intensity and excellent resolution while eliminating parallax error. Auto-focus maintains a clear, sharp waveform display at all times.

The CS5175 cost £920.00 plus VAT including two probes.

Further information contact: Thurlby-Thandar Ltd, Tel: 0480 412451.

## LOW COST PULSE GENERATOR

**T**he TG105 is a low cost full function portable pulse generator. It offers a frequency rate of 5Hz to 5MHz and provides fully variable period and pulse width with a variable output level of 0.1V to 10V from 50 ohms. Free-run, single shot, gated and triggered modes are standard as in a TTL

and sync output.

The TG105 is housed in a compact rugged case which measured 255mm  $\times$  150mm  $\times$  50mm and weighs 1200gm. It is priced at £129.00 + VAT.

Further information please contact Thurlby-Thandar Ltd, Tel: 0480 412451.





## EASY VCR PROGRAMMING ON THE WAY

**E**ase of use and ease of programming remain key issues with the minority of video recorder users according to Ferguson. Despite the increased ownership of VCRs in this country, with UK household penetration now standing at 73%, a startling proportion of users still experience real difficulty in programming their video. 28% of all adults find programming their VCR arduous, and this proportion rises to even higher percentages in the case of female users (35%) or those over 45 years of age (50%).

Some attitudes identified by Ferguson's research, showed the programming to be complex and inflexible, too many features like complicated remote control units and too many buttons.

Some of these problems will hopefully be solved because as from this December, Channel 4 goes on air with Programme Delivery Control (PDC), a fully interactive system that introduces error-proof video recording from teletext by sending programme start and finish codes to the VCR. A derivative of the VPS/VPT system invented by Thomson, PDC was shown by Ferguson for the first time in the UK at the Video Show earlier this year on the Ferguson Videostar FV54LX (due to be launched in August). The PDC system signals a new era in video programming and will be launched in this country as 'Startext', a name agreed by BREMA members that is easily understood and remembered by both trade and consumer alike.

Text programmable VCRs, allowing the timer to be set directly from the teletext TV schedule pages, have existed in the UK



for two or three years now. Simple button selection on the remote handset moves a cursor down the text TV pages and the desired programme, start and stop time are stored in memory. This system provides one of the simplest methods of programming a VCR to date, however, if the programme to be recorded is delayed for any reason, perhaps because a sporting event preceding it overruns, then the programme times will need updating.

Startext works differently as, when the broadcasters transmit the TV timetable as teletext pages in advance, each programme is assigned a unique label that allows the VCR to store that individual programme in the timer's memory. In addition to sending the VCR labels that identify a particular programme, a continuous stream of information is also sent, corresponding that what is actually on-air at that moment. With a timer event programmed in the VCR's memory, the Startext circuitry within the

VCR scans the continually incoming stream of text information, waiting for the label that tells it that the programme is indeed on-air. The VCR matches the programme on-air label with the label stored earlier from the programme listing pages and, in this way, timer recording occurs at the correct start and stop times.

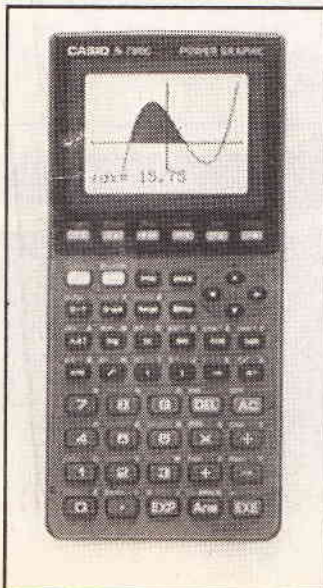
Video programming from teletext was originally patented by Thomson subsidiary, Telefunken, under the acronym VPS (video programming system), with the first text programming VCR being launched in Germany, under the Telefunken brand, in the Autumn of 1985.

Ferguson/Thomson led discussions with BREMA, the BBC, the IBA and the EBU, to establish text programming in the UK and, in the Autumn of 1989, standardised teletext programming for VCR use, jointly with the BBC and the IBA. In February 1990, Ferguson launched the first Fastext VCR in the UK.

Since then, the principles of PDC have been discussed and laid out by BREMA and UK broadcasters, and a final PDC code of practice finalised with the EBU in April of this year. Having run tests since April, Channel 4 have undertaken to start broadcasting full PDC transmissions from December.

The first Ferguson video recorder to incorporate Startext is the FV54LX, a 4-head dual azimuth long play VCR available in August, retailing at around £399.99. Incorporating a Fastext decoder, the FV54LX also provides full text facilities. This offers a distinct upgrade opportunity for the many non-text households in the UK (household penetration of TVs with text currently stands at only 34%) and, as the FV54LX allows text operation through both SCART and RF sockets, the VCR can be used for text operation by those with only an RF socket on their TV. Users can also record subtitles in colour.

## GRAPHIC CALCULATOR



**C**asio have introduced the fx-7700G Graphic calculator. Priced at £79.99, the fx-7700G uses a high contrast 16-character by 8-line display. Graphing facilities include polar co-ordinate, parametric, inequality and user generated graphs, all with various zoom options. Also included are Standard Integrals, and the creation and manipulation of Matrices up to  $9 \times 9$ .

The fx-7700G further adds calculations in fractions, and instant replay function, 4000 program steps (which can be spread over 38 areas), multi-statement

program lines and powerful statistical and linear regression functions.

To make the fx-7700G easy to use, the keyboard has a new format for improved ergonomics, with compass layout cursor keys, and an independent graph variable hot key for X, theta and T.

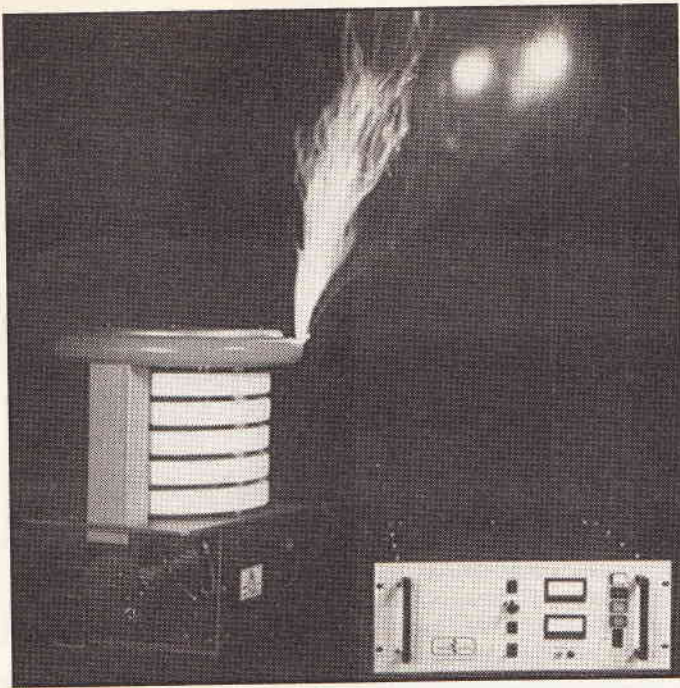
Another important innovation is the fx-7700G's flexible menu system, where six exclusive function keys are used to call up submenus, for related groups of operations, on the display. This not only speeds complex operations, but also reduces keyboard clutter,

by reducing the number of functions on each key.

The fx-7700G comes with a slide on hard cover that fits over the front or back of the calculator, and incorporates a rubber foot to prevent it slipping on a desk. Programme contents are protected by a separate lithium battery. The 217 page instruction manual is extensively indexed and had a 'quick start' section for those who are new to graphic calculators.

Further information contact Casio Electronics Co Ltd, Tel: 081 450 9131.





## HIVOLT PACKS

**W**ALLIS Hivolt has introduced a range of high performance power sources, offering increased packing density for high voltage applications at affordable prices.

Offering up to 8kW of very stable DC power, the OL8000 generation of custom designed power sources are able to meet applications such as ion implantation, high power X-rays, and electron beam welding.

Wallis Hivolt has manufactured the OL8000 range of switched-mode power supplied using Insulated Gate Bipolar Transistor (IGBT) technology. This provides numerous benefits,

including the very rugged nature of the technology and its extended safe operating area. Thus the OL8000 range offers immunity to flashover and a high degree of operational integrity.

Power in the range of 80kV at 100mA, to 200kV at 40mA can be supplied by the OL8000 range. This range can be extended up to 400kV at 15mA, or down to 80V at 100mA in special units. Ripple figures for the range are less than 0.2%, with 0.1% units available on request. Power density of up to 2W per cubic inch is offered by the range.

Contact Wallis Hivolt, Tel: (0903) 211241.

## BRITISH EQUIPMENT TO MONITOR SOLAR POWER STATIONS

**B**ritish company Campbell Scientific Limited has been chosen to supply data logging equipment to monitor the performance of Switzerland's expanding programme of solar-powered Photovoltaic Power Stations (PVPs).

Switzerland already has the lowest per capita consumption of fossil fuel in Europe, and is determined to decrease it further through alternative energy sources. Using all technically feasible sites in the Swiss Alps, it is estimated PVPs with a peak power of 45MW could produce up to 65,000MWh of energy per annum, giving Switzerland a major lead in the harnessing of solar energy in Europe.

The Swiss are tackling the problem of space needed for PVPs, and environmental impact, by building them on existing structures. Their first full-sized PVP (pictured here) has been built on top of 830 metres of existing sound barrier on the N13 Motorway between Felsburg and Domat/Ems, and the Department of Energy has ordered a further 100kW peak plant to be constructed in 1992 on the south side of the railway line between Bellinzona and Locarno in the Canton of Ticino, Southern Switzerland. The mounting structure will be the foundation of a district heating pipe.

Two further PVPs have been commissioned by local authorities, also to be built in 1992. A 100kW peak plant on the south side of a motorway near Basel, mounted on a newly-constructed sound barrier, and a 140kW peak plant along a funicular mountain

railway in St Moritz. These plants will be partly financed by the Swiss Federal Government.

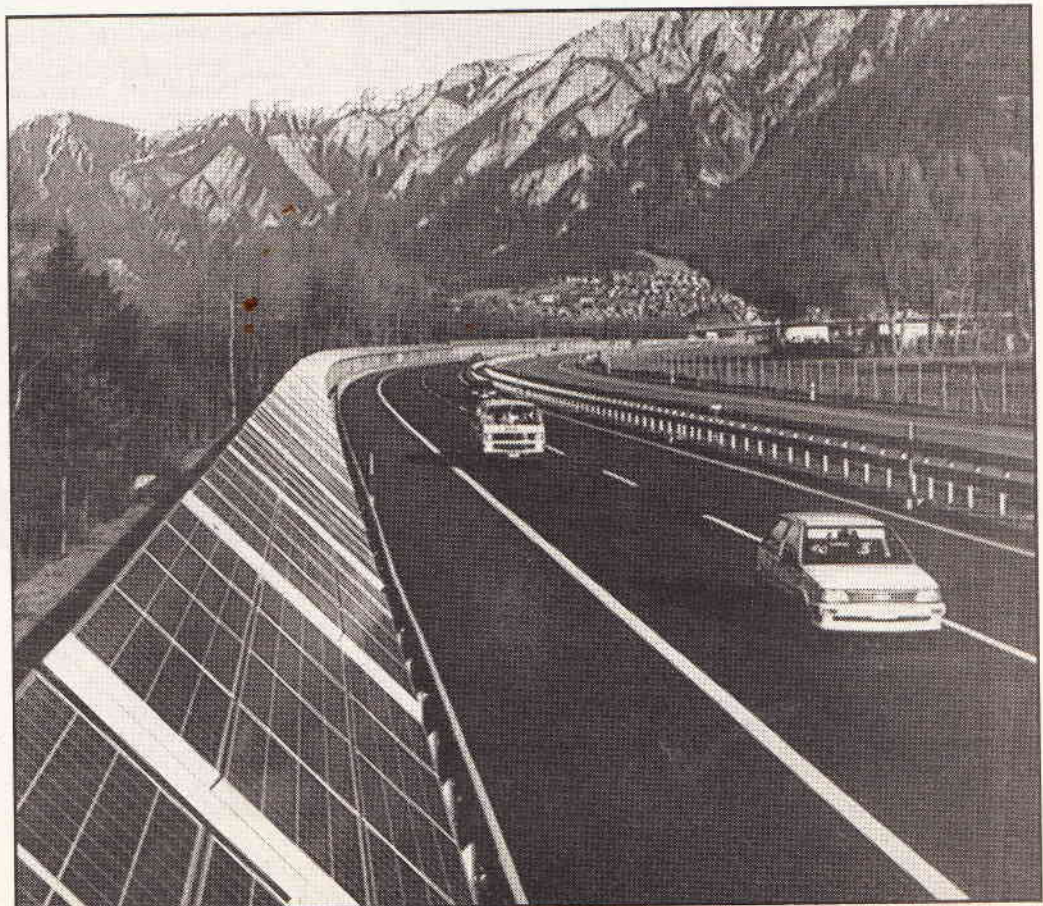
Switzerland is approaching the second problem of PVPs — the relatively high costs per unit of electricity — by developing new methods of designing, constructing and operating PVPs and achieving major economies of scale through building larger plants.

The N13 Motorway PVP was built as the country's first full scale

pilot installation with a peak power of 100kW and an estimated annual production of 117,000kWh. In the first 18 months of operation, it has contributed over 150,000kWh of electrical energy to the Swiss National Grid — enough to power a small village of group of commercial users.

Detailed information about the performance of each of the 92 arrays of 24 solar modules in the PVP is acquired by a series of

CR10 Measurement and Control Modules supplied by Leicester-shire-based Campbell Scientific Limited, which specialises in data acquisition equipment used for applications ranging from meteorology to agricultural research. The CR10 Measurement and Control Modules also collect data on environmental conditions at the PVP and all the data is transmitted every fortnight via modem to TNC Consulting AG for further processing.





## BATAK

A sport combining electronics and agility could be the start of a series of games to tone muscles in the 21st century.

The equipment, called BATAK, is aimed at the professional sport and fitness market and is currently being developed into a three dimensional training platform. The interest from an electronic viewpoint lies in the fact that it is probably the largest physically interactive computer game in the world and has also been dubbed a 'Digital Sport'. Games and routines are played by way of a memory cartridge and a synthesised voice is incorporated

together with sound effects during play.

At the present time there are two machines being play tested, one at the prestigious Surrey Tennis Centre, Nr Croydon and the other in Japan. Dr Craig Sharp of the Olympic Fitness Centre has endorsed and approved the fitness and reaction benefits of the machine for all levels of athletes in every type of sport.

Two of the National Sports Centres, Bisham Abbey and Crystal Palace, are due to take delivery of machines later in September with Lilleshall following shortly. The equipment is suitable for



many types of venue including leisure centres, all types of fitness clubs, bowling alleys and fire stations, theme parks, schools,

police, military and ocean liners.

For further information contact: Quotronics, Tel: 0293 785132.

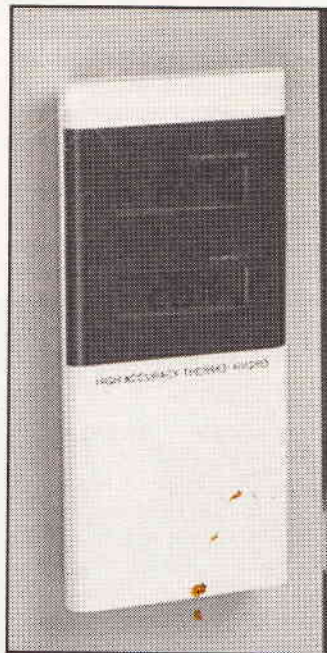
## NEW LOW COST TEMPERATURE/HUMIDITY METER

Industry, horticulture, laboratories and education will all find applications for this low cost high performance digital Temperature/Humidity meter.

Priced at £19.60, the SE2000 provides simultaneous display of temperature (0°C or 0°F) and %RH. The instrument has a one year battery life, has integral temperature and humidity sensors and may be wall mounted.

Temperature ranges is 0°C to 50°C with 1°C accuracy from 0-40°C. The relative humidity range is 25% to 95% RH with 5% RH accuracy between 40%RH and 80%RH.

For further information contact Solexpress, Tel: (0455) 283486.



## LCDs — THE NEXT GENERATION

The Hirst Research Centre, a division of GEC-Marconi, will be demonstrating liquid crystal displays and devices of the future within a special feature area at the Electronic Displays Exhibition (November 19-21, 1991).

Entitled 'LCDs — The Next Generation', the area will concentrate on polysilicon active matrix liquid crystal displays and show examples of integrated driver technology.

Demonstrations will include Fault Tolerant Active Matrix LCDs; Polysilicon Integrated Driver Circuitry; Ferroelectric LCDs; and Supertwist LCDs.

Dr Alan Mosley, Chief Scientist (Displays), Hirst's Display and Optical Research Laboratory, said: "Polysilicon is regarded as the material of the future for active matrix LCDs, mainly because its semiconductor qualities are better than those of the

presently used amorphous silicon.

"This improvement will allow the use of smaller transistors in the active matrix array, thus providing a brighter display as the transistors are opaque.

"More significantly, the use of polysilicon enables the fabrication of the electronic drivers for the display to be carried out at the same time as the fabrication of the active matrix array — dramatically reducing the cost of the final display module."

The Electronic Displays Exhibition (Wembley Conference and Exhibition Centre, London), will feature over 60 leading manufacturers and distributors from all areas of the display spectrum — from basic display components to complete display systems.

Further information, contact Penny Hanson at The Hanson Organisation, Tel: 081-843 1188.

## ENGINEERING INDUSTRY TO BENEFIT FROM CAREERS INITIATIVE

The Engineering Training Authority has commissioned a major survey into the careers information needs of the engineering industry and the attitudes of employers, school teachers, careers officers and young people towards the material and services currently available.

The nationwide survey, by the Institute of Manpower Studies, comes at a time when research shows that the number of young

people applying to study engineering has fallen by 14% between 1986-1988 and less than half the country's 'A' level students think engineering presents a positive image to young people.

EnTra's careers service, ECIS, will use the findings of the survey to support the development of a new initiative — The Network Initiative — which aims to help reverse this trend.

The initiative is a co-ordinated

approach to the provision of careers information at the local level. It will ensure a more unified and proactive approach to the promotion of engineering as a career through the establishment of a network of local organisations which will act as the focus for the delivery of careers information and activities.

Each organisation will consist of a group of representatives from local companies and other esta-

blishments who share an interest in promoting engineering and the career opportunities within it.

There are a number of organisations, including TECs and LECs, introducing similar services, but they vary in their approach and effectiveness. By identifying and developing 'models of good practice' EnTra is ensuring the promotion of a consistent image and common standards.



## stateside

### New Uses For Perovskites

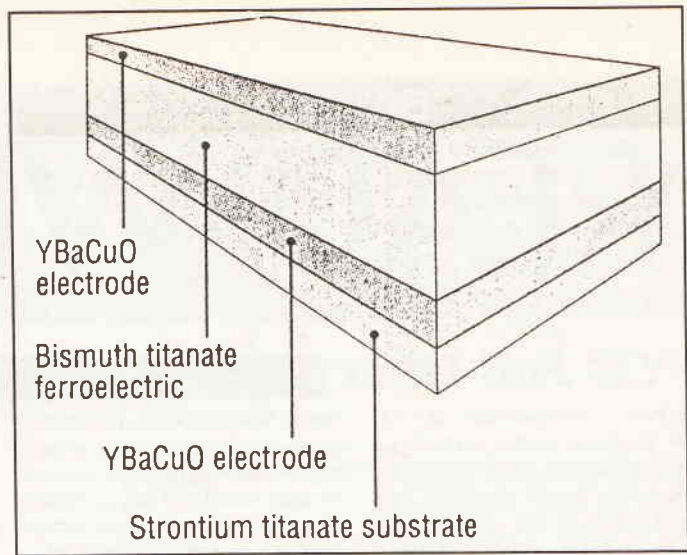
Researchers are finding new, nonsuperconducting room temperature applications for rare earth perovskites. One such application area may be nonvolatile memory chips.

A project has produced a

superior ferroelectric RAM cell using yttrium barium copper oxide (YBa-CuO) as the outer electrodes and a related ferroelectric perovskite as the switching layer. A compound such as bismuth titanate has a perovskite crystal structure close to that of YBaCuO and similar chemistry, making the two compounds very easy to match.

Instead of polycrystalline deposition, the new perovskite compounds allow highly refined single crystalline epitaxial films to be grown on top of one another, eliminating the problems of conventional ferroelectric technology. There is a lattice mismatch between YBaCuO and bismuth-titanate of only 0.5% far better than most compound lattice systems, and that allows superior heterostructures to be built.

Single crystal strontium titanate is used as a substrate on which to build an epitaxial ferroelectric sandwich. A pulsed excimer laser



is directed at a sample of material, which ablates the surface. As a result of the laser ablation, a plume evaporates from the material and is caught on the heated substrate, forming a single crystalline layer that grows at the rate of one angstrom per second. Up to four targets are mounted on a rotating carousel so successive

layers can be formed in a continuous operation. A YBaCuO film forms the bottom electrode, after which a layer of a ferroelectric such as bismuth titanate is deposited. The cell is finished by depositing another YBaCuO film.

The work is being carried out by Bellcore Corp., of Redbank, New Jersey.

### Storing Holograms

Researches at Northrop Corp.'s Technology Centre have succeeded in storing a record 500 holograms in a single

crystal of lithium niobate through a technique called angle multiplexing.

The technique has allowed Northrop engineers to record and play back holographic interference patterns in a random-access mode.

A hologram is formed by interfering with coherent light reflected from an image with a reference beam. Since an identical reference beam is required to reproduce the image, different holograms can be 'keyed' by recording them at dif-

ferent angles.

Angle multiplexing was shown to have nearly ideal crosstalk characteristics. Previous methods for storing multiple holograms have suffered from interference effects produced by the partial recall of nearby images.

### Millimetre Wave Radar System

Scientists at TRW Inc.'s Electronics & Technology Division have fabricated the first millimetre-wave radar system on a single indium gallium arsenide substrate.

Measuring 4.35 x 7 millimetres, it is also the largest multi-

function millimetre-wave chip yet made, according to TRW. Monolithic microwave ICs such as this one are smaller, lighter and less costly than radars created using hybrid techniques, the company said.

The transceiver exploits TRW's 0.25-micron InGaAs high electron mobility transistor technology to pack seven active microcells on a single chip. These functions include a voltage-controlled oscillator, buffer amplifier,

mixer, voltage-controlled phase shifter, and attenuator.

The chip implements an analogue diplexer comprising back-to-back Lange couplers. Besides the process advancement, the most significant factor contributing to this level of integration was the development of a CAD tool for the job. The entire chip, with all seven active functions, could be simulated through this tool. Consequently, trade-offs and adjustments could be made to

obtain optimum performance.

While the transmitter section of the radar operates in the 37-40GHz frequency range, the receiver portion converts the signals in the same range to an intermediate frequency of 10-100MHz. The conversion loss in the receiver is 0dB at 38GHz. When integrated with an antenna, the chip is a fully functional FM-CW radar that can detect the Doppler frequency shift from reflected objects.

### New epoxy compounds

Materials scientists from Cornell University and IBM Corp.'s Systems Technology division have created several epoxy compounds that expand and contract very little with temperature, and are also very stable at high

temperatures.

The new materials tend to be more immune to heat stress, and could be suitable for printed-circuit boards and electronic packaging. They could also be used for making optoelectronic waveguides.

While experimenting with a new class of materials called liquid crystalline epoxy networks,

the team discovered that if, during formation, the individual molecules are heated under intense magnetic fields, the polymer chains tend to align themselves in the magnetic field, producing a more ordered network with the unique physical properties described above.

Traditional polymers tend to be in the 100 parts per million per

degree Celsius range. Silicon's coefficient of thermal expansion is 2 ppm/°C. The new material, which is based on 4,4'-dihydroxy-alpha-methylstilbene has a coefficient of 10 ppm/°C, but only in the longitudinal direction of the molecules. In the transverse direction, the coefficient rises to 80 ppm/°C, a problem the researchers are now working to solve.



# READ\WRITE



## PCB Foil Offer

Your correspondent A. D. Carstens, writing in the September edition of ETI raises an interesting point regarding the production of film negatives of positives from prototype PCBs.

There are, as your reply points out, two separate issues here. One is that he requires positives from his own CAD system, the other is the availability of 'films' for your projects as published in ETI.

It had not struck me before that readers would be interested in either of these services but they are both easily provided by our

own in-house facilities. Unhappily for reader Carsten there is no way of getting thoughts of his computer onto metal without considerable capital expenditure on either plotters or cameras, a problem for which we propose the following solution:

We will provide negatives from  $2 \times$  scale artwork, or dot matrix printer output, from originals no larger than 13in  $\times$  19in for only £8.75. If required positives can be made from the negative for only £1.50. All work will be serviced on an 'in by Wednesday, back by Fri-

day' turnaround.

I must confess that without thinking about it I had not imagined that your foil patterns, as published, are less than useful to the reader wishing to make his own boards. The normal 'spray with transparentiser and expose to ultra violet light' being precluded because there is other printed matter on the other side of the paper. There is also the problem, looking at your current issue, that even a professional process house could not get a usable negative from most of the

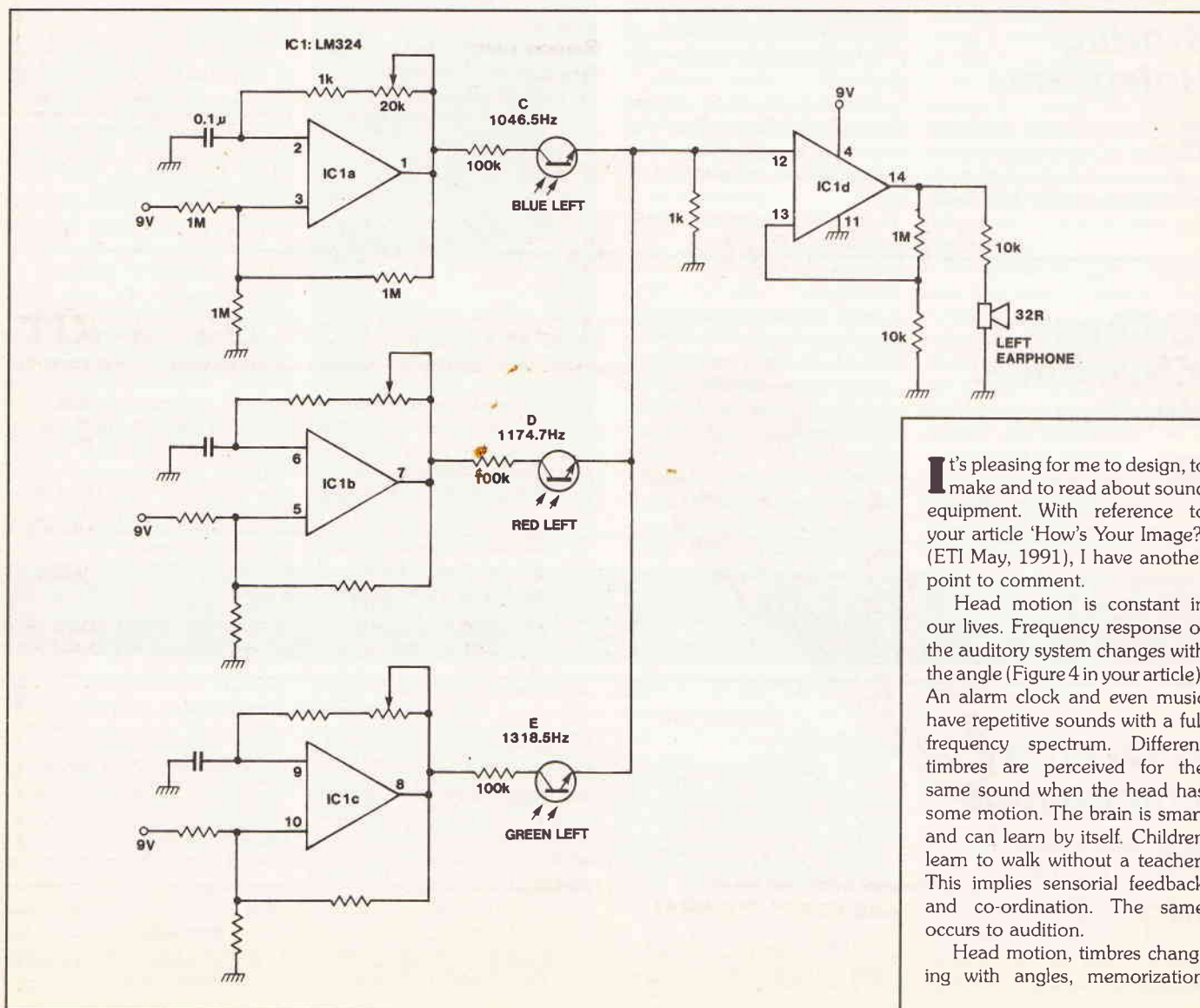
designs given because ink spread has joined up many of the copper lands.

If you are interested we will also be quite happy to supply film positives as a service to your readers for £1.50 each.

**Tony Milligan,  
Hart Electronic Kits Ltd.**

*Readers may be interested to know that our January issue will contain a free foil to experiment with. — Ed*

## Colour To Sound Conversion



It's pleasing for me to design, to make and to read about sound equipment. With reference to your article 'How's Your Image?' (ETI May, 1991), I have another point to comment.

Head motion is constant in our lives. Frequency response of the auditory system changes with the angle (Figure 4 in your article). An alarm clock and even music have repetitive sounds with a full frequency spectrum. Different timbres are perceived for the same sound when the head has some motion. The brain is smart and can learn by itself. Children learn to walk without a teacher. This implies sensorial feedback and co-ordination. The same occurs to audition.

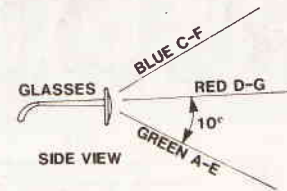
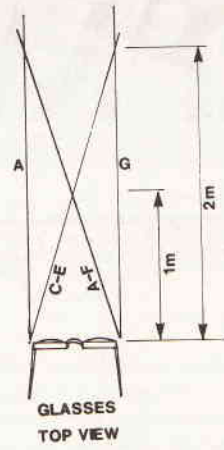
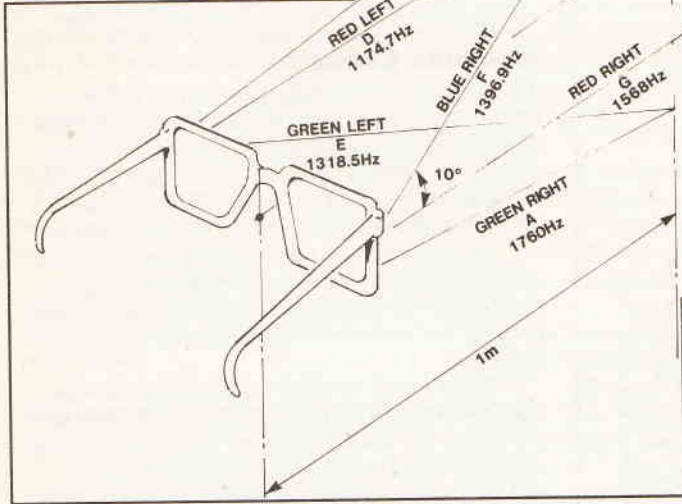
Head motion, timbres changing with angles, memorization



and learning allows us to locate sound sources with one ear. This system will work all together as described in your article.

Based on head motion and memorization, I am sending my design for the blind.

This low cost design for the blind is one electronic circuit that



translates light into musical notes. Three very directional light sensors by the side detect blue, red and green through very narrow windows joined to a pair of glasses. Head motion and memorization are necessary.

smart, fast and learns by itself, and matches perfectly for this job.

When one vertical pipe is in front of the blind the horizontal head motion (spin) from left to right results in the musical notes on the Table 1. Colours can be perceived with vertical head

motion.

The sound intensity is proportional to the brightness of the light. More brightness, the louder is the sound.

I am not experienced with the blind. This circuit is theoretical only and needs some improvement. It would be made by my enterprise but it is out of the business (closed the doors).

I think these circuits have some use for robotics research.

**Renato Laurentino  
Moreira de Azevedo,  
Sao Paulo, Brazil**

Mr Moriera de Azevedo, who is an Electronic and Mechanical Engineer, would like to work in the UK if anybody is interested in his designs.

Table 1

white pipe distant from the blind	musical notes sequence
0.5m	G A C D F E
1m	A F D G C E
1.5m	G C A D E F
2m	G A C F E D
2.5m	C G D A E F

DREMEL® USA

*Christmas Reader Offer!*

# MINIMITE™ Cordless

## PCB PRECISION DRILL KIT



Drill bit 1/4"



HSS cutter

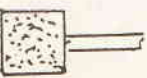


Grinding point

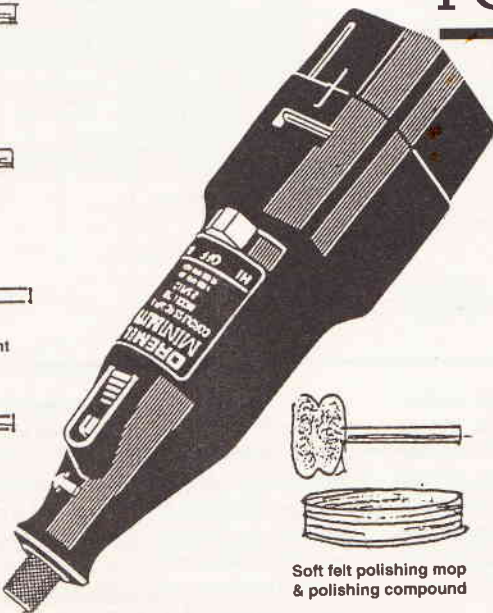


Wire brush

Rotary Drum sander



Sanderband



Soft felt polishing mop & polishing compound

Telephone orders ... call now on

**0442 66551 (24 HRS)**

Please add £1.50 p&p per item, or £2.50 if both items ordered. Reader Offer Dept., Argus Specialist Publications, Argus House, Boundary Way, Hemel Hempstead, Herts. HP2 7ST

Perfect for all modelling, you can frill, sand, shape, grind, de-burr, clean, polish most materials around the house and car — even try your hand at light wood-carving with the accessories provided with this precision tool!

Just add a diamond burr from the full range of over 140 other Dremel accessories from model/hobby and toolshops nationwide to engrave glass, security mark valuables or add smaller collets to drill pcb holes down to 0.4mm.

5,000/10,000rpm motor runs on 4 alkaline or re-chargeable AA size batteries (batteries not included in kit)

**MINIMITE DRILL KIT + ACCESSORIES £29.95 ROET/19  
OPTIONAL 2 HOUR CHARGER + 4 NI-CAD BATTS £21.00  
ROET/20**

Please supply ..... ROET/19 @ £29.95

Please supply ..... ROET/20 @ £21.00

I enclose my cheque/P.O. for £..... made payable to ASP or please debit my Access/Visa

Signature ..... Expiry .....

Name.....

Address.....

..... Post Code .....

Please allow 28 days for delivery U.K. only — overseas upon request.

Please note the above information could be used for marketing purposes 11/12/91



# BLUEPRINT

Blueprint is a column intended to provide suggested answers to readers' electronics design problems. Designs are only carried out for items to be published, and will not be prototyped by the columnist. Circuits published in Blueprint are believed to work, but may need minor alteration by the reader after prototyping. Individual correspondence will not be entered into, save as necessary to prepare items for publication.

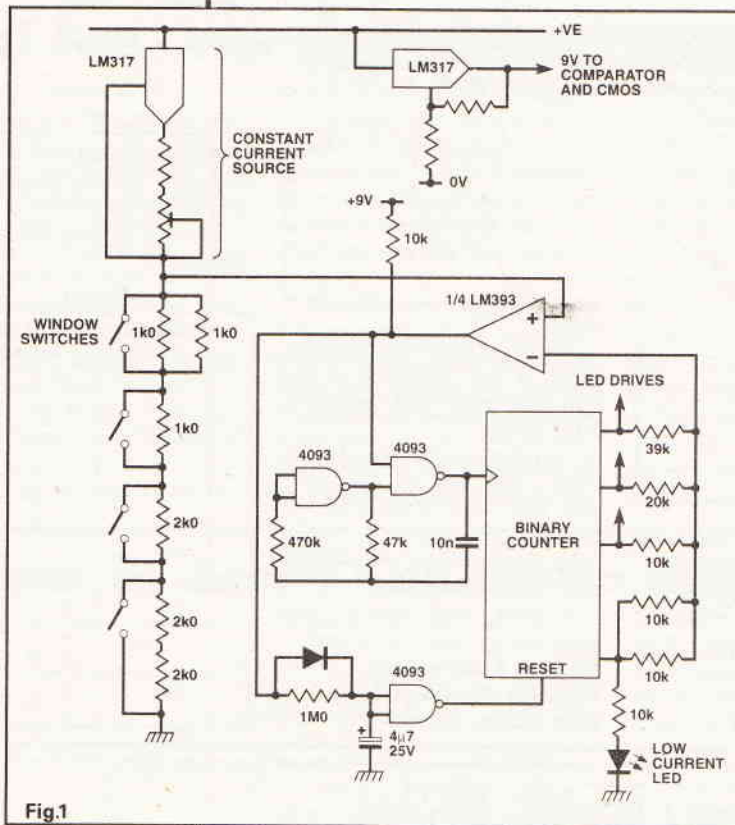


Fig.1

switches are all ON when the windows are closed.

## Resistor Chain

If a constant current is passed through the series chain of resistors (Figure 1), with their shorting switches, there will be one unique output voltage for each combination of switches. Each switch will add a certain increment to the output voltage, and that increment will not be affected by the state of the other switches.

Assuming that the resistors are accurate, and the current source is stable, then if the output voltage from this chain is fed to an analogue to digital converter, one bit of the A/D converter will switch on for every switch that is off.

This is fine in principle, but if resistors are binary-weighted in this way, one quickly runs into the problem that either the lowest resistance is too close to the resistance of the wiring, or the highest resistance is so high as to give problems with noise immunity. In addition, in order to make the bits of the A/D converter match with the individual switch positions, the reference voltage of the A/D converter must be the same as the maximum output voltage of the resistor chain, when all switches are off.

This is therefore not such a good idea, and is probably only suitable for use with up to four switches. A possible scheme to implement this idea cheaply is shown in Figure 1: not all the details are shown here, but the constructor should be able to fill in the details with the use of a CMOS data book and a proper calculator.

A few weeks ago I attended a literary weekend with some friends, and happened to fall into conversation with our guest speaker, a well-known author. You know what they say about doctors at parties; well, it happens to us as well. As soon as he found out that I was an electronics engineer, his face lit up. He is also an electronics hobbyist. He had a little problem, and he wondered...

It went like this. His wife had asked him if he could devise a means to check any of the windows in his several greenhouses were open without leaving the house. He had rashly given his opinion that not only could he detect which window was open, out of all the windows available, but he could do it with a single wire looped round all the buildings. He later had cause to repent his words, for the solution eluded him. I went ahead and suggested a means of doing it — but when I looked at it again in the cold light of another day, I had cause to repent my words, for my idea did not seem such a good one after all. So I sat down to think about it again.

Let's look at my first idea. The principle I used was to have a series of binary-weighted resistors in parallel with magnetically operated switches. Each window has a magnet, and each frame a switch, so that the

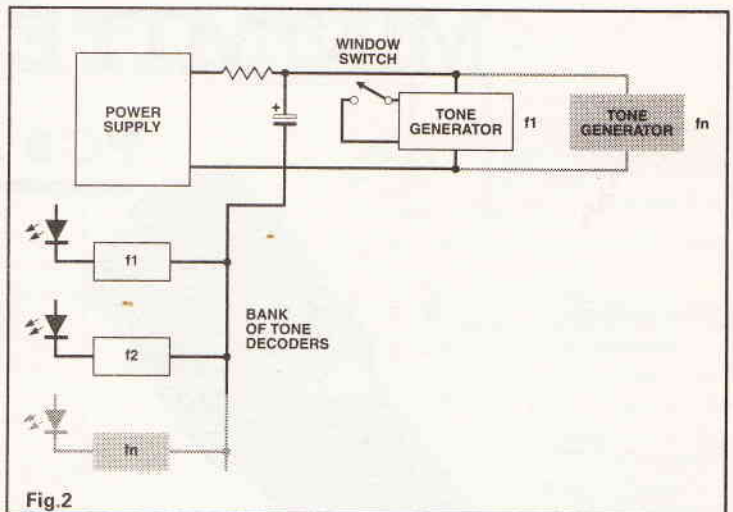


Fig.2

In this design a binary counter with its output connected to binary-weighted resistors is used as a simple digital to analogue converter. The output of this D/A converter is fed to a comparator which switches when the output from the D/A exceeds the output from the resistor chain. This stops the clock generator and starts a time delay after which the counter is briefly reset so that it starts counting up again. The reset pulse is brief, and delay is long, and the count period is short. Therefore, for most of the time, the outputs of the counter represent the states of the switches, and these outputs may be used to drive low-current LEDs. To make all this work, the ICs must be powered from a voltage



equal to the maximum output voltage of the resistor chain. Probably the best approach would be to run the ICs at 9V, while powering the constant current generator from an unregulated supply between 12 and 15V nominal. The constant current generator can then be adjusted to provide 1.2mA, which will make the resistor chain output voltage match the D/A converter voltages. While this design may be the cheapest and simplest way to detect the individual positions of up to four windows, if it is necessary to detect many more, the principle embodied in Figure 1 becomes impractical, and a new approach is needed.

If a single loop wiring scheme is to be used, it is inevitable that compromises will be necessary. If all detector circuits are wired in parallel, then the current drawn by each must be limited in order to keep the overall consumption reasonable. If on the other hand they are connected in series, then the voltage drop in each detector must be limited.

So, instead of relying on current or voltage measurements to detect which window switches are open, I decided to use AC signals superimposed on the power supply line.

The principle of this is shown in the block diagram of Figure 2. In this design, a series of tone generators, connected in parallel, are powered via a resistor. The tone generators are designed so that they draw a sinusoidal current from the supply at their tone frequency, in addition to the operating current of the generator. These sinusoidal signals are detected by the tone decoders and used to drive LED indicators.

## Tone Generator

The design of a suitable tone generator is shown in Figure 3. It employs a Wien bridge oscillator with a

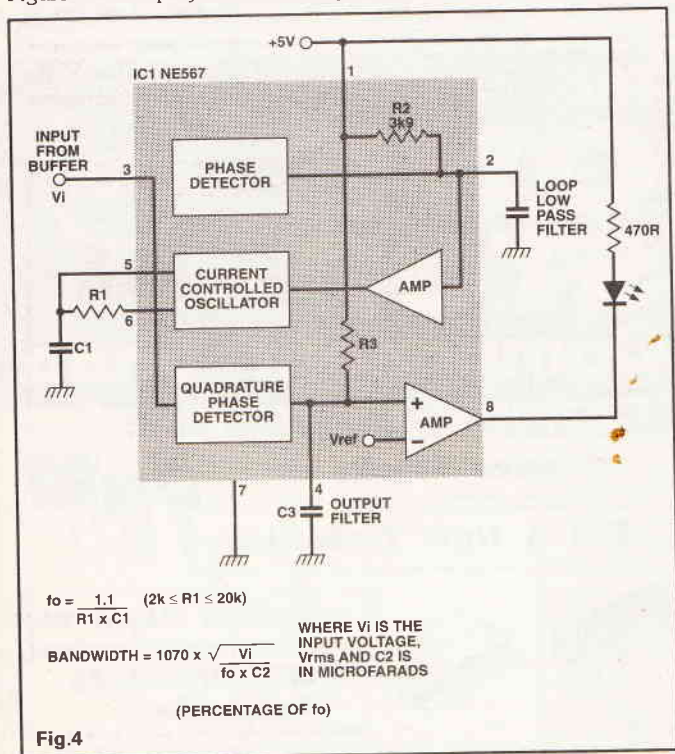


Fig.4

form of level stabilisation that will cause some distortion but not enough to give problems. The output of the oscillator op-amp is a fairly good sine wave, at a stable frequency.

This particular embodiment of the Wien bridge circuit has an attenuation of 3 in the positive feedback loop, so that a gain of just over 3 is required to guarantee oscillation. The pot, RV1, should be adjusted until oscillation just takes place. As the oscillation builds up it will reach the point at which D1 and D2 begin to con-

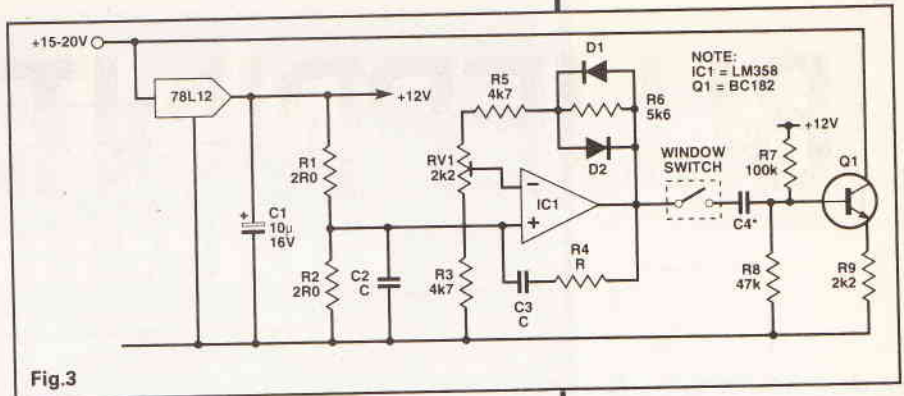


Fig.3

duct. This will reduce the gain and so prevent the amplitude of oscillation rising further.

When the window switch is closed, the sinusoidal waveform is AC-coupled to a transistor. This will draw a sinusoidal current from the main supply.

Power for IC1 is provided via a 12V regulator, because the power supply rejection ratio of op-amps declines rapidly as frequency decreases. If the supply is not regulated, then power supply modulation from one tone generator could affect the operation of another.

The value of C4 should be chosen to be big enough not to significantly attenuate the oscillator frequency when fed into a load of about 33k (R7 and R8 in parallel). In most cases it will be convenient to use a 100nF capacitor, but if a very low frequency is used, a larger capacitor value may be required.

## Tone Decoder

The circuit of the tone decoder is shown in Figure 4, as are the design formulae. The design is shown using fixed components, but if it is necessary to use a large number of tone generators and decoders, then it may be necessary to set a narrow bandwidth for the tone decoder, in which case R1 should consist of a fixed resistor and a preset potentiometer to adjust the tone decoder's centre frequency to match the frequency of the tone generator.

If a number of window detectors are needed, then the frequencies must be chosen with care. First of all, one should avoid the lower harmonics of the mains, and secondly no two tones should be harmonically related if possible. It may be unavoidable to have a harmonic relation between pairs of tones, in which case one should avoid the second, third and fifth harmonics.

Though the tone generator circuit is designed to produce a clean sine wave, and not to interact with other tone generators, beat generation is not impossible. Therefore, it is also strongly advisable to avoid having a difference in frequency between two tones equal to the frequency of a third. Otherwise, the first two tones could beat together to give

a false indication of a third tone being present.

Because of the good linearity of the circuitry, the problems with harmonics and beats may not turn out to be serious in practice: this is an aspect of the design with which the constructor needs to experiment.

## Power Supply and Buffer

To complete the design we need a power supply. Figure 5 shows a suitable circuit. This shows the equipment running from the mains, but if desired it would be



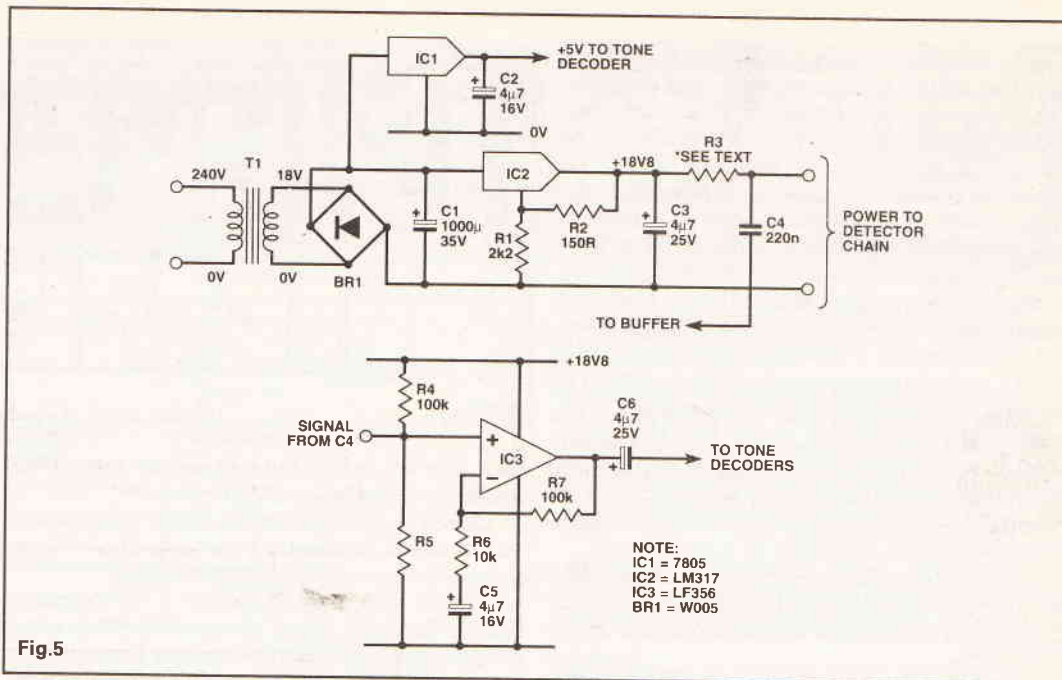


Fig.5

possible to power the whole thing from a pair of PP9s in series. In this case, IC2 would not be required, and IC1 would be powered from the 18V supply. A battery-powered design could not operate continuously, so one would also incorporate a push-to-read switch.

The value of R3 must be chosen so that the voltage fed to the detector chain is between 15 and 16V. The sinusoidal AC voltages imposed on this resistor will be in the mV range, and must be amplified in order to operate the tone decoders. An AC-coupled buffer amplifier is shown as part of this diagram. It is shown set to give an AC gain of 11, but some experiment may

be needed to find the optimum level of gain. Because quite a high gain at a high frequency may be required from this buffer amplifier, a high gain-bandwidth op-amp is specified. The constructor may substitute any other op-amp capable of working on the supply voltage, and having a high gain-bandwidth product.

In blueprint tradition, these circuits have been designed carefully but have not been prototyped. They may work as drawn, or with minor modifications. The building of blueprint circuits is not recommended for completely inexperienced constructors.

Andrew Armstrong

## SURVEILLANCE PROFESSIONAL QUALITY KITS

A range of high quality kits as supplied to leading UK security companies, all in-house designed and produced, not to be confused with cheap imports. All kits come fully documented with concise assembly and setting-up details, fibreglass PCB and all components. All transmitters are fully tuneable and can be monitored on a normal VHF radio or tuned higher for greater security. Build-up service available if required.

**MTX** Micro-miniature audio transmitter. 17mm×17mm. 9V operation. 100m range ..... **£13.45**

**VT500** Hi-power audio transmitter. 250mW output. 20mm×40mm. 9-12V operation. 2-3000m range ..... **£16.45**

**VXT** Voice activated transmitter. Variable sensitivity. 20mm×67mm. 9V operation. 1000m range ..... **£19.45**

**SCRX** Sub-carrier scrambled audio transmitter. Cannot be monitored without decoder fitted to radio. 20mm×67mm. 9V operation. 1000m range ..... **£22.95**

**SCDM** Sub-carrier decoder unit for monitoring SCRX. Connects to radio earphone socket. Provides output for headphones. 32mm×70mm. 9-12V operation ..... **£22.95**

**HVX40** Mains powered audio transmitter. Connects directly to 240V AC supply. 30mm×35mm. 500m range ..... **£19.45**

**XT89** Crystal controlled audio transmitter. High performance. 100mW output. Supplied with xtal for 108MHz. Others available to 116MHz. 85mm×28mm. 9V operation. 2-3000m range... **£37.95**

**QTX180** Narrow band FM crystal controlled audio transmitter. 180MHz frequency. Requires Scanner receiver or our QRX180 kit (see Cat) 20mm×67mm. 9V operation. 1000m range **£40.95**

**TKX900** Tracker/Beeper transmitter. Transmits continuous stream of audio pulses. Variable tone and rate. Powerful 200mW output. 63mm×25mm. 9V operation. 2-3000m range..... **£22.95**

**ATR2** Micro size telephone recording interface. Connects between telephone lines (anywhere) and cassette recorder. Tape switches automatically with use of phone. All conversations recorded. Powered from line. 10mm×35mm..... **£13.45**

**TLX700** Micro miniature telephone transmitter. Connects to line (anywhere) switches on and off with phone use. All conversations transmitted. 20mm×20mm. Powered from line. 1000m range..... **£13.45**

**CD600** Professional bug detector/locator Variable sensitivity. Multicolour bar graph readout of signal strength with variable rate beeper. Second mode AUDIO CONFIRM distinguishes between localised bug transmission and normal legitimate signal such as pagers, cellular etc. 70mm×100mm. 9V operation ..... **£50.95**

UK customers please send cheques, PO's or registered cash. Please add £1.50 per order for P&P. Goods despatched ASAP allowing for cheque clearance. Overseas customers send sterling bank draft or Eurocheque and add £5.00 per order for shipment. Credit card orders accepted on 0827 714476. Trade enquiries welcome.

Send 2x1st class stamps for the new 1991 Catalogue



THE WORKSHOPS  
95 MAIN RD. BAXTERLEY  
NR. ATHERSTONE  
WARCS CV9 2LE



0827 714476

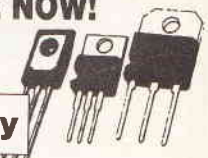
# The ONE STOP Component Shop



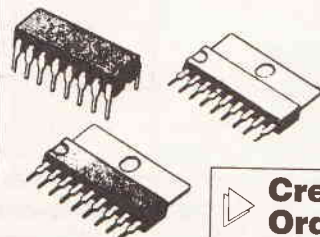
NEW CATALOGUE AVAILABLE NOW!

▶ Massive Stocks

▶ Old & New Technology



▶ Latest Japanese Semi-conductors & Transistors Available



▶ Credit Card Telephone Orders a Speciality

## CRICKLEWOOD ELECTRONICS



AMERICAN EXPRESS



Tel: 081 4520161 & 081 4500995

40 Cricklewood Broadway, London NW2 3ET

Fax: 081 2081441 - Telex: 914977 CRICKEL G



# Digital, Pulse Transmission

Stand two dominoes one behind the other, in an upright position, a short distance apart on a table. Observe that if you brush one domino with a finger so that it falls on its neighbour then both fall down together.

Instead of just two dominoes, erect a large number, e.g., several hundred, one behind the other a short distance apart so they appear like soldiers standing to attention on a parade ground.

Observe, now, that if you brush the first domino so that it falls on its neighbour then all the pieces do not fall down together. There is a progressive disturbance as they fall down in sequence. 'Domino-toppling' as this activity is known, is one of those pursuits carried out world-wide by groups of people, often students, wishing to establish records. According to one source (1) it takes about 13 minutes for a parade of some 280,000 dominoes to fall down.

The first case, of two dominoes, is analogous to the transient behaviour of a conventional 'lumped-parameter' (or just 'lumped') electrical circuit, for example, an elementary resistive potential-divider. The second case, of many dominoes, is analogous to the transient behaviour of a 'distributed-parameter' (or just 'distributed') electrical circuit e.g., a transmission line used for the distribution of digital logic pulses.

The practical characterization of these cases is considered first, in this introductory survey, and is followed by a discussion of the properties and use of the popular twisted-pair line widely used in digital systems.

## Lumped and distributed circuits

Consider the circuit of Figure 1a comprising two resistors  $R_G$ ,  $R_1$  connected to form a simple resistive poten-

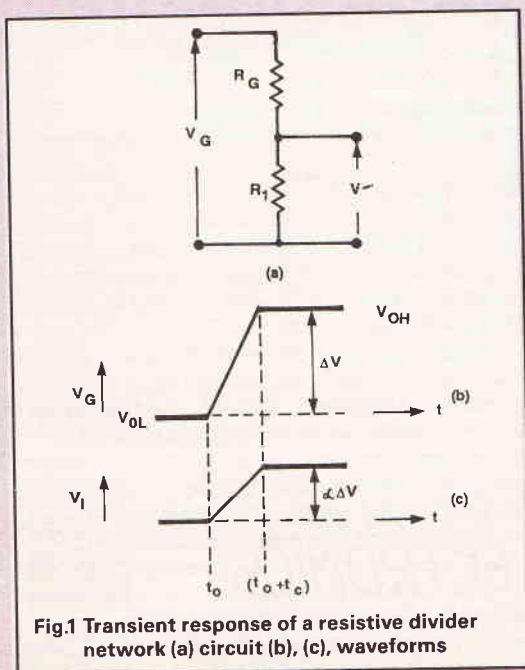


Fig.1 Transient response of a resistive divider network (a) circuit (b), (c), waveforms

tial-divider network. The input waveform  $V_G$  (Fig 1b) is a pulse edge having a transition time  $t_c$  and an amplitude  $\Delta V = (V_{OH} - V_{OL})$ , corresponding to logic voltage levels  $V_{OH}$ ,  $V_{OL}$ . The output waveform,  $V_1$ , is shown in Figure 1c.

An introductory survey  
by Bryan Hart

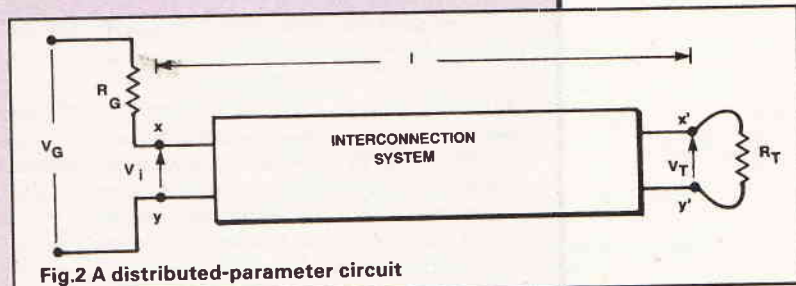


Fig.2 A distributed-parameter circuit

Note the following characteristics: there is no delay between the start of  $V_1$  and the start of  $V_G$ .  $V_1$  is a scaled replica of  $V_G$ , as  $V_1 = \alpha V_G$  where the scale factor  $\alpha$  (a pure number) =  $R_1 / (R_1 + R_G)$ .

This state of affairs exists because of the 'small' physical dimensions of practical resistors. All electrical signals are transmitted via electromagnetic disturbances, which travel with speeds approaching that of the velocity of light in air ( $3 \times 10^{10}$  cms/sec). Thus a voltage change at one end of a resistor 1.5cm long shows itself about 0.05ns later at the other end.

This is a negligible time delay even for ECL logic pulses having  $t_c \approx 2$ ns.

We have ignored circuit capacitances in this discussion but the result is still valid, with certain provisos, if they are included. Suppose  $R_G$ ,  $R_1$  have end-to-end capacitances  $C_G$ ,  $C_1$  respectively. Provided  $C_G R_G = C_1 R_1$  the waveforms of Figure 1b, Figure 1c still apply. We can guarantee that this condition is satisfied by connecting a small padder capacitor across  $R_1$  and making suitable adjustment of a trimmer capacitor connected in parallel with  $R_G$ .

Consider, now, the arrangement of Figure 2 in which the resistor  $R_1$  of Figure 1 is replaced by a load resistor  $R_T$  located a distance  $l$  metres away. For  $l = 3$ m, an electromagnetic disturbance occurring between the terminals  $xy$  cannot be felt between the terminals  $x'y'$  till at least 10ns later. This is the delay between the start of the waveform,  $V_1$ , at the drive (sending, or source) end and the commencement of the resulting waveform,  $V_T$ , at the load (or receive) end and is obviously not negligible for a pulse edge 2ns in duration.

Since it is a limitation of nature, there is little we can do about delay, except perhaps 'equalize' it when appropriate. What we can do something about is transmitted pulse shape. Serious pulse edge distortion can result if the inter-connection system does not satisfy a basic practical requirement, meaning that its electrical characteristics are uniform throughout its length. This condition is encouraged by geometrical symmetry. The transmission path of Figure 3, showing ordinary 'hook-up' wire laid out in a random way between  $xy$  and  $x'y'$ , is thus completely unsatisfactory for fast digital pulses.



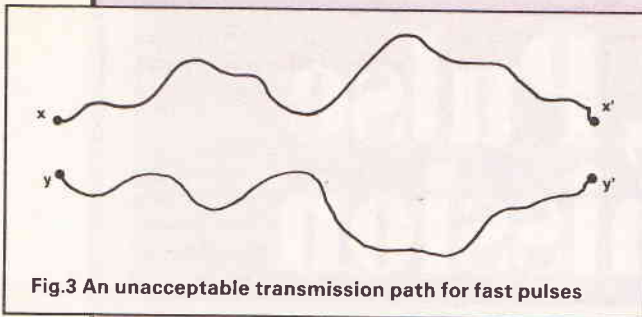


Fig.3 An unacceptable transmission path for fast pulses

### Line Characteristics

An ideal transmission path, offering the possibility of distortionless transmission and predictable delay, can be completely specified by a uniform unit capacitance  $C_0$  (pF/m) and a uniform unit inductance  $L_0$  (nH/m). The parameters that then describe the path for digital pulse applications, are the unit time delay,  $t_u$ , and the characteristic resistance,  $R_0$ .

$t_u = \sqrt{L_0 C_0}$  and is usually expressed in ns/m or ns/ft (e.g., 1.5ns/ft). For a line of physical length  $l$  the 'electrical length' or one-way delay time is  $t_d (= l/t_u)$ .

Physically,  $R_0$  is the ratio (change in line voltage) change in line current) for a disturbance on the line.

$R_0 = \sqrt{L_0/C_0}$ , and is expressed on Ohms.

A practical approximation to this ideal is the coaxial cable shown in Figure 4a. However, a coax suffers from the disadvantages of requiring special plugs and sockets and being unsuitable for differential drive which we will discuss later.

A low-cost alternative that is only slightly inferior in performance to the coax is the twisted-pair line (TPL).

Figure 4b shows the physical construction of TPL, whereas Figure 4c shows a schematic representation that eases the drawing of system diagrams.

At its simplest, TPL comprises two insulated conductors twisted together in a regular way. In fact, it

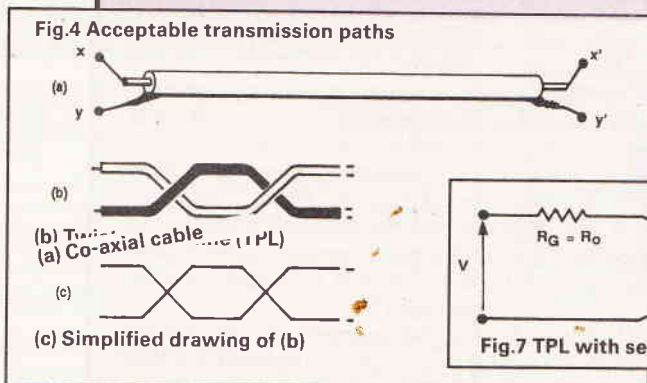


Fig.4 Acceptable transmission paths

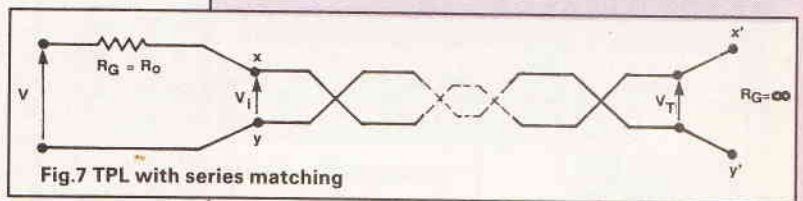


Fig.7 TPL with series matching

lends itself to a DIY approach for short lengths of transmission path. However, for longer lengths and in professional applications, it is more often purchased as a standard catalogue item from an electronic component distributor.

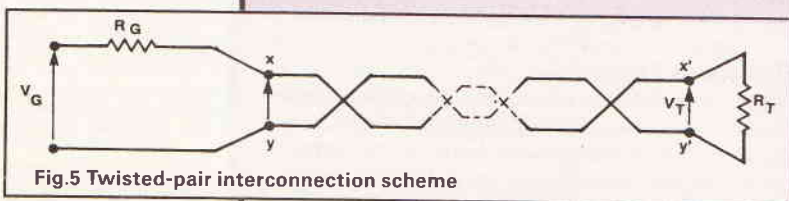


Fig.5 Twisted-pair interconnection scheme

The advantages of TPL over coax are that it requires no special plugs and sockets, is mechanically more flexible and is suitable for balanced drive. Figure 5 results when the interconnection system of Figure 2 is a TPL. A pulse edge launched on to the line at  $t = t_0$

sees at terminals  $xy$  an effective resistance  $R_G$ . When the edge reaches  $x'y'$  it is completely absorbed if  $R_i = R_0$ . For this special case the line is said to be correctly matched or correctly terminated at the receive end and  $V_i = \lambda V_G$ , where  $\lambda = R_0/(R_0 + R_G)$ . See Figure 6.

$V_i$  is a non-delayed, scaled, replica of  $V_G$ , whereas  $V_T$  is a replica of  $V_i$  delayed by a time interval  $t_d$ . If  $R_T \neq R_0$  all the energy in a pulse edge is not absorbed by  $R_T$ . The energy that is not absorbed is responsible for the generation of a reflected pulse edge, positive-going for  $R_T > R_0$  and negative-going for  $R_T < R_0$ , that is sent back along the line to the drive end. What happens

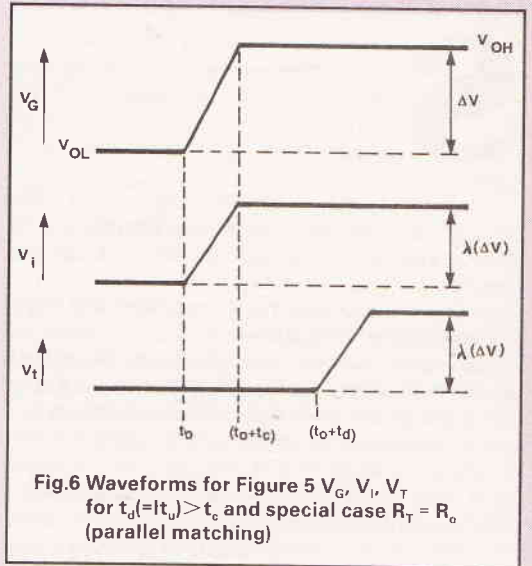


Fig.6 Waveforms for Figure 5  $V_G, V_i, V_T$  for  $t_d (= l/t_u) > t_c$  and special case  $R_T = R_0$  (parallel matching)

when it reaches  $R_G$  depends on the magnitude of  $(R_G/R_0)$ . There is a reflected edge at  $xy$  unless  $(R_G/R_0) = 1$ .

Reflections can lead to the generation of false pulses, if logic gate threshold-voltage levels are temporarily crossed, and the possibility of voltage-overstressing of gates connected to the line. Both these effects are undesirable so some form of matching is often employed. For fast bus systems matching is essential.

Figure 5, with  $R_T = R_0$ , illustrates 'load' or 'parallel' matching. A disadvantage of this arrangement is the high DC loading that  $R_T$  presents to the drive end,

when there is a '1' there, with the associated power waste in  $R_T$ . An alternative form of matching, known as 'source' or 'series' matching, that avoids power waste and depends for its operation on the existence of a single controlled reflection from the load end is shown in Figure 7. This is a version of Figure 5 for the particular conditions  $R_T = \infty, R_G = R_0$ . Relevant waveforms are shown in Figure 8. For the rising pulse edge the line appears as a resistor  $R_0$ . As  $R_G = R_0$  the amplitude of the pulse launched on to the line at  $xy$  is  $\Delta V/2$ . The pulse edge travels down the line towards the load end and, on meeting an open circuit, is completely reflected. The reflected edge travels back along the line to the drive end and is completely absorbed there.  $V_T$  is a delayed replica of  $V$  but  $V_i$  is not a copy of  $V_G$ .

Series matching is useful for inter-board wiring because small reflections that result from minor discontinuities in the transmission path are absorbed at the drive end.



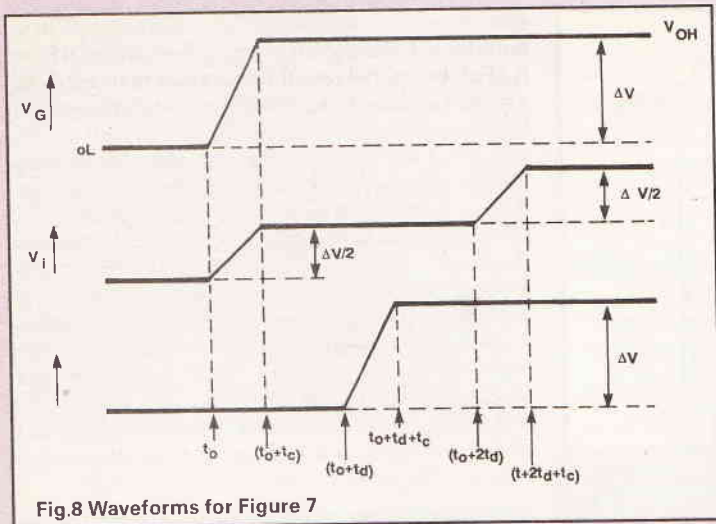


Fig.8 Waveforms for Figure 7

A disadvantage of series matching is that there is a time interval  $2t_d$ , at the drive end, during which the logic signal swing has reached only half its maximum value. This precludes the direct connection of a logic gate input to the terminals  $xy$ .

Referring back to Figure 2, the two-way delay time  $2t_d (= 2/uv)$  is a convenient yardstick for classifying a system as either lumped or distributed. If  $t_c > 2t_d$ , i.e. the pulse edge transition time is greater than twice the electrical length of the line, the drive circuit is loaded by  $R_T$  while  $V_G$  is changing. In this case the physical dimensions of the transmission path can be ignored and the system can be regarded as lumped. Conventional circuit analysis can be used.

If  $t_c < 2t_d$  the effect of  $R_T$  is only felt by the drive circuit after  $V_G$  has completed its transition between '0' and '1' states. The physical dimensions of the interconnection path cannot be ignored. The system is distributed and transmission line circuit techniques are necessary.

We have assumed, so far, that the TPL is ideal. In practice it has series and shunt losses. As indicated in Figure 9 the overall effect of these is to cause: rounding of waveform corners; degradation of transition times; reduction in pulse amplitudes. The extent to which these effects present problems depends on the length of line used. It is worth noting, however, that ECL has operated successfully with 1000ft of TPL using appropriate drive and receive units.

### Unbalanced And Balanced Transmission

An example of an unbalanced transmission path using TPL is shown in Figure 10. The input is single-ended

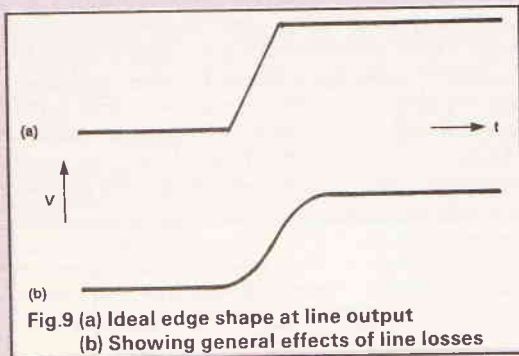


Fig.9 (a) Ideal edge shape at line output  
(b) Showing general effects of line losses

and so is the output. One conductor of the TPL is earthed at both the input ( $y$ ) and at the output ( $y^1$ ). As mentioned above, a pulse edge can be transmitted from  $xy$  to  $x^1y^1$  with minimal distortion if  $R_T = R_0$ . However, the existence of a current in, and the finite resist-

ance of, the ground return path causes two effects, both undesirable: a potential difference,  $V_e$ , and unbalanced fields in the vicinity of the line.

The PD,  $V_e$ , between the 'earths' at the input and output can erode, and in the worst case exceed, the noise margins at the receive end. The fields in the space around the conductors can lead to pulses in the line being coupled to a neighbouring TPL (Crosstalk).

These disadvantages are overcome in balanced transmission, an example of which is shown in Figure 11. In this, differential (or, double-ended) drive is employed. The waveforms at  $x$  and  $y$  are complementary, which means that when

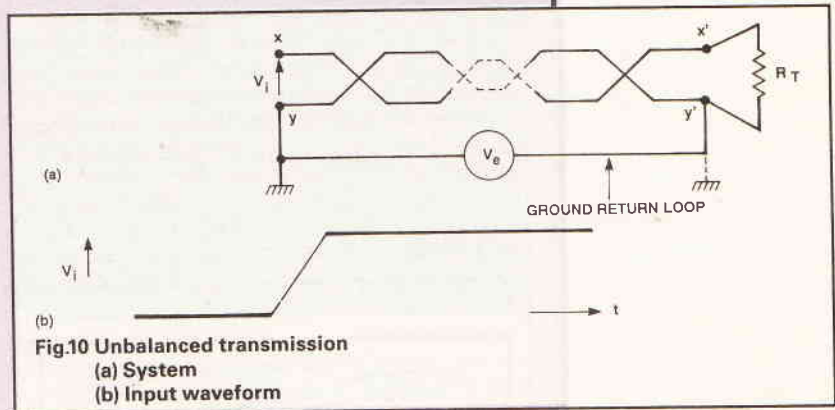


Fig.10 Unbalanced transmission  
(a) System  
(b) Input waveform

one is at '0' the other is at '1' and vice-versa. The output is the difference between the signals at  $x^1$  and  $y^1$  and is not dependent on any difference in earth levels at the drive and receive ends, provided this difference falls within acceptable limits. The balanced system minimizes crosstalk. Furthermore, the doubling of signal swing that results from differential drive means that a greater line length can be employed for a given attenuation in logic pulse amplitude.

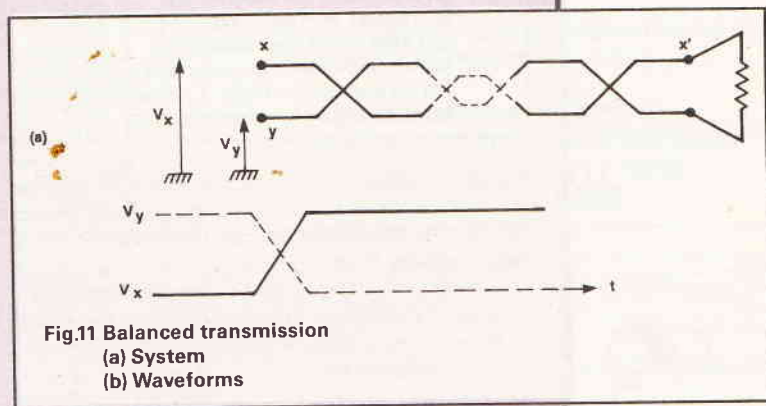


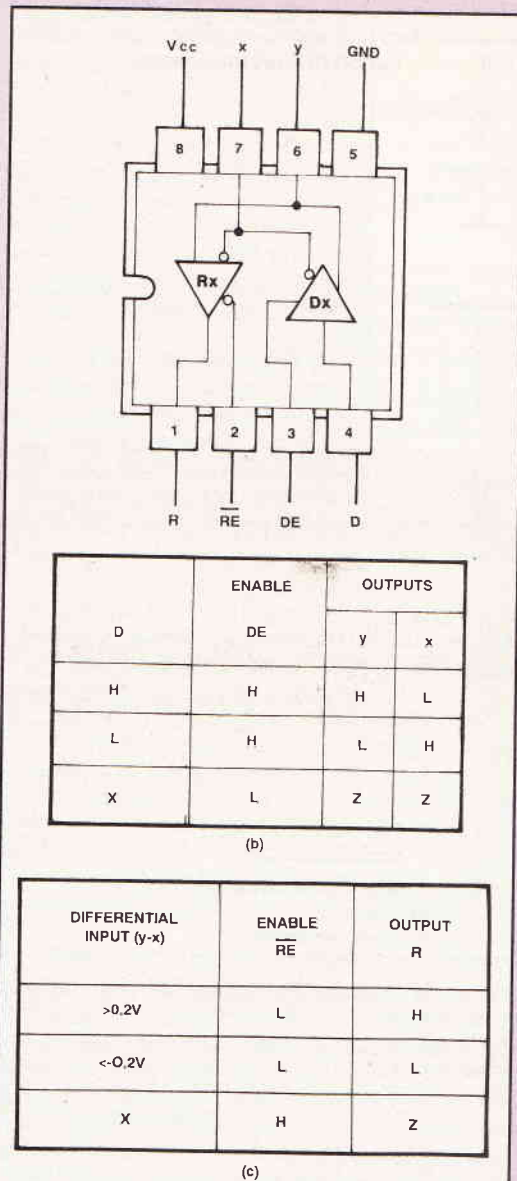
Fig.11 Balanced transmission  
(a) System  
(b) Waveforms

### Practical Line Drive

For 'short' lengths of TPL — a few metres, say — it is possible to use standard logic gates for drive and receive stages. Used with ECL and fast CMOS, TPL can be correctly terminated at the receive end because both these types of logic gate have input resistances high compared with practical values of  $R_0$  (100R). Both types of gate also have output resistances low enough to make series matching possible.

Care is required using TPL and TTL. Correct termination at the receive end is not possible because of





**Fig.12 (a) SN75176A bus transceiver schematic with package pin numbering. D<sub>x</sub> = Driver, R<sub>x</sub> = Receiver (b) Drive-mode characteristics (c) Receive-mode characteristics For (b) and (c): H = High; L = Low; X = Don't care; Z = High impedance output**

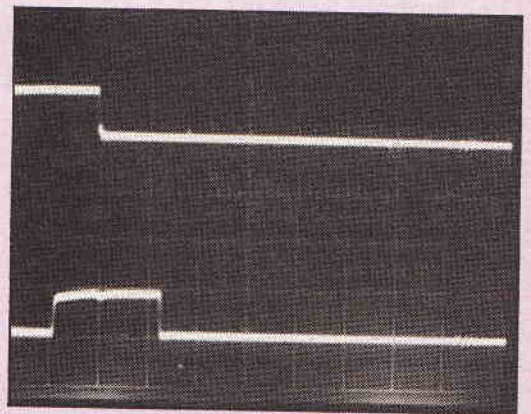
the limited drive capability of standard TTL and the grossly non-linear nature of its input characteristic. Voltage overstressing at the input is minimized by in-built clamping diodes.

Series matching is not completely satisfactory because of the different output resistance in the '1' and '0' states. Long lengths of TPL are used in digital systems for interconnecting Data Transmitting Equipment (DTE) and Data Communications Equipment (DCE). The transmission path, comprising the inter-

face, normally meets a recommended standard (RS) set up by a national body such as the American Electronic Industries Association (ETA) or endorsed by an international body, e.g., CCITT (Comité Consultatif International de Télégraphie et Téléphonie).

These standards specify limits required of pulse '0' and '1' levels, cable length, transmission rate (in Bits/sec), etc. Thus the RS422 applies to balanced drive and includes the following specification: maximum path length 1200m; maximum data rate 10MB/s; driver load 100R.

Driver and receiver IC chips are widely available commercially to meet these requirements. Some chips combine the function of transmitter (i.e. driver) and receiver in a transceiver. Popular among these is the transceiver type SN75176A (Texas Instruments) whose schematic and operating characteristics are shown in Figure 12.



**Fig.14 Terminal waveforms for Figure 13 Upper trace: Input to driver of chip A Lower trace: Output of receiver of chip B Scales (both traces): Vertical, 5V/cm; Horizontal, 0.5µs/cm**

Figure 13 shows a convenient set-up, using the SN75176A, for demonstrating that short duration pulses with fast edges can be transmitted successfully over long lengths of TPL.

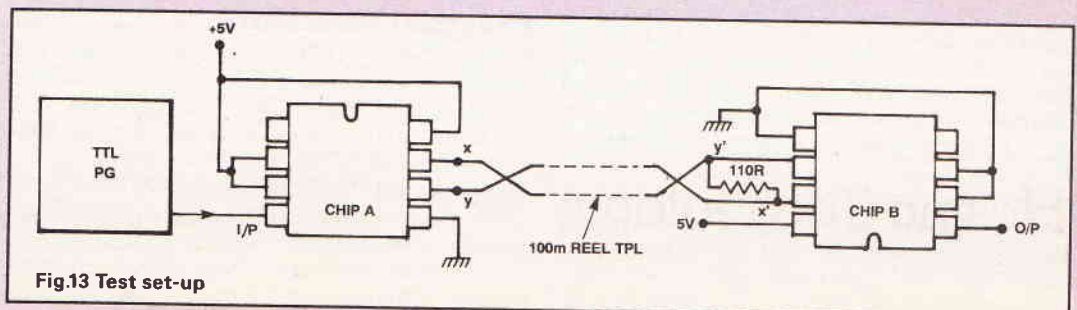
Pulses from a generator having TTL-compatible output levels feed into the data input terminal of chip A, which is configured as a driver and connected to one end of a 100m reel of TPL (unscreened TPL type 1, RS Components Ltd). The other end of the reel is connected to transceiver chip B configured as a receiver.

The TPL is made up of a pair of colour-coded polythene-insulated 22 swg conductors in a PVC outer sheath and has a specified R<sub>o</sub> of 110R (nominal).

To obtain a correct termination at the load end two 220R resistors are connected in parallel at the input of chip B.

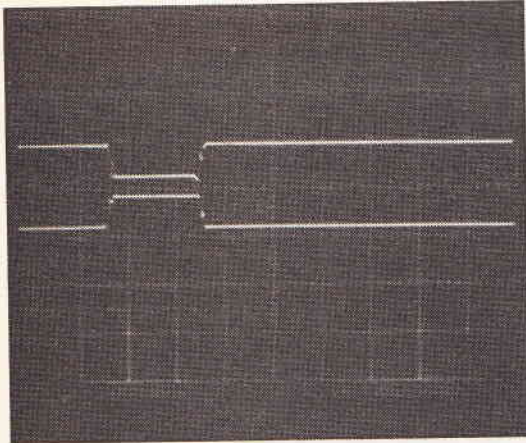
Observed waveforms, obtained using x10 oscilloscope probes, are shown in Figures 14, 15, 16.

The upper trace of Figure 14 shows a pulse of approximately 1µs duration at the input to chip A and the lower trace shows the output of chip B. Leading edge pulse delay is about 0.6µs. Neglecting small delays in the driver and receiver this gives, for the line,



**Fig.13 Test set-up**





**Fig.15 Line input waveforms**  
Upper trace: waveform at x  
Lower trace: waveform at y  
Scales as for Figure 14.

$t_u \approx 6\text{ns/m}$ .

The upper and lower traces of Figure 15 show the line input pulses respectively at x and y. These operate between the same logic levels but are shown with a vertical separation between them in order to avoid confusion in viewing the display. y is a non-inverted version of the input pulse but x is an inverted version of it.

The upper and lower traces of Figure 16, which illustrate for comparison the line output pulses respectively at x<sup>1</sup> and y<sup>1</sup>, show some expected deterioration in pulse shape and amplitude.

However, the magnitude of the differential signal at the line output far exceeds the specified 200mV (minimum) required to switch the receiver output between '0' and '1' logic states so it is clear that 100m

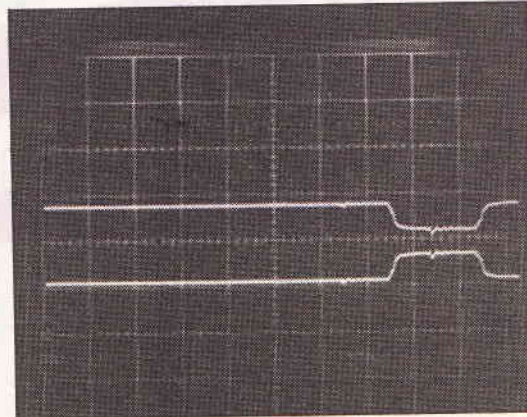
of TPL (chosen because of its ready availability in reel form) does not represent the maximum length of TPL possible with the SN75176A transceiver.

### Conclusion

This article has set out to introduce the subject of logic pulse transmission on twisted-pair line. Interested readers will find an extended coverage of the subject in Reference 2.

### References

1. Guinness Book of Records. Guinness Publishing 1991. P 177
2. Digital Signal Transmission: Line Circuit Technology. B. L. Hart. Van Nostrand (UK) 1988.



**Fig.16 Line output waveforms**  
Upper trace: waveform at x<sup>1</sup>  
Lower trace: waveform at y<sup>1</sup>  
Scales as for Figure 14

## OMNI ELECTRONICS

174 Dalkeith Road, Edinburgh EH16 5DX · 031 667 2611



**A COMPREHENSIVE RANGE WITH SERVICE SECOND TO NONE**  
OUR MUCH EXPANDED, BETTER ILLUSTRATED CATALOGUE WILL COST £1.50 — TO INCLUDE VOUCHERS TO USE AGAINST FUTURE PURCHASES. TO RECEIVE A COPY, PLEASE SEND YOUR REMITTANCE WITH YOUR NAME, ADDRESS AND TELEPHONE NUMBER REQUESTING A COPY OF THE 1990/91 OMNI CATALOGUE.



Open: Monday-Thursday 9.15-6.00  
Friday 9.15-5.00 Saturday 9.30-5.00



Millions of quality components at lowest ever prices.  
Plus Tools, Watches, Fancy Goods, Toys.  
Mail order only. UK only.

All inclusive prices  
**NO** post, or VAT etc to add on.

Write or phone for catalogue/clearance list.  
At least 2,100 offers to amaze you.

**Brian J Reed Electrical**  
6 Queensmead Avenue, East Ewell  
Epsom, Surrey KT17 3EQ  
Tel: 081-393 9055

## TEST EQUIPMENT MAINTENANCE AND TECHNICAL CONSULTANCY

- Service manuals
- Spare parts
- Comprehensive repair service including complete instrument refurbishment at highly competitive rates

- We support scientific, commercial and industrial equipment manufactured by over 100 different companies
- New and second-hand test equipment also available at competitive prices
- Components, valves and miscellaneous items

**Hesing Technology**

41 Bushmead Road, Eaton Socon, St. Neots, Cambs PE19 3BT  
Telephone and fax: (0480) 214488

**MEGAPROM** Program 2764/128/266/512/010/020 (1 Meg/2 Meg 28/32 pin) Hmos, Cmos, Nmos type Eproms. Attractively cased and supplied with power unit. Powerful operating software includes full screen Editor, extensive file handling (Intel Hex, Binary, ASCII Hex), Byte/block or complete rom program/verification/editing. Fast algorithm 1K x 8 bit per 1.9 sec. Runs on IBM or compats via RS232 port (works on laptop) ..... £128.95

**MODEL 1** Supports Eprom types (2716-27512). Still available ..... £99.95

**PROG8751** Programs Microprocessor types 8751, 8752 NMOS, HMOS, CMOS. Same software specification as MEGAPROM with Encryption array and Lock bits programmable. Attractively cased with power supply. Runs on IBM PC and Compts via RS232 port ..... £99.95

**SIM8751** Simulates Microprocessors 8051/52 on IBM PC. Full control registers and memory. Label generated disassembly, program trace, go with break many more features. Supplied on 5.25 or 3.5 Disc ..... £99.95

**AUTO TRACKS V6 PCB Designer** Produce professional printed circuit boards quickly and easily on your IBM PC/XT/AT or Amstrad 1640. Single/Double sided. Auto Routing, rats nest or point to point entry. Too many features to list here. SAE for further details ..... £99.95

**MICRO ENGINE** Development board for MCS8031/51. Contains PLCC 8031, 24 pin Eprom socket, 5 meg Xtal, address latch IC and 18 pin IDC header output Ports 1 & 3. Ideal for stand alone control applications. Size 7cm x 4.5cm approx. Full screen Editor assembler for IBM PC/XT/AT (downloads code to printer port or disk) ..... £99.95

**EPROM/ROM EMULATOR** Works on ANY computer with Centronics printer port. Emulates all ROMs from 1K (2758) to 32K (27250) over 50 types supported. Any file sent to printer port appears as ROM on target machine. Fast download. Ideal for MICRO ENGINE development ..... £89.95

**D.V.M. Module** Brand new full spec 3 1/2 Digit Voltmeter Module. Large 56 LED Display, FSR +/-200mv. Size 8cm x 5.5cm ..... £12.95

ALL PRICES INCLUSIVE SAE for further details

**JOHN MORRISON (MICROS) Dept ETI.**  
4 REIN GARDENS, TINGLEY, WEST YORKSHIRE,  
WF3 1JR. Telephone: 0532 537 507







# The Nightfighter

## 3

*Mike Meechan provides constructional details for the master controller and dimmer.*

**T**his is the penultimate part of the Nightfighter series of articles and presents those overlays held over from Part 1 due to space restrictions, as well as offering some hints and suggestions on individual board construction and faultfinding (should this prove necessary).

If you've been following the preceding chapters of the Nightfighter saga and perhaps raided the components bins of your local shop, the final information required to build the Master Controller is contained in these very pages. Parts 1 and 2 deluged you with the technical information of the system and a plethora of circuit diagrams – these will be kept to a minimum in

Part 3 and emphasis placed firmly on practical and get-you-going advice. Now, without further ado, let's get building.

The simplest and most logical board to begin construction with is of course the Master Controller Power Supply. First of all, fit all resistors and link LK1, then the diode, bridge rectifiers, fuseholders and LED's, taking care with the polarity sensitive components and remembering that LED3 ANODE is connected to ground. The presets and PCB connector strip are mounted next, followed closely by all of the capacitors, the electrolytics being mounted last.

The most troublesome component to mount is the plastic-encapsulated transformer mainly because

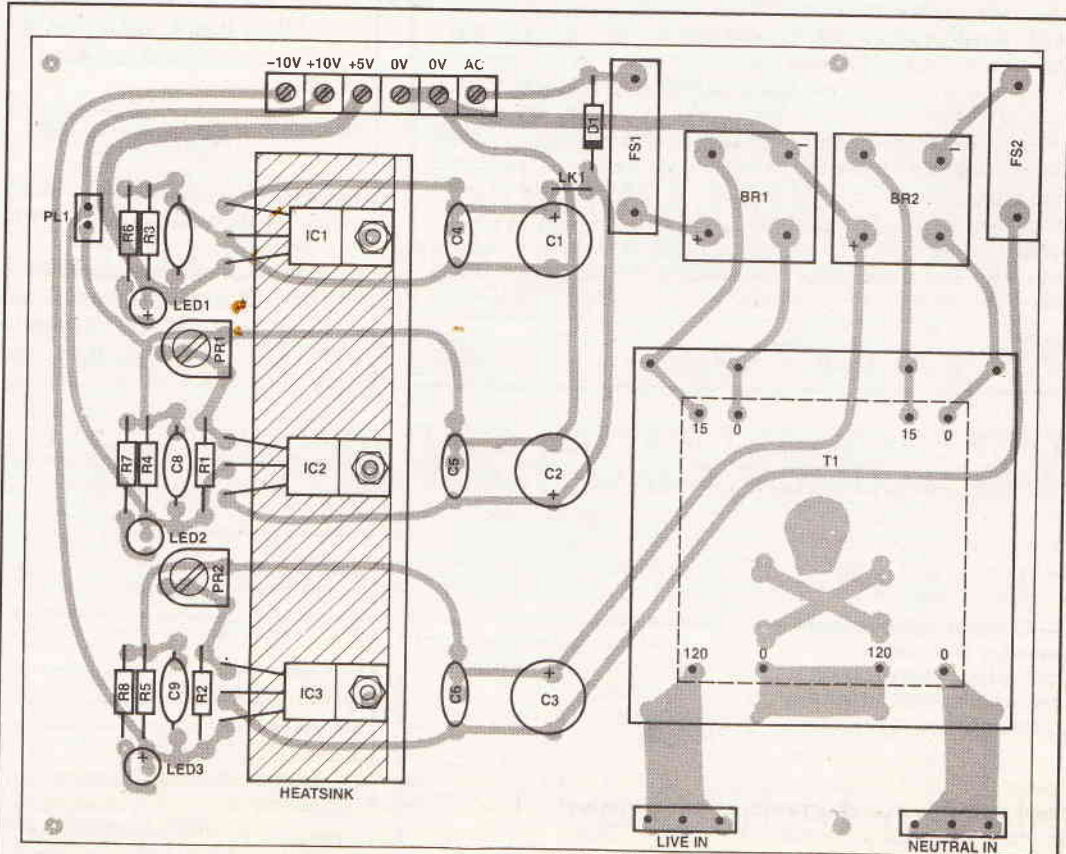


Fig.1 Master Controller PSU

# PROJECT



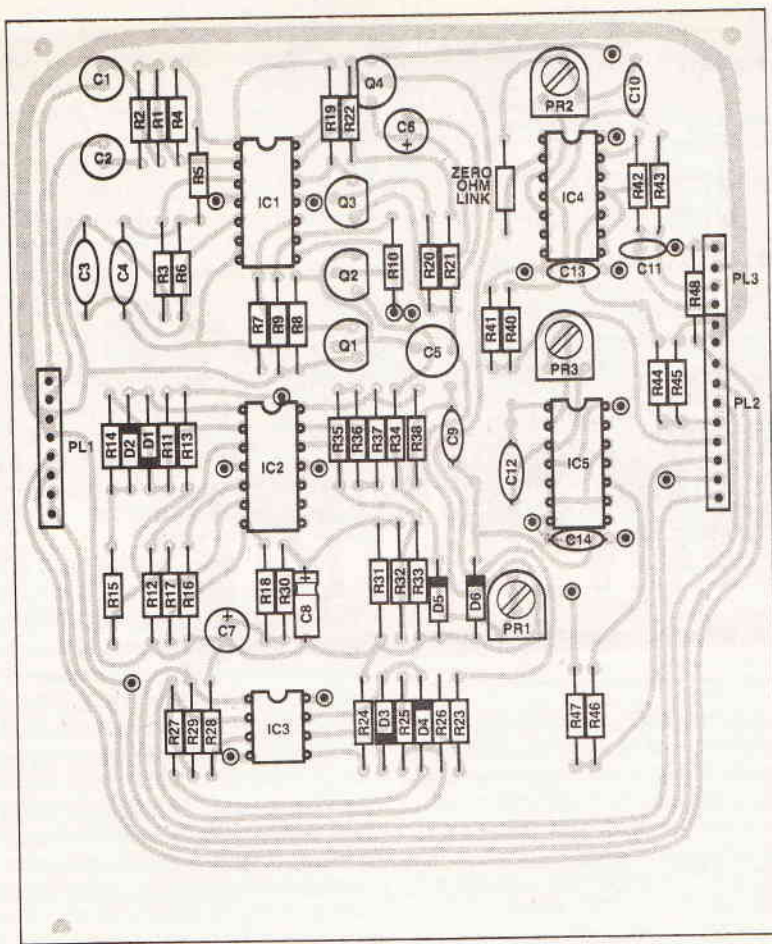


Fig.2 Bass beat trigger overlay

it has eight easily-broken pins which are all but hidden as the transformer is placed onto the board. The best way is to drill out the relevant mounting holes on the PCB to a diameter of 1.5 to 2.0mm and gradually work round pin by pin until the item drops safely into place.

The drilled and painted piece of angle aluminium (which in the best traditions of Blue Peter, you had prepared earlier) is now required for use as a heatsink. It should be placed in the correct position on the board, with IC1 in place on top of it. Mark on the legs of the IC where they should be bent such that they will fit into the component mounting holes with the heatsink-mounting tab hole still perfectly aligned on the heatsink. Bend the legs of the IC carefully, mount it onto the heatsink using a mica washer, insulating bush, M3 nut, bolt and washer and some silicon paste and solder in place. Repeat for IC's 2 and 3. Finally, insert both fuses. The unit is now ready to be tested.

The constructor might like to note that since the inception of the original design, it was latterly found that when the master Controller was operated in high ambient temperatures, ie with the lids of the casing on, all LED's lit and with high summer temperatures, the original area of heatsink proved inadequate and the regulator IC's overheated with consequent strange occurrences, namely unregulated DC being fed to all circuits. An improved design of heatsink is thus offered for any of you who experience similar problems.

Double check everything. Place the board on an insulating surface, set each of the presets to their mid positions and then construct a mains plug to flying lead assembly which should be connected to the PCB strip at the rear of the transformer. Apply power whereupon each of the LED's should be glowing happily.

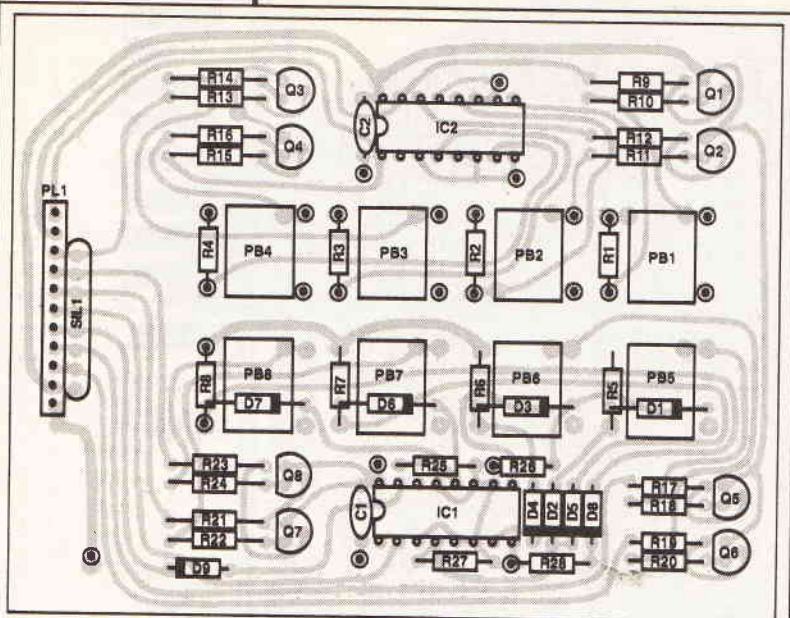
With a multimeter, check for the presence of three different voltages on the low voltage terminal strip. If there are none, the fault lies in one of three areas: Diodes or bridge rectifiers inserted incorrectly, fuses blown, or IC's or electrolytics incorrectly inserted.

If all of the voltages are present but one or more of the LED's are out, check that they've been soldered in the right way round. When all of the above check out, monitor the +10V terminal and adjust PR1 for +10.5V then monitor the -10V terminal and adjust PR2 for -10.5V. Now switch it off and put it to one side.

The next board to be built is the Bass Beat Trigger board. This is a straightforward board to construct with IC sockets, resistors, through-board pins and diodes being mounted first, then transistors, capacitors and lastly the Minicon plugs. Remember that IC's 4 and 5 are CMOS. From now on, assume that all IC's belong to the CMOS family of devices and adopt the correct handling precautions.

To test the unit, SK1 and SK2 socket-lead assemblies must first be made, these being fabricated from 25cm long pieces of stranded wire, green, red, brown and black in colour, these colours referring to 0V, +5V, +10V and -10V respectively. This colour code should be adopted in all of the wiring. A 400mm long piece of stereo screened lead is also required for connection to the 1/4" stereo jack socket which comprises the Audio Input. The two cores of the screened lead are connected to pins 1 and 2, the screen to pin 3, green to pin 4, red to 5, brown to 6 and black to pin 7. Connect each of the wires to the respective terminal on the PSU connector strip and the screened lead to a switched stereo jack socket. Solder a piece of tinned wire across the





**Fig.3 Mode Selection board overlay**  
**Note SIL1 and R25-28 are additional pull down resistors not mentioned in text and inserted if required**

unused pins of the socket — this ensures that the audio input is grounded when no music source is connected.

Now cut a piece of four core ribbon wire about 500mm long and connect to the switched pot RV1, ensuring that pins 1 and 2 connect to the switched part and 3 and 4 to the resistive element.

Set RV1, PR2 and PR3 to their mid positions and switch on. Should all of the PSU monitor LED's remain lit, check for the presence of square waves on pin 4 and pin 10 of IC4. If there are none check for +10.5v on pin 14 of this IC. Failing this, remove the power and try another IC.

Now connect an audio source of level 80mV to 2.5V to the audio input. An oscilloscope is really required at this stage. cursory checks should include checking IC1 pin 1 for wideband audio, IC1 pin 14 for gain-controlled audio, IC1 pin 7 for low pass filtered audio and IC1 pin 8 for a gain-controlled version of this. IC2 pin 7 should have rectified bass, IC3 pin 7 rectified audio and IC2 pin 12 should have a DC level rising to about +2v on the bass notes.

Faultfinding is basically confined to verifying the presence or otherwise of these signals and looking to where on the board they can have disappeared.

If all is well, adjust PR1 for +2.5V on pin 13 of IC2. Pin 8 of IC5 should have a bass-derived input clock. This board is now fully set up and operational. It should be noted that the AGC time-constant capacitors, C6 and C7, are electrolytics and have tolerances of -50%/+100% and so, depending on the exact value of these, the already long time constant may be stretched further. This means that the unit may take a minute or so to adjust the gain of the circuits for satisfactory response.

The next two boards to be constructed are the Mode Selection Board and the Seq. Select/Output Mode Board. You may notice from the component overlays that there are resistors and resistor arrays not shown in the circuit diagrams or mentioned in the text. These will be discussed later.

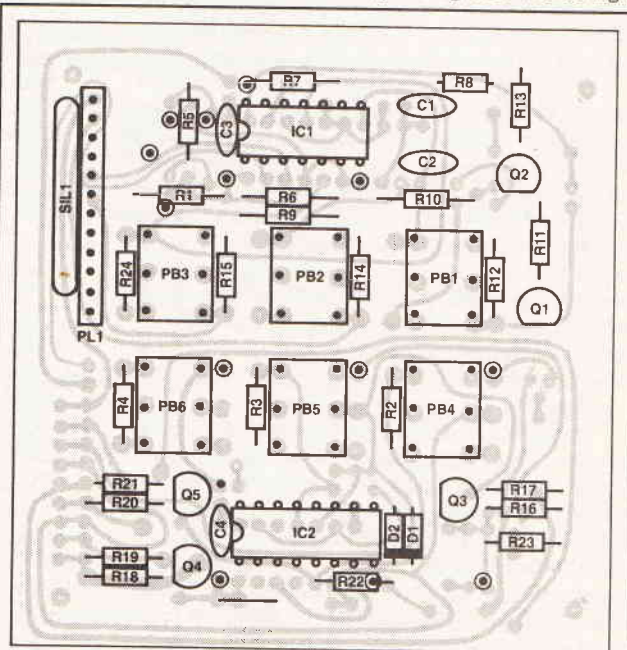
On both boards, all of the through-board pins

should be soldered first as some later-mounted components, notably resistors and diodes, then obscure these roundels. Also ensure that any components which require it, are soldered on both sides of the board. Components mounted on the foil side are fitted next (these are shown dotted on the overlays), followed by IC sockets, resistors, diodes, and capacitors. The switches are the final items to be mounted. Before this can be done, each should be fitted with an LED. Ensure that the LED's purchased for the task have long enough legs (no whistling at the back) so that after bending, enough lead protrudes through the switch housing for a good solder joint to be made. All switches should be wriggled into place and aligned with respect to one another until all are straight. Only now can they be soldered to the board.

To test these boards, a twelve-way Minicon socket to flying lead assembly needs to be constructed. This has no other purpose but to test the boards and will not be required in the finished unit — it can, however, be used to test other boards.

With the test lead plugged into the Mode Selection Board, connect pins 1 and 2 to 0V and pins 3, 4, 5, 8, 9 and 10 to +5V on the PSU. Apply power and if all is well, all of the LED's except 2 and 4 should be lit. Pressing PB2 and PB4 should cause these LED's to light. With reference to the circuit diagram, check that each button toggles its respective flip-flop and that PB5 to PB8 generate their own unique 2-bit binary code on pins 6 and 7, Q0 and Q1. Switch off and now connect pins 4, 5, 8, 9 and 10 to 0V. Switch on and only LED 1 should be on. Faults on this board are generally the result of unsoldered or un-inserted Veropins or wrongly inserted diodes or LED's. Should an LED not function, check the associated drive transistor before embarking on the troublesome task of desoldering the little critter.

Now depower and transfer the lead to the Sequence Select/Output Mode board. Connect pins 1 and 2 to 0V and pins 3, 5, 6 and 10 to +5V. Apply power and if all is well, LED1, 2 and 5 should be on. Pressing PB3 should flash LED3, pressing PB4 should light



**Fig.4 Sequence Select output control board. Note SIL1 and R22, 23 and 24 are additional 100k pull down resistors not mentioned in text**

LED 4 and pressing PB6 should light LED6 whilst causing LED4 to extinguish. Press PB3 again and check for a low-to-high transition on PL1 pin 9. Depower and connect pins 5, 6 and 10 to 0V where-



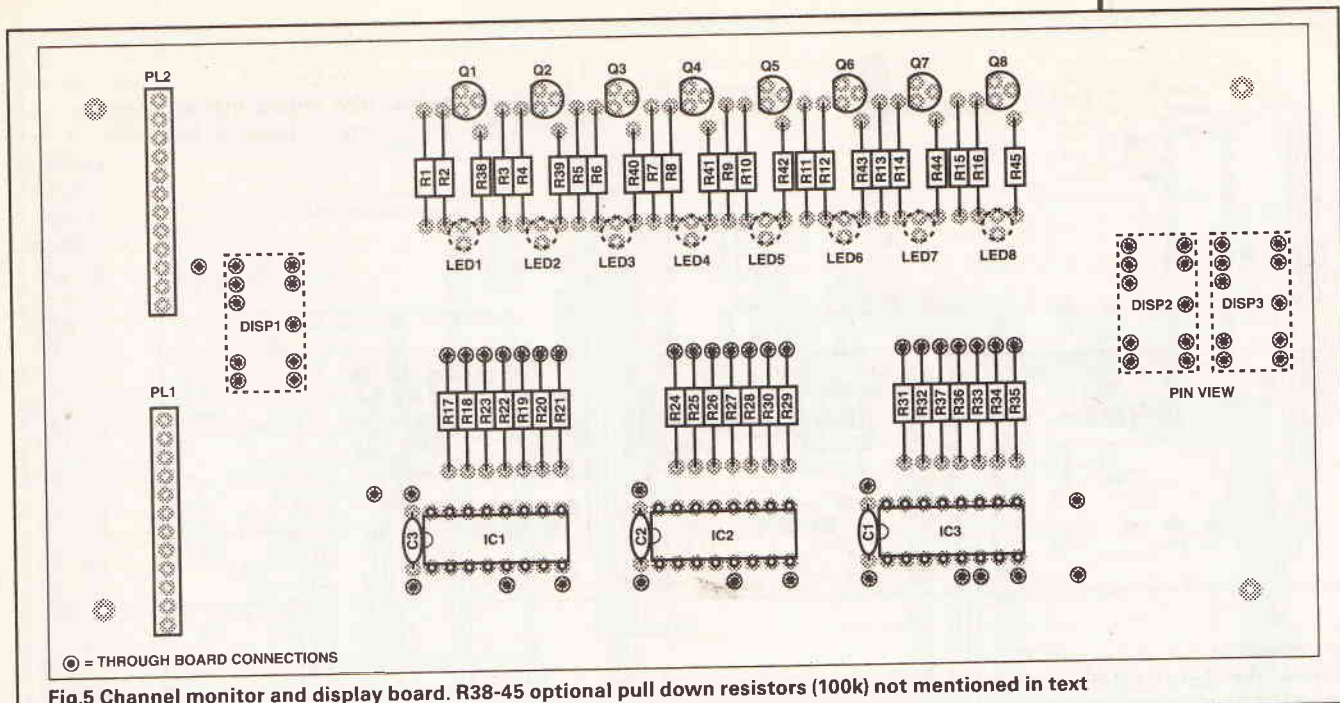


Fig.5 Channel monitor and display board. R38-45 optional pull down resistors (100k) not mentioned in text

upon LED's 1, 2 and 5 should be off. Finally, check that pressing PB4, 5 and 6 toggles Strobe pin 11 and Standby/Go pin 12. Faultfinding is as the previous board.

The Channel Monitor and Display board is constructed next. All resistors and through-board pins and IC sockets are mounted first, noting that display resis-

tors R17-38 are soldered on both sides of the board. Turn the board over and mount the seven-segment displays next and then on the component side again, mount the resistors, capacitors and plugs PL1 and PL2. Finally, LED's 1 to 8 should be soldered in place. To do this, first cut a piece of card about 5 x 80mm long and use this as a temporary spacer to ensure that all of

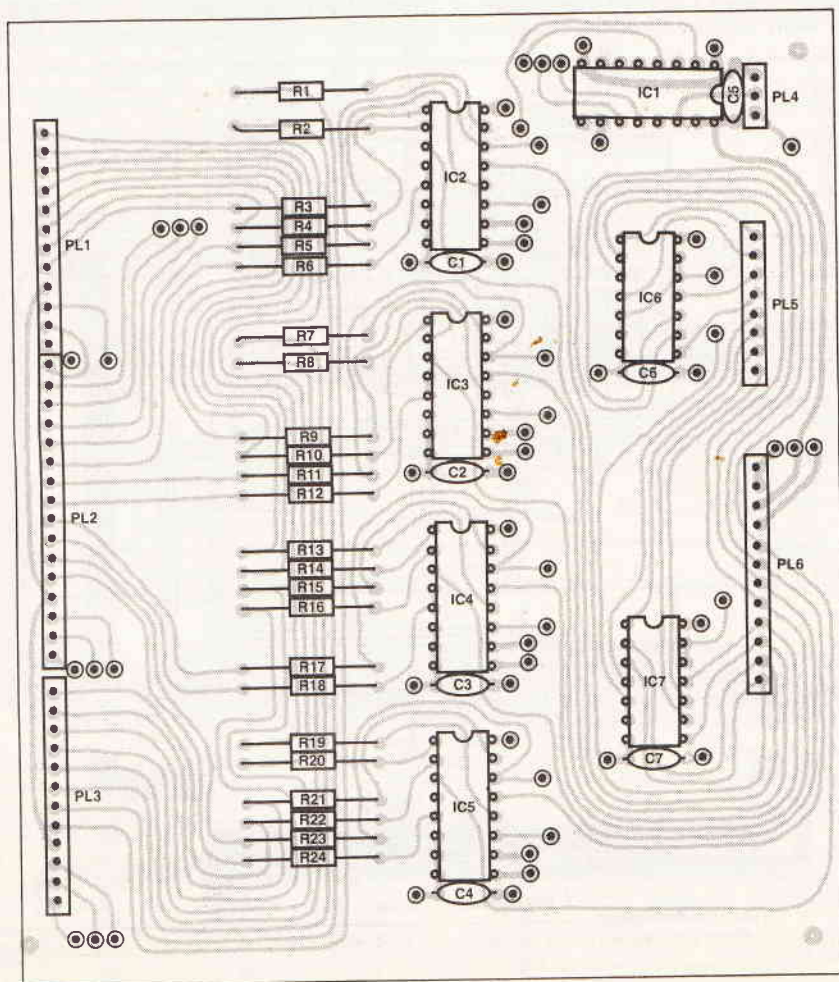


Fig.6 Output switch overlay



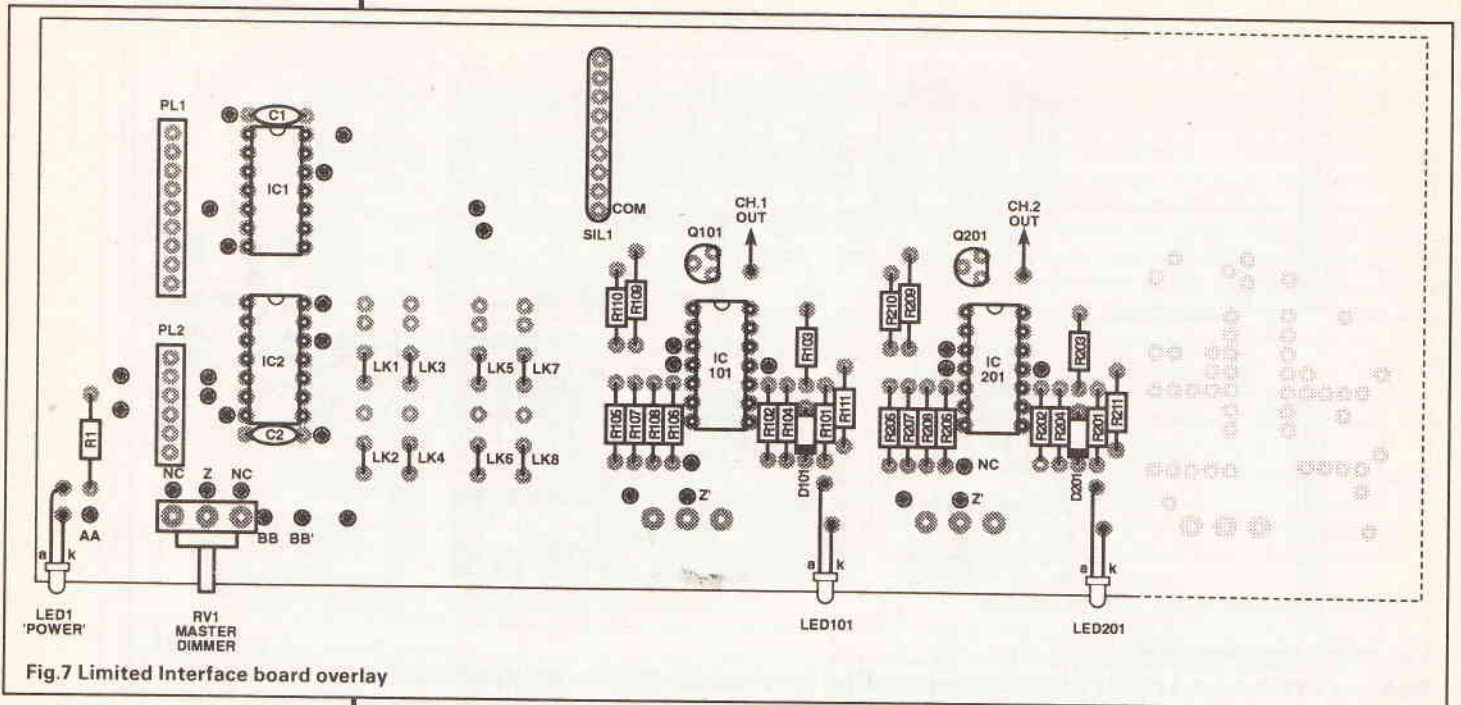


Fig.7 Limited Interface board overlay

the LED's are at an equal height above the PCB. Also ensure that they are mounted correctly with respect to polarity as, being soldered on both sides of the board, the LED's are the devil themselves when it comes to desoldering.

To test, insert the 12-way socket assembly into PL2 and connect pins 1-3 to 0V and pins 4-12 to +10V on the PSU. Apply power and LED's 1 to 8 should be glowing. Depower and connect pins 5-12 to 0V. LED's 1-8 should now be off. IC's 1 to 3 and their associated displays can't easily be tested without constructing

another ultimately redundant lead assembly and unless problems persist when the board is connected to the Main Processor board, it can't really be justified. Fault-finding is confined mainly to checking for shorts and for incorrectly inserted LED's.

Finally, we can construct the Main Processor board and the Output Switch board. Although they are the most complicated boards electrically, these are the two easiest to construct, fabrication consisting in the main of repetitive soldering of IC sockets, through board pins and resistors. As there are so many linking

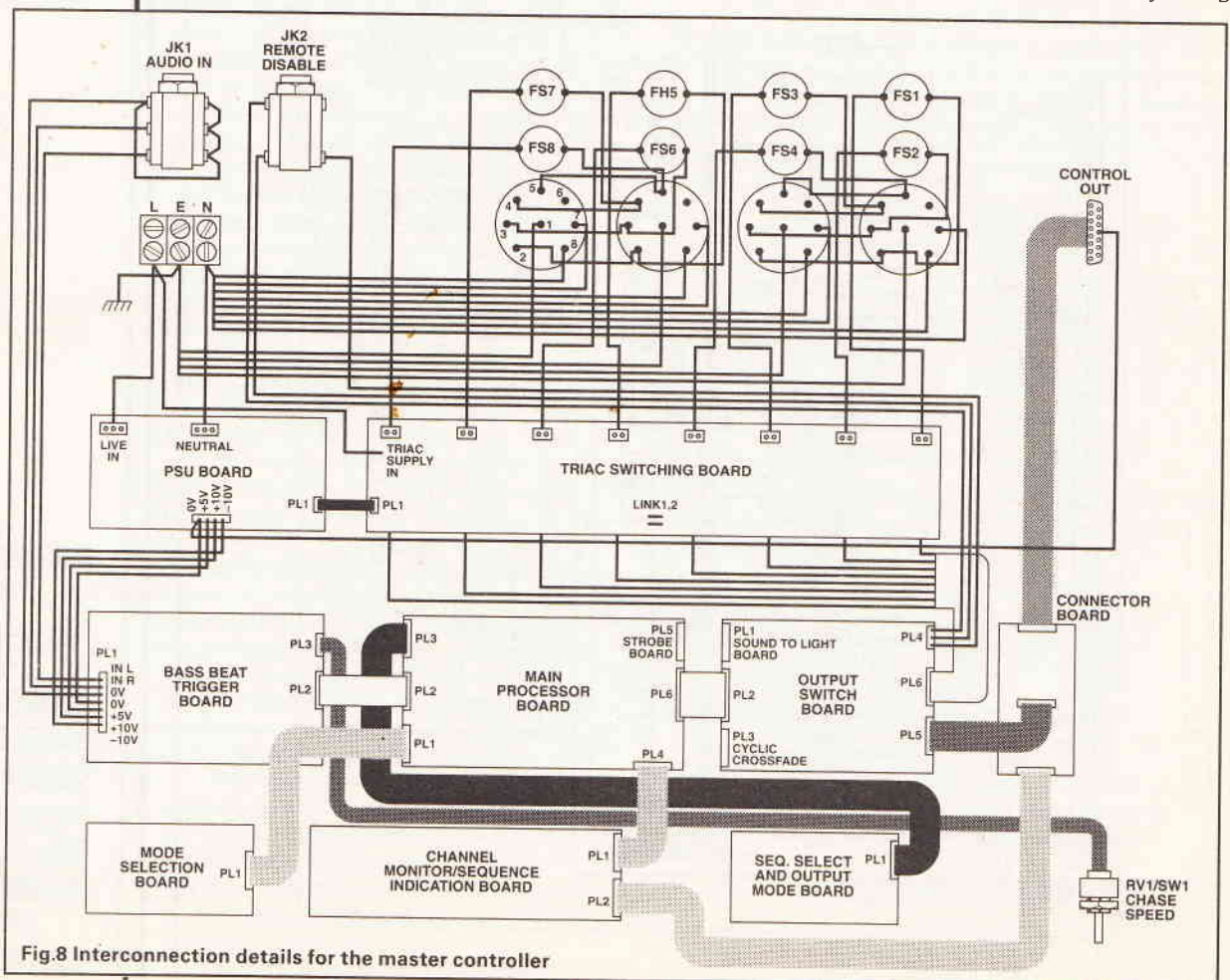


Fig.8 Interconnection details for the master controller



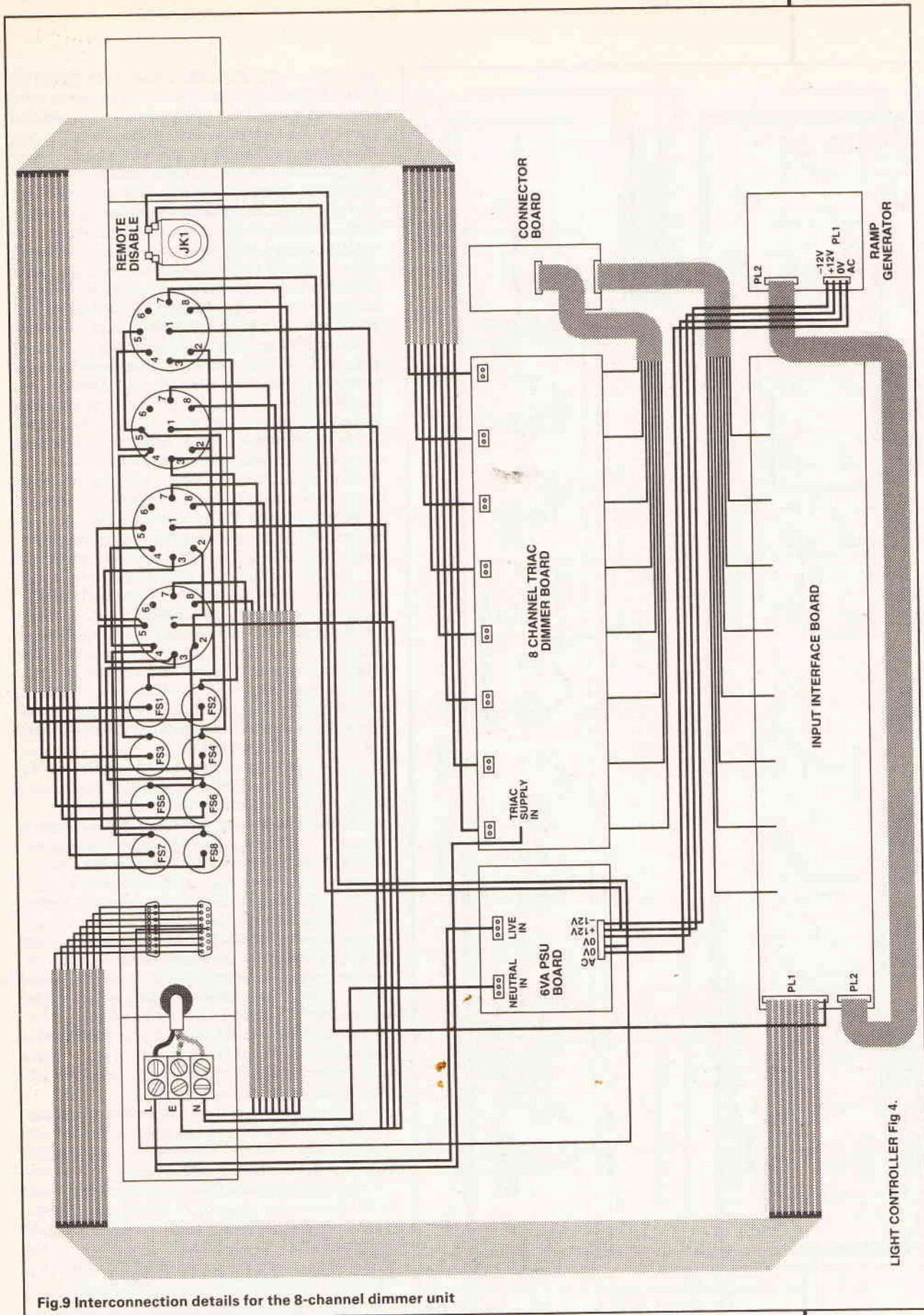


Fig.9 Interconnection details for the 8-channel dimmer unit

pins, it may be found useful to adopt the following method.

Firstly, count the number of pins on the overlay. Now insert the pins, counting them off until the two numbers reconcile. Then count off as each pin is firstly soldered on the foil side and finally on the component side. This workman-like approach may save much heart-

break at a later stage as most faults at the prototype stage were traced to unsoldered or un-inserted pins causing IC's to be powered by their gates or signals to disappear into an electronic limbo between foil and component side.

Mount the sockets, capacitors and finally the plugs. Now comes the really tedious part, namely the fabrication of the various Minicon socket to socket

LIGHT CONTROLLER Fig 4.







full facility dimmer. This choice will, of course, dictate what components need to be bought. Part 2 gives listings of the boards required for each option. Again note that if the Triac board is configured as a Zero Switch board, the channel monitor LED's sited adjacent to the opto-triacs should be mounted at right-angles to the PCB so that they are able to protrude through the front panel metalwork. Also note that points X, Y either side of the chokes shown on the circuit diagram are jointed by insulated wire links and that the left-hand side of the triac board nearest the PSU has a 2-way Minicon plug feeding the  $\sqrt{V}$  and 12V to the board. A two-way Minicon socket-socket assembly will need to be constructed. The Connector board, Control In socket, PSU (if fitted) and the Triac board are interconnected to create a Switch pack.

For both of the dimmer options, a PSU needs to be constructed. This is a simpler affair than the variable voltage unit used in the Master Controller and generates only plus and minus 12V and an unsmoothed but fullwave rectified AC output for the Ramp Generator. Construction is identical in most aspects to those of the Master PSU and no new points need be raised. Build this first and test it in accordance with the instructions given previously. Owing to space limitations, the component overlay and circuit will be presented next month.

Now construct a 4-way socket to flying lead assembly using the following code for the cableform: 0V - Green; +12V - Brown; -12V - Black; AC - Violet.

The assembly should be about 18" in length. Connect this to the PSU and set about making the Ramp Generator. Then fabricate another Minicon assembly, this time a 6-way socket to socket. Use the colour code specified above, adding White for the +10V and Grey for the -10V connections. Refer to the relevant circuit diagram for the correct pinout.

These remaining boards should not present any major problems if the reader has progressed so far, the only noteworthy points being:-

The mounting of the LED's on the Interface PCB which should have their legs bent at right-angles before being soldered to Veropins on the PCB.

The use of a suitably powerful soldering iron when soldering each of the 2.5mm triac supply links.

Great care should be taken when constructing the triac board as any mistakes made may be both expensive and dangerous. All components are mounted, as before, in order of ascending size. The triacs should have each leg insulated with silicon or similar sleeving before being mounted on the board/heatsink using M3 hardware, mica washers and insulating bushes.

Once the Interface board has been constructed, check and double-check that only the correct through-board pins have been inserted as supplementing the pins required for the limited facility board with those required for the full facility option or vice versa will result in damage to the trackwork and dimmer pots.

## Testing and Faultfinding

Connect the PSU to PL1 on the Ramp Generator and apply power. Should all remain well, switch off and purloin a dual trace 'scope from somewhere. Trigger the 'scope with the 240V mains input waveform and connect channel 2 to Q4 collector. Gingerly, re-apply power and if there are no bangs or flashes at this juncture and two traces on the 'scope, adjust PR1 until the positive-going pulses are coincident with the zero crossings and as narrow as possible. Over adjustment will cause the pulse to reduce in amplitude and then disappear. Transfer Channel 2 probe to IC1 pin 1 and adjust PR2 for a linear sawtooth of final amplitude +10V. Finally, adjust PR4 for +10V on IC2 pin 2 and

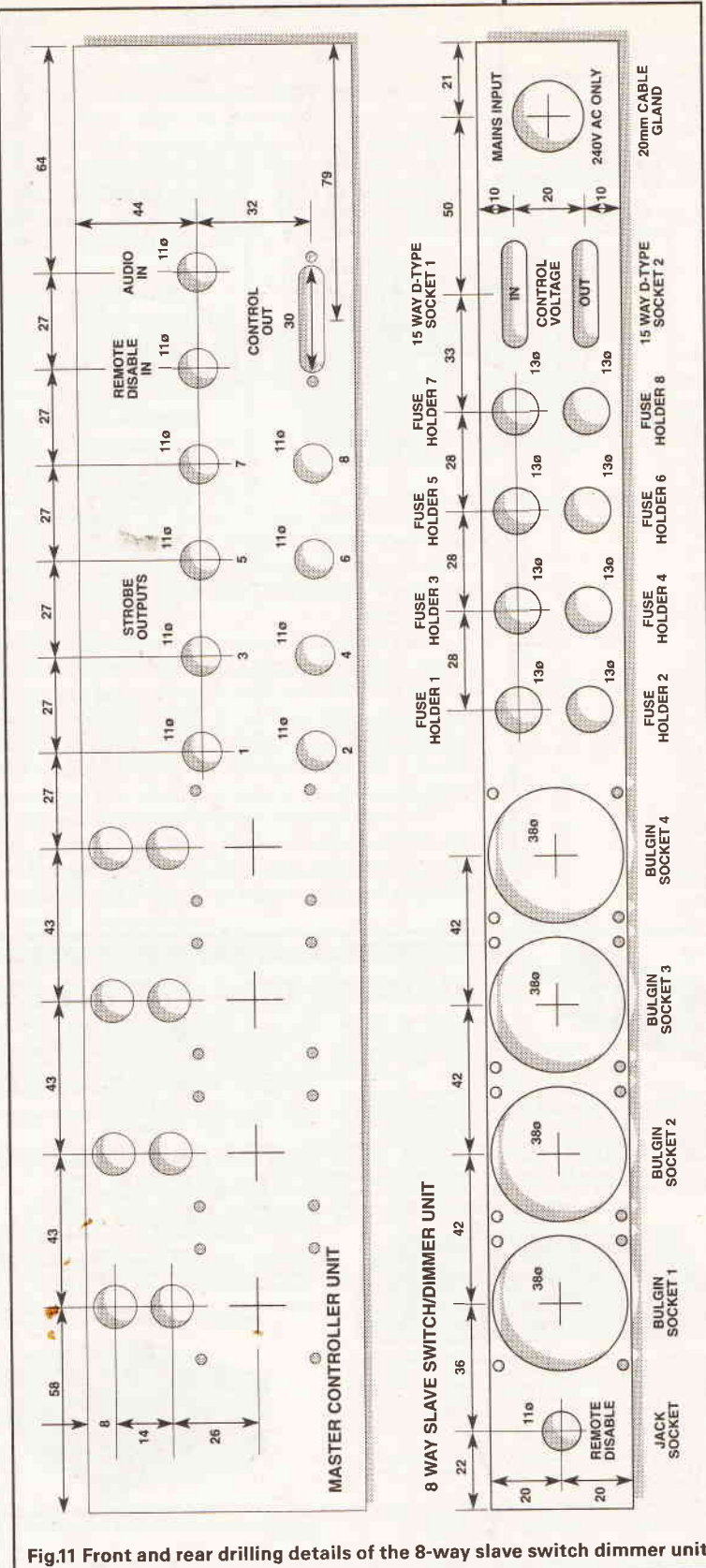


Fig.11 Front and rear drilling details of the 8-way slave switch dimmer unit

PR5 for -10V on IC3 pin 3. Should no 'scope be readily available, adjust PR1 for a voltage of 3.5V on Q1 base. This is a slightly inaccurate method as, ideally, the waveform needs to be viewed and compensation made for the slight phase lag of the transformer. It is for this reason that we look at the mains primary waveform and not the secondary and set up the circuit accordingly.

Now connect the Ramp Generator to the Interface board and referring to Part 2, undertake the functional tests detailed. Should the unit fail any of these



tests, unplug all of the IC's except IC's 1, 2 and 101 to ascertain whether or not the problem is common to all channels or is confined to one or more channels. Look for missing supply rails, the presence of the sawtooth, diodes inserted back-to-front, then working from IC101d backwards, check each of the op-amp outputs to see whether or not the DC voltage can be altered within its specified limits using the dimmer controls.

When the Interface is fully operational, construct a 10 way socket to flying lead assembly using eight different coloured cores for the channel inputs and the central core from some screened lead for the Disable pin. Connect this to a mono 1/4" switched jack socket as in the diagram. For those of you not wishing to construct the Sensor Switch, I have included a circuit using a normal SPST switch to implement the Disable function.

Connect the other cores to pins 1 to 8 of a 15 way D-type socket. This is the Control In socket. Pin 12 is connected to 0V. The Triac board is tested as per the instructions given in Part 2. Faults are almost exclusively confined to the incorrect insertion or the failure of the semiconductor devices housed on the board.

This concludes the bulk of the complex construction of the Master Controller and 8kW Dimmer. All that remains is to create the metalwork required to house the boards, measure up and drill the front pan-

els and then neatly wire the boards to the various rear panel connectors. The final part of the series gives the presentation of the design and construction of the Sensor Switch.

One or two errors have occurred in Parts 1 and 2 namely to the ramp generator board overlay and the orientation of PR1 and positioning of R1. These will be published in next month's article.

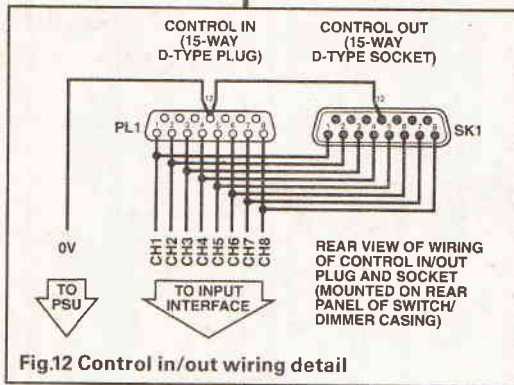


Fig.12 Control in/out wiring detail

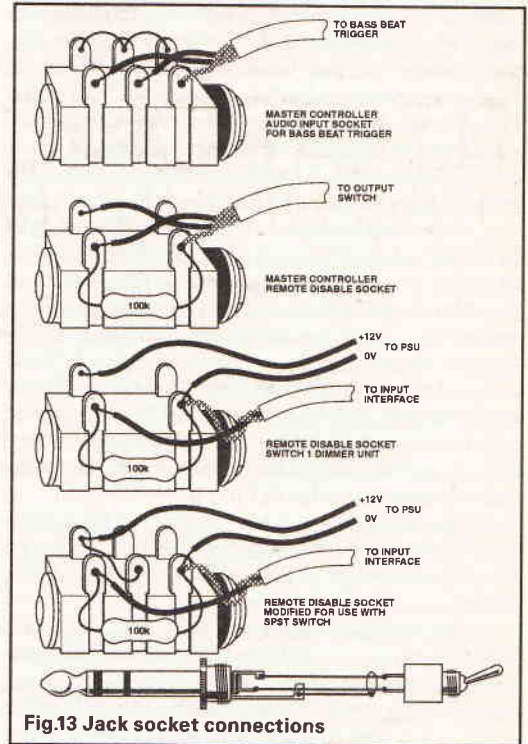


Fig.13 Jack socket connections



## HART AUDIO KITS — YOUR VALUE FOR MONEY ROUTE TO ULTIMATE HI-FI

HART kits give you the opportunity to build the very best engineered hi-fi equipment there is, designed by the leaders in their field, using the best components that are available.

With a HART kit you not only get more performance for your money but also the added free bonus of your own hands-on experience of modern electronic assembly. The HART combination of innovative circuit techniques, sound engineering design and professional grade components is your recipe for success in the quest for affordable ultimate audio fidelity.

Our list will give you fuller details of all our Audio Kits, components and special offers.

### AUDIO DESIGN 80 WATT AMPLIFIER



This fantastic John Linsley Hood designed amplifier is the flagship of our range, and the ideal powerhouse for your ultimate hi-fi system. This is your way to get EK performance at bargain basement prices. Unique design features such as fully FET stabilised power supplies give this amplifier World Class performance with startling clarity and transparency of sound, allied to the famous HART quality of components and ease of construction.

Useful options are a stereo LED power meter and a versatile passive front end giving switched inputs, with ALPS precision, low-noise volume and balance controls.

Construction is very simple and enjoyable with all the difficult work done for you, even the wiring is pre-terminated, ready for instant use! Complete details of the different versions are in our free lists.

RLH10 Reprints of latest 'Audio Design Amplifier' articles..... £2.70  
K1100CM HART Construction Manual with full price lists..... £5.50

Why not buy the reprints and construction manual to see how easy it is to build your own equipment the HART way. The FULL cost can be credited against your subsequent kit purchase.

### ALPS PRECISION LOW-NOISE STEREO POTS



To fulfil the need for higher quality controls we are now importing an exciting new range of precision audio pots in values to cover

most quality amplifier applications. All in 2-gang stereo format, with 20mm long 6mm dia. steel shafts. Now you can throw out those noisy ill-matched carbon pots and replace with the real hi-fi components only used selectively in the very top flight of World class amplifiers. The improvements in track accuracy and matching really is incredible giving better tonal balance between channels and rock solid image stability. Values available are 10K and 100K Log, 100K Lin and 10K Special Balance. (Zero loss in centre position).

Also now added to the range are two values in MOTORISED versions. These are 20K Log and 10K Special Balance with 5V DC drive motor.

Motorised versions have 5V DC Drive motor..... £8.95  
2-Gang 100K Lin..... £8.95  
2-Gang 10K, 50K & 100K Log..... £9.60  
2-Gang 10K Special Balance, zero crosstalk and zero centre loss..... £10.71  
2-Gang 20K Log (Volume Control) MOTORISED..... £19.20  
2-Gang 10K Special Balance, MOTORISED, zero crosstalk and <10% centre loss..... £19.98

### LINSLEY HOOD 'SHUNT FEEDBACK' R.I.A.A. MOVING COIL & MOVING MAGNET PICKUP PREAMPLIFIER



Modern, ultimate sound systems are evolving towards an RIAA preamplifier within the turntable unit. This keeps noise pickup to a minimum.

This new circuit by John Linsley Hood uses latest generation integrated circuits in the sonically preferred shunt feedback configuration to give an accurate and musical sound, with the ability to use no ing magnet and moving coil cartridges. Power comes from two 9v PP3 size batteries or a mains power supply. (Not supplied).

The HART kit for this unit is exceptionally easy to build with all the specially selected components fitting directly on to the roller tinned fibreglass printed circuit board. Even the gold plated phono sockets mount directly on the board.

This kit now comes with latest generation low-noise front end IC and onboard power stabilisers for any DC input voltage between 9v and 30v.

K1500 Special Discount Price for complete kit..... £67.99

### HIGH QUALITY REPLACEMENT CASSETTE HEADS



Do your tapes lack treble? A worn head could be the problem. For top performance cassette recorder heads should be replaced every 1,500 hours.

Fitting one of our high quality replacement heads could restore performance to better than new! Standard inductances and mountings make fitting easy on nearly all machines (Sony are special, see below) and our TC1 Test Cassette helps you get the azimuth spot on. As we are the actual importers you get prime parts at lower prices, compare our prices with other suppliers and see all our heads are suitable for use with any Dolby system and are normally available ex stock. We also stock a wider range of special heads for home construction and industrial users.

HC15 Standard Quality Stereo R/P Head..... £2.49  
HC66 High Quality Stereo R/P Head..... £7.98  
HC86 Sintered Alloy Stereo Head..... £16.85  
HC86 NEW RANGE High Definition Stereo Head, Modern Space saver design for easy fitting and lower cost. Suitable for chrome metal and ferric tapes, truly a universal replacement head for everything from hi-fi decks to car players and at an incredible price too!..... £8.30  
HC605 SONY Special Mounting Stereo R/P Head..... £37.82  
HQ551 4-Track RECORDER Play Permalloy Head for auto-reverse car players of quadraphonic recording..... £14.90

### REEL TO REEL HEADS

999R 2/4 Record/Play 110mH. Self-Stuart Tape Circuits..... £13.64  
998E 2/4 Erase Head 1mH. Universal Mount. Suits Stuart..... £11.98

### TAPE RECORDER CARE PRODUCTS

HART TC1 TEST CASSETTE. Our famous triple purpose test cassette. Sets tape azimuth, VU level and tape speed..... £5.36  
DEM11 Mains Powered Tape Head Demagnetizer. Prevents noise on playback due to residual head magnetisation..... £4.48  
DEM115 Electronic, Cassette Type, demagnetizer..... £8.91  
Send or phone for your copy of our List (50p) of these and many other Kits & Components. Ordering is easy. Just write, telephone or fax your requirements to sample the friendly and efficient HART service. Payment by cheque, cash or credit card. A telephoned or faxed order with your credit card number will get your order on its way to you THAT DAY. Please add part cost of carriage and insurance as follows:  
INLAND — Orders up to £20 - £1.50; orders over £20 - £3.50; Express Courier, next working day, £10.  
OVERSEAS Enquiries are equally welcome, but PLEASE send 2 IRCs if you want a list sent surface post, or 5 for Airmail.

## QUALITY AUDIO KITS

24hr SALES LINE  
(0691) 652894  
Fax (0691) 662864

ALL PRICES INCLUDE VAT  
AT 17.5%







# PCB SERVICE

## November

TELEPHONE  
ORDERS  
may be made on  
**(0442)  
66551**  
ACCESS or VISA

E9111-1 Digital Code Lock .....	L
E9111-2 Switched Mode Power Supply .....	E
E9111-3 Nightfighter Mode Selection (double sided) .....	J
E9111-4 Nightfighter - Display Board (double sided) .....	M
E9111-5 Nightfighter - Bass Beat Trigger (double sided) .....	L
E9111-6 Nightfighter - Sequence Select (double sided) .....	H
E9111-7 Nightfighter - Master Controller PSU .....	K
E9111-8 Nightfighter - Output Switch (double sided) .....	M

PCBs for the remaining projects are available from the companies listed in Buylines.

Use the form or a photocopy for your order. Please fill out all parts of the form. Make sure you use the board reference numbers. This not only identifies the board but also tells you when the project was published. The first two numbers are the year, the next two are the month.

Terms are strictly payment with order. We cannot accept official orders but we can supply a proforma invoice if required. Such orders will not be processed until payment is received.

Price code	Price (inc. VAT)
C	£1.80
D	£2.50
E	£3.25
F	£4.00
G	£4.75
H	£5.50
J	£6.62
K	£7.20
L	£8.80
M	£10.60
N	£13.10
O	£15.80
P	£17.90
Q	£21.80
R	£23.90
S	£25.90
T	£29.00
U	£32.20
V	£35.80
W	£37.90
X	£40.70

E9010-1 Component Tester .....	F	E9109-5 Nightfighter Main Processor Board .....	O
E9010-2 Active Contact Pickup .....	E	E9110-1 Freeze Alarm .....	E
E9010-3 R4X Longwave Receiver .....	C	E9110-2 Document Saver .....	E
E9011-1 The Autocue (2 boards, 1 double sided) .....	N	E9110-3 Proto-type Designer .....	J
E9011-2 Infra-lock transmitter (2 boards) .....	K	E9110-4 Nightfighter - Sound to Light (double sided) .....	L
E9011-3 Infra-lock receiver .....	H	E9110-5 Nightfighter - Ramp Generator Board .....	F
E9011-4 Four-track cassette recorder (record/playback one channel) .....	F	E9110-6 Nightfighter - Cyclic Crossfade (double sided) .....	M
E9011-5 Four-track cassette recorder (Bias/erase oscillator board) .....	K	E9110-7 Nightfighter - Strobe Board (double sided) .....	J
E9012-1 Infra Switch .....	F	E9110-8 Nightfighter - 8 Channel Triac Board .....	N
E911-1 Remote Control - Main Board .....	J		
E9101-2 Remote Control - Display Board .....	H		
E9101-3 Remote Control Timeswitch - Transmit board .....	E		
E9101-4 SBC Micro-Controller Board .....	F		
E9101-5 SBC Practice Interface Board .....	F		
E9101-6 5 in 1 Remote Sensing Switch .....	E		
E9102-1 Remote Control Timeswitch - receiver board .....	F		
E9102-2 Anti Theft Alarm (2 bds) .....	H		
E9103-1 Ariennes Lights .....	L		
E9103-2 64K EPROM Emulator .....	N		
E9103-3 SSB Radio Receiver .....	G		
E9103-4 Active Loudspeaker board .....	H		
E9104-1 Testmeter Volts .....	E		
E9104-2 Active Direct Injection Box .....	F		
E9104-3 EPROM Eraser .....	F		
E9104-4 Digital Tachometer .....	F		
E9104-5 Radio Calibrator .....	F		
E9105-1 Modulator Laser (2 boards) .....	H		
E9105-2 Thyristor Tester .....	F		
E9105-3 Frequency Plotter .....	K		
E9106-1 Laser Receiver .....	F		
E9106-2 Temperature Controller - Power Supply .....	G		
E9107-1 Temperature Controller - Main Board .....	K		
E9107-2 Temperature Controller - Probe PCB .....	F		
E9107-3 The Foot Tapper - Volume Control (double sided) .....	J		
E9107-4 The Consort Loudspeaker .....	H		
E9108-1 Pulsed Width Train Controller .....	E		
E9108-2 Model Speed Controller - Main Board .....	F		
E9108-3 Model Speed Controller - Power Supply .....	F		
E9109-1 Geiger Counter .....	E		
E9109-2 Hemisync Waveform Generator Board .....	G		
E9109-3 Hemisync Pulse Generator Board .....	F		
E9109-4 Hemisync Power Supply Board .....	C		

**TO: ETI PCB SERVICE, READERS' SERVICES,  
ARGUS HOUSE, BOUNDARY WAY,  
HEMEL HEMPSTEAD HP2 7ST**

Please supply:

Quantity	Ref. no.	Price Code	Price	Total Price
----------	----------	------------	-------	-------------

Post and packing

£0.75

Total enclosed

£

Please send my PCBs to: (BLOCK CAPITALS PLEASE)

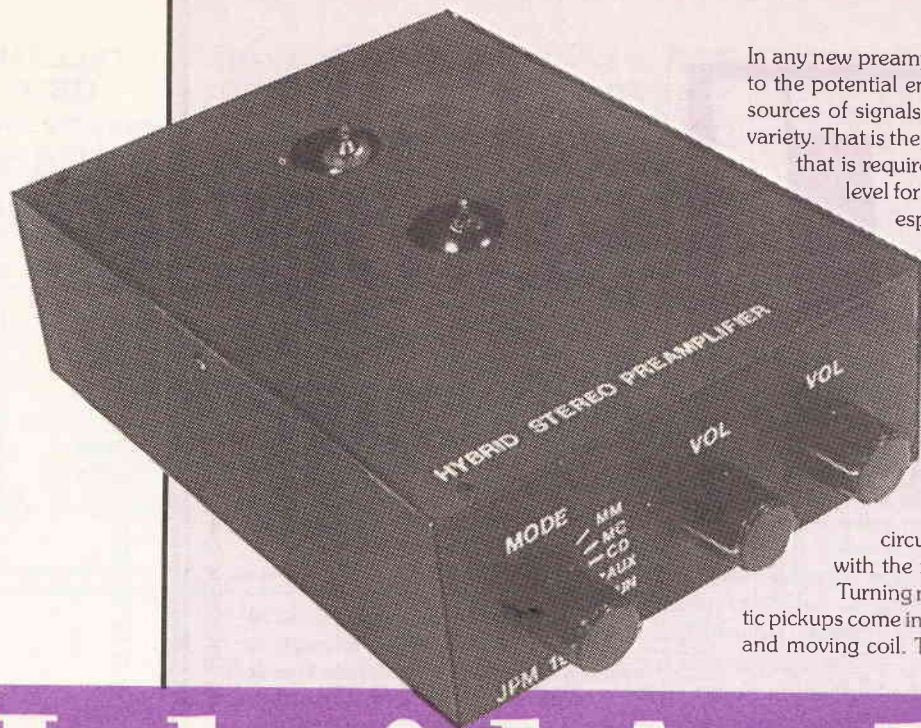
Name .....

Address .....

Postcode .....

**CHEQUES SHOULD BE MADE PAYABLE TO ASP Ltd.**





In any new preamp design, thought has to be applied to the potential end users ancillary equipment. Most sources of signals, excluding pickups are of the 'flat' variety. That is they require no special equalisation. All that is required is to bring them up to a suitable level for driving the power amp. This applies especially for sources which have in any case a hefty output.

This brings us naturally to the problem of output level. Unfortunately standards here are very lax. Many amplifiers need only a few hundred millivolts to drive it into clipping. However this is not necessarily the case. If a preamp is to have any use at all it must be capable of driving all existing amplifiers. To this end I design circuits for 775mV output, when driven with the rated input signal.

Turning now to the pickup equaliser. Magnetic pickups come in two basic varieties, moving magnet and moving coil. This preamp has been designed to

# Hybrid Audio Pr

*A high quality audio design using valves and transistors by Jeff Macaulay.*

## PROJECT

It's been a long time since my preamp circuits have featured in this magazine. Since then a great deal of electronic design has flowed under the bridge. I was rather surprised recently to receive a letter from an ETI reader in Athens asking some specific enquiries regarding these. Digging out my back issues I found to my surprise that these designs were 6 years old! The letter also coincided with trying to concoct a good preamp for my now ageing record deck.

Like many audiophiles I have been optimising my system for CD and had a pile of unused records. Also, with advancing age, I have become a far more pragmatic designer than in days of yore. My philosophy has become one of simply using the best device for the job regardless of current fashions. This reflects in this design in several ways. For example I use valves where their unique attributes give the design an edge but have eschewed these for transistors where low noise is required.

Such a hybrid approach allows one to extract the maximum potential of each device. For example one would normally need a high voltage line, several hundred volts in fact, to allow direct coupling between valves. At least if you want a sensible design. Using transistors and valves together allows a good preamp to be designed using a relatively low operating voltage with full DC coupling between stages.

Lower operating voltages allow a larger range of standard components to be used. For example, in valve terms 100 $\mu$  is a large capacitance. 4700 $\mu$ /100V caps can be obtained for the same price. For the input stage low noise is a natural prerequisite. Again if I were to use valves here I would need a stabilised power supply for the heaters, despite the hum level being 60dB below 5mV for an AC supply. More importantly, the main source of hum pickup would be wires carrying 6VAC around the sensitive input circuitry.



cater for low output moving magnets, primarily. However there is sufficient gain for high output moving coils to be used. A caution though.

Many of the newer integrated amplifiers have been designed to cater for both types of cartridges by increasing the current density in the first transistor by



means of a switch. Although this works it involves a certain amount of compromise. If you have a moving coil it usually sounds better when fed through a dedicated head amp. I hope to publish a suitable circuit soon.

Any available head amp or step up transformer can be used with the circuit as published. Unfortunately, in audio as in life generally, fashion tends to rule the roost. This is all very well but unfortunately has tended to obscure the real purpose of hi fi. That is to produce an accurate rather than 'good' sounding equipment. Now while it is true that we will never be able to produce a perfect piece of equipment with no distortion or noise this doesn't make the goal of truly accurate reproduction a nonsense.

Perfection, in the audio sense, will be achieved

when all distortions and noise have been pushed below audibility. This is at least theoretically possible without the need for zero imperfections. When this has finally been achieved we will be limited by the quality of our source material.

## The Phono Stage

Of all the circuits in audio the greatest challenge is probably the phono equaliser stage. Here in one circuit we need low noise, exceptional linearity and accurate equalisation. This is a difficult thing to achieve, as you may imagine. To confound matters the source impedance of the cartridge varies with frequency and is of low output. Several methods may be employed to achieve the desired response and most of them have appeared

## HOW IT WORKS

Looking at the schematic the stage works as follows. Input signals from the slider of RV1 are fed into the base of Q2 via the DC blocking capacitor,

# e-amp

This component along with the series connected R16 form the cathode load of the valve. R11 and R12 which provide the bias are bypassed to ground by C14 which removes unwanted feedback from the cathode at AC. R18, is the valve anode load. Output signals are taken from here via C16 to the outside world and via the feedback resistor R19 to Q2's emitter. The ratio of R19 to R15 sets the gain at 11 times.

One of the reasons for having a line stage was, as mentioned earlier to enable low impedance cables to be driven without top loss due to cable capacitance. This requires a low output impedance. The overall gain of the circuit, measured open loop is about 625. The triode has an output impedance of about 3k before feedback. With the level of negative feedback used this is reduced to less than 100R. Sufficiently low to drive several hundred metres of wire without problems.

### POWER SUPPLY

Two voltages are required from the power supply. Firstly an HT voltage of some 80V and the AC voltage for the heaters. Looking at the schematic for the power supply you will see that two transformers are used. T1 produces HT from the secondary which is fed into a voltage doubler circuit D1 and D2. The raw DC is then smoothed by C17 and C18. T2 provides AC for the heaters and this is taken directly from the secondary. The preamp is turned on or off by SW1, a DPST switch. On indication is provided by LED D4. Half wave rectification of T2's secondary is provided by D3, current limiting for the LED is produced by R28.

C12. This transistor is operated in the common emitter mode with plenty of local negative feedback supplied by the emitter resistor R15. The collector load comprises of R13 and R14 in series. C13 decouples the voltage at the junction of these two resistors to ground at AC. Thus removing line noise and ripple which would otherwise appear on the output. Again a valve stage is used as the business end and this is operated in the common cathode configuration. DC coupling is used between collector and grid and the bias voltage for Q2 is applied via R17.

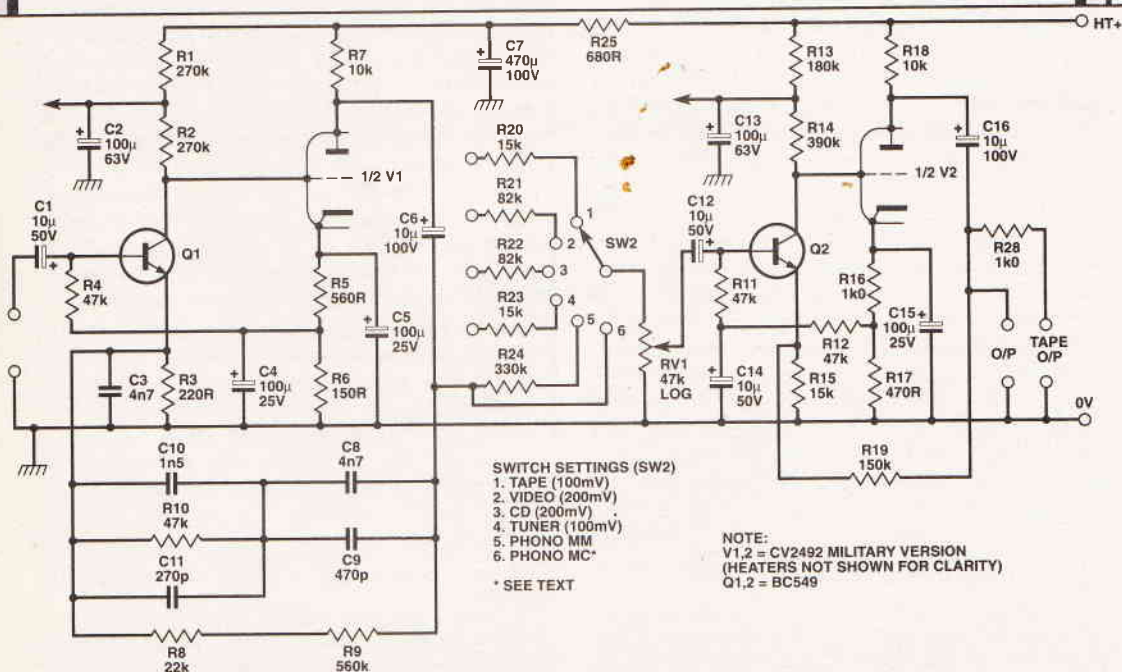


Fig.1 Circuit diagram showing one channel of the hybrid Pre-amp



in the pages of this magazine from time to time.

The circuit I have chosen is a variation on one of the most successful types, the non inverting feedback amplifier. Equalisation is achieved by varying the impedance in the feedback loop of a high gain amplifier. To explain how it works we have to refer to the schematic.

The vital front end in this design is a low noise transistor operating in the common emitter mode. Signals from the cartridge are fed into Q1 via the DC blocking capacitor C1. Because of the negative feed-

back you could try substituting a 1M resistor in the R4 position. Various values of loading can then be substituted by connecting resistors across the cartridge input.

Generally speaking a high value resistor will give you more treble and a low value much less than normal. Again various values of capacitance can be connected across the cartridge with varying effects. These audible changes will interest those who want their systems to sound 'good' but if you are interested in an accurate system you will follow the cartridge maker's

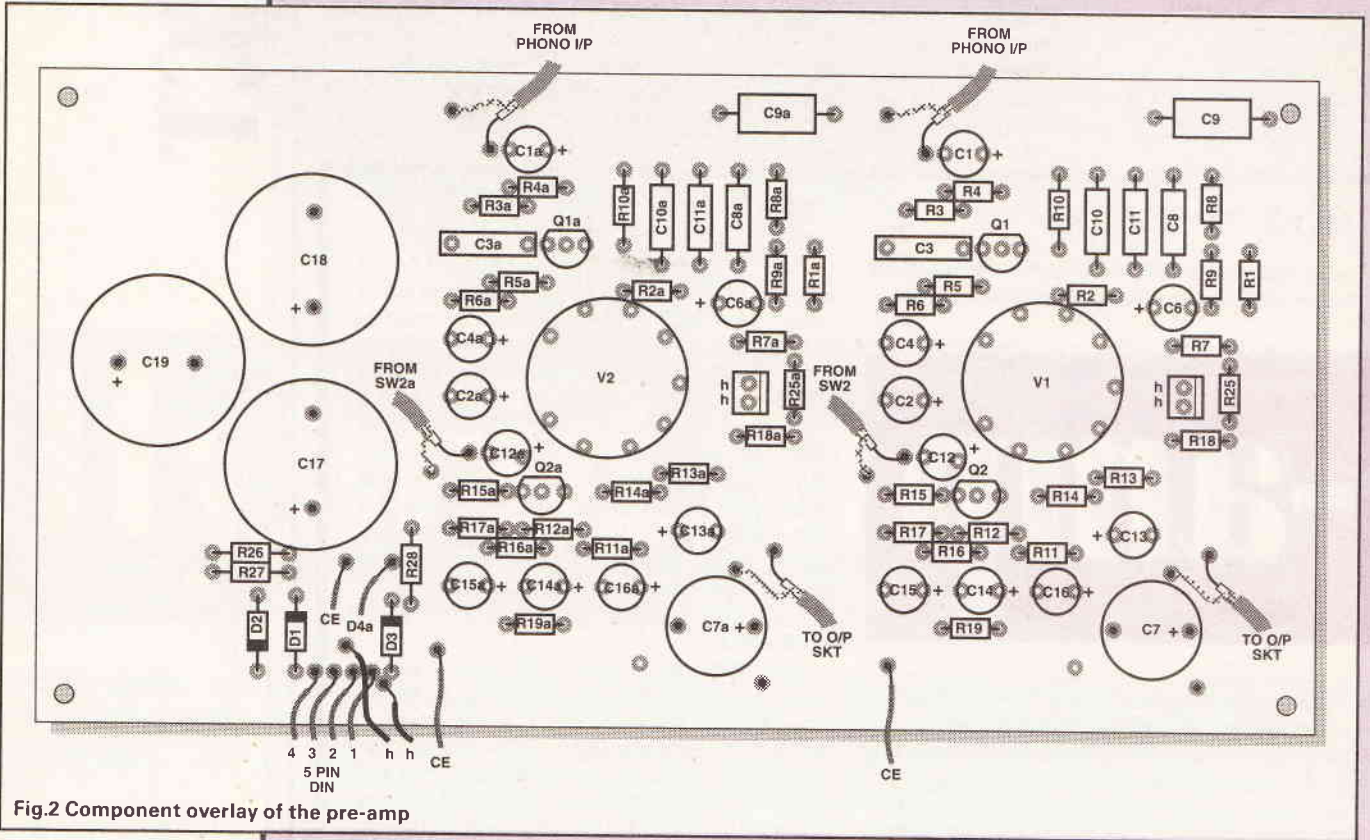


Fig.2 Component overlay of the pre-amp

back applied to the emitter of Q1 the input impedance looking into Q1's base is very high and is shunted by R4 which both biases the amplifier and sets the input impedance at the required value of 47k.

In order to keep the noise level low the collector current and collector emitter voltage must be kept to a minimum. Also the open loop gain must be kept high. R2 ensures that the latter requirement is met. The current level for optimum noise can be found from the relationship:

$$I_c = (Hfe) 0.5 / [40 \times r_s] \dots \dots \dots [1]$$

Where  $r_s$  = source resistance. Herein lies the rub.

A moving magnet cartridge consists of a voltage generator in series with a small resistance, usually about 1k and a hefty inductance. This inductance can easily be in excess of 100mH and so the apparent source impedance is not a fixed quantity but increases with frequency. Worse still from the design point of view most cartridges don't have a linear response even after equalisation. Often you will see a recommended capacitance as well as resistance in the loading data. Not often explained is that this capacitance is used to tune with the cartridge inductance to raise the levels at the top end where the inductance would otherwise cause a loss.

The typical moving magnet will have response variations an order of a magnitude greater than that found in a well designed equalisation network. Surprisingly never mentioned by those who seek 0.1dB accuracy in that department.

If you are interested in experimenting with your

recommendations.

In order to keep the gain of the stage high the value of R2 needs to be large. Fortunately using a high supply voltage helps considerably here. I have used an RC decoupling network to supply voltage for the stage. If you tried to use the ubiquitous 317T regulator for this duty you would find that the sound would be buried in the white noise generated by this device. Now for the second stage of the equaliser, the valve.

At first sight the use of a valve in this position might raise a few eyebrows. However it happens to be the best device for the job. It has all the right qualities. Looking into the grid the transistor 'sees' an impedance of about 100 megohms so that the stage is essentially working into an open circuit, ie the transistor is unloaded. Only a small amount of gain is required from this stage and this is just what the valve delivers. The voltage gain provided is very linear approximately 10 times more so than a transistor stage.

The valve can also be operated at a reasonably high current so as to produce a low output impedance to drive the feedback loop. Note the DC coupling between the transistor and valve, no expensive and nasty capacitors here. This results in superior transient response.

Negative feedback is applied through R4 which is connected to the junction of R5 and R6, the cathode load of V1. C5 and C4 decouple the cathode circuit to ground.

Now that we have a highly linear low noise stage all that remains is to achieve RIAA equalisation and the

# PROJECT

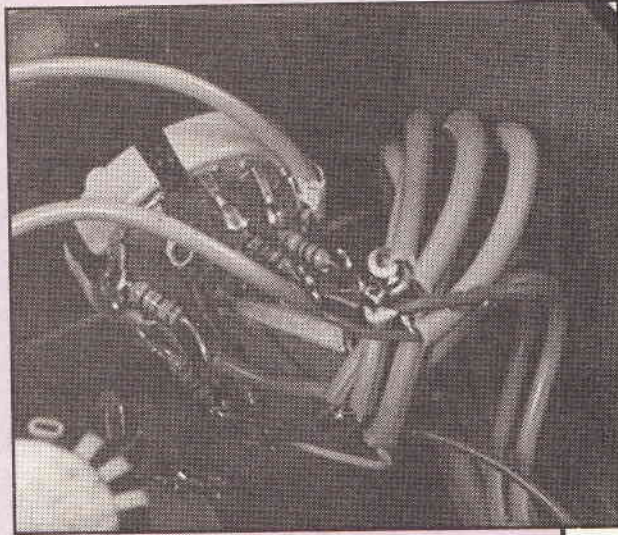


correct gain for the cartridge. Magnetic cartridges have an output that is proportional to groove velocity. Again different units have different outputs. As a generalisation better quality cartridges tend to have a lower output than mediocre ones. An average output is said to be 1mV/cm and the input sensitivity is based on an average groove velocity of 5cm/sec.

The gain of the circuit is dependent upon the value of R3. I have used a 220R component here to cater effectively for lower output cartridges. If your cartridge has a higher output 470R can be substituted without further circuit modification. Now to the equalisation. Naturally this needs to follow the standard RIAA curve. Despite the copious correspondence in ETI about this very subject I would suggest interested readers should also look up the reference given at the end of this article for a definitive treatment. [2]

Boiled down to it's essentials the basic circuit used possesses two reactive circuits, R8/9, C10/11 and R11, C8/9. Because of the interaction that occurs between the two networks that comprise the equaliser the time constants are not as might be expected from the break points on the standard RIAA curve. The 7-element network used here gives the correct curve to within 0.1dB between 20Hz to 20kHz, provided the 1% components are used. Don't substitute for the polystyrenes used.

Whilst on the subject of gain one of the requirements of the design was to provide a high overload ratio. There is a lot of misunderstanding about this factor in preamp design. The overload ratio is the ratio



Indeed taking matters to the extreme the perfect amplifier is one with a zero signal, why, because it has zero distortion. Of course if you were turn it off as well you'd have an even better amp, no noise level either!

Finally, a cautionary tale for prospective circuit tweekers. In the development of this circuit I have attempted all the obvious tweaks. For example I have't bothered to run the valve heaters from a regulated DC supply.

Why? Well the effects of tube hum when run from

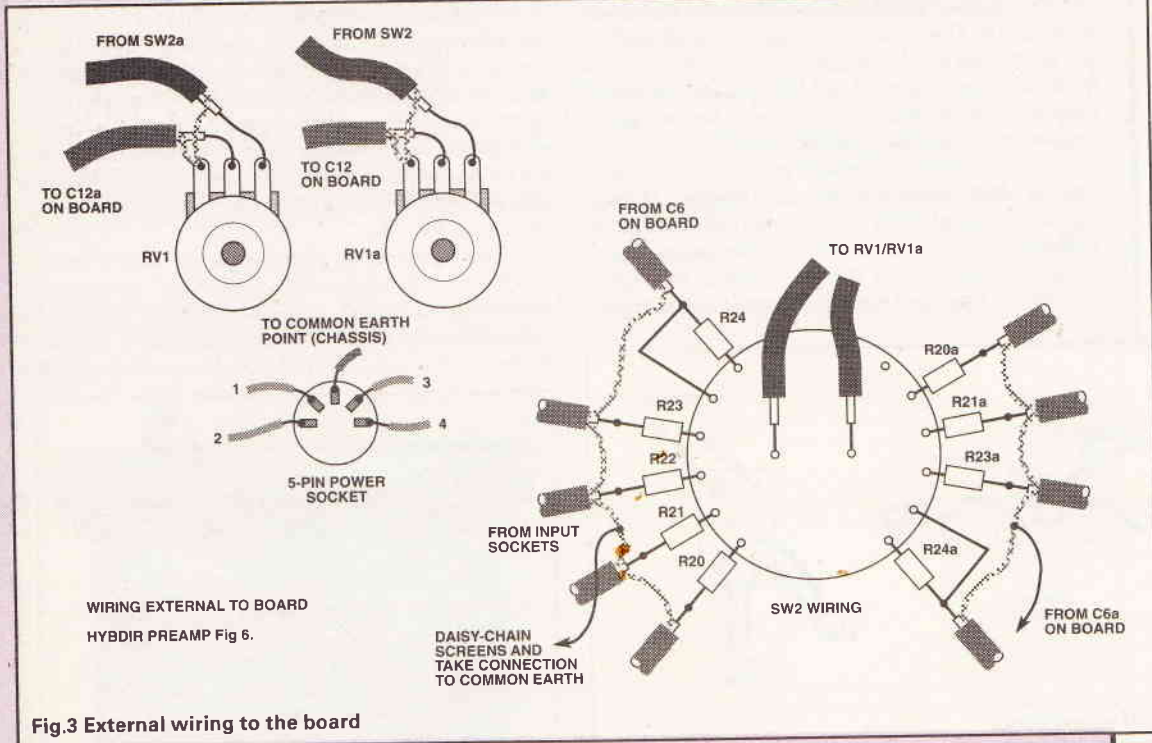


Fig.3 External wiring to the board

between the nominal input and one that would drive the stage into clipping. Records seldom contain groove velocities in excess of 25 cm/sec, even on energetic direct discs. The reason for wanting a large overload ratio is simple. In the real world we are not blessed with perfectly linear circuits. In fact it's fair to say that we aren't blessed with perfect anything, so audio hasn't been singled out for special treatment in this regard.

However, if you consider the transfer characteristic as a nearly straight line it follows that the smaller the section of that straight line that your signal traverses the more linear the output will be. In a Class A amplifier circuit, which this is, distortion and all types of non linearity are directly proportional to output level.

raw AC are greatly exaggerated. The hum level from the valve is at least 60dB below a 5mV input. When used as a second stage the signal applied to the grid is roughly ten times greater giving a S/N of better than 80dB. But wait, there's more. The overall negative feedback will reduce the hum level at the output by another ten fold. Result, hum level 100dB down.

Bear in mind that the maximum S/N ratio obtainable from a pickup cartridge is determined by the natural noise generated by the resistance of the pickup coils. As this is generally in the order of 1k the ultimate S/N ratio from a cartridge is limited to -70dB, even with a noiseless preamp!

Next consider C6. This is an electrolytic, horror of



audiophile horrors. However, due to the feedback, loop it's distortion is reduced 10 fold at low frequencies and 1000 fold at 20kHz. Even if some of the highly priced esoteric capacitors are actually better than an electrolytic they are not going to be 1000 times better. The same arguments apply to all the components used within the feedback loop.

Again I could have stabilised the supply line to the valve. When I tried this I found that the noise level of the circuit rose. An RC decoupling network worked far better.

Having dealt with the magnetic pickup stage we now come to the other, equally important part of the circuit, the line stage. The purpose of this stage is to take outputs which are already 'flat' and bring them up to the level necessary to drive the amplifier. An important feature of such designs is that they provide a low output impedance to drive long lines if required. Naturally we need to provide such a function with the least disturbance to the quality of the original signal.

As I mentioned earlier I have designed the equipment to provide standard line level, 775mV when fed from the stated input. The same logic has been applied to this stage. One exception to the rule however.

CD players have a high output and require no further equalisation. This allows the signal to be fed directly to the output via a volume control. Unfortunately such 'passive preamps' tend to use 10k pots. As the output stage is invariably an op amp such a load will appear in parallel to the existing feedback loop.

Most common-or-garden op-amps are incapable of giving their best when operated in this way. The reason is simple. Op-amps are operated with a couple of milliamps of quiescent current in the output stage. When operated into a high impedance the output operates in push-pull class A. However as the imped-

tion of functions and prevents unnecessary hum pickup by the preamp. Valves are high impedance devices and are very prone to picking up noise from nearby cables, especially when they're carrying HT. However at least I have at last found a use for multipin DIN plugs and sockets which carry the line voltage between the power supply and the preamplifier!

## Construction

Since many of the parts used in this design are not available from retail or mail order outlets I have made arrangements with 'HOBTEK' to supply a complete kit of parts. The following instructions assume that the circuit is being built from this kit.

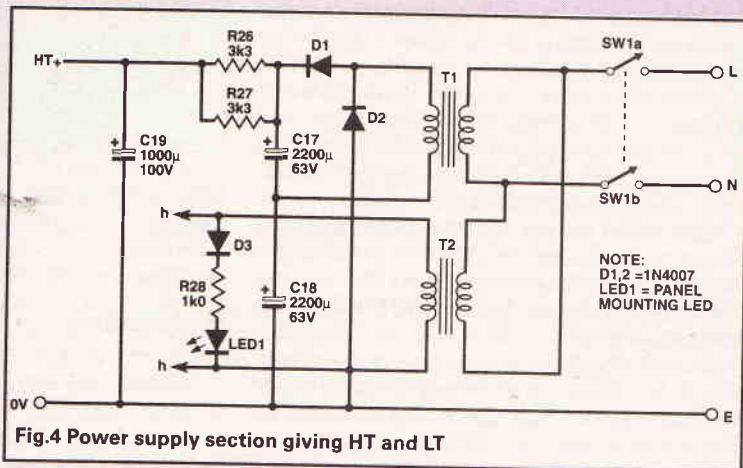


Fig.4 Power supply section giving HT and LT

Most of the components, including the valves are mounted upon the large PCB, the overlay of which is shown in Figure 2. Very little comment is required regarding this except to ensure that all the polarised components are correctly inserted. When you have assembled the board turn it over and check that there are no dry joints or unwanted solder blobs. Assuming all is well, attention can then be turned to the mechanical part of the job.

The figure shows the metalwork drilling detail and this should be adhered to. Deburr the holes before mounting the sockets, pots and switch. Note that square holes are used for the multiway phono sockets. As the cases are of 18SWG Aluminium, working them

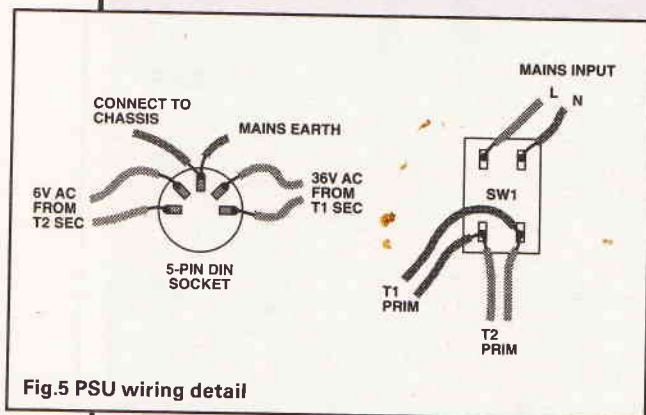
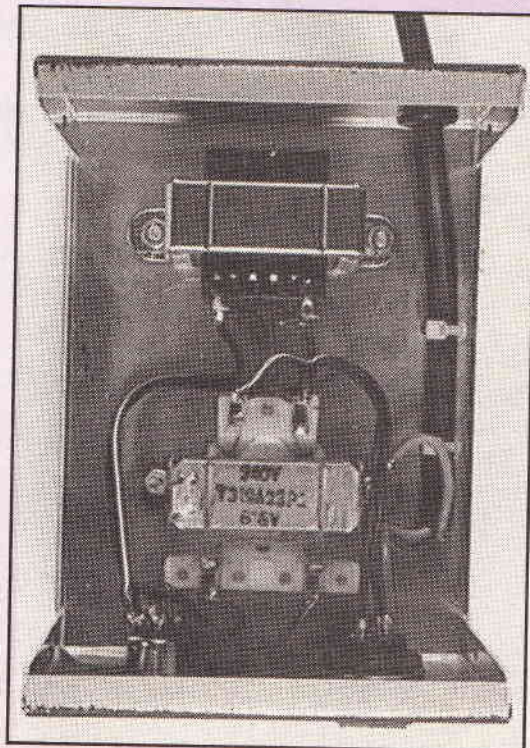


Fig.5 PSU wiring detail

ance is lowered they revert to Class AB generating unnecessary distortion.

It follows that the best way to avoid this is to feed the signal into a high impedance, ie greater than 10k. An alternative option which CD makers could consider would be to load the output stage with a constant current source of say 10mA. This would bias the last op-amp into single ended Class A. However I am not advocating violating the manufacturer's warranty. Anyone who tries such a modification does so at their own risk!

The power supply is mounted in a small separate case from the preamp. This allows complete separa-

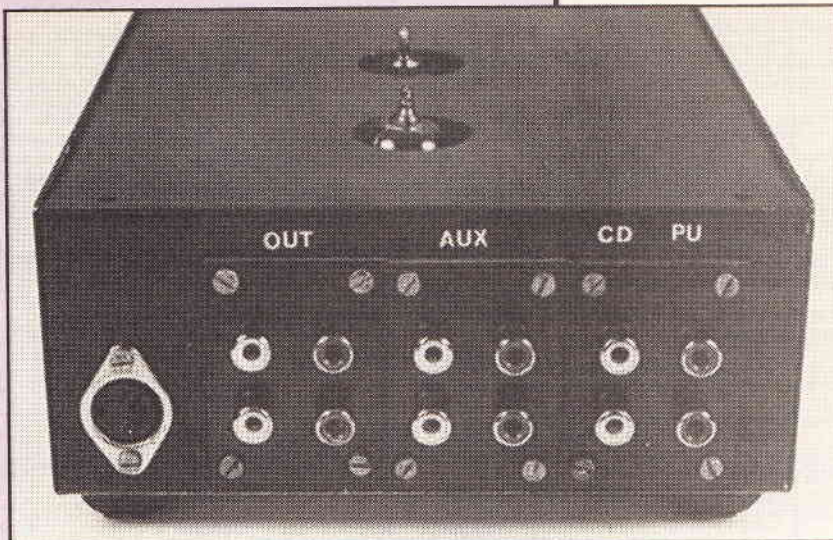




is easy. First cover the panel with masking tape and mark out the rectangular cutouts. For the dual phonos drill three 10mm holes within the cutout. Remove the waste between them with your sidecutters. File the resulting holes to the required rectangle. The octal phono socket mounting hole can be made in a similar manner. Drill 3mm pilot holes within the cutout. Drill through these with a 10mm drill and remove the waste in the same way finally filing smooth. This may sound like hard work but in reality the task can be completed within a few minutes. At this stage flying leads about 12in long should be attached to the main board. This is mounted in the chassis on 0.25in spacers to ensure that nothing shorts against the chassis.

Terminate the flying leads to their respective destinations. Now attention can be turned to the power supply. Again this is built on a single PCB. Note that the mains entry hole is fitted with a 10mm grommet. Connections from the power supply are taken to a panel mounted 5 pin DIN socket and from thence to the preamp proper via 4 way cable. This cable doesn't need to be that long, 1m is adequate.

Testing the unit starts with the power supply. Having fitted and wired this unit connect to the mains. Check that the HT supply measures 90-100V DC and that you have 6VAC on the heater pins. Having got this far connect the negative lead of your testmeter to the preamp case. Attach the power lead and switch on. Check on IC1 tab that you have approximately 80V DC. After a few seconds the valve heaters should begin to glow and you will measure 35-45V on the anodes of



V1 and V2. If not switch off and examine your circuitry for a fault. Assuming all measures OK the project is now functional. All that remains is to connect signal sources to the preamp, a power amp to the output and enjoy the good sounds!

### Reference

- [1] 'Introduction To Low Noise Amplifier Design', A. Foord, WW, April 1981.
- [2] 'Understanding The RIAA Curve', Reg Williamson, The Audio Amateur, February 1990.

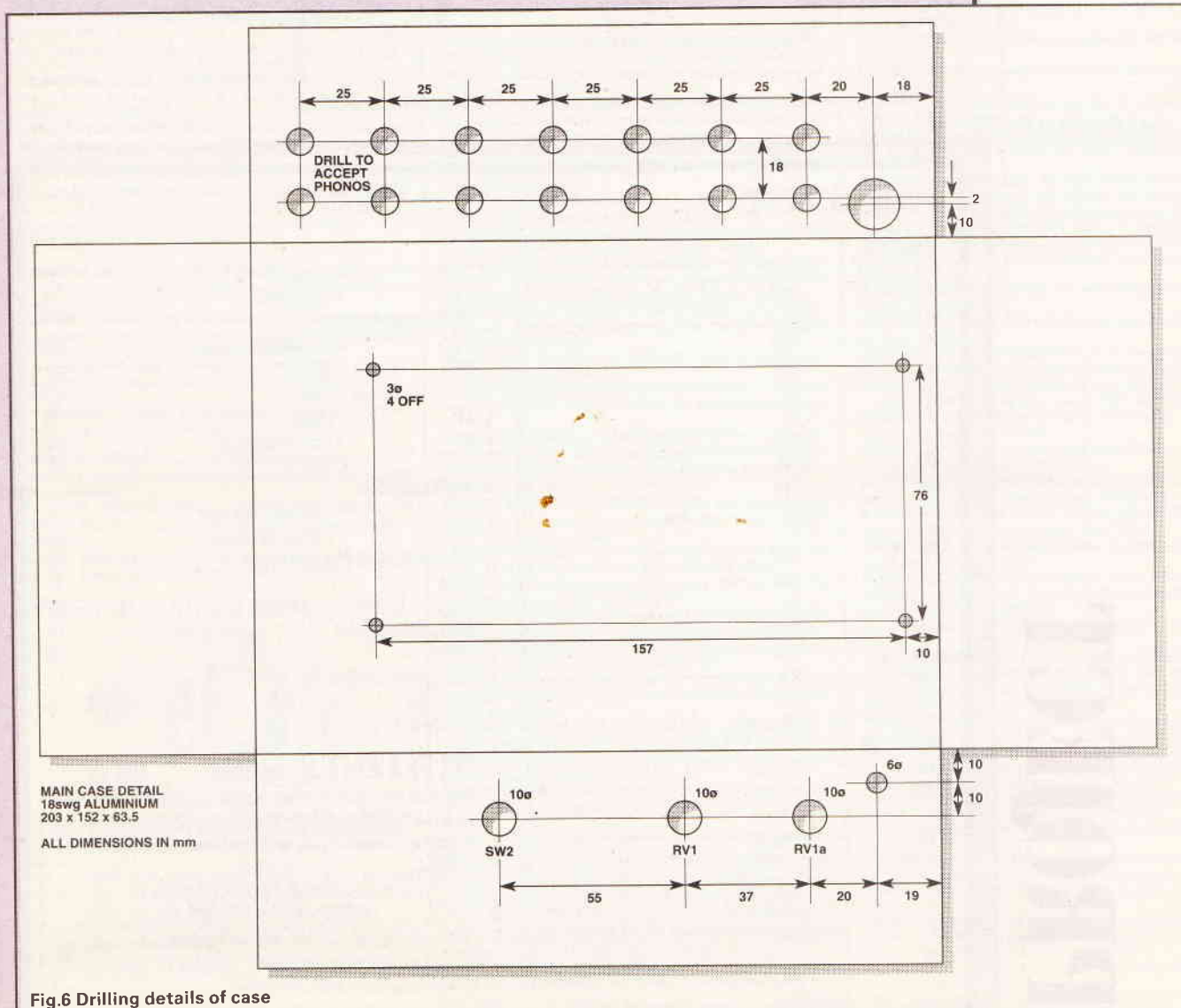


Fig.6 Drilling details of case



POWER SUPPLY UNIT CASE  
18swg ALUMINIUM  
178 x 127 x 63.5  
ALL DIMENSIONS ARE IN mm

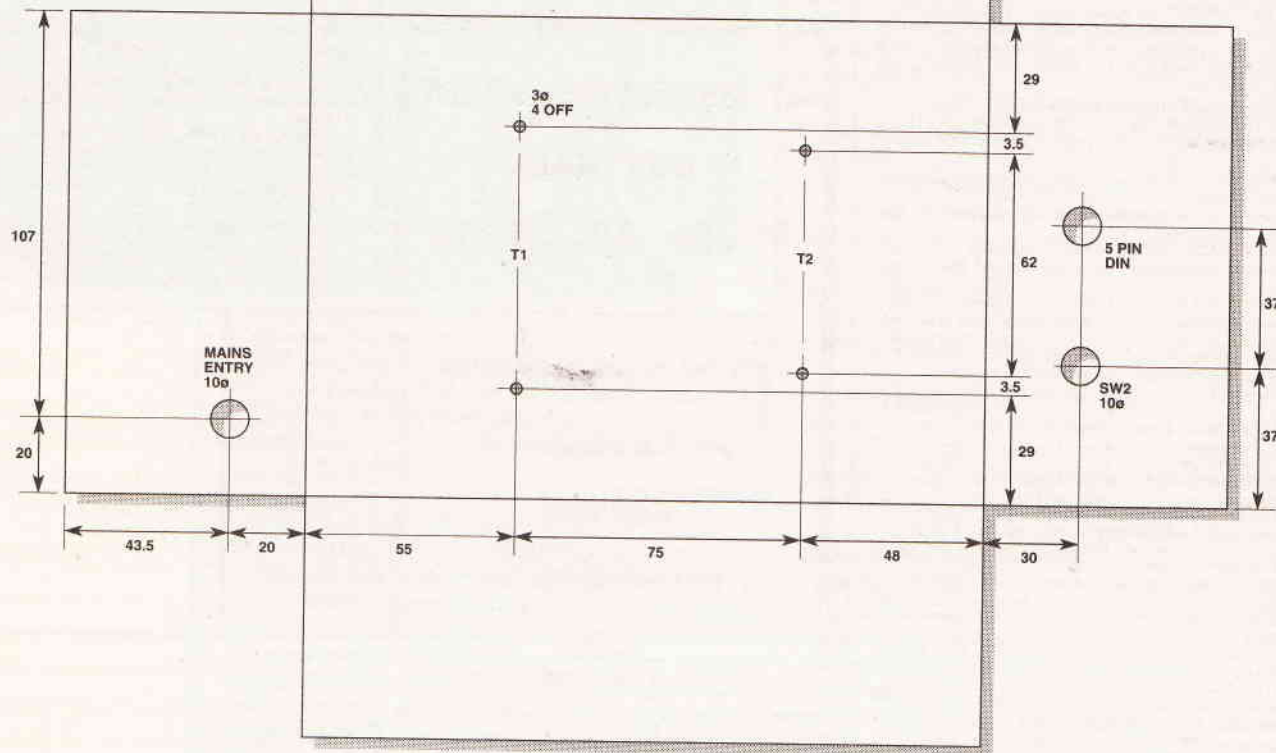


Fig.7 Details of the PSU case

## PARTS LIST

### RESISTORS

R1,2	= 270k
R3,25	= 220R
R4,10,11,12	= 47k
R5	= 560R
R6	= 150R
R7,18,28	= 10k
R8	= 22k
R9	= 560k
R13	= 180k
R14	= 390k
R15	= 15k
R16,28	= 1k
R17	= 470R
R19	= 150k
R20,23	= 15k
R21,22	= 82k
R24	= 330k
R26,27	= 3K3
R25	= 680R
VR1,2	= 47k log pot

### CAPACITORS

C1,12,14	= 10µ/50V
C2,13	= 100µ/63V
C3	= 4n7 poly
C4,5,15	= 100µ/25V
C6,16	= 10µ/100V
C7	= 470µ/100V
C8	= 4n7 sty 1%-
C9	= 470 pstyr 1%-
C10	= 1n5 pstyr 1%
C11	= 270 pstyr 1%

[3]	C17,18	= 2200µ/63V	[1]
[2]	C19	= 1000µ/100V	[1]

### ACTIVE COMPONENTS

[2]	V1,2	= CV2492 Military version	[2]
[2]	Q1,2	= BC549	[2]
[4]	D1,2	= 1N4007	[2]
[2]	D1	= 1N4001	[1]
[2]	D2	= Panel mounting LED	[1]
[1]	IC1	= LM317T	[1]

### MISCELLANEOUS

[2]	T1	= O-36V sec, 240V prim.	[1]
[2]	T2	= O-6Vsec, 240V prim.	[1]
[2]	PCB mount ceramic B9A valve holders		[2]
[2]	PCB's		[2]
[4]	Cases		[2]
[4]	2P6W rot switch (SW2)		[1]
[2]	Knobs		[3]
[2]	On/off switch (S1) DPST		[1]
[2]	Phono skts		[8+2+2+2]
[2]	5 pin din plug, socket		[1+1]

## BUYLINES

Since some of the parts are difficult to obtain I have made arrangements with a mail order electronics firm to supply the preamp in kit form. A full, designer approved kit of parts for this project is available from:

'HOBTEK',

THE COTTAGE, 8 BARTHOLOMEWS,  
BRIGHTON, EAST SUSSEX BN1 1HG

The kit contains everything required, the glass fibre and premium quality electronic and mechanical parts. Price is £89.99 + £3 post packing and insurance. Please order as HAP 1 kit.

PROJECT





**UNDEN SATELLITE RECEIVER** Brand new units (model 8008) £60.00 ref 60P4Y also some 7007s also £60.00 ref 60P5Y

**SPECTRUM +2 COMPUTER** Built in data recorder, 128K, psu and manuals £59.00 ref 59P4Y

**SPECTRUM +3 COMPUTER** Built in disc drive, 128K, psu and manuals £79.00 ref 79P4Y

**AMSTRAD CPC464 COMPUTER** No manuals but only £79.00 ref 79P5Y

**AMSTRAD CPC6128 COMPUTER** Again no manuals but only £149.00 ref 149P4Y

**AMSTRAD GT65** Green screen monitor £49.00 ref 49P4Y  
**AMSTRAD PORTABLE PC'S FROM £149** (PPC1512SD), £179 (PPC1512DD), £179 (PPC1640SD), £209 (PPC1640DD). MODEMS £30 EXTRA. NO MANUALS OR PSU.

**AMSTRAD PC BARGAIN!!!!!!**  
**PC 1512DD COMPLETE WITH CGA COLOUR MONITOR, 2 DISC DRIVES, MANUALS ETC ONLY £249.00 REF 249P4Y**

**HIGH POWER CAR SPEAKERS.** Stereo pair output 100w each. 4ohm impedance and consisting of 6 1/2" woofer 2" mid range and 1" tweeter. Ideal to work with the amplifier described above. Price per pair £30.00 Order ref 30P7Y

**2KV 500 WATT TRANSFORMERS** Suitable for high voltage experiments or as a spare for a microwave oven etc. 250v AC input. £10.00 ref 10P93Y

**MICROWAVE CONTROL PANEL** Mains operated, with touch switches. Complete with 4 digit display, digital clock, and 2 relay outputs one for power and one for pulsed power (programmable). Ideal for all sorts of precision timer applications etc. £6.00 ref 6P18Y

**FIBRE OPTIC CABLE.** Stranded optical fibres sheathed in black PVC. Five metre length £7.00 ref 7P29Y

**12V SOLAR CELL.** 200mA output ideal for trickle charging etc. 300 mm square. Our price £15.00 ref 15P42Y

**PASSIVE INFRA-RED MOTION SENSOR.** Complete with daylight sensor, adjustable lights on timer (8 secs - 15 mins), 50' range with a 90 deg coverage. Manual override facility. Complete with wall brackets, bulb holders etc. Brand new and guaranteed £25.00 ref 25P24Y

Pack of two PAR38 bulbs for above unit £12.00 ref 12P43Y

**VIDEO SENDER UNIT** Transmit both audio and video signals from either a video camera, video recorder or computer to any standard TV set within a 100' range! (tune TV to a spare channel). 12v DC op. £15.00 ref 15P39Y Suitable mains adaptor £5.00 ref 5P191Y

**FM TRANSMITTER** housed in a standard working 13A adapter (bug is mains driven) £26.00 ref 26P2Y

**MINIATURE RADIO TRANSCEIVERS** A pair of walkie talkies with a range of up to 2 kilometres. Units measure 22x52x155mm. Complete with cases £30.00 ref 30P12Y

**FM CORDLESS MICROPHONE.** Small hand held unit with a 500' range! 2 transmit power levels reqs PP3 battery. Tuneable to any FM receiver. Our price £15 ref 15P42AY

**10 BAND COMMUNICATIONS RECEIVER.** 7 short bands, FM, AM and LW DX/local switch, tuning 'eye' mains or battery. Complete with shoulder strap and mains lead **NOW ONLY £19.00!! REF 19P14Y.**

**WHISPER 2000 LISTENING AID.** Enables you to hear sounds that would otherwise be inaudible! Complete with headphones. Cased £5.00 ref 5P179Y

**CAR STEREO AND FM RADIO** Low cost stereo system giving 5 watts per channel. Signal to noise ratio better than 45db, wow and flutter less than .35%. Neg earth. £25.00 ref 25P21Y

**LOW COST WALKIE TALKIES.** Pair of battery operated units with a range of about 150'. Our price £8.00 a pair ref 8P50Y

**7 CHANNEL GRAPHIC EQUALIZER** plus a 60 watt power amp! 20-21KHZ 4-8R 12-14v DC negative earth. Cased £25 ref 25P14Y

**NICAD BATTERIES.** Brand new top quality 4 x AA's £4.00 ref 4P44Y, 2 x C's £4.00 ref 4P73Y, 4 x D's £9.00 ref 9P12Y, 1 x PP3 £6.00 ref 6P35Y

**TOWERS. INTERNATIONAL TRANSISTOR SELECTOR GUIDE.** The ultimate equivalent book. Latest edition £20.00 ref 20P32Y

**CABLE TIES.** 142mm x 3.2mm white nylon pack of 100 £3.00 ref 3P104Y. Bumper pack of 1,000 ties £14.00 ref 14P6Y

## VIDEO AND AUDIO MONITORING SYSTEM



**£99.00**

Brand new units consisting of a camera, 14cm monitor, 70 metres of cable, AC adapter, mounting bracket and owners manual. 240v AC or 12v DC operation complete with built in 2 way intercom. £99.00 ref 99P2Y

**1991 CATALOGUE AVAILABLE NOW IF YOU DO NOT HAVE A COPY PLEASE REQUEST ONE WHEN ORDERING OR SEND US A 6"x9" SAE FOR A FREE COPY.**

**GEIGER COUNTER KIT.** Complete with tube, PCB and all components to build a battery operated geiger counter. £39.00 ref 39P1Y

**FM BUG KIT.** New design with PCB embedded coil. Transmits to any FM radio. 9v battery req'd. £5.00 ref 5P158Y

**FM BUG** Built and tested superior 9v operation £14.00 ref 14P3Y

**COMPOSITE VIDEO KITS.** These convert composite video into separate H sync, V sync and video 12v DC. £8.00 ref 8P39Y

**SINCLAIR C5 MOTORS** 12v 29A (full load) 3300 rpm 6"x4" 1/4"

O/P shaft. New £20.00 ref 20P22Y

As above but with fitted 4 to 1 inline reduction box (800rpm) and toothed nylon belt drive cog £40.00 ref 40P8Y

**SINCLAIR C5 WHEELS** 13" or 16" dia including treaded tyre and inner tube. Wheels are black, spoked one piece poly carbonate. 13" wheel £6.00 ref 6P20Y, 16" wheel £6.00 ref 6P21Y

**ELECTRONIC SPEED CONTROL** Kit for c5 motor. PCB and all components to build a speed controller (0-99% of speed). Uses pulse width modulation. £17.00 ref 17P3Y

**SOLAR POWERED NICAD CHARGER.** Charges 4 AA nicads in 8 hours. Brand new and cased £6.00 ref 6P3.

# AT 286 MOTHERBOARD 640K RAM UPGRADABLE TO 4M AT CASE AT POWER SUPPLY AT KEYBOARD MANUAL NO I/O CARDS £139

**JOYSTICKS.** Brand new with 2 fire buttons and suction feet these units can be modified for most computers by changing the connector etc. Price is 2 for £5.00 ref 5P174Y

**GAS POWERED SOLDERING IRON AND BLOW TORCH** Top quality tool with interchangeable heads and metal body. Fully adjustable, runs on lighter gas £10.00 ref 10P130Y

**ANSWER MACHINES** BT approved remote message playback, integral push button phone, power supply and tape. Exceptional value at £45.00 ref 45P2Y

**CAR IONIZER KIT** Improve the air in your car! clears smoke and helps to reduce fatigue. Case required. £12.00 ref 12P6Y

**6V 10AH LEAD ACID** sealed battery by yuasa ex equipment but in excellent condition now only 2 for £10.00 ref 10P95Y

**12 TO 220V INVERTER KIT** as supplied it will handle up to about 15w at 220v but with a larger transformer it will handle 80 watts. Basic kit £12.00 ref 12P17Y. Larger transformer £12.00 ref 12P41Y

**VERO EASI WIRE PROTOTYPING SYSTEM** Ideal for designing projects on etc. Complete with tools, wire and reusable board. Our price £6.00 ref 6P33Y

**MICROWAVE TURNTABLE MOTORS.** Ideal for window displays etc. £5.00 ref 5P165Y

**STC SWITCHED MODE POWER SUPPLY** 220v or 110v input giving 5v at 2A, +24v at 0.25A, +12v at 0.15A and +90v at 0.4A £6.00 ref 6P55Y

**HIGH RESOLUTION 12" AMBER MONITOR** 12v 1.5A Hercules compatible (TTL input) new and cased £22.00 ref 22P2Y

**VGA PAPER WHITE MONO** monitors new and cased 240V AC. £59.00 ref 59P4Y

**25 WATT STEREO AMPLIFIER** c. STK043. With the addition of a handful of components you can build a 25 watt amplifier. £4.00 ref 4P69Y (Circuit dia included)

**LINEAR POWER SUPPLY.** Brand new 220v input +5 at 3A, +12 at 1A, -12 at 1A. Short circuit protected. £12.00 ref 12P21Y

**MAINS FANS.** Snail type construction. Approx 4"x5" mounted on a metal plate for easy fixing. New £5.00 5P166Y

**POWERFUL IONIZER KIT.** Generates 10 times more ions than commercial units! Complete kit including case £18.00 ref 18P2Y

**MINI RADIO MODULE** Only 2" square with ferrite aerial and tuner. Superhet. Req's PP3 battery £1.00 ref BD716Y

**HIGH RESOLUTION MONITOR.** 8" black and white Philips tube in chassis made for OPD computer but may be suitable for others. £20.00 ref 20P26Y

**BARGAIN NICADS AAA SIZE 200MAH 1.2V PACK OF 10** £4.00 REF 4P92Y, **PACK OF 100 £30.00 REF 30P16Y**

**CB CONVERTORS.** Converts a car radio into an AM CB receiver. Cased with circuit diagram. £4.00 ref 4P46Y

**FLOPPY DISCS.** Pack of 15 3 1/2" DSSD £10.00 ref 10P88Y. Pack of 10 5 1/4" DSSD £5.00 ref 5P168Y

**BULL ELECTRICAL**  
 250 PORTLAND ROAD HOVE SUSSEX  
 BN3 5QT TELEPHONE 0273 203500  
**MAIL ORDER TERMS: CASH PO OR CHEQUE  
 WITH ORDER PLUS £2.50 POST PLUS VAT.**  
 PLEASE ALLOW 10-14 DAYS FOR DELIVERY  
 NEXT DAY DELIVERY £8.00  
 FAX 0273 23077

**SONIC CONTROLLED MOTOR** One click to start, two click to reverse direction, 3 click to stop! £3.00 each ref 3P137Y

**FRESNEL MAGNIFYING LENS** 83 x 52mm £1.00 ref BD827Y

**LCD DISPLAY.** 4 1/2 digits supplied with connection data £3.00 ref 3P77Y or 5 for £10.00 ref 10P78Y

**ALARM TRANSMITTERS.** No data available but nicely made complex transmitters 9V operation. £4.00 each ref 4P81Y

**100M REEL OF WHITE BELL WIRE** figure 8 pattern ideal for intercoms, door bells etc £3.00 a reel ref 3P107Y

**TRANSMITTER RECEIVER SYSTEM** originally made for nurse call systems they consist of a pendant style transmitter and a receiver with telescopic aerial 12v. 80 different channels. £12.00 ref 12P26Y

**CLAP LIGHT.** This device turns on a lamp at a finger 'snap' etc. nicely cased with built in battery operated light. Ideal bedside light etc. £4.00 each ref 4P82Y

**ELECTRONIC DIPSTICK KIT.** Contains all you need to build an electronic device to give a 10 level liquid indicator. £5.00 (ex case) ref 5P194Y

**UNIVERSAL BATTERY CHARGER.** Takes AA's, C's, D's and PP3 nicads. Holds up to 5 batteries at once. New and cased, mains operated. £6.00 ref 6P36Y

**ONE THOUSAND CABLE TIES** 175mm x 2.4mm white nylon cable ties only £5.00 ref 5P181Y

**PC MODEMS** 1200/75 baud modems designed to plug into a PC complete with manual but no software £18.00 ref 18P12Y

**ASTEC SWITCHED MODE POWER SUPPLY** 80mm x 165mm (PCB size) gives +5 at 3.75A, +12 at 1.5A, -12 at 0.4A. Brand new £12.00 ref 12P39Y

**VENTILATED CASE FOR ABOVE PSU** with IEC filtered socket and power switch. £5.00 ref 5P190Y

**IN CAR POWER SUPPLY.** Plugs into cigar socket and gives 3.4, 5.6, 7.5, 9, and 12v outputs at 800mA. Complete with universal spider plug. £5.00 ref 5P167Y

**CUSTOMER RETURNED** switched mode power supplies. Mixed type, good for spares or repair. £2.00 each ref 2P292Y

**DRILL OPERATED PUMP.** Fits any drill and is self priming. £3.00 ref 3P140Y

**PERSONAL ATTACK ALARM.** Complete with built in torch and vanity mirror. Pocket sized, req's 3 AA batteries. £3.00 ref 3P135Y

**POWERFUL SOLAR CELL 1AMP .45 VOLT** only £5.00 ref 5P192Y (other sizes available in catalogue)

**SOLAR PROJECT KIT.** Consists of a solar cell, special DC motor, plastic fan and turntables etc plus a 20 page book on solar energy! Price is £8.00 ref 8P51Y

**RESISTOR PACK.** 10 x 50 values (500 resistors) all 1/4 watt 2% metal film. £5.00 ref 5P170Y

**CAPACITOR PACK 1.** 100 assorted non electrolytic capacitors £2.00 ref 2P286Y

**CAPACITOR PACK 2.** 40 assorted electrolytic capacitors £2.00 ref 2P287Y

**QUICK CUPPA?** 12v immersion heater with lead and cigar lighter plug £3.00 ref 3P92Y

**LED PACK.** 50 red leds, 50 green leds and 50 yellow leds all 5mm £8.00 ref 8P52Y

**FERRARI TESTAROSSA.** A true 2 channel radio controlled car with forward, reverse, 2 gears plus turbo. Working headlights. £22.00 ref 22P6Y

**ULTRASONIC WIRELESS ALARM SYSTEM** two units, one a sensor which plugs into a 13A socket in the area you wish to protect. The other, a central alarm unit plugs into any other socket elsewhere in the building. When the sensor is triggered (by body movement etc) the alarm sounds. Adjustable sensitivity. Price per pair £20.00 ref 20P34Y. Additional sensors (max 5 per alarm unit) £11.00 ref 11P6Y

**WASHING MACHINE PUMP.** Mains operated new pump. Not self priming. £5.00 ref 5P18Y

**IBM PRINTER LEAD.** (D25 to centronics plug) 2 metre parallel £5.00 ref 5P186Y

**COPPER CLAD STRIP BOARD** 17" x 4" of 1" pitch 'vero' board £4.00 a sheet ref 4P82Y or 2 sheets for £7.00 ref 7P22Y

**STRIP BOARD CUTTING TOOL** £2.00 ref 2P352Y

3 1/2" disc drive. 720K capacity made by NEC £60.00 ref 60P2Y

**TV LOUDSPEAKERS.** 5 watt magnetically screened 4 ohm 55 x 125mm £3.00 a pair ref 3P109Y

**SPEAKER GRILLS** set of 3 matching grills of different diameters. 2 packs for £2.00 (6 grills) ref 2P364Y

**50 METRES OF MAINS CABLE** £3.00 2 core black precut in convenient 2 m lengths. Ideal for repairs and projects. ref 3P91

**4 CORE SCREENED AUDIO CABLE 24 METRES** £2.00 Pre-cut into convenient 1.2 m lengths. Ref 2P365Y

**TWEETERS 2 1/4" DIA** 8 ohm mounted on a smart metal plate for easy fixing £2.00 ref 2P366Y

**COMPUTER MICE** Originally made for Future PC's but can be adapted for other machines. Swiss made £8.00 ref 8P57Y. Atari ST conversion kit £2.00 ref 2P362Y

**6 1/2" 20 WATT SPEAKER** Built in tweeter 4 ohm £5.00 ref 5P205Y

**5" X 3" 16 OHM SPEAKER** 3 for £1.00!! ref CD213Y

**ADJUSTABLE SPEAKER BRACKETS** Ideal for mounting speakers on internal or external corners, uneven surfaces etc. 2 for £5.00 ref 5P207Y

**PIR LIGHT SWITCH** Replaces a standard light switch in seconds light operates when anybody comes within detection range (4m) and stays on for an adjustable time (15 secs to 15 mins). Complete with daylight sensor. Unit also functions as a dimmer switch! 200 watt max. Not suitable for fluorescents. £14.00 ref 14P10Y



# Instrumentation & Test Gear Basics

Ray Marston presents an introduction to instrumentation and test gear principles in this new mini-series.

This 2-part article introduces the reader to the basic terminology and principles of modern instrumentation and test gear. The author intends to follow it up with a number of articles dealing with practical instrumentation and test gear design techniques and circuits.

## Basic Terminology

The terms INSTRUMENTATION and TEST GEAR mean different things to different people. In the context of this new mini-series, an instrumentation circuit is one that translates an intangible quantity such as voltage, resistance, inductance, speed or temperature and the like, into a tangible form (such as an analogue or digital meter reading

electrical/electronic signals or parameters. Individual items of test gear may be designed for either laboratory use, or what may be called 'industrial' or 'dedicated' use. Laboratory test gear is usually very versatile, and is designed for use in a wide spread of applications. Industrial test gear is usually very specialised,

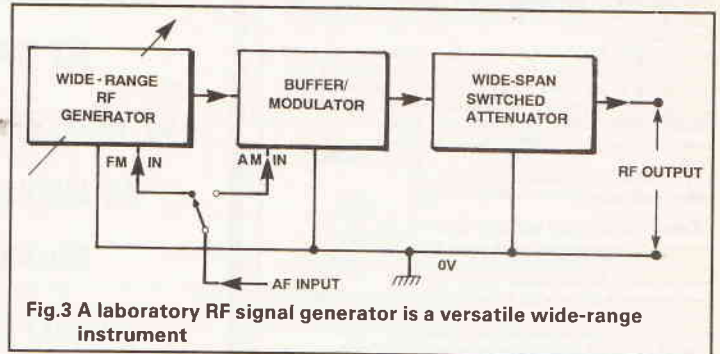


Fig.3 A laboratory RF signal generator is a versatile wide-range instrument

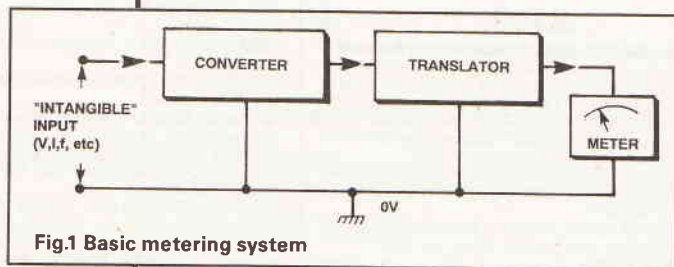


Fig.1 Basic metering system

and designed to perform just one specific function or production-testing task. Thus, a laboratory RF signal generator (see Figure 3) may be able to generate good CW, AM or FM sine wave signals over the entire 100 kHz to 220 MHz frequency range, and to give output signal levels that are fully and accurately variable from a fraction of a microvolt to several hundred millivolts, but an industrial RF generator (see Figure 4) may simply be designed to pump out a 465 kHz CW signal at 100  $\mu$ V.

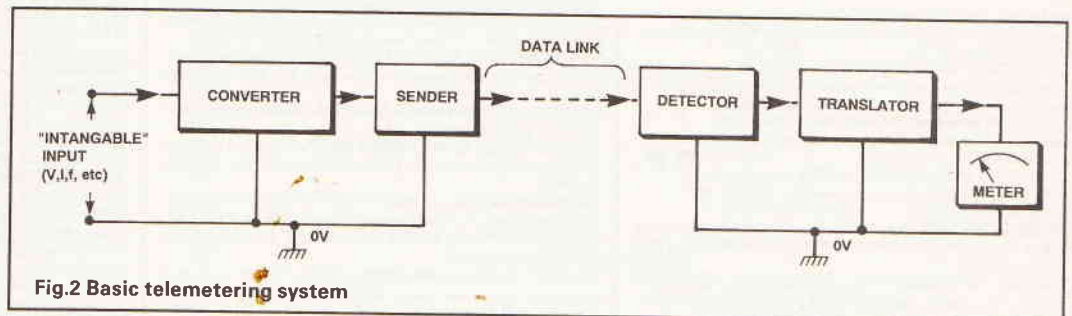


Fig.2 Basic telemetering system

or an alarm signal,) that is meaningful to a human operator. Such circuits consist of a converter that changes the intangible quantity into an easily processed form (such as a DC voltage), and a translator that changes that into a tangible form.

If the instrumentation circuit is one that gives a meter reading that is read at a spot close to the point where the conversion is made (see Figure 1), the circuit may be called a metering system. If the system is one that enables the reading to be made at a point very distant from that of conversion (see Figure 2), the circuit is known as a telemetering system. Note in the latter case that a sender and a detector are interposed between the converter and the translator, and are interconnected via a data link. This link may take the form of a ground line or an infra-red or radio link, etc.

A piece of TEST GEAR (or test equipment) can be loosely defined as any item of equipment that is specifically designed to generate, simulate, or analyse

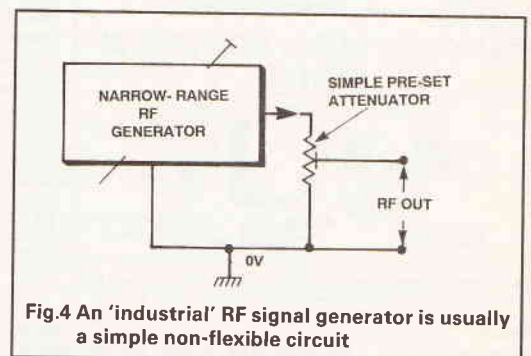
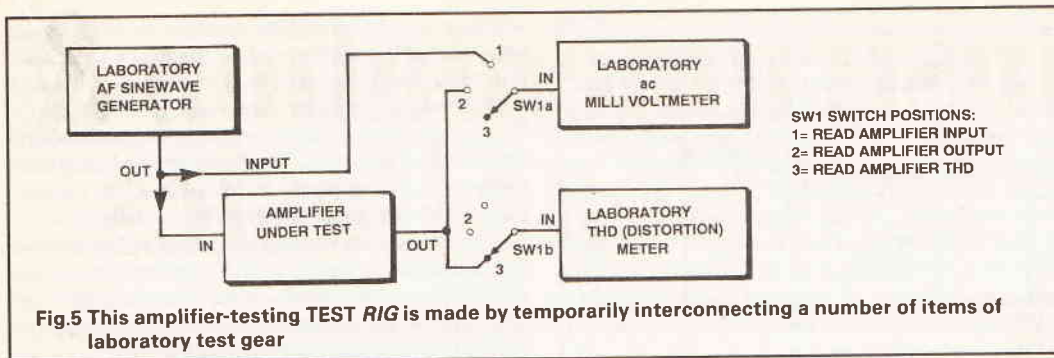


Fig.4 An 'industrial' RF signal generator is usually a simple non-flexible circuit

Most practical electronic 'testing' operations call for the use of two or more items of interconnected test gear. For example, the items needed to carry out a simple performance check on an audio amplifier are a variable-frequency variable-amplitude sinewave genera-

TEST GEAR





**Fig. 5** This amplifier-testing TEST RIG is made by temporarily interconnecting a number of items of laboratory test gear

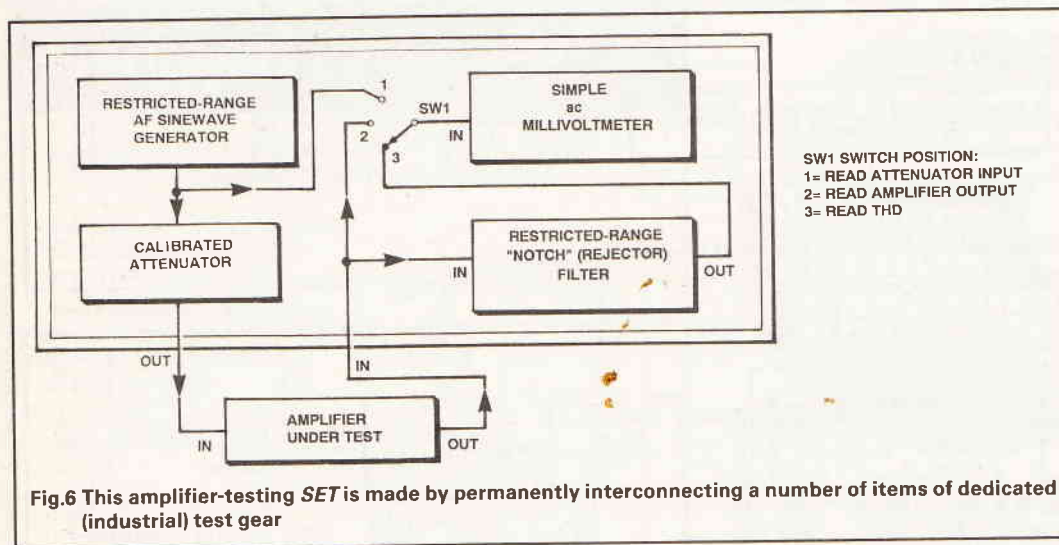
tor (to generate a test signal), a wide-range AC millivoltmeter (to read input/output signal levels and thus facilitate frequency response checks), and a 'total harmonic distortion' or THD meter (to check the amplifier's reproduction quality or fidelity). If such a performance-testing facility is made by temporarily interconnecting or 'hooking up' a number of individual items of test gear (see Figure 5), the resulting assembly is known as a test rig, but if it is made by permanently interconnecting a number of test gear items (see Figure 6) the resulting unit is known as a test set. Many industrial test-gear engineers spend their working lives eternally designing new test sets for use on their company's production testing and quality control lines.

The reader should note that some of the above technical terms can be interchanged. Thus, a simple multimeter is an item of test gear, but when in use becomes a metering system. Again, a THD meter is correctly called an item of test gear if it requires the use of an external low-distortion sine wave generator, but should be called a test set if it has such a generator built-in.

## Types Of Test Gear

There are four broad categories of test gear, and these can be named as GENERATORS, INDICATORS, COMPOSITES, and STANDARDS. A generator is simply any item of test gear that acts as a source of signals or power (e.g., AF and RF signal or pulse generators, power supplies, etc.), and an indicator is simply any item of test gear that gives a visual or audible indication of the absolute or relative value of a monitored parameter (analogue and digital meters, audio/visual GO/NO-GO testers, and oscilloscopes, are examples of these).

A composite is any item of test gear that can directly carry out a complete test action and contains the equivalent of two or more individual items of test gear (L-C-R bridges and 'distortion' meters are classic examples of 'composite' test gear). A standard is any item of test gear that has such high precision that it can be used to calibrate or corroborate the accuracy of other items of test gear; precision voltage references, crystal frequency standards, and precision 'R' and 'C' substitution boxes and attenuation boxes are typical examples of these.



**Fig. 6** This amplifier-testing SET is made by permanently interconnecting a number of items of dedicated (industrial) test gear

The reader should also note that dedicated test sets are often far easier to use than temporary test rigs. Thus, to measure the dB voltage gain of an amplifier via the Figure 5 test rig, the sine-wave generator should be set to give (say) 1 volt output from the amplifier (read with SW1 in position '2'), and the amplifier input voltage must then be read (with SW1 in position '1') and the 'gain' value calculated from the difference between the two readings. This same measurement can be made via the Figure 6 test set by merely setting the attenuator input to 1 volt (read in SW1 position '1') and then adjusting the attenuator setting to give the same reading (in SW1 position '2') from the amplifier output, at which point the dB gain value can be read directly from the attenuator setting.

## Test Gear To Buy Or Build?

The electronics amateur or the professional working on a low budget will, when wanting to acquire new instrumentation or test gear units, be faced with the question of whether to buy or build them? As a general rule, the following items are relatively easy and cost-effective to build and calibrate:-

Simple analogue and digital meters and multi-range meters. Low frequency (up to 100 kHz) waveform generators of all types, including function generators and pulse generators. Simple RF generators. All types of power supply. Most dedicated or industrial types of test gear. L, C, and R bridges. Distortion-factor meters. All simple to medium complexity circuits.

As a general rule, the following items are either



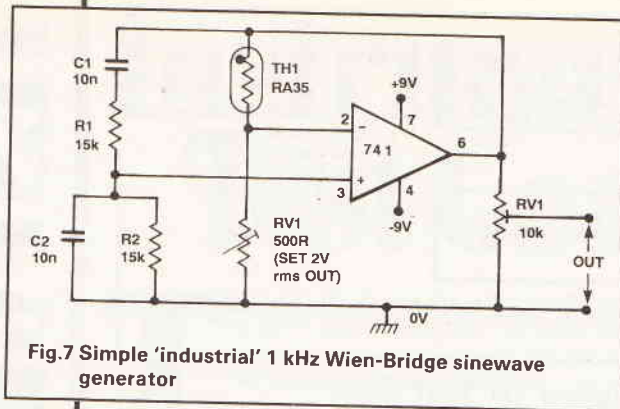


Fig.7 Simple 'industrial' 1 kHz Wien-Bridge sinewave generator

was simply too expensive for us to buy. In the 1930s (so I am told) enthusiasts even built their own capacitors and resistors. Fortunately, time has marched on and things have, in the electronics world, changed for the better since then. It is now possible to buy excellent ready-built multimeters, RF generators, and 'scopes at a lower price than the do-it-yourself would have to pay for the component parts of those instruments.

Let's now move on and take a fairly detailed look at some of the various types of test gear that are available. The rest of this month's article deals with 'generators'. Next month's issue will deal with indicator, composite, and 'standards' types of test gear.

### 'Generator' Types

The following 'Generator' types of test gear are in common use:-

**AF Sine-Wave Generators.** These are designed to generate low-distortion (typically 0.1% at 1 kHz) low frequency (usually 20 Hz to 30 kHz) sine waves, and are normally based on a Wien bridge or Twin-T oscillator. Figure 7 shows an example of a thermistor-stabilised Wien-based design that can be used in fixed-fre-

very difficult to build or to calibrate to an adequate standard, or are too expensive in terms of time or money (or both) to be worth the effort of building, unless you are an exceptionally ardent enthusiast:-

Wide-range analogue and digital multimeters (they are rarely cost-effective to build).

Wide-range 'laboratory standard' RF generators (the problem here is one of providing adequate RF

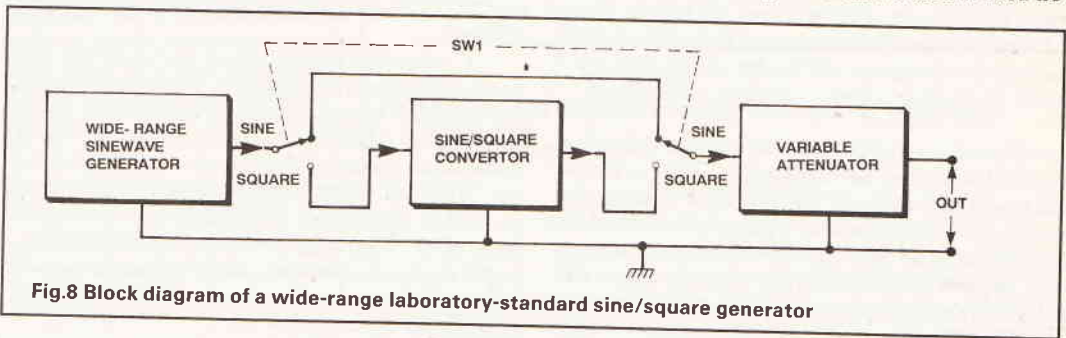


Fig.8 Block diagram of a wide-range laboratory-standard sine/square generator

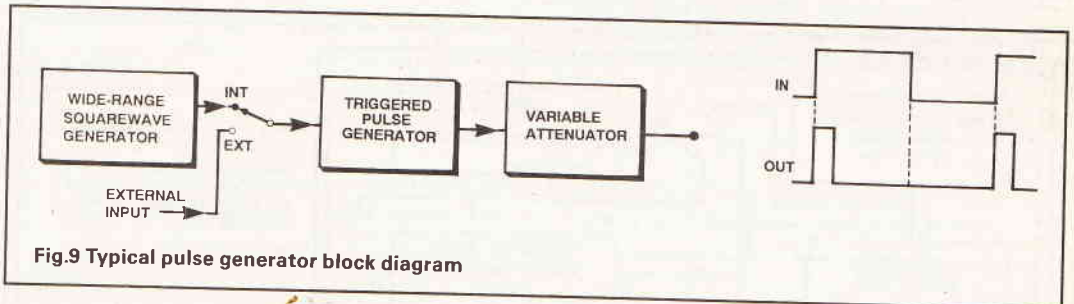


Fig.9 Typical pulse generator block diagram

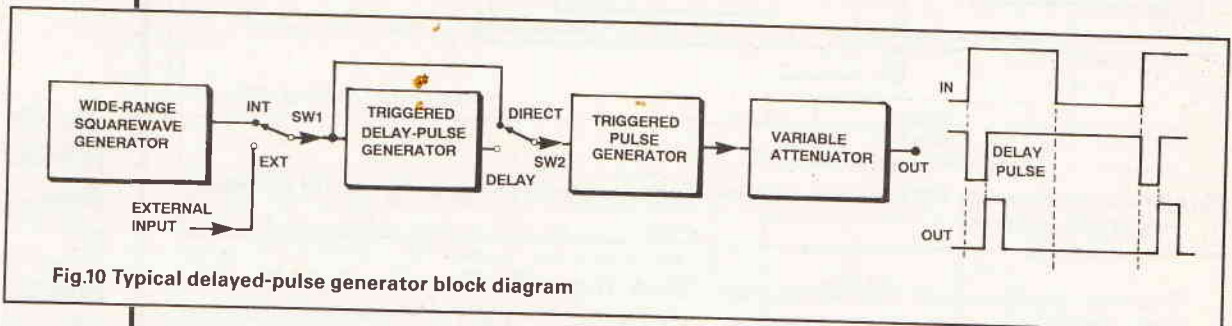


Fig.10 Typical delayed-pulse generator block diagram

screening and adequate calibration).

Modern laboratory oscilloscopes (another problem of cost effectiveness); note in this case that a good performance can be obtained from an old or second-hand model by up-dating it with home-built 'add-ons' such as trace doublers, calibrators, triggered time-bases, and probes, etc.

Before leaving this to build, or not to build theme, it may be of academic interest to note that it was quite normal in the 1950s, '60s and '70s for ordinary amateurs (including the author) to build all three of the above-mentioned types of test gear. Few of us had any alternative in those days; good commercial test gear

frequency 'industrial' applications, and Figure 8 shows, in block diagram form, how a wide-range version of the oscillator can be used, in conjunction with a sine/square converter and a variable attenuator, to make a laboratory sine/square waveform generator.

**LF Function Generators.** These generate a basic 'triangle' waveform from which simultaneous sine and square waveforms are synthesised; typically, they can span the 1 Hz to 100 kHz range and their sine waves produce about 2% distortion at 1 kHz. Usually, the operating frequency can be controlled either resistively or via an external voltage, enabling the frequency to be



voltage-swept if required. Several companies produce dedicated 'function generator' ICs that enable a complete generator to be built from a single chip.

**Pulse Generators.** These produce an output pulse on the arrival of a suitable input trigger signal, which may be generated either internally or externally. Figure 9 shows the block diagram of a simple pulse generator that produces a single variable-width output pulse on the arrival of each rising edge of a rectangular input signal. Figure 10 shows a modified version of the above generator, in which the initiation of the output pulse can (when SW2 is set to the DELAY position) be delayed by a period equal to the width of the delay-pulse generator. Typically, both pulse widths can be varied from a fraction of a microsecond to hundreds of milliseconds.

**RF Generators.** These produce high-frequency sine wave outputs (of 100 kHz upwards), and usually have some type of modulation facility (AM and/or FM) and some means of varying the output signal amplitude; Figures 3 and 4 show (in block diagram form) examples of laboratory and industrial (dedicated) RF Generators.

**Stabilised Power Supplies.** These generate a mains (AC power line) derived DC supply in which the output voltage remains constant in spite of wide variations in load current. Modern versions of these are usually based on one or more dedicated 'voltage regulator' ICs. Industrial versions of such a PSU (power supply unit) usually consist of little more than a transformer-rectifier-capacitor AC/DC converter and a fixed-value voltage regulator IC, as shown in Figure 11. Laboratory-type PSU's are more complex, and include a variable-voltage regulator IC, overload protection circuitry, and an output voltage monitor (see Figure 12).

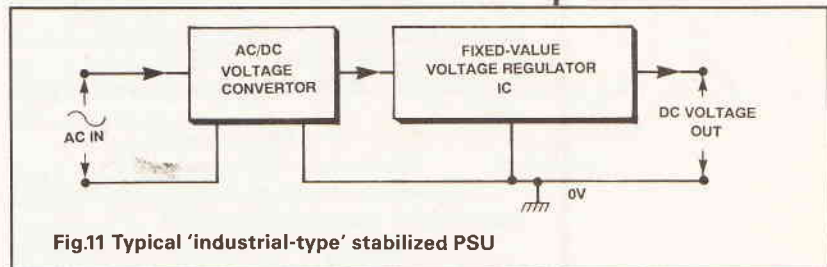


Fig.11 Typical 'industrial-type' stabilized PSU

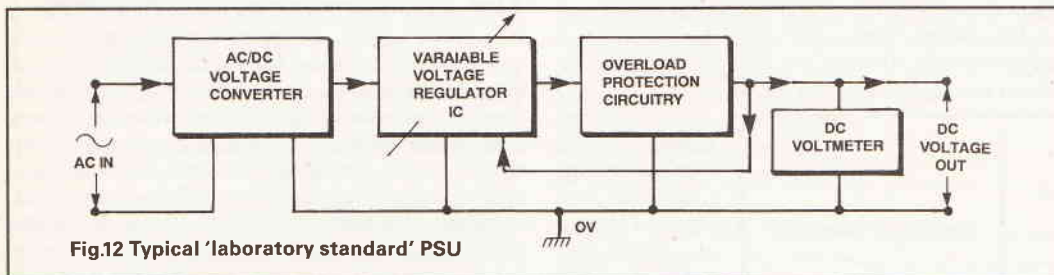


Fig.12 Typical 'laboratory standard' PSU

## Peerless CC FORCE

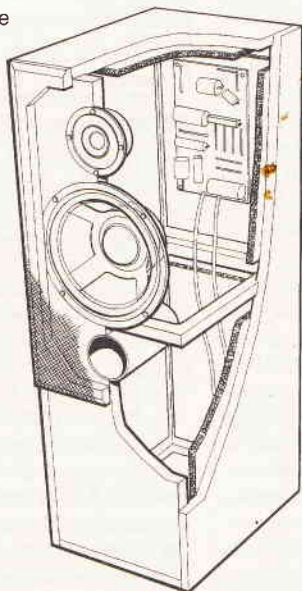


Wilmslow Audio's NEW range of speaker kits from Peerless.

This new range of four kits utilise CC technology drive units for optimum performance.

The kit contains all the cabinet components (accurately machined from smooth MDF for easy assembly).

Pictured here the Force 6, a large floor standing design.



Dimensions:  
800 x 275 x 335 mm  
Response:  
32 HZ - 20 KHZ  
AMP Suitability: 30 - 120w  
Impedance: 8 ohms

Price	carr./ins	
Force 2	£167	£15 pr.
Force 4	£190	£15 pr.
Force 6	£210	£18 pr.
Force 8	£265	£18 pr.

All kits are available in Plus and Basic forms.

# Wilmslow Audio

DIY Speaker catalogue £1.50 post free (export £3.50)



Telephone credit card orders welcome



Wellington Close,  
Parkgate Trading Estate  
Knutsford, Cheshire  
WA16 8DX  
Tel: (0565) 650605  
Fax: (0565) 650080

## 1991-1992 HENRY'S ALL NEW COLOUR CATALOGUE

PLUS Test Instruments, Security, and Component Supplement

WITH **£90.00** WORTH OF PURCHASE VOUCHERS FREE and £2.00 OFF first purchase

To obtain Henry's new catalogue send envelope, minimum size C4 (12 3/4" x 9"), self addressed with £2.65 stamps affixed OR send £4 ch/po with request for catalogue, (Export £6) to the address below.  
**Also available for callers.**  
Trade/Industry/Education.  
Attach notepaper request for **FREE** catalogue with trade price lists.



AROUND **350 PAGES** COVERING

- Components
- Fans ■ Relays
- Public address
- Security ■ CCTV
- Test instruments
- Speakers ■ Disco
- Power supplies
- In car ■ Cables
- Inter comms
- CB ■ Tools etc.
- Accessories for TV-Video
- Telephones, Computer, Audio etc.

**HENRY'S** OPEN 6 DAYS A WEEK  
404 EDGWARE ROAD, LONDON, W2 1ED  
Sales: 071-258 1831 Fax: 071-724 0322  
**Audio and Electronics Specialists**



# Waves And Particles

A. P. Stephenson unravels some of the mysteries of electro-magnetic radiation.

## Electro-magnetic waves

**A**n electro-magnetic wave is a disturbance in free space travelling at a constant velocity ( $c$ ) which, according to the teachings of contemporary physicists, has the distinction of being the ultimate velocity in the universe. In a vacuum, it has been measured to the following nine significant digits:

$$c = 2.99792458 \times 10^8 \text{ metres/sec}$$

Mercifully, rounded figures are usually acceptable:

$$c = (3 \times 10^8) \text{ metres/sec}$$

or 186 thousand miles per second

The velocity decreases slightly when travelling through other non-conducting media.

The value of  $c$  is usually referred to as the velocity of light but this can be misleading. Light certainly travels at this velocity but so do radio and television signals, infra-red and ultra-violet rays, X rays, gamma rays and cosmic rays. All these are examples of EM waves, alike in all respects except frequency.

In 1864, James Clerk Maxwell, the first Cavendish Professor of Physics at Cambridge, supplied the scientific community with some rather awesome looking differential equations. I have never quite understood them myself but readers familiar with curls and other esoteric

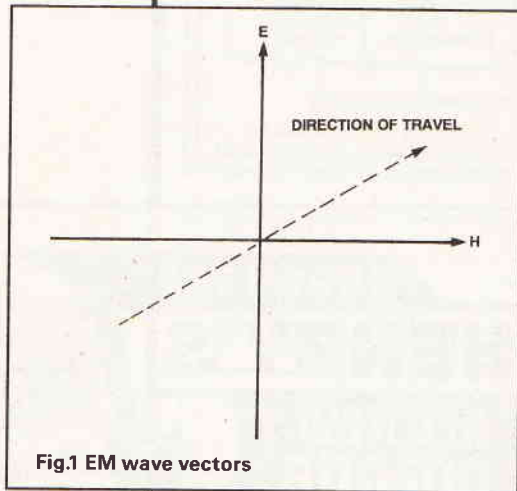


Fig.1 EM wave vectors

symbols would readily accept that they provide adequate descriptions of the essential properties of EM waves. Experimental verification was left to a German professor of physics, Heinrich Hertz who, in 1887, demonstrated the existence of Hertzian Waves as they were called before radio waves became popular.

## Structure Of EM Waves

An electromagnetic wave consists of an electric field ( $E$ ) and a magnetic field ( $H$ ) at right angles to each other and travelling in a direction at right angles to both fields. The amplitude of the fields vary sinusoidally in phase as they travel through space. It is important to realise that it is just not possible to generate a non sinusoidal EM wave! Electronic circuits are constantly churning out wierd looking waveforms but they are not EM waves. For example, a speech modulated carrier, as viewed on an oscilloscope, is quite clearly non-sinusoidal but when such a wave is finally 'flicked' off an aerial system into space it undergoes a strange metamorphosis. The single complicated wave rearranges itself into a number of separate pure sinusoidal components, which the telecommunication professions describe as the carrier and sidebands.

## Wavelength ( $\lambda$ )

As an EM wave of frequency ( $f$ ) is travelling through space it varies sinusoidally in amplitude so it is possible to consider the concept of wavelength as the distance apart of two consecutive amplitude peaks (or indeed, two consecutive amplitude troughs). Since the velocity is ( $c$ ) the wavelength is given by:

$$\lambda = c/f$$

Examples: The wavelength of a 200 MHz EM radiation is  $(3 \times 10^8)/(2 \times 10^8) = 1.5$  metres.

Very high frequencies have very short wavelengths so the following submultiples are in use:

$$1 \text{ nanometre} = 10^{-9} \text{ metre}$$

$$1 \text{ Angstrom unit} = 10^{-10} \text{ metre}$$

(Most atoms are about one Angstrom unit in diameter.)

## The electro-magnetic spectrum

In terms of radiation frequency, the spectrum extends over an enormous range from about 100 Hz (very low frequency radio waves) to at least  $10^{23}$  (gamma rays). Cosmic rays, which originate from outer space have even higher frequencies. Certain bands within this range have, for descriptive purposes only, been given arbitrary names but, as shown in Table 1, the band limits are vague with considerable overlap. The width of the visible light band is too narrow to distinguish because of the scaling. It extends from red ( $4.29 \times 10^{14}$  Hz) to violet ( $7.5 \times 10^{14}$  Hz).

Table 1

Band name	Frequencies (Hz)	Wavelength (metres)
Radio waves	$10^2 - 10^{12}$	$10^7 - 10^{-3}$
Infrared	$10^{12} - 10^{14}$	$10^{-3} - 10^{-5}$
Light	$10^{14} - 10^{14}$	$10^{-6} - 10^{-6}$
Ultraviolet	$10^{14} - 10^{16}$	$10^{-6} - 10^{-8}$
X rays	$10^{15} - 10^{20}$	$10^{-7} - 10^{-12}$
Gamma rays	$10^{18} - 10^{23}$	$10^{-10} - 10^{-15}$

## How is an EM wave produced?

Simple — just rig up a high frequency electrical oscillator! True of course but a superficial truth because there are many other ways. The following statement, although less informative, is concise and all-embracing:

AN ELECTRO-MAGNETIC WAVE IS 'FLICKED' OFF INTO SPACE WHENEVER AN ELECTRIC CHARGE UNDERGOES ACCELERATION.

For example, bearing in mind that a DC current passing along a wire is a movement of charged particles, we might ask whether such a current produces radiation? If we assume that the current is steady, at say ten amps, then, although the electrons are travelling along the wire, their mean velocity is constant so there can be no acceleration and therefore no EM radiation. However, at the instant of switching on, or indeed switching off the current, the charges undergo acceleration, resulting in a burst of undisciplined EM waves. The reason for branding it undisciplined is of interest because it tends to emphasise the earlier remark that non-sinusoidal EM waves are impossible and also because it provides an excuse to make a few

ENERGY



brief references to the brain-child of a learned gentleman by the name of Fourier.

## The Fourier components

Early in the 19th century, Fourier showed that any non-sinusoidal waveform could be considered as a jumble of pure sinewaves of different frequencies and bearing certain amplitude ratios to each other. For example, a symmetrical rectangular wave can easily be shown to consist of a parent sinewave called the fundamental plus a series of sinewaves of frequencies which are odd multiples of this fundamental and called the harmonic components. The instantaneous voltage equation ( $v$ ) of such a wave has this appearance:

$$v = V \sin \omega t + V/3 \sin 3\omega t + V/5 \sin 5\omega t + \dots$$

The first term is the fundamental of peak amplitude  $V$ . The second term is the third harmonic having  $1/3$ rd the amplitude and three times the frequency. The third is the fifth harmonic having  $1/5$ th the amplitude and five times the frequency. The higher order terms, which in theory extend to infinity, follow the same kind or progression. Thus the tenth harmonic is  $1/10$  the amplitude and 10 times the frequency.

As a numerical example, a 100 Hz rectangular wave can be thought of as a collection of sinewaves containing a 100 Hz fundamental plus sinewaves of 300, 500, 700, 900, ... up to infinity. Figure 2 shows a fundamental plus only three of the harmonics but they are sufficient to show that the envelope is developing that characteristic rectangular appearance. Adding more harmonics would make the sides steeper and tops flatter.

Any other waveform can be synthesised by a suitable combination of harmonics. A triangular wave, for example, can be shown to be made up from predominantly even numbered harmonics.

We can return now to the question of our undisciplined wave which results when a steady current is suddenly switched on. Since the current attempts to rise instantaneously it represents the first edge of a square wave which, according to Fourier, is equivalent to a vast jumble of frequencies. Since such a rise represents a sudden acceleration of charges, a motley collection of separate EM waves are hurled off into space. The energy lost from the circuit in this way will normally only represent a tiny fraction of the total and even this will disappear entirely after the current has settled down to steady state conditions.

Nevertheless, the initial transient disturbance may still be sufficient to produce annoying clicks in radio receivers when some quite unrelated piece of equipment is switched on. Although the receiver may be tuned to a narrow band of desired frequencies there is a high probability that some of the harmonics 'gate crash' their way in. The same things will happen when the circuit in question is switched off because charges suddenly stopped are also subjected to acceleration — negative acceleration is still acceleration within the meaning of the EM radiation law.

Perhaps it is worth recalling at this stage that currents can rise quickly but never instantaneously. This is because there are always traces of unwanted capacitance and inductance lurking around in the hidden recesses of the circuit. This is fortunate in a way for our peace of mind because taking Fourier to the limits, an instantaneous rise would cause the emission of X rays, gamma rays and possible other malevolent components of the EM spectrum. Nature can sometimes display surprising tenderness.

## Alternating current behaviour

A circuit carrying alternating current is a different proposition because the current is continually chang-

ing so the charges must be in a state of continuous acceleration and therefore radiating. Even the 50 Hz main supply lines are radiating EM waves but, fortunately, the radiation is unlikely to produce interference. The distance which a wave can travel depends on many factors but one of them must clearly be the frequency — the higher the frequency, the greater is the acceleration of charges so it should not be surprising that 50 Hz AC mains occupy a low-status position in the EM spectrum.

## Kinetic Energy

A car travelling at high speed has quite a lot of kinetic energy. If it comes to a dead stop due, say, to the sudden appearance of a reinforced concrete wall, the Conservation of Energy law demands that the kinetic energy it had before impact is duly accounted for. Not wishing to offend the law, the car changes shape, the anatomy of the occupants (if any) rearrange themselves and the temperature of both car and concrete increases.

Fast moving charged particles, such as electrons in an oscilloscope beam also obey the same conservation law so, when they finally impact on the screen, the kinetic energy must be accounted for. Some of it will be transformed into heat and some into EM radiation. To estimate the frequency of the radiation it is first necessary to calculate the energies involved.

## Potential And Kinetic Energy

Consider first the passage of an individual electron in a thermionic diode from the time it leaves the heated cathode until it hits the anode held at voltage  $V$  (see Figure 3). At the instant of leaving the cathode, the electron has, by virtue of the anode attraction, potential energy ( $W_p$ ), given by:

$$W_p = qV$$

where the electron charge ( $q$ ) =  $(1.6 \times 10^{-19})$  coulomb and  $V$  = anode voltage. By the conservation law, it follows that kinetic energy at the moment of impact must be the same so,

$$W_p = W_k = qV$$

This is all very nice but remember our prime object is to find the frequency of the EM wave resulting from the electron's impact. All we have achieved at the moment is the electron energy. To proceed any further we must delve a little into some particle physics.

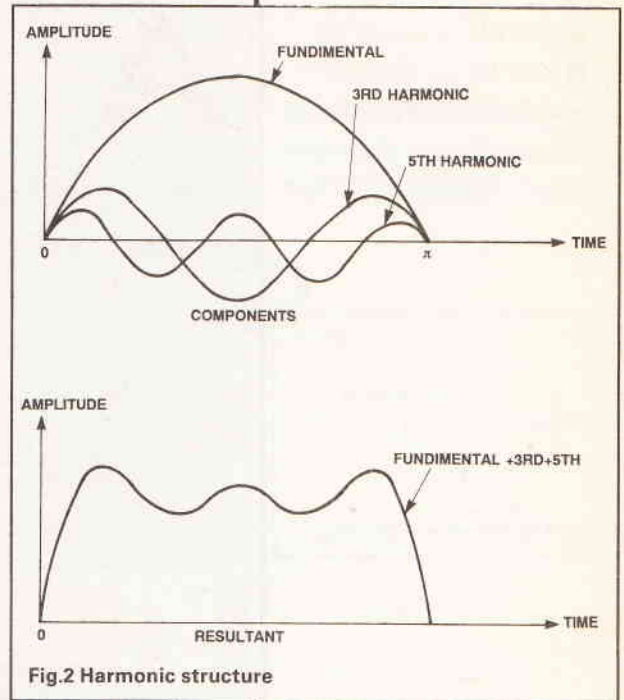


Fig.2 Harmonic structure

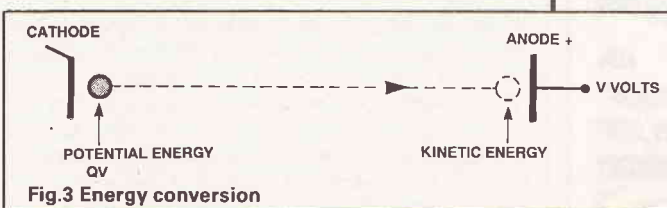


Fig.3 Energy conversion

## Quanta

The quantum theory, first suggested by Max Plank in 1901 and later taken up by Einstein, shattered the cosy world of classical physics. Apparently EM waves are not quite so simple as originally thought. They have a



tendency towards schizophrenia, never being quite sure whether they should behave as wave functions or discrete particles called photons.

Max Planck suggested that energy interchanges can only take place in small discrete steps called quanta. Thus it is not possible to increase the energy in a system unless at least one quantum is added, — a half or any other fraction will have no effect! As Figure 4 shows, energy exchanges are step-like instead of a smooth ramp. (If a climber is too weak to lift himself to the next step he stays where he is.)

The quantum theory was a major breakthrough in the understanding of atomic structure although, as far as everyday experience is concerned, it has little relevance because the size of individual quanta is too small to be noticed. The actual size is governed by a strange number which, although ridiculously small, is fundamental to the whole theory. It is known as Planck's Constant (h) which, to three figure accuracy is:

$$h = 6.63 \times 10^{-34} \text{ Js}$$

The almost earth-shattering contribution which we have inherited from the quantum theory has been a disarmingly simple equation which connects quantum energy (W) and frequency (f):

$$W = hf$$

For example, armed with this equation we can now find the frequency of the EM wave emitted when an electron of charge (q) strikes an anode held at voltage (V). Remembering that the impact energy was given by  $W = qV$  we can equate this to  $W = hf$  as follows:

$$hf = qV$$

$$\text{so, } f = qV/h \quad (\text{Equation 1})$$

Example: A typical 26 inch TV employs an EHT voltage in the order of 25 kilovolts. Plugging this value into Equation 1,

$$f = \frac{(1.6 \times 10^{-19}) \times (25 \times 10^3)}{(6.63 \times 10^{-34})}$$

$$\text{so } f = 6 \times 10^{18} \text{ Hz}$$

$$\text{or } f = 6 \times 10^9 \text{ GHz}$$

$$\text{or } f = 6,000 \text{ million gigahertz}$$

This is some frequency! In fact, by referring back to Table 1, it falls in about the middle of the X ray band.

Wavelength =  $c/f$ , which sets the corresponding wavelength of the rays generated by the TV tube at  $5 \times 10^{-11}$  or 0.1 Angstrom.

## The Electron Microscope

An ordinary optical microscope can not resolve objects smaller than the wavelength of light however much the magnification is increased. Light wavelengths are somewhere around 5,000 Angstroms, depending on the colour so it is clear that an electron microscope using the same voltage as our 26 inch TV could resolve objects several thousand times smaller than the best optical version.

## The Electron Volt

When dealing with the physics of the electron it is sometimes convenient to replace the standard SI unit of energy (the Joule) by the 'electron volt':

An electron volt is the energy needed to move an electron against a potential gradient of one volt.

Since  $W = qV$  and the charge on a single electron is  $1.59 \times 10^{-19}$  coulombs it follows that the electron volt =  $1.6 \times 10^{-19}$  joules.

## Boltzman's Constant

The molecules in a substance are continually scurrying around in a random fashion which depends on the absolute temperature. It would be neither practical or worthwhile to calculate the vibration energy in a parti-

cular molecule but it is possible, with the aid of Boltzman's constant (k), to arrive at an average value. It is one of the fundamental constants in physics and its value has been calculated to nine figure accuracy. However to three figures, the value is:

$$k = 1.38 \times 10^{-23} \text{ JK}^{-1}$$

With the help of this constant, the average vibration energy in a body can be found by the equation:

$$W = kt$$

where t is temperature in degrees Kelvin (Zero Kelvin is -273 degrees Celcius).

Some of the energy in a heated body is flicked off in the form of EM waves. These frequencies can be found by equating the vibration energy (kt) to the photon energy (hf):

$$hf = kt$$

$$\text{so, } f = kt/h$$

Example: Assume that on one of those rare hot summers days the ground temperature happens to be 27°C. By a fortunate 'coincidence', this turns out to be exactly 300° Kelvin so we can use the equation above to estimate the EM wave shooting up from the ground:

$$f = \frac{(1.38 \times 10^{-23}) \times (3 \times 10^2)}{(6.62 \times 10^{-34})}$$

This reduces to  $6.25 \times 10^{12}$ . Consulting Table 1 reveals that such a frequency falls within the infrared band.

In contrast, the temperature at the surface of the sun is said to be about 6,000 degrees which, as a similar calculation would show, places the frequency within the visible lightband.

## Matter waves

Physicists are no longer surprised when someone finds that a certain phenomenon also works in reverse. Not long after Planck and Einstein shocked the scientific establishment by declaring that waves can also behave as particles, a French mathematician by the name of De Broglie declared in 1924 that particles in motion can also behave as waves. It was not idle talk because he offered an equation (subsequently proved experimentally) to substantiate his claims. De Broglie's matter waves, as they are now called, have a wavelength inversely proportion to the momentum (p) of the particle given by:

$$\lambda = h/p$$

Since  $p = \text{mass} \times \text{velocity}$ , we can write:

$$\lambda = h/(mu)$$

where m = mass and u = the velocity of a moving particle.

We can try out this equation on one of the electrons in the beam of the 25 kV tube discussed earlier but a little more juggling is needed to calculate the impact velocity (u). Fortunately,  $W = mu^2/2$  is a standard relation for kinetic energy so it can be equated to the potential energy (qV). The mass (m) of the electron is no problem because it is one of the universal constants and is approximately equal to  $9.1 \times 10^{-31}$ . Armed with these facts the rest is easy:

$$mu^2/2 = qV$$

$$\text{so } u = \sqrt{2qV/m}$$

Plugging in V at 25kV and the constants for electron mass and charge, the impact velocity turns out to be  $9.4 \times 10^7$  metres/sec. According to De Broglie,  $\lambda = h/mu$  so:

$$\lambda = \frac{6.6 \times 10^{-34}}{(9.1 \times 10^{-31}) \times (9.4 \times 10^7)} = 7.7 \times 10^{-12} \text{ metres}$$

So the electron, at the moment of impact has a matter wavelength of 0.077 Angstrom. It is worth noting that this value is considerably shorter than the 0.5 Angstrom value for the photon impact energy which was calculated earlier.

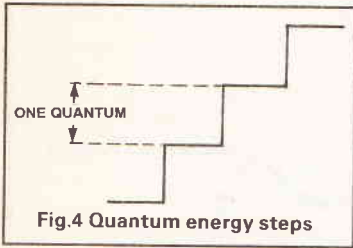


Fig.4 Quantum energy steps



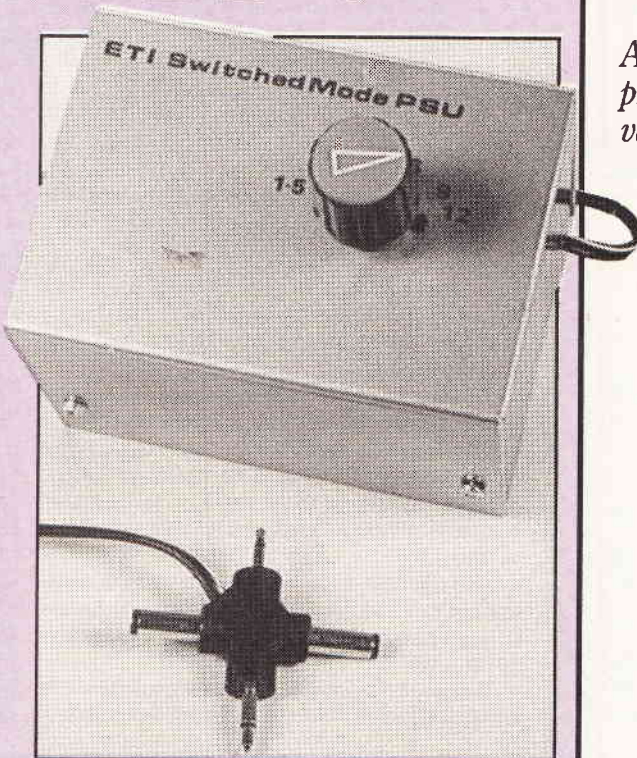
# Switched Mode Power Supply

I bought a second hand keyboard without a power supply. After the third set of batteries I decided that a mains power adaptor would be an asset. What was irritating was that I already had several power packs for different appliances, but none of them was suitable for the keyboard. Rather than buy or build another supply with only one application, I decided to build a universal one.

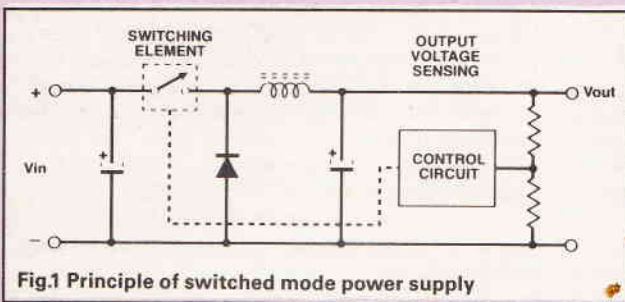
As a universal power supply, it needed switched output voltages, covering the range normally required for small gadgets, and a multiple output plug to fit as many sockets as possible. It was also necessary for the output polarity to be reversible, because there is no standard polarity for appliances that use external mains power adaptors.

The output connector requirement was easily solved by using a universal power plug from Maplin, which includes a reversing connector. The switched output voltage was also straightforward in principle: a selector switch, a range of suitable resistors, and a programmable voltage regulator such as the LM317.

The wide range of output voltages involved makes the use of a linear regulator less attractive, however. To provide a 12V regulated output, a 15V transformer is required. When supplying a 3V load drawing 200mA, the dissipation in the regulator will exceed 2W, while the power delivered to the load will only be



*Andrew Armstrong presents an alternative variable voltage supply.*



0.6W. This would be tolerable, but the power supply could get hot enough to cause unreliability if buried under, say, a pile of papers for a while.

It is not too complicated to build a switched mode voltage regulator, and this solves the problems of efficiency and heat dissipation elegantly. Perhaps the most widely known switched mode regulator IC is the 78S40, and it was this which I decided to use.

The principle of the switched mode power supply is illustrated in Figure 1. In a simple implementation, the control circuitry senses the output voltage of the supply and, if it is too low, turns on the switch. The output voltage starts to rise, and after a short time it overshoots the aiming voltage. The control circuit then turns off the switch. When the switch is on, the current in the inductor rises approximately linearly (assuming its resistance is low) at a rate given by the formula:

$$\frac{di}{dt} = \frac{(V1 - V2)}{L}$$

When the switch is off, the inductor current falls. The rate of fall is again determined by the voltage across it. The left hand end is at minus one diode drop,

while the output is still at the output voltage (ignoring the output ripple).

The interesting fact about all this is that the switch does not dissipate power when it is on, nor when it is off. Linear regulators dissipate power according to the difference between input and output voltages, while switched mode supplies only dissipate as a result of irreducible imperfections in the switching devices. Losses in the series switching element and the diode are caused by voltage drops while conducting, and by the finite switching time.

During the switching action, the peak power dissipation can be substantial, but because the switching action only occupies a tiny part of the overall cycle time, the average dissipation is low.

This puts a limit on the switching frequency. If too high a frequency is used, the switching time will no longer be insignificant. Clearly, the required switching frequency for any application depends on the allowable output ripple, and the rate of rise and fall of current in the inductor. Larger values of inductor permit lower switching frequencies while maintaining any given output ripple.

The 78S40 uses a slightly more sophisticated version of the control system detailed above. In addition it incorporates an internal oscillator to control switching times, and a current limiter.

The 78S40 also includes a voltage reference, a comparator to compare the output voltage with the reference voltage, an op-amp, output switching transistors, and a Schottky diode. This design does not use either the op-amp or the internal Schottky diode. An external diode is used instead, as shown in Figure 2, in



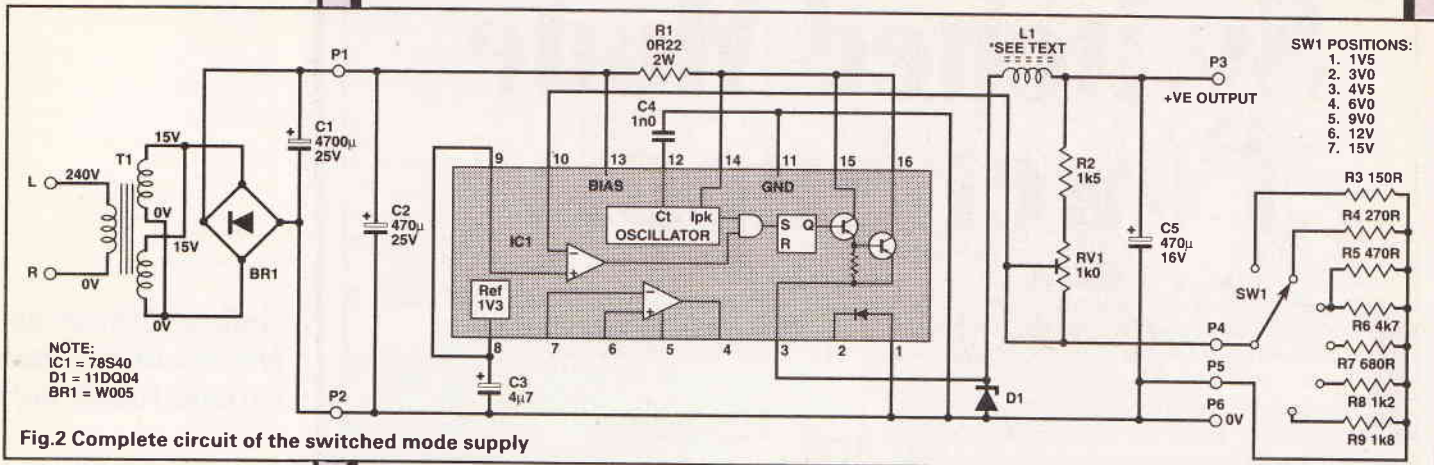


Fig. 2 Complete circuit of the switched mode supply

## HOW IT WORKS

Starting at the mains input, the mains transformer reduces mains voltage to 15V AC, while providing isolation. The AC output from the transformer is rectified to give approximately 18V (on load) on the reservoir capacitors C1 and C2.

The main reservoir is provided by an external capacitor, but a substantial local decoupling capacitor on the PCB is provided to prevent the high peak switching currents from upsetting the operation of the internal circuitry of the 78S40. The fast high current switching waveforms in switched mode power supplies can cause substantial voltage spikes on the power connection, if it has significant resistance or inductance.

As a further means of preventing voltage spikes from affecting the accuracy of control, the voltage reference is decoupled. This has been found by experiment to be beneficial, though it is not listed in all application notes.

Inside the 78S40 is an oscillator, whose operating frequency is set by an external capacitor. This is illustrated in the circuit diagram, Figure 2.

The capacitor sets the minimum off time of the switching transistors. In this design, a time of  $2\mu\text{s}$  is chosen. In operation, however, actual off times of 10 to  $20\mu\text{s}$  are observed. The reason for the short time is to allow other circuit considerations to control the off time in most circumstances. The current in the inductor does not decline to zero, so that the DC output current which can be drawn is more than half the peak current. This is illustrated in Figure 4.

Once per cycle the oscillator switches on the output transistors, unless the output voltage is too high. When the transistors have been switched on they remain on until one of three things occurs: either the current in R1 rises high enough to drop 330mV across the resistor, or the output voltage rises above its aiming point, or the oscillator circuit times out.

While the output transistors contained in the 78S40 are on, the current in L1 ramps up. While they are off, the current ramps down. At medium to high load currents, the current fed to the output capacitor never falls to zero, and in any case it never stops and starts abruptly. This limits the output ripple to some extent.

order to permit a slightly higher output current. Had an even higher output current been required, it would have been possible to use an external switching transistor, but that was not necessary in this design.

The current limiting resistor is chosen to give a nominal peak current of 1.5A. The average output current will be considerably less than the peak current, and will depend to some extent upon voltage tolerances on the 78S40. The peak current achieved in practice will be less than the theoretical figure, because a wire-wound resistor is used for R1, and the inductance of this resistor will give a higher peak voltage while the current is changing. Practical output currents achievable at lower voltage settings may be in the region of 800 mA.

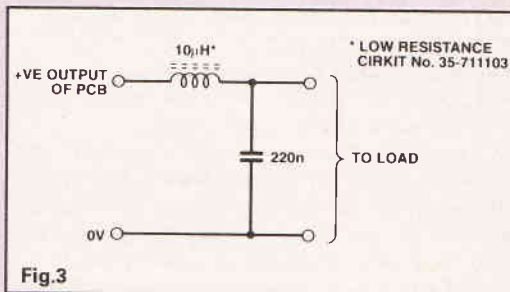
Though the internal Schottky diode is not used, one side of it is connected to the substrate, and should be grounded. In applications requiring a lower output current, D1 may be omitted, and a wire link connected between pins 1 and 3 of IC1 to make use of the internal diode.

The output smoothing capacitor is of a higher value than theory might suggest is required. Because of the spiky nature of the ripple current in a switched mode power supply, the esr (equivalent series resistance) and esl (equivalent series inductance) of the smoothing capacitor affects the quality of the output. Because of the wound foil construction of electrolytic capacitors, not all of the capacitance is effective at high frequencies. In larger value capacitors, there is generally capacitance available to decouple high frequency signals, even if a smaller proportion of the total capacitance is available. Experiment has shown that the

value chosen provides a fairly clean output.

Measured ripple at 9V with a 500mA load on the PCB model was 10mV pk-pk on a 10MHz bandwidth. On 100MHz bandwidth there was a series of 20ns 60mV pk-pk rings dying away in 100ns, followed by two 40mV rings over the next 200ns, occurring at the switching frequency.

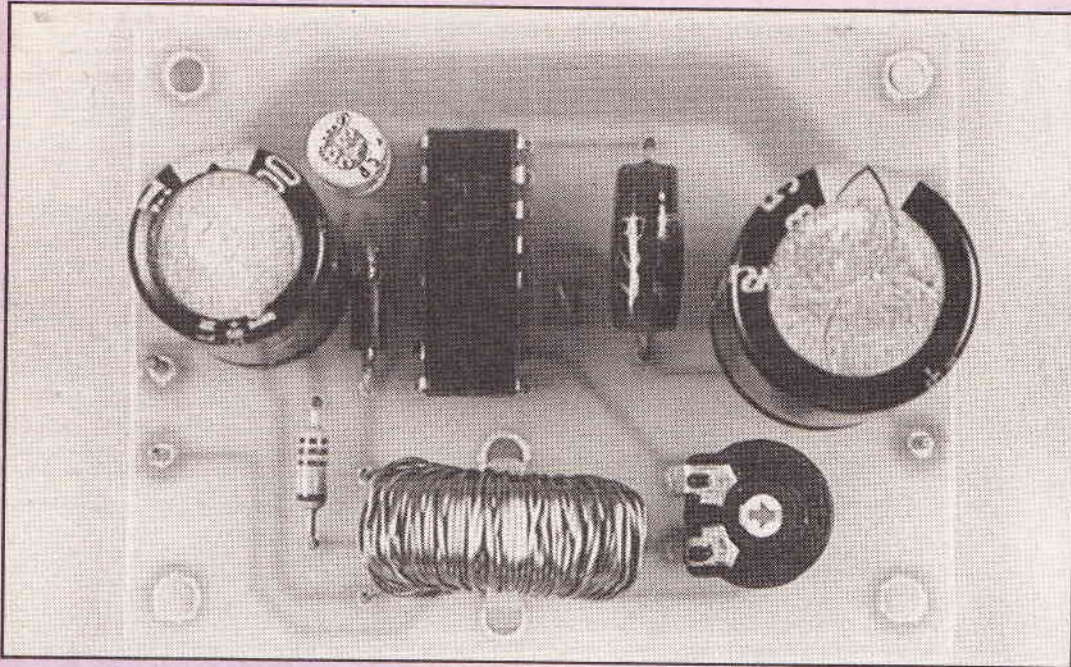
If it is desired to remove this very high frequency disturbance, a filter as shown in Figure 3 may be used.



The components of this filter can be supported on the output pads of the PCB.

Output voltage selection is by means of resistors mounted on a selector switch. A break-before-make switch should be used, and the circuit is so designed that it produces its minimum output voltage (1.3V) when no external resistance is present. This avoids the possibility of brief output excursions to maximum voltage as the switch is operated. The output voltage can be calibrated by means of RV1, and it is recommended that it is adjusted to minimise the maximum percentage error on any output voltage.





## Layout

After the comments about esr and esl, it should not surprise anyone that the PCB layout is critical to the correct operation of a switched mode power supply. The layout shown here minimises the resistance of the 0V track, while referring output voltage measurement to the output rather than to the input side of the circuit. Other power supply track lengths are also minimised.

It is recommended that the PCB should be used to build this project, but experienced constructors should be able to make a Veroboard layout work properly. The prototype was built on Veroboard, and worked quite adequately once a pair of tracks were connected in parallel for the 0V.

## Construction

Assembling the PCB should present few problems. It is worth remembering, however, to drill out the mounting holes and the holes for the tyrap which retains the inductor if necessary before mounting any components.

A toroidal switching inductor is used. It may be made by winding 70 turns of 0.5mm diameter wire onto a T94-40 iron dust core, available from Cirkit. It should be firmly fixed to the PCB by means of a tyrap or several turns of lacing cord, tied tightly. Only when the inductor cannot move on the PCB should its connections be soldered. This avoids straining already soldered joints.

The power supply is intended to fit into an aluminium box 102x70x64mm, available from Maplin (order code LH10L). The transformer, a 6VA chassis mounting type, must be mounted diagonally across one end of the case. The printed circuit board is bolted to the other end. The reservoir capacitor should be mounted with a p-clip or with double sided adhesive pads to the base of the box, with the bridge rectifier supported on its wires from the transformer or from the capacitor, whichever is more convenient.

Do not forget to sleeve any long uninsulated leads, and make sure that the mains connections are insulated. Fit a solder tag to one of the transformer mounting bolts, and make sure that the mains earth is connected securely to this. This connection must not be under stress, and should be arranged so that, if the mains wire is pulled out of the case, the live connection will break first.

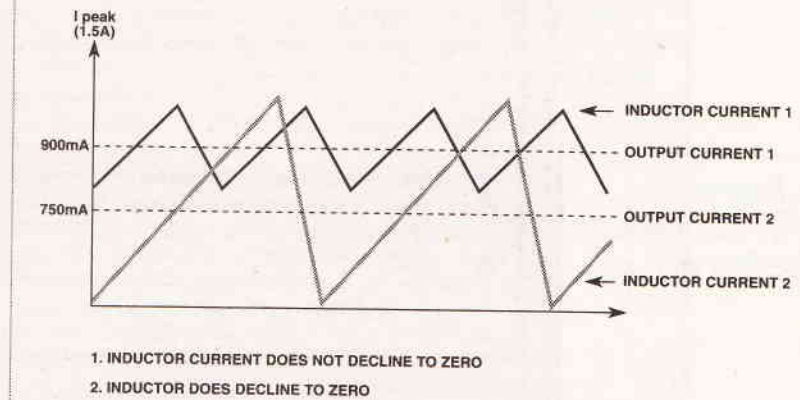


Fig.4

## PARTS LIST

### RESISTOR

R1	0R22 2W (wirewound is acceptable)
R2	1k5 5% 1/4W
R3	150R
R4	270R
R5	470R
R6	4k7
R7	680R
R8	1k2
R9	1k8
RV1	1k preset

### CAPACITORS

C1	4700 $\mu$ 25V can electrolytic.
C2	470 $\mu$ 25V radial electrolytic 0.3" pin spacing.
C3	4 $\mu$ 7 16V radial electrolytic 0.1" pin spacing.
C4	1n ceramic 0.1" pin spacing.
C5	470 $\mu$ 16V electrolytic 0.2" pin spacing.

### SEMICONDUCTORS

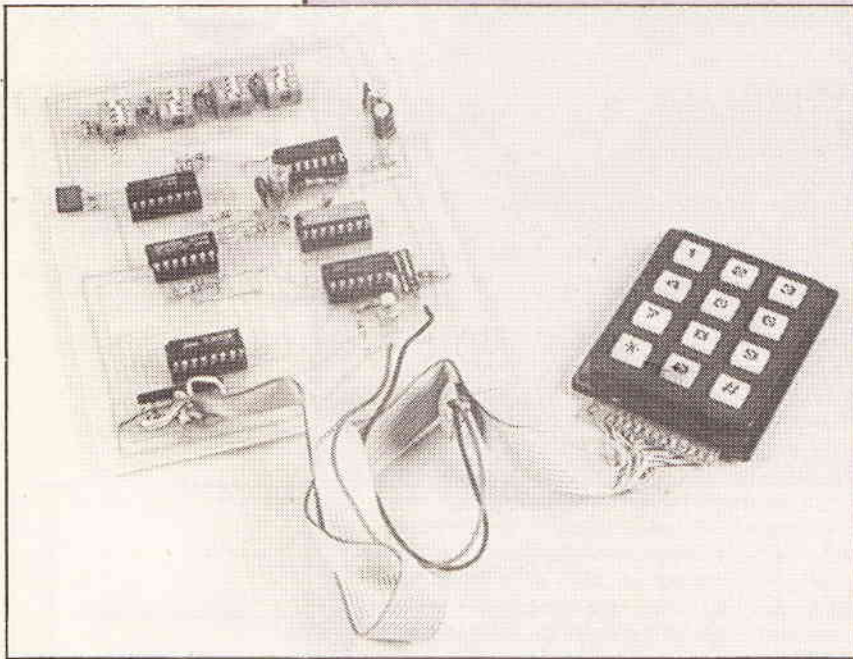
D1	11DQ04 or similar Schottky diode
IC1	78S40
BR1	W005 or similar 1A bridge rectifier.

### MISCELLANEOUS

L1	300 $\mu$ H toroidal inductor. Maplin inductor stock no JL73Q OR 70 turns on Cirkit core stock no 55-09440
SW1	6 way rotary switch
TR1	15V 6VA transformer eg Maplin order code WB15R
Case	102x70x64mm aluminium box, eg Maplin order code LH10L
	Multi power plug eg Maplin order code HH38R
PCB	
	Mains lead, wire, solder, M3 nuts bolts and washers



# Digital Code Lock



*Edward Barrow provides a circuit to keep your valuables in a safe place.*

One of the main boom areas of the small scale side of the electronics industry in recent times has been the security sector. Companies seem to offer a profuse number of designs utilising many different and novel sensors in various combinations. But these usually come in sealed boxes with little chance of interfacing or modification. What is lacking is the ability to tailor designs without boring a large hole in your pocket. For example if you wanted a code lock for

some purpose other than front door locks, say for argument sake you wanted to code lock your drinks cabinet from your adolescent son, the large code locks for doors are virtually useless.

This project fills this gap in the market, being both easily understandable and adaptable. To enter the required four number code a keypad is used with the standard 0 to 9 range. After checking the sequence of the four numbers an electrical signal is generated that can drive a relay or solenoid or similar mechanical device. The code is held internally in binary format in an array of 4-way DIL switch packages, thus allowing the code to be changed by someone with less than an expert knowledge of binary. It is the electronic nature of the output signal that allows it to be used in many situations. This output pulse lasts for about 3 seconds, which is only common sense, only allowing access for this period, more about that later.

The schematic diagram in Figure 1 along with a sequential diagram in Figure 2 are both helpful in understanding the going's on. A simple keypad is used to enter data to the unit. The type used here has separate outputs for each key and a single common input which is held high. Binary coded or matrix type keypads cannot be used with this design, which is good as these are usually more expensive. To make the information usable in the digital realm, it must be converted into a binary number. This is done by a device called a priority encoder, which as the word 'priority' suggests has the added benefit that it can cope with two or more keys being pressed at once by giving only the higher of the two.

To give meaning to the order in which the keys are pressed a decimal Johnson counter is incremented every time a key is pressed and after four are recorded

## PROJECT

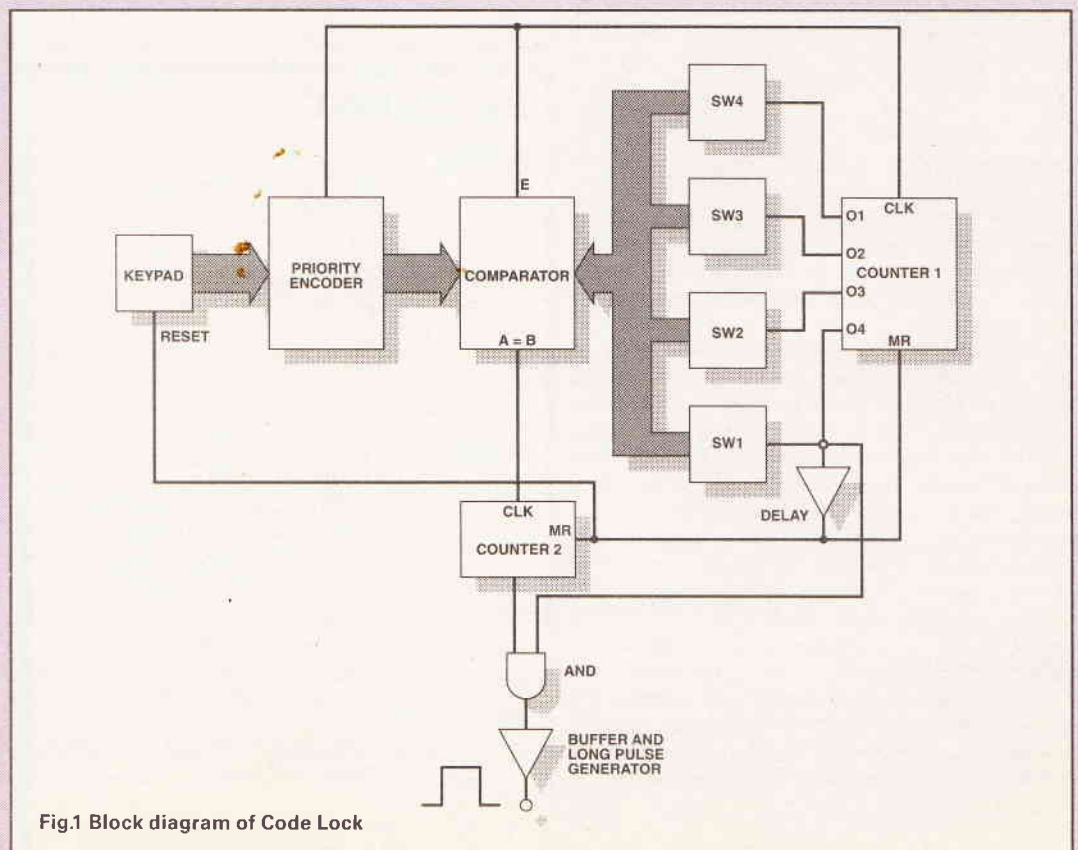


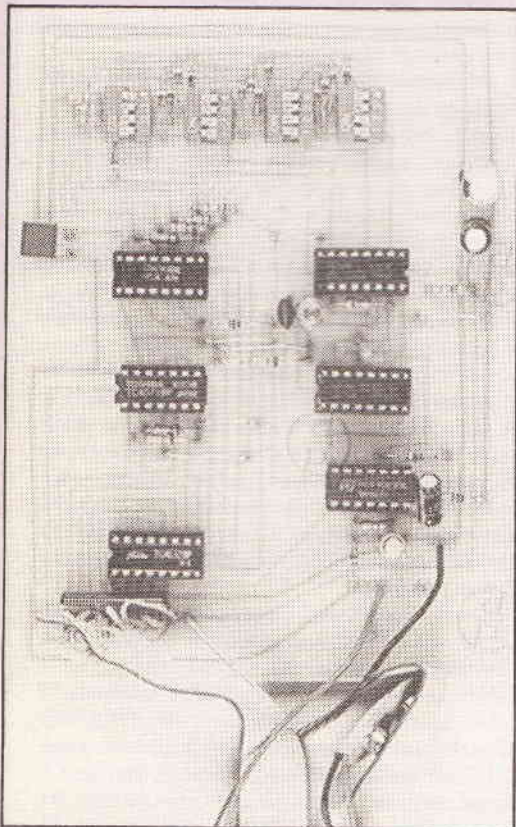
Fig.1 Block diagram of Code Lock



the counter is automatically reset to zero. An overriding reset key is incorporated on the keypad to allow the user to know exactly where in the program cycle he is and so have full control. The output of this Johnson counter fulfils another purpose of acting as a multiplexer for the stored numbers. In doing this it selects the correct stored number to correspond with the entered number. The set numbers being held in an array of 4 quad DIL switches. As only one of them is selected at any one time they can be overlapped, with a total of only 4 binary output lines.

Comparison of the two numbers, (the output of the priority encoder and the selected stored number), is carried out by a 4-bit digital comparator. The three possibilities of these numbers, A greater than B, A less than B, and A equal B, are all catered for. We are only interested here in the A=B case, which is active high. When this case is reached a positive pulse is generated by this output, which is connected to another Johnson counter. This is the counter that gives the go ahead for the door to open or what ever function has to be performed. It's sole job is to see if four pulses are generated in sequence, something that can only happen if the person pressing the keys is in the know or is extremely lucky. So as to prevent any flukes the same reset line is used for both counters, so after four numbers this counter is also reset. If this was not the case, it would be possible to gain entry by just pressing a amount of numbers, if any of them were correct the counter would increment, four pulses later, and bingo.

When the go ahead is given a pulse is transmitted to a transistor, which performs the task of a high current switch, opening doors closing doors, setting off alarms or what ever.



## Construction

As always solder in all link wires first. Then resistors, diodes and other bits that lay flat. Do not forget about polarities when soldering in the diodes. Note that for R1-R8 a SIL package was used to be neat and trendy, but these only come in packages of 8 and not 10 (annoying binary again). So the other two tie down resistors R9 and R10 are of the normal 1/4 watt

variety. IC sockets should be used and can also be used for the switches if you think they look decorative. Take the usual CMOS precautions with all the chips. Lastly solder in the capacitors and solitary transistor. I suggest you use ribbon cable for connecting the keyboard to the PCB, it makes for less mistakes and less hassle.

## Testing

With power flowing, press some key say 3, and check that the inputs to IC4 say 3 in binary (1100). Now press 9 simultaneously, the same binary lines should say 9 (1001), regardless of how many keys are pressed. While on this part of the circuit it is instructive to see whether the gate select line is operating. To do this meter pin 11 on IC1 while pressing some key on the key pad, this line pulses high every time. If all is well here in the decoding part move on to the switch array part. To start afresh, push the reset button (#), and pin 3 on IC6 should be high. On pressing another key the counter should advance to O1 and so on to O4 (pin 10). O4 should however be only momentarily high, which might be hard to see on a hand held meter.

To check the comparator is working consult Table 1 and program the first digit with some number say 5. Reset the counter by pressing and the press the same number on the keypad. The A=B line, pin 6 on IC4, should go high while the key is held down. Also the second counter IC5 should be incremented, that is O1 (pin 2) should now be high. If this is the case then all that is left to do is to program a four digit number in and test the whole circuit. Upon completing the sequence O4 (pin 10 on IC5) should pulse high momentarily while pin 4 on IC2 should remain high for 3 seconds. Now the unit can be hard wired into use.

## Setting Up

Looking on top at the switch matrix, the bottom set (SW1), corresponds to the first number and so on, see Figure 3. So the top set is the last number. Similarly on each bank of switches, the most left hand individual one corresponds to the lowest significant bit (LSB) and so on. So the right hand one is the most significant bit (MSB). Table 1 gives a few basic clues on programming, please note that here on=1 and off=0.

It is important to note that any other combination such as 1101, equivalent of 10, should be excluded. Not because the unit will self-destruct but rather your keypad's range is from 0 to 9 and cannot attain numbers from 10 to 15. If these are programmed in then not even you yourself will be able to operate the unit.

The output transistor can handle currents to switch a small relay or solenoid. But if you want to launch the Space Shuttle its best to use two relays, a small one connected to this circuit, switching a much larger one.

A single DC supply greater than +5V is needed to power this unit. A simple method has been incorporated to allow a form of battery back-up, useful if the main power fails. All it amounts to is two diodes separating the two power supplies. It is therefore important to ensure that the main power supply has a higher voltage than the battery back up. This prevents the circuit drawing power from the battery while the main one is on. Something that would make the battery redundant as a back-up, as it will be spent by the time CEGB has a power failure. Remember that batteries do have a shelf life and so must be replaced every year or so even if not ever used.

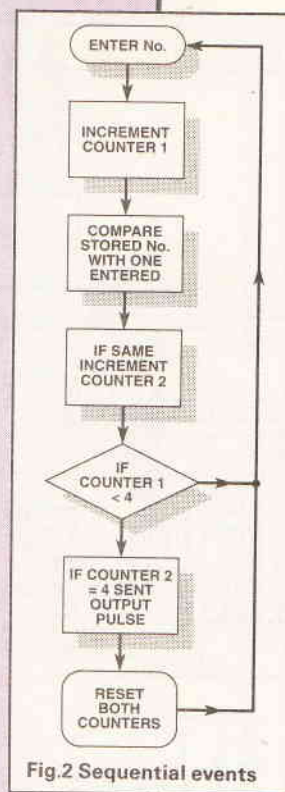
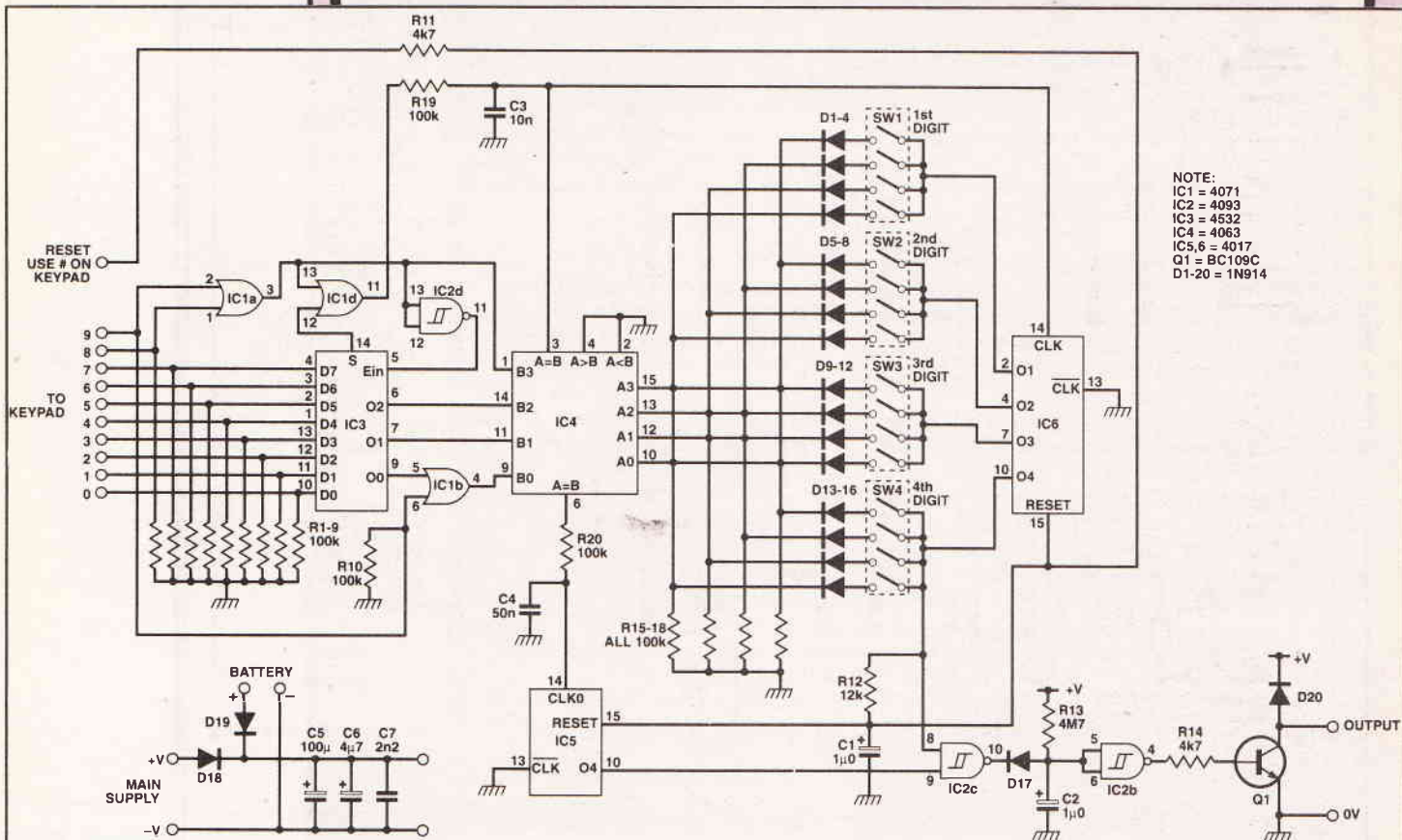


Fig.2 Sequential events





NOTE:  
 IC1 = 4071  
 IC2 = 4093  
 IC3 = 4532  
 IC4 = 4063  
 IC5,6 = 4017  
 Q1 = BC109C  
 D1-20 = 1N914

Fig.3 Circuit diagram of Code Lock

## HOW IT WORKS

The common input of the keypad is tied high, but to ensure that the dreaded floating state does not occur when no key is pressed, some tie-down resistors to ground are included. Because the priority encoder can only deal with 8 inputs some external circuitry is needed to expand this to 10. An OR gate on the 8th and 9th input provides the highest binary line (O3). To get correct gating of the priority encoder this binary line must be inverted and fed into the chip enable input. If this is not done two things can happen. Firstly if two or more keys are pressed and one of them is 8 or 9, this circuit will no longer display the highest number as the priority encoder chip would be enabled and so decode the lower number while the OR gate will give a high output as well. Hence the total output would be a case of mumbo jumbo. Secondly the gate select function will no longer be valid and as this tells us if a key is being pressed, it is needed to one of the counters. To generate a coherent gate select signal the highest binary line needs to be ORed with the priority encoders gate select output. One final OR gate is needed on the lowest binary line (O0) to cater for the 9th state. Before any further use of the gate select line it is necessary to debounce it. This is the technical term to describe the removal of any unclean signals due to the mechanical nature of the contacts (see Figure 4). In practice this usually involves a simple RC filter to dampen down the glitches.

Now we have a coherent binary number to work on, with associated control line, next comes retrieving the stored numbers from the switches. The first 4017 Johnson counter has two inputs, one for high to low transitions and one for low to high transitions. Here the latter is used while the other is held low. The first output O0 is not used to multiplex the switches because it is high before any pulses arrive, and so when one does arrive it will only remain high for 1µs or so. Hence O1-O4 are used.

Resetting this and the other counter is done by the O4 output, ie after four numbers have been entered. Some delay is needed on the O4 as the comparator and following circuitry time to respond to the fourth number and decide to cause a stir and open a door or something. The delay is provided by a simple RC unit, here set to about 1/10 of a second.

The outputs of this counter directly feed the switch matrix but to prevent any nasty back-currents when two bits are selected on different switches, and the resulting problems this will indifferently cause, diodes have been fitted on the outputs of all the switches. This does entail however the inclusion of tie-down resistors to prevent any floating

states, and so make the zero state mean exactly that.

Both these binary numbers feed the inputs of the binary comparator. Because this chip was designed to work in a higher bit system, for example 8 or 16 bit, expansion inputs were included. These must be dealt with to ensure proper functioning. Imagine cascading a number of these devices; if you have two equal numbers being compared, the highest chip must first say to the next one down that its four input lines are the same and so on down the line. The precedent is the same for one chip, so the A>B and the A<B input line must be disabled ie. tied low, and the A=B input line tied high thus saying to the chip that all is well higher up the line. The output of this chip cannot be used in this raw state. However if you cast your mind back you will remember the simple switch debouncer used on the gate select line, this causes a little problem that the programmed number selected will lag behind the number appearing on the priority encoder by about 10ms. So for this period the number pressed will be being compared to the previous stored number, and could theoretically generate surplus pulses. This is solved by connecting the A=B line to the debounced gate select line, thus only when a key is pressed does this circuit respond. To be doubly sure as a stray pulse could ruin your day, another RC filter set to 30Hz is used and should cover the worst possible case.

The other counter is simple, the same low to high transition mode was set, with the clock input coming from the filtered binary comparator's A=B output. Again O4 is the decision maker here, but it is ANDed with the other previous O4 for double safety. The delay provided by the before mentioned RC unit determines the length of the output pulse which is set in the region of 100ms. To operate locks this is useless, Six Million Dollar Man would have problems opening doors with locks that fast, even if he was desperate for a drink. Yet another delay circuit does the trick here. A reverse biased diode momentarily discharges C2, and then R13 slowly recharges it while a schmitt trigger inverter, made with a spare NAND gate, provides clean switching. On time is given by 0.7RC in seconds and is set here to about 3 seconds. The final stage here is a transistor switch with the obligatory reversed biased diode across the supply rail and the output. This is here for the switching of any inductive loads like relays or solenoids and it should not be left out as it provides a return path for the back EMF created by the collapse of the magnetic field in any inductive load.

PROJECT



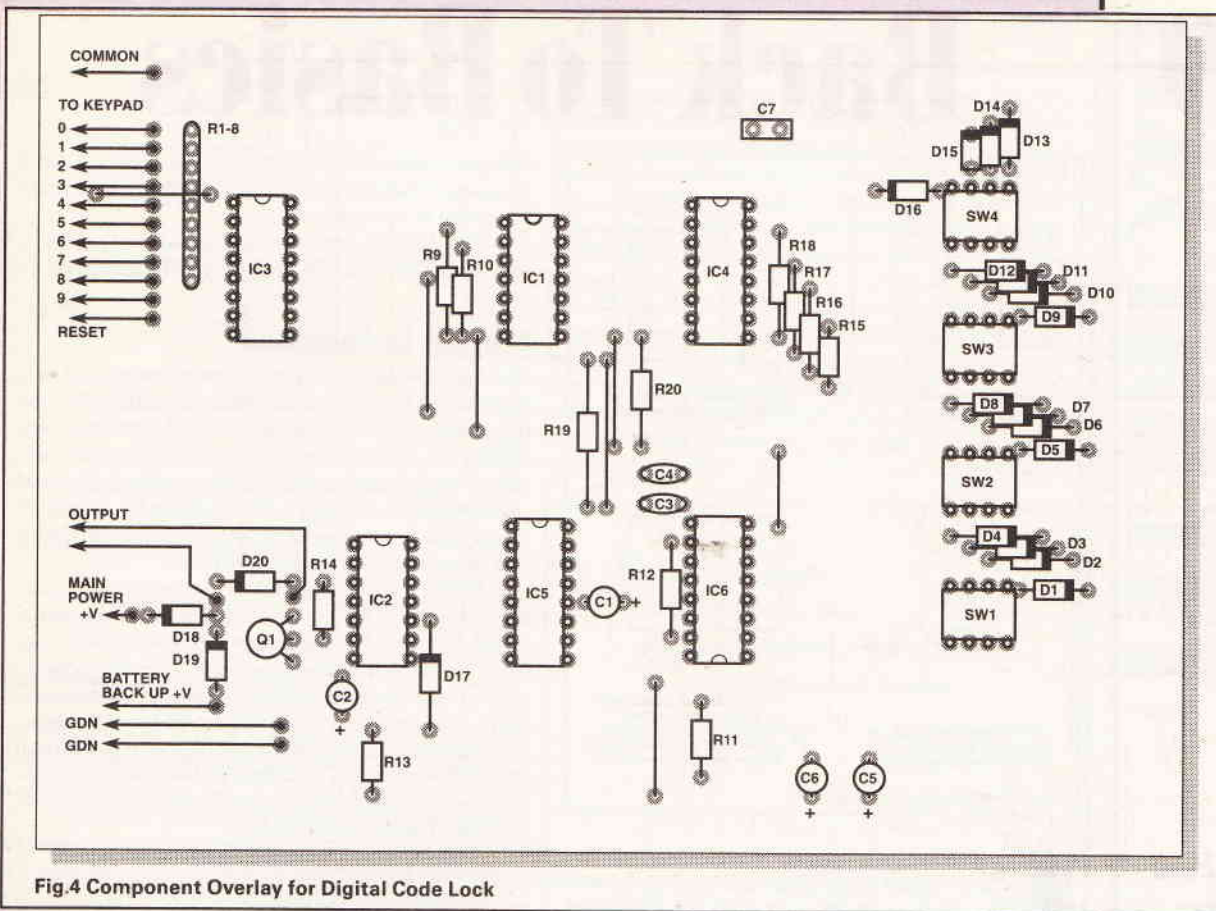


Fig.4 Component Overlay for Digital Code Lock

## BUYLINES

All bits needed for this project are widely available and should not present any problems to find. No particular high tolerance components are required in this circuit, so 5% resistors are the order of the day, the same goes for capacitors. The keypad was obtained from Rapid Electronics as were the DIL switches

## PARTS LIST

### RESISTORS

R1-8	100k (SIL)
R9,10,15-20	100k
R11,14	4k7
R12	12k
R13	4M7

### CAPACITORS

C1,2	1µ Tant
C3	10n poly
C4	50n poly
C5	100µ elec
C6	4µ7 elec
C7	2n2 poly

### SEMICONDUCTORS

IC1	4071
IC2	4093
IC3	4532
IC4	4063
IC5,6	4017
Q1	BC109C
D1-20	1N914

### MISCELLANEOUS

Keyboard: Simple switch format (NOT Matrix type)  
 SW1-4 4way DIL switch packages  
 PP3 battery clip and battery  
 Power supply to suit

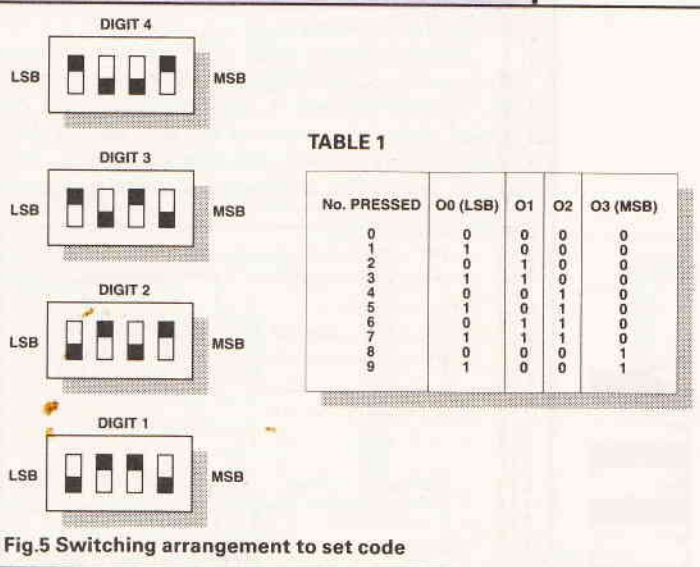


Fig.5 Switching arrangement to set code

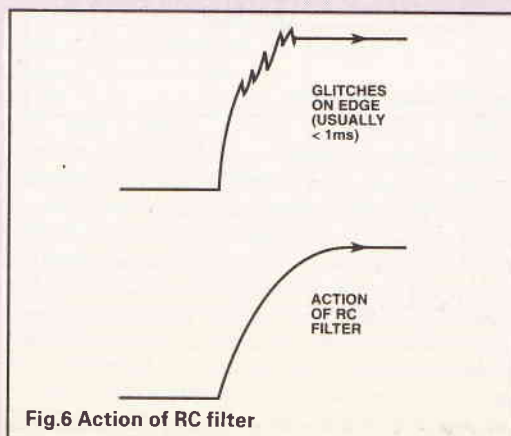
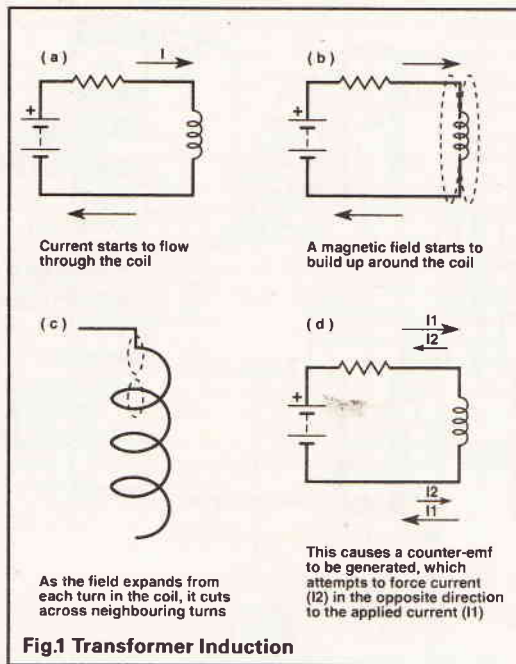


Fig.6 Action of RC filter

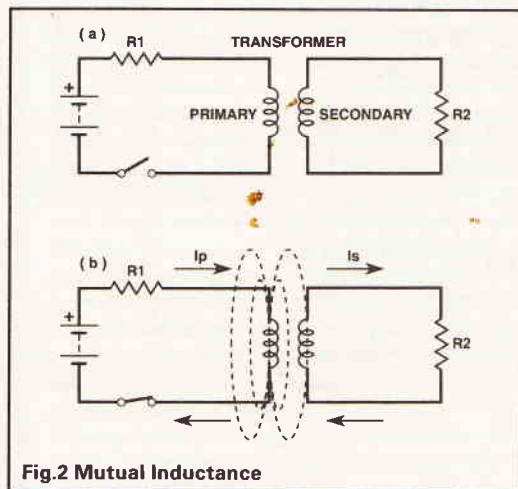




*In the final part, Paul Coxwell looks at the action of transformers.*

In an earlier installment in this series we saw the effect of inductance on an electrical circuit and how electromagnetic induction is put to good use in the motor and generator. It is also employed in another common electrical component: the transformer.

Recall the way in which a coil opposes a change of current in a circuit (Figure 1). As current starts to flow through the coil, a magnetic field builds up around each turn of wire in the coil. As this field expands it cuts across neighboring turns of wire. This motion satisfies the requirement for electromagnetic



induction — there is relative motion between a conductor and a magnetic field. A counter EMF is generated by the coil, which attempts to make current flow in the opposite direction to the applied current. This current is less than the applied current, so the overall effect is to reduce the normal current flow in the circuit.

As soon as the current settles at some value the magnetic field stops expanding. There is no relative movement between the conductors and the field, so no counter EMF is generated. If current through the coil is decreased, the magnetic field starts to collapse. The

collapsing lines of flux cut through the turns of the coil once again, inducing an EMF and causing the decrease in current to be opposed.

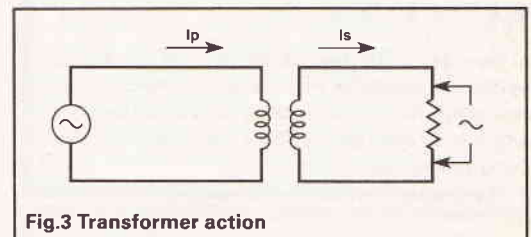
The effect is known as self-inductance, and you have seen how it can be used in tuned circuits and filters.

## Mutual Inductance

A coil generating a magnetic field will affect not only itself, but also any other conductor that falls within the magnetic lines of flux. Figure 2 shows this principle as it applies to a transformer. Notice that there are two coils placed close together, but there is no direct electrical connection between them. One coil can be connected to a power source; the other connects only to a resistor and has no apparent source of power.

When the switch is closed, current starts to flow through one coil. The coil supplied with current is called the primary. This current flow generates a magnetic field which expands outward from the primary and, as with any other coil, self-inductance delays the build-up of current from the battery. More importantly, the magnetic field also cuts across the turns of wire that form the second coil. This latter coil is called the secondary and the magnetic coupling between the two coils is called mutual inductance.

The expanding magnetic field causes an EMF to be induced in the secondary, which in turn causes a current to flow in the secondary circuit. Remember, there is no direct electrical connection between the



primary and secondary circuits; it is the magnetic coupling, or mutual inductance, that has caused current to flow in the secondary. Once the primary current has settled at its final value (which is determined by the resistance of the circuit, of course), the magnetic field stops expanding and no flux lines cut across the secondary. With no relative motion, there is no induced current so the secondary current is zero.

When the switch is opened the primary current drops, causing the magnetic field to collapse. As the field contracts back into the primary coil, it cuts across the turns of the secondary once again, inducing a short pulse of current.

In the form shown, the circuit is of little practical use: current only flows in the secondary for a brief period of time when the primary switch is opened or closed. If the battery is replaced with an alternating-current source, however, the primary current is continually changing (Figure 3). This causes the magnetic field to expand and collapse, thus ensuring that there is always relative motion between the magnetic field and the secondary coil. The result is an alternating current in the secondary circuit.

## Transformers

It may appear that little has been achieved by using two coils to obtain an alternating current that resembles the one that was already available. The transformer



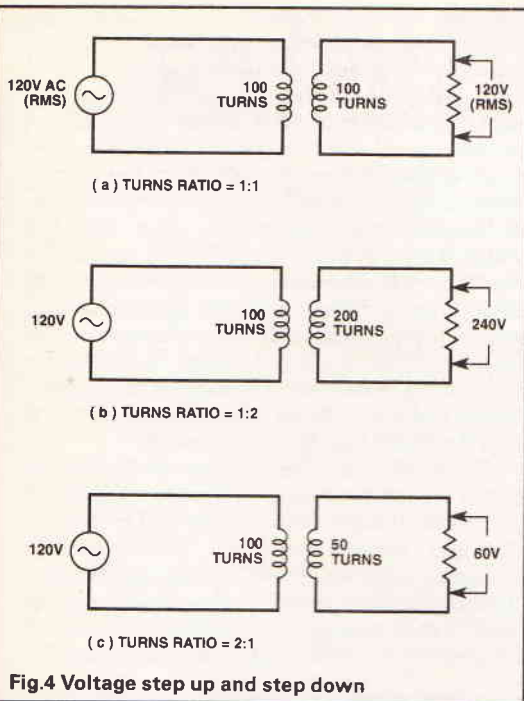


Fig.4 Voltage step up and step down

has many practical uses, however, one of the most common being to change a low voltage into a high voltage or vice versa.

Recall that when magnetic induction is taking place the induced voltage can be increased by passing a longer length of conductor through the magnetic field. In a transformer a conductor can be lengthened by increasing the number of turns. Refer to Figure 4. At A the primary supply voltage is 120V and each winding has 100 turns. The secondary output voltage is also 120V. At B the secondary winding has 200 turns; the number of turns has been doubled and the output voltage has also doubled. At C the secondary winding has been reduced to 50 turns. With the secondary having half the number of turns of the primary, the output voltage is half of the input voltage.

Figure 5 shows the effect of varying the number of turns in the primary winding of the transformer. It should be fairly clear from the diagrams that it is the ratio of the number of turns that determines the output

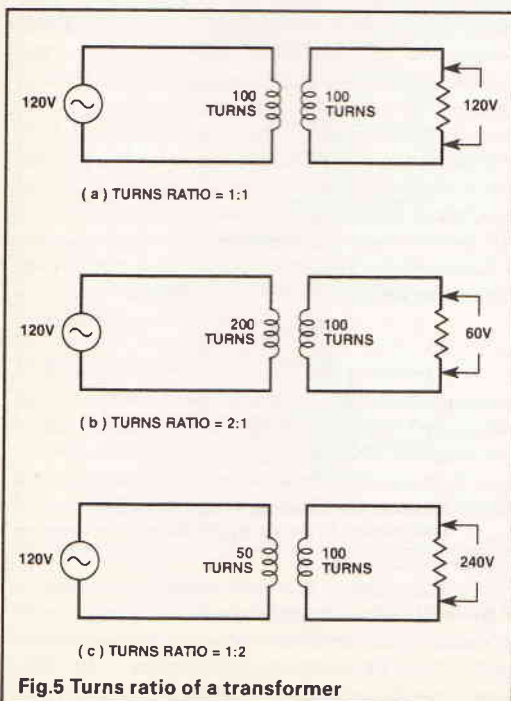


Fig.5 Turns ratio of a transformer

voltage. If the primary and secondary have the same number of turns, whether 50, 100, or 1,000, the output voltage will equal the input voltage. Whenever the secondary has a greater number of turns than the primary, the output voltage will be higher; when it has fewer turns the output will be lower. The ratio of secondary turns to primary turns may be used to calculate the output voltage if the supply voltage is known, because the primary to secondary voltage ratio is equal to the primary to secondary turns ratio (Figure 6).

When the secondary voltage is higher than the primary voltage, the transformer is called a step-up transformer. When the secondary supplies a lower voltage than that connected to the primary, it is called a step-down transformer. Both types are used extensively in many applications, from small radio receivers to power stations.

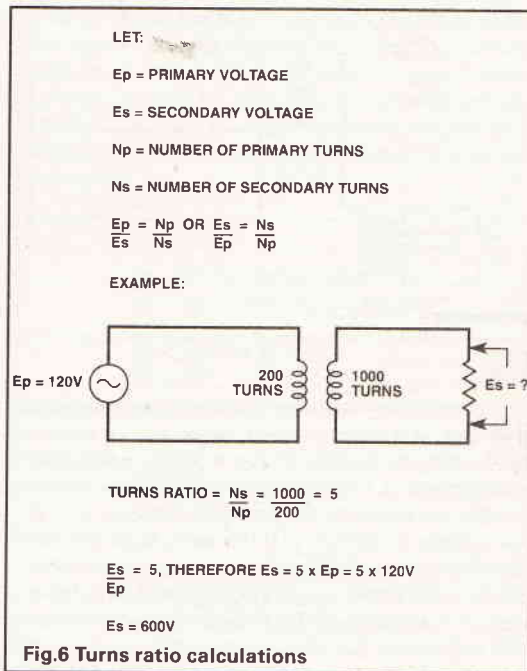


Fig.6 Turns ratio calculations

## Practical Transformers

In practice, most transformers are more than simply two coils of wire placed next to each other. We have already seen that placing an iron core inside a coil increases the coil's inductance. Winding the primary and secondary of a transformer around such a core increases the magnetic coupling between the two windings, and Figure 7 shows some ways in which the coupling can be achieved. The shell core is by far the most usual arrangement, with a plastic bobbin being fitted over the centre of the core to hold the windings.

Magnetic lines of flux travel far more easily in an iron core than they do through air, so the core concentrates the flux, ensuring that as much as possible passes through the secondary coil instead being lost to the outside of the transformer. This improves the efficiency of the transformer; we shall see some other important factors that affect efficiency

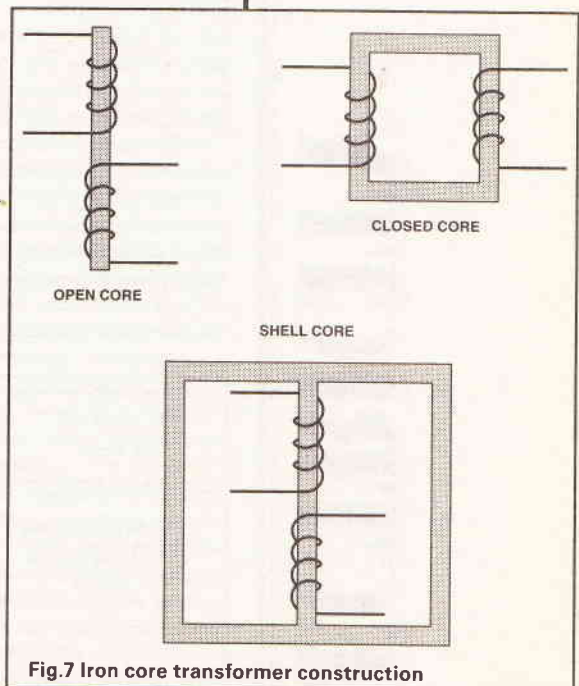


Fig.7 Iron core transformer construction



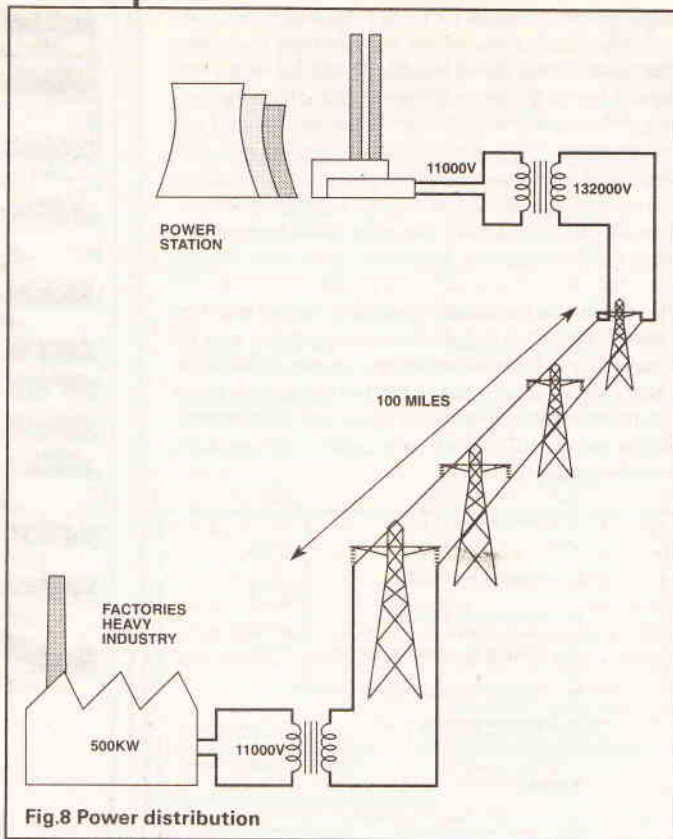


Fig. 8 Power distribution

shortly.

Having seen how a transformer steps voltages up and down, it is appropriate to examine some reasons for wanting to do this. Figure 8 shows a simplified arrangement of a power distribution system. Assume that the generators at the power station have an output voltage of 11000V (11kV). Many large factories take their power supply at this level to run the heavy machinery that they use. In the diagram, a large industrial centre requiring 500,000 watts of power is located 100 miles from the generating station, so it would seem logical to just run cables to carry the required 11kV from one place to the other. As you can see, this has not been done; instead, two transformers have been installed so that the long-distance transmission line operates at the much higher voltage of 132kV. The reason for this is power loss.

We know that all cables have a certain amount of resistance and that the longer the cable the higher the resistance. Also if current flows through any resistance, power is dissipated as heat. Assume that the 100-mile run of cables in our diagram has a total resistance of 100 ohms. It is possible to calculate the current flowing in the lines, because the voltage and power consumption are known (see Figure 9). The formula for power

(a) 132KV SYSTEM

$P = 500KW$

$E = 132KV$

$SO I = \frac{P}{E} = \frac{500}{132} = 3.79A$

LINE POWER LOSS =  $I^2R = 3.79^2 \times 100 = 1436W$

(b) 11KV SYSTEM

$P = 500KW$

$E = 11KV$

$SO I = \frac{P}{E} = \frac{500}{11} = 45.5A$

$R = 100R$

LINE POWER LOSS =  $I^2R = 45.5^2 \times 100 = 207025W$

Fig. 9 Transmission line power loss  
a) 132kV system b) 11kV system

dissipation,  $I^2R$ , shows that with a fixed value of resistance the power varies with the square of the current. Power loss in the line is just under 1.5kW.

To see what would happen if the same lines were used to carry power at 11kV, repeat the calculation with the new value for voltage. To obtain the same amount of power with a lower voltage requires a higher current, so the line current has increased many times. The line resistance, however, is the same, which has resulted in a power loss of over 200kW. To reduce the power loss while using the lower voltage would require cables with a much lower resistance. Such cables cost more, are harder to work with, and are heavier; heavier cables imply heavier support towers, which will also cost more. It is for this reason that long-distance power lines use such high voltages — to keep the current, and hence the power loss, as low as possible.

The transformers used for power distribution can be huge — some are the size of a house. At the other end of the scale are the transformers used in domestic radio and television receivers. These represent another reason for stepping AC voltages up and down. A typical transistorized radio receiver requires about 10 to 20V and a transformer can be used to convert the incoming 120 or 240V supply to the required level.

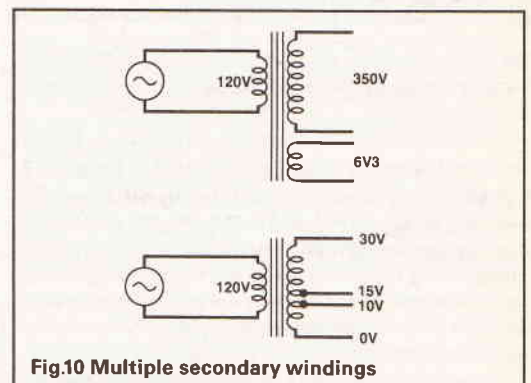


Fig. 10 Multiple secondary windings

Many transformers have more than one secondary (Figure 10). A typical valve-type transmitter, for example, requires 300 to 400V and a separate 6.3V supply to light the valve heaters. Using a transformer with two secondary windings is much less expensive than employing two separate units; it also saves a great deal of space.

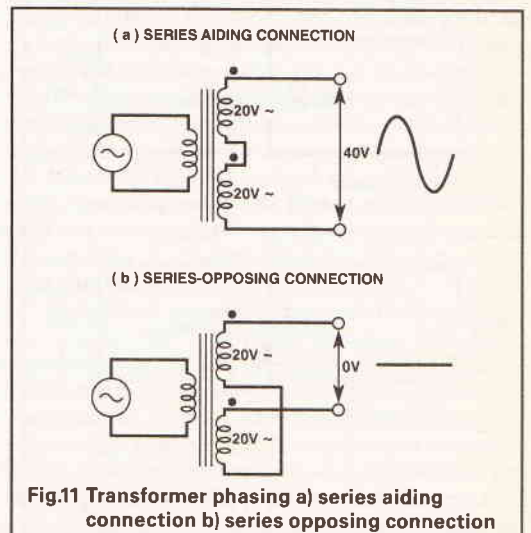


Fig. 11 Transformer phasing a) series aiding connection b) series opposing connection

Another method that can be used to save costs is to tap a secondary winding. This enables a single winding to supply several different voltages, so long as each can share the same ground, or common, point. The tapped winding behaves in the same way as two separ-



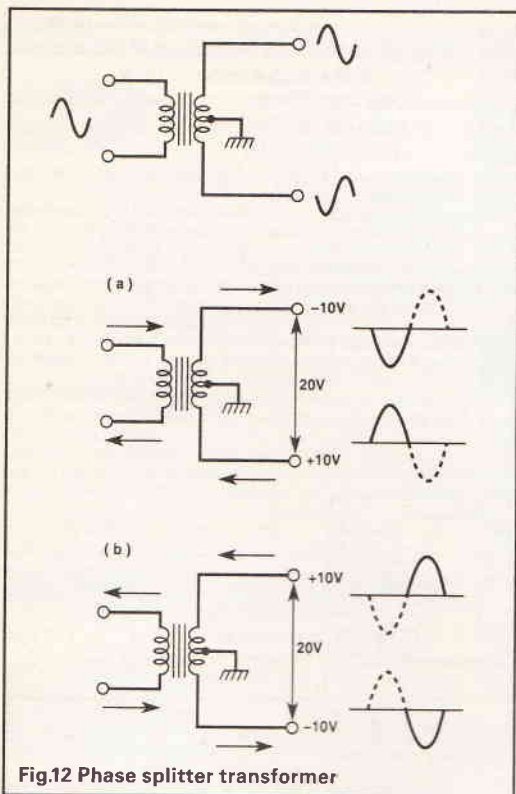


Fig.12 Phase splitter transformer

ate windings connected together would behave.

An important consideration of the output voltages is that of phase. Consider the transformer connections shown in Figure 11. The dots at one end of each secondary winding are often used to indicate phase. They show that when the marked end of one secondary is positive with respect to its other end, the marked end of the second winding will also be positive with respect to its other end. With a series-aiding connection the two voltages combine in phase, giving an output voltage equal to the sum of the secondary voltages. With a series-opposing connection, the voltages combine 180° out of phase, and so tend to cancel each other.

The ability of a transformer to give a reverse phase output makes it useful in some amplifier circuits which require two signals 180° out of phase with each other. Figure 12 shows how a transformer with a centre-tapped secondary can be used in this way; it is often referred to as a phasesplitter transformer. Assume that with the primary current flowing as shown in A, the secondary develops an EMF of 20V with the top end of the coil being negative and bottom end positive. Because the centre tap is connected to a common, zero volts, point, the top is -10 and bottom is +10 volts. When the primary current changes direction, as shown in B, the secondary polarity also reverses. The centre tap is still grounded, leaving the top end at +10 and the bottom end at -10 volts. The two AC outputs are, therefore, 180° out of phase.

## Impedance Matching

So far, we have seen how the magnetic field generated by the primary current induces a current into the secondary. The situation is slightly more complex than this, however, because the current flowing in the secondary creates its own magnetic field which affects the primary.

The field generated by the secondary winding is of such a polarity that it opposes the primary magnetic field, thus reducing the total magnetic flux. This reduction of flux reduces the self-inductance of the primary, which in turn reduces the counter-EMF generated by the primary winding. With less counter-EMF in the pri-

mary, its inductive reactance is lowered.

The result of this interaction of magnetic fields is that when more current is drawn from the secondary, current in the primary increases. Current is inversely proportional to impedance (by Ohm's Law), so another way of stating the situation is to say that if the load impedance on the secondary is decreased, the impedance seen by the source driving the primary will also decrease. The transformer thus reflects any impedance change.

The ratio of primary to secondary impedance is determined by the turns ratio of the transformer (see Figure 13). Notice that the impedance varies with the square of the turns ratio, unlike voltage which varies directly with the turns ratio. In the example shown, any circuit driving the primary of the transformer would see an impedance of 800R.

Thus, the transformer can be used to connect two circuits together which are of greatly differing impedances. A typical use of an impedance matching transformer is in an audio amplifier. Many amplifier circuits require a load impedance of several thousand ohms (for reasons which are outside the scope of this article). Most loudspeakers have an impedance of between 3 and 16R, so a transformer is used to match the source to the load.

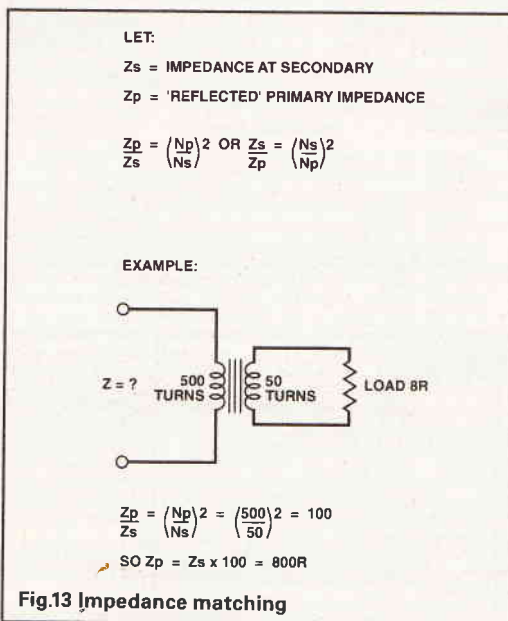


Fig.13 Impedance matching

## Transformer Efficiency

Earlier, it was mentioned that the voltage-to-turns ratio formula applied to a perfect transformer. In practice there are some power losses in a transformer, as with any other component.

First, there is the resistance of the wire used for the primary and secondary windings. The resistance contributes nothing to the magnetic field and consumes power according to the usual  $I^2R$  power formula. Such power loss is often called copper loss (because the windings are copper).

Second, for 100% efficiency every line of flux generated by the primary winding must cut across the secondary winding. The iron core helps to concentrate magnetic flux where it is needed, but it is impossible to prevent any leakage of magnetic flux. Again, energy used to generate magnetic flux that does not cut the secondary winding is wasted.

Third is a property called hysteresis loss. The magnetic domains in the iron core are continually being polarized first one way and then the other by the alternating current in the primary. Some energy is required to keep re-aligning these domains.



Finally, there is loss due to eddy currents. We know that when a magnetic field cuts a conductor a current is induced. Without this reaction it would not be possible for the transformer to work. The iron core also forms a good conductor of electrons, and the magnetic field induces small currents in the core. These are called eddy currents, and power is used up in the form of heat. Eddy currents are minimized by making the iron core laminated rather than solid. The laminated core consists of several thin iron sheets which are bonded together with an insulating material. Eddy currents are thus confined to each lamination and cannot flow through the low resistance of a single, large core.

Even with all these losses, most transformers are around 90 to 95% efficient, which means that the theoretical calculations are accurate enough for all but the most demanding of applications.

### Conclusion

We have now come to the end of our examination of basic electrical circuits. This series has, of necessity, been a somewhat condensed course, and if you want to study basic principles in more detail the Basic Electricity course by Van Valkenburgh, Nooger & Neville, Inc. is highly recommended. This course is in five parts and obtainable from many public libraries. Also recommended are Heathkit's DC Electronics and AC Electronics courses; these include parts packages for you to perform experiments that help reinforce your knowledge with practical examples.

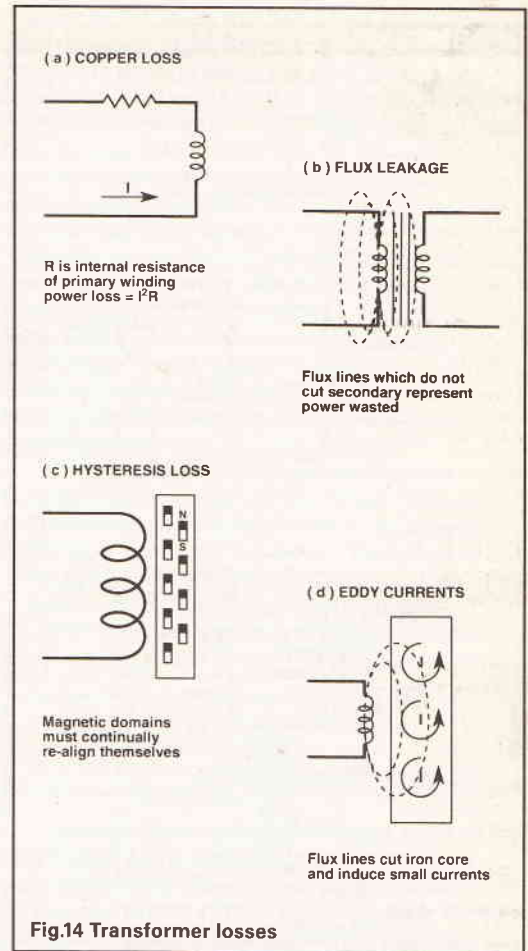


Fig.14 Transformer losses

PCB & SCHEMATIC CAD	DIGITAL SIMULATION	ANALOGUE SIMULATION	SMITH CHART CAD
EASY-PC <b>£98</b>	PULSAR <b>£195</b>	ANALYSER III <b>£195</b>	Z-MATCH II <b>£195</b>
<ul style="list-style-type: none"> <li>● Design Single sided, Double sided and Multilayer boards.</li> <li>● Provides Surface Mount support.</li> <li>● Standard output includes Dot Matrix / Laser / Inkjet printers, Pen Plotters, Photo-plotters and NC Drill.</li> <li>● Award Winning EASY-PC is in use in over 9000 installations in 50 Countries World-Wide.</li> <li>● Runs on PC/XT/AT/286/386 with Herc, CGA, EGA, VGA.</li> <li>● Superbly Easy to use.</li> <li>● Not Copy Protected.</li> </ul>	<ul style="list-style-type: none"> <li>● At last! A full featured Digital Circuit Simulator for less than £1000!</li> <li>● Pulsar allows you to test your logic designs without the need for expensive test equipment.</li> <li>● Catch glitches down to a pico second per week!</li> <li>● Includes 4000 Series CMOS and 74LS Libraries.</li> <li>● Runs on PC/XT/AT/286/386/486 with EGA or VGA. Hard disk recommended.</li> <li>● Not Copy protected.</li> </ul>	<ul style="list-style-type: none"> <li>● NEW powerful ANALYSER III has full graphical output.</li> <li>● Handles R's, L's, C's, BJT's, FET's, OP-amp's, Tapped and untapped Transformers, and Microstrip and Co-axial Transmission Lines.</li> <li>● Calculates Input and Output Impedances, Gain and Group Delay.</li> <li>● Covers 0.001 Hz to &gt;10GHz</li> <li>● Runs on PC/XT/AT/286/386/486 with EGA or VGA.</li> <li>● Not Copy protected.</li> </ul>	<ul style="list-style-type: none"> <li>● Z-MATCH II takes the drudgery out of RF matching problems and includes many more features than the standard Smith Chart.</li> <li>● Provides quick accurate solutions to many matching problems using transmission line transformers, stubs, discrete components etc.etc..</li> <li>● Supplied with comprehensive user instructions including many worked examples.</li> <li>● Runs on PC/XT/AT/386/486, CGA, EGA, VGA</li> <li>● Not Copy Protected</li> </ul>
See us at DES, Stand 1214 8-11 Oct.	<b>Number One Systems Ltd.</b> <b>The Electronics CAD Specialists</b>		See us at Desk-Top CAD Stand 137, 5-7 Nov.
REF: ETI, HARDING WAY, SOMERSHAM ROAD, ST.IVES, HUNTINGDON, CAMBS, PE17 4WR, ENGLAND. Telephone: 0480 61778 (7 lines) Fax: 0480 494042 International: +44-480-61778 Fax: +44-480-494042 For full info' please Phone, Fax or Write .			
ACCESS, AMEX, MASTERCARD, VISA Welcome.			



Surplus always wanted for cash!

# THE ORIGINAL SURPLUS WONDERLAND!

Surplus always wanted for cash!

## BBC Model B APM Board

WIN £100 CASH!

£100 CASH FOR THE MOST NOVEL DEMONSTRATABLE APPLICATION!

BBC Model B type computer on a board. A major purchase allows us to offer you the PROFESSIONAL version of the BBC computer at a parts only price. Used as a front end graphics system on large networked systems the architecture of the BBC board has so many similarities to the regular BBC model B that we are sure that with a bit of experimentation and ingenuity many useful applications will be found for this board!! It is supplied complete with a connector panel which brings all the I/O to 'D' and BNC type connectors - all you have to do is provide +5 and ±12 v DC. The APM consists of a single PCB with most major IC's socketed. The IC's are too numerous to list but include a 6502, RAM and an SAA5050 teletext chip. Three 27128 EPROMS contain the custom operating system on which we have no data. On application of DC power the system boots and provides diagnostic information on the video output. On board DIP switches and jumpers select the ECONET address and enable the four extra EPROM sockets for user software. Approx. dims: main board 13" x 10". I/O board 14" x 3". Supplied tested with circuit diagram, data and competition entry form.

Only £29.95 or 2 for £53 (B)

## MONITORS

### MONOCHROME MONITORS

#### THIS MONTH'S SPECIAL!



There has never been a deal like this one! Brand spanking new & boxed monitors from NEC, normally selling at about £140! These are over-engineered for ultra reliability. 9" green screen composite input with etched non-glare screen plus switchable high/low impedance input and output for daisy-chaining. 3 front controls and 6 at rear. Standard BNC sockets. Beautiful high contrast screen and attractive case with carrying ledge. Perfect as a main or backup monitor and for quantity users!

£39.95 each (D) or 5 for £185 (G)

CALL FOR DISCOUNTS ON HIGHER QUANTITIES!

### COLOUR MONITORS

Decca 16" 80 budget range colour monitor. Features a PIL tube, beautiful teak style case and guaranteed 80 column resolution, features usually seen only on colour monitors costing 3 times our price! Ready to connect to most computers or video outputs. 75Ω composite input with integral audio amp & speaker. Fully tested surplus, sold in little or hardly used condition with 90 day full RTB guarantee. Ideal for use with video recorder or our Telex ST, and other audio visual uses. £99 (E) & £275 (G)

#### 20", 22" and 26" AV SPECIALS

Superbly made UK manufacture. PIL all solid state colour monitors, complete with composite video & sound inputs. Attractive teak style case. Perfect for Schools, Shops, Discos, Clubs. In EXCELLENT little used condition with full 90 day guarantee.

20"....£135 22"....£155 26"....£185 (F)

CALL FOR PRICING ON NTSC VERSIONS!

### HI-DEFINITION COLOUR MONITORS

Brand new 12" multiinput high definition colour monitors by Microvitek. Nice light 0.31" dot pitch for superb clarity and modern metal black box styling. Operates from any 15.625 khz sync RGB video source, with either individual H & V syncs such as CGA IBM PC's or RGB analog with composite sync such as Atari, Commodore Amiga, Acorn Archimedes & BBC. Measures only 14" x 12" square. Free data sheet including connection information. Will also function as quality TV with our RGB Telebox.



Only £145 (E)

Brand new Centronic 14" monitor for IBM PC and compatibles at a lower than ever price! Completely CGA equivalent. Hi-res Mitsubishi 0.42 dot pitch giving 669 x 507 pixels. Big 28 Mhz bandwidth. A super monitor in attractive style moulded case. Full 90 day guarantee.

Only £129 (E)

NEC CGA IBM-PC compatible. High quality ex-equipment fully tested with a 90 day guarantee. In an attractive two tone ribbed grey plastic case measuring 15.7 x 13" x 12"H. A terrific purchase enables us to pass these on at only.... £79 (E)

## V22 1200 BAUD MODEMS

Master Systems 2/12 microprocessor controlled V22 full duplex 1200 baud modem. Fully BT approved unit, provides standard V22 high speed data comm, which at 120 cps, can save your phone bill and connect time by a staggering 75%! Ultra slim 45 mm high. Full featured with LED status indicators and remote error diagnostics. Sync or Async use; speech or data switching; built in 240v mains supply and 2 wire connection to BT. Units are in used but good condition. Fully tested prior despatch, with data and a full 90 day guarantee. What more can you ask for - and at this price!!

ONLY £69 (D)

## IBM KEYBOARD DEALS

A replacement or backup keyboard, switchable for IBM PC, PC-XT or PC-AT. LED's for Caps, Scroll & Num Locks. Standard 84 keyboard layout. Made by NCR for the English & US markets. Absolutely standard. Brand new & boxed with manual and key template for user slogans on the function keys. Attractive beige, grey and cream finish, with the usual retractable legs underneath. A generous length of curly cord, terminating in the standard 5 pin DIN plug. A beautiful clean piece of manufacturers surplus. What a deal!

£30 (B) 5/£175 (D)

Brand new and boxed 84 key PC/XT type keyboards in standard IBM grey with very attractive mottled finish and "dicky" solid feel keys. 10 function keys on side. English layout and E sign. Green LEDs for Caps, Scroll & Num locks. £29.95 (B) 5/£135 (D)

CALL FOR DISCOUNTS ON HIGHER QUANTITIES!

## FLOPPY DISK DRIVES BARGAINS GALORE!

### NEW 5 1/4 inch from £29.95!

Massive purchases of standard 5 1/4" drives enables us to present prime product at industry beating low prices! All units (unless stated) are removed from often brand new equipment and are fully tested, aligned and shipped to you with a 90 day guarantee and operate from +5 & +12vdc, are of standard size and accept the standard 34 way connector.

TANDON TM100-2A IBM compatible DS £39.95 (C)  
CANON, TEC etc. DS half height. State 40 or 80T £79.00 (C)  
TEAC FD-55-F. 40-80 DS half height. BRAND NEW £79.00 (C)

## Specials!

TEAC FD-55 half height series in your choice of 40 track double sided 360k or 80 track double sided 720k. Ex-equipment fully tested in excellent condition with 90 day warranty. Order TE-36 for 360k £29.95 (C) or TE-72 for 720k £39.95 (C)

### CHOOSE YOUR 8 INCHI

Shugart 800/801 SS refurbished & tested £150.00 (E)  
Shugart 851 double sided refurbished & tested £225.00 (E)  
Mitsubishi M2994-63 double sided switchable hard or soft sectors. BRAND NEW £250.00 (E)

### SPECIAL OFFERS!!

Dual 8" drives with 2 megabyte capacity housed in a smart case with built in power supply! Ideal as exterior drive!! Only £499.00 (F)  
End of line purchase scoop! Brand new NEC D2246 8" 85 megabyte of hard disk storage! Full CPU control and industry standard SMD interface. Ultra hi speed transfer and access time leaves the good old ST506 interface standing. In mint condition and comes complete with manual. Only.....£399 (E)

## AFFORDABLE 10 Mb WINCHESTERS

A fantastic deal - 10mb (formatted) Winchester for £39.95! Tandon TM502 full height ST506 interface. Use it as a second hard drive on your present driver card or as a starter into Winchester land - see the driver card listed below. In excellent used condition, guaranteed for 90 days.....£39.95 (C)  
Hard disk driver card, complete with cables ready to plug into your PC or compatible. Supports two Winchesters.....£29.95 (A)

## No Break Uninterruptable PSU's

Brand new and boxed 230 volts uninterruptable power supplies from Densel. Model MUK 0565-AUAF is 0.5 kva and MUD 1085-AHBH is 1 kva. Both have sealed lead acid batteries. MUK are internal, MUD has them in a matching case. Times from interrupt are 5 and 15 minutes respectively. Complete with full operation manuals.....MUK.....£249 (F) MUD.....£525 (G)

## RECHARGEABLE BATTERIES

### LEAD ACID

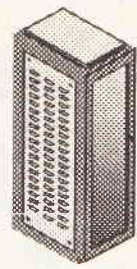
Maintenance free sealed long life. Type A300.  
12 volts 12 volts 3 amp/hours £13.95 (A)  
6 volts 6 volts 3 amp/hours £ 9.95 (A)  
12 volts Centre tapped 1.8 amp hours. RFE. £ 5.95 (A)  
12 volts 12 volts 38 amp hours. 7-1/2" x 6" x 5" RFE £35.00 (B)

### EXTRA HI-CAPACITY NICKEL CADMIUM

Super high capacity Chloride Alcad 12 volts refillable type XL1.5. Electrolyte is readily available Potassium Hydroxide. In banks of 10 cells per 8"H x 24"L x 5.5"D wooden case. Each cell measures 8"H x 1.75"L x 4"D. Can be easily separated. Ideal for all standby power applications. Ex MoD, like new. £49.95 (E)

### SPECIAL INTEREST

Newton Derby frequency changer 3 phase 50hz to 3 phase 400hz. 15 kva output. As new. £2900  
Trio 0-18 vdc bench PSU. 30 amps. New £ 470  
Fujitsu M3041 600 LPM band printer £2950  
DEC LS/02 CPU board £ 150  
Rhode & Schwarz SBUF TV test transmitter 25-1000mhz. Complete with SBTF2 Modulator £6500  
Calcomp 1036 large drum 3 pen plotter £ 650  
Thurley LA 160B logic analyser £ 375  
1.5kw 115v 60hz power source £ 950  
Tektronix R140 NTSC TV test signal standard. £ 875  
Sony KTX 1000 Videotex system - brand new £ 250  
ADDS 2020 VDU terminals - brand new £ 625  
Sekonik SD 150H 18 channel Hybrid recorder £2000  
Trend 1-8-1 Data transmission test set £ 525  
Kenwood DA-3501 CD tester, laser pickup simulator £ 350



## Superb Quality 6 foot 40u 19" Rack Cabinets

Massive Reductions Virtually New, Ultra Smart! Less Than Half Price!

Top quality 19" rack cabinets made in UK by Optima Enclosures Ltd. Units feature designer, smoked acrylic lockable front door, full height lockable half louvered back door and removable side panels. Fully adjustable internal fixing struts, ready punched for any configuration of equipment mounting plus ready mounted integral 12 way 13 amp socket switched mains distribution strip make these racks some of the most versatile we have ever sold. Racks may be stacked side by side and therefore require only two side panels or stand singly. Overall dimensions are 77-1/2"H x 32-1/2"D x 22"W. Order as:

Rack 1 Complete with removable side panels.....£275.00 (G)  
Rack 2 Less side panels.....£145.00 (G)

## POWER SUPPLIES

Power One SPL200-5200P 200 watt (250 w peak). Semi open frame giving +5v 35a, -5v 1.5a, +12v 4a (8a peak), -12v 1.5a, +24v 4a (6a peak). All outputs fully regulated with over voltage protection on the +5v output. AC input selectable for 110/240 vac. Dims 13" x 5" x 2.5". Fully guaranteed RFE. £85.00 (B)

Power One SPL130. 130 watts. Selectable for 12v (4A) or 24v (2A). 5v @ 20A. ±12v @ 1.5A. Switch mode. New. £59.95 (B)  
Astec AC-8151 40 watts. Switch mode. +5v @ 2.5a. +12v @ 2a. -12v @ 0.1a. 6-1/4" x 4" x 1-3/4". New £19.95 (B)  
Greendale 19AB0E 60 watts switch mode. +5v @ 6a, +12v @ 1a, +15v @ 1a. RFE and fully tested. 11 x 20 x 5.5cms. £24.95 (C)  
Conver AC130. 130 watt hi-grade VDE spec. Switch mode. +5v @ 15a, -5v @ 1a, ±12v @ 6a. 27 x 12.5 x 6.5cms. New. £49.95 (C)

Boshert 13090. Switch mode. Ideal for drives & system. +5v @ 6a, +12v @ 2.5a, -12v @ 0.5a, -5v @ 0.5a. £29.95 (B)  
Farnell G6/40A. Switch mode. 5v @ 40a. Encased £95.00 (C)

## COOLING FANS

Please specify 110 or 240 volts for AC fans.

3 inch AC. 1 1/2" thick £ 8.50 (B)  
3 1/2 inch AC ETRI slimline. Only 1" thick. £ 9.95 (B)  
3 1/2 inch AC 230 v 8 watts. Only 3/4" thick £12.95 (A)  
4 inch AC 110/240v 1 1/2" thick. £10.95 (B)  
10 inch AC round. 3 1/2" thick. Rotron 110v £10.95 (B)  
10 inch As above but 230 volts £24.95 (B)  
60 mm DC 1" thick. No. 812 for 6/12v. 814 24v. £15.95 (A)  
80 mm DC 5 v. Papst 8105G 4w. 38mm. RFE. £19.95 (A)  
92 mm DC 12v. 18 mm thick. £14.95 (A)  
4 inch DC 12v. 12w 1 1/2" thick £12.50 (B)  
4 inch DC 24v 8w. 1" thick. £14.50 (B)

## THE AMAZING TELEBOX!

Converts your colour monitor into a QUALITY COLOUR TV!!



TV SOUND & VIDEO TUNER!

Brand new high quality, fully cased, 7 channel UHF PAL TV tuner system. Unit simply connects to your TV aerial socket and colour video monitor turning same into a fabulous colour TV. Dont worry if your monitor doesn't have sound, the TELEBOX even has an integral audio amp for driving a speaker plus an auxiliary output for headphones or Hi Fi system etc. Many other features: LED Status indicator, Smart moulded case, Mains powered, Built to BS safety specs. Many other uses for TV sound or video etc. Supplied BRAND NEW with full 1 year guarantee.  
Telebox ST for composite video input monitors.....£32.95 (B)  
Telebox STL as ST but with integral speaker.....£36.50 (B)  
Telebox RGB for analogue RGB monitors.....£68.95 (B)  
RGB Telebox also suitable for IBM multisync monitors with RGB analog and composite sync. Overseas versions VHF & UHF call. SECAM / NTSC not available.

## BRAND NEW PRINTERS

TEC Starwriter Model FP1500-25 daisywheel printer renowned for its reliability. Diablo type print mechanism gives superb registration and quality. On board microprocessor gives full Diablo/Quime command capability. Serial RS-232C with full handshake. Bidirectional 25 cps, switchable 10 or 12 pitch, 136 cpl in Pica, 163 in Elite. Friction or tractor feed. Full ASCII including E sign. Font and ribbon Diablo compatible.....£199 (E)  
DED DPG21 miniature ball point pen printer plotter mechanism with full 40 characters per line. Complete with data sheet which includes circuit diagrams for simple driver electronics.....£49 (B)  
Centronics 150 series. Always known for their reliability in continuous use - real workhorses in any environment. Fast 150 cps with 4 fonts and choice of interfaces at a fantastic price!  
159-4 Serial up to 9.5" paper, fan fold tractor.....£ 99.00 (E)  
150-4 Serial up to 9.5" paper, tractor, roll or s/sheet.....£129.00 (E)  
152-2 parallel up to 14.5" paper, tractor or s/sheet.....£149.00 (E)

CALL FOR THE MANY OTHERS IN STOCK.

VISIT OUR SHOP FOR BARGAINS

LARGE QUANTITIES OF OSCILLOSCOPES AND TEST GEAR ALWAYS AVAILABLE - CALL NOW!

# DISPLAY

MAIL ORDER & OFFICES  
Open Mon-Fri 9.00-5.30  
Dept ET, 32 Biggin Way,  
Upper Norwood,  
London SE19 3XF.

LONDON SHOP  
100's of bargains!  
Open Mon-Sat 9-5.30  
215 Whitehorse Lane,  
South Norwood,  
London, SE25.

DISTEL @ The Original  
Free dial-up database!  
1000's of items-info On Line  
V21, V22 & V22 bis  
081-679-1888

ALL ENQUIRIES  
081-679-4414  
Fax- 081-679-1927  
Telex- 894502

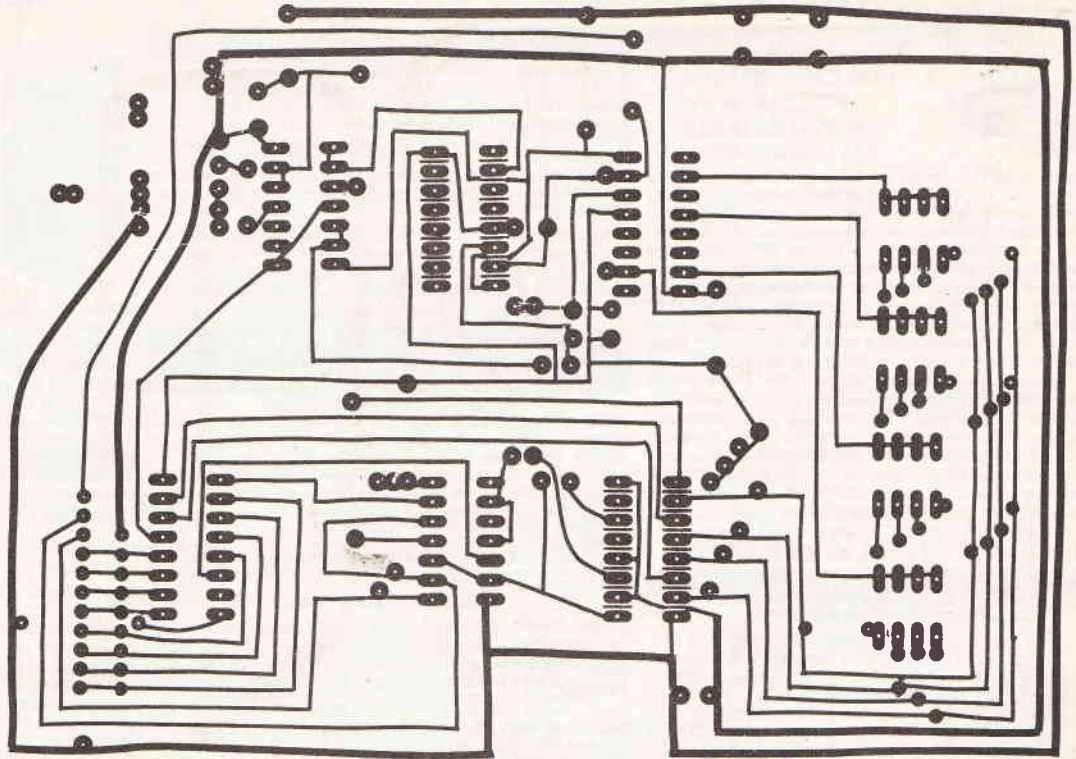


# -ELECTRONICS-

All prices for UK Mainland. UK customers add 17.5% VAT to TOTAL order amount. Minimum order £10. PO orders from Government, Universities, Schools & Local Authorities welcome - minimum account order £25. Carriage charges (A)=£2.00, (B)=£5.50, (C)=£8.50, (D)=£11.50, (E)=£14.00 (F)=£18.00 (G)=Call. All goods supplied subject to our standard Conditions of Sale and unless otherwise stated guaranteed for 90 days. All guarantees on a return to base basis. We reserve the right to change prices & specifications without prior notice. Orders accepted subject to stock. Quotations willingly given for higher quantities than those stated. Bulk surplus always required for cash.



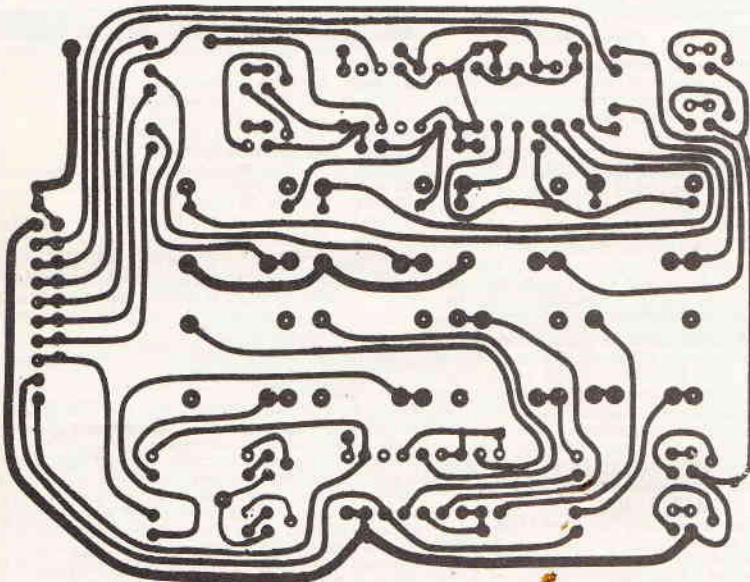
# PCB Foils



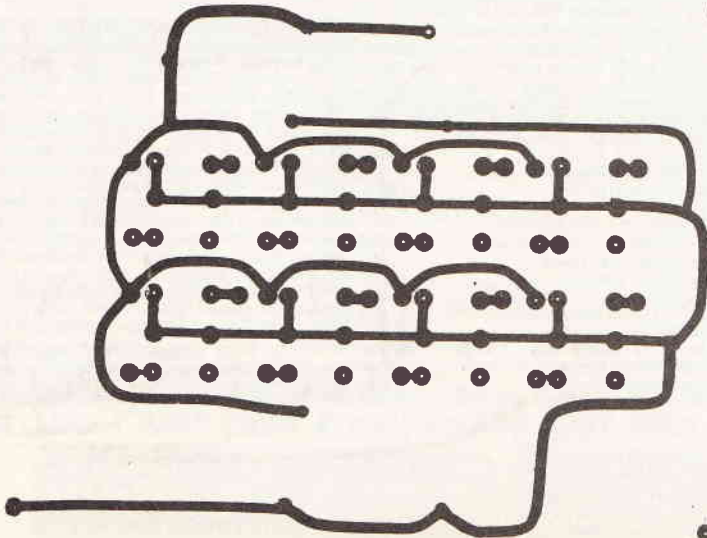
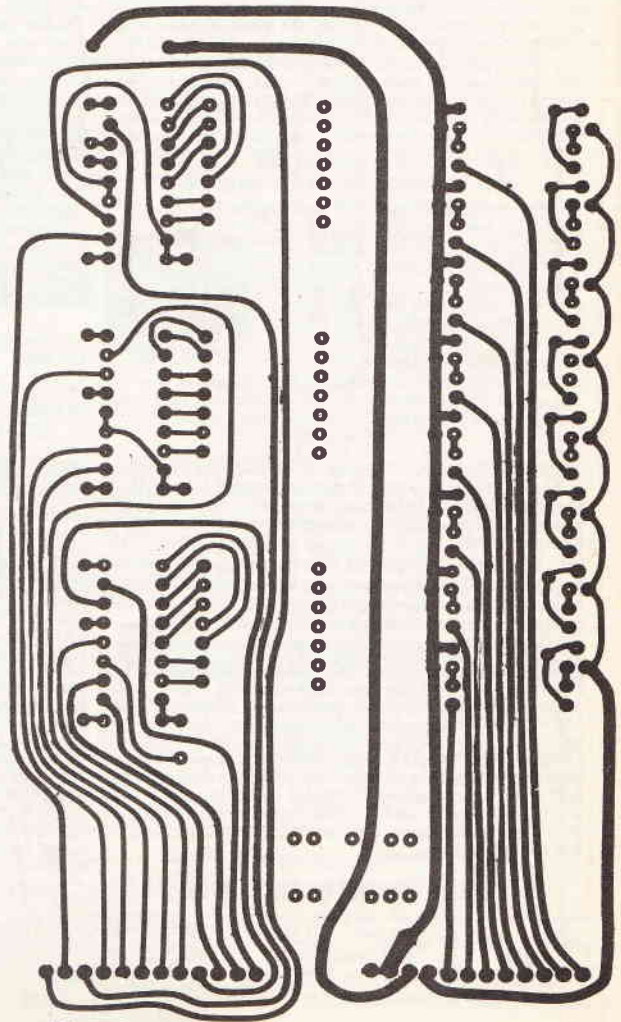
Digital Code Lock Foil



Nightfighter Display Board solder side

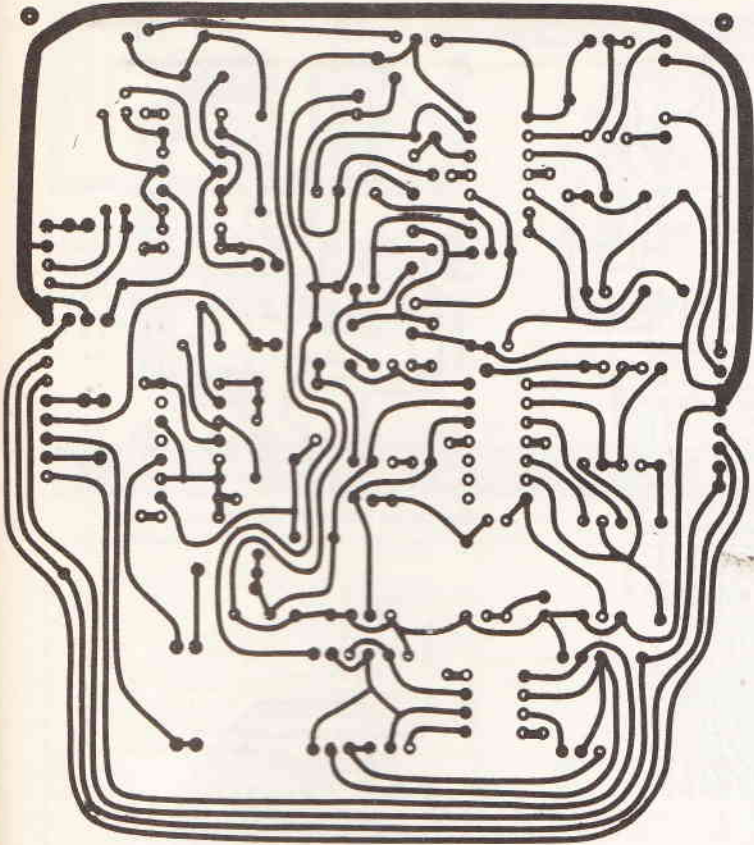


Mode Selection Board solder side  
Mode Selection Board top side

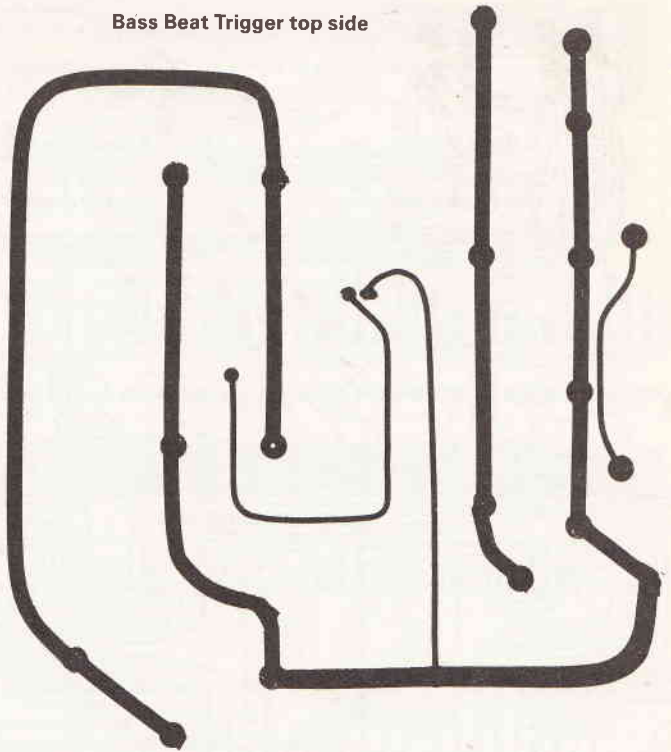




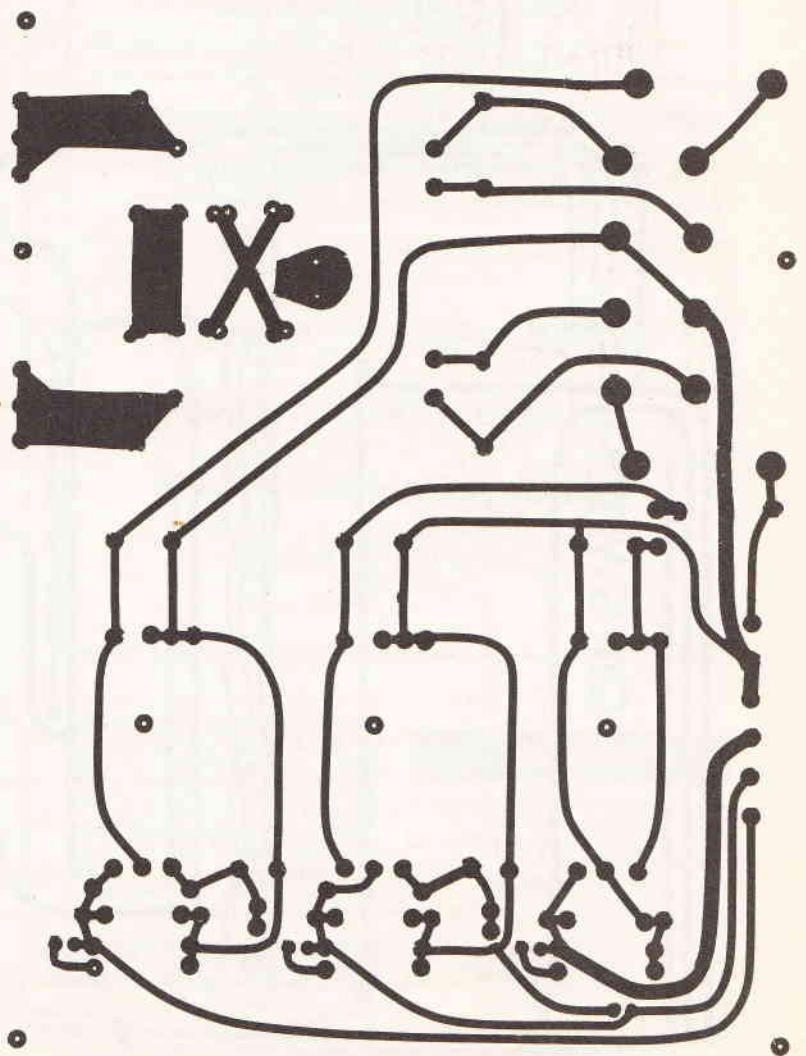
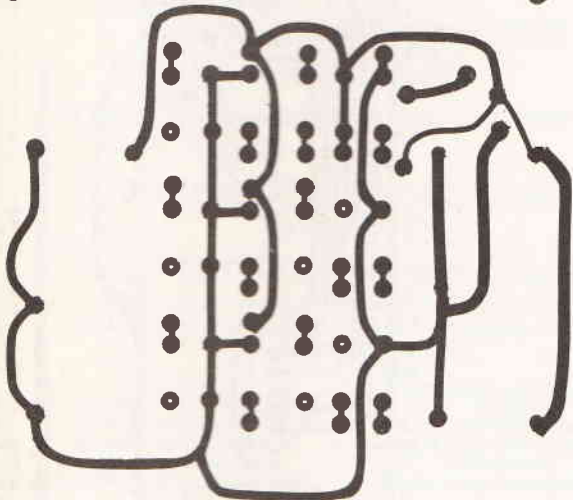
Bass Beat Trigger solder side



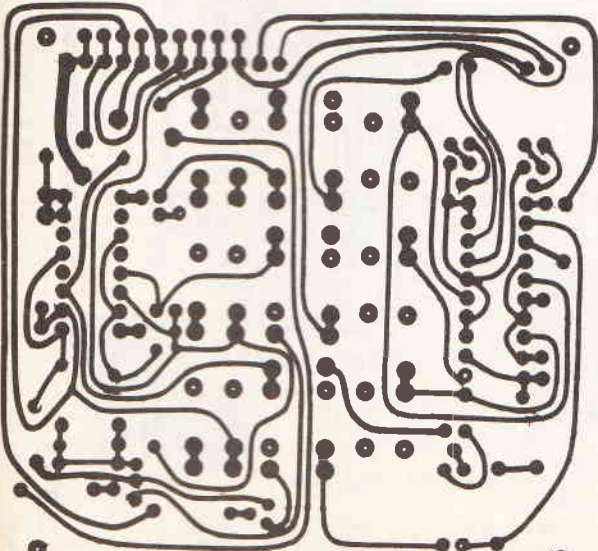
Bass Beat Trigger top side



The Nightfighter



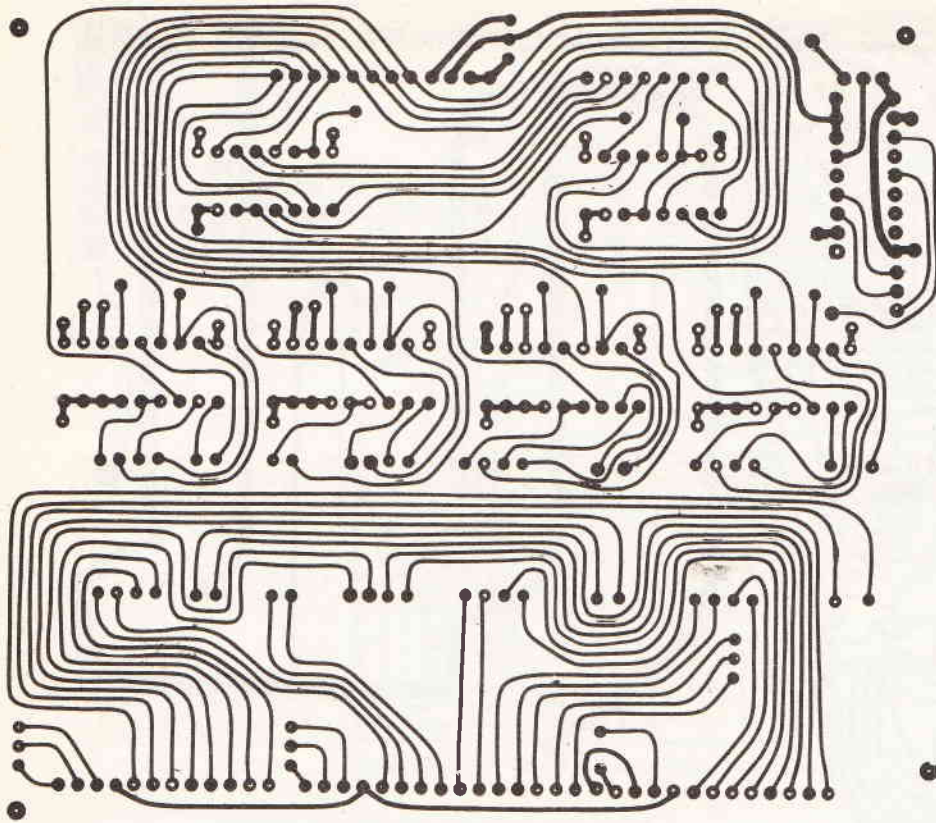
Sequence Select top side



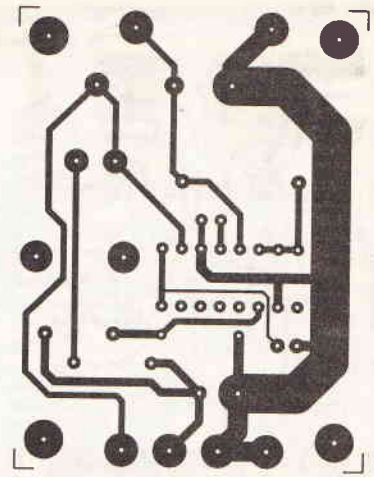
Sequence Select solder side

Nightfighter Master Controller PSU Board

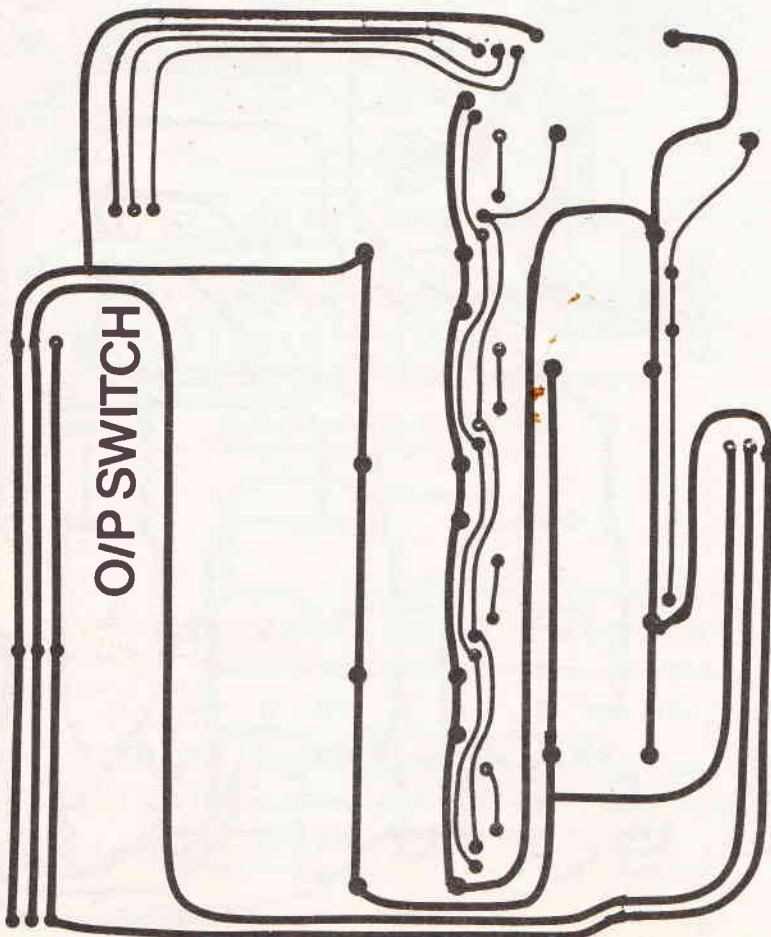




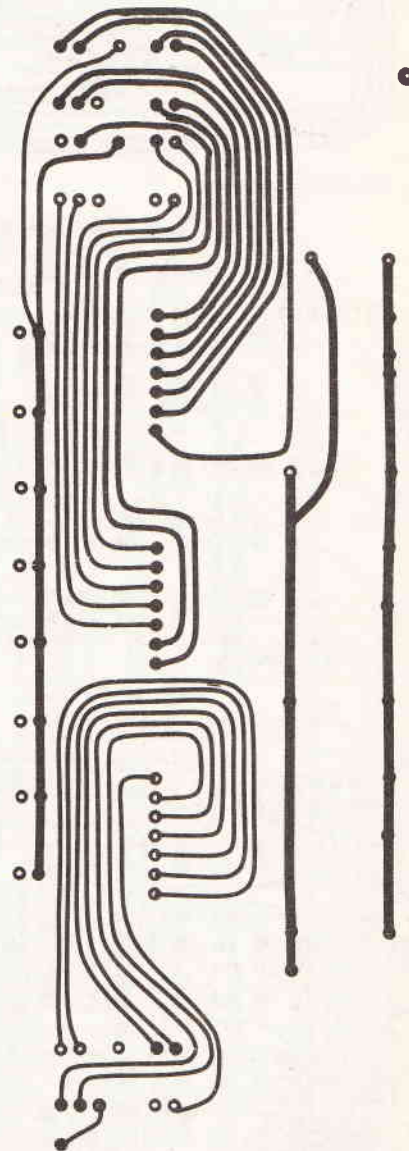
Nightfighter Output Switch solder side



Switched Mode Power Supply Board



Nightfighter Ouptut Switch top side



Nightfighter Display Board top side



# ETI

## ELECTRONICS TODAY INTERNATIONAL



### CLASSIFIED

**James Trott**  
0442 66551 Ext 250

Send your requirements to:  
ETI Classified Department, ASP, Argus House,  
Boundary Way, Hemel Hempstead, HP2 7ST.

Lineage: 60p per word (+VAT) (minimum 15 words)  
Semi display: (minimum 2.5cms)  
£15.00 per single column centimetre (+VAT) per insertion  
Electromart £24.00 per insertion (+VAT) per insertion

Ring for information on series bookings/discounts.  
All advertisements in this section must be prepaid.  
Advertisements are accepted subject to the terms and conditions  
printed on the advertisement rate card (available on request).

### FOR SALE



### HAVING INTERFACING PROBLEMS?

At last the best solution you are ever likely  
to find!

### A COMPLETE SINGLE BOARD COMPUTER

AT £199.00 (+VAT) for the standard unit

(The screen and keyboard alone are worth more than that)  
This could be the most cost effective solution to your interfacing needs  
you are every likely to find.

- |  |  |
|--|--|
| Z80 CPU<br>Complete with BASIC ROM<br>Keyboard, 80 character, 8 line<br>display. Battery backed (All<br>functions)<br>Two RS232 ports. Two A/D ports | Programming advice for first 3<br>months<br>Full technical manuals provided<br>Software included to connect to other<br>computers<br>30 day money back guarantee |
|--|--|

Order direct or contact us for more details

**COVEND ELECTRONICS**  
32 Poplar Grove, London W6 7RE  
Tel: (071) 371 6497 • Fax: 081 741 1135

### LYS ELECTRONIC COMPONENTS

555 TIMER.....	5 For £1.00	741 OP AMP.....	5 For 0.50
7805+V REG.....	£0.40	7905 - V REG.....	£0.35
7812+V REG.....	£0.40	7912 - V REG.....	£0.35
LM317 ADJ REG.....	£0.50	LM337 ADJ REG.....	£0.50
ZENER DIODES 400m W ALL AT.....			£0.05 each
HORIZ/VERT CARBON PRESETS.....			£0.12 each
1/2 W 5% CARBON RESISTORS.....	£0.01 each	(100) £0.60 (1000) £5.50 any mix	
1/2 W 5% CARBON RESISTORS.....	£0.02 each	(100) £0.90 (1000) £7.50 any mix	
5mm RED LED £0.08 GREEN £0.08 YELLOW £0.08			
DIL SOCKETS L/PROFILE.....	8 pin £0.03 14 pin £0.05 16 pin £0.06 18 pin £0.07 20 pin £0.08		
DIL SWITCHES.....	2 way £0.40 4 way £0.60 10 way £0.90		
LM3914 BARGRAPH DRIVER.....			£3.40
R.F. COAX (ANTI MICROPHONIC) 75 OHM RANGE OUTER SHEATH (normally £3.00 mtr).....		ONLY £0.90 MTR 100MTR £60.00	

**DIGITAL FREQUENCY METER KIT 2 RANGES**  
0-30MHz/25-1000MHz COMPLETE INC 3 PCB'S  
(EXC. METALWORK) £83.60

**ANALOGIC PROBE KIT (EXC. CASE) £9.80**

For details of any of the above contact:

**LYS Electronic Components, 10 Westbrook Road, Porchester,  
Hants PO16 9NS**  
Tel: (0705) 386550 Tel/Fax: (0705) 388303 (24hrs)

*Phone James Trott  
for your classified  
advertisements on  
0442 66551*

### PARTRIDGE ELECTRONICS

- ◆ Two Mic. Inputs + Line Input ◆
- ◆ Auto — Manual Control ◆
- ◆ D.T.M.F. or L.D. /Dialing ◆

OUTSIDE BROADCAST UNIT

EASY TO CARRY

FLIGHT CASE

BROADCAST OVER

STANDARD PHONE NETWORK

### REPORTER Model T26



UNIT D  
318 HIGH ROAD  
BENFLEET  
ESSEX SS7 5HB  
TELEPHONE: 0268 793381

**SOLAR PANELS** 100mm x  
60mm 2.5V 0.2Wp £1.40. 6 for  
£8. 12" x 6" 12V or 6V 1.4Wp  
£8.50. 12" x 12" 12V 3Wp £15.00.  
36" x 12" 12V 5-6Wp £23.50.  
Prices include U.K. P&P. Larger /  
mounted panels available.  
Orders to Bob Keyes GW4 1ED.  
4 Glanmor Crescent, Newport,  
Gwent. NP9 8AX.

### MISCELLANEOUS

KITS, plans, etc. for surveillance,  
protection (sonic and HV), "007"  
gear. Send 2 x 22p stamps. For list  
ACE(TI), 53 Woodland Way,  
Burntwood, Staffs.

### WANTED

Turn your surplus  
transistors, ICs etc. into  
cash. Immediate settlement.  
We also welcome the  
opportunity to quote for  
complete factory clearance.

Contact:

**COLES HARDING & CO.**  
103 South Brink  
Wisbech, Cambs.

NOW ESTABLISHED OVER 15 YEARS

Tel: 0945 584188  
Fax Number: 0945 588844



## LASER DIODES

DMM's and Logic Probes from £7.50 Visible laser diodes plus optics.

Send SAE:

Access Pacific Ltd  
Kymbrook School House,  
Kimbolton Road, Keysoe,  
Bedford MK44 2HH  
Tel: 0230 62695

## ARTICLES WANTED

### WANTED

Receivers, Transmitters, Test Equipment, Components, Cable and Electronic Scrap, Boxes, PCB's Plugs and Sockets, Computers, Edge Connectors.

TOP PRICES PAID FOR ALL TYPES OF ELECTRONICS EQUIPMENT  
A.R. Sinclair, Electronics,  
Stockholders, 2 Normans Lane,  
Rabley Heath, Welwyn, Herts AL6 9TQ.  
Telephone: 0438 812 193  
Mobile: 0860214302. Fax: 0438 812 387

## SERVICE MANUALS

### SERVICE MANUALS

Available for most equipment

TV's, Video's, Test, Audio etc

Write or phone for quote

MAURITRON (HRT),  
8 CHERRY TREE ROAD,  
CHINNOR, OXON OX9 4QY  
TEL (0844) 51694 FAX (0844) 52554

## LOUDSPEAKERS

### Falcon DIY SPEAKERS

Send for our FREE price list PL20 and Focal data sheet. All we ask for is a large S.A.E. (34p stamp) or \$2 bill (air) overseas

SYSTEM DESIGNS (Total Kits):  
Focal, KEF Constructor, Seas, etc.

DRIVE UNITS FOCAL, KEF, Audax, Coles, Peerless, Seas, Siare, Elac Metal Dome, Scanspeak, etc. Also Group/Disco Units

CROSSOVER NETWORKS — Active & Passive Components, Accessories, Polypropylene Caps

AUDIO AMATEUR PUBLICATIONS  
Back Issues: Speaker Builder, Audio Amateur & Glass Audio + lots of Books

Full details from

FALCON ELECTRONICS  
(Dept ETI), Tabor House, Mulbarton,  
Norfolk NR14 8JT (0508) 78272  
(Proprietors: Falcon Acoustics Ltd.)

## PLANS

ELECTRONIC PLANS, laser designs, solar and wind generators, high voltage teslas, surveillance devices, pyrotechnics and computer graphics tablet. 150 projects. For catalogue. SAE to Plancentre Publications, Unit 7, Old Wharf Industrial Estate, Dymock Road, Ledbury, Herefordshire, HR8 2HS.

FAX YOUR ADVERT  
ON 0442 66998

## MANUFACTURERS ORIGINAL SPARES

### COMPONENTS for TV · Video · Audio · Computer

WE CAN SUPPLY A VAST RANGE FOR MANY MAKES — WRITE (send SAE please) OR PHONE 0452 526883 FOR A 'PRICE & AVAILABILITY' ON YOUR REQUIREMENTS.

AMSTRAD * SINCLAIR	COMMODORE	OTHER MAKES
PEGATA (PC 1640).....£32.72	6526 CIA.....£11.11	Sanyo/Fisher VCR Belt Kit.....£2.49
40010G Array.....£20.63	8520 (Amiga).....£11.22	VTC6500/VBS3500.....£2.49
CPC464 Serv Manual.....£8.49	8565 VIC.....£23.96	Ferguson 3V35/36/38/39.....£1.95
Spec 48K Membrane.....£4.50	8701 Clock Gen.....£6.90	Tuner contr door.....£1.95
+ / 128K Membrane.....£7.99	901225 Char ROM.....£6.55	Toshiba ST-U2/U2L Power Transformer.....£9.99
QL Membrane.....£7.95	C64 User Manual.....£4.25	TBA530.....£1.14
ULAB001E.....£16.77	ATARI.....£4.49	AY38912.....£5.74
ULA7K01040058 (+2).....£17.99	Basic ROM (X/E/L).....£4.49	TBA810P.....£1.40
ZX 8302 (QL).....£10.75	Reset SWITCH (ST).....£1.25	UPC1378HE2.45.....£4.59
ZX 8401 (Spec).....£7.94	Thermistor (ST-PSU).....£1.34	TBA1001BE2.66 2SC3156.....£4.59
		TEA2000.....£4.49
		2SD1397.....£4.99

This just a small sample of our stock — We are also holding Tools, Connectors, Aerial & Telephone Accs and much more. For our catalogue please send 50p stamps/chn. MAIL ORDER ONLY. Please add 95p (UK) P&P but not VAT. All items subject to availability. Price can change without notice.

MARAPET (TL), 1 HORNBEAM MEWS, GLOUCESTER GL2 0UE

## CLASSIFIED

★ FOR SALE ★ WANTED  
★ COURSES ★ PLANS  
★ MANUFACTURERS ORIGINAL SPARES

For all classified advertising telephone James Trott on 0442 66551 or alternatively fill in the classified coupon

Also available

### The PC Music Handbook for IBM PCs and compatibles

Brian Hayward and Roger Evan

1991 \* 172 pages \* illustrated  
ISBN 1 870779 17 1 \* £8.95

- \* Explains the basics of computer music
- \* Explains sequencing, sampling and notation
- \* Checklists for software and hardware
- \* Full of practical tips on equipment etc
- \* Appendices on MIDI, communications, contacts
- Takes you through the creative possibilities of the PC and acts as a guide in the twin minefields of music software and hardware.

### Practical MIDI Handbook

2nd edition

RA Penfold

1990 \* 176 pages \* 37 line drawings 7 photos \*  
ISBN 1 870775 13 9 \* £6.95

- \* Explains MIDI modes and channels
- \* MIDI computing explained
- \* Tables of MIDI codes and reference data
- \* Glossary of MIDI terms
- Explains what MIDI can do, how to exploit it to the full, and how to connect up a working system. This edition updated to cover standard MIDI files and recent developments in sequencers, features recently implemented by some synthesizer manufacturers.

"Recommended" — Home & Studio Recording  
"Excellent" — Yamaha XPress  
"Excellently informative book" — Prac Elec  
"Certainly recommend the book" — UKMA

### Advanced MIDI User's Guide

RA Penfold

1991 \* 185 pages \* 29 line drawings  
ISBN 1 870775 18 \* £9.95

- \* Explains all the MIDI messages
- \* Routing of MIDI signals
- \* Covers the uses of system exclusive
- \* Explains how to troubleshoot
- \* MIDI time code and synchronising
- \* Useful appendices
- MIDI has capabilities that go well beyond simple

### Electronic Projects for Home Security

Owen Bishop

1991 \* 150pp \* illustrated  
ISBN 1 870775 12 0 \* £6.95

- \* Projects to help secure your home
- \* Principles of operation explained
- \* Constructional details given

This book deals with many aspects of home security — intruder, fire, smoke, frost and gas alarms, — with the emphasis on how to make the best use of electronic devices that you can build yourself.

There are 25 constructional projects, ranging in complexity from a single-door protection circuit, that can be built in an hour or two, to a sophisticated multi-channel system,

- \* Suitable for beginner
- \* Produce useful security devices
- \* Protect against intruders, fire and flood

that most intruders will find very difficult to beat. Much use is made of the latest in technology to combine simplicity of construction with reliability of operation. Each project is described in detail, with circuit diagrams, full explanations of how it works, complete instructions for building and testing, and often suggestions for adapting it to special requirements.

Please supply

Elec Proj Home Sec (£6.95)

PC Music Hbk (£8.95)

Prac MIDI Hbk (£6.95)

Adv MIDI User's Guide (£9.95)

Elec Power Supply Hbk (£7.95)

Elec Test Equip Hbk (£8.95)

Dig Logic Gates (£8.95)

I enclose a cheque/PO for £..... made payable to PC Publishing at 4 Brook Street, Kent TN9 2PJ. Or, please charge to my credit card (phone 0732 770893 or complete details below and send off order form)

Card No.....

Expiry Date.....

Name.....

Address.....

.....

.....

Signed.....

Quantity

Please add

£1.00 to the cost

of your order for post

and packing (£2.00

overseas)

Order form

slaving arrangements. It can be used to store and replay complex pieces of music, for the control of sophisticated systems having more than a dozen instruments, and can even be used to control ancillary equipment such as mixers and effects units. This book shows you how.

### Electronic Power Supply Handbook

Ian R Sinclair

160 pages \* 90 line drawings

ISBN 1 870775 03 1 \* £7.95

- \* Covers a wide range of power supplies
- \* Includes stabilisation and regulators
- \* Explains operating principles and gives typical circuits

All types of power supplies are covered in detail, starting with cells and batteries and extending by way of rectified supplies and linear stabilisers to modern switch mode systems, IC switch mode regulators, DC-DC converters and inverters.

### Electronic Test Equipment Handbook

Steve Money

1990 \* 216 pp \* 123 line drawings

ISBN 1 870775 11 2 \* £8.95

- \* Covers a wide range of test gear
- \* Principles of operation described
- \* Practical applications covered
- Provides a practical guide to the principles of operation and specifications of the more widely used electronics instruments and the techniques of measuring a wide range of parameters. Includes analogue and digital meters, bridges, oscilloscopes, signal generators, counters, timers and frequency measurement.

### Digital Logic Gates and Flip-flops

Ian R Sinclair

1989 \* 208 pages \* ISBN 1 870775 06 6 £8.95

- \* For technicians and enthusiasts
- \* Design and troubleshoot digital circuits
- \* Only basic electronic knowledge required
- Treats gates and flip-flops from basics. Written for the user who wants to design and troubleshoot digital circuitry.







# ETI

## ELECTRONICS TODAY INTERNATIONAL

### EDITORIAL

Editor Paul Freeman

### CREATIVE

Art Editor Peter Kirby

Designer Iain Houston

Technical Illustration Jerry Fowler

Photography Manny Cefai

### ADVERTISEMENT SALES

Advertisement Manager

Mark Linacre

Advertisement Sales

Michele Donovan

Advertisement Copy Control

Marie Quilter

### MANAGEMENT

Managing Director

Terry Pattison

Circulation & Promotions Manager

Debra Stupple

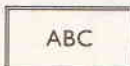
Production Manager

Tony Dowdeswell

Group Editor

Stuart Cooke

ISSN  
0142-7229



Member of the  
Audit Bureau  
of Circulation

ETI is normally published on the first Friday in the month preceding the cover date. The contents of this publication including all articles, designs, plans, drawings and programs and all copyright and other intellectual property rights therein belong to Argus Specialist Publications. All rights conferred by the Law of Copyright and other intellectual property rights and by virtue of international copyright conventions are specifically reserved to Argus Specialist Publications and any reproduction requires the prior written consent of the Company © 1990 Argus Specialist Publications. All reasonable care is taken in the preparation of the magazine contents, but the publishers cannot be held legally responsible for errors. Where mistakes do occur, a correction will normally be published as soon as possible afterwards. All prices and data contained in advertisements are accepted by us in good faith as correct at the time of going to press. Neither the advertisers nor the publishers can be held responsible, however, for any variations affecting price or availability which may occur after the publication has closed for press.

● Subscription rates — UK: £19.20. Europe: £24.10. Middle East: £24.40. Far East: £26.80. Rest: £25.85 or US\$48.00.

Published by Argus Specialist Publications, Argus House, Boundary Way, Hemel Hempstead HP2 7ST. Tel: (0442) 66551. UK newstrade distribution by SM Distribution Ltd, 6 Leigham Court Road, London SW16 2PG. Tel: 081-677 8111. Overseas and non-newstrade sales by Magazine Sales Department, Argus House, Boundary Way, Hemel Hempstead, HP2 7ST. Tel: (0442) 66551. Subscriptions by Select Subscriptions Ltd., 5 River Park Estate, Berkhamsted, Herts HP4 1HL. Tel: (0442) 876661. US subscriptions by Wise Owl Worldwide Publications, 4314 West 238th Street, Torrance, CA90505 USA. Tel: (213) 3756258. Typesetting and origination by Project 3 Filmsetters, Whitstable. Printed by Wiltshire Ltd, Bristol.



Argus House, Boundary Way,  
Hemel Hempstead HP2 7ST  
Tel: (0442) 66551 Fax: (0442) 66998

# NEXT MONTH

**N**ext month sees the first of a series of two cover mounted gifts to help you construct your own printed circuit board for one of our projects. This is in response to readers asking about PCB production at home and to encourage readers to have a go from scratch. We feature an article on the various ways of producing PCBs at home with helpful hints at achieving the best results.

Our major project next month is a Colour test-card and cross-hatch generator. The generator contains many test patterns stored in its own software for alignment of colour cathode ray tubes.

We have features on the action of negative feedback and what it achieves and an interesting article on the effect of electromagnetic radiation on man. Have we become immuned to low levels of this natural radiation or will the constant bathing within low energy waves produce long term illness?

Find out in the next exciting monthly episode of ETI. Available in your shops from November 1st.

*The above articles are in preparation but circumstances may prevent publication*

# LAST MONTH

**I**n the October edition of ETI we featured:

Freezing alarm project to warn of an impending frost or freeze up. The Nightfighter 2 showed the construction of an 8kW dimmer pack to operate from the master controller. A mains failure alarm system warned of drooping mains voltages whilst the Prototype designer offered benchtop circuit experimentation. Our features included Cosmic rays, the Magnetron and how a cash machine works.

\* A limited supply of back issues are available from Select Subscriptions.

## ADVERTISERS' INDEX

BK ELECTRONICS .....	IFC	J&N BULL .....	39
CRICKLEWOOD		LAB CENTER .....	IBC
ELECTRONICS .....	16	MAPLIN ELECTRONICS ..	OBC
DISPLAY ELECTRONICS ...	59	NUMBER ONE SYSTEMS ...	58
HART ELECTRONICS .....	30	OMNI ELECTRONICS .....	21
HENRYS ELECTRONICS ...	43	REED ELECTRONICS .....	21
HESING TECHNOLOGY ....	21	SUMA ELECTRONICS .....	16
JOHN MORRISON .....	21	WIMSLow AUDIO .....	43



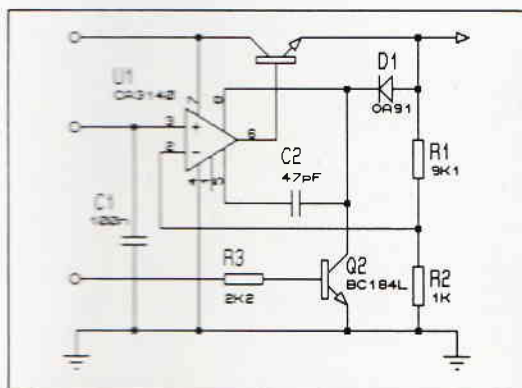
# PSST...

## Powerful Software Saves Time!

### ANNOUNCING ISIS DESIGNER VERSION II

Our popular range of schematic capture products has been upgraded to give 'one button' integration to other CAD software. A special script language allows you to add your own options to the menus so that you can, for example, compile a netlist, convert it to the desired format and then invoke another DOS program all from one menu selection.

Other new features include full network compatibility, sophisticated support for PCB design including automatic property assignment and sheet global net properties, improved editing facilities, a full screen library maintenance tool and much more.



ISIS DESIGNER..... £275  
ISIS DESIGNER+ ..... £475

- Auto wire routing, dot placement and label generation.
- Powerful editing facilities.
- Object oriented 2D drawing with symbol library.
- Comprehensive device libraries provided.
- Device editor integral to main program.
- Output to dot matrix, pen plotters, lasers, POSTSCRIPT.
- Export to DTP packages in IMG, BMP, DXF or EPS formats.
- Multi-sheet and hierarchical designs held in one file.
- Netlist output to most popular EDA software.
- Bill of Materials and Electrical Rules Check reports.
- DESIGNER+ advanced features include hierarchical design, Automatic Annotation/Packaging, ASCII data import.

### ARES - Advanced Routing

ARES..... £275

A netlist based, multi-layer PCB design package that can integrate with ISIS or other schematics software. Includes connectivity checker, design rule checker, power plane generator and automatic back-annotator.

ARES AUTOROUTE..... £475

Our new autorouter uses an advanced, multi-strategy algorithm to achieve very high completion rates, yet when driven from ISIS, there is remarkably little setting up to do - Package, Router-Strategy and DRC data can all be read from the netlist.

- Topological Route Editor (another Labcenter innovation)
- Unlimited user configurable pad, track and via styles.
- Full surface mount and metric support.
- 10 copper + 2 silk layers.
- 1 thou resolution.
- 30x30 inch max board size.
- Up to 5000 pins, 50000 trace segments using EMS RAM.
- Object oriented 2D drawing for silk screen graphics.
- Drivers for dot matrix, pen plotters, lasers, POSTSCRIPT, Photoplot (Gerber), NC drill (Excellon).
- Graphics export in IMG, BMP or EPS formats.

### Budget Price CAD Software

ISIS SUPERSKETCH..... from only £69

Our highly popular schematic drawing program is still the only budget package designed specifically for drawing circuit diagrams. It has all the editing features of ISIS DESIGNER and our Graphical User Interface makes it exceptionally easy to learn and use.

Diagrams produced with SUPERSKETCH can be rendered on all common printers/plotters including POSTSCRIPT and graphics export to most DTP and Wordprocessing packages is also possible

An extended device library containing TTL, CMOS, Memory, Microprocessor and Analogue ICs is available for £30.

PCB II ..... only £69

An exceptionally easy to use manual PCB drafting package offering most of the features of ARES but without the netlisting capabilities.

PCB II shares the same user interface as ISIS SUPERSKETCH and both packages plus the extended device library are available for just £149.

**Labcenter**  
Electronics

#### COMBINATION PRICES

ISIS DESIGNER & ARES ..... £495  
ISIS DESIGNER & ARES AR ..... £675  
ISIS DESIGNER+ & ARES ..... £675  
ISIS DESIGNER+ & ARES AR ..... £850  
Prices inc UK delivery, exc VAT.



Call for demo packs  
Tel: 0274 542868  
Fax: 0274 481078



14 Mariner's Drive, Bradford. BD9 4JT



1992 BUYER'S GUIDE TO ELECTRONIC COMPONENTS

# Maplin



**Order your copy of the New MAPLIN Catalogue on sale NOW!**  
Pick up a copy from any WHSMITH for just £2.75 or post this coupon now to receive your copy for just £2.75 + 20p p&p. If you live outside the U.K. send £4.85 or £12.95 for 14 International Reply Coupons. I enclose £2.95.

Name .....

Address .....

Post Code .....

Send to Maplin Electronics,  
P.O. Box 3, Rayleigh,  
Essex SS6 8LR.  
E112

Over 600 product packed pages with  
more than 600 brand new products.  
On sale now, only £2.75

Available from all branches of WHSMITH and  
Maplin shops nationwide. Hundreds of new products  
at super low prices!