



THE ELECTRONICS, SCIENCE & TECHNOLOGY MONTHLY

JULY 1990 £1.60

FOOTSTEP  
INTRUDER  
ALARM

COMPACT DFM

# HARNESSING THE WIND

Alternative Technology becomes a commercial reality

GUITAR  
PRACTICE AMP  
TRANSISTOR  
TESTER



ISSN 0142-7229



9 770142 722016

SORTING SIGNALS  
FROM NOISE

**OMP POWER AMPLIFIER MODULES-TURNABLES-DIMMERS-LOUDSPEAKERS-19 INCH STEREO RACK AMPLIFIERS**

**OMP POWER AMPLIFIER MODULES** Supplied ready built and tested.  
**OMP POWER AMPLIFIER MODULES** Now enjoy a world-wide reputation for quality, reliability and performance at a realistic price. Four models available to suit the needs of the professional and hobby market, i.e., Industry, Leisure, Instrumental and Hi-Fi etc. When comparing prices, NOTE all models include Toroidal power supply, Integral heat sink, Glass fibre P.C.B., and Drive circuits to power compatible Vu meter. Open and short circuit proof.

**THOUSANDS OF MODULES PURCHASED BY PROFESSIONAL USERS**



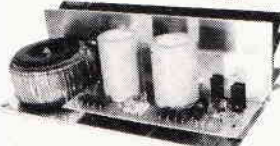
**OMP100 Mk 11 Bi-Polar** Output power 110 watts R.M.S. into 4 ohms, Frequency Response 15Hz - 30KHz -3dB, T.H.D. 0.01%, S.N.R. -118dB, Sens. for Max. output 500mV at 10K, Size 355 x 115x65mm, PRICE £33.99 + £3.00 P&P.



**NEW SERIES II MOS-FET MODULES**  
**OMP/MF 100 Mos-Fet** Output power 110 watts R.M.S. into 4 ohms, Frequency Response 1Hz - 100KHz -3dB, Damping Factor, >300, Slew Rate 45V/uS, T.H.D. Typical 0.002%, Input Sensitivity 500mV, S.N.R. -125dB, Size 300 x 123 x 60mm, PRICE £39.99 + £3.00 P&P.



**OMP/MF200 Mos-Fet** Output power 200 watts R.M.S. into 4 ohms, Frequency Response 1Hz - 100KHz -3dB, Damping Factor >300, Slew Rate 50V/uS, T.H.D. Typical 0.001%, Input Sensitivity 500mV, S.N.R. -130dB, Size 300 x 155 x 100mm, PRICE £62.99 + £3.50 P&P.



**OMP/MF300 Mos-Fet** Output power 300 watts R.M.S. into 4 ohms, Frequency Response 1Hz - 100KHz -3dB, Damping Factor >300, Slew Rate 60V/uS, T.H.D. Typical 0.0008%, Input Sensitivity 500mV, S.N.R. -130dB, Size 330 x 175 x 100mm, PRICE £79.99 + £4.50 P&P.

NOTE— MOS-FET MODULES ARE AVAILABLE IN TWO VERSIONS, STANDARD — INPUT SENS. 500mV BAND WIDTH 100KHz, PEC (PROFESSIONAL EQUIPMENT COMPATIBLE) — INPUT SENS. 775mV, BAND WIDTH 50KHz, ORDER STANDARD OR PEC



**Vu METER** Compatible with our four amplifiers detailed above. A very accurate visual display employing 11 L.E.D. diodes (7 green, 4 red) plus an additional on/off indicator. Sophisticated logic control circuits for very fast rise and decay times. Tough moulded plastic case, with tinted acrylic front. Size 84 x 27 x 45mm, PRICE £8.50 + 50p P&P.

**LOUDSPEAKERS**



**LARGE SELECTION OF SPECIALIST LOUDSPEAKERS AVAILABLE, INCLUDING CABINET FITTINGS, SPEAKER GRILLES, CROSS-OVERS AND HIGH POWER, HIGH FREQUENCY BULLETS AND HORNS, LARGE S.A.E. (30p STAMPED) FOR COMPLETE LIST.**

**McKENZIE:— INSTRUMENTS, P.A., DISCO, ETC.**

- ALL MCKENZIE UNITS 8 OHMS IMPEDANCE**
- 8" 100 WATT C8100GPM GEN. PURPOSE, LEAD GUITAR, EXCELLENT MID, DISCO RES. FREQ. 80Hz. FREQ. RESP. TO 14KHz SENS. 99dB. PRICE £29.30 + £2.00 P&P
  - 10" 100 WATT C10100GP GUITAR, VOICE, ORGAN, KEYBOARD, DISCO, EXCELLENT MID RES. FREQ. 70Hz. FREQ. RESP. TO 6KHz SENS. 100dB. PRICE £35.58 + £2.50 P&P
  - 10" 200 WATT C10200GP GUITAR, KEYBOARD, DISCO, EXCELLENT HIGH POWER MID. RES. FREQ. 45Hz. FREQ. RESP. TO 7KHz SENS. 103dB. PRICE £48.67 + £2.50 P&P
  - 12" 100 WATT C12100GP HIGH POWER GEN. PURPOSE, LEAD GUITAR, DISCO RES. FREQ. 45Hz. FREQ. RESP. TO 7KHz SENS. 98dB. PRICE £37.59 + £3.50 P&P
  - 12" 100 WATT C12100TC TWIN CONE, HIGH POWER WIDE RESPONSE, P.A., VOICE, DISCO RES. FREQ. 45Hz. FREQ. RESP. TO 14KHz SENS. 100dB. PRICE £38.58 + £3.50 P&P
  - 12" 200 WATT C12200B HIGH POWER BASS, KEYBOARDS, DISCO, P.A. RES. FREQ. 40Hz. FREQ. RESP. TO 7KHz SENS. 100dB. PRICE £65.79 + £3.50 P&P
  - 12" 300 WATT C12300GP HIGH POWER BASS LEAD GUITAR, KEYBOARDS, DISCO, ETC. RES. FREQ. 45Hz. FREQ. RESP. TO 5KHz SENS. 100dB. PRICE £87.51 + £3.50 P&P
  - 15" 100 WATT C15100BS BASS GUITAR, LOW FREQUENCY, P.A., DISCO RES. FREQ. 40Hz. FREQ. RESP. TO 5KHz SENS. 98dB. PRICE £55.05 + £4.00 P&P
  - 15" 200 WATT C15200BS VERY HIGH POWER BASS RES. FREQ. 40Hz. FREQ. RESP. TO 4KHz SENS. 99dB. PRICE £75.10 + £4.00 P&P
  - 15" 250 WATT C15250BS VERY HIGH POWER BASS RES. FREQ. 40Hz. FREQ. RESP. TO 4KHz SENS. 99dB. PRICE £82.54 + £4.50 P&P
  - 15" 400 WATT C15400BS VERY HIGH POWER, LOW FREQUENCY BASS RES. FREQ. 40Hz. FREQ. RESP. TO 4KHz SENS. 102dB. PRICE £96.47 + £4.50 P&P
  - 18" 400 WATT C18400BS EXTREMELY HIGH POWER, LOW FREQUENCY BASS. RES. FREQ. 27Hz. FREQ. RESP. TO 3KHz SENS. 99dB. PRICE £172.06 + £5.00 P&P

**EARBENDERS:— HI-FI, STUDIO, IN-CAR, ETC.**

- ALL EARBENDER UNITS 8 OHMS (Except EB8-50 & EB10-50 which are dual impedance tapped @ 4 & 8 Ohm)**
- BASS, SINGLE CONE, HIGH COMPLIANCE, ROLLED FOAM SURROUND**
- 8" 50 WATT EB8-50 DUAL IMPEDANCE, TAPPED 4/8 OHM BASS, HI-FI, IN-CAR RES. FREQ. 40Hz. FREQ. RESP. TO 7KHz SENS. 97dB. PRICE £8.90 + £2.00 P&P
  - 10" 50 WATT EB10-50 DUAL IMPEDANCE, TAPPED 4/8 OHM BASS, HI-FI, IN-CAR RES. FREQ. 40Hz. FREQ. RESP. TO 5KHz SENS. 99dB. PRICE £12.00 + £2.50 P&P
  - 10" 100 WATT EB10-100 BASS, HI-FI, STUDIO RES. FREQ. 35Hz. FREQ. RESP. TO 3KHz SENS. 96dB. PRICE £27.76 + £3.50 P&P
  - 12" 60 WATT EB12-60 BASS, HI-FI, STUDIO RES. FREQ. 28Hz. FREQ. RESP. TO 3KHz SENS. 92dB. PRICE £21.00 + £3.00 P&P
  - 12" 100 WATT EB12-100 BASS, STUDIO, HI-FI, EXCELLENT DISCO. RES. FREQ. 26Hz. FREQ. RESP. TO 3KHz SENS. 93dB. PRICE £38.75 + £3.50 P&P
- FULL RANGE TWIN CONE, HIGH COMPLIANCE, ROLLED SURROUND**
- 5 1/4" 60 WATT EB5-60TC (TWIN CONE) HI-FI, MULTI-ARRAY DISCO ETC. RES. FREQ. 63Hz. FREQ. RESP. TO 20KHz SENS. 92dB. PRICE £9.99 + £1.50 P&P
  - 6 1/8" 60 WATT EB6-60TC (TWIN CONE) HI-FI, MULTI-ARRAY DISCO ETC. RES. FREQ. 38Hz. FREQ. RESP. TO 20KHz SENS. 94dB. PRICE £10.99 + £1.50 P&P
  - 8" 60 WATT EB8-60TC (TWIN CONE) HI-FI, MULTI-ARRAY DISCO ETC. RES. FREQ. 40Hz. FREQ. RESP. TO 18KHz SENS. 89dB. PRICE £12.99 + £1.50 P&P
  - 10" 60 WATT EB10-60TC (TWIN CONE) HI-FI, MULTI-ARRAY DISCO ETC. RES. FREQ. 35Hz. FREQ. RESP. TO 12KHz SENS. 86dB. PRICE £16.49 + £2.00 P&P

**TRANSMITTER HOBBY KITS**

**PROVEN TRANSMITTER DESIGNS INCLUDING GLASS FIBRE PRINTED CIRCUIT BOARD AND HIGH QUALITY COMPONENTS COMPLETE WITH CIRCUIT AND INSTRUCTIONS**

**3W FM TRANSMITTER 80-108MHz, VARICAP CONTROLLED PROFESSIONAL PERFORMANCE, RANGE UP TO 3 MILES, SIZE 38 x 123mm, SUPPLY 12V @ 0.5AMP, PRICE £14.49 + £1.00 P&P**

**FM MICRO TRANSMITTER (BUG) 100-108MHz VARICAP TUNED COMPLETE WITH VERY SENS FET MIC, RANGE 100-300m, SIZE 56 x 46mm, SUPPLY 9V BATT, PRICE £8.82 + £1.00 P&P**



POSTAL CHARGES PER ORDER £1.00 MINIMUM. OFFICIAL ORDERS WELCOME FROM SCHOOLS, COLLEGES, GOVT. BODIES, ETC. PRICES INCLUSIVE OF V.A.T. SALES COUNTER, VISA ACCESS ACCEPTED BY POST, PHONE OR FAX.

\* PRICES INCLUDE V.A.T. \* PROMPT DELIVERIES \* FRIENDLY SERVICE \* LARGE S.A.E., 30p STAMPED FOR CURRENT LIST.

**OMP VARISPEED TURNTABLE CHASSIS**



\* MANUAL ARM \* STEEL CHASSIS \* ELECTRONIC SPEED CONTROL 33 & 45 \* VARI PITCH CONTROL \* HIGH TORQUE SERVO DRIVEN DC MOTOR \* TRANSIT SCREENS \* 12 DIE CAST PLATTER \* NEON STROBE \* CALIBRATED BAL WEIGHT \* REMOVABLE HEAD SHELL \* CARTRIDGE FIXINGS \* CUE LEVER \* POWER 220/240V 50/60Hz \* 99x130mm \* SUPPLIED WITH MOUNTING CUT-OUT TEMPLATE. PRICE £59.99 + £3.50 P&P.

**OPTIONAL MAGNETIC CARTRIDGES**

**STANTON ALS00** PRICE £16.99 + 50p P&P  
**GOLDRING G850** PRICE £6.99 + 50p P&P

**OMP MOS-FET POWER AMPLIFIERS. HIGH POWER, TWO CHANNEL 19 INCH RACK**

**THOUSANDS PURCHASED BY PROFESSIONAL USERS**



**NEW MXF SERIES OF POWER AMPLIFIERS**

THREE MODELS:— MXF200 (100w + 100w)  
 MXF400 (200w + 200w) MXF600 (300w + 300w)

All power ratings R.M.S. into 4 ohms.  
**FEATURES:** \* Independent power supplies with two Toroidal Transformers \* Two L.E.D. Vu meters \* Rotary indexed level controls \* Illuminated on/off switch \* XLR connectors \* Standard 175mm inputs \* Open and short circuit proof \* Latest Mos-Fets for stress free power delivery with built-in safety \* High level bass \* Very low distortion \* Aluminium cases \* MXF600 Fan Cooled with D.C. Loudspeaker and Thermal Protection. USED THE WORLD OVER IN CLUBS, PUBS, CINEMAS, DISCOS ETC.

**SIZES:**— MXF 200 W19 x H314 (2U) D11  
 MXF 400 W19 x H514 (3U) D12  
 MXF 600 W19 x H514 (3U) D13

**PRICES:** MXF200 £171.35  
 MXF400 £226.85  
 MXF600 £322.00

SECURICOR DELIVERY £12.00 EACH



**OMP LINNET LOUDSPEAKERS**



THE VERY BEST IN QUALITY AND VALUE  
 MADE ESPECIALLY TO SUIT TODAY'S NEED FOR COMPACTNESS WITH HIGH OUTPUT SOUND LEVELS. FINISHED IN HARDWEARING BLACK FINISH WITH PROTECTIVE GRILLE AND CARRYING HANDLE INCORPORATES 12" DRIVER PLUS HIGH FREQ. HORN FOR FULL FREQ. RANGE 45Hz-20KHz BOTH MODELS 8 OHM. SIZE H187 x W187 x D12

CHOICE OF TWO MODELS

**POWER RATINGS QUOTED IN WATTS RMS FOR EACH CABINET**

OMP 12-100 (100W 100dB) PRICE £159.99 PER PAIR  
 OMP 12-200 (200W 102dB) PRICE £209.99 PER PAIR

SECURICOR DEL.— £12.00 PER PAIR

**IN-CAR STEREO BOOSTER AMPLIFIER**



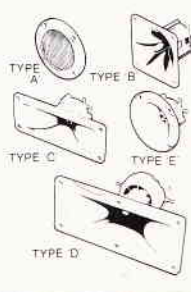
**TWO SUPERB HIGH POWER CAR STEREO BOOSTER AMPLIFIERS**

30 WATTS (75-75) INTO 4 OHMS  
 30 WATTS (150-150) INTO 4 OHMS (150-150)

- HIGH LEVEL INPUT IMPEDANCES
- HIGH LEVEL INPUT SENSITIVITIES
- ADJUSTABLE INPUT GAIN CONTROL
- SHORT CIRCUIT OUTPUT PROTECTION
- POWER REQUIREMENT 12V. D.C. PRICES: 150 WATT £43.00 30 WATT £26.00 + £3.00 P&P EACH

**PIEZO ELECTRIC TWEETERS—MOTOROLA**

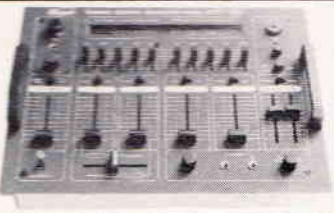
**PIEZO ELECTRIC TWEETERS — MOTOROLA**  
 Join the Piezo revolution. The low dynamic mass (no voice coil) of a Piezo tweeter produces an improved transient response with a lower distortion level than ordinary dynamic tweeters. As a consequence it does not require these units can be added to existing speaker systems of up to 100 Watts (more if 2-pair series). FREE EXPLANATORY LEAFLETS SUPPLIED WITH EACH TWEETER.



**TYPE A (KSN2036A)** 2" round with protective wire mesh, ideal for bookshelf and medium sized Hi-Fi speakers. Price £4.90 each + 50p P&P  
**TYPE B (KSN1005A)** 2 1/2" super horn. For general purpose speakers, disco and P.A. systems etc. Price £5.99 each + 50p P&P  
**TYPE C (KSN5015A)** 2" x 5" wide dispersion horn. For quality Hi-Fi systems and quality discos etc. Price £6.99 each + 50p P&P  
**TYPE D (KSN1025A)** 2" x 6" wide dispersion horn. Upper frequency response retained extending down to mid range (2KHz). Suitable for high quality Hi-Fi systems and quality discos. Price £9.99 each + 50p P&P  
**TYPE E (KSN1038A)** 3 1/2" horn tweeter with attractive silver finish trim. Suitable for Hi-Fi monitor systems etc. Price £5.99 each + 50p P&P  
**LEVEL CONTROL** Comes on a recessed mounting plate, level control and cabinet input jack socket. 85 x 85mm. Price £3.99 + 50p P&P

**STEREO DISCO MIXER**

**STEREO DISCO MIXER** with 2 x 5 band L & R graphic equalisers and twin 10 segment L.E.D. Vu Meters. Many outstanding features 5 inputs with individual faders providing a useful combination of the following:—  
 3 Turntables (Mag), 3 Mics, 4 Line including CD plus Mic with talk over switch Headphone Monitor, Pan Pot L & R, Master Output controls, Output 775mV, Size 360 x 280 x 90mm, Supply 220-240V.  
 Price £134.99 — £4.00 P&P



**B. K. ELECTRONICS Dept EE**

UNIT 5, COMET WAY, SOUTHEND-ON-SEA, ESSEX, SS2 6TR  
 TEL: 0702-527572 FAX: 0702-420243

# Subscribe

## now . . .

## here's 3 good reasons why!



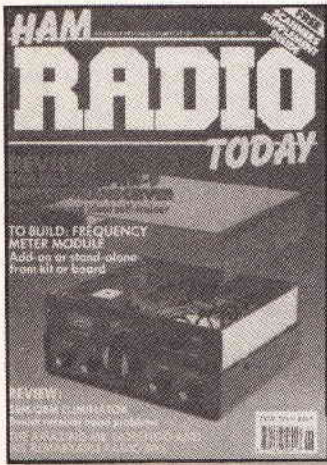
### ETI

**Published Monthly — SUBSCRIPTION PRICE £19.20\***

ETI is Britain's leading magazine for the electronics enthusiast and is renowned for its ability to keep pace with the leading edge of technology.

It has built its reputation with quality DIY projects giving detailed technical explanations, tutorial features on the world of electronics, and general features covering current affairs in science and technology.

A single source guide to electronics today — and tomorrow.



### HAM RADIO TODAY

**Published Monthly — SUBSCRIPTION PRICE £18.00\***

HAM RADIO TODAY caters for both the experienced user and newcomer to amateur radio. With generally informative features, the latest news and practical projects, this magazine covers all the aspects of this growing field; an invaluable complement for any licenced radio amateur worldwide.

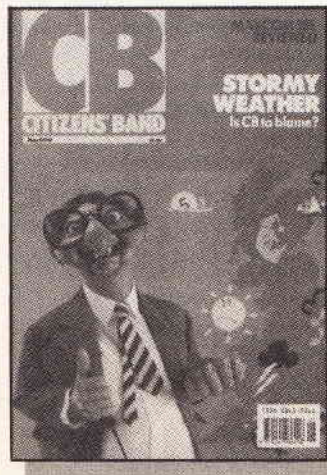
### CITIZENS' BAND

**Published Monthly — SUBSCRIPTION PRICE £18.00\***

CITIZEN'S BAND is the only British CB magazine and covers a wide range of topics of interest to the newcomer and the experienced user. In each issue the latest equipment is reviewed, useful practical projects are detailed and all the national and international band news is featured.

Of particular interest to overseas readers are the QSL pages, articles on shortwave listening, and reports on UHF CB.

\*Refers to subscriptions sent post free to UK addresses. Overseas rates on application.



Please commence my subscription to .....  
with the ..... issue. I enclose a cheque/money order for  
£..... made payable to ARGUS SPECIALIST PUBLICATIONS  
or debit £..... from my Access Mastercard/Barclaycard Visa No.

Valid from ..... to .....

Name .....

Address .....

..... Postcode .....

Signature .....

*Cut out and send this form with your remittance to:*

The Subscription Manager, Argus Specialist Publications, Argus House, Boundary Way,  
Hemel Hempstead, Herts. HP2 7ST

ET/8

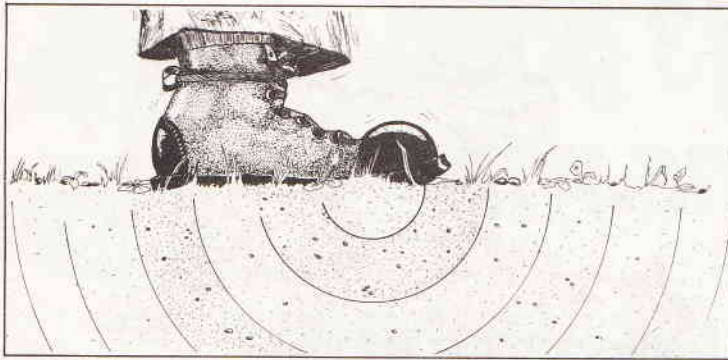
July  
1990

VOLUME 19 No 7

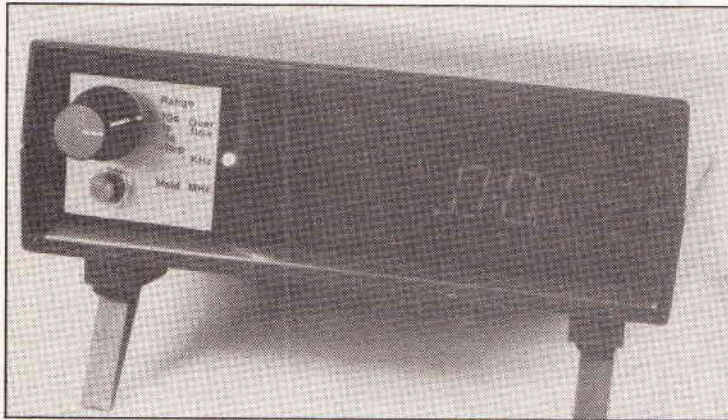
Paul Freeman: Editor  
Helen Oughton: Deputy Editor  
Mark Webb: Group Editor  
Ian Houston: Design

Cass Gilroy: Ad Manager  
John Brasier: Classified Sales  
Jerry Fowler: Technical Illustration  
Mannie Cefai: Photography

REGULARS

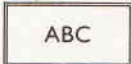


Page 18



Page 13

ISSN  
0142-7229



Member of the  
Audit Bureau  
of Circulation

ETI is normally published on the first Friday in the month preceding the cover date. The contents of this publication including all articles, designs, plans, drawings and programs and all copyright and other intellectual property rights therein belong to Argus Specialist Publications. All rights conferred by the Law of Copyright and other intellectual property rights and by virtue of international copyright conventions are specifically reserved to Argus Specialist Publications and any reproduction requires the prior written consent of the Company © 1990 Argus Specialist Publications. All reasonable care is taken in the preparation of the magazine contents, but the publishers cannot be held legally responsible for errors. Where mistakes do occur, a correction will normally be published as soon as possible afterwards. All prices and data contained in advertisements are accepted by us in good faith as correct at the time of going to press. Neither the advertisers nor the publishers can be held responsible, however, for any variations affecting price or availability which may occur after the publication has closed for press.

• Subscription rates — UK: £19.20. Europe: £24.10. Middle East: £24.40. Far East: £26.80. Rest: £25.85 or US\$45.00.



Argus House, Boundary Way,  
Hemel Hempstead HP2 7ST  
Tel: (0442) 66551 Fax: (0442) 66998

Read/Write

8

Ooooooops!

60

News

10

Classified Ads

64

PCB Service

20

Courses

65

Audio News

From Ambisonics to weatherproof speakers in this issue.

37

Next Month

66

Subscriptions

3

Tech Tips

More of your innovative designs.

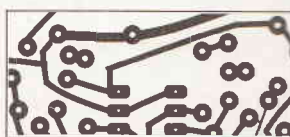
48

ASP Reader Service

66

Open Channel

6



Last Month

66

Blueprint

7

PCB Foil Patterns

60

Ad Index

66

## FEATURES/PROJECTS

### Digital Frequency Meter

Mike Bedford shows you how to build a compact frequency meter of single chip design.

# 13

### Footstep Intruder Alarm

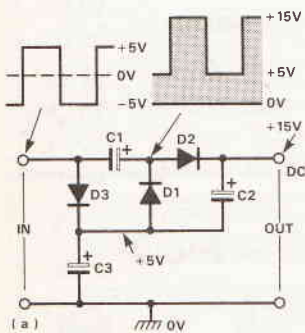
Protect your garden from prowlers with this clever little device. Robert and David Crone creep in to tell us about it.

# 18

### Signal From Noise

There can be many ways to extract a signal from unwanted information. Mark Robinson's report is loud and clear.

# 21



### Modern Diode Circuits

Ray Marston continues his series on diode circuits.

# 25

### Harnessing The Wind

Renewable Energy sources are becoming an important commercial consideration amongst current environmental concerns. Paul Freeman reports that the technology is now fully available to harness the wind.

# 32



### Guitar Practice Amplifier

Keith Brindley has built this portable practice amp to keep you walking and struttin' all to yourself.

# 39

### Audio Tech Tips

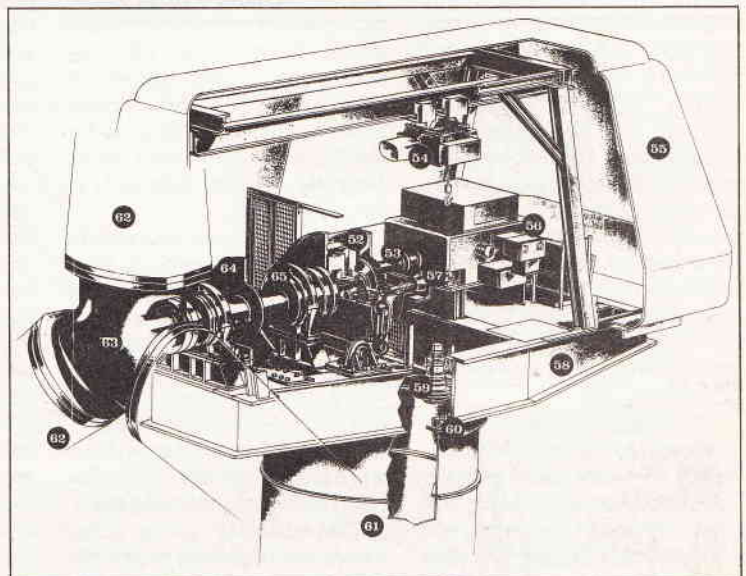
Some audio designs taken from our vast archives.

# 44

### Decision Maker

Building this project could help you to make all those important decisions. A Chris Bowes construction.

# 50



Page 32



### Transistor Tester

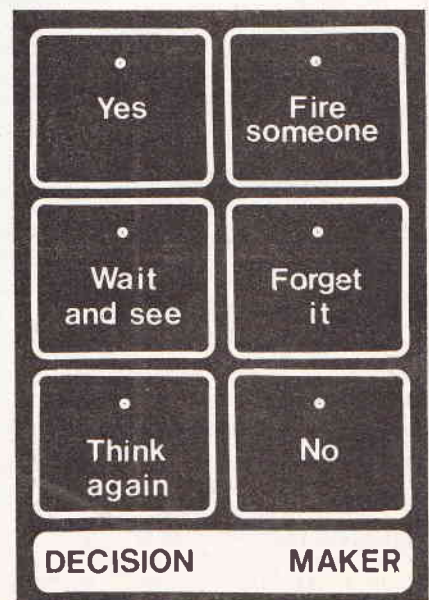
The first in a new series of test equipment to make and use with our Testing Testing saga. Mike Barwise explains.

# 55

### PCB Design Software

David Silvester reviews a variety of CAD software packages to design your circuits.

# 58



Page 50



# BLUEPRINT

Blueprint is a column intended to provide suggested answers to readers' electronics design problems. Designs are only carried out for items to be published, and will not be prototyped by the columnist. Circuits published in Blueprint are believed to work, but may need minor alteration by the reader after prototyping. Individual correspondence will not be entered into, save as necessary to prepare items for publication.

Here is an audio query with a difference:

Dear Sir/Madam,  
I am interested to know whether a circuit can be designed to effectively jam any sound in an adjustable radius around it. For example, if I have my hifi on loud, could I cancel the sound outside the listening area to avoid disturbing other people?  
Yours sincerely  
**A Q Ahmad Bolton.**

The short answer is "No". There is no practical means to produce the effect you want. I only wish there were, as I have had neighbours, too. However, the topic has exercised the minds of designers for some time, and it may be worth reviewing what can be achieved.

As featured in ETI last month, at least one car manufacturer (Lotus) has devised a microprocessor controlled noise reduction system for cars. Transducers measure the noise waveform and the microprocessor system calculates the signal required to cancel as much of the noise as possible. An array of amplifiers and loudspeakers is used to achieve this, and it is said to be very effective.

## Reflection

Note, however, that the aim is limited to partial noise cancellation in the upper half of an enclosed space whose acoustic characteristics are well known. This last point is important. In an enclosed space, the sound field from any one sound source will be affected by reflections from surfaces, resonances and so on. The positioning of objects in the area can change the characteristics substantially. If sound is generated or reflected from several different directions, either each must be cancelled individually, or the

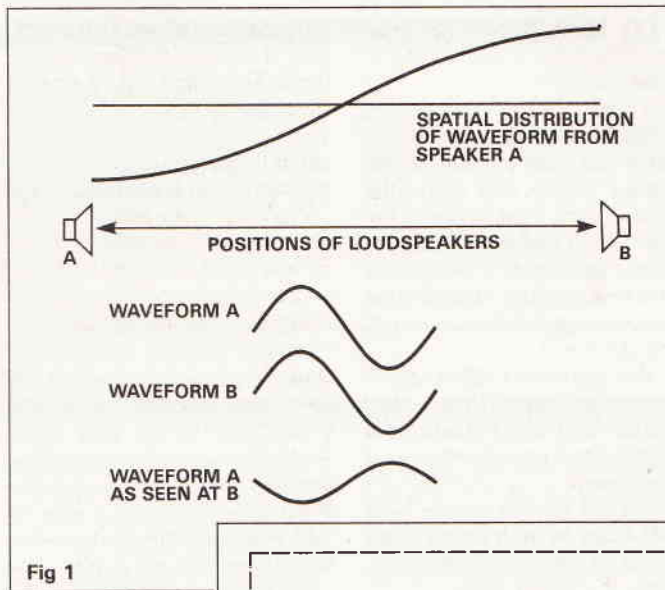


Fig 1

total effect at some point must be calculated and a cancelling signal introduced to cancel the effect at that point only.

To illustrate this, consider the simple case of two loudspeakers each fed with the same sinewave signal, and situated half a wavelength apart. If the volume of one speaker is reduced to match the sound from the other speaker at this point, then cancellation will take place (assuming that only the direct signal path exists, and there are no reflections). This is illustrated in Figure 1. Note that the cancellation only occurs at the loudspeaker with the reduced volume.

This is the bad news. The corresponding good news is that if the loudspeakers are less than  $\frac{1}{4}$  wavelength apart, then a degree of sound reduction over the whole area can be achieved. This is fine for a sinewave, but not for a normal music waveform. However, simple soundproofing techniques can cut middle and treble sounds from adjacent rooms, leaving the bass as the main problem. From the reasoning above, low frequencies are easier to cancel over a given range than high frequencies.

To reduce the annoying effect of bass feedthrough to adjacent rooms, a bass or sub bass loudspeaker in the adjacent room, fed with a suitably phased low frequency signal, can cut the sound. Such a scheme, illustrated

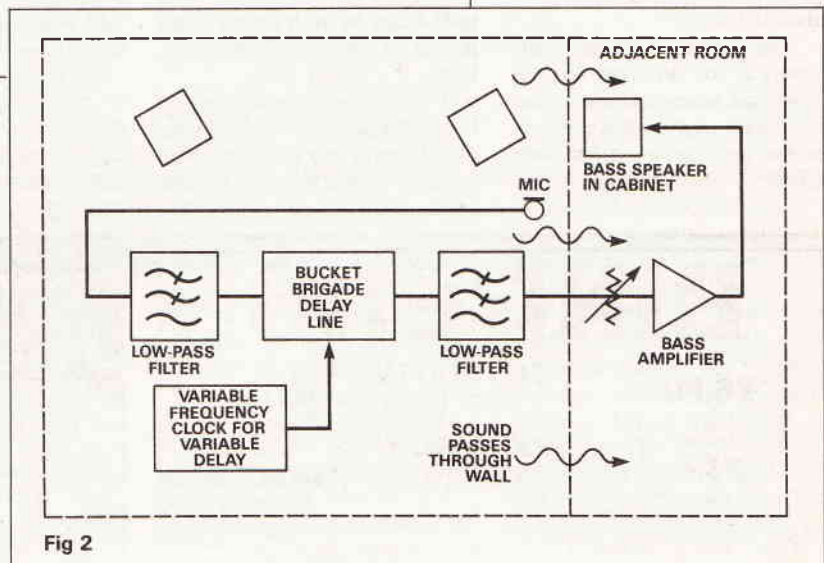


Fig 2

Adjustment of sound level in this channel can cancel the waveform at any other point at which the signals from the two loudspeakers are 180° out of phase, but cancellation occurs nowhere else.

in Figure 2, may be sufficient to reduce noise below the point at which it is irritating. Considerable experiment may be needed to achieve the best results in any given situation.

**Andrew Armstrong**

## OUT ON THE STREETS

In our ceaseless endeavours to ensure the smooth and seamless distribution of ETI, we would like to hear from any readers who have had difficulty finding our illustrious mag in the high street.

If your local newsagent stocks our competitors or other specialist titles but not ETI, we would be grateful if you could let us know using the coupon on the left.

Bear in mind that ETI comes out on the first Friday of the month and a natural break occurs at the end of each period.

NEWSAGENT'S NAME .....

NEWSAGENT'S ADDRESS .....

NEWSAGENT'S TELEPHONE No. ....

ETI IN STOCK rarely  never

OTHER ELECTRONICS MAGAZINES IN STOCK? yes  no

OTHER SPECIALIST MAGS AVAILABLE eg computers, radio, CB etc yes  no

SEND TO: THE EDITOR, ETI,  
ARGUS HOUSE, BOUNDARY WAY,  
HEMEL HEMPSTEAD HP2 7ST

# READ | WRITE



## Superscope Hints

**B**efore I make too many comments on the Superscope project, I would like to thank you for a splendid effort both theoretically and practically. I've had many parts lying around for several years waiting for this to come up.

I had great difficulty in getting the sync/trigger working and was surprised to find hitherto unmentioned 'Oops'. The PCB tracks for Q302 and Q303 must be wrong if you are using BC169C. However, the circuit works OK by substituting BC109C, which has the more usual E,B,C configuration.

Also Q304 needs to be cross-legged to line up. The drawing shows a different transistor may have been used in this position but the 'free-run' works OK with BC107.

I've had difficulty obtaining an LM710 comparator, ending up at Guildford. Radiospares and Maplin no longer stock this. I cannot locate a supplier for 15 $\mu$  450V electrolytics. I would have thought 15 $\mu$  a non-standard value. At present I'm running on temporary power supplies using HF EHT on a Brimar D77-220-GH small rectangular CRT with about 1000V EHT. I've still got plenty of scan power in

hand.

I had a lot of trouble with parasitic oscillation on the Y-amp but by using just 4 inches of wide spaced feeder and two small encapsulated chokes right adjacent to the collectors of the Y output transistors, it completely cured the problem. (It's still at the hook-up stage but I'm very happy with it.)

I've used an LM592 differential amplifier which seems OK, and also FET 2N3819 instead of BF256 which I couldn't find listed anywhere.

SW501 should strictly be 3 pole 4 way on the Y2 amp, not 4 pole 3 way as stated in the Parts List.

I've had trouble with Maplin's Make Before Break Wafers. One out of a set of four was assembled wrongly where the wiper didn't line up with the other three. I'm waiting for a replacement.

I have just to get over the Beam Blanking now. I've hooked a pulse amplifier up as you suggest but it doesn't seem to have much effect. I'll have to borrow a 'scope and sort it out.

Anyway, thanks again for the design.

**Aubrey Holman  
Burgess Hill,  
West Sussex**

*Glad to hear that you're getting on well with the Superscope project. I'm sure other readers who are working on the project will find your suggestions and hints useful.*

*Dennis Stanfield replies:*

*I was pleased to read Mr Holman's letter containing both praise and constructive criticism. I was glad to see that he is experimenting with yet another type of C.R.T. As I mentioned in the original articles I was keen to see constructors experimenting with changes to the circuit.*

*On to his problems.*

*Re Q307, the BC109C specified is OK but the base lead needs to be bent through between the emitter and collector leads. The BC107C used by Mr Holman should work just as well. In fact most of the small signal transistors used throughout the design are non-critical and normal substitutes may be used.*

*The LM710 was purchased from Radiospares. I did not know that they had deleted this item from their lists. An alternative supplier is Grandata Ltd., who may be contacted on 081-900-2329.*

*The 15 $\mu$  capacitors are not critical and were simply to hand at the time. Maplin's 10 $\mu$  450V axial types will serve just as well and are of similar physical size.*

*Parasitic oscillations are always difficult to sort and can sometimes arise from the most unlikely sources. Careful layout and maximum separation of the Y1 and Y2 leads whilst keeping these as short as possible goes a long way to preventing parasitics. Varying the inductance in the leads using a choke could have an adverse effect on frequency response and this would be a matter for experimentation but obviously in this case it works.*

*The LM592 is a pin-for-pin replacement for the 733 and appears to be more widely available. BF256s are available from Greenweld, Watford Electronics, P.M. Components and several other suppliers. However the 2N3819s should be OK.*

*Yes, the switch on the Y2 amp should be a 4-way type.*

*On the question of beam blanking, without specification for this tube type I can't really give an authoritative reply and experimentation is the only solution, primarily in the values of the resistor and high voltage capacitor in the collector lead of the BD115.*

## New Amps For Old

**T**he following should be of interest to those who, like myself, have built the original Linsley Hood 80W Amplifier (ETI June '84) and do not wish to go to the expense of buying the new power amp board to upgrade the amplifier.

First remove the angle bracket holding all the power transistors, saw it into three sections, one holding two power transistors, and one each holding the MOSFET power transistors. Cut away all wiring between MOSFETs and power amp boards. Make 4 small brackets and bolt these straight onto the power amp board then glue the angle bracket using epoxy resin to board.

This allows a much shorter length of wiring to the MOSFETs, new gate resistors and the series resistors R16 and R17 deleted. Upgrade as in ETI May 89, fitting Q9, C21 etc. C1 should be upgraded to 470n polypropylene (supplied by Maplin) as this is the direct signal path. RV1 should be changed for an APLS version, concentric type (note no balance control, R9-390R as in July ETI 1984).

The power supply can be upgraded as in May ETI 89. The power supply MOSFET heat sink can now be moved nearer to the power supply board. A new smaller heat sink works OK. The input sockets can be changed

from phono to BNC ensuring a high grade connection. All internal wiring should be solid core signal wire.

I have built the amp into a large rack mounting industrial cabinet to allow at a future stage, the installation of the pre-amp section. The output from the pre-amp can then be directly connected to the power amp volume control.

The problem with the MJ2501, I solved by fitting a MJ11015 in the original design. All earth returns, except the small signal leads are made with solid core heavy duty wire.

My equipment consists of a modified Dias turntable, Rega RB

300 arm with a Glanz cartridge and Stax-Lambda electrostatic loudspeakers.

The JLH modifications seem to give the amp an even greater separation of instruments, better HF and LF response with a greater clarity. It gives a certain air which makes you feel that you really are at the performance. Tape hiss is more obvious but this only shows the clarity of the amplifier.

Full marks to JLH who gave me a faith in transistors after years of building valve units.

We also await the pre-amp section to this much admired amplifier.

**D. Lucas  
Glasgow**



## Remote Control Cable

Thank you very much for the most illuminating article on Cable TV, in ETI April 90.

I am a subscriber to the Maxwell Cable TV in Eastbourne which relays Sky programmes and is distributed via pairs of wires and an 'inverter'. I use a Sony Multistandard TV which has both UHF and VHF facilities. I wonder if I could bypass the inverter and connect the VHF signals to the TV directly, thereby putting to use the remote channel changing facility of the TV.

I would be most grateful for

your advice on this matter, and if possible on how to go about doing it.

**A S Joseph  
Eastbourne**

*Jim Slater replies:*

*I was pleased to hear that you found the ETI Cable TV article helpful, and interested to hear that you are a subscriber to the Eastbourne cable system; some years ago I had the job of talking to the residents of East Dean to make excuses as to why the broadcasters did not provide a satisfactory service in some parts*

*of the area!*

*Your idea of trying to get at the cable signals directly, so that you can make use of the remote control unit, is an interesting one, which would work if you were connected to a system which sends signals around at VHF, although I dread to think what the cable company might say! From what you tell me, however, it seems clear that you are connected to an HF multipair system. These use frequencies of anywhere between 3 and 30 MHz on the different wires, and your receiver must be switched to the*

*appropriate wires to display the pictures from any particular channel. The signals coming along the wires are not suitable for direct connection to any 'standard' television receiver, and so I am afraid that there is no alternative but to use the 'inverter'.*

*It seems hard, however, in these days when everything is remote-controlled, for you to have to get up and turn a switch every time you want to change channel, and I think it might be worth talking to the cable company to see if a suitable remote control receiver is suitable.*

## Down To Earth

An interesting and down to Earth series of articles on Earth Current Signalling from George Pickworth. However, regarding Part 3, I cannot agree with George Pickworth on the information available for values

suitable for C Type amplifiers.

I have operated a pair of PX4 triodes in a similar circuit to Figure 1 in the article, replacing the 2N3055 pair and modifying the power control circuitry to allow for the extra current drain. Of course,

the superb linearity of the PX4 makes is ideal for positive earth current experiments — especially in marshland where single copper rods are easily inserted and give superior results over the spade or fork idea. The ammeter in the

centre tap of the power transformer shown in the figure will of course have to be replaced by a 3 amp fuse.

**R Harry  
Bristol**

## RIAA Please!

Over the past few years your magazine has published several hi-fi amplifier designs. In these designs a huge variety of approaches has been seen, most of which have been clearly explained in the articles. The exception which springs to mind is RIAA phono equalisation. In

each amplifier a series of active filters are shown, but little explanation of RIAA characteristics is offered.

I'm writing to ask whether someone could produce an article on RIAA compensation circuits including details on what they must achieve (i.e. the

reference curve), how to go about designing them, and a couple of examples of hi-fi quality circuits with a breakdown as to which components are performing which part of the compensation.

I think an article of this kind would be very popular and I certainly would appreciate the

lifting of the veil from this branch of audio electronic design.

**S A Baker  
Gloucester**

*If anyone out there is an expert in this field, and would like to try writing an article, we will gladly consider it for publication.*

## BT Disapproval

An article published in the May edition of ETI concerning a "Phone Lock" has been brought to my attention. You will recall that the article outlines how to build an electronic circuit which will act as a password-protected call barrier to limit the calls made on a particular telephone outlet. It further details connection of the device to BT lines and how it may be fitted within a telecom socket.

I would like to point out a number of concerns that we have with this article and to place it within the current regulatory regime. As you may be aware, it is a legal requirement that any device connected to a public telecommunications network in

this country requires approval. The body normally responsible for evaluating apparatus against British Standards is BABT. The prime reason for approvals is to ensure that network safety is maintained. You do make mention of the subject but the requirement to pass compliance testing by BABT before being connected to the network is interpreted as meaning "the unit must be capable of getting BABT approval". This phrase combined with the use of BABT Optoisolators would lead the reader to believe that it was perfectly acceptable to connect to the network without BABT approval. This also extends to any devices

connected to the parallel or serial ports of the phone lock.

There are two further issues of serious concern. The first involves unauthorised persons disassembling the master socket and making connection within. The master socket forms part of the network and remains the property of British Telecom. Accordingly, any alteration to the socket would require the prior approval of BT. We take a serious view of anyone tampering with it or any wiring on the line side since this may result in serious harm to the network or persons working on it. The second item concerns emergency access. If my reading of the article is correct an attempt to contact

the emergency services by dialling 999 would fail, as a first digit of 9 excludes all calls under the password scheme. The standard for call barring devices specifically excludes this. I am sure that you would agree that this could have most serious and unfortunate consequences.

In view of the above I believe that it important to clarify the approval requirements and the restriction on opening the master socket to your readers.

**Finbarr Ring  
Government Relations  
Department  
British Telecom  
Kevin Kirk will reply next  
month**

# NEWS

## VISION ON

Sony Corporation has announced the "Sony Design Vision 1990", which challenges students worldwide to create innovative designs for the theme "Person-to Person Communication: The Telephone".

Sony hope that the design competition will promote global communication through design. This year's theme highlights the importance of the telephone as a means of communication. Sony hopes that through this theme, students of design will closely examine the process of interaction between people and propose new possibilities for communication.

Sony are offering 36 prizes, of between \$1,000 and \$10,000 plus lots of Sony goodies.

The closing date for the design competition is July 31 1990, and it is open to anyone who is a student on that date and to 1990 graduates. For details contact: Sony Design Vision 1990, c/o Gabrielle Sommer, Corporate Communications, Sony Europa GmbH, Hugo-Eckener-Str 20, 5000 Köln 30, West Germany.

## WHO YOU GONNA CALL?

Paperless communication has been technologically possible for many years, yet many businesses are slow to take up its advantages.

*Paperbusters* is run by a consortium of European market leaders in Electronic Data Interchange (EDI), including Hapag-Lloyd UK International, International Network Services Ltd, Marinade Ltd, National Westminster Bank plc, Scicon Industry and SITPRO (the Simpler Trade Procedures Board). The aim of the consortium is to demonstrate the ease and benefits of using paperless business communications for both national and international trade for small to medium sized companies.

The members of the consortium are each bringing to the project their expertise in their respective areas, to document the implementation, hurdles and success of a complete electronic trading environment. A full analysis will be published when the project is finished in mid 1991.

SITPRO's vice chairman Jim Fetherston says:

"Too many people perceive EDI as only applicable to major corporations. This project will prove that the benefits of electronic trading are critical for the continued success of small to medium sized companies."

## ELECTRICAL ENGINEERING SALARIES UP 10%

Salaries of Chartered Electrical and Electronic Engineers have risen 10% over the past year to a median of £25,000, according to the 1990 Salary Survey of its members by the Institute of Electrical Engineers (IEE). The members surveyed will have a good engineering degree, and will have held a responsible position in an electrical or electronic field for at least two years. For associate members, who must have a good engineering degree, the median figure is £18,500.

The survey was based on a random sample of 40% of IEE Fellows, Members and Associate Members in the UK and Eire, of whom 50% responded.

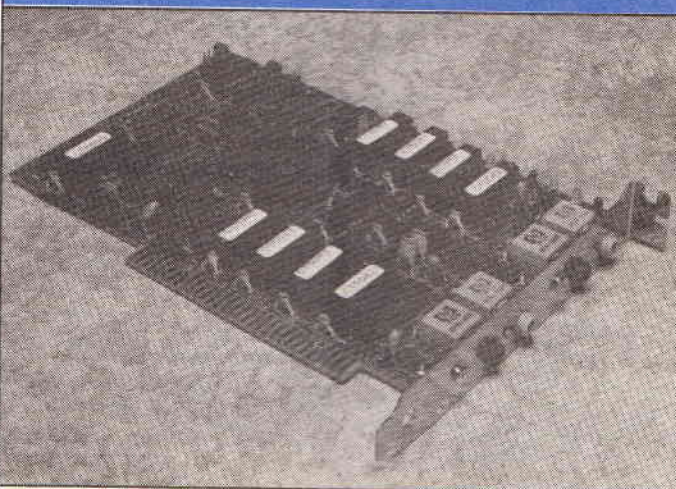
The highest salaries were in

insurance, banking, finance, broadcasting, telecommunications and the armed forces. Public sector salaries continue to be higher than those in the private sector, but the gap has narrowed considerably over the past few years.

In geographical terms, the highest salary increases were in Northern Ireland (15.7%) and the lowest in Scotland (5.6%). Unemployment in the profession remains low, and stands at just under 1%.

The number of women respondents to the survey was very small, but showed that their salaries are lower than their male counterparts with a median of £16,500.

## HIGH FIBRE, HIGH SECURITY



The increased use of PCs to control industrial automation requires secure data links, but these can be difficult in harsh or hazardous environments. Ordinary RS232 cables, often used to transfer data between a computer and peripheral devices, are prone to electrical interference in difficult environments such as manufacturing plants and allow electronic eavesdropping.

Fibre-optic data links are immune to electrical interference and eavesdropping and are safe in hazardous environments. The CPCFS fibre optic communication card from Concise Technology provides IBM-PC, -XT or -AT computers, or systems based around the PCbus, with two FOSIL (Fibre Optic Standard Interface Link) data communication channels. The card operates

with RS232C protocol at standard baud rates, so it can be installed without making any changes to existing communications software.

The CPCFS's two FOSIL channels are fully compatible with the PC's COM1 and COM2 serial ports, but can be allocated to any other I/O channel address if required. Unlike many fibre optic modems, they provide full flow control via the RTS/CTS and DTR/DSR signals which are multiplexed along with the transmit and receive data on to a single pair of optical fibres.

The CPCFS occupies a single short slot in the computer's I/O channel expansion bus (PCbus), and is priced under £250.

For more information contact John Halford, telephone: 0603 789432.

## COMPACT DVM

Autona Limited have introduced a low cost DVM module which has an overall depth of only 11mm, so it can be incorporated into very compact equipment.

The unit is called the DVM 456, and features 14mm high efficiency displays which, together with the red filter fitted in the moulded bezel, are readable under high ambient light conditions.

A built-in supply stabiliser simplifies installation into a wide range of equipment, since the module operates from an unregulated supply of between 7 and 12V. The unit is protected against input over-load and reverse polarity supplies to ensure safe operation in hostile environments.

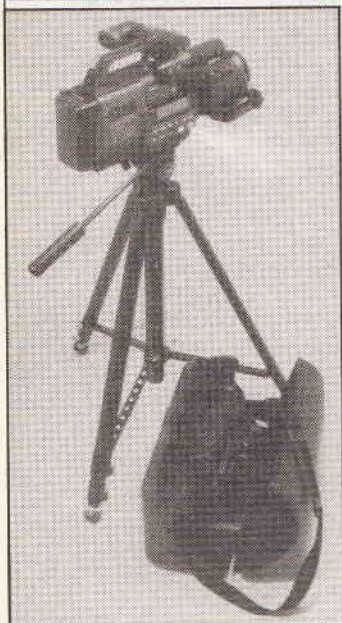
Available in standard form with a basic sensitivity of  $\pm 1.999V$ , the unit may be supplied with alternative FSDs where quantity requirements exist.

Supplied with a comprehensive Data Sheet, the unit costs £19.95 + VAT for a single unit.

For more information contact Mr J Leith. Tel: 08444 5740.



## INTEREST RATES HIT ELECTRONICS MARKET



functioning player, most as early replacement purchases, the old models either being retained or joining the 350,000 unit second hand market.

The main feature trends were the continued growth of long play and the diversity of remote programming techniques. However, 28% of consumers never set their video to record, or find it difficult to do so.

In contrast to other categories in the market, sales of camcorders more than doubled to 280,000 units, a trend which is expected to continue in 1990.

Satellite sales were respectable rather than a triumph or disaster, at 450,000. While this figure exceeded those of colour TV or video in their launch years, neither had benefitted from the equivalent level of hype and promotion and both were considerably more expensive than satellite. Consumer interest, at 14%, whilst growing is also beginning to polarise heavily towards the young, with 30% of 18-24 year olds interested in buying a system, compared with 7% of those aged 45 or above.

50% of consumers do not favour either BSB or Astra and are waiting to see what both broadcasters have to offer. For that reason, only a quarter of those interested believe they will definitely or probably buy this year.

The audio sector is generally fairly static. Consumer interest in CD remains high, with 29% of those not owning a player interested in buying one in the future. Again interest is polarised, varying from 59% of 18-24 year olds to 8% of the over 65s. Only 28% of those interested cited falling software prices as a relevant factor in their decision.

**H**igh interest rates mean that many electronics consumers are unlikely to make non-essential purchases in 1990, according to a survey published by Ferguson.

The third Annual Consumer Electronics Market Report reveals that two thirds of consumers are affected by interest rates. Those paying mortgages are hardest hit, with three out of four claiming to be affected. The report claims that sales are likely to remain depressed, the exceptions being new product areas such as satellite, with 14% of consumers expressing interest, and camcorders, where the market is expected to exceed that of small screen television.

Half of those questioned in February 1990 expect to have less money available to spend on leisure compared with under a third last year. Fewer consumers plan to make purchases compared to the same time last year.

The small screen market, driven by a requirement for more sets in the home, declined for the first time and is predicted to decline further in 1990. However, flat screen television almost doubled its share.

In video, sales held up better than in television, probably due to the high proportion of first time purchases, particularly from the younger 18-24 age group and the 55+ age group, who are also least affected by increases in mortgage payments. One in four VCRs went to homes with a

## REWRITE WITH LIGHT

**T**he world's first commercially available rewritable optical disc recorder has been introduced by Panasonic Communications & Systems Company. Previously, optical discs could record images only permanently. The LQ-4000 provides producers and other video professionals with large scale storage of still images and full-motion video.

The discs have a minimum 10-year life and are capable of one million erase-and-write cycles.

The recorder could have enormous potential in the video industry. Its rewritable capabilities and long playing time make it suitable for videodisc mastering, interactive video training, point-of-sale information, image storage and retrieval and security

environments.

Using an FM recording system for colour signal, the optical disc recorder significantly reduces chroma noise, and achieves a chroma signal-to-noise ratio of 45dB. As a result, colour smearing is suppressed and colour rendition is improved.

An analogue unit, the LQ-4000 can provide access to any individual frame on the disc in less than a second, avoiding a time-consuming linear search. Sports producers could retrieve and broadcast highlights of the start of the game before it finishes, without waiting for a tape to rewind.

The rewritable optical disc recorder will be available in the US and Japan in the last quarter of the year.

## GETTING ORGANISED



**J**ust as we were getting bored with ordinary personal organisers, electronic organisers began to hit the market. The range available is now rapidly expanding, with manufacturers competing to fit the widest range

of functions into the smallest devices.

The Sharp IQ 7000 Personal Organiser is the size of a pocket diary and offers a range of functions ranging from a schedule manager to a calculator.

The IQ7000 has 27kBytes of memory, allowing a range of facilities including a 199-year calendar (for when you want to plan 199 years ahead!), a schedule manager for appointments and timetables with capacity for over 500 entries, a calculator, a telephone directory, a memo facility and an alarm function for any entry.

Plug-in options include an eight language translator, a time/expense manager, a thesaurus/dictionary and a link to transfer data to and from a PC.

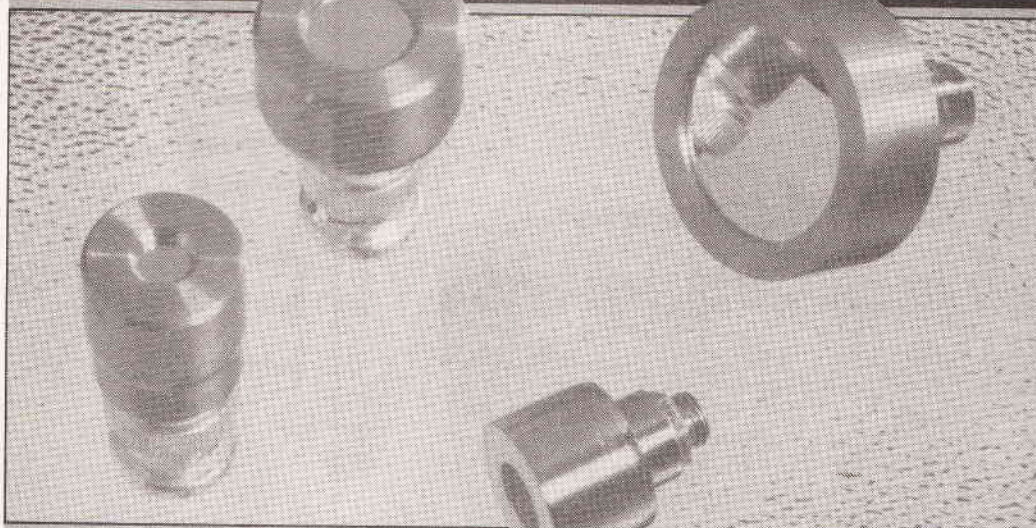
## NEW CRICKLEWOOD CATALOGUE

**T**he Cricklewood 1990 Catalogue is now available. The catalogue contains around 2400 more items than last year. The range of products has been increased to cover such items as hobby kits, microphones, speakers, headphones, video heads and aerials. Here in the ETI office we find it very comprehen-

sive, with a very good selection of transistors and other semi-conductors. The catalogue now also covers a range of books.

The catalogue costs £1.50 (this includes postage) and can be ordered from: Cricklewood Electronics Ltd, 40 Cricklewood Broadway, London, NW2 3ET. Telephone 081 452 0161.

## HARWELL CHIPS IN WITH RADIATION DETECTOR



**N**ovel radiation detectors, designed and manufactured at Harwell Laboratory, are to be sold throughout Europe by EG&G (Instruments).

Ion-implanted Radiation

Detectors (IRDs) are silicon chip devices capable of measuring a variety of radiations, and are sensitive to very small amounts radiation. They are very rugged and can be manufactured

in a variety of shapes up to 100mm across.

Ion-implantation is a process in which dopant ions are accelerated towards a silicon wafer. The process allows a very high degree

of uniformity and control, so enabling the very shallow p-n junctions required for detectors to be formed. Semiconductor radiation detectors can be made to detect Alpha particles, Beta particles and X-rays. They are low-noise, thin window devices, combining high performance with ruggedness. They are particularly suitable for use in high resolution spectrometers for analysis work and in environmental monitoring systems.

Much of the early work on silicon doping by ion-implantation was pioneered at Harwell in the 1960s, but recent advances have produced highly efficient electronic devices capable of measuring many different radioactive isotopes simultaneously. Customers are expected to include public analysts, MAFF, food research associations, BNFL, universities and MOD.

## FIRE PROOF TRANSFORMERS

**A** range of high performance transformers now use an advanced fire safe material to make one of the safest types of distribution transformer available.

The Securamid range from Goodyear has been developed for use inside buildings where the reduction of an incoming voltage of 11kV down to 3 phase 433V may present a fire hazard. The fire retardant characteristic of meta-aramid materials to give the transformers a high performance in fire.

The transformers use meta-

aramid to insulate both the high and low voltage coils, and can withstand operating temperatures of up to 220°C without combustion or degradation of the insulating material.

In addition, the transformers open-wound design minimises the amount of organic material used in their construction, which significantly reduces the potential of burning, fire propagation and toxic gas emission.

For more information contact Neil Botting, telephone: 021 707 8557.

## INTRODUCING ISDN

**B**ritish Telecom has announced further plans for its ISDN service, including key dates for its introduction.

Lines have been offered to terminal manufacturers and are currently being tested by them, allowing the benefits of ISDN to be demonstrated to customers.

From the end of July, a larger number of lines will be provided to customers in several business areas throughout the country, enabling customers to work together with their terminal suppliers and British Telecom to establish pilot configurations to assess how best to use ISDN.

International interworking to a number of countries will also be offered during this phase.

From the beginning of next year, the service will progressively become available throughout the country, and deployment to all digital local exchanges serving business communities or high streets will be achieved by the end of 1991.

The National Computing Centre is undertaking a project, sponsored by British Telecom and the DTI, to increase public awareness of how the capabilities of ISDN might benefit today's business needs.

## MAY I PRESENT . . .



**T**he latest sales device is the portable video presenter, consisting of a very compact video player and screen, allowing promotional or informative video recordings to be easily displayed at meetings in any location.

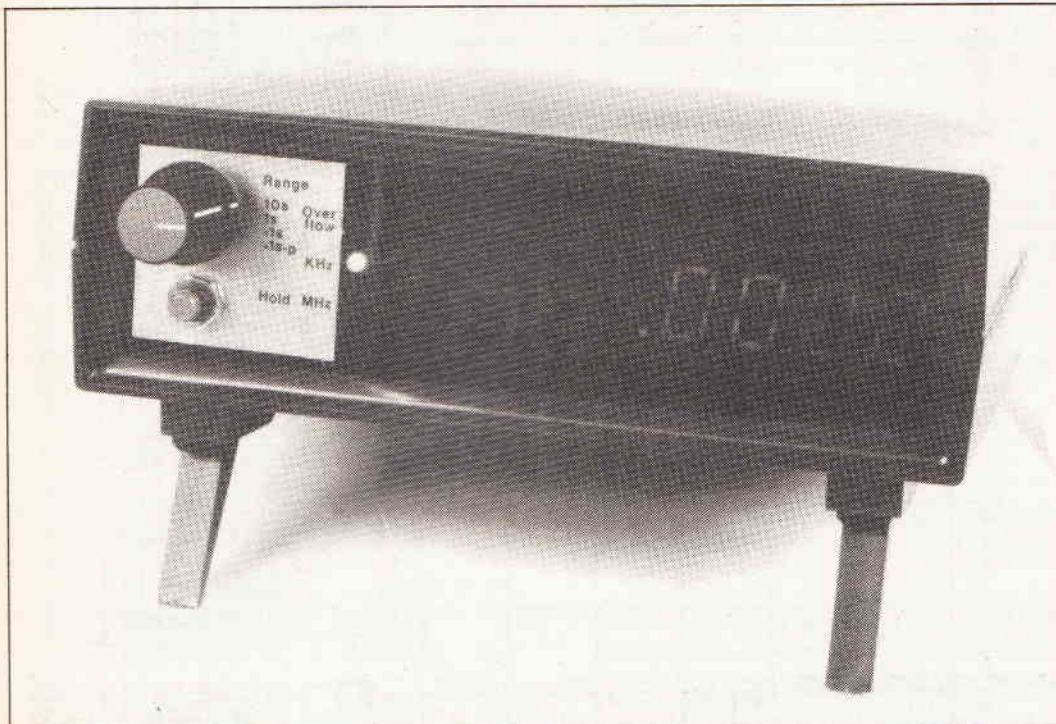
Hanimex have introduced the VCP34, which combines a full-featured video player and a 14 inch screen. It is suitable for groups of up to about six people, or for continuous point of sale presentations.

The VCP34 presenter is lightweight, and is easy to transport using a handle on top. Infrared remote control allows the VCP34 to be controlled 'hands free' during the course of a meeting.

The manufacturers hope that it will also have a major impact for training and safety films, and for corporate company videos. They also see potential applications in airport or station queues, travel agents and estate agents.

# DIGITAL FREQUENCY METER

# PROJECT



**W**e published another project for a digital frequency meter in ETI in November 1989 and this one does indeed offer a similar specification. However, we are presenting this design, as both articles give some insight into the design process and it is interesting to see how two quite different design philosophies emerged from the same basic requirements. Also this design uses fewer chips and so may appeal to less experienced constructors and the end result is quite a compact unit.

## The Requirements

I recently found myself in need of a frequency counter for the first time, and discovered that commercial equipment has a price tag of approaching £100 for the simplest of models. I therefore turned my attention to designing and constructing my own.

In my opinion the ideal design for a general purpose digital frequency meter has a maximum frequency in the region of 30MHz (covering all the HF amateur radio bands), an 8-digit display and is inexpensive to build. A single chip, the ICL7216D from Intersil, comes close to providing these functions, but has a top frequency of 10MHz. However, by adding an LS TTL divide-by-10 chip a maximum frequency figure of 50MHz (the maximum switching frequency of LS TTL) can be achieved.

## Design Considerations

Figure 1 shows the basic manufacturer's application circuit for the ICL7216D. To keep the price down without compromising performance I tried to keep as close as possible to this minimum configuration. The 8 seven-segment LEDs are driven directly from the chip in a multiplexed arrangement and the inputs for mode, gate time and external decimal point are also multiplexed. Taking these inputs in turn, I decided that the only modes needed are normal frequency counting operation, hold display and test display.

Also, as we shall see later, external decimal point mode is always active.

Now coming to the gate times, the possible options are 10s, 1s, 0.1s or 0.01s which give resolutions of 0.1Hz, 1Hz, 10Hz and 100Hz respectively. As 0.1s doesn't seem too long wait for a reading and the 0.01s option loses a digit of accuracy, I decided to use only the longer three gate times. The divide-by-10 pre-scaler, (not shown in Figure 1), could in theory be used in conjunction with

*Mike Bedford builds a low cost, compact frequency meter.*

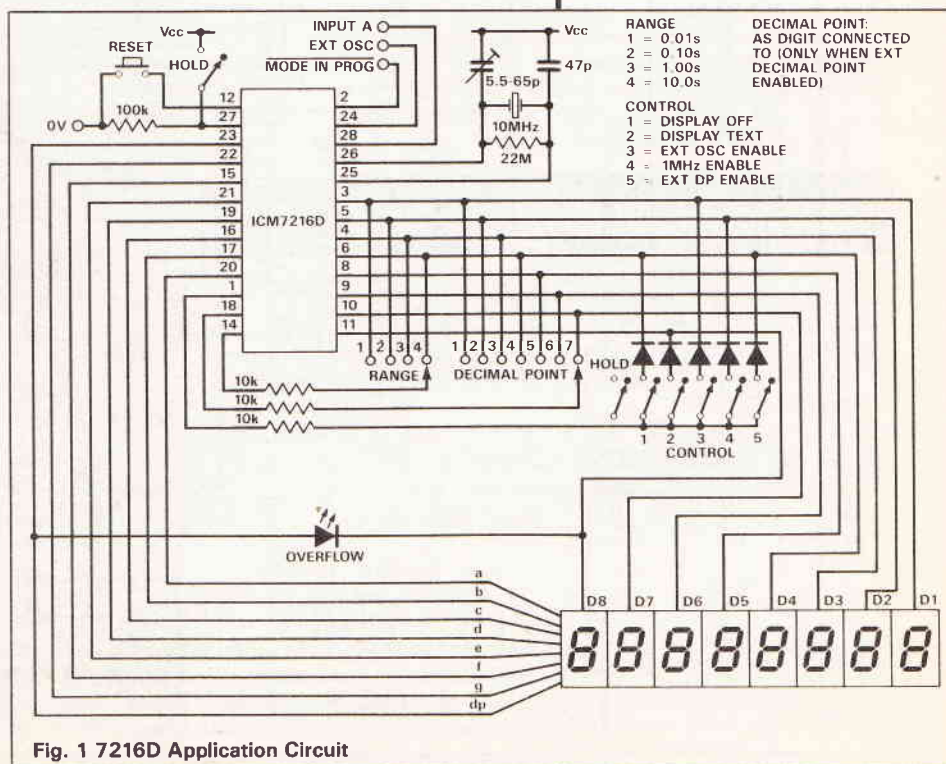


Fig. 1 7216D Application Circuit

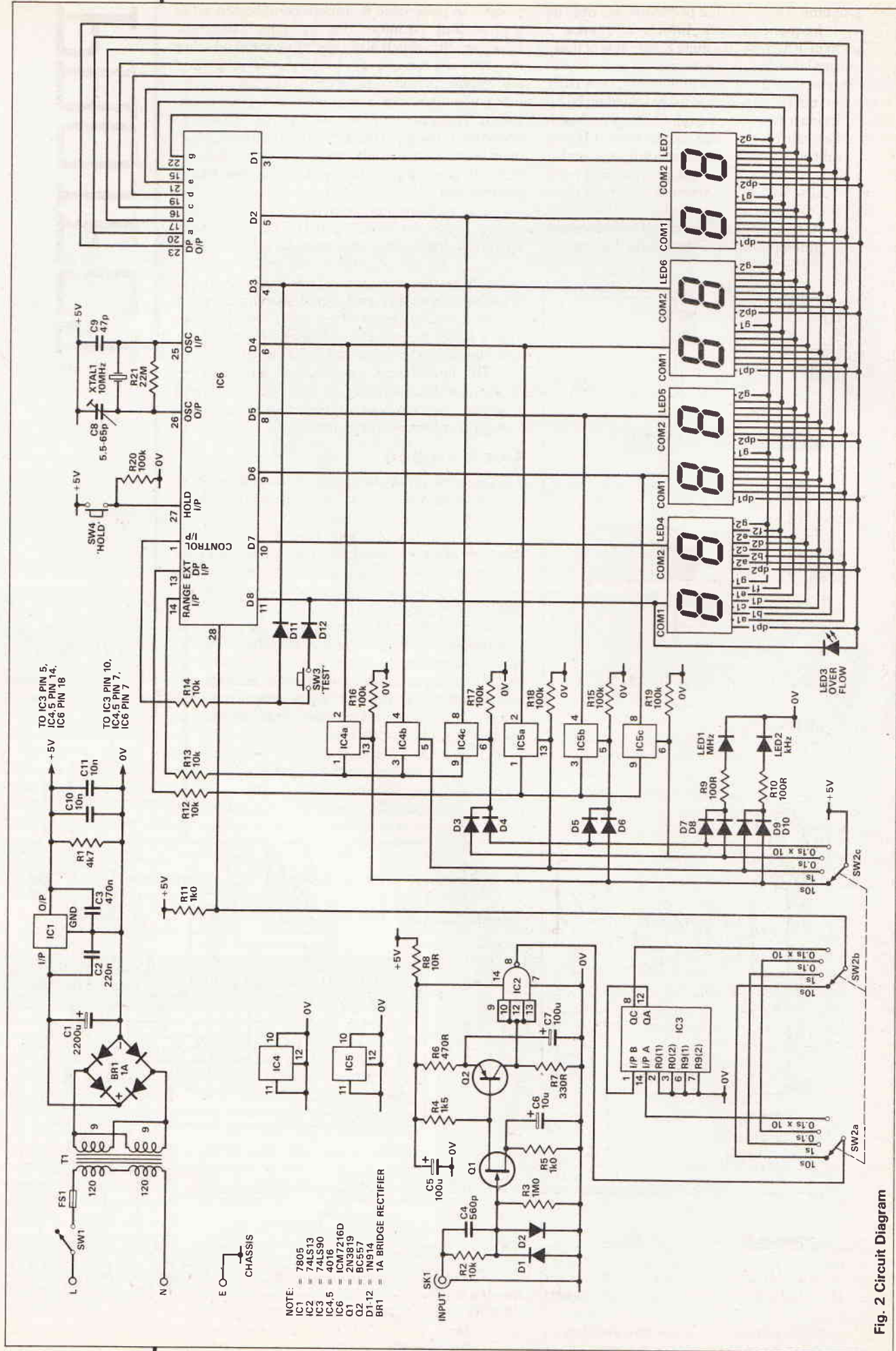


Fig. 2 Circuit Diagram

any gate time. However, the pre-scaler will only be used for frequencies over 10MHz and since a resolution of 100Hz seems quite acceptable at these frequencies I decided to use the pre-scaler only with the 0.1s gate time. (This gate time does give a 10Hz resolution, but remember that we are dividing by 10 thereby losing a digit of accuracy). So, we are left with four ranges with 10s gate time, 1s gate time, 0.1s gate time straight and 0.1s gate time through the pre-scaler.

Finally we come to the external decimal point input. Because we are using the pre-scaler, we need to shift the decimal point one position to the right whenever the pre-scaler is in circuit. We can also move it a further three positions to the left on the top two

directly, in preference to a more complicated set of latches and counters driving digital switches. However, this switch also needs to control whether the pre-scaler is in circuit (which uses two gangs) and also to switch the kHz/MHz LEDs. The total requirement was therefore a four-way, five-gang rotary switch. However four-way switches get expensive above the three-gang variant, so inexpensive CMOS digital switches are used to switch the gate times and decimal point inputs hence keeping the switch requirement to four-way, three-gang.

It is perhaps not immediately obvious from Figure 1 that the main input is TTL compatible, whereas a frequency meter must be able to handle sine waves as well as square waves and amplitudes of much less than 5V peak-to-peak. An input limiter, broadband amplifier and signal shaping circuit is required, the output of which is fed into the input Figure 1. The input circuitry is based on that used in a frequency meter published in ETI in 1985.

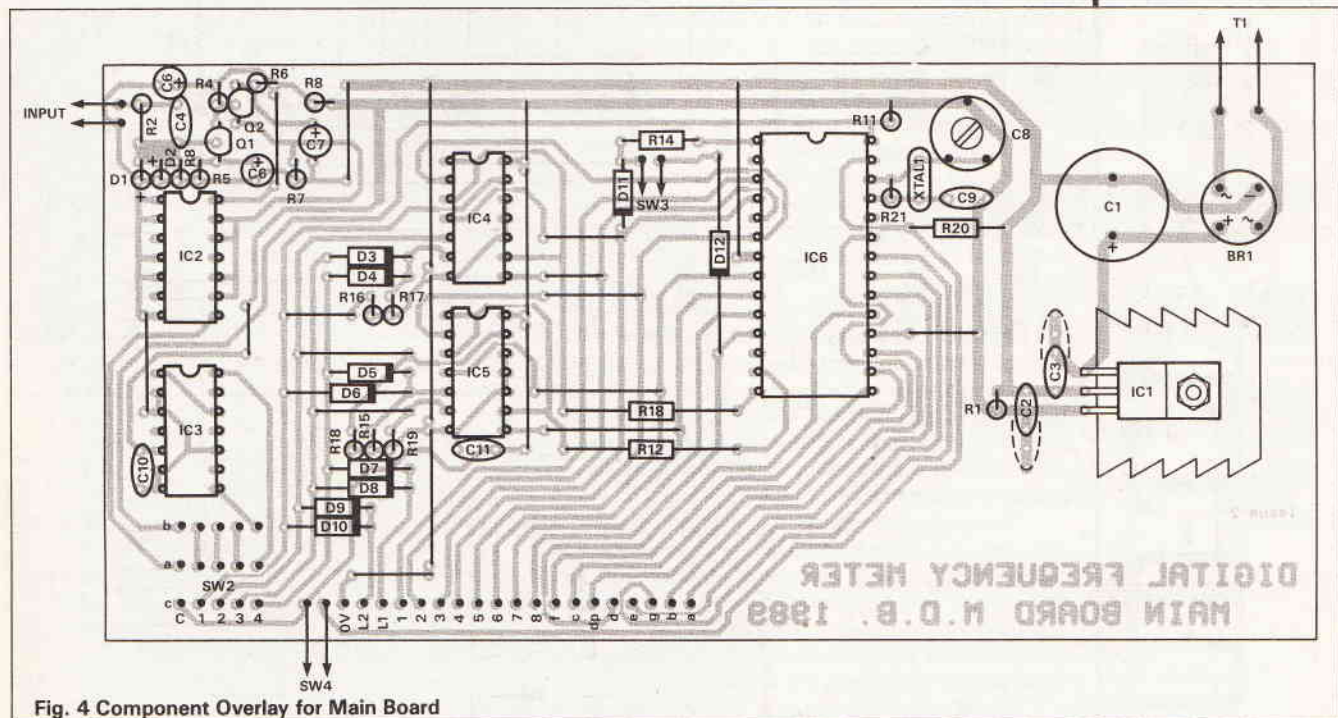
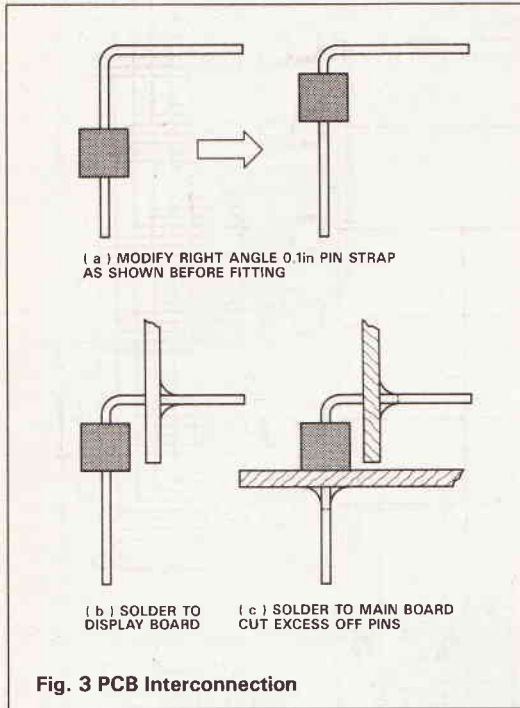
The final design consideration relates to the powering of the unit. There are no surprises here, and a simple mains power supply utilising the 7805 voltage regulator has been included.

### Construction

The electronic construction is straightforward but there is some work involved in the physical side of making a neat unit in a compact case.

Firstly a few miscellaneous points on the assembly of the two boards and the connection of the main board to the display board. Both boards should be fully assembled before they are interconnected as shown in Figure 3.

It would be wise to adhere to normal practice of using sockets for the ICs (but don't plug them in at this stage) but not for the seven-segment LEDs as this would push them further forward and affect the board position within the case. The cathode (-ve) of the other LEDs is indicated by either a flat on the body or an extra long lead.



ranges to give a MHz reading here — all this costs is two LEDs to indicate whether the reading is in kHz or MHz.

I originally intended to use rotary switches to switch the gate time and external decimal point inputs

The mains transformer is mounted off-board but needs a little bit of wiring. The type specified has two 120V primaries which need connecting in series for 240V mains and two 9V secondaries which need connecting in parallel (make sure they are paralleled

0 to 0 and 9 to 9). Mains earth should also be connected to the transformer case using a solder tag and to the one remaining metal part, the back panel. To avoid the risk of damage to the relatively expensive IC6, apply mains power to the transformer at this stage and use a multi-meter to check that the power supply

glued firm before the feet are fixed. The PCB is then secured by tightening the nuts on these captive bolts. The two side brackets supplied with the case were not used.

The photo shows suggested front panel labelling. The lettering used is 2mm. Because the front panel is filter material, Letraset and laquer cannot be used as the laquer would damage the optical properties of the filter. The ideal solution is screen printing in white ink but most people won't have the necessary facilities. Instead, make a small label to be positioned between the switches and the three LEDs.

The unit is calibrated simply by applying a good stability signal of a known frequency to the unit and adjusting CB until the correct frequency is displayed. This should be carried out at the longest possible gate time though the display will only update every 10 seconds on this range.

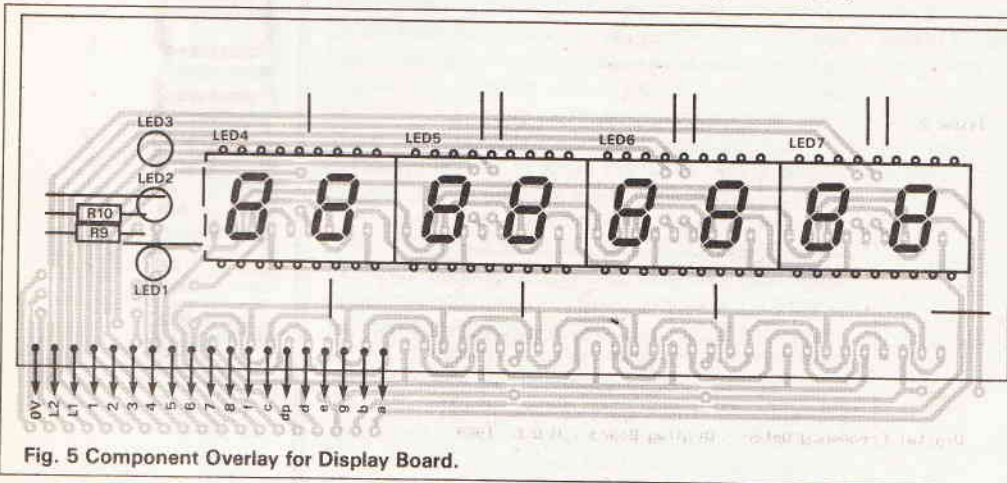


Fig. 5 Component Overlay for Display Board.

voltage is correct and of the right polarity. If all is OK it is now safe to plug in the ICs. Take care not to touch the pins of IC4, IC5 or IC6 as these are CMOS parts and liable to damage by static.

Turning now to the physical construction, these comments refer to the case specified in the Parts List. If you use a different enclosure you will have to work this out for yourself. The case used results in a very compact unit but the boards only just fit in and even then only after a bit of modification. This type of construction method can be successfully used by the amateur enthusiast but certainly wouldn't lend itself to manufacturing.

The first such modification is to remove a some stand off pillars from the bottom of the case. These are five towards the front of the case (underneath the main board) and two in the middle at the back (which would otherwise prevent the positioning of the transformer). Now remove the notch from the front left side of the main board (as viewed from the front). You must also remove the right front of the four pillars (through which the top of the case screws to the bottom) in both the top and bottom half of the case. In doing this, note that the lid only fits to the bottom one way round. The board can now be positioned sufficiently far forward and low down in the case and is secured by a number of bolts through the bottom of the case.

Most frequency counters have a filter covering the display and this is surrounded by a bezel. In this compact design there isn't really room for such a bezel and instead the entire front panel supplied is replaced by a piece of filter material. Clearly this filter needs a couple of holes cutting for the rotary switch and 'hold' push button. This solution, does in fact give a very professional appearance to the unit.

The only difficulty is that the filter material suggested is 1.5mm thick compared to 1mm for the original front panel. In order to accommodate this a few spacers in the appropriate slots in the top and bottom of the case need cutting out with a sharp knife. To cut the filter, score it well with a scapel, after which it will readily snap along the scored line.

The case specified comes complete with four feet, the front two of which allow the unit to be tilted up. These feet are supposed to be screwed on, but since you have removed the pillars into which they screw, you will have to glue them on. The front two feet are in the same positions as two of the bolts fixing the main board, so the bolts in question should be

## HOW IT WORKS

This will be a brief account since all the counting happens in the depths of IC6. We are only concerned with the peripheral circuitry which is all fairly simple stuff. The circuit diagram is shown in Figure 3.

First to the input circuitry. R2, D1 and D2 form an input limiter to the FET input amplifier (Q1) which was used to give a high impedance input. Q2 provides level shifting to give a suitable signal for driving IC2. This is a Schmitt trigger TTL device and serves to 'sharpen up' the edges of the waveform, a criterion required by IC6.

IC3 is arranged in its normal divide-by-ten configuration (by connecting pin QA to the input B pin) and the signal is routed through this chip by SW2 gangs a and b when the switch is in its 0.1s x 10 position. In all other positions, the switch routes the signal from the input circuitry directly to Input A of IC6, the counter. SW2 gang C is used to control the gate time and decimal point functions of IC6.

As we showed in Figure 1, this is all controlled by connecting one of the digit outputs to the range input and one to the external decimal point input. The digital switches IC4 and IC5, in effect 'fan out' this one switch gang to provide both these functions. These digital switches conduct when their control inputs are high. Since the high comes as +5V directly from SW2 gang c, when a particular control input does not have this supply switched to it, it would be open circuit. To prevent this, each of the control inputs of IC4 and IC5 are held low through 100k resistors. When a particular range or a particular decimal point position is selected by more than one position of SW2, these are isolated by diodes. In accordance with CMOS practice, the unused inputs of IC4 and IC5 are held low to prevent excessive power dissipation.

With the exception of the power supply, which is a standard design, all the remainder of the circuitry is from the ICM7216D manufacturer's application circuit.

## BUYLINES

sources. However, Farnell (0532 636311) or Trilogic (0274 691115) can supply the part for £21.58. The part number is ICM7216D/PI.

Farnell or Trilogic can also supply display filter in sufficiently large sheets. (The sheet supplied will be no more than twice the size needed so it may be a good idea to go halves with another prospective builder as it is quite expensive). The part number is 178-183.

The transformer is 88-0255 from Rapid Electronics (0206 751166) but similar ones could be obtained elsewhere. The only suitable rotary switch found by the author comes from Martelec (0252 515666) where it is simply referred to as Miniature Rotary Switch, Break-before-make, 3P/4W. The source and part number of the case is specified in the parts list.

Other components can be obtained from most suppliers.



## PARTS LIST

### RESISTORS (All 5%, 1/4W unless otherwise stated)

R1	4k7
R2	10k,1W
R3	1M
R4	1k5
R5,11	1k
R6	470R
R7	330R
R8	10R
R9,10	100R
R12,13,14	10k
R15,16,17,18,19,20	100k
R21	22M (Probably have to use 2 x 10M)

### CAPACITORS

C1	2,200µ, 16V, Radial Electrolytic
C2	220n
C3	470n
C4	560p, Plate Ceramic
C5,6	10µ, 16V, Radial Electrolytic
C7	100µ, 16V, Radial Electrolytic
C8	5.5-65p Trimmer
C9	47p, Plate Ceramic
C10,11	10n, Disc Ceramic

### SEMI-CONDUCTORS

D1-12	1N914
Q1	2N3819
Q2	BC557
B1	1A Bridge Rectifier
LED1-3	3mm Red LED

### LED4-7

0.56" High, Double Digit, Common Cathode 7-Segment LED Display, RH decimal point

### INTEGRATED CIRCUITS

IC1	7805
IC2	74LS13
IC3	74LS90
IC4,5	4016
IC6	ICM7216D (NOT suffix A,B or c)

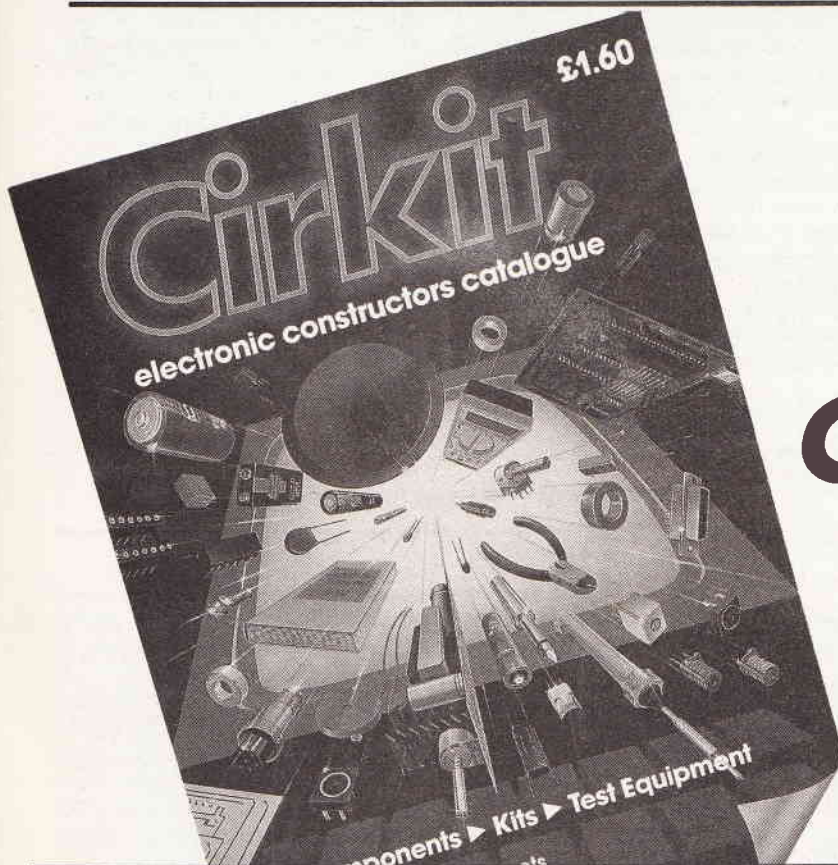
### TRANSFORMER

T1	0-9, 0-9V @ 0.33A, 6VA Miniature
----	----------------------------------

### MISCELLANEOUS

SW2	Miniature Rotary 3-Gang, 4-Way, Break before Make and Knob
PB1,2	Momentary Action, Miniature Normally Open
SK1	BNC Socket
Test Lead	BNC to 2 x Crocodiles or as preferred
Heatsink	T0220, 21° C/W
IC Sockets	4 x 14-pin, 1 x 28-pin
PCBs	Main, Display
0.1" Pin Strip	Single Row, 90° PCB Header, 19-way (use 2 x 10-way)
Case	Rapid Electronics 30-0905
Display Filter	Red, 50mm x 165mm
SW1	Mains Rocker Switch
F1	1A Fuse in 20mm, Panel Mounting Holder
	3-Core, 3A Mains Cable
	13A Mains Plug
	Strain Relief Bush (for Cable)

# PROJECT



# The New Cirkit Summer Catalogue

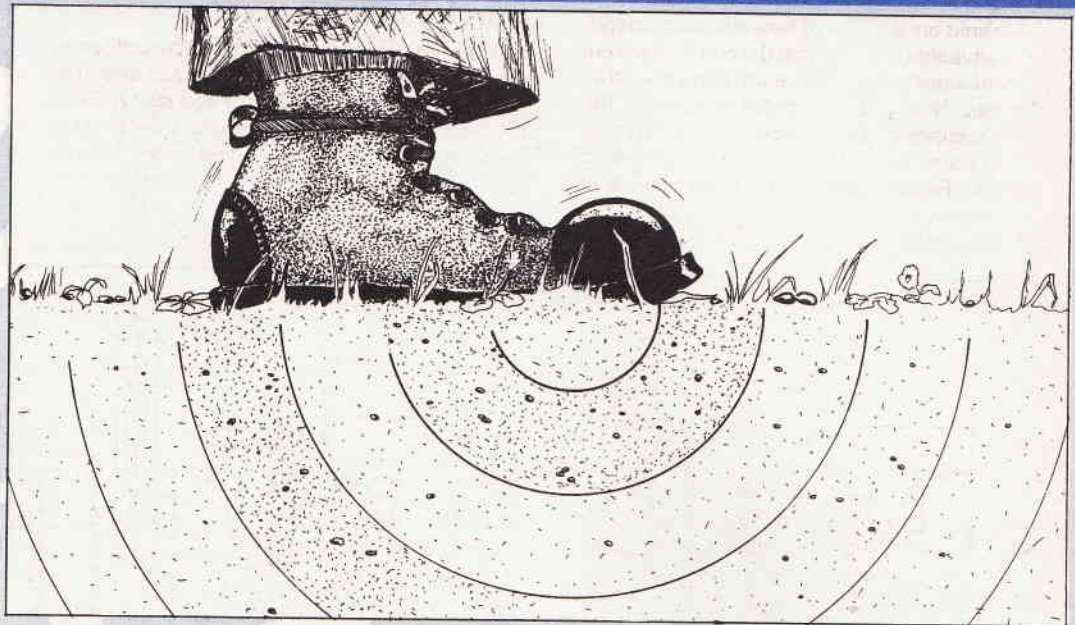
- 100s new products
- £10 worth discount vouchers
- Latest books
- Low cost multimeters
- 184 pages
- Only £1.60 available from larger newsagents or directly from Cirkit



**Cirkit Distribution Ltd.**  
Park Lane, Broxbourne, Herts EN10 7NQ  
Telephone (0992) 444111

## OUT NOW! OUT NOW! OUT NOW!

# FOOTSTEP INTRUDER ALARM



**T**he ground's ability to carry vibration has many practical applications. An example that immediately springs to mind is the exploration work carried out by oil or mining companies. In order to build up a picture of the underground rock strata, a small explosive charge is detonated in the ground and then measured for the time it takes echoes to return from rock faults or discontinuities deep down. The echoes are measured by a simple electromechanical sensor called a geophone.

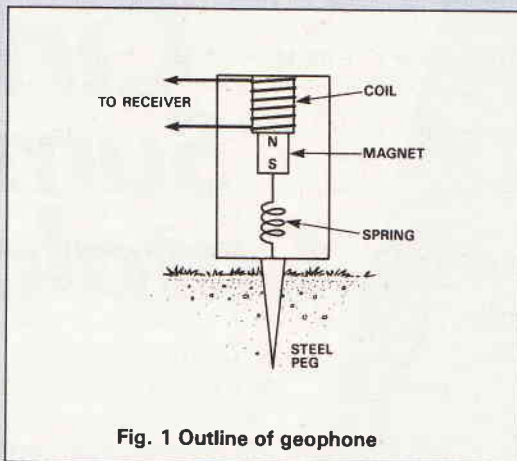


Fig. 1 Outline of geophone

Figure 1 shows the arrangement. Ground vibrations are picked up by the 100mm long steel peg which rattles the magnet/spring combination so inducing small voltages in the coil. The coil output is then passed via a length of cable to a receiver where it is analysed. The geophone is about the size of a cricket ball and is very expensive mainly because the frequency response from about 10Hz to 500Hz has to be manufactured to a very tight specification for exploration work.

Now a villain sneaking in through the garden creates a lot of ground vibration. So a very cheap

sensor would be sufficient to detect him. A sensor can be made in the following way. Obtain an inexpensive medium impedance (approximately 70R) miniature loudspeaker and glue a cork to the centre of the loudspeaker cone. Then with a small self tap screw attach the other end of the cork to the bottom of a

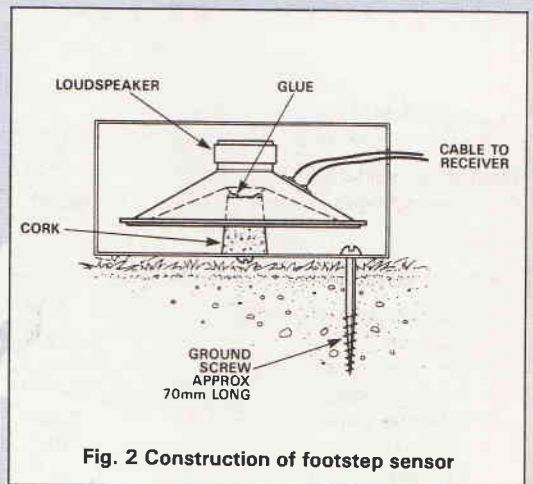


Fig. 2 Construction of footstep sensor

plastic or metal box. Figure 2 shows the construction. The loudspeaker is effectively resting on top of the cork and vibration will be passed to the cone from the ground via the 70mm long metric 5 screw.

We have now completed the hardest part of the job. The electronics is plain sailing as will be seen.

Figure 3 shows the block diagram of the system. The sensor is located somewhere in the back garden and its output is routed via the length of cable C to the amplifier A1. A1 has a fixed gain of 100 and drives the simple diode detector, the output of which goes to amplifier A2 whose gain may be varied from 10 to 100 so as to provide a sensitivity control. When the output of A2 momentarily exceeds a certain level, hopefully caused by a villain dropping over the garden wall, the latch flips over and lights the lamp.

Robert and David Crone have found a way to catch the intruder before they reach the house using this mini project.

PROJECT

## Construction

The sensor has already been described in detail. The interconnecting cable should be screened. A length of 75R TV cable would do. The prototype used ordinary screened audio cable. The circuit, being quite small, is built on veroboard and the layout is not critical as the frequencies involved are very low.

Stabilised power supplies are *not* required as the circuit is AC coupled with only modest gains being used. The circuit draws 4mA from each rail and provided it is switched off when not required, the two batteries should last for a reasonable time.

## Setting Up

It is advisable to place a brick or small bag of sand on top of the sensor box to prevent a strong wind setting it off. If a multimeter is connected to the monitor point and the sensitivity control is set to maximum, you should find that if a foot is stamped on the ground about 7 metres from the sensor then the monitor point will go negative to the supply rail voltage.

However, in most cases the LED will come on with only a very small meter deflection. This is because the vibrations are coming in at around 10Hz and although the IC2 output will be momentarily dipping to the negative rail, a meter will not respond in only a small fraction of a second. The sensitivity control should be set so that the alarm does not go off on local ambient noise. Unfortunately, there are areas where the vibration type of alarm cannot be used at all, for example proximity to a main road with high traffic density or a mining or quarrying area where there are frequent explosions.

## HOW IT WORKS

Figure 4 shows the detailed circuit diagram. The sensor output is fed to IC1 which has a nominal gain of 100. Note that C3 is included to make the frequency response begin to fall off after 180Hz. The output of IC1 is clamped and detected by C4 and D1. The negative going detected voltage is amplified by IC2 whose gain may be varied from 10 to a nominal 100 to provide a sensitivity control. Should the IC2 output momentarily go negative to 60% of the rail voltage (-5.4V) it will cause pin 2 of IC3 to trigger and cause pin 3 to go permanently high thus lighting the LED alarm. T1 is switched fully on and so could be used to operate a small buzzer or provide a logic 0 for external equipment.

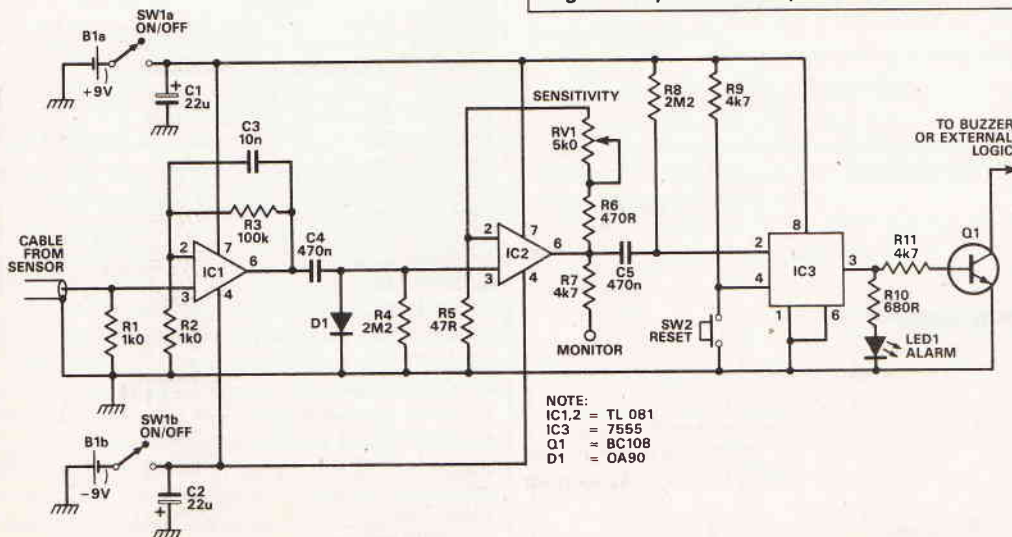


Fig. 4 Circuit of intruder alarm

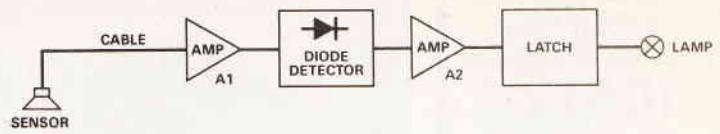


Fig. 3 Block diagram of circuit

## PARTS LIST

### RESISTORS (all 1/4W 5%)

R1,2	1k
R3	100k
R4,8	2M2
R5	47R
R6	470R
R7,9,11	4k7
R10	680R
RV1	5k

### CAPACITORS

C1,2	22µ/16V
C3	10n
C4,5	470n

### SEMICONDUCTORS

IC1,2	TL081
IC3	7555
Q1	BC108
D1	OA90
LED 1	High Intensity LED

### MISCELLANEOUS

SW1	Single pole on/off
SW2	Single pole push to make
LS1	70R miniature loudspeaker

Cork, glue, plastic instrument case, 2.9V batteries, 70mm screw thread.

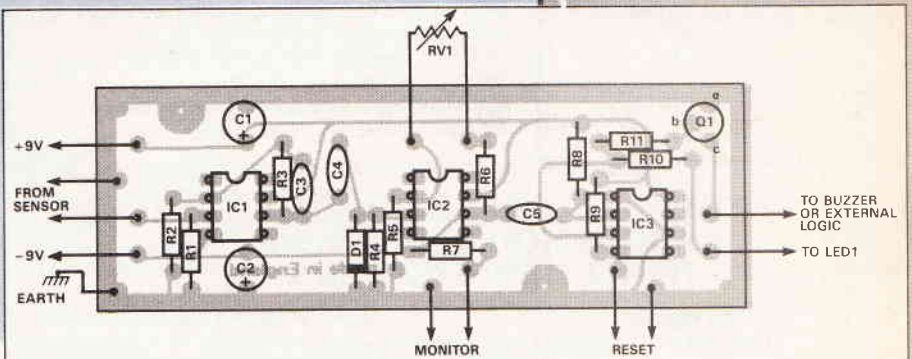


Fig. 5 Component overlay of intruder alarm

TELEPHONE  
ORDERS  
may be made on  
**(0442)**  
**66551**  
ACCESS or VISA



# PCB SERVICE July

Price code	Price (inc. VAT)
C	£1.80
D	£2.50
E	£3.25
F	£4.00
G	£4.75
H	£5.50
J	£6.62
K	£7.20
L	£8.80
M	£10.60
N	£13.10
O	£15.80
P	£17.90
Q	£21.80
R	£23.90
S	£25.90
T	£29.00
U	£32.20
V	£35.80
W	£37.90
X	£40.70

E9007-1	Guitar Practice Amp	.....	G
E9007-2	Digital Frequency Meter (two boards)	.....	M
E9007-3	Footstep Alarm	.....	E
E9007-4	Transistor Tester	.....	C
E9007-5	Decision Maker (two boards)	.....	J

PCBs for the remaining projects are available from the companies listed in Buylines.

Use the form or a photocopy for your order. Please fill out all parts of the form. Make sure you use the board reference numbers. This not only identifies the board but also tells you when the project was published. The first two numbers are the year, the next two are the month.

Terms are strictly payment with order. We cannot accept official orders but we can supply a proforma invoice if required. Such orders will not be processed until payment is received.

E8907-1	MIDI Patch Bay	.....	G
E8907-2	Priority Quiz Switch	.....	E
E8907-3	Camera Trigger Infra-reds (2 boards)	.....	G
E8907-4	Aerial Amplifier main board	.....	E
E8907-5	Aerial Amplifier power supply	.....	E
E8908-1	Intercom master station	.....	L
E8908-2	Intercom slave station	.....	F
E8908-3	Intercom power mixer	.....	E
E8908-4	Digital joystick-to-mouse conversion	.....	H
E8909-1	Twin Loop Metal Locator	.....	H
E8909-2	Trembler movement detector	.....	D
E8909-3	Field power supply (spec 3)	.....	C
E8909-4	Micro monitors active filter	.....	F
E8909-5	Chronoscope auto-reset	.....	C
E8910-1	Multimeter	.....	H
E8910-2	MIDI Mapper	.....	M
E8911-1	Smoke Alarm main board	.....	F
E8911-2	Smoke Alarm power supply	.....	F
E8911-3	Frequency Meter (3 boards)	.....	O
E8911-4	Serial Logic Scope	.....	L
E8912-1	Mains Failure Alarm	.....	D
E8912-2	Surveillance PCB	.....	D
E8912-3	Slide/Tape Synch	.....	E
E8912-4	Pedal Power	.....	L
E8912-5	Digital Noise Generator	.....	K
E9001-1	20 metre Receiver	.....	J
E9001-2	Wavemaker FG	.....	L
E9001-3	Motorcycle Intercom	.....	F
E9001-4	Low Voltage Alarm	.....	C
E9002-1	EPROM Emulator	.....	N
E9002-2	Superscope Mother Board	.....	M
E9002-3	Superscope CRT Driver Board	.....	K
E9002-4	Superscope Timebase Board	.....	K
E9003-1	Superscope Y1 input board	.....	J
E9003-2	Superscope Y2 input board	.....	J
E9003-3	Superscope switch generator	.....	E
E9003-4	Business power amp board	.....	L
E9003-5	Business power supply board	.....	J
E9003-6	Business pre-amplifier board	.....	L
E9003-7	Water hole	.....	G
E9003-8	Super Siren	.....	D
E9003-9	Val's badge	.....	F
E9004-1	Bass Amplifier DC Protection	.....	F
E9004-2	Bass Amplifier Graphic Equaliser	.....	L
E9004-3	Bass Amplifier Micro	.....	N
E9004-4	Quad Power Supply	.....	O
E9005-1	Business Display	.....	O
E9005-2	Phone Lock and Logger	.....	F
E9006-1	Dark Room Timer	.....	G
E9006-2	Telephone Extension Bell	.....	C
E9006-3	Telephone External Bell	.....	D
E9006-4	Fecko Box	.....	G
E9006-5	Bug Spotter	.....	E

**TO: ETI PCB SERVICE, READERS' SERVICES,  
ARGUS HOUSE, BOUNDARY WAY,  
HEMEL HEMPSTEAD HP2 7ST**

Please supply:

Quantity	Ref. no.	Price Code	Price	Total Price
----------	----------	------------	-------	-------------

Post and packing

£0.75

Total enclosed

£

Please send my PCBs to: (BLOCK CAPITALS PLEASE)

Name .....

Address .....

Postcode .....

**CHEQUES SHOULD BE MADE PAYABLE TO ASP Ltd.**

# SIGNALS FROM NOISE

# NOISE

In a perfect world a transducer would provide us with a signal proportional to the physical parameter which we want to measure. In practice however, an additional signal which is completely independent of the parameter (referred to as *noise*) is superimposed on the wanted signal. This can be caused by imperfections in the sensor (for example, at low light levels, a significant part of a photodiode's output is due to leakage current) or by the sensor receiving signals from sources other than the one of interest (such as when trying to measure the light from a star against ambient background light). Since noise is caused by random fluctuations, it has a very wide bandwidth and is often called 'white' noise by analogy with white light, which contains all visible frequencies.

A measure of how much noise a signal contains is given by its signal-to-noise ratio, defined as:

$$\text{SN ratio} = 10 \log_{10} \left( \frac{\text{signal power}}{\text{noise power}} \right) \text{dB}$$

Often it is necessary to improve the SN ratio of a measurement to obtain a better accuracy, or, in really bad cases, just to get a sensible reading. So, how is it done?

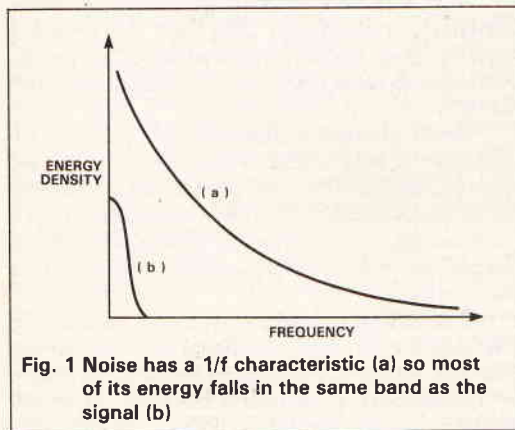


Fig. 1 Noise has a 1/f characteristic (a) so most of its energy falls in the same band as the signal (b)

## Filtering

Since noise has a wide frequency spectrum, the first idea which comes to mind when thinking of SN ratio improvement is to remove high frequencies with a lowpass filter. Unfortunately, this does little good for two reasons. First, the filter makes the response of the instrument 'sluggish' by removing high frequency parts of the signal, and second, the noise power density usually has a 1/f characteristic, so most of the noise energy is contained below the cutoff frequency anyway. See Figure 1.

What is needed is a method of centering the signal on some frequency above the bulk of the 1/f noise. This can be achieved by arranging the experiment to give a periodic (or *chopped*) output, which moves the output spectrum to the chopping frequency (just like AM radio modulation). A

bandpass filter can then be used to remove the noise, as in Figure 2.

Although this is a great improvement over lowpass filtering it still has one major drawback. If the chopping frequency or the passband of the filter drift slightly, the wanted signal will be attenuated severely, producing a false reading.

## The Lock-In Amplifier

The lock-in amplifier is a bandpass filter which can be made to track a reference frequency. A block diagram is shown in Figure 3.

The operation of the circuit is not obvious from observation, so a mathematical analysis is needed to understand it fully.

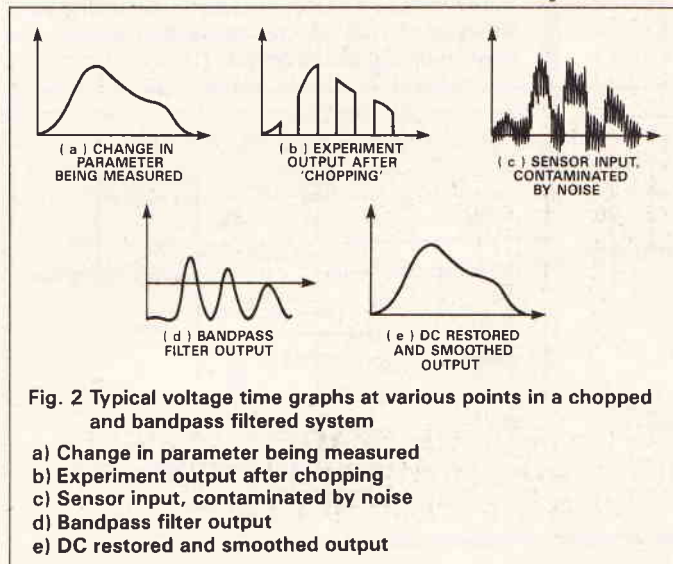


Fig. 2 Typical voltage time graphs at various points in a chopped and bandpass filtered system

- a) Change in parameter being measured
- b) Experiment output after chopping
- c) Sensor input, contaminated by noise
- d) Bandpass filter output
- e) DC restored and smoothed output

To simplify matters, consider the case when the signal and reference are both sinusoidal and of constant amplitude.

$$\text{So: } V_{\text{sig}} = e_{\text{sig}} \sin \omega t + N(t)$$

where  $e_{\text{sig}}$  is the amplitude we are trying to measure,  $\omega$  is the chopping frequency and  $N(t)$  is an unknown term to account for the noise.

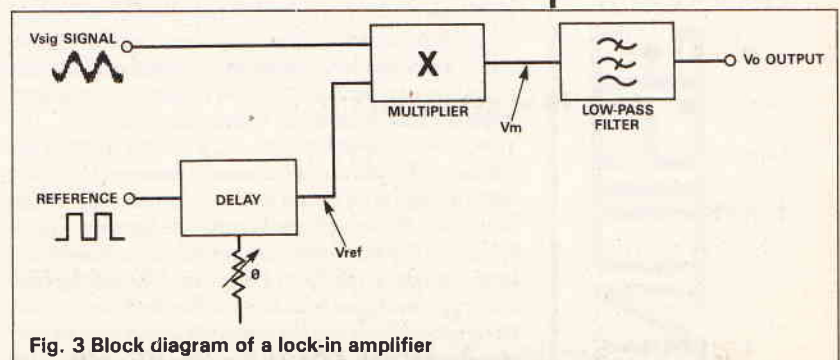


Fig. 3 Block diagram of a lock-in amplifier

Mark Robinson takes a fascinating look at some of the elegant techniques used to extract signals from noise.

$$\text{Also: } V_{\text{ref}} = e_{\text{ref}} \sin(\omega t + \phi)$$

where  $\phi$  is the phase difference between the reference and signal inputs.

The output of the multiplier,  $V_m$ , will be:

$$V_m = Ae_{\text{sig}}e_{\text{ref}} \sin(\omega t) \sin(\omega t + \phi) + e_{\text{ref}} N(t) \sin(\omega t + \phi)$$

which, by applying the trig identity  $2\sin A \sin B = \cos(A - B) - \cos(A + B)$ , becomes:

$$V_m = \frac{Ae_{\text{sig}} e_{\text{ref}}}{2} \left\{ \cos\phi - \cos(2\omega + \phi) \right\} + Ae_{\text{ref}} N(t) \sin(\omega t + \phi)$$

where A is the multiplier gain.

Assuming the lowpass filter removes all frequencies above DC completely, the oscillating terms will vanish, leaving:

$$V_o = \frac{Ae_{\text{sig}} e_{\text{ref}} \cos\phi}{2}$$

which is proportional to the amplitude  $e_{\text{sig}}$ , which we are trying to measure.

In use the delay control is set to maximise the output voltage, which occurs when  $\cos\phi = 1$ , ie  $\phi = 0$ . Provided A and  $e_{\text{ref}}$  are stable and known, the amplitude  $e_{\text{sig}}$  can be found.

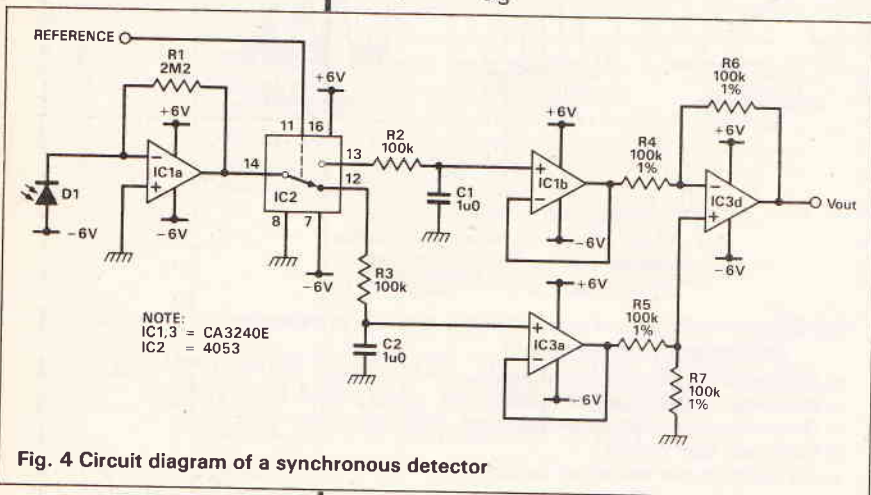


Fig. 4 Circuit diagram of a synchronous detector

No mention has been given so far about how the signals are made periodic, since this depends on the physical system being monitored. To give an example, lock-in detection is common in infra-red astronomy where the telescope secondary mirrors are wobbled so that the detector alternately sees the object of interest or an empty patch of sky. The chopping frequency is typically in the 10-100Hz range. A similar system is used in radioastronomy, where it is called a Dicke switch.

Commercial lock-in amplifiers contain refinements like a vernier delay control, a variable frequency chopping oscillator and a meter to display the output. Typically they cost a few thousand pounds.

Synchronous detection is a similar method for use when the reference is a square wave and in phase with the signal. A circuit diagram for a synchronous detector with a photodiode input is shown in Figure 4. To use the device, set up a squarewave oscillator with a frequency of about 1kHz (a 555 astable will do) and connect its output to an LED and the circuit's reference input. Since the switch, IC2, is synchronised with the LED, the voltage across one of the capacitors

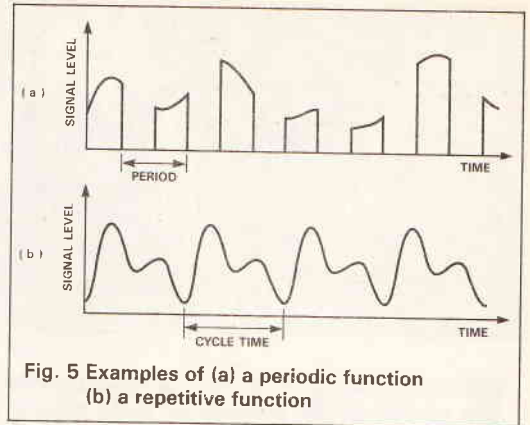


Fig. 5 Examples of (a) a periodic function (b) a repetitive function

will be the average signal when the LED is on, and the other will be the average signal when the LED is off. A subtractor circuit is used to find the difference between these voltages, which is the signal due to light from the LED.

Any signals which are not at the same frequency or phase as the reference will eventually contribute equally to both paths and (provided the time constants  $R_2C_1$  and  $R_3C_2$  are long enough) will generate the same voltage on both capacitors resulting in no output.

This can be demonstrated by turning the room lights on and off, which should make only a small difference to the output voltage whereas blocking light from the LED should cause it to fall to almost zero.

## Repetitive Signal Methods

The snag with lock-in and synchronous detection is the need to make the input signal periodic, which is not always possible. Often, however, the phenomenon being measured can be made to repeat at some stable interval, and in these cases devices called repetitive signal averagers can be used.

It is important to understand the difference between a periodic (or chopped) signal and a repetitive one. Figure 5 shows an example of each, and includes some of the definitions associated with them.

Some phenomena are naturally periodic, for example the light output of a pulsar, but these are often the hardest to deal with since the cycle time must be accurately known. Signal averagers build up a clean waveform of the input by adding each cycle to the previous ones, creating a running average of the input voltage.

The advent of cheap semiconductor memory has meant that digital averagers are now almost universal, except at high frequencies, but in the interest of completeness, a brief overview of the 'olde worlde' analogue techniques will be given.

## Analogue Averagers

A skeleton circuit diagram of an analogue signal averager is shown in Figure 6. The incoming signal is buffered and fed to the drains of a chain of FETs. Each FET has its source connected to a capacitor,  $C_1$  to  $C_n$ . The gates are controlled by a shift register such that they are off when the corresponding output is at logic 0 and on when it is at logic 1.

At the start of each cycle a trigger pulse causes the clock to ripple a logic 1 through the shift register. Each FET comes on in turn, connecting its capacitor to the input for one clock cycle. When the logic 1 reaches the end of the shift register, the circuit waits for the next trigger pulse, and starts again. Provided the time between each trigger pulse is the same as the cycle time, a particular FET will be on at the same

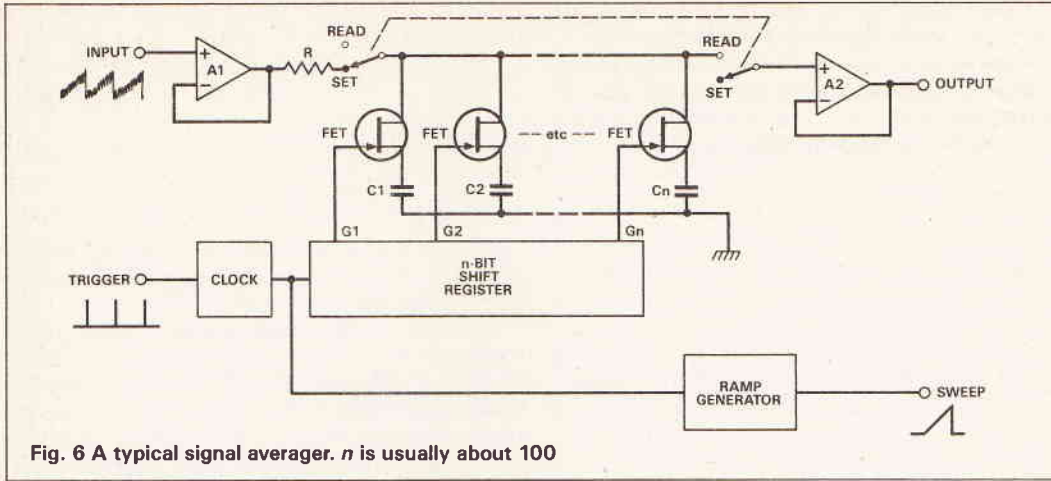


Fig. 6 A typical signal averager.  $n$  is usually about 100

point in each cycle, and so its capacitor will accumulate a charge proportional to the average signal level at that point.

To read the signal, the switch is put into the 'read' position and a logic 1 is repeatedly clocked through the register. The output of  $A_2$  connects to the Y input of an oscilloscope, and the ramp generator provides an X deflection signal.

For optimum use of an averager with  $n$  channels, the clock should be  $n$  times as fast as the cycle time, although it can be made even faster than this to examine parts of a waveform in more detail.

## Boxcar Integrator

This is a greatly simplified version of the signal averager which uses only one FET channel. A block diagram is shown in Figure 7.

In the boxcar integrator the signal is averaged and read out at one point at a time. The operation is as follows:

The hold-off circuit delays the trigger for a time proportional to the voltage on its control input. Initially the staircase output is at minimum so no delay is introduced. Therefore, an average of the signal level at the trigger point is developed on the capacitor. When sufficient sweeps have been taken the value is read out and the control voltage increased such that the trigger is delayed by one monostable period. The second section of the signal is then averaged and read, and so on for the whole cycle.

Although boxcar integrators are cheap and simple they suffer from two drawbacks which severely limit their practical use. Firstly, the output from one point must be cleared before starting the next, which means the waveform must be displayed on an expensive storage oscilloscope, or read and plotted manually. Secondly, most of the information available in each cycle is thrown away, so a very large number of sweeps is required to give results comparable to other averaging methods. For example, a boxcar integrator will take  $n$  times as long as an averager with  $n$  channels to accumulate the same amount of data. Since  $n$  is typically 100, it can be seen just how inefficient a boxcar is! For this reason they are only used with high frequency signals where the number of cycles required is not so important, and the cost of high speed components makes conventional averagers prohibitively expensive.

## Doing it Digitally

There are two types of digital signal averager, one dealing with analogue inputs and the other with pulse inputs. They are usually combined in one unit since the electronics are very similar for both types.

The heart of both types is a memory, typically 1k by 20 bit, and an address counter. Consider first the pulse input type, called a multichannel analyser (MCA). These are designed for use with sensors whose output is in the form of a pulse train, the rate of which depends on the parameter being measured. Examples of this type of sensor are nuclear particle detectors and photomultiplier tubes used at low light levels (where individual photons can be resolved).

MCAs accept three inputs: the pulses from the sensor, a channel advance pulse and a reset pulse. They operate as follows:

When a pulse arrives at the signal input, the memory location (or channel) currently being addressed is incremented by one. A pulse on the channel advance input increments the address counter by one, while a pulse on the reset input sets it to zero.

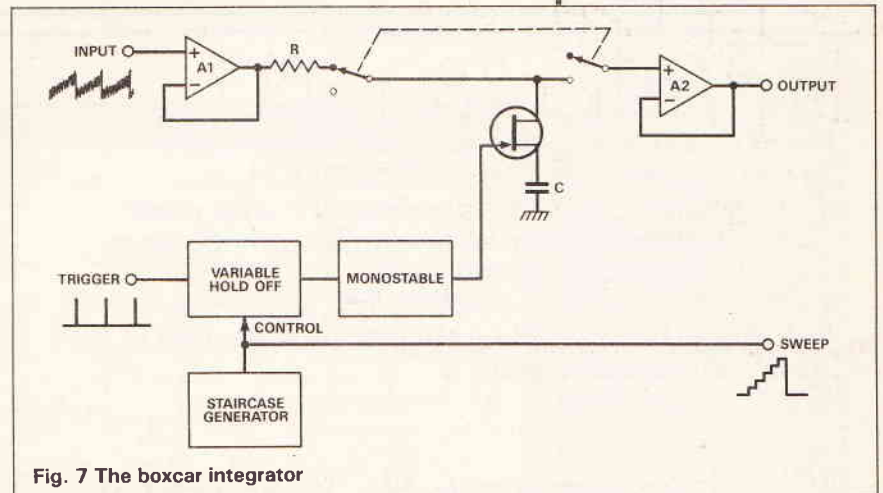


Fig. 7 The boxcar integrator

Suppose our input consists of a signal, which repeats after period  $T$ , and random background noise pulses. We arrange that at the start of each cycle a pulse is issued to the reset input (equivalent to the trigger on an analogue averager) and that 1024 equally spaced pulses arrive at the channel advance input each cycle (equivalent to the clock in an analogue averager).

The MCA will sweep through all its channels, adding to each one the number of pulses which arrive while it is selected. Since the counts due to the signal will always add into the previous ones while the noise will, on average, contribute equally to all channels, the signal will eventually begin to emerge from the background. Figure 6 shows a typical MCA output after 10 and 100 sweeps for the case when the noise is 10 times greater than the signal, which contributes 10 counts in the channels where it peaks, per sweep.

Consider the general case of an incoming signal with a cycle time  $T$ ,  $n_B$  counts per channel per sweep from background and an extra  $n_s$  counts per sweep in those channels where the signal peaks. After  $N$  sweeps the background count will be  $Nn_B$  and the extra counts in the signal peaks will be  $Nn_s$ .

$$\frac{\text{signal fluctuations}}{\text{background fluctuations}} = \frac{Nn_s}{\sqrt{Nn_B}}$$

$$\text{And: SN ratio} = 10 \log_{10} \left( \frac{Nn_s}{\sqrt{Nn_B}} \right) = 10 \log_{10} \left( \sqrt{\frac{Nn_s^2}{n_B}} \right)$$

$$= 5 \log_{10} \left( \frac{Nn_s^2}{n_B} \right)$$

Since  $N = \frac{t}{T}$  this equation can be used to find how long an experiment must be run to achieve a desired SN ratio.

To use an MCA with analogue signals, it is necessary to convert them into pulse form using a VCO and a differentiator. Commercial analysers usually have this facility built in along with an oscilloscope type display of the memory contents.

A similar device called a pulse height analyser (or *kick analyser*) exists, in which the channel incremented on receipt of a pulse depends upon the height of that pulse. This can be used to extract a non-repetitive signal from noise of a different energy, for example strong nuclear disintegrations from weaker background radiation using a proportional counter as a sensor, but it is usually used to plot energy spectra of already noise free pulse signals.

### Conclusions

It is quite easy to get carried away with the beauty of these techniques, but it must be remembered that there is no magic involved. The old physics adage "You can't get owt for nowt" applies here. A better SN ratio can only be achieved by sacrificing response speed (ie bandwidth) or by running the experiment for a longer time. Still, when faced with a seemingly impossible noise problem and all else fails, one of these methods can be employed to great advantage.

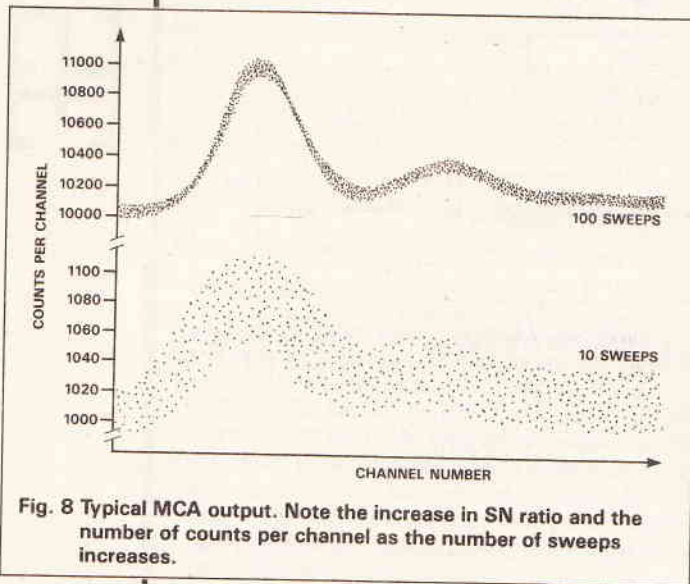


Fig. 8 Typical MCA output. Note the increase in SN ratio and the number of counts per channel as the number of sweeps increases.

It can be shown using the statistics of random numbers that the fluctuation in the background count (ie the difference between the maximum and minimum background counts) is equal to the square root of the average number of background counts per channel. Hence, the background fluctuation after  $N$  sweeps will be  $\sqrt{Nn_B}$  counts. So:



## The Archer Z80 SBC

The **SDS ARCHER** – The Z80 based single board computer chosen by professionals and OEM users.

- ★ Top quality board with 4 parallel and 2 serial ports, counter-timers, power-fail interrupt, watchdog timer, EPROM & battery backed RAM.
- ★ **OPTIONS:** on board power supply, smart case, ROMable BASIC, Debug Monitor, wide range of I/O & memory extension cards.

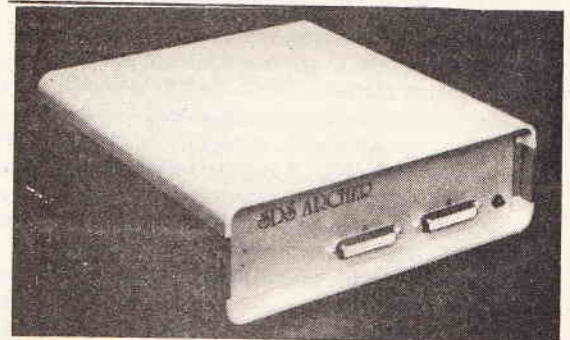
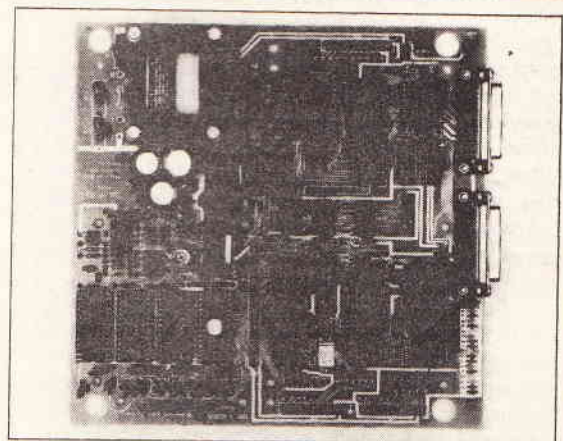
CIRCLE NO. 122 ON REPLY CARD

## The Bowman 68000 SBC

The **SDS BOWMAN** – The 68000 based single board computer for advanced high speed applications.

- ★ Extended double Eurocard with 2 parallel & 2 serial ports, battery backed CMOS RAM, EPROM, 2 counter-timers, watchdog timer, powerfail interrupt, & an optional zero wait state half megabyte D-RAM.
- ★ Extended width versions with on board power supply and case.

CIRCLE NO. 147 ON REPLY CARD



## Sherwood Data Systems Ltd

Unit 6, York Way, Cressex Industrial Estate, High Wycombe, Bucks HP12 3PY. Tel: (0494) 464264



# MODERN DIODE CIRCUITS

# 2

Last month we covered the basic characteristics of the modern junction diode and associated devices such as zener and varicap diodes, photodiodes and LEDs. We went on to look at a variety of practical half-wave and full-wave rectifier circuits. This month we will be looking at practical circuits and applications based on the ordinary junction diode and rectifier.

## Clamping Diode Circuits

A clamping diode circuit takes an input waveform and provides an output that is a faithful replica of its shape but has one edge clamped to the zero-voltage reference point. Figure 1a shows a version which clamps the waveform's negative edge to zero and gives a purely positive output, and Figure 1b shows a version which clamps the positive edge to zero and gives a purely negative output.

You should note two important points about these apparently simple circuits. First, their peak output is (ideally) equal to the peak-to-peak value of the input waveform, so if the input swings symmetrically about the zero voltage point, the peak output value is double that of the input. Secondly, the circuits fall short of the ideal because the output is in fact clamped to a point that is offset from zero by an amount equal to the diode's  $V_f$  value (about 600 mV in silicon types), as illustrated in Figure 1 and in many other diagrams in this article.

Figure 2 shows what happens to these circuits when a 10k resistor is wired across  $D_1$ , and the inputs are fed with a good 1 kHz square wave from a low impedance source. In this case  $C_1$  and  $R_1$  form a differentiator network, with a time constant equal to the  $C$ - $R$  product. If this product is very long (100 mS) relative to the waveform period (1 mS), the circuits act like simple clamping diode types, as shown in Figures 2a and 2c. If the  $C$ - $R$  product is very short

(10 $\mu$ S) relative to the 1 mS waveform period, however, the  $C$ - $R$  network converts the square-wave's rising and falling edges into positive and negative 'spikes' each with a peak amplitude equal to the peak-to-peak input value.  $D_1$ , then effectively eliminates (discriminates against) one or other of these spikes, as shown in Figures 2b and 2d. These last two are thus useful in detecting the leading or trailing edges of square or pulse waveforms, and are generally known as differentiator/discriminator diode circuits.

In an ordinary clamping circuit the diode clamps one edge of the waveform close to the zero-voltage reference point. The basic circuit can also be used to clamp the waveform edge to a reference voltage other than zero by simply tying the 'low' side of the diode to a suitable bias voltage. Such circuits are known as

Ray Marston looks at a wide range of diode circuits and applications in the second part of his series.

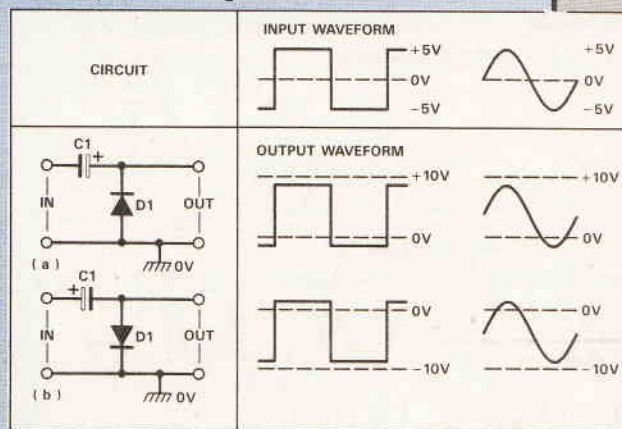


Fig. 1 Clamping diode circuits

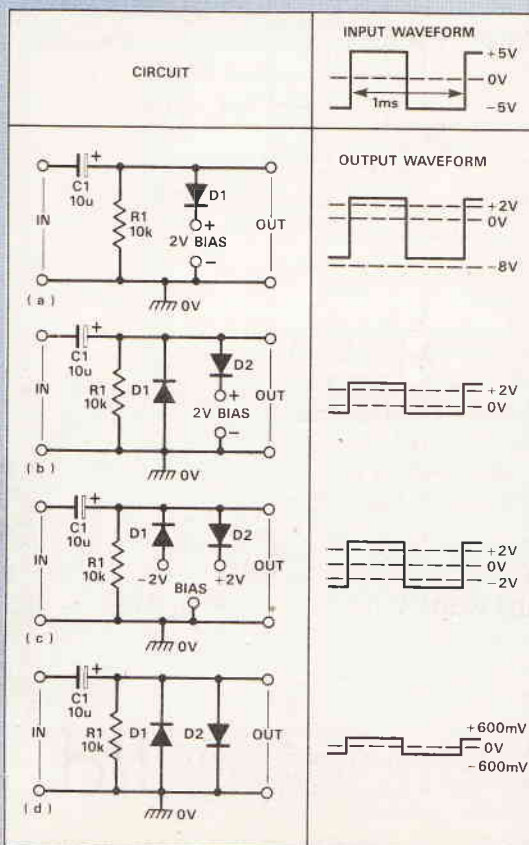


Fig. 3 Biased clamping diode circuits

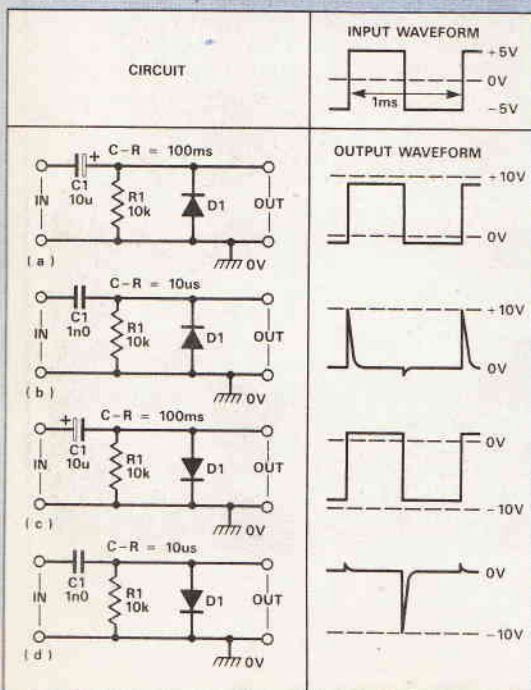


Fig. 2 Differentiator/discriminator-diode circuits

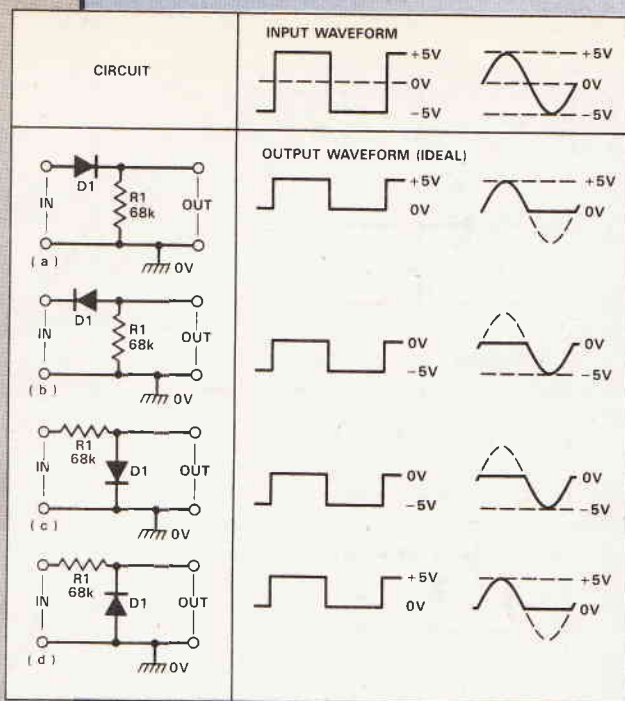


Fig. 4 Single-diode rectifier circuits

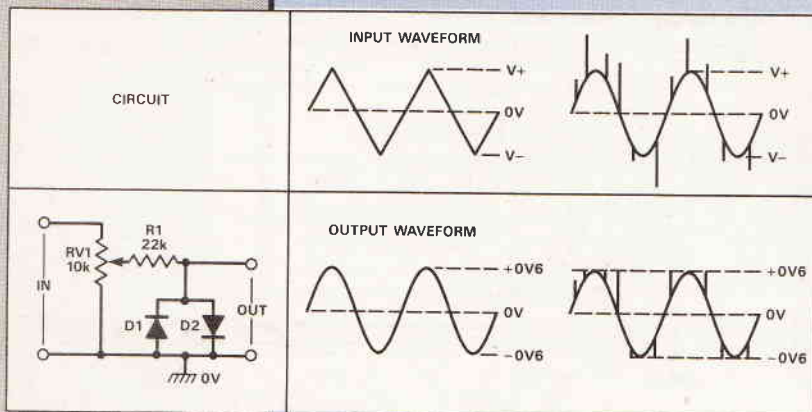


Fig. 5 Two-diode limiter circuits

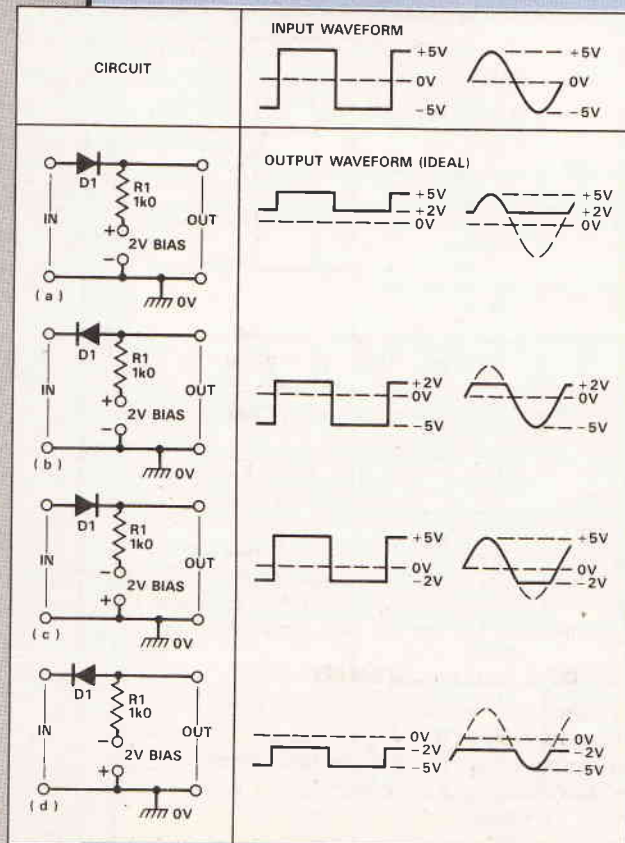


Fig. 6 Biased single-diode rectifier circuits

biased clamping diode types, and a variety of these (with very long C-R products) are shown in Figure 3.

Figure 3a shows a biased clamping diode circuit using a +2V clamping point and a 'negative output' diode, so that (ideally) the output swings from +2V to -8V when fed from a 10V peak-to-peak input. If the diode is reversed and a +5V bias point is used, the output will swing between +5V and +15V.

Figures 3b and 3d show circuits using pairs of clamping diodes. Obviously, a waveform can not be clamped to two different voltages at the same time, so in these circuits one diode acts effectively as a clamp and the other as a waveform clipper. The matter of precise diode task designation is purely academic; in Figure 3b, it does not matter if D<sub>1</sub> is regarded as a zero-volts clamp and D<sub>2</sub> as a +2V clipper, or if D<sub>2</sub> is regarded as a +2V clamp and D<sub>1</sub> as a zero-volts clipper. The net effect is the same; the output is clipped at zero and +2V. Similarly, the Figure 3c circuit (which uses -2V and +2V reference points) is clips the output at -2V and +2V. Finally, Figure 3d uses a pair of zero-voltage reference points and would ideally give zero output. Because of the offsetting effects of the D<sub>1</sub> and D<sub>2</sub> V<sub>f</sub> voltages (about 600mV each) in fact it gives output clipping at +600mV and -600mV.

## Diode Rectifier Circuits

Figure 4 shows four different ways of using a single diode as a half-wave rectifier. In all cases assume that the input comes from a low impedance source, the output feeds a high impedance, and the output waveform is 'idealised' (it ignores the effects of diode offset). The Figure 4a and 4d circuits give positive outputs only, and Figures 4b and 4c give negative outputs only. However, the 4a and 4b circuits have low output impedances (roughly equal to the input signal source impedance), but the 4c and 4d designs have high output impedances (roughly equal to the R<sub>1</sub> value).

Figure 5 shows how the Figure 4c and 4d circuits can be combined to make a very useful signal 'limiter' which can accept a variety of inputs and gives an output that is amplitude-limited at  $\pm 600\text{mV}$  via D<sub>1</sub> and D<sub>2</sub>. It can be used as a triangle-to-sine waveform converter by adjusting RV<sub>1</sub> to give gentle clipping of the triangle peaks (generated sine wave distortion is typically about 2%), or can be used as an audio signal noise limiter by adjusting RV<sub>1</sub> to clip the worst of the noise bursts.

Figure 6 shows how the Figure 4a and 4b circuits can be modified to give outputs that are above or below a selected 'bias' or reference level. Thus, Figure 6a produces outputs of only +2V or greater, Figure 6b gives outputs of +2V or less, 6c of -2V or greater, and 6d of -2V or less. In each case, the output load impedance is assumed to be small relative to the R<sub>1</sub> value.

## Voltage Multiplier Circuits

Figures 7 to 9 show various ways of connecting diodes and capacitors to make AC voltage multiplier circuits that give a DC output equal to some multiple of the peak voltage value of an AC input signal. Although these circuits look rather complicated, their operation is in fact remarkably simple. The voltage doubler circuit of Figure 7 in fact consists of a simple C<sub>1</sub> - D<sub>1</sub> clamping diode network which gives an AC output with a peak value equal to the peak-to-peak value of the input, followed by a peak voltage detector (D<sub>2</sub> - C<sub>2</sub>) that gives a DC output equal to the peak values of D<sub>2</sub>'s input voltage. Figure 7a shows the conventional diagram of this circuit, and Figure 7b shows it redrawn as a 'standard' voltage-doubler section.

Figure 8 shows a *voltage tripler* circuit, which gives a DC output equal to three times the peak voltage value of a symmetrical AC input signal. In this case (as can be seen from Figure 8a)  $D_3 - C_3$  act as a peak voltage detector that generates +5V on the  $D_3 - C_3$  junction, and  $C_1 - D_1 - D_2 - C_2$  acts as a voltage doubler section (identical to Figure 7) that generates a voltage doubled output on top of the +5V potential, giving a final tripled output of +15V. This circuit in fact consists of a  $D_3 - C_3$  half section plus a full  $C_1 - D_1 - D_2 - C_2$  doubler section, as shown in Figure 8b.

Figure 9 shows a voltage quadrupler circuit, which gives a DC output equal to four times the peak voltage value of a symmetrical AC input signal. In this case  $C_1 - D_1 - D_2 - C_2$  act as a voltage doubler section that generates +10V on the  $D_2 - C_2$  junction, and  $C_3 - D_3 - D_4 - C_4$  act as another voltage doubler section that generates another +10V between the  $D_2 - C_2$  junction and the  $D_4 - C_4$  junction, to give a final +20V of output between the  $D_4 - C_4$  junction and ground.

Figures 8b and 9b show that any desired amount of voltage multiplication can be obtained by wiring appropriate numbers of full and half multiplier sections in series. Seven-times multiplication could be obtained by wiring three full sections in series with a single half input section. In all cases, all multiplier diodes and capacitors need minimum ratings of twice the peak input voltage value.

The Figure 7 to Figure 9 circuits are all designed to give positive output voltages; they can be made to give negative output voltages by simple reversing the polarities of all multiplier diodes and capacitors, as in the negative voltage doubler in Figure 10.

## The Diode Pump Circuit

In the basic voltage doubler circuit of Figure 7,  $C_1$  and  $C_2$  have equal values, and  $C_2$  charges to the full doubled voltage value within a few cycles of initial input signal connection. However, if  $C_1$  is made small relative to  $C_2$ , each new input cycle makes the  $C_2$  charge increase by a small *step* voltage value that

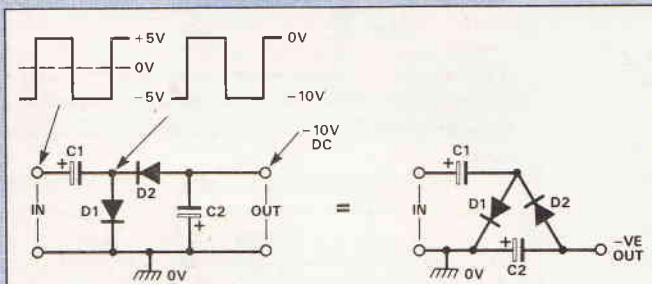


Fig. 10 Negative voltage doubler circuit

diminishes with each successive cycle, so that a non-linear *staircase* waveform is generated across  $C_2$  as it moves towards its full charge value. Such a circuit is known as a *diode-pump*, and takes  $2 \times C_1 / (C_1 + C_2)$  input cycles to charge  $C_2$  to approximately 75% of its final voltage value.

## Damping Diode Circuits

When the operating current of an inductive device such as a transformer, coil or electric motor is suddenly interrupted, the inductor intrinsically generates a substantial switch-off back-emf, which may damage associated electronic or electro-mechanical devices. This danger can be eliminated by wiring a *damping* diode across the inductor, as in the relay circuit of Figure 11.  $D_1$  stops the RLA-SW<sub>1</sub> junction from swinging more than 600mV above the positive supply. Alternatively,  $D_2$  (shown dotted) can be used to

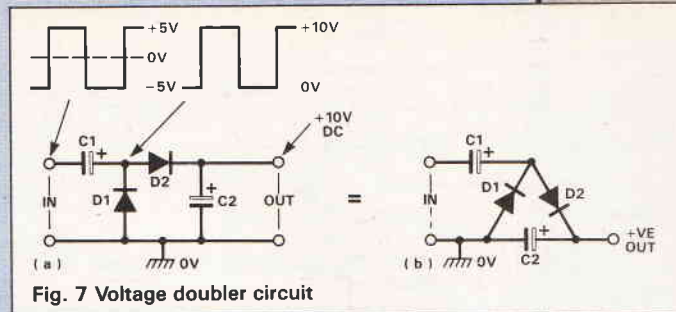


Fig. 7 Voltage doubler circuit

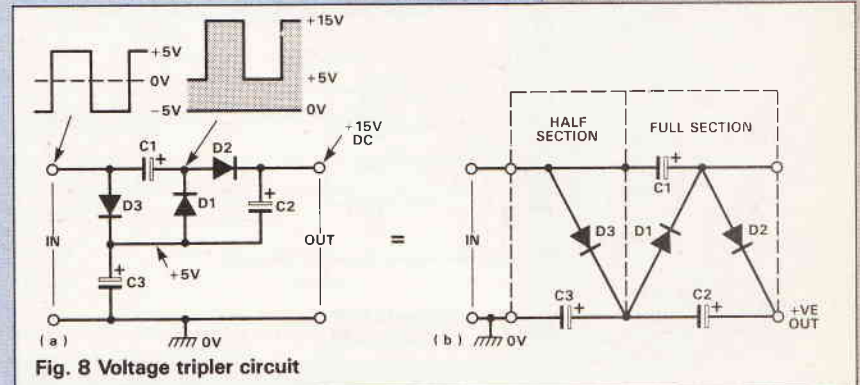


Fig. 8 Voltage tripler circuit

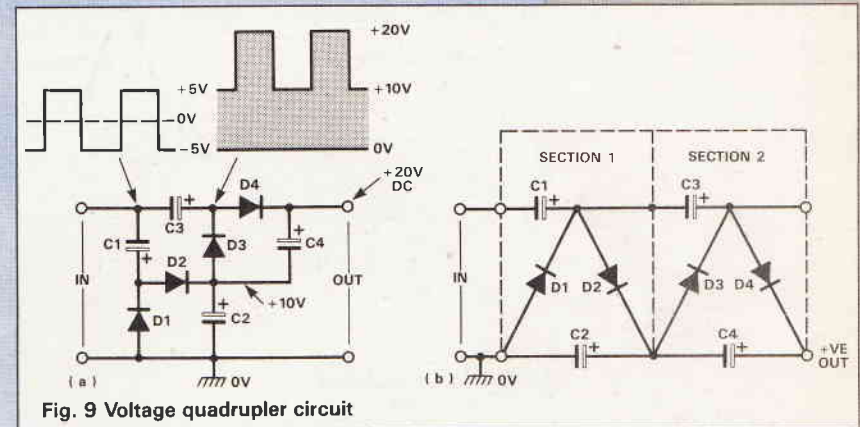


Fig. 9 Voltage quadrupler circuit

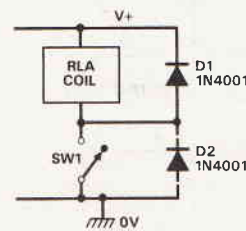


Fig. 11 Damping diode circuit limits relay coil back-emfs to safe values.

prevent the junction from swinging more than 600mV below the negative supply rail.

Single-diode damping protection is adequate for most practical applications. In critical applications in which SW<sub>1</sub> is replaced by a transistor or other solid state switch, you can obtain perfect protection by using both diodes to make a two-diode damper that stops back-emfs from going more than 600mV above the positive or below the negative supply rail lines.

## Diode Gate Circuits

Figure 12 shows how a few diodes and a resistor can be used to make an OR gate that gives a high (logic 1) output when any one of its inputs is high, and also shows the truth table of the circuit when it is wired in the two-input mode. The circuit can be given any number of inputs required simply by adding extra diodes, as shown dotted by  $D_3$  and  $D_x$ .

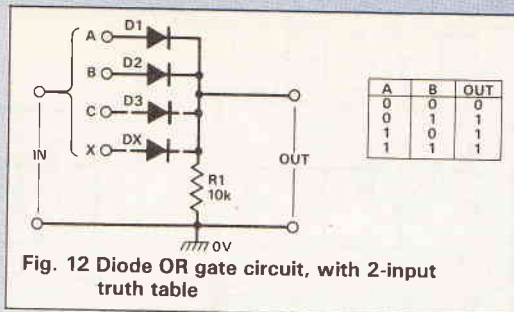


Fig. 12 Diode OR gate circuit, with 2-input truth table

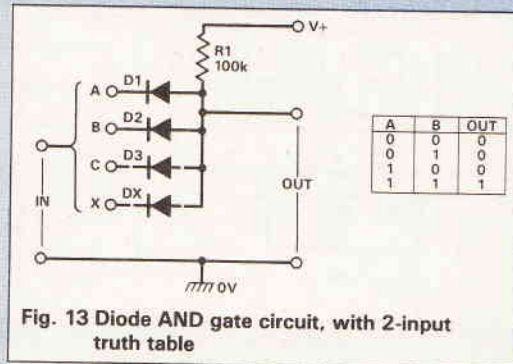


Fig. 13 Diode AND gate circuit, with 2-input truth table

Figure 13 shows an AND version of the diode gate, which gives a high output only when all inputs are high, and also shows its truth table when used in the two-input mode. The circuit can be given any desired number of diode inputs.

### Miscellaneous Diode Circuits

Figures 14 to 19 show a variety of useful diode circuits. The Figure 14 design protects a polarity-sensitive load (for example, an electronic circuit) against damage from an incorrectly applied battery voltage. If the battery is correctly connected it feeds the load via  $D_1$  but is blocked from the alarm buzzer by  $D_2$ . If it is wrongly connected,  $D_1$  blocks the load's current and  $D_2$  enables the alarm buzzer.

The Figure 15 circuit gives polarity protection to the load via the bridge-connected  $D_1$ -to- $D_4$  set of rectifiers, which ensure correct load polarity irrespective of the polarity of the supply battery.

Figure 16 shows how to make a high-value non-polarised capacitor from a pair of electrolytic types and two diodes. Each diode effectively shorts out its capacitor if connected to the wrong polarity. The circuit has an effective capacitance equal to the  $C_1$  or  $C_2$  value.

Figure 17 shows how a pair of silicon diodes can be used to protect a moving-coil current meter against overload damage. Such meters can withstand 2-3 times full scale deflection without damage, and in this circuit  $R_x$  must be chosen so that about 300mV is developed across the diodes at full scale deflection. Under this condition the diodes pass zero current, but at readings greater than twice full scale deflection they start to conduct and shunt the meter current.

Figure 18 shows how two 6V relays can be independently controlled via a 12V AC two-wire link. Note that the two relay coils are wired in series, but are each shunted by a diode so that RLA is turned on only by positive half-cycles and RLB only by negative half-cycles. When  $SW_1$  is set to position 1, zero power is fed to the relays, and they are both off. In position 2, only positive half-waves are fed to the relays, so RLA turns on. In position 3 only negative half-waves are fed to the relays, so RLB turns on. Finally, in position 4 full-wave AC is fed to the relays, and RLA and RLB both turn on.

Figure 19 shows a modified version of the above circuit, in which each relay can be independently

controlled via its own on/off switch. The circuit operates in the same basic way as described above.

### A 'Scope Trace Doubler

Figure 20 shows how a pair of diodes can be used as the basis of a simple but effective oscilloscope trace doubler, allowing two individual signals to be simultaneously displayed on the screen of a single-beam 'scope. The two diodes are connected as simple gates that are driven via a 10V square wave input.  $C_1$  causes the gate signal at the  $C_1 - R_1$  junction to switch between +5V and -5V.

When the  $C_1 - R_1$  junction is at +5V,  $D_2$  is reverse biased and  $R_2 - C_2$  are effectively disconnected from the circuit, but  $D_1$  is forward biased and  $R_1$  and  $R_3$  are effectively shorted together. This

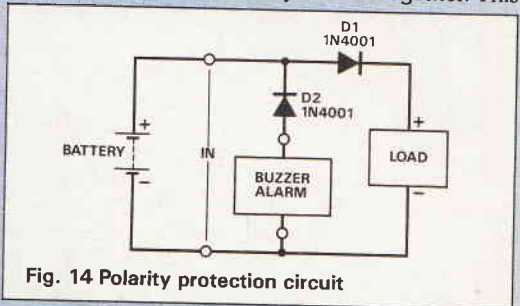


Fig. 14 Polarity protection circuit

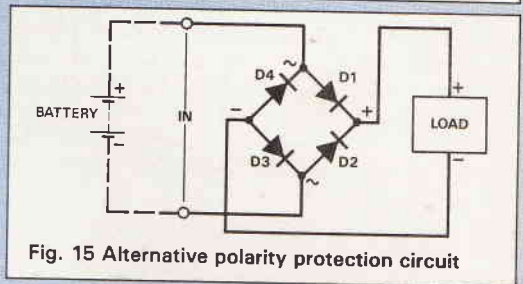


Fig. 15 Alternative polarity protection circuit

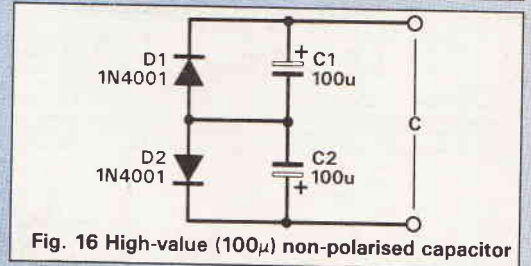


Fig. 16 High-value (100µ) non-polarised capacitor

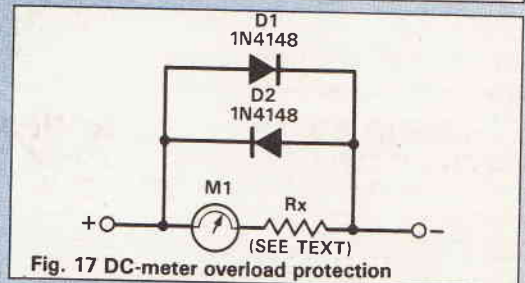


Fig. 17 DC-meter overload protection

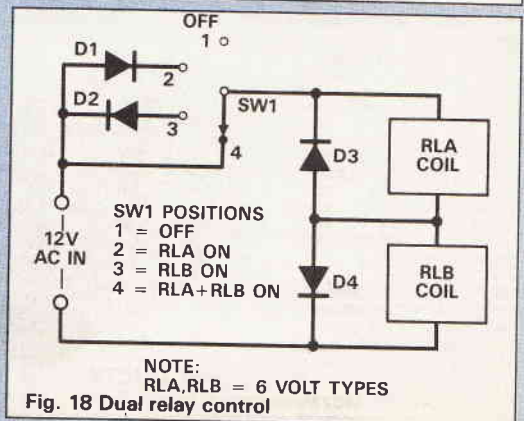


Fig. 18 Dual relay control

presents a mean potential of +2.5V, on which the input 1 signal is superimposed, at the output. When the  $C_1 - R_1$  junction is at -5V the reverse action is obtained.  $D_1$  is effectively open circuit and  $D_2$  is short circuit, thus presenting a mean potential of -2.5V, on which the input 2 signal is superimposed, at the output. When this complex output signal is fed to the input of a single beam 'scope, the vertical switching transitions disappear, and the tube displays input 1 vertically displaced above input 2. The trace separation can be varied by altering the amplitude of the square-wave gate drive signal.

In practice, the gate drive square wave frequency can either be made high relative to the 'scope's time base frequency, or can be made exactly half the time base frequency (via a simple binary counter). In the latter case, the 'scope displays the input 1 and input 2 signals on alternate sweeps.

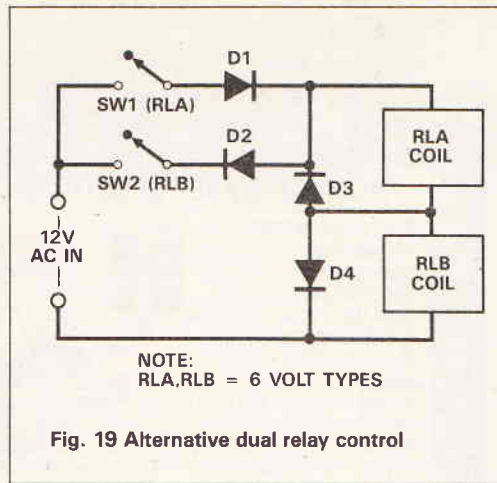


Fig. 19 Alternative dual relay control

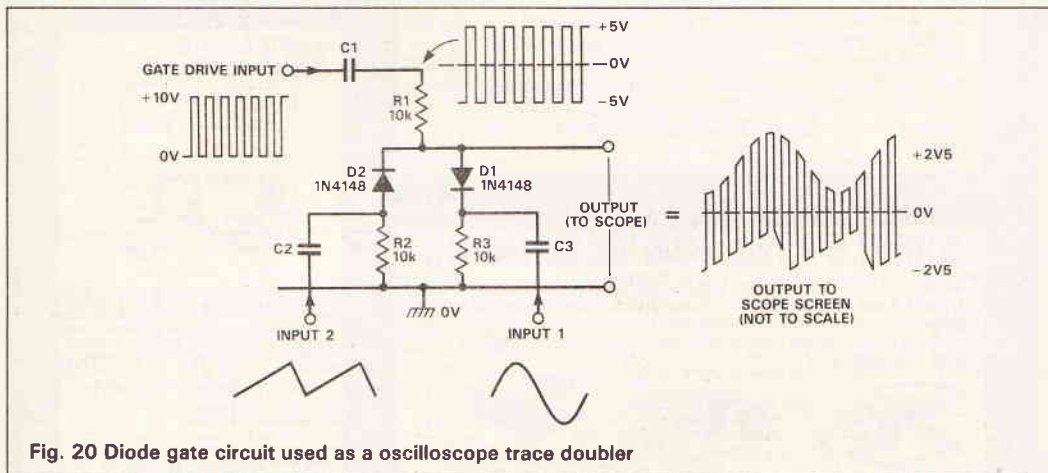


Fig. 20 Diode gate circuit used as an oscilloscope trace doubler

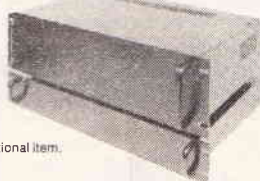
# CIRCUITS



## 19" RACK CASES

\* Suitable for instruments, high quality amplifiers and many other applications that demand strength and professional finish \* New improved construction and finish \* Black anodised aluminium front panels \* Separate front mounting plate, no fixing screws visible on the front and the side of the enclosure \* Heavy gauge front panel is of brushed aluminium finish enhanced with two professional handles \* With ventilation slits and plastic feet \* Rear box manufactured from 1.1mm steel finished in black. Rack mounting or free standing. Comes in quick assembly flat package.

Order Code	Panel Size W H (inch)	Rear Box W H D	Weight	Price £
U101	19 x 1.75	17 x 1.5 x 10	2.4kg	26.95
U103	19 x 5.25	17 x 5.0 x 10	3.5kg	29.95
U212	19 x 3.5	17 x 3.0 x 12	3.3kg	29.75
U312	19 x 5.25	17 x 5.0 x 12	4.0kg	31.95
U412	19 x 7.0	17 x 6.5 x 12	4.6kg	34.95



Please add £3.00 P&P for the first item and £1.50 for each additional item.

Please add VAT to above prices. Overseas orders welcome.

**CRICKLEWOOD ELECTRONICS LTD**  
40 CRICKLEWOOD BROADWAY, LONDON NW23ET  
Tel: 081-452 0161 Fax: 081-208 1441

Millions of quality components  
at lowest ever prices.

Mail order only.

Send 30p stamped addressed label  
for catalogue/clearance lists.  
All inclusive prices **NO** post, packing,  
VAT etc to work out and add on.

**Brian J Reed Electrical**  
6 Queensmead Avenue, East Ewell  
Epsom, Surrey KT17 3EQ  
Tel: 0(7)1 223 5016

## 19" RACK MOUNTING EQUIPMENT CASES

This range of 19" rack cases features satin black finished 16SWG (1.5mm) steel front panels (no fixing holes visible), with the rear box assembly constructed from 20SWG (.9mm) steel. The standard units are 10" (254mm) deep.

**NEW FOR 1990** 19" project cases only 4" (101mm) deep and are available in the following popular sizes:

PROJECT CASES		
Type	Height	Price
PU1	1 3/4" (44mm)	£16.50
PU2	3 1/2" (88mm)	£18.50
PU3	5 1/4" (133mm)	£20.50
PU4	7" (178mm)	£22.50
PU6	10 1/2" (226mm)	£26.50
EQUIPMENT CASES		
U1	1 3/4" (44mm)	£20.70
U2	3 1/2" (88mm)	£24.15
U3	5 1/4" (133mm)	£27.60
U4	7" (178mm)	£29.90

Delivery included (UK only).

All prices include VAT.

BLANKING PANELS, RACKING CONSOLES  
and RACK CABINETS are also available.

Please send SAE for details.

Tel: 0275 823983 for Access/Visa Sales or cheque  
with order to:

**RACKZ PRODUCTS**

PO Box 1402 Mangotsfield, Bristol, England, BS17 3RY



## OMNI ELECTRONICS

174 Dalkeith Road, Edinburgh EH16 5DX · 031 667 2611

New  
catalogue  
available  
soon

**A COMPREHENSIVE RANGE WITH  
SERVICE SECOND TO NONE**  
OUR MUCH EXPANDED, BETTER ILLUSTRATED  
CATALOGUE WILL COST £1.50 — TO INCLUDE  
VOUCHERS TO USE AGAINST FUTURE  
PURCHASES. TO RECEIVE A COPY AS SOON AS  
THEY ARE READY, PLEASE SEND YOUR  
REMITTANCE WITH YOUR NAME, ADDRESS  
AND TELEPHONE NUMBER REQUESTING A  
COPY OF THE 1990/91 OMNI CATALOGUE.



Open: Monday-Friday 9.00-6.00  
Saturday 9.00-5.00



# TK FOR KITS

## GUARD DOG KIT

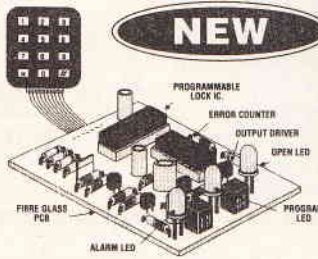


One of the best burglar deterrents is a guard dog and this kit provides the barking without the bite! Can be connected to a doorbell, pressure mat or any other intruder detector and produces random threatening barks. Includes mains supply and horn speaker.

**XK125 £24.95**

## PROGRAMMABLE ELECTRONIC LOCK KIT

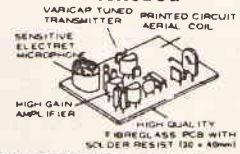
Keys could be a thing of the past with this new high security lock. Secure doors to sheds, garages, even your home or prevent the unauthorised use of computers, burglar alarms or cars. One 4-digit sequence will operate the lock while incorrect entries will sound an alarm. The number of incorrect entries allowed



before the alarm is triggered is selected by you. Further entries will be ignored for a time also set by you. Only the correct sequence will open the lock and switch off the alarm. The sequence may easily be changed by entering a special number and code on the supplied keyboard. Kit includes; keyboard, alarm buzzer, high quality PCB and all electronic components. Supply 5-15V DC. Will drive our Latch Mechanism (701 150 @ £16.50) or relay directly.

**XK131 £19.95**

## SUPER-SENSITIVE MICROBUG



Only 45x25x15mm, including built-in mic. 88-100MHz (standard FM radio). Range approx. 300m depending on terrain. Powered by 9V PP3 (7mA). Ideal for surveillance, baby alarm etc.

**£6.35**

## DISCO LIGHTING KITS



**DL8000K** 8-way sequencer kit with built-in opto-isolated sound to light input. Only requires a box and control knob to complete... **£39.95**

**DL1000K** 4-way chaser features bi-directional sequence and dimming 1kW per channel... **£23.95**

**DL21000K** Uni-directional version of the above. Zero switching to reduce interference... **£13.95**

**DLA1** (for DL & DL21000K) Optional op-to input allowing audio 'beat/light response'... **95p**

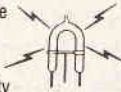
**DL3000K** 3-channel sound to light kit, zero voltage switching, automatic level control and built-in mic. 1kW per channel... **£19.55**

## POWER STROBE KIT

Produces an intense light pulse at a variable frequency of 1 to 15Hz.

Includes high quality PCB, components, connectors, 5Ws strobe tube and assembly instructions. Supply: 240V ac. Size: 80x50x45.

**XK124 STROBOSCOPE KIT. £17.25**



## SIMPLE KITS FOR BEGINNERS

Especially aimed at the beginner. Have fun with your project even after you have built it and also learn a little from building it. These kits include high quality solder resist printed circuit boards, all electronic components (including speaker where used) and full construction instructions with circuit description.



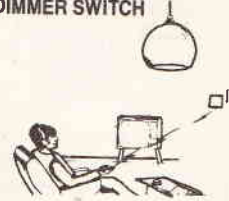
**SK1 DOOR CHIME** plays a tune when activated by a pushbutton **£4.50**

**SK2 WHISTLE SWITCH** switches a relay on and off in response to whistle command **£4.50**

**SK3 SOUND GENERATOR** produces FOUR different sounds, including police/ambulance/fire-engine siren and machine gun **£4.50**

**XK118 TEN EXCITING PROJECTS FOR BEGINNERS** this kit contains a solderless breadboard, components and a booklet with instructions to enable the absolute novice to build ten fascinating projects including a light operated switch, intercom, burglar alarm and electronic lock. Each project includes a circuit diagram, description of operation and an easy to follow layout diagram. A section component identification and function is included, enabling the beginner to build the circuits with confidence... **£17.25**

## REMOTE CONTROL DIMMER SWITCH



Imagine controlling the brightness of your lights or switching them on or off from the comfort of your armchair! This kit contains all the components from front panel to the last screw to enable you to do just that and fit the shallowest wall boxes. Max power 300W (not fluorescents).

**XK132 £19.95**

## IR TRANSMITTER KIT

Designed for use with the XK132 and comes complete with a pre-drilled box. A PP3 9 volt battery is required.

**XK136 TOUCH DIMMER KIT. £12.95**

## VERSATILE REMOTE CONTROL SYSTEM

These kits can switch up to 16 pieces of equipment on and off or control 16 functions depending on the keyboard selected for the MK18 transmitter. MK12 receiver has 16 logic outputs and operates from 12 to 24V dc or 240V ac via the transformer supplied. The MK16 requires a 9V battery and keyboard. Great for controlling lights, TVs, garage doors etc.

**MK12 IR Receiver £19.55**  
**MK18 Transmitter £8.95**  
**MK9 4-Way Keyboard £2.75**  
**MK10 16-Way Keyboard £7.95**  
**601 133 Box for transmitter £2.95**

## ELECTRONIC WEIGHING SCALE



Kit contains a single chip microprocessor. PCB, displays and all electronics to produce a digital LED readout of weight in Kgs or Sts/Lbs. A PCB link selects the scale-bathroom/two types of kitchen scales. A low cost digital ruler could also be made.

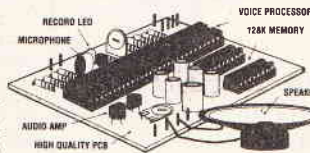
**ES1 £8.25**

## VOICE RECORD/PLAYBACK KIT

This simple to construct and even simpler to operate kit will record and playback short messages or tunes. It has many uses - seatbelt or light reminder in the car, welcome messages to visitors at home or at work, warning messages in factories and public places. In fact anywhere where a spoken message is announced and which needs to be changed from time to time. Also suitable for toys - why not convert your daughter's £8 doll to an £80 taking doll!!

Size ..... 76 x 60 x 15mm  
 Message time ..... 1-5 secs normal speed, 2-10 secs slow speed

**XK129 £25.95**



## PROPORTIONAL TEMPERATURE CONTROLLER KIT



Uses 'burst fire' technique to maintain temperature to within 0.5°C. Ideal for photography, incubators, wine making, etc.

Maximum load 3kW (240V AC). Temperature range up to 90°C. Size: 7x4x2.5cms. **MK4 £8.95**

# TK ELECTRONICS

## TK ELECTRONICS

13 Boston Road  
 London W7 3SJ  
 Tel: 01-567 8910  
 Fax: 01-566 1916

**ORDERING INFORMATION** All prices INCLUDE VAT. Free P & P on orders over £60 (UK only), otherwise add £1.15. Overseas Customers divide total order by 1.15 then add P & P: Europe £3.50, elsewhere £10.00. Send cheque/PO/Visa/Access No. with order. Giro No. 529314002. Local Authority and educational institutions orders welcome. Shop Open: Tuesday-Thursday 10 am - 5 pm. Saturday 10 am - 4 pm.



**ORDERS: 081-567 8910**

**24 HOURS**

## THE RTC MONITOR II

100 WATT SPEAKER KIT £60.00 + £3.50 P&P (pair)

RESPONSE: 55Hz-20kHz

BASS POLYMER CONE D: 22cm

HOME TWEETER: 14mm

OVERALL SIZE  
(HWD): 382,252,204mm

RECOMMENDED AMP POWER:  
10-100 watts per channel

The performance standard achieved in this compact design is distinctively superior to anything else available at the price. The drive units used are of sophisticated design and have been carefully integrated with a Complex Crossover. Stereo performance is exceptionally good with a well focussed sound stage and sharp resolution of detail. Distortion throughout the frequency range is low even at quite high power input and this gives a great sense of dynamic range and openness especially when used in bi-wired mode.

Supplied with:— 2 READY CUT BAFFLES, ALL CROSSOVER COMPONENTS, 2 BASS MID-RANGE, 2 DOME TWEETERS, HOOK UP WIRE, GRILLE CLOTH, SCREW TERMINALS AND SCREWS.



## ROSS MULTI TESTER

As new condition but have been returned by customers or shops so they may need some attention. Hence the price of £3.50 each plus £1.60 P&P. Order five and get the sixth one free. Postage £5.40.

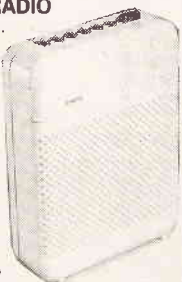


## LCD DIGITAL MULTI TEST METER AC DC

Volts resistance and DC Amps. Most of these units are new but have been returned or rejected by the store and sold with all faults at £11.00 each. Postage £1.00. (Made by P...s Electronics).

## ROSS PUSH BUTTON RADIO

Mains and battery operated. High quality VHF/FM, Medium and Long Wave reception. 6 pushbutton selected preset stations. Fully retractable telescopic aerial. Headphone/earphone jack socket.



Size 230H x 150W x 65D.  
Ref RE-5500.  
Brand new.  
Listed price over £30.00.

Price £14.95 + £2.80 P&P

## SHURE HI-FI STEREO MAGNETIC CARTRIDGE

Fitted with an elliptical diamond stylus supplied with fitting kit and instructions. A good quality unit made to sell for well over twenty pounds due to scoop purchase, we are able to offer these at a fraction of the manufacturers price. All units are brand new and boxed. £7.20 each. If you order in multiples of five you get one free. Postage £1.30 (Made in U.S.A.)

## KOSS STEREO HEADPHONES

High quality light weight stereo headphones fitted 3.5mm jack with adaptor to 6.4mm jack. Ideal use HiFi or personal stereo. Made to sell for nine pounds. Our price for this unit £4.25. Postage 6p.

## TV SOUND TUNER KIT



In the cut-throat world of consumer electronics, one of the questions designers apparently ponder over is "Will anyone notice if we save money by chopping this out?" In the domestic TV set, one of the first casualties seems to be the sound quality. Small speakers and no tone controls are quite common and that really is quite sad, as the TV companies do their best to transmit the highest quality sound. Given this background a compact independent TV tuner that connect direct to your Hi-Fi is a must for quality reproduction. The unit is mains operated. This TV SOUND TUNER offers full UHF coverage with 4 pre-selected tuning controls. All parts including Varicap tuner, mains transformer, PCB with IC's, capacitors and coils etc., to build the unit illustrated above; without case and scale.

£11.50 + £2.30 P&P

Case as illustrated £6.90 + £2.00 P&P

## MAIL ORDER £1 BARGAIN PACKS BUY 20 GET 1 FREE

Please state pack(s) required

No. Qty. per pack

- BP015B 1 30W dome tweeter. Size 90x66mil JAPAN made  
BP016 6 2200µf can type Electrolytic 25V d.c. computer grade made in UK by PHILIPS  
BP017 3 33000µf 16V d.c. electrolytic high quality computer grade UK made  
BP019 20 20 ceramic trimmers  
BP020 4 Tuning capacitors, 2 gang dielectric a.m. type  
BP021 10 3 position, 8 tag slide switch 3 amp rated 125V a.c. made in USA  
BP022 5 Push-button switches, push on push off, 2 pole change over, PC mount JAPAN made  
BP023 6 2 pole 2 way rotary switch  
BP024 2 Right angle, PCB mounting rotary switch, 4 pole, 3 way rotary switch UK made by LORLIN  
BP025 4 3 pole, 3 way miniature rotary switch with one extra position off (open frame YAXLEY type)  
BP026 4 4 pole, 2 way rotary switch UK made by LORLIN  
BP027 30 Mixed control knobs  
BP029 6 Stereo rotary potentiometers  
BP030 2 10k wire wound double precision potentiometers UK made  
BP031 6 Single 100k multitune pots, ideal for varicap tuners UK made by PHILIPS  
BP032 4 UHF varicap tuner heads, unboxed and untested UK made by PHILIPS  
BP033 2 FM stereo decoder modules with diagram UK made by PHILIPS  
BP033A 4 6"x3/8" High grade Ferrite rod, UK made  
BP034 3 AM IF modules with diagram PHILIPS UK made  
BP034A 2 AM-FM tuner head modules, UK made by Mullard  
BP034B 1 Hi-Fi stereo pre-amp module inputs for CD, tuner tape, magnetic cartridge with diagram, UK made by MULLARD  
BP035 6 All metal co-axial aerial plugs  
BP036 6 Fuse holders, panel mounting 20mm type  
BP037 6 In line fuse holders 20mm type UK made by BULGIN  
BP038 20 5 pin din, 180° chassis socket  
BP039 6 Double phono sockets, Paxolin mounted  
BP041 3 2.8m lengths of 3 core 5 amp mains flex  
BP042 2 Large VU meters JAPAN made  
BP043 30 4V miniature bulbs, wire ended, new untested  
BP044 2 Sonotone stereo crystal cartridge with 78 and LP styl JAPAN made  
BP045A 2 Mono Cassette Record and play heads  
BP046A 2 608 Mains transformers, PCB mounting, Size 42x33x35  
BP047 1 24V 0.3VA mains power supply. Brand new boxed UK made by MULLARD  
BP047A 1 25V DC 150mA mains adaptor in black plastic case with flying input and output leads new units made for famous sound mixer manufacturer. Size 80x55x47  
BP049 10 OC44 transistors. Remove paint from top and it becomes a photo-electric cell (ORP 12) UK made by MULLARD  
BP050 30 Low signal transistors n.p.n., p.n.p. types  
BP051 6 14 watt output transistors, 3 complimentary pairs in TO66 case (ideal replacement for AD161 and 162s)  
BP052A 1 Tape deck pre-amp IC with record/replay switching No LM1818 with diagram  
BP053 5 5 watt audio ICs. No TBA800 (ATEZ)  
BP054 10 Motor speed control ICs, as used with most cassette and record player motors  
BP055 1 Digital DVM meter I.C. made by PLESSEY as used by THANDARF with diagram  
BP056 4 7 segment 0.3 LED display (red)  
BP057 8 Bridge rectifiers, 1 amp, 24V  
BP058 200 Assorted carbon resistors  
BP059 1 Power supply PCB with 30V 4VA transformer. MCT818CT IC & bridge rectifier: Size 4"x2 1/2"  
BP061 5 6.35mm Mono jack plugs  
BP063 5 6.35mm stereo switched jack sockets  
BP064 12 Coax chassis mount sockets  
BP065 1 3mtr Euro-mains lead with chassis socket

## MULTIBAND RADIO

VHF 54-176 MHz + AM CB BANDS 1-80

Listen to: AIR TRAFFIC CONTROL, AIRCRAFT, RADAR PUBLIC UTILITIES RADIO AMATEURS AND MANY MANY MORE

£17.95  
POSTAGE  
£2.85

SQUELCH CONTROL  
"RUBBER DUCK AERIAL"



## HAND HELD WALKIE TALKIES

Ideal for sports or any outdoor activities. Built-in call button and separate volume control. Range 1.2km maximum 49MHz crystal control superhet circuit with built-in condenser mic. and speaker. Unit supplied with vinyl carrying case and personal earphone.

£32.90 a pair  
+ £2.60 P&P



## RADIO AND TV COMPONENTS ACTON LTD

21 HIGH STREET, ACTON, LONDON W3 6NG

MAIL ORDER TERMS: POSTAL ORDERS and/or CHEQUES with orders Orders under £20 add £3.00 service charge. Nett monthly accounts to Schools, Colleges and P.L.C. only. ACCESS VISA. Phone orders between 9.30 & 12pm please. Overseas readers write for quote on delivery

Phone: 071-723 8432 or 081-992 8430  
Callers 323 Edgware Road, London W2 Closed Sun  
21 High St. Acton, London W3 closed Sun. Mon & Wed

## 30+30 WATT AMPLIFIER KIT



An easy to build amplifier with a good specification. All the components are mounted on the single P.C.B. which is already punched and backprinted.

- 30W x 2 (DIN 4 ohm)
  - CD/Aux, tape I, tape II, tuner and phono inputs.
  - Separate treble and bass
  - Headphone jack
- Size (H.W.D.) 75x400x195mm  
Kit enclosed: case, P.C.B., all components, scale and knobs £36.80. post £3.50  
(Featured project in *Everyday Electronics* April 1989 issue). Reprint Free with kit.

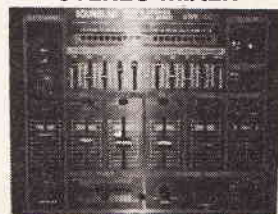
## AMPHONIC 125+125 POWER AMPLIFIER



125 watt per channel stereo power amplifier with independent volume controls, professional 19" rack mount and silent running cooling fan for extra reliability.  
Output power ..... 125W RMS max. per channel  
Output impedance ..... 4 to 16 ohms (max. power into 4 ohms)  
Sensitivity ..... 450V at 22k ohms  
Protection ..... Electronic short-circuit and fuses  
Power ..... 220-240V a.c. 50Hz  
Chassis dim ..... 435 x 125 x 280mm

£142 + £7.00 p&p

## STEREO MIXER



5-channel stereo disco mixer in racking case which can handle up to a total of 10 phono, line and mic inputs, switchable on front panel. Twin 5-band graphic equalizer with insert/bypass switch. Cross fader between channels 1 and 2. Mic channel with low Cut filter and talkover switch. Separate L and R master controls. Output for amp, tape and headphones.  
Input Mic ..... 0.3mV 600 ohms  
Phono ..... 2.5mV 50K ohms  
Outputs: Amp & Tape ..... 1.2V  
Headphone ..... 50mV @ 75 ohms  
Equalizer control frequencies ..... 60, 250, 1k, 3.5k, 12kHz  
Equalizer control range ..... ±12dB boost or cut  
Size ..... 350 x 280 x 90mm

£118.90 + £5.80 P&P

## BELT-DRIVE QUICKSTART VARISPEED DISCO TURNTABLE

- ★ Quick start ideal for scratching
- ★ Pitch control
- ★ Pop-up target lamp
- ★ Strobe lamp
- ★ Counterweighted tubular tone arm with plug-in headshell
- ★ Full manual control
- ★ Remote start/stop
- ★ 7.5kg



£112.00  
+ £7.00 P&P

## 28.0.28V 4 AMP MAINS TRANSFORMERS

With a 5.5V at 0.5A mains input 110-240. Size 90 x 105 x 75 fitted with copper screening band; made for famous HI-FI Co. £6.50 each. Postage £2.80. It's weight is 2.7Kg! Brand new and unused condition.

# HARNESSING

*In the past, wind generation was taken seriously by nobody except Alternative Technologists. Now things are very different. Paul Freeman explains how the wind is changing . . .*

**I**t has long been the intention and practice of Alternative Technologists to introduce wind-generated electricity into their schemes for a greater contribution towards self sufficiency. The ATs, as they were known in the 1960s and 70s, were against centralisation, including that of power generation, and so they set up simple low-power wind generators for their own local supply of electricity.

The notion of setting up large scale windfarms during the 1970s for generating electric power was

the same across the country and so by placing wind power stations carefully, the addition of these supplies will reduce fluctuations in power availability through the national grid system to a minimum. Change in consumer demand throughout the day would mean that other sources of electrical power can provide the balance at times of peak demand.

Wind systems are easier to integrate into a large grid system since the fluctuations in output would be less noticeable, but on a smaller scale this can become a problem.

Economical load management can tackle this problem in two ways. Firstly, by cutting demand on low priority equipment. This might be from a persuasive approach by encouraging the consumer to switch off something from a list of electrical gadgets like lights to more drastic measures of stopping the supply for non-essential items. A second way to iron out demand would be by the development of energy storage systems like batteries, flywheels and water elevation (Figure 2).

Studies suggest that land-based wind energy could provide up to 10% of the UK electrical energy demand by the year 2025, provided that the generating equipment will last 'all of its life, all of its time'. Wind generated electricity would save on fuel costs and at the same time would help reduce the greenhouse effect indirectly.

The UK wind industry has developed over the last ten years with two companies supplying medium sized wind turbines, but much higher output machines are operating and are becoming available as the technology grows.

Two major types of wind generator are currently in existence: Horizontal Axis Turbines (HAWT) where the blades rotate in a conventional manner perpendicular to the wind (Figure 1) and Vertical Axis Turbines (VAWT) (Figure 3) which are of newer design. Vertical Axis machines carry the advantage that they are not sensitive to wind direction.

HAWTs will, by virtue of the mass of their rotating parts, rotate with an approximately constant frequency. If more electrical energy is demanded, the increased torque is supplied by rotating the blades or the tips. Horizontal axis machines are moved into the wind by a geared electric motor. A wind vane acts as a direction sensor, feeding a control signal to the servo-motor.

In recent times, for whatever reason, gale-force winds seem to be more prevalent and the UK has become a damage conscious nation. So protective design, when building wind turbines, is an all-important factor.

The power of the wind is proportional to the cube of the wind speed, so doubling the wind speed will increase the power by 8 times. To avoid damage in high speed winds, each machine must have a fail safe mechanism. Just as a conventional windmill can adjust its vanes to allow strong winds to pass through, the modern day wind turbines must adopt similar designs. A brake can be applied but would lead to wasted energy and unnecessary wear to the machinery. Early vertical axis turbines had the option of turning their blades away from the wind to reduce input power. Blade flexing and constant adjustments can lead to fatigue and is a high design priority, but

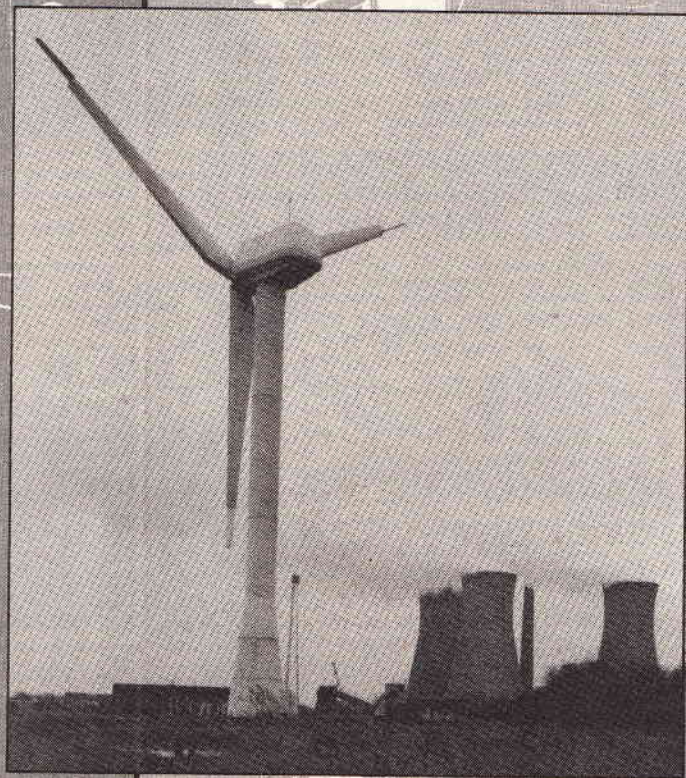


Fig. 1 Horizontal Axis Wind Turbine

against the tide of an expanding nuclear power industry and was regarded by governments and the CEBG as an unworkable method of power generation. Current official thought in this direction was probably swayed by the lack of research into the subject and by the fact that high power commercial machines were not available.

But today, in the changing climate of privatisation, the high cost involved by any company to maintain, run and dispose of waste from nuclear power plants does not seem to be an attractive proposition. Also with the new supply companies obliged to buy up to 600MW of renewable energy sources, it is therefore not surprising to see a renewed interest in wind generated power.

Wind, by its very nature, is a variable source of energy, changing in speed and direction. But the UK is probably in one of the best positions in Europe to utilise such a source of energy. Fluctuations in generated power might be considered as a nuisance, but strategic placing of wind farms around the countryside together with natural fluctuations from consumer demand throughout the day can iron out some of these problems. The wind speed and strength is never



# THE WIND

a manufacturer of VAWTs has overcome some of these problems.

## Position and Number

With commercial generators now available, suitable sites have to be found. Winds are generally stronger around coastal regions, on exposed high sites and out to sea. Britain is fortunate in this respect and has many potential sites to offer. Wind parks or farms are popular and could contain many thousands of smaller turbines. They already exist in Belgium, Holland, Denmark and the United States. In California some 18,000 wind turbines produce around 1500MW of

power. But the cost could be to the detriment of the environment. Noise and visual intrusion could be a problem.

Three experimental windfarms are to be set up in the UK. Possible sites are in Cornwall, Durham and Dyfed and the Department of the Energy along with Natpower or Powergen will monitor their technical and economic performance, together with the impact the installation has on the environment. The farms will contain 25 medium sized turbines giving an output of around 8MW. Spacing between machines will be around 300-400m to minimise inter-turbulent effects.

The alternative is to have single large high output generators of 1-3MW. Britain already has an

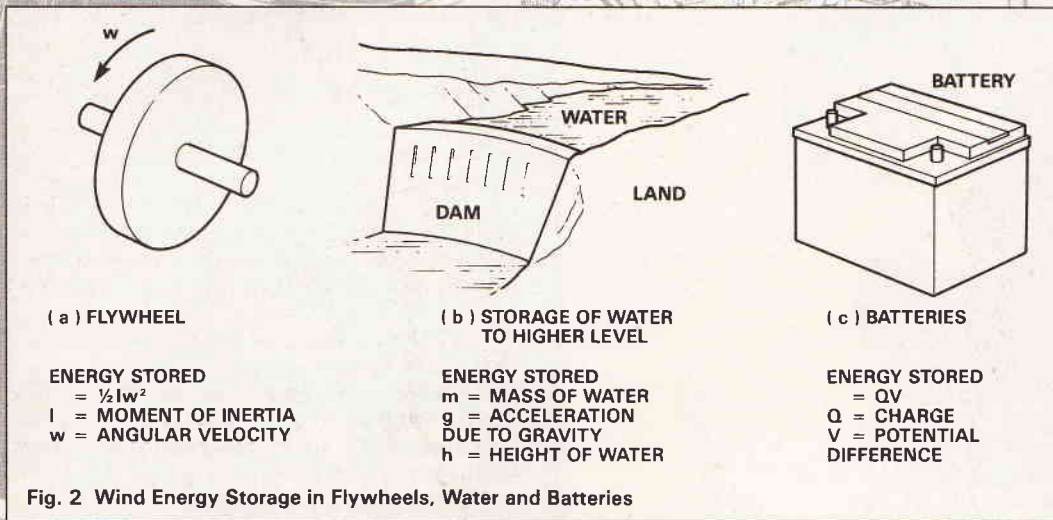


Fig. 2 Wind Energy Storage in Flywheels, Water and Batteries

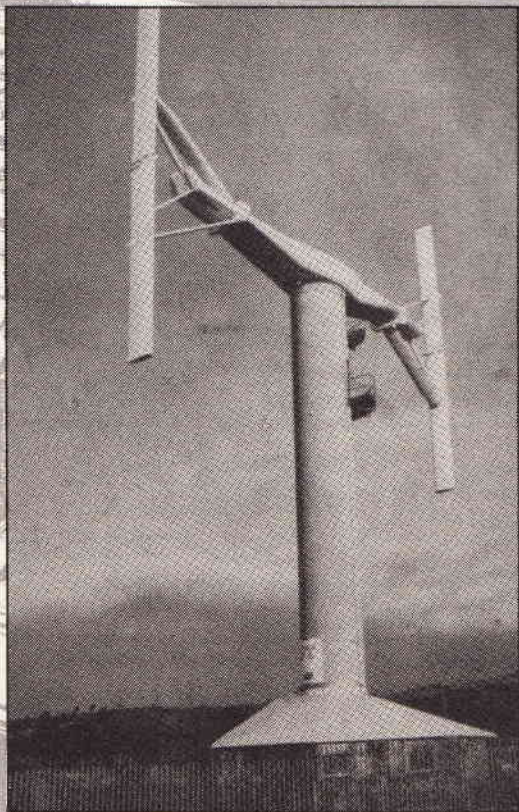


Fig. 3 Vertical Axis Wind Turbine

operational 3MW horizontal axis turbine made by the Wind Energy Group, a joint company of Taylor Woodrow Construction and British Aerospace and installed in Orkney in 1987.

## Offshore Electricity

Shallow waters around Britain would seem to be the ideal site for offshore operation of wind farms. Wind speeds are far greater and this solution would be more acceptable from an environmental point of view. However, offshore generation of electricity is considered by the Department of Energy to be a 'longshot technology which might be deployed effectively if there were to be dramatic improvements in costs of wind turbines or increase in fuel prices'. Having said that, there are plans afoot to install the UK's first offshore wind turbine off the coast of Norfolk in the early 1990s.

Much experience has been gained from Vertical Axis Wind Turbines, as a company of the same name built and commissioned a 25m 130kW machine at Carmathen Bay in Wales in 1986. The machine was fitted with a regulating mechanism so that the blades would be angled into an arrowhead shape in high winds, but it was discovered that this is not needed as the blades stall automatically in high winds. This led to the development of blades with fixed geometry and as a result reduced capital costs and maintenance. A new 500kW version of similar design is also to be built at Carmathen. The company has on the drawing board a design for a 1.7MW VAWT.

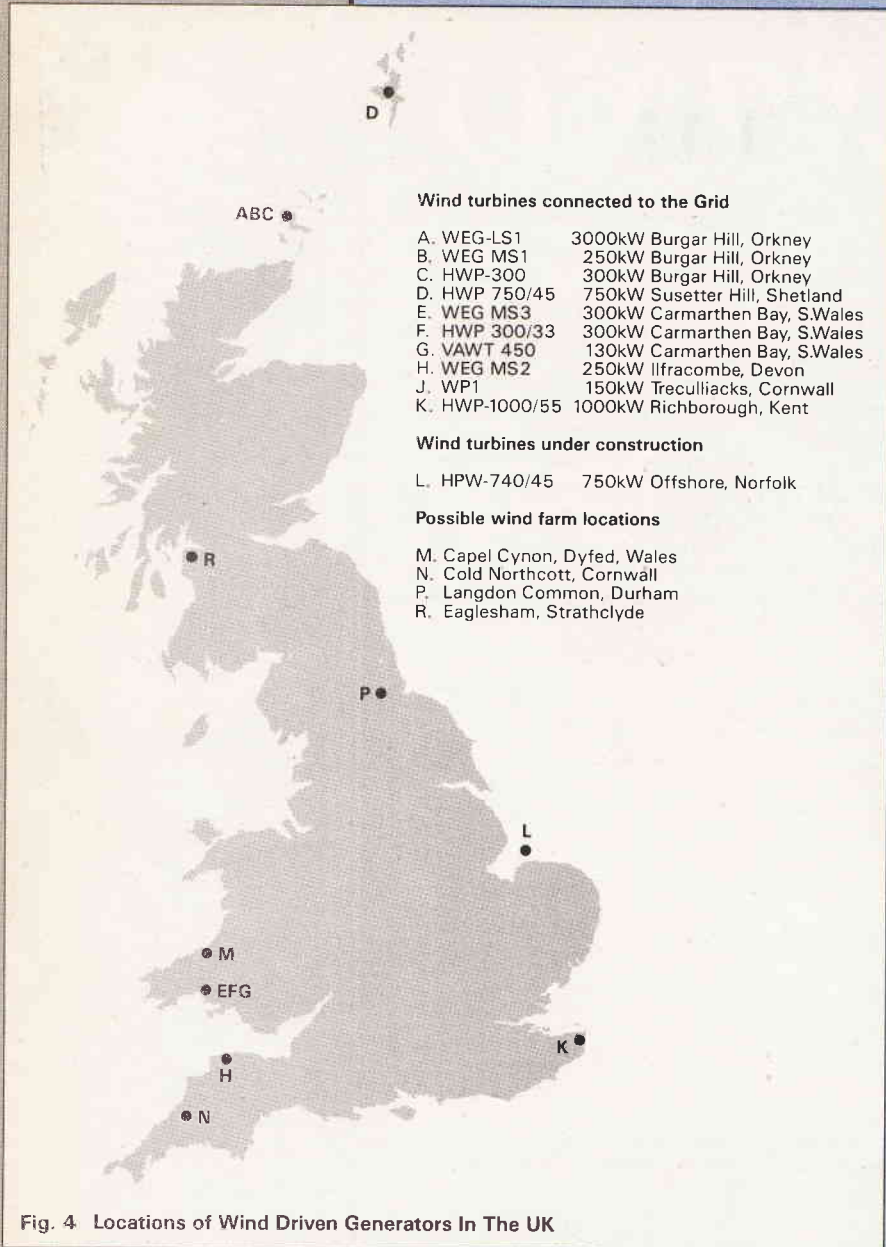


Fig. 4 Locations of Wind Driven Generators In The UK

known phenomenon known as the Doppler effect. This is brought about by any moving body emitting a vibration and changing direction relative to the observer. It's the sort of sound created when an object is whirled around on the end of a string. The intensity of the noise will depend upon the speed of the blades and the rotor tips will cause extra noise if they are out of smooth alignment. The other main area where the noise contribution is significant is mechanical in origin and comes from the gearbox.

The noise created from wind turbines is a 'far field' problem. This means the noise only becomes apparent at certain distances from the source (Figure 4). The reason for this comes as a result of the wind speed varying with height from the ground and the sound appears to be bent and directed in a refractive manner. Sound can be naturally amplified or absorbed and can travel over long distances for a variety of reasons. It can be reinforced by resonance if the source is in a hollow or using a hill as a reflector. Sound will also travel better at night, hugging the ground due to refraction. It is also common knowledge that any sound will be heard more easily directly downwind of the source.

### Green light for Richborough

The latest wind generator to appear on the scene was opened in June at Richborough Power Station in Kent, and if successful could save the burning of 1 million tonnes of coal a year. The 1MW wind turbine is of a 55m diameter three-bladed design and has been developed from the knowledge gained from the smaller 300kW turbine at the Carmarthen Bay site in Wales.

The rotor blades are made of light-weight wood/epoxy laminate and mounted on a 45m tower. The blades have movable tips to control the generator output. This HAWT will start to operate in winds greater than 11mph and the generator is synchronised to the national grid automatically at 24.5rpm.

Rotation of the rotor blade tips in excessive winds will reduce the torque and maintain a constant output of 1MW. This latest aero-generator will be monitored over the next two years for its electrical performance, its mechanical operating efficiency and of course its effect on the environment.

With a current annual turnover of £4 million, the development of wind power in the next few years should give the privatised electricity companies the impetus to commission many new wind generator sites with increased output power, lower cost per unit and a knowledge that the environmental impact has been reduced to a minimum.

*Our thanks go to the Energy Technology Support Unit, Harwell, and the National Wind Turbine Centre, Glasgow, for information provided in the preparation of this article.*

### Noise

Large rotors, rotating horizontally or vertically, would not at first thought seem to be a noisy machine. We relate our thoughts to a conventional windmill where rotation is slow. But the noise emitted from these new giants fall into two categories. Aerodynamic noise comes from the blade motion. It is more technically known as pink noise and is a range of random lower audible frequencies. From the side of the rotor, the sound is a swept range of frequencies due to the well

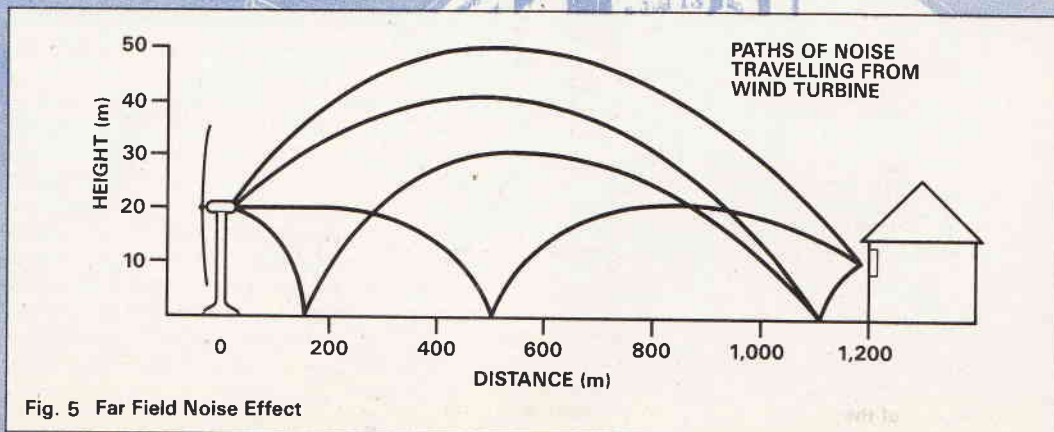
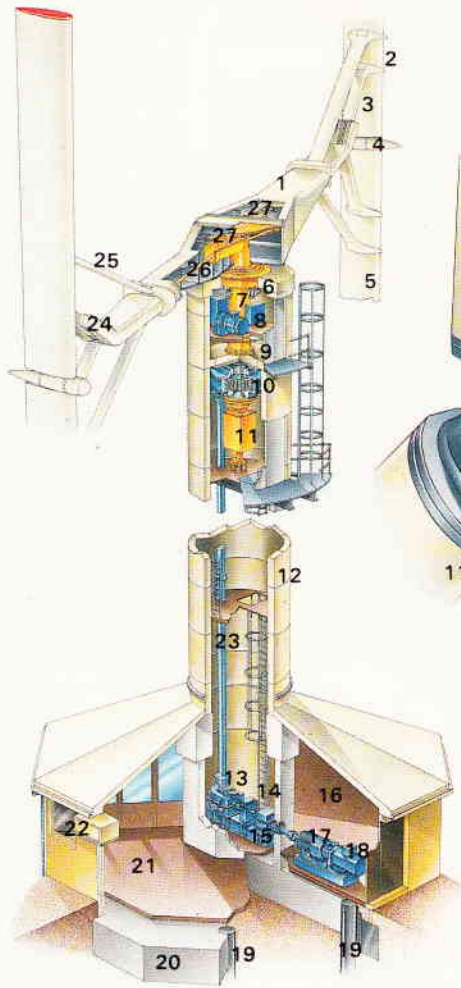


Fig. 5 Far Field Noise Effect

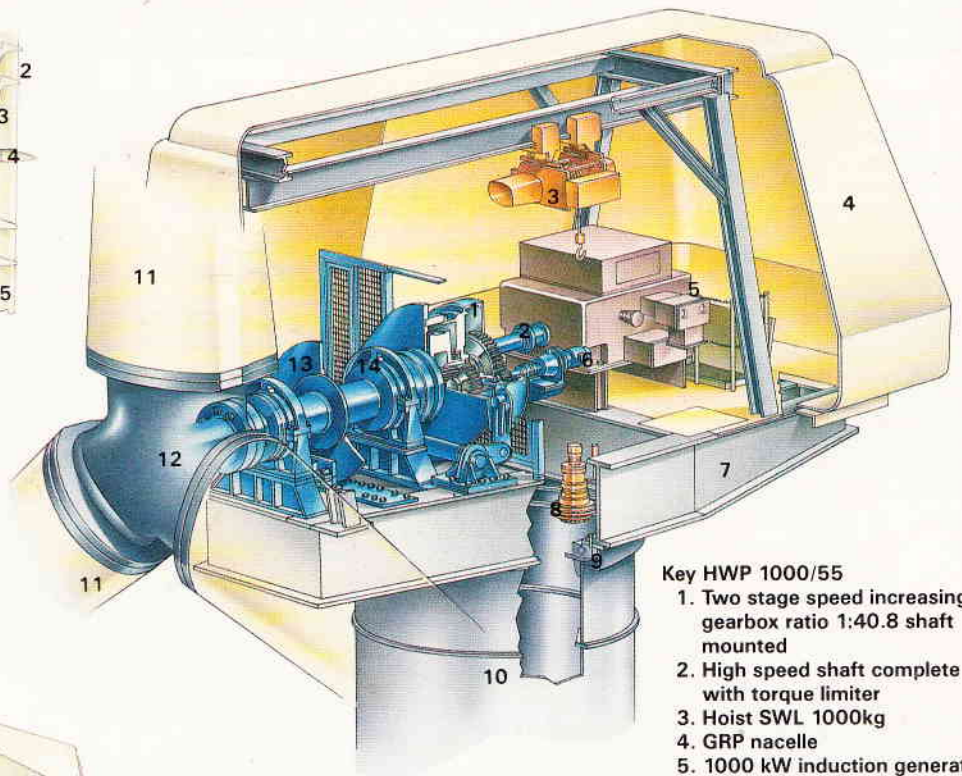


**Key VAWT 450**

1. Cross arm
2. Upper half-blade
3. Actuator strut
4. Centre hinge
5. Lower half-blade
6. Slip rings
7. Pintle shaft
8. Hydraulic power pack
9. Primary brake
10. Upper gearbox
11. Data acquisition unit
12. Concrete tower
13. Secondary gearbox
14. High speed brake
15. Tuning gearbox
16. Plant room
17. Induction generator
18. Synchronous generator
19. Piles
20. Concrete foundation
21. Control room
22. Air conditioning unit
23. Intermediate drive shaft
24. Swinging link
25. Main strut
26. Reefing mechanism
27. Reefing actuators

ENERGY STORED = mgh

Reproduced by kind permission of Modern Power Systems and Maltings Partnership.

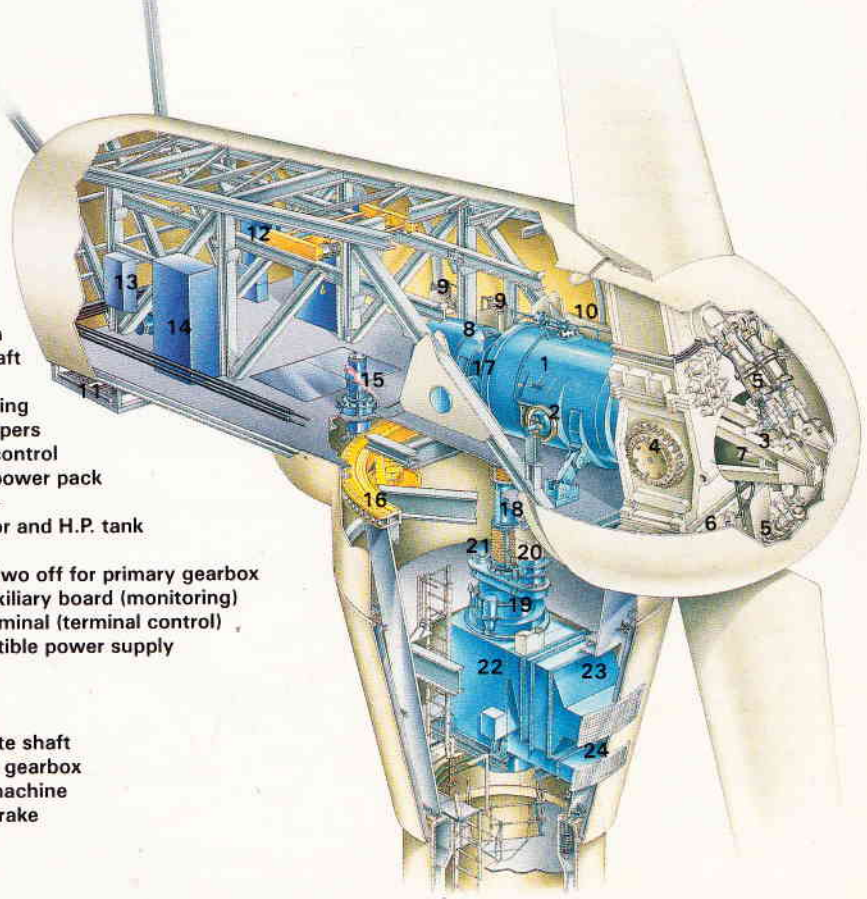


**Key HWP 1000/55**

1. Two stage speed increasing gearbox ratio 1:40.8 shaft mounted
2. High speed shaft complete with torque limiter
3. Hoist SWL 1000kg
4. GRP nacelle
5. 1000 kW induction generator 1000(r/min)
6. Rotor barring drive
7. Fabricated steel machine bedplate
8. Hydraulic geared yaw drive motor
9. Slew ring bearing with internal ring gear
10. Fabricated steel tower
11. Wood/epoxy composite rotor blades
12. Cast steel rotor hub
13. Low speed shaft disc brake
14. Split roller shaft

**Key WEG LS-1**

1. Primary gearbox
2. Primary shaft locking mechanism
3. Primary shaft extension
4. Teeter bearing
5. Teeter dampers
6. Hydraulic control
7. Hydraulic power pack
8. Main brake
9. Compressor and H.P. tank
10. L.P. tank
11. Oil cooler-two off for primary gearbox
12. Nacelle auxiliary board (monitoring)
13. Nacelle terminal (terminal control)
14. Uninterruptible power supply
15. Yaw drive
16. Yaw ring
17. Bevel gear
18. Intermediate shaft
19. Secondary gearbox
20. Reaction machine
21. Reaction brake
22. Generator
23. Air intake
24. Air outlet



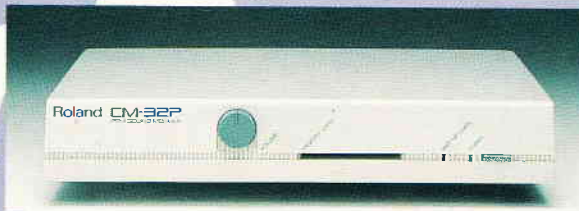
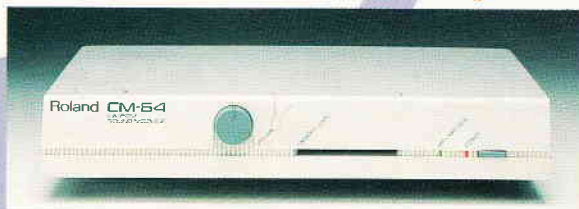
# ROLAND'S DESK-TOP COMPUTER MUSIC RANGE

## CM-64 LA/PCM

The CM-64 LA/PCM Sound Module gives a maximum 63-voice polyphony, is 15-part multi-timbral (including rhythm part) for full orchestral reproductions and provides 64 PCM preset tones and, from the wonderful world of LA synthesis, 128 synthesizer presets, 30 percussion sounds plus 33 sound effects for the rhythm part. The CM-64 also accepts U-110 sound sample library cards and incorporates an on-board digital reverb.

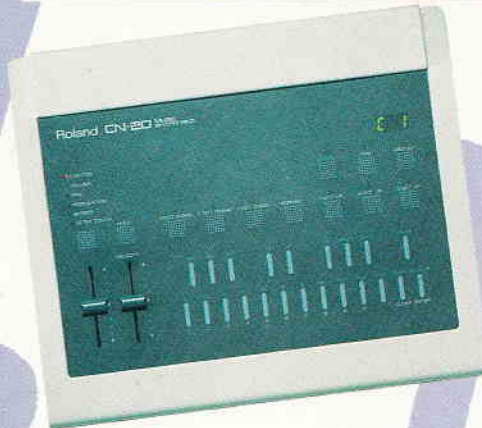
## CM-32L CM-32P

The CM-32 LA Sound Module provides all the LA capabilities of the CM-64, is 32-voice polyphonic and 9-part multi-timbral and likewise has built-in digital reverb. The CM-32P PCM Sound Module contains the CM-64's PCM section with its 64 presets, is 31-voice polyphonic and 6-part multi-timbral, has the same digital reverb, and is U-110 sound-card compatible.



## CF-10

Next in the range comes the CF-10 Digital Fader. This is an easy-to-use mixing controller with the feel of an analogue audio mixer and featuring 10 multiple MIDI channels, designed to mix song data for sequences created on a PC or MIDI sequencer, it also enables control change messages for volume and panning to be transmitted to external MIDI devices.



## CN-20

The CN-20 Music Entry Pad facilitates the programming of basic song data on a PC. It offers, for instance, easy editing of data pre-recorded from an external keyboard in real time. Its multi-purpose fader can be assigned to control a variety of MIDI information such as Control Change Bender and Aftertouch over any of the 16 MIDI channels.

## CA-30

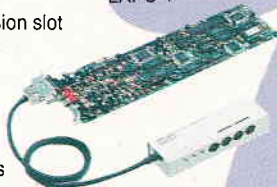
Last of the modules is the CA-30 Intelligent Arranger. Designed to be linked with the CM-64 or CM-32L, the CA-30 is a sophisticated auto arranger with similar intelligent arranging functions as found on Roland's best-selling E-20 Intelligent Synthesizer. With the CA-30, even complete beginners can create interesting and convincing song data.



## CM SUPPORT

Supporting the CM modules themselves are three peripheral components. The LAPC-1 LA Sound Card fits into the expansion slot of an IBM-PC for instant access to the great sounds of Roland's MT-32 Multi-Timbre module. The MCB-1 is an optional MIDI connector box for the LAPC-1, allowing the LAPC-1 to be used as an interface with external MIDI devices. And the MPU-IMC is a MIDI interface compatible with Micro Channel Architecture, the new IBM bus format used on the PS/2 PC.

LAPC-1



MPU-IMC



# Roland

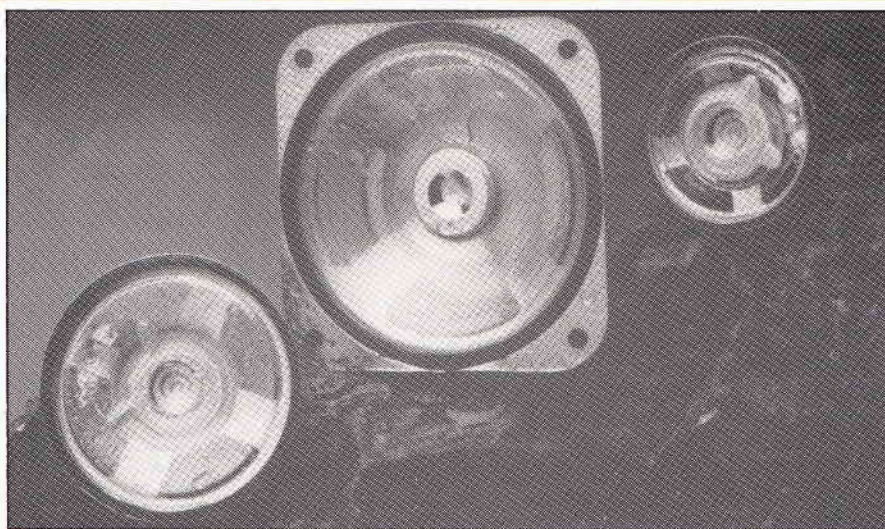
Roland (UK) Ltd. West Cross Centre, Brentford, Middx TW8 9EZ.  
Telephone: 01-568 1247 • Fax: 01-847 1528

## CM DEALERS

- AVON**  
ABC Music • Bristol • 0272 238200
- BERKS**  
ABC Music • Slough • 0753 822754  
Softstore • Slough • 0628 6683201
- BUCKS**  
Percy Prior • High Wycombe • 0494 28733
- CHESHIRE**  
Douglas • Northwich • 0606 782522
- DERBYSHIRE**  
Carlsbro Sound Centre • Derby • 0332 48156
- DORSET**  
E. Moors Music • Boscombe • 0202 35165
- EIRE**  
Music Makers • Dublin • 0001 730533
- MID-GLAMORGAN**  
Tonic Audio • Caerphilly • 0222 863906
- GLOUCESTERSHIRE**  
Advantage • Cheltenham • 0242 224340
- HERTS**  
Oxtron Digital Systems • Ware • 0920 460542  
QTEK Systems Ltd • Stevenage Old Town • 0438 360011
- HUMBERSIDE**  
Brown's • Hull • 0482 445733
- N. IRELAND**  
Session Music • Belfast • 0232 238502
- JERSEY**  
Computer Focus • St. Helier • 0534 67870  
Easy Play Organ Studio Ltd • St. Helier • 0534 79570
- KENT**  
Total Solutions Ltd • Chislehurst • 01 295 1537  
Silica Shop • Sidcup • 01 302 8811
- LEEDS**  
Carlsbro Sound Centre • York Road • 0532 405077
- LEICESTER**  
Carlsbro Sound Centre • Leicester • 0533 24183
- LONDON**  
Computer Music Systems • NW1 • 01 482 5224  
Graphic Music Systems • SE16 • 01 231 6018  
Inter Computer Consultants • W2 • 01 402 2683  
London Rock Shop • NW1 • 01 267 7851  
Silica Shop • W1 • 01 580 4000  
Silica Shop • W1 • 01 629 1234 Ext. 3214  
Software Circus • W1 • 01 436 2811  
Software Circus • WC1 • 01 404 4492  
Soho Sound House • W1 • 01 434 1365  
The Synthesizer Company • NW8 • 01 256 3454
- GTR. MANCHESTER**  
A1 Music • Manchester • 061 236 0340
- MERSEYSIDE**  
Hessys Music Centre • Liverpool • 051 236 1418
- MIDDLESEX**  
City Electronics • North Harrow • 01 863 1841
- W. MIDLANDS**  
Mr Disk Computer Centre • Birmingham • 021 616 1168  
Musical Exchanges • Birmingham • 021 236 7544  
Clifton Computer Systems Ltd • Dudley • 0384 211708
- NORFOLK**  
Carlsbro Sound Centre • Norwich • 0603 668891
- NORTHAMPTONSHIRE**  
Music Market • Northampton • 0604 28419
- NOTTS**  
Carlsbro Sound Centre • Mansfield • 0623 651633  
Carlsbro Sound Centre • Nottingham • 0602 581888
- OXON**  
ABC Music • Oxford • 0865 725221
- SURREY**  
ABC Music • Addlestone • 0932 40139  
ABC Music • Kingston • 01 546 9877  
Sabre Computer Discount Centre • Croydon • 01 760 0274  
Too Much Music • Ash • 0252 336505
- STRATHCLYDE**  
McCormacks Music • Glasgow • 041 332 6644
- SUSSEX**  
Bonners Ltd • Eastbourne • 0323 639335
- TYNE & WEAR**  
R.C.M. • Sunderland • 091 232 4175
- WARKS**  
Spa Computer Centre • Leamington Spa • 0926 337648
- WILTSHIRE**  
Joint Venture Systems • Swindon • 0793 693778  
Midi Music • Swindon • 0793 882108
- YORKS**  
Carlsbro Sound Centre • Sheffield • 0742 640009  
Tribble Claf • Brighouse • 0484 715417



# news

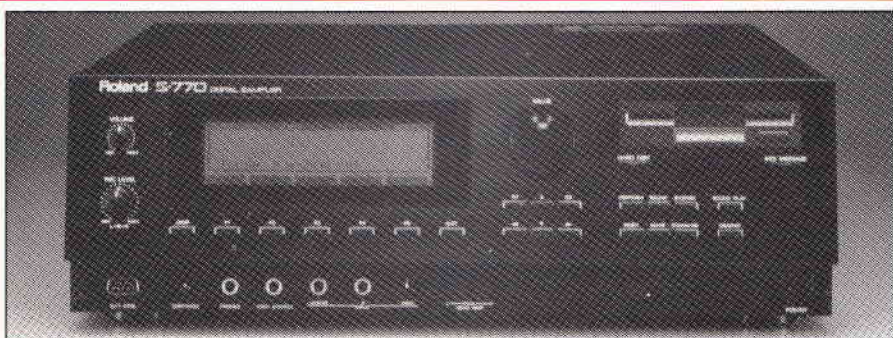


**F**ieldtech Electrocomponents has recently introduced a specialised range of weather proof speakers. The cones are made from a transparent polyester film material and are completely unaffected by water. As a result are less prone to tearing and degradation.

The speakers are particularly suited to environments where water or excess humidity may be encountered. They are ideal for

use as sounders and alarms where multiple tones are required particularly in portable or exterior mounted equipment.

There are 10 sizes available, ranging from 1 inch to 4 inch in diameter with the smallest weighing less than 14g! Maximum power input ranges from 0.1 to 12 watts with a nominal impedance of 8 ohms.



**R**oland's new S-770 professional digital sampler offers a sound quality specifically designed for any recording or live performance application.

With a 16-bit linear data sampling format, the S-770 uses 48kHz, 44.1kHz, 24kHz, and 22.05kHz sampling rates to provide high quality sound. Sample data is modified with 24-bit processing and a 20-bit digital-to-analogue converter, to give sound resolution comparable to the highest quality digital multi-track recorders, CD players, and DAT machines.

The S-770's standard memory is 2 megabytes of RAM expandable to 16 megabytes with the addition of memory board. A

built-in 40 megabyte hard disk drive gives fast storage and retrieval of waveform data. In addition to the hard drive, a floppy disk drive is included to load any available S-series sounds for the S-550 into the S-770 through a conversion process.

The S-770 gives 24-voice polyphony and individual Time Variant Filters and Time Variant Amplifiers are provided for each voice, allowing all filtering and amplitude effects to be processed digitally avoiding any sound quality deterioration.

The S-770 is equipped with digital inputs and outputs, balanced audio inputs and six polyphonic audio outputs.

The retail price of the S770 is £4860.00.

**N**imbus Records, the recording and CD manufacturing company, has signed an agreement with the British Technology Group securing the rights to ambisonic technology.

Ambisonics, the British surround-sound system, was developed by a research team from Reading University in 1975. The system records and reproduces concert hall sounds in a more natural way by having a cluster of microphones pointed around a concert hall recording three channel spacial information. An ambisonic decoder will reproduce the sounds via strategically placed speakers in the home. A Universal Matrix H — Matrix J decoding mechanism will ensure compatibility between three and two channel systems.

Nimbus has been using the ambisonic technique in recording since the 1970s and it hopes that the technology will form the basis of home entertainment systems in the future.

**R**oland's D-70 Super LA Synthesizer is a 76-key, multi-timbral keyboard. The D-70 enables you to develop complex sounds and provides a new level of creative flexibility, making it ideal for live performers or studio musicians who need instant complete control over sounds.

Time Variant Filters offer high-pass, low-pass and band-pass filtering and the new Differential Loop Modulation process creates random, distorted waveforms, and a wide selection of new PCM samples. The Tone Palette editing system features Level, Panning, Tuning, Cutoff, Resonance, Attack, and Release buttons which allows you to access the main synthesizer parameters. Through these, the Tone Palette's four sliders can modify parameters for any four layered Tones at once in real time, making it easy to create new sounds.

The D-70 contains a wide variety of performance functions including full MIDI controller capabilities and a large 40-digit x 8-line LCD which makes operation and editing easy. The 76-note velocity and aftertouch sensitive keyboard lets you control release velocity in real time and the unit responds to polyphonic aftertouch through MIDI, giving you exceptional expressive responsiveness.

The D-70 also contains PCM wave data, such as white noise and sawtooth waves, that can be used as sound elements. Many of the now standard multi-sampled PCM sounds come with this machine, including pianos, brass, guitars and drums. The unit has two ROM card slots, allowing access for additional new sounds, which can be modified using the various editing functions.

The effects line up includes a built-in digital reverb and chorus effects which can be used simultaneously.

The D-70 retails at £1,799.00.

# AFTER X COMES Y



## SY77

For some time now the music world has been waiting for a major new breakthrough in synthesizer technology. Now the wait is over, Yamaha's SY77 Performance Synthesizer heralds a new direction in synthesis for the 1990s.

The SY77's revolutionary new RCM (Realtime Convolution and Modulation) tone generation technology fuses the realism of 16-bit sampled waveforms with the musical

expressiveness of Advanced FM. Realtime digital filters offer uncompromising control of the tonal character of each voice, with resonance and full dynamic expression. But harnessing this power is not difficult thanks to an easy-to-use editing system and a large backlit LCD.

With 16 independent parts in Multi mode, plus dynamic voice allocation and polyphonic panning, the SY77's onboard 16-track sequencer can produce fully orchestrated arrangements of spectacular

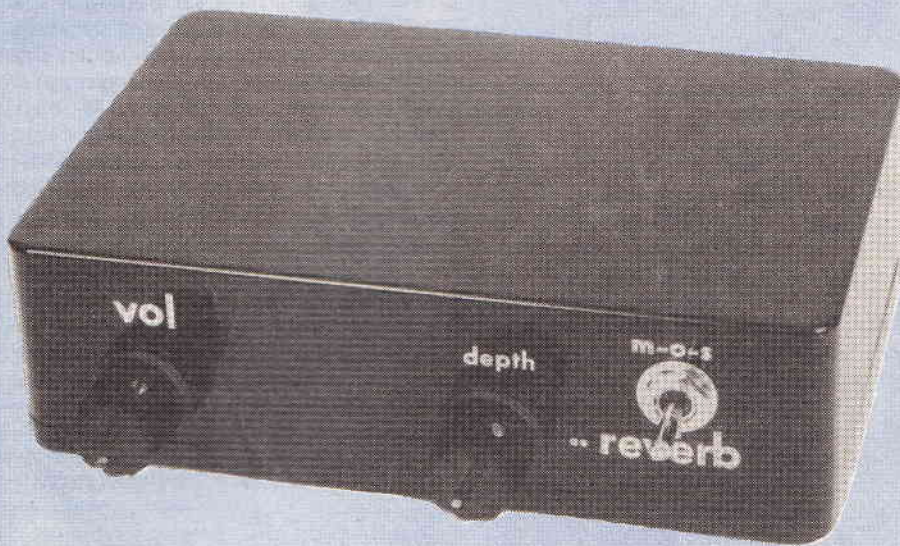
proportions thanks to the SY77's wide variety of breathtakingly rich sounds and sonically pure digital signal processing. Four individual outputs provide flexible audio routing and mixing, whilst the integral 3.5" disk drive supplies all the backup your performances will ever need.

*The SY77—another classic in the making.*  
For further information please write or call:

**YAMAHA-KEMBLE**  
MUSIC (U.K.) LTD.

Mount Avenue, Bletchley, Milton Keynes, MK1 1JE, England  
Telephone: 0908 371771 Telex: 826991 Fax: 0908 368872

# GUITAR PRACTICE AMP



If you play the guitar and practice at home, no doubt you've often been hassled to turn down your amplifier and give other people some peace. Short of divorce or leaving home, what you want is a headphone amplifier, allowing you to practice in private and let everyone else get on watching *Neighbours*.

But an ordinary headphone amp would sound somewhat lacking. Playing electric guitar through them results in a dead sound; not at all suitable for budding Eric Claptons.

So what you need is a headphone amp complete with reverberation. You only have to compare singing in the lounge with singing in the bath to realise the

benefits of reverberation; sound reverberating from the smooth walls of your bathroom makes the resultant song nicer to listen to, whether your voice is in tune or monotonous.

Of course, a normal fifteen inch long spring-line reverb unit is too large to be practical, so a different approach is needed.

Bucket brigade analogue delay lines have been around for a while, so why not make a complete headphone amp unit with such a device in it to give reverb, without all the hassles of a temperamental and large spring-line unit?

Let's go back to first principles for a moment. Reverberation is simply the returned echo of a sound.

*Do you disturb everyone in your house by practicing on your electric guitar? If so, this project by Keith Brindley for a headphone guitar amp is for you!*

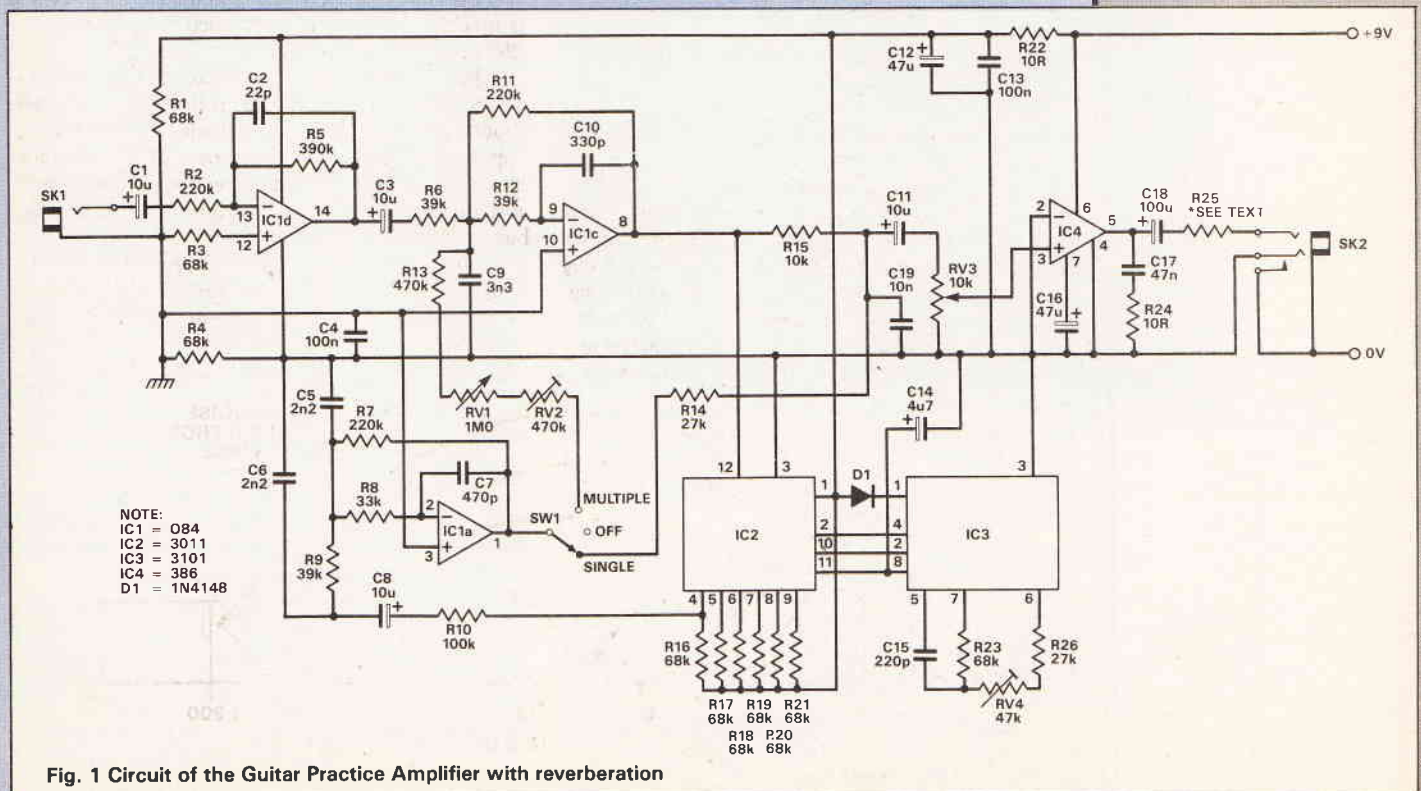


Fig. 1 Circuit of the Guitar Practice Amplifier with reverberation

In an auditorium for example, reverberation is most often heard as the sound from the stage is reflected off the walls, floor and ceiling and returned. The term *reverberation* is therefore pretty loose, as it depends chiefly on the size and shape of auditorium and the surfaces used on the walls, floor and ceiling. Further, reflections in an auditorium are multiple, not just a

oscillation frequency is audible (just under 6 kHz). As considerable filtering of upper frequency components is undertaken in all stages of the headphone amplifier, though, this is not unduly obtrusive.

The circuit of the Guitar Practice Amplifier is shown in Figure 1. Reverberation effects are selected with toggle switch SW1. In its central position reverberation is OFF, and the project functions as a conventional guitar headphone amplifier. With SW1 switched to the SINGLE position, the effect is of a single echo at an interval of one complete delay period after the originating signal from your guitar. A *slapback* effect is the result. Switched to the MULTIPLE position, the project recycles the delayed signal, with a decay determined by a front panel depth control potentiometer. By increasing depth (that is, increasing the amount of feedback of recycled signal) the reverberation time is increased. With a reasonably long delay time, say, 200ms, and sufficient depth it's easily possible to create an overall reverberation time of 2s. Indeed, if depth is increased further, recycling is permanent, creating a delayed acoustic feedback effect.

The project is designed to fit inside a small case, suitable for clipping to a belt or waistband, and is battery-powered. There's no on-off switch as the headphone jack socket has switched contacts which apply power to the circuit when a plug is inserted, cutting off power when the plug is removed. Simply plug in your guitar, plug in your headphones and play!

## Construction

From the outset the project was designed with small size in mind. A size and weight suitable for clipping to your belt or waistband was considered essential.

Consequently, the circuit board (overlay shown in Figure 2) is fairly tight fit inside the case, and you have to follow a pretty rigid order of construction. Nevertheless, the project isn't too complicated for the average amateur constructor and, as long as you've had a bit experience building projects before, you should have few problems.

Starting with the PCB, integrated circuit sockets are recommended, as these allow insertion of integrated circuits easily without risk of damage from an over-zealous solderer and static. One of the ICs used (the analogue bucket brigade delay line) is pretty expensive and you wouldn't want to damage it. Also, use PCB pins for all off-board connections. Put in PCB pins for connections to switch SW1 and potentiometers RV1 and RV3. Although these components could be inserted directly into the board it's not possible to fit the PCB into the recommended case with them inserted. These components have to be soldered in after the PCB is in place inside the case and, without PCB pins, connection is not possible.

Insert and solder all passive components and the single link. Resistor R25 is determined by the headphones you are going to use. If you intend to use a pair of low sensitivity personal stereo-type headphones R25 is a single link. If your headphones are high-sensitivity can-type 'phones, a resistor of 12R should be used.

Next insert and solder both jack sockets and diode D1. Insert all integrated circuits, temporarily solder on the three front-panel controls, connect a battery, test and set-up the project.

## Setting Up

This is a very personal procedure, and ideal settings of reverberation depend very much on personal taste. Initially, set preset resistors RV2 and RV4, and potentiometers RV1 and RV3 at mid-position. Switch SW1 should be in the middle position so that reverberation effects are OFF. Plug in your headphones

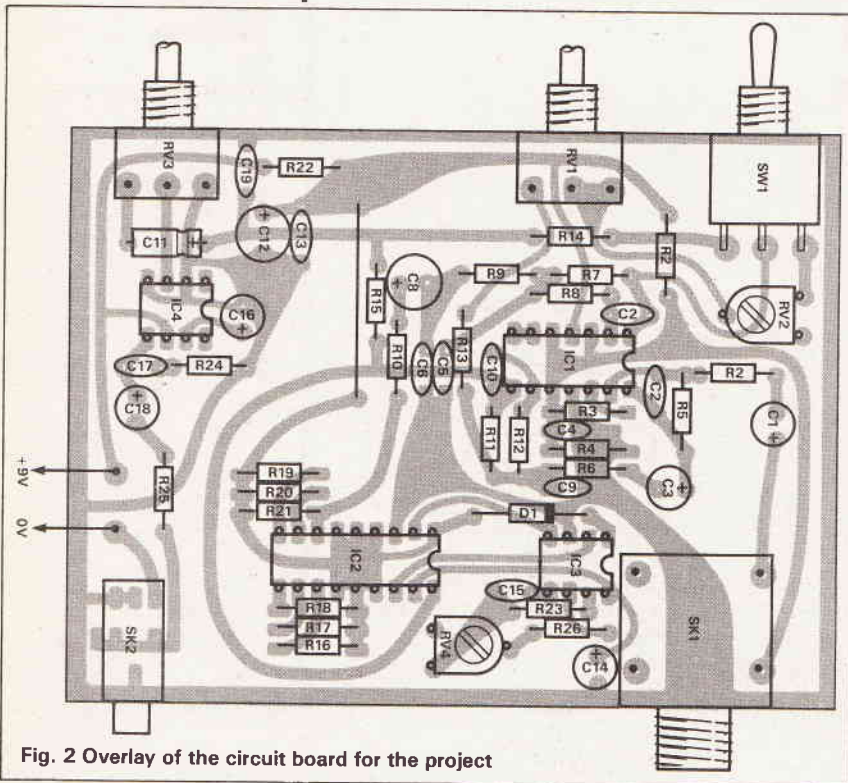


Fig. 2 Overlay of the circuit board for the project

single echo, typically of many varying time intervals. So to define reverberation in order to reproduce it electronically, we refer to the reverberation time: the time taken for all reflections of a sound to fall in intensity by 60dB below level of original sound. In an auditorium where music is to be played reverberation times of around 2s are considered best, while in a small room where a speaker is to be heard a reverberation time of around 300 ms is preferred.

We can use a bucket brigade analogue delay line to perform electronic reverberation, simply by recycling the delayed signal back around the circuit — provided we can recycle the delayed sound around the circuit a sufficient number of times before it decays to a level 60 dB below the originating sound. There is a problem inherent to this approach, however. Noise in the circuit is recycled along with the delayed signal, and every time the signal is recycled, noise is effectively amplified. In other words, the greater the reverberation time relative to the recycled delay time, the greater the output noise level.

Originally bucket brigade devices had an acceptable maximum delay of around only 25 ms, which is not really sufficient because the 2s reverberation time requires that 80 recyclings of the delayed signal take place. Such a circuit would generate so much noise that it's unlikely that the original signal could be heard.

Some modern bucket brigade devices, on the other hand, are capable of delays in excess of 200 ms. Thus only 10 recyclings need take place to create an auditorium-style reverberation effect. With care, sufficient filtering and good luck, noise can be kept reasonably low and a good reverberation effect will result.

Delay through the bucket brigade delay line used in the project is preset between around 20ms and 300ms. However, with a delay of 300ms the internal



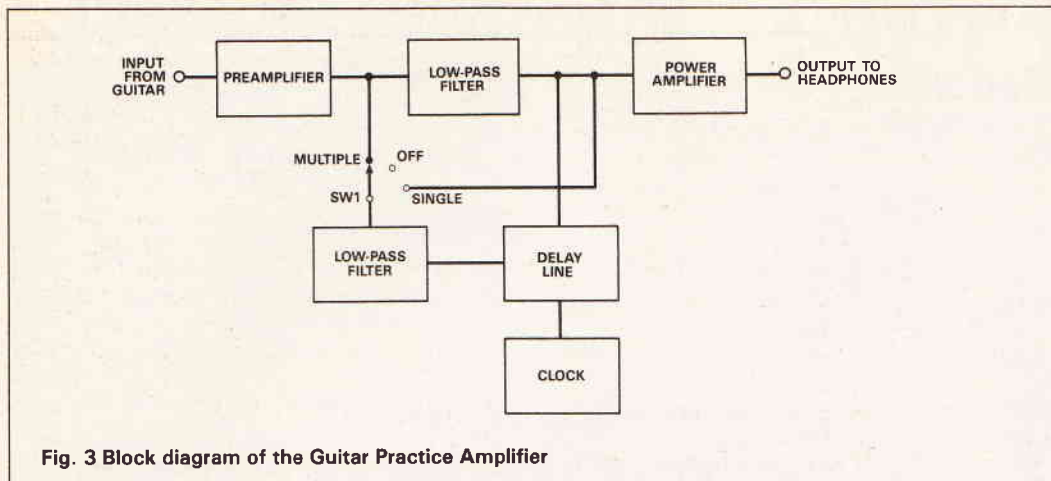


Fig. 3 Block diagram of the Guitar Practice Amplifier

and guitar. You should hear whatever you play on the guitar through the headphones.

Put switch SW1 into the SINGLE reverberation effect position. Now, whenever you play a single note on the guitar you hear it, and a single echoed repeat of that note immediately after it.

Put switch SW1 into the MULTIPLE reverberation position. You should now hear a complete reverberation effect with a reverberation time of around a second. Turn potentiometer RV1 clockwise, whereupon the effect should deepen ending up with a reverberation time over 2s, perhaps spilling over into feedback. Adjust preset RV2 so that feedback cannot occur whatever the position on

potentiometer RV1.

Finally, adjust preset RV4 for delay time length. Fully anti-clockwise gives the longest delay time, at which point you will hear (if your upper end hearing is good enough) a high-pitched whistle. Adjust the preset to give the delay you feel best.

Initially, you'll probably adjust the presets to give maximum depth and delay time. After you've used the project for a while, though, you'll realise that too much reverberation and too long a delay time is not the ideal, and you'll want to back off these preset controls.

## Housing

The PCB is designed to fit the specified case exactly, so housing is a little tricky, especially as front panel controls have to be fitted after the board is in the case.

First, unsolder and remove the three front panel controls. Next, carefully mark and drill the case to suit the two jack sockets on the back panel. The 3.5mm stereo jack socket hole should be filled out to suit the oblong space required.

## HOW IT WORKS

A block diagram of the guitar headphone amplifier is shown in Figure 3. In principle, the circuit works in a simple way. A preamplifier formed around op-amp IC1d buffers the input signal and allows some amplification. This stage is followed by a low-pass filter, formed by op-amp IC1c and associated components, to remove high frequency components from the signal.

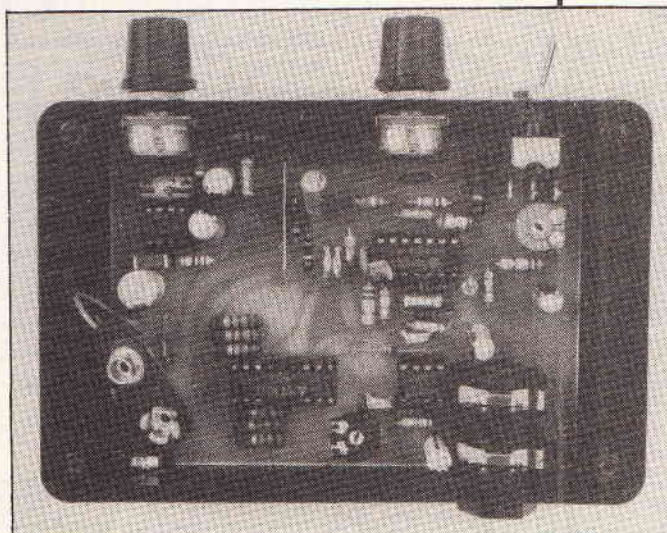
After filtering, the signal is applied to both a power amplifier (IC4) for application to headphones and an analogue delay line (IC2). The power amplifier is a single-chip 325mW device, which provides more than sufficient power to drive a pair of headphones.

The frequency of a clock, formed around IC3, controls the speed with which the signal passes through the delay line. More will be said about operation of the delay line later.

After delay, the signal is low-pass filtered once more and applied to a switch which controls the point where the delayed signal is recycled into the circuit. With the switch in its central position the signal is not recycled, so the project acts as a straightforward headphone amplifier (that is, with no reverberation). With the switch set to the SINGLE position, the delayed signal is applied to the power amplifier after the point where the original signal is applied to the delay line. This creates a single reverberation effect at the output. With the switch set to the MULTIPLE position, the delayed signal is recycled into the circuit before the first filter, and so the signal is re-applied to the delay line. Every time it is delayed, it is re-applied and so a continuous recycling (and consequent re-delaying) of the signal occurs, creating a multiple reverberation effect.

Bucket brigade delay lines take samples of the applied signal (as discrete voltage levels corresponding to the amplitude of the signal), at regular intervals and pass the voltages along a line of storage capacitors. At the end of the line of capacitors the samples are reconstituted to a single analogue signal again. The line of capacitors has often been compared to a line of firefighters, passing buckets of water along the line — hence the name bucket brigade.

This project uses a large number of storage capacitors (3328) and six different outputs along the line. This enables considerably more reverberation and associated effects to be constructed than is possible using the more normal 512-stage, single output bucket brigade devices.



Now, estimate, mark and drill the front panel to suit the front panel controls. Once done, you can mark the case with whatever transfer lettering you want. Spray with clear lacquer to protect the case.

Fit the PCB into place then fit the front panel controls, finally soldering their connections to the PCB pins in the board.

A belt clip of sorts should be fastened to the lid of the case. Anything from a ball-point pen clip to a purpose-made spring-metal clip can be adapted to suit here. As the lid is reversible, you can choose which way up the clip faces, allowing the project to be clipped to either side of the body, with controls to the back or front, depending on preference.



## PARTS LIST

### RESISTORS (all 1/4W 5%)

R1,3,4,16,17,18,19,20,21,23	68k
R2,7,11	220k
R5	390k
R6,9,12	39k
R8	33k
R10	100k
R13	470k
R14,26	27k
R15	10k
R22,24	10R
R25	see text
RV1	1M lin miniature potentiometer
RV2	470k miniature preset
RV3	10k log miniature potentiometer
RV4	47k miniature preset

### CAPACITORS

C1,3,8	10µ 16V radial electrolytic
C2	22p ceramic
C4,13	100n polyester
C5,6	2n2 ceramic
C7	470p ceramic
C9	3n3 ceramic
C10	330p ceramic
C11	10µ 16V axial electrolytic
C12,16	47µ 16V radial electrolytic
C14	4µ 7 16V radial electrolytic

C15	220p ceramic
C17	47n ceramic
C18	100µ 16V radial electrolytic
C19	10n polyester

### SEMICONDUCTORS

IC1	084
IC2	3011
IC3	3101
IC4	386
D1	1N4148

### MISCELLANEOUS

SW1	single-pole, double throw (with centre off) miniature toggle in jack socket PCB mounting
JK1	3.5mm jack socket, PCB mounting with single pole, double throw contacts
JK2	same
Case	Verocase 202-21390
PCB	integrated circuit sockets, PCB pins, knobs, belt clip
PP3-sized battery	and clip.

## BUYLINES

Most components are readily available from most outlets. Buckle brigade delay line (IC2) and its clock (IC3) can be obtained from Electromail - part numbers 631-294 and 631-301. Jack socket JK1 can be obtained from Maplin - part number JM22Y. Switch SW1 also from Maplin - part number FH01B.



## HART AUDIO KITS — YOUR VALUE FOR MONEY ROUTE TO ULTIMATE HI-FI

### HIGH QUALITY REPLACEMENT CASSETTE HEADS

**HART KITS** give you the opportunity to build the very best engineered hi-fi equipment there is, designed by the leaders in their field, using the best components that are available. With a **HART KIT** you have direct access to the friendly **HART** service, you are not dealing through, or paying for, any middlemen. Every **HART KIT** is not just a new equipment acquisition but a valuable investment in knowledge, giving you guided hands-on experience of modern electronic techniques.

Telephone or write for our **FREE LISTS** giving full details of all our Kits, components and special offers. Here are a few selected items.

### AUDIO DESIGN 80 WATT POWER AMPLIFIER



This fantastic amplifier is the flagship of our range, and the ideal powerhouse for your ultimate hi-fi system. Featured on the front cover of the May issue of 'Electronics Today International' this complete stereo power amplifier offers World Class performance with the option of a stereo LED power meter and a versatile passive front end giving switched inputs, volume and balance controls. Tape, CD players, or indeed any 'flat' input may therefore be directly connected to bypass tone controls or give a 'stand-alone' facility. The amplifier can also be supplied in 'slave' and 'monobloc' versions without the passive input stage and power meter. All versions fit within the standard 420 x 260 x 75mm case to match our 400 Series Tuner range. ALL power supplies are stabilised, the heavy current supplies using the same mosfet devices as the amplifier. The power supply, using a toroidal transformer, is in fact a complete module contained within a heavy gauge aluminium chassis/heatsink and fitted with IEC mains input and output sockets. All the circuitry is on a proper printed circuit with low-resistance blade connectors for the six stabilised DC outputs. **HART KITS** don't leave you to fatten a few capacitors to the floor of the main chassis and wire the power supply the hard way! Remember with a **HART KIT** you get the performance you want at the price quoted through proper engineering design and the right components. We do not insult your intelligence by offering a kit at what seems a fair price and then tell you that you have to spend three times as much to get an upgraded model!

**K1100 Complete Stereo Amplifier Kit** with LED Power Meter and 3-input Passive Stage. Total cost of all parts is £418.88.

**Our Discount Price for the Complete Kit** ..... £365.99

K1100S Stereo Slave Version, with plain Front Plate ..... £309.43

K1100M 'Monobloc' mono version, with plain Front Plate ..... £224.15

RLH10 Reprints of latest 'Audio Design Amplifier' articles ..... £2.70

K1100CM **HART** Construction Manual with full parts lists ..... £4.50

Reprints and construction manual can be purchased separately and their cost credited against subsequent kit purchase.

All versions are supplied with dual primary mains transformers for use on 230/240V or 110/115V mains. Monobloc price does not include the construction manual.

**SPECIAL OFFER** extended until the end of February the K1100 kit will be supplied with the new **ALPS** low noise precision pots at **NO EXTRA CHARGE**.

### LINSLEY-HOOD 400 SERIES SUPER HIGH QUALITY AM/FM TUNER SYSTEM

This is the ideal companion tuner to the 80W Audio Design Amplifier in any ultimate hi-fi system with case size, front plate layout and even control pitches unified for stacking. Like the 80W Audio Design Amplifier this is your route to 5K+ performance for a few tenths of the cost! Two designs by John Linsley Hood make up this combination of his ultra high quality FM tuner and stereo decoder described in 'Electronics Today International' and the Synchronome AM receiver described in 'Wireless World'. Novel circuit features in the FM section include ready built pre-aligned front end, phase locked loop demodulator with a response down to DC and advanced sample and hold stereo decoder together making a tuner which sounds better than the best of the high-priced exotica but, thanks to **HART** engineering, remains very easy to build and set up. The Synchronome section with its selectable bandwidth provides the best possible results from Long and Medium wave channels, so necessary in these days of split programming. If you want the very best in real hi-fi listening then this is the tuner for you. Since all components are selected by the designer to give the very best sound this tuner is not cheap, but in terms of its sheer sound quality it is incredible value for money. To cater for all needs AM only and FM only versions are available as well as the full AM/FM model, with any unit being upgradable at any time. For further details see our full illustrated lists.

**K400FM FM Only Version**, total cost of all parts is £211.90  
Our special Discount Price for complete Kit Only ..... £169.52

**K400AM/FM Full AM/FM version**, Discount Price for complete Kit ..... £249.08

### STUART TAPE RECORDER CIRCUITS

Complete stereo record, replay and bias circuit system for reel-to-reel recorders. These circuits will give studio quality with a good tape deck. Separate sections for record and replay give optimum performance and allow a third head monitoring system to be used where the deck has this fitted. Standard 250mV input and output levels. These circuits are ideal for bringing that old valve tape recorder back to life. Suitable stereo heads are available at very reasonable prices.

**K900W Stereo Kit with Wound Coils and Twin Meter Drive** ..... £90.68

**RJS1 Reprints of Original Descriptive Articles** ..... £2.60

### LINSLEY-HOOD CASSETTE RECORDER CIRCUITS

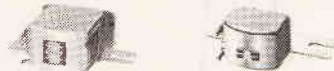
Complete record and replay circuits for very high quality low noise stereo cassette recorder. Circuits are suitable for use with any high quality cassette deck. Switched bias and equalisation to cater for chrome and ferric tapes. Very versatile and easy to assemble on plug-in PCBs. Complete with full instructions.

**Complete Stereo Record/Player Kit** ..... £57.60

**VU Meters to suit** ..... £3.99 each

**RLH1 & 2 Reprints of Original Articles** ..... £2.70

Our latest lists also give details of our ranges of specialist high quality **AUDIO CONNECTORS** and **LEADS**, cassette decks and seasonal special offers. Write or telephone for your **FREE** copy. (Overseas 2 IRCs please, or 5 for Airmail.)



Do your tapes lack treble? A worn head could be the problem. Fitting one of our replacement heads could restore performance to better than new! Standard inductances and mounting make fitting easy on nearly all machines and our TC1 Test Cassette gives you set the azimuth spot on. As we are the actual importers you get prime parts at lower prices, compare our prices with other suppliers and see! All our heads are suitable for use with any Dolby system and are normally available ex stock. We also stock a wide range of special heads for home construction and industrial users.

**HS16 Sendust Alloy Stereo Head**. High quality head with excellent frequency response and hyperbolic face for good tape to head contact ..... £17.85

**HC40 NEW RANGE High Beta Permalloy Stereo head**. Modern space save design for easy fitting and low cost. Suitable for chrome metal and ferric tapes, truly a universal replacement head for hi-fi decks to car players and at an incredible price too! ..... £5.65

**HX100 Special Offer Stereo Permalloy Head** ..... £2.86

**HRP373 Downstream Monitor Stereo Combination Head** ..... £44.39

**HQ551 4-Track Record & Play Permalloy Head** for auto-reverse car players or quadraphonic recording ..... £16.79

**HS24 Standard Erase Head** ..... £2.59

**SM166 2/2 AC Erase Head, Standard Mount** ..... £12.60

**HS9510 2/4 Stereo DC Erase Head** ..... £8.70

**HQ751E 4/4 AC Erase Head**, tracks compatible with HQ551 - £57.06

We can supply card reader heads for OEMs at very keen prices.

### REEL TO REEL HEADS

**999R 2/4 Record/Play 110mH**. Suits Stuart Tape Circuits ..... £13.34

**998E 2/4 Erase Head 1mH**. Universal Mount. Suits Stuart ..... £11.96

### TAPE RECORDER CARE PRODUCTS

**HART TC1 TEST CASSETTE** Our famous triple purpose test cassette. Sets tape azimuth, VU level and tape speed ..... £5.36

**DEMI Mains Powered Tape Head Demagnetiser**, prevents noise on playback due to residual head magnetisation ..... £4.08

**DEM115 Electronic, Cassette Type, demagnetiser** ..... £8.61

Our new **WINTER '89** List is **FREE**. Send for your copy now. Overseas customers welcome. Please send 2 IRCs to cover surface post, or 5 for Airmail.

We now accept inland and overseas orders by post or telephone on all Access/Mastercharge and Visa credit cards.

Please add part cost of carriage and insurance as follows:

**INLAND:** Orders up to £20 — £1; Orders over £20 — £2.50; Next day — £9.

**OVERSEAS:** Please see the ordering information with our lists.

## QUALITY AUDIO KITS

24hr SALES LINE  
(0691) 652894

ALL PRICES INCLUDE VAT



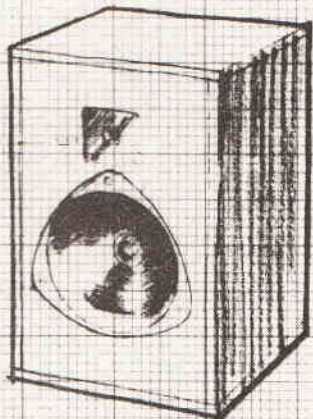
# KEF CS 3 BI-WIRE

Wilmslow's NEW Total Kit for the very popular KEF Constructor series. The CS3 design is now supplied with split X-over network plus 8 x 30 amp binding post connectors so that Bi-wiring is possible without any modification.

Some components have been uprated and to improve this highly regarded speaker still further, Wacoustic panels are used to reduce cabinet induced colouration to an absolute minimum.

The kit comprises bass and treble units, assembled crossovers, wadding, grille fabric etc. plus flatpack cabinets. (Accurately machined from smooth MDF for ease of assembly)

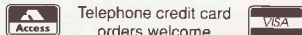
Dimensions:  
526 x 286 x 237 mm  
Response:  
55 HZ - 20 KHZ +/- 3dB  
AMP Suitability: 15-100w  
Impedance: 8 ohms  
CS 3 (bi-wire) Total Kit  
**£187.00 per pair + carriage/Ins. £13.50**  
CS 3 Upgrade Kit  
(bi-wire, crossovers and binding posts to upgrade existing CS 3's)  
**£59.00 +P&P £3.00**



**Wilmslow  
Audio**

Wellington Close,  
Parkgate Trading Estate  
Knutsford, Cheshire  
WA16 8DX  
Tel: (0565) 50605

DIY Speaker catalogue £1.50  
post free (export £3.50)



# HENRY'S

45th

ANNIVERSARY

**ELECTRONICS DISTRIBUTORS FOR TRADE/  
INDUSTRY EXPORT AND HOBBYISTS**

**BIG DISCOUNTS  
FOR EDUCATION  
AND QUANTITY**

- Tools/Service Aids
- Test Instruments  
(UK's largest in-stock Range)
- Public Address/Disco
- Security/CCTV/  
Doorphones
- TV, Video Distribution
- Components Chassis  
Speakers, Audio, TV,  
Computer Accessories

**SPECIAL OFFERS**

Dmm was (£18.95) **£13.95**  
(30 models stocked)  
1 kw outdoor PIR Lights controller was (£32.95) **£19.95**  
VHF/UHF TV/FM Amplifier was (£11.95) **£9.95**  
Analogue MM 27 Ranges CAP/Hfe/Temp/10A AC/DC etc. was (£39.95) **£29.95**  
ALL PRICES INCLUDE VAT

**FREE CAR PARKING**

Two Car Parks (Bell and Church Streets). Present your ticket when purchasing and get one hour as discount.

OPEN 6 DAYS A WEEK FOR CALLERS AND TELEPHONED ORDERS



**CATALOGUE  
IN COLOUR**

- Instruments
- Security
- Supplements
- Components
- Ask Henry's first  
£1 for callers, large  
SAE £2 stamp UK  
by post. Free to  
Education with  
Trade Price List

**HENRY'S AUDIO  
ELECTRONICS**

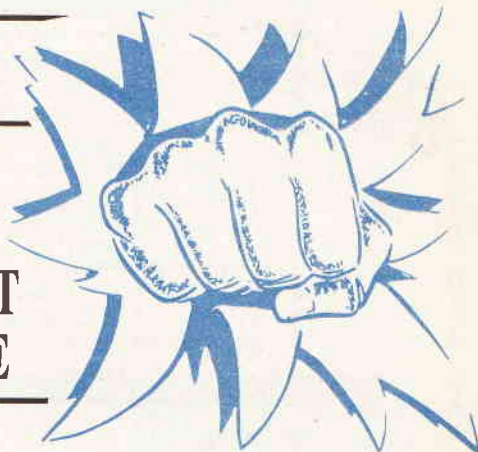
404 Edgware Road, London W2 1ED  
Instruments/Audio 01-724 3564  
Security/Communications/CCTV 01-724 0323  
Components 01-723 1008 Fax: 01-724 0322  
Trade/Education/Export 01-258 1831  
(Please note - from 6 May 1990 the 01 Code changes to 071)

90's  
Catalogue

**CRICKLEWOOD  
ELECTRONICS**

**BIGGER  
AND BETTER**

**1990 COMPONENT  
CATALOGUE**



- ONE OF THE LARGEST RANGES OF COMPONENTS IN THE UK
- FAST AND EFFICIENT SAME DAY PERSONAL SERVICE
- VERY COMPETITIVE PRICES; QUANTITY DISCOUNTS AVAILABLE
- DISCOUNT VOUCHERS INCLUDED
- NO MINIMUM ORDER

FILL IN THE COUPON AND POST IT WITH YOUR CHEQUE, PO ETC FOR £1.50 TO RECEIVE YOUR 1990 CRICKLEWOOD ELECTRONICS CATALOGUE

**Cricklewood Electronics Ltd**  
40 CRICKLEWOOD BROADWAY, LONDON, NW2 3ET  
Tel: 081-450 0995/452 0161  
Fax: 081-208 1441 Telex: 914977

**CRICKLEWOOD ELECTRONICS  
1990 COMPONENTS CATALOGUE**

PLEASE SEND ..... COPIES OF THE 1990  
CRICKLEWOOD ELECTRONICS CATALOGUE AT  
£1.50 TO:

NAME .....

ADDRESS .....

.....

.....

.....

Remittance enclosed £.....

## Simple Ten Watt Noise Limiter Amplifier

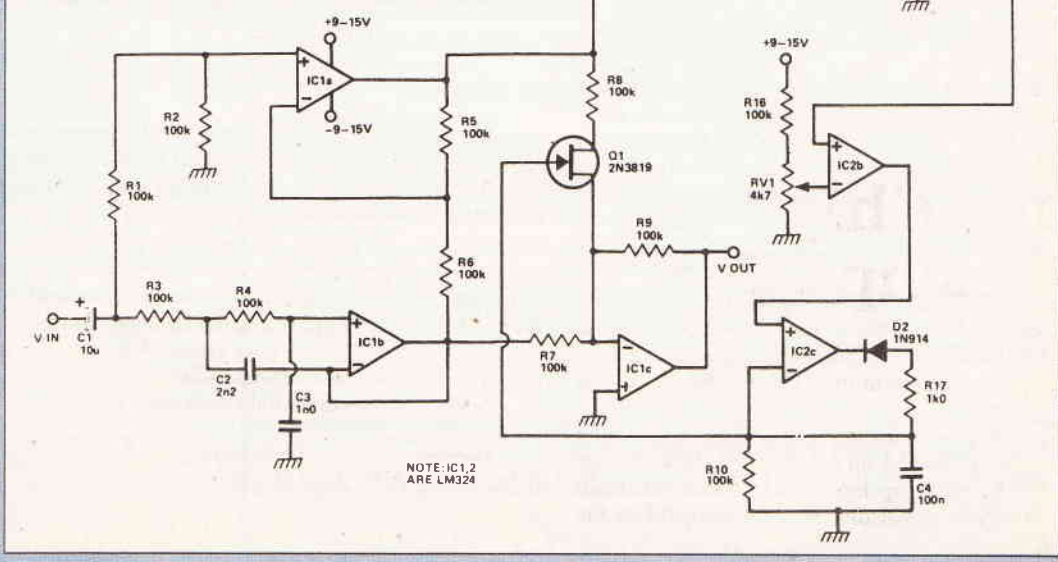
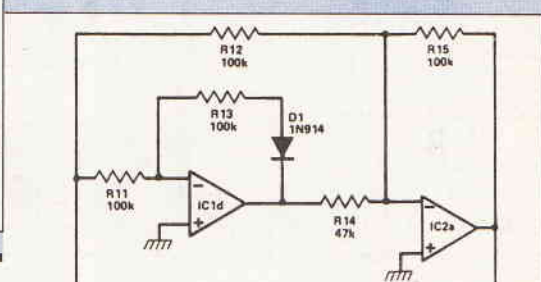
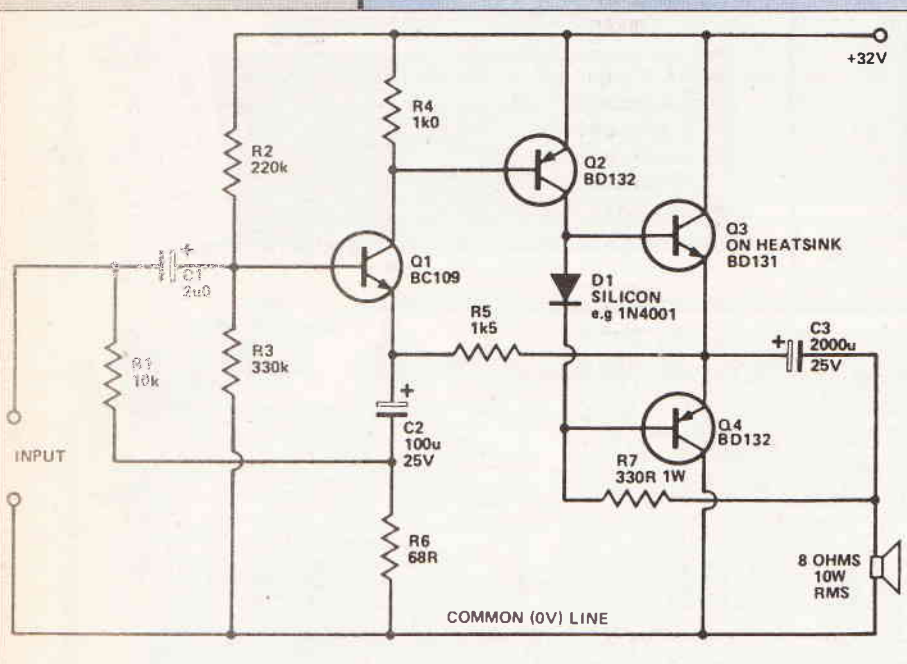
This is an extremely simple and inexpensive general purpose amplifier. The design is conventional, the only point of interest being that the output transistors are under-biased. This means that there is no possibility of thermal runaway — it should, however, introduce large amounts of distortion, but in fact, due to the high level of negative feedback employed, the distortion is reasonably low. Frequency response is extremely good.

This design depends on the masking effect of high frequency signals on the noise. IC1b, R3, R4, C1 and C2 form a second order filter with a turnover frequency of 1 kHz. Differential amplifier IC1a subtracts the bass-only output at the output of IC1b from the full range input signal to leave treble and noise. This signal is full wave precision rectified by IC1d and IC2a and the resulting DC applied to the non-inverting input of IC2b. The inverting input samples a DC voltage from the slider of RV1, which forms a voltage divider with R16.

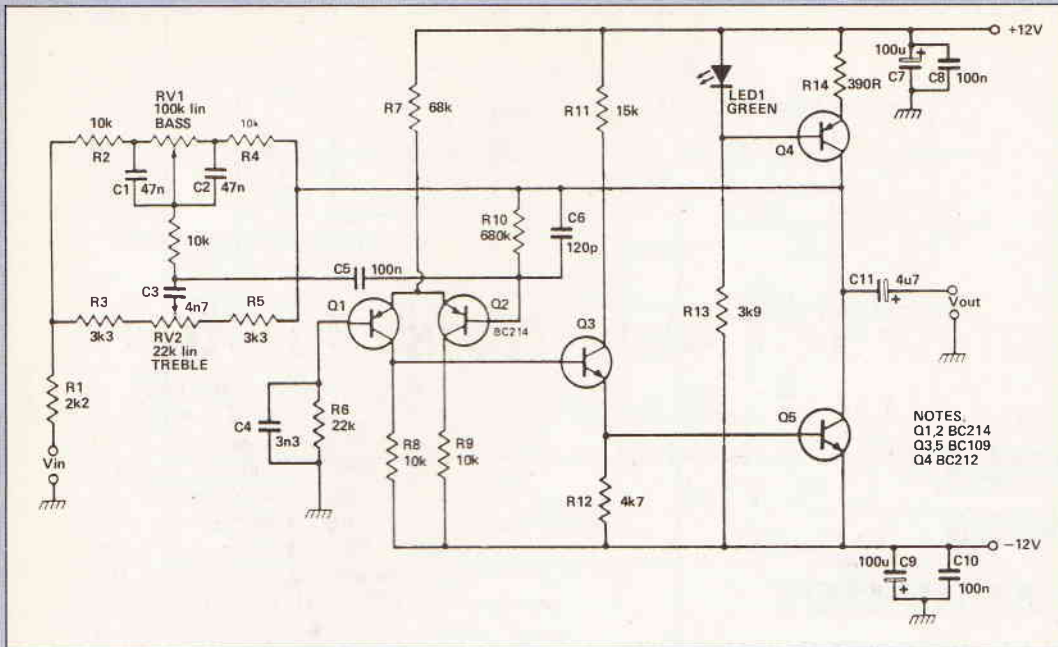
IC2b is used without feedback and thus acts as a comparator. When RV1 is properly adjusted, a positive-going pulse appears at the output each time the treble component of the input signal exceeds the noise level.

This pulse is fed into IC2c which, with the associated components, forms a negative peak detecting and hold circuit.

This in turn is fed into the gate of Q1, which is used as a variable resistance in the feedback loop of IC1c. This last op-amp is operated as a simple audio mixer which recombines the bass and treble components of the input signal. Thus the treble part of the signal is used to switch itself through only when this part of the signal is greater than the ambient noise level. The result is a signal which sounds considerably better than the original, whilst losing the minimum of detail.



CIRCUITS



## High Quality Tone Control

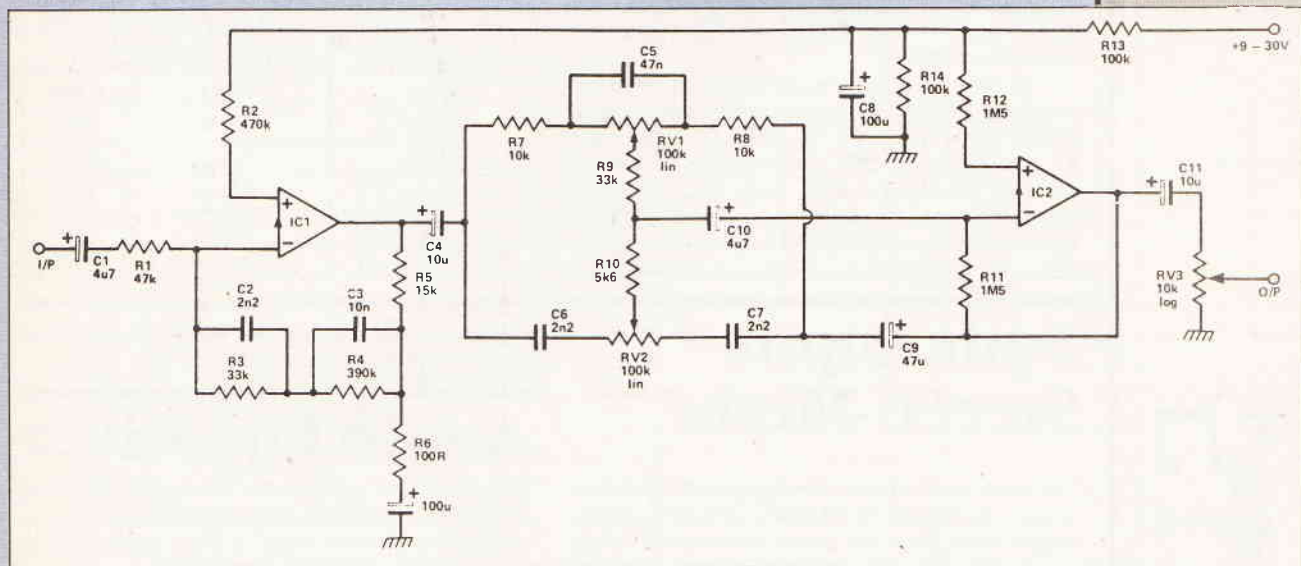
When designing a high quality pre-amp, the author was faced with the problem of designing a suitable tone control stage. Op-amps such as the 741 are commonly used, but in general have a poor slew rate, fairly high distortion and high noise when used in this application.

The circuit shown is based on an inverting op

amp using discrete transistors to overcome the above problems. The output stage is driven by a constant current source, biased by a green LED to provide temperature compensation.

With the controls flat, the unit provides unity gain, so the stage can be switched in or out.

The design is suitable for inputs between 100 mV and 1V0, and provides a good overload margin at low distortion for the accurate reproduction of transients. The usual screening precautions against hum should be carried out.



## One Chip Preamplifier

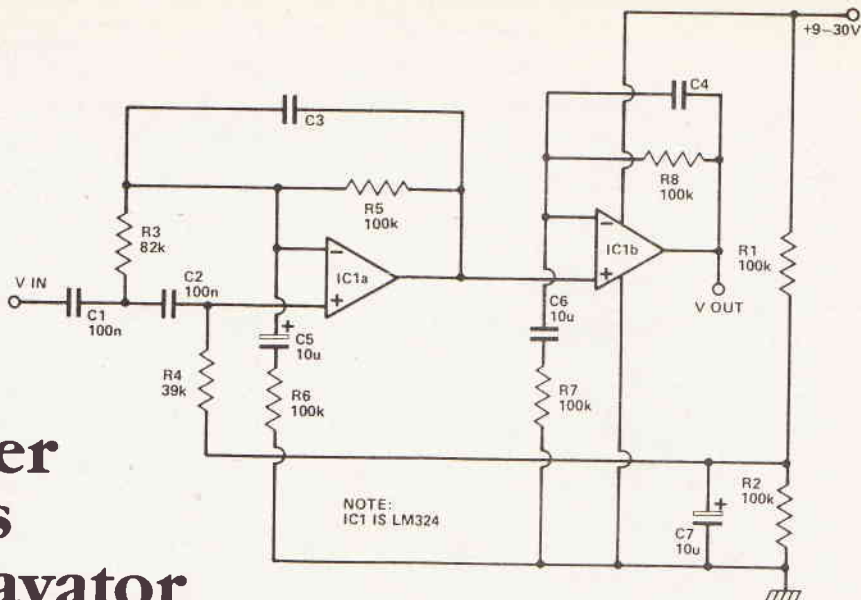
The circuit shown utilises the four Norton op amps contained within an LM3900 to produce a high quality stereo pre-amp, catering for magnetic cartridges.

IC1 is used in the inverting mode. Signals from the cartridge are fed via the blocking capacitor and R1 to the inverting input. R1 defines the input impedance and provides the right damping for the cartridge.

R5 and R6 define the midband gain of the stage whilst the network R3, R4, C2 and C3 provide the required RIAA equalisation. From here the equalised signal is fed to a standard Baxendall tone control work built around IC2. This requires little comment although it should be noted that individual volume controls are employed for each channel. This not only reduces crosstalk between channels but also works out cheaper in that only two single gang potentiometers are used.

Performance is good with overall distortion below 0.1% and a S/N ratio of -67dB unweighted, ref 500mV out.

## Super Bass Excavator



The main problem with small infinite baffle speaker systems is that the bass response rolls off rather sooner than their larger brothers. This circuit overcomes this problem by boosting the deep bass response of the power amp driving the speakers. Certainly this is not an altogether new idea as regular readers of this magazine well know but this particular circuit does the job rather better than most and the audible improvement is well worth the time and money spent.

The circuit is based around the well known quad op-amp LM324. This device contains four independent op amps of the 741 type. Before any purists hold up their hands in horror it should be noted that these are capable of delivering 2V RMS of 20 kHz sine wave without slew rate problems and that is more than enough to drive 99.99% of all known power amps into clipping.

In order to overcome the crossover distortion problems of these op amps the output stage of each is biased into class A by R7 and R10. C1, C2, R3 and R6 form a Butterworth second order filter which removes any signals below 20Hz thus preventing amplifier overload from record warp signals. R5 and C2 in conjunction with R8 and C4 produce a shelf in the circuit's response below the frequency determined

by the reactance of the capacitors.

Now it so happens that the rate of roll-off of an infinite baffle enclosure is 12dB per octave and the slope of the filters is the same. Thus by the simple expedient of choosing the capacitor values to be equal in value and by matching the quoted -3 dB point of the speakers with the +3 dB values in the table, the lower -3 dB limit of the speakers is extended by an octave.

The device must be inserted between the pre and power amplifiers and has a unity gain except for the bass. The maximum gain has been set at 6 to prevent amplifier overload.

NEW CUT OFF -3 dB POINT	OLD CUT OFF -3 dB POINT	C3, uF
38Hz	50Hz	47
45Hz	60Hz	39
52Hz	70Hz	33
60Hz	80Hz	27
68Hz	90Hz	22
75Hz	100Hz	18

## Four Input Stereo Mixer

The mixer circuit shown was designed to allow four or more inputs to be mixed down, producing a stereo output. Each input has stereo panning and a level control. The gain of the input stages can be boosted according to specific needs by adding Rx, making it possible to use a direct input from guitars, microphones and so on. Note that to avoid poor frequency response, the gain of this stage should be kept below 50 (keep Rx above 2k2). The input impedance is 100k and should be high enough for most applications.

The two output stages have sufficient gain to compensate for the attenuation of the panning controls. If more than four inputs are used it will be necessary to increase the gain of the output stages by decreasing the value of Ry to 6k8 for six inputs or 4k7 for eight inputs.

TL072 op-amps are of low noise and have been used throughout the design. The simple zener

regulated power supply shown should be suitable for general purpose applications.

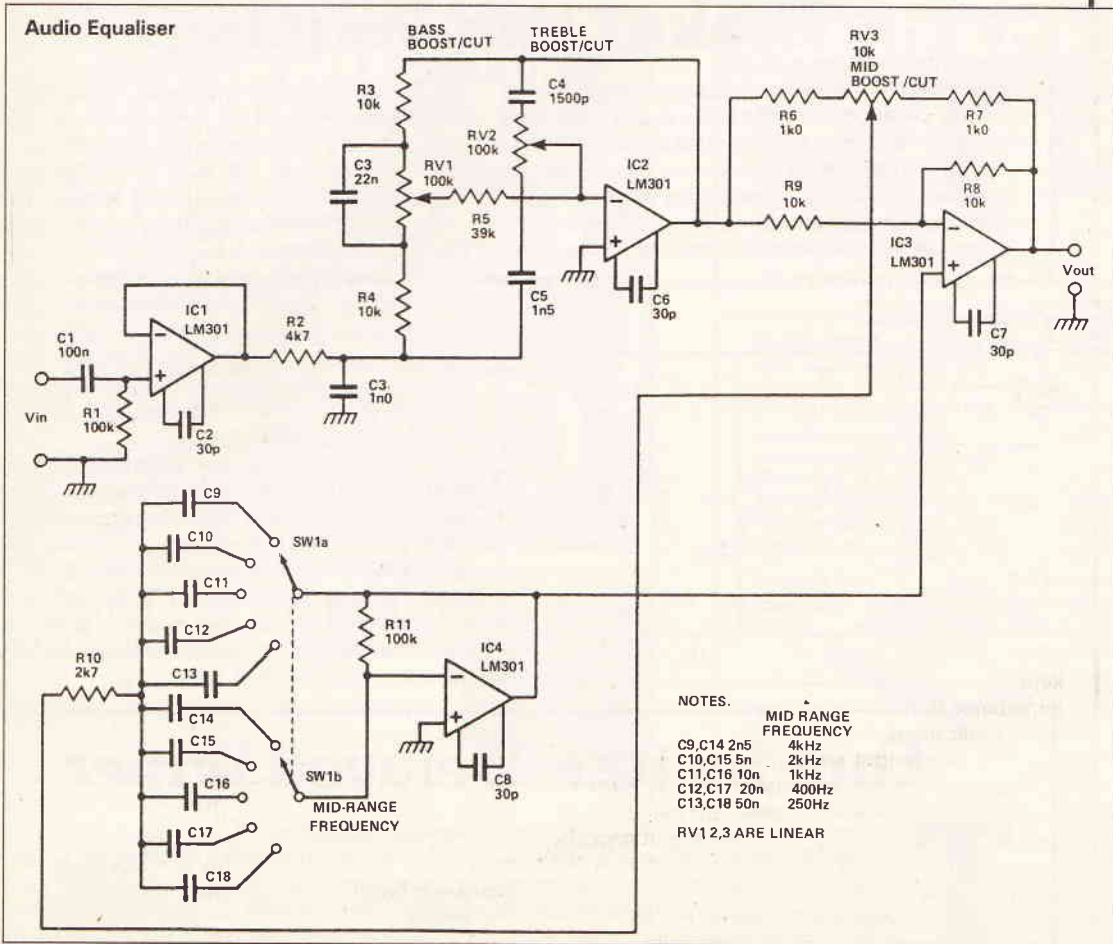
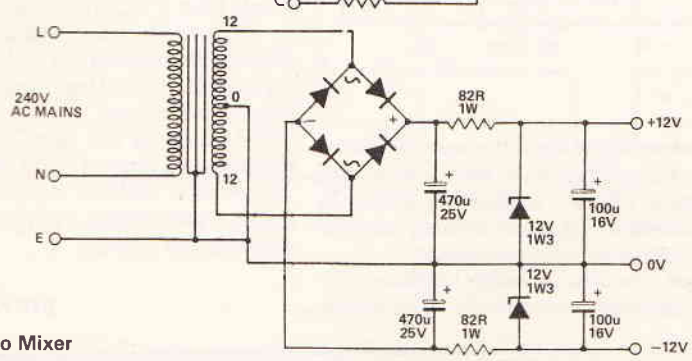
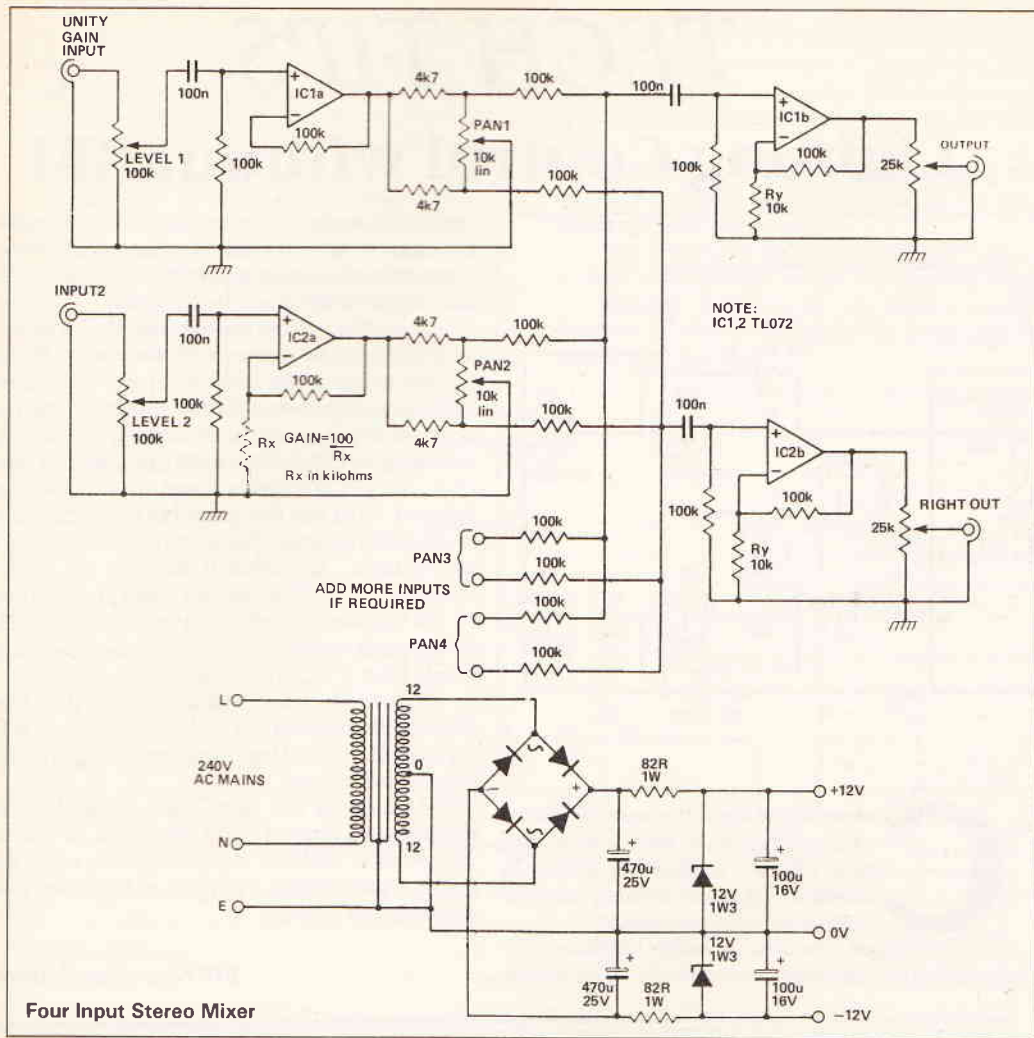
## Audio Equaliser

The circuit is a versatile line level audio equaliser providing many of the useful functions of a multi-channel equaliser but using only one band pass filter and, therefore, far fewer components.

IC1 acts as a buffer, providing an input impedance of 100k. R2 and C3 give HF roll-off around 30 kHz. IC2 and associated components form a familiar bass/treble tone control giving 20dB boost and cut. IC4 is configured as a multi-feed type band pass filter with a Q factor of 3 and a centre frequency selectable by the switched capacitors C18. This band pass filter is connected in a feedback path of IC3, giving up to 20dB of boost or cut at the centre frequency by varying RV3.

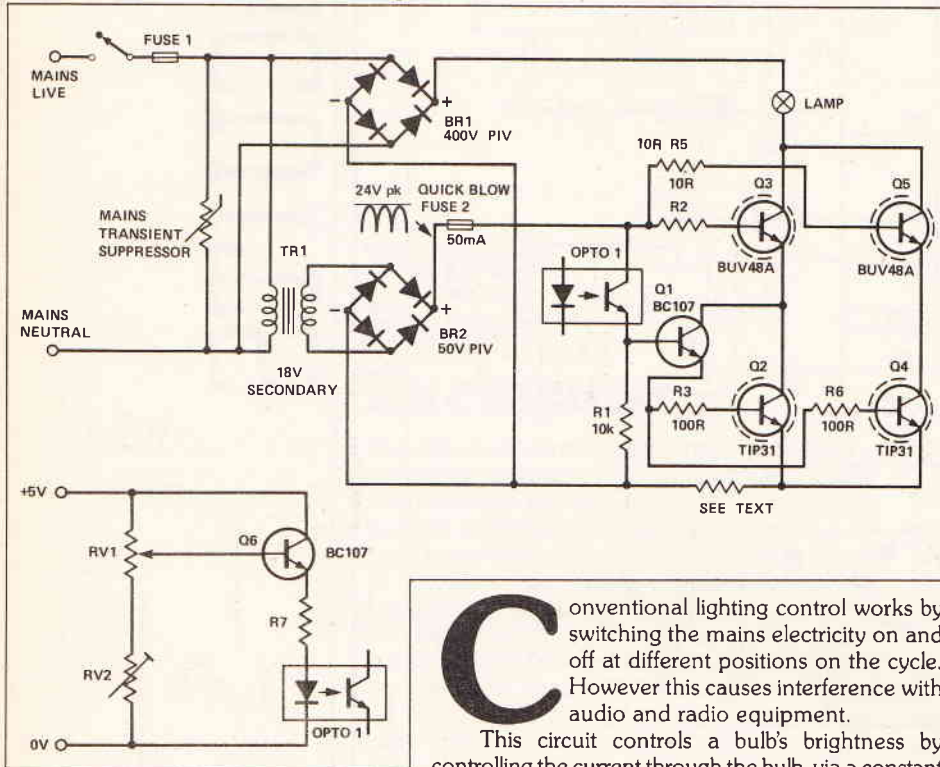
All three potentiometers give no boost or cut at their centre (midway) positions and give a small increase in boost or cut on rotation to the right or left respectively.

# CIRCUITS



# TECH TIPS

## Lighting Control without RFI



**C**onventional lighting control works by switching the mains electricity on and off at different positions on the cycle. However this causes interference with audio and radio equipment. This circuit controls a bulb's brightness by controlling the current through the bulb, via a constant

current generator. The current it sinks is controlled by the opto-isolator via Q1. Transistors Q3 and Q5 dissipate excess power and so they must be mounted on a large heatsink and fan cooled.

A small quiescent current must always be drawn to develop a certain amount of resistance in the bulb. Surges occur if the bulb is driven from its cold resistance. The preset (RV2) shown in the figure provides this. It should be set with RV1 at minimum resistance, so that the bulb is just glowing when viewed close up and not visibly bright when viewed at a distance. Note that the ground of the lighting circuit is not mains neutral. This is one reason for using the opto-isolator. The other is that I'm not keen on connecting control circuitry to a mains powered circuit! At the transformer secondary voltage shown (18V RMS), single opto-isolators must be used, as dual and quads have a  $V_{CE}$  that is too low.

If the bulb blows, all the current will be drawn through the bases of Q3 and Q5, blowing FUSE 2. Q1 and BR2 should have a current rating to take this short-circuit current.

This circuit has been used successfully with measured powers of 40W dissipated in the bulb ( $R4 = 47R, 25W$ ). It is hoped that by using more efficient heat sinking, it will give an increased power output in the future.

Bill Shaw, Southampton

## Brake Light Warning

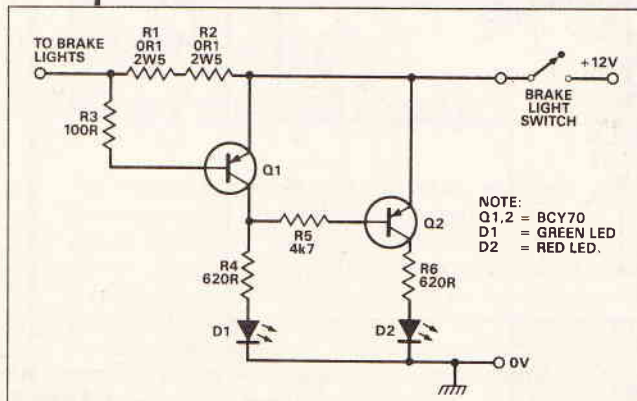
**T**his simple circuit will detect a failure of one or both car brake-lights, as well as allowing the driver to ensure that the switch itself is operating. The lamps are usually rated at 22W — with two lights this totals 44W meaning that the total current is normally about 4A. If one bulb is defective, the current will fall to about

2A. The circuit monitors the current to the bulbs which flows through R1 and R2. Sufficient current ( $>3A$ ) will produce a voltage drop of greater than 0.6V, which will turn on Q1, and so the green LED illuminates to indicate that all is well. At the same time the base of Q2 is held at nearly the supply voltage via R5, and this transistor is turned off.

However, if there is insufficient current to turn Q1 on, the green LED will be off, and Q2 can then draw enough base current to turn the red LED on.

In the case of a switch failure, neither light will illuminate when the brake pedal is pressed, and all the driver has to do is check occasionally that the green light is on while braking.

The device can be constructed small enough to be in one unit mounted in a convenient place behind the dashboard. R1 and R2 will be conducting 4A for short periods, and they should be good quality, generously rated components. I used 2.5W wire-wound resistors. Since the brake-light switch normally has push-on spade terminals, it should be possible to wire into the circuit without making any drastic modifications.



## One-Switch Delayed Wiper

**T**his circuit provides the choice of continuous or intermittent action without additional controls. It was designed for use with a rear wiper on a modern hatchback car but could be adapted for use with front

wipers if required.

When the wiper is first switched on, C1 and C2 are discharged. C1 charges up rapidly until the Schmitt IC1(c) goes low. IC1(b) output goes high, and the D-type flip flop is clocked. At this point, the 'D'



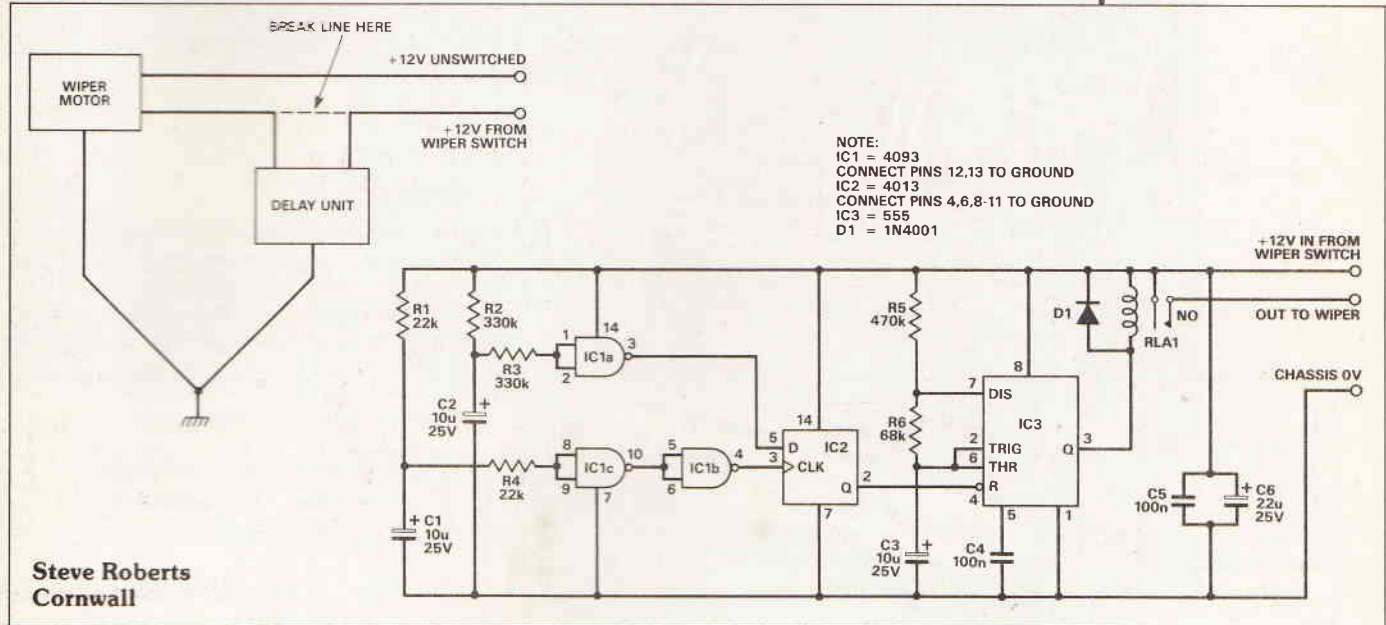
input is high, C2 not having been charged sufficiently to change the state. The Q output of the flip flop is therefore low, which holds the 555 timer in the reset condition, with its output (Pin 3) low. The relay is therefore energised, and the wiper turned on in the continuous mode.

Capacitor C2 continues to charge via R2 and after about two seconds, the 'D' input of IC2 goes low. If the wiper switch is then turned off and on again immediately, C1 discharges rapidly, and then charges again so that another clock pulse is generated as before. C2 however does not have time to discharge. This takes two or three seconds. This time, a low 'D'

signal is clocked in to IC2 so that the  $\bar{Q}$  output is high. This removes the reset from IC3 allowing it to free-run in the astable mode with a period of four or five seconds. Thus the wiper now runs in the intermittent mode.

To revert to continuous operation, simply switch off, leave for three seconds so that C2 has time to discharge, and switch again.

The whole unit may conveniently be housed in a plastic box inside the tailgate. It is only necessary to cut one wire, and to make one earth connection. There is no need to dismantle the dashboard, or to replace any switches.



**QUALITY... SECURITY SUPPLIES FOR DIY & TRADE**

...AT LOWEST PRICES

**CONTROL UNITS**  
 ■ Automatic ■ Modular  
 ■ Lighting ■ Timer

**SENSORS**  
 ■ Passive Infra-Red  
 ■ Ultrasonic  
 ■ Infra-Red Beam

**ACCESSORIES**  
 ■ Contacts ■ Pressure Pads  
 ■ Security Lighting  
 ■ Cable Etc. Etc.

**CARS & VANS**      **HOMES & FACTORIES**

**PRODUCT OF THE MONTH**  
**CPU 9000 SELF-CONTAINED ALARM SYSTEM**

Immediate Security without Installation for homes, storerooms, clubhouses, caravans etc...

- Detects intruders up to 30ft
- Penetrating 103dB Siren with auto reset.
- Compact size only 203 x 180 x 78mm.
- Easily extended for coverage of additional rooms or large areas.
- Operates from 240V ac and 12V dc. Priced £67.72 +VAT.

**The Security Specialist**  
**RISCOMP LIMITED**

Dept. ET1.5, 51 Poppy Road, Princes Risborough, Bucks HP17 9DB

Callers by Appointment  
 Office hours Mon-Fri 9am-5pm

(084 44) 6326  
 Fax: 084 44 7102

TELEPHONE OR SEND FOR FREE LITERATURE TODAY

VISA    ACCESS

**JOIN UP WITH LITESOLD**  
 Professional Soldering Equipment at Special Mail-Order Prices.

**SK18 Soldering Kit. £19.75**  
 Build or repair any electronic project. LC18 240v 18w iron with 3.2, 2.4, and 1.6mm bits. Pack of 18 swg flux-cored 60/40 solder. Tweezers. 3 soldering aids. Reel of De-Solder braid. In PVC presentation wallet.

**ADAMIN Miniature Iron £8.60**  
 nylon handle with finger grip. Interchangeable bits available 1.2, 1.6, 2.4, 3.4 and 4.7mm. Fitted with 2.4mm. 240v 12w (12v available). Presentation wallet.

Possibly smallest mains iron in the world. Ideal for fine work. Slim

**'L' Series Lightweight Irons. 12w £9.20**  
 High efficiency irons for all electronic hobby work. Non-roll handles with finger guards. Stainless steel element shafts. Screw-connected elements. Slip-on bits available from 1.6 to 4.7mm. LA12 18w £8.64

model, 12w, 2.4mm bit. LC 18 Model, 18w, 3.2mm bit. 240v Std - 12v available. Presentation wallet.

**Soldering Iron Stands 3&4 £7.33**  
 Designed specially for LITESOLD irons. Heavy, solid-plastic base with non-slip pads. Won't tip over, holds iron safely. With wiping sponge and location for spare (hot) bits. No 5 stand for EC5D iron No 4 stand for ADAMIN miniature Iron No 3 stand for LA12 and LC18 Irons.

**De-Solder Pumps £8.65**  
 High Quality version of increasingly popular type of tool. Precision made anodised aluminium body, plunger guard and high-seal piston. Easy thumb operation. Automatic solder ejection. Conductive PTFE nozzle - no static problems.

Prices include p&p and VAT. Send order with Cheque/PO. Ring for Access/Visa sales

**LIGHT SOLDERING DEVELOPMENTS LTD. DEPT. ET**  
 97-99 GLOUCESTER ROAD, CROYDON CR0 2DN. 081 689 0574

VISA

# DECISION MAKER

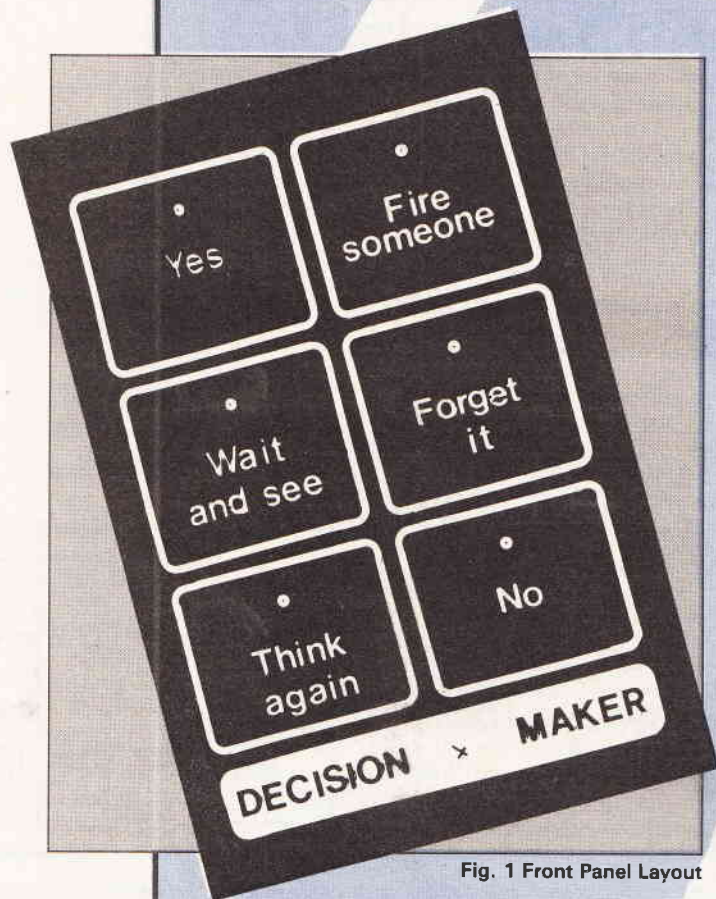


Fig. 1 Front Panel Layout

*If you have trouble making important decisions, then this project by Chris Bowes is for you!*

PROJECT

**T**his project is an electronic version of the spinning 'executive toy' decision makers that you see advertised in catalogues around Christmas time. In these, the decision is made by spinning a heavy brass arrow, which eventually comes to rest at one of six or eight possible courses of action engraved around the circumference of the device. In this version the spinning arrow is replaced by a ring of LEDs which light sequentially.

Though this project should be regarded as an amusing toy rather than as a serious predictor of fates, it does provide a constructional project of some complexity with scope for personalisation.

## Construction

This project has been designed to be constructed in the plastic case specified in the components list. If this case is not used you may need to adjust the dimensions of the PCBs and the case lid artwork.

The length of the LED leads depends on the thickness of the case lid and the height of the display board stand-off supports, so it is best to start by preparing the case lid. The holes through which the LEDs protrude and the hole for SW1 should be drilled or cut as appropriate. Carefully position the stick-on standoffs so that the LED mountings on the PCB are correctly aligned. Now remove the PCB so that the components can be mounted and soldered in position. The case lid can then be lettered and SW1 installed ready for connection to the main PCB. The front panel layout is shown in Figure 1.

## Display Board

Assembly of the display board is straightforward and should follow the component layout shown in Figure 2a. The six LEDs must be correctly oriented and must have leads of sufficient length for the LEDs to protrude through the case lid. To achieve this, first insert and

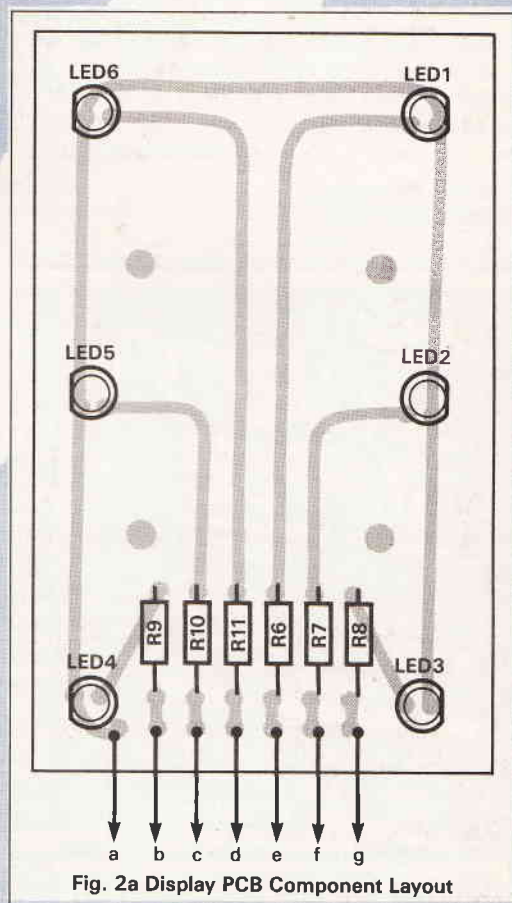


Fig. 2a Display PCB Component Layout

solder the resistors into place and the connecting cable to the board. Then place the LEDs in their correct positions, ensuring that they are correctly orientated, but do not solder them into place. Carefully position the board on the stand-offs and position the LEDs so that they protrude through the holes cut in the case lid. Once the LEDs are in the correct position solder their leads and cut off the excess wire. At this point, test the board by connecting a 9 volt battery between the common (0V) wire and the wires leading to R6 to R11 in turn. In each case the appropriate LED should light.

## Main PCB

The main PCB is rather close packed, with a number of tracks passing between IC pins. Take care when soldering to avoid short circuits between tracks. The component layout of this board is shown in Figure 2b. There are also a number of wire links across the board. These should be inserted first and soldered into place. Where the links are terminated beneath other components it is advisable to check that the connections are sound, with a test meter, before installing the other components. Now you can install and solder the remaining components into place, making sure that diodes, capacitors, ICs and Q1 are installed the correct way round. Finally solder into place the wire connections to the battery connector, SW1 and the display PCB and inspect the board carefully for any

## HOW IT WORKS

The circuit diagram of the Decision Maker is shown in Figure 3. The circuit consists of two counters, a high speed one which acts as a random number generator, and a slower speed one acts as a display driver. The circuit drives the LED display which stops at the point at which the outputs of the two counters are identical.

### Clock Pulse Generator

IC1 is a CMOS 555 timer, connected in the astable configuration. With the components specified the output at pin 3 is a series of high speed clock pulses, which can be varied between about 260Hz and 1kHz by altering the setting of RV1. The frequency of the clock pulses does not affect the operation of the high speed counter (IC2) but the same clock pulses, slowed down by IC4, are also used to drive the display counter IC3. RV1 therefore allows the speed of operation of the display counter to be adjusted.

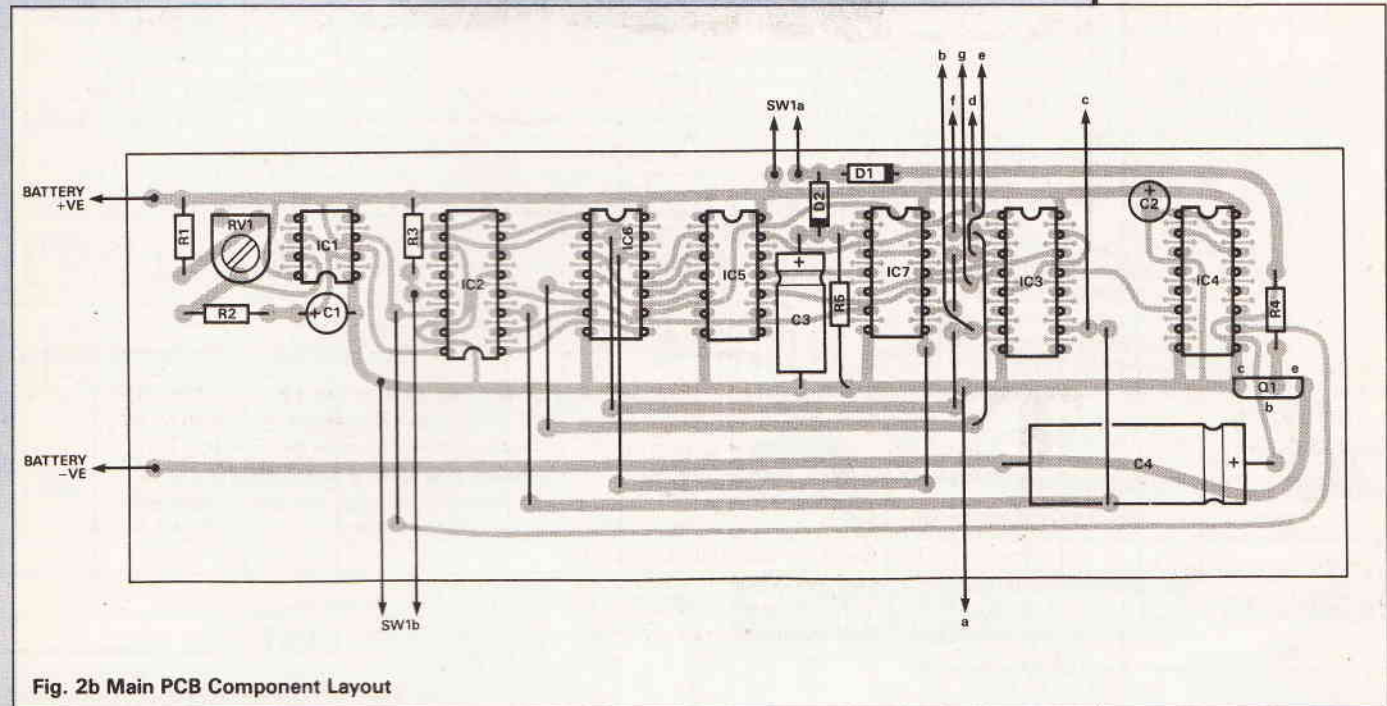


Fig. 2b Main PCB Component Layout

broken tracks, solder bridges or incorrect components before connecting the battery and testing the circuit.

## Testing And Final Installation

To test the unit, insert the battery and push SW1. One of the LEDs on the display should light immediately and the display should then pulse round for about ten seconds before stopping. Pressing SW1 again should result in further pulsing round of the display, which should stop at different LEDs in a random sequence. After a time the illuminated LED will fade out. If you do encounter problems you will need to fault-find, using circuit description given in How It Works. This will be easier if you place a temporary short circuit between the collector and emitter of Q1, enabling the operation of the circuit to be checked without having to constantly press SW1.

Once the circuit is functioning correctly, adjust RV1 to give the correct speed of operation of the display and install the completed unit in its case. The main PCB is inserted into a convenient slot moulded in the case side with the battery positioned either between the PCB and the case side or stuck onto the case bottom with double sided tape. Screw case lid into place and the unit is ready for use.

To use the unit, simply press SW1 and read the decision from the legends on the display. When you have finished playing with the unit, it can be left to switch itself off.

## Random Number Generator

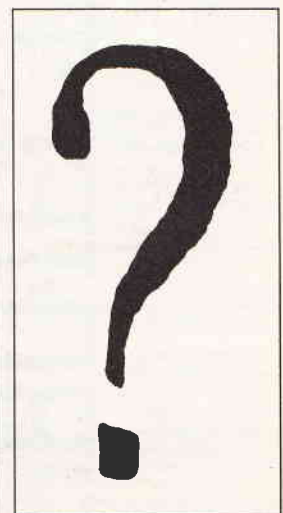
The high speed clock pulses produced by IC1 are fed to the CPO input (pin 14) of IC2, which is a 4017 Johnson counter. The CP1 input (pin 13) is held high by resistor R3 while S1 is open. In this state the counter does not count and any output  $O_0$  to  $O_5$  which is currently high is held high. When SW1 is pressed, pin 13 is forced low. This causes the counter to advance, with the outputs  $O_0$  to  $O_5$  being high in sequence. Output  $O_6$  (pin 5) is connected to the Master Reset input (pin 15) of IC2. As long as this input is low, the circuit counts normally but as soon as this input is raised, the counter is reset to zero with  $O_0$  high. This occurs as soon as  $O_6$  goes high. The effect of the connection is that the counter is restricted to giving high outputs only at the six outputs  $O_0$  to  $O_5$  in sequence with the other outputs always remaining low.

As this circuit operates at a high speed, with the output unknown by the user, it is in effect random number generator. This circuit is used to select the point at which the display driver counter will eventually stop.

## Display Driver

The clock pulses produced by IC1 are also fed to the CP1 input of one half of IC4. This is a 4520 dual BCD counter.

The  $O_3$  output of the first counter is connected to the CP1 input of the other counter in the IC, and the  $O_2$  output of this counter is connected to provide the clock pulses to the display driver counter, IC3. The CPO and MR inputs of both halves of IC4 are connected to the 0V rail and cause the cascaded counters to act as a divide-by-256 circuit.



These slow speed pulses are fed to the CP1 input of IC3, another 4017 counter. This counter is used to drive the display LEDs via their current limiting resistors R6 to R11. The MR input of this IC is also connected to the O<sub>6</sub> output, and causes the counter to recycle to the zero state as soon as O<sub>6</sub> goes high. This ensures that the counter cycles only through its first six outputs. The CPO input of IC3 is used as a count enable input and is connected to the output of the display control circuit.

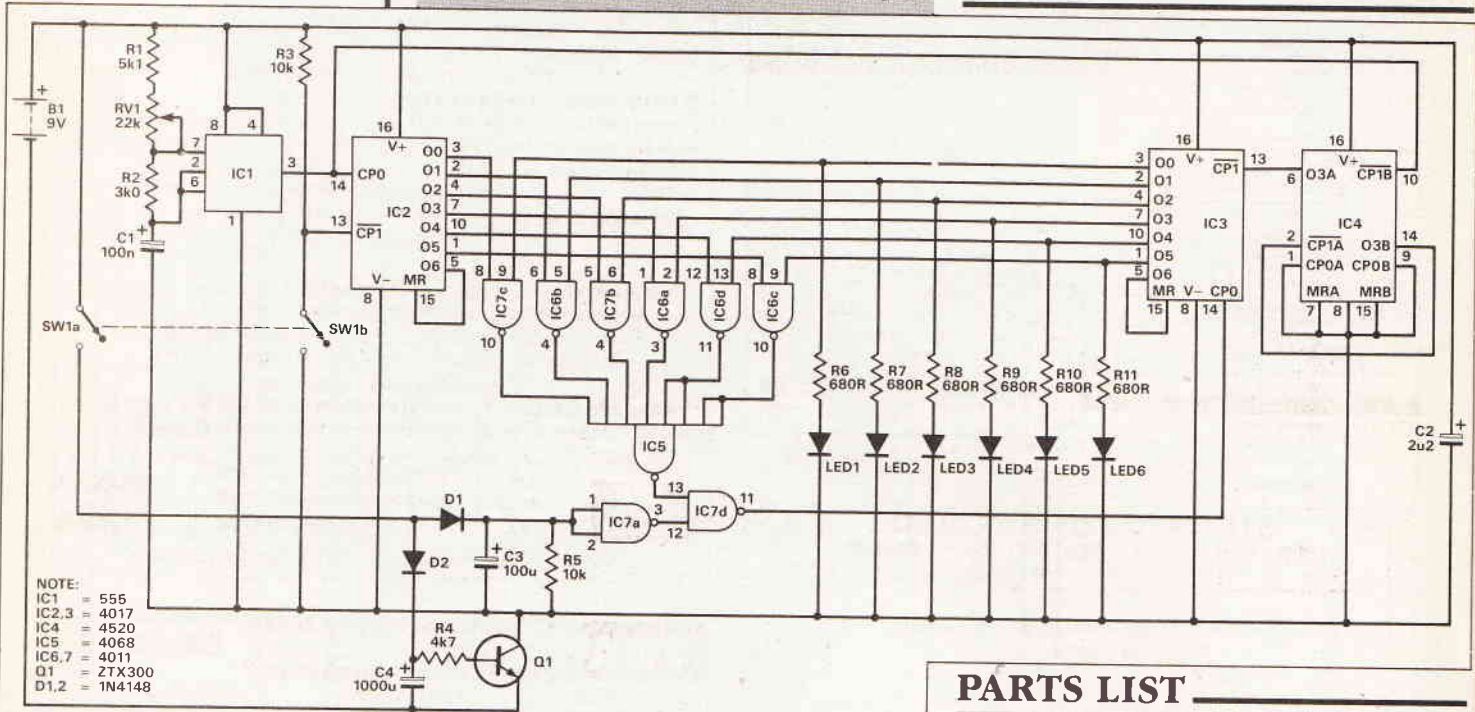
### Display Control Circuit

The outputs O<sub>0</sub> to O<sub>5</sub> of counters IC2 and IC3 are connected in complimentary pairs to the NAND gates IC6a, b, c, d and IC7b and c. The outputs from all of these NAND gates are connected to the inputs of IC5 which is a 4068 eight-NAND gate. Two pairs of the eight inputs are paralleled together to make the circuit act as a six input gate.

### Automatic ON Duration Control Circuit

An automatic on duration circuit comprising C4, R4 and Q1 has been incorporated to avoid the need for two switches. When SW1 is pressed, C4 is charged. The voltage across C4 is fed to the base of Q1 through R4. R4 acts a current limiter and reduces the base-emitter voltage of Q1 to 0.7V. As long as this voltage is present, current can flow through the transistor. As soon as SW1 is released C4 starts to discharge through R4 and the base-emitter junction of Q1 until the voltage across C4 is insufficient to maintain the base-emitter voltage of Q1 at 0.7V. At this point the transistor will cease to conduct and the display will fade.

D1 and D2 are included to prevent the slower discharge of C4 from interfering with the action of the time delay produced by C3.



- NOTE:  
 IC1 = 555  
 IC2,3 = 4017  
 IC4 = 4520  
 IC5 = 4068  
 IC6,7 = 4011  
 Q1 = 2TX300  
 D1,2 = 1N4148

Fig. 3 Circuit Diagram

If both inputs to any of the two input NAND gates mentioned above are high, the output of the eight input NAND will be high. This circuit is therefore a comparator circuit which detects a match in the outputs of the two counter circuits.

If the comparator circuit alone controlled IC3 then the display would cease to pulse as soon as the first match between the outputs of IC2 and IC3 was obtained. However on the mechanical version the arrow usually rotates for more than one revolution. A time delay circuit, comprising C3, R5 and IC7a is therefore included in the display control circuit to make the display pulse round for a longer period of time.

When SW1 is pressed, C3 is charged up and forces the output of inverter IC7a low. The outputs of IC7a and IC5 are connected to the remaining NAND gate, IC7d. In the normal state, when there is a match between the two counters and C3 is discharged, the output of IC7d is high. The output of IC7d is connected to the CPO input of IC3 and is used to control whether the counter advances or not. A low output from IC7d causes the counter to be frozen. As soon as either of the inputs to IC7d goes low then the output of the gate goes high, and the counter will advance.

Pressing SW1 thus causes the slow speed counter to advance illuminating each LED in turn. When SW1 is released current is no longer supplied to C3 and it slowly discharges through R5, causing the input voltage to the parallel inputs of IC7a to slowly fall. When the voltage falls below 50% of the power supply voltage the output of IC7a goes high. If the output of IC5 is also high, then the output of IC7d will go high. If the outputs of IC2 and IC3 are not yet matched the output of IC5 will be low. As soon as this state is achieved the output of IC5 goes low which inhibits IC3 from advancing.

### PARTS LIST

RESISTORS (all 1/4 W High Stab types unless otherwise stated)

- |                |   |
|----------------|---|
| R1             | 5k1   |
| R2             | 3k  |
| R3             | 10k   |
| R4             | 4k7   |
| R5             | 10k   |
| R6,7,8,9,10,11 | 680R  |
| RV1            | 22k horizontal mounting miniature skeleton preset |

CAPACITORS (All 10 volt working)

- |    |                        |
|----|------------------------|
| C1 | 100n 1 MDC or Tantalum |
| C2 | 2µ2 Tantalum           |
| C3 | 100µ Electrolytic      |
| C4 | 1000 µ Electrolytic    |

SEMICONDUCTORS

- |         |                                |
|---------|--------------------------------|
| LED 1-6 | T 1.5 LEDs                     |
| Q1      | ZTX 300                        |
| D1,2    | 1N4148                         |
| IC1     | 555 CMOS Timer                 |
| IC2,3   | 4017 Johnson Counter           |
| IC4     | 4520 Dual BCD Counter          |
| IC5     | 4068 Eight input Nand Gate     |
| IC6,7   | 4011 Quad two input NAND Gates |

MISCELLANEOUS

- |       |   |
|-------|---|
| SW1   | DP Push-to-make switch                    |
|       | PCBs with track patterns shown in Fig. 2. |
|       | Case (Farnell MB5)                        |
| BATT1 | 9 volt Battery, Battery clips.            |
|       | Self Adhesive Standoffs (4 off)           |

PROJECT

**WE HAVE THE WIDEST CHOICE OF USED OSCILLOSCOPES IN THE COUNTRY**

TEKTRONIX OSCILLOSCOPE 2235 Dual Trace 100MHz Delay Sweep	£660
PHILIPS OSCILLOSCOPE PM3217 Dual Trace 50MHz Delay Sweep	£250
GOULD OS3000 Oscilloscope Dual Trace 20MHz	£250
GOULD 1421 Digital Storage Dual Trace 20MHz	£750
H.P.7409A Dual Trace 100MHz Delay Sweep Trig	£400
TELEQUIPMENT DB3 Dual Trace 50MHz Delay Sweep	£300
GOULD OS3000A Dual Trace 40MHz Delay Sweep TV Trig	£300
TELEQUIPMENT 0755 Dual Trace 50MHz Delay Sweep	£275
COSSOR CDU150 Dual Trace 35MHz Delay Sweep	£150
GOULD OS1100 Dual Trace 30MHz TV Trig	£210
S.E. LABS SM111 Dual Trace 18MHz	£130
TRIO CS1566A Dual Trace 20MHz	£250
H.P.1120A Dual Trace 15MHz TV Trig	£175
GOULD OS255 Dual Trace 15MHz TV Trig	£180
PHILIPS PM3233 Dual Trace 10MHz TV Trig	£150
GOULD OS250B Dual Trace 15MHz TV Trig	£160

TEKTRONIX 2215 Dual Trace 60MHz Sweep Delay with manual, probes, front cover, pouch **only £500**

THIS IS JUST A SAMPLE - MANY OTHERS AVAILABLE

MARCONI TF2015 AM/FM 10-520MHz Sig Gen with TF2171	£450
MARCONI TF2015 without Synchroniser TF2171	£300
MARCONI TF2016 AM/FM 10KHz-120MHz Sig Gen with TF2173	£400
MARCONI TF2016 without Synchroniser TF2173	£250
MARCONI MCO Meters TF2300, TF2300B, TF2303 from H.P. 6209 Signal Generator 7 - 11GHz	£400
H.P. 618C Signal Generator 3.8 - 7.6GHz	£100
H.P. 616B Signal Generator 1.8 - 4.2GHz	£400
WOLKEC Wow & Flutter Meter ME108	£100
LEADER LMV186A Two Channel Millivoltmeter 5Hz-500KHz 100uV - 500V	£100
FEEDBACK FG601 Sig Gen 0.001Hz-1MHz Sine/Sq/Tri	£150
MARCONI Automatic Distortion on Meter TF2337A	£100
400Hz or 1KHz Measures down to 0.01%	£100
LEVELL OSCILLATORS TG152/TG200 Series from	£75
MARCONI TF2700 UNIVERSAL LCR BRIDGE Battery	from £150

SADELTA MC321 COLOUR BAR GENERATOR RF Bands 1.3 & Video 8 Functions Sound Carrier/Unused (P&P £7) **£125**

SADELTA COLOUR BAR GENERATOR PAL MC1018 Patterns, Pocket Size, Rechargeable Batteries Complete with Battery Charger Adaptor/Unused (P&P £4) **£50**

Labgear Colour Bar Generator KGI 8 Test Patterns (P&P £4) **only £40 each**

LARGEAR CROSSHATCH GENERATOR Type CM603B08 Crosshatch Grey Seale Blank Raster. Mains or BATTERY. Unused £18. Used £12 (P&P £3)

TRIO RF SIGNAL GENERATOR Type SG402 100KHz-30MHz Unused (P&P £7) **only £50**

ADVANCE SGR25 AM 150KHz-220MHz **£45 (P&P £7)**


MICROVITEX WB MONITOR 14" COLOUR **£90**

**TELEPHONES**

Yes real dial type telephones that don't slide around the desk. Type no. 746 supplied with standard BT plug (used). Quantity discount **only £5 (p&p £3)**

Used equipment - with 30 days guarantee. Manuals supplied if possible. This is a VERY SMALL SAMPLE OF STOCK. SAE or telephone for lists. Please check availability before ordering. CARRIAGE all units £16. VAT to be added to Total of Goods & Carriage

**STEWARTS OF READING**  
110 WYKEHAM ROAD, READING, BERKS RG6 1PL  
Tel: 0734 68041. Fax: 0734 351696. Callers welcome 9am-5.30pm Mon-Fri (until 8pm Thurs)



# Happy Memories

4116	150ns	only pulls	£1.00	2716	450ns	5 Volt	£3.20
4164	100ns	64K x 1	£1.25	2532	450ns	Only pulls	£3.50
41256	100ns	256K x 1	£2.25	2732	450ns		£2.15
41464	100ns	64K x 4	£2.75	2764	250ns		£2.15
44256	100ns	256K x 4	£7.50	27128	250ns		£2.25
41000	100ns	1024K x 1	£6.95	27256	250ns		£2.45
6116	150ns	Low power	£1.45	27C256	250ns		£2.45
6264	120ns	Low power	£2.45	27512	250ns		£4.75
62256	100ns	Low power	£5.95	27C512	250ns		£4.75
SIMMS 100ns	1 Meg x 9	£75.00	and	80ns			£75.00

Please call for prices of other chips. Same chips but different speeds, quantity discounts etc. Second (pulled) chips available for many of the above devices at substantially lower cost. Call for availability and price of these and other items.

**Low profile IC sockets:**

Pins	8	14	16	18	20	24	28	40
Pence	5	9	10	11	12	15	17	24

We always have a large quantity of surplus computer equipment for sale; printers, disk-drives, add-on boards, monitors etc: Please ask for our surplus equipment list or call with your requirements as new items are added so frequently the list is never up to date!

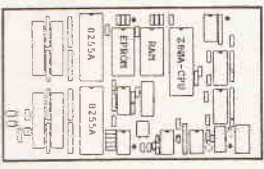
Please add 50p post & packing to orders under £15. VAT to be added to total. Access orders by 'phone or mail welcome PLC, government & Educational orders welcome for minimum invoice value of £15 net.

**HAPPY MEMORIES (EL), FREEPOST,**  
Kington, Herefordshire. HR5 3BR.  
Tel: (054 422) 618 Sales, 628 fax

**VISA**

(no stamp needed unless first-class required)

## Interak 1



**Bare Board £17.50 (plus postage and VAT)**

### SINGLE BOARD COMPUTER "SBC-1"

A computer doesn't have to look like you'd expect a computer to look. It doesn't have to have a keyboard and a screen and floppy disks and so on.

The SBC-1 has the bare minimum of chips a Z80 computer can have and still be a computer: A 4MHz Z80A-CPU chip, an EPROM chip (up to 32K), a static RAM chip (up to 32K) and a pair of 8255A I/O (input/output) chips giving 48 individual lines to waggle up and down. There are one or two additional "glue" chips included, but these are simple "74LS" or "HC" parts.

A star feature is that no special or custom chips (ie PALs, ULAs, ASICs etc) are used - and thus there are no secrets. The Z80A is the fastest and best established of all the 8-bit microprocessors - possibly the cheapest too!

Although no serial interface is included, it is easy for a Z80A to waggle one bit up or down at the appropriate rate - the cost is a few pence worth of code in the program: why buy hardware when software will do?

Applications already identified include: Magnetic Card reader, mini printer interface, printer buffer, push button keypad, LCD alphanumeric panel interface, 40-zone security system, modem interface for auto sending of security alarms, code converter (eg IBM PC keyboard codes to regular ASCII), real time clock (with plug in module), automatic horticultural irrigation controller.

By disabling the on-board Z80A-CPU this card will plug into our Interak I CP/M Plus disk-based development systems, so if you don't fancy hand-assembling Z80 machine code you don't have to!

The idea is (if you are a manufacturer) you buy just one development system and then turn out the cheap SBC-1 systems by the hundred. If you are really lazy we can write the program for you and assemble the SBC-1 cards so you can get on with manufacturing your product, leaving all your control problems to us.

**Greenbank**

For more details write or phone us:  
Greenbank Electronics, Dept. (T05E), 460 New Chester Road, Rock Ferry, Birkenhead, Merseyside L42 2AE. Tel: 051-645 3391.

## TRANSFORMERS EX STOCK

12/24V or 12-0-12V 2x12V Secs	30/15V or 15-0-15V	60/30V or 30-0-30V
24V 12V £ P&P	2 x 15V Tapped Secs	2 x 30V Tapped Secs
0.15 0.03 3.44 1.87	To give: 3, 4, 5, 6, 8, 9, 10, 15,	Volts available: 16, 18, 36, 40,
0.25 0.5 3.64 1.87	18, 20, 27 30V or 15-0-15V	60V or 20-0-40V or 30-0-30V
0.5 1 4.36 1.98	30V 15V £ P&P	60V 30V £ P&P
1 2 6.08 2.09	0.5 1 4.55 1.81	0.5 1 6.72 2.09
2 A 4 7.01 2.20	1 2 6.19 1.98	1 A 2 10.25 2.20
3 M 6 12.08 2.36	2 A 4 10.01 2.20	2 M 4 13.17 2.53
4 P 8 12.87 2.42	3 M 6 11.60 2.42	3 P 6 19.05 2.64
6 S 12 15.62 2.64	4 P 8 13.84 2.53	4 S 8 21.72 2.75
8 16 18.59 3.08	5 S 10 16.62 2.74	5 10 27.46 3.19
10 20 25.02 3.52	6 12 19.41 2.91	6 12 31.32 3.41
15 30 31.10 3.63	8 16 25.74 3.02	8 16 44.04 4.12
20 40 44.40 4.12	10 20 29.94 3.24	10 20 51.28 4.40
30 60 63.75 4.89	12 24 33.42 3.45	12 24 59.09 5.22
41 83 73.41 6.32	15 30 37.43 4.01	
	20 40 51.10 6.54	

**MAINS ISOLATORS**

Pri 120V x 2 or 220/240V or 415/440V. Sec 440V or 240V or 110V Centre Tapped

VA	£	P&P
20	8.33	2.50
60	13.60	2.69
100	15.87	2.91
200	22.49	3.52
250	27.20	3.63
500	41.91	4.23
1000	76.01	5.33
1500	96.04	6.54
2000	117.96	7.61
3000	165.41	O/A
6000	353.43	O/A

50/25V or 25-0-25V 2 x 25V Tapped Secs to give: 5, 7, 8, 10, 13, 17, 20, 25, 33, 40, 50V or 20-0-20V or 25-0-25V

50V 25V £ P&P	50V 25V £ P&P
0.5 1 5.91 2.09	0.5 1 7.16 1.76
1 A 2 7.19 2.20	1 2 12.80 2.31
2 M 4 12.81 2.75	2 A 4 21.05 2.91
3 P 6 14.82 2.92	3 M 6 25.49 3.02
4 S 8 20.30 3.24	4 P 8 35.54 3.32
6 12 25.81 3.45	5 S 10 46.21 4.18
8 16 36.52 4.12	6 12 57.87 4.40
10 20 43.34 4.41	8 16 63.12 5.28
12 24 51.87 5.22	

**TOOL TRANSFORMERS**  
240-110V Centre tapped  
16Amp Socket Outlets

**INVERTERS**  
12/24V DC to 240V AC  
Sine-wave or Square Wave

**CONSTANT VOLTAGE**  
Transformers for Spike-free Stable Mains

**Also Valve Mains & Output Transformers**

**TRANSFORMER WINDING SERVICE** in batches 3VA to 18VA

**TOROIDAL**  
Batches Wound to Order  
30VA to 4KVA

**AVO's & MEGGERS**  
Full range

Please add 15% VAT to all items after P&P Send SAE for lists

**PO BOX 70, ILFORD ESSEX IG5 0AP**

**BARRIE ELECTRONICS LTD**  
TELEPHONE: 01-551 8454

## ONE POUND BARGAIN PACKS

All packs are £1 each. Note the figure on the extreme left is the pack ref number and the next figures is the quantity of items in the pack, finally a short description.

- BD2 5 13A spurs provide a fused outlet to a ring main where device such as a clock must not be switched off.
- BD9 2 6v. 1A mains transformers upright mounting with fixing clamps
- BD11 1 6½" speaker cabinet ideal for extensions, takes your speaker. Ref BD137 + 50p.
- BD13 12 30 watt reed switches, it's surprising what you can make with these — burglar alarms, secret switches, relay etc. etc
- BD22 2 25 watt loud speaker two unit cross-overs
- BD30 2 Nicad constant current charges adapt to charge almost any nicad battery
- BD32 2 Humidity switches, as the air becomes damper the membrane stretches and operates a microswitch
- BD42 5 13A rocker switch three tag so on/off, or change over with centre off
- BD45 1 24hr time switch, ex-Electricity Board, automatically adjust for lengthening and shortening day.
- BD49 5 Neon valves, with series resistors, these make good night lights
- BD56 1 Mini uniselector, one use is for an electric jigsaw puzzle, we give circuit diagram for this. One pulse into motor, moves switch through on pole
- BD67 1 Suck or blow operated pressure switch, or it can be operated by any low pressure variations such as water level in water tanks
- BD103A 1 6v 750mA power supply, nicely cased with input and output leads
- BD120 2 Stripper boards each contains a 400v 2A bridge rectifier and 14 other diodes and rectifiers as well as dozens of condensers etc
- BD132 2 Plastic boxes approx. 3" cube with square hole through top so ideal for interrupted beam switch
- BD134 10 Motors for model aeroplanes, spin to start so needs no switch
- BD139 6 Microphone inserts — magnetic 490 ohm also act as speakers
- BD148 4 Reed relay kits you get 16 reed switches and 4 coil sets with notes on making c/o relays and other gadgets
- BD149 6 Safety cover for 13A sockets — prevent those inquisitive little fingers getting nasty shocks
- BD180 6 Neon indicators in panel mounting holders with lens
- BD193 6 5amp 3 pin flush mounting sockets makes a low cost disco panel — need cable clips
- BD199 1 Mains solenoid very powerful has 1" pull or could push if modified
- BD201 8 Keyboard switches — made for computers but have many other applications
- BD211 1 Electric clock mains operated put this in a box and you need never be late
- BD221 5 12v alarms make a noise about as loud as a car horn, slightly solid but OK
- BD242 2 6" x 4" speakers 4 ohm made from Radiomobile so very good quality
- BD252 1 Panostat, controls output of boiling ring from simmer to boil
- BD259 50 Leads with push on ¼" tags — a must for hook ups — mains connections etc
- BD263 2 Oblong push switches for bell or chimes, these can mains up to 5 amps so could be foot switch if fitted into pattress
- BD268 1 Mini 1 watt amp for record player. Will also change speed of record player motor
- BD283 3 Mild steel boxes approximately 3" x 3" x 1" deep — standard electrical
- BD305 1 Tubular dynamic mic with optional table rest
- BD400 4 Books. Useful for beginners. Describes amplifiers, test equipment and kit sets
- BD653 2 Miniature driver transformers. Ref L744. 20k to 1k, centre tapped
- BD548 2 3.5 volt relays, each with two pairs changeover contacts
- BD667 2 4.7uf, non-polarised block capacitors, pcb mounting

There are over 1,000 items in our catalogue. If you want a complete copy please request this when ordering.

**TOASTERS** 2 slice toasters — may need slight attention only. Only £3 each. Ref 3P84.

**PERSONAL STEREOS** Again customer returns but complete and with stereo headphones. A bargain at only £3 each. Our ref 3P83.

**MAINS OPERATED MICROWAVE CONTROL PANEL WITH TOUCH SWITCHES** This has a 4-digit display with a built-in clock and 2 relay outputs, 1 for power and 1 for pulsed power level. Could be used for all sorts of timer control applications. Only £6. Ref 6P18.

**EQUIPMENT WALL MOUNT.** Multi-adjustable metal bracket for speak, etc. 2 for £5. Our ref 5P152.

**STABILISED POWER SUPPLY KIT.** +—/V2.0A. Contains PCB, transformer and all components excluding case, etc. Our price is £20. Ref 20P25.

**KEYBOARDS.** Brand new uncased with 84 keys plus PCB with several ICs. Only £3. Ref 3P89.

**SUB-MIN TOGGLE SWITCH.** Body size 8mm x 4mm x 7mm SBDT with chrome dolly fixing nuts. 3 for £1. Our ref BD649.

**COPPER CLAD PANEL.** For making PCBs. Size approx 12in long x 8½in wide. Double-sided on fibreglass middle which is quite thick (about 1/16in) so this would support quite heavy components and could even form a chassis to hold a mains transformer, etc. Price £1 each. Our ref BD633.

### POWERFUL IONISER

Generates approx. 10 times more IONS than the ETI and similar circuits. Will refresh your home, office, workshop etc. Makes you feel better and work harder — a complete mains operated kit, case included. £18. Our ref 18P2.

**REAL POWER AMPLIFIER.** For your car, it has 150 watts output. Frequency response 20Hz to 20KHz and signal to noise ratio better than 60dB. Has built in short circuit protection and adjustable input level to suit your existing car stereo, so needs no pre-amp. Works into speakers ref. 30P7 described below. A real bargain at only £57.00. Order ref: 57P1.

**REAL POWER CAR SPEAKERS.** Stereo pair output 100w each. 4-ohm impedance and consisting of 6½" woofer, 2" mid range and 1" tweeter. Each set in a compact purpose built shelf mounting unit. Ideal to work with the amplifier described above. Price per pair £30.00. Order ref: 30P7.

**STEREO CAR SPEAKERS.** Not quite so powerful — 70w per channel. 3" woofer, 2" mid range and 1" tweeter. Again, in a super purpose built shelf mounting unit. Price per pair: £30.00. Order ref: 28P1.

**VIDEO TAPES** These are three hour tapes of superior quality, made under licence from the famous JVC Company. Offered at only £3 each. Our ref 3P63. Or 5 for £11. Our ref 11P3. Or for the really big user 10 for £20. Our ref 20P20.



**12" HIGH RESOLUTION MONITOR.** Amber screen, beautifully cased for free standing, needs only a 12v 1.5amp supply. Technical data is on its way but we understand these are TTL input. Brand new in maker's cartons. Price: £22. Order ref 22P2.

**COMPOSITE VIDEO KITS.** These convert composite video into separate h-sync, v-sync and video. Price £8. Our ref 8P39

**BUSH RADIO MIDI SPEAKERS.** Stereo pair. BASS reflex system, using a full range 4in driver of 4 ohms impedance. Mounted in very nicely made black fronted walnut finish cabinets. Cabinet size approx 8½in wide, 14in high and 3½in deep. Filled with a good length of speaker flex and terminating with a normal audio plug. Price £5 the pair. Our ref 5P141.

**3½in FLOPPY DRIVES.** We still have two models in stock: Single sided, 80 track, by Chinon. This is in the manufacturers metal case with leads and IDC connectors. Price £40, reference 40P1. Also a double sided, 80 track, by NEC. This is uncased. Price £59.50, reference 60P2. Both are brand new. Insured delivery £3 on each or both.

### SINCLAIR C5 WHEELS

Including inner tubes and tyres. 13" and 16" diameter spoked polycarbonate wheels finished in black. Only £6 each. 13" ref 6P20. 16" ref 6P21.

**REMOTE CONTROL FOR YOUR COMPUTER.** With this outfit you can be as much as 20 feet away as you will have a joystick that can transmit and receive to plug into and operate your computer and TV. This is also just right if you want to use it with a big screen TV. The joystick has two fire buttons and is of a really superior quality, with four suction cups for additional control and one handed play. Price £15 for the radio controlled pair. Our ref 15P27.

**ASTECS PSU.** Mains operated switch mode, so very compact. Outputs: +12v 2.5A, +5v 8A, ±12v .5A. Size: 7¼in long x 4¼in wide x 2¼in high. Cased ready for use. Brand new. Normal price £30+, our price only £13.00. Our ref 13P2.

**VERY POWERFUL 12 VOLT MOTORS.** 1/3rd Horsepower. Made to drive the Sinclair C5 electric car but adaptable to power a go-kart, a mower, a rail car, model railway, etc. Brand new. Price £20. Our ref 20P22.

### PHILIPS LASER

This is helium-neon and has a power rating of 2mW. Completely safe so long as you do not look directly into the beam when eye damage could result. Brand new, full spec, £35. Mains operated power supply for this tube gives 8kv striking and 1.25kv at 5mA running. Complete kit with case £15. As above for 12v battery. Also £15. Our ref 15P22.

**ORGAN MASTER** is a three octave musical keyboard. It is beautifully made, has full size (piano size) keys, has gold plated contacts and is complete with ribbon cable and edge connector. Can be used with many computers, request information sheet. Brand new, only £15 plus £3 postage. Our ref 15P15.

**FULL RANGE OF COMPONENTS** at very keen prices are available from our associate company SCS COMPONENTS. You may already have their catalogue, if not request one and we will send it FOC with your goods.

**HIGH RESOLUTION MONITOR.** 9in black and white, used Philips tube M24/306W. Made up in a lacquered frame and has open side. Made for use with OPD computer but suitable for most others. Brand new, £20. Ref 20P6.

**12 VOLT BRUSHLESS FAN.** Japanese made. The popular square shape 4½in x 4½in x 1¼in. The electronically run fans not only consume very little current but also they do not cause interference as the brush type motors do. Ideal for cooling computers, etc., or for a caravan. £8 each. Our ref 8P26.

**MINI MONO AMP** on p.c.b. size 4" x 2" (app.)

Fitted Volume control. The amplifier has three transistors and we estimate the output to be 2W rms. More technical data will be included with the amp. Brand new, perfect condition, offered at the very low price of £1.15 each, or 13 for £12.

**NEW MAINS MOTORS.** 25 watt 3000 rpm made by Framco approx 6" x 4" x 3" priced at only £4. Ref 4P54.

**SHADED POLE MOTORS.** Approx 3" square available in 24V AC or 240V AC, both with threaded output shaft and 2 fixing bolts. Price is £2 each. 24V ref 2p65. 240V ref 2P66.

**MICROWAVE TURNTABLE MOTORS.** Complete with weight sensing electronics that would have varied the cooking time. Ideal for window displays etc. Only £5. Ref 5P165.

**SURFACE MOUNT KIT.** Makes a super high gain snoothing amplifier on a PCB less than an inch square! £7. Ref 7P15.

**INDUCTIVE PROXIMITY SWITCHES.** Made by Honeywell these units are brand new and offered at only £12 each which is a fraction of their normal price. 10-36V DC model ref 12P19 or main version 12P20.

## J & N BULL ELECTRICAL

Dept. ETI, 250 PORTLAND ROAD, HOVE, BRIGHTON, SUSSEX BN3 5QT.

**MAIL ORDER TERMS:** Cash, P.O. or cheque with order. Please add £2.50 service charge. Monthly account orders accept from schools and public companies. Access & Barclaycard orders are accepted — minimum £5. Phone (0273) 734648 or 203500. Fax 23077

## POPULAR ITEMS — MANY NEW THIS MONTH

**1990 CATALOGUE** now available — phone for copy.

**YUASA LEAD ACID RECHARGEABLE BATTERIES.** 1.9AH 12v, £6.00 each; 10AH 6v £12.00 each.

**JOYSTICKS** for BBC, Atari, Dragon, Commodore, etc. All £5 each. All brand new, state which required.

**TELEPHONE TYPE KEY PAD.** Really first class rear mounting unit. White lettering on black buttons. Has conductive rubber contacts with soft click operation. Circuit arranged in telephone type array. Requires 70mm by 55mm cutout and has a 10 IDC connector. Price £2. Ref 2P251.

**SUB-MIN PUSH SWITCHES** Not much bigger than a plastic transistor but double pole. PCB mounting. Three for £1. Our ref BD688.

**AA CELLS.** Probably the most popular of the rechargeable NICAD types. 4 for £4. Our ref 4P44.

**20 WATT 4OHM SPEAKER** With built in tweeter. Really well made unit which has the power and the quality for hi-fi. 6½in dia. Price £5. Our ref 5P155 or 10 for £40 ref 40P7.

**MINI RADIO MODULE** Only 2in square with ferrite aerial and solid die tuner with own knob. It is a superhet and operates from a PP3 battery and would drive a crystal headphone. Price £1. Our ref BD716.

**BULGIN MAINS PLUG AND SOCKET.** The old faithful 3 pin with screw terminals. The plug is panel mounted and the socket is cable mounted. 2 pairs for £1 or 4 plugs or 4 sockets for £1. Our ref BD715, BD715P or BD715S.

**MICROPHONE.** Low cost hand held microphone with on/off switch in handle, lead terminates in one 3.5 plug and one 2.5 plug. Only £1. Ref BD711.

**MOSFETS FOR POWER AMPLIFIERS AND HIGH CURRENT DEVICES** 140v 100w pair made by Hitachi. Ref 25K413 and its component 25J118. Only £4 a pair. Our ref 4P42. Also available in H pack Ref 25J99 and 25K343 £4 a pair. Ref 4P51.

**TIME AND TEMPERATURE LCD MODULE.** A 12 hour clock, a Celsius and Fahrenheit thermometer, a too hot alarm and a too cold alarm. Approx 50 x 20mm with 12.7mm digits. Requires one AA battery and a few switches. Comes complete with full data and diagram. Price £9. Our ref 9P.

**REMOTE TEMPERATURE PROBE FOR ABOVE.** £3. Our ref 3P60.

**A REAL AIR MOVER.** Circular axial fan moves 205 cubic foot per min which is about twice as much as our standard 4½in fans. Low noise mains operated 6½in dia, brand new. Regular price over £30, our price only £10. Our ref 10P71.

**600 WATT AIR OR LIQUID MAINS HEATER.** Small coil heater made for heating air or liquids. Will not corrode, lasts for years, coil size 3in x 2in mounted on a metal plate for easy fixing, 4in dia. Price £3. Ref 3P78 or 4 for £10. Our ref 10P76.

**EX EQUIPMENT SWITCHED MODE POWER SUPPLIES.** Various makes and specs but generally ±5, ±12v, ideal bench supply. Only £8. Our ref 8P36.

**ACORN DATA RECORDER.** Made for Electron or BBC computer but suitable for others. Includes mains adaptor, leads and book. £12. Ref 12P15.

**PTFE COATED SILVER PLATED CABLE.** 19 strands of .45mm copper, will carry up to 30A and is virtually indestructible. Available in red or black. Regular price is over £120 per reel, our price only £20 for 100m reel. Ref 20P21 or 1 of each for £35. Ref 35P2. Makes absolutely superb speaker cable!

**NEW PIR SENSORS.** Infra red movement sensors will switch up to 500w mains. UK made, 12 months manufacturers warranty. 15-20m range with a 0-10min timer, adjustable wall bracket, daylight sensor. Only £20. Ref 20P24.

Also available same spec as above but will switch 1000 watts. £24.00. Ref 24P4.

**MITSUBISHI 3½in DISC DRIVES.** Brand new drives, ½ height double sided, double density, warranted. Our price £60. Ref 60P5.

**GEIGER COUNTER KIT.** Includes tube, PCB and all components to build a 9V operation geiger counter. Only £39. Ref 39P1.

**SPECTRUM SOUND BOX.** Add sound to your Spectrum with this device; just plug in. Complete with speaker, volume control and nicely boxed. A snip at only £4. Our ref 4P53.

**BBC JOYSTICK INTERFACE.** Converts a BBC joystick port to an Atari type port. Price £2. Our ref 2P261.

**TELEPHONE EXTENSION LEAD.** 5M phone extension lead with plug on one end and socket on the other. While. Price £3. Our ref 3P70 or 10 leads for only £19! Ref 19P2.

**LCD DISPLAY.** 4½in digits supplied with connection data £3. Ref 3P77 or 5 for £10 Ref 10P78.

**CROSS OVER NETWORK.** 8 ohm 3-way for tweeter midrange and woofer. Nicely cased with connections marked. Only £2. Our ref 2P255 or 10 for £15 ref 15P22.

**BASE STATION MICROPHONE.** Top quality uni-directional electret condenser mic 600r impedance sensitivity 16-18KHz — 68db built in chime, complete with mic stand bracket. £15. Ref 15P28.

**MICROPHONE STAND.** Very heavy chromed mic stand, magnetic base. 4in high. £3 if ordered with above mic. Our ref 3P80.

**SOLAR POWERED NI-CAD CHARGER.** 4 Nicad AA battery charger charges 4 batteries in 8 hours. Price £6. Our ref 6P3.

**MAINS SOLDERING IRON.** Price £3. Our ref 3P65.

**SOLDERING IRON STAND.** Price £3. Our ref 3P66.

**SHARP PLOTTER PRINTER.** New 4 colour printer originally intended for Sharp computers but may be adaptable for other machines. Complete with pens, paper, etc. Price £16. Our ref 16P3.

**KIT** to convert the above Printer to Centronics parallel. £4. Ref 4P.

**CAR IONIZER KIT.** Improve the air in your car, clears smoke and helps prevent fatigue. Case red. Price £12. Our ref 12P8.

**NEW FM BUG KIT.** New design with PCB embedded coil 9v operation. Priced at £5. Our ref 5P158.

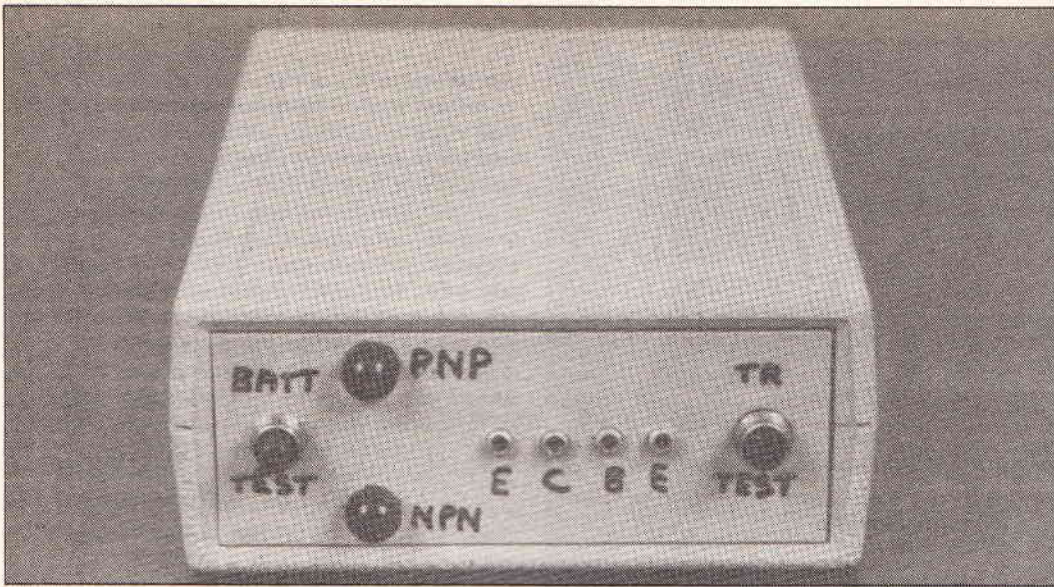
**NEW PANEL METERS.** 50uA movement with three different scales that are brought into view with a lever. Price only £3. Ref 3P81.

**STROBE LIGHTS.** Fit a standard Edison screw light fitting 240v 40/60/75w flash rate, available in yellow, blue, green and red, complete with socket. Price £10 each. Ref 10P80 (state colour reqd).

**ELECTRIC SPEED CONTROL KIT.** Suitable for controlling our powerful 12v motors. Price £17. Ref 17P3 (heatsink required).

**EXTENSION CABLE WITH A DIFFERENCE.** It is flat on one side, making it easy to fix and look tidy. 4 core, suitable for alarms, phones etc. Our price only £5 for 50m reel. Ref 5P153.

**METAL PROJECT BOX.** Ideal for battery charger, power supply etc., sprayed grey, size 8" x 4" x 1½", louvred for ventilation. Price £3. Ref 3P75.



## TRANSISTOR TESTER

It is possible to test whether a transistor is functional by checking the condition of the virtual diodes of the base/collector and base/emitter junctions with a multimeter on a low ohm range. However, this can be a fiddly job. It would be very nice to have a simple, cheap plug-in-and-test tool which would verify transistors as good or bad for us quickly and conveniently.

This project, the first in a range of basic test gear to accompany the Testing Testing series, does just that. At the push of a button, this transistor tester tells you whether a transistor is good or duff and whether it is PNP or NPN, provided you know its pinout. Various standard failure modes are also identifiable. The design emphasis is simplicity and convenience, including the ability to run off a single PP3 battery for well over a month in continuous use. The trade-off is that the tester will check bipolar transistors, but cannot handle FETs.

To operate the tester, the suspect transistor is plugged into a panel socket, and the test button (actually the on/off switch) is pressed. The condition of the two LEDs indicates the test result (Table 1).

Table 1

PNP LED flashes	good PNP device
NPN LED flashes	good NPN device
both LEDs flash	C-E short circuit
one LED ON	B-C short circuit
no LEDs ON	B-E short or B open or totally open circuit

The tester works by applying varying bipolar signals to the collector and emitter of the transistor under test in a common base circuit, causing current to flow in the LEDs when the transistor is conducting. A battery test button is included, to distinguish between a dead battery and an open circuit transistor. This button simulates a C-E short, flashing both LEDs provided the battery is OK.

The tester uses an 8 pin dual op-amp chip, in my case the 1458, which is a dual 741 equivalent, but many pin compatible devices will do instead, including the 353 dual J-FET amp.

For the indicators, I finally used two green 0.2 inch LEDs, and labelled them NPN and PNP. An earlier prototype used a green LED for NPN and a red one for PNP, which looked much better, but it is essential if you want the dual-colour display to use

intensity-matched LEDs. I abandoned the effort when I found my new batch of red LEDs were much dimmer for the same current than the green ones. Guaranteed intensity-matched LEDs cost more, so an alternative is to get ordinary LEDs with specification table, and choose red and green with the same average light output (in mcd: millicandelas) and forward current ( $I_f$  in mA). This is important, because when a brand-new battery is installed, the other LED may flash very dimly when a good transistor is under test (due to reverse conduction), and if the proper one is comparatively dim, it could prove confusing.

### Construction

Circuit construction is straightforward. My prototype was built on stripboard, but a PCB layout has been produced. In either case, the board carries everything except the LEDs, switches and test sockets, which are mounted and wired on the front panel of the case. Quite a few components are mounted vertically on the board, but this should not pose any problems. Make sure that the IC1 pin1 end of R7 is upwards, to give you a test point at the output of IC1a. Other than this, nothing is critical.

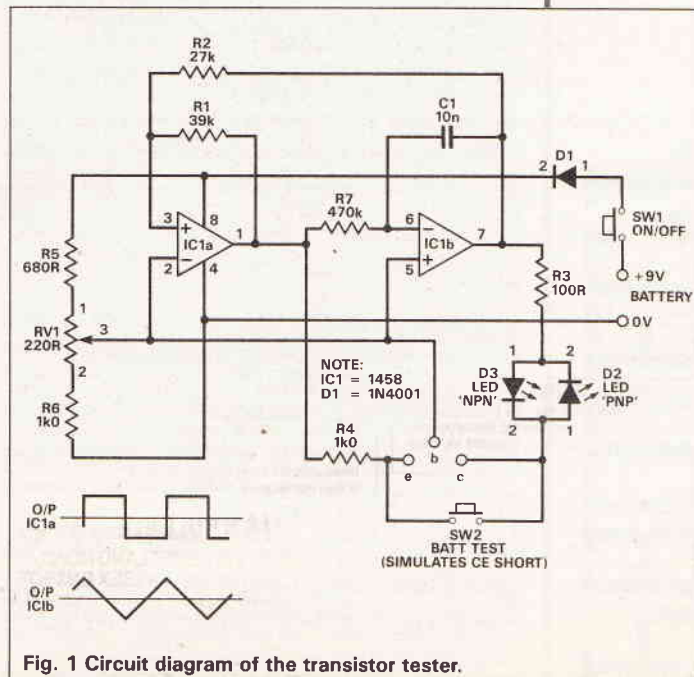
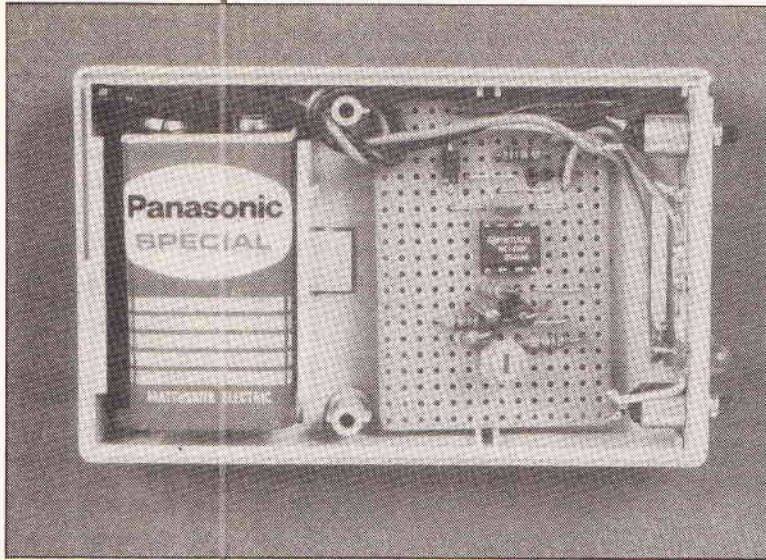


Fig. 1 Circuit diagram of the transistor tester.

Mike Barwise presents the first project in his basic range of test gear.



The board is connected to the front panel by four short leads, and to the battery clip by one. I made these from 1/0.6 solid wire, and they proved stiff enough to hold the board in place inside the case, but a double sided sticky foam patch could be used.

The case has an integral PP3 battery compartment and a slot-in front panel, and is held together by two self-tapping screws. The exact front panel layout is a matter of choice, but the one given here seems to be the best compromise between convenience in use and ease of wiring. The following points are important:

- The transistor test sockets should be 0.2 inches centre to centre to accommodate transistors in T0-218 and similar packs;
- The LEDs should be at least 0.5 inches apart to avoid confusion by cross-lighting;
- The transistor test and battery test switches should not be side-by-side. This is to prevent you pushing them both at the same time by accident.

The front panel is the only moderately tricky part of the project. It must be drilled very accurately, particularly for the test sockets, and the soldering must be done very quickly to avoid melting the plastic of the panel. It is best to drill the panel from the back, using a very sharp 1/16 inch drill in a hand-held pin chuck (turn the drill with your fingers!), and then open out the holes with a drill of the final size. If you are lucky enough to own a fine tapered reamer, the LED and switch holes can be opened out by trial and error until the devices are a tight push fit, but in any case, a little touch of superglue will hold them in. The switches are push button types, but any sub-miniature panel mounting normally open pushbutton will do, although

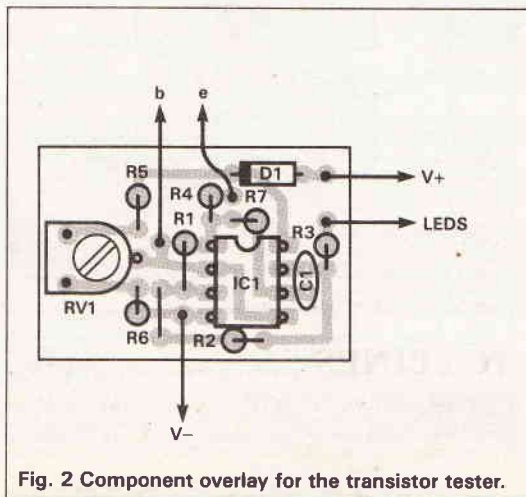


Fig. 2 Component overlay for the transistor tester.

the panel is too thick to accommodate the conventional mounting nut, hence the superglue!

The transistor test sockets posed quite a problem. The solution had to be relatively cheap, compact and capable of accepting a wide range of leads from the fine wires of T0-18 to the 1mm flat strips of T0-218. 3 pin DIN sockets were tried, but they generally use a split fork contact, which makes unreliable connections to the fine wires of T0-18 and similar small transistors. What was needed was a tubular contact of some sort. Early prototypes used four-way 5mm pitch 16A screw terminal blocks with PCB pins, but these were rather bulky and it proved difficult to ensure good connections to the transistor under test without doing up the screws, which was a waste of time. The final solution, which, as far as I know is only available from RS (Electromail), uses PCB mounting push-in sockets designed for 1mm diameter, shorting plugs. These are fine, but they need accurately drilled panel holes if they are going to stay in place, particularly as they have to be soldered to (which will tend to soften and expand the holes in the panel).

The panel wiring is done in 24swg tinned copper and 1/0.6 insulated wires. Connections to the test sockets are by looping the wire *once* tightly round the back of the socket and then soldering very quickly.

Flexible battery clip leads should be tied in a single overhand knot which is threaded over one of the screw pillars of the case. This will provide an adequate cord grip should you drop the lot while changing batteries. A final refinement would be to label the panel in a neat permanent fashion. Ideally, you could get it engraved by one of those companies which make plastic nameplates, and then fill the engraving with model enamel. However, as this is cheap test gear, rub down lettering protected by a coat of varnish will do just as well, but you should do it before you install any panel components or wiring.

## Setting Up

There are two ways of setting up the transistor tester: a crude one and a more tricky but more reliable one. In both cases the trimpot RV1 is adjusted until the circuit works as required, and in both cases the very first test of your circuit should be a simulated C-E short (push the battery test button). The two LEDs should flash alternately at around 3Hz. If not: you've made a mistake somewhere. Supposing they do, read on.

The crude way is to use a set of known good transistors and adjust RV1 until the correct response is obtained for all devices. A typical set would consist of BC184, BC214 (high gain NPN and PNP small signal), TIP31, TIP32 (3A NPN and PNP medium gain power), TIP3055, TIP2955 (15A NPN and PNP low gain power). RV1 is set to nominal mid-position. The transistor is inserted in turn into the socket and the test button pressed. RV1 is then adjusted *slowly* until the LEDs show the correct sequence. The order of use of the transistors is important: first use the BC184 and BC214, adjusting until the tester indicates both correctly, then the TIP31 and TIP32, making a finer adjustment, and finally the TIP3055 and TIP2955, making a really tiny final adjustment. Rechecking with any transistor at random should then produce the correct result.

The limitation of this method of setting up is that it takes no account of performance drift as the tester battery ages. A new PP3 may deliver as much as 9.6V into a low current consumer like this circuit, and we would like the tester to go on working for as long as possible on one battery: say down to about 8V, which is as low as we really dare.

The delicate and preferred setup procedure is as follows: interrupt the battery positive supply with a 1k



pot wired as a variable resistor. This effectively simulates battery ageing. Set the variable resistor to minimum resistance, and set RV1 to mid-position. Apply a temporary base-collector short. One LED should light continuously. Now increase the variable resistor until the LED just turns off. Reduce the variable resistor again *gently* until any LED lights again, and then adjust RV1 to turn off both LEDs. If both LEDs will not stay off together, adjust RV1 in the opposite direction *by a very small amount*. If it proves impossible to adjust both LEDs off at once, increase the variable resistor a little bit and try the whole procedure again. This whole routine should be repeated until both LEDs can only be turned off together by an *extremely small* adjustment of RV1. You will then find that the transistor tester is set up to operate with battery voltages as low as just over 8V. Remove the base-collector short.

## HOW IT WORKS

IC1a operates as a Schmitt trigger, and IC1b as a linear integrator. The uncommitted inputs of both op-amps are held at a nominal ground of mid-supply potential set up by R5, RV1 and R6.

When the supply is switched on, the output of IC1a is at maximum positive potential. This output passes a current via R7 into the virtual earth at the inverting input of IC1b. The output of IC1b sinks an equal current via C1, charging it to produce a linear negative voltage ramp. This signal is fed back to the input of the Schmitt trigger, and when the total voltage at the non inverting input of IC1a (vector sum of IC1a feedback and IC1b output voltages) is just less than the nominal ground, it causes the Schmitt trigger to change state smartly, its output landing at maximum negative potential. This causes the output of IC1a to sink a current through R7, causing an equal current to be sourced by IC1b, charging C1 and producing a linear positive going voltage ramp. As soon as the total voltage at the non inverting input of IC1a becomes a little bit positive of the nominal ground, the Schmitt trigger flips, and the whole process repeats. The result is a free-running oscillator with frequency determined by the time constant of  $R7 \times C1$ , which produces square and triangle waves of similar amplitude and in quadrature (phase shifted by  $90^\circ$ ). To make this oscillator test transistors, we connect the device under test in common base configuration, with its base at nominal ground (mid-supply voltage), its emitter to the square wave via a current limiting resistor (R4) and its collector to the triangle wave via a pair of back-to-back LEDs and LED current limiting resistor (D2, D3, R3). As shown in the timing diagram (Fig.1), the emitter and collector of the transistor are alternately driven positive and negative with respect to each other, and with respect to nominal ground: a good transistor of a given type will be in conduction for one quarter cycle of the oscillator, during which time its collector current will be varied from zero to maximum in a linear fashion. The relevant LED (determined by direction of current) will light up for the quarter cycle. Any open or short circuit in the device under test will cause LEDs to light (or not to light) in a manner different from this. If the transistor is open circuit base, totally open circuit or base-emitter short, no collector current will flow, and no LEDs will light. A collector-emitter short will allow conduction in both directions, so the LEDs will flash alternately. A collector-base short will cause large currents to flow into or out of the nominal ground, which will disturb the mid rail potential by approaching or exceeding the 4.5mA or so flowing the mid rail potential divider. This will prevent the Schmitt trigger making its transition by spoiling its reference voltage. The net result will be a stopped oscillator with one (random) LED continuously on.

The transistor test is set by R4, and is low (around 3mA maximum emitter current) so no damage is likely to even the most sensitive of transistors. The LED limiting resistor (R3) is present so that the LEDs are protected in case of a hard collector-base short circuit. D1 is an 'idiot diode'. It protects the circuit against reversed connection of the battery. It also reduces the supply voltage provided by brand new 'enthusiastic' batteries (D1 replaces a resistor used for this purpose in early prototypes).

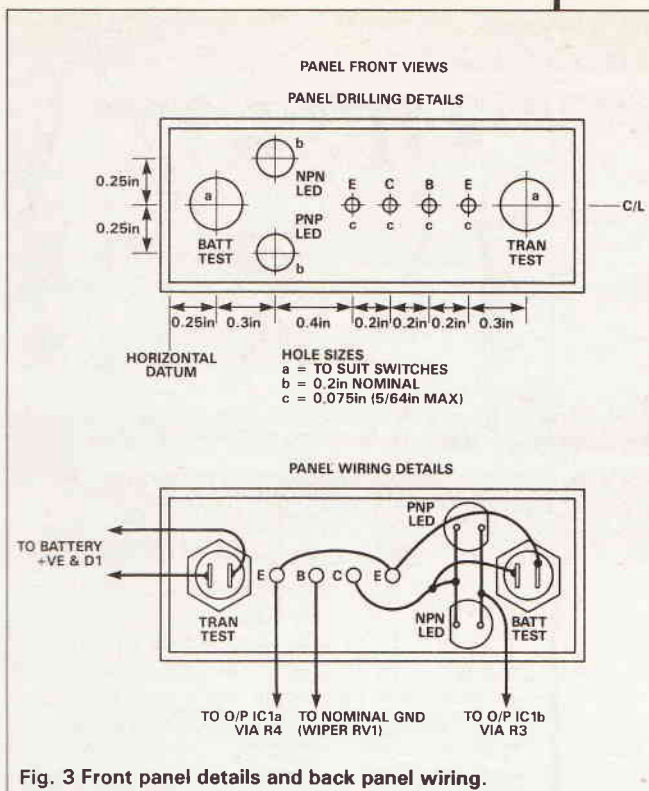


Fig. 3 Front panel details and back panel wiring.

I am indebted to Richard Cripps, who works at the Dept. of Metallurgy, Oxford University, for this setup procedure, and also for some clever ideas which helped to run my preliminary prototype into this final project.

Finally: the whole unit should cost no more than about £8.50 to build, including the case.

## PARTS LIST

### RESISTORS (all 1/4W, 5%)

R1	39k
R2	27k
R3	100R
R4,R6	1kΩ
R5	680R
R7	470k
RV1	220R min horizontal

### SEMI CONDUCTORS

IC1	1458 or LM353 dual op amp
D1	1N4001
D2,D3	LED 0.2" (2x red or green, or intensity matched red/green pair)

### CAPACITORS

C1	10n miniature ceramic
----	-----------------------

### MISCELLANEOUS

SW1, SW2	miniature push to make single pole
----------	------------------------------------

CASE	RS 502-095
------	------------

CONTACTS	RS 434-712
----------	------------

## BUYLINES

Everything except the case and the test socket contacts should be available from almost anywhere. These two can be bought through Electromail (RS Components).

# PCB DESIGN SOFTWARE

Looking for a PCB drawing package? David Silvester reviews some of the products on offer.

REVIEW

In the last year, a number of changes have taken place in the range of computer aided PCB design software packages available to the amateur.

For amateur or semiprofessional use the package has to be reasonably cheap, and to keep hardware costs low there has to be a way of getting a usable output from a dot matrix printer. However for high quality output it is essential that a plotter is used so that the artwork can be used directly to make the PCB.

The following is a review of four PCB design packages of varying cost and sophistication. In all cases the software was run on an AT compatible with an EGA monitor, a Genius mouse and a Roland plotter.

## PC-B

We'll look at two Labcentre packages: the simple PC-B itself and the more sophisticated PC-B PRO.

The Labcentre offerings are will only draw PCB layouts. There is no facility to draw schematics, although there is separate package offering that option.

The PC-B basic program is very easy to use. The startup screen leads to the layout editing screen, which is divided into five sections. The main part is occupied by the work area, with other areas for layout overview, icon table, symbol list and the message panel. The maximum layout size is 12 by 10 inches and the icon table has three pad sizes and four track widths. It uses two trackable layers and a single silk screen. At just £70 it offers extremely good value for the occasional user of a PCB drawing program.

## PC-B PRO

For £230 Labcentre has the PRO package (PRO stands for *professional*). This package adds a number of facilities but does not compare well with the facilities and pricing of Easy-PC and Boardmaker. PC-B PRO has six track widths and six pad sizes selected by icons, and a range of component symbols which may be added to by the user. The PRO package adds box editing functions and a set of flexible copy, move and delete actions. The maximum board size is 24 by 20 inches, but with no extra layers.

This package has a lot of potential but lacks the range of facilities that we can find in Easy-PC at half the price.

## Easy-PC

Easy-PC comes from Number One Systems and is part of a range of software packages for electronics design. The package is now rather old, and this shows even with the new EGA display software. When loaded the initial page is in low grade graphics but this jumps to a better initial menu offering PCB design, PCB symbol manufacture, Schematic design, and Schematic symbol manufacture. Thus Easy-PC offers the important schematic drawing package as well as the PCB drawing package and as such must be judged on a different scale.

Selecting any of the options brings the user immediately into the full view of the 17 by 17 inches drawing with a small cursor cross at the centre. From this stage pressing any of the number keys from 1 to 7 initiates a redraw at a scale set by the number and

centred about the cursor. There are three unmarked hatched squares at the top of the screen and if the cursor enters the left one of these hatched areas it pulls down a menu that lists the drawing and library options available, whilst the right pulls down a number of user default selections.

Easy-PC can deal with up to 8 copper layers and in addition both an upper and lower silk screen, so it is suitable for the low cost professional market. There are a vast range of both pad sizes and pad shapes. 16 pad types, 8 track widths and 8 text sizes are allowed per PCB drawing. There are about 50 symbols in both the layout and schematic libraries but you can add to either of these libraries as well as creating specialist libraries if required. There are surface mount symbols as well as normal 0.1 inch pin types.

As for on-screen colour Easy-PC only offers blue for one of the copper layers, red for another and white for both the silk screen and items such as pads that go through all of the layers, a throwback to the CGA graphics. To display other layers you have to use either blue or red, which conflicts with the layers presently being shown, or reassign the blue or red colour. However, this method loses the display of one layer from the screen (although not of course from the computer memory).

In all cases the pads, symbols and tracks snap to a grid point, or to half or a quarter of that value depending on the mode chosen. Tracks can also be forced to follow 90 degree or 45 degree angles only, or can be left to take the shortest route, as selected by the drawing menu.

Recently the price of Easy-PC has crashed from £275 to £98. This new price includes software both for the plotter and Gerber photoplotter. In all I think that Easy-PC is a good package, but is now showing its age. In many respects it is badly in need of upgrading.

EasyPlot is the plotter package for the Easy-PC drawing package. I have tried running this software package and the output gives some cause for concern. When EasyPlot draws, say, a pad it draws a series of short lines in either the horizontal or vertical axis lifting the pen to avoid the central hole. Thus the pen thumps up and down which makes it extremely noisy.

## Boardmaker 1

Boardmaker comes in two versions, Boardmaker 1 which is similar to an improved version of EasyPC, and Boardmaker 2 which has added facilities for netlisting and ratsnests. Both versions have a better title page as the software is designed for EGA/VGA displays rather than CGA. The startup page gives the options of PCB drawing or schematic drawing whilst the library route leads into the symbol creation. After the initial selection the screen changes to a wide view of the full 17 by 17 inch drawing screen. Although it comes from Tsien, Boardmaker is similar to Easy-PC and will read and convert EasyPC files for reworking.

Seven indexes lead to the next area in the drawing hierarchy. The menus can be activated either from the mouse or from the keyboard.

Boardmaker makes much better use of colour. There are seven colours. The defaults are yellow for both silkscreen layers, red for the lower copper layer, blue for the upper copper layer and white for items such as pads that extend to all 10 of the layers. Thus

on screen it is easier to see in which layer any item lies. The remaining colours are unassigned so that the user can select the additional layers to which the draftsman wants to refer. I tend to use green for one of the silkscreens as it makes the drawing easier to understand. All reassignments can be saved to a configuration file.

The plotter driver is included with the Boardmaker main program and as far as pen tip life and noise is concerned it seems much better than EasyPlot.

With a range of features and at a cost of just under £200 which includes both plotter and Gerber photoplotter drivers, Boardmaker offers extremely good value for money for the amateur who wants more than a simple PCB package.

## Boardmaker 2

Boardmaker 2 has added facilities for netlists and ratsnests. The netlist is a list of the components on a PCB layout that need to be connected and the ratsnest is the visualisation of the netlist. When drawing the board all of the components are placed on the board and the ratsnest is formed by thin lines connecting all of the points that need to be connected by tracks in the final layout. From this stage a component can be taken up and moved with all of the ratsnest details being redrawn continuously. Changes to the orientation can be seen to allow the best position for each component prior to drawing the tracks. When the board is completed then the netlist checks that all has been drawn correctly. As an extra feature the connected tracks can be highlighted to check that, say, every IC has power and ground connected to it. The cost of Boardmaker 2 is £295 plus carriage and VAT.

Netlist information is the raw data for autorouting and Tsien say this is coming soon. I shall look forward to trying this out.

## Conclusion

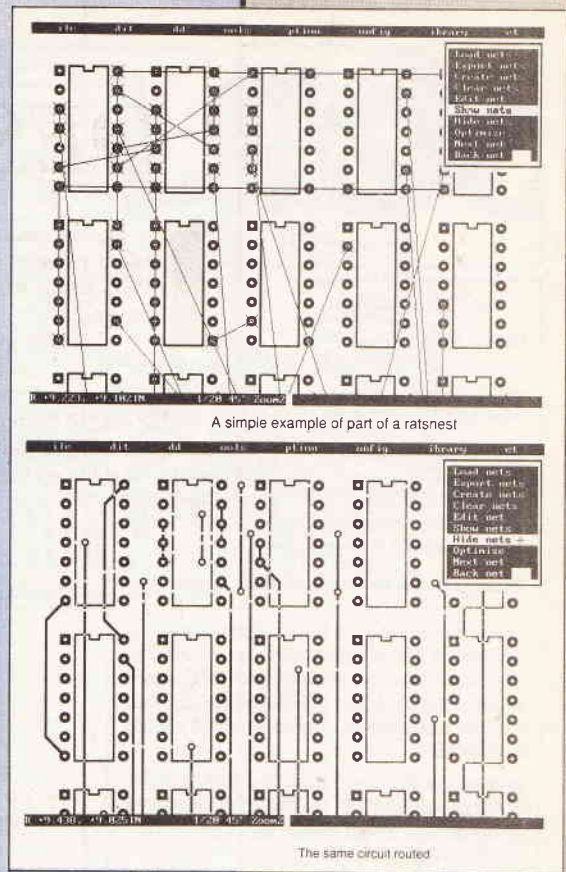
If you are in the market for such a PCB design package all of the manufacturers offer demonstration software and it is best to contact them to get a hands on feel to see which suits you best. With such a fast moving market this is the only way to see what the latest revisions offer.

## Addresses

**Labcentre Electronics**, 14 Mariners Drive, Bradford, BD9 4JT. Tel: 0274-542868. PC-B, PC-B PRO.

**Number One Systems**, Harding Way, Somersham Road, St. Ives, Huntingdon, Cambridgeshire, PE17 4WR. Tel: 0480-61778. Easy-PC and EasyPlot plus many other electronics packages.

**Tsien UK Ltd**, Cambridge Research Labs., 181A Huntingdon Road, Cambridge, CB3 0DJ. Tel: 0223-277777 or 0223-276444. Boardmaker plus many other electronics packages.

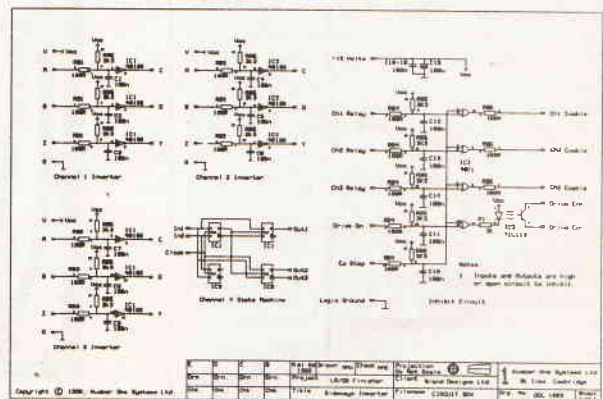
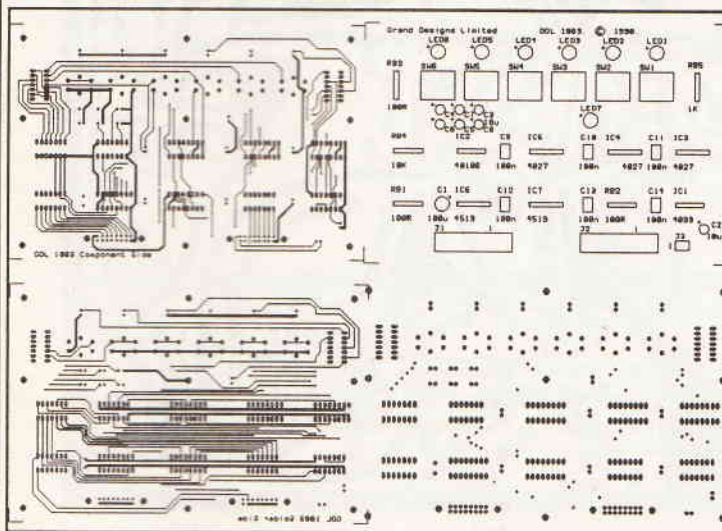


# EASY-PC, SCHEMATIC and PCB CAD

**NEW VERSION!**  
**NOW DRAWS EVEN FASTER!**

Only  
**£98.00**

**BRITISH  
DESIGN  
AWARD  
1989**



**Fast Professional Quality Output at an Affordable Price**

Write or Phone for full details:-

**Number One Systems Ltd.**

**The Cad Specialists**

REF: ETI, HARDING WAY, SOMERSHAM ROAD, ST.IVES, HUNTINGDON, CAMBS, PE17 4WR, ENGLAND.  
Telephone: 0480 61778 (6 lines)

ACCESS, VISA, AMEX Welcome.

# DOOPS!

Some new corrections . . .

## **Feko Box** (June 1990)

The foil pattern is printed at 50% actual size, and component side up. The correct foil pattern is included in this issue.

## **Elements Of Radio, Part 3** (May 1990)

On Fig. 2, the resistor on the output of F2 should be 1k5, not 10R. On Fig. 20, the top of the CT should be connected to switch SW1b, and the label 6 is missing from L13.

## **Business Bass Amp** (March, April, May 1990)

In March: On Fig. 2 HI and LO inputs are wrong way round. The north button increases volume, the south button decreases it, and both buttons together zeros volume. Hitachi devices are rated for zero temperature coefficient. Q1-4 should be 2SK135.

In April: On Fig. 1, C5 should be 100p. On Fig. 2, Q2 should be PNP. On Fig. 3, the positions of the gyrator board should be:  
Z8 Z9 Z10 Z11 Z12 Z7  
Z1 Z2 Z3 Z4 Z5 Z6.

In May: On Fig. 2, pin 20 of IC1 also connects to the 5V supply, and C1 is the wrong way round. On Fig. 8, all dimensions except the fan hole are in inches, and should be divided by 10. A symmetrical supply of +63 and -63 should be on C1 and C2.

## **Superscope** (February 1990)

Q302, 303 should be BC109C.

And some we've printed before . . .

## **Quad Power Supply** (April 1990)

In the parts list, IC2 should be 7905 and IC 4 should be 7912.

## **Navigate** (April 1990)

Fig. 1a Maximum/minimum signal captions should be reversed.

## **Oscilloscope** (February 1990)

Fig. 3 does not show the polarity of diodes D105,6. The cathodes point up the page. Diodes D304 is a 1N4148. Capacitors in the deflection amplifiers parts list are incorrectly numbered and should be C205, 206, 213 and not C105, 106, 113.

Text refers to inductors L203, 204; these should be L201, 202. Inductors L101, 102, 201, 202 are wound on 100k 0.5W resistors. The value of R201 should be 820R. The PCB track connecting RV301 to R313 should be extended to the pad of link 17. The foil on page 60, for the motherboard is at 95% of full scale. TS2 should have 550 turns, giving 110V rms.

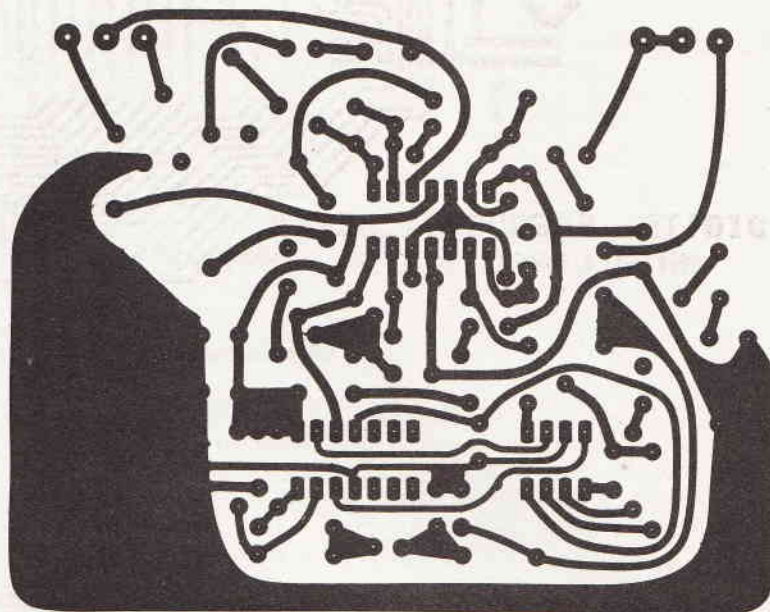
## **Motorcycle Intercom** (January 1990)

D1-D12 should be 1N4148.

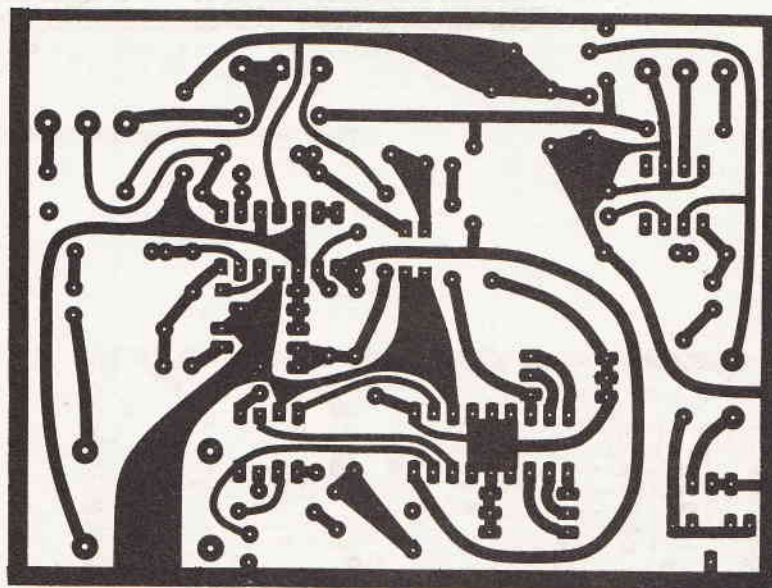
## **Wavemaker FG** (January 1990)

R24 (82k) should be shown instead of the wire link below R29 on the Component Overlay (Fig 2). R9 on the Circuit Diagram (Fig 1) should be R31, and should be connected to the -12V rail. The resistor connected to IC2a pin 4 on Fig 1 should be R9.

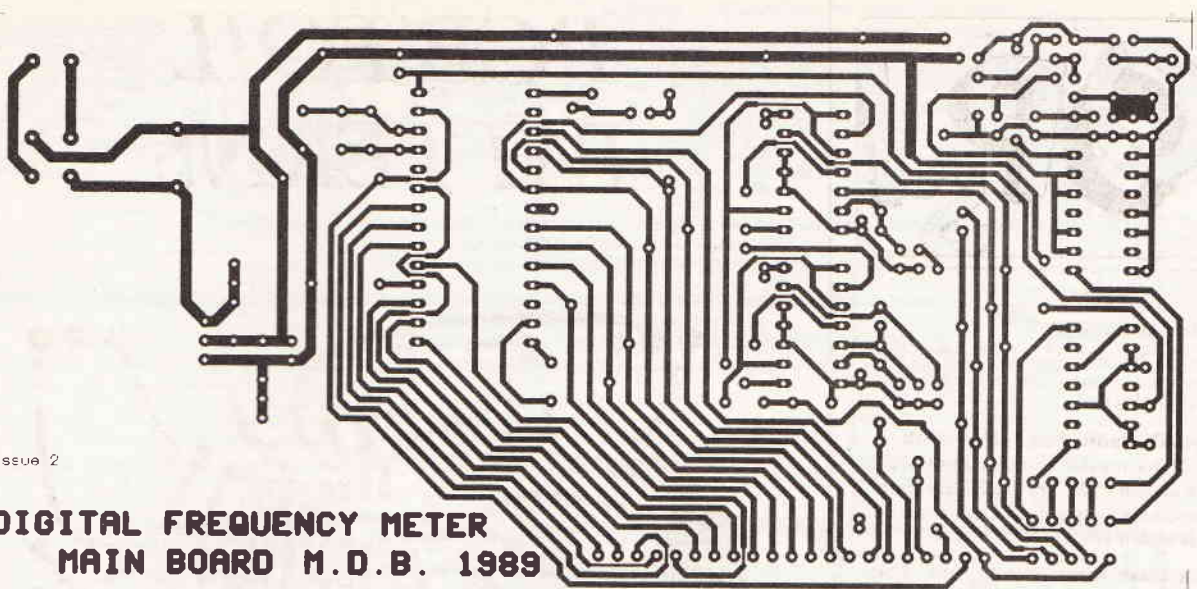
# PCB FOIL PATTERNS



Feko box (ETI June 90)



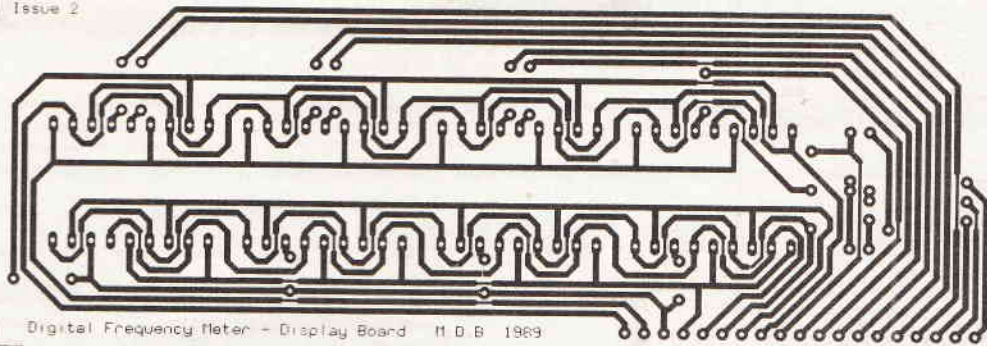
Guitar Practice Amp



Issue 2

**DIGITAL FREQUENCY METER  
MAIN BOARD M.D.B. 1989**

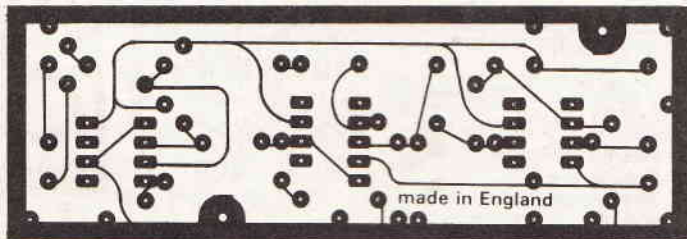
Digital Frequency Meter Main Board



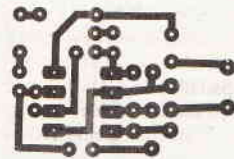
Issue 2

Digital Frequency Meter - Display Board M.D.B. 1989

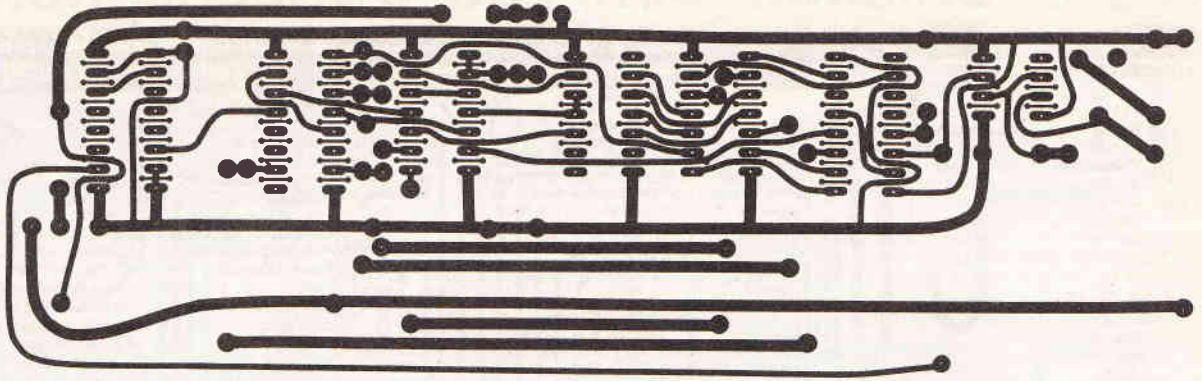
Digital Frequency Meter Display Board



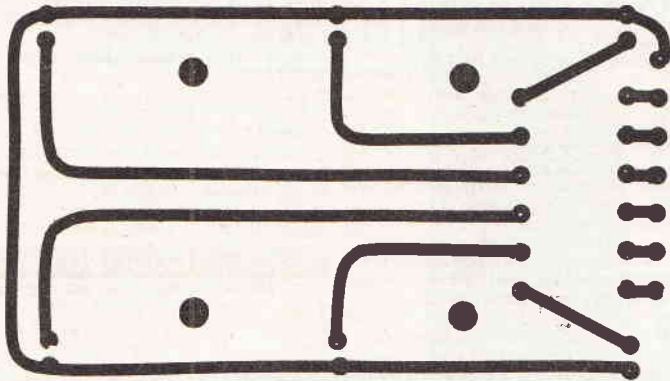
Footstep Alarm



Transistor Tester



Decision Maker Main Board

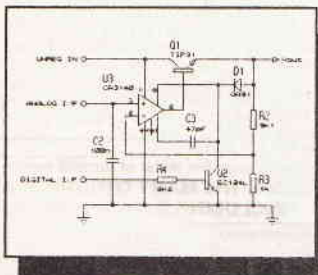


Decision Maker Display Board

## C.A.D. SOFTWARE MADE EASY

### ISIS SUPERSKETCH -The Easy to Use Schematic Drawing Tool from £69

Do you need to draw circuit diagrams in the course of your work or hobby? If so, then ISIS Supersketch could save you much time and effort whilst maintaining or improving the quality of your drawings. This new product is based around the technology of its big sister, ISIS, which combines a highly intuitive Graphical User Interface with a database that understands electrical circuits. The result is incredible ease and speed of use, far outperforming any general purpose drawing program. For example, a wire can be drawn from one component to another in just 4 mouse operations: point at first component pin, click, point at second pin, click. The Wire Autorouter does the rest!



#### Features Galore...

- Automatic or manual wire placement.
- Auto dot placement.
- Auto name generator.
- Auto component finder.
- Powerful editing facilities.
- Object oriented 2D drawing with symbol library.
- Comprehensive device libraries available.
- Integral device editor - create components on the fly.
- Output to dot matrix, pen plotters, lasers, POSTSCRIPT, DTP, DXF etc.
- Runs on any PC compatible with 512K + mouse.

#### Also Available...

We also supply a range of PCB design software starting with manual layout aids and going right up to fully integrated schematic to PCB design systems. Please write or phone for more information.

**labcenter**  
Electronics

#### PRICES

Supersketch + basic library ..£69  
Supersketch + full library .....£99

Call for Educational and Site  
Licence pricing, Dealer enquiries  
welcomed.



Call for **FREE** demo  
disks - 0274 542868.



14 Marriner's Drive, Bradford. BD9 4JT

# THE ORIGINAL SURPLUS WONDERLAND!

## MONITORS

### MONOCHROME MONITORS

#### THIS MONTH'S SPECIAL!



There has never been a deal like this one! Brand spanking new & boxed monitors from NEC, normally selling at about £140! These are over-engineered for ultra reliability. 9" green screen composite input with etched non-glare screen plus switchable high/low impedance input and output for daisy-chaining. 3 front controls and 6 at rear. Standard BNC sockets. Beautiful high contrast screen and attractive case with carrying ledge. Perfect as a main or backup monitor and for quantity users! **£39.95 each (D) or 5 for £185 (G)**

**CALL FOR DISCOUNTS ON HIGHER QUANTITIES!**  
Zenith ZVM-1240-EA brand new & boxed 12" amber flat screen with optional swivel and tilt base. Sunflex filter with dark tint. Standard TTL PC compatible. 18 mhz bandwidth. Very attractive "state of the art" tapered grey case. Standard 9 pin D plug (supplied) on 1 metre cord and mains cord terminated with IEC connector. 240 volts complete with operations manual. An absolute gift at: **£59 (D) 10£500 (G). Swivel/tilt base £4.95.**

Very high resolution, fully cased 14" green or amber screen monitor with non-glare screen and swivel/tilt base. The very latest technology at the very lowest price! Fully compatible and plug compatible with all IBM PCs and clones fitted with a high res Hercules or equivalent card! Enables superb graphics and resolution, all at a give away price. Has many extra features including aux +5 & 12v DC outputs to power at least 2 disk drives. If your PC power supply is getting hot! Supplied BRAND NEW and boxed. State whether amber or green screen required.

Amber .....£79 Green .....£69 (E)  
Wang green screen 12" chassis monitor with composite video input. Adjustable for tilt. Requires 12 vdc. Brand new and boxed in perfect condition. **Only £39 each or 2 for £75 (F)**  
Motorola M1000-100 5" black & white compact chassis measuring only 11.6H x 12W x 2.2D. Ideal for CCTV or computer applications. Accepts standard composite or Individual H & V syncs. Needs 12vdc at only 0.8a. Some units may have minor screen blemishes. Fully tested with 90 day guarantee and full data. **£29.00 (C)**  
Fully cased as above in attractive moulded desk standing swivel. Dim 12 x 14.5 x 26cm. **£39.00 (C)**  
JVC 751 ultra compact chassis monitor for 12vdc 0.7a. Dim 11 x 14 x 18cm. Simple DIY data included to convert to composite video input. Full data. **BRAND NEW £65.00 (B)**  
20" Black & white monitors by Aztek, Cotron & National. All solid state, fully cased monitors ideal for all types of AV or CCTV applications. Standard composite video inputs with integral audio amp and speaker. Sold in good used condition - fully tested with 90 day guarantee. **£65.00 (F)**

### COLOUR MONITORS

Decca 16" 80 budget range colour monitor. Features a PIL tube, beautiful teak style case and guaranteed 80 column resolution, features usually seen only on colour monitors costing 3 times our price! Ready to connect to most computers or video outputs. 75Ω composite input with integral audio amp & speaker. Fully tested surplus, sold in little or hardly used condition with 90 day full RTB guarantee. Ideal for use with video recorder or our Telexbox ST, and other audio visual uses. **£99 (E) 3£275 (G)**

### HI-DEFINITION COLOUR MONITORS

Brand new Centronic 14" monitor for IBM PC and compatibles at a lower than ever price! Completely CGA equivalent. Hi-res Mitsubishi 0.42 dot pitch giving 669 x 507 pixels. Big 28 Mhz bandwidth. A super monitor in attractive style moulded case. Full 90 day guarantee. **Only £149 (E)**

### 20", 22" and 26" AV SPECIALS

Superbly made UK manufacture. PIL all solid state colour monitors, complete with composite video & sound inputs. Attractive teak style case. Perfect for Schools, Shops, Disco, Clubs. In EXCELLENT little used condition with full 90 day guarantee. **20"....£155 22"....£170 26"....£185 (F)**

### COMPUTER SYSTEMS

TATUNG PC2000. Big brother of the famous Elstein. The TPC2000 Professional 3 piece system comprises: Quality high resolution Green 12" monitor. Sculptured 92 key keyboard and plinth unit containing Z80A CPU and all control circuits. PLUS 2 integral TEAC 5.25 80 track double sided disk drives. Generous other features include dual 8" IBM format disk drive support. Serial and parallel outputs, full expansion port, 64K ram and ready to run software. Supplied complete with CPM, Wordstar and Basic. Brand new and covered by our famous 90 day guarantee and backup. Normal price of this unit is over £1400! **Our price ... only .....£299 (E)**

### V22 1200 BAUD MODEMS

We got a tremendous buy on further stocks of this popular Master Systems 2/12 microprocessor controlled V22 full duplex 1200 baud modem - we can now bring them to you at **half last advertised price!** Fully BT approved unit, provides standard V22 high speed data comm, which at 120 cps, can save your phone bill and connect time by a staggering 75%! Ultra slim 45 mm high. Full featured with LED status indicators and remote error diagnostics. Sync or Async use; speech or data switching; built in 240v mains supply and 2 wire connection to BT. Units are in used but good condition. Fully tested prior despatch, with data and a full 90 day guarantee. What more can you ask for - and at this price! **ONLY £69 (D)**

## LARGE QUANTITIES OF OSCILLOSCOPES AND TEST GEAR ALWAYS AVAILABLE - CALL NOW!

## FLOPPY DISK DRIVES BARGAINS GALORE!

### NEW 5 1/4 inch from £29.95!

Massive purchases of standard 5 1/4" drives enables us to present prime product at industry beating low prices! All units (unless stated) are removed from often brand new equipment and are fully tested, aligned and shipped to you with a 90 day guarantee and operate from +5 & +12vdc, are of standard size and accept the standard 34 way connector.

SHUGART SA405. BRAND NEW **£29.95 (B)**  
TANDON TM100-2A IBM compatible DS **£39.95 (B)**  
TANDON TM101-4 80 Track DS **£49.95 (B)**  
CANON, TEC etc. DS half height. State 40 or 80T **£75.00 (B)**  
TEAC FD-55-F. 40-80 DS half height. BRAND NEW **£99.00 (B)**

### 3 1/2 INCH BRAND NEW AT £19.95!

Never before seen price for a 3 1/2" drive. Standard size believed to be by Canon. Brand new and packaged - mint condition! 40 track SS, run from +5 & +12vdc with standard power connector. ....Only..... **£19.95 or 2 for £34.50 (B)**

### CHOOSE YOUR 8 INCH!

Shugart 800/801 SS refurbished & tested **£125.00 (E)**  
Shugart 851 double sided refurbished & tested **£195.00 (E)**  
Mitsubishi M2894-63 double sided switchable hard or soft sectors - BRAND NEW **£250.00 (E)**

### SPECIAL OFFERS!!

Dual 8" drives with 2 megabyte capacity housed in a smart case with built in power supply! **Only £499.00 (F)**  
Ideal as exterior drives!

End of line purchase scoop! Brand new NEC D2246 8" 85 megabyte of hard disk storage! Full CPU control and industry standard SMD interface. Ultra Hi speed transfer and access time leaves the good old ST506 interface standing. In mint condition and comes complete with manual. Only.....**£399 (E)**

## MAINS SUPPRESSORS & FILTERS

The "Flitan" from Crotan is a British made high current mains spike suppressor and RF filter in one, capable of handling up to 10 amps! The attractive case has an integral 13 amp socket for your equipment plug and a flying lead terminates in a quality plug (to BS 1363A standard) to go to the mains socket. There is an internal fuse plus one in the plug. Two LED indicators, one for power on and the other lights if the internal fuse fails. Dims: 6" x 3" x 2". Brand new. Distributor's price - £65.00! Continental plug version Flit-C. Either only **£15.95 each or 2 for £29.95 (B)**  
Belling-Lee type L2127 mains RFI filters rated at 250 volts 3 amps maximum. Comes complete with a built in mains cable (English coding), and a three pin miniature non-reversible socket and a mating plug, to go to the equipment. Ideal for those who are bugged by RF interference. Very compact. Dims 3-1/8" x 2.5" x 1.5" .....**£3.95 each or 3 for £10 (A)**

## IBM KEYBOARD DEALS

A replacement or backup keyboard, switchable for IBM PC, PC-XT or PC-AT. LED's for Caps, Scroll & Num Locks. Standard 84 keyboard layout. Made by NCR for the English & US markets. Absolutely standard. Brand new & boxed with manual and key template for user slogans on the function keys. Attractive beige, grey and cream finish, with the usual retractable legs underneath. A generous length of curly cord, terminating in the standard 5 pin DIN plug. A beautiful clean piece of manufacturer's surplus. What a deal! **£49 (B) 5£225 (D)**

Brand new and boxed 84 key PC-AT keyboards in standard IBM grey with very attractive mottled finish and "clicky" solid feel keys. 10 function keys on slide. English layout and £ sign. Green LEDs for Caps, Scroll & Num locks. **£29.95 (B) 5£135 (D)**

### CALL FOR DISCOUNTS ON HIGHER QUANTITIES!

## RECHARGEABLE BATTERIES

### LEAD ACID

Maintenance free sealed long life. Type A300.  
12 volts 3 amp/hours **£13.95 (A)**  
6 volts 3 amp/hours **£ 9.95 (A)**  
12 volts Centre tapped 1.8 amp hours. RFE. **£ 5.95 (A)**  
12 volts 24 amp hours. A200. RFE. **£29.00 (B)**

### NICKEL CADMIUM

Quality 12v 4ah cell pack. Originally made for the Technicolor video company. Contains 10 GE top quality D nicad cells in a smart robust case with a DC output connector. Ideal for portable equipment. Brand new. **£19.95 (B)**  
Ex-equipment NICAD cells by GE. Removed from equipment and in good, used condition: D size 4ah **4 for £5 (B)**  
F size 7ah **6 for £8 (B)**

### SPECIAL INTEREST

Hitachi 10 pen A3 plotter - HPGL - New **£ 495**  
Trio 0-18 vdc bench PSU. 30 amps. New **£ 470**  
DEC VAX11/750 Inc. 2 Meg Ram DZ and full documentation, in brand new condition! **£3900**  
Calcomp 1036 large drum 3 pen plotter **£ 650**  
Thurley LA 160A logic analyser **£ 275**  
1.5kw 115v 60hz power source **£ 950**  
Wayne Kerr RA200 audio real time freq.res. analyser. **£3000**  
VG Electronics 1033 Teletext Bridge **£3750**  
Tektronics R140 NTSC TV test signal standard. **£ 875**  
Sony KTX 1000 Videotex system - brand new **£ 790**  
DEC LSI11/02 CPU board **£ 150**  
ADDS 2020 VDU terminals - brand new **£ 225**

## ANALOG TO DIGITAL and DIGITAL to ANALOG CONVERTERS

Brand new and boxed Amdek ADA-200 analog to digital and digital to analog converter packed full of features: Interfaces to most popular PCs; 2 channel input & output by software selection; Integral input/output filters and address decoder; input pre-amp; over-level detector; trigger signal detector circuit; expansion availability and more. Input level 25mv to 50v p-p. Max. sampling frequency is 44khz and input gain variable to 200 times. Designed for use with almost any personal computer, allowing conversion of analog signals to digital data for processing by the computer plus conversion back to analog signals. The 26 page manual supplied includes data on the correct connection to various CPU's including the 8080, Z-80, 6800, 6502 and 6809 families plus data and schematics for user modification of I/O filter out-off frequencies. Complete with 50 way ribbon cable and edge connector to go to the computer and power cable. All for a fraction of the regular price! **£49.95 (C)**



## POWER SUPPLIES

All PSUs 220-240vac input and are BRAND NEW unless stated. Many types ranging from 3v to 10kv always in stock. Fine OP-8619 20 watts switch mode. +5v @ 2a. +12v @ 1a. -12v @ 0.1a. 5" x 3" x 1-1/2". **£15.95 (B)**  
Astec AC-8151 40 watts. Switch mode. +5v @ 2.5a. +12v @ 2a. -12v @ 0.1a. 6-1/4" x 4" x 1-3/4". **£19.95 (B)**  
Greendale 19A08E 60 watts switch mode. +5v @ 6a. +12v @ 1a. +15v @ 1a. RFE and fully tested. 11 x 20 x 5.5cms. **£24.95 (C)**  
Conver AC130. 130 watt hi-grade VDE spec. Switch mode. +5v @ 15a. -5v @ 1a. +12v @ 6a. 27 x 12.5 x 6.5cms **£49.95 (C)**  
Boshert 13000. Switch mode. Ideal for drives & system. +5v @ 6a. +12v @ 2.5a. -12v @ 0.5a. -5v @ 0.5a. **£29.95 (B)**  
Farnell G6/40A. Switch mode. 5v @ 40a. Encased **£95.00 (C)**  
Farnell G24/5S. As above but 24v @ 5a. **£65.00 (C)**

## COOLING FANS

Please specify 110 or 240 volts for AC fans.

3 inch AC. 112" thick **£ 8.50 (B)**  
3 1/2 inch AC ETRI slimline. Only 1" thick. **£ 9.95 (B)**  
4 inch AC 110/240v 1 1/2" thick. **£10.95 (B)**  
4 inch AC 112" thick **£ 9.95 (B)**  
10 inch Round. 3 1/2" thick. Rotron 110v **£10.95 (B)**  
62 mm DC 1" thick. No. 812 for 6/12v. 814 24v. **£15.95 (A)**  
92 mm DC 12v. 18 mm thick. **£14.95 (A)**  
4 inch DC 12v. 12w 1 1/2" thick **£12.50 (B)**  
4 inch DC 24v 8w. 1" thick. **£14.50 (B)**

## THE AMAZING TELEBOX!

Converts your colour monitor into a QUALITY COLOUR TV!!



TV SOUND & VIDEO TUNER!

Brand new high quality, fully cased, 7 channel UHF PAL TV tuner system. Unit simply connects to your TV aerial socket and colour video monitor turning same into a fabulous colour TV. Don't worry if your monitor does'nt have sound, the TELEBOX even has an integral audio amp for driving a speaker plus an auxiliary output for headphones or Hi Fi system etc. Many other features: LED Status indicator, Smart moulded case, Mains powered, Built to BS safety specs. Many other uses for TV sound or video etc. Supplied BRAND NEW with full 1 year guarantee.  
Telexbox ST for composite video input monitors.....**£29.95 (B)**  
Telexbox STL as ST but with integral speaker.....**£34.95 (B)**  
Telexbox RGB for analogue RGB monitors.....**£65.95 (B)**  
NOT suitable for IBM or Clone type colour monitors.  
PAL overseas version please call. SECAM not available.

## BRAND NEW PRINTERS

Epson MX-80 FIT One of the most popular printers around! Bi-directional printing with full logic seeking. 9 x 9 dot matrix for enlarged, bold, condensed etc. Standard parallel interface. Brand label removed from front. Handles tractor, fanfold and individual paper. OK with IBM PC and most others. A tremendous buy! **FOR A LIMITED TIME ONLY.....£129.00 (E)**  
DED DPG21 miniature ball point pen printer plotter mechanism with full 40 characters per line. Complete with data sheet which includes circuit diagrams for simple driver electronics.....**£49 (B)**  
Centronics 150 series. Always known for their reliability in continuous use - real workhorses in any environment. Fast 150 cps with 4 fonts and choice of Interfaces.  
150-SN up to 9.5" paper.....**£155.00 (E)**  
150-SW up to 14.5" paper.....**£199.00 (E)**

Specify whether serial or parallel required.  
**CALL FOR THE MANY OTHERS IN STOCK INCLUDING DAISY WHEELS.**

Visit our Shop - Technical help always on hand plus many un-advertised specials. You can buy a colour television for as little as £29! Come and join the gang at 215 Whitehorse Lane!

# DISPLAY

MAIL ORDER & OFFICES  
Open Mon-Fri 9.00-5.30  
Dept ET, 32 Biggin Way,  
Upper Norwood,  
London SE19 3XF.

LONDON SHOP  
100's of bargains!  
Open Mon-Sat 9.5-3.30  
215 Whitehorse Lane,  
South Norwood,  
London, SE25.

DISTEL © The Original  
Free dial-up database!  
1000's of items/info on line  
300 bd 081-679-1888,  
1200/75 bd 081-679-6183,  
1200/1200 bd 081-679-8767

ALL ENQUIRIES  
**081-679-4414**  
Fax - 081-679-1927  
Telex - 894502



# -Electronics-

All prices for UK Mainland. UK customers add 15% VAT to TOTAL order amount. Minimum order £10. PO orders from Government, Universities, Schools & Local Authorities welcome - minimum account order £25. Carriage charges (A)=£2.00. (B)=£4.50. (C)=£8.50. (D)=£10.00. (E)=£12.00 (F)=£17.00 (G)=Call. All goods supplied subject to our standard Conditions of Sale and unless otherwise stated guaranteed for 90 days. All guarantees on a return to base basis. We reserve the right to change prices & specifications without prior notice. Orders accepted subject to stock. Quotations willingly given for higher quantities than those stated. Bulk surplus always required for cash.





# Courses



## MAKE YOUR INTERESTS PAY!

More than 8 million students throughout the world have found it worth their while! An ICS home-study course can help you get a better job, make more money and have more fun out of life! ICS has over 90 years experience in home-study courses and is the largest correspondence school in the world. You learn at your own pace, when and where you want under the guidance of expert 'personal' tutors. Find out how we can help YOU. Post or phone today for your **FREE INFORMATION PACK** on the course of your choice. (Tick one box only!)

Electronics	<input type="checkbox"/>	Radio, Audio and TV Servicing	<input type="checkbox"/>
Basic Electronic Engineering (City & Guilds)	<input type="checkbox"/>	Radio Amateur Licence Exam (City & Guilds)	<input type="checkbox"/>
Electrical Engineering	<input type="checkbox"/>	Car Mechanics	<input type="checkbox"/>
Electrical Contracting/Installation	<input type="checkbox"/>	Computer Programming	<input type="checkbox"/>
<b>GCE</b> over 40 'O' and 'A' level subjects <input type="checkbox"/>			

**ICS**

Name \_\_\_\_\_  
Address \_\_\_\_\_ P. Code \_\_\_\_\_  
International Correspondence Schools, 312/314 High St., Sutton, Surrey SM1 1PR.  
Tel: 061-643 9568 or 041-221 2926 (24 hrs.) Dept EBS70



NATIONAL  
COLLEGE OF  
TECHNOLOGY

## PACKAGED SHORT COURSES

The National College of Technology (NCT Ltd) offers a range of packaged short courses in analogue electronics, digital electronics and fibres and optoelectronics for study at home or at work. The advantages are that you may

— commence at any time— work at your own pace  
— have a tutor (optional) and there is no travelling involved. BTEC certificates are available subject to the conditions of the award. These highly popular packed courses contain workbooks, a cassette tape, circuit board and components necessary to provide both theoretical and practical training.

Whether you are a newcomer to electronics or have some experience and simply need updating, there is probably a packaged short course ready for you. Write or telephone for details, quoting ETI to:

**NCT Ltd, Bicester Hall**  
**5 London Road, Bicester, Oxon OX6 7BU**  
or telephone (0296) 613067 Ext. 202

**Start training now for the following courses. Send for our brochure — without obligation or Telephone us on 0626 779398** (Ref: ETI/790)

Name _____	<input type="checkbox"/> <b>Telecomms Tech C&amp;G 271</b>
_____	<input type="checkbox"/> <b>Radio Amateur Licence C&amp;G</b>
_____	<input type="checkbox"/> <b>Micro-processor</b>
_____	<input type="checkbox"/> <b>Introduction to Television</b>

**Radio & Telecommunications Correspondence School**  
**12 Moor View Drive, Teignmouth, Devon TQ14 9UN**

## RETAIL OUTLETS

### EDINBURGH

**OMNI ELECTRONICS**

stock a wide range of electronic components at

**174 Dalkeith Road,  
Edinburgh EH16 5DX  
Tel: 031 667 2611**

Open: Mon-Fri 9am-6pm, Sat 9am-5pm.  
Send 2x18p stamps for latest catalogue.

### LONDON

**CRICKLEWOOD  
ELECTRONICS**

One of the largest component retailers in the UK. Fast and efficient, same day personal service on 'IN STOCK ITEMS'. Very competitive prices. No minimum order. Call Cricklewood Electronics now.

**40 CRICKLEWOOD BROADWAY, LONDON NW2 3ET**  
Tel: 081-450 0995/452 0161

### SOUTH COAST

ELECTRONIC COMPONENTS  
are best seen at

**FRASER ELECTRONICS**  
**42 ELM GROVE ★ SOUTHSEA ★ HANTS**  
**Telephone (0705) 815584**

Barclaycard Access  
**COME AND BROWSE BEFORE YOU BUY**

**FOR MORE INFORMATION  
ON SERIES DISCOUNTS  
CONTACT  
JOHN BRASIER ON  
0442 66551**

### LIVERPOOL

#### PROGRESSIVE RADIO

**87/93 Dale Street Tel: 051 236 0154**  
**47 Whitechapel Tel: 051 236 5489**

**Liverpool 2**

**'THE ELECTRONICS SPECIALISTS'**

Open: Tues-Sat 9.30-5.30

### CLASSIFIED ADVERTISING TERMS & CONDITIONS

Our terms for new advertisers (semi-display and lineage) are strictly pro-forma payments until satisfactory reference can be taken up (excluding recognised advertising agencies) Cheques and PO's should be crossed and made payable to ARGUS SPECIALIST PUBLICATIONS and sent together with the advertisements to:

**The Classified Dept.,  
Argus House, Boundary Way,  
Hemel Hempstead HP2 7ST**

There are no reimbursements for cancellations. Advertisements arriving too late for a particular issue will be inserted in the following issue unless accompanied by instructions to the contrary. It is the responsibility of the advertiser to ensure that the first insertion of every series is published correctly, and corrections must be notified in time for the second insertion, otherwise the publishers will not accept liability or offer any reduction in charges.

All advertising sales are subject to Government Regulations concerning VAT. Advertisers are responsible for complying with the various legal requirements in force eg. The Trade Description Act, Sex Discrimination Act & the Business Advertisements (Disclosure) Order 1977.

**Full Terms & Conditions of Advertising available on request.**

### LONDON

#### DIRECT ELECTRONICS

**ELECTRONICS COMPONENT SPECIALISTS**

**627 ROMFORD RD,  
MANOR PARK  
LONDON E12 5AD**

**Tel: 081-553 1174**

**Mon-Sat 10-6 pm/Thurs 10-1pm**

*We stock a large range of TV & Video spares*

### LIVERPOOL

#### ALLPARTS

**TV & VIDEO SPARES EMPORIUM**

**NOW OPEN**

**Trade and Public Retail Outlet**

FERG VIDEO HEADS FROM £10.95 • PANASONIC HEADS FROM £10.95  
VIDEO COPY KITS £5.99 OR SCART KIT £9.99  
FERG VIDEO LAMP WIRE ENDS 40p • FERG VIDEO LAMP WITH PLUG 60p  
20MM AIS FUSES 1p PER PACK OF TEN

**ALL YOUR TV & VIDEO NEEDS HERE IN L'POOL**

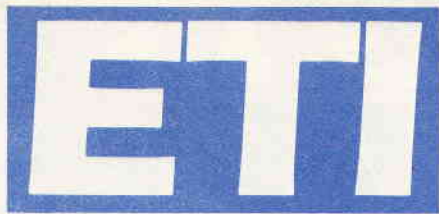
**ALL PARTS - 101 ROCKY LANE TUEBROOK**

**LIVERPOOL 6 4BB - 851 2604825**

**Mon-Fri 10am-5.30 - Sat 9am-5.30**

ELECTROMART

ELECTROMART



## Panel Engraving Service

Now you can give your projects a more professional finish by using the ETI Front panel service. If you have difficulty with drilling clean holes and producing good quality labels for your treasured projects then this service is a must for you. We will supply complete front panels for selected projects featured in ETI in a variety of base colours and coloured type according to your choice. The material used is a tough laminated plastic of extremely durable quality. It can be used as a glue on front-piece to a metal back plate or even as a front panel in its own right, the decision is yours. We believe the prices quoted are extremely good value for money and indeed hard to beat.

All you do is fill in the coupon stating clearly the code number, your name and address and your remittance made payable to: A.S.P. Reader Services.

For the choice of colour you must add two letters to the end of the code. They are these: BW — Black panel, white lettering, RW — Red panel, white lettering, WB — White panel, black lettering, WR — White panel, red lettering.

The ultimate in personal service must be to offer a front panel made to your design requirements and this does not have to be limited to electronic projects. It could be a design for a clockface, a door-panel insignia, even your own logo. Now we can offer that facility too. Send us by letter or Fax, a neat dimensioned millimetre drawing of your panel design and we will be happy to give you a quote for a coloured front panel. On acceptance of the quote just send in the artwork and we'll do the rest. There's a minimum charge of £10.00 + VAT for this custom service but we reckon it's worth it.

Here are some recent popular projects to start this brand new service on its way, the prices are inclusive of VAT and postage and packing:

P9005-1	The Business Bass Amp	£16.95
P9003-1	Superscope CRT Panel	£ 3.95
P9003-2	Superscope X shift Panel	£ 2.95
P9003-3	Superscope T/base	£ 4.95
P9003-4	Superscope Y1 Input	£ 4.00
P9003-5	Superscope Y2 Input	£ 4.00
P9003-6	Superscope All 5 boards	£17.95
P9001-1	Wavemaker FG	£ 5.00
P8910-1	Multimeter	£ 5.95
P9007-1	Decision Maker	£ 8.95

### TELEPHONE ORDERS

# 0442 66551



ETI Reader Services, Argus House, Boundary Way, Hemel Hempstead, Herts, HP2 7ST

Please supply P9005-1	Colour .....	Qty .....	@ £16.95
Please supply P9003-1	Colour .....	Qty .....	@ £ 3.95
Please supply P9003-2	Colour .....	Qty .....	@ £ 2.95
Please supply P9003-3	Colour .....	Qty .....	@ £ 4.95
Please supply P9003-4	Colour .....	Qty .....	@ £ 4.00
Please supply P9003-5	Colour .....	Qty .....	@ £ 4.00
Please supply P9003-6	Colour .....	Qty .....	@ £17.95
Please supply P9001-1	Colour .....	Qty .....	@ £ 5.00
Please supply P8910-1	Colour .....	Qty .....	@ £ 5.95
Please supply P9007-1	Colour .....	Qty .....	@ £ 8.95

Cheques/P.O. payable to A.S.P. or debit my Access/Visa

\_\_\_\_\_ Total £ .....

Signature ..... Expiry .....

Name .....

Address .....

.....

.....

ETI Reader Services, Argus House, Boundary Way, Hemel Hempstead, Herts, HP2 7ST  
Allow 28 days for delivery



# NEXT MONTH

In our September issue, we feature an article on the technology of transmitting national news information to the blind via a talking newspaper with a difference.

The second in our series on renewable energy sources will be on the benefits of extracting power from water through barrage, tidal or wave motion.

Our Audio section contains an article on the workings of the most recent of developments in synthesiser technology together with an update on a Sample-and-Hold stereo tuner featured in February 1987 by John Linsley Hood.

Not forgetting our projects, we show you how to build a high performance AC millivoltmeter and a versatile temperature controller unit. These, and all our regular items will be on sale at your newsagent on July 6th. You might need to order a copy from your newsagent as ETI is now very much in demand.

*The above articles are in preparation but circumstances may prevent publication*

# LAST MONTH

In June, we covered the life and achievements of Nikola Tesla, eccentric genius and inventor of the Tesla Coil. And we looked at technology used to give car travellers a quieter ride — active noise cancellation. Our Audio Supplement reviewed a 12-channel mixing desk, and provided a project for creating fuzz and echo effects on your guitar. Another feature in the June issue described the history of the telephone and its operation, and we started a new series on the use of the diode in electronic circuits.

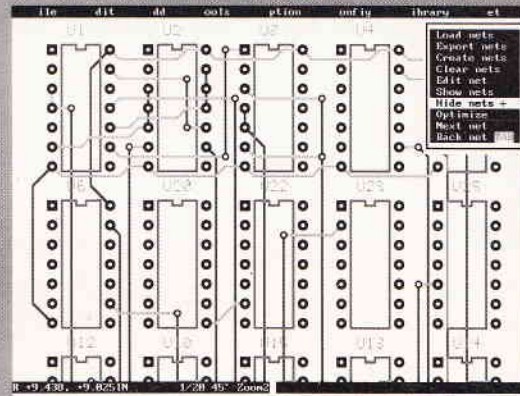
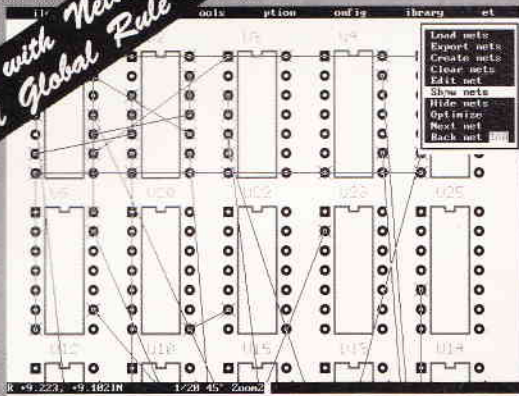
If you missed the June issue, a limited number of back copies are available from Select Subscriptions (address on contents page).

## ADVERTISERS' INDEX

BK ELECTRONICS.....	IFC	OMNI ELECTRONICS.....	29
BARRIE ELECTRONICS.....	53	RACKZ PRODUCTS.....	29
CIRKIT HOLDINGS.....	17	RADIO & TV COMPONENTS.....	31
CRICKLEWOOD ELECTRONICS....	29	REID ELECTRONICS.....	29
DISPLAY ELECTRONICS.....	63	RISCOMP.....	49
GREENBANK ELECTRONICS.....	53	ROLAND (UK) LIMITED.....	36
HAPPY MEMORIES.....	53	SHERWOOD DATA SYSTEMS.....	24
HART ELECTRONICS.....	42	STEWARTS OF READING.....	53
HENRYS AUDIO.....	43	SUMA DESIGNS.....	6
J & N BULL ELECTRICAL.....	54	TK ELECTRONICS.....	30
LAB CENTRE.....	62	TSIEN UK LTD.....	IBC
LIGHT SOLDERING.....	49	WILMSLOW AUDIO.....	43
MAPLIN ELECTRONICS.....	OBC	YAMAHA KEMBLE.....	38
NUMBER ONE SYSTEMS.....	59		

# BOARDMAKER 2 from TSIEN

*New with Netlist capability  
and Global Rule Checking*



**BOARDMAKER 2 can help you turn a Netlist into a PCB that's right first time, quickly and easily.**

**BOARDMAKER 1 is £195 plus carr. & VAT**  
**BOARDMAKER 2 is £295 plus carr. & VAT**

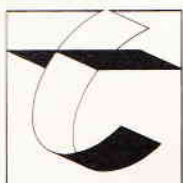
## Feature Summary

- ✧ Ultra fast Redraw
- ✧ Easy to use
- ✧ WYSIWYG display
- ✧ 10 Circuit Layers
- ✧ Net highlighting
- ✧ Design Rule Checking
- ✧ Surface Mount
- ✧ Mouse/menu or keys
- ✧ CGA, EGA, VGA & HGA
- ✧ Matrix Printer O/P
- ✧ Laser Printer O/P
- ✧ NC Drill Output
- ✧ Photoplot Output
- ✧ 360 page manual
- ✧ Schematic Drawing
- ✧ Library Editor
- ✧ Auto via placement
- ✧ Fully Integrated
- ✧ Hotline Support
- ✧ Autoroute in 1990

TSIEN (UK) Ltd's vigorous development policy has produced **BOARDMAKER 2**, with all the excellent facilities and features of **BOARDMAKER 1** supplemented by full Netlist capability. This means that netlists generated by schematic capture (OrCAD, Schema II etc), by hand or generated within BOARDMAKER's ratsnest editor can be used to assist and check routing. The major benefits of this are much quicker routing and getting it right first time.

BOARDMAKER 2 maintains TSIEN's philosophy of making powerful facilities immediately available to the designer by keeping them logical, visual and easy to use. This unique collection of tools for just £295 outstrips those on many packages that have commanded a higher price.

Full upward compatibility from BOARDMAKER 1 to BOARDMAKER 2 allows current users to make a painless move to a more powerful system. Non supported BOARDMAKER 1 users will be able to upgrade.



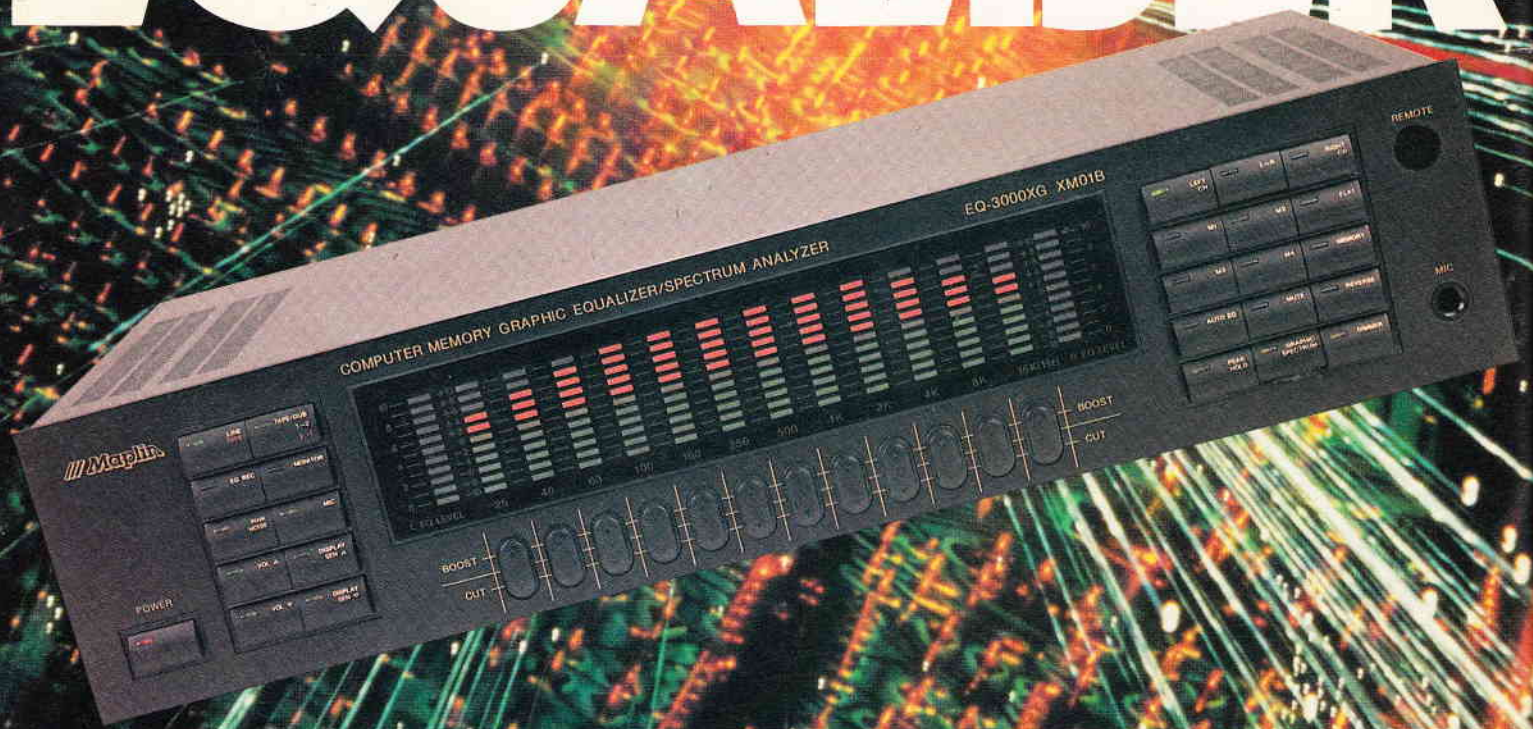
**tsien**

**Tsien (UK) Limited**  
Cambridge Research Labs.  
181 Huntingdon Road  
**Cambridge**  
CB3 0DJ  
Tel. 0223 277777  
Fax 0223 276444



Send for your FREE demonstration disk now

# THE EQUALISER



Not just an equaliser it's  
**THE EQUALISER!**

Here are some of the things ETI  
have to say about the Maplin  
Computer Memory Graphic Equaliser/  
Spectrum Analyser . . .

'THIS UNIT IS STREETS AHEAD OF SIMPLE  
EQUALISERS' . . .

'THE MAPLIN EQUALISER IS A TREAT TO USE  
AND (DARE I SAY IT) TO PLAY WITH' . . .

'THE MAPLIN EQUALISER PROVES TRULY SUPERB' . . .

If you are looking for an equaliser, look for THE EQUALISER,  
from MAPLIN ELECTRONICS

ORDER CEQ30. .TOP QUALITY VALUE FOR ONLY £199.95 (+75p p&p).

**Maplin** ELECTRONICS

**CREDIT CARD HOTLINE**



**PHONE BEFORE  
5pm FOR SAME  
DAY DESPATCH**

**0702 554161**

Item is subject to availability, price includes VAT

**Mail Order to: P.O. Box 3, Rayleigh, Essex, SS6 8LR.**

FOR A FRIENDLY WELCOME AND THE BEST OF SERVICE, VISIT OUR SHOPS IN . . . BIRMINGHAM,  
BRISTOL, LEEDS, LONDON, (EDGWARE AND HAMMERSMITH), MANCHESTER, NEWCASTLE-  
UPON-TYNE, NOTTINGHAM, READING, SOUTHAMPTON AND SOUTHBEND-ON-SEA.

Price may change after 1st May 1990.