

ETI

ELECTRONICS
TODAY INTERNATIONAL

NEW COLOUR SECTION
The latest audio news

EUROPEAN PATENTS
An idea for Europe

COMBINED HEAT AND POWER
Making energy pay



PHONELOCK AND LOGGER
Enter your phone with a PIN

ETI Audio

THE FLATMATE
High quality active speakers

EQUALISER REVIEW
Balancing the features against the quality

REGULAR AUDIO SUPPLEMENT

ISSN 0142-7229



9 770142 722016

OVP POWER AMPLIFIER MODULES-TURNABLES-DIMMERS-LOUDSPEAKERS-19 INCH STEREO RACK AMPLIFIERS

OMP POWER AMPLIFIER MODULES

Supplied ready built and tested.

OMP POWER AMPLIFIER MODULES Now enjoy a world-wide reputation for quality, reliability and performance at a realistic price. Four models available to suit the needs of the professional and hobby market, i.e., Industry, Leisure, Instrumental and Hi-Fi etc. When comparing prices, NOTE all models include Toroidal power supply, Integral heat sink, Glass fibre P.C.B., and Drive circuits to power compatible Vu meter. Open and short circuit proof.

THOUSANDS OF MODULES PURCHASED BY PROFESSIONAL USERS



OMP100 Mk 11 Bi-Polar Output power 110 watts R.M.S. into 4 ohms, Frequency Response 15Hz - 30KHz -3dB, T.H.D. 0.01%, S.N.R. -118dB, Sens. for Max. output 500mV at 10K, Size 355 x 115x65mm, **PRICE £33.99 + £3.00 P&P.**

NEW SERIES II MOS-FET MODULES



OMP/MF 100 Mos-Fet Output power 110 watts R.M.S. into 4 ohms, Frequency Response 1Hz - 100KHz -3dB, Damping Factor, >300, Slew Rate 45V/uS, T.H.D. Typical 0.002%, Input Sensitivity 500mV, S.N.R. -125dB, Size 300 x 123 x 60mm, **PRICE £39.99 + £3.00 P&P.**



OMP/MF200 Mos-Fet Output power 200 watts R.M.S. into 4 ohms, Frequency Response 1Hz - 100KHz -3dB, Damping Factor >300, Slew Rate 50V/uS, T.H.D. Typical 0.001%, Input Sensitivity 500mV, S.N.R. -130dB, Size 300 x 155 x 100mm, **PRICE £62.99 + £3.50 P&P.**



OMP/MF300 Mos-Fet Output power 300 watts R.M.S. into 4 ohms, Frequency Response 1Hz - 100KHz -3dB, Damping Factor >300, Slew Rate 60V/uS, T.H.D. Typical 0.0008%, Input Sensitivity 500mV, S.N.R. -130dB, Size 330 x 175 x 100mm, **PRICE £79.99 + £4.50 P&P.**

NOTE.— MOS-FET MODULES ARE AVAILABLE IN TWO VERSIONS, STANDARD — INPUT SENS. 500mV BAND WIDTH 100KHz, PEC (PROFESSIONAL EQUIPMENT COMPATIBLE) — INPUT SENS. 775mV, BAND WIDTH 50KHz, ORDER STANDARD OR PEC



Vu METER Compatible with our four amplifiers detailed above. A very accurate visual display employing 11 L.E.D. diodes (7 green, 4 red) plus an additional on/off indicator. Sophisticated logic control circuits for very fast rise and decay times. Tough moulded plastic case, with tinted acrylic front. Size 84 x 27 x 45mm, **PRICE £8.50 + 50p P&P.**

LOUDSPEAKERS



LARGE SELECTION OF SPECIALIST LOUDSPEAKERS AVAILABLE, INCLUDING CABINET FITTINGS, SPEAKER GRILLES, CROSS-OVERS AND HIGH POWER, HIGH FREQUENCY BULLETS AND HORNS, LARGE S.A.E. (30p STAMPED) FOR COMPLETE LIST.

McKENZIE:— INSTRUMENTS, P.A., DISCO, ETC.

ALL MCKENZIE UNITS 8 OHMS IMPEDANCE

- 8" 100 WATT C8100GPM GEN. PURPOSE, LEAD GUITAR, EXCELLENT MID., DISCO, RES, FREQ. 80Hz FREQ. RESP. TO 14KHz SENS. 99dB **PRICE £29.30 + £2.00 P&P**
- 10" 100 WATT C10100GP GUITAR, VOICE, ORGAN, KEYBOARD, DISCO, EXCELLENT MID. RES, FREQ. 70Hz FREQ. RESP. TO 6KHz SENS. 100dB **PRICE £35.58 + £2.50 P&P**
- 10" 200 WATT C10200GP GUITAR, KEYBOARD, DISCO, EXCELLENT HIGH POWER MID. RES, FREQ. 45Hz FREQ. RESP. TO 7KHz SENS. 103dB **PRICE £48.67 + £2.50 P&P**
- 12" 100 WATT C12100GP HIGH POWER GEN. PURPOSE, LEAD GUITAR, DISCO, RES, FREQ. 45Hz FREQ. RESP. TO 7KHz SENS. 98dB **PRICE £37.59 + £3.50 P&P**
- 12" 100 WATT C12100TC TWIN CONE HIGH POWER WIDE RESPONSE, P.A., VOICE, DISCO RES, FREQ. 45Hz FREQ. RESP. TO 14KHz SENS. 100dB **PRICE £38.58 + £3.50 P&P**
- 12" 200 WATT C12200B HIGH POWER BASS, KEYBOARDS, DISCO, P.A. RES, FREQ. 40Hz FREQ. RESP. TO 7KHz SENS. 100dB **PRICE £65.79 + £3.50 P&P**
- 12" 300 WATT C12300GP HIGH POWER BASS LEAD GUITAR, KEYBOARDS, DISCO, ETC. RES, FREQ. 45Hz FREQ. RESP. TO 5KHz SENS. 100dB **PRICE £87.51 + £3.50 P&P**
- 15" 100 WATT C15100BS BASS GUITAR, LOW FREQUENCY, P.A., DISCO, RES, FREQ. 40Hz FREQ. RESP. TO 5KHz SENS. 98dB **PRICE £55.05 + £4.00 P&P**
- 15" 200 WATT C15200BS VERY HIGH POWER BASS, RES, FREQ. 40Hz FREQ. RESP. TO 4KHz SENS. 99dB **PRICE £75.10 + £4.00 P&P**
- 15" 250 WATT C15250BS VERY HIGH POWER BASS, RES, FREQ. 40Hz FREQ. RESP. TO 4KHz SENS. 99dB **PRICE £82.54 + £4.50 P&P**
- 15" 400 WATT C15400BS VERY HIGH POWER, LOW FREQUENCY BASS, RES, FREQ. 40Hz FREQ. RESP. TO 4KHz SENS. 102dB **PRICE £96.47 + £4.50 P&P**
- 18" 400 WATT C18400BS EXTREMELY HIGH POWER, LOW FREQUENCY BASS, RES, FREQ. 27Hz FREQ. RESP. TO 3KHz SENS. 99dB **PRICE £172.06 + £5.00 P&P**

EARBENDERS:— HI-FI, STUDIO, IN-CAR, ETC.

ALL EARBENDER UNITS 8 OHMS (Except EB8-50 & EB10-50 which are dual impedance tapped for 4 & 8 ohm.)

- BASS, SINGLE CONE, HIGH COMPLIANCE, ROLLED FOAM SURROUND**
- 8" 50 WATT EB8-50 DUAL IMPEDANCE, TAPPED 4/8 OHM BASS, HI-FI, IN-CAR, RES, FREQ. 40Hz FREQ. RESP. TO 7KHz SENS. 97dB **PRICE £8.90 + £2.00 P&P**
- 10" 50 WATT EB10-50 DUAL IMPEDANCE, TAPPED 4/8 OHM BASS, HI-FI, IN-CAR, RES, FREQ. 40Hz FREQ. RESP. TO 5KHz SENS. 99dB **PRICE £12.00 + £2.50 P&P**
- 10" 100 WATT EB10-100 BASS, HI-FI, STUDIO, RES, FREQ. 35Hz FREQ. RESP. TO 3KHz SENS. 96dB **PRICE £27.76 + £3.50 P&P**
- 12" 60 WATT EB12-60 BASS, HI-FI, STUDIO, RES, FREQ. 28Hz FREQ. RESP. TO 3KHz SENS. 92dB **PRICE £21.00 + £3.00 P&P**
- 12" 100 WATT EB12-100 BASS, STUDIO, HI-FI, EXCELLENT DISCO, RES, FREQ. 26Hz FREQ. RESP. TO 3KHz SENS. 93dB **PRICE £38.75 + £3.50 P&P**
- FULL RANGE TWIN CONE, HIGH COMPLIANCE, ROLLED SURROUND**
- 5 1/4" 60 WATT EB5-60TC (TWIN CONE) HI-FI, MULTI-ARRAY DISCO ETC. RES, FREQ. 63Hz FREQ. RESP. TO 20KHz SENS. 92dB **PRICE £9.99 + £1.50 P&P**
- 6 1/2" 60 WATT EB6-60TC (TWIN CONE) HI-FI, MULTI-ARRAY DISCO ETC. RES, FREQ. 39Hz FREQ. RESP. TO 20KHz SENS. 94dB **PRICE £10.99 + £1.50 P&P**
- 8" 60 WATT EB8-60TC (TWIN CONE) HI-FI, MULTI-ARRAY DISCO ETC. RES, FREQ. 40Hz FREQ. RESP. TO 18KHz SENS. 89dB **PRICE £12.99 + £1.50 P&P**
- 10" 80 WATT EB10-60TC (TWIN CONE) HI-FI, MULTI-ARRAY DISCO ETC. RES, FREQ. 35Hz FREQ. RESP. TO 12KHz SENS. 86dB **PRICE £16.49 + £2.00 P&P**

TRANSMITTER HOBBY KITS

PROVEN TRANSMITTER DESIGNS INCLUDING GLASS FIBRE PRINTED CIRCUIT BOARD AND HIGH QUALITY COMPONENTS COMPLETE WITH CIRCUIT AND INSTRUCTIONS

- 3W FM TRANSMITTER** 80-108MHz, VARICAP CONTROLLED PROFESSIONAL PERFORMANCE, RANGE UP TO 3 MILES, SIZE 38 x 123mm, SUPPLY 12V @ 0.5AMP, **PRICE £14.49 + £1.00 P&P**
- FM MICRO TRANSMITTER (BUG)** 100-108MHz VARICAP TUNED COMPLETE WITH VERY SENS FET M.C. RANGE 100-300m, SIZE 56 x 46mm, SUPPLY 9V BATT, **PRICE £8.62 + £1.00 P&P**



3 watt FM Transmitter

* PRICES INCLUDE V.A.T. * PROMPT DELIVERIES * FRIENDLY SERVICE * LARGE S.A.E., 30p STAMPED FOR CURRENT LIST.

OMP VARISPEED TURNTABLE CHASSIS.



- ★ MANUAL ARM
- ★ STEEL CHASSIS
- ★ ELECTRONIC SPEED CONTROL 33 & 45
- ★ VARI PITCH CONTROL
- ★ HIGH TORQUE SERVO DRIVEN DC MOTOR
- ★ TRANSIT SCREWS
- ★ STANDARD 75mm INPUTS
- ★ OPEN AND SHORT CIRCUIT PROOF
- ★ LATEST MOS-FETS FOR STRESS FREE POWER DELIVERY INTO VIRTUALLY ANY LOAD
- ★ HIGH SLEW RATE
- ★ VERY LOW DISTORTION
- ★ ALUMINIUM CASES
- ★ MXF600 FAN COOLED WITH D.C. LOUDSPEAKER AND THERMAL PROTECTION

PRICE £59.99 + £3.50 P&P.

OPTIONAL MAGNETIC CARTRIDGES

STANTON AL500
PRICE £16.99 + 50p P&P

GOLDRING G850
PRICE £6.99 + 50p P&P

OMP MOS-FET POWER AMPLIFIERS. HIGH POWER, TWO CHANNEL 19 INCH RACK

THOUSANDS PURCHASED BY PROFESSIONAL USERS



NEW MXF SERIES OF POWER AMPLIFIERS

THREE MODELS:— MXF200 (100w + 100w)

MXF400 (200w + 200w) MXF600 (300w + 300w)

All power ratings R.M.S. into 4 ohms.

FEATURES: ★ Independent power supplies with two Toroidal Transformers ★ Twin L.E.D. Vu meters ★ Rotary indexed level controls ★ Illuminated on/off switch ★ XLR connectors ★ Standard 75mm inputs ★ Open and short circuit proof ★ Latest Mos-Fets for stress free power delivery into virtually any load ★ High slew rate ★ Very low distortion ★ Aluminium cases ★ MXF600 Fan Cooled with D.C. Loudspeaker and Thermal Protection.

USED THE WORLD OVER IN CLUBS, PUBS, CINEMAS, DISCOS ETC.

- SIZES:— MXF 200 W19" x H3 1/2" (2U) x D11"
- MXF 400 W19" x H5 1/2" (3U) x D12"
- MXF 600 W19" x H5 1/2" (3U) x D13"

- MXF200 £171.35
- MXF400 £228.85
- MXF600 £322.00

SECURICOR DELIVERY £12.00 EACH



OMP LINNET LOUDSPEAKERS

THE VERY BEST IN QUALITY AND VALUE



MADE ESPECIALLY TO SUIT TODAY'S NEED FOR SOUND PRACTICES. HIGH QUALITY SOUND LEVELS. FINISHED IN HARDWEARING BLACK VINYL WITH PROTECTIVE CORNERS, GRILLE AND CARRYING HANDLE. INCORPORATES 1/2" DRIVER PLUS HIGH FREQ. RANGE 450-3000 WATT. MODELS 8 OHM, 16 OHM & 32 OHM.

CHOICE OF TWO MODELS

POWER RATINGS QUOTED IN WATTS RMS FOR EACH CABINET

OMP 12-100 (100W 100dB) PRICE £159.99 PER PAIR

OMP 12-200 (200W 102dB) PRICE £209.99 PER PAIR

SECURICOR DEL. — £12.00 PER PAIR

IN CAR STEREO BOOSTER AMPLIFIER



TWO SUPERB HIGH POWER CAR STEREO BOOSTER AMPLIFIERS

150 WATTS (75-75) INTO 4 OHMS

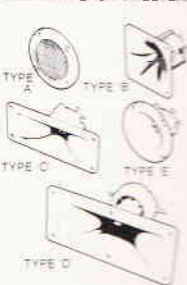
300 WATTS (150-150) INTO 4 OHMS

- ★ HIGH & LOW INPUT IMPEDANCES
- ★ HIGH & LOW INPUT SENSITIVITIES
- ★ VARIABLE INPUT GAIN CONTROL
- ★ SHORT CIRCUIT OUTPUT PROTECTION
- ★ POWER REQUIREMENT 12V D.C.
- 300 WATT £35.00
- 150 WATT £25.00

PIEZO ELECTRIC TWEETERS-MOTOROLA

PIEZO ELECTRIC TWEETERS — MOTOROLA

Join the Piezo revolution. The low dynamic mass piezo tweeter produces an improved transient response with a lower distortion level than ordinary dynamic tweeters. As crossover is not required these units can be added to existing speaker systems of up to 100 watt (more 250 watt series). **FREE EXPLANATORY LEAFLETS SUPPLIED WITH EACH TWEETER.**



- TYPE 'A' (KSN225EA) 2" round with protective wire mesh. Ideal for bookshelf and medium sized Hi-Fi systems. Price £4.99 each + 50p P&P
- TYPE 'B' (KSN205EA) 2 1/2" super horn. For general purpose speakers, disc and P.A. systems etc. Price £5.99 each + 50p P&P
- TYPE 'C' (KSN205EA) 2 1/2" wide dispersion horn. For quality Hi-Fi systems and quality discs etc. Price £6.99 each + 50p P&P
- TYPE 'D' (KSN205EA) 2 1/2" wide dispersion horn. Upper frequency response extended extending down to mid range. Ideal for disc and Hi-Fi systems and quality discs. Price £6.99 each + 50p P&P
- TYPE 'E' (KSN205EA) 2 1/2" wide dispersion horn with attractive silver finish. Suitable for Hi-Fi and stereo systems etc. Price £5.99 each + 50p P&P
- LEVEL CONTROL. Combined on a recessed mounting plate. Level control and cabinet output jack socket. 65x65mm. Price £2.99 + 50p P&P

STEREO DISCO MIXER

STEREO DISCO MIXER with 2 x 5 band L & R graphic equalisers and twin 10 segment L.E.D. Vu Meters. Many outstanding features 5 inputs with individual faders providing a useful combination of the following —

- 3 Turntables (Mag.) 3 Mics. 4 Lines including CD plus Mic with talk over switch Headphone Monitor, Pan Pot L & R, Master Output controls. Output 775mV. Size 350 x 280 x 90mm. Supply 220-240V.



Price £134.99 — £4.00 P&P

B. K. ELECTRONICS Dept EE
UNIT 5, COMET WAY, SOUTHEND-ON-SEA, ESSEX. SS2 6TR
TEL: 0702-527572 FAX: 0702-420243

THE ORIGINAL SURPLUS WONDERLAND!

MONITORS

MONOCHROME MONITORS

THIS MONTH'S SPECIAL!



There has never been a deal like this one! Brand spanking new & boxed monitors from NEC, normally selling at about £140! These are over-engineered for ultra reliability. 9" green screen composite input with etched non-glare screen plus switchable high/low impedance input and output for daisy-chaining. 3 front controls and 6 at rear. Standard BNC sockets. Beautiful high contrast screen and attractive case with carrying ledge. Perfect as a main or backup monitor and for quality users! **£39.95 each (D) or 5 for £185 (G)**

CALL FOR DISCOUNTS ON HIGHER QUANTITIES!

Zenith ZVM-1240-EA brand new & boxed 12" amber flat screen with optional swivel and tilt base. Sunflex filter with dark tint. Standard TTL PC compatible. 18 mhz bandwidth. Very attractive "state of the art" tapered grey case. Standard 9 pin D plug (supplied) on 1 metre cord and mains cord terminated with IEC connector. 240 volts complete with operations manual. An absolute gift at: **£59 (A) 10/£50 (G). Swivel/tilt base £4.95.**

Very high resolution, fully cased 14" green or amber screen monitor with non-glare screen and swivel/tilt base. The very latest technology at the very lowest price! Fully compatible and plug compatible with all IBM PCs and clones fitted with a high res Hercules or equivalent card! Enables superb graphics and resolution, all at a give away price. Has many extra features including aux +5 & 12v DC outputs to power at least 2 disk drives. If your PC power supply is getting hot! Supplied **BRAND NEW** and boxed. State whether amber or green screen required.

Amber screen.....£79 Green.....£69 (E)
Wang green screen 12" chassis monitor with composite video input. Adjustable for tilt. Requires 12 vdc. Brand new and boxed in perfect condition. Only **£39 each or 2 for £75 (F)**

Motorola M1000-100 5" black & white compact chassis measuring only 11.6h x 12w x 2.2D. Ideal for CCTV or computer applications. Accepts standard composite or individual H & V syncs. Needs 12vdc at only 0.8a. Some units may have minor screen blemishes. Fully tested with 30 day guarantee and full data. **£29.00 (C)**

Fully cased as above in attractive moulded desk standing swivel. Dim 12 x 14.5 x 26cm. £39.00 (C)
JVC 751 ultra compact chassis monitor for 12vdc 0.7a. Dim 11 x 14 x 18cm. Simple DIY data included to convert to composite video input. Full data. **BRAND NEW £65.00 (B)**

20" Black & white monitors by Aztek, Cotron & National. All solid state, fully cased monitors ideal for all types of AV or CCTV applications. Standard composite video inputs with integral audio amp and speaker. Sold in good used condition - fully tested with 90 day guarantee. **£85.00 (F)**

COLOUR MONITORS

Decca 16" 80 budget range colour monitor. Features a PIL tube, beautiful teak style case and guaranteed 80 column resolution, features usually seen only on colour monitors costing 3 times our price! Ready to connect to most computers or video outputs. 75Ω composite input with integral audio amp & speaker. Fully tested surplus, sold in little or hardly used condition with 90 day full RTB guarantee. Ideal for use with video recorder or our Telebox ST, and other audio visual uses. **£99 (E) 3/£275 (G)**

HI-DEFINITION COLOUR MONITORS
Brand new Centronic 14" monitor for IBM PC and compatibles at a lower than ever price! Completely CGA equivalent. Hi-res Mitsubishi 0.42 dot pitch giving 669 x 507 pixels. Big 28 mhz bandwidth. A super monitor in attractive style moulded case. Full 90 day guarantee. Only **£149 (E)**

20", 22" and 26" AV SPECIALS

Superbly made UK manufacture. PIL all solid state colour monitors, complete with composite video & sound inputs. Attractive teak style case. Perfect for Schools, Shops, Disco, Clubs. In EXCELLENT little used condition with full 90 day guarantee.

20".....£155 22".....£170 26".....£185 (F)

COMPUTER SYSTEMS

TATUNG PC2000. Big brother of the famous Einstein. The TPC2000 Professional 3 piece system comprises: Quality high resolution Green 12" monitor. Sculptured 92 key keyboard and plinth unit containing Z80A CPU and all control circuits. PLUS 2 Integral TEAC 5.25 80 track double sided disk drives. Generous other features include dual 8" IBM format disk drive support. Serial and parallel outputs, full expansion port, 64K ram and ready to run software. Supplied complete with CP/M, Wordstar and Basic. Brand new and covered by our famous 90 day guarantee and backup. Normal price of this unit is over £1400! Our price only **£299 (E)**

V22 1200 BAUD MODEMS

We got a tremendous buy on further stocks of this popular **Master Systems 2/12** microprocessor controlled V22 full duplex 1200 baud modem - we can now bring them to you at half last advertised price! Fully BT approved unit, provides standard V22 high speed data comm, which at 120 cps, can save your phone bill and connect time with a staggering 75% Ultra slim 45 mm high. Full featured with LED status indicators and remote error diagnostics. Sync or Async use; speech or data switching; built in 240v mains supply and 2 wire connection to BT. Units are in used but good condition. Fully tested prior despatch, with data and a full 90 day guarantee. What more can you ask for and at this price!
Only **£69 (D)**

FLOPPY DISK DRIVES BARGAINS GALORE!

NEW 5 1/4 inch from £29.95!

Massive purchases of standard 5 1/4" drives enables us to present prime product at industry beating low prices! All units (unless stated) are removed from often brand new equipment and are fully tested, aligned and shipped to you with a 90 day guarantee and operate from +5 & +12vdc, are of standard size and accept the standard 34 way connector.

SHUGART SA405. BRAND NEW £29.95 (B)
TANDON TM100-2A IBM compatible DS £30.95 (B)
TANDON TM101-4 80 Track DS £49.95 (B)
CANON, TEC etc. DS half height. State 40 or 80T £75.00 (B)
TEAC FD-55-F. 40-80 DS half height. BRAND NEW £99.00 (B)

3 1/2 INCH BRAND NEW AT £19.95!!

Never before seen price for a 3 1/2" drive. Standard size believed to be by Canon. Brand new and packaged - mint condition! 40 track SS, run from +5 & +12vdc with standard power connector.....Only **£19.95 or 2 for £34.50 (B)**

CHOOSE YOUR 8 INCH!

Shugart 800/801 SS refurbished & tested £125.00 (E)
Shugart 851 double sided refurbished & tested £195.00 (E)
Mitsubishi M2894-63 double sided switchable hard or soft sectors. BRAND NEW £250.00 (E)

SPECIAL OFFERS!!

Dual 8" drives with 2 megabyte capacity housed in a smart case with built in power supply! Only £499.00 (F)
Ideal as exterior drives!

End of line purchase scoop! Brand new NEC D2246 8" 85 megabyte of hard disk storage! Full CPU control and industry standard SMD interface. Ultra hi speed transfer and access time leaves the good old ST506 interface standing. In mint condition and comes complete with manual. Only.....£399 (E)

MAINS SUPPRESSORS & FILTERS

The "Flitan" from Croton is a British made high current mains spike suppressor and RF filter in one, capable of handling up to 10 amps! The attractive case has an integral 13 amp socket for your equipment plug and a flying lead terminates in a quality plug (to BS 1363A standard) to go to the mains socket. There is an internal fuse plus one in the plug. Two LED indicators, one for power on and the other lights if the internal fuse fails. Dims: 6" x 3" x 2". Brand new. Distributor's price - £65.00! Continental plug version Flit-C. Either only **£15.95 each or 2 for £29.95 (B)**
Beiling-Lee type L2127 mains RFI filters rated at 250 volts 3 amps maximum. Comes complete with a built in mains cable (English coding), and a three pin miniature non-reversible socket and a mating plug, to go to the equipment. Ideal for those who are bugged by RF interference. Very compact. Dims 3-1/8" x 2.5" x 1.5".....**£3.95 each or 3 for £10 (A)**

IBM KEYBOARD DEALS

A replacement or backup keyboard, switchable for IBM PC, PC-XT or PC-AT. LED's for Caps, Scroll & Num Locks. Standard 84 keyboard layout. Made by NCR for the English & US markets. Absolutely standard. Brand new & boxed with manual and key template for user slogans on the function keys. Attractive beige, grey and cream finish, with the usual retractable legs underneath. A generous length of curly cord, terminating in the standard 5 pin DIN plug. A beautiful clean piece of manufacturer's surplus. What a deal! **£49 (B) 5/£225 (D)**

Brand new and boxed 84 key PC-AT keyboards in standard IBM grey with very attractive mottled finish and "clicky" solid feel keys. 10 function keys on side. English layout and £ sign. Green LEDs for Caps, Scroll & Num locks. **£29.95 (B) 5/£135 (D)**

CALL FOR DISCOUNTS ON HIGHER QUANTITIES!

RECHARGEABLE BATTERIES

LEAD ACID

Maintenance free sealed long life. Type A300.
12 volts 12 volts 3 amp hours **£13.95 (A)**
6 volts 6 volts 3 amp hours **£ 9.95 (A)**
12 volts Centre tapped 1.8 amp hours. RFE. **£ 5.95 (A)**
12 volts 12 volts 24 amp hours. A200. RFE. **£29.00 (B)**

NICKEL CADMIUM

Quality 12v 4ah cell pack. Originally made for the Technicolor video company. Contains 10 GE top quality D nicad cells in a smart robust case with a DC output connector. Ideal for portable equipment. Brand new. **£19.95 (B)**
Ex-equipment NICAD cells by GE. Removed from equipment and in good, used condition: D size 4ah **4 for £5 (B)**
F size 7ah **6 for £8 (B)**

SPECIAL INTEREST

Hitachi 10 pen A3 plotter - HPGL - New £ 495
Trio 0-18 vdc bench PSU. 30 amps. New £ 470
DEC VAX11/750 Inc. 2 Meg Ram DZ and full documentation, in brand new condition! £3900
Calcomp 1036 large drum 3 pen plotter £ 650
Thurby LA 160A logic analyser £ 275
1.5kw 115v 60Hz power source £ 950
Wayne Kerr RA200 audio real time freq.res.analyser. £3000
VG Electronics 1033 Teletext Bridge £3750
Technics R140 NTSC TV test signal standard. £ 875
Sony KTX 1000 Videotex system - brand new £ 790
DEC LS11/02 CPU board £ 150
ADDS 2020 VDU terminals - brand new £ 225

ANALOG to DIGITAL and DIGITAL to ANALOG CONVERTERS

Brand new and boxed Amdek ADA-200 analog to digital and digital to analog converter packed full of features: Interfaces to most popular PCs; 2 channel input & output by software selection; Integral input/output filters and address decoder; Input pre-amp; over-level detector; trigger signal detector circuit; expansion availability and more. Input level 25mv to 50v p-p. Max. sampling frequency is 44khz and input gain variable to 200 times. Designed for use with almost any personal computer, allowing conversion of analog signals to digital data for processing by the computer plus conversion back to analog signals. The 26 page manual supplied includes data on the correct connection to various CPU's including the 8080, Z-80, 6800, 6502 and 6809 families plus data and schematics for user modification of VFO filter cut-off frequencies. Complete with 50 way ribbon cable and edge connector to go to the computer and power cable. All for a fraction of the regular price! **£49.95 (C)**



POWER SUPPLIES

All PSUs 220-240vdc input and are **BRAND NEW** unless stated. Many types ranging from 3v to 10kv always in stock. Fine OP-9619 20 watts switch mode. +5v @ 2a. +12v @ 1a. -12v @ 0.1a. 5" x 3" x 1-1/2". **£15.95 (B)**
Aetec AC-8151 40 watts. Switch mode. +5v @ 2.5a. +12v @ 2a. -12v @ 0.1a. 6-1/4" x 4" x 1-3/4". **£19.95 (B)**
Greendale 19AB0E 60 watts switch mode. +5v @ 6a. +12v @ 1a. +15v @ 1a. RFE and fully tested. 11 x 20 x 5.5cms. **£24.95 (C)**
Conver AC130. 130 watt hi-grade VDE spec. Switch mode. +5v @ 15a. -5v @ 1a. +12v @ 6a. 27 x 12.5 x 6.5cms **£49.95 (C)**
Bosherl 13090. Switch mode. Ideal for drives & system. +5v @ 6a. +12v @ 2.5a. -12v @ 0.5a. -5v @ 0.5a. **£29.95 (B)**
Farnell G6/40A. Switch mode. 5v @ 40a. Encased **£95.00 (C)**
Farnell G24/5S. As above but 24v @ 5a. **£65.00 (C)**

COOLING FANS

Please specify 110 or 240 volts for AC fans.

3 inch AC. 1 1/2" thick £ 8.50 (B)
3 1/2 inch AC ETRI slimline. Only 1" thick. £ 9.95 (B)
4 inch AC 110/240v 1 1/2" thick. £10.95 (B)
4 inch AC 1 1/2" thick. £ 9.95 (B)
10 inch Round. 3 1/2" thick. Rotron 110v £10.95 (B)
62 mm DC 1" thick. No. 812 for 6/12v. 814 24v. £15.95 (A)
92 mm DC 12v. 18 mm thick. £14.95 (A)
4 inch DC 12v. 12w 1 1/2" thick £12.50 (B)
4 inch DC 24v 8w. 1" thick. £14.50 (B)

THE AMAZING TELEBOX!

Converts your colour monitor into a QUALITY COLOUR TV!!



TV SOUND & VIDEO TUNER!

Brand new high quality, fully cased, 7 channel UHF PAL TV tuner system. Unit simply connects to your TV aerial socket and colour video monitor turning same into a fabulous colour TV. Don't worry if your monitor doesn't have sound, the TELEBOX even has an integral audio amp for driving a speaker plus an auxiliary output for headphones or Hi Fi system etc. Many other features: LED Status Indicator, Smart moulded case, Mains powered, Built to BS safety specs. Many other uses for TV sound or video etc. Supplied **BRAND NEW** with full 1 year guarantee.

Telebox ST for composite video input monitors.....**£29.95 (B)**
Telebox STL as ST but with integral speaker.....**£34.95 (B)**
Telebox RGB for analogue RGB monitors.....**£65.95 (B)**
NOT suitable for IBM or Clone type colour monitors.

PAL overseas version please call. SECAM not available.

BRAND NEW PRINTERS

Epson MX-80 FT One of the most popular printers around! Bi-directional printing with full logic seeking. 9 x 9 dot matrix for enlarged, bold, condensed etc. Standard parallel interface. Brand label removed from front. Handles tractor, fanfold and individual paper. OK with IBM PC and most others. A tremendous buy! **FOR A LIMITED TIME ONLY.....£129.00 (E)**
DED DPG21 miniature ball point pen printer/plotter mechanism with full 40 characters per line. Complete with data sheet which includes circuit diagrams for simple driver electronics.....**£49 (B)**
Centronics 150 series. Always known for their reliability in continuous use - real workhorses in any environment. Fast 150 cps with 4 fonts and choice of interfaces.
150-SN up to 9.5" paper.....**£155.00 (E)**
150-SW up to 14.5" paper.....**£199.00 (E)**

Specify whether serial or parallel required.
CALL FOR THE MANY OTHERS IN STOCK INCLUDING DAISY WHEELS.

Visit our Shop - Technical help always on hand plus many un-advertised specials. You can buy a colour television for as little as £29! Come and join the gang at 215 Whitehorse Lane!

LARGE QUANTITIES OF OSCILLOSCOPES AND TEST GEAR ALWAYS AVAILABLE - CALL NOW!



MAIL ORDER & OFFICES
Open Mon-Fri 9.00-5.30
Dept ET, 32 Biggin Way,
Upper Norwood,
London SE19 3XF.

LONDON SHOP
100's of bargains!
Open Mon-Sat 9.5-5.30
215 Whitehorse Lane,
South Norwood,
London, SE25 6RB.

DISTEL @ The Original
Free dial-up database!
1000's of Items+Info On Line
300 bd 01-679-1888,
1200/75 bd 01-679-6183,
1200/1200 bd 01-679-8769

ALL ENQUIRIES
01-679-4414
Fax- 01-679-1927
Telex- 894502



All prices for UK Mainland. UK customers add 15% VAT to TOTAL order amount. Minimum order £10. PO orders from Government, Universities, Schools & Local Authorities welcome - minimum account order £25. Carriage charges (A)=£2.00, (B)=£4.50, (C)=£8.50, (D)=£10.00, (E)=£17.00 (F)=£17.00 (G)=Call. All goods supplied subject to our standard Conditions of Sale and unless otherwise stated guaranteed for 90 days. All guarantees on a return to base basis. We reserve the right to change prices & specifications without prior notice. Orders accepted subject to stock. Quotations willingly given for higher quantities than those stated. Bulk surplus always required for cash.

May

1990

VOLUME 19 No 5

Paul Freeman: Editor
Helen Oughton: Deputy Editor
Mark Webb: Group Editor
Ian Houston: Design

Cass Gilroy: Ad Manager
John Brasier: Classified Sales
Jerry Fowler: Technical Illustration
Mannie Cefai: Photography

REGULARS

EDITORIAL

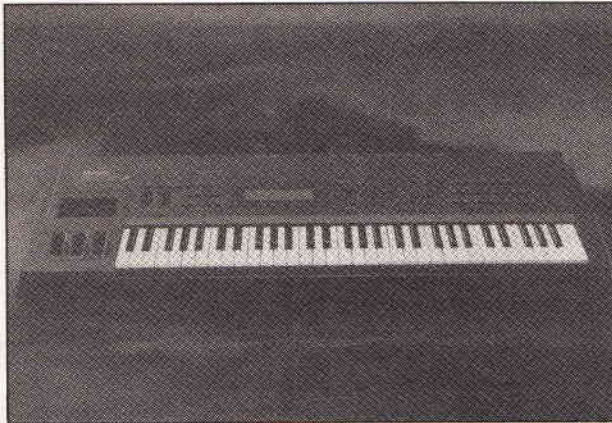
It's not the custom of an ETI editor to provide an editorial in you favourite magazine as most editorials end up with the usual gripe about the state of the world and all its ills. Not here, our policy is to look towards the future, observe the changes taking place, report on them and move with the times. That being the case, ETI sees a development in its history.

We launch a centre-colour section to highlight and depict three dimensional cut away drawings when required. Also due to popular demand, we launch an audio supplement within these pages. The supplement will contain the latest news, your views, features and projects all within the audio spectrum.

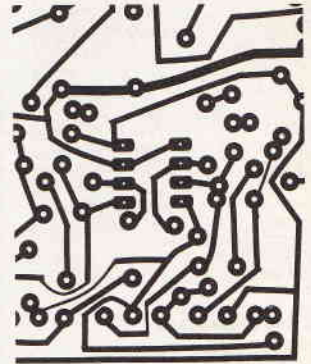
ETI will continue the tradition of 'How it works' but now it will be extended to the world of commercial electrical and electronic equipment.

And finally, but most importantly, we welcome your views on what you like reading in ETI. Any current and perhaps, controversial views within the technology forum will be published to encourage interest and debate. Afterall, increased openness through communication will always help to produce a better world to live in.

Paul Freeman Editor



Page 37



PCB Foil Patterns

Blueprint

6

PCB Service

24

60

Classified Ads

63

Open Channel

8

Subscriptions Direct Debit

31

Courses

65

Read/Write

A place to air your views and ideas.

9

Audio News

The start of a new regular feature with the latest news and trends in the audio world.

66

Next Month

Last Month

66

News

10

Oooooops!

60

Ad Index

66

ISSN 0142-7229

ABC

Member of the Audit Bureau of Circulation

ETI is normally published on the first Friday in the month preceding the cover date. The contents of this publication including all articles, designs, plans, drawings and programs and all copyright and other intellectual property rights therein belong to Argus Specialist Publications. All rights conferred by the Law of Copyright and other intellectual property rights and by virtue of international copyright conventions are specifically reserved to Argus Specialist Publications and any reproduction requires the prior written consent of the Company. © 1990 Argus Specialist Publications. All reasonable care is taken in the preparation of the magazine contents, but the publishers cannot be held legally responsible for errors. Where mistakes do occur, a correction will normally be published as soon as possible afterwards. All prices and data contained in advertisements are accepted by us in good faith as correct at the time of going to press. Neither the advertisers nor the publishers can be held responsible, however, for any variations affecting price or availability which may occur after the publication has closed for press.

● Subscription rates — UK: £19.20. Europe: £24.10. Middle East: £24.40. Far East: £26.80. Rest: £25.85 or US\$45.00.



Argus House, Boundary Way, Hemel Hempstead HP2 7ST
Tel: (0442) 66551 Fax: (0442) 66998

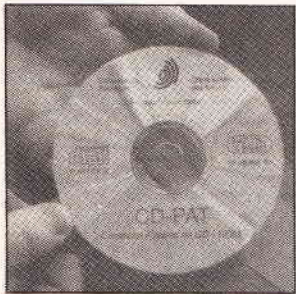
Published by Argus Specialist Publications, Argus House, Boundary Way, Hemel Hempstead HP2 7ST. Tel: (0442) 66551. UK newstrade distribution by SM Distribution Ltd., 6 Leigham Court Road, London SW16 2PG. Tel: 01-677 8111. Overseas and non-newstrade sales by Magazine Sales Department, Argus House, Boundary Way, Hemel Hempstead, HP2 7ST. Tel: (0442) 66551. Subscriptions by Select Subscriptions Ltd., 5 River Park Estate, Berkhamsted, Herts HP4 IHL. Tel: (0442) 876661. US subscriptions by Wise Owl Worldwide Publications, 4314 West 238th Street, Torrance, CA90505 USA. Typesetting and origination by Project 3 Filmsetters, Whitstable. Printed by Acorn Web Offset Ltd, Bradford, W Yorks.

ETI

ELECTRONICS

TODAY INTERNATIONAL

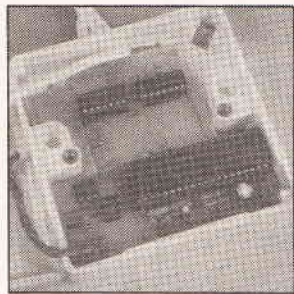
FEATURES/PROJECTS



European Patents

It could be a lot easier to protect your ideas with a European patent. Marc Masson explains.

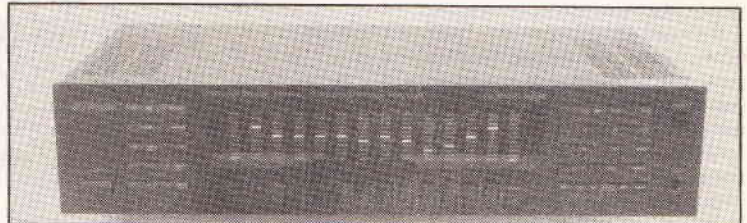
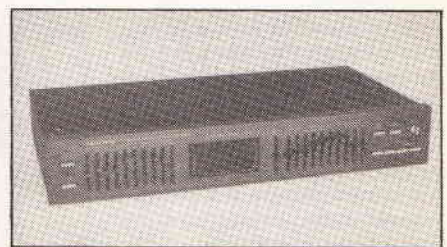
12



Phone Lock and Logger

Ever wanted to screen your phone from expensive calls? If the answer is yes, then maybe Kevin Kirk can help you out with this project.

26



Page 39

Equalisers Reviewed

Geoff Bains takes two popular equalisers from Maplin and Tandy through their paces.

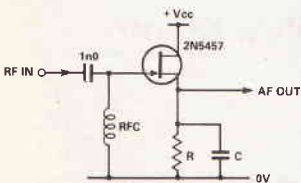
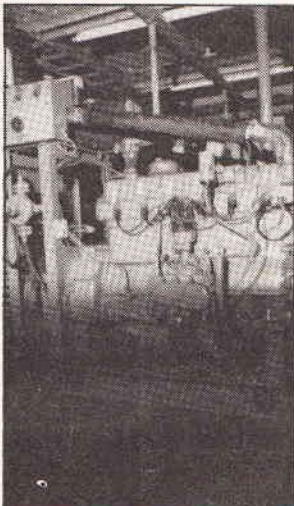


39

Cable Television

In this second part, Jim Slater discusses the political and economic implications of the future of cable TV.

13



Elements of Radio

More from John Linsley Hood on stable oscillators, ceramic and crystal filters and a wideband sensitive AM receiver.

17

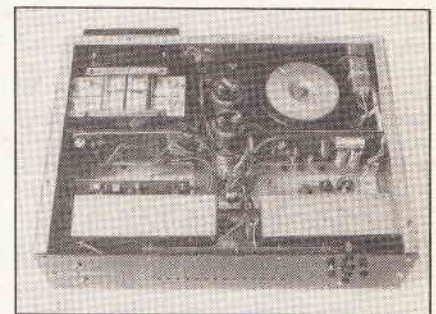
Combined Heat and Power

Combined heat and power could be the local energy source of the future. The combination of cost effectiveness and efficiency makes CHP an attractive proposition. Helen Oughton reports.

33

The Business Bass Amp

In this final part, Bob Whelan covers the display and case construction of this amplifier with memory.



Page 42

42

The Flatmate

Jeff Macauley stretches the bass response to its limits in this original active speaker design.



Page 50

50

BLUEPRINT

Blueprint is a column intended to provide suggested answers to readers' electronics design problems. Designs are only carried out for items to be published, and will not be prototyped by the columnist. Circuits published in Blueprint are believed to work, but may need minor alteration by the reader after prototyping. Individual correspondence will not be entered into, save as necessary to prepare items for publication.

This month's Blueprint addresses the problem of a digital exposure meter for making photographic prints.

Dear Blueprint,

Many years ago, back in the dim and distant days of my youth, I built an analogue enlarger time/exposure meter, using a design from a photographic magazine. The design (shown in Fig. 1) combines paper speed setting, light level measurement, and exposure time setting in a bridge circuit arranged so that adjustment of the timer-setting potentiometer to balance the bridge automatically provides the correct exposure time. The light passing through the negative is averaged by a piece of sanded perspex before being detected by the light dependent resistor.

Unfortunately, this simple but elegant circuit lacks the sophistication of the digital enlarger-timer designed by Ian Coughlan (ETI February 87) and is difficult to set properly in darkroom lighting. Ian Coughlan's design overcomes the problem of seeing the setting in the dark, but does not incorporate the light-level measurement function. I have tried, so far without success, to devise a means to transfer the analogue information from my present circuit into the programmable counters of Ian Coughlan's circuit.

Leaving aside the issue of light level measurement, I prefer to use a log potentiometer to enter the timing information, because exposures (stops) follow a logarithmic law.

I would also like to know how to incorporate a centre-reading bargraph display instead of a moving-coil meter, in my light measurement bridge, so that I can see it in the dark. It must only illuminate while a measurement is taking place, to avoid fogging colour print papers.

I have not succeeded in my attempts — please can you help.

Tony Keyworth, Birmingham.

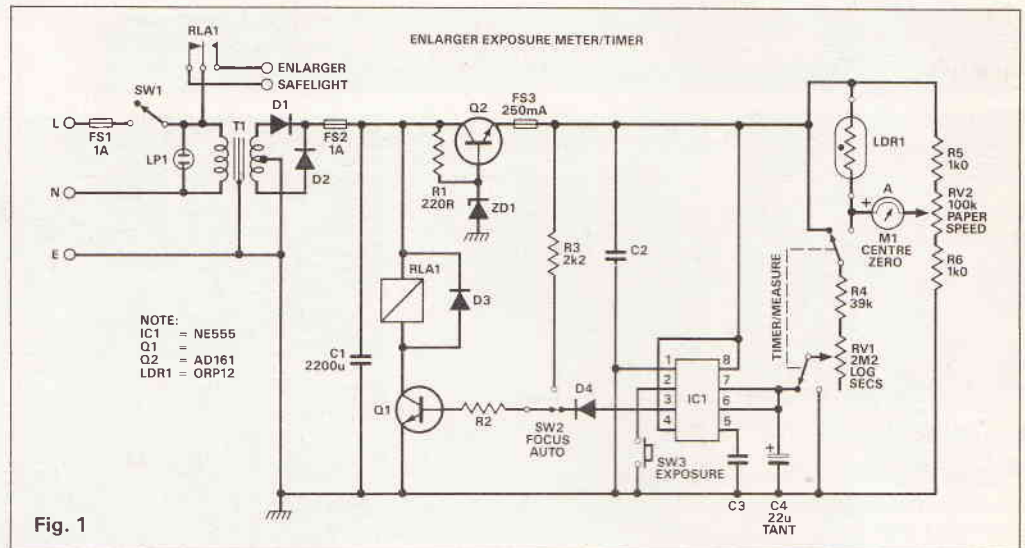


Fig. 1

I cannot answer this question by giving a precise design, because they don't pay me enough, and anyway there is not enough information about the scaling of the controls on the measurement bridge to enable me to integrate this into a fully-designed digital circuit. Accordingly, I have indicated some methods by which one might attempt to solve the problem, and I leave the reader to fill in the details.

One possible scheme is shown in Fig. 2. Here, a solar cell is used to measure the light output rather than a photoresistive cell, in order to provide an output voltage proportional to the incident light. An ordinary solar cell may be useful for this purpose, but Electromail (RS Components) stock a cell intended for this type of application (part no. 691-995). Unfortunately this cell is rather expensive, so it is best to try an ordinary cell available from Maplin first.

The solar cell feeds into an op-amp circuit called a current-to-voltage transducer. The gain of the circuit is adjustable in order to calibrate the unit,

and a high-quality op-amp is used to prevent offsets from impairing the accuracy at low light levels. The voltage output from this circuit is fed to an analogue to digital converter, shown in this diagram as a 10-bit device. For most of the range, 8 bits would be good enough, but at low levels of incident light 10 bits may be required. More information about photographic printing would be required to decide this point for certain.

The output from the analogue to digital converter is fed into an eeprom, programmed with the appropriate curve of timing against incident light level. It is programmed not in binary but in 2 digit bcd, in order to provide the information necessary to load into the bcd down-counters in the digital enlarger-timer design. I leave the reader to calculate the required eeprom contents based on information about the response of photographic papers.

Connected to the other four address lines of the eeprom is a hex-switch to select various scales for different types of paper. Again, I do not

know how many sorts of paper might be used, but if sixteen different settings is inadequate, then a larger eeprom and an extra switch could be used. Even if only two more address lines were employed, the number of possible settings would rise to 64, which ought to take account of any eventuality.

If cost or spectral response rules out a solar cell, the circuit of Fig. 3 shows how a light-dependent resistor (LDR) can be used to provide the input to the op-amp. In this circuit, a constant voltage is applied to the cell so that the current flowing is inversely proportional to resistance of the cell.

Fig. 4 shows another approach to the problem, assuming that the response of photographic paper to instant light obeys a logarithmic law. In this circuit, a log amp is used as feedback around an op-amp, to provide an antilog response. This might avoid the need for an eeprom with different curves programmed in it, but considerable design work would be required to make this work. The idea is included here for interest only.

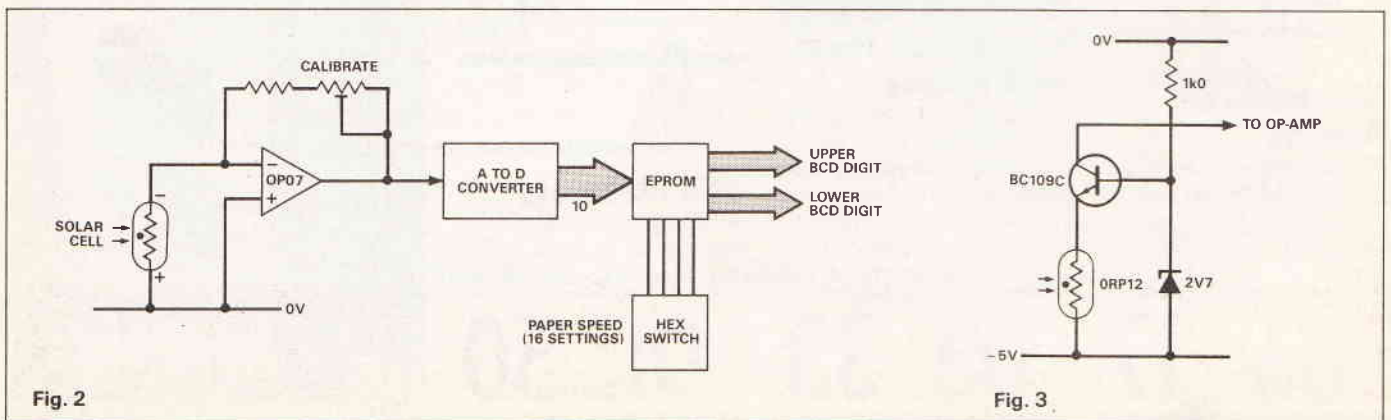


Fig. 2

Fig. 3

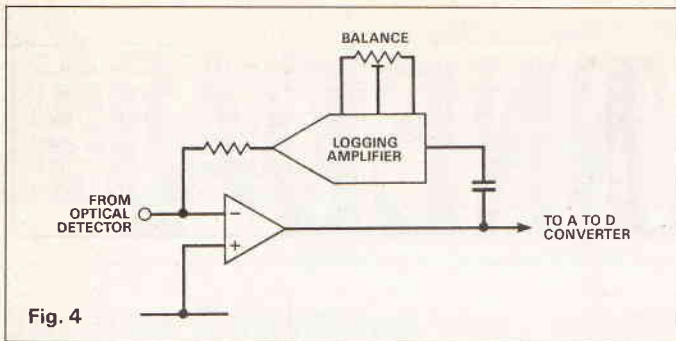


Fig. 4

Bargraph

It occurs to me that the most serious defect of your original circuit, if it is accurate enough for your needs, is

probably the difficulty of adjusting it under darkroom conditions. The addition of a bargraph display as you request would go a long way towards

solving that problem, and might give your old timer a new lease of life.

The circuit of a centre-zero bargraph display using the LM3914 is shown in Fig. 5. The LM3914 contains ten comparators with one input connected to the signal and the other to a voltage divider chain, whose ends are on the terminals marked R_{LO} and R_{HI} . In this design the signal input is taken from the paper speed adjustment, while the two ends of the resistor chain are fed from a bipolar voltage centred on the voltage at the junction of the photosensitive resistor and the time setting resistor.

IC1A buffers the voltage at this potential divider point, to provide a low-impedance reference point for the

inverting and non-inverting buffers IC1b and IC1c. These buffer a variable reference voltage, which is then buffered and fed to the top of the resistor chain in the LM3914, and inverted and fed to the low end of the resistor chain. Thus, if the signal voltage and the voltage on the LDR are the same, five LEDs should be on and five off.

The LM3914 has built in current regulators which control the LED current to approximately ten times the reference voltage (1.25V if REF ADJ is grounded). This sets the LED current to approximately 4.5mA, plenty to see in a darkroom.

The LEDs are powered from a 3.5V supply to minimise the dissipation of the LM3914, and the regulator is also used to switch off the LEDs when not required. A spring-loaded push-button switch is shown used for this purpose. When the switch is pressed, the voltage regulator provides 3.5V output. When the switch is released, the regulator output is reduced to approximately 1.25V, which is insufficient to illuminate a LED.

There is one further point to note: the local decoupling must be electrically close to IC2, and the 0V connections of IC2 must be low resistance, or else it is likely to oscillate.

Finally, a worthwhile improvement might be to replace the zener and transistor voltage regulator with an LM317 on a heatsink.

Andrew Armstrong

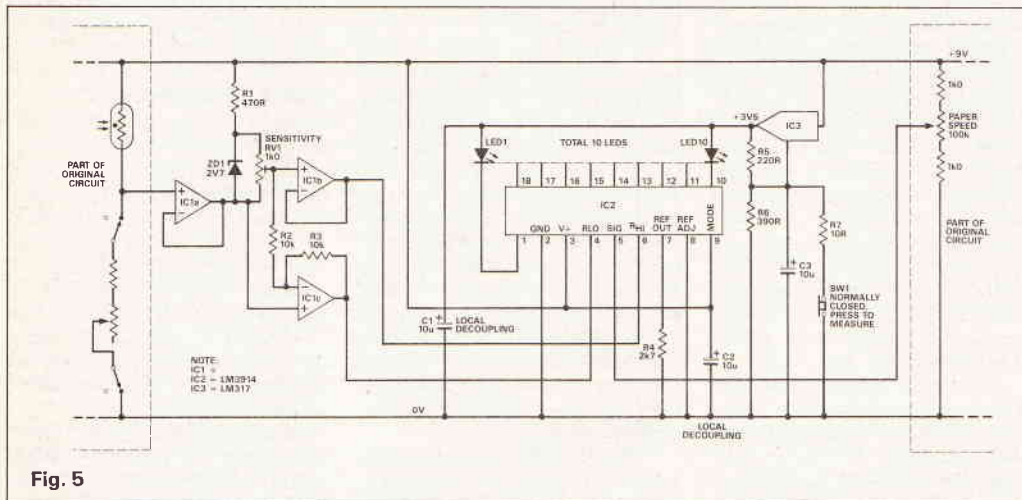
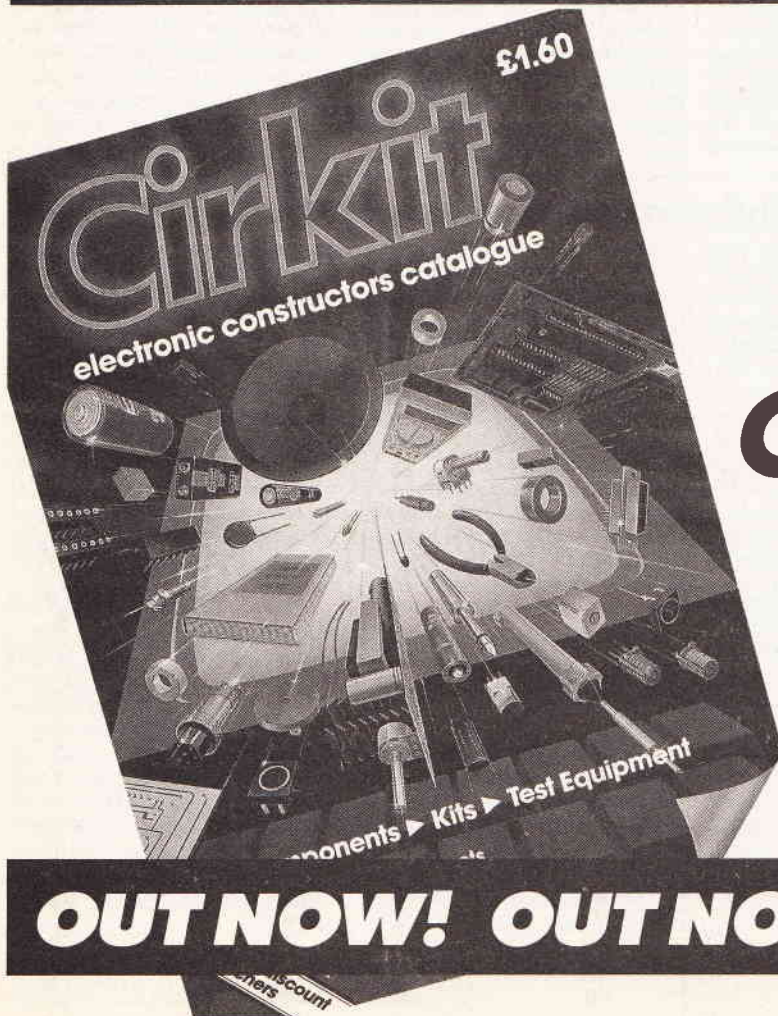


Fig. 5



The New Cirkit Summer Catalogue

- 100s new products
- £10 worth discount vouchers
- Latest books
- Low cost multimeters
- 184 pages
- Only £1.60 available from larger newsagents or directly from Cirkit

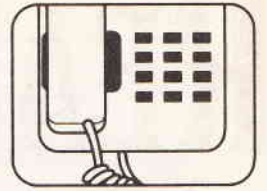


Cirkit Distribution Ltd.

Park Lane, Broxbourne, Herts EN10 7NQ
Telephone (0992) 444111

OUT NOW! OUT NOW! OUT NOW!

OPEN CHANNEL



It seems our North American cousins are finally starting to get their act together regarding high definition television (HDTV) systems. Initially, Japanese enthusiasm for the far eastern HiVision HDTV system all but steamrolled the Yanks into a system which European television manufacturers and broadcasters spurned long ago.

Eventually, around the middle of last year, America woke up to two facts. One, if the Japanese designed and developed HiVision system was used in the States, resultant television receivers would all be Japanese or, at very least, produced in the USA under agreement with Japanese companies. Two, HiVision is not backwards-compatible — every existing television receiver in the country is made obsolete by its adoption.

These, of course, are the very reasons why Europe rejected HiVision in the first place; choosing instead the IBA-designed multiplexed analogue component (MAC) system. MAC, or one of its variants (would you believe HDMAC) allows problems of non-compatibility to be resolved easily (fairly simple adaptors can be used to interface old-standard television receivers with new-standard received signals) while maintaining broad control of design, development, manufacture and sales of European (that is, non-Japanese) television receivers.

Better than this, though, choosing and using MAC allows European television to evolve in a controlled manner; in discrete stages as the market requires. The first stage is reached with use of DMAC and D2MAC signals transmitted from direct broadcast satellites — such as those used in the new British Satellite Broadcasting service. When the first stage higher quality transmission possibilities have been explored, and when the time is judged right, HDMAC will be introduced in the second stage. The advantages of such a discrete adoption of higher quality television are simply that customers will not be forced into buying a new receiver straightaway and, in the end, we can be assured of having the best system. The disadvantages, of course, is that customers will have to wait for many years before European HDTV is available.

To be fair, America was taken along on the crest of the Japanese wave only insofar as customers were led to believe they would have HDTV receivers rapidly. In the end, USA television manufacturers have decided on a number of HDTV

possibilities. Frontrunners are the *advanced television* (ADTV) also known as *advanced compatible television* (ACTV), and *super NTSC* systems, of which it looks as though ATV will be adopted.

Remarkably, ATV appears conceptually similar to MAC in that it is a homegrown system designed to keep HiVision out of the American market, and allows a staged and compatible adoption of HDTV. Technically, on the other hand, ATV is nothing like MAC. Interestingly, four companies have recently formed the Advanced Television Research Consortium — a development consortium for ATV with aims of getting first stage receivers on the market within three to four years, and second stage HDTV versions within ten years or so.

Even more interesting are the companies in the consortium. First is the David Sarnoff Research Centre (which designed ATV in the first place). Second is NBC, the American network broadcasting company. But third and fourth are RCA (Thomson) and Philips. Thomson and Philips are, of course, European companies, directly involved with production of European MAC-based HDTV systems.

Open Sesame

Even as ATV is being defined, though, proponents of a totally different concept in television systems are calling for a rethink now, before commitment to any one system closes the door to any other developments. Massachusetts Institute of Technology professor, Bill Schreiber, thinks that television systems should not be defined by standards of transmission methods (PAL, NTSC, DMAC, ATV and so on) but should be completely open. A straightforward analogy with computer systems and the way they are moving towards open systems interconnection (OSI) shows definite parallels. With OSI, which is currently being defined by the various standards organisations and bodies worldwide, any computer will be able to communicate with any other computer, regardless of computer type. In the case of the television systems, an open systems receiver would be able to receive and display signals of any transmission method. All parameters of transmitted signals: aspect ratio, horizontal line number, field rate and so on, would thus be irrelevant.

Schreiber proposes a bus-based computer-controlled television receiver, capable of displaying any signal transmitted to it. In theory, this receiver is perfectly possible and any

number of existing bus-based computer architectures could be immediately adopted for use. One that springs to mind is the recently developed *VXibus* instrumentation bus, used for modern automatic test equipment systems.

In practice, of course, such a receiver is initially very expensive. The high production numbers involved, however, would lead to significant size and price reductions. You only need to think of size and price reductions encountered over the last ten years with microprocessor-based computers to see what difference high production numbers can mean. Arguably, open systems television receivers could be available for around the same price as a reasonable quality computer. That's still considerably more than current television receivers, though no more than HiVision HDTV television receivers are expected to be.

Where an open systems receiver could score, on the other hand, is in its adaptability to interface with the variety of inputs for which current receivers require extra circuitry: videocassette recorders, satellite transmissions, home video games, PCs and so on. Further, an open systems television receiver is virtually future-proof: whatever transmission method is developed in years to come can be displayed.

Whether Schreiber's open systems television receiver proposal is accepted or not, we must surely give it some serious thought. Although ignoring it now gives a cheaper, and perhaps quicker, route to HDTV, the more long-term advantages of it cannot be swept aside as a mere inconvenience.

PCN Licencees

There are three licensees for new personal communications networks (PCNs) in the UK, formed by three consortia:

- British Aerospace; British Aerospace, Pacific Telesis, Millicom, Matra, Sony.
- Unitel; STC, US West, Thorn EMI, Deutsche Bundespost.
- Mercury; Mercury, Motorola, Telephonica.

PCNs are seen, by the Government at least, as the way forward in telephone and mobile communications. Eric Forth, Minister for Trade and Industry, has said that they will change the face of the mobile comms and the way we use the telephone. Millions of users are expected by the end of the century. Services are expected to be cheap and will be based around inexpensive, light-

weight portable phones of around the same size as recently launched CT2 mobile telephones or maybe smaller. PCN telephones have advantages over CT2 versions in that calls can be in-coming and a line-of-sight contact range with a base station will be necessary.

Dawn Of Realisation

Dawn on 6 May will bring near-disruption to the nation's telephone service. A while ago (ETI September 89) this column brought you news of the impending numbering change to occur to all of London's telephones. The existing code (01) is to be abandoned in favour of two separate codes (071 for inner London, 081 for outer London), effectively doubling the number of telephones which can be allocated to subscribers within London as a whole.

Back in September last year I joked about the change — simply noting that Birmingham (with a code 021) would become the nation's first city, while London would slip to seventh and eighth in the list. However, it's time to get serious, with the change only a few weeks away from this month's publication date.

Few subscribers in this country, let alone the rest of the world, have yet to understand the implications of the numbering change. First, there may be two telephones within the overall London area with the same number. If you dial the wrong code you will get the wrong number. Obvious? Wait and see how many wrong numbers will be clocked up — and paid for — by unsuspecting subscribers.

Next, if you know the number but not the code, you can ring up directory enquiries. Mercury recently began charging 50p for this service, and you can bet your bottom dollar (or your bottom 50p, anyway) that British Telecom will follow suit, if it hasn't already done so by the time you read this.

But wait, the best is yet to come. All telephones and related equipment such as facsimiles, modems, branch exchanges and switchboards with automatic dial-out facilities will require re-programming with the new codes. Even printed stationery such as headed paper, invoices, and so on will require changing. Not so obvious are the changes required to company signs, vehicles and emergency numbers posted in lifts and the like.

Are you prepared? Is your company?

Keith Brindley

Baffling Equations

I have been a regular reader of ETI since the September 1975 issue and have had many hours reading and constructing from them.

Recently the articles that have most coincided with my current projects have been those on loudspeaker design. I would be very grateful however if you could clarify something for me.

In the article Reflex Action (July 1989) equation 5 for finding the port length, no matter how I work it, if you substitute the values for V_b and f_b found by equation 1 and 3, the values for the KEF B110 and the given pipe diameter, I do not arrive at the given 7.9 inches but 7.56 inches.

Moving on to Micromonitor Loud Speakers, August 1989, this invites me to plug previously arrived at values into the same port equation and arrive at an answer of 4.1 inches. If I do plug in these values I arrive at 4.26 inches. Is my mathematics suspect, or am I missing something? I realise that these are small differences, but annoying for being unexplainable.

One of the best points about these articles is that they explain how to deduce the required parameters from any drive unit, and these deductions are still valid for the article on Infinite

Baffle Loudspeakers, January 1990. However, the article describes a method of modifying drive unit parameters given that you know cone mass, M_c , and surround compliance, C_m . Is there any method of deducing these to enable drive units of unknown pedigree to be used?

Please forgive the delay in posing the first question, but I decided that what I needed was a program on my computer to work the equations in a question and answer fashion, print out the answers in tabular form, and then allow parameters and/or drive units to be changed for comparison purposes. Then my computer died. This is being word processed on my new computer, but it is taking a devil of a long time to find my way around all its options.

Yours faithfully

**B. B. Fuller
Ashford, Kent**

Jeff Maucauley replies: I will take your last enquiry first, namely how to determine the compliance and moving mass of a raw driver. In order to do this you will need to measure the effective radiating area of the driver. Simply measure the diameter of the driver in metres, add to this the width

of the surround (one side only) we'll call this area S_d

Now measure the free air resonant frequency (f_a) as detailed in the articles. Take the driver and mount it into an unstuffed box of known volume (v_1) in cubic metres. Measure the new resonant frequency (f_d). With this information the value of the compliance of the speaker, C_{ms} can be calculated from the equation

$$C_{ms} = V_1 / \left[S_d^2 7.14 \times 10^{-6} \left(\frac{1.15 f_a^2}{f_d^2} \right) \right]$$

The answer is in N/m. From this it is a simple matter to find the moving mass M_d in kilos from the expression

$$M_d = \frac{1}{C_{ms} (2\pi f_a)^2} - 315a^3$$

Where a is the radius of the moving piston. You can now use the equations as presented in the article on IBs to modify the response.

Turning to your enquiry on reflex port lengths. Here the discrepancy is mine. The proper way to determine the length of the port to tune to a known frequency f_b is to first calculate the length and then adjust it by measurement to optimum. For

practical purposes the equation gives a good enough answer but it must be realised that the optimum volume calculated does not include the volume of the vent or driver chassis etc. As a result the actual lengths are not exactly in agreement with the calculated values. What happened was that the actual lengths and calculated lengths got muddled!

Briefly the way to measure f_b is as follows. Build the cabinet and fix the driver in, and the vent. The latter should be slightly longer, say as inch than suggested by the calculation. Set up your measuring equipment as you would to measure f_c . Temporarily block off the vent and measure f_c . Unblock the vent and sweep your signal generator up from 10Hz. You will discover two peaks in the response, lets call the lower one f_l and the higher one f_h

$$F_b = \sqrt{(f_l^2 + f_h^2) - f_c^2}$$

Having thus determined f_b which should be slightly low the exact value can be obtained by trimming the port length and remeasuring it. Normally an error of $\pm 5\%$ is not audible on program so the calculated length is usually adequate.

Earth Current Signals Underground

I have been interested to read the current series in ETI by George Pickworth about earth return communications.

For several years now, the South Wales Cave Rescue Organisation has used earth return field telephones to provide underground-to-surface communications during cave rescue incidents in South Wales. Many of the caves here contain literally miles of

passages. The longest is Ogo Ffynnon Ddu with over 30 miles of surveyed passages on several levels and going in all directions: a true 3D maze.

Our telephone system comprises hand held units powered by 9V PP3 batteries and the range is several miles over single core cable. Each set can be clipped on to the line anywhere and can then talk to all other stations. The

electronics is very simple and cheap. The audio quality is excellent. This is a well tested stable design with PCB masks available.

Yours sincerely

**Stuart France
Warden
South Wales Cave Rescue
Organisation**

Atmospheric electrometer required

Here is an idea for a project: I was fascinated by an article in another magazine, about electrostatic activity in the earth's atmosphere.

The author used an atmospheric electrometer to produce a host of data, showing how the electrostatic potential in the atmosphere varied as a result of thunderstorm activity and other meteorological events. I've read elsewhere how the electrostatic potential varies as a result of solar events, as well.

Apparently, the author used a valve circuit with a $2G\Omega$ input impedance, and switched sensitivity

to read signals from 25mV to 350V. He described the antenna as a well-insulated 20m wire. The output went to a pen plotter.

A more practical silicon version of the circuit might be an interesting design exercise, and sounds like it could be a really interesting and unusual project.

So how about it?
Yours faithfully

**Steve Thackery
Felixtowe, Suffolk**

Well, that sounds quite a challenge! If you come up with any solutions, send them in to us.

A smashing idea for a project

Would you please publish a Project to stop me backing my car into anyone foolish enough to be behind me.

Seriously, in these days of small parking places it would be a great help to have a sensor in the back bumper that sounded off or flashed a light to warn the driver that she or he is a foot or so away from the next car/wall/traffic warden.

**Obliged
HELP**

Any offers?

The latest from Cardigan Island

Thank you very much for your help and the publishing of our project in your magazine, it has certainly created a lot of interest.

We have been given a die-cast aluminium case sealed to IP65 from West Hyde Developments to install the amplifier in and hopefully some waterproof connectors are being dispatched to us.

The whole package has undergone trials and has been shut down over winter. Shortly, sea conditions permitting, we shall turn on the equipment in earnest as the Shearwaters start returning to our coast in late February. We shall certainly keep you informed of events.

Yours sincerely,

**Rod Penrose
Dyfed Wildlife Trust
Cardigan, Dyfed**

It's good to hear that things are going well for the Shearwater project — we hope to hear more news of its progress soon.

NEWS

MOTORWAYS TO BECOME AIRWAYS?

Could flying cars be the answer to the problem of motorway jams? In the US, former professor of aeronautical engineering Paul Moller has developed a vertical take-off flying car, to take electronic highways through the air.

The car is the Moller International M400, which has been designed to drive on a road, take off vertically, and fly at 9,100 metres at 640 km per hour (400 miles per hour). The first M400 is currently being completed, before flight testing takes place.

The car is driven by eight rotary internal combustion engines. These compact and light weight engines each produce 112kW, but weigh only 31kg.

Flying cars will require some extensive air traffic control. Moller envisages that microwave beams or satellite references will provide guides through the skies, rather like electronic roads. Computers on board each car will ensure that safe speeds and distances from other cars are maintained.

But of course, there's nothing new in the idea of a flying car. Chitty Chitty Bang Bang took to the skies years ago.

BRITISH TELECOM TESTS OPTICAL PIPELINES

British Telecom has completed installation of the optical fibre 'pipelines' for trials of their advanced optical fibre network for the 21st century.

The fibre will provide combined voice and entertainment services — television, high-fidelity stereo radio, telephone calls, information technology and other interactive services — to private and commercial customers in Bishop's Stortford, Hertfordshire.

The trial will test the technical feasibility of advanced concepts developed at British Telecom's research laboratories, and is provided in collaboration with BICC Cables, Fulcrum Communications and GEC Plessey Telecommunications.

During its two-year run, the trial will provide British Telecom and Britain's industry with data for planning advanced commercial communications for the next century. It will also enable British Telecom to compare the different technologies which may be used for future services.

For more information, contact British Telecom. Tel: 01 356 5366.

KEEPING IN TOUCH

Very soon you might be able to book all your requirements on a flight just by the use of your finger on a screen.

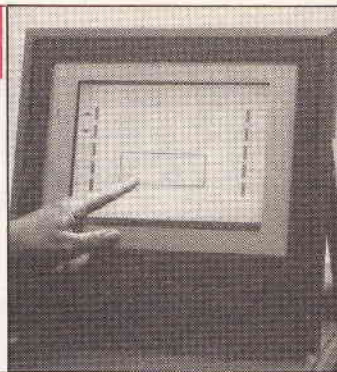
Touch Screen Technologies of Hampshire has developed the interactive screen to fulfil a variety of applications. One of these might be at an airport where an enquiry about availability and price of tickets, class, seat position and hotel booking could be made. A parallel access facility such

as this would cut down waiting time greatly.

TST also suggest using the screens in cars for control of most of your in-car facilities.

Touch screens allow switching areas to have re-definable legends and sizes in accordance with the menu selected.

For further information call Touch Screen Technologies Ltd, on 0703 629545.



POWERFUL POCKET PHONE



No longer will designer suits be pulled out of shape by that essential yuppie accessory, the cellular telephone.

Until now, mobile telephones have been either relatively light without the power to last through a working day, or powerful but too heavy to carry comfortably in a pocket.

But now cellular telephones manufacturer NEC has developed a balance, with a phone that has a battery life of around 18 hours but weighs little more than that other yuppie essential — a full wallet.

The NEC P3 offers 80 minutes talktime and 18 hours standby. With an optional fast charger kit, the P3 can be recharged in about one and a half hours.

The telephone is equipped with a range of 'user-friendly' features, including a 99 number address book, a clock with timer and alarm, and a flip up aerial.

Because the P3 is very small and light, it will also serve as a handset when connected via a cord to a car base station.

For more information, contact Mark Davis. Tel: 01 631 5414.

SMART IDEA

Mitsubishi has released a new smart card — the width and height of a credit card — capable of storing up to 2 Mbytes of data in static RAM. A dynamic RAM version is also available.

The SRAM memory cards are robust and protected against static. They provide reliable, removable data storage, and can be used in industrial and office computers, as well as for information transfer systems. Each card measures 85.6mm x 54mm x 3.4mm, using very small outline packaging (VSOP) technology.

Features include buffer ICs for improved data protection and a lithium cell for battery backup when the cards are removed from the host system. The card can also be write-protected to behave as a read-only device.

The card is interfaced to the host computer using buffer and card detection circuitry, which disable data transfer when the card is removed.

Contact Mitsubishi Electric UK Ltd. Tel: 07072-76100.

FOOLPROOF CAMCORDER FROM SONY

An 'autolock' panel makes the feature-packed Sony CCDF380 camcorder foolproof. The panel covers the less-used facilities and puts the camcorder in to automatic mode. With few buttons to worry about, the CCDF380 can be used for point-and-shoot filming.

Essential controls are still accessible, including an 8 times power zoom with macro and date or time insertion. A display in the viewfinder keeps the user informed of status and function. The linear time counter can be displayed through the playback TV.

When more control is required, the auto-lock cover is slid back, and manual over-ride is available. Shutter speeds can be varied up to 1/4000 of a second, and a versatile digital superimposer is provided. This offers a choice of 8 colours with reverse and scrolling facility, allowing the user to be as creative as he or she wants to be!

MODEMS IN MINIATURE



Today's laptop computers are nearly as small as the average modem. Now a Stockport-based company called Peartree Dram has produced a miniature modem, ideal for use with laptop computers.

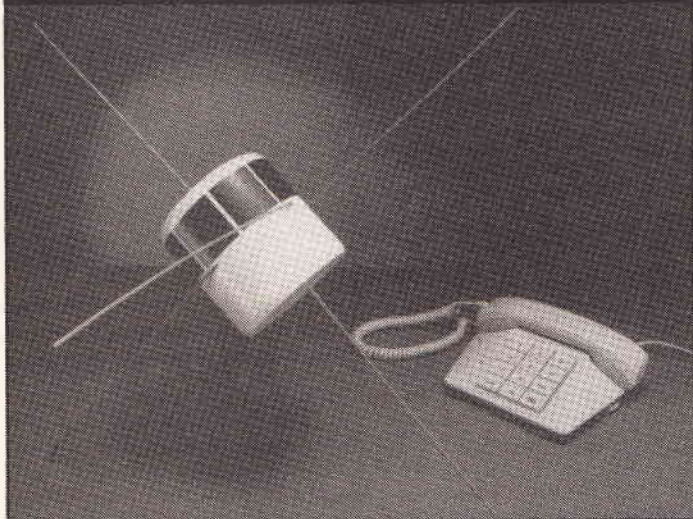
The Voyager MV 213 Micro-modem measures only 94mm by 60mm by 20mm, and allows digital data to be transferred over telephone lines by using the handset of existing telephones. The modem is adjustable

to any handset in the world. There is no longer any need to dismantle hotel telephones when you are away from the office on business!

The modem supports a range of international standards, and offers full duplex communication with a baud rate of 1200. It is powered by a 9V battery pack.

For more information, contact Tim Clarkson. Tel: 061 406 6604

LOW COST SATELLITE



The concept of a very low cost spacecraft is to be investigated by the technical consultancy, Smith Associates, in a study for the Ministry of Defence.

The study will provide details on the spacecraft's design and applications, enabling a working demonstration to be built so that the MoD can make an evaluation of the feasibility of project. Smith Associates hope to use an Ariane launch in 1991 for the demonstration.

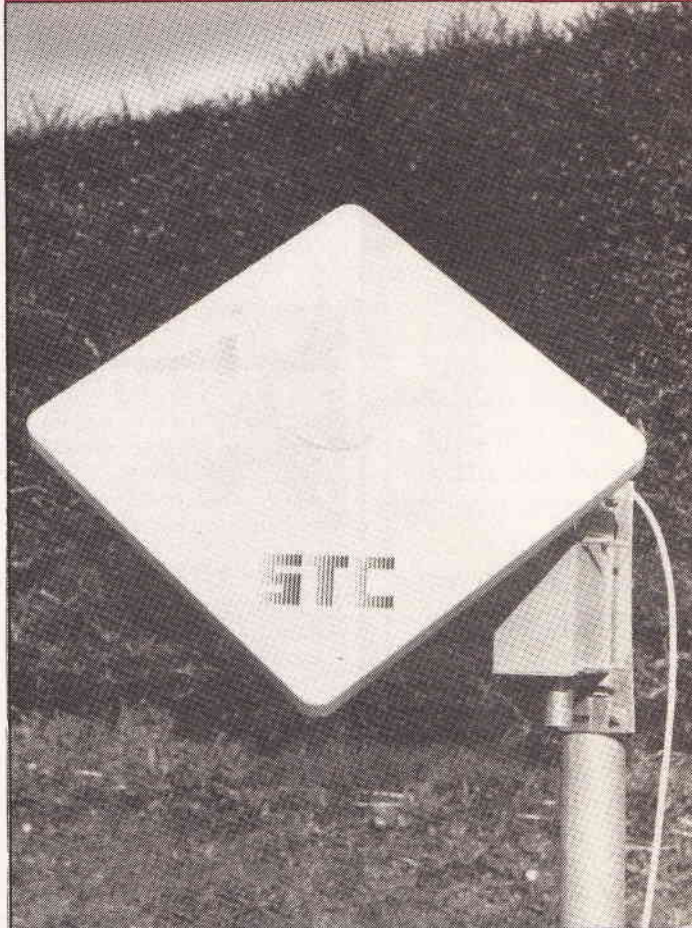
The Smith Associates design gains its cost and weight advantage

because, unlike other light satellites, it has no means of generating power. Intended for short duration tactical missions of less than a year, all power will be derived from non-rechargeable batteries. The removal of power generation apparatus allows easier construction and more efficient thermal management.

Smith Associates will also investigate the use of carbon fibre reinforced thermoplastic instead of metals to save weight.

For more information, contact Smith Associates. Tel: 0483 505565.

SQUARE DEAL FOR STC



STC have won a major order for 50,000 'squarials' from British Satellite Broadcasting.

The squarial is the flat, square aerial specified by British Satellite Broadcasting (BSB) for reception of its new satellite television service.

STC were the only European company to satisfy BSB's requirements, and have won the order by producing a squarial which is smaller than any comparable product available elsewhere in the world. The STC squarial measures

38cm x 38cm x 2cm, and gives very high quality reception of test TV signals from BSB's transmitter in space.

STC made extensive use of computer-aided design when developing the squarial. The squarial uses phased-array technology (an array of small aerials all working together) derived from military applications for radar and communication antennae.

For more information contact STC Tel: 01 788 7272.

TALKING TRANSLATOR



Portable translators have been around for a while, but the translated word is normally shown on a written display, giving no information of correct intonation or pronunciation.

Now the hi-tech mail order company, Innovations, have announced a *speaking* translator.

Interpreter is a portable five language translator that speaks a language translation — intonated and correctly pronounced. Interpreter uses British technology to store over 13,000 phrases in each of five languages — English, French, Spanish, German and Italian.

A word is typed in on a standard 'qwerty' keyboard, and Interpreter creates a selection of phrases around that word. When the required language button is pushed Interpreter will immediately translate, speaking and displaying the phrase in the chosen language. Earphones are provided so that users can learn privately.

Interpreter can instantly provide emergency phrases, and when there is less hurry, can be used as a teacher, speaking random words to learn. Interpreter is available in male or female voices!

COMPUTER BUGS

Chip designers are beginning to meet the limits of their ability to impose complex circuit patterns on tiny bits of silicon. As an alternative to this 'top-down' approach, they are beginning to explore a 'bottom-up' technique, where the electronic circuit is built up molecule-by-molecule, with the required structure and connectivity.

A new study by Frost & Sullivan looks at the prospects for creating, manufacturing and marketing circuits from proteins, applying the technology of bioengineering to chip production.

The ultimate bioelectronics fantasy would have genetically engineered cells producing microscopic protein computers.

However, despite its theoretical limitation, conventional technology is advancing so fast that 'biochips' will be hard-pressed to overtake it in the foreseeable future.

It is more likely that biocomputers will come in for applications where silicon is less successful, such as in neural networks and artificial intelligence.

Currently, bioelectronics is being successfully used in biosensors. This exploits a protein's ability to generate a signal in the presence of certain substances. Conventional transducers are used to produce an electrical signal measurable by standard instruments.



Marc Masson explains how to save the time and cost of patenting in several countries by bringing out a European Patent, valid in thirteen countries.

A national patent (for example, a British patent) is valid only in the country in which it was filed. And filing a patent in several countries is costly, time consuming and requires fluency in the language of each country.

One Patent For Thirteen Countries

Fortunately, there is a simpler route — the European Patent. The European patent requires only one application, and is valid in thirteen member countries. These countries are:

- Austria
- Belgium
- France
- Greece
- Italy
- Liechtenstein
- Luxembourg
- Netherlands
- Spain
- Sweden
- Switzerland
- UK
- West Germany

The European patent is the result of successful international co-operation, and is as easy to obtain as a national patent. The following is taken from a brochure published by the European Patent Office:

Patents encourage and stimulate innovation, as they provide a fair reward for the inventor and at the same time, a unique and original source of technical information.

From its beginning in 1978, the European Patent Office (EPO) has been the central body for obtaining patent protection in up to 13 European countries through a single grant procedure. European patents have become a key for industry and commerce, since they provide a solid basis for business decisions on investment and licensing.

Half of the EPO's 3100 international staff are examiners with university degrees in science or technology. They work at the forefront of technology, undertaking patent search, examination and opposition procedures.

All the information about European patent applications is stored at the European Patent Office. To help them cope with the vast quantities of data involved, they store it on compact disks, each capable of holding more than a Gbyte of information.

Saving Time And Money

The cost of a European patent is higher than that of a national patent, but as a result of extensive work by politicians, it is now lower than ever before. It works out at less than the cost of bringing out separate

patents in three or more different countries.

It is no more time-consuming or difficult to apply for a European patent than for a national patent. It will obviously save you a lot of time and trouble to apply for a European patent than for several national patents.

Also, your patent application need be in only one language: English, German or French, whichever is easiest for you to use. Providing you are fluent in just one of these languages, there should be no language difficulties.

However, as for a national patent, you should still seek the advice of a solicitor. Patenting, whether on a national or European scale, still requires legal skills.

How To Apply

If you want to apply for a European patent, you will have to go through the stages outlined below. The procedure is no more difficult than applying for a national patent in most countries:

The stages are:

- Filing of the patent application
- Examination of the application
- Search
- Publication of the application and search report
- Substantive examination (grant of patent or refusal of application)



- Opposition proceedings (if an opposition occurs)
- In many countries, including Britain, you can apply for a European patent by going through your national patent office first. Otherwise, you can apply directly to the European Patent Office at:

Erhardstrasse 27
D-8000 Munich 2
010 49 89 2399-0

There are also branch offices at Den Haag (The Hague) and Berlin:

Patentlaan 2
NL-2280 HV Rijswijk (ZH)
010 31 70 340-2040

Gitschiner Str 103
D-10000 Berlin 61
010 49 30 25901-0

CABLE TELEVISION

Part 2

TV

Technical stargazing is always difficult, and the wide variation in the penetration of cabled distribution systems in different countries makes any predictions of future developments even more difficult than usual. There are two conventional responses when media-aware people are asked what the future of cable holds. Some envisage a future where radio, television, and interactive services are brought into every house in the same way as electricity or water. Others look at the capability of a single satellite to serve tens or hundreds of millions of people with a wide range of services and say that the lower cost per head of providing satellite services must win out in the end, and that satellites will therefore replace cable.

The cognoscenti shake their heads and say that satellites can never provide the interactive services that the future will demand, but they often fail to recognise that even a humble copper-wire telephone line can provide virtually all the two-way capabilities anyone is likely to need for home or small-business use. Even the electronic keys which permit viewers to watch scrambled programmes can be sent over air in the form of coded teletext-like signals addressed to individual receivers, so that we certainly do not require a cable to provide the advantages of pay-television.

A Cabled Future For Europe?

History shows that what happens in the United States in the field of radio and television often happens in Europe a few years later (although recently this has become less true, with some developments, like the take up of teletext and the home video-recorder, growing faster in Europe and Japan than in the USA). In America, the cable operators have been using distribution satellites to keep cable customers happy by providing them with a wide range of programmes from satellite sources. This close link between cable and satellite is already being repeated in Europe. Cable operators who have been restricted for years to relaying only the basic national programmes plus one or two others can now offer a much wider choice of viewing by putting satellite receiving dishes at their head ends, giving the cabled services a competitive edge over the off-air services.

In Belgium, where over 80% of all television homes are now cabled, the way forward can be clearly seen. Cable operators there have the technical potential to introduce more and more new services at a financial cost which is attractive to both operator and subscriber. These may involve specialised pay-television channels, interactive services, or even telecommunications services. The main problems facing the cable services providers are political and regulatory, since any technical difficulties are usually soluble, and the cost of supplying viewers with new services is generally realistic.

The strong existing cable base in many countries in western Europe could provide an exciting future for cabled distribution systems. Cross-border links present no technical problems, and it is relatively inexpensive to provide viewers with an extremely wide range of programmes from different countries. Since the cabled viewer does not need to buy any extra equipment he may well be prepared to pay extra for



a wider choice of viewing. This money will then be available for reinvestment in programme making, which is really the seed corn of the whole television business. Even more importantly, the ability to watch programmes from other European neighbours may have a leavening effect on the closer harmonisation of the countries of Europe, so that for the first time Europeans really will come to consider themselves as members of one great community.

Once 80% of a country is covered by cable services it is usually relatively simple to increase this coverage by extending existing networks, although a law of diminishing returns exists, and the economics of laying cable to every isolated hamlet may make it impracticable to serve all potential viewers in this way. A satellite can provide nearer to 100% coverage of scattered populations than a cable or terrestrial transmitter network, but with a capital cost of around a hundred million pounds for a high-power satellite, this is no economical way to achieve coverage of the final 5% of a population which is already mostly served by cable or off-air services.

UK Cable – Hard Times Ahead?

Much depends upon the coverage requirements placed upon the broadcasters by the government, and although many countries would consider a coverage of 95% of the population to be adequate, the United Kingdom government requires broadcasters to serve 'as many people as may from time to time be practicable'. Thus although terrestrial television transmitters currently cover about 99.5% of the UK population, the job of building relay stations to serve the remaining population continues, even though this has long been a strictly uneconomic undertaking. With such a background, where public-service broadcasting traditions provide almost everyone with a choice of four off-air programme channels for the cost of the receiving licence it is perhaps not surprising that cable has found it hard to compete, especially

Following last month's explanation of cable television, Jim Slater explores financial and political issues, and suggests that the future lies in optical fibre.

since the government's treatment of capital expenditure on cable services for tax purposes has proved far from generous. Under a million homes out of a total of over twenty million in the UK are passed by cable systems, and although it is difficult to obtain accurate figures for penetration (homes connected as a percentage of homes passed), it is thought to be about 17% (although some of the newer systems can claim over 20%).

With such a low baseline it is difficult to see how cable television in the UK can ever make the breakthrough needed to become the main means of television distribution. The promise of three more television channels from a high powered satellite, which can be received on cheap domestic equipment by the end of 1989, will make life even more difficult for the cable operator, although he will be compelled to carry the extra channels. The root of the problem is financial. Although broadcasters would deny that there has been any subsidy of the building of the transmitter network, half the cost has come from BBC licence fees and the other half has come from the profits of the commercial television companies, so that the viewer has paid directly or indirectly, almost without realising it, for the construction of the transmitter network. For environmental reasons it is not generally permitted to hang distribution cables from poles in the UK, so all new cables have to be embedded in the ground. The cost of these ground operations is high; costs between four hundred and

savings to a less risky venture. Fortunately, though, there are those who believe that cable has a future, and in areas where the latest technologies and the widest choice of programme and interactive services are provided, the viewers seem to appreciate the new services, and would perhaps pay more for. Many of these 'new' cable distribution services are in fact extensions and refurbishments of the old cable services operated by the Rediffusion company, which kept faith with cable for over thirty years even though off-air broadcasting services seemed to be given all the breaks. Much of the new money invested in cable television systems is coming from the USA, where investors know that cable can be a good investment, although it may take a long time for the first rewards to come in.

Optical Fibre — One Man's View Of The Future

In the short term, then, life looks difficult for the cabled distribution systems in the UK, with other technologies seeming to have the upper hand, but as in all crystal ball gazing much depends upon the person staring deep into the mists of the crystal. The scenario that follows can be no more than one man's view, but this particular viewer believes that cabled systems in the UK may have a great future in the longer term.

It is 1990, UK viewers have four terrestrial programme services, half a dozen Astra satellite services, and the promises of five more if they are prepared to buy a second satellite receiver. The broadcasters are beginning to replace their twenty year old terrestrial transmitters with new, more efficient ones that will last another twenty years. This will cost tens of millions of pounds, and will maintain the status quo until well into the twenty-first century. Against this background cabled distribution systems can expand only slowly, but new satellite services will continue to appear, and will prove popular since they can be received on existing equipment.

Now let us jump forward twenty years. The broadcasters will need to replace their transmitters again, this time at a cost of perhaps hundreds of millions of pounds, unless inflation really can be persuaded to stand still. In order to buy new equipment, the broadcasters will have to discuss where the money is coming from, and it will not be surprising if by that time some satellite operator can provide nationwide multi-channel television coverage for a fraction of the cost of renewing the terrestrial network. Although there are some worries that a satellite service will not be as secure in times of national emergency as a network of terrestrial transmitters would be, the financial arguments win the day. Plans are drawn up for the national services (BBC1, BBC2, and Channel Four, say) to be immediately transferred to satellite. The replacements for today's ITV companies protest that they provide regional broadcasting, and that satellite beams are too large and all-embracing to make their form of broadcasting viable from satellites. However by the time twenty years have passed, the technology will have advanced enough for broadcasting satellites to carry much larger, and therefore more directional aerals. It will be possible to have a satellite footprint that covers just Yorkshire, or just Scotland, so satellite broadcasting could replace all out current terrestrial broadcast output.

Satellite transmitters still cost a great deal of money, however, and at about the time that this major national investment will be required, the national telecommunications operator (whether British Telecom or some other body yet to be created) may have just completed replacing copper wire telephone cables throughout the land by fibre-optic cables. This



Photo courtesy of British Telecom

seven hundred pounds have been quoted for each additional home connected, depending upon the location. It is therefore no surprise that new companies have found some difficulties in raising the necessary capital. Would-be investors must ask how long it will take to make a worthwhile profit on such a huge investment. When they are told that it may be as long as seven years, many people decide to entrust their

TV

will have taken several years, but now nearly every house has a small-fibre optic cable instead of the previous telephone wires. The programme will have been entirely self-financing, because BT has been able to sell the old copper cables at a price considerably higher than the cost of the replacement fibre-optic equipment. The fibre-optic equipment has itself become much cheaper since opto-electronic components have become available in integrated circuit chip form. BT has had to plan the replacement programme carefully over a number of years, because it has so much copper available in its ducts that to put it all on the market at once would lower the price of copper in the world's commodities markets. Once the project is complete, with over 95% of homes having a fibre-optic cable input, BT can suggest to the government that it be allowed to carry all existing

picture-phone services.

During the latter years of the twentieth century higher definition television (HDTV) pictures, which can be shown with excellent quality on large screens of perhaps a metre diagonal, will become available on videodisc and perhaps from special wide-band satellite transmission systems. If cabled distribution systems are to keep up with this new technology, they will have to make provision for the increased bandwidths that such services will require. Whether HDTV finally comes in the form currently proposed by the Japanese, requiring a bandwidth of over 20MHz, or in one of the enhanced Multiplexed Analogue Components formats requiring around 16MHz preferred by most European countries, cable operators will need to ensure that they have the capacity and flexibility to deal with the increased



broadcast services on its fibre optic network, so as to reach virtually every home in the kingdom. Because it has already paid for the capital costs of the work of installing this huge fibre-optic network, and made a profit out of the deal, it can offer to carry the television services free of charge, knowing that it will be able to reap its profits from the multiplicity of new services that the optic-cable network will be able to carry in the future. The government is unable to resist such a wonderful financial deal, adds a few more 'musts' to its 'must-carry' regulations in order to show that it is still in charge, and gives the go-ahead.

Thus in one mighty leap cable has overtaken both terrestrial and satellite broadcasting for home use, since who will buy satellite receiving equipment when all the programmes are already coming into the houses by cable? Only the needs of the portable user will not be satisfied by the cable, and by that time there will be sufficient satellite services available for the viewer (with his brief-case portable satellite receiver and built-in flat-plate aerial) to have access to a wide range of other programmes, including the twenty-four hour international news programmes, and world-wide paging services.

Although most of the present-day cable operators do not yet appear to have recognised the possibility of such a scenario, British Telecom certainly has, and has published details of its plans for the provision of a national multi-purpose fibre-optics grid. This complex cable network would provide for interactive services, high-quality television pictures, data transfer services, videotex services, and even

bandwidths that will certainly be required. Only by planning well in advance can operators be sure that their systems will prove adequate, and it is notable that one of the claims for the BT fibre-optic system is that it will be able to deliver HDTV to the home.

Although the picture painted above shows a rosy future for cabled distribution systems, observant readers will have noticed that it is BT (or some other nationwide operator) which ends up in total control of the nationwide network. This situation, though familiar in many countries where the PTT runs everything, is totally at odds with what most cable operators would want. There is, however, no good reason why local operators should not be allowed to provide their own competing services whilst using the network that BT has laid down, and it is to be hoped that a suitable legislative and control framework can be worked out to permit us to have the best of both worlds.

We end on an optimistic note, therefore, with thoughts of a nationwide fibre-optic system that provides all the services that we could possibly need, including a feature which only cable can provide, a really local service of radio and television programmes and information that can be used to bind together the communities in which we live — true community broadcasting. The only slight cloud on the horizon of our cabled landscape is the fact that the horizon is still some distance away; cable in the UK has a great future, but the future may be a long time coming!

Jim Slater's book *Cable Television Technology* is published by Ellis Horwood. ISBN 0-7458-0108-0.

*Photo courtesy of
British Telecom*

THE RTC MONITOR II

100 WATT SPEAKER KIT £60.00 + £3.50 P&P (pair)

RESPONSE: 55Hz - 20kHz

BASS POLYMER CONE D: 22cm

DOME TWEETER: 14mm

OVERALL SIZE (HWD): 382,252,204mm

RECOMMENDED AMP POWER: 10-100 watts per channel

The performance standard achieved in this compact design is distinctively superior to anything else available at the price. The drive units used are of sophisticated design and have been carefully integrated with a Complex Crossover.

Stereo performance is exceptionally good with a well focussed sound stage and sharp resolution of detail. Distortion throughout the frequency range is low even at quite high power input and this gives a great sense of dynamic range and openness especially when used in bi-wired mode.

Supplied with:— 2 READY CUT BAFFLES, ALL CROSSOVER COMPONENTS, 2 BASS MID-RANGE, 2 DOME TWEETERS, HOOK UP WIRE, GRILLE CLOTH, SCREW TERMINALS AND SCREWS.



GOODMANS 60W CAR GRAPHIC



As new condition but have been returned by customers or shops, so they may need some attention. Hence the price of only £8.00 each. Order six of these units and you get the seventh one free. Postage £2.90

LCD DIGITAL MULTI TEST METER AC DC

Volts resistance and DC Amps. Most of these units are new but have been returned or rejected by the store and sold with all faults at £11.00 each. Postage £1.00. (Made by Ross Electronics).

ROSS PUSH BUTTON RADIO

Mains and battery operated. High quality VHF/FM, Medium and Long Wave reception. 6 pushbutton selected preset stations. Fully retractable telescopic aerial. Headphone/earphone jack socket.



Size 230H x 150W x 65D.
Ref RE-5500.
Brand new.

Price £14.95
+ £2.80 P&P

EXTRACTABLE HOUSING FOR YOUR CAR STEREO * SIZE DIN E * HANDLE INCLUDED * SPACE FOR MEMORY BATTERY * 4 OR 2 SPEAKER SYSTEM.

ENABLES YOU TO REMOVE YOUR VALUED STEREO FROM YOUR CAR (WITHOUT THE AID OF A HAMMER AND CHISEL, CHAINSAW ETC).
£9.95 postage £2.50

HILLS KITS IN STOCK ★ SEND FOR CATALOGUE

MAIL ORDER £1 BARGAIN PACKS BUY 20 GET 1 FREE

Please state pack(s) required

| No. | Qty. | per pack |
|--------|------|--|
| BP013 | 3 | 8" x 5" Speaker 40 6 watt made by E.M.I. |
| BP015B | 1 | 30W dome tweeter. Size 90x66mil JAPAN made |
| BP016 | 6 | 2200µf can type Electrolytic 25V d.c. computer grade made in UK by PHILIPS |
| BP017 | 3 | 33000µf 16V d.c. electrolytic high quality computer grade UK made |
| BP018 | 3 | 2000µf 50V d.c. electrolytic high quality computer grade made in USA |
| BP019 | 20 | 20 ceramic trimmers |
| BP020 | 4 | Tuning capacitors, 2 gang dielectric a.m. type |
| BP021 | 10 | 3 position, 8 tag slide switch 3 amp rated 125V a.c. made in USA |
| BP022 | 5 | Push-button switches, push on push off, 2 pole change over. PC mount JAPAN made |
| BP023 | 6 | 2 pole 2 way rotary switch |
| BP024 | 2 | Right angle, PCB mounting rotary switch, 4 pole, 3 way rotary switch UK made by LORLIN |
| BP025 | 4 | 3 pole, 3 way miniature rotary switch with one extra position off (open frame YAXLEY type) |
| BP026 | 4 | 4 pole, 2 way rotary switch UK made by LORLIN |
| BP027 | 30 | Mixed control knobs |
| BP028 | 10 | Slide potentiometers (popular values) |
| BP029 | 6 | Stereo rotary potentiometers |
| BP030 | 2 | 100k wire wound double precision potentiometers UK made |
| BP031 | 6 | Single 100k multitune pots, ideal for varicap tuners UK made by PHILIPS |
| BP032 | 4 | UHF varicap tuner heads, unboxed and untested UK made by PHILIPS |
| BP033 | 2 | FM stereo decoder modules with diagram UK made by PHILIPS |
| BP033A | 4 | 6" x 4" High grade Ferrite rod. UK made |
| BP034 | 3 | AM IF modules with diagram PHILIPS UK made |
| BP034A | 2 | AM-FM tuner head modules. UK made by Mullard |
| BP034B | 1 | Hi-Fi stereo pre-amp module inputs for CD, tuner tape, magnetic cartridge with diagram. UK made by MULLARD |
| BP035 | 6 | All metal co-axial aerial plugs |
| BP036 | 6 | Fuse holders, panel mounting 20mm type |
| BP037 | 6 | In line fuse holders 20mm type UK made by BULGIN |
| BP038 | 20 | 5 pin din, 180° chassis socket |
| BP039 | 6 | Double phono sockets, Paxolin mounted |
| BP041 | 3 | 2.8m lengths of 3 core 5 amp mains flex |
| BP042 | 2 | Large VU meters JAPAN made |
| BP043 | 30 | 4V miniature bulbs, wire ended, new untested |
| BP044 | 2 | Sonotone stereo crystal cartridge with 78 and LP stylus JAPAN made |
| BP045A | 2 | Mono Cassette Record and play heads |
| BP046 | 4 | 6-0-6 4VA mains transformers, PC mount UK made |
| BP047 | 1 | 24V 0.3VA mains power supply. Brand new boxed UK made by MULLARD |
| BP049 | 10 | OC44 transistors. Remove paint from top and it becomes a photo-electric cell (or P12) UK made by MULLARD |
| BP050 | 30 | Low signal transistors n.p.n., p.n.p. types |
| BP051 | 6 | 14 watt output transistors, 3 complimentary pairs in TO66 case (ideal replacement for AD161 and 162s) |
| BP052A | 1 | Tape deck pre-amp IC with record/replay switching No LM1818 with diagram |
| BP053 | 5 | 5 watt audio ICs. No TBA800 (ATEZ) |
| BP054 | 10 | Motor speed control ICs, as used with most cassette and record player motors |
| BP055 | 1 | Digital DVM meter I.C. made by PLESSEY as used by THANDAR with diagram |
| BP056 | 4 | 7 segment 0.3 LED display (R.E.D.) |
| BP057 | 8 | Bridge rectifiers, 1 amp, 24V |
| BP058 | 200 | Assorted carbon resistors |
| BP059 | 1 | Power supply PCB with 30V 4VA transformer. MC7818CT IC & bridge rectifier: Size 4" x 2 3/4" |
| BP061 | 5 | 6.35mm Mono jack plugs |
| BP063 | 5 | 6.35mm stereo switched jack sockets |
| BP064 | 12 | Coax chassis mount sockets |
| BP065 | 1 | 3mtr Euro-mains lead with chassis socket |

30+30 WATT AMPLIFIER KIT



An easy to build amplifier with a good specification. All the components are mounted on the single P.C.B. which is already punched and backprinted.

- 30W x 2 (DIN 4 ohm)
 - CD/Aux, tape I, tape II, tuner and phono inputs.
 - Separate treble and bass
 - Headphone jack
- Size (H.W.D.) 75 x 400 x 195mm
Kit enclosed: case, P.C.B., all components, scale and knobs £36.80. post £3.50
(Featured project in *Everyday Electronics* April 1989 issue). Reprint Free with kit.

TV SOUND TUNER



In the cut-throat world of consumer electronics, one of the questions designers apparently ponder over is "Will anyone notice if we save money by chopping this out?" In the domestic TV set, one of the first casualties seems to be the sound quality. Small speakers and no tone controls are quite common and that really is quite sad, as the TV companies do their best to transmit the highest quality sound. Given this background a compact independent TV tuner that connects direct to your Hi-Fi is a must for quality reproduction. The unit is mains operated. This TV SOUND TUNER offers full UHF coverage with 5 pre-selected tuning controls. It can also be used in conjunction with your video recorder.

£29.50 + £2.50 p&p

As above but with built-in stereo headphone amplifier for the hard of hearing

£35.90 + £2.50 p&p

TV SOUND TUNER KIT £11.50 + £1.30 P&P

All parts including Varicap tuner, mains transformer, PCB with IC's capacitors and coils etc., to build the unit illustrated above: without case and scale.

SHURE HIFI STEREO MAGNETIC CARTRIDGE

Fitted with an elliptical diamond stylus supplied with fitting kit and instructions. A good quality unit made to sell for well over twenty pounds due to scoop purchase, we are able to offer these at a fraction of the manufacturers price. All units are brand new and boxed. £7.20 each. If you order in multiples of five you get one free. Postage £1.30 (Made in U.S.A.)

KOSS MINI SPEAKERS

Use instead of headphones on your personal stereo, just plug in instead of headphones. Koss sound calls can be mounted on top of your personal stereo with the holder supplied or simply detach for shelf mounting. This quality unit was made to sell for over seventeen pounds by the KOSS professional headphone company of the U.S.A. Due to a massive scoop purchase we can offer these units for £4.30 each or buy in multiples of ten and you get one free. Postage £1.50.

KOSS STEREO HEADPHONES

High quality light weight stereo headphones fitted 3.5mm jack with adaptor to 6.4mm jack. Ideal use Hifi or personal stereos made to sell for nine pounds. Our price for this unit £4.25. Postage 60p.

Hi-Fi stereo cassette deck transport mechanism, complete with 3 digit rev counter and tape heads, 12V d.c. operation. Unused manufacturers surplus JAPAN made

£6.20 + £1.50 P&P 2 for £10 + £2.50 P&P

MULTIBAND RADIO

VHF 54-176 MHz + AM CB BANDS 1-80

Listen to: AIR TRAFFIC CONTROL, AIRCRAFT, RADAR

PUBLIC UTILITIES

RADIO AMATEURS AND MANY MANY MORE

£17.95 POSTAGE £2.85

SQUELCH CONTROL "RUBBER DUCK AERIAL"



RADIO AND TV COMPONENTS ACTON LTD

21 HIGH STREET, ACTON LONDON W3 6NG

MAIL ORDER TERMS: POSTAL ORDERS and/or CHEQUES with orders. Orders under £20 add £3.00 service charge. Nett monthly accounts to Schools, Colleges and P.L.C. only. ACCESS: VISA Phone orders between 9.30 & 12pm please. Overseas readers write for quote on delivery

Phone: 01 725 8432 or 01 992 8430

Callers 323 Edgware Road, London W2

SOLAR POWERED WOODEN MODELS

ATTRACTIVE AND EDUCATIONAL

Now you can experiment with solar energy the energy source of the future!

Our solar powered static wooden model kits are designed to let you build your own models. Everything is supplied. A set of pre-cut and marked plywood, PVA cement, instruction sheet, solar cell module, a music i.c. (for the gramophone model) or a small d.c. motor (for the helicopter and aeroplane models), connecting leads and sandpaper.

Helicopter with motor
£8.40 plus £1 p&p

Gramophone model with "music" i.c.
£8.40 plus £1 p&p

Aeroplane with motor
£8.40 plus £1 p&p

SPECIAL OFFER — BUY ALL THREE and get the postage FREE

ELEMENTS OF RADIO

Part 3

In principle, with modern components, you can push the performance of a superhet radio system as high as you want, in terms of bandwidth, stability of timed frequency, and signal-to-noise ratio. It depends on your needs, and the cost and complexity which can be justified in the design.

However, for the amateur, the existence of so many radio applications 'goodies' allows plenty of scope for low cost DIY experiments. Very convenient components are the quartz crystal filter and the modern, cheaper alternative, the ceramic 'ladder' or SAW filter, used for the provision of adjacent channel selectivity. Both are used in fixed frequency IF stages, typically at 455kHz, though other frequencies up to many MHz are also available.

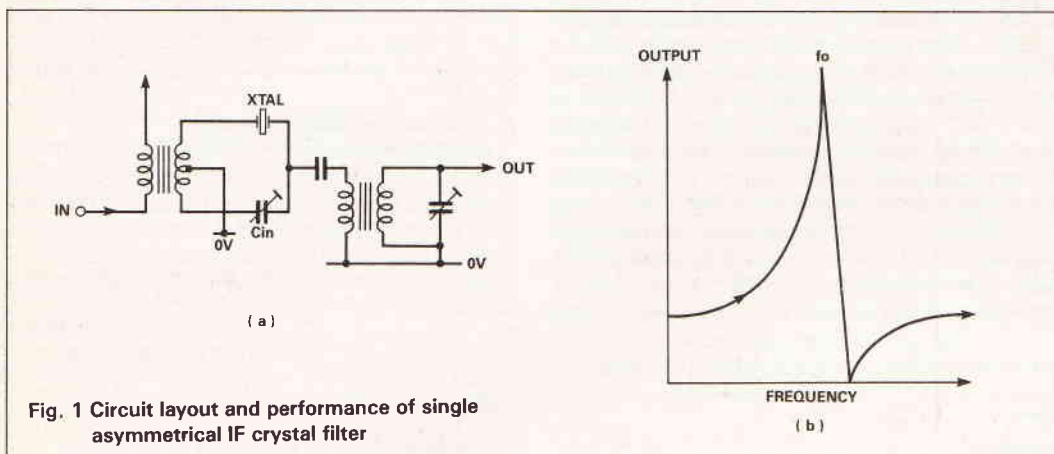
Beat Frequency Oscillator, or BFO. Fig. 2 shows the circuit layout.

However, for a modulated carrier carrying speech, the very narrow pass-bandwidth of a single crystal filter set-up would make speech unintelligibly 'boomy'. You can get round this problem by using a *band pass* crystal filter. This uses a pair of quartz crystals, with a separation in their resonant frequencies approximately equal to the bandwidth required, arranged as shown in Fig. 3a. This gives the kind of frequency response shown in Fig. 3b which is very good, but is a bit costly to put together.

In the final part of this series, John Linsley Hood describes some more advanced receiver designs, as used in many modern systems.

● Ceramic SAW Filters

These devices (also called *ladder filters* because of the shape of the electrode pattern used) make use of the

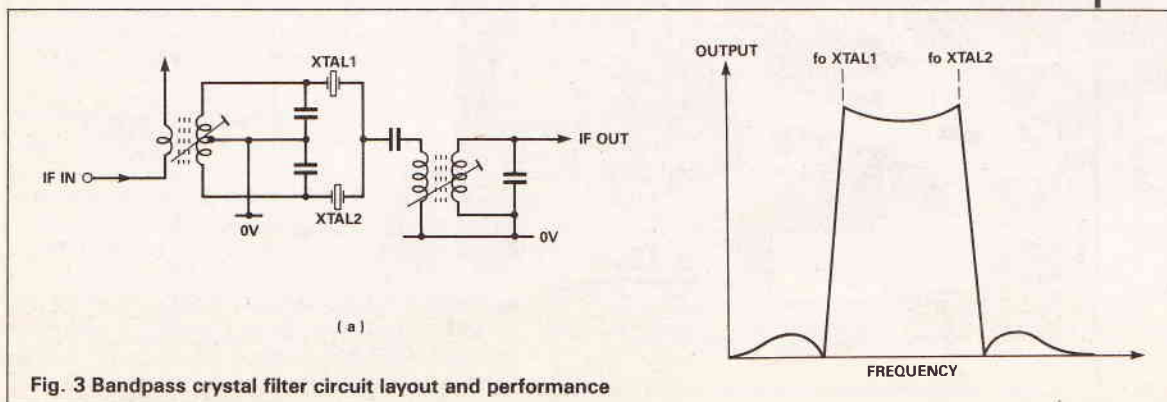
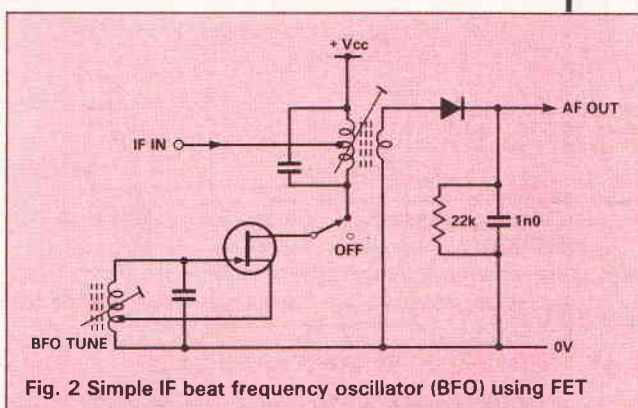


Filters For IF Stages

● Quartz Crystal Filters

The earliest techniques used to obtain high selectivity in superhet radios were based on the extremely high electromechanical Q values offered by the quartz crystal resonator. When this crystal is used in the circuit of Fig. 1a, its very sharp resonance peak gives a tuning response of the kind shown in Fig. 1b.

This was fine for isolating a single CW signal in the crowded amateur bands. The only modulation of the carrier was caused by switching on and off the morse key of the sender, and the interrupted carrier could be converted into an audible chirp by 'heterodyning' the IF output with the output from a local oscillator tuned to near the IF frequency — the



piezo-electric properties of materials such as Barium Titanate. Thin strips of single crystal quartz may also be used in some of the more up-market versions of these devices.

Their operation is based on the physical effect of an electrical signal applied between a group of interlaced parallel metallised strips, as shown in Fig. 4. If the electro-mechanical wavelength of an applied oscillatory voltage has an appropriate relationship to the spacing between the metal electrodes, a surface ripple will be propagated along the strip of material.

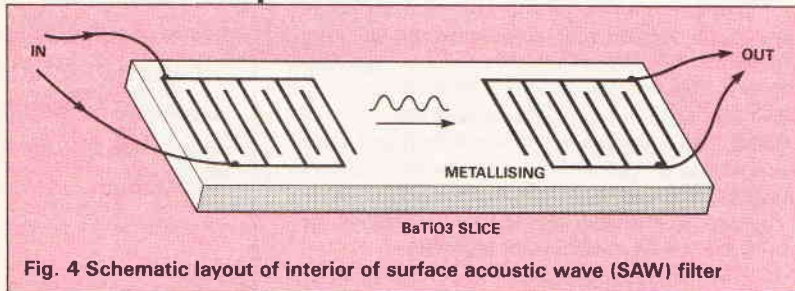


Fig. 4 Schematic layout of interior of surface acoustic wave (SAW) filter

This ripple will then be converted back into an electrical signal when it reaches a similar group of inter-digited electrodes at the other end of the strip.

By choosing the width and spacing of the metallised electrode strips, the operating frequency and bandpass characteristics of the filter can be determined quite precisely. However, unlike the quartz filters, which are basically high impedance devices, ceramic SAW filters usually require a fairly low source and load impedance, typically 330 ohms.

The kind of frequency pass-bands obtainable are shown in Fig. 5. The diode switching circuit shown in Fig. 6 can be used to offer a choice between two

or more filters in the IF circuit, giving a range of possible bandwidths for different signal or reception conditions.

However, as explained in the first part of this series, a very narrow pass-band is not wholly advantageous, since increased selectivity cuts the audio bandwidth, and may make the signal less intelligible. It will also increase the demands of the stability of the receiver tuning.

Frequency Stable Oscillator Systems

The stability of tuning of a superhet is principally determined by the stability of the frequency of the local oscillator. This problem is more acute in up-market communications receivers, where very high values of first IF frequency are used to push the second-channel frequency way above the Rx input pass band, since this also requires the local oscillator to operate at a very high frequency.

There are two major techniques used to get round this problem; the drift-cancelling loop, such as the Barlow-Wadley system (used in the Yaesu FRG7 communications Rx), and the frequency synthesiser technique.

The last method is becoming increasingly widely used in multi-band radio receivers, due to the fall in cost of large-scale integrated functional blocks, required for frequency division and its numerical control.

• The Barlow-Wadley Loop

The basic scheme is shown in Fig. 7. It is based on the fact that a quartz crystal oscillator can be designed to be extremely stable in frequency, so that even the frequencies of its harmonics will be adequately stable. The incoming signal is heterodyned (mixed) with the output of a relatively unstable LC oscillator. The

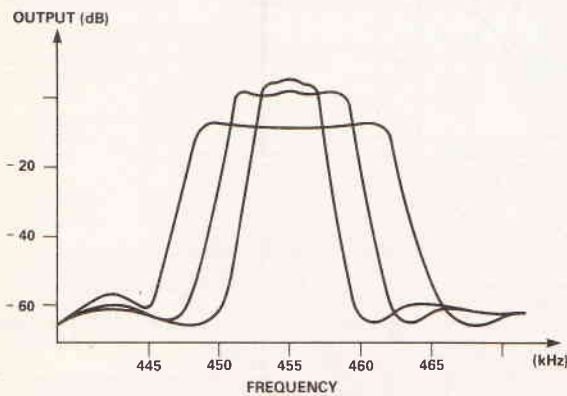


Fig. 5 Typical pass-band characteristics of various types of SAW filter

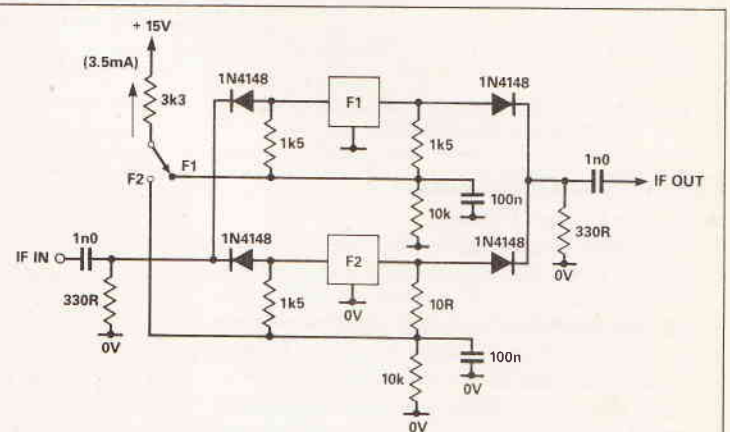


Fig. 6 Technique for switching between two or more ceramic filters

RADIO

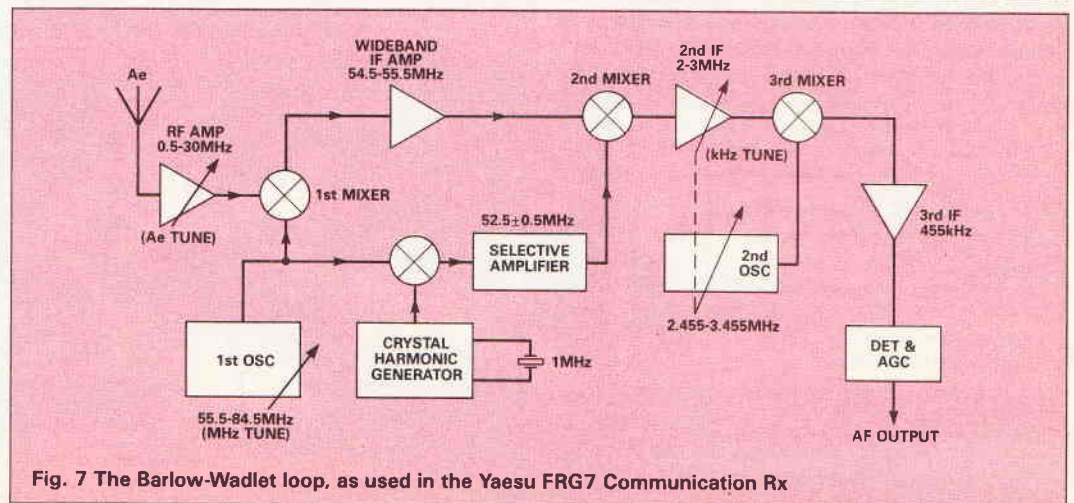


Fig. 7 The Barlow-Wadley loop, as used in the Yaesu FRG7 Communication Rx

resultant IF is amplified, and its output is then remixed with a third signal which is the combination of the original oscillator plus a harmonic of the crystal frequency. The drift due to the instability of the LC oscillator will then cancel out.

As shown in Fig. 7, an incoming signal is amplified by a tuned RF stage, which has a built in low-pass filter to cut out all signals above 30MHz. This signal is then mixed with the output of a reasonably (but not entirely) stable LC oscillator, oscillator 1, to give an IF somewhere in the region 54.5 to 55.5MHz, which is then amplified by a fairly wide-band first IF amplifier stage.

The output of oscillator 1 is then also mixed with the harmonics of a 1MHz quartz crystal oscillator, and passed through a frequency selective amplifier which has a 52-53MHz pass-band. Of the input mix of frequencies that within the range 52-53MHz is then combined with the first IF output to give a second IF of 2-3MHz. If there is a drift in the frequency in oscillator 1, then there will be an identical drift in the

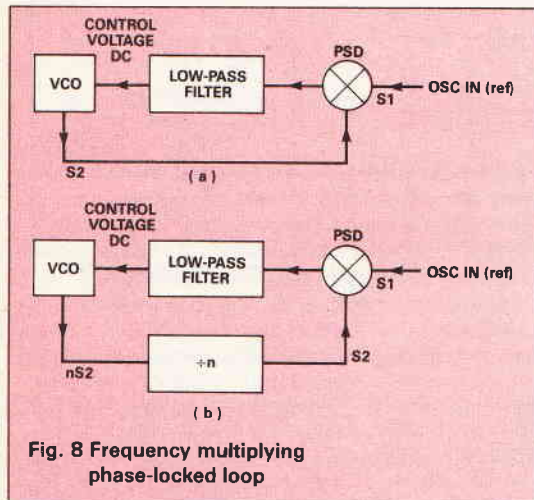


Fig. 8 Frequency multiplying phase-locked loop

of the loop and its filter stage, it can also force the VCO into frequency synchronisation with S1 when it was not initially running at the same frequency.

As an interesting spin-off, if a frequency divider stage is inserted in the loop between the VCO and the PSD, the VCO can be forced into frequency and phase synchronism with some multiple of the input frequency, giving a very reproducible frequency multiplier stage. This is shown in Fig. 8b.

This idea can be developed into the circuit shown in Fig. 9, where both the reference frequency and the VCO have frequency divider stages inserted between them and the PSD. If m and n can be specified over a wide enough range, the VCO, can, in principle, be give almost any desired output frequency which has the same stability as the reference input, which could be a highly stable quartz crystal oscillator.

This layout is the basic frequency synthesiser scheme. With modern systems of the kind shown in Fig. 10, a small dedicated microprocessor converts the desired tuning frequency, entered at a digital key pad, into the values of m and n which will make the VCO run at that frequency.

The construction of a wide frequency coverage superhet receiver can then be greatly simplified, to the kind of layout shown in Fig. 11. The first IF is high enough to avoid second channel interference, and the second oscillator is a crystal-controlled fixed-frequency circuit to reduce the signal frequency back to, say, 455kHz for amplification and pass-bandwidth selection by the use of ceramic filters.

To avoid the need to tune the pre-mixer RF stage, in parallel with the signal frequency selected by the synthesised oscillator the RF input is normally routed through one or other of a group of diode-switched LC filter networks, with the actual input filter in use being selected by a voltage output from the same microprocessor IC which controls the synthesised oscillator. The circuit is shown in Fig. 12.

The only problem is that there may be, within the

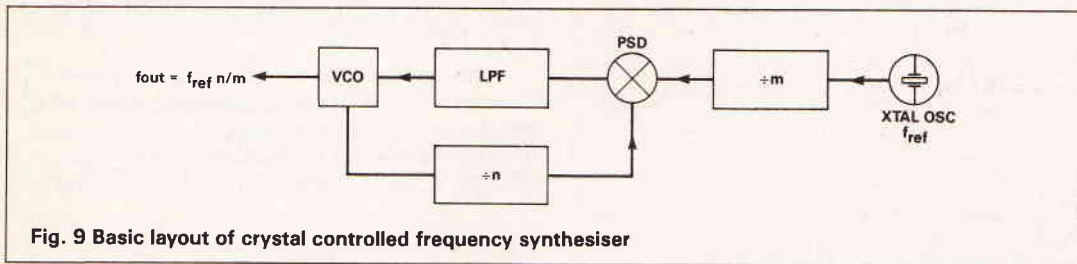


Fig. 9 Basic layout of crystal controlled frequency synthesiser

52-53MHz signal fed to the second mixer and this drift will then be cancelled in its output to the second IF stage.

The second IF is actually the tuned 'RF' stage of a conventional 2-3MHz superhet receiver. It is ganged to a lower frequency tuned LC oscillator, oscillator 2, to provide a 455kHz third IF for final amplification and selectivity. Although oscillator 2 is not absolutely frequency stable, it is adequate compared with the 55.5-84.5MHz. oscillator 1, and for most practical applications the system is drift-free.

● Frequency Synthesisers

Frequency Synthesisers employ a circuit called a *phase-locked loop*, shown in Fig. 8a, which is built from a phase sensitive detector (PSD). A PSD is a kind of mixer, which gives a voltage output related to the relative phase angle between two input signals, S1 and S2, which are at the same frequency.

If this DC output voltage is then fed to a voltage controlled oscillator (through a low-pass filter to remove unwanted RF components) it can force the VCO into precise phase synchronisation with the incoming signal S1. Depending on the characteristics

chosen filter pass-band, a sufficiently strong unwanted signal to drive the RF or mixer stage into a non-linear part of its characteristics. This can cause *cross-modulation* where the modulation on the unwanted

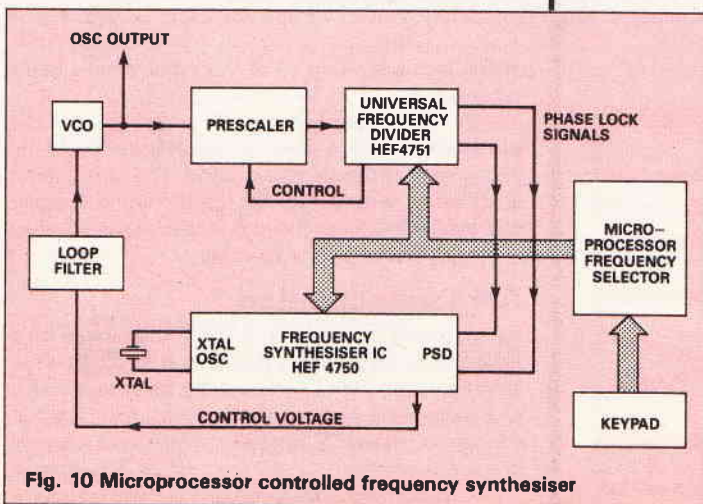


Fig. 10 Microprocessor controlled frequency synthesiser

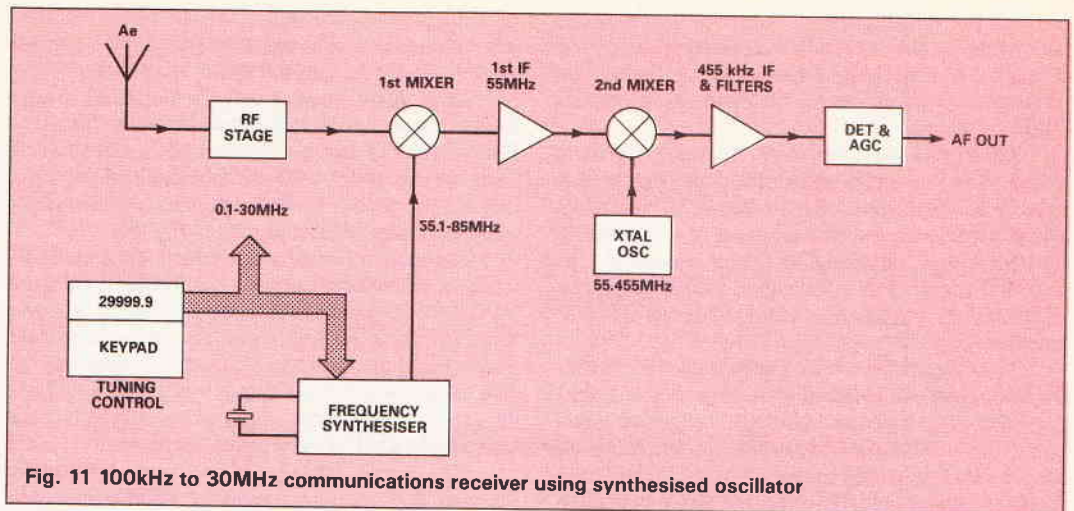


Fig. 11 100kHz to 30MHz communications receiver using synthesised oscillator

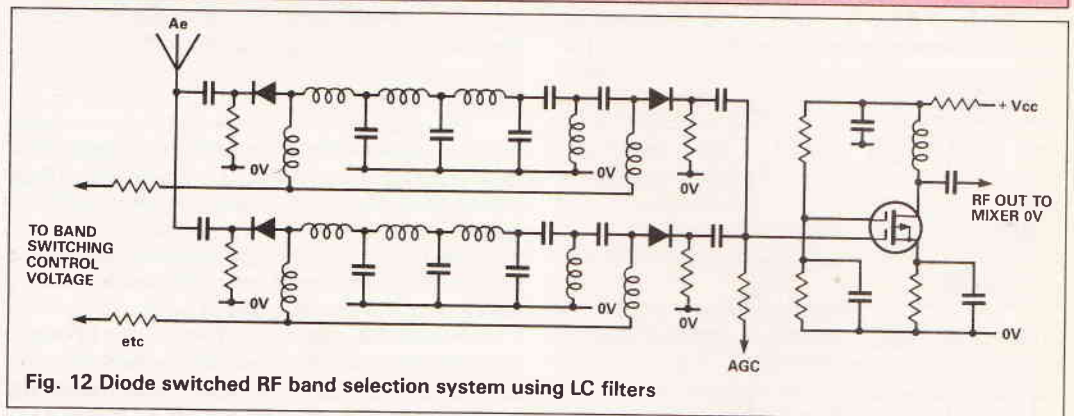


Fig. 12 Diode switched RF band selection system using LC filters

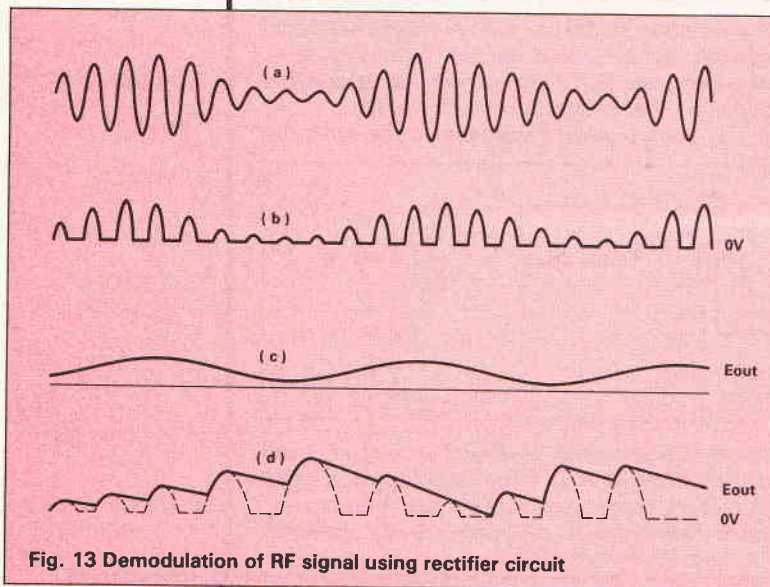


Fig. 13 Demodulation of RF signal using rectifier circuit

modulated carrier into a useful AF signal is to pass it through a rectifier circuit of the kind shown in Fig. 14, which will, ideally, give the kind of output shown in Fig. 13b. However, before this can be used, the RF component must be removed by some low-pass filter circuit, to give the electrical 'average' output shown in Fig. 13c.

This works well at low modulation frequencies. However, higher audio frequencies where the impedance of the parallel capacitor, C , is beginning to be comparable with R , the demodulated waveform will begin to distort, as shown in Fig. 13d. A full-wave

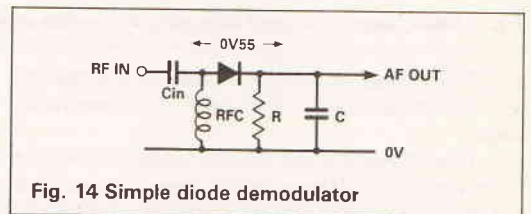


Fig. 14 Simple diode demodulator

signal is imposed on all of the other signals being received.

A more sharply tuned RF stage lessens the probability of such a powerful signal occurring in the chosen part of the input pass-band. The only answer is to try to ensure that the input/output transfer characteristic of all of the gain stages are as linear as is compatible with their function.

AM Demodulation

An incoming RF signal amplitude modulated by a lower frequency sinewave produces a waveform of the kind shown in Fig. 13a. Since the fundamental RF carrier frequency is well above the human hearing, such a modulated RF signal range on even the lowest practicable carrier frequency would be inaudible.

The conventional method of converting such a

rectifier circuit, which doubles the RF frequency of the rectified output, allows a lower value of shunt capacitance to be used, and lowers the distortion introduced by the demodulation process.

A further problem of the simple diode rectifier system is that received RF signals which are less than the 0.55V forward conduction voltage of, say, a typical silicon diode will simply not cause it to conduct at all. However this may not be much of a practical difficulty in a normal superhet where, in the absence of any other signal, even mixer noise may be amplified to more than 0.55V peak-peak.

With smaller input signals, this turn-on threshold effect can be avoided by ensuring that a forward voltage is applied to the diode(s) as shown in Fig. 15a. An alternative arrangement is to use emitter-follower or source-follower circuits as shown in Figs 15b and

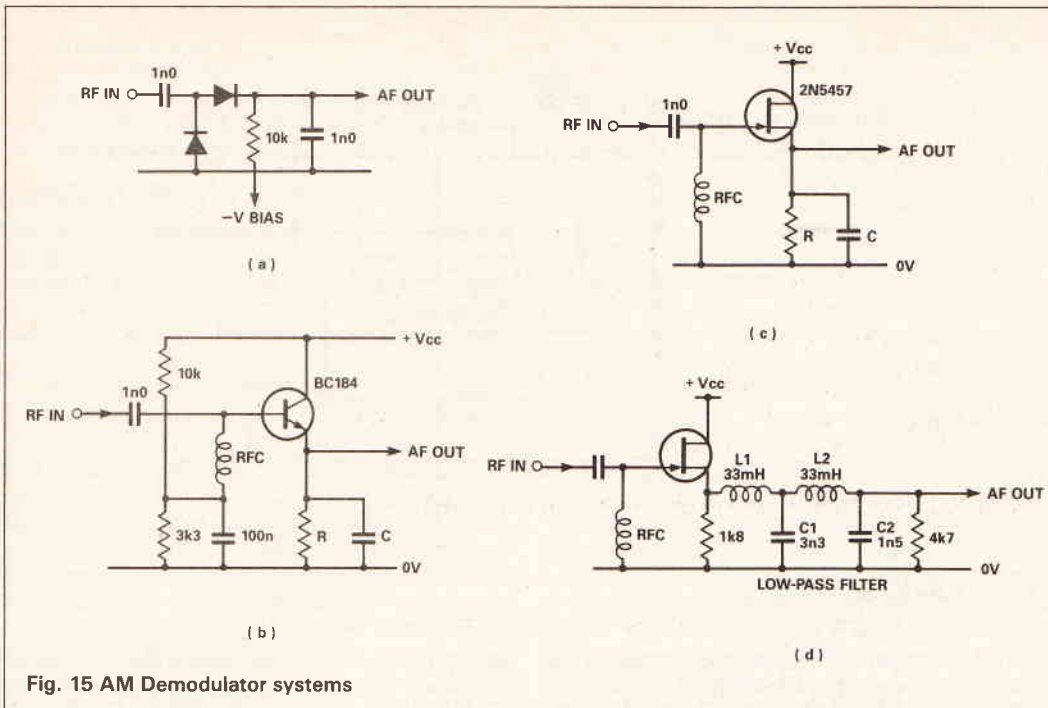


Fig. 15 AM Demodulator systems

15c. In valve days, this used to be called an *infinite impedance detector* since it didn't lead to the same loading (and Q spoiling effects) on the preceding tuned circuit which the simple diode would cause.

If the transistors in Figures 15b and 15c are biased so that they are just conducting, a positive input voltage will increase the current flow through the device, and increase the emitter or source potential, whereas a negative input voltage swing will tend to cut the device off. Once again, the emitter/source RF bypass capacitor must not cause too long an RC time constant value or the recovered AM signal will be somewhat distorted.

A better answer is to use a steep cut RF rejection filter, of the type shown in Fig. 15d, to separate the RF and AF components.

FM Demodulation

The basic structure of a normal FM receiver is not very different from that of an equivalent VHF AM radio, except that it has a wider IF bandwidth to accommodate the $\pm 75\text{kHz}$ deviation of the carrier, and oscillator stability is not usually a problem because of the wide receiver bandwidth. However the conversion of a frequency modulated RF signal into an audio output is less simple than in any AM system, since the carrier amplitude is now constant, and only its frequency will vary.

A simple and crude answer is merely to tune the signal so that it sits on the side of the receive response curve, as shown in Fig. 16, but since the slope of the curve is far from linear, the audio output will be pretty badly distorted.

A better answer is to exploit the phase shift in the voltage developed across a tuned circuit in relation to the RF input current, as the applied input frequency moves above or below the resonant frequency of the circuit. This characteristic is used in all three of the common FM demodulator circuits, the *ratio detector*, the Foster-Seeley, and the IC gate coincidence system, shown in Figs. 17, 18 and 19.

This last circuit is now almost exclusively employed in all contemporary 'hi-fi' FM tuner systems, and can, with care, give a recovered distortion figure of as low as 0.2%. However, the final linearity of all phase-related demodulator systems depends on the accurate phase coherence of all the tuned circuits

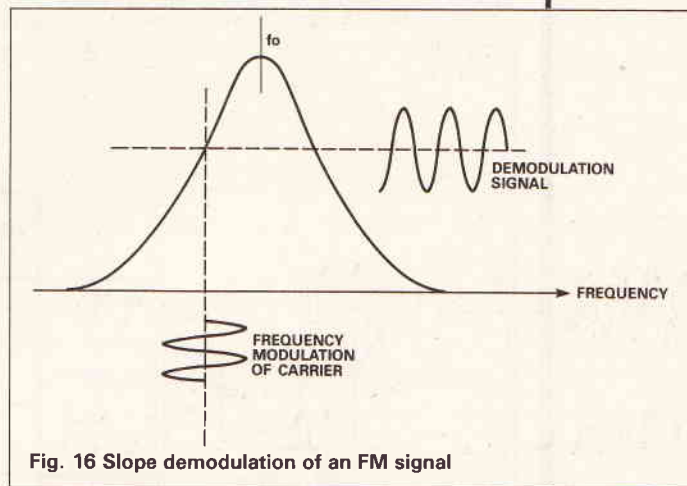


Fig. 16 Slope demodulation of an FM signal

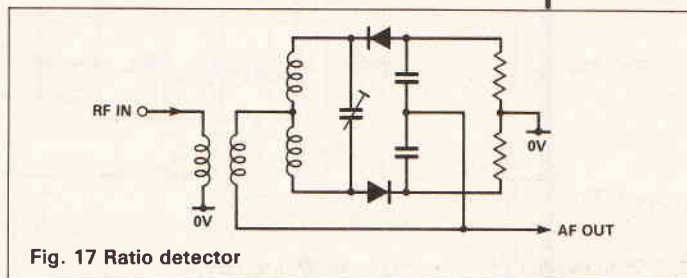


Fig. 17 Ratio detector

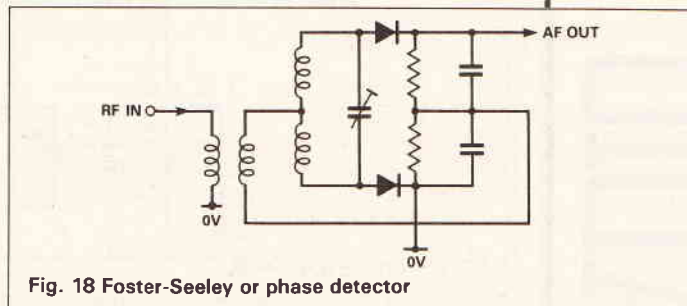


Fig. 18 Foster-Seeley or phase detector

which precede the demodulator, since if the phase of the incoming signal is shifted, the demodulator cannot distinguish between this and a waveform related frequency shift.

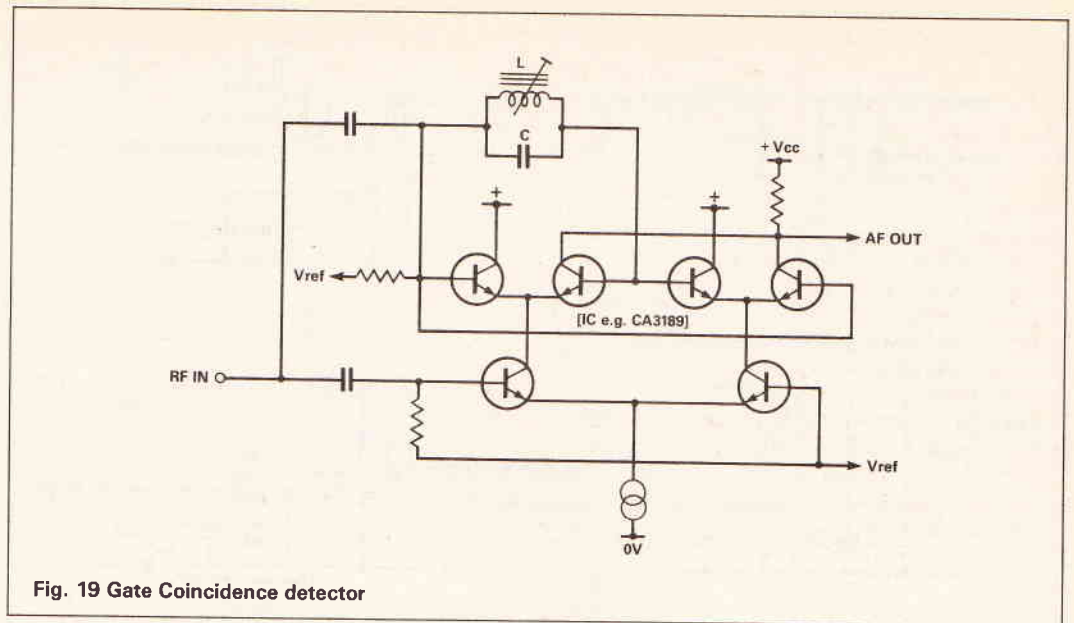


Fig. 19 Gate Coincidence detector

A nicer answer to this difficulty is to return to the phase-locked loop circuit shown in Fig. 8a, which I used in my own PLL FM receiver, (described in ETI in March and April 1987). The incoming FM RP is fed

into a phase sensitive detector, and the loop output is used to control the frequency of a VCO which is frequency locked to the incoming signal. The AF output from the loop (the filtered frequency control

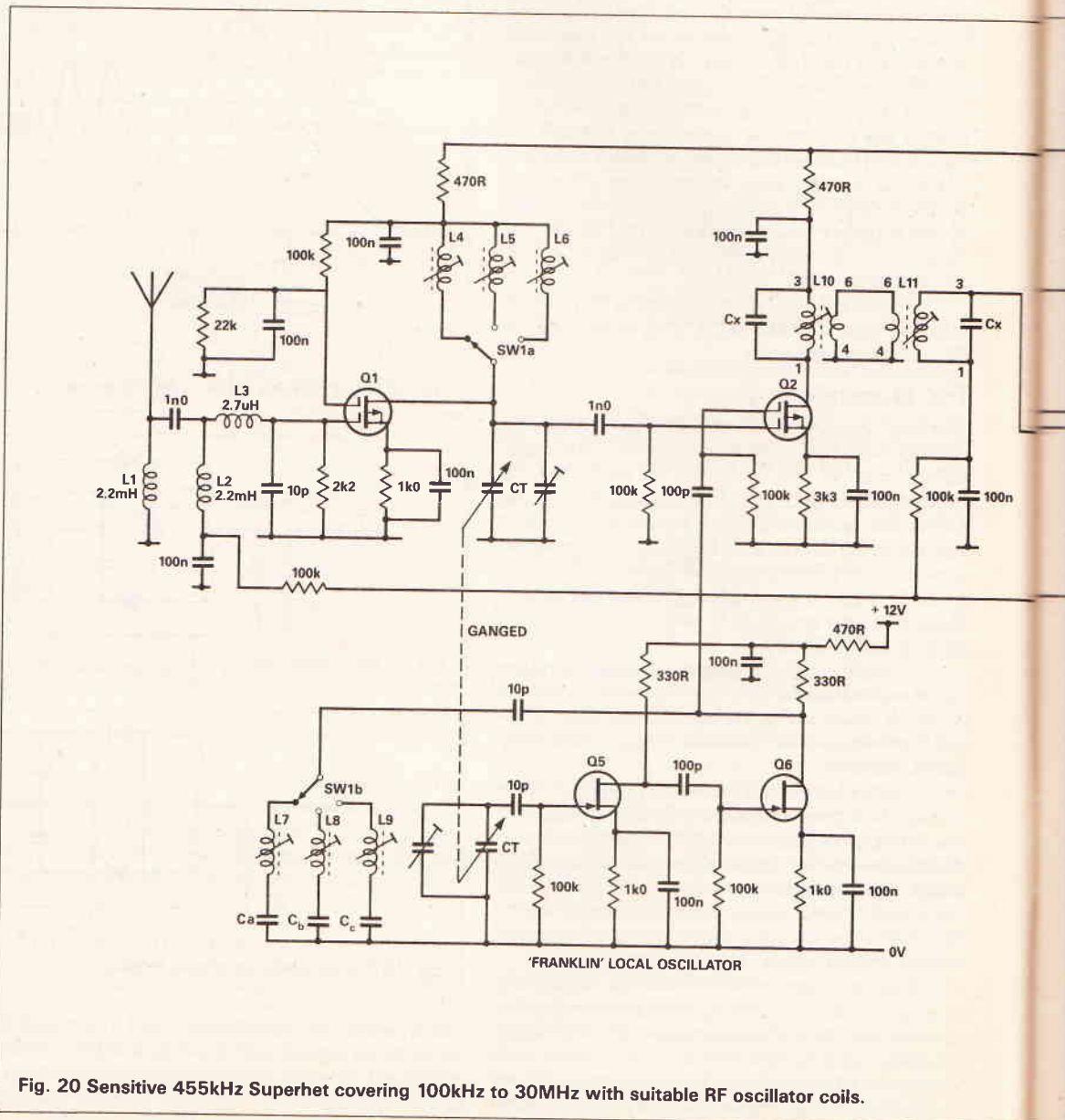


Fig. 20 Sensitive 455kHz Superhet covering 100kHz to 30MHz with suitable RF oscillator coils.

voltage fed to the VCO) will then be as linear as the VCO characteristics allow.

With careful design of the VCO you can get an output linearity as high as 0.05%, without the need to use carefully chosen (and expensive) RF stages and filter modules in the preceding circuitry.

Single IC Radio Systems

Most of the cost of making a simple AM/FM radio is the labour needed to put the necessary components together. In order to reduce the component count and the consequent labour costs, a number of manufacturers have made special purpose ICs which perform all the necessary circuit functions.

With the exception of the Ferranti ZN414, nearly all these ICs — such as the TEA5570 (described by Paul Chappell in ETI November 1989) or the TDA1072A — employ superhet circuits. The necessary oscillator, RF/IF gain and demodulator/AGC stages are on the chip, so that with the addition of some external tuning and decoupling components, the IC will make a complete radio set. The loudspeaker driver stages can also be provided by a single IC, such as the TDA1013A. Some, like the NS AM/FM LM1868, even have an audio power amplifier in the package.

While these ICs offer a simple route to radio construction, they don't, I think, offer nearly as much

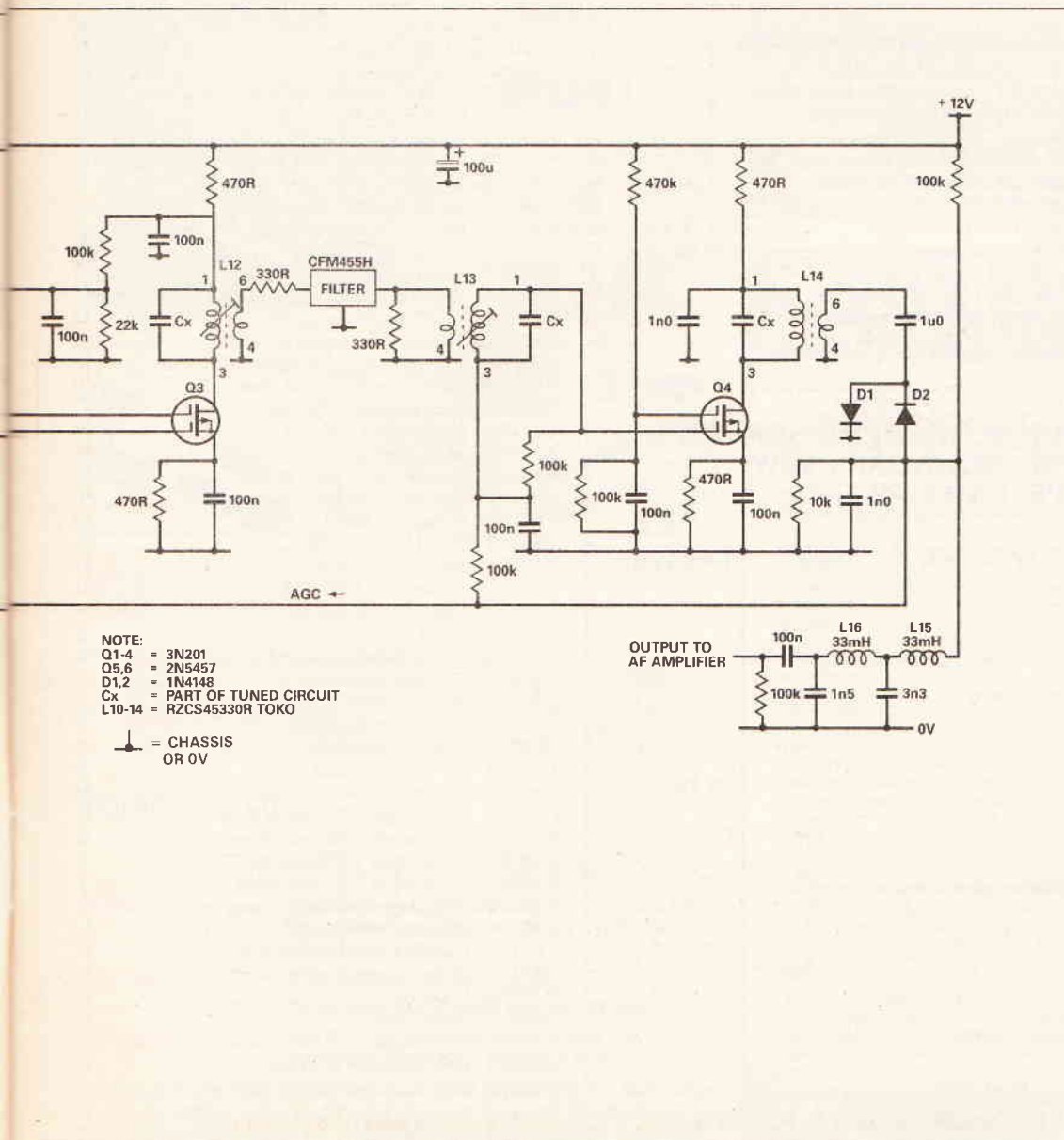
scope for individual experiments or performance improvement as circuits built up from separate bits — provided that you know how to do it.

A DIY multi-waveband

To round off this series Fig. 20 shows a fairly simple single conversion superhet, with a 6kHz pass-band IF ceramic filter and an untuned RF stage, which includes some of the circuits described above. The tuning range is controlled by the aerial and oscillator coils (L4/L5/L6 and L7/L8/L9), switched by S1a/S1b. Many of these ranges can be chosen.

Each of the oscillator coils requires a 'padding' capacitor, (Ca/Cb/Cc) to help keep the aerial and oscillator coils in tune over the chosen frequency range. The proper value for these capacitors will depend on the coils chosen, varying from 220p for the long wave (120-300kHz) band to 0.01μ for the 10-30MHz band.

Since it uses only a 455kHz IF, the second-channel rejection on higher frequency short-wave bands will not be very good. However, the sensitivity and signal-to-noise ratio is good enough to receive almost any usable incoming signal. The tuning capacitor is an airspaced 330p dual gang unit, with trimmers caps. All the components needed can be obtained from *Cirkit*, or *Bonex* (102, Churchfield Road, Acton, London) if your local shop cannot help.



TELEPHONE
ORDERS
may be made on
(0442)
66551
ACCESS or VISA



PCB SERVICE May

| Price code | Price (inc. VAT) |
|------------|------------------|
| C | £1.80 |
| D | £2.50 |
| E | £3.25 |
| F | £4.00 |
| G | £4.75 |
| H | £5.50 |
| J | £6.62 |
| K | £7.20 |
| L | £8.80 |
| M | £10.60 |
| N | £13.10 |
| O | £15.80 |
| P | £17.90 |
| Q | £21.80 |
| R | £23.90 |
| S | £25.90 |
| T | £29.00 |
| U | £32.20 |
| V | £35.80 |
| W | £37.90 |
| X | £40.70 |

E9005-1 Business Display O
E9005-2 Phone Lock and Logger F

PCBs for the remaining projects are available from the companies listed in Buylines.

Use the form or a photocopy for your order. Please fill out all parts of the form. Make sure you use the board reference numbers. This not only identifies the board but also tells you when the project was published. The first two numbers are the year, the next two are the month.

Terms are strictly payment with order. We cannot accept official orders but we can supply a proforma invoice if required. Such orders will not be processed until payment is received.

| | | | | | |
|---------|---------------------------------------|---|---------|--------------------------------------|---|
| E8902-4 | Quest-Ion (2bds) | K | E8906-4 | MIDI converter control | M |
| E8903-1 | Intelligent Plotter Solenoid Board | H | E8906-5 | AF signal generator | G |
| E8903-2 | MIDI Programmer | L | E8906-6 | Mini bleeper | C |
| E8903-3 | Balanced Disc Input Stage | F | E8906-7 | Caravan heater controller | G |
| E8903-4 | Digitally Tuned Radio | G | E8907-1 | MIDI Patch Bay | G |
| E8904-1 | Camera Trigger | E | E8907-2 | Priority Quiz Switch | E |
| E8904-3 | Intelligent Plotter Main Board | O | E8907-3 | Camera Trigger Infra-reds (2 boards) | G |
| E8904-4 | Kinetotie Tie Board | N | E8907-4 | Aerial Amplifier main board | E |
| E8904-5 | Kinetotie Control Board | E | E8907-5 | Aerial Amplifier power supply | E |
| E8905-1 | Guitar Tuner | H | E8908-1 | Intercom master station | L |
| E8905-2 | Camera Trigger Ultrasonics (2 boards) | F | E8908-2 | Intercom slave station | F |
| E8905-3 | Bench Power Supply (2 boards) | H | E8908-3 | Intercom power mixer | E |
| E8906-1 | PC edge connector | F | E8908-4 | Digital joystick-to-mouse conversion | H |
| E8906-2 | MIDI converter CPU | N | E8909-1 | Twin Loop Metal Locator | H |
| E8906-3 | MIDI converter keyboard | N | E8909-2 | Trembler movement detector | D |
| | | | E8909-3 | Field power supply (spec 3) | C |
| | | | E8909-4 | Micro monitors active filter | F |
| | | | E8909-5 | Chronoscope auto-reset | C |
| | | | E8910-1 | Multimeter | H |
| | | | E8910-2 | MIDI Mapper | M |
| | | | E8911-1 | Smoke Alarm main board | F |
| | | | E8911-2 | Smoke Alarm power supply | F |
| | | | E8911-3 | Frequency Meter (3 boards) | O |
| | | | E8911-4 | Serial Logic Scope | L |
| | | | E8912-1 | Mains Failure Alarm | D |
| | | | E8912-2 | Surveillance PCB | D |
| | | | E8912-3 | Slide/Tape Synch | E |
| | | | E8912-4 | Pedal Power | L |
| | | | E8912-5 | Digital Noise Generator | K |
| | | | E9001-1 | 20 metre Receiver | J |
| | | | E9001-2 | Wavemaker FG | L |
| | | | E9001-3 | Motorcycle Intercom | F |
| | | | E9001-4 | Low Voltage Alarm | C |
| | | | E9002-1 | EPROM Emulator | N |
| | | | E9002-2 | Superscope Mother Board | M |
| | | | E9002-3 | Superscope CRT Driver Board | K |
| | | | E9002-4 | Superscope Timebase Board | K |
| | | | E9003-1 | Superscope Y1 input board | J |
| | | | E9003-2 | Superscope Y2 input board | J |
| | | | E9003-3 | Superscope switch generator | E |
| | | | E9003-4 | Business power amp board | L |
| | | | E9003-5 | Business power supply board | J |
| | | | E9003-6 | Business pre-amplifier board | L |
| | | | E9003-7 | Water hole | G |
| | | | E9003-8 | Super Siren | D |
| | | | E9003-9 | Val's badge | F |
| | | | E9004-1 | Bass Amplifier DC Protection | F |
| | | | E9004-2 | Bass Amplifier Graphic Equaliser | L |
| | | | E9004-3 | Bass Amplifier Micro | N |
| | | | E9004-4 | Quad Power Supply | O |

TO: ETI PCB SERVICE, READERS' SERVICES,
ARGUS HOUSE, BOUNDARY WAY,
HEMEL HEMPSTEAD HP2 7ST

Please supply:

| Quantity | Ref. no. | Price Code | Price | Total Price |
|----------|----------|------------|-------|-------------|
|----------|----------|------------|-------|-------------|

Post and packing

£0.75

Total enclosed

£

Please send my PCBs to: (BLOCK CAPITALS PLEASE)

Name

Address

Postcode

CHEQUES SHOULD BE MADE PAYABLE TO ASP Ltd.

When you need COMPONENTS...

(C.W.O. Post Free U.K.)



You need



Starting with the

FREE 1990 134 PAGE CATALOGUE

WRITE

Electrovalue Ltd, FREEPOST, 28a St Jude's Rd, Englefield Green, Egham, Surrey TW20 8BR (No stamp needed)

PHONE

0784 433 603 · FAX 0784 435216

CALL

Either shop 9.00-5.30pm (Sat 9.00-1.00pm)

NORTHERN BRANCH

680 Burnage Lane, Manchester M19 1NA
Phone 061 432 4945 · Fax 061 432 4127

No postage to pay on UK CWO orders. Access/Visa facilities (min £5). No postage to pay on written enquiries for catalogue when marked Electrovalue Ltd, FREEPOST, 28a St Jude's Rd, Englefield Green, Egham, Surrey TW20 8BR

WE HAVE THE WIDEST CHOICE OF USED OSCILLOSCOPES IN THE COUNTRY

| | |
|---|------|
| TEKTRONIX OSCILLOSCOPE 2235 Dual Trace 100MHz Delay Sweep | £750 |
| PHILIPS OSCILLOSCOPE PM3217 Dual Trace 50MHz Delay Sweep | £500 |
| GOULD OS300 Oscilloscope Dual Trace 20MHz | £250 |
| GOULD 1421 Digital Storage Dual Trace 20MHz | £750 |
| H P1740A Dual Trace 100MHz Delay Sweep Trig | £500 |
| TELEQUIPMENT D83 Dual Trace 50MHz Delay Sweep | £300 |
| GOULD OS3000A Dual Trace 40MHz Delay Sweep TV Trig | £275 |
| TELEQUIPMENT D755 Dual Trace 50MHz Delay Sweep | £350 |
| COSSOR CDU150 Dual Trace 35MHz Delay Sweep | £180 |
| GOULD OS1100 Dual Trace 30MHz TV Trig | £210 |
| S.E. LABS SM111 Dual Trace 18MHz | £130 |
| TRIO CS1968A Dual Trace 20MHz | £250 |
| H P1220A Dual Trace 15MHz TV Trig | £175 |
| GOULD OS255 Dual Trace 15MHz TV Trig | £180 |
| PHILIPS PM3233 Dual Beam 10MHz TV Trig | £150 |
| GOULD OS250B Dual Trace 15MHz TV Trig | £160 |

TEKTRONIX 2215 Dual Trace 60MHz Sweep Delay with manual, probes, front cover, pouch only £500

THIS IS JUST A SAMPLE — MANY OTHERS AVAILABLE

| | |
|---|-----------|
| MARCONI TF2015 AM/FM 10-520MHz Sig Gen with TF217 | £450 |
| MARCONI TF2015 without Synchroniser TF217 | £300 |
| MARCONI TF2015 AM/FM 10kHz-120MHz Sig Gen with TF217 | £400 |
| MARCONI TF2016 without Synchroniser TF2173 | £250 |
| MARCONI MOD Meters TF2300, TF2300B, TF2303 from | £100 |
| H.P. 620B Signal Generator 7 — 11GHz | £400 |
| H.P. 618C Signal Generator 3B — 7.6GHz | £400 |
| H.P. 618B Signal Generator 1.8 — 4.2GHz | £400 |
| WOLKE Wow & Flutter Meter MIE09 | £100 |
| LEADER LMV188A Two Channel Millivoltmeter 5Hz-500KHz 100uV — 300V | £100 |
| FEEDBACK FG601 Sig Gen 0.001Hz-1MHz Sine/Saw/Tri | £150 |
| MARCONI Automatic Distortion Meter TF2337A 400Hz or 1KHz Measures down to 0.01% | £100 |
| LEVELL OSCILLATORS TG1520 Series from | £180 |
| MARCONI TF2700 UNIVERSAL LCR BRIDGE Battery | from £150 |

| | |
|--|---------------|
| SADELTA MC321 COLOUR BAR GENERATOR RF Bands 1.34 & Video 8 Functions Sound Carrier Unused (P&P7) | £125 |
| SADELTA COLOUR BAR GENERATOR PAL MC101 8 Patterns Pocket Size Rechargeable Batteries Complete with Battery Charger Adaptor Unused (P&P4) | £50 |
| Labgear Colour Bar Generator KGI 8 Test Patterns (P&P 4) | only £40 each |
| LABGEAR CROSSHATCH GENERATOR Type CM6038.08 Crosshatch Grey Scale Blank Raster Mains or BATTERY Unused £18. Used £12 (P&P £3) | £18 |
| TRIO RF SIGNAL GENERATOR Type SG402 100KHz 30MHz Unused (P&P 7) | only £50 |
| ADVANCE SG628 AM 150kHz-220MHz | £45 (P&P £7) |
| MICROVITEX WB MONITOR 14" COLOUR | £90 |

TELEPHONES

Yes real dial type telephones that don't slide around the desk. Type no. 746 supplied with standard BT plug (used). Quantity discount only £5 (p&p £3)

Used equipment — with 30 days guarantee. Manuals supplied if possible. This is a VERY SMALL SAMPLE OF STOCK. SAE or telephone for lists. Please check availability before ordering. CARRIAGE all units £16. VAT to be added to Total of Goods & Carriage

STEWARTS OF READING
110 WYKEHAM ROAD, READING, BERKS RG6 1PL
Tel: 0734 68041. Fax: 0734 351696. Callers welcome 9am-5.30pm Mon-Fri (until 8pm Thurs)

SURVEILLANCE PROFESSIONAL QUALITY KITS

A range of high quality kits as supplied to leading UK security companies, all in-house designed and produced, not to be confused with cheap imports. All kits come fully documented with concise assembly and setting-up details, fibreglass PCB and all components. All transmitters are fully tuneable and can be monitored on a normal VHF radio or tuned higher for greater security. Build-up service available if required.

- MTX** Micro-miniature audio transmitter. 17mm x 17mm. 9V operation. 1000m range £12.95
- VT500** Hi-power audio transmitter. 250mW output. 20mm x 40mm. 9-12V operation. 2-3000m range £15.95
- VOX75** Voice activated transmitter. Variable sensitivity. 30mm x 40mm. 9V operation. 1000m range £18.95
- CTX900** Sub-carrier scrambled audio transmitter. Cannot be monitored without decoder fitted to radio. 30mm x 40mm. 9V operation. 1000m range £21.95
- DSX900** Sub-carrier decoder unit for monitoring CTX900. Connects to radio earphone socket. Provides output for headphones. 35mm x 50mm. 9-12V operation £21.95
- HVX400** Mains powered audio transmitter. Connects directly to 240V AC supply. 30mm x 35mm. 500m range £18.95
- XT89** Crystal controlled audio transmitter. High performance. 100mW output. Supplied with xtal for 108MHz. Others available to 116MHz. 85mm x 28mm. 9V operation. 2-3000m range £30.95
- TKX900** Tracker/Beeper transmitter. Transmits continuous stream of audio pulses. Variable tone and rate. Powerful 200mW output. 63mm x 25mm. 9V operation. 2-3000m range £21.95
- ATR2** Micro size telephone recording interface. Connects between telephone lines (anywhere) and cassette recorder. Tape switches automatically with use of phone. All conversations recorded. Powered from line. 10mm x 35mm £12.95
- TLX700** Micro miniature telephone transmitter. Connects to line (anywhere) switches on and off with phone use. All conversations transmitted. 20mm x 20mm. Powered from line. 1000m range £12.95
- XML900** RF bug detector. Variable sensitivity. Triggers LED and beeper when in presence of RF field. Detects MTX 15-20 feet, 55mm x 55mm. 9V operation £26.95
- XL7000** Professional bug detector/locator. Variable sensitivity. Twin mode ten segment LED readout of signal strength with variable rate beeper. Second mode AUDIO CONFIRM distinguishes between localised bug transmission and normal legitimate signal such as pagers, cellular etc. 70mm x 100mm. 9V operation £54.95

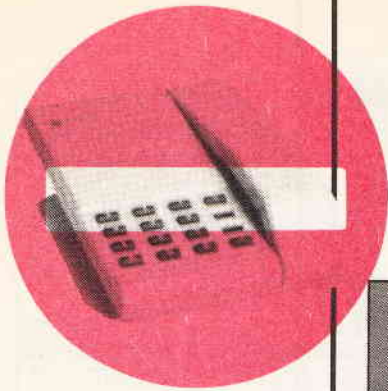
UK customers please send cheques. PO's or registered cash. Please add £1.50 per order for P&P. Goods despatched ASAP allowing for cheque clearance. Overseas customers send sterling bank draft or Eurocheque and add £5.00 per order for shipment. Credit card orders accepted on 0827 714476. Trade enquiries welcome. Send 30p stamp for full 1990 Catalogue.



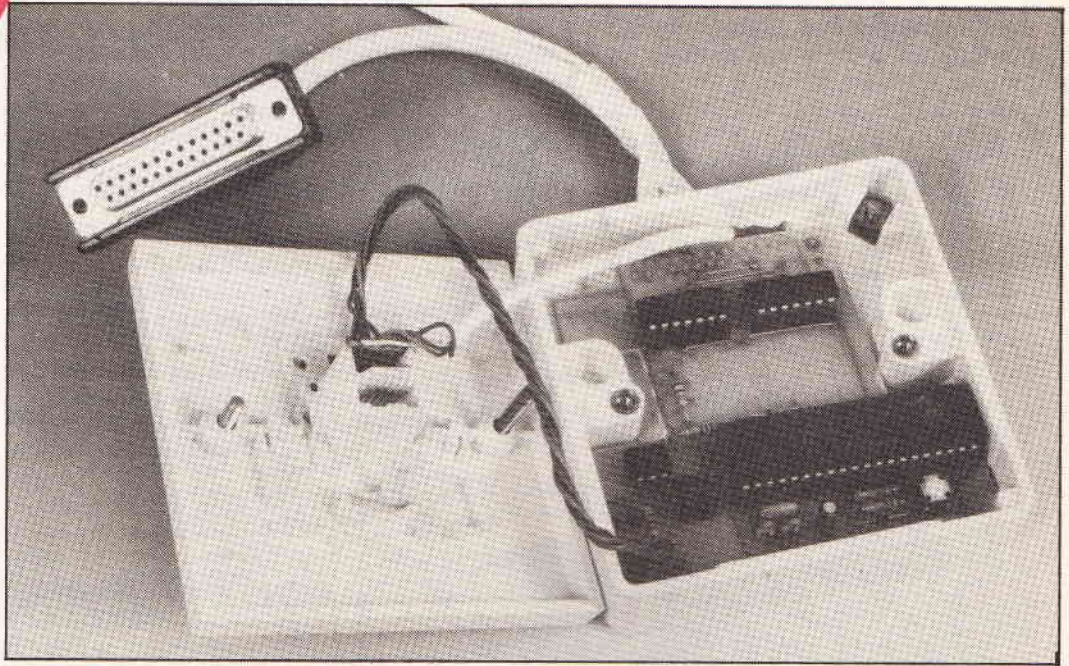
THE WORKSHOPS
95 MAIN RD. BAXTERLEY
NR. ATHERSTONE
WARCS CV9 2LE



0827 714476



PHONE LOCK AND CALL LOGGER



In March, we asked why phones aren't protected by PIN numbers. Now Kevin Kirk has come up with a circuit which does just this - and logs outgoing calls too!

PROJECT

Anyone who has had a large telephone bill (which probably includes almost every reader) will wonder how the bill could be so high when the phone is only used occasionally. The mystery may be partially solved if there is a teenager in the house or if the telephone in question is in a company, where a certain pimply youth has more than a passing knowledge of Willing Wanda's 0898 phone-in.

The phone bill maybe the real reason why this country has such a high rate of heart attack victims. So that a low cost call logger unit that stops unauthorised calls and logs all others, may save the NHS a fortune!

Design Philosophy

The original idea was a simple telephone combination lock, which required you to dial a code before you could make any calls. Originally it was thought that a pure logic circuit could be used, but the design became too complex.

It emerged that the unit needed some sort of processor. With some form of intelligence it became much easier to add call logging and screening of certain types of calls.

To prevent unauthorised users knowing that the call logger unit is there, it must be hidden (I would get suspicious if I saw a load of lights start flashing on a large box as soon as I lifted the phone off the hook). There is no better place to hide the unit than in the bottom of the pattrass box, behind British Telecom socket. This means that the unit has to be small, so there is not enough room for the standard combination of micro, eprom, ram, I/O and so on. Instead a single chip microcontroller was used, which had all these functions in one 40 pin chip.

The next consideration was for network safety. This means that the unit must be capable of getting British Approval Board for Telecommunications (BABT) approval. To this end Opto isolators which have been BABT tested and have been approved on

equipment are used. Careful attention was also paid to the creepage and clearance distances of the components on the non-BT side to those on the BT line.

The call logger must be transparent to the operation of the telephone and the network. In particular, it should not effect the ring nor add to the REN. For this reason the unit is not powered from the BT line but from a separate 5V power supply, and the components on the BT side are kept to the minimum required for correct operation.

On the operation side, there is a choice of either monitoring the line as a whole or just an individual extension. This design allows either — it can be fitted into the pattrass box to monitor an individual telephone, or in series with the master socket to monitor all use of the line.

The password should be simple to change without the use of keys (which would rather defeat the object of the unit) so a hidden push button approach is used with the password being sent from the telephone, rather than a set of BCD switches.

The unit will (depending on the first digit of the password) allow the following calls:

| Password 1st digit | Calls allowed without password |
|--------------------|--------------------------------|
| 1 (or NULL) | All calls |
| 2, 3 or 4 | All calls except 0898 |
| 5, 6 or 7 | Local calls only |
| 8, 9 or 0 | None |

So a password of say 5678 would allow a user to make a local call only. Note that NULL is the default value on switch on.

The unit should be capable of logging the number dialled and the duration of the call on a standard printer, using a standard printer cable for a PC. It should also be capable of keeping a record of attempts at unauthorised calls, so Wanda's potential clients would have their misdeeds recorded for all time

without the satisfaction of actually getting through. At the end of certain lines the following messages could appear:

- Aborted** — Call terminated by user before it was through
- Not Allowed** — User did not use Password so call not allowed
- International** — To call attention to all International Calls
- Expensive** — To call attention to all expensive calls

So a typical line could look like this:

0442 66551 10:24:38 expensive

The time is in the international HH:MM:SS format with colons as delimiters.

For some users this arrangement may not be convenient as it would tie up a printer completely (although a printer buffer may be used for storage if a printer is not always available, with a print dump once a day or even once a week). It may also not be the best solution in a business or home with several extensions that need to be monitored individually.

In these cases a serial port was envisaged in conjunction with the parallel printer port. The serial port could be multiplexed into any computer along with inputs from other loggers.

The serial port needs to carry minimum overhead, which means sending its information in the minimum time so the multiplexor is not tied up for long. A synchronous system was chosen, which uses a separate clock line to clock out individual bits. This not only removes the need for start stop and parity bits but can also work at a higher speed decided by the processor. This is particularly relevant as many processor-based 'soft' universal asynchronous receiver transmitters (uarts) spend most of the processor time marking time between sending bits instead of getting on with serious processing. We have to be careful in this design because although the processor used is ideal for this task, it is a fairly dumb and bug filled unit. While it was processing a serial stream it would either have to stop calls going out or would miss calls.

A simple ready line from the host or multiplexor will signal the readiness to receive.

The information sent must also be kept to a minimum, so there should be no messages and no delimiters between hours and minutes, and minutes and seconds. There must be one delimiter between the number called and the duration of the call. This is followed by a sumcheck consisting of the lower 8 bits of the sum of all digits except the delimiter. A typical serial stream will look like this (in Hex):

30 34 34 32 36 36 35 35 31 38 31 30 32 34 33 38 **3E**

The highlighted digit is the sumcheck.

PROJECT

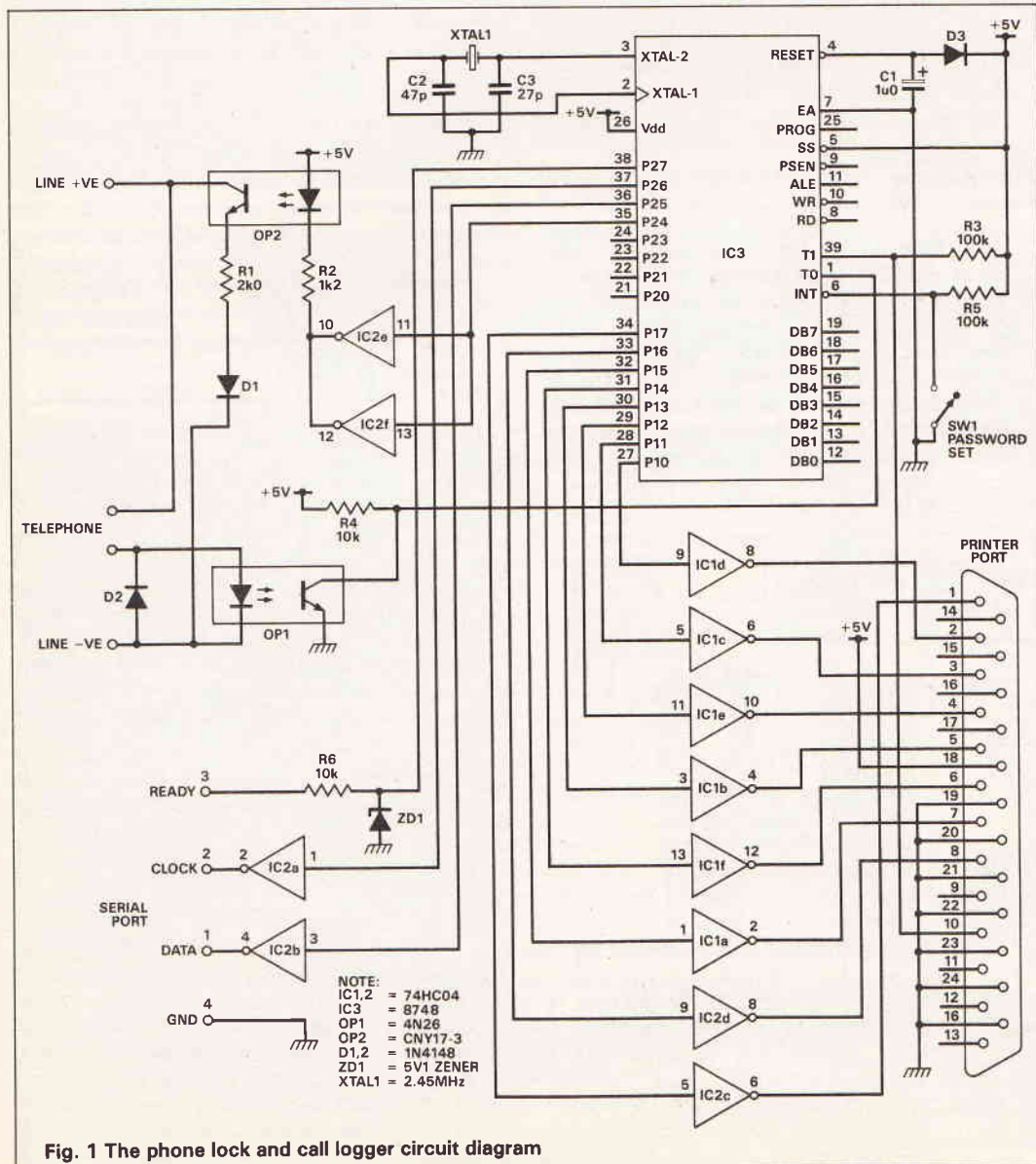
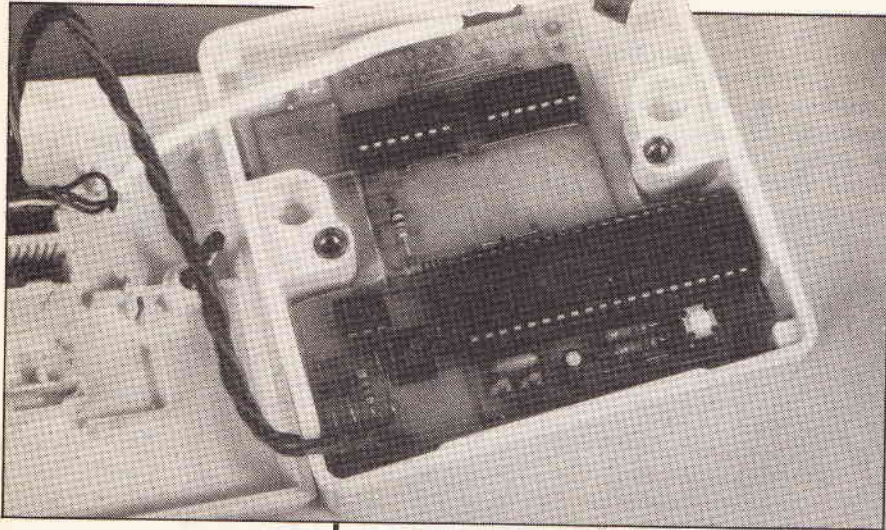


Fig. 1 The phone lock and call logger circuit diagram



Construction

The unit should pose few problems regarding the electronics. Use sockets for all of the ICs, but not for the OPTOs. The biggest problem is modifying the passatress box to allow the 25-way D-connector to stick out.

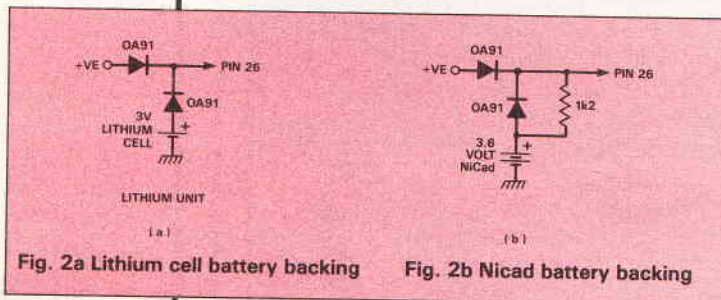


Fig. 2a Lithium cell battery backing

Fig. 2b Nicad battery backing

If this is too difficult, use multicore cable (12 ways will do as you don't have to connect all of the earth connections) and take it out of the bottom of the box. In this way it can be chased into the wall if required. The serial cable can be very simply a five way cable (the +5 will also come in on this cable). You need not use both the parallel and serial ports at the same time.

Use a deep passatress box if you are using a standard telecom socket. On the prototype a Tenby

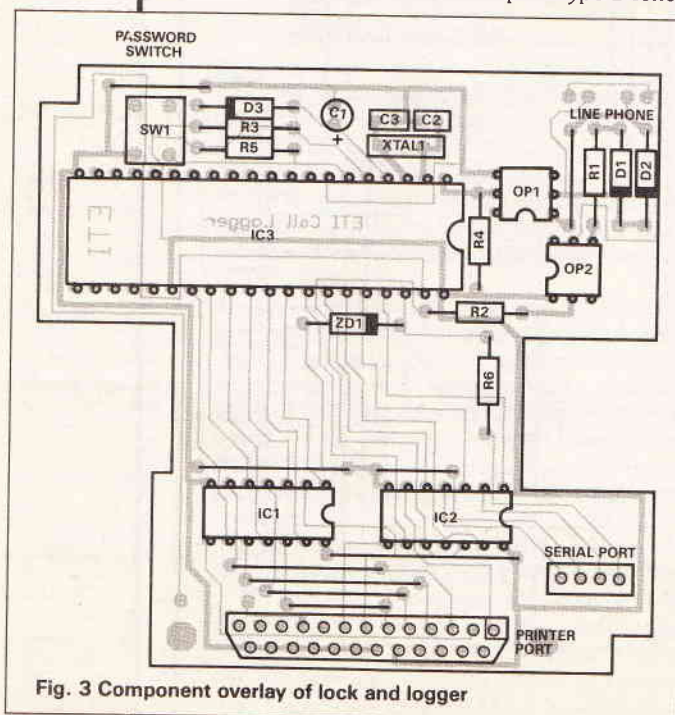


Fig. 3 Component overlay of lock and logger

7301 was used, but this was made difficult by lack of depth, so the BT socket had to be modified to allow the unit to fit together. The board with the connector on was removed, and the connector was glued directly to the back of the panel. The connections were soldered onto a small piece of stripboard to which the flying connections were made.

Test and Use

Before putting the chips into the sockets, connect up the power and monitor pins 40 on the 8748 and 14 on the 74HCO4 sockets to ensure that 5V is there.

Take the red and white wires from the telephone input wire and, using a meter set to 50V DC or more, determine which input is positive. Connect this input to the line input closest to the opto on the PCB. Pin headers and crimped connectors should be used here, so that you do not have to solder a live BT line.

The phone can be connected in either way on the other connector again using pin headers.

Plug the chips in and connect up the printer. Switch on and the printer should print the following:

Call Logger and Telephone Lock

together with some other information, such as column headings. If it doesn't, switch off and check all the connections.

To check that the 8748 is working, connect a scope on frequency meter to pin 11. The output should be about 163,840Hz. If that's OK, check all other connections, polarities and so on. If everything is OK, press the password switch and within half a second start to dial in your required password. You may use any type of telephone except those using tone dialling (which won't register on the processor).

You can fit the unit into an individual socket on an extension, in which case it will monitor that extension and no other. You could put a unit on each extension if you liked, each set to a different password.

On the other hand you could wire it beyond your master socket, so that all extensions are connected to

PARTS LIST

RESISTORS (all 1/4W 5%)

| | |
|----|------|
| R1 | 2k |
| R2 | 1k2 |
| R3 | 100k |
| R4 | 10k |
| R5 | 100k |
| R6 | 10k |

CAPACITORS

| | |
|----|------------------------|
| C1 | 1µ min elect |
| C2 | 47p, ceramic 0.1 pitch |
| C3 | 27p, ceramic 0.1 pitch |

SEMICONDUCTORS

| | |
|-----|--------------------|
| IC1 | 74HCO4 |
| IC2 | 74HCO4 |
| IC3 | 8748 40 pin dipole |

MISCELLANEOUS

| | |
|---------|---|
| D1 | IN4148 |
| D2 | IN4148 |
| D3 | IN4148 |
| OPTO1 | 4N26 |
| OPTO2 | CNY17-3 |
| Printer | 25-way D-connector Right-angled PCB mount |
| SW1 | Omron BF32000 push-switch |
| XTAL1 | 2.45MHz |
| ZD1 | 5V1 Zener |

the unit. In this case it will monitor all calls on that line.

The unit's memory is not battery backed. If you require battery backing, cut the positive track from pin 40, close to pin 26, then connect a battery onto pin 26 of the 8748. Then use either of the circuits in figure 2. Note that one is for lithium cells and the other for Nicad. Don't use the Nicad circuit for the lithium cell or it will explode. Similarly if you use the lithium unit for the Nicad it won't charge.

By feeding the serial input into a BBC master user port or PC then the calls may be time date stamped.

HOW IT WORKS

Much of the work is done by the software in the microcontroller IC3, so the rest of the circuit is very straightforward.

On the Telecom Side OP1 is in series with the telephone, so when the telephone is picked up then current will pass through the LED in OPTO1 and will pull TO on the 8748 low. When the telephone dials the current is made and broken. This is mirrored on the Test O input of the 8748 so it can detect, by using a fairly simple timing routine, what numbers are being dialled.

D2 passes the negative ring current.

OPTO2 draws current from the exchange. This stops the dial pulses from being detected by the exchange, but doesn't draw enough current to stop the pulses from being counted by the 8748. R1 sets the current and its value shouldn't be changed.

D1 ensures that the transistor in OPTO2 does not turn on when the ring signal comes in. If it is not there then the transistor will start to pass current. This will signal to the exchange that the phone has been picked up and it will not send any more ring signals.

A CNY17-3 was chosen as it has a good transfer ratio (over 100%), so its input current is limited to about 5mA. This is provided by two buffers in parallel. R2 may be decreased to 1k if the operation is found to be spurious.

BUYLINES

Most of the parts are available from most stockists. The CNY17-3 can be obtained from RS Components or Farnell.

The switch is an OMRON unit B3F1000, available from Farnell (Tel: 0532 636311).

The 8748 is available pre-programmed from Kitz of PO Box 1, Cymystwyth, Dyfed, at a cost of £17.80 (plus 50p Carriage and VAT) with a full kit of parts available (excluding Pattress box and Socket) for £25.32 (plus 50p Carriage and VAT).

The printer port is standard with a single 8-bit output port used to provide both data output and strobe. Only 7 bits are actually required to send ASCII, so the lower 7 bits of the port provide the data and the most significant bit is the strobe.

The outputs are buffered just in case something disastrous happens. The 74HC04 will die to save the 8748.

The serial port is also very simple. Note that it does not provide RS232 outputs. As it is synchronous, an RS232 port may not work anyway.

The ready input is protected by a current limiting resistor R6 and a Zener diode. If you want to connect an RS232 driver to it then terminate it with a 4k7 resistor from pin 3 to ground.

The password set calls up an interrupt routine. The interrupt flip flop is set on the first transition, so a contact debounce circuit is not necessary.

The power supply is outside the unit and could come from the printer (some printers have a 5 Volt output on pin 35) or from an external power source. Don't be tempted to put a mains power unit in the same case as this unit. The unit is not battery backed up and so if the power is removed then the password is lost.

PROTECT

MINIATURE PASSIVE INFRARED SENSOR RP33

Now supplied with switchable range 7 or 12 metres

Size: only 80x60x40mm. Wide 85° coverage. Switchable detection indicator.

This advanced intrusion detector operates by detecting the body heat of an intruder moving within the detection field whilst ignoring ambient changes. Easily installed in a room or hallway, the unit provides reliable detection of any intrusion. Operating from a 12V supply and requiring only 15mA, it is ideal for use with the CA 1382 or any equivalent high quality control unit. Supplied with full instructions its performance compares with detectors costing more than twice the price.

INFRARED SYSTEM IR 1470

Consists of a separate transmitter & receiver, the system provides an invisible modulated beam which when broken operates the built-in relay. For use with security systems, but also ideal for photographic purposes and industrial applications. Size: 80x50x35mm.

Only £25.61 +VAT

DIGITAL ULTRASONIC DETECTOR US 5063

This advanced module uses crystal control transmitter and digital signal processing to detect movement at distances of up to 20ft or more. With built-in timing and 12V operation, it is ideal for a wide range of security applications.

Only £14.93 +VAT

Suitable steel enclosure complete with necessary mounting pillars and fixings

Only £3.95 +VAT

LIGHTING CONTROLLER DP 3570

This versatile module provides timed switching of loads up to 3A for pre-set times between 10 secs and 5 mins, the timed period being triggered by the opening or closing of an external loop or switch. The built-in 12V 250mA power supply is available for operating external sensors. Suitable plastic enclosure £2.85 +VAT

Only £13.95 +VAT

SECURITY

SYSTEMS, MODULES, COMPONENTS

SAVE ££££

BY INSTALLING YOURSELF

CPU 9000 SELF-CONTAINED ALARM SYSTEM

Immediate Security Without Installation For Homes, Storerooms, Clubhouses, Caravans, etc.

- Detects intruders up to 30ft. ■ Penetrating 103db Siren with auto reset
- Compact size only 203x180x78mm
- Easily extended for coverage of additional rooms or large areas.

This exciting new System which contains a Passive Infra-Red Sensor, Control Unit and Power Supply together with a high output Siren all housed in the one compact steel case, provides immediate protection of a chosen area without the need for costly wiring and expensive installation costs. Operating from a standard 240V supply, provision has been made to incorporate a re-chargeable 12V battery which is capable of operating the System for up to 10 days before re-charging becomes necessary, and which is carried out by the built-in charger. Where protection of more than one room is required, additional sensors may be wired to the main unit. An external siren unit may also be fitted to warn neighbours. Supplied with 2 keys and full operating instructions, the unit is fully guaranteed for 12 months. Immediate protection for only

Priced £67.72 +VAT



TELEPHONE OR SEND FOR FREE LITERATURE TODAY

CA 1382 ADVANCED CONTROL UNIT that's simple to install and operate.



- Fully automatic siren re-set
- Audible entry/exit warning
- Alarm sounded memory
- 2 separate loop inputs - 24hr circuits
- Built-in electronic siren driver
- Easily installed, full instructions supplied

The latest control panel provides effective and reliable control for all types of security installations. Its advanced circuitry checks the loop circuits every time it is switched on, preventing incorrect operation. Using a simple 'on/off' key switch, it is easily operated by all members of the family in addition it provides 24hr. personal attack protection. Housed in a steel case, it is supplied with full operating instructions.

Only £44.95 +VAT

Available in kit form with fully-built electronics, £39.95 +VAT

CA 1250 LOW COST ALARM CONTROL MODULE

This tried and tested control unit represents the finest value for money in control systems, providing the following features:

- Built-in electronic siren drives 2 loudspeakers
- Provides exit and entrance delays together with fixed alarm time
- Battery back-up with trickle charge facility
- Operates with magnetic switches, pressure pads, ultrasonic or I.R. units
- Anti-tamper and panic facility
- Stabilised output voltage
- 2 operating modes full alarm anti-tamper and panic facility
- Screw connections for ease of installation
- Separate relay contacts for external loads
- Test loop facility

Price £21.35 +VAT

HW 1250-ATTRACTIVE HOUSING PLUS HARDWARE FOR CA 1250

An attractive steel case designed to house the Control Unit CA 1250 together with the appropriate LED indicators and key switch (available separately). Supplied with the necessary pillars, fixings, and punched front panel, the unit is given a professional appearance by the adhesive silk screened label. Size 200x180x70mm.

Only £10.95 +VAT

POWER SUPPLY & MAINS SWITCHING UNIT PS 1265

In addition to providing 12V stabilised output of 700mA, this module may be used to provide a switched 240V output for operating security lighting etc. when used in conjunction with the CA 1382, CA 1250, CPU 9000 etc. Suitable plastic enclosure £2.85 +VAT.

Priced at £12.95 +VAT.

RISCOMP LIMITED

Dept. ETI 5, 51 Poppy Road, Princes Risborough, Bucks HP17 9DB

The Security Specialist

ORDER BY MAIL OR TELEPHONE



P&P UK Orders £1.50 per order Export add 10% Tel: (08444) 6326 Fax: (08444) 7102

ONE POUND BARGAIN PACKS

All packs are £1 each. Note the figure on the extreme left is the pack ref number and the next figures is the quantity of items in the pack, finally a short description.

- BD2 5 13A spurs provide a fused outlet to a ring main where device such as a clock must not be switched off
- BD9 2 6v 1A mains transformers upright mounting with fixing clamps
- BD11 1 6 1/2" speaker cabinet ideal for extensions, takes your speaker. Ref BD137 + 50p.
- BD13 12 30 watt reed switches, it's surprising what you can make with these — burglar alarms, secret switches, relay etc. etc
- BD22 2 25 watt load speaker two unit cross — overs
- BD30 2 Nicad constant current charges adapt to charge almost any nicad battery
- BD32 2 Humidity switches, as the air becomes damper the membrane stretches and operates a microswitch
- BD42 5 13A rocker switch three tag so on/off, or change over with centre off
- BD45 1 24hr time switch, ex-Electricity Board, automatically adjust for lengthening and shortening day
- BD49 5 Neon valves, with series resistors, these make good night lights
- BD56 1 Mini uniselector, one use is for an electric jigsaw puzzle, we give circuit diagram for this. One pulse into motor, moves switch through on pole
- BD67 1 Suck or blow operated pressure switch, or it can be operated by any low pressure variations such as water level in water tanks
- BD103A 1 6v 750mA power supply, nicely cased with input and output leads
- BD120 2 Stripper boards each contains a 400v 2A bridge rectifier and 14 other diodes and rectifiers as well as dozens of condensers etc
- BD132 2 Plastic boxes approx. 3" cube with square hole through top so ideal for interrupted beam switch
- BD134 10 Motors for model aeroplanes, spin to start so needs no switch
- BD139 6 Microphone inserts — magnetic 490 ohm also act as speakers
- BD148 4 Reed relay kits you get 16 reed switches and 4 coil sets with notes on making 10 relays and other gadgets
- BD149 6 Safety cover for 13A sockets — prevent those inquisitive little fingers getting nasty shocks
- BD180 6 Neon indicators in panel mounting holders with lens
- BD193 6 5amp 3 pin flush mounting sockets makes a low cost disco panel — need cable clips
- BD199 1 Mains solenoid very powerful has 1" pull or could push if modified
- BD201 8 Keyboard switches — made for computers but have many other applications
- BD211 1 Electric clock mains operated put this in a box and you need never be late
- BD221 5 12v alarms make a noise about as loud as a car horn. Slightly solid but OK
- BD242 2 6" x 4" speakers 4 ohm made from Radiomobile so very good quality
- BD252 1 Panostat, controls output of boiling ring from simmer to boil
- BD259 50 Leads with push on 14" tags — a must for hook ups — mains connections etc
- BD263 2 Oblong push switches for bell or chimes, these can mains up to 5 amps so could be foot switch if fitted into pattress
- BD268 1 Mini 1 watt amp for record player. Will also change speed of record player motor
- BD283 3 Mild steel boxes approximately 3" x 3" x 1" deep — standard electrical
- BD305 1 Tubular dynamic mic with optional table rest
- BD400 4 Books. Useful for beginners. Describes amplifiers, test equipment and kit sets
- BD653 2 Miniature driver transformers. Ref LT44. 20k to 1k, centre tapped
- BD548 2 35 volt relays, each with two pairs changeover contacts
- BD667 2 4.7uF, non-polarised block capacitors, pcb mounting

There are over 1,000 items in our catalogue. If you want a complete copy please request this when ordering.

TOASTERS 2 slice toasters — may need slight attention only. Only £3 each. Ref 3P84.

PERSONAL STEREOS Again customer returns but complete and with stereo head phones. A bargain at only £3 each. Our ref 3P83.

MAINS OPERATED MICROWAVE CONTROL PANEL WITH TOUCH SWITCHES This has a 4-digit display with a built-in clock and 2 relay outputs, 1 for power and 1 for pulsed power level. Could be used for all sorts of timer control applications. Only £6. Ref 6P18.

EQUIPMENT WALL MOUNT. Multi-adjustable metal bracket for speak, etc. 2 for £5. Our ref 5P152.

STABILISED POWER SUPPLY KIT. +—+V2.0A. Contains PCB, transformer and all components excluding case, etc. Our price is £20. Ref 20P25.

KEYBOARDS. Brand new uncased with 84 keys plus PCB with several ICs. Only £3. Ref 3P89.

SUB-MIN TOGGLE SWITCH. Body size 8mm x 4mm x 7mm SBDT with chrome dolly fixing nuts. 3 for £1. Order ref BD649.

COPPER CLAD PANEL. For making PCB. Size approx 12in long x 8 1/2in wide. Double-sided on fibreglass middle which is quite thick (about 1/16in) so this would support quite heavy components and could even form a chassis to hold a mains transformer, etc. Price £1 each. Our ref BD633.

POWERFUL IONISER

Generates approx. 10 times more IONS than the ETI and similar circuits. Will refresh your home, office, workshop etc. Makes you feel better and work harder — a complete mains operated kit, case included. £18. Our ref 18P2.

REAL POWER AMPLIFIER. For your car, it has 150 watts output. Frequency response 20hz to 20Khz and signal to noise ratio better than 60db. Has built in short circuit protection and adjustable input level to suit your existing car stereo, so needs no pre-amp. Works into speakers ref. 30P7 described below. A real bargain at only £57.00. Order ref: 57P1.

REAL POWER CAR SPEAKERS. Stereo pair output 100w each. 4-Ohm impedance and consisting of 6 1/2" woofer, 2" mid range and 1" tweeter. Each set in a compact purpose built shell mounting unit. Ideal to work with the amplifier described above. Price per pair £30.00. Order ref: 30P7.

STEREO CAR SPEAKERS. Not quite so powerful — 70w per channel. 3" woofer, 2" mid range and 1" tweeter. Again, in a super purpose built shell mounting unit. Price per pair: £30.00. Order ref: 28P1.

VIDEO TAPES These are three hour tapes of superior quality, made under licence from the famous JVC Company. Offered at only £3 each. Our ref 3P63. Or 5 for £11. Our ref 11P3. Or for the really big user 10 for £20. Our ref 20P20.



ELECTRONIC SPACESHIP.

Sound and impact controlled, responds to claps and shouts and reverses when it hits anything. Kit with really detailed instructions. Ideal present for budding young electrician. A youngster should be able to assemble but you may have to help with the soldering of the components on the pcb. Complete kit £10. Our ref 10P81.

12" HIGH RESOLUTION MONITOR. Amber screen, beautifully cased for free standing, needs only a 12v 1.5 amp supply. Technical data is on its way but we understand these are TTL input. Brand new in maker's cartons. Price: £22. Order ref 22P2.

COMPOSITE VIDEO KITS. These convert composite video into separate h-sync, v-sync and video. Price £8. Our ref 8P39

BUSH RADIO MIDI SPEAKERS. Stereo pair. BASS reflex system, using a full range 4in driver of 4 ohms impedance. Mounted in very nicely made black fronted walnut finish cabinets. Cabinet size approx 8 1/2in wide, 14in high and 3 1/2in deep. Fitted with a good length of speaker flex and terminating with a normal audio plug. Price £5 the pair. Our ref 5P141.

3 1/2in FLOPPY DRIVES. We still have two models in stock: Single sided, 80 track, by Chinon. This is in the manufacturers metal case with leads and IDC connectors. Price £40, reference 40P1. Also a double sided, 80 track, by NEC. This is uncased. Price £59.50, reference 60P2. Both are brand new. Insured delivery £3 on each or both.

SINCLAIR C5 WHEELS

Including inner tubes and tyres. 13" and 16" diameter spoked polycarbonate wheels finished in black. Only £5 each. 13" ref 6P20. 16" ref 6P21.

REMOTE CONTROL FOR YOUR COMPUTER. With this outfit you can be as much as 20 feet away as you will have a joystick that can transmit and receive to plug into and operate your computer and TV. This is also just right if you want to use it with a big screen TV. The joystick has two fire buttons and is of a really superior quality, with four suction cups for additional control and one handed play. Price £15 for the radio controlled pair. Our ref 15P27.

ASTEC PSU. Mains operated switch mode, so very compact. Outputs: +12v 2.5A, +5v 6A, ±5v 5A, -12v 5A. Size: 7 1/4in long x 4 3/8in wide x 2 3/4in high. Cased ready for use. Brand new. Normal price £30+, our price only £13.00. Our ref 13P2.

VERY POWERFUL 12 VOLT MOTORS. 1/3rd Horsepower. Made to drive the Sinclair C5 electric car but adaptable to power a go-kart, a mower, a rail car, model railway, etc. Brand new. Price £20. Our ref 20P22.

PHILIPS LASER

This is helium-neon and has a power rating of 2mW. Completely safe so long as you do not look directly into the beam when eye damage could result. Brand new, full spec. £35. Mains operated power supply for this tube gives 8kv striking and 1.25kv at 5mA running. Complete kit with case £15. As above for 12v battery. Also £15. Our ref: 15P22.

ORGAN MASTER is a three octave musical keyboard. It is beautifully made, has full size (piano size) keys, has gold plated contacts and is complete with ribbon cable and edge connector. Can be used with many computers, request information sheet. Brand new, only £15 plus £3 postage. Our ref 15P15.

FULL RANGE OF COMPONENTS at very keen prices are available from our associate company SCS COMPONENTS. You may already have their catalogue, if not request one and we will send it FOC with your goods.

HIGH RESOLUTION MONITOR. 9in black and white, used Philips tube M24306W. Made up in a lacquered frame and has open side. Made for use with OPD computer but suitable for most others. Brand new. £20. Ref 20P6.

12 VOLT BRUSHLESS FAN. Japanese made. The popular square shape 4 1/2in x 4 1/2in x 1 3/4in. The electronically run fans not only consume very little current but also they do not cause interference as the brush type motors do. Ideal for cooling computers, etc., or for a caravan. £8 each. Our ref 8P26.

MINI MONO AMP on p.c.b. size 4" x 2" (app.) Fitted Volume control. The amplifier has three transistors and we estimate the output to be 2W rms. More technical data will be included with the amp. Brand new, perfect condition, offered at the very low price of £1.15 each, or 13 for £12.



NEW MAINS MOTORS. 25 watt 3000 rpm made by Framco approx 6" x 4" x 3" priced at only £4. Ref 4P54.

SHADED POLE MOTORS. Approx 3" square available in 24V AC or 240V AC, both with threaded output shaft and 2 fixing bolts. Price is £2 each. 24V ref 2P65. 240V ref 2P66.

MICROWAVE TURNABLE MOTORS. Complete with weight sensing electronics that would have varied the cooking time. Ideal for window displays etc. Only £5. Ref 5P165.

SURFACE MOUNT KIT. Makes a super high gain snoping amplifier on a PCB less than an inch square! £7. Ref 7P15.

INDUCTIVE PROXIMITY SWITCHES. Made by Honeywell these units are brand new and offered at only £12 each which is a fraction of their normal price. 10-35V DC model ref 12P19 or main version 12P20.

J & N BULL ELECTRICAL

Dept. ETI, 250 PORTLAND ROAD, HOVE,
BRIGHTON, SUSSEX BN3 5QT.

MAIL ORDER TERMS: Cash, P.O. or cheque with order. Please add £2.50 service charge. Monthly account orders accept from schools and public companies. Access & Barclaycard orders are accepted — minimum £5.
Phone (0273) 734648 or 203500. Fax 23077

POPULAR ITEMS — MANY NEW THIS MONTH

JOYSTICKS for BBC, Atari, Dragon, Commodore, etc. All £5 each. All brand new, state which required.

TELEPHONE TYPE KEY PAD. Really first class rear mounting unit. White lettering on black buttons. Has conductive rubber contacts with soft click operation. Circuit arranged in telephone type array. Requires 70mm by 55mm cutout and has a 10 IDC connector. Price £2. Ref 2P251.

SUB-MIN PUSH SWITCHES Not much bigger than a plastic transistor but double pole, PCB mounting. Three for £1. Our ref BD688.

AA CELLS. Probably the most popular of the rechargeable NICAD types. 4 for £4. Our ref 4P44.

20 WATT 4OHM SPEAKER With built in tweeter. Really well made unit which has the power and the quality for hi-fi. 6 1/2in dia. Price £5. Our ref 5P155 or 10 for £40 ref 40P7.

MINI RADIO MODULE Only 2in square with ferrite aerial and solid dia tuner with own knob. It is a superhet and operates from a PP3 battery and would drive a crystal headphones. Price £1. Our ref BD716.

BULGIN MAINS PLUG AND SOCKET. The old faithful 3 pin with screw terminals. The plug is panel mounted and the socket is cable mounted. 2 pairs for £1 or 4 plugs or 4 sockets for £1. Our ref BD715, BD715P or BD715S.

MICROPHONE. Low cost hand held microphone with on/off switch in handle. Lead terminates in one 3.5 plug and one 2.5 plug. Only £1. Ref BD711.

MOSFETS FOR POWER AMPLIFIERS AND HIGH CURRENT DEVICES 140v 100w pair made by Hitachi. Ref 25K413 and its component 25J118. Only £4 a pair. Our ref 4P42. Also available in H pack Ref 25J99 and 25K43 £4 a pair Ref 4P51.

TIME AND TEMPERATURE LCD MODULE. A 12 hour clock, a Celsius and Fahrenheit thermometer, a too hot alarm and a too cold alarm. Approx 50 x 20mm with 12 7mm digits. Requires one AA battery and a few switches. Comes complete with full data and diagram. Price £6. Our ref 6P12.

REMOTE TEMPERATURE PROBE FOR ABOVE. £3. Our ref 3P60.

A REAL AIR MOVER. Circular axial fan moves 205 cubic foot per min which is about twice as much as our standard 4 1/2in fans. Low noise mains operated 6 1/2in dia, brand new. Regular price over £30, our price only £10. Our ref 10P71.

600 WATT AIR OR LIQUID MAINS HEATER. Small coil heater made for heating air or liquids. Will not corrode, lasts for years, coil size 3in x 2in mounted on a metal plate for easy fixing. 4in dia. Price £3. Ref 3P78 or 4 for £10. Our ref 10P76.

EX EQUIPMENT SWITCHED MODE POWER SUPPLIES. Various makes and specs but generally ±5, ±12v, ideal bench supply. Only £8. Our ref 8P36.

ACORN DATA RECORDER. Made for Electron or BBC computer but suitable for others. Includes mains adaptor, leads and book. £12. Ref 12P15.

PTEF COATED SILVER PLATED CABLE. 19 strands of .45mm copper, will carry up to 30A and is virtually indestructible. Available in red or black. Regular price is over £120 per reel. Our price only £20 for 100m reel. Ref 20P21 or 1 of each for £35. Ref 35P2. Makes absolutely superb speaker cable!

NEW PIR SENSORS. Infrared movement sensors will switch up to 500w mains. UK made, 12 months manufacturers warranty, 15-20m range with a 0-10min timer, adjustable wall bracket, daylight sensor. Only £20. Ref 20P24.

Also available same spec as above but will switch 1000 watts. £24.00. Ref 24P4.

MITSUBISHI 3 1/2in DISC DRIVES. Brand new drives, 1/2 height double sided, double density, warranted. Our price £60. Ref 60P5.

SPECTRUM PRINTER INTERFACE. Add a ctronics interface to your Spectrum complete with printer cable for only £4. Our ref 4P52.

GEIGER COUNTER KIT. Includes tube, PCB and all components to build a 9v operation geiger counter. Only £29. Ref 3P91.

SPECTRUM SOUND BOX. Add sound to your Spectrum with this device; just plug in. Complete with speaker, volume control and nicely boxed. A snip at only £4. Our ref 4P53.

BBC JOYSTICK INTERFACE. Converts a BBC joystick port to an Atari type port. Price £2. Our ref 2P261.

TELEPHONE EXTENSION LEAD. 5M phone extension lead with plug on one end and socket on the other. White. Price £3. Our ref 3P70 or 10 leads for only £19! Ref 19P2.

LCD DISPLAY. 4 1/2in digits supplied with connection data £3 Ref 3P77 or 5 for £10 Ref 10P78.

CROSS OVER NETWORK. 6 ohm 3-way for tweeter midrange and woofer. Nicely cased with connections marked. Only £2. Our ref 2P255 or 10 for £15 ref 15P32.

REFLECTING LIGHT ALARM. Fits to car reversing light and sounds when reversing. Only £2. Our ref 2P248.

BASE STATION MICROPHONE. Top quality uni-directional electret condenser mic 600r impedance sensitivity 16-18KHz — 68db built in chime, complete with mic stand bracket. £15. Ref 15P28.

MICROPHONE STAND. Very heavy chromed mic stand, magnetic base. 4in high. £3 if ordered with above mic. Our ref 3P80.

SOLAR POWERED NI-CAD CHARGER. 4 Nicad AA battery charger charges 4 batteries in 8 hours. Price £6. Our ref 6P3.

MAINS SOLDERING IRON. Price £3. Our ref 3P65.

SOLDERING IRON STAND. Price £3. Our ref 3P66.

SHARP PLOTTER PRINTER. New 4 colour printer originally intended for Sharp computers but may be adaptable for other machines. Complete with pens, paper, etc. Price £16. Our ref 16P3.

KIT to convert the above Printer to Centronics parallel. £4. Ref 4P.

CAR IONIZER KIT. Improve the air in your car, clears smoke and helps prevent fatigue. Case req. Price £12. Our ref 12P8.

NEW FM BUG KIT. New design with PCB embedded coil 9v operation. Priced at £5. Our ref 5P158.

NEW PANEL METERS. 50UA movement with three different scales that are brought into view with a lever. Price only £3. Ref 3P81.

STROBE LIGHTS. Fit a standard Edison screw light fitting 240v 40/60/75/100 flash rate, available in yellow, blue, green and red, complete with socket. Price £10 each. Ref 10P80 (state colour reqd).

ELECTRIC SPEED CONTROL KIT. Suitable for controlling our powerful 12v motors. Price £17. Ref 17P3 (heatsink required).

EXTENSION CABLE WITH A DIFFERENCE. It is flat on one side, making it easy to fix and look tidy. 4 core, suitable for alarms, phones etc. Our price only £5 for 50m reel. Ref 5P153.

METAL PROJECT BOX. Ideal for battery charger, power supply etc. Sprayed grey, size 8" x 4" x 4 1/2", louvred for ventilation. Price £3. Ref 3P75.

MSM

MICRO
SYSTEM
MAINTENANCE LIMITED

SERVICE ENGINEER COMPUTERS

Nationwide service and maintenance of microcomputers and associated peripherals is provided by Micro System Maintenance Ltd throughout eight regional service centres and Field Engineers.

An extension to an existing contract has resulted in the creation of a vacancy for an Engineer to be based at a Government Establishment in W1.

The successful applicant will ideally have experience of micros and their peripherals including laser printers.

MSM will offer a competitive package including an attractive salary, non-contributory pension and life assurance, private health care and travel allowance.

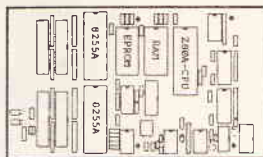
Interviews will be held in London.

Please write or telephone for an application form to:

Mrs P. Bannister,
MSM Ltd,
Unit 15, Westmead Industrial Estate,
Westlea, Swindon, Wilts, SN5 7YS
Tel: 0793 616888
No Agencies Please

Interak 1

Bare Board
£17.50
(plus postage and VAT)



SINGLE BOARD COMPUTER "SBC-1"

A computer doesn't have to look like you'd expect a computer to look. It doesn't have to have a keyboard and a screen and floppy disks and so on.

The SBC-1 has the bare minimum of chips a Z80 computer can have and still be a computer: A 4MHz Z80A-CPU chip, an EPROM chip (up to 32K), a static RAM chip (up to 32K) and a pair of 8255A I/O (input output) chips giving 48 individual lines to waggle up and down. There are one or two additional "glue" chips included, but these are simple "74LS" or "HC" parts.

A star feature is that no special or custom chips (ie PALs, ULAs, ASICs etc) are used — and thus there are no secrets. The Z80A is the fastest and best established of all the 8-bit microprocessors — possibly the cheapest too!

Although no serial interface is included, it is easy for a Z80A to waggle one bit up or down at the appropriate rate — the cost is a few pence worth of code in the program: why buy hardware when software will do?

Applications already identified include: Magnetic Card reader, mini printer interface, printer buffer, push button keypad, LCD alphanumeric panel interface, 40-zone security system, modem interface for auto sending of security alarms, code converter (eg IBM PC keyboard codes to regular ASCII), real time clock (with plug in module), automatic horticultural irrigation controller.

By disabling the on-board Z80A-CPU this card will plug into our Interak 1 CP/M Plus disk-based development systems, so if you don't fancy hand-assembling Z80 machine code you don't have to!

The idea is (if you are a manufacturer) you buy just one development system and then turn out the cheap SBC-1 systems by the hundred. If you are really lazy we can write the program for you and assemble the SBC-1 cards so you can get on with manufacturing your product, leaving all your control problems to us.

Greenbank

For more details write or phone us:
Greenbank Electronics, Dept. (T04E), 460 New Chester Road,
Rock Ferry, Birkenhead, Merseyside L42 2AE. Tel: 051-645 3391.

ETI

Introduces An Easier Way To Pay For Your Subscription

You can now subscribe to ETI by Direct Debit, a new service we are able to offer to our readers.

Paying for your subscription by Direct Debit is quick and easy and has advantages:

- ★ ONLY ONE PIECE OF PAPER TO SIGN — SIMPLY COMPLETE THE DIRECT DEBIT INSTRUCTION.
- ★ YOUR BANK DOES ALL THE WORK — THEY WILL MAKE PAYMENTS ON YOUR BEHALF.
- ★ AUTOMATIC RENEWAL OF YOUR SUBSCRIPTION — NO MORE DELAYS AND ISSUES MISSED.
- ★ POST FREE SUBSCRIPTIONS.
- ★ SPECIAL SUBSCRIBER ONLY OFFERS.

If you've been thinking about subscribing to ETI then now is the time to do so — it's never been easier and it only costs £19.20 a year!

If you want to receive a regular supply of the best electronics magazine available, then subscribe today by Direct Debit.

The Direct Debit payment facility can only be offered to UK subscribers only.

I wish to subscribe to ETI at the annual rate of £19.20.

INSTRUCTIONS TO YOUR BANK TO PAY DIRECT DEBITS
Please complete Parts 1 to 5 to instruct your Bank to make payments directly from your account.

Originator Identification Number

8 5 2 9 2 7

1. The Manager Bank plc

(Full address of your Bank Branch)

Banks may refuse to accept instructions to pay Direct Debits from some types of accounts.

2. Name of Account Holder

3. Account Number

4. Bank Sorting Code

5. Your instructions to the bank and signature.

- I instruct you to pay Direct Debits from my account at the request of Argus Specialist Publications in respect of my Subscription Advice.
- The amounts are variable and may be debited on various dates.
- I understand that Argus Specialist Publications may change the amounts and dates only after giving me prior notice.
- I will inform the bank in writing if I wish to cancel this instruction.
- I understand that if any Direct Debit is paid which breaks the terms of this instruction, the bank will make a refund.

Signature(s) Date

Title Mr/Mrs/Miss

Address

Postcode

Return this form to: Select Subscriptions Ltd., 5 River Park Estate,
Billet Lane, BERKHAMSTED, Herts HP4 1HL
ETIDD/1



HART AUDIO KITS — YOUR VALUE FOR MONEY ROUTE TO ULTIMATE HI-FI

HIGH QUALITY REPLACEMENT CASSETTE HEADS

HART KITS give you the opportunity to build the very best engineered hi-fi equipment there is, designed by the leaders in their field, using the best components that are available. With a HART KIT you have direct access to the friendly HART service, you are not dealing through, or paying for, any middlemen. Every HART KIT is not just a new equipment acquisition but a valuable investment in knowledge, giving you guided hands-on experience of modern electronic techniques.

Telephone or write for our FREE LISTS giving full details of all our Kits, components and special offers. Here are a few selected items.

AUDIO DESIGN 80 WATT POWER AMPLIFIER



This fantastic amplifier is the flagship of our range, and the ideal powerhouse for your ultimate hi-fi system. Featured on the front cover of the May issue of 'Electronics Today International' this complete stereo power amplifier offers World Class performance with the option of a stereo LED power meter and a versatile passive front end giving switched inputs, volume and balance controls. Tape, CD players or indeed any 'flat' input may therefore be directly connected to bypass tone controls or give a 'stand-alone' facility. The amplifier can also be supplied in 'slave' and 'monobloc' versions without the passive input stage and power meter. All versions fit within the standard 420x260x75mm case to match our 400 Series Tuner range. ALL power supplies are stabilised, the heavy current supplies using the same mosted devices as the amplifier. The power supply, using a toroidal transformer, is in fact a complete module contained within a heavy gauge aluminium chassis/heat-sink and fitted with IEC mains input and output sockets. All the circuitry is on a proper printed circuit with low-resistance blade connectors for the six stabilised DC outputs. HART KITS don't leave you to fasten a few capacitors to the floor of the main chassis and wire the power supply the hard way! Remember with a HART KIT you get the performance you want at the price quoted through proper engineering, design and the right components. We do not insult your intelligence by offering a kit at what seems a fair price and then tell you that you have to spend three times as much to get an upgraded model!

K1100 Complete Stereo Amplifier Kit with LED Power Meter and 3-input Passive Stage. Total cost of all parts is £418.88.
Our Discount Price for the Complete Kit £365.98
K1100S Stereo Slave Version, with plain Front Plate £309.43
K1100M 'Monobloc' mono version, with plain Front Plate £224.15
RL110 Reprints of latest 'Audio Design Amplifier' articles £2.70
K1100CM HART Construction Manual with full parts lists £4.50
Reprints and construction manual can be purchased separately and their cost credited against subsequent kit purchase.
All versions are supplied with dual primary mains transformers for use on 220/240V or 110/115V mains. Monobloc price does not include the construction manual.
SPECIAL OFFER extended until the end of February the K1100 kit will be supplied with the new ALPS low noise precision pots at **NO EXTRA CHARGE.**

LINSELY-HOOD 400 SERIES SUPER HIGH QUALITY AM/FM TUNER SYSTEM

This is the ideal companion tuner to the 80W Audio Design Amplifier in any ultimate hi-fi system with case size, front plate layout and even control pitches unified for stacking. Like the 80W Audio Design Amplifier this is your route to 'EK+' performance for a few tenths of the cost! Two designs by John Linsley Hood make up this combination of his ultra high quality FM tuner and stereo decoder described in "Electronics Today International" and the Synchronome AM receiver described in "Wireless World". Novel circuit features in the FM section include ready built pre-aligned front end, phase locked loop demodulator with a response down to DC and advanced sample and hold stereo decoder together making a tuner which sounds better than the best of the high-priced exotica but, thanks to HART engineering, remains very easy to build and set up. The Synchronome section with its selectable bandwidth provides the best possible results from Long and Medium wave channels, so necessary in these days of split programming. If you want the very best in real hi-fi listening then this is the tuner for you. Since all components are selected by the designer to give the very best sound this tuner is not cheap, but in terms of its sheer sound quality it is incredible value for money. To cater for all needs AM only and FM only versions are available as well as the full AM/FM model, with any unit being upgradable at any time. For further details see our full illustrated lists.

K400FM FM Only Version, total cost of all parts is £211.90
Our special Discount Price for complete Kit Only £169.52
K400AM/FM Full AM/FM version, Discount Price for complete Kit £249.08

STUART TAPE RECORDER CIRCUITS

Complete stereo record, replay and bias circuit system for reel-to-reel recorders. These circuits will give studio quality with a good tape deck. Separate sections for record and replay give optimum performance and allow a third head monitoring system to be used where the deck has this fitted. Standard 250mV input and output levels. These circuits are ideal for bringing that old valve tape recorder back to life. Suitable stereo heads are available at very reasonable prices.

K900S Stereo Kit with Wound Coils and Twin Meter Drive £90.68
RJ51 Reprints of Original Descriptive Articles £2.60

LINSELY-HOOD CASSETTE RECORDER CIRCUITS

Complete record and replay circuits for very high quality low noise stereo cassette recorder. Circuits are suitable for use with any high quality cassette deck. Switched bias and equalisation to cater for chrome and ferric tapes. Very versatile and easy to assemble on plug-in PCBs. Complete with full instructions.

Complete Stereo Record/Player Kit £57.60
VU Meters to suit £3.99 each
RLH1 & 2 Reprints of Original Articles £2.70

Our latest lists also give details of our ranges of specialist high quality AUDIO CONNECTORS and LEADS, cassette decks and seasonal special offers. Write or telephone for your FREE copy. (Overseas 2 IRCs please, or 5 for Airmail.)



Do your tapes lack treble? A worn head could be the problem. Fitting one of our replacement heads could restore performance to better than new! Standard inductances and mounting make fitting easy on nearly all machines and our TC1 Test Cassette helps you set the azimuth spot on. As we are the actual importers you get prime parts at lower prices, compare our prices with other suppliers and see! All our heads are suitable for use with any Dolby system and are normally available ex stock. We also stock a wide range of special heads for home construction and industrial users.

HS16 Sendust Alloy Stereo Head. High quality head with excellent frequency response and hyperbolic face for good tape to head contact £17.86
HC40 NEW RANGE High Beta Permalloy Stereo head. Modern space save design for easy fitting and low cost. Suitable for chrome metal and ferric tapes, truly a universal replacement head for hi-fi decks to car players and at an incredible price too! £2.86
HX100 Special Offer Stereo Permalloy Head £6.65
HRP373 Downstream Monitor Stereo Combination Head £44.39
HQ551 4-Track Record & Play Permalloy Head for auto-reverse car players or quadraphonic recording £16.79
HS24 Standard Erase Head £2.59
SM166 2/2 AC Erase Head, Standard Mount £12.60
HS9510 2/4 Stereo DC Erase Head £8.70
HQ751E 4/4 AC Erase Head, tracks compatible with HQ551 £57.06
 We can supply card reader heads for OEMs at very keen prices.

REEL TO REEL HEADS

999R 2/4 Record/Play 110mH. Suits Stuart Tape Circuits £13.34
998E 2/4 Erase Head 1mH. Universal Mount. Suits Stuart £11.96

TAPE RECORDER CARE PRODUCTS

HART TC1 TEST CASSETTE Our famous triple purpose test cassette sets tape azimuth, VU level and tape speed £5.38
DEMI Mains Powered Tape Head Demagnetiser, prevents noise on playback due to residual head magnetisation £4.08
DEM115 Electronic, Cassette Type, demagnetiser £8.61

Our new WINTER '89 List is FREE. Send for your copy now. Overseas customers welcome, please send 2 IRCs to cover surface post, or 5 for Airmail.

We now accept inland and overseas orders by post or telephone on all Access/Mastercharge and Visa credit cards.

Please add part cost of carriage and insurance as follows:

INLAND:

Orders up to £20 — £1; Orders over £20 — £2.50; Next day — £9.

OVERSEAS:

Please see the ordering information with our lists.

QUALITY AUDIO KITS

24hr SALES LINE
(0691) 652894

ALL PRICES INCLUDE VAT

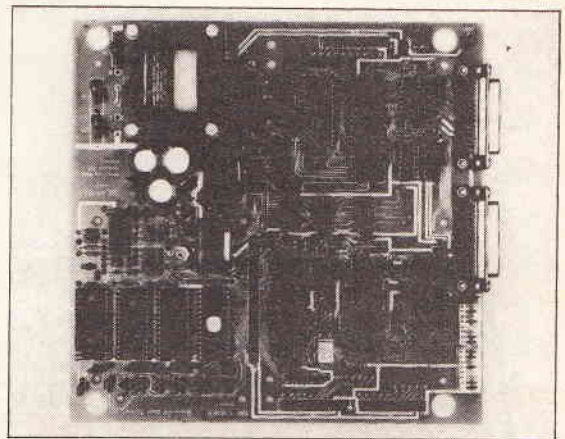


The Archer Z80 SBC

The SDS ARCHER — The Z80 based single board computer chosen by professionals and OEM users.

- ★ Top quality board with 4 parallel and 2 serial ports, counter-timers, power-fail interrupt, watchdog timer, EPROM & battery backed RAM.
- ★ **OPTIONS:** on board power supply, smart case, ROMable BASIC, Debug Monitor, wide range of I/O & memory extension cards.

CIRCLE NO. 122 ON REPLY CARD

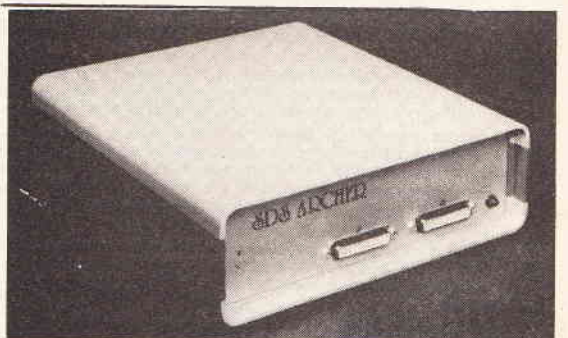


The Bowman 68000 SBC

The SDS BOWMAN — The 68000 based single board computer for advanced high speed applications.

- ★ Extended double Eurocard with 2 parallel & 2 serial ports, battery backed CMOS RAM, EPROM, 2 counter-timers, watchdog timer, powerfail interrupt, & an optional zero wait state half megabyte D-RAM.
- ★ Extended width versions with on board power supply and case.

CIRCLE NO. 147 ON REPLY CARD



Sherwood Data Systems Ltd

Unit 6, York Way, Cressex Industrial Estate, High Wycombe, Bucks HP12 3PY. Tel: (0494) 464264

COMBINED HEAT AND POWER

A typical power station loses over 60% of the energy it produces. Combined Heat and Power (CHP) is a system of power generation which is up to three times more efficient at producing useful heat and electricity than could be generated from a conventional power station. Yet the principles behind CHP are very simple. In this feature, we find out why more and more commercial users are turning to CHP.

In a typical thermal power station, between only 33% and 38% of the energy produced by burning any type of fuel reaches the domestic or commercial customer's premises in the form of electrical power.

Thermal power stations burn fossil fuels (such as coal, oil or gas) or nuclear fuel to produce steam. The steam drives a turbine coupled to an electricity generator. A huge proportion of the energy produced in this way is never converted to electricity, as nearly 60% of the energy is lost as low-level heat in cooling towers. Around 3% more energy is lost after conversion to electricity, dissipated during transmission along power lines.

Clearly, electricity generation can be made more efficient by making use of this heat, which is otherwise simply lost to the atmosphere. But how is this to be achieved? Heat could perhaps be transferred to homes and commercial premises, but the cost of piping such heat from power stations which produce it makes this option impracticable.

However, there is an approach, becoming increasingly widely used, which enables industrial and

commercial organisations to generate power with nearly 90% efficiency. Using this approach, electricity is generated on the organisation's own premises, and the heat produced is used to warm buildings, provide hot water, and in industrial plants, to provide process steam. The system is called Combined Heat and Power (CHP) generation.

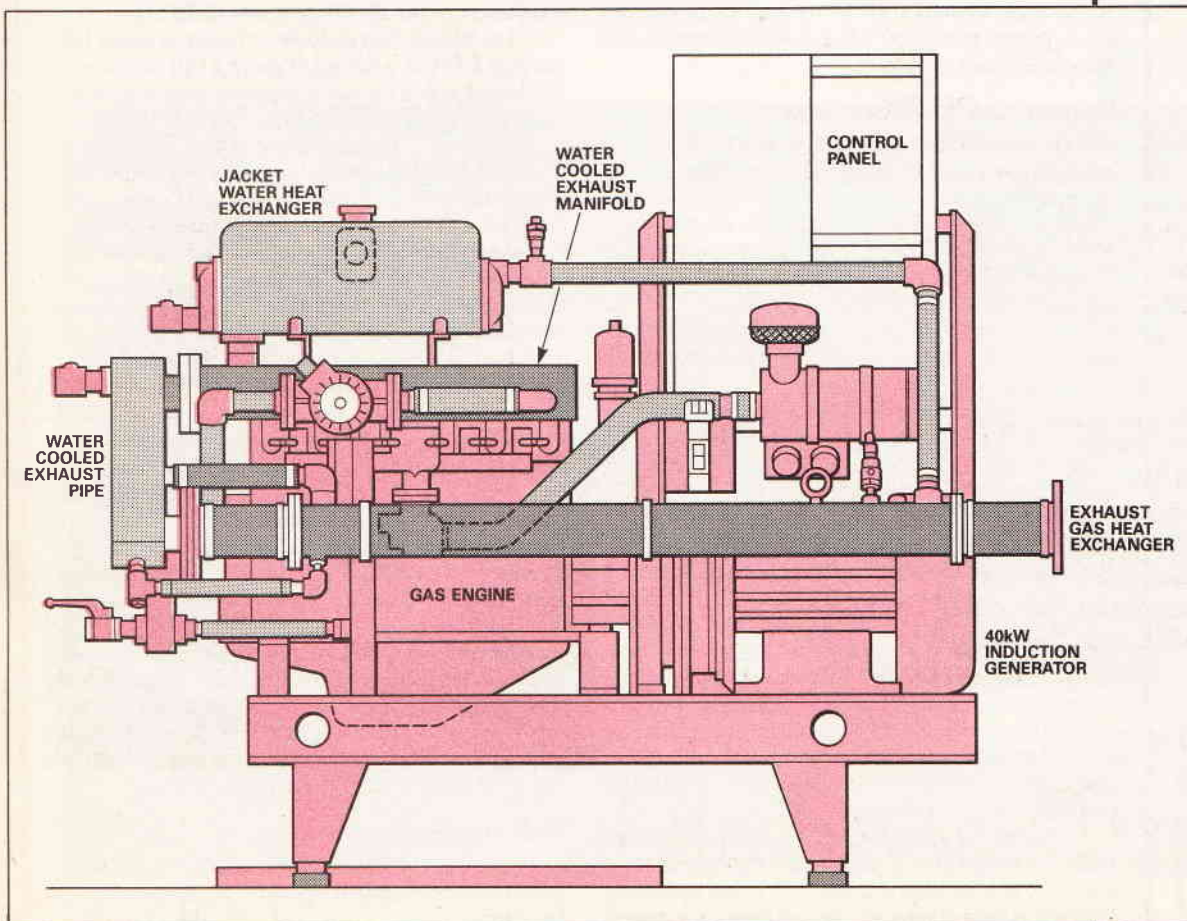
Saving On Heat And Power Bills

For most industrial organisations, energy costs and requirements fall in to two types: fuel, such as oil or gas, used for space and process heating; and electricity, used for lighting and motive power. CHP provides both types of requirement, with significant cost savings even after the overheads have been taken into account.

The system can be made even more profitable by connecting it in parallel with the electricity board supply. If the generator produces more electricity than the owner needs, the surplus flows back to the grid. The 1983 Energy Act requires electricity boards in Britain to pay for any electricity they receive in this way.

Premises which are most likely to benefit from CHP are those whose heat and electricity requirements reach peak demand at roughly the same time, and who need heating for more than about 4,500 hours a year. Below this demand, it may take too long to recover the costs of installation and maintenance personnel.

CHP is fast becoming a challenge to the power industry in the search for lower costs. Helen Oughton reports on how CHP could benefit medium scale users of heat and electrical power.



This can include hotels, hospitals and old people's homes, which have a demand for constant space and water heating as well as electricity. A typical CHP system in such a building might provide about 40 kW of electricity and between 50 to 200kW of heat in the form of hot water. Leisure centres are another type of organisation which can benefit, by heating the water in swimming pools using CHP.

An industrial plant which requires large supplies of process steam can produce this using a CHP system, developing several megawatts of electricity as a useful by-product. If this is in excess of demand, the extra electricity can be sold back to the electricity board. The heat produced by CHP can also be used for absorption chilling, for example, to cool computing equipment.

Most CHP systems use natural gas as fuel, in a spark ignition engine similar in operation to an automotive petrol engine. However, some larger plants are now using gas driven turbines to meet higher heat and electricity demands. Both types of system are designed with an emphasis on reliability, low maintenance requirements and long lifetime.

Controlling A CHP System

Micro-electronic control provides the key to efficient use of CHP. For greatest efficiency, the output of the CHP system is generally adjusted to meet heat demand rather than electricity demand. The electricity is best regarded as the by-product of CHP.

The heat supply is controlled in response to demand, with stand-by conventional boilers being brought in at times of peak demand for hot water and heating.

At times of high electricity demand by the owner of the CHP system, electricity will be imported from the grid, while at times of low demand, excess electricity in phase with the grid, is exported for sale.

Micro-electronics is also used to ensure the safety of the CHP system and its operators. It is used to monitor parameters such as the level of output and the pressure of cooling oil, and will disconnect the system if things go wrong.

Types of CHP System

We can now have a closer look at how CHP systems work. There are two main types of CHP system, and the system used will depend on the requirements of the user. Organisations such as hotels, hospitals and leisure centres will be most likely to use a gas engine to provide space and water heating, together with some of the electricity required. Larger industrial plants may well have greater demands for high grade heat, using a gas turbine to supply process steam as well as heat and electricity.

When choosing a suitable size of system, the best approach is to choose a size that supplies a normal summer heating load, with stand-by boilers to provide extra heat whenever required.

Small Scale CHP Systems

Hot water, space heating, and swimming pool heating are typical applications of small scale CHP systems. They produce between about 20kW and 200kW of electricity. Natural gas and air are mixed in a carburettor and fed to the internal combustion engine which drives the alternator in phase with the grid supply. Heat is recovered from the engine jacket and oil cooling systems as hot water, typically at around 80 °C. Low-level heat for space heating may also be recovered from the exhaust gases.

The block diagram in Figure 1 shows the flow of heat and power in a small scale CHP. The electrical efficiency of a gas engine is about 25%, but by utilising the heat of the engine and exhaust gases, the overall

efficiency can be increased to over 90%.

A process controller adjusts the output to meet demand. This is normally to meet heat rather than electrical demand. At peak times electricity can be imported from the grid supply. Extra heat can also be supplied if necessary, from stand-by boilers.

Large Scale CHP Systems

For large industrial plants with high requirements for electricity, heat and process steam, a large scale CHP system, using gas-driven turbines, is more suitable than a gas engine. These turbines can produce up to around 15 MW of electricity.

Natural gas is fed to a combination chamber, driving the turbine, and the alternator. The gases leave the turbine at temperature around 450° C. An after-firing burner can be used to increase the heat produced, by burning more gas in the turbine exhaust.

High grade heat is recovered from the gases by a heat recovery unit, producing steam. This can be used as process steam for plant requirements, or may be directed to a steam turbine driving a second generator.

Figure 2 shows the flow of heat and power in a large scale CHP system.

Recovering Costs

Costs are quickly recovered on a small-scale CHP system, with many companies recovering the expense of installation within 2 to 3 years. It takes only slightly longer to recover the installation costs of a large-scale CHP system, with payback typically within 5 years.

There are plenty of examples of the substantial savings which can be made. The Bakers Almshouses in the London Borough of Waltham Forest required heating, hot water and electricity for 52 houses, many occupied by elderly people. The Borough Council commissioned a CHP in September 1988. The CHP unit was supplied by Applied Energy Systems Ltd, and was installed by British Gas. The cost of the installation of the 26 kW unit was £27,000.

The total savings per year on heat and power bills are over £7,000, a saving of about £140 per tenant. In addition to this, the sale of excess energy is expected to make about £2,600 a year.

If energy requirements differ from those predicted, CHP can be less profitable than expected. The Devon and Cornwall Police Headquarters installed a 132 kW CHP unit in January 1986. However, performance for the first year was found to be about £2,700 less than predicted, making the payback period correspondingly longer. This was because the calculations were based on continuous availability at full load, whereas the unit availability was only 93%, and ran at loads between 50% and full power. Nonetheless, the actual savings of about £14,800 in the first year were still substantial.

Let's hope that more and more organisations will be prepared to make this worthwhile investment. Perhaps one day, very small scale CHP will be supplying heat and electricity to private homes. Widespread use of CHP could result in lower demand from power stations, perhaps reducing the number of power stations in the future.

As well as saving money for the user, lower consumption of fossil fuel conserves exhaustable fuel resources and reduces the output of gases such as carbon dioxide, which contribute to the greenhouse effect.

And that's a saving we'd all welcome.

Acknowledgements

Our thanks go to British Gas plc and Applied Energy Systems Ltd for assistance given in the preparation of this article.

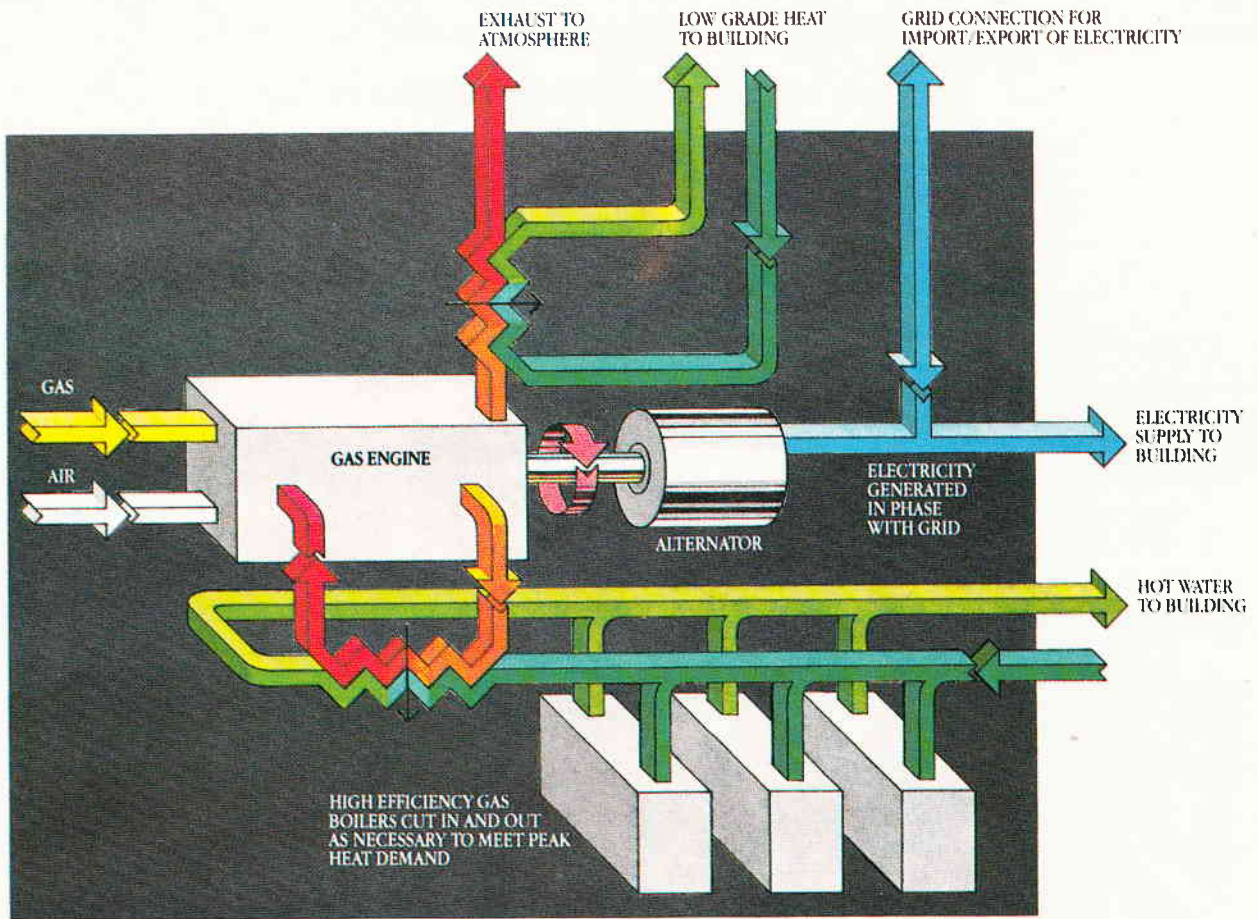


Fig. 1 Small Scale CHP System (Courtesy of British Gas plc)

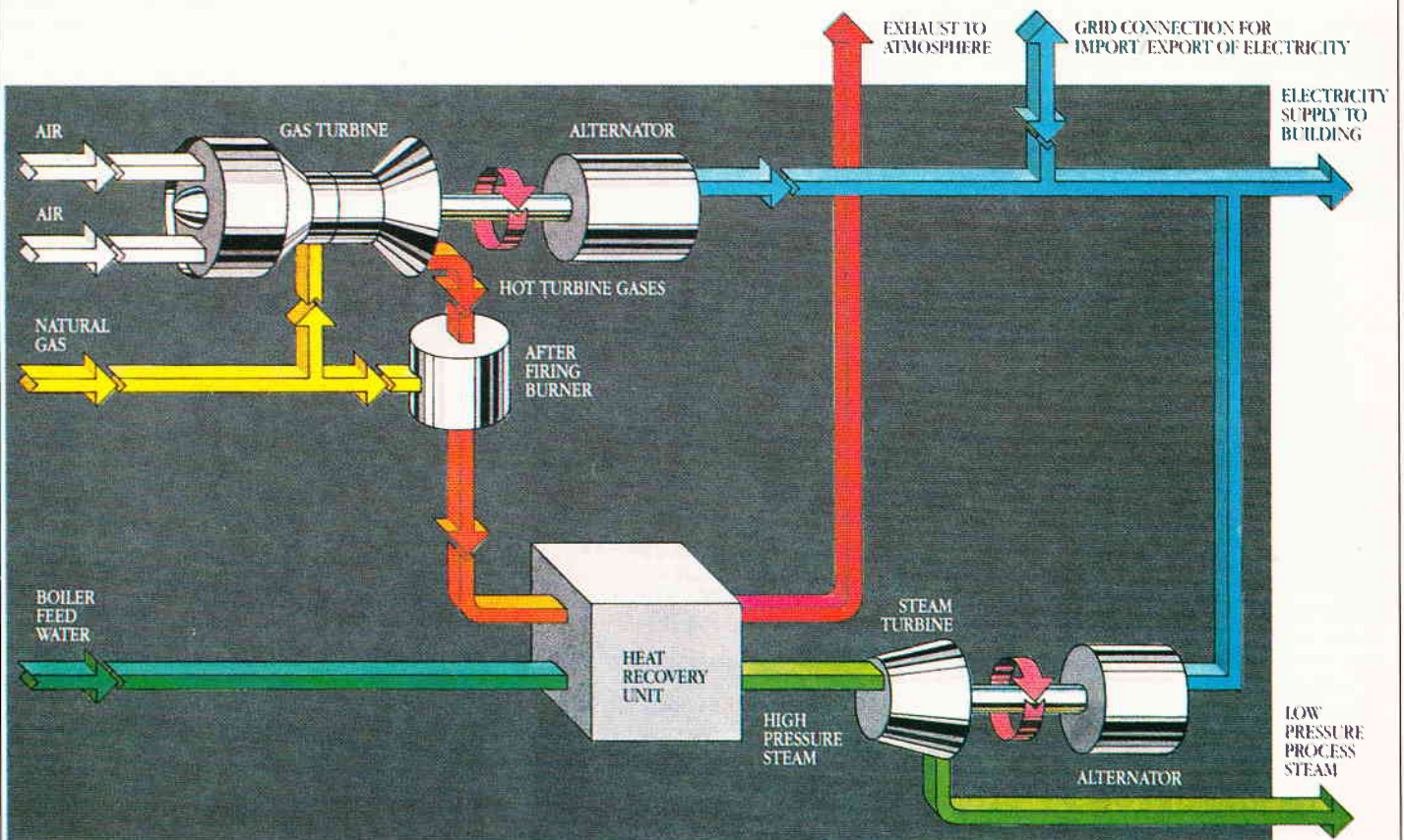


Fig. 2 Large Scale CHP System (Courtesy of British Gas plc)

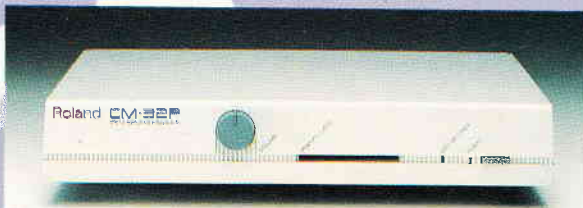
ROLAND'S DESK-TOP COMPUTER MUSIC RANGE

CM-64 LA/PCM

The CM-64 LA/PCM Sound Module gives a maximum 63-voice polyphony, is 15-part multi-timbral (including rhythm part) for full orchestral reproductions and provides 64 PCM preset tones and, from the wonderful world of LA synthesis, 128 synthesizer presets, 30 percussion sounds plus 33 sound effects for the rhythm part. The CM-64 also accepts U-110 sound sample library cards and incorporates an on-board digital reverb.

CM-32L CM-32P

The CM-32 LA Sound Module provides all the LA capabilities of the CM-64, is 32-voice polyphonic and 9-part multi-timbral and likewise has built-in digital reverb. The CM-32P PCM Sound Module contains the CM-64's PCM section with its 64 presets, is 31-voice polyphonic and 6-part multi-timbral, has the same digital reverb, and is U-110 sound-card compatible.



CF-10

Next in the range comes the CF-10 Digital Fader. This is an easy-to-use mixing controller with the feel of an analogue audio mixer and featuring 10 multiple MIDI channels, designed to mix song data for sequences created on a PC or MIDI sequencer, it also enables control change messages for volume and panning to be transmitted to external MIDI devices.



CN-20

The CN-20 Music Entry Pad facilitates the programming of basic song data on a PC. It offers, for instance, easy editing of data pre-recorded from an external keyboard in real time. Its multi-purpose fader can be assigned to control a variety of MIDI information such as Control Change Bender and Aftertouch over any of the 16 MIDI channels.



CA-30

Last of the modules is the CA-30 Intelligent Arranger. Designed to be linked with the CM-64 or CM-32L, the CA-30 is a sophisticated auto arranger with similar intelligent arranging functions as found on Roland's best-selling E-20 Intelligent Synthesizer. With the CA-30, even complete beginners can create interesting and convincing song data.

CM SUPPORT

Supporting the CM modules themselves are three peripheral components. The LAPC-1 LA Sound Card fits into the expansion slot of an IBM-PC for instant access to the great sounds of Roland's MT-32 Multi-Timbre module. The MCB-1 is an optional MIDI connector box for the LAPC-1, allowing the LAPC-1 to be used as an interface with external MIDI devices. And the MPU-IMC is a MIDI interface compatible with Micro Channel Architecture, the new IBM bus format used on the PS/2 PC.

LAPC-1



MPU-IMC



CM DEALERS

- AVON**
ABC Music • Bristol • 0272 238200
- BERKS**
ABC Music • Slough • 0753 822754
Softstore • Slough • 0628 6683201
- BUCKS**
Percy Prior • High Wycombe • 0494 28733
- CHESHIRE**
Douglas • Northwich • 0606 782522
- DERBYSHIRE**
Carlsbro Sound Centre • Derby • 0332 48155
- DORSET**
E. Moors Music • Boscombe • 0202 35165
- EIRE**
Music Makers • Dublin • 0001 730533
- MID-GLAMORGAN**
Tonic Audio • Caerphilly • 0222 863906
- GLOUCESTERSHIRE**
Advantage • Cheltenham • 0242 224340
- HERTS**
Oxtron Digital Systems • Ware • 0920 480542
QTEK Systems Ltd • Stevenage Old Town • 0438 360011
- HUMBERSIDE**
Brown's • Hull • 0482 445733
- N. IRELAND**
Session Music • Belfast • 0232 238502
- JERSEY**
Computer Focus • St. Helier • 0534 67870
Easy Play Organ Studio Ltd • St. Helier • 0534 79570
- KENT**
Total Solutions Ltd • Chislehurst • 01 295 1537
Silica Shop • Sidcup • 01 302 8811
- LEEDS**
Carlsbro Sound Centre • York Road • 0532 405077
- LEICESTER**
Carlsbro Sound Centre • Leicester • 0533 24183
- LONDON**
Computer Music Systems • NW1 • 01 482 5224
Graphic Music Systems • SE16 • 01 231 6018
Inter Computer Consultants • W2 • 01 402 2683
London Rock Shop • NW1 • 01 267 7851
Silica Shop • W1 • 01 580 4000
Silica Shop • W1 • 01 629 1234 Ext. 3214
Software Circus • W1 • 01 436 2811
Software Circus • WC1 • 01 404 4492
Soho Sound House • W1 • 01 434 1365
The Synthesizer Company • NW8 • 01 258 3454
- GTR. MANCHESTER**
A1 Music • Manchester • 061 236 0340
- MERSEYSIDE**
Hessays Music Centre • Liverpool • 051 236 1418
- MIDDLESEX**
City Electronics • North Harrow • 01 863 1841
- W. MIDLANDS**
Mr Disk Computer Centre • Birmingham • 021 616 1168
Musical Exchanges • Birmingham • 021 236 7544
Clifton Computer Systems Ltd • Dudley 0384 211708
- NORFOLK**
Carlsbro Sound Centre • Norwich • 0603 666891
- NORTHAMPTONSHIRE**
Music Market • Northampton • 0604 28419
- NOTTS**
Carlsbro Sound Centre • Mansfield • 0623 651633
Carlsbro Sound Centre • Nottingham • 0602 581888
- OXON**
ABC Music • Oxford • 0865 725221
- SURREY**
ABC Music • Addlestone • 0932 40139
ABC Music • Kingdon • 01 546 9877
Sabre Computer Discount Centre • Croydon • 01 760 0274
Too Much Music • Aah • 0252 336505
- STRATHCLYDE**
McCormacks Music • Glasgow • 041 332 8644
- SUSSEX**
Bonners Ltd • Eastbourne • 0323 639335
- TYNE & WEAR**
R.C.M. • Sunderland • 091 232 4175
- WARKS**
Spa Computer Centre • Leamington Spa 0926 337648
- WILTSHIRE**
Joint Venture Systems • Swindon • 0793 693778
Midi Music • Swindon • 0793 882108
- YORKS**
Carlsbro Sound Centre • Sheffield • 0742 640008
Trebble Claf • Brighouse • 0464 715417

Roland

Roland (UK) Ltd. West Cross Centre, Brentford, Middx TW8 9EZ.
Telephone: 01-568 1247 • Fax: 01-847 1528

ETI news

Audio

Yamaha in its unceasing pace of development bring us a new sound for the '90s. The SY77 is the latest in a long line of synthesisers to bring ever more sophisticated sounds to the amateur and professional alike.

Crammed with so much sophistication you can spend a lifetime with this very powerful machine and still not achieve a fraction of the sounds it can produce just as we did around the DX7 and its mind boggling power of arrangements.

The SY77, a music workstation, can be considered as being made up of three basic building blocks. The first of these is a set of in-house instrument music samples of CD quality called Advanced Wave Memory 2. These sounds can be manipulated by digital filters in real time and layered or blended by the second building block, the AFM tone generators. 4 Megabytes of ROM gives a lot of sampled sounds. The Advanced Frequency Modulated tone generators are a development of

the 6 operator system adopted in the DX7 but now with 45 algorithms and 16 different preset waveforms instead of simple sine waves used in the DX7. The third block called Realtime Convolution and Modulation allows the first of these blocks to be used as part of an algorithm adding further harmonic content to the sample. Other effects to manipulate the sound apart from the digital filters are Dynamic panning, where the sound can be moved in any direction and varied speed across the stereo sound field with an envelope generator, 40 preset reverb effects, 4 modulation effects, 16 track sequencer and many others besides. The SY77 has a recommended retail price of £1999.00.



We will be bringing you a full feature on the Yamaha SY77 in the next couple of months



Sony has released five models in its ES speaker range. The new range is designed in Europe and manufactured entirely in the UK. The all British speakers contain the Actual Pictonic Motion APM 'flat diaphragm' drivers now common to all Sony's speakers.

The design was a joint effort between the Wega speaker plant in Germany and UK audio experts. The design is based on the idea that everybody in the world has different listening preferences and these small subtleties come about as a result of language differences and intonation.

All the models are of reflex design and have 4mm banana connectors especially for the UK audiophile. The APM 181ES, intended for use with amplifiers with outputs of 25W-120W into 8R, has three drivers of which the 19mm titanium dome tweeter is nitrided for extended frequency response. Prices in the ES range are from £100 to £690.

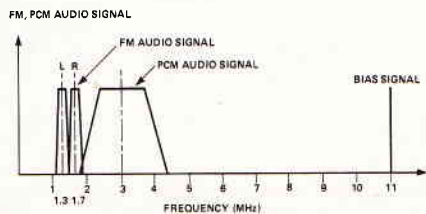
JVC has developed a new digital audio system for its S-VHS video cameras. Extra high quality sound is based upon a newly developed Depth Multiplex recording system which allows video and audio signals to be recorded on different layers of the magnetic tape: the high quality digital sound being placed on the lower level.

Stereo sound is recorded at a 48kHz sampling rate with 16 bit quantisation using a modulation system of Quadrature Phase Shift Keying.

Current S-VHS and S-VHS-C tapes are compatible on the new machines and up to 6 hours playing time is possible with a ST120 S-VHS tape in EP mode.

Super VHS was developed in 1986 to increase the picture quality of the new established VHS system to more than 400 lines of horizontal resolution.

JVC hopes to penetrate a varied market from amateur to semi-professional including usage in the software industry and the new audio visual era, a euphemism perhaps for large screen pictures.



The war for the latest technology in single bit stream compact disc players is now hotting up as more and more players emerge onto the marketplace.

The new Philips development in compact disc technology, called bitstream, is setting new standards for digital audio quality. The latest disc player (CD840) offers 256 times oversampling in the one bit digital to analogue conversion.

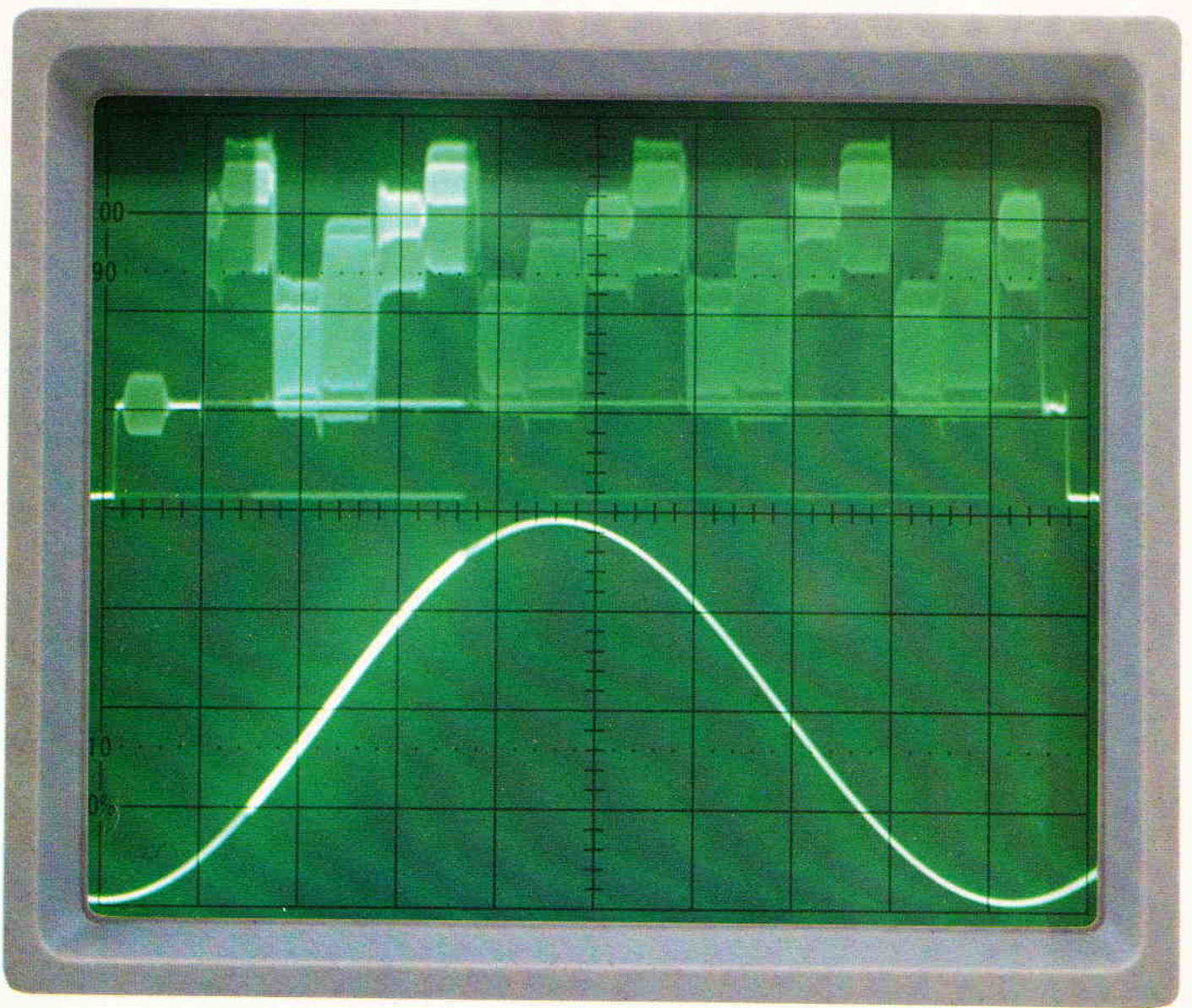
The 16 bit digital samples read from the compact disc are turned into a single stream of data and converted into analogue voltages for use in the normal way. The technique eliminates any non-linearities and crossover distortion that would normally occur in multi bit converters.

The bitstream generates positive and negative currents for 1s and 0s at over 11 million times a second. The ratio between these two determines the level of current. The principle is called Pulse

Density Modulation (PDM). So all 1s produce the maximum current, all 0s the maximum negative current and alternate 1s and 0s produce no current.

Amongst the many facilities on the player is a multifunction display that tells you what it's doing throughout the motions of playing the disc and it can even show you what is playing provided the title is programmed in.

Also featured is a double favourite track selection where the listener can store their best tracks. It's suggested the double memory is for 'his' and 'her' best tracks or for perhaps pop and classical. Apart from the normal additions of remote control and random order programming, a rather interesting feature is the CD record synchronisation. If your hi-fi system also has a Philips cassette deck, the CD player can send control messages to start and stop the tape at the correct time for perfect recording on both sides of the tape.



Does yours pass the screen test?

We believe ours do!!!

Precision laboratory oscilloscopes. Triple-trace 20MHz 3 channels-3 trace. XY mode allows Lissajous patterns to be produced and phase shift measured. 150mm rectangular CRT has internal graticule to eliminate parallax error. 20ns/div sweep rate makes fast signals observable. Stable triggering of both channels even with different frequencies is easy to achieve and a TV sync separator allows measurement of video signals. Algebraic operation allows the sum or difference of channel 1 and 2 to be displayed. 50mV/div output from CH 1 available to drive external instrument e.g. frequency counter. Also available, 40MHz triple trace oscilloscope. Similar to the model described above but with 12kV tube that is super bright even at the highest frequencies. This instrument also has a delayed sweep time base to provide magnified waveforms and accurate time interval measurements.

TOA30 (20MHz Triple Scope) **£349.95**
 TOB30 (40MHz Triple Scope) **£549.95**

TEST EQUIPMENT - Choose from the extensive range featured in our new 580 page Electronics Catalogue. Available in all our shops or from WHSMITH for £2.25 or £2.75 by mail. No carriage charge if ordering Catalogue only.



20MHz



40MHz

**ALL PRICES
 SUBJECT
 TO
 CHANGE
 AFTER
 1st MAY**

CREDIT CARD HOTLINE

0702 554161

PHONE BEFORE 5PM FOR SAME DAY DESPATCH



Maplin ELECTRONICS

P.O. BOX 3, RAYLEIGH, ESSEX, SS6 8LR.

All items subject to availability, all items will be on sale in our shops in Birmingham, Bristol, Leeds, Hammersmith, Edgware, Manchester, Nottingham, Newcastle-upon-Tyne, Reading, Southampton and Southend-on-Sea.

Add Carriage 75p.

ALL PRICES INCLUDE VAT.

Review: GRAPHIC EQUALISERS



All living rooms are not created equal. Neither are bedrooms, theatres or concert halls. That's why some clever guy with a passion for hi-fi and shares in sliders invented graphic equalisers.

Ardent ETI readers will already know what a graphic equaliser is. It provides filtering for an audio signal with a series of band-pass filters tuned to a number of centre frequencies (for domestic purposes, usually ten for each channel at one octave intervals) to provide a cut or boost at those frequencies and shape the frequency response of your audio system.

The equaliser sits in the signal path between the pre-amp and power amp. With an integrated amplifier it's usual to make use of a specially provided loop-through or a tape send and return.

Now, in the good old days, graphic equalisers were something that only the particularly fanatical or flashy would consider, or the dedicated electronics hobbyist.

One of the first practical hobby designs was in ETI, over ten years ago and Maplin provided a kit, complete with metalwork front and wooden sleeve. This allowed you to build a reasonable quality graphic equaliser for about £70.

Today, the call for equaliser kits has waned somewhat as an equivalent machine can be bought, all ready made and sparkingly smart looking, for £50. Graphic equalisers are so cheap that they are built into every rough and ready stack audio system and even into many personal stereos.

The Far Eastern hi-fi empires have made sure kits will not see the light of day again by upgrading the whole idea of a graphic equaliser into something altogether more fantastic. These are so fancy and feature-filled that no sane hobbyist without a degree in plastic moulding and metal working (not to mention no mean skill as an electronics designer) would dream of attempting their like outside the bounds of the Korean factory.

Two such models which come from the lands of the East via Tandy and Maplin get the going over here. First though, it's worth thinking just why you might want a graphic equaliser in the first place.

Knob Fever

I can't help feeling the main reason most graphic equalisers are bought has to be that they are the single most efficient way of increasing the number of controls sported by your audio system. Even the simplest graphic equaliser offers over 25 extra knobs. That's bound to impress the neighbours, isn't it?

Well, probably not, but it's still a good argument for many buyers. And why not, with all the effort put into making your hi-fi, your TV, even your washing machine look as trendy as possible, add some Far East far-out high tech to the stereo?

However, most potential buyers will be after at least the illusion of adding something to the signal path too.

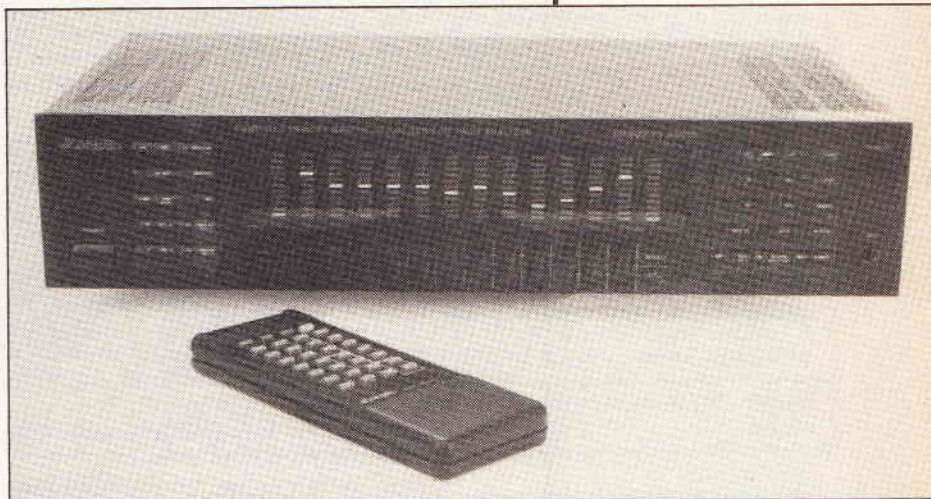
Strictly speaking, a graphic equaliser is there to reduce your sitting room (or wherever the beast is operating) to the same even, flat frequency characteristics of a professional recording studio — where the piece you're listening to was produced in

the first place.

It is possible to do this by ear. You could tweak your graphic equaliser with a little boost in upper mid-frequencies to compensate for the deadening qualities of the Persian rugs adorning the walls. However, you would have to have a pretty good ear to do the job properly.

Instead, the proper thing to do is to invest in a pink noise generator, a flat response microphone and a spectrum analyser to provide a flat frequency source and means to monitor the room response while

The latest graphic equalisers are packed with features and flashing lights. Geoff Bains reviews models from Tandy and from Maplin.



compensating with the equaliser.

Needless to say, most people don't invest in all that. Instead, they buy graphic equalisers as over-the-top tone controls — you adjust the response of your system to suit not only the room acoustics but your own warped idea of the 'right' sound and the music playing

At this point, the hi-fi purists raise their hands in horror — what, more tone controls? Surely the idea is to take them out altogether. Well, maybe for purists, but the rest of us do like to mess around with the sound.

What separates the models is what else the clever designers have packed around the basic facilities to tempt our craving for gadgetry.

Maplin

However, if it's more lights than the flight deck of the Starship Enterprise you're looking for, the Maplin computer memory graphic equaliser is unequalled.

This is an equaliser without a slider in sight. The whole thing is electronically controlled and can even be operated with a remote control from the comfort of your armchair.

The front panel is largely taken up by an enormous spectrum analyser display of over 150 LEDs in three colours. This display shows both the amplitude of the 12 frequency bands (in average or peak hold modes) of both channels together, and the 'position' of imaginary sliders. Separate channel level displays are also provided.

With the equaliser in adjust mode and either left, right or both channels selected, a rocker at the base of each display column adjusts the amount of cut or boost for that frequency band.

Some aids to quick setting are provided — a level button to restore all the 'sliders' to centre position and a rather unnecessary (but fun) reverse button which turns each slider's cut values to an equivalent amount of boost and vice versa.

More buttons select the source and signal routing, overall volume, display sensitivity, an equaliser bypass, signal muting and even a display dimmer.

However, the Maplin equaliser also includes automatic equalisation. This harps back to the real purpose of such a machine in the first place. A built-in pink-noise generator is switched on and a flat-response microphone plugged into the front panel socket. With the amp volume suitably adjusted it is now simply a matter of pressing 'auto EQ' and the unit cuts and boosts each band for a flat response. Simple.

In use, the system seems a little arbitrary, rarely giving exactly the same result. However, it was tested using a rather inferior microphone. With a professional model I am sure it would perform better.

Any equaliser setting (manual or automatic) can, at the push of yet more buttons, be stored in one of four memories to be instantly recalled at a later date.

These memories are volatile and last only as long as the equaliser is plugged in (the power switch on the front puts the machine into standby mode). Of course, there is use for several equaliser settings available at the touch of a button unless the equaliser is to be used for just super tone control.

However, such considerations are perhaps altogether too serious. The Maplin equaliser is a treat to use and (dare I say it) to play with. That just about every function is available on the remote control (32 more buttons!) only adds to the both the enjoyment and the amazing value.

It's a pity then that its audio performance does not live up to its digital control abilities.

The main problem is noise. Turn up the equaliser volume (and turn down the amp) and the signal is positively swamped in noise. This is not only mains hum but a fair amount of digital filter sampling noise too.

This is a shame because, otherwise, the Maplin equaliser proves truly superb. At first this model seems expensive — nearly £200 for a graphic equaliser in these days of £50 units.

However, this unit is streets ahead of such simple equalisers. A peek inside gives some idea of the complexity of this machine. There are approaching 70 ICs in there, more than many fully fledged computers, and there's certainly more circuitry in this than most items of hi-fi.

Of course, it's not complexity but performance that counts. Nevertheless, the Maplin Computer Memory Graphic Equaliser wins a place in my system without too much trouble.

Tandy

The Tandy model was one of the first of the more-than-just-knobs equalisers for a reasonable price. This is the top of the Tandy range and costs about £119.95.

There are ten frequency intervals for each channel, each giving a useful 12dB cut or boost. An enormous range of sockets and switches gives you just about every option of playing or recording equalised or original sound from and to the amplifier and two tape decks.

The sliders are nice and smooth with a centre click and comfortable knobs, but the switches on the front are tacky silver plastic jobs which severely let down the overall look. Fortunately, next to the dreaded 'Realistic' logo, they look positively classy.

The main extra the Tandy Equaliser has is a spectrum analyser. This is a small LED affair about 8x5cm with 90 LEDs. A 21st slider controls the display sensitivity. This is certainly pretty, even if it is of little use. The manual sums up the expected serious use of the analyser by ignoring it almost completely.

The real gimmick for this equaliser is the *IMX Expander* unit to give 'a dramatic live feel' to music. No, it's not a dynamic range expander but just a boring old stereo width control as found on many ghetto blasters. Even if you think such a device has much place in a proper audio system, it adds so much distortion as to be positively dangerous to serious listening.

Otherwise the Tandy equaliser proves excellent value for money. Although the spectrum analyser is only pretty, it doesn't affect the sound quality. This is pretty good. There is little noise or distortion added by the extra circuitry. Only if you crank your power amplifier up high (without an input) will you hear the small amount of hum introduced by the equaliser.

So long as you keep the *IMX Expander* firmly switched out, the Tandy graphic provides a reasonably priced model that is neat to look at too.

Conclusion

Although it is difficult to describe any graphic equaliser as truly hi-fi, they are nevertheless popular items. Both these models perform their basic task well (albeit with some extra noise added). They also add an entertaining display to your system and in the case of the Maplin model, their very use is entertainment in itself.

To someone who has spent his life with the old ETI/Maplin kit graphic equaliser of yesteryear, excellent value modern ready-built models come not only as something of a revelation but as a joy also.

Specifications Claimed

| | Tandy | Maplin |
|-----------------|----------|----------|
| Price | £119.95 | £194.95 |
| Number of bands | 2x10 | 2x12 |
| Interval | 1 octave | 1 octave |
| Band cut/boost | +/- 12dB | +/- 10dB |
| Distortion | 0.015% | 0.009% |
| Signal/noise | 95dB | 90dB |



19" RACK CASES

★ Suitable for instruments, high quality amplifiers and many other applications that demand strength and professional finish. ★ New improved construction and finish. ★ Black anodised aluminium front panels. ★ Separate front mounting plate, no fixing screws visible on the front and the side of the enclosure. ★ Heavy gauge front panel is of brushed aluminium finish enhanced with two professional handles. ★ With ventilation slits and plastic feet. ★ Rear box manufactured from 1.1mm steel finished in black. Rack mounting or free standing. Comes in quick assembly flat package.

| Order Code | Panel Size W H (inch) | Rear Box W H D | Weight kg | Price £ |
|------------|--------------------------|-------------------|--------------|------------|
| U101 | 19 x 1.75 | 17 x 1.5 x 10 | 2.4kg | 26.95 |
| U103 | 19 x 5.25 | 17 x 5.0 x 10 | 3.5kg | 29.95 |



| | | | | |
|------|-----------|---------------|-------|--------|
| U212 | 19 x 3.5 | 17 x 3.0 x 12 | 3.3kg | £29.75 |
| U312 | 19 x 5.25 | 17 x 5.0 x 12 | 4.0kg | £31.95 |
| U412 | 19 x 7.0 | 17 x 6.5 x 12 | 4.6kg | £34.95 |

Please add £3.00 P&P for the first item and £1.50 for each additional item.
Please add VAT to above prices. Overseas orders welcome.

CRICKLEWOOD ELECTRONICS LTD
40 CRICKLEWOOD BROADWAY, LONDON NW2 3ET

Tel: 01-452 0161 Fax: 01-208 1441
SOLE UK DISTRIBUTORS

19" RACK MOUNTING EQUIPMENT CASES

This range of 19" rack cases features satin black finished 16SWG (1.5mm) steel front panels (no fixing holes visible), with the rear box assembly constructed from 20SWG (0.9mm) steel. The standard units are 10" (254mm) deep.

NEW FOR 1990 19" project cases only 4" (101mm) deep and are available in the following popular sizes:

PROJECT CASES

| Type | Height | Price |
|------|-----------------|--------|
| PU1 | 1 3/4" (44mm) | £16.50 |
| PU2 | 3 1/2" (88mm) | £18.50 |
| PU3 | 5 1/4" (133mm) | £20.50 |
| PU4 | 7" (178mm) | £22.50 |
| PU6 | 10 1/2" (226mm) | £26.50 |

EQUIPMENT CASES

| | | |
|----|----------------|--------|
| U1 | 1 3/4" (44mm) | £20.70 |
| U2 | 3 1/2" (88mm) | £24.15 |
| U3 | 5 1/4" (133mm) | £27.60 |
| U4 | 7" (178mm) | £29.90 |

Delivery included (UK only).
All prices include VAT.

BLANKING PANELS, RACKING CONSOLES
and RACK CABINETS are also available.

Please send SAE for details.

Tel: 0275 823983 for Access/Visa Sales or cheque
with order to:

RACKZ PRODUCTS

PO Box 1402 Mangotsfield, Bristol, England, BS17 3RY



Wizard Kit-Packs

THIS MONTH'S WIZARDRY

THE WIZARD PRECISION MAINS FILTER

250 volts AC 13 amp, On off switch, 4 IEC output sockets, Merlin made case and USA Potter Block RFI filter. Price £32.00 VAT paid P&P £1.70

LOOK AT THE SPEC ON THIS WIZARD BENCH POWER SUPPLY

Variable DC Voltage 3.5 to 22 volts at 8 amps continuous rating, twin meters volts and amps. Fine and coarse voltage adjustment, overload protection, mains input and DC output filtered, Merlin made case. Built and tested. Price £66.00 VAT paid P&P £3.00

GEC STEREO CASSETTE UNIT

Record/Playback, Dolby, speed 4.75cm (1.78in) per sec, 40-12.500Khz, Twin VU meters, with service manual. Brand New £12.00 or 2 for £20.00 P&P £3.00

THE WIZARD POWER CUBE

Specification

- 1 20 Amp Hour Dryfit Battery;
- 2 Inbuilt Mains Charger;
- 3 RF Filtered;
- 4 Solar Cell Input (Cells optional);
- 5 Compact Size/Portable;
- 6 Merlin Made

Price £76.00 + P&P £8.00

MORE DATA — Send a 19p Stamp for Latest List.

Ring the Wizard on 0225 706886 Fax 0225 708594 for more information or a visit to the works.

PAYMENT Access, Cheque, PO and Cash. Post and packing on components £1.50 or £1.00 for orders over £20.00. Please add VAT to total.

MERLIN SYSTEMS

Merlin Way, Bowerhill Trg Est, Melksham, Wiltshire SN12 6TJ

OMNI ELECTRONICS

174 Dalkeith Road, Edinburgh EH16 5DX · 031 667 2611

New
1990/1 OMNI
Catalogue
available
soon

A COMPREHENSIVE RANGE WITH
SERVICE SECOND TO NONE
OUR MUCH EXPANDED, BETTER ILLUSTRATED
CATALOGUE WILL COST £1.50 — TO INCLUDE
VOUCHERS TO USE AGAINST FUTURE
PURCHASES. TO RECEIVE A COPY AS SOON AS
THEY ARE READY, PLEASE SEND YOUR
REMITTANCE WITH YOUR NAME, ADDRESS
AND TELEPHONE NUMBER REQUESTING A
COPY OF THE 1990/91 OMNI CATALOGUE.



Open: Monday-Friday 9.00-6.00
Saturday 9.00-5.00



SONIC LINK

PRECISION ENGINEERED AUDIO AMPLIFICATION

SONIC LINK precision engineered audio amplifiers have been designed by Graham Nalty to put into manufactured products the quality of components and circuit design which you would only associate with AUDIOKITS PRECISION COMPONENTS.

SONIC LINK Amplifiers

DM20 Dual Mono Integrated Amplifier 20 w/channel **£299**

SONIC LINK CABLES

Made entirely from silver plated copper wire insulated and sheathed with PTFE, SONIC LINK cables enables the full sound quality designed into SONIC LINK amplifiers to be enjoyed through the music.

SONIC LINK 'BLACK' Mains cable 3 core **£12/m**
SONIC LINK 'BROWN' Loudspeaker cable **£10/m**
SONIC LINK 'RED' Interconnect cable **£7.50/m**

SONIC LINK HIFI DEALERS

SONIC LINK amplifiers and cables can be heard at a number of specialist hifi retailers, all of whom are recommended by Graham Nalty to AUDIOKITS customers who wish to purchase hifi equipment.

| | |
|---------------------------------------|--------------|
| ACTON GATE AUDIO, Wrexham | 0978-364500 |
| ACOUSTIC ARTS, Watford | 0923-245250 |
| AUTHENTIC AUDIO, Stafford upon Avon | 0798-414533 |
| AYLESBURY HI-FIDELITY, Aylesbury | 0296-28790 |
| LISTEN HEAR, Ilkeston, Derbyshire | 0602-304602 |
| IN CONCERT HIFI, Wallasey | 051-630-5055 |
| MID SHROPSHIRE AUDIO, Dawley | 0952-630172 |
| MJS HIFI, Barwell, Leicestershire | 0455-846977 |
| OMNI AUDIO, Leeds | 0532-758326 |
| RADLETT AUDIO, Radlett, Hertfordshire | 0923-856497 |
| STANDENS HIFI, Tonbridge | 0732-353540 |
| SOUNDS EXCLUSIVE, Cranleigh, Surrey | 0483-268185 |
| SOUNDS GOOD, Ealing | 01-579-3963 |
| STEVE BOXSHALL AUDIO, Cambridge | 0223-68305 |
| SUSSEX AUDIO, Burgess Hill | 0444-242336 |

SONIC LINK AMPLIFICATION

6, Mill Close, Borrowash, Derby, DE7 3GU
Telephone 0332-674929

electronize Car Electronics

MICRO-PRESSURE CAR ALARM

This new type of alarm is triggered by a unique pressure sensing system. As any vehicle door is opened, air is drawn out, causing a minute drop in air pressure. A sensor detects this sudden pressure change and sets off the alarm.

A sophisticated arrangement of electronic filters and timers provide features to match ultra-sonic systems but at a fraction of the cost.

- ★ 1 Micro-Pressure intruder detection.
- ★ 2 Operates on all doors and tailgate.
- ★ 3 No door switches needed.
- ★ 4 Automatically armed 1 minute after leaving vehicle.
- ★ 5 10 second entry delay with audible warning.
- ★ 6 Sounds horn intermittently for 1 minute.
- ★ 7 Easy fitting - only 3 wires to connect - no holes to drill.
- ★ 8 Compact design can be hidden below dashboard.
- ★ 9 All solid state Power MOSFET output - on relays.

MICRO-PRESSURE ALARM KIT **£12.95**
ASSEMBLED READY TO FIT **£18.95**

VOLT DROP CAR ALARM

Our latest alarm using the popular voltage drop method of triggering. Based on the timers of the micro-pressure alarm it offers features 4 to 9 above but relies on the existing door switch operation for triggering.

VOLT DROP ALARM KIT **£11.75**
ASSEMBLED READY TO FIT **£17.75**

TOTAL ENERGY DISCHARGE IGNITION

Our long established Extended CDI system retains the contacts to allow easy fitting whilst the electronics removes the adverse effects. The unique spark generating system still out performs the latest all electronic systems.

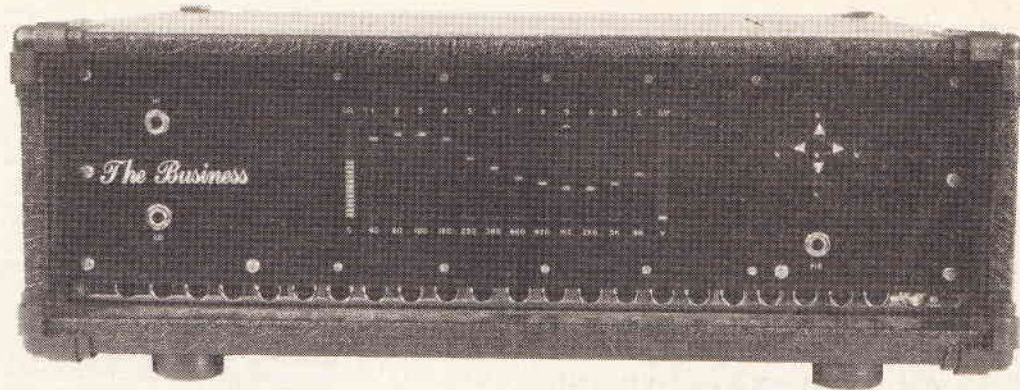
TOTAL ENERGY DISCHARGE IGNITION **£18.95**
ASSEMBLED READY TO FIT **£24.90**

All Electronize kits include clear, easy to follow instructions, quality components and everything needed, right down to solder and heatsink compound.

Order direct (Please quote Ref. D06 and add
or send for more details from:- **£1 post and packing per item.**)

ELECTRONIZE DESIGN tel. 021 308 5877

2 Hillside Road, Four Oaks, Sutton Coldfield, B74 4DQ



THE BUSINESS

Part 3: Case Construction

Bob Whelan completes his masterpiece of engineering known as a bass amplifier.

If a job is worth doing, it's worth doing properly and with the business amplifier the case construction is no exception. Ruggedness is an essential feature when touring with the band and it has certainly paid off.

This final part also features the display board, the main power supply and final testing and checking procedure.

The first thing needed to start construction is the chassis. The chassis is made from 16 gauge mild steel and welded at the seams for strength. Only the back and front cut outs are detailed on the drawing. This helps to keep the costs down and allows for exact fitting of the various components in the chassis. The first thing to do is to go along to a sheet metal works and get them to make the chassis. Specify a bare metal finish as a few holes still have to be drilled in the base. The finish on the chassis is chrome plating. This can only be done once all the fixing holes have been drilled in the chassis. This would also be a good time to go to an engraving and panel making company and get them to make the front panel. This is manufactured from 10 gauge black anodised aluminium with engraved lettering in white. The final appearance of the amplifier depends to a great extent on the quality and finish of the front panel, so it is wise to spend just

a little extra and get a good professional firm to do the job. (Now available from the new ETI front panel service included in this issue.)

Construction begins with the heatsink. This is a Marston Palmer forced air cooled assembly that offers very efficient heat dissipation within a restricted volume. The output devices are mounted on eight external platforms. Heat generated by the devices is conducted from the platforms to the cooling fins within the assembly and is removed by a flow of air provided by a fan bolted to one end of the unit. The airstream through the assembly is totally confined and no baffles or ducting are required. The eight heatsink platforms should be drilled for the MOSFET output devices. A T03 heatsink washer is useful as a template for drilling the platforms. When assembled, the heatsink platforms are electrically isolated from each other so no insulating washers are required for the output devices. Fixing screws for the MOSFETS are M4 x 16 high tensile set screws (Electromail 525-802) with a flat washer and full nut. A 4BA solder tag is fixed under the washer on the outermost screw for the MOSFET source connection. The clearance holes for the gate and drain pins should be drilled M4 to reduce the risk of shorts. Assemble the heatsink as per the instructions supplied but turn the front plate around so that the two fixing holes are accessible. The four 2SJ50 devices should be on the left side of the heatsink assembly looking from the front, the four 2SK135 devices on the right. The fan can be bolted on to the heatsink assembly using M4 set screws. When the chassis is available, the power supply transformers, capacitors, board mounting brackets and die cast boxes should be positioned as in Fig. 1 and the fixing holes drilled. Fixing is by M4 x 16 high tensile set screws, flat washers and full nuts. Transformer T1 is supplied with a fixing bolt. The heatsink assembly is fixed in the chassis by the four screws supplied with the fan filter and two M4 high tensile set screws in the front plate of the heatsink assembly to the chassis base. The amplifier's front panel fixing holes are M4. The front panel is positioned level with the top of the chassis, leaving the row of holes in the lower front of the chassis clear for the fan airflow. The DC protection board fixing holes are M2.5. Two holes are required for the fan filter in the back panel. The fixing screws are supplied with the filter. Once these holes have been drilled and deburred, the chassis can be chrome plated for finish.

Assembly of the Display PCB. Again screw down the 16 pin plug before soldering to the board. Assemble the board according to the circuit diagram and overlay diagram. (Fig. 2 and Fig. 4) The point to be careful with

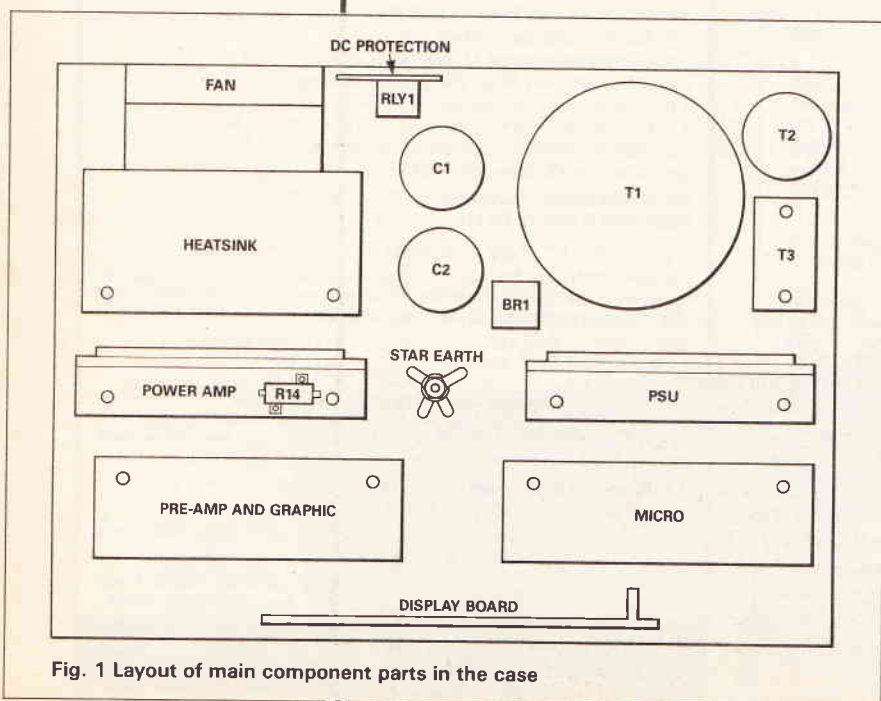


Fig. 1 Layout of main component parts in the case

on this board is the orientation of the LED displays. These are mounted on the foil side of the PCB. Some types have the manufacturer's code printed on the anode side, some types have a chamfer at one corner to indicate the anode. Make sure the displays are in the right way round. This board will be tested when it is assembled in the amplifier.

Chassis Components

The amp has a star earthing system to reduce the risks of earth loop problems. The earth is a M4 x 16 high tensile set screw with flat washer and full nut. This should be fixed in the chassis and well tightened up. A drop of locktight solution on all the fixing screws is recommended. Next secure transformers T2 and T3 with M4 screws. Using 16/0.2 equipment wire, connect the secondary windings of T2 in series to give 12V output and the secondary windings of T3 to give 15-0-15V, the centre 0 tap being connected to the earth screw. T2 has a screen connection, this should also go to the earth screw. Termination of the 16/0.2 wire to the earth screw is via 4BA solder tags. Use 16/0.2 wire to connect up the primaries of T2 and T3 as per the wiring diagrams Fig. 4. Now fit transformer T1. T1 has a fixing screw supplied. Do not over tighten the fixing screw as this can distort the chassis. Now fit the mains input filter and the cannon type loudspeaker connector using M3 screws. Next the mains switch, then the bridge rectifier and the capacitors C1 and C2 using M4 screws. Connect the earth terminal of the mains filter to the earth screw using 32/0.2 green equipment wire

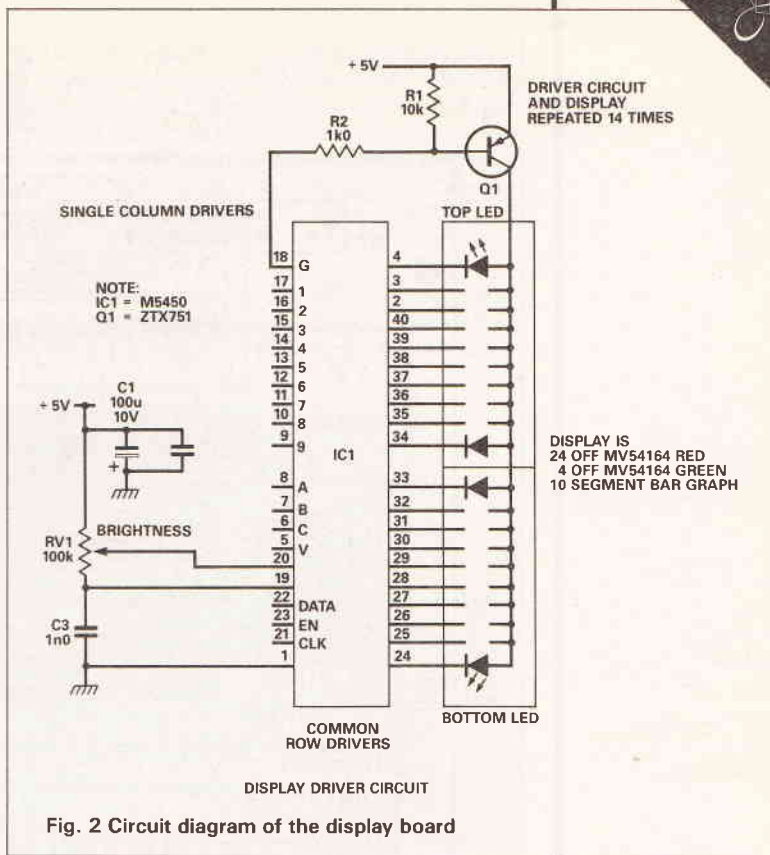


Fig. 2 Circuit diagram of the display board

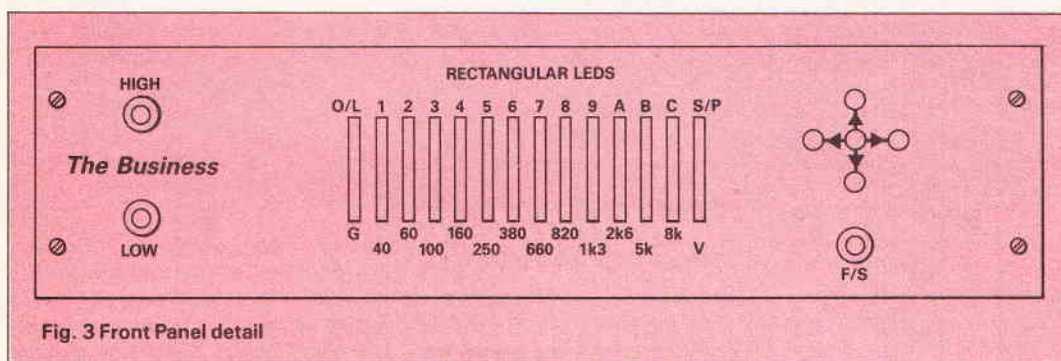


Fig. 3 Front Panel detail

(Maplin order code XR35Q.) Ensure a good mechanical connection is made to the mains filter terminal before soldering. The method used to terminate the wire to the earth screw is to cut off with side cutters the plastic insulation from a 4BA eyelet crimp terminal, strip back, tin and trim the wire, crimp the wire into the terminal and then solder. Finally, use a neoprene expandable cable sleeve to cover and protect the joint. If the proper cable sleeve application tool is not available, use long nose pliers dipped in a little oil or Vaseline to stretch and apply the sleeves. Next wire up the live and neutral from the mains filter to the outer terminals of the mains switch. Sleeve these connections for safety. Now connect the primaries of T1 and T3 to the centre terminals of the mains switch, again sleeving these for safety. Connect the secondary of T1 to the bridge rectifier for 45-0-45V, taking the two centre tap wires to the earth screw via 4BA eyelet crimp terminals. Complete the wiring of the power supply components as per the circuit diagram Fig. 2 and the wiring diagram Fig. 4 using 32/0.2 equipment wire. Fix the pre-amp psu in the chassis and connect the AC secondaries from T2 and T3 to the board. Use 32/0.2 wire for the two earth leads from the pre-amp psu to the earth screw. Put a flat washer and a full nut on the earth screw and tighten it up. The power supply is now ready for testing.

The safest method of testing electronic

equipment and power amplifiers is to use a variac transformer and slowly turn up the mains supply while monitoring the output of the equipment under test. Variac transformers can be picked up quite cheaply from electronic surplus suppliers.

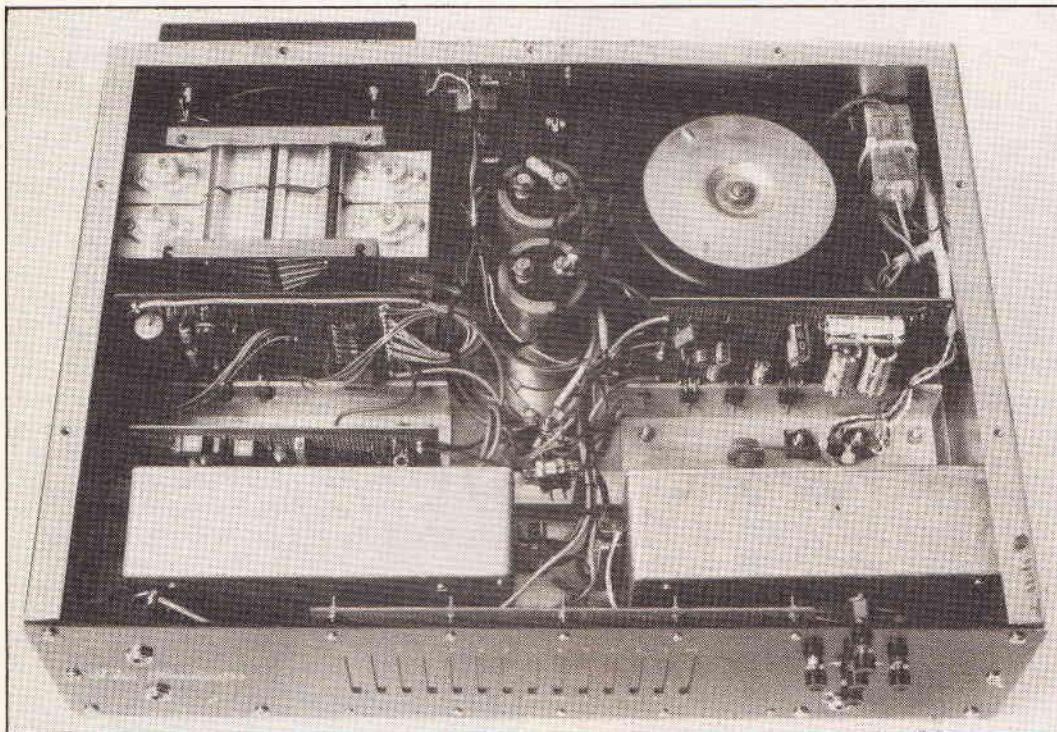
With three transformers in the amplifier, a fair turn on surge can be expected. The amplifier uses a 10A anti-surge fuse in the mains filter. Ensure that the mains flying leads for the fan are safe. Double check the wiring and turn on the amplifier's mains switch. Use a DC voltmeter to monitor the voltage on C1 and C2 with respect to ground and slowly turn up the variac. If everything is well, a symmetrical supply of about +83 and -63 volts should be on C1 and C2 when the mains have been fully turned up. The pre-amp power supply should have +15, -15 and +5 volts with respect to ground on the appropriate pins. If that is so, turn off the power. Be careful as C1 and C2 will remain charged for some time.

Wiring up of the output devices on the heatsink assembly is the next step. The gate and the drain pins of the MOSFETS should be sleeved using neoprene sleeves. Make up eight gate leads using 16/0.2 equipment wire and solder to the ends of the leads the 820R gate resistors. Four leads in blue for the P type MOSFETS and four leads in purple for the N type MOSFETS (or the colours of your choice). The resistor to wire connection should then be sleeved for

insulation. Now solder the resistors to the gate pins of the MOSFETs. Apply a little silicon rubber compound or ten minute epoxy over the resistors to stop them moving about and ultimately breaking off. Then solder four leads of 16/0.2 equipment wire to the source solder tags on the P types in yellow and four leads to the source solder tags of the N types in orange. Finally, solder four leads of 32/0.2 equipment wire to the drain connections of the P types in black and four leads of 32/0.2 equipment wire to the N types in red. The leads can be laced or sleeved together as three groups, gate leads, source leads and drain leads. Route them away keeping the three

the output devices to the power supply caps C1 and C2 using eyelet crimp terminals. The black wires to the negative supply, the red wires to the positive. It is possible to get two 32/0.2 leads into one crimp terminal. Connect up the power amp boards supply lines to C1 and C2 using 32/0.2 equipment wire. Connect up the two earths from the power amp board to the earth screw using 32/0.2 equipment wire and eyelet crimp terminals. Finally, connect the flying lead from the DC protection board to the series output resistor.

Now for the moment of truth. Double check the wiring. If an audio oscillator and an oscilloscope are



groups separate. Use a 1K resistor to discharge C1 and C2 before working on the amp chassis. The DC offset protection board can now be screwed into position using M2.5 screws, washers and full nuts. Use 16/0.2 equipment wire to connect the +15 and -15V supplies of the board to the pre-amp psu, the earth from the board to the earth screw via 4BA solder tag and the AC from the board to the bridge rectifier.

Use red 32/0.2 equipment wire to connect the relay output from the board to pin 2 on the loudspeaker plug, and a flying lead on the relay input to go later to the power amps series output resistor. The DC protection circuit can now be tested. Hold the red flying lead at earth and power up the amplifier. The relay should close after about 2 seconds delay. Touch the red flying lead to the +15 or -15 volt supply, the relay should instantly open. Replace the flying lead to earth and the relay should close after the 2 second delay. Switch off the power and the relay should open instantly. Carefully discharge the caps C1 and C2 before continuing. Use green 32/0.2 equipment wire to connect pin 1 on the loudspeaker plug to the earth screw via 4BA eyelet crimp terminal.

Connect the mains leads to the fan and fix the heatsink assembly in place using the four fan filter screws and the two M4 chassis screws. It is impossible to reach the lower left hand nut on the fan filter fixing screw so a trick is first to hold it in position with its screw and stick it in place with a little ten minute epoxy. The power amp board can now be fixed in the chassis and the gate leads and source leads from the output devices connected up to the correct terminal pins on the power amp board. Connect the drain leads from

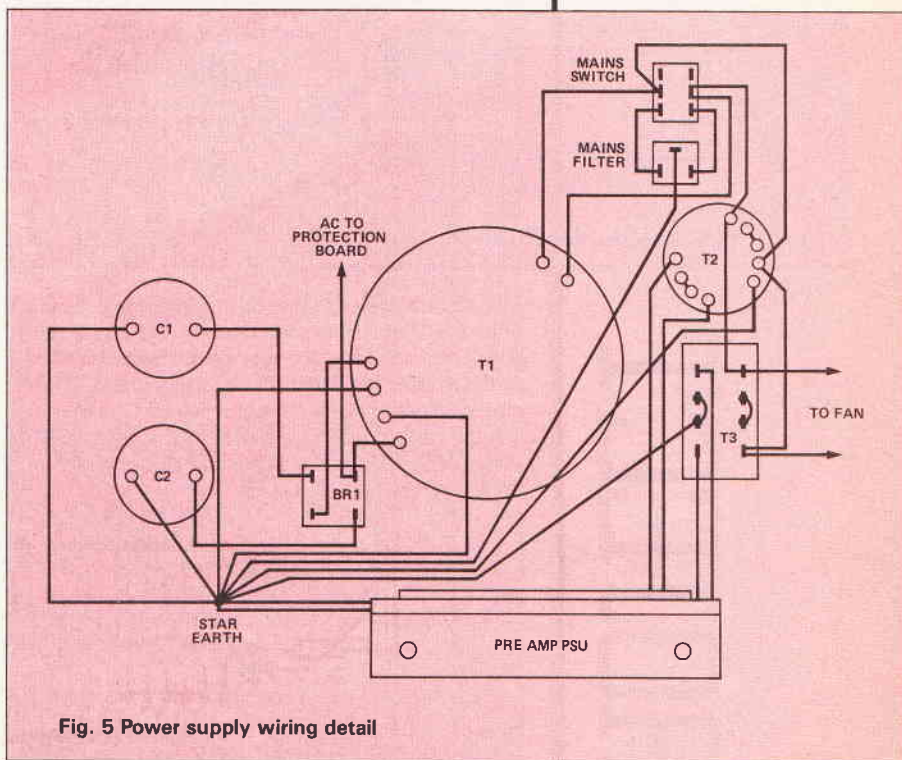
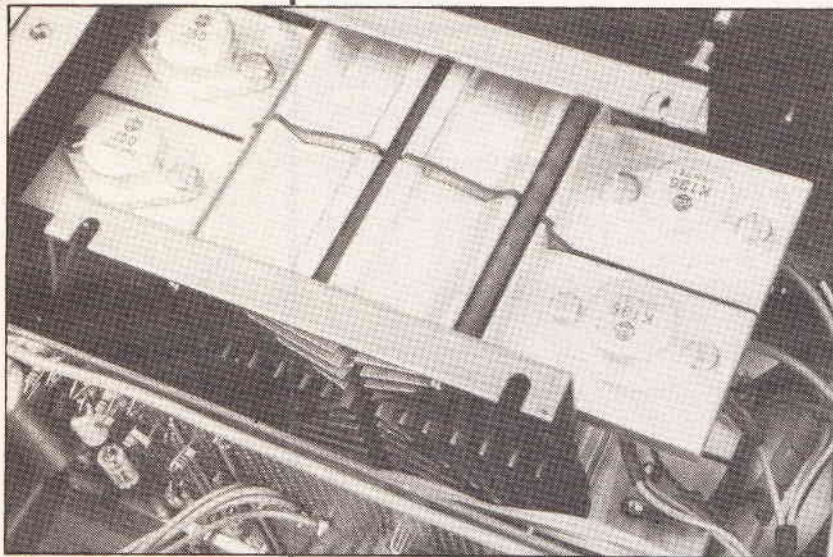


Fig. 5 Power supply wiring detail

available, inject a 1kHz sine wave into the input of the power amp and monitor the output with the scope. Do not load the amp output. Turn the pre-set pot on the power amp board fully clockwise. Use a DC

voltmeter to monitor the amp output with respect to ground. Turn on the amp's mains switch and slowly wind up the variac transformer. If all is well, the 1kHz sine wave will appear on the amp output and the DC potential on the output will be less than $\pm 200\text{mV}$.



Heat sink for Bass Amp

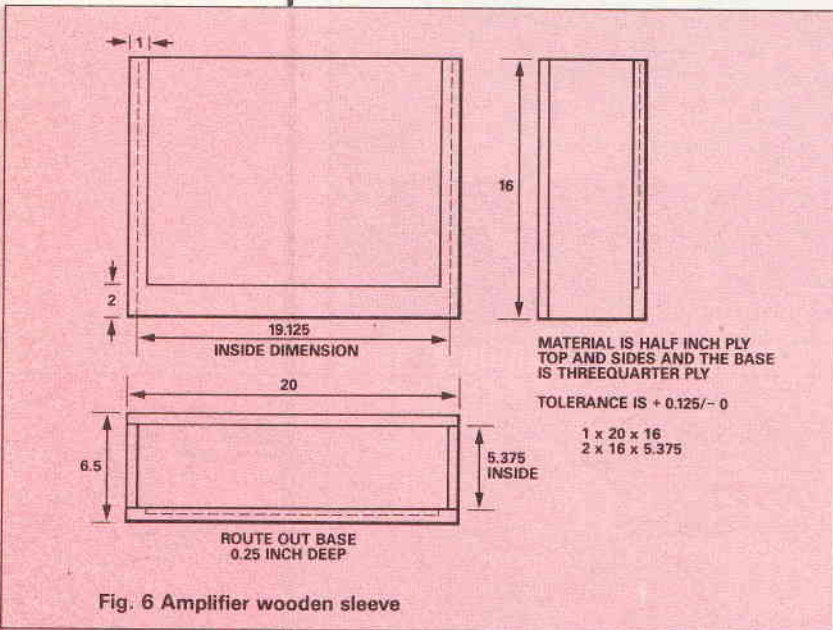


Fig. 6 Amplifier wooden sleeve

PROJECT

Measure the DC potential across any one of the 0.33 ohm 2.5 Watt source resistors on the power amp board and wind the pre-set anticlockwise for 40mV across the source resistor. This corresponds to 120mA quiescent current in each output device. Do not worry if equal current does not flow in all the devices. This sorts itself out once the amp is hot and driving hard. Switch off the amp. Connect a dummy 8 ohm load, and switch off the amp. There should be a short delay before the relay closes. The performance of the amp can now be checked. The amp should swing 40 volts AC on the output into 8R before clipping corresponding to $P = V^2/R = (40 \times 40)/8 = 200$ Watts of output power. A 10kHz square wave driven into 8 ohms in parallel with $2\mu\text{F}$ should show no ringing. The short circuit protection can be checked by loading the amp with 0R 33 ohm source resistor and slowly winding up the 1kHz input signal while viewing the output on the scope. A distorted limited waveform should be seen on the scope. The load resistor will get very hot. Switch off the amp and the relay should open instantly.

The next step is the panel assembly (Fig. 3). First fix in the input jack sockets, the footswitch jack socket and the five push-buttons. The neutral acrylic optical filter should be cut to fit in the panel recess. The material can be cut on a band saw without splitting. The matt finished side faces out to the front. The filter is held in place by the display board which can now be fixed to the panel using eight Pan head M2.5 x 20 screws, flat washers and full nuts. Do not cover tighten the nuts as this will distort the display board. Chemically blackened screws give the best visual finish to the panel. The push-buttons and footswitch jack socket can now be wired up to the board as per the circuit diagram and overlay.

The final stage in the assembly is to fit the micro and graphic pre-amp modules into the chassis and wire the whole thing up (Fig. 5.) Chassis fixing nuts and washers in the diecast boxes can be held in position with screws and then glued into place. When the epoxy resin is dry, the screws are removed and hopefully the nuts stay fixed in place. Clearance holes for the IDC ribbon cables to the display and graphic pre-amp can be cut in the lid of the micro diecast box and a clearance hole for the IDC ribbon cable from the micro can be cut in the lid of the graphic pre-amp box. Plug in and lock the IDC ribbon cables between the micro and graphic pre-amp and the IDC ribbon cable to the display. Screw the lids on to the diecast boxes and then screw the boxes into the chassis. Connect the earth leads from the boxes to the earth screw and the power leads to the appropriate terminal pins on the pre-amp psu, +5 volts to the micro and +15 -15 to the pre-amp. The front panel input jack sockets can now be wired up to the screened input leads from the pre-amp as per the circuit diagram. Also take a 32/0.2 earth wire from the jack socket earth to the earth screw. Plug the IDC ribbon cable from the micro into the display board. Screw the panel onto the chassis using eight pan head M4 x 16 screws with flat washers and full nuts. Chemically blackened screws give the best visual finish to the panel. Connect the output from the pre-amp to the power amplifier input. Do not connect the earth screen, just the signal wire. Sleeve the end of the screened wire to prevent the screen fraying out and shorting.

Providing the proper PCBs have been used and there have been no mistakes in the construction, the components are all in the right positions and there are no dud or dud chips, the program in the eprom is correct and there are no shorts or opens on the boards, the amplifier should be a first time flier! When the amplifier is turned on, it is muted until the volume is stepped up or down. Turn on the amplifier. Step the volume up or down and check the operation of the graphic and display. Step through the channels, setting up the graphic equaliser for each channel. The graphic band setting wraps around to the gain at each end of the display for setting channel gain levels. Turn off the amplifier, wait a bit, then turn it back on. Check that it has remembered the graphic and gain settings. If all is well, leave the amplifier on for as long as possible for a burn in of the components. If something is going to go wrong, it should show up early in the amp's life.

Trouble Shooting

If all is not well, do not panic. If we can isolate the faulty board, it can be put right. First check the power supply rails. A low rail indicating excessive current drain. Find the faulty board and check the components for shorts or low impedances. If a single column or row is out on the display, check the column driver transistor or the display chip. If the display shows just a single column on, or just a blurred mess, check the IDC ribbon cable and the micro circuit for the interrupt pulses and serial display data. If the pulses are missing,

PROJECT

check the micro's system clock oscillator and the address and data lines. If the clock is present and the address and data lines are clocking, check the eeprom and the 555 reset circuit. If the graphic is not working check the IDC ribbon cable and the serial data from the micro. The graphic equaliser band boost and cut adjustments should be silent. Pops and crackles from the graphic while adjusting band settings or changing channels indicate a faulty op-amp. Isolate the faulty op-amp by adjusting the graphic bands up and down and finding the one most sensitive. Then change that band's op-amp. Gain and volume adjustments should be silent, although a slight click is heard at a very high output levels. Excessive noise indicates a faulty op-amp in the attenuator circuits. Only the faintest hiss and hum should be heard from the amplifier when there is no input signal. If there is any noticeable hum and noise, recheck the earth and signal wiring.

The last thing to make is the wooden amplifier sleeve (Fig. 6). This is made from half inch marine plywood for the sides and top and three quarter inch marine plywood for the base. The base of the sleeve is routed out to allow clearance for the screw heads protruding from the base of the chassis. The sleeve extends over the front and back panels of the amplifier to protect them from knocks and damage. The amplifier is held in the sleeve by seven M4 x 20 pan head screws with seven M4 x 20mm diameter flat

HOW IT WORKS

Power supply

The power amp is conventional in design, the main criteria being reliability and high power handling. Available output power of an amplifier depends on the power supply rating. The power supply is 45-0-45V 500VA toroidal transformer, 35A bridge rectifier and 4,700µ 100V smoothing capacitors (Fig. 7). Bridge rectifying and capacitor smoothing results in peak rectification of the transformers secondary AC waveform. This is the AC secondary volts times the square root of two, which gives a DC supply to the amplifier of $45 \times 1.414 = 63.6V$. The VA rating of the transformer is the AC secondary voltage times the maximum current that can be drawn continuously without the transformer overheating. Heat is the limiting factor, as a transformer will deliver as much current as demanded until it suffers overheating and ultimate meltdown. The amplifier will deliver 200 Watts into an 8 ohm load or 320 Watts into a 4 ohm load continuously without the transformer or the output devices overheating.

Display

The display is made up of 24 red and 4 green 10 segment bargraph LED ladder displays, arranged as 14 columns of 20 LEDs. The first column is green for gain indication, the top LED indicating pre-amp overload. The next 12 columns are red for graphic indication, the top LED in each column indicating the active band in set mode or the active channel in play mode. The 14th column is green and indicates the volume level, the top LED indicating set or play mode. The display board is mounted behind a Neutral acrylic optical filter which fits in the recess in the front panel and is held in place by the display. The filter greatly enhances the display image and contrast.

The display LEDs are driven by a M5450 display driver IC. This IC has 34 outputs which can each sink up to 15mA without external resistors. Programming of the chip is via three digital lines, DATA ENABLE, SERIAL DATA and CLOCK.

Programming is accomplished by taking DATA ENABLE low, then a 1 is the first bit clocked into the DATA line, followed by the 34 data bits. The 36th clock pulse loads the 34 bits of serial data into the segment latches, each logical 1 turning on the appropriate segment. The 36th clock pulse also generates a reset signal, which clears the registers ready for the next data stream following the next 1 detected on the DATA line. Outputs 1 to 14 drive the columns and outputs 15 to 34 drive the rows. Only 1 column is on at a time. The display is updated at approximately 70Hz. A brightness adjustment is provided.

```
Sector 000000
0000(0000) 5448452042555349-4E545535520424153
0016(0010) 5320414050204258-20424F4220544845
0032(0020) 2042204D41524348-2038392049542044
0048(0030) 4F4E54204D45414E-2041205448494E47
0064(0040) 2049462049542041-494E542074F5420
0080(0050) 5448415420555749-4E470818A2FF9AA9
0096(0060) FF0D02408D034060-03608D01808D0040
0112(0070) 8D0140A9008D0280-850F8502850E8501
0128(0080) 8504A9018503A904-850BA900653BA90E
0144(0090) H53CA81C853DA92A-853EA938853FA946
0160(00A0) 8540A9548541A962-8542A9708543A87E
0176(00B0) 8544A98C8545A99A-8546ADFAFF850CAD
0192(00C0) FBFF6500A9188D0B-40A9588D0B80A900
0208(00D0) 8D0460A9048D0760-8D0580A9C08D0E80
0224(00E0) 58221DE12074E2A9-298506A5002098E2
0240(00F0) AD000049FF291FF0-F785062012E1AD00
0256(0100) 8049FF291FC506D0-E72025E3201DE118
0272(0110) 90DEA046A2C8CAD0-F08D0F860A046A2
0288(0120) C8CAD0FD8D0F860-4884488848AD0180
0304(0130) 29FE8D0180A5020A-AA8D58E28D0A80A9
0320(0140) 042C0D80F0FBEB0D-58E28D0A80A003A9
0336(0150) 042C0D80F0FBEB0D-B5108D0A80E60486
0352(0160) D0EDAD018009018D-0180E602A90EC502
0368(0170) 0D06A90085028504-2084E1AD040066A8
0384(0180) 68AA6840A905C50F-F003E60FA09FB0D
0400(0190) 0180A900850FA9FF-8D0180603C221F1D
0416(01A0) 1A1714110FD00809-0705040302010000
0432(01B0) 0010000030000070-0000F00001F00003
0448(01C0) F00007F0000FF000-1FF0003FF0007FF0
0464(01D0) 000FF001FFF003FF-F007FFF00FF001F
0480(01E0) FFF03FFF07FFF00-8141C121A161E111
0496(01F0) 9151D131F4B49480-6854484020100804
```

```
Sector 000001
0000(0000) 00060A1222424A56-6A8296B6F6000010
0016(0010) 0000100000200000-2000004000004000
0032(0020) 0060000100000200-0004000008000010
0048(0030) 0000200000400000-8000010000020000
0064(0040) 040000800001000-0010000020000020
0080(0050) 0000400000400000-6000500048004400
0096(0060) 4200410040804040-4020401040084004
0112(0070) 4002400118A603B5-3A850A20BCE2A000
0128(0080) A200203FE4C8EBE0-0CD0F7B10A8D0140
0144(0090) A20286062098E260-A200A0032018E38A
0160(00A0) 18850765076507AA-BDAFE148E888D0F8
0176(00B0) A003A606688510CA-8D0DF96018A90385
0192(00C0) 08A000B10A040720-04E320FBE2A90385
0208(00D0) 09B10CA6068510C8-E608C609D0F3E607
0224(00E0) A407C00CD0DDA503-850820EE8E260A506
0240(00F0) 0A6506AAB5100980-951060188A85060A
0256(0100) 6506A860A200DDFA-E1F00CE8E018D0F6
0272(0110) A20CBDF4E1910A60-D99CE1F007E8E013
0288(0120) D0FA20060C903D0-042055E360C904D0
0304(0130) 042064E360C908D0-0420DE360C901D0
0320(0140) 0420B8E360C902D0-0420DE360C910D0
0336(0150) 032004E460A93C8D-00406500A0298406
0352(0160) 2098E260A900C501-D00EA503C803D004
0368(0170) A90C85032074E260-202EE4C60EA50EC9
0384(0180) FFD004A90C850E85-0620EE260A900C5
0400(0190) 010010E603A90DC5-03D004A901850320
0416(01A0) 74E260202EE4E60E-A50EC90D0004A900
0432(01B0) 850E850620EE8E260-A900C501D01CA200
0448(01C0) A5002010E3E012F0-10E8BD3CE185008D
0464(01D0) 0040A22984062098-E26020E3E460A900
0480(01E0) C501D01CA200A500-2018E3E000F010CA
0496(01F0) BD9CE185008D0040-A02984062098E260
```

```
Sector 000002
0000(0000) 2075E460A227B510-A401F00F297F9510
0016(0010) A9008501202EE420-1DE16009009510A9
0032(0020) FF6501A50E850620-EE8E2201DE160A50E
0048(0030) C503F00A0A650EAA-B510297F951060BD
0064(0040) BEE18D0A402051E4-B10A8D0A402051E4
0080(0050) 80A9042C0D40F0FB-A9FD8D0180A9FF8D
0096(0060) 018060A900C50EF0-3F2087E4E018F004
0112(0070) B2090E460A900C5-0EF04D2087E4E000
0128(0080) F004CA2090E460A4-0E88B10A2004E360
0144(0090) BDF4E1910AA60E86-06CA203FE420BCE2
0160(00A0) A60E860620EE8E260-A00CB10AA2002018
0176(00B0) E3E012F012E8BD9C-E18D0140A00C910A
0192(00C0) A20286062098E260-A00CB10AA2002018
0208(00D0) E3E000F012CA8D9C-E18D0140A00C910A
0224(00E0) A20286062098E260-FFFFFFFFFFFFFFFF
0240(00F0) FFFFFFFFFFFFFFFFFF-FFFFFFFFFFFFFFFF
0256(0100) FFFFFFFFFFFFFFFFFF-FFFFFFFFFFFFFFFF
0272(0110) FFFFFFFFFFFFFFFFFF-FFFFFFFFFFFFFFFF
0496(01F0) FFFFFFFFFFFFFFFFFF-FFFF0DE25AE028E1
```

Table 1 Eprom hex dump

washers. These screws and washers should be chemically blackened for best effect. The screws pass through the top of the sleeve and thread into the tapped hank bushes fixed in the top of the chassis. The half inch ply top of the sleeve should be marked out and drilled for these fixing screws before assembling the sleeve. One way to do this is to lay a large sheet of drawing paper over the chassis top and mark the positions of the bushes. These marks can then be transferred to the wooden sleeve and accurately positioned centrally in the top. Drill out the seven holes M4 clearance. The sleeve can then be assembled. The sides are butt jointed to the top and base and glued and screwed together. The wooden sleeve is then covered with Vynide covering cloth stuck on with evostick impact adhesive. A leather strap handle is fixed with countersunk screws onto one side of the

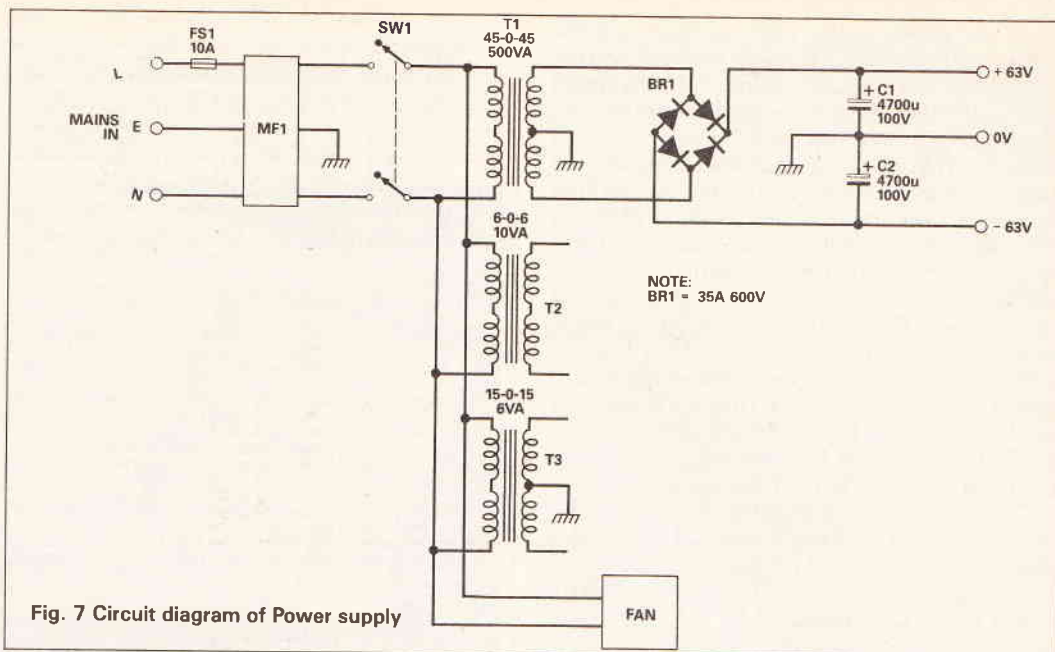


Fig. 7 Circuit diagram of Power supply

PARTS LIST

Display components

RESISTORS (all 1/4 Watt)

| | |
|-----|---------------------|
| R1 | 10k 14 off |
| R2 | 1k 14 off |
| RV1 | 100k cermet pre-set |

CAPACITORS

| | |
|----|-----------------------|
| C1 | 100µ 10V electrolytic |
| C2 | 100n ceramic |
| C3 | 1n polyester |

SEMICONDUCTORS

| | |
|-----|--------------------|
| IC1 | M5450 Maplin UJ53H |
| Q1 | 14 off ZTX 751 |

MISCELLANEOUS

- 1 off 40 pin IC socket
- 5 x SPCO momentary push switch Farnell 146-248
- 5 x 10mm black cap Farnell 4482
- Stereo jack socket for footswitch
- Mono jack socket for Lo input
- Switched jack socket for Hi input Maplin BW80B
- Maplin double footswitch YK75S
- Display LEDs
- 4 off green 10 segment bargraph array Maplin YG33L
- 24 off red 10 segment bargraph array Maplin BY65V
- Neutral acrylic display filter Electromail 588-746

sleeve and the corners are protected with plastic cabinet corners. Four rubber feet are screwed into the base. Place the amp on the floor on its back panel and slide the sleeve over the amp into place. Secure the amp in the sleeve with the seven screws and washers.

That's it, finished. Now you may ask, did I

BUYLINES

All the components are available from Maplin. The neutral acrylic filter is available from Electromail Part no. 588-746. Tel: 0536 204555. Ready programmed eproms can be obtained for £15 inclusive of VAT, post and packing from W and M Computers, Lasada House, 41 Trafalgar Street, Brighton BN1 4ED.

PARTS LIST

Hardware and power supply

CAPACITORS

| | |
|--------|---|
| C1, C2 | 4700µ 100V electrolytic Farnell 114 19472 |
| | 2inch vertical capacitor clip Farnell V4 |

SEMICONDUCTORS

| | |
|-----|---|
| BR1 | 35A 600V bridge rectifier Electromail 262-539 |
| | Standard 120mm square 240V AC fan, Electromail 509-226 Fan filter Electromail 508-510 |
| | 6A Chassis plug with filter and fuse, Electromail 238-693 |
| | 15A Mains switch Electromail 316-844 |
| | XCON 3-32 Loudspeaker plug Electromail 466-393 |

MISCELLANEOUS

- | | |
|----|---|
| T1 | 500VA 45-0-45 transformer Electromail 208-175 |
| T2 | 10VA 0-6 0-6 transformer Electromail 207-784 |
| T3 | 6VA 0-15 0-15 transformer Electromail 207-217 |
- Marston Palmer Heatsink assembly
 - 2 x 1 station module kit Farnell 148-449
 - 1 x 2 station component kit Farnell 148-453
 - 2 diecast boxes Maplin type M5008 order LH74R
 - 2 x 6.5 inch lengths of 1.5 inch aluminium angle bracket
 - H20 expandable neoprene sleeves Electromail 399-596
 - 2BA eyelet crimp terminals Maplin order code JH72P
 - 4BA eyelet crimp terminals Maplin order code JH71N
 - No4 x 6.4 self tappers Electromail 525-969

achieve that elusive sound? The speaker cabinet that I am using with the amp is a Peavy Mega box. This is a ported full range cabinet containing one 15 inch speaker, a high quality crossover and two eight inch speakers. The nominal impedance of the cabinet is 4R, the amplifier delivers 320W into this load. The

BUYLINES

Alternative components can be used providing they have similar ratings and sizes.
Electromail PO Box 33, Corby, Northants, NN17 9EL.

amplifier fits size wise exactly on the top of the cabinet and so looks really good. The combination has a good sound and very wide frequency response to give gut rumbling lows and sweet highs.

It turns out that the sound of the bass depends more on the soul, feeling and techniques put into playing than the equipment used. A good player will sound good through a transistor radio, and a good player will sound even better through this amp.

I play in a loud pub rock band, and since I started to use this amp and cab, Martin, our guitar player, who thinks Motorhead in full swing is a quite middle of the road quartet, comes up to me after every gig and says, "You're a bit loud, Bob." After one gig, a guy came up to me and said "You get good bass sound, I could really feel those low notes, what amp is that you're using?" To which I replied "It's the Business man!"

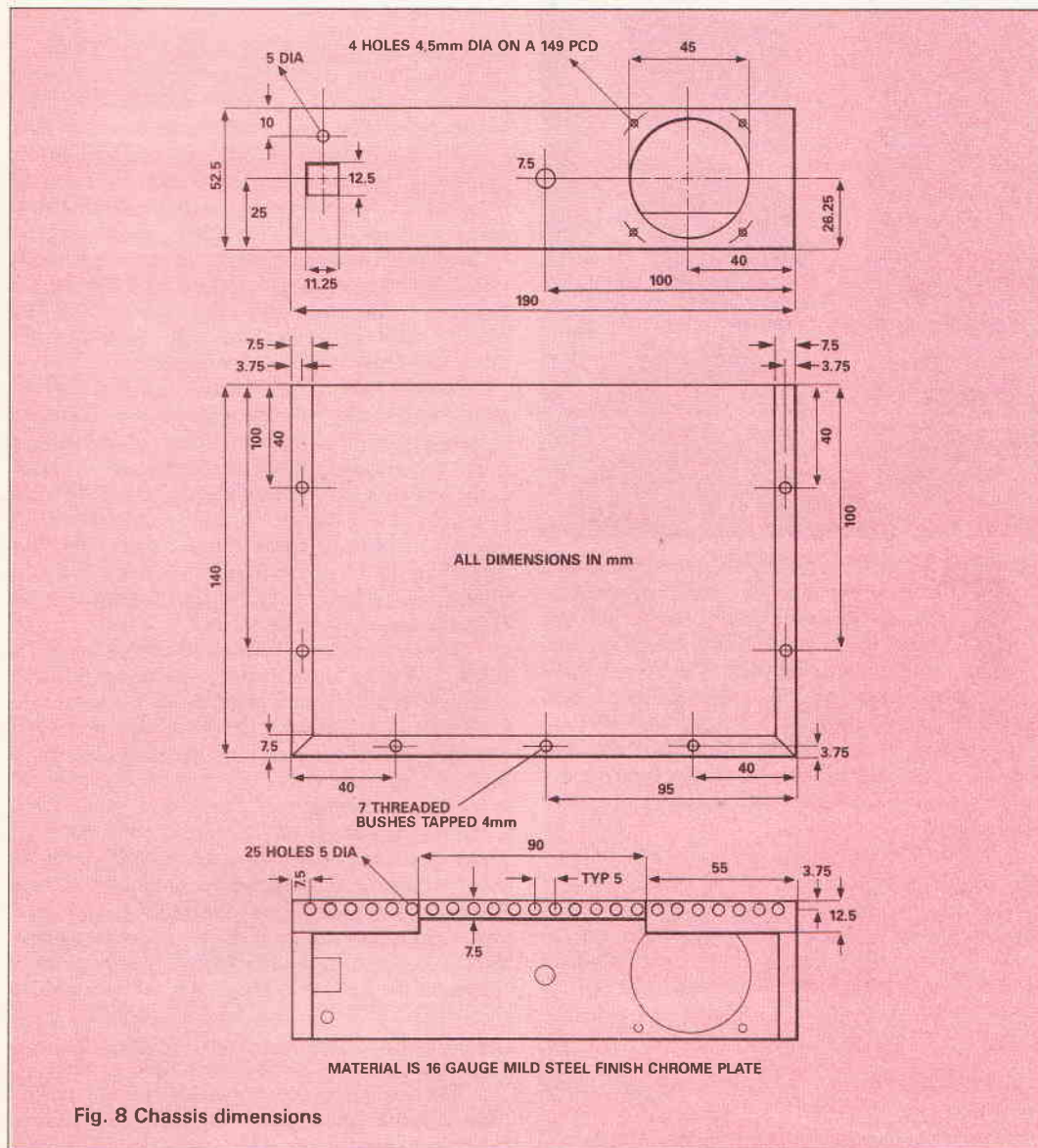
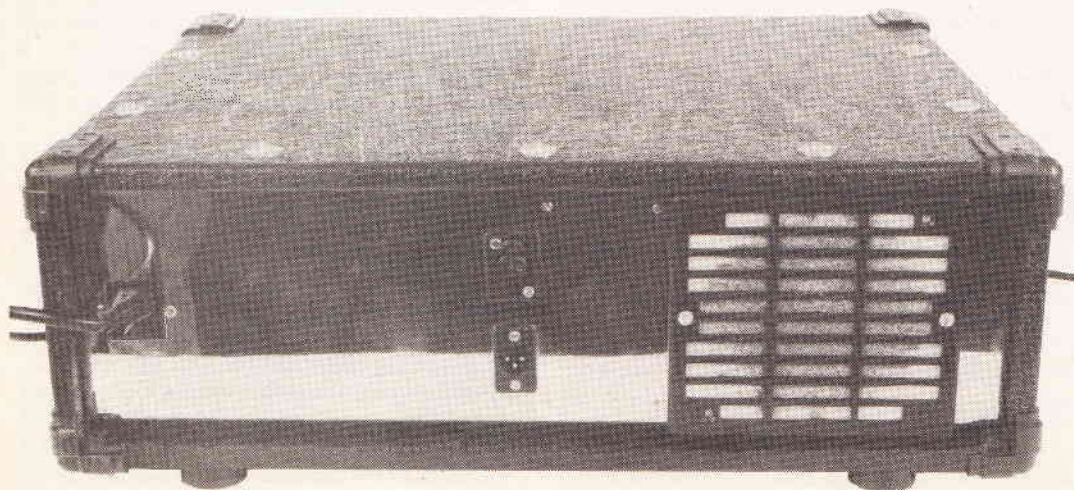
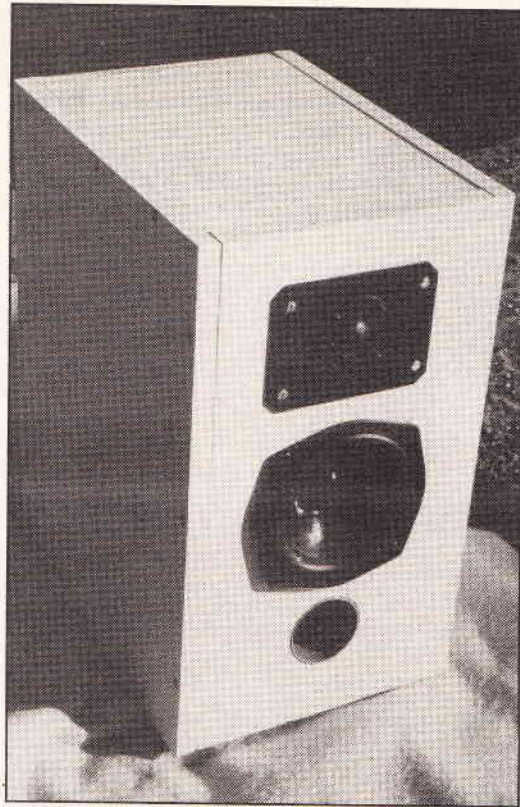


Fig. 8 Chassis dimensions



THE FLATMATE



not a low cost project, it will probably take a week of your spare time. But if you want good sound in a compact enclosure I don't think you'll find anything to better it, at least if you want change from a £1000.

My own requirements from a speaker system demand good bass extension to cater for my wide musical taste. My experience has shown that the most acid test of speaker system is good stereo play on Radio 4. Any speaker that cannot produce convincing results on voice material can't do justice to music. Really this isn't surprising. The human brain/ear system must have evolved with human voice recognition high on the list of priorities.

Most of today's speakers only respond down to about 50Hz. Even vinyl disc goes down to 30Hz and compact disks go even lower. Given a lower limit of 20Hz, itself a rather arbitrary frequency, over an octave of response is lost. Unfortunately it isn't sufficient just to extend the response. What is required is a flat response down to these frequencies. Even just extending the response from 50 to 40Hz brings a whole new dimension to the listening experience. Bass signals are often felt as well as heard!

The lower cutoff, -3db point of this design is at 35Hz. This is the lowest possible cutoff using the Kef drivers. Careful computer aided design has also made it possible to achieve this result without the drivers hitting their end stops on loud transients. All this is achieved in a 0.72 cu ft enclosure. Moreover a pair is capable of generating 101db SPL at 1m at 35Hz. Generally speaking, low frequency information is present at lower levels than this and is as vital in communicating musical information as the high frequencies provided by a tweeter. Of course good bass is only one factor in producing a speaker system. For this reason a lot of attention has been targeted at the rest of the frequency range. It is not necessary to throw away all your other equipment to use these speakers either. They are designed simply to plug into your system's power or preamp output sockets.

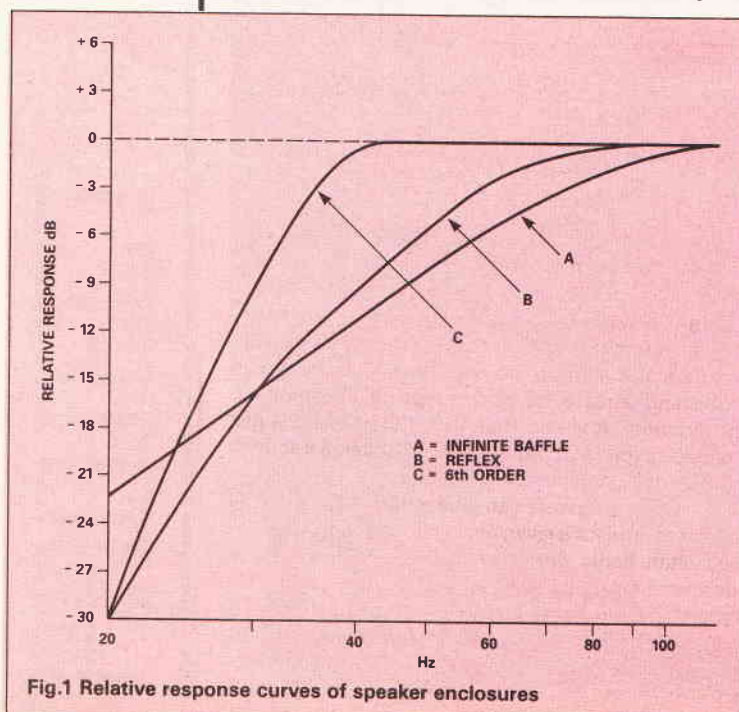
The reasons for active speakers sounding better than passive are legion. To start with passive crossovers cannot be adequately designed from theory alone. If we assume that the speakers are pure resistances, it will result in response anomalies that no amount of polyester or polypropylene caps and aircored inductors can cure. To have even a reasonable chance of operating as calculated, steps must be taken to match the crossover to the actual speakers and cabinet used.

Sophisticated test equipment is required to get the response right. Even when this is done, there remains the problem associated with different driver sensitivities and the crossover's own influence on the speaker's response.

Although speakers are actually current driven devices they are designed to work best from low impedance sources. Crossover components and interconnecting cables can have an adverse affect. Furthermore as the complete system is driven from one amplifier, an overload in the midrange, where most of power is required, will generate harmonics in the tweeter. It's not unknown for tweeters to be blown by this means, not to mention the extra harshness and

This design has been stimulated by my own continuing quest for sound perfection, a process which has been going on now for many years. In that time I have progressed from passive speakers to tri-amped three way systems with sub woofers. Most components in my audio system don't last very long because I am always striving for better sound. The single biggest step forward in this quest has been to change from passive to active speakers as these have a multitude of audible advantages.

For the last three years I have used a home brew active system consisting of a small sub woofer and satellite speakers. Although they are superior to any passive system I have heard, I am always on the lookout for a better design. The speaker system described here is the logical next step. Although it's



A compact active monitor speaker system that sounds as good as any of three times the price. Jeff Macauley describes his best project to date

distortion introduced. A complex passive crossover, as good ones usually are, also produce insertion loss and this translates into low efficiency.

An active crossover on the other hand overcomes all these problems. The response obtained from the system is independent of the speaker's parameters. If you have chosen your crossover frequency sensibly a textbook perfect response is obtained. The full damping factor of the amplifier is applied directly to the voice coil. Interconnections can be kept short to avoid the necessity of expensive cables. If the bass driver overloads, the effects are only confined to that driver. Harsh distortion is not coupled to the tweeter. Transient response and sound pressure

The problem is that loudspeakers have a dual nature. Half electrical and half mechanical, they occupy a grey area where electrical currents are changed into sound.

The electrical side of matters is more or less solved. But the mechanical motion of the coil causes back currents to flow and modifies the electrical circuit. This looks like a resistor with an inductance in series. Now the mechanics can be a problem. Dominating the behaviour of the system is the fundamental resonant frequency of the speaker. This resonance occurs because the mass of the cone and the compliance of the surround act like a mechanical tuned circuit. A good analogy is a weight suspended on a spring. Pull the weight down and release it and the system will oscillate. The weight in this case is cone mass and the spring the surround compliance.

If you take a speaker, place it face up on a table and feed low frequencies into it, you will not hear anything. This is because the bass frequencies have a very long wavelength compared to the speaker cone diameter and the sound wave produced from the rear of the cone is 180° out of phase with those from the front and they cancel each other out. An acoustic short circuit occurs. To prevent this happening has been the life work of many engineers over the last 50 years or so.

The simplest solution is to mount the speaker in an airtight box so that the rear radiation is trapped inside. This is quite a good idea except for the fact that the trapped air effectively reduces the compliance of the surround, so increasing the resonant frequency. Below resonance, the output falls rapidly. To compound matters, it also raises the Q of the resonance and unless properly designed will lead to peak in the bass response and a poor transient response.

Such systems, so called infinite baffle speakers, are now commonplace. So too is the reflex system.

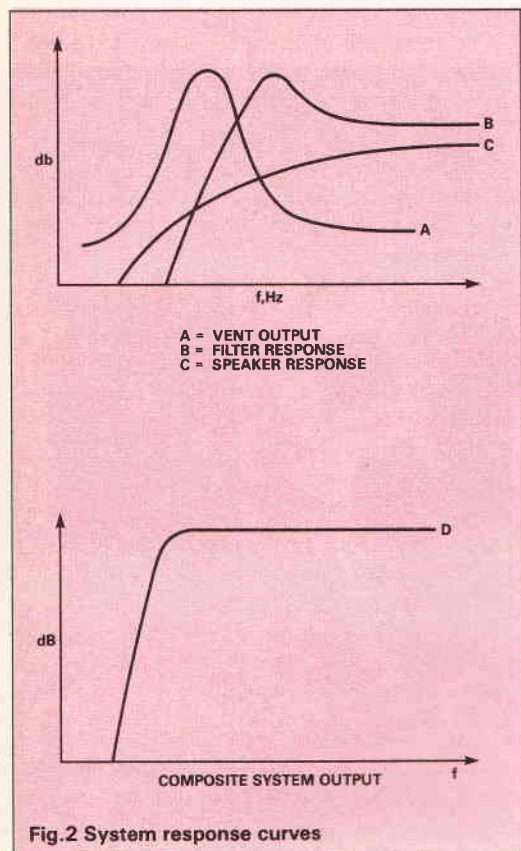


Fig. 2 System response curves

levels are improved due to the lack of attenuation from a passive crossover. Catering for the sensitivity of the driver is also simple. It can be done with a potentiometer or simply by altering the gain of one of the amplifiers.

As I am not the world's greatest craftsman, the design has deliberately been kept as simple as possible without compromising sound quality.

The basic idea behind this design was to produce a system capable of producing a flat output (35Hz-20kHz ± 3 db) whilst maintaining a size compatible with domestic harmony. Many promising speaker designs don't see the light of day because of this last factor! Along with these requirements was a smooth midrange and treble with the best possible driver integration. The latter makes active circuitry almost mandatory. In any case the complexity of the electronics used would make a passive realisation of this design almost impossible. I also like to hear a good stereo image and this requires a small cabinet to ensure good horizontal sound dispersion.

Achieving this level of performance requires the balancing of many factors, some of which appear to be contradictory. To understand the basic problem of getting good extension from a small cabinet, we have to return to basics.

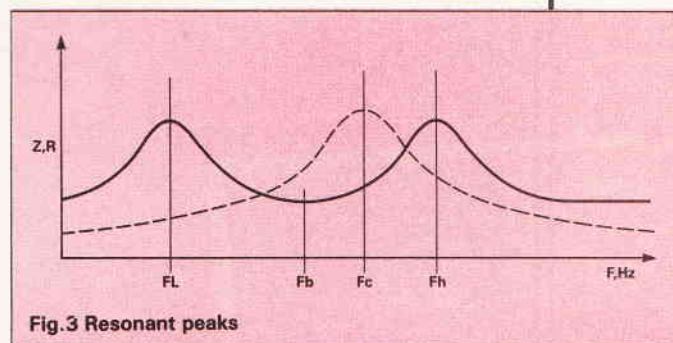


Fig. 3 Resonant peaks

Here the speaker is mounted in a cabinet which is tuned to a specific frequency by a port or duct. These systems also work very well when properly designed. Another seldom mentioned advantage of the reflex enclosure over the infinite baffle types is that the resonant frequency of the driver is only slightly raised. Below resonance, the cone's motion is controlled by the surround rather than the cone mass and severe frequency distortion occurs. Luckily the ear can withstand quite a lot of this type of distortion on programme. It is said that 40% thd at 80Hz is just audible on programme material. In isolation it sounds awful!

Reflex enclosure can give a useful extension in bass response for a given enclosure size. Because they are often badly designed they have gained an ill deserved reputation for poor transient response. In fact the transient response of any system depends on the Q of the low frequency roll-off. It is quite easy to make an infinite baffle enclosure which is inferior to the bass reflex in this respect.

The key to getting good sound from a given speaker has now become more of a science than a black art. This has been mainly due to work of Thiele and Small who showed that a speaker system's low frequency response can be modelled by an electrical high pass filter. Most of the information to design good reflex systems using this method was described in my previous article.

There is however another way to get extra low frequency extension from a reflex cabinet without sacrificing quality. This involves using a high pass filter in series with the power amp driving the speaker and redesigning the enclosure. Unfortunately the precise mathematics are beyond the scope of this article.

These filter assisted speakers have been christened 6th order alignments by our American cousins. They are so called because the roll-off slope

Having described the outline of the project we can get down to the more specific parts of the design. One problem that afflicts small speakers is that they suffer from diffraction. This means that at low frequencies where the wavelength of the sound is very long compared with the cabinet dimensions the sound field is propagated omnidirectionally. As the input frequency gets higher, a point will be reached where the wavelength assumes the dimension of the cabinet and the sound field is confined to the front of the cabinet.

The sound output of a well designed speaker will be constant with frequency and the net result is that the speaker will exhibit a step in the response giving boosted higher frequencies in relation to the bass. This design tackles the problem in a rather novel way. Two

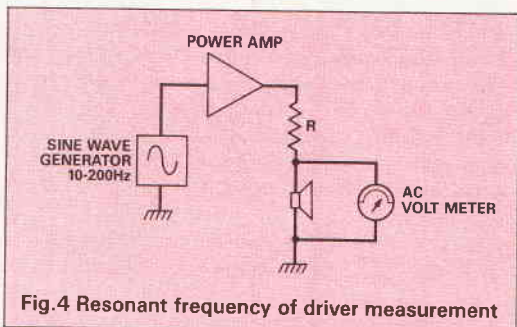


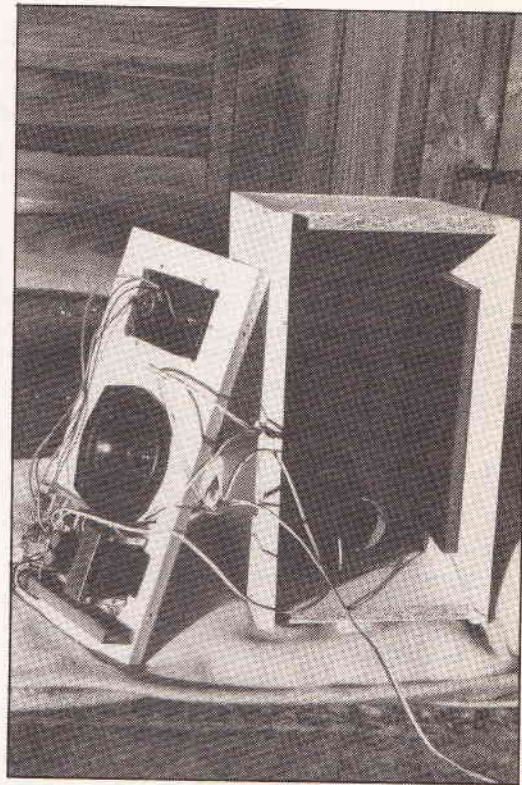
Fig.4 Resonant frequency of driver measurement

of a reflex enclosure is 4th order whilst the roll-off imposed by the filter is 2nd order. As both roll-offs are effectively in series they add to produce a 6th order response. To get a clear idea of the results look at the diagram comparing roll-off rates and bass extension (Fig.1). To make things simple I have plotted the response obtained by using the speakers in the same cabinet but using different forms off-loading. Curve A shows the simple infinite baffle. Note that the response hits -3dB down at about 75Hz . The rate of roll-off though is slow, eventually attaining 12B/octave , a second order response.

Curve B shows the response of the reflex loading. Here the -3dB point is much lower, about 60Hz and the roll-off rate is greater again, 24dB/octave , a 4th order response. Lastly the response of the 6th order design. Here the -3dB point is at 35Hz and the rolloff is 36dB/octave . The real point of note though is the flatness of the curve which remains within $\pm 0.3\text{dB}$ of the 0dB line from 40Hz up.

To explain the basic idea, Fig 2 shows the result of the speaker rolloff, high Q filter and vent resonance and the resultant response curve of the complete system. The design described here uses this method of bass extension. The interaction between driver filter and vent causes the low frequency roll-off to occur at 36dB/octave . A 6th order alignment. The response Q is very close to the ideal 0.7 and ripple is less than 0.3dB , completely inaudible. Another advantage accrues from this rapid roll-off. Sub audio trash is effectively eliminated giving a tighter cleaner bass.

Since this design needs an auxiliary filter anyway it makes sense to fully activate the design and make it totally self contained. To this end, the equalisation, crossover and power amplifiers are all contained within the speaker. Normally the units can be driven directly from the speaker output of an existing amp. Extra gain can be switched in to make the units compatible with the output of any preamp that can deliver a 500mV output. Thus a complete audio system could be made simply with the speakers and a CD player at one extreme or simply hooked on to an existing system without circuit modification.



bass drivers are used. One is mounted conventionally on the front baffle whilst the other is mounted on the rear. So at bass frequencies the two drivers contribute equally to the sound field. As the frequency is raised the on axis response increases from the front driver whilst the rear driver reduces its contribution. The net result is an output that stays essentially omnidirectional and flat up to the crossover frequency. Another advantage of having two drivers mounted in this way is that they can be used in push pull eliminating distortion at low frequencies. Last but not least two identical small drivers appear to operate as one larger speaker but with a better transient response due to the lower cone masses.

A pair of KEF B110 5 inch bass/midrange drivers are used in this design. The choice of this driver was prompted by several factors. From the point of view of bass performance, a small cabinet could be used because of the small Vas and Qts of the unit. Also the midrange accuracy of this speaker is excellent, being extensively used in BBC monitors. KEF also has an admirable record of quality control. Speakers are supplied in matched pairs ideal for this application.

So much for the bottom end. What about the top? Here the choice is more varied. Initially a ribbon unit was considered but difficulties encountered in getting a stable supply knocked that idea on the head,

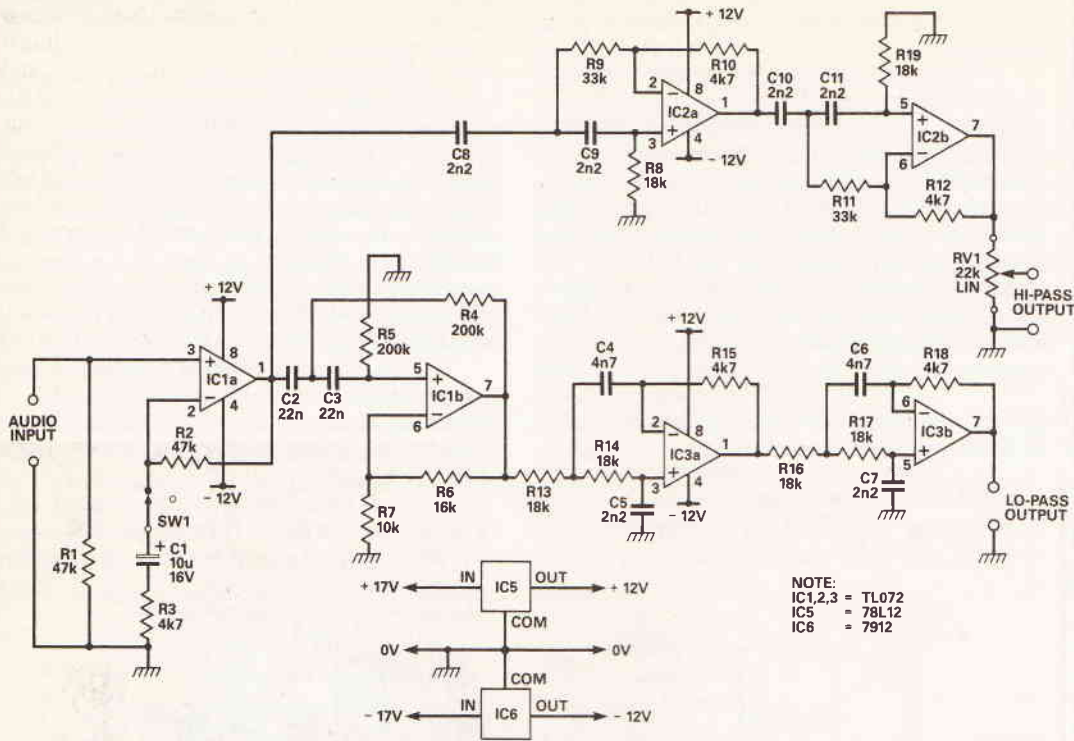


Fig.5 Circuit diagram of crossover and equalisation (for one channel)

promising as it was. Instead, new metal dome tweeters are used. These are a great improvement on the older soft dome types and use pure Titanium for the dome. This material gives a pure piston type of output to well beyond the audio spectrum.

Soundwise they have the same clarity as ribbons or a good electrostatic unit. They are also easy to interface with the woofers especially in an active system. All this leads us rather neatly into the other major problem: where and how to crossover between the drivers.

There are two major problems with a crossover network. The first is where to crossover. To ensure a flat response, the crossover frequency needs to be within the working range of both drivers. The tweeter will respond down to 2kHz and the upper roll-off of the B110 is 5kHz. A crossover frequency of 3kHz was thus chosen. As for the slope other filters have phase angle problems. This leaves the 4th order type. With a rolloff of 24dB/octave, the range over which both drivers operate is small. This means there are no problems with the driver non linearity. The two signals are also in phase so for these reasons this filter order was the type finally chosen.

Turning to the cabinet. The dimension for this type of design are fixed by the physical characteristics of the B110, namely Vas, Qts. For drivers used in this way the cabinet must be 0.61 cu ft tuned to 37Hz by a suitable vent.

The series high pass filter must also have a turnover frequency of 37Hz and a Q of 2.7. Actually the cabinet is very slightly oversized to account for the extra volume taken up by the damping pads, electronics and drivers. If this were neglected the correct response could not be obtained.

Tuning the cabinet

Although there are several formulae available for calculating the required vent length, they are not always 100% effective. The reasons for this aren't always obvious. Perhaps it is as well to remind ourselves that the edifice of mathematics assumes perfection in the real world, ultimately an impossible

situation. The mathematics leads us close to the real world solution but the final honing of a design must depend on measuring the completed system and adjusting matters accordingly. There is little enough published information on how to tune an enclosure correctly and so the following is presented in the hope that it will stimulate those who wish to experiment.

This design has already been optimised and the design is as near real world perfection as it is possible to get. In other words you can build the design as it stands with confidence that you will be with ± 0.3 dB of the published curve. The critical ear can just perceive ± 1 dB.

When choosing a vent the aim is to choose the largest diameter commensurate with an acceptable vent length. Too small a diameter can lead to chuffing noises and high air velocity in the vent. Pragmatism must rule here and a 2 inch inside diameter drainpipe tube was chosen. On the prototype I calculated just over 8.5 inch for the duct. Initially I decided to cut the vent oversize by an inch. This will set f_b , the box resonant frequency, slightly lower than requires. The vent length can then be trimmed to the correct size using the methods installed in the cabinet. Vent mounting was effected by cutting a nominally 2 inch diameter hole in the front baffle. This is easily done with a hole cutter.

Cut a hole in a scrap piece of wood first to check that the tube can be slid into it. It is easier to cut the hole slightly oversize and pad out the diameter of the vent than to struggle to enlarge a smaller hole.

To measure the box tuning frequency (f_b) directly is difficult. At this frequency, the vent's output is at its maximum whilst the speaker's output is at its minimum. The solution is to measure the impedance curve below 100Hz. This will reveal two peaks f_1 and f_h above and below f_b respectively (Fig.3). The resonant frequency of the driver must also be measured with the vent closed, f_o . The usual setup to measure this is shown in Fig 4.

A high value resistance is connected in series with the woofers which is fed through a power amp from a signal generator. The voltage across the woofers will be proportional to the speaker's impedance, and this

is monitored by an AC voltmeter connected across the woofers. A resonance shows up as peak in the meter reading.

A quantitative measurement is not required — simply a qualitative one. It is important that the signal generator is accurate otherwise your results will be meaningless! First the resonant frequency of the drivers in the sealed box was measured by taping a piece of card across the vent thus sealing it. f_o came out at 62Hz. Next the vent was unblocked and the frequency swept from 10Hz upward. The two resonances, f_l and f_h were found to occur at 18.5Hz and 62Hz respectively. With some real numbers to work with, f_b can be calculated from,

$$f_b = ((f_l^2 + f_h^2) - f_o^2)^{1/2}$$

Knowing this we can work out the amount of tubing to cutoff to obtain the required f_b ,

$$\lambda L_v = -2\lambda f_b (l_v + 1.46r) / f_b$$

where λL_v is the length to remove from the vent, λf_b is an amount to increase the measured f_b to the desired f_b , and f_b and l_v are the measured f_b and vent

speaker incidently means that your amplifier will operate in pure push pull class A when driving it. This reduces distortion in the drive signal.

When S1 is open IC1a operates as a unity gain buffer providing a low impedance drive for the rest of the circuitry. When closed C1 and R3 are connected in circuit and the stage gives a gain of 11. This is suitable for direct connection to a preamp output. From the output of this stage, the signal is sent in two directions. Considering the path through IC1b first. C2,3,R4,R5 form the filter for the bass eq circuit. With the components chosen, the turnover -3dB frequency is 37Hz. To obtain the correct Q this stage needs voltage gain. This is the function of R6 and R7.

From the output of this stage the signal is fed into the low pass section of the crossover network. A separate dual op amp is used for this function. To obtain the desired filter characteristic, two 2nd order stages are cascaded.

The Q of a 4th order filter is the product of the Qs of the 2nd order stages. The ideal Q for a filter stage is 0.5 since this gives critical damping. To obtain this,

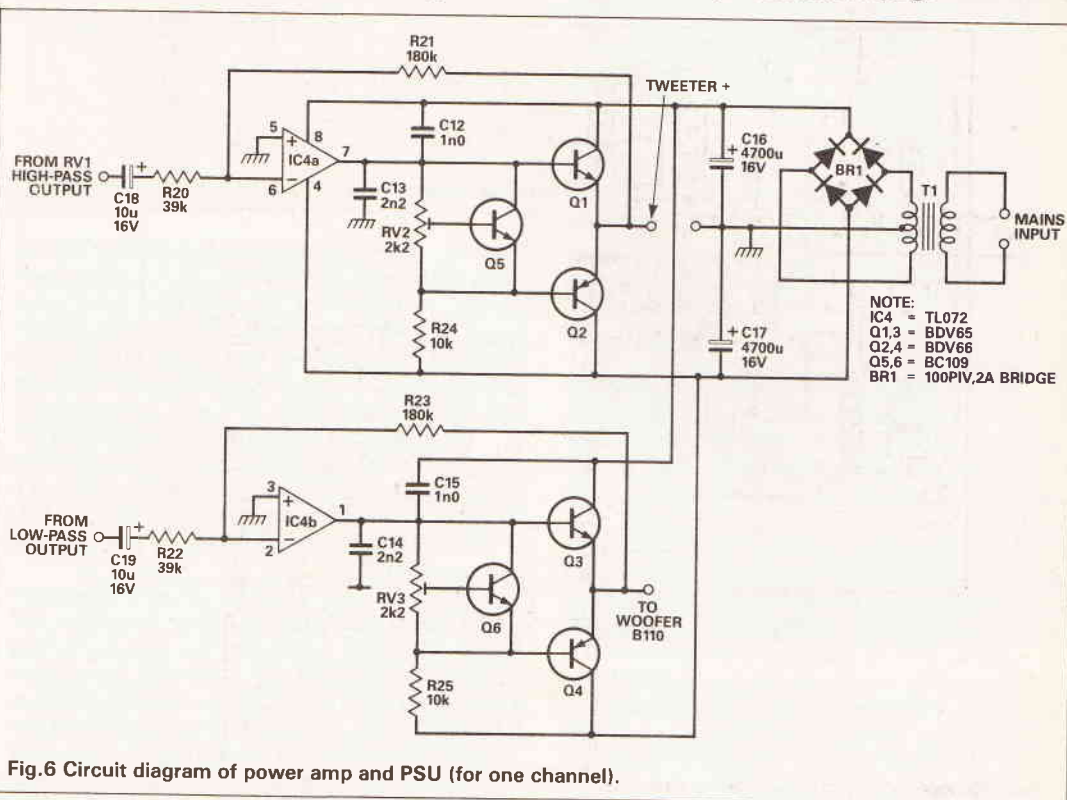


Fig.6 Circuit diagram of power amp and PSU (for one channel).

length respectively, r is the vent radius and all dimensions are in inches. Putting our values in the equation yields a 2.65 inch reduction in vent length to obtain the desired response. This new vent length is 6.85 inch. Incidentally, even with the 9.5 inch vent, the response was still within 0.6dB with the same -3dB point. So this procedure will appeal most to perfectionists.

The Circuit

The full circuit diagram of one channel is shown in Fig 5. The other channel is of course identical. The whole circuit is based on the use of the low noise TLO72 dual bifet op amp. Active filters based around discrete circuits were tried but didn't perform as well. Four are used per channel. Input signals from either the existing amplifier outputs or preamp output is fed across R1. This component sets the input impedance of the stage at 47k and refers IC1a's inverting input to ground. S1 is normally open when driving the circuit from an amplifier. The high input impedance of the

the 2nd order stages require a standard butterworth Q of 0.7. Simple Sallen and Key filters are thus used. IC3a uses R13,R14,C4 and C5 to provide this function. The output is fed directly to the identical filter based around IC3b. The output from IC3b is the bass channel. The output of IC1a is also fed into the high pass section of the crossover built around IC2. Here the circuit is essentially the same as that built around IC3 but the filter components are transposed. Again the 4th order characteristic is produced by cascading two 2nd order types with a Q of 0.7. C8,C9,R8 and R9 form the filter around IC2a. C10,C11,R11 and R19 form an identical filter based on IC2b. The output from IC2b is the treble signals.

A regulated supply line is used to power the active filters. Nothing more sophisticated than a pair of standard voltage regulator chips are used. Since the ripple rejection of these devices is 60dB and the op amps are the same, it follows that 120dB of isolation is obtained. Put another way 1V ripple on the main supply lines would produce a signal of $1\mu V$ at the op amp's output.

Main Amplifiers

Having obtained signals of the correct bandwidth for drivers we now require power amplifiers to drive them. Two power amps are employed per channel and both are identical (Fig 6). Taking the bass section of the amp, the signals from IC3b's output are coupled into R20. R20 and R21 form the overall negative feedback loop of the amp. Gain is defined by the ratio of R21 to R20 at 4.6, 13dB. Using this amount of negative feedback ensures a thd, at 10W output of 0.003% at all frequencies across the audio spectrum. The op amp IC4 is used in a 'brains and brawn' circuit. The op amp provides the voltage gain whilst the output stage provides the brawn.

The output stage comprises a complementary pair of Darlington transistors used in the emitter follower mode. Despite the extensive direct coupling

is achieved with C16 and C17. The hum and noise produced by the circuit is well below the threshold of hearing at 1m.

Construction

The construction of the speakers splits neatly into two parts: the cabinet and the electronics. It is probably easier to start with the electronics first as these can then be tested with the drivers before mounting.

To make life as easy as possible all the components except for the transformer, S1 and the output sockets are mounted on a single PCB. The only requirement when assembling this is to ensure that all the polarised components are mounted correctly, especially ICs!

The output transistors are mounted on the heatsinks by means of the insulating kits provided.

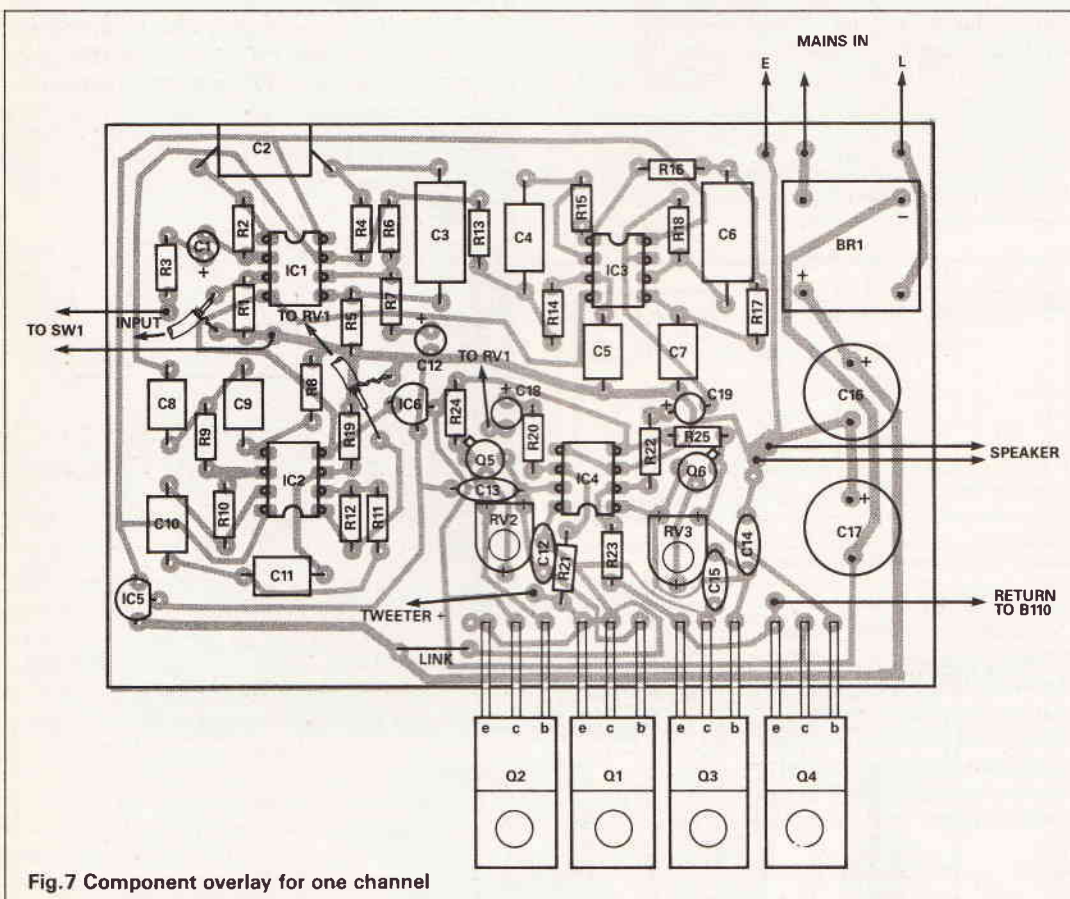


Fig.7 Component overlay for one channel

employed throughout the circuit, the offset at the speaker terminals is only a few millivolts allowing direct connection. Bias for the output stage consists of a transistor, Q5 used as a V_{be} multiplier. Adjusting RV2 allows the quiescent current of the output stage to be set. In practise, due to the high level of negative feedback around the circuit the amplifier performs satisfactorily with the slider set at halfway around the track. C12 and C13 ensure stability. The non inverting inputs of IC4 are connected directly to ground. The sensitivity differences between the woofers and tweeter are catered for by RV1 thus adjusting the gain of the tweeter channel. This allows you to adjust the balance to compensate for your own room acoustics. The response in an anechoic chamber is miles away from the results obtained in the average lounge. Here room decor influences the perceived balance between high and low frequencies.

The main power supply is also very conventional. Mains input is stepped down by T1 and full waved rectified by BR1. A centre tapped secondary is used to produce a dual power supply. Smoothing

Ensure that there is no connection between the collector, middle pin and the heatsink with a multimeter switched to a resistance range. If a connection is found dismantle the assembly and refit. It is necessary to deburr the mounting holes to prevent perforation of the transistor mounting washers.

Check your work thoroughly for dry joints and correct connections before fitting the veropins. Once you're satisfied that all is well mount the assembly on the rear panel of the cabinet. At this stage you can attach flying leads to the board and connect up the transformer. Wire a couple of 100R resistors in series with the transformer secondaries. Temporarily connect the woofer and tweeter and attach a mains lead. Set RV2 and RV3 sliders to midposition. Check all your connections again. Switch on. Nothing should happen! A finger touched at the input should produce a buzz from the speakers. If a wrong connection has been made the 100R resistors will burn out. Don't despair if this happens — the 100Rs will prevent serious damage. Find the fault, rectify it, then try again.

Assuming all is well, the 100Rs can be shorted out and a music signal applied. The output should be undistorted. Having got this far, disconnect the electronics and start work on the cabinets.

The last task is to drill out the recess plates and mount the switch and input sockets. Once this is done attention can be turned to the cabinet.

Cabinet

The first essential of successful cabinet design is to get the pieces cut accurately. There is nothing worse than having to plane down panels, except perhaps trying to plug gaps! The answer to this problem is simple. Find a reliable timber merchant. It's well worth the price of a pint to ensure you get what you're paying for.

Assuming your panels are OK lay them out and mark them up on the inside surface with side, top etc.

It's surprising how easy it is to get confused if this

with the speakers. Having cut the hole, drill a $\frac{3}{8}$ " (10mm) hole near the edge to take the connecting wire. Mount the speaker with the hardware provided. Note that the speaker mounts with the magnet outwards, ie, in reverse. Mount the speaker from the inside of the enclosure tightening the frame down to the panel. Don't forget the gasket! While you're at it cut out the mounting hole for the recess plate and mount this with self tapping screws. Put this panel aside.

The rest of the cabinet can now be constructed. The prototypes were glued and screwed together. The cabinet has been so designed that the panels are self supporting without the need for battens. Smear glue across the appropriate edges of the panels and bring these together allowing to dry.

Readers of my previous articles will know that I prefer 'Thixofix' contact adhesive for this job. The glue is applied to both surfaces, left for 15mins to cure then brought together. They can be slid into the desired position. Firm pressure will then stick them permanently together. A substantial number of screws

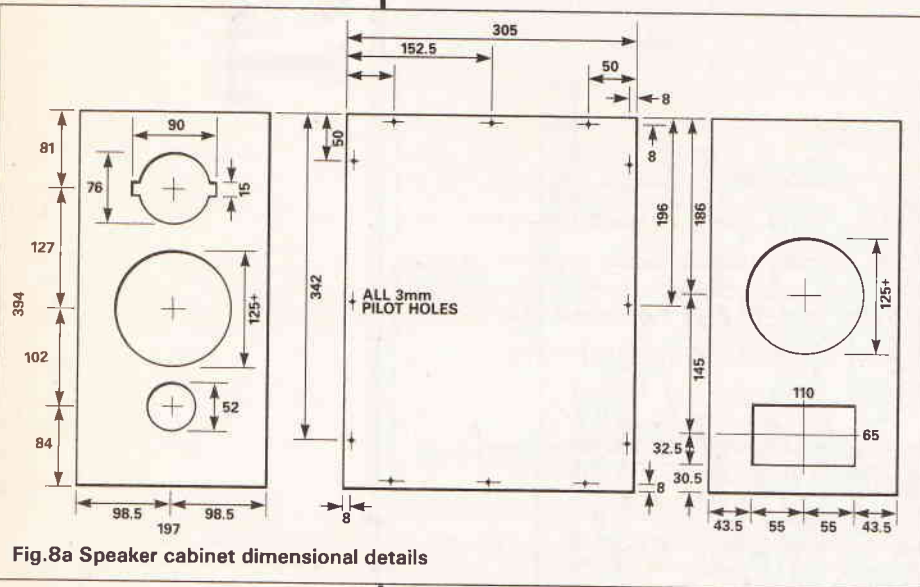
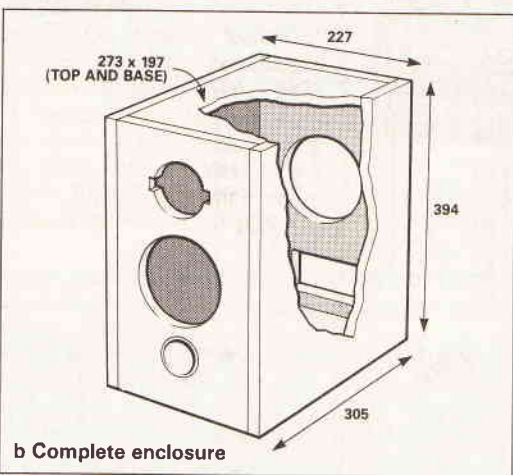
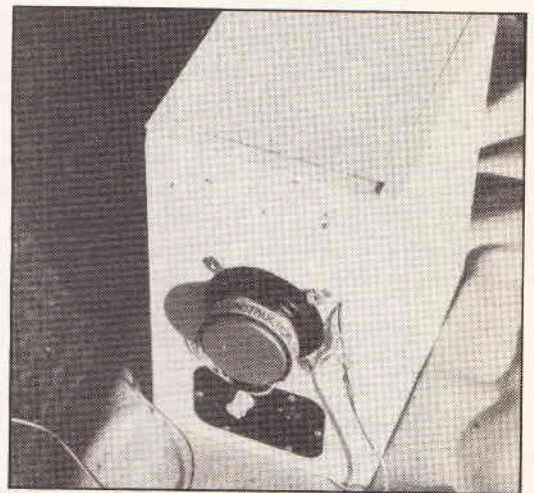


Fig.8a Speaker cabinet dimensional details



isn't done. It will also allow you to select panels so that the smooth edges point outward not inward! I have specified medium density 15mm thick shelving board for this project. There is no objection to selecting high density thicker boards but under no circumstances choose a thinner material. The dimensions will also have to be changed to maintain the required volume. The 15mm board is quite adequate for the task at hand especially as no high internal pressures are generated. Another advantage is that this board is available with several decorative finishes which saves work later.

Fig 8a shows the cutting detail of the panels. Start by cutting the mounting hole for the B110 in the rear panel. A template as well as the T screws are supplied

(48) are used to fix the panels together. Mark out the screw positions and drill an $\frac{1}{8}$ " (3mm) pilot hole. Countersink these to take the screws. To avoid blisters it is as well to invest in a set of screwdriver bits to fit your drill. This makes the screwing a 20 minute task! Having screwed the panels together the mounting holes for the other two drivers can be cut. The front B110 is mounted in the same way as the rear except that it is pointing in the correct direction! The tweeter is mounted with four $\frac{1}{2}$ inch (12mm) No 8 self tapping round head screws. Cut the mounting hole for, and mount, the vent.

Pick up your soldering iron again and make the connections between the drivers and PCB. Note that the front woofer and tweeter are connected in phase whilst the rear woofer is connected in parallel with the front one but antiphase. Failure to invert phase between them will result in no bass output.

Damping is necessary to prevent excessive cabinet vibration and resultant coloration. This is achieved by applying two damping pads to the interior of the side panels. These are self adhesive. Simply remove the backing paper and press them into position.

Finally screw the rear panel into position and seal the cabinet joins. This is best done by mixing some filler and smoothing it along and into the joins between the panels. Wipe off any excess with a damp cloth. Ensure that you go all the way round as this procedure will completely seal the cabinet against unwanted air leaks.

All that remains is to hook your new speakers into position and enjoy the rewards of your efforts! Good listening.

PROJECT

PARTS LIST

COMPONENT LIST FOR ONE ENCLOSURE

RESISTORS (all 1% metal oxide)

| | |
|-------------------|-------------|
| R1,2 | 47k |
| R3,10,12,15,18 | 4k7 |
| R4,5 | 200k |
| R6 | 16k |
| R7,24,25 | 10k |
| R8,13,14,16,17,19 | 18k |
| R9,11 | 33k |
| R20,22 | 39k |
| R21,23 | 180k |
| RV2,3 | 2k2 preset |
| RV1 | 22k Lin pot |

CAPACITORS

| | |
|----------------|---------------------|
| C1,18,19 | 10µ/16V |
| C2,3 | 22n/1% polystyrene |
| C4,6 | 4n7 polystyrene, 1% |
| C5,7,8,9,10,11 | 2n2 polystyrene, 1% |
| C13,14 | 2n2 Ceramic |
| C15 | 1n ceramic |
| C16,17 | 4700µ/16V |

SEMICONDUCTORS

| | |
|-----------|-------------------|
| IC1,2,3,4 | TL072 |
| IC5 | 78L12 |
| IC6 | 79L12 |
| Q1,3 | BDV65 |
| Q2,4 | BDV66 |
| Q5,6 | BC109 |
| BR1 | 100PIV, 2A BRIDGE |

MISCELLANEOUS

12-0-12VAC SEC, 240V PRI Mains transformer
 Transistor mounting kits
 Heatsink
 S1 Single pole switch
 Recess dish
 4mm sockets
 KEF B110, SP1003
 AUDAX Tint tweeter
 2" Diam tube for vent
 PCB



PROJECT

BUYLINES

Remember, you will need to double everything in the Parts List for a pair.

A full designer approved kit which contains everything bar the wood panels for a stereo pair of flatmates is available from 'BEWBUSH AUDIO', 47b ELMER ROAD, BOGNOR REGIS, SUSSEX PO22 6DZ. The price is £299.00 +£7 p&p. Order as FL1 kit. A kit of electronics and hardware only is available for £129.00 +£3 p&p as FLE2 kit.

Drivers can be obtained from 'WILMSLOW AUDIO' who advertise in this magazine.

CUTTING LIST, FOR TWO ENCLOSURES

ALL CUT FROM 15mm CHIPBOARD

| | |
|-----------------------------------|----|
| 15½" by 12" (394 by 305mm) | 4 |
| 15½" by 7¾" (394 by 197mm) | 4 |
| 10¾" by 7¾" (273 by 197mm) | 4 |
| 1¼", No 6 countersink head screws | 48 |
| 2" PVC drainpipe for vent | 2 |

SERIAL EPROM EMULATOR

AMAZING VALUE AT JUST £146.62 (including P&P & VAT)

- * RS232 Compatible
- * Emulates 2764 - 27256 EPROMS
- * 32K Bytes Emulation RAM
- * Onboard Microprocessor
- * Housed in smart black ABS box
- * Can be used with any computer having an RS232 link.



Widely used by Industry and Hobbyists alike to speed up software development. Allows direct file transfer from development system to Emulator using Binary, Intel Hex or Motorola 'S' formats.

We also have available:

- EPROM ERASER erases upto 40 EPROMS from £54.95*.
- EPROM PROGRAMMER for 2732 to 27512 Eproms £99.95*.
- CROSS ASSEMBLERS for BBC and IBM from £48.00*.
- CONTROLLER CARDS featuring all popular micro-processors, such as 6502 or Z80 from £54.95*, 8052 Basic controller at £125.00*, 64180 card at £149.00*. To mention just a few.

Call us today for more details and your free

copy of our catalogue on



(035 388) 325 or 455



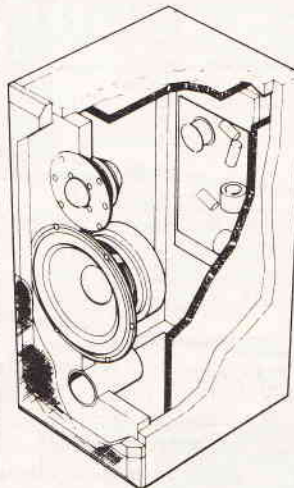
J. P. Distribution.

The Old School, Prickwillow, Ely, Cambs, CB7 4UN

* Prices marked thus are subject to the addition of P&P and VAT.

THE DIGITAL 90

A reflex design optimized for CD, the Digital 90 loudspeaker was developed to compete with the best of ready made compact speakers but at a 'DIY' price. Ideal for use where space is at a premium, the Digital 90 uses Scanspeak's latest Hitech bass unit teamed with the acclaimed Elac metal dome tweeter in a cabinet of only 15 litres. The split-circuit crossover allows biwiring without further modification. The kit comprises of the drive units, crossovers, reflex ports, binding posts (8), wadding, grille fabric, flatpack cabinets, (accurately machined from 18mm MDF with all rebates etc. ready cut).



Dims: 480x220x250mm
 Response: 45hz - 20Khz
 Sensitivity: 87dB 1w/1m
 Amp. suitability: 20 - 100 watts.

PRICE: £259 inc.VAT plus carr/ins £13



telephone credit card orders



WILMSLOW AUDIO LTD

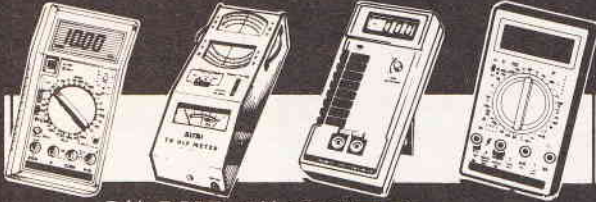
Wellington Close, Parkgate Trading Estate
 Knutsford, Cheshire WA16 8DX Tel: 0565 50605
 (Closed all day Mondays)

DIY Speaker Catalogue £1.50 post free (export \$6)

HENRY'S Edgware Road, London, W2

45th ANNIVERSARY

METEX AND TEST LAB INSTRUMENTS YOU PAY TRADE PRICES



3 1/2 AND 4 1/2 DIGIT Dmms

ALL MODELS WITH CONTINUITY TEST (★ With Capacitance + Hfe test, 0 with 200KHZ Frequency counter)

METEX PROFESSIONAL*

3 1/2 and 4 1/2 digit Dmm's with hard carry case

Large LCD Displays, with leads, battery and instructions 20A AC/DC

BARGRAPH SERIES*

- M3610B 3 1/2 Digit 30 Range 0.3% (+) £46.04
- M3650B 3 1/2 Digit 30 Range 0.3% (★★) £51.26
- M4650B 4 1/2 Digit 30 Range 0.05% with Data Hold (★★★) £78.22

AUTO RANGE SERIES*

- 3 1/2 Digit with Data Hold and Freq. Counter
- M80 21mm Display 20KHZ Counter £46.04
- M818 17mm Display True Rms 400 KHZ Counter £58.22
- M818B Bargraph Version £66.04

NON-BARGRAPH*

- M3600 32 Range 3 1/2 Digit 0.5% (+) £32.13
- M3630 30 Range 3 1/2 Digit 0.3% (★★) £41.70

- M4600 30 Range 4 1/2 Digit 0.05% with Data Hold (★★) £52.13
- M4360 30 Range 4 1/2 Digit 0.05% with Data Hold (★★) £63.43

ALSO STOCKED*

M3610, M3650, M4650, M3630B, M4630B

STANDARD SERIES

- with soft carry case 3 1/2 digit 12mm Displays
 - M2315B 17 Range 10 ADC £20.00
 - M2318B 23 Range 10 ADC (+) £23.72
 - M2335 31 Range 10A AC/DC (+) £27.74
 - M2325 32 Range 10A AC/DC (★★) £30.42
 - M2355 32 Range 10A AC/DC (★★) £34.57
 - M2365 38 Range 10A AC/DC (★★★) £37.25
- (2355/2365 HAVE TTL LOGIC TEST)

TEST INSTRUMENTS

- 3000 LCR AC Bridge £103.20
- M3002A AC Millivolt Meter 1MHZ £85.80
- 2020 500 KHZ Function Generator £96.50
- 4162AD 150 MHZ Fr Gen. Plus 6 Digit Counter £172.86
- 2603AD 1 MHZ Af Gen. plus 6 Digit Counter £166.16
- TE200 150 MHZ Rf Gen. (450 MHZ Harmonic) £80.00
- TE220 1 MHZ Audio Generator £81.75
- 3300 Autorange Digital Cap. Meter £84.00
- 6100 Signal Tracer/Injector £52.30
- 5250 150 MHZ 7 Digit Frequency Counter £64.50
- 05T5M 5 MHZ Bench Scope £168.00
- 243 0/24V 0/3A Variable PSU £56.00
- 245 0/24V 0/5A Variable PSU £69.55
- 154 4/15V 0/4A Variable PSU £40.00

"POCKET" TEST INSTRUMENTS

- YF20 Dual Scale Sound Level Meter 120dB £32.85
- 225V VHS Video Head Tester £30.89
- 1065 Digital Lux Meter - 3 Ranges £46.83
- 07 Logic Probe £7.63
- M625 Logic Probe/Pulsar £14.74
- 300 AC Clamp Meter 600A/300V/Resis £33.50
- M265 Add on AC Clamp Probe for Dmm's £16.48
- 501 Electronic Insulation Tester 500V £53.25
- 504 Electronic Insulation Tester 1000V £70.88
- K0M6 TR Dip Meter 1.5 to 250 MHZ £41.88
- 1062 LCD Temperature & data hold £36.72
- 302K LCD Temperature Two 1/P £32.00
- 3900TD LCD Dmm With Dwell And Tach Ranges 20A AC/DC £45.17
- KT50 LCD 8 Range Capacitance Meter £36.20
- 6060 LCD Digital True Power Meter 6KW 19 £64.00
- 2070 19 Range Multimeter 10ADC + Buzz £12.00
- 2030ET 27 Range 10A AC/DC. Cap. Hfe Temp. Buzz £29.30
- 505DE 41 Range FET mm £26.77
- 0M5 Wallet Autorange Dmm £17.35
- 921 Pen Type Autorange Dmm £24.78
- 850 Mains Phase Tester £21.20
- 260 1000A AC Digital clamp meter £40.25
- 261 Add on insulation tester for 260 £29.35

Henry's are also instrument distributors for HAMEG, FLIGHT, ALTAI, BLACKSTAR, THURLBY, HITACHI, CROTECH, THANDAR. Phone for best prices.

Also stocked
Tools, components, CB, public address, CCTV, security, communications, TV, video, audio, computer accessories.

Prices correct at Dec 89.
TELEPHONE YOUR ORDER WITH VISA/ACCESS OPEN 6 DAYS A WEEK FOR CALLERS

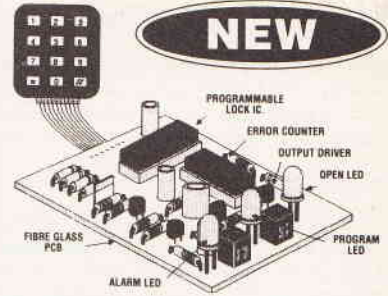
HENRY'S AUDIO ELECTRONICS
404 Edgware Road, London W2 1ED
Instruments/Audio 01-724 3564
Security/Communications/CCTV 01-724 0323
Components 01-723 1008 Fax: 01-724 0322
Trade/Education/Export 01-258 1831

ADD 15% VAT (UK ONLY)
CATALOGUES IN COLOUR
■ Instruments
■ Security
■ Supplements
■ Components
Ask Henry's first
£1 for callers: large SAE £2 stamp UK by post. Free to Education with Trade Prices

(Please note - from 6 May 1990 the 01 Code changes to 071)

PROGRAMMABLE ELECTRONIC LOCK KIT

NEW



Keys could be a thing of the past with this new high security lock. Secure doors to sheds, garages, even your home or prevent the unauthorised use of computers, burglar alarms or cars. One 4-digit sequence will open the lock while incorrect entries will sound an alarm. The number of incorrect entries allowed before the alarm is triggered is selected by you. Further entries will be ignored for a time also set by you. Only the correct sequence will open the lock and switch off the alarm. The sequence may easily be changed by entering a special number and code on the supplied keyboard. Kit includes: keyboard, alarm buzzer, high quality PCB and all electronic components. Supply: 5-15V d.c. Will drive our Latch Mechanism (701 150 @ £18.98) or relay directly.

XXK131 £19.95

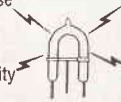
DISCO LIGHTING KITS



- DL8000K** 8-way sequencer kit with built-in opto-isolated sound to light input. Only requires a box and control knob to complete £39.95
- DL1000K** 4-way chaser features bi-directional sequence and dimming 1kW per channel £23.95
- DLZ1000K** Uni-directional version of the above. Zero switching to reduce interference £13.95
- DLA/1** (for DL & DLZ1000K) Optional op-to input allowing audio 'beat/light response' 95p
- DL3000K** 3-channel sound to light kit, zero voltage switching, automatic level control and built-in mic. 1kW per channel £19.55

POWER STROBE KIT

Produces an intense light pulse at a variable frequency of 1 to 15Hz. Includes high quality PCB, components, connectors, 5Ws strobe tube and assembly instructions. Supply: 240V ac. Size: 80x50x45.
XXK124 STROBOSCOPE KIT, £17.25

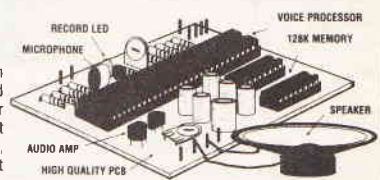


VERSATILE REMOTE CONTROL KIT



Includes all components (+ transformer) for a sensitive IR receiver with 16 logic outputs (0-15V) which with suitable interface circuitry (relays, triacs, etc details supplied) can switch up to 16 items of equipment on or off remotely. Outputs may be latched to the last received code or momentary (on during transmission) by specifying the decoder IC and a 15V stabilised supply is available to power external circuits. Supply: 240V AC or 15-24V DC at 10mA. Size: (exc. transformer) 9x4x2 cms. Companion transmitter is the MK18 which operated from a 9V PP3 battery and gives a range of up to 60ft. Two keyboards are available - MK9 (4-way) and MK10 (16-way).
MK12 IR Receiver (inc. transformer) £19.55
MK18 Transmitter £8.95
MK9 4-way Keyboard £2.75
MK10 16-way Keyboard £7.95
601133 Box for Transmitter £2.95

VOICE RECORD/PLAYBACK KIT



This simple to construct and even simpler to operate kit will record and playback short messages or tunes. It has many uses - seatbelt or lights reminder in the car, welcome messages to visitors at home or at work, warning messages in factories and public places, in fact anywhere where a spoken message is announced and which needs to be changed from time to time. Also suitable for toys - why not convert your daughter's £8 doll to an £80 talking doll!!
Size 76 x 60 x 15mm
Message time 1 - 5 secs normal speed, 2 - 10 secs slow speed
XXK129 £25.95

TR ELECTRONICS
13 BOSTON RD. LONDON W7 3SJ
TEL: 01-567 8910.
FAX: 01-566 1916

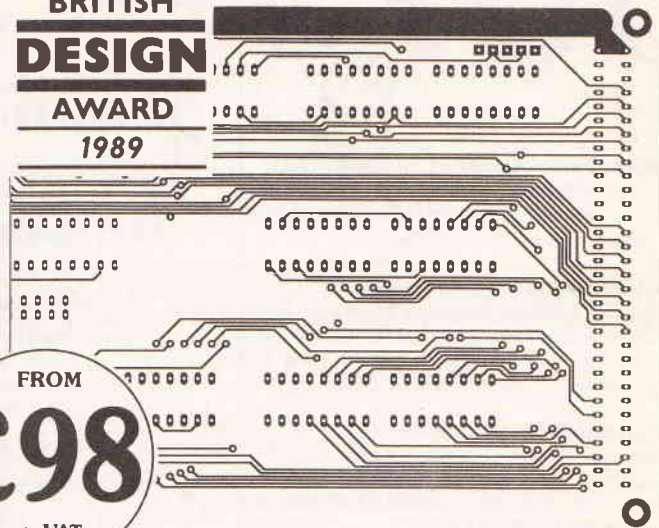


ORDERING INFORMATION:
All prices INCLUDE VAT. Free P & P on orders over £60 (UK only), otherwise add £1.15. Overseas Customers divide total order by 1.15 then add P & P: Europe £3.50, elsewhere £10.00. Send cheque/PO/Visa/Access No. with order. Giro No. 529314002. Local Authority and educational institutions orders welcome. Shop Open: Tuesday-Thursday 10 am - 5 pm. Saturday 10 am - 4 pm.

MAKING ELECTRONICS C.A.D. AFFORDABLE

- ★ HAVE YOU BEEN PUTTING OFF BUYING PCB CAD SOFTWARE?
- ★ ARE YOU STILL USING TAPES AND A LIGHT BOX?
- ★ HAVE YOU ACCESS TO AN IBM PC/XT/AT OR CLONE?
- ★ WOULD YOU LIKE TO BE ABLE TO PRODUCE PCB LAYOUTS UP TO 17" SQUARE?
- ★ WITH UP TO 8 TRACK LAYERS AND 2 SILK SCREEN LAYERS?
- ★ PLUS DRILL TEMPLATE AND SOLDER RESIST?
- ★ WITH UP TO 8 DIFFERENT TRACK WIDTHS ANYWHERE IN THE RANGE .002 to .531"?
- ★ WITH UP TO 16 DIFFERENT PAD SIZES FROM THE SAME RANGE?
- ★ WITH PAD SHAPES INCLUDING ROUND, OVAL, SQUARE, WITH OR WITHOUT HOLE, AND EDGE CONNECTOR FINGERS?
- ★ WITH UP TO 1500 IC'S PER BOARD, FROM UP TO 100 DIFFERENT OUTLINES?
- ★ WITH AUTO REPEAT ON TRACKS OR OTHER FEATURES — IDEAL FOR MEMORY PLANES?
- ★ THAT CAN BE USED FOR SURFACE MOUNT COMPONENTS?
- ★ WITH THE ABILITY TO LOCATE COMPONENTS AND PADS ON GRID OR TO .002" RESOLUTION?
- ★ WITH AN OPTIONAL AUTO-VIA FACILITY FOR MULTILAYER BOARDS?
- ★ WITH THE ABILITY TO CREATE AND SAVE YOUR OWN SYMBOLS?
- ★ THAT IS AS GOOD AT CIRCUIT DIAGRAMS AS IT IS AT PCB'S?
- ★ THAT CAN BE USED WITH EITHER CURSOR KEYS OR MOUSE?
- ★ WHICH OUTPUTS TO A DOT MATRIX PRINTER, PEN-PLOTTER OR PHOTO-PLOTTER (VIA BUREAUX)?
- ★ WHERE YOU CAN LEARN HOW TO USE IT IN AROUND HALF AN HOUR?

**BRITISH
DESIGN
AWARD
1989**



FROM
£98
+ VAT

EASY-PC, EASY-PC, EASY-PC, EASY-PC, EASY-PC, EASY-PC, EASY-PC

Write or phone for full details

AMEX, ACCESS, VISA WELCOME

Number One Systems Ltd 1

Ref: ETI, HARDING WAY, SOMERSHAM ROAD
ST IVES, HUNTINGDON, CAMBS PE17 4WR

Telephone: 0480 61778 (6 lines)

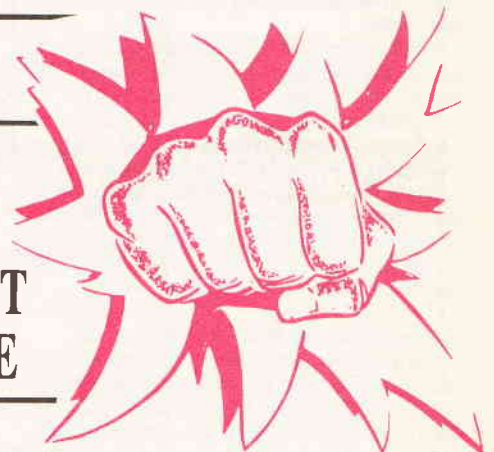


**CRICKLEWOOD
ELECTRONICS**

**BIGGER
AND BETTER**

1990

**COMPONENT
CATALOGUE**



- ONE OF THE LARGEST RANGES OF COMPONENTS IN THE UK
- FAST AND EFFICIENT SAME DAY PERSONAL SERVICE
- VERY COMPETITIVE PRICES; QUANTITY DISCOUNTS AVAILABLE
- DISCOUNT VOUCHERS INCLUDED
- NO MINIMUM ORDER

FILL IN THE COUPON AND POST IT WITH YOUR CHEQUE, PO ETC FOR £1.50 TO RECEIVE YOUR 1990 CRICKLEWOOD ELECTRONICS CATALOGUE AND VOUCHERS WHICH YOU CAN USE AGAINST YOUR NEXT PURCHASE

Cricklewood Electronics Ltd
40 CRICKLEWOOD BROADWAY, LONDON, NW2 3ET
Tel: 01-450 0995/452 0161
Fax: 01-208 1441 Telex: 914977

**CRICKLEWOOD ELECTRONICS
1990 COMPONENTS CATALOGUE**

PLEASE SEND COPIES OF THE 1990
CRICKLEWOOD ELECTRONICS CATALOGUE AT
£1.50 TO:

NAME

ADDRESS

.....

.....

.....

Remittance enclosed £.....



PCB FOIL PATTERNS

Virtuoso Power Amplifier (November 1989)

In the circuit diagram: the base of Q49 should go to R46, and not R47. Bases of Q45, 43 should be connected. R44 should be 220k.

Low Voltage Alarm (January 1990)

Resistor R1, shown in the circuit diagram as 1k0, should be 4k7 as in the Parts List. Pins 9 & 11 of IC1 on the PCB should be linked. This is incorporated in PCBs from the ETI PCB Service.

Motorcycle Intercom (January 1990)

On the circuit diagram, R2 and R6 should be 100k, not 100R. Pins 1 & 5 of IC1 should not be connected to earth. Pin 2 should be connected directly to the junction of R2 & 3 — not to earth too. Capacitor C10 should be an electrolytic with positive uppermost. Junction of R39 & 20 should be labelled $\frac{1}{2}V_{cc}$. All references to 0V5 should read $\frac{1}{2}V_{cc}$. On the PCB overlay, R2 and R6 should be transposed. Similarly, R8 & 9 should be transposed.

Digital frequency meter (November 1989)

Regarding Fig. 3. The line from pin 1 of IC1 to pin 2 of IC8 should connect to the Latch/Enable Strobe common line. It is shown crossing.

Fig. 4. The wirelink from IC13 pin 1 to the Latch/Strobe common line for ICs 7-10 is not shown on component overlay. A wire link should be inserted.

If built as shown, ICs 7-10 are held permanently latched and no digits are passed from counters. The display will be a random set of static digits.

Output 7 of IC 15 drives both Q5 and IC12a via D8. If output 7 does not reach a valid high level then the display is not enabled showing a zero with no input. To cure this drive Q5 from output 8 (pin 9) of IC 15. Base resistors of Q5-12 (R's 41-48) may be adjusted to provide sufficient drive depending on the gain of the transistors used. They may be reduced to about 3k3 if necessary.

Eprom Emulator (February 1990)

Under the construction heading, the bracket should include and read: so for example the \$0000-\$1FFF and \$8000-\$9FFF blocks are an illegal pair. The 18th line should read: If you are thinking of using non adjacent blocks. Fig. 5. shows a label LK9, it should be LK3.

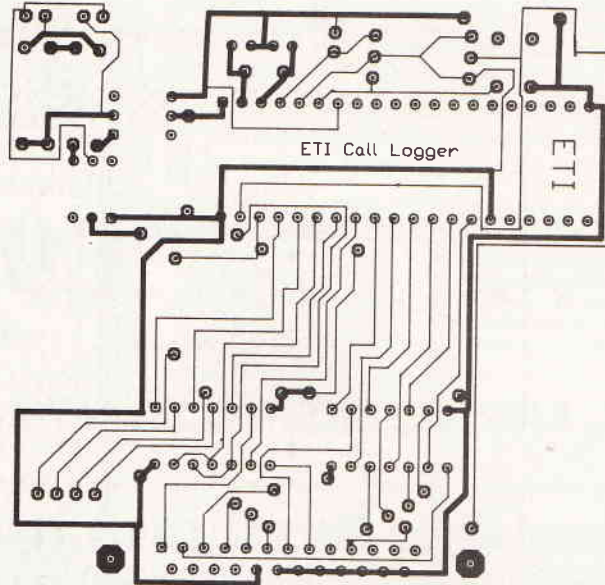
Oscilloscope (February 1990)

Fig. 3. does not show the polarity of diodes D105,6. The cathodes point up the page. Diode D304 is a 1N4148. Capacitors in the deflection amplifiers parts list are incorrectly numbered and should be C205,206,213 and not C105, 106, 113.

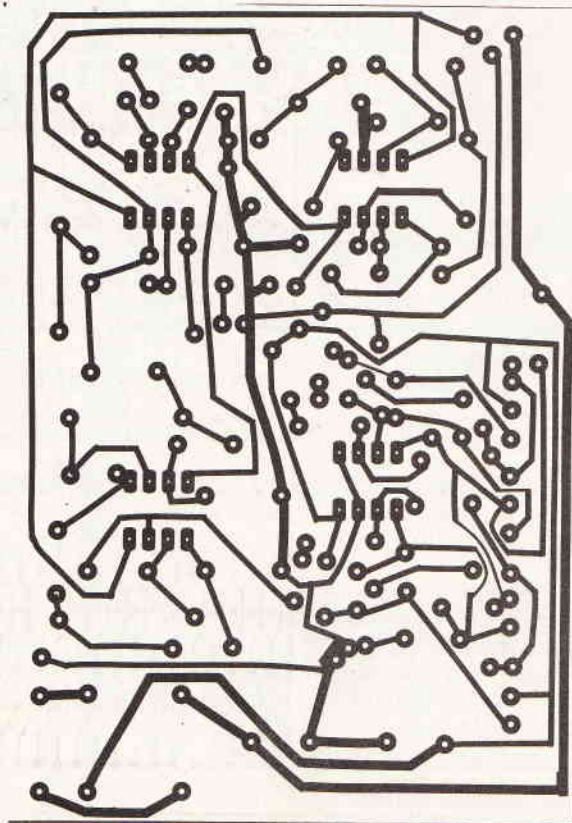
Text refers to inductors L203, 204; these should be L201, 202. Inductors L101,102,201,202 are wound on 100k 0.5W resistors. The value of R201 should be 820R. The PCB track connecting RV301 to R313 should be extended to the pad of link 17. The foil on page 60, for the motherboard is at 95% of full scale. Approximate test voltages for power supply are: Junction of C102/R101, +220V; Positive HT to drivers, +150V; Anode of D107, -450V.

Navigate (April 1990)

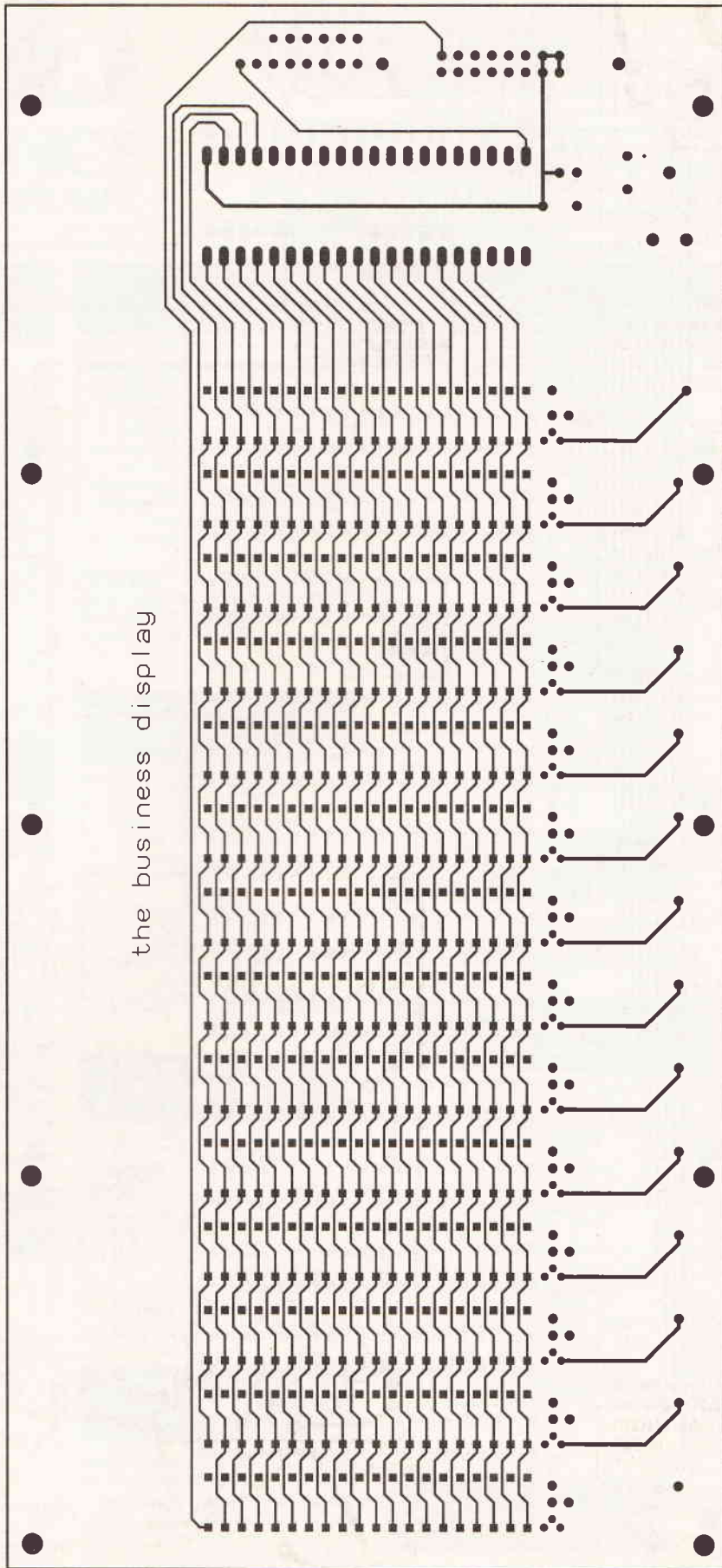
Fig. 1a Maximum/minimum signal captions should be reversed.



Phone lock and call logger foil

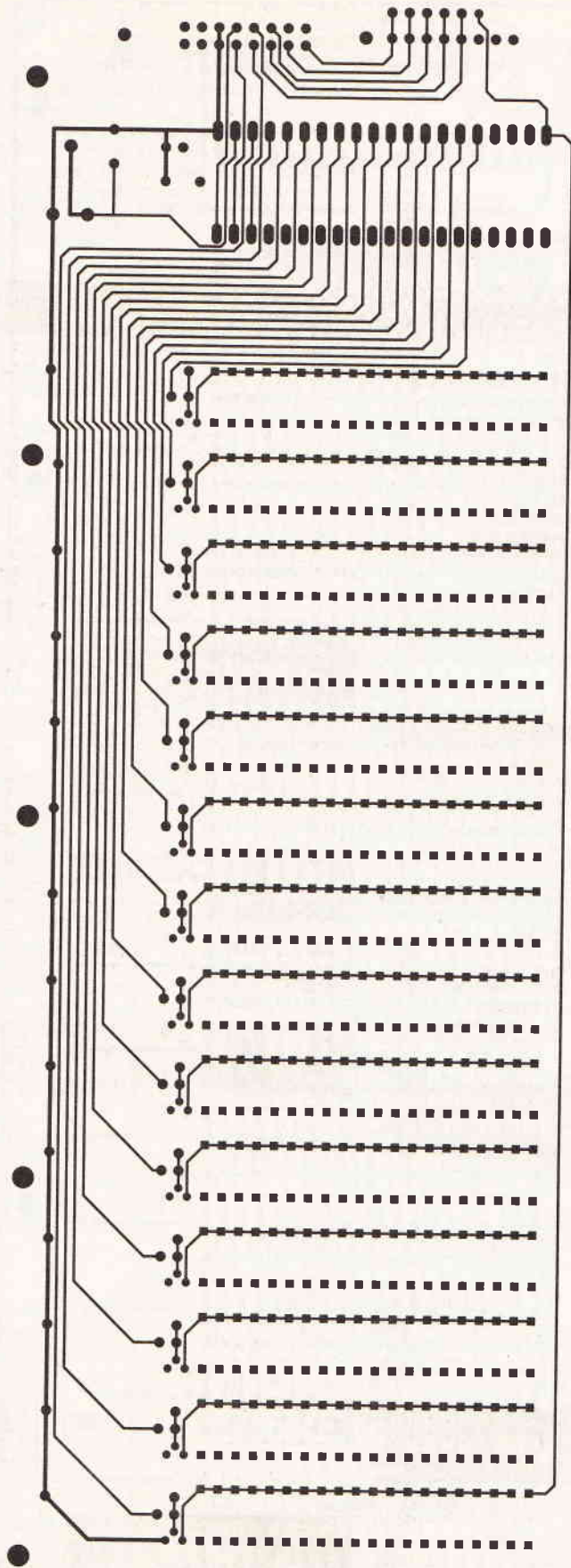


The Flatmate PCB foil



the business display

The Business Display Copperside foil



The Business Display Topside foil

ETI

ELECTRONICS TODAY INTERNATIONAL

CLASSIFIED



John Brasier
0442 66551 Ext 250

Send your requirements to:
ETI Classified Department, ASP, Argus House,
Boundary Way, Hemel Hempstead, HP2 7ST.

Lineage: 50p per word (+ VAT) (minimum 15 words)
Semi Display: (minimum 2 cms)
£13.50 per single column centimetre + VAT

Ring for information on series bookings/discounts.
All advertisements in this section must be prepaid.
Advertisements are accepted subject to the terms and conditions
printed on the advertisement rate card (available on request).

SPECIAL OFFERS

JPG Electronics

Resistors 1/4w 5% carbon (E12) 1p; 1% metal film 3p
Resistor Pack 85 different E12 values + zero ohm link, total
content 1,000 resistors £9.95
LED's 3mm or 5mm red or green 5p each. Yellow 11p each
Cable ties 75mm 12 each £5.95 per 1,000, £49.50 per 10,000
Stepping motor 4 phase 12v 7.5 sleep 50ohms £8.95
SAA 1027 stepping motor driver chip £3.95
FM Transmitter kit good quality sound £7.94
High quality photo resist, copper clad epoxy glass boards
Dimensions Single sided Double sided
3x4 inches £0.95 £1.07
4x8 inches £2.40 £2.68
6x12 inches £5.57
12x12 inches £10.66

Special offers
Computer grade capacitors with screw terminals 36000uf 20v £2.50
67000uf 10V £1.99 68000uf 15v £2.95 100000uf 16v £1.50
7 segment common anode LED display 12mm £0.45
LM2931AT5.0 low drop out 5v regulator TO220 package £0.85
BS250 P channel MOSFET £0.45
BC558 transistor TO92 PNP £3.95 per 100
74LS05 hex inverter 10,000 per 100, used 6748 Microcontroller £3.50
Stereo LW/MW/FM tuner-pre-amp assy with volume/tone control and
tuning scale. Brand new in maker's carton £535. Fully £21.50
Circuit etc for above £0.50, 5 digit 6v electronic magnetic counter £1.95
Hour counter (used) 7 digit 240vac 50hz £0.95
LCD display 16 digit 7x5 dots dot matrix £2.50
QWERTY keyboard 56 key good quality switches £5.00
Wide range of CMOS TTL 74HC 74F Linear Transistor kits,
capacitors, tools etc, always in stock.
Please add 75p p&p per order VAT included

JPG Electronics,
276 Chatsworth Road, Chesterfield S40 2BH
Access orders (0246) 211202 - Callers welcome

PCB'S

HPGL PEN-PLOTTING

HPGL FILES on your discs ink-plotted on to
top quality film (for PCBs) from £5.
24hr turnaround. A5 to A1 sizes.
Send for details or 2x20p stamps for details
plus disc mailer (state 5/4/3/2).

White House Systems (Dept ETI)
48 South Terrace, Esh Winning,
Durham DH7 9PS

PRINTED CIRCUIT BOARD
designs and elec/mech draughting.
For a fast efficient service, give us
a call on: 01-443 1331.

SURVEILLANCE

SURVEILLANCE & COUNTER SURVEILLANCE EQUIPMENT

WE MANUFACTURE AND SUPPLY
TOP QUALITY
SURVEILLANCE AND SECURITY
EQUIPMENT
including VHF Transmitters
Automatic Telephone
Recorders, Recording
Briefcases, Bug
Detectors,
Telephone
Counter-tap Units
We also offer a complete
range of accessories,
including microcassette recorders, microphones,
receivers, cassettes and batteries

CCTV AND SECURITY SYSTEMS SPECIALISTS
Write or phone for a detailed catalogue to:
ESKAN ELECTRONICS LTD.
DEPT. ET, 172 CALEDONIAN ROAD, LONDON, N1

01-278 1768

TO ADVERTISE CALL 0442 66551

PLANS/COMPONENTS

ELECTRONIC PLANS, laser designs, solar and wind generators, high voltage teslas, surveillance devices, pyrotechnics and computer graphics tablet. 150 projects. For catalogue. SAE to Plancentre Publications, Unit 7, Old Wharf Industrial Estate, Dymock Road, Ledbury, Herefordshire, HR8 2HS.

POWER SUPPLY MODULES. PCB mounting, extremely low ripple, very good regulation. Input 240V AC, output 5V DC 100mA. Measures only 50x50x30mm high! Superb quality. Perfect for digital projects that would benefit from mains power. Send cheque/PO to J. F. Encapsulations for £6.95 inc VAT + P&P. 8a Brincliffe Crescent, Sheffield S11 9AW.

LOUDSPEAKERS

Falcon DIY SPEAKERS

Send for our FREE price list PL18 & Focal data sheet. All we ask for is a large S.A.E. (26p stamp) or \$2 bill (air) overseas)



HIGH TECHNOLOGY LOUSPEAKER UNITS & KITS

Dome tweeters with sensitivity of 95.5dB
Double voice coil units to give easier design, lower phase shift and higher efficiency, NEW KEVLAR cones for lower colouration.

TRADE ENQUIRIES WELCOMED.
FALCON ELECTRONICS
Tabor House, Norwich Road, Mulbarton,
Norfolk NR14 8JT (0508) 78272
(Proprietors: Falcon Acoustics Ltd.)

WANTED

Turn your surplus transistors, ICs etc, into cash. Immediate settlement. We also welcome the opportunity to quote for complete factory clearance.

Contact:
COLES HARDING & CO.
103 South Brink
Wisbech, Cambs.
NOW ESTABLISHED OVER 15 YEARS
Tel: 0945 584188
Fax Number: 0945 588844

EQUIPMENT

- Series X Mixer Kits, up to 1,000 inputs, 8 auxiliaries, versions for PA, recording, radio, disco. From £9.92
- Circuits for: noise gates, compressors, exciters, tape machines, mixers.
- 100mm ladders, switches.



WE REPAIR AUDIO EQUIPMENT

Send 40p for catalogue to:
K. Tek, P.O. Box 172A, Surbiton,
Surrey KT6 6HN. Tel: 01-399 3990

KITS

NEW VHF MICROTRANSMITTER kit, tuneable 80-115MHz, 500 metre range, sensitive electret microphone, high quality PCB. SPECIAL OFFER complete kit ONLY £5, assembled and ready to use £8.95 post free. Access/Visa orders telephone 021-411 1821. Cheques/PO's to: Quantek Electronics Ltd, (Dept ETI), 45a Station Road, Northfield, Birmingham B31 3TE.

Sample Our Quality With A FREE PRINTED CIRCUIT BOARD

Single/Double Sided Circuits or Plated Through Hole
Write to:
PAYNE ELECTROPRINT LTD
Marcus Road, Dunkeswell,
Nr Honiton, Devon EX14 0RA

SWITCHES

VOICE/SOUND ACTIVATED SWITCHES easy to follow diagrams and uses only £1.00. Components and PCB's available. Herrington, 63 Home Farm Rd, Hanwell, London W7 1NL.

MISCELLANEOUS

HEATHKIT U.K. Spares and service centre. Cedar Electronics, Unit 12, Station Drive, Bredon, Tewkesbury, Glos. Tel: 0684-73127.

FOR SALE

DO YOU WANT USED SCOPES · GENERATORS POWER SUPPLIES POWER METERS DVMS · OSCILLATORS ATTENUATORS TEST EQUIPMENT

Contact:
COOKE INTERNATIONAL
Unit 4, Fordingbridge Site,
Main Road, Barnham
Bognor Regis,
West Sussex PO22 0EB
Tel: 0243 545111
Fax: 0243 542457

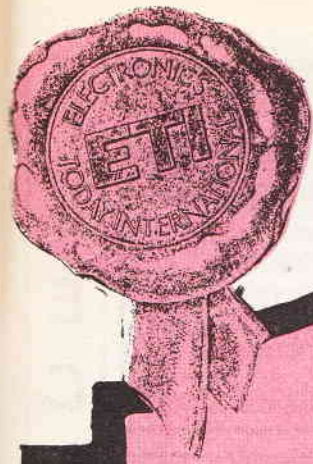
Wide range of items available Send for lists

CAMBRIDGE COMPUTER SCIENCE LIMITED
10MByte Winchester, used, 3 months wty £42.00 each
5.25" Disk Drives, 80 TK, DSDD £34.00 each
5.25" Drive cases, room for drive, psu and fan £10.00 each
Buy a case, Winchester and psu together for £64.00 set
Small cases, to fit 2 half height 5.25" drives £10.00 each
5.25" Disk Drives, 80TK, DSDD, used, no wty £15.00 each
(The 15 drives are sold on a strictly "as is" basis)
5.25" Disks, DSDD, 48K, boxes of 10 £3.00 / box
50W PSU, 5V 6A, 12V 2.5A - 5V 0.5A, -12V 0.5A £16.00 each
40W PSU, 5V 3.75A, 12V 1.5A, -12V 0.4A, cased with on/off switch £10.00 each
Gould PSU 0.30V @5A, limited quantity only at £45.00 each
Dual Data lead (BBC Micro to 2 Disk Drives) £4.00 each
Power lead (BBC Micro to Disk Drive) £2.00 each
Dual power leads (BBC Micro to 2 Disk Drives) £4.00 each
68000 CPU (the first orders get 10MHz chips) £3.50 each
Z80A CPU, CTC, PIO £1.20 each, DMA £2.00 £4.50 all 4
74LS TTL, pick and mix, buy 10 or more for £0.12 each
Types available: 00 02 04 08 11 13 15 20 21 26 27 30 32 33 35 42 74 83 95 107 109 122 132 136 139 145 151 153 157 159 163 164 165 191 192 239 265 670
EPROMs - 27C128-25 12 50 each 27C256-25 £3.50 each
256K Byte DRAM Modules, removed from equip. £6.00 each
6254 8K Byte SRAM - 15 £3.00 each -12 £3.80 each
6256 16K Byte SRAM £7.00 each
8K Byte NV ram chips £3.00 each £10.00 four
20-pin di low profile IC sockets £3.50 / 10 £4.00 / 100
40-pin di low profile IC sockets £3.50 / 10 £3.00 / 100
Keyboard, 100 keys on board, LCD & micro wty £9.00 each
Toroidal mains transformer 12V 4A & 0.4A, 12-0-12 1A & 2A, 9-0-9 2A £14.00 / 1 £8.00 / 2
Video Tapes, £180 VHS £2.50 each
Smoke detectors, small size £7.00 each
Smoke detectors, large with escape light and pause feature £13.00 each
Indicated New Item
Prices include postage. Add 50p to orders below £5.00
All items new unless stated. Add 15% VAT to all prices
Send an SAE for our latest list or for more info
Dept ETI, 374 Milton Road, Cambridge, CB4 1SU
Tel: 0223 424602/0831 430496
(Please note mail order only)

KITS

SURVEILLANCE. Kits, Built Modules, Plans, Bleep transmitters, Voice switches, Portable EHT, Sonic gun plans etc. SAE list. Ace(TI), 99 Greenheath, Hednesford, Staffs.

PCB KIT: drill, stand, tanks, UV box, artwork light box, cost £400 from RS. Will accept £100 ono. St Albans 68399.
COSSAR DUAL BEAM Oscilloscope, 1940s, collectors item, still functions. Offers. Tel: 0225 702037 (Bath).



Courses

Start training now for the following courses. Send for our brochure — without obligation or Telephone us on **0626 779398** (Ref: ETI 5/90)

Name _____

Telecomms Tech C&G 271

Radio Amateur Licence C&G

Micro-processor

Introduction to Television

Radio & Telecommunications Correspondence School
12 Moor View Drive, Teignmouth, Devon TQ14 9UN

ilea *City Poly*
City of London Polytechnic

MUSIC TECHNOLOGY DEPARTMENT
Head of Department T Pamplin

Do you want a career in AUDIO/MUSIC TECHNOLOGY?

In the Music Technology Department we run internationally recognised, BTEC accredited National and Higher national Diplomas in Electronics for the Music Industry.

The courses are two year full time and include elements of design and construction, analogue technology, digital techniques and acoustics.

FACILITIES

2 fully equipped electronics laboratories acoustics lab with analogue and digital analysis facilities 16 track recording studio fairlight, Atari, Digital Mastering, Instruments and outboard equipment.

WHO SHOULD APPLY?

Ideally national Diploma applications should possess the equivalent of 4 GCSE passes at grade C or above and Higher Diploma applications relevant knowledge or experience can be accepted onto the course regardless of qualifications.

INTERESTED?

Then call 01 247 1953 and ask for an application form and further details or write to The Music Technology Department, LCF, 41 Commercial Road, London E1 1LA.



NATIONAL
COLLEGE OF
TECHNOLOGY

PACKAGED SHORT COURSES

The National College of Technology (NCT Ltd) offers a range of packaged short courses in analogue electronics, digital electronics and fibres and optoelectronics for study at home or at work. The advantages are that you may.

— commence at any time— work at your own pace
— have a tutor (optional) and there is no travelling involved. BTEC certificates are available subject to the conditions of the award. These highly popular packed courses contain workbooks, a cassette tape, circuit board and components necessary to provide both theoretical and practical training.

Whether you are a newcomer to electronics or have some experience and simply need updating, there is probably a packaged short course ready for you. Write or telephone for details, quoting ETI to:

NCT Ltd, Bicester Hall
5 London Road, Bicester, Oxon OX6 7BU
or telephone (0296) 613067 Ext. 202

MAKE YOUR INTERESTS PAY!

More than 8 million students throughout the world have found it worth their while! An ICS home-study course can help you get a better job, make more money and have more fun out of life! ICS has over 90 years experience in home-study courses and is the largest correspondence school in the world. You learn at your own pace, when and where you want under the guidance of expert 'personal' tutors. Find out how we can help YOU. Post or phone today for your **FREE INFORMATION PACK** on the course of your choice. (Tick one box only!)

| | | | |
|---|--------------------------|--|--------------------------|
| Electronics | <input type="checkbox"/> | Radio, Audio and TV Servicing | <input type="checkbox"/> |
| Basic Electronic Engineering (City & Guilds) | <input type="checkbox"/> | Radio Amateur Licence Exam (City & Guilds) | <input type="checkbox"/> |
| Electrical Engineering | <input type="checkbox"/> | Car Mechanics | <input type="checkbox"/> |
| Electrical Contracting/ Installation | <input type="checkbox"/> | Computer Programming | <input type="checkbox"/> |
| GCE over 40 'O' and 'A' level subjects | | | <input type="checkbox"/> |

ICS

Name _____

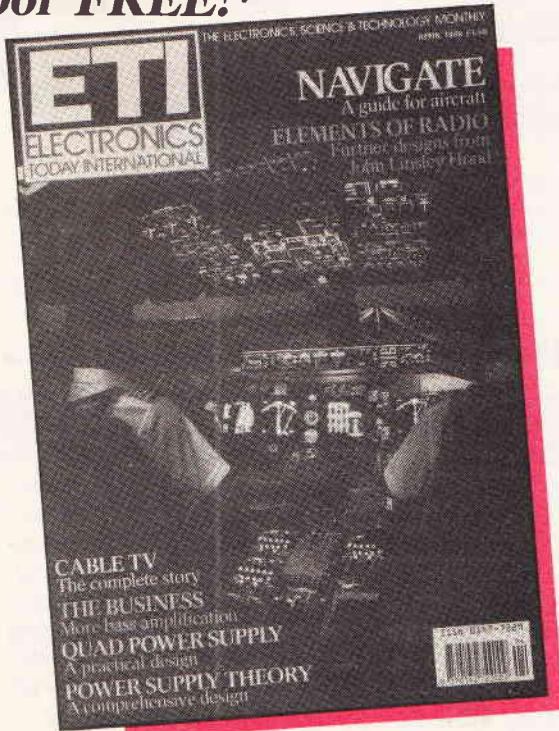
Address _____ P. Code _____

International Correspondence Schools, 312/314 High St., Sutton, Surrey SM1 1PR
Tel: 01-643 9568 or 041-221 2926 (24 hrs.) Dept EBS50

Have



delivered to your door FREE!*



That's right, if you take out a year's subscription to ETI we will make sure that it is delivered to your door each month at no extra charge*...

UK: £19.20; EUROPE: £24.10; MIDDLE EAST: £24.40; FAR EAST: £26.80; REST OF THE WORLD: £25.85 or USA: \$45.00

Airmail Rates on Request. *Overseas subscription rates include postage.

Please commence my subscription to ETI with the issue. I enclose my cheque/ money order for £..... made payable to ARGUS SPECIALIST PUBLICATIONS

Or Debit my Access/Visa

No. [grid]

Valid from to Signature Name Address Postcode

Send this form with your remittance to: SELECT SUBSCRIPTIONS LTD., 5 River Park Estate, Billet Lane, BERKHAMSTED, Herts. HP4 1HL, United Kingdom

NEXT MONTH

In our Audio supplement next month, we review a budget 12-channel professional mixer, there's a project called the Fecko box which gives some interesting fuzz and echo effects...

Nikola Tesla was an extraordinary man. In recent years, the world has begun to wake up to the fact that Tesla was not only a genius but a clever inventor, in fact some would say even a magician.

Another feature in the June issue is the history of the telephone and its operation, together with an idea for a DIY telephone and a mini project for an extension bell.

Other projects include a photographic timer and a surveillance bug detector. So there's every excuse not to miss the June issue of ETI, the quality tech mag.

Your newsagent will be able to supply you as from May 6th.

The above articles are in preparation but circumstances may prevent publication

LAST MONTH

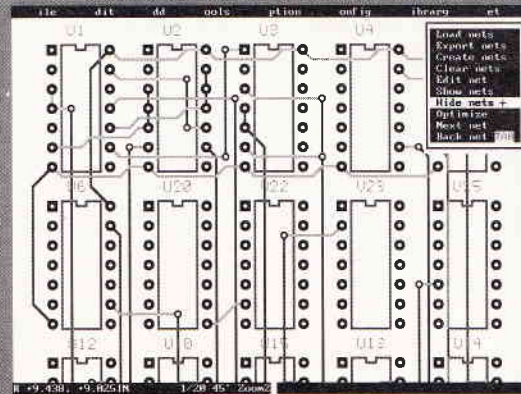
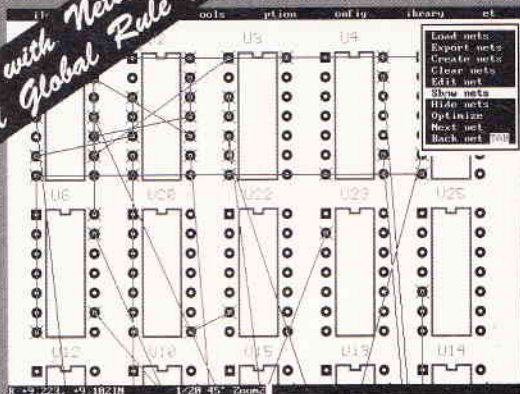
In the oh-so-tempting April issue, how dare you not to have bought it, you missed so many good features. We saw the second part of the Business bass amp, that unique amplifier with its own microprocessor...

ADVERTISERS' INDEX

Table listing advertisers and page numbers: AUDIOKITS PRECISION COMP 41, BK ELECTRONICS IFC, CIRKIT HOLDINGS 7, CRICKLEWOOD ELECTRONICS 41,59, DISPLAY ELECTRONICS 3, ELECTRONIZE DESIGN 41, ELECTROVALUE 25, GREENBANK ELECTRONICS 31, HART ELECTRONICS 32, HENRYS AUDIO 58, J & N BULL ELECTRICAL 30, J P DISTRIBUTION 57, MAPLIN ELECTRONICS 38, OBC, MERLIN SYSTEMS 41, MICROSYSTEMS MAINTENANCE 31, NUMBER ONE SYSTEMS 59, OMNI ELECTRONICS 41, RACKZ PRODUCTS 41, RADIO & TV COMPONENTS 16, RISCAMP 29, ROLAND (UK) LTD 36, SHERWOOD DATA SYSTEMS 32, STEWARTS OF READING 25, SUMA DESIGNS 25, TK ELECTRONICS 58, TSIEN UK LTD IBC, WILMSLOW AUDIO 57

BOARDMAKER 2 from TSIEN

Now with Netlist capability
and Global Rule Checking



BOARDMAKER 2 can help you turn a Netlist into a PCB that's right first time, quickly and easily.

BOARDMAKER 1 is £195 plus carr. & VAT
BOARDMAKER 2 is £295 plus carr. & VAT

Feature Summary

- ✓ Ultra fast Redraw
- ✓ Easy to use
- ✓ WYSIWYG display
- ✓ 10 Circuit Layers
- ✓ Net highlighting
- ✓ Design Rule Checking
- ✓ Surface Mount
- ✓ Mouse/menu or keys
- ✓ CGA, EGA, VGA & HGA
- ✓ Matrix Printer O/P
- ✓ Laser Printer O/P
- ✓ NC Drill Output
- ✓ Photoplot Output
- ✓ 360 page manual
- ✓ Schematic Drawing
- ✓ Library Editor
- ✓ Auto via placement
- ✓ Fully Integrated
- ✓ Hotline Support
- ✓ Autoroute in 1990

TSIEN (UK) Ltd's vigorous development policy has produced **BOARDMAKER 2**, with all the excellent facilities and features of **BOARDMAKER 1** supplemented by full Netlist capability. This means that netlists generated by schematic capture (OrCAD, Schema II etc), by hand or generated within BOARDMAKER's ratsnest editor can be used to assist and check routing. The major benefits of this are much quicker routing and getting it right first time.

BOARDMAKER 2 maintains TSIEN's philosophy of making powerful facilities immediately available to the designer by keeping them logical, visual and easy to use. This unique collection of tools for just £295 outstrips those on many packages that have commanded a higher price.

Full upward compatibility from BOARDMAKER 1 to BOARDMAKER 2 allows current users to make a painless move to a more powerful system. Non supported BOARDMAKER 1 users will be able to upgrade.



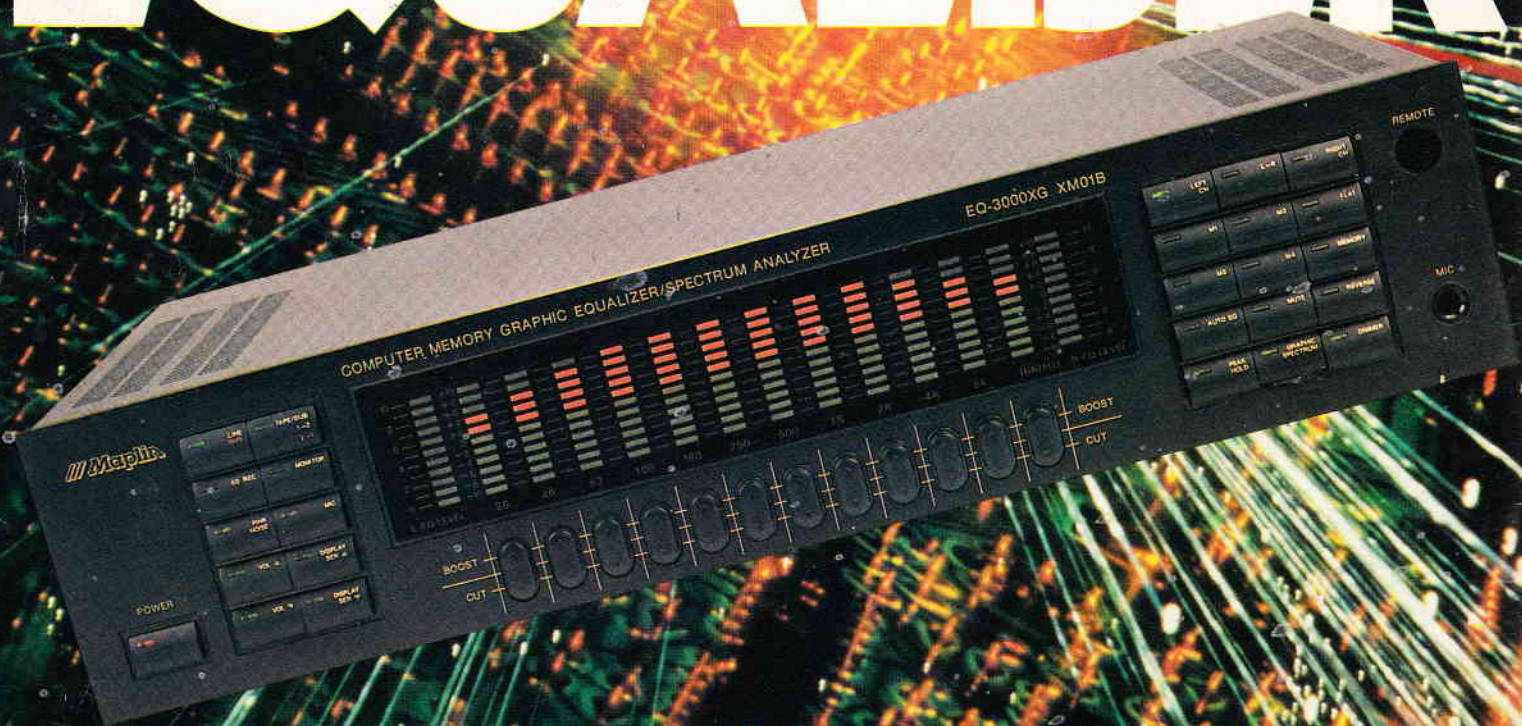
tsien

Tsien (UK) Limited
Cambridge Research Labs.
181 Huntingdon Road
Cambridge
CB3 0DJ
Tel. 0223 277777
Fax 0223 276444



Send for your FREE demonstration disk now

THE EQUALISER



Not just an equaliser it's
THE EQUALISER!

Here are some of the things ETI have to say about the Maplin Computer Memory Graphic Equaliser/Spectrum Analyzer . . .

'THIS UNIT IS STREETS AHEAD OF SIMPLE EQUALISERS' . . .

'THE MAPLIN EQUALISER IS A TREAT TO USE AND (DARE I SAY IT) TO PLAY WITH' . . .

'THE MAPLIN EQUALISER PROVES TRULY SUPERB' . . .

If you are looking for an equaliser, look for THE EQUALISER, from MAPLIN ELECTRONICS.

ORDER CEQ30. . TOP QUALITY VALUE FOR ONLY £194.95 (+75p p&p).

Maplin ELECTRONICS

CREDIT CARD HOTLINE



PHONE BEFORE 5pm FOR SAME DAY DESPATCH

0702 554161

Item is subject to availability, price includes VAT

Mail Order to: P.O. Box 3, Rayleigh, Essex, SS6 8LR.

FOR A FRIENDLY WELCOME AND THE BEST OF SERVICE, VISIT OUR SHOPS IN . . . BIRMINGHAM, BRISTOL, LEEDS, LONDON, (EDGWARE AND HAMMERSMITH), MANCHESTER, NEWCASTLE-UPON-TYNE, NOTTINGHAM, READING, SOUTHAMPTON AND SOUTHEND-ON-SEA.

Price may change after 1st May 1990.