

electronics today

INTERNATIONAL

SEPT 1986

£1.20

TO BUILD

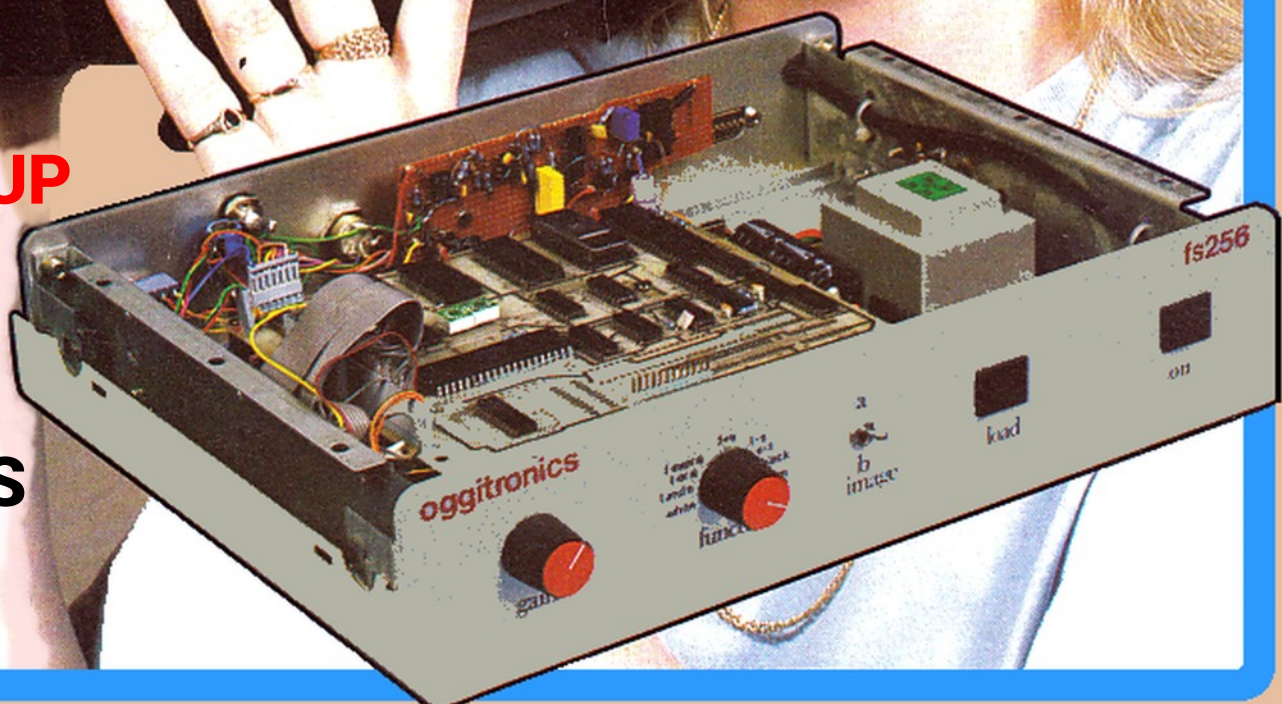
LOW COST FRAMESTORE

**BATTERY
POWER -
THERE'S
LIFE IN
THE
OLD
CELLS YET**



**CLEAN UP
YOUR
MAINS**

**JLLH
ON BIAS**



AUDIO COMPUTING MUSIC RADIO ROBOTICS

OMP POWER AMPLIFIER MODULES

PRICES INCLUDE V.A.T. • PROMPT DELIVERIES • FRIENDLY SERVICE • LARGE S.A.E. 28p STAMP FOR CURRENT LIST

OMP POWER AMPLIFIER MODULES

Now enjoy a world-wide reputation for quality, reliability and performance at a realistic price. Four models available to suit the needs of the professional and hobby market, i.e. Industry, Leisure, Instrumental and Hi-Fi, etc. When comparing prices, NOTE all models include Toroidal power supply, Integral heat sink, Glass fibre P.C.B., and Drive circuits to power compatible Vu meter. Open and short circuit proof. **Supplied ready built and tested.**



OMP100 Mk II Bi-Polar Output power 110 watts R.M.S. into 4 ohms. Frequency Response 15Hz - 30KHz - 3dB, T.H.D. 0.01%, S.N.R. -118dB. Sens for Max. output 500mV at 10K. Size 355 x 115 x 65mm. PRICE £33.99 + £3.00 P&P.



OMP/MF100 Mos-Fet Output power 110 watts R.M.S. into 4 ohms. Frequency Response 1Hz - 100KHz - 3dB, Damping Factor 80, Slew Rate 45V/uS, T.H.D. Typical 0.002%, Input Sensitivity 500mV, S.N.R. -125dB. Size 300 x 123 x 60mm. PRICE £39.99 + £3.00 P&P.



OMP/MF200 Mos-Fet Output power 200 watts R.M.S. into 4 ohms. Frequency Response 1Hz - 100KHz - 3dB, Damping Factor 250, Slew Rate 50V/uS, T.H.D. Typical 0.001%, Input Sensitivity 500mV, S.N.R. -130dB. Size 300 x 150 x 100mm. PRICE £62.99 + £3.50 P&P.



OMP/MF300 Mos-Fet Output power 300 watts R.M.S. into 4 ohms. Frequency Response 1Hz - 100KHz - 3dB, Damping Factor 350, Slew Rate 60V/uS, T.H.D. Typical 0.0008%, Input Sensitivity 500mV, S.N.R. -130dB. Size 330 x 147 x 102mm. PRICE £79.99 + £4.50 P&P.

NOTE: Mos Fets are supplied as standard (100KHz bandwidth & Input Sensitivity 500mV) Frequency P.A. version (50KHz bandwidth & Input Sensitivity 775mV) Order - Standard or P.A.



Vu METER Compatible with our four amplifiers detailed above. A very accurate visual display employing 11 L.F.D. diodes (7 green, 4 red) plus an additional on-off indicator. Sophisticated logic control circuits for very fast rise and decay times. Tough moulded plastic case, with tinted acrylic front. Size 84 x 27 x 45mm. PRICE £8.50 + 50p P&P.

LOUDSPEAKERS 5" to 15" up to 400 WATTS R.M.S. Cabinet Fixing in stock. Huge selection of McKenzie Loudspeakers available including Cabinet Plans. Large S.A.E. (28p) for free details.

POWER RANGE
 8" 60 WATT R.M.S. Hi-Fi/Disco
 20" or magnet, 1" ally voice coil Ground ally firing ascotiteon Res. Freq. 40Hz Freq. Resp. to 6KHz Sens. 92dB PRICE £10.99 Available with black grille £11.99 P&P £1.50 ea
 12" 100 WATT R.M.S. Hi-Fi/Disco
 50 oz magnet, 2" ally voice coil Ground ally firing ascotiteon Die cast chassis White cone Res. Freq. 25Hz Freq. Resp. to 4KHz Sens. 95dB PRICE £28.60 + £3.00 P&P ea

McKENZIE
 12" 85 WATT R.M.S. C1285GP Lead guitar/keyboard/Disco
 2" ally voice coil Ally centre dome Res. Freq. 45Hz Freq. Resp. to 8 KHz Sens. 90dB PRICE £29.99 + £3.00 P&P ea.
 12" 85 WATT R.M.S. C1285TC P.A./Disco 2" ally voice coil, Twin cone.
 Res. Freq. 45Hz Freq. Resp. to 14KHz PRICE £31.49 + £3.00 P&P ea
 15" 150 WATT R.M.S. C15 Bass Guitar/Disco
 3" ally voice coil Die-cast chassis Res. Freq. 40Hz Freq. Resp. to 4KHz PRICE £57.87 + £4.00 P&P ea
 18" 60 WATT R.M.S. 1060GP Gen. Purpose/Lead Guitar/Keyboard/Mid. P.A.
 2" voice coil, Res. Freq. 75Hz Freq. Resp. to 7.5KHz Sens. 90dB. PRICE £19.99 + £2.00 P&P
 18" 200 WATT R.M.S. C18200GP Guitar, Keyboard, Disco.
 2" voice coil, Res. Freq. 45Hz, Freq. Resp. to 7KHz Sens. 101dB PRICE £44.76 + £3.00 P&P
 15" 200 WATT R.M.S. C15200 High Power Bass.
 Res. Freq. 40Hz, Freq. Resp. to 5KHz Sens. 101dB. PRICE £62.41 + £4.00 P&P
 15" 400 WATT R.M.S. C15400 High Power Bass.
 Res. Freq. 40Hz, Freq. Resp. to 4KHz Sens. 102dB PRICE £89.52 + £4.00 P&P.

WEM
 5" 70 WATT R.M.S. Multiple Array Disco etc.
 1" voice coil Res. Freq. 52Hz Freq. Resp. to 5KHz Sens. 89dB PRICE £22.00 + £1.50 P&P ea
 8" 150 WATT R.M.S. Multiple Array Disco etc.
 1" voice coil, Res. Freq. 48Hz Freq. Resp. to 5KHz Sens. 90dB PRICE £32.00 + £1.50 P&P ea.
 10" 300 WATT R.M.S. Disco/Sound re-enforcement etc.
 1" voice coil Res. Freq. 35Hz Freq. Resp. to 4KHz Sens. 90dB PRICE £36.00 + £2.00 P&P ea.
 12" 300 WATT R.M.S. Disco/Sound re-enforcement etc.
 1 1/2" voice coil Res. Freq. 35Hz Freq. Resp. to 4KHz Sens. 94dB PRICE £47.00 + £3.00 P&P ea

SOUNDLAB (Full Range Twin Cone)
 5" 60 WATT R.M.S. Hi-Fi/Multiple Array Disco etc.
 1" voice coil Res. Freq. 63Hz Freq. Resp. to 20KHz Sens. 86dB PRICE £9.99 + £1.00 P&P ea
 6 1/2" 60 WATT R.M.S. Hi-Fi/Multiple Array Disco etc.
 1" voice coil Res. Freq. 59Hz Freq. Resp. to 20KHz Sens. 89dB PRICE £10.99 + £1.50 P&P ea
 8" 60 WATT R.M.S. Hi-Fi/Multiple Array Disco etc.
 1 1/2" voice coil Res. Freq. 38Hz Freq. Resp. to 20KHz Sens. 89dB PRICE £12.99 + £1.50 P&P ea
 10" 60 WATT R.M.S. Hi-Fi/Disco etc.
 1 1/2" voice coil, Res. Freq. 35Hz Freq. Resp. to 15KHz Sens. 89dB. PRICE £16.49 + £2.00 P&P

PANTEC HOBBY KITS. Proven designs including glass fibre printed circuit board and high quality components complete with instructions.

FM MICROTRANSMITTER (BUG) 90/105MHz with very sensitive microphone. Range 100/300 metres. 57 x 46 x 14mm (9 volt) Price: £8.62 + 75p P&P.
3 WATT FM TRANSMITTER 3 WATT 85/115MHz varicap controlled professional performance. Range up to 3 miles 35 x 64 x 12mm (12 volt) Price: £14.49 + 75p P&P.
SINGLE CHANNEL RADIO CONTROLLED TRANSMITTER/RECEIVER 27MHz. Range up to 500 metres. Double coded modulation. Receiver output operates relay with 2amp/240 volt contacts. Ideal for many applications. Receiver 90 x 70 x 22mm (9/12 volt). Price: £17.82 Transmitter 80 x 50 x 15mm (9/12 volt). Price: £11.29 P&P + 75p each. S.A.E. for complete list.



BURGLAR ALARM

Better to be 'Alarmed' than terrified. **Thandar's famous Minder Burglar Alarm System.** Superior microwave principle. Supplied as three units complete with interconnection cable. **FULLY GUARANTEED.**
Control Unit - Houses microwave radar unit, range up to 15 metres adjustable by sensitivity control. Three position, key operated fascia switch - ON - test - armed - 30 second exit and entry delay.
Indoor alarm - Electronic sweep freq. siren 104dB output.
Outdoor Alarm - Electronic sweep freq. siren 98dB output. Housed in a tamper-proof heavy duty metal case.

IDEAL for Work-shops, Factories, Offices, Home, etc. Supplied ready built.



Both the control unit and outdoor alarm contain rechargeable batteries, which provide full protection during mains failure. Power requirement 200-240 Volt AC. 50-60Hz. Expandable with door sensors, panic buttons etc. Complete with instructions.

SAVE £138.00 Usual Price £228.85
BKE's Price £89.99 + £4.00 P&P
 Why buy a collection of self assembly boards!

OMP LINNET LOUDSPEAKERS

The very best in quality and value. Made specially to suit today's need for compactness with high sound output levels. Finished in hard wearing black vinyl with protective corners, grille and carry handle. All models 8 ohms. Full range 45Hz - 20KHz. Size 20" - 15" - 12" Watts R.M.S. per cabinet. Sensitivity 1W 1mtr dB

OMP 12-100 Watts 100dB. Price £149.99 per pair.
OMP 12-200 Watts 102dB. Price £199.99 per pair.
 Delivery Securicor £8.00 per pair



OMP 19" STEREO RACK AMPS



Professional 19" cased Mos-Fet stereo amps. Used the World over in clubs, pubs, discos etc. With twin Vu meters, twin toroidal power supplies, XLR connections. MF600 Fan cooled. **Three models (Ratings R.M.S. into 4ohms), Input Sensitivity 775mV**
MF200 (100 + 100)W. £169.00 Securicor
MF400 (200 + 200)W. £228.85 Delivery
MF600 (300 + 300)W. £299.99 £10.00

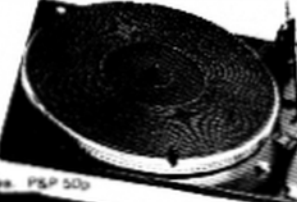
1 K-WATT SLIDE DIMMER

- Control loads up to 1Kw
- Compact Size 2 1/2" x 1" x 2 1/2"
- Easy snap in fixing through panel cabinet cut out
- Insulated plastic case
- Full wave control using 8 amp triac
- Conforms to BS500

Suitable for both resistive and inductive loads. Innumerable applications in industry, the home, and disco's, theatres etc.
PRICE £13.99 + 75p P&P

BSR P295 ELECTRONIC TURNTABLE

Electronic speed control 45 & 33 1/3 r.p.m. • Plus Minus variable pitch control • Belt drive • Aluminium platter with strobed rim • Cue lever • Anti-skate (bias device) • Adjustable counter balance • Manual arm • Standard 1" cartridge fittings • Supplied complete with cut out template • D.C. Operation 9-14v D.C. 65mA
Price £36.99 + £3.00 P&P



ADC Q4 mag. cartridge for above. Price £4.99 ea. P&P 50p

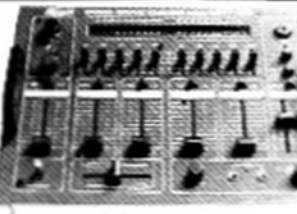
PIEZO ELECTRIC TWEETERS - MOTOROLA

Join the Piezo revolution. The low dynamic mass piezo voice coils of a Piezo tweeter produces an improved transient response with a lower distortion level than ordinary dynamic tweeters. As a crossover it is not required these units can be added to existing speaker systems of up to 100 Watts (more if 2 put in series) **FREE EXPLANATORY LEAFLETS SUPPLIED WITH EACH TWEETER.**

TYPE 'A' (KSN2036A) 3" sound with protective wire mesh. Ideal for bookshelf and medium sized Hi-Fi speakers. Price £4.90 each + 40p P&P
TYPE 'B' (KSN1005A) 3 1/2" super horn. For general purpose speakers, disco and P.A. systems etc. Price £5.99 each + 40p P&P
TYPE 'C' (KSN6016A) 2" - 5" wide dispersion horn. For quality Hi-Fi systems and quality discos etc. Price £6.99 each + 40p P&P
TYPE 'D' (KSN1025A) 2" - 6" wide dispersion horn. Upper frequency response retained extending down to mid range (2KHz). Suitable for high quality Hi-Fi systems and quality discos. Price £9.99 each + 40p P&P
TYPE 'E' (KSN1038A) 3 1/2" horn tweeter with attractive silver finish trim. Suitable for Hi-Fi monitor systems etc. Price £5.99 each + 40p P&P
LEVEL CONTROL Combines on a recessed mounting plate. Level control and cabinet input jack socket 85 x 85 mm. Price £3.99 + 40p P&P

STEREO DISCO MIXER

STEREO DISCO MIXER with 2 x 5 band L & R graphic equalisers and twin 10 segment L & R Vu Meters. Many outstanding features 5 Inputs with individual faders providing a useful combination of the following -
 3 Turntables (Mag), 3 Mics, 4 Line plus Mic with talk over switch, Headphone Monitor, Pan Pot, L & R Master Output controls. Output 775mV. Size 360 x 280 x 90mm
Price £134.99 + £3.00 P&P



B. K. ELECTRONICS DEPT ETI

UNIT 5, COMET WAY, SOUTHEND-ON-SEA, ESSEX, SS2 6TR TEL: 0702-527572

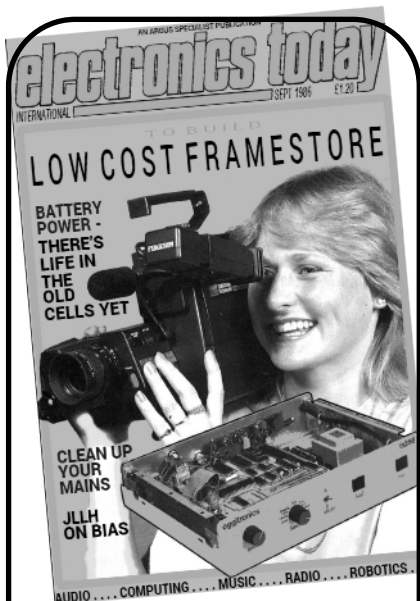
POSTAL CHARGES PER ORDER £1.00 minimum. OFFICIAL ORDERS WELCOME. SCHOOLS, COLLEGES GOVERNMENT BODIES, ETC. PRICES INCLUSIVE OF V.A.T. SALES COUNTER VISA/ACCESS/C.O.D. ACCEPTED



electronics today

INTERNATIONAL **SEPT 1986 VOL 15 NO 9**

EDITORIAL AND ADVERTISEMENT OFFICE
1 Golden Square, London W1R 3AB, Telephone 01-437 0626,
Telex 8811896.



Gary Herman: Editor
Ian Pitt: Deputy Editor
Paul Chappell: Project Editor
Jerry Fowler: Technical Illustrator
Paul Stanyer: Ad. Manager
Duncan Neilson: Classified Sales Executive
Andrew Selwood: Copy Control
Dave Bradshaw: Group Editor - Electronics

PUBLISHED BY:
Argus Specialist Publications Ltd.,
1 Golden Square, London W1R 3AB,
DISTRIBUTED BY:
Argus Press Sales & Distribution Ltd.,
12-18 Paul Street, London EC2A 4JS
(British Isles)

TYPESET AND ORIGATION BY:
Design International
PRINTED BY

The Garden City Press Ltd.,
COVER DESIGN BY:
Argus Design
COVERS PRINTED BY:
Loxley Brothers Ltd.,



Member of the
Audit Bureau of
Circulation

Electronics Today is normally published on the first Friday in the month preceding cover date. The contents of this publication including all articles, designs, plans, drawings and programs and all copyright and other intellectual property rights therein belong to Argus Specialist Publications Limited. All rights conferred by the Law of Copyright and other intellectual property rights and by virtue of international copyright conventions are specifically reserved to Argus Specialist Publications Limited and any reproduction requires the prior written consent of the Company. © 1986 Argus Specialist Publications Ltd U All reasonable care is taken in the preparation of the magazine contents but the publishers cannot be held legally responsible for errors. Where mistakes do occur, a correction will normally be published as soon as possible afterwards. All prices and data contained in advertisements are accepted by us in good faith as correct at time of going to press. Neither the advertisers nor the publishers can be held responsible, however, for any variations affecting price or availability which may occur after the publication has closed for press.

Subscription Rates. UK: £18.10. Overseas: £22.50.
USA: \$29.50. Airmail: £49.50.

FEATURES

- CHARGE OF THE LIGHT BRIGADE....19**
Andrew Armstrong surveys the burgeoning battery scene and asks if this could be the hard cell?
- BIAS REPORT.....24**
John Linsley Hood's unbiased view of tape recording.
- MICROCOMPUTER-AIDED CIRCUIT DESIGN.....28**
Julian Burt transfers his attention to transfer functions and transforms our appreciation of Laplace transforms.
- HARDWARE DESIGN CONCEPTS.....33**
Mike Barwise investigates the ins and outs of the software semi-synchronous FIFO used as a printer buffer.
- THE COLOUR BROWN.....62**
We join the retail trade to find out why brown goods are silver, yellow, red or blue - any colour but brown.

PROJECTS

- LOW COST FRAMESTORE.....36**
Daniel Ogilvie's new design digitises, stores and manipulates a video image — and all at an affordable price.
- THE ETI MAINS CONDITIONER.....42**
Clean up your mains and get rid of your glitches, crackles, putts and splutters with this small project with a large range of applications.
- EXPERIMENTAL PRE-AMP.....45**
Jeff Macaulay turns his attention to transistors and builds the solid state equivalent of last month's valve design.
- UPGRADEABLE AMP.....49**
Graham Nalty tones up the output stages.
- We regret that due to pressure of space, we have had to hold over the second part of Intelligent Call Meter until next month.

REGULARS

- DIGEST.....7**
News from everywhere.
- READ/WRITE.....16**
Electronics for employees!
- TECH TIPS.....56**
This month, ETI readers provide a variable pulse burst generator and a high voltage constant current source.
- ETCETERA.....64**
Alf constructs a curious LED matrix and announces prize winners and last month's solution while Keith Brindley's Open Channel makes some predictions. Scratchpad returns and we review IC Master Linear IC Equivalents and The Microwave Debate.
- CROSSWORD.....70**
Auntie Static is on holiday.

INFORMATION

- SUBSCRIPTION COUPON.....11**
NEXT MONTH'S ETI.....12
READERS' SERVICES.....57
PCB FOIL PATTERNS.....58
PCB SERVICE.....60
AD INDEX.....67
CLASSIFIED ADS.....68

WATFORD ELECTRONICS

250 High Street, WATFORD, WD1 2AN, HEATS.

MAIL ORDER & RETAIL SHOP

Tel: (0923) 37774 Tlx: 8956095 WATFRD

ALL DEVICES BRAND NEW & FULLY GUARANTEED. SEND CHEQUES, P.S BANK DRAFT OR ACCESS/MASTER CHARGE & VISA CARD NUMBER WITH ORDER. GOVERNMENT & EDUCATIONAL ESTABLISHMENTS' OFFICIAL ORDERS ACCEPTED. P&P ADD £1 TO ALL CASH ORDERS. OVERSEAS ORDERS, POSTAGE CHARGED AT COST AIR/SURFACE. PRICES SUBJECT TO CHANGE WITHOUT NOTICE AND AVAILABLE ON REQUEST.

VAT Export orders no VAT. Applicable to U.K. Customer1 only. UniHa atated otheWIn, all pcrtea are exclusive of VAT. Pleaah add 15% to the total cost including P&P. We atock thouanda more items. It pays to visit. Us. Nearr, i Underground/BA Station: Watford High St.,...L Open Monday to Saturday: 8.00am to 1.00pm. Ample . . . Car parking 1pac available.

ELECTROLYTIC CAPACITORS: (Values in uF) 500v; 10uF52; 47 20p; 63V: 0.47, 1.0, 1.5, 2.2, 3.3, 4.7, 7.5p 10 10p, 15.22 22p 33 12p; 60 20p; 100 19p; 220 26p; 1000 70p; 500 60 20p; 100 17p; 220 24p; 400 2 22p; 33 12p; 330 470 32p; 1000 48p; 2200 90p; 25V: 1.5, 4.7, 10, 22, 47 9p; 100 11p; 150 12p; 220 15p; 330 22p; 470 25p; 680 1000 34p; 1500 42p; 2200 50p; 3300 70p; 4700 92p; 10V: 47p, 68p, 100p; 125 12p; 330 16p; 470 20p; 680 34p; 000 27p; 1.50p; 10 25p; 4.00 72p

TAG-END CAPACITORS: 83V: 2200 120p; 330p 145p; 4700 2 5p; 50V: 2200 95p; 330p 155p; 40V: 4700 160p; 25V: 2200 70p; 330p 85p; 4700 100 250p; 15,000 270p; 18V: 2200 200p.

LYE-STER CAPACITORS: Axial Lead Type . . . 1000V: 1nF 17p; 10nF 30p; 15n 40p, 22n 36p; 33n 42p; 47n, 100n42p, 1.5u a p; 2.2uf

POLYESTER RADIAL LEAD CAPACITORS: 250V 10p, 15n, 22n, 27n8p; 33n, 47n, 68n, 100n8p; 150n, 220 10p; 330p, 470n, 15p; 680n Hip; 1u5 40p, 22u 48d.

TANTALUM BEAD CAPACITORS: 35V: 0.1uF, 0.22, 0.33 15p 0.47, 0.88, 1.0, 1.5 18p; 2.2, 3.3 18p; 4.7, 6.8 22p 10 28p; 18V: 2.2, 3.3 11p; 4.7, 6.8, 10 11p; 15, 22p; 22 45p; 33, 47 50p; 100 95p; 10V: 15, 22, 2p; 33, 47 50p; 100 95p; 0v: 1.00 55p.

MYLAR FILM CAPACITORS: 100V: 1nF, 2, 4, 4nF, 10 10p) 15nF, 22n, 30n, 40n, 47n 7p; 56n, 100n, 200n 9p; 50V: 470nF 12p.

CERAMIC CAPACITORS SOY: Range: 0.5pF to 10nF- 15nF, 22nF 33nF; 47nF 100nF/20V 200nF/6V 8p

POLYSTYRENE CAPACITORS, 10pF to 1nF8p; 1.5nF to 12nF 10p.

SILVER MICA (Values in pF) 2, 3, 3.4, 4.7, 5.8, 10, 12, 15, 16, 22, 27, 33, 39, 47, 50, 56, 68, 75, 82, 95, 100, 120, 150, 180pF 15p each

MINIATURE TRIMMERS Capacitors 2 to 6pF, 2 to 10 2.5pF 5-6pF 10-88pF

RESISTORS Carbon Film, miniature, Hi-Stab, Slt. RANGE Val 1-99 100+

MIXED NETWORK S.I.L. Commoned: (R pins) 1000, 6800, 1K 2K2, 4K7, 10K, 47K, 100K 10p

DIODES VARIACAPS BRIDGE RECTIFIERS AA1130 8 8B150B 40 1A/50V 15 20 8A/100V 25 1A/100V 30 8A/100V 30 2A/200V 40 2A/200V 40

TRIACS OA9 7 2A/400V 50 2A/500V 50 8A/100V 80 8A/100V 80 10A/500V 215 10A/500V 215 12A/600V 330 25A/200V 340 25A/200V 340 16A/100V 103 16A/100V 106 16A/500V 230 16A/500V 230

7.5 SERIES OA20 2 26V/500V 290 25A/800V 298 25A/800V 298 25A/800V 298 1N4001/2 5 7B80 125 75107 75108 75110 75111 75112 75113 75114 75115 75116 75117 75118 75119 75120 75121 75122 75123 75124 75125 75126 75127 75128 75129 75130 75131 75132 75133 75134 75135 75136 75137 75138 75139 75140 75141 75142 75143 75144 75145 75146 75147 75148 75149 75150 75151 75152 75153 75154 75155 75156 75157 75158 75159 75160 75161 75162 75163 75164 75165 75166 75167 75168 75169 75170 75171 75172 75173 75174 75175 75176 75177 75178 75179 75180 75181 75182 75183 75184 75185 75186 75187 75188 75189 75190 75191 75192 75193 75194 75195 75196 75197 75198 75199 75200 75201 75202 75203 75204 75205 75206 75207 75208 75209 75210 75211 75212 75213 75214 75215 75216 75217 75218 75219 75220 75221 75222 75223 75224 75225 75226 75227 75228 75229 75230 75231 75232 75233 75234 75235 75236 75237 75238 75239 75240 75241 75242 75243 75244 75245 75246 75247 75248 75249 75250 75251 75252 75253 75254 75255 75256 75257 75258 75259 75260 75261 75262 75263 75264 75265 75266 75267 75268 75269 75270 75271 75272 75273 75274 75275 75276 75277 75278 75279 75280 75281 75282 75283 75284 75285 75286 75287 75288 75289 75290 75291 75292 75293 75294 75295 75296 75297 75298 75299 75300 75301 75302 75303 75304 75305 75306 75307 75308 75309 75310 75311 75312 75313 75314 75315 75316 75317 75318 75319 75320 75321 75322 75323 75324 75325 75326 75327 75328 75329 75330 75331 75332 75333 75334 75335 75336 75337 75338 75339 75340 75341 75342 75343 75344 75345 75346 75347 75348 75349 75350 75351 75352 75353 75354 75355 75356 75357 75358 75359 75360 75361 75362 75363 75364 75365 75366 75367 75368 75369 75370 75371 75372 75373 75374 75375 75376 75377 75378 75379 75380 75381 75382 75383 75384 75385 75386 75387 75388 75389 75390 75391 75392 75393 75394 75395 75396 75397 75398 75399 75400 75401 75402 75403 75404 75405 75406 75407 75408 75409 75410 75411 75412 75413 75414 75415 75416 75417 75418 75419 75420 75421 75422 75423 75424 75425 75426 75427 75428 75429 75430 75431 75432 75433 75434 75435 75436 75437 75438 75439 75440 75441 75442 75443 75444 75445 75446 75447 75448 75449 75450 75451 75452 75453 75454 75455 75456 75457 75458 75459 75460 75461 75462 75463 75464 75465 75466 75467 75468 75469 75470 75471 75472 75473 75474 75475 75476 75477 75478 75479 75480 75481 75482 75483 75484 75485 75486 75487 75488 75489 75490 75491 75492 75493 75494 75495 75496 75497 75498 75499 75500 75501 75502 75503 75504 75505 75506 75507 75508 75509 75510 75511 75512 75513 75514 75515 75516 75517 75518 75519 75520 75521 75522 75523 75524 75525 75526 75527 75528 75529 75530 75531 75532 75533 75534 75535 75536 75537 75538 75539 75540 75541 75542 75543 75544 75545 75546 75547 75548 75549 75550 75551 75552 75553 75554 75555 75556 75557 75558 75559 75560 75561 75562 75563 75564 75565 75566 75567 75568 75569 75570 75571 75572 75573 75574 75575 75576 75577 75578 75579 75580 75581 75582 75583 75584 75585 75586 75587 75588 75589 75590 75591 75592 75593 75594 75595 75596 75597 75598 75599 75600 75601 75602 75603 75604 75605 75606 75607 75608 75609 75610 75611 75612 75613 75614 75615 75616 75617 75618 75619 75620 75621 75622 75623 75624 75625 75626 75627 75628 75629 75630 75631 75632 75633 75634 75635 75636 75637 75638 75639 75640 75641 75642 75643 75644 75645 75646 75647 75648 75649 75650 75651 75652 75653 75654 75655 75656 75657 75658 75659 75660 75661 75662 75663 75664 75665 75666 75667 75668 75669 75670 75671 75672 75673 75674 75675 75676 75677 75678 75679 75680 75681 75682 75683 75684 75685 75686 75687 75688 75689 75690 75691 75692 75693 75694 75695 75696 75697 75698 75699 75700 75701 75702 75703 75704 75705 75706 75707 75708 75709 75710 75711 75712 75713 75714 75715 75716 75717 75718 75719 75720 75721 75722 75723 75724 75725 75726 75727 75728 75729 75730 75731 75732 75733 75734 75735 75736 75737 75738 75739 75740 75741 75742 75743 75744 75745 75746 75747 75748 75749 75750 75751 75752 75753 75754 75755 75756 75757 75758 75759 75760 75761 75762 75763 75764 75765 75766 75767 75768 75769 75770 75771 75772 75773 75774 75775 75776 75777 75778 75779 75780 75781 75782 75783 75784 75785 75786 75787 75788 75789 75790 75791 75792 75793 75794 75795 75796 75797 75798 75799 75800 75801 75802 75803 75804 75805 75806 75807 75808 75809 75810 75811 75812 75813 75814 75815 75816 75817 75818 75819 75820 75821 75822 75823 75824 75825 75826 75827 75828 75829 75830 75831 75832 75833 75834 75835 75836 75837 75838 75839 75840 75841 75842 75843 75844 75845 75846 75847 75848 75849 75850 75851 75852 75853 75854 75855 75856 75857 75858 75859 75860 75861 75862 75863 75864 75865 75866 75867 75868 75869 75870 75871 75872 75873 75874 75875 75876 75877 75878 75879 75880 75881 75882 75883 75884 75885 75886 75887 75888 75889 75890 75891 75892 75893 75894 75895 75896 75897 75898 75899 75900 75901 75902 75903 75904 75905 75906 75907 75908 75909 75910 75911 75912 75913 75914 75915 75916 75917 75918 75919 75920 75921 75922 75923 75924 75925 75926 75927 75928 75929 75930 75931 75932 75933 75934 75935 75936 75937 75938 75939 75940 75941 75942 75943 75944 75945 75946 75947 75948 75949 75950 75951 75952 75953 75954 75955 75956 75957 75958 75959 75960 75961 75962 75963 75964 75965 75966 75967 75968 75969 75970 75971 75972 75973 75974 75975 75976 75977 75978 75979 75980 75981 75982 75983 75984 75985 75986 75987 75988 75989 75990 75991 75992 75993 75994 75995 75996 75997 75998 75999 76000

SCR THYRISTORS AA1130 8 8B150B 40 1A/50V 15 20 8A/100V 25 1A/100V 30 8A/100V 30 2A/200V 40 2A/200V 40

ZENERS AA1130 8 8B150B 40 1A/50V 15 20 8A/100V 25 1A/100V 30 8A/100V 30 2A/200V 40 2A/200V 40

Range: 2V7 to 38V 400V 5p each Range: 30V3 to 33V 1.5p each

SI2

TRANSISTORS table with columns for part numbers and values.

AF Choke 1 Miniature PCB type

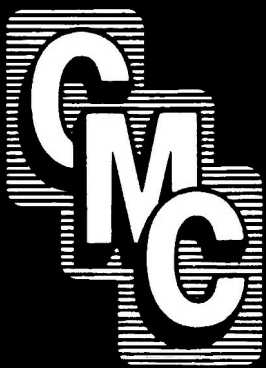
ACCESS & VISA orders Just phone your orders through we do the rest.

74S table header

74S table with columns for part numbers and values.

74C table header

74C table with columns for part numbers and values.



The CMC Components

42 Clifton Industrial Estate, Cherry Hinton Rd, Cambridge CB1 4ZZ
Telephone: (0223) 213374

Ordering: All components are brand new and to full specification. Please add 65p postage/packing (unless otherwise specified) to all orders and then add 15% VAT to the total. Minimum order £5.00. Either send cheque/cash/postal order or send/telephone your credit card number. Official orders from schools, universities, colleges etc most welcome.



Credit Cards welcome

Trade counter open: Mon to Sat 9.00 - 5.00

1TL74

7400	20	7432	28
7401	20	7437	28
7402	20	7440	24
7403	24	7451	30
7404	24	7470	45
7405	24	7473	40
7406	37	7474	35
7407	24	7483	80
7408	24	7485	95
7410	24	7486	34
7412	24	74121	44
7416	34	74123	72
7417	34	74147	125
7420	24	74164	100
7423	30	74176	75
7428	30	74192	100
7430	22	74198	165

VOLTAGE REGULATOR

7805	35	7912	40
7812	35	7915	40
7815	35	7918	40
7818	35	7924	40
7824	35	LM323K	400
7905	40		

DILSOCKETS

low profile

8 pin	5
14pin	8
16 pin	9
18 pin	10
20 pin	12
22 pin	14
24 pin	16
28pin	18
40 pin	20

COMPUTER IC's

ET41116-3	75
UP041256-15	400
HM4884-15	200
HM81116-3	150
A6532	500
R6551	525
F6800	200
MC6802	250
MC6809	550
F6821	150
MC8840	350
MC6845	600
DP8216	150
Z80ASIO	650
Z80ACTC	250
Z80 PIO	250
Z80ADART	680
Z80CPU	180
2764-25	200
27128-25	240

TOROIDAL TRANSFORMERS

VA	1-9	These prices are for single primary, with two secondary taps, with 8" colour coded fly leads. Each transformer is supplied with a mounting kit, consisting of one steel washer, two neoprene pads, and a nut and bolt.
15	5.47	
30	5.56	
50	6.31	
80	6.82	
120	7.40	
160	8.72	
225	9.70	
300	10.84	
500	14.47	
1000	29.76	
1.2KVA	34.32	P&P £2.50 for above items.

SERIAL CABLES

APPLE IIE to NIGHTINGALE MODEM/JUKI 6100
APPLE IIE to NEC Printer
APPLE III to BROTHER HR/25/EPSON DX 100
MACINTOSH to IBM pc/DIABLO 630/EPSON PXB/MACINTOSH/BBC MICRO

We can supply serial cables for all other popular computers. Please contact us for details.

Introductory Price

£12 each

74LS

LS00	15	LS154	90
LS01	15	LS155	41
LS02	15	LS156	48
LS03	18	LS157	30
LS04	15	LS158	32
LS05	15	LS160	48
LS08	15	LS161	50
LS09	18	LS163	46
LS10	15	LS164	44
LS11	15	LS165	65
LS12	18	LS166	74
LS13	22	LS168	90
LS14	28	LS169	65
LS15	15	LS170	80
LS20	15	LS173	80
LS21	15	LS174	40
LS22	18	LS175	40
LS26	15	LS190	55
LS27	15	LS191	52
LS28	15	LS192	52
LS30	15	LS193	50
LS32	17	LS195	52
LS33	18	LS196	62
LS37	16	LS197	55
LS38	17	LS221	55
LS40	16	LS240	55
LS42	32	LS241	55
LS48	55	LS242	55
LS54	16	LS243	60
LS73	30	LS244	50
LS74	24	LS245	50
LS75	28	LS247	50
LS76	28	LS249	90
LS78	28	LS251	30
LS83	42	LS253	50
LS85	45	LS257	42
LS86	30	LS260	40
LS90	32	LS266	30
LS92	38	LS273	52
LS93	30	LS279	40
LS95	48	LS280	140
LS96	60	LS283	70
LS107	32	LS290	30
LS109	34	LS293	30
LS112	36	LS295	125
LS114	35	LS298	100
LS123	42	LS299	200
LS124	84	LS348	135
LS125	36	LS353	84
LS126	36	LS363	135
LS132	40	LS386	36
LS133	34	LS367	36
LS136	36	LS373	55
LS138	36	LS374	55
LS139	36	LS375	60
LS145	82	LS378	84
LS151	82	LS393	50
LS153	40	LS395	98

SWITCHES

Dtl 4way	65
Sway	75
Sway	80
10way	95
Sub-min Toggle	
240v2A	
SPST (2tag)	55
SPOT (3tag)	60
DPOT (Stag)	55
240V 1A	
SPST (2tag)	55
SPOT (3tag)	80
SPOT (3tag)	
centre off)	85
DPDT (6tag)	85
DPDT (6tag)	
centre off)	80

Rockers	
10A/250v SPST	25
10A/250v SPOT	35
10A/250v SPST (neon)	80

CRYSTALS

100kHz	380
200kHz	350
1.0MHz	260
1.008MHz	260
1.6432MHz	175
2.0MHz	180
2.4576MHz	85
3.278MHz	100
4.0MHz	90
5.0MHz	120
6.0MHz	80
6.114MHz	105
8.0MHz	80
10.0MHz	80
12.0MHz	80
16.0MHz	80
18.0MHz	90
20.0MHz	120

RIBBON CABLES

	price/foot	100ft
10way	14	700
16way	24	1100
20way	28	1400
24way	36	1700
26way	38	1800
28way	50	2000
34way	58	2100
40way	67	2700
50way	84	3400

LINEAR

LM301	25	LM388	100
LM310	60	LM389	160
LM311	35	LM556	90
LM318	130	LM557	90
LM319	160	LM709	35
LM324	35	LM723	40
LM339	40	LM747	60
LM348	60	MC1488	70
LM387	100	MC1489	70

CMO

4000	13	4050	20
4002	13	4051	38
4006	35	4052	37
4007	37	4053	37
4009	20	4060	40
4011	13	4066	20
4012	13	4068	15
4013	20	4069	15
4015	34	4070	15
4016	18	4071	15
4017	32	4072	15
4018	33	4073	15
4019	28	4075	15
4020	35	4076	45
4021	36	4077	15
4022	36	4078	15
4023	15	4081	15
4024	25	4082	-13
4025	13	4085	40
4027	18	4089	80
4028	30	4093	20
4029	40	4099	45
4031	90	40106	40
4034	80	40107	55
4035	45	4501	30
4038	50	4510	38
4040	35	4511	40
4042	30	4516	40
4043	36	4517	120
4044	38	4518	38
4046	45	4519	30
4047	45	4520	36
4049	20		

DISC DRIVES (uncased)

400k 5.25 TEAC Slimline	£99
400k 5.25 TEAC Slimline, complete with a 40/80 switch	£104
400K 5.25 Namal Drive	£75
400K 3.5 NEC Drive	£ 70
(p&p £5.00 for above items)	

TRANSISTORS

AC128	28	BC183A	12	BC449	20
AC187	24	BC183L	10	BC4 n	30
AC187K	40	BC184	10	BC546A	10
ACY18	130	BC184L	11	BC547C	12
ACY20	125	BC205	10	BC548C	12
ACY22	110	BC208	10	BC549	10
ACY40	120	BC212L	10	BC556	10
ACY41	120	BC212B	11	BC557B	10
ACY44	120	BC213A	10	BC558C	10
BC107	11	BC214	9	BC559	10
BC108	10	BC214L	10	BC560	10
BC109	11	BC232A	14	BCY42	30
BC109C	12	BC237B	9	BCY58	35
BC110	12	BC238B	9	BCY65	24
BC113	10	BC238C	10	BCY70	20
BC114	10	BC239	10	BCY71	18
BC125	10	BC258A	9	BCY72	18
BC126	10	BC258B	10	BCY78	18
BC143	25	BC2598	10	BCY79	18
BC147A	12	BC259C	12	BCY91	90
BC148	10	BC268	15	BD116	50
BC149	10	BC307	10	BD131	40
BC149C	12	BC309	8	BD132	40
BC159	10	BC318	10	BD135	30
BC160	30	BC319	8	BD136	30
BC168B	10	BC327	8	BD137	30
BC172B	10	BC328	8	BD138	25
BC173C	12	BC337	10	BD139	25
BC1 nB	15	BC378	18	BD144	90
BC179C	15	BC394	20	BD233	30
BC182	10	BC407	10	BD234	30
BC182L	12	BC409	10	BD236	35

'D' CONNECTORS (miniature)

male	9	15	2	37
80kier	50	80	120	145
angled	110	170	220	290
female				
solder	85	120	175	270
angled	150	200	250	380
cover	70	70	70	80

DIGEST

Low-Cost Digital Storage 'Scope

Hameg claim their new oscilloscope costs less than any other dual-channel DSO in the world. The price, including probes, is just £448.00 plus VAT.

The HM205 provides all the facilities usually found on a 20MHz analogue oscilloscope while the storage facility allows slowly-changing signals to be captured and displayed without flicker. Signals with periods of up to 50 seconds can be viewed in this way. Other features include an integral component tester and a 1 kHz/1 MHz calibrator and there is also a two-level graticule

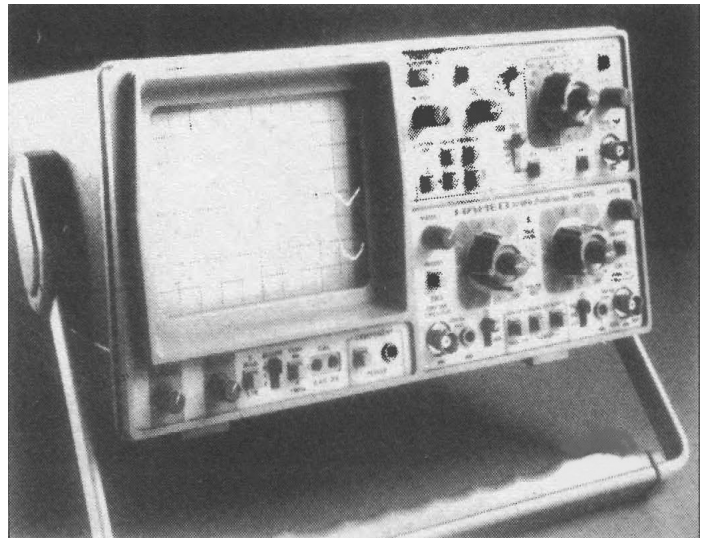
illumination system which makes it easier to take photographs of the screen.

The maximum sampling rate of the HM205 is 100kHz and the resolution of the stored image is 1024 x 256 points. The storage facility can be used either in refresh mode, in which the display is updated each time a new sample is taken, or in single-shot mode. Signals stored in single-shot mode remain in memory for as long as the instrument is powered-up, even if the scope is used in the meantime to display other signals in analogue form.

An active video trigger allows

business failures in the first six months of this year as in the same period last year. Within these figures, company liquidations were slightly down while bankruptcies among individuals, firms and partnerships were 7% higher.

The trend is reflected in a survey by temporary staff specialists Manpower Ltd which shows no improvement in job prospects



stable triggering of noisy and distorted TV signals and there is also a variable hold-off control to permit triggering of other complex signals. Three rear-panel BNC sockets provide a Z modulation input and vertical signal and sweep outputs, and an optional add-on unit allows the memory

contents to be fed out to a chart or X-Y recorder.

The HM205 is covered by a two-year warranty and will be available from selected Hameg distributors. Hameg Ltd, 74-78 Collingdon Street, Luton, Bedfordshire LU1 1RX, tel 0582-413174.

No Boom Yet'

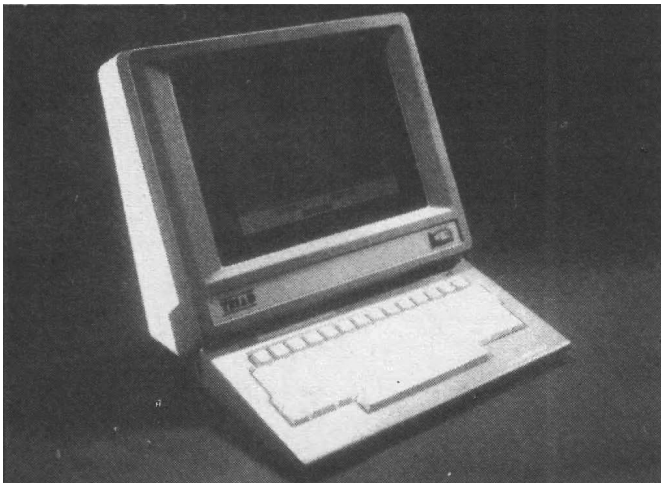
The electronics industry emerged from the first half of 1986 in better shape than most other sectors of British industry, but is still showing little sign of sustained growth.

Business information company Dun & Bradstreet Ltd report roughly the same number of

throughout industry as a whole. However, the picture is a little brighter in the electronics manufacturing sector. Slightly fewer employers plan to increase their staffs than this time last year but only half as many actually expect to reduce their workforce in the next quarter.

Both Manpower and Dun & Bradstreet make the point that

these figures have come in spite of encouraging economic indicators such as the fall in inflation and the drop in interest rates. According to Manpower, the question is at what stage the reductions in employers' costs will be reflected in an increased willingness to take on and retain staff. If the present trend continues, they say, job prospects for 1986 could worsen.



display when not in use.

The Triad's controller board is software-programmable to enable it to emulate many of the industry's terminal standards, with VT-100 and IBM-PC available now and others due shortly. Standard connectors allow easy connection to the host system and to a printer, and there is also an optional on-board modem which meets the relevant European and American standards and operates at up to 1200 baud.

There is considerable concern in some quarters over possible health risks associated with the type of radiation emitted by CRTs. The Triad terminal is free of such risks and as such is expected to be of enormous interest to companies worried about Trade Union opposition to the use of standard VDU technology. In addition, the Triad terminal is said to offer far greater data security than CRT-based terminals because it is almost impossible to bug. This makes it an attractive alternative to the complex screening systems currently employed where security is important.

• The desk-top Triad-EX with separate keyboard is available

now and the portable Triad-PT will be available shortly. Perdex Components Ltd is part of Densitron International and full details can be obtained from the 11 at Unit 4, Airport Trading Estate, Biggin Hill, Kent TN16 3RW, tel 0959 71011.

• Whilst on the subject of flat screen displays, Hitachi have introduced a large, high-contrast, wide-viewing-angle LCD which, they claim, offers over 100% improvement in visibility compared with existing LCDs. The LM585X has a screen area of 220 x 166mm which is comparable to a 10" CRT and its resolution is 640 x 200 pixels. The improvements result from the use of what Hitachi call 'X-Technology' and 'high duty ratio dynamic drive techniques'. Neither is explained in any detail in the press release. The display is compatible with CRT control systems, and Hitachi expect its low power consumption and 12mm depth to make it a popular choice for portable equipment. Hitachi Electronic Components (UK) Ltd, 21 Upton Road, Watford Hertfordshire WD1 7TB, tel 0923-46488.

Plasma Display Terminal

The Triad computer terminal from Perdex Components is said to be the first in the world to use a high resolution plasma display.

As well as providing a flat, flicker-free alternative to CRT-based terminals, Perdex say the Triad offers better visibility than existing flat-screen terminals which use LCDs.

The viewing area of the screen

is equal to that of an 11" monitor and carries a full 80-column, 25 line display in the orange colour which is fast becoming a European Standard. The display unit measures about 12" square by less than 3" deep and comes with either a separate, full-sized keyboard or in portable form (illustrated above) with an integral keyboard which folds up over the

Testing, Testing

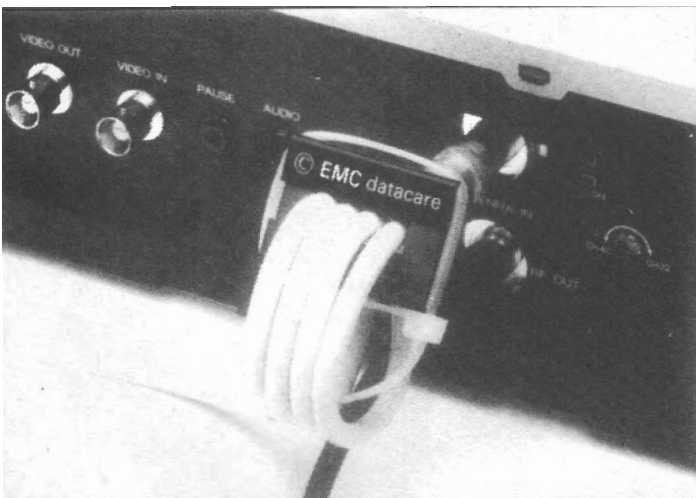
A new examination in electronics has been established by the Associated Examining Board, an independent self-supporting body which offers a range of testing and training services to industry, commerce and education. The examination will be in line with the series of Basic Tests run by the Board. Subjects in this series include Life Skills, Computer Awareness, the World of Work, Science and Graphicacy (sic). The electronics test will be classified as a Basic Test (Specialist).

The AEB claim that the syllabus and examination were devised after research showed that employers wanted a test of basic electronics skills for potential employees. John Day, Secretary General of the AEB, claims that, 'There are various tests available to employers in such things as mechanical aptitude, which are useful, but there is nothing appropriate in the field of elec-

tronics.'

The draft syllabus and trial paper produced by the AEB for consultation bears a resemblance to City & Guilds 214 - a course designed for test engineers. There are, of course, a number of examinations available to educational and training establishments to test the capabilities of students of electronics at all levels. Apart from the City & Guilds tests, there are those held under the auspices of TEC and GCE boards. The AEB syllabus will be taught under four headings: components; electronic systems; measurement, instruments and fault-finding; and safety.

The first examination is scheduled for May, 1987. So far there is no indication of who will recognise the examination at that time. Further details may be obtained from The Associated Examining Board, Stag Hill House, Guildford, Surrey GU2 5XJ (tel: 0483 506506).



Clamp It-Damp It

EMC Datacare have introduced a domestic version of their clamp-on interference suppressor. The suppressor is claimed to drastically reduce interference from all sources and is designed to be used with cables up to 9.9mm in diameter. The device consists of a ferrite core pair which just clamp on to the cable, so allowing suppression without having to remove connectors, cut

or splice wires or open up equipment casing.

The company is producing two kits: the D918 'professional version containing 8 core pairs and selling at £23.50 in small quantities and the D91 version with 4 core pairs for £13.95. EMC Datacare invite dealership enquiries and may be contacted at Power Court, Luton, Bedfordshire LU1 3JJ (tel: 0582450747).

• As from next month, we'll be featuring a free readers' ad coupon in every issue. As from the subsequent month, we'll be featuring the free ads as well. The ads are designed for individuals not operating businesses chiefly as a means of selling or exchanging unwanted equipment. They will, of course, be subject to a

number of conditions ... among which will be a limitation on number of words and the absence of any guarantees on our part. Provided people read the conditions on the ad coupon before buying or obtaining goods or services, there should be no problems. We hope the service will be popular and useful.

An Italian View

In a recently issued paper titled 'The strategic importance of semiconductor to our societies', Pasquale Pistorio, President of Italian electronics giant SGS, has predicted that 'by 1987 Japan will occupy the three top positions in the list of the world's largest semiconductor suppliers.'

Pistorio says that 'this is the result of a war which although not officially declared has been fought by Japan with the purpose of conquering the worldwide electronic market'. He claims that Japanese companies have been allowed to grow by the lack of national and supra-national strategies to support the European and American semiconductor industries.

The European and American semiconductor industries may continue their retreat into increased specialization, having already given up on memories. Despite (or perhaps because of) the current dispute between Intel and NEC over microcode copyright, the SGS president sees US and European firms handing over

the microprocessor market to the Japanese while they fall back on semicustom chips to provide the significant market of the future.

This may enable the Japanese to end up with such a big share of the market that their position will be unassailable. 'If we follow the path of increased specialization,' Pistorio says, 'these semiconductor industry will no longer exist outside of Japan.'

For Pistorio, that would mean the end of an electronics industry outside of Japan - and maybe worse. When one no longer controls semiconductor technology, he says, 'one has relinquished control over one's industrial or technological destiny.'

The road of advanced niche production leads nowhere unless it is supported by the basic technology and silicon foundry capabilities of 'successful large, broad range, suppliers.' Europe as a whole, concludes Pistorio, must support its semiconductor industry at all levels and across the board if it is to maintain any industry 'at all.'

Fair Hearing

Featuring heavily at this year's British Music Fair (Olympia, 29th July to 3rd August) are a number of new MIDI products. Akai are exhibiting their latest MIDI compatible mixer - the MG1214 - as well as the AX73 controller keyboard with voice unit and the MPX820 fully programmable 8-channel mixer. Casio introduce a guitar style remote keyboard (the AZ1) with 41 touch sensitive keys and complete control over program change via MIDI. Meanwhile,

Rose-Morris are unveiling what they describe as a 'MIDI guitar system from Ovation.' Roland's new MCSOO MIDI recorder is on show and Toa are launching the 04 and 04-E MIDI mixer and expander.

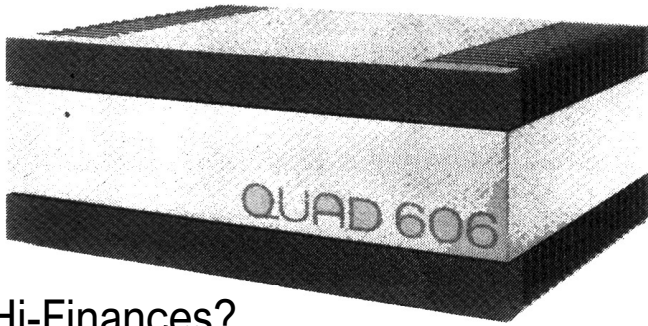
We hope to have a full report next month. In the meantime, among the more interesting products on show are MTR's portable 4-track, described as 'the ultimate in price busting', Rickenbacker's 5 and 7 string basses and Peavey's fully programmable combo amp with MIDI interface.

• Allan Bradley of component supplier Bradley-Marshall has set up a partnership to distribute Velleman electronics kits. High-Q Electronics has exclusive UK distribution rights to the kits and will be supplying them to all the usual retailers, including Bradley, Marshall themselves. Two new products are to be released shortly - a car alarm kit (K2638) and a Liquid Level Control. Allen Bradley is actively seeking new retailers and can be contacted at High-Q Electronics, 382 Edgware Road, London W2 1EB (tel: 723 5963).

Seven Illuminating Case Studies', and 'A Practical Guide To The Analysis of Linear Electronic Circuits on a Personal Computer - With 15 Illustrative Case Studies'. They are priced, respectively, at £6.99 and £5.99 inclusive and are available from Spaceheights Ltd., 6 Prospect Place, Weymouth DT4 3JY (0305 771974).

• Spaceheights Ltd of Weymouth announce the publication of two 'practical guidebooks' aimed at manufacturers and professional electronics designers as 'consumer guides' to software that may be relevant to them. They are 'A Practical Guide To The Control of Assemblies, Sub-assemblies, Labour, Materials and VAT on a Personal Computer - With

• In response to our request for EPROM programming services, we have received a number of replies. Midland Electronics, Sa Gregory Street, Lenton, Nottingham NG7 2LR (tel: 0602 7839369) offer programming from a listing. Ed Turnbull, Hydro Bungalow, Allendale Road, Hexham, Northumberland NE46 2NB (tel: 0434 607264) offers a comprehensive service, including copying, programming from BBC disk or cassette and manual entry. Unfortunately, we can give no further details nor offer any assurances as to these services.



Hi-Finances?

Hi-fi equipment manufacturers Quad are really pushing the boat out in their fiftieth anniversary year. Not long after the introduction of their 306 power amplifier (see News Digest, April '86 ET) comes another new power amplifier, the Quad 606.

The 606 uses Quad's famous feed-forward error correction or 'current dumping' system and is described as having a similar circuit topology to the 306 'with more of what matters where it matters'. Maximum power output is 180 watts per channel into eight ohms on speech and music (140W on sine waves) and roughly double that amount of power into four ohms. The retail price will be £449.00 including VAT.

Along with the information on the 606 came a glossy, 8-page brochure called "Quad - the first fifty years" which contains a history of the company in pictures. There was no accompanying note to say whether further copies are available or not, but we expect they'll send you one if you ask nicely. The address is Quad Electroacoustics Ltd, Huntingdon, Cambridgeshire PE18 7DB, tel 0480 52561.

• Another item of Hi-fi equipment well worth looking out for is the new Mirage system. It consists of a three-way active loudspeaker arrangement in which each drive unit is fed from a separate power amplifier. The

amplifiers are fed from an electronic crossover unit which in turn is driven from a control amplifier. The complete system is said to offer extremely high output levels and will cost a lot more than most of us have in our piggy-banks.

Features include the use of balanced connections between units, high overload margins on all inputs and an extremely high signal-to-noise ratio. The X10 electronic crossover includes time delays to correct for phasing in the loudspeakers and both this unit and the CI control amplifier are fed from an external power supply. The P100 power amplifiers use a four-wire output system which places the loudspeaker connections inside the feedback loop and their rated output is 100W into 8R, 180W into 4R and 250W into 2R. Completing the line-up are the S10 loudspeakers which have a cabinet volume of 85 litres and feature a 38mm ferrofluid treated HF unit, a dome mid-range unit and a 318MM bass unit.

First samples of the new system should be available by the time this issue goes on sale. We'll let you know if we get our hands on one!

• Following the launch of their 32-bit reduced instruction set computer chip, Acorn have introduced an evaluation system for the device. The kit includes both hardware and software and is available in two versions, one for the BBC and Master series micros and one for the IBM-PC and AT and compatible machines. The BBC/Master version is available now and costs £4,500 plus VAT, and the IBM-PC/AT version will become available during the last quarter of this year. Acorn Computers Ltd, Fulbourn Road, Cherry Hinton, Cambridge CB1 4JN, tel 0223-245 200.

• *Satellite enthusiasts may like to know that Comex Systems sell a TVRO (television receive only) receiver kit. It consists of a board and components for the RF, F, video, control and sound F circuits and two complete modules, one a tuneable converter covering 950-1450MHz and the other an F processor and wideband FM quadrature detector. They can also supply much of the necessary add-on equipment. For price and other details contact them at Comet House, Unit 4, Bath Lane, Leicester LE3 5BF, tel 0533-25084.*

FOR ALL THE DETAILS OF THIS AND MANY OTHER ELECTRONICS PROJECTS, GET

Electronics Today

SUBSCRIPTION RATES

£18.10 for 12 issues U.K.

£22.50 for 12 issues Overseas Surface Mail

£49.50 for 12 issues Overseas Airmail

Send this form with your remittance to:
**INFONET LTD., Times House, 179 The Marlowes,
 Hemel Hempstead, Herts. HP1 1BB.**

Please begin my subscription(s) to **ELECTRONICS TODAY INTERNATIONAL** with the

I enclose my cheque/postal order for £..... made payable to **Argus Specialist Publications Ltd.**

or debit &..... from my Access/Barclaycard No. to.....

valid from.....

NAME (Mr/Mrs/Miss)

ADDRESS

Postcode

Signature

Date

Please use **BLOCK CAPITALS** and include post codes

NEXT MONTH

AN ARGUS SPECIALIST PUBLICATION

electronics today

INTERNATIONAL

GET DOWN TO BUSINESS WITH OCTOBER'S ETI

Take The Plunge

In the next ETI, we'll be starting a short series of supplements to help readers thinking about starting their own businesses. Electronics offers a huge range of opportunities for small businesses - component supply, technical services, design, manufacture. We'll be profiling successful businesses started by hobbyists and trying to fathom the reasons for their success. But we'll also offer useful information and advice from experts on legal, financial and technical matters.

You'll find out how to organise your business, why you need a business plan, where to get financial backing, how to negotiate the law and more. Our aim is to give you enough information to begin any new venture you may be considering by the end of the series, and to begin it with confidence and a good chance of success.

A Good Buy

We're also announcing the start of a Free Readers' Ads service, to give readers a forum for selling, buying or exchanging equipment. Watch out for the coupon appearing in next month's issue.

Optical Memory

The CD-ROM is almost with us, but even before its arrival the idea that optical storage is restricted to read-only memory is already outdated. This feature examines the whole field of optical storage and looks forward to the CD-ROM in particular.

PLL Digital Frequency Counter


Our project section leads off with a spectacular piece of test equipment, designed by Graeme Durant. The counter is fully auto-ranging between 15Hz and 10M Hz with a four digit display plus range indication. A frequency multiplier allows updating to occur two and a half times a second on all ranges - invaluable for audio work. We think this design is the equal of commercial designs costing hundreds of pounds and yet the whole thing contains only standard components and can be built for well under £100.

Plus: News, Reviews, Tech Tips, Read/Write and all our regulars.

THE OCTOBER ISSUE OF ETI ONSALE 5th SEPTEMBER

All the articles listed above are at an advanced stage of preparation, but circumstances beyond our control may prevent their publication.

Unit 38, St J1m11 Indu1tr11l E1t1t1, W01h1mpnott Road, Ch1ch11ttr, W1t1 S u u u P019 4JU



BRIDGE RECTIFIERS			
3A/50V	28p	3A/200V	33p
3A/400V	38p	3A/600V	44p
6A/100V	70p	8A/400V	78p
10A/200V	1.85	10A/800V	2.65
25A/200V	2.00	25A/800V	2.95

DIP SWITCHES			
1 way	30p	2 way	50p
4 way	65p	6 way	70p
8 way	80p	10 way	1.30

OIL SOCKETS	Double Face Wipe	Turned Pin
8 way	4p	16p
14 way	7p	28p
16 way	8p	32p
18 way	9p	36p
20 way	10p	40p
22 way	12p	44p
24 way	13p	48p
28 way	14p	56p
40 way	19p	80p

ZIF OIL SOCKETS with detachable lever	
24 pin	4.65
28 pin	6.10

BUZZERS			
12 volt 70 dB	1.10	6 volt 80 dB	50p
1-28 volt 60/90 dB	2.00	2-3 volt 85 dB	70p

Also available High Output Types - up to 110 dB

ENCLOSURES	
Beige ABS Cases 100 • 120 • 40 mm - Four part snap together assembly 3.99	

CONNECTORS			
Turned Pin .1 Sockets			
S.I.L. 36 way	90p	0.1.L. 72 way	1.80
Pin Headers • Tin	63p	0.1.L. 72 way	1.26

CABLE ASSYS & WIRE	
Contronic1 to 34 way IOC	5.00
Phono to Phono with 2 mtrs cable	1.00
Phono to Co-Ax 75 ohm with 2 mtrs cable	1.20
7/0.2 and 16/0.2 - Various Colours - Reeled or cut to length	

Please add £1 to all cash orders to cover P & P.
All prices are exclusive of VAT. Please add 15% to cash total inc. P & P.


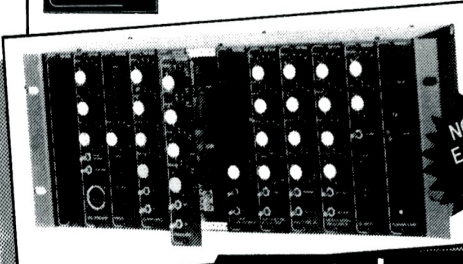
PHONE 0243 771748 FOR OUR SPECIAL OFFERS

Experience Tanrak

The modular audio processing/effects system, as used by many commercial studios is available to you in easy to build kit form. Here at Tantek we put performance and features to the fore with no compromise on quality.

Our Digital Sampler Del?Y (illustrated) features:
 • 20KHz bandwidth up to 1.4sec • Delay or Sampling up to 8 sec • 86 dB input dynamic range • Full sample editing and over dubs • Single or loop play • Velocity sensitive dynamics •


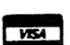
Other modules include Pro-Gate, Comp. Limiter, Infinite Flanger, Psychoacoustic Enhancer. to name but a few so get the ultimate in 'build it yourself' from the Tanrak range.

NOW IN EASY TO BUILD KIT FORM

tantek

DON'T COMPROMISE - CHOOSE TANRAK for free brochure and full price list phone Tantek on (0438) 310120 or write to
 TANTEK Business & Technology Centre
 Dept. ETI
 Bessemer Drive Stevenage, Herts. SG1 2DX.

NEWS: NEWS: NEWS: NEWS:

DIARY

Optical Fibre Telecommunications — August 31st-September 5th
University College of North Wales, Bangor. For details see August '86 ETI or contact the IEE at the address below.

Radio Amateurs' Examination Course — September 3-5th onwards
North Trafford College, Manchester. Preparation for the City & Guilds RAE and the Post Office Morse test which can be taken on two evenings a week or as a full day's study each Wednesday. There is also an advanced Morse course running on Monday evenings. Enrolment takes place on the above dates at the college, Talbot Road, Stretford, Manchester M32 0XH, tel 061-872 3731 extension 53.

The Evolving Local Telecommunications Network — September 7-12th

Aston University, Birmingham. Vacation School organised by the IEE and designed to bring newcomers to the field of telecommunications equipment design up to date with the conditions and requirements of the existing network. For details contact the IEE at the address below.

Electrical Measurements, DC to VHF — September 7-12th

Imperial College of Science and Technology, London. For details see August '86 ETI or contact the IEE at the address below.

Radio Amateurs' Examination Course — September 8-10th onwards

Paddington College, London. For details see August '86 ETI or contact the college, 25 Paddington Green, London W2 1NB, tel 01-402 6221.

ESSDERC '86 — September 8-11th

University of Cambridge. Conference covering the latest developments in solid state device research. For details contact the Institute of Physics, 47 Belgrave Square, London SW1X 8QX, tel 01-235 6111.

Commodore Horizons Show — September 13/14th

UMIST, Manchester. For details contact Database Exhibitions at the address below.

Television Engineering Course — September 17th onwards

The IBA, London. Series of 29 two-hour lectures to be held on one evening each week at 6.30pm. Covering all aspects of television engineering, the course is aimed both at those new to the industry and those already in it who wish to revise or bring their knowledge up to date. For details contact the Royal Television Society, Tavistock House East, Tavistock Square, London WC1H 9HR, tel 01-387 1970.

People and Computers: Designing For Usability — September 22-16th

University of York. Conference organised by the Human-Computer Interaction group of the British Computer Society. The event features workshops and tutorials to provide practical expertise in the latest techniques as well as an accompanying exhibition and a varied social programme. For details contact the BISL Conference Department, The British Computer Society, 13 Mansfield Street, London W1M 0BP.

Electron & BBC Micro User Show — September 26-28th

UMIST, Manchester. For details contact Database Exhibitions at the address below.

Electromagnetic Compatibility — September 30th-October 3rd

University of York. See August '86 ETI or contact the Institution of Electronics and Radio Engineers, 99 Gower Street, London WC1E 2AZ, tel 01-388 3071.

Sound Comm '86 — October 1/2nd

New Century Hall, Manchester. Exhibition of sound equipment for PA, discos, sound reinforcement, etc. Organised by the Association of Sound and Communications Engineers. For details contact Brenda White on 06286 - 67633.

Addresses

Database Exhibitions, Europa House, 68 Chester Road, Hazel Grove, Stockport SK7 5NY, tel 061-456 8835.

Institution of Electrical Engineers, Savoy Place, London WC2 0BL, tel 01-240 1871.

Forthright

mpe

SUMMER COURSES - 3 day introductory and advanced Forth courses with notes and working software **£375.00**

Cross Compilers to produce ROM code

Core (buy only once) **£250**
Targets (each) **£175**
6502, 6511Q, 6800, 6801/3, 6809, 68000, 280, 8080, 8086, 1802, 28, 99xxx, LSI 11.

FORTH 83 HS/FORTH
1 megabyte programs, graphics, floating point, assembler, strings **£230**

MPPE-FORTH/09 for FLEX or OS9
Editor, assembler, full system integration, cross compilers available. **£175**

Work-FORTH

Complete with:
SCREEN EDITOR
MACRO-ASSEMBLER
APPLICATION GENERATOR
COMPREHENSIVE MANUAL

Out now for:
IBM PC, APRICOT, MSDOS
CPM 86, CPM 80 Price £48
AMSTRAD Price £35

Extensions:
Floating point £35
VIEW-TRACE debugger £35
Cross-compilers

MicroProcessor Engineering Ltd
21 Hanley Road, Shirley
Southampton SO1 5AP
Tel: 0703 780084



INSTRUMENTS COMPONENTS EQUIPMENT ACCESSORIES

DC POWER SUPPLIES
Input 240V A/C. Stabilised variable output voltages.
Direct meter reading volts and amps.
243 0/24 volts 0/3 amps DC **£53.35**
245 0/24 volts 0/5 amps DC **£63.04**
154 5/15 volts 0/4 amps DC **£43.43**
ALSO 13.8 volts DC 3 amp max. fixed voltage supply (no meter). **£13.00**
(UK C/P £1.50 any model)

GENERATORS
240V A/C operation. (UK C/P Free)
200 RF, 5 ranges 100 KHZ to 110 MHZ (300 MHZ harmonics)
AM Int/ext mod. AF O/P 1 KHZ **£65.17**
220 Audio 4 ranges 20 HZ to 200 KHZ sine and square. **£78.22**

OSCILLOSCOPES
220/240V AC input. Dual trace with component testers. 8 x 10cm green screen. (UK TMT delivery £10.00)
203 Dual 20 MHZ **£270.00**
204 Dual 20 MHZ. Sweep delay. **£365.00**
605 Dual 60 MHZ. Sweep delay. **£515.00**
OPTIONAL PROBES in wallet with adaptors. Switchable X1 and X10. **£10.00**
OST5m 5 MHZ single trace 3" CRT **£139.09**

COMPUTER DISKS (UK C/P £1.00 per order). 3M/CDC 5 1/4" 48 TPI 40 Track DS.DD. Per 10 **£14.75** Per 100 **£130.00**
'D' and IDC connectors - best prices in UK!

LOGIC PULSER
2 freq. 0.5HZ and 500 MHZ **£23.00**
LOGIC PROBE
80 MHZ max. TTL. CMOS. memory **£23.00**

CATALOGUE

Sand S.A.E. (Min 12" x 9" 46p stamp (Export - send £1 with address). Price £1 to callers.
All prices exclude VAT - please add 15% UK orders

DIGITAL METERS (UK C/P 65p)
508 15 range **£19.96**
528T 13 range + TR check **£26.04**
809 19 range + TR check **£31.26**
8010 28 range 10A AC/DC **£33.50**
83010 10mm thick pocket auto range - buzzer **£20.83**
DM73 Auto range pen - buzzer **£36.30**
578 20 range auto range + memory - hold **£34.50**

ANALOGUE METERS (UK C/P 65p)
1015 15 range 10 K/V **£7.50**
1038 19 range 20 K/V 10A DC **£9.52**
1028Z 19 range 20 K/V + Hz 10A A/DC **£12.61**
1058M 21 range 2 K/V 10A AC/DC with case **£22.57**
174m 28 range 50 K/V with case 10A/DC **£18.00**

LCR DIGITAL CAPACITANCE METERS (UK C/P £1.00)
6013 LCD 8 ranges 200 pF to 2000 MFD batt. operated **£59.00**
CM200 Bench version (batt./mains) **£89.00**

FREQUENCY COUNTERS
220/240V AC mains. 8 digit LED. 0.1HZ resolution. 5mV sensitivity. (UK C/P £1.00)
100 MHZ 2 ranges **£99.00**
600 MHZ 3 ranges **£126.00**
1000 MHZ 3 ranges **£175.00**
1500 MHZ 3 ranges **£199.00**

FUNCTION GENERATOR
220/240V AC. Sine/square/triangle and TTL output. 0.1 HZ to 500 KHZ. +/- 30V O/P. Model 500 **£110.00** (UK C/P £1.00)

NICADS Rechargeable batteries. (UK C/P 80p per 4; mixed 8 - free) AA size 4 for **£3.04**
C size 4 for **£7.39** D size 4 for **£7.83**

ORDER BY POST OR PHONE. OPEN 6 DAYS A WEEK FOR CALLERS.

HENRY'S AUDIO ELECTRONICS
301 Edgware Road, London W2 1BW. 01-724 3564
404 Edgware Road, London W2 1ED. 01-723 1008
Sales and Account enquiries: 01-258 1831

DISCOUNTS Available for all education/training. Export supplied.

BBC Micro Computer System

BBC Master Series

AMB15 BBC MASTER Foundation computer 128K	£395 (a)
AMB12 BBC MASTER Econet computer 128K (only ANFS)	£319 (a)
AMC06 Turbo (65C102) Expansion Module	£102 (b)
ADF13 Rom Cartridge	£13 (d)
ADF10 Econet Module	£43 (c)
ADJ22 Ref. Manual Part I	£14.95 (c)
ADJ23 Ref. Manual Part II	£14.95 (c)
ADJ24 Advanced Ref. Manual	£19.50 (c)
ACORN ADD-ON PRODUCTS	
Z80 2nd Processor	£329 (a)
6502 2nd Processor	£160 (b)
Multiform Z80 2nd Processor	£299 (b)
Acorn Teletext Adaptor	£125 (b)
Acorn IEEE Interface	£269 (a)
TORCH Z80 2nd Processor	
ZEP100 (64K)	£229 (a)
TZEP240: ZEP100 with Technomatic PD800P dual drive with built-in monitor stand	£449 (a)
UPGRADE KITS	
1770 DFS Upgrade for Model B	£43.50 (d)
Dual Disc Controller Board for Model B	

incl. 1770 controller	£35 (a)
1.2 OS ROM	£15 (d)
DKFS ROM	£17.50 (d)
ADFS Rom (for B with 1770 DFS & B Plus)	£26 (d)
64K Upgrade Kit for B Plus	£35 (d)
ECONET ACCESSORIES	
Econet Starter kit	£85 (d)
Econet Socket Set	£29 (c)
Econet Bridge	£174 (b)
File Server Level II	£179 (d)
Printer Server Rom	£41 (d)
10 Stallion Lead set	£26 (c)
Adv. Econet User Guide	£10 (d)
COMMUNICATIONS ROMS	
Terminator	£25 (d)
Communicator	£49 (d)
Commstar	£28 (d)
DATABASES	£24 (d)
BBC FIRMWARE & SOFTWARE	
Database Management Systems, Word Processors, Languages, Spreadsheets, Utilities	
For full details on the wide range of above packages please write to us.	
TORCH UNICORN products including the IBM Compatible GRADUATE in stock	

For detailed specification or information on our comprehensive BBC range please write to us.

DISC DRIVES

These are fully cased and wired drives with slim line high quality mechanisms. Drives supplied with cables manuals and formatting disc suitable for the BBC computer. All 80 track drives are supplied with 40/80 track switching as standard. All drives can operate in single or dual density format.

PD800P (2 x 400K/2 x 640K 40/80T DS) with built in monitor stand	£259 (a)	PS400 with psu 1 x 400K/1 x 640K 40/80T DS	£129 (b)
PD800 (2 x 400K/2 x 640K 40/80T DS)	£239 (a)	3.5" DRIVES	
TD800 (as PD800 but without psu)	£209 (a)	1 x 400K/1 x 640K 80T DS TS35	£109 (b)
TS400 1 x 400K/1 x 640K 40/80T DS	£109 (b)	PS35 1 with psu	£121 (b)
		2 x 400K/1 x 640K 80T DS TD35	£189 (b)
		2	£209 (b)
		PD35 2 with psu	£209 (b)

3M FLOPPY DISKS

High quality discs that offer a reliable error free performance for life. Each disc individually tested and guaranteed for life. Ten discs are supplied in a sturdy cardboard box.

5 1/4" DISCS		3 1/2" DISCS	
40T SS DD	£11.00 (d)	40T DS DD	£15.00 (d)
80T SS DD	£16.50 (d)	80T DS DD	£20.00 (d)
		80T DS DD	£27.00 (d)

DISC ACCESSORIES

FLOPPICLENE Disc Head Cleaning Kit with 20 disposable cleaning discs ensures continued optimum performance of the drives... 3 1/2" £16 (d), 5 1/4" £14.50 (d)

Single Disc Cable	£8 (d)	Dual Disc Cable	£8.50 (d)
10 Disc Library Case	£1.80 (c)	30 Disc Case	£8 (c)
40 Disc Lockable Box	£14 (c)	100 Disc Lockable Box	£19 (c)

PRINTERS

EPSON LX-80NLQ	£195 (a)
Optional Tractor Feed	£20 (c)
FX85 (80col) NLQ 8K RAM	£321 (a)
FX80	£260 (a)
FX105 (136col)	£449 (a)
LQ800 (80col)	£479 (a)
LQ1000 (136col)	£729 (a)
JX80 4 colour	£420 (a)

TAXAN KP810 (80col) NLQ	£225 (a)
TAXAN KP910 (156col)	£369 (a)
JUKI 5510 (80col) NLQ	£239 (a)
JUKI 6100 Daisy Wheel	£249 (a)
BROTHER HR15 Daisy Wheel	£325 (a)
BROTHER M1109 (80col)	£179 (b)
BROTHER M1409 (80col)	£299 (a)
BROTHER M1509 (136col)	£399 (a)
CANNON PJ1080A	£409 (a)
EPSON H180 A4 Plotter	£325 (a)

Paper:

2000 Sheets Fanfold:	
9.5" x 11"	£13 (b)
14.5" x 11"	£18.50 (b)
Labels: (per 1000)	
3.5" x 17/16" Single row	£5.25 (d)
27/16" x 17/16" Triple row	£5.00 (d)

ACCESSORIES

EPSON FX plus sheet feeder	£129.00 (b)
LX80 Sheet feeder	£49.00 (b)
Paper Roll Holder	£17.00 (d)
FX80 Tractor attachment	£37.00 (c)
Interfaces: 8143 RS232 + 2K	£29.00 (c)
8148 RS232 + 2K	£57.00 (c)
8132 Apple II	£80.00 (c)
8165 IEEE + cable	£65.00 (c)
Serial & Parallel Interfaces with larger buffers available.	
Ribbons: FX/FX/MX80	£3.00 (d)
FX/FX/MX100	£10.00 (d)
LX80	£3.00 (d)
Spare pens for H180	£7.50/set (d)
FX80 Tractor Attachment £37 (c)	
KAGA TAXAN	
RS232 Interface + 2K Buffer	£85 (c)
Ribbon KP810/910	£6.00 (d)
JUKI:	
RS232 Interface	£85 (c)
Spare Daisy Wheel	£14.00 (d)
Ribbon	£2.50 (d)
Sheet Feeder	£182 (a)
Tractor Feed Attachment	£129 (a)
BROTHER HR15:	
Sheet Feeder	£189 (a)
Tractor Feeder	£99 (a)
Ribbons Carbon or Nylon	£4.50 (d)
Red Correction Ribbon	£2.00 (d)
BBC Printer Lead:	
Parallel (42")	£7.00 (d)
Serial	£7.00 (d)
Printer Leads can be supplied to any length	

MODEMS

All modems listed below are BT approved

MIRACLE 3000:
A new range of microprocessor based modems offering up to 2400 baud, full duplex. Features include 'HAYES' protocol compatibility, auto answer, auto dial, speed buffering, printer port, data security option etc. Mains powered.

WS3000 V2123 (V21 & V23)	£295 (a)
WS3000 V22 (as above plus 1200 baud full duplex)	£495 (b)
WS3000 V22bis2400 (as above plus 2400 baud full duplex)	£650 (b)

MIRACLE 2000
A world standard modem covering V21, V23 (Bell 103/113/108 outside UK) and including 75, 300, 600, 1200 baud ratings. Optional Auto dial, auto answer cards, complete control from computer keyboard. WS2000 £95 c

GEC DATACHAT 1223:
BABT approved modem complying with CCITT V23 standard. Supplied with software. £69 (b)

Data Cables for above modems available for most computers.



SPECIAL OFFER

2764-25	£2.00
27128-25	£2.50
6264LP-15	£3.40

ATTENTION
All prices in this double page advertisement are subject to change without notice.
ALL PRICES EXCLUDE VAT
Please add carriage 50p unless indicated as follows:
(a) £8 (b) £2.50 (c) £1.50 (d) £1.00

Serial Test Cable
Serial Cable switchable at both ends allowing pin options to be re-routed or linked at either end using a 10 way switch making it possible to produce almost any cable configuration on site.
Available as M/M or M/F £24.75 (d)

Serial Mini Patch Box
Allows an easy method to reconfigure pin functions without rewiring the cable assembly.
Jumpers can be used and reused. £22 (d)

Serial Mini Test
Monitors RS232C and CCITT V24 Transmissions, indicating status with dual colour LEDs on 7 most significant lines.
Connects in Line. £22.50 (d)

GANG OF EIGHT INTELLIGENT FAST EPROM COPIER

Copies up to eight eproms at a time and accepts all single rail eproms up to 27256. Can reduce programming time by 80% by using manufacturer's suggested algorithms. Fixed Vpp of 21 & 25 volts and variable Vpp factory set at 12.5 volts. LCD display with alpha moving message. £395(b).

SOFTY II

This low cost intelligent eprom programmer can program 2716, 2516, 2532, 2732, and with an adaptor, 2564 and 2764. Displays 512 byte page on TV - has a serial and parallel I/O routines. Can be used as an emulator, cassette interface. Softy II... £195(b)
Adaptor for 2764/2564. £25.00(c)

UV ERASERS

All erasers with built in safety switch and mains indicator.
UV1 B erases up to 6 eproms at a time... £47(c)
UV1 A as above but with a timer... £59(c)
UV140 erases up to 14 eproms at a time... £88 (b)
UV141 as above but with a timer... £88 (b)

CONNECTOR SYSTEMS

I.D. CONNECTORS

(Speedblock Type)			
No of ways	Header	Receptacle	Edge Conn.
10	90p	85p	120p
20	145p	125p	185p
26	175p	150p	240p
34	200p	180p	320p
40	220p	190p	340p
50	235p	200p	390p

D CONNECTORS

No of Ways				
	9	15	25	37
MALE:				
Ang Pins	120	180	230	350
Solder	60	85	125	170
IDC	175	275	325	-
FEMALE:				
St Pin	100	140	210	380
Ang pins	160	210	275	440
Solder	90	130	195	290
IDC	195	325	375	-
St Hood	90	95	100	120
Screw	130	150	175	-
Lock	-	-	-	-

TEXT TOOL ZIF

SOCKETS	24-pin £7.50
28 pin £9.00	40-pin £12

EDGE CONNECTORS

2 x 6-way (commodore)	0.1" 300p	0.156" 300p
2 x 10-way	150p	
2 x 12-way (vic 20)		350p
2 x 18-way		140p
2 x 23-way (ZX61)	175p	220p
2 x 25-way		225p
2 x 28-way (Spectrum)	200p	
2 x 36-way	250p	
1 x 43-way	280p	
2 x 22-way	190p	
2 x 43-way	395p	
1 x 77-way	400p	500p
2 x 50-way (S100conn)	600p	

EURO CONNECTORS

DIN 41612	Plug	Socket
2 x 32 way St Pin	230p	275p
2 x 32 way Ang Pin	275p	320p
3 x 32 way St Pin	260p	300p
3 x 32 way Ang Pin	375p	400p
IDC Skt A + B		400p
IDC Skt A + C		400p
For 2 x 32 way please specify spacing (A + B, A + C).		

MISC CONNS

21 pin Scart Connector	200p
8 pin Video Connector	200p

AMPHENOL CONNECTORS

Solder			ZDC
36 way plug	500p	475p	
36 way skt	550p	500p	
24 way plug			
IEEE	475p	475p	
24 way skt			
IEEE	500p	500p	
PCB Mig Skt Ang Pin			
24 way 700p			38way 750p

GENDER CHANGERS

25 way D type	
Male to Male	£10
Male to Female	£10
Female to Female	£10

RS 232 JUMPERS

24" Single end Male	(25 way D)
24" Single end Female	
24" Female Female	
24" Male Male	
24" Male Female	

RIBBON

(grey/metre)			
10-way	40p	34-way	160p
16-way	60p	40-way	180p
20-way	85p	50-way	200p
26-way	120p	64-way	280p

DIL HEADERS

Solder			IDC
14 pin	40p	34-way	100p
16 pin	50p	40-way	110p
18 pin	60p		
20 pin	75p		
24 pin	100p	150p	
28 pin	160p	200p	
40 pin	200p	225p	

TECH NOLINE VIEWDATA SYSTEM
Using 'Prestel' type protocols for information and orders phone 01-450 9764. 24 hour service, 7 days a week.

74 SERIES		74181	340p	74LS182A	75p	74S08	80p	4063	85p
7400	30p	74182	140p	74LS183A	75p	74S10	80p	4066	40p
7401	30p	74184	180p	74LS164	75p	74S11	75p	4067	230p
7402	30p	74185A	180p	74LS165A	110p	74S20	80p	4068	25p
7403	30p	74190	130p	74LS166A	150p	74S22	80p	4069	24p
7404	36p	74191	130p	74LS167	130p	74S30	80p	4070	24p
7405	30p	74192	110p	74LS169	100p	74S32	80p	4071	24p
7406	30p	74193	115p	74LS170	140p	74S37	80p	4072	24p
7407	30p	74194	110p	74LS173A	100p	74S38	80p	4073	24p
7408	30p	74195	80p	74LS174	75p	74S40	80p	4075	34p
7409	30p	74196	130p	74LS175	75p	74S51	45p	4076	65p
7410	30p	74197	110p	74LS181	200p	74S64	45p	4077	25p
7411	30p	74198	220p	74LS183	100p	74S74	70p	4078	25p
7412	30p	74221	220p	74LS190	75p	74S85	300p	4081	24p
7413	80p	74251	110p	74LS191	75p	74S86	100p	4082	25p
7414	70p	74259	150p	74LS192	80p	74S112	105p	4085	50p
7415	36p	74265	380p	74LS193	80p	74S113	125p	4086	75p
7416	30p	74273	200p	74LS194A	75p	74S114	125p	4089	120p
7417	40p	74273	200p	74LS195A	75p	74S124	300p	4093	35p
7420	30p	74276	100p	74LS196	80p	74S132	100p	4094	80p
7421	80p	74278	170p	74LS197	80p	74S133	80p	4095	80p
7422	36p	74279	80p	74LS221	80p	74S138	180p	4096	80p
7423	36p	74283	105p	74LS240	80p	74S138	180p	4097	270p
7425	40p	74285	320p	74LS241	80p	74S139	180p	4098	75p
7426	40p	74290	80p	74LS242	80p	74S140	100p	4099	80p
7427	40p	74293	80p	74LS243	80p	74S151	150p	4501	36p
7428	43p	74298	80p	74LS244	80p	74S153	150p	4502	53p
7430	30p	74351	200p	74LS245	110p	74S157	200p	4503	36p
7432	36p	74365A	80p	74LS247	110p	74S158	200p	4504	85p
7433	30p	74368A	80p	74LS248	110p	74S183	300p	4505	380p
7437	30p	7436A	80p	74LS249	110p	74S169	65p	4506	80p
7438	40p	74378A	80p	74LS251	75p	74S174	300p	4507/4030	
7439	40p	74368A	70p	74LS253	75p	74S175	320p		
7440	40p	74376	180p	74LS256	80p	74S188	100p	4508	130p
7441	80p	74390	110p	74LS257A	70p	74S189	100p	4510	55p
7442	70p	74393	112p	74LS258A	70p	74S194	300p	4511	55p
7443A	100p	74490	140p	74LS259	120p	74S195	300p	4512	55p
7444	100p			74LS260	75p	74S196	350p	4513	150p
7448A	100p			74LS261	120p	74S200	400p	4514	110p
7447A	100p			74LS268	80p	74S201	350p	4515	110p
7448	120p			74LS273	125p	74S205	80p	4516	55p
7450	36p			74LS279	75p	74S240	400p	4517	220p
7451	36p			74LS280	180p	74S241	400p	4518	48p
7453	36p			74LS283	80p	74S244	600p	4519	32p
7454	36p			74LS284	80p	74S251	250p	4520	80p
7458	36p			74LS292	900p	74S257	250p	4521	115p
7460	85p			74LS293	80p	74S258	250p	4522	80p
7470	80p			74LS295	140p	74S280	100p	4526	70p
7472	85p			74LS300	80p	74S281	300p	4527	80p
7473	85p			74LS311	24p	74S283	270p	4528	65p
7474	80p			74LS312	24p	74S289	220p	4529	100p
7475	80p			74LS313	30p	74S288	200p	4531	75p
7476	45p			74LS314	80p	74S323	300p	4532	65p
7480	85p			74LS315	24p	74S324	300p	4534	380p
7481	180p			74LS320	24p	74S348	200p	4536	250p
7483A	105p			74LS321	24p	74S352	120p	4538	75p
7484A	125p			74LS322	24p	74S353	120p	4538	75p
7485	110p			74LS324	80p	74S356	210p	4541	80p
7488	40p			74LS326	24p	74S383	180p	4543	70p
7489	210p			74LS327	24p	74S384	180p	4551	100p
7490A	85p			74LS328	24p	74S385	80p	4553	240p
7491	70p			74LS330	24p	74S386	80p	4555	36p
7492A	70p			74LS332	24p	74S387	80p	4556	80p
7493A	85p			74LS333	24p	74S388A	80p	4557	240p
7494	110p			74LS334	24p	74S373	80p	4558	140p
7495A	80p			74LS338	24p	74S374	80p	4559	240p
7496	80p			74LS340	24p	74S375	75p	4560	170p
7497	210p			74LS343	80p	74S377	130p	4011	45p
74100	80p			74LS347	80p	74S378	100p	4012	45p
74109	75p			74LS348	80p	74S381	450p	4012	25p
74110	75p			74LS349	100p	74S385	325p	4013	36p
74111	85p			74LS351	24p	74S390	80p	4014	80p
74116	170p			74LS354	24p	74S393	100p	4015	70p
74118	110p			74LS355	24p	74S396A	100p	4018	35p
74119	170p			74LS373A	30p	74S399	140p	4017	65p
74120	100p			74LS374A	35p	74LS405	100p	4018	80p
74121	85p			74LS375	45p	74LS465	120p	4019	80p
74122	70p			74LS376A	30p	74LS487	120p	4020	80p
74123	80p			74LS383A	70p	74LS490	180p	4021	80p
74125	85p			74LS385	75p	74LS540	100p	4022	70p
74126	85p			74LS386	35p	74LS541	100p	4023	30p
74128	55p			74LS390	40p	74LS508	700p	4024	24p
74132	75p			74LS391	80p	74LS510	180p	4025	48p
74136	70p			74LS392	85p	74LS512	180p	4026	80p
74141	80p			74LS393	85p	74LS524	300p	4027	40p
74142	280p			74LS395B	75p	74LS526	225p	4028	40p
74143	270p			74LS396	80p	74LS528	225p	4029	75p
74144	270p			74LS397	40p	74LS529	125p	4030	36p
74145	110p			74LS398	40p	74LS540	200p	4031	125p
74147	170p			74LS399	45p	74LS540-1		4032	160p
74148	140p			74LS411	45p	74LS541	150p	4033	125p
74150	175p			74LS414	45p	74LS641	180p	4034	130p
74151A	70p			74LS412	70p	74LS642-1		4035	200p
74153	80p			74LS413	80p	74LS643	280p	4036	70p
74155	140p			74LS414	80p	74LS644	300p	4037	110p
74158	100p			74LS415	80p	74LS645-1		4038	100p
74161	80p			74LS416	80p	74LS646	300p	4039	250p
74162	110p			74LS417	80p	74LS668	80p	4040	320p
74163	110p			74LS418	80p	74LS669	40p	4041	55p
74164	120p			74LS419	85p	74LS670	170p	4042	80p
74165	110p			74LS420	85p	74LS671	170p	4043	80p
74166	140p			74LS421	175p	74LS682	250p	4044	80p
74167	140p			74LS422	175p	74LS684	350p	4045	55p
74170	400p			74LS423	200p	74LS687	350p	4046	100p
74172	420p			74LS424	200p	74LS688	350p	4049	35p
74173	140p			74LS425	150p	74LS783	821	4051	85p
74174	110p			74LS426	150p			4052	150p
74175	105p			74LS427	150p			4053	180p
74176	100p			74LS428	150p			4054	180p
74178	150p			74LS429	150p			4055	180p
74179	150p			74LS430	150p			4056	180p
74180	150p			74LS431	150p			4057	180p

LINEAR ICs

AD7581	815	LM3094	400p	TBA231	180p
AD7581	1180p	LM709	70p	TBA280	180p
AM79100C	225	LM710	100p	TBA281	180p
AM103	300p	LM711	100p	TBA280	180p
AV-1-5050	450p	LM723	75p	TBA280M	75p
AV-3-8910	450p	LM723CN	400p	TBA80	180p
AV-3-8912	450p	LM741	100p	TDA2002	180p
CA3018A	180p	LM747	70p	TCB109	80p
CA3022A	110p	LM748	70p	TCB490	175p
CA3046	110p	LM1011	80p	TDA1010	300p
CA3050	80p	LM1014	180p	TDA1024	110p
CA3059	80p	LM1901	300p	TDA1170S	80p
CA3099E	70p	LM1930	80p	TDA1200	300p
CA3099E	80p	LM1931	80p	TD2003	180p
CA3099E	80p	LM1972	300p	TD2004	300p
CA3099E	80p	LM1988	80p	TD2006	80p
CA3130T	120p	LM2973	80p	TD2009	300p
CA3140E	80p	LM3002	80p	TD2093	300p
CA3140T	180p	LM3000	70p	TD32610	70p
CA3180E	80p	LM3001	70p	TD4100	180p
CA3181E	80p	LM3911	180p	TEA1002	70p
CA3182E	80p	LM3914	300p	TL081CP	40p
CA3189E	370p	LM3915	300p	TL082	80p
CA3240E	170p	LM3918	180p	TL084	180p
CA3290G	370p	LM13900	180p	TL071	40p
D702	80	LM5131L	300p	TL072	70p
DA1408-8	80p	LM5132L	300p	TL074	110p
DA1408-8	80p	LM5133L	300p	TL081	110p
DA1408-8	80p	LM3130P	180p	TL082	80p
DA1408-8	80p	LM3131	75p	TL084	180p
DA1408-8	80p	LM3158	45p	TL084	180p
DA1408-8	80p	LM3158L	45p	TL084	180p
DA1408-8	80p	LM3159	45p	TL084	180p
DA1408-8	80p	LM3159L	45p	TL084	180p
DA1408-8	80p	LM3160	45p	TL084	180p
DA1408-8	80p				

READ/WRITE

Mud Slinging

Dear Sir,

As a regular reader of ETI since its inception, I have enjoyed the often outrageous leg-pull articles usually reserved for your April Issue. I read your July feature "JOBS FOR A CHANGE" and wondered . . .

Can there really be a vast 'data base' at the end of that often muddy, weed-infested, single cart-track cul-de-sac so aptly named Green Lane in the tiny village of Marshfield? The thought of hordes of consultants, advisors and peace-loving applicants trying to pass each other in the lane, let alone park as they flock to avoid alleged extortionate rates of registered employment agencies, or rushed to the aid of a post-graduate research worker looking for material for his thesis, really made my eyes water. Could the tiny one-roomed village Post Office survive the volumes of mail that the proposed *modus operandi* of Exchange Resources would generate?

A point that puzzled me even more is that there appear to be no records to show that Exchange Resources has the necessary license required under the Employment Agencies Act 1973 and Employment Protection Act, 1975, or indeed local planning approval, to operate as a legal entity and so 'advertise' its past and proposed agency achievements in a feature article in ETI.

Once licensed, an agency or business must sign a Certificate of Compliance which is an undertaking to operate within the respective Acts. All aspects of the business, in particular the handling, storage and access to confidential documentation received and generated on behalf of applicants and clients, are regularly inspected by the Area Employment Agency Licensing Office to ensure strict compliance with the Acts. For example it would be illegal to reveal any matters of confidentiality obtained in the conduct of business in an article for ETI, or to feature jobs available, except by formal and competitive advertisements.

At this point I feel that I should make it clear that I have no interests in the employment agency business whatsoever, but am a Director of a Technical Services Division comprising three high technology companies. As with all such companies in this area, we have an interest in cost effective recruitment which we know is a highly personal and confidential process requiring specialist training and experience. We operate in the 'real world' which is quite different from that envisaged by your article.

There are some 300 licensed agencies in the proximity of Exchange Resources contact address and contrary to the ETI article, which contains nothing new whatsoever, all of the services proposed in the article and many more are currently provided for. The facts are that licensed agencies within a 50 mile radius of Bristol, cooperate with each other and with other organisations to provide cost-effective recruitment. Incidentally, in some 40 years of experience I have yet to find a confessed pacifist turn down high remuneration, a company car and other 'perks' because he does not want to be associated with the 'defence industry'.

To cater for the 'smaller client companies' which your article appears to believe are neglected, the Bristol Chamber of Commerce and Industry issues a comprehensive guide on "Successful and Cost Effective Recruitment" prepared through its Small/Independent Business Committee. I enclose a copy for your information.

Cost effective recruitment is time consuming and therefore costly, if the right person is to be selected for the job. The cost of the total process of selection for a typical specialist electronics design engineer position in a major company could be about £1,000. Unfortunately, if the agency selection is not approved by the client the agency stands to lose its costs against operating overheads. You cannot 'shortcut' this process by using a so called 'data base' no matter how large the main frame. The VDU does not permit you to probe the brain of the individual

on file for which your client is paying, even if you could keep your records up to date with the varied and nomadic changes of which your applicants fail to inform you.

In the real world, very few clients are prepared to help you overcome 'cash flow' problems of your business or agency with pre-paid service contracts — why should they when they can take 90 days or more credit at your expense by delaying payment of your invoices! Furthermore you need only about ten subcontracted staff who want to be paid on a weekly basis, against your clients contracted terms of monthly payment to find that you need a £30,000 overdraft at the end of 90 days. Which is why you rarely see a Porsche or a Roller parked in front of houses of those entrepreneurs who invested their money in the employment agency business. If you believe that average agency charges of some 12% of placement's annual salary is extortionate then may I remind you that industry and most other business gross profit margins are pitched at 40% of turnover.

It is strange how some people will pluck defence expenditure figures out of the blue without considering the true apportionment. Some four fifths of defence costs are spent on salaries, transportation, administration, buildings and purchases of common user items manufactured outside of the defence industry, without which the whole of the commercial base of this country would collapse. In the electronics industry almost all of the bulk materials are common user items made to specification, and who is to say which BC108 goes to domestic or defence electronics.

Finally, with memories of my 1937 school days when many schools spent many hours winding basket weave variometer inductors destined for home made crystal sets to be distributed by some charity to the far flung outposts of the British Empire — do the people of Eritrea really need three wave band radios to make, when you can buy far eastern made sets for less than £10 in Asmara? Surely

it would be chaper to buy these plus periodic replacement batteries on a charitable basis. Incidentally, I seem to recall that the basket weave inductors finished up as the centre piece for ornate native hair arrangements, but there was an even greater demand for two inductors which finished up as an ornate but uncomfortable bra!! So much for the crystal sets.

*Yours Sincerely
A.H.E. Welch, DFC. TD.
Corsham,
Wiltshire*

We showed Mr. Welch's letter to Tony Wilson, whose proposals for a recruitment agency operating in the electronics industry formed the subject of the JOBS FOR A CHANGE feature. This is his reply:

I had been expecting the cheap jibes and prejudice contained in Mr Welch's letter. The letter does however have some points worthy of reply, so let's start at the beginning.

Yes, Green Lane can be muddy, and does have weeds (countryside plants and flowers) — and thankfully it isn't yet completely gentrified. There won't be hordes of people visiting this address — as with most agencies there will be other means of communication, and there will be other offices in some of the major cities. The village PO does actually manage to cope admirably with our mail and with that of several large postal businesses (how many PO s have more than one public room anyway?)

Mr Welch really should check his facts much more thoroughly than he does. We had a DoE licence to trade well before the date of his letter, and it is prominently displayed on these premises (which he could easily have checked during his daring venture up Green Lane).

Mr Welch's patronising tone does him no credit; he seems to assume that people who wish to advance from the status quo by using our resources more effectively are complete dupes, incapable of getting anything professional together. I have been trading on my own account since 1976 and am a fellow of the Institute of Quality Assurance. Within the agency there is similar expertise and business experience. We are also being advised by several reputable and successful agencies in the U.K.

There is a very real gap in the market, and I have proof of that from the interest shown by employees, consultants, employers and other agencies — and by our backers. This is the 'real world' Mr Welch, where many

many, people are sick of this country's over commitment to so-called defence. They fervently wish to see change, and that change will come about despite resistance caused by fear and self-interest. I am a 'confessed pacifist' whatever you mean by that. What I mean by it is that I am committed to peace and am prepared to take high personal risk to that end. I have repeatedly turned down big remuneration, company cars and perks, and a very well paid career. I still work in defence, despite the sometimes severe problems this causes me and my family, because I believe we need an effective defence and that I have an absolute right to influence it from the inside. I could show you many more people willing to put their money where their mouths are. What risks in your every day life do you take for your beliefs Mr Welch?

The Bristol Chamber of Commerce is one of many local agencies providing good service to the small business person — but they do not provide tailored, flexible services. We intend to do that. We are very well aware of the high costs of staff placement and of the skills and expertise needed. In this respect we have the services of experienced people and organisations throughout the UK. Their services do not come cheaply but we believe that with the right approach we can do the whole job more cheaply than most agencies. I do see 'Porsches and Rollers' belonging to well-heeled agents — some of whom I know very well. If it wasn't so profitable I doubt if there would be 'some 300 licensed agencies' near here, as you claim. General business profit margins may (or may not) be pitched at 40% of turnover, but agencies do not "turnover" a placement's salary, they never even see it, so that is a crass comparison to make. In any case there are agencies which approach or exceed 40% (for example, many office temping agencies).

I'm well aware of the dependence of the commercial sector on defence procurement and the use of services. The degree of that dependance is to do with government priorities — it's not God given or inevitable. We could spend very much less on 'defence' and give more support to industry to make it more competitive, invest in new technologies, R & D, and education and training (even the conservative CBI and Institute of Directors are beginning to recognise this).

In your final paragraph I find your racist assumptions that the people of Eritrea can only deal with technology in your comic book terms, and are only fit for charity and hand outs,

particularly objectionable. Their request to us is to provide a beginning for an indigenous technology base, so that they are not dependent on the patronage of you and me forever more. Their country has been ravaged by wars financed by Western, and now Soviet, money. The only way they can regain their own power is to become self sufficient — I will be very pleased if I can help in a small way.

Incidentally, Mr Welch, to help move your education out of the 1930's and to begin to understand the brilliance, courage and resourcefulness of the Eritreans, why not send for more information on the sophisticated social, technical and other systems that have been set up under a state of siege in Eritrea, by Eritreans. Send a request and an A5 SAE to: Eritrean Information Service, 391 City Road, London EC1V 1NE, or 'phone (01) 837 9237.

Tony Wilson BA FIQA

Dear Sir,

I have recently started reading ETI again after a lapse of a few years, due to the increases in subscription price and an excess of articles of the bolt-on computer goody/1001 more-boring-things-to-do-with basic theme, and I have been delighted to see a more intelligent, questioning and rational approach to the problems of the connection between electronics and the 'defence' industry.

I look forward to reading a regular feature on Exchange Resources, and all I can say to those misguided individuals who have cancelled their subscriptions, presumably anxious to retain their cosy cost-plus contract jobs, supported by the hard-earned taxes of hard-working commercial software engineers like myself, is that I hope I can afford to take out a subscription again, if I don't win it in the reader survey!

*Yours faithfully,
Alexander Monro
Jericho,
Oxford.*

● Around twenty letters have been received in response to the JOBS FOR A CHANGE article, some sent to us at ETI and some sent directly to Exchange Resources. With the exception of the two letters printed here, all of the replies have been from people who either wish to make use of the services offered by Exchange Resources or who are interested in participating in one of the projects mentioned in the article. — Ed. **ETI**

For KITS & COMPONENTS - Choose the easy way - with **TK**

SEND SAE NOW for our **FREE CATALOGUE**

8-WAY SEQUENCER KIT

The CT6000 is an 8-way sequencer kit which contains an EPROM programmed with 80 different sequences including standard flash and chase routines. The kit comes complete with pcb, instructions and includes an opto-isolated sound to light circuit, zero voltage switching, LED mimic lamps, manual sequence speed adjust and sequence selector switches. The max. output is 300W per channel.

SO DON'T CHASE AROUND FOR ANOTHER SEQUENCER - YOU'VE FOUND ONE THAT WILL DO THE LOT and its only - **£28.50**

MICROPROCESSOR TIMER KIT

Designed to control 4 outputs independently switching on and off at preset times over a 7-day cycle, LED display of time and day, easily programmed via 20 way keyboard. Ideal for central heating control including different switching times for weekends. Battery back-up circuit. Includes box. 18 time settings.

CT600K **£39.00**

XX114. Relay Kit for CT6000 includes PCB, connectors and one relay. Will accept up to 4 relays. 3A/240V c/o contacts **£3.90**

701 115 Additional Relays **£1.65**

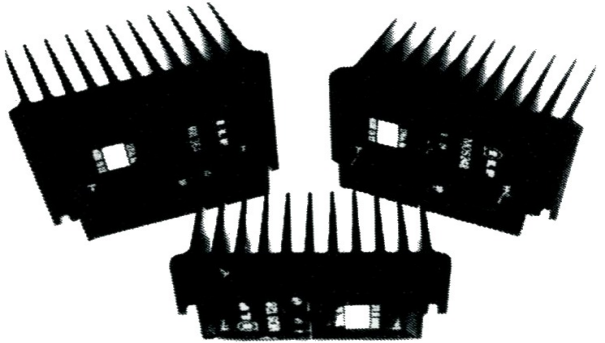
We also STOCK a wide range of COMPONENTS, MULTIMETERS, TOOLS, BOOKS and over 30 other KITS for timers, infra-red remote control, disco lights, etc. PLUS VELLEMAN and PANTEC kits.

TK ELECTRONICS
13 BOSTON RD
LONDON W7 3SJ
TEL: 01-567 8910
FREE P&P on orders over £20 (UK only), otherwise add 75p + VAT. Overseas P&P. Europe £2.75. Elsewhere £6.50. Giro No. 529314002. SCHOOL OR LOCAL AUTHORITY ORDERS WELCOME. Goods by return subject to availability.

SEND " x 6" SAE OR CALL AT SHOP MON-FRI 9-5pm SATURDAY 10-4pm

<h3>OSCILLOSCOPES</h3> <p>TELEQUIPMENT D75 Dual Trace 50MHz Delay Sweep £200</p> <p>COSSOR CDU150. Dual Trace 35MHz Solid State. Portable 8x10cm display. With Manual £200</p> <p>GOULD OS255. Dual Trace 15MHz £200</p> <p>TELEQUIPMENT D61 Dual Trace 10MHz. With Manual £150</p> <p>S. E. LABS SM111. Dual Trace 18MHz Solid State. Portable AC or External DC operation 8x10cm display. With Manual £150</p> <p>TELEQUIPMENT D43. Dual Trace 15MHz. With Manual £100</p> <p>TELEQUIPMENT S54A. Single Trace 10MHz. Solid State. With Manual £110</p>	<h3>COMMUNICATION RECEIVERS</h3> <p>Racal RA17L 500kHz-30MHz ... ONLY £140 each with manual</p> <p>Eddystone 730/4 480KHz-30MHz only £110 each with manual.</p> <p>ADVANCE AM/FM SIGNAL GENERATOR Type SG63A 7.5-230MHz £75</p> <p>ADVANCE AM SIGNAL GENERATOR SG62B. 150 KHz-220MHz £45</p> <p>ADVANCE AM SIGNAL GENERATOR Type 62. 150KHz-220MHz £30</p> <p>METRIX WOBBLULATOR Type 210. 5-220MHz & 440-880MHz £100</p> <p>LABGEAR COLOUR BAR GENERATOR CM6037 (P&P £4) £80</p> <p>VIDEO CIRCUITS V31A CRT ANALYSER/BOOSTER (Scratched Case) £60</p> <p>WAYNE KERR COMPONENT BRIDGE B521 (CT375) 100uH-500KHz. 1pF-5F. 1 milliohm-1000Mohm £35</p> <p>RACAL 32MHz UNIVERSAL COUNTER TIMER Type 836 £50</p> <p>MARCONI TF260A (Later version of TF 1041 VTM) 20Hz-1500MHz; AC/DC/Ohms AC 300mV-300V FSD £60</p> <p>MARCONI VALVE VOLTMETER TF2600 10Hz-100MHz; 1mV-300V FSD £40</p> <p>PHILIPS COLOURBAR GENERATOR type 5501 (P&P £5) £100</p> <p>PHILIPS COLOURBAR GENERATOR type 5508. Video out. Many Functions £125</p>
<h3>PHILIPS DIGITAL MULTIMETERS</h3> <p>4 digit, auto ranging. Complete with batteries and leads (p&p £5)</p> <p>TYPE PM2517X (LCD) £75</p>	<h3>MULTIMETERS</h3> <p>AVO 9 Mk 4 (Identical to AVO 8 Mk4 but scaled differently) Complete with Batteries & Leads ... £55</p> <p>AVO 8 Mk 2 Complete with Batteries & Leads £45</p> <p>Above items in GOOD WORKING ORDER - appearance not A1 hence the price</p> <p>AVO TEST SET No 1 (Military version of AVO 8) Complete with batteries, leads & Carrying Case £85</p> <p>AVO Model 7x. Complete with batteries, leads & carrying case £40</p> <p>AVO Model 73. Pocket Multimeter (Analogue) 30 ranges. Complete with batteries & leads. £18</p> <p>AVO 72 - Similar to above but no AC current range. With batteries & leads £10</p>
<h3>AVO TRANSISTOR TESTER TT189</h3> <p>Handled. GO/NO GO for In-situ Testing. Complete with batteries, leads & instructions. (p&p £3) NOW ONLY £12</p>	<h3>ISOLATING TRANSFORMERS</h3> <p>240V INPUT - 240V OUTPUT</p> <p>500 VA £15ea P&P £5 200 VA £8ea P&P £3</p>
<h3>NEW EQUIPMENT</h3> <p>HAMEG OSCILLOSCOPE 605. Dual Trace 60MHz. Delay Sweep. Component Tester £515</p> <p>HAMEG OSCILLOSCOPE 203.5. Dual Trace 20MHz. Component Tester £270</p> <p>All Other Models Available.</p>	<h3>PROFESSIONAL 9" GREEN SCREEN MONITORS</h3> <p>made by KGM for REUTERS Gives quality 80 column x 24 line display. Composite video in. Cased. Good condition ONLY £32 each</p> <p>DISK DRIVE P8U.240V 1M. 5V 1.5A & 12V 1.5A out. Size: W125mm. H75mm. D180mm. Cased. Un-used. Only £10.00 each (P&P £2)</p> <p>Owerty keyboard (as in Lynx Micro). Push to make. Cased £5 each (P&P £2)</p> <p>Various 5 1/4" Floppy Disk Drives and Stepping Motors Available.</p>
<h3>BLACK STAR FREQUENCY COUNTERS P&P £4</h3> <p>Meteor 100 - 100MHz £90</p> <p>Meteor 600 - 600MHz £128</p> <p>Meteor 100 - 1GHz £175</p> <p>BLACK STAR JUPITOR 500 FUNCTION GENERATOR. Sine/Square/Triangle. 0.1Hz - 200kHz P&P £4 £110</p>	<h3>HUNGCHUNG DMM 6010. 3 1/2 digit. Hand held 28 ranges including 10 Amp AC/DC. Complete with batteries & leads. P&P £4 £33.50</h3> <p>OSCILLOSCOPES PROBES. Switched x1; x10. P&P £2 £11</p>
<p>Used equipment - with 30 days guarantee. Manuals supplied if possible.</p> <p>This is a VERY SMALL SAMPLE OF STOCK. SAE or Telephone for Lists. Please check availability before ordering. CARRIAGE all units £12. VAT to be added to Total of Goods & Carriage.</p>	
<p align="center">STEWART OF READING 110 WYKEHAM ROAD, READING, BERKS RG6 1PL Telephone: 0734 68041 Callers welcome 9 am - 5.30 pm Mon.-Fri. (until 8 pm Thurs.)</p>	

FROM JAYTEE



THE SPECIAL DISTRIBUTOR FOR SPECIAL AMPLIFIERS

ILP have long been recognised as manufacturers of top quality amplifiers. All ILP products are built to extremely high specification for the ultimate in hi-fi performance. They're unique in being completely encapsulated with integral heatsinks, and can bolt straight onto the chassis. They're also extremely robust, ensuring high levels of reliability as well as performance. ILP Amplifiers are now available through Jaytee. The UK Distributor with the availability and service to match the quality of the amplifiers.

POWER BOOSTER AMPLIFIERS
 The C15 and C1515 are power booster amplifiers designed to increase the output of your existing car radio or cassette player to 15 watt rms.
 C15 15 watts **£10.65**
 C1515 15 + 15 watts **£19.78**

ILP LOUDSPEAKER
 power 350 watt rms
 size 12 inches
 impedance 8 ohms
 range 20 Hz to 5 KHz

NEW £78.61

FOR FREE DATA PACK PLEASE WRITE TO OUR SALES DEPT.

PREAMPLIFIER MODULES

All modules are supplied with in line connectors but require potentiometers, switches, etc. If used with our power amps they are powered from the appropriate Power Supply.

Type	Application	Functions	Price
HY6	Mono Pre-Amp	Full Hi Fi facilities	£8-45
HY66	Stereo Pre-Amp	Full Hi Fi facilities	£13-95
HY73	Guitar Pre-Amp	Two Guitars plus Microphone	£14-45
HY78	Stereo Pre-Amp	As HY66 less tone controls	£13-45

NEW! HY83 Guitar and Special Effects Pre-Amp as HY 73 Plus Overdrive and Reverb **£18.95**

MOUNTING BOARDS: For ease of construction we recommend the B6 for HY6 **£0.95**. B66 for HY66-83 **£1.45**.

MOSFET MODULES	Type	Output Power Watts (rms)	Load Impedance Ω	Price
Ideal for Disco's, public address and applications with complex loads (line transformers etc.). Integral Heatsink	MOS128	60	4-8	£34-45
slew rate 20V/μs distortion less than 0.01%	MOS248	120	4-8	£39-45
	MOS364	180	4	£64-45

BIPOLAR MODULES

Ideal for Hi Fi. Full load protection integral Heatsink, slew rate 15V/μs

Type	Output Power Watts (rms)	Load Impedance Ω	Price
HY30	15	4-8	£10-45
HY60	30	4-8	£10-45
HY6060	30 + 30	4-8	£21-95
HY124	60	4	£17-45
HY128	60	8	£17-45
HY244	120	4	£22-45
HY248	120	8	£22-45
HY364	180	4	£33-45
HY368	180	8	£34-95

Distortion less than 0.01%

POWER SUPPLY UNIT

Type	For Use With	Price
PSU30	PRE AMP	£6-45
PSU1212	1 or 2 HY30	£16-45
PSU412	1 or 2 HY60, 1 HY6060, 1 HY124	£18-45
PSU422	1 HY128	£20-45
PSU432	1 MOS128	£21-45
PSU512	2 HY128, 1 HY244	£22-45
PSU522	2 HY124	£22-45
PSU532	2 MOS128	£22-95
PSU542	1 HY248	£22-95
PSU552	1 MOS248	£24-95
PSU712	2 HY244	£26-45
PSU722	2 HY248	£27-45
PSU732	1 HY364	£27-45
PSU742	1 HY368	£29-45
PSU752	2 MOS248, MOS364	£29-45

All the above are for 240v operation

JAYTEE

Jaytee Electronic Services, 143 Reclver Road, Beltinge, Herne Bay, Kent CT6 6PL Telephone: (0227) 375254
 All Prices include VAT, Post & Packing

CHARGE OF THE LIGHT BRIGADE

U2 can be an expert on batteries, with a little help from Andrew Armstrong.

In the design of electronic equipment, the power supply often used to be left until last and then designed almost as an afterthought by the most junior member of the design team. Nowadays, there are specialist engineers and companies concerned only with power supplies, and it is recognised that the choice of power supply can influence the overall equipment design very significantly.

So it is with batteries. Increasing numbers of electronic products need a portable power source, and the correct choice of battery can determine the product's viability. Of course, there have been specialists in the design and manufacture of batteries since they started to be manufactured commercially, but this is a discipline allied to chemistry rather than electronics.

Because chemists design batteries and engineers design the batteries into machinery, the choice of battery type is sometimes less well informed than it might be. The two types of experts do not speak the same language, so it is not surprising if the criteria for choice are imperfectly understood.

Chemistry

A detailed knowledge of the chemistry involved in an electric cell is not necessary for the electronics designer, but a knowledge of what goes into a cell and how it is assembled is useful background information.

The basic idea behind an electric cell is to have two chemicals reacting in an ionic form, such that 'spare' electrons accumulate at one side of the reaction. If the physical construction of the cell is such that the electrons can only

return to the other side via an external circuit, then useful energy can be extracted. This effect is illustrated most simply by the reaction used in a mercury cell (Fig. 1).

On the left we see an oxygen ion O^- leaving the mercuric oxide cathode and taking with it two electrons from the mercury atom. This oxygen is being attracted towards the zinc anode, which has a greater affinity for oxygen than the mercury.

Once it has left the cathode, the oxygen reacts with a molecule from the water electrolyte to form two hydroxyl ions, OH^- . One of these joins with the zinc, and the hydrogen is released, leaving behind its electron. The hydrogen, H^- , rejoins the second hydroxyl ion, reforming the water molecule. Now the cathode has lost two electrons, the anode has gained two, and the water is unchanged.

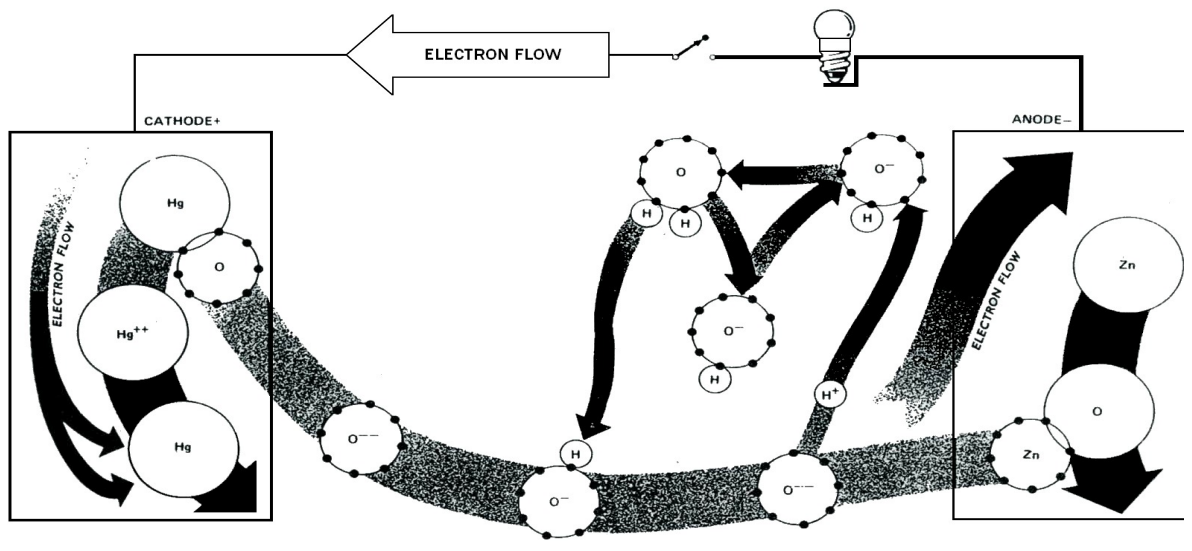
Assuming that no external circuit is connected, this reaction will continue until the electrostatic repulsion between the excess electrons on the anode, and the hydroxyl ions balances the extra affinity of zinc for oxygen compared with mercury. The point at which this occurs determines the EMF of the cell.

If an external circuit is connected, the reaction proceeds, and the spare electrons on the anode flow through the circuit to replace those missing on the cathode.

It is not easy to give within the scope of this article a deeper explanation. In general, atoms of elements consist of a nucleus containing protons (with one positive charge) and neutrons (with no charge) and a number of electrons equal to the number of protons. Thus, the charges balance.

The electrons are arranged in shells — groupings of similar energy states — and for maximum stability each

Fig. 1 The chemical reaction which takes place inside a mercury cell.



FEATURE: Batteries

the battery as well, though some manufacturers add an outer steel case.

The cathode is made of manganese dioxide, with a carbon rod to collect the current. The electrolyte is a solution of ammonium chloride (NH_4Cl) and zinc chloride (ZnCl_2), which is acidic.

The heavy duty zinc-carbon cell is very similar to the ordinary variety, but the difference is that its electrolyte is zinc chloride only. This gives an increased ability to provide heavy currents, though it has no greater energy storage.

The alkaline-manganese cell uses similar electrode materials, but its electrolyte and construction are different from the zinc-carbon cell. This is illustrated in Fig. 3. The anode is made of powdered zinc, amalgamated with mercury, and the current is collected by a metal collector (the 'nail') instead of a carbon rod. This provides a low internal resistance for the cell.

The electrolyte is potassium hydroxide, an alkaline solution which is highly conductive. The cathode is made of electrolytically-produced manganese dioxide, which is purer and has more oxygen per unit volume than the naturally occurring substance. This means that the energy content of the cell per unit volume is greater than that of the zinc-carbon type.

These are the most commonly used cells, but a number of other types are used where other qualities are needed. Most of these are button cells, designed to meet special

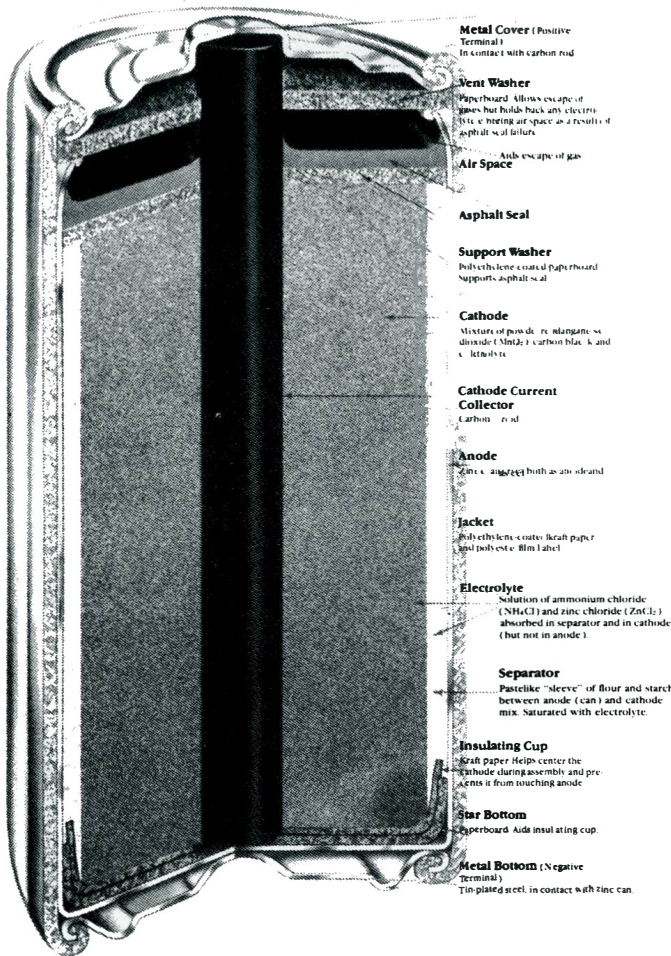


Fig. 2 The internal construction of a zinc-carbon cell

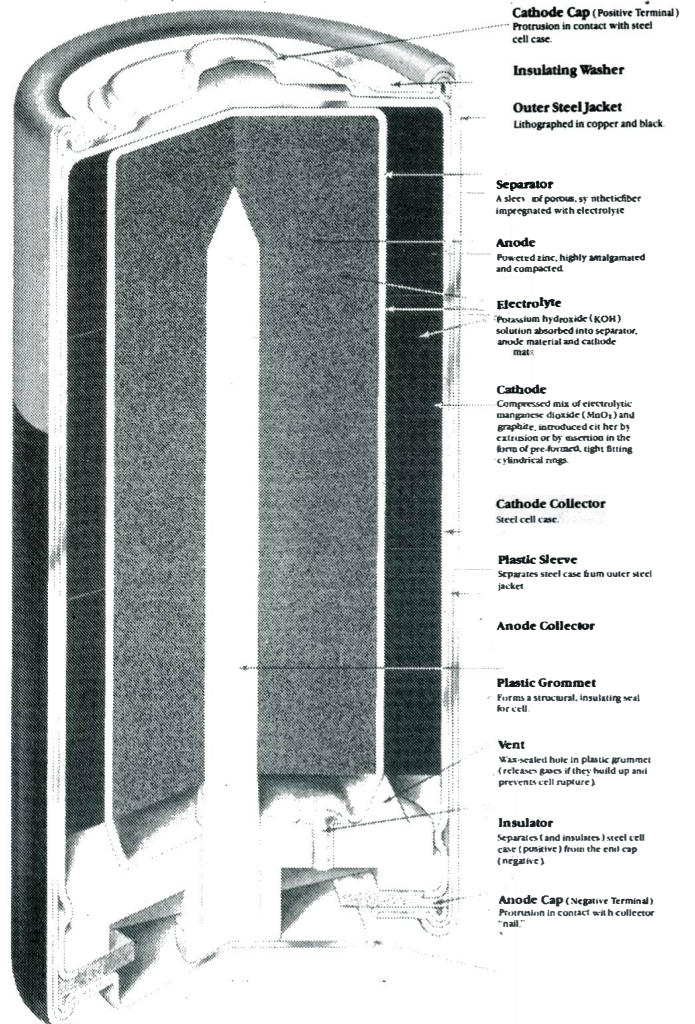


Fig. 3 The internal construction of an alkaline-manganese cell.

shell should contain its full complement of electrons. Most elements do not have the exact number of electrons to fill all the shells used, so the outer shell (in which the electrons have the highest energy level and are least strongly bound to the nucleus) is often short of a few electrons. Elements combine into chemical compounds to complete their outer shells by sharing electrons.

Why then should oxygen prefer to share two electrons with zinc rather than with mercury? The answer is that zinc has 30 electrons, as against mercury's 80. This means that zinc's outer shell is closer to the nucleus (lower in energy) than that of mercury. If all else is equal, systems try to attain the lowest energy levels (like a ball rolling to the bottom of a hill), which explains the direction of the reaction in a mercury cell.

If you want to know why the electron shells need a specific number of electrons — it beats me. If anyone knows please write and tell me.

Primary Cell Types

In practice cells are more complicated than the mercury cell illustration. Other chemicals are added to assist the reaction, prevent deterioration, etc. We will take a look at some of the main types of cell, beginning with primary (non-rechargeable) cells.

The zinc-carbon cell, illustrated in Fig. 2, is perhaps the most widely used in consumer applications. The anode is made of zinc, the active surface of which is amalgamated with mercury. The zinc electrode forms the outer case of

FEATURE: Batteries

needs. The mercury button cell is illustrated in Fig. 4 and its basic chemical reaction has already been described. Its output is 1.3V. A cell with a silver oxide cathode provides 1.6V, and can be used where the extra voltage is needed, or where the environmental effects of disposing of mercury cells are unacceptable. The silver cell is even more expensive than the costly mercury cell.

Zinc-air cells (also illustrated in Fig. 4 to show the relative sizes of the anodes) have been around for some time, but have not turned out to be the panacea which some people initially believed them to be. Their major advantage is that they get their oxygen from the air rather than from an oxygen bearing chemical, so that for a given energy storage they are smaller and lighter than many other types of cell.

They have two main disadvantages. One is that zinc-air cells require air to operate, so they cannot function in a sealed environment. I recall a story circulating at a company where I worked about the zinc-air batteries manufactured by another part of the group. Apparently these had been installed in digital watches in considerable quantities, and all had gone well for a while. After about two months there were complaints that the watches had all stopped working, though when examined they appeared to be working correctly. It was eventually discovered that the battery stopped working when it had used all the oxygen contained in the watch, and restarted when the back was taken off to investigate.

The other difficulty with zinc-air cells is that once the air seal has been removed to allow the cell to work, the electrolyte starts to dry out. Normal cells remain usable for about three months, although some special low drain ones are meant to last three years. Rumour has it that these are not always satisfactory.

The lithium cell has been heralded as a major advance in battery technology. In fact there is not one type of lithium cell but about a dozen variations. Some examples of these are lithium copper oxide, lithium sulphur dioxide and lithium thionyl chloride.

The energy per unit weight is high because lithium is a light metal, the third lightest element in the periodic table after hydrogen and helium. Lithium is extremely reactive, which you might think would result in a rapid or explosive self discharge of the cell. What actually happens is that the surface reacts and forms a non-reactive oxide layer which prevents any unwanted reaction. The result is that the cells have a long shelf life, typically ten years.

Secondary Cells

So far all the cells mentioned have been of the primary, or non-rechargeable type. Secondary (rechargeable) cells have been around for some time now, and they are being used more and more. The first widely used rechargeable battery was the lead acid car battery, but this is not practical for use in portable electronic equipment.

When a cell is recharged, current is forced through it in the reverse direction. The oxygen leaves the anode, restoring it to its metallic state, and returns to the cathode. Small primary cells are not capable of this process to a worthwhile degree, because the anode material swells up as it oxidises (just like rust on a car) and its shape is distorted and pieces may break off.

In the **nickel cadmium cell** (NiCad) this problem is largely solved by containing the anode and cathode materials in porous, conductive plates. The individual particles of electrode material can change size without seriously changing the shape of the overall structure, so recharging is possible.

Nickel cadmium cells may be stored in any state of

charge, but if they are stored completely discharged for long periods a problem can arise. There is a tendency for crystalline cadmium 'whiskers' to grow towards the opposite plate of the battery. If the cell is charged, then a short circuit will melt the whisker back onto the anode. If there is no charge in the battery this cannot occur, and it is possible to reach the stage where no practical amount of current fed into the cell will remove the whisker. The cell is then of no further use.

Sealed lead-acid cells and batteries are also available and are widely used in industrial emergency lighting and back-up supply systems. They are also to be found in some professional portable tape recorders (for example, the type used by many radio journalists) and are beginning to

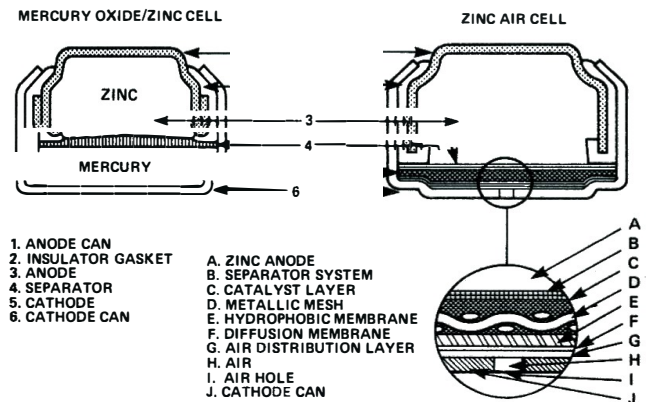


Fig. 4 The internal construction of a mercury button cell (left) and a zinc-air cell (right).

appear in domestic audio equipment. The Sony Discman II CD player reviewed in ETI recently uses a battery pack of this type.

Sealed lead-acid cells have a nominal operating voltage of 2.2V so they cannot be substituted directly for zinc-carbon or manganese-alkaline cells. They come in two types — the flat plate type, normally supplied as 6V or 12V batteries, and the Cyclon cylindrical cell type, normally supplied individually. Both types should be stored in a charged state.

Less commonly available are **silver-zinc rechargeable cells**. These have about double the energy density of NiCads, and a constant voltage over most of the discharge. They are little used in amateur or consumer equipment.

Of more future interest are the new **rechargeable lithium cells**, which provide double the energy density of NiCads, and weigh less. The anode is made of lithium foil and the cathode is made of molybdenum disulphide powder bound to a substrate. The electrolyte — which the manufacturers Molicell do not identify — acts only as a carrier for ions and does not react chemically with the electrode materials.

There appears to be no oxygen involved in the reaction, which is significant. As mentioned above, the lithium electrode in a lithium primary cell forms a non-reactive layer on its surface, which prevents the untimely discharge of the cell. This would also prevent the lithium from being plated back onto the anode, so a rechargeable cell must use a very different system.

The charge retention of these cells is good for a rechargeable type — approximately 10% charge loss over a year is claimed at 22°C. This would remove the need for float charging in some applications.

An interesting characteristic is that the discharge curve is well defined, and the voltage falls from 2.25V to 1.3V predictably (though not linearly) as the cell discharges. This

FEATURE: Batteries

makes a state of charge indicator possible. Unfortunately, it can also cause problems for equipment which requires a constant voltage, so Molicell have developed some voltage converter designs suitable for use with their cells.

Currently these cells are very costly, and it is likely to be a year or two before the price falls enough for anyone to consider using them for consumer applications, but keep your eyes open because they look interesting.

The main reason why an electronics designer should want to consider the subject of batteries seriously is so as to be able to choose a battery for a given application. For this purpose we need to know about the discharge characteristics of primary cells, and both the discharge characteristics and the charging requirements of secondary cells.

Primary Choice

The choice between zinc-carbon and alkaline manganese cells is fairly simple. Fig. 5 shows the relative energy recovered from the two cell types plotted against current drain. This shows a maximum of seven times as much energy from the alkaline-manganese cell, at a fairly high current drain, but much less at very low currents. If cost is the criterion, then the breakeven point is approximately as shown by the dotted line on the graph, and alkaline-manganese cells are more cost effective at current drains greater than that shown.

In practice, this means that ordinary transistor radios could well be powered by zinc-carbon cells, but cassette players, due to the current consumption of the motor, should be powered by alkaline manganese cells.

Another consideration is the shelf life of the battery. In many cases torches are left in a cupboard or glovebox for a long time until needed. For this type of use it might be tempting to choose zinc-carbon cells, because the whole capacity of the cell is unlikely to be required. However, alkaline-manganese cells deteriorate much more slowly than zinc-carbon cells do, largely because of the alkaline electrolyte. Alkaline cells will remain ready for use long after zinc-carbon cells have quietly expired.

If, though, the torch is to be used regularly but for brief periods (for example, by a meter reader), then the use of alkaline-manganese cells gives little or no advantage. Without a sustained heavy current drain the high power capability of alkaline-manganese cells is no advantage, and the regular use means that shelf life is not a problem.

There is one area in which the choice of cell type is clear. It is widely recognised that alkaline-manganese cells are appropriate for use in personal stereos. As I sit here listening to mine, I am contributing to a growing, though as yet unquantified, environmental problem. This cell type contains mercury in an amalgamated form, and there is obviously at least some risk that after disposal this could get into drinking water or even food.

It is likely that without the personal stereo, too few alkaline-manganese batteries would have been used to constitute a problem, but if the present trend continues, the environmental impact will probably require consideration. It is interesting to note that mercury cells, which contain more mercury, are no longer used in Japan.

The choice between primary and secondary systems follows a different set of criteria. Nickel cadmium batteries, the most commonly available secondary system, store about a quarter as much energy as alkaline-manganese cells of the same size. Some of the cells on sale to the public store only about an eighth as much as the alkaline cells, which necessitates irritatingly frequent recharging. They also supply only 1.2V instead of the 1.5V supplied by the equivalent primary system, which can occasionally cause problems. The charge retention of NiCads is also unimpressive, with a self discharge rate of 20% to 30% of

the remaining charge each month.

On the plus side, the internal resistance of NiCads is much less than that of alkaline-manganese cells, so with a high current load the available voltage from the NiCads may be higher than that available from alkaline-manganese cells.

In addition there is the obvious advantage that, once the cost of the cells and the charger is paid, recharging is very cheap and considerable savings can be made in

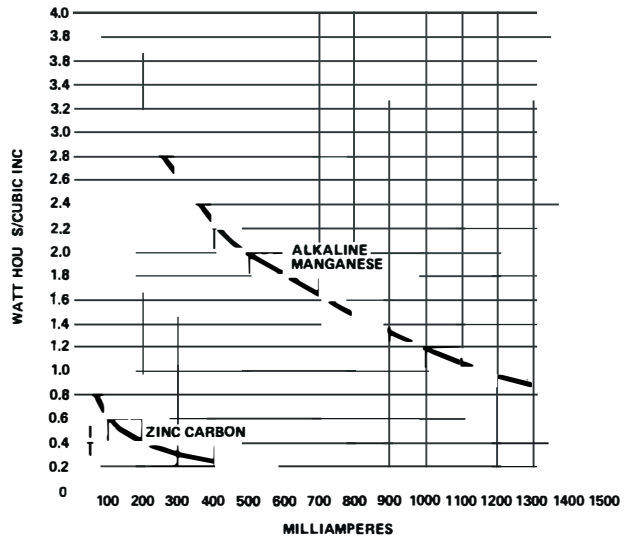


Fig. 5 A comparison of the energy recovered from zinc and alkaline-manganese cells over a range of discharge rates.

applications requiring frequent charge/discharge cycles. There is the proviso here that the equipment must not completely discharge the batteries between recharges.

Rechargeable Choice

The three varieties of rechargeable cells available to the home user are the NiCad, the flat plate lead acid and the Cyclon-type lead acid. These are all suitable for use in slightly different ways and need to be charged differently. For 'off the shelf' equipment designed to function with ordinary primary cells, NiCads are usually the only choice because they come in the same range of sizes as primary cells. If a piece of equipment is to be designed from scratch the choice is no longer so constrained.

For an application requiring a high discharge current and frequent deep discharges, NiCads are almost always the most suitable. The sintered plate cells can routinely be discharged at rates of up to 10C, with pulses of up to 100C. (C is the rate to charge or discharge the rated capacity of the cell in one hour, so 10C would discharge it in 6 minutes provided the capacity is undiminished at this high discharge rate).

Nickel cadmium button cells cannot match this performance, but they can provide high currents and are the only choice for small rechargeable battery packs.

NiCads exhibit a 'memory' effect — if they are repeatedly cycled over a certain fraction of their total capacity they eventually reach a stage at which the voltage on load will fall if any attempt is made to discharge them below this. One deep discharge cycle will remove this effect. The only problem is that the voltage may fall to such an extent that the equipment will not run correctly, and the battery pack may have to be discharged separately using a resistor.

Lead acid cells have a shorter life than NiCads if they are

BIAS REPORT

John Linsley Hood explains the functions of HF bias in tape recorders and offers some hints on selecting and setting an optimum value.

Bias can mean many different things depending on whether one is a politician, a dressmaker, a bowls enthusiast, the owner of a valve hi-fi amplifier, or a tape recordist. With the spread of cassette recorders, we are almost all in this last category, and if our bias is wrong the results we obtain will be poor.

In the tape recording field, bias — or more correctly HF bias — is an AC signal a good bit higher in frequency than the highest audio frequency we are likely to want to record, which is fed into the recording head simultaneously with the desired signal. Its main purpose is to reduce the distortion of the recorded signal, but it has a wide range of other effects too, and it is these which I propose to take a look at.

Unfortunately, there isn't a single best value for the size of this added HF signal, so some sort of compromise has to be made. This must take into account the performance of the machine and the qualities of the tape which is to be used with it.

Up-market tape machines are usually fitted with a control for adjusting the bias, and often incorporate a test tone facility to make it easier to set the bias level correctly. In other machines, the manufacturer will have pre-set the level on some internally-accessible control (usually a trimmer potentiometer) to give the best results with a particular kind of tape. This is fine provided that the setting is right, and that the machine is then used with tape of that type.

However, as I have said, the bias value chosen is a compromise anyway, so let us look at how changes in its level will affect various aspects of a tape machine's performance.

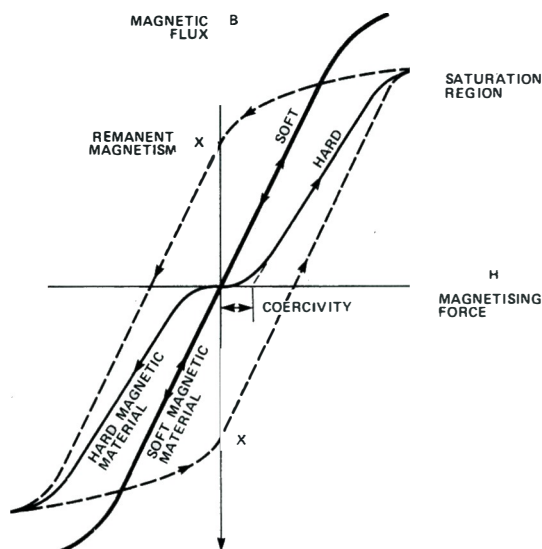


Fig. 1 B-H curves (or soft and hard magnetic materials).

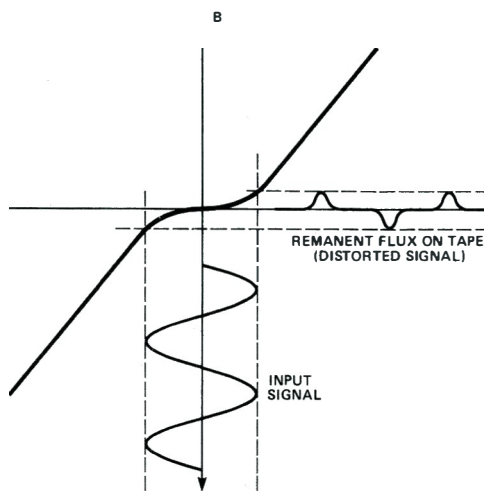


Fig. 2 Distortion of recorded signal due to tape characteristics.

As is fairly well known, magnetic materials respond in a characteristic way to an applied magnetic field (Fig. 1). The magnetising force, H , is plotted against the induced magnetic flux in the material, B , and the result is known as the B-H curve.

The point X (or X') on the vertical axis is what is known as the 'remnant magnetism', or 'remnant magnetic flux' if one is a bit more pedantic. It shows how magnetised the material would be if, as in this case, the applied field H had been strong enough to take the magnetic material into saturation (the condition in which B doesn't get any larger even if H is increased).

Reducing Distortion

There is a big difference here between 'soft' and 'hard' magnetic materials. Soft materials are those which do not retain very much magnetism, such as soft iron and mild steel. Hard magnetic materials retain their magnetism and can therefore be used as permanent magnets; among them are high-carbon steels and some of the special nickel-cobalt-aluminium-iron alloys used in things like loudspeakers.

The difference between the two types of material is shown in the curve of Fig. 1. As well as having a low level of magnetic retention, the soft materials also have a low 'coercivity'. This means that the force which needs to be applied to make them take up magnetism is small.

For recording purposes, we want the tape to retain what we have recorded on it for ever, or at least until we change our minds. For this we need a material with high remanence. It will also be useful if it doesn't pick up unwanted bits of signal from layers of tape below or on

FEATURE: Bias

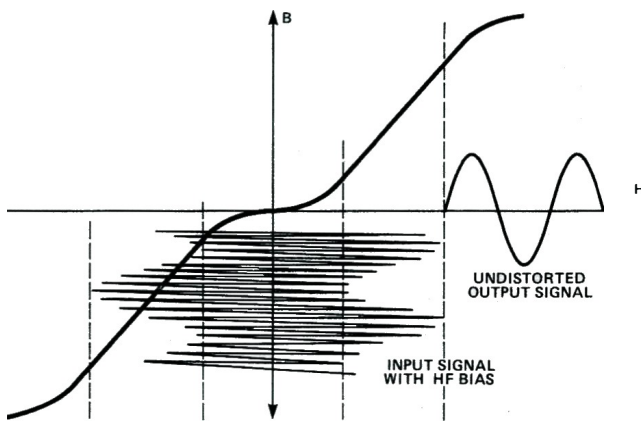


Fig. 3 Use of HF bias to remove distortion.

top of it (the fault known as print through) so it is a good thing if it has a fairly high coercivity.

Unfortunately, this will lead to the kind of B-H curve shown in Fig. 2, which has a flat bit at the middle where all the small signals will lie. If we try to record on this, by pulling the tape over the gap in an electromagnet to which we are feeding our desired audio signal, the result will be both small and very distorted, like an amplifier with a bad case of crossover distortion.

A solution was found to this problem fairly early on in the days of tape recordings. It was to superimpose a high frequency sinewave signal on the desired audio input, so that the composite signal looked like that in Fig. 3.

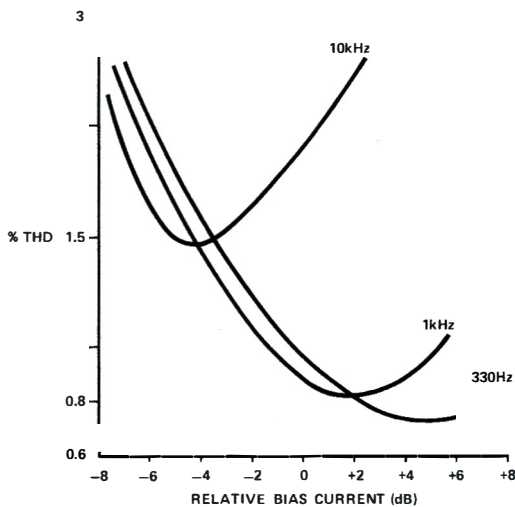


Fig. 4 Variation of THD with HF bias for different signal frequencies.

The way in which this works is really not fully understood, but one theory is that as the tape is drawn away from the recording head, the HF magnetic flux decays more rapidly than that due to the lower frequency signal, so that it is only the wanted signal which remains.

The snag with this theory is that it has been found that high frequency audio signals will also act as a bias input, reducing the need for the other bias signal. Another theory is that all the composite signal is recorded, but that the very high frequency bit disappears because the length of the little magnets induced in the tape coating is so short that they demagnetise themselves, leaving only

the lower frequency signals which we want. Whatever the explanation, it works.

The optimum value of bias to give the lowest distortion will vary from one make of tape to another, but usually the best value won't be too far away from that which is best for other things. A minor snag is that less bias is usually required to give the lowest distortion on, say, a 10kHz signal, than would be needed for a 330Hz or 1kHz signal. This is shown in Fig. 4.

It is sensible to choose the value which is best at the lower frequencies because the distortion introduced in tape recordings is mostly third harmonic (provided that it is not of the crossover type caused by gross under-biasing). The third harmonic of 10kHz is 30kHz, which will not be reproduced or audible anyway, whereas the

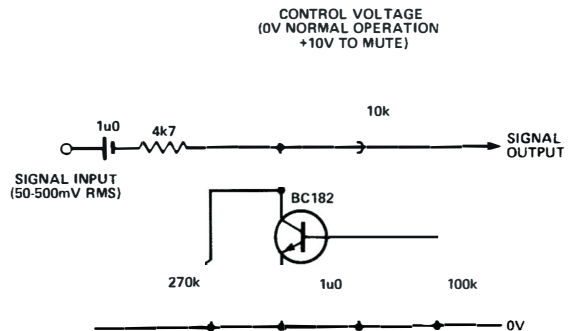


Fig. 5 A simple signal muting circuit.

third harmonic of 1kHz is 3kHz, which is near the ear's most sensitive region.

A modest degree of under-biasing will lead to an increase in third harmonic distortion, due to the lack of straightness in the middle of the B-H curve. Too much bias will also lead to an increase in distortion since it will push the signal voltage swing towards the point at which the B-H curve flattens out, and this flattens off the tops of the reproduced sinewaves.

As an aside, while we are dealing with distortion, the maximum recording level (usually indicated as +3 or +4 on the recording level meter) is generally chosen as the value which will give 3% THD using the makers' preferred tape. Better tape materials will allow more output for the same THD.

Noise

Noise in tape recorders comes from two different sources: electronic noise in the replay or microphone amplifiers (the record amplifier usually has a decent-sized signal to work on and shouldn't cause problems) and that due to the tape.

In commercial equipment, the audio channel is normally muted when the tape is at rest so the user doesn't hear any hiss. In modern equipment, this is done by a transistor switch of the kind shown in Fig. 5. This would be a simple addition to DIY gear.

Tape noise is basically due to the random nature of the distribution of the tiny permanent magnets (known as domains) throughout the tape, and has an effect similar to graininess in a photographic enlargement. In a perfect world, a clean tape would consist of microscopically small domains, uniformly distributed in such a manner that they all cancelled each other out.

In practice, they are large enough to generate an audible signal as they individually pass over the replay head

FEATURE: Bias

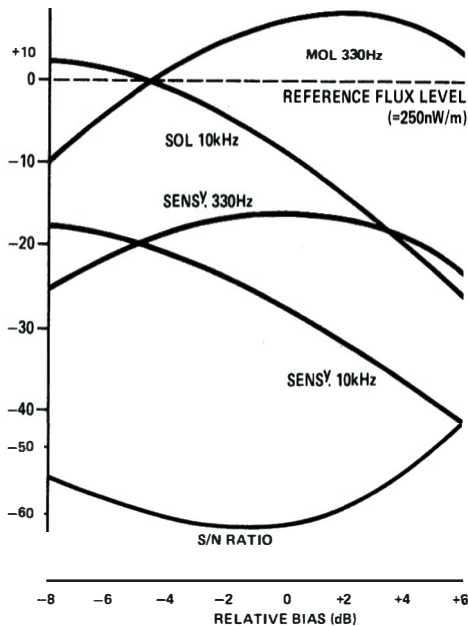


Fig. 6 The effects of bias on the characteristics of ferric cassette tape.

level (the value at which there is 3% THD) and the high frequency saturation output level (the output level beyond which one cannot get). The inability of standard ferric tapes to provide high outputs at HF is probably the major failing of the cassette recorder as a hi-fi medium. Both chrome and ferro-chrome (dual layer) tapes are better in this respect as Fig. 7 shows, but not by a lot. The major advantage from the use of chrome-type tapes is the fact they are replayed at a 70 μ s time-constant. This means less replay HF boost than with ferric types and gives a better signal-to-noise ratio.

Setting The Bias Level

If our cassette recorder has a built-in facility for setting the optimum value of bias then there is no problem. Most machines don't have this facility, but it isn't difficult to locate the bias control and to build a small signal generator for use as a signal input. A suitable device which will provide a choice of at least two spot frequencies is shown in Fig. 8.

This will run from a single 9V battery, and will provide a stable output of about 0.5V RMS at a range of frequencies which can be chosen by the constructor. I have

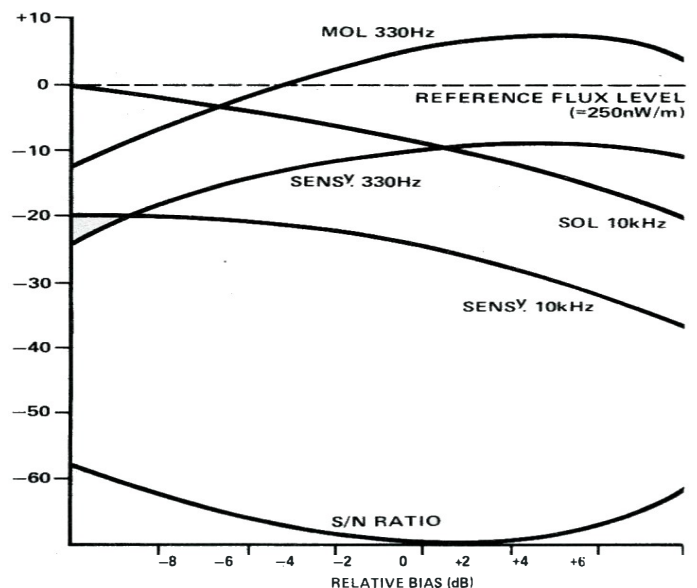


Fig. 7 The effects of bias on the characteristics of chrome cassette tape.

and they are random in their distribution, which means that there is a finite possibility that they will gather into clumps having a significant magnetic moment.

Sadly, the bias signal and its accompanying audio signal will tend to exaggerate this clumping, which means that the noise tends to increase with bias and also with audio signal. This causes what is known as modulation noise or 'noise behind the signal', which decreases when the signal disappears.

Since the recorded output from the tape increases with bias at lower values, the normal curve of signal-to-noise ratio shows a dip in the modulation noise curve as a function of bias. This is shown in Fig. 6, where I have plotted the way in which the various tape characteristics change as the bias is altered.

The notional mid-point on the bias graph is usually chosen to give the flattest practicable frequency response in cassette recorders, or the lowest THD value in higher-speed reel-to-reel machines.

Sensitivity and Maximum Output Level

The major and most conspicuous feature of bias adjustment is the way in which the sensitivity changes at various frequencies as the bias value is increased. It simply is not possible to choose, in the case of cassette machines, a value which is best for both HF and LF signal components.

Because the use of the best setting for HF would mean that a lot of other qualities would be a lot worse, it is usually accepted that HF output must be sacrificed. The normal practice is to choose a setting which will lead to the replay output at 10kHz being 10dB lower than that at 1kHz when both are recorded at the same signal level.

The replay amplifier equalisation characteristics are then adjusted to give a reasonably flat frequency response from the recorder. So, if the bias settings are incorrect for the tape that is being used, the HF response will either be peaky or poor depending on the direction of the error.

Also, as can be seen from the graph of Fig. 6, the bias setting affects both the low frequency maximum output

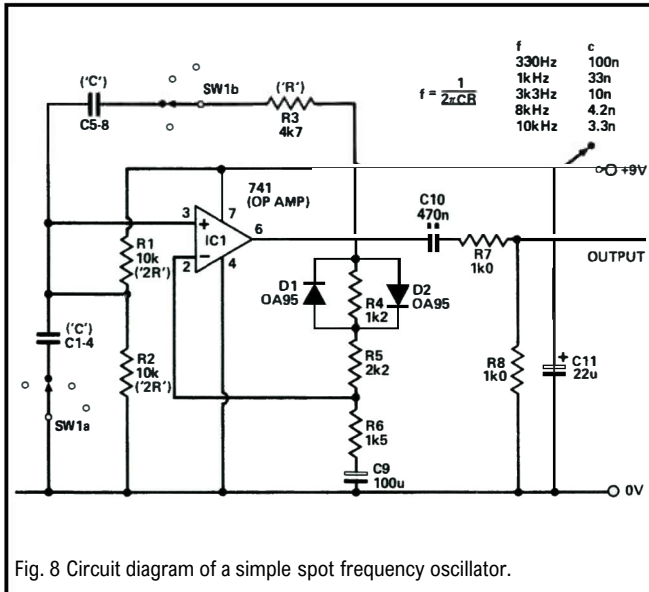
indicated appropriate component values. At least two such output frequencies, for example 330Hz and 8kHz, are needed to give a useful set-up range, but more could be used by switching capacitance values if the user wished.

The actual value of THD generated by the oscillator is not very important provided that is small in tape terms. In this circuit I have used a pair of back-to-back germanium diodes to provide output stabilisation in an op-amp Wien-bridge oscillator. This gives about 0.5% THD, and is a lot less expensive than the use of a vacuum envelope thermistor which would be needed were very low THD values required.

The design of the little oscillator is such that it will not be affected very much by AC fields, so an inexpensive plastic box will make an entirely suitable housing.

If you already have a sine wave generator of reasonable quality you may not need to use the circuit shown

FEATURE: Bias



your machine. To do this, record a series of test tones at different frequencies on each tape and then note on the VU meter which tape gives the most uniform response on playback. You could also use the VU meter to determine which recording level results in the most uniform response on playback.

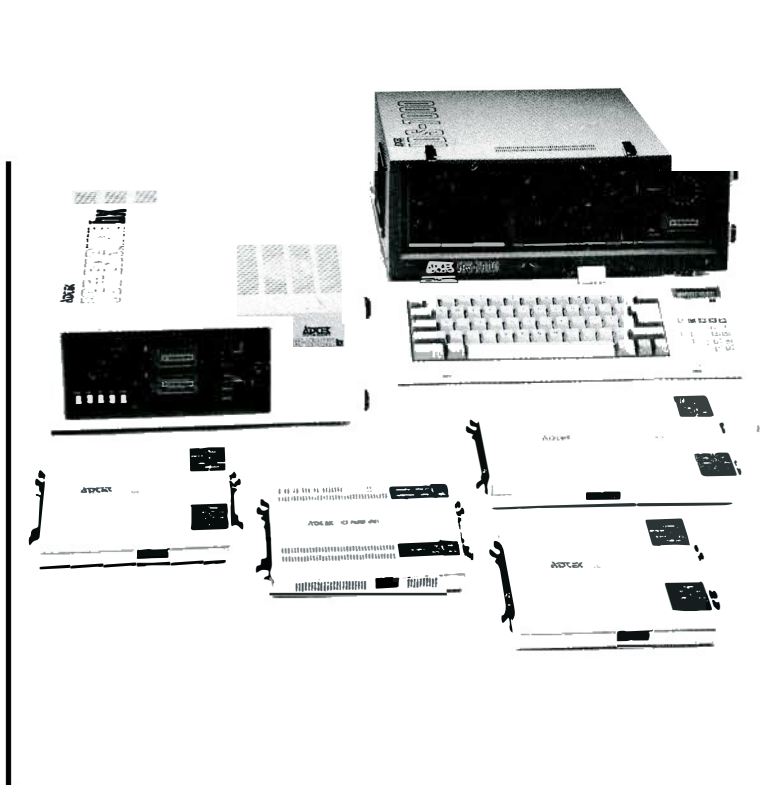
If you do not mind finding and adjusting the bias level control then you can attempt to set the machine up to give optimum performance with your preferred brand and type of tape. The most reliable way of doing this is probably to obtain a number of identical blank tapes and to record the test tones at the beginning of each. Use a different bias setting for every tape and write on it what that bias setting is (if your bias control is not calibrated you will have to find some way of marking its positions). Replay the tapes and note which one gives the most uniform readings on the VU meter, then set the bias control to the setting used to record that tape.

As a final thought, it has been suggested by one manufacturer that different types of music have different output spectra and will therefore require different bias settings for optimum performance. The theory is that rock, pop and vocal music will be handled best at standard bias settings while orchestral music, which has its highest signal levels in the low-to-middle frequency range, will sound better at about 15% above the standard bias setting. Electronically synthesised music, which has a very wide sound bandwidth, will be handled best at about 15% below the standard bias level. Equipment made by the manufacturer in question incorporates a switch to select bias levels above and below a pre-set standard.

ETI

here. However, it is far more convenient to be able to switch rapidly between frequencies rather than having to tune a dial and it also ensures that you always use the same few frequencies for each stage of the testing.

There are several ways of using the test oscillator depending upon whether you wish to fiddle with the bias setting on your recorder or not. If not, the best approach is to obtain a quantity of different blank tapes and find out which one best suits the existing bias level of



IN-CIRCUIT EMULATION

Real-time, full speed emulation with 2048 cycle 40 bit trace and 256 cycle 32 byte register trace. Conditional emulation control by hardware pointers.

Range of 8/16 bit processors and controllers supported by probe replacement.

FULLY INTEGRATED SYSTEMS

IDS-7000 for 8 Bit Universal
IDS-7400-8 for 8 Bit Universal
IDS-7400-86 for 8086/7/8

STAND-ALONE EMULATION

ICE-ENGINE/BX-8
ICE-ENGINE/BX-86 for 8086/7/8

For further information contact:
Thandar Electronics Ltd., London Road, St. Ives,
Huntingdon, Cambridgeshire PE17 4HJ. Telephone:
0480-64646. Telex: 32250.

MICRO-COMPUTER AIDED CIRCUIT DESIGN

Non-linear analysis doesn't frighten the micro. But, says Julian Burt, watch out for the transform scene.

When we design circuits we make many simplifying assumptions about component behaviour. One major simplification is the assumption of linearity. We freely use Ohm's Law, E (or V) = $I.R$, to describe the operation of a resistor although this implies complete linearity which, in practice, is impossible to achieve.

There are several sources of non-linearity for even the simple resistor: the capacitance and inductance of the carbon spiral it may be made of, the effects of temperature and so on. Some components have particularly non-linear responses — for example, diodes (Fig. 1). The diode can, if biased correctly, be regarded as linear only for very small signal fluctuations. In general, a diode's response when forward biased follows an exponential law:

$$I = I_s(e^{qV/KT} - 1),$$

where I_s is the reverse or saturation current, e is the base of natural logarithms (2.7183), q is the charge on an electron (1.6×10^{-14} coulombs), V is applied voltage, K is Boltzmann's constant (1.38×10^{-23} Joules/° Kelvin and T is the absolute temperature in Kelvin.

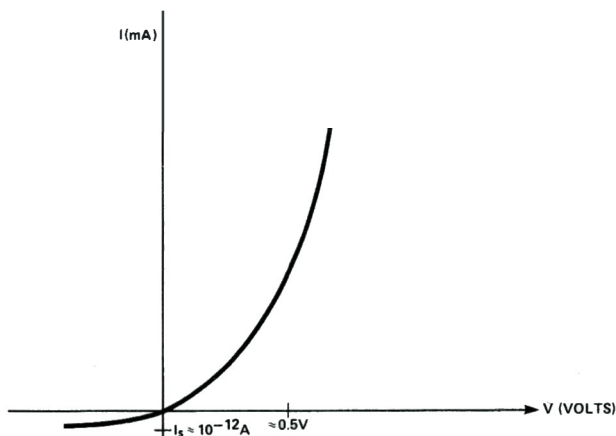


Fig. 1 Typical diode characteristic.

Suppose we wished to find the voltage across the diode in Fig. 2. Since we are talking about a DC supply we can make the simplifying assumptions that, eventually, the inductor will appear as a short circuit and the capacitor as an open circuit. The whole circuit can be redrawn (Fig. 3) so that the supply voltage is shown to be equal to the voltage across the resistor plus the voltage across the diode (Kirchoff's Laws). The voltage across the resistor can be obtained from Ohm's Law since we know

Fig. 2 Simple circuit for non-linear analysis.

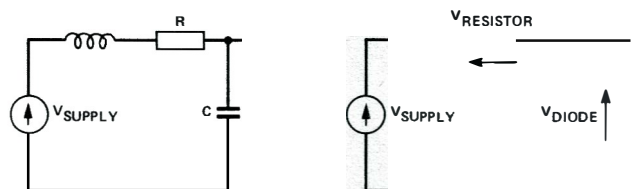


Fig. 3 The circuit of Fig. 2 under DC conditions.

that the current through the resistor is equal to the current through the diode which, in turn, is given by the diode equation above.

Alternatively, we can rearrange the diode equation to solve it for the voltage across the diode. In this case, we would find that:

$$V_d = (KT/q) \log_e((I/I_s) + 1)$$

and I would be given by Ohm's Law as the supply voltage minus the diode voltage all divided by R .

This is a very simple circuit. Yet solving the equations involved is not a straightforward matter, involving, as it does, exponential or logarithmic expressions. Imagine the complexity of a circuit with several diodes or a transistor or two.

The Numerical Solution

There are two basic techniques for solving non-linear equations without resorting to the calculation of complex exponentials or logarithmic expressions. The first is graphically, which is impractical for use on a micro-based system, and the second is by means of a numerical algorithm.

The commonest numerical method is the Newton-Raphson method in which an initial guess at the solution

is refined by means of a formula derived from a Taylor series:

$$X_n = X_{n-1} - (f(X_{n-1})/f'(X_{n-1}))$$

where

X_n is the n^{th} approximation to the solution,
 $f(X)$ is the equation to be solved, and
 $f'(X)$ is the first derivative of $f(X)$.

This method is perfectly acceptable for single variable equations but becomes considerably more complex as more and more dependent variables are introduced. For instance, if we have two unknowns, X and Y , such that

$$f_1(X, Y) = 0 \text{ and } f_2(X, Y) = 0 \text{ and}$$

$$X_n = X_{n-1} + X \text{ and } Y_n = Y_{n-1} + Y$$

where X and Y are very small compared to X_n and Y_n

then expanding Newton's method means that we will have the problem of solving a partial derivative matrix or Jacobean.

The Jacobean would have to be recalculated and inverted for every consecutive approximation, so making solution a slow process. Newton's method converges to an accurate solution with surprising speed, but the time taken to calculate each Jacobean and its inverse is a major drawback.

Several attempts have been made to find an alternative method with a similar speed of convergence in which Jacobeans do not have to be explicitly calculated. These methods are still being developed and one of the most practical ways to evolve so far is Broyden's method.

Broyden's method is a streamlined version of the Newton-Raphson method in which the inverted Jacobean which provides the successive solution to the approximations is not calculated. Instead, an approximation to the inverted Jacobean is updated using already known values of the functions involved in the original equations. Also, Broyden's method incorporates a 'damping factor' to ensure that successive approximations actually do converge to the solution. Perhaps its major advantage is that it can be described in a reasonably simple eight step algorithm.

The Transfer Function

The transfer function of a network is an algebraic expression that relates the output of the network to its input (Fig. 4). It is found by taking the Laplace transform of the impulse function, $h(t)$. The input of the circuit or network is described by $V_i(t)$ in the time domain. Its output is $V_o(t)$. The impulse function is that function in the time domain which converts $V_i(t)$ to $V_o(t)$. In the simplest cases the circuit might be an amplifying block or a potential divider and $h(t)$ would be a straightforward linear function.

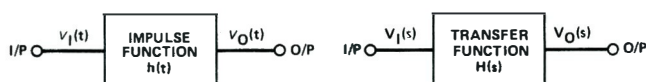


Fig 4 The transfer function describes the circuit behavior in the frequency domain and can be derived from the impulse-function of the time domain.

The Laplace transform of a function, $h(t)$, is given by the formula:

$$F(s) = \int_0^{\infty} h(t) e^{-st} dt$$

where 's' is a variable describing a complex frequency, $\sigma + 2\pi j$ (σ can be thought of as a damping factor and f the frequency).

The transfer function $F(s)$, will relate the output to the input of the circuit or network under investigation, but this time in the frequency domain. At first glance, this may seem like a long-winded and pointless technique for circuit analysis. Actually, Laplace transforms greatly reduce the mathematics involved in analysis — in simple terms, by removing the differential equations that describe a circuit in the time domain. (Also, tables of Laplace transforms are widely available).

Consider the response of a capacitor and an inductor. For a capacitor, the time domain equation

$$v(t) = (1/C) \int i(t)$$

becomes $V(s) = (1/sC) I(s)$ and an inductor's $V(t) = L di(t)/dt$ becomes $V(s) = sLI(s)$. We can also show how a transfer function, $H(s)$, can be used to generate time domain response, gain and phase frequency responses and the phase and group delays of a circuit.

From Time To Time

The time domain response can be found simply by reversing the process of calculating the Laplace transform — in other words, by using the inverse transform. The general formula for the inverse Laplace transform is known as the Bromwich integral:

$$f(t) = (1/2\pi j) \int_{c-j\infty}^{c+j\infty} F(s) e^{st} ds.$$

Precisely because s is a complex quantity, this integral can often be evaluated by straightforward numerical means. In particular, if we assume that $F(s)$ takes the form $P(s)/Q(s)$ where $P(s)$ and $Q(s)$ are polynomials and $Q(s)$ is of a degree at least one higher than $P(s)$, then it can be shown that $f(t)$ is equal to the sum of the residues of $F(s) e^{st}$ at all poles. A pole, in this context, being a value of s such that $F(s)$ equals infinity or, bearing in mind the ratio of polynomials above, it is one root of $Q(s)$ or one actual value of s that satisfies the equation $Q(s) = 0$.

The residues of a function can be found in a number of ways. The concept itself, like poles, is actually defined mathematically by reference to Laurent's theorem which gives a way of expanding a function in the complex plane. If the function has simple (first-order) poles, p_i , such that s tends towards p_i for each i , then each residue can be found by multiplying $F(s)$ by $s - p_i$ and evaluating the result as s tends towards p_i .

Since the function $F(s)$ is assumed to be equal to $P(s)/Q(s)$ and since we can rewrite $Q(s)$ as $(s - p_1)(s - p_2) \dots (s - p_n)$, it is possible to show by means of partial fractions that

$$F(s) = \sum_{i=1}^n K_i / (s - p_i)$$

where K_i is the i^{th} residue of $F(s)$. Listing 1 will calculate these residues for any function with simple poles, on the assumption that $P(s)$ is a similar polynomial to $Q(s)$ giving rise to zeroes, rather than poles, of $F(s)$. (There will be fewer zeroes than poles.) The routine is a direct translation from FORTRAN and may seem to be rather inefficient.

Once the residues have been found it is easy to work out the inverse transform by applying the formula mentioned above. Since $f(t)$ is equal to the sum of the residues of $F(s)e^{st}$ at all poles and since e^{st} has a positive value at all poles, $f(t)$ is equal to

$$\sum K_i e^{p_i t}$$

Listing 2 gives the time domain response of a circuit between times TSTART and TSTOP calculating the output of a circuit under transfer function $f(t)$ at intervals of TINC. It is important to choose a suitable value of TINC, especially for step function responses, as oscillations may be missed if TINC is too large. A good program would allow TINC to be redefined and the response recalculated as required.

Delays, Delays

The transfer function, $F(s)$, is a complex quantity — a function of the complex variable s . In the first article of this series, we showed how the magnitude and phase change represented by a complex number can be found through the modulus and argument of the number. By evaluating $F(s)$ for different frequencies we can obtain a set of complex numbers which will describe a circuit's response. By setting s equal to $2\pi fj$, (ignoring the damping factor), it is possible to work out the gain and phase response of a circuit from $F(s)$. Still assuming our transfer function has simple poles the gain or modulus of $F(s)$ is equal to the product of the moduli of the zero terms ($s-z_i$) divided by the product of moduli of the pole terms ($s-p_i$), all multiplied by a constant, A , the gain factor. Listing 3 is a routine that will do the job. It will also find out

```

1590 DEF PROCRESID
1600 FOR I=1 TO M
1610 S(1)=P(I,1):S(2)=P(I,2)
1620 ZM(1)=1:ZM(2)=0
1630 PM(1)=1:PM(2)=0
1640 IF N=0 GOTO 1700
1650 FOR J=1 TO N
1660 PROCcomplex(S(1),S(2),Z(I,1),Z(I,2),2)
1670 PROCcomplex(ZM(1),ZM(2),outreal,outimag,3)
1680 ZM(1)=outreal:ZM(2)=outimag
1690 NEXT J
1700 FOR J=1 TO M
1710 IF (J-I)=0 GOTO 1750
1720 PROCcomplex(S(1),S(2),P(J,1),P(J,2),2)
1730 PROCcomplex(PM(1),PM(2),outreal,outimag,3)
1740 PM(1)=outreal:PM(2)=outimag
1750 NEXT J
1760 PROCcomplex(ZM(1),ZM(2),PM(1),PM(2),4)
1770 PROCcomplex(G,0,outreal,outimag,3)
1780 RK(I,1)=outreal:RK(I,2)=outimag
1790 NEXT I
1800 ENDPROC

```

Listing 1 A routine to calculate the residues of a simple pole transfer function (Z is the zeros array with N values, Pis the poles array with M values, G is the gain constant of the transfer function, and the residues are stored in array RIO).

the phase shift by subtracting the sum of phase contributions of each pole term away from the sum of the contributions of each zero term.

Listing 3, of course, requires a frequency specification. We could plot the modulus of $F(s)$ and its argument against $2\pi f$ on a graph to show the frequency response of the circuit. This means that we could actually assess the transfer function of a circuit from a graph of its frequency response.

The transfer function can also be used to calculate phase and group delays in a circuit. If a sinusoidal input is applied to a network it will be found to have suffered a

```

1850 DEF PROCTRESP
1860 PROCRESID
1870 NO=INT(1+(TSTOP-TSTART)/TINC)
1880 FOR I=1 TO NO
1890 RESP(I)=0
1900 NEXT I
1910 T=TSTART
1920 FOR I=1 TO NO
1930 FOR J=1 TO M
1940 EPR=EXP(T*P(J,1))*COS(T*P(J,2))
1950 EPI=EXP(T*P(J,1))*SIN(T*P(J,2))
1960 PROCcomplex(RK(J,1),RK(J,2),EPR,EPI,3)
1970 RESP(I)=RESP(I)+outreal
1980 NEXT J
1990 T=T+TINC
2000 NEXT I
2010 ENDPROC

```

Listing 2 Routine to calculate the time domain response of a transfer function. (Response magnitude is stored in the array RESP with NO as the number of responses evaluated).

phase change at the output (assuming the network is not purely resistive). The phase change corresponds to a delay in passing the signal through the network. This is known as phase delay and is given by the formula: $-\arg(F(w))/w$, where w is a frequency and $\arg(F(w))$ is the argument of $F(s)$ at the frequency w .

Group delay is given by the similar formula: $-d(\arg(F(w)))/dw$, where we are, of course, talking about differentials. Calculating phase delay is clearly a simple matter of dividing phase shift as calculated above by the frequency at which it is calculated. Group delay could be calculated somewhat more elaborately by means of numerical differentiation — calculating the phase shift at two close frequencies and dividing the difference between the phase shifts by the difference in frequencies. Unfortunately, these differences must be very small for the calculation to be accurate and the computer (especially, a micro) introduces round-off errors which will upset the results.

There is a better method which involves substituting $2\pi fj$ for s and utilising some crafty complex arithmetic. The result is that group delay can be shown to be given by the real part of

$$\sum_{k=1}^m 1/(s-p_k) - \sum_{i=1}^n 1/(s-z_i)$$

with s equal to $2\pi fj$.

Listing 4 extends Listing 3 to include the computation

```

1340 DEF PROCFVAL
1350 S(1)=0:S(2)=2*PI*FR
1360 ZM(1)=1:ZM(2)=0
1370 PM(1)=1:PM(2)=0
1380 IF N=0 GOTO 1440
1390 FOR I=1 TO N
1400 PROCcomplex(S(1),S(2),Z(I,1),Z(I,2),2)
1410 PROCcomplex(ZM(1),ZM(2),outreal,outimag,3)
1420 ZM(1)=outreal:ZM(2)=outimag
1430 NEXT I
1440 FOR I=1 TO M
1450 PROCcomplex(S(1),S(2),P(I,1),P(I,2),2)
1460 PROCcomplex(PM(1),PM(2),outreal,outimag,3)
1470 PM(1)=outreal:PM(2)=outimag
1480 NEXT I
1490 PROCcomplex(ZM(1),ZM(2),PM(1),PM(2),4)
1500 PROCphasemod(outreal,outimag)
1510 HMOD=G*modZ
1520 HLMOD=20*LOG(HMOD)
1530 PHI=phaseZdeg/2*PI*FR
1540 ENDPROC

```

Listing 3 Routine to calculate frequency domain gain and phase shift. (FR is the frequency at which responses are calculated. HMOD is the gain at FR, HLMOD the gain in decibels and PHI the phase at FR).

FEATURE

```

1000 DEF PROC FVAL2D
1010 W=FR*2*PI
1020 S(1)=0:S(2)=W
1030 ZM(1)=1:ZM(2)=0
1040 PM(1)=1:PM(2)=0
1050 GDC(1)=0:GDC(2)=0
1060 IF N=0 GOTO 1150
1070 FOR I=1 TO N
1080 PROCcomplex(S(1),S(2),Z(I,1),Z(I,2),2)
:A=outreal:B=outimag
1090 PROCcomplex(ZM(1),ZM(2),outreal,outimag,3)
1100 ZM(1)=outreal:ZM(2)=outimag
1110 PROCcomplex(1,0,A,B,4)
1120 PROCcomplex(GDC(1),GDC(2),outreal,outimag,2)
1130 GDC(1)=outreal:GDC(2)=outimag
1140 NEXT I
1150 FOR I=1 TO M
1160 PROCcomplex(S(1),S(2),P(I,1),P(I,2),2)
:A=outreal:B=outimag
1170 PROCcomplex(PM(1),PM(2),outreal,outimag,3)
1180 PM(1)=outreal:PM(2)=outimag
1190 PROCcomplex(1,0,A,B,4)
1200 PROCcomplex(GDC(1),GDC(2),outreal,outimag,1)
1210 GDC(1)=outreal:GDC(2)=outimag
1220 NEXT I
1230 PROCcomplex(ZM(1),ZM(2),PM(1),PM(2),4)
1240 PROCphasemod(outreal,outimag)
1250 HMOD=G*modZ
1260 PHI= phaseZdeg
1270 GD=GDC(1)
1280 PD=GD
1290 IF FR<>0 PD=PHI/W
1300 ENDPROC
    
```

Listing 4 Extended version of Listing 3 giving group delay (GD) and phase delay (PD). (Note: all routines use routines given in first article).

of phase and group delays. These calculations are most useful in analysing the real behaviour of filters and determining to what extent they depart from the ideal 'brick wall' response for both large and small frequency changes.

PINEAPPLE SOFTWARE

Programs for the BBC model 'B' with disc drive with FREE updating service on all software

ARE YOU GETTING THE MOST FROM YOUR DOT MATRIX PRINTER AND DISC DRIVE?

DIAGRAM is a new program which really exploits the full potential of the BBC micro and will enable you to obtain printouts of a size and quality previously unobtainable from your system.

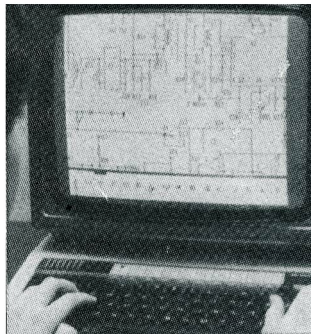


DIAGRAM SOFTWARE

£25

Supplied only on disc. Please use city printer type and 40/80B disc when ordering

MARCONI TRACKER BALL

£60

PLUS VAT P&P £1.75 Includes Icon Artmaster Software

MARCONI TRACKER BALL AND ICON ARTMASTER PLUS DIAGRAM SOFTWARE

£79.00

PLUS VAT P&P £1.75

ALL ORDERS SENT BY RETURN OF POST

39 Brownlea Gardens, Seven Kings, Ilford,

Essex IG3 9NL ☎ TeI 01-599 1476

FEATURES

- Draw diagrams, schematics, plans etc., in any aspect ratio, e.g. 10×3, 2×12 screens.
- Access any part of the diagram rapidly by entering an index name, e.g. TR6, R5 etc., to display a specific section of the diagram, and then scroll around to any other part of the diagram using the cursor keys.
- Up to 128 icons may be predefined for each diagram, e.g. Transistors, resistors etc., in full mode 0 definition, up to 32 pixels horizontally by 24 vertically
- Hard copy printouts in varying print sizes up to 18 mode 0 screens on an A4 size sheet, compatible with most dot matrix printers
- Many other features including, selectable display colours, comprehensive line drawing facilities, TAB settings, etc.
- The latest version of DIAGRAM is now fully compatible with the Marconi Tracker Ball, which allows 'scrolling' of the screen and many of the editing features to be carried out using the tracker ball
- DIAGRAM is supplied in an attractive hard backed disc wallet with keypad and comprehensive instruction manual.

MICROBOX II THE 6809 SINGLE BOARD COMPUTER THAT YOU BUILD YOURSELF

VIDEO OUTPUTS KEYBOARD PORT PRINTER PORT SERIAL PORT SERIAL PORT

SYSTEM EXPANSION BUS

BATTERY BACKED REAL-TIME CLOCK/CALENDAR

128KBYTES SHARED MEMORY RAMDISC
HIGH SPEED SILICON DISC ACTS LIKE A STANDARD 'FLEX' DISC

ALPHANUMERIC DISPLAY
108 x 24 CHARACTER FORMAT.
USER DEFINABLE CHARACTERS.
STANDARD VDU CONTROL FUNCTIONS

EXTREMELY FAST, VERY HIGH RESOLUTION GRAPHICS
768 x 576 MONOCHROME DISPLAY
HARDWARE VECTOR GENERATION BY ADVANCED NEC7220 DEVICE. LINE, POINT, ARC, PATTERN, TEXT, AREA FILL ETC.

POWERFUL 68B09E 8/16 BIT MICROPROCESSOR

SYSTEM SUPPORT MONITOR (8KBYTES) containing:
DISC AND INPUT/OUTPUT DRIVERS
GRAPHIC PRIMITIVES
TERMINAL EMULATOR
UTILITY AND DIAGNOSTICS
"FLEX" BOOT AND CONFIGURE

60KBYTES USER MEMORY

FLOPPY DISC INTERFACE
SUPPORTS SINGLE OR DUAL, 40/80 TRACK, SINGLE OR DOUBLE DENSITY DISC DRIVES

EPROM DISC (AND PROGRAMMER).
HIGH SPEED READ ONLY SILICON DISC ACTS LIKE A STANDARD 'FLEX' DISC PROVIDES 'INSTANT' SOFTWARE

*NOTE: MICROBOX II WILL BOOT 'FLEX' FROM ANY STANDARD SYSTEM DISC.

Micro Concepts

Ex VAT

BARE PCB'S AND DOCUMENTATION
+ SYSTEM SUPPORT MONITOR
+ SYSTEM UTILITIES DISC – £95.00
FLEX + EDITOR + ASSEMBLER £75.00

2 ST. STEPHEN'S ROAD · CHELTENHAM · GLOUCESTERSHIRE GL51 5AA

Telephone: Cheltenham (0242) 510525

LOW COST C.A.D.

"ATTENTION ALL ELECTRONICS CIRCUIT DESIGNERS!!"

IBM PC (and compatibles) BBC MODEL B, B+ and MASTER, AMSTRAD CPC and SPECTRUM 48K

ANALYSER I and II compute the A.C. FREQUENCY RESPONSE of linear (analogue) circuits GAIN and PHASE, INPUT IMPEDANCE, OUTPUT IMPEDANCE and GROUP DELAY (except Spectrum version) are calculated over any frequency range required. The programs are in use regularly for frequencies between 0.1Hz to 1.2GHz. The effects on performance of MODIFICATIONS to both circuit and component values can be speedily evaluated.

Circuits containing any combination of RESISTORS, CAPACITORS, INDUCTORS, TRANSFORMERS, BIPOLAR AND FIELD EFFECT TRANSISTORS and OPERATIONAL AMPLIFIERS can be simulated - up to 60 nodes and 180 components (IBM version).

Ideal for the analysis of ACTIVE and PASSIVE FILTER CIRCUITS, AUDIO AMPLIFIERS, LOUDSPEAKER CROSS-OVER NETWORKS, WIDE-BAND AMPLIFIERS, TUNED R.F. AMPLIFIERS, AERIAL MATCHING NETWORKS, TV I.F. AND CHROMA FILTER CIRCUITS, LINEAR INTEGRATED CIRCUITS etc. STABILITY CRITERIA AND OSCILLATOR CIRCUITS can be evaluated by "breaking the loop".

Check out your new designs in minutes rather than days.

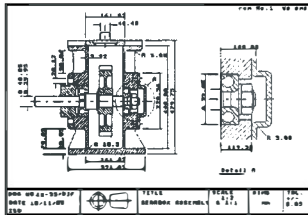
Used by INDUSTRIAL, GOVERNMENT, and UNIVERSITY R & D DEPARTMENTS worldwide. IDEAL FOR TRAINING COURSES. VERY EASY TO USE. Prices from £20-£195.

"LOW COST COMPUTER DRAUGHTING" ON THE BBC MODEL B, B+

"DRAWER" enables quality drawings to be created, and modified, quickly, easily and with the minimum of hardware. All of the major program elements are written in machine code giving exceptional speed of operation.

FEATURES

- * Rubber Banding for drawing lines.
- * Solid or Dotted line types.
- * Circles, Arcs and partial or complete Ellipses.
- * Vertical or Horizontal Text.
- * Pan and Zoom.
- * Merging of drawings and library symbols from disc.
- * Up to 20,000 lines on a drawing.
- * Snap to a user defined grid.
- * Absolute or Relative cursor co-ordinates displayed on screen.
- * Input from analogue joystick, mouse or trackball.
- * Output to standard dot matrix printer.
- * Prices from £45 - ex VAT.



Minimum Hardware Required:- BBC Model B. Single or Dual 5.25" Disc Drive - 40 or 80 track. T.V. or Monitor. Games Joystick, Mouse or Trackball. Dot Matrix Printer (Epson 80 series or Epson compatible - BBC default model).

FULL AFTER SALES SERVICE with TELEPHONE QUERY HOT LINE and FREE update service.

for illustrated leaflets and ordering information please contact:-

NUMBER ONE SYSTEMS LIMITED (REF ETY)
Crown Street, St. Ives, Huntingdon, Cambs PE17 4EB
Tel: 0480 61778;

LIGHTING

THEATRE - BAND - DISC - CLUB

At MJL we supply a range of stage lighting equipment within everyones budget. With world wide sales we have the backing and expertise to deliver just the system you need to 'Light Up' that Play, Gig or Dance Floor, from Basic 6 channel dimming to 30 channel rock mixing desks. So if you are a lighting engineer, stage manager or rig technician, or simply an amateur Drama group, we're the Professionals.

FOR FREE COLOUR BROCHURES
Write to:

MJL (International) LTD.
45 Wortley Rd., W. Croydon,
Surrey, U.K. CR0 3EB

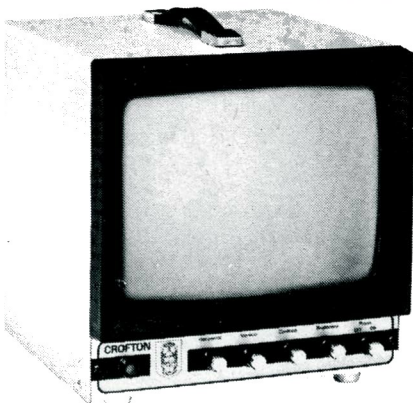
or Phone:

01-689 4138

CROFTON PM101

SUMMER OFFER £40

Inclusive VAT and carriage £49.45 total



This 9 inch metal cased, monochrome monitor offers you the chance to obtain a high quality product at a budget price!

SPECIAL OFFERS

BRAND NEW professional board and green tube to make 12" T.T.L./comp open home monitor. ONLY £30 + VAT and carriage. ZX81 Full sized keyboard in metal case £13.80. COMPUTER DESKS £20.

THE VIDEO SPECIALISTS

Crofton

(05448) 557

Be sure to ask for our various catalogues. We have a full range of products including:

- 1—Discrete listening devices
- 2—Plugs/sockets/connectors/leads
- 3—Television accessories
- 4—Security products
- 5—Computer products
- 6—NEC cased and uncased monitors

Just starting to refurbish CCTV Cameras, and Monitors, Ask For Details. First Come First Serve, these are very popular items and won't last long.

CCTV camera at attractive prices

ALL OUR PRICES INCLUDE VAT, CARRIAGE & INSURANCE AND CAN ONLY BE HELD AS LONG AS STOCKS LAST!

PHONE YOUR ORDER NOW!

MOST MAJOR CREDIT CARDS ACCEPTED. OFFICIAL ORDERS FROM APPROVED INDUSTRIAL OR EDUCATIONAL ESTABLISHMENTS WELCOME.

Delivery within 28 days.

If you would like all our catalogues - Please send a 38p 9 x 12 S.A.E.

THERE'S ALWAYS A SPECIAL DEAL FOR YOU AT CROFTON

If we haven't listed what you are looking for, please ask, we probably have it in stock.

PHILIPS BM7502
Also in stock: **PHILIPS BM7522**
PHILIPS CT2007

Phone for todays best price

CROFTON ELECTRONICS

KINGSHILL, NEXTEND, LYONSHALL,
Nr KINGTON, HEREFORDSHIRE HR5 3HZ

HARDWARE DESIGN CONCEPTS

Mike Barwise continues his series on the general considerations brought to bear on peripheral design with some particular thoughts...

Last month, we introduced some of the central ideas in the field of buffer design. Now it's time to turn our attention to an actual type of circuit. This implementation requires two pointers to a single storage array. One pointer is used for storing data from the host, and the other is used for writing data to the printer. Whereas in our first buffer the array had a finite start and end, we now allow the buffer to wrap around, so that the next byte loaded after the highest RAM address is the lowest again.

A good analogy to the mechanism is that of a clock face with two independent hands (Fig. 1). The array addresses are distributed clockwise around the face. One hand points to the current storage location to be written to from the host (loaded), and the other hand points to the current location to read out to the printer (unloaded). This clock is like the Kiddie Clock used in infant school to teach time of day, with one major exception: neither hand is ever allowed to overtake the other. If either hand catches up with the other, it must wait until it has been left behind again before advancing further.

The buffer in Fig. 1 is 12 Kbytes in length, and currently contains about 8K of valid data.

This is like the Kiddie Clock used in infant school, with one major exception: neither hand is ever allowed to overtake the other.

In the operational direction (notional clockwise) the storage pointer will always be in advance of the output pointer. In the special case when there are no characters to pass on to the printer, the input/output pointer difference will be one byte, otherwise it is the actual number of bytes waiting for pass-on plus one. This difference is the crucial factor: the absolute value of either pointer is practically immaterial, so long as the buffer can wrap around and the pointers are preserved when transferring control between read and write operations.

The resulting device is a software semi-synchronous FIFO. Transfers from the host are requested asynchronously, and synchronized by the buffer CPU's interrupt to its internal operations.

If the buffer has free space, a READY flag is presented to the host, indicating that data may be passed to the buf-

fer. At this time the buffer will be either sending characters to the printer, updating its output flag as it goes, or idling with no characters to send and an output pointer difference of one.

Writing a byte into the host interface port causes an interrupt to the buffer CPU. This cancels the READY flag, stops idling or sending to the printer, and saves its current output pointer. The character is read from the host interface, and stored according to the current value of the storage pointer, which is then updated and saved. The output pointer is restored before return from the interrupt.

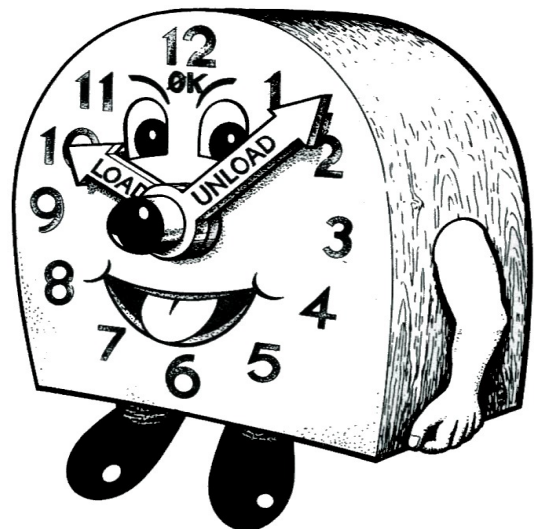


Fig. 1 The Kiddie Clock analogy.

On return from the interrupt, the input/output pointer difference must be greater than one, as a character has been loaded into the buffer. The output routine therefore sends characters to the printer until either the input/output pointer difference is one again, or another interrupt occurs, whichever happens first.

If at any time the buffer is almost full, the READY flag is cancelled until the buffer is free to acquire more data. It is important that the flag is cancelled while there is still room for several characters, to cover any potential confusion at the interface due to the asynchronicity of the

host and buffer processors. It is also a good idea to allow the buffer to partially empty before re-allowing the READY flag. Typical parameters for this hysteresis are: almost full with the greater of 16 bytes or 1/256 of the buffer size to spare, and half full (half empty if you're pessimistic) before re-allowing the READY flag. The capacity point at which the buffer starts accepting characters again is worth experimenting with: the greater the hysteresis, the less efficient the buffer, but there must be sufficient to prevent it acting as a single character drop-through port, as a burst transfer of several bytes is more efficient for the host than one character at a time.

Buffer Ports — Input And Output

Now for the buffer's ports to the outside world. Forget about peripheral interface chips — we will use good old-fashioned TTL (or CMOS!). This is not just prejudice: the job to be done is very simple, and for practical purposes requires no modifications when changing mating equipment. If programmable interfaces were used, timings and sequences of operations would have to be performed by software, which is feasible but unnecessary.

The commonest printer interface is the Centronics parallel standard, and this is the interface I have chosen for our printer buffer. Readers with serial printers could append a parallel to serial converter to the output of the buffer.

The Centronics interface uses a minimum of eight data lines and three control lines: data strobe (STB), acknowledge (ACK) and BUSY. Optional lines can provide detailed information on printer function status (for example, paper end) but we will ignore these, as they are rarely implemented on home micros, and they only define BUSY status in more detail.

Forget about peripheral interface chips - we will use good old fashioned TTL.

Data strobe, STB, is a negative-going pulse supplied by the host computer to the printer or buffer to indicate that a new data byte has been loaded into its printer port data register (PPDR). Acknowledge, ACK, is a negative-going pulse supplied by the printer or buffer to the host computer to indicate that it is finished with the data byte in the PPDR, and the host computer is allowed to supply the next byte. BUSY is an active high state line which indicates that the printer or buffer is not ready for the next data byte yet. BUSY is high from just after STB until either just before or during ACK, and under certain fault conditions (for example, no paper, off line). The host computer must only supply data while BUSY is low.

There are two modes of operation using these three control lines: *busy poll*, where ACK can be ignored, and *handshake*, where the printer can be supplied by the host micro with data under interrupt.

In *busy poll* mode, the host generates a STB after loading its PPDR with a byte. It then sets up a loop which repeatedly checks BUSY until it goes low. At this time it is assumed that the printer is free for the next character. This is a very common mode of operation on the earlier home micros which are not interrupt driven.

In *handshake* mode, there are two methods of control. The most interesting is the use of the ACK to generate an interrupt to the host. The service routine does a quick check of BUSY (not polling, but just 'are we busy now?') and, if not busy, supplies the next character to the printer. Other tasks can be carried on in the

foreground subject to suitable host software, but it should be noted that the first character of a printing job cannot be supplied under interrupt, as the ACK which causes the interrupt is a reply to a STB.

The alternative method of operation in *handshake* mode is to use STB and ACK to toggle a hardware flip-flop in opposite directions, and to poll its output as a pseudo-BUSY signal.

Figure 2 is a diagram of representative timing relationships for the Centronics interface. The stated minima and maxima are approximate, but the interface should function normally in most cases if they are adhered to. A safety margin of say 50% applied to all timings should guarantee operation without problems.

The buffer input interface (Fig. 3) consists of a data register (74LS374) and a control flip-flop. It is advantageous to use an edge triggered flip-flop to improve the sequential timing of the interface. As edge triggered flip-flops are not readily available, a D-type (74LS74) is used in conjunction with a monostable (74LS221).

In normal operation, the STB from the host micro trips the monostable (IC2a) which generates a negative going pulse. As soon as this is low, the D-type (IC3a) is reset, taking its Q output high to indicate BUSY to the host. Simultaneously, the Q output of IC3a drives the interrupt line of the buffer microprocessor.

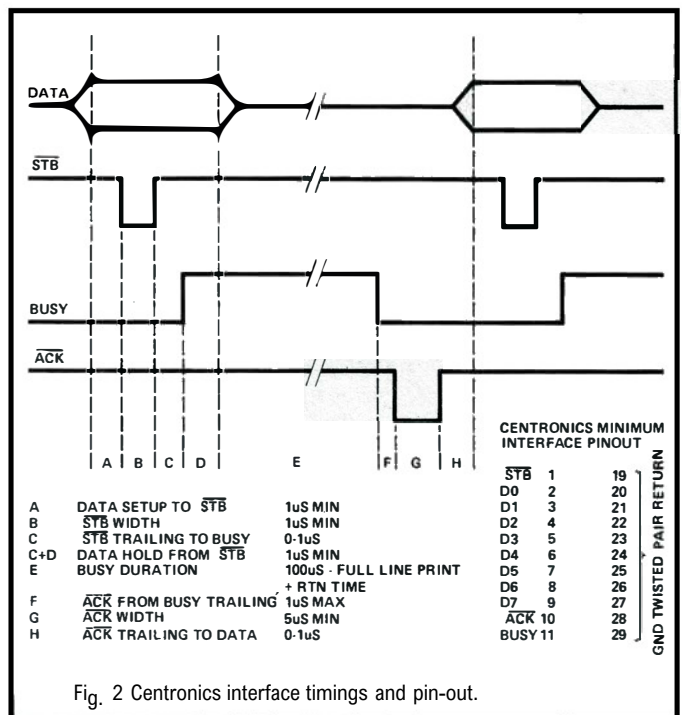


Fig. 2 Centronics interface timings and pin-out.

When the monostable pulse ends, its rising edge clocks the data on the interface cable into the buffer data register (BDR-IC1). The duration of the monostable pulse guarantees that data are stable at the BDR, allowing for the propagation delays of the host PPDR and the Centronics cable, but is less than the interrupt service time of the buffer processor read routine. If the processor is very fast, it may be necessary to introduce a wait at the start of the interrupt service routine: either an absolute wait or a poll of a register bit driven by the output of IC2a.

Either way, when you know the BDR holds a valid byte, it is read and stored by the buffer processor as discussed previously. When all housekeeping is finished, any WRITE to DECODE 1 causes a negative-going pulse which clocks the D-type (IC3a) back to its previous state

cancelling BUSY, and simultaneously trips the monostable (IC2b) which generates an ACK to the host micro. The buffer software can then return to its previous task of outputting characters to the printer.

The output port of the buffer is shown in Fig. 4. There is considerable freedom in the design of this port, depending on the mode of operation you can decide to use. The primary invariable is the data output register (DOR-IC4) and the STB generator (IC5a, b).

Data are latched into the DOR on the trailing (rising) edge of the write cycle of your software STORE instruction — DECODE 2. The same rising edge trips the first monostable (IC5a) which provides a delay dictated by the Centronics protocol (Fig. 2, D). The trailing edge of this pulse trips the second monostable (IC5b) which generates the STB signal to the printer.

A read status port (IC6) reflects the state of the Centronics BUSY line to the buffer processor, and (optionally) a flip-flop (IC3b) similar to the input port flip-flop may be used to generate a second signal (NOT READY), toggled by the write to the DOR and the Centronics ACK. Both signals must be low to allow data transfer.

Note the inverse sense of the D-type operation: it is RESET by the leading signal (STB), and SET by the trailing signal (ACK). This is to allow the general RESET line of the buffer microsystem to clear the ports to a READY state on initialisation without using extra logic gates, by using the D-type PRESET inputs.

Of course you could use compatible CMOS logic throughout instead of the suggested TTL

Use Of Interrupts

I do not recommend trying to run both input and output of the buffer under interrupt. The critical data direction (input) should be run under interrupt, and the output to the printer should be under polled transfer.

The reduction in the output rate as a result of this will scarcely be noticed.

When the buffer is temporarily full, the buffer micro simply returns from interrupt without writing to the ACK generator of the input port. As soon as the buffer has free space, the foreground output program can generate the ACK, thus resetting BUSY.

It will be necessary to control the interrupt masks in addition if you use a maskable interrupt which is level sensitive (for example, the 6502 IRQ signal), as the interrupt line will remain low for the whole period between STB resetting IC3a and ACK clocking it again.

If the processor is very fast it may be necessary to introduce a wait at the start of the interrupt service routine.

Alternatively, it is quite feasible to use an edge triggered interrupt (for example, the 6502 NMI signal), so long as it is pointed at a null routine during initialisation and extended BUSY periods, as a precaution against noise triggered false interrupts.

The third option is to stay with a maskable level triggered interrupt, and interpose a 10µs monostable, edge triggered by the output of IC3a. This will provide a long enough low pulse to register as a valid interrupt, but will then lock out further interrupts until ACK has occurred.

Next on my list is stand-alone arithmetic processing. This covers both straight maths and data encryption/decryption. Quite a lot has appeared in ETI recently on this last, so you might like to refresh your memory (if it's dynamic!) in time for next month.

Fig. 3 Centronics interface input port.

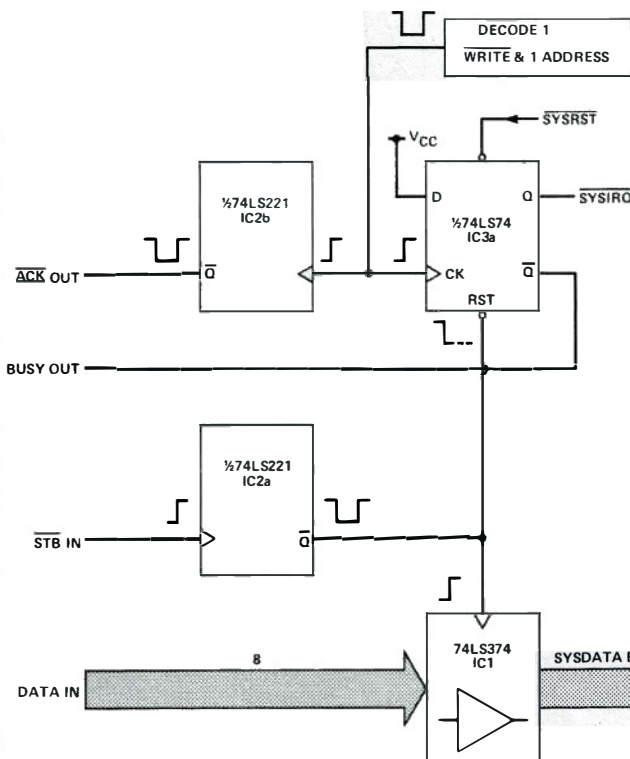
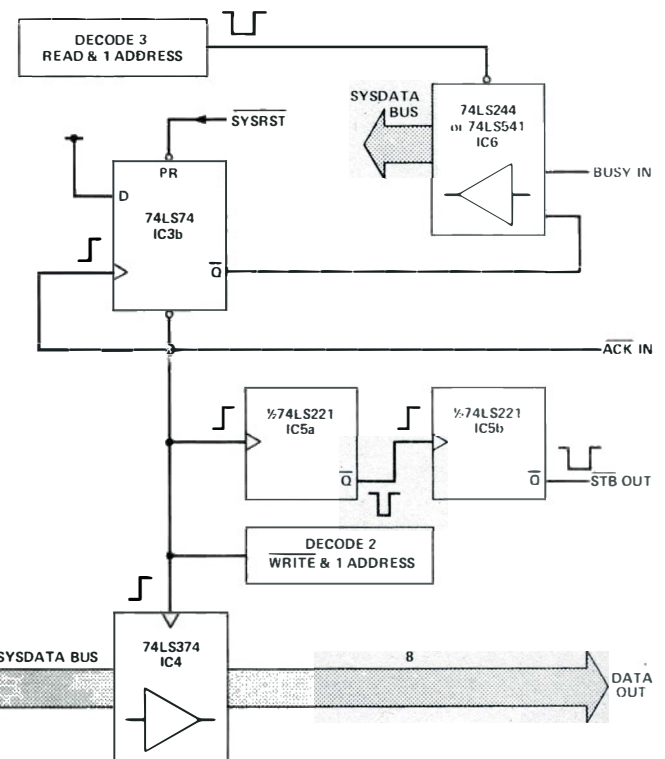


Fig. 4 Centronics interface output port.



LOW COST FRAMESTORE

Want to grab some of the action. Need a frozen frame for the hot weather. Dan Ogilvie of Oggitronics has the wherewithal - an affordable video frame store with all the trimmings allowing storage and processing of medium resolution images.

Over the next few issues of ETI we will cover the design and construction of an affordable video framestore that can capture and process video images, whether they be from cameras, video tape recorders or broadcast in real time. A full kit of parts will be available for the construction of the PCB, or the plated through hole PCB can be purchased alone for those wishing to make their own way. A cased, tested and complete framestore is also available for those whose feet tend to be level with their head for the greater proportion of the time.

The techniques of interfacing the framestore to a micro-processor will be explained by means of an example in the form of an add-on RS232 interface which provides a comprehensive, albeit slow, access to the store. Again a kit of parts and PCB will be made available. Finally some EPROMs will be available with some simple and not so simple image processing algorithms in them to run on the MPU board.

Decision Time

At the outset, some decisions had to be made as to how much memory and what type to use, what resolution is satisfactory and affordable and, generally, what to include and what to leave out of the specification. To appreciate the decisions that were made, it's useful to have some idea what the incoming video looks like.

Video is sent as a sequence of lines of information, each one slightly below the previous one and each lasting 64 microseconds, of which 52 μ s is visible. The other 12 μ s is time used to get the trace back to the beginning of the next line.

In all, 625 lines are sent to describe the complete image. They are sent in two goes, 312½ each time, the half ensuring the second lot lie in between, or 'interlace' with, the first lot. Each lot is called a field, 312½ lines of 64 μ s each, lasting a total of 20ms. The two fields together are called a frame. About 575 of the 625 lines are visible, the others being blanked during flyback, when the spot gets back to the beginning of a field.

Figure 1 illustrates what the composite video signal looks like. There are two obvious parts to it. The first is down the bottom of the signal (about 0.3V of it usually) and is the synchronizing information.

This consists of 4 μ s pulses to mark the beginning of each line and longer pulses to mark the beginning of each field. Within the field pulse is information which

enables us to determine which field is which within a frame.

Although a monochrome signal would not have it, I've shown where the colour burst pops up. This performs the same job as the line and field syncs for the colour decoder. On top of the sync signals and about 0.7V in amplitude is the video itself. Where the syncs stop and the video starts (on the back porch) is defined as black. As the video signal approaches 0.7V, it would appear progressively whiter.

Memories

To store one video image, we are going to break it up into little packets (pixels), which represent the brightness of the image at each point on a notional screen and hold them in a digital memory. The more pixels there are in memory, the better the reconstituted image will look.

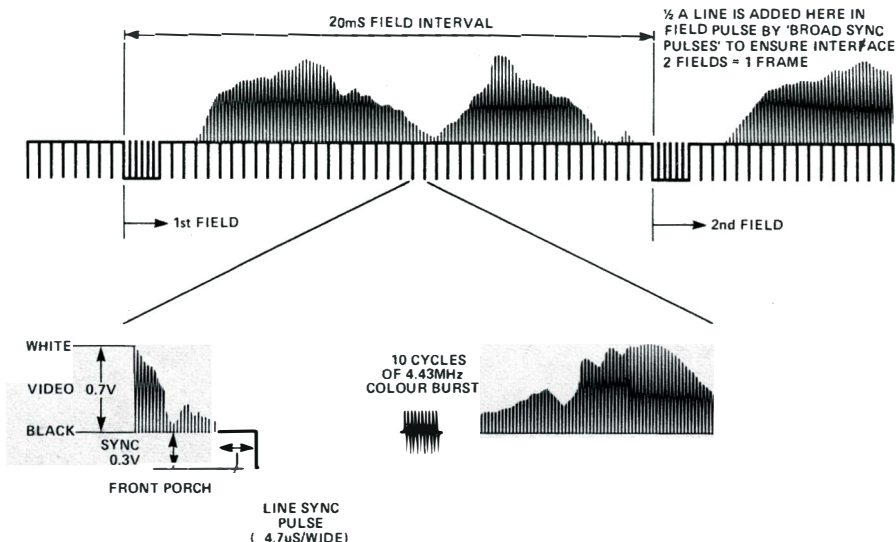


Fig. 1 The video signal.

PROJECT: Framestore

To make full use of memory ICs, we must choose the number of pixels to be stored with care. Nearly all memories store 2^n bits of information. We could store $575 \times \frac{1}{2}$, or $287\frac{1}{2}$ lines per field. The nearest power of 2, gives 256 (28) lines. No real problem here, $64 \mu\text{s}$ are available to store each line and this is plenty of time for modern RAMs.

How many pixels per line should be stored? Well what about 256 again? Sounds reasonable, doesn't it? This means that one image will be composed of 256×256 , or 64K, pixels. The pixels will require a certain number of bits to represent brightness levels, all of which means a fair amount of memory which could turn out quite expensive. Cost indicates dynamic RAM.

What should the access time of the RAM be? To make full use of the RAM, we should only store what is known as the active period of the line, the $52 \mu\text{s}$ that doesn't comprise fly back. So each pixel is $52/256 \mu\text{s}$ or 203ns wide. Let's call it 200ns and use a 5MHz sample clock — nice round numbers.

Just a small snag here though — 200ns is too fast for dynamic RAM. The popular 64Kx1, 150ns DRAM actually requires 260ns to access it, allowing time between accesses for the DRAM to settle down a little (the precharge time). One way around this is to store two successive pixels temporarily in a register and then present them to two dynamic RAMs (one for each pixel). Now 400ns are available for storage, which is plenty, and the slight increase in hardware complexity is negligible.

As far as accuracy is concerned, one factor overrides all. As I only have 200ns to convert a signal level video into a binary number, a parallel or flash converter must be used. Until recently, a 4 bit (16-level) flash converter could cost £40 or so — the 6-bit (64-level) device being over £100. To our rescue comes STC's recently introduced 8-bit combined ADC and DAC in a single package costing about £40 complete. The IC will be looked at in more detail next month — suffice to say that the price is a result of plastic packaging and anticipated high volume production for television and video equipment.

Unfortunately, to use more than four bits the amount of hardware (including memory) would have to be doubled, most TTL ICs being four or eight bits



The framestore showing an untreated image.

wide. To keep costs down. It was decided to use four bits with an option to expand this later.

Although we're only using four-bits, since two RAMs are required for each storage operation we still need eight RAMs altogether. Having settled on DRAM and having 400ns available for an access, it was decided to use a read-modify-write cycle instead of a conventional read or write cycle.

By delaying the application of the write pulse, the DRAM will assume it is in a read cycle and will present the information at its Q outputs — that is, at the address requested. We take this information and display it. We also send it to an arithmetic processor which has access to the data waiting to be written into memory. The output of the arithmetic unit is then presented to the D inputs of the DRAM after any required processing. This enables the frame store to do things like add or subtract previous and present information before writing it into RAM.

Another simple benefit is that an image is still displayed even if continuously writing into the store. To do this with static RAM would require a read followed by a write cycle: 300ns in total, which is too long. A read-modify-write cycle for DRAM takes only 25ns longer than a conventional read or write cycle. Also, 8Kx8 static RAM (the most cost effective at the moment) uses common I/O pins so that the read

information must be latched and held for the arithmetic logic unit (ALU) — which means more hardware.

In the actual circuit (Fig. 2), the hardware to interface to DRAM allows a simple upgrade to 256Kx1 memories (by adding one address line) which enables up to eight, fields to be stored. Also, since the contents of the DRAMs are being read all the time, the stored image is always viewable and the DRAMs can be refreshed automatically in the read-modify-write cycle as long as the address present when row address strobe (RAS) goes low is the lowest order byte of the full address. This changes 128 times a line or 256 times every 128 microseconds.

The DRAMs are not accessed during the flyback period when nothing is being stored. This represents $31\frac{1}{2} \times 256 = 56.5$ lines per field or $56.5 \times 64 \mu\text{s}$, which is 3.616ms. This is the longest time the DRAMs are required to hold data without refresh. This is too long for some DRAMs which require 128 cycle refresh every 2ms. DRAMs which only need a 256 cycle refresh every 4ms present no need to worry about refresh at all. The last row to be refreshed will have to wait 3.616ms plus $128 \mu\text{s}$, or 3.744ms, which is fine.

However, 2ms DRAMs will probably work if used at room temperature or thereabouts so that

PROJECT: Framestore

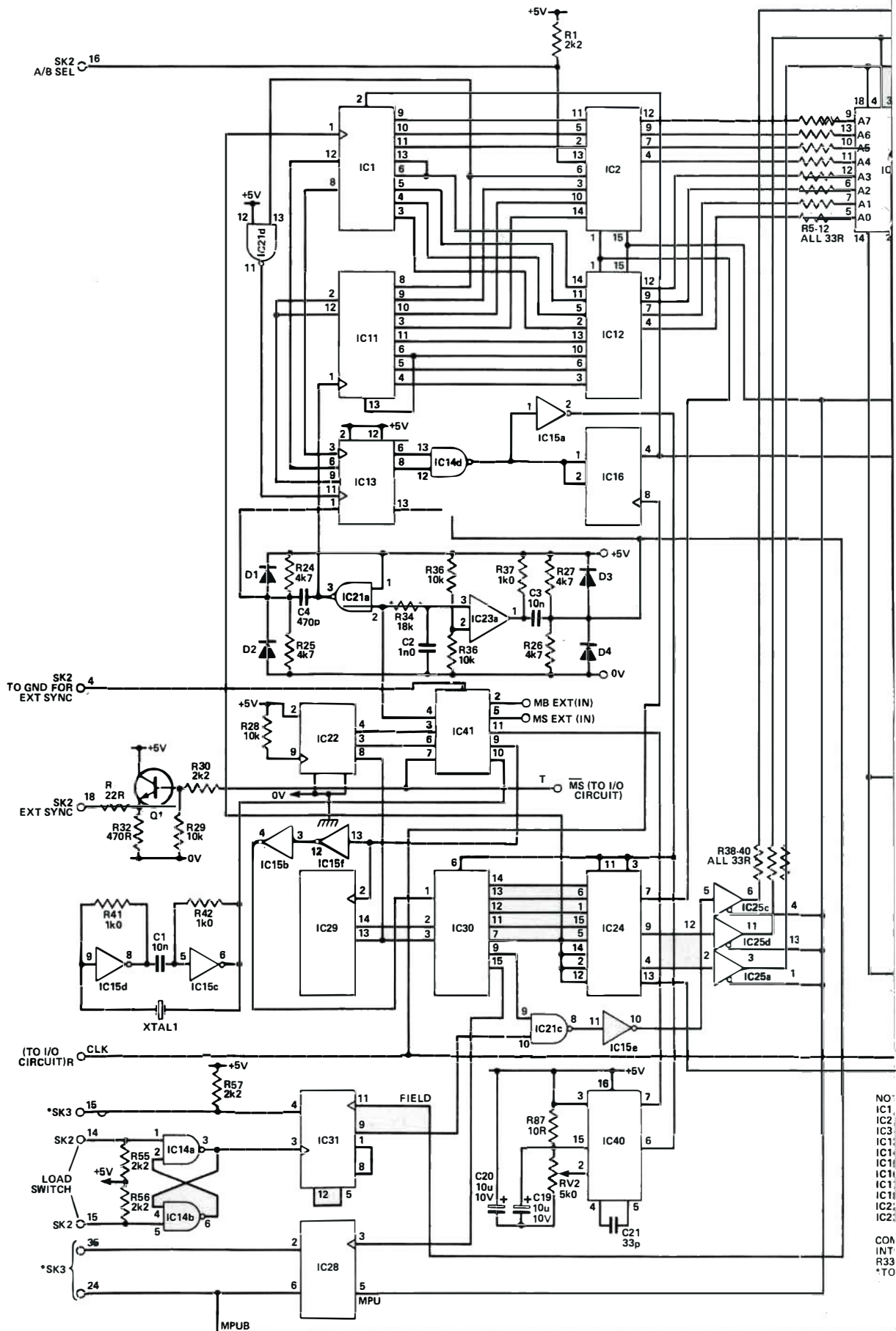
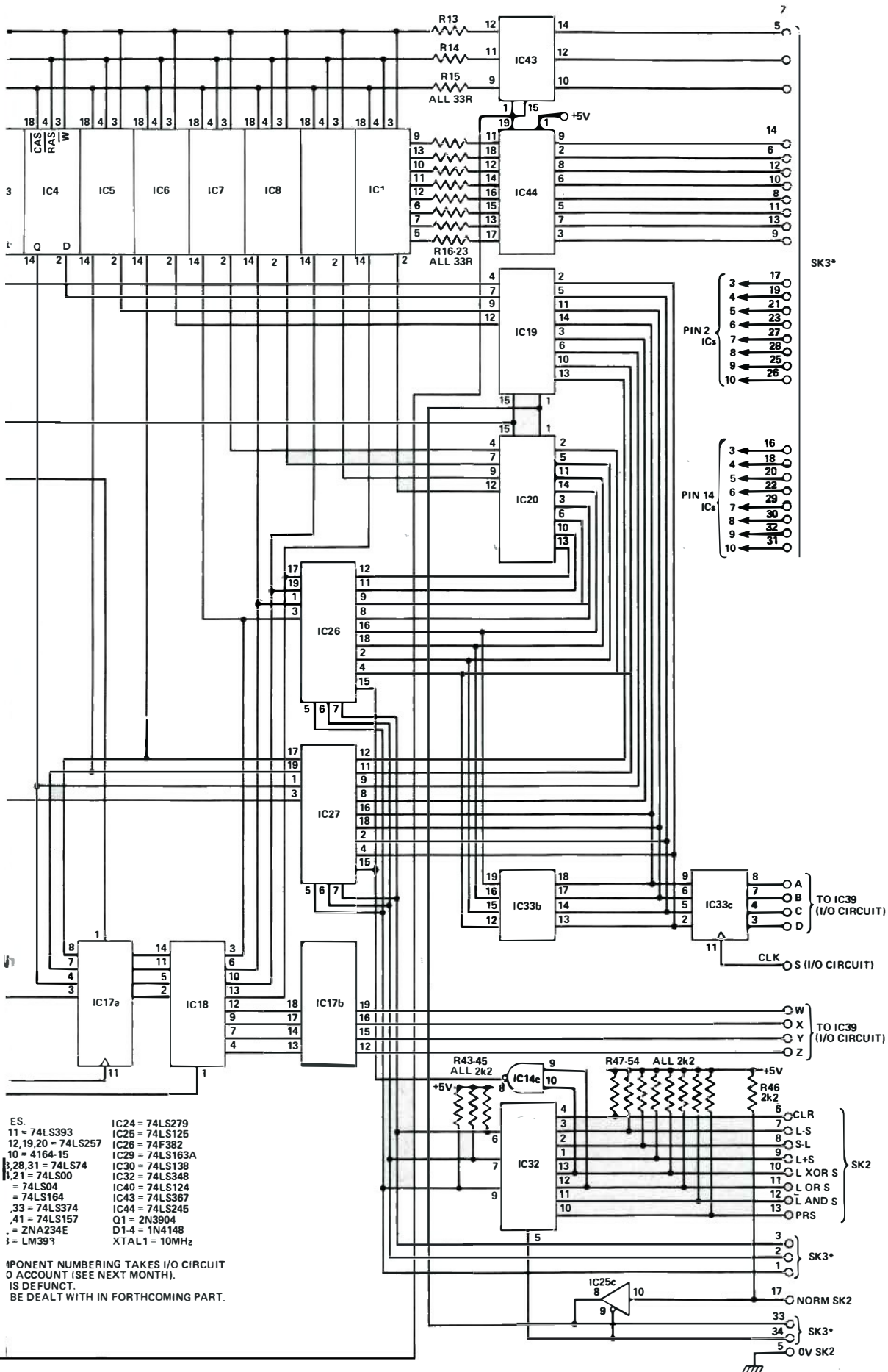


Fig. 2 The circuit diagram for the logic section of the framestore.

PROJECT: Framestore



PROJECT: Framestore

the tiny capacitors used to hold the charge representing a one or zero bit do not discharge quickly. If you already have eight 2ms RAMs (Hitachi, Motorola or Toshiba, for instance) socket them and try them out. If you are buying RAMs from scratch, get Texas or Samsung or any other 4ms devices. The kit will supply the correct RAMs.

Just A Wee DRAM

Those who are familiar with DRAMs may skip this bit (as it is the last section this month, this has distinct attractions). To save on packaging, 64Kx1 DRAMs receive the 16 address bits required to select one of 65536 (2¹⁶) locations as two bytes into the RAM. A write enable pin, two supply pins (watch out — they're the opposite way round to everything else on this earth!) and separate data in and out pins (D and Q) mean we can fit a 64Kx1 RAM into a 16 pin package. Pin one is unused (a little lie here, since it can be used for an auto refresh function) and allows a simple fourfold expansion to 256K.

To access the DRAM, the first (and lower) eight bits are set up and \overline{RAS} is taken low (see Fig. 4). This initiates the cycle and latches the first address byte. After the \overline{RAS} address hold time, the address is changed, by the LO line here, and \overline{CAS} taken low to latch the high order byte. After the \overline{CAS} address hold time (45ns), we no longer need to hold the address steady and can do with it as we will. \overline{CAS} also turns on the data output drivers. Some 150ns after \overline{RAS} or 100ns after \overline{CAS} , whichever is the later, valid data appears on Q, representing the information at the location latched in. This is sent to the ALU and some function performed to combine it and the incoming converted ADC data. The output of the ALU is then sent to the data input of the RAM.

If the RAM is to be read as in a normal display access cycle, the output data is just latched so it is ready for the digital-to-analogue converter. The access cycle is then terminated by taking \overline{RAS} and \overline{CAS} high. The RAM may now no longer be accessed until the precharge time has elapsed (100ns). During this time the data that was read is automatically written back into the location from where it was destructively read. Hence the lack of an additional refresh

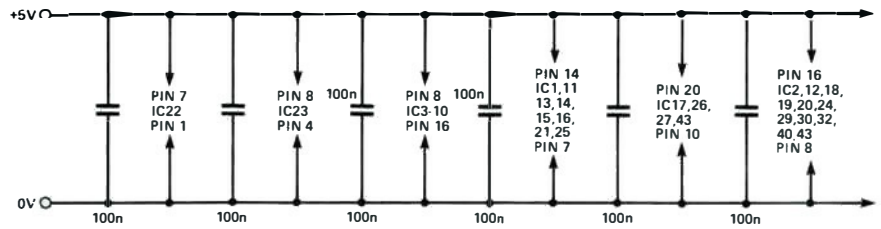
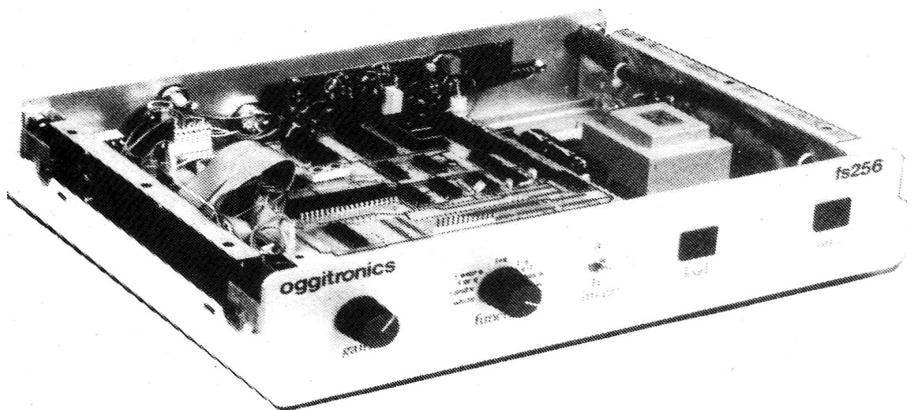


Fig. 3 Power connections to the logic section.

requirement.

Should we wish to write new information in to the RAM, once the ALU had valid data we need only take write (\overline{W}) low for at least 45ns to write new data in on its falling edge. The cycle terminates as before.

Next month we'll deal with the ADC/DAC circuit and complete the description of the framestore. The parts list, buylines and details of where to purchase the kit will then be covered, along with construction and connection details.



Inside the framestore.

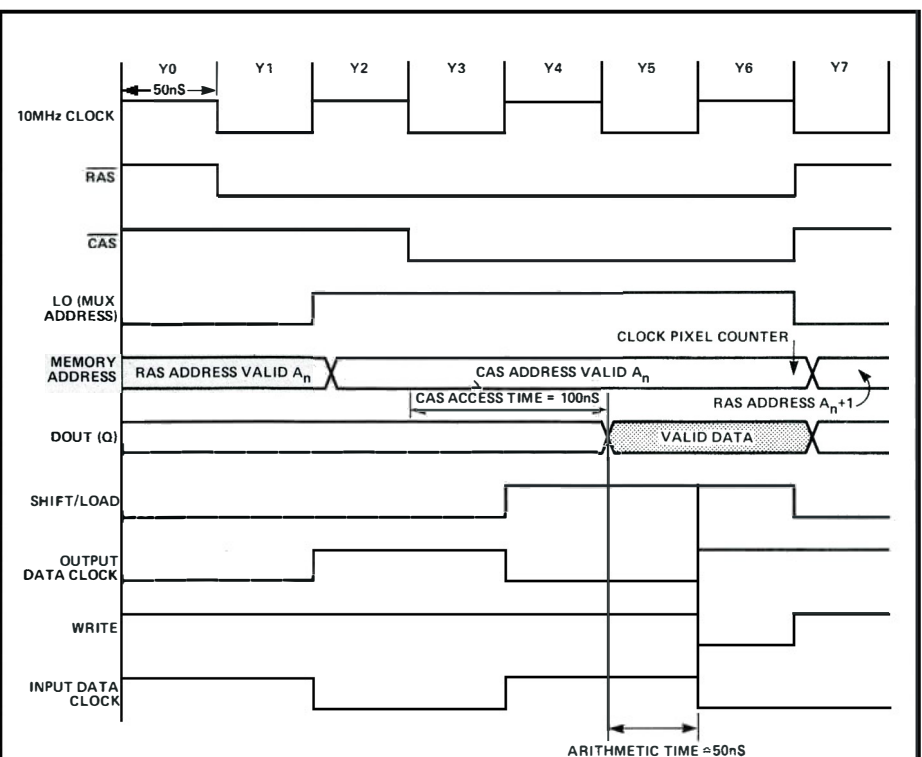


Fig. 4 Dynamic RAM timing diagram.

PROJECT: Framestore

HOW IT WORKS

The master oscillator is formed from two TTL inverters (IC15b, c — Fig 2) and a 10MHz crystal (XTAL 1). (An option is also provided to feed in an external clock signal). This is fed via two further delay gates (IC15 a, d) and a binary counter (IC29) to the select inputs of a 3-to-8 multiplexer (IC30). The outputs from this consist of a series of negative going pulses in order from Y0 to Y7 repeating continuously. These pulses are used to set and reset the four RS latches of IC24. The outputs from these form the RAS and CAS signals for the DRAMs and the multiplexing signals for the output data and the addresses.

The 2.5MHz from IC29 clocks IC22, the sync pulse generator. This chip (actually designed to produce test patterns) generates a mixed sync and mixed blank signal. In external sync mode these signals are generated from the incoming video signal. The mixed sync output is fed directly to the output mixer stage and is also buffered by Q1 to provide a 75R drive to the sync input of a camera if required. The mixed blank output is fed via an inverter and differentiating network (IC2 and associated components) to IC13, pin 1. This resets the flip-flop at the end of the blanking period of every line (start of the display period or active line period), enabling the pixel counter IC1.

IC1 counts the Y7 pulses from IC30 until 128 have elapsed whereupon the Q4 output on pin 8 goes high, clocking IC13, pin 32, and resetting the counter. Only 128 addresses are counted because two pixels are stored in each location.

The mixed blank output of IC22 is integrated and level detected in a comparator, IC23. This detects the field pulses in the mixed blank output. Similarly this pulse is differentiated, clears IC13, pin 13 and enables the counter IC11. When 256 lines have been counted the Q4 output on IC11, pin 8, returns low and clocks pin 11 of IC13 via IC21d. This resets the line

counter.

The outputs of the line and pixel counters are presented to IC2 and IC12, which are 2-to-1 multiplexers. The select signal on pin 1 of the two multiplexers presents the lower address bits for latching into the DRAMs with RAS and then switches them over to present the remainder of the address for latching by CAS. The upper address bit is used to select one of the two halves of the DRAM, allowing two images to be stored. The multiplexed address lines drive the DRAMs, IC3-10, via 33R resistors. These help to prevent damaging negative overshoot of the address and control lines caused by the steep edges and high capacitance of the DRAM inputs. Pin 15 of ICs 2 and 12 allow the addresses to be tri-stated. The RAS, CAS and W inputs of the DRAM can also be tri-stated via IC25. This allows external memory access. ICs 3 to 6 store the 4 bits of one pixel, and ICs 7 to 10 store the 4 bits of the adjacent pixel.

The data from the DRAM is clocked into a 4-bit wide parallel in, serial out shift register formed by latch IC17 and the 2-to-1 multiplexer IC18. The shift/load signal is provided by pin 13, IC24. In the latter part of the DRAM cycle the multiplexer selects the data from the DRAM and the clock pulse latches in both pixels of data. The multiplexer then connects IC17 as two 4-bit wide latches, clocking the two pixels out sequentially to the DAC whilst the RAM is accessing the next two pixels of information.

The data from the ADC is clocked into IC33. Two sequential pixels are stored before being presented to the DRAM. The data may be passed from IC33 unmodified via multiplexers IC19 and IC20. This occurs if the NORM input of the function switch is grounded (pin 1 of the multiplexers). Alternatively the data from IC33 is presented to two arithmetic logic units (ALUs), IC26 and IC27, each

operating on one pixel of the latched data. The other input to the ALU is from the appropriate RAM chip's output.

A read-modify-write cycle is used by the DRAMs. This allows them to present the previous stored data before rewriting occurs. The output data from the RAMs is presented to the ALUs together with the corresponding new-incoming data. The output from the ALU is sent to the RAM via IC19 and IC20. The function of the ALU is selected by IC32. This chip provides a 3-bit binary code in response to grounding one of its eight inputs. The 'unmodified/ALU' select line and the ALU function can be tri-stated if required to allow external control.

The write signal to the RAM is derived from IC30. The load switch is debounced by IC14 and the leading edge of the pulse is latched into one half of IC31. The Q output of this is sent to the D input of the second half which is clocked by field pulses from IC23. An integral number of fields is therefore always stored, although no distinction between first and second field is made, either being stored. The load enable output gates pulses from IC30, pin 9, which are sent to the RAM via tri-state buffer, IC25b, and a damping resistor. An external load input can be provided by momentarily grounding pin 4 of IC31. Holding this pin low continuously loads new data into the RAM so that the TV monitor shows a digitized live image.

IC28 synchronizes external accesses to the RAM by, for example, an MPU, ensuring no conflict with the precharge or other critical timings. No refresh is provided for the DRAMs. By presenting the least significant address lines to the RAMs on the RAS clock edge, reading the RAMs ensures that all 256 cycles are refreshed within the 4ms requirement. Incidentally, IC22 also provides crosshatch, dot and greyscale outputs that can be used in setting up the framestore or monitor.

SECURITY Systems, Modules, Accessories

COMPLETE SECURITY SYSTEMS START FROM

ONLY £39.95 + VAT



US 5063 £13.95 + VAT
DIGITAL ULTRASONIC MOVEMENT DETECTOR



CA 1250 £19.95 + VAT
CONTROL UNIT



CK 5063 £37.00 + VAT
SELF CONTAINED ULTRASONIC ALARM KIT



IR 1470
£25.61 + VAT
50 FOOT I.R. BEAM SYSTEM

Shown above is a small sample of our comprehensive range which includes:

Magnetic contacts ★ Vibration switches ★ Bell boxes
★ P.A. switches ★ Cable ★ Door & window locks etc. etc.

Send for full details or come to our Showroom and see the units on demonstration.

Monday to Friday 9am to 5pm
Closed Wednesday
Saturday 9am to 1pm

FROM THE SECURITY SPECIALISTS **RISCOMP LTD.**

Dept ET1 18
51 Poppy Road,
Princes Risborough,
Bucks HP17 9PB
Tel: (084 44) 6326

Add 15% VAT to all prices
Add 75p post and packing to all orders
Order by telephone or post
using your credit card

THE ETI MAINS CONDITIONER

Paul Chappell gets your mains supply into trim.

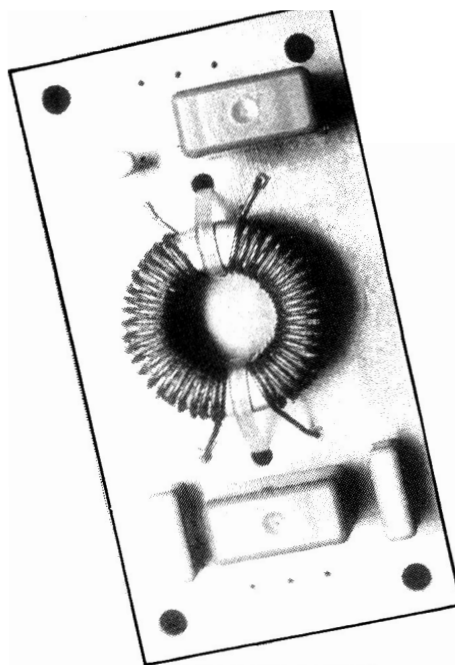
The domestic mains supply in this country bears about as much relationship to a 240V sine wave as the Sinclair C5 does to a motor car. Transient spikes of 200V or more above the peak mains voltage are common, and RF noise is present in copious quantities, both of which can degrade the performance of sensitive electronic equipment. Hi-fi enthusiasts will be familiar with the effects, which range from the obvious and annoying cracks and pops to more subtle effects — a general feeling that the sound reproduction is not quite as perfect as it could be. As for computers, there is nothing more frustrating than having a program crash for no apparent reason, or finding vital data corrupted.

The ETI Mains Conditioner has been designed to remove the irregularities and leave your supply clean and relatively unpolluted. A voltage dependent resistor absorbs most of the energy from transient spikes, and a filter removes the remaining RF noise. The PCB is small enough to fit inside just about any hi-fi amplifier or tuner. With home computers and other equipment where space is limited, it can be built into a small plastic box and connected in series with the mains lead.

Construction

The circuit is built according to the component layout shown in Fig. 1. The toroid is wound with two coils, each consisting of 20 turns of 22SWG enamelled copper wire. Be sure to wind the coils in the direction shown in the diagram, otherwise the filter will not work correctly.

If you use a nylon coated toroid, the coils can be wound straight onto it. An uncoated toroid will have to be insulated first — a few coats of polyurethane varnish should be enough. The



PARTS LIST

RESISTORS

R1 220k ½W
VDR1 Metal oxide varistor, rated 275V AC working, 26J.

CAPACITORS

C1, C2 10n 250V AC, class X.
C3, C4 4n7 250V AC, class Y.

MISCELLANEOUS

Ferrite toroid, 22SWG enamelled wire, cable ties, PCB.

toroid can be held temporarily in place by twisting the wires together behind the PCB, then fixed firmly to the board by means of two thin cable ties through holes AA and BB. After adjusting the coils so that the turns are evenly spaced, the whole assembly can be given another coat of varnish. Finally, the leads should be trimmed and soldered to the PCB. Most modern 'enamelled' wire is coated with a substance that will melt with the heat of a soldering iron, and is self-fluxing. The melting point may be fairly high, so the solder joint will probably take longer than usual.

Please be sure to use the capacitor types specified for this project. Connecting capacitors across the mains can cause fires and potentially lethal electric shocks under fault conditions. Class X capacitors must be used for connection between 'live' and 'neutral', and class Y devices must be used for connections to mains earth. These capacitors are designed so that any failure that may occur will not have disastrous results.

The circuit as it stands is suitable for equipment drawing up to 5A, limited by the wire gauge of the toroid winding. The PCB will accommodate a larger toroid and heavier gauge wire if you wish to increase the rating.

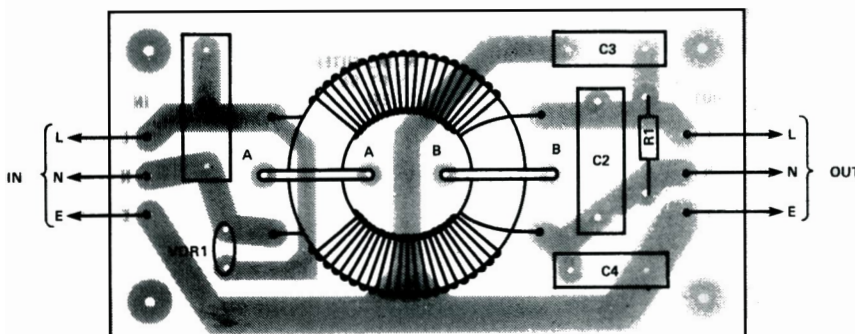
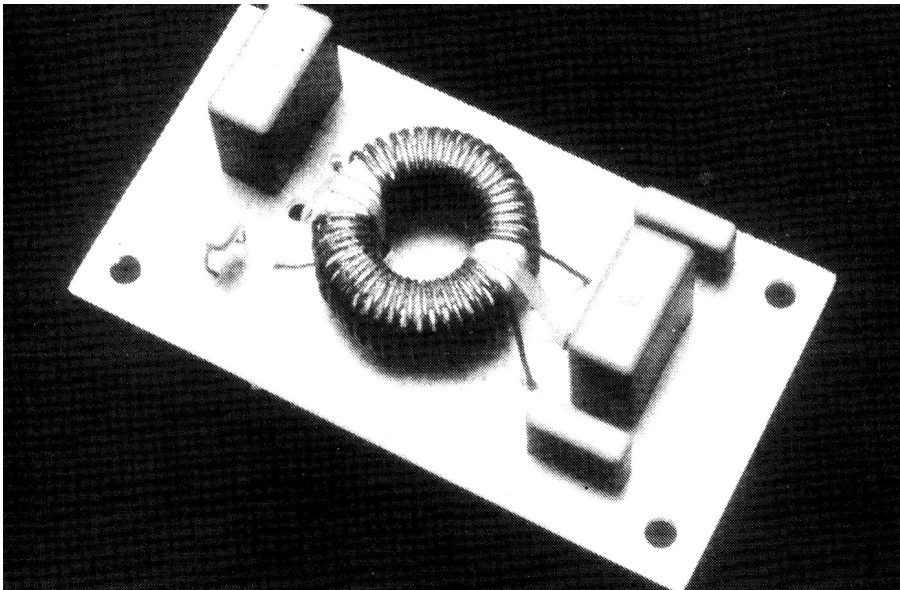


Fig. 1 Component overlay.

PROJECT

HOW IT WORKS



The completed mains conditioner - note missing resistor, R1.

The VDR is rather like a bi-directional zener diode. It has a high resistance until the voltage across it reaches the varistor voltage, 430V for the device used in this project, above which point the resistance drops rapidly to a very low level, removing most of the energy from transient spikes and limiting the maximum volt-age. For the length of a pulse — a few μs — the varistor will absorb large amounts of energy and pass currents of several hundred amps, if necessary.

The inductive element of the filter is wound with two coils in opposite directions on the same core. Equal currents flowing in opposite directions through the two coils, as will be the case with the normal mains current, will have no net magnetic effect on the core. Any un-balanced current flow due to noise on the line will see the full inductance of the coils, and will be attenuated by the filter.

BUYLINES

A suitable VDR is available from Maplin (see their ad in this issue) under the name of 'mains transient suppressor', order code HW13 P. Class X and Y capacitors are available from the same source. A suitable toroid is type 59-64001401 from Cirkit, who also advertise in ETI. A complete set of parts for the project is available from Specialist Semiconductors, who also have an ad in this issue.

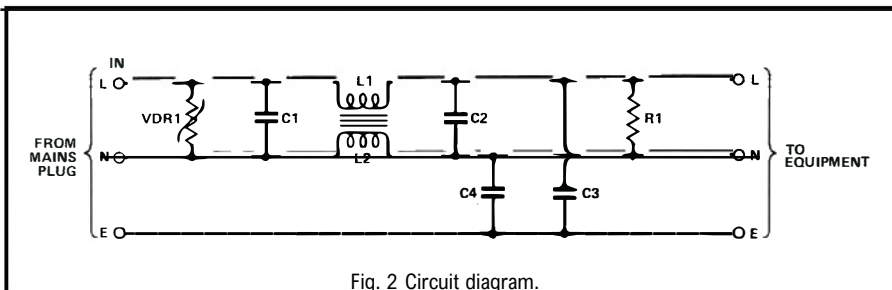
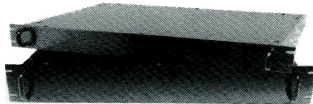


Fig. 2 Circuit diagram.

RACK MOUNTING CABINET

* Suitable for instruments, high quality amplifiers and many other purposes * Black anodised aluminium front panel enhanced with two handles * Aluminium version, wholly made of black anodised aluminium sheets * Metal version, rear box is manufactured from steel painted in black with aluminium front panel. Customer who requires further details, please send SAE.

Panel Size W H (Inch)	Rear Box W H D	Price Steel	AL
19x2.5	17x2x10	22.50	27.50
19x3.5	17x3x10	24.50	29.50
19x5.25	17x5x10	26.50	31.50
19x3.5	17x3x12	25.50	30.50
19x5.25	17x5x12	27.50	32.50
19x5.75	17x5.5x12	28.50	33.50
* 17x2.5	15.5x2x9	16.50	20.50
* 17x3.5	15.5x3x9	17.00	
* 19x3.0	17x2.5x10		20.50
* 19x4.0	17x3.5x10	16.50	19.50
* 19x4.0	17x3.5x12	19.50	22.50



* Discontinued sizes, special price valid while stock last. Please add £3.00 P/P for the first item and £1.50 for each additional item. Quantity discount available. A limited quantity of electronic kits at give away prices. Large SAE for details.

Mail order only. To order send cheque/postal order, 7 days for cheque clearance.

T J A DEVELOPMENTS

53 Hartington Road, London E17 8AS.

MAKE YOUR INTERESTS PAY!

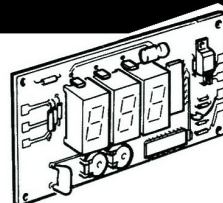
More than 8 million students throughout the world have found it worth their while! An ICS home-study course can help you get a better job, make more money and have more fun out of life! ICS has over 90 years experience in home-study courses and is the largest correspondence school in the world. You learn at your own pace, when and where you want under the guidance of expert personal tutors. Find out how we can help YOU. Post or phone today for your FREE INFORMATION PACK on the course of your choice.

- | | | | |
|--|--------------------------|--|--------------------------|
| Electronics | <input type="checkbox"/> | Radio, Audio and TV Servicing | <input type="checkbox"/> |
| Basic Electronic Engineering (City & Guilds) | <input type="checkbox"/> | Radio Amateur Licence Exam (City & Guilds) | <input type="checkbox"/> |
| Electrical Engineering | <input type="checkbox"/> | Car Mechanics | <input type="checkbox"/> |
| Electrical Contracting/Installation | <input type="checkbox"/> | Computer Programming | <input type="checkbox"/> |
| GCE over 40 'O' and 'A' level subjects | <input type="checkbox"/> | | <input type="checkbox"/> |

ICS

International Correspondence Schools, 312/314 High St., Sutton.

DIGITAL VOLTMETER MODULE WITH HIGH BRIGHTNESS LED DISPLAY



- * High accuracy $\pm 0.1\% + 1$ digit.
- * Operates from single supply 7-12V.
- * Reads -99mV to 999mV which is easily extended.
- * Large Bright 0.43" LED Displays.

Only **£14.95** + VAT

We are pleased to once again offer this tried and tested Digital Voltmeter module which is suitable for use in a wide range of test equipment. Supplied with full details describing how to easily extend the basic range, measure current resistance and temperature. The module, which is fully guaranteed, has been supplied to Electricity Authorities, Government Departments etc. etc.

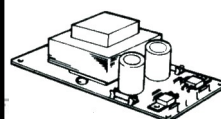
TEMPERATURE MEASUREMENT KIT DT10

A simple though effective module which, when constructed, provides a linear output of 10mV per $^{\circ}\text{C}$ over the temperature range $+100^{\circ}\text{C}$ to -10°C . The unit is ideal for use in conjunction with the above DVM module, providing an accurate digital thermometer suitable for a wide range of applications.



Only **£2.95** + VAT

DUAL POWER SUPPLY PS 209




This fully built mains power supply provides two, 9V stabilised outputs up to 250mA each. The unit is ideally suited for use with the Digital Voltmeter and the Temperature Measurement unit DT10.

£5.65 + VAT

Order by post order by phone
Add 15% V A T to all prices
U K orders add 70p post & packing
Export orders post & packing at cost



IRSCOM LIMITED POPEY ROAD 18 PRINCES RISBOROUGH
BUCKS. Tel: (084 44) 6326



Cirkit
electronic constructor's
catalogue

Summer 1986

Summer '86 edition out now!
At Your Newsagent or direct from Cirkit
at the address below

Only £1.15

Cirkit Distribution Ltd
Park Lane, Broxbourne, Herts. EN10 7NQ. Telephone (0992) 444111. Telex 2247

AUDIO KITS PRECISION AUDIO COMPONENTS BUILD THE ETI VIRTUOSO PREAMP

Standard version Tone controls	Standard version No tone controls	Upgraded version Tone controls	Upgraded version No tone controls
£177	£138	£372	£256
£12.50 £23		£25 £58	
£29.60	Not needed	£89.40	Not needed
£24.95 £11.60	£16.25 £11.60	£77.30 £28.25	£49.50 £29.25
£15.50		£29.50	

COMPLETE KIT
MC stage component pack
MM (RIAA) stage pack
Tone control board pack
Switches & Connectors pack
Output stage pack
Power supply excl. transformer

VIRTUOSO preamp case - state whether tone control option. £49
All parts including pcb's available separately. SAE for price list

IAR WONDER CAPS				
uF	V	L x	Dia	Price
0.01	630	21	9	£2.25
0.1	425	30	8	£2.50
0.22	630	50	14	£4
0.33	425	40	10	£2.50
0.47	425	50	14	£3
0.68	425	50	16	£3
1	425	57	17	£5
2	425	57	20	£6
3	425	57	25	£8
4	425	57	27	£9
5	310	57	20	£7.50
6	310	57	23	£8.50
8	310	57	26	£10
10	310	57	29	£11

The improvement in sound quality when you replace your caps with Wonder caps or bypass your electrolytics with Wonder caps is WONDERFUL

Holco 0.5% 50ppm/°C resistors 1/4W any E96 value 20R-442K 1-9 35p each 10+ per value 30p each

Top Quality Transistors by Motorola

BC184C	12p
BC214C	12p
BC547C	12p
BC307C	12p
MPSA06	25p
MPSA56	25p
BD139	50p
BD140	60p
MJ11015	£6
MJ11016	£5.50

BUILD THESE SUPERB ETI PROJECTS WITH AUDIOKITS COMPONENTS

SYSTEM A power amp SYSTEM B audio design preamp AUDIO DESIGN preamp AUDIO DESIGN power amp VALVE PREAMP Aug 86

Please ask for our parts price list which includes all electronic parts to build the projects and top quality components which enable owners of these amps to substantially upgrade the sound. Resistor and Capacitor pack for ETI Valve preamp £220.10. Includes Holco resistors, Wonder caps and the best computer grade electrolytics.

All prices include VAT. SAE or IRCs with all enquires.
EXPORT orders. Deduct VAT (multiply by 0.87) and add £2 extra for postage.
Please add 50p P&P for orders under £10.

AUDIOKITS
6, Mill Close, Borrowash, Derby DE7 3GU
Tel: 0332-674929

BEST PRICE MEMORIES

***BRAND NEW PRODUCTS
*LARGE STOCKS *DESPATCH
BY RETURN *ESTABLISHED
COMPANY**

We believe our prices to be the most competitive in the market. If you can do better please let us know and we'll try and match it.

DRAM 5v NMOS 150nS (Not Samsung or Texas)

4164	64k x 1	99
41256	256k x 1	£2.35
4416	16k x 4	£2.80
41464	64k x 4	£5.90
37	128k x 1	£5.90

\$64
(IBM AT UPGRADE)

SRAM CMOS 150nS

2114LP	1k x 4	£1.50
2128LP	2k x 8	£2.50
6116LP	2k x 8	£1.40

SRAM 5v CMOS 150nS

6116LP	2k x 8	£1.40
6264LP	8k x 8	£2.65
62256LP	32k x 8	£39.50

EPROM NMOS

2716	2k x 8	£2.85	350NS
2732	4k x 8	£2.65	250NS
2764	8k x 8	£2.50	250NS
27128	16k x 8	£2.40	250NS
27256	32k x 8	£3.90	250NS

EPROM 5v CMOS 250nS

27C64	8k x 8	£7.50	250NS
27C256	32k x 8	£15.00	250NS

We shall be moving to new premises as of 1st September 1986. New address will be Mikrokit Ltd Blakesley, Northants NN12 8RB

OUR EXTREMELY POPULAR EX-EQUIPMENT MEMORIES GUARANTEED UV ERASED, CLEANED & TESTED.
1000's sold to delighted customers.

4116	16k x 1	DRAM	60p	10 For £5.50
2716	2k x 8	EPROM	£1.50	10 For £14.00
2732	4k x 8	EPROM	£1.50	10 For £14.00
2764	8k x 8	EPROM	£1.50	10 For £14.00

ORDERS UNDER £25 ADD 15% V.A.T. PLUS 50p P&P U.K. OVERSEAS ORDERS WELCOME ADD £2.00 P&P NO V.A.T. (PAYMENT IN £ STERLING PLEASE).

**SEND S.A.E. FOR FULL LISTS
74HC CMOS LOGIC, DISK
CONTROLLERS, ETC.**

**10% DISCOUNT
ON ALL ORDERS OVER £25
REGARDLESS OF MIX. ADD 15%
V.A.T. P&P FREE**

Data sheets available on all products sold.

**TELEPHONE 0933 626420 (24 HOUR SERVICE)
MICROKIT LIMITED
MANOR PARK RAUNDS NORTHANTS NN9 6PD**

Complete Parts Sets for ETI Projects

POWERFUL AIR IONISER

FEATURED IN ETI,
JULY 1986

Ions have been described as "vitamins of the air" by the health magazines, and have been credited with everything from curing hay fever and asthma to improving concentration and putting an end to insomnia. Although some of the claims may be exaggerated, there is no doubt that ionised air is much cleaner and purer, and seems much more invigorating than "dead" air.

The DIRECTION IONISER caused a great deal of excitement when it appeared as a constructional project in ETI. At last, an ioniser that was comparable with (better than?) commercial products, was reliable, good to build, and fun! Apart from the serious applications, some of the suggested experiments were outrageous! We can supply a matched set of parts, fully approved by the designer, to build this unique project. The set includes a roller-tinned printed circuit board, 66 components, case, mains lead, and even the parts for the tester. According to one customer, the set costs "about a third of the price of the individual components". What more can we say?

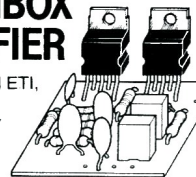


MATCHBOX AMPLIFIER

FEATURED IN ETI,
APRIL 1986

No ordinary amplifiers, these. When our first customers took an interest, it was for the diminutive size (both modules will fit in a matchbox!), the total disregard for power supplies and speaker impedances, and the impressive power output from these little amplifiers. When they re-ordered, it was for the sound quality.

Two amplifier modules were described, both based on the powerful L165V IC. The single IC version will deliver over 20 Watts with a suitable speaker and power supply. The bridge version can provide up to 50W! Although the specified supply voltage and speaker impedance must be used to achieve maximum power, both modules are quite happy to work from any voltage between 12V and 32V, and will accommodate any type of speaker. The bridge version is ideal for giving a boost to car Hi-Fi systems, driving two 4 Ohm speakers in parallel on each channel for best effect. Both designer-approved parts sets consist of a roller-tinned printed circuit board and all components. The L165V ICs are also available individually, with a free mini data sheet giving specifications and suggested circuits.



**DIRECT ION
PARTS SET £9.50**

**SINGLE IC MATCHBOX BRIDGE
AMPLIFIER SET AMPLIFIER SET L165V IC
(20W into 4 Ohms) (50W into 8 Ohms) with data.
£6.50 £8.90 £3.90**



ETI MAINS CONDITIONER £4.60

The Parts Set Consists of: PCB, components, toroid, enamelled wire and fixing ties.

AS FEATURED IN
ETI SEPTEMBER
1986

Orders should be sent to Specialist Semiconductors at the address below including 60p towards postage and packing. Please allow up to 14 days for delivery. There is no telephone service at the moment, but all letters or requests for lists will be answered (at top speed if you send SAE!)

Specialist
SEMICONDUCTORS
FOUNDERS HOUSE REDBROOK MONMOUTH GWENT

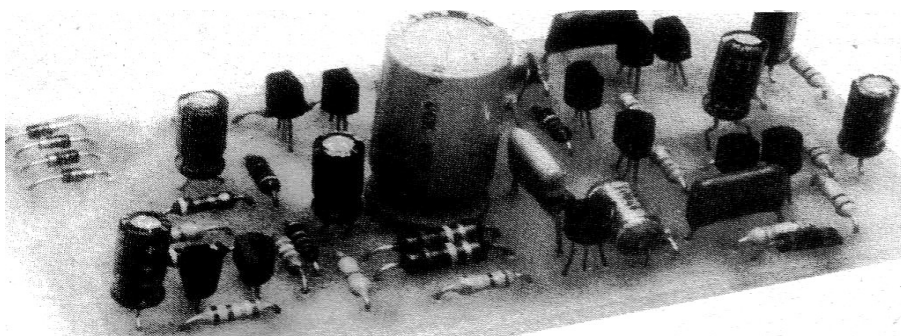
EXPERIMENTAL PRE-AMPLIFIER

Following on from last month's valve preamplifier design, Jeff Macaulay looks at possible explanations for the difference between valve and semiconductor amplifier performance and describes a transistor preamplifier which puts his conclusions to the test.

A great deal of debate has been entered into recently about the use of negative feedback in audio equipment. The negative feedback protagonists argue that the use of overall feedback allows cheap and nasty parts to give a good performance, the negative feedback linearising the load line. The anti-feedback lobby insists that it is far better to design the stages to be linear without the use of negative feedback.

The fly in the ointment as far as the latter argument is concerned is that most of the devices presently available are far from linear without the use of negative feedback. The exceptions to this rule are triode valves and FETs. These however have low voltage gains. On top of this valves are expensive and difficult to use, and suitable FETs are just awkward to obtain.

This appears to leave us back where we started with a choice of either op-amps or transistors. Suitable op-amps for audio



preamps are a bit of a thorny topic. The choice is between ultra-low-noise devices with no real slew rate or high slew rate devices with relatively high noise. Transistors seem to have gone out of favour lately, and having heard some of the preamplifier designs that used them it's not surprising! The typical two transistor magnetic cartridge equaliser used to run out of overload and consequently distort terribly at the slightest provocation. This would be particularly noticeable to those whose record collections contain direct cut records.

When I first tried to build a

good preamplifier I didn't expect to hear much difference between it and my existing circuit which used a TL072 op-amp. The sound, however, was a revelation — the stereo image, the dynamics and the detail rendition all improved enormously.

This was gained only through the use of valves, and it naturally led me to wonder whether the same improvement might be obtained from solid state circuitry?

Now we all know of those who insist that the valve is the pinnacle of audio development and cannot be surpassed. I for one don't hold these views and feel that a rational reason must be sought. One possible reason is that all the stages in valve equipment operate in class A, and because of the high impedances employed are not loaded by the other circuit elements.

Furthermore, because of the highly linear nature of valves, the distortion generated is minimal even without the use of negative feedback. In a preamplifier the actual signal voltages present at the anodes are very small compared with the output swing capacity. In consequence each stage is working optimally without loading the next.

Compare that to an op-amp circuit in which the output

VALVE PREAMPLIFIER UPDATE

First, we got it wrong last month when we said that the kit for the valve preamplifier doesn't include a case. Bewbush Audio have since informed us that it does! Our apologies to anyone who was misled by this.

Second, since publishing the article we have come up with a few further suggestions for component sources. Barrie Electronics tell us that they can supply a suitable transformer for the preamplifier. Known as the V1 it has a mains primary and secondaries giving 250-0-250V at 80mA, 6.3V at 3A and 6.3V at 2A tapped to give 5V at 1A. The cost is £10.51 inclusive of VAT and

postage and the address is unit 211, Stratford Workshop, Burford Road, London E15 2SP, tel 01-555 0228. We have also discovered that Marco Trading can supply multi-section, high-voltage capacitors. Their address is given in the Buylines section.

Finally, Graham Nalty's company, Audiokits, can supply a complete kit of high quality parts for the valve preamplifier. A sheet containing prices and some suggested improvements can be obtained from them at the address given in this month's Upgradeable Amplifier article.

PROJECT: Preamplifier

operates in Class B and the frequency response has been deliberately rolled off to prevent instability when feedback is applied. To compound matters the feedback loop itself loads the output stage so that even if it doesn't run out of drive capacity the output sees non-linear loading.

One of the troubles with valve circuitry is that the only linear devices available, triodes, have low voltage gain. If we were to compare a transistor and a valve both working from a typical valve HT voltage of, say, 250V, we would find that the valve would have a smaller output voltage swing because of its anode resistance and a much smaller voltage gain. However, the valve would probably offer the lower distortion figure. If we can find a way to reduce the distortion of the transistor stage, we should obtain a performance equal to that of the valve circuit.

In fact we can do rather better than just equal the valve's performance. Applying a little local negative feedback to a transistor will produce a stage that is non-microphonic, requires no heater voltage and has a better output swing and distortion performance than a valve with a comparable input impedance.

All this by the simple expedient of adding an emitter resistor! of course this raises another question: if it's so simple how come nobody has done it before? Well for starters getting economically-priced transistors that would work at that kind of line voltage was very difficult until recently. Another reason is that we are all indoctrinated into thinking of transistors as low voltage devices. After all, that's their real advantage compared with valves.

Equalisation

Having decided to use transistors with local feedback as the basis for the design, all that remains is to decide how to equalise for the most important signal sources.

Despite their technical superiority, most people do not as yet use CD players as their main music source. Instead most of us, myself included, will be using the vinyl disc for some time to come. In consequence most attention will be focussed upon the disc EQ stage.

In modern valve preamps, the types that are raved about by the

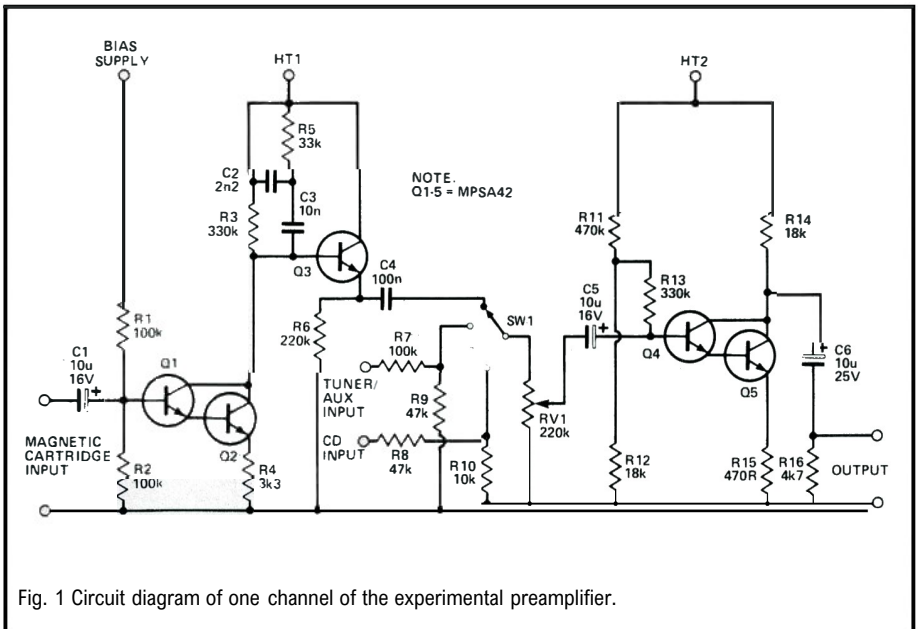


Fig. 1 Circuit diagram of one channel of the experimental preamplifier.

pundits and which cost an arm and a leg, EQ is done passively. This has the drawback of insertion loss but the EQ obtained can be more accurate than that obtained from an active filter. This is especially true of the HF rolloff which in active designs doesn't continue indefinitely because non-inverting feedback amps cannot have a gain of less than unity. One of the consequences of this is to make such designs more prone to pick up interference.

Input Stage

In this design a somewhat different approach has been used. The input signal is turned into a signal current and this is applied to a passive network for the EQ.

The input voltage is turned into an output current because the input voltage is developed across the emitter resistor. This provides a pure current drive at the collector. In fact it is more convenient to make the collector load the equalisation network.

Fig. 1 shows the circuit diagram of the preamp. Instead of using a single transistor a Darlington pair configuration is used. This has the advantage of having a much higher current gain than a single transistor and thus increases the input impedance to several tens of megohms.

Base bias for the pair is obtained from the bias network R17 and R18. To set the required input impedance to 50k for correct loading of the cartridge, R1 and R2 are also used. C7 effectively removes any noise or ripple voltages from the line which might

otherwise be amplified by the transistors. The cartridge is coupled into the base of Q1 by C1 which isolates the base from any DC present. A voltage identical in amplitude to the input appears at the emitter of Q2 across R4.

The resulting current is fed from the collectors of Q1 and Q2 to the filter network R3, R5, C2 and C3. At low frequencies, below 50Hz, the gain is set at 100 by the ratio of R3 to R4. Above 50Hz the response falls off at 6dB/octave until 500Hz due to the shunting effect of C3 and R5. From 500Hz to 2150Hz the response is again flat, and thereafter another 6dB/octave rolloff occurs due to the shunting effect of C2.

Q3 is connected as an emitter follower presenting a high impedance to the filter network but a low impedance drive at its emitter to the volume control. The stage as it stands has an overload capability of 40dB with reference to a 5mV input and is therefore effectively overload proof. Even the most energetic direct-cut discs have not managed to overload the prototype.

Other Sources

So much for magnetic cartridges, what about the other sources? Most other sources normally encountered are flat and don't require any kind of equalisation. Generally speaking there are only two other major signal sources to be catered for, CD and tuner. The tuner input has a sensitivity of 100mV for 500mV out and an input impedance of 100k. CDs generally have a much

PROJECT: Preamplifier

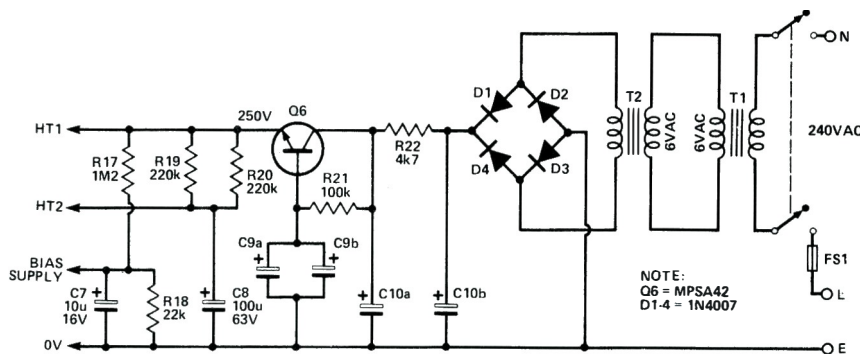


Fig. 2 Circuit diagram of the experimental preamplifier power supply. Note the use of two 6V mains transformers in series to produce a cheap 240V:240V transformer.

standard 6V mains transformers back to back. The mains voltage is applied to the primary of T1, the secondary of which is connected directly to the secondary of an identical transformer, T2. Thus the stepped down mains voltage is stepped up again to appear on T2's primary. An incidental advantage of this method is that we obtain double isolation from the mains.

The HT voltage is full wave rectified by the bridge rectifier, D1 to D4 inclusive. C10b smooths the raw DC from the rectifiers and this is fed to the RC smoothing circuit formed by R22 and C10a.

At this point the ripple voltage across C10a is about 1mV. However this is not really low enough and further smoothing is required. This is achieved by means of the capacitance multiplier formed by R21, C9 and Q6.

This circuit, also called a gyrator, is a very efficient way of reducing ripple voltages. It works as follows. R21 and C9 form a filter which effectively removes the ripple. The resulting smooth DC is applied to the base of Q6. At Q6's emitter an equally smooth voltage is obtained but at a very low impedance. Because of the transistor's gain, the preamplifier sees an effective capacitance of some 8000 μ !

Construction

No case has been specified for this project, so it is up to the constructor to choose something suitable and then work out the appropriate mounting hole positions, etc.

When the holes are all drilled, deburr them, clean down the case and then paint it as required. Allow the paint to dry for some time (overnight if possible), then apply a light coat of varnish and leave to dry again. This is to make it easier to apply the lettering since most rub-down transfers adhere better to varnish than they do to paintwork. Use Letraset or a similar lettering system and when complete, apply another coat of varnish for protection.

The case can now be put aside to dry thoroughly while the PCB is assembled. This should cause no problems at all if Fig. 3 is followed carefully, but take the usual care with the transistors, diodes and electrolytic capacitors, all of which must be inserted into the board the right way around if they are to work correctly. If you have decided to use a 250-0-250V HT

higher output level, up to 2V maximum. In any event the sensitivity of this input has been set at 200mV in for 500mV out. Having the volume control at this point in the circuit allows an infinite input overload figure on both inputs.

The line preamp consists of the two transistors Q4 and Q5. These are again used in the Darlington pair arrangement but there is nothing to be gained by employing high voltage lines here. Instead the 250V line voltage is reduced to 50V by the decoupling network consisting of R19, 20 and C8.

A low output impedance is achieved by gain dumping. That is to say that R16 shunts the collector load resistor R14. Overall voltage gain from the stage is set at the ratio of R16 to R15. R11 and R12 provide base bias for the pair whilst the input impedance is set at 330k by the value of R13.

Obtaining a high voltage with low ripple is not the easiest of tasks. However, since the current consumption of the preamplifier is only some 3.5mA the problems are somewhat simpler to solve than those posed by a valve preamp.

HT transformers are expensive and hard to obtain. There are a few companies producing mains isolating transformers (giving a 240V isolated output from a 240V mains input) but these usually have high VA ratings and are therefore large and costly. It would also be possible to use one of the HT transformers recommended for last month's valve amplifier and simply ignore the low-voltage heater windings. The other obvious method of producing HT, an inverter, is not really feasible in audio equipment because of the RF hash radiated by the switching circuitry.

One solution is to use a pair of

BUYLINES

A complete kit of parts for the experimental preamplifier (including PCB and case, etc) can be obtained from Bewbush Audio, 47b Elmer Road, Middleton-on-Sea, Near Bognor Regis, Sussex PO22 6DZ. The price is £24.95 and the order code is kit HTP1. Those who prefer to find their own parts should not have too much difficulty with most of the components but the transistors, the transformer and the capacitors might present a problem. The transistors are available from a number of suppliers but not all of them trouble to list the device in their catalogues. Two companies who do are Cricklewood and Marco Trading. If you decide to use two 6V transformers

as suggested in the text you will have a wide choice of potential suppliers. If you prefer to pay a little more and use a single transformer, try the RS Components type 196-072 or the one mentioned in the Valve Preamplifier Update over the page. We do not know of anyone who stocks 100+100u/320V capacitors as specified here, but Marco Trading have a large range of multisection capacitors including a fairly cheap 100u + 100u + 100u + 150u + 150u 320V type which might be suitable. Their address is The Maltings, High Street, Wem, Shropshire SY4 5EN, tel 0939-32763. The PCB will be available from our PCB Service, see page 60.

PROJECT: Preamplifier

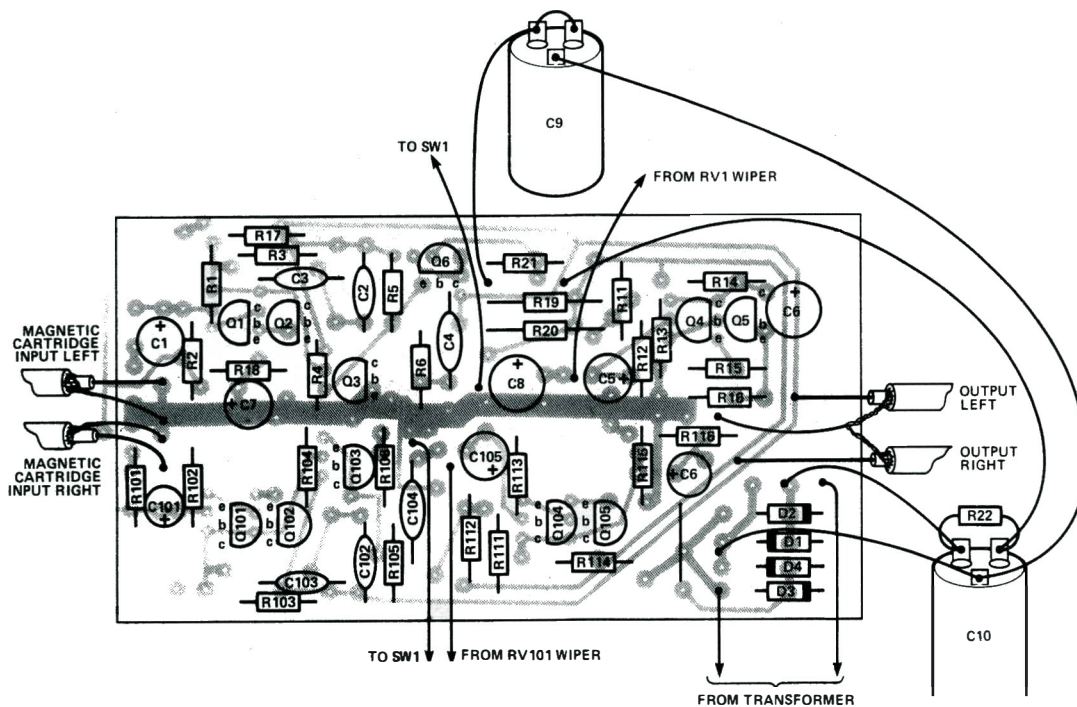


Fig. 3 Component overlay for the preamplifier PCB. This board carries both right and left channels, the right channel component numbers being the left channel numbers plus 100.

PARTS LIST

RESISTORS (all ¼W, 5% or better unless otherwise stated)

R1, 2, 7, 21, 101, 102, 107	100k
R3, 13, 102, 113	330k
R4, 104	3k3
R5, 105	33k
R6, 106	220k
RB, 9, 108, 109	47k
R10, 110	10k
R11, 111	470k
R12, 14, 112, 114	18k
R15, 115	470R
R16, 22, 116	4k7
R17	1M2
R18	22k
R19, 20	220k ½W 5%
RV1, 101	220k single-gang logarithmic potentiometer

CAPACITORS

C1, 5, 7, 101, 105	10u 16V radial electrolytic
C2, 102	2n2 polystyrene
C3, 103	10n polyester
C4, 104	100n polyester, 250V working
C6, 106	10u 25V radial electrolytic
C8	100u 63V radial electrolytic
C9, 10	100u + 100u 320V electrolytic

SEMICONDUCTORS

Q1-6, 101-105	MPSA42
D1-4	1N4007

MISCELLANEOUS

FS1	1A 20mm fuse and panel-mounting holder
SW1	3-pole, 4-way rotary switch (one section not used)
SW2	DPDT mains toggle switch (or substitute potentiometer with internal DP switch for RV1 or RV101)
T1, 2	6V 1A mains transformers (see text)
PCB; case; PCB mounting pillars; input and output sockets; knobs; nuts, bolts, etc.	

transformer in the circuit, don't forget to leave out diodes D2 and D3 and connect the ends of the HT winding to the anodes of D1 and D4. Check and board carefully for errors and dry joints.

You can now install the board, the transformer(s) and the other major components into the case and wire them up. R7-10 and R107-110 should be mounted on the back of the input selector switch, SW1, and the connections between the switch, the potentiometers and the PCB should all be made using screened cable. Bear in mind that quite high

voltages are present and use sleeving where appropriate to reduce the risk of shocks and accidental short circuits.

Testing should be a simple matter of connecting the preamplifier to the mains and providing a suitable input source and a means of monitoring the output. With luck, it will work first time. If not, begin by checking that the power supply is giving an output (check at the emitter of Q6) and then work through from the input with a suitable signal present. The power supply has quite a low output impedance and

can deliver a nasty shock, so take particular care when probing around within the preamplifier while it is switched on.

When the preamp is tested and working, the only remaining task is to connect it up to the rest of your system and check for hum-loops. It is most likely that your existing equipment will already be earthed, and using a separate earth on the preamplifier will merely give rise to hum. In this case, simply disconnect the mains earth to the preamplifier.

UPGRADABLE AMPLIFIER

Graham Nalty leaves no tone unturned in his quest for the perfect preamplifier.

Having covered the disc inputs of the Virtuoso preamplifier in the first few articles in this series, we now come to the heart of the system and the big question — do we want tone controls, filters or any other form of signal processing? If a particular facility is essential then it must be included, but it must be borne in mind that every additional switch, capacitor, resistor, wire or active circuit will degrade (or rather distort) the sound from the preamp. Using the best quality components you can afford will limit this distortion, but even the best circuitry will have some effect on the sound.

For this reason, I shall describe two options. The first provides all the usual facilities including MC/

MM disc input switching, two flat and two tape inputs, stereo/mono switching, bass and treble tone controls and standard volume and balance controls. The second, 'minimalist' option has just the absolute minimum facilities, a special feature of which is the use of separate volume controls for each channel. The advantage of this arrangement is that the signal only passes through one potentiometer in each channel instead of the two used in a normal balance and volume arrangement. A further advantage is that this makes it possible to further upgrade the preamp by using 23 position gold-plated switched attenuators. This upgrade will not be covered in the present series of articles but may be described at a later date.

equalisation in the disc amplifier, we might consider a passive tone control.

The circuit of Fig. 1 is a switched treble cut circuit. It meets our requirement for a defined flat response, but when it is expanded to include boost and cut at both bass and treble frequencies a large number of components are needed.

The most popular form of tone control is the shunt feedback network shown in Fig. 2. If Z1 and Z2 were replaced with a linear potentiometer and its wiper connected to the amplifier input, the overall gain would be x 1 with

BUYLINES

Complete kits of parts for the tone board and the output board will be available from the author at 6 Mill Close, Borrowash, Derby DE7 3GU. The tone board costs £29.60 for the standard version and £89.40 for the fully-upgraded version, while the output board costs £11.60 for the standard version and £29.00 for the fully-upgraded version. All prices are inclusive of VAT and postage and cover all components for one (mono) board including the PCB. The PCBs will also be available without components in stereo pairs. The cost is £10.00 for two tone boards and £6.00 for two output stage boards. A case for the complete preamplifier is also available and costs £49.00 inclusive. It is drilled and labeled ready to accept the modules described in this series of articles. Two versions are available, one with provision on the front panel for tone controls and one without. Please specify which you require when ordering.

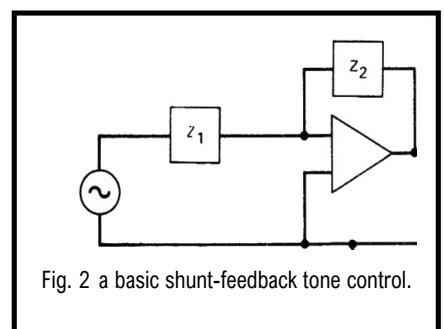
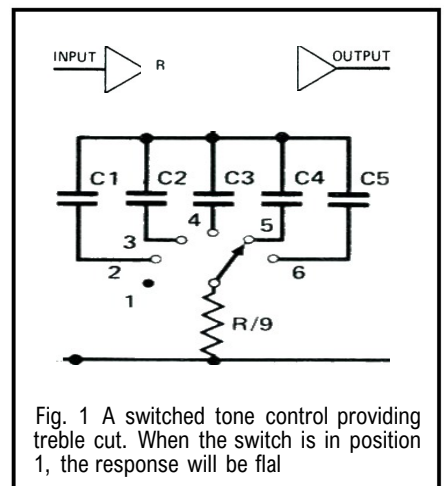
Setting The Tone

A good tone control should:-

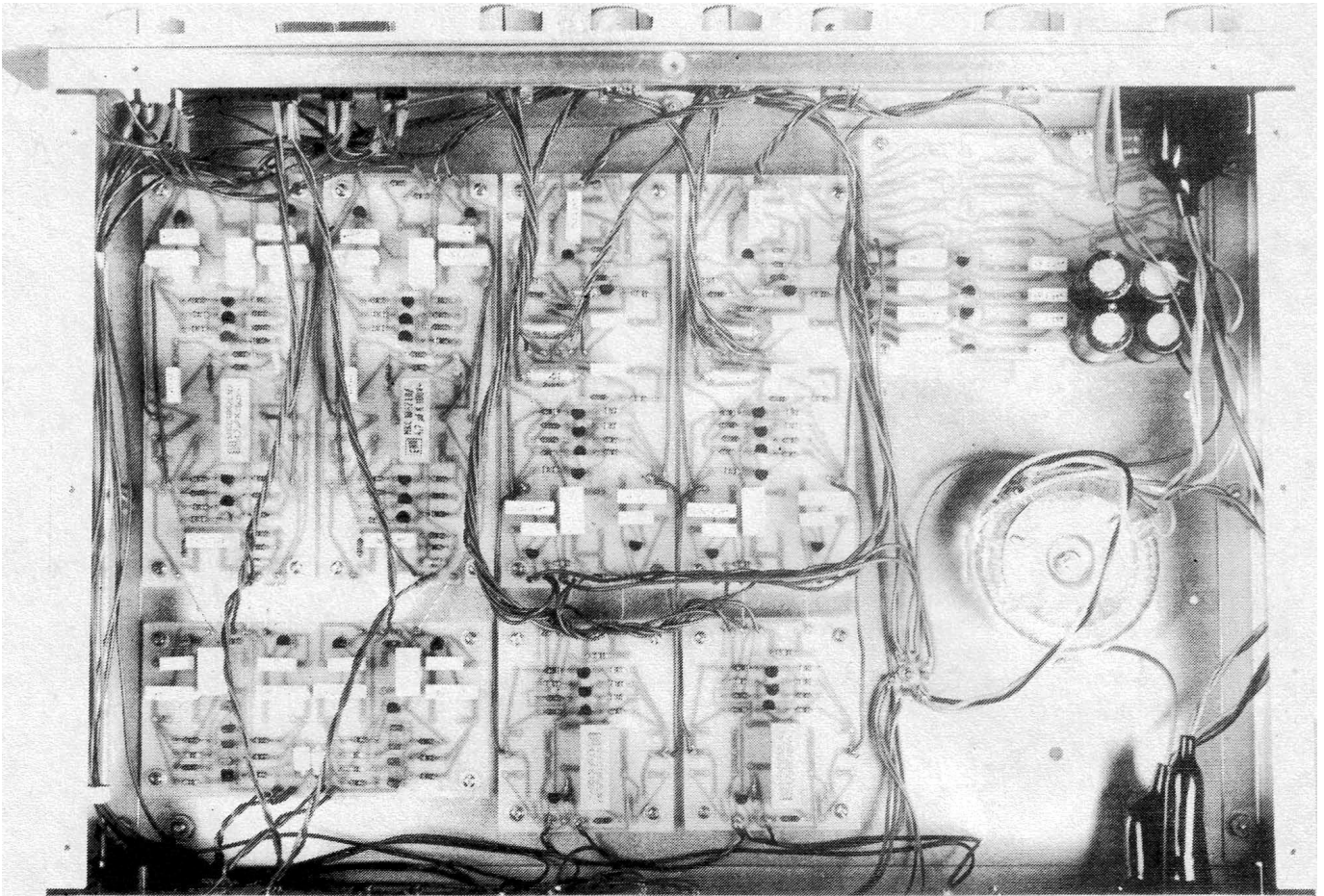
- 1) raise and lower high frequencies without affecting the low frequencies,
 - 2) raise and lower the low frequencies without affecting the high frequencies, and
 - 3) offer a flat frequency response at a defined position.
- As we have already used passive circuitry for the RIAA

OOPS!

A little confusion crept into the description of shunt and series feedback equalisers in last month's Upgradeable Amplifier article. In columns two and three on page 47, references to shunt feedback arrangements both in the text and in the illustration captions should read series feedback, and vice versa.



PROJECT: Preamplifier



Internal view of the complete Virtuoso preamplifier in its standard form. The two sets of tone and output boards can be seen in the middle of the case.

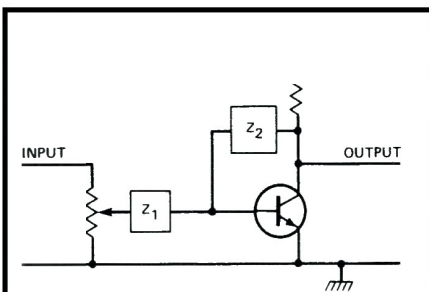


Fig. 3 Unless the input and output networks offer the correct impedance match, the shunt feedback circuit will not have a flat-response position.

the potentiometer at its centre position. If we added a frequency selective network with equal value components either side of the wiper the potentiometer would control the gain, but at the centre position the gain would be $\times 1$ at all frequencies. The arrangement therefore includes a position at which the frequency response is flat.

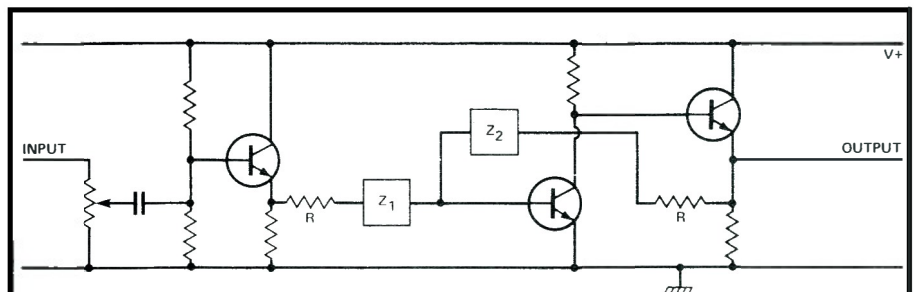


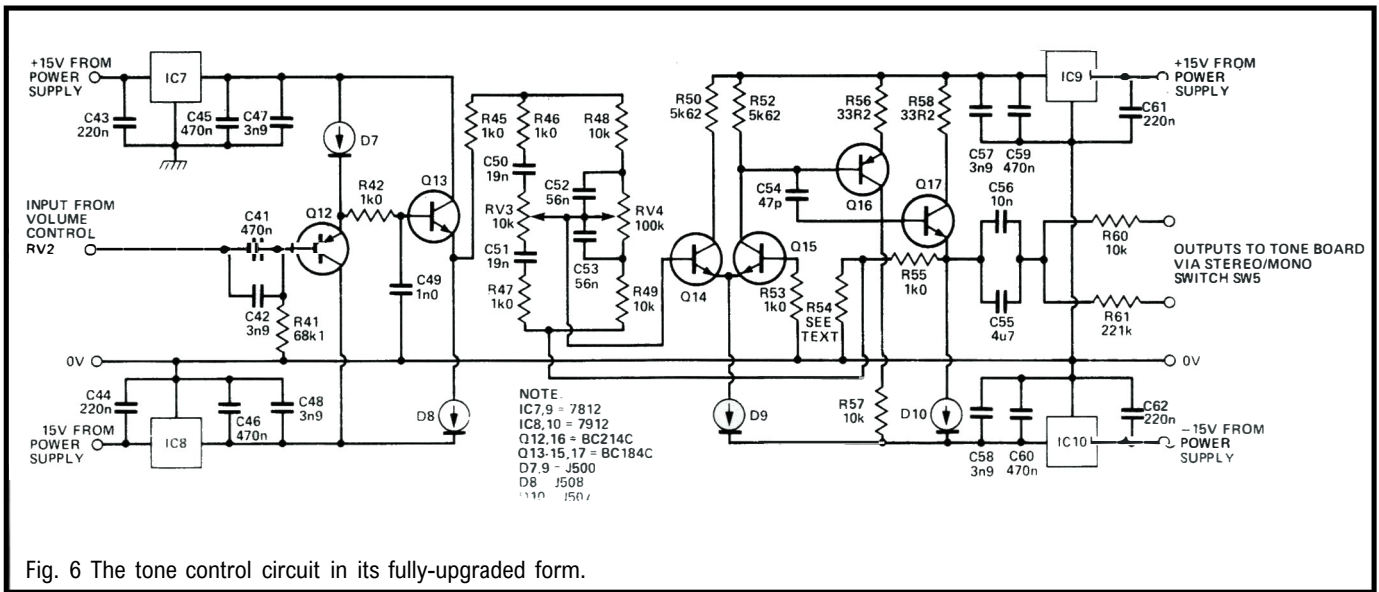
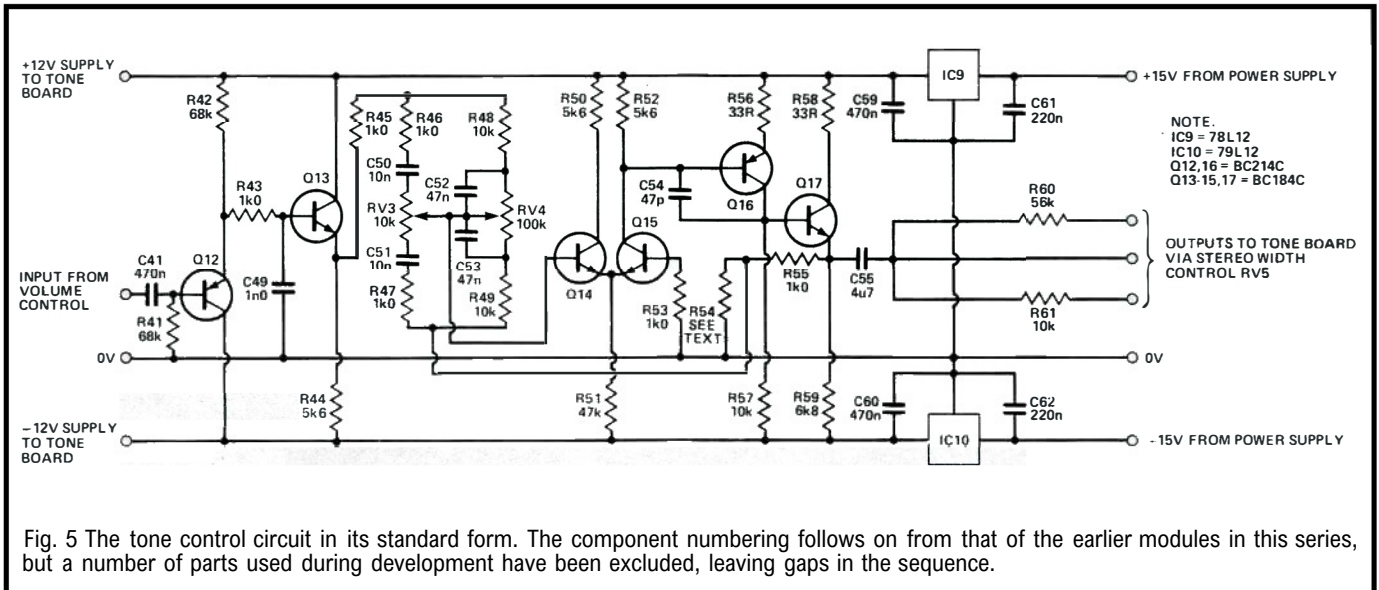
Fig. 4 A shunt-feedback tone control in which the input and output impedances are adjusted by buffers to ensure a flat response in the center position.

Unfortunately this is not so easy to achieve in practice. Fig. 3 shows a shunt feedback tone control. This circuit does not give a flat response at the centre position of the tone controls. The impedance seen by the amplifier is not Z_1 & Z_2 , but $(Z_1 + \text{potentiometer impedance})$ and $(Z_2 + \text{collector resistance})$. To ensure a flat response at the centre position, it is necessary to control the input and output impedances to which the tone

control network is connected.

The circuit of Fig 4, which is derived from a couple of designs I built many years ago from published circuits (Refs 1, 2.), achieves this by using the low impedance of emitter followers. A special feature of this, and of the circuit actually used in the Virtuoso preamplifier, is DC coupling of the tone network. This means that there are no blocking capacitors to add their distortion to the circuit and affect the

PROJECT: Preamplifier



HOW IT WORKS - TONE BOARD

The tone amp consists of emitter followers Q12 and Q13 which provide a low impedance output. Two emitter followers are used to obtain a DC level very close to 0V. A supersonic filter made of R43 and C59 separates the emitter followers to prevent supersonic oscillation in the tone amp. The tone control frequency shaping network comprises R45 - R48 and C50 - C53 and is varied by treble control RV3 and bass control RV4.

The amplification in the tone stage is provided by Q14 - Q17. This arrangement is similar to that used in previous circuits but has an additional output emitter follower for low impedance and an additional capacitor, C54, to maintain stability. The tone amplifier can amplify the signal if required (for example, to drive directly an inverting power amplifier). This is achieved by using R54 and R55 to give output gain as shown in Table 1 whilst maintaining the same resistance as R45.

Stereo image control is carried out by RV5 and R60 - R65 as described in the text.

R54	R55	Gain
1k1	11k	11
1k2	6k2	6
1k5	3k0	3
2k0	2k0	2

$$\text{Gain} = \frac{R54 + R55}{R54}$$

Table 1. Values of R54 and R55 to give various levels of gain in the tone amplifier.

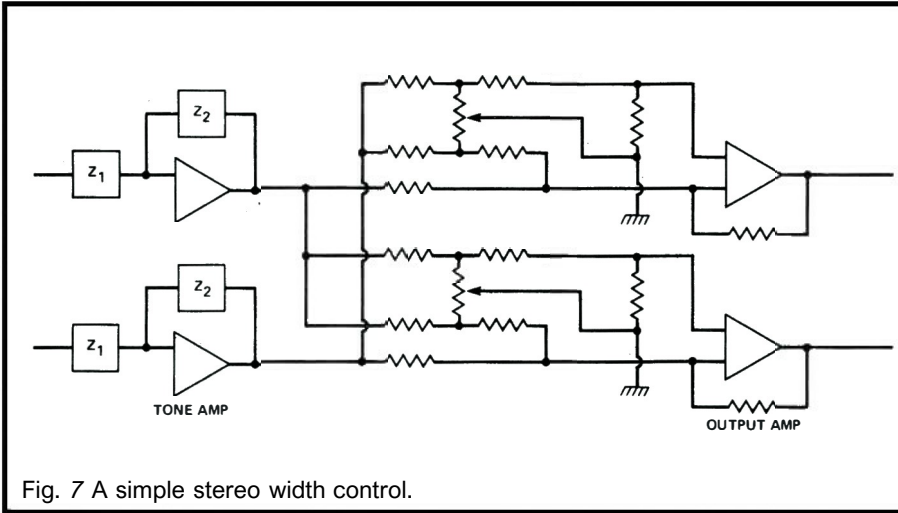
response at very low frequencies.

The only disadvantage in using a shunt feedback tone control is that the phase of the music signal is inverted. Many music lovers and hi-fi enthusiasts regard the preservation of correct phase as an essential element of high fidelity reproduction and claim to be able to detect a difference in the nature of the sound when the phase is reversed. To provide correct phase, a shunt feedback output amplifier follows the tone amplifier.

This output amplifier is a very useful building block for increasing the versatility of the preamp. It can be used as a unity gain buffer for tape outputs, an inverting amplifier for bridged power amplifiers or to provide a reverse phase output for the preamp.

With the circuit already chosen

PROJECT: Preamplifier



for the tone and output amplifiers, it is fairly simple to provide a crude stereo image width control with just a few extra resistors and a dual linear potentiometer. This is achieved by feeding the other channel into the inverting and non-inverting inputs of the buffer amplifier in different amounts, and is illustrated in Fig. 7.

The circuit suffers from the disadvantage that, as the image control is widened, centre stage information is attenuated. At the centre position the amounts of the other channel fed into each input is equal and they cancel each other out to give a stereo signal in both channels. With the control

Fig. 7 A simple stereo width control.

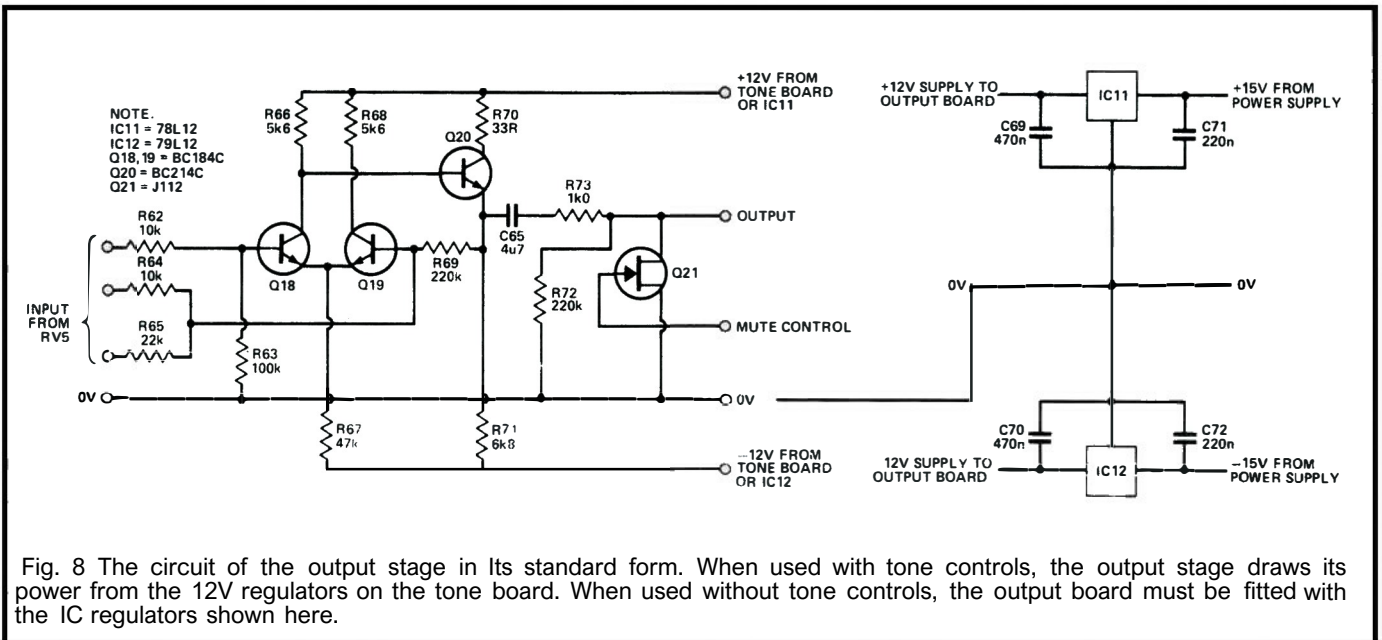


Fig. 8 The circuit of the output stage in its standard form. When used with tone controls, the output stage draws its power from the 12V regulators on the tone board. When used without tone controls, the output board must be fitted with the IC regulators shown here.

HOW IT WORKS OUTPUT BOARD

The output amplifier is based on Q18-Q20. It functions as an inverting amplifier when used with the tone board or as a non-inverting amplifier coupled directly to the volume control if the tone amp is omitted. The basic, three-transistor gain stage is similar to that used elsewhere in the upgradeable amplifier and its operation has already been described. The output mute is provided by R73 and Q21. When the amplifier is switched on the gate of Q21 is at 0V and Q21 acts as a low resistance between drain and source, attenuating the signal at R73. A control circuit in the power supply enables the gate voltage to rise slowly to about -8V at which point the FET becomes open circuit and allows the signal to pass with negligible effect. Regulators IC11-IC12 are fitted as required to provide a clean, low impedance power supply.

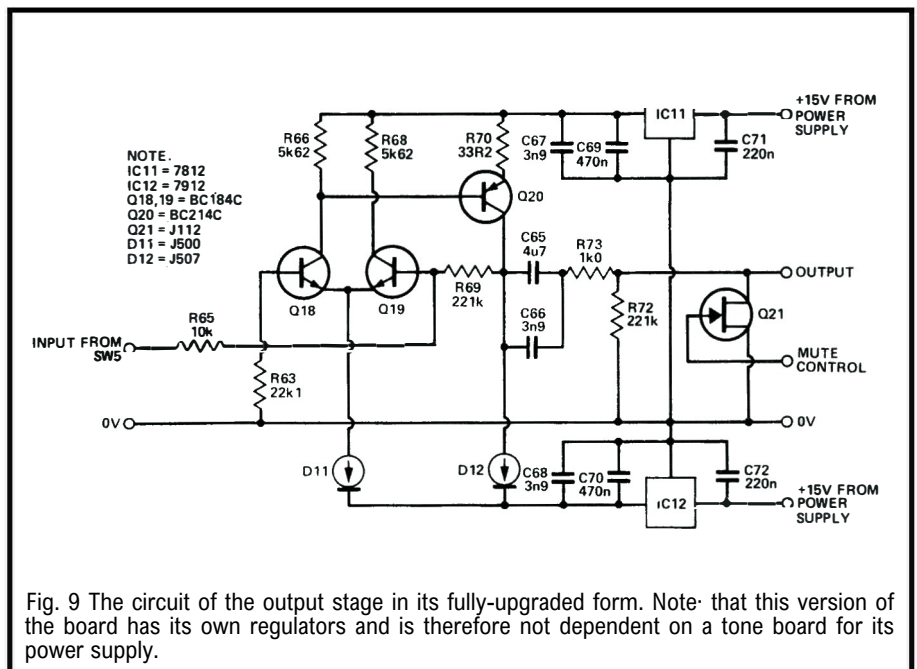


Fig. 9 The circuit of the output stage in its fully-upgraded form. Note that this version of the board has its own regulators and is therefore not dependent on a tone board for its power supply.

PROJECT: Preamplifier

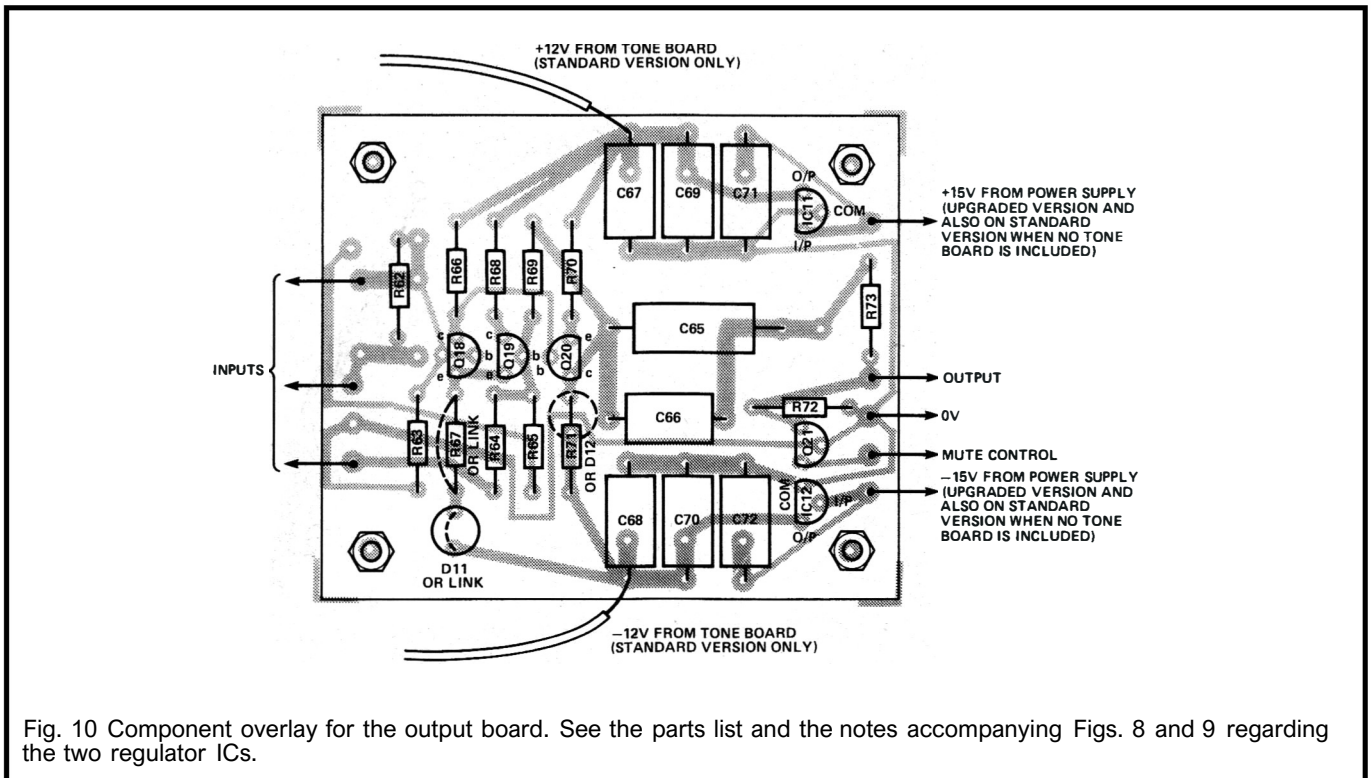


Fig. 10 Component overlay for the output board. See the parts list and the notes accompanying Figs. 8 and 9 regarding the two regulator ICs.

fully anticlockwise, the amount of the other channel fed into each non-inverting input is zero, whilst the amount of the other channel fed into each inverting input is the same as the first channel, giving a mono signal. This arrangement is used in the standard version of the preamplifier only, a simple mono/ stereo switch taking its place in the upgraded version.

A final but essential part of the design of a high quality preamplifier is the output muting circuit which prevents switch-on and switch-off transients from reaching the loudspeakers. There are three ways of achieving this:-

- slow charge and discharge power supply
 - output muting by controlled attenuator
 - output muting by relay.
- A controlled attenuator, such as the FET used in the Virtuoso, requires a much simpler power supply than a relay and is used for that reason.

Construction

The component overlay for the output board is shown in Fig. 10 and the overlay for the optional tone control board in Fig. 11. These overlays apply to both the standard and fully-upgraded versions, the difference being that some of the components shown

PARTS LIST- OUTPUT BOARD

RESISTORS

R62, 64
R63
R65
R66, 68
R67
R69, 72
R70
R71
R73

Standard Version
(all 1% metal film
unless otherwise stated)

10k
100k
22k
5k6
47k
220k
33R
6k8
1k0

Upgraded Version
(all Holco H8 0.5%
50 PPM/°C unless otherwise
stated)

22k1
10k
5k62
see D11
221k
33R2
see D12
1k0

CAPACITORS

C65
C66, 67, 68
C69, 70
C71, 72

4u7 polyester
470n polyester*
220n polyester*

4u7 polycarbonate
3n9 or 4n7 polystyrene
470n polycarbonate
220n polycarbonate

SEMICONDUCTORS

IC11
IC12
Q18, 19
Q20
Q21
D11
D12

78L12*
79L12*
BC184C
BC214C
J112
see R67
see R71

7812
7912
BC184C
BC214C
J112
J500
J507

MISCELLANEOUS

PCB; PCB pins, 7 off; 4 off transistor pads for upgraded version only.

All of the components listed above (including the PCB) are for one channel only. Two of each will be required for stereo.

*These components will only be required if a standard version of the preamplifier is built without tone controls.

PROJECT: Preamplifier

PARTS LIST - TONE BOARD

RESISTORS	Standard Version	Upgraded Version
	(all 1% metal film unless otherwise stated)	(all Holco H8 0.5%, 50 PPM/°C unless otherwise stated)
R41	68k	68k1
R42	68k	see D7
R43, 45, 46, 47, 53, 55	1k0	1k0
R44	5k6	see D8
R48, 49, 57	10k	10k
R50, 52	5k6	5k62
R51	47k	see D9
R59	6k8	see D10
R60	56k	10k
R61	10k	221k
RV 3	10k dual gang linear potentiometer	10k dual gang linear potentiometer, Bourns 91A conductive plastic
RV4	100k dual-gang linear potentiometer	100k dual-gang linear potentiometer, Bourns 91A conductive plastic
CAPACITORS		
C41, 59, 60	470n polycarbonate	470n polycarbonate
C42, 47, 48, 57, 58		3n9 or 4n7 polystyrene
C43, 44		220n polycarbonate
C45, 46		470n polycarbonate
C49	1n0 polystyrene	1n0 polystyrene
C50, 51	10n polystyrene	19n extended foil polystyrene
C52, 53	47n 5% polyester	56n extended foil polystyrene
C54	47p polystyrene	47p polystyrene
C55,	4u7 polyester	4u7 polycarbonate
C56		10n polystyrene
C61, 62	220n polyester	220n polycarbonate
SEMICONDUCTORS		
IC7		7812
IC8		7912
IC9	78L12	7812
IC10	79L12	7912
Q12, 16	BC214C	BC214C
Q13-15, 17	BC184C	BC184C
D7	see R42	J500
D8	see R44	J508
D9	see R51	J500
D10	See R59	J507
MISCELLANEOUS		
PCB; PCB pins, 10 off for standard version, 8 off for upgraded version; 6 off transistor pads for upgraded version only.		
All of the components listed above (including the PCB) are for one channel only. Two of each will be required for stereo.		

are omitted on the standard version board or replaced with components of another type. Full details are given in the parts list. If you are a particularly experienced constructor you may decide to build a partially-upgraded version, but if you are at all unsure it is better to choose one version or the other and stick to it.

Having decided which version to build, and whether to build the tone board or not, begin construction by installing the PCB pins for the flying-lead connections. These should be tapped lightly through the board from below and then soldered. Next install the resistors and then the semiconductors. Note that R67 (standard version) and D11 (upgraded version) each have their own set of holes, and that a link must be inserted in place of whichever component you are not using. The capacitors, some of which are physically very large, are best left until last. Note that several hole positions are provided for the tone control capacitors, C50-53, allowing different types and sizes to be used.

The output board can be tested simply by connecting it to a suitable power supply and applying a signal to the input. A $\pm 12V$ regulated supply should be used to test the standard version but the upgraded version has its own $\pm 12V$ regulators and can be powered from any regulated or unregulated supply of between ± 15 and $\pm 25V$. The operation of the muting transistor, Q21, can be checked by applying a negative voltage to its gate when the stage is passing a signal.

The tone board will have to be connected up to potentiometers RV3 and RV4 before it can be tested. Both versions of the board include regulators so any supply of between ± 15 and $\pm 25V$ can be used to test them. Connect an input source and monitor the output by connecting it to another amplifier. If all is well, you should find that the controls behave in the normal fashion.

References

1. Quilter, P.M. Low distortion tone control. *Wireless World*, April 1971.
2. Ellis, J. N. High quality tone control. *Wireless World*, August 1973.

Test Points

Output IC7, IC9, IC11 — ground
 Output IC8, IC10, IC12 — ground
 Emitter Q12 — ground
 Emitter Q13 — ground
 Emitter Q14 — ground
 Emitter Q18 — ground
 Across R50, R66
 Across R56, R70
 Emitter Q17 — ground
 Collector Q20 — ground

Test Voltage

12V
 -12V
 0.6V
 less than 0.1V
 -0.6V
 -0.6V
 0.7V
 0.1V
 less than 0.1V
 less than 0.2V

Table 2 Test voltages at various points around the two circuits.

PROJECT: Preamplifier

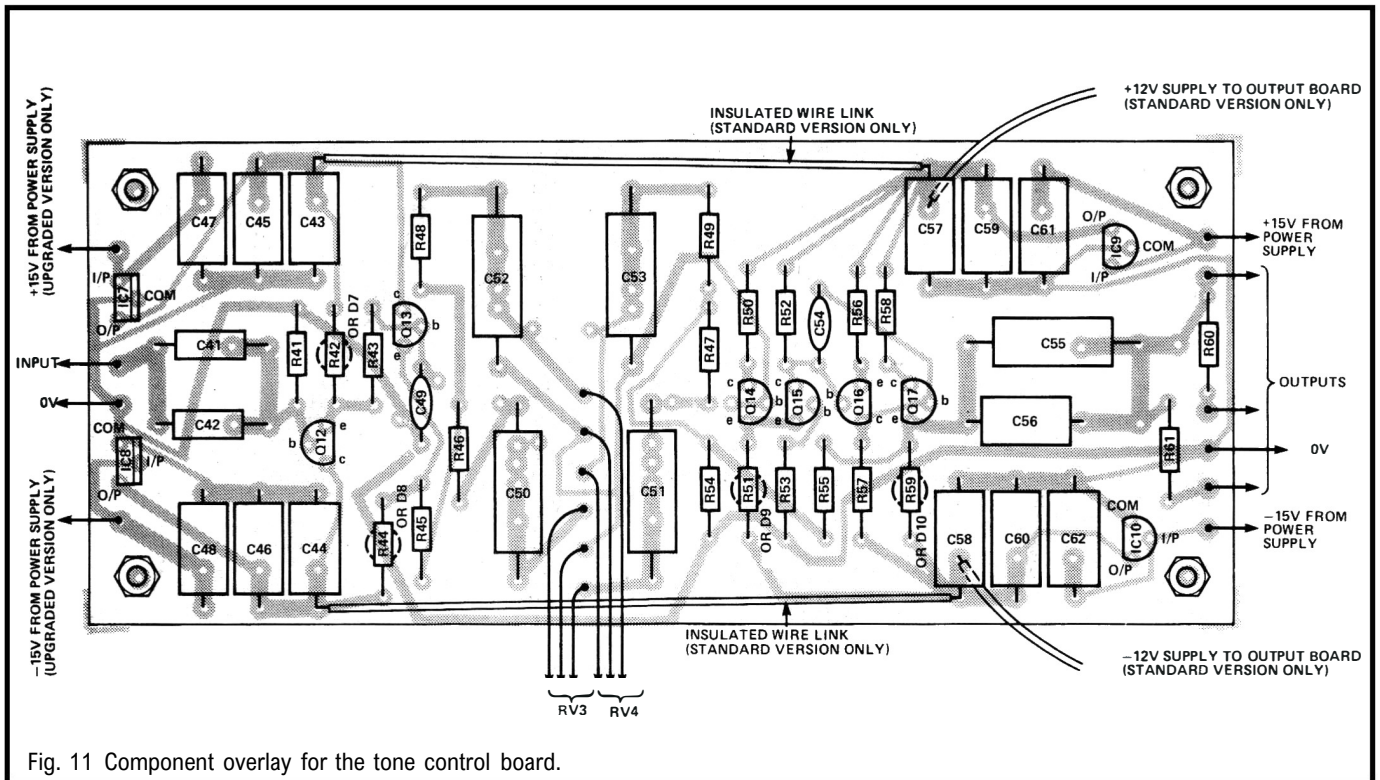


Fig. 11 Component overlay for the tone control board.

The final article in this series will describe the construction of the power supply board and the wiring and assembly of the complete Virtuoso preamplifier.

NEW NAME IN ELECTRONIC COMPONENTS

OMEGA

COMPONENTS AT UNBEATABLE PRICES BY RETURN DESP.

SPECIALIST IN COMPUTER IC'S
ALL NEW HI-SPEC LATEST AND FASTEST DEVICES

COMPUTER IC'S		4000 CMOS		74HC CMOS		IC SOCKETS (LPROR)	
DRAM 5v NMOS 15onS		4001 0.15	4019 0.28	00 24p	107 35p	8 6p	18 12p
4164 64K x 1	£1.00	4002 0.15	4020 0.38	02 24p	109 40p	14 8p	20 14p
41256 256K x 1	£2.60	4007 0.45	4023 0.38	04 25p	123 50p	16 9p	22 16p
4416 16K x 4	£2.00	4008 0.40	4024 0.26	08 24p	132 65p		
41464 64K x 4	£4.90	4009 0.29	4025 0.15	10 24p	138 52p		
SRAM 5v CMOS 15onS		4010 0.32	4026 0.89	11 24p	139 52p		
6116 2K x 8	£1.80	4011 0.15	4027 0.28	14 20p	153 52p		
6264 8K x 8	£3.25	4012 0.15	4028 0.32	20 24p	157 56p		
EPROM 5v CMOS 25onS		4013 0.25	4029 0.38	27 24p	158 56p		
27C64 8K x 8	£7.00	4014 0.35	4030 0.20	32 32p	161 75p		
27C256 32K x 8	£12.00	4015 0.35	4031 0.90	42 50p	164 60p		
Z80 CPU & INTERFACE		4016 0.19	4032 0.80	51 24p	165 65p		
Z80A CPU	£1.80	4017 0.31	4033 1.25	74 54p	166 60p		
Z80A PIO	£2.00	4018 0.33	4034 0.89	86 45p	173 80p		
Z80A CTC	£2.00						
Z80A SIO	£5.00						
Z80A DART	£5.80						

ON ORDERS OVER £25 P&P FREE ADD 15% VAT OTHERWISE ADD 50p P&P + 15% VAT. OVERSEAS ORDERS WELCOME NO VAT ADD £2.00 P&P.

ANY IC SUPPLIED - IF IT EXISTS WE WILL FIND IT
QUOTATIONS FOR QUANTITY ON REQUEST

OMEGA ELECTRONICS Tel: 01-952 4802
189 Beverley Drive
Edgware, Middx. HA8 5NL

MAIL ORDER ONLY
Prices are subject to change without notice.

Universal Semiconductor Devices Ltd.

17 Granville Court, Granville Road,
Hornsey, London N4 4EP, England.
Tel: 348 9420/9425* Tlx: 25157 usdco g

We offer one of the largest ranges of semiconductor devices at highly economical prices. The following semiconductor types are available from stock. If we don't stock what you need then we can get it fast from our facilities in West Germany and USA upon request.

TRANSISTORS — Bipolars — Germanium and Silicon
Small signal
Power
Darlington — all shapes and sizes
VHF/UHF devices — all shapes and sizes

FETS — Power Mosfets
Unijunctions

DIODES — Germanium and Silicon
Rectifiers and Bridges
Opto-Electronic devices
LEDs of all shapes and sizes

THYRISTORS and TRIACS — All shapes sizes ratings

INTEGRATED CIRCUITS: Consumer — Digital/Analogue
Microprocessors and Peripherals
IC Sockets

JAPANESE COMPONENTS — Vast range of discrete's and consumer IC's
System A — All semiconductors available from USD. Amp — £75.00 incl. VAT & p&p. Pre-amp — £90.00 incl. VAT & p&p.

Mail order customers: Please send for our comprehensive price list, enclosing £1.00 in stamps. Cheque or postal order.

SYSTEM A AMP
All semi-conductors available
Amp plus pre-amp £90.00
only £75

Catalogue sent free of charge, when requested on official letterhead (without refund), to OEM's, Schools, Colleges, Universities, Government Institutions, Computer Firms, Electronic Repair Firms and Distributors. Special discounts and payment terms are available to above institutions.

Please enquire for quantity discounts.

WE WELCOME TELEPHONE AND TELEX ENQUIRIES!

TECH TIPS

Variable Pulse Burst Generator

L. Robertson
Aberdeen

This circuit will produce bursts of from 1 to 8 pulses from a clock input depending on the setting of the three switches, SW1, 2 and 3 (See Table 1), with a delay between each burst determined by the 4047 monostable, IC5.

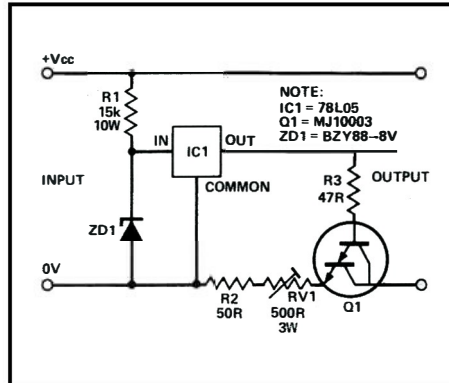
For example, if bursts of 4 pulses are required, the switches are set so that SW1-0, SW2-0 and SW3-1 are fed to the 3-input NOR gate, IC1 b. The input pulses are counted into the 4029 binary counter, IC2, via IC1 a. After the fourth input pulse all the gates on IC1 b will go low causing a positive going pulse to reset the counter via the reset enable pin. This pulse also sets the 4027 flip flop, IC4, setting Q high and thereby holding the circuit output low through IC1 c. Only the first four input pulses in this case will pass through to the output.

The positive edge of Q also triggers IC5 whose output will go high for a period, T, equal to 2.48 RC seconds, where R is between 10k and 1 M Ω and C is greater than 1 nF and is non-polarised and a low leakage type. This disables the input to IC1 a so that no more pulses can go to the counter as long as the monostable is active. At the end of the monostable period, IC5's out-put goes low, IC1 a is enabled and the cycle repeats.

Pulses in burst	SW3	SW2	SW1
1	0	0	1
2	0	1	0
3	0	1	1
4	1	0	0
5	1	0	1
6	1	1	0
7	1	1	1
8	0	0	0

High Voltage Constant Current Source

E. Hunter Dundee



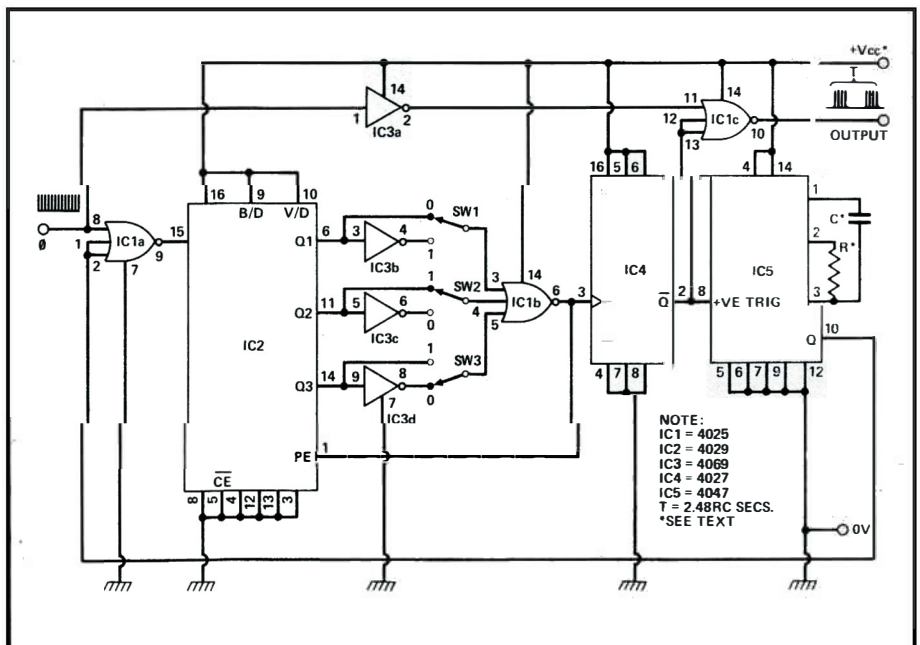
The circuit described here provides a constant current source adjustable up to a current of about 60mA and at a voltage of up to 350V. The resistor, R1, and the zener diode, ZD1, provide 8V at the input of the regulator, a 7805, with respect to its common line. This is high enough to ensure that the regulator has sufficient voltage to work with and low enough to keep dissipation to a minimum.

The regulator tries to maintain 5V between its output and its common pins and this voltage is applied to the transistor Q1's base-emitter

circuit. The base-emitter voltage of Q1, which is a Darlington device, is about 1V5 when Q1 is on. If the collector current begins to increase through a load attached across the output of the circuit, then the voltage developed across resistors R2 and RV1 will increase. Thus, the voltage on the transistor's emitter rises with respect to the 7805 common pin. While the transistor is biased into conduction, the voltage on its base will be forced to rise. Since the 7805 maintains a constant 5V across its output and common pins, the voltage across R3 will, therefore, drop — ensuring a reduction in base current which counteracts the initial rise in collector current. The same process applies should collector current try to decrease.

The variable resistor, RV1, gives adjustment of the current and the fixed resistor, R2, limits the maximum available current. The variable resistor should be a 3W wire-wound type to cope with the power dissipated in it.

A Darlington transistor was chosen because its higher gain maintains a more constant current. The one used in the circuit is rated at 400V and 150W at 25°C, so it is well within its safe operating area. Nevertheless, it should be provided with a heat sink to minimize the effects of temperature rise if more than a few milliamps are required. The circuit values can easily be modified to suit different voltages and currents, provided component ratings are not exceeded.



SERVICE SHEET

Enquiries

We receive a very large number of enquiries. Would prospective enquirers please note the following points:

● We undertake to do our best to answer enquiries relating to difficulties with ETI projects, in particular non-working projects, difficulties in obtaining components, and errors that you think we may have made. We do not have the resources to adapt or design projects for readers (other than for publication), nor can we predict the outcome if our projects are used beyond their specifications;

● Where a project has apparently been constructed correctly but does not work, we will need a description of its behaviour and some sensible test readings and drawings of oscillograms if appropriate. With a bit of luck, by taking these measurements you'll discover what's wrong yourself. Please do not send us any hardware (except as a gift!);

● Other than through our letters page, Read/Write, we will not reply to enquiries relating to other types of article in ETI. We may make some exceptions where the enquiry is very straightforward or where it is important to electronics as a whole;

● We receive a large number of letters asking if we have published projects for particular items of equipment. Whilst some of these can be answered simply and quickly, others would seem to demand the compiling of a long and detailed list of past projects. To help both you and us, we have made a full index of past ETI projects and features available (see under Backnumbers, below) and we trust that, wherever possible, readers will refer to this before getting in touch with us.

● **We will not reply to queries that are not accompanied by a stamped addressed envelope (or international reply coupon). We are not able to answer queries over the telephone.** We try to answer promptly, but we receive so many enquiries that this cannot be guaranteed.

● Be brief and to the point in your enquiries. Much as we enjoy reading your opinions on world affairs, the state of the electronics industry, and so on, it doesn't help our already overloaded enquiries service to have to plough through several pages to find exactly what information you want.

Subscriptions

The prices of ETI subscriptions are as follows:

UK:	£18.10
Overseas:	£22.50 Surface Mail
	\$29.50 Surface Mail (USA)
	£49.50 Air Mail

Send your order and money to: ETI Subscriptions Department, Infonet Ltd, Times House, 179 The Marlowes, Hemel Hempstead, Hertfordshire, HP1 1BB (cheques should be made payable to ASP Ltd). Note that we run special offers on subscriptions from time to time (though usually only for UK subscriptions, sorry).

ETI should be available through newsagents, and if readers have difficulty in obtaining issues, we'd like to hear about it.

Backnumbers

Backnumbers of ETI are held for one year only from the date of issue. The cost of each is the current cover price of ETI plus 50p, and orders should be sent to: ETI Backnumbers Department, Infonet Ltd, Times House, 179 The Marlowes, Hemel Hempstead, Hertfordshire HP1 1BB. Cheques, postal orders, etc should be made payable to ASP Ltd. We suggest that you telephone first to make sure there are still stocks of the issue you require: the number is (0442) 48432. Please allow 28 days for delivery. We would normally expect to have ample stocks of each of the last twelve issues, but obviously, we cannot guarantee this. Where a backnumber proves to be unavailable, or where the issue you require appeared more than a year ago, photocopies of

individual articles can be ordered instead. These cost £1.50 (UK or overseas surface mail), irrespective of article length, but note that where an article appeared in several parts each part will be charged as one article. Your request should state clearly the title of the article you require and the month and year in which it appeared. Where an article appeared in several parts you should list these individually. An index listing projects only from 1972 to September 1984 was published in the October 1984 issue and can be ordered in the same way as any other photocopy. If you are interested in features as well as projects you will have to order an Index covering the period you require only. A full index for the period from 1972 to March 1977 was published in the April 1977 issue, an index for April 1977 through to the end of 1978 was published in the December 1978 issue, the index for 1979 was published in January 1980, the 1980/81 index in January 1982, the 1982 index in December 1982, the 1983 index in January 1984, the 1984 index in January 1985 and the 1985 index in December 1985. Photocopies should be ordered from: ETI Photocopies, Argus Specialist Publications Ltd, 1 Golden Square, London W1R 3AB. Cheques, postal orders, etc should be made payable to ASP Ltd.

Write For ETI

We are always looking for new contributors to the magazine, and we pay a competitive page rate. If you have built a project or you would like to write a feature on a topic that would interest ETI readers, let us have a description of your proposal, and we'll get back to you to say whether or not we're interested and give you all the boring details. (Don't forget to give us your telephone number.)

Trouble With Advertisers

So far as we know, all our advertisers work hard to provide a good service to our readers. However, problems can occur, and in this event you should:

1. Write to the supplier, stating your complaint and asking for a reply. Quote any reference number you may have (in the case of unsatisfactory or incomplete fulfilment of an order) and give full details of the order you sent and when you sent it.
2. Keep a copy of all correspondence.
3. Check your bank statement to see if the cheque you sent has been cashed.
4. If you don't receive a satisfactory reply from the supplier within, say, two weeks, write again, sending your letter recorded delivery, or telephone, and ask what they are doing about your complaint.

If you exhaust the above procedure and still do not obtain a satisfactory response from the supplier, then please drop us a line. We are not able to help directly, because basically the dispute is between you and the supplier, but a letter from us can sometimes help to get the matter sorted out. But please, don't write to us until you have taken all reasonable steps yourself to sort out the problem.

We are a member of the mail order protection scheme, and this means that, subject to certain conditions, if a supplier goes bankrupt or into liquidation between cashing your cheque and supplying the goods for which you have paid, then it may be possible for you to obtain compensation. From time to time, we publish details of the scheme near our classified ads, and you should look there for further details.

OOPS!

Corrections to projects are listed below and normally appear for several months. Large corrections are published just once, after which a note will be inserted to say that a correction exists and that copies can be obtained by sending in an SAE.

Digibar (February 1986)

Capacitors C1, C3, C5 and C7 should be 470u 25V types as shown on the circuit diagram, not 47u 25V types as stated in the parts list. We have also been told that one of the companies mentioned in Buylines, Hawke Electronics, no longer supply the MPX100a pressure transducer. The other company recommended, Macro Marketing, should still be able to help.

LED5 on Fig. 7, page 28, the component overlay, is shown as having 16 pins. It should have 18 pins and be extended rightwards to the two pads shown. In the author's prototype the LED displays used were both MAN6710 2-digit types, LED4 having pins 16, 17 and 18 removed.

RS232-Centronics Converter (March, 1986)

On the circuit diagram (Fig. 2, p. 53), pin 11 of IC2d should be marked pin 13. Pin 10 of IC3 is missing and should be shown connected to ground. Pin 9 of IC7f becomes pin B and vice versa. Also, in Table 1, the figure '8' in column SW1b should be a zero and the '8' belongs in the 'DATA BITS' column. The specification of 74LS121 and 74LS07 is wrong, since LS types do not exist for these devices. They should be replaced with standard TTL. Finally, some confusion seems to have been generated over XTAL1. Although not mentioned in the text, a simple calculation should demonstrate that XTAL1 needs to be 6.144 MHz to produce the baud rates shown.

Microlight Intercom (May, 1986)

In Fig. 1 (p.29) the link between pins 2 and 3 of PL3 is not shown. C13 is shown as a polarised capacitor. The battery check contact on SK1 should be shown as normally closed. The PCB foil pattern on p.59 is shown as from the component side. It should be reversed. The miniature loudspeakers mentioned in the article cost £2.50 each, not per pair as incorrectly noted in Buylines, p.32. The author of the article suggests that it may be advisable to insert a suitable capacitor between R9 and IC3, pin 3.

Baud Rate Converter (May, 1986)

In Fig. 4 (p. 35), some confusion has crept in to the ins and outs of the circuit diagram. IC6a and IC5c need to be turned round and pins 20 and 25 of IC2 swapped round. In Fig. 5 (p.36), D4 and D3 are shown the wrong way round on the overlay. This could of course lead to the destruction of C10 as well as the presence of a second +12V rail instead of the required -12V. In Fig. 6 (p.37), SK4.3 and SK3.3 must be swapped over. In the Parts List, C10 should be 1000uF, not 100uF.

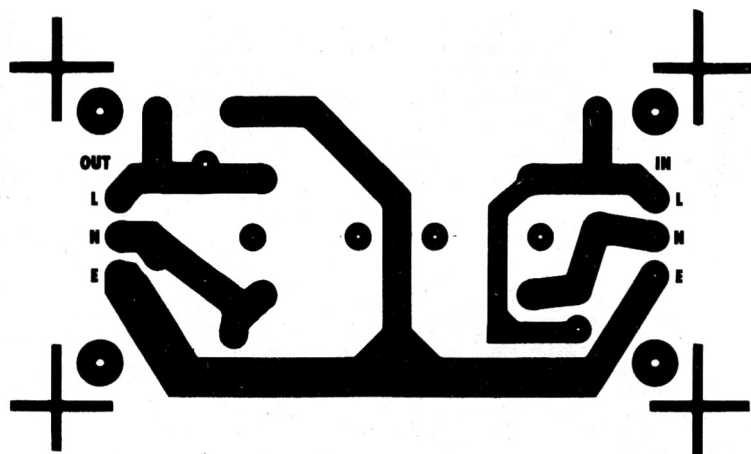
RF Oscillators (June, 1986)

Fig. 12 (p.23) does not, in fact, show a working oscillator. For a series fed arrangement, take the link from CV1a,b junction to R3 and Q1 emitter junction and not 0V, remove C1 and move C2 to shunt R2. For a shunt-fed arrangement, break the link between L1 and Vcc and take Q1 collector to Vcc via a 4k7 resistor.

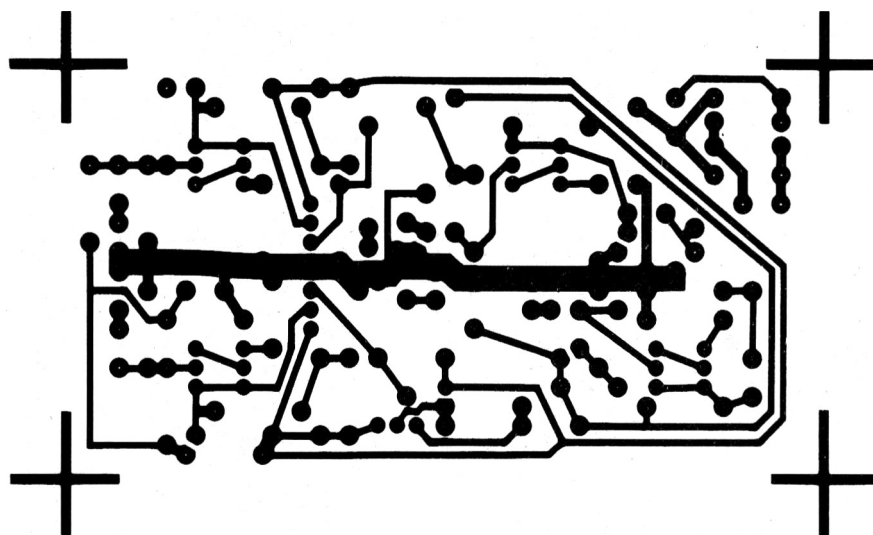
Speaking Alarm Clock (August, 1986)

In the circuit diagram, Fig. 2 (p.53), diode D3 and resistor R14 should be in parallel not series as shown. The link from IC10, pin 1, to battery positive should be removed.

PCB FOIL PATTERNS

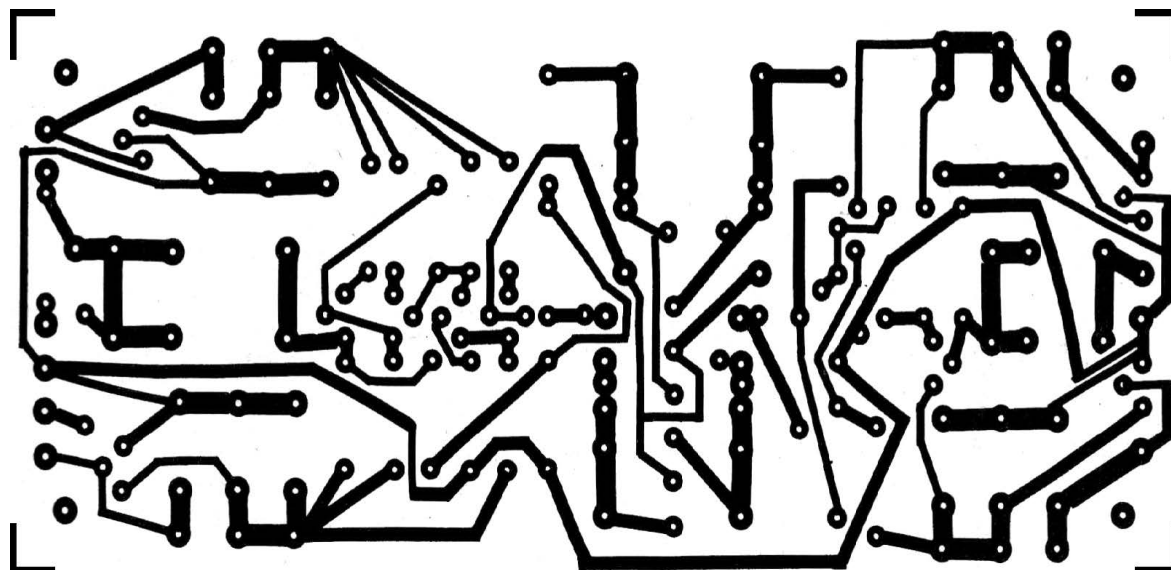


The Mains Conditioner foil pattern.

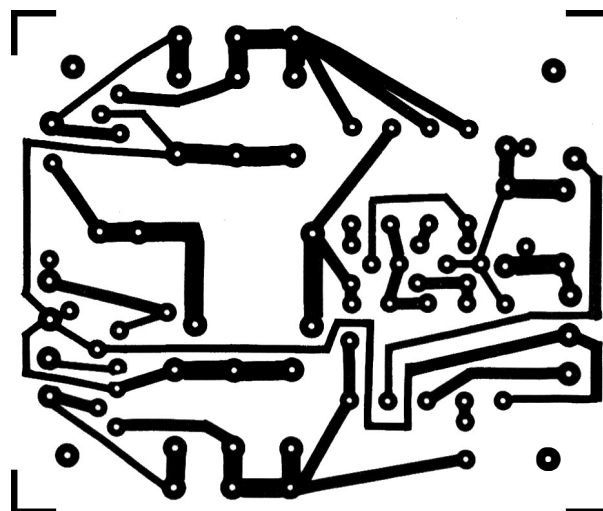


The Experimental Preamplifier foil pattern.

PCB FOIL PATTERNS



The foil pattern for the Upgradeable Amplifier tone control board.



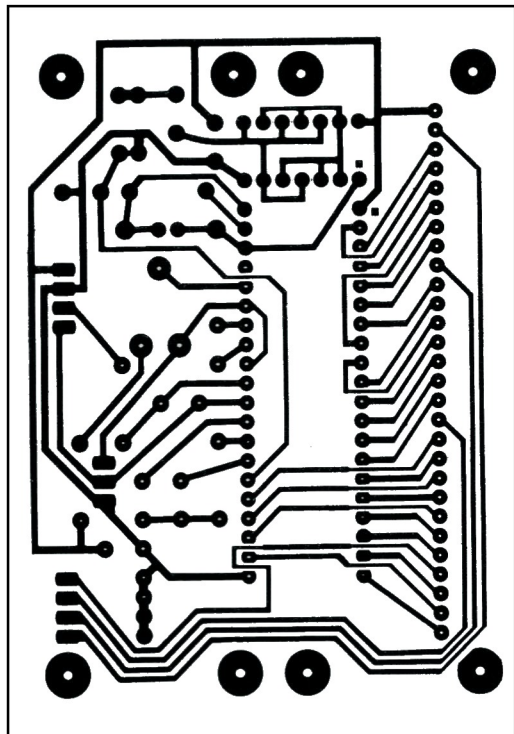
The foil pattern for the Upgradeable Amplifier output board.

ETI PCB SERVICE

Make your project in style -
and avoid bird's nesting
- with a properly designed PCB!

E8107-1 System A Disc Input bd MC-MM..... F	E8405-4 Centronics Interface F	E8508-1 RCL Bridge N
E8107-2 System A Preamp Main ... K	E8405-6 Drum Synth F	E8508-2 EX42/BBC Interface E
E8108-1 System A Power Amp L	E8406-1 Oric EPROM Board O	E8508-3 EPROM Emulator L
E8109-2 System A PSU F	E8406-2 Spectrum Joystick E	E8509-1 Spectrum F
E8201-2 Infant Guard C	E8406-3 Audio Design RIAA Stage G	E8509-2 Direct Injection Box E
E8202-5 MM Stage Disc Preamp (Tilsbrook) G	E8406-4 AD Buffer/Filter/Tone H	E8510-9 Sunrise Light Brightener K
E8206-5 Logic Lock F	E8406-5 AD Headphone Amp F	E8511-1 MTE Waveform Generator ... H
E8208-1 Playmate Practice Amp 3bds SA1 K	E8406-6 AD Preamp PSU K	E8511-2 Millifaradometer H
E8212-1 ELCB F	E8406-7 AD Power Amp H	E8511-3 Cymbal Synth J
E8301-2 Analogue to digital conv (ZX81/ Spectrum) E	E8406-8 AD Power Amp PSU J	E8511-5 Chorus Effect H
E8305-3 Dual Audio Power Supply, Linsley Hood G	E8406-9 AD Stereo Power Meter F	E8511-7 Enlarger Exposure Meter F
E8305-5 Balanced Input Preamplifier F	E8406-10 AD Input Clamp C	E8511-8 Switching Regulator E
E8307-2 Flash Trigger-sound or FR F	E8407-1 Warlock Alarm M	E8511-9 Second Line of Defence M
E8308-1 Graphic Equaliser 1/2 Oct/Chnl M	E8408-2 EPROM Emulator N	E8512-1 Specdrum connector F
E8308-2 Servo Fail-safe C	E8408-3 Infrared Alarm Transmitter ... E	E8512-2 MTE Pulse Generator H
E8309-1 NICAD Charger/Regenerator F	E8408-4 Infrared Alarm Receiver F	E8511-3 Specdrum L
E8310-3 Typewriter Interface - EX42 ... F	E8409-1 EX42 Keyboard Interface F	E8601-2 Walkmate L
E8311-1 Mini Drum Synth F	E8409-2 Banshee Siren Unit F	E8601-3 MTE Counter-timer M
E8311-8 Moving Coil Pre-Preamp F	E8410-1 Echo Unit F	E8602-1 Digibaro O
E8312-3 Light Chaser EPROM Controlled (2 Boards) K	E8410-2 Digital Cassette Deck N	E8603-2 Programmable Logic Evaluation Board H
E8402-1 Speech Board M	E8410-3 Disco Party Strobe H	E8603-3 Sound Sampler Analogue Board R
E8402-2 Modular Pre-amp Disc Input Mono F	E8411-5 Video Vandal (3boards) N	E8604-1 JLLH PA PSU H
E8402-3 Modular Pre-amp Stereo Output F	E8411-6 Temperature Controller D	E8604-2 Matchbox Amplifier C
E8402-4 Modular Pre-amp Relay, PSU F	E8411-7 Mains Failure Alarm D	E8604-3 Matchbox Amp Bridging Version C
E8402-5 Modular Pre-amp Tone Main Mono F	E8411-8 Knife Light D	E8604-4 MTE Analogue/Digital Probe M
E8402-6 Modular Pre-amp Tone Filter, Stereo F	E8411-9 Stage Lighting Interface F	E8605-1 Microlight Intercom E
E8402-7 Modular Pre-amp Balanced Output F	E8411-10 Perpetual Pendulum E	E8605-2 Baud Rate Converter M
E8402-8 Modular Pre-amp Headphone Amp F	E8412-1 Spectrum Centronics Interface F	E8605-3 Baud Rate Converter PSU Board G
E8404-2 Mains Remote control Receiver F	E8412-4 Active - 8 Protection Unit F	E8605-4 Portable PA H
E8405-1 Auto Light Switch F	E8412-5 Active - 8 Crossover F	E8606-1 Midi-CV Converter Board H
E8405-2 ZX81 EPROM Programmer ... N	E8412-6 Active - 8 LF EQ F	E8606-2 Midi-CV Converter PSU D
E8405-3 Mains Remote Control Transmitter H	E8412-7 Active - 8 Equaliser F	E8606-3 Troglgraph F
	E8501-3 Digital Delay (2 boards) T	E8606-4 80m Receiver H
	E8502-1 Digital Delay Expander N	E8606-5 Sound Sampler R
	E8502-2 Data Logger J	E8607-1 Direction E
	E8503-1 Combo Preamplifier F	E8607-2 Upgradeable Amp, MC stage (Stereo) G
	E8503-2 THD Meter mV & oscillator bds (2 boards) K	E8607-3 BBC Motor Controller F
	E8503-3 THD Meter Mains PSU F	E8608-1 Digital Panel Meter G
	E8504-1 Framestore Memory M	E8608-2 Upgradeable Amp, MM stage (mono) H
	E8504-3 Framestore Control N	E8609-1 Mains Conditioner E
	E8504-4 Buzby Meter E	E8609-2 Experimental preamp F
	E8504-5 CCD Delay F	E8609-3 Upgradeable amp, Tone board (mono) H
	E8505-5 Stereo Simulator F	E8609-4 Upgradeable amp, Output board (mono) F
	E8506-1 Audio Mixer Main J	
	E8506-2 Audio Mixer PSU F	
	E8506-3 Audio Mixer RIAA D	
	E8506-4 Audio Mixer Tone Control ... D	
	E8506-5 EPROM Prog MKII O	

BOARDS AVAILABLE



Please use the form below (or a photocopy of it) to make your order. Be sure to quote the board reference number and price code correctly - mistakes will delay your order. The board reference number tells you when a particular project was published: the first two numbers are the year and the third and fourth numbers tell you the month; the number after the hyphen indicates the particular project. Reprints of all articles are available for a small charge from our photocopy service - see the separate page (not printed in every issue of ETI). Please note that complex projects are usually published in several parts.

Our terms are strictly cash with order. Unfortunately we cannot accept official orders, but we can supply a pro-forma invoice for you to raise a cheque against. We must stress, however, that your order will not be worked on until payment is received.

The boards listed below are all that are available at the moment. We hope to make more types available in the future, but no details will be available for some while (so please don't phone us to ask!)

Please allow 28 days for delivery

ORDER FORM

TO: ETI READERS' SERVICES DEPARTMENT
 Argus Specialist Publications Ltd
 PO Box 35, Wolsey House, Wolsey Road, Hemel
 Hempstead, Herts HP2 4SS, UK

Please supply:

No. required per type	Board reference number	Price letter	Price each £	Total for board type £
	E		£	p
	E		£	p
	E		£	p
	E		£	p

POSTAGE & PACKING £ 0.75p

TOTAL ENCLOSED £ . p

ORDER TO BE SENT TO: (BLOCK CAPS PLEASE)

Name

Address

Postcode

(Make cheques payable to ASP Ltd)
 ACCESS and VISA credit card orders can be taken on 0442 41221
 (office hours only).

Price Code	Price (inc VAT) £
C	1.80
D	2.50
E	3.23
F	4.00
G	4.75
H	5.50
J	6.62
K	7.20
L	8.80
M	10.60
N	13.10
O	15.80
P	17.90
Q	21.80
R	23.90
S	25.90
T	29.00
U	32.20
V	35.80
W	37.90
X	40.70

THE COLOUR BROWN

Andrew Armstrong reports from the consumer front-line. Are brown goods getting better or just more colourful?

'Pop up to town' said the invitation from Marantz. The invitation was to visit their part of what used to be the Audio Trade Fair. This is a disparate, not to say dissipated, event which takes place at a number of separate venues in the inner London area.

It is interesting to check up on advances in the field of electronic consumer products from time to time. At this show, some of the 'advances' were risible, a few were technically interesting, and most were a bit *ho hum*. In short the show, like the goods, was brown.

Because of its geographical proximity to the offices of ETI, the first port of call was the Grundig exhibition. The people at Grundig, who are partly owned by Philips, seemed to be most excited about their 'flatter, squarer tubes' (on television, that is). This seems to be the most important advance in the domestic market. I am not sure about the subjective effect of the tube being flatter, but it does seem sensible to have a squarer tube to make use of all the picture information transmitted and not lose the corners as with older designs.

On the business front, Grundig were offering a 'competitive' telephone answering machine at £350. Two of the special features are remote access, controlled by a user-settable seven-bit code to prevent your competitors from listening in, and that it uses the same tape cassettes as their dictaphones. This allows the businessman to leave dictation for his secretary without leaving his girlfriend's flat!

Back on the television front, two developments were noticeable.

There is now a TV with video recorder built in. The VCR is removable, and both TV and recorder can work independently. This uses a picture enhancement technique called CTI (colour transient improvement), which reduces the inevitable smearing of colours caused by narrow chrominance bandwidth. I am still waiting for someone to produce a colour set which makes use of most of the luminance resolution currently transmitted. That would reduce the justification for introducing High Definition Television.

Grundig had one or two interesting things, such as a small and deceptively simple satellite receiver. The works which matter are in a metal cased module, which is only repairable by the factory. The dish which goes with it has two head amps, for X and Y polarisation, instead of the usual circular polarisation. Electronic switching selects the best signal. This should gain the odd dB or so. The overall noise figure quoted is a creditable less than 2.2dB, and the RRP for the whole works comes to £1750.

Squarer But Not Flatter

Telefunken, in the same hotel, were showing televisions with squarer, but not flatter screens. Apparently, Telefunken believe that the picture looks better on con-vex screens. Not to worry, if the picture or the programme fails to please — just press a button and the remote control unit lights up! A great boon if you are watching TV in the dark. We are told that their video recorders were 'In a transitional phase — new models will be out in September.' I think that sums it up adequately.

Now on to the next hotel, where there were several more exhibitors.

Black And Brown

Marantz were showing more black goods than brown ones. Their main stock in trade is high quality audio equipment. They have introduced a 16-bit, 4 times over-sampling CD player — the only other people to aspire to these levels, as far as I know, are Philips. The CD65, as it is designated, also provides a digital output to allow the use of an external digital-to-analogue converter (DAC). When pressed the technical man said that the 16-bit specification of the CD65 is genuine and linear, but that it is still possible to gain extra quality by using an external DAC.



Grundig had one or two interesting things, Telefunken had a rounder, squarer tube.

FEATURE

with very superior components around it. The DAC unit is likely to retail at about the same price as the CD65, whose RRP is £349.

Still on the subject of digital audio, Marantz expect to introduce a digital audio recorder next year. The quality should be similar to that of the compact disc player, and the machine will use a rotary head. Apparently standards have been agreed. Watch this space next year for more details.

Marantz have also introduced another Dolby surround sound processor. They introduced the idea for the first time last year, and they appear to be pressing forward with it. Apparently, 35mm feature films often have front and rear channel information encoded on them, and this is carried over to prerecorded videocassettes. Dolby labs licence the decoding circuitry just as they license the use of Dolby B and C noise limiter circuits.

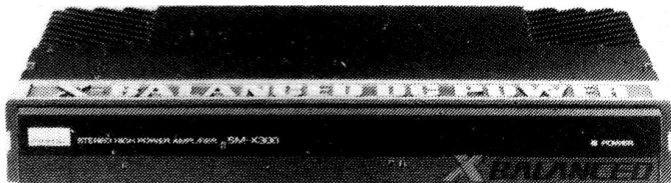
Just to confuse matters, Sansui have also introduced a surround sound processor, reputed to be of similar quality to the Marantz offering. The Sansui version does not, however, use the official Dolby decoding circuit, although the way it works is similar enough to sound more or less right.

Sansui had a neat looking car CD player on display. This is expected to retail for £434 including VAT. This is only for the player, of course. You also need an amplifier. The amplifier which they recommend costs £93, so the whole system is likely to cost more than many living room hi-fis.

Car CD players are very attractive up to the moment when you see the price tag. Remembering that the acoustic environment of a car is not ideal for the appreciation of music, the main justification of having one must be to listen to your CDs without first having to record them on to cassette.

It may come to pass that, if the real price of CDs ever comes down, and more people own more of them, then car CD players will be widely used.

My main impression of the show was that brown goods manufacturers are trying to come up with new gimmicks to persuade people to replace or upgrade their present domestic entertainment facilities. This search for ways to revitalise the market was neatly illustrated by one of Tatung's innovations — a wide range of different coloured cases for one of their television models.



In-Car entertainment from Sansui :- 47+47W amplifier, a seven band graphic equalizer and 'a three spot beam laser CD player!



NEXUS

NEXUS EPROM DEVELOPMENT SYSTEM

The Nexus EPROM Development system is an EPROM simulator/programmer of enhanced capabilities. One is available now for the Atari ST range of computers. It plugs into the cartridge port and will allow you to:

- Develop ST cartridge software without ever having to program an EPROM.
- Use your ST as a professional 68000 hardware development system.
- Blow EPROMs 16 bits wide or 8 bits wide (depending on target system architecture).
- Manipulate data between its 64K of EPROM simulation RAM and the ST's disk drive(s) and serial port in binary and a variety of hex formats.

Of far higher specification than probably any available dedicated EPROM programmer/simulator, amongst the system's features are:

- Internal (ST) and external (target system) EPROM simulation with 64k of static RAM, the first ever true 16 bit simulator/programmer, LS and MS EPROMs programmed simultaneously in two ZIP sockets, automatic transparent 'split and shuffle', intelligent programming of all EPROMs 8k and above, SID style GEM window on simulation RAM or EPROM(s) including slider, icon manipulation etc, Edit, Locate a Value, Block Move, Fill/Clear, Checksums, Blank check, Program Check, Automatic or Manual Verify, External EPROM Simulation autonomous from ST operation, on-board Vpp generation etc. In the now envied Atari tradition of "Power without the Price" the cost of this remarkable system is **£175.00**. Included in this price is the highly professional GEM software and extensive comprehensible manual.

For delivery of your Nexus EPROM Development System by return of post, send cheque/PO for £201.25 to include VAT, P&P to:

Nexus Technical Services Limited
38 Melrose Avenue, Reading RG6 2BN
Tel: (0734) 664559

Also available:
 Socketed ST cartridge boards to take four EPROMs 8k or above (eg. 4 x 27256 = 128k)
£14.75 inc. VAT, P&P

CRICKLEWOOD ELECTRONICS LTD



It's no secret...

... that there is a real difference at Cricklewood Electronics. That's why you should never be without the FREE CRICKLEWOOD ELECTRONICS COMPONENTS CATALOGUE, for sheer variety, competitive prices and service from the U.K.'s number one 100% component supplier. No gimmicks, no gadgets or computers, just components, millions of them, easily available by mail order. Just pick up the phone (or a pen) to get your FREE copy now (no SAE, please) and you have nothing to lose.

CRICKLEWOOD ELECTRONICS LIMITED

40 Cricklewood Broadway, London NW2 3ET

Tel: 01-450 0995/01-452 0161
 Telex: 914977



ALF'S PUZZLE

Last Christmas, Alf promised to make some decorations for the ETI offices. True to his word, he's done it. The fact that he presented us with his LED nativity scene in August is hardly worth mentioning.

The circuit that Alf used is shown in Fig. 1. To save the bother of calculating lots of resistor values, his idea was to connect the entire LED string via a single 220R resistor to a variable power supply, and to turn up the voltage until all the LEDs lit at a reasonable brightness. As he didn't have quite enough LEDs to complete his pattern, he connected another

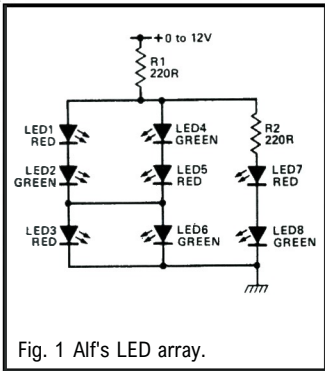


Fig. 1 Alf's LED array.

220R resistor in place of one of them. What do you think happened as Alf turned up the supply voltage? Did some LEDs light before others? Did all the LEDs light eventually? If you're not sure, why not try it for yourself?

The answer to last month's puzzle:

The circuit is a kind of dual rectifier - one output is the part of the waveform above the average voltage, the other is the waveform below the average voltage (Fig. 2). If the current drawn by the op-amp for its own internal circuitry is constant, any current drawn from the output will increase the voltage drop across R2 since it must come from the positive supply. This will leave the voltage across R3 constant. Conversely, any current supplied to the input will result in an increase of voltage across R3, leaving the voltage across R2 constant.

A more sensible circuit to achieve the same result is shown in Fig. 3. Once again, imbalances in the supply currents are caused by the variation in current through R1, but the input is at a much higher impedance and there is no fiddly setting up to do. The performance of the circuit will depend very much on the characteristics of the chosen op-amp. Its

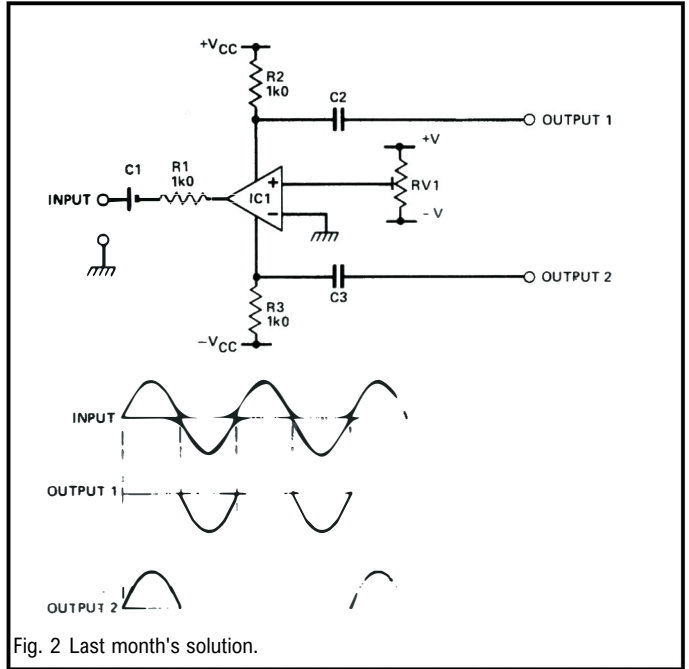


Fig. 2 Last month's solution.

supply current should be independent of supply voltage, and the current drawn from the output should have as little effect as possible on the current required by the remainder of the circuit.

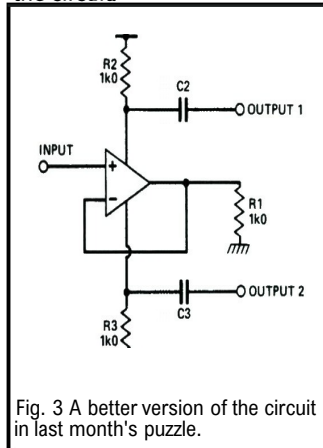


Fig. 3 A better version of the circuit in last month's puzzle.

July Competition Results

The July puzzle was sent in by Henry Earle, who came to some odd conclusions when thinking about the circuit of Fig. 4. The energy stored by a capacitor depends on the charge and the final voltage reached. If the switch in Fig. 4 is closed, a certain amount of charge will be transferred from the supply to the capacitor, and this charge and the final voltage reached will be the same no matter what the value of the resistor. Mr. Earle reasons that since the quantity of charge transferred and the work done in transferring it, is the same for any value of R, it must also apply when R is zero. In other words, no matter what the value of R, the energy from the supply must equal that stored by the capacitor, and must all be recoverable.

Yet the resistor has current flowing through it whilst the capacitor is charging, and so must dissipate some heat. Could this be the basis of a free room heater?

The flaw in the argument is apparent when we consider what would happen if the switch was closed with no resistor in series with the capacitor. From an abstract circuit theory point of view, we are forced either to allow that infinite current will flow at the instant the switch is closed, or else to introduce some other element into the circuit — an inductor, perhaps, which we can justify in terms of the inductance of the capacitor's leads. From a practical point of view I would suggest that the outcome would be a heating and possible welding of the switch contacts if the power supply had extremely low internal resistance, or else dissipation of heat in the supply itself — most likely a combination of the two. The point is that the question was posed back to front: the problem is not where the extra energy comes from when the resistor is present, but how the surplus is disposed of when it is absent. Our competition winner — George Andronov of Northfield, Birmingham — suggests that the extra energy would be lost as electromagnetic waves, with the capacitor and inductance of the leads acting as a tuned circuit.

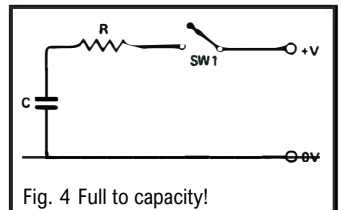


Fig. 4 Full to capacity!

MAIL ORDER ADVERTISING

British Code of Advertising Practice

Advertisements in this publication are required to conform to the British Code of Advertising Practice. In respect of mail order advertisements where money is paid in advance, the code requires advertisers to fulfil orders within 28 days, unless a longer delivery period is stated. Where goods are returned undamaged within seven days, the purchaser's money must be refunded. Please retain proof of postage/despatch, as this may be needed.

Mail Order Protection Scheme

If you order goods from Mail Order advertisements in this magazine and pay by post in advance of delivery, Argus Specialist Publications Ltd will consider you for compensation if the Advertiser should become insolvent or bankrupt, provided:

- (1) You have not received the goods or had your money returned; and
- (2) You write to the Publisher of this publication, summarising the situation not earlier than 28 days from the day you sent your order and not later than two months from that day.

Please do not wait until the last moment to inform us. When you write, we will tell you how to make your claim and what evidence of payment is required.

We guarantee to meet claims from readers made in accordance with the above procedure as soon as possible after the Advertiser has been declared bankrupt or insolvent (up to a limit of £2,000 per annum for any one Advertiser so affected and up to £6,000 per annum in respect of all insolvent Advertisers. Claims may be paid for higher amounts, or when the above procedure has not been complied with, at the discretion of this publication but we do not guarantee to do so in view of the need to set some limit to this commitment and to learn quickly of readers' difficulties).

This guarantee covers only advance payment sent in direct response to an advertisement in this magazine (not, for example, payment made in response to catalogues etc., received as a result of answering such advertisements). Classified advertisements are excluded.

SCRATCHPAD

by Flea-byte

Quote of the month comes from a British Telecom press release singing the praises of their Voice-bank messaging system. 'Britain's business people,' chirps the release, 'can spend up to seven working days a year waiting to talk to someone on the telephone.' Ain't it the truth! I sometimes spend that long trying to get through to directory inquiries.

Wages of Sin

Those of you concerned for the welfare of former Thorn-EMI chairman, Peter Laister, will be pleased to hear that the company's latest financial report shows that Laister was paid a £420,000 golden handshake when he and Thorn parted over some unpleasantness. This compares very favourably with the £95 m Laister paid for Inmos when the Government off-loaded it. Unlike Laister, Inmos continues to lose Thorn-EMI money, despite Thorn's new management.

The Wages of Sinclair

With his optimism as yet undimmed, Sir Clive Sinclair (known affectionately as 'the knight on the tiles') has bounced back with yet another new company, Anamartic, to handle the wafer scale integration project. Anamartic are looking for £6m to develop a proposed wafer scale silicon RAM disk by 1987 and, with Sinclair apparently taking a well-advised back-seat, they might get it — despite WSI's history of failure. If they do get the money it will be no testament to Sinclair's scientific genius, nor to his business acumen, but to the profound equation that greed plus lack of technical education produces financial backing.

OPEN CHANNEL

Only a few days after I write this column the Monopolies Commission is due to issue its findings about the proposed GEC takeover of Plessey. I foresee that it will conclude the takeover to be sound and not of such a type as to give GEC a monopolistic control of the telecommunications market in Britain.

That is not, however, to say that the takeover is right on other grounds. There is a strong case which argues that many Plessey jobs (and for that matter some at GEC) will have to go in the process — simply because GEC will not wish to have duplicated jobs within the new organisation. Figures in the order of tens of thousands of job losses have been suggested (albeit by Plessey-sponsored consultants), and even if these figures are high, by say 50% or so, there will still be many redundancies. And personnel directly employed by GEC will not be the only victims of the takeover. Many smaller businesses who supply raw materials to Plessey will also suffer.

Job losses will not be entertained lightly by the Government which, at this stage in its electoral timespan, will be looking towards the next election with a view to improving, reducing, or even simply stemming the rise in unemployment figures. The Monopolies Commission reports directly to the Department of Trade and Industry, which is to give its final decision regarding the proposed takeover somewhere around the time when you are reading this issue of ETI.

So, although I foresee the Monopolies Commission giving the OK to the takeover, I also foresee the DTI saying "no". For Plessey's sake, or more correctly for its employees sake, I hope this to be the case.

After these forecasts of impending telecommunications events, I'm going to give a long range forecast on another event (one of my favourite topics of discussion) — satellite television. Over recent months I've chronicled the comings and goings of direct broadcast satellite (DBS) television systems, satellite master antenna television (SMATV) systems and anything else of any consequence to the potential user.

Stereovision

At the present time DBS does not exist in Great Britain, and is still a long way off. Arguments about satellite costs, suppliers and controllers have caused general disarray among potential broadcasters, leaving many decisions yet to be taken. SMATV does exist, however, and has been 'adopted' by many television equipment suppliers as a satellite television system which individual customers (ie, the likes of me), will be interested in purchasing. Nearly two dozen channels are available via fairly low-powered satellites, giving a wide range of music, film and general entertainment programmes for the viewer. The low-powered transmissions require a consequently large dish aerial (about 1.5 metres in diameter) for adequate reception, compared with the 0.6 metre dishes envisaged for DBS transmission reception.

Costs, unfortunately, are prohibitive to most potential viewers. Aerial and decoding equipment to allow users to receive transmissions from one SMATV satellite and display them on an existing 625-line television receiver start at around £1000. To receive transmissions from more than one satellite a complex controllable aerial and more complex decoder will set you back up to twice this price.

Satellite television systems

have three potential advantages over existing terrestrial television systems: (1) by using the wider bandwidth available to satellite television channels, increased definition can be obtained — higher quality pictures are the potential result; (2) again using the higher bandwidth, stereo sound of improved quality is potentially available; (3) a greater number of channels is available. Depending on your point of view and the nature of the programmes transmitted on these channels, this last may not be such an advantage at all — who wants wall-to-wall Dallas?

The first advantage of higher definition is only an advantage if users are prepared to replace their existing television receivers with ones capable of displaying the higher definition pictures. This, of course, means extra cost which users might not think desirable.

The second advantage — stereo high quality sound — is, in fact, now possible via terrestrial television. The BBC and the IBA have recently agreed a system of digitally encoding the stereo sound signal and transmitting it along with the ordinary television signal. Thus existing television receivers can be used: at most a simple decoder is required to feed the stereo sound signal to a hi-fi system. It is envisaged that the system will be operational nationwide by the early 1990s — possibly before DBS systems!

All this adds up to my third forecast of the month. Because DBS has not yet got off the ground and because of the high costs involved in satellite television systems, terrestrial television has still got a long life left. There may even be enough life left in the old dog to fight off DBS once and for all. DBS may simply be remembered by future generations as the 'pie in the 1980's sky'.

Keith Brindley

If an advertisement
is wrong we're here
to put it right.

If you see an advertisement in the press, in print, on posters or in the cinema which you find unacceptable, write to us at the address below.

The Advertising Standards Authority.

ASA Ltd, Dept 3 Brook House, Torrington Place, London WC1E 7HN

'Scotlands newest components shop'

OMNI ELECTRONICS

We stock a wide range of components:

transformers, switches, pots, ICs, capacitors, resistors, diodes, boxes, triacs, LEDs, cable, connectors, PCBs-

in fact, all you need for your projects.

Send for our 21 page catalogue - 20p + 12p postage or call at our shop Mon-Fri 9am - 6pm, Sat 9am - 5pm.

174 Dalkeith Road
EDINBURGH EH16 5DX
031-667-2611

REVIEWS-BOOKS

1986 IC MASTER
Hearst Business Communications, Inc. Price: £80.00

Available from: J.B. Tratsart Ltd., Dept. ET-R,
154a Greenford Road, Harrow, Middx. HA1 3QT

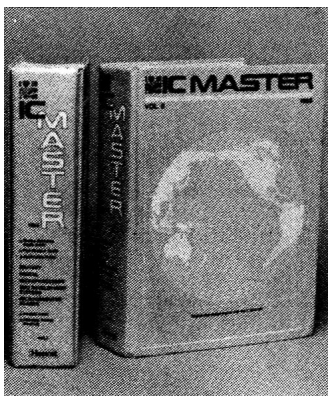
It must be every designer's dream to have at their fingertips information about all currently available ICs. I don't know if anyone has ever added up the number of ICs in production; my own estimate is around 120,000 type numbers, representing perhaps 30,000 different types. To produce a guide with, say, a page or so of data on each, selection tables, functional and electrical equivalents, and enough information to be able to complete a design without referring to any other source, would be such a huge task that nobody has yet attempted it.

There are a number of references which give a certain amount of information about a range of ICs, from the outrageously expensive and virtually useless D.A.T.A. books (our set of five IC references cost £250 and has not been referred to once, with any success, during the past year) to the much less ambitious Towers guides, and the Babani book reviewed below.

The IC Master claims to be a complete guide to currently available ICs. The publishers are cautious enough not to claim that it includes *all* current ICs — it doesn't — but if you want infor-

mation on devices made by the 70 or so manufacturers represented, it's hard to find an IC that has been overlooked.

A 200 page index, with about 400 entries per page, lists all the ICs included. The index is in dictionary order, so the 7400 comes



before the 741, for instance, because 0 comes before 1 in the 'alphabet'. It's a bit confusing at first, if you're used to numerical order, and you may think an IC has been missed when in fact you're looking in the wrong place, but it doesn't take long to get used to.

Another means of finding your

way around the directory — if you're looking for an IC to do a particular job — is the functional index, which points you to the section listing the type of IC you are interested in.

The IC data itself is in general sections: digital, microprocessor, interface, linear, and so on. The sections are broken down into sub-sections, so the linear section includes amplifiers, comparators, phase locked loops and regulators, among others and these are further subdivided according to the IC characteristics — so op-amps are classed as high speed, high voltage, low drift, wide band, and so on.

The information given about each IC is meagre, but in general is enough to enable designers to choose a group of devices that would be suitable for their purposes. Beyond the tables, further information about certain ICs is provided at the whim of the manufacturers, so there is fairly comprehensive data on a few ICs and little or nothing about others.

Other sections of interest include a guide to part numbers, so that IC codes can be interpreted. The manufacturers logos can also be a useful first step in identifying unknown ICs. The application note directory lists sources of detailed information on ICs, and is interesting to browse through if you are searching for ideas on how to proceed with a design project. The manufacturers and distributors directory, giving phone numbers of manufacturers and their agents and distributors, is invaluable for following up other information.

My first test of the IC master

was to search the index for some of the less common ICs used in ETI projects or just mentioned over the past year — the Am6072 companding DAC, the WD2002 DES data encryption IC and the L165 power op-amp. All were included, which was an encouraging start — although there were some errors.

The index in each case pointed to an entry in a table of similar devices — the Am6072 for example, was listed alongside the DAC 86 and 88 and the AM6070. Information about the ICs included settling time, linearity error, logic compatibility and dissipation — enough to allow a decision on whether or not it would be worthwhile to send for a full data sheet.

My next test was to look for an IC for a particular function. One of our contributors had recently been bemoaning the unavailability of high speed A-to-D flash converters, so I wondered what the IC Master would come up with. A quick scan through the A-to-D converters section gave a number of possible devices, of which the AD9000 seemed the most suitable. The manufacturers' directory gave the UK number for Analog Devices, and one phone call later I knew the price, and a data sheet was on its way. The whole process took about ten minutes.

I can thoroughly recommend the IC master — despite its limitations (it is only 5,000 pages long after all!) it is a genuinely useful reference, and by far the best book of its type that I have come across.

Paul Chappell

LINEAR IC EQUIVALENTS AND PIN CONNECTIONS

Adrian Michaels. Price £4.95
Bernard Babani (publishing) Ltd., The Grampians,
Shepherds Bush Rd., London W6 7NF

Much less ambitious than the IC Master, this book gives equivalents and pin-out diagrams for a selection of ICs from 24 manufacturers. The most striking thing about the list of manufacturers is the omissions — no Ferranti, with their popular range of A/D and D/A converters; General Instrument doesn't get a look in (where is their ubiquitous AY-3-8910 sound generator IC, for instance?), and the only Japanese companies represented are NEC and Toshiba — how about Sanyo, Panasonic, Hitachi, and the rest?

Flicking through the pages in search of ICs from recent ETI projects — the Am6072, CMP01,

L165, and so on — I was disappointed in every case, although the manufacturers (Advanced Micro Devices, Precision Monolithics and SGS, respectively) are all included, and the Am6072 certainly has a pin-equivalent in the Precision Monolithics DAC88.

The equivalents table, on the whole, sticks to second source products — that is to say, situations where two or more manufacturers, by agreement, produce exactly the same IC. The information is fairly detailed, in the sense that versions of the same IC with different package styles and temperature ranges are listed individually with their exact equiva-

lents, but the same information could have been given far more concisely in the form of a list of manufacturers' codes. The equivalents table could then have contained only the generic device types, and the resulting space saving of two thirds of the book could have been used to include a few of the common ICs that have been overlooked...

The pin-out diagrams are of varying degrees of usefulness according to the type of device — for an op-amp, for instance, you could probably get by on knowing which pins the inputs, output and power rails were connected to. For more complex ICs, the pin-outs can be completely baffling — one diagram in particular has the following pin labels: 'Input 2', 'Input 2', (that's not a misprint, by the way — there really are two Input 2s, and two Input 1s too, for that matter), 'Node', 'Q', 'Strobe', 'XFR', 'APU', and so on... If you'd

just found this IC in a mixed bag from PIK-A-PUKKA-PAK, I doubt if you'd be any the wiser about how to use it.

The most infuriating thing about the book is that the author has apparently got fed up with filling in the column which points to the pin-out diagrams for the listed ICs. Fartoooftent to be forgiven — for several ICs on every page, in fact — the reader is referred to the section in which the pin-out diagram appears, and left to guess which of the dozens of diagrams shown there is the right one.

The one redeeming feature of this book is the price — £4.95. However, if you're looking for a low cost IC reference, it would be well worth your while to scrape together the extra few pounds for the infinitely better Towers' Selector.

Paul Chappell

THE MICROWAVE DEBATE

Nicholas H. Steneck

The MIT Press,
Massachusetts Institute of Technology,
Cambridge, Massachusetts 02142, United States
of America

ISBN 0-262-19230-6
Price: £29.95

When microwave ovens first appeared in this country the question of safety concerned a lot of people. Articles on the subject appeared in both the specialist and popular press and not a few writers expressed grave doubts, but industry sources and others were quick to dub such views 'alarmist'. Safety standards were stringent, they insisted, and provided microwave ovens were used correctly there was no danger. With time this view seems to have prevailed. What public debate there was has sub-

cable television companies use satellite links to exchange and 'network' their programmes, and this involves the use of microwave ground stations generally known as uplink facilities. The highly de-centralised nature of the cable television system has led to a number of applications to build uplink facilities in small rural townships. The inevitable planning inquiries have formed a strong focus for public attention and led, in many cases, to the formation of citizens' action groups to oppose the applications.

The fears which lie behind this opposition have very little to do with such obvious dangers as burns and other heating effects. Medical opinion is generally agreed upon the level at which tissue heating is likely, and the safety standards have been set well below this level. What has so worried the American press and public is the possibility that RF and microwave energy might be capable of introducing biological changes other than through tissue heating.

The evidence for this is described in detail by Steneck. It suggests that long-term exposure to low-levels of microwave and RF radiation can cause cataracts, blood disorders and mental and personality problems. Those responsible for setting safety standards in America have generally dismissed such studies as being faulty either in methodology or in underlying assumptions, but their own research has not always been well received either. A series of studies designed to prove conclusively that low-level microwave radiation is not harmful drew similar criticisms regarding methodology and objectivity and led to considerable disagreement among experts.

The 'official' line continues to be that levels of microwave radiation too low to cause heating effects in the body do not have any effect on health, but the dissenting view has proved strong enough to sway some courts. Workers have been awarded damages for loss of health as a result of exposure to microwave

radiation, even though the medical profession do not recognise this as an occupational illness, and citizens' action groups have successfully opposed the building of microwave stations on health grounds even where the operators have been able to prove that their emissions will be well within the official limits.

Steneck chronicles blow and counter-blow in this debate, moving from events which took place within the military establishment during the early years of microwave research through to a period just a few years ago when the latest revision of the safety standards was published. His stance is that of a historian rather than a scientist and he avoids getting caught up in unnecessary technical description. This is wise since he is aiming the book as much at politicians, historians and sociologists as he is at scientists and engineers. At the same time, the rigour with which he tackles all aspects of the material is sufficient to ensure that technically-inclined readers are unlikely to feel short changed.

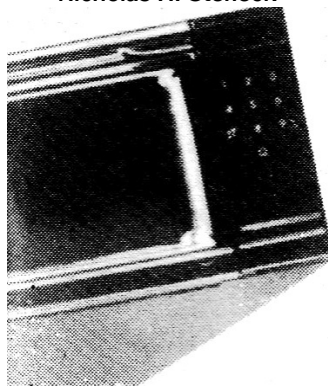
He is at pains not to take sides in such a contentious matter, and this is evident throughout the book. Neither side in the dispute

escapes without criticism. This is admirable, but there are moments when the delicate balancing act becomes almost too much to sustain and is reflected in a tortuous mass of qualifications and guarded criticisms. One becomes obsessed with trying to find out which side Mr. Steneck himself favours and longs for a little more candour. This aside the book is written in a relaxed and accessible style and we can readily forgive him the occasional Americanism such as "... has gotten much stronger...", or "... will likely get worse...".

Good as it is, though, one can't help wondering how many people will be prepared to pay almost £30.00 for this book. At the moment, I suspect, not that many. However, if the advent of cable television or some other service leads to the widespread use of microwave ground stations on this side of the Atlantic, we may find community groups springing up to fight them in the same way as their American counterparts. If so, this book will provide a useful summary of the debate so far and a valuable source-book for further discussion.

Ian Pitt

The Microwave Debate
Nicholas H. Steneck



sided and the only questioning of safety standards and emission levels which takes place now is in the pages of specialist technical journals.

The situation in America, as described by Nicholas Steneck in this book, is very different. Initial public scepticism there has not abated. Rather it has increased, fuelled by articles such as the first product review on microwave ovens by the American Consumers Union which had 'Not Recommended' stamped across each page. The objection was based not on any concrete evidence of health risk but on the fact that they could not find an expert prepared to state unequivocally that there wasn't a health risk.

Public consciousness of microwave hazards has also developed on another front. The American

Ad Index

A D L Technology	12
Audiokits	44
B K Electronics	IFC
Cambridge Microcompressors	6
Cirkit Holdings	44
Cricklewood Electronics	63
Crofton Electronics	32
Display Electronics	IBC
Electromech	10
Hart Electronics	23
Henrys Audio Electronics	13
ICS Electronics	43
Jaytee Electrical Supplies	18
M J L Systems	32
Mancomp	8
Maplin Electronics	OBC
Microconcepts	31
Microkits	44
Microprocessor Engineering	13
Nexus Technical Services	63
Number 1 Systems	32
Omega Electronics	55
Omni Electronics	65
Pineapple Software	31
Riscomp	41 + 43
Specialist Microconductors	44
Stewarts of Reading	18
T J A Development	43
T K Electronics	18
Tantek	12
Technomatic	14 + 15
Thandar Electronics	27
Universal Semi Conductors	55
Watford Electronics	4 + 5
R Withers Communications	18

Lineage:

42p(+ V.A.T.) per word (minimum 15 words)
Semi Display: (minimum 2 cms)
£11.60 per single column centimetre

Ring for information on series bookings/discounts
 All advertisements in this section must be prepaid.

Advertisements are accepted subject to the terms and conditions printed on the advertisement rate card (available on request)



01-437 0699 Ext 291

Send your requirements to:
 Duncan Neilson,
 ETI Class. Dept.,
 ASP Ltd.,
 1 Golden Square,
 London W1.

ALARMS



FREE BOOKLET

**on
BURGLAR ALARMS
with**

LOWEST U.K. DIY PUBLISHED PRICES

PHONE OR WRITE FOR YOUR COPY

051-523 8440

AD ELECTRONICS

217 WARBRECK MOOR
 AINTREE, LIVERPOOL L9 0HU



RADIO PAGING CAR ALARM — DETECTS A THEFT IN PROGRESS BEFORE THE VEHICLE IS ENTERED. Tamper protection is achieved by 'Resonance sensing', a method which can detect say someone trying to pick a lock, operate a door handle, smash a window, or even a vehicle collision. Additionally the alarm can be triggered by courtesy light switches, motion detectors etc.

On triggering, the transmitter will send out its coded signal (via the car radio antenna) to your pocket pager, which will alert you with a clear bleeping tone. Control for automatic antennas is included, which will extend the antenna, allow the signal to be transmitted, and then retract it to its original position.

A COMPLETE KIT is available which includes an ALARM & TRANSMITTER UNIT, POCKET PAGER, HORN SIREN, AND TWO RESONANCE SENSORS.

K1...PAGING CAR ALARM. UP TO 1 MILE RANGE **£129.00 + VAT**
 K2...PAGING CAR ALARM. UP TO 4 MILES RANGE **£149.00 + VAT**

NOTE: THESE ALARMS NOT LICENSABLE IN THE UK.
 PLEASE ADD £5.00 POSTAGE AND PACKAGE (UK) £12.00 OVERSEAS

MEL DESIGN PRODUCTION LTD.
 UNIT 8, NEWGATE COURT,
 PARADISE STREET, COVENTRY,
 WEST MIDLANDS, CV1 2RU
 TEL. 0203 26262

LOWEST PRICED TOP QUALITY fire and Intruderr alarm equipment. etc. SAE for catalogue Security Services. 62 High St. Hythe. Kent CT21 5JR.

COILS & CHOKES

MAXI-Q

COILS AND CHOKES
 PREVIOUSLY MADE BY DENCO
 S.A.E. PRICE LIST

8 BRUNEL UNITS, BRUNEL RD,
 GORSE LANE IND. ESTATE,
 CLACTON, ESSEX CO15 4LU.
 TEL: (0255) 424152

BOOKS

PARAPHYSICS Journal (Russian Translation); Psychotronics;

Musica n Telexperts He Computer Software. S.A.E. 4 x 9", Paralab, Downton, Wiltshire.

COMPUTER ADD-ONS

AMSTRAD OUTPUT PORT. Plugs into printer port and provides seven open-collector outputs. Easy to use from Basic or M/C. £14.95 inc. S.A.E. for details. NCJ Electronics, 13 Binfield Square, Ella Street, Hull HU5 3AP.

COMPONENTS

PROMs - EPROMs - PALs

ANY PROGRAMMABLE IC SUPPLIED OR BLOWN

PRICES (Including Programming)

2716	£2.85	2732	£3.10
2764	£2.60	27128	£3.85 etc.

BIPOLAR PROMs from £1.50

e.g. 82S123, 18S030, 74S288

PALs, PLDs etc. from £4.05

e.g. 82S153, 16L8, EP300

Full design and prototyping service
 Any quantity programmed - SAE or phone for details

**P.L.S., 16 Wordsworth Drive,
 Cheam, Surrey, SM3 8HF
 Phone 01-644 8095**

METAL FILM RESISTORS AT CARBON FILM PRICES

0.25 Watt 5% and 2%. Specification meets: EIA RS196A, JIS-C-6402, IEC 115-1

5% 1R to 10M£7.00 for 1000 per value
 2% 4R7 to 4M7 .. £12.00 for 1000 per value
 LEADS CUT AND BEND TO YOUR SPEC £8.00 per 40,000 OFF

Prices exclude VAT. Please add £1.50 P&P to orders less than £20.00

**MEL Design Production Ltd
 Unit 8 Newgate Court,
 Paradise Street, Coventry,
 West Midlands, CV1 2RU.
 Tel: 0203 26262.**

PROOPS DISTRIBUTORS LTD.

N.E.C. BAR GRAPHIC L.E.D.'S
 Green only packet of 18 £1.00 inc P&P SEND NOW TO
 PROOPS DISTRIBUTORS LTD.
 HEYBRIEGE ESTATE, CASTLE ROAD,
 LONDON NW11 5TD
 TEL: 01-267 6911

FOR SALE

AUTOMATIC GARAGE DOOR OPENERS £65.00. S.A.E. for details to Mulberry Ltd, 116 Grosvenor Road, Aldershot, Hants.

COMPONENT PANELS. Ex-equipment. Each pack (13 panels) includes:- CPU, I/O ports, rams, battery, 23 LEDs, 11 7-segs and drivers, many more chips, 29 push buttons, 6MHz crystal. Numerous:- Transistors, diodes, resistors, capacitors, chokes, pots, plugs, sockets, etc., etc. All this for £12 per pack + £1 P&P. V.S.E. 212 Dudley Hill Road, Bradford 2, W. Yorks. (0274) 636652.

FOR SALE

MULTIMETERS

Avo 7	£55 + VAT
Avo 8 (TS 1)	£89 + VAT
Multiminor	£34 + VAT

C/W Case and Leads

All SERVICED AND GUARANTEED 12 MONTHS

SMITH INSTRUMENTS
 157 Chapel Street
 Leigh WN7 2AL
 (0942) 606674

SURPLUS & Equipment power-amps, Glass/PCB & integral heatsinking, tested + instructions. 60 watt/£5 - 100 watt/£8. Superb sound quality - T.H.D. 0.02%. KIA-8, Cunliffe Road, Ilkley.

ITEMS FOR SALE. Resistors to M.P.U.'s New unused good prices, send large SAE for list to D. Parker, 9 Wallbridge, Stroud, Glos. GL5 3JA.

KITS

ECOLIGHT

DETERS BURGLARS FROM EVEN ATTEMPTING A BREAK-IN.

As features in ETI July 1984 and Electronic Digest Spring 1986.
 Full kit of parts **£23.00**
 PCB only **£4.75**
 Reprint of article **75p**
**G.P. ELECTRONIC SERVICES, 87,
 Willow Tree Avenue,
 Durham DH1 1 DZ.**

ETI KITS assembled and tested by electronic trainees under supervision within a purpose built electronic workshop for as little as £10.00 (depending on type of kit and complexity). Contact:- A.J. Smith, Dept K.A. Electronics Workshop, Lincoln I.T.E.C. Dean Road, Lincoln LN2 4JZ. Tel. 0522 43532

LINSLEY HOOD Designs. Send S.A.E. for details to Teleradio Electronics. 325 Fore Street, London N9 OPE.

MISCELLANEOUS

HEATHKIT U.K. Spares and service centre. Cedar Electronics, Unit 12, Station Drive, Breton, Tewkesbury, Glos. Tel. 0684 73127

KITS AND READY BUILT

FM TRANSMITTERS Same day despatch **MINIATURE MODEL** frequency 60-145 Mhz, range 1 mile. Glass fibre P.C.B. All components. Full instructions 9-12V operation, broadcast reception. Super sensitive microphone. Pick up on **FM/VHF** radio. £6.95 inc or ready built £8.95. Size 57 x 19 x 12mm. **HIGH POWER MODEL.** 3 watts 80-108 MHz. Professional broadcast performance. Low drift varicap controlled. Range up to 7 miles. 12V operation. Any input audio/microphone. All components P.C.B. diagrams and instructions. Size 103 x 39 x 29mm. Kit 13.99 inc or ready built £18.99 inc. **TONE GENERATOR** 3-selectable functions; PIP, Warble and pulse tone: All components, instructions & P.C.B., feed into any audio input or transmitter; variable frequency and gating controls. 6-12V operation 53 x 38 x 14mm. £5.50 incl. **TONE GENERATOR POWER AMPLIFIER.** All components, instructions and P.C.B. turnstone generator into a high power siren for alarms; 18 watts max. at 12-15V. 62 x 38 x 14mm £7.00 inclusive **DIGITAL CLOCK/TIMER MODULE.** 12/24 hour & seconds (0.7inch LED) display, 8-functions. Applications: uncommitted output transistor for switching on Tape-recorders: Lighting, Security, etc. External Loudspeaker Output. 84 x 38 x 16.25mm. Full instructions & Modular PCB £17.49 inclusive. **MAINS TRANSFORMER** for above if required: £5.24 incl. **DIGITAL CODE LOCK MODULE: 4 18V.DC** operation; 10,00 combination quality key pad; programmable code; low-power 3-outputs (0.2A); **3-LED** status indicators; All components, instructions & PCB. Applications; Alarms; garage doors; cars, etc. 39 x 62 x 9mm. Kit: £15.95 incl. Ready built: £19.95 incl **ZENITH ELECTRONICS.** 21 Station Road Indust. Estate, Hailsham, E. Sussex BN27 2EW. Tel: 04353 2647.

ORGAN KEYBOARDS

ELECTRONIC ORGAN KEYBOARDS and other parts being cleared out. Special Offer: Elvins Electronic Musical Instruments, 40A Dalston Lane, London E8.

PLANS & DESIGNS

AMAZING ELECTRONIC plans, lasers, gas, ruby, light shows, high voltage tester, van de graff surveillance devices ultrasonics, pyrotechnics, new solar generator, 150 more projects, catalogue. S.A.E. Plancentre, Old String Works, Bye Street, Ledbury HR8 2AA.

DUNCAN NEILSON FOR ADVERTISING DETAILS PHONE ON 01-437-0626

POWER SUPPLIES

240v AC ELECTRICITY from two 12v batteries!! Encapsulated ready built electronic module with **screw terminals!!** Comprehensive instructions supplied. Just add transformer and other easily obtained accessories. 250W output. Limited number available. £25 (inclusive). **Chataigne Products,** Green Lane, Great Horkeley, Colchester, Essex, CO6 4HD. (Proprietor J.A. Richmond.)

150W SWITCHMODE PSU. +5V at 8.4A; +12V at 4.8A; +24V at 1.7A; -12V at 0.2A. Perfect working order, over £70 in Henries Radio £29 + Carr. 0245-50927 after 6.00pm.

REPAIRS

TRIDENT ENTERPRISES LTD. COMPUTER REPAIRS
Spectrum £18 Inclusive Parts, P&P, VAT.
VIC 20..... £12.50 C64 £15.00
QL £20.00 BBC £20.00
1541 DISK DRIVE £20.00
(All Exclusive of Parts P&P, VAT)
Plus all Commodore Computers, D/Drives & Printers. Send Faulty Machine To
Unit 2, Wentworth Industrial Court,
Goodwin Road, Britwell, Slough.
Tel: (0753) 21391

FIXED CHARGE REPAIRS to Spectrum, Commodore, BBC, Electron E.G. Spectrum £17.95, Commodore £29.95. Mansfield Computers, 33 Albert Street, Mansfield NG18 1EA. Tel 0623 31202.

BBC REPAIRS FROM £12.50 by Microfix, the Acorn Specialists. Also disc drives, printers etc. Microfix, 191 Freston Rd, London W10. (01) 968 9214.

INSTRUMENT REPAIRS oscilloscopes, generators, multimeters and more. Viking Electronics, Potkins Lane, Orford, Suffolk IP12 2SS (0394) 450006.

FREE OFFER

READERS OFFER. Free 10 Ferranti Transistors!! Comprising 4, ZTX 500 (PNP) 2, ZTX 107 (NPN) 2, ZTX 108 (NPN) 2, ZTX 109 (NPN) + 200 watt mixer and amplifier project. **Simply return this advert + 50p coin** (P&P) to KIA-8 Cunliffe Road, Ilkley LS29 9DZ (one per household).

SATELLITE T.V.

SATELLITE TELEVISION, build your own system from £220 to £1,800. We can supply all the parts you will need, via MAILORDER, for Technical how to build manual send £2.95 (or catalogue, only 95p). To C & S T.V. Paul Kendall, 11 Wensley Gardens, Leeds LS7 2LY.

SERVICES

JMJ ELECTRONICS

- * PROFESSIONAL PCB DESIGN
- * SINGLE SIDED TO PTH
- * PRODUCTION FACILITIES AVAILABLE
- * QUICK TURN ROUND

For quotes or further details contact us at;

JMJ ELECTRONICS

14, BLENHEIM CLOSE, SHEPRETH, NR. ROYSTON, HERTS. SG8 6PT.
Tel: (0763) 62184

DESIGN SERVICES, microprocessor, special interfaces, analogue, digital, signalling, alarm systems, PCB design and artwork. Prototype and small batch production. **ALAB ELECTRONICS** Grantham (0476) 860089.

FREE PROTOTYPE of the finest quality with every P.C.B. artwork designed by us. Competitive hourly rates, and high standard of work. Halstead Designs Limited, Finsbury House, 31 Head St. Halstead, Essex CO9 2BX. Tel: 0787 477408.

ELECTRONIC Design Services, EPROM programming (2708-27512), PAL programming from Masters or Fuse Plots. Also PAL Design Services from Text, Boolean Expressions, etc. U.E.D. Ltd., Castlebellingham, Co. Louth, Ireland. Tel: 042-72127.

BOXES, KNOBS, and other hardware in aluminium, steel made to your specifications. Send drawing and S.A.E. for quote to C.D. Burgess, 13 Leymoor Road, Longwood, Huddersfield HD3 43W.

PCB ARTWORK DESIGN. Low cost 7-day turnaround * Prototype PCB's * Circuit design * Call systems * PCB hand assembly. Phasor Circuits, 12 Kendal Road, Rushey Mead, Leicester. Tel: (0533) 830953.

PCB's MANUFACTURED. Medium/large volume production runs produced to high standards by qualified engineers using latest computer technology. Single/double sided, conventional, flexibles, multilayer etc. Competitive rates. 48hr service available. Also artwork service and PTH screen printing. Free Quote. Translab Electronic Services, (PCB sector) Tel: (0788) 536626.

SWITCHES

VOICE/SOUND ACTIVATED SWITCHES easy to follow diagrams and uses only £1.00. Components and P.C.B.'s available: **Herrington, 63 Home Farm Rd, Hanwell, London W7 1 NL.**

SPECIAL OFFERS

CLEARANCE BARGAIN!! Thousands of LED 7 Segment Display, brand new 14 pin DIL RED. 43 inch common anode display 0-9 with right and left decimal point in stock. 10 pieces £2.50 (25p each) 50 pieces £10.00 (20p each) 100 pieces £15.00 (15p each) 1000 pieces £100.00 (10p each). Telephone your order to 0296 613816.

FREE MEMBERSHIP to a new national electronics club. For details and a free gift of components worth over £10 send only £1 p&p to **Woodside, Dowsett Lane, Ramsden Heath, Essex CM11 1JL.**

SITUATIONS VACANT

SITUATIONS VACANT

WANT THE RIGHT PERSON FOR THE JOB? THEN WHY NOT ADVERTISE WITH E.T.I.

ELECTRONICS TEACHER WANTED

Part-time work available from September to teach Basic Electronics, Radio & T.V. and Micro-Electronics. Please Apply
BOX NO. ET.01
CLASSIFIED DEPT.
NO. 1 GOLDEN SQUARE,
LONDON W1R 3AB

SCOPES

TEKTRONIX oscilloscopes, calibrated, good condition. 454A dual trace 150MHz, delay sweep £495. 502A dual beam 100 microvolts, 1MHz £95.00, 547 dual trace 50MHz delay sweep £195, 548B dual trace 24MHz delay sweep £135. Telequipment D83 50MHz delay sweep £385, manuals, spares, other test equipment. Tel: 01 868 4221.

MENDASCOPE LTD.

REPAIR & RECALIBRATE
OSCILLOSCOPES.

ALL MAKES ALL MODELS.
NATIONWIDE COLLECTION &
DELIVERY

FREE ESTIMATES
Phone 069-172-597

WANTED

STAN WILLITS -37 High St. West Bromwich, West Midlands. Will pay cash for portable video equipment and mains equipment. TVs, HiFi, surveillance equipment, amplifiers, films (or anything useful).

WANTED: Cortex Computer any condition considered. Also have spare 9909 chip - offers? 29 Burnside Park, Balerno, Edinburgh EH14 7LY.

WANTED

Turn your surplus transistors, IC's etc., into cash. Immediate settlement: We also welcome the opportunity to quote for complete factory clearance. Contact: Coles Harding & Co. 103 South Brink Wisbech, Cambs.

ESTABLISHED OVER 10 YRS Tel: 0945 584188

TERMS

CLASSIFIED ADVERTISING

TERMS & CONDITIONS

Our terms for new advertisers (semi-display and lineage) are strictly pro-forma payments until satisfactory reference can be taken up (excluding recognised advertising agencies). Cheques PO's should be crossed and made payable to:

ARGUS SPECIALIST PUBLICATIONS LTD and send together with the advertisement to:
THE CLASSIFIED DEPT NO: 1 GOLDEN SQUARE LONDON W1R 3AB

There are no reimbursements for cancellations. Advertisements arriving too late for a particular issue will be inserted in the following issue unless accompanied by instructions to the contrary.

All advertising sales are subject to Government regulations concerning VAT. Advertisers are responsible for complying with the various legal requirements in force eg: The Trade Description Act, Sex Discrimination Act & The Business Advertisements (Disclosure) Order 1977.

FULL TERMS & CONDITIONS OF ADVERTISING AVAILABLE ON REQUEST

LANCASHIRE

ETESON ELECTRONICS

158 Lower Green,
Poulton-le-Fylde, Blackpool
Tel: (0263) 885107
Open: 9.30am-12.30 1.30-5.30. Closed Wed & Sun.
Electronic Component Specialists.



ELECTRO SUPPLIES

NORTHERN COMPONENT SPECIALISTS
Test Equipment, Computers, Peripherals

SEND FOR CATALOGUE Trade Enquiries Welcome

45 LOWER HILLGATE,
STOCKPORT, CHESHIRE.
061 477 9272

also at SHAWCLOUGH ROAD,
WATERFOOT
ROSSDALE BB4 9JZ.
0706 - 215556

LIVERPOOL

PROGRESSIVE RADIO 87/93 Dale
Street. Tel 051 236 0154

47 Whitechapel Tel 051 236 5489

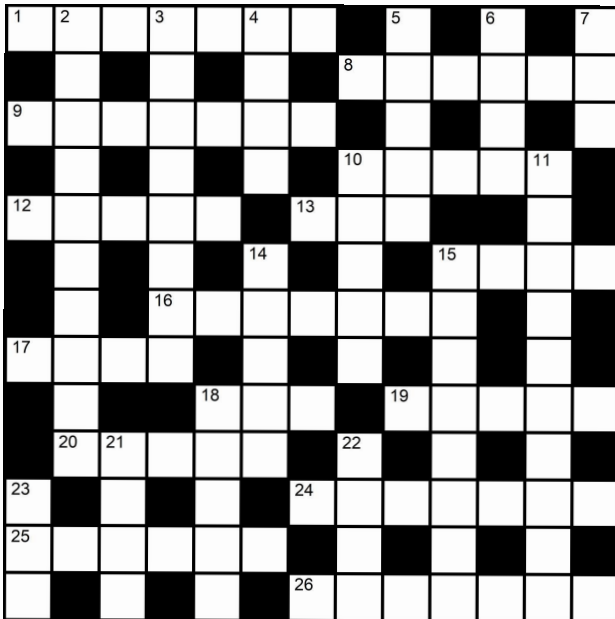
Liverpool 2
'THE ELECTRONICS SPECIALISTS'
Open: Tues-Sat 9.30-5.30

SCOTLAND

FOR YOUR PRE-CHRISTMAS
ADVERTISING
PHONE 01-437 0626

E
L
E
C
T
R
O
M
A
R
T

E
L
E
C
T
R
O
M
A
R
T



Solution to Crossword No. 7

ACROSS

- 1) Dielectric
- 7) Hack
- 8) Word
- 9) Audio
- 10) Knob
- 11) Inch
- 12) Probe
- 13) REM
- 15) Rain
- 16) Hole
- 17) THD
- 19) Radon
- 20) Boom
- 21) Data
- 22) Diode
- 23) Mast
- 24) Beta
- 25) Reed Switch

DOWN

- 1) Dew Light
- 2) Eurocard
- 3) Clamping Diode
- 4) Radio Channels
- 5) Choke
- 6) Octode
- 13) Resonant
- 14) Mismatch
- 18) Heater
- 19) Radar

CROSSWORD No. 8

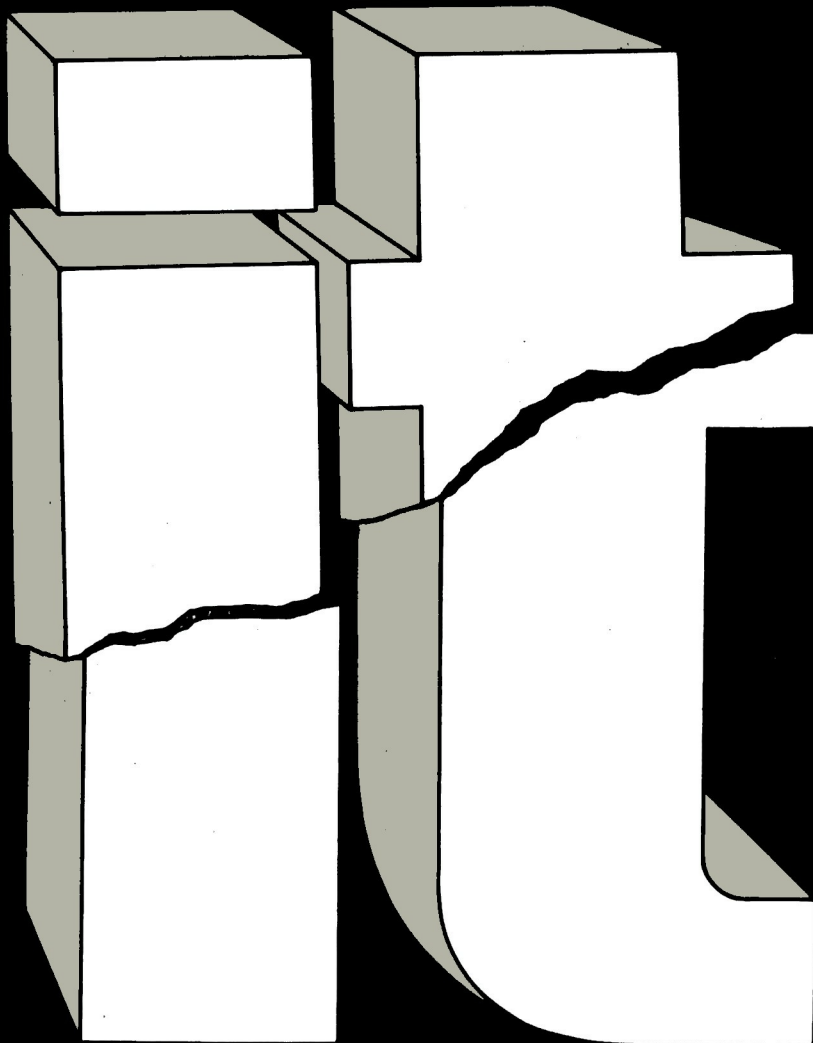
ACROSS

- 1) Describes two waves of the same frequency which peak and trough at the same time (2, 5).
- 8) Low voltage, high current sparking (6).
- 9) Not in focus (7).
- 10) A computer language (5).
- 12) Microsoft's disk operating system (5).
- 13) Describes an imperfect soldered joint (3).
- 15) As regards current, the opposite of source (4).
- 16) Disconnect from the power supply (7).
- 17) ---- ceramic, a type of capacitor (4).
- 18) A logic gate type (3).
- 19) The company who manufacture the 520ST microcomputer (5).
- 20) A second fainter image on a television screen (5).
- 24) It moves across the scale of a meter (7).
- 25) Unwanted noise from a radio receiver (6).
- 26) Computer software package for aiding the design and debugging of further software (7).

DOWN

- 2) Found in 5 down maybe, but holding no characters (4, 6).
- 3) A frequency which is multiple of a fundamental frequency (8).
- 4) ---- rate, the speed at which the output of a circuit can change given a theoretical instantaneous voltage change at the input (4).
- 5) A storage area in computer memory set aside for keeping tabulated data or strings (5).
- 6) Acronym for hi-fidelity (2-2).
- 7) Automatic Gain Control (1, 1, 1).
- 10) Unwanted open circuit in, say, a copper track on a PCB (5).
- 11) Describes the multi user, multi task version of the CPM operating system for 16 bit micros (10).
- 14) Record the number of occurrences of an event, such as a pulse (5).
- 15) A predefined symbol marking the beginning or the end of a sequence of data (8).
- 18) Universally-accepted table of codes for characters stored and processed by computers (1, 1, 1, 1, 1).
- 21) Device which reads or records information on a magnetic medium (4).
- 22) Microprocessor input/output channel (4).
- 23) Single side band (1, 1, 1).

**Lowest possible prices?
Top quality components?
Fast reliable service?
Large range?**

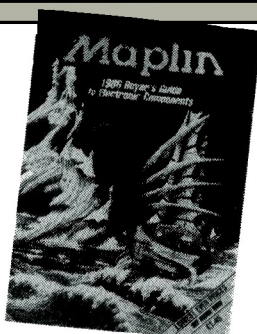


Maplin **We've cracked it.**

Pick up a copy of our new 1986 catalogue from most branches* of W.H. Smith for just £1.45.
Or post this coupon now, to receive your copy by post for just £1.45 + 40p p & p. If you live outside the U.K. send £2.50 or 11 International Reply Coupons. I enclose £1.85.

Name

Address



MAPLIN ELECTRONIC SUPPLIES LTD.

Mail Order: P.O. Box 3, Rayleigh, Essex SS6 8LR.
Telephone: Southend (0702) 554161

SHOPS

- BIRMINGHAM Lynton Square, Perry Barr, Tel: 021-356 7292.
- LONDON 159-161 King Street, Hammersmith, W6.
Telephone: 01-748 0926.
- MANCHESTER 8 Oxford Road, Tel: 061-236 0281.
- SOUTHAMPTON 46-48 Bevois Valley Road, Tel: 0703 225831.
- SOUTHEND 282-284 London Rd, Westcliff-on-Sea, Essex.
Telephone: 0702-554000

Shops closed all day Monday.

*Some branches are now out of stock.