

ETI for Electronics & Computing Enthusiasts

\$2.95
MM70924
OP Amp Checker

Electronics Today

INTERNATIONAL

May 1984

Test Equipment Update Your Workbench

ZX81 Burglar Alarm
For high-tech burglars



Electronic Maps
Aviation aids

High Speed Computers
For weather and defence



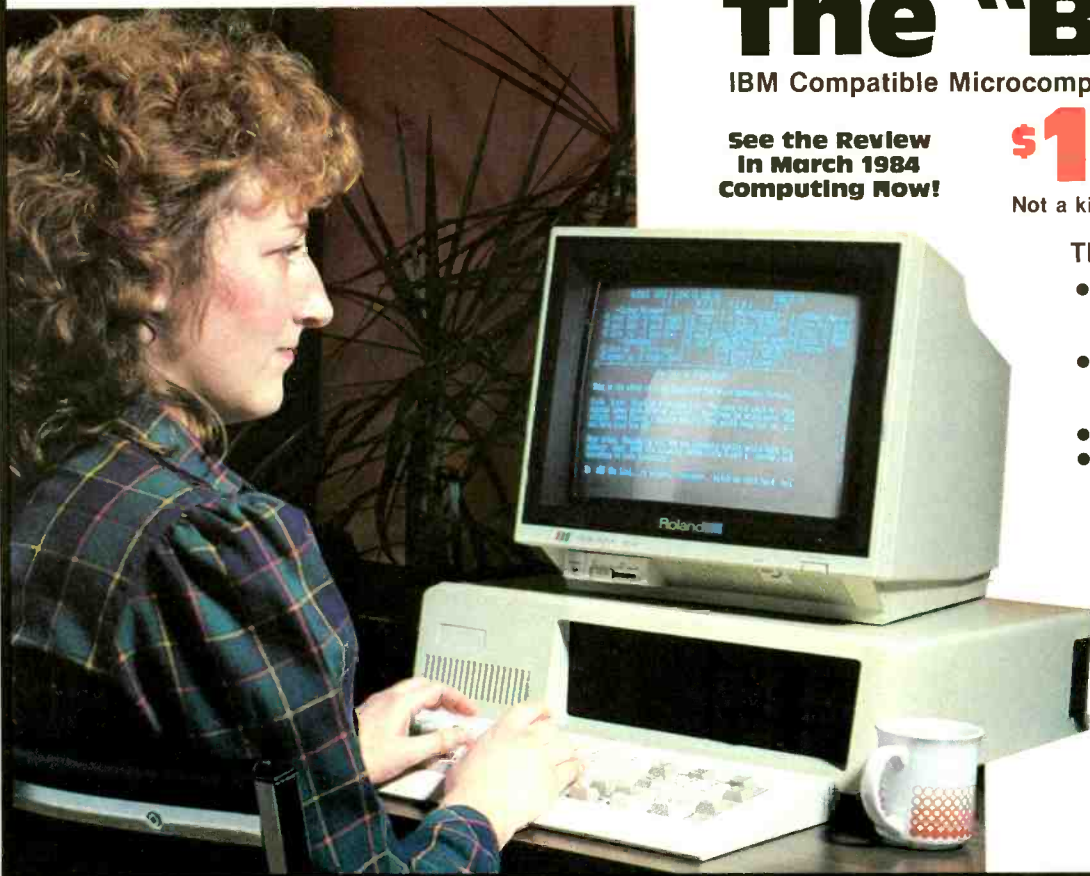
**Computer
Review:
Coleco Adam**

EXCELTRONIX (416) 921-8941

Bulletin Bd. (416) 921-4013 Telex 065-24218

319 College St., Toronto, Ont. M5T 1S2

**Toll-Free Number:
1-800-268-3798**



The "BEST"

IBM Compatible Microcomputer

See the Review
In March 1984
Computing Now!

\$1995

Not a kit — a complete system

This price includes:

- 64K of RAM with pre-socketed provision for 256K
- One disk drive. SA455. Double Sided. Double Density
- Colour Video Board
- Floppy controller capable of handling up to four DS, DD 5 1/4" disk drives and socketed for optional serial port and real time clock
- Monitor not Included

**Warranty:
Full 120 day
Warranty**

Prices does NOT include
IBM (Microsoft) BASIC

OR The Loaded "BEST"

Everything in our \$1995 System plus:

- Two DS, DD 5 1/4" Disk Drives
- On-board 256K of RAM
- RS232 Port

\$2595

OR 10 Meg Hard Disk Version

Everything in our \$1995 system plus:

- 10 Meg Hard Disk Drive & Controller
- On-board 256K of RAM
- RS232 Port

\$3995

SOFTWARE FOR YOUR IBM

- Lotus 1, 2, 3 \$439
- Wordstar \$399
- Multiplan \$219
- dBASE II \$479
- Flight Simulator \$62.95

Great Selection of other software for your IBM available.

IBM is a Trade Mark of IBM Canada Limited

PERIPHERALS FOR YOUR IBM

- Color Video Board \$339
- Floppy Controller Board \$299
Has provision optional RS232 port and real time clock.
- Parallel and Game Port Card \$149
Will also drive parallel printer
- 256K Memory Expansion Card and real time clock. Allows you to add a further 256K to your IBM's existing 256K capacity for 1/2 Megabyte of total memory.
- With 64K RAM on board \$289
- With 128K RAM on board \$369
- With full 256K RAM on board \$530
- EPROM Programmer \$149
For 2732, 2769 and 27128.
- Disk Drive - SA4555 \$299
- IBM Compatible Case \$ 99
- IBM Compatible Keyboard \$189
- Super Heavy Duty Power Supply \$ 69

See our other ads for monitors, printers etc.,

Mail Order: Call for shipping costs. Rate will depend on methods chosen and distance.

Call our TOLL-FREE number for more information.

1-800 268-3798

(Toronto area call 921-8941)

Call in and let us demonstrate the "BEST" to you at 319 College Street, Toronto. Store hours 9:30 to 6:00 Monday-Saturday; to 9:00 p.m. Thursday and Friday.

EXCELTRONIX (416) 921-8941 1-800-268-3798

Bulletin Bd. (416) 921-4013 Telex 065-24218

319 College St., Toronto, Ont. M5T 1S2

Catalogue shipping rates are incorrect. Please call us for correct charges. Prices in catalogue are fluctuating. Use as guideline.

JUST RELEASED
New Smith-Corona
Typewriter/Printer
Call for information
and Unbeatable Pricing

Now
Open

Visit our new Ottawa location

217 Bank Street, (613) 230-9000

Store hours 9:30 to 6:00 Monday-Saturday: to 9:00 p.m. Thursday and Friday.

PRINTERS

Star Gemini 10X	\$359
Gemini 15X	\$599
Delta 10 (160 cps)	\$739
Epson MX100	\$995
Epson RX80 (Replaces MX80)	\$495
Epson FX80 (New)	\$798
Epson FX100 (New)	\$1069
TTX (Daisy Wheel)	\$649
Microtek	\$139

MONITORS

Zenith ZVM-122 Amber	\$148
Amdek Amber-300	\$139
Zenith ZVM-123 Green	\$129
Amdek Colour 1	\$445
Roll and DG	\$419

Apple IIe™ Package Includes: 80 x 24 Card, Multiflex IPI, Z80 Card, Multiflex Disk Drive and Controller \$1599

Apple IIe™ Package Includes: Apple IIe, ZVM 123 Monitor, Apple Drive & controller card & DOS software, 80 x 24 Multiflex card, Apple manuals \$2099

NEW Macintosh, based on 68000 with 3" Disk Drive (smaller version of Lisa™), 3" Diskette Software now available \$3595

APPLE CARDS

16K card - Multiflex	\$58.00
128K card	\$210.00
Proto Board	\$15.00
80-Column Card	\$84.00
Z80 Card	\$59.00
EPROM Programmer	from \$69.00
(for 2716, 2732, 2732A, 2764, with software) Parallel Printer Card with cable	\$69.00
Wizard Parallel Card	\$95.00

MODEMS

EPM 310	\$99
Smart Modem (300 Baud, IBM Comp)	\$359
Apple a la Modem (300 Baud)	\$215
Micromodem (Apple Comp)	\$475
Signalman (300 & 1200 Baud)	\$495
Smart Modem 1200 Baud	\$899

FAMOUS MULTIFLEX Z80 STARTER KIT: SPECIAL \$349.00

Ideal Learning Tool, with EPROM programmer A&T \$349.00 see page 18 of catalogue

Joysticks

Economodel	\$19.95
Wico Red Ball	\$42.95
Self-Centering with two adjustable controls	
Super offer	\$64.00
Kraft Joystick (Apple, PC)	\$64.95
Kraft Paddles	\$48.95
TG Joystick	
Deluxe Model	\$75.00
TG Paddles Deluxe Model	\$64.95
Hayes Mach III	\$58.95
Model Deluxe Table Top	\$59.00
Hayes Mach II	\$48.95

Super Computer Case

Ideal for 8088 or 6502 boards
Unmatchable quality, all-Canadian made



\$87.00!

IBM Compatible Keyboard \$189.00

Maxlswitch or cherry super



Memory Chips

4164-150ns (1x64K single +5V)	
Motorola	\$9.95
T.I.	\$7.95
4116-200ns (1x16k)	\$1.74
4116-150ns (1x16k)	\$1.99
2114L-200 ns (1kx4 static)	\$2.49
6116-150 ns (2kx8 static RAM)	\$8.94
(Pin compatible with 2716 uses negligible amount of power)	
2016-150 ns (2kx8 static)	\$8.74
2102L-200 ns (1kx1 static)	\$1.94
5101-CMOS RAM	\$3.84
2708-(1kx8 EPROM)	\$6.74
2716-(2kx8 EPROM single +5V)	\$5.50
2732-(4kx8 EPROM single +5V)	\$8.95
2532-(4kx8 EPROM single 5V)	\$8.74
2764-(8kx8 EPROM single 5V)	\$12.95

HUGE STOCK OF LS

UNIVERSITY OF TORONTO/MULTIFLEX 6809 Board, great for learning about 6809 and computing in general with A & T \$499.00
Economy Terminal A&T \$369.00
Package Deal A&T \$849.00

Featuring the Multiflex Apple™ Compatible Drive

only \$249

Package Deals:
A1 Drive & Controller \$310
B2 Drives & Controller \$549
Controller only \$69
with software \$119
VISTA DRIVE \$299
QUENTIN DRIVE \$299

1 year warranty



Controller \$89
With Apple™ Software \$119

Superb Power Supply

Uncased Dual 12V:
(one at 2.8A, one at 2A).
—12V at 0.5A, +5V at 5A plus

\$69.00!

Cased model, with fan, cord and switch

\$139.00!

These supplies are ideal for IBM compatibles, they fit beautifully into IBM compatible cases.

IBM is registered trade mark of IBM Canada Limited.

Diskettes

5 1/4" Diskettes. Boxes of 10	
Maxell MD1	\$34.00
Maxell MD2	\$52.95
Verbatim	\$34.00
CDC	\$26.95
3M	\$32.95
Accutrak	\$26.95
2 Ectype Diskettes in a plastic binder sheet	\$5.89
Flip N File 50	\$44.95
Diskminder (75)	\$33.95
Dysan	\$39.00
BASF	\$34.00
BASF with case	\$35.00

Special!

PRICE POLICY

Remember that at Exceltronix all prices are negotiable for quantity purchases. If you cannot afford large quantities on your own how about starting a Co-op.

CHARGE X

MAIL ORDERS

Send a certified cheque or money order (do not send cash). Minimum order is \$10 plus \$3 minimum for shipping. Ontario residents must add 7% provincial sales tax. Visa, Mastercard and American Express accepted: send card No., signature, expiry date and name of bank.



Head Office: 319 COLLEGE STREET, TORONTO, ONTARIO, CANADA. M5T 1S2 (416) 921-8941

Circle No. 27 on Reader Service Card.

SURPLUSTRONICS

we will not be undersold



Canadian Made

As Reviewed
in ETI
May 1983:
Send for a
FREE COPY

OUR FAMOUS 6502 BOARD

NOW NEW & IMPROVED VIDEO SECTION

This 6502 board is a vast improvement on others available:

- 64K RAM (8-4164 chips)
- 80 x 24 video included on board
- Floppy Disk Controller included
- FIVE additional slots
- Z80 blank PCB included
- Powerful power supply (5V 5A, +12V 2 up to 3A peak, -5V 0.5A, -12V 0.5A)
- Hydro-approved whereas many others are not!
- Superb quality plastic case
- Excellent keyboard including numeric keypad
- EPROMS (blank) included
- Available preassembled by special order only.
- Ideal for educational applications.

\$679

Our prices are low due to our mass production assembly, which makes it hard for others to compete.

NOW you receive a **FREE** Z80 PC BOARD AND **FREE** 128K RAM DISK PC BOARD when you order the complete package (either Kit or A&T) (BLANK

Our boards are professionally made, flow soldering & cleaned & use only high quality prime parts.



Introductory Offer

8088 System \$1,989

Best Prices in Canada

Complete System with 64K, expandable to 256K. Comes with Colour Graphics, Floppy Controller and one DS, DD 5 1/4" Disk Drive, Keyboard, Case and Extra Heavy-Duty, Fan Cooled Power Supply.

System comes with 5 peripheral slots. Optional 8087 arithmetic processor available. Floppy controller can handle up to 4 drives and as an option can a serial port and real-time clock. Completely built and tested and sold with a blank EPROM. Compatible with You-Know-Who. Systems are now in stock but due to extraordinary demand at time of going to press, order now to prevent delays. Please Note: We do not sell any proprietary software.



Peripheral Boards for your IBM PC

- Prototyping Card \$33.00
- Floppy Controller Card \$289.00
- Colour Video Card \$299.00
- Parallel & Game Port Card . . . \$149.00
- EPROM Programmer. Starts at \$149.00
- Expansion Card with many options \$Call

- Attractive Case (as shown above) \$85.00
- Keyboard (as shown above) . . \$187.00
- Super Power Supply, made to fit above case, with cooling fan \$135.00

8088 Board, with 64K on board (provision for 256K), as described in our 8088 System.

Call for best prices in Canada! ! ! !

Huge variety of Surplus stock at low, low prices. New shipments arriving. No reasonable offers refused. Prices subject to change without notice!

Monitors

- ZVM-122 Amber \$149.00
- ZVM-123 Green \$129.00
- Roland Colour 1 \$395.00

EPS Keyboard \$399.00

Apple Compatible. IBM Module available. Distributor for Ogivar

Apple Peripherals Assembled and Tested

- Serial Card \$ 85.00
- Z80 Card \$ 58.00
- 80 x 24 84.00
- 16K RAM \$ 58.00
- Prototyping Board \$ 14.50
- Parallel Printer Card \$ 59.00
- ... with cable & connector . . . \$ 69.00
- 128K Board (No IC's) \$ 49.00
- ...with IC's & 64K RAM \$129.00
- ...with IC's & 128K RAM \$210.00
- Crazy Card \$ 58.00
- Eprom Programmer \$ 68.00

Disk Drives

- Apple Compatible \$249.00
- Controller \$ 59.00
- ...w/software \$119.00

One year warranty

All prices subject to change

Printers

- A. Gemini 10x \$359.00
- B. Special Multiflex parallel card with cable. Shop and compare . . . \$ 69.00
- Package price of A and B \$415.00
- Gemini 15x \$598.00

5" Green Screen Monitors. \$59

**Telex No.
065-24218**

Mail Orders add \$5.00 minimum for shipping & handling. Ontario residents add 7% P.S.T. Visa, Mastercard and American Express cards accepted: send card number, expiry data, name of bank and signature. Send certified cheque or money order, do not send cash.

Circle No. 29 on Reader Service Card.
More lines to serve you better
(416) 960-1350

Surplustronics, 310 College Street, Toronto, Ontario, M5T 1S3

Electronics Today



Audit Bureau
of Circulation

May 1984

INTERNATIONAL

Vol. 8, No.5 ISSN 07038984



28



47



33

Features

8

Test Equipment Survey

A look at the various benchware available.

12

A Bit Of History

Hello, Alex?... Hello ... Hello? What do you mean that number is no longer in service?

16

Computing Today

Hex to Binary to Decimal and back again.

24

Computer Review

Adam: The newcomer in the Coleco patch.

28

Designing Microsystems. The Final Episode

Storing that valuable information.

33

VHSIC Chips

The Military, and high-tech weaponry, by Roger Allan.

40

Designer's Notebook

Shedding some light on Optocouplers.

44

Electronic Maps

Getting a Computer's-eye-view of the ground, by David P. Dempster

47

Computerised Forecasting

In 1990 will we have weathermen as we know them today? Roger Allan takes a look.

Projects

18

Burglar Alarm

Get into interfacing and machine-code programming with the ZX81.

38

OP Amp Checker

Is your testbench littered with OP Amps of unknown condition? Then try this little gem!

52

Multiple Output Port

Is your micro looking for a way out? Here's 40 of 'em.

Columns, News and Information

For Your Information	6
Back Issues	54
Book of the Month	55
Order Form	55
Subscriptions	56
Product Mart	58
ETI Bookshelf	65
Fun of Electronics	68
Tech Tips	69

Our Cover

The Coleco Adam was reviewed by Bill Markwick. Photos by Steve Liard.

Electronics Today is Published by:

Moorshead Publications
Editorial and Advertising Offices
Suite 601, 25 Overlea Boulevard,
Toronto, Ontario, M4H 1B1
Telephone (416) 423-3262

Editor:	William Markwick
Editorial Assistant:	Edward Zapletal
Director of Production:	Erik Blokwist
Creative Manager:	Ann Rodrigues
Production:	Douglas Goddard Neville Williams Naznin Sunderji Deedee Whitehead
Circulation Manager:	Lisa Salvatori
Advertising:	Omar Vogt Rick May
Advertising (Que.):	John McGowan & Associates (514) 735-5191

Publisher: H.W. Moorshead; **Executive Vice-President:** V.K. Marskell; **General Manager:** S. Harrison; **Controller:** B. Shankman; **Accounts:** P. Dunphy; **Reader Services:** C. Wyatt, S. Halladay, H. Brooks, K. Adams; **Advertising Services:** C. Zvytski; **Dealer Services:** A. Nagels.

Newsstand Distribution:
Master Media, Oakville, Ontario

Subscriptions
\$19.95 (one year), \$34.95 (two years). For US add \$3.00 per year, other countries add \$5.00 per year. Please specify if subscription is new or a renewal.

Postal Information
Second Class Mail Registration No. 3955. Mailing address for subscription orders, undeliverable copies and change of address notice is:
Electronics Today International, Suite 601, 25 Overlea Blvd., Toronto, Ontario, M4H 1B1.

Advertisers' Index

Active Components Sales Corp.	17
Advance Micro Electronics	22
Alps International & Co.	39
Arkon Electronics Ltd.	60
Atlas Electronics Limited	9, 21
Audiovision	49
BCS Electronics Limited	57
Brunelle Instruments Inc.	7
B.T.W. Electronic Parts	50
Budgetron Inc.	64
Cyprus Products Inc.	71
Daetron	32
Electronic Control Systems	42
Electronic Packaging Systems Ltd.	53
Exceltronix	2, 3, 36, 37
Fujicomp Inc.	30
Hitachi Denshi, Ltd. (Canada)	45
H. Rogers Electronic Instruments Ltd.	35
J.A.C. Electronics	11
Kaizen Electronics Merchants Ltd.	10
Kitstronic International Ltd.	54
Mark Gee Enterprises Ltd	70
McGraw-Hill Continuing Education Center	13
Metermaster	27
Orion Electronics Supplies Inc.	43
Parts Galore Inc.	15
Perfect Electronics Inc.	50
Surplustronics	4
Tektronix Canada Inc.	72

for your information

Copyright

All material is subject to worldwide copyright protection. All PCB patterns are copyright and no company can sell boards to our design without our permission.

Liability

While every effort has been made to ensure that all constructional projects referred to in this magazine will operate as indicated efficiently and properly and that all necessary components are available, no responsibility whatsoever is accepted in respect of the failure for any reason at all of the project to operate efficiently or at all whether due to any fault in the design or otherwise and no responsibility is accepted for the failure to obtain component parts in respect of any such project. Further no responsibility is accepted in respect of any injury or damage caused by any fault in design of any such project as aforesaid.

Editorial Queries

Written queries can only be answered when accompanied by a self-addressed, stamped envelope. These must relate to recent articles and not involve the staff in any research. Mark such letter ETI Query. We cannot answer telephone queries.

Binders

Binders made especially for ETI are available for \$9.25 including postage and handling. Ontario residents please add provincial sales tax.

Back Issues and Photocopies

Previous issues of ETI Canada are available direct from our office for \$4.00 each; please specify by month, not by feature you require. See order card for issue available.

We can supply photocopies of any article published in ETI Canada; the charge is \$2.00 per article, regardless of length. Please specify both issue and article.

Component Notation and Units

We normally specify components using an international standard. Many readers will be unfamiliar with this but it's simple, less likely to lead to error and will be widely used everywhere sooner or later. ETI has opted for sooner!

Firstly decimal points are dropped and substituted with the multiplier: thus 4.7uF is written 4u7. Capacitors also use the multiplier nano (one nanofarad is 1000pF). Thus 0.1 uF is 100nF, 5600pF is 5n6. Other examples are 5.6pF = 5p6 and 0.5pF = 0p5.

Resistors are treated similarly: 1.8Mohms is 1M8, 56kohms is the same, 4.7kohms is 4k7, 100ohms is 100R and 5.6ohms is 5R6.

PCB Suppliers

ETI magazine does NOT supply PCBs or kits but we do issue manufacturing permits for companies to manufacture boards and kits to our designs. Contact the following companies when ordering boards.

Please note we do not keep track of what is available from who so please don't contact us for information on PCBs and kits. Similarly do not ask PCB suppliers for help with projects.

K.S.K. Associates, P.O. Box 266, Milton, Ont. L9T 4N9.

B—C—D Electronics, P.O. Box 6326, Stn. F, Hamilton, Ont. L9C 6L9.

Wentworth Electronics, R.R. No. 1 Waterdown, Ont. L0R 2H0.

Danocinths Inc., P.O. Box 261, Westland MI 48185, USA.

Arkon Electronics Ltd., 409 Queen Street W., Toronto, Ont., M5V 2A5.

Beyer & Martin Electronic Ltd., 2 Jodi Ave., Unit C, Downsview, Ontario M3N 1H1.

Spectrum Electronics, 14 Knightswood Crescent, Brantford, Ontario N3R 7E6.

Tachometer

The widest speed measuring range of any portable non-contact tachometer and a simultaneous maximum hold capability are two of the unique features which make the Monarch Instrument Model TACH IV Digital Optical Tachometer the most versatile laboratory instrument ever available. TACH IV's ability to measure speeds from 5 RPM to 500,000 RPM make it suitable for every application throughout the laboratory, from measuring very slow stirring speeds to extremely high speed centrifuges. TACH IV's simultaneous maximum capability makes it the only instrument also capable of measuring peak speeds, a feature particularly useful in adjusting speed governors or setting overspeed trip switches. Contact the metermaster Division of R.H. Nichols Co. Ltd., 214 Dolomite Drive, Downsview, Ont. M3J 2P8 (416) 661-3190.

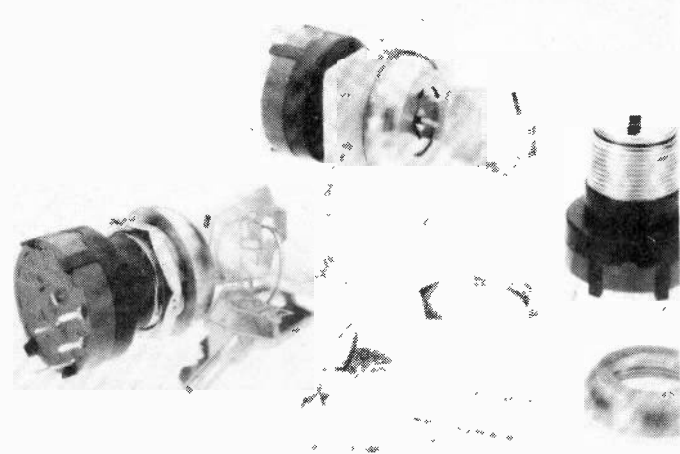
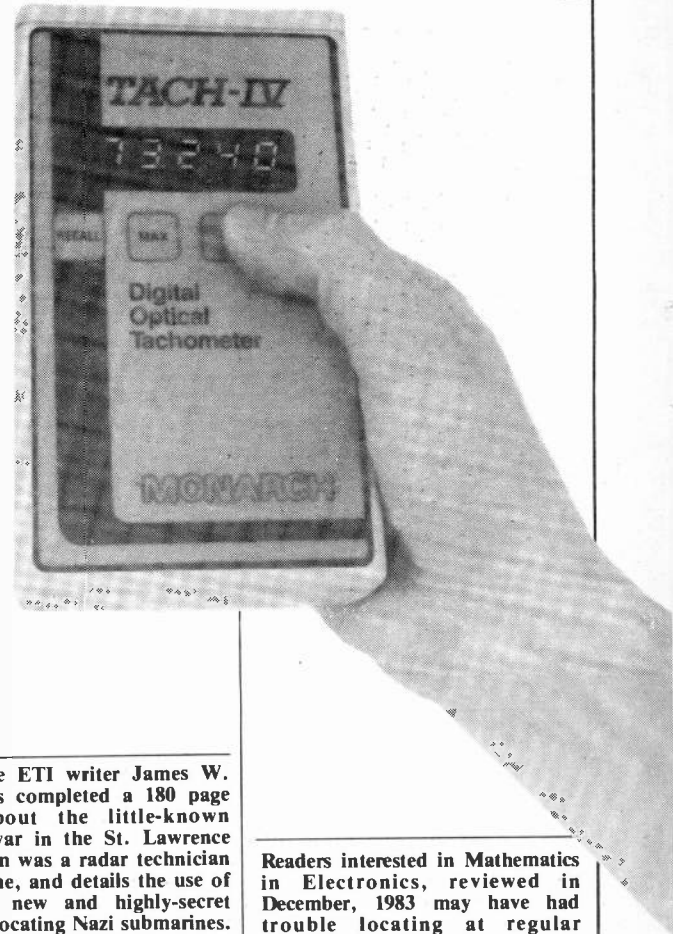
Circle No. 33 on Reader Service Card

Howard W. Sams & Co., Inc. now offers a comprehensive introduction to machine-language programming based on standard assembly-language mnemonics. Don Lancaster's Micro Cookbook, Volume 2 (ISBN 0-672-21829-1) is available at participating Sams dealers and bookstores nationwide. Second of a series on microprocessors and microcomputers, Lancaster's newest book uses a group of "discovery modules" to explain machine-language programming fundamentals the reader can use with any microcomputer or microprocessor family. Virtually all available opcodes are explored, as are the details of flowcharting, using a stack, testing individual bits, creating text messages, using files, subroutines, interrupts, and more.

Circle No. 34 on Reader Service Card

Long-time ETI writer James W. Essex has completed a 180 page book about the little-known U-boat war in the St. Lawrence River. Jim was a radar technician at the time, and details the use of the very new and highly-secret radar in locating Nazi submarines. Despite the loss of 700 lives and 23 ships in the St. Lawrence, the government has so far declined to publicly acknowledge the heroism of the sailors and civilians involved. Victory in the St. Lawrence - Canada's Unknown War will be published this spring by Boston Mills Press of Erin.

Circle No. 35 on Reader Service Card



Readers interested in Mathematics in Electronics, reviewed in December, 1983 may have had trouble locating at regular bookstores. It can be ordered by sending a cheque or money order to Collier Macmillan Canada Inc., Order Department, 539 Collier Macmillan Drive, Cambridge, Ontario N1R 5W9. Mathematics in Electronics (02-818220-0) is \$9.94, and the accompanying Instructor's Manual (02-818230-8) is \$7.50.

Circle No. 36 on Reader Service Card

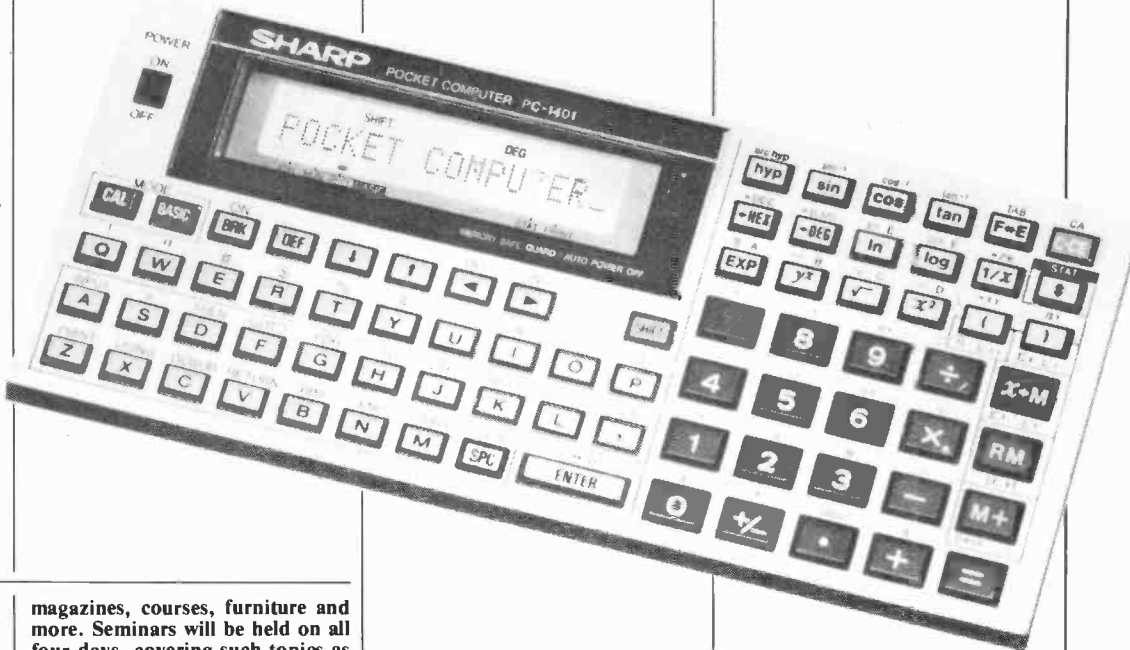
Low Cost Switchlock

C&K Components, Inc. announces the availability of the "A" SERIES SWITCHLOCK, featuring a wide range of models and very low cost. Removable front dress nut allows easy rear-of-panel installation. Available with one through four pole rotary switches with 30°, 45° or 90° indexing, shorting or non-shorting contacts, silver or gold contact materials and printed circuit or solder terminations. Positive internal detent provides excellent feel. Contact ratings: from dry circuit to 350 mA @ 110 V AC or DC; 150 mA @ 250 V AC or DC. Contact resistance: below 20 milliohms typ. initial. Insulation resistance: 10⁹ ohms. min. From Avotronics, Ltd., 230 Don Parker Rd., Markham, Ont. L3R 2P7 (416) 475-2024 or Line Electronics, 1503 Dovercourt Rd., N. Vancouver, B.C. V7K 1K6 (604) 922-5315.

Circle No. 37 on Reader Service Card

Two powerful machines are contained in one in the new PC-1401 pocket computer from Sharp Electronics of Canada Ltd. The unique dual keyboard permits the PC-1401 to function both as an advanced scientific calculator and also as a computer programmable in BASIC. A built-in LCD display serves both calculator and computer functions. As a scientific pocket computer, the unit features: Basic calculator functions with single-key access to 59 scientific operations; 16-digit dot-matrix liquid crystal display; fingertip conversions for hexadecimal calculations; 15 levels of parenthesis with eight pending operations, and standard calculator logic. For BASIC programmability: There are 4 Kilobytes of RAM, equivalent to 3,486 program steps and instant BASIC command keys for easy programming. There are 18 user-definable program slots, permitting the user to call up only those programs that are required. \$159.95 at Sharp dealers.

Circle No. 38 on Reader Service Card



Canada's largest computer show will be held at the International Centre, Airport Road, Mississauga, Ontario. The show dates are: Thursday and Friday, May 10 and 11, from 10:00 AM to 9:00 PM, Saturday and Sunday, May 12 and 13, from 10:00 AM to 6:00 PM. Tickets are \$6.00 each at the door: \$5.00 each for seniors and students.

Over 100 exhibitors will display the latest in computers, disk drives, monitors, modems, buffers, circuit boards, business and educational software, games,

magazines, courses, furniture and more. Seminars will be held on all four days, covering such topics as portable computers, business applications, kids and the computer, future trends in software, etc.

You can even meet some of the staff of Moorshead Publications at the Computing Now! booth.

For further information, contact Hunter Nichols Inc., 721 Progress Rd., Scarborough, Ontario M1H 2W7 (416) 439-4140.

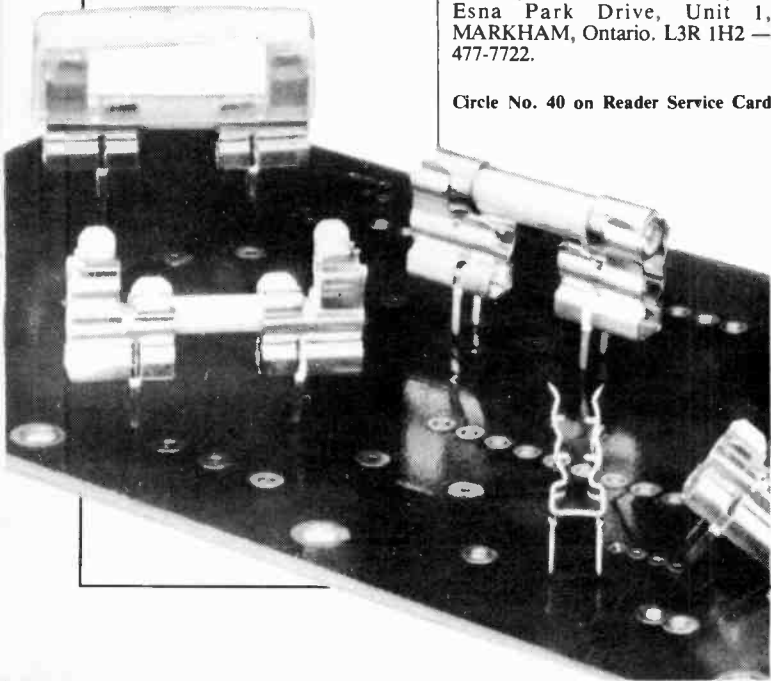
Circle No. 39 on Reader Service Card

Fuseclip

SCHURTER introduces a new International Fuseclip for 1/4 x 1/4 and 5 x 20 mm Fuses. This fuseclip satisfies the requirements of both domestic and foreign use. It eliminates the need to use two separate fuse clips for a domestic and international application. This fuseclip can be used

with standard American 1/4 x 1/4" fuses in the upper portion, and 5 x 20 mm in the lower portion of the clip. Thus fuses can always be replaced with the common size fuse types in the various countries. This new clip can be specified in bronze, tin plated or brass, tin plated. For further information please contact Doug Pettifer, Lenbrook Electronics, 111 Esna Park Drive, Unit 1, MARKHAM, Ontario. L3R 1H2 — 477-7722.

Circle No. 40 on Reader Service Card



BRUNELLE presents THE Commander SERIES Model 4060 Digital

ALL THAT THE NAME IMPLIES

The Multimeter you've been waiting for... at the price you've been hoping for!

\$99.00

- Handheld 7-function, 35 ranges with 200 uA AC and DC. HI-low ohms diode check.
- Built-in transistor test function.
- Overload protection. 2 amp fuse protects all meter ranges.
- Safety designed input jacks and test leads, tilt stand for bench use. Easy external battery access.
- Calibration certificate traceable to NRC supplied with meter.
- 1 year parts/labor guarantee.

SEE IT, TEST IT, COMPARE IT!

BRUNELLE INSTRUMENTS INC.

826 Belvedere St., Sherbrooke,
Quebec. J1H 4B8
1-819-569-1335 Telex 05-836266

Mail Orders accepted: Send certified cheque or money order. Quebec residents add 9% P.S.T. add \$3.00 for shipping.



Circle No. 17 on Reader Service Card

Test Equipment

It's time to retire that old scope with the vacuum tubes; check out some of the bells and whistles available these days.

IN THIS mini-survey, you'll find some of the test equipment available from a number of Canadian sources. If it's time to upgrade the old testbench, or you're just interested in seeing what's around, you'll find a sampling of what high-tech has done for testing and measuring.

The most obvious change in today's equipment is the widespread use of large-scale integration. LSI circuits mean lower costs for low-end equipment and greatly expanded flexibility in the more expensive gear. Features that were once available only in the most expensive of laboratories are now turning up in units as small and inexpensive as hand-held multimeters.

There's such a wealth of test equipment available that we weren't able to cover all of it; many of the products shown are only a tiny sampling of the dealer's range. Any prices given are the list prices as we went to press and may not be valid by the time you read this.

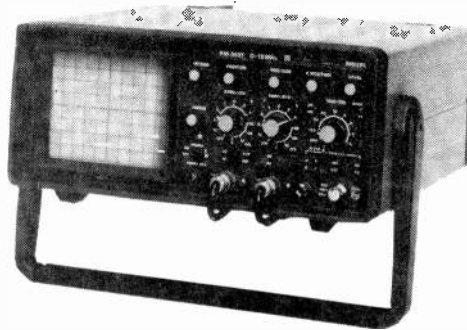
A list of dealer addresses follows the article.

Oscilloscopes

The main unit of any testbench, the workhorse oscilloscope is indispensable for actually seeing electrical signals, and the quality of the signal display has been greatly improved by recent solid-state circuitry. Displays are rock-steady and drift-free (scopes in the past tended to roll and quaver as they warmed up), and some scopes can display three or more waveforms.

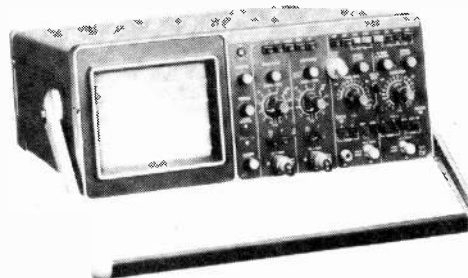
Triggering circuits are generally far more comprehensive than described in the limited space, and many of the small but convenient extra features had to be omitted.

The scopes shown are only a small sampling of the ranges available from the dealers listed.



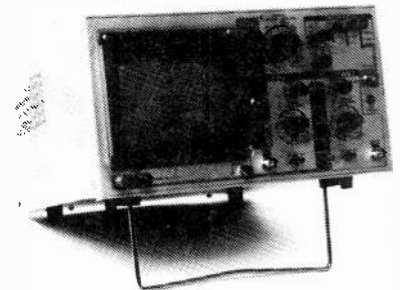
Philips PM3207 Dual Trace

Screen size: 8 x 10 cm
Vertical Response: DC-10 MHz
Risetime: 23 nS
Sensitivity: 5 mV to 10 V per div., 1-2-5 sequence
Accuracy: 5%
Horizontal Response: DC to 2 MHz
Sensitivity: same as vertical
Sweep: .2 V per div. to 5 uV per div.
Triggering: internal or external
Other: calibrator, X-Y operation, range of options.
Price: \$790



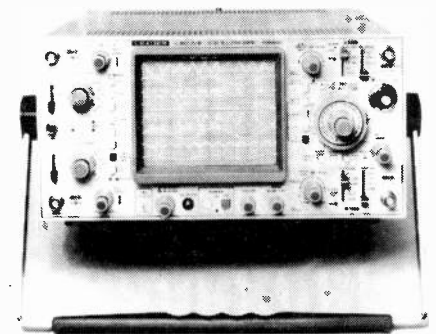
Philips PM 3215 Dual Trace

Screen Size: 8 x 10 cm
Vertical Response: DC-50 MHz
Risetime: 7 nS
Sensitivity: 2 mV to 10 V per div., 1-2-5 sequence
Accuracy: 3%
Horizontal Response: DC to 1 MHz
Sensitivity: 200 mV per div.
Sweep: .5 S/div. to 100 nS/div.
Triggering: internal or external
Other: calibrator, X-Y operation, range of options
Price: \$1750



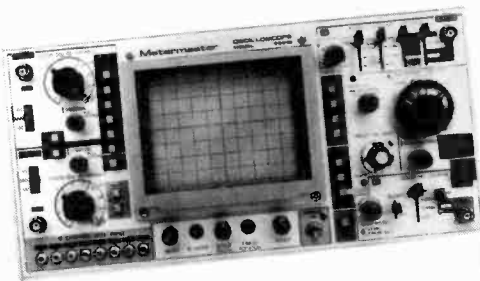
Brunelle 2988 Dual Trace

Screen Size: 8 x 10 cm
Vertical Response: DC-20 MHz
Risetime: 17 nS or less
Sensitivity: 5 mV to 20 V per div., 1-2-5 sequence
Accuracy: 3%
Horizontal Response: DC to 1 MHz
Sensitivity: uses CH-B vertical amp
Sweep: .2 uS to .5 S per div.
Triggering: internal or external
Other: Z-axis mod., component tester
Price:N/A



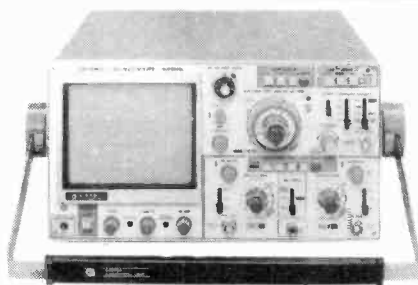
Leader LBO-518 8-trace

Screen Size: 8 x 10 cm
Vertical Response: DC-100 MHz
Risetime: 3.5 nS
Sensitivity: 5 mV to 5 V per div.
Accuracy: 3%
Horizontal Response: DC-3 MHz
Sensitivity: same as vertical
Sweep: 20 nS to .5 S per div.
Triggering: internal or external
Other: 50 ohm CH-1 output, calibrator
Price: \$2995, distributed by Omnitronix



Metermaster 65810 8-trace

Screen Size: 8 x 10 cm
Vertical Response: DC-100 MHz
Sensitivity: 5 mV to 5 V per div.
Risetime: 3.5 nS per div.
Sweep: 100 nS to .5 S per div.
Triggering: internal or external, adjustable delay
Other: two sweep generators, XY operation
Price: \$2595



Kikusui COS5060 3-Channel

Screen Size: 6" rectangular
Vertical Response: DC-60 MHz
Sensitivity: 5 mV to 5 V per div.
Horizontal Response: DC-2 MHz
Sensitivity: uses vertical channel
Sweep: 50 nS to .5 S per div.
Triggering: internal or external, adjustable delay
Other: TV sync separator, camera mount
Price: \$1748, distributed by Interfax

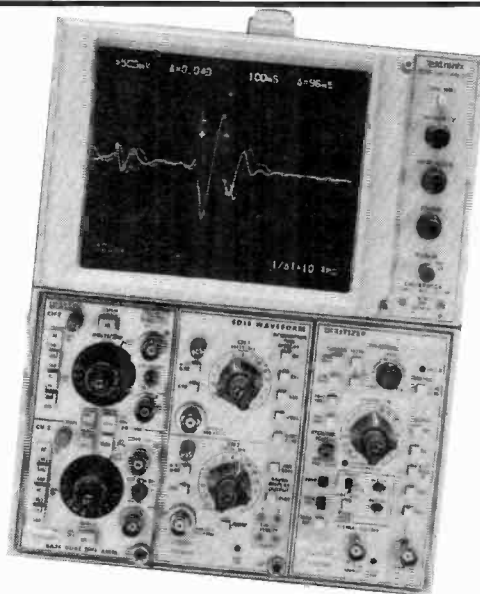


Hameg HM103 Single Trace

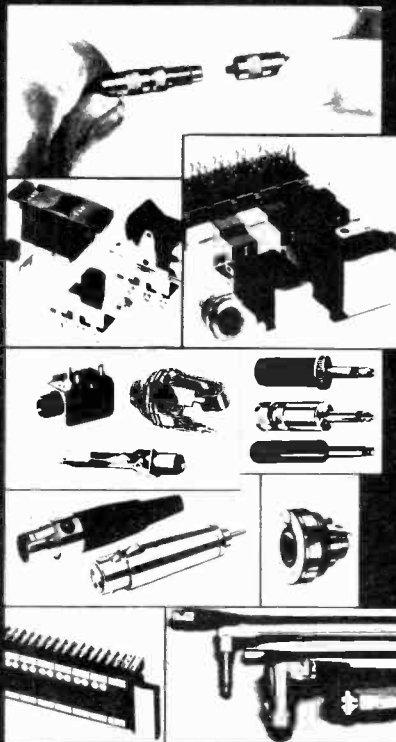
Screen Size: 6 x 7 cm
Vertical Response: DC-10 MHz
Sensitivity: 5 mV to 20 V per div.
Sweep: .2 uS to .2 S per div.
Triggering: internal or external to 30 MHz
Other: built-in component tester
Price: \$550, distributed by BCS

Tektronix 5116 Dual Trace Colour

Screen Size: 10 x 12 cm
Vertical Response: DC to 100 KHz
Sensitivity: 1 mV to 20 V per div.
Sweep: .1 mS to 50 S per div.
Other: specs depend on plug-ins; uses all 5100 series modules. Colour is LCD switched rather than shadowmask. Digital info display.
Price: \$3900 from Tektronix



THE OEM COMPONENT LEADER SWITCHCRAFT®



HIGH TECHNOLOGY COMPONENT LEADER

For example, Switchcraft Fiber-Conn™ Fiber Optic Connectors have low attenuation - less than a 1.7 dB - with compact industry-accepted Tri-Part design. Switchcraft is committed to designing such vital components required for new high-technology equipment and systems.

"TRADITIONAL" COMPONENT LEADER

Over 6,000 field-proven components developed especially for the electronic OEM market...single, multiple-station, lighted/unlighted pushbutton switches; long-life jacks and plugs; audio/general purpose connectors; cable assemblies; jack panels, jackfields, patching systems; audio accessories.

Whatever your component need, you owe it to yourself to check with the leader, Switchcraft, for the most efficient, cost effective products available. Profit from the company's four decades of helping customers design new, special equipment and systems.

SWITCHCRAFT INC.



Atlas Electronics Limited
 50 Wingold Avenue, Toronto
 Ontario, Canada M6B 1P7
 Telex No. 065-24140
 Telephone (416) 783-7761
 Branches: Quebec (514) 337-5260
 Ottawa (613) 744-1212
 Alberta (403) 240-3838
 British Columbia (604) 225-5011
 Saskatchewan (306) 204-889-0214
 Prices/Specifications subject to change without notice.

FOR SWITCHCRAFT LITERATURE ON -

PRODUCT	REQUEST
Fiber-Conn Connectors	NP3370
Phone Jacks	J1C4
Phone Plugs	P2C2
Audio Connectors	A404/C502
Jackfields	J110
Multiswitches	NP3349 S325
Double Wipe Slide Switches	S330
Molded Cable Assemblies	M7C1

Test Equipment

Meters

This section covers different types of meters, from some of the usual handheld DMMs to earth resistance testers.



Brunelle 4060 DMM

Display: 3 1/2 digit LCD
DC volts: 200 mV to 1000 at .25%
AC volts: 200 mV to 750 V at .5%
DC current: 200 uA to 10 A at .5%
AC current: 200 uA to 10 A at .75%
Resistance: 200 ohms to 20 megohms
Other: diode and HFE tester, total of 35 ranges, fuse protected.
Price: \$99.00 from Brunelle Instruments



Beckman 4410 DMM

Display: 4 1/2 digit LCD
DC/AC volts: 200 mV to 1000 V
DC/AC current: 200 uA to 10 A
Resistance: 2 K to 20 megohms
Other: True RMS reading, .05% DC accuracy.
Price: \$319 from Lenbrook Electronics



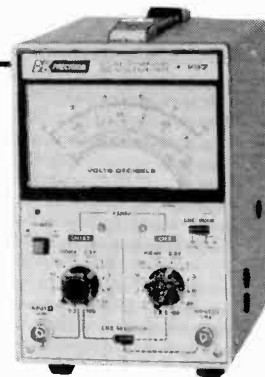
Thurlby 1905A Computing DMM

Display: 5 1/2 digit LED
DC volts: 1 uV to 1100 V
AC volts: 10 uV to 750 V
DC current: 1 nA to 5 A
AC current: 10 nA to 5 A
Resistance: to 21 megohms
Other: 20 keys for computing functions such as linear scaling, percentage deviation, dBs, etc
Price: N/A. From EDG



Fluke 77 Series DMM

Display: 3 1/2 digit LCD
DC volts: 320 mV to 1000 V at .3%
AC volts: 3.2 V to 750 V at 2%
DC or AC current: 32 mA to 10 A at 3%
Resistance: 320 ohms to 32 megohms
Other: analog bargraph, diode test, display latch.
Price: about \$200 from Allan Crawford Associates. (also available from Heath)



B&K 297 Dual AC Voltmeter

Sensitivity: 300 uV to 100 V FSD
dBm range: -90 to +40
Accuracy: 3%
Frequency Response: 5 Hz-1 MHz for 10% accuracy
Input impedance: 10 megohms
Amplifier gain: 70 dB
Output: 1 V
Residual noise: less than 30 uV
Other: Dual switchable inputs
Price: \$850 from Atlas Electronics



Leader LCR Meter LCR 745

Display: dual 3 1/2 digit fluorescent
Inductance: .1 uH to 200 H
Capacitance: .1 pF to 2000 uF
Resistance: .001 ohms to 20 megohms
Dissipation Factor: .001 to 2
Quality Factor: .5 to 100
Other: Can apply AC and DC bias to capacitor under test, can cancel residual components of measuring devices. CPU controlled.
Price: \$2500 from Omnitronix

Counters



B&K 1803 Frequency Counter

Display: 8 digit LED
Minimum frequency: 5 Hz
Maximum frequency: 100 Mhz
Power: 6 AA rechargeable or AC plugpack
Filter: 100 KHz lowpass, switchable
Price: \$304 from Atlas Electronics

K.E.M.

ELECTRONICS KITS

- FM Wireless Mike ----- \$18.95
- Music Synthesizer for Alarm, etc. ----- 19.95
- Motion Alarm Sensor ----- 24.95
- Sensor Training Kit ----- 16.95
- Mini Audio Amplifiers
- 5 Watts RMS Output ----- 8.95
- Ultra Sonic Remote Controller 1ch ----- 29.95
- 4ch ----- 49.95
- 4 Digit Resetable UP/DOWN Counter ----- 49.00
- Digital Frequency Counters ----- 69.95
- 6-digit LED, 1Hz ~ 10MHz
- BCD Code Digital Read-Out(OPTION)
- High Sensitivity 30mV rms Typical
- Pre-scaler for Frequency Counter
- ±10, ±100, 200MHz ----- 19.95
- 550MHz -- Coming Soon ----- ?
- Stepping Motor & Driver Controlled By
- Computer, APPLE II etc' with Program -- 65.00

ASSEMBLED & TESTED P.C. BOARD UNITS

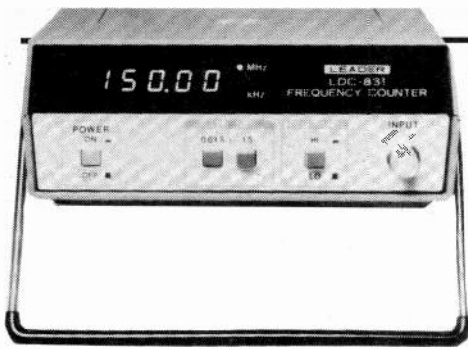
- ICL8038 Function Generator ----- 36.95
- Digital Capacitance Meter
- 10pF~999uF ----- 42.95
- LCD Digital Panel Meter ±199.9mV FS. -- 49.95
- Voltage Divider ----- 21.95
- Ohm-Volt Converter ----- 24.95
- Temp-Volt Converter ----- 19.95
- 6-Digit Presettable UP/DOWN Counter -- 99.00
- Data Presetting Unit ----- 49.00

EPROM PROGRAMMER (Peripheral for APPLE)
 one touch operation (No software required) to
 program 2716, 2732, 2532, 2732A, 2764 & 2564.
 Industrial specifications. Assembled & Tested.
 Metal case mounted ----- 198.00

Plus \$3.00 each item for postage & handling charge.
 Plus provincial sales tax. C.O.D. mail order accepted.

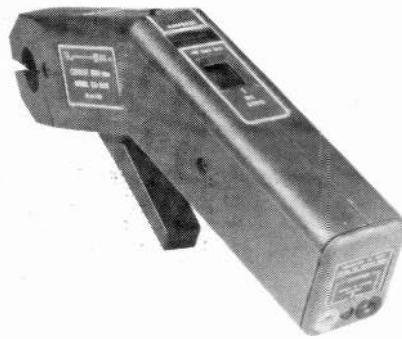
KAIENTAI ELECTRONICS
 P.O. BOX 69126 STATION 'K'
 VANCOUVER, B.C., CANADA V5K4W4
 PHONE: (604) 435-9697

Circle No. 19 on Reader Service Card



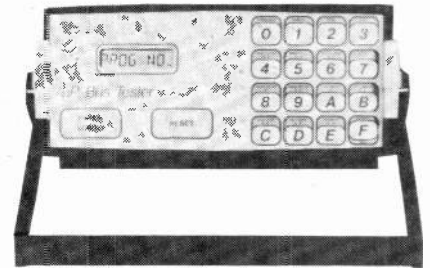
Leader LDC-831

Display: 4 1/2 digit fluorescent
Range: 5 Hz to 150 MHz in 2 ranges
Gate time: selectable .01 S or 1 S
Sensitivity: 50 mV
Input impedance: 1 M (lo) or 2.5 K (hi)
Other: battery power or AC.
Price: \$831 from Omnitronix



Bell CG100D Current Gun

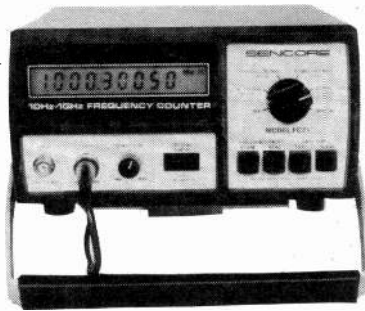
Display: 3 1/2 digit LCD
Range: to 200 A
Frequency Response: DC-1 kHz
Other: non-contacting, scope output, auto reading hold.
Price: \$397 from Allan Crawford Assoc.



Polar Micro Bus Tester B2000

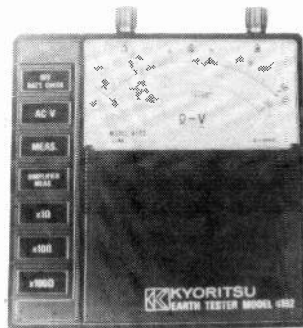
Uses: replaces CPU in faulty micro. Test sequences determine if fault is in ROM, RAM, I/O or CPU.
CPUs tested: Z80, 6800, 6502
Display: Built-in printer, small LCD
Price: \$2166 from Atlas Electronics

continued on page 14



Sencore 1 GHz Counter

Display: 8 digit LCD
Range: 10 Hz to 1 GHz in 4 ranges
Accuracy: .5 ppm
Sensitivity: typ. 5 mV, adjustable
Input impedance: 1 megohm to 100 MHz, 50 ohms on higher ranges.
Price: \$895 (US) from Sencore.



Kyoritsu Earth Resistance Tester

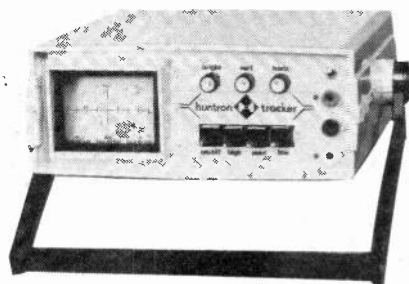
Range: 1 ohm to 1 K in four ranges
Accuracy: 3%
Voltage range: to 30 V
Other: protected to 1500 V, minimum of influence from earth voltages
Price: \$309 from Omnitronix

Miscellaneous



Kyoritsu 2012 Power Meter

Display: 10 mm LCD
Ranges: power to 200 kW, volts, amps
Other: no power interruption, autoranging, display hold, output terminal.
Price: \$1,149 from Omnitronix



Huntron Tracker

Uses: in-circuit testing of all analog and digital devices.
Display: CRT plot of I-V curve
Other: devices can be tested with or without circuit power, interface available for switching between good and unknown units.
Price: N/A. From Cyprus Products

MEET JACE

JACE is: -100% compatible to Apple
 -super expandable
 -very affordable
 -complete with numeric key board

Options: -CP/M
 -128K
 -80 col.
 -speech
 -and more

ONLY
 \$499.95

introductory price

SPECIAL THIS MONTH
 (while they last)

-Slim disk drive \$289.95
 -Regular drive \$279.95
 -Disk controller \$ 49.95
 -16K ram card \$ 59.00
 -"Despiker" kit (4 outlet) \$ 39.95 + \$5.00 S/H

Send \$1.00 (refundable) for our catalog full of other fine products.

Send cheque or money order to:
 J.A.C. Electronics P.O. Box 83, Stn. "E"
 Montreal, Quebec, H2T 3A5
 Que. res. P.L.S. add 9% P.S.T. (add 5% S/H)

Circle No. 9 on Reader Service Card

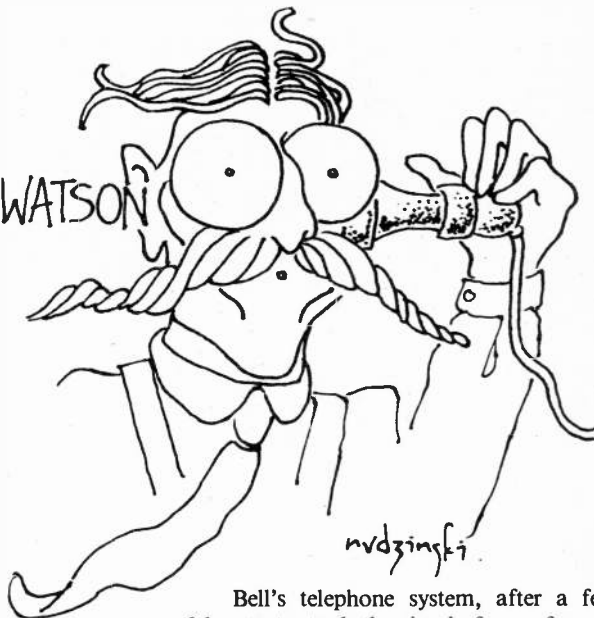
ETI—MAY—1984—11

Alexander Graham Bell

CAN YOU HEAR ME

NOW

WATSON



A brief historical look at the man who devoted his life to more than just the telephone.

by Ian Sinclair

YES, of course you've heard of *him*, Bell of telephone fame and founder of the Bell Telephone Co., "Ma Bell" to millions of North Americans who take for granted a standard of first rate telephone service. But did you know that the decibel is named after him, or that he invented the telephone as a deaf aid? Read on, and discover more about the life of this remarkable pioneer.

Alexander Graham Bell was born in Edinburgh in 1847, to a family who had dedicated their lives to the service of the deaf and dumb — his father was the inventor of the hand signals which are still used to this day. His parents were established authorities in elocution and speech correction (what would they have made of CB?), and they did not send Alexander to school, preferring to draw on the considerable talents of the family for his education. The success of this education, unhindered by local authorities or social workers (not yet invented), gained Alexander his first job in 1864, as resident master at Weston House Academy, a small boarding school in Elgin, a cold grey town in the Highlands.

Devoted To The Deaf

In 1870, however, the whole Bell family decided to emigrate, like so many Scots before and since, in search of a better living in Canada, and they moved to Brantford, Ontario. Alexander found nothing to his liking there, and shifted again to Boston, Mass. in the USA, to open a small school, in 1872, for training teachers of the deaf, a topic in which he took a passionate interest.

He had very considerable success, and in a remarkably short time established a nationwide reputation for his methods of training teachers, particularly in the "hand alphabet" which his father had devised.

This, incidentally, is a subject of controversy at the moment because it is no longer being so widely taught, and the change is bitterly resented by many deaf people who feel that a valuable method of communication may be lost to future generations.

As a result of Bell's success, he was asked to incorporate his school into Boston University, and he became Boston's first Professor of Vocal Physiology in 1873. It was as a result of this achievement that he was able to find time for research, with all the facilities of a University now available to him.

Telegraphy Progress

He was fascinated by the development of Telegraphy, because it was a method of communication which was open to people with severe hearing or speech defects — in fact many deaf people were trained as telegraph operators in those days, just as the tradition of training blind people as piano tuners grew up. Bell's interest in the electric telegraph led to the invention, along with his excellent but lesser known assistant Thomas Watson, of many improvements in telegraph design, and to Bell's increasing involvement in, and knowledge of, electrical circuits. Gradually he conceived a system which would convert the sound waves of speech into electrical signals, and back again, with the purpose of allowing the deaf to hear what was being said some distance away. Curiously enough, another emigre, David Hughes, was working in Virginia along similar lines.

Bell's telephone system, after a few false starts, took the simple form of a carbon microphone, a battery, and an earpiece. The carbon microphone was until very recently still being used in telephones, particularly in this country; it is now being replaced by the electret microphone, the only device sufficiently sensitive, and with a large enough signal output, to take its place.

The carbon microphone principle (which is attributed to Hughes) goes thus: a thin flexible membrane or diaphragm of metal is held in an insulating cylinder which has a metal backplate, and the space between the diaphragm and the backplate is packed with granules of carbon. Carbon is a resistive material, and the resistance depends very much on how tightly the carbon particles are packed together. With this arrangement, pressing the diaphragm inwards considerably, reduces the resistance between the diaphragm and the backplate; pulling the diaphragm outwards considerably increases the resistance. With a battery connected, the device becomes a variable current generator, with the amount of current depending on the movement of the diaphragm.

A Toast To Carbon

When a sound wave hits the diaphragm, it causes the diaphragm to vibrate at the same frequency as the sound wave, and with an amplitude (amount of movement) which depends on the loudness of the sound. In this way, sound waves hitting the diaphragm cause waves of electric current in the circuit connected to the carbon microphone. The useful and remarkable thing about the car-



Go on line in the world's fastest growing technology.

NEW! DATA COMMUNICATIONS TRAINING FROM NRI

Practical training includes computer, modem, test instruments, and access to exclusive NRI communications network

Satellites... microwave... fiber optics... dedicated land lines. Suddenly the world is communicating in a new and different way, via digital data systems. People talking to computers... computers to computers... information is stored, retrieved, and relayed in nanoseconds. And an entirely new kind of communications is born.

Industry, opportunities to triple

Data and telecommunications is already a \$150 billion industry and is expected to triple over the next five years. One typical company has grown from \$85 million to \$650 million... a 765% growth since 1978 alone. The need for qualified technicians to install, maintain, and service this enormous investment in high-tech equipment is tremendous even now. Opportunities and salaries can go nowhere but up and up.

NRI will train you at home

You can learn at home in your spare time to become a data communications technician with NRI at-home training. NRI will start you with the basics, build upon your knowledge with easy-to-follow, bite size lessons to take you into the world of digital data communications. You'll learn what it takes to work on satellite, microwave, fiber optic, and telephone data links.

And you'll learn at your own comfortable pace, without classroom pressures or evenings away from your family. Over the past 70 years, NRI has taught the latest high-tech skills to almost 2 million students to become the world's largest and most successful school of its kind.

Hands-on training includes computer, modem, breakout box and much more

NRI takes you far beyond "book learning." As part of your course, you receive plenty of practical hands-on training that gives you real-world skills. You get the Radio Shack Color Computer, with 16K memory to teach you the systems and language of data communications plus you get an operating modem to let you tie in with world-wide communications networks.

You build your own RS-232C interface breakout box, an indispensable installation and trouble-shooting instrument you'll use throughout your career. You receive a professional digital multimeter and the NRI Discovery Lab, where

you construct solid-state circuits and demonstrate practical applications of the theory you've learned.

Learn on-line with the exclusive NRI data network

You'll learn what data communications is all about by actually becoming part of an operating network. Using your computer, modem, and terminal software, you'll go on line to "talk" to your instructor, take your

exam by computer link, communicate with other NRI students and leave messages on the NRI "bulletin board."

As part of your course, you'll also receive membership in THE SOURCESM, a regular \$100 value. A phone call ties you into computers loaded with instant news, stock quotes, electronic mail, educational programs, games, even discount shopping and travel reservations.

Move into the future, send for Free Catalog

You can't find training like this anywhere else... only NRI trains you at home for an exciting and rewarding career in the brilliant new world of Data Communications. Mail the postage paid card right now for our big catalog of high-tech electronic careers showing all the equipment you get, detailed lesson descriptions, and career opportunities. Look it over and decide where you want your future to grow. Act now. There's a real need for trained data communications technicians.

Training includes all this equipment you keep... 16K computer, modem, breakout box, digital multimeter and the exclusive NRI Discovery Lab.



NRI Schools
McGraw-Hill Continuing Education Center
330 Progress Avenue
Scarborough, Ontario M1P 2Z5
or telephone 416-293-8787

TRS-80 is a trademark of the Radio Shack division of Tandy Corp. SM a service mark of Source Telecomputing Corp., a subsidiary of the Reader's Digest Association, Inc.

Sources

Philips Electrical Ltd.,
601 Milner Avenue,
Scarborough, Ont.
M1B 1M8 (416) 292-5161

Allan Crawford Associates, Ltd.,
6503 Northam Drive,
Mississauga, Ont.
L4V 1J2 (416) 678-1500

Brunelle Instruments Inc.,
826 Belvedere St.,
Sherbrooke, Quebec
J1H 4B8 (819) 569-1335

Omnitronix Ltd.,
2410 Dunwin Dr., Unit 4,
Mississauga, Ont.,
L5L 1J9 (416) 828-6221

KB Electronics,
1289 Marlborough Ct.,
Unit 12,
Oakville, Ont.,
L6H 2R9 (416) 842-6888

MeterMaster, R.H. Nichols,
214 Dolomite Drive,
Downsview, Ont.,
M3J 2P8 (416) 661-3190

Interfax,
5955 Airport Rd., Suite 105,
Mississauga, Ont.,
L4V 1R9 (416) 671-3920

Tektronix Canada Inc.,
P.O. Box 6500,
Barrie, Ont.,
L4M 4V3

EDG Electronic Distributors,
3950 Chesswood Dr.,
Downsview, Ont.,
M3J 2W6 (416) 636-9404

Lenbrook Electronics,
111 Esna Park Dr., Unit 1,
Markham, Ont.,
L3R 1H2 (416) 477-7722

Atlas Electronics,
50 Wingold Ave.,
Toronto, Ont.
M6B 1P7 (416) 789-7761

Cyprus Products Inc.,
7648 Heather St.,
Vancouver, B.C.,
V6P 3R1 (604) 327-8814

Sencore,
3200 Sencore Drive,
Sioux Falls, S.D. 57107,
(605) 339-0100

Equipment listed is available from local dealers as well as the distributors shown.

bon microphone is the size of the electrical signal that it generates, putting several volts across a load with several milliamps flowing. Until the development of electrets there was nothing that came anywhere near such an output, and the defects of the carbon microphone, such as its narrow bandwidth and the resonances which it caused, were not of great significance in telephone use.

Bell's receiver was electromagnetic, using the arrangement which, once again, has survived more than a hundred years. This uses a magnetized metal diaphragm held close to an electromagnet, usually of horseshoe shape. The varying currents transmitted by the microphone are sent through the electromagnet of the earpiece, and they cause the diaphragm to be magnetically attracted to an extent that depends on the amount of current. In this way, the current waves that flow in the circuit when someone speaks into the microphone are converted back to a sound by the action of the earpiece.

According to the notes that Bell made at the time, the first words spoken over a telephone circuit were "Come here, Watson, I want you . . .". The fact that Watson heard them and rushed through to Bell's room was the start of something big. They took out a patent on their telephone system in 1876, and the invention was recognized by the confederation of the Volta Medal on Bell in 1880 by the French Government. By this time, the Bell Corporation was being set up to exploit the invention which in a few years was to change the habits of the whole world.

Enter The Decibel

Bell, at this stage, could have simply retired from active life, content to amass a fortune as President of one of the most important and rapidly-growing corporations in the U.S. It is typical of him that he did not, preferring to devote more time to research and to the twin ideals of developing his invention and of helping the deaf. His work on sound transmission soon highlighted a shortcoming of measurement, that there was no scale of comparative loudness of sound.

From a large number of careful measurements, Bell found that the apparent loudness of a fixed frequency from a telephone receiver was proportional not to the electrical power but to the *logarithm* of the power, and so he proposed a unit for comparative loudness, the logarithm of the power ratio of two signals. This was widely adopted, and named the Bel in his honour, dropping the final "l" to avoid any confusion between unit and name.

The Bel, however, is a larger unit, and just as we use microfarads instead of farads for measuring capacitance, it's more convenient to use tenths of a Bel, or "decibels", in place of Bels. Unfortunately the decibel is the most abused and least understood of all the units encountered in electronics.

Photos On The Phone . . .

Bell also worked on developments of the telephone system, as always, with a view to helping the deaf to communicate. One notable development, well ahead of its time, was the Photophone of 1880. This was a device to transmit photographic images over a telephone, a forerunner in many ways of the Photofax process and of slowscan TV.

The principle was simple and ingenious. A transparency is fastened to a glass cylinder so that a light can be shone through transparency and glass on to a photocell (using selenium), which is inside the hollow cylinder. The cylinder is spun around, and the photocell is slowly moved from one end to the other, so that varying currents are generated in a circuit connected to the cell as varying amounts of light reach it through the transparency.

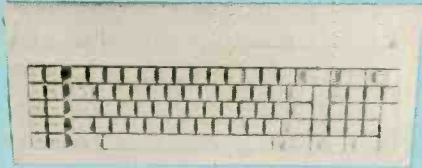
These currents could be transmitted over telephone lines, and at the receiver a photographic method was used to recreate the image. A piece of moist sensitized paper (the original sensitizing chemical was potassium iodide) was then wrapped round a metal drum, which was the ground connection of the receiver. The signals from the transmitter were connected to a brush contact, which touched the moist paper as it revolved with the drum. The current flowing through the paper caused the chemical to decompose, leaving a stain (iodine, when potassium iodide is used), and the amount of staining depends on the amount of current. Provided that the receiver drum is synchronized with the transmitter drum, the received image is a reasonably good reproduction of the transmitted one. An incidental advantage is that the picture size can be scaled up or down by making the receiving drum a different size from the transmitting drum.

. . . Letters Down The Line

The Photophone principle was developed into Photofax, and its descendants are still used. Bell followed it up with the Graphophone of 1887, designed to allow writing to be transmitted along telephone lines — and a large part of his receiver principle for this device can now be seen in the form of XY plotters for computers.

Bell died in 1922, the Grand Old Man of the telephone, and to the end a benefactor of the deaf, to whom he left much of the vast fortune he had accumulated. His other monument was the founding of the American Association to Promote Teaching of Speech to the Deaf, now known as the Alexander Graham Bell Association for the Deaf. This institute sponsors a great deal of research, much of it nowadays into electronics, resulting in a constantly improving service to the deaf. In many ways, I think that Bell would be more interested in this than in the whole telephone service if he could return to see it all. **ETI**

NEW FROM MAXISWITCH™



The finest most cost effective keyboard for the IBM™ PC or the APPLE™ that we have ever seen. The IBM model has all of the standard features of the IBM KB plus an improved return key for true typewriter emulation (For word-processing) Full N key roll-over, auto-repeat and more. The APPLE version has a lot more than the run of the mill APPLE keyboard, 10 function keys, cursor pad, numeric pad, and 21 preprogrammed commands to save a lot of typing. Just like the picture and just as pretty.

ONLY \$199.00

Please specify APPLE, or IBM PC, XT
NOTE: Complements our IBM look-alike case exactly.

DEALERS AND OEM MANUFACTURERS
QUANTITY DISCOUNTS AVAILABLE

Ideal for

- COMPUTERISTS
- OEM MANUFACTURERS
- DEVELOPMENT LABS
- UNIVERSITIES
- INDUSTRIAL APPLICATIONS

THE ULTIMATE OEM/PC COMPATIBLE SINGLE BOARD COMPUTER

- ☐ **MEGA-BOARD™** with full assembly instructions \$99.95
- ☐ **USERS MANUAL** with theory of operation, schematics, block diagram, application notes \$19.95
- ☐ **MEGA-BIOS™** fully compatible MS-DOS/PC-DOS BIOS \$29.95

ORDER NOW!!!

ONLY!
\$99.95

Evaluation Board Kit

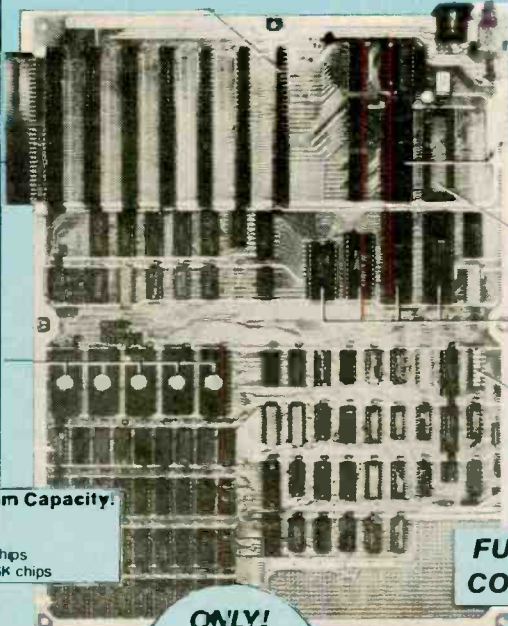
MEGA-BOARD™ Evaluation Board Kit!
(Blank board with full assembly instructions and parts list)

Includes highest quality PC board with gold plating, silk screen, solder mask

new!

MEGA-BOARD™

IBM is a registered trademark of International Business Machines



Eight Compatible I/O Interface Connectors
(Full PC compatible)
(compatible with all IBM-PC* plug-in cards)

Special J1 Interface

(Allows horizontal mounting of compatible expansion cards for easy bus expansion and custom configuring) (Board has 62 pin gold plated compatible connector)

Extended ROM Capability

(Runs all compatible PC ROMS) (Jumper programmable to accommodate all popular 8K, 16K, 32K and 64K ROM chips and NEW EE ROMS! VPP power pin available for EP ROM burning!) (External VPP voltage required)

Full Mega-Byte Ram Capacity: On board!

- (With parity)
- ☐ 256K Bytes using 64K chips
- ☐ 1 Mega Bytes using 256K chips

Standard Keyboard Interface
(Full PC compatible)

Hardware Reset
(Overcomes reset flaw in PC)

Power Connector
(Full IBM* pinout compatible)

8088 Processor
(Same as PC)

8087 Numeric Processor
(Same as PC)

Peripheral Support Circuits
(Same as PC)

Configuration Switches
(Same as PC)

Speaker/Audio Port
(Same as PC)

Wire Wrap Area
To facilitate special custom applications!

FULL IBM - PC™ COMPATIBILITY!

HARD TO GET PARTS

14.318 MHZ XTAL	\$ 2.95
17.43 MHZ XTAL	\$ 4.95
1.8432 MHZ XTAL	\$ 4.95
MPSA13 TRANSISTOR	\$ 0.75
2N3904	\$ 0.35
2N3906	\$ 0.45
2N4258	\$ 0.75
MPSU51	\$ 1.00
1K, 9 PIN SIP	\$ 0.75
1K, 8 PIN SIP	\$ 0.75
10K, 10 PIN SIP	\$ 0.75
4 POS DIP SWITCH	\$ 1.75
20 PIN MALE RT ANGLE	\$ 2.95
20 PIN FEMALE, FOR ABVS.	\$ 2.00
6 PIN POWER CONNECTOR	\$ 1.00
RCA JACK, PCB MOUNT.	\$ 0.75
50 PI TRIMCAP	\$ 1.00
220 OHM TRIMPOT	\$ 0.75
68A45, VIDEX IC	\$ 16.00
MC3242, 128K IC	\$ 16.00

BARE PCB

(A) REAL TIME CLOCK PCB	\$14.95
(B) QUAD DRIVE CARD (RANA)	\$24.95
(C) 9 VOICE MUSIC PCB	\$14.95
(D) BEFFER PRINTER PCB	\$19.95
(E) GRAPPLER PCB	\$19.95
(F) CABLE FOR D, E, SPECIFY	\$24.95
(G) 80 COLUMN, SOFTSWITCH	\$14.95
(H) DISC CONTROLLER PCB	\$12.95
(I) Z-80 PCB	\$12.95
(J) SSM MODEM PCB	\$24.95
(K) MOUNTAIN MULTIFUNCTION	\$24.95
(L) 128K (SATURN) PCB	\$19.95
(M) RGB COLOR PCB	\$24.95
(N) EPROM PROGRAMMER PCB	\$12.95
(O) PIA PCB	\$14.95
(P) WILD CARD PCB	\$12.95
(Q) SAM TALKING CARD	\$12.95
(R) RS-232 PRINTER PCB	\$12.95
(S) RS-232 MODEM (COMM) PCB	\$12.95
(T) RS-232 ASYNCHRONOUS PCB	\$14.95
(U) SPRITE GRAPHICS PCB	\$17.95

WE'VE GOT EM!

5-1/4" HALF SIZE DRIVES



- 40 Track per side
- Double-sided, double density
- Same as SA455
- Latest head & drive technology
- Fast access time

Two of These Half Size Drives will
Fit in the Same Space as 1 Full Size Drive!

\$269.00

MEGA BOARD PARTS

(A) MAXI SWITCH KB	\$199.00
(B) IBM CASE	\$ 79.95
(C) ALL THE 82 IC's & 8088	\$159.00
(D) 8253-5	\$ 11.95
(E) 8259A	\$ 11.50
(F) 8237A-5	\$ 34.95
(G) 8255A-5	\$ 7.95
(h) 8288	\$ 37.50
(i) 8284	\$ 7.95
(J) 8088	\$ 34.95
(K) 100 NS DELAY	\$ 14.95
(L) 7 NS DELAY	\$ 14.95
(M) BUS, BARS, SET OF 2	\$ 4.95
(N) 6-35 pf trimcap	\$ 1.50
(O) 62 PIN EDGE CONNECTORS	\$ 4.95
(P) 5 PIN DIN CONN, KB	\$ 3.50
(Q) POWER CONNECTOR, M/F	\$ 2.50
(R) 4.7K x 6 SIP	\$ 0.75
(S) 4.7K, 16 PIN RES NTWK	\$ 1.50
(T) 8.2K, 16 PIN RES NTWK	\$ 1.50
(U) 33 OHM, 16 PIN RES NTWK	\$ 2.50
(V) TBP 24s10 PROM	\$ 8.95

MAIL ORDERS

We accept: Personal Cheques, Postal Money Orders, Certified Cheques, Travelers Cheques, Visa, American Express, Mastercard, Bank Draft. We ship C.O.D. only by CANPAR and Truck. We do not use Canada Post C.O.D. We will send your goods via CANPAR or Canada Post unless you say otherwise. You will be charged a min. \$3.00 for delivery and handling or more if your goods are heavier than the \$3.00 weight or if you specify another delivery service that charges more. All Ont. res + 7% sales tax. We sell wholesale to any retail store or other reseller with a sales tax exemption no. as long as a realistic quantity is bought. We ship within a week if in stock and we will cancel any back-orders over 4 weeks unless otherwise instructed. 20% Restocking Charge.

Computing today



Binary Changes

The saga of Dean and Marcia, traffic lights, and binary-hexadecimal-decimal conversions.

by John Rudzinski

THE FLUORESCENT lights flicker and pop in the gymnasium as Dean approaches Marcia for their scheduled after-class talk. Sweat fairly pours from his palms as he reaches deep within himself to work up the courage to ask her the question that's been plaguing him these past long days.

Outside, the wind lashes a pedestrian who's just jabbed one of those traffic light post buttons for the forty-fifth time. The light's been against his favour for thirteen minutes.

Dean pauses as he catches Marcia's attention. Her eyes seem to sparkle in the blue half-light. She looks at him expectantly as he struggles to put his needs into a coherent query.

The sound of a pushbutton-box being ripped savagely from its moorings tears through the shrieking wind like a knife cutting corrugated iron. With red face and flailing arms, the pedestrian hurls the metallic carcass into the centre of the crosswalk. Obediently, the traffic light plays a spectrum symphony.

The question finds its bearings as Dean looks into her eyes, then surfaces like a breaker on calm waters.

"M-Marcia?"

"Yes, Dean?"

"What is the binary equivalent of 7E hex?"

To The Rescue

It's hard to calculate how many budding romances are faced with this crisis... it's just not a subject that statistics are compiled for. Still, it's a horrible thing to contemplate. What if you were caught unawares by such a pressing query?

If you've ever worked with machine code, you've no doubt had to either take

pencil to paper or finger to calculator to work out conversions between binary, hexadecimal and decimal. If you've never done this before, however, it can be an emotionally scarring experience the first few times you try it. With luck, this article will save you an untold fortune in psychiatrist bills and Valium prescriptions.

7 Hex = 7 Decimal E Hex = 14 Decimal

8	4	2	1	8	4	2	1	+
0	1	1	1	1	1	1	0	
7				E				

Figure 1. Hexadecimal to Binary

Binary notation, that confusing amalgamation of ones and zeros we've all come to know and love, is actually a simple counting system, yet it tends to freak out both the uninitiated and the caffeine stimulated. Why? At first glance

10011010

looks like a lottery prize without the commas in the proper places. Keep the above number in mind... I'll be getting back to it.

Hexadecimal, on the other hand, looks like someone set out to develop a counting system, got hammered on Gold Keg beer, and ended up using innocent members of the alphabet when the numbers ran out. This is partially true, though I can't vouch for the beer.

To do simple (one byte) binary to hex

conversions in your head, you'll need to memorize the hexadecimal numbers from zero to 0F.

Dec	Hex
0	0
1	1
2	2
3	3
4	4
5	5
6	6
7	7
8	8
9	9
10	A
11	B
12	C
13	D
14	E
15	F

That done, we can look at the binary number we left a ways back and see if we can make any sense out of it.

Generally, any programmer can tell you that in 8-bit processors like the Z80 or 6502, eight bits make up a byte. Bisected, the byte becomes a *nybble*... four bits. Thus, our number to be converted becomes

1001 1010

To take things a step further, we're going to put more numbers above each nybble:

8 4 2 1 8 4 2 1
1 0 0 1 1 0 1 0

At this point, the conversion begins from binary to hexadecimal. Take the number, one nybble at a time, and add the decimal numbers resting atop the "1" bits of the binary nybble. Ignore the zero bits; nobody likes them anyway. Now, you should have two decimal numbers: 9 and 10. Jump back to the decimal/hexadecimal chart and look them up; you'll find that 9 decimal equals 9 hex, and 10 decimal looks suspiciously like A hex. To reiterate:

8421 8421
 1001 (8 + 1 = 9) 1010 (8 + 2 = 10)
 = 9 hex = A hex

If this starts to sound like a Sesame Street flashback, forgive me, but the next thing you do is put the two hexadecimal numbers together, forming... you guessed it... 9A hex.

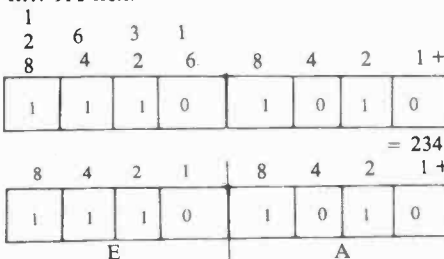


Figure 2. Decimal to Hexadecimal

Bubble, Bubble...

Converting 8-bit hex numbers to binary is just as simple. Take any value from 0 hex to FF, bisect it (the value of, say, F hex becomes 0 and F) and look both values up in the dec/hex table.

Zero is zero any way you look at it, and F hex translates to 15 decimal, so the first nybble will be composed entirely of zeros. The second nybble can be determined by adding the 8, 4, 2, and 1 numbers until you come up with 15 decimal. In this instance, all four numbers added are 15, so all four bits in the nybble are ones. Figure 1 better illustrates this, using the value of 7E that Dean was enquiring about.

Perhaps more useful to machine language programmers is the omnipotent hexadecimal to decimal conversion, which, alas, is just a little more complicated. This'll require two steps, actually. The hexadecimal value is first converted into binary, then the binary number is translated into the decimal.

Noting the binary outcome from the conversion of 7E hex in figure 1, we're going to reproduce it, but this time around it's not going to be separated into nybbles. Instead, we're going to follow the logical sequence of the numbers above the bits, continuing to raise them to the power of two. A slash of the pen later we have this:

1
 2 6 3 1
 8 4 2 6 8 4 2 1 +
 0 1 1 1 1 1 0

Adding up the numbers above the "1" bits, we get 126, the decimal equivalent of 7E hex. A reversal of the process, going from decimal to hex, requires converting the decimal number to binary, then the binary to hexadecimal. Decimal 234 is converted in figure 2.

Heathens

Organized religion and programmers both go through the rigours of conversion, though hopefully this article was helpful to the latter category. Note that these processes, as they stand, only work on numbers from zero to 255; anything larger

requires some fancy multiplication soft shoe.

For a grass-roots introduction to the binary and hexadecimal systems, pick up a copy of the May issue of Computing Now! magazine. It's a serious discussion; Steve Rimmer doesn't mention wombats or trips anywhere in the text.

That about wraps it up. Dean and Marcia married after college. He's an analogue to digital toaster salesman, and she's a systems analyst for Apple Canada. The unnamed pedestrian is on City Ordinance's ten most wanted list. **ETI**



Active



1984 Mail Order Catalog

The One Stop Shop For All Your Electronic Needs!

Conveniently located across Canada

<p>Montréal 5651 Rue Ferrier Montréal, Québec H4P 1N1 (514) 731-7441</p>	<p>Toronto 14 Carlton Street Toronto, Ontario M5B 1K5 (416) 977-7692</p>	<p>Downsview 86 St. Regis Cr. N. Downsview, Ontario M3J 1Y8 (416) 630-0400</p>
<p>Ottawa 1023 Merivale Road Ottawa, Ontario K1Z 6A6 (613) 728-7900</p>	<p>Calgary 3220-5th Ave. N.E. Bay 2 Calgary, Alberta T2A 5N1 (403) 235-5300</p>	<p>Vancouver 3070 Kingsway Vancouver, B.C. V5R 5J7 (604) 438-3321</p>

* Mail Orders to Montreal Address.

Visit your nearest Active store, call, write or circle
the Reader Service Card for your copy of Active's new catalog.

ZX Burglar Alarm



Feeling insecure? Try this neat burglar alarm interface for your ZX81.

By D.C. McMahon

THIS MICROPROCESSOR controlled security system will monitor up to eight remote switch positions each of which can be either normally open or normally closed, allowing you to use any combination of pressure mats, magnetic catches, window foil or other devices as the sensors. When triggered, it immediately sounds an alarm and then displays the number of the affected input on a seven-segment LED. It can be used with the ZX81 and quite aside from its value as an intruder alarm it provides a useful introduction to the techniques of microprocessor interfacing using machine code and the Z80 Parallel Input/Output Controller.

The Z80 PIO consists of two groups of eight lines, port A and port B, and each line can act as either a data input or output. If

the IN instruction is used, the data on those lines defined as inputs is loaded into the accumulator. If the OUT instruction is used, data on the accumulator is latched onto the output lines. The PIO can be programmed to act in any one of four modes:

- Mode 0 — Output mode
- Mode 1 — Input mode
- Mode 2 — Bidirectional mode
- Mode 3 — Control mode

The first three modes require the use of the handshaking facilities and so for this design the much simpler control mode has been used, allowing easy input and output of data to and from both eight bit ports on the PIO. Port A provides the eight inputs from the sensing switches while port B is split into four inputs and four outputs, the inputs being used to enter data while the outputs feed the seven segment display. An eight bit word is entered via port B into the register which tells the microcomputer which of the input lines should be high and which low (corresponding to normally open and normally closed switches respectively). The contents of this register are then continuous-

ly compared with the inputs to port A and if any discrepancy is discovered a '9' is sent out to the display. A timing loop, formed by loading a high number into the registers H, L, and then successively subtracting one until the result is zero, ensures that the nine is displayed for at least a second or so, after which the number of the affected input is displayed. An AND gate monitors the A and D data lines into the display driver and thus goes high when the 9 is output, the delay ensuring that it remains high long enough to latch the relay and thus sound the alarm.

Construction

Most of the components, including the relay and the transformer, are mounted on the PCB, the only off board components being the switches, the LED display, the edge connector to suit the ZX81, and the siren or other output transducer. Make sure that all four ICs are inserted the right way around, and similarly check the electrolytic capacitors C1, C4, and C7, and the diodes. Provision has been made for the use of connectors for the LED display and the input lines but if you prefer you can, of course, solder

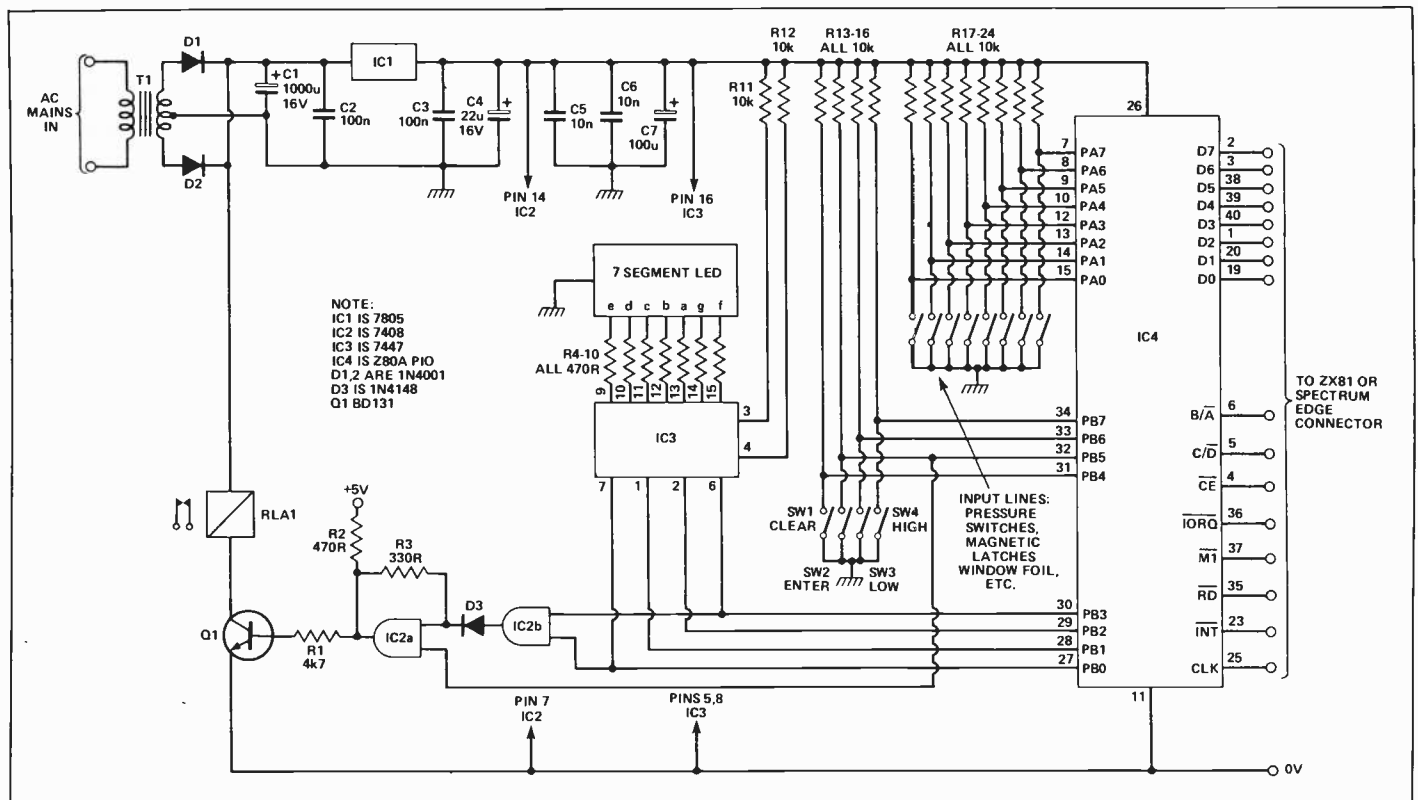


Fig. 1 Circuit diagram of the burglar alarm.

directly to the board. It is intended that the relay should switch a siren or similar device which draws its power from an external source, e.g. the mains, but if your particular application does not specifically demand an ear drum piercing, complaint eliciting siren, you might prefer to use an audible warning device of some sort instead. Providing this does not draw more than 100 mA or so and will run from 17V or less, you can connect it directly in the collector circuit of Q1 and dispense with the relay entirely. The edge connector for the ZX81 should be wired in accordance with Fig. 2.

The choice of case is left entirely to the constructor, but since there is mains on the board it is advisable to have some sort of enclosure. Mounting the switches should present no problems but the LED display is not so easy. If you're after a particularly neat appearance you would perhaps do best to go for an easily cut plastic case, and to cut out an aperture for the LED and then mount it flush in epoxy. The input lines, mains input, and connections to the micro-computer could either be taken through grommets or, if you're really fussy, through appropriate connectors, although it is probably most convenient to use a connector only for the input lines.

Programming

The Z80 PIO has six control lines, three of which (MI, IORQ, and RD) can be connected directly to their counterparts on the ZX81 edge connector. The remaining three, B/A SEL (select port A or B), C/D SEL (select either control or data carried on bus), and CE (chip enable) must be connected to the address bus. The ZX81 address bus has the following characteristics: A0, A1, A2, A3, and A4 are all normally high (they are used to control printer, loudspeaker, etc.), so we can leave these high and connect B/A SEL, C/D SEL, and CE to the remaining three lines, A5, A6, and A7 respectively. A5 low selects port A, A5 high selects port B; A6 low selects data (input and output) and A6 high selects control (programming information). A7, the chip enable, is always held low. The resulting eight bit words are shown in Table 1 and their decimal values are 31, 93, 63, and 127 respectively.

We must next initialize the PIO by sending two control words to each port. The first defines which mode and, as we are using mode three, a second must be sent to define which of the eight lines are inputs and which outputs. The format of the operation control word is shown in Table 2, and it will be seen that the relevant control word for ports A and B is 11111111, that is, decimal 255.

The second control word also consists of eight bits, each one corresponding to the I/O line with the same number, i.e., bit 0 corresponds to PA (or PB) 0, bit 1 corresponds to PA1, etc. Setting the bit high defines the associated I/O line as an input,

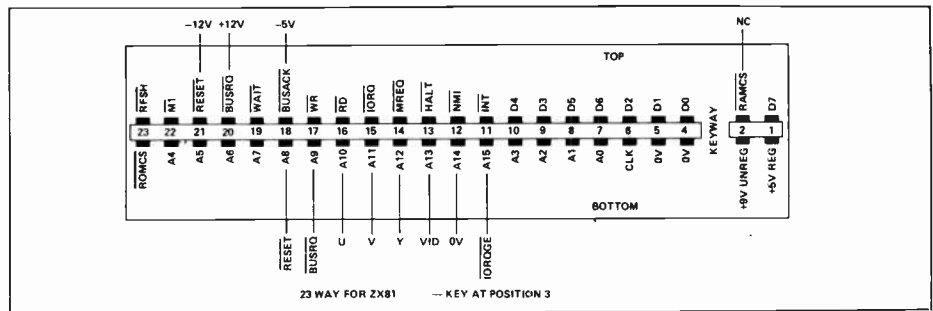


Fig. 2 Pin connections of the ZX81 expansion port

A7	A6	A5	A4	A3	A2	A1	A0	PORT
0	0	0	1	1	1	1	1	A data
0	1	0	1	1	1	1	1	A control
0	0	1	1	1	1	1	1	B data
0	1	1	1	1	1	1	1	B control

Table 1 Examples of eight bit PIO address words.

BIT	7	6	5	4	3	2	1	0
output mode	0	0	1	1	1	1	1	1
input mode	0	1						
bidirectional	1	0						
control	1	1						

Table 2 Format of the operation control word.

while setting it low defines it as an output. Since port A consists of the eight input lines from the various sensing switches, its control word will be 11111111, again, decimal 255. Port B has lines 0, 1, 2, 3 outputting data to the LED display and lines 4, 5, 6, and 7 accepting input data from the push button switches, so its control word will be 11110000, that is, decimal 240.

The first six instructions of the program therefore consist of loading the relevant control word into the accumulator and outputting it to either address 93 or address 127 (see Table 4 and the flow chart, Fig. 3).

Before the program can be entered, you will need to reserve space for the 108 bytes of machine code by moving RAM-TOP. To do this type in:

```
POKE 16388,147.
POKE 16389,67
NEW
```

and follow each statement with the Newline command. To check that RAMTOP has been moved, type in:

```
PRINT 256*PEEK 16389 + PEEK
16388
```

and you should get 17299.

Having reserved the 108 bytes after RAMTOP in the ZX81, type in:

```
10 FOR N=0 TO 107
20 INPUT X
30 POKE 17299+N,X
40 NEXT N
50 PRINT USR 17299
```

then RUN. The computer will then wait for you to type in the 108 numbers given in Table 3.

When the programming has been completed, a 1 should appear on the LED

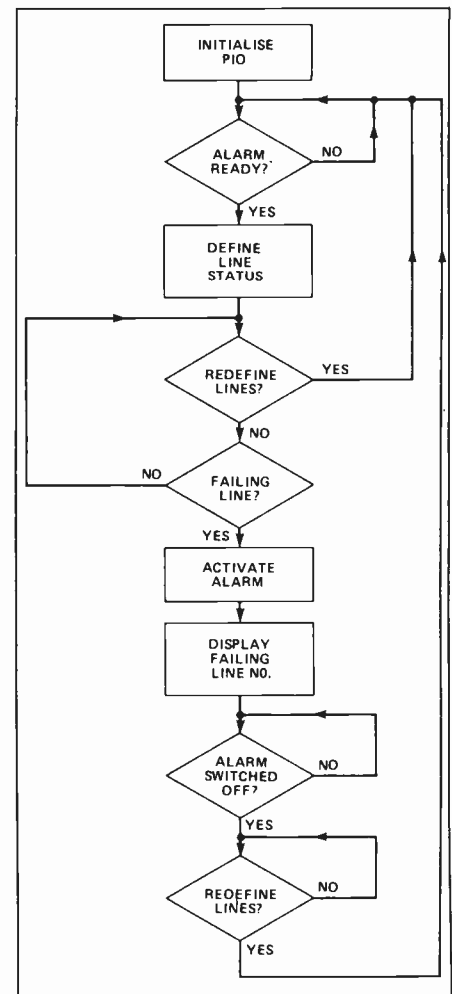


Fig. 3 Flow chart of the burglar alarm program.

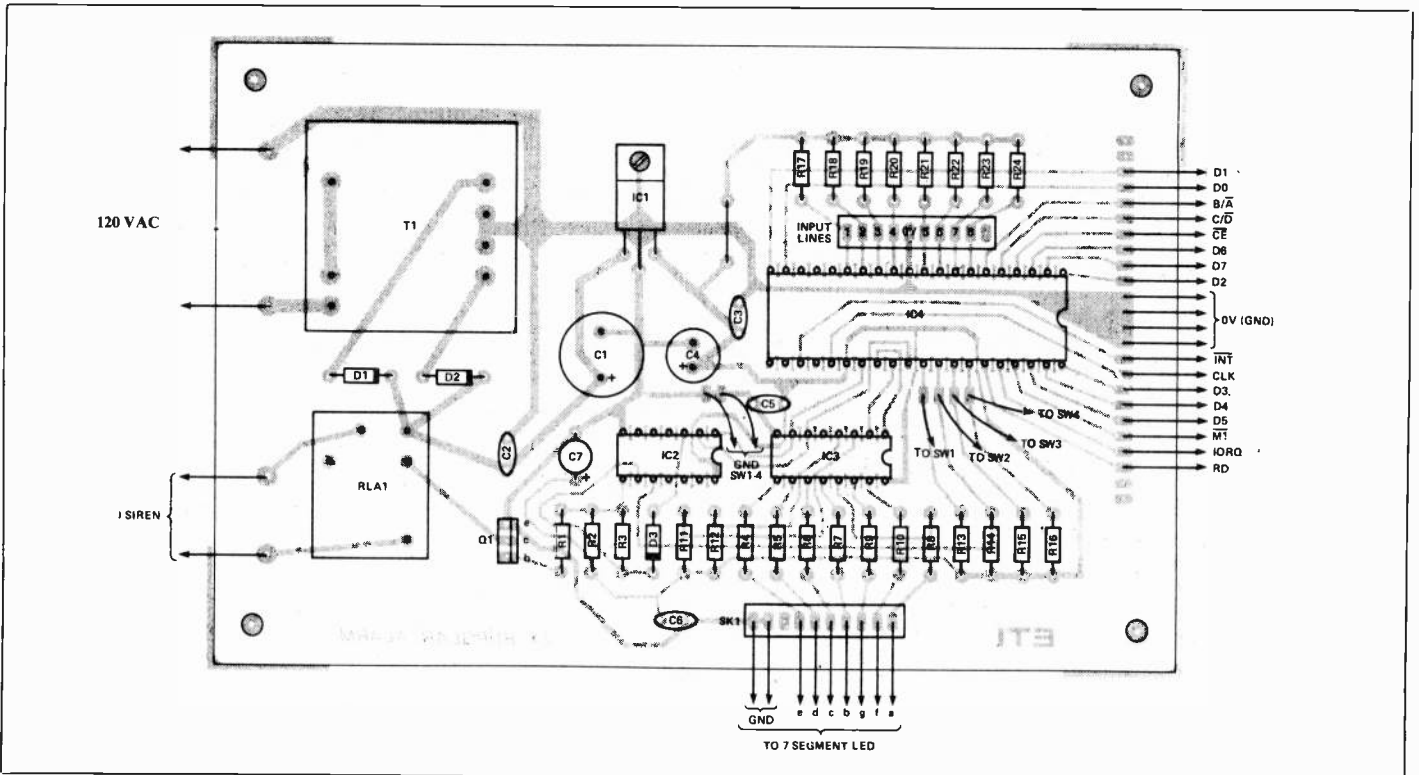


Fig. 4 The overlay diagram for the PCB. Note: the circuit was originally designed for a PC-mounting transformer which may not be available. An ordinary transformer can be mounted off the board with the leads soldered to the PC pads.

display. This refers to the first line on port A, and you must now tell the computer whether this line is to be high or low, according to what type of sensing switch you plan to use on it. To do this you first press either switch SW3 (LOW) if the line is to be normally closed or SW4 (HIGH) if the line is to be normally open, and then press the ENTER switch SW2. The LED should now display a 2, and you repeat the procedure

with this and each of the subsequent lines.

When all eight lines have been entered and the register is full, the microprocessor goes into a continuous loop, checking each line against its corresponding bit in the register. Should you wish to redefine the normal state of the lines, pressing SW1 empties the register and thus stops the program. If the alarm is triggered, it can be reset by pressing first SW2 and then SW1.

62, 255, 211, 93, 211, 93, 211, 127, 62, 240,
211, 127, 219, 63, 203, 111, 40, 250, 6, 8,
62, 0, 30, 0, 60, 211, 63, 219, 63, 203, 119,
40, 5, 203, 127, 32, 246, 28, 219, 63, 203,
111, 32, 250, 203, 11, 16, 232, 62, 0, 211,
63, 219, 63, 203, 103, 40, 210, 219, 31, 171,
6, 8, 203, 23, 56, 4, 16, 250, 24, 237, 197,
62, 9, 211, 63, 6, 10, 17, 1, 0, 33, 222, 57,
237, 82, 32, 252, 16, 247, 193, 120, 211, 63,
219, 63, 203, 111, 32, 250, 219, 63, 203, 103,
32, 250, 24, 160

Table 3 The ZX81 data.

PARTS LIST

Resistors (all 1/4 W, 5%)

R1	4k7
R2, 4,5,6,	470R
7,8,9,10	
R3	330R
R11, 12, 13, 14	10k
15, 16, 17, 18,	
19, 20, 21, 22,	
23, 24	

Capacitors

C1	1000u 16V electrolytic
C2, 3	100n
C4	22u 16V electrolytic
C5, 6	10n ceramic
C7	100u 10V tantalum

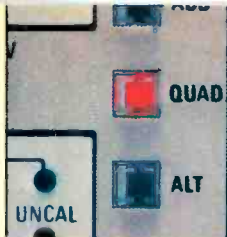
Semiconductors

IC1	7805
IC2	7408
IC3	7447
IC4	Z80A PIO
Q1	BD131
D1, 2	1N4001
D3	1N4148
DISP1	Common anode 7-segment display

Miscellaneous

RLA1	12V DC 400R miniature relay
T1	9-0 9V 6VA transformer
SW1, 2, 3, 4	momentary action, push-to-make

PCB: edge connector to suit ZX81; 10-way 0.1" pitch PCB plug and socket — 2 off each; case, etc. to suit.



SOFT TOUCH
FULL-LOGIC
CONTROLS



CALIBRATED
DELAYED SWEEP



TRIG
MODE

1MΩ = 28pF 50V PK MAX

DUAL INDEPENDENT
TIME BASE (1590 ONLY)

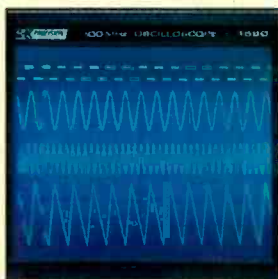


DUAL TIME BASE



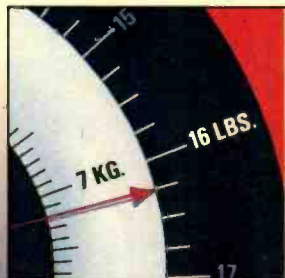
EXCLUSIVE
V MODE

4 VERTICAL
INPUT CHANNELS

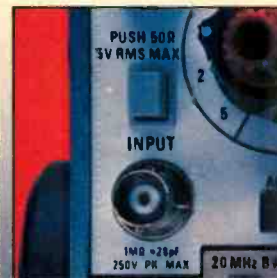
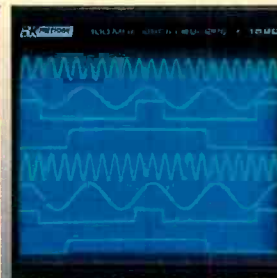


8-TRACE DISPLAY

SWITCHABLE
INPUT IMPEDANCE (1590 ONLY)

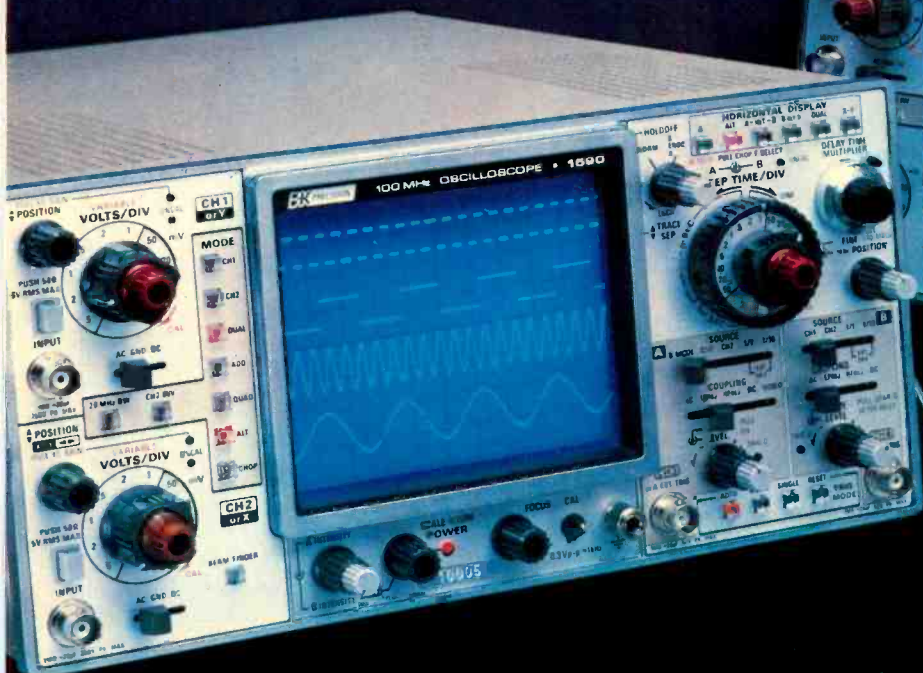


LIGHT WEIGHT
16.25 LBS.



Looking for a 70 or 100MHz scope? B&K-PRECISION just eliminated the competition.

100MHz 1590



70MHz 1570

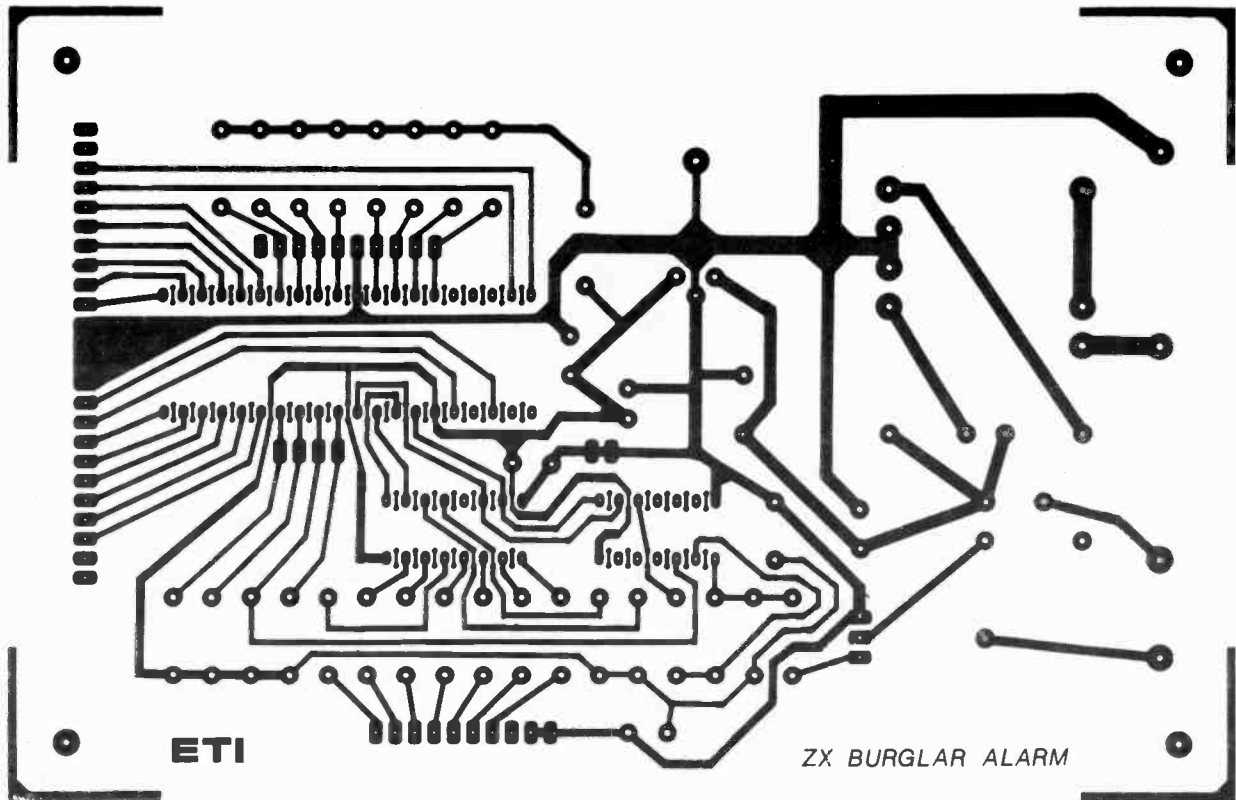
Circle No. 22 on Reader Service Card

To learn more about how
B&K-PRECISION has eliminated the competition,
see your local distributor or call
416-789-7761

BKPRECISION DYNASCAN
CORPORATION
is represented in Canada, by

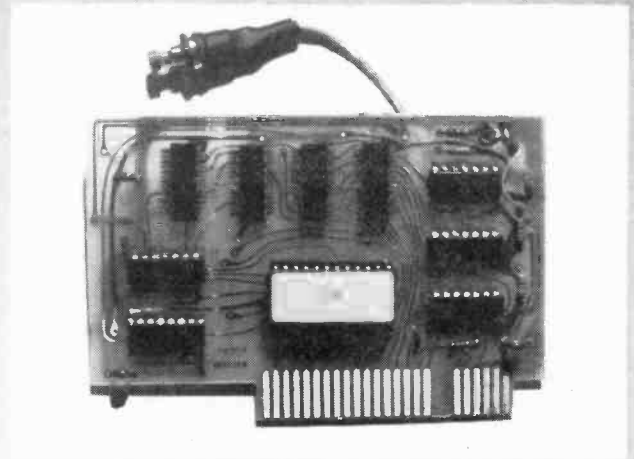
Atlas Electronics Limited
50 Wingold Avenue, Toronto, Ontario M6B 1P7 Telephone: 316-789-7761 Telex: 069-69538
Branches: •Quebec 314-337-5250 •Ottawa 613-744-1212 •Saskatchewan / Manitoba
204-889-0214 •Alberta 403-240-3838 •British Columbia 604-255-5011
Prices / Specifications Subject to Change Without Notice





UNLOCK MASTER APPLE DISK COPY CARD

- Copies memory resident programs
- Makes back up disk in less than 2 minutes
- Can repeatedly stop and restart running program
- Copies protected programs to standard Dos 3.3 files
- Card is transparent to APPLE
- Fully menu driven
- Software disk included



UNLOCK MASTER is a hardware interface card that is slot independent, users can copy and examine programs that were inaccessible due to all the locking schemes currently used. **UNLOCK MASTER** does not copy the original disk track by track, rather it copies the program executing in memory. Minimum requirements are an Apple II or any Apple compatible computer with one disk drive and a 16K RAM card.

\$89.95

Order direct from **ADVANCE MICRO-ELECTRONICS** P.O. Box 983, Station F, Toronto, Ont. M4Y 2N9, (416) 593-6347, VISA accepted. Please include \$5.00 for handling. Ontario residents please add sales tax. Dealer inquiries welcome.

UNLOCK MASTER is intended to be used for making back up programs only. Apple II is a registered trademark of Apple Computer Inc.

Circle No. 24 on Reader Service Card

LD A	255	62,	255	
out A	93	211,	93	
out A	93	211,	93	
out A	127	211,	127	
LD A	240	62,	240	
out A	127	211,	127	
IN	63	219,	63	
BIT 5		203,	111	
JRZ	-6	40,	-6	
LD B	8	6,	8	
LD A	0	62,	0	
LD E	0	30,	0	
INC A		60,		
out A		211,	63	
IN	63	219,	63	
BIT 6		203,	119	
JRZ	5	40,	5	
BIT 7		203,	127	
JRNZ	-10	32,	-10	
INC E		28,		
IN	63	219,	63	
BIT 5A		203,	111	
JRNZ	-6	32,	-6	
RRE		203,	111	
DJNZ	-24	16,	-24	
LD A	0	62,	0	
out	63	211,	63	
IN	63	219,	63	
BIT		203,	103	
JRZ	-46	40,	-46	
IN	31	219,	31	
XOR E		171,		
LD B	8	6,	8	
RLA		203,	23	
.C 4		56,	4	
DJNZ		16,	-6	
JR	-19	24,	-19	
PUSH B		197		
LD A	9	62,	9	
out	63	211,	63	
LD B	10	6,	10	
LD DE.	1	17,	1,	0
LD HL	14814	33,	222,	57
SBC HL, DE		237,	82	
JRNZ	-4	32,	-4	
DJNZ	-9	16,	-9	
POP B		193		
LD A, B		120		
out 63		211,	63	
IN 63		219,	63	
BIT 5		203,	111	
JRNZ	-6	32,	-6	
IN 63		219,	63	
BIT 4		203,	103	
JRNZ	-6	32,	-6	
JR	-96	24,	-96	

Table 4 Assembler listing of the burglar alarm program.



HOW IT WORKS

The various intruder detecting switches are connected between ground and the eight lines of port A on the PIO. Each of the eight lines is connected to the +5V line through a pull-up resistor, so that when the associated switch is open a logic high level will appear on the input, and when the switch is closed the line will be pulled down to logical low. The latter four lines on port B are similarly connected so that pushing any of switches 1 to 4 takes the associated line low. The first four lines on port B are used for the display output and carry a four bit binary code. This is fed directly to the decoder/driver 7447 and then to the seven segment display.

When the program is executed it puts out a '1' and then waits for the line to be defined. Taking either line 6 or line 7 on port B low enters a 0 to 1 as desired into register E. Subsequently taking line 5 low initiates a rotate right instruction which moves the entered data one place to the right so that the register is ready to receive the next bit. The microprocessor then outputs a '2' and the process is repeated until register E is full.

The microprocessor then goes into a continuous loop, using the XOR function to simultaneously compare each input line with

the corresponding bit in register E. If both bits are at the same level, either both high or both low, the XOR function will produce a 0 output, but if the two bits are at different logic levels the XOR will give a 1. The RLA instruction is used to shift each bit into the carry flag and test for a 1 and if no carry is detected the microprocessor carries on testing the lines.

When a 1 is detected, a nine is briefly sent out via port B to the display. At the same time, a large number is loaded into registers H and L and 1 is successively subtracted until the result is zero. A total of 148 140 machine cycles are needed for this, and the nine is therefore displayed for a full second or so before the micro processor removes it and displays instead the number of the failed line. The AND gate IC2b has its inputs connected to the A and D lines from port B, and will therefore go high only when a nine is put out. Its output is connected to IC2a, another AND gate, which is wired as a latch. IC2a drives the transistor Q1 which turns on the relay. The other input of IC2a is connected to line 5 of port B, and if SW2 is pressed this line will go low, unlatching the gate and thus turning off the relay.

ETI

SUBSCRIBER SERVICE

MOVING? RENEWING? NEW SUBSCRIPTIONS?

Moving?
Renewing?
Affix your
present
mailing
label(s)
here. Mail
entire form
to address
shown
below.

- I'm moving, please change my address as indicated below.
- Please extend my subscription to Electronics Today for one year at \$19.95 for 12 issues.
- I'd like to become a subscriber to Electronics Today for one year (12 issues) at \$19.95.
- My cheque is enclosed Bill me
- Bill my/Mastercard/Visa/Amex
- Card No. _____
- Expiry Date _____

Name (please print) _____

Address _____

City _____

Province/Postal Code _____

Subscription to: Electronics Today and/or
Computing Now! (One year subscription
\$22.95, two year subscription \$37.95)

Mail to: Moorshead Publications, Subscriptions Department,
Suite 601, 25 Overlea Blvd., Toronto, Ontario M4H 1B1

Coleco Adam Review

Bill Markwick reviews the Coleco Adam system, a total package that needs only a monitor to get you computing.

COLECO MUST have divined that many buyers of computers get annoyed at having to buy all sorts of peripherals and gadgetry to make their computers do anything useful, and are offering the Adam system. Everything you need for games, word processing, BASIC, printing, and data storage is in one huge cardboard box, and if you already own a Colecovision, there's also a version that lets you use your existing hardware and save money, too.

On opening the large box, you'll find a daisywheel printer, a computer console about 46 by 27 by 10 cm with a cassette drive and 80K of RAM in it, two joysticks, a keyboard, three cassettes, and fistful of

manuals. The printer connects to the wallplug, the computer connects to the printer, the keyboard connects to the computer, dem bones, dem bones... The printer is an essential part of things, because it contains the power supply and the power switch.

Once all the cords are inserted, you can connect either a TV set or a proper monitor. The monitor is better, and a colour monitor is best, because both video games and the word processor use various colours that fade to a uniform grey on a black-and-white set.

When you power up, the printer will burp and the screen will say that it's an

electronic typewriter. Sure enough, there's even a typewriter roller produced by the graphics, and when you press a key, the printer prints it.

Now that it's lit up, we'll start with the word processor, because it follows from the typewriter mode if you press "WP".

WP

The word processor is much easier to use than most of the low-end types, because all the control codes are single keypresses. No need for jargon: the "PRINT" key, believe it or not, makes the printer work. The "UNDO" key, ah, undoes any recent deletion and restores the text to the screen. The top of the keyboard sports six function keys, called Smart Keys, and their particular function is denoted by labels along the bottom of the screen. If you press "SEARCH", for instance, the computer asks you for a word and then searches your file for it.

I don't understand this. Every other computer I've ever used replied to its commands with puzzling little error codes, or beeps, or complete crashes, or nothing at all. A computer that does exactly what it's told in plain English can be extremely unnerving. However, the designers must have foreseen this, and they put in a key marked "WILDCARD", and no matter how much you press it, nothing happens. I soon felt better again. (The manual says it's reserved for future use.)

The word processor has a 36 character by 20 line display with automatic word-wrap, that is, words long enough to bump



into the right margin are transferred whole to the next line. When printing, the text width is automatically stretched out to the full 80 columns of the printer. To minimise the confusion of the two different formats, the top of the screen displays a linear indication of which space you're at and the margins that have been set. The audio section of the computer makes a sort of chiming noise to alert you to various conditions; thankfully, you can shut this off with one of the Smart Keys.

Now, you have to realize that word processor fans eventually develop a religious fervour about their favourite processors, and no other software can even come close to their particular baby; I'm no different, and would rather be burned at the stake than give up my WordStar. However, I actually got to like the Adam word processor; I especially liked the Smart Keys that are labelled in English, that peculiar language so foreign to the minds of most computer designers. It really is easy to use, and will be even better when the optional 80-column card is available as promised by Coleco. Only the cursoring is weird: the cursor stays on the graphic "roller" and all the text scrolls. You do get used to it.

When I returned to my WordStar, it wouldn't talk to me.

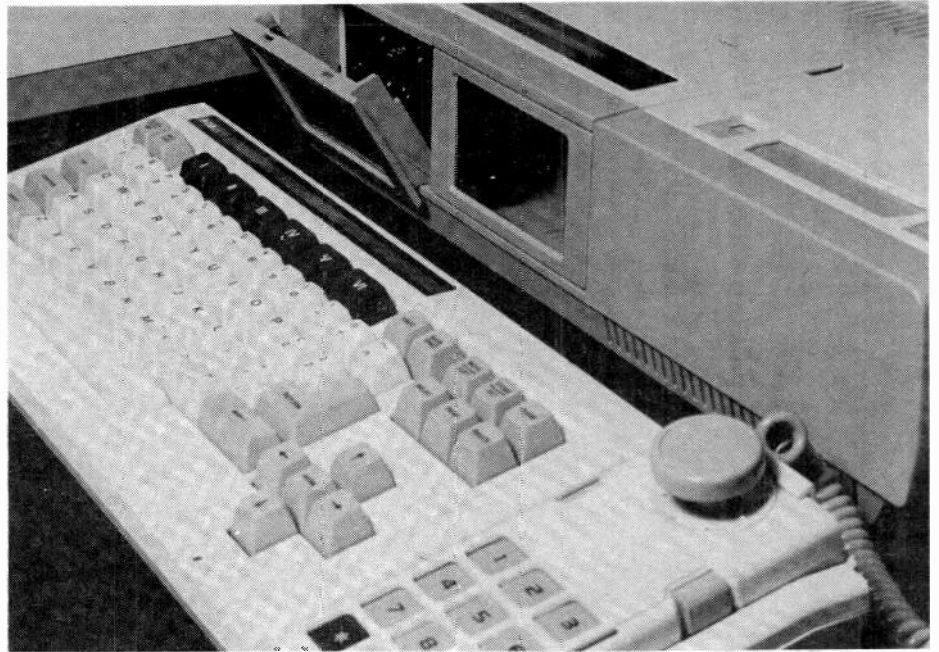
Now Loading

You'll eventually want to store your pearls of wisdom, and you can fish out the blank cassette that comes with the system and plonk it in the cassette drive. I know, Coleco calls it a "digital data pack", but it looks just like an audio cassette, except that the record-protect notches have been moved around to prevent you from inserting audio types. There's some wisdom in this, because audio cassettes seem to cause a lot of drag on the high-speed Adam mechanism (yes, I cut new notches in an audio cassette to see what would happen).

When you decide to store a file, you press a button marked, of all things, "STORE". The directory is recorded on the middle part of the tape to minimise the search time. If you decide to get your file back, you press "GET". How illogical. The file menu then appears, and you load your selection with the cursor keys and a Smart Key.

The searching and loading times of the digital data pack are greatly improved over the standard audio recorder, but the serial-access cassette design naturally means a lengthy wait if the computer has to find the directory and then locate a file near the end of the tape. In some cases, retrieval required only ten seconds; in others, particularly saving, it could take up to two minutes.

This is where the first drawback appears. The cassette tape is first wound to the directory, and thence to the requested



file. This high speed mode is fairly rapid as cassettes go, but the frigging noise! I couldn't find out whether it was caused by the tape itself or by the mechanism, but it emits a high-pitched shriek in the fast mode; two of my gerbils fainted dead away. Perhaps not all production models do this, but we got a humdinger.

Games

The next cassette in the box was the Buck Rogers Planet of Zoom video game. After a lengthy (two minute) load, you're the pilot of a spaceship zipping down a sort of tunnel, and all sorts of weird aliens come gunning for you. The included joysticks are a bit inelegant, and no match for the more expensive variety, but they do the job; if your evasive tactics and gunnery succeed, you're popped to a more difficult level. The graphics are really fine, with a good three-dimensional look to them, and the action is more than enough to keep you busy for hours. The disadvantage is that the complex program requires numerous accesses to the cassette, and the aforementioned shrieking gets a bit annoying, especially to other members of the household who aren't all that interested in the fact that you survived flying under the bridges and are nearly in sight of the Command Ship.

Coleco is well known for their wide range of video games, and the Adam lets you use either cassettes or ROM packs; the latter plug into a slot on the top of the console.

BASIC

The third cassette included is called Smart-BASIC. After loading it, you're presented with a cursor that looks remarkably like the cursor used in Applesoft. Noodling

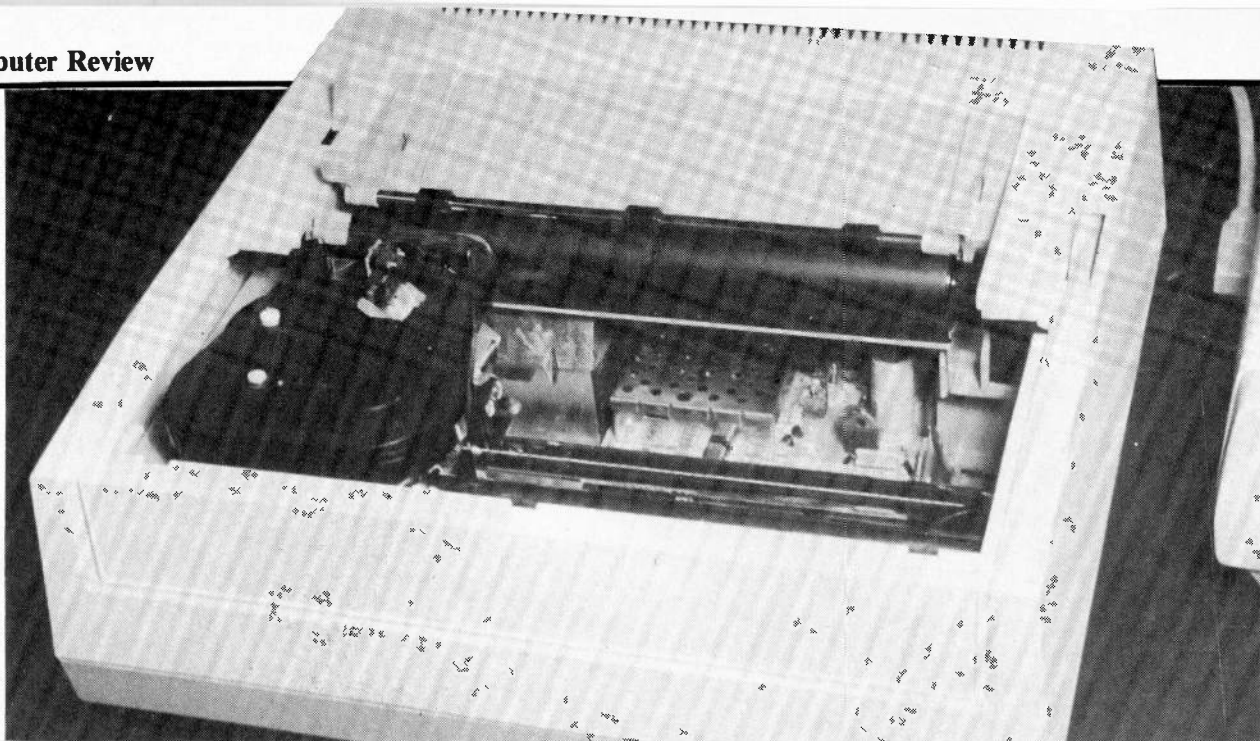
through the language and the manual would also indicate quite a similarity, and some of the Adam dealers have even gone so far as to claim Apple compatibility. However, it's not totally for real just yet — it's mock Applesoft. All the simpler commands and syntax are the same: PRINT, SAVE, CATALOG, GR, SPEED, and so on. However, the Adam is Z80-based, and the Apple's use of a 6502 means that something has to give. In the case of the Adam, it's commands such as POKE and PEEK; these are unique to the Adam due to the different memory layout. This means that you can't run Apple software unless it's pretty simple stuff. You also won't be able to work in assembler; such commands as CALL-151 (enter monitor) will have no effect. Some of the CALLs, in fact, dump you right out of BASIC.

A spokesman for Coleco said that all is not lost, however. In the works is a new SmartBASIC II which will have much better compatibility.

Docs

The documentation included is reasonably good; there's certainly lots of it. The word processor has a comprehensive book and a quick-reference folder; there's also a folder for general operating tips and another for setting up the system in case you've never before seen a connector cord with anything but a two-prong power plug. The BASIC Manual is adequate, but like most of its kind, lacks a really good index. It guides you along well enough from beginning to end, but makes life difficult when you want to find something specific.

None of the manuals are the least bit technical or in-depth; if you're a real keener, you may have to wait for third-party manuals to arrive.



The Printer

As I mentioned before, you have to take the printer as part of the deal. It comes in the box. It's rather slow; Coleco claims 10.5 characters per second, although ours worked out at 9.5. The slowness is to be expected from the daisy wheel approach; you trade speed for the high quality of the print produced.

The main problem is that it's very noisy; the slackness in the mechanism means that it makes a very loud clack with each character. You won't be able to print out your great Canadian novel after the family goes to bed unless you have a soundproof garage.

It's adequate if you just print the occasional letter or program listing, and the characters are sharp and well aligned. The ribbon has to be the Coleco film types; the daisy wheels can be changed to obtain various characters sets.

CP/M

CP/M is a file handling system that replaces the SAVE, LOAD business associated with most computers. No more Opening and Closing and so on; just type a filename and up it comes. There are lots of good utilities included with the CP/M that let you write and debug programs, fix errors, examine memory, and more. It's an old medieval system, as computers go, but the basic functions are really so good that it's finally trickling down from minicomputers to home micros.

And yes! Coleco plans to introduce a disk drive system for the Adam based on CP/M, though we don't have any firm dates or prices yet.

Inside

If you lift the lid on the console, you'll see the compact cassette drive with room for

one more beside it, and behind it, lots of space for three plug-in expansion modules. Some of the modules are the 64K additional memory, an 80-column card, and a language card for converting the word processor to French, German, etc.

There are two external connectors unmentioned in the manuals; an expansion module edge connector and a telephone-type jack marked 'AdamNet'. The former is presumably for extra features other than games or memory, and the latter would allow several Adams to be networked together.

After removing enough screws to hold a '57 Chev together, you can peer into the inner sanctum. This consists of two boards. One is the Z80 CPU, 16K RAM, and associated widgetry, and the other contains the ROM and another 64K of RAM. Both boards are very well shielded with metal covers and the whole works connected together with a bonding cable; I never had the slightest problem with static crashes.

Summary

In general, the Adam is a very well-thought-out package indeed. For a grand or so, you get everything you need except the monitor, and the operation is very simple and straightforward thanks to the novel idea of making things do what the label says. There probably isn't a better system for introducing someone to computers, because confusion has been minimized.

On the negative side is the fact that you have to buy a printer which you may not want; it's clattery and slow, and you're stuck with it unless Coleco decides to sell the components separately and offer a dot matrix printer as an alternative. You're also stuck with a slow and noisy cassette operating system which uses very expensive cassettes (about \$20), even if they do offer a disk system later.

It's difficult to compare the Adam system to other computers due to the package deal. If you compare it to clones, or the Commodore 64, you'll get befuddled with the various expansion cards required; for instance, both Apples and Commodores require printer controllers if you want to use some of the low-cost printers around, and the 64 uses the 1541 serial disk drive which is about the same speed as the Adam's cassettes. To generalise, you can probably outfit a clone with one disk drive and a dot matrix printer for a bit more than the Adam (though you won't get the software or joysticks thrown in). The price of the forthcoming Adam disk drive may change the picture considerably. As it is, the Adam is very impressive system and well worth looking into.

Quick Reference

Coleco Adam System

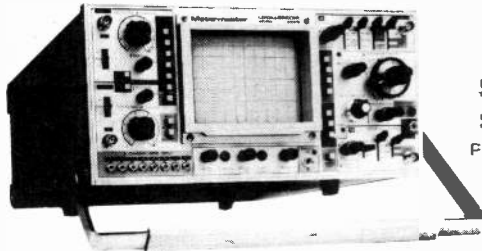
Mfg.	Coleco, USA
List Price:	\$1200 complete, \$999 for use with Colecovi-sion
CPU:	Z80A
RAM:	80K
Software Included:	Word processor, BASIC, video game.
Screen Format:	36 x 20
Colour:	16 available
Outputs:	TV, video, audio
Other:	includes daisywheel printer, two joysticks, one cassette drive, one blank cassette.

ETI

OSCILLOSCOPES!

The Best Buys Available

Model 65810
100 MHz Bench/Portable Scope



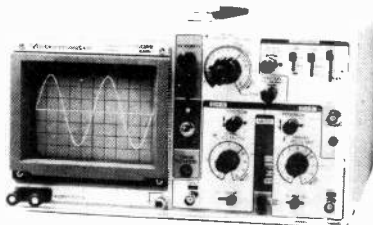
NOW
\$2595.00!
~~\$2695.00~~
Probes & FST
included

A HYBRID COMBINING ANALOG AND
LOGIC FUNCTIONS

VERSATILITY +

- Will Display 4 Analog Traces (independently adjustable) or 8 Logic Channels, or 3 Analog and 8 Logic
- 2ns/Div. Sweep Speed
- 16 kV CRT Potential for A Bright Clear Display
- Scale Illumination
- Delayed Triggered Sweep

Model 65601
Dual Trace Bench/Portable Scope

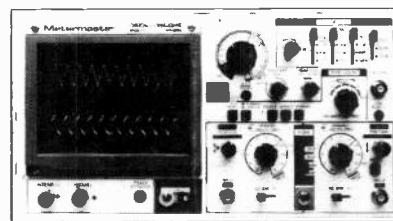


\$ 795.00
Probes & FST
included

Featuring at no extra cost 'The Component Tester'

- 20 MHz (-3dB) Bandwidth
- Trace Rotator
- 6" CRT Display
- 5 mV Vertical Sensitivity
- Fully Automatic Triggering
- HF Rejection

Model 65635
Dual Trace Bench/Portable Scope



\$ 995.00
Probes & FST
included

- 35 MHz (-3dB) Bandwidth
- Delayed Sweep (selectable)
- Single Sweep (selectable)
- 6" CRT Display
- 1 mV Optimal Sensitivity
- X-Y or X-Y-Z Operation
- 120V AC Line Operation
- x5 Sweep Magnifier

MULTIMETERS!

Go for Quality --- Go for The Best Value

REDUCED PRICES... INCREASES YOUR VALUE

Models 78020, 78021, 78022

- AUTO ZERO
 - AUTO POLARITY
 - 3½ DIGIT LCD
 - FULL OVERLOAD PROTECTION ON ALL RANGES
 - RECESSED - SAFETY DESIGNED INPUT TERMINALS
- Supplied with:
- 28 Page Operating and Maintenance Manual
 - Calibration Certificate Traceable to NRC
 - Schematic with complete Parts Listing
 - Safety Test Leads
 - One-year Warranty

"Students 10% discount with Student Card!"



\$ 139.00 *

- ♦ ±0.1% DC
- ♦ 2000 hrs Bat. life



\$ 99.00 *

- ♦ ±0.25% DC
- ♦ 10 Amps AC+DC
- ♦ 200 hrs Bat. life



\$ 89.00 *

- ♦ ±0.25% DC
- ♦ 200 hrs Bat. life

* FST Included

Metermaster

A Div. of R.H. NICHOLS CO. LTD.

Head Office: 214 Dolomite Drive, Downsview, Ontario M3J 2P8

TORONTO (416) 631-3190 MONTREAL (514) 337-0425 EDMONTON (403) 432-7746 OTTAWA (613) 238-7007

Circle No. 26 on Reader Service Card



5% Discount for Cash,
Certified Cheque, or Money Order
DEALER INQUIRIES INVITED

All prices F.O.B.
Downsview, Ontario
subject to change with-
out notice. P.S.T. extra
where applicable.

Designing Micro Systems Part 9

In conclusion of this series, Owen Bishop takes a look at the two main methods of storing and retrieving information.

WHILE THE MICRO is in use, a lot of information may be held in ROM and in RAM. When the power is switched off, all the information in RAM is lost. This might consist of programs, tables of data, and information of various other kinds. If we want to retain this information for use on a future occasion, it must be stored in a form in which it can easily be put back into RAM when required. For certain applications RAM is not large enough to hold all the information we have to deal with. A business might be running a data-base program and require access to names and addresses of thousands of customers. These cannot be held simultaneously in RAM, so they must be loaded in and dealt with batch by batch. A complicated program may be too long to be held in RAM, but can be broken down into sections which are loaded individually for use when required. Some system of

transferring information into and out of the micro is therefore almost essential.

The two methods of storage most commonly used involved transferring the information to a magnetic medium. Almost all micros provide a means of transferring information between RAM and a cassette tape. The other method makes use of a plastic disc coated on one or both sides with magnetic material. This is often referred to as a *floppy disc*, to contrast it with the *hard disc* which is often used with minicomputers but (at present) rarely with micros. Discs are made in two standard sizes, 8" and 5¼" in diameter. The smaller of these is the kind most often used with micros and is more correctly described as a *diskette*. Diskettes of even smaller diameter are now being produced, most notably for the ZX81 microcomputers (the Sinclair Microdrives).

Tape Measures

Information is stored on tape in the form of a square wave. Successive regions of the tape are magnetized in one direction or the other. The prime requirement is for a tape with low noise and freedom from blemishes. With an audio tape the occasional region with faulty coating makes little difference to the sound, but when the tape is being used

for recording binary digits, such a 'drop-out' may convert a 0 to a 1 or the other way around, rendering the recording useless from that point onward. Although it is possible to use ordinary tape for recording computer programs, most people prefer to use specially tested 'digital' tapes which are guaranteed free from such defects. They are usually supplied in shorter lengths than audio tapes. For example, C10 and C15 are two commonly available lengths. A program of 16K (or slightly longer) fits into a single side of such a tape when recorded at the standard rate of 300 baud. If your program is longer than this, you will probably prefer not to wait as long as 10 minutes or a quarter of an hour to load it and will be thinking of investing in a disc drive.

Figure 1 shows the circuit of a typical cassette output circuit. It occupies a single address in the memory stage of the computer. Data is fed to it as a series of 0s and 1s and a corresponding voltage is fed to the recorder. In the example shown, a positive voltage represents 1, 0V represents 0. In the absence of a signal the output voltage is one half of the '1' level. However, there is little standardization of microcomputer outputs to cassette recorders, and there are many variations on this theme.

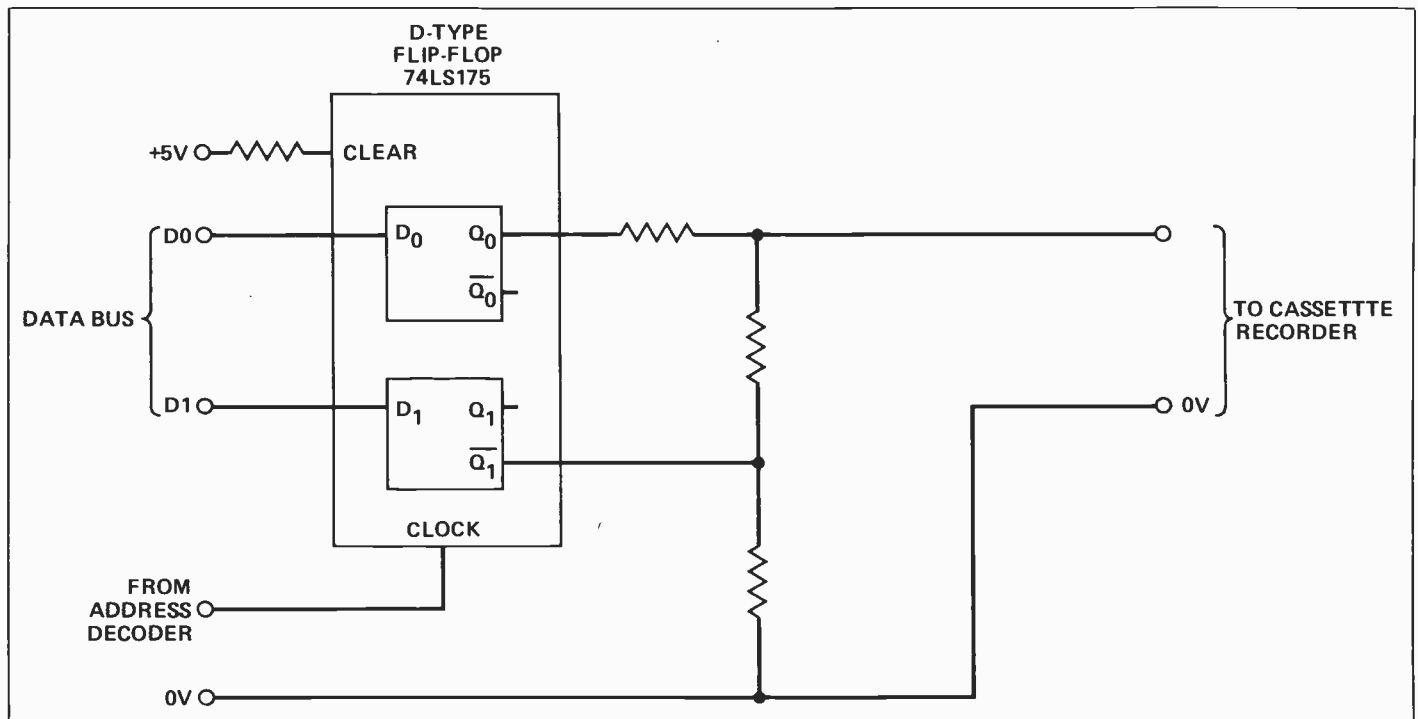


Fig. 1 Typical cassette output circuit (based on the TRS-80). Data is transferred to the outputs Q and Q when the clock input is made low. It is then latched until the next write operation. The resistors are chosen to give suitable output levels with different combinations of outputs from the flip-flops.

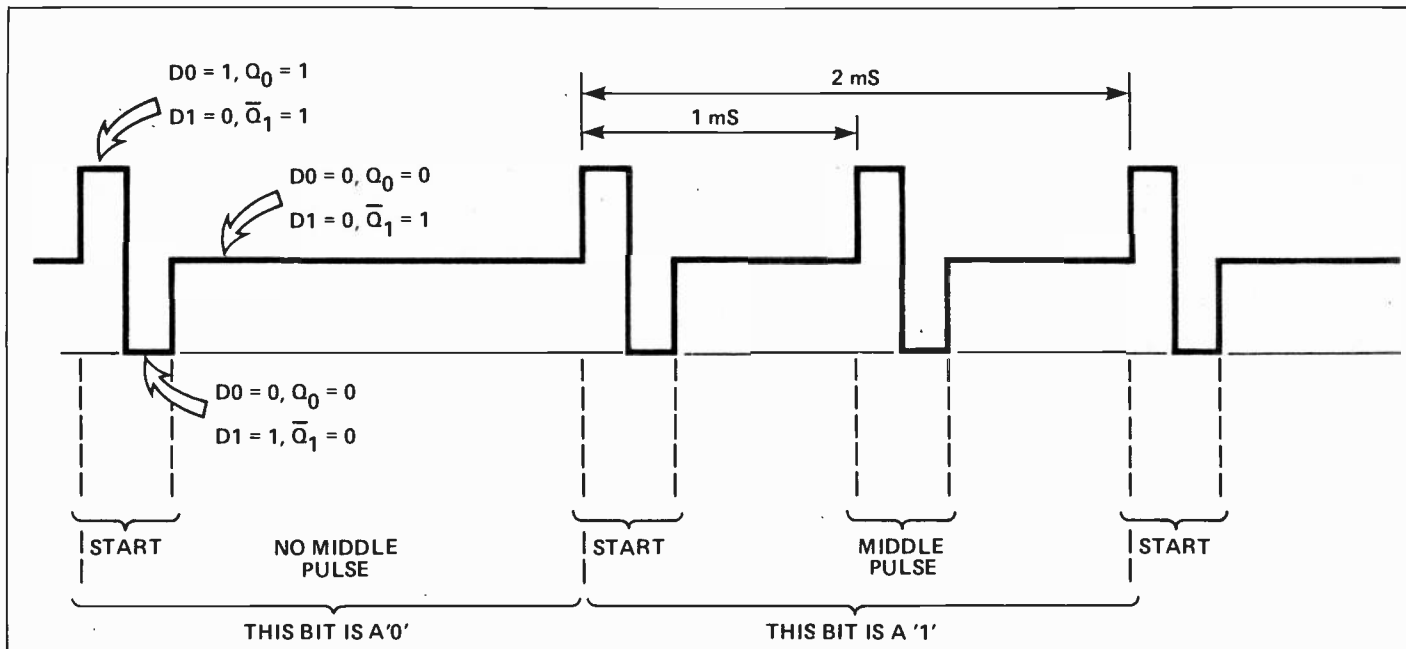


Fig. 2 The coding of the bits in the TRS-80.

All micros record and load the data serially, that is to say, one bit at a time. Before a byte of information is recorded it is broken down into its eight bits and each bit is sent separately to the cassette output circuit. Methods of coding the information vary widely from one micro to another. This is why it is almost impossible to load one micro with a program saved on a machine of different make.

Bits and Blips

Not only does each micro have its own system of formatting the tape — the way it begins and ends each transmission of data — but the 1s and 0s may be represented in several different ways. The TRS-80, for example sends data at the rate of one bit every 2 mS (500 baud). It indicates the beginning of each bit by a 'start pulse' or 'blip' as in Fig. 2. This is a short swing to high, then to low and finally a return to the 'no-signal' level. If the bit is a 0, no further signal is sent. After 2mS the next 'blip' indicates the start of the next bit. If the bit is a 1, a blip is sent exactly 1mS after the start pulse.

When the tape is played back the signal is taken in through a circuit as in Fig. 3, where the 'blips' are detected. Though they do not have exactly the same form as the original signal, the timing is the same and this is all that matters. The micro is programmed to wait until a signal is detected and to sample the input exactly 1 mS later. If a signal is detected at this stage too, the bit is taken to be a 1. If no pulse is detected, the bit is taken as a 0. It then awaits the arrival of the next signal to indicate the beginning of the next bit. At each stage it stores which kind of bit (0 or 1) it has received. When it has received eight bits these are assembled into a byte and stored in RAM. If a flaw in

the tape causes a bit to be missed, or an extra bit to be recorded, this upsets the decoding of all bytes for the remainder of the recording. An incorrectly-read bit may alter only the byte it is part of. This too can affect the interpretation of the whole of the remainder of the recording, especially if the recording is a machine-code program.

Another system of recording data depends on *frequency shift keying* (FSK, for short). This method is also used in transferring data from one micro to another by wire. Two standard frequencies are used, one of them having perhaps twice the frequency of the other. When we say 'standard' we mean standard for that model of micro, but for tape recording different makes of micro almost invariably work to different standards. A 0 is represented by a short tone burst of one frequency and a 1 by a burst of the other frequency. On playback (or on receiving the transmission over a line) the computer can easily measure pulse length and so find out which frequency is being sent at each instant. This information is then converted into 0s and 1s and assembled into bytes to be stored in RAM.

Tape Versus Disc

Tape recording computer programs and data files has some considerable advantages which must be matched against considerable disadvantages. The main advantage is cheapness. Within the computer we need relatively simple output and input circuits. The tape recorder itself can be a simple and cheap mass-produced model. Many intending microcomputer owners already possess a tape recorder, so the only expense is the lead to connect it to the micro. A sophisticated hi-fi recorder often gives trouble owing to its noise reduction circuits which turn up the

volume during periods of no signal, so feeding the computer with amplified tape noise and confounding its signal detection program. It has often been said the cheaper the recorder, the better it is for use with a micro. However, certain micros give problems when loading from tape, and make it necessary to set the playback volume fairly carefully to avoid either too small a signal or a large signal which saturates the input circuits.

Manual Controls

Provided that the user requires only to save and load relatively short programs, the cheapness and availability of cassette recorders outweighs their disadvantages. If a large amount of data is to be handled and if time is costly, the balance of advantage swings firmly toward the disc. One of the disadvantages of the cassette recorder is that its 'record', 'play' and tape winding controls cannot be operated automatically by the computer. They must be operated by the user, with the inevitable consequence of making a mistake. At the least, this wastes time and, at the worst, may cause a valuable program or set of data to be erased.

The only control which micros have over the recorder is to start and stop the motor at the beginning and end of each recording. There is a small relay in the computer which is connected in place of this 'on/off' switch often found on the stem of a microphone. This relay is controlled by the MPU, having its own address or addresses in memory. Usually there is a flip-flop which is toggled by writing to one address or the other. Figure 4 is a typical motor-switching circuit. Such a circuit is very simple and therefore found in all except the very cheapest micros.

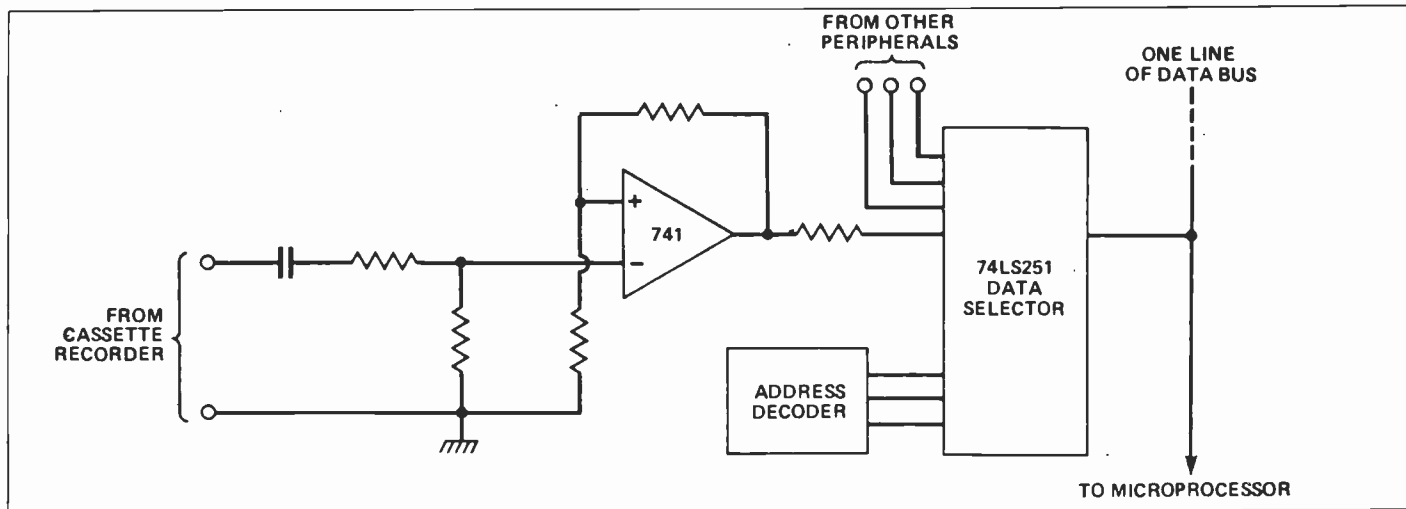


Fig. 3 A typical cassette input circuit has an op-amp wired with positive feedback so that it saturates and its output swings fully in either direction. The data selector is used to send the input from the recorder or from other peripherals such as games controllers.

A cassette tape passes over the recording/playback head at the standard speed of 1 1/16 inches per second (50 mm/S). At this relatively low speed the rate of recording is limited to a few hundreds of bits per second. Consequently it takes several minutes to record a program which is more than a few kilobytes long. This results in excessively long delays when running data-bases and similar programs.

Other problems with tape are connected with the fact that programs or data files are recorded one after the other along the length of the tape. Recordings can be played back only in the order on which they were recorded. If you want to return to a recording which is earlier on the track, it is necessary to operate the recorder manually, rewinding it to a position in advance of its new starting point. This takes time and is a

tedious operation even with the aid of the footage meter. If the item of data you need is part of a long recording, you have to play the recording through from beginning to end to retrieve the single item you need.

Discs have none of these advantages and are altogether more reliable than cassette tapes. One the other hand, a disc drive is considerably more expensive than an ordinary cassette recorder. But if we abandon

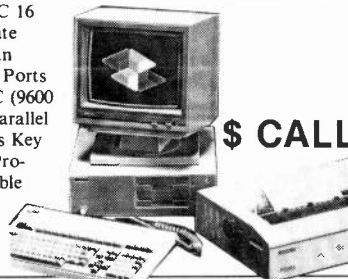
INTRODUCING THE NEW SILENT PARTNER T300 THE NEW 16 BIT PERSONAL COMPUTER

TOSHIBA T300

8088 CPU
256K RAM
6MHz Clock
640KB Disk Drive
Reads Diskette
Formatted for IBM PC™
MS-DOS
T-BASIC 16
Multimate
Multiplan
3 Video Ports
RS-232C (9600 Baud) parallel
103 Keys Key Board Programmable Keys

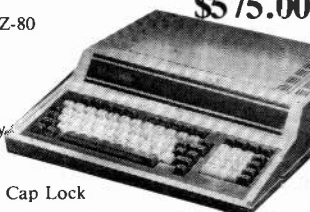
MS is a Trademark of MICROSOFT Corp.
IBM PC is a Trademark of International Business Machines
Multiplan is a Registered Trademark of MICROSOFT Corp.

\$ CALL



RX-8800 A NEW BORN STAR \$575.00

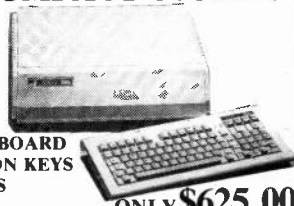
Featuring:
*Dual CPU 6502 & Z-80
*64K RAM
*188 Function Key
*10 User Programmable key
*Self Repeatable Key
*Auto Line Feed
*Cursor Control
*Upper/Lower Case Cap Lock



NEW 64K COMPACT SYSTEM

FEATURING:
6502 CPU
64K RAM
DETECHABLE KEYBOARD
BUILT-IN FUNCTION KEYS
USER DEFINE KEYS
NUMERIC KEYS

ONLY \$625.00



New 6502 Mark IV 64K RAM plus built-in

*Z-80, *Disk Controller Card, Micro Modem Card, *80 Column Card, ***8088 Card, *New EPROM Programmer Card, ***6809 Card, *New RAM Card, ***A/D/D/A Card, SCS System **Communication Card, **6522 Via Card, Clock Card, Telephone Dialer, Video Telex System, Light Pen, **Music Card, ***RGB Card, Speech Card, Superior Serial Card, ***128K RAM Disk Drive, ***Buffer Printer Card

Price for above PCB *\$10.00 ea., **\$15.00 ea., ***\$25.00 ea., kits also available.
JOYSTICK • MINI FAN • 3M DISKETTE
• DISKETTE STORAGE BOX • HEAD CLEANING DISKETTE • ZENITH MONITOR • AMBER MONITOR

NEW PRINTER BUFFER CARD

* High Res. Graphic Dump
*Expandable Buffer (16K-64K)



Terms: Send cheque or money order (allow 2 weeks for personal cheques). Credit cards welcome. No C.O.D., Quebec Res. add 9% sales tax. Min. order \$10.00. Add 5% for shipping and handling, except Case & Power Supply. 20% restocking fee for returned merchandise. Prices and availability subject to change without notice. Do not send cash.

Dealers Inquiry Welcome



FUJICOMP INC.

6420 Victoria Ave., Suite 3,
Montreal, Quebec. H3W 2S7
Tel. (514) 733-5612 Tel. 055-67118

SLIM LINE DISK DRIVE

100% MADE IN JAPAN

**Teac MF-525-22
326K Bytes 80 Tracks

\$375.00



*MF525-12
163 Bytes
40 Tracks

SPECIAL \$265.00

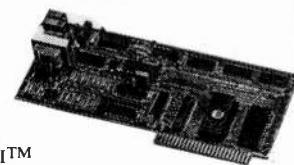
**Special interface card required.

Teac Bare Drive **\$200.00 ea.**
FD-50F

NEW AUTO MODEM II

INTRODUCTORY OFFER
\$250.00

Fully compatible with Hayes Micromodem IITM



128K RAM CARD

Soft-ware not included.
\$210.00



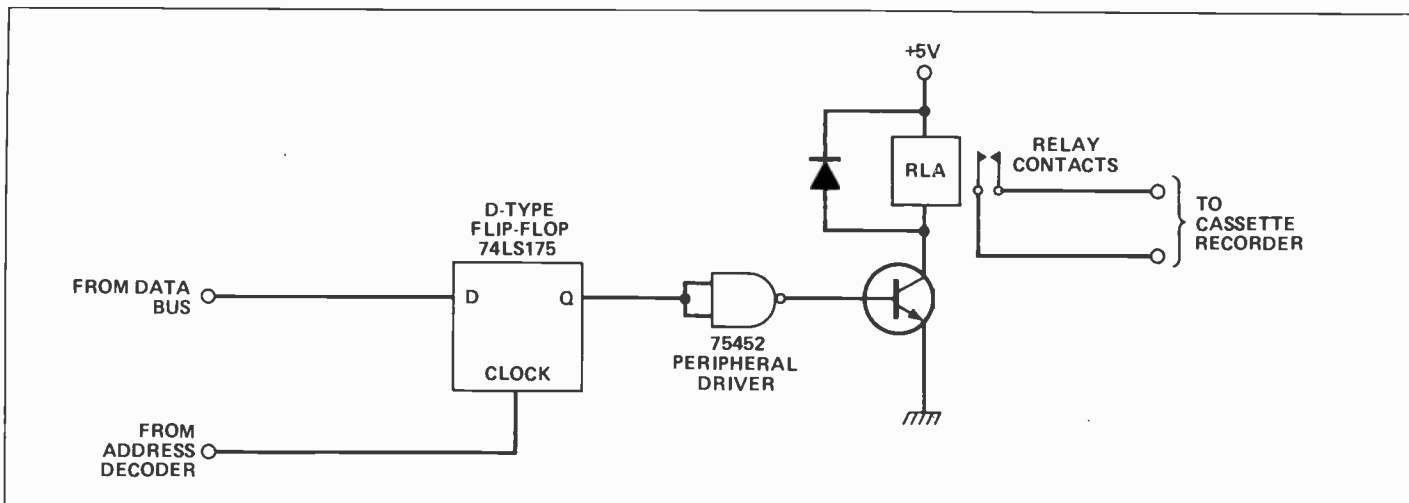


Fig. 4. A circuit for operating the cassette motor switch. When the data input is low, and the flip-flop is addressed, Q becomes low, the output of the driver goes high, the transistor is turned on, and the relay is energized. The relay contacts close and so the cassette motor is switched on.

the idea of cheap data storage, we can take advantage of the best available technology and design a device which is ideal for its purpose.

Spin A Disc

The recording medium, disc or diskette, consists of a disc of mylar film coated with magnetic oxide; it may be coated on one side only or on both sides. The magnetic head is very close to the disc when reading and writing data and the disc rotates at high speed, so it is essential to exclude particles of dust. Even the dust from cigarette smoke can cause malfunction (another good reason for giving up — Ed). The disc is therefore sealed in a plastic sleeve, lined with a textured material which lubricates the surface of the disc and removes debris. The case has a slot (Fig. 5) to allow the magnetic head access to the disc. It also has a small hole through which the *sector holes* are visible. These are holes punched in the disc and spaced regularly around it. There is a fixed number, depending on the system on which the disc is being used. Commonly there are 16 such holes, giving a 16-sector disc. The effect of these is that the tracks on the disc, which are concentric, are divided into 16 sectors. The disc drive has a light source located on one side of the disc to shine through the sector holes as the disc spins around. A phototransistor on the other side of the disc detects when a hole passes. This aids the drive in sensing the position of the disc.

Discs which have holes to mark the sectors are known as *hard-sectored* discs. An alternative system has a single hole for detecting each rotation of the disc but relies on software for dividing the track into sectors. Such a disc is known as a *soft-sectored* disc.

Another phototransistor in the drive is used to detect whether the disc is 'write-protected'. There is a notch in the edge of the case of the disc: light shines through this

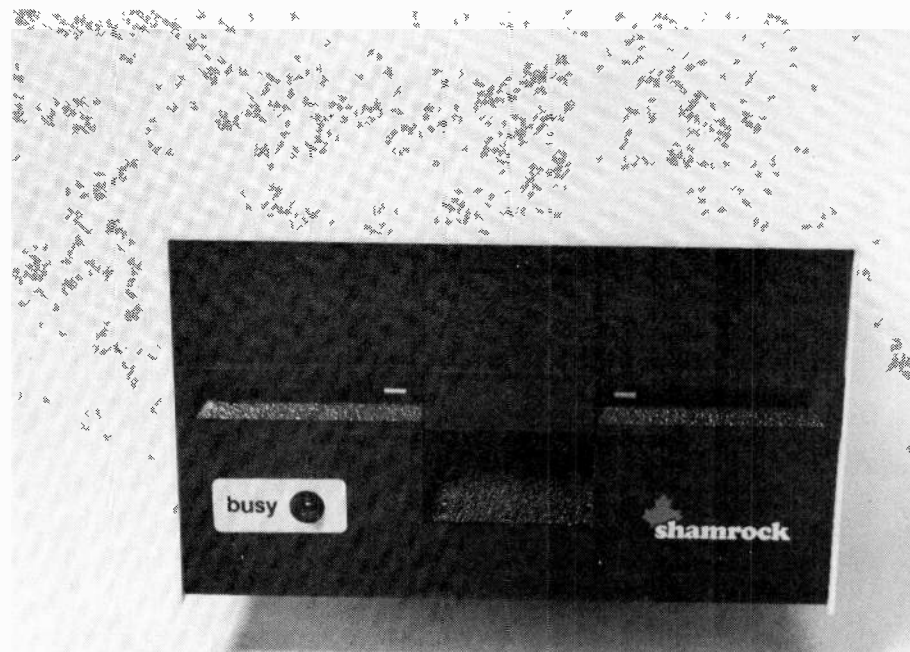
notch from below and falls on the phototransistor. The user may fix a sticky tag over this notch to prevent light from passing. In this event, the phototransistor is not activated and the writing action of the drive is inhibited. This serves to prevent the accidental or intentional overwriting or altering of data or programs. This is simply a safety measure: the tag is peeled off should further writing be required.

The Faster Format

In a typical disc drive the disc is rotated at a constant speed of several hundred revolutions per minute. For example, the Siemens FDD 100-5 drive rotates at 300 RPM. At the middle track, this gives the magnetic material a speed of about 1400 mm/S relative to the head, compared with 50 mm/S in the

cassette recorder. As a result of this and the physically small size of the read/write head, data can be recorded and read at 125 kilobits per second. Reading and writing of data is therefore extremely fast. There is a delay of one second while the disc comes up to full speed: the head takes an average of 300 mS to find the required track and a further 15 mS to settle into position. After that, data is transferred at the rate mentioned above. Should the head need to change from one track to another, as it will if much data has to be transferred, it takes only 25 mS to move from one track to another.

It is evident from the description above that access to data is very much quicker and more direct than is the case with tape. Instead of having to run from one end of a tape to the other, the head can go directly to the track, then to the sector within the track,



A typical single disc drive unit. The disc (still in its cover) is inserted in the slot which runs almost the full width of the case. The LED is lit to indicate when the drive is in operation.

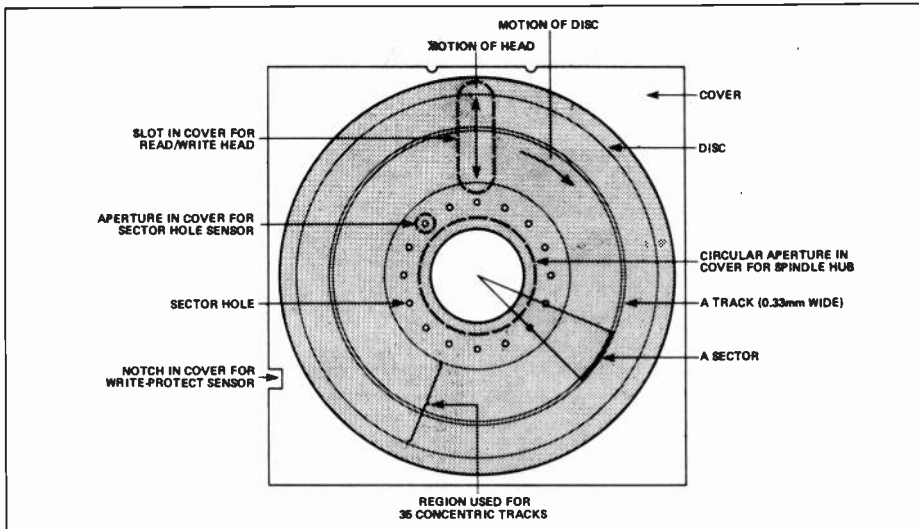


Fig. 5 'See-through' diagram of a hard sectored floppy diskette in its cover. Normally, of course, you cannot see the disc itself.

to find what is required. Changing from one track to another is effected by a stepper motor connected to a worm gear which moves the head radially. The signals from the sector hole sensor tell the drive when the required sector is in position to be read from or written to.

Naturally, the operation of the drive cannot be manual. The drive contains a complicated array of electronics (see photo)

to control the disc, the stepper motor, the raising and lowering of the head, as well as those circuits responsible for handling the signals which are to be put on to the disc or have been taken from it. Synchronizing these operations requires an impressive amount of logic circuitry: some of the more advanced disc drives even incorporate a microprocessor to take charge of the operation. This has several advantages, especially

with a soft-sectored disc. The rate at which the medium passes the head depends on the radial distance from the centre: consequently data is more compressed on the inner tracks and widely spaced on the outer tracks. For reliability, it is the speed on the innermost track which limits the maximum rate of data transfer. Using a microprocessor, it is possible to perform rapid calculations which allow the drive to vary the rate of data transfer according to the radial position of the head. Data is stored at about the same density on all tracks but the outer tracks can have more sectors, so the overall storage capacity of the disc is markedly increased.

On the whole, the standard method of storage is adequate. A 5 1/4" mini-diskette may have 31 tracks each of 16 sectors, and each sector stores 256 bytes. This gives a total storage of 124 kilobytes on a single-sided disc. Double-sided discs store twice this amount, and the capacity can be further increased by using 'double density' discs in which there are almost twice as many tracks, placed closer together.

Keeping Track of the Tracks

The disc referred to above which has 31 tracks available for storage of data or programs also has four additional tracks reserved for use by the disc operating system. In order to make sufficient use of the disc space, in which items of data may be continually written, replaced, and deleted, it is essential for a large amount of 'book-keeping' to be done. The system must know on which sector of which track each item has been placed. Items longer than 256 bytes occupy more than one sector, so the system must know how to direct the head from sector to sector to pick up all the data in the correct order.

The reserved tracks contain an index or directory of the contents of the disc so that the whereabouts of every item of data is known. The directory also helps the head to find vacant sectors when a new item of data is to be placed on the disc. The reserved tracks also hold a special program, the disc operating program, which is loaded into RAM when the micro is first powered up. This provides the instructions for accessing the directory tracks and obtaining whatever information is required, and for placing new information on the disc. This program (provided it is well written, which some are not) together with the hardware of the disc drive itself, completely automates the transfer of information between micro and magnetic storage medium. The operator is almost unaware of what is happening except for the comforting clunks and whirrs emanating from the drive. With a well-made drive and by observing a few simple precautions in gentle handling of the discs themselves, the reliability is far higher than with tapes, making this a relatively expensive but infinitely preferable method of data storage. **ETI**

WHY SPEND A FORTUNE ON A DIGITAL CAPACITANCE METER?

The MC100A comes completely assembled and calibrated and at \$89.95 is an outstanding value. The extensive range of 1 pF to 9,999 uF (no external meters required) and true hand held portable size (only 4 3/4" x 2 1/2" x 1 1/2") make the MC100A an extremely practical and easy to use instrument for the hobbyist technician or engineer.

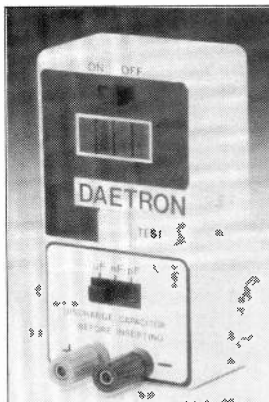
CHECK THESE OTHER FEATURES

- * Basic accuracy 1% (± one count) on pF, nF ranges, 3% (± one count) on uF range.
- * Uses single 9V battery (not included).
- * Decimal points light up when battery is low or when capacitor is overrange.
- * Full 4 digit high efficiency LED display uses special circuitry to save on batteries.
- * Constructed with a tough impact resistant plastic case.

ONE YEAR PARTS & LABOUR WARRANTY



DAETRON
935 THE QUEENSWAY
BOX 641
TORONTO ONTARIO M8Z 5Y9
(416) 255-9701
DEALER ENQUIRIES INVITED



1 pF to 9,999 uF

\$89.95

PLEASE SEND ME

____ (Quantity) MC100A(s) @ \$89.95 \$ _____
 Ontario residents add 7% PST \$ _____
 Postage — \$1.85 (per instrument) (C.O.D. orders add \$1.59) \$ _____
 I ENCLOSE CHEQUE MONEY ORDER BILL MY VISA TOTAL \$ _____
 VISA CARD NO. _____

EXPIRY DATE _____ SIGNATURE _____
 Immediate shipping on orders with money orders, VISA or certified cheque.
 Personal cheques please allow 2 to 3 weeks for clearance.

NAME _____
 ADDRESS _____
 CITY _____ PROV. _____ POSTAL CODE _____

MAIL TO DAETRON 935 THE QUEENSWAY BOX 641 TORONTO ONTARIO M8Z 5Y9

VHSIC: High Speed Chips



Tracking systems, such as the British Rapier Tracker shown above, require the input of a vast amount of information at extremely high speeds. Units such as the Rapier could well benefit from the technology of VHSIC.

Dealing with vast amounts of information in a short time means a superfast chip, and Roger Allan reports on the state of art.

ONE OF the major difficulties faced by the Western Alliance's defence weapons systems is the inability to integrate on small enough scale the electronic circuitry required to deal with battlefield conditions. While the generic circuitry available is adequate in itself to provide the means of guidance, electronic warfare, communications, etc., of a defence system, the circuitry involved is simply too large to fit into weapons operable on the bat-

tlefield if they are to do all of the things that military commanders would like them to do.

As such, in 1980, the Office of the Under Secretary of Defence for Research and Engineering (OUSDRE) in the United States established a tri-service/Department of Defence seven year project to develop the technology necessary for a Very High Speed Integrated Circuit (VHSIC) set of systems. Its expected cost is \$680M (US).

The basic design criteria for VHSIC is the creation of operational military electronic systems that have a functional throughput 100 times greater than commercially available integrated circuits, are hardened to tactical environments, include built in test and redundancy systems, and result in better reliability and lower cost than those currently available.

The potential ramifications for the success of this project both militarily and commercially are enormous, reminiscent in fact of the Japanese Fifth Generation computer project. However, depending on which Pentagon Official one speaks to (and having had a reasonable amount to do with the Pentagon over the last year, this author assures the reader that frequently their left hands don't know what their right ones are doing), the VHSIC program is either on track, faltering but still heading in the right direction, or quietly collapsing. Perhaps the most accurate statement to date is that there is a major reassessment in progress.

Phase 0 of the program, commenced in 1980, was quite simple: design specifications for an initial program goal of 1.25 micron geometry and a call for tenders.

Phase 1 was commenced in May of 1981, in which six prime contractors were chosen with the contractual objective of producing pilot production lines for silicon chips in the 1.25 micrometer size and associated brassboards by mid-1984. These were generic-function brassboards, designed to cover a fairly wide spectrum of potential uses. They include an imaging infrared signal processor (Honeywell), a spread-spectrum psuedo-noise communications processor (Hughes), a sonar-acoustic signal processor (IBM), a combined infrared and antiradiation homing sensor (Texas Instruments), an electronic warfare signal processor (TRW) and a programmable tactical radar signal processor (Westinghouse). Pentagon sources

state that all the brassboards have been built, but only the specifications of one have been released.

The TRW Chip

The publicised unit is the TRW VHSIC chip. A signal processor, it is a matrix switch IC which performs crossbar switching. It operates at 25 MHz, contains 13,500 transistors and resistors, measures 200 x 200 mil in a 132 pin package. In operation this 3D bipolar chip dissipates 2.5 watts of power. Analogues to a telephone crossbar switch, it can interconnect any one of eight input lines to any unused output line every 40 nanoseconds. It represents a major step forward in electronic warfare defence capabilities. In this type of warfare, the critical task is to be able to sort pulses from many different radars, including frequency hopping radars, in a dense emitter environment. With current technology, a processor can handle about 100,000 pulses a second. TRW's brassboard chip is able to handle 2 million pulses/sec, in about one-fifth the volume and at one-twentieth the power consumption.

Phase 2, which was to have begun in the early part of this year, is either under review and no decisions have been taken,

or has been reviewed and decisions have been taken, but nobody is saying what they are.

Essentially, this phase, among other things, was to result in the development of VHSIC microcircuits with 0.5 micron feature sizes. While at least the TRW device was above design specifications (it involves 1.0 micron sizes rather than the contracted 1.25 micron sizes), contractors and researchers have recognized that the 0.5 micron sizes will be far more difficult to achieve than was expected when the project was initiated. Apparently, many of the difficulties are fundamental to the laws of physics; essentially, there is some thought that they cannot be overcome theoretically, much less in practice. Also, it is believed that further reduction in feature sizes may not yield proportionally greater functional capability due to the problem of interconnecting an increased number of devices on a single chip. Even with the use of three layers of metal interconnections, as in the TRW 1.0 micron chip, the interconnections occupy more than 90% of the chip area. If the designers went to, say, five levels of circuitry, this would adversely affect the yield of good devices, primarily due to heat generation in the middle layers and the inability to dissipate that heat.

The current review, then, apparently revolves around the argument of whether to go for 0.5 micron sizes as originally planned, or whether to go for 0.75 micron sizes. More specifically, if the Phase 2 portion had gone ahead as previously planned, it would have resulted in sub-micrometer silicon technology which operated at at 100 MHz clock rate with a throughput of 10^{13} gate Hz/cm². Should the project drop back to 0.75 micron technology, this author has been unable to determine the effect on the clock or gate rates.

Consolidating ICs

Another difficulty faced by the Department of Defense (DoD) is their reliance on commercially available integrated circuits which then have to be interconnected to each other to produce the design specific military application. Since commercial producers are quite obviously interested in commercial applications for their products, the variety of integrated circuits available for specific military applications is, surprisingly, limited. As such, an adjunct to the VHSIC program is being developed known as the Technology Insertion Program (TIP); specifically a computer-aided design (CAD) technique to enable defence system suppliers to

ANNOUNCING A VERY SPECIAL, "SPECIAL"

Personal Computer Guide was first published in April, 1983 and contained reprints of the thorough, highly-respected reviews of 15 personal computers from *Electronics Today* magazine plus additional articles targeted at the same market.

The extraordinary success of this Special has led us to produce a new edition, this time carrying reviews of recent systems tested by both *Electronics Today* and *Computing Now!* magazines — over 20 reviews are planned.

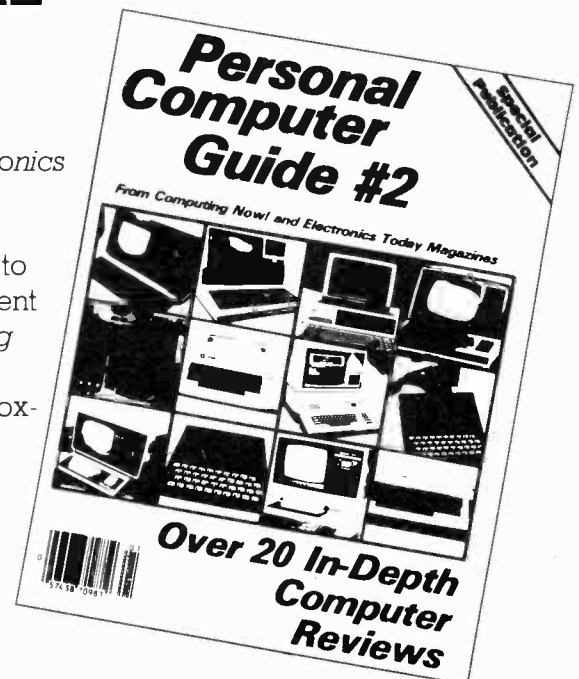
This edition will be printed on glossy stock, be approximately 100 pages and be priced at \$3.95

To Be Published May 1984

For Advertising Information Call (416) 423-3262
For Single or Bulk copies Call (416) 423-3263

Or write to:

**Moorshead Publications,
25 Overlea Boulevard, Suite 601, Toronto, Ontario M4H 1B1**



customer design very complex function chips for specific military applications. The envisioned system, currently under development, would include a work station that could be used to block out the design of the entire system, establish parameters for each subsystem, and design the specific chip required to do the job. The output would be a magnetic tape that could be sent to an appropriate semiconductor manufacturer, or 'silicon foundry', which would fabricate the chips using VHSIC techniques.

In other words, rather than purchasing a series of 'off-the-shelf' ICs, and then connecting them together on some sort of motherboard to achieve a desired end with all the concomitant waste in space, weight, heat generation and power consumption, a single chip or a very few chips could be designed and built for specific purposes such as a new radar. As an example, using current brassboard VHSIC technology, the DoD can now put both an infrared-seeker and an anti-radiation homing capability in a 5" fire-and-forget missile previously unobtainable with commercially available ICs. If the silicon foundry idea above can be made to work, these two systems could be reduced to the size of a pack of cigarettes.

Further, there is an adjunct project to take the VHSIC project results and retrofit them to existing weapons systems. For example, a Sidewinder air-to-air missile uses (largely) off-the-shelf ICs for its control and guidance systems. By retrofitting VHSIC chips to do the same job, a significant weight saving is achieved. For a given amount of fuel, this weight saving is translated into increased range, hence making the Sidewinder more lethal.

As part of TIP the DoD intends to ensure that the largest number of DoD contractors will have access to VHSIC design technology and information at the levels appropriate to their needs. This effort has begun with the development of a comprehensive VHSIC hardware description language (VHDL) which will allow designers to communicate to each other in a common language and permit their access to the VHSIC database. The long term thrust of this element is for the development of an integrated design automation system (IDAS) running from system partitioning to logic design and mask generation through to the silicon foundry manufacturing stage. Believed to be potentially a particularly powerful design tool, it should help the DoD to quickly respond to new developments in

military hardware and reduce the time and expense involved in moving from idea to hardware testing on the weapons range.

It is this element which has led the DoD to clamp down very tightly on the security aspects of this project. While the Department freely concedes that there would be many civilian applications for VHSIC technology (*a la* the Japanese Fifth Generation Computer project) the defence aspect is considered to be so important at the present time that civilian applications and non-military contractors are not being granted access to the technology. This security aspect will remain until it is felt that the civilian benefits outweigh the military ones, eg., when the Soviets independently come up with the same sort of technology.

ETI

Announcing

PRINTOUT

Canada's Microcomputing Newsletter

See page 46

HICKOK MX SERIES DMM's World's Fastest Troubleshooters



MX333 \$370.00
MX331 \$258.00

Compact size, unique shape and easy-to-read-from-almost-any-angle sloped display facilitates use as a hand held, bench top or belt mounted instrument.

VARI-PITCH, audible signal on MX333 provides instant indication of the resistance, voltage or current measured for quick and easy troubleshooting. The audible response is instantaneous and proportional to the reading.

- 0.1% Basic Accuracy
- LCD Display in Unique Wide View Case
- Uses Single 9V Battery
- Compact Size, Rugged Construction
- Superior Overload Protection
- Exclusive VARI-PITCH Audible Output (MX333)
- Fast LOGI-TRAK Logic Function (MX333)
- 20Ω Range (MX333)

LOGI-TRAK function on MX333 combines the features of a high performance logic probe and voltmeter in one convenient function. Use any 10:1 high frequency scope probe to measure all logic signals and DC voltages from 10mV to 20V. Audible tone output identifies logic Hi's, Lo's, pulses as narrow as 5 nsec as well as marginal and faulty logic states and pulse trains.

Duty and FST included Charge (Visa) accepted
Ont. res. add 7% sales tax. Shipping Extra

ROGERS electronic instruments Ltd.

P.O. Box 310, 595 Mackenzie Avenue Units 1 & 2
Ajax, Ontario L1S 3C5 Tel (416) 683-4211

CONDENSED SPECIFICATIONS: MX331 and MX333

DC VOLTS (5 RANGES): 200mV to 1000V full scale. RESOLUTION: 0.1mV. ACCURACY: $\pm 0.1\%$ + 1 digit. INPUT IMPEDANCE: 10MΩ. OVERLOAD PROTECTION: 1000V DC or peak AC + up to 6kV transients all ranges

AC VOLTS (5 RANGES): 200mV to 1000V full scale. RESOLUTION: 0.1mV. ACCURACY: $\pm 1\%$ + 2 digits. 45 Hz to 1kHz, $\pm 5\%$ + 5 digits to 5 kHz. INPUT IMPEDANCE: 10mΩ. OVERLOAD PROTECTION: 1000V DC/750 RMS

RESISTANCE (7 RANGES): 20Ω to 20MΩ full scale except no 20Ω range on MX331. RESOLUTION: 0.01Ω on MX333, 0.1Ω on MX331. ACCURACY: 0.1% + 1 digit except 0.2% on 200Ω, 1% on 20MΩ, and 3% on 20Ω ranges. OVERLOAD PROTECTION: 500V DC on RMS all ranges plus 2A fuse on 20Ω range. TEST VOLTAGE: Low power, 0.25V max of full scale

DIODE TEST (1 RANGE): Measures forward voltage drop across diode and transistor junctions at 2mA nominal current.

AC/DC CURRENT (5 RANGES): 2mA to 10A full scale. RESOLUTION: 1μA. ACCURACY: $\pm 1.2\%$ + 1 digit DC. $\pm 2.5\%$ + 1 digit AC. OVERLOAD PROTECTION 250V @ 2A all ranges except 10A, max 15A on 10A range

VARI-PITCH (MX333 ONLY): Variable pitch proportionate to reading, off at open circuit. Increasing frequency as resistance approaches "0" on ohms function. Increasing frequency as input increases on volts and current functions. RESPONSE: Instantaneous (less than 100 msec)

LOGI-TRAK (MX333 ONLY): 0-20V range using Hickok SP 7 (not incl) or other 10:1 scope probe. HI/LO INDICATION. High or low audible tone, PULSE INDICATION. Audible "chirp" plus lighted colon on display. MIN PULSE WIDTH 5 nsec typical. MAX FREQUENCY 80 MHz. ACCURACY $\pm 0.25\%$ + 1 digit + probe accuracy. INPUT IMPEDANCE 10MΩ. INPTJ PROTECTION 300V DC or RMS

GENERAL: Dimensions: 2.2 x 6.7 x 6 in (5.6 x 17.1 x 15.2 cm). Weight 22 oz (7kg). Power 9V battery (incl) or Hickok AC adapter. Battery Life: 200 Hrs typical. Temperature 0-50°C operating, -35 to +60°C storage. INCLUDES Deluxe safety test leads, battery, manual and belt clip

ACCESSORIES

SP-7 10:1 Divider Probe for Logi-Trak Input	\$70.00
TP-20 (C or F) Temperature Probe	\$96.00
VP-14 RF Probe (0.25V to 40V rms)	\$61.25
VP-40 40KV DC Probe (0 to 40KVDC)	\$88.25
CC-4 Deluxe Vinyl Carrying Case	\$27.75
RC-3 AC Adapter	\$17.75

Multiflex

Super 9

Intelligent Terminal

SAVE 46%
on our previous best price

\$149



**Assembled, Tested with
90-day warranty.**

(Case and power supply extra
but see next page for special
prices). Offer expires May 31st,
1984 or when stock is exhausted

**As
Featured
in ETI
(November
1982)**

Mail Orders add \$8.00 for handling. Ontario residents add 7% P.S.T. Visa, Mastercard and American Express cards accepted: send card number, expiry date, name of bank and signature. Send certified cheque or money order, do not send cash.

MULTIFLEX PRODUCTS. MADE IN CANADA AND DISTRIBUTED BY

Exceltronix

319 College Street, Toronto, Ont., M5T 1S2
(416) 921-8941. Telex 06524218 (EXCELINC)

Special

Offer expires
May 31st, 1984

The MULTIFLEX video terminal was originally designed as a low cost access unit. This terminal is a semi-intelligent system which is controlled by a Z80A microprocessor and a 6845 CRT controller chip. The keyboard is fully ASCII encoded and the character generator contains the full 128-character set as well as a 128-character alternate set both of which are in the 5x7 dot matrix format. The screen display is 80 characters by 24 lines if the unit is hooked to an external monitor (not included) or 64 by 24 if run through an RF modulator to a TV. There are 3 software selectable attributes (dim, reverse video, and alternate character set) which can be chosen one at a time for the whole screen. This attribute can then be switched on and off for each individual character. A 2K buffer is provided for normal operation. However when the optional 6K memory upgrade is purchased, 4 screen pages can be loaded from the host machine, edited locally, and then downloaded back to the host again saving on connect time and phone line bills. One RS232 port (provision for optional second port) one for a modem and one so that a printer can be attached to the terminal. The baud rates on these ports are software programmable and can range from 110 to 9600 baud.

Why this Low price?

We are known for our superb value and bargains at Exceltronix but this price is almost ridiculous. Why are we doing it?

Wasn't it successful? No, we have already sold over 500 in fact it sold so well when it was first announced that we committed ourselves to huge orders of specialised parts and set up a major production line. Orders were so good that we didn't advertise it - this would only have compounded the delivery problems. Frankly we overdid it, we overproduced and under promoted.

This is not a clearance item, we are not withdrawing it, just aiming to cut the inventory to a more realistic level. We need the space and the money tied up in these for the new products we are producing, especially our "BEST" 8088 compatible which is going crazy.

Every unit is built, tested and carries a 90 day warranty.

We cannot hold this ridiculous price for long and the offer is limited until May 31st, 1984 or until current inventory is cleared. We won't be holding back orders at this price - if we run out your money will be refunded immediately.

At this price we expect a massive demand, so order fast to make sure of this incredible bargain.

Terminal \$149.00
Assembled, tested with warranty
Case for Terminal \$35.00*
Power Supply \$39.00*
5" Green Screen Monitor
. \$49.00
(without case or power supply)
Acoustic Coupler Modem
. \$39.00*
(can use current from terminal supply)

ZVM-123 Monitor \$129.00
Zenith Green Screen 12"
Super Power Supply . \$139.00
Fan cooled. Will power Terminal,
Modem, 5" monitor and practically
anything else!
Shipping: \$8 anywhere in Canada.
Ontario Residents add 7% P.S.T.

***These special prices only apply if
purchased with the Terminal**

 **xceltronix**

319 College Street, Toronto, Ont., M5T 1S2
(416) 921-8941. Telex 06524218 (EXCELINC)

Op Amp Checker



Construct your own vital test equipment with ETI. An ideal first-time project which will be handy for many years to come.

The ETI Op Amp Checker is a useful device designed to give easy and quick checking of IC operational amplifiers having the standard 8 pin DIP (Dual-in-line package) and pin connection layout (or TO-99 types with their leadouts formed into an 8 pin DIP configuration). The op amp is inserted into a DIP socket situated on the lid of the case, and if it is working and LED indicator flashes on and off when a "push to test" switch is operated. However, if the op amp is faulty in any way, the LED remains either on or off, giving an instant check on the op amp's state.

The device is simple to construct and use and is very cheap, as it relies totally on the operation of the IC under test rather than any active components of its own. A handful of resistors, capacitors and an LED form the circuit which is constructed on veroboards. However, you could try your hand at designing and making your own P.C.B. if you wish, as the circuit is quite a simple one.

Construction

As far as construction of the circuit itself is concerned there is nothing unusual. The veroboard layout is uncluttered and neat, and builders should find no problems to hold them back.

However, our prototype has a rather novel method to interface with the outside world. We have used a wire-wrap socket to "piggy-back" with the IC socket

mounted on the veroboard. The wire-wrapping socket is mounted on the top of the case — after 8 small holes have been drilled in the case to allow the eight wire wrap tags to go through! Pushing the veroboard up onto the wire-wrap tags conveniently mounts the board as well as making the necessary connections between the op amp under test and the rest of the circuit.

Figure 4 shows this in detail. Be careful that you get the veroboard the right way round i.e. pin 1 of the wire-wrap socket going to pin 1 of the normal IC socket. Mount PB 1, the test push button and LED 1, the indicator LED into the front panel.

All that remains is to connect your battery and find an op amp that needs testing!

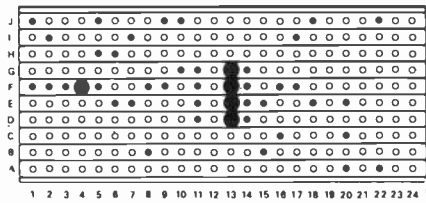
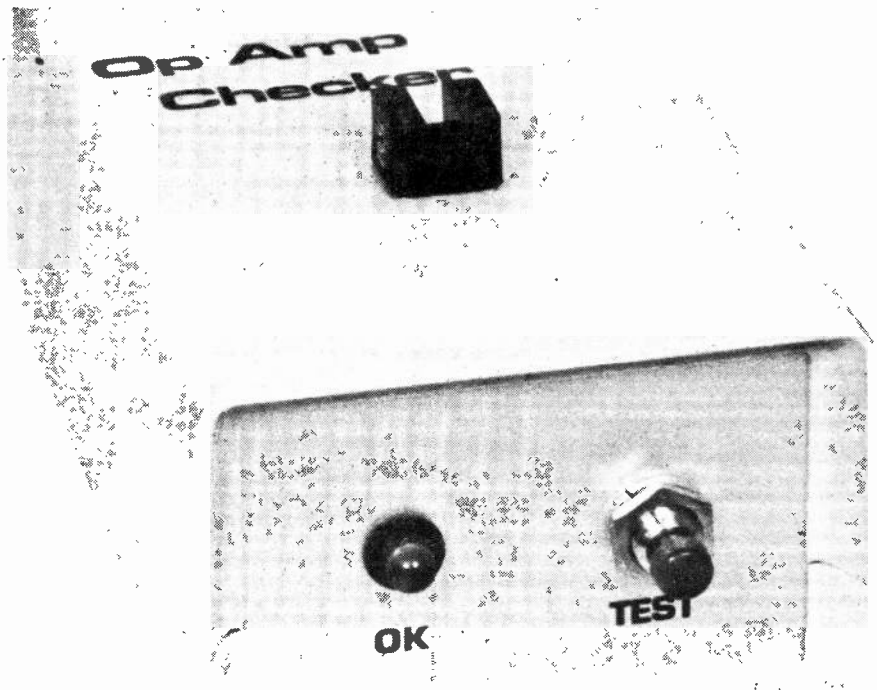


Figure 1. The underside of the board showing "break" points.

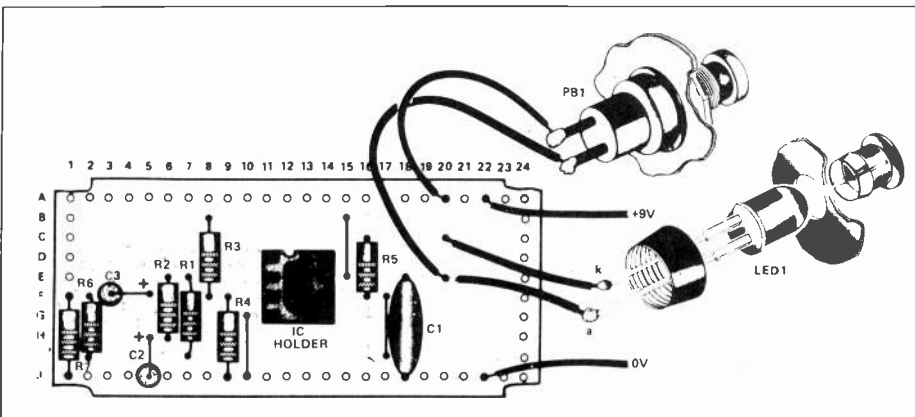


Figure 2. Board layout and wiring connections of the OP Amp Checker.

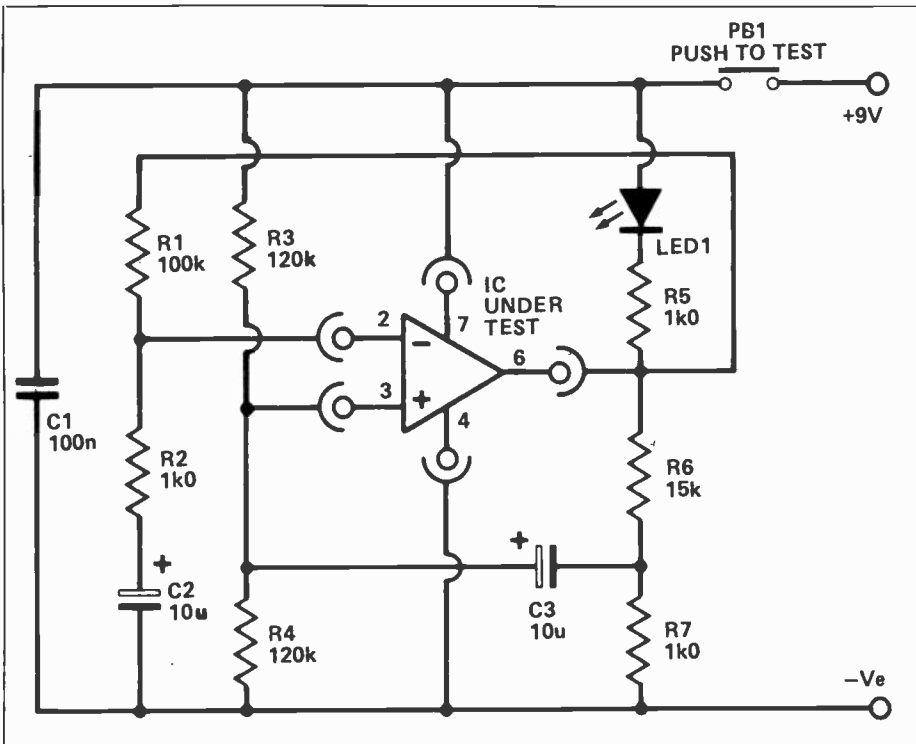


Figure 3. The circuit diagram of the Op Amp Checker.

HOW IT WORKS

The device being tested is connected up as a non-inverting amplifier, with the non-inverting (+) input biased by R3 and R4, R1 and R2 are a negative feedback network giving a closed loop voltage gain of 101 times (closed loop voltage gain equals R1 plus R2 divided by R2). The open loop voltage gain of an op amp is the gain without any feedback applied — this is generally of the order of 100,000, a value much too high to be of any use. Applying negative feedback reduces this to a reasonable value — the closed loop voltage gain. LED 1 is the LED indicator and is connected to the output of the op amp via current limiting resistor R5. The LED will switch on when the output of the test device is in the low state, and off when it is high.

R6 and R7 attenuate the output voltage

of the amplifier, giving a nominal sixteenfold reduction in the output signal amplitude. C3 couples the output from the attenuator to the non-inverting input of the test device, providing some positive feedback. If the test device is functioning properly, the voltage gain it provides will considerably more than compensate for the losses through the attenuator, and the circuit will oscillate at a frequency of a few Hertz when SW1 is operated and power is supplied to the circuit. The repeated changes in the state of the output will cause LED 1 to flash on and off, indicating that the op amp is working correctly. Of course, a dud device would almost certainly fail to provide any significant voltage gain and its output would then remain in a fixed state.

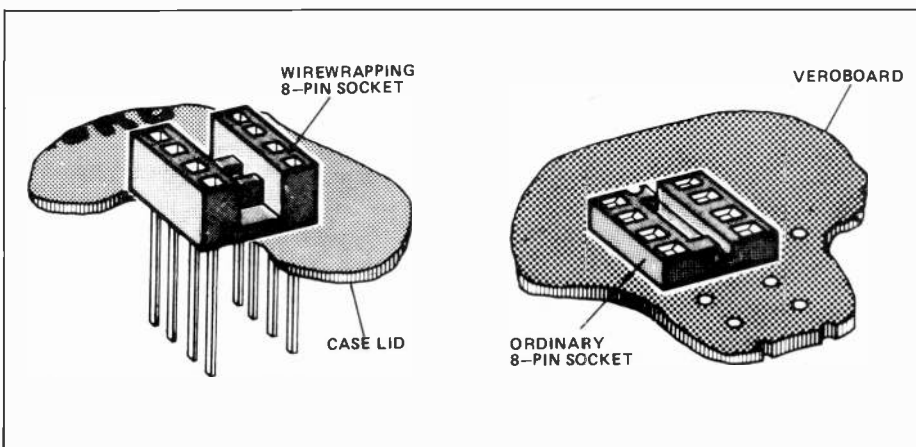


Figure 4 shows the method of construction using a wire wrapping socket provide connections between the IC under test and the board.

PARTS LIST

RESISTORS (all 1/4 W, 5%)

R1	100k
R2, 5, 7	1k0
R3, 4	120k
R6	15k

CAPACITORS

C1	100n polyester
C2, 3	10u 10V electrolytic

SEMICONDUCTORS

Led 1	0.2" Red LED
-------	--------------

MISCELLANEOUS

- 10 strips x 24 hole 0.1" veroboard
- PB1 — push to make switch
- 8 pin IC socket
- 8 pin wire wrapping socket
- Case to suit
- 9V battery and clip

ETI

Announcing

PRINTOUT

Canada's Microcomputing Newsletter

See page 46

GET THEM FROM THE SOURCE

FOR *APPLE II/III/IIe/& COMPATIBLES

	Price Can. + Dollars	Air Postage & In- sur- ance	CIF = Price
Standard Disk Drive	230	+ 25	= 255.00
SLIM DIRECT DRIVE	240	+ 25	= 265.00
Drive Controller Card	33	+ 3	= 36.00
DP-80 Printer (220V + Transformer)	315	+ 40	= 355.00
Super-5 Printer (220V + Transformer)	360	+ 40	= 400.00
80-P Printer (Eqv. Epson MX80FT/3)	472	+ 40	= 512.00
RS-232 Serial Interface Card	48	+ 8	= 56.00
Parallel Interface Card	48	+ 8	= 56.00
Z-80 A Card	31	+ 6	= 37.00
16K Ram Card	35	+ 6	= 41.00
128K Ram Card	146	+ 8	= 154.00
Eprom Writer Card	49	+ 6	= 55.00
RF Modulator with Sound	10	+ 5	= 15.00
80/40 Column Switch	5	+ 3	= 8.00
Cooling Fan	28	+ 8	= 36.00
5 AMP Heavy Duty Power Supply	39	+ 20	= 59.00
Joystick (self centred)	17	+ 5	= 22.00

* Quantity discount available upon request * Import duty 0 to 5.1%, FST 9%, payable at destination * 90 days guaranteed on all items.

Send Bankdraft or Money Order to:

ALPS INTERNATIONAL & CO.,
P.O. Box 90324,
TSM SHA TSUI P.O.,
Kowloon, Hong Kong

*APPLE II is a registered trade mark of APPLE COMPUTER INC.

Circle No. 28 on Reader Service Card

ETI—MAY—1984—39

Ever wanted to control one circuit with another without having any intermediate electrical connection? Devices that provide coupling via a beam of infra-red light are called 'optocouplers' and they're just perfect for the job. Here's a run down on a host of popular optocouplers and how to use them in practical circuits.

THE ELECTRONIC circuit designer is often faced with the problem of providing a high degree of isolation between two circuits which must nevertheless be able to pass alternating signals from one part of the circuit to the other.

For example, one may wish to have one part of the circuit completely isolated from the mains, yet use signals from this part of the circuit to control the flow of the mains current through a load. Another example occurs in patient monitoring equipment where the small voltages developed by the beating of a heart can be coupled into mains powered equipment without any danger of the equipment causing a current to flow through the heart.

Optocouplers

Optocouplers use a beam of infra-red radiation (or occasionally, visible light) to convey the signal from one part of the circuit to the other without any electrical connection whatsoever between the two parts. They are sometimes known as photon-coupled devices or as optoisolators. They may be employed to replace conventional relays when a fast response is required or when sparking at relay contacts must be avoided in an explosive atmosphere.

An optocoupling device consists of an infra-red emitting device or other lamp on its input side and some form of detector for the radiation on the output side, both the emitter and detector being in a light-tight enclosure. The silicon detector itself may be a phototransistor, a photo-Darlington device, an opto-triggered triac or even a field effect phototransistor.

No matter which of these device types is employed, the silicon detector has its maximum sensitivity at a wavelength quite near to that at which the gallium arsenide device emits with its maximum intensity. In other words, the devices are spectrally well matched so that a small emitter device current can produce a reasonably large response in the detecting device.

Types

A very large number of types of optocoupler have been marketed with the electrical characteristics of both the emitter and the detector having to be specified in every type. Rather than involve readers with a mass of type numbers, the article will concentrate on a limited number of readily-available devices.

The 4N26, 4N28 and MCT2 devices are examples of those using a phototransistor as a detector, the 4N33 has a Darlington output stage, the 5N139 (equivalent to the MCC671) has a 'split-Darlington' fast output device, the MCT6 is a dual device and the MOC-3020 has a triac output for 240 V mains supplies.

DESIGNER'S Notebook

Optocoupler Devices and their applications



Dual-in-line

Although some optocoupled devices are fabricated in circular metal packages, the most common types, including those listed above, are produced in dual-in-line (DIL) packages with a typical construction like that shown in Figure 1. The emitter and

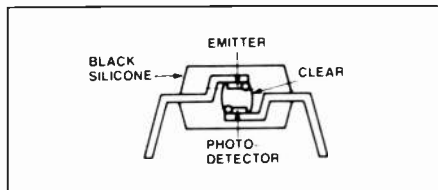


Figure 1. Cross-section through an optocoupler.

detector are placed fairly close together with a clear insulating material between them. The black silicon body of the device prevents stray radiation from falling on the detector. A circuit symbol is shown in Figure 2.

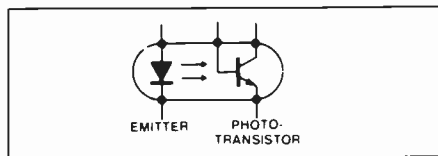


Figure 2. Symbol for an optocoupler having a transistor output stage.

In most DIL devices the radiating emitter is connected to pins on one side of the device, while the detector is connected to

pins on the other side. This arrangement provides the maximum possible electrical isolation between the input and output circuits. Many of the simpler optocoupled devices differ from most other dual-in-line devices in that they have a total of only six connecting pins.

The basic internal circuitry of the devices under discussion is shown in Figures 3 to 7 inclusive. The three devices 4N26, 4N28 and MCT2 with a single phototransistor output all have the connections shown in Figure 3. The dual device type MCT6 is housed in the 8-pin package of Figure 4 so that the additional pins required are available.

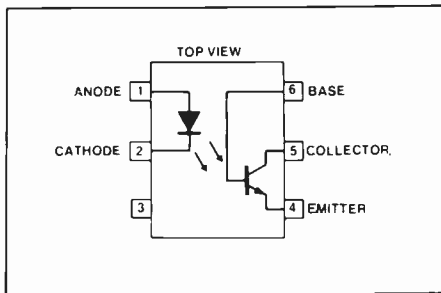


Figure 3. Pinout for the 4N26, 4N28 and MCT2 devices.

The 4N33 with its high-gain photo-Darlington output device is encapsulated in a 6-pin package with the same type of connections as the phototransistor output types of Figure 3; except for the performance differences, these devices are pin-for-pin replaceable.

The 6N139 'split-Darlington' output device has its output transistor base brought out to a separate pin, so the 8-pin dual-in-line package of Figure 6 is employed; this enables the input diode connections to be kept on the opposite side to all of the output connections.

Finally, the MOC-3020 with its triac output stage, is housed in a 6-pin dual-in-

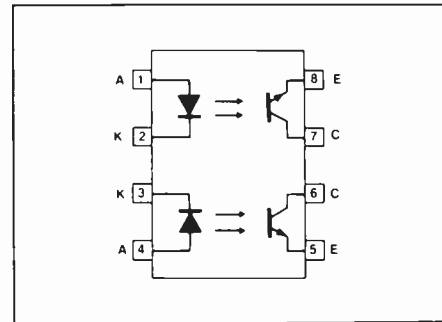


Figure 4. Pinout for the MCT6 dual optocoupler device.

$V_{DRM} = V_{RRM} = 400\text{ V}$
Trigger current 5 mA (typ.), 20 mA (max.)

Holding current 100 μA (typ.) at $V_{AK} = 3\text{ V}$
Maximum output current 100 mA RMS

DEVICE TYPE	4N26	4N28	MCT2	MCT6 (dual)	4N33	6N139	MOC-3020
Output device	← Phototransistor(s) →				← Darlington →		Triac
CTR (%) Min.	20	10	—	5	—	400	—
Typ.	50	30	—	50	500	—	—
Isolation (kV) (min.)	1.5	0.5	1.5	1.5 (0.5 between channels)	1.5	3	7.5 (max 5 sec)
Isolation resistance (Typical ohms)	10^{11}	10^{11}	10^{12}	10^{12}	10^{11}	10^{12}	—
Isolation capacitance at 1 MHz (pF)	1.3	1.3	0.5	0.5	0.8	0.6	—
Maximum emitter current (mA)	80	80	60	60 per emitter	80	20	50
Typical emitter voltage at 50 mA	1.2	1.2	—	—	1.2	1.5 (at 1.6 mA)	—
Maximum reverse input voltage (V)	3	3	3	3	5	5	3
Input capacitance (pF)	150	150	250	—	150	—	—
Maximum power Total (mW)	250	250	250	400	250	—	300
Input (mW)	150	150	200	100	150	35	—
Output (mW)	150	150	200	150	150	100	—
Output transistor:							
BV_{CEO} (min.)	30	30	85	85	30	—	—
BV_{CBO} (min.)	70	70	165	—	50	—	—
BV_{ECO} (min.)	7	7	14	13	5	—	—
h_{FE} (typ.)	250	250	60	—	5000	—	—
I_{CEO} (nA typ.)	50	100	50	50	100	1000	—
$V_{CE(SAT)}$ (typ.)	0.2	0.2	0.24	0.24	1.0	—	—
Typical I_C for $I_F = 10\text{ mA}$	5	3	—	—	—	—	—
Typical bandwidth (kHz)	300	300	150	150	30	—	—
Package	Figure 3	Figure 3	Figure 3	Figure 4	Figure 5	Figure 6	Figure 7

Table 1. Basic data on the types of optocouplers discussed.

line-package with the connections shown in Figure 7.

The basic parameters of these devices are listed in Table 1, but it cannot be over-emphasised that some of these values apply only under certain operating conditions stated on the data sheet which cannot all be shown in a table of a reasonable size.

It can be seen that most of the specifications required for the MOC-3020 differ from those of the other devices in their nature owing to the fact that the output triac must be specified in a different way to transistors and Darlingtonts.

Which Type?

If one wishes to use an input signal to control alternating current from the mains in a

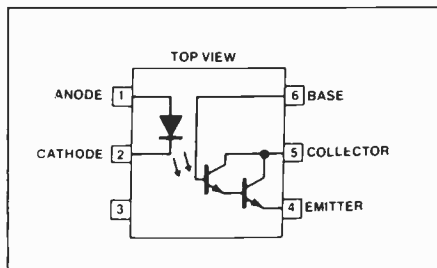


Figure 5. Pinout of the 4N33, and optocoupler having a photo-Darlington output stage.

load, the MOC-3020 will generally be the best device from those under discussion. This optocoupler will be discussed separately from the others.

If one has to design a circuit which requires two separate control coupling systems, this can be done using the dual MCT6 device provided that phototransistor outputs are suitable for the particular application concerned. Indeed, two of these MCT6 devices can be inserted into a 16-pin dual-in-line IC socket so that one has a quadruple coupling system. (Quad devices in a single package are manufactured, but are not so common as the types under discussion.)

This leaves us with a choice, in the case of single devices, of those using a

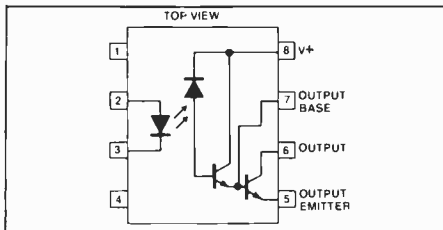


Figure 6. Pinout for the 6N139 (or MCC671) device which has a separate photodiode for maximum speed and a Darlington output for high gain.

phototransistor or those employing a photo-Darlington output stage. The types using a phototransistor are most commonly employed, since they provide a fast response and can usually handle input signals with frequencies of over 100 kHz (see Table 1).

Photo-Darlington output devices provide a higher gain, but the bandwidth (or maximum usable signal frequency) is about an order of magnitude less than devices which use a simple phototransistor output; in addition, devices using a photo-Darlington output stage may be priced 50% higher than those employing a phototransistor output, although this is not always the case.

The single devices of Figures 3 and 5

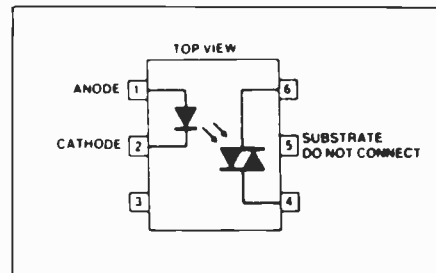


Figure 7. Pinout of the MCO-3020, which has a triac output stage.

continued on page 60

Complete System +

for \$995.00

- Fully Apple™// compatible
- 48K memory
- Disk drive
- Disk controller card
- Upper/lower case
- Hi-res Amber monitor
- Color graphics
- 90 days warranty

I.B.M. Compatible

ECS1 \$2600.00

- 8088 processor
- optional Intel 8087 numeric coprocessor
- two RS232 interface
- parallel interface
- 64K memory exp. to 256K on board
- double sided double density disk drive
- detachable keyboard
- colour-graphic board
- amber monitor
- support IBM® software
- 90 day warranty

Complete System Model 2200

for \$1199.00

- Fully Apple // compatible
- dual processor 6502 and Z80
- 64K RAM
- 24K ROM
- 80 or 40 column soft switch
- controller card
- disk drive
- Hi-res amber monitor
- colour graphics
- detachable keyboard
- 90 days warranty

ECS2 Systems

\$1395.00

- Fully Apple// compatible
- dual processor 6502 and Z80
- 64K RAM
- 24K ROM
- controller card
- disk drive
- Hi-res lit amber monitor
- colour graphics
- detachable keyboard with special function
- 90 days warranty

ELECTRONIC CONTROL SYSTEMS
 1890 Meyerside Drive, Mississauga, Ontario L5T 1B4
 (416)673-1302 Hours — Mon. to Fri. 10-7, Sat. 10-2

APDIAL

The Terminal Program for Apple CP/M Users

If you use an Apple compatible system under CP/M, you will probably have found that communications software for your computer is a bit scarce. At best, you can get very savagely stripped down versions of other CP/M terminals, which offer limited facilities.

There's a small purple dragon in your computer crying out for APDIAL.

APDIAL is a complete terminal package which can either stand alone or act as a front end for a protocol transfer system, like MODEM7. Among its features are:

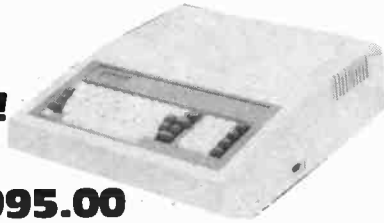
- Written in machine code for blinding speed
- Dials, waits for carrier and can autoloop if the line is busy
- Automatically drops into terminal mode if it gets a carrier
- Has an internal menu driven phone number library
- Written for the Apple . . . APDIAL is not hacked from other software
- Can boot MODEM7 or another file transfer program automatically

The APDIAL disk comes with both a COM file and an extensively commented source file which can be assembled with ASM or MAC. It comes configured for the low cost PDA 232C card, although users with even a rudimentary knowledge of assembler can change a few equates in the source and adapt it for any of the popular communications cards.

APDIAL costs \$19.95, which includes postage, packing and a brand new, high quality disk. Ontario residents please add 7%

Electronics Today Software
 25 Overlea Boulevard, Suite 601
 Toronto, Ontario
 M4H 1B1

WINNER:
Ultra-modern!
Super-efficient!
Fully Apple Compatible **\$995.00**



Please note the distinct features
Winner offers:

- *Dual microprocessors 6502 & Z-80A
- *RS-232 built in
- *Disk drive interface card built in
- *40/80 column text display and auto change video output port by soft switch
- *76K RAM with 4-expansion slots

- *16K ROM
- *DOS 3.2 & DOS 3.3 capability
- *Apple & CP/M compatible
- *ASCII keyboard with function keys and a numeric keypad
- *Upper/lower case
- *Streamline case
- *OS could be changed when desired without affecting other memory RAM

APPLE COMPATIBLE COMPUTERS

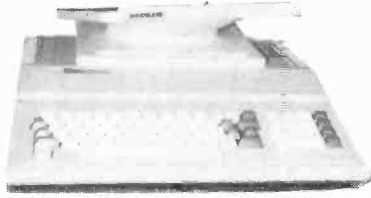
- 48K Color Computers with standard keyboard** **\$498.95**
- 48K Color Computer with numeric keys & function keys** **\$549.95**
- 64K Color Computer with standard keyboard** **\$549.95**
- 64K Color Computer with numeric and function keys** **\$598.95**
- 64K Color Computers (Dual-6502 & Z80A, CP/M), Numeric & function keys** **\$649.95**

For systems one 12" Green Monitor, 1 Disk Drive & Disk Controller card
\$500.00

All above Systems with New IBM™ Styling 100.00 extra



- Detachable Keyboard
- Programmable Function Keys
- Built in Key Words for Apple™ Soft, DOS
- Room for two Slim Line Drives



Universal Monitor Swivell
\$27.50

TTX™ 1014



RELIABLE DAISY WHEEL RO PRINTER

1014 FEATURES

- SERIAL AND PARALLEL INTERFACE
- WORDSTAR™ COMPATIBLE
- QUIET OPERATION
- PROGRAMMABLE PITCH AND LINE SPACING
- COMPACT AND DURABLE
- MICRO, MINI, MAINFRAME COMPATIBLE
- INTEGRAL PIN FEED GUIDE (ADJUSTABLE)
- RIBBON CARTRIDGES AND PRINT-WHEELS READILY AVAILABLE.

SEE OR CALL ABOUT OUR EXTENSIVE LINE OF PRINTERS.

Mini Modem \$99.45

Parts

DB-25P Connector	\$ 4.95
DB-25S Connector	\$ 5.95
Covers for 25's	\$ 2.25
DB-9P	\$ 3.95
DB-9S	\$ 4.95
Covers for 9's	\$ 1.98
2716 EPROMS	\$ 6.95
2764 EPROMS	\$14.95
4164 RAMS 200 N/S	\$ 9.75
4116 RAMS 200 N/S	\$ 1.75
2016 RAMS	\$ 9.75
EPROM ERASERS P.E. 14	
8 at a time	\$129.95

Disk Holders

Disk Bank (50 Disks)	\$39.95
DX 85 (55 Disks)	\$39.95
Data Defender (70 Disks)	\$39.95
Flip "N" File 10	\$ 8.95
Flip "N" File 15	\$13.95
Flip "N" File 25	\$34.95
Flip "N" File 50	\$44.95
Flip "N" File Original 50	\$29.95

Diskettes

Xicex SS/DD	\$29.95
Xidex (Plain Box) SS/DD	\$24.95
Xicex DS/DD	\$39.95
3M Diskette SS/DD	\$29.95
Verbatim (DataLife) SS/DD	\$34.95
Maxell MD 1-DS/DD	\$34.95
Maxell MD 2-DD/DD	\$49.95
Dysan SS/DD 104-1	\$29.95
Dysan SS/DD 104-2	\$34.95
Dysan DS/DD 204-2	\$49.95
Disk Cleaning Kit Recoton	\$34.95

6502 BOARDS & ACCESSORIES Timex Sinclair 1000



Swivell Monitor Amber
GM 1211 \$175.95

More Monitors

Roland CB 141 Colour	\$395.95
Amdek Colour	\$395.95
GM 1201 Green 12"	\$149.95
GM 1201 Amber 12"	\$159.95
Zenith Green 12"	\$139.95
Zenith Amber 12"	\$149.95

More Available

ABB-1 \$45.00 APPLE II Compatible. Dust CPU Bare Board Comm Card \$99.00 Serial interface RS232C Card for APP-E II crw Cable & Manual	AKB 2 \$99.00 Keyboard: Numeric Keypad with Function Keys, replacement or APPLE II
AUC-1 \$89.00 Integer Card	AC-2 \$89.00 Beige APPLE II Case for above Keyboard Case & Keyboard Numeric
AEC-1 \$89.00 80 Column Card	APS-2 \$99.00 Switching Power Supply for APPLE II, + 5V 5 amps, + 12V @33 amos, 5V @ 1/2 amp, -12V @ 1/2 amps, on/off switch & connecting wires
AZC-1 \$79.00 Z80A (CPM) Card	AAA-2 Dis Drives 5 1/4", APPL II Compatible, Excluding Controller Card \$295.00 With Controller \$365.00
APC-1 \$89.00 Parallel Printer Card	ADC-1 \$89.00 Disc Drive Controller Card for two drives, Apple II Compatible
ASC-1 \$89.00 Serial Printer Card	APPLE II is a registered trade mark of Apple Com- puter Inc.
ALC-1 \$69.00 16K RAM (Language Card)	
Speech Card \$75.00	
Wld Card \$89.00	
Modem Card \$175.00 (Networker)	
80 Column Switch \$8.95	
Colour RF Modulator \$25.00 Set	



Assembled \$39.95
ZX81 Printer \$99.00

16K Sinclair Memory \$35.00

COMPLETE ZX81 BASIC COURSE - Inc 2 39.95	Sinclair Printers 99.00
12098 16.95	Timex Printer 125.00
NOT ONLY 30 PROGRAMS: 1K 16.95	64K RAM (Memotech) 149.00
MACHINE LANGUAGE MADE SIMPLE 24.95	32K RAM (Memotech) 79.00
ZX81 ROM DISASSEMBLY PART A & PART B 16.95	16K RAM (Sinclair) 35.00
UNDERSTANDING ZX81 ROM 16.95	Memotech 16K RAM 39.95
T/S 1000: PROGRAMS, GAMES and 16.95	500MA 8.95
GRAPHICS 16.95	Memopak Centronics Type
LEARNING T/S BASIC 23.95	Parallel Printer Interface 119.00
THE BASIC HANDBOOK 24.95	Memopak ZX81 Keyboard 119.00
49 EXPLORING GAMES 16.95	
COMPUTER FOR KITS SINCLAIR EDITION 8.95	
MASTERING MACHINE CODE ON YOUR ZX81 24.95	
T/S 1000 USERS GUIDE (Vol 1) 16.95	
EXPLORERS GUIDE TO THE ZX81 16.95	
ZX81 POCKET BOOK 16.95	
GETAWAY GUIDE 16.95	
GETTING ACQUAINTED WITH YOUR ZX81 16.95	

Additional Hardware & Software for the SINCLAIR ZX81 AVAILABLE ON REQUEST.

Orion Electronic Supplies Inc.

40 Lancaster Street West
 Kitchener, Ontario N2H 4S9
 (519) 576-9902

Master Charge & Visa, COD, Cheque,
 Money Orders accepted. COD's, shipping
 & insurance extra. Write for our
FREE FLYER.

Prices subject to change without
 notice.

Electronic Maps

David P. Dempster explains a new navigational aid for pilots in which a map of the terrain is generated by computer graphics.

YOU'RE A PILOT in the cockpit of a modern tactical aircraft flying extremely fast and very low. You're darting through valleys and mountain passes to avoid detection. It's essential that you know precisely where you are and what the terrain below is like.

Unfortunately, considering the situation you are in, there is no way you have the luxury of pulling off the highway to read your map as you would if you were driving your car, nor do you have the time to refer to it in a leisurely fashion. All is not lost, however, and an answer is at hand. A prototype Airborne Electronic Terrain Map System (AETMS), developed for the U.S. Air Force by Hughes Aircraft Company's Radar Systems Group, makes incockpit map reading as simple as pushing a button. "AETMS uses a Defense Mapping Agency digitized terrain data base to provide a real time, colour-coded, moving electronic map of the area over which the aircraft is flying," explains Bill Weber, manager of RSG's Display Systems Laboratory. "The map can be projected on standard colour or black-and-white cockpit CRT displays or on the aircraft's head-up display (HUD)."

Like the multi-fold paper charts it is designed to replace, the map can show the aircraft's actual position or it can be "unfolded" electronically to let the pilot look ahead, much as a driver unfolds a road map to locate a turnoff.

"AETMS is the first device of its kind to offer so much flexibility in the number and kinds of formats available to a pilot," Weber added.

The map can be presented in a shaded relief plan view, much like a standard paper chart, or in a perspective view as though the pilot were looking at the terrain ahead of the aircraft. Tactical symbols can be added, as

needed, with another touch of a button, reducing clutter and improving the display's readability.

"A pilot can correlate or update the electronic map with information from the aircraft's radar and/or other sensors, from visual observation, and from information transmitted to the aircraft in flight," Weber said. "AETMS and the aircraft's sensors will complement and supplement one another. For example, a pilot can use sensors over friendly territory to update an aircraft's position. By entering that data on an AETMS display and coupling AETMS to an aircraft's inertial navigation system, a map is updated automatically."

For a low altitude mission, AETMS' colour coding enables a pilot to plot a course following the contours of the land, using terrain to "mask" the aircraft from ground-based radar and other threats.

"With available technology, AETMS stores enough digitized data on a commercial disk to produce detailed maps of an area up to 250,000 square miles," Weber said. "We are still studying other memory devices, including bubble memory and solid state memory. Whatever device develops to best meet the system's requirement for ruggedness, storage capacity, and rapid access is what we'll use in the next generation system."

"Hughes has been working with electronic maps for more than a dozen years, but they were not practical until the Defense Mapping Agency began preparing its digital data base in the latter '70s," he added.

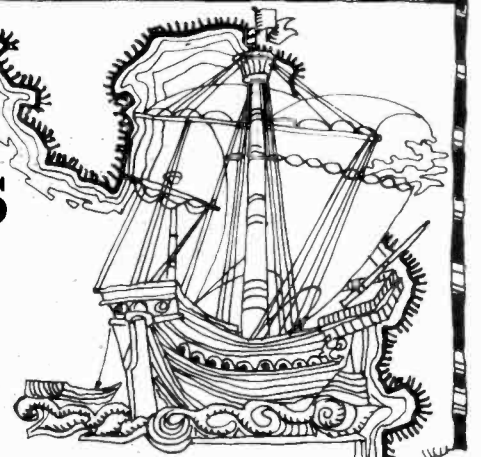
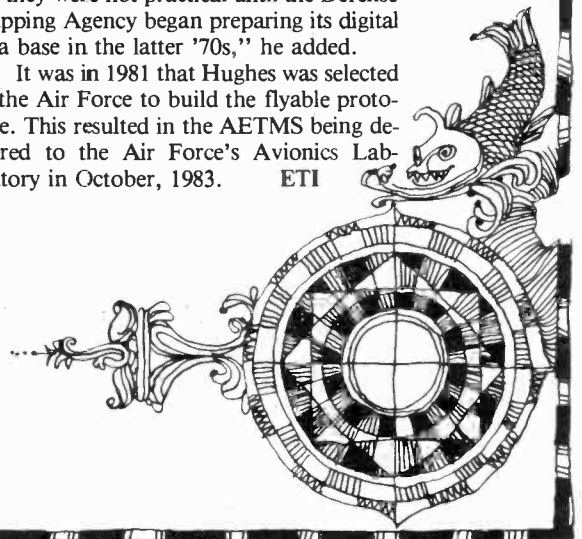
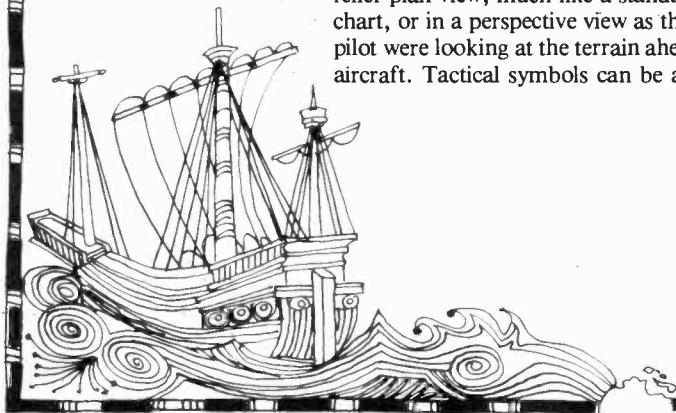
It was in 1981 that Hughes was selected by the Air Force to build the flyable prototype. This resulted in the AETMS being delivered to the Air Force's Avionics Laboratory in October, 1983. ETI



The airborne map system showing a plan view looking from Tacoma to Seattle, Washington.



The system can show shaded relief perspective views: the display above is Mount St. Helen's before the eruption.



High Speed and Large Capacity

The high-performance, multi-function VC-6041 has the advanced features necessary to prove its worth in an ever-widening range of applications.

Storage of repetitive waveforms up to 40MHz.

The VC-6041's feat of digitally storing repetitive waveforms up to 40MHz is one that conventional oscilloscopes just can't match. And its waveform observation, comparison, recording and analysis capabilities are clearly beyond those of ordinary scopes.

Storage of one-time events up to 10MHz (5MHz for 2 channels of input).

Such elusive events as shocks and explosion waveforms which occur suddenly can be stored easily using the VC-6041's expanded storage bandwidth.

Large-capacity memory of 4000 words per channel.

Independent large-capacity memories for input data (4000 word/Ch x 2Ch), data saving (4000

word/Ch x 2Ch) and display (4000 word/Ch x 2Ch) provide the capacity to store lengthy events. And the high resolution provided eliminates the need to perform linear interpolation.

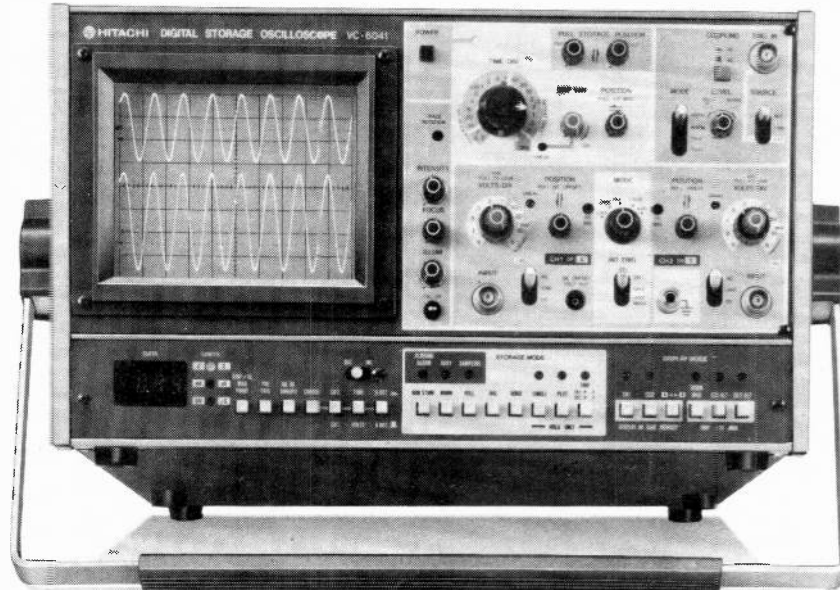
400 Word/div horizontal-axis resolution and x100 horizontal-axis magnification.

After a 400 word/div storage, 1 division of the displayed waveform may be expanded from the cursor point so that it occupies 10 divisions without loss of intensity. And, by using sweep magnification (x10) as well, the overall display expansion can be increased to x100.

Other Features

• Two save memories enable waveform comparisons. • Convenient roll mode for use in observation of low-speed events. • Cursor func-

tion • Averaging function. • Pre-triggering • Ground reference • Convenient X-Y operation mode enables measurement of the phase difference between two waveforms. • Stored waveforms may be recorded using a chart or X-Y recorder. • Digital output of stored waveform values is possible using GPIB. • DC Offset function • DC Offset voltage and frequency-reading outputs • Vertical mode triggering • High accuracy: $\pm 3\%$ • Autofocus circuit and scale illumination • Highly stable, low-drift design • 8 Divisions of dynamic range • High sensitivity: 1mV/div • Large, 6-inch rectangular CRT with internal graduations • Specially provided TV sync-separation circuit • Built-in signal-delay line



Sampling up to 40MHz Two 4000 words channels
Hitachi Digital Storage Oscilloscope

VC-6041

 **Hitachi Denshi, Ltd. (Canada)**

Circle No. 6 on Reader Service Card

Head Office:
65 Melford Drive
Scarborough, Ontario M1B 2G6
Tel: (416) 299-5900

Ottawa Office:
424 Queen Street
Ottawa, Ontario K1R 5A7
Tel: (613) 232-5114

Eastern Office:
8096 Route Trans Canadienne
St. Laurent, P.Q. H4S 1M5
Tel: (514) 332-6687

Western Office:
3433 — 12th Street N.E.
Calgary, Alberta T2E 6S6
Tel: (403) 276-8508

PRINTOUT

Canada's Microcomputing Newsletter

Suite 601
25 Overlea Boulevard
Toronto, Ontario
M4H 1B1
(416) 423-3262

How much do you value accurate, objective, timely information about what is happening in microcomputing in Canada? Certainly highly, but where do you get such advice? We have the answer.

That is why we are launching PRINTOUT, Canada's Microcomputing Newsletter, the finest publication of its type. It has one aim and one aim only - to keep you informed and abreast of current developments, new products, people, companies looking for retail outlets, outlets looking for products, and more.

PRINTOUT is a true newsletter - it carries NO ADVERTISING or paid information. It is concise, informed and published by the company that knows what is happening in the Canadian Microcomputing Field - Moorshead Publications, publishers of Computing Now!, Electronics Today, and Computers in Education. PRINTOUT as a newsletter, however, will not be a consumer magazine since it will contain the urgent information you need to obtain or maintain market share. You need it quickly, and that's how you will receive it.

It is not inexpensive, good information never is, but neither is it expensive at \$8.48 per issue. It appears 23 times a year, sent by FIRST CLASS POST in the middle and at the end of each month. That makes PRINTOUT \$195 a year, but isn't it worth it to know what is going on? Each issue will contain contacts and information that is going to make you a lot of money. That's what it's all about.

As an introduction to PRINTOUT, however, if we receive payment before May 31st, there is a \$50 discount: you pay \$145 for a full year or \$95 for six months.

We are so sure that PRINTOUT is good value that we will refund your complete subscription if you cancel before your third issue is mailed, thereafter we will refund the unexpired portion if you don't think we are doing the job. That demonstrates the confidence we have.

We wouldn't ask you to subscribe without some idea of what to expect so a sample issue is enclosed. Don't miss out. Send off your cheque today. The first regular issue will be mailed on about April 30th.

Sincerely,

Halvor Moorshead

Halvor W. Moorshead,
Publisher

Introductory Offer
SAVE UP TO 25%
Expires May 31, 1984

PRINTOUT

Canada's Microcomputing Newsletter

<input type="checkbox"/> 1 Year	\$145.00	<input type="checkbox"/> 6 Months	\$ 95.00
Regular	\$195.00	Regular	\$120.00
You save	\$ 50.00	You save	\$ 25.00

(Outside Canada — Payments in U.S. Dollars)

Cheque Enclosed (send with card in envelope)

Name _____

Bill me - Subscription will commence upon receipt of payment

Company (if applicable) _____

Charge My Visa Mastercard AMEX

Address _____

Card No. _____

City _____ Province _____

Expiry Date _____

Postal Code _____ Date _____

Signature _____

Moorshead Publications, Suite 601, 25 Overlea Blvd. Toronto, Ontario M4H 1B1 Tel: (416) 423-3262

Circle No. 41 on Reader Service Card.

Computerised Forecasting



Roger Allan reports on how the meteorologists use high speed computers to number-crunch the raindrops.

Environment Canada's Cray 1 supercomputer in Dorval, Quebec. Photo courtesy of Atmospheric Equipment Service.

EVER SINCE man was first conscious of the weather and its effect on his crops or hunting success he has tried to predict it. With the passage of time, certain relationships became apparent even to the most primitive of peoples: the size and density of the clouds regarding the possibility of rain or the direction of the wind regarding the possibility of snow, with the unlettered coalescing of these observations into catch phrases: "red sky at night, sailors delight," etc. Native peoples the world over passed these relationships down through the centuries either through the instruction of their shaman, or through their legends. In Canada, records were kept by explorers, missionaries and fur traders, starting with Jacques Cartier in 1534.

With the enactment of Confederation, our first national meteorological service, the Atmospheric Environment Service (AES), forerunner of the Canadian Meteorological Centre (CMC) was established. It was built on the consolidation of primitive regional weather services which dated back to 1839. Hamstrung by lack of

money, lack of understanding of the physical processes that underlay weather patterns (the atmosphere is a fluid), lack of reporting stations and lack of equipment, the initial weather reports were more 'by guess and by God' than by science.

Essentially, weather prediction is dependent on three sets of criteria: an adequate set of observations, an understanding of the relevant physical processes and the necessary computational capacity to do the calculations.

As for the first criteria, Canada belongs to the World Meteorological Organization (WMO), a sub-branch of the United Nations headquartered in Geneva. This organization relays weather maps and atmospheric information collected around the world from virtually every country on the planet to everyone else. Their surface observatories, under national control and funding, include some 9000 surface observation points registering temperature, wind direction and speed, atmospheric pressure, precipitation, clouds and visibility. Of these,

there are 70 unmanned and 300 manned stations in Canada. Further information is received from two US weather satellite geosynchronous at 36,000 km, and two further US satellites in polar orbit at 850 km.

In Canada, the location of these observatories and the ability to predict weather only permitted weather reference points about 300 km apart. As with any modelling system, the closer the points of reference, the higher the resolution of the graph (in this case a weather front) and hence the greater accuracy of localized weather conditions. Storm fronts customarily have a minimum front of 1500 km. As such, the basic weather conditions are not too difficult to predict, at least mathematically. However, when the plotted points are 300 km apart, one runs into the problem of not being able (for example) to tell if it will be snowing in Edmonton and sunny in Calgary, or snowing at both locations.

More technically, the observations from the 370 surface observatories in Canada take their observations twice a

continued on page 49

The Electronics Today Almost Free Software Offer

The most difficult thing about understanding new software is understanding how you're going to pay for it. Even simple programs cost a mint. Thus it was that we were pretty fascinated to find that there is a vast library of really good software in the public domain.

Public domain software is free. Much of it has been written by the finest programmers around and then enhanced by dozens of other users until a lot of it is better than those nasty little disks you have to mortgage the cat to buy.

There are many splendidly useful public domain programs which have no commercial counterparts.

Unfortunately for many users, public domain software is very hard to find sources for. For this reason, we have created the Electronics Today Almost Free Software Offer.

For a limited time only . . . until the disk labels run out . . . you can get a disk formatted for your system packed with a selection of some of the finest works of the public domain. The directory includes games, programming aids, utilities and documentation files that are simply unobtainable any other way.

All of this software is free. We are charging only for the cost of the disks and the time taken to put the files on them. You can copy the programs, modify them, give them to your friends or print them out as posters . . . they are all totally free of restrictions, save that they cannot be resold for profit.

The Catalogue Of The Almost Free Volume One Is:

- **MODEM7** This program will allow you to communicate with any CP/M based system and download files. See the article in this month's CNI for complete details. MODEM7 will be provided in versions for each system.
- **PACMAN** You can actually do PACMAN without graphics, and it clips along pretty well.
- **FORTH** This is a complete up-to-date version of FIG FORTH, complete with its own internal DOS.
- **DUU** The ultimate disk utility; this program allows you to recover accidentally erased disk files, fix garbled files, rebuild and modify your system. We recently saved a 300K dBase II file with this little gem.
- **D** This is a sorted directory program that immediately tells you how big all your files are and how much space is left on your disk.
- **USQ/SQ** allows you to compress and uncompress files. You can actually pack about forty percent more stuff on a disk with this system.
- **FINANCE** is a fairly sophisticated financial package written in easily understandable, modifiable Microsoft BASIC.
- **BADLIM** Ever have to trash a disk for just one bad sector? End your BDOS errors with this little troll. It isolates the bad sectors into an invisible file and makes the rest of the disk useable again.
- **DISK** This is a splendid program which allows you to move whole masses of files from disk to disk without having to do every one by hand. You can also view and erase files, all without a lot of typing.
- **QUEST** Life is not meaningful without dungeons and dragons.
- **STOCKS** This is a complete stock management program in BASIC. It's pretty fierce the way it is, but you can easily fine tune it if you feel moved to do so.
- **SEE** This program, also known as TYPE17, will TYPE any file, squeezed or not, allowing you to keep documents in compressed form and still be able to read them.

The Electronics Today Almost Free Software Offer

In addition to the above, we will be providing Apple users with a program which can be used to patch the Apple CP/M BIOS to increase the display speed of the popular Videx eighty column card. Users of other formats will receive ALIENS11, a fairly fiendish video game package . . . which is too large to get on an Apple disk.

Some or all of these files may be provided squeezed in order to accommodate your disk format. While we make every effort to ensure that the programs are completely debugged, we can offer no guarantee that they will function properly for your application.

Our almost free volume one is available for the Apple II + running CP/M, and the Nelma Persona for \$12.95 per disk and on eight inch single sided single density diskettes for \$16.95. Ontario residents please add seven percent provincial sales tax. The files are provided on pristine brand new high quality disks which are fully formatted and checked out prior to shipment.

Whether you are up for running a business, hacking bytes, or just learning about micro-computers, these programs will be a good trip.

The Electronics Today Almost Free Software Offer
25 Overlea Boulevard, Suite 601
Toronto, Ontario
M4H 1B1

Name _____

Address _____

City _____ Province _____

Postal Code _____

Apple Nelma 8" SSSD

day at noon and midnight Greenwich Mean Time (GMT). Within 90 minutes, this data is transmitted to the Environment Canada weather service (CMC) in Dorval, Quebec. The computers there then begin to map the weather conditions which existed when the data was collected. It then begins to project the weather movements into the future a few minutes at a time. Due to the need to get forecasts to the public within six hours of the observation, only two hours can be allotted (twice a day) for the computer to forecast the weather. By time 3 hours 30 minutes, the projected weather maps have to be transmitted to regional weather centres across Canada. There, regional forecasters utilize their knowledge of local weather conditions to translate them into local forecasts, forecasts which are then forwarded to the media for public distribution. Until recently, the longest weather prediction was for five days, though with the new equipment, this is expected to eventually reach 10 days, and with a far higher degree of accuracy.

As for the second criteria, knowledge of how the physical laws affecting fluids could be applied to understanding and predicting weather had reached the point, by the 1920s, that the British scientist L.F. Richardson was able to structure weather

prediction on a series of mathematical equations. Unfortunately, he simultaneously determined that it would take some 64,000 people operating adding machines twenty-four hours a day to determine the weather for England with 50% accuracy. What the Scots and Welsh thought about that is unknown.

This last element took a step forward in 1950 when the American mathematician, John van Neumann, basing himself on Richardson's work and subsequent improvement, translated the mathematics to run on computers. With their vast number-crunching ability, the computers substantially increased the accuracy of weather prediction. This technology was introduced into Canada in 1961.

Unfortunately, the number of mathematical calculations which have to be made to provide a comprehensive weather analysis for small localized areas at various heights precluded the ability of the CMC from providing these reports within a useful period of time. As such, abbreviations and simplifications had to be introduced into the modelling to decrease the delay from data collection to published weather prediction. Such simplifications involve, for example, solar radiation, evaporation, and heat transfer from seas and land areas. Further, current

models exclude data from the southern hemisphere. The mixing of weather between the two hemispheres is slow, and while not terribly important for short range forecasts, its inclusion is vital if accurate weather predictions are to be made for time spans longer than a couple of days.

It is this number-crunching bottleneck which has been the major drag on accurate weather prediction for small areas. Until recently, the CMC has been dependent on a 17-year old computer (A CYBER 176) which, while doing its level best, increasingly broke down. Further, spare parts were becoming difficult to find.

In an attempt to overcome this bottleneck, Environment Canada decided to substantially increase its computer capabilities, and hence the accuracy of the CMC's weather forecasts by the purchase of a Cray 1S/1300 computer which operates 10 times as fast as its predecessor. The Cray 1S is the most powerful computer on the market, and the CMC's is only the 56th off the end of the production line.

It is a vector computer, with 10 million bytes of memory, and can operate at the rate of 50 million operations per second, equivalent to about one million per-

AUDIOVISION

COMPUTING/ELECTRONICS

MAIL ORDER: Certified cheque, money order, VISA or Master Card plus 5% delivery charge. Ontario residents add 7% P.S.T. We send Canada Post, or Purolator collect.

8502 COMPUTER SPECIAL SALE THIS MONTH ONLY!



A. 48K \$450.
B. 64K \$510.

Each includes:

- Assembled and tested mother board (w/blank Eproms).
- Keyboard w/numeric keypad, upper and lower case.
- Plastic case.
- Heavy duty switching power supply.

C. 48K System \$948.
D. 64K System \$999.

Each system includes:

- Assembled and tested computer.
- Disk drive (Quentin).
- Disk controller card.
- Zenith 12" green monitor.

We repair 8502 boards at reasonable charges.

PERIPHERAL CARDS

- Disk Controller Card ... \$55.00
- Z80 Card \$65.00
- 80 Column Card \$79.00
- 16K (Language) Card ... \$65.00
- EPROM Writer Card ... \$79.00
- Wizard IPI Card \$95.00
- Parallel Card w/cable ... \$69.00
- Speech synthesis card ... \$65.00

AUDIO KITS

400W Mono/260W Stereo Power Amp.

- Built-in Selectable Switch for High Power Mono Amp. or High Quality Stereo Amp. On-board Power Supply and Delay-on speaker protector.
- All Parts including Power Trs. and Heatsinks are Mounted on-board
- Required Power Transformer 46VCT1ZVCT, 5-10A 47777A Kit \$199.50 A&T \$129.50

10 BAND EQUALIZER PREAMP.

- Combination of a Stereo Preamp and A 10 Band Slide Control Graphic Equalizer in a 19" Low Profile Pre-drilled Rack Mount Cabinet
- Transformer, Instruction and all Electronic Parts Included Kit \$129.50 #TA-2500 A&T \$179.50

SOLID STATE STEREO REVERBERATION AMP.

- Adds Depth and Exciting "Hall Effect" to your system — "Bucket Brigade Device" Utilized as Delay Element
- LED Reverberation Level Display
- Triple Reverb: Control Depth, Delay and Effect — Compatible with any Preamp and Power Amp. — Complete with all Electronic Parts, Transformer and Pre-drilled Rack Mount Cabinet. #TA-2400 Kit \$139.50 A&T \$169.50

LED Bar Graph or DOT Display with Response to Freq. from 30HZ — 16 KHZ

- Direct Connects to Preamp. or Power Amp. Output
- Left or Right Ch. Display Selection
- Input Level Control
- Complete with all Electronic Parts, Transformer and Pre-drilled Rack Mount Cabinet. #TA2900 Kit \$155.50 A&T \$205.50

LOGIC PROBE



Ideal for quick service and checking of integrated logic systems.

Unique multi lamp readout. Features pulse detection. Maximum input frequency display, 30 MHz. Minimum detectable pulse width, 20ns.

PROBE \$29.50

LOGIC PULSER \$33.50



RACK MOUNT CABINETS

Black Anodized Aluminum Front Panel with Steel Box. Hardware, Ventilation Slots and Instruction

Panel size (inch)	Box size (inch)	Price
19 x 7	17 x 6.5 x 20	67.50
19 x 6	17 x 5.5 x 14	42.50
19 x 7	17 x 6.5 x 12	43.50
19 x 6	17 x 5.5 x 12	42.50
19 x 5	17 x 4.5 x 12	39.50
19 x 4	17 x 3.5 x 12	38.50
19 x 3	17 x 2.5 x 10	33.50
19 x 2.5	17 x 2 x 10	32.50
17 x 6	15.5 x 5.5 x 9	37.50
17 x 4	15.5 x 3.5 x 9	32.50
17 x 2	15.5 x 1.5 x 9	30.50
12 x 6	11.5 x 5.5 x 7	26.50
12 x 4	11.5 x 3.5 x 7	22.50
12 x 2	11.5 x 1.75 x 7	21.50

White Aludraws for Cabinets

INTRODUCING PROFESSIONAL TYPE PRO-2000 SERIES



SEMI ASSEMBLED KITS (Very little wiring needed)

Tuner \$179.00
Pre-Amp \$149.00
Power Amp \$479.00

- Dynamic Bias Class A Amplifier
- LED Display peak and average power.
- Continuous output power 100 w/ch (8 ohm).
- THD = 0.05%
- Frequency response = 10 Hz - 100 KHz. -01 dB
- IM = 0.03%

COMPLETE PACKAGE SPECIAL \$750.00

New 1984 Catalogue \$1.00

SPECIAL
10% off
these items

EASTERN CANADA
578 MARLEE AVE.
TORONTO, ONT. M6B 3J5
TEL: (416) 781-3263

WESTERN CANADA
P.O. BOX AMF23581,
VANCOUVER, B.C.
TEL: (604) 271-7539



sonal computers. Further, it can run 67 programs simultaneously.

Costing about \$32 million spread over 6-7 years, the CMC/Cray contract has the novel feature that permits the exchange of the 1S for a more powerful computer, the Cray XMP, currently under development, with an expected delivery date in 1986. The CMC's Cray came onstream in late February.

The vast ability of this new tool will result in a number of changes in the CMC's abilities. Initially, it will permit the introduction of more sophisticated modelling for smaller areas, an extension of forecasting periods from six to ten days, and fewer two to five day temperature forecasting errors. By 1987, it will permit the automated prediction of all weather elements for longer time periods, greater accuracy in precipitation amount predictions and improved wind forecasts, as well as much larger numbers of specific locality forecasts, and will permit the inclusion of data from the southern hemisphere.

Further, the reserve capacity will permit CMC scientists and university researchers to conduct a number of environmental studies currently difficult or im-

● It will permit the modelling of long range pollutant movements such as acid rain and ozone: the sources, transport, transformation and effect. A model for this study is currently being developed for use on the CMC's Cray by Environment Canada, the province of Ontario and the Federal Republic of Germany.

possible to produce. For example:

● It will permit studies, previously unproducible, of the effect of CO₂ introduction into the atmosphere and the concomitant greenhouse effect along with its effect on weather and hence on crop production.

● Weather predictions in an emergency (such as the Mississauga train derailment, or the Three Mile Island nuclear materials release) can now be modelled and run quickly. By determining wind directions, etc., evacuation procedures can more adequately handle the human component in such situations.


● Under the umbrella of the Natural Sciences and Engineering Research Council, 10% of the Cray's time will be devoted to the Canadian research community, permitting them to undertake projects involving large amounts of computations which

until February had to be undertaken, if at all, on foreign supercomputers at high rental costs.

And the cost per Canadian? Recognizing that weather related information represents in excess of 1 billion dollars a year to Canadians, the CMC's \$125 million a year budget (about \$5/Canadian head), seems to be one of the few bargains we get from government these days.

ETI





20% off all
Sam's & Tab Books

B.T.W. Electronic Parts

<p>4164 150 ns 8.99 4164 200 ns 8.85 4116 200 ns 1.70 4116 150 ns 1.90 6502A 6.99 6522A 6.99 Z80A-CPU 6.75 MC6800 3.95 MC6809EP 11.90 MC68A45 7.50 6116 120 ns 8.85 HM4315P 7.10 2708 5.20 2732A 9.25 27128 35.00 MCM68764 25.90 TMS2564 22.50 2532 7.50 TMS9927 8.00 LM1889N 2.50</p>	<p>5.5 LB. 60/40 resin core solder 1mm \$59.00 1350K UNGAR SOLDERING IRON \$19.80 120 ASST. TRIM POT KIT — 100 Ohm to 1 Megohm \$24.95 HAMMOND, 6 outlet Power BAR \$22.95</p>
--	--

STOCKING DISTRIBUTOR FOR THE FOLLOWING:

CHEMTRONICS chemicals
GLOBAL SPECIALTIES bread
boarding
OK TOOL wire wrap
MINIFUS fuses
MODE plugs, jacks, adapters
BUG BOX IC storage, protection,
and retrieval systems
EDUKIT educational kits
INTEGRATED PLASTICS plastic
drawers
DAETRON digital capacitance
meter
MICRO INSTRUCTIONAL audio
tutorial tapes
SAM's books
TAB books
UNGAR Soldering and
De-Soldering Equipment

Mail orders minimum \$10.00, add 7% PST for Ontario. \$3.00 minimum shipping, VISA accepted.

1542 WARDEN AVENUE · SCARBOROUGH, ONTARIO M1R 2S8 · (416) 441-1733

PERFECT ELECTRONICS INC.

315 Queen St. W., Toronto, Ontario, M5V 2A4 Tel: (416) 598-2831

<p style="text-align: center; border-top: 1px solid black; border-bottom: 1px solid black;">COMPUTER</p> <p>48K 6502 Computer • 188 Function Key • 10 User Defined Key • Self Repeat Key • Auto Line Feed • U/L Case • Assembled & Tested • \$495 Intelligent Keyboard & Case \$150 5 AMP Power Supply \$95</p>	<p style="text-align: center; border-top: 1px solid black; border-bottom: 1px solid black;">MONITORS</p> <p>Amdek Amber 300A \$235 Zenith ZVM-123 \$129 YJE Amber \$159 YJE Green \$150</p> <p style="text-align: center; border-top: 1px solid black; border-bottom: 1px solid black;">PRINTERS</p> <p>Star Gemini 10X \$359 TTX 1014 \$629 Epson Call</p>
<p style="text-align: center; border-top: 1px solid black; border-bottom: 1px solid black;">PERIPHERALS</p> <p>16K Ram Card \$55 Controller Card \$55 Z-80 Card \$55 80 Column Card \$80 Graphic Parallel Printer Card W/Cable \$90 128K Ram Card \$199 Eprom Writer Card \$69 Pure Data Card \$115</p>	<p style="text-align: center; border-top: 1px solid black; border-bottom: 1px solid black;">MISCELLANEOUS</p> <p>Quentin Disk Drive \$299 RF Modulator \$14 Flip N File 50 \$25 Dysan SSDD \$29.95 Self Centre Joystick \$18.00 IBM Compatible Detachable Keyboard \$189 IBM Look-A-Like Case \$135</p>

NEW 3 INCH COMPACT FLOPPY DISK DRIVE FOR APPLE COMING SOON.

DEALER ENQUIRIES INVITED.

Mail Order: Send Certified Cheque, Money Order, VISA or MASTER CARD Plus 5% Delivery Charge. Ontario Residents Add 7% P.S.T.

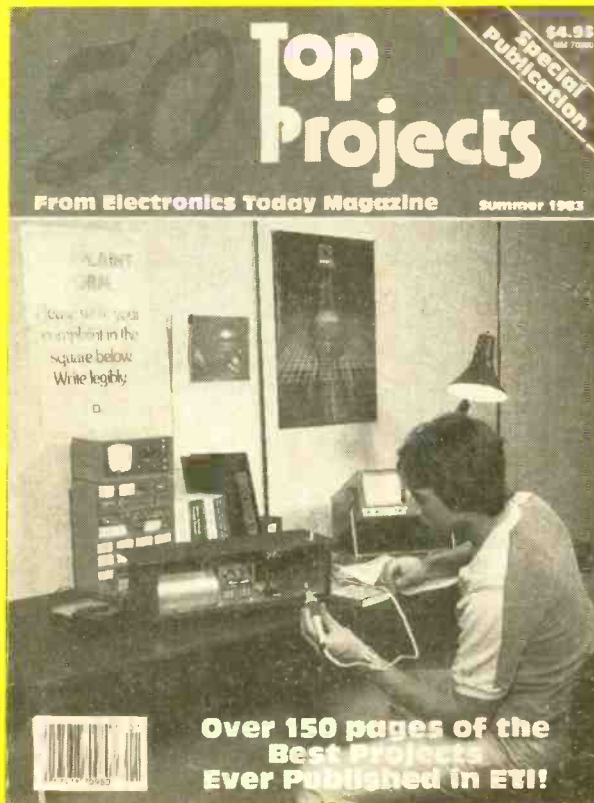
Circle No. 7 on Reader Service Card

Circle No. 10 on Reader Service Card.

FROM THE PUBLISHERS OF ...

Electronics Today

INTERNATIONAL



• **50 Top Projects ... 156 pages**

\$4.95

Fifty all-time best projects from ETI magazine packed into one giant 156 page special. There are projects for the beginner to the more advanced builder, including: Semiconductor Tester, Universal Counter, LED Level Meter, AM radio, and much, much more.

ORDER YOUR COPIES TODAY!

COUNT ME IN! Send me _____ copies of 50 Top Projects.

My cheque is enclosed for _____. (Please add \$1.00 for postage and handling).

NAME _____ TELEPHONE _____

ADDRESS _____

CITY _____ PROVINCE _____ POSTAL CODE _____

SIGNATURE _____

MAIL TO: Moorshead Publications, Suite 601, 25 Overlea Blvd., Toronto, Ontario M4H 1B1

See order form on page 55.

Multiple Output Port



Is your computer a megalomaniac at heart? Here's a circuit that will allow it to have up to 40 slaves, by Stephen Huckstepp.

THIS PROJECT is intended for use with virtually any computer, the only prerequisite being access to the data and address buses and to the control signals IORQ and WR or their equivalents.

There can be up to 40 on/off outputs from the port, all of which can be used to drive external circuitry. The port is expanded in groups of eight, with eight being the minimum (well, you could have a port with no outputs if you really wanted . . .). As the board makes provision for the maximum number of outputs, subsequent expansion up the maximum is no problem.

However, the main draw-back is that this circuit will be fairly slow and software-intensive to operate. This is because each write operation outputs to only one bit in any group of eight outputs, but to each group simultaneously. So, for instance, while writing to bit 3 in group 2, you will be writing to bit 3 in all the other groups (though not the same information). Most of the software you will need will involve setting up the data in the correct format to go to the port.

Provision has not been made to drive equipment that requires a handshake con-

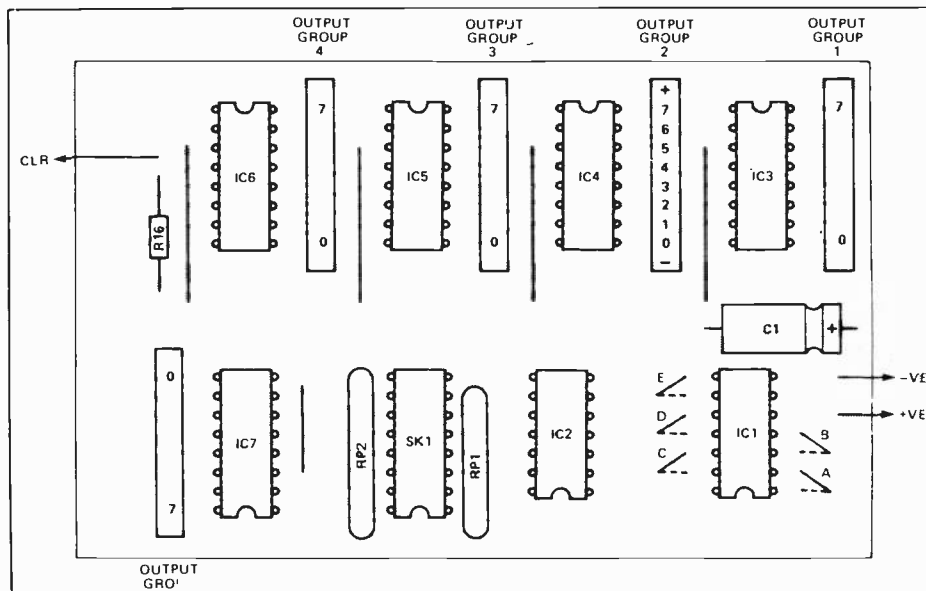
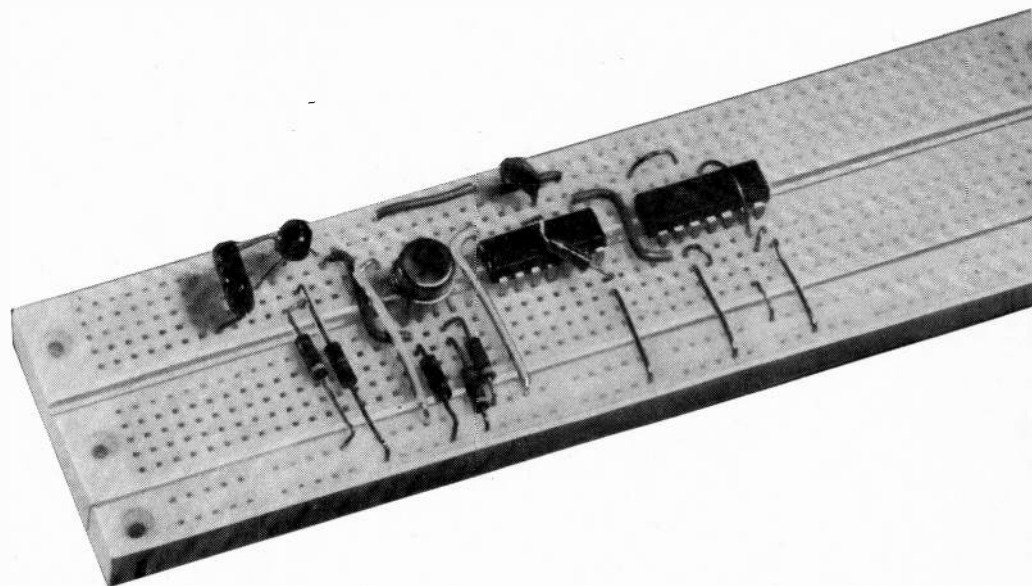
trol. However, an alternative use for a spare output data line from the computer might be as a 'data valid' signal, rather than as a clear as suggested in the 'How It Works' section.

Construction

There is very little to say about the construction of this project except to recommend that the usual CMOS precautions should be followed. Although all the devices used are

relatively inexpensive, it is probably still a good idea to use IC sockets, as failed devices could be troublesome to remove.

When connecting up to the computer, note that the lines for D5 and D7 have been transposed on the PCB. Check your computer's memory map to set up a suitable address for the port, and use the links to make the port occupy this address.



Overlay diagram of the multiple output port; note that the pin-out for SK1 is given on the circuit diagram.

PARTS LIST

RESISTORS

- R1-7 SIP resistor pack, 7 by 10k
- R8-15 SIP resistor pack, 8 by 10k
- R16 10k 1/4 W 5%

CAPACITOR

- C1 100µ 6V (min) tubular electrolytic

SEMICONDUCTORS

- IC1 4069
- IC2 4072
- IC3-7 4099

MISCELLANEOUS

- SK1 16-pin DIP socket and header plug
- SK2-5 10-way SIP connectors, 0.1" spacing
- PCB; case to choice; wire, etc.

HOW IT WORKS

This circuit is based on the 4099 eight-bit latch, used for IC3 to 7, which is one of the cheaper low-power latches that are readily available. The circuit shown is relatively slow to operate, but is very cheap to build!

Five address lines are used to select the port; the inverters, IC1a to e can be selected in or out using the links, so as to set up an address that is convenient.

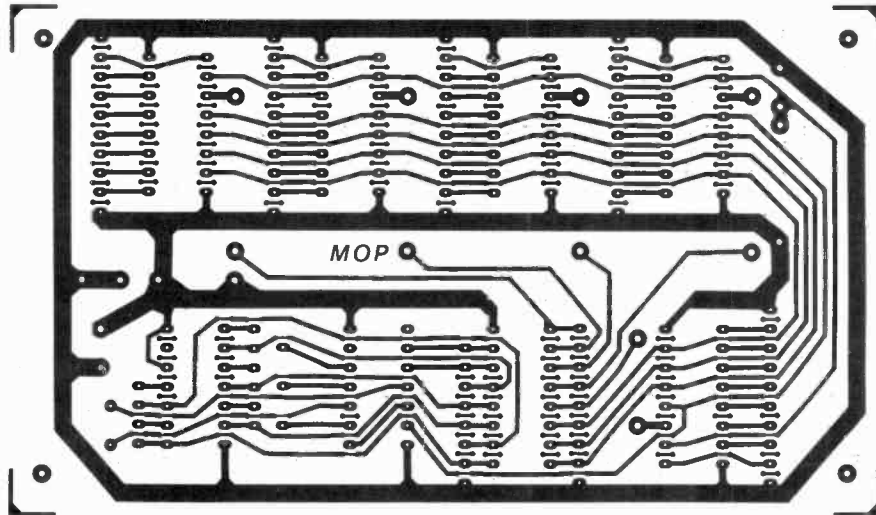
IC2 decodes both the address and the port request lines, IORQ and WR. The output from IC2b enables all the chip select lines on all the latches. Thus when a write operation occurs, the same bit on all the latches is written to at once.

Of the data bits, D5 to D7 are used to address the bit to be written to. The remaining data bits are the data that is to be written, D0 being the data for the selected bit in the first latch (IC3), D1 for the second latch (IC4), etc.

Because of the mode of addressing selected, if you want to leave a particular bit in one latch unchanged, while altering the same bit in the other latches, you must re-write the same data as before.

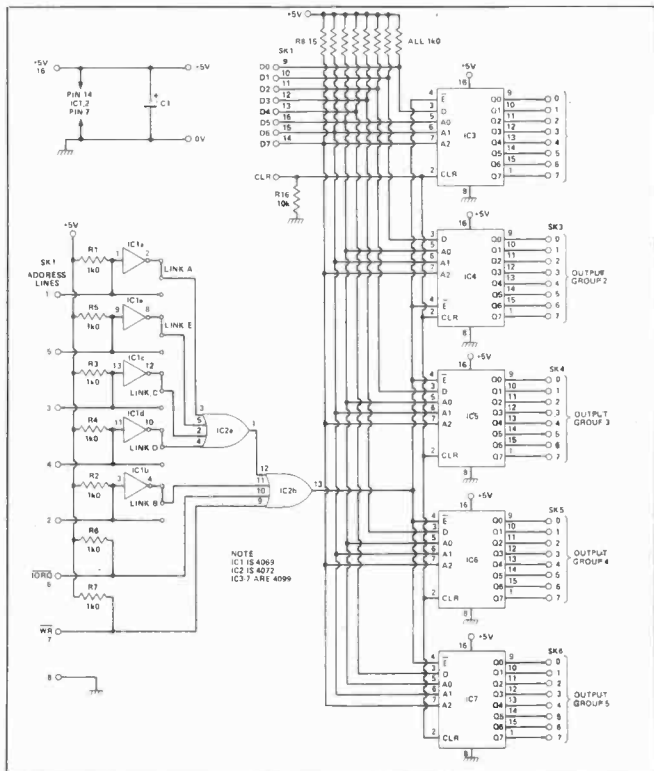
There is no need to install all the latch ICs if you do not need them, as the system will still work with just one latch in position (though you'll only get eight outputs, of course). If you don't use the full capacity, you may find it useful to connect the clear (CLR) input to one of the unused data bits.

Note that the data inputs D5 to D7 feed inputs on all five latches; this may make it necessary to buffer these lines at the computer, depending on what other peripherals are connected to the data bus.



PC board design for the multiple output port.

ETI



Circuit diagram of the multiple output port.

**GET YOUR CIRCUIT CONSTRUCTION IN ORDER
...BACK YOUR COMPONENTS UP WITH A
VEROBOARD!**

This world famous board is still the fastest, easiest method of assembling electronic circuits.

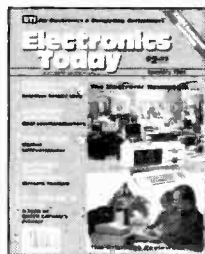
It is available with a hole matrix of 0.1". It is worth remembering that 0.1" Veroboard contains 100 holes per square inch; imagine drilling those yourself. Write for your free catalogue of boards, components and tools including step-by-step instructions.



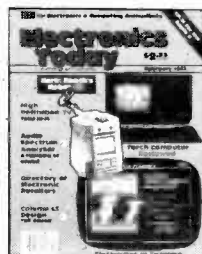
Electronic Packaging Systems Ltd.
P.O. BOX 481, KINGSTON, ONTARIO, K7L 4W5
PHONE (613) 384-1142 TELEX 066-3243

CATCH UP WITH ELECTRONICS TODAY

COMPLETE YOUR COLLECTION OF ELECTRONICS TODAY NOW. FILL OUT THE HANDY COUPON AND MAIL WITH YOUR PAYMENT TODAY. See order form in this issue for full complete list of available back issues.



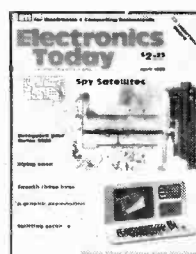
JANUARY '83



FEBRUARY '83



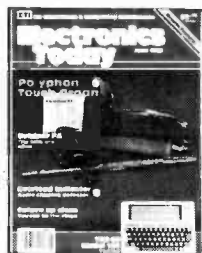
MARCH '83



APRIL '83



MAY '83



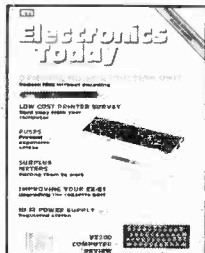
JUNE '83



JULY '83



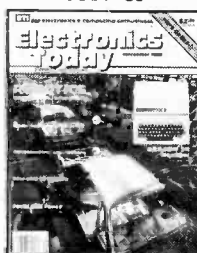
AUGUST '83



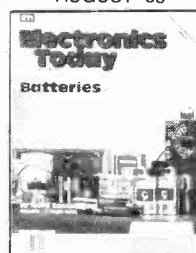
SEPTEMBER '83



OCTOBER '83



NOVEMBER '83



DECEMBER '83

ELECTRONICS TODAY

Back Issues

Moorshead Publications,
Suite 601, 25 Overlea Blvd.,
Toronto, Ontario M4H 1B1.
List desired issues below.

Cheque or Money Order
for \$4.00 per issue. (Postage
and handling included.) Payment
must accompany order.

Total amount enclosed

\$ _____

Name _____

Address _____

City _____ Province _____ Postal Code _____

MEMORY SPECIAL

4116 150nS NEC	\$1.99
4864 1x64K Hitachi 150NS	\$7.75
4164 C-3 150NS NEC	\$8.99
2716 2Kx8 Hitachi, NEC	\$4.99
2732 4Kx8 HITACHI, NEC	\$8.25
2764 8Kx8 Mitsubishi	\$11.75
6532	\$7.99
2532	\$7.65
2114 200nS (Hitachi)	\$2.25
2128-2, 2116, 4016	\$8.25

4164 1x64K OKI 200NS	\$ 8.25
6116 150 NS Hitachi	\$ 8.75

Call for quantity price
OEM Enquiries Invited.

GOLD Switching Power Supply \$95.00

(+5V, 5 AMP, +12V, 2.5
AMPS, -5, 1/2 AMP, -12V
- 1/2 AMP). Heavy duty.

HYDRO APPROVED. Run 2
drives and lots of
peripherals. Circuit
diagram included.
90 Days Warranty.



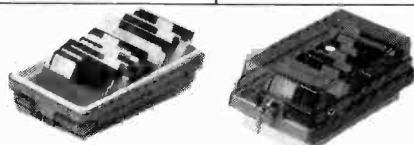
Japanese Parts Specialists PARTS 100% GUARANTEED

CPU

Z80	\$ 5.99
Z80A NEC	\$ 6.75
6502A 2MHz	\$ 6.99
6502	\$ 6.50
6845 CRT Control- ler (Hitachi)	\$10.99
6522	\$ 6.99
6850	\$ 4.99
8088	\$32.95

Peripherals

UPD 7220D	\$59.95
8741 NEC	\$39.95
8251 NEC	\$12.00
8253 NEC	\$12.00
8257 NEC	\$12.00
8086 MIT	\$19.95
8085 OKI	\$12.00



5 1/4 Floppy Disk Case (storage up to 150
diskettes) Lock included

1. YJE High Res non-glare Amber Monitor	\$169.00
2. 52 function numeric keyboard (electronic touch) upper/lower case)	\$119.00

Call for low price
Japanese TTL (Date Code 83, 84)

Store Hours: 9:30 to 6:00
Monday-Saturday 7:00 pm
Thursday and Fridays:

1. 40-80 Column Switch	\$ 5.00
2. Colour R.F. Modulator	\$15.00
3. Joystick (Self-centering) two adjustable controls	\$39.00

a) 128K RAM Card	\$225.00
b) 16K RAM Card	\$ 59.00
c) 80 Column Card	\$ 79.00
d) Disk Controller Card	\$ 59.00
e) Z80 Card	\$ 60.00
f) Communication Card	\$ 79.00
g) 40/80 Col. soft switch	\$ 19.95

Toll Free Orders Only

1-800 268-5619

General Inquiries (416) 298-3280

IBM™Compatible
5 3/4" Disk Drive Special
(Panasonic Matsushita) \$279.00

Panasonic Drive for Apple™ \$329.00

Teac Drive for Apple™ \$299.00

IBM Compatible
keyboard & case \$CALL

Service Centre and Retail Outlet, 4051 Sheppard Avenue East (at Kennedy), Agincourt, Ontario M1S 1S8 (416) 298-3280

Kitstronic

INTERNATIONAL LTD.

(416) 298-3280
Telex - 065-26150

Mail Orders: Send a certified cheque
or money order plus \$3.00 for shipping
and handling. For Special
Delivery, please add \$1.00 extra. On-
tario residents add 7% P.S.T. Visa &
Mastercard accepted.

Circle No. 8 on Reader Service Card

Moorshead Publications

Suite 601, 25 Overlea Blvd., Toronto, Ontario M4H 1B1.

ORDER Please fill out form overleaf
SUBSCRIPTIONS: NEW SUBSCRIPTION? Or... RENEWAL? Please check one.

- Electronics Today
- One year subscription (12 issues) \$19.95 Two year subscription (24 issues) \$34.95.
- Computing Now!
- One year subscription (12 issues) \$22.95 Two year subscription (24 issues) \$37.95

Postage and handling in Canada is included, for U.S. please add \$3 other countries add \$5

PLEASE PRINT CLEARLY

NAME _____
 ADDRESS _____
 TOWN/CITY _____ PROVINCE/STATE _____
 CODE _____ DATE _____
 Signature _____
 _____ Expiry Date _____
 Bill American Express A/C No. _____

PLEASE ALLOW 6-8 WEEKS FOR YOUR FIRST MAGAZINE TO ARRIVE.

BE SURE OF YOUR ISSUE EACH MONTH, SUBSCRIBE TODAY.



BOOKS, BACK ISSUES, SPECIAL PUBLICATIONS, BINDERS — SEE OVER



Bionic Ratcatcher Follow-up

The late Mr. Eustace Cowper, shown above in his past role as Communications Technician for the New York City Department of Works, said that the 57-tonne robot cat built by a Canadian firm was almost an unqualified success.

"We've had a bit of trouble with the radio link antenna (shown in the background), and the Ratcatcher occasionally has trouble identifying the proper target, but we feel this robot will go a long way towards alleviating the NY rat problem," he is reported to have said.

This is only one of the many technological advancements covered in depth by Electronics Today. Besides errant robot cats, we feature projects for both the beginner and the advanced builder, basic electronic theory, and up-to-date reporting on the computer scene.

Have ETI delivered to your door each month; send \$19.95 for one year (12 issues), or \$34.95 for two years (24 issues), using the coupon on this page, or send to:

ELECTRONICS TODAY SUBSCRIPTIONS
SUITE 601, 25 OVERLEA BLVD.,
TORONTO, ONTARIO M4H 1B1

You can save up to 47% off the newsstand price, depending on the term. Subscribe now!!!

HM 605 - The new 60 MHz-Performer

High quality scope at low cost

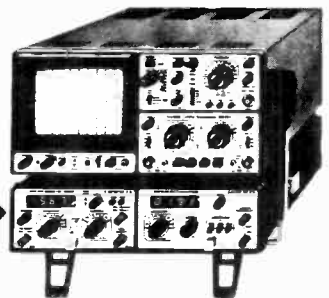


\$1550.00
LIST

HAMEG
Oscilloscopes

See the January issue of ETI for details on educational grants
BIG CAMPUS SUBSIDY

- ✓ 60 MHz Bandwidth
- ✓ 5mV-20V Sensitivity at 60MHz
- ✓ 1mV Sensitivity at 30MHz
- ✓ Timebase Range 5ns-2.5s/cm
- ✓ Reliable Triggering to 80MHz
- ✓ Normal and Peak Value Triggering
- ✓ Alternate Triggering
- ✓ Variable Sweep Delay
- ✓ 14kV Rectangular CRT
- ✓ Y-Output
- ✓ 1kHz/1MHz Calibrator
- ✓ HM8000-Compatibility
- ✓ 2 Years Warranty



Modular-System
HM 8000

BECKMAN'S CIRCUITMATE® AVAILABLE NOW ...

Registered Students ... You may qualify for an educational grant. Ask or write us.



Circuitmate DM 20 — 3½ digit, pocket-size multimeter; 0.8% Vdc accuracy, diode test, hFE test, conductance, 10 amps AC and DC ranges, auto-polarity, auto-zero, auto-decimal

\$94.⁷⁸



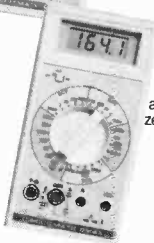
Circuitmate DM 40—3½-digit multimeter; 0.8% Vdc accuracy, diode test, auto-polarity, auto-zero, auto-decimal

\$101.³²



Circuitmate DM 25—3½-digit, pocket-size multimeter, 0.5% Vdc accuracy, diode test, capacitance, continuity beeper, conductance, 10 amps AC and DC ranges, auto-polarity, auto-zero, auto-decimal

\$114.⁴⁰



Circuitmate DM 45—3½-digit multimeter; 0.5% Vdc accuracy, diode test, continuity beeper, 10 amps AC and DC ranges, auto-zero, auto-polarity, auto-decimal.

\$128.⁵⁷



The DM73 is the smallest digital multimeter on the market. Its probe-style design makes it ideal for taking measurements in hard-to-reach test areas.

- Small Size
- Complete Autoranging
- "Touch Hold"
- Audible continuity checking

\$93.⁶⁹



NEW

The DM77 gives you the convenience of autoranging plus 10 amps ac/dc measurement capability. You simply select the function you want, and the DM77 automatically sets the required range.

\$112.²²

All prices are List. To order send Certified Cheque or Money Order. Minimum order for post or C.O.D. is \$25.00. All shipments are F.O.B. Downsview. Orders shipped with Ontario must include 7% Provincial Sales Tax. We accept VISA. Send card number, signature, expiry date along with name of bank.



STORE HOURS: Monday to Friday 8am to 5pm
Saturday 10am to 1pm.

Prices subject to change.



980 Alness St. Unit 7,
Downsview, Ontario.
M3J 2S2
(416) 861-5585
TELEX 065-28169

Product Mart *Where Buyers Find Sellers*

Advertising in the **Product Mart** section allows you to reach over 30,000 Canadian readers nation wide for \$1.00 per word (minimum 25 words). Please contact us for further details on the various sizes and styles available.

WHAT DO YOU DO?

Send us your typewritten or clearly printed words, your permanent address and telephone number and your money (no cash please). Make your cheque or money order payable to Moorshead Publications. We're at Suite 601, 25 Overlea Blvd., Toronto, Ontario, M4H 1B1.

WHAT DO WE DO?

We typeset your words (and put the first word and your company name in **BOLD** capital letters). If we get your message by the 14th of the month, it will appear 1½ months later. For example if we receive it by October 14th you and our readers will see it in the December issue.

TEST-EQUIPMENT. High quality reconditioned Tektronix, H.P., scopes, generators, analysers, etc. \$50 ± \$5000. Calibrated to original specifications. Free illustrated catalogue **ALDONIC** Box 2980, Dept. ETI, Ottawa, "D", Ont. K1P 5W9.

L.A. VARAH LTD. 505 Kenora Ave., Hamilton, Ontario L8E 3P2. Electronic Distributor, we have it all. Call toll free Hamilton 561-9311, Toronto 827-7035. Outside Hamilton and Toronto 1-800-263-6846, A/C 519, 613, 705, 1-800-263-6850.

MCS MICROTRONICS INC. 483 Queen Street West, Toronto, Ont. M5V 2A9 (416) 862-8887. Retail sales: Micro Computers, Computer Peripheral, EMP Modem, EMP Phone, Diskette, VHS T120 Cassette Services, Micro Computers, Electronic Phones, T.V. Stereo, Video Recorders. Mail order.

CORONET ELECTRONICS — 649A Notre Dame St. W., Montreal, Que. H3C 1H8 (514) 288-6731. IC's Semi's Parts catalogue \$1.00 to cover postage. Monthly specials at great prices.

STOCK CLEARANCE, SAT TEC R2B and Boman SR600 Satellite receivers \$200.00
DRYDEN COMMUNITY TV LTD., 75 Queen St., Dryden, Ont. P8N 1A1.

DID YOU KNOW?

That **HOBBILT ELECTRONICS** is the only truly Canadian company devoted to serving hobbyists and student?

Did you know that **HOBBILT** gives student discounts all year round whether in store or by mail?

Did you know that **HOBBILT** doesn't offer wholesale prices?
We're just better priced!

Did you know that \$1.00 and your name and address gets you the new 1984 catalogue?

Well, now you know!

HOBBILT ELECTRONICS, 7454 Langelier, St. Leonard (Mtl), Quebec H1S 3B7

SALES SUPPORT AND SERVICE for all Commodore products from central Alberta's authorized Commodore dealer **RED DEER MICRO SYSTEMS** 4901-48th Street, Red Deer, Alberta. T4N 6M4 (403) 346-9345.

NORTHERN Ontario's largest source of computers and software. Franklin and Corona P.C. custom software and support including maintenance on installation. **KAP DATA AND SYSTEMS LTD.** 3 Byng Avenue, Kapuskasing, Ontario. P5N 1W2. Tel: 705-335-5552.

BRIDGE is our computer game. Adjustable skill. Point count bidding. 1 to 4 players. T199/4A, APPLE2 +, 2E, 3 TRS80-1, 3, 4 IBM-PC/PCjr., 64, VIC, ZX-81, TS-1000, Adam. \$29.95 **JOHN & LYNDA ALLAN**, 93 Laurier St., Dept. ETI, Box 313, Azilda, Ont. POM 1B0, 705-983-4341.

APPLE II compatible buffered printer interface card. Centronics parallel output. Graphics support for Epson MX series, Gemini 10, 10X and 15 printers. 16K byte \$160.00, 64K Byte \$230.00. 416-821-1085. **ZEROSPAN TECHNOLOGY LTD.**, 3395 American Dr., #12, Mississauga, Ont. L4V 1T5.

TIMEX-SINCLAIR Software and Hardware. Brand name products at incredible prices! Send for **FREE** catalogue - pricelist. **TORONTO SOFTWARE WORLD**, Box 84, Dept. CN, Agincourt, Ontario M1S 3B4.

UNUSUAL BOOKS: Intelligence & Investigative electronics and other covert technologies, (the real James Bond stuff.) Fascinating, hard-to-find technical information on many subjects. Free brochures: **MENTOR PUBLICATIONS**, Dept. CIA, 135-53 No. Blvd., Flushing, New York, 11354.

CMOS Sale. MC14023, MC14040, MC14049, MC14070, 74S00, 7490, 74S74, 74LS273, 74S374 and lots more. **FREE FLYER. M.O. Enterprises**, Box 2066E, Bramalea, Ontario L6T 3S3.

AMAZING project and Plans For The Hobbyist. Enter the Fascinating World of Lasers, Ultrasonics, High Voltage, Surveillance, Unique Electronics, and Much More. Catalog \$1. Mail Orders Only. **DUKER ENTERPRISES** 8932 — 155 Street, Edmonton, Alberta. T5R 1W4.

TI-99/4(A) OWNERS! — We offer a fine variety of original games on cassette. Send for free list. **GIGO SOFTWARE**, P.O. Box 673, Niagara Falls, Ontario L2E 6V5 Canada.

LASER surplus: Helium-Neon systems from \$110.00; Ruby rods; Infra-red "Night vision" devices from \$30.00. Free catalog. **MEREDITH INSTRUMENTS** 6517 W. Eva Glendale, Az. 85302.

SOFTWARE — Top selling titles at rock bottom prices! For Apple, IBM-PC, MS-DOS, CP/M and many others. Prompt delivery anywhere in Canada. Phone or write for price list specifying system: **UNIVERSAL SOFTWARE** P.O. Box 3291, Station "C", Ottawa, Ont., K1Y 4J5 (613) 837-1754, VISA or MASTER CARD.

DOSDIAL

The Apple Terminal Package

There are plenty of terminal programs for the Apple II and its emulators. Some dial, some download, some even nurse your poor motherless wombats when they're lonely and scared at two in the morning. However, only **DOSDIAL** is this splendidly cheap.

DOSDIAL is a hybrid Applesoft and machine code package for fast operation and easy modification. It features a phone number library and automatic dialing. It operates on any fruit with a PDA 232C serial card and an autodial modem. A complete source file of the assembler code is included to allow it to be quickly patched for other serial cards.

Only

\$16.95

Ontario residents add seven percent
Computing Now! Software
25 Overlea Boulevard, Suite 601
Toronto, Ontario
M4H 1B1

ELECTRONICS at prices below manufacturers cost. Volume buyers, manufacturers and schools write for wholesale flyer. Retail customers visit our store for bargains in Electronics. **K-W SURPLUS 666** Victoria St. N. Kitchener, Ontario N2H 5G1

J&J ELECTRONICS Ltd., P.O. Box 1437E, Winnipeg, Manitoba R3C 2Z4. Surplus and Semiconductor Specialists. Do you get our bargain flyer? Send \$1.00 to receive the current literature and specials and to be placed on the mailing list for future publications.

CUSTOM PC BOARDS. Competitive prices. Epoxy glass and phenolic boards. Send S.A.S.E. for price list to **QUETECH ELECTRONICS**, 6311 Marie-Victorin, Tracy, Quebec; J3R 1S3 Tel: (514) 742-1556.

PAY TV De-scambler build your own. For schematic & and complete instructions send \$8.95 & self-addressed and stamped envelope to **P.B. ELECTRONICS**, P.O. Box 4176, Station C Ottawa, Ontario K1Y 4P3.

COMMODORE 64 Owners. We offer a fine selection of programs. Send for our new free catalogue. **SANDISON SOFTWARE**, Box 1403, Chatham, Ontario N7M 5W8.

FOR \$10 per kit \$2 handling, receive free flyer and any of the following. #1: 1000 asst'd pcs, choke - capacitor - resistor - transistor - hardware - etc. Capacitor specials: #2: 200 asst'd ceramic - #3: 100 asst'd silver mica - #4: 100 asst'd mylar ! #5: 50 asst'd tantalum - #6: 50 asst'd electrolytic - #7: 50 asst'd feed-through - #8: 50 asst'd metallic silver mica (Elmenco) - #9: 25 asst'd variable. All new material. Unconditional guarantee. **SURPLUS ELECTRO QUEBEC**, 2264 Montee Gagnon, Blainville, Quebec J7E 4H5.

ZX81/TRS80 — MC10 software for engineers, technicians, students: Electric/Electronic Circuits, Mechanics, Machine Design... List \$2.00 refundable with order. **EL-TRONICS ASSOCIATES**, Komoka, Ontario, N0L 1R0.

SATELLITE T.V. PROJECT, July 83 ETI Hard to get parts, GAAS, Fets, Chip capacitors, LNA kits, etc. Also commercial LNA's receivers, polarizers. Trackers, dishes etc. At factory prices. Send S.A.S.E. for price list. **COLESAT SYSTEMS**, RR#2 Tantallon, N.S. B0J 3J0.

C64 assembler \$15.95, disk version \$19.95. RS232 interface coming soon. VIC 20 Battery Powered RAM Kits from \$34.95. Complete 8K Cartridge \$59.95. Bare boards (EPROM compatible) \$11.95. **CANADIAN MICRO PERIPHERALS**, Box 123, Waterloo, Ont. N2J 3Z9.

1984 WORLD RADIO-TV HANDBOOKS \$23 + \$2 S&H, WSI 1984 Catalogue \$2.00, **WSI RADIO**, Box 400, Kitchener, Ontario N2G 3Y9. **ETI**

**DO SMALL ADS
ATTRACT ATTENTION?
WELL, THIS ONE DID!
PRODUCT MART**

Insertions Contact:
Claire Zyvitski

Moorshead Publications
Suite 601, 25 Overlea Blvd.
Toronto, Ontario M4H 1B1
Telephone (416) 423-3262

Product Mart *Where Buyers Find Sellers*

NAME _____ COMPANY _____

ADDRESS _____

CITY _____ PROVINCE _____

POSTAL CODE _____ TELEPHONE _____

NO. OF WORDS _____ AMOUNT ENCLOSED _____

Please print the following in the next available issue of ELECTRONICS TODAY, COMPUTING NOW,
or BOTH. My cheque is enclosed. SIGNATURE _____

NOTE: A 3 line heading can be added to your advertisement for \$30. Also, the whole advertisement can be reversed for effective presentation also for \$30.

(but not the dual device of Figure 4) have the transistor base connected to a separate pin so that suitable circuitry may be used to trade-off gain in order to obtain a better high frequency response. The maximum usable frequency will be obtained when the output phototransistor is connected as a photodiode using only the base and collector connections of Figure 3, but a relatively large input current will then be needed to produce a small output current; the CTR value may be under 0.1%.

Apart from the more limited response speed of a device with a photo-Darlington output stage, it can be seen from Table 1 that the saturation voltage (under high input conditions) is much greater for the photo-Darlington device than for a simple phototransistor. Both the speed of response and the saturation differences are inherent properties of photo-Darlington devices and are not limited to optocouplers.

CTR

In order to understand some of the figures quoted in Table 1, we must first examine the ways in which certain device parameters are specified. The user need not consider any of the internal optical design points, since the manufacturer takes care of such

considerations when he is designing the devices concerned.

Optocouplers are supplied as sealed units, although opto-interrupter modules are also manufactured in which there is a slot between the emitting diode and the detector so that a metal vane passing through the slot can interrupt the beam; such opto-interrupters can, for example, be used in car ignition timing systems.

One of the most important parameters of an optocoupled device is its *current transfer ratio* (CTR) which is the ratio of the output current to the input current under certain conditions specified by the manufacturer; it is usually expressed as a percentage and, broadly speaking, may be considered as the 'gain' of the device. It may be noted that devices with a triac or a thyristor output do not have a CTR value.

It can be seen from Table 1 that typical values of the CTR in the case of devices which have a simple phototransistor output stage is of the order of 50% — which means the collector current in the output phototransistor will be about half that to the input diode emitter.

The minimum value in a device of any specified type may be considerably less than that of the typical value. However, in the case of devices with photo-Darlington outputs, a CTR value of 500% is more

common — which means the output current is five times the input current.

In some special devices a short light pipe is used to carry the radiation from the emitter to the detector, inevitably with some loss, so the CTR value may be reduced in such devices which may be able to withstand a much higher voltage between their input and output sides.

Unfortunately, the CTR does not have a constant value but varies widely with the diode input current and with the device temperature. Figure 8 shows the typical variation of the CTR value of the MCT2 device (which has a simple phototransistor output state) with the forward input current passed through the emitter diode.

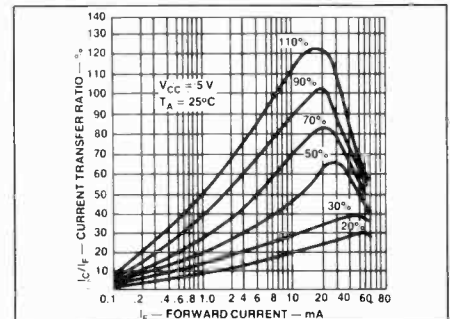
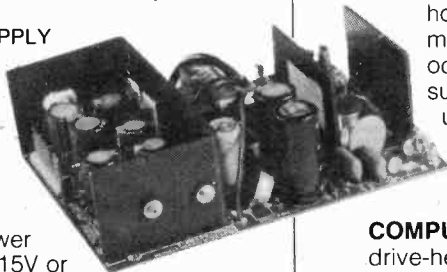


Figure 8. Variation of the current transfer ratio (CTR) with forward current in typical MCT2 devices.

One-Stop Electronics Shopping

First-time shoppers at Arkon are often amazed at the sheer volume of items and services we offer. We can provide the best in price, quality and selection to the professional and hobbyist alike.

POWER SUPPLY SPECIAL
\$59.95



SIERRACIN

Switching power supply with 115V or 230V input and taps at 0V, -5V @ 5A, +5 @ 4A, ±12V @ 5V, and +15V @ 1A. Threaded standoffs make for easy mounting in one of our many Hammond cases.

A FULL SELECTION OF COMPONENTS

is one of the things we're noted for.

Semiconductors, (TTL, CMOS, Linear, CPU, memory, transistors, rectifiers, SCRs, triacs), capacitors, (tantalum, film, electrolytic, ceramic), connectors, (telephone, audio, video, RF, edge, ribbon, etc.), potentiometers, trimmers, fixed resistors, cases, surplus parts. Everything you need for your project including tools, manuals and test equipment.

CUSTOM CABLES

are available from our in-house factory. You can now make full use of those oddball peripherals you got such a great deal on. If you're unsure of which pin goes where, we also have the manuals and expertise to help you out.

COMPUTER CORNER

We have drive-head cleaning kits, power supplies, ribbons, and drafting aids for designing PCBs. Also the best selection of software, books, and magazines around. Various computers on sale too.

KITS

CODE OSCILLATOR	\$2.00
LED BLINKER	2.00
FM WIRELESS TRANSMITTER	3.00
VIDEO MODULATOR	3.00
SIREN	3.50
UNIVERSAL TIMER	3.00

UNPOPULATED BOARDS

COLOUR ORGAN	1.50
SHUTTER TIMER	2.00
300 WATT AMPLIFIER	3.50
CASSETTE INTERFACE	2.00
GUITAR EFFECTS	1.00
STROBE	1.00
GRAPHIC EQUALIZER	2.00
DIGITAL THERMOMETER	2.00

MAIL ORDERING is encouraged. Call or write for our catalogue (indicate your interests). Computer shopping is also available through Networks Canada (416) 593-7460. VISA, Mastercharge, and American Express are welcome. Call the store at (416) 593-9653, or write to Arkon Electronics, 409 Queen Street West, Toronto, Ontario, M5V 2A5.

arkon

ARKON ELECTRONICS LTD. 409 QUEEN ST. W. TORONTO, ONTARIO

Each curve is for a different MCT2 device, the wide spread being due to variation in the phototransistor gain, the emitter efficiency and the coupling efficiency between the two internal components. The percentage values quoted on each curve are those for a 10 mA input current.

The CTR value of a 4N26 or 4N28 can vary by a factor of about 2.5 between high temperatures (where it is relatively low) and very low temperatures, while devices with Darlington outputs may show variations of double this factor between temperature extremes. Rather smaller variations are more commonly found.

Isolation

Manufacturers of optocoupled device specify a maximum voltage which may be safely applied between the input and output sides of the device. In most devices this is in the range 500 to 8000 V, depending on the device type, but special types can be obtained for higher voltage isolation.

The resistance between the input and output sides of a typical device is often around 10^{11} to 10^{12} ohm. Although this seems very high, if a potential of a few kilovolts is applied across the device, a current of somewhat under 100 na can flow. This is comparable with the current through the output of a high gain device when the input current through the emitter is under 1 ma.

If an optocoupler fails under a high applied voltage between its input and output sides, a short circuit will normally develop as a track is formed between the emitting and detecting devices. The problem can be reduced by the use of suitable current limiting resistors or protective devices in either the input or output circuit.

The stray capacitance between the input and output circuit of an optocoupler is typically of the order of 1pF (Table 1). It can provide some unwanted coupling in circuits designed to be able to operate at high speeds, especially when inductive loads are being switched.

The Emitter

The emitting diode will have a maximum continuous current rating, normally some tens of milliamps as indicated in Table 1. In some devices, pulsed currents above the maximum continuous current are permissible.

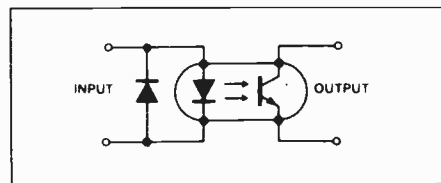


Figure 9. If a reverse voltage is likely to appear across the optocoupler emitter an external diode can be used to 'clip' it.

A maximum value is also imposed on the reverse voltage which may appear across the emitter diode. The application of a higher reverse voltage can cause it to breakdown and perhaps pass a destructive current; however, this problem is easily avoided by connecting an external diode across the emitter diode as shown in Figure 9.

Although gallium arsenide diodes have been the main type used in optocouplers, there is an increasing trend to employ gallium-aluminium-arsenide types, since the latter not only emit photons more efficiently, but also provide a slightly better spectral match to the silicon detector. Thus an appreciable increase in the CTR value can be obtained.

In many optocouplers one must be careful to observe not only the total power dissipated in the complete package, but also the power dissipated in the separate input and output devices, as indicated in Table 1.

The Detector

As with any other phototransistor or photo-Darlington, there is a certain value quoted for the maximum voltage which may be applied between the collector and the emitter with the base unconnected without risk of the device undergoing breakdown; this is BV_{CEO} . Similarly, values may be quoted for BC_{CBO} and BV_{ECO} .

A maximum collector current may also be quoted together with a maximum collector leakage current with base unconnected, I_{CEO} , under specified conditions.

The characteristics of the detector determine the speed of response and the bandwidth, since the emitting diodes are fast. The response time can be reduced by the use of a smaller value of load resistor, but many manufacturers quote rise and fall times and bandwidths with load resistors which are so small that the circuit would have an inadequate gain for most applications.

The response speed of an optocoupler can be improved by using the circuit of Figure 10 in which the collector load is effectively reduced to a very low value by the virtual ground input impedance of the operational amplifier.

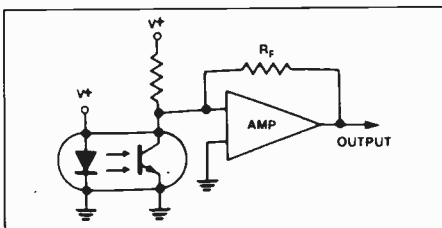


Figure 10. Response speed may be increased by the use of the virtual earth input of an op-amp.

An even simpler way of obtaining a faster response at the expense of a reduced value of the CTR involves connecting a resistor, between the base and emitter of the output transistor. As the value of the

resistor is reduced, the response becomes faster until in the limit, when the resistor is a short circuit, one is using the detector as a photodiode.

If one expects to be working with a very small input current, one might expect the use of a high gain device with a photo-Darlington output would be ideal. This is not necessarily true, since the overall efficiency can fall at such currents to the point where a device with a phototransistor would be better.

Applications

Optocoupling devices can be employed to replace relays and pulse transformers in a wide variety of applications in which high isolation may be desirable or essential. They provide fast signal transfer with excellent noise immunity. They are suitable for interfacing with TTL and CMOS circuits and can also be used for analogue signal coupling.

Circuits designed for use with single phototransistor output optocoupled devices can generally employ the 4N26, 4N28 or MCT2, but note should be made of the individual differences listed in Table 1.

For example, the 4N28 is limited to applications in which the voltage across the device does not exceed 500 V, while when the other devices are selected, it may be as great as 1.5 kV.

The phototransistors in the MCT2 and in the dual MCT6 outputs are much higher voltage devices than those used in the 4N26 and 4N28.

The bandwidth of the 4N26 and 4N28 is typically greater than that of the other two types, but so is the isolation capacitance between the input and output. However, these points are not likely to be of any great importance in most applications.

Relay Control

The simple circuit of Figure 11 shows how small input current may be employed to control a reed relay. The inductive back-emf from the relay coil formed when the current ceases to flow through it is by-passed by the 1N914 diode so that this relatively high voltage pulse cannot damage the output transistor of the optocoupler.

The supply voltage used, $V+$, should have a value about equal to the voltage required by the relay, but should not exceed the V_{CEO} value of Table 1 for the optocoupler used.

Although the use of a reed relay is suggested so that the output current of the optocoupling device is kept quite small, other types of small relay can be controlled with careful circuit design. Obviously this type of circuit provides better isolation than many types of relay.

The circuit can easily be modified so that the relay does not close until the input has been applied for a short time. One merely connects a capacitor across the input

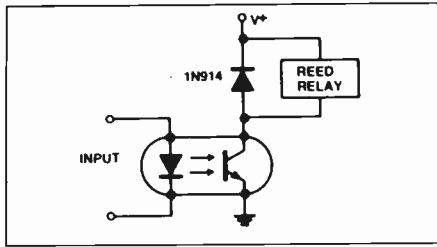


Figure 11. Using an optocoupler to isolate a reed relay.

diode and feeds this diode through a series resistor. The delay time before the relay closes will be dependent on the time taken for the capacitor to charge through the series resistor.

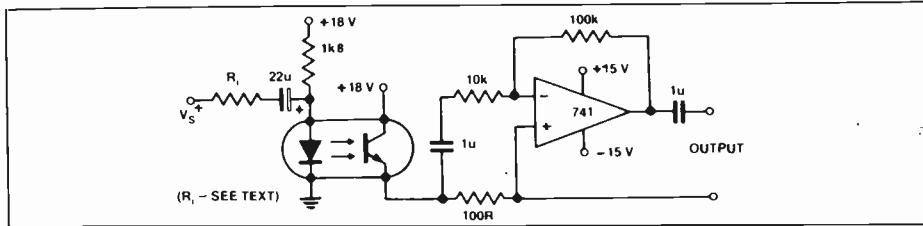


Figure 12: An isolation circuit covering the whole audio range.

Isolated Audio

The circuit of Figure 12 shows how an audio output completely isolated from the audio input signal may be obtained. A positive bias is applied to the input signal, V_{+18} , so that the emitter diode polarity is satisfied.

The value of the input resistor R_1 should be chosen so as to limit the modulating input current to a maximum of 5 ma. the 100 ohm load resistor of the phototransistor results in rather a low gain, but the 741 stage provides a gain of about ten so that a reasonably large output voltage is obtained.

Lab Notes

The low value of the collector load resistor enables an upper frequency up to 20 kHz to be obtained, while the lower frequency response is determined by the values of the coupling capacitors employed — about 25Hz in the case of the values shown.

The separate +18 V suppliers are required if complete isolation between the two parts of the circuit is needed. The input resistor R_1 may consist of a variable resistor in series with a fixed resistor if it is required to alter the output signal voltage without any danger of receiving an electrical shock from the output circuit when the latter is at a relatively high voltage.

TTL Interface

Optocouplers are widely used in interface logic circuits where the logic signal must be transferred from a circuit at either a high or a low voltage level to a circuit at a very different voltage level.

The circuit of Figure 13 shows how an optocoupling device employing a simple

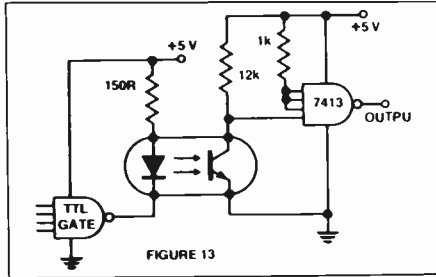


Figure 13. Isolating TTL circuits with an optocoupler.

output transistor may be employed to couple the output of a TTL gate to one of the inputs of a TTL 7413 device at a very different voltage level. The 7413 Schmitt circuit provides switching.

A Fairchild report suggests that the base of the output phototransistor of the optocoupling device should be connected to the emitter through a resistor of about 200 kilohm to prevent fast triggering of the outputs.

Another logic circuit for coupling an input to a 7413 device is shown in Figure 14, but in this case the 4N33 with its photo-Darlington output device is used.

It may be noted that in Figure 13 the load resistor (12 kilohm) is much higher than in Figure 14 (100 ohm), but the use of the higher gain of the 4N33 makes up for the lower value of load resistor.

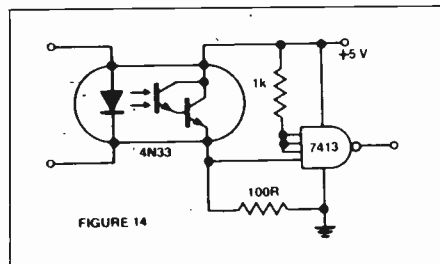


Figure 14. Control of a TTL Schmitt trigger circuit from a 4N33 photo-Darlington device.

The characteristics of the detector determine the speed of response and the bandwidth, since the emitting diodes are fast. The response time can be reduced by the use of a smaller value of load resistor, but many manufacturers quote rise and fall times and bandwidths with load resistors which are so small that the circuit would have an inadequate gain for most applications.

The response speed of an optocoupler can be improved by using the circuit of Figure 10 in which the collector load is effec-

tively reduced to a very low value by the virtual ground input impedance of the operational amplifier.

An even simpler way of obtaining a faster response at the expense of a reduced value of the CTR involves connecting a resistor, between the base and emitter of the output transistor. As the value of the resistor is reduced, the response becomes faster until in the limit, when the resistor is a short circuit, one is using the detector as a photodiode.

If one expects to be working with a very small input current, one might expect the use of a high gain device with a photo-Darlington output would be ideal. This is not necessarily true, since the overall efficiency can fall at such currents to the point where a device with a phototransistor would be better.

Simple Latch

The very simple latching circuit of Figure 15 can employ a pair of 4N33 photo-Darlington output devices. Initially, S_1 is open and no current flows through either 4N33. If S_1 is then closed, a current flows from the positive supply through the diode emitter in the upper 4N33 and through the emitter in the lower 4N33, the output of the upper device being shorted out by S_1 during this time.

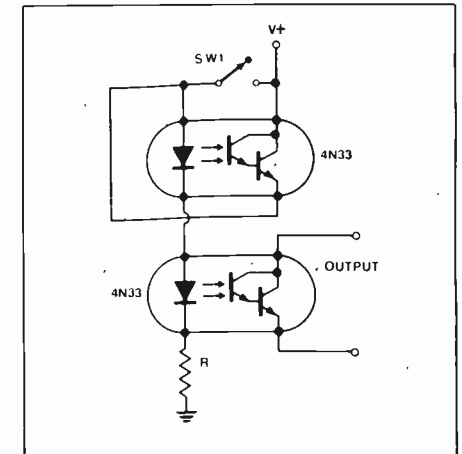


Figure 15. A latching circuit using two 4N33 devices.

When S_1 opens, the short is removed from its output circuit, but the response time of the latter is longer than that of the emitter. The current therefore flows through the output of the upper 4N33, through the diode emitter of this same device to maintain the output in its conducting state and through the emitter of the lower 4N33. Thus the output of the lower device remains in its conducting state after S_1 has re-opened.

The voltage across the two forward-biased emitting diodes is around 3.5 V and it is convenient to operate these diodes at about 5 ma. Thus, a suitable value for the resistor R is $(V_{+} - 3.5)/0.005$ or about 3.9 kilohm with a 24 V supply.

Bidirectional Control

The output current of an optocoupler using a phototransistor or a photo-Darlington device must flow only in one direction, so such a device cannot control alternating cur-

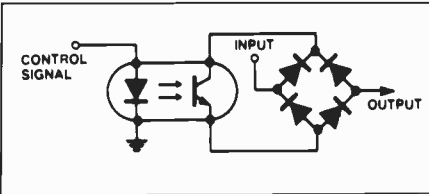


Figure 16. Controlling a bi-directional current using an optocoupler.

rent. This problem can easily be overcome by the use of the circuit of Figure 16, in which the input-to-output current is rectified by a diode bridge circuit before being fed to the output stage of the optocoupled device.

The control signal which switches the output on and off must be unidirectional.

Power Supply

Optocoupling devices can be used to isolate the control voltage of a regulated high voltage power supply from this supply line. The basic circuit which may be used is shown in Figure 17.

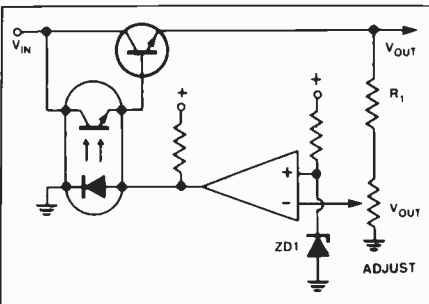


Figure 17. Using an optocoupler in a high voltage series-pass regulator.

A current flows from the stabilised output supply through the high value resistor R1 so that the variable resistor taps off a voltage proportional to the output voltage. This is compared with that across the zener

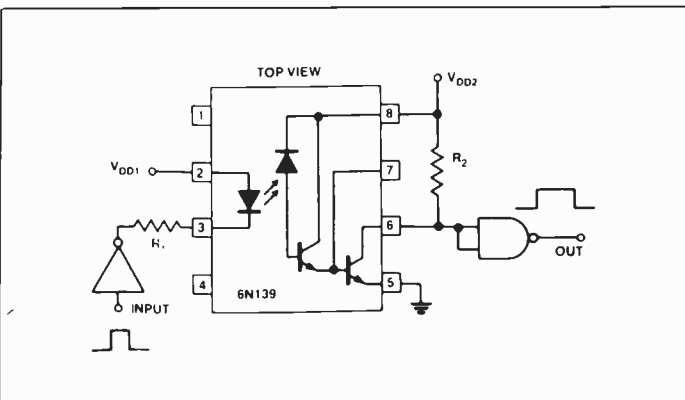


Figure 18. A fast TTL interfacing and isolating circuit using the 6N139.

diode D1 using the operational amplifier.

The output signal from this amplifier is fed to the emitter of the optocoupled device which is used to control the series pass transistor and hence to keep the output voltage constant. Thus, the amplifier device output is isolated from the high voltage supply.

A photo-Darlington device may be used in this type of circuit for higher feedback loop gain, but an external pass transistor is always required, since the output devices incorporated into optocouplers can handle only very limited power.

Fast Interface

The 6N139 with its 'split photo-Darlington' output device enables the high speed of the separate photodiode to be combined with the high gain of the Darlington connected internal transistors. Although the CTR has a minimum value of 400% at a 500 ma input current, the device output can switch in a few microseconds.

A fast non-inverting logic interface circuit using this device is shown in Figure 18. The maximum switching speed depends on the load resistor, R2, and the input resistor, R1. If R1 has a value of 180 ohm a current of about 17 ma will flow to the output of the TTL input device from the terminal emitter diode and the use of a 100 ohm load resistor for R2 will then enable data rates of about 300 kbit/s to be obtained. On the other hand, R1 may be increased to 1k8 for a 1.7 ma diode current with R2 2k2 for a maximum data rate of nearly 50 kHz.

Electrocardiograph Amplifier

The use of an optocoupled device to provide complete isolation of a patient from electrocardiography equipment is shown in Figure 19. The electrodes from the patient are connected to the programmable 4250 pre-amplifier stage which operates from ± 3 V battery supplies, nulling facilities being provided by the variable resistor connected between pins 1 and 5.

The same $+3$ V battery supply provides the bias for the high gain BC109 transistor which drives the diode emitter of the

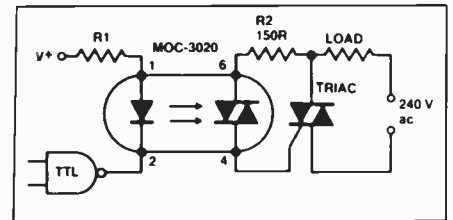


Figure 20. Control of ac power where there is a resistive load, using the MOC-3020.

optocoupling devices.

The output phototransistor of the optocoupler receives a base bias so that some current is always passing through its collector circuit. This enables the positive and negative parts of the signal waveform to be obtained at the output.

This is particularly important application of optocoupled devices, since without the isolation provided by such a device, small currents could be fed into the patient which in certain circumstance could produce death.

The MOC-3020

The small triac in the MOC-3020 output can provide a current of up to 100 ma. This is too small for controlling the mains current passing through the load in almost all applications, but is adequate to trigger an additional external triac.

A circuit of this type is shown in Figure 20 in which the output of the TTL gate, controls the emitter current of the MOC-3020 which triggers the internal triac, the latter triggering the external triac.

The latter device should be selected so that it can hold-off the applied mains voltage and also pass whatever current is required by the particular load being used.

Figure 21 shows the use of the MOC-3020 to switch the ac current through a lamp fed from the 240V mains when the lamp current is less than 100 ma. As the filament of the lamp has a much lower resistance when it is cold, care must be taken to ensure that the initial peak current is not excessive (about 1A for a very short time is permissible).

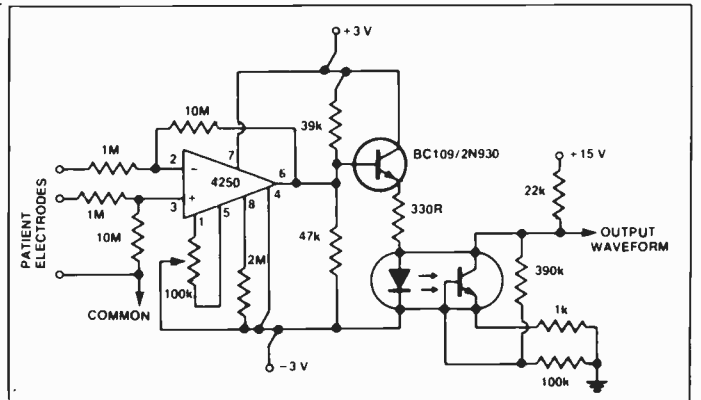


Figure 19. An electrocardiograph preamplifier circuit providing isolation of the patient from the equipment. (Litronix.)

UNLEASH THE POWER OF ATOM



ATOM Model: AT-1 Disk Drive

MORE THAN JUST ANOTHER APPLE® COMPATIBLE DISK DRIVE

HIGH PERFORMANCE FEATURES

- High precision **Ball Bearing Head Carriage**, almost **NO NOISE**;
- **DIRECT DRIVE** Brushless Spindle Motor;
- 163 K Bytes, 40 Track capability;
- Half Track Capability;
- Fast Access Time (6ms track to track);
- Enhanced Read/Write Circuitry;
- Simplified High Technology Board for Lower MTBF
- **One Year Labour & Parts Warranty**

**THE ATOM AT-1 WILL READ MANY
MARGINAL DISKETTES OTHER
DISK DRIVES CANNOT ACCESS ...**

APPLE is a Registered Trade Mark of
Apple Computer Inc.
ATOM is a Trade Mark of Budgetron Inc.

We are signing up Dealers across
Canada. Call us now for
FREE DEALER DISK DRIVE PROGRAM
(Offer expires May 31, 1984)

ATOM

is a Trademark of

Budgetron Inc.

1601 Matheson Blvd., Unit 3
Mississauga, Ontario, Canada L4W 1H9
Tel.: (416) 624-7323 Telex: 06-960172 Budgetron MSGA

Circle No. 18 on Reader Service Card.

Designer's Notebook

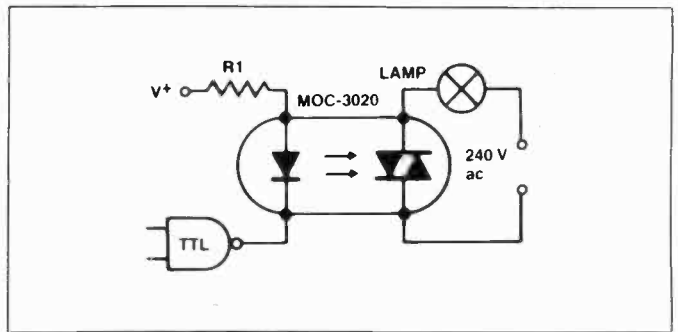


Figure 21. Controlling a lamp on the ac mains using a MOC-3020 (but watch the power rating).

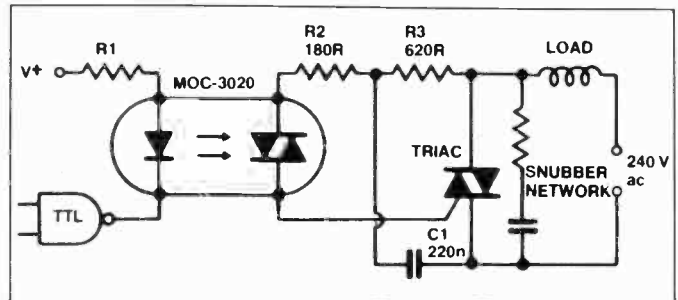


Figure 22. Control of ac power where the load is inductive (i.e. a motor), using the MOC-3020. Note the use of a 'snubber' network. Typical values for the RC network would be $R = 180$ ohms, $C = 220$ n.

In the circuit of Figures 20 and 21, the load is resistive and conduction of the internal triac ceases when the mains voltage passes through zero during the course of the mains cycle.

In the case of an inductive load (such as an electric motor), however, large back-emf pulses can be generated when the current ceases to flow through the load and this could cause the internal triac of the optocoupler to operate in an improper way.

This problem can be avoided through the use of the type of circuit shown in Figure 22, the values of the components of the 'snubber network' connected across the external triac being dependent on the load inductance and resistance.

Conclusion

Simple optocoupler devices can be employed in a wide range of circuits from the simplest types to quite complex ones. At prices ranging from under one dollar up to a few dollars, they are excellent value!

ETI



Electronics Today Bookshelf

ELECTRONICS BEGINNERS

PH255: COMPLETE GUIDE TO READING SCHEMATIC DIAGRAMS, 2nd Edition
J. DOUGLAS-YOUNG \$9.95

Packed with scores of easy-to-understand diagrams and invaluable troubleshooting tips as well as a circuit finder chart and a new section on logic circuits

PH251: BEGINNER'S HANDBOOK OF IC PROJECTS
D. HEISERMAN \$16.95
Welcome to the world of integrated circuit (IC) electronic projects. This book contains over 100 projects (each including a schematic diagram, parts list, and descriptive notes)

PH252: DIGITAL ICs: HOW THEY WORK AND HOW TO USE THEM
A. BARBER \$10.95
The dozens of illustrations included in this essential reference book will help explain time-saving test procedures, interpreting values, performing voltage measurements, and much more!

PH249: THE BEGINNER'S HANDBOOK OF ELECTRONICS
G. OLSEN & M. MIMS, III \$10.95
In this basic book, the authors cover the entire spectrum of modern electronics, including the use of such components as integrated circuits and semiconductor devices in record players, radio receivers, airplane guidance systems, and many others

THE BEGINNER'S HANDBOOK OF ELECTRONICS
AB003 \$10.95
An excellent textbook for those interested in the fundamentals of Electronics. This book covers all major aspects of power supplies, amplifiers, oscillators, radio, television and more.

ELECTRONIC THEORY

ELEMENTS OF ELECTRONICS — AN ON-GOING SERIES

F.A. WILSON, C.G.I.A., C.Eng.,
BP62: BOOK 1. The Simple Electronic Circuit and Components \$8.45
BP63: BOOK 2. Alternating Current Theory \$8.45
BP64: BOOK 3. Semiconductor Technology \$8.45
BP77: BOOK 4. Microprocessing Systems And Circuits \$11.70
BP89: BOOK 5. Communication \$11.70
The aim of this series of books can be stated quite simply — it is to provide an inexpensive introduction to modern electronics so that the reader will start on the right road by thoroughly understanding the fundamental principles involved.

Although written especially for readers with no more than ordinary arithmetical skills, the use of mathematics is not avoided, and all the mathematics required is taught as the reader progresses.

Each book is a complete treatise of a particular branch of the subject and, therefore, can be used on its own with one proviso, that the later books do not duplicate material from their predecessors, thus a working knowledge of the subjects covered by the earlier books is assumed.

BOOK 1: This book contains all the fundamental theory necessary to lead to a full understanding of the simple electronic circuit and its main components.

BOOK 2: This book continues with alternating current theory without which there can be no comprehension of speech, music, radio, television or even the electricity utilities.

BOOK 3: Follows on semiconductor technology, leading up to transistors and integrated circuits

BOOK 4: A complete description of the internal workings of microprocessor.

BOOK 5: A book covering the whole communication scene.

PH241: DC ELECTRONICS \$16.95
Covers everything from voltage current, and resistance relationships to more advanced studies of electrical measurements, circuits, resistors, capacitors, and inductors.

PH242: AC ELECTRONICS \$16.95
Covers AC fundamentals and theory. Includes discussions and experiments in resonance and reactance; RC, RL, and RLC circuits; and how to work with formulas to analyze the operations of AC circuitry

PH243: ELECTRONICS CIRCUITS \$16.95
Covers all of the most popular electronic circuits, with emphasis on integrated circuits.

PH244: SEMICONDUCTOR DEVICES \$16.95
Covers semi-conductor fundamentals, diodes, zeners, bipolar transistor operation and characteristics, FETs, thyristors, ICs, and optoelectronics.

PH247: DIGITAL TECHNIQUES \$19.95
Covers logic circuits, Boolean Algebra, flip-flops, registers, combinational logic circuitry, and digital design.

Tab1531: CONCEPTS OF DIGITAL ELECTRONICS \$21.95
This book erases the mysteries surrounding digital electronics theory. Understand and use low-cost 7400 series ICs to produce working digital devices including a power supply and a breadboard experimenter.

PROJECTS

BP48: ELECTRONIC PROJECTS FOR BEGINNERS \$5.40
F.G. RAYER, T.Eng.(CEI), Assoc.IERE

Another book written by the very experienced author — Mr. F.G. Rayer — and in it the newcomer to electronics, will find a wide range of easily made projects. Also, there are a considerable number of actual component and wiring layouts, to aid the beginner.

Furthermore, a number of projects have been arranged so that they can be constructed without any need for soldering and, thus, avoid the need for a soldering iron.

Also, many of the later projects can be built along the lines as those in the 'No Soldering' section so this may considerably increase the scope of projects which the newcomer can build and use.

221: 28 TESTED TRANSISTOR PROJECTS
R.TORRENS \$5.00

Mr. Richard Torrens is a well experienced electronics development engineer and has designed, developed, built and tested the many useful and interesting circuits included in this book. The projects themselves can be split down into simpler building blocks, which are shown separated by boxes in the circuits for ease of description, and also to enable any reader who wishes to combine boxes from different projects to realise ideas of his own

BP49: POPULAR ELECTRONIC PROJECTS \$5.75
R.A. PENFOLD

Includes a collection of the most popular types of circuits and projects which, we feel sure, will provide a number of designs to interest most electronics constructors. The projects selected cover a very wide range and are divided into four basic types: Radio Projects, Audio Projects, Household Projects and Test Equipment.

EXPERIMENTER'S GUIDE TO SOLID STATE ELECTRONIC PROJECTS
AB007 \$9.95

An ideal sourcebook of Solid State circuits and techniques with many practical circuits. Also included are many useful types of experimenter gear.

BP71: ELECTRONIC HOUSEHOLD PROJECTS \$7.20
R. A. PENFOLD

Some of the most useful and popular electronic construction projects are those that can be used in or around the home. The circuits range from such things as '2 Tone Door Buzzer', Intercom, through Smoke or Gas Detectors to Baby and Freezer Alarms.

BP94: ELECTRONIC PROJECTS FOR CARS AND BOATS \$8.10
R.A. PENFOLD \$7.60

Projects, fifteen in all, which use a 12V supply are the basis of this book. Included are projects on Windscreen Wiper Control, Courtesy Light Delay, Battery Monitor, Cassette Power Supply, Lights Timer, Vehicle Immobiliser, Gas and Smoke Alarm, Depth Warning and Shaver Inverter.

BP69: ELECTRONIC GAMES \$7.05
R.A. PENFOLD

In this book Mr. R. A. Penfold has designed and developed a number of interesting electronic game projects using modern integrated circuits. The text is divided into two sections, the first dealing with simple games and the latter dealing with more complex circuits.

BP95: MODEL RAILWAY PROJECTS \$7.60

Electronic projects for model railways are fairly recent and have made possible an amazing degree of realism. The projects covered include controllers, signals and sound effects: striboard layouts are provided for each project.

BP93: ELECTRONIC TIMER PROJECTS \$7.60
F.G. RAYER

Windscreen wiper delay, darkroom timer and metronome projects are included. Some of the more complex circuits are made up from simpler sub-circuits which are dealt with individually.

110 OP-AMP PROJECTS
MARSTON
HB24 \$12.95

This handbook outlines the characteristics of the op-amp and present 110 highly useful projects—ranging from simple amplifiers to sophisticated instrumentation circuits.

110 IC TIMER PROJECTS
GILDER
HB25 \$10.95

This sourcebook maps out applications for the 555 timer IC. It covers the operation of the IC itself to aid you in learning how to design your own circuits with the IC. There are application chapters for timer-based instruments, automotive applications, alarm and control circuits, and power supply and converter applications.

BP110: HOW TO GET YOUR ELECTRONIC PROJECTS WORKING
R.A. PENFOLD \$7.60

We have all built circuits from magazines and books only to find that they did not work correctly, or at all, when first switched on. The aim of this book is to help the reader overcome just these problems by indicating how and where to start looking for many of the common faults that can occur when building up projects.

PH250: EXPERIMENTER'S GUIDE TO SOLID STATE ELECTRONICS PROJECTS
A. BARBER \$9.95

This book takes the mystery out of solid state electronics and enables the reader to build such useful devices as: series regulated power supplies, light dimmers, solar cell operated radios, hi-fi amplifiers, light indicators for battery operated equipment and much more.

110 THYRISTOR PROJECTS USING SCRs AND TRIACS
MARSTON
HB22 \$12.95

A grab bag of challenging and useful semiconductor projects for the hobbyist, experimenter, and student. The projects range from simple burglar, fire, and water level alarms to sophisticated power control devices for electric tools and trains. Integrated circuits are incorporated wherever their use reduces project costs.

110 CMOS DIGITAL IC PROJECTS
MARSTON
HB23 \$11.25

Outlines the operating characteristics of CMOS digital ICs and then presents and discusses 110 CMOS digital IC circuits ranging from inverter gate and logic circuits to electronic alarm circuits. Ideal for amateurs, students and professional engineers

BP76: POWER SUPPLY PROJECTS \$6.80
R.A. PENFOLD

Line power supplies are an essential part of many electronics projects. The purpose of this book is to give a number of power supply designs, including simple unregulated types, fixed voltage regulated types, and variable voltage stabilised designs, the latter being primarily intended for use as bench supplies for the electronics workshop. The designs provided are all low voltage types for semiconductor circuits.

There are other types of power supply and a number of these are dealt with in the final chapter, including a cassette power supply, Ni-Cad battery charger, voltage step up circuit and a simple inverter.

BP84: DIGITAL IC PROJECTS \$7.60
F.G. RAYER, T.Eng.(CEI), Assoc.IERE

This book contains both simple and more advanced projects and it is hoped that these will be found of help to the reader developing a knowledge of the workings of digital circuits. To help the newcomer to the hobby the author has included a number of board layouts and wiring diagrams. Also, the more ambitious projects can be built and tested section by section and this should help avoid or correct faults that could otherwise be troublesome. An ideal book for both beginner and more advanced enthusiast alike

BP67: COUNTER DRIVER AND NUMERAL DISPLAY PROJECTS \$7.05
F.G. RAYER, T.Eng.(CEI), Assoc. IERE

Numeral indicating devices have come very much to the forefront in recent years and will, undoubtedly, find increasing applications in all sorts of equipment. With present day integrated circuits, it is easy to count, divide and display numerically the electrical pulses obtained from a great range of driver circuits.

In this book many applications and projects using various types of numeral displays, popular counter and driver ICs etc. are considered.

BP73: REMOTE CONTROL PROJECTS \$8.10
OWEN BISHOP

This book is aimed primarily at the electronics enthusiast who wishes to experiment with remote control. Full explanations have been given so that the reader can fully understand how the circuits work and can more easily see how to modify them for other purposes, depending on personal requirements. Not only are radio control systems considered but also infra-red, visible light and ultrasonic systems as are the use of Logic ICs and Pulse position modulation etc.

BP99: MINI—MATRIX BOARD PROJECTS \$7.60
R.A. PENFOLD

Twenty useful projects which can all be built on a 24 x 10 hole matrix board with copper strips. Includes Doorbuzzer, Low-voltage Alarm, AM Radio, Signal Generator, Projector Timer, Guitar Headphone Amp, Transistor Checker and more.

BP103: MULTI-CIRCUIT BOARD PROJECTS \$7.60
R.A. PENFOLD

This book allows the reader to build 21 fairly simple electronic projects, all of which may be constructed on the same printed circuit board. Wherever possible, the same components have been used in each design so that with a relatively small number of components and hence low cost, it is possible to make any one of the projects or by re-using the components and P.C.B. all of the projects.

Tab1431: DIGITAL ELECTRONIC PROJECTS \$20.95

Build a deluxe code oscillator, a digital game called Climb-the-Mountain, a clock with alarm, a metric measuring wheel, a modular decade counter, even a 14-note music generator 17 projects in all.

BP107: 30 SOLDERLESS BREADBOARD PROJECTS — BOOK 1 \$8.85
R.A. PENFOLD

A "Solderless Breadboard" is simply a special board on which electronic circuits can be built and tested. The components used are just plugged in and unplugged as desired. The 30 projects featured in this book have been specially designed to be built on a "Verobloc" breadboard. Wherever possible the components used are common to several projects, hence with only a modest number of reasonably inexpensive components it is possible to build, in turn, every project shown.

ETI—MAY—1984—65

Electronics Today Bookshelf

BP106: MODERN OP-AMP PROJECTS \$7.60
R.A. PENFOLD
 Features a wide range of constructional projects which make use of op-amps including low-noise, low distortion, ultra-high input impedance, high slew-rate and high output current types.

CIRCUITS

BP80: POPULAR ELECTRONIC CIRCUITS — BOOK 1 \$7.75
R.A. PENFOLD
 Another book by the very popular author, Mr. R.A. Penfold, who has designed and developed a large number of various circuits. These are grouped under the following general headings: Audio Circuits, Radio Circuits, Test Gear Circuits, Music Project Circuits, Household Project Circuits and Miscellaneous Circuits.

BP98: POPULAR ELECTRONIC CIRCUITS, BOOK 2 \$8.85
R.A. PENFOLD
 70 plus circuits based on modern components aimed at those with some experience.

The GIANT HANDBOOK OF ELECTRONIC CIRCUITS \$27.95
TAB No.1300
 About as twice as thick as the Webster's dictionary, and having many more circuit diagrams, this book is ideal for any experimenter who wants to keep amused for several centuries. If there isn't a circuit for it in here, you should have no difficulty convincing yourself you don't really want to build it.

BP39: 50 (FET) FIELD EFFECT TRANSISTOR PROJECTS \$5.00
F.G. RAYER, T.Eng.(CEI), Assoc.IERE
 Field effect transistors (FETs), find application in a wide variety of circuits. The projects described here include radio frequency amplifiers and converters, test equipment and receiver aids, tuners, receivers, mixers and tone controls, as well as various miscellaneous devices which are useful in the home.

This book contains something of particular interest for every class of enthusiast — short wave listener, radio amateur, experimenter or audio devotee.

BP87: SIMPLE L.E.D. CIRCUITS \$5.40
R.N. SOAR
 Since it first appeared in 1977, Mr. R.N. Soar's book has proved very popular. The author has developed a further range of circuits and these are included in Book 2. Projects include a Transistor Tester, Various Voltage Regulators, Testers and so on.

BP42: 50 SIMPLE L.E.D. CIRCUITS \$3.05
R.N. SOAR
 The author of this book, Mr. R.N. Soar, has compiled 50 interesting and useful circuits and applications, covering many different branches of electronics, using one of the most inexpensive and freely available components — the Light Emitting Diode (L.E.D.) A useful book for the library of both beginner and more advanced enthusiast alike

BP82: ELECTRONIC PROJECTS USING SOLAR CELLS \$7.60
OWEN BISHOP
 The book contains simple circuits, almost all of which operate at low voltage and low currents, making them suitable for being powered by a small array of silicon cells. The projects cover a wide range from a bicycle speedometer to a novelty 'Duck Shoot', a number of power supply circuits are included

BP37: 50 PROJECTS USING RELAYS, SCR'S & TRIACS \$5.00
F.G. RAYER, T.Eng.(CEI), Assoc.IERE
 Relays, silicon controlled rectifiers (SCR's) and bi-directional triodes (TRIACs) have a wide range of applications in electronics today. This book gives tried and practical working circuits which should present the minimum of difficulty for the enthusiast to construct. In most of the circuits there is a wide latitude in component values and types, allowing easy modification of circuits or ready adaptation of them to individual needs

BP24: 50 PROJECTS USING IC741 \$3.75
RUDI & UWE REDMER
 This book, originally published in Germany by TOPP, has achieved phenomenal sales on the Continent and Babani decided, in view of the fact that the integrated circuit used in this book is inexpensive to buy, to make this unique book available to the English speaking reader. Translated from the original German with copious notes, data and circuitry, a "must" for everyone whatever their interest in electronics

BP83: VMOS PROJECTS \$7.70
R.A. PENFOLD
 Although modern bipolar power transistors give excellent results in a wide range of applications, they are not without their drawbacks or limitations. This book will primarily be concerned with VMOS power FETs although power MOSFETs will be dealt with in the chapter on audio circuits. A number of varied and interesting projects are covered under the main headings of: Audio Circuits, Sound Generator Circuits, DC Control Circuits and Signal Control Circuits.

BP44: IC 555 PROJECTS \$7.05
E.A. PARR, B.Sc., C.Eng., M.I.E.E.
 Every so often a device appears that is so useful that one wonders how life went on before without it. The 555 timer is such a device. Included in this book are Basic and General Circuits, Motor Car and Model Railway Circuits, Alarms and Noise Makers as well as a section on the 556, 558 and 559 timers.

BP65: SINGLE IC PROJECTS \$6.05
R.A. PENFOLD
 There is now a vast range of ICs available to the amateur market, the majority of which are not necessarily designed for use in a single application and can offer unlimited possibilities. All the projects contained in this book are simple to construct and are based on a single IC. A few projects employ one or two transistors in addition to an IC but in most cases the IC is the only active device used.

BP97: IC PROJECTS FOR BEGINNERS \$7.60
F.G. RAYER
 Covers power supplies, radio, audio, oscillators, timers and switches. Aimed at the less experienced reader, the components used are popular and inexpensive.

BP88: HOW TO USE OP AMPS \$8.85
E.A. PARR
 A designer's guide covering several op amps, serving as a source book of circuits and a reference book for design calculations. The approach has been made as non-mathematical as possible.

IC ARRAY COOKBOOK
JUNG
HB26 \$13.75
 A practical handbook aimed at solving electronic circuit application problems by using IC arrays. An IC array, unlike specific-purpose ICs, is made up of uncommitted IC active devices, such as transistors, resistors, etc. This book covers the basic types of such ICs and illustrates with examples how to design with them. Circuit examples are included, as well as general design information useful in applying arrays.

BP50: IC LM3900 PROJECTS \$5.40
H. KYBETT, B.Sc., C.Eng.
 The purpose of this book is to introduce the LM3900 to the Technician, Experimenter and the Hobbyist. It provides the groundwork for both simple and more advanced uses, and is more than just a collection of simple circuits or projects. Simple basic working circuits are used to introduce this IC. The LM3900 can do much more than is shown here, this is just an introduction. Imagination is the only limitation with this useful and versatile device. But first the reader must know the basics and that is what this book is all about.

223: 50 PROJECTS USING IC CA3130 \$5.00
R.A. PENFOLD
 In this book, the author has designed and developed a number of interesting and useful projects which are divided into five general categories: I — Audio Projects II — R.F. Projects III — Test Equipment IV — Household Projects V — Miscellaneous Projects.

224: 50 CMOS IC PROJECTS \$3.75
R.A. PENFOLD
 CMOS IC's are probably the most versatile range of digital devices for use by the amateur enthusiast. They are suitable for an extraordinary wide range of applications and are also some of the most inexpensive and easily available types of IC.
 Mr. R.A. Penfold has designed and developed a number of interesting and useful projects which are divided into four general categories: I — Multivibrators II — Amplifiers and Oscillators III — Trigger Devices IV — Special Devices.

THE ACTIVE FILTER HANDBOOK \$13.95
TAB No.1133
 Whatever your field — computing, communications, audio, electronic music or whatever — you will find this book the ideal reference for active filter design.
 The book introduces filters and their uses. The basic math is discussed so that the reader can tell where all design equations come from. The book also presents many practical circuits including a graphic equalizer, computer tape interface and more.

DIGITAL IC'S — HOW THEY WORK AND HOW TO USE THEM \$10.95
AB004
 An excellent primer on the fundamentals of digital electronics. This book discusses the nature of gates and related concepts and also deals with the problems inherent in practical digital circuits.

MASTER HANDBOOK OF 1001 PRACTICAL CIRCUITS \$19.95
TAB No.800
MASTER HANDBOOK OF 1001 MORE PRACTICAL CIRCUITS \$23.95
TAB No.804
 Here are transistor and IC circuits for just about any application you might have. An ideal source book for the engineer, technician or hobbyist. Circuits are classified according to function, and all sections appear in alphabetical order.

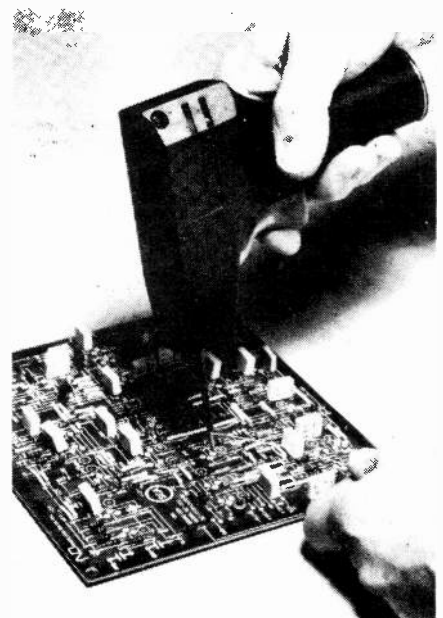
THE MASTER IC COOKBOOK \$17.95
TAB No.1199
 If you've ever tried to find specs for a so called 'standard' chip, then you'll appreciate this book. C.L. Hallmark has compiled specs and pinout for most types of ICs that you'd ever want to use.

ELECTRONIC DESIGN WITH OFF THE SHELF INTEGRATED CIRCUITS \$12.95
AB016
 This practical handbook enables you to take advantage of the vast range of applications made possible by integrated circuits. The book tells how, in step by step fashion, to select components and how to combine them into functional electronic systems. If you want to stop being a "cookbook hobbyist", then this is the book for you.

BP117: PRACTICAL ELECTRONIC BUILDING BLOCKS BOOK 1 \$7.60
 Virtually any electronic circuit will be found to consist of a number of distinct stages when analysed. Some circuits inevitably have unusual stages using specialised circuitry, but in most cases circuits are built up from building blocks of standard types.

This book is designed to aid electronics enthusiasts who like to experiment with circuits and produce their own projects rather than simply follow published project designs. The circuits for a number of useful building blocks are included in this book. Where relevant, details of how to change the parameters of each circuit are given so that they can easily be modified to suit individual requirements.

PH253: ELECTRONIC DESIGN WITH OFF-THE-SHELF INTEGRATED CIRCUITS \$12.95
Z. MEIKIN & P. TACKRAY
 A real help for do-it-yourselfers, this handy guide tells professionals and hobbyists alike, how to take components off the shelves, arrange them into circuitry, and make any system perform its desired function



Electronics Today Bookshelf

RADIO AND COMMUNICATIONS

BP79: RADIO CONTROL FOR BEGINNERS \$7.80
F.G. RAYER, T.Eng.(CEI), Assoc. IERE.

The aim of this book is to act as an introduction to Radio Control for beginners to the hobby. The book will commence by dealing with the conditions that are allowable for such things as frequency and power of transmission. This is followed by a "block" explanation of how control-device and transmitter operate and receiver and actuator(s) produce motion in a model.

Details are then given of actual solid state transmitting equipment which the reader can build. Plain and loaded aeriels are then discussed and so is the field-strength meter to help with proper setting up.

The radio receiving equipment is then dealt with which includes a simple receiver and also a crystal controlled superhet. The book ends with the electro-mechanical means of obtaining movement of the controls of the model.

BP96: CB PROJECTS \$7.60

R.A. PENFOLD
Projects include speech processor, aerial booster, cordless mike, aerial and harmonic filters, field strength meter, power supply, CB receiver and more.

222: SOLID STATE SHORT WAVE RECEIVERS FOR BEGINNERS \$4.70

R.A. PENFOLD

In this book, R.A. Penfold has designed and developed several modern solid state short wave receiver circuits that will give a fairly high level of performance, despite the fact that they use only relatively few and inexpensive components.

BP91: AN INTRODUCTION TO RADIO DXing \$7.60

This book is divided into two main sections one to amateur band reception, the other to broadcast bands. Advice is given to suitable equipment and techniques. A number of related constructional projects are described.

BP105: AERIAL PROJECTS \$7.60

R.A. PENFOLD

The subject of aeriels is vast but in this book the author has considered practical designs including active, loop and ferrite aeriels, which give good performances and are reasonably simple and inexpensive to build. The complex theory and math of aerial design are avoided.

BP46: RADIO CIRCUITS USING IC's \$5.40

J.B. DANCE, M.Sc.

This book describes integrated circuits and how they can be employed in receivers for the reception of either amplitude or frequency modulated signals. The chapter on amplitude modulated (a.m.) receivers will be of most interest to those who wish to receive distant stations at only moderate audio quality, while the chapter on frequency modulation (f.m.) receivers will appeal to those who desire high fidelity reception.

BP92: ELECTRONICS SIMPLIFIED—CRYSTAL SET CONSTRUCTION \$6.80

F.A. WILSON

Aimed at those who want to get into construction without much theoretical study. Homemade coils are used and all projects are very inexpensive to build.

PH245: ELECTRONIC COMMUNICATIONS \$16.95

Covers amplitude modulation, AM and FM transmitters, pulse modulation, and antennas. Includes discussions of applications.

BP70: TRANSISTOR RADIO FAULT-FINDING CHART \$1.90

CHAS. E. MILLER

Across the top of the chart will be found four rectangles containing brief descriptions of various faults, viz — sound weak but undistorted, set dead, sound low or distorted and background noises. One then selects the most appropriate of these and following the arrows, carries out the suggested checks in sequence until the fault is cleared.

MOORSHEAD PUBLICATIONS Return Policy

If, within 10 days of receiving a book from our Book Service, you decide that the title is not suitable or what you expected, you may return it, in marketable condition, for a refund or credit (your choice). We would appreciate a reason for the return but even if this is not given, refunds will be made promptly and cheerfully.

AUDIO

BP90: AUDIO PROJECTS \$7.60

F.G. RAYER

Covers in detail the construction of a wide range of audio projects. The text has been divided into preamplifiers and mixers, power amplifiers, tone controls and matching and miscellaneous projects.

205: FIRST BOOK OF HI-FI LOUDSPEAKER ENCLOSURES \$3.05

B.B. BABANI

This book gives data for building most types of loudspeaker enclosure. Includes corner reflex, bass reflex, exponential horn, folded horn, tuned port, klipschorn labyrinth, tuned column, loaded port and multi speaker panoramic. Many clear diagrams for every construction showing the dimensions necessary.

BP47: MOBILE DISCOTHEQUE HANDBOOK \$5.40

COLIN CARSON

The vast majority of people who start up "Mobile Discos" know very little about their equipment or even what to buy. Many people have wasted a "small fortune" on poor, unnecessary or badly matched apparatus.

The aim of this book is to give you enough information to enable you to have a better understanding of many aspects of "disco" gear.

HOW TO BUILD A SMALL BUDGET RECORDING STUDIO FROM SCRATCH... \$15.95

TAB No.1166

The author, F. Alton Everest, has gotten studios together several times, and presents twelve complete, tested designs for a wide variety of applications. If all you own is a mono cassette recorder, you don't need this book. If you don't want your new four track to wind up sounding like one, though, you shouldn't be without it.

BP51: ELECTRONIC MUSIC AND CREATIVE TAPE RECORDING \$5.00

M.K. BERRY

Electronic music is the new music of the Twentieth Century. It plays a large part in "pop" and "rock" music and, in fact, there is scarcely a group without some sort of synthesiser or other effects generator.

This book sets out to show how electronic music can be made at home with the simplest and most inexpensive of equipment. It then describes how the sounds are generated and how these may be recorded to build up the final composition.

BP74: ELECTRONIC MUSIC PROJECTS \$7.20

R.A. PENFOLD

Although one of the more recent branches of amateur electronics, electronic music has now become extremely popular and there are many projects which fall into this category. The purpose of this book is to provide the constructor with a number of practical circuits for the less complex items of electronic music equipment, including such things as a Fuzz Box, Waa-Waa Pedal, Sustain Unit, Reverberation and Phaser-Units, Tremolo Generator etc.

BP81: ELECTRONIC SYNTHESISER PROJECTS \$6.80

M.K. BERRY

One of the most fascinating and rewarding applications of electronics is in electronic music and there is hardly a group today without some sort of synthesiser or effects generator. Although an electronic synthesiser is quite a complex piece of electronic equipment, it can be broken down into much simpler units which may be built individually and these can then be used or assembled together to make a complete instrument.

ELECTRONIC MUSIC SYNTHESIZERS \$10.95

TAB No.1167

If you're fascinated by the potential of electronics in the field of music, then this is the book for you. Included is data on synthesizers in general as well as particular models. There is also a chapter on the various accessories that are available.

Tab1364: DESIGNING, BUILDING AND TESTING YOUR OWN SPEAKER SYSTEM ... WITH PROJECTS \$13.95

Covers the theory of speaker construction and describes a variety of plans for speaker system projects ranging from simple setups to complex multi-driver systems. Enclosure design is covered in very good detail.

BP68: CHOOSING AND USING YOUR HI-FI \$6.75

MAURICE L. JAY

The main aim of this book is to provide the reader with the fundamental information necessary to enable him to make a satisfactory choice from the extensive range of hi-fi equipment now on the market.

Help is given to the reader in understanding the equipment he is interested in buying and the author also gives his own opinion of the minimum standards and specifications one should look for. The book also offers helpful advice on how to use your hi-fi properly so as to realise its potential. A Glossary of terms is also included.

TEST EQUIPMENT

BP75: ELECTRONIC TEST EQUIPMENT CONSTRUCTION \$6.80

F.G. RAYER, T.Eng.(CEI), Assoc. IERE

This book covers in detail the construction of a wide range of test equipment for both the Electronics Hobbyists and Radio Amateur. Included are projects ranging from an FT Amplified Voltmeter and Resistance Bridge to a Field Strength Indicator and Heterodyne Frequency Meter. Not only can the home constructor enjoy building the equipment but the finished projects can also be usefully utilised in the furtherance of his hobby.

99 TEST EQUIPMENT PROJECTS YOU CAN BUILD \$15.95

TAB No.805

An excellent source book for the hobbyist who wants to build up his work bench inexpensively. Projects range from a simple signal tracer to a 50MHz frequency counter. There are circuits to measure just about any electrical quantity: voltage, current, capacitance, impedance and more. The variety is endless and includes just about anything you could wish for!

HOW TO GET THE MOST OUT OF LOW COST TEST EQUIPMENT \$9.95

AB017

Whether you want to get your vintage 1960 TestRite signal generator working, or you've got something to measure with nothing to measure it with, this is the book for you. The author discusses how to maximize the usefulness of cheap test gear, how to upgrade old equipment, and effective test set ups.

THE POWER SUPPLY HANDBOOK \$15.95

TAB No.806

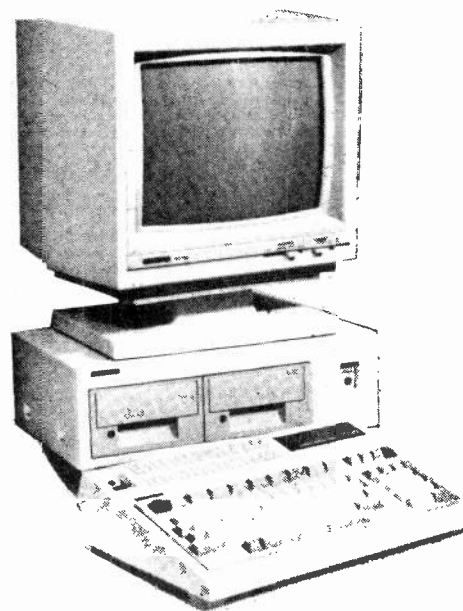
A complete one stop reference for hobbyists and engineers. Contains high and low voltage power supplies of every conceivable type as well mobile and portable units.

PH246: ELECTRONIC TEST EQUIPMENT \$19.95

Covers analog and digital meters, oscilloscopes, frequency generation and measurement, and special measuring instruments.

Tab1532: THE COMPLETE BOOK OF OSCILLOSCOPES \$19.95

This totally up-to-date handbook is both an in-depth reference source and a practical applications guide. Information is included on both ordinary service and laboratory scopes, waveform analysis, vectors, vectorscopes, high and low frequency analysis, sampling, storage, digital scopes, and signature analysis. The author, Stan Prentiss is one of the leading technical writers in the U.S.



The Fun of Electronics



"The reason we're six months behind on the Melnyk project is that we discarded 173 faulty prototypes before realizing it was our test equipment that was broken."



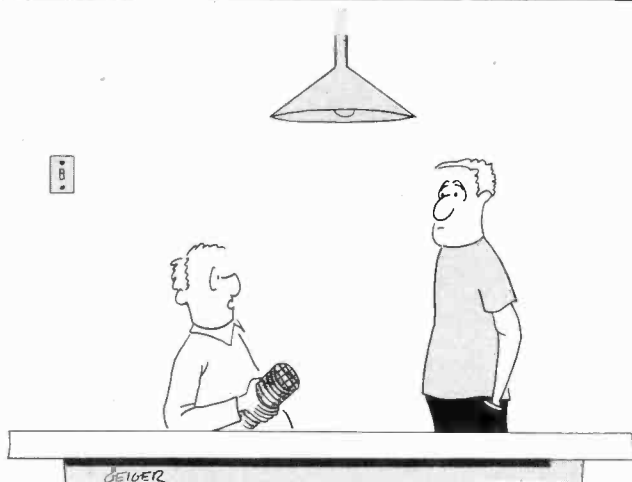
"If the power stays off for ten more minutes, the back-up supply will fail, and six months of programming goes down the drain."



"I originally built it as an infra-red remote control, but I found that if I put bigger batteries in it, it can be used to cook a roast."



"I'm modernizing all my old power supplies; I'm replacing the old oil capacitors with new blow-dryer types."



"I figured out why I was getting such terrible efficiency out of these solar cells I put on my roof I shouldn't have stacked them."



"The meter is always at full deflection that's what I get for building a metal detector out of metal."

TECH TIPS

Modifications to DOS to use 40 Tracks

Yin H. Pun

The disk storage for the Apple does not hold very much memory in comparison to other much bigger microcomputer systems such as the IBM PC or the TI Professional. Sadly, one disk only holds 143K total amount of information but only 124K is user free since the DOS and the "CATALOG" track take up 19K of the disk. Fortunately, the potential storage space on the drives is not pushed to the limit. Most disk drives, either Apple or Apple-compatible, have the ability to access 40 tracks on a disk but under normal DOS 3.3, only 35 tracks are used! Five whole tracks, that could contain 20K, are left empty. You can increase the storage space by 20K with no extra cost in hardware or software. Just make the following simple modifications to DOS 3.3

To utilize the full 40 tracks, you must create a 40 track disk. However, the normal "INIT" command of DOS 3.3 will only format 35 tracks. For DOS 3.3 to in-

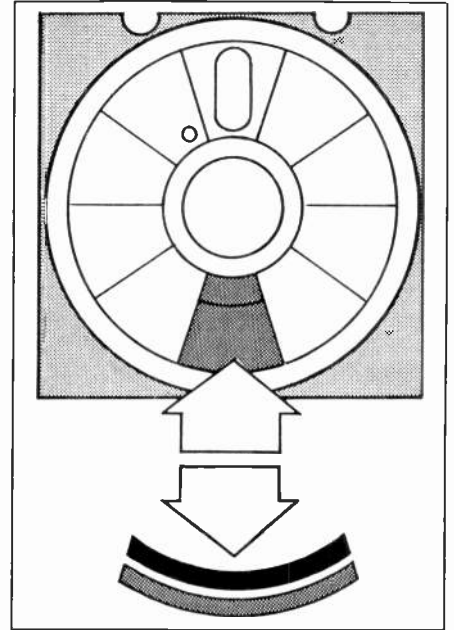
itialize a 40 track disk add these modifications to these DOS 3.3 locations:

- AEB5:A0 — ALLOCATES EXTRA FREE SECTORS FOR VTOC
- B3EF:28 — NUMBER OF TRACKS (40)
- BEFE:28 — NUMBER OF TRACKS (40)

In APPLESOFT BASIC, type:
POKE 44725,160 : POKE 46063, 40 :
POKE 48894, 40

Type "INIT HELLO" to initialize a new disk; when the drive is formatting the disk, you should hear 40 clicks instead of 35, indicating the number of tracks. The disk will have 576 usable sectors, 80 sectors more than a 35 track disk. Now transfer programs to this disk by FID (on the DOS 3.3 System Master) to test that your drive really has 40 tracks. Drives that have only 35 tracks will probably scream obscenities and give an uninviting "I/O ERROR". Most drives manufactured after 1982 should have the physical ability to read and write 40 tracks, including the original DISK II, the Quentin and Micro-Sci. Drives bas-

ed on the Shugart SA400L and Shugart SA380L, should also work. Refer to the user's manual that comes with the drive or ask your dealer for further information.



Hex Keyboard Encoder

Adam Strange

The heart of the circuit is IC1 ('LS93), a four-bit binary counter, which addresses IC2 and 3, which in turn scan the keyboard. IC3 ('LS156) is a two-to-four line decoder with open collector outputs. The two-bit address, A, B, selects which of the four outputs is low. IC2 ('LS173) is a four-to-one-line data selector; the two-bit address, A, B, selects which line is tested, the output Y going low when the selected input is low. So the address on the outputs of IC1 when output Y of IC2 is low is the address of the key pressed. (IC2 and 3 are dual devices, only one half of either being used here are alternative pin numbers are given where these are applicable on the circuit diagram).

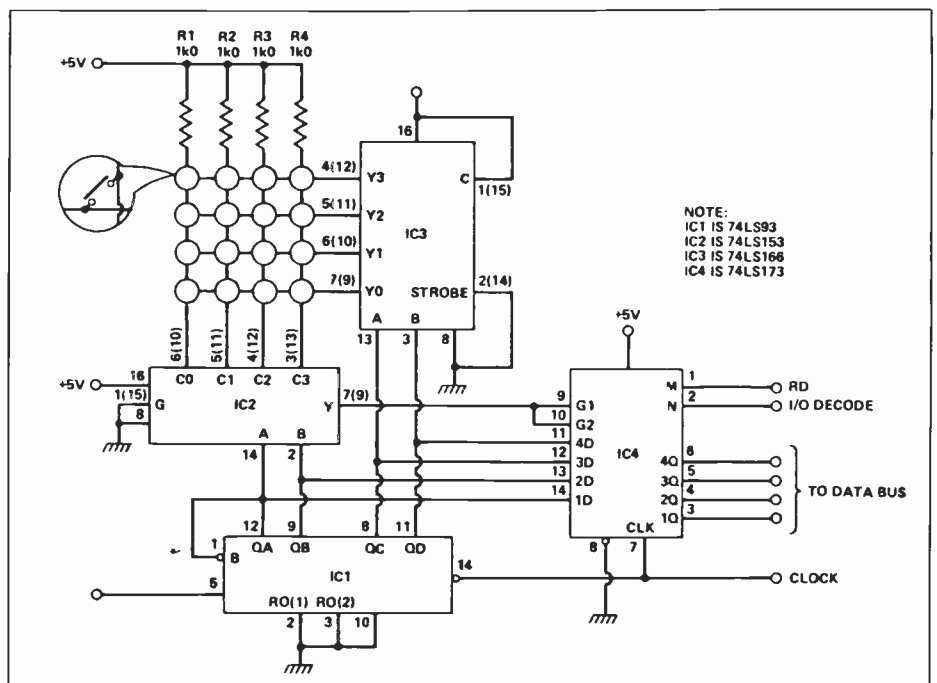
The next step was to capture or latch this address. This is accomplished by IC4 ('LS173) which is a four-bit D-type register with tri-state outputs (handy for CPU data bus). When the clock pulse goes from high to low the address from IC1 is low, this occurring on the low-to-high clock transition. Thus IC4 will hold the code of the last key to be pressed.

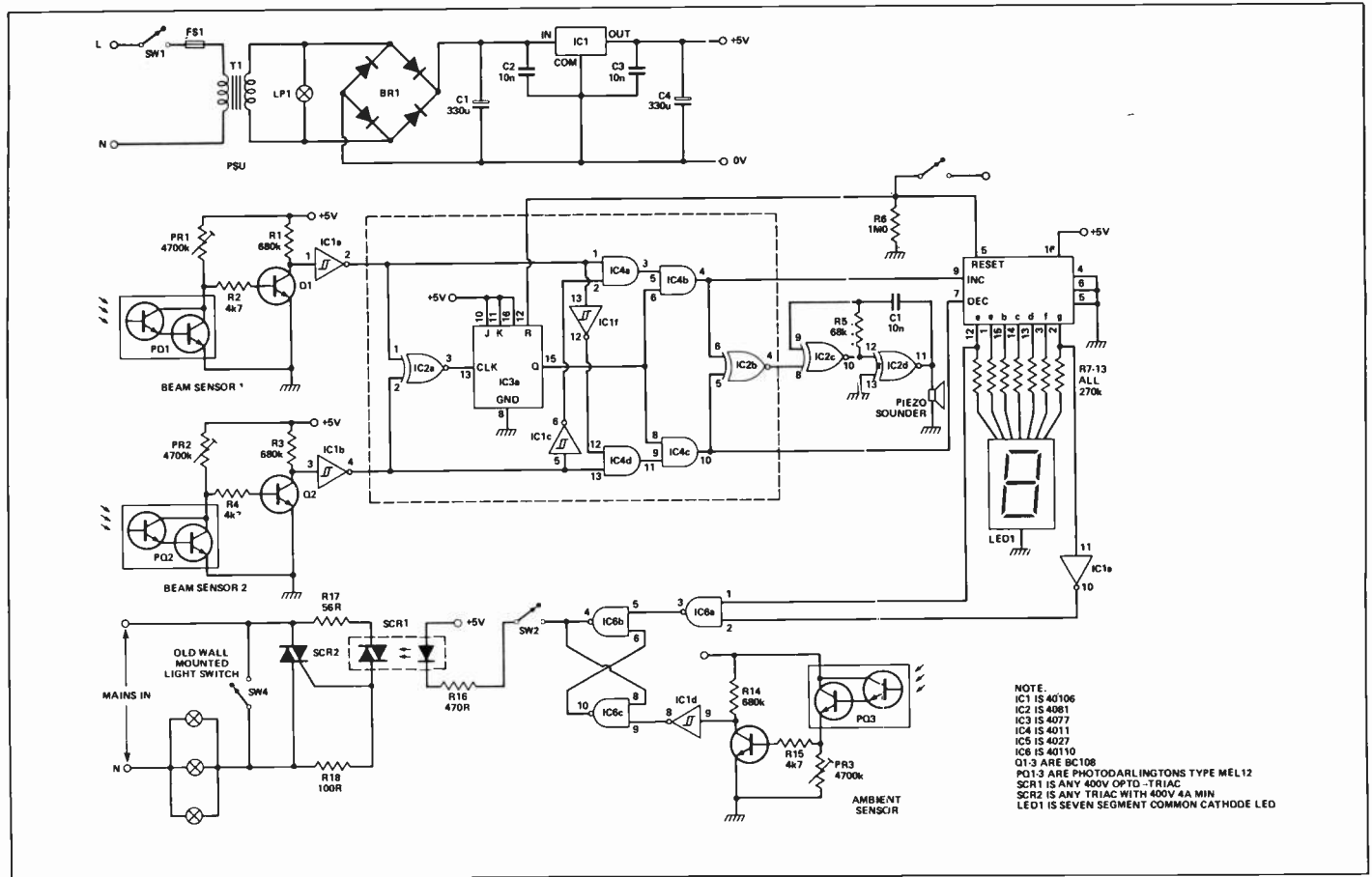
All that remains is for the CPU to read the data from IC4. This occurs when

the I/O decode and the RD inputs are low.

A cheap way to make the keyboard is to use an old calculator, replacing the original PCB with the one for the encoder.

Suitably designed, the PCB for the encoder could be made to fit inside the calculator case — and if the display is still working, this too could be pressed into service.





EMP MODEMS

#MM101

- 300 Baud - Full Duplex
- Bell 103 compatible
- Direct connection between microcomputer and telephone

only \$89.95



**1200 B.P.S.
Modem
Fully Automatic**

We also feature EMP Telephone products (Hand-held models — Emergency models — Cordless models) Sales Agents for ELEC PCB Boards, Multi layer — double and single sided.

Mail Orders: Send certified cheque or money order, plus \$3.00 for shipping and handling. Ont. residents add 7% P.S.T.

DEALER ENQUIRY WELCOME

MARK GEE ENTERPRISES LTD.

P.O. Box 249, Station "G",
Toronto, Ont. M4M 3G7

**Tel: (416) 862-8887
Telex 06-218808**

Semi-Switchless Switch

Ian Sherlock

Designed to alleviate the persistent use of a wall light switch, this circuit could also be of use in households with elderly or disabled members. The circuit turns on the light when anyone enters the room (which must have a single entrance), counts the number of people entering or leaving, then turns off the light again when the room is empty.

The phototransistors each give a positive-going long pulse when the light to them is blocked; they should be about 5 to 10 cm apart, so that both beams are cut for much of the period of time it takes someone to enter. These pulses are amplified by Q1 and 2 and IC1a and b.

The figure opposite shows the timing of these signals; only in the final section, where the pulse from PQ2 has gone low again, do the conditions for the increment pulse to reach IC5 occur, which is when Q from IC3a and the output from IC1a are both high and the output from IC1b is low.

IC5 is an up/down counter seven-segment driver which counts the number of entries and exits from the room. IC1e and IC6a detect a zero on the display. The latch formed around IC4b and c ensures that the light will only come on if there is no light falling on the ambient light detector, PQ3, but will then stay on until the room is vacated. The remaining circuitry for driv-

ing the triac via an opto-triac is quite straightforward.

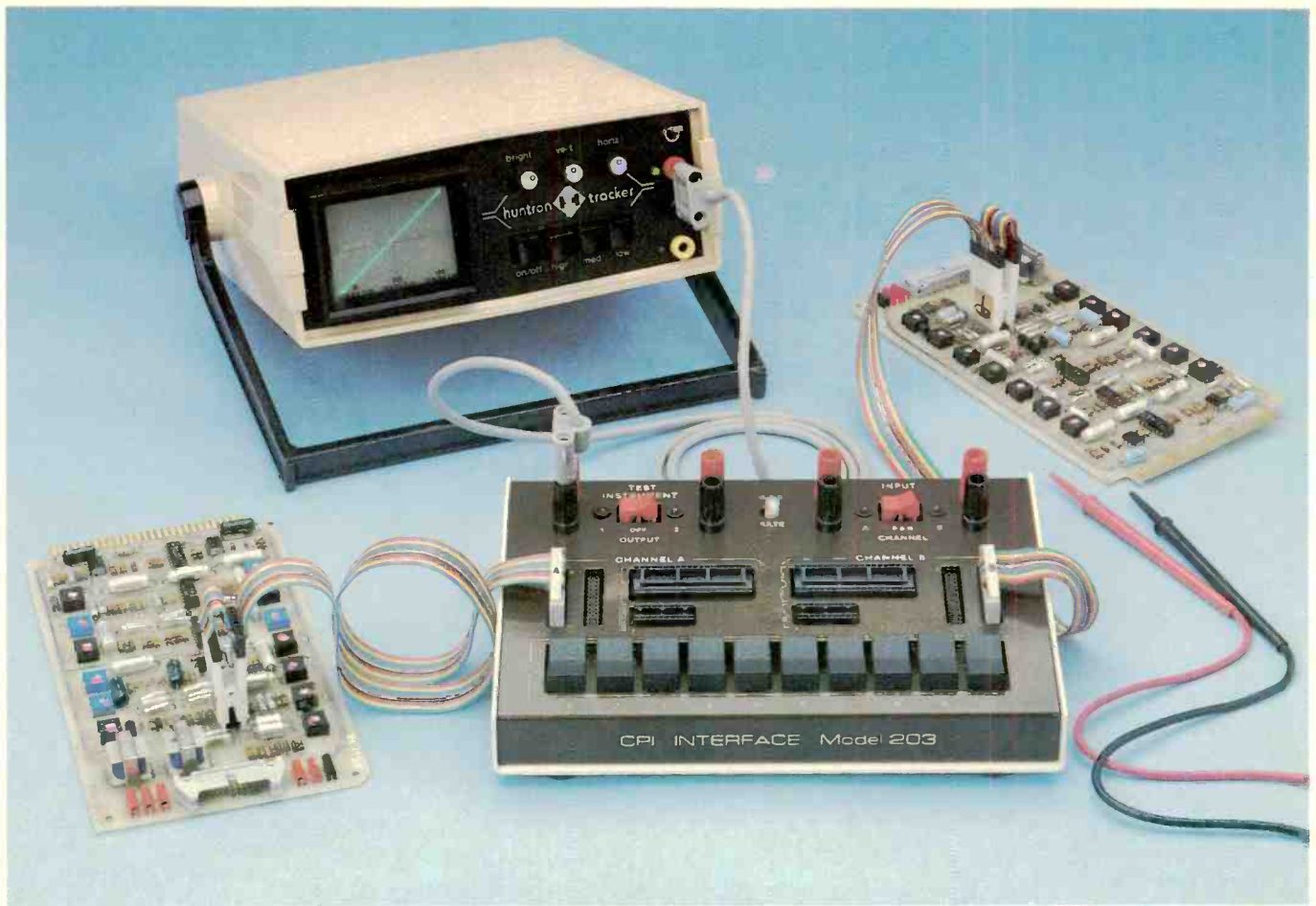
SW2 is an auto/manual switch; SW3 is the reset switch, which should be used at switch-on and whenever the house-hold children set about trying to confuse the unit.

A suggested method of construction is shown in the diagram. Standard three conductor power cable can be used to link the unit to the existing switch-plate (the cable carrying live, neutral and triac return) but note that the unit should be powered from a separate supply, and that it must be grounded to be safe. A metal box can be used to house all the phototransistors and the circuit board and transformer; the beam sensors will need light-shielding tubes (sawn-off felt tip pens could be used or something similar) which can be directed at a single light-source fitted on the opposite side of the door frame.

The ambient light sensor may need to be mounted separately, as the box may have to be mounted outside the room, depending on the direction that the door opens. The ambient light detector must be arranged so that it picks up light from only the room being monitored.

An alternative to visible light beams would be to use modulated infra-red beams, but this involves extra complexity, which is why visible light was chosen.

ETI



FAST AND EASY

For a number of years the Huntron Tracker has proven to be an effective service instrument with the ability to troubleshoot electronic circuits to the component level without circuit power applied. The patented Microprobes with their insulated, needle-sharp stainless steel tips have been ideal for point to point testing.

Now the task of troubleshooting PC boards and DIP ICs has been greatly simplified. We have developed the CPI Interface, a test instrument accessory to make it faster and easier to troubleshoot DIP ICs and PC boards, IC by IC, instead of one pin at a time.

The two input channels of the Interface provide good-bad comparison testing capability while two independent, switch selectable output channels allow a choice of test instruments.

Comparison Testing

In-circuit ICs may be tested using ribbon cables and IC clips to connect directly to the ICs on circuit boards. Out-of-circuit ICs may be tested using sockets mounted on the Interface. In either case, test signals from the device under test and a known good device are routed through the Interface to the desired test instrument.

Circle No. 20 on Reader Service Card

Comparisons and measurements are made by connecting one IC clip to a known good IC and the other clip to the suspect device. Pins to be examined are selected one at a time by activating the appropriate pin-select switch. The Interface will then automatically alternate between input channels connecting first one IC and then the other into the test circuit. This short interval switching between input channels instantly reveals even minor differences between the devices being compared. The length of time each channel is activated is operator adjustable. The operator also has the option of locking on either channel in order to examine a pin more closely.

For Power-Off Troubleshooting

With the Huntron Tracker connected to one output channel, testing or comparison of components and PC boards may be done in an unpowered state. An ohmmeter could be

connected to the other output channel in order to make resistance comparisons.

For Power-On Troubleshooting

The Interface can also be used with general purpose test equipment such as multimeters or logic probes. This feature is useful when the user wishes to take measurements or make comparisons of voltages, signal levels or logic states in powered circuits.

Additional Features

The Interface also incorporates jacks for connecting Microprobes so that point to point testing may be done at any time without disconnecting the Interface from either test instrument. This permits the user to leave the Interface connected to test instruments on the service bench at all times and go from "power down" Tracker, or ohmmeter testing to "power up" measurements at the flick of a switch.



Exclusively by:
CYPRUS PRODUCTS INC.

7548 Heather Street Vancouver, B.C. V6P 3R1
Telephone: (604) 327-8814

In Ontario call Toll Free 1-800-263-2675

Tek's best-selling 60 MHz scopes: Now 25 ways better for not a penny more!

Now Tek has improved its 2213/2215 scopes with brighter displays. Greater accuracy. And more sensitive triggering. At no increase in price.

The 60 MHz 2213 and dual time base 2215 have been the most popular scopes in Tektronix history. Now, Tek introduces an "A" Series update with more than 25 specification and feature enhancements — things you have asked for such as single sweep — all included at no added cost.

A brighter display and new vertical amplifier design provides sharp, crisp traces.

That makes the 2213A/2215A a prime candidate for tasks like TV troubleshooting and testing, where fast sweeps are typical.

New features include 10 MHz bandwidth limit switch, separate A/B dual intensity controls (2215A only), and power-on light: additions customers have suggested for

giving these scopes the final measure of convenience.

Triggering, sweep accuracy, CMRR and many more major specifications are better than ever. Check the performance chart: not bad for scopes already considered the leaders in their class!

The Price: Still \$1848* for the 2213A and \$2134* for the 2215A. Or, step up to the 100 MHz 2235 for just \$2607*. Prices include two 10X probes, 15-day return policy, world-wide service back-up and comprehensive 3 year



Specification enhancement	2213/2215 "A" Series	2213/2215
CRT brightness	14 kv accel. potential	10 kv accel. potential
Vertical accuracy	3%, 0° to 50°C	3%, +20° to 30°C
Chop rate	500 kHz	250 kHz
Input capacitance	20 pF	30 pF
CMRR	10 to 1 at 25 MHz	10 to 1 at 10 MHz
Channel isolation	100:1 at 25 MHz	Not specified
A Trigger sensitivity (int)	0.3 div at 5 MHz	0.4 div at 2 MHz
TV Triggering	1.0 div compos. sync	2.0 div compos. sync
Sweep accuracy (in 10X)	4%, 15° to 35°C	5%, 20° to 30°C
Delay jitter	20,000 to 1 (2215A) 10,000 to 1 (2213A)	10,000 to 1 (2215) 5,000 to 1 (2213)
Holdoff Range	10:1	4:1

warranty. Ask about our extended warranty.

Talk to our technical experts.

Vancouver	604-438-4321
Calgary	403-230-1836
Edmonton	403-434-9466
Winnipeg	204-632-4447
Toronto	416-675-3865
Ottawa	613-225-2850
Montreal	514-697-5340
Dartmouth	902-469-9476

Tektronix Canada Inc.
P.O. Box 6500
Barrie, Ontario
L4M 4V3

Tektronix
COMMITTED TO EXCELLENCE

* Duty and F.S.T. included.
All scopes are UL Listed and CSA approved. 3-year warranty includes CRT and applies to 2000 family oscilloscopes purchased after 1/1/83