

SAMS PHOTOFACT[®]

AUTO RADIO SERIES



AR-74
74
MARCH 1970



CONTENTS

REMOVAL INFORMATION PAGE 4

AUTOMATIC

Volkswagen 1300
(58 thru 67) VP-6228

CADILLAC

Cadillac (69) 95CFP1
(7307615),
Cadillac (69½) 95CFP2
(7307615)

CHEVROLET

Acadian, Camaro,
Chevelle, Chevrolet
Chevy II, Monte Carlo,
(70) 01BFP1, 01BFP2,

CHEVROLET

01BPBT1, 01BPBT2,
Corvette (70)
01VFP1, 01VFP2

GMC

GM Tilt Cab
(70) 06TTCP1

OLDSMOBILE

Olds (69) 93BFW1
(7307313)
Olds (69½) 93BFW2
(7307313)
Toronado (69) 93EFW1
(7307813)

OLDSMOBILE

Toronado (69½) 93EFW2
(7307813)

RANGER

R62-MXPO (YP-803)
R62-MXP2
R62-MXP4

UNIVERSAL

Automatic
SEL-9606
TLU-1590

\$3.25

\$4.10 IN CANADA

Cat. No. AR-74



SAMS PHOTOFAC[®] AUTO RADIO SERIES



VOLUME

74



by the



ENGINEERING STAFF



HOWARD W. SAMS & CO., INC.

INDIANAPOLIS, INDIANA

**FIRST EDITION
FIRST PRINTING—MARCH 1970**

**PHOTOFACT®
AUTO RADIO SERIES
VOLUME 74**

Copyright © 1970 by Howard W. Sams & Co., Inc.
Indianapolis, Indiana 46206. Printed in the United States of America

All rights reserved. Reproduction or use, without express permission, of editorial or pictorial content, in any manner, is prohibited. No patent liability is assumed with respect to the use of the information contained herein.

The listing of any available replacement part herein does not constitute in any case a recommendation, warranty or guaranty by Howard W. Sams & Co., Inc., as to the quality and suitability of such replacement part. The numbers of these parts have been compiled from information furnished to Howard W. Sams & Co., Inc., by the manufacturers of the particular type of replacement part listed.

Library of Congress Catalog Card Number: 49-11493



TABLE OF CONTENTS

TRADE NAME AND MODEL	PAGE
Automatic Model SEL-9606.....	5
Automatic Model TLU-1590.....	15
Automatic Model VP-6228.....	21
Cadillac Models 95CFP1, 95CFP2.....	29
Chevrolet Models 01BFP1, 01BFP2, 01VFP1, 01VFP2.....	43
Chevrolet Models 01BPBT1, 01BPBT2....	57
GM Model 06TTCP1.....	73
Oldsmobile Models 93BFW1, 93BFW2 (7307313), 93EFW1 93EFW2, (7307813).....	79
Ranger Models R62-MPX0 (TP-803), R62-MPX2, R62-MPX4.....	97

Cumulative Index to Prior Volumes	120
--	------------

REMOVAL INSTRUCTIONS

GENERAL REMOVAL INFORMATION

Most radios and speakers can be removed for service by following the steps shown in this block of information. Check the Make, Model, and Year of car listed below. If more specific instructions are required, they are shown.

- Step 1. Disconnect power, speaker and antenna leads.
- Step 2. Remove knobs.
- Step 3. Remove nuts from control bushings and cabinet braces.

Step 4. Remove radio from under dash.

Step 5. Remove nuts holding speaker and remove speaker from under dash.

CADILLAC - 1969, 1969 1/2

- Step 1. Remove screws from steering column cover. Remove panel.
- Step 2. Remove knobs and nuts from control bushings.
- Step 3. Disconnect antenna lead and speaker connector.
- Step 4. Remove screws from bottom brace.
- Step 5. Lower radio and remove.

SPEAKER REMOVAL

- Step 1. Remove screws from garnish moldings and remove.
- Step 2. Remove screws from lower instrument panel cover and screws from upper glove box.
- Step 3. Lift instrument panel cover.
- Step 4. Remove screws from speaker mounting and remove speaker.

CHEVROLET - 1970 ACADIAN, CAMARO, CHEVELLE, CHEVROLET, CHEVY II, MONTE CARLO

- Step 1. Remove ashtray and ashtray housing.
- Step 2. Remove screw from heater duct, and remove duct.
- Step 3. See General Removal Information.

SPEAKER REMOVAL - CENTER SPEAKER

- Step 1. Remove radio.
- Step 2. Remove left A/C duct.
- Step 3. Remove screw from speaker mounting and remove speaker.

SPEAKER REMOVAL - RIGHT-HAND STEREO SPEAKER.

- Step 1. Remove glove box.
 - Step 2. Disconnect speaker.
 - Step 3. Remove nuts from speaker mounting and remove speaker thru glove box opening.
- Chevrolet Dealer should remove left-hand stereo speaker because of critical torques involved in steering column replacement.

CORVETTE - 1970

- Step 1. Remove console side covers.
- Step 2. Remove knobs and nuts from control bushings.
- Step 3. Remove screws from radio trim plate and remove plate.
- Step 4. Remove screws from lower padded dash cover and remove cover.
- Step 5. Disconnect speaker and antenna connectors.
- Step 6. Remove screw from side brace.
- Step 7. Tilt instrument panel cover forward and remove radio.

SPEAKER REMOVAL

- Step 1. Remove screws from kick panels and remove panels.
- Step 2. Remove screws from speaker mountings and remove speaker.
- Step 4. Remove radio from under dash.
- Step 5. Remove nuts holding speaker and remove speaker from under dash.

GM - 1970 TILTCAB

See General Removal Information.

OLDSMOBILE - 1969, 1969 1/2

- Step 1. Remove screws from air-conditioning duct and lower duct.
- Step 2. See General Removal Information

TORONADO - 1969, 1969 1/2

Oldsmobile Dealer should remove radio because of critical torques involved in steering-column replacement.

VOLKSWAGEN - 1958 Thru 1967

- Step 1. Disconnect power, speaker and antenna leads.
- Step 2. Remove knobs.
- Step 3. Remove nuts from control bushing. From inside of luggage compartment, remove nut from rear brace.
- Step 4. Remove radio thru luggage compartment opening.
- Step 5. Remove nuts holding speaker and remove speaker thru luggage compartment opening.



PHOTOFACT[®] with

CIRCUITRACE[®]

For Supplier Address See PHOTOFACT Index



AUTOMATIC MODEL SEL-9606
(8-Track Stereo Player)

AUTOMATIC MODEL SEL-9606

OPERATING INSTRUCTIONS

Insert cartridge until it locks and turns unit on.

Set operating controls as desired.

Press program selector to play desired tracks, or allow unit to select tracks automatically.

Remove cartridge to turn unit off.

CLEANING

Clean all tape contact surfaces with a soft, lint-free material and head cleaner or methyl alcohol. Use alcohol to remove oil and grease from all driving surfaces.

CAUTION: Avoid getting head cleaner on any plastic surface.

LUBRICATING

Lubricate bearings and bushings lightly with #20 machine oil. Use a light film of non-hardening grease on cam surfaces.

HEAD DEMAGNETIZING

Demagnetize head when unit is serviced. Avoid using magnetic materials near head.

HOWARD W. SAMS & CO., INC. Indianapolis, Indiana 46206

© 1970 Howard W. Sams & Co., Inc. Printed in U. S. of America

TQ734

ADJUSTMENTS

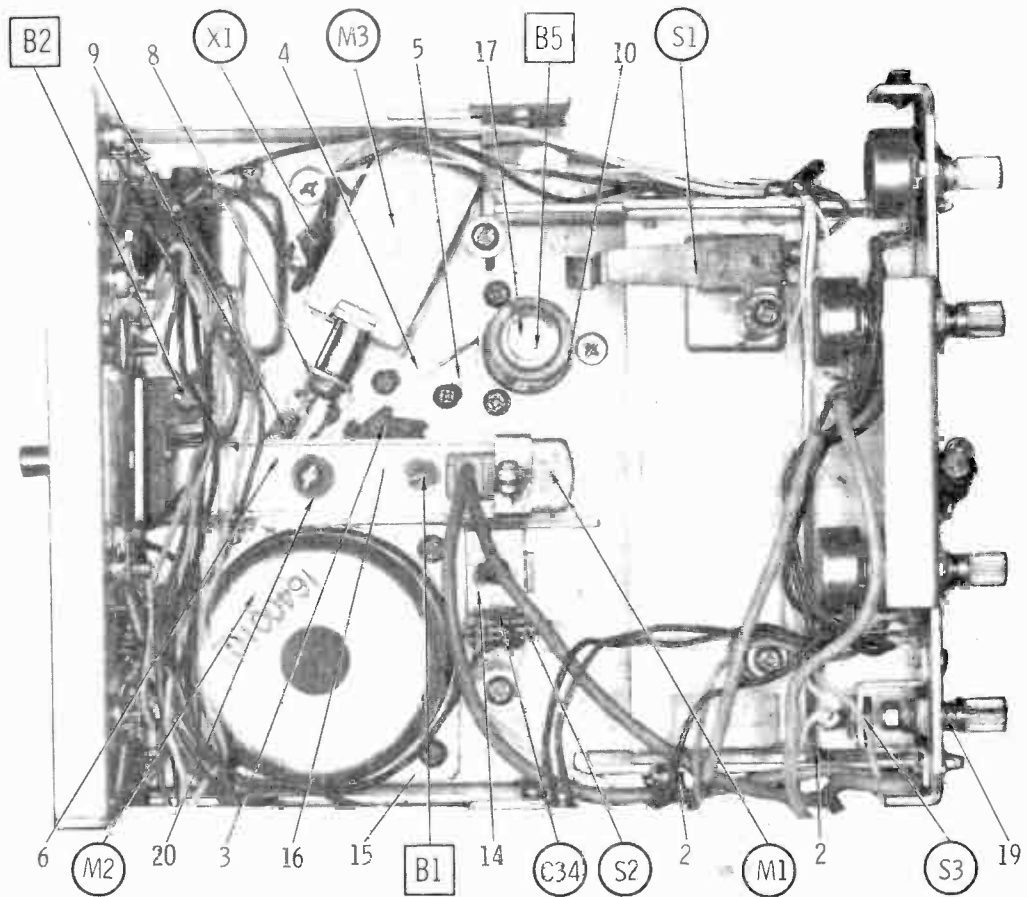
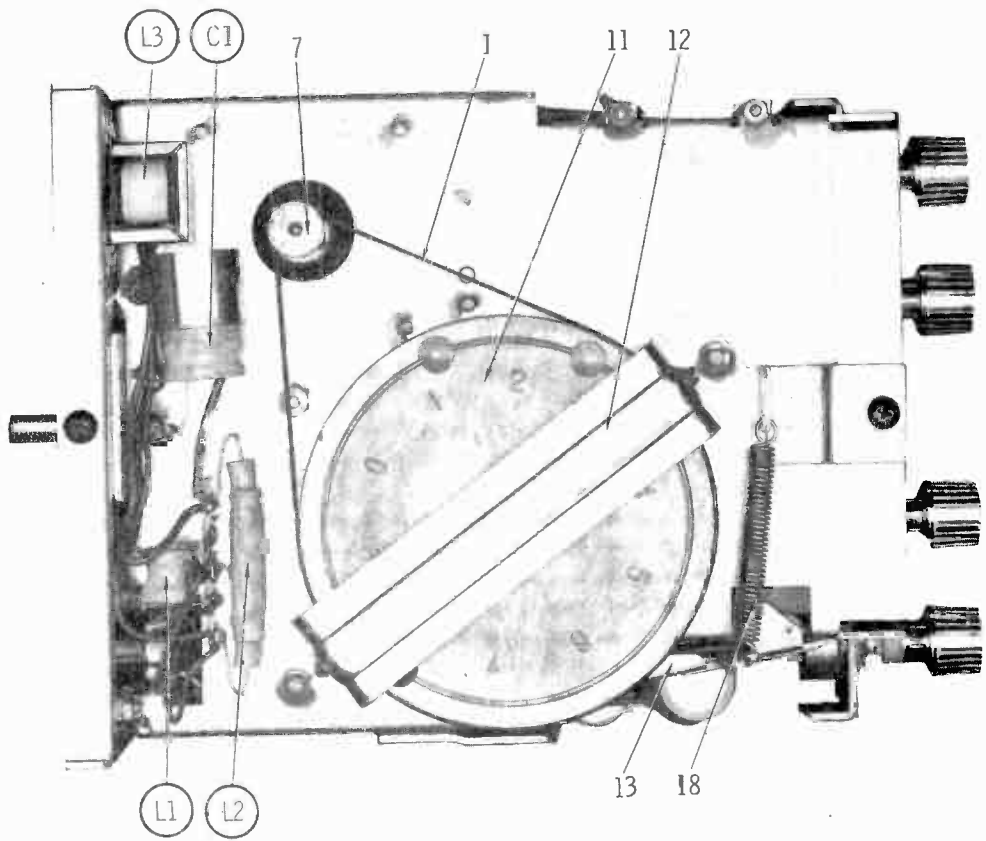
ADJUST	REMARKS
Head Height	Play a test cartridge, follow instructions with cartridge, and adjust B1 for proper response.
Head Azimuth	Connect an AC VTVM across right output. Play a test cartridge and adjust B2 for maximum.
Flywheel Play	Adjust B5 for a slight vertical play of flywheel.

TROUBLE CHART

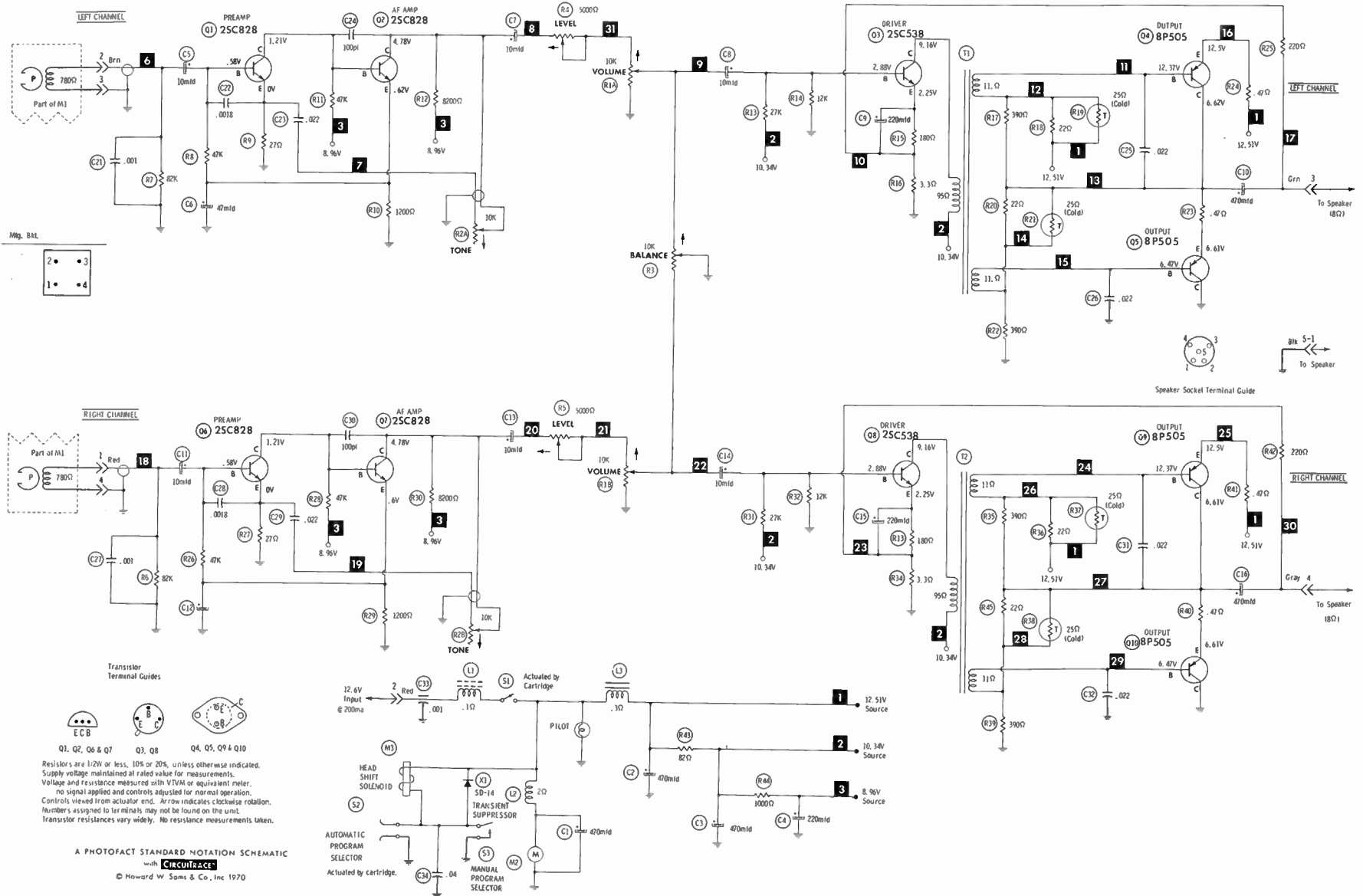
SYMPTOM	REMARKS
Capstan does not rotate.	Belt (1) dirty, worn, or broken. Assembly (10) binding. Motor defective or not supplied with power.
Track-Shift Mechanism Inoperative.	Switch (S2) dirty. Cam (3) binding or worn. Assembly (8) binding. Guide (4) broken or loose. Pawl (5) broken. Solenoid (M3) defective or not supplied with power. Cartridge defective.
Wow or Flutter.	Belt (1) dirty or worn. Capstan dirty or binding. Cartridge defective. Motor defective.
Sound weak or distorted.	Head dirty, misaligned, or defective. Cartridge defective. Amplifiers defective.
Tape is pulled from cartridge.	Cartridge defective. Capstan dirty or scored.

MECHANICAL PARTS LIST

REF. NO.	PART NO.	DESCRIPTION	REF. NO.	PART NO.	DESCRIPTION
1	67A12321	Belt	12	52A12310	Flywheel Support
2	55A12341	Guide Roller (2 used)	13	135A12354	Pressure Arm Assembly
3	135A12340	Track Selector Cam	14	135A12353	Track Switch and Guide Assembly
4	52A12312	Solenoid Arm Guide	15	67A12320	Motor Cushion
5	52A12311	Cam Stopper Pawl	16	135A12325	Cam Shaft
6	135A12351	Head Arm Assembly	17	45A12328	Flywheel Adjustment Screw
7	69A12324	Motor Pulley	18	45A12335	Pressure Arm Spring
8	135A12352	Solenoid Arm Assembly	19	45A12337	Button Push Spring
9	45A12336	Solenoid Return Spring	20	45A10340	Head Arm Spring
10	54A12323	Capstan Housing Assembly	21	45A12338	Door Spring
11	54A12322	Flywheel			

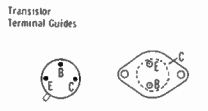


NOTE: DEMAGNETIZE HEADS AFTER SERVICING RECORDER



Mfg. Bkt.

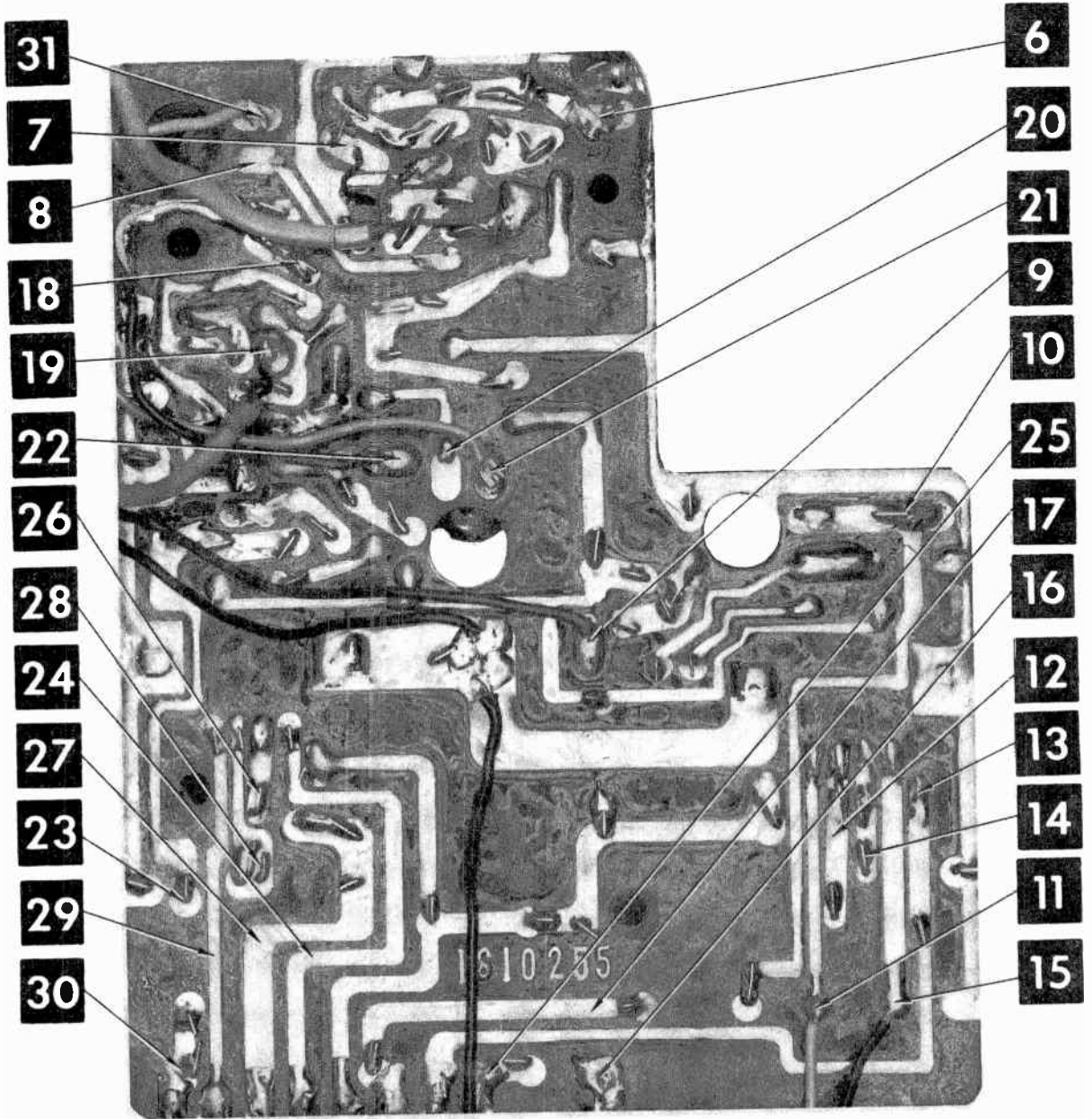
2 •	• 3
1 •	• 4



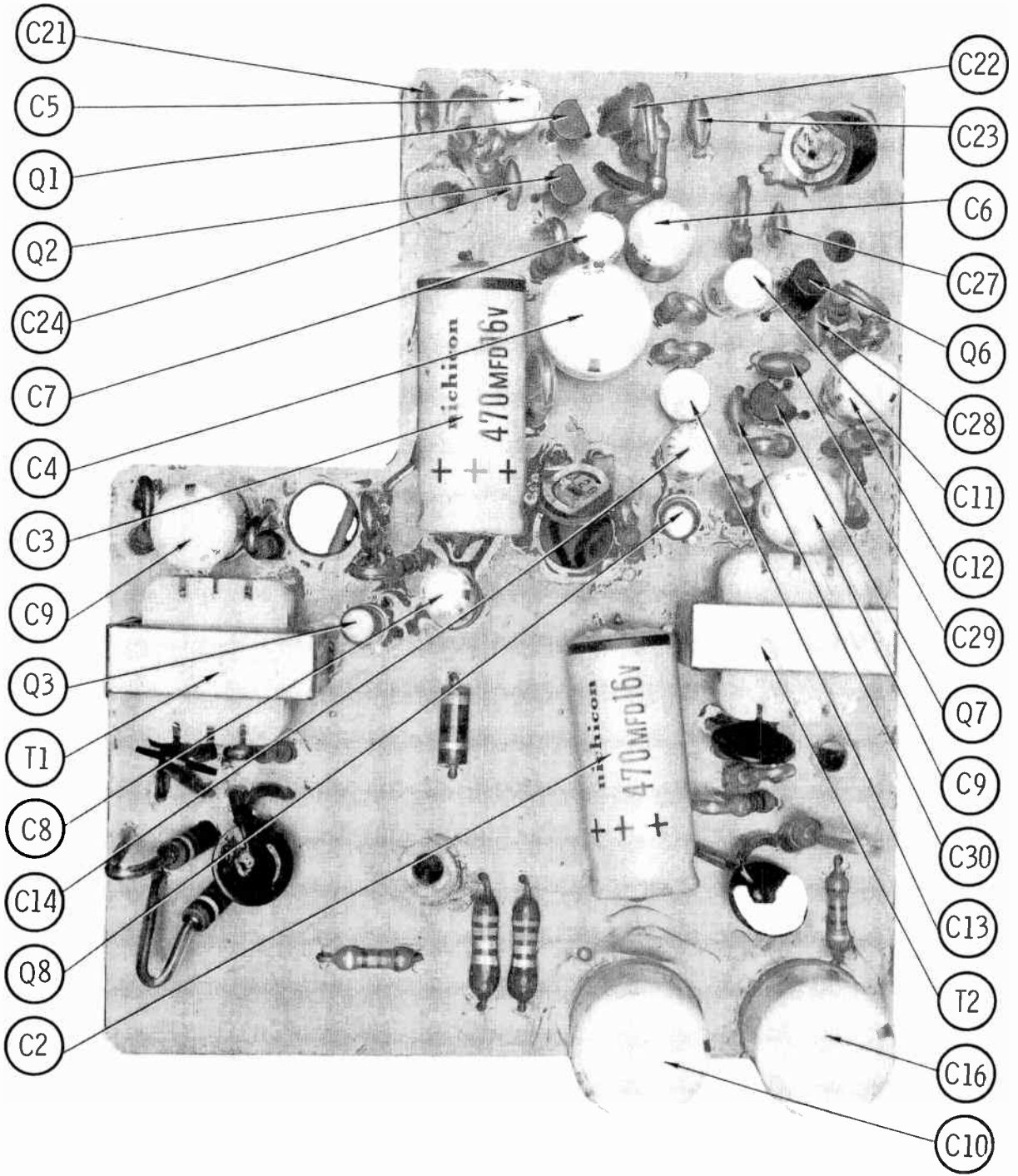
Resistors are 1/2W or less, 10% or 20%, unless otherwise indicated. Supply voltage maintained at rated value for measurements. Voltage and Resistance measured with VTVM or equivalent meter, no signal applied and controls adjusted for normal operation. Controls viewed from actuator end. Arrow indicates clockwise rotation. Numbers assigned to terminals may not be found on the unit. Transistor resistances vary widely. No resistance measurements taken.

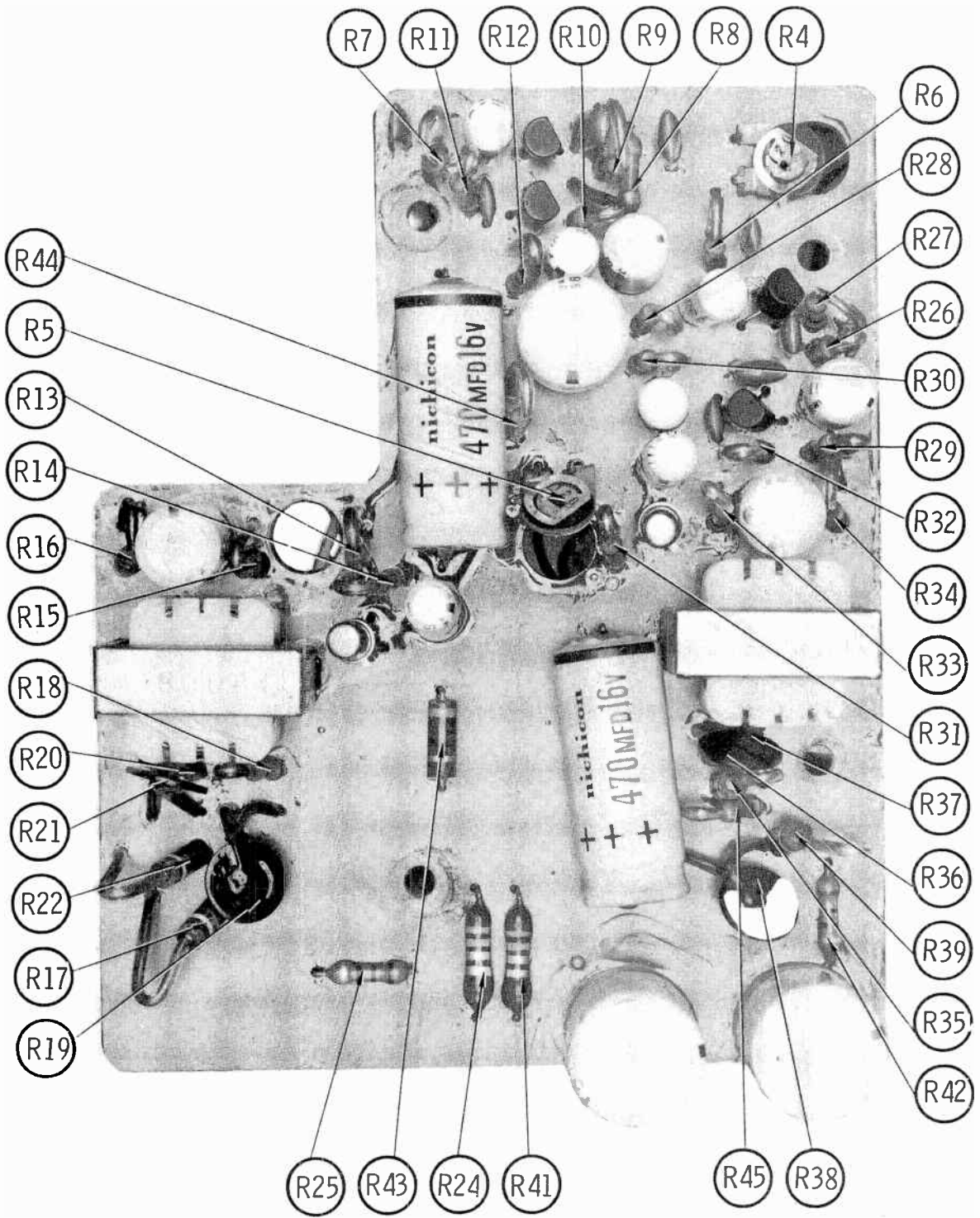
A PHOTOFAC STANDARD NOTATION SCHEMATIC with CIRCUITRACE
© Howard W. Sams & Co., Inc 1970

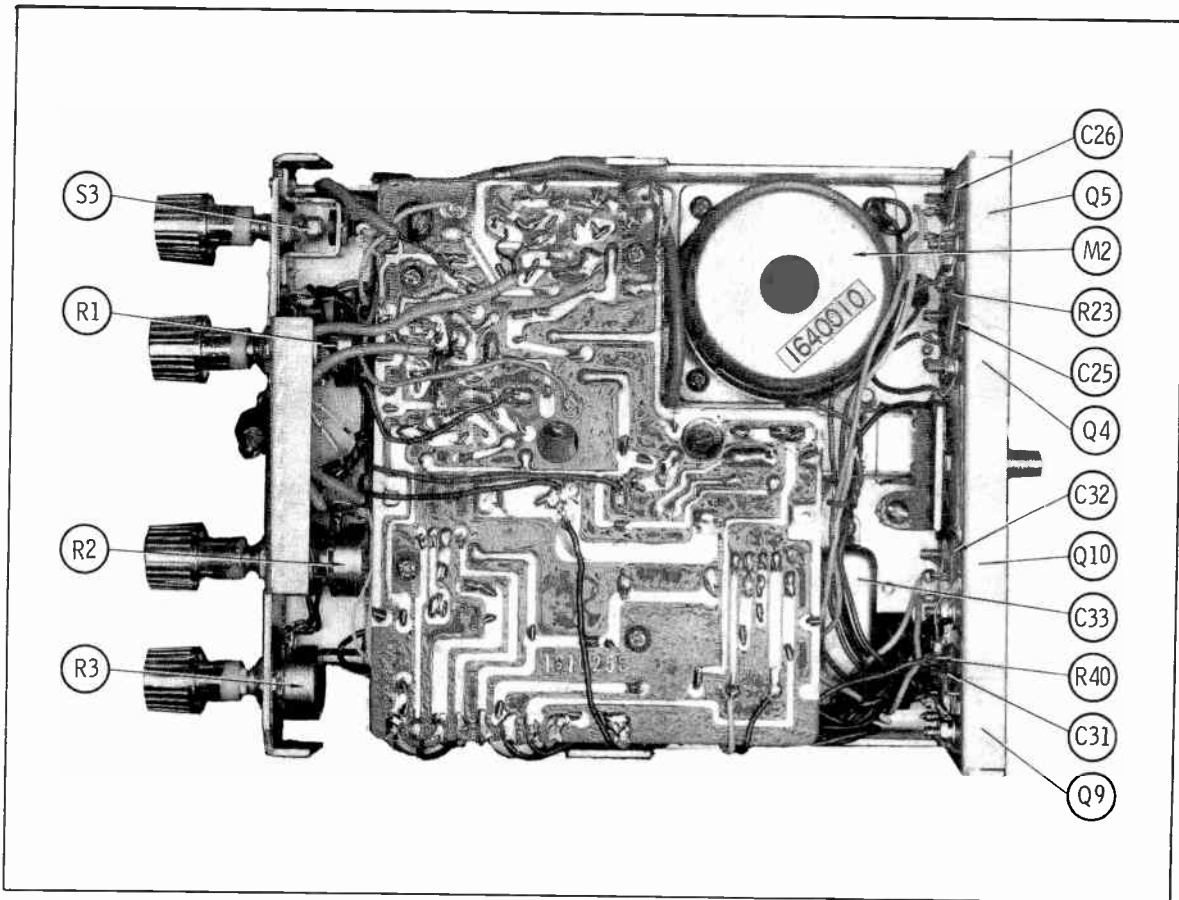
AUTOMATIC MODEL 5EL-9606



A Howard W. Sams **CIRCUITRACE** Photo







PARTS LIST AND DESCRIPTION

(When ordering parts, state Model, Part Number, and Description.)

Replacement parts shown may be superseded by the availability of newly introduced replacements. Have your local distributor check Sams COUNTER FACTS[®] for the most up-to-date replacement.

WIRING DATA

General-use Unshielded Hook-up Wire	Use BELDEN No. 8530 (Solid) Available in 12 Colors 8524 (Stranded) Available in 12 Colors
Shielded Hook-up Wire	Use BELDEN No. 8885
Rear Seat Speaker Extension Cable	Use BELDEN No. 8782 (Stranded) Coded Parallel Leads
Bonding Strap	Use BELDEN No. 8661 (3/8 In.) or 8670 (3/4 In.)

TRANSISTORS

ITEM No.	TYPE No.	FUNCTION	REPLACEMENT DATA					
			MFGR. PART No.	GENERAL ELECTRIC PART No.	INTERNATIONAL RECTIFIER PART No.	MOTOROLA PART No.	RCA PART No.	SYLVANIA PART No.
Q1	2SC828	Preamp	6A10422	GE-10	TR-21	HEP55	SK3020	ECG 128
Q2	2SC828	AF Amp	6A10422	GE-10	TR-21	HEP55	SK3020	ECG 128
Q3	2SC538	Driver	6A10520	GE-17	TR-24	HEP54	SK3020	ECG 123
Q4	8P505	Output (1)	8A12359			HEP643		ECG 131MP *
Q5	8P505	Output (1)	8A12359			HEP643		
Q6	2SC828	Preamp	6A10422	GE-10	TR-21	HEP55	SK3020	ECG 128
Q7	2SC828	AF Amp	6A10422	GE-10	TR-21	HEP55	SK3020	ECG 128
Q8	2SC538	Driver	6A10520	GE-17	TR-24	HEP54	SK3020	ECG 123
Q9	8P505	Output (1)	8A12359			HEP643		ECG 131MP *
Q10	8P505	Output (1)	8A12359			HEP643		

(1) When replacing, apply silicone grease to both sides of insulator. Tighten mounting screws securely.

* Matched Pair.

PARTS LIST AND DESCRIPTION (CONTINUED)

(When ordering parts, state Model, Part Number, and Description.)

Replacement parts shown may be superseded by the availability of newly introduced replacements.
Have your local distributor check Sams COUNTER FACTS for the most up-to-date replacement.

POWER RECTIFIERS & SIGNAL DIODES

ITEM No.	MFR. PART OR TYPE No.	REPLACEMENT RECTIFIERS & DIODES			REPLACEMENT RECTIFIERS	NOTES
		GENERAL ELECTRIC PART No.	INTERNATIONAL RECTIFIER PART No.	SYLVANIA PART No.	RCA PART No.	
X1	S1-Y	GE-504A	5A4D	ECG 116	SK3017A	

ELECTROLYTIC CAPACITORS

ITEM No.	RATING	REPLACEMENT DATA						
		PART No.	AEROVOX PART No.	CENTRALAB PART No.	CORNELL-DUBILIER PART No.	GENERAL ELECTRIC PART No.	MALLORY PART No.	SPRAGUE PART No.
C1	470 16V	20A10236	BCD15500	EA15-500	PC500-16	QT1-30A	MTV500DN15	TL-1166
C2	470 16V	20A10432	PRS122D	EA15-500	WBR500-35	QT1-30A	TC1505A	TL-1166
C3	470 16V	20A10432	PRS122D	EA15-500	WBR500-35	QT1-30A	TC1505A	TL-1166
C4	220 16V	20A10235	BCD2020D	EA15-250	PC200-16	MT1-23	MTV200CK15	TE-1164
C5	10 10V	20A10232	BCD25010	EP15-10	PC10-50	MT1-5	MTV10CB50	TE-1128
C6	47 6.3V	20A10233	BCD6053	EP6-50	PC50-16	MT1-15	MTV50CB15	TE-1133
C7	10 10V	20A10232	BCD25010	EP15-10	PC10-50	MT1-5	MTV10CB50	TE-1128
C8	10 10V	20A10232	BCD25010	EP15-10	PC10-50	MT1-5	MTV10CB50	TE-1128
C9	220 6.3V	20A10234	BCD6200	EA6-250	PC200-16	MT1-23	MTV200CK10	TE-1104
C10	470 16V	20A10236	BCD15500	EA15-500	PC500-16	QT1-30A	MTV500DN15	TL-1166
C11	10 10V	20A10232	BCD25010	EP15-10	PC10-50	MT1-5	MTV10CB50	TE-1128
C12	47 6.3V	20A10233	BCD6050	EP6-50	PC50-16	MT1-15	MTV50CB15	TE-1133
C13	10 10V	20A10232	BCD25010	EP15-10	PC10-50	MT1-5	MTV10CB50	TE-1128
C14	10 10V	20A10232	BCD25010	EP15-10	PC10-50	MT1-5	MTV10CB50	TE-1128
C15	220 6.3V	20A10234	BCD6230	EA6-250	PC200-16	MT1-23	MTV200CK10	TE-1104
C16	470 16V	20A10236	BCD15500	EA15-500	PC500-16	QT1-30A	MTV500DN15	TL-1166

CAPACITORS

ITEM No.	RATING	REMARKS	REPLACEMENT DATA					
			AEROVOX PART No.	CENTRALAB PART No.	CORNELL-DUBILIER PART No.	ELMENCO PART No.	MALLORY PART No.	SPRAGUE PART No.
C21	.001		GPC X5F102K	DM-102	GP1000	CCD-102	SM210	2SS-D10
C22	.0018		GPD X5F202K	DM-202	GP2000	CCD-202	GP220	2SS-D20
C23	.022		TTP-02	CK-203	MGP02	CCD-203	TA120	TG-S20
C24	100		HPC-DI 100	DTZ-100	NP0100	CCTO-101	CN0310	10TCC-T10
C25	.022		TTP-02	CK-203	MGP02	CCD-203	TA120	TG-S20
C26	.022		TTP-02	CK-203	MGP02	CCD-203	TA120	TG-S20
C27	.001		GPD X5F102K	DM-102	GP1000	CCD-102	SM210	2SS-D10
C28	.0018		GPD X5F202K	DM-202	GP2000	CCD-202	GP220	2SS-D20
C29	.022		TTP-02	CK-203	MGP02	CCD-203	TA120	TG-S20
C30	100		HPC-DI 100	DTZ-100	NP0100	CCTO-101	CN0310	10TCC-T10
C31	.022		TTP-02	CK-203	MGP02	CCD-203	TA120	TG-S20
C32	.022		TTP-02	CK-203	MGP02	CCD-203	TA120	TG-S20
C33	.001		EF-6-1000	FT-1000		CCF-102		
C34	.04			nn-403			GP140	

CONTROLS (All wattages 1/2 watt, or less, unless listed)

ITEM No.	FUNCTION	RESISTANCE	REPLACEMENT DATA				
			MFR. PART No.	CENTRALAB PART No.	CLAROSTAT PART No.	CTS-IRC PART No.	MALLORY PART No.
R1A	Volume (Left)	10K	80A10404				
B	Volume (Right)	10K					
R2A	Tone (Left)	10K	80A10403				
B	Tone (Right)	10K					
R3	Balance	10K	80A10507				
R4	Level (Left)	5000 ohm	80A12357	T-5000 (1) or [TSV-5000] (1)		X201R502B (1)	MTC53L1 (1)
R5	Level (Right)	5000 ohm	80A12357	T-5000 (1) or [TSV-5000] (1)		X201R502B (1)	MTC53L1 (1)

(1) Cut off one of the end terminals and bend to fit "PC" Board.

RESISTORS (Power and Special)

ITEM No.	RATING	REPLACEMENT DATA		
		IRC PART No.	WORKMAN PART No.	MFR. PART No.
R19	25 ohm(Cold)			5A10230
R21	25 ohm(Cold)			5A10230

ITEM No.	RATING	REPLACEMENT DATA		
		IRC PART No.	WORKMAN PART No.	MFR. PART No.
R37	25 ohm(Cold)			5A10230
R38	25 ohm(Cold)			5A10230

AUTOMATIC MODEL SEL-9606

PARTS LIST AND DESCRIPTION (CONTINUED)

(When ordering parts, state Model, Part Number, and Description.)

Replacement parts shown may be superseded by the availability of newly introduced replacements.
Have your local distributor check Sams COUNTER FACTS® for the most up-to-date replacement.

COILS (RF-IF)

ITEM No.	USE	REPLACEMENT DATA			
		PART No.	MEISSNER PART No.	MILLER PART No.	WORKMAN PART No.
L1	RF Choke (10uh)	14A10409	19-1005	4622	T860
L2	RF Choke (10uh)	14A10408	19-1005	4612	T860

FILTER CHOKE

ITEM No.	RATINGS			REPLACEMENT DATA					NOTES
	CURRENT (Measured)	DC RES.	INDUCTANCE (0 CURRENT 1000~)	PART No.	MERIT PART No.	STANCOR PART No.	THORDARSON PART No.	TRIAD PART No.	
L3	200ma	.3 ohm	1.5MH	75A10407					

TRANSFORMER (Driver)

ITEM No.	TURNS RATIO			REPLACEMENT DATA					NOTES
	PRI.	SEC. 1	SEC. 2	PART No.	MERIT PART No.	STANCOR PART No.	THORDARSON PART No.	TRIAD Part No.	
T1	4	1	1	75A10411					
T2	4	1	1	75A10411					

FUSE DEVICES

ITEM No.	DESCRIPTION	REPLACEMENT DATA						WORKMAN PART No.
		PART No.		BUSS PART No.		LITTELFUSE PART No.		
		DEVICE	HOLDER	DEVICE	HOLDER	DEVICE	HOLDER	
F1	3 Amp			AGC 3	NDJ	312003	150145	DEVICE

TAPE HEADS

ITEM No.	MEASURED			PART No.	NORTRONICS PART No.	DESCRIPTION
	INDUCTANCE	BIAS/ERASE VOLTS (RMS)	BIAS FREQ.			
M1	485mh			130A10505	5800 (1)	8-Track Stereo Play

MISCELLANEOUS

ITEM No.	PART NAME	PART No.	NOTES
M2	Motor	130A12355	
M3	Solenoid	130A12357	
S1	Switch, Power		
	Upper Contact	52A12318	
	Lower Contact	52A12319	
S2	Switch, Automatic		
	Program	135A12353	
S3	Switch, Manual		
	Program	69A12326	
	Indicator Lamp	130A10410	

CABINETS & CABINET PARTS (When ordering specify model, chassis & color)

ITEM	PART No.	ITEM	PART No.
Indicator Lens Escutcheon	55A12296 54A12297	Tape Door Knob, Control	55A12299 47A12300



For Supplier Address See PHOTOFACT Index



AUTOMATIC MODEL TLU-1590

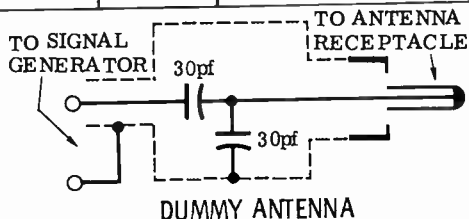
ALIGNMENT INSTRUCTIONS

Check for specified source voltage.
Use only enough generator output
to provide a usable indication.
Suggested Alignment Tools:

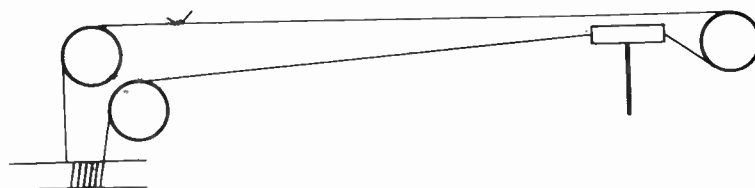
A1 thru A8.....GENERAL CEMENT #9440
WALSCO #2501

	GENERATOR COUPLING	GENERATOR FREQUENCY	RADIO DIAL SETTING	INDICATOR	ADJUST	REMARKS
1.	High side thru .1mfd to point \diamond A, low side to ground.	455KC 400 cycle modulation	High freq. end stop.	Output meter across voice coil.	A1,A2, A3,A4	Adjust for maximum.
2.	Thru dummy antenna to antenna input.	600KC	Tune to Signal	"	A5	"
3.	Thru dummy antenna to antenna input.	1615KC	High Freq end stop.	Output meter across voice coil	A6,A7, A8	Adjust for maximum. Repeat Steps 2 and 3 until no further improvement is noted

With radio installed in car and antenna extended to desired height, tune in a weak station near 1400KC and adjust A⁸ for maximum output. Antenna adjustment (A8) is located on bottom, left-hand corner.



DIAL CORD STRINGING-FRONT VIEW



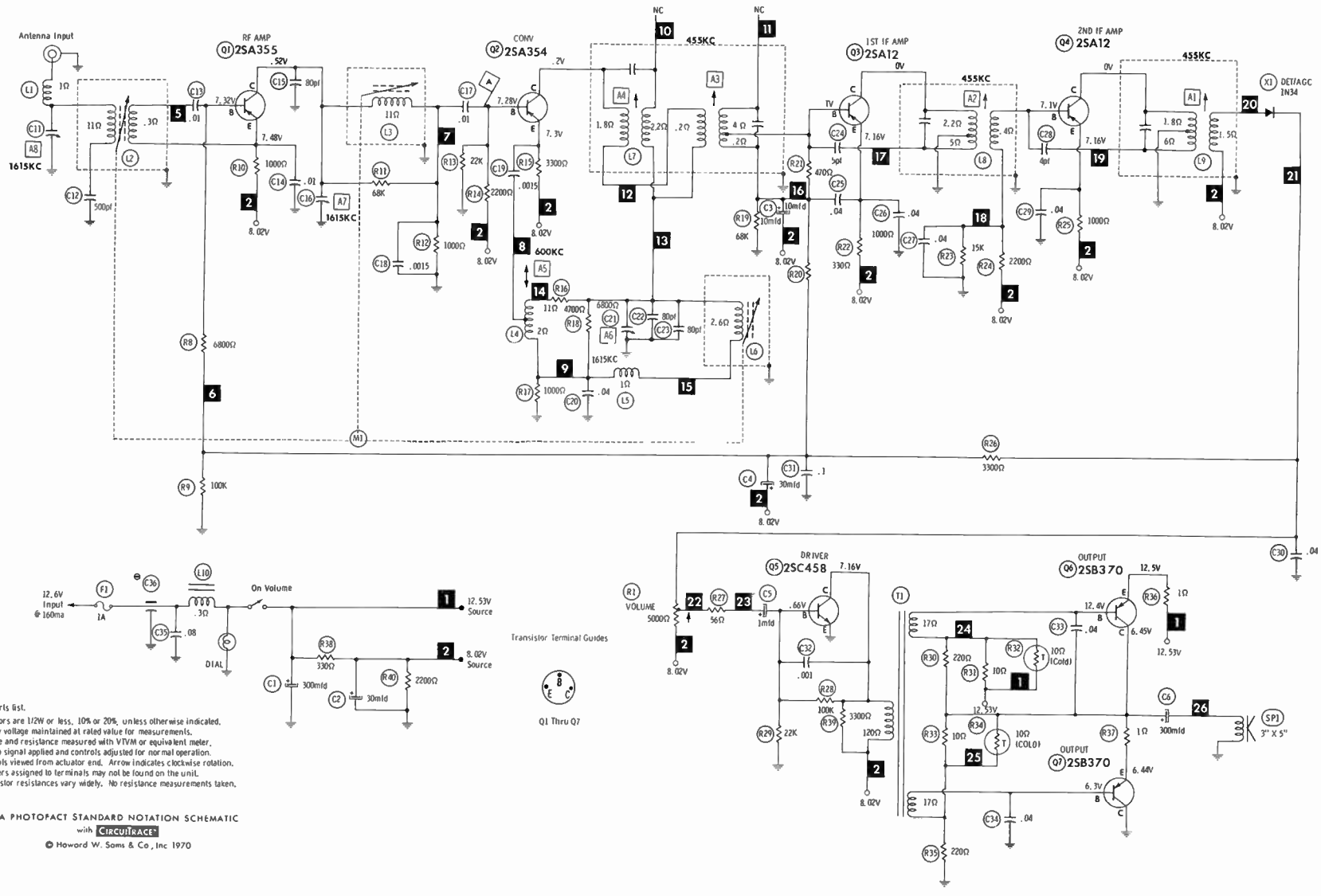
TUNING SHAFT
6 TURNS

TUNING CORES FULLY OUT
OF COIL FORMS

HOWARD W. SAMS & CO., INC. Indianapolis, Indiana 46206

© 1970 Howard W. Sams & Co., Inc. Printed in U. S. of America TD720

AUTOMATIC MODEL TLU-1590

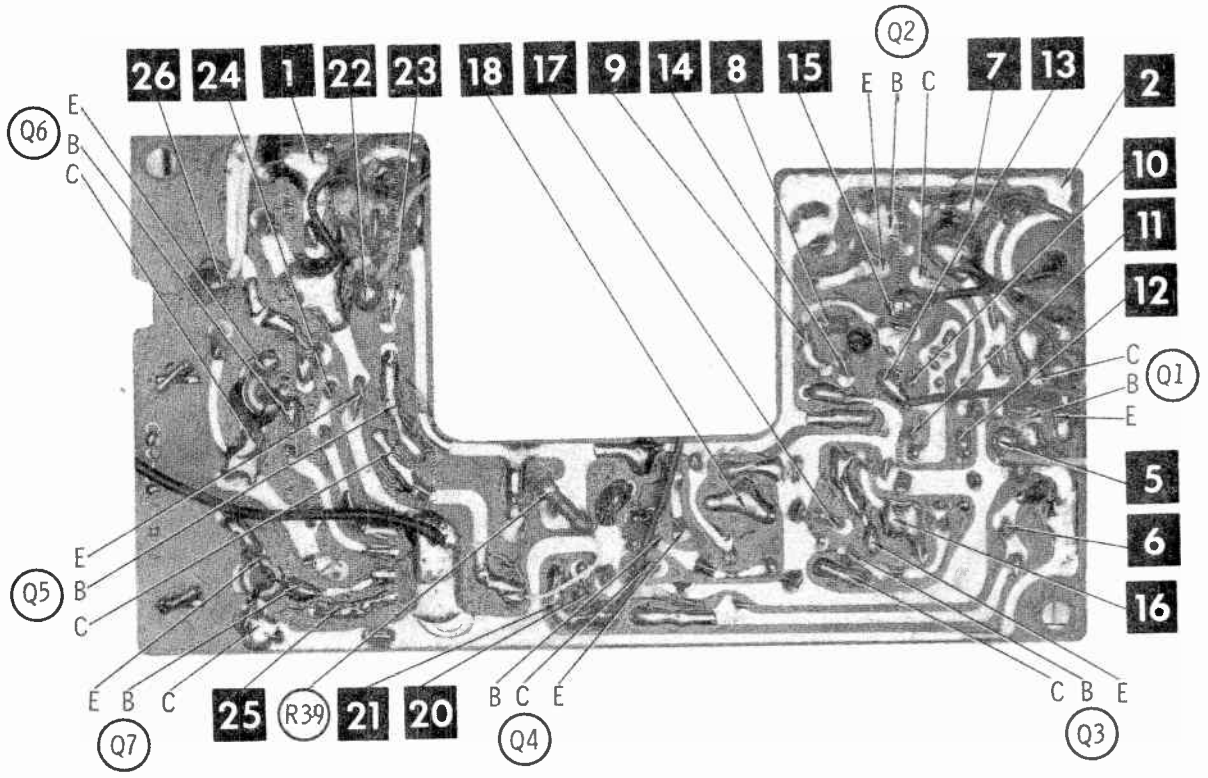
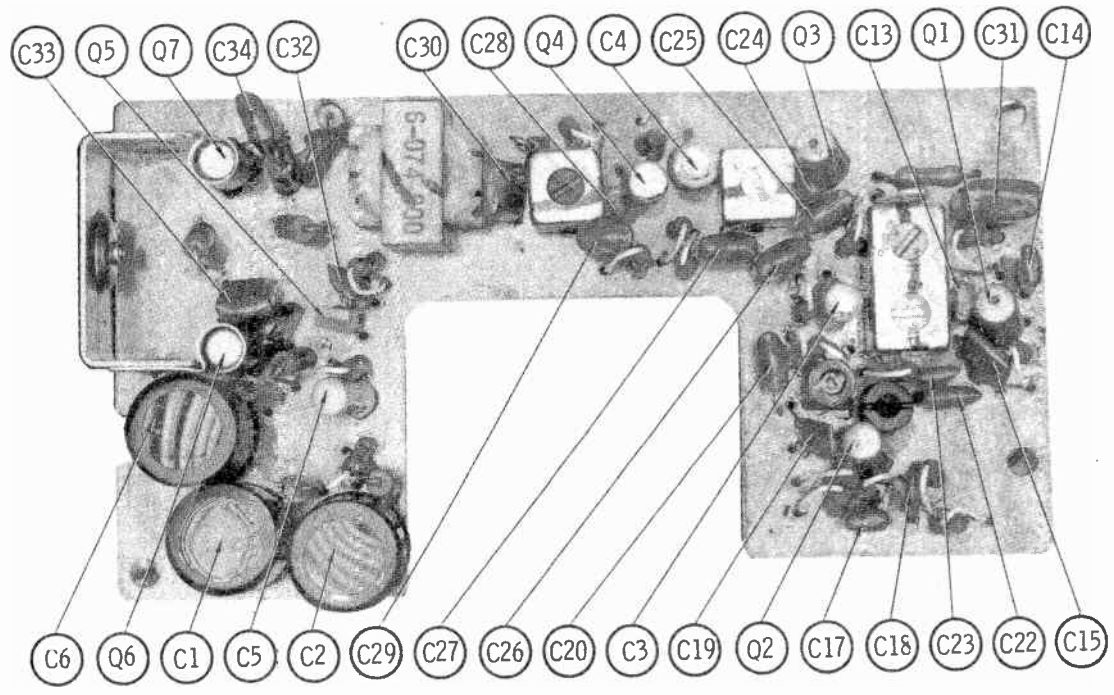


See parts list.
 Resistors are 1/2W or less, 10% or 20%, unless otherwise indicated.
 Supply voltage maintained at rated value for measurements.
 Voltage and resistance measured with VTVM or equivalent meter.
 No signal applied and controls adjusted for normal operation.
 Controls viewed from actuator end. Arrow indicates clockwise rotation.
 Numbers assigned to terminals may not be found on the unit.
 Transistor resistances vary widely. No resistance measurements taken.

A PHOTOFACIT STANDARD NOTATION SCHEMATIC
 with **CircuitTRACE**
 © Howard W. Sams & Co., Inc 1970



AUTOMATIC MODEL TLU-1590



A Howard W. Soms **CIRCUITRACE** Photo

PARTS LIST AND DESCRIPTION

(When ordering parts, state Model, Part Number, and Description.)

Replacement parts shown may be superseded by the availability of newly introduced replacements.
Have your local distributor check Sams COUNTER FACTS[®] for the most up-to-date replacement.

WIRING DATA

General-use Unshielded Hook-up Wire	Use BELOEN No. 8530 (Solid) Available in 12 Colors 8524 (Stranded) Available in 12 Colors
Shielded Hook-up Wire	Use BELOEN No. 8885
Rear Seat Speaker Extension Cable	Use BELOEN No. 8782 (Stranded) Coded Parallel Leads
Bonding Strap	Use BELOEN No. 8661 (3/8 In.) or 8670 (3/4 In.)

TRANSISTORS

ITEM No.	TYPE No.	FUNCTION	REPLACEMENT DATA					
			MFGR. PART No.	GENERAL ELECTRIC PART No.	INTERNATIONAL RECTIFIER PART No.	MOTOROLA PART No.	RCA PART No.	SYLVANIA PART No.
Q1	2SA355	RF Amp		GE-9	TR-11	HEP640	SK3006	ECG 126
Q2	2SA354	Converter		GE-9	TR-12	HEP640	SK3006	ECG 126
Q3	2SA12	IF Amp		GE-9	TR-12	HEP253	SK3005	ECG 100
Q4	2SA12	IF Amp		GE-9	TR-12	HEP253	SK3005	ECG 100
Q5	2SC458	Driver		GE-20	TR-21	HEP53	SK3020	ECG 128
Q6	2SB370	Output		GE-2	TR-05	HEP630	SK3004	ECG 102
Q7	2SB370	Output		GE-2	TR-05	HEP630	SK3004	ECG 102

POWER RECTIFIERS & SIGNAL DIODES

ITEM No.	MFGR. PART OR TYPE No.	REPLACEMENT RECTIFIERS & DIODES			REPLACEMENT RECTIFIERS	NOTES
		GENERAL ELECTRIC PART No.	INTERNATIONAL RECTIFIER PART No.	SYLVANIA PART No.	RCA PART No.	
X1	1N34A	1N34AS	1N34A	BCG 109		

ELECTROLYTIC CAPACITORS

ITEM No.	RATING	PART No.	REPLACEMENT DATA					
			AEROVOX PART No.	CENTRALAB PART No.	CORNELL-DUBILIER PART No.	GENERAL ELECTRIC PART No.	MALLORY PART No.	SPRAGUE PART No.
C1	300 15V		BC015300	EA15-250	PC500-16	MT1-30A	MTV2500E15	TL-1165
C2	300 15V		BC015300	EA15-250	PC500-16	MT1-30A	MTV2500E15	TL-1165
C3	10 10V		BCD25010	EP15-10	PC10-50	MT1-5	MTV10CB50	TE-1128
C4	30 6V		BC015025	EP6-25	PC30-35	MT1-13	MTV30CB25	TE-1132.1
C5	1 50V		BC050001		PC1-100	MT1-1	MTV1CB50	TE-1300
C6	300 15V		BC015300	EA15-250	PC500-16	MT1-30A	MTV2500E15	TL-1165

CAPACITORS

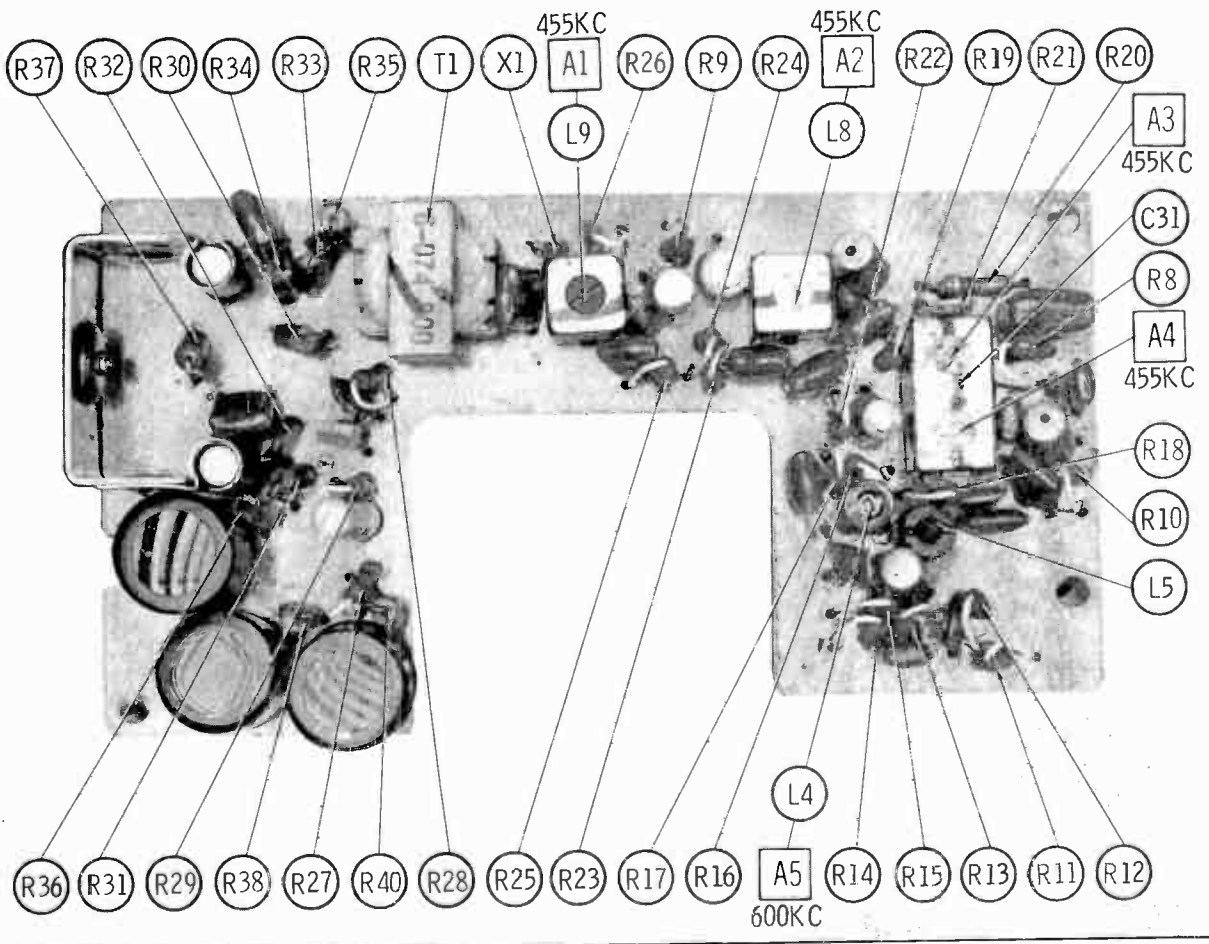
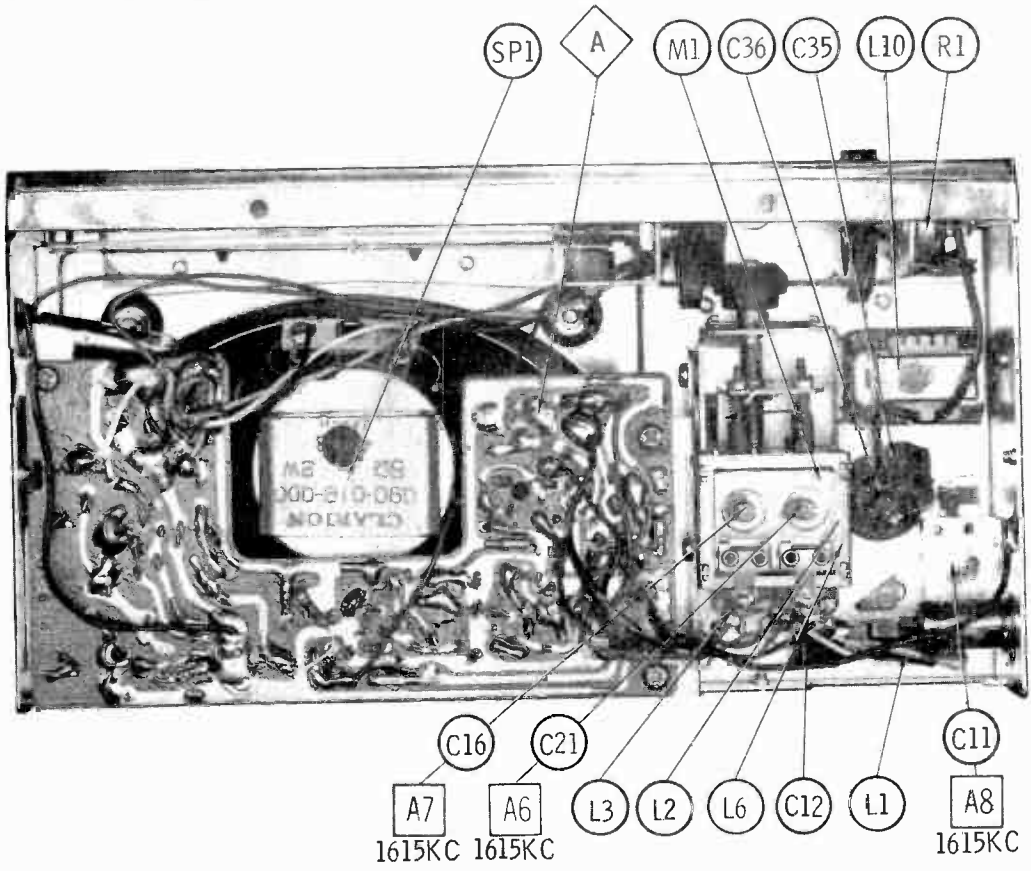
ITEM No.	RATING	REMARKS	REPLACEMENT DATA						
			AEROVOX PART No.	CENTRALAB PART No.	CORNELL-DUBILIER PART No.	ELMENCO PART No.	MALLORY PART No.	SPRAGUE PART No.	
C11		#004-106-001							
C12	500	(1)	GPO X5F501K	OM-501	GP500	CCO-501	GP350	10TS-T50	
C13	.01		TTP-01	CK-103	MGP01	CCD-103	TA110	TG-S10	
C14	.01		TTP-01	CK-103	MGP01	CCO-103	TA110	TG-S10	
C15	80			OTZ-82	NP082	CCTO-820	CN0482	10TCC-Q82	
C16									
C17	.01			TTP-01	CK-103	MGP01	CCO-103	TA110	TG-S10
C18	.0015			GPO X5F152K	OD-152		CCO-152	GP215	10TS-015
C19	.0015			GPD X5F152K	OD-152		CCD-152	GP215	10TS-015
C20	.04				OD-403			GP140	
C21			(1)						
C22	80				OTZ-82	NP082	CCTO-820	CN0482	10TCC-Q82
C23	80				OTZ-82	NP082	CCTO-820	CN0482	10TCC-Q82
C24	4					NP03P9			10TCC-V39
C25	.04				00-403			GP140	
C26	.04			OD-403			GP140		
C27	.04			00-403			GP140		
C28	4				NP03P9			10TCC-V39	
C29	.04			00-403			GP140		
C30	.04			00-403			GP140		
C31	.1		TTP-1	CK-104			TA010	TG-P10	
C32	.001		GPO X5F102K	OM-102	GP1000	CCO-102	SM210	2SS-010	
C33	.04			DD-403			GP140		
C34	.04			00-403			GP140		
C35	.08		TTP-1	CK-104			TA010	TG-P10	
C36		#040-008-000							

(1) Part of M1.
Automatic Part Number.

CONTROLS (All wattages 1/2 watt, or less, unless listed)

ITEM No.	FUNCTION	RESISTANCE	REPLACEMENT DATA				
			MFGR. PART No.	CENTRALAB PART No.	CLAROSTAT PART No.	CTS-IRC PART No.	MALLORY PART No.
R1	Volume/Switch	5000	012-045-000				

(CONTINUED ON PAGE 20)



PARTS LIST AND DESCRIPTION (CONTINUED)

(When ordering parts, state Model, Part Number, and Description.)

Replacement parts shown may be superseded by the availability of newly introduced replacements.
Have your local distributor check Sams COUNTER FACTS' for the most up-to-date replacement.

RESISTORS (Power and Special)

ITEM No.	RATING	REPLACEMENT DATA		
		IRC PART No.	WORKMAN PART No.	MFGR. PART No.
R32	10 (Cold)			T0-11

ITEM No.	RATING	REPLACEMENT DATA		
		IRC PART No.	WORKMAN PART No.	MFGR. PART No.
R34	10 (Cold)			T0-11

COILS (RF-IF)

ITEM No.	USE	REPLACEMENT DATA			
		PART No.	MEISSNER PART No.	MILLER PART No.	WORKMAN PART No.
L1	RF Choke	010-049-001			
L2	Antenna	(1)			
L3	RF	(1)			
L4	Osc	010-050-002			
L5	Image Trap	010-093-000			
L6	Osc Tuning	(1)			
L7	Input IF	000-012-001			
L8	Interstage IF	005-024-000			
L9	Output IF	005-025-000			

(1) Part of M1

FILTER CHOKE

ITEM No.	RATINGS			REPLACEMENT DATA					NOTES
	CURRENT (Measured)	DC RES.	INDUCTANCE (O CURRENT 1000~)	PART No.	MERIT PART No.	STANCOR PART No.	THORDARSON PART No.	TRIAD PART No.	
L10	160ma	.3	1.5mh	009-018-002					

TRANSFORMER (Driver)

ITEM No.	TURNS RATIO			REPLACEMENT DATA					NOTES
	PRI.	SEC. 1	SEC. 2	PART No.	MERIT PART No.	STANCOR PART No.	THORDARSON PART No.	TRIAD Part No.	
T1	3	1	1	006-074-000					

SPEAKER

ITEM No.	TYPE	REPLACEMENT DATA		NOTES
		PART No.	QUAM PART No.	
SP1	3" x 5" PM 8 ohms	090-016-000	35A05Z8	

FUSE DEVICES

ITEM No.	DESCRIPTION	REPLACEMENT DATA							
		PART No.		BUSS PART No.		LITTELFUSE PART No.		WORKMAN PART No.	
		DEVICE	HOLDER	DEVICE	HOLDER	DEVICE	HOLDER	DEVICE	
F1	1 Amp	120-001-000	850-146-000	AGC1	H0J	312001			

MISCELLANEOUS

ITEM No.	PART NAME	PART No.	NOTES
M1	Tuner Lamp, Dial	931-073-000 017-003-000	

CABINETS & CABINET PARTS (When ordering specify model, chassis & color)

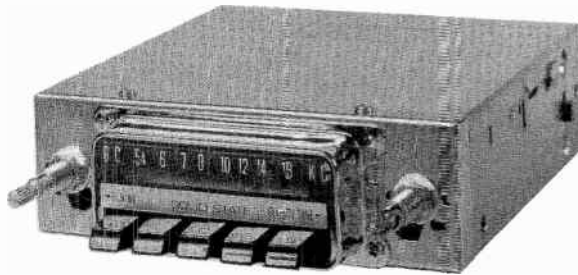
ITEM	PART No.	ITEM	PART No.
Escutcheon	940-145-000	Knob, Tuning	380-236-000
Dial Glass	372-161-100	Dial Pointer	376-039-000
Knob, Volume	380-233-001		



PHOTOFACT[®] with

CIRCUITRACE[®]

For Supplier Address See PHOTOFACT Index



AUTOMATIC MODEL VP-6228
(1958-1967
Volkswagen 1300)

ALIGNMENT INSTRUCTIONS

Check for specified source voltage.
Use only enough generator output
to provide a usable indication.
Suggested Alignment Tools:

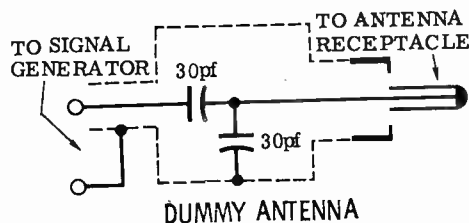
A1 thru A8.....GENERAL CEMENT #9440
WALSCO #2501

PUSH-BUTTON ADJUSTMENT

1. Pull button out.
2. Tune manually to desired station.
3. Press button in firmly.
4. Repeat for remaining buttons.

	GENERATOR COUPLING	GENERATOR FREQUENCY	RADIO DIAL SETTING	INDICATOR	ADJUST	REMARKS
1.	High side thru .1mfd to point \diamond , low side to ground.	455KC 400 cycle modulation	High freq. end stop.	Output meter across voice coil.	A1,A2, A3,A4	Adjust for maximum.
2.	Thru dummy antenna to antenna input.	600KC	Tune to Signal	"	A5	"
3.	Thru dummy antenna to antenna input.	1615KC	High Freq. end stop	Output meter across voice coil	A6,A7, A8	Adjust for maximum. Repeat Steps 2 and 3 until no further improvement is noted

With radio installed in car and antenna extended to desired height, tune in a weak station near 1400KC and adjust A8 for maximum output. Antenna adjustment (A8) is located left bottom corner.

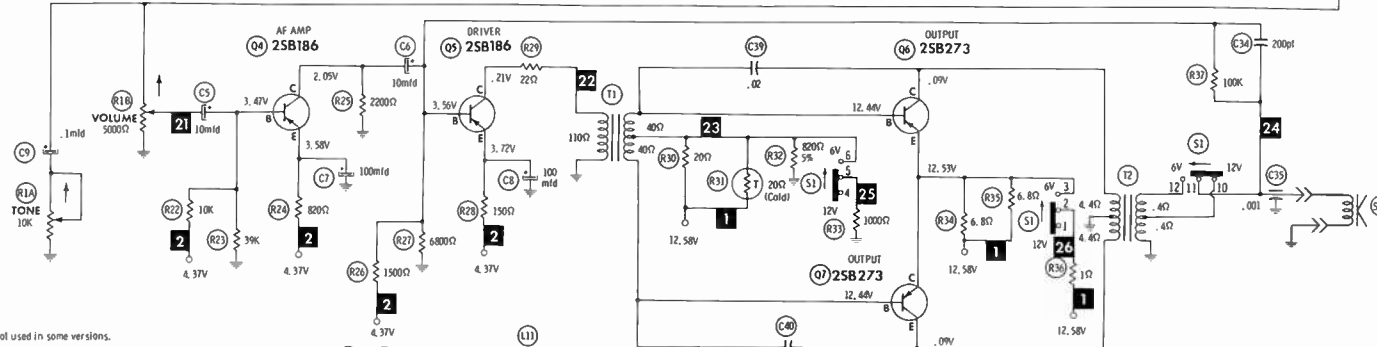
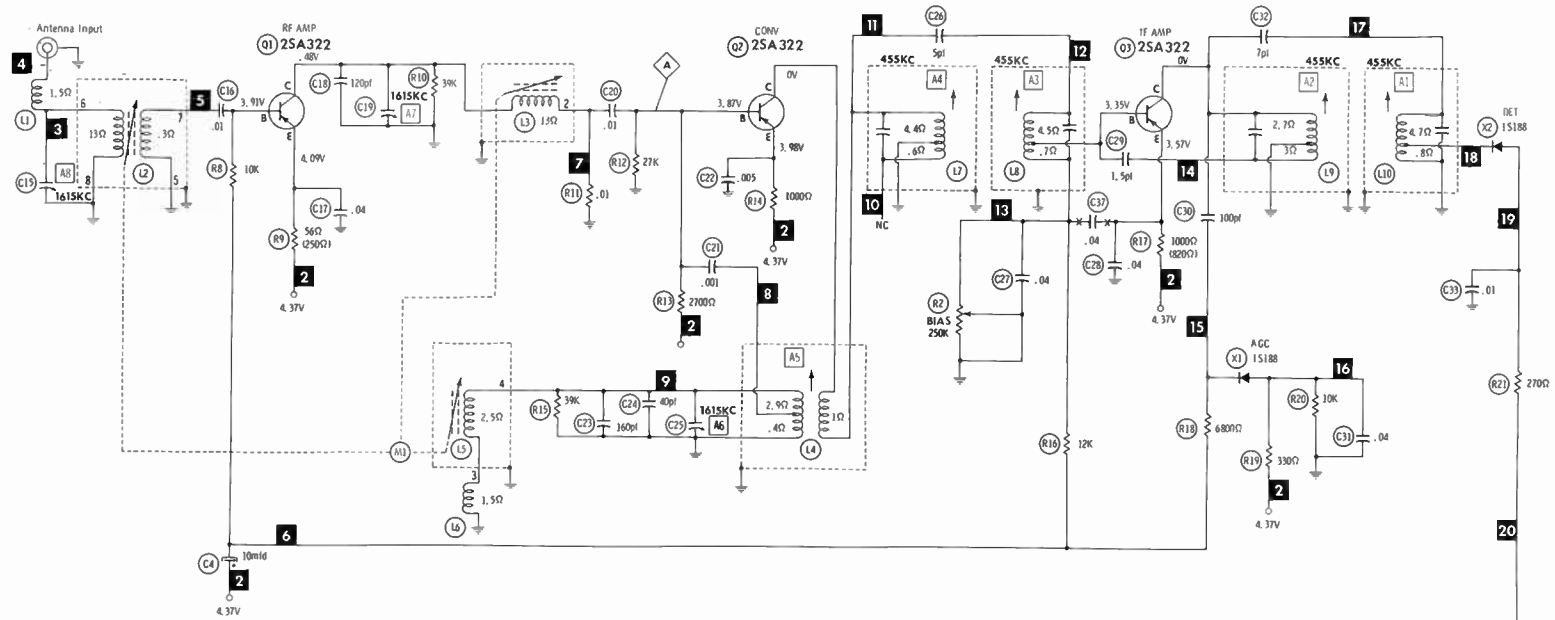


HOWARD W. SAMS & CO., INC. Indianapolis, Indiana 46206

© 1970 Howard W. Sams & Co., Inc. Printed in U. S. of America

TD735

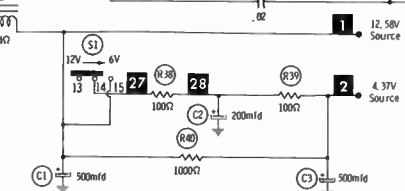
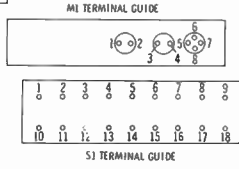
AUTOMATIC MODEL VP-6228



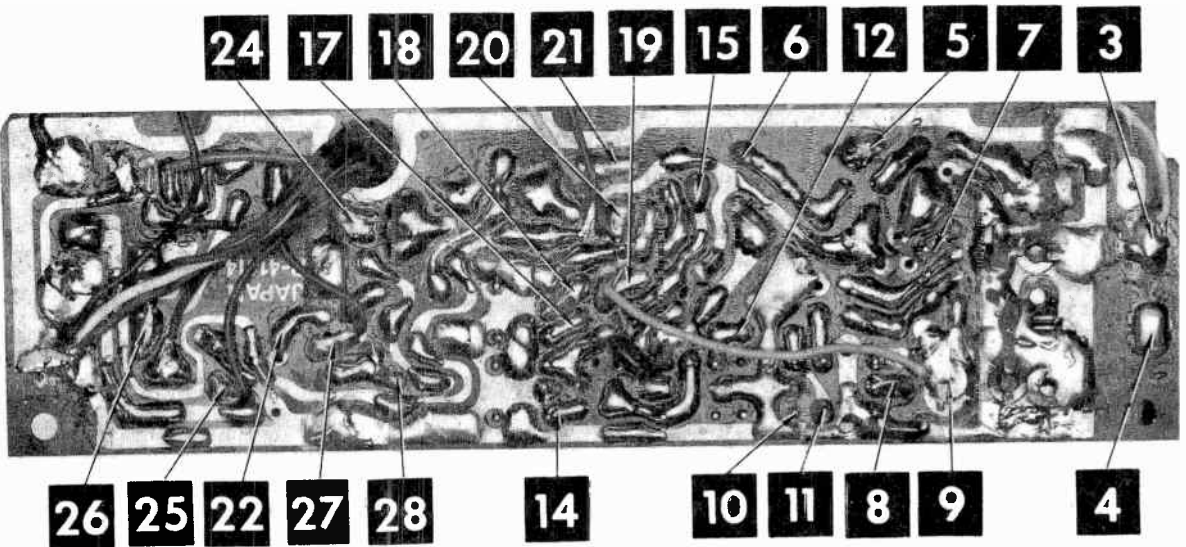
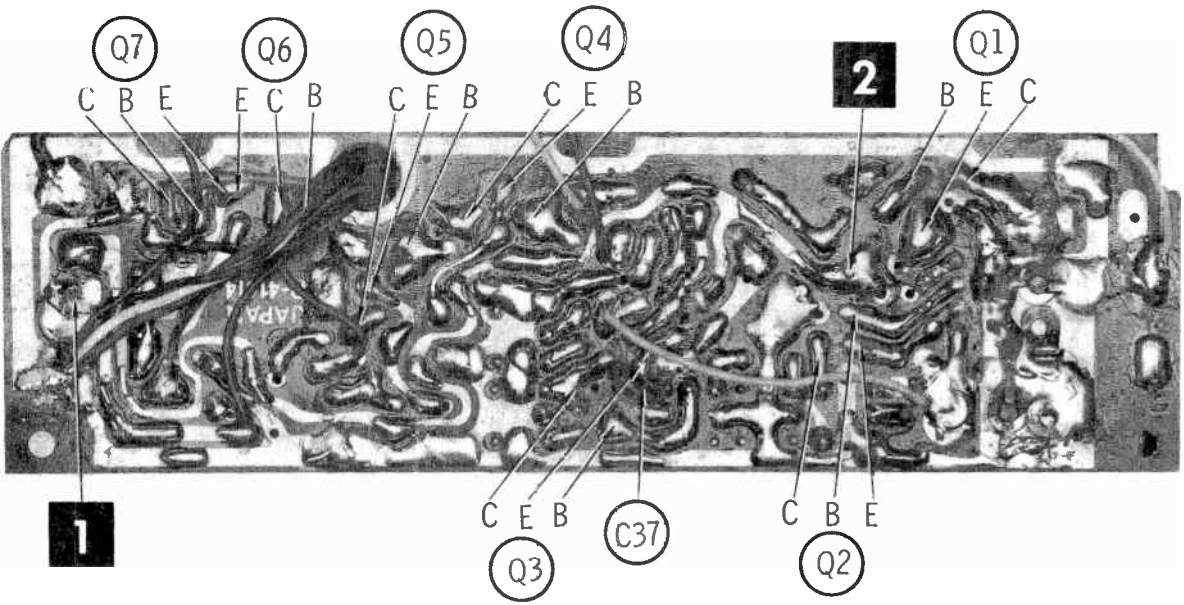
—*— Indicates connection not used in some versions.

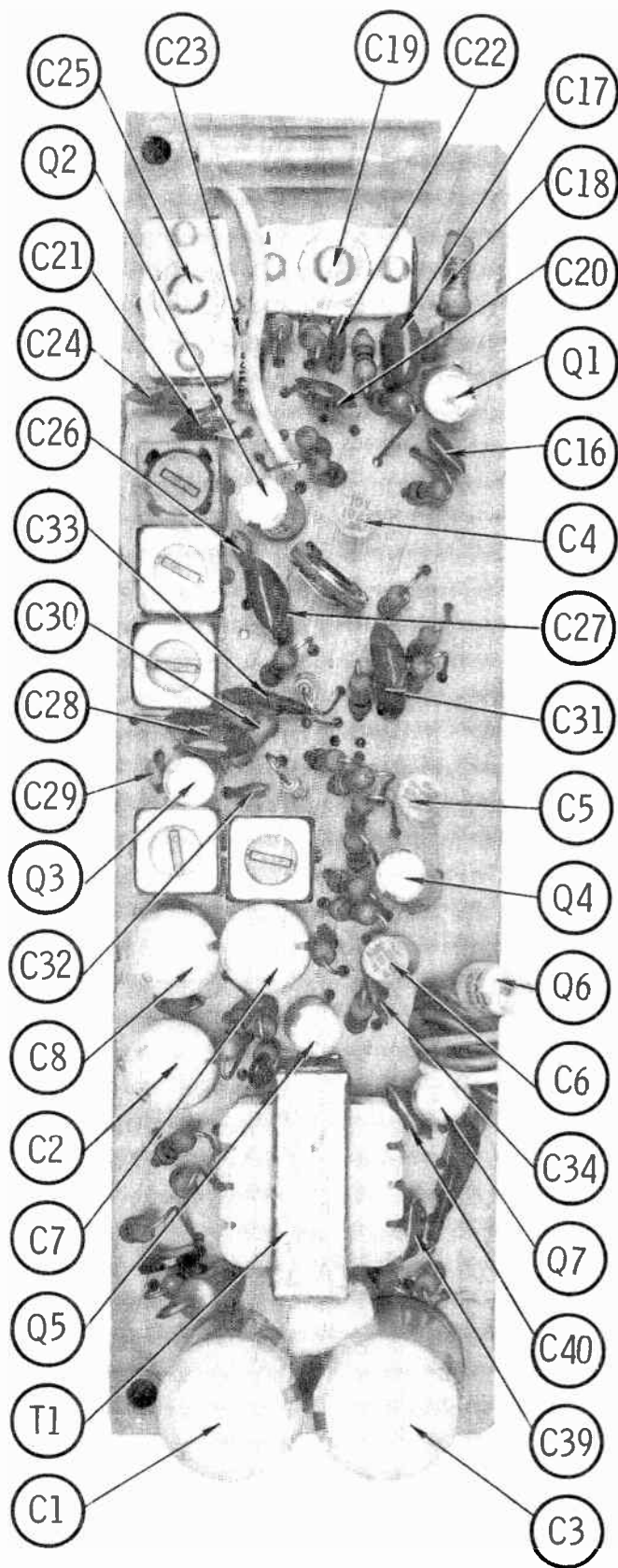
Resistors are 1/2W or less, 10% or 20%, unless otherwise indicated. Supply voltage maintained at rated value for measurements. Voltage and resistance measured with VTVM or equivalent meter, no signal applied and controls adjusted for normal operation. Controls viewed from actuator end. Arrow indicates clockwise rotation. Numbers assigned to terminals may not be found on the unit. Transistor resistances vary widely. No resistance measurements taken.

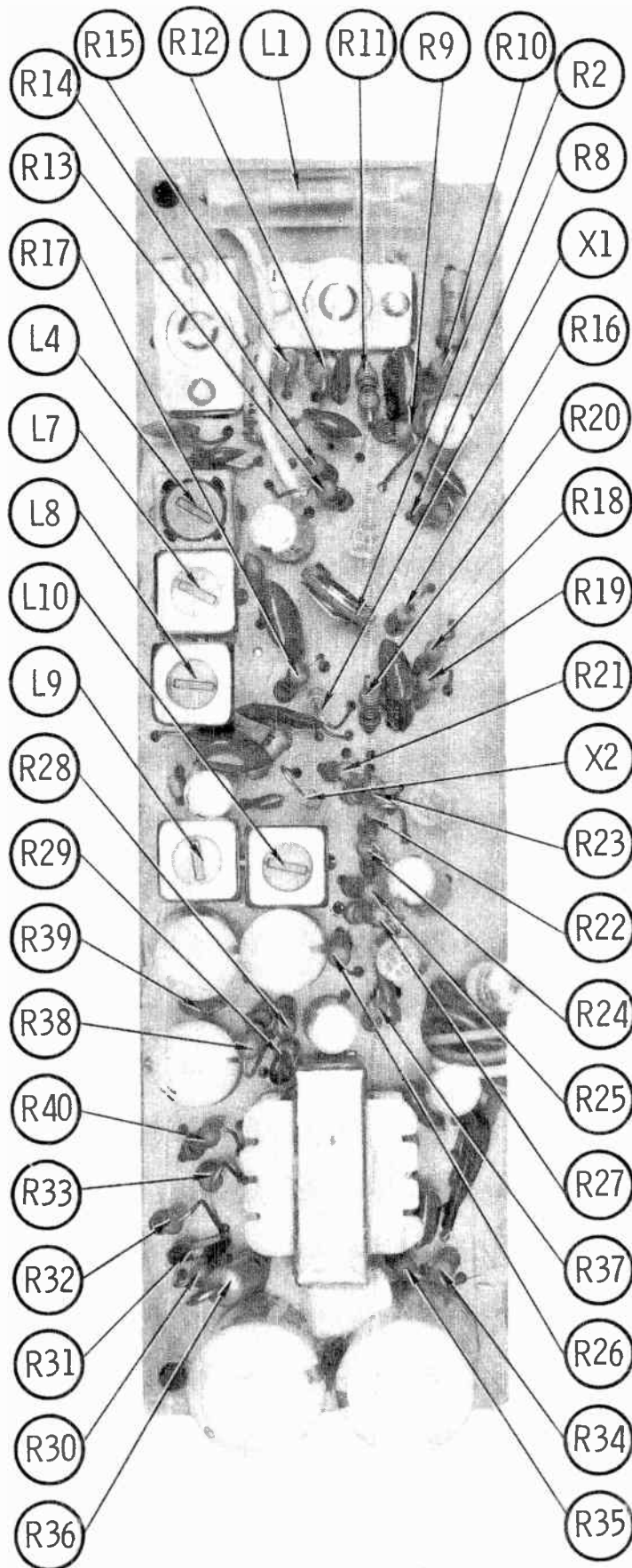
A PHOTOFACIT STANDARD NOTATION SCHEMATIC with **CIRCUITRACE**
© Howard W. Sams & Co., Inc 1970



AUTOMATIC MODEL VP-6228







PARTS LIST AND DESCRIPTION

(When ordering parts, state Model, Part Number, and Description.)

Replacement parts shown may be superseded by the availability of newly introduced replacements.
Have your local distributor check Sams COUNTER FACTS for the most up-to-date replacement.

TRANSISTORS

ITEM No.	TYPE No.	FUNCTION	REPLACEMENT DATA					
			MFGR. PART No.	GENERAL ELECTRIC PART No.	INTERNATIONAL RECTIFIER PART No.	MOTOROLA PART No.	RCA PART No.	SYLVANIA PART No.
Q1	2SA322	RF Amp		GE-9	TR-11	HEP639	SK3008	ECG 106
Q2	2SA322	Conv.		GE-9	TR-11	HEP639	SK3008	ECG 106
Q3	2SA322	IF Amp		GE-9	TR-11	HEP639	SK3008	ECG 106
Q4	2SB186	AF Amp		GE-2	TR-14	HEP633	SK3004	ECG 102
Q5	2SB186	Driver		GE-2	TR-14	HEP633	SK3004	ECG 102
Q6	2SB273	Output		GE-2	TR-14	HEP254	SK3004	ECG 102
Q7	2SB273	Output		GE-2	TR-05	HEP254	SK3004	ECG 102

POWER RECTIFIERS & SIGNAL DIODES

ITEM No.	MFGR. PART OR TYPE No.	REPLACEMENT RECTIFIERS & DIODES			REPLACEMENT RECTIFIERS	NOTES
		GENERAL ELECTRIC PART No.	INTERNATIONAL RECTIFIER PART No.	SYLVANIA PART No.	RCA PART No.	
X1	1S188	1N34AS	1N34A	ECG 109		
X2	1S188	1N34AS	1N34A	ECG 109		

ELECTROLYTIC CAPACITORS

ITEM No.	RATING	REPLACEMENT DATA						
		AUTOMATIC PART No.	AEROVOX PART No.	CENTRALAB PART No.	CORNELL-DUBILIER PART No.	GENERAL ELECTRIC PART No.	MALLORY PART No.	SPRAGUE PART No.
C1	500 15V	R-C9127A	BC015500	EA15-500	PC500-16	QT1-30A	MTV500DN15	TL-1166
C2	200 10V	R-C9146	BCD10190	EA15-250	PC200-16	MT1-23	MTV200CK10	TL-1137
C3	500 15V	R-C9127a	BC015500	EA15-500	PC500-16	QT1-30A	MTV500DN15	TL-1166
C4	10 10V	R-C9060	BC025010	EP15-10	PC10-50	MT1-5	MTV10CB50	TE-1128
C5	10 10V	R-C9060	BCD25010	EP15-10	PC10-50	MT1-5	MTV10CB50	TE-1128
C6	10 10V	R-C9060	BC025010	EP15-10	PC10-50	MT1-5	MTV10CB50	TE-1128
C7	100 10V	R-C9145	BCD10100	EP15-100	PC100-16	MT1-19	MTV100CD10	TE-1135
C8	100 10V	R-C9145	BCD10100	EP15-100	PC100-16	MT1-19	MTV100CD10	TE-1135
C9	.1 10V	R-C9126	TT0-1	UK10-104	TYR12BE104K		TAS104K006P0A	1960104X0035 OB

CAPACITORS

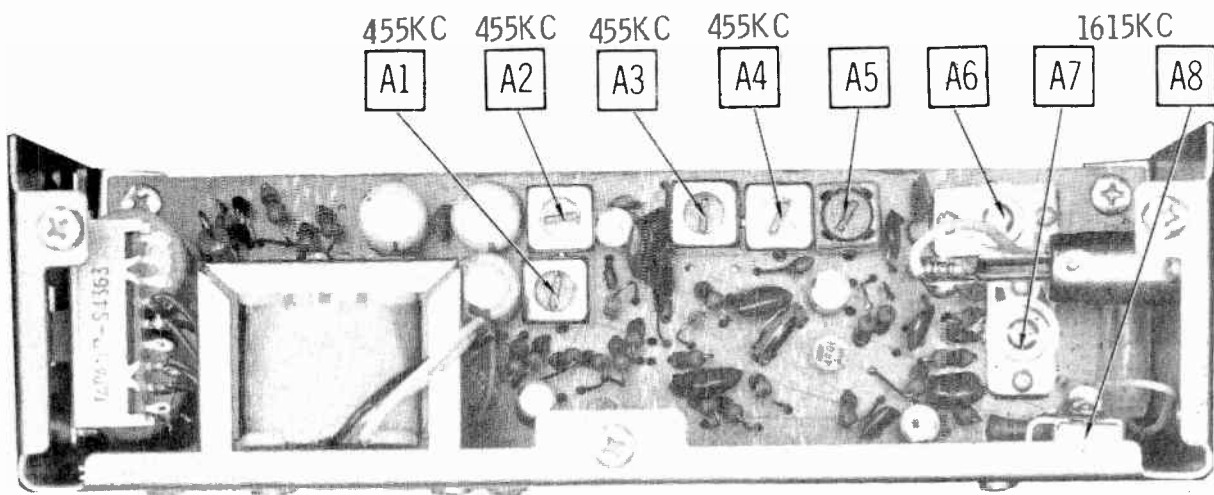
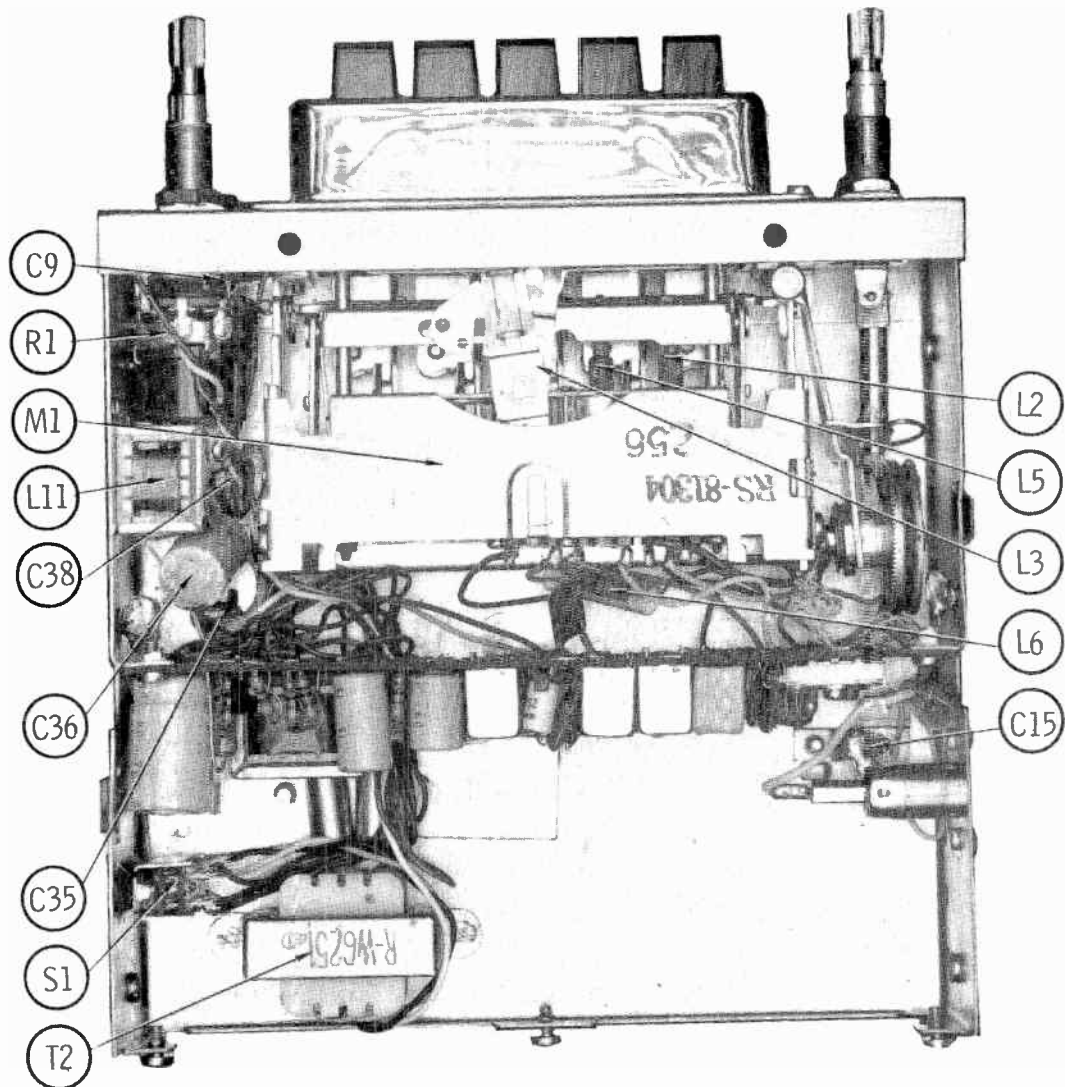
ITEM No.	RATING	REMARKS	REPLACEMENT DATA					
			AEROVOX PART No.	CENTRALAB PART No.	CORNELL-DUBILIER PART No.	ELMENCO PART No.	MALLORY PART No.	SPRAGUE PART No.
C15	65 +	#R-C0047a	TTP-01	CK-103	MGP01	CCO-103	TA110	TG-S10
C16	.01			00-403			GP140	
C17	.04			00-121	GP120	CCO-121	GP312	5GA-T12
C18	120							
C19	60 +	#R-C0029d	TTP-01	CK-103	MGP01	CCO-103	TA110	TG-S10
C20	.01		GPO X5F102K	OM-102	GP1000	CCD-102	SM210	2SS-010
C21	.001		TTP-005	CK-502	MGP005	CCD-502	TA250	TG-050
C22	.005			CPR-160J	C010E161J500	OM-15-161J	SX316	MS-316
C23	160		GPO P3K390K	OD-390	C015ED390J03	CCO-390	GP439	10TS-Q39
C24	40							
C25	50 +	#R-C0028d	NPO-DI 5.0		NP05			10TCC-V50
C26	5			DD-403			GP140	
C27	.04			DD-403			GP140	
C28	.04			DTZ-1R5	NP01P5		CN0515	10TCC-V15
C29	1.5		NPO-DI 1.5	DTZ-100	NP0100	CCT0-101	CN0310	10TCC-T10
C30	100			DD-403			GP140	
C31	.04			DTZ-6R8	NP06PB		CN0568	10TCC-V68
C32	7		NPO-DI 6.8	CK-103	MGP01	CCD-103	TA110	TG-S10
C33	.01		TTP-01	OM-201	GP200	CCO-201	GP320	10TS-T20
C34	200		GPD X5F201K	FT-1000		CCF-102		
C35	.001		EF-6-1000		WMF1P5	2DP-5-504	PVC205	2PS-P50
C36	.5 160V		0BE2P47				GP140	
C37	.04			DD-403		CCF-102		
C38	.001		EF-6-1000	FT-1000		CCD-203	TA120	TG-S20
C39	.02		TTP-02	CK-203	MGP02	CCO-203	TA120	TG-S20
C40	.02		TTP-02	CK-203	MGP02			

Automatic Part Number
+ Nominal Value.

CONTROLS (All wattages 1/2 watt, or less, unless listed)

ITEM No.	FUNCTION	RESISTANCE	REPLACEMENT DATA				
			MFGR. PART No.	CENTRALAB PART No.	CLAROSTAT PART No.	CTS-IRC PART No.	MALLORY PART No.
RIA	Tone	10K	R-R124138a				
B	Volume/Switch	5000					
R2	Bias Adjust	250K	R-R1101B	T-250K (1) (TSV-250K(1))		X201R254B (1)	MTC254L1 (1)

(1) Cut off one of the end terminals and bend to fit "PC" board.
(CONTINUED ON PAGE 28)



PARTS LIST AND DESCRIPTION (CONTINUED)

(When ordering parts, state Model, Part Number, and Description.)

Replacement parts shown may be superseded by the availability of newly introduced replacements.
Have your local distributor check Sams COUNTER FACTS for the most up-to-date replacement.

RESISTORS (Power and Special)

ITEM No.	RATING	REPLACEMENT DATA			ITEM No.	RATING	REPLACEMENT DATA		
		IRC PART No.	WORKMAN PART No.	MFR. PART No.			IRC PART No.	WORKMAN PART No.	MFR. PART No.
R31	20 (Cold)			SOT-02					

COILS (RF-IF)

ITEM No.	USE	REPLACEMENT DATA			
		PART No.	MEISSNER PART No.	MILLER PART No.	WORKMAN PART No.
L1	RF Choke (6uh)	R-W1015b	19-1004	4610	T859
L2	Antenna	(1)			
L3	RF	(1)			
L4	Osc	R-W8210		2065	
L5	Osc Tuning	(1)			
L6	Image Trap (6uh)	R-W1015b	19-1004	4610	T859
L7	Input IF	R-W5T218		8517	
L8	Interstage IF	R-W5T219		8517	
L9	Interstage IF	R-W5T220		8518	
L10	Output IF	R-W5T221		8517	

(1) Part of M1.

FILTER CHOKE

ITEM No.	RATINGS			REPLACEMENT DATA					NOTES
	CURRENT (Measured)	DC RES.	INDUCTANCE (0 CURRENT 1000~)	PART No.	MERIT PART No.	STANCOR PART No.	THORDARSON PART No.	TRIAD PART No.	
L11	130ma	.4 ohm	3MH	R-W6195	C-4095	TC-1	TR-159	TY16XT	

TRANSFORMER (Driver)

ITEM No.	TURNS RATIO			REPLACEMENT DATA					NOTES
	PRI.	SEC. 1	SEC. 2	PART No.	MERIT PART No.	STANCOR PART No.	THORDARSON PART No.	TRIAD Part No.	
T1	2	1	1	R-W6335					

TRANSFORMER (Audio Output)

ITEM No.	IMPEDANCE		REPLACEMENT DATA					NOTES
	PRI.	SEC.	MFR. PART No.	MERIT PART No.	STANCOR PART No.	THORDARSON PART No.	TRIAD PART No.	
T2	36 CT	8 CT	R-W6251					

SPEAKER

ITEM No.	TYPE	REPLACEMENT DATA		NOTES
		PART No.	QUAM PART No.	
SP1	5" PM 8 ohms	73B5404	5A0528	

FUSE DEVICES

ITEM No.	DESCRIPTION	REPLACEMENT DATA							
		PART No.		BUSS PART No.		LITTELFUSE PART No.		WORKMAN PART No.	
		DEVICE	HOLDER	DEVICE	HOLDER	DEVICE	HOLDER	DEVICE	
F1	1.2 Amp	RC500A	R-S1306	AGC 1 1/4	ADJ	3121.25	150145		

MISCELLANEOUS

ITEM No.	PART NAME	PART No.	NOTES
M1 S1	Tuner Switch, 6-12V Selector Dial Lamp	R-S81304 R-S1165a	

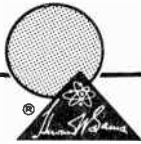
CABINETS & CABINET PARTS (When ordering specify model, chassis & color)

ITEM	PART No.	ITEM	PART No.
Knob, Tuning or Volume	R-S81333	Escutcheon	R-112335b
Knob, Tone or Dummy	R-S81334	Dial Pointer	R-112341a
Trim Plate	R-28144	Push Button	R-19R060

WIRING DATA

Auto Radio

General-use Unshielded Hook-up Wire	Use BELDEN No. 8530 (Solid) Available in 12 Colors
	8524 (Stranded) Available in 12 Colors
Shielded Hook-up Wire	Use BELDEN No. 8885
Rear Seat Speaker Extension Cable	Use BELDEN No. 8782 (Stranded) Coded Parallel Leads
Bonding Strap	Use BELDEN No. 8661 (3/8 In.) or 8670 (3/4 In.)

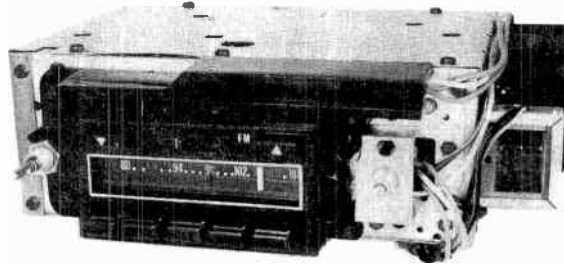


PHOTOFACT[®] with

CIRCUITRACE[®]

For Supplier Address See PHOTOFACT Index

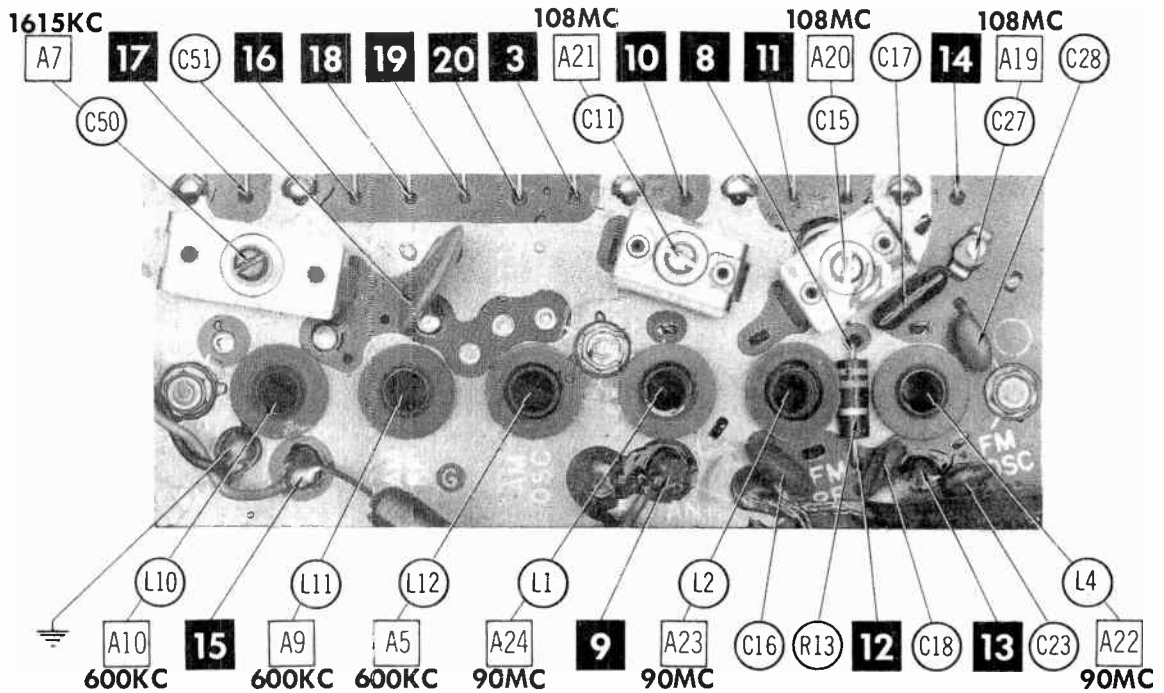
NOTE: Manufacturer Part Numbers Shown Are UNITED DELCO



MODEL 95CFP1

CADILLAC MODELS 95CFP1
 (7307615)
 (69 Cadillac)
 95CFP2
 (7307615)
 (69 1/2 Cadillac)

CADILLAC MODELS 95CFP1/2

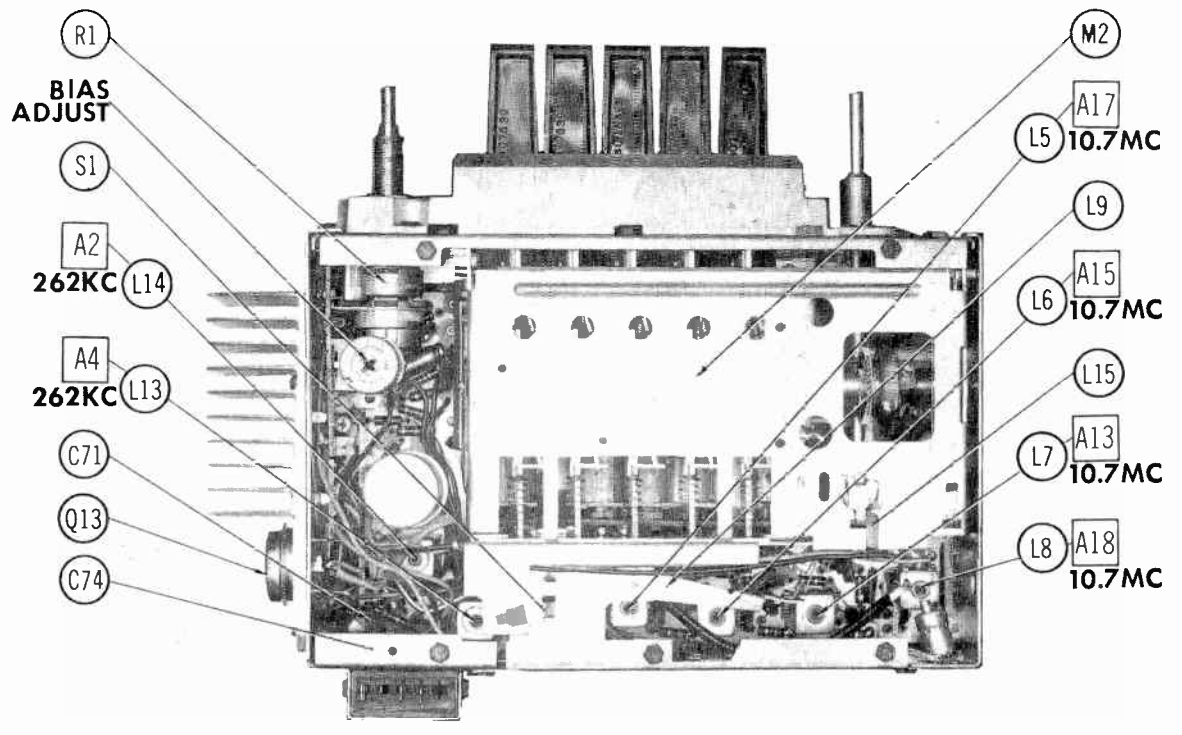
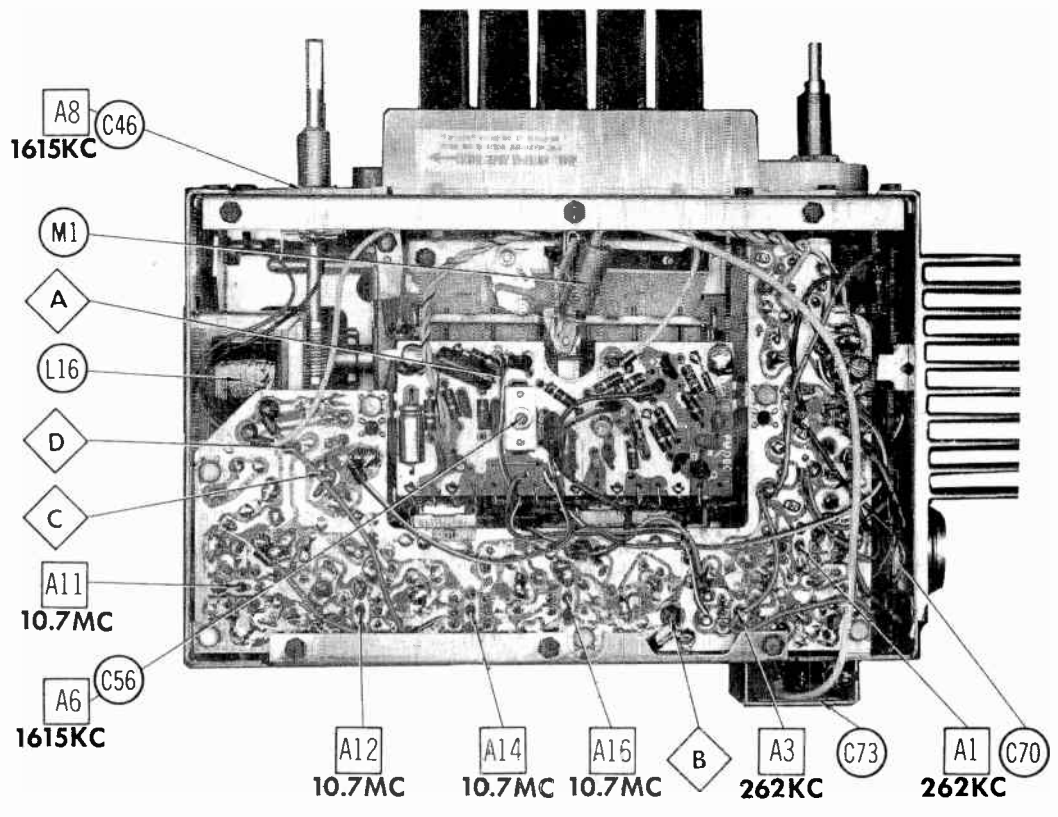


A Howard W. Sams CIRCUITRACE Photo

HOWARD W. SAMS & CO., INC. Indianapolis, Indiana 46206

© 1970 Howard W. Sams & Co., Inc. Printed in U. S. of America

TD653R



ALIGNMENT INSTRUCTIONS

Check for specified source voltage.

Use only enough generator output to provide a usable indication.

Suggested Alignment Tools:

A1 thru A4, A11 thru A18. GENERAL CEMENT #9296, 9297, 9300

WALSCO #2510, 2546, 2547

A6, A7, A8, A20, A21, A22. . . . GENERAL CEMENT #8290, 8868, 9087

WALSCO #2525, 2528, 2587

PUSH-BUTTON ADJUSTMENT

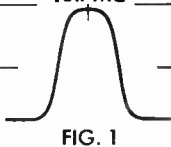
1. Pull button out.
2. Tune manually to desired station.
3. Press button in firmly
4. Repeat for remaining buttons.

GENERATOR COUPLING	GENERATOR FREQUENCY	RADIO DIAL SETTING	INDICATOR	ADJUST	REMARKS
1. High side thru .1mfd to point $\diamond A$, low side to ground.	262KC 400 cycle modulation	High freq. end stop.	Output meter across voice coil.	A1, A2, A3, A4	Adjust for maximum.
Check setting of oscillator coil core (A5). Rear of core should be 1 3/8" from mounting end of coil form.					
2. High side thru 82pf to antenna input, low side to ground.	1615KC	High freq. end stop.	Output meter across voice coil.	A6, A7, A8	Adjust for maximum.
3. " "	600KC	600KC signal	" "	A9, A10	Adjust for maximum. Repeat Step 2.
With radio installed in car and antenna extended 31", tune in a weak station near 1400KC and adjust A8 for maximum output. Antenna adjustment (A8) is located behind Tuning & Dummy Knob.					

FM IF ALIGNMENT USING AM SIGNAL GENERATOR—SELECTOR IN FM POSITION

High side of generator thru .001mfd to point $\diamond B$, low side to ground.

GENERATOR FREQUENCY	RADIO DIAL SETTING	INDICATOR	ADJUST	REMARKS
4. 10.7MC Unmodulated	Point of non-interference	DC probe of VTVM to point $\diamond C$, common to ground.	A11 thru A17	Adjust for maximum.
5. " "	" "	DC probe of VTVM to point $\diamond D$, common to ground.	A18	Adjust for zero reading. A positive or negative reading will be obtained on either side of the correct setting.



FM IF ALIGNMENT USING FM SIGNAL GENERATOR—SELECTOR IN FM POSITION

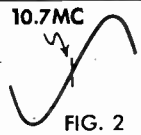
High side of generator thru .001mfd to point $\diamond B$, low side to ground. Use only enough marker signal for indication. Use 60 cycle frequency modulated signal with 450KC sweep. Use 60 cycle sawtooth voltage in scope for horizontal deflection.

GENERATOR FREQUENCY	RADIO DIAL SETTING	INDICATOR	ADJUST	REMARKS
4. 10.7MC 450KC Sweep	Point of non-interference	Vert. amp of scope to point $\diamond C$, low side to ground.	A11 thru A17	Disconnect stabilizing capacitor C4. Adjust for maximum gain and symmetry of response similar to Fig. 1 with marker as shown. Reconnect C4.
5. " "	" "	Vert. amp of scope to point $\diamond D$, low side to ground.	A18	Adjust A18 (secondary) to place marker at center of "S" curve similar to Fig. 2. Readjust A11 (primary) for maximum amplitude and straightness of line.

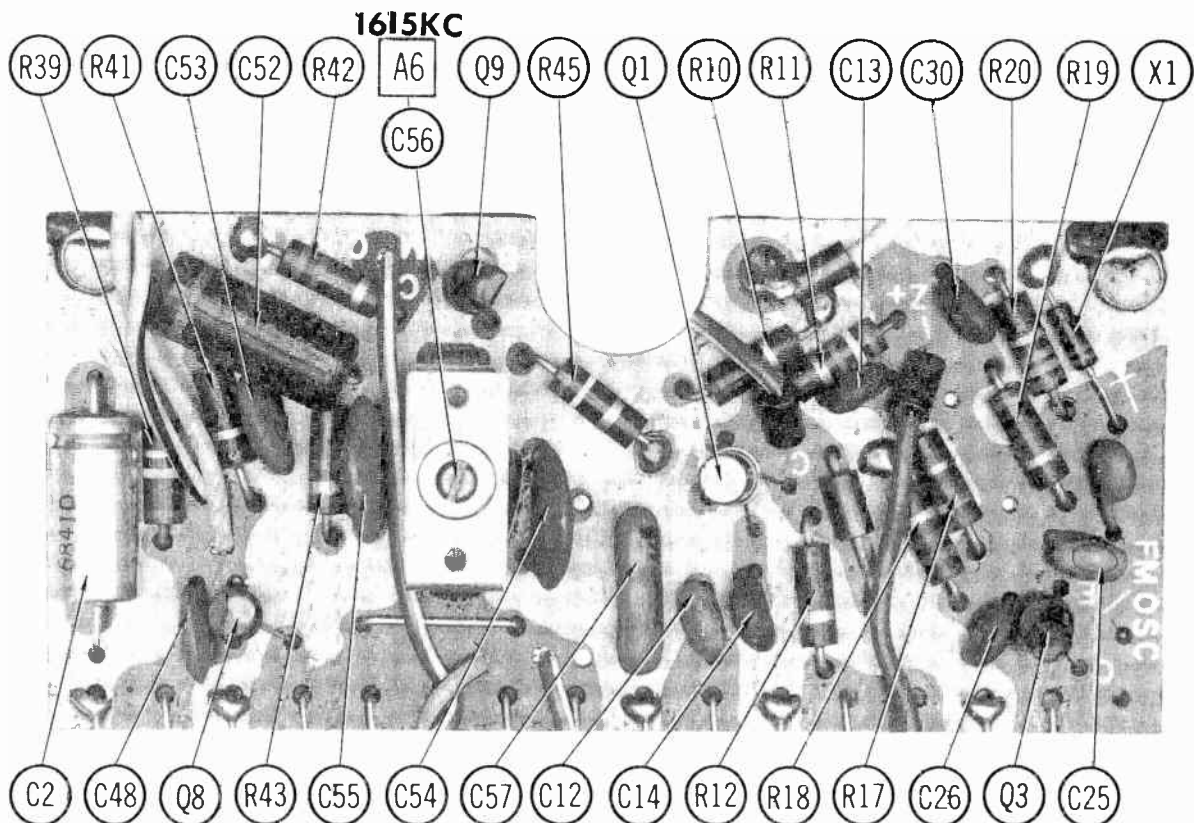
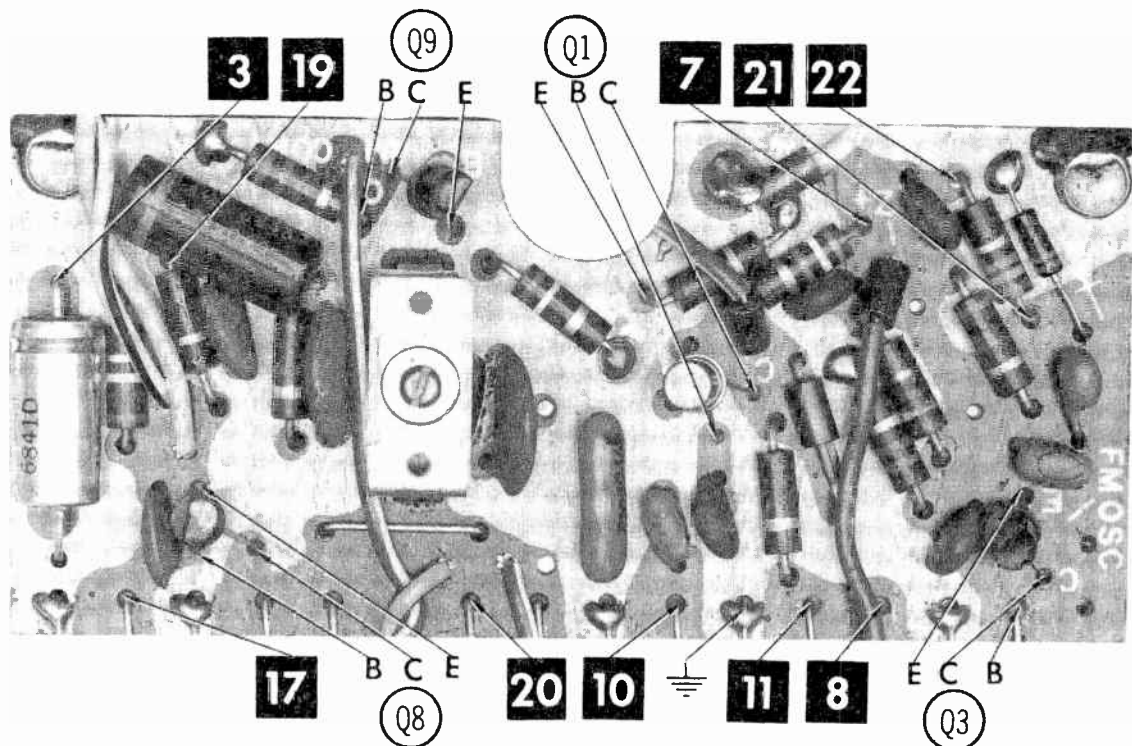
FM RF ALIGNMENT—SELECTOR IN FM POSITION

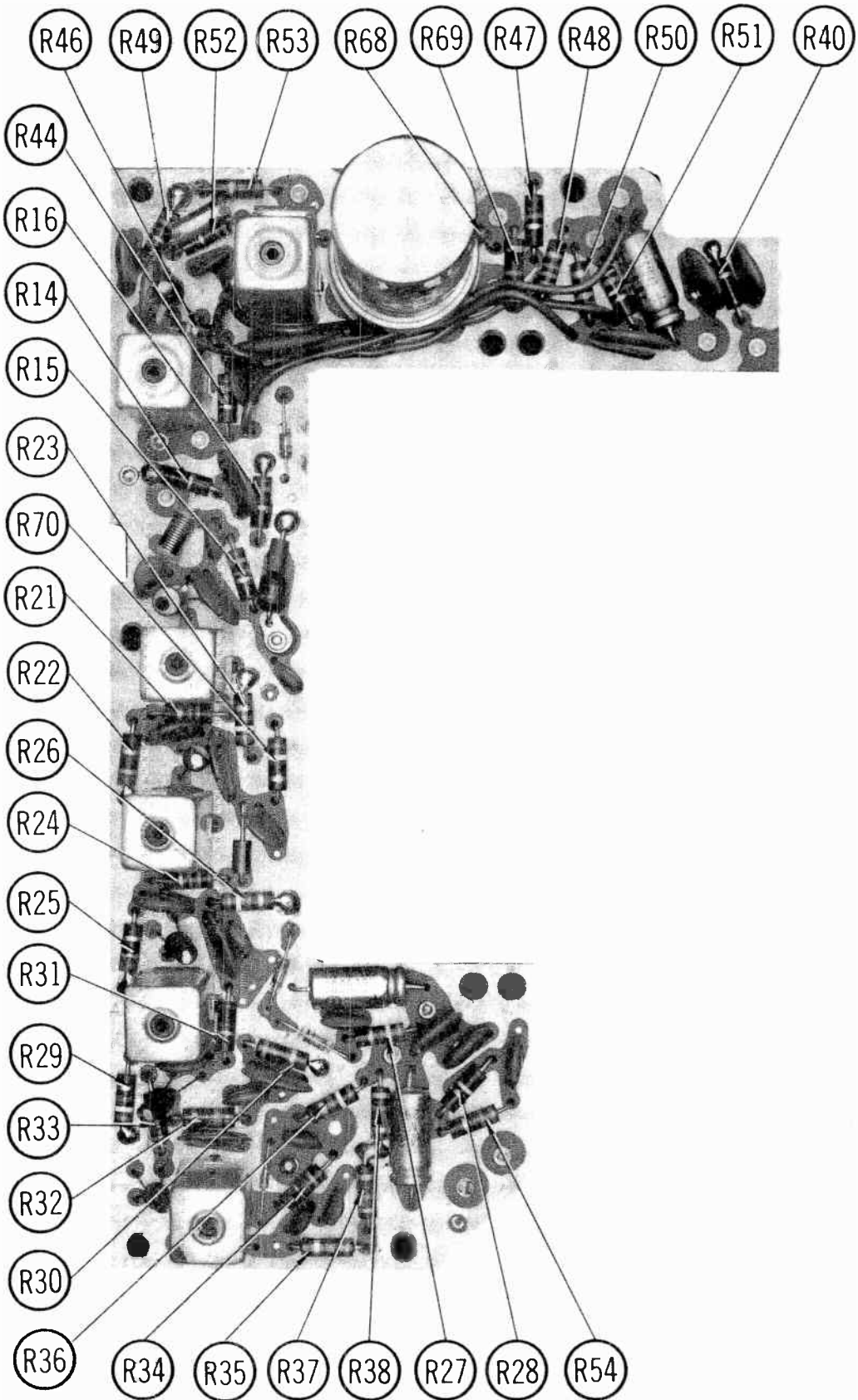
Connect generator across antenna terminals with 120-ohm carbon resistor in series with each lead. NOTE: Rear of Osc. core (A22) should be 1 3/8" from mounting end of Coil form.

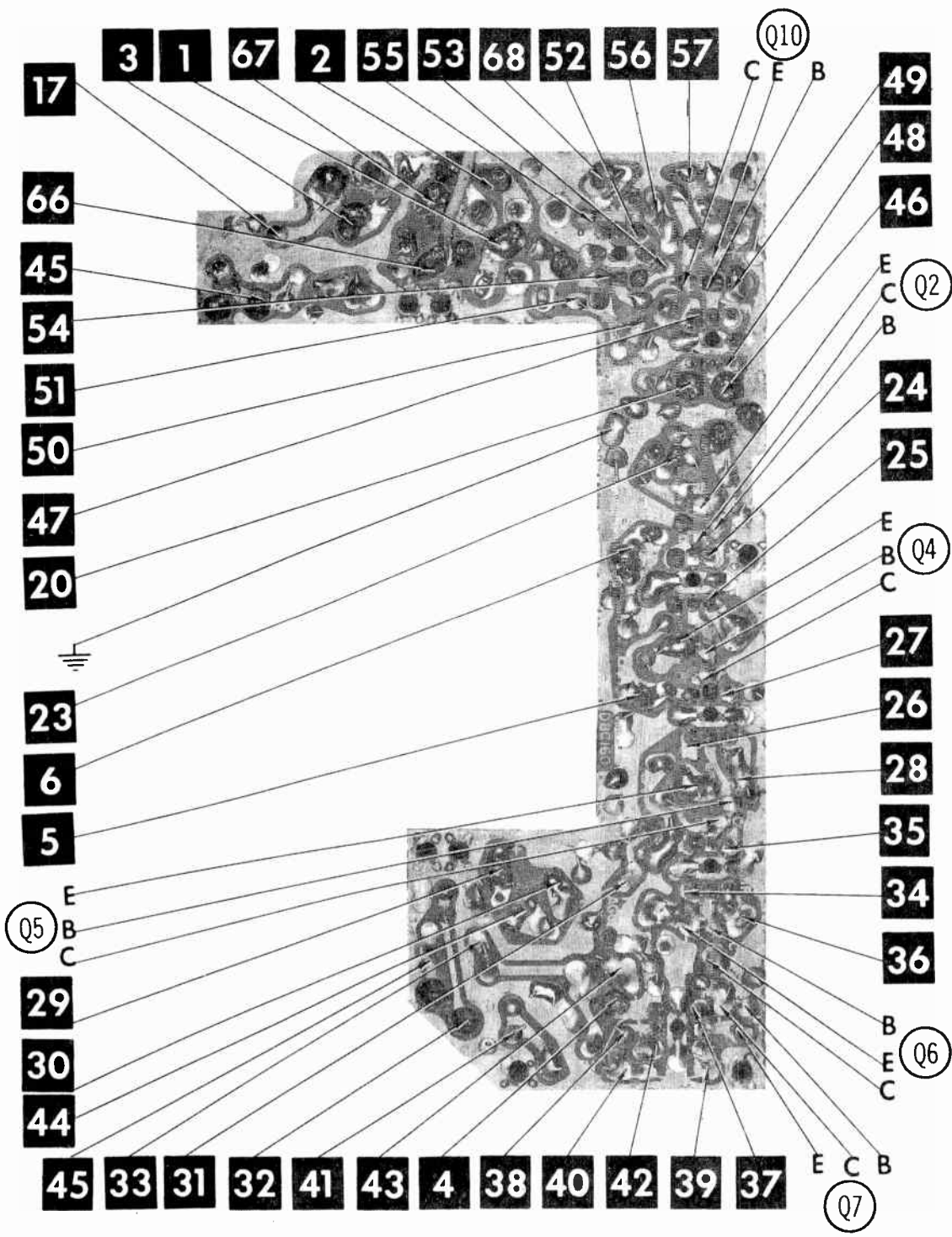
GENERATOR FREQUENCY	RADIO DIAL SETTING	INDICATOR	ADJUST	REMARKS
6. 108MC	High freq. end	DC probe of VTVM to point $\diamond C$, common to ground.	A19, A20, A21	Adjust for maximum.
7. 90MC Unmodulated	Tune to signal.	" "	A23, A24	Rock tuning and adjust for maximum. Repeat steps 6 and 7 until no further improvement can be made.



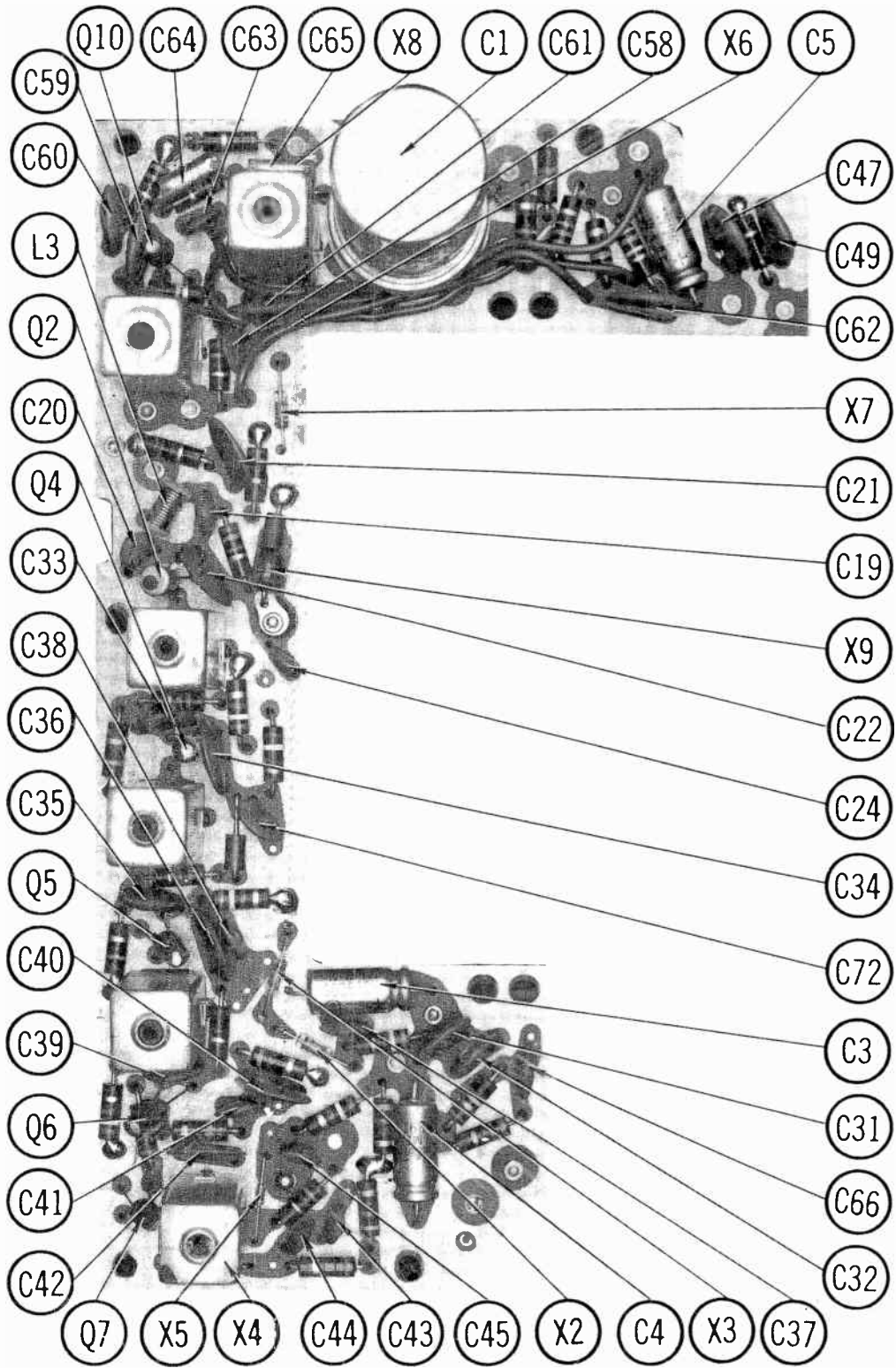
CADILLAC MODELS 95CFP1/2

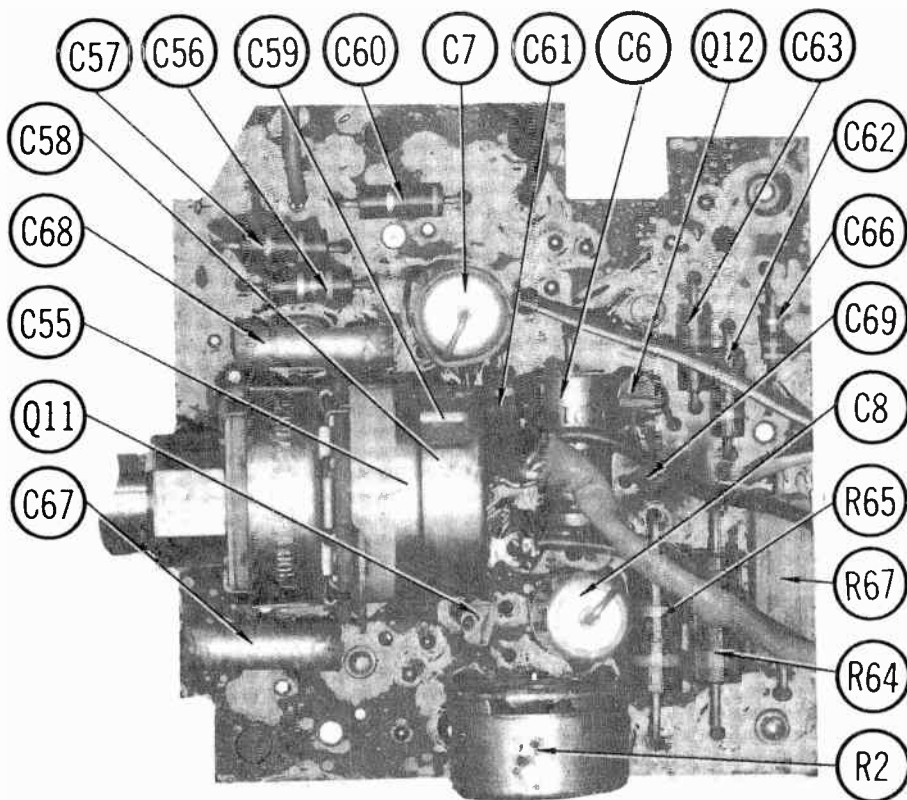
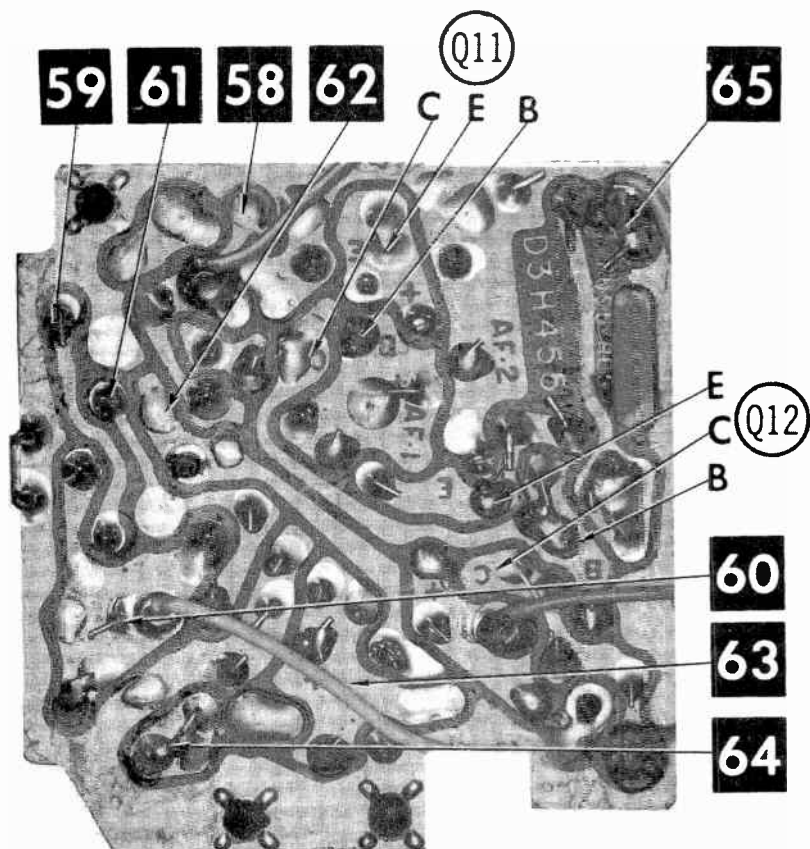






A Howard W. Sams **CIRCUITRACE** Photo





PARTS LIST AND DESCRIPTION

(When ordering parts, state Model, Part Number, and Description.)

Replacement parts shown may be superseded by the availability of newly introduced replacements.
Have your local distributor check Sams COUNTER FACTS for the most up-to-date replacement.

WIRING DATA

General-use Unshielded Hook-up Wire	Use BELDEN No. 853D (Solid) Available in 12 Colors 8524 (Stranded) Available in 12 Colors
Shielded Hook-up Wire	Use BELDEN No. 8885
Rear Seat Speaker Extension Cable	Use BELDEN No. 8782 (Stranded) Coded Parallel Leads
Bonding Strap	Use BELDEN No. 8661 (3/8 In.) or 867D (3/4 In.)

TRANSISTORS

ITEM No.	TYPE No.	FUNCTION	REPLACEMENT DATA					
			MFGR. PART No.	GENERAL ELECTRIC PART No.	INTERNATIONAL RECTIFIER PART No.	MOTOROLA PART No.	RCA PART No.	SYLVANIA PART No.
Q1	DS-78	FM RF Amp	DS-81	GE-17	TR-22	HEP50	SK3018	ECG 108
Q2	DS-78	FM Mixer	DS-81	GE-17	TR-22	HEP50	SK3018	ECG 108
Q3	DS-74	FM Oscillator	DS-74	GE-11	TR-21	HEP56	SK3018	ECG 108
Q4	DS-85	1st FM IF Amp	DS-74	GE-17	TR-21	HEP53	SK3018	ECG 108
Q5	DS-85	2nd FM IF Amp	DS-74	GE-17	TR-21	HEP53	SK3018	ECG 108
Q6	DS-73	3rd FM IF Amp	DS-74	GE-17	TR-21	HEP53	SK3018	ECG 108
Q7	DS-85	Limiter	DS-74	GE-17	TR-21	HEP53	SK3018	ECG 108
Q8	DS-71	AM RF Amp	DS-71	GE-20	TR-21	HEP53	SK3018	ECG 108
Q9	DS-72	AM Converter	DS-72	GE-20	TR-21	HEP53	SK3018	ECG 108
Q10	DS-72	AM IF Amp	DS-72	GE-20	TR-21	HEP53	SK3018	ECG 108
Q11	DS-67	AF Amp	DS-66	GE-10	TR-21	HEP54	SK3020	ECG 123
Q12	DS-66	AF Amp	DS-66	GE-10	TR-21	HEP54	SK3020	ECG 123
Q13	DS-501	Output *	DS-501	GE-4	TR-03	HEP233	SK3012	ECG 105

* When replacing, apply silicone grease to both sides of insulator. Tighten mounting screws securely.

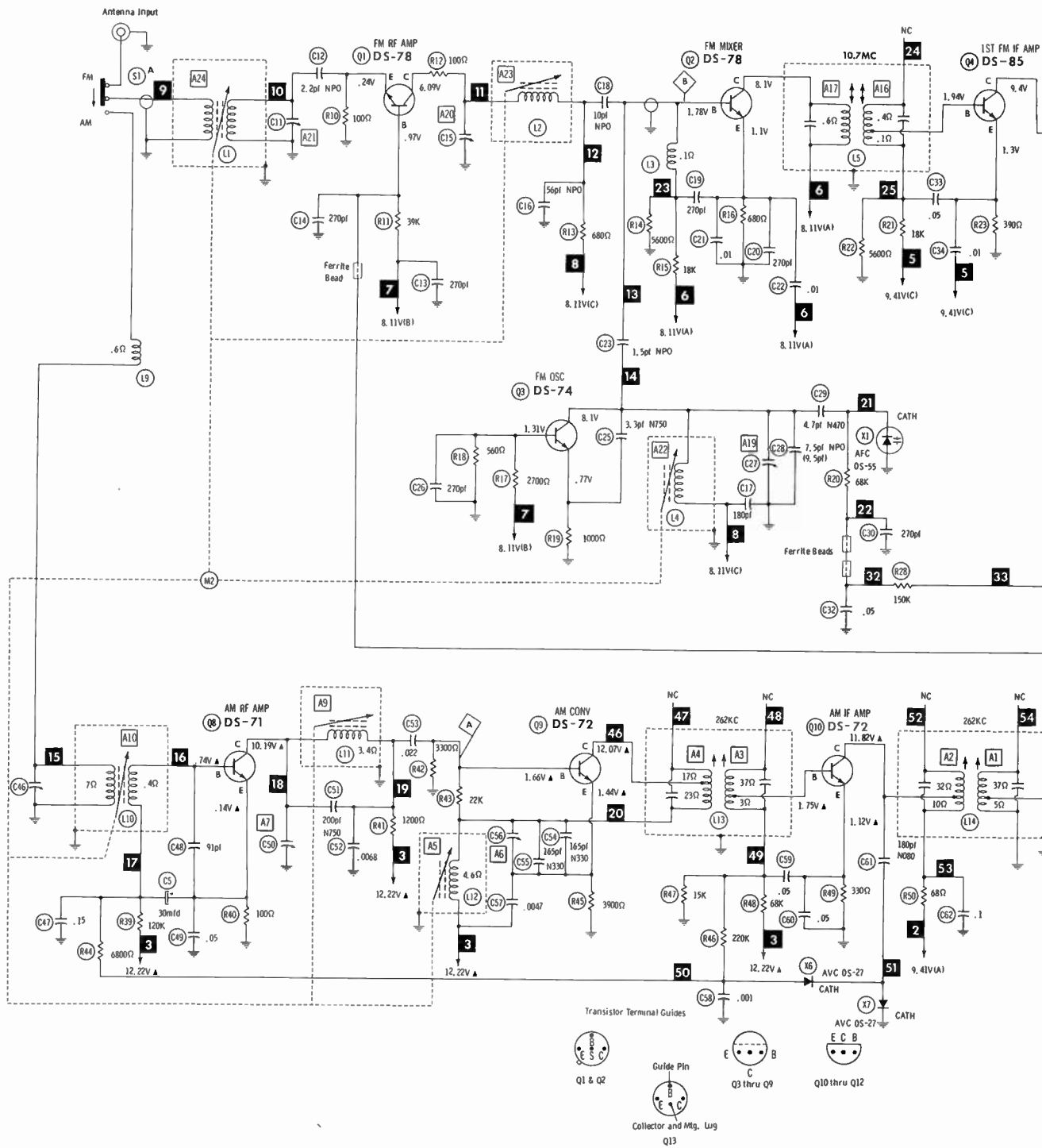
CADILLAC MODELS 95CFP1/2

POWER RECTIFIERS & SIGNAL DIODES

ITEM No.	MFGR. PART OR TYPE No.	REPLACEMENT RECTIFIERS & DIODES			REPLACEMENT RECTIFIERS	NOTES
		GENERAL ELECTRIC PART No.	INTERNATIONAL RECTIFIER PART No.	SYLVANIA PART No.	RCA PART No.	
X1	DS-55					
X2	DS-27	1N34AS	1N34A	ECG 109		
X3	DS-27	1N34AS	1N34A	ECG 109		
X4	DS-39 (1)	1N60	1N542 (1)	ECG 110 (1)		(1) Matched Pair
X5	DS-39	1N60				
X6	DS-27	1N34AS	1N34A	ECG 109		
X7	DS-27	1N34AS	1N34A	ECG 109		
X8	DS-27	1N34AS	1N34A	ECG 109		
X9	DS-49	GE-X71	1ZM8.2			Zener 8.2V

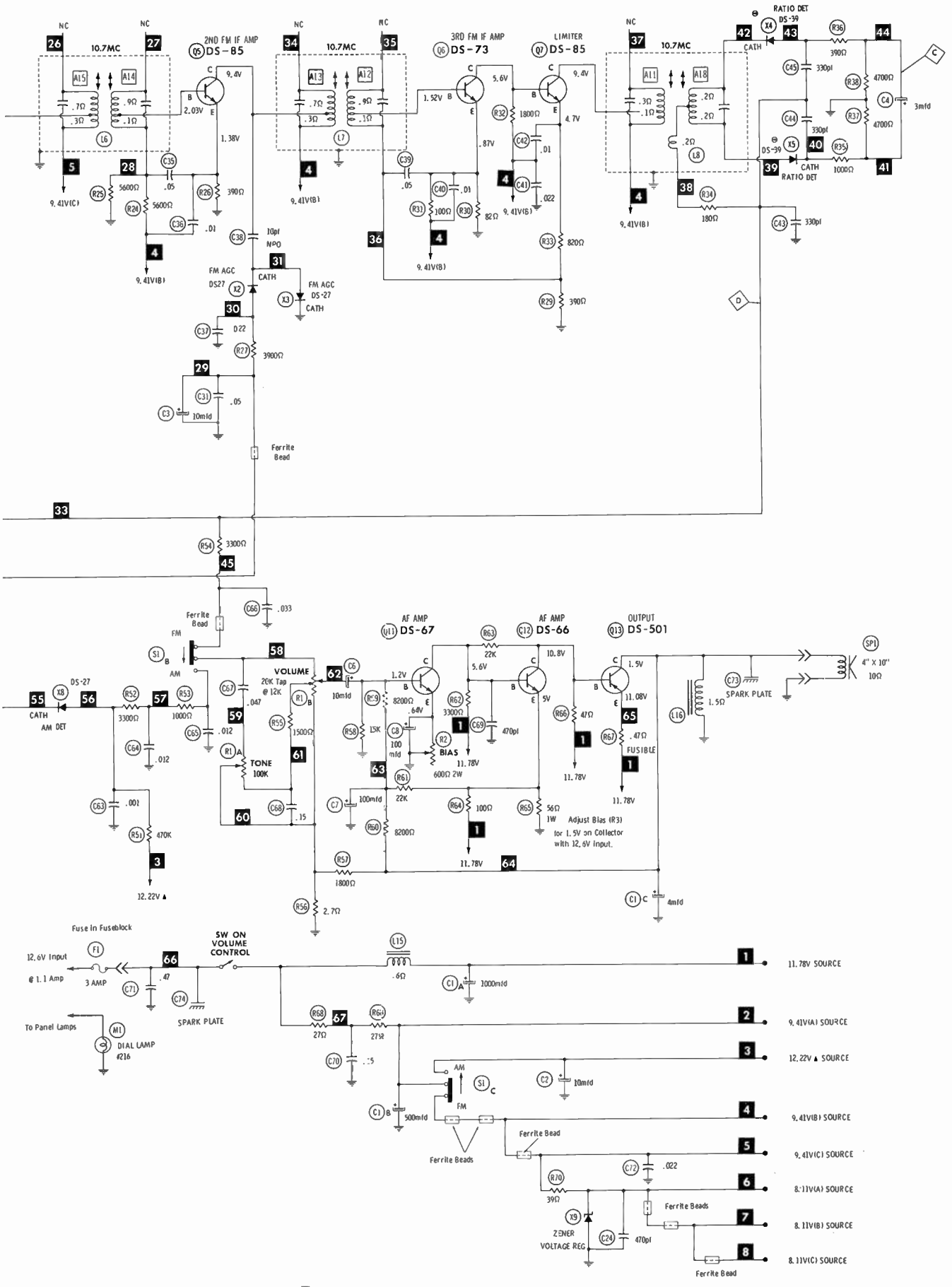
ELECTROLYTIC CAPACITORS

ITEM No.	RATING	REPLACEMENT DATA						
		PART No.	AEROVOX PART No.	CENTRALAB PART No.	CORNELL-DUBILIER PART No.	GENERAL ELECTRIC PART No.	MALLORY PART No.	SPRAGUE PART No.
C1A	1000 16V	7283675	AFH3-54-41		CC0006		FPS300.91	PCL-3D21.8
B	500 16V							
C	4 11.5Vrms							
C2	10 12V	7292738	PTT53	EA15-10	NLW10-15	MT1-5	MTA10D35	TL-1128
C3	10 12V	7292738	PTT53	EA15-10	NLW10-15	MT1-5	MTA10D35	TE-1128
C4	3 12V	7291860	PTT50	EA15-5	NLW3-15	MT1-3	MTA3D50	TE-1122
C5	30 6V	7296313	PTT27	EA6-25	NLW30-6	MT1-13	MTA30D15	TE-1132.1
C6	10 12V	7292738	PTT53	EA15-10	NLW10-15	MT1-5	MTA10D35	TL-1128
C7	100 4V	7291810	PTT30	EA6-100	NLW125-6	MT1-21	MTA125E6	TE-1102
C8	100 4V	7291810	PTT30	EA6-100	NLW125-6	MT1-21	MTA125E6	TE-1102



- ⊙ See parts list.
- ▲ Measured with switching in "AM" position.
- Resistors are 1/2W or less, 10% or 20%, unless otherwise indicated.
- Supply voltage maintained at rated value for measurements.
- Voltage and resistance measured with VTVM or equivalent meter.
- no signal applied and controls adjusted for normal operation.
- Numbers assigned to terminals may not be found on the unit.
- Transistor resistances vary widely. No resistance measurements taken.

A PHOTOFAC STANDARD NOTATION SCHEMATIC
with **CIRCUITRACE**
© Howard W Sams & Co., Inc 1970



CADILLAC MODELS 95CFP1/2

PARTS LIST AND DESCRIPTION (CONTINUED)

(When ordering parts, state Model, Part Number, and Description.)

Replacement parts shown may be superseded by the availability of newly introduced replacements.
Have your local distributor check Sams COUNTER FACTS for the most up-to-date replacement.

CAPACITORS

ITEM No.	RATING	REMARKS	REPLACEMENT DATA						
			AEROVOX PART No.	CENTRALAB PART No.	CORNELL-DUBILIER PART No.	ELMENCO PART No.	MALLORY PART No.	SPRAGUE PART No.	
C11		#7293221							
C12	2.2 NPO		NPO-01 2.2	DTZ-2R2	CZ601CJ2R2D		CN0522	10TCC-V22	
C13	270		GPD X5F271K	DD-271	GP270	CCO-271	GP327	5GA-T27	
C14	270		GPD X5F271K	DD-271	GP270	CCD-271	GP327	5GA-T27	
C15		#7291003							
C16	56 NPO			TCZ-56			CN0456	10TCC-Q56	
C17	180		GPD X5F181K	DD-181	JBZ601YP181K	CCO-181	GP318	10TS-T18	
C18	10 NPO		NPO-01 10	OTZ-10	CZ601CG100J	CCTO-100	CN0410	10TCC-Q10	
C19	270		GPD X5F271K	DD-271	GP270	CCO-271	GP327	5GA-T27	
C20	270		GPD X5F271K	DD-271	GP270	CCD-271	GP327	5GA-T27	
C21	.01		TTP-01	CK-103	HOV101ZV103P	CCO-103	TA110	TG-S10	
C22	.01		TTP-01	CK-103	HOV101ZV103P	CCD-103	TA110	TG-S10	
C23	1.5 NPO		NPO-DI 1.5	OTZ-1R5			CN0515	10TCC-V15	
C24	470		GPD X5F471K	DD-471	JBZ601YP471K	CCD-471	GP347	10TS-T47	
C25	3.3		NPO-01 3.3	DTZ-3R3			CN0533	10TCC-V33	
C26	270		GPD X5F271K	DD-271	GP270	CCD-271	GP327	5GA-T27	
C27		#7292611							
C28	7.5 NPO	#7300236							
C29	4.7 H470					*	*	10TCT-V47	
C30	270		GPD X5F271K	DD-271	GP270	CCD-271	GP327	5GA-T27	
C31	.05		TTP-05	CK-503	HOV101ZV503Z	CCD-503	TA150	TGL-S50	
C32	.05		TTP-05	CK-503	HOV101ZV503Z	CCD-503	TA150	TGL-S50	
C33	.05		TTP-05	CK-503	HOV101ZV503Z	CCD-503	TA150	TGL-S50	
C34	.01		TTP-01	CK-103	HOV101ZV103P	CCD-103	TA110	TG-S10	
C35	.05		TTP-05	CK-503	HOV101ZV503Z	CCD-503	TA150	TGL-S50	
C36	.01		TTP-01	CK-103	HOV101ZV103P	CCD-103	TA110	TG-S10	
C37	.0022		GPD X5F222K	DD-222	JBX601YP222K	CCD-222	GP222	10TS-D22	
C38	10 NPO		HPO-DI 10	DTZ-10	CZ601CG100J	CCTO-100	CN0410	10TCC-Q10	
C39	.05		TTP-05	CK-503	HOV101ZV503Z	CCD-503	TA150	TGL-S50	
C40	.01		TTP-01	CK-103	HOV101ZV103P	CCD-103	TA110	TG-S10	
C41	.022		TTP-02	CK-203	HOR101ZV203P	CCD-203	TA120	TG-S20	
C42	.01		TTP-01	CK-103	HOV101ZV103P	CCD-103	TA110	TG-S10	
C43	330		GPD X5F331K	DD-331	JBZ601YP331K	CCO-331	GP333	10TS-T33	
C44	330		GPD X5F331K	DD-331	JBZ601YP331K	CCD-331	GP333	10TS-T33	
C45	330		GPD X5F331K	DD-331	JBZ601YP331K	CCO-331	GP333	10TS-T33	
C46		#7283618							
C47	.15		TTP-1	CK-104	HOV101ZV104Z		TA010	TG-P10	
C48	.91			TCN-91					
C49	.05		TTP-05	CK-503	HOV101ZV503Z	CCO-503	TA150	TGL-S50	
C50		#7295193							
C51	200 N750		N750-01 200	OTN-200		CCTN-201	CN7320	10TCU-T20	
C52	.0068 75V		DBE6068	CPR-6800J	WMF1068	1DP-1-682	PVC4268	6PS-068	
C53	.022		TTP-02	CK-203	HOR101ZV203P	CCD-203	TA120	TG-S20	
C54	165 N330					*	*		
C55	165 N330					*	*		
C56		#7295192							
C57	.0047 75V		DBE605	CPR-5000J	WMF105	1DP-1-502	PVC625	6PS-D50	
C58	.001		GPD X5F102K	DM-102	JBZ601YP102K	CCD-102	SM210	2SS-D10	
C59	.05		TTP-05	CK-503	HOV101ZV503Z	CCD-503	TA150	TGL-S50	
C60	.05		TTP-05	CK-503	HOV101ZV503Z	CCD-503	TA150	TGL-S50	
C61	180 N080					*	*	10TCN-T18	
C62	.1		TTP-1	CK-104	HOV101ZV104Z		TA010	TG-P10	
C63	.001		GPD X5F102K	DM-102	JBZ601YP102K	CCD-102	SM210	2SS-D10	
C64	.012 75V		V1612S1	CPR-10000J	WMF151	1DP-1-103	PVC211	225P10391WD3	
C65	.012 75V		V1612S1	CPR-10000J	WMF151	1DP-1-103	PVC211	225P10391WD3	
C66	.033		TTP-03	CK-303		CCD-303	GP130	TG-S30	
C67	.047 75V		V1612S47		DMF1S47	1DP-2-473	PVC1147	225P47391WD3	
C68	.15 75V		DBE6P15		DMF4P15	4DP-4-154	PVC6015	4PS-P15	
C69	470		GPD X5F471K	DD-471	JBZ601YP471K	CCD-471	GP347	10TS-T47	
C70	.15 75V		DBE6P15		DMF4P15	4DP-4-154	PVC6015	4PS-P15	
C71	.47 75V		DBE2P47		DPMS2P47	1DP-4-504	PVC105	2PS-P50	
C72	.022		TTP-02	CK-203	HOR101ZV203P	CCD-203	TA120	TG-S20	
C73		#7271564							
C74		#7271564							

* Not normally in distributor's stock. Available thru distributor on order to manufacturer.
Delco Part Number.

PARTS LIST AND DESCRIPTION (CONTINUED)

(When ordering parts, state Model, Part Number, and Description.)

Replacement parts shown may be superseded by the availability of newly introduced replacements.
Have your local distributor check Sams COUNTER FACTS for the most up-to-date replacement.

CONTROLS (All wattages 1/2 watt, or less, unless listed)

ITEM No.	FUNCTION	RESIST-ANCE	REPLACEMENT DATA				
			MFRG. PART No.	CENTRALAB PART No.	CLAROSTAT PART No.	CTS-IRC PART No.	MALLORY PART No.
R1A B	Tone Volume/Switch	100K 20K Tap @ 5500	7309257	F1-100K,R14-25K, FFS114,RFS206, SB006,BB104,KR-4		* QJ-2653A	P15L,4112, SH4375,RU253T53 OX1750,IS2250
R2	Fader	100 2W	7307804	V-600	U39-600	110-600	MR850T
R3	Bias	600 2W	7294878				

* "CONCENTRIKIT" Equivalent: K-8 Kit with base elements & Shafts: B11-128,P17-123 (Panel),B19-119X,R9-208 (Rear), S8 (1) (Bushing), N4 (Nut), 76-1 (Switch)

"SNAPTROL" Equivalent: BUB (1), CF13, CR50T, SF14, SR15, N4, GC
(1) Alter Bushing and adjust spacer nut (N4) to meet requirements.

RESISTORS (Power and Special)

ITEM No.	RATING	REPLACEMENT DATA		
		IRC PART No.	WORKMAN PART No.	MFRG. PART No.
R67	.47 (Fusible)			7281890

ITEM No.	RATING	REPLACEMENT DATA		
		IRC PART No.	WORKMAN PART No.	MFRG. PART No.

COILS (RF-IF)

ITEM No.	USE	REPLACEMENT DATA			
		PART No.	MEISSNER PART No.	MILLER PART No.	WORKMAN PART No.
L1	FM Antenna	(1)			
L2	FM RF	(1)			
L3	FM IF Trap (1uh)	7296856	19-1000	4602	T855
L4	FM Oscillator	(1)			
L5	FM Input IF	7296100			
L6	FM Interstage IF	7296101			
L7	FM Interstage IF	7296102			
L8	Ratio Detector	7299984			
L9	RF Choke (8uh)	7255738	19-1009	4611	T822
L10	AM Antenna	(1)			
L11	AM RF	(1)			
L12	AM Oscillator	(1)			
L13	AM IF Input	7295169		8006	
L14	AM IF Output	7295170			

(1) Part of M2.

FILTER CHOKE

ITEM No.	RATINGS			REPLACEMENT DATA					NOTES
	CURRENT (Measured)	DC RES.	INDUCTANCE (0 CURRENT 1000~)	PART No.	MERIT PART No.	STANCOR PART No.	THORDARSON PART No.	TRIAD PART No.	
L15	1.1 Amp	.6	8mh	1221623	C-4095	TC-2	TR-154	TY17XT	

CADILLAC MODELS 95CFP1/2

PARTS LIST AND DESCRIPTION (CONTINUED)

(When ordering parts, state Model, Part Number, and Description.)

Replacement parts shown may be superseded by the availability of newly introduced replacements.
Have your local distributor check Sams COUNTER FACTS* for the most up-to-date replacement.

CHOKE (Audio Output)

ITEM No.	INDUCTANCE	REPLACEMENT DATA					NOTES
		PART No.	MERIT PART No.	STANCOR PART No.	THORDARSON PART No.	TRIAD PART No.	
L16	30mh	1222297					

SPEAKER

ITEM No.	TYPE	REPLACEMENT DATA		NOTES
		PART No.	QUAM PART No.	
SP1	4" x 10" PM 10 ohms	7311275	410A2Z10	

FUSE DEVICES

ITEM No.	DESCRIPTION	REPLACEMENT DATA						
		PART No.		BUSS PART No.		LITTELFUSE PART No.		WORKMAN PART No.
		DEVICE	HOLDER	DEVICE	HOLDER	DEVICE	HOLDER	DEVICE
F1	3AG 10 Amp		In Fuse Block	AGC 10		311010		

MISCELLANEOUS

ITEM No.	PART NAME	PART No.	NOTES
M1 M2 S1	Dial Lamp Tuner Coil Assy. Switch, Selector	1222504 7309922	#216

CABINETS & CABINET PARTS (When ordering specify model, chassis & color)

ITEM	PART No.	ITEM	PART No.
Dial Drum	7311410	Push Button	7307799
Escutcheon	7309444	Knob, Tuning or Volume	1493535
Dial Glass	7307796	Knob, Tone or Fader	1493536
Dial Pointer	7309435		

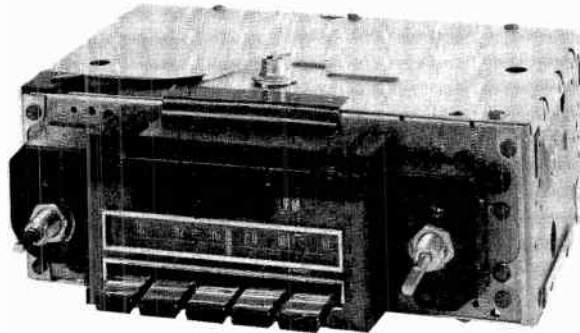


PHOTOFACT[®] with

CIRCUITRACE[®]

For Supplier Address See PHOTOFACT Index

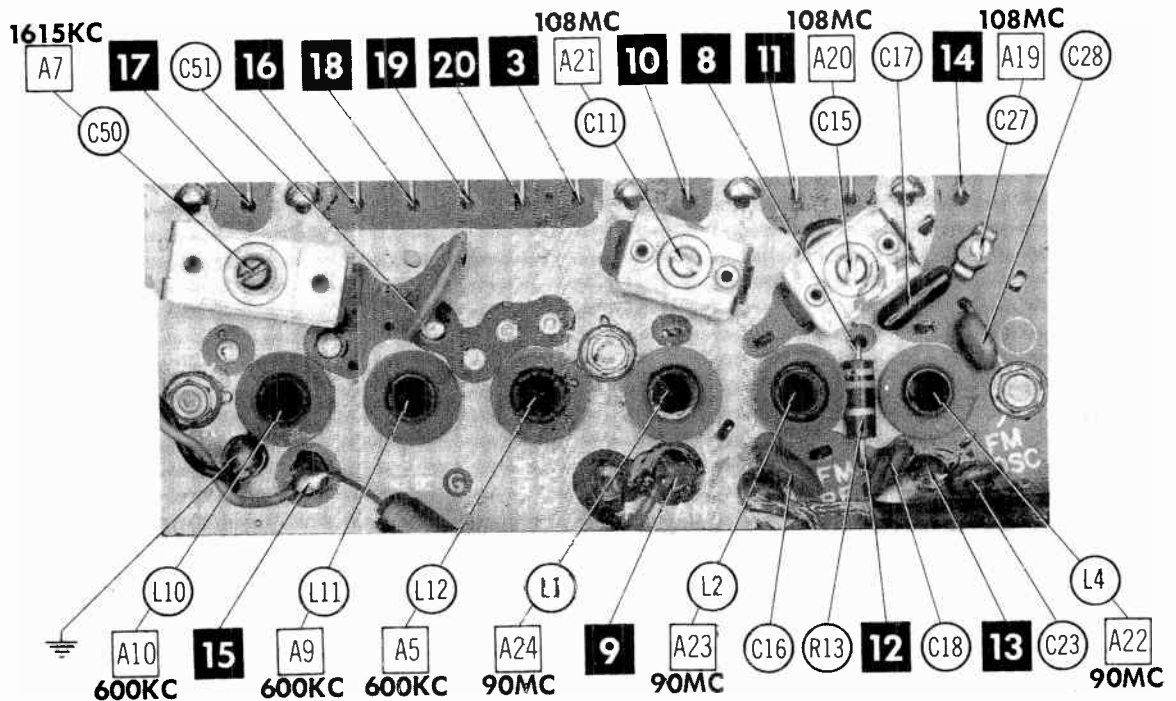
NOTE: Manufacturer Part Numbers Shown Are UNITED DELCO



MODEL 01BFP1

CHEVROLET MODELS 01BFP1
01BFP2
(70 Acadian,
Camaro, Chevelle,
Chevrolet, Chevy II
Monte Carlo)
01VFP1
01VFP2
(70 Corvette)

CHEVROLET MODELS 01BFP1/2, 01VFP1/2

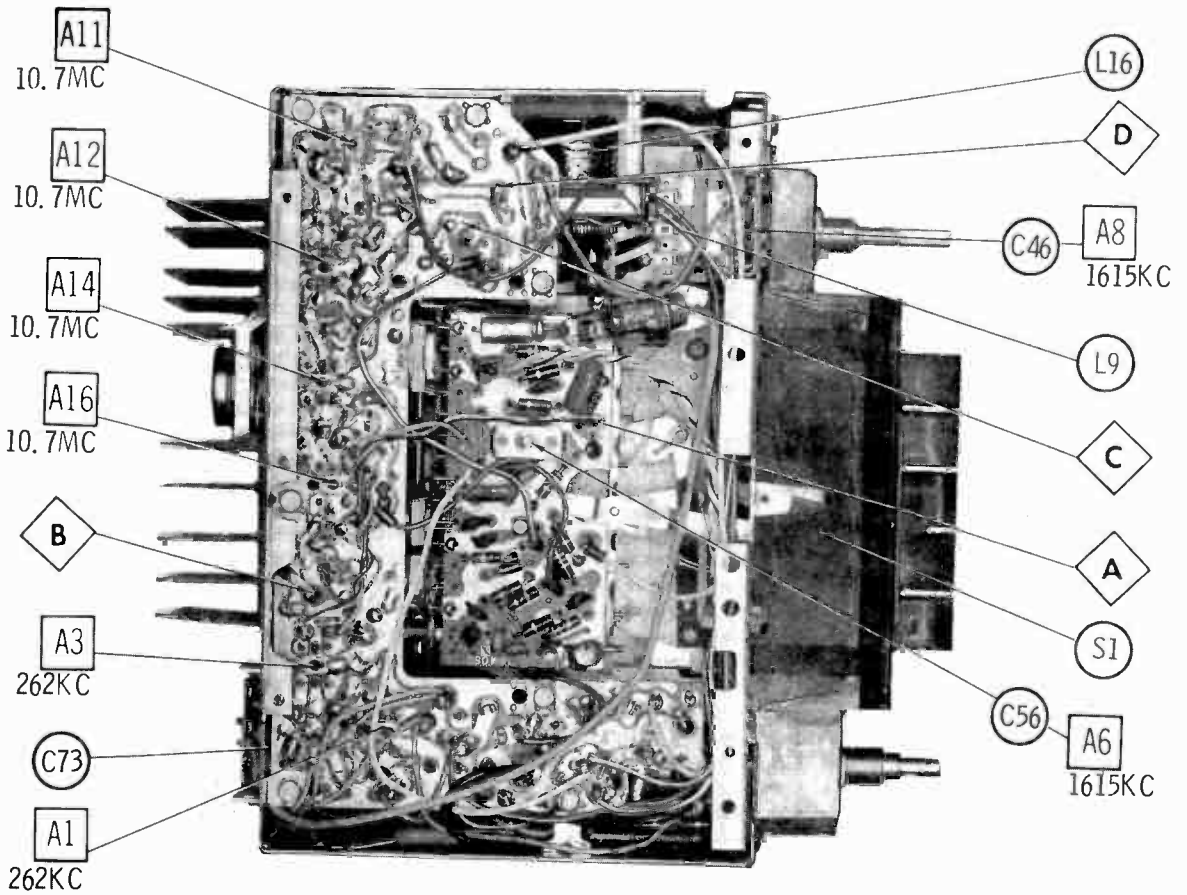
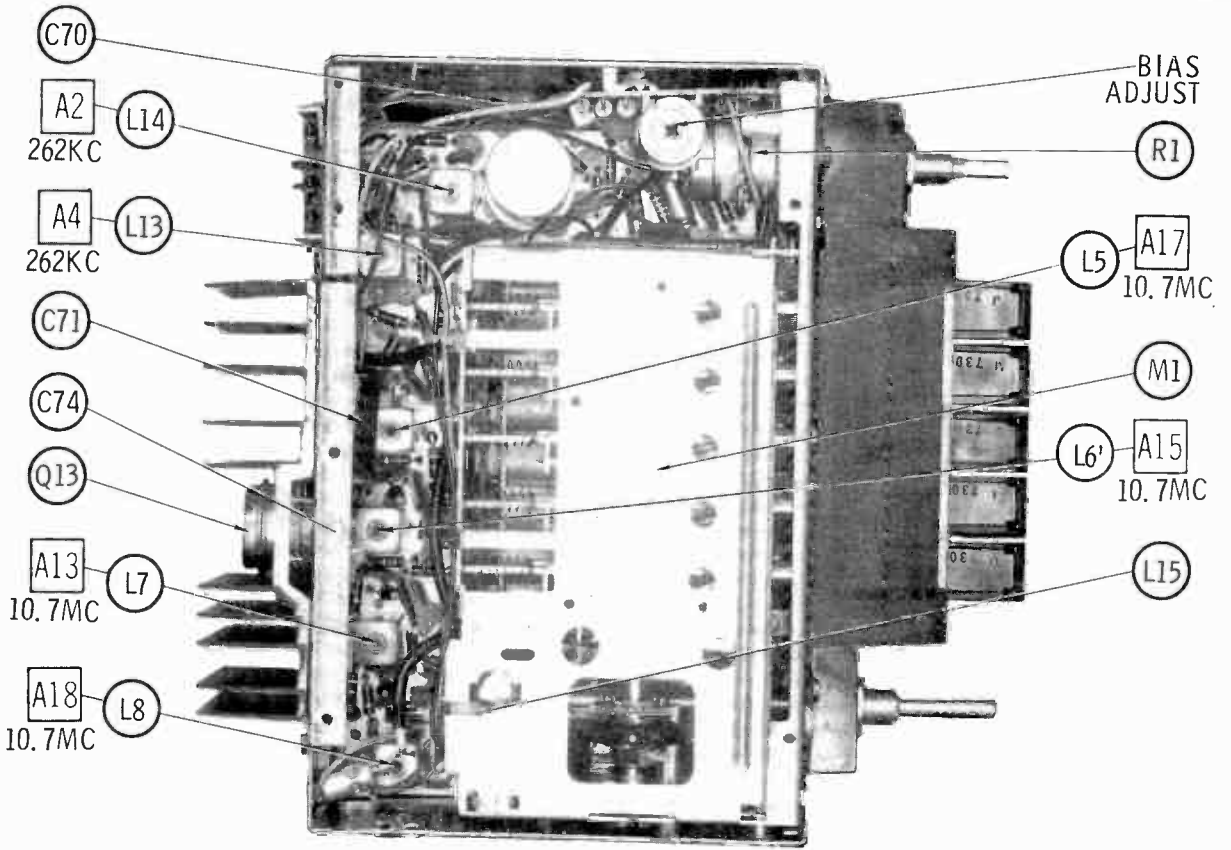


A Howard W. Sams CIRCUITRACE Photo

HOWARD W. SAMS & CO., INC. Indianapolis, Indiana 46206

© 1970 Howard W. Sams & Co., Inc. Printed in U. S. of America

TD736



ALIGNMENT INSTRUCTIONS

Check for specified source voltage.
Use only enough generator output to provide a usable indication.
Suggested Alignment Tools:

A1 thru A4, A11 thru A18...GENERAL CEMENT #9296,9297,9300
WALSCO #2510,2546,2547
A6,A7,A8,A20,A21,A22...GENERAL CEMENT #8290,8868,9087
WALSCO #2525, 2528, 2587

PUSH-BUTTON ADJUSTMENT

1. Pull button out.
2. Tune manually to desired station.
3. Press button in firmly
4. Repeat for remaining buttons.

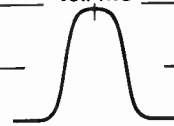
	GENERATOR COUPLING	GENERATOR FREQUENCY	RADIO DIAL SETTING	INDICATOR	ADJUST	REMARKS
1.	High side thru .1mfd to point \diamond A, low side to ground.	262KC 400 cycle modulation	High freq. end stop.	Output meter across voice coil.	A1,A2, A3,A4	Adjust for maximum.
Check setting of oscillator coil core (A5). Rear of core should be 1 3/8" from mounting end of coil form.						
2.	High side thru 82pf to antenna input, low side to ground.	1615KC	High freq. end stop.	Output meter across voice coil.	A6,A7, A8	Adjust for maximum.
3.	"	600KC	600KC signal	"	A9,A10	Adjust for maximum. Repeat Step 2.
With radio installed in car and antenna extended 31", tune in a weak station near 1400KC and adjust A8 for maximum output. Antenna adjustment (A8) is located behind Tuning & Dummy Knob.						

FM IF ALIGNMENT USING AM SIGNAL GENERATOR—SELECTOR IN FM POSITION

High side of generator thru .001mfd to point \diamond B, low side to ground.

	GENERATOR FREQUENCY	RADIO DIAL SETTING	INDICATOR	ADJUST	REMARKS
4.	10.7MC Unmodulated	Point of non-interference	DC probe of VTVM to point \diamond C, common to ground.	All thru A17	Adjust for maximum.
5.	"	"	DC probe of VTVM to point \diamond D, common to ground.	A18	Adjust for zero reading. A positive or negative reading will be obtained on either side of the correct setting.

10.7MC



FM IF ALIGNMENT USING FM SIGNAL GENERATOR—SELECTOR IN FM POSITION

High side of generator thru .001mfd to point \diamond B, low side to ground. Use only enough marker signal for indication. Use 60 cycle frequency modulated signal with 450KC sweep. Use 60 cycle sawtooth voltage in scope for horizontal deflection.

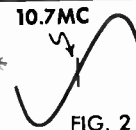
	GENERATOR FREQUENCY	RADIO DIAL SETTING	INDICATOR	ADJUST	REMARKS
4.	10.7MC 450KC Sweep	Point of non-interference	Vert. amp of scope to point \diamond C, low side to ground.	All thru A17	Disconnect stabilizing capacitor C4. Adjust for maximum gain and symmetry of response similar to Fig. 1 with marker as shown. Reconnect C4.
5.	"	"	Vert. amp of scope to point \diamond D, low side to ground.	A18	Adjust A18 (secondary) to place marker at center of "S" curve similar to Fig. 2. Readjust A11 (primary) for maximum amplitude and straightness of line.

FM RF ALIGNMENT—SELECTOR IN FM POSITION

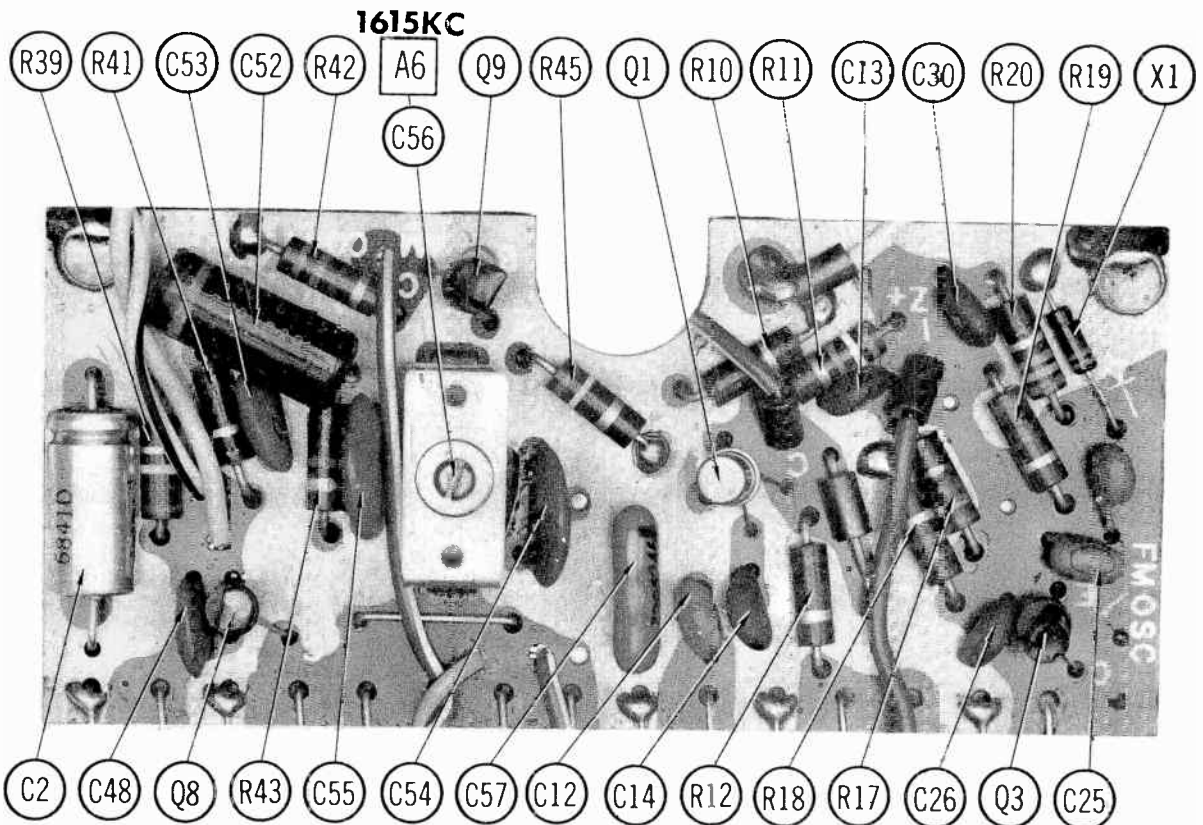
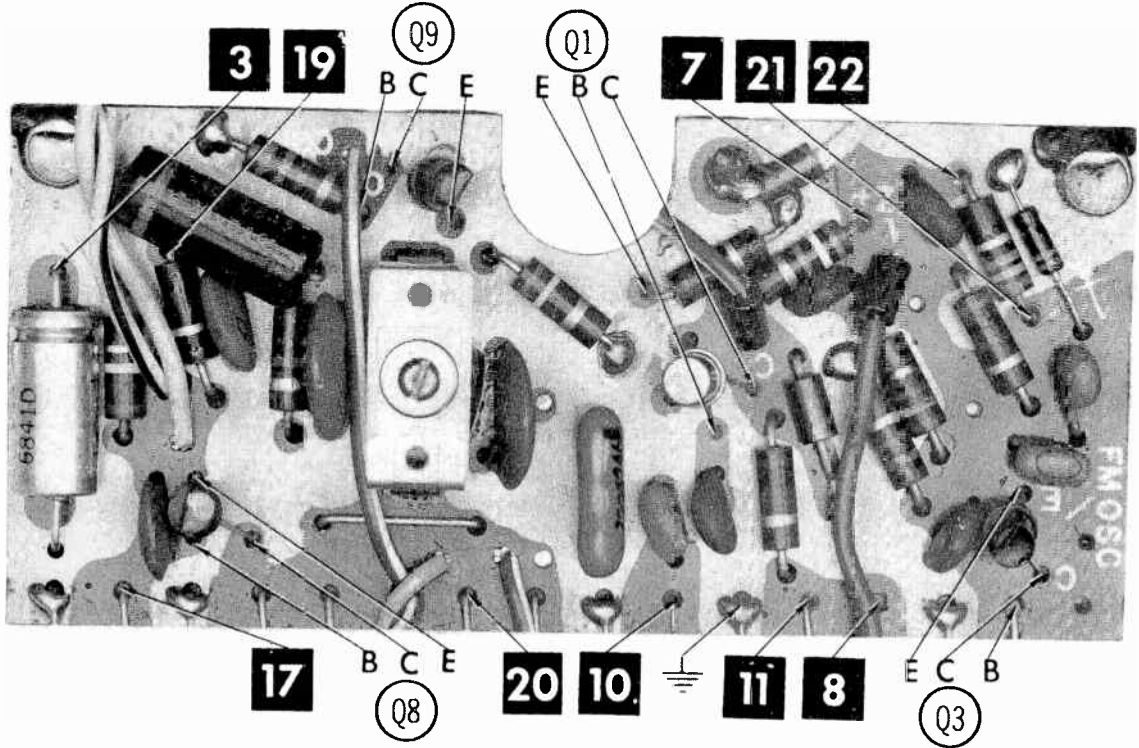
Connect generator across antenna terminals with 120-ohm carbon resistor in series with each lead. NOTE: Rear of Osc. core (A22) should be 1 3/8" from mounting end of Coil form.

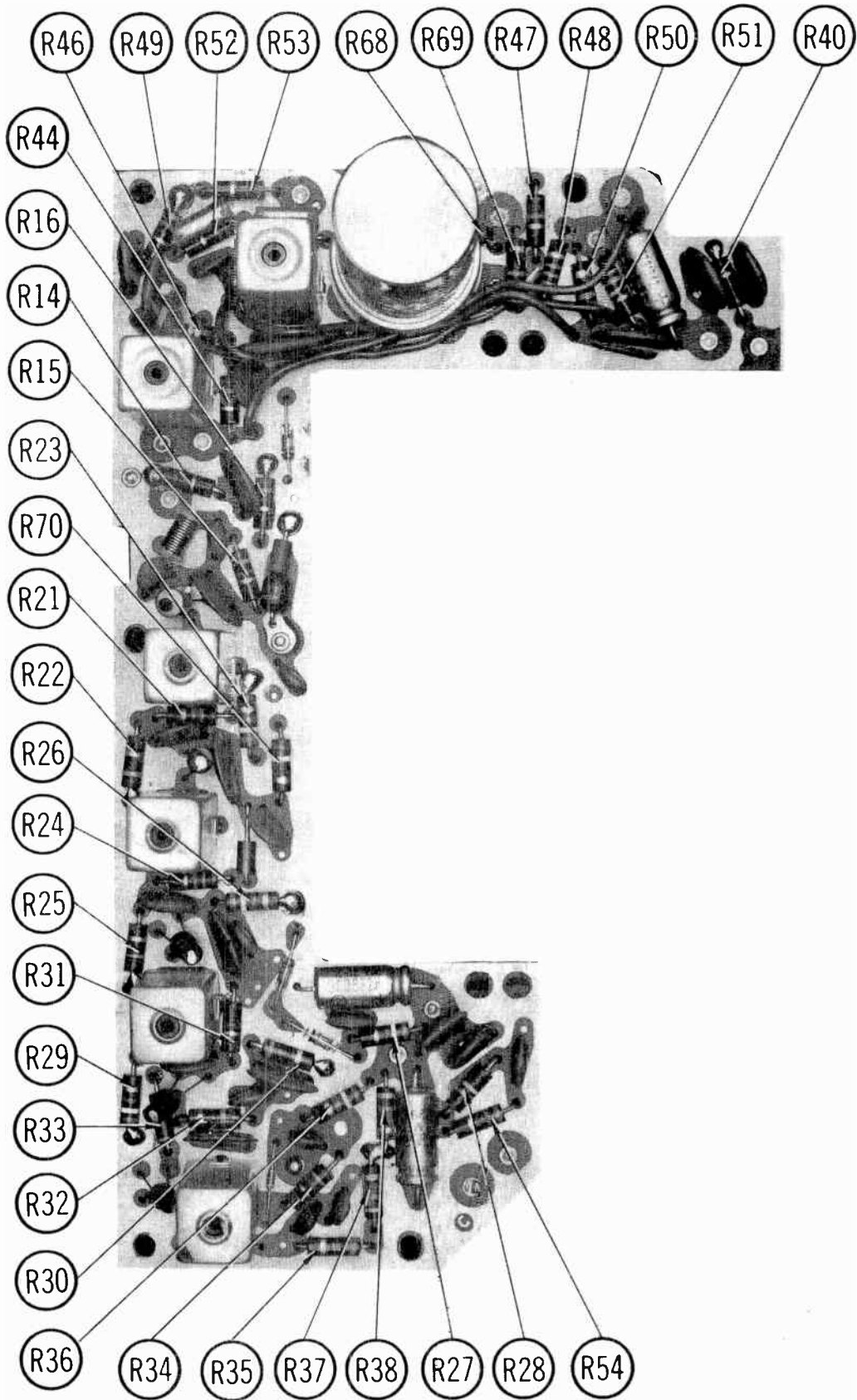
	GENERATOR FREQUENCY	RADIO DIAL SETTING	INDICATOR	ADJUST	REMARKS
6.	108MC	High freq. end	DC probe of VTVM to point \diamond C, common to ground.	A19,A20, A21	Adjust for maximum.
7.	90MC Unmodulated	Tune to signal.	"	A23, A24	Rock tuning and adjust for maximum. Repeat steps 6 and 7 until no further improvement can be made.

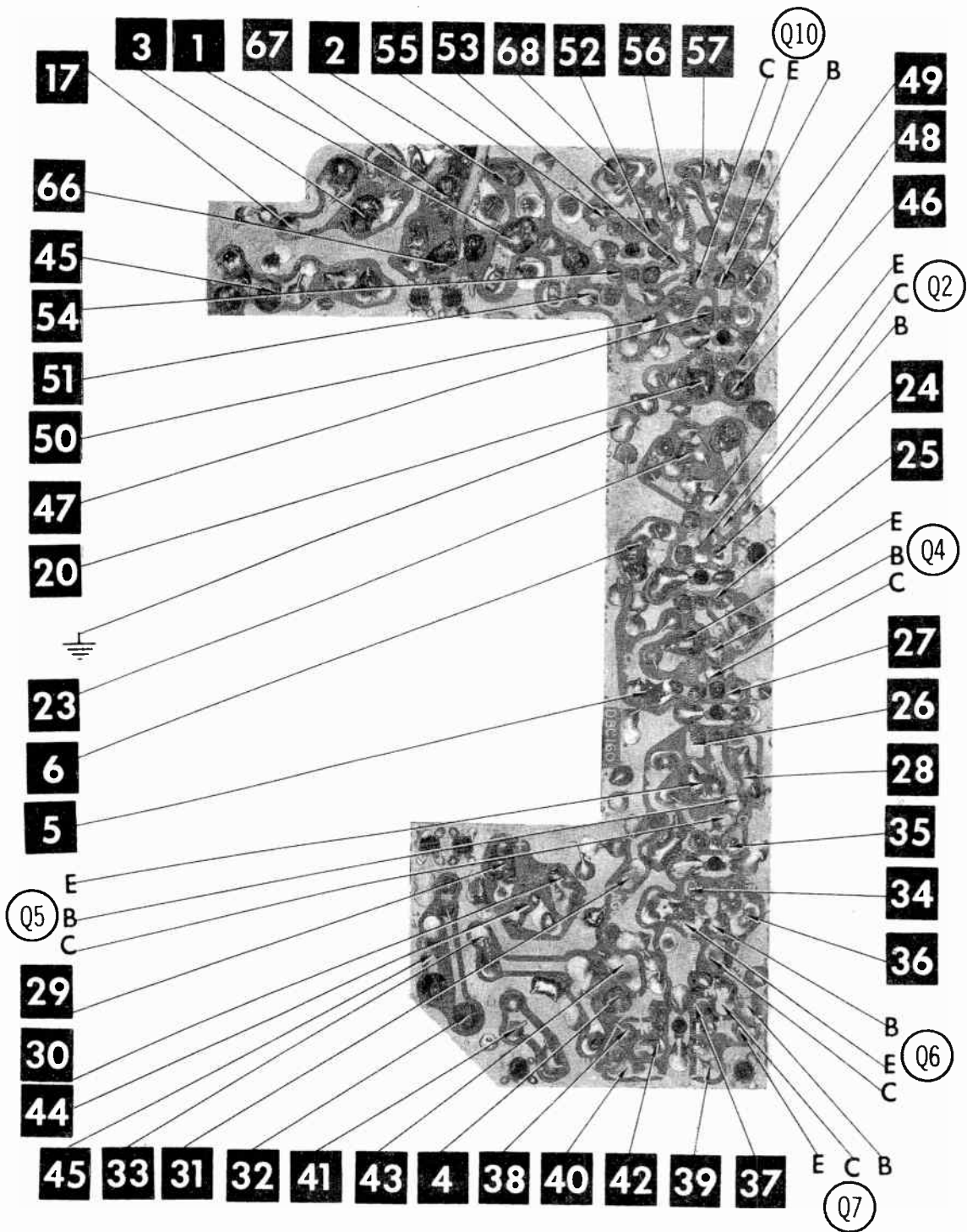
10.7MC



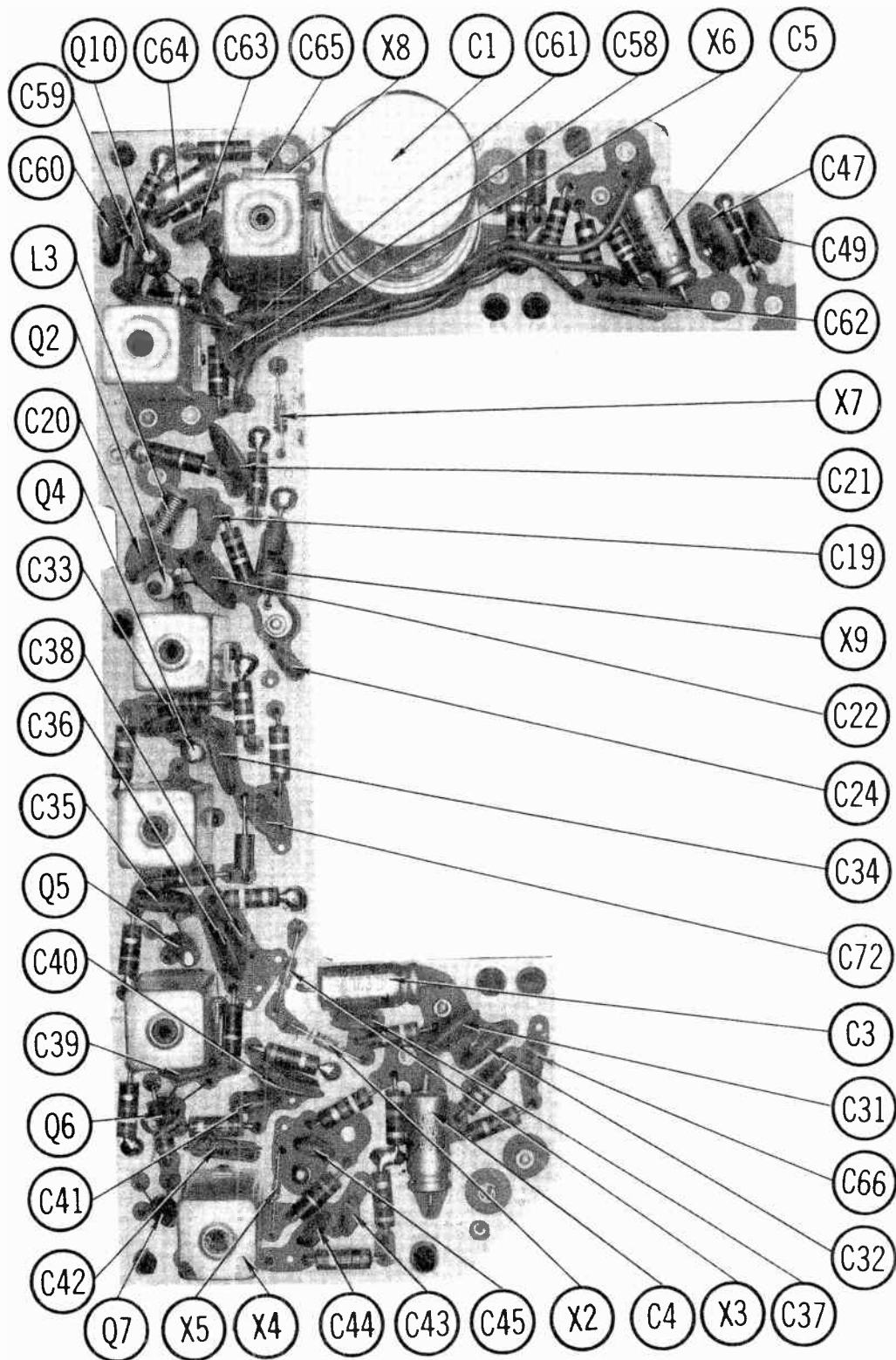
CHEVROLET MODELS 01BFPI/2, 01VFPI/2

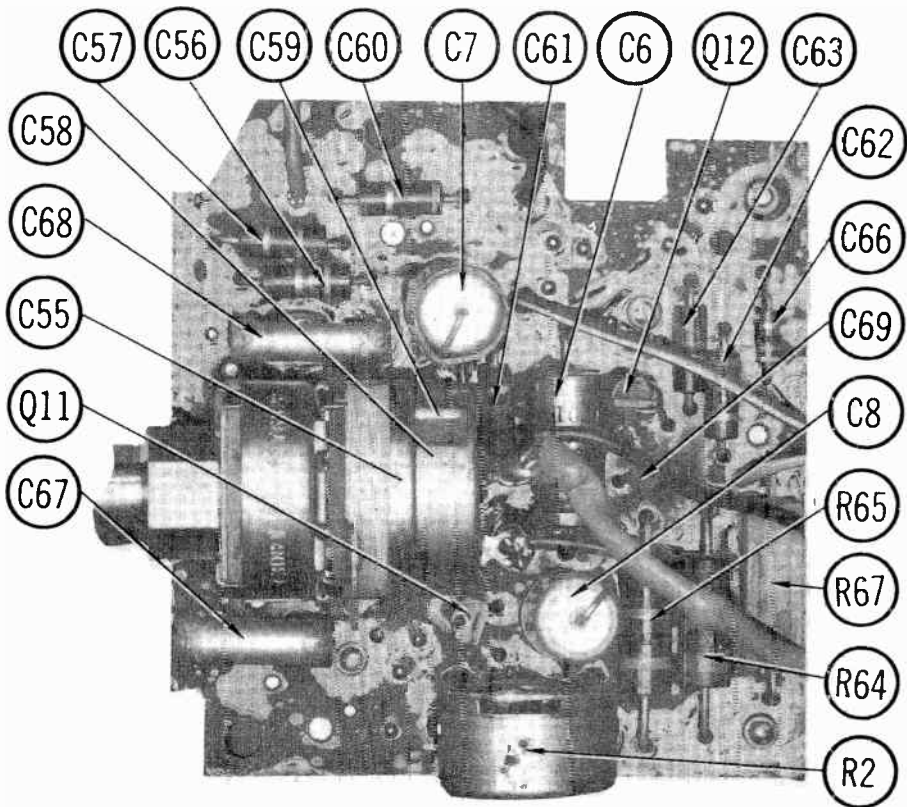
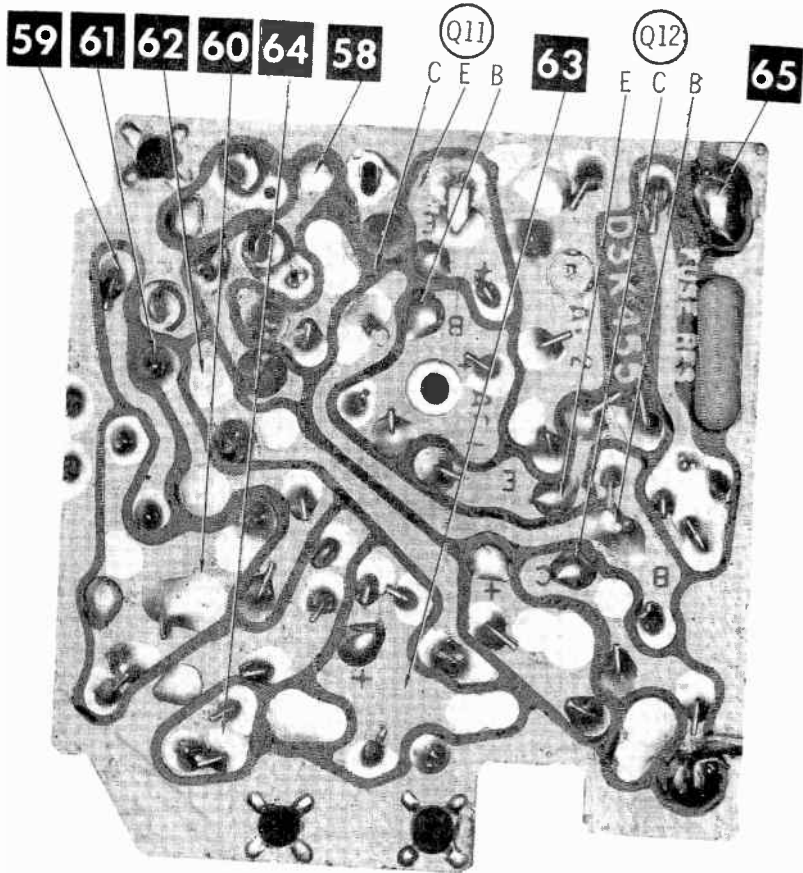






A Howard W. Sams **CIRCUITRACE** Photo





PARTS LIST AND DESCRIPTION

(When ordering parts, state Model, Part Number, and Description.)

Replacement parts shown may be superseded by the availability of newly introduced replacements.
Have your local distributor check Sams COUNTER FACTS* for the most up-to-date replacement.

WIRING DATA

General-use Unshielded Hook-up Wire	Use BELDEN No. 8530 (Solid) Available in 12 Colors 8524 (Stranded) Available in 12 Colors
Shielded Hook-up Wire	Use BELDEN No. 8885
Rear Seat Speaker Extension Cable	Use BELDEN No. 8782 (Stranded) Coded Parallel Leads
Bonding Strap	Use BELDEN No. 8661 (3/8 In.) or 8670 (3/4 In.)

TRANSISTORS

ITEM No.	TYPE No.	FUNCTION	REPLACEMENT DATA					
			MFGR. PART No.	GENERAL ELECTRIC PART No.	INTERNATIONAL RECTIFIER PART No.	MOTOROLA PART No.	RCA PART No.	SYLVANIA PART No.
Q1	DS-78	FM RF Amp	DS-81	GE-17	TR-22	HEP5D	SK3018	ECG 108
Q2	DS-78	FM Mixer	DS-81	GE-17	TR-22	HEP50	SK3018	ECG 108
Q3	DS-74	FM Oscillator	DS-74	GE-11	TR-21	HEP56	SK3018	ECG 108
Q4	DS-85	1st FM IF Amp	DS-74	GE-17	TR-21	HEP53	SK3018	ECG 108
Q5	DS-85	2nd FM IF Amp	DS-74	GE-17	TR-21	HEP53	SK3018	ECG 108
Q6	DS-73	3rd FM IF Amp	DS-74	GE-17	TR-21	HEP53	SK3018	ECG 108
Q7	DS-85	Limiter	DS-74	GE-17	TR-21	HEP53	SK3018	ECG 108
Q8	DS-71	AM RF Amp	DS-71	GE-20	TR-21	HEP53	SK3018	ECG 108
Q9	DS-72	AM Converter	DS-72	GE-20	TR-21	HEP53	SK3018	ECG 108
Q1D	DS-72	AM IF Amp	DS-72	GE-20	TR-21	HEP53	SK3018	ECG 108
Q11	DS-67	AF Amp	DS-66	GE-10	TR-21	HEP54	SK302D	ECG 123
Q12	DS-66	AF Amp	DS-66	GE-10	TR-21	HEP54	SK302D	ECG 123
Q13	DS-501	Output *	DS-501	GE-4	TR-03	HEP233	SK3012	ECG 105

* When replacing, apply silicone grease to both sides of insulator. Tighten mounting screws securely.

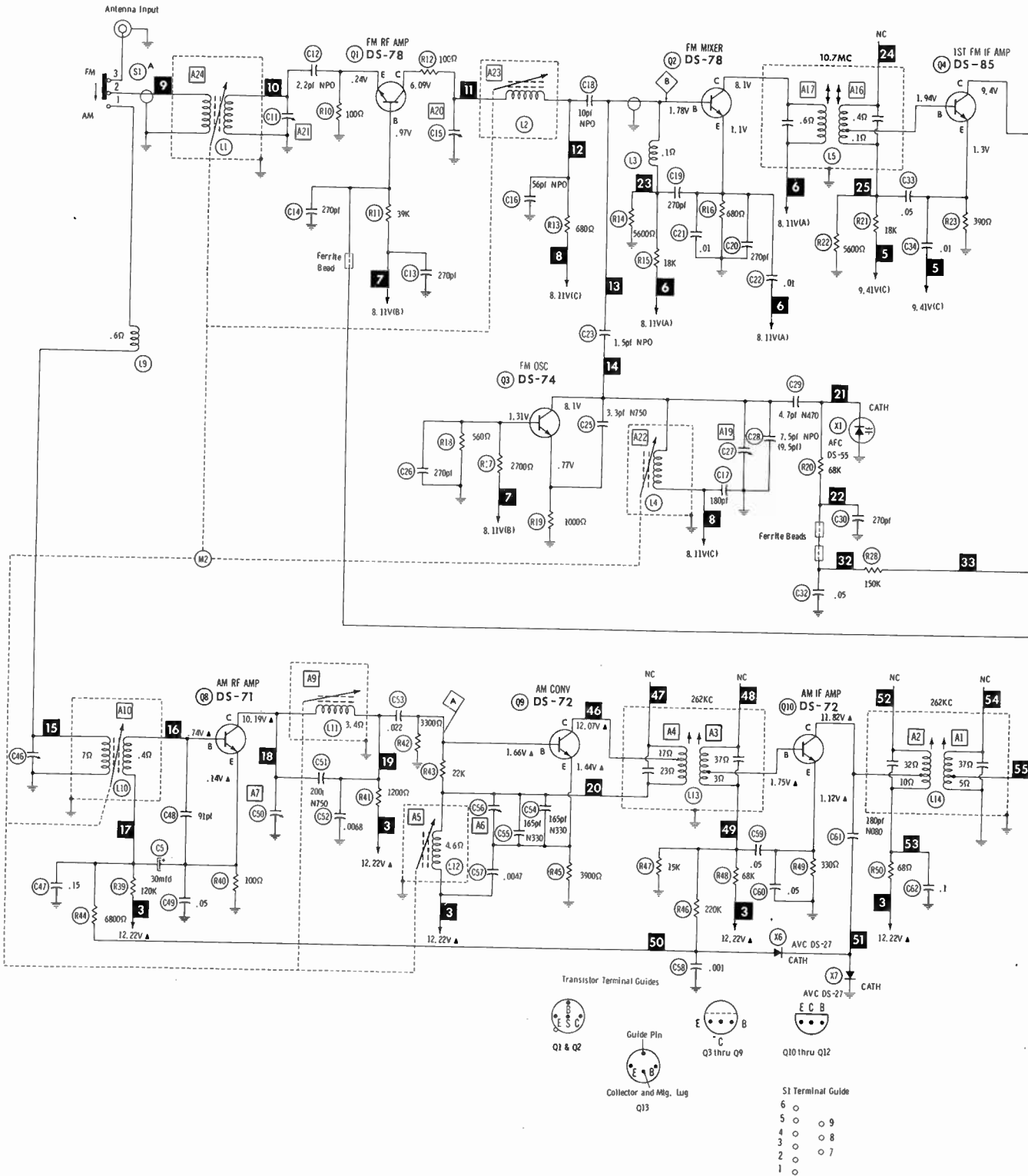
POWER RECTIFIERS & SIGNAL DIODES

ITEM No.	MFGR. PART OR TYPE No.	REPLACEMENT RECTIFIERS & DIODES			REPLACEMENT RECTIFIERS	NOTES
		GENERAL ELECTRIC PART No.	INTERNATIONAL RECTIFIER PART No.	SYLVANIA PART No.	RCA PART No.	
X1	DS-55					
X2	DS-27	1N34AS	1N34A	ECG 109		
X3	DS-27	1N34AS	1N34A	ECG 109		
X4	DS-39 (1)	1N6D	1N542 (1)	ECG 110 (1)		(1) Matched Pair
X5	DS-39	1N6D				
X6	DS-27	1N34AS	1N34A	ECG 109		
X7	DS-27	1N34AS	1N34A	ECG 109		
X8	DS-27	1N34AS	1N34A	ECG 109		
X9	DS-49	GE-X11	1ZM8.2			Zener 8.2V

ELECTROLYTIC CAPACITORS

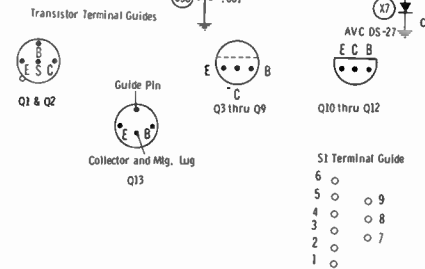
ITEM No.	RATING	REPLACEMENT DATA						
		PART No.	AEROVOX PART No.	CENTRALAB PART No.	CORNELL-DUBILIER PART No.	GENERAL ELECTRIC PART No.	MALLORY PART No.	SPRAGUE PART No.
C1A	1000 16V	7283675	AFH3-54-41		CC0006		FPS3DD.91	PCL-3021.8
B	500 16V							
C	4 11.5Vrms							
C2	10 12V	7292738	PTT53	EA15-10	NLW10-15	MT1-5	MTA10D35	TL-1128
C3	10 12V	7292738	PTT53	EA15-10	NLW10-15	MT1-5	MTA10D35	TE-1128
C4	3 12V	7291860	PTT50	EA15-5	NLW3-15	MT1-3	MTA3D50	TE-1122
C5	30 6V	7296313	PTT27	EA6-25	NLW3D-6	MT1-13	MTA3DD15	TE-1132.1
C6	10 12V	7292738	PTT53	EA15-10	NLW10-15	MT1-5	MTA10D35	TL-1128
C7	100 4V	7291810	PTT30	EA6-100	NLW125-6	MT1-21	MTA125E6	TE-1102
C8	10D 4V	7291810	PTT30	EA6-100	NLW125-6	MT1-21	MTA125E6	TE-1102

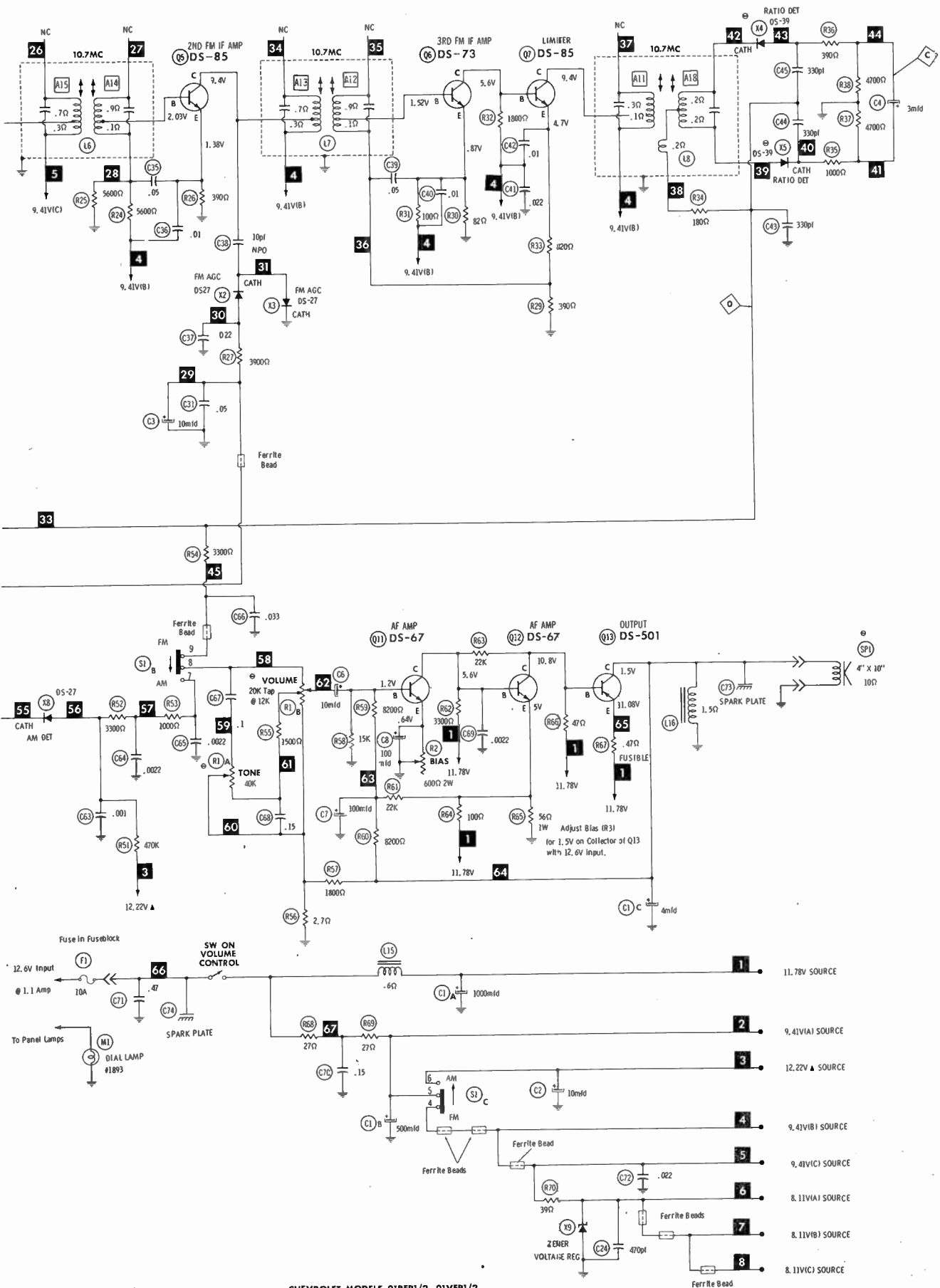
CHEVROLET MODELS 01BFPI/2, 01VFPI/2



● See parts list.
 ▲ Measured with switching in "AM" position.
 Resistors are 1/2W or less, 10% or 20%, unless otherwise indicated.
 Supply voltage maintained at rated value for measurements.
 Voltage and resistance measured with VTM or equivalent meter.
 no signal applied and controls adjusted for normal operation.
 Numbers assigned to terminals may not be found on the unit.
 Transistor resistances vary widely. No resistance measurements taken.

A PHOTOFACIT STANDARD NOTATION SCHEMATIC
 with CIRCUITRACE™
 © Howard W. Sams & Co., Inc. 1970





CHEVROLET MODELS 01BF1/2, 01VF1/2

PARTS LIST AND DESCRIPTION (CONTINUED)

(When ordering parts, state Model, Part Number, and Description.)

Replacement parts shown may be superseded by the availability of newly introduced replacements.
Have your local distributor check Sams COUNTER FACTS* for the most up-to-date replacement.

CAPACITORS

ITEM No.	RATING	REMARKS	REPLACEMENT DATA						
			AEROVOX PART No.	CENTRALAB PART No.	CORNELL-DUBILIER PART No.	ELMENCO PART No.	MALLORY PART No.	SPRAGUE PART No.	
C11		#7293221							
C12	2.2 NPO		NPO-DI 2.2	DTZ-2R2	CZ601CJ2R2D			CN0522	10TCC-V22
C13	270		GPD X5F271K	DD-271	GP270		CCD-271	GP327	5GA-T27
C14	270		GPD X5F271K	DD-271	GP270		CCD-271	GP327	5GA-T27
C15		#7291003							
C16	56 NPO			TCZ-56			CCO-560	CN0456	10TCC-Q56
C17	180		GPD X5F181K	DD-181	JBZ601YP181K		CCD-181	GP318	10TS-T18
C18	10 NPO		NPO-DI 10	DTZ-10	CZ601CG100J		CCO-100	CN0410	10TCC-Q10
C19	270		GPD X5F271K	DD-271	GP270		CCD-271	GP327	5GA-T27
C20	270		GPD X5F271K	DD-271	GP270		CCD-271	GP327	5GA-T27
C21	.01		TTP-01	CK-103	HOY101ZV103P		CCD-103	TA110	TG-S10
C22	.01		TTP-01	CK-103	HOY101ZV103P		CCD-103	TA110	TG-S10
C23	1.5 NPO		NPO-DI 1.5	DTZ-1R5				CN0515	10TCC-V15
C24	470		GPD X5F471K	DD-471	JBZ601YP471K		CCD-471	GP347	10TS-T47
C25	3.3		NPO-DI 3.3	DTZ-3R3				CN0533	10TCC-V33
C26	270		GPD X5F271K	DD-271	GP270		CCD-271	GP327	5GA-T27
C27		#7292611							
C28	7.5 NPO	#7300236							
C29	4.7 N470								
C30	270						*	*	10TCT-V47
C31	.05		GPD X5F271K	DD-271	GP270		CCD-271	GP327	5GA-T27
C32	.05		TTP-05	CK-503	HOV101ZV503Z		CCD-503	TA150	TGL-S50
C33	.05		TTP-05	CK-503	HOV101ZV503Z		CCD-503	TA150	TGL-S50
C34	.01		TTP-01	CK-103	HOY101ZV103P		CCD-103	TA110	TG-S10
C35	.05		TTP-05	CK-503	HOV101ZV503Z		CCD-503	TA150	TGL-S50
C36	.01		TTP-01	CK-103	HOY101ZV103P		CCD-103	TA110	TG-S10
C37	.0022		GPD X5F222K	DD-222	JBX601YP222K		CCD-222	GP222	10TS-D22
C38	10 NPO		NPO-DI 10	DTZ-10	CZ601CG100J		CCO-100	CN0410	10TCC-Q10
C39	.05		TTP-05	CK-503	HOV101ZV503Z		CCD-503	TA150	TGL-S50
C40	.01		TTP-01	CK-103	HOY101ZV103P		CCD-103	TA110	TG-S10
C41	.022		TTP-02	CK-203	HOR101ZV203P		CCD-203	TA120	TG-S20
C42	.01		TTP-01	CK-103	HOY101ZV103P		CCD-103	TA110	TG-S10
C43	330		GPD X5F331K	DD-331	JBZ601YP331K		CCD-331	GP333	10TS-T33
C44	330		GPD X5F331K	DD-331	JBZ601YP331K		CCD-331	GP333	10TS-T33
C45	330		GPD X5F331K	DD-331	JBZ601YP331K		CCD-331	GP333	10TS-T33
C46		#7283618							
C47	.15			CK-104	HOV101ZV104Z			TA010	TG-P10
C48	91		TTP-1	TCN-91					
C49	.05		TTP-05	CK-503	HOV101ZV503Z		CCD-503	TA150	TGL-S50
C50		#7295193							
C51	200 N750		N750-DI 200	DTN-200			CCTN-201	CN7320	10TCU-T20
C52	.0068 75V		DBE6D68	CPR-6800J	WMF1D68		1DP-1-682	PVC4268	6PS-D68
C53	.022		TTP-02	CK-203	HOR101ZV203P		CCD-203	TA120	TG-S20
C54	165 N330						*	*	
C55	165 N330						*	*	
C56		#7295192							
C57	.0047 75V		DBE6D5	CPR-5000J	WMF1D5		1DP-1-502	PVC625	6PS-D50
C58	.001		GPD X5F102K	DM-102	JBZ601YP102K		CCD-102	SM210	2SS-D10
C59	.05		TTP-05	CK-503	HOV101ZV503Z		CCD-503	TA150	TGL-S50
C60	.05		TTP-05	CK-503	HOV101ZV503Z		CCD-503	TA150	TGL-S50
C61	180 N080						*	*	10TCN-T18
C62	.1		TTP-1	CK-104	HOV101ZV104Z			TA010	TG-P10
C63	.001		GPD X5F102K	DM-102	JBZ601YP102K		CCD-102	SM210	2SS-D10
C64	.0022		GPD X5F222K	DD-222	GP2200		CCD-222	GP222	10TS-D22
C65	.0022		GPD X5F222K	DD-222	GP2200		CCD-222	GP222	10TS-D22
C66	.033		TTP-03	CK-303			CCD-303	GP130	TG-S30
C67	.1 100V		DBE2P1		DPMS2P1		1DP-2-104	PVC101	225P10491WD3
C68	.15 75V		DBE6P15		DMF4P15		4DP-4-154	PVC6015	4PS-P15
C69	.0022		GPD X5F222K	DD-222	GP2200		CCD-222	GP222	10TS-D22
C70	.15 75V		DBE6P15		DMF4P15		4DP-4-154	PVC6015	4PS-P15
C71	.47 75V		DBE2P47		DPMS2P47		1DP-4-504	PVC105	2PS-P50
C72	.022		TTP-02	CK-203	HOR101ZV203P		CCD-203	TA120	TG-S20
C73		#7271564							
C74		#7271564							

* Not normally in distributor's stock. Available thru distributor on order to manufacturer.
Delco Part Number.

PARTS LIST AND DESCRIPTION (CONTINUED)

(When ordering parts, state Model, Part Number, and Description.)

Replacement parts shown may be superseded by the availability of newly introduced replacements.
Have your local distributor check Sams COUNTER FACTS for the most up-to-date replacement.

CONTROLS (All wattages 1/2 watt, or less, unless listed)

ITEM No.	FUNCTION	RESIST-ANCE	REPLACEMENT DATA				
			MFGR. PART No.	CENTRALAB PART No.	CLAROSTAT PART No.	CTS-IRC PART No.	MALLORY PART No.
R1	Tone Volume/Switch	40K 20K Tap @ 10K	7308117 (2)	F1-50K,R16-25K, FFS204,RFS212, BB202,SB006,KR-4		* QJ-2586A	P54L, 4200, SH4250,RU253T53, OX2187,IS2687, US41
	Tone Volume/Switch	100K 20K Tap @ 10K	7303326 (3)	F2-100K,R14-25K, FFS015,RFS105, BB010,SB004,KR-7		# 2540A	P15A,4034, SH4250,RU253T53, OX875A,IS1250, US42 MR850T
R2	Bias	600 2W	7294878	V-600	U39-600	110-600	

* "SNAPTROL" Equivalent: BU9 (1),CF12,CR50T,5F19,SR20,N4,GC

"CONCENTRIKIT" Equivalent: K-8 Kit with base elements & Shafts: B13-128,P21-029 (Panel),B19-119X,R16-106 (Rear, S6 (1) (Bushing), N4 (Nut), 76-2 (Switch)

"SNAPTROL" Equivalent: BU8 (1), CF52,CR50T, SF5, SR4, N4, WF

(1) Alter bushing and adjust spacer nut (N4) to meet requirements.

(2) Used in Models C1BFP1, O1BFP2. (3) Used in Models O1VFP1, O1VFP2.

RESISTORS (Power and Special)

ITEM No.	RATING	REPLACEMENT DATA		
		IRC PART No.	WORKMAN PART No.	MFGR. PART No.
R67	.47 (Fusible)			7281890

ITEM No.	RATING	REPLACEMENT DATA		
		IRC PART No.	WORKMAN PART No.	MFGR. PART No.

COILS (RF-IF)

ITEM No.	USE	REPLACEMENT DATA			
		PART No.	MEISSNER PART No.	MILLER PART No.	WORKMAN PART No.
L1	FM Antenna	(1)			
L2	FM RF	(1)			
L3	FM IF Trap (1uh)	7296856	19-1000	4602	T855
L4	FM Oscillator	(1)			
L5	FM Input IF	7296100			
L6	FM Interstage IF	7296101			
L7	FM Interstage IF	7296102			
L8	Ratio Detector	7299984			
L9	RF Choke (8uh)	7255738	19-1009	4611	T822
L10	AM Antenna	(1)			
L11	AM RF	(1)			
L12	AM Oscillator	(1)			
L13	AM IF Input	7295169			
L14	AM IF Output	7295170		8006	

(1) Part of M2.

FILTER CHOKE

ITEM No.	RATINGS			REPLACEMENT DATA					NOTES
	CURRENT (Measured)	DC RES.	INDUCTANCE (0 CURRENT 1000~)	PART No.	MERIT PART No.	STANCOR PART No.	THORDARSON PART No.	TRIAD PART No.	
L15	1.1 Amp	.6	8mh	1221623	C-4095	TC-2	TR-154	TY17XT	

CHEVROLET MODELS O1BFP1/2, O1VFP1/2

PARTS LIST AND DESCRIPTION (CONTINUED)

(When ordering parts, state Model, Part Number, and Description.)

Replacement parts shown may be superseded by the availability of newly introduced replacements.
Have your local distributor check Sams COUNTER FACTS* for the most up-to-date replacement.

CHOKE (Audio Output)

ITEM No.	INDUCTANCE	REPLACEMENT DATA					NOTES
		PART No.	MERIT PART No.	STANCOR PART No.	THORDARSON PART No.	TRIAD PART No.	
L16	30mh	1222297					

SPEAKER

ITEM No.	TYPE	REPLACEMENT DATA		NOTES
		MFR. PART No.	QUAM PART No.	
SP1	4" x 10" PM	10 ohms	7312691	Used in Chevrolet (1) Alternate Part Number Used in Chevelle & Monte Carlo Used in Camaro Used in Chevy II & Acadian Used in Corvette
	6" x 9" PM	10 ohms	7312751 (1)	
	4" x 10" PM	10 ohms	7312681	
	4" x 10" PM	10 ohms	7313541	
	4" x 10" PM	10 ohms	7313791	
	4" x 10" PM	10 ohms	7307181	
			69A1Z10	
			410A2Z10	

FUSE DEVICES

ITEM No.	DESCRIPTION	REPLACEMENT DATA						
		PART No.		BUSS PART No.		LITTELFUSE PART No.		WORKMAN PART No.
		DEVICE	HOLDER	DEVICE	HOLDER	DEVICE	HOLDER	DEVICE
F1	3AG 10 Amp		In Fuse Block	AGC 10		311010		

MISCELLANEOUS

ITEM No.	PART NAME	PART No.	NOTES
M1 M2 S1	Dial Lamp Tuner Coil Assy. Switch, Selector	1222504 7285141	#216

CABINETS & CABINET PARTS (When ordering specify model, chassis & color)

ITEM	PART No.	ITEM	PART No.
Dial Drum, Model 01BFP1/2	7308148	Dial Pointer, Model 01VFP1/2	7303825
Dial Drum, Model 01VFP1/2	7303823	Push Button, Model 01BFP1/2	7306391
Escutcheon, Model 01BFP1/2	7313523	Push Button, Model 01VFP1/2	7303280
Escutcheon, Model 01VFP1/2	7303827	Knob, Tuning or Volume, Model 01BFP1/2	3954238
Dial Glass, Model 01BFP1/2	7313524	Knob, Tone, Model 01BFP1/2	3954239
Dial Glass, Model 01VFP1/2	7303279	Knob, Dummy, Model 01BFP1/2	3954240
Dial Pointer, Model 01BFP/2	7308125		
		Obtain Knobs for Model 01VFP1/2 from Chevrolet Dealer	

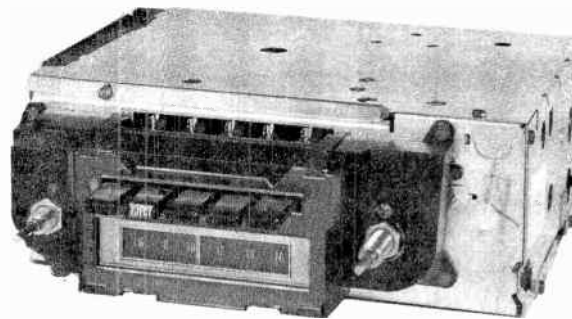


PHOTOFACT[®] with

CIRCUTRACE[®]

For Supplier Address See PHOTOFACT Index

NOTE: Manufacturer Part Numbers Shown Are UNITED DELCO



MODEL 01BPBT1

CHEVROLET MODELS 01BPBT1
01BPBT2
(70 Acadian,
Camaro, Chevelle,
Chevrolet, Chevy II,
Monte Carlo)
(8-Track Stereo Player)

OPERATING INSTRUCTIONS

Insert cartridge until it locks and turns unit on.

Set operating controls as desired.

Press program selector to play desired tracks, or allow unit to select tracks automatically.

Removing the cartridge changes unit to Radio mode.

CLEANING

Clean all tape contact surfaces with a soft, lint-free material and head cleaner or methyl alcohol. Use alcohol to remove oil and grease from all driving surfaces.

CAUTION: Avoid getting head cleaner on any plastic surface.

LUBRICATING

Lubricate bearings and bushings lightly with #20 machine oil. Use a light film of non-hardening grease on cam surfaces.

HEAD DEMAGNETIZING

Demagnetize head when unit is serviced. Avoid using magnetic materials near head.

CHEVROLET MODELS 01BPBT1/2

HOWARD W. SAMS & CO., INC. Indianapolis, Indiana 46206

© 1970 Howard W. Sams & Co., Inc. Printed in U. S. of America

TD737

TROUBLE CHART

SYMPTOM	REMARKS
Capstan does not rotate.	Belt (1) dirty, worn, or broken. Assembly (10) binding. Motor defective or not supplied with power.
Track-Shift Mechanism Inoperative.	Switch (S2) dirty. Cam (3) binding or worn. Pawl on Assembly (14) broken. Spring (19) broken or missing. Spring (20) broken or missing. Solenoid (M4) defective or not supplied with power. Cartridge defective.
Wow or Flutter.	Belt (1) dirty or worn. Capstan dirty or binding. Cartridge defective. Motor defective. Speed regulator circuit defective.
Sound weak or distorted.	Head dirty, misaligned, or defective. Cartridge defective. Amplifiers defective.
Tape is pulled from cartridge.	Cartridge defective. Capstan dirty or scored.

ADJUSTMENTS

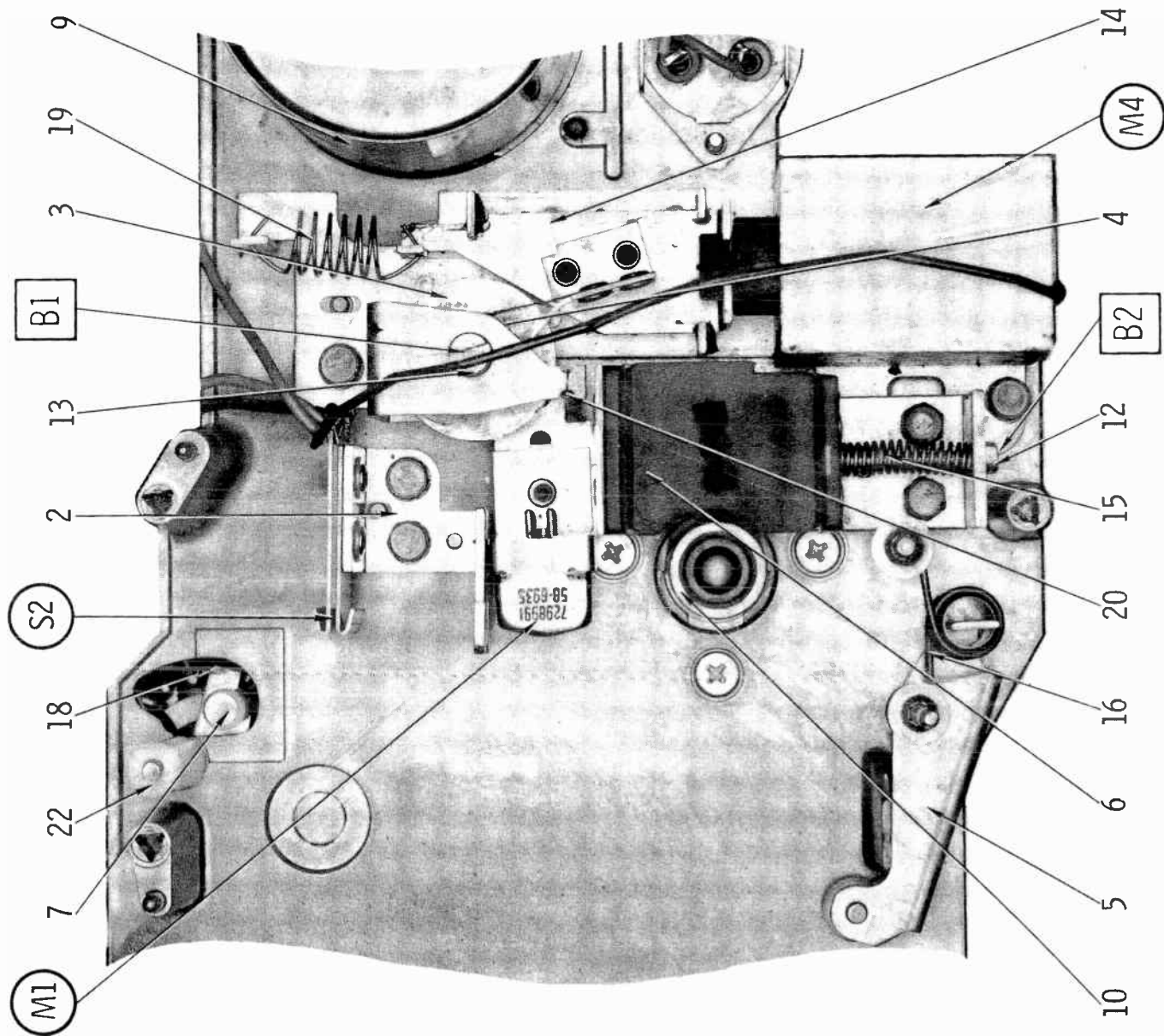
ADJUST	REMARKS
Head Height	Play a test cartridge, follow instructions with cartridge, and adjust B1 for proper response.
Head Azimuth	Connect an AC VTVM across right output. Play a test cartridge and adjust B2 for maximum.
Motor Speed	Play a test cartridge with a timed-interval track, follow instructions with cartridge, and adjust B3 for correct interval between tones. (Make only a slight adjustment before rechecking speed.)
Flywheel Play	Adjust B5 for a slight vertical play of flywheel.

MECHANICAL PARTS LIST

REF. NO.	PART NO.	DESCRIPTION	REF. NO.	PART NO.	DESCRIPTION
1*	7312439*	Belt (2 used)*	12	1222945	Azimuth Adjustment Screw
2	7313343	Tape Guide Assembly	13	7312607	Head Height Adjustment Screw
3	7312595	Cam Assembly	14	7313331	Track Change Slide Assembly
4	7312608	Cam Spring	15	7304444	Parallelogram Spring
5	7305877	Cartridge Lock Arm	16	7304222	Cartridge Arm Lock Spring
6	7313329	Head and Parallelogram Assembly	17	7311014	Door Spring
7	7313367	Switch Arm Assembly	18	7310163	Switch Return Spring
8	7310196	Thrust Bearing	19	7312611	Slide Return Spring
9	7310401	Motor Shield	20	7312609	Limiter Cam Spring
10	7313344	Capstan, Flywheel, and Bearing Assembly	21	7930360	Cartridge Eject Lever Assembly (1)
11	7310195	Thrust Bearing Plate	22	7312836	Cartridge Roller (2 used)
			23	7930363	Eject Lever Return Spring (1)

(1) Part not shown on photos.

* Belt - WALSCO Replacement Number 1425-14.



ALIGNMENT INSTRUCTIONS

Check for specified source voltage.

Use only enough generator output to provide a usable indication.

Suggested Alignment Tools:

A1 thru A4.....GENERAL CEMENT #9296,9297,9300

WALSCO #2510, 2546, 2547

A6,A7,A8.....GENERAL CEMENT #8290,8868,9087,

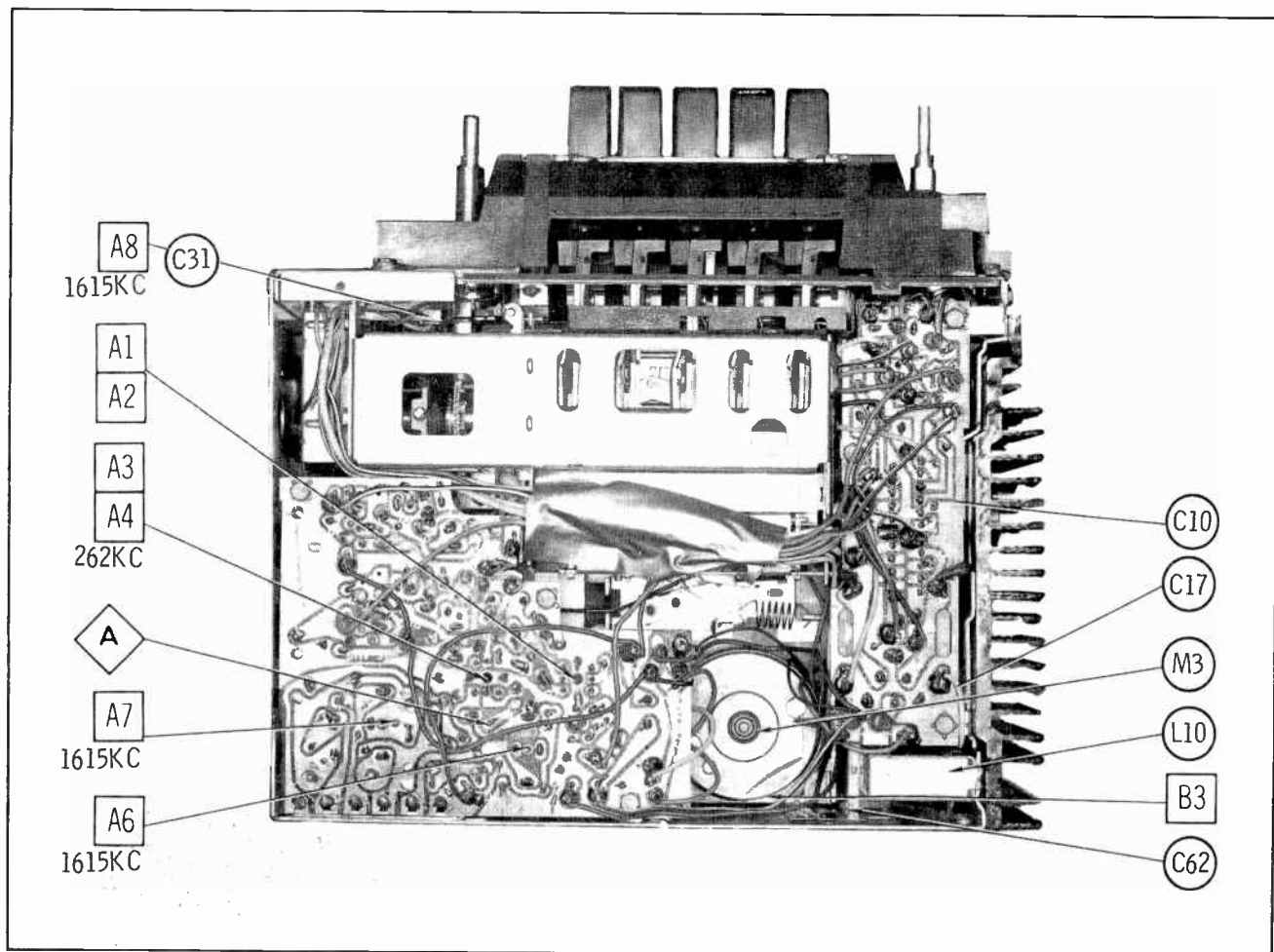
WALSCO #2525, 2528, 2587

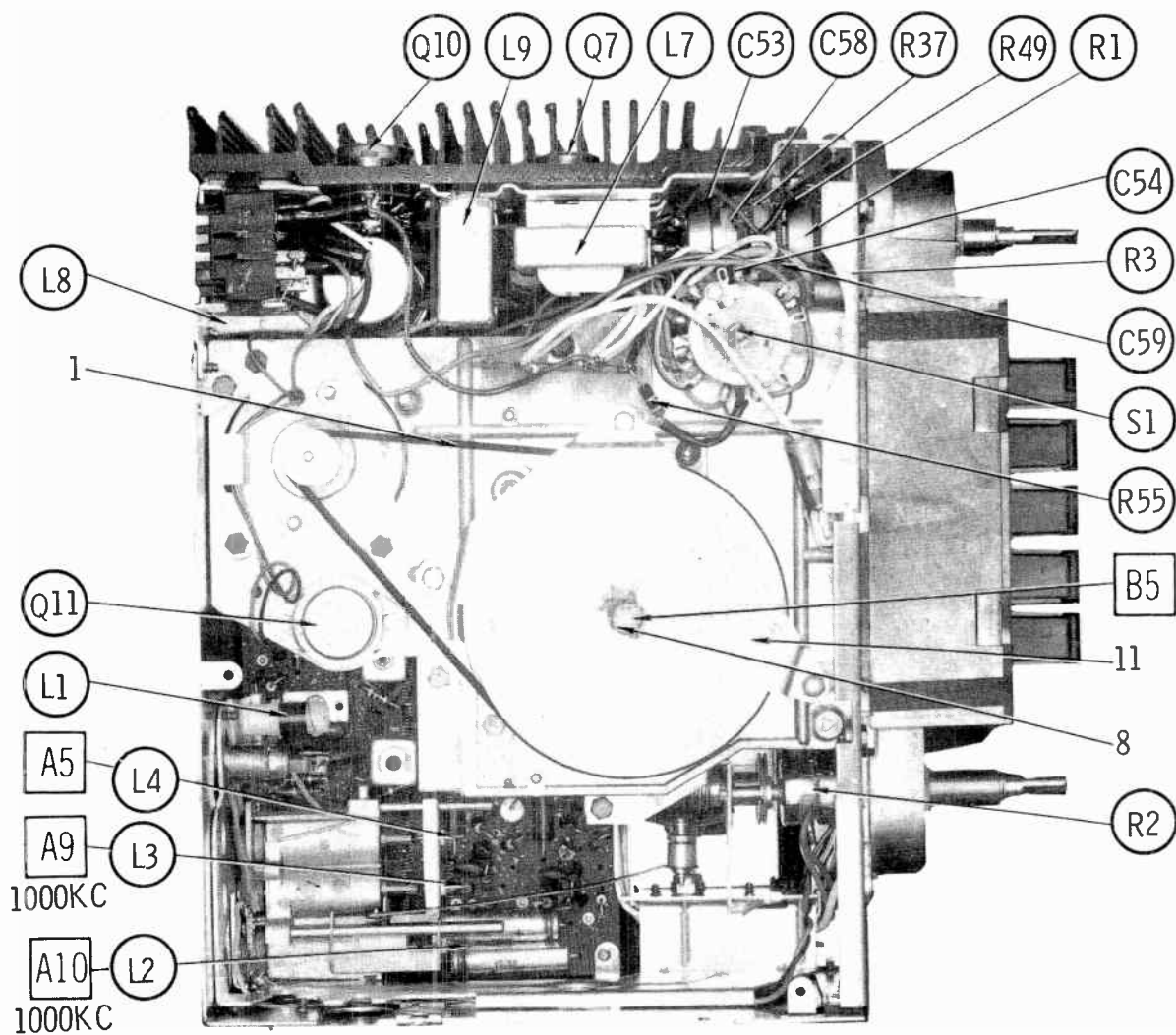
PUSH-BUTTON ADJUSTMENT

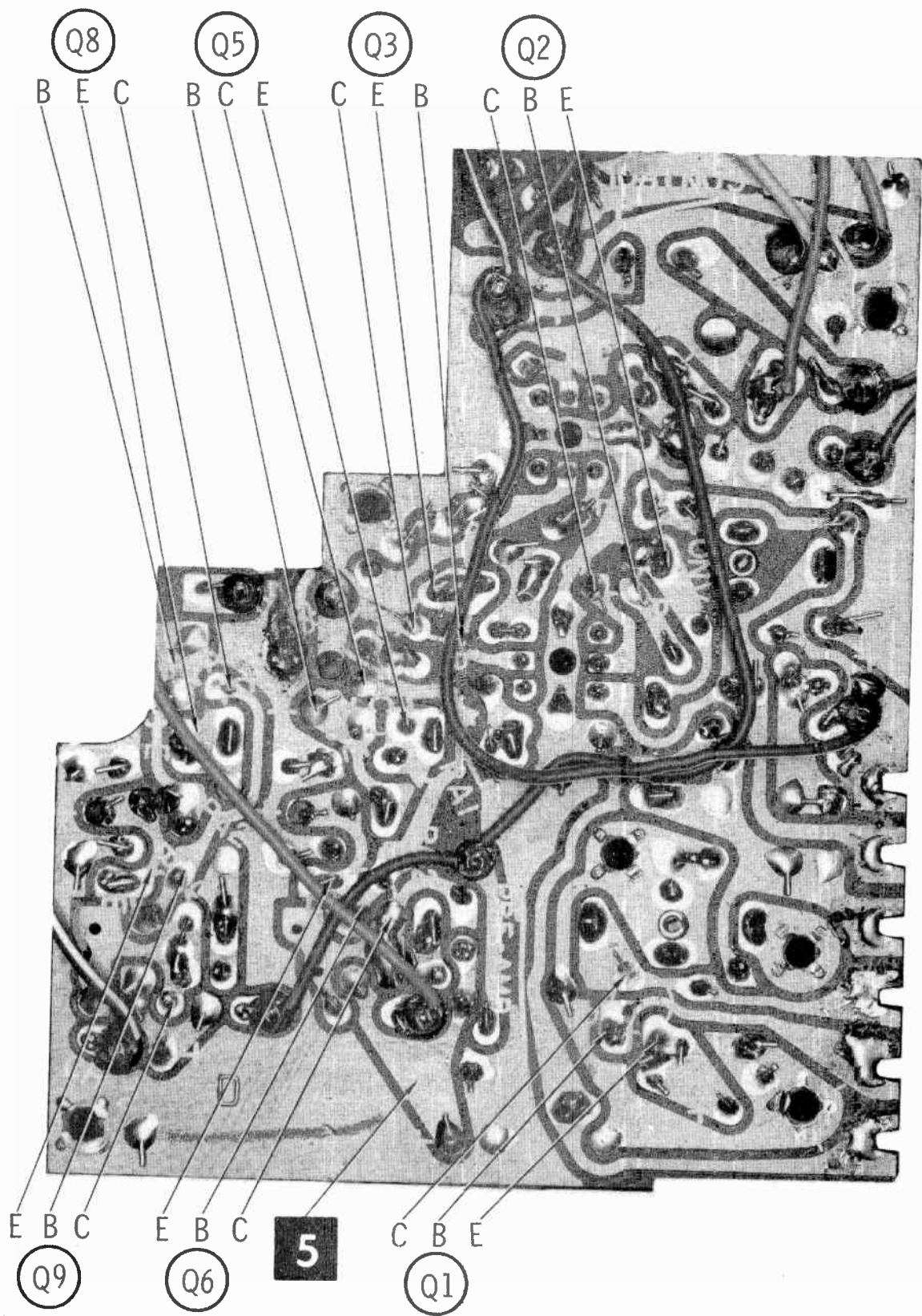
1. Pull button out.
2. Tune manually to desired station.
3. Press button in firmly.
4. Repeat for remaining buttons.

	GENERATOR COUPLING	GENERATOR FREQUENCY	RADIO DIAL SETTING	INDICATOR	ADJUST	REMARKS
1.	High side thru .1mfd to point Δ , low side to ground.	262KC 400 cycle modulation	High freq. end stop.	Output meter across voice coil.	A1,A2, A3,A4	Adjust for maximum.
Check setting of oscillator coil core (A5). Rear of core should be 1 3/8" from mounting end of coil form.						
2.	High side thru 82pf to antenna input, low side to ground.	1615KC	High freq. end stop.	Output meter across voice coil.	A6,A7, A8	Adjust for maximum.
3.	"	600KC	600KC signal	"	A9,A10	Adjust for maximum. Repeat Step 2.

With radio installed in car and antenna extended to desired height, tune in a weak station near 1400KC and adjust A8 for maximum output. Antenna adjustment (A8) is located behind tuning & dummy knobs.

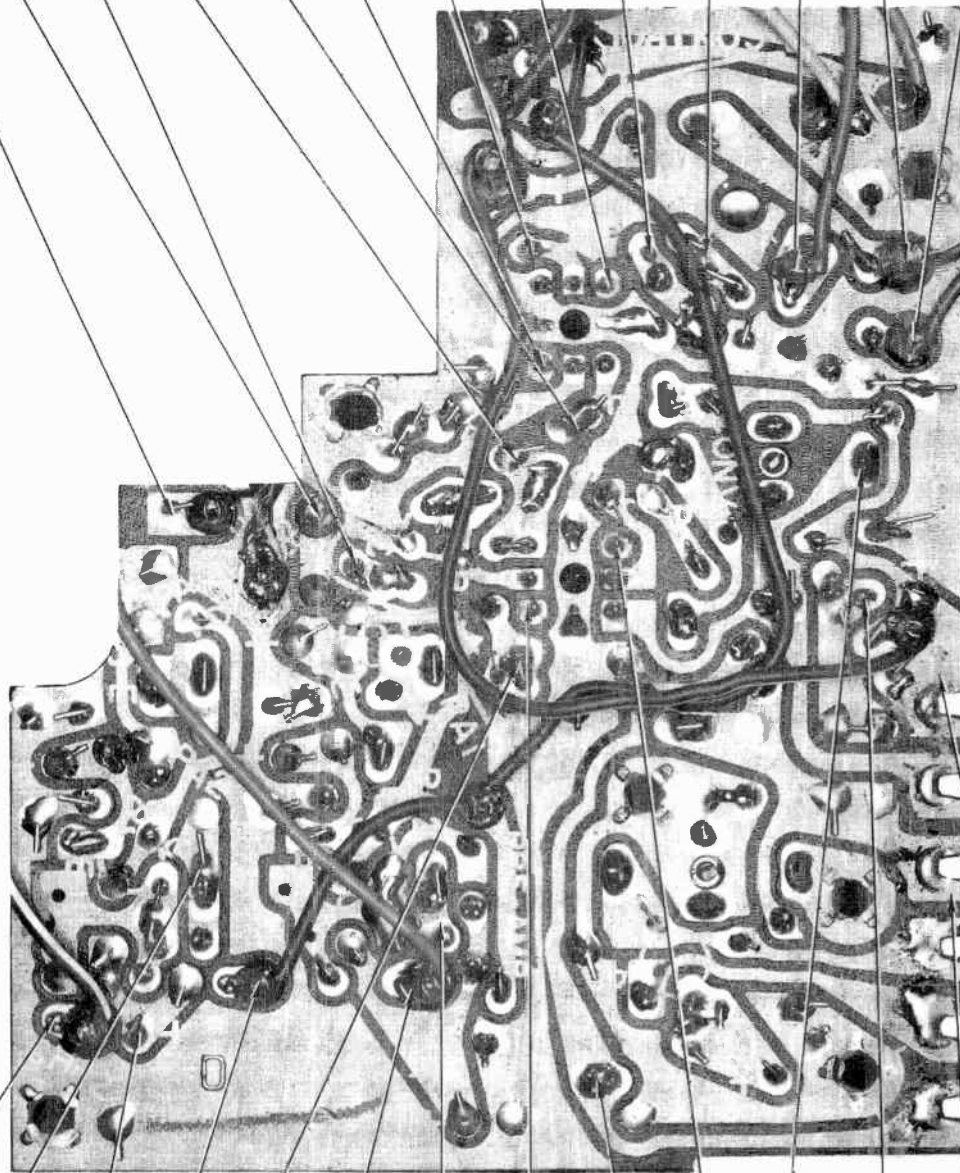






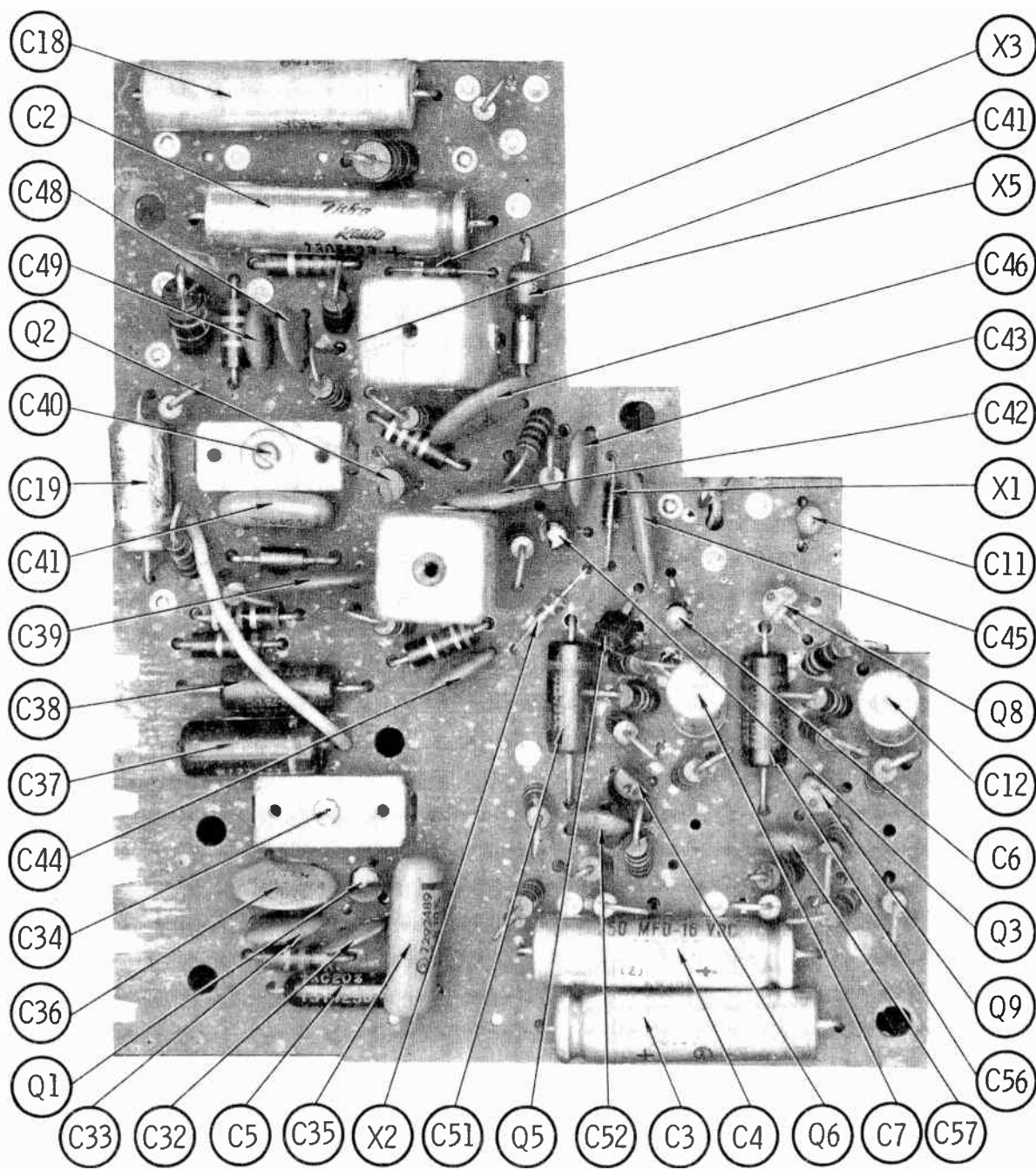
A Howard W. Sams **CIRCUITRACE** Photo

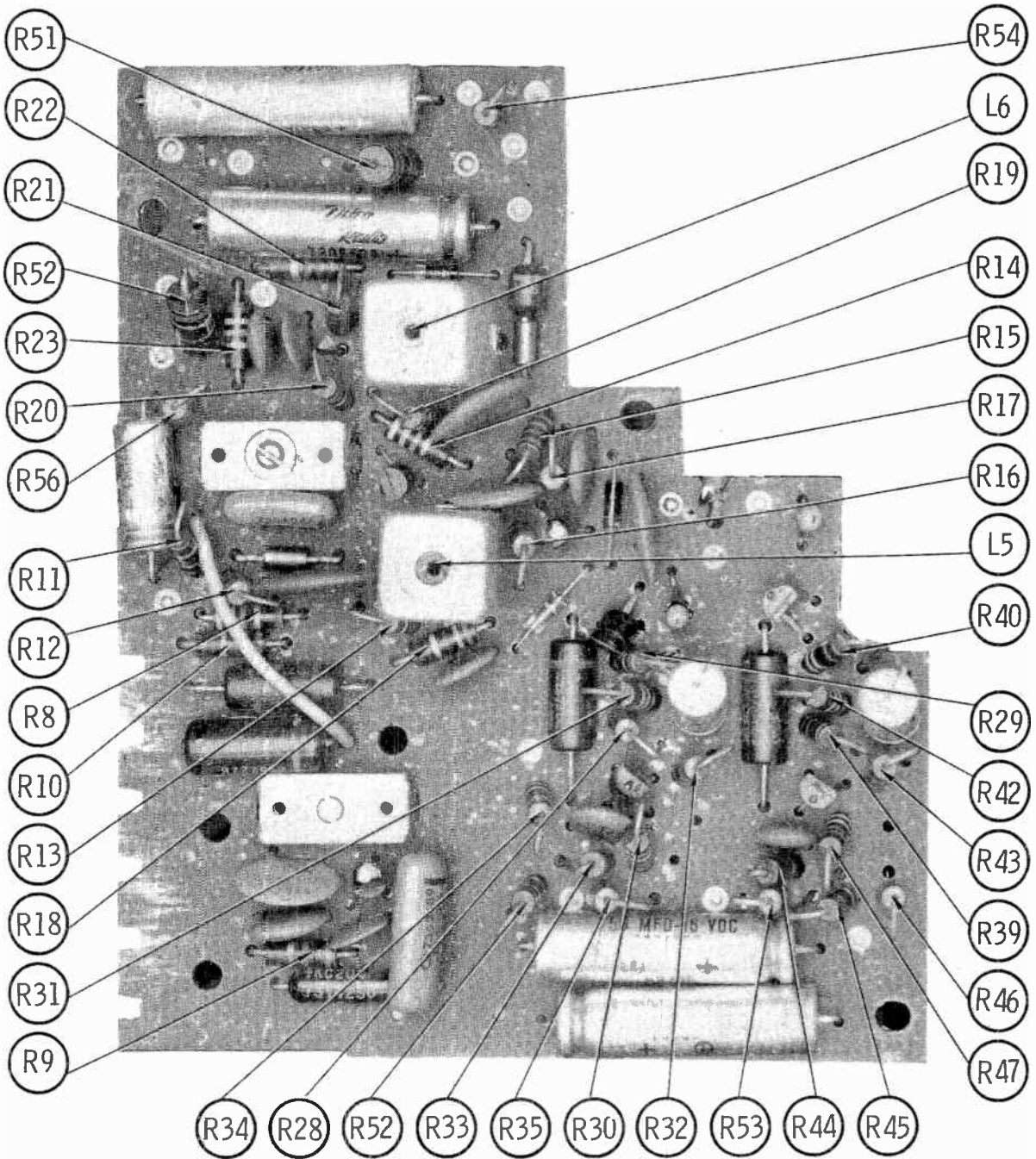
40 27 17 15 20 18 21 19 22 23 24 53 54

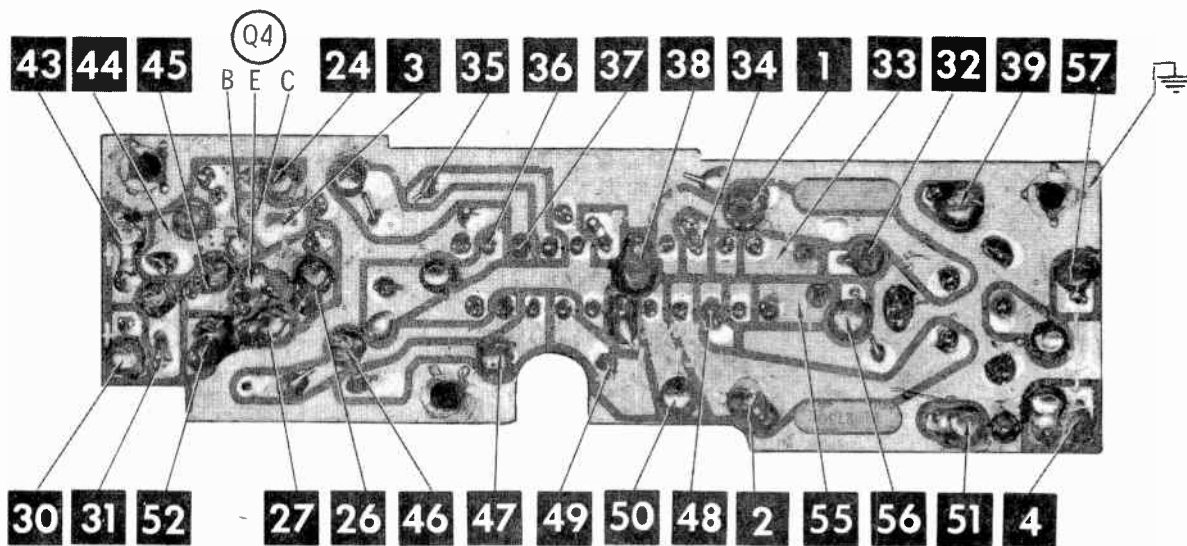
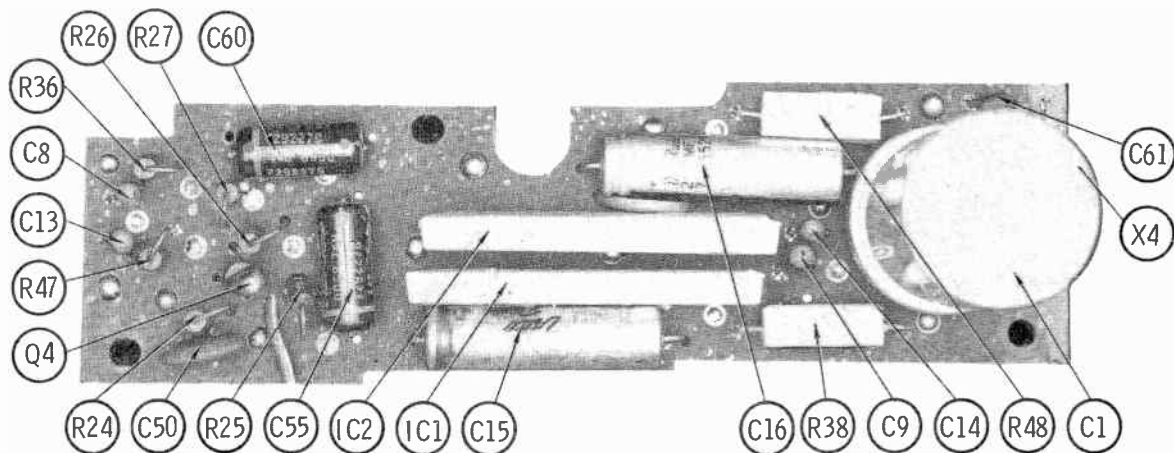


42 41 6 4 16 29 28 14 10 20 9 12 11 3

A Howard W. Sams **CIRCUITRACE** Photo







A Howard W. Sams **CIRCUITRACE** Photo

PARTS LIST AND DESCRIPTION

(When ordering parts, state Model, Part Number, and Description.)

Replacement parts shown may be superseded by the availability of newly introduced replacements.
Have your local distributor check Sams COUNTER FACTS* for the most up-to-date replacement.

TRANSISTORS

ITEM No.	TYPE No.	FUNCTION	REPLACEMENT DATA					
			MFGR. PART No.	GENERAL ELECTRIC PART No.	INTERNATIONAL RECTIFIER PART No.	MOTOROLA PART No.	RCA PART No.	SYLVANIA PART No.
Q1	DS71	RF Amp	DS-71	GE-20	TR-21	HEP53	SK3018	ECG 108
Q2	DS-72	Converter	DS-72	GE-20	TR-21	HEP53	SK3018	ECG 108
Q3	DS-72	IF Amp	DS-72	GE-20	TR-21	HEP53	SK3018	ECG 108
Q4	DS-67	Radio Preamp	DS-66	GE-10	TR-21	HEP54	SK3020	ECG 123
Q5	DS-76	Preamp	DS-76	GE-10	TR-21	HEP53	SK3020	ECG 123
Q6	DS-76	Preamp	DS-76	GE-10	TR-21	HEP53	SK3020	ECG 123
Q7	DS-515	Output (1)	DS-515	GE-3	TR-01	HEP232	SK3009	ECG 104
Q8	DS-76	Preamp	DS-76	GE-10	TR-21	HEP53	SK3020	ECG 123
Q9	DS-76	Preamp	DS-76	GE-10	TR-21	HEP53	SK3020	ECG 123
Q10	DS-515	Output (1)	DS-515	GE-3	TR-01	HEP232	SK3009	ECG 104
Q11	DS-509	Motor Regulator	DS-509	GE-14	TR-26	HEP704	SK3027	ECG 130

(1) When replacing, apply silicone grease to both sides of insulator. Tighten mounting screws securely.

INTEGRATED CIRCUITS

ITEM No.	FUNCTION	MFGR. PART No.	REMARKS
IC1	AF Amp	DM-8	
IC2	AF Amp	DM-8	

POWER RECTIFIERS & SIGNAL DIODES

ITEM No.	MFGR. PART OR TYPE No.	REPLACEMENT RECTIFIERS & DIODES			REPLACEMENT RECTIFIERS	NOTES
		GENERAL ELECTRIC PART No.	INTERNATIONAL RECTIFIER PART No.	SYLVANIA PART No.	RCA PART No.	
X1	DS-27	1N34AS	1N34A	ECG 109		Zener
X2	DS-27	1N34AS	1N34A	ECG 109		
X3	DS-27	1N34AS	1N34A	ECG 109		
X4	DS-79					
X5	DS-49					
		GE-X11	1ZM8.2			

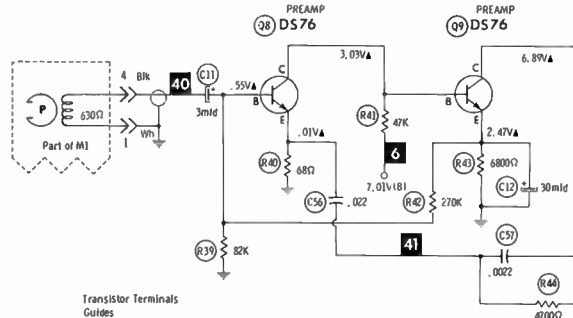
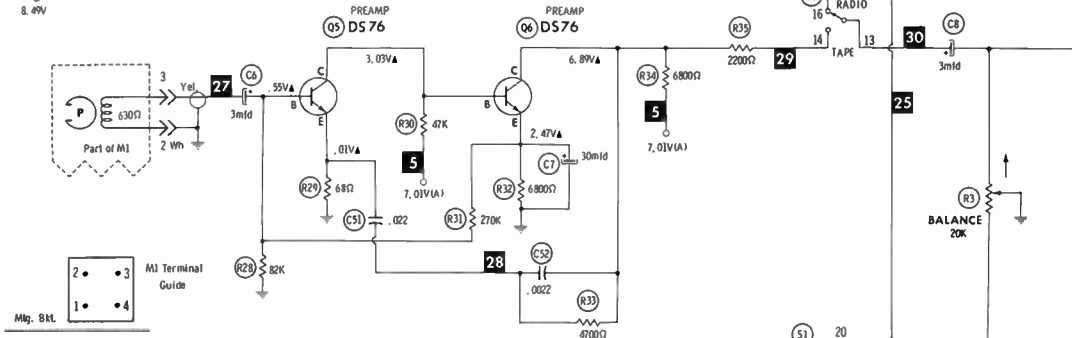
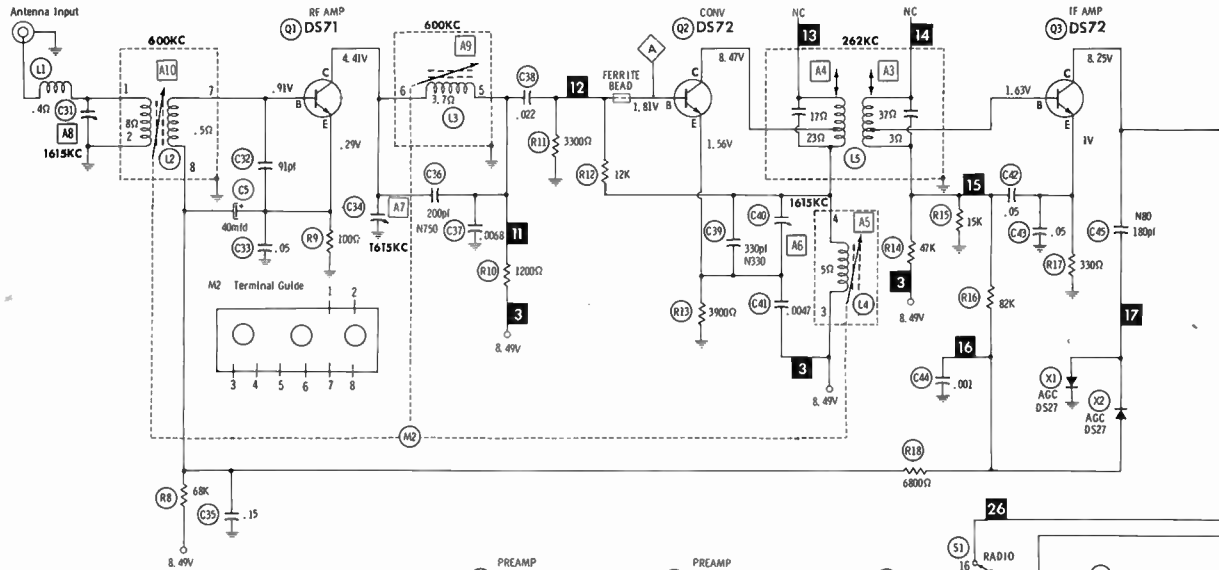
ELECTROLYTIC CAPACITORS

ITEM No.	RATING	REPLACEMENT DATA						
		CHEVROLET PART No.	AEROVOX PART No.	CENTRALAB PART No.	CORNELL-DUBILIER PART No.	GENERAL ELECTRIC PART No.	MALLORY PART No.	SPRAGUE PART No.
C1A	1500 16V	7930580						
B	1500 16V							
C	250 16V							
C2	250 16V	7307357	PRS1210	EA15-250	WBR250-50	QT1-28	MTA250F15	TE-1164.5
C3	250 16V	7307357	PRS1210	EA15-250	WBR250-50	QT1-28	MTA250F15	TE-1164.5
C4	250 16V	7307357	PRS1210	EA15-250	WBR250-50	QT1-28	MTA250F15	TE-1164.5
C5	40 6V	7298555	CRE315A	EA6-50	AL50-15	MT1-15	TAC396K006POA	TE-1100
C6	3 10V	7296348	PTT127	EA15-2	AL3-150	MT1-3	MTA3D50	TE-1122
C7	30 6V	7296313	CRE413A	EA6-25	AL30-6	MT1-13	MTA30D15	TL-1093
C8	3 10V	7296348	PTT127	EA15-2	AL3-150	MT1-3	MTA3D50	TE-1122
C9	3 10V	7296348	PTT127	EA15-2	AL3-150	MT1-3	MTA3D50	TE-1122
C10	4 11.5V rms	7313126	CRE753A	EA15-5	AL5-150	MT1-3	MTA4D50	TE-1151
C11	3 10V rms	7296348	PTT127	EA15-2	AL3-150	MT1-3	MTA3D50	TE-1122
C12	30 6V	7296313	CRE413A	EA6-25	AL30-6	MT1-13	MTA30D15	TL-1093
C13	3 10V	7296348	PTT127	EA15-2	AL3-150	MT1-3	MTA3D50	TE-1122
C14	3 10V	7296348	PTT127	EA15-2	AL3-150	MT1-3	MTA3D50	TE-1122
C15	250 16V	7307357	PRS1210	EA15-250	WBR250-50	QT1-28	MTA250F15	TE-1164.5
C16	250 16V	7307357	PRS1210	EA15-250	WBR250-50	QT1-28	MTA250F15	TE-1164.5
C17	4 11.5V rms	7313126	CRE753A	EA15-5	AL5-150	MT1-3	MTA4D50	TE-1151
C18	250 16V	7307357	PRS1210	EA15-250	WBR250-50	QT1-28	MTA250F15	TE-1164.5
C19	10 12V	7292738	PTT14	EA15-10	AL10-15	MT1-5	MTA10D35	TL-1128

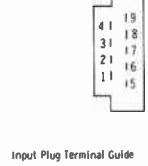
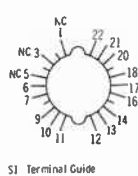
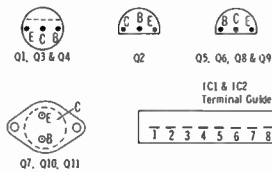
(CONTINUED ON PAGE 70)

CHEVROLET MODELS 01BPBT/2

NOTE: DEMAGNETIZE HEADS AFTER SERVICING



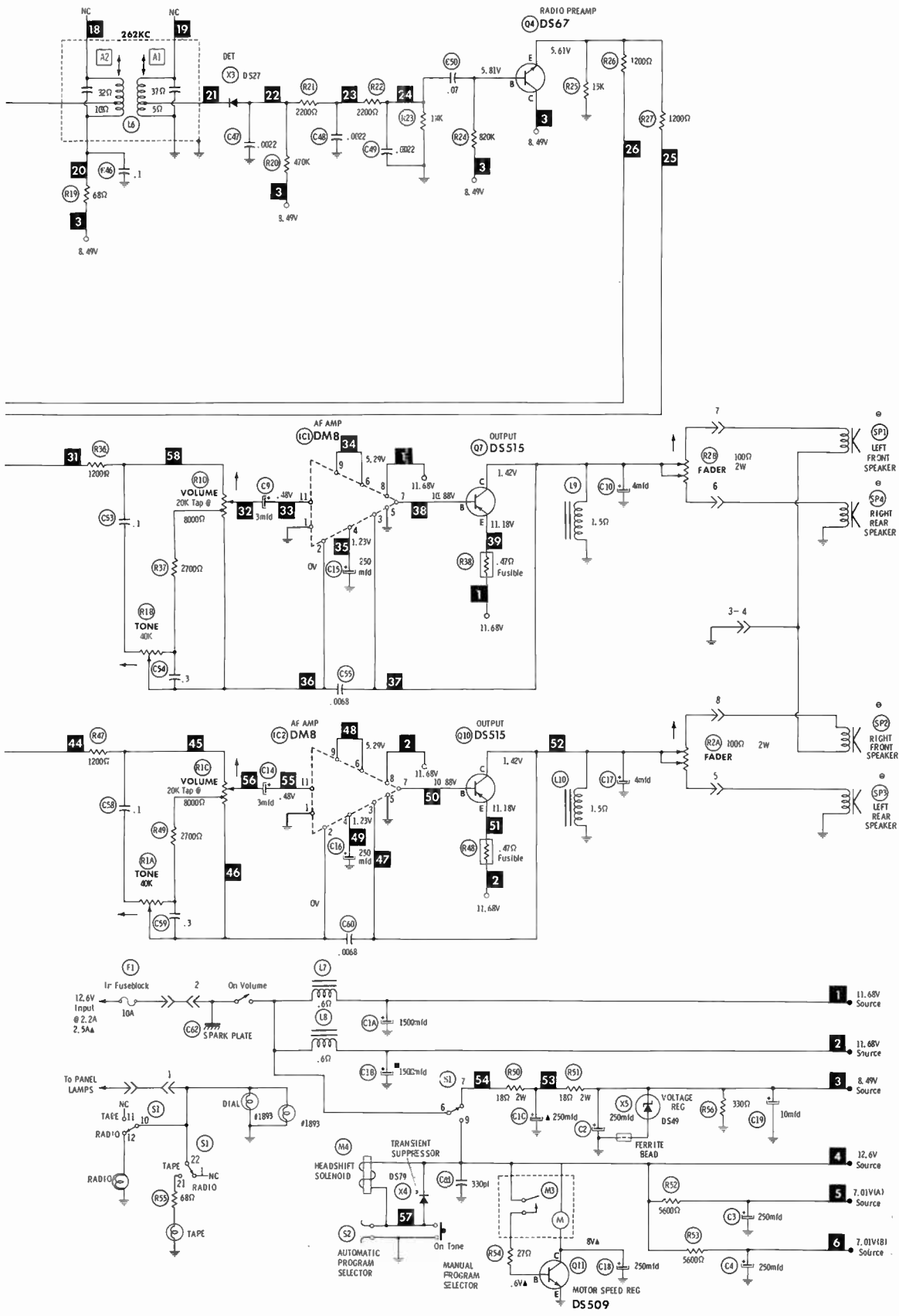
Transistor Terminals Guides



A Measured in Tape position.
 Measurements taken in Radio position unless otherwise indicated.
 © See parts list.

Resistors are 1/2W or less, 10% or 20%, unless otherwise indicated.
 Supply voltage maintained at rated value for measurements.
 Voltage and resistance measured with VTVM or equivalent meter.
 No signal applied and controls adjusted for normal operation.
 Controls viewed from actuator end. Arrow indicates clockwise rotation.
 Numbers assigned to terminals may not be found on the unit.
 Transistor resistances vary widely. No resistance measurements taken.

A PHOTODUPLICATION NOTATION SCHEMATIC
 with CIRCUITRACE
 © Howard W. Sams & Co., Inc. 1970



CHEVROLET MODELS 01BPBT1/2

PARTS LIST AND DESCRIPTION (CONTINUED)

(When ordering parts, state Model, Part Number, and Description.)

Replacement parts shown may be superseded by the availability of newly introduced replacements.
Have your local distributor check Sams COUNTER FACTS for the most up-to-date replacement.

CAPACITORS

ITEM No.	RATING	REMARKS	REPLACEMENT DATA						
			AEROVOX PART No.	CENTRALAB PART No.	CORNELL-DUBILIER PART No.	ELMENCO PART No.	MALLORY PART No.	SPRAGUE PART No.	
C31		#7311855							
C32	91			TCN-91					
C33	.05		TTP-05	CK-503	MGP05		CCD-503	TA150	TGL-S50
C34		#7311369							
C35	.15 75V		DBE6P15		DPMS4P15		4DP-4-154	PVC6015	4PS-P15
C36	200 N750		N750-D1 200	DTN-200	N220		CCTN-201	CN7201	10TCU-T20
C37	.0068 75V		DBE6D68	CPR-6800J	WMF1D68		1DP-1-682	PVC4268	6PS-D68
C38	.022 75V		V1612S22		DPMS6S22		1DP-1-223	PVC1122	225P22391WD3
C39	330 N330						*	*	10TCS-T33
C40		#7311368							
C41	.0047 75V		DBE6D5	CPR-5000J	DPMS6D5		1DP-1-502	PVC625	6PS-D50
C42	.05		TTP-05	CK-503	MGP05		CCD-503	TA150	TGL-S50
C43	.05		TTP-05	CK-503	MGP05		CCD-503	TA150	TGL-S50
C44	.001		GPD X5F102K	DM-102	GP1000		CCD-102	SM210	2SS-D10
C45	180 N80						*	*	10TCN-T18
C46	.1							TA010	TG-P10
C47	.0022		TTP-1	CK-104				GP222	10TS-D22
C48	.0022		GPD X5F222K	DD-222	GP2200		CCD-222	GP222	10TS-D22
C49	.0022		GPD X5F222K	DD-222	GP2200		CCD-222	GP222	10TS-D22
C50	.07		TTP-05	CK-503	MGP05		CCD-503	TA150	TGL-S50
C51	.022 75V		V1612S22		DPMS6S22		1DP-1-223	PVC1122	225P22391WD3
C52	.0022		GPD X5F222K	DD-222	GP2200		CCD-222	GP222	10TS-D22
C53	.1		TTP-1	CK-104				TA010	TG-P10
C54	.3			UK16-304				TA010	HY-327
C55	.0068 75V		DBE6D68	CPR-6800J	WMF1D68		1DP-1-682	PVC4268	6PS-D68
C56	.022 75V		V1612S22		DPMS6S22		1DP-1-223	PVC1122	225P22391WD3
C57	.0022		GPD X5F222K	DD-222	GP2200		CCD-222	GP222	10TS-D22
C58	.1		TTP-1	CK-104				TA010	TG-P10
C59	.3			UK16-304				TA010	HY-327
C60	.0068 75V		DBE6D68	DBE-6800J	WMF1D68		1DP-1-682	PVC4268	6PS-D68
C61	330		GPD X5F331K	DD-331	GP330		CCD-331	GP333	10TS-T33
C62		#7271564							

* Not normally in distributor's stock. Available thru distributor on order to manufacturer.
Delco Part Number.

CONTROLS (All wattages 1/2 watt, or less, unless listed)

ITEM No.	FUNCTION	RESIST-ANCE	REPLACEMENT DATA					
			MFGR. PART No.	CENTRALAB PART No.	CLAROSTAT PART No.	CTS-IRC PART No.	MALLORY PART No.	
R1A	Tone (Right)	40K	7313113					
B	Tone (Left)		(7312673)					
C	Track Selector Switch							
D	Volume (Right)	20K Tap @ 8000						
R2A	Volume (Left)	20K Tap @ 8000						
B	Fader (Right)	100 2W	7310358					
R3	Fader (Left)	100 2W				U201R253B		MTC253L4
	Balance	20K	7930069					

RESISTORS (Power and Special)

ITEM No.	RATING	REPLACEMENT DATA		
		IRC PART No.	WORKMAN PART No.	MFGR. PART No.
T38	.47 Fusible			7281890

ITEM No.	RATING	REPLACEMENT DATA		
		IRC PART No.	WORKMAN PART No.	MFGR. PART No.
R48	.47 Fusible			7281890

PARTS LIST AND DESCRIPTION (CONTINUED)

(When ordering parts, state Model, Part Number, and Description.)

Replacement parts shown may be superseded by the availability of newly introduced replacements.

Have your local distributor check Sams COUNTER FACTS* for the most up-to-date replacement.

COILS (RF-IF)

ITEM No.	USE	REPLACEMENT DATA			
		PART No.	MEISSNER PART No.	MILLER PART No.	WORKMAN PART No.
L1	RF Choke	7314180			
L2	Antenna	(1)			
L3	RF	(1)			
L4	Osc	(1)			
L5	Input IF	7295169		8006	
L6	Output IF	7295170			

(1) Part of M2.

FILTER CHOKE

ITEM No.	RATINGS			REPLACEMENT DATA					NOTES
	CURRENT (Measured)	DC RES.	INDUCTANCE (0 CURRENT 1000~)	PART No.	MERIT PART No.	STANCOR PART No.	THORDARSON PART No.	TRIAD PART No.	
L7	1.1 Amp	.6	8mh	1221623	C-4095	TC-2	TR-154	TY17XT	* 1.4 Amp Tape Position
L8	1.0 Amp*	.6	8mh	1221623	C-4095	TC-2	TR-154	TY17XT	

CHOKE (Audio Output)

ITEM No.	INDUCTANCE	REPLACEMENT DATA					NOTES
		PART No.	MERIT PART No.	STANCOR PART No.	THORDARSON PART No.	TRIAD PART No.	
L9	30mh	1222297					
L10	30mh	1222297					

SPEAKER

ITEM No.	TYPE	REPLACEMENT DATA		NOTES
		MFGR. PART No.	QUAM PART No.	
SP1	4" x 6" PM	7313131	46A1Z10	Left Front, used in Monte Carlo Left Front, used in Chevelle Left Front, used in Chevrolet Left Front, used in Chevrolet, Camaro, Chevy II, Acadian
	4" x 6" PM	7313141	46A1Z10	
	4" x 6" PM	7314071	46A1Z10	
	4" x 6" PM	1222940	46A1Z10	
SP2	4" x 6" PM	7313151	46A1Z10	Right Front, used in Chevelle, Monte Carlo Right Front, used in Chevrolet Right Front, used in Chevrolet, Camaro, Chevy II, Acadian
	4" x 6" PM	7314071	46A1Z10	
	4" x 6" PM	1222940	46A1Z10	
	6" x 9" PM	7313011	69A2MT	
SP3	4" x 10" PM	7313121	410A2Z10	Left Rear, used in sedans, Chevrolet, Monte Carlo, Chevelle, Camaro, Chevy II, Acadian Left Rear, used in Chevrolet Station Wagon
	4" x 10" PM	7313161	410A2Z10	
	6" x 9" PM	7313101	69A2MT	
	6" x 9" PM	7313011	69A2MT	
SP4	4" x 10" PM	7313121	410A2Z10	Right Rear, used in sedans, Chevrolet, Monte Carlo, Chevelle, Camaro, Chevy II, Acadian Right Rear, used in Chevrolet Station Wagon Right Rear, used in Chevelle Station Wagon Right Rear, used in Caprice
	4" x 10" PM	7313161	410A2Z10	
	6" x 9" PM	7313101	69A2MT	
	6" x 9" PM	7313101	69A2MT	

CHEVROLET MODELS 01BPBT/2

PARTS LIST AND DESCRIPTION (CONTINUED)

(When ordering parts, state Model, Part Number, and Description.)

Replacement parts shown may be superseded by the availability of newly introduced replacements.
Have your local distributor check Sams COUNTER FACTS* for the most up-to-date replacement.

FUSE DEVICES

ITEM No.	DESCRIPTION	REPLACEMENT DATA						
		PART No.		BUSS PART No.		LITTELFUSE PART No.		WORKMAN PART No.
		DEVICE	HOLDER	DEVICE	HOLDER	DEVICE	HOLDER	DEVICE
F1	3AG 10 Amp		In Fuse Block	AGC10		311010		

TAPE HEADS

ITEM No.	MEASURED			PART No.	NORTRONICS PART No.	DESCRIPTION
	INDUCTANCE	BIAS/ERASE VOLTS (RMS)	BIAS FREQ.			
M1	410mh			7313329	5800 (1)	8-Track Stereo Play

(1) Use original mounting.

MISCELLANEOUS

ITEM No.	PART NAME	PART No.	NOTES
M2	Tuning Coil Assy.	7287957	
M3	Motor	7312438	
M4	Solenoid	1222985	
S1	Switch, Tape-Radio Selector	7309849	
S2	Switch, Automatic Program Selector	7313343	

CABINETS & CABINET PARTS (When ordering specify model, chassis & color)

ITEM	PART No.	ITEM	PART No.
Dial Face	7313072	Dial Pointer	1223048
Door Assembly	7313374	Push button	7309843
Escutcheon	7313069	Push-button, Eject	7930447

WIRING DATA

General-use Unshielded Hook-up Wire	Use BELDEN No. 8530 (Solid) Available in 12 Colors
	8524 (Stranded) Available in 12 Colors
Shielded Hook-up Wire	Use BELDEN No. 8885
Rear Seat Speaker Extension Cable	Use BELDEN No. 8782 (Stranded) Coded Parallel Leads
Bonding Strap	Use BELDEN No. 8661 (3/8 In.) or 8670 (3/4 In.)

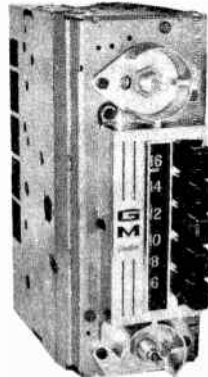


PHOTOFACT[®] with

CIRCUITRACE[®]

For Supplier Address See PHOTOFACT Index

NOTE: Manufacturer Part Numbers Shown Are UNITED DELCO



GM MODEL 06TTCP1
(70 GMC Tilt Cab)

GM MODEL 06TTCP1

ALIGNMENT INSTRUCTIONS

Check for specified source voltage.
Use only enough generator output
to provide a usable indication.
Suggested Alignment Tools:

A1 thru A4GENERAL CEMENT #5009,8728A,8987
 WALSCO #2531X,2536
A5 thru A8.....GENERAL CEMENT #8290,8868,9087
 WALSCO #2525,2528,2587

PUSH-BUTTON ADJUSTMENT

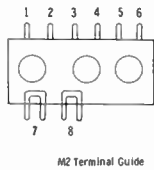
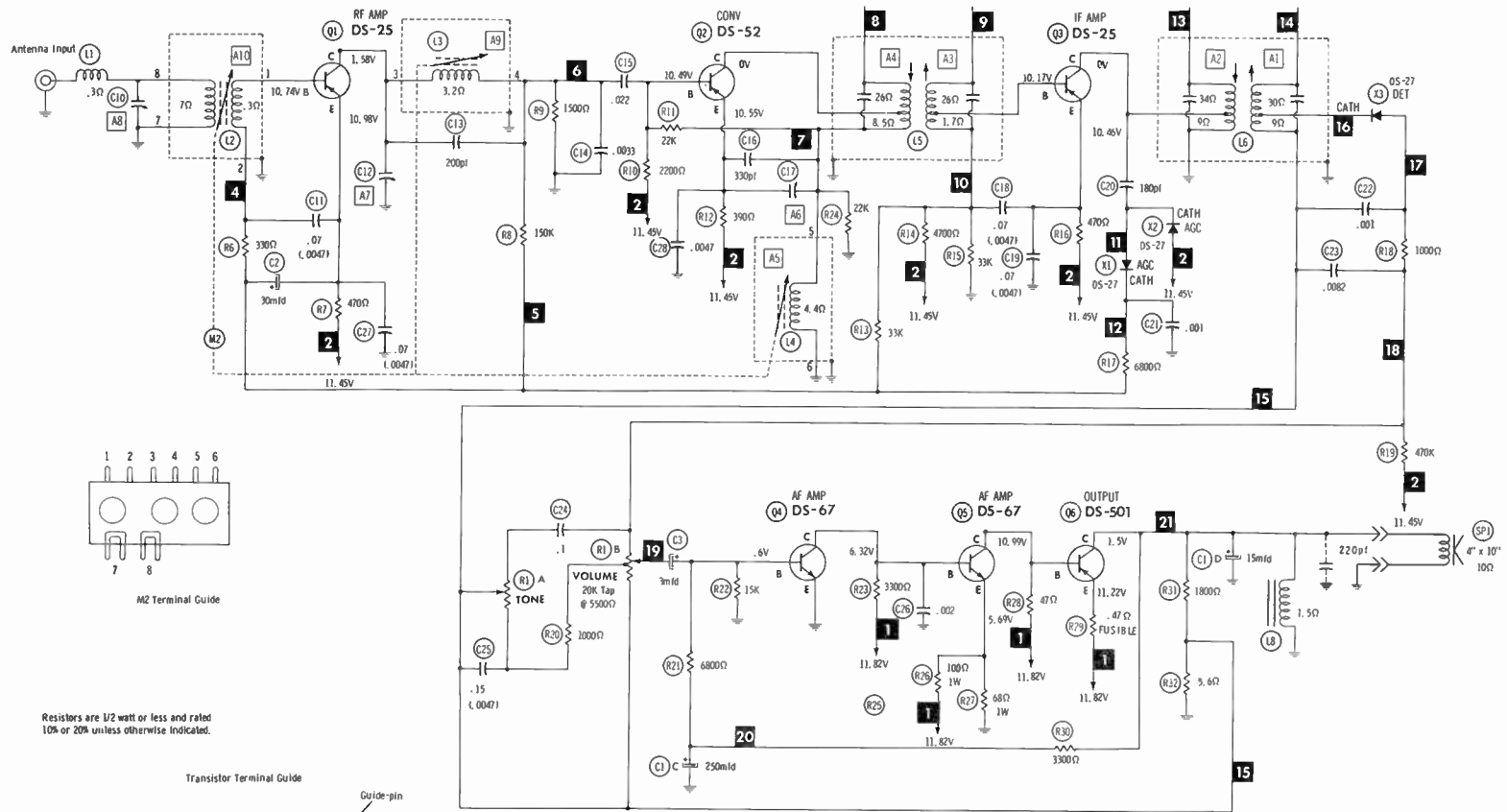
1. Pull button out.
2. Tune manually to desired station.
3. Press button in firmly.
4. Repeat for remaining buttons.

	GENERATOR COUPLING	GENERATOR FREQUENCY	RADIO DIAL SETTING	INDICATOR	ADJUST	REMARKS
1.	High side thru .1mfd to point \diamond , low side to ground.	262KC 400 cycle modulation	High freq. end stop.	Output meter across voice coil.	A1,A2, A3,A4	Adjust for maximum.
Check setting of oscillator coil core (A5). Rear of core should be 1 3/8" from mounting end of coil form.						
2.	High side thru 82pf to antenna input, low side to ground.	1615KC	High freq. end stop.	Output meter across voice coil.	A6,A7, A8	Adjust for maximum.
3.	"	600KC	600KC signal	"	A9,A10	Adjust for maximum. Repeat Step 2.
With radio installed in car and antenna extended to desired height, tune in a weak station near 1400KC and adjust A8 for maximum output. Antenna adjustment (A8) is located behind tuning and dummy knobs.						

HOWARD W. SAMs & CO., INC. Indianapolis, Indiana 46206

© 1970 Howard W. Sams & Co., Inc. Printed in U. S. of America

TD700R

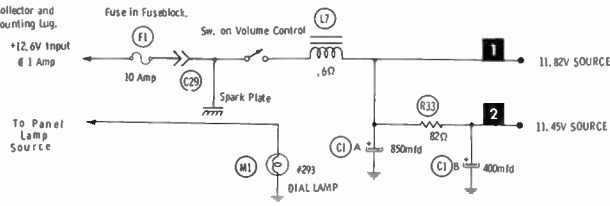


Resistors are 1/2 watt or less and rated 10% or 20% unless otherwise indicated.

Transistor Terminal Guide

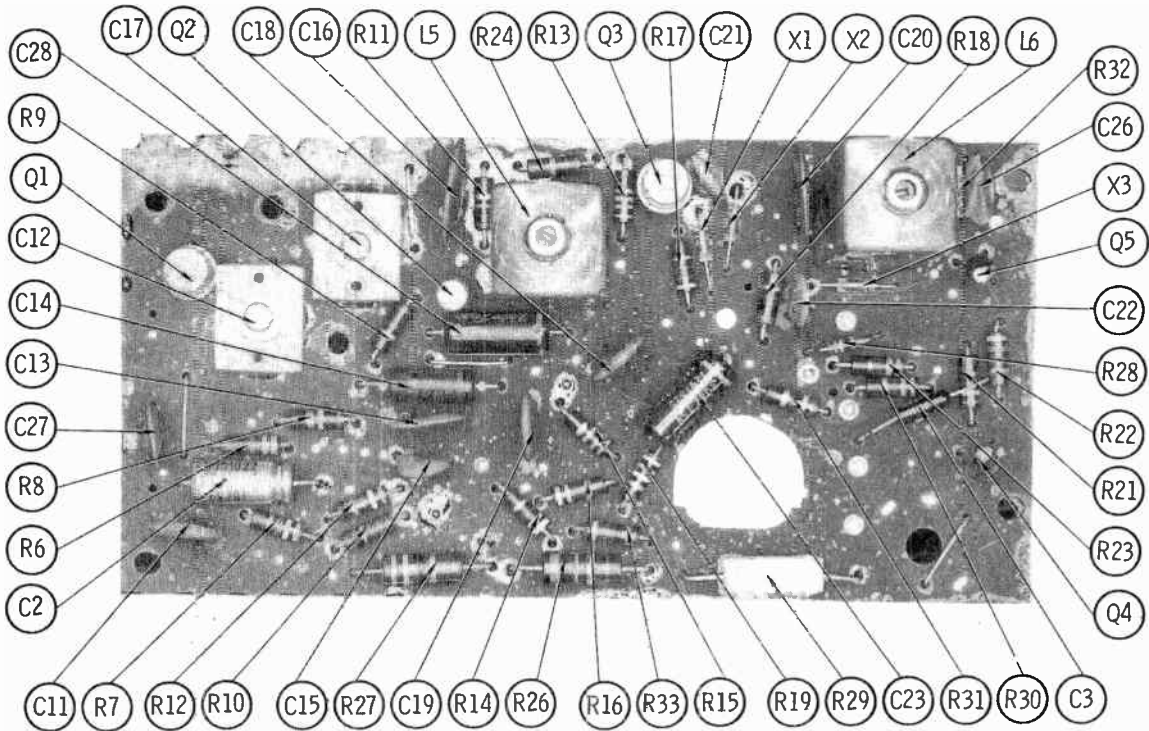
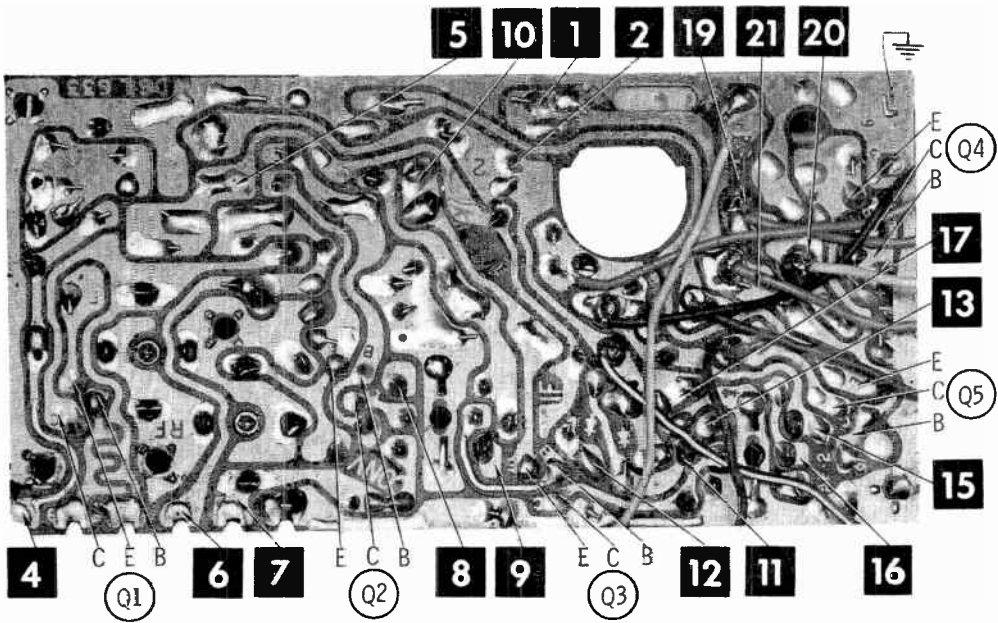


- ⊙ See parts list for alternate value or application.
- 1. Voltage measurements taken with vacuum tube voltmeter.
- 2. All controls set for normal operation, no signal applied.
- 3. Measured values are from socket pin or terminal to common ground.
- 4. All terminals viewed from bottom unless otherwise designated.
- 5. Numbers assigned to terminals may not be found on the unit.
- 6. Supply voltage maintained at rated value for voltage readings.
- 7. Resistance measurements not given because of the wide variation in internal resistance of transistor.
- 7. Waveforms taken with controls set to produce 50 v-fts peak-to-peak signal at picture tube.



A PHOTOFACIT STANDARD NOTATION SCHEMATIC
with **CIRCUITRACE**
© Howard W. Sams & Co., Inc. 1970

GM MODEL 06TTCPI



GM MODEL 06TTCPI

PARTS LIST AND DESCRIPTION (CONTINUED)

(When ordering parts, state Model, Part Number, and Description.)

Replacement parts shown may be superseded by the availability of newly introduced replacements.
Have your local distributor check Sams COUNTER FACTS* for the most up-to-date replacement.

TRANSISTORS

ITEM No.	TYPE No.	FUNCTION	REPLACEMENT DATA					
			MFGR. PART No.	GENERAL ELECTRIC PART No.	INTERNATIONAL RECTIFIER PART No.	MOTOROLA PART No.	RCA PART No.	SYLVANIA PART No.
Q1	DS-25	RF Amp Converter	DS-25	GE-9	TR-14	HEP2	SK3006	ECG 126
Q2	DS-52		DS-25	GE-9	TR-14	HEP2	SK3006	ECG 126
Q3	DS-25		DS-25	GE-9	TR-14	HEP2	SK3006	ECG 126
Q4	DS-67		DS-66	GE-10	TR-14	HEP54	SK3020	ECG 123
Q5	DS-67		DS-66	GE-10	TR-21	HEP54	SK3020	ECG 123
Q6	DS-501		DS-501	GE-4	TR-03	HEP231	SK3012	ECG 105

* When replacing, apply silicone grease to both sides of insulator. Tighten mounting screws securely.

POWER RECTIFIERS & SIGNAL DIODES

ITEM No.	MFGR. PART OR TYPE No.	REPLACEMENT RECTIFIERS & DIODES			REPLACEMENT RECTIFIERS	NOTES
		GENERAL ELECTRIC PART No.	INTERNATIONAL RECTIFIER PART No.	SYLVANIA PART No.	RCA PART No.	
X1	DS-27	1N34AS	1N34A	ECG 109		
X2	DS-27	1N34AS	1N34A	ECG 109		
X3	DS-27	1N34AS	1N34A	ECG 109		

ELECTROLYTIC CAPACITORS

ITEM No.	RATING	REPLACEMENT DATA						
		DELCO PART No.	AEROVOX PART No.	CENTRALAB PART No.	CORNELL-DUBILIER PART No.	GENERAL ELECTRIC PART No.	MALLORY PART No.	SPRAGUE PART No.
C1A	850 16V	7311993				DD0009A		
B	400 16V							
C	250 2V							
D	15 11.5Vrms							
C2	30 6V	7296313	BCD15025	EP15-25	PC30-35	MT1-13.5	MTV30CB25	TE-1132.1
C3	3 12V	7296348	PTT127	EA15-2	AL3-150	MT1-3	MTA3D50	TE-1122

CAPACITORS

ITEM No.	RATING	REMARKS	REPLACEMENT DATA					
			AEROVOX PART No.	CENTRALAB PART No.	CORNELL-DUBILIER PART No.	ELMENCO PART No.	MALLORY PART No.	SPRAGUE PART No.
C10	.07	#7294355						
C11								
C12		#7287935						
C13	200 N750		N750-D1 200	DTN-200	N220	CCTN-201	CN7201	10TCU-T20
C14	.0033 75V		DBE6D33	CPR-3300J	6D33	6DP-1-332	PVC6233	6PS-D33
C15	.022		V1612S22		DPMS6S22	1DP-1-223	PVC1122	225P22391WD3
C16	330 N180					*	*	
C17		#7282165						
C18	.07							
C19	.07							
C20	180 N80							
C21	.001					*	*	
C22	.001		GPD X5F102K	DM-102	GP1000	CCD-102	SM210	2SS-D10
C23	.0082 75V		GPD X5F102K	DM-102	GP1000	CCD-102	SM210	2SS-D10
C24	.1		DBE6D82	CPR-8200J	6D82	6DP-2-822	PVC6282	6PS-D82
C25	.15 75V		TTP-1	CK-104			TA010	TG-P10
C26	.002		DBE6P15		DPMS4P15	4DP-4-154	PVC6015	4PS-P15
C27	.07		GPD X5F202K	DM-202	GP2000	CCD-202	GP220	2SS-D20
C28	.0047 75V							
C29		#7271564	DBE6D5	CPR-5000J	DPMS6D5	1DP-1-502	PVC625	6PS-D50

* Not normally in distributor's stock. Available thru distributor on order to manufacturer.
Delco Part Number.

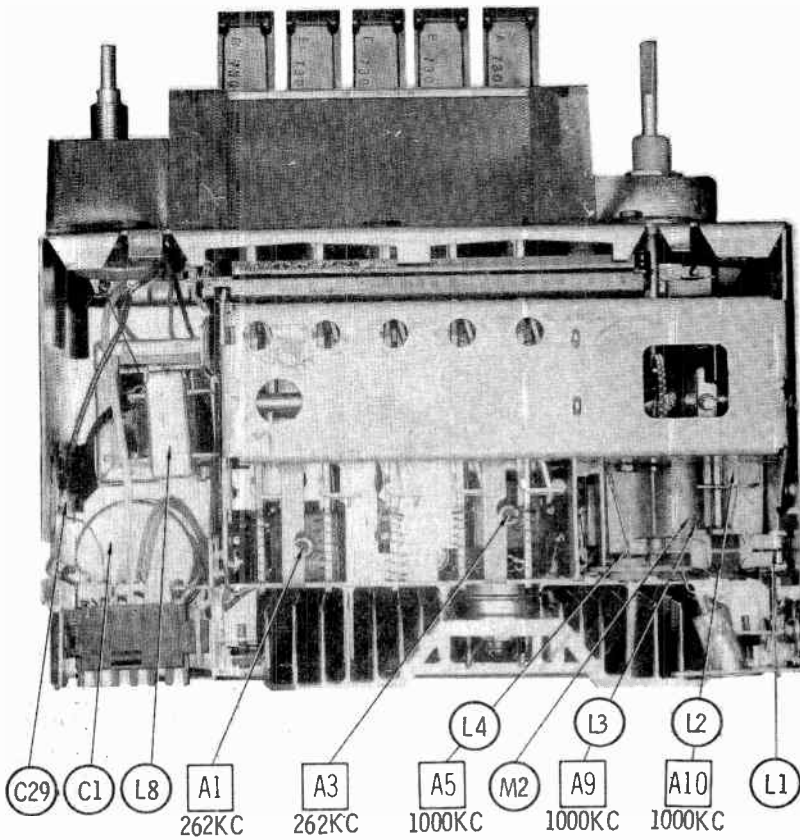
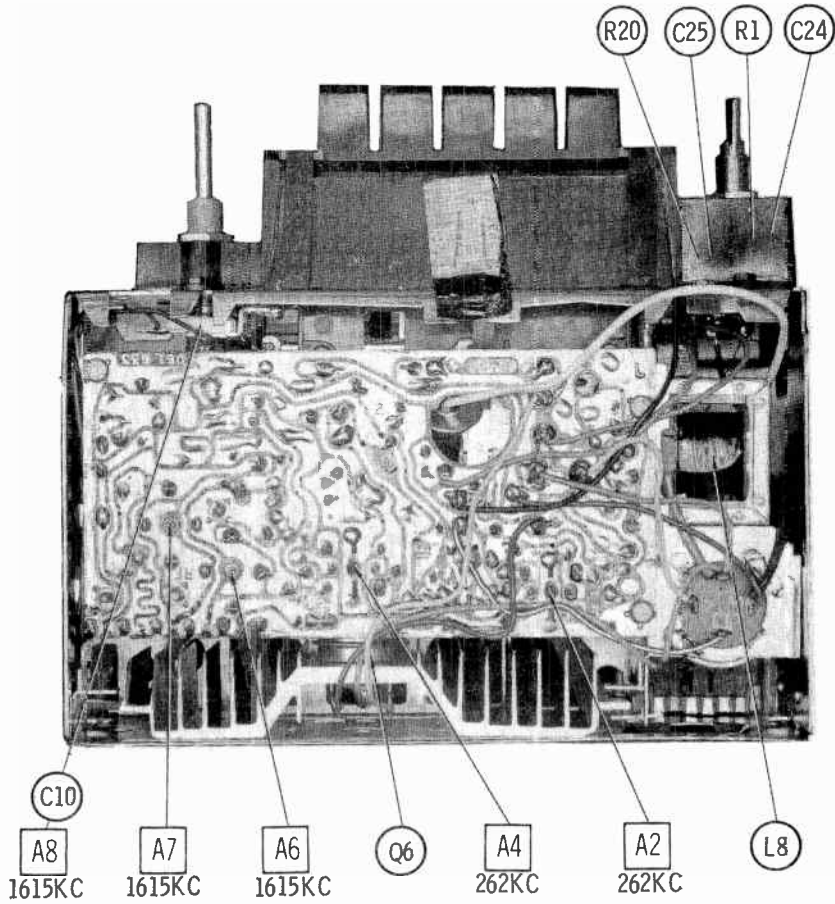
CONTROLS (All wattages 1/2 watt, or less, unless listed)

ITEM No.	FUNCTION	RESISTANCE	REPLACEMENT DATA					
			MFGR. PART No.	CENTRALAB PART No.	CLAROSTAT PART No.	CTS-IRC PART No.	MALLORY PART No.	
RTA	Tone	100K	7298498	F2-100K, R14-25K			* = QJ-2342A	P15A, 4034, SH41,
B	Volume/Switch	20K Tap @ 6500		FFS100, RFS107, BB014, SB004, KR-4				RU24T14, OX937A, IS1437, US41

* "Concentrik" Equivalent K-8 Kit With Base Elements & Shafts; B13-128, P21-029 (Panel)
B19-119X, R1-108 (Rear)
S6 (1) (Bushing)
N4 (Nut)

"Snaprol" Equivalent BU8,(1) CF52, CR50T, SF5, SR5, N4, GC
(1) Alter Bushing & Adjust Spacer Nut (N4) To Meet Requirements.
76-1 (Switch)

(CONTINUED ON PAGE 78)



PARTS LIST AND DESCRIPTION (CONTINUED)

(When ordering parts, state Model, Part Number, and Description.)

Replacement parts shown may be superseded by the availability of newly introduced replacements.
Have your local distributor check Sams COUNTER FACTS™ for the most up-to-date replacement.

RESISTORS (Power and Special)

ITEM No.	RATING	REPLACEMENT DATA		
		IRC PART No.	WORKMAN PART No.	MFR. PART No.
R29	.47			7281890

ITEM No.	RATING	REPLACEMENT DATA		
		IRC PART No.	WORKMAN PART No.	MFR. PART No.

COILS (RF-IF)

ITEM No.	USE	REPLACEMENT DATA			
		PART No.	MEISSNER PART No.	MILLER PART No.	WORKMAN PART No.
L1	RF Choke	7281946	19-1004	4610	T859
L2	Antenna	(1)			
L3	RF	(1)			
L4	Osc	(1)			
L5	Input IF	1221856	16-6704	6542	TA653
L6	Output IF	1221857	16-6705	6543	TA653

(1) Part of M2.

FILTER CHOKE

ITEM No.	RATINGS			REPLACEMENT DATA				NOTES
	CURRENT (Measured)	DC RES.	INDUCTANCE (0 CURRENT 1000~)	PART No.	MERIT PART No.	STANCOR PART No.	THORDARSON PART No.	
L7	1 Amp	.6	8mh	1221623	C-4095	TC-2	TR-154	TY17XT

CHOKE (Audio Output)

ITEM No.	INDUCTANCE	REPLACEMENT DATA				NOTES
		PART No.	MERIT PART No.	STANCOR PART No.	THORDARSON PART No.	
L8	30mh	1222297				

SPEAKER

ITEM No.	TYPE	REPLACEMENT DATA		NOTES
		MFR. PART No.	QUAM PART No.	
	PM 10 ohms			Obtain From GMC Dealer

FUSE DEVICES

ITEM No.	DESCRIPTION	REPLACEMENT DATA						
		PART No.		BUSS PART No.		LITTELFUSE PART No.		WORKMAN PART No.
		DEVICE	HOLDER	DEVICE	HOLDER	DEVICE	HOLDER	DEVICE
F1	3AG 10 Amp			AGC 10		311010		

MISCELLANEOUS

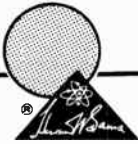
ITEM No.	PART NAME	PART No.	NOTES
M1	Dial Lamp		#293
M2	Tuner Coil Assembly	7287957	

CABINETS & CABINET PARTS (When ordering specify model, chassis & color)

ITEM	PART No.	ITEM	PART No.
Escutcheon Dial Glass Dial Pointer	7308475 7308477 1221816	Push Button Obtain Knobs From GMC Dealer	7300984

WIRING DATA

General-use Unshielded Hook-up Wire	Use BELDEN No. 8530 (Solid) Available in 12 Colors 8524 (Stranded) Available in 12 Colors
Shielded Hook-up Wire	Use BELDEN No. 8885
Rear Seat Speaker Extension Cable	Use BELDEN No. 8782 (Stranded) Coded Parallel Leads
Bonding Strap	Use BELDEN No. 8661 (3/8 In.) or 8670 (3/4 In.)

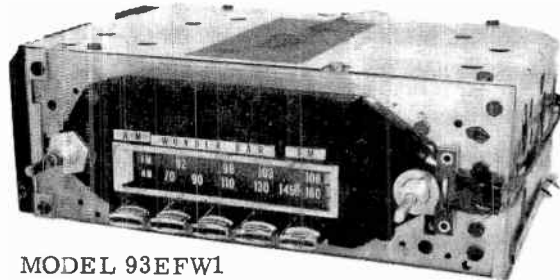


PHOTOFACT[®] with

CIRCUITRACE[®]

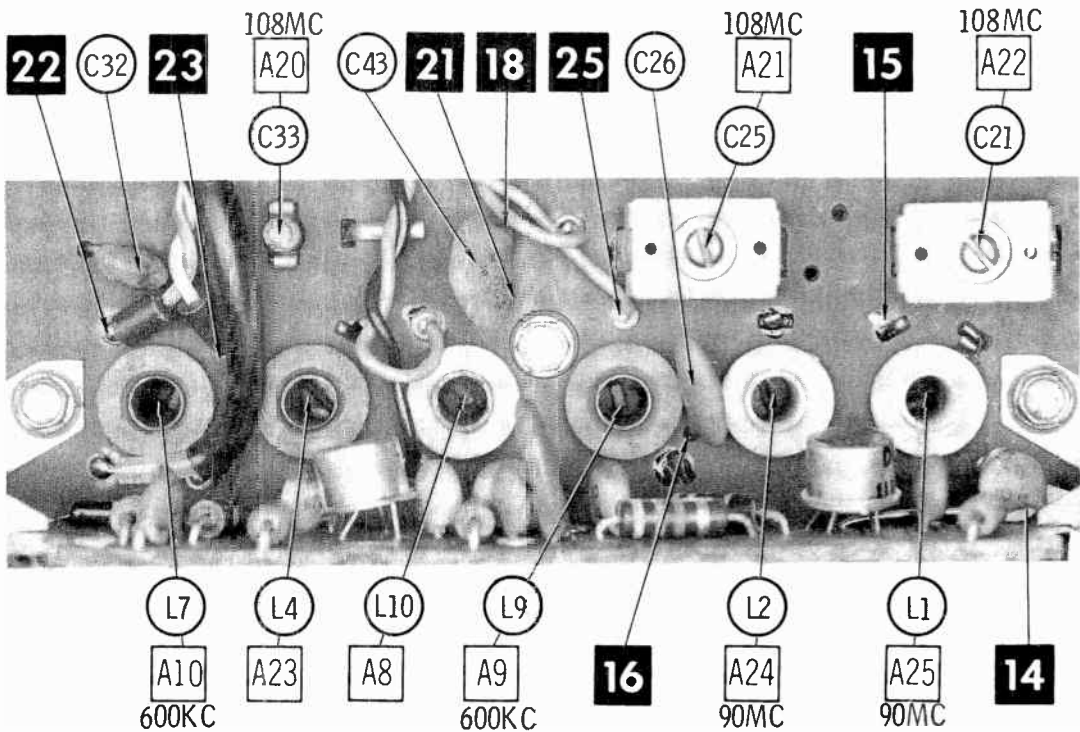
For Supplier Address See PHOTOFACT Index

NOTE: Manufacturer Part Numbers Shown Are UNITED DELCO



MODEL 93EFW1

OLDSMOBILE MODELS 93BFW1
 (7307313)
 (69 Oldsmobile)
 93BFW2
 (7307313)
 (69 1/2 Oldsmobile)
 93EFW1
 (7307813)
 (69 Toronado)
 93EFW2
 (7307813)
 (69 1/2 Toronado)



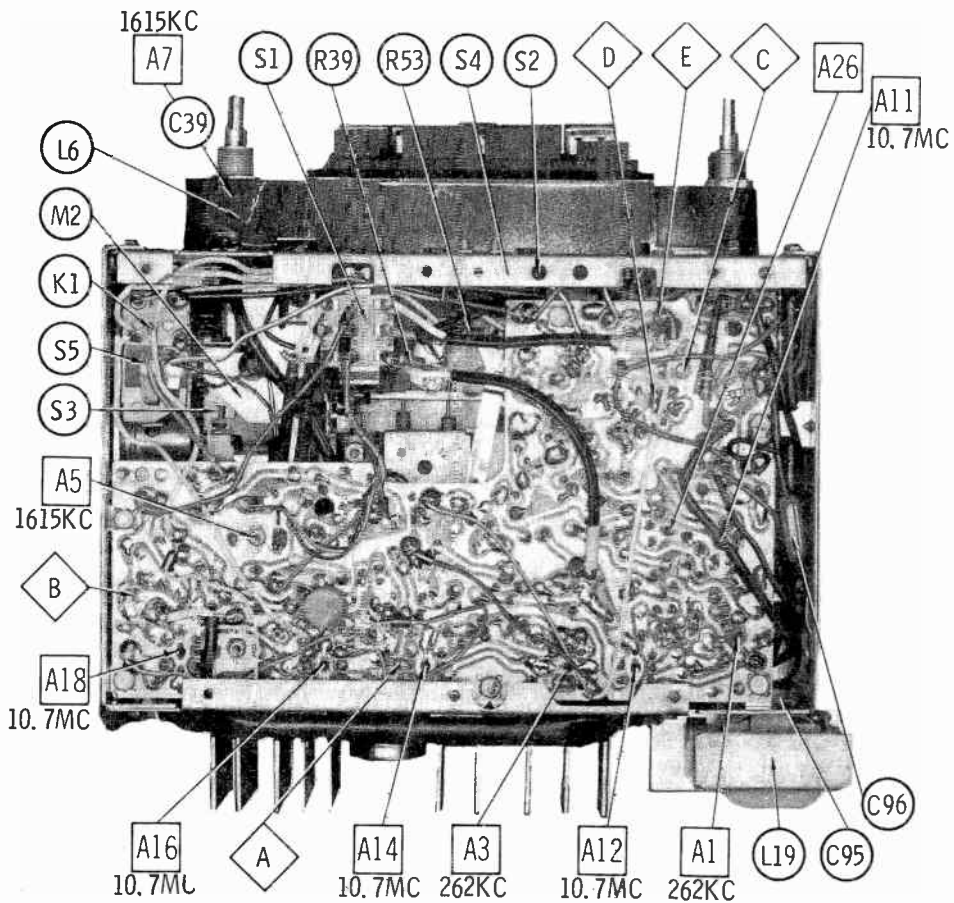
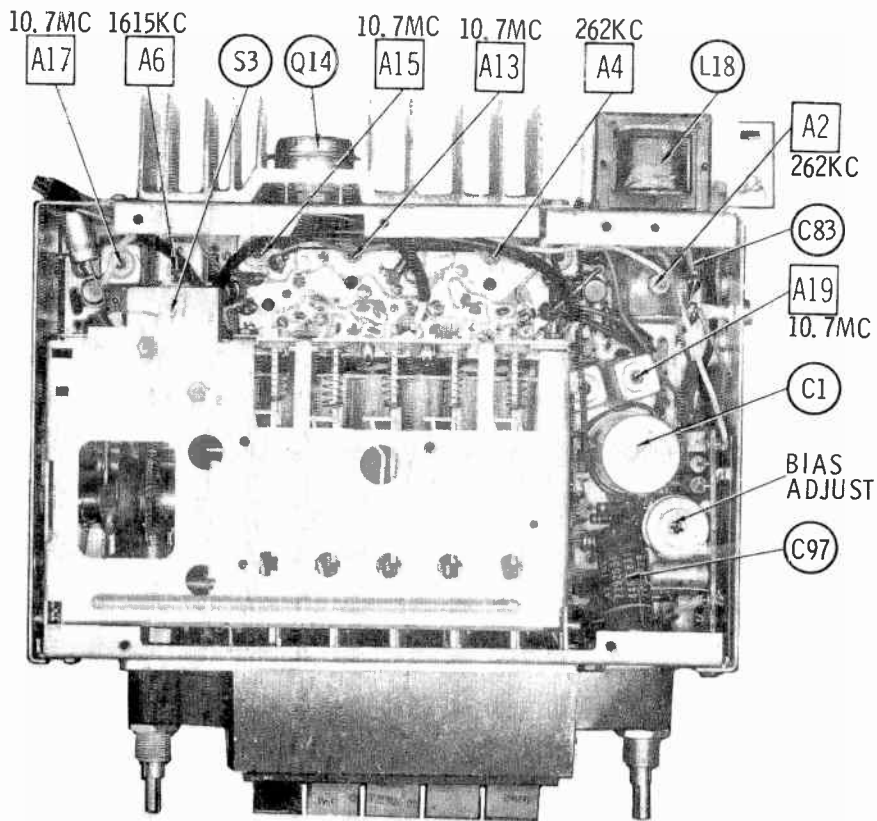
A Howard W. Sams CIRCUITRACE Photo

OLDSMOBILE MODELS 93BFW1/2, 93EFW1/2

HOWARD W. SAMS & CO., INC. Indianapolis, Indiana 46206

© 1970 Howard W. Sams & Co., Inc. Printed in U. S. of America

TD721R



ALIGNMENT INSTRUCTIONS

Check for specified source voltage.
Use only enough generator output to provide a usable indication.

Suggested Alignment Tools: GENERAL CEMENT # WALSCO #
A1 thru A4, A11 thru A18... 5009, 8728A, 8987... 2531X, 2538
A5 thru A10, A19 thru A26.. 8290, 8868, 9087... 2525, 2528, 2587

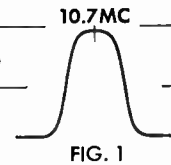
PUSH-BUTTON ADJUSTMENT

1. Pull button out.
2. Tune manually to desired station.
3. Press button in firmly.
4. Repeat for remaining buttons.

GENERATOR COUPLING	GENERATOR FREQUENCY	RADIO DIAL SETTING	INDICATOR	ADJUST	REMARKS
1. High side thru .1mfd to point \diamond A, low side to ground.	262KC 400 cycle modulation	High freq. end stop.	Output meter across voice coil.	A1, A2, A3, A4	Adjust for maximum.
Check setting of oscillator coil core (A5). Rear of core should be 1 3/8" from mounting end of coil form.					
2. High side thru 82pf to antenna input, low side to ground.	1615KC	High freq. end stop.	Output meter across voice coil.	A6, A7, A8	Adjust for maximum.
3. " " " "	600KC	600KC signal	"	A9, A10	Adjust for maximum. Repeat Step 2.
With radio installed in car and antenna extended 33", tune in a weak station near 1400KC and adjust A8 for maximum output. Antenna adjustment (A8) is located behind Tuning & Dummy Knob.					

FM IF ALIGNMENT USING AM SIGNAL GENERATOR—SELECTOR IN FM POSITION

GENERATOR FREQUENCY	RADIO DIAL SETTING	INDICATOR	ADJUST	REMARKS
High side of generator thru .001mfd to point \diamond B, low side to ground.				
4. 10.7MC Unmodulated	Point of non-interference	DC probe of VTVM to point \diamond C, common to ground.	A11 thru A18	Adjust for maximum.
5. " " " "	"	DC probe of VTVM to point \diamond D, common to ground.	A19	Adjust for zero reading. A positive or negative reading will be obtained on either side of the correct setting.

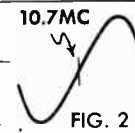


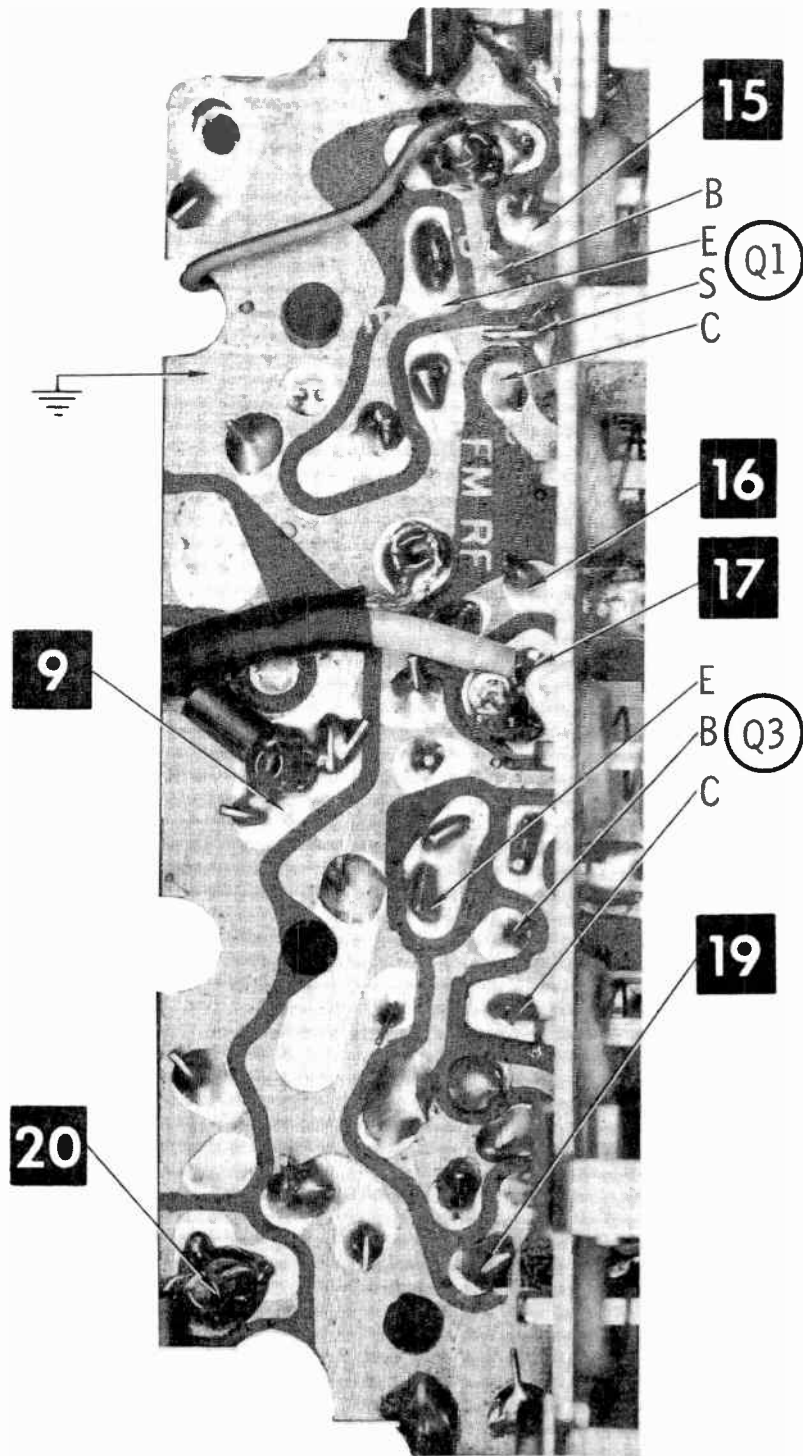
FM IF ALIGNMENT USING FM SIGNAL GENERATOR—SELECTOR IN FM POSITION

GENERATOR FREQUENCY	RADIO DIAL SETTING	INDICATOR	ADJUST	REMARKS
High side of generator thru .001mfd to point \diamond B, low side to ground. Use only enough marker signal for indication. Use 60 cycle frequency modulated signal with 450KC sweep. Use 60 cycle sawtooth voltage in scope for horizontal deflection.				
4. 10.7MC 450KC Sweep	Point of non-interference	Vert. amp of scope to point \diamond C, low side to ground.	A11 thru A18	Disconnect stabilizing capacitor C 6. Adjust for maximum gain and symmetry of response similar to Fig. 1 with marker as shown. Reconnect C 6.
5. " " " "	"	Vert. amp of scope to point \diamond D, low side to ground.	A19	Adjust A19 (secondary) to place marker at center of "S" curve similar to Fig. 2. Readjust A11 (primary) for maximum amplitude and straightness of line.

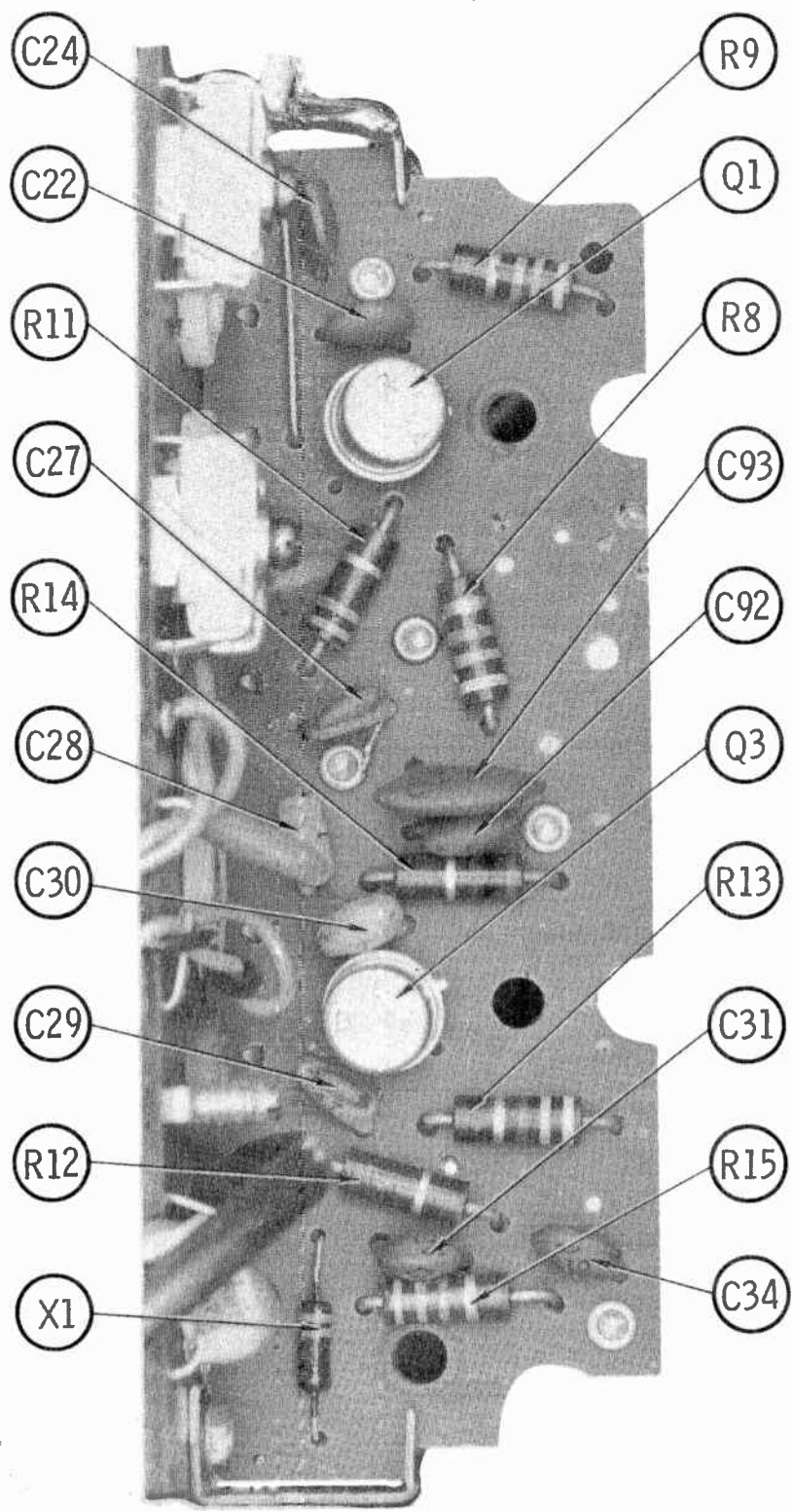
FM RF ALIGNMENT—SELECTOR IN FM POSITION

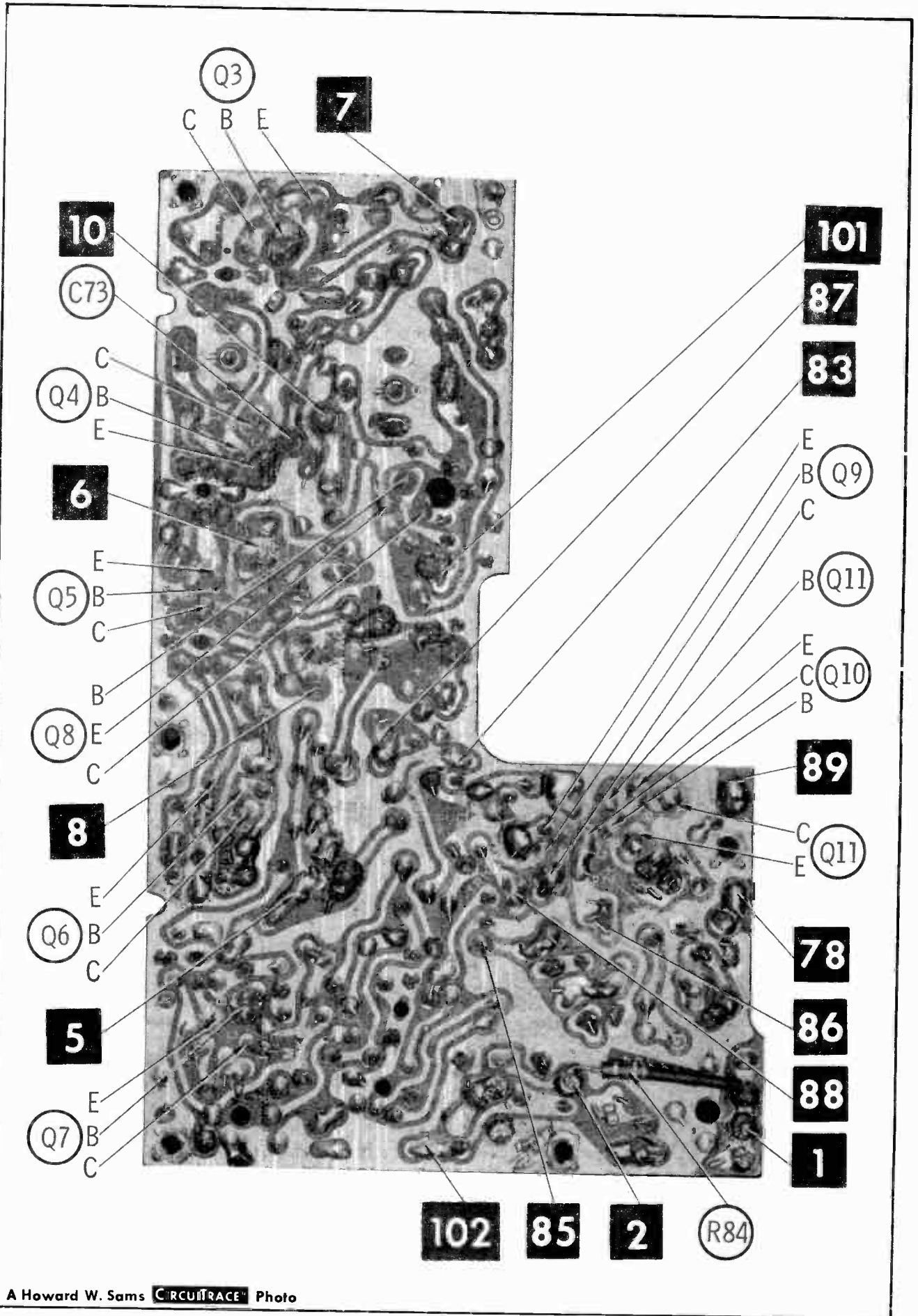
GENERATOR FREQUENCY	RADIO DIAL SETTING	INDICATOR	ADJUST	REMARKS
Connect generator across antenna terminals with 120-ohm carbon resistor in series with each lead. NOTE: Rear of Osc. Core (A23) should be 1 3/8" from mtg. end of coil form.				
6. 108MC	High freq. end	DC probe of VTVM to point \diamond C, common to ground.	A20, A21, A22	Adjust for maximum. Ground Point \diamond E.
7. 90MC Unmodulated	Tune to signal.	"	A24, A26	Rock tuning and adjust for maximum. Repeat steps 6 and 7 until no further improvement can be made.
8. 108MC	High freq. end	"	A26	Adjust for MINIMUM.



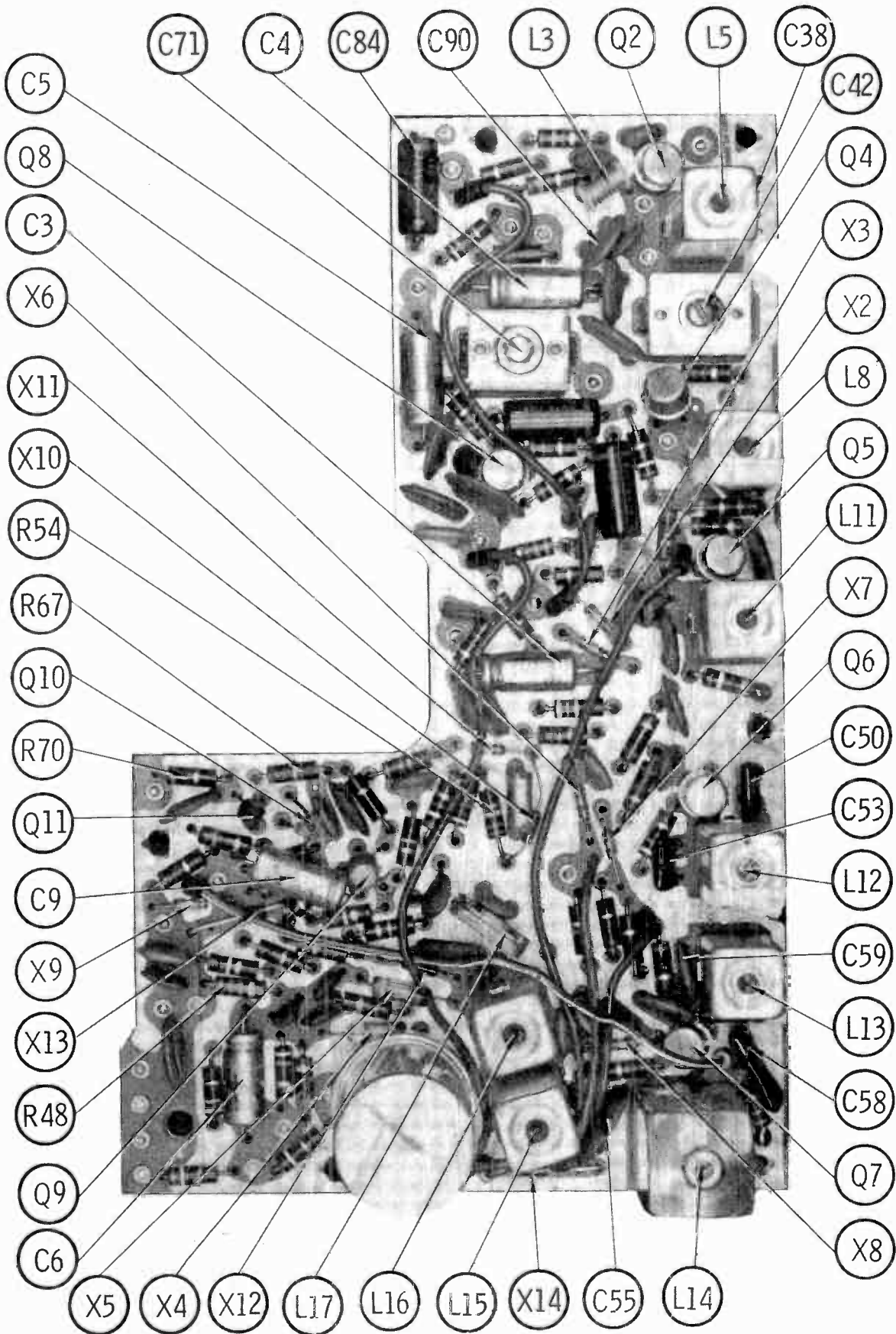


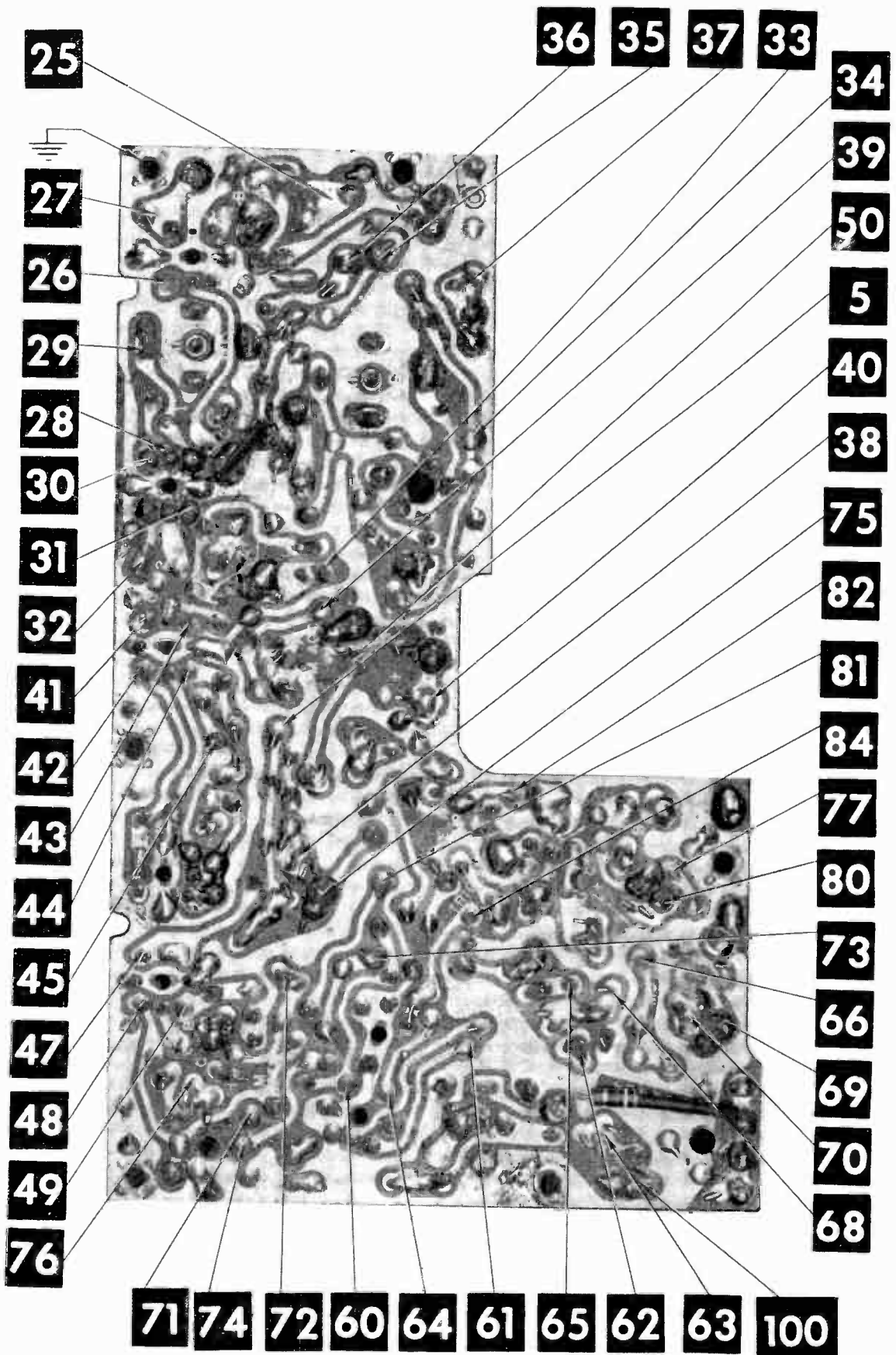
A Howard W. Sams **CIRCUITRACE** Photo



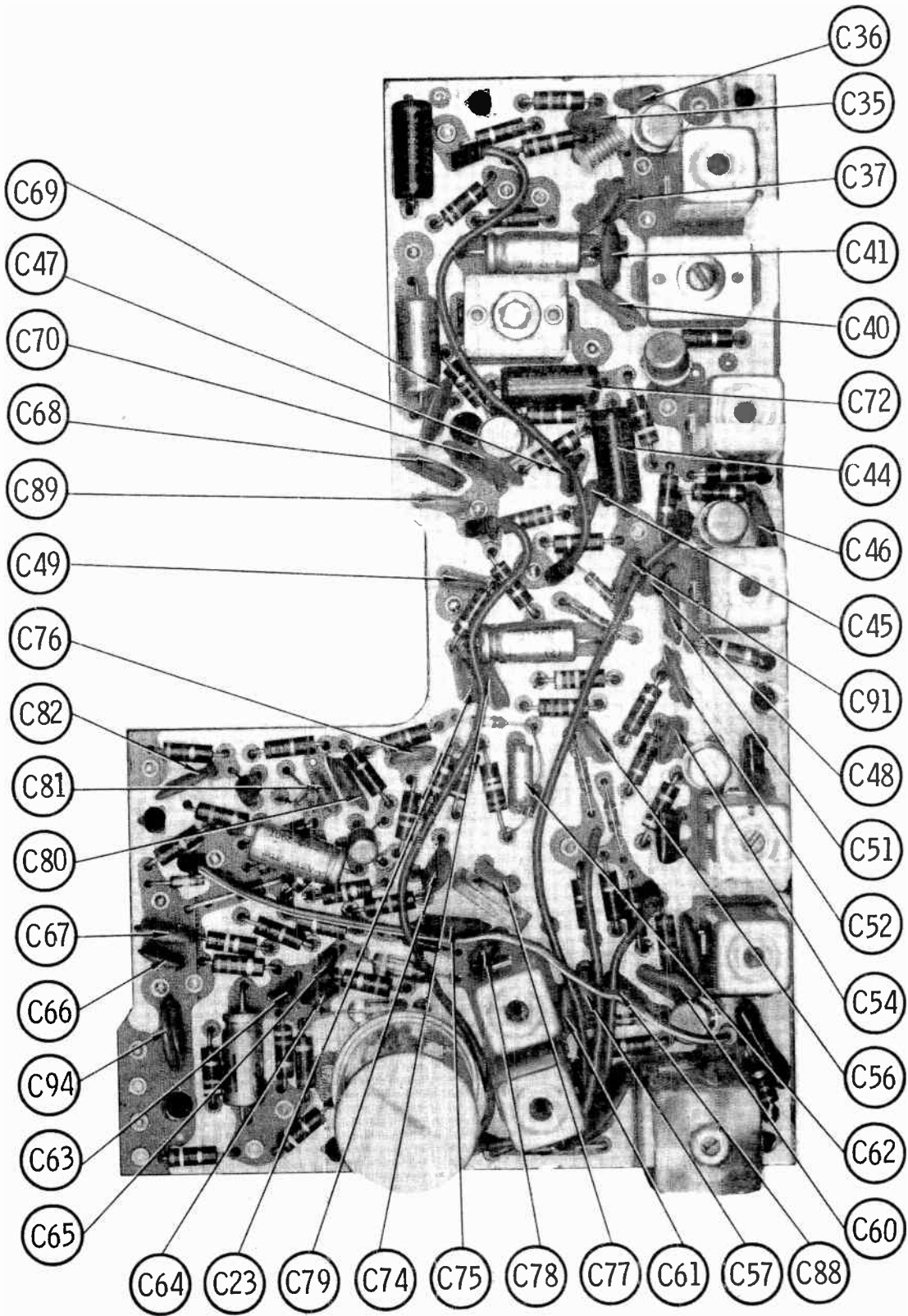


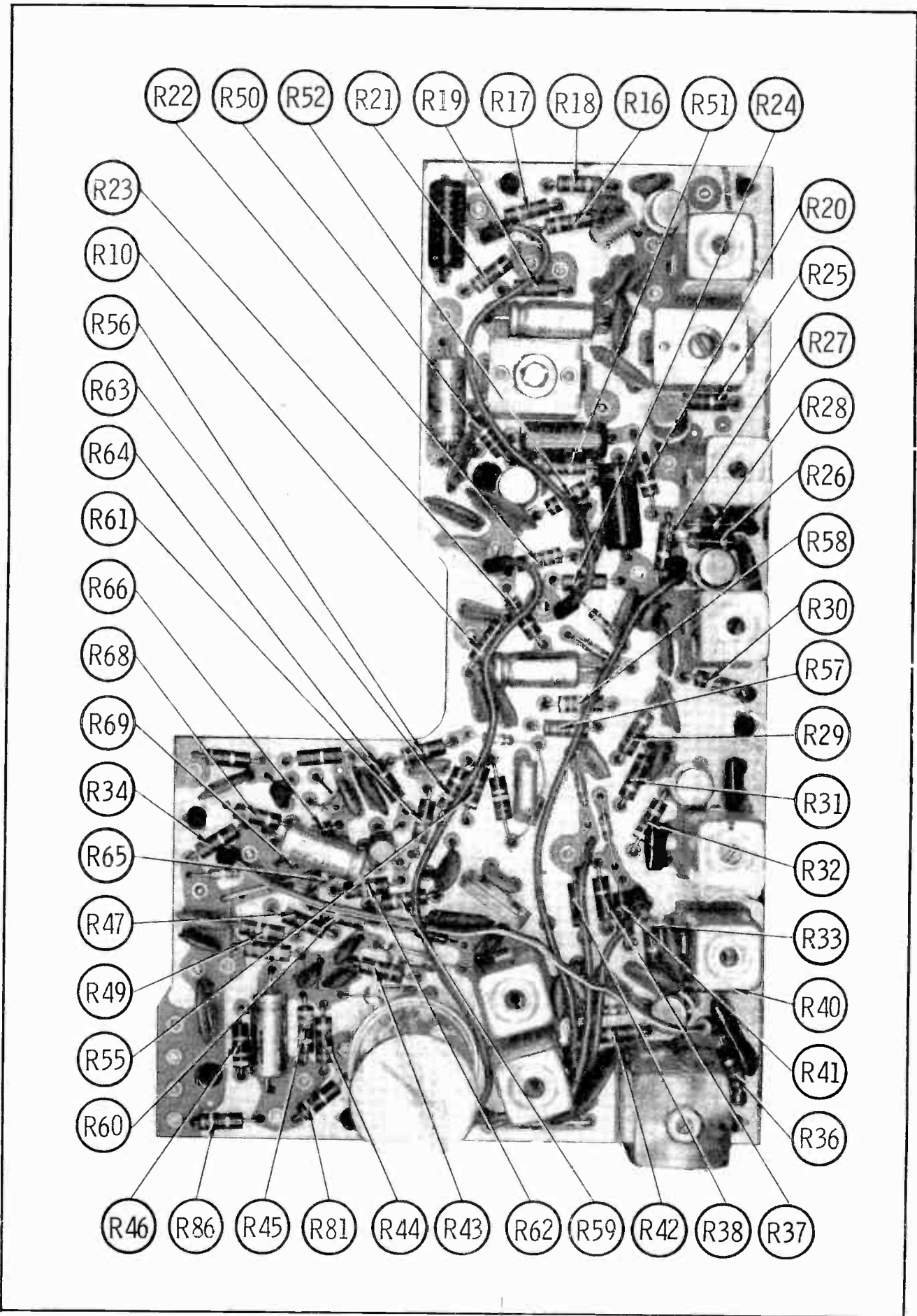
A Howard W. Sams **CIRCUITRACE** Photo

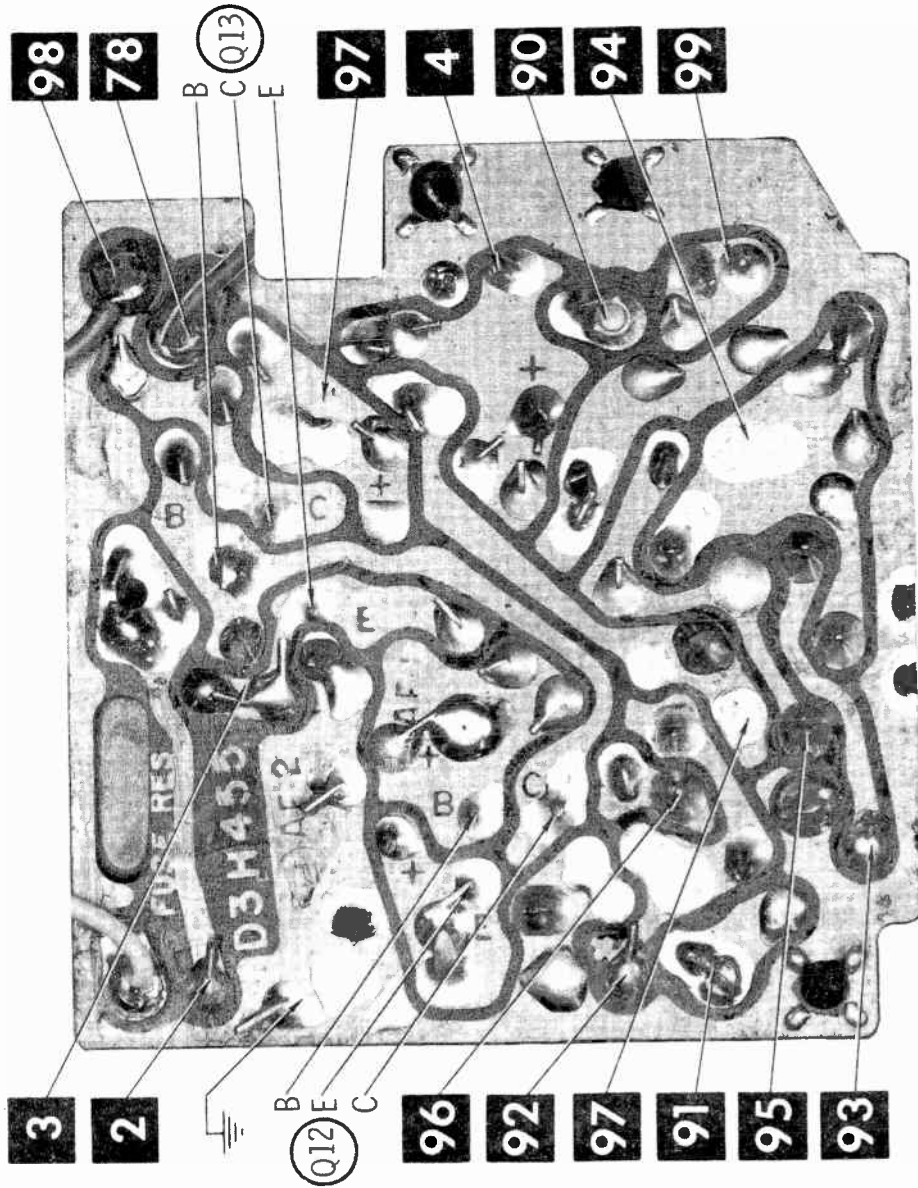


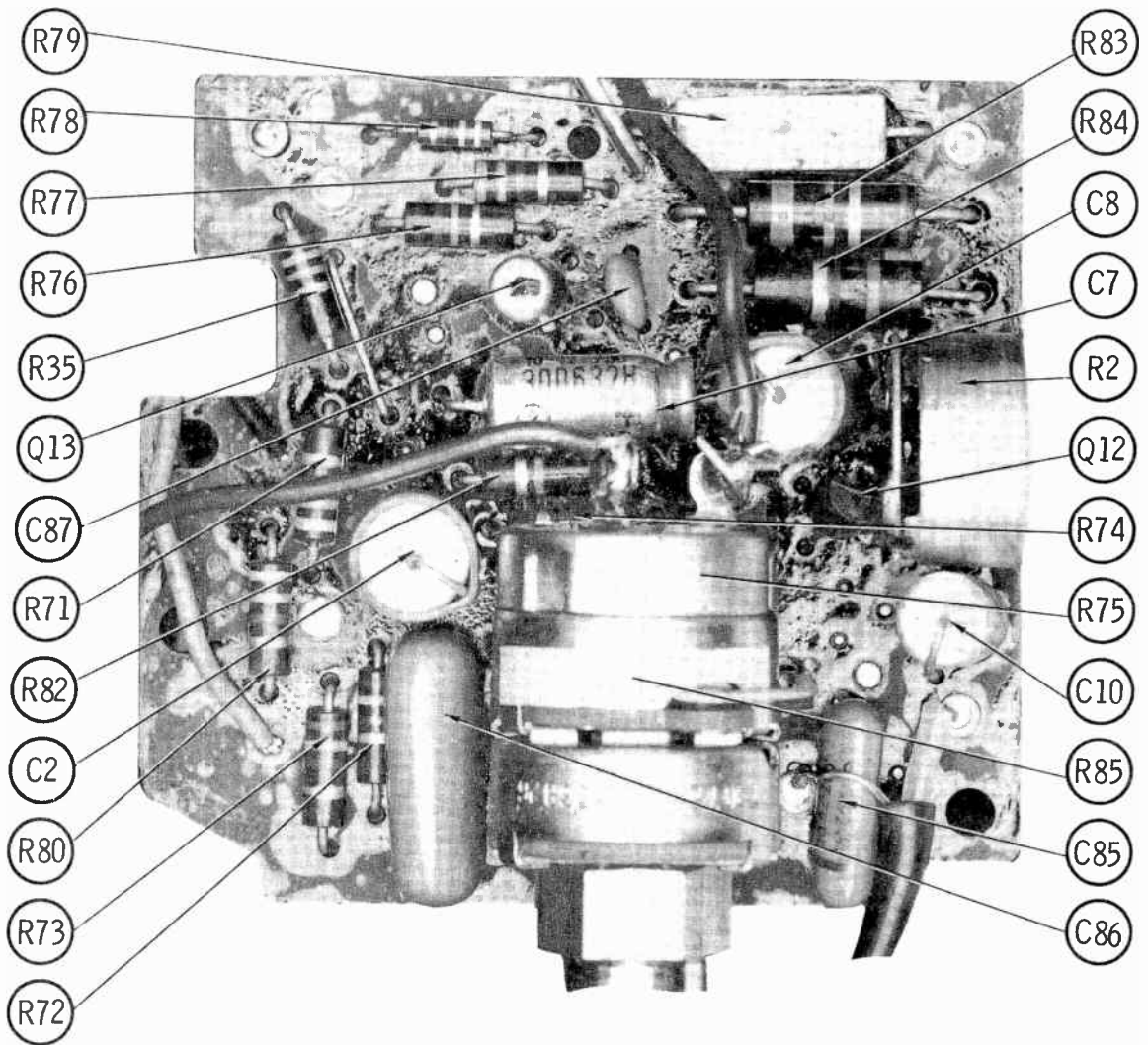


A Howard W. Sams **CIRCUITRACE** Photo









PARTS LIST AND DESCRIPTION

(When ordering parts, state Model, Part Number, and Description.)

Replacement parts shown may be superseded by the availability of newly introduced replacements.
Have your local distributor check Sams COUNTER FACTS* for the most up-to-date replacement.

WIRING DATA

General-use Unshielded Hook-up Wire	Use BELDEN No. 8530 (Solid) Available in 12 Colors 8524 (Stranded) Available in 12 Colors
Shielded Hook-up Wire	Use BELDEN No. 8885
Rear Seat Speaker Extension Cable	Use BELDEN No. 8782 (Stranded) Coded Parallel Leads
Bonding Strap	Use BELDEN No. 8661 (3/8 In.) or 8670 (3/4 In.)

TRANSISTORS

ITEM No.	TYPE No.	FUNCTION	REPLACEMENT DATA					
			MFGR. PART No.	GENERAL ELECTRIC PART No.	INTERNATIONAL RECTIFIER PART No.	MOTOROLA PART No.	RCA PART No.	SYLVANIA PART No.
Q1	DS-64 (1)	FM RF Amp	DS-41	GE-9	TR-17	HEP3	SK3006	ECG 126
Q2	DS-63	FM Mixer	DS-41	GE-9	TR-17	HEP3	SK3006	ECG 126
Q3	DS-64	FM Osc	DS-41	GE-9	TR-17	HEP3	SK3006	ECG 126
Q4	DS-56	AM RF Amp/1st FM IF Amp	DS-56	GE-9	TR-17	HEP3	SK3006	ECG 126
Q5	DS-63	AM Mixer/2nd FM IF Amp	DS-56	GE-9	TR-17	HEP3	SK3006	ECG 126
Q6	DS-63	AM IF/3rd FM IF Amp	DS-56	GE-9	TR-17	HEP3	SK3006	ECG 126
Q7	DS-63	4th FM IF Amp	DS-56	GE-9	TR-17	HEP3	SK3006	ECG 126
Q8	DS-25	AM Osc	DS-25	GE-9	TR-06	HEP639	SK3008	ECG 100
Q9	DS-77	Trigger	DS-77	GE-20	TR-21	HEP54	SK302D	ECG 123
Q10	DS-67	Relay Amp	DS-66	GE-20	TR-21	HEP54	SK302D	ECG 123
Q11	DS-67	Relay Control	DS-66	GE-20	TR-21	HEP54	SK302D	ECG 123
Q12	DS-67	AF Amp	DS-66	GE-20	TR-21	HEP54	SK302D	ECG 123
Q13	DS-66	AF Amp	DS-66	GE-20	TR-21	HEP54	SK302D	ECG 123
Q14	DS-501	Output *	DS-501	GE-4	TR-03	HEP233	SK3012	ECG 105

(1) DS-96 used in 93BW2 and 93EFW2.

* When replacing, apply silicone grease to both sides of insulator. Tighten mounting screws securely.

POWER RECTIFIERS & SIGNAL DIODES

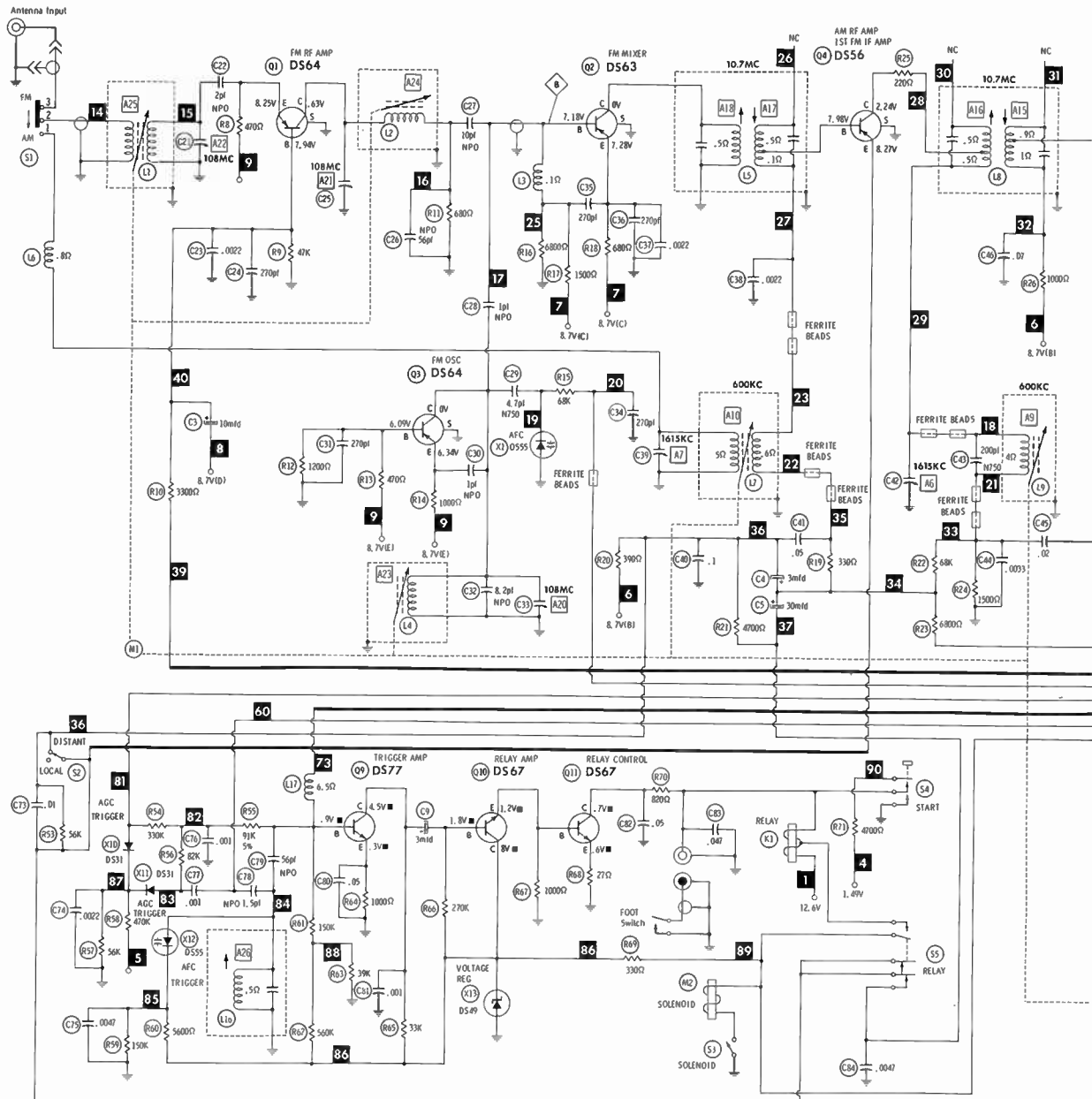
ITEM No.	MFGR. PART OR TYPE No.	REPLACEMENT RECTIFIERS & DIODES			REPLACEMENT RECTIFIERS	NOTES
		GENERAL ELECTRIC PART No.	INTERNATIONAL RECTIFIER PART No.	SYLVANIA PART No.	RCA PART No.	
X1	DS-55					Varactor (1) Matched Pair
X2	DS-27	1N34AS	1N34A	ECG 109		
X3	DS-27	1N34AS	1N34A	ECG 109		
X4	DS-39 (1)	1N60 (1)	1N542 (1)	ECG 110 (1)		
X5	DS-39	1N60				
X6	DS-27	1N34AS	1N34A	ECG 109		
X7	DS-27	1N34AS	1N34A	ECG 109		
X8	DS-27	1N34AS	1N34A	ECG 109		
X9	DS-27	1N34AS	1N34A	ECG 109		
X10	DS-31	1N82A	1N82A	ECG 111		
X11	DS-31	1N82A	1N82A	ECG 111		
X12	DS-55					Varactor Zener
X13	DS-49	GE-X11	1ZM8.2			

ELECTROLYTIC CAPACITORS

ITEM No.	RATING	REPLACEMENT DATA						
		PART No.	AEROVOX PART No.	CENTRALAB PART No.	CORNELL-DUBILIER PART No.	GENERAL ELECTRIC PART No.	MALLORY PART No.	SPRAGUE PART No.
C1A	1000 16V	7291356	PWH3-54-45		CC0007A		FPS3D0.93	PCL-3021.9
B	500 16V							
C	15 11.5V rms							
C2	100 4V	7291810	PTT30	EA6-100	NLW125-6	MT1-21	MTA125E6	TE-1102
C3	10 12V	7292738	PTT53	EA15-10	NLW10-15	MT1-5	MTA10D35	TL-1128
C4	3 12V	7291860	PTT50	EA15-5	NLW3-15	MT1-3	MTA3D50	TE-1122
C5	30 6V	7296313	CRE-13A	EA6-25	AL30-6	MT1-13	MTA30D15	TL-1093
C6	3 12V	7291860	PTT50	EA15-5	NLW3-15	MT1-3	MTA3D50	TE-1122
C7	10 12V	7292738	PTT53	EA15-10	NLW10-15	MT1-5	MTA10D35	TL-1128
C8	100 4V	7291810	PTT30	EA6-100	NLW125-6	MT1-21	MTA125E6	TE-1102
C9	3 12V	7291860	PTT50	EA15-5	NLW3-15	MT1-3	MTA3D50	TE-1122

(CONTINUED ON PAGE 94)

OLDSMOBILE MODELS 93BFW1/2, 93EFW1/2



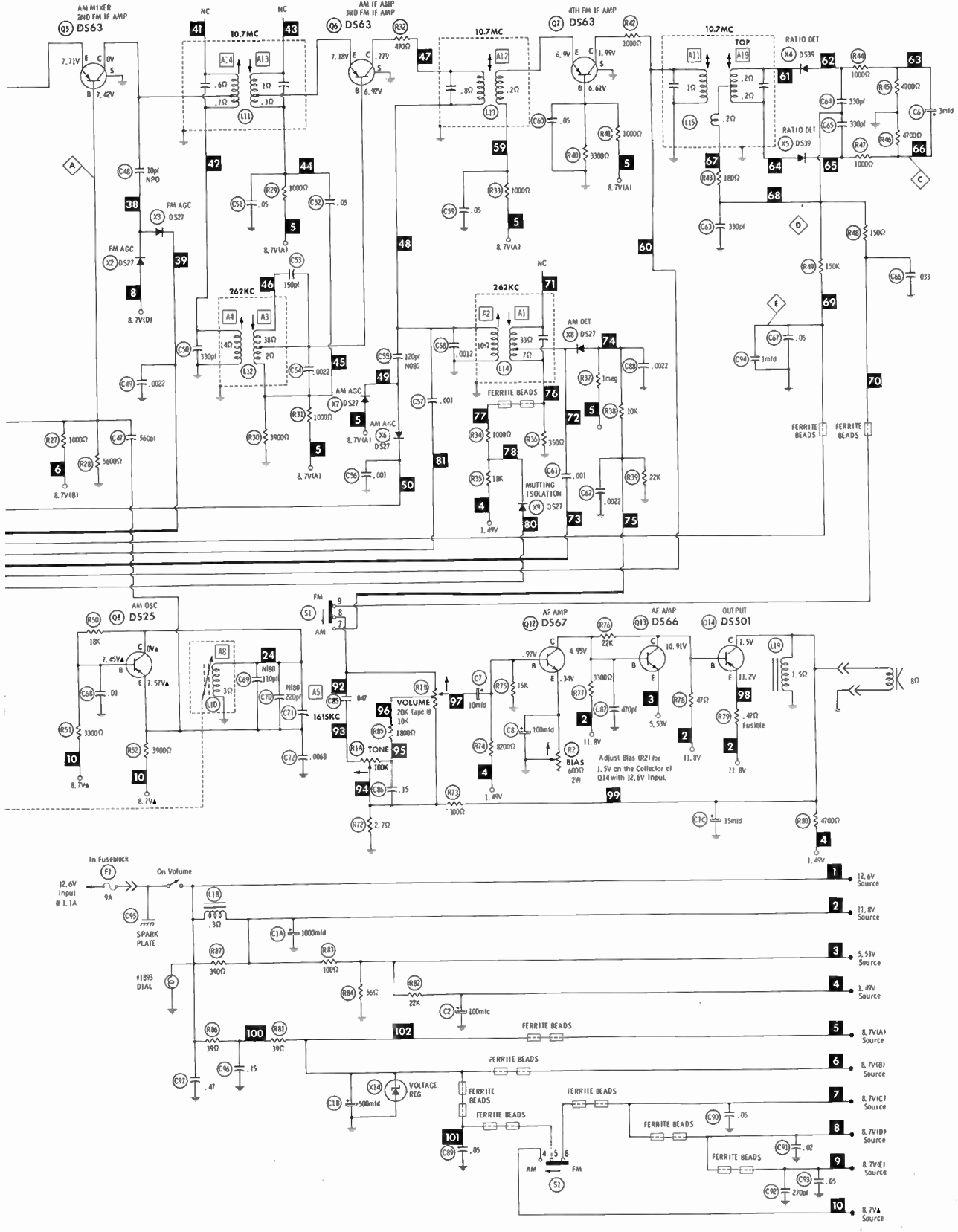
Transistor Terminal Guides

3 0 6 0
2 0 5 0 8 0
1 0 4 0 7 0
S1 Terminal Guide



- Measured with tuner seeking.
- Measurements taken with switching in position shown unless otherwise indicated.
- ▲ Measured with switching in "AM" position.
- Values shown in () are used in some applications.
- Resistors are 1/2W or less, 10% or 20%, unless otherwise indicated.
- Supply voltage maintained at rated value for measurements.
- Voltage and resistance measured with VTVM or equivalent meter, no signal applied and controls adjusted for normal operation.
- Controls viewed from actuator end. Arrow indicates clockwise rotation.
- Numbers assigned to terminals may not be found on the unit.
- Transistor resistances vary widely. No resistance measurements taken.

A PHOTOFACIT STANDARD NOTATION SCHEMATIC
with **CircuitTrace**
© Howard W. Sams & Co., Inc. 1970



OLDSMOBILE MODELS 93BFW1/2, 93EFW1/2

PARTS LIST AND DESCRIPTION (CONTINUED)

(When ordering parts, state Model, Part Number, and Description.)

Replacement parts shown may be superseded by the availability of newly introduced replacements.
Have your local distributor check Sams COUNTER FACTS for the most up-to-date replacement.

CAPACITORS

ITEM No.	RATING	REMARKS	REPLACEMENT DATA						
			AEROVOX PART No.	CENTRALAB PART No.	CORNELL-DUBILIER PART No.	ELMENCO PART No.	MALLORY PART No.	SPRAGUE PART No.	
C21		#7293221							
C22	2 NPO		NPO-DI 2.2	DTZ-2R2	NP02P2		CN0522	10TCC-V22	
C23	.0022		GPD X5F222K	DD-222	GP2200	CCD-222	GP222	10TCC-Q10	
C24	270		GPD X5F271K	DD-271	GP270	CCD-271	GP327	10TCC-Q10	
C25		#7291003						56A-T27	
C26	56 NPO			TCZ-56		CCT0-560	CN0456	10TCC-Q56	
C27	10 NPO		NPO-DI 10	DTZ-10	NP010	CCT0-100	CN0410	10TCC-Q10	
C28	1 NPO		NPO-DI 1.0	TCZ-1			CN0510	10TCC-V10	
C29	4.7 N750			DTN-5	N5	CCTN-050	CN8547	10TCC-V47	
C30	1 NPO		NPO-DI 1.0	TCZ-1			CN0510	10TCC-V10	
C31	270		GPD X5F271K	DD-271	GP270	CCD-271	GP327	56A-T27	
C32	8.2		NPO-DI 8.2		NP08P2			10TCC-V82	
C33		#7292611							
C34	270		GPD X5F271K	DD-271	GP270	CCD-271	GP327	56A-T27	
C35	270		GPD X5F271K	DD-271	GP270	CCD-271	GP327	56A-T27	
C36	270		GPD X5F271K	DD-271	GP270	CCD-271	GP327	56A-T27	
C37	.0022		GPD X5F222K	DD-222	GP2200	CCD-222	GP222	10TS-D22	
C38	.0022		GPD X5F222K	DD-222	GP2200	CCD-222	GP222	10TS-D22	
C39		#7302771							
C40	.1		TTP-1	CK-104			TA010	TG-P10	
C41	.05		TTP-05	CK-503	MGP05	CCD-503	TA150	TGL-S50	
C42		#7298201							
C43	200 N750		N750-DI 200	DTN-200		CCTN201	CN7320	10TCU-T20	
C44	.0033 75V		DBE6033						
C45	.02		TTP-02	CK-203	MGP02	CCD-203	TA120	TG-S20	
C46	.07		TTP-05	CK-503	MGP05	CCD-503	TA150	TGL-S50	
C47	560		GPD X5F561K	DD-561	GP560	CCD-561	GP356	10TS-T56	
C48	10 NPO		NPO-DI 10	DTZ-10	NP010	CCT0-100	CND410	10TCC-Q10	
C49	.0022		GPD X5F222K	DD-222	GP2200	CCD-222	GP222	10TS-D22	
C50	330 5%		ADM-15-331	CPR-330J	CD15FD331J03	DM-10-301J	SX330	1FM-333	
C51	.05		TTP-05	CK-503	MGP05	CCD-503	TA150	TGL-S50	
C52	.05		TTP-05	CK-503	MGP05	CCD-503	TA150	TGL-S50	
C53	150 5%		ADM-10-151	CPR-150J	CD15FD151J03	DM-10-151J	SX315	MS-315	
C54	.0022		GPD X5F222K	DD-222	GP2200	CCD-222	GP222	10TS-D22	
C55	120 N080					*	*	10TCW-T12	
C56	.001		GPD X5F102K	DM-102	GP1000	CCD-102	SM210	2SS-D10	
C57	.001		GPD X5F102K	DM-102	GP1000	CCD-102	SM210	2SS-D10	
C58	.0012 5%		ADM-19-122	CPR-1200J		DM-15-122J	SX212	MS-212	
C59	.05		TTP-05	CK-503	MGP05	CCD-503	TA150	TGL-S50	
C60	.05		TTP-05	CK-503	MGP05	CCD-503	TA150	TGL-S50	
C61	.001		GPD X5F102K	DM-102	GP1000	CCD-102	SM210	2SS-D10	
C62	.0022 75V		DBE6022	CPR-2200J	6D22	6DP-1-222	PVC6222	6PS-D22	
C63	330		GPD X5F331K	DD-331	GP330	CCD-331	GP333	10TS-T33	
C64	330		GPD X5F331K	DD-331	GP330	CCD-331	GP333	10TS-T33	
C65	330		GPD X5F331K	DD-331	GP330	CCD-331	GP333	10TS-T33	
C66	.033		TTP-03	CK-303		CCD-303	GP130	TG-S30	
C67	.05		TTP-05	CK-503	MGP05	CCD-503	TA150	TGL-S50	
C68	.01		TTP-01	CK-103	MGP01	CCD-103	TA110	TG-S10	
C69	110 N180					*	*		
C70	220 N180					*	*		
C71		#7282165							
C72	.0068 75V		DBE6068	CPR-6800J	WMF1068	1DP-1-682	PVC4268	6PS-D68	
C73	.01		TTP-01	CK-103	MGP01	CCD-103	TA110	TG-S10	
C74	.0022		GPD X5F222K	DD-222	GP2200	CCD-222	GP222	10TS-D22	
C75	.0047		TTP-005	CK-502	MGP005	CCD-502	TA250	TG-050	
C76	.001		GPD X5F102K	DM-102	GP1000	CCD-102	SM210	2SS-D10	
C77	.001		GPD X5F102K	DM-102	GP1000	CCD-102	SM210	2SS-D10	
C78	1.5 NPO		NPO-DI 1.5	DTZ-1R5	NP01P5		CN0515	10TCC-V15	
C79	56 NPO			TCZ-56		CCT0-56	CN0456	10TCC-Q56	
C80	.05		TTP-05	CK-503	MGP05	CCD-503	TA150	TGL-S50	
C81	.001		GPD X5F102K	DM-102	GP1000	CCD-102	SM210	2SS-D10	
C82	.05		TTP-05	CK-503	MGP05	CCD-503	TA150	TGL-S50	
C83	.047 75V		V1612S47		DPMS6S47	1DP-2-473	PVC1147	225P47391WD3	
C84	.0047 75V		DBE605	CPR-5000J	DPMS6D5	1DP-1-502	PVC625	6PS-D50	
C85	.047 75V		V1612S47		DPMS6S47	1DP-2-473	PVC1147	225P47391WD3	
C86	.15 75V		DBE6P15		DPMS4P15	4DP-4-154	PVC6015	4PS-P15	
C87	470		GPD X5F471K	DD-471	GP470	CCD-471	GP347	10TS-T47	
C88	.0022		GPD X5F222K	DD-222	GP2200	CCD-222	GP222	10TS-D22	
C89	.05		TTP-05	CK-503	MGP05	CCD-503	TA150	TGL-S50	
C90	.05		TTP-05	CK-503	MGP05	CCD-503	TA150	TGL-S50	
C91	.02		TTP-02	CK-203	MGP02	CCD-203	TA120	TG-S20	
C92	270		GPD X5F271K	DD-271	GP270	CCD-271	GP327	56A-T27	
C93	.05		TTP-05	CK-503	MGP05	CCD-503	TA150	TGL-S50	
C94	1 3V			UK-105			MAG31	HY-135	
C95		#7271564							
C96	.15 75V		DBE6P15		DPMS4P15	4DP-4-154	PVC6015	4PS-P15	
C97	.47 75V		DBE2P47		DPMS2P47	1DP-4-504	PVC105	2PS-P50	

* Not normally in distributor's stock. Available thru distributor on order to manufacturer.

Delco Part Number

PARTS LIST AND DESCRIPTION (CONTINUED)

(When ordering parts, state Model, Part Number, and Description.)

Replacement parts shown may be superseded by the availability of newly introduced replacements.
Have your local distributor check Sams COUNTER FACTS for the most up-to-date replacement.

CONTROLS (All wattages 1/2 watt, or less, unless listed)

ITEM No.	FUNCTION	RESIST-ANCE	REPLACEMENT DATA				
			MFGR. PART No.	CENTRALAB PART No.	CLAROSTAT PART No.	CTS-IRC PART No.	MALLORY PART No.
R1A	Tone	100K	7303138 (2)	F2-100K, R16-25K, BB012, SB006, FFS106, RFS200, KR-4		* QJ-2654A	P15A, 4118, SH4375, RU253T53, OX1312, IS1937, US41
B	Volume/Switch	20K Tap @ 11K 100K	7303718 (3)	F2-100K, R16-25K, BB012, SB006, FFS106, RFS200, KR-4		* QJ-2654A	P15A, 4118, SH4375, RU253T53, OX1312, IS1937, US41
A	Tone	100K					
B	Volume/Switch	20K Tap @ 11K					
R2	Bias	60G ohm 2 Watt	7294878	V-600	U39-600	110-600	MR600P

* "CONCENTRIKIT" Equivalent K-8 Kit with Base Elements & Shafts; B13-128, P22-109 (Panel)
B19-119X, R16-127 (Rear)
S51 (1) (Bushing)
N4 (Nut)
76-1 (Switch)

"SNAPTROL" Equivalent BUB (1), CF52, CR507, SF9, SR11, N4, GC
(1) Alter Bushing and adjust spacer Nut (N4) to meet requirements.
(2) Used in Models 93BFW1 and 93BFW2.
(3) Used in Models 93EFW1 and 93EFW2.

RESISTORS (Power and Special)

ITEM No.	RATING	REPLACEMENT DATA		
		IRC PART No.	WORKMAN PART No.	MFGR. PART No.
R79	.47 (Fusible)			7281890

ITEM No.	RATING	REPLACEMENT DATA		
		IRC PART No.	WORKMAN PART No.	MFGR. PART No.

COILS (RF-IF)

ITEM No.	USE	REPLACEMENT DATA			
		PART No.	MEISSNER PART No.	MILLER PART No.	WORKMAN PART No.
L1	FM Antenna				
L2	FM RF				
L3	FM IF Trap (.18 uh)	7291800			
L4	FM Osc				
L5	FM Input IF	7292791			
L6	RF Choke (8uh)	7255738	19-1009	4611	T822
L7	AM Antenna				
L8	FM Interstage IF	7291358			
L9	AM RF				
L10	AM Osc				
L11	FM Interstage IF	7291359			
L12	AM Input IF	7288144		8005	
L13	FM Interstage IF	7291360			
L14	AM Output IF	7293318			
L15	Ratio Detector	7294335			
L16	RF Trigger IF	7287612			
L17	RF Choke (100uh)	7294747	19-3100	6112	T341

(1) Part of M1

FILTER CHOKE

ITEM No.	RATINGS			REPLACEMENT DATA					NOTES
	CURRENT (Measured)	DC RES.	INDUCTANCE (0 CURRENT 1000~)	PART No.	MERIT PART No.	STANCOR PART No.	THORDARSON PART No.	TRIAD PART No.	
L18	1.1 Amp	.6	8mh	1221623	C-4095	TC-2	TR-154	TY17XT	

OLDSMOBILE MODELS 93BFW1/2, 93EFW1/2

PARTS LIST AND DESCRIPTION (CONTINUED)

(When ordering parts, state Model, Part Number, and Description.)

Replacement parts shown may be superseded by the availability of newly introduced replacements.
Have your local distributor check Sams COUNTER FACTS® for the most up-to-date replacement.

CHOKE (Audio Output)

ITEM No.	INDUCTANCE	REPLACEMENT DATA					NOTES
		PART No.	MERIT PART No.	STANCOR PART No.	THORDARSON PART No.	TRIAD PART No.	
L19	30MH	1222297					

SPEAKER

ITEM No.	TYPE	REPLACEMENT DATA		NOTES
		PART No.	QUAM PART No.	
SP1	4" X 10" PM 10 ohm	7311413	410A2Z10	Model 93BFW1/2 Model 93EFW1/2
	4" X 10" PM 10 ohm	7289969		

FUSE DEVICES

ITEM No.	DESCRIPTION	REPLACEMENT DATA						
		PART No.		BUSS PART No.		LITTELFUSE PART No.		WORKMAN PART No.
		DEVICE	HOLDER	DEVICE	HOLDER	DEVICE	HOLDER	DEVICE
F1	SFE 9 Amp		In Fuse Block	SFE 9		307009		

MISCELLANEOUS

ITEM No.	PART NAME	PART No.	NOTES
K1	Relay	7295713	
M1	Tuner Coil Assembly	7298186	
M2	Solenoid	1221409	
S1	Selector Switch	7300444	
S2	Sensitivity Switch	7300449	Model 93BFW1/2
	Sensitivity Switch	7293448	Model 93EFW1/2
S3	Switch, Solenoid	7268030	
S4	Switch, Start		
S5	Switch, Relay	7293447	

CABINETS & CABINET PARTS (When ordering specify model, chassis & color)

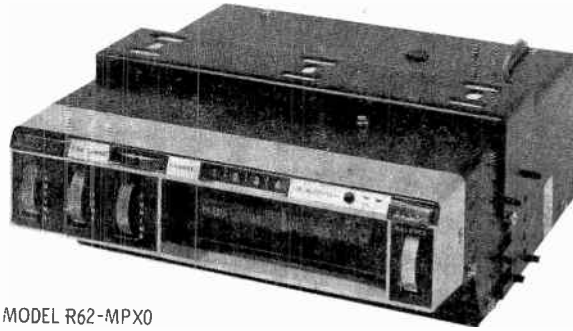
ITEM	MODEL	PART No.	ITEM	MODEL	PART No.
Escutcheon	93BFW1/2	7304545	Pushbutton	93BFW1/2	7310421
Escutcheon	93EFW1/2	7303732	Pushbutton	93EFW1/2	7304492
Dial Glass	93BFW1/2	7302773	Knob, Tuning or Volume		402071
Dial Glass	93EFW1/2	7300685	Knob, Tone		402072
Dial Pointer	93BFW1/2	7299317	Knob, Dummy		402074
Dial Pointer	93EFW1/2	7293355			



PHOTOFACT[®] with

CIRCUITRACE[®]

For Supplier Address See PHOTOFACT Index



MODEL R62-MPX0

Ranger Models R62-MPX0
(TP-803)
R62-MPX2
R62-MPX4
(8-Track Stereo Player)

OPERATING INSTRUCTIONS

Insert cartridge until it locks and turns unit on.

Set operating controls as desired.

Press program selector to play desired tracks, or allow unit to select tracks automatically.

Remove cartridge to turn unit off.

CLEANING

Clean all tape contact surfaces with a soft, lint-free material and head cleaner or methyl alcohol. Use alcohol to remove oil and grease from all driving surfaces.

CAUTION: Avoid getting head cleaner on any plastic surface.

LUBRICATING

Lubricate bearings and bushings lightly with #20 machine oil. Use a light film of non-hardening grease on cam surfaces.

HEAD DEMAGNETIZING

Demagnetize head when unit is serviced. Avoid using magnetic materials near head.

RANGER MODELS R62-MPX0/2/4

HOWARD W. SAMS & CO., INC. Indianapolis, Indiana 46206

© 1970 Howard W. Sams & Co., Inc. Printed in U. S. of America

TD698

ADJUSTMENTS

ADJUST	REMARKS
Head Height	Play a test cartridge, follow instructions with cartridge, and adjust B1 for proper response.
Head Azimuth	Connect an AC VTVM across right output. Play a test cartridge and adjust B2 for maximum.

TROUBLE CHART

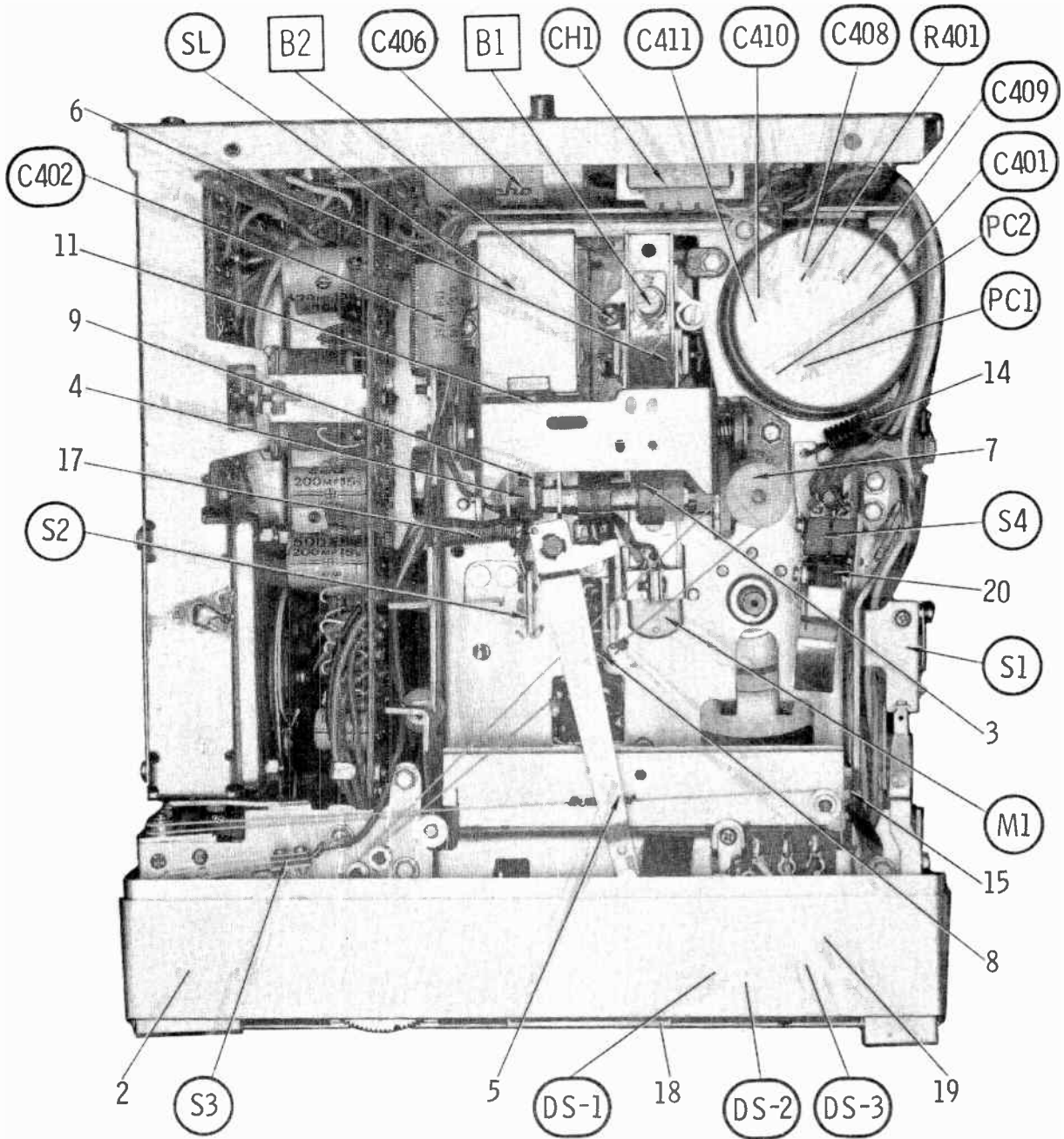
SYMPTOM	REMARKS
Capstan does not rotate.	Belt (1) dirty, worn, or broken. Assembly (10) binding. Motor defective or not supplied with power.
Track-shift mechanism inoperative.	Switch (S2) dirty Cam (3) binding or worn. Pawl (4) worn. Arm (6) binding. Solenoid (SL) defective or not supplied with power.
Wow or Flutter.	Belt (1) dirty or worn. Capstan dirty or binding. Cartridge defective. Motor defective.
Sound weak or distorted.	Head dirty, misaligned, or defective. Cartridge defective. Amplifiers defective.
Tape is pulled from cartridge.	Cartridge defective. Capstan dirty or scored.

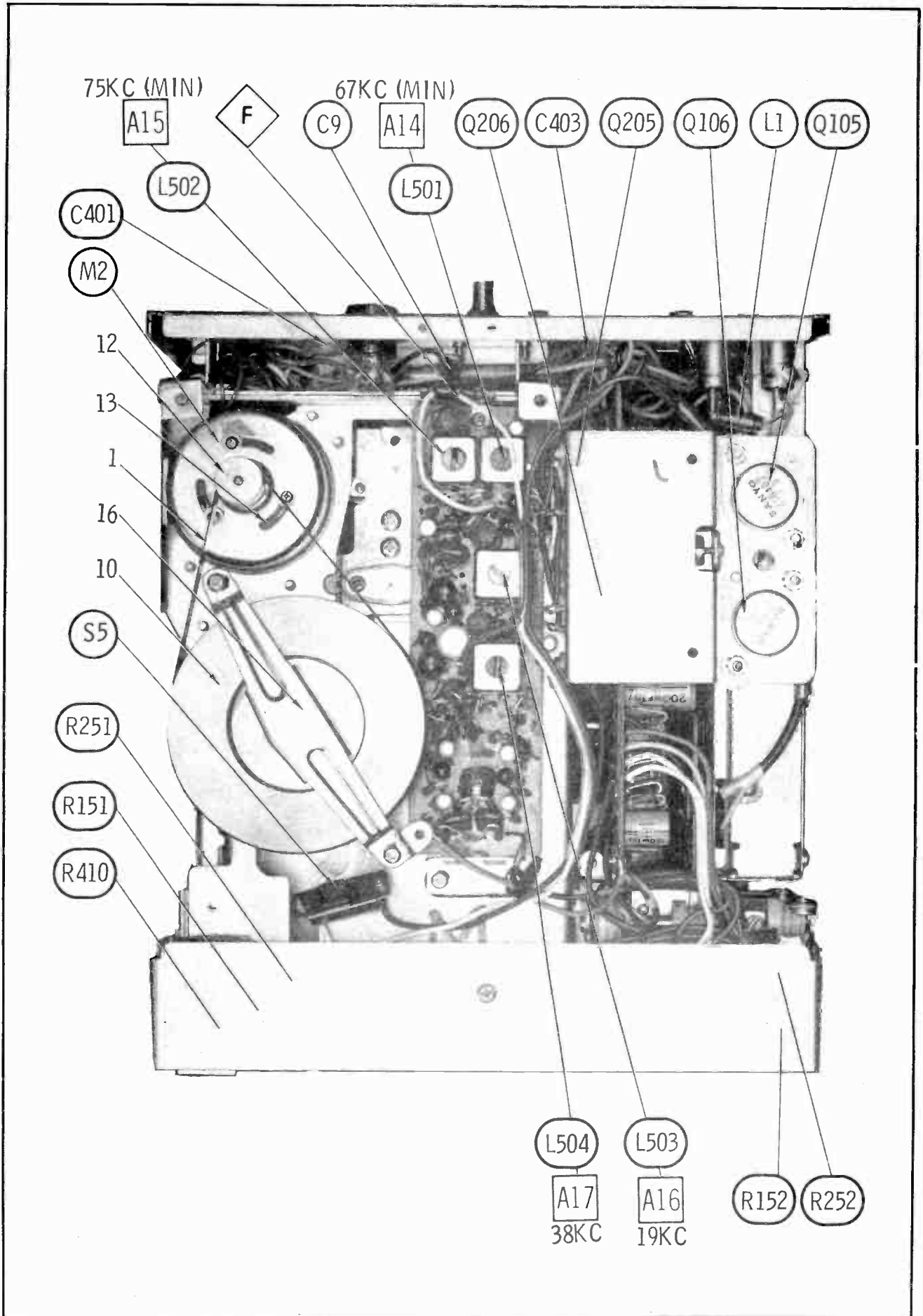
MECHANICAL PARTS LIST

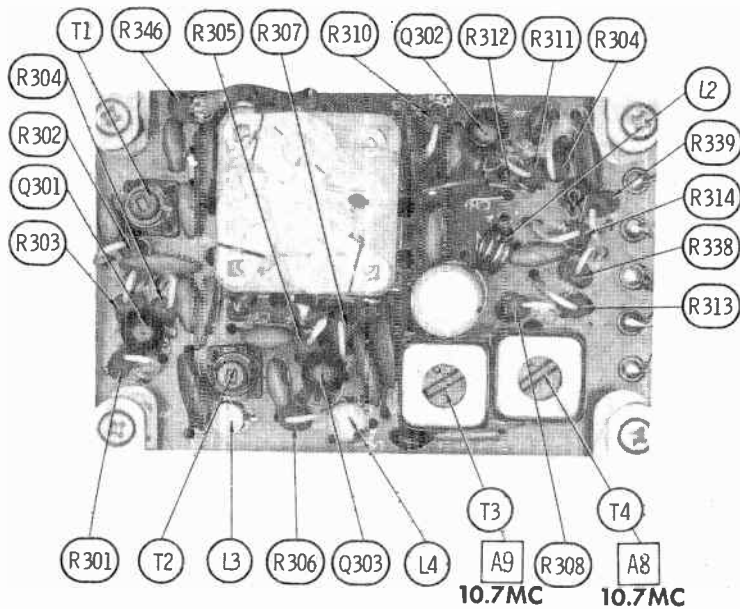
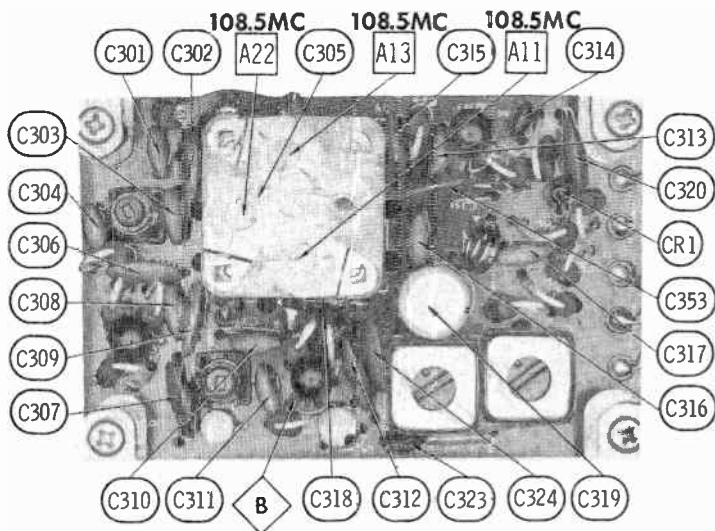
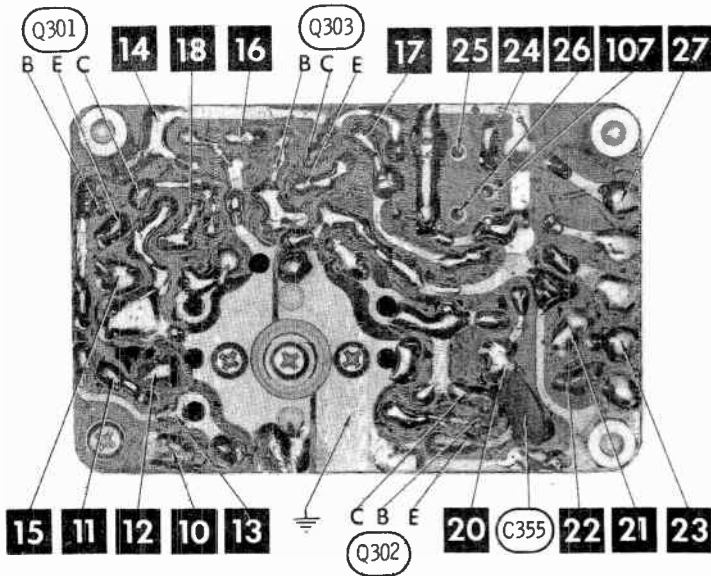
REF. NO.	PART NO.	DESCRIPTION	REF. NO.	PART NO.	DESCRIPTION
1	171131-002	Drive Belt	11	171156-005	Solenoid Return Spring
2	171156-001	Selector Button Spring	12	(2)	Motor Pulley
3	171150-001	Head Shift Assembly	13	(2)	Motor Cushion
4	(1)	Pawl Assembly	14	171156-006	Cartridge Index Spring
5	171144-004	Indicator Arm	15		Cartridge Roller Assembly
6	171126-015	Head Arm Assembly	16		Capstan Support Bracket
7	171147-005	Fine Tuning Pulley	17	171156-003	Indicator Arm Spring
8	171156-004	Dial Cord Spring	18	171119-010	Door and Pointer Assembly
9		Solenoid Plunger Assembly	19	171156-002	Door Hinge Spring
10	171147-002	Capstan and Flywheel Assembly	20	171156-001	Switch Lever Spring

(1) Part of Assembly (9).

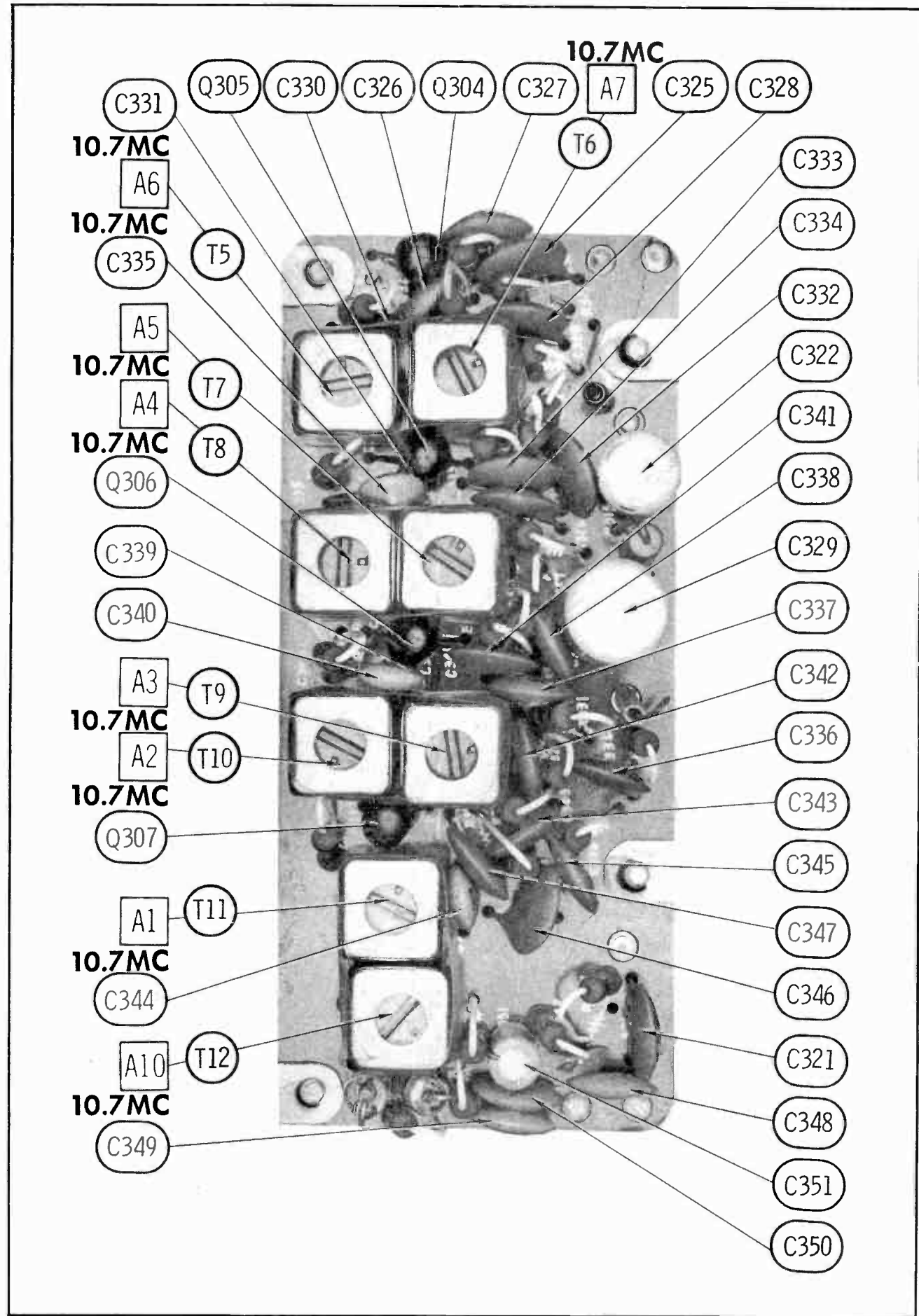
(2) Part of Motor Assembly 171115-005.







RANGER MODELS R62-MPX0/2/4



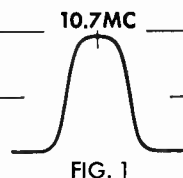
ALIGNMENT INSTRUCTIONS

Check for specified source voltage.
Use only enough generator output
to provide a usable indication.
Suggested Alignment Tools:

A1 thru A12...GENERAL CEMENT #8290,8868,9087
WALSCO #2525, 2528, 2587

FM IF ALIGNMENT USING AM SIGNAL GENERATOR—SELECTOR IN FM POSITION

High side of generator thru .001mfd to point $\diamond B$, low side to ground.				
GENERATOR FREQUENCY	RADIO DIAL SETTING	INDICATOR	ADJUST	REMARKS
1. 10.7MC Unmodulated	Point of non-interference	DC probe of VTVM to point $\diamond C$, common to ground.	A1 thru A9	Adjust for maximum.
2. "	"	DC probe of VTVM to point $\diamond D$, common to ground.	A10	Adjust for zero reading. A positive or negative reading will be obtained on either side of the correct setting.

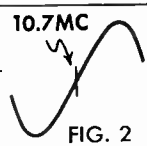


FM IF ALIGNMENT USING FM SIGNAL GENERATOR—SELECTOR IN FM POSITION

High side of generator thru .001mfd to point $\diamond B$, low side to ground. Use only enough marker signal for indication. Use 60 cycle frequency modulated signal with 450KC sweep. Use 60 cycle sawtooth voltage in scope for horizontal deflection.				
GENERATOR FREQUENCY	RADIO DIAL SETTING	INDICATOR	ADJUST	REMARKS
1. 10.7MC 450KC Sweep	Point of non-interference	Vert. amp of scope to point $\diamond C$, low side to ground.	A1 thru A9	Disconnect stabilizing capacitor C 351 Adjust for maximum gain and symmetry of response similar to Fig.1 with marker as shown. Reconnect C 351
2. "	"	Vert. amp of scope to point $\diamond D$, low side to ground.	A10	Adjust A10 (secondary) to place marker at center of "S" curve similar to Fig. 2. Readjust A9 (primary) for maximum amplitude and straightness of line.

FM RF ALIGNMENT—SELECTOR IN FM POSITION

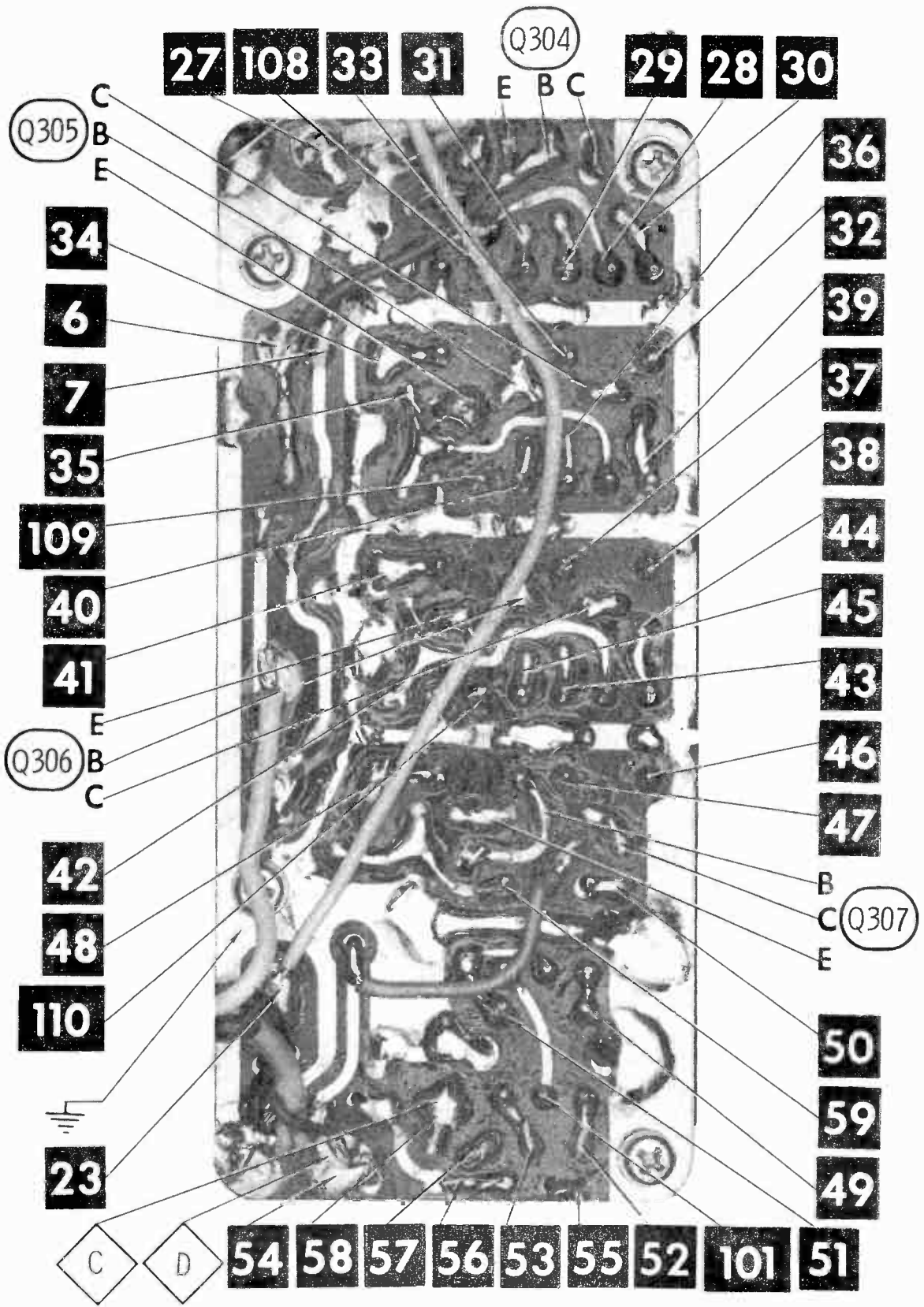
Connect generator across antenna terminals with 120-ohm carbon resistor in series with each lead.				
GENERATOR FREQUENCY	RADIO DIAL SETTING	INDICATOR	ADJUST	REMARKS
3. 108.5MC	High freq. end	DC probe of VTVM to point $\diamond C$, common to ground.	A11, A12, A13	Adjust for maximum.



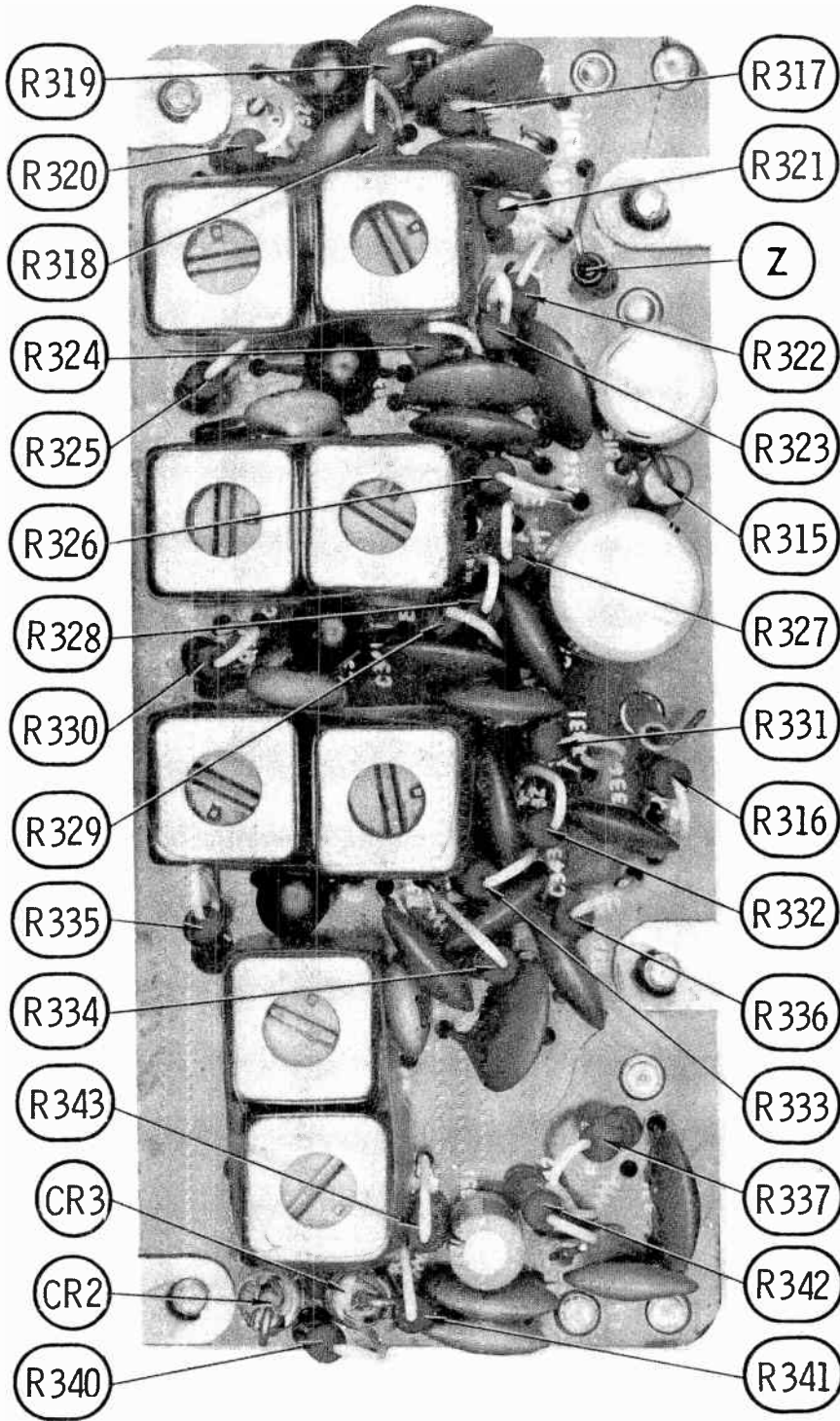
FM STEREO MULTIPLEX ALIGNMENT USING FM STEREO SIGNAL GENERATOR ($\pm .0001\%$ ACCURACY)

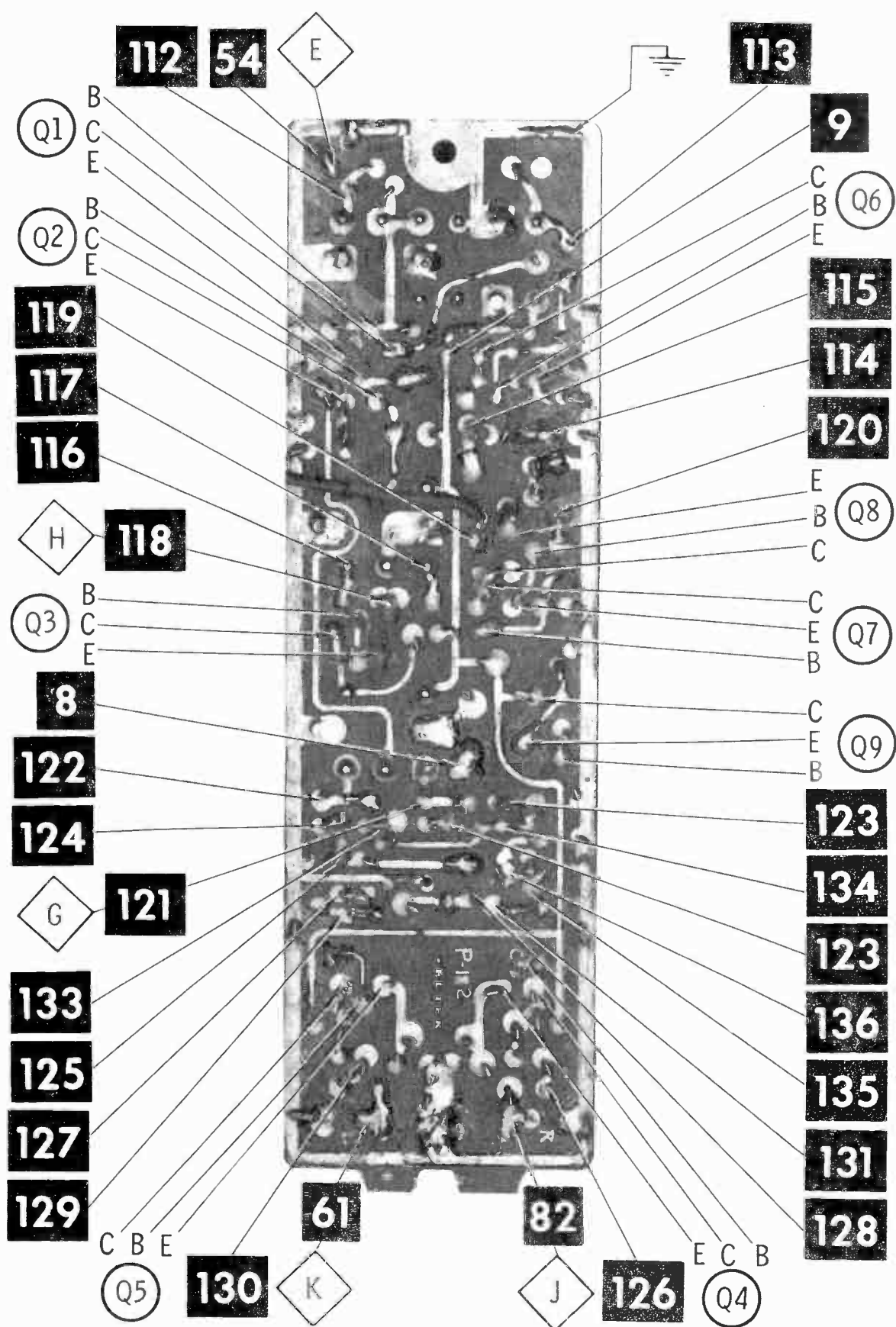
High side of generator thru 47K to point $\diamond E$, low side to ground.				
GENERATOR FREQUENCY	INDICATOR	ADJUST	REMARKS	
4. 67KC 72KC	Vert. amp of scope thru 47K to point $\diamond F$, low side to ground.	A14 A15	Adjust for MINIMUM	
5. 19KC	Vert. amp of scope thru 47K to point $\diamond G$, low side to ground.	A16	Adjust for maximum.	
6. "	Vert. amp of scope thru 47K to point $\diamond H$, low side to ground.	A17	Adjust for maximum 38KC response.	
7. Modulated Left Channel	Vert. amp of scope to point $\diamond J$, low side to ground.	A16 A17	Adjust for MINIMUM. This step should require only slight adjustment.	
8. Modulated Right Channel	Vert. amp of scope to point $\diamond K$, low side to ground		Check for MINIMUM. If necessary make compromise adjustment of A16, A17, R34.	

RANGER MODELS R62-MPX0/2/4

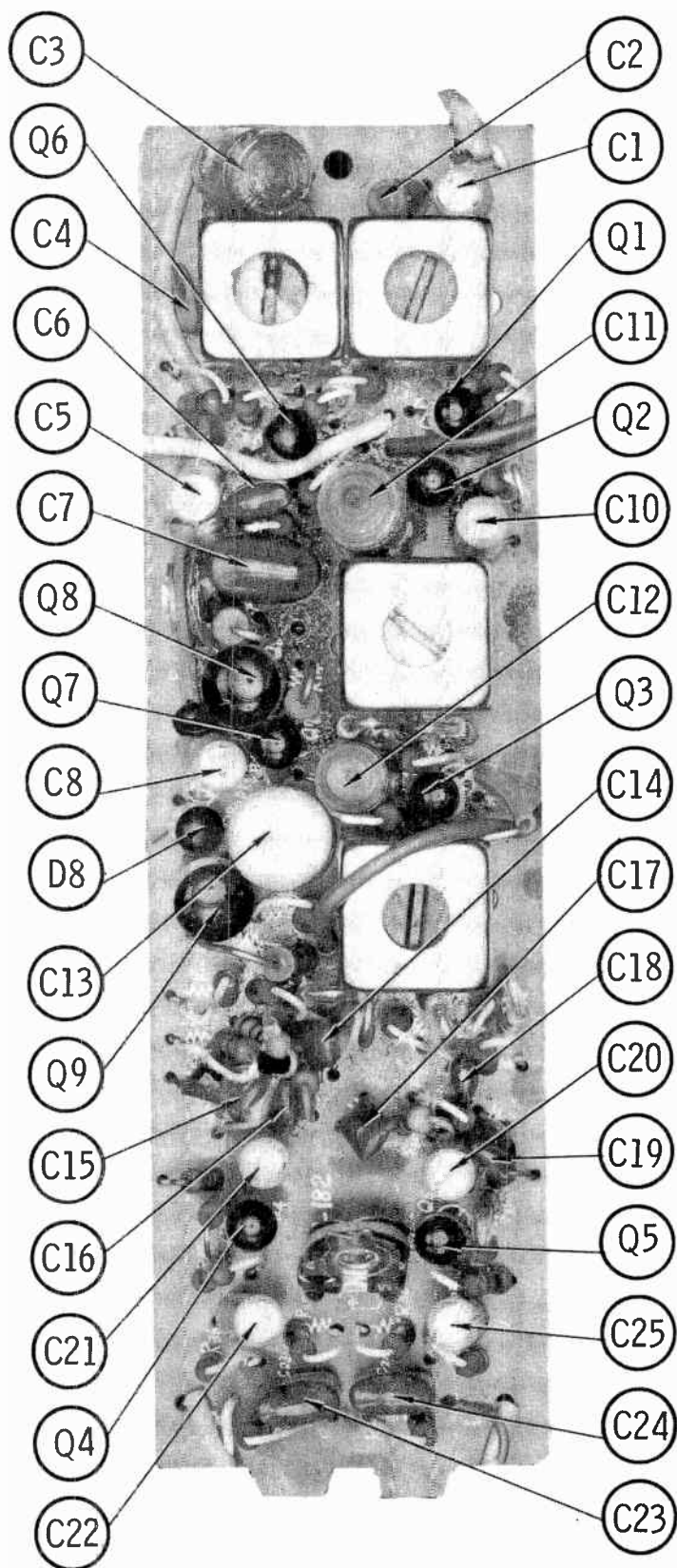


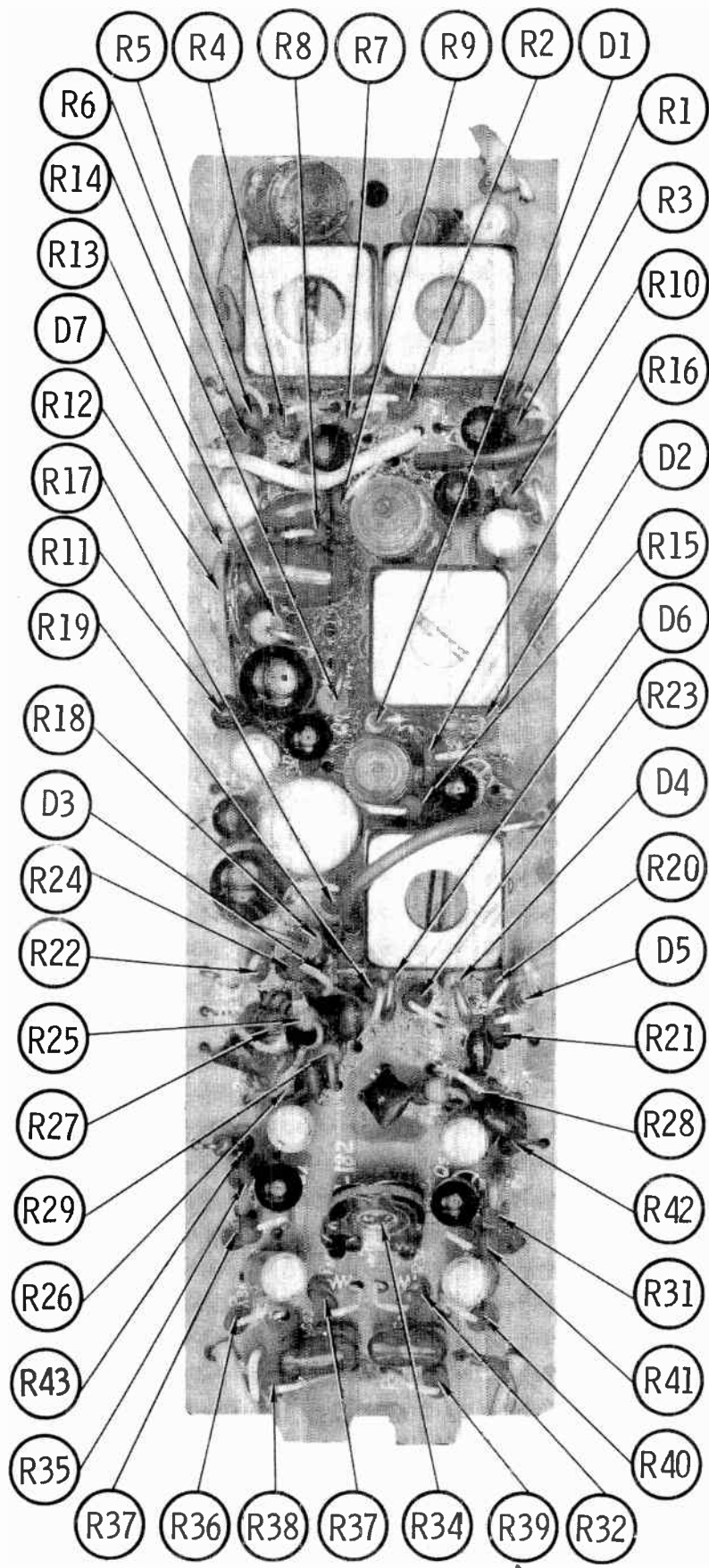
A Howard W. Sams **CIRCUITRACE** Photo

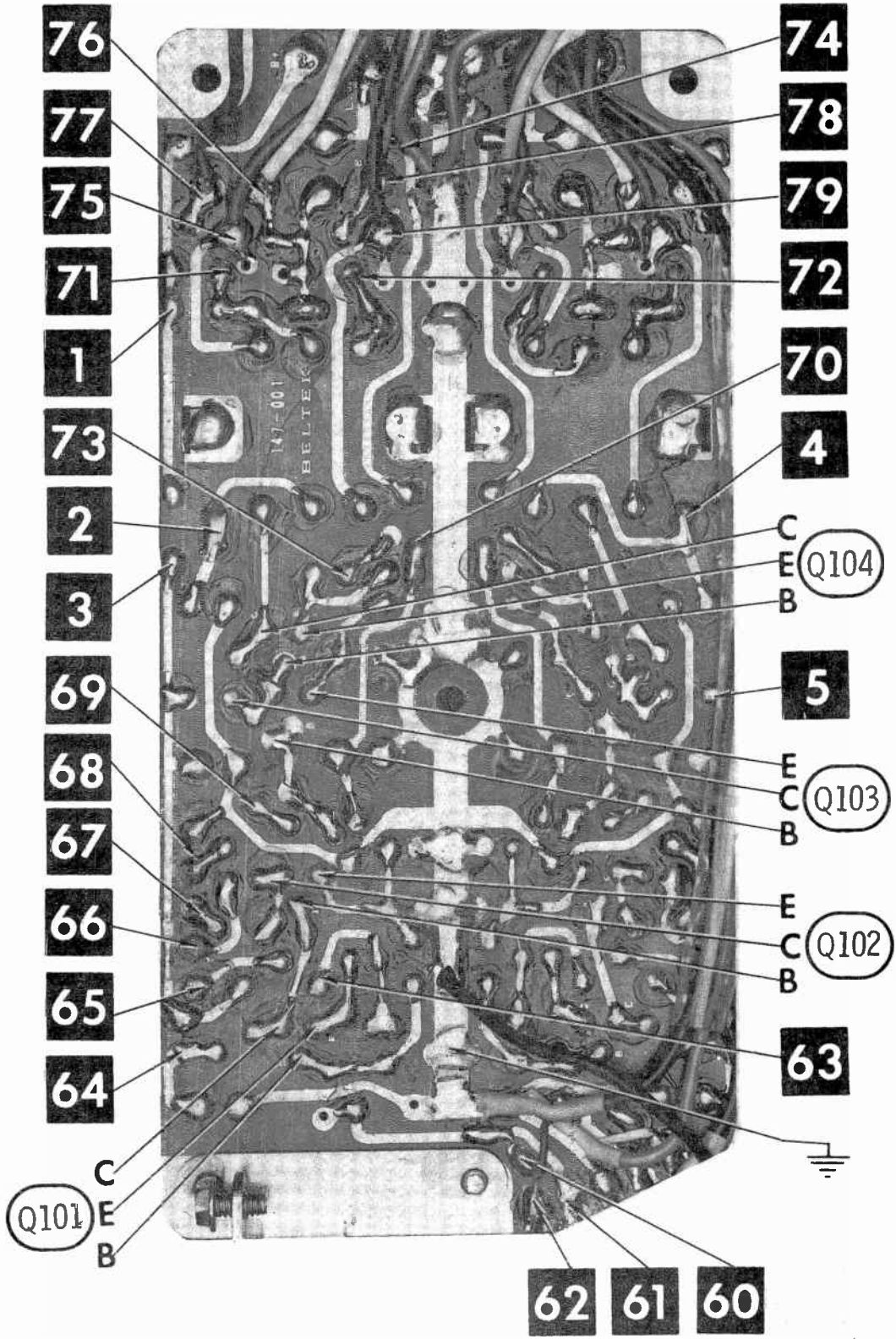




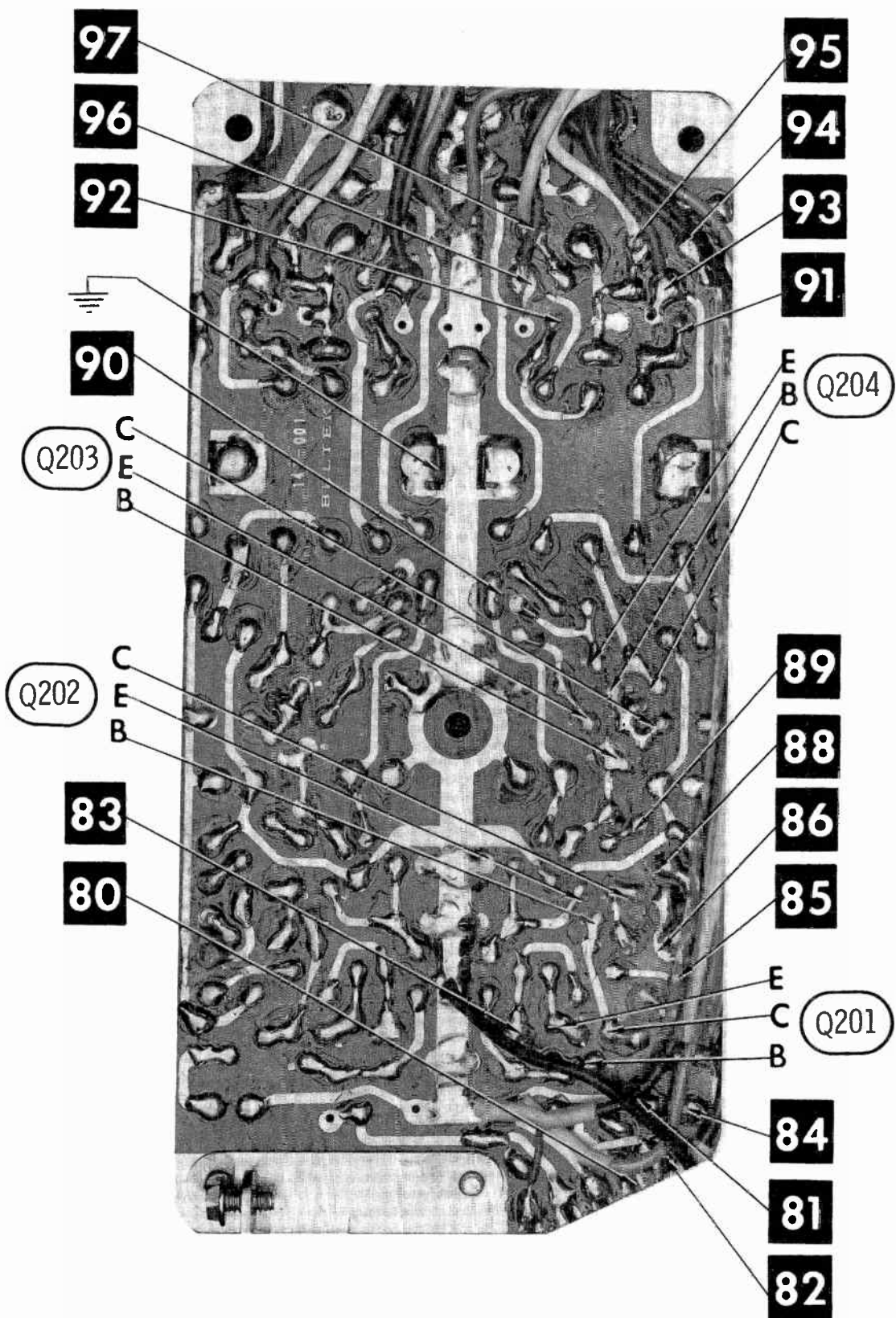
A Howard W. Sams **CIRCUITRACE** Photo



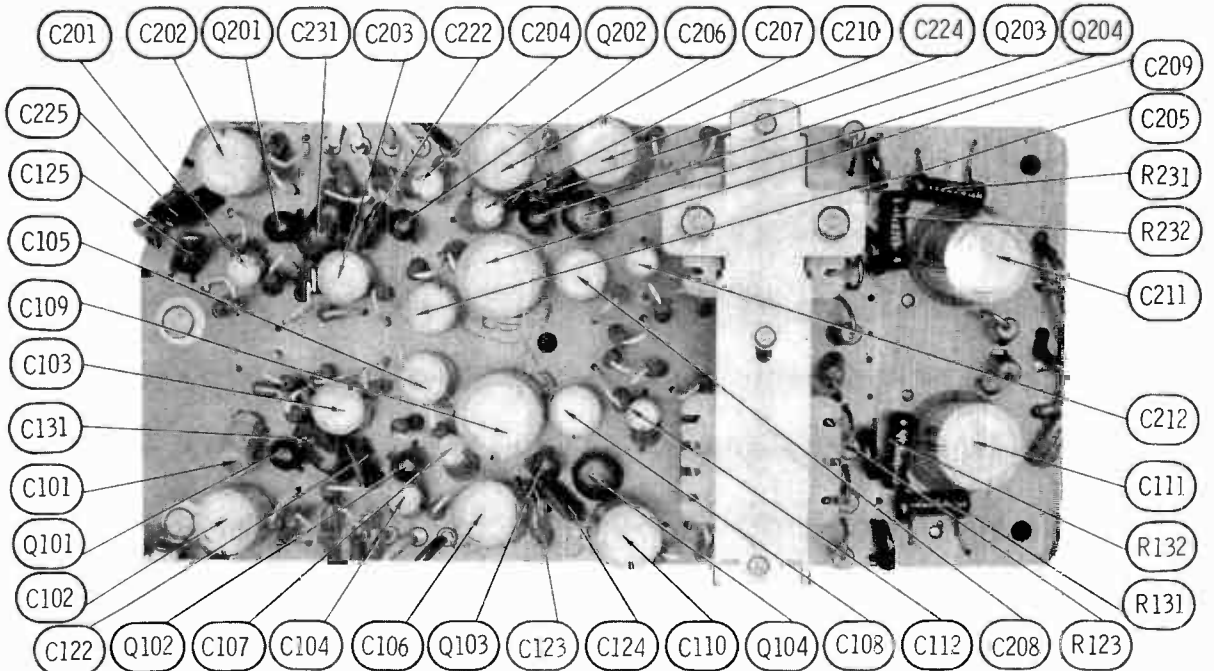
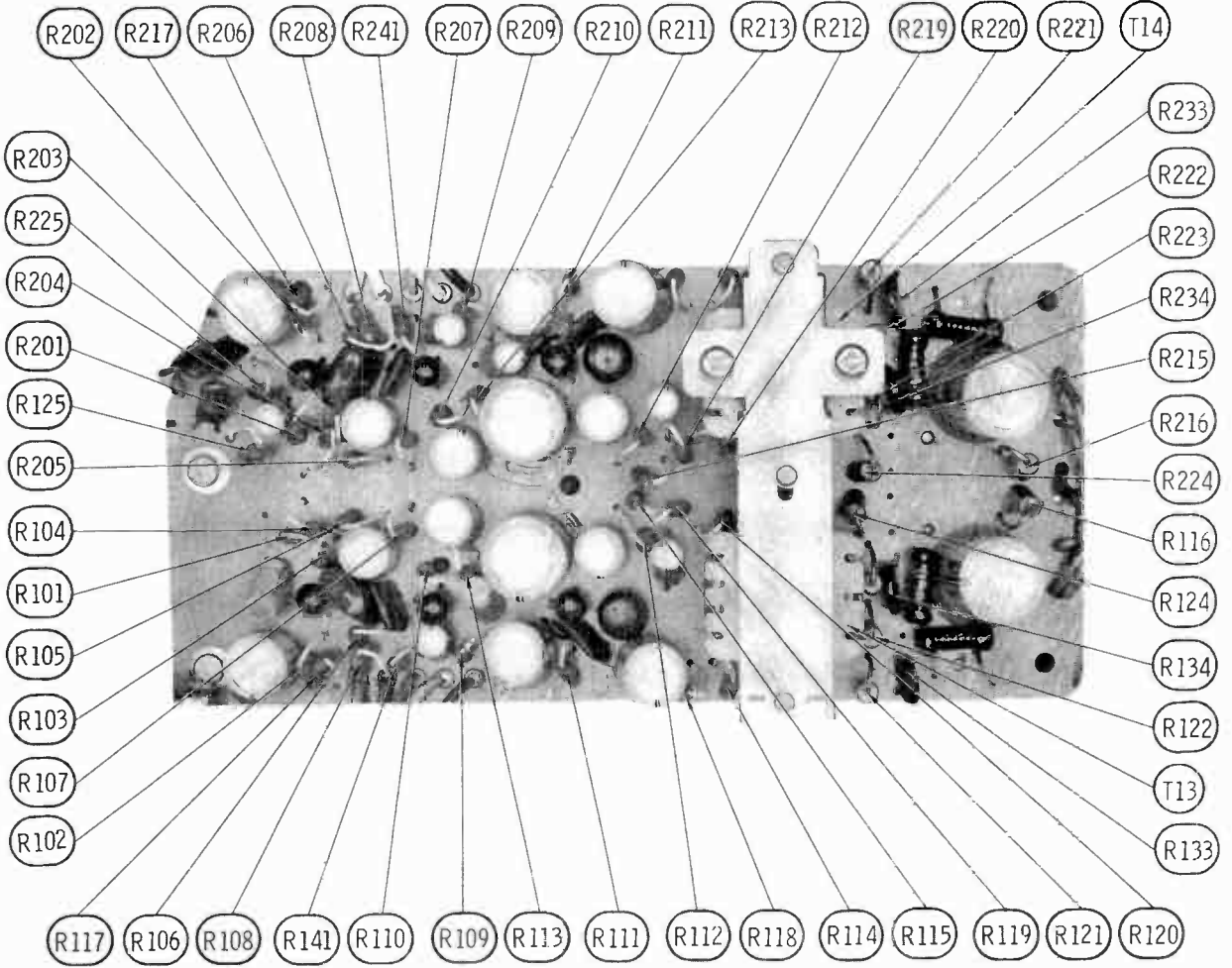


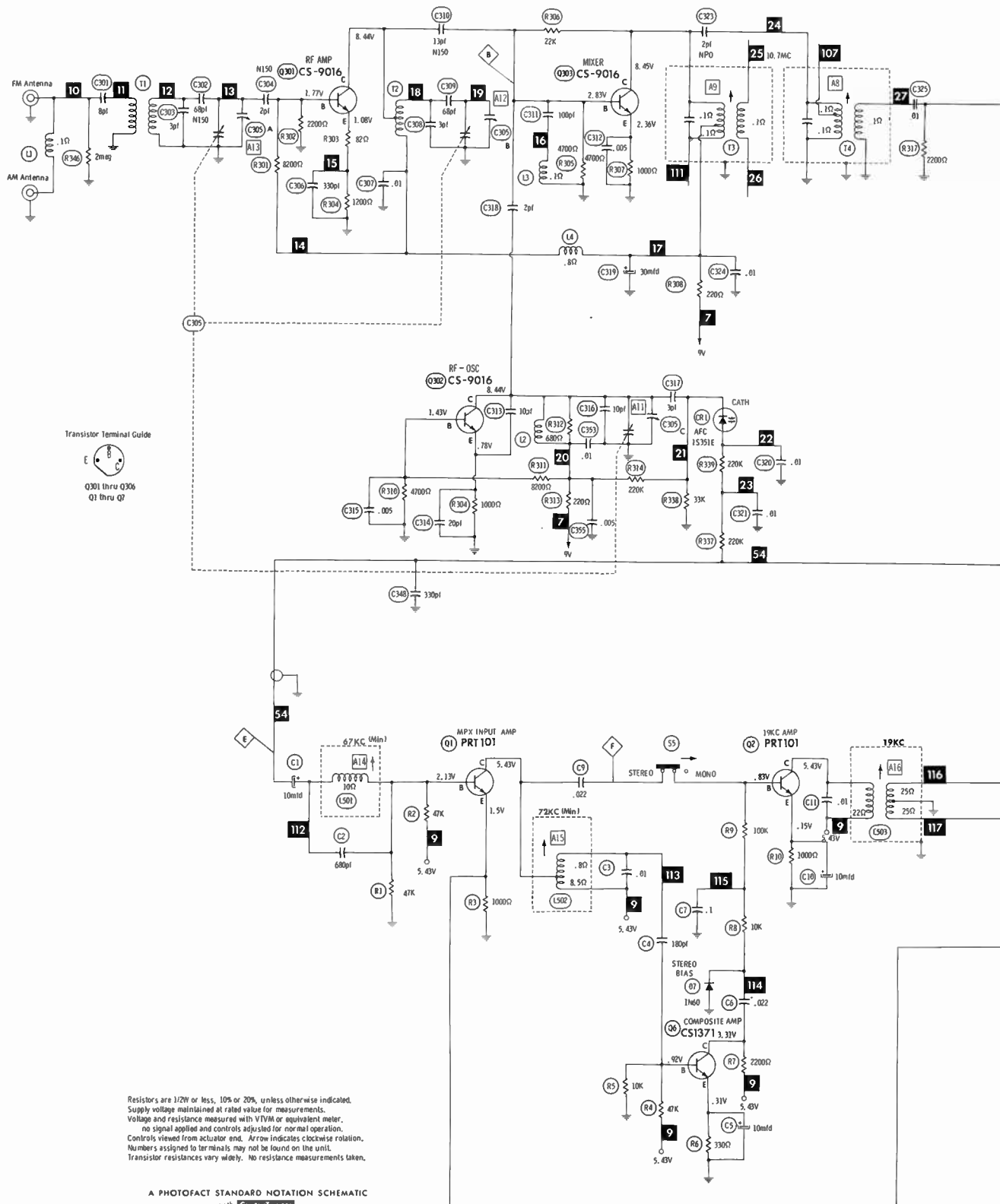


A Howard W. Sams CIRCUITRACE Photo



A Howard W. Sams **CIRCUITRACE** Photo



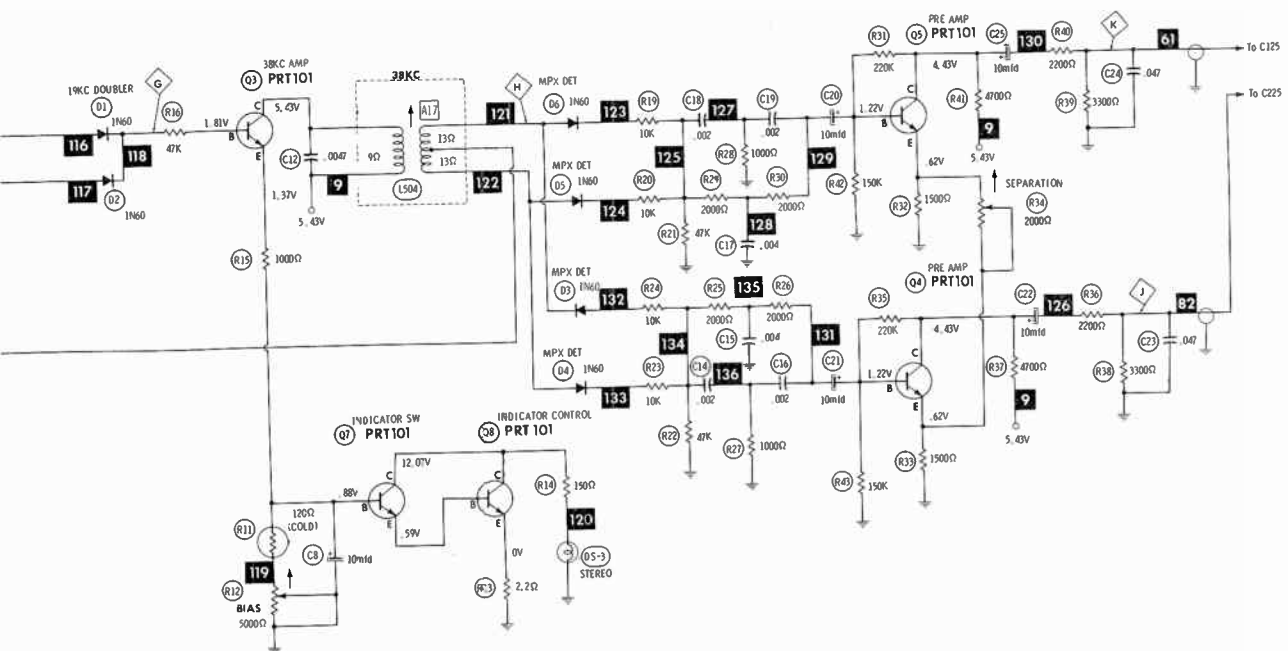
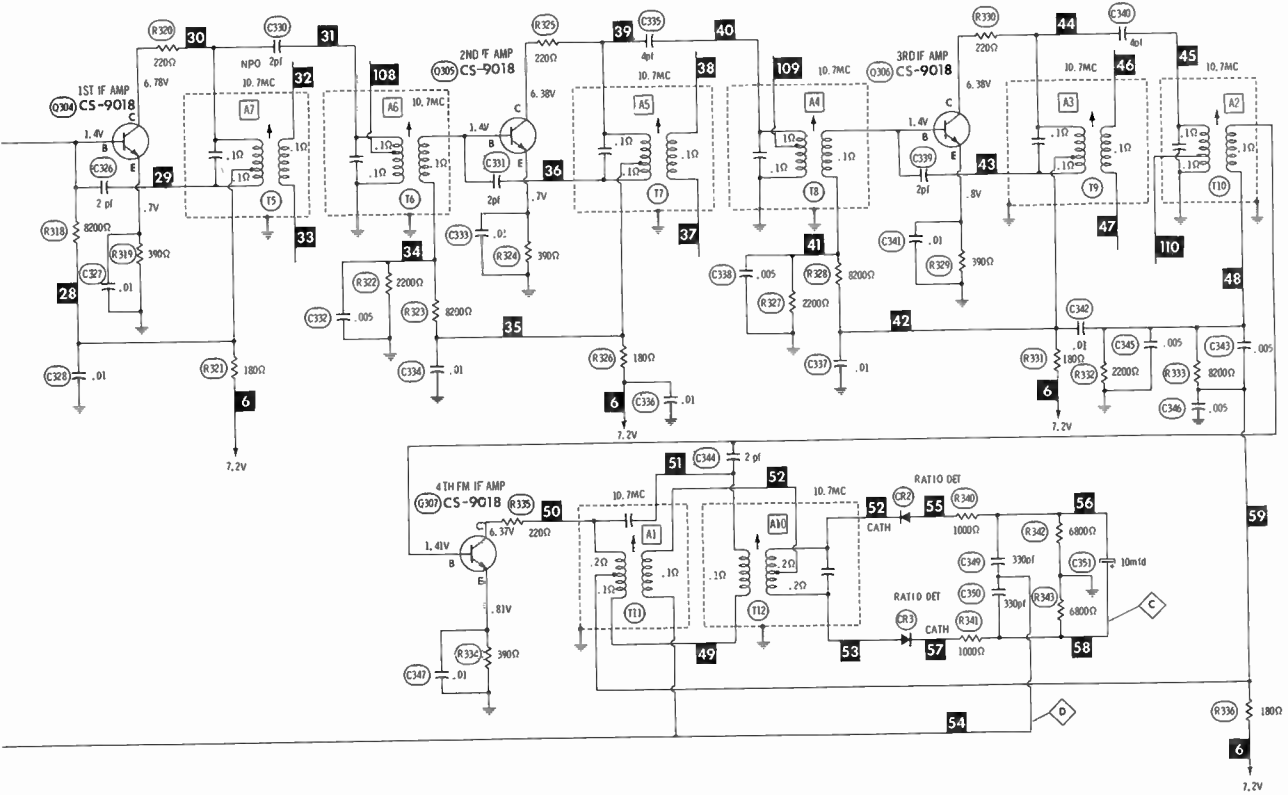


Transistor Terminal Guide

Q301 thru Q306
Q1 thru Q7

Resistors are 1/2W or less, 10% or 20%, unless otherwise indicated. Supply voltage maintained at rated value for measurements. Voltage and resistance measured with VTVM or equivalent meter. no signal applied and controls adjusted for normal operation. Controls viewed from actuator end. Arrow indicates clockwise rotation. Numbers assigned to terminals may not be found on the unit. Transistor resistances vary widely. No resistance measurements taken.

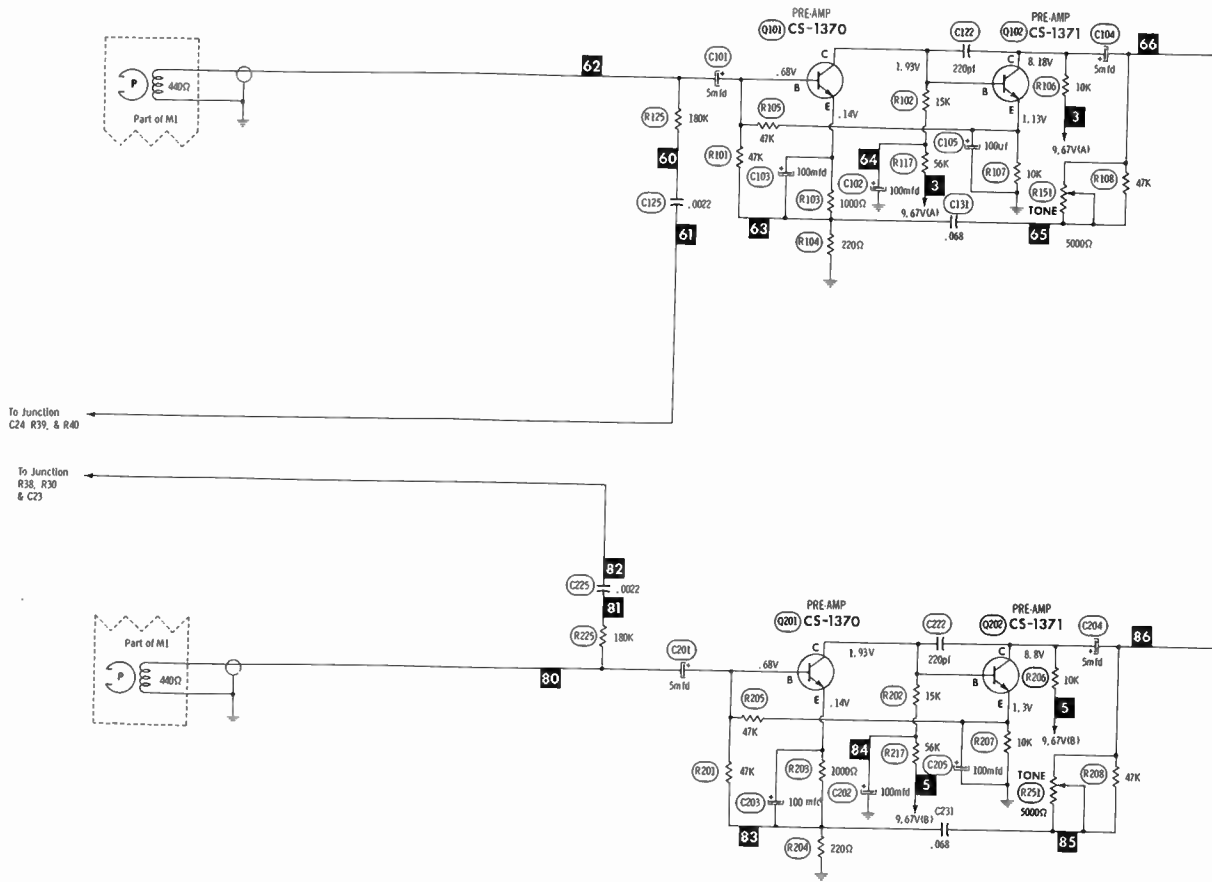
A PHOTOFAC STANDARD NOTATION SCHEMATIC with **CIRCUITRACE**
© Howard W. Sams & Co., Inc. 1970



RANGER MODELS R62-MPX0/2/4

REFER TO PAGES 114-115 FOR STEREO TAPE-STEREO OUTPUT PORTION

NOTE: DEMAGNETIZE HEADS AFTER SERVICING



Speaker Socket Terminal Guide

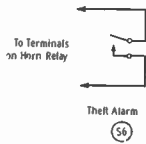


Q9
Q10 thru Q104
Q201 thru Q204

Transistor Terminal Guides



Q105, Q106, Q205 & Q206

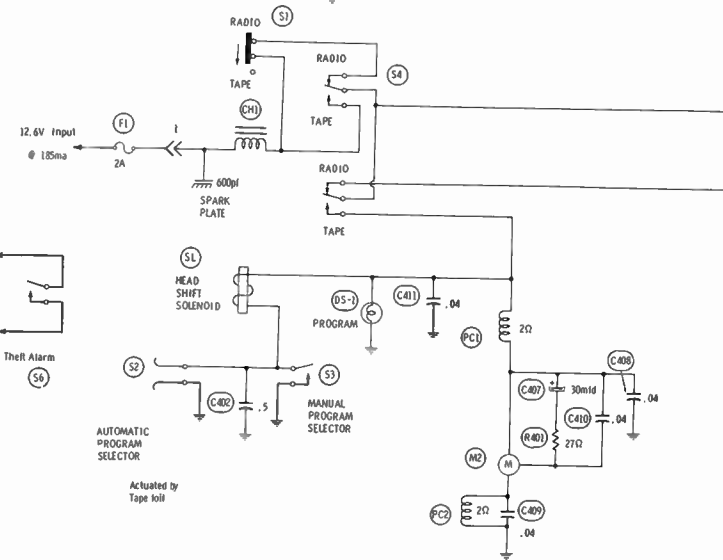


To Terminals on Hsrn Relay

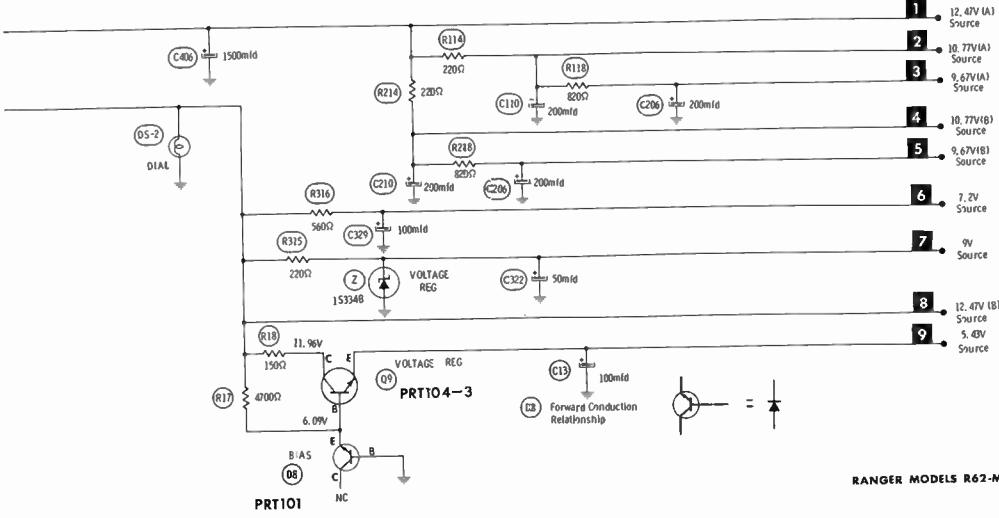
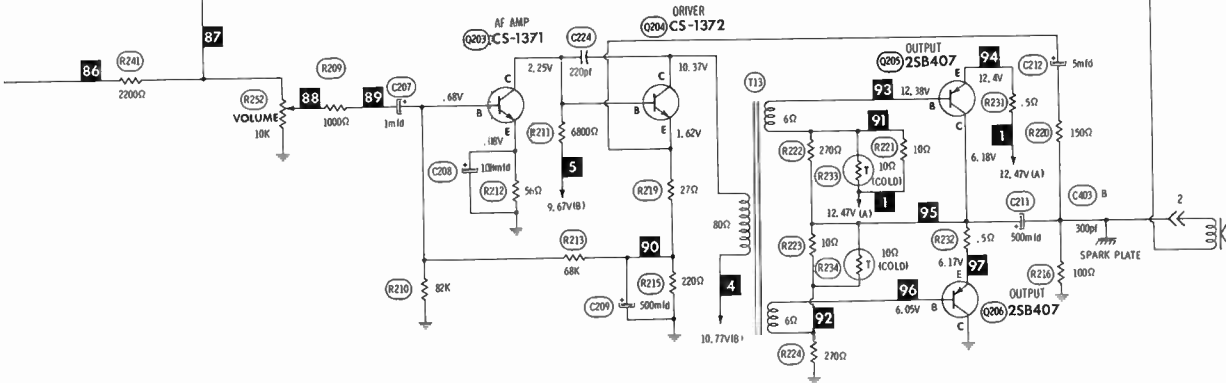
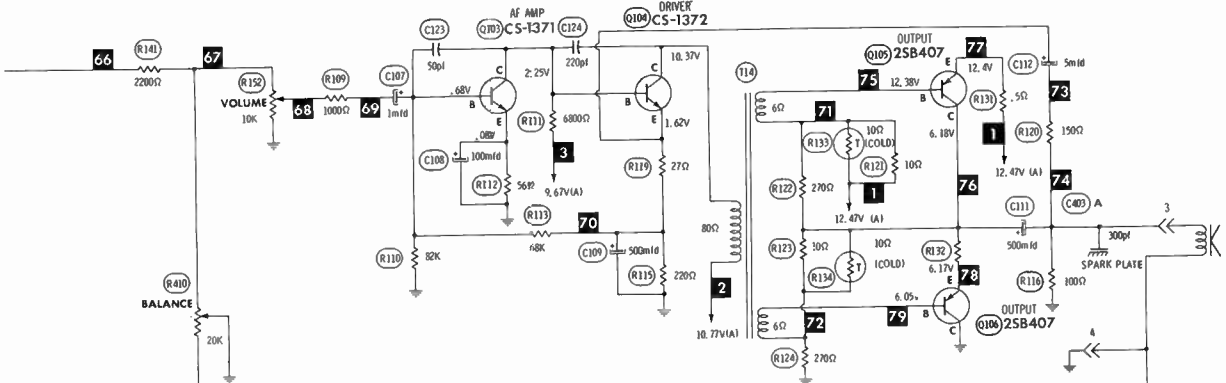
Theft Alarm

Resistors are 1/2W or .165, 10% or 20%, unless otherwise indicated. Supply voltage maintained at rated value for measurements. Voltage and resistance measured with VTVM or equivalent meter, no signal applied and controls adjusted for normal operation. Controls viewed from actuator end. Arrow indicates clockwise rotation. Numbers assigned to terminals may not be found on the unit. Transistor resistances vary widely. No resistance measurements taken.

A PHOTOFAC STANDARD NOTATION SCHEMATIC with **CIRCUITRACE**
© Howard W. Sams & Co., Inc. 1970



REFER TO PAGES 112-113 FOR FM-MPX PORTION



RANGER MODELS R62-MPX0/2/4

PARTS LIST AND DESCRIPTION

(When ordering parts, state Model, Part Number, and Description.)

Replacement parts shown may be superseded by the availability of newly introduced replacements.
Have your local distributor check Sams COUNTER FACTS[®] for the most up-to-date replacement.

TRANSISTORS

ITEM No.	TYPE No.	FUNCTION	REPLACEMENT DATA					
			MFGR. PART No.	GENERAL ELECTRIC PART No.	INTERNATIONAL RECTIFIER PART No.	MOTOROLA PART No.	RCA PART No.	SYLVANIA PART No.
Q8	PRT-101	Bias Regulator	171162-126	GE-18	TR-24	HEP706	SK3020	ECG 123
Q1	PRT-101	MPX Input Amp	171162-124	GE-18	TR-24	HEP706	SK3020	ECG 123
Q2	PRT-101	19KC Amp	171162-124	GE-18	TR-24	HEP706	SK3020	ECG 123
Q3	PRT-101	38KC Amp	171162-124	GE-18	TR-24	HEP706	SK3020	ECG 123
Q4	PRT-101	Preamp	171162-124	GE-18	TR-24	HEP706	SK3020	ECG 123
Q5	PRT-101	Preamp	171162-124	GE-18	TR-24	HEP706	SK3020	ECG 123
Q6	CS1371	Composite Amp	171162-005	GE-18	TR-24	HEP706	SK3020	ECG 123
Q7	PRT-101	Indicator Switch	171162-124	GE-18	TR-24	HEP706	SK3020	ECG 123
Q8	PRT-101	Indicator Control	171162-124	GE-18	TR-24	HEP706	SK3020	ECG 123
Q9	PRT-104-3	Voltage Regulator	171162-125	GE-18	TR-24	HEP706	SK3020	ECG 123
Q101	CS1370	Preamp	171162-004	GE-18	TR-24	HEP706	SK3020	ECG 123
Q102	CS1371	Preamp	171162-005	GE-18	TR-24	HEP706	SK3020	ECG 123
Q103	CS1371	AF Amp	171162-005	GE-18	TR-24	HEP706	SK3020	ECG 123
Q104	CS1372	Driver	171162-006	GE-18	TR-24	HEP706	SK3020	ECG 123
Q105	2S8407	Output (1)	171162-086	GE-18	TR-24	HEP706	SK3020	ECG 123
Q106	2S8407	Output (1)	171162-086	GE-13mp*	TR-01	HEP232	SK3013*	ECG 104mp*
Q201	CS1370	Preamp	171162-004	GE-18	TR-24	HEP232	SK3020	ECG 123
Q202	CS1371	Preamp	171162-005	GE-18	TR-24	HEP706	SK3020	ECG 123
Q203	CS1371	AF Amp	171162-005	GE-18	TR-24	HEP706	SK3020	ECG 123
Q204	CS1372	Driver	171162-006	GE-18	TR-24	HEP706	SK3020	ECG 123
Q205	2S8407	Output (1)	171162-086	GE-18	TR-24	HEP706	SK3020	ECG 123
Q206	2S8407	Output (1)	171162-086	GE-13mp*	TR-01	HEP732	SK3013*	ECG 104mp*
Q301	CS9016	RF Amp	191162-008	GE-17	TR-22	HEP732	SK3018	ECG 108
Q302	CS9016	Oscillator	171162-008	GE-17	TR-22	HEP54	SK3018	ECG 108
Q303	CS9046	Mixer	171162-008	GE-17	TR-22	HEP54	SK3018	ECG 108
Q304	CS9018	1st IF Amp	171162-009	GE-17	TR-22	HEP50	SK3018	ECG 108
Q305	CS9018	2nd IF Amp	171162-009	GE-17	TR-22	HEP50	SK3018	ECG 108
Q306	CS9018	3rd IF Amp	171162-009	GE-17	TR-22	HEP50	SK3018	ECG 108
Q307	CS9018	4th IF Amp	171162-009	GE-17	TR-22	HEP50	SK3018	ECG 108

(1) When replacing, apply silicone grease to both sides of insulator. Tighten mounting screws securely.
* Matched Pair.

POWER RECTIFIERS & SIGNAL DIODES

ITEM No.	MFGR. PART OR TYPE No.	REPLACEMENT RECTIFIERS & DIODES			REPLACEMENT RECTIFIERS	NOTES
		GENERAL ELECTRIC PART No.	INTERNATIONAL RECTIFIER PART No.	SYLVANIA PART No.		
CR1	1S351-B					
CR2	0A79	1N295	1N542 (1)	ECG 110 (1)		Vari-Cap
CR3	0A79	1N295				(1) Matched Pair
Z	1S334-8	GE-Z09.1	1ZM9.1	ECG 139		Zener 9V 25W
D1	1N60	1N60	1N60	ECG 109		
D2	1N60	1N60	1N60	ECG 109		
D3	1N60	1N60	1N60	ECG 109		
D4	1N60	1N60	1N60	ECG 109		
D5	1N60	1N60	1N60	ECG 109		
D6	1N60	1N60	1N60	ECG 109		
D7	1N60	1N60	1N60	ECG 109		

ELECTROLYTIC CAPACITORS

ITEM No.	RATING	REPLACEMENT DATA						
		PART No.	AEROVOX PART No.	CENTRALAB PART No.	CORNELL-DUBILIER PART No.	GENERAL ELECTRIC PART No.	MALLORY PART No.	SPRAGUE PART No.
C1	10 6V		BCD25010	EP6-10	PC10-50	MT1-5	MTV10CB50	TE-1087
C5	10 6V		BCD25010	EP6-10	PC10-50	MT1-5	MTV10CB50	TE-1087
C8	10 6V		BCD25010	EP6-10	PC10-50	MT1-5	MTV10CB50	TE-1087
C10	10 6V		BCD25010	EP6-10	PC10-50	MT1-5	MTV10CB50	TE-1087
C13	100 10V		BCD10100	EP15-100	PC100-16	MT1-19	MTV100CD10	TE-1135
C20	10 6V		BCD25010	EP6-10	PC10-50	MT1-5	MTV10CB50	TE-1087
C21	10 6V		BCD25010	EP6-10	PC10-50	MT1-5	MTV10CB50	TE-1087
C22	10 6V		BCD25010	EP6-10	PC10-50	MT1-5	MTV10CB50	TE-1087
C25	10 6V		BCD25010	EP6-10	PC10-50	MT1-5	MTV10CB50	TE-1087
C101	5 3V		BCD25005	EP6-5	PC5-100	MT1-3	MTV5CB50	TL-1052.2
C102	100 15V		BCD15100	EP15-100	PC100-16	MT1-19	MTV100CF15	TL-1162
C103	100 3V		BCD10100	EP6-100	PC100-16	MT1-21	MTV100CF15	TL-1162
C104	5 6V		BCD25005	EP6-5	PC5-100	MT1-3	MTV5CB50	TL-1084
C105	100 3V		BCD10100	EP6-100	PC100-16	MT1-21	MTV100CB6	TE-1102
C106	200 15V		BCD20200	EA15-250	PC200-16	MT1-23	MTV200CK15	TE-1164
C107	1 3V		BCD50001	EP6-5	PC1-100	MT1-1	MTV1CB50	TE-1080
C108	100 3V		BCD10100	EP6-100	PC100-16	MT1-21	MTV100CB6	TE-1102
C109	500 6V		BCD15500	EA15-500	PC500-16	QT1-30A	MTV500DN15	TL-1141
C110	200 15V		BCD20200	EA15-250	PC200-16	MT1-23	MTV200CK15	TE-1164
C111	500 10V		BCD15500	EA15-500	PC500-16	QT1-30A	MTV500DN15	TL-1141
C112	5 3V		BCD25005	EP6-5	PC5-100	MT1-3	MTV5CB50	TL-1052.2
C201	5 3		BCD25005	EP6-5	PC5-100	MT1-3	MTV5CB50	TL-1052.2
C202	100 15V		BCD15100	EP15-100	PC100-16	MT1-19	MTV100CF15	TE-1162
C203	100 3V		BCD10100	EP6-100	PC100-16	MT1-21	MTV100CF15	TE-1162
C204	5 6V		BCD25005	EP6-5	PC5-100	MT1-3	MTV5CB50	TL-1084
C205	100 3V		BCD10100	EP6-100	PC100-16	MT1-21	MTV100CB6	TE-1102
C206	200 15V		BCD20200	EA15-250	PC200-16	MT1-23	MTV200CK15	TE-1164
C207	1 3V		BCD50001	EP6-5	PC1-100	MT1-1	MTV1CB50	TE-1080
C208	100 3V		BCD10100	EP6-100	PC100-16	MT1-21	MTV100CB6	TE-1102
C209	500 6V		BCD15500	EA15-500	PC500-16	QT1-30A	MTV500DN15	TL-1141
C210	200 15V		BCD20200	EA15-250	PC200-16	MT1-23	MTV200CK15	TE-1164
C211	500 10V		BCD15500	EA15-500	PC500-16	QT1-30A	MTV500DN15	TL-1141
C212	5 3V		BCD25005	EP6-5	PC5-100	MT1-3	MTV5CB50	TL-1052.2
C319	30 10V		BCD15025	EP15-25	PC30-35	MT1-13.5	MTV30CB25	TE-1132.1

PARTS LIST AND DESCRIPTION (CONTINUED)

(When ordering parts, state Model, Part Number, and Description.)

Replacement parts shown may be superseded by the availability of newly introduced replacements.
Have your local distributor check Sams COUNTER FACTS' for the most up-to-date replacement.

ELECTROLYTIC CAPACITORS

ITEM No.	RATING	REPLACEMENT DATA						
		PART No.	AEROVOX PART No.	CENTRALAB PART No.	CORNELL-DUBILIER PART No.	GENERAL ELECTRIC PART No.	MALLORY PART No.	SPRAGUE PART No.
C322	50 10V		BCD15050	EP15-50	PC50-16	MT1-16	MTV50CB15	TE-1133
C329	100 15V		BCD15100	EP15-100	PC100-16	MT1-19	MTV100CF15	TE-1162
C351	10 6V		BCD25010	EP6-10	PC10-50	MT1-5	MTV10CB50	TE-1087
C406	1500 15V		PRS1240	EA15-2000	WBR2000-16	QTI-33	TC1520A	TL-1167
C407	30 15V		WCD15025	EP15-25	PC30-35	MT1-13.5	MTV30CB25	TE-1158

CAPACITORS

ITEM No.	RATING	REMARKS	REPLACEMENT DATA					
			AEROVOX PART No.	CENTRALAB PART No.	CORNELL-DUBILIER PART No.	ELMENCO PART No.	MALLORY PART No.	SPRAGUE PART No.
C2	680			CPR-680J	CD19F0681J03	DM-15-681	SX368	MS-368
C3	.01			CPR-10000J		DM-20-103	SX110	MS-11
C4	180		GPD X5F181K	DD-181	GP180	CCD-181	GP318	10TS-T18
C6	.022		TTP-02	CK-203	MGP02	CCD-203	TA120	TG-520
C7	.1		TTP-1	CK-104			TA010	TG-P10
C9	.022		TTP-02	CK-203	MGP02	CCD-203	TA120	TG-520
C11	.01			CPR-10000J		DM-20-103	SX110	MS-11
C12	.0047			CPR-4700J	CD19FC472J03	DM-19-472	SX247	MS-247
C14	.002		GPD X5F202K	DM-202	GP2000	CCD-202	GP220	2SS-020
C15	.004		TTP-005	CK-502	MGP005	CCD-502	TA250	TG-D50
C16	.002		GPD X5F202K	DM-202	GP2000	CCD-202	GP220	2SS-020
C17	.004		TTP-005	CK-502	MGP005	CCD-502	TA250	TG-D50
C18	.002		GPD X5F202K	DM-202	GP2000	CCD-202	GP220	2SS-020
C19	.002		GPD X5F202K	DM-202	GP2000	CCD-202	GP220	2SS-020
C23	.047		TTP-05	CK-503	MGP05	CCD-503	TA150	TGL-S50
C24	.047		TTP-05	CK-503	MGP05	CCD-503	TA150	TGL-S50
C122	220		GPD X5F221K	DD-221	JBZ601YP221K	CCD-221	GP322	10TS-T22
C123	50		NPO-D1 50	DTZ-50	CX601CG470K	CCTO-510	CN0450	10TCC-Q50
C124	220		GPD X5F221K	DD-221	JBZ601YP221K	CCD-221	GP322	10TS-T22
C125	.0022		GPD X5F222K	DD-222	JBX601YP222K	CCD-222	GP222	10TS-022
C131	.068		TTP-05	CK-503	HOV101ZV503Z	CCD-503	TA150	TGL-S50
C222	220		GPD X5F221K	DD-221	JBZ601YP221K	CCD-221	GP322	10TS-T22
C223	50		NPO-D1 50	DTZ-50	CX601CG470K	CCTO-510	CN0450	10TCC-Q50
C224	220		GPD X5F221K	DD-221	JBZ601YP221K	CCD-221	GP322	10TS-T22
C225	.0022		GPD X5F222K	DD-222	JBX601YP222K	CCD-222	GP222	10TS-022
C231	.068		TTP-05	CK-503	HOV101ZV503Z	CCD-503	TA150	TGL-S50
C301	8		NPO-D1 8.2					10TCC-V82
C302	68		GPD X5F680K	DD-680	NPO68	CCD-680	GP468	10TS-Q68
C303	3		NPO-D1 3.0					10TCC-V30
C304	2		NPO-D1 2.2	DTZ-2R2	CZ601CJ2R20		CN0522	10TCC-V22
C305		#171164-011						
C306	330		GPD X5F331K	DD-331	JBZ601YP331K	CCD-331	GP333	10TS-T33
C307	.01		TTP-01	CK-103	HOY101ZV103P	CCD-103	TA110	TG-S10
C308	3		NPO-D1 3.0					10TCC-V30
C309	68		GPD X5F680K	DD-680	NPO68	CCD-680	GP468	10TS-Q68
C310	13		GPD U2J120K	DD-120	NPO12	CCD-120	GP412	10TS-Q12
C311	100		NPO-D1 100	DTZ-100	CV601CG101K	CCTO-101	CN0310	10TCC-T10
C312	.005		TTP-005	CK-502	HOY101ZV502P	CCD-502	TA250	TG-D50
C313	10		NPO-D1 10	DTZ-10	CZ601CG100J	CCO-100	CN0410	10TCC-Q10
C314	20		NPO-D1 20	DTZ-20		CCTO-200	CN0420	10TCC-Q20
C315	.005		TTP-005	CK-502	HOY101ZV502P	CCD-502	TA250	TG-D50
C316	10		NPO-D1 10	DTZ-10	CZ601CG100J	CCTO-100	CN0410	10TCC-Q10
C317	3		NPO-D1 3.0					10TCC-V30
C318	2		NPO-D1 2.2	DTZ-2R2	CZ601CJ2R20		CN0522	10TCC-V22
C320	.01		TTP-01	CK-103	HOY101ZV103P	CCD-103	TA110	TG-S10
C321	.01		TTP-01	CK-103	HOY101ZV103P	CCD-103	TA110	TG-S10
C323	2		NPO-D1 2.2	DTZ-2R2	CZ601CJ2R20		CN0522	10TCC-V22
C324	.01		TTP-01	CK-103	HOY101ZV103P	CCD-103	TA110	TG-S10
C325	.01		TTP-01	CK-103	HOY101ZV103P	CCD-103	TA110	TG-S10
C326	2		NPO-D1 2.2	DTZ-2R2	CZ601CJ2R20		CN0522	10TCC-V22
C327	.01		TTP-01	CK-103	HOY101ZV103P	CCD-103	TA110	TG-S10
C328	.01		TTP-01	CK-103	HOY101ZV103P	CCD-103	TA110	TG-S10
C330	2		NPO-D1 2.2	DTZ-2R2	CZ601CJ2R20		CN0522	10TCC-V22
C331	2		NPO-D1 2.2	DTZ-2R2	CZ601CJ2R20		CN0522	10TCC-V22
C332	.005		TTP-005	CK-502	HOY101ZV502P	CCD-502	TA250	TG-D50
C333	.01		TTP-01	CK-103	HOY101ZV103P	CCO-103	TA110	TG-S10
C334	.01		TTP-01	CK-103	HOY101ZV103P	CCD-103	TA110	TG-S10
C335	4							10TCC-V39
C336	.01		TTP-01	CK-103	HOY101ZV103P	CCD-103	TA110	TG-S10
C337	.01		TTP-01	CK-103	HOY101ZV103P	CCD-103	TA110	TG-S10
C338	.005		TTP-005	CK-502	HOY101ZV502P	CCD-502	TA250	TG-D50
C339	2		NPO-D1 2.2	DTZ-2R2	CZ601CJ2R20		CN0522	10TCC-V22
C340	4							10TCC-V39
C341	.01		TTP-01	CK-103	HOY101ZV103P	CCD-103	TA110	TG-S10
C342	.01		TTP-01	CK-103	HOY101ZV103P	CCD-103	TA110	TG-S10
C343	.005		TTP-005	CK-502	HOY101ZV502P	CCO-502	TA250	TG-D50
C344	2		NPO-D1 2.2	DTZ-2R2	CZ601CJ2R20		CN0522	10TCC-V22
C345	.005		TTP-005	CK-502	HOY101ZV502P	CCD-502	TA250	TG-D50
C346	.005		TTP-005	CK-502	HOY101ZV502P	CCD-502	TA250	TG-D50
C347	.01		TTP-01	CK-103	HOY101ZV103P	CCD-103	TA110	TG-S10
C348	330		GPD X5F331K	DD-331	JBZ601YP331K	CCO-331	GP333	10TS-T33
C349	330		GPD X5F331K	DD-331	JBZ601YP331K	CCD-331	GP333	10TS-T33
C350	330		GPD X5F331K	DD-331	JBZ601YP331K	CCD-331	GP333	10TS-T33
C352	.047		TTP-05	CK-503	HOY101ZV503Z	CCD-503	TA150	TGL-S50
C353	.01		TTP-01	CK-103	HOY101ZV103P	CCD-103	TA110	TG-S10
C354	.01		TTP-01	CK-103	HOY101ZV103P	CCD-103	TA110	TG-S10
C355	.005		TTP-005	CK-502	HOY101ZV502P	CCD-502	TA250	TG-D50
C401	600	#171110-002			WMF1P5	2DP-5-504	PVC205	2PS-P50
C402	.5	150V		DBE2P47				
C403A	300	#171110-001						
C403B	300							
C408	.04			DD-403			GP140	

RANGER MODELS R62-MPX0/2/4

PARTS LIST AND DESCRIPTION (CONTINUED)

(When ordering parts, state Model, Part Number, and Description.)

Replacement parts shown may be superseded by the availability of newly introduced replacements.
Have your local distributor check Sams COUNTER FACTS[®] for the most up-to-date replacement.

CAPACITORS

ITEM No.	RATING	REMARKS	REPLACEMENT DATA					
			AEROVOX PART No.	CENTRALAB PART No.	CORNELL-DUBILIER PART No.	ELMENCO PART No.	MALLORY PART No.	SPRAGUE PART No.
C409	.04			00-403				
C410	.04			00-403				GP140
C411	.04			00-403				GP140 GP140 GP140

Ranger Part Number.

CONTROLS (All wattages 1/2 watt, or less, unless listed)

ITEM No.	FUNCTION	RESIST-ANCE	REPLACEMENT DATA				
			MFRG. PART No.	CENTRALAB PART No.	CLAROSTAT PART No.	CTS-IRC PART No.	MALLORY PART No.
R12	Bias	5000	171145-012				
R34	Separation	2000	171145-013			X2C1R502B (1)	MTC53L1 (1)
R151	Tone	5000 (A)	171145-023			X201R252B (1)	MTC23L1 (1)
R251	Tone	5000 (B)					
R152	Volume	10K (A)	171145-022				
R252	Volume	10K (B)					
R410	Balance	20K	171145-039				

(1) Cut off one of the end terminals and bend to fit "PC" Board.

RESISTORS (Power and Special)

ITEM No.	RATING	REPLACEMENT DATA			ITEM No.	RATING	REPLACEMENT DATA		
		IRC PART No.	WORKMAN PART No.	MFRG. PART No.			IRC PART No.	WORKMAN PART No.	MFRG. PART No.
R11	120 (Cold)			T05A120	R233	10 (Cold)			175045-004
R133	10 (Cold)			175045-004	R234	10 (Cold)			175045-004
R134	10 (Cold)			175045-004					

COILS (RF-IF)

ITEM No.	USE	REPLACEMENT DATA			
		PART No.	MEISSNER PART No.	MILLER PART No.	WORKMAN PART No.
L1	RF Choke (1uh)	171114-041			
L2	Oscillator	171114-042	19-1000	4602	T855
L3	10.7MC Trap	171114-043			
L4	RF Choke (22uh)	171114-044			
L501	67KC Trap	171114-094	19-6002	6152	TA311
L502	72KC Trap	171114-095			
L503	19KC	171114-096			
L504	38KC	171114-097			
QC1	RF Choke				
PC2	RF Choke				
T1	Antenna	171114-045			
T2	RF	171114-046			
T3	Input IF	171114-047			
T4	Interstage IF	171114-047			
T5	Interstage IF	171114-047			
T6	Interstage IF	171114-047			
T7	Interstage IF	171114-047			
T8	Interstage IF	171114-047			
T9	Interstage IF	171114-047			
T10	Interstage IF	171114-047			
T11	Ratio Detector (Pri)	171114-048			
T12	Ratio Detector (Sec)	171114-049			

FILTER CHOKE

ITEM No.	RATINGS			REPLACEMENT DATA					NOTES
	CURRENT (Measured)	DC RES.	INDUCTANCE (0 CURRENT 1000~)	PART No.	MERIT PART No.	STANCOR PART No.	THORDARSON PART No.	TRIAD PART No.	
CH1	185ma	.3	5.5 MH	171161-010					

TRANSFORMER (Driver)

ITEM No.	TURNS RATIO			REPLACEMENT DATA					NOTES
	PRI.	SEC. 1	SEC. 2	PART No.	MERIT PART No.	STANCOR PART No.	THORDARSON PART No.	TRIAD Part No.	
T13	3.5	1	1	171161-009					
T14	3.5	1	1	171161-009					

PARTS LIST AND DESCRIPTION (CONTINUED)

(When ordering parts, state Model, Part Number, and Description.)

Replacement parts shown may be superseded by the availability of newly introduced replacements.
Have your local distributor check Sams COUNTER FACTS for the most up-to-date replacement.

SPEAKER

ITEM No.	TYPE	REPLACEMENT DATA			NOTES
		PART No.	JENSEN PART No.	QUAM PART No.	
	PM 4 ohms PM 4 ohms				

FUSE DEVICES

ITEM No.	DESCRIPTION	REPLACEMENT DATA						
		PART No.		BUSS PART No.		LITTELFUSE PART No.		WORKMAN PART No.
		DEVICE	HOLDER	DEVICE	HOLDER	DEVICE	HOLDER	DEVICE
F1	2 Amp	171128-001		AGC 2	H0J	312002	150145	

TAPE HEADS

ITEM No.	MEASURED			PART No.	NORTRONICS PART No.	DESCRIPTION
	INDUCTANCE	BIAS/ERASE VOLTS (RMS)	BIAS FREQ.			
M1	450mh			171115-002	5800 (1)	8-Track Stereo Play (1) Use original mounting.

MISCELLANEOUS

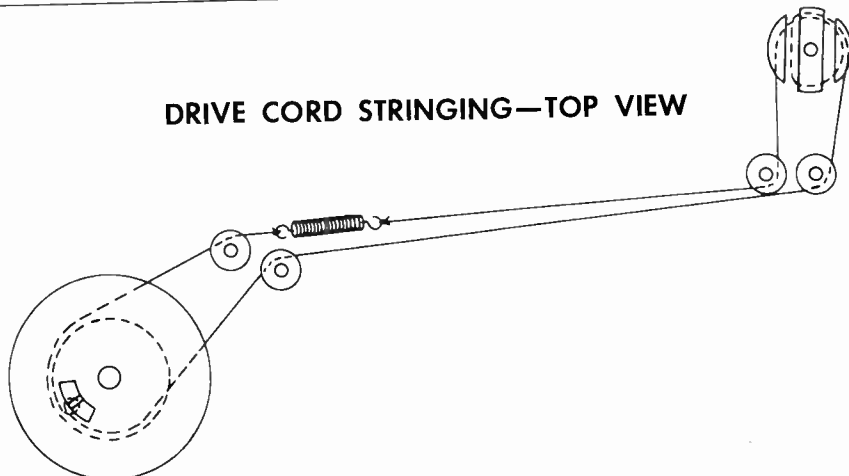
ITEM No.	PART NAME	PART No.	NOTES
OS-1	Program Indicator Lamp	175050-015	
OS-2	Dial Lamp	175050-015	
OS-3	Stereo Indicator Lamp	175050-495	
M2	Motor	171115-005	
SL	Solenoid	171161-012	
S1	Switch, Power	171158-017	
S2	Switch, Automatic Program Selector		
S3	Switch, Manual Program Selector	171158-002	
S4	Switch, Tape-Radio	171158-018	
S5	Switch, Mono-Stereo	171158-041	
S6	Switch, Theft Alarm	171158-039	

CABINETS & CABINET PARTS (When ordering specify model, chassis & color)

ITEM	PART No.	ITEM	PART No.
Door & Pointer Assembly	171119-010	Knob, Volume or Tone	171134-003
Knob, Selector	171107-001	Knob, Fine Tuning	171134-004
Knob, Balance	171134-007	Bezel	171125-008
Knob, Tuning	171134-008		

WIRING DATA

General-use Unshielded Hook-up Wire	Use BELOEN No. 8530 (Solid) Available in 12 Colors
	8524 (Stranded) Available in 12 Colors
Shielded Hook-up Wire	Use BELOEN No. 8885
Rear Seat Speaker Extension Cable	Use BELOEN No. 8782 (Stranded) Coded Parallel Leads
Bonding Strap	Use BELOEN No. 8661 (3/8 In.) or 8670 (3/4 In.)



RANGER MODELS R62-MPX0/2/4

INDEX

This index lists all radios appearing in "Auto Radio Manuals" and "PHOTOFACT Auto Radio Series"

KEY

(EP) Early Productions

(LP) Late Productions

(REV) Revised

KEY	(EP) Early Productions	(LP) Late Productions	(REV) Revised
AIRCATTLE	ALLIED	AMERICAN MOTORS	AUDIO/STEREO
610.A67 4	19B4191 60	(CONT.)	A-12 53
610.FE-153 52-53	19B4192 62	P8MA 68 Ambassador,	A-30 52
Ford 4		Rebel 62	A-40 57
610.W-100 5		RV4R 64 Rambler 24	A-45 64
	ALLIS CHALMERS	6SMR 66 Ambassador,	A-50 60
AIR CHIEF (See Firestone)	7BT 249523 44	Classic,Marlin 35	A-90 50
	7BTX 50	7SMR 67 Ambassador,	A-100 50
AIRLINE (Also See Riverside)		Marlin,Rebel 50	
	ALLSTATE	8SMG (8992251)	AUSTIN HEALEY
FJB-6590A 55 Ford 6	5018 22	68 Javelin 68	HAC700 4TMB 30
35BR-6796A 5	5028 Ch.528.50280/	8SMR 68 Ambassador,	
61-6787 52 Ford 5	50281 7	Marlin,Rebel 50	AUTOMATIC
61-6788 52-53 Ford ... 5	5033 Ch.528.50330/	22BA R22BA 62 Rambler	AC-4558 64 Comet 27
61-6789 51-52 Chev. ... 5	50331 7	American 18	ACP-3044 63 Comet 23
61-6792 53 Dodge 4	5050 30	22BAM R22BAM 62	ACP-4559 64 Comet 27
61-6793 53 Chev. 5	5066 26	Rambler American 18	ACS-6000 73
61-6794 53 Plym. 5	5098 Ch.833.50980 9	8990377 6MR 56	ATC-60 59-60 Chev. 15
61-6795 53 Merc. 5	5099 Ch.833.50990 9	Rambler 6	BAP-9 59 Buick 13
61-12601 Tractor 5	6225 Ch.528.55040/	8990378 6MA 56 Hudson	BAP-20 60 Buick 14
	55041 11	& Nash 6	BAP-4530 64 Buick 28
AIWA	6231 Ch.528.62310 9	8990378 7GMA 57	BAR-8209 68 Barracuda,
TP-718 48	6232 Ch.528.62320 9	Hudson & Nash 6	Plymouth 60
	6240 Ch.528.62400 5	8990455 7MR 57	BP-340 60 Buick 14
	6256 Ch.528.55040/	Rambler 6	BP-668 57-58 Buick 12
ALL AMERICAN	55041 11	8990494 8MA 58	BP-679 59 Buick 13
CEP-764T 64	6263 Ch.528.6263 5	Hudson,Nash &	BP-3081 63 Buick 23
Chevelle 31	6263-2 Ch.528.6263-2. 5	Rambler 8	BP-4030 64 Buick 28
CHP-164T 64 Chev. 31	6264 Ch.528.6264 5	8990543 83MR 58	BP-7160 66-67 Buick 62
CHP-165T 65 Chev. 33	6264-1 Ch.528.6264-1. 5	Rambler 8	C-12 11
CHP-564T 64	6266 Ch.528.6266 5	8990576 94MA 59	C-300 2
Chevy II 31	6268 Ch.62680/81 7	Rambler 9	C-300 Rev. 40-50
CTP-264T 64 Comet 31	6269 Ch.62690/91 7	8990582 93MA 59	Chev. 6
CYP-465T 64 Chrysler. 33	6284 Ch.528.6284 4	8990706 04MA 60	C-349 59 Chev. 11
DAP-864T 64 Dart 31	6287-4 Ch.528.6287-4. 4	Rambler 10	C-382AT 19
DAP-865T 64 Dart 33	6295-6 Ch.528.6295-6. 4	8990811 03AR 60	C-382AT 62 Chev L.P. 24
DOP-864T 64 Dodge 31	6330 Ch.528.63300 5	Rambler 12	C-338-C 58 Chev. 12
DOP-865T 65 Dodge 33	750.62380/81/90/91,	8990831 13MAM 60	C-3001 63 Chev. 23
FAP-264T 64 Falcon 31	750.62890 25	Rambler 14	C-4049 64 Chev. 28
FLP-264T 64 Fairlane. 31	833.5049 30	8990832 13MA 60	C-4049N 64 Chev. 37
FOP-264T 64 Ford 31	833.50180B 31	Rambler 14	C-5003 65 Chev. 29
FOP-265T 65 Ford 33	833.50181 27	8990833 14MR 61	C-5003N 65 Chev. 39
MEP-264T 63-64 Merc. 31	833.50202 27	Rambler 15	C-6051 66 Chev. 37
MEP-265T 65 Merc. 33	833.50490 30	8990981 21MR 62	CA-109 59 Chev. 11
PLP-464T 64 Plym. 31	833.50930 28	Rambler 29	CA-3041 63 Chev. 23
PLP-465T 65 Plym. 33	833.50931 64 VW 28		CA-4549 64 Chev. 28
PLPF-465T 65 Fury 33	833.62741 28	ANGLIA	CA-4549N 64 Chev. 37
RAAP-1065T 65	833.62743 32		CA-5503N 65 Chev. 37
Rambler American 33	833.62800 30	6BEF 66 39	CAE-3064 63 Olds. 23
RAP-364T 64 Rambler ... 26	833.63070 28		CAP-49 59 Chev. 14
RAP-365T 65 Rambler ... 33	833.500510 65 Chev. 32	A.R.C.	CAP-60 59-60 Chev. 14
SM-130RPE 26	833.501220 30	2500 33	CAP-3042 63 Chev. 23
UP-220RPT 26	833.501230 65 Dart 30	ARVIN	CAP-4550 64 Chev. 28
VAP-464T 64 Valiant ... 31	833.501920 65 Comet 30		CAP-4550N 64 Chev. 37
VAP-465T 65 Valiant ... 33	833.503050 65 Fury 30	60Y53-19 Ch.1.45701 .. 67	CAP-5504N 65 Chev. 37
VWP-19T 58-64 VW 26	833.503060 65		CAP-6552 66 Chev. 39
VWP-19T 65 Prod VW ... 34	Belvedere 30	ATR KARADIO	CAV-4548 64 Chevelle. . 28
	833.623690 30		CEF-119 English Ford
ALLCAR	833.624211 64 VW 28		Consuls 15
R-1 65 Plym. 34	833.624630 30	BKS410 61-62 Buick	CET-6750 58
R-2 65 Fury 34	833.625510 65 Chev. 30	Special 27	CFE-6745 59
R-3 65 Valiant 34	833.627420 28	CT412 61-62 Chev. 27	CFM-3090 22
R-4 65 Coronet 34	833.628000 30	CR414 60-62 Corvair ... 27	CFM-6255 66 Chev. 66
R-5 65 Dart 34	834.50480 32	COT416 60-62 Comet ... 27	CM-333 53 Chev. 4
R-6 65 Polara 34	835.62460 29	DED418 62 Dart 27	CMP-7217 67 Cougar 60
R-7A 65 Newport 34	856.62450 27	FD422 60-62 Falcon ... 27	CMR-7151 67 Camaro ... 60
R-7B 65 Chrysler 300. 34	856.62470 52	LR424 62 Lancer 27	CMR-8252 67-68 Camaro 60
R-7C 65 New Yorker ... 34		MY426 62 Merc. 27	CP-478-C 58 Chev. 12
R-9 65 Chev. 34	AMERICAN MOTORS	OEF428 61-62 F-85 27	CP-489-F 59 Chev. 14
R-10 65 Chevelle 34	(See Hudson,Nash &	PH430 62 Plym. 27	CP-500 59-60 Chev. 14
R-11 65 Chevy II 34	Rambler)	PCT432 61-62 Tempest. 27	CP-511AT 61 Chev. 16
R-16 65 Corvair 34	A8MG (8992290)	TR720N 29	CP-522AT 19
R-18 65 Pontiac 34	68 Javelin 65	TR1279-6V 11	CP-522AT 62 Chev L.P. 24
R-19 65 Olds. 34	AF6TMR page 120 66	TR1279-12V 11	CP-3002 63 Chev. 23
R-20 65 Tempest 34	Ambassador,Classic, .. 28	TT-727 Tractor Radio. 29	CP-4050 64 Chev. 28
R-21 65 Olds. F-85 34	Marlin 28	VT434 62 Valiant 27	CP-4050N 64 Chev. 37
R-22 65 Buick 34	AF7SMR 67 Ambassador,	401 27	CP-5004 65 Chev. 29
R-23 65 Galaxie 34	Marlin,Rebel 44	606 19	CP-5004N 65 Chev. 37
R-24 65 Fairlane 34	F8SMG (8992252)	612 19	CP-6052 66 Chev. 39
R-25 65 Mustang 34	68 Javelin 68	707 22	CP-8254T 68 Chev. 60
R-26 65 Falcon 34	F8SMR 68 Ambassador,	1279-6V 11	CPA-3047 63 Corvair ... 23
R-28 65 Comet 34	Rebel 63	1279-12V 11	CPA-4533 64 Corvair ... 28
R-29 65 Merc. 34	P7MA 67 Ambassador,		CPV-4048 64 Chevelle. . 28
R-32 65 Buick Spl. 34	Marlin,Rebel 47		CPV-5007 65 Chevelle. . 29
			CPV-7154 67-68
			Chevelle 71
			AUTOMATIC (CONT.)
			CPV-8256 68 Chevelle ... 60
			CR-3006 63 Corvair ... 23
			CR-4034 64 Corvair ... 28
			CRA-3046 63 Corvair ... 23
			CRA-4534 64 Corvair ... 28
			CRP-6056 65-66 Corvair 62
			CRP-442A/AT 63
			Corvair 23
			CRP-3007 63 Corvair ... 23
			CRP-4033 64 Corvair ... 28
			CRP-5009 65 Corvair ... 29
			CRP-6056 65-66 Corvair 62
			CRP-7156 65-66 Corvair 62
			CT-356 55-56 Chev. 13
			CT-387 57 Chev. 12
			CT-4058 64 Comet 27
			CTP-792AT 62 Comet 23
			CTP-3004 63 Comet 23
			CTP4059 64 Comet 27
			CTP-5071 65 Comet 29
			CTP-7211A 67 Mercury
			Comet 62
			CTR-6A 55-56 Chev. 12
			CTR-6B 55-56 Chev. 13
			CTR-77A 57 Chev. 9
			CU-39 12
			CY-3010 63 Chevy II ... 23
			CY-4025 64 Chevy II ... 28
			CY-5006 65 Chevy II ... 29
			CYP-3009 63 Chevy II ... 23
			CYP-4032 64 Chevy II ... 28
			CYP-5005 65 Chevy II ... 29
			CYP-7158 66-67 Chevy II
			II 60
			D-2 59 Renault
			Dauphine 12
			D-8 59 Renault
			Dauphine 12
			DAD-6508 66 Dart 39
			DAP-39 59 Dodge 13
			DD-5125 65 Dart 30
			DD-5125N 65 Dart 270. . 35
			DD-6008 66 Dart 39
			DDF-378 67 Dodge 61
			DE-300 60 DeSoto 14
			DE-3077 63 Dart 22
			DE-3078 63 Dart 22
			DEP-4154 27
			DEP-4654 27
			DEP-6204 57
			DET-28 57-58 DeSoto ... 9
			DFM-3095 26
			DHP-7133 67 Dodge Dart 62
			DM-132 53 Dodge 5
			DMF-7372 67 Dodge 61
			DP-6 57-59 Renault
			Dauphine 12
			DP-11 57-59 Renault
			Dauphine 12
			DP-3082 64 Dodge 880. . 26
			DP-4107 64 Dodge 880. . 26
			DP-5127N 65 Dodge 880,
			Polara,Monaco 35
			DP-8214 67-68 Polara,
			Monaco 60
			DRX-7117 66-67 Dodge
			Charger 62
			DTX-67A 57-58 Dodge ... 12
			DTX-68 57-58 Dodge ... 12
			DUP-42 20
			DUP-44 20
			DUP-451 27
			DUP-4651 27
			DUP-6202 57
			DX-100 60 Dart,DeSoto,
			Dodge 14
			DX-619 59 Dodge 13
			DX-3013 63 Dodge 22
			DX-5121 65 Coronet ... 30
			CP-5004 65 Chev. 29
			DX-5121N 65 Coronet ... 35
			DX-7111 66-67 Dodge
			Coronet 62
			DX-8212 68 Coronet ... 60
			DXA-50 60 Dart,DeSoto,
			Dodge 14
			DXA-3053 63 Dodge 22
			EM-29 21
			EP-108 58 Edsel 12

BORG-WARNER (CONT.)	VOL.	BUICK (CONT.)	VOL.	CHEVROLET (CONT.)	VOL.	CHEVROLET (CONT.)	VOL.	CHRYSLER (Also See Mopar)	
4000 - Mark II(P7Mw)	62	7298934 67 Buick	43	91BPB1 (7308211)		986863 67 Corvair	41	382 68 Chrysler	55
4000 - Mark II(P7Mw2)		7298944 67 Buick	45	69 Chev.	68	986864 67 Corvair	41	723 68 Chrysler	55
(LP)	63	7298954 67 Riviera	44	91BT411/12/21/22		986865 67 Corvair	43	724 68 Chrysler	55
BRITISH MOTORS CORP.		7298964 67 Riviera	43	69 Acadian, Camaro,		986868 67 Chevy II	41	2820635 (376) 68	51
		7298974 67 Riviera	45	Chevelle, Chev.,		986869 67 Chevy II	41	2864924 (393) 68	53
		7302504 68 Special	54	Chevy II	67	987086 55	5	2884286 (328)	
		7302514 68 Special	50	91VFP1 69 Camaro,		987087 55	5	69 Chrysler	64
		7302524 981314 68		Chevelle, Chev.,		987088 55	5	2884 287 (402)	
6SMB 66 Austin Healey		Buick, Riviera	51	Chevy II, Acadian	61	987187 55 Truck	6	69 Chrysler	73
3000, Mark III, Sprite,		7302524-B 68 Buick	58	91TPB1 69 GM & GMC	59	987366 56 See Model		2884633 (89MC)	
MGB, MG Midget and		7302534 68 Buick &		91VFM2 (7303211)		987088	5	69 Coronet, Charger,	
MG-1100	53	Riviera	50	69 Corvette	70	987368 56	6	Belvedere, Satellite	65
7SMB 67 Austin Healey		7302544 68 Buick,		91VFP1 (7302721)		987573 57	7	3420560 (1CH2901)	
3000, Mark III, Sprite,		Riviera	51	69 Corvette	73	987575 57	7	69 Chrysler	68
MG8, MG Midget and		7303994	48	91VMP11 (7303201)		987577 57	7	CLETRON	
MG-1100	53	7304884, A 68 Buick,		69 Corvair	70	987693 57	7	RU-101	27
		Riviera, Special	51	91ZPB1 69 Corvair	59	987724 58	8	RU-104	27
BUICK				985036 61 Truck	16	987727 58	8		
048PB2 70 Buick	73	CADILLAC		985158 62 Corvair	17	987730 58	9		
04EPB2 70 Riviera	73			985159 62 Corvair	18	987888 59	10	COMET (See Mercury)	
94AFP1 (7306914)		95CFM2 69	63	985203 62 Corvair		987891 59	10	CONTINENTAL	
69 Special	70	95CFM3 69	63	Trucks	17	987893 59	10	(See Lincoln)	
94APB1 67 Special	61	95CFP1 (7307615) 69	74	985227 62 Truck	18	988062 60 Corvair	12	CORONADO	
94BFM1/EFM1 69 Buick,		95CFP2 (7307615)		985264 62	17	988080 60 Truck	13	35RA2-43-5101A	5
Riviera	67	69 1/2	74	985315 62 Corvair	18	988275 60	12	CORTINA	
94BFM2/EFM2 69 Buick,		95CMP11 69	63	985332 62	18	988276 60	12	6BEF 66	39
Riviera	67	95CT411 (7311205) 69	71	985383 62 Corvette	17	988336 61 Truck Series		7BEFX 67 Cortina	50
94BFPI (7306934)		95CT412 (7311205)		985396 63 Corvette	20	95	15	CORVAIR (See Chevrolet)	
69 Buick	70	69 1/2	71	985431 63	19	988413 61	15	CORVETTE (See Chevrolet)	
94BPB1 69 Buick	62	95CWB1/2		985432 63	19	988414 61	14	CRAIG	
94BPB2 69 Buick	62	(7307205) 69	70	985443 63 Corvair		988468 61 Corvair	15	3104	54
94BT411 69 Riviera,		7264165, 7264185 54	5	Truck	19	3711897 55 Corvette	6	3110/A	55
Special	68	7265825, 7265845 55	6	985447 63 Corvair	19	3725156 56-57			
94BT412 69 1/2		7266505, 7266535 56	6	985449 63 Corvair	19	Corvette	7		
Riviera, Special	68	7268005 57	7	985453 63 Chevy II	19	3748611 58 Corvair	9		
94EFP1 (7306964)		7268035 57 Ambulance	7	985455 63 Chevy II	19	7296341 986731 66			
69 Riviera	70	7268085 58 Brougham	8	985471 63 Truck	20	Caprice	37		
94EPB1 69 Riviera	62	7270405 58	8	985672 64 Chev.		7296351 986644 FM			
94EPB2 69 Riviera	62	7270555 58 Ambulance	8	Truck	24	Stereo	37		
980051 60	12	7272505 59	10	985686 63	21	7297901 68 Camaro	49		
980052 60	13	7274905 60	12	985694 63	20	7298501 67 Chev.			
980132 61 Special	15	7274925 60, 75 Series	12	985773 64 Chevelle	24	Truck	44		
980134 61	16	7276605 61	16	985776 64 Chevelle	23	7299111 68 Corvair	49		
980135 61	14	7279615 62	18	985815 64 Corvair		7299561 66 Caprice	37		
980296 62	17	7281225 62	18	Truck	24	7300471 67 Chev.	43		
980297 62	18	7282315 63	19	985831 64 Corvair	24	7300481 67 Chev.,			
980316 62 Special	19	7283295 63	20	985832 64 Corvair	23	Chevelle, Corvair	44		
980462 63	19	7286315 L.P. 63-64	25	985875 64 Chev.	24	7300491 67 Chev.	43		
980463 63	21	7290255 65	31	985876 64	23	7300941 67 Chev.,			
980464 L.P. 63	20	7290545 65	31	985877 64 Chev.	24	Camaro, Chevelle,			
980464A L.P. 63	20	7293015 66 Cadillac	38	985916 64 Chev. Van	24	Corvair	42		
980626 63	21	7293025 66 Cadillac	38	985921 64 Corvair	24	7301001 67 Camaro	44		
980635 63	21	7293905 990553 66	36	985957 64 Chevy II	24	7301001 68 Camaro	48		
980649 64 Buick Spl	25	7293915 990552 66	37	985958 64 Chevy II	23	7301001 68 Chevy II	49		
980655 63 Special	20	7298465 67 Cadillac	44	986096 65 Chev.	29	7302451 68 Corvair			
980657 64	25	7298475 67 Cadillac	45	986099 65 Chev.	29	7302721 68 Corvette			
980659 64	25	7298485 67 Cadillac	45	986101 65 Chev.	29	(68 Models)	52		
980869 65 Buick	29	7298485 68 Cadillac	56	986113 65 Corvair	29	7302721 69 Corvette			
981320 53, Series 40	4	7303215 68 Cadillac	51	986116 65 Corvair	31	(69 Models)	73		
981321 53, Series 50 &		7303225 68 Cadillac	56	986118 66 Corvair	36	7303121 68 Chevelle	48		
70	4	7307615 69 & 69 1/2	74	986118 66 Corvair	38	7303131 68 Chevelle	49		
981323 53, Series 50 &		CHANNEL MASTER		986201 65 Chevelle	29	7303201 68 Corvair	53		
70	4			986202 65 Chevelle	31	7303211 68 Corvair	53		
981550 54, Series 40,		6540	21	986203 65 Chevelle	29	7303231 68 Chev.	48		
50 & 70	4	6541	35	986248 65 Chevy II	29	7303241 68 Camaro	48		
981551 54, Series 40,		6542	35	986250 65 Chevy II	31	7303311 68 Chev.	48		
50 & 70	5	6543	42	986252 65 Chevy II	29	7304161 68 Camaro	48		
981651 55 See Model		CHEVELLE (See Chevrolet)		986281 65 Corvair	31	7304611 68 Chev.	49		
981550	4	CHEVROLET		986330 65 Chev. Truck	29	7304621 68 Chevelle	58		
981652 55	5			986338 65 Chev. Truck	29	7305201 68 Camaro	49		
981707 56	6	01BFP1/2 70 Acadian,		986339 65 Chev. Truck	29	7305211 68 Camaro	49		
981708 56	6	Chevelle, Chevrolet,		986374 65 Chev.	29	7305301/A 68 Chevelle,			
981813 57	7	Chevy II, Monte Carlo	74	986376 65 Chevelle,		Chevy II	49		
981814 57	7	01BPB1/2 (7313091) 70,	70	986521 66 Chevy II	38	7305311 68 Chevelle	55		
981902 58	8	01BPT1/2 70 Acadian,		986522 66 Chevy II	36	7305441 67 Chev.	48		
981903 58	8	Chevelle, Chevrolet,		986527 66 Chevelle	38	7305451 68 Chev.	49		
981968 59	10	Chevy II, Monte Carlo	74	986528 66 Chevelle	36	7306121 68 Chev.	58		
981969 59	11	01VFP1/2 70 Corvair	74	986529 66 Chevelle	38	7306361 68 Chevelle	55		
981970 59	10	81AT412 68 Chevelle,		986544 66 Chev.	38	7307121 68 Chev. Truck	51		
7285424 65 Buick	30	Chevy II	49	986545 66 Chev.	35	7307801 (Similar to			
7285444 65 Riviera	31	81AT422 68 Chevelle	55	986546 66 Chev.	37	page 51)	44		
7288794 65 Riviera	31	91AMP11 69 Chevelle	61	986668 53	4	7307811 (Similar to			
7289714 65 Special	30	91APB1 69 Chevelle,		986669 53	4	page 41)	48		
7289734 65 Riviera	30	Camaro, Chevy II,		986769 66 Chev. Truck	36	7307821 (Similar to			
7289754 65 Buick	31	Acadian	59	986771 54 Truck	5	page 41)	48		
7289774 65 Buick	31	91BFM2 69 Camaro,		986773 66 Chev. Truck	36	7307831 (Similar to			
7293604 981059 66		Chevelle, Chev. Chevy II,		986823 67 Camaro	41	page 22)	49		
Buick Spl	35	Acadian	61	986824 67 Camaro	42	7307841 (Similar to			
7293614 66 Buick	36	91BFP1 69 Camaro,		986835 67 Camaro	41	page 22)	49		
7293634 66 Buick	37	Chevelle, Chev. Chevy		986845 67 Chev.	41	7307851 (Similar to			
7293644 66 Buick	38	II, Acadian	60	986846 67 Chev.	42	page 41)	48		
7293654 66 Riviera	36	91BMP11 69 Chev.	61	986847/A 67 Chev.	42	7307861 (Similar to			
7293674 66 Riviera	37	91BMP21 69 Camaro,		986852 67 Chevelle	41	page 22)	49		
7293684 66 Riviera	38	Chevelle, Chev., Chevy		986853 67 Chevelle	41				
7293914 66 Special	37	II, Acadian	60	986854 67 Chevelle	43				
7297944 66 Buick	36								
7298904 67 Special	44								
7298914 67 Special	43								
7298924 67 Buick	44								

MODEL (CONT.)	VOL.	FORD (CONT.)	VOL.	FORD (CONT.)	VOL.	IMPERIAL (CONT.)	VOL.	LAFAYETTE	VOL.
7SE 58	8	2TMX 62	18	94BF 59	10	2820275 (419) 67	43	SP-172 FM-100	14
14BE B9KF-18805-D/		3MF 53	4	94BT 59 Truck	11	2864724 68	55	99-8519	68
8806-C 59	10	3MFT 53 Truck	4	94MF 59	10	2864746 (382) 68	55	LANCER (See Mopar)	
		35F755 53	4	94MFM 59	10	2864966 (391) 68	50		
		3TBD 63 Falcon	19	94MS 59 T-Bird	11	2884 288 (403)		LARK (See Studebaker)	
		3TBO 63 Fairlane	19	95MF 59	10	69 Imperial	69		
		3TMF 63 Galaxie	23			2884 289 (404)		LEAR JET	
		4BF 54 See Model M4B	4			2884 847 69 1/2			
		4MF 54	4	GIBBS		Imperial	73	A-219 (Similar to page 77)	
		4SF765 54	5	CR-332A/B/C	71			A-229 (Similar to page 73)	
		4TBD 64 Falcon	23	CR-335B/337B	71			A-239 (Similar to page 38)	
		4TBO 64 Fairlane	23	CR-627	70	INLAND		A-250	
		4TBT 64 Truck	26	CR-630	70	AFM-602	41	A-269B	
		4TBU 64 Econoline	26	440	27	PA-700	49	AS-830-H	
		4TBZ 64/65 Mustang	32	441	27	V102	41	AS-831	
		4TMF 64 Galaxie	23	442	27	V302	41	ASFM-830-H	
		4TMS	23	445	28	VWX101	41	ASFM-871	
		4TMS F 64 T-Bird	23	446	28	VWX502	42	ASR-830-H	
		5BF 55	5	550	37	VWX101	41	ASR-851	
		5MF 55	5	551	37	VWX-103	48		
		5MFS,5MFS8 55 T-Bird	5	551-6	37	VWX502	42		
		5MFS8 55	5	552	37	X100	27		
		5TBF 65 Galaxie	28	553	37	X101	41		
		5TBO 65 Fairlane	28			X102	41	LINCOLN	
		5TBT 65 Truck	33	GM (See GMC or Chevrolet)		X-103	48	D8ML 68 Lincoln	
		5TBU 65 Econoline	33	GMC		X302	41	F3TBC 63	
		5TMF 65 Galaxie	28	06TTCP1 70 Tilt Cab	74	XFM-400	41	F4TBC 64	
		5TMZ 65 Mustang	28	86TT431 (7308166)				F6TDC 66 Lincoln	
		5TMS,5TMSF 65 T-Bird	28	68 Truck	73			F8TBC (C8VY-18805B5)68	
		5TPD 65 Falcon	28	91TPB1 69 Truck	59	INTERNATIONAL		F8TBC 68 Mark X	
		5TPZ 65 Mustang	28	96TT411 (7308166)		IL5TCA/-12 55 "R"		F14TBC 64	
		6BF 56	6	69 Truck	73	Line Truck	6	TOB5TBC 65	
		6BFT 56 Truck	6	96TT412 (7308166)		IL7TC/-12 57 "R"	7	T6SMC 66 Continental	
		6TBB 66 Bronco	36	69 1/2 GM Truck	73	Line Truck	7	T7SMC 67 Lincoln	
		6TBB 66 L.P.,67		96TTCP1 (7305516)		P6MH 1000A,1500A,CO-		T8ML 68 Lincoln	
		Bronco	41	69 Truck	69	4000,Fleetstar,Load-		T8MX 68	
		6TBB 67 1/2 & 69		2233398 12V Truck	9	Star,Metro,R&V Line		T9ML 69 Lincoln	
		Bronco	59	2233850 60 GMC	13	Scout	47	04M1 69 Mark III	
		6TBF 66 Galaxie	34	2233944 61 GMC	16	04M1 61 Scout & "C"		(C9LA-19A242-B)	
		6TBT 66 Truck	36	2233984 62 GMC	18	Line Truck	16	05BH 60	
		6TBT 66 L.P.,67		2234003 63 Truck	20	3TMI	24	3SH756 53	
		Truck	41	2234040 64 Truck	24	5SMI 65 Truck	34	4SH764 54	
		6TBT 67 1/2 & 69		2234086 64 Truck	24	5SMI-RV 65 Truck	34	4SH766 54	
		Truck L & H Series	59	7291556 65 Truck	29	5SMI/T 65 Truck	34	4TMC F 64Continental	
		6TBU 66 Econoline	36	7291576 65 Truck	29	7BT Tractor	42	5BH 55	
		6TBU 66 L.P.,67		7293806 66 GMC Truck	36	7BTX Tractor	51	5TMC F 65 Continental	
		Econoline	41	7293806 67 Truck	44	86M1 58 "A" Line	8	6BC 56	
		6TBU 66 L.P.,67 "W"		7293816 66 Truck	36	Truck	8	6BH 56	
		Series	41	7297526 67 GM Truck	44	94M1 59 "R" & "V"	11	6TDC 66 Lincoln	
		6TBU 67 1/2 & 69		7297526 67 GM Truck	44	Line Truck	11	8TBC 68	
		W Series	59	7298501 67 GM Truck	44	94MIM 59 "A" Line	10	8TDX 68 Mark III	
		6TMF 66 Galaxie	36	7305516 69 Truck	69	Truck	10	9BL 69	
		6TPD 66 Falcon	36	7305841 68 GM Truck	51			9FBL (C9VA-19A241) 69	
		6TFF 66 Galaxie	36	7306686 68 GMC Truck	51	JACOBSEN		9FBLU (C9VA-19A246)69	
		6TPO 66 Fairlane	36	7306696 68 GMC Truck	51	7BT	45	9MABL (C9VA-19A099)	
		6TPZ 66 Mustang	36	7308166 68,69,69 1/2		7BTX	52	68-69	
		7TBT 67 Truck	42	GM Truck	73	JEEP		78BL 57	
		7TMF 67 Galaxie	43	GONSET		U7MK (978238) 68	65	85BH 58	
		7TPD 67 Falcon	41	3239	9	3TBW 63 Jeep	22	85BHP Above Serial	
		7TPF 67 Ford	41	GRANCO		6BKJ 66 Jeep	39	#5000 58	
		7TPO 67 Fairlane	41	ARC-60	15	5BW 65	44	88BH 58	
		7TPS 67 T-Bird	41	HEATH		7BKJ Similar to P.32	45	95BH 59	
		7TPZ 67 Mustang	41	GR-41	22	7BKJX 67 Wagoneer,		MACK	
		8TBT 68 Truck	56	GRW-41	22	Jeepster	56	U3MMT Truck	
		8TBTLM 68 Truck	56	HITACHI		8BKJ 68	69	U5MMT 2045X28	
		8TBTU 68 Econoline	56	TM-816U	37	12BW	16	MASTERWORK	
		8TMF 68 Galaxie	52	KM1001	38	815395	9	M8200	
		9FBF 69 Galaxie	73	HOFFMAN		JOHN DEERE		MERCURY	
		9FBO 69 Fairlane,		769	28	5SMJD	53	(Also See Philco-Ford)	
		Falcon	64	769 Revised	31	7BT Tractor	43	D8MF 68 Comet	
		9FBZ 69 Mustang	64	HUDSON		7BTX Tractor	49	5TBM 65 Merc	
		12BD 61 Falcon	14	(Also See American		KARADIO		E6TMM 66 Merc	
		12BF 61	14	Motors)		M80B	4	EF5TBM 65 Merc	
		12BT 61 Truck	14	236476 SH759 53	4	KARMANN GHIA		EP6TBM 66 Merc	
		12BU 61 Econoline	14	236486,238060 SH758	4	(See Volkswagen)		F3TBM 63	
		14BF 61 Ford	30	4389027 HN5AC-8 55	6	KENWORTH		F4TBE 64 Comet	
		14BM 61 Merc	30	IMPERIAL (Also See Mopar)		5SMKW Truck	39	F4TBM 64 Merc	
		22BD 62 Falcon	18	724 68 Imperial	55	6SMKW Trucks	48	F5TBE 65 Comet	
		22BO 62 Fairlane	18	746 68 Imperial	55	KINEMATIX		F5TBM 65 Merc	
		24MF 62	17	786 68 Imperial		Verba-Matix	27	F6TBM 66 Merc	
		66MF 56	6	Similar to page 75	47	Verba-Mite VX-700	42	F6TBC 66 Comet	
		66MFP 56	6	2580 786 68 Imperial				F6TBM 66 Merc	
		69MF 56	6	(Similar to page 75)	47			F7TBM 67 Comet	
		69MS 56	6					F7TBM 67 Merc	
		74BF 57	8					F8TBM 68 Merc	
		74BT 57 Truck	9					F8TBO 68 Comet	
		74MF 57	8					F8TBU 68 Comet	
		75BF 57	7					F8TBY 68 Cougar	
		75MF 57	7					F9BZ 69 Cougar	
		76MF SR 57	8					M7TB 67 Comet,Cougar,	
		78MF 57	7					Merc.	
		79MS 57 T-Bird	7						
		84BF 58	8						
		84BT 58 Truck	9						
		84MF 58	8						
		84MS 58 T-Bird	9						
		86MF 58	8						

MERCURY (CONT.)	VOL.	MOPAR (CONT.)	VOL.	MOPAR (CONT.)	VOL.	MOPAR (CONT.)	VOL.	MOTOROLA (CONT.)	VOL.
M-5841 58	.9	102 PD1/2/3/4 60		363 65 Dodge 880	28	841 56 Plym. P-28/-29	6	CR66M 66 Corvair	39
T6SMM 66 Merc.	35	Dodge	13	363S 66 Polara, Custom		842,842HR 56 Dodge		CR67A 67 Corvair	44
T7SMH/A 67 Comet	45	104 60 Valiant	13	880, Monaco BD2	30	D-62/-63	6	CRA60X 60 Corvair	15
T7SMH/F 67 Cougar,		106 60 Dodge	14	364 5FBDD 65 Dodge	35	843 56 Desoto S-23/-24	6	CRA62 60-62 Corvair	20
Merc.	45	107 12B 61 Dodge		364 6FBDD 66 Dodge		844/HR 56 Chrysler	6	CRA63 61-63 Corvair	22
T7SMH/N 67 Comet	45	Dart	15	Deluxe	36	845 57 Dodge D-66/-67/-70/-71/-72	8	CRA64 60-64 Corvair	25
T7SMM 67 Merc.	45	109 RP1/2 61 Plym.	15	365 65 Chrysler	28	846 57 Desoto S-25/-26/-27	8	CRM60X 60 Corvair	14
T7SMW 67 Cougar	45	110 Export Version of Model 101	13	365S 66 Chrysler BC1/2/3	35	847 57 Chrysler	8	CRM62 60-62 Corvair	19
T8MM 68 Merc.	54	111 RP1/2 61 Plym.	15	366 5FBC 65 Chrysler	30	848 57 Plymouth	8	CRM63 61-63 Corvair	22
T8M2W 68 Cougar	54	112 60 Desoto	14	366 6FBC 66 Chrysler	36	849 57 Plym. P-30/-31	8	CRM64 60-64 Corvair	25
04BM-1 60	13	113 RV1 61 Valiant	15	367 5FBI 65 Imperial	30	851 84BC 58 Chrysler	8	CT2A6 51-52 Chev.	5
04BM-2 60	13	114 RW1 61 Lancer	15	369 6FBP, 6FBVE 66 Plymouth Standard	36	852 58 Dodge LD-1/-2/-3	8	CT4FM 64 Chev.	26
2TBM R2TBM 62	20	202 62 Lancer SL1	18	369 7FBP 67 Plym.	48	854 58 Plym. LP-1/-2	9	CT52MC 64 Chev.	34
2TMY 62 Meteor	18	203 62 Valiant SV1	18	370 7FBD 67 Dodge	48	855 59 Plym. MP1/2	10	CT65A 65 Chevrolet	32
3SMY757 53 See Lincoln Model 3SH756	4	204 62 Plym. SP1/2	18	372 5FBVE See Page 86		856 59 Dodge MD1/2/3	11	CT65M 65 Chevrolet	32
3TBM 63	21	205 62 Dart SD1/2	17	65 Plymouth	30	857 59 Desoto MS1/2/3	10	CT66M 66 Chevrolet	38
3TME 63 Comet	23	206 4TBL 64 Dart	24	373 5FBL See Page 86		858 94BC 59 Chrysler	10	CT67A 67 Chevrolet	39
3TMY 63 Meteor	23	214 3BVD 63 Valiant		65 Dart	30	860 59 Plym. MP1/2	12	CT68A 68 Chevrolet	56
4SM767 54 See Lincoln Model 4SH764	4	215 3BLE 63 Dart TLL	19	374 7FBPD 67 Plym.	48	861 59 Chrysler Export	12	CT69A 69 Chevrolet	69
4TBM 64 Merc.	23	216 63 Plym.	22	375 7FBC 67 Chrysler	48	900 55 Dodge D-55/-56	5	CTA3 53 Chevrolet	4
4TME 64 Comet	23	217 63 Dodge	22	376 7BC 67 Chrysler	42	901 55 Desoto S-21/-22	5	CTA4 54 Chevrolet	6
5BM 55 See Lincoln Model SBH	5	218 4TBE 64 Valiant	24	377 7BDD 67 Dodge		902 55 Chrysler	5	CTA5 55 Chevrolet	6
5TBM 65 Merc.	28	219 64 Dodge VDI/2	23	Deluxe	42	903 55 Chrysler	5	CTA6T 55-56 Chevrolet	7
5TPE 65 Comet	28	220 64 Plym. VP1/2	23	378 7FBDD 67 Dodge	48	911 65 Desoto S-23/-24	6	CTA6X 55-56 Chevrolet	6
6BM 56	6	221 4TBLH 64 Dart	24	379 6FBL 66 Dart	36	912/HR 56 Chrysler	7	CTA7X 57 Chevrolet	7
6BMS 56	6	222 5BVE 65 Valiant	28	381 67 Charger	43	916/HR 56 Plym. P-28/-29	7	CTA8X 58 Chevrolet	9
6TMM 66 Merc.	35	223 65 Dodge Dart	28	385 7FBA 67 Barracuda, Dart, Valiant	48	917HR 57 Plymouth	8	CTA9X 59 Chevrolet	10
6TPG 66 Merc.	37	224 5BP 65 Plym. Std	28	402 04BC 60 Chrysler	13	918 57 Dodge D-66/-67/-70/-71/-72	7	CTA61 61 Chevrolet	15
7TBM	42	225 5BPD 65 Plym.		403 04BI 60 Imperial	13	919/HR 57 Desoto S-25/-26/-27	7	CTA62 62 Chevrolet	18
7TPG 67 Comet/Cougar	41	226 65 Dodge Coronet	28	404 14BI 61 Imperial	15	920HR 57 Chrysler	8	CTA63 63 Chevrolet	22
8TBM 68	55	228 6BVE 66 Valiant	37	407 14BC 61 Chrysler	15	921HR 57 Imperial	8	CTA64 64 Chevrolet	24
9BM 69	68	229 6BL 66 Dart	37	409 24BI 62 Imperial		922 85BC 58 Chrysler	9	CTM3 53 Chevrolet	5
9FBO 69 Montego	64	230 6BP 66 Plym.	37	410 24BC 62 Chrysler	18	923 58 Desoto L-51/-52/-53	9	CTM4/A 54 Chevrolet	6
9FBZ 69 Cougar	64	230 7BP 67 Plym.	42	SC1/2/3	18	924HR	9	CTM5 55-56 Chevrolet	6
22BM 62	18	231 6BPD 66 Fury	35	411 34BCS 63 Chrysler	20	925 58 Plym. LP-1/-2	9	CTM6 62 Chevrolet	22
MERCURY RECORDS		232 66 Coronet BW1/2	35	TY1	20	927 59 Desoto MS-1/-2/-3	11	CTM7 57 Chevrolet	7
AP-8300	57	233 66 Charger BW29	35	414 44BI 64 Imperial	24	928 R9SBC-S 59 Chrysler	10	CTM8X 58 Chevrolet	9
METEOR (Also See Mercury)		234 6BVS 66 Valiant	37	415 44BCS 64 Chrysler	24	929 C-5909 59 Imperial	11	CTM9X 59 Chevrolet	10
24ME 62 Comet See Ford 24ME	17	235S 66 Polara, Custom	35	416 65 Chrysler	31	MY-1	11	CTM57X 57 Chevrolet	9
24MY 62 Meteor See Ford 24ME	17	880, Monaco BD2		416B 66 Chrysler	39			CTM61X/A 61 Chevrolet	16
77BM 57	7	236 7BVE 67 Valiant	42	417 65 Imperial	31			CTM62 61-62 Chevrolet	19
78BM 57	7	237 67 Dart	43	417B 66 Imperial	39			CTM63 63 Chevrolet	22
84BM 58	8	240 67 Fury	43	418 67 Imperial	47			CTM64 64 Chevrolet	25
85BM 58	9	241 7BD 67 Dodge	42	419 67 Imperial	43			CY65A 62-65 Chevy II	32
94PM 59	12	301 PP1/2 60 Plym.	14	420 66 Imperial	40			CY65M 62-65 Chevy II	33
95PM 59	11	302 PD1/2/3/4 60 Dodge	13	421 67 Chrysler	43			CY66A 66 Chevy II	38
METRAVOX		303 03BC 60 Chrysler	13	608 53 Plym. P24	4			CY67A 67 Chevy II	44
Sutton RA144	20	304 03BS 60 Desoto	13	609 53 Dodge Model D-44/-46/-47/-48	4			CY68A 68 Chevy II	56
Sutton RA155	21	305 03BD 60 Dodge	13	610T 53 Dodge Truck, Series B-3/-4	4			CY69A 69 Chevy II	69
MG		306 13BD 61 Dodge	16	611T 54 Dodge Truck, Series C See Model 610T	4			CY6A 62 Chevy II	20
HAC700 4TMB	30	309 RP1/2 61 Plym.	16	612 54 Dodge D-40/-51/-52/-53 See Model 609	4			CY6A3 61-63 Chevy II	22
MIDLAND		310 Export Version of Model 301	14	613 55 Plym. P-26/-2	5			CY6A6 62-64 Chevy II	25
65-200	40	311 Export Versions of Model 309	16	614 55 Dodge D-55/-56	5			CY6A9 62-63 Chevy II	22
65-210 12 Transistor Version	40	312 13BS 1961 Desoto.	16	620 56 Plym. P-28/-29	7			CY6A9 69 Chevy II	69
65-210	34	313 60 Valiant	14	621 56 Dodge D-62/-63	7			FM62 62 Chevrolet	19
65-400	57	314L Export Version of Model 114	16	624 57 Dodge D-66/-67/-70/-71/-72	8			FM62 62 Chevy	19
65-404	59	314V Export Version of Model 113	16	700 58 Dodge Truck	8			GMT3A6 48-53 Chev/GMC Truck	5
65-408	63	317 13BC 61 Chrysler	15	700 Rev. 60 Dodge				GMT53A6 48-53 Chev/GMC Truck	5
MOBILPAGE		322 SP1/2 62 Plym.	17	701 59 Simca	12			GV-701	11
65MTR/MW	48	323 SD1/2 62 Dart	17	703 R12BUT 61 Dodge Truck	16			GV-800	9
MONITORADIO		324 Export SP1/2 62 Plym.	17	706 64 Dodge Truck	26			HF3A6 51-53 Henry J	5
M-40	12	327 SC1/2/3 62 Chrysler	17	706 STBDT Similar to page 64 65 Dodge Truck	26			HN2A6 51-52 Hudson	5
M-160	12	330 63 Plym.	21	706 7BTD 67 Dodge Truck	44			HN3A6 51-53 Hudson except Hudson Jet	5
MC-40	12	331 63 Dodge	21	819 53 Plymouth	4			HN4A6 54 Hudson	5
MC-160	12	332 63 Dodge 880	21	820 53 Dodge	4			HN4M6 54 Hudson	5
MONTGOMERY WARD (See Riverside)		333 63 Chrysler	21	821 Desoto S-16/-18	4			HN53M6 51-53 Hudson	5
MOPAR		334 4TBQ 64 Dodge B80	24	824 53 Chrysler	4			HT3A6 53 Hudson Jet	5
RV4C	24	335 64 Plym.	25	828 54 Dodge D-50/-51/-52/-53	4			ILSTCA-12 55 Intl.	6
RV4CL	24	336 64 Dodge	25	829 Desoto S-19/-20	4			KM201R	41
RV5C	30	337 63 Valiant	22	830 54 Chrysler C-62/-63/-64	4			KM202R	41
RV5CC 65	30	339 63 Dodge Dart	22	831 See Model 830	4			KM203R	66
RV5CL 65	30	343 R3BC 63 Chrysler	19	832 55 Plymouth	5			KM204R	64
101 PP1/2 60 Plym.	13	TC1/2/3	19	833 55 Dodge D-55/-56	5			KR3A6 51-53 Kaiser	5
		344 63 Dodge	22	834 55 Desoto S-21/-22	5			NH3C 53 Nash Rambler	4
		345 63 Plym.	22					NH4C 54 Nash See Nash Model AC-154	5
		347 R23BDQ 62 Dodge 880, SD3	19					NH5AC 55 Nash See Nash Model AC-154	5
		348 4TBC 64 Chrysler	24					OEA7X 57 Oldsmobile	7
		350 R3BD 63 Dodge 880	19					OEA9X 59 Oldsmobile	12
		351 64 Chrysler	25					OEA60X 60 Oldsmobile	14
		352 64 Imperial	25					OEA61X 61 Oldsmobile	17
		353 64 Dodge 880	25						
		354 64 Dodge	24						
		360 5FBP 65 Plym.	30						
		361 5FBPD 65 Plym.	30						
		361 6FBPD 65 Plymouth	30						
		Deluxe	36						
		362 5FBD 65 Dodge	30						

MOTOROLA (CONT.)	VOL.	MOTOROLA (CONT.)	VOL.	MUNTZ/STEREO	VOL.	OLDSMOBILE (CONT.)	VOL.	PENNEYS (CONT.)	VOL.
OE463 63 Oldsmobile	22	6MR 56 Rambler See		C-90	50	7297564 66 Olds		3171 985-8515 64 F-85	29
OE464 64 Oldsmobile	24	page 5	5	C-100	50	Reverb. Unit	36	3172 64 Fairlane	30
OE2A6 51-52 Oldsmobile		6TAS8	6	M-12	53	7298413 67 Oldsmobile	45	3173 64 Mercury	30
"Super 88" & "98"	5	7M See Model 6M	6	M-30	52	7299563 67 F-85	43	3174 64 Oldsmobile	29
OE4FM 64 Oldsmobile	26	7MR 57 Rambler See		M-40	57	7299573 67 Toronado	45	3176 63-64 Pontiac	29
OE4FMC 64 Oldsmobile	34	page 5	6	M-45	64	7299583 67 Toronado	42	3179 64 Tempest	29
OE65A 65 Oldsmobile	32	7MX	7	M-50	60	7300083 67 Toronado	44	3180 64 Chevrolet	29
OE66A 65/66 Oldsmobile	40	8M	8			7300093 67 Oldsmobile	44	3181 60-64 Corvair	29
OE67A 67 Oldsmobile	45	8MX	9			7300103 67 Oldsmobile	42	3182 63-64 Chevy II	29
PCA7X 57 Pontiac	7	9AX	10	NASH		7300113 67 F-85	46		
PCA9X 59 Pontiac	10	10AX	15	(Also See American		7300753 67 Toronado	44	PHILCO	
PCA60X 60 Pontiac	15	10M	13	Motors)		7301703 67 Oldsmobile	46	(Also See Philco-Ford)	
PCA61X 61 Pontiac	17	10MX	12	AC-154 54-55	5	7302013 68 F-85	52	C-5209 See MoPar 824	4
PCA62 62 Pontiac	20	11MX	16	NH3C 53 Nash Rambler	4	7302023 68 Olds, F-85	50	C-5409 See MoPar 830	4
PCA63 63 Pontiac	22	12AT-1/-2/-3	21	NH5AC 55 See Model AC-		7302503 67 Toronado	46	C-5509 See MoPar 835	5
PCA64 64 Pontiac	24	13MA/MAM 60 Rambler		154	5	7303143 68 Oldsmobile	51	C-5595 See MoPar 902	5
PCA2M 49-52 Pontiac	5	American see page 13	14			7303153 68 Oldsmobile	49	C-5596 See MoPar 903	5
PC4F6 64 Pontiac	26	14AT	25	NORDIC		7303203 68 Toronado	49	C-5609 See MoPar 844	6
PC4FMC 64 Pontiac	34	14MR 61 Rambler See		501F55 55 Ford	5	7303223 68 Toronado	49	C-5609HR See MoPar	
PC65A 65 Pontiac	32	page 13	15			7303253 68 Toronado	51	844HR	6
PC66A 66 Pontiac	40	24ME, 24MF, 24MY See		NORDMENDE		7305203 68 Oldsmobile,		C-5705 See MoPar 847	8
PC67A 67 Pontiac	45	Ford Model 24ME	17	Transita-Royal K-C		Toronado	50	C-5707 See MoPar 920HR	8
PC69A 69 Bonneville,		76MA 57 Hudson & Nash		4/608 K-C	34	7305933 68 Olds, F-85	50	C-5709 See MoPar 921HR	8
Catalina, Executive	69	See page 9	6			7307313 69, 69 1/2		C-5809 See MoPar 924HR	9
PD3A6 51-53 Packard	5	93MR 59 Rambler See		OLDSMOBILE		7307813 69 69 1/2		D-5207 See MoPar 819	4
PD69A 69 Firebird	69	page 9	10	03BPB1 70 Olds	73	Toronado	74	D-5407 See MoPar 820	4
PT67A 67 Tempest	44	94MF See page 71	10	03EPB1 70 Toronado	73	7307813 69 69 1/2		P-5206 See MoPar 819	4
PT68A 68 Pontiac	56	94MFM See page 71	10	93AFM1/M2 69 F-85	68	OLSON		P-5606 See MoPar 840	6
PT69A 69 Tempest	19	94MI 59 "R" & "V" Intl.	11	93AFP1 (7307863)	70	RA-771	48	P-5701 See MoPar 848	8
R200	69	94MIM 59 International	11	69 F-85	70			P-5703 See MoPar	
SR2A6 50-52 Studebaker	5	See page 91	10	93APB1 69 F-85	63			917HR	8
SR3A6 52 Studebaker	5	94MS 59 T-Bird See		93BFB1/M2 69 Olds	68	PEL		P-5801 See MoPar 848	8
SR52A6 50-52		page 55	11	93BFW1 (7307313)	74	94LPB1 69	67	P-5803 See MoPar 925	9
Studebaker	5	95MF See page 77	10	69 Olds	74	94PPB1 (7312234)		P-5901 See MoPar 855	11
SR52M6 50-52		101 See MoPar 101	13	93BFW2 (7307313)	74	69 G/T	70	P-6234	20
Studebaker	5	102 See MoPar 102	13	69 1/2 Olds	74	980886 64 Kadette	26	S-5323 See Studebaker	
TM5A	33	104 See MoPar 104	13	93BPB1/2 (7307303)	69	981946 58	14	Model AC-2301	4
TM5M	32	110 See MoPar 110	13	93BT411 69 F-85, Olds	71	981981 59-60	14	S-5327 See Studebaker	
TM6M	39	250X	20	93BT412 69 1/2 F-85,	69	7294694 66	39	Model AC-2300	4
TM6A	38	290T	22	Olds	69	7307404 68 Opel	55	S-5524 See Studebaker	
TM7A	44	300X	11	93EFMA1/MA2 69				Model AC-2301	4
TM8A	71	301X	11	Toronado W/AC	68	ORRTRONICS		S-5528 See Studebaker	
TM15A	32	302 See MoPar 302	13	93EFM1/MH2 69		682.100	48	Model AC-2300	4
TM16A	41	310X Negative Ground	13	Toronado W/Htr	68	682.101	48	S-5529 See Studebaker	
TM17A	45	311X Positive Ground	13	93EFW1 (7307813)		682.110	61	Model AC-2300	4
TM18A	73	320T	21	69 Toronado	74	682.120	64	TAR-58 See MoPar 700	8
TM295M	33	323T	22	93EFW2 (7307813)				94PM See Merc. 94PM	12
TM296M	40	324	25	69 1/2 Toronado	74			929 See MoPar 929	11
TM297M	48	395, 395-12	5	93EPB1 (7308203)		PACKARD		PHILCO-FORD	
TM299M	71	396, 396-12	6	69 Toronado	71	AC-2906 58	8	C9AA-19A243	
TM315M	33	397	7	93ET411 69 Toronado	69	AC-2907 58	8	69 Galaxie, LTD	65
TM316M	40	397X	7	93ET412 69 1/2		439338/339 53 Series		C9AA-18806-F	
TM318M	54	398X	9	Toronado	69	26	4	69 Galaxie, LTD	66
TM326M	46	403	4	982029 62	17	439663 54 See Model		C90A-18806-B 69	
TM327M	40	404	5	982030 62	18	439338	4	Fairlane, Falcon,	
TM336M	40	406	11	982136 63	19	439666 54 See Model		Montego	65
TM415M	32	412	4	982137 63	20	439338	4	C95A-18806-C	
TM416M	41	414	25	982149 63 F-85	20	439666 54 See Model		69 Thunderbird	67
TM525A	33	424	25	982212 63	21	472046 55	5	C92A-18806-E	
TM526A	41	500X	13	982249 64	25	472047/48 55	5	69 Cougar, Mustang	65
TM527A	46	503	4	982250 64	25	480487 56 Packard	6	8TPF 68 Ford	48
TM626A	41	504	5	982251 64	25	Clipper	6	8TPO 68 Falcon,	
TM706S	47	506, 506-12	7	982252 64 F-85	25	484649 57	7	Fairlane, Comet	48
TM707S/-1, 708S/-1,		520T	21	982290 53	4	484652 57 See Model		8TPS 68 T-Bird	50
TM709S	65	524	26	983004 53	4	7267427	6	8TPZ L.P. 68 Cougar,	
TM711S	68	555, 555-12	6	983090 54	5	7267427 480487 56	6	Mustang	48
TM713S	72	556	6	983091 54	5	Packard Clipper	6	8TPZ E.P. 68 Cougar,	
U3MW Autocar, Diamond		595, 595-12	6	983204 55	5	PANASONIC		Mustang	48
T, Reo, White Trucks		596, 596-12	6	983205 55	5	CX-807SU	66	PHILCO-LINCOLN	
891600	24	597X	7	983334 56	6	3104 984-8227	29	C9LA-18806-C	
VMA7 53-57 VW	7	601X	13	983336 56	6	3108 58-63 VW	29	69 Mark II	66
VMA8 58 VW	12	611T See MoPar 610T	4	989001 57	7	3114 63 Ford	29	PHILLIPS	
VMA60 VW	13	612 See MoPar 609	4	989002 57	7	3118 982-0093	30	PTC-400-MR	32
VMA63 63 VW	22	624 See MoPar 624	8	989127 58	8	3120 58-63 VW	29	PLYMOUTH (Also See	
VMA64 58-64 VW	25	701 See MoPar 701	12	989129 58	8	3121 981-4021	30	MoPar)	
VMM60 60 VW	22	829 See MoPar 829	4	989131 58	8	3122 981-4031	30	244 (8BBA, 9BBA)	
VMM63 58-63 VW	22	845 See MoPar 845	8	989170 59	10	3129 985-6816	30	68-69 Barracuda	61
VMM64 58-64 VW	25	846 See MoPar 846	8	989171 59	11	3138 984-8243	29	245 (8BVA, 9BVA)	
O3AR See American		849 See MoPar 849	8	989172 59	11	3143 985-8358	29	68-69 Valiant	61
Motors Model 8990811	12	852 See MoPar 852	8	989277 60	13	3144 985-8374	30	250 68 Fury	51
04MA 60 Rambler See		853 See MoPar 853	8	989387 61 F-85	15	3146 985-8390	30	251 (8BBE, 9BBCC)	
page 19	11	854 See MoPar 854	9	989392 61	15	3151 985-8341	30	68-69 Belvedere	61
04MD/MF/MFM See page		856 See MoPar 856	10	989393	15	3160 64 Chevelle	29	384 (8FBPD) 68 Ply	58
77	12	857 See MoPar 857	10	7284893	22	3161 63-64 Chevrolet	29	388 (8FBCO) 68	
ZAT-1	21	860 See MoPar 860	12	7289313 65 Oldsmobile	30	3162 63-64 Chevy II	29	Belvedere	58
ZMT	20	861 See MoPar 861	12	7289333 65	31	3163 64 Comet	30	390 68 Fury	55
2TMF See page 71	18	923 See MoPar 923	9	7289353 65	31	3168 64 Ford	30	398 (8FBBA) 68	
2TMX See page 71	18	927 See MoPar 927	11	7289373 982687 66 F-85	35	3169 64 Falcon	30	Barracuda	58
2TMXD See page 131	17	980886 64 Opel Kadette	24	7291063 65 F-85	30	3170 64 Falcon	30	399 (8FBVA) 68 Valiant	58
2TMY See page 71	18	Chassis		7292643 66 Toronado	37				
3AT	22	R15A6	5	7292663 66 Oldsmobile	39				
3MT	22	R16M6	5	7293653 982690 66 Olds	38				
4AT	25	R17A6	5	7294743 982688 66 Olds	37				
4MT	25			7294753 982689 66 Olds	36				
5M, 5M-12	5								
6M	6								
6M-12	6								
6MA 59 Hudson & Nash									
See page 9	6								

PLYMOUTH (CONT.)	VOL.	PONTIAC (CONT.)	VOL.	RANGER (CONT.)	VOL.	RIVERSIDE (CONT.)	VOL.	SAAB	VOL.
2864963 (390) 68		7298842 68 Prod. 68		TRM-64M	23	FJB-16513A 64 VW	28	4BH 64	30
Belvedere, Fury	55	Pontiac	49	TRT	52	FJB-16520A 63		5BH 65 Saab	34
2884044 (400) 68		7298842 67 Pontiac	45	VW-64PB 64 VW	23	Chrysler	23	6BSA 66	38
Belvedere, Fury	55	7300682 67 Pontiac	45	REALISTIC		FJB-16521A 63 Chev.	23	7BSAX	60
2BB4065 (250) 68 Fury	51	7302322 67 1/2		SM-711 12-1320E	41	FJB-16522A 63 Dodge	23	7FBSAX	52
2884103 (254) 69 Fury	67	Firebird	47	UM-701 12-1321E	41	FJB-16523A 63 Ford	23	8BSA 68	70
342055B (1PF2903)		7302332 67 1/2		12-1319 (Similar to		FJB-16524A 63 Merc.	23		
69 Fury	65	7302762 68 Tempest	49	page 113)	60	FJB-16525A 63 Olds	23	SAMPSON	
PONTIAC		7303302 68 Pontiac	49	90LX697	16	FJB-16526A 63 Plym.	23	55A	18
92AFM1, 92AFM2		7303302-A 68 Pontiac	73	REGAL		FJB-16527A 63		SEARS	
69 Beaumont, Tempest	66	7302752 68 Tempest	50	CR-871	4	Pontiac	23	833.6303 66-65	
92AFP1 (7307402) 69		7303262 68 Tempest	50	RENAULT		FJB-16563A	32	Galaxie	57
Beaumont, Tempest	69	7303362 68 Pontiac	50	2TMXD 5555	17	FJB-16566A	20	833.50000	57
92AFP2 69 Tempest	64	7304342 (984888)		3TMXD 5556 63	21	FJB-16567A	21	833.50004 66 Pontiac	57
92APB1 69 Beaumont,		68 Pontiac	57	SSMXD 5566 66	40	FJB-16569A	28	833.62421	53
Firebird, Tempest	66	7305572 68 Firebird	50	6SMXD 66 Caravelle,		FJB-16574A 63 Buick	23	833.62820	36
92BFP1 (7307412)		7305582 68 Firebird	49	Dauphine	50	FJB-16576A 63		833.62830	37
69 Pontiac	73	7305692 68 Firebird	59	7SMXD 67 Caravelle,	50	Corvaire	23	833.63050 55 Chev	57
92BFM1, 92BFM2		7307312 69 Pontiac	72	Dauphine	50	FJB-16577A 63 Dart	22	833.63070	58
69 Pontiac	66	7307332 69 Grand Prix	72	RIVERSIDE		FJB-16578A 63 Ford	23	833.622810 66Galaxie	38
92BPB1 (7307312)		7307402 69 Beaumont,	69	(Also See Airline)		FJB-16580A 63 F-85	23	833.624220	53
69 Pontiac	72	Tempest	63	FGJ16511A	27	FJB-16581A 63 Merc.	23	836.62126	49
92BT411/12 69 Beau-		7307412 69 Pontiac	79	FJB-6471A 62 Chevy II	19	Plymouth	23	836.63060 58-65	52
mont, Firebird, Pontiac,		7307422 69 Firebird	69	FJB-6472A 62 Chevy II	19	FJB-16582A 62-63		837.62220	38
Tempest	67	7307432 69 Grand Prix	69	FJB-6537A 58-59 VW	14	FJB-16583A 63Tempest	23	849.63160	56
92FFM1, 92FFM2		RAMBLER		FJB-6538A 58-59 VW	14	FJB-16584A 63Rambler	26		
69 Firebird	66	(Also See American		FJB-6540A	19	FJB-16585A 63 Chev.	23	SIMCA	
92FFP1 (7307422) 69		Motors)		FJB-6540C	27	FJB-16586A 63Corvaire	23	4TBJ 1000 64	27
Firebird	69	AF4TMR 64 Rambler	26	FJB-6550A	24	FJB-16587A 63 Falcon	23	5BJ 1000 65	35
92FFP1 69 Beaumont,		AF5TMR 65 Rambler	28	FJB-6551B	22	FJB-16588A 63 Ford	23	6BSI 66 Simca 1000	39
Firebird, Tempest	66	D4TMR 64 Rambler	24	FJB-6551C	34	FJB-16589A	23	7BSI Similar to page	
92GFM1, 92GFM2		RA-66PB 66 Rambler	37	FJB-6560A 62 Merc.	19	FJB-16590A	23	89	45
69 Grand Prix	66	RV5R 75	31	FJB-6561A 62 Fairlane	19	FLH-16519A 60-64 Dodge		781X 1969 Simca	59
92GFP1 (7307432) 69		RV5RY 65	31	FJB-6562A 61-62 Chev.	19	880		8BSI 69	66
92GPB1 (7307332)		3TBA 63 Rambler	19	FJB-6567M 59 Plym.	13	FLH-16528A 63-64Chev.	34		
69 Grand Prix	72	3TBAM 63 Rambler	19	FJB-6571 60-61 Dart	19	FLH-16529A 65 Chev.	35	SOUNDEX	
983578 62	17	3TBAX 63 Rambler	19	FJB-6572A 61-62 F-85,		FLH-16530A 60-64		CEP-764T 64 Chevelle	26
983579 62	18	3TMR 8991142 63	25	Special, Tempest	19	Corvaire	34	CHP-164T 64 Chev.	26
983687 62	20	4TBA 8991321 64	25	FJB-6576A	32	FLH-16531A 65Corvaire	35	CHP-165T 65 Chev.	32
983873 63	20	4TBA 8991320 64	25	FJB-6577A	32	FLH-16533A 62-65		CHP-166T 66 Chev.	40
983873A Similar to		4TMR 64 Rambler	24	FJB-6579A 61-62 F-85,		FLH-16536A 63-64		CHP-654T 64 ChevyII	26
page 105 63 Pontiac	24	5BA 8991562 65 Rambler	29	Special, Tempest	19	Galaxie	34	COM-60 60 Corvaire	16
983874 63 Tempest	19	5BAM 65 Rambler	29	FJB-6579A 61-62 F-85,		FLH-16537A 65Galaxie	35	COP-60 60 Corvaire	16
983875 63	21	5TMR 65 Rambler	29	FJB-6580A 61-62 F-85,		CTP-264T 64 Comet	26	COP-006T 66 Corvaire	40
983945 63	21	6SMA 66 Rambler	35	Special, Tempest	19	CTR-264T 66 Comet	39	CTP-264T 64 Comet	26
984065 64 Tempest	24	6SMAM 66 Rambler	35	FJB-6581 60-62		FLH-16538A 64		CTR-166T 66	
984076 64	23	7SMA 67 Rambler	45	Corvaire	19	Fairlane	34	FLH-16539A 65	
984077 64 Pontiac	24	7SMA/RHD 67 Export	45	FJB-6583A 60-62Ford	19	FLH-16541A 64/65		Fairlane 500	35
984078 64 Pontiac	24	7SMAM 67 Rambler	45	FJB-6584A 60-61		FALCON, 64 Comet	35	FLH-16541A 64/65	
986823 67 1/2	46	8SMA 68 American	61	Valiant	18	FLH-16543A 65 Comet	35	Falcon, 64 Comet	35
Firebird	46	RANGER		FJB-6587	20	FLH-16544A 63/64Merc.	34	Valiant	18
986824 67 1/2	47	R62-MPX0 (TP-803)	74	FJB-6591	16	FLH-16545A 65 Merc.	35	FJB-6591	16
984817 53-54	4	R62-MPX2	74	FJB-6592	16	FLH-16546A 63/64		FJB-6592	16
984961 55	5	R62-MPX4	74	FJB-6604B 60-62		Ambassador, Classic	34	FJB-6604B 60-62	
988568 56 See 984961	5	R-500	31	Corvaire	19	FLH-16547A 65		Corvaire	19
988569 56	6	RR-3M	35	FJB-6608A 61 Lancer	18	Ambassador, Classic	34	FJB-6608A 61 Lancer	18
988671 57	7	RR-4PB 5-045	36	FJB-6609	19	FLH-16549A 64 Plym.	34	FJB-6609	19
988672 57	7	RR-10R 5-004	40	FJB-6609A	19	FLH-16550A 65		Belvedere	39
988822 58	8	RR-11R 5-014	40	FJB-6611 60-61		FLH-16551A 65 Fury	39	FLH-16551A 65 Fury	39
988823 58	8	RR-12R 5-016	40	Rambler	22	FLH-16552A 64Valiant	39	FLH-16552A 64Valiant	39
988877 59	10	RR-13R 5-008	39	FJB-6612 61-6612 62		FLH-16553A 65Valiant	39	FJB-6612 61-6612 62	
988979 59	11	RR-14R 5-010	39	Chevrolet	18	FLH-16554A 64 Polara	34	Chevrolet	18
988978 59	11	RR-15R 5-012	39	FJB-6612A 61-62 Chev.	19	FLH-16554A 64 Polara	34	FJB-6612A 61-62 Chev.	19
989614 60	13	RR-19-FM	42	FJB-6613A 60-61		FLH-16555A 65Coronet	39	FJB-6613A 60-61	
989692 61	14	RR-21-FC	44	Falcon or Comet	18	FLH-16556A 64 Dart	34	Falcon or Comet	18
989693 61	15	RR-23-MX-2	62	FJB-6615A	27	FLH-16557A 65 Dart	39	FJB-6615A	27
989792 61 Tempest	15	RR-30-CC	43	FJB-6618A 61 Rambler	17	FLH-16558A 64 Dart	34	FJB-6618A 61 Rambler	17
989831 61 Tempest	15	RR-41-T	46	FJB-6619A	21	FLH-16598A	31	FJB-6619A	21
7284742	22	RR-44-T/2	57	FJB-6643A 60-62 Comet,		FLH-16650A 65 Dodge		FJB-6643A 60-62 Comet,	
7284742A 66 Pontiac	36	RR-45-T-0 Mini-8	51	Falcon	19	Deluxe, Polara, Monaco,		Falcon	19
7289752 65 Pontiac	29	RR-45-T-2 Mini-8	51	FJB-6649A Tractor	20	880		FJB-6649A Tractor	20
7289772 65 Pontiac	29	RR-59-FT-0	66	FJB-6658	21	FLH-16651A 63/65		FJB-6658	21
7291562 65 Tempest	30	RR-60-FMT	69	FJB-6679A	10	Econoline	35	FJB-6679A	10
7291582 65 Tempest	29	RU-101-T	24	FJB-6681A 58 Plym.	10	FLH-16652A 64 Buick		FJB-6681A 58 Plym.	10
7292112 65 Tempest	29	TC-100M	23	FJB-6682A, B	10	Special	35	FJB-6682A, B	10
7293472 66 Tempest	38	TC-100-M	32	FJB-6684 59 Ford	11	FLH-16653A 65 Olds	35	FJB-6684 59 Ford	11
7293492 66 Pontiac	36	TC-100-MD	32	FJB-6686A 59 Plym.	12	FLH-16654A 64 F-85	34	FJB-6686A 59 Plym.	12
7293502 66 Tempest	38	TC-200PB	23	FJB-6687 59 Ford	11	FLH-16658A 64/65		FJB-6687 59 Ford	11
7293512 66 Pontiac	35	TC-200-PB	32	FJB-6688 59 Chev.	11	Tempest	35	FJB-6688 59 Chev.	11
7293632A 66 Pontiac	36	TC-300M 64 VW	23	FJB-6689A 59 Plym.	12	FLH-16662A 65		FJB-6689A 59 Plym.	12
7294322 65 Pontiac	35	TC-300M, MD 65 Prod.	23	FJB-6690A 59 Buick	13	FLH-16663A 60/63 Chev		FJB-6690A 59 Buick	13
7294332 66 Pontiac	37	Similar to page 144	23	FJB-6691B Renault		& GMC Trucks	34	FJB-6691B Renault	
7294342 66 Pontiac	38	TC-300M 5-041	36	Dauphine	12	FLH-16665A 64/65 Dodge		Dauphine	12
7294362 66 Pontiac	37	TC-400PB 64 VW	23	FJB-6693B Renault		Truck	35	FJB-6693B Renault	
7294362 66 Pontiac	38	TC-400PB 65 Prod.	23	Dauphine	12	61-16509C	33	Dauphine	12
7298802 67 Tempest	41	Similar to page 144	23	61-16509C	33	61-16584A 63 Rambler	26	61-16509C	33
7298812 67 Tempest	42	TP-803	24	FJB-16512A 64 VW	28			FJB-16512A 64 VW	28
7298822 67 Pontiac	43								
7298822 68 Pontiac	49								
7298832 67 Pontiac	42								
7298832-A 67 1/2									
Pontiac	73								

SOUNDEX (CONT.)	VOL.	TEMPEST (See Pontiac)	VOL.	TENNA (CONT.)	VOL.	TENNA (CONT.)	VOL.	TRUETONE	VOL.
4BTBR V-350 64 Triumph	26	TEN		DA-66PB 66 Dart	36	SP-66PB 66 Buick Spl.	37	D4118,B	4
SPECIAL (See Buick)		AT-96-1 AR-96EX	49	DA-67PB 67 Dart	46	SP-67PB 66/67 Buick		D4320	4
STERLING		AT-96-2 AR-96EX-S	49	DAX-67PB 67 Dart	270	Special	46	D4320B	4
FM-200	60	AT-96-3 AR-96VW	49	DD-65PB 65 Dodge	34	TC-FMC-8	69	D4321,A	5
SM-704	50	AT-96-4 AR-96VW-S	49	DD-66PB 66 Polara,		TC-MPX-1	63	D4425B	4
SM-751	42	AT-2010 AT-2110	52	Monaco	36	TC-MXC-8-0	69	D4426A	5
UA-702	41	FA-2050/EX, FT-250-2,		DD-67PB 67 Monaco,		TC-48-T	50	D4623A	7
UDR-100	46	13, 12	57	Polara	46	TC-48-T-FM	63	D4624A	7
UDR-102	46	618VW/6 Volt	49	DE-66PB 66 Dodge	36	TC-100M	23	D4625A	7
VMM751	48	618/12 Volt	49	DO-63PB 63 Dodge	26	TC-110M	32	D4626A	7
12-1319	61	TENATRONICS		DO-64PB 64 Dodge	23	TC-110MD	32	D4826A	7
STROMBERG-CARLSON		SA-712	40	DO-65PB 65 Dodge	34	TC-200PB	23	DC4050	72
C.A.R.7	11	SA-822	36	DO-66PB 66 Dodge	36	TC-210PB	32	DC4200	18
C.A.R.9 59Ford&Edsel.	11	SM-711	22	DO-67PB 66/67 Dodge	46	TC-300M 64 VW	23	DC4203	26
CH-60-M 60 Chev.	14	SM-711 Revised	40	DS-67M 67 Sportsman,		TC-300M 5-041 65Prod.	36	DC4203B	31
CH-60-PB 60 Chev.	14	SM-751	22	A-100	46	TC-300MD 5-072	36	DC4203C	35
CH-61-M 61 Chev.	17	SM-751 Revised	40	DT-65M 65 DodgeTruck.	34	TC-310M/MD	35	DC4205B	18
CH-61-PB 61 Chev.	17	SM-821	36	DT-67M 67 DodgeTruck.	46	TC-400PB 64 VW	23	DC4206B	18
DA-60-PB 60 Dart	14	TRM-701	22	EC-65M 65 Econoline	35	TC-400PB 5-045 65	36	DC4208	23
DE-60-PB 60 DeSoto	14	UA-702	22	EC-66M 66 Econoline	36	Prod.	36	DC4603	39
DO-60-PB 60 Dodge	14	UM-701	22	EC-67M 67 Econoline	36	TC-410PB Similar to		DC4606	39
DO-61-PB 61 Dodge &		UA-702 L.P.	37	Falcon	46	page 144	23	DF4870	62
Dodge Dart	17	UM-701 L.P.	37	FA-64M/PB 64 Falcon	23	TC-410PB 5-045	36	ITC4850A-86 DC4850	48
FA-60-M 60 Falcon	14	VMM-751	40	FA-65PB 65 Falcon	35	TE-63PB 63 Tempest	26	ITC4852A-86 DC4852	53
FA-60-PB 60 Ford	14	VMA-702	22	FA-66PB 66 Falcon	36	TE-64PB 64 Tempest	23	ITC4852A-86 DC1852	52
FA-60-M 60 Ford	14	VMM-701	22	FA-67PB 67 Falcon	46	TE-65PB 65 Tempest	31	ITC4860A-86 DC4860	56
FA-61-M 61 Ford &		TENNA		FL-63M/PB 62/63		TE-66PB 66 Pontiac	37	ITC7804A-86 ADC7804	59
Mercury	17	AF-66PB	59	Fairlane	26	TE-67PB 66/67 Pontiac		MIC4050A-07	72
Mercury	17	AM-63M/PB 60-63		FL-64PB 64 Fairlane	23	Tempest	46	MIC5056A-96 (DC5056)	71
IM-60-M	15	American	26	FL-65PB 65 Fairlane	36	TRM-64M	23	NID5056A-07 (DC5056)	71
IM-60-MX	17	AM-64PB 63/64		500	35	VA-63PB 61/63Valiant.	26	SJB7808A-76 ADC7808	62
IM-61-PB	17	American	23	FL-66PB 66 Fairlane	36	VA-64PB 64 Valiant	23	SJB7810A-76 ADC7810	62
LA-61-PB 61 Lark	17	AM-66PB 66 American	34	FL-67PB 67 Fairlane	46	VA-66PB 66 Valiant	36	VALIANT (See MoPar)	
LR-61-PB 61 Lancer	18	AM-67PB 67 Rambler		FO-63M/PB 63 Ford	26	VA-67PB 67 Valiant	46	VAUXHALL	
OF-61-PB 61 F-85	17	American	44	FO-64PB 64 Ford	23	VW-64PB 64 VW	23	988946 58	10
OL-61-PB 61 Olds.	17	BU-63PB 63 Buick	26	FO-65PB 65 Ford	35	VN-65PB/PB15 65 VW	35	VISTA	
PL-60-M 60 Plym.	14	BU-64PB 63/64 Buick	23	FO-65PB/RS 65 Ford	35	VN-66PB 58-66 VW	36	875	36
PL-61-M 61 Plym.	18	BU-66PB 66 Buick	37	FO-66PB 66 Ford	36	VN-67PB 67 VW	44	VOLKSWAGEN	
PO-61-PB 61 Pontiac	17	BU-67PB 66/67 Buick	45	FO-66PB/RS 66 Ford	36	170-64PB See page 136		A7MVF 67 Fastback	47
RA-61-PB 61 Rambler	17	CII-63M/PB 62/63		FO-67PB 67 Ford	46	64 Dart	23	A7MVG 67 Karmann	
VA-60-M 60 Valiant	14	Chevy II	26	FT-65M 65 Ford	36	880-63PB 62/63 Dodge		Ghia	47
VA-61-PB 61 Valiant	18	CII-64PB 62/64		FT-66M 66 Ford	36	880	26	A7MVS 67 Squareback	47
STUDEBAKER		Chevy II	23	FT-67M 67 Ford Truck	46	880-64PB 63/64 Dodge		A7MVT 67 Transporter	47
AC-2300 S-5327 53	4	CII-65M 65 Chevy II	35	IM-65M	32	880	26	A7MWV 67 Sedan	47
AC-2301 S-5323 53	4	CII-66PB 66 ChevyII	37	IM-65PB	32	RV-66A	41	PA8MVF 68 Fastback,	
AC-2686 S-5528 55 See		CII-67PB 66/67		ME-63PB 63 Mercury	26	RV-67A	41	Squareback,	
Model AC-2300	4	Chevy II	46	ME-64PB 63/64 Merc.	23	RV-68A	41	PA8MVG 68 Karmann Ghia,	
AC-2687 S-5524 55 See		CA-67PB 67 Camaro	46	ME-65PB 65 Mercury	35	SP-22	28	PA8MVT 68 Transporter,	
Model AC-2301	4	CG-67PB 67 Cougar	46	ME-66PB 66 Mercury	36	TMA-39	28	PA8MVW 68 Sedan,	
AC-2721 S-5529 55 See		CH-63M/PB 63 Chev.	26	MR-63PB 62/63 Meteor.	26	TMA-40	28	PP8MVF 68 Fastback,	
Model AC-2300	4	CH-64M See page 136		MU-66PB 65/66Mustang.	36	TMA-1500	40	Squareback,	
AC-2745 56	6	63/64 Chevrolet	23	MU-67PB 67 Mustang	46	TPB-60	28	PP8MVG 68 Karmann Ghia,	
AC-2746 56	6	CH-64PB/RS 63/64Chev.	23	OF-63PB 61/63 F-85	26	TOKAI		PP8MVT 68 Transporter,	
AC-2747 56	6	CH-65M 65 Chev.	34	OF-64PB 64 F-85	23	CR-105	33	PP8MVW 68 Sedan	67
AC-2748 56	6	CH-65PB 65 Chev.	34	OF-65PB 65 Olds.	35	MR-65	34	R2B2 62 Transporter	18
AC-2905 58	9	CH-66M/PB 66 Chev.	37	OF-66PB 66 F-85	37			R2BV 62 Sedan	18
AC-2906 58	9	CH-67PB 67 Chev.	46	OL-63PB 63 Olds.	26			OBG	13
AC-2907 58	8	CHT-63M 63 ChevTruck.	26	OL-64PB 63/64 Olds.	23			OBT 60 Transporter	13
AC-2977 60	12	CHT-64M See page 136		OL-65PB 65 Olds.	34			OBV 60 Sedan	13
AC-2978 60	13	64 Chev. Truck	23	OL-66PB 66 Olds.	37			1BG 61	16
AC-3084 61	17	CHT-65PB 65 Chevrolet	35	OL-67PB 67 Olds.	46			1BT 61 Transporter	16
AC-3085 61	15	CHT-66M/PB 66 Chevrolet	37	OP-67PB 67 Opel	44			1BV 61 Sedan	16
AC-3086 61	17	Truck	35	PD-65PB 65 Fury	34			2BG R2BG	18
AC-3087 61	15	CHT-66M/PB 66 Chevrolet	37	PD-66PB 66 Fury	36			2BT 62 Transporter	18
AC-3216 62	17	CHT-67M, PB 67 Chev.		PD-67PB 67 Fury	46			2BV 62 Sedan	18
AC-3217 62	18	Truck	46	PL-63PB 62/63 Plym.	26			2FMBG 62 Karmann	22
AC-3246 62	18	CL-64PB 64 Chevelle	23	PL-64PB 64 Plymouth	23			Ghia	22
AC-3247 62	17	CL-65PB 65 Chevelle	35	PL-65PB 65 Plymouth	34			2FMBT 62 Transporter	22
AC-3255 62	18	CL-66PB 66 Chevelle	37	PL-66PB 66 Plymouth	36			2FMBV 62 Sedan	22
AC-3256 62	17	CL-67PB 66/67		PL-67PB 66/67 Plym.	46			3TBV 63 Sedan	20
AC-3351 63	19	Chevelle	46	PO-63PB 63 Pontiac	26			3TBVG	20
AC-3352 63	21	CM-63PB 63 Comet	26	PO-64PB 63/64Pontiac.	23			TRIUMPH	
AC-3353 63	19	CM-64PB 64 Comet	23	PO-65PB 65 Pontiac	35			R2BTA 0-01000 62	19
AC-3354 63	21	CM-65PB 65 Comet	31	PO-65PB/A 65 Pontiac				4BTBR V-350	26
AC-3355 63	19	CM-66PB 66 Comet	36	W/Air Conditioning	35			5BTR V-350 65Triumph.	33
AC-3354 63	21	CM-67PB 67 Comet, 202,		PO-67PB 67 Pontiac	46			5BTRV V-350DP 65	
AC-3377 63	21	Capri	46	RA-63PB 63 Rambler	26			Triumph	33
AC-3423 SR2T	22	CO-63M/PB 60/63		RA-64PB 64 Rambler	23			5SMTR V-350 65	
AC-3473 64Studebaker.	24	Corvaire	26	RA-65PB 65 Rambler	32			Triumph	34
AC-3474 64 Hawk	24	CO-64PB 60/64Corvaire.	23	RA-66PB 66 Rambler	32			6BTR 66 Triumph	39
AC-3498 64Studebaker.	24	CO-65PB 65 Corvaire	34	Ambassador	37			6SMTR 66 TR-4, Herald	
AC-3499 64 Hawk	24	CO-66PB 66 Corvaire	37	RA-67PB 67 Rambler	46			200 and Spitfire 4	51
AC-3500 64 Avanti	24	CO-67PB 66/67Corvaire.	46	RU-101T	24			7BTR Similar to page	
AC-3506 64 Avanti	24	CR-63PB 63 Chrysler	26	RU-111TC 5-004	40			125	39
AC-3556 66Studebaker.	36	CR-64PB 63/64		RU-112TC 5-014	40			7BTRX 67 Triumph	49
SUNBEAM		Chrysler	23	RU-113TC 5-016	40			7FBTRX 67	53
7BSU 67 Sunbeam	46	CR-65PB 65 Chrysler	34	RU-114TC 5-008	39			75MTR 67 TR-4, Herald	
7BSUX 67 Sunbeam	58	CR-66PB 66 Chrysler	36	RU-115TC 5-010	39			1200 and Spitfire 4	51
8BSU 68	65	CR-67PB 67 Chrysler	46	RU-116TC 5-012	39			8BTR 68 GT-6,	
		DA-63PB 63 Dart	26	SA-65M 65 Simca	39			Spitfire 4, TR-250	64
		DA-64PB 64 Dart	23	SA-65PB 65 Simca	39				
		DA-65PB, 65 Dart	34	SP-63PB 63 Buick Spl.	26				

VOLKSWAGEN (CONT.)	VOL.	VOLKSWAGEN (CONT.)	VOL.	VOLKSWAGEN (CONT.)	VOL.	VOLKSWAGEN (CONT.)	VOL.	VOLVO (CONT.)	VOL.
4TMVW 64 Sedan Serial #50,001 and Higher ...	29	6TMVG 66 Karmann		7FBV3 67 1600, Type3..	43	8SMVT 68 Transporter .	61	7FBVOX 67 Volvo	50
SFMBG 65 Karmann		Ghia	39	7FBVX (G) Karmann		8SMVW 68 Sedan	61	8BVO 68	67
Ghia	30	6TMVT 66 Transporter..	39	Ghia	49	9SMVF/-6 69 Fastback,			
SFMBT 65 VW		6TMVW 66 Sedan	39	7FBVX (T) Transporter..	49	Squareback		VOXMOBILE	
Transporter	30	7BVG 67 Karmann		7FBVX (W) Sedan	49	9SMVG/-6 69 Karmann		S-4 (Similar to page	
SFMBV 65 VW Sedan	30	Ghia	46	7FBVX(3) 1600 Type 3..	49	Ghia		112)	59
6BVG 66 Karmann		7BVT 67 Transporter ..	46	7SMVF 67 Fastback		9SMVT/-6 69 Transporter		TR-241	27
Ghia	37	7BVW 67 Sedan	46	and Squareback	46	9SMVW/-6 69 Sedan ...	64		
6BVT 66 Transporter ..	37	7BV3 67 Type 3	46	7SMVG 67 Karmann				VOXSON	
6BVW 66 Sedan	37	7BVXG 67 Karmann		Ghia	46	VOLVO			
6BV3 66 Type 3		Ghia	44	7SMVT 67 Transporter..	46	3BN 63	20	Vanguard 736	15
Vehicles	37	7BVXT 67 Transporter..	44	7SMVW 67 Sedan	46	4TBN 279958/959/960/			
6FBVG 66 Karmann		7BVXW 67 Sedan	44	8BVG 68 Karmann Ghia .	58	961 64 Volvo	33	WARDS RIVERSIDE	
Ghia	40	7BVX3 67 Type 3	44	8BVT 68 Type 2	58	SBN 279958 65	44	EMV-16630A	56
6FBVT 66 Transporter..	40	7FBVG 67 Karmann		8BVW 68 Sedan	58	6BVO 66 Volvo	39	FMV-16631A	58
6FBVW 66 Sedan	40	Ghia	43	8BV3 68 Type 3	58	7BVO Similar to page		FMV-16639A	61
6FBV3 Type 3	40	7FBVT 67 Transporter..	43	8SMVF 68 Fastback,		146	39		
		7FBVW 67 Sedan	43	Squareback	61	7BVOX 67 Volvo (EP) ..	54	WHITE	
				8SMVG 68 Karmann Ghia	61			UGMW, U7MW (891600A)	
								68 Diamond T, Reo,	
								White	67
								W-6234 Truck	20
								USMW 891600 Reo,	
								Diamond T, Autocar	48

HOWARD W. SAMS

PHOTOFACT® SPECIALIZED SERIES

TAPE RECORDER SERIES



Complete PHOTOFACT® coverage of all important late-model Tape Recorders now in easy-to-use volumes. Regular price, \$4.95 per volume—only \$4.65 when purchased on a Standing Order Subscription! Sign up and save 30¢ per volume!

HOME TAPE PLAYER SERIES



Complete PHOTOFACT® coverage of all important, late-model Home Tape Players now in easy-to-use volumes. Regular price, \$3.95 per volume—only \$3.65 when purchased on a Standing Order Subscription! Sign up and save 30¢ per volume!

CB RADIO SERIES



Five to six volumes issued yearly for complete PHOTOFACT® coverage of all popular CB Radio models. Regular price, \$3.25 per volume—only \$2.95 when purchased on a Standing Order Subscription! Sign up and save 30¢ per volume!

TRANSISTOR RADIO SERIES



Twelve to fifteen volumes issued each year provide complete PHOTOFACT® coverage of Transistor Radios. Each volume covers 30 to 40 popular late models. Regular price per volume, \$3.25—only \$2.95 when purchased on a Standing Order Subscription! Sign up and save 30¢ per volume!

MODULAR HI-FI SERIES



Ten to twelve volumes per year brings you complete and up-to-date PHOTOFACT® coverage of Modular Hi-Fi and compact stereo equipment. Each volume covers 10 to 15 popular late models. Regular price, \$3.95 per volume—only \$3.65 when purchased on a Standing Order Subscription! Sign up and save 30¢ per volume!

\$3.25
\$4.10 IN CANADA
AR-74
06265



HOWARD W. SAMS & CO., INC.

PHOTOFACT® SPECIALIZED SERIES

your local parts distributor