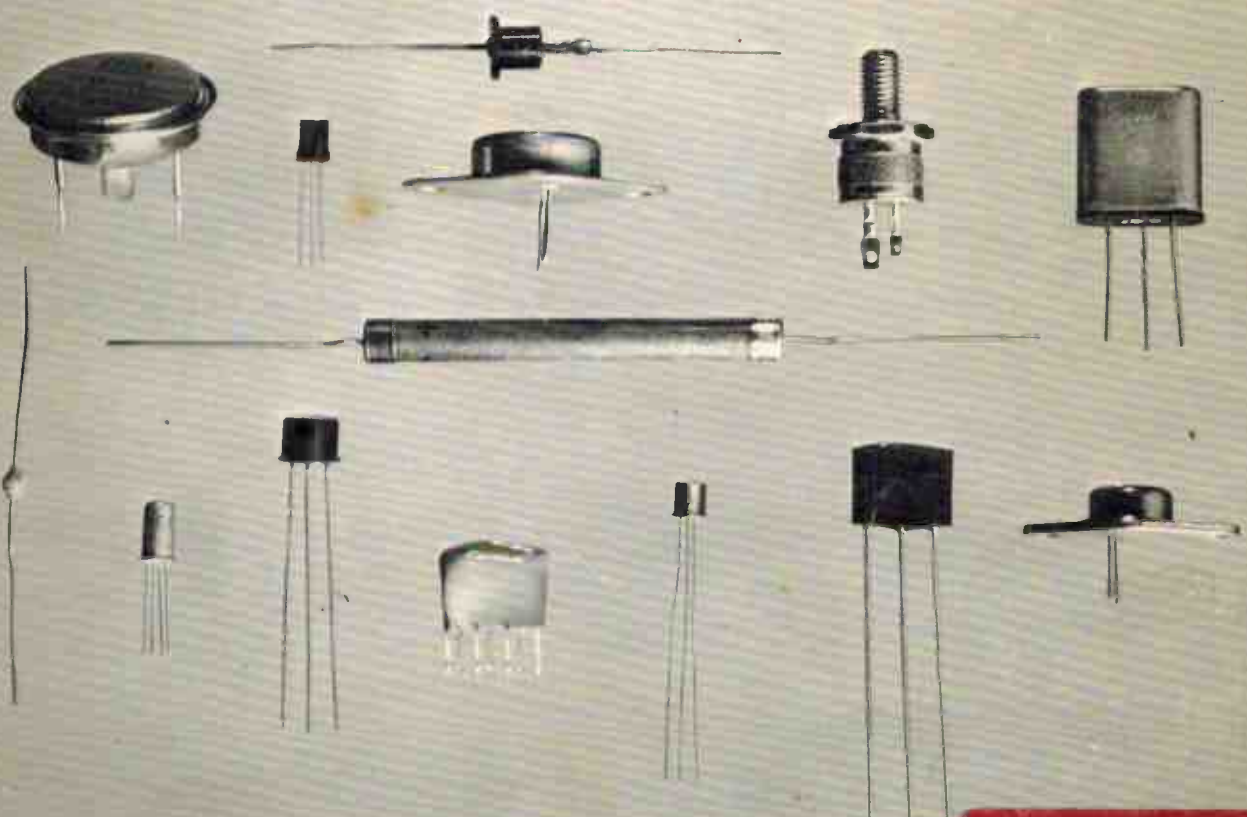




# ENTERTAINMENT SEMICONDUCTOR ALMANAC

**Section I—Entertainment Semiconductor Components**  
**Maintenance Industrial Semiconductor Components**  
**Section II—Replacement Guides**  
**Section III—Experimenter/Hobbyist Components**

A FEW  
WILL DO



Suggested Price: \$.25

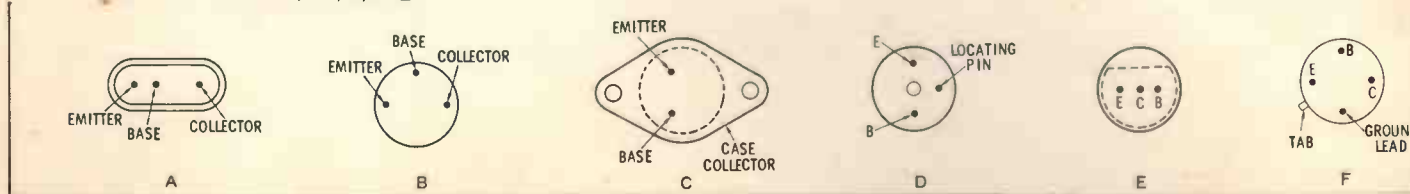
**GENERAL** 



# APPLICATION AND TECHNICAL DATA CHART FOR UNIVERSAL TRANSISTORS

GE Type	Description	Applications	Power Dissipation (Watts)	Max. Collector Current (IC)	Breakdown Voltage		Freq. (Band Width Prod.)	Typical Current Gain	Case Package	Terminal Drawing	GE Type	
					Collector To Base (BV <sub>CB0</sub> )	Collector To Emitter (BV <sub>CE0</sub> )						
GE-1	PNP Germanium	Mixer/Oscillator Converter, RF & IF Amplifier (AM Radio)	150 MW	100 MA	20	(CER) Min. 12	5 MHz Min.	70	TO-5	H	GE-1	
GE-2	PNP Germanium	AF Amplifier	200 MW	200 MA	20	20	3 MHz Typ.	60	TO-5	H	GE-2	
GE-3	PNP Germanium	AF Power Amplifier	25	3 A	50	40	400 KHz Typ.	60	TO-3	C	GE-3	
GE-4	PNP Germanium	AF High Power Amplifier	50	12 A	50	30	10 KHz Min.	55	TO-36	D	GE-4	
GE-5	NPN Germanium	Mixer/Oscillator Converter, RF & IF Amplifier (AM Radio)	150 MW	100 MA	25	12	5 MHz Min.	165	TO-5	H	GE-5	
GE-6	NPN Germanium	Mixer/Oscillator Converter, RF Amplifier (AM Radio)	65 MW	20 MA	20	9 (CER)	9 MHz Min.	110	OV-5	A	GE-6	
GE-7	NPN Germanium	IF Amplifier (AM Radio)	65 MW	20 MA	15	15 (CER)	8 MHz Min.	35	OV-5	A	GE-7	
GE-8	NPN Germanium	AF Amplifier	150 MW	200 MA	25	20 (CER)	5 MHz Min.	130	TO-5	H	GE-8	
GE-9	PNP Germanium	Mixer/Oscillator Converter, RF & IF Amplifier (AM-FM Radio)	70 MW	10 MA	30	20 (CER)	108 MHz Typ.	140	TO-72	F	GE-9	
GE-10	NPN Silicon	Mixer/Oscillator Converter, RF & IF Amplifier (AM Radio), AF Amplifier	200 MW	100 MA	25	25	200 MHz Typ.	150	TO-98	E	GE-10	
GE-11	NPN Silicon	Mixer/Oscillator Converter, RF & IF Amplifier (FM Radio), VHF Tuner, UHF Oscillator	200 MW	25 MA	30	12	700 MHz Min.	75	TO-98	E	GE-11	
GE-12	NPN Silicon	AF Power Amplifier For 120V Line Operated Stereo Phonographs, Television, Etc. — High Voltage	10	400 MA	300	300	30 MHz Min.	140	TO-66	C	GE-12	
GE-13MP	PNP Germanium	Matched Pairs of GE-3, AF Power Amplifier	25	3 A	50	40	400 KHz Typ.	60	TO-3	C	GE-13MP	
GE-14	NPN Silicon	AF Power Amplifier — High Power	115	15 A	100	60	800 KHz Typ.	45	TO-3	C	GE-14	
GE-15MP	NPN Silicon	Matched Pairs of GE-14 for AF Power Amplifier	115	15 A	100	60	800 KHz Min.	45	TO-3	C	GE-15MP	
GE-16	PNP Germanium	AF High Power Amplifiers, Switching	90	10 A	60	45	500 MHz Min.	60	TO-3	C	GE-16	
GE-17	NPN Silicon	FM RF & Oscillator, TV and Other Low Noise Circuits	500 MW	100 MA	60	30	250 MHz Min.	80	RO-97A	B	GE-17	
GE-18	NPN Silicon	AF Amplifier, Output or Oscillator	800 MW	500 MA	120	80	50 MHz Min.	80	TO-5	H	GE-18	
GE-19	NPN Silicon	High Power AF Amplifier, Output Oscillator, Medium Current	90	4 A	50	50	800 KHz Min.	40	TO-3	C	GE-19	
GE-20	NPN Silicon	Medium AF Amplifier, RF & IF Amplifier, Oscillator	500 MW	500 MA	25	25	100 MHz Min.	100	TO-18	H	GE-20	
GE-21	PNP Silicon	AF Amplifier, RF & IF Amplifier, Oscillator	500 MW	500 MA	25	25	100 MHz Min.	65	TO-5	H	GE-21	
GE-22	PNP Silicon	AF Amplifier, RF & IF Amplifier, Oscillator (AM & FM)	500 MW	500 MA	25	25	100 MHz Min.	50	RO-110	B	GE-22	
GE-23	NPN Silicon	AF Power Amplifier for use in class A and B AF Power Amplifiers, Communications, Hi-Fi	15	2 A	60	40	50 MHz Min.	125	TO-66	C	GE-23	
GE-24MP	NPN Silicon	Matched Pairs of GE 23	15	2 A	60	40	50 MHz Min.	125	TO-66	C	GE-24MP	
GE-25	PNP Germanium	Horizontal and Vertical TV Sweep Circuits and Other High Voltage, High Current Amplifier Application	56	10 A	320	320	1 MHz Min.	60	TO-3	C	GE-25	
GE-26	PNP Silicon	AF Power Amplifier — Stereo Tape Players, Communications and Hi-Fi	20	2 A	60	50	10 MHz Min.	100	TO-66	C	GE-26	
Field Effect Transistor			Common Source Forward Transfer Admittance (MNHOS)	Power Dissipation @ 25°C Free Air	Gate Current (IG) (MADC)	Zero Gate Voltage Drain Current (1DSS)	Drain Gate Voltage	Drain Source Voltage VDS (VDC)	Gate Source Breakdown Voltage V (BR) GSS			
GE-FET-1	Silicon	N Channel Field Effect Transistor	6500 Max.	200 MW	10 MA	2 to 20 MA *	25	25	-25	TO-92	G	GE-FET-1

\* Pulse Test: Pulse Width = 100 MSEC, Duty Cycle ≤ 10%

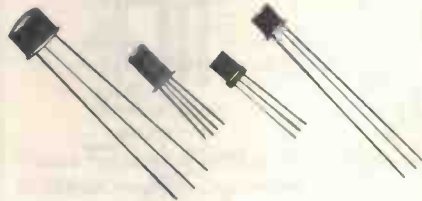




## Entertainment Semiconductor Components



Meet your repair needs quickly and economically with . . . **GE UNIVERSAL REPLACEMENT TRANSISTORS**



**APPLICATION:** General Electric Universal Replacement Transistors are specifically designed as general replacements for most types of transistors used in radios, TV and other entertainment applications where normal voltages exist. They are not recommended for use in critical high voltage applications. If the application is such that characteristic curves or design ratings are needed on the unit, it is recommended that the exact JEDEC replacement type be

**TECHNICAL INFORMATION:** Remembering a few general rules in the care and handling of solid-state components can very often mean the difference between success and failure in completing a repair job.

1) **VOLTAGES:** Observe voltage specifications. Watch for stray transient voltages which might come in on the power line, or which could be induced from adjacent circuits such as an automobile ignition system. (Use a thyrector or zener diode to protect semiconductors from these stray transients.) Check power-line voltage to make sure it is neither too high (above 120 volts) nor too low (below 110 volts).

No semiconductor should ever be connected or disconnected from a circuit with the power on. High transient currents may cause permanent damage to the semiconductor.

2) **CURRENT:** Do not overload semiconductors, even momentarily — an "arc-over" destroys them immediately. Double check circuits, polarities, component sizes, and wiring **BEFORE** closing the switch.

3) **HEAT SINKS:** Carefully observe the recommended heat sinks for stud-mounted devices. If heat can't get out of a semiconductor, damage is likely to result. Be sure air can circulate around lead mounted devices.

The stud end of a stud-mounted unit normally forms part of the electrical circuitry. Therefore, the heat sink to which the stud is mounted is electrically "live." If a "live" heat sink presents any safety hazard or might conceivably create a short circuit, the unit should be electrically insulated from the heat sink by mica and teflon® washers, or the best sink itself must be electrically insulated from the chassis.

Lead-mounted devices may be secured by soldering their leads to a terminal strip. This fastening point of the lead should be no less than 1/8 inch away from the body of the device. Avoid bending the lead too near the component body. Do not try to bend the top terminals of stud-mounted devices.



G



H

4) **SOLDERING:** Use a small, hot soldering iron and high quality resincore solder. If a wire is tarnished or enameled, clean it with fine emery paper before soldering. Wrap the clean wire around the other wire or terminal once to hold it in place, then apply the tip of the iron and solder to the joint together.

Solder as quickly as possible, then blow on the joint to cool it quickly. If possible, with lead mounted devices, use pliers to hold the lead between the body and the joint in order to avoid overheating the device. This is particularly important when soldering germanium devices.

Do not use acid flux.

5) **MODIFICATIONS:** Compare the base or lead arrangement of the GE Universal Replacement Transistor (see diagrams below) with the base or lead arrangement of the unit being replaced. If these are different it will be necessary to "bend and trim" to match up to the equipment.

6) **CIRCUIT CHECKS:** Anytime replacement of a transistor is made in equipment (even if it is a so called "exact" replacement), it is always good practice to check out the alignment of the associated tuned circuits to insure proper operation and achieve the required gain without loss of stability. If replacements are made in high power stages, the transistor bias should always be checked and adjusted in order to protect the replacement transistor against excessive dissipation and minimize distortion.

7) **GERMANIUM OR SILICON?** As an aid to determining whether you are working with a germanium or a silicon unit, a good indication is the bias between base and emitter. Germanium normally has less than .5 volts bias, and silicon normally has .5 volts or more bias between base and emitter.

**GENERAL INFORMATION:** Interchangeability with JEDEC and manufacturers' numbers is based on published electrical specifications. Since manufacturing techniques vary, no representation is made that GE Universal Replacement Transistors are exact replacements for the types listed.

The GE universal types listed here as substitutes indicate those devices whose parameters are similar to those of a device used in a given circuit, and should function adequately in the same circuits with only minor adjustments of the circuit parts values. However, the behavior of particular circuits may be dependent on parameters not available for use as the basis of selection in this Almanac, and transistors listed as close equivalents may not prove to be directly interchangeable. When making a power transistor substitution, the bias potential should be adjusted in accordance with the equipment manufacturers' directories in order to insure optimum performance. Many transistors are similar enough electrically for direct interchange, while at the same time are quite different physically. The physical difference in size usually will not present any problem, but an examination of the substitute device should always be made to see if the base is satisfactory and there are no size limitations.

Information contained in these charts is based on the latest available data and is considered to be accurate.

Although care has been taken in the preparation of this Almanac to insure the technical correctness, no responsibility is assumed by the General Electric Company for any consequences of the use of items listed.



## TABLE OF CONTENTS

### Section I

Universal Replacement Transistors .....	2-3
Entertainment JEDEC Transistors ..	5
Crystal Diodes .....	5
Vac-u-sel® Selenium Dual-Diode Rectifiers .....	5
Silicon and Germanium Rectifiers ..	5
Selenium Rectifier for Color TV ...	6
Quartz Crystals .....	6
Zener Diodes .....	6
Maintenance Industrial Replacement Semiconductors ..	6-7

### Section II

Cross Referencing .....	8-41
Universal Replacement Transistors .....	8-27
Late Entries Transistors .....	47
Dual Diodes, Vac-u-sel® Selenium Dual-Diode Rectifiers .....	36
Selenium Rectifiers for Color TV	36
Quartz Crystals .....	37
Crystal Diodes, Silicon and Germanium Rectifiers .....	27-35
Zener Diodes .....	37-40
Maintenance Industrial Replacement Semiconductors ...	40-41

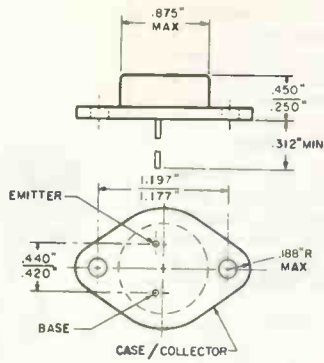
### Section III

Experimenter Hobbyist Components .....	41
Kits .....	48

# Terminal Drawings

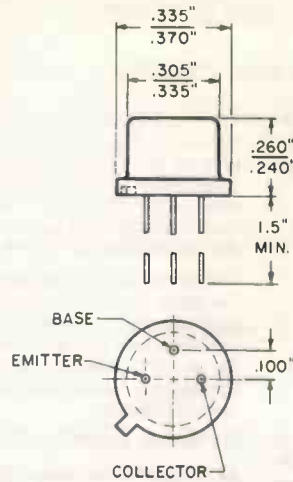
ALL DIMENSIONS IN INCHES

SEE PAGE 8-27 FOR LISTINGS



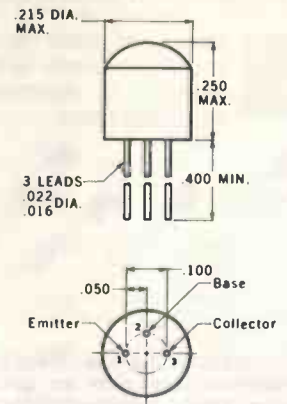
**TO-3**

GE-3 GE-14 GE-16 GE-25  
GE-13MP GE-15MP GE-19



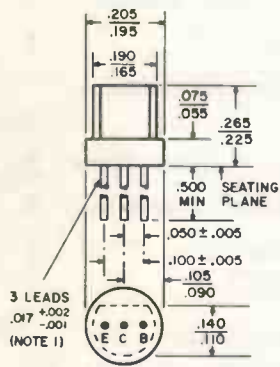
**TO-5**

GE-18 GE-21 GE-1  
GE-2 GE-5 GE-8



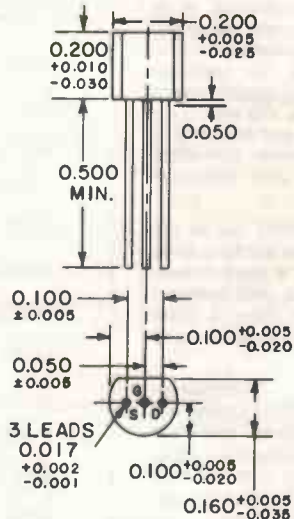
**RO-97A**

GE-17



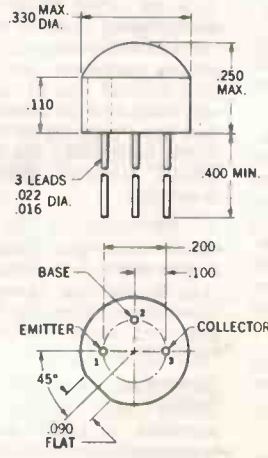
**TO-98**

GE-10 GE-11



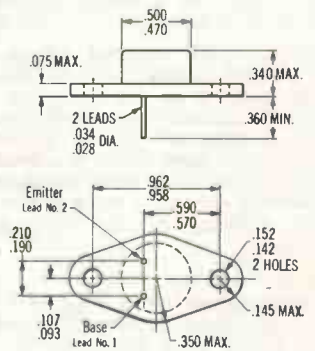
**TO-92**

GE-FET-1



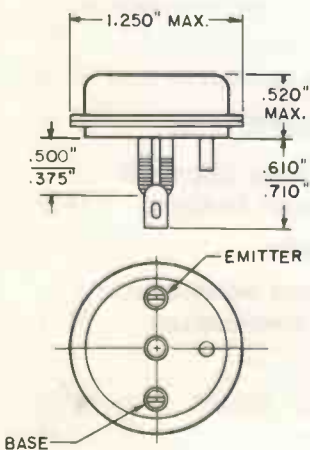
**RO-110**

GE-22



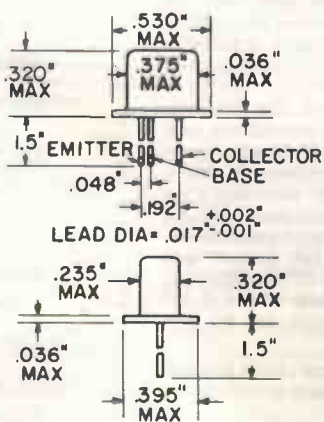
**TO-66**

GE-12 GE-24MP  
GE-23 GE-26



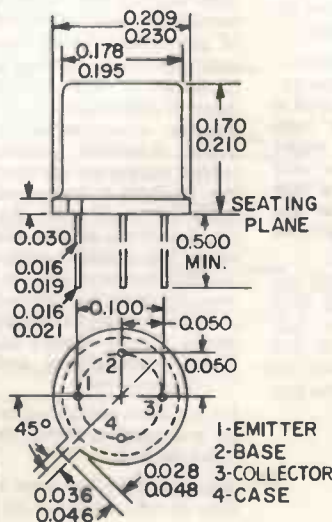
**TO-36**

GE-4



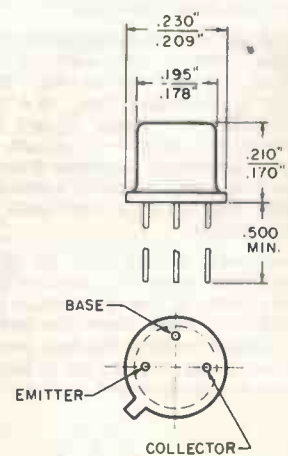
**OV-5**

GE-6 GE-7



**TO-72**

GE-9

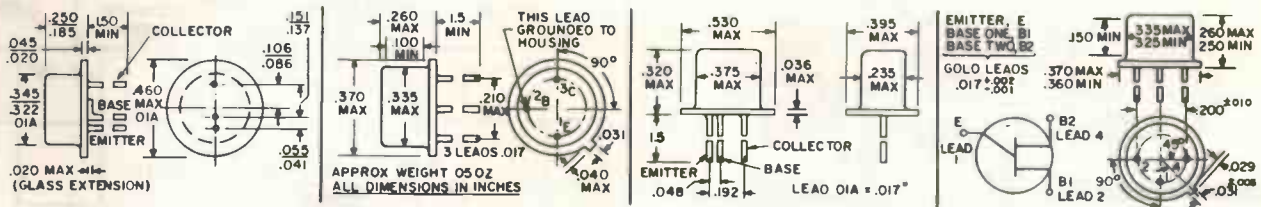


**TO-18**

GE-20



# GE ENTERTAINMENT TRANSISTORS REGISTERED JEDEC TYPES



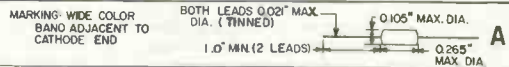
These types supplement the Universal Line of G-E Transistors. Characteristics conform to JEDEC specifications.

Type or JEDEC No.	Type	Use	Drawing No.	PC MW @25°C	BV <sub>CE</sub>	I <sub>C</sub> ma	T <sub>J</sub> °C	Suggested List Price
2N107	PNP	AF	1	50	-6	-10	60	\$1.25
2N170	NPN	IF	3	25	6	20	50	1.70
2N188A	PNP	AF OUT	1	200	-25	-200	85	3.05
2N190	PNP	AF	1	75	-25	-50	85	1.40
2N324	PNP	AF	2	140	-16	-100	60	1.20
2N404	PNP	SW	2	120	-24	-100	85	.90
2N508	PNP	AF OUT	2	140	-16	-100	86	1.30
2N1415	PNP	AF SW	2	200	-25	-200	85	1.70
2N2160	{ SILICON UNIUNCTION }	OSC	4	450	30	50	85	2.75



SEE PAGE 8-27 FOR LISTINGS

## CRYSTAL DIODES MAXIMUM RATINGS (25°C)



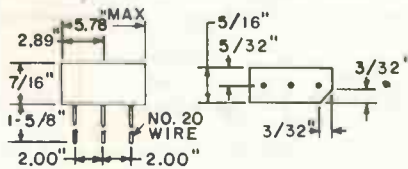
Type	Description	Out-line	Temp. Range °C	Reverse Working Voltage (dc-volts)	Recurrent Peak Forward Current (ma)	Average Forward Current (ma)	Surge Current 1 sec.-max. (ma)	Peak Reverse Voltage (Volts)	CHARACTERISTICS		Suggested List Price	
									Forward Current (ma) at + 1 volt Min Max	Reverse Current (µa max)		
1N34AS	General Purposes	A	-50 to +90	60	150	50	500	75	5	25	500 at -50V	\$ .55
1N60	Video Detector	A	-50 to +90	25	150	50	500	30	-	-	-	.55
1N82A	Silicon UHF Mixer	A	-50 to +120	3	25	-	-	5	5	15 (1.5v)	500 at -3v	1.45
1N295	50 MC Detector	A	-59 to +100	40	125	30	300	50	-	-	180 at -10v	.55

## Vac-u-Sel® SELENIUM DUAL-DIODE RECTIFIERS

APPLICATION: The principal application for the Dual-Diode is as a discriminator or phase detector in television receivers. They also can be used in other types of low power circuits where maximum dependability is required at minimum cost.

Catalog No.	Type	Suggested List Price	Symbol
6GC1	Common Cathode	\$.90	AC
6GD1	Series Connected	.90	-
6GX1	Common Anode	.90	AC

Forward current (min.) 1.1 ma at 2.5VDC  
Reverse current (nominal) .4 ma at 20VDC



SEE PAGE 36 FOR LISTINGS

## SILICON AND GERMANIUM RECTIFIERS

GE-504A AND GE-509 Universal replacement types GE-504A and GE-509 with a 60 amp surge rating, are recommended as a replacement for silicon rectifiers used in radio, black and white and color TV receivers, plus many other circuits.

The GE-504A and GE-509 have dual heatsink design. The pellet is securely sandwiched between two heavy thermally-matched slugs. These slugs provide rugged mechanical support for the pellet and leads. There are no potentially troublesome "S" springs or whisker contacts to fall or to increase thermal resistance.

The simple wrap around design puts a hard glass layer in intimate contact with the silicon pellet and passivates the critical P-N junction by providing a void-free contaminant-proof package. There are no organic varnishes to deteriorate with time or to increase leakage current.

The temperature coefficient of the glass is carefully matched to that of silicon for stress-free operation over a wide temperature range. Due to the inherent low OHMIC resistance of the GE-504A and GE-509 package, the devices can withstand current surges up to 100 amps.

Type	Diagram	PIV	Max. I <sub>pc</sub> MA	Suggested List Price
1N91	A	100	150	\$1.55
†GE-504A	B	600	1 AMP	1.10
GE-509	B	1000	1 AMP	1.25

MARKING BAND TO APPEAR ON CATHODE END

NOTE: ALL DIMENSIONS IN INCHES

0.035 MAX DIA AFTER TINNING

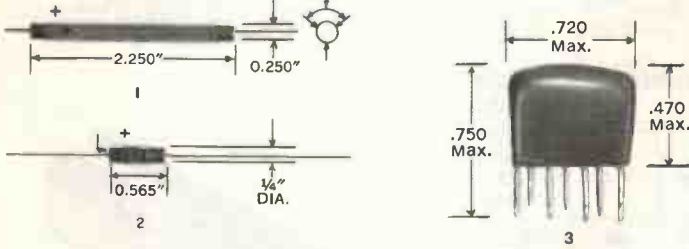
0.150 MAX. 0.050 MAX. 0.050 MAX. 1.0 MIN. EACH LEAD B

SEE PAGE 27-35 FOR LISTINGS

## SELENIUM RECTIFIERS FOR USE IN COLOR TV SETS

Catalog No.	Diagram	Type	Suggested List Price
GE CR-1	1	Focus Rect.	\$ 3.75
GE CR-2	2	Boosted Boost	1.65
GE CR-3	3	Convergence	1.70

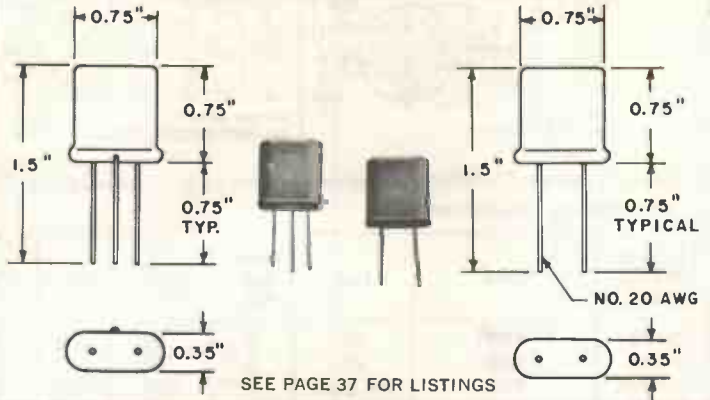
POLARITY INDICATED BY THREE (+) PLUS SYMBOLS LOCATED 120° APART



SEE PAGE 36 FOR LISTINGS

## GE QUARTZ CRYSTALS

Catalog No.	Resonant Frequency	Use	Suggested List Price
GE-41	3579.545 kc	Color burst filter	\$ 5.60
GE-42	3579.545 kc	Color subcarrier oscillators	3.80



SEE PAGE 37 FOR LISTINGS

## ZENER DIODES

**ZENER DIODES** A Zener diode is a two-layer device that above a certain reverse voltage (the zener value) has a sudden rise in current. If forward-biased, the diode is an ordinary rectifier. But when reversed-biased, the diode exhibits a typical knee, or sharp break, in its current-voltage graph. The voltage across the device remains essentially constant for any further increase of reverse current up to the allowable dissipation rating. The zener diode is a good voltage regulator, over-voltage protector, and voltage reference.

Zener diodes may be connected in a series to achieve desired zener voltage plus or minus tolerances. For best zener performance, specified IZT should be maintained during normal circuit conditions.

GE Type	Material	Power Dissipation @ 25°C (Watts)	Breakdown Voltage Vz @ IZT (Volts)	Test Current IZT (mA)	Zener Impedance Zz @ IZT (CHMS)	DC Zener Current IZM (mA)	Case Size	Suggested Retail
GE ZD-10-4	Silicon	400 MW	10	20	17	20	59	\$ .90
GE ZD-3.6	Silicon	1 Watt	3.6	69	10	253	59	1.20
GE ZD-5.1	Silicon	1 Watt	5.1	49	7	178	59	1.20
GE ZD-5.6	Silicon	1 Watt	5.6	45	5	162	59	1.20
GE ZD-6.2	Silicon	1 Watt	6.2	41	2	146	59	1.20
GE ZD-9.1	Silicon	1 Watt	9.1	28	5	100	59	1.20
GE ZD-12	Silicon	1 Watt	12	21	9	76	59	1.20
GE ZD-15	Silicon	1 Watt	15	17	14	61	59	1.20
GE ZD-18	Silicon	1 Watt	18	14	20	50	59	1.20
GE ZD-20	Silicon	1 Watt	20	12.5	22	46	59	1.20
GE ZD-27	Silicon	1 Watt	27	9.5	35	34	59	1.20

All Zeners ±10% tolerance in Voltage.

Junction operating and storage temperature - 65° to 200°C.

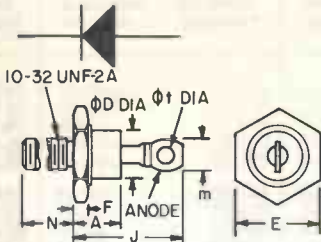
SEE PAGE 37-40 FOR LISTINGS

## MAINTENANCE INDUSTRIAL REPLACEMENT SEMICONDUCTORS

Catalog No.	Description	Repetitive PRV	Transient PRV	Max. IDC Stud Single Phase	Peak 1 Cycle Surge	Max. Rev. Cur. (Full Cycle Av @ Full Load)	Max. Full Load Voltage Drop	Max. Oper. °C	Out-line Dwg.	Suggested User Price
GEMR-1	Silicon Rectifier	200	350	12 A	240 A	2.0 mA	0.55 V	200°	A	\$ 4.80
GEMR-2	Silicon Rectifier	400	-	35*A	500 A	10*mAdc	0.65*V	200°	B	6.90
			PRV and V (BO)	Max. IDC @ Temp. °C		Max. Temp. °C Oper. Stor.	Max. Req'd. Gate Signal @ 25°C T J			
GEMR-3	Silicon Controlled Rectifier	400	35 A @ 19°C case			125° 150°	3 V, 40 mA		C	8.60
GEMR-4	Silicon Controlled Rectifier	400	7.4 A @ 80°C case			100° 100°	3 V, 25 mA		D	3.80
GEMR-5	Silicon Controlled Rectifier Economy Flat Pack Design	200	4 A @ 75°C anode tab			110° 150°	0.8 V, 200 uAdc		E	1.40
			hFE VCE = 1V IC = 1A	VCEO IC = 1 mA	VCE(sat) IC = 1A IB = 50 mA	PT 70° Tab				
GEMR-6	Silicon Power Tab Transistor	20 min.	40 V			1.0 V (Max.)	8 W		F	1.42

\*@140°C

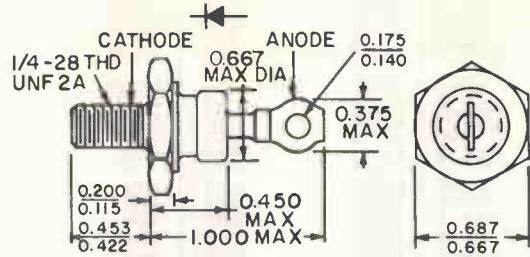
A



COMPLIES WITH EIA REGISTERED OUTLINE DO-4

SYMBOL	INCHES		MILLIMETERS	
	MIN	MAX	MIN	MAX
A		.405		10.29
φD		.424		10.77
E	.424	.437	10.77	11.10
F	.075	.175	1.91	4.45
J		.800		20.32
m		.250		6.35
N	.422	.453	10.72	11.51
φt	.060		1.52	
W				

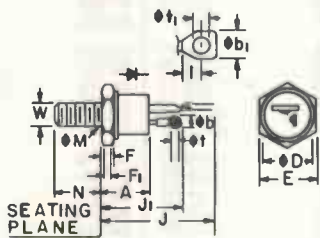
B



NOTES: 1. COMPLIES WITH EIA REGISTERED OUTLINE DO-5  
2. ALL DIMENSIONS IN INCHES

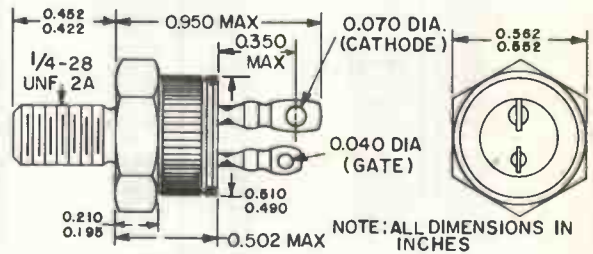
C

(COMPLIES WITH JEDEC TO-48)



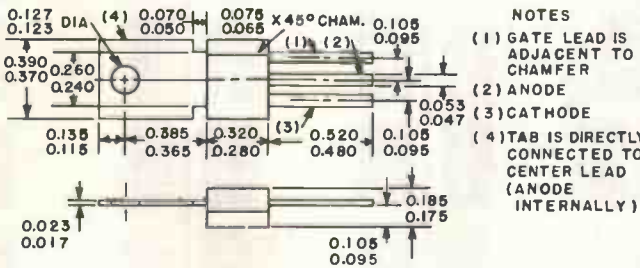
SYMBOL	INCHES		MILLIMETERS	
	MIN	MAX	MIN	MAX
A	.330	.505	8.38	12.83
b	.115	.140	2.92	3.56
bi	.210	.300	5.33	7.62
D		.544		13.82
E	.544	.562	13.82	14.27
F	.113	.200	2.87	5.08
Fi	.060		1.52	
J		1.193		30.30
Ji		.875		22.23
I	.120		3.05	
M				
N	.422	.453	10.72	11.51
t	.060	.075	1.52	1.91
ti	.125	.165	3.18	4.19
W				

D



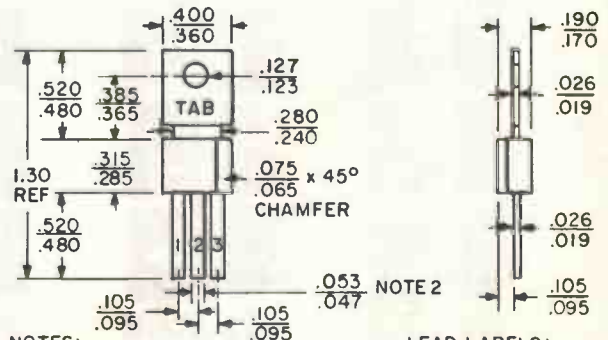
NOTE: ALL DIMENSIONS IN INCHES

E



NOTES  
(1) GATE LEAD IS ADJACENT TO CHAMFER  
(2) ANODE  
(3) CATHODE  
(4) TAB IS DIRECTLY CONNECTED TO CENTER LEAD (ANODE INTERNALLY)

F



NOTES:  
1. ALL DIMENSIONS ARE IN INCHES AND ARE REFERENCE UNLESS TOLERENCED.  
2. .043-.053 LEAD WIDTH WITHIN .100 OF BODY.

LEAD LABELS:  
1 - BASE  
2 - COLLECTOR (COMMON WITH TAB)  
3 - EMITTER



## UNIVERSAL REPLACEMENT TRANSISTORS

JEDEC TYPE OR PART NO.	GE REPLACEMENT	JEDEC TYPE OR PART NO.	GE REPLACEMENT	JEDEC TYPE OR PART NO.	GE REPLACEMENT	JEDEC TYPE OR PART NO.	GE REPLACEMENT	JEDEC TYPE OR PART NO.	GE REPLACEMENT	JEDEC TYPE OR PART NO.	GE REPLACEMENT
A1A	GE-20	AC126	GE-2	AF138	GE-9	B22-4	GE-2	BCY24	GE-21	BLY15	GE-19
A1H	GE-17	AC127	GE-8	AF144	GE-1	B23-2	GE-2	BCY25	GE-21	BLY47	GE-19
A1J	GE-10	AC128	GE-2	AF166	GE-9	B24-1	GE-2	BCY26	GE-21	BLY48	GE-19
A1K	GE-17	AC129	GE-9	AF179	GE-9	B20-001	GE-3	BCY27	GE-21	BLY49	GE-19
A1P	GE-17	AC130	GE-5	AF185	GE-9	B26	GE-2	BCY28	GE-21	BLY50	GE-19
A1R	GE-20	AC131	GE-2	AF186G	GE-21	B49	GE-2	BCY30	GE-21	BS475	GE-20
A1R-1	GE-20	AC132	GE-2	AG134	GE-9	B51	GE-2	BCY31	GE-21	BSX12	GE-17
A1R-2	GE-20	AC150	GE-2	AQ1	GE-1	B169	GE-20	BCY32	GE-21	BSX21	GE-17
A1S	GE-20	AC151	GE-2	AQ4	GE-20	B177	GE-3	BCY33	GE-21	BSX24	GE-17
A1T	GE-20	AC151R	GE-2	AQ6	GE-20	B178	GE-3	BCY34	GE-21	BSX25	GE-17
A1T-1	GE-20	AC152	GE-2	AR4	GE-3	B179	GE-3	BCY38	GE-21	BSX27	GE-17
A1V	GE-20	AC153	GE-2	AR5	GE-3	B224	GE-3	BCY39	GE-21	BSX28	GE-17
A1W	GE-20	AC153K	GE-2	AR6	GE-3	B1017	GE-3	BCY40	GE-21	BSX29	GE-21
A2T	GE-20	AC154	GE-2	AR7	GE-3	B1022	GE-2	BCY50	GE-20	BSX30	GE-17
A104	GE-10	AC155	GE-2	AR8	GE-3	B1085	GE-25	BCY54	GE-21	BSX35	GE-21
A106	GE-20	AC156	GE-2	AR9	GE-3	B1151	GE-3	BCY58	GE-20	BSX38	GE-17
A107	GE-10	AC160A	GE-9	AR10	GE-3	B1151A	GE-3	BCY59	GE-17	BSX53	GE-17
A108	GE-10	AC161	GE-2	AR11	GE-3	B1151B	GE-16	BCY443	GE-17	BSX54	GE-17
A111	GE-10	AC162	GE-2	AR12	GE-3	B1152	GE-3	BCZ10	GE-21	BSY11	GE-17
A-128	GE-10	AC165	GE-2	AR13	GE-3	B1152A	GE-16	BCZ11	GE-21	BSY17	GE-17
A156	GE-20	AC166	GE-2	AR14	GE-3	B1152B	GE-16	BCZ13	GE-21	BSY18	GE-17
A158	GE-10	AC167	GE-2	AR15	GE-12	B1154	GE-2	BCZ-14	GE-21	BSY19	GE-17
A158B	GE-10	AC168	GE-2	AR18	GE-23	B1178	GE-25	BD111	GE-19	BSY20	GE-17
A158C	GE-10	AC169	GE-2	AR102	GE-2	B1274	GE-16	BD112	GE-19	BSY22	GE-17
A159B	GE-10	AC175	GE-20	AR103	GE-1	B1274A	GE-16	BD113	GE-19	BSY24	GE-17
A168	GE-20	AC188/01	GE-2	AR104	GE-1	B1274B	GE-16	BD115	GE-17	BSY26	GE-17
A301	GE-17	ACY-17	GE-2	AR105	GE-1	B5020	GE-14	BD116	GE-19	BSY27	GE-17
A306	GE-17	ACY-18	GE-2	AR107	GE-10	B10162	GE-3	BD118	GE-19	BSY28	GE-17
A307	GE-17	ACY-19	GE-2	AR108	GE-10	B10163	GE-3	BD119	GE-12	BSY29	GE-17
A344	GE-17	ACY-20	GE-2	AR200	GE-20	B10474	GE-16	BD120	GE-12	BSY39	GE-17
A345	GE-17	ACY-21	GE-2	AR201	GE-20	B10475	GE-25	BD121	GE-19	BSY44	GE-12
A346	GE-17	ACY-23	GE-2	AR202	GE-20	B10912	GE-3	BD153	GE-17	BSY45	GE-12
A376	GE-9	ACY-27	GE-2	AS33867	GE-2	B10913	GE-3	BF166	GE-17	BSY46	GE-12
A415	GE-17	ACY-28	GE-2	AS33868	GE-2	B170000	GE-19	BF167	GE-17	BSY51	GE-20
A417	GE-17	ACY-29	GE-2	AS34280	GE-8	B170001	GE-19	BF168	GE-17	BSY52	GE-20
A418	GE-17	ACY-30	GE-2	ASY26	GE-9	B170002	GE-14	BF169	GE-17	BSY53	GE-20
A419	GE-17	ACY-31	GE-2	ASY27	GE-9	B170003	GE-14	BF173	GE-17	BSY54	GE-20
A420	GE-17	ACY-32	GE-2	ASY28	GE-9	B170004	GE-14	BF175	GE-17	BSY55	GE-20
A435	GE-9	ACY-34	GE-2	ASY29	GE-9	B170009	GE-14	BF184	GE-17	BSY62	GE-17
A466	GE-17	ACY-35	GE-2	ASY50	GE-2	B170010	GE-14	BF185	GE-17	BSY63	GE-17
A467	GE-17	ACY-36	GE-2	ASZ15	GE-16	B170012	GE-19	BF216	GE-17	BSY72	GE-17
A473	GE-17	AD130	GE-3	ASZ16	GE-16	B170013	GE-14	BF217	GE-17	BSY73	GE-17
A480	GE-17	AD131	GE-16	ASZ17	GE-16	B170018	GE-19	BF218	GE-17	BSY74	GE-17
A482	GE-17	AD132	GE-16	ASZ18	GE-16	B170019	GE-14	BFX12	GE-21	BSY75	GE-17
A483	GE-17	AD138	GE-3	AT6	GE-2	B170021	GE-14	BFX13	GE-21	BSY76	GE-17
A484	GE-17	AD140	GE-3	AT6A	GE-2	B170022	GE-14	BFX18	GE-17	BSY77	GE-17
A494	GE-11	AD142	GE-16	AT10H	GE-2	BC107	GE-20	BFX19	GE-17	BSY79	GE-17
A522	GE-19	AD143	GE-16	AT10M	GE-2	BC108	GE-20	BFX20	GE-17	BSY80	GE-17
A567	GE-20	AD145	GE-16	AT10N	GE-2	BC109	GE-17	BFX21	GE-17	BSY90	GE-20
A567A	GE-20	AD148	GE-3	AT20H	GE-2	BC111	GE-17	BFX61	GE-17	BSY91	GE-17
A572	GE-19	AD149	GE-3	AT20M	GE-2	BC112	GE-17	BFY11	GE-17	BSY92	GE-17
A937-1	GE-20	AD150	GE-3	AT20N	GE-2	BC115	GE-17	BFY17	GE-17	BSY93	GE-20
A937-3	GE-20	AD152	GE-16	AT30H	GE-2	BC117	GE-17	BFY18	GE-17	BSY95	GE-17
A1109	GE-17	AD153	GE-16	AT30M	GE-2	BC118	GE-17	BFY19	GE-17	BSY95A	GE-17
A1170	GE-17	AD156	GE-16	AT30N	GE-2	BC121	GE-20	BFY22	GE-20	BSY168	GE-17
A1314	GE-17	AD157	GE-16	AT50	GE-2	BC122	GE-20	BFY23	GE-20	BUY10	GE-19
A1379	GE-20	AD159	GE-16	AT100H	GE-2	BC123	GE-20	BFY23A	GE-20	BUY11	GE-19
A1383	GE-9	AD162	GE-16	AT100M	GE-2	BC125	GE-17	BFY24	GE-20	C64	GE-17
A1384	GE-9	AD163	GE-25	AT100N	GE-2	BC127	GE-17	BFY28	GE-17	C73	GE-1
A1462	GE-17	ADY-26	GE-4	AT312	GE-17	BC128	GE-17	BFY29	GE-20	C75	GE-1
A1518	GE-17	ADY-27	GE-16	AT316	GE-17	BC129	GE-20	BFY30	GE-20	C76	GE-1
A1519	GE-17	ADZ11	GE-4	AT1138	GE-16	BC130	GE-20	BFY33	GE-20	C101	GE-21
A1520	GE-17	ADZ12	GE-4	AT1138A	GE-16	BC131	GE-20	BFY34	GE-20	C102	GE-21
A1521	GE-17	AE-50	GE-2	AT1833	GE-16	BC135	GE-17	BFY37	GE-17	C103	GE-21
A1567	GE-20	AF101	GE-9	AT1834	GE-16	BC136	GE-17	BFY39	GE-20	C106	GE-21
A1567-1	GE-20	AF105	GE-9	ATGP	GE-2	BC148	GE-17	BFY47	GE-17	C111B	GE-17
A2SB240A	GE-3	AF106	GE-9	AU101	GE-25	BC149	GE-17	BFY48	GE-17	C118	GE-21
A2SB242A	GE-3	AF107	GE-9	AU102	GE-16	BC155	GE-17	BFY49	GE-17	C119	GE-21
A2SB248A	GE-3	AF114	GE-9	AU103	GE-25	BC442	GE-17	BFY50	GE-17	C201	GE-21
A2T	GE-20	AF115	GE-9	AU104	GE-25	BC1073	GE-16	BFY51	GE-17	C202	GE-21
A567	GE-10	AF116	GE-9	AU105	GE-25	BC1073A	GE-16	BFY55	GE-17	C302	GE-21
AA1	GE-1	AF117	GE-9	AU106	GE-25	BC1274	GE-16	BFY63	GE-17	C313	GE-17
AA2	GE-5	AF121	GE-9	AU107	GE-25	BC1274A	GE-16	BFY64	GE-17	C400	GE-17
AA3	GE-9	AF124	GE-9	AU108	GE-25	BC1274B	GE-16	BFY69	GE-17	C401	GE-21
AA4	GE-3	AF125	GE-9	AU110	GE-25	BCY10	GE-21	BFY74	GE-17	C402	GE-21
AA5	GE-4	AF126	GE-9	AUY10	GE-16	BCY11	GE-21	BFY75	GE-17	C420	GE-17
AC107	GE-9	AF127	GE-9	AUY19	GE-16	BCY12	GE-21	BFY76	GE-17	C424	GE-17
AC-113	GE-2	AF128	GE-1	AUY21	GE-16	BCY15	GE-20	BFY77	GE-17	C426	GE-17
AC-113A	GE-2	AF129	GE-1	AUY22	GE-16	BCY16	GE-20	BFY78	GE-17	C444	GE-17
AC-114	GE-2	AF130	GE-1	AUY31	GE-16	BCY17	GE-21	BFY79	GE-17	C450	GE-17
AC116	GE-2	AF131	GE-9	AUY33	GE-16	BCY18	GE-21	BFY90	GE-17	C537F	GE-10
AC117	GE-2	AF132	GE-9	B2SB241	GE-3	BCY19	GE-21	BIP7201	GE-20	C693G	GE-10
AC122	GE-2	AF133	GE-9	B2SB244	GE-3	BCY21	GE-21	BLY10	GE-20	C1438	GE-2
AC123	GE-2	AF136	GE-9	B5	GE-2	BCY22	GE-21	BLY11	GE-20	C9080	GE-21
AC125	GE-2	AF137	GE-9	B5A	GE-2	BCY23	GE-21	BLY12	GE-19	C9081	GE-21



UNIVERSAL REPLACEMENT TRANSISTORS

C9082-ER15X19

JEDEC TYPE OR PART NO.	GE REPLACEMENT	JEDEC TYPE OR PART NO.	GE REPLACEMENT	JEDEC TYPE OR PART NO.	GE REPLACEMENT	JEDEC TYPE OR PART NO.	GE REPLACEMENT	JEDEC TYPE OR PART NO.	GE REPLACEMENT	JEDEC TYPE OR PART NO.	GE REPLACEMENT
C9082	GE-21	CK67B	GE-2	CT1124B	GE-3	D086	GE-9	E214B	GE-2	EA0013	GE-17
C9083	GE-21	CK67C	GE-2	CT1300	GE-17	D087	GE-11	E2427	GE-17	EA0081	GE-18
C9084	GE-21	CK261	GE-2	CT1500	GE-17	D088	GE-11	E2428	GE-17	EA0088	GE-21
C9085	GE-21	CK721	GE-2	CTP1104	GE-3	DS1	GE-7	E2429	GE-17	EA0092	GE-20
C10227	GE-2	CK722	GE-2	CTP1108	GE-3	DS2	GE-7	E2430	GE-20	EA1080	GE-20
C10230-3	GE-2	CK725	GE-2	CTP1109	GE-3	DS3	GE-2	E2431	GE-20	EA1081	GE-2
C10279-1	GE-20	CK727	GE-2	CTP1111	GE-3	DS4	GE-7	E2434	GE-17	EA1128	GE-20
C10279-3	GE-20	CK751	GE-2	CTP1117	GE-3	DS5	GE-7	E2435	GE-17	EA1129	GE-20
C11021	GE-2	CK754	GE-1	CTP1124	GE-3	DS6	GE-7	E2436	GE-20	EA1135	GE-20
C36577	GE-21	CK759	GE-1	CTP1133	GE-3	DS7	GE-7	E2438	GE-9	EA1145	GE-20
C36578	GE-20	CK759A	GE-2	CTP1135	GE-3	DS9	GE-7	E2439	GE-9	EA1343	GE-17
C36579	GE-18	CK760	GE-1	CTP1136	GE-3	DS11	GE-6	E2440	GE-9	EA1344	GE-17
C36580	GE-10	CK760A	GE-2	CTP1137	GE-3	DS12	GE-6	E2441	GE-12	EA1345	GE-10
CB1F4	GE-4	CK761	GE-1	CTP1500	GE-3	DS14	GE-6	E2444	GE-20	EA1346	GE-2
CD8000	GE-18	CK762	GE-1	CTP1503	GE-3	DS16	GE-2	E2445	GE-2	EA1406	GE-20
CD12000	GE-18	CK766	GE-1	CTP1504	GE-3	DS19	GE-1	E2448	GE-2	EA1407	GE-20
CD8201	GE-10	CK766A	GE-1	CTP1508	GE-3	DS21	GE-1	E2449	GE-18	EA1408	GE-20
CDQ10001	GE-20	CK768	GE-1	CTP1509	GE-4	DS22	GE-1	E2450	GE-20	EA1451	GE-20
CDQ10002	GE-17	CK790	GE-2	CTP1511	GE-16	DS23	GE-1	E2451	GE-1	EA1452	GE-20
CDQ10003	GE-20	CK791	GE-2	CTP1512	GE-4	DS24	GE-1	E2452	GE-10	EA1499	GE-20
CDQ10004	GE-17	CK793	GE-2	CTP1513	GE-16	DS25	GE-1	E2455	GE-10	EA15X2	GE-16
CDQ10005	GE-20	CK870	GE-2	CTP1514	GE-16	DS26	GE-2	E2459	GE-10	EA15X7	GE-2
CDQ10006	GE-17	CK871	GE-9	CTP1544	GE-4	DS34	GE-9	E2460	GE-12	EA15X8	GE-2
CDQ10008	GE-17	CK872	GE-2	CTP1545	GE-16	DS35	GE-9	E2461	GE-20	EA15X9	GE-10
CDQ10009	GE-20	CK875	GE-2	CTP1550	GE-16	DS36	GE-1	E2462	GE-9	EA15X10	GE-3
CDQ10010	GE-17	CK878	GE-2	CTP1551	GE-16	DS37	GE-9	E2465	GE-2	EA15X28	GE-2
CDQ10016	GE-17	CK879	GE-2	CTP1552	GE-4	DS38	GE-9	E2466	GE-8	EA15X43	GE-3
CDQ10017	GE-17	CK882	GE-2	CTP1553	GE-16	DS41	GE-9	E2467	GE-2	EA15X59	GE-20
CDQ10019	GE-17	CK888	GE-2	CTP1728	GE-16	DS42	GE-9	E2474	GE-9	EA15X72	GE-20
CDQ10020	GE-17	CM2550	GE-16	CTP1729	GE-16	DS44	GE-20	E2475	GE-9	EA15X73	GE-20
CDQ10022	GE-17	CN2484	GE-17	CTP1730	GE-16	DS45	GE-20	E2476	GE-2	EA1549	GE-20
CDQ10023	GE-17	CP400	GE-19	CTP1731	GE-16	DS46	GE-20	E2477	GE-1	EA1562	GE-17
CDQ10026	GE-17	CP401	GE-19	CTP1732	GE-16	DS47	GE-20	E2478	GE-9	EA1563	GE-17
CDQ10027	GE-17	CP404	GE-19	CTP1733	GE-16	DS51	GE-1	E2479	GE-9	EA1564	GE-20
CDQ10032	GE-17	CP405	GE-19	CTP1735	GE-16	DS52	GE-1	F2480	GE-2	EA1578	GE-20
CDQ10035	GE-17	CP406	GE-19	CTP1736	GE-16	DS53	GE-1	E2481	GE-2	EA1581	GE-20
CDQ10036	GE-17	CP407	GE-19	CTP1739	GE-16	DS56	GE-9	E2482	GE-2	EA1684	GE-10
CDQ10049	GE-12	CP408	GE-19	CTP1740	GE-16	DS66	GE-20	EA15X1	GE-10	EA1696	GE-10
CDT1309	GE-3	CS1129E	GE-18	CTP3503	GE-16	DS67	GE-20	EA15X2	GE-2	EA1697	GE-10
CDT1310	GE-16	CS1170F	GE-22	CTP3504	GE-16	DS67W	GE-20	EA15X3	GE-2	EA1698	GE-18
CDT1311	GE-16	CS1225F	GE-17	CTP3508	GE-16	DS71	GE-20	EA15X4	GE-2	EA1700	GE-3
CDT1312	GE-16	CS1227F	GE-20	CTP3544	GE-16	DS72	GE-20	EA15X5	GE-10	EA1703	GE-10
CDT1319	GE-16	CS1227G	GE-17	CTP3545	GE-16	DS74	GE-11	EA15X6	GE-4	EA1716	GE-10
CDT1320	GE-16	CS1236D	GE-10	CTP3552	GE-16	DS75	GE-20	EA15X7	GE-2	EA1718	GE-10
CIL511	GE-17	CS1237	GE-21	CTP3553	GE-16	DS76	GE-10	EA15X8	GE-2	EA1735	GE-10
CIL512	GE-17	CS1238	GE-20	D1A	GE-20	DS77	GE-20	EA15X9	GE-10	EA1740	GE-14
CIL513	GE-17	CS1293	GE-17	D4D24	GE-17	DS78	GE-17	EA15X10	GE-3	EB0001	GE-2
CIL521	GE-17	CS1340E	GE-10	D4D25	GE-17	DS81	GE-17	EA15X11	GE-9	EB0003	GE-2
CIL522	GE-17	CS1340G	GE-10	D4D26	GE-17	DS85	GE-17	EA15X13	GE-9	ECG100	GE-1
CIL523	GE-17	CS2711	GE-17	D10G1051	GE-17	DS501	GE-4	EA15X15	GE-3	ECG101	GE-5
CIL533	GE-17	CS2712	GE-17	D10G1052	GE-17	DS502	GE-4	EA15X18	GE-10	ECG102	GE-2
CK13	GE-9	CS2713	GE-17	D11C1B1	GE-17	DS503	GE-3	EA15X19	GE-2	ECG103	GE-8
CK13A	GE-1	CS2714	GE-17	D11C1F1	GE-17	DS504	GE-4	EA15X20	GE-10	ECG104	GE-3
CK14	GE-1	CS2715	GE-17	D11C2D1B20	GE-17	DS505	GE-4	EA15X22	GE-10	ECG105	GE-4
CK14A	GE-1	CS2716	GE-17	D11C5B1	GE-17	DS506	GE-4	EA15X23	GE-10	ECG106	GE-21
CK16	GE-1	CS2923	GE-17	D11C5F1	GE-17	DS520	GE-3	EA15X24	GE-10	ECG107	GE-11
CK16A	GE-1	CS2924	GE-17	D11C10B1	GE-12	DS525	GE-4	EA15X25	GE-2	ECG108	GE-11
CK17	GE-1	CS3393	GE-17	D11C10F1	GE-12	DT80	GE-4	EA15X26	GE-3	ECG121	GE-16
CK17A	GE-1	CS3394	GE-17	D11C11B1	GE-12	DT100	GE-4	EA15X28	GE-2	ECG123	GE-10
CK22	GE-2	CS3396	GE-17	D11C11F1	GE-12	DT161	GE-20	EA15X31	GE-10	ECG124	GE-12
CK22A	GE-2	CS3397	GE-17	D11C205B20	GE-12	DT1110	GE-20	EA15X33	GE-3	ECG126	GE-9
CK22B	GE-2	CS3398	GE-17	D11C210B20	GE-12	DT1111	GE-20	EA15X35	GE-3	ECG127	GE-25
CK22C	GE-2	CS3605	GE-17	D63	GE-20	DT1120	GE-20	EA15X36	GE-2	ECG130	GE-19
CK25	GE-1	CS3606	GE-17	D65	GE-2	DT1121	GE-20	EA15X37	GE-10	ED51	GE-1
CK25A	GE-1	CS3607	GE-17	D66	GE-2	DT1510	GE-20	EA15X38	GE-3	ED52	GE-1
CK26	GE-1	CS3707	GE-17	D105B	GE-2	DT1511	GE-20	EA15X40	GE-9	ED53	GE-1
CK26A	GE-1	CS3708	GE-17	D1101	GE-FET-1	DT1512	GE-20	EA15X41	GE-9	ED54B	GE-1
CK27	GE-1	CS3709	GE-17	D1102	GE-FET-1	DT1520	GE-20	EA15X43	GE-9	ED55	GE-2
CK27A	GE-1	CS3710	GE-17	D1177	GE-FET-1	DT1521	GE-20	EA15X44	GE-20	ED56	GE-2
CK28	GE-9	CS3711	GE-17	D1178	GE-FET-1	DT1522	GE-20	EA15X45	GE-20	ED57	GE-2
CK28A	GE-1	CS3843	GE-17	D1180	GE-FET-1	DT1602	GE-20	EA15X48	GE-11	EK136	GE-2
CK64	GE-2	CS3844	GE-17	D1181	GE-FET-1	DT1612	GE-20	EA15X49	GE-11	EK159	GE-1
CK64A	GE-2	CS3845	GE-17	D1420	GE-FET-1	DT4110	GE-19	EA15X50	GE-11	EN3009	GE-17
CK64B	GE-2	CS3859	GE-17	D1421	GE-FET-1	DT4120	GE-19	EA15X51	GE-10	EN3013	GE-17
CK64C	GE-2	CS3860	GE-17	D019	GE-2	DT4121	GE-19	EA15X52	GE-10	EN3014	GE-17
CK65	GE-2	CST-1739	GE-16	D031	GE-2	DT6110	GE-16	EA15X53	GE-3	EO-44A	GE-2
CK65A	GE-2	CST-1740	GE-16	D038	GE-2	DTG110	GE-3	EA15X54	GE-11	ER15X7	GE-2
CK65B	GE-2	CST-1741	GE-16	D043	GE-2	DTG110B	GE-3	EA15X55	GE-11	ER15X9	GE-2
CK65C	GE-2	CST-1742	GE-16	D063	GE-9	DTG1011	GE-16	EA15X56	GE-10	ER15X10	GE-3
CK66	GE-2	CST-1743	GE-16	D078	GE-2	DTG1040	GE-16	EA15X59	GE-20	ER15X14	GE-9
CK66A	GE-2	CST-1744	GE-16	D079	GE-9	E044A	GE-2	EA15X63	GE-10	ER15X15	GE-9
CK66B	GE-2	CST-1745	GE-16	D080	GE-16	E132	GE-2	EA15X68	GE-10	ER15X16	GE-9
CK66C	GE-2	CST-1746	GE-16	D081	GE-3	E158	GE-2	EA15X72	GE-20	ER15X17	GE-2
CK67	GE-2	CT1122	GE-3	D083	GE-8	E241	GE-2	EA15X73	GE-20	ER15X18	GE-10
CK67A	GE-2	CT1124	GE-3	D085	GE-8	E241A	GE-2	EA0009	GE-2	ER15X19	GE-9

## UNIVERSAL REPLACEMENT TRANSISTORS

JEDEC TYPE OR PART NO.	GE REPLACE-MENT	JEDEC TYPE OR PART NO.	GE REPLACE-MENT	JEDEC TYPE OR PART NO.	GE REPLACE-MENT	JEDEC TYPE OR PART NO.	GE REPLACE-MENT	JEDEC TYPE OR PART NO.	GE REPLACE-MENT	JEDEC TYPE OR PART NO.	GE REPLACE-MENT
ER15X20	GE-9	ET15X37	GE-10	FT002	GE-20	GF20	GE-2	GT948R	GE-7	HF20M	GE-9
ER15X21	GE-9	ET15X38	GE-22	FT003	GE-17	GF21	GE-2	GT949	GE-8	HF50H	GE-9
ER15X22	GE-2	ET15X39	GE-22	FT004	GE-17	GF32	GE-2	GT949R	GE-8	HF50M	GE-9
ER15X23	GE-2	ET15X40	GE-16	FT004A	GE-17	GFT44	GE-9	GT1223	GE-2	HJ15	GE-2
ER15X24	GE-9	ET15X41	GE-20	FT005	GE-20	GFT45	GE-9	GT1644	GE-21	HJ17	GE-2
ER15X25	GE-9	ET15X42	GE-10	FT006	GE-20	GFT3008/40	GE-2	GTE-1	GE-2	HJ17D	GE-2
ER15X26	GE-9	ET15X43	GE-3	FT008	GE-20	G11	GE-1	GTE-2	GE-2	HJ22	GE-1
ES15X1	GE-2	ET15X45	GE-20	FT008A	GE-20	G12	GE-2	GTV	GE-2	HJ22D	GE-1
ES15X4	GE-2	ETX18	GE-20	FT025	GE-17	G13	GE-1	H10	GE-2	HJ23	GE-1
ES15X7	GE-10	EX15X25	GE-2	FT026	GE-17	G15	GE-5	H1567	GE-20	HJ23D	GE-1
ES15X8	GE-2	F-67-E	GE-16	FT027	GE-17	G16	GE-7	HA12	GE-9	HJ32	GE-9
ES15X10	GE-10	F-302-1	GE-20	FT052	GE-20	G17	GE-7	HA15	GE-9	HJ34A	GE-2
ES15X11	GE-10	F-302-2	GE-20	FT053	GE-17	G18	GE-8	HA49	GE-1	HJ43	GE-2
ES15X12	GE-10	F-302-1532	GE-20	FT118	GE-17	G19	GE-3	HA52	GE-1	HJ50	GE-9
ES15X14	GE-10	F-302-2532	GE-20	FT300	GE-12	G110	GE-4	HA53	GE-1	HJ51	GE-9
ES15X16	GE-10	F15810	GE-17	FT709	GE-12	G12711	GE-17	HA342	GE-9	HJ54	GE-1
ES15X17	GE-3	F15835	GE-17	FT1315	GE-17	G12921	GE-17	HA7520	GE-21	HJ55	GE-9
ES15X18	GE-11	F15840	GE-20	FT1341	GE-17	G12922	GE-17	HA7522	GE-21	HJ56	GE-9
ES15X19	GE-11	F15840-1	GE-20	FT1702	GE-21	G13708	GE-17	HA7523	GE-21	HJ57	GE-9
ES15X20	GE-10	F15841	GE-17	FT1746	GE-21	G13709	GE-17	HA7526	GE-21	HJ60	GE-1
ES15X23	GE-10	F20-1001	GE-17	FV914	GE-17	G13710	GE-17	HA7527	GE-21	HJ62	GE-1
ES15X24	GE-10	F20-1002	GE-17	FV918	GE-17	GM308	GE-17	HA7530	GE-21	HJ70	GE-1
ES15X30	GE-11	F20-1003	GE-20	FV2369A	GE-17	GM380	GE-17	HA7532	GE-21	HJ71	GE-1
ES15X31	GE-2	F20-1004	GE-20	FV2484	GE-17	GM428	GE-16	HA7533	GE-21	HJ72	GE-1
ES15X32	GE-2	F20-1005	GE-20	FV2747C	GE-2	GM770	GE-17	HA7536	GE-21	HJ73	GE-1
ES15X37	GE-10	F20-1006	GE-20	FV2894	GE-21	GME4001	GE-17	HA7537	GE-21	HJ74	GE-1
ES15X42	GE-10	F20-1007	GE-2	FV3014	GE-17	GME4002	GE-17	HA7597	GE-21	HJ226	GE-1
ES15X43	GE-16	F20-1008	GE-2	FV3299	GE-17	GME4003	GE-17	HA7598	GE-21	HJ228	GE-1
ES15X45	GE-3	F20-1009	GE-2	FV3300	GE-17	GME6001	GE-17	HA7599	GE-21	HJ230	GE-1
ES3110	GE-2	F215-1001	GE-17	GC148	GE-8	GME6002	GE-17	HA7630	GE-21	HJ315	GE-2
ES3111	GE-2	F215-1002	GE-17	GC250	GE-2	GME6003	GE-17	HA7632	GE-21	HJX2	GE-1
ES3112	GE-9	F215-1003	GE-20	GC282	GE-1	GM0375	GE-9	HA7730	GE-21	HM-00049	GE-2
ES3113	GE-9	F215-1004	GE-20	GC283	GE-1	GM0376	GE-9	HA7732	GE-21	HM-08014	GE-2
ES3114	GE-9	F215-1005	GE-20	GC284	GE-1	GM0377	GE-9	HA7806	GE-21	HR1	GE-2
ES3115	GE-9	F215-1006	GE-2	GC343	GE-2	GM0380	GE-11	HA7808	GE-21	HR2	GE-2
ES3116	GE-9	F215-1007	GE-2	GC408	GE-2	GP1432	GE-16	HA9048	GE-21	HR2A	GE-2
ES3120	GE-2	F215-1008	GE-2	GC452	GE-5	GPT16	GE-16	HA9049	GE-21	HR3	GE-2
ES3121	GE-2	F215-1009	GE-2	GC453	GE-5	GT11	GE-1	HB-00054	GE-2	HR7	GE-2
ES3122	GE-9	F2443	GE-20	GC454	GE-5	GT12	GE-1	HB-00056	GE-2	HR7A	GE-2
ES3123	GE-9	F2448	GE-20	GC460	GE-9	GT13	GE-1	HB32	GE-2	HR11	GE-20
ES3124	GE-9	F2584	GE-20	GC461	GE-9	GT14	GE-2	HB33	GE-2	HR11A	GE-21
ES3125	GE-9	FB420	GE-2	GC462	GE-9	GT20	GE-2	HB54	GE-2	HR11B	GE-20
ES3126	GE-9	FB421	GE-2	GC463	GE-8	GT20R	GE-2	GH56	GE-2	HR13	GE-20
ET1	GE-1	FK914	GE-17	GC464	GE-2	GT31	GE-2	HB75	GE-2	HR13A	GE-20
ET2	GE-1	FK918	GE-17	GC465	GE-8	GT32	GE-2	HB77	GE-2	HR14	GE-20
ET3	GE-1	FK2369A	GE-17	GC466	GE-2	GT33	GE-2	HB171	GE-2	HR14A	GE-20
ET4	GE-2	FK3484	GE-17	GC467	GE-8	GT34	GE-2	HB172	GE-2	HR15	GE-20
ET5	GE-2	FK3494	GE-17	GC520	GE-2	GT40	GE-9	HB175	GE-2	HR15A	GE-20
ET6	GE-3	FK3014	GE-17	GC521	GE-2	GT41	GE-9	HB186	GE-2	HR16	GE-20
ET7	GE-4	FK3299	GE-17	GC551	GE-2	GT42	GE-9	HB187	GE-2	HR16A	GE-20
ET8	GE-6	FK3300	GE-17	GC552	GE-2	GT43	GE-9	HB263	GE-2	HR17	GE-20
ET9	GE-7	FM708	GE-17	GC578	GE-2	GT44	GE-9	HC01820	GE-20	HR17A	GE-20
ET10	GE-8	FM709	GE-17	GC579	GE-2	GT45	GE-9	HC01830	GE-17	HR18	GE-20
ET11	GE-8	FM720A	GE-17	GC580	GE-2	GT46	GE-9	HEP1	GE-9	HR18A	GE-20
ET12	GE-9	FM870	GE-17	GC581	GE-2	GT47	GE-9	HEP3	GE-9	HR19	GE-20
ET1511	GE-2	FM871	GE-17	GC608	GE-8	GT74	GE-2	HEP50	GE-17	HR19A	GE-20
ET15X1	GE-2	FM910	GE-17	GC609	GE-8	GT75	GE-2	HEP51	GE-21	HR20	GE-9
ET15X3	GE-11	FM911	GE-17	GC639	GE-2	GT81	GE-2	HEP52	GE-21	HR21	GE-9
ET15X4	GE-2	FM914	GE-17	GC640	GE-2	GT81HS	GE-2	HEP53	GE-17	HR22	GE-9
ET15X5	GE-3	FM1613	GE-17	GC641	GE-3	GT81R	GE-2	HEP54	GE-20	HR24	GE-9
ET15X7	GE-10	FM1711	GE-17	GC680	GE-2	GT82	GE-2	HEP55	GE-17	HR25	GE-9
ET15X8	GE-20	FM1893	GE-17	GC682	GE-2	GT109	GE-2	HEP56	GE-11	HR26	GE-9
ET15X9	GE-20	FM2368	GE-17	GC856	GE-2	GT109R	GE-2	HEP57	GE-21	HR27	GE-9
ET15X10	GE-10	FM2369	GE-17	GC864	GE-2	GT122	GE-2	HEP200	GE-3	HR36	GE-20
ET15X11	GE-10	FM2846	GE-17	GC1034	GE-5	GT123	GE-2	HEP230	GE-3	HR38	GE-20
ET15X12	GE-10	FM2894	GE-21	GC1036	GE-5	GT132	GE-2	HEP231	GE-4	HR39	GE-2
ET15X13	GE-20	FM3014	GE-17	GC1092	GE-9	GT222	GE-2	HEP232	GE-3	HR40	GE-9
ET15X14	GE-10	FS1221	GE-20	GC1093X3	GE-9	GT229	GE-5	HEP233	GE-4	HR47	GE-20
ET15X15	GE-20	FS2299	GE-21	GC1134	GE-2	GT751	GE-2	HEP234	GE-25	HR48	GE-20
ET15X16	GE-10	FSP1	GE-17	GC1142	GE-2	GT758	GE-1	HEP235	GE-25	HR50	GE-1
ET15X17	GE-3	FSP42	GE-17	GC1143	GE-2	GT759	GE-1	HEP240	GE-12	HR51	GE-1
ET15X18	GE-11	FSP42-1	GE-17	GC1144	GE-20	GT759R	GE-1	HEP250	GE-2	HR52	GE-1
ET15X19	GE-20	FSP164	GE-17	GC1183	GE-2	GT760	GE-1	HEP251	GE-2	HR53	GE-2
ET15X20	GE-10	FSP165	GE-17	GC4022	GE-3	GT760R	GE-1	HEP252	GE-2	HR101A	GE-3
ET15X21	GE-20	FSP166	GE-17	GC4045	GE-16	GT761	GE-1	HEP253	GE-2	HR105B	GE-3
ET15X23	GE-20	FSP166-1	GE-17	GC4062	GE-16	GT761R	GE-1	HEP254	GE-2	HS15	GE-2
ET15X24	GE-10	FSP215	GE-17	GC4097	GE-16	GT762	GE-2	HEP702	GE-26	HS17D	GE-2
ET15X25	GE-2	FSP242-1	GE-20	GC4144	GE-2	GT762R	GE-1	HF3H	GE-9	HS22D	GE-2
ET15X27	GE-20	FSP270-1	GE-17	GC4267-2	GE-16	GT763	GE-2	HF3M	GE-9	HS23D	GE-2
ET15X29	GE-9	FSP289-1	GE-17	GC5000	GE-2	GT766	GE-1	HF6H	GE-9	HST-9201	GE-14
ET15X30	GE-11	FT34C	GE-17	GER-A	GE-2	GT766A	GE-2	HF6M	GE-9	HST-9205	GE-14
ET15X31	GE-2	FT34D	GE-17	GET-103	GE-2	GT792	GE-6	HF12H	GE-9	HST-9206	GE-14
ET15X32	GE-2	FT40	GE-17	GET-113	GE-2	GT904	GE-7	HF12M	GE-9	HST-9210	GE-14
ET15X33	GE-22	FT45	GE-17	GET-113A	GE-2	GT905R	GE-8	HF12N	GE-1	HT100	GE-21
ET15X36	GE-21	FT001	GE-20	GET-114	GE-2	GT948	GE-6	HF20H	GE-9	HT101	GE-21



UNIVERSAL REPLACEMENT TRANSISTORS

HV15-QG0076

JEDEC TYPE OR PART NO.	GE REPLACEMENT	JEDEC TYPE OR PART NO.	GE REPLACEMENT	JEDEC TYPE OR PART NO.	GE REPLACEMENT	JEDEC TYPE OR PART NO.	GE REPLACEMENT	JEDEC TYPE OR PART NO.	GE REPLACEMENT	JEDEC TYPE OR PART NO.	GE REPLACEMENT
HV15	GE-2	M-75543-1	GE-23	MP506	GE-4	NKT773	GE-8	OC202	GE-21	PEP5	GE-17
HV16	GE-2	MA1	GE-9	MP506A	GE-4	NPC115	GE-17	OC203	GE-21	PEP6	GE-17
HV17B	GE-2	MA23	GE-2	MP507	GE-4	NPC187	GE-17	OC204	GE-21	PEP7	GE-17
HV19	GE-2	MA23B	GE-2	MP507A	GE-4	NPC189	GE-17	OC206	GE-21	PEP8	GE-17
IE850	GE-20	MA815	GE-2	MP2020	GE-16	NR5	GE-7	OC304	GE-2	PEP1001	GE-17
IF65	GE-2	MA1318	GE-2	MP2061	GE-16	NS477	GE-17	OC304/1	GE-1	PEP2001	GE-17
JR5	GE-2	MA1703	GE-2	MP3731	GE-25	NS731	GE-17	OC305	GE-2	PET4001	GE-17
JR10	GE-9	MA1706	GE-2	MPF101	GE-FET-1	NS731A	GE-17	OC305/1	GE-2	PET9021	GE-17
JR15	GE-2	MA4670	GE-3	MPS706	GE-17	NS732	GE-17	OC305/2	GE-2	PET9022	GE-17
JR100	GE-9	MC101	GE-1	MPS834	GE-20	NS732A	GE-17	OC307	GE-2	PIC	GE-22
K2501	GE-17	ME217	GE-17	MPS918	GE-17	NR10	GE-5	OC308	GE-2	PIK	GE-16
K2502	GE-17	ME0404	GE-21	MPS2716	GE-20	NS381	GE-17	OC330	GE-2	PIL/4956	GE-9
K2503	GE-17	ME0404-2	GE-21	MPS2894	GE-17	NS382	GE-17	OC340	GE-2	PS1	GE-3
K2509	GE-17	ME1001	GE-17	MPS2923	GE-17	NS475	GE-17	OC341	GE-9	PT2A	GE-9
K4002	GE-17	ME1002	GE-17	MPS2924	GE-17	NS476	GE-17	OC342	GE-9	PT2S	GE-9
KD2101	GE-2	ME1075	GE-17	MPS2925	GE-17	NS733	GE-17	OC343	GE-9	PT3A	GE-16
KD2102	GE-20	ME1120	GE-17	MPS3563	GE-17	NS733A	GE-17	OC350	GE-2	PT6	GE-3
KT1017	GE-2	ME2001	GE-17	MPS3638	GE-17	NS1000	GE-17	OC351	GE-9	PT12	GE-3
KV1	GE-2	ME2002	GE-17	MPS3638A	GE-17	NS1001	GE-17	OC360	GE-2	PT25	GE-3
KV2	GE-2	ME3001	GE-17	MPS3639	GE-21	NS1356	GE-17	OC361	GE-9	PT30	GE-3
KV4	GE-2	ME4001	GE-17	MPS3640	GE-21	NS1500	GE-17	OC362	GE-9	PT40	GE-3
L5025	GE-2	ME6001	GE-17	MPS3646	GE-17	NS1510	GE-17	OC363	GE-9	PT50	GE-16
L5025A	GE-2	ME6002	GE-17	MPS6514	GE-17	NS1972	GE-17	OC364	GE-2	PT150	GE-16
LDA408	GE-17	ME9001	GE-17	MPS6517	GE-21	NS1973	GE-17	OC390	GE-9	PT155	GE-3
M2N168A	GE-6	ME9002	GE-17	MQ1	GE-20	NS1974	GE-17	OC410	GE-9	PT176	GE-3
M24A	GE-17	ME9021	GE-17	MQ2	GE-20	NS1975	GE-17	OC430	GE-21	PT234	GE-3
M24B	GE-17	ME9022	GE-17	MR3932	GE-20	NS3039	GE-17	OC430K	GE-21	PT235	GE-16
M25A	GE-17	MF1161	GE-17	MT100	GE-17	NS3040	GE-17	OC440	GE-21	PT235A	GE-3
M25B	GE-17	MF1162	GE-17	MT101	GE-17	NS3041	GE-17	OC440K	GE-21	PT236	GE-16
M54	GE-20	MF1163	GE-17	MT102	GE-17	NS3300	GE-17	OC443	GE-21	PT236A	GE-16
M54A	GE-20	MF1164	GE-17	MT106	GE-17	NS6062	GE-21	OC443K	GE-21	PT242	GE-3
M54B	GE-20	MF3304	GE-21	MT107	GE-17	NS6063	GE-21	OC445	GE-21	PT255	GE-3
M54C	GE-20	MHM1001	GE-17	MT3202	GE-12	NS6064	GE-21	OC449	GE-21	PT256	GE-3
M78	GE-9	MHM1101	GE-17	N1X	GE-20	NS6065	GE-21	OC450	GE-21	PT285	GE-3
M91C	GE-20	MHT1802	GE-4	N2XA	GE-20	NS9728	GE-17	OC460	GE-21	PT285A	GE-16
M91CM62Y	GE-20	MHT1803	GE-4	NA20	GE-8	NS9729	GE-17	OC460K	GE-21	PT301	GE-3
M91F	GE-20	MHT1804	GE-4	NA30	GE-10	NS9730	GE-17	OC463	GE-21	PT301A	GE-3
M91FM62Y	GE-20	MHT1807	GE-4	NKT121	GE-9	NS9731	GE-17	OC463K	GE-21	PT307	GE-3
M108	GE-2	MHT1808	GE-4	NKT122	GE-9	OC20	GE-25	OC465	GE-21	PT307A	GE-3
M351	GE-9	MHT1809	GE-4	NKT123	GE-9	OC22	GE-3	OC465K	GE-21	PT336B	GE-16
M501	GE-16	MHT2305	GE-4	NKT124	GE-9	OC23	GE-3	OC466	GE-21	PT501	GE-4
M822	GE-10	MHT5901	GE-23	NKT125	GE-9	OC24	GE-3	OC466K	GE-21	PT515	GE-4
M822B	GE-20	MHT5906	GE-23	NKT126	GE-9	OC25	GE-16	OC467	GE-21	PT554	GE-3
M4315	GE-2	MHT5911	GE-23	NKT127	GE-9	OC26	GE-3	OC467K	GE-21	PT555	GE-3
M4697	GE-1	MHT18010	GE-4	NKT128	GE-9	OC27	GE-3	OC468	GE-21	PT703	GE-20
M4709	GE-17	MJ400	GE-12	NKT129	GE-9	OC28	GE-16	OC468K	GE-21	PT720	GE-20
M4732	GE-20	MJ480	GE-19	NKT204	GE-2	OC29	GE-16	OC469	GE-21	PT851	GE-20
M4733	GE-20	MJ481	GE-19	NKT205	GE-2	OC30	GE-3	OC469K	GE-21	PT886	GE-20
M4737	GE-20	MJ2249	GE-23	NKT211	GE-2	OC30A	GE-16	OC470	GE-21	PT897	GE-17
M4739	GE-20	MJ2250	GE-23	NKT213	GE-2	OC34	GE-2	OC470K	GE-21	PT898	GE-17
M4757	GE-17	MJ2251	GE-12	NKT214	GE-2	OC35	GE-16	OC602	GE-2	PT0139	GE-2
M4765	GE-20	MJ2252	GE-12	NKT215	GE-2	OC36	GE-16	OC603	GE-2	PT1941	GE-19
M4768	GE-20	MJ2253	GE-26	NKT216	GE-2	OC38	GE-2	OC604	GE-2	PT2040A	GE-20
M4789	GE-20	MJ3101	GE-23	NKT217	GE-2	OC44	GE-1	OC612	GE-9	PT2760	GE-20
M4820	GE-17	MJ3201	GE-12	NKT218	GE-2	OC45	GE-1	OC613	GE-9	PT3141	GE-20
M4821	GE-20	MJ3202	GE-12	NKT221	GE-2	OC46	GE-9	OC614	GE-9	PT3141A	GE-20
M4825	GE-17	MJ3701	GE-26	NKT222	GE-2	OC47	GE-9	OC615	GE-1	PT3501	GE-20
M4826	GE-17	MM1387	GE-17	NKT223	GE-2	OC57	GE-9	OC700	GE-21	PT4800	GE-20
M4837	GE-17	MM1755	GE-17	NKT224	GE-2	OC58	GE-9	OC700A	GE-21	PT4816	GE-17
M4838	GE-20	MM1756	GE-17	NKT225	GE-2	OC59	GE-9	OC700B	GE-21	PT4830	GE-17
M4840	GE-20	MM1757	GE-17	NKT226	GE-2	OC60	GE-9	OC702	GE-21	PXC101	GE-2
M4840A	GE-17	MM1758	GE-17	NKT227	GE-2	OC65	GE-2	OC702A	GE-21	PXC101A	GE-2
M4841	GE-20	MM1803	GE-17	NKT228	GE-2	OC66	GE-2	OC702B	GE-21	PXC101AB	GE-2
M4842	GE-20	MM1941	GE-20	NKT231	GE-2	OC70	GE-2	OC704	GE-21	Power 12	GE-3
M4843	GE-20	MM1945	GE-17	NKT232	GE-2	OC71	GE-2	OC740	GE-21	Power 25	GE-3
M4844	GE-20	MM2894	GE-21	NKT244	GE-2	OC-71A	GE-2	OC740M	GE-21	Power 40	GE-4
M4845	GE-20	MN24	GE-3	NKT271	GE-2	OC71N	GE-2	OC7400	GE-21	Power 60	GE-4
M4853	GE-20	MN25	GE-3	NKT272	GE-2	OC72	GE-2	OC742	GE-21	Power 80	GE-4
M4855	GE-20	MN26	GE-3	NKT303	GE-2	OC73	GE-2	OC742M	GE-21	Power 99	GE-3
M4857	GE-20	MN29	GE-3	NKT401	GE-16	OC74	GE-2	OC7420	GE-21	Power 299	GE-3
M4872	GE-12	MN32	GE-3	NKT402	GE-3	OC75	GE-2	P5152	GE-20	Q1	GE-1
M4898	GE-20	MN48	GE-16	NKT403	GE-3	OC75N	GE-2	P5153	GE-20	Q2	GE-7
M8014	GE-1	MN49	GE-16	NKT404	GE-3	OC76	GE-2	P31898	GE-16	Q3	GE-7
M8062A	GE-2	MN53	GE-2	NKT405	GE-3	OC77	GE-2	P75534	GE-16	Q4	GE-1
M8062B	GE-2	MN73	GE-3	NKT406	GE-16	OC79	GE-2	PA1000	GE-21	Q5	GE-6
M8062C	GE-2	MP500	GE-4	NKT415	GE-16	OC81	GE-2	PA1001	GE-21	Q6	GE-2
M8105	GE-10	MP500A	GE-4	NKT416	GE-16	OC81D	GE-2	PA10889-1	GE-2	Q7	GE-2
M8116	GE-9	MP501	GE-4	NKT451	GE-3	OC81DD	GE-2	PA10889-2	GE-2	Q8	GE-2
M8120	GE-7	MP501A	GE-4	NKT452	GE-3	OC139	GE-7	PA10890	GE-3	Q16	GE-2
M8640	GE-2	MP502	GE-4	NKT453	GE-3	OC140	GE-7	PA10890-1	GE-16	Q34450	GE-12
M8640A	GE-2	MP502A	GE-4	NKT454	GE-16	OC169	GE-9	PADT50	GE-16	Q1-7C	GE-2
M-010	GE-17	MP504	GE-4	NKT501	GE-16	OC170	GE-1	PAR12	GE-16	Q2-7C	GE-2
M9148	GE-2	MP504A	GE-4	NKT503	GE-16	OC171	GE-1	PB110	GE-3	Q2N406	GE-2
M9348	GE-26	MP505	GE-4	NKT504	GE-16	OC200	GE-21	PBX103	GE-2	QG0074	GE-3
M-75517-1	GE-2	MP505A	GE-4	NKT713	GE-8	OC201	GE-21	PBX113	GE-2	QG0076	GE-2

JEDEC TYPE OR PART NO.	GE REPLACE- MENT	JEDEC TYPE OR PART NO.	GE REPLACE- MENT	JEDEC TYPE OR PART NO.	GE REPLACE- MENT	JEDEC TYPE OR PART NO.	GE REPLACE- MENT	JEDEC TYPE OR PART NO.	GE REPLACE- MENT	JEDEC TYPE OR PART NO.	GE REPLACE- MENT
QN2613	GE-2	RS1531	GE-5	RS3901	GE-9	RS5731	GE-2	RS7315	GE-12	S1066	GE-20
QOV60526	GE-2	RS1532	GE-5	RS3902	GE-2	RS5732	GE-2	RS7316	GE-12	S1068	GE-20
QOV60528	GE-2	RS1533	GE-6	RS3903	GE-9	RS5733	GE-2	RS7318	GE-12	S1069	GE-20
QOV60529	GE-20	RS1534	GE-5	RS3904	GE-2	RS5734	GE-2	RS7321	GE-12	S1076	GE-20
QOV60530	GE-20	RS1537	GE-7	RS3905	GE-1	RS5735	GE-2	RS7408	GE-20	S1078	GE-20
QOV60538	GE-2	RS1538	GE-7	RS3906	GE-1	RS5736	GE-2	RS7409	GE-20	S1079	GE-20
QP6	GE-16	RS1539	GE-1	RS3907	GE-9	RS5737	GE-2	RS7410	GE-20	S1080	GE-20
QP7	GE-16	RS1540	GE-2	RS3911	GE-9	RS5740-1	GE-2	RS7411	GE-20	S1128	GE-20
QP8-6623N	GE-4	RS1541	GE-2	RS3912	GE-9	RS5742	GE-2	RS7412	GE-20	S1143	GE-20
QS0254	GE-10	RS1542	GE-2	RS3913	GE-9	RS5743	GE-2	RS7413	GE-20	S1153	GE-20
R16	GE-2	RS1543	GE-2	RS3914	GE-1	RS5743-1	GE-2	RS7504	GE-20	S1221	GE-20
R33	GE-7	RS1544	GE-2	RS3915	GE-1	RS5743-2	GE-2	RS7510	GE-20	S1221A	GE-20
R34	GE-7	RS1545	GE-7	RS3925	GE-2	RS5743-3	GE-2	RS7511	GE-20	S1227	GE-17
R35	GE-2	RS1546	GE-2	RS3926	GE-9	RS5744	GE-2	RS7512	GE-17	S1245	GE-20
R56	GE-2	RS1547	GE-7	RS3929	GE-9	RS5744-3	GE-2	RS7513	GE-20	S1276	GE-17
R62	GE-7	RS1548	GE-2	RS3931	GE-8	RS5745	GE-2	RS7514	GE-17	S1286	GE-17
R63	GE-7	RS1549	GE-8	RS5008	GE-2	RS5746	GE-2	RS7515	GE-17	S1296	GE-17
R64	GE-2	RS1550	GE-1	RS5101	GE-9	RS5747	GE-2	RS7516	GE-20	S1313	GE-17
R65	GE-2	RS1553	GE-7	RS5104	GE-1	RS5748	GE-2	RS7517	GE-17	S1316	GE-17
R66	GE-2	RS1554	GE-9	RS5105	GE-9	RS5749	GE-2	RS7518	GE-20	S1317	GE-17
R67	GE-2	RS1555	GE-2	RS5106	GE-1	RS5750	GE-2	RS7519	GE-20	S1318	GE-17
R83	GE-2	RS2350	GE-2	RS5109	GE-9	RS5751	GE-2	RS7525	GE-20	S1331	GE-20
R119	GE-1	RS2351	GE-2	RS5201	GE-9	RS5752	GE-2	RS7526	GE-20	S1331W	GE-20
R120	GE-2	RS2352	GE-2	RS5204	GE-9	RS5753	GE-2	RS7527	GE-20	S1348	GE-2
R135	GE-7	RS2353	GE-2	RS5205	GE-9	RS5753-2	GE-2	RS7528	GE-20	S1349	GE-2
R136	GE-7	RS2354	GE-2	RS5206	GE-9	RS5754	GE-2	RS7529	GE-20	S1360	GE-17
R137	GE-7	RS2355	GE-2	RS5207	GE-9	RS5755	GE-2	RS7530	GE-20	S1361	GE-17
R152	GE-2	RS2356	GE-5	RS5208	GE-1	RS5756	GE-2	RS7606	GE-20	S1362	GE-17
R163	GE-1	RS2359	GE-7	RS5301	GE-9	RS5761	GE-1	RS7607	GE-20	S1363	GE-20
R164	GE-2	RS2360	GE-7	RS5305	GE-9	RS5766	GE-2	RS7609	GE-20	S1364	GE-20
R186	GE-1	RS2364	GE-6	RS5306	GE-9	RS5767	GE-2	RS7610	GE-20	S1369	GE-20
R202	GE-6	RS2365	GE-7	RS5311	GE-9	RS5768	GE-2	RS7611	GE-20	S1403	GE-17
R203	GE-6	RS2366	GE-7	RS5312	GE-9	RS5802	GE-9	RS7612	GE-20	S1408	GE-17
R227	GE-1	RS2367	GE-2	RS5313	GE-9	RS5818	GE-9	RS7613	GE-20	S1409	GE-17
R242	GE-2	RS2373	GE-2	RS5401	GE-2	RS5825	GE-2	RS7614	GE-20	S1475	GE-10
R244	GE-1	RS2374	GE-7	RS5403	GE-2	RS5835	GE-16	RS7620	GE-20	S1476	GE-10
R245	GE-2	RS2375	GE-7	RS5406	GE-2	RS5851	GE-20	RS7622	GE-20	S1559	GE-20
R255	GE-2	RS2675	GE-2	RS5502	GE-2	RS5853	GE-20	RS7623	GE-20	S1568	GE-10
R258	GE-1	RS2677	GE-2	RS5503	GE-2	RS5854	GE-2	RS7624	GE-20	S1570	GE-18
R289	GE-2	RS2679	GE-1	RS5504	GE-2	RS5855	GE-3	RS7625	GE-20	S1629	GE-10
R290	GE-2	RS2683	GE-1	RS5505	GE-2	RS5856	GE-20	RS7626	GE-20	S1639	GE-2
R291	GE-2	RS2684	GE-1	RS5506	GE-2	RS5857	GE-20	RS7627	GE-20	S1674	GE-17
R324	GE-2	RS2685	GE-1	RS5507	GE-2	RS6821	GE-9	RS7628	GE-20	S1674A	GE-17
R338	GE-2	RS2686	GE-1	RS5530	GE-2	RS6822	GE-9	RS7638	GE-10	S1682	GE-17
R339	GE-2	RS2687	GE-1	RS5531	GE-2	RS6824	GE-9	RS8406	GE-2	S1835	GE-20
R340	GE-10	RS2688	GE-1	RS5532	GE-2	RS6840	GE-2	RS8407	GE-8	S1874	GE-10
R341	GE-2	RS2689	GE-1	RS5533	GE-2	RS7101	GE-17	RT-929-H	GE-20	S1891	GE-20
R424	GE-1	RS2694	GE-1	RS5534	GE-2	RS7102	GE-17	RT-930-H	GE-20	S1891A	GE-20
R424-1	GE-1	RS2695	GE-1	RS5535	GE-2	RS7103	GE-20	RT2914	GE-10	S1891B	GE-20
R425	GE-1	RS2696	GE-1	RS5536	GE-2	RS7104	GE-17	RT2915	GE-11	S2020	GE-17
R428	GE-2	RS2697	GE-1	RS5541	GE-2	RS7105	GE-20	RT3063	GE-10	S2172	GE-17
R488	GE-1	RS3275	GE-2	RS5542	GE-2	RS7106	GE-17	RT3064	GE-10	S3019	GE-17
R497	GE-2	RS3276	GE-2	RS5543	GE-2	RS7107	GE-17	RT3065	GE-20	S3655	GE-2
RS06	GE-1	RS3277	GE-1	RS5544	GE-2	RS7108	GE-17	RT3069	GE-11	S5327E	GE-17
RS15	GE-9	RS3278	GE-1	RS5545	GE-2	RS7109	GE-17	RT3070	GE-11	S5328E	GE-17
RS16	GE-3	RS3279	GE-1	RS5551	GE-2	RS7110	GE-17	RT3071	GE-22	S5670E	GE-17
RS30	GE-2	RS3280	GE-2	RS5552	GE-2	RS7113	GE-17	RT3095	GE-10	S6801	GE-17
RS39	GE-9	RS3282	GE-2	RS5553	GE-2	RS7114	GE-17	RT3096	GE-8	S15649	GE-17
RS58	GE-2	RS3283	GE-9	RS5554	GE-2	RS7115	GE-17	RT3097	GE-2	S15650	GE-17
RS79	GE-1	RS3284	GE-2	RS5555	GE-2	RS7116	GE-17	RT3098	GE-2	S15657	GE-17
RS92	GE-10	RS3285	GE-2	RS5556	GE-2	RS7117	GE-17	RT3361	GE-1	S15658	GE-17
RS93	GE-1	RS3286	GE-2	RS5557	GE-2	RS7118	GE-17	RT3362	GE-1	S15659	GE-17
R608	GE-2	RS3287	GE-1	RS5558	GE-2	RS7119	GE-17	RT3363	GE-2	S95101	GE-9
R608A	GE-2	RS3288	GE-1	RS5563	GE-2	RS7126	GE-17	RT3364	GE-2	S95102	GE-9
R1273	GE-2	RS3289	GE-2	RS5564	GE-2	RS7127	GE-17	RT3365	GE-2	S95103	GE-9
R1274	GE-2	RS3299	GE-2	RS5565	GE-2	RS7128	GE-17	S-39T	GE-16	S95104	GE-9
R2444	GE-12	RS3301	GE-2	RS5566	GE-2	RS7129	GE-20	S-40T	GE-16	S95106	GE-9
R2749	GE-2	RS3306	GE-7	RS5567	GE-2	RS7133	GE-20	S-40TB	GE-16	S95201	GE-20
R2749M	GE-2	RS3308	GE-2	RS5568	GE-2	RS7135	GE-20	S-41T	GE-16	S95202	GE-20
R2SB492	GE-2	RS3309	GE-1	RS5602	GE-2	RS7136	GE-20	S-42T	GE-16	S95203	GE-20
RCA35953	GE-2	RS3310	GE-2	RS5607	GE-2	RS7138	GE-17	S-43T	GE-16	S95204	GE-2
RCA35954	GE-2	RS3316	GE-2	RS5608	GE-2	RS7142	GE-20	S-46T	GE-16	S95206	GE-2
RCA40231	GE-8	RS3316-1	GE-2	RS5610	GE-2	RS7144	GE-20	S-48T	GE-16	S95207	GE-2
RH120	GE-20	RS3316-2	GE-2	RS5612	GE-3	RS7201	GE-17	S-49T	GE-16	S95214	GE-2
RR7504	GE-20	RS3318	GE-2	RS5613	GE-3	RS7202	GE-17	S-58TB	GE-16	S95253	GE-16
RS684	GE-1	RS3717	GE-2	RS5614	GE-3	RS7212	GE-17	S1019	GE-17	S95253-1	GE-16
RS685	GE-1	RS3858-1	GE-3	RS5704	GE-2	RS7215	GE-17	S1037	GE-17	S99101	GE-9
RS686	GE-1	RS3862	GE-9	RS5708	GE-2	RS7217	GE-20	S1041	GE-17	S99102	GE-9
RS686	GE-2	RS3863	GE-9	RS5708-2	GE-2	RS7218	GE-17	S1044	GE-17	S99103	GE-9
RS687	GE-2	RS3868	GE-9	RS5709	GE-2	RS7219	GE-17	S1058	GE-17	S99201	GE-2
RS1049	GE-20	RS3880	GE-2	RS5711	GE-2	RS7220	GE-20	S1059	GE-17	S99203	GE-2
RS1059	GE-20	RS3892	GE-9	RS5717	GE-2	RS7310	GE-12	S1060	GE-17	SA50	GE-21
RS1192	GE-2	RS3897	GE-2	RS5717-3	GE-2	RS7311	GE-12	S1061	GE-10	SA51	GE-21
RS1513	GE-8	RS3898	GE-1	RS5717-6	GE-2	RS7312	GE-12	S1062	GE-17	SA52	GE-21
RS1530	GE-5	RS3900	GE-9	RS5720	GE-2	RS7313	GE-12	S1065	GE-20	SA52A	GE-21



UNIVERSAL REPLACEMENT TRANSISTORS

SA53-T1366A

JEDEC TYPE OR PART NO.	GE REPLACE-MENT	JEDEC TYPE OR PART NO.	GE REPLACE-MENT	JEDEC TYPE OR PART NO.	GE REPLACE-MENT	JEDEC TYPE OR PART NO.	GE REPLACE-MENT	JEDEC TYPE OR PART NO.	GE REPLACE-MENT	JEDEC TYPE OR PART NO.	GE REPLACE-MENT
SA53	GE-21	SE4010	GE-20	SK3035	GE-25	ST41	GE-17	SY101	GE-6	T1043	GE-2
SA54	GE-21	SE5001	GE-20	SK3960	GE-20	ST42	GE-17	SYL102	GE-7	T1046	GE-2
SA55	GE-21	SE5002	GE-17	SL100	GE-17	ST43	GE-17	SYL103	GE-6	T1047	GE-2
SA56	GE-21	SE5003	GE-17	SL200	GE-21	ST44	GE-17	SYL104	GE-8	T1167	GE-16
SA70	GE-21	SE5006	GE-17	SL201	GE-21	ST45	GE-17	SYL105	GE-1	T1168	GE-16
SA310	GE-21	SE5020	GE-17	SM2700	GE-20	ST50	GE-17	SYL106	GE-1	T1232	GE-1
SA311	GE-21	SE5021	GE-17	SM4508-B	GE-20	ST51	GE-17	SYL107	GE-2	T1233	GE-1
SA312	GE-21	SE5022	GE-17	SM5564	GE-20	ST53	GE-17	SYL108	GE-2	T1298	GE-1
SA313	GE-21	SE5023	GE-17	SM5643	GE-20	ST55	GE-17	SYL109	GE-3	T1299	GE-1
SA314	GE-21	SE5024	GE-17	SM7815	GE-20	ST56	GE-17	SYL152	GE-20	T1300	GE-2
SA315	GE-21	SE5025	GE-17	SM7836	GE-20	ST57	GE-17	SYL160	GE-1	T1305	GE-1
SA316	GE-21	SE5050	GE-17	SM9135	GE-20	ST58	GE-17	SYL1279	GE-8	T1306	GE-1
SA410	GE-21	SE5051	GE-17	SN60	GE-20	ST59	GE-17	SYL1297	GE-8	T1310	GE-2
SA411	GE-21	SE6001	GE-20	SN80	GE-17	ST60	GE-17	SYL1310	GE-5,GE-6	T1352	GE-2
SA412	GE-21	SE6002	GE-20	SNT204	GE-21	ST61	GE-17	SYL1311	GE-5,GE-6	T1403	GE-9
SA413	GE-21	SE7001	GE-20	SO1	GE-9	ST62	GE-17	SYL1312	GE-5,GE-6	T1415	GE-20
SA414	GE-21	SE7010	GE-20	SO2	GE-9	ST63	GE-17	SYL1313	GE-7	T1416	GE-20
SA415	GE-21	SE7020	GE-12	SO3	GE-9	ST64	GE-17	SYL1329	GE-8	T1417	GE-20
SA416	GE-21	SE8001	GE-20	SO25	GE-2	ST70	GE-17	SYL1380	GE-7	T1454	GE-1
SA495	GE-21	SE8002	GE-17	SO65	GE-1	ST71	GE-17	SYL1396	GE-8	T1459	GE-1
SA495A	GE-21	SF1713	GE-8	SO88	GE-2	ST72	GE-17	SYL1524	GE-8	T1495	GE-20
SA496	GE-21	SF1714	GE-8	SP404T	GE-16	ST80	GE-17	SYL1536	GE-6	T1573	GE-2
SA496A	GE-21	SF1726	GE-20	SP441	GE-16	ST82	GE-17	SYL1537	GE-7	T1574	GE-2
SA496B	GE-21	SFT144	GE-2	SP485	GE-3	ST106	GE-4	SYL1538	GE-8	T1577	GE-2
SA537	GE-21	SFT192	GE-16	SP486	GE-16	ST107	GE-4	SYL1539	GE-8	T1583	GE-2
SA538	GE-21	SFT212	GE-3	SP485W	GE-3	ST108	GE-4	SYL1547	GE-8	T1618	GE-1
SA539	GE-21	SFT213	GE-16	SP486W	GE-3	ST109	GE-4	SYL1583	GE-2	T1642B	GE-10
SA540	GE-21	SFT214	GE-3	SP634	GE-3	ST110	GE-4	SYL1608	GE-1	T1903	GE-2
SAC40	GE-21	SFT221	GE-1	SP649	GE-16	ST111	GE-4	SYL1668	GE-2	T2322	GE-1
SAC40A	GE-21	SFT223	GE-1	SP649-1	GE-16	ST112	GE-4	SYL1690	GE-1	T2323	GE-1
SAC40B	GE-21	SFT226	GE-9	SP834	GE-3	ST122	GE-2	SYL2189	GE-9	T2324	GE-1
SAC42	GE-21	SFT227	GE-9	SP880	GE-3	ST123	GE-2	SYL2650	GE-8	T3321	GE-2
SAC42A	GE-21	SFT228	GE-9	SP880-1	GE-3	ST162	GE-7	SYL4131	GE-17	T3323	GE-2
SAC42B	GE-21	SFT229	GE-9	SP880-3	GE-3	ST172	GE-5	SYL4315	GE-8	T3321	GE-2
SAC44	GE-21	SFT237	GE-9	SP891	GE-3	ST182	GE-20	T45	GE-2	T3322	GE-2
SB200	GE-9	SFT238	GE-16	SP891B	GE-3	ST250	GE-20	T46	GE-1	T10010	GE-2
SC12	GE-2	SFT239	GE-16	SP891W	GE-3	ST251	GE-20	T47	GE-1	T13000	GE-2
SC43	GE-1	SFT264	GE-4	SP1108	GE-16	ST301	GE-2	T48	GE-1	T50339A	GE-2
SC44	GE-1	SFT265	GE-4	SP1137	GE-16	ST302	GE-2	T50	GE-2	T50631	GE-2
SC45	GE-2	SFT266	GE-4	SP1482-3	GE-16	ST303	GE-2	T59	GE-1	T50944	GE-1
SC46	GE-1	SFT267	GE-4	SP1482-5	GE-16	ST304	GE-2	T60	GE-1	T52150	GE-2
SC56	GE-8	SFT288	GE-9	SP1483	GE-3	ST332	GE-2	T61	GE-2	T52150Z	GE-2
SC63	GE-2	SFT306	GE-9	SP1484	GE-3	ST370	GE-1	T72	GE-2	T52151	GE-2
SC65	GE-20	SFT307	GE-9	SP1556-1	GE-16	ST415	GE-17	T74	GE-2	T52151Z	GE-2
SC66	GE-2	SFT308	GE-9	SP1556-2	GE-3	ST501	GE-17	T76	GE-20	T52159	GE-2
SC68	GE-2	SFT315	GE-9	SP1556-3	GE-3	ST502	GE-17	T77	GE-2	T59235A	GE-10
SC69	GE-2	SFT316	GE-9	SP1556-4	GE-16	ST903	GE-17	T81	GE-8	T59247	GE-2
SC73	GE-2	SFT317	GE-9	SP1603	GE-16	ST904	GE-17	T82	GE-2	T59249	GE-2
SC727	GE-12	SFT319	GE-9	SP1603-1	GE-3	ST904A	GE-17	T83	GE-2	T59276	GE-20
SC832	GE-20	SFT320	GE-9	SP1603-2	GE-16	ST905	GE-17	T84	GE-2	T59277	GE-20
SC400Y	GE-12	SFT322	GE-2	SP2158	GE-12	ST910	GE-17	T95	GE-2	TA6	GE-20
SC4044	GE-20	SFT323	GE-2	SPC40	GE-17	ST1026	GE-17	T101	GE-16	TA7	GE-17
SC4131	GE-12	SFT327	GE-2	SPC42	GE-17	ST1050	GE-17	T126	GE-2	TA1575	GE-2
SC4131-1	GE-12	SFT337	GE-9	SPC50	GE-17	ST1051	GE-17	T127	GE-3	TA1614	GE-16
SC4167	GE-12	SFT352	GE-2	SPC51	GE-17	ST1242	GE-20	T129	GE-2	TA1682	GE-16
SC4244	GE-12	SFT353	GE-2	SPC52	GE-17	ST1243	GE-20	T130	GE-2	TA1682A	GE-16
SDD420	GE-20	SFT357	GE-9	SPS1097	GE-21	ST1244	GE-20	T139	GE-20	TA1705	GE-16
SDD820	GE-17	SFT714	GE-20	SR1	GE-2	ST1290	GE-20	T143	GE-20	TA1730	GE-2
SDD821	GE-17	SJ570	GE-20	SSA43	GE-21	ST1336	GE-17	T157	GE-20	TA1765	GE-16
SDD3000	GE-17	SJ1152	GE-26	SSA43A	GE-21	ST1694	GE-17	T158	GE-20	TA1766	GE-16
SDT9201	GE-14	SJ1171	GE-26	SSA46	GE-21	ST3030	GE-17	T170	GE-20	TA1773	GE-16
SDT9202	GE-14	SJ1284	GE-26	SSA48	GE-21	ST3031	GE-17	T171	GE-20	TA1794	GE-16
SDT9205	GE-14	SK3003	GE-2	ST9	GE-17	ST6110	GE-20	T417	GE-20	TA1881	GE-16
SDT9206	GE-14	SK3004	GE-2	ST10	GE-17	ST6120	GE-17	T811	GE-9	TA1890	GE-16
SDT9210	GE-14	SK3005	GE-1	ST11	GE-17	ST6573	GE-20	T814	GE-2	TA1891	GE-16
SE1001	GE-17	SK3006	GE-9	ST12	GE-17	ST6574	GE-20	T815	GE-2	TA1928A	GE-3
SE1002	GE-20	SK3007	GE-9	ST13	GE-17	ST8014	GE-21	T0038	GE-2	TA2083	GE-3
SE1010	GE-20	SK3008	GE-9	ST14	GE-17	ST8033	GE-21	T0039	GE-2	TAC047	GE-20
SE1019	GE-17	SK3009	GE-3	ST15	GE-17	ST8034	GE-21	T0040	GE-2	TF30	GE-2
SE1044	GE-17	SK3010	GE-8	ST25A	GE-20	ST8035	GE-21	T0041	GE-2	TF65	GE-2
SE1331	GE-20	SK3011	GE-5	ST258	GE-20	ST8036	GE-21	T1000	GE-2	TF65M	GE-2
SE1419	GE-17	SK3012	GE-4	ST25C	GE-20	ST8065	GE-21	T1001	GE-2	TF66	GE-2
SE2001	GE-20	SK3013	GE-3	ST28A	GE-1	ST8190	GE-21	T1003	GE-2	TF75	GE-2
SE2002	GE-17	SK3014	GE-3	ST288	GE-1	ST8500	GE-21	T1005	GE-2	TF77	GE-2
SE3001	GE-17	SK3015	GE-3	ST28C	GE-1	ST8509	GE-21	T1006	GE-2	TF78	GE-20
SE3002	GE-17	SK3018	GE-11	ST29	GE-17	STC1080	GE-19	T1007	GE-2	TF80/30Z	GE-3
SE3019	GE-17	SK3019	GE-11	ST30	GE-17	STC1081	GE-19	T1008	GE-2	TG48	GE-2
SE3030	GE-19	SK3020	GE-20	ST31	GE-17	STC1083	GE-19	T1010	GE-2	THU60U	GE-2
SE3031	GE-19	SK3021	GE-12	ST32	GE-17	STC1084	GE-19	T1011	GE-1	TH2SC536	GE-20
SE3032	GE-19	SK3024	GE-18	ST33	GE-17	STC4252	GE-19	T1012	GE-1	TH2SC693	GE-20
SE3033	GE-19	SK3026	GE-23	ST34	GE-17	STC4253	GE-19	T1023	GE-2	TH2SC715	GE-20
SE3035	GE-19	SK3027	GE-14	ST35	GE-17	STX0029	GE-26	T1033	GE-2	T1363	GE-9
SE3036	GE-19	SK3028	GE-24MP	ST37C	GE-1	STX0030	GE-26	T1040	GE-3	T1364	GE-9
SE4001	GE-20	SK3029	GE-15MP	ST37D	GE-1	SV31	GE-2	T1041	GE-3	T1366	GE-16
SE4002	GE-20	SK3034	GE-25	ST40	GE-17	SX3826	GE-20	T1042	GE-2	T1366A	GE-16

UNIVERSAL REPLACEMENT TRANSISTORS

JEDEC TYPE OR PART NO.	GE REPLACE-MENT	JEDEC TYPE OR PART NO.	GE REPLACE-MENT	JEDEC TYPE OR PART NO.	GE REPLACE-MENT	JEDEC TYPE OR PART NO.	GE REPLACE-MENT	JEDEC TYPE OR PART NO.	GE REPLACE-MENT	JEDEC TYPE OR PART NO.	GE REPLACE-MENT
TI367	GE-16	TNJ60283	GE-2	TR653	GE-1	TS627B	GE-1	U1421	GE-FET-1	WTV15VMG	GE-2
TI367A	GE-16	TNJ60365	GE-2	TR721	GE-1	TS629	GE-2	U1422	GE-FET-1	WTV20MC	GE-1
TI368	GE-16	TNJ60604	GE-17	TR722	GE-1	TS630	GE-1	U2848-1	GE-20	WTV20VH6	GE-2
TI368A	GE-16	TNJ60605	GE-17	TR761	GE-1	TS672A	GE-1	UC701	GE-FET-1	WTV20VMG	GE-2
TI369	GE-16	TNJ60606	GE-20	TR762	GE-1	TS672B	GE-1	UC703	GE-FET-1	WTV30VHG	GE-2
TI369A	GE-16	TNJ60607	GE-20	TR763	GE-2	TS673A	GE-1	UC704	GE-FET-1	WTV30VLG	GE-2
TI370	GE-16	TNJ60608	GE-1	TR1591	GE-23	TS673B	GE-1	UC705	GE-FET-1	WTV30VMG	GE-2
TI370A	GE-16	TNJ60610	GE-2	TR1593	GE-23	TS739	GE-2	UC714	GE-FET-1	X1C1644	GE-2
TI388	GE-9	TNJ60611	GE-2	TR8007	GE-2	TS740	GE-2	UC750	GE-FET-1	X16N1485	GE-20
TI389	GE-9	TNJ60612	GE-2	TR1605LP	GE-12	TS765	GE-2	UC751	GE-FET-1	X42	GE-1
TI399	GE-9	TNJ60728	GE-2	TR310011	GE-2	TS1007	GE-2	UC752	GE-FET-1	X137	GE-4
TI401	GE-9	TN T839	GE-17	TR310012	GE-2	TS1266	GE-2	UC753	GE-FET-1	X1005	GE-3
TI407	GE-17	TNT840	GE-17	TR310015	GE-1	TS1727	GE-2	V10/15A	GE-2	XA101	GE-9
TI408	GE-17	TNT841	GE-17	TR310017	GE-2	TS1728	GE-2	V10/30A	GE-2	XA102	GE-9
TI409	GE-17	TNT843	GE-17	TR310018	GE-2	TT204	GE-17	V10/50A	GE-2	XA111	GE-9
TI410	GE-17	TQ4	GE-20	TR310025	GE-2	TT204A	GE-17	V13/11	GE-2	XA112	GE-9
TI415	GE-10	TQ5020	GE-2	TR310026	GE-2	TT204AB	GE-17	V60/10P	GE-16	XA123	GE-9
TI416	GE-10	TQ5021	GE-9	TR310065	GE-1	TT204B	GE-17	V60/20P	GE-16	XA124	GE-9
TI417	GE-17	TQ5022	GE-9	TR310075	GE-2	TT204C	GE-17	V60/30P	GE-16	XA126	GE-9
TI418	GE-17	TQ5023	GE-2	TR310107	GE-2	TT1083	GE-3	V205	GE-21	XB1	GE-2
TI480	GE-17	TQ5025	GE-2	TR310125	GE-2	TT1097	GE-20	V220	GE-20	XB2	GE-2
TI481	GE-20	TQ5026	GE-2	TR310136	GE-2	TV2SC208	GE-17	V222	GE-20	XB3	GE-2
TI482	GE-20	TQ5027	GE-2	TR310153	GE-2	TV15	GE-17	V297	GE-18	XB3B	GE-2
TI483	GE-20	TQ5028	GE-16	TR310159	GE-2	TV15A	GE-20	V410	GE-21	XB3C	GE-2
TI484	GE-20	TQ5031	GE-8	TR310160	GE-2	TV15B	GE-20	V435	GE-17	XB4	GE-2
TI485	GE-17	TQ5035	GE-9	TR310161	GE-1	TV16	GE-17	VB11	GE-2	XB5	GE-3
TI492	GE-20	TQ5036	GE-3	TR310164	GE-2	TV17	GE-17	VD13	GE-2	XB7	GE-3
TI493	GE-20	TQ5038	GE-9	TR310232	GE-1	TV18	GE-17	VFL2744K	GE-9	XB9	GE-1
TI494	GE-20	TQ5039	GE-8	TR310235	GE-2	TV19	GE-20	VFP2746C	GE-16	XB10	GE-1
TI495	GE-20	TQ5049	GE-17	TR310236	GE-8	TV20	GE-20	VFP6357C	GE-3	XB102	GE-2
TI496	GE-20	TR1R26	GE-9	TR3100227	GE-2	TV115	GE-20	VFQ2745F	GE-1	XB103	GE-2
TIP14	GE-17	TR2R26	GE-9	TRA4	GE-20	TV116	GE-20	VFS2745J	GE-1	XB104	GE-9
TIS18	GE-17	TR3R26	GE-9	TRA4A	GE-20	TV1000	GE-17	VFT2745H	GE-2	XB112	GE-2
TIS22	GE-17	TR4R26	GE-9	TRA4B	GE-20	TV2455	GE-9	VFU2746B	GE-3	XB113	GE-2
TIS23	GE-17	TR5R26	GE-2	TRA9R	GE-20	TV24102	GE-17	VFW2745D	GE-9	XB114	GE-2
TIS24	GE-17	TR6R26	GE-2	TRA32	GE-2	TV24137	GE-9	VM30203	GE-16	XC101	GE-2
TIXM05	GE-9	TR01	GE-3	TRA33	GE-2	TV24142	GE-3	VM30209	GE-20	XC121	GE-2
TIXM201	GE-9	TR02	GE-3	TRA34	GE-20	TV24143	GE-8	VM30233	GE-12	XC141	GE-16
TIXM202	GE-9	TR03	GE-4	TRA36	GE-20	TV24148	GE-11	VM30234	GE-12	XC142	GE-16
TIXM203	GE-9	TR04	GE-2	TRC44	GE-1	TV24152	GE-9	VM30241	GE-20	XC155	GE-3
TIXM204	GE-9	TR05	GE-2	TRC45	GE-1	TV24154	GE-2	VM30244	GE-2	XC156	GE-3
TIXM205	GE-9	TR06	GE-9	TRC70	GE-2	TV24156	GE-2	VM30242	GE-20	XJ13	GE-2
TIXM206	GE-9	TR07	GE-9	TRC71	GE-2	TV24158	GE-9	VM30245	GE-12	YV1	GE-2
TIXM207	GE-9	TR08	GE-6	TRC72	GE-2	TV24162	GE-16	VS2SA71B	GE-9	YV1A	GE-2
TIXS09	GE-17	TR09	GE-8	TRS1005	GE-12	TV24166	GE-9	VS2SA103	GE-9	YV2	GE-2
TIXS10	GE-17	TR10	GE-7	TRS1005LP	GE-12	TV24172	GE-9	VS2SA378	GE-9	ZDT10	GE-17
TIXS12	GE-20	TR11	GE-1	TRS1205	GE-12	TV24189	GE-2	VS2SA379	GE-9	ZDT11	GE-17
TIXS13	GE-20	TR12	GE-9	TRS1405	GE-12	TV24194	GE-2	VS2SA385	GE-2	ZDT20	GE-17
TIXS28	GE-17	TR14	GE-2	TRS1405LP	GE-12	TV24229	GE-9	VS2SB126	GE-16	ZDT21	GE-17
TIXS29	GE-17	TR16	GE-3	TRS1605	GE-12	TV24230	GE-9	VS2SB126F	GE-16	ZDT30	GE-17
TIXS30	GE-17	TR17	GE-9	TRS1805	GE-1	TV24239	GE-9	VS2SB126V	GE-16	ZDT31	GE-17
TIXS31	GE-17	TR18	GE-9	TRS1805LP	GE-12	TV24387	GE-11	VS2SB171	GE-2	ZT20	GE-17
TK23C	GE-2	TR19	GE-21	TRS2005	GE-12	TVS2SA71B	GE-2	VS2SB172	GE-2	ZT21	GE-17
TK40	GE-2	TR20	GE-22	TRS2005LP	GE-12	TVS2SA171	GE-2	VS2SB176	GE-2	ZT22	GE-17
TK40C	GE-2	TR21	GE-20	TRS2255	GE-12	TVS2SB126	GE-16	VS2SB178	GE-2	ZT23	GE-17
TK41	GE-2	TR22	GE-17	TRS2255LP	GE-12	TW135	GE-21	VS2SB178A	GE-2	ZT24	GE-17
TK41C	GE-2	TR23	GE-12	TRS2505	GE-12	TX100-1	GE-20	VS2SB324	GE-20	ZT40	GE-17
TK42	GE-2	TR24	GE-17	TRS2505LP	GE-12	TX100-2	GE-20	VS2SC538	GE-20	ZT41	GE-17
TK42C	GE-2	TR25	GE-18	TRS2755	GE-12	TX100-3	GE-12	VS2SC206	GE-17	ZT42	GE-17
TK45C	GE-2	TR26	GE-19	TRS2755LP	GE-12	TX100-4	GE-18	VS2SC208	GE-20	ZT43	GE-17
TMT696	GE-17	TR27	GE-25	TRS3015LP	GE-12	TX100-5	GE-18	VS2SC288A	GE-17	ZT44	GE-17
TMT697	GE-17	TR34	GE-2	TS162	GE-2	TX101-8	GE-12	VS2SC324H	GE-20	ZT50	GE-17
TMT839	GE-17	TR43	GE-2	TS163	GE-2	TX101-9	GE-18	VSF2745	GE-2	ZT60	GE-17
TMT840	GE-17	TR45	GE-2	TS164	GE-2	TX101-11	GE-12	WTV6Pwr	GE-3	ZT61	GE-17
TMT841	GE-17	TR72	GE-2	TS165	GE-2	TX101-12	GE-20	WTV12Pwr	GE-3	ZT62	GE-17
TMT842	GE-17	TR320	GE-2	TS166	GE-2	TX102-1	GE-20	WTV25Pwr	GE-3	ZT63	GE-17
TMT843	GE-17	TR320A	GE-2	TS173	GE-3	TX102-2	GE-20	WTV40Pwr	GE-3	ZT64	GE-17
TMT1543	GE-20	TR321	GE-2	TS176	GE-3	TX102-4	GE-12	WTV99Pwr	GE-3	ZT66	GE-17
TMT2427	GE-17	TR321A	GE-2	TS601	GE-1	TX103-1	GE-3	WTV199Pwr	GE-3	ZT80	GE-17
TNJ60063	GE-9	TR321(HF6H)1	GE-1	TS602	GE-1	TX104-3	GE-2	WTV299Pwr	GE-4	ZT81	GE-17
TNJ60064	GE-9	TR323	GE-9	TS603	GE-2	TX106-1	GE-2	WTVAT6	GE-2	ZT82	GE-17
TNJ60065	GE-9	TR323A	GE-2	TS604	GE-2	TX107-1	GE-20	WTVAT6A	GE-1	ZT83	GE-17
TNJ60066	GE-17	TR331	GE-1	TS609	GE-4	TX107-3	GE-20	WTVB5	GE-1	ZT84	GE-17
TNJ60067	GE-9	TR332	GE-2	TS610	GE-3	TX107-4	GE-20	WTVB5A	GE-1	ZT86	GE-17
TNJ60068	GE-9	TR333	GE-3	TS612	GE-3	TX107-5	GE-10	WTVB6	GE-1	ZT87	GE-17
TNJ60070	GE-2	TR334	GE-4	TS613	GE-3	TX107-6	GE-20	WTVB6A	GE-2	ZT88	GE-17
TNJ60071	GE-9	TR335	GE-5	TS615	GE-1	TX107-10	GE-20	WTVB6E	GE-1	ZT89	GE-17
TNJ60073	GE-9	TR336	GE-5	TS616	GE-2	TX107-12	GE-20	WTVBE6A	GE-2	ZT110	GE-17
TNJ60074	GE-2	TR337	GE-7	TS617	GE-2	TX107-13	GE-12	WTVL6	GE-6	ZT111	GE-17
TNJ60075	GE-3	TR338	GE-8	TS618	GE-2	TX108-1	GE-20	WTVSA7	GE-6	ZT112	GE-17
TNJ60076	GE-20	TR383(HF6H)2	GE-2	TS619	GE-2	TX111-1	GE-12	WTVSK7	GE-6	ZT113	GE-17
TNJ60077	GE-9	TR482	GE-2	TS620	GE-2	TX112-1	GE-10	WTVSQ7	GE-6	ZT114	GE-17
TNJ60079	GE-2	TR482A	GE-2	TS621	GE-1	TZ8	GE-16	WTV3MC	GE-1	ZT116	GE-17
TNJ60080	GE-3	TR508	GE-2	TS627	GE-2	TZ10	GE-2	WTV6MC	GE-1	ZT117	GE-17
TNJ60282	GE-2	TR650	GE-2	TS627A	GE-1	U1420	GE-FET-1	WTV12MC	GE-1	ZT118	GE-17



UNIVERSAL REPLACEMENT TRANSISTORS

ZT119-2N474A

JEDEC TYPE OR PART NO.	GE REPLACEMENT	JEDEC TYPE OR PART NO.	GE REPLACEMENT	JEDEC TYPE OR PART NO.	GE REPLACEMENT	JEDEC TYPE OR PART NO.	GE REPLACEMENT	JEDEC TYPE OR PART NO.	GE REPLACEMENT	JEDEC TYPE OR PART NO.	GE REPLACEMENT
ZT119	GE-17	2N59C	GE-2	2N156	GE-3	2N233	GE-5	2N314	GE-7	2N395	GE-1
ZT152	GE-21	2N60	GE-2	2N157	GE-3	2N233A	GE-5	2N315	GE-1	2N396	GE-1
ZT153	GE-21	2N60A	GE-2	2N157A	GE-3	2N234	GE-3	2N315A	GE-2	2N396A	GE-1
ZT154	GE-21	2N60B	GE-2	2N158	GE-3	2N234A	GE-3	2N316	GE-1	2N397	GE-2
ZT180	GE-21	2N60C	GE-2	2N158A	GE-3	2N235	GE-3	2N316A	GE-2	2N399	GE-3
ZT181	GE-21	2N61	GE-2	2N160	GE-20	2N235A	GE-3	2N317	GE-1	2N400	GE-3
ZT182	GE-21	2N61A	GE-2	2N160A	GE-20	2N235B	GE-3	2N317A	GE-9	2N401	GE-3
ZT183	GE-21	2N61B	GE-2	2N161	GE-20	2N236	GE-3	2N319	GE-2	2N402	GE-2
ZT184	GE-21	2N61C	GE-2	2N161A	GE-20	2N236A	GE-3	2N320	GE-2	2N403	GE-2
ZT187	GE-21	2N62	GE-2	2N162	GE-20	2N236B	GE-3	2N321	GE-2	2N404	GE-2,2N404
ZT202	GE-17	2N63	GE-2	2N163	GE-20	2N237	GE-2	2N322	GE-2	2N404A	GE-2
ZT203	GE-17	2N64	GE-2	2N163A	GE-20	2N238	GE-2	2N323	GE-2	2N405	GE-2
ZT204	GE-17	2N65	GE-2	2N164	GE-7	2N240	GE-9	2N324	GE-2,2N324	2N406	GE-2
ZT280	GE-21	2N76	GE-2	2N164A	GE-6	2N241	GE-2	2N325	GE-3	2N407	GE-2
ZT281	GE-21	2N77	GE-2,2N324	2N165	GE-7	2N241A	GE-2	2N327	GE-2	2N408	GE-2
ZT282	GE-21	2N78	GE-6	2N166	GE-7,2N170	2N242	GE-3	2N327A	GE-1	2N409	GE-1
ZT286	GE-21	2N78A	GE-6	2N167	GE-6	2N247	GE-1	2N328	GE-2	2N410	GE-1
ZT402	GE-17	2N79	GE-2	2N167A	GE-6	2N249	GE-2	2N328A	GE-2	2N411	GE-1
ZT403	GE-17	2N80	GE-2	2N168	GE-7	2N250	GE-3	2N329	GE-2	2N412	GE-1
ZT404	GE-17	2N81	GE-2	2N168A	GE-6	2N250A	GE-3	2N329A	GE-2	2N413	GE-1
ZT406	GE-17	2N82	GE-2	2N169	GE-7	2N251	GE-3	2N330	GE-2	2N413A	GE-1
ZT706A	GE-17	2N83	GE-1	2N169A	GE-5	2N251A	GE-3	2N330A	GE-2	2N414	GE-1
ZT708	GE-17	2N94	GE-6	2N170	GE-5,2N170	2N252	GE-1	2N331	GE-2	2N414A	GE-1
ZT709	GE-17	2N94A	GE-6	2N172	GE-7	2N253	GE-7	2N332	GE-20	2N414B	GE-1
ZT917	GE-17	2N96	GE-2	2N173	GE-4	2N254	GE-7	2N332A	GE-20	2N414C	GE-1
ZT918	GE-17	2N97	GE-7	2N174	GE-4	2N255	GE-3	2N333	GE-20	2N415	GE-1
ZT1487	GE-19	2N97A	GE-7	2N174A	GE-4	2N255A	GE-3	2N334	GE-20	2N415A	GE-1
ZT1489	GE-19	2N98	GE-7	2N175	GE-2	2N256	GE-3	2N335	GE-20	2N416	GE-1
ZT1702	GE-19	2N98A	GE-7	2N176	GE-3	2N256A	GE-3	2N336	GE-20	2N417	GE-1
ZT2205	GE-17	2N99	GE-7	2N176-1	GE-3	2N257	GE-3	2N336A	GE-20	2N418	GE-16
ZT2206	GE-17	2N100	GE-7	2N178	GE-3	2N257A	GE-3	2N337	GE-17	2N419	GE-3
ZT2708	GE-17	2N103	GE-7	2N179	GE-3	2N257B	GE-3	2N337A	GE-17	2N420	GE-3
ZT2857	GE-17	2N104	GE-2	2N180	GE-2	2N257G	GE-3	2N338	GE-20	2N420A	GE-3
ZT3269A	GE-17	2N105	GE-2	2N181	GE-2	2N257W	GE-3	2N338A	GE-20	2N422	GE-2
2A	GE-9	2N106	GE-2	2N182	GE-7	2N262	GE-1	2N344	GE-9	2N425	GE-1
2AC128	GE-2	2N107	GE-2	2N183	GE-7	2N265	GE-2	2N345	GE-9	2N426	GE-1
2E	GE-9	2N108	GE-2	2N184	GE-6	2N266	GE-2	2N346	GE-9	2N427	GE-1
2F	GE-9	2N109	GE-2	2N185	GE-2	2N267	GE-1	2N360	GE-3	2N428	GE-1
2G	GE-9	2N111	GE-1	2N186	GE-2	2N268	GE-3	2N350A	GE-3	2N428A	GE-1
2G101	GE-2	2N111A	GE-1	2N186A	GE-2	2N268A	GE-3	2N351	GE-3	2N431	GE-20
2G102	GE-2	2N111B	GE-9	2N187	GE-2	2N269	GE-1	2N351A	GE-3	2N432	GE-20
2G108	GE-2	2N112	GE-1	2N187A	GE-2	2N270	GE-2	2N352	GE-3	2N433	GE-20
2G109	GE-2	2N113	GE-1	2N188	GE-2,2N188A	2N270A	GE-2	2N353	GE-3	2N438	GE-7
2G201	GE-2	2N114	GE-1	2N188A	GE-2,2N188A	2N271	GE-1	2N356	GE-7	2N438A	GE-7
2G202	GE-2	2N117	GE-20	2N189	GE-2	2N271A	GE-1	2N356A	GE-5	2N439	GE-7
2G322	GE-2	2N118	GE-20	2N190	GE-2,2N190	2N272	GE-2,2N324	2N357	GE-6	2N439A	GE-7
2G323	GE-2	2N118A	GE-20	2N191	GE-2	2N273	GE-1	2N357A	GE-5	2N440	GE-6
2G324	GE-2	2N119	GE-20	2N192	GE-2	2N274	GE-1	2N358	GE-6	2N440A	GE-6
2G381A	GE-2	2N120	GE-20	2N193	GE-5	2N277	GE-4	2N358A	GE-5	2N441	GE-4
2G508	GE-2	2N123	GE-1	2N194	GE-5	2N278	GE-4	2N359	GE-2	2N442	GE-4
2H1254	GE-21	2N123/5	GE-9	2N194A	GE-5	2N279	GE-2	2N360	GE-2	2N443	GE-4
2H1255	GE-21	2N123A	GE-9	2N195	GE-2	2N280	GE-2	2N361	GE-2	2N444	GE-7
2H1256	GE-21	2N124	GE-7	2N196	GE-2	2N281	GE-2	2N362	GE-2	2N444A	GE-7
2H1257	GE-21	2N125	GE-7	2N197	GE-2	2N282	GE-2	2N363	GE-2	2N445	GE-7
2H1258	GE-21	2N126	GE-7	2N198	GE-2	2N283	GE-2	2N364	GE-8	2N445A	GE-10
2H1259	GE-21	2N127	GE-7	2N199	GE-2	2N284	GE-2	2N365	GE-8	2N446A	GE-7
2K48	GE-9	2N128	GE-9	2N200	GE-2	2N284A	GE-2	2N366	GE-8	2N447	GE-5
2N2G374	GE-2	2N129	GE-9	2N204	GE-2	2N285	GE-3	2N367	GE-2	2N447A	GE-8
2N27	GE-1	2N130	GE-2	2N205	GE-2	2N285A	GE-3	2N368	GE-2	2N448	GE-7
2N34	GE-2,2N190	2N130A	GE-2	2N206	GE-2	2N285B	GE-3	2N369	GE-2	2N449	GE-7
2N34A	GE-2	2N131	GE-2	2N207	GE-2	2N290	GE-4	2N370	GE-9	2N450	GE-1
2N35	GE-8	2N131A	GE-2	2N207A	GE-2	2N291	GE-2	2N371	GE-9	2N456	GE-3
2N36	GE-2	2N132	GE-2	2N207B	GE-2	2N292	GE-7	2N372	GE-9	2N456A	GE-16
2N37	GE-2	2N132A	GE-2	2N211	GE-5	2N292A	GE-6	2N373	GE-1	2N456B	GE-3
2N38	GE-2	2N133	GE-2	2N212	GE-5	2N293	GE-7	2N374	GE-1	2N457	GE-3
2N38A	GE-2	2N133A	GE-2	2N213	GE-8	2N296	GE-3	2N375	GE-4	2N457A	GE-3
2N39	GE-2	2N135	GE-1	2N213A	GE-8	2N297	GE-3	2N376	GE-3	2N458	GE-4
2N40	GE-2	2N136	GE-1	2N214	GE-8	2N297A	GE-3	2N376A	GE-3	2N458A	GE-4
2N41	GE-2	2N137	GE-2	2N215	GE-2	2N299	GE-9	2N377	GE-5	2N458B	GE-4
2N42	GE-2	2N138	GE-2	2N216	GE-5	2N300	GE-9	2N377A	GE-6	2N459	GE-4
2N43	GE-2	2N138A	GE-2	2N217	GE-2	2N301	GE-3	2N378	GE-3	2N460	GE-2
2N43A	GE-2	2N138B	GE-2	2N218	GE-1	2N301A	GE-3	2N379	GE-3	2N461	GE-1
2N44	GE-2	2N139	GE-1	2N219	GE-1	2N302	GE-2	2N380	GE-3	2N462	GE-2
2N44A	GE-2	2N140	GE-1	2N220	GE-2	2N303	GE-2	2N381	GE-3	2N464	GE-2
2N45	GE-2	2N145	GE-7	2N222	GE-2	2N306	GE-8	2N382	GE-2	2N465	GE-2
2N46	GE-2	2N146	GE-7	2N223	GE-2	2N306A	GE-8	2N383	GE-2	2N466	GE-2
2N47	GE-2	2N147	GE-10	2N224	GE-2	2N307	GE-3	2N384	GE-9	2N467	GE-2,2N508
2N48	GE-2	2N148	GE-20	2N225	GE-2	2N307A	GE-3	2N385	GE-7	2N468	GE-2
2N49	GE-2	2N148A	GE-20	2N226	GE-2	2N307B	GE-3	2N386	GE-3	2N470	GE-20
2N54	GE-2	2N149	GE-20	2N227	GE-2	2N308	GE-1	2N387	GE-3	2N471	GE-20
2N55	GE-2	2N149A	GE-20	2N228	GE-8	2N309	GE-1	2N388	GE-7	2N471A	GE-20
2N56	GE-2	2N150	GE-7	2N229	GE-8	2N310	GE-2	2N388A	GE-7	2N472	GE-20
2N59	GE-2	2N150A	GE-7	2N230	GE-3	2N311	GE-1	2N392	GE-3	2N473	GE-20
2N59A	GE-2	2N151	GE-2	2N231	GE-9	2N312	GE-6	2N393	GE-1	2N474	GE-20
2N59B	GE-2	2N155	GE-3	2N232	GE-9	2N313	GE-7	2N394	GE-1	2N474A	GE-20

JEDEC TYPE OR PART NO.	GE REPLACEMENT	JEDEC TYPE OR PART NO.	GE REPLACEMENT	JEDEC TYPE OR PART NO.	GE REPLACEMENT	JEDEC TYPE OR PART NO.	GE REPLACEMENT	JEDEC TYPE OR PART NO.	GE REPLACEMENT	JEDEC TYPE OR PART NO.	GE REPLACEMENT
2N475	GE-17	2N544	GE-9	2N637A	GE-3	2N753	GE-17	2N924	GE-21	2N1030A	GE-3
2N475A	GE-17	2N544/33	GE-9	2N637B	GE-3	2N756	GE-17	2N925	GE-21	2N1030B	GE-3
2N476	GE-20	2N553	GE-3	2N638	GE-3	2N757	GE-17	2N926	GE-21	2N1030C	GE-3
2N477	GE-20	2N554	GE-3	2N638A	GE-3	2N758	GE-17	2N927	GE-21	2N1031	GE-3
2N478	GE-20	2N555	GE-3	2N638B	GE-3	2N759	GE-17	2N928	GE-21	2N1031A	GE-3
2N479	GE-20	2N556	GE-6	2N639	GE-4	2N760	GE-17	2N929	GE-20	2N1031B	GE-3
2N479A	GE-20	2N557	GE-6	2N639A	GE-4	2N761	GE-17	2N929A	GE-20	2N1031C	GE-3
2N480	GE-17	2N558	GE-6	2N639B	GE-4	2N762	GE-17	2N930	GE-20	2N1032	GE-3
2N480A	GE-17	2N561	GE-3	2N640	GE-9	2N768	GE-9	2N930A	GE-17	2N1032A	GE-3
2N481	GE-1	2N563	GE-2	2N641	GE-1	2N769	GE-9	2N933	GE-9	2N1032B	GE-3
2N482	GE-1	2N564	GE-2	2N642	GE-9	2N779	GE-9	2N935	GE-20	2N1033	GE-3
2N483	GE-1	2N565	GE-2	2N643	GE-9	2N779A	GE-9	2N936	GE-20	2N1034	GE-21
2N484	GE-1	2N566	GE-2	2N644	GE-9	2N780	GE-17	2N937	GE-20	2N1035	GE-21
2N485	GE-1	2N567	GE-2	2N645	GE-9	2N781	GE-17	2N939	GE-20	2N1036	GE-21
2N486	GE-2	2N568	GE-2	2N647	GE-8	2N782	GE-17	2N940	GE-20	2N1037	GE-21
2N495	GE-9	2N569	GE-2	2N649	GE-10	2N783	GE-17	2N941	GE-20	2N1038	GE-2
2N496	GE-9	2N570	GE-2	2N650	GE-2	2N784	GE-17	2N942	GE-20	2N1039	GE-3
2N499	GE-9	2N571	GE-2,2N508	2N650A	GE-2	2N784A	GE-17	2N943	GE-20	2N1040	GE-3
2N500	GE-9	2N572	GE-2,2N508	2N651	GE-2	2N794	GE-9	2N944	GE-20	2N1041	GE-3
2N501	GE-9	2N573	GE-2	2N651A	GE-2	2N795	GE-9	2N945	GE-20	2N1042	GE-2
2N501A	GE-9	2N574	GE-4	2N652	GE-2	2N796	GE-9	2N946	GE-20	2N1043	GE-2
2N502	GE-9	2N574A	GE-4	2N652A	GE-2	2N797	GE-7	2N947	GE-20	2N1044	GE-2
2N502A	GE-9	2N575	GE-4	2N653	GE-2	2N799	GE-2	2N955	GE-11	2N1045	GE-2
2N503	GE-9	2N575A	GE-4	2N654	GE-2	2N800	GE-2	2N955A	GE-11	2N1046	GE-25
2N504	GE-1	2N576	GE-5	2N655	GE-2	2N801	GE-1	2N960	GE-9	2N1046A	GE-3
2N505	GE-9	2N576A	GE-5	2N658	GE-1	2N802	GE-1	2N961	GE-9	2N1046B	GE-3
2N506	GE-2	2N578	GE-1	2N659	GE-1	2N803	GE-1	2N962	GE-9	2N1054	GE-20
2N507	GE-8	2N579	GE-1	2N660	GE-3	2N804	GE-1	2N963	GE-9	2N1056	GE-2
2N508	GE-2,2N508	2N580	GE-1	2N661	GE-1	2N805	GE-1	2N964	GE-9	2N1057	GE-2
2N508A	GE-2	2N581	GE-1	2N662	GE-1	2N806	GE-1	2N964A	GE-2	2N1058	GE-5
2N509	GE-5	2N582	GE-2	2N663	GE-3	2N807	GE-1	2N965	GE-9	2N1059	GE-10
2N511	GE-3	2N583	GE-1	2N665	GE-3	2N808	GE-1	2N966	GE-9	2N1060	GE-17
2N511A	GE-3	2N584	GE-2	2N669	GE-3	2N809	GE-1	2N967	GE-9	2N1065	GE-9
2N511B	GE-3	2N585	GE-5	2N677A	GE-16	2N810	GE-1	2N968	GE-9	2N1066	GE-9
2N512	GE-3	2N586	GE-1	2N677B	GE-16	2N811	GE-1	2N969	GE-9	2N1069	GE-19
2N512A	GE-3	2N587	GE-5	2N677C	GE-16	2N812	GE-1	2N970	GE-9	2N1070	GE-19
2N512B	GE-3	2N588	GE-3	2N678	GE-16	2N813	GE-1	2N971	GE-9	2N1073	GE-16
2N513	GE-3	2N589	GE-3	2N678A	GE-16	2N814	GE-1	2N972	GE-9	2N1073A	GE-16
2N513A	GE-3	2N591	GE-2,2N324	2N678B	GE-16	2N815	GE-6	2N973	GE-9	2N1078	GE-5
2N513B	GE-3	2N591/5	GE-9	2N678C	GE-16	2N816	GE-6	2N974	GE-9	2N1082	GE-20
2N514	GE-3	2N592	GE-1	2N679	GE-7	2N817	GE-6	2N975	GE-9	2N1086	GE-6
2N514A	GE-3	2N593	GE-1	2N680	GE-2	2N818	GE-6	2N976	GE-9	2N1086A	GE-6
2N514B	GE-3	2N594	GE-5	2N694	GE-8	2N819	GE-6	2N977	GE-9	2N1087	GE-6
2N515	GE-5	2N595	GE-5	2N695	GE-9	2N820	GE-6	2N979	GE-1	2N1090	GE-6
2N516	GE-5	2N596	GE-5	2N697	GE-20	2N821	GE-6	2N982	GE-9	2N1091	GE-6
2N517	GE-5	2N597	GE-1	2N697A	GE-20	2N822	GE-6	2N983	GE-9	2N1092	GE-20
2N518	GE-9	2N598	GE-1	2N700	GE-9	2N823	GE-6	2N984	GE-9	2N1093	GE-9
2N519	GE-1	2N599	GE-1	2N700A	GE-9	2N824	GE-6	2N985	GE-2	2N1097	GE-2
2N519A	GE-2	2N602	GE-1	2N702	GE-17	2N825	GE-1	2N987	GE-9	2N1098	GE-2
2N520	GE-1	2N602A	GE-2	2N703	GE-17	2N826	GE-1	2N988	GE-17	2N1099	GE-4
2N520A	GE-9	2N603	GE-1	2N705	GE-9	2N828	GE-9	2N989	GE-17	2N1100	GE-4
2N521	GE-1	2N603A	GE-2	2N705A	GE-9	2N834	GE-17	2N990	GE-9	2N1101	GE-8
2N521A	GE-9	2N605	GE-1	2N706	GE-17	2N835	GE-17	2N992	GE-9	2N1102	GE-8
2N522	GE-2	2N606	GE-1	2N706A	GE-17	2N837	GE-2	2N993	GE-9	2N1103	GE-20
2N522A	GE-9	2N607	GE-1	2N706B	GE-17	2N839	GE-17	2N994	GE-9	2N1104	GE-20
2N523	GE-2	2N608	GE-1	2N707	GE-17	2N840	GE-17	2N995	GE-21	2N1107	GE-1
2N523A	GE-9	2N609	GE-2	2N708	GE-17	2N841	GE-17	2N1000	GE-6	2N1108	GE-1
2N524	GE-2	2N610	GE-2	2N708A	GE-17	2N842	GE-17	2N1005	GE-17	2N1109	GE-9
2N524A	GE-2	2N611	GE-2	2N709	GE-17	2N843	GE-17	2N1007	GE-3	2N1110	GE-1
2N525	GE-2	2N612	GE-2	2N709A	GE-17	2N846	GE-9	2N1008	GE-2	2N1111	GE-2
2N525A	GE-2	2N613	GE-2	2N710	GE-9	2N846A	GE-9	2N1008A	GE-2	2N1111A	GE-2
2N526	GE-2	2N614	GE-1	2N710A	GE-9	2N849	GE-17	2N1008B	GE-2	2N1111B	GE-2
2N526A	GE-2	2N615	GE-1	2N711	GE-9	2N850	GE-17	2N1009	GE-2	2N1112	GE-6
2N527	GE-2	2N616	GE-1	2N711A	GE-9	2N851	GE-17	2N1010	GE-8	2N1114	GE-6
2N529	GE-8	2N617	GE-1	2N711B	GE-9	2N852	GE-17	2N1011	GE-3	2N1115	GE-1
2N530	GE-6	2N618	GE-3	2N717	GE-17	2N858	GE-21	2N1012	GE-6	2N1115A	GE-1
2N531	GE-6	2N619	GE-17	2N717A	GE-17	2N859	GE-21	2N1014	GE-3	2N1118	GE-9
2N532	GE-10	2N620	GE-17	2N718	GE-17	2N860	GE-21	2N1017	GE-9	2N1118A	GE-9
2N533	GE-10	2N621	GE-17	2N718A	GE-17	2N861	GE-21	2N1018	GE-9	2N1119	GE-21
2N534	GE-9	2N622	GE-17	2N721	GE-21	2N862	GE-21	2N1021	GE-3	2N1120	GE-3
2N535	GE-2	2N624	GE-1	2N721A	GE-21	2N863	GE-21	2N1021A	GE-3	2N1121	GE-7
2N535A	GE-2	2N627	GE-3	2N722	GE-21	2N864	GE-21	2N1022	GE-3	2N1122	GE-9
2N535B	GE-2	2N628	GE-3	2N722A	GE-21	2N865	GE-21	2N1022A	GE-3	2N1122A	GE-9
2N536	GE-2,2N508A	2N629	GE-3	2N723	GE-21	2N869	GE-21	2N1023	GE-9	2N1124	GE-2
2N538	GE-3	2N630	GE-2	2N725	GE-1	2N913	GE-17	2N1024	GE-21	2N1125	GE-2
2N538A	GE-3	2N631	GE-2	2N726	GE-21	2N914	GE-17	2N1025	GE-21	2N1128	GE-2
2N539	GE-3	2N632	GE-2,2N324	2N727	GE-21	2N914/51	GE-11	2N1026	GE-21	2N1129	GE-2
2N539A	GE-3	2N633	GE-2	2N728	GE-20	2N916	GE-17	2N1026A	GE-21	2N1130	GE-2
2N540	GE-3	2N634	GE-6	2N729	GE-20	2N917	GE-17	2N1027	GE-21	2N1131	GE-21
2N540A	GE-3	2N634A	GE-6	2N741	GE-9	2N918	GE-17	2N1028	GE-21	2N1131A	GE-21
2N541	GE-17	2N635	GE-6	2N741A	GE-9	2N919	GE-17	2N1029	GE-3	2N1132	GE-21
2N542	GE-17	2N635A	GE-6	2N743	GE-17	2N920	GE-17	2N1029A	GE-3	2N1132A	GE-21
2N542A	GE-17	2N636	GE-5	2N743A	GE-17	2N921	GE-17	2N1029B	GE-3	2N1136	GE-16
2N543	GE-17	2N636A	GE-6	2N744	GE-17	2N922	GE-17	2N1029C	GE-3	2N1136A	GE-16
2N543A	GE-17	2N637	GE-3	2N752	GE-17	2N923	GE-21	2N1030	GE-3	2N1136B	GE-16



UNIVERSAL REPLACEMENT TRANSISTORS

2N1137-2N2067G

JEDEC TYPE OR PART NO.	GE REPLACE-MENT	JEDEC TYPE OR PART NO.	GE REPLACE-MENT	JEDEC TYPE OR PART NO.	GE REPLACE-MENT	JEDEC TYPE OR PART NO.	GE REPLACE-MENT	JEDEC TYPE OR PART NO.	GE REPLACE-MENT	JEDEC TYPE OR PART NO.	GE REPLACE-MENT
2N1137	GE-16	2N1227-4R	GE-3	2N1356	GE-1	2N1505	GE-17	2N1584	GE-1	2N1853	GE-2
2N1137A	GE-16	2N1228	GE-21	2N1357	GE-1	2N1506	GE-17	2N1586	GE-20	2N1854	GE-2
2N1137B	GE-16	2N1229	GE-21	2N1358	GE-4	2N1506A	GE-17	2N1587	GE-20	2N1864	GE-9
2N1138A	GE-16	2N1230	GE-21	2N1358A	GE-4	2N1507	GE-17	2N1589	GE-20	2N1865	GE-9
2N1138B	GE-16	2N1231	GE-21	2N1359	GE-3	2N1510	GE-6	2N1590	GE-20	2N1866	GE-9
2N1144	GE-2	2N1232	GE-21	2N1360	GE-3	2N1516	GE-1	2N1591	GE-20	2N1867	GE-9
2N1145	GE-2	2N1233	GE-21	2N1361	GE-3	2N1517	GE-1	2N1592	GE-20	2N1868	GE-9
2N1146	GE-3	2N1238	GE-21	2N1362	GE-4	2N1518	GE-4	2N1593	GE-20	2N1891	GE-5
2N1146A	GE-3	2N1239	GE-21	2N1363	GE-4	2N1519	GE-4	2N1594	GE-20	2N1893	GE-18
2N1146B	GE-3	2N1240	GE-21	2N1364	GE-16	2N1520	GE-4	2N1605	GE-5	2N1905	GE-16
2N1146C	GE-3	2N1241	GE-21	2N1365	GE-16	2N1521	GE-4	2N1605A	GE-5	2N1906	GE-25
2N1147	GE-3	2N1245	GE-3	2N1366	GE-5	2N1522	GE-4	2N1614	GE-2	2N1907	GE-25
2N1147A	GE-3	2N1246	GE-3	2N1367	GE-5	2N1523	GE-4	2N1623	GE-21	2N1908	GE-25
2N1147B	GE-3	2N1247	GE-20	2N1370	GE-2	2N1524	GE-9	2N1624	GE-6	2N1917	GE-21
2N1147C	GE-3	2N1248	GE-6	2N1371	GE-2	2N1525	GE-9	2N1631	GE-9	2N1918	GE-21
2N1149	GE-20	2N1249	GE-20	2N1372	GE-2	2N1526	GE-9	2N1632	GE-9	2N1919	GE-21
2N1150	GE-20	2N1251	GE-8	2N1373	GE-2	2N1527	GE-9	2N1633	GE-9	2N1920	GE-21
2N1151	GE-20	2N1254	GE-21	2N1374	GE-2	2N1528	GE-20	2N1634	GE-9	2N1921	GE-21
2N1152	GE-20	2N1255	GE-21	2N1375	GE-2	2N1529	GE-3	2N1635	GE-9	2N1924	GE-2
2N1153	GE-20	2N1256	GE-21	2N1376	GE-2	2N1529A	GE-3	2N1636	GE-9	2N1925	GE-2
2N1157	GE-4	2N1257	GE-21	2N1377	GE-2	2N1530	GE-3	2N1637	GE-9	2N1926	GE-2
2N1157A	GE-4	2N1258	GE-21	2N1378	GE-2	2N1530A	GE-3	2N1638	GE-1	2N1944	GE-17
2N1159	GE-3	2N1259	GE-21	2N1379	GE-2	2N1531	GE-3	2N1639	GE-1	2N1945	GE-17
2N1160	GE-3	2N1261	GE-3	2N1380	GE-2	2N1531A	GE-3	2N1640	GE-21	2N1946	GE-17
2N1162	GE-3	2N1262	GE-3	2N1381	GE-2	2N1532	GE-3	2N1641	GE-21	2N1947	GE-17
2N1162A	GE-3	2N1263	GE-3	2N1382	GE-2	2N1532A	GE-3	2N1642	GE-21	2N1948	GE-17
2N1163	GE-3	2N1264	GE-9	2N1383	GE-2	2N1533	GE-3	2N1643	GE-21	2N1949	GE-17
2N1163A	GE-4	2N1265	GE-2	2N1384	GE-9	2N1534	GE-3	2N1651	GE-3	2N1950	GE-17
2N1164	GE-3	2N1266	GE-1	2N1385	GE-9	2N1534A	GE-3	2N1652	GE-3	2N1951	GE-17
2N1164A	GE-4	2N1269	GE-17	2N1392	GE-2	2N1535	GE-3	2N1653	GE-3	2N1952	GE-17
2N1165	GE-3	2N1270	GE-17	2N1393	GE-1	2N1535A	GE-3	2N1666	GE-3	2N1954	GE-2
2N1165A	GE-4	2N1272	GE-17	2N1395	GE-9	2N1536	GE-3	2N1667	GE-3	2N1955	GE-2
2N1166	GE-3	2N1273	GE-2	2N1397	GE-9	2N1536A	GE-3	2N1668	GE-3	2N1956	GE-2
2N1166A	GE-4	2N1274	GE-2	2N1404	GE-2	2N1537	GE-3	2N1669	GE-3	2N1957	GE-2
2N1167	GE-3	2N1276	GE-20	2N1408	GE-2	2N1537A	GE-3	2N1670	GE-1	2N1960	GE-2
2N1167A	GE-4	2N1277	GE-20	2N1411	GE-9	2N1538	GE-3	2N1672	GE-6	2N1961	GE-2
2N1168	GE-3	2N1278	GE-20	2N1412	GE-4	2N1538A	GE-3	2N1673	GE-1	2N1969	GE-1
2N1169	GE-5	2N1279	GE-20	2N1413	GE-2	2N1539	GE-3	2N1674	GE-17	2N1970	GE-4
2N1170	GE-5	2N1280	GE-1	2N1414	GE-2	2N1539A	GE-3	2N1676	GE-21	2N1971	GE-3
2N1171	GE-1	2N1281	GE-1	2N1415	GE-2	2N1540	GE-3	2N1677	GE-21	2N1973	GE-20
2N1172	GE-3	2N1282	GE-1	2N1416	GE-2	2N1540A	GE-3	2N1681	GE-1	2N1974	GE-20
2N1173	GE-8	2N1284	GE-1	2N1417	GE-20	2N1541	GE-3	2N1683	GE-1	2N1975	GE-20
2N1174	GE-8	2N1287	GE-2	2N1418	GE-20	2N1541A	GE-3	2N1684	GE-1	2N1980	GE-4
2N1175	GE-2	2N1287A	GE-4	2N1419	GE-3	2N1542	GE-3	2N1685	GE-6	2N1981	GE-4
2N1175A	GE-2	2N1288	GE-5	2N1425	GE-9	2N1542A	GE-3	2N1694	GE-6	2N1982	GE-4
2N1176	GE-1	2N1289	GE-5	2N1426	GE-9	2N1543	GE-3	2N1699	GE-9	2N1983	GE-20
2N1177	GE-9	2N1291	GE-3	2N1427	GE-2	2N1543A	GE-3	2N1704	GE-20	2N1984	GE-20
2N1178	GE-9	2N1293	GE-3	2N1429	GE-9	2N1544	GE-3	2N1705	GE-2	2N1985	GE-20
2N1179	GE-9	2N1295	GE-3	2N1430	GE-3	2N1544A	GE-3	2N1706	GE-2	2N1986	GE-20
2N1180	GE-9	2N1296	GE-3	2N1431	GE-8	2N1545	GE-3	2N1707	GE-2	2N1987	GE-20
2N1184	GE-1	2N1297	GE-6	2N1432	GE-9	2N1545A	GE-3	2N1708	GE-20	2N1988	GE-20
2N1184A	GE-3	2N1299	GE-6	2N1433	GE-3	2N1546	GE-3	2N1708A	GE-20	2N1989	GE-17
2N1184B	GE-3	2N1300	GE-1	2N1434	GE-3	2N1546A	GE-3	2N1726	GE-9	2N1991	GE-21
2N1185	GE-1	2N1301	GE-1	2N1435	GE-3	2N1547	GE-3	2N1727	GE-9	2N1993	GE-5
2N1186	GE-1	2N1302	GE-5	2N1436	GE-9	2N1547A	GE-3	2N1728	GE-9	2N1994	GE-5
2N1187	GE-1	2N1303	GE-1	2N1439	GE-21	2N1548	GE-3	2N1742	GE-9	2N1995	GE-5
2N1188	GE-1	2N1304	GE-5	2N1440	GE-21	2N1548A	GE-3	2N1743	GE-9	2N1996	GE-5
2N1191	GE-2	2N1305	GE-1	2N1441	GE-21	2N1549	GE-3	2N1744	GE-9	2N1997	GE-2
2N1192	GE-2	2N1306	GE-5	2N1442	GE-21	2N1549A	GE-3	2N1746	GE-9	2N1998	GE-2
2N1194	GE-2	2N1307	GE-1	2N1443	GE-21	2N1550	GE-3	2N1747	GE-9	2N1999	GE-1
2N1195	GE-9	2N1308	GE-5	2N1446	GE-2	2N1550A	GE-3	2N1748	GE-9	2N2000	GE-10
2N1198	GE-6	2N1309	GE-1	2N1447	GE-2	2N1551	GE-3	2N1749	GE-9	2N2001	GE-1
2N1199	GE-17	2N1310	GE-5	2N1448	GE-2	2N1551A	GE-3	2N1750	GE-1	2N2002	GE-21
2N1200	GE-20	2N1311	GE-5	2N1449	GE-2	2N1552	GE-3	2N1754	GE-9	2N2003	GE-21
2N1201	GE-20	2N1312	GE-7	2N1450	GE-2	2N1552A	GE-3	2N1755	GE-3	2N2004	GE-21
2N1202	GE-3	2N1313	GE-1	2N1451	GE-2	2N1553	GE-3	2N1756	GE-3	2N2005	GE-21
2N1203	GE-3	2N1314	GE-3	2N1452	GE-2	2N1553A	GE-3	2N1757	GE-3	2N2006	GE-21
2N1205	GE-20	2N1316	GE-1	2N1469	GE-21	2N1554	GE-3	2N1758	GE-3	2N2007	GE-21
2N1213	GE-1	2N1317	GE-1	2N1470	GE-21	2N1554A	GE-3	2N1759	GE-3	2N2009	GE-9
2N1214	GE-1	2N1318	GE-1	2N1471	GE-21	2N1555	GE-3	2N1760	GE-3	2N2040	GE-20
2N1215	GE-1	2N1319	GE-1	2N1472	GE-17	2N1555A	GE-3	2N1761	GE-3	2N2041	GE-20
2N1216	GE-1	2N1338	GE-20	2N1473	GE-7	2N1556	GE-3	2N1762	GE-3	2N2048	GE-9
2N1217	GE-7	2N1343	GE-1	2N1474	GE-21	2N1556A	GE-3	2N1779	GE-6	2N2059	GE-9
2N1219	GE-21	2N1344	GE-1	2N1474A	GE-21	2N1557	GE-3	2N1780	GE-6	2N2061	GE-3
2N1220	GE-21	2N1345	GE-1	2N1475	GE-21	2N1557A	GE-3	2N1781	GE-6	2N2062	GE-3
2N1221	GE-21	2N1346	GE-1	2N1478	GE-2	2N1558	GE-3	2N1782	GE-2	2N2062A	GE-16
2N1222	GE-21	2N1347	GE-1	2N1491	GE-17	2N1558A	GE-3	2N1783	GE-1	2N2063	GE-3
2N1223	GE-21	2N1348	GE-2	2N1494	GE-9	2N1559	GE-3	2N1784	GE-1	2N2063A	GE-16
2N1224	GE-21	2N1349	GE-1	2N1495	GE-9	2N1559A	GE-3	2N1785	GE-9	2N2064	GE-3
2N1225	GE-21	2N1350	GE-1	2N1499	GE-9	2N1560	GE-3	2N1786	GE-9	2N2064A	GE-16
2N1226	GE-1	2N1351	GE-1	2N1499A	GE-9	2N1560A	GE-3	2N1787	GE-9	2N2065	GE-3
2N1227	GE-3	2N1352	GE-2	2N1499B	GE-9	2N1561	GE-9	2N1788	GE-9	2N2066	GE-3
2N1227A	GE-3	2N1353	GE-2	2N1500	GE-9	2N1562	GE-9	2N1789	GE-9	2N2067	GE-3
2N1227-3	GE-3	2N1354	GE-1	2N1501	GE-3	2N1570	GE-1	2N1790	GE-9	2N2067B	GE-16
2N1227-4	GE-3	2N1355	GE-1	2N1502	GE-3	2N1583	GE-1	2N1808	GE-6	2N2067G	GE-16

## UNIVERSAL REPLACEMENT TRANSISTORS

JEDEC TYPE OR PART NO.	GE REPLACE- MENT	JEDEC TYPE OR PART NO.	GE REPLACE- MENT	JEDEC TYPE OR PART NO.	GE REPLACE- MENT	JEDEC TYPE OR PART NO.	GE REPLACE- MENT	JEDEC TYPE OR PART NO.	GE REPLACE- MENT	JEDEC TYPE OR PART NO.	GE REPLACE- MENT
2N2067W	GE-16	2N2187	GE-21	2N2354	GE-8	2N2672	GE-9	2N3083	GE-17	2N3568	GE-20
2N2069	GE-3	2N2188	GE-9	2N2357	GE-3	2N2673	GE-17	2N3115	GE-17	2N3569	GE-10
2N2070	GE-3	2N2189	GE-9	2N2358	GE-3	2N2674	GE-17	2N3116	GE-17	2N3576	GE-20
2N2075	GE-4	2N2190	GE-9	2N2360	GE-9	2N2675	GE-17	2N3128	GE-17	2N3581	GE-21
2N2075A	GE-4	2N2191	GE-9	2N2361	GE-9	2N2695	GE-21	2N3129	GE-17	2N3582	GE-21
2N2076	GE-4	2N2192	GE-17	2N2362	GE-9	2N2696	GE-21	2N3132	GE-16	2N3588	GE-9
2N2076A	GE-4	2N2192A	GE-17	2N2363	GE-9	2N2706	GE-1	2N3133	GE-21	2N3600	GE-17
2N2077	GE-4	2N2193	GE-17	2N2370	GE-21	2N2708	GE-17	2N3134	GE-21	2N3605	GE-17
2N2077A	GE-4	2N2193A	GE-17	2N2371	GE-21	2N2711	GE-17	2N3135	GE-21	2N3606	GE-17
2N2078	GE-4	2N2193B	GE-17	2N2372	GE-21	2N2712	GE-20	2N3136	GE-21	2N3607	GE-17
2N2078A	GE-4	2N2194	GE-20	2N2373	GE-21	2N2713	GE-20	2N3137	GE-21	2N3611	GE-3
2N2079	GE-4	2N2194A	GE-20	2N2375	GE-1	2N2714	GE-17	2N3148	GE-25	2N3612	GE-16
2N2079A	GE-4	2N2194B	GE-20	2N2377	GE-21	2N2715	GE-17	2N3209	GE-21	2N3613	GE-16
2N2080	GE-4	2N2195	GE-17	2N2378	GE-21	2N2716	GE-20	2N3213	GE-16	2N3614	GE-3
2N2080A	GE-4	2N2195A	GE-17	2N2387	GE-20	2N2717	GE-9	2N3214	GE-16	2N3615	GE-3
2N2081	GE-4	2N2196	GE-17	2N2388	GE-20	2N2728	GE-4	2N3215	GE-16	2N3616	GE-16
2N2081A	GE-4	2N2197	GE-17	2N2389	GE-20	2N2729	GE-17	2N3217	GE-21	2N3617	GE-16
2N2082	GE-4	2N2198	GE-20	2N2390	GE-20	2N2730	GE-4	2N3218	GE-21	2N3618	GE-16
2N2082A	GE-4	2N2199	GE-9	2N2393	GE-21	2N2731	GE-4	2N3219	GE-21	2N3638	GE-22
2N2084	GE-9	2N2204	GE-12	2N2394	GE-21	2N2732	GE-4	2N3226	GE-19	2N3638A	GE-22
2N2085	GE-6	2N2205	GE-20	2N2395	GE-21	2N2784	GE-17	2N3232	GE-14	2N3639	GE-21
2N2089	GE-9	2N2206	GE-17	2N2396	GE-20	2N2793	GE-4	2N3235	GE-14	2N3640	GE-21
2N2090	GE-9	2N2207	GE-9	2N2397	GE-20	2N2801	GE-21	2N3241	GE-20	2N3641	GE-17
2N2091	GE-9	2N2209	GE-9	2N2398	GE-9	2N2802	GE-21	2N3241A	GE-20	2N3642	GE-17
2N2092	GE-9	2N2210	GE-4	2N2399	GE-9	2N2803	GE-21	2N3242	GE-20	2N3644	GE-22
2N2093	GE-9	2N2212	GE-3	2N2400	GE-1	2N2804	GE-21	2N3245	GE-21	2N3645	GE-21
2N2097	GE-9	2N2225	GE-1	2N2401	GE-1	2N2805	GE-21	2N3250	GE-21	2N3646	GE-17
2N2106	GE-20	2N2234	GE-20	2N2402	GE-9	2N2806	GE-21	2N3251	GE-21	2N3647	GE-20
2N2107	GE-20	2N2235	GE-20	2N2411	GE-21	2N2807	GE-21	2N3267	GE-20	2N3648	GE-20
2N2108	GE-20	2N2236	GE-20	2N2412	GE-21	2N2831	GE-17	2N3289	GE-17	2N3662	GE-11
2N2137	GE-3	2N2237	GE-20	2N2413	GE-17	2N2836	GE-3	2N3290	GE-17	2N3663	GE-11
2N2137A	GE-3	2N2240	GE-20	2N2423	GE-16	2N2837	GE-21	2N3291	GE-17	2N3667	GE-21
2N2138	GE-3	2N2241	GE-20	2N2424	GE-21	2N2838	GE-21	2N3292	GE-17	2N3682	GE-20
2N2138A	GE-3	2N2242	GE-17	2N2425	GE-21	2N2857	GE-17	2N3293	GE-17	2N3688	GE-17
2N2139	GE-3	2N2244	GE-17	2N2427	GE-21	2N2861	GE-21	2N3294	GE-17	2N3689	GE-17
2N2139A	GE-3	2N2245	GE-17	2N2428	GE-2	2N2863	GE-21	2N3297	GE-19	2N3691	GE-20
2N2140	GE-3	2N2246	GE-17	2N2429	GE-2	2N2865	GE-17	2N3304	GE-21	2N3692	GE-17
2N2140A	GE-3	2N2247	GE-17	2N2430	GE-8	2N2869	GE-3	2N3305	GE-21	2N3693	GE-20
2N2141	GE-3	2N2248	GE-17	2N2431	GE-2	2N2869/2N301	GE-3	2N3306	GE-21	2N3694	GE-20
2N2141A	GE-3	2N2249	GE-17	2N2447	GE-2	2N2870/2N301A	GE-3	2N3307	GE-21	2N3702	GE-22
2N2142	GE-3	2N2250	GE-17	2N2448	GE-2	2N2883	GE-17	2N3308	GE-21	2N3703	GE-21
2N2142A	GE-3	2N2251	GE-17	2N2449	GE-1	2N2884	GE-17	2N3311	GE-4	2N3705	GE-10
2N2143	GE-3	2N2252	GE-17	2N2450	GE-1	2N2894	GE-21	2N3312	GE-4	2N3707	GE-17
2N2143A	GE-3	2N2253	GE-17	2N2455	GE-9	2N2904	GE-21	2N3313	GE-4	2N3708	GE-17
2N2144	GE-3	2N2254	GE-17	2N2456	GE-9	2N2904A	GE-21	2N3314	GE-4	2N3709	GE-17
2N2144A	GE-3	2N2255	GE-17	2N2469	GE-2	2N2905	GE-21	2N3315	GE-4	2N3710	GE-17
2N2145	GE-3	2N2256	GE-17	2N2481	GE-17	2N2905A	GE-21	2N3317	GE-21	2N3711	GE-17
2N2145A	GE-3	2N2257	GE-17	2N2487	GE-1	2N2906	GE-21	2N3318	GE-21	2N3712	GE-20
2N2146	GE-3	2N2258	GE-9	2N2488	GE-1	2N2907	GE-21	2N3319	GE-21	2N3721	GE-17
2N2146A	GE-3	2N2259	GE-9	2N2489	GE-1	2N2907A	GE-21	2N3341	GE-21	2N3730	GE-25
2N2147	GE-16	2N2266	GE-3	2N2490	GE-4	2N2921	GE-17	2N3342	GE-21	2N3731	GE-3
2N2148	GE-3	2N2267	GE-3	2N2491	GE-4	2N2922	GE-17	2N3343	GE-21	2N3738	GE-12
2N2152	GE-4	2N2268	GE-3	2N2492	GE-4	2N2923	GE-17	2N3344	GE-21	2N3739	GE-12
2N2152A	GE-4	2N2269	GE-3	2N2493	GE-4	2N2924	GE-17	2N3345	GE-21	2N3740	GE-26
2N2153	GE-4	2N2271	GE-2	2N2494	GE-9	2N2925	GE-17	2N3346	GE-21	2N3825	GE-17
2N2153A	GE-4	2N2273	GE-9	2N2495	GE-9	2N2926	GE-17	2N3390	GE-20	2N3826	GE-17
2N2154	GE-4	2N2274	GE-21	2N2496	GE-9	2N2926-6	GE-17	2N3391	GE-20	2N3827	GE-17
2N2154A	GE-4	2N2275	GE-21	2N2501	GE-17	2N2927	GE-21	2N3391A	GE-20	2N3828	GE-17
2N2155	GE-4	2N2276	GE-21	2N2527	GE-25	2N2931	GE-20	2N3392	GE-20	2N3829	GE-21
2N2156	GE-4	2N2277	GE-21	2N2528	GE-25	2N2932	GE-20	2N3393	GE-20	2N3843	GE-17
2N2156A	GE-4	2N2278	GE-21	2N2529	GE-20	2N2933	GE-20	2N3394	GE-20	2N3843A	GE-17
2N2157	GE-4	2N2280	GE-21	2N2530	GE-20	2N2934	GE-20	2N3395	GE-20	2N3844	GE-17
2N2157A	GE-4	2N2281	GE-21	2N2531	GE-20	2N2935	GE-20	2N3396	GE-20	2N3844A	GE-17
2N2158	GE-4	2N2288	GE-3	2N2532	GE-20	2N2944	GE-21	2N3397	GE-20	2N3845	GE-17
2N2158A	GE-4	2N2289	GE-3	2N2533	GE-20	2N2948	GE-19	2N3398	GE-20	2N3845A	GE-17
2N2159	GE-4	2N2290	GE-3	2N2564	GE-3	2N2953	GE-9	2N3401	GE-21	2N3846	GE-17
2N2159A	GE-4	2N2291	GE-3	2N2565	GE-3	2N2968	GE-21	2N3402	GE-18	2N3854	GE-17
2N2162	GE-21	2N2292	GE-3	2N2586	GE-17	2N2969	GE-21	2N3403	GE-20	2N3854A	GE-17
2N2163	GE-21	2N2293	GE-16	2N2610	GE-17	2N2970	GE-21	2N3404	GE-10	2N3855	GE-17
2N2164	GE-21	2N2294	GE-3	2N2612	GE-3	2N2971	GE-21	2N3405	GE-10	2N3855A	GE-17
2N2165	GE-21	2N2295	GE-16	2N2613	GE-2	2N3009	GE-20	2N3407	GE-17	2N3856	GE-17
2N2166	GE-21	2N2296	GE-3	2N2614	GE-2	2N3010	GE-20	2N3414	GE-20	2N3856A	GE-17
2N2167	GE-21	2N2303	GE-21	2N2616	GE-17	2N3011	GE-21	2N3415	GE-10	2N3857	GE-21
2N2168	GE-9	2N2305	GE-19	2N2617	GE-2	2N3012	GE-21	2N3416	GE-17	2N3858	GE-11
2N2169	GE-9	2N2309	GE-20	2N2639	GE-17	2N3013	GE-20	2N3417	GE-17	2N3858A	GE-11
2N2170	GE-9	2N2318	GE-21	2N2640	GE-17	2N3014	GE-20	2N3478	GE-17	2N3859	GE-17
2N2171	GE-1	2N2330	GE-20	2N2641	GE-17	2N3015	GE-17	2N3485	GE-21	2N3859A	GE-17
2N2172	GE-1	2N2331	GE-20	2N2642	GE-17	2N3035	GE-17	2N3486	GE-21	2N3860	GE-17
2N2173	GE-2	2N2332	GE-21	2N2643	GE-17	2N3053	GE-18	2N3498	GE-20	2N3862	GE-20
2N2175	GE-21	2N2333	GE-2	2N2644	GE-17	2N3055	GE-14	2N3527	GE-17	2N3863	GE-20
2N2176	GE-21	2N2334	GE-21	2N2648	GE-2	2N3058	GE-21	2N3563	GE-17	2N3869	GE-20
2N2177	GE-21	2N2335	GE-21	2N2651	GE-17	2N3074	GE-9	2N3564	GE-17	2N3877	GE-17
2N2178	GE-21	2N2336	GE-21	2N2654	GE-9	2N3075	GE-9	2N3565	GE-20	2N3885	GE-20
2N2185	GE-9	2N2337	GE-21	2N2656	GE-17	2N3081	GE-21	2N3566	GE-20	2N3905	GE-21
2N2186	GE-21	2N2349	GE-20	2N2671	GE-9	2N3082	GE-17	2N3567	GE-20	2N3906	GE-21



# UNIVERSAL REPLACEMENT TRANSISTORS

2N3911-2SB74

JEDEC TYPE OR PART NO.	GE REPLACE-MENT	JEDEC TYPE OR PART NO.	GE REPLACE-MENT	JEDEC TYPE OR PART NO.	GE REPLACE-MENT	JEDEC TYPE OR PART NO.	GE REPLACE-MENT	JEDEC TYPE OR PART NO.	GE REPLACE-MENT	JEDEC TYPE OR PART NO.	GE REPLACE-MENT
2N3911	GE-21	2S15A	GE-2	2S3021	GE-21	2SA105	GE-10	2SA222	GE-1	2SA393A	GE-9
2N3912	GE-21	2S22	GE-2	2S3030	GE-21	2SA108	GE-1	2SA223	GE-9	2SA394	GE-9
2N3914	GE-21	2S24	GE-2	2S3040	GE-21	2SA109	GE-9	2SA234	GE-9	2SA395	GE-9
2N3915	GE-21	2S25	GE-1	2S3210	GE-21	2SA110	GE-9	2SA234B	GE-9	2SA396	GE-1
2N3917	GE-19	2S26	GE-16	2S3220	GE-21	2SA111	GE-9	2SA234C	GE-9	2SA397	GE-1
2N3918	GE-19	2S26A	GE-16	2S3221	GE-21	2SA112	GE-9	2SA235	GE-9	2SA398	GE-9
2N3924	GE-20	2S30	GE-1	2SA12	GE-9	2SA113	GE-9	2SA235A	GE-9	2SA399	GE-9
2N3973	GE-20	2S31	GE-1	2SA12A	GE-1	2SA114	GE-9	2SA235C	GE-9	2SA404	GE-1
2N2974	GE-20	2S32	GE-2	2SA12C	GE-1	2SA116	GE-1	2SA236	GE-9	2SA406	GE-1
2N3975	GE-20	2S33	GE-2	2SA13	GE-1	2SA117	GE-1	2SA237	GE-9	2SA407	GE-1
2N3976	GE-20	2S34	GE-2	2SA14	GE-1	2SA118	GE-1	2SA239	GE-9	2SA416	GE-25
2N3977	GE-21	2S35	GE-9	2SA15	GE-1	2SA121	GE-9	2SA240	GE-9	2SA420	GE-9
2N3978	GE-21	2S36	GE-9	2SA15V	GE-2	2SA122	GE-9	2SA241	GE-9	2SA433	GE-9
2N3979	GE-21	2S37	GE-2	2SA16	GE-1	2SA124	GE-9	2SA242	GE-9	2SA436	GE-9
2N4013	GE-20	2S38	GE-2	2SA17	GE-1	2SA127	GE-9	2SA243	GE-9	2SA437	GE-9
2N4014	GE-20	2S39	GE-2	2SA18	GE-9	2SA130	GE-1	2SA246	GE-9	2SA438	GE-9
2N4032	GE-22	2S40	GE-2	2SA19	GE-9	2SA131	GE-1	2SA247	GE-9	2SA440	GE-9
2N4034	GE-21	2S41	GE-3	2SA20	GE-9	2SA132	GE-1	2SA250	GE-2	2SA448	GE-9
2N4035	GE-21	2S41A	GE-3	2SA21	GE-9	2SA135	GE-1	2SA254	GE-1	2SA453	GE-9
2N4058	GE-21	2S43	GE-2	2SA29	GE-9	2SA136	GE-9	2SA255	GE-1	2SA454	GE-9
2N4059	GE-21	2S44	GE-2	2SA30	GE-9	2SA137	GE-9	2SA256	GE-9	2SA455	GE-9
2N4060	GE-21	2S45	GE-1	2SA31	GE-9	2SA141	GE-9	2SA257	GE-9	2SA456	GE-9
2N4061	GE-12	2S49	GE-1	2SA35	GE-9	2SA141B	GE-1	2SA258	GE-1	2SA466	GE-1
2N4062	GE-21	2S52	GE-1	2SA36	GE-9	2SA141C	GE-1	2SA259	GE-1	2SA471	GE-9
2N4080	GE-21	2S53	GE-1	2SA37	GE-9	2SA142	GE-9	2SA260	GE-9	2SA471-2	GE-9
2N4105	GE-8	2S54	GE-2	2SA38	GE-9	2SA144	GE-9	2SA261	GE-9	2SA472	GE-9
2N4106	GE-2	2S56	GE-2	2SA39	GE-9	2SA145	GE-9	2SA263	GE-9	2SA525	GE-22
2N4111	GE-19	2S60	GE-1	2SA40	GE-9	2SA146	GE-9	2SA266	GE-9	2SB13	GE-7
2N4112	GE-19	2S91	GE-1	2SA41	GE-9	2SA147	GE-9	2SA267	GE-1	2SB19	GE-16
2N4113	GE-19	2S92	GE-1	2SA42	GE-9	2SA148	GE-9	2SA268	GE-9	2SB20	GE-16
2N4114	GE-19	2S92A	GE-1	2SA43	GE-9	2SA149	GE-9	2SA269	GE-9	2SB21	GE-2
2N4123	GE-20	2S93	GE-1	2SA44	GE-1	2SA150	GE-1	2SA270	GE-1	2SB22	GE-2
2N4122	GE-21	2S93A	GE-1	2SA49	GE-2	2SA151	GE-1	2SA271	GE-1	2SB22A	GE-2
2N4134	GE-17	2S001	GE-20	2SA50	GE-2,2N404	2SA152	GE-1	2SA272	GE-9	2SB22B	GE-2
2N4224	GE-FET-1	2S002	GE-20	2SA51	GE-1	2SA153	GE-1	2SA273	GE-9	2SB23	GE-2
2N4243	GE-16	2S003	GE-17	2SA52	GE-9	2SA154	GE-1	2SA274	GE-9	2SB24	GE-2
2N4244	GE-16	2S004	GE-17	2SA53	GE-9	2SA155	GE-1	2SA275	GE-9	2SB25	GE-3
2N4246	GE-16	2S005	GE-20	2SA54	GE-2	2SA156	GE-9	2SA276	GE-9	2SB26	GE-3
2N4247	GE-16	2S006	GE-17	2SA55	GE-1	2SA157	GE-1	2SA277	GE-1	2SB26A	GE-16
2N4250	GE-22	2S014	GE-20	2SA57	GE-9	2SA160	GE-9	2SA278	GE-1	2SB27	GE-3
2N4254	GE-17	2S101	GE-17	2SA58	GE-9	2SA161	GE-9	2SA282	GE-2	2SB28	GE-3
2N4255	GE-17	2S102	GE-17	2SA59	GE-9	2SA162	GE-9	2SA283	GE-1	2SB29	GE-3
2N4256	GE-17	2S103	GE-17	2SA60	GE-9	2SA163	GE-9	2SA284	GE-1	2SB30	GE-3
2N4304	GE-FET-1	2S104	GE-17	2SA61	GE-1	2SA166	GE-9	2SA285	GE-9	2SB31	GE-3
2N4387	GE-26	2S109	GE-9	2SA64	GE-9	2SA169	GE-2	2SA286	GE-9	2SB32	GE-2
2N4388	GE-26	2S110	GE-9	2SA65	GE-2	2SA171	GE-1	2SA287	GE-9	2SB33	GE-2
2N4395	GE-19	2S112	GE-9	2SA66	GE-2	2SA172A	GE-2	2SA288	GE-9	2SB33C	GE-2
2N4396	GE-19	2S141	GE-9	2SA67	GE-2	2SA173	GE-1	2SA296	GE-9	2SB34	GE-2
2N4400	GE-17	2S142	GE-9	2SA69	GE-1	2SA174	GE-2	2SA297	GE-9	2SB37	GE-2
2N4410	GE-18	2S143	GE-9	2SA70	GE-9	2SA175	GE-9	2SA321	GE-9	2SB38	GE-2
2N4433	GE-17	2S145	GE-9	2SA70F	GE-9	2SA176	GE-2	2SA322	GE-1	2SB39	GE-2
2N4434	GE-17	2S146	GE-9	2SA70L	GE-9	2SA180	GE-9	2SA323	GE-9	2SB40	GE-2
2N4435	GE-17	2S155	GE-1	2SA70MA	GE-9	2SA181	GE-9	2SA324	GE-9	2SB41	GE-3
2N4436	GE-17	2S159	GE-1	2SA71	GE-9	2SA182	GE-9	2SA329	GE-9	2SB42	GE-3
2N4437	GE-17	2S160	GE-1	2SA71A	GE-9	2SA183	GE-9	2SA330	GE-9	2SB43	GE-10
2N4898	GE-26	2S163	GE-2	2SA71B	GE-9	2SA188	GE-2	2SA335	GE-9	2SB43A	GE-2
2N4899	GE-26	2S178	GE-1	2SA72	GE-9	2SA189	GE-1	2SA338	GE-9	2SB44	GE-2
2N4910	GE-23	2S179	GE-2	2SA73	GE-9	2SA198	GE-9	2SA339	GE-9	2SB46	GE-2
2N4911	GE-23	2S302	GE-21	2SA74	GE-2	2SA200	GE-2	2SA342	GE-9	2SB47	GE-2
2N4912	GE-23	2S302A	GE-21	2SA75	GE-2	2SA201	GE-9	2SA350	GE-9	2SB48	GE-2
2N4913	GE-19	2S303	GE-21	2SA76	GE-9	2SA201A	GE-1	2SA350A	GE-9	2SB49	GE-2
2N4914	GE-19	2S304	GE-21	2SA78	GE-9	2SA201B	GE-1	2SA351	GE-9	2SB50	GE-2
2N4916	GE-22	2S306	GE-21	2SA80	GE-9	2SA202	GE-9	2SA351A	GE-9	2SB51	GE-2
2N4951	GE-10	2S307	GE-21	2SA81	GE-9	2SA202A	GE-1	2SA351B	GE-9	2SB52	GE-2
2N4952	GE-10	2S322	GE-21	2SA82	GE-1	2SA202C	GE-1	2SA352	GE-9	2SB53	GE-2
2N4953	GE-10	2S322A	GE-21	2SA83	GE-9	2SA202D	GE-1	2SA353	GE-9	2SB54	GE-2
2N4954	GE-10	2S323	GE-21	2SA84	GE-9	2SA203	GE-9	2SA353A	GE-9	2SB55	GE-2
2N4969	GE-17	2S324	GE-21	2SA86	GE-9	2SA203B	GE-1	2SA353C	GE-9	2SB56	GE-2
2N5103	GE-17	2S326	GE-21	2SA92	GE-9	2SA204	GE-1	2SA354	GE-9	2SB56A	GE-2
2N5130	GE-17	2S327	GE-21	2SA93	GE-9	2SA205	GE-1	2SA354B	GE-1	2SB57	GE-2
2N5134	GE-17	2S512	GE-17	2SA94	GE-1	2SA206	GE-1	2SA355	GE-9	2SB59	GE-2
2N5136	GE-17	2S701	GE-20	2SA100	GE-9	2SA207	GE-1	2SA356	GE-9	2SB60	GE-2
2N5142	GE-22	2S702	GE-20	2SA101	GE-9	2SA208	GE-1	2SA360	GE-9	2SB60A	GE-2
2N5155	GE-25	2S703	GE-20	2SA101AA	GE-9	2SA209	GE-1	2SA367	GE-9	2SB61	GE-2
2N5324	GE-25	2S711	GE-20	2SA101BA	GE-9	2SA210	GE-1	2SA368	GE-9	2SB64	GE-25
2N5325	GE-25	2S712	GE-20	2SA101BB	GE-9	2SA211	GE-1	2SA372	GE-9	2SB65	GE-2
2N5354	GE-21	2S731	GE-17	2SA101X	GE-1	2SA212	GE-1	2SA376	GE-9	2SB66	GE-2
2NJ5A	GE-1	2S732	GE-17	2SA101Z	GE-1	2SA213	GE-1	2SA377	GE-9	2SB67	GE-2
2NJ8A	GE-1	2S733	GE-17	2SA102	GE-9	2SA214	GE-1	2SA378	GE-9	2SB67A	GE-2
2NJ9A	GE-2	2S741	GE-20	2SA102A	GE-1	2SA215	GE-9	2SA379	GE-9	2SB68	GE-2
2NJ9D	GE-2	2S742	GE-20	2SA102BA	GE-9	2SA216	GE-1	2SA380	GE-9	2SB69	GE-25
2S12	GE-1	2S744	GE-20	2SA103	GE-9	2SA217	GE-9	2SA385	GE-9	2SB71	GE-2
2S13	GE-1	2S745	GE-20	2SA103CA	GE-9	2SA219	GE-9	2SA391	GE-9	2SB72	GE-2
2S14	GE-2	2S3010	GE-21	2SA103GA	GE-9	2SA220	GE-1	2SA392	GE-9	2SB73	GE-2
2S15	GE-2	2S3020	GE-21	2SA104	GE-1	2SA221	GE-9	2SA393	GE-9	2SB74	GE-2

JEDEC TYPE OR PART NO.	GE REPLACEMENT	JEDEC TYPE OR PART NO.	GE REPLACEMENT	JEDEC TYPE OR PART NO.	GE REPLACEMENT	JEDEC TYPE OR PART NO.	GE REPLACEMENT	JEDEC TYPE OR PART NO.	GE REPLACEMENT	JEDEC TYPE OR PART NO.	GE REPLACEMENT
2SB75	GE-2	2SB156A	GE-2	2SB242	GE-2	2SB355	GE-16	2SC30	GE-17	2SC177	GE-7
2SB75A	GE-2	2SB156B	GE-2	2SB242A	GE-16	2SB356	GE-16	2SC31	GE-17	2SC178	GE-10
2SB75B	GE-2	2SB157	GE-1	2SB243	GE-2	2SB361	GE-25	2SC32	GE-17	2SC179	GE-20
2SB75C	GE-2	2SB158	GE-9	2SB243A	GE-16	2SB362	GE-25	2SC33	GE-17	2SC182	GE-20
2SB76	GE-2	2SB159	GE-9	2SB245	GE-16	2SB364	GE-2	2SC37	GE-17	2SC183	GE-20
2SB77	GE-2	2SB160	GE-9	2SB246	GE-3	2SB365	GE-2	2SC38	GE-17	2SC183E	GE-17
2SB77A	GE-2	2SB161	GE-2	2SB247	GE-3	2SB370	GE-2	2SC39	GE-17	2SC183J	GE-17
2SB77B	GE-2	2SB162	GE-2	2SB248	GE-3	2SB370A	GE-2	2SC39A	GE-17	2SC183K	GE-17
2SB77C	GE-2	2SB163	GE-2	2SB248A	GE-3	2SB370B	GE-2	2SC40	GE-17	2SC183L	GE-17
2SB78	GE-2	2SB164	GE-2	2SB249	GE-3	2SB373	GE-2	2SC42	GE-12	2SC184	GE-20
2SB80	GE-3	2SB165	GE-2	2SB249A	GE-2	2SB375	GE-25	2SC44	GE-8	2SC184H	GE-17
2SB83	GE-3	2SB166	GE-2	2SB250	GE-3	2SB376	GE-2	2SC45	GE-17	2SC184J	GE-17
2SB84	GE-3	2SB167	GE-2	2SB250A	GE-3	2SB377	GE-2	2SC47	GE-20	2SC184L	GE-17
2SB85	GE-2	2SB168	GE-2	2SB251	GE-3	2SB378	GE-2	2SC48	GE-20	2SC185	GE-17
2SB87	GE-2	2SB169	GE-2	2SB251A	GE-3	2SB379	GE-2	2SC49	GE-20	2SC186	GE-17
2SB89	GE-2	2SB170	GE-2	2SB252	GE-3	2SB379-2	GE-2	2SC52	GE-20	2SC187	GE-17
2SB89A	GE-2	2SB171	GE-2	2SB253	GE-3	2SB380	GE-2	2SC53	GE-20	2SC188	GE-20
2SB90	GE-2	2SB171B	GE-2	2SB253A	GE-3	2SB380A	GE-2	2SC54	GE-17	2SC188A	GE-17
2SB91	GE-2	2SB172	GE-2	2SB254	GE-16	2SB381	GE-2	2SC55	GE-20	2SC188AB	GE-17
2SB92	GE-2	2SB172A	GE-2	2SB256	GE-16	2SB382	GE-2	2SC56	GE-17	2SC189	GE-20
2SB94	GE-2	2SB172B	GE-2	2SB257	GE-2	2SB382BK	GE-17	2SC60	GE-4	2SC190	GE-20
2SB97	GE-2	2SB172E	GE-2	2SB258	GE-4	2SB382BN	GE-17	2SC61	GE-20	2SC191	GE-20
2SB98	GE-2	2SB172F	GE-2	2SB259	GE-4	2SB383	GE-2	2SC62	GE-17	2SC192	GE-20
2SB99	GE-2	2SB173	GE-2	2SB260	GE-4	2SB383-1	GE-2	2SC65	GE-20	2SC193	GE-20
2SB100	GE-2	2SB173A	GE-2	2SB261	GE-2	2SB383-2	GE-2	2SC67	GE-12	2SC194	GE-20
2SB101	GE-2	2SB173B	GE-2	2SB262	GE-2	2SB389	GE-2	2SC68	GE-12	2SC195	GE-17
2SB102	GE-2	2SB173C	GE-2	2SB263	GE-2	2SB390	GE-25	2SC73	GE-6	2SC196	GE-17
2SB103	GE-2	2SB174	GE-2	2SB264	GE-2	2SB391	GE-3	2SC74	GE-17	2SC197	GE-17
2SB104	GE-2	2SB175	GE-2	2SB265	GE-2	2SB392	GE-2	2SC75	GE-7	2SC199	GE-17
2SB107	GE-2	2SB175A	GE-2	2SB266	GE-2	2SB393	GE-2	2SC76	GE-7	2SC200	GE-20
2SB107A	GE-3	2SB175B	GE-2	2SB267	GE-2	2SB394	GE-2	2SC77	GE-7	2SC201	GE-20
2SB110	GE-2	2SB176	GE-2	2SB268	GE-2	2SB395	GE-2	2SC78	GE-6	2SC202	GE-20
2SB111	GE-2	2SB176PR	GE-2	2SB269	GE-2	2SB396	GE-2	2SC79	GE-17	2SC203	GE-17
2SB112	GE-2	2SB176PRC	GE-2	2SB270	GE-2	2SB400	GE-2	2SC80	GE-17	2SC204	GE-17
2SB113	GE-2	2SB177	GE-2	2SB272	GE-2	2SB405	GE-2	2SC87	GE-20	2SC205	GE-17
2SB114	GE-2	2SB178	GE-2	2SB273	GE-2	2SB405A	GE-2	2SC89	GE-7	2SC206	GE-17
2SB115	GE-2	2SB178A	GE-2	2SB274	GE-25	2SB405B	GE-2	2SC97	GE-20	2SC208	GE-17
2SB116	GE-2	2SB178T	GE-2	2SB275	GE-25	2SB405C	GE-2	2SC98	GE-17	2SC211	GE-20
2SB117	GE-2	2SB179	GE-2	2SB276	GE-25	2SB407	GE-3	2SC99	GE-17	2SC214	GE-20
2SB120	GE-2	2SB180	GE-3	2SB282	GE-2	2SB408	GE-2	2SC100	GE-20	2SC216	GE-20
2SB122	GE-2	2SB181	GE-3	2SB284	GE-16	2SB414	GE-16	2SC101	GE-12	2SC217	GE-20
2SB123	GE-3	2SB183	GE-3	2SB291	GE-2	2SB416	GE-2	2SC101A	GE-12	2SC218	GE-20
2SB123A	GE-3	2SB184	GE-2	2SB292	GE-2	2SB417	GE-2	2SC103	GE-17	2SC220	GE-20
2SB124	GE-3	2SB185	GE-2	2SB293	GE-2	2SB422	GE-2	2SC103A	GE-17	2SC221	GE-20
2SB126	GE-3	2SB186	GE-2	2SB299	GE-2	2SB423	GE-2	2SC104	GE-17	2SC222	GE-20
2SB126F	GE-3	2SB186A	GE-2	2SB300	GE-25	2SB424	GE-3	2SC104A	GE-17	2SC225	GE-17
2SB126V	GE-3	2SB186B	GE-2	2SB301	GE-25	2SB425	GE-3	2SC105	GE-17	2SC226	GE-20
2SB127	GE-3	2SB186Y	GE-2	2SB302	GE-2	2SB426	GE-3	2SC106	GE-11	2SC227	GE-20
2SB128	GE-3	2SB187	GE-2	2SB303	GE-2	2SB426Y	GE-3	2SC108	GE-20	2SC228	GE-20
2SB128A	GE-25	2SB187C	GE-2	2SB303A	GE-2	2SB432	GE-25	2SC109	GE-20	2SC229	GE-20
2SB128V	GE-3	2SB187G	GE-2	2SB309	GE-25	2SB439	GE-2	2SC115	GE-17	2SC230	GE-17
2SB129	GE-16	2SB187R	GE-2	2SB310	GE-25	2SB439A	GE-2	2SC120	GE-17	2SC231	GE-20
2SB131	GE-3	2SB188	GE-2	2SB311	GE-25	2SB440	GE-2	2SC121	GE-17	2SC232	GE-20
2SB131	GE-16	2SB189	GE-2	2SB312	GE-25	2SB443	GE-2	2SC122	GE-17	2SC233	GE-20
2SB132	GE-3	2SB199	GE-2	2SB315	GE-2	2SB443A	GE-2	2SC123	GE-17	2SC237	GE-17
2SB132A	GE-16	2SB200	GE-2	2SB316	GE-2	2SB445	GE-16	2SC124	GE-17	2SC238	GE-17
2SB135	GE-2	2SB200A	GE-2	2SB318	GE-25	2SB446	GE-16	2SC127	GE-17	2SC239	GE-17
2SB135A	GE-2	2SB201	GE-2	2SB319	GE-25	2SB447	GE-25	2SC131	GE-17	2SC241	GE-19
2SB135B	GE-2	2SB202	GE-2	2SB320	GE-25	2SB449	GE-3	2SC132	GE-17	2SC248	GE-20
2SB135C	GE-2	2SB215	GE-16	2SB324	GE-2	2SB452	GE-2	2SC133	GE-17	2SC249	GE-20
2SB136	GE-2	2SB216	GE-3	2SB324A	GE-2	2SB457	GE-2	2SC134	GE-17	2SC250	GE-17
2SB136B	GE-2	2SB217	GE-3	2SB324B	GE-2	2SB464	GE-25	2SC135	GE-17	2SC251	GE-17
2SB137	GE-16	2SB218	GE-2	2SB326	GE-2	2SB465	GE-16	2SC136	GE-17	2SC251A	GE-17
2SB138	GE-16	2SB219	GE-2	2SB327	GE-2	2SB466	GE-16	2SC137	GE-17	2SC252	GE-17
2SB140	GE-3	2SB220	GE-2	2SB328	GE-2	2SB467	GE-16	2SC138	GE-20	2SC253	GE-17
2SB141	GE-3	2SB220A	GE-2	2SB329	GE-2	2SB468	GE-25	2SC138A	GE-20	2SC263	GE-17
2SB142	GE-3	2SB221	GE-2	2SB331	GE-4	2SB468A	GE-25	2SC139	GE-20	2SC266	GE-17
2SB142B	GE-3	2SB221A	GE-2	2SB332	GE-4	2SB470	GE-2	2SC150	GE-17	2SC267	GE-17
2SB142C	GE-3	2SB222	GE-2	2SB333	GE-4	2SB471	GE-16	2SC151	GE-17	2SC268	GE-17
2SB143	GE-3	2SB223	GE-2	2SB334	GE-4	2SB473	GE-16	2SC155	GE-17	2SC268A	GE-17
2SB143P	GE-3	2SB224	GE-2	2SB337	GE-3	2SB475	GE-2	2SC156	GE-17	2SC269	GE-17
2SB144	GE-3	2SB225	GE-2	2SB338	GE-3	2SB475-F	GE-2	2SC157	GE-20	2SC271	GE-17
2SB144P	GE-3	2SB226	GE-2	2SB339	GE-3	2SB486	GE-2	2SC158	GE-20	2SC272	GE-17
2SB145	GE-3	2SB227	GE-2	2SB340	GE-3	2SB492	GE-2	2SC159	GE-17	2SC281	GE-17
2SB146	GE-3	2SB228	GE-3	2SB341	GE-25	2SC11	GE-5	2SC160	GE-17	2SC282	GE-17
2SB147	GE-3	2SB229	GE-2	2SB342	GE-25	2SC13	GE-7	2SC162	GE-20	2SC283	GE-17
2SB149	GE-3	2SB230	GE-3	2SB343	GE-25	2SC14	GE-6	2SC166	GE-17	2SC284	GE-17
2SB150	GE-2	2SB231	GE-25	2SB345	GE-2	2SC15	GE-21	2SC170	GE-17	2SC285	GE-17
2SB151	GE-3	2SB232	GE-3	2SB346	GE-2	2SC16	GE-17	2SC171	GE-17	2SC285A	GE-17
2SB152	GE-3	2SB233	GE-3	2SB348	GE-2	2SC17	GE-17	2SC172	GE-17	2SC286	GE-17
2SB153	GE-2	2SB235	GE-4	2SB350	GE-2	2SC17A	GE-17	2SC172A	GE-17	2SC287	GE-17
2SB154	GE-2	2SB236	GE-4	2SB351	GE-4	2SC18	GE-17	2SC174	GE-17	2SC288	GE-17
2SB155	GE-2	2SB237	GE-4	2SB352	GE-4	2SC18A	GE-17	2SC174A	GE-17	2SC289	GE-17
2SB155A	GE-2	2SB239	GE-16	2SB353	GE-4	2SC28	GE-17	2SC175	GE-7	2SC298	GE-10
2SB156	GE-2	2SB239A	GE-16	2SB354	GE-4	2SC29	GE-17	2SC176	GE-7	2SC299	GE-20



UNIVERSAL REPLACEMENT TRANSISTORS

2SC300-13-29033-2

JEDEC TYPE OR PART NO.	GE REPLACEMENT	JEDEC TYPE OR PART NO.	GE REPLACEMENT	JEDEC TYPE OR PART NO.	GE REPLACEMENT	JEDEC TYPE OR PART NO.	GE REPLACEMENT	JEDEC TYPE OR PART NO.	GE REPLACEMENT	JEDEC TYPE OR PART NO.	GE REPLACEMENT
2SC300	GE-17	2SC539	GE-17	2SD44	GE-8	2T201	GE-9	4JX16B670/R	GE-17	11B554	GE-17
2SC301	GE-17	2SC540	GE-17	2SD51	GE-19	2T202	GE-20	4JX16B670/Y	GE-17	11B555	GE-17
2SC302	GE-17	2SC544	GE-17	2SD61	GE-8	2T203	GE-9	6-04	GE-20	11B1052	GE-17
2SC306	GE-20	2SC545	GE-11	2SD62	GE-8	2T204	GE-9	6-05	GE-20	11B1055	GE-17
2SC313	GE-17	2SC545E	GE-20	2SD63	GE-8	2T311	GE-2	6-53	GE-2	11C1B1	GE-12
2SC316	GE-17	2SC562	GE-20	2SD64	GE-8	2T312	GE-2	6-53A	GE-2	11C3B1	GE-12
2SC318	GE-17	2SC563	GE-17	2SD65	GE-10	2T313	GE-2	6-53/63	GE-2	11C3B3	GE-12
2SC319	GE-20	2SC563A	GE-20	2SD66	GE-10	2T314	GE-2	6-60	GE-1	11C5B1	GE-12
2SC320	GE-20	2SC568	GE-17	2SD72	GE-8	2T315	GE-2	6-60B	GE-2	11C7B1	GE-12
2SC323	GE-20	2SC582	GE-12	2SD75	GE-8	2T321	GE-2	6-60D	GE-1	11C10B1	GE-12
2SC324	GE-20	2SC594	GE-20	2SD75A	GE-10	2T322	GE-2	6-60P	GE-1	11C11B1	GE-12
2SC324A	GE-20	2SC595	GE-20	2SD77	GE-8	2T323	GE-2	6-61	GE-1	11C551	GE-17
2SC324H	GE-20	2SC596	GE-20	2SD80	GE-19	2T324	GE-2	6-61D	GE-1	11C553	GE-17
2SC324HA	GE-20	2SC601	GE-17	2SD81	GE-19	2T402	GE-20	6-61P	GE-1	11C557	GE-17
2SC352	GE-17	2SC602	GE-17	2SD104	GE-8	2T403	GE-17	6-62	GE-1	11C1051	GE-17
2SC356	GE-12	2SC605	GE-17	2SD105	GE-8	2T404	GE-17	6-62D	GE-1	11C1053	GE-17
2SC360	GE-17	2SC606	GE-17	2SD124AH	GE-19	2T513	GE-5,GE-6	6-62P	GE-1	11C1057	GE-17
2SC361	GE-17	2SC611	GE-17	2SD128	GE-8	2T520	GE-5,GE-6	6-63	GE-9	12M2	GE-3
2SC362	GE-20	2SC612	GE-17	2SD128A	GE-8	2T521	GE-7	6-63A	GE-2	12MC	GE-9
2SC363	GE-17	2SC629	GE-20	2SD134	GE-20	2T522	GE-5	6-69	GE-9	12X047	GE-17
2SC367	GE-10	2SC633	GE-18	2SD136	GE-12	2T523	GE-5	6-69X	GE-9	13-0020	GE-17
2SC368	GE-17	2SC640	GE-17	2SD137	GE-12	2T524	GE-7	6-88	GE-2	13-1032-5	GE-17
2SC369	GE-10	2SC645	GE-20	2SD143	GE-12	2T551	GE-7	6-90	GE-20	13-1836-1	GE-20
2SC370	GE-17	2SC645A	GE-11	2SD146	GE-12	2T552	GE-5	6-93	GE-20	13-10321-5	GE-17
2SC371	GE-17	2SC650B	GE-10	2SD156	GE-12	2T650	GE-5	6D122	GE-2	13-10321-6	GE-17
2SC372	GE-10	2SC649	GE-17	2SD157	GE-12	2T681	GE-7	6D122R	GE-2	13-10321-7	GE-17
2SC373	GE-17	2SC657	GE-20	2SD162	GE-8,GE-1	2T682	GE-7	6D122V	GE-2	13-10321-8	GE-17
2SC374	GE-10	2SC658	GE-17	2SD167	GE-8	2T919	GE-17	6MC	GE-1	13-10321-10	GE-11
2SC376	GE-17	2SC668	GE-11	2SD178	GE-20	2T2708	GE-17	7-4	GE-17	13-10321-11	GE-11
2SC377	GE-17	2SC668B	GE-17	2SD178A	GE-20	2T2857	GE-17	7-6	GE-17	13-14735	GE-16
2SC378	GE-17	2SC668E	GE-17	2SD190	GE-12	2T3011	GE-3	7-7	GE-17	13-14735A	GE-16
2SC379	GE-17	2SC682	GE-20	2SD226	GE-23	2T3021	GE-16	7-8	GE-17	13-15808-1	GE-20
2SC380	GE-17	2SC683	GE-11	2SO33	GE-19	2T3022	GE-3	7A30	GE-17	13-15808-2	GE-20
2SC381	GE-17	2SC685	GE-12	2SO34	GE-19	2T3030	GE-16	7A31	GE-17	13-15810-1	GE-20
2SC382	GE-17	2SC685A	GE-12	2SO35	GE-19	2T3031	GE-3	7A32	GE-17	13-15833-1	GE-20
2SC382G	GE-17	2SC701	GE-20	2SO36	GE-19	2T3032	GE-3	7B1	GE-12	13-15835-1	GE-20
2SC382R	GE-17	2SC702	GE-20	2T2P	GE-2	2T3033	GE-3	7B2	GE-12	13-15840-1	GE-10
2SC384	GE-11	2SC708	GE-19	2T11	GE-2	2T3041	GE-16	7B13	GE-12	13-15840-2	GE-10
2SC385	GE-17	2SC708A	GE-19	2T12	GE-2	2T3042	GE-16	7C1	GE-12	13-15841-1	GE-20
2SC387	GE-17	2SC709	GE-17	2T13	GE-2	2T3043	GE-16	7C2	GE-12	13-15842-1	GE-18
2SC388	GE-17	2SC710	GE-17	2T14	GE-2	024	GE-26	7C3	GE-12	13-17608-1	GE-16
2SC398	GE-17	2SC711	GE-17	2T15	GE-2	03-0020-0	GE-2	7D1	GE-12	13-17608-2	GE-16
2SC399	GE-17	2SC712	GE-17	2T16	GE-2	03-0023-0	GE-2	7D2	GE-12	13-18034	GE-16
2SC400	GE-17	2SC712A	GE-17	2T17	GE-2	03-57-304	GE-2	7D3	GE-12	13-18034A	GE-16
2SC401	GE-10	2SC715	GE-20	2T21	GE-2	3B15	GE-2	7E1	GE-12	13-18034-1	GE-3
2SC402	GE-17	2SC727	GE-18	2T22	GE-2	3B15-1	GE-2	7E2	GE-12	13-18087-2	GE-20
2SC402A	GE-17	2SC735(O)	GE-10	2T23	GE-2	3MC	GE-1	7E3	GE-12	13-18158-1	GE-20
2SC403	GE-20	2SC735Y	GE-10	2T24	GE-2	3S004	GE-17	7G1	GE-12	13-18282	GE-12
2SC403A	GE-17	2SC738	GE-17	2T25	GE-2	3TE140	GE-19	7G2	GE-12	13-18282-1	GE-12
2SC404	GE-17	2SC739	GE-17	2T26	GE-2	3TE240	GE-19	7G3	GE-12	13-18359	GE-12
2SC429	GE-17	2SC752	GE-17	2T40	GE-17	3TX004	GE-19	7G4	GE-12	13-18359A	GE-12
2SC430	GE-17	2SC765	GE-19	2T41	GE-17	4C28	GE-20	8-721-323-00	GE-2	13-18359-3	GE-12
2SC454	GE-11	2SC766	GE-19	2T42	GE-17	4C29	GE-20	8-722-923-00	GE-11	13-18363-1	GE-20
2SC454B	GE-20	2SC767	GE-19	2T43	GE-17	4C30	GE-20	8-724-034-00	GE-11	13-18363-1A	GE-20
2SC454C	GE-20	2SC768	GE-19	2T44	GE-17	4D20	GE-20	8-724-733-30	GE-10	13-18365-1	GE-20
2SC458	GE-20	2SC772	GE-20	2T51	GE-5	4D21	GE-20	8-0024-1	GE-17	13-18642-1	GE-20
2SC458A	GE-10	2SC772E	GE-20	2T52	GE-7	4D22	GE-20	8-0024-2	GE-17	13-18654-1	GE-8
2SC458B	GE-10	2SC772C	GE-17	2T53	GE-7	4D24	GE-20	8-0024-3	GE-20	13-18927-1	GE-10
2SC460	GE-11	2SC784	GE-17	2T61	GE-5	4D25	GE-20	8-0062	GE-2	13-18927-1A	GE-20
2SC460C	GE-20	2SC785	GE-17	2T63	GE-5	4D26	GE-20	8-00243	GE-20	13-18948-1	GE-9
2SC461	GE-11	2SC828	GE-10	2T64	GE-8	4JX1A520	GE-2	8H303	GE-3	13-18950-1	GE-17
2SC463	GE-17	2SC829	GE-17	2T64R	GE-8	4JX1A520B	GE-2	8L201	GE-3	13-22581	GE-20
2SC464	GE-20	2SC830	GE-23	2T65	GE-8	4JX1A520C	GE-2	8L201B	GE-3	13-22581-1	GE-10
2SC465	GE-17	2SC839	GE-20	2T65R	GE-8	4JX1A520D	GE-2	8L301V	GE-3	13-22582-1	GE-22
2SC466	GE-17	2SC840	GE-12	2T66	GE-8	4JX1A520E	GE-2	8P404	GE-3	13-22739-1	GE-3
2SC469	GE-17	2SCS183E	GE-20	2T66R	GE-8	4JX1A813	GE-1	8P404R	GE-3	13-22741	GE-3
2SC475	GE-17	2SCS184E	GE-20	2T67	GE-5	4JX1C850	GE-2	8P404T	GE-3	13-22741-1	GE-3
2SC476	GE-17	2SCS184J	GE-17	2T69	GE-5	4JX1C850A	GE-2	8P404V	GE-3	13-23543-1	GE-12
2SC477	GE-17	2SCS429J	GE-17	2T71	GE-7	4JX1E821	GE-2	8P416C	GE-3	13-23785-1	GE-2
2SC478	GE-17	2SCS430H	GE-17	2T72	GE-7	4JX1E850	GE-2	10B551	GE-17	13-23822-1	GE-17
2SC482Y	GE-18	2SCS461F	GE-17	2T73	GE-5	4JX2A60	GE-6	10B553	GE-17	13-23824-1	GE-17
2SC490	GE-23	2SCS469F	GE-17	2T73R	GE-7	4JX2A601	GE-8	10B555	GE-17	13-23825-1	GE-10
2SC494	GE-17	2SD11	GE-17	2T74	GE-7	4JX2A801	GE-6	10B556	GE-17	13-23826-1	GE-10
2SC503	GE-20	2SD12	GE-19	2T75	GE-7	4JX2A816	GE-7	10B1051	GE-17	13-23826-2	GE-17
2SC504	GE-20	2SD15	GE-19	2T75R	GE-7	4JX2A822	GE-7	10B1055	GE-17	13-23840-1	GE-10
2SC514	GE-12	2SD24	GE-12	2T76	GE-5,GE-6	4JX8P404	GE-3	10C573	GE-17	13-23916-1	GE-20
2SC515	GE-12	2SD25	GE-10	2T76R	GE-7	4JX16A567	GE-17	10C574	GE-17	13-25343-1	GE-12
2SC526	GE-20	2SD26	GE-19	2T77	GE-7	4JX16A667/G	GE-17	10G1051	GE-17	13-26009-1	GE-17
2SC535	GE-17	2SD26A	GE-19	2T78	GE-7	4JX16A667/O	GE-17	10G1052	GE-17	13-26386-1	GE-22
2SC536	GE-20	2SD28	GE-12	2T82	GE-7	4JX16A667/R	GE-17	10H551	GE-17	13-26666-1	GE-18
2SC537	GE-17	2SD30	GE-8	2T83	GE-7	4JX16A667/Y	GE-17	10H553	GE-17	13-27404-1	GE-18
2SC537D	GE-20	2SD32	GE-8	2T84	GE-8	4JX16A668/G	GE-17	10H1051	GE-17	13-27432-1	GE-18
2SC537E	GE-20	2SD33	GE-8	2T85	GE-8	4JX16A668/O	GE-17	10H1053	GE-17	13-27433-1	GE-17
2SC538	GE-17	2SD37	GE-8	2T86	GE-8	4JX16A668/Y	GE-17	11B551	GE-17	13-29033-1	GE-17
2SC538A	GE-17	2SD43	GE-8	2T89	GE-8	4JX16B670/B	GE-17	11B552	GE-17	13-29033-2	GE-17

## UNIVERSAL REPLACEMENT TRANSISTORS

JEDEC TYPE OR PART NO.	GE REPLACEMENT	JEDEC TYPE OR PART NO.	GE REPLACEMENT	JEDEC TYPE OR PART NO.	GE REPLACEMENT	JEDEC TYPE OR PART NO.	GE REPLACEMENT	JEDEC TYPE OR PART NO.	GE REPLACEMENT	JEDEC TYPE OR PART NO.	GE REPLACEMENT
13-29033-3	GE-17	21A063-000	GE-2	34-6000-64	GE-17	39P1	GE-3	48S134407	GE-2	48SP134855	GE-10
13-94096-2	GE-1	21A064-000	GE-3	34-6000-65	GE-9	39PC1	GE-16	48S134408	GE-2	48SP134857	GE-11
14-557-10	GE-2	21A074-000	GE-2	34-6000-66	GE-9	40P1	GE-2	48S134695	GE-3	48SP134894	GE-10
14-600-01	GE-9	23B-210-025	GE-16	34-6000-67	GE-9	40P2	GE-2	48S134718	GE-20	48SP134897	GE-10
14-600-02	GE-9	24-002	GE-17	34-6000-68	GE-9	41N2	GE-20	48S134719	GE-20	48SP134903	GE-10
14-600-04	GE-9	24B	GE-17	34-6000-69	GE-20	41N2B	GE-12	48S134720	GE-20	48SP134904	GE-11
14-600-10	GE-9	24MW11	GE-1	34-6000-70	GE-20	41N3	GE-20	48S134732	GE-20	48SP134905	GE-10
14-600-16	GE-9	24MW15	GE-2	34-6000-71	GE-20	42-16599	GE-16	48S134733	GE-20	48SP134906	GE-10
14-600-19	GE-9	24MW16	GE-2	34-6000-72	GE-20	42-17143	GE-2	48S134733A	GE-20	48SP134933	GE-10
14-601-01	GE-16	24MW27	GE-1	34-6000-76	GE-9	42-17444	GE-20	48S134734	GE-20	48SP134937	GE-11
14-601-03	GE-3	24MW28	GE-2	34-6000-77	GE-9	42-18109	GE-2	48S134734A	GE-20	48X134970	GE-20
14-601-06	GE-3	24MW29	GE-2	34-6000-78	GE-9	42-18111	GE-20	48S134737	GE-20	49P1C	GE-3
14-601-08	GE-13	24MW34	GE-9	34-6000-80	GE-9	42-18310	GE-12	48S134739	GE-12	51D170	GE-2
14-602-01	GE-18	24MW55	GE-1	34-6000-81	GE-9	42-19644	GE-20	48S134739A	GE-12	51D188	GE-2
14-602-02	GE-10	24MW59	GE-9	34-6000-82	GE-9	42-19670	GE-20	48S134747	GE-20	51D189	GE-2
14-602-03	GE-20	24MW61	GE-9	34-6000-83	GE-1	42-19671	GE-2	48S134759	GE-16	53P158	GE-20
14-602-05	GE-2	24MW70	GE-2	34-6000-84	GE-2	42-19862A	GE-2	48S134765	GE-20	53P159	GE-20
14-602-11	GE-22	24MW78	GE-2	34-6000-85	GE-1	42-19863	GE-2	48S134766	GE-3	53P161	GE-20
14-602-13	GE-20	24MW107	GE-2	34-6001-5	GE-10	42-19863A	GE-2	48S134767	GE-3	53P162	GE-20
14-602-29	GE-20	24MW115	GE-1	34-6001-16	GE-2	42-19864	GE-2	48S134768	GE-20	53P163	GE-20
14-602-30	GE-10	24MW116	GE-2	34-6001-18	GE-2	42-19864A	GE-2	48S134773	GE-17	53P165	GE-10
14-602-31	GE-17	24MW130	GE-8	34-6001-28	GE-2	42-20738	GE-20	48S134774	GE-17	53P166	GE-22
14-602-32	GE-21	24MW132	GE-2	34-6001-33	GE-2	42-21406	GE-2	48S134775	GE-17	54A	GE-20
14-602-34	GE-17	24MW263	GE-2	34-6001-50	GE-20	42-21407	GE-20	48S134776	GE-17	54B	GE-20
14-602-35	GE-20	24MW351	GE-9	34-6001-52	GE-20	42X210	GE-2	48S134783	GE-17	54C	GE-20
14-603-02	GE-17	24MW352	GE-1	34-6001-53	GE-20	42X230	GE-2	48S134784	GE-17	54D	GE-20
14-603-03	GE-17	24MW353	GE-1	34-6001-54	GE-20	42X233	GE-2	48S134785	GE-17	54E	GE-20
16G2	GE-17	24T-002	GE-17	34-6001-55	GE-20	42X308	GE-2	48S134789	GE-20	54F	GE-20
16J1	GE-17	24T-016	GE-17	34-6001-56	GE-17	42X309	GE-2	48S134797	GE-17	55-1026	GE-20
16J2	GE-17	24T-016-001	GE-17	34-6001-57	GE-10	42X311	GE-2	48S134804	GE-17	55-1027	GE-20
16K1	GE-20	24T-016-005	GE-17	34-6001-58	GE-10	43N3	GE-20	48S134805	GE-17	55-1029	GE-2
16K2	GE-20	25A	GE-17	34-6001-60	GE-20	43N6	GE-20	48S134807	GE-17	55-1031	GE-2
16K3	GE-17	25AM624	GE-17	34-6001-61	GE-9	43P4	GE-2	48S134809	GE-20	56P3	GE-2
16L2	GE-17	25B	GE-17	34-6001-62	GE-17	43P4C	GE-9	48S134810	GE-20	57A21-5	GE-17
16L3	GE-17	25B378	GE-1	34-6001-63	GE-20	43P6A	GE-2	48S134811	GE-20	57B2-11	GE-9
16L5	GE-17	27T405	GE-2	34-6001-64	GE-20	43P6C	GE-2	48S134820	GE-17	57B2-22	GE-9
16L22	GE-17	27T406	GE-16	34-6001-65	GE-20	43P7	GE-2	48S134821	GE-21	57B2-23	GE-2
16L23	GE-17	27T407	GE-4	34-6001-66	GE-2	43P7A	GE-2	48S134825	GE-17	57B2-25	GE-2
16L42	GE-17	27T409	GE-20	34-6001-69	GE-10	43P7C	GE-2	48S134826	GE-20	57B4-2	GE-16
16L43	GE-17	27T411	GE-20	34-6001-70	GE-20	43X16A567	GE-20	48S134827	GE-17	57B4-4	GE-16
16L44	GE-17	29V008M01	GE-1	34-6001-71	GE-20	44-13	GE-9	48S134832	GE-20	57B6	GE-2
16L62	GE-17	29V011H01	GE-1	34-6001-72	GE-2	45N2M	GE-10	48S134837	GE-17	57B21	GE-17
16L63	GE-17	29V012H01	GE-1	34-6001-73	GE-20	45N3	GE-10	48S134838	GE-20	57B21-2	GE-17
16L64	GE-11	29V0038H03	GE-2	34-6001-74	GE-18	45N4	GE-10	48S134840	GE-20	57B21-4	GE-11
16X1	GE-17	30V-HG	GE-2	34-6001-76	GE-2	45NP	GE-17	48S134842	GE-20	57C5-1	GE-9
16X2	GE-17	31-0017	GE-2	34-6001-77	GE-10	45X1A520C	GE-2	48S134843	GE-20	57C5-2	GE-9
19A115527	GE-23	31-0018	GE-2	34-6002-18	GE-3	45X2	GE-1	48S134844	GE-20	57C5-3	GE-9
19A115561	GE-16	31-0035	GE-2	34-6002-18A	GE-16	47-2	GE-17	48S134845	GE-20	57C5-4	GE-9
19A115720-1	GE-20	31-0042	GE-9	34-6002-20	GE-16	48A124315	GE-2	48S134853	GE-20	57C5-5	GE-1
19A115728-1	GE-20	31-0107	GE-2	34-6002-21	GE-12	48C125233	GE-6	48S134854	GE-20	57C5-6	GE-17
19A115786	GE-20	31-0108	GE-9	34-6002-22	GE-3	48C125235	GE-7	48S134855	GE-20	57C5-7	GE-17
19A115786A	GE-20	31-0123	GE-9	34-6002-22A	GE-16	48C125236	GE-7	48S134857	GE-17	57C5-8	GE-20
19-020-035	GE-2	31-0124	GE-9	34-6002-26	GE-12	48C125237	GE-2	48S134860	GE-1	57C6-1	GE-2
19-020-036	GE-2	31-0141	GE-9	34-6008	GE-2	48K35P1	GE-2	48S134861	GE-1	57C6-3	GE-16
19-020-037	GE-17	31-0153	GE-2	34-6009	GE-2	48K36P1	GE-2	48S134862	GE-1	57C6-4	GE-20
19-3415	GE-2	31-0161	GE-9	34-6015-1	GE-17	48K36P3	GE-2	48S134879	GE-17	57C6-5	GE-2
19-3416	GE-2	31-0163	GE-9	34-6015-2	GE-20	48K39P1	GE-2	48S134888	GE-3	57C6-6	GE-2
20A0007	GE-2	31-0165	GE-9	34-6015-3	GE-20	48K43P3	GE-2	48S134889	GE-10	57C6-7	GE-20
20A0009	GE-2	31-0166	GE-9	34-6015-4	GE-20	48K43P4	GE-2	48S134898	GE-20	57C6-8	GE-3
20A0015	GE-2	31-0168	GE-9	34-6015-5	GE-17	48K45N2	GE-10	48S134899	GE-20	57C6-9	GE-20
20C71	GE-2	31-0170	GE-9	34-6015-6	GE-17	48K56P1	GE-1	48S134903	GE-20	57C6-10	GE-12
20C72	GE-2	31-0171	GE-9	34-6015-7	GE-20	48K57B42	GE-3	48S134905	GE-20	57C6-11	GE-20
20MC	GE-9	31-0172	GE-2	34-6015-8	GE-17	48K125230	GE-3	48S134906	GE-20	57C6-12	GE-16
20V-HG	GE-2	31-0177	GE-20	34-6015-9	GE-17	48K125230	GE-16	48S134909	GE-2	57C6-14	GE-12
21-28	GE-3	31-0187	GE-20	34-6015-10	GE-20	48K134450	GE-2	48S134910	GE-22	57C6-15	GE-21
21-32	GE-9	31-0188	GE-2	34-6015-11	GE-20	48P63005A72	GE-20	48S134918	GE-10	57C6-17	GE-20
21-33	GE-9	31-0189	GE-2	34-6016-11	GE-2	48P65112A65	GE-17	48S134919	GE-20	57C6-19	GE-20
21-34	GE-2	31-0190	GE-9	35P1	GE-2	48P65113A88	GE-17	48S134920	GE-12	57C6-21	GE-8
21-35	GE-12	31-0191	GE-9	35P2	GE-2	48P65118A64	GE-17	48S134922	GE-17	57C6-22	GE-2
21-36	GE-2	31-0196	GE-3	35P2C	GE-2	48P65123A67	GE-17	48S134923	GE-17	57C6-23	GE-3
21-37	GE-2	31-0205	GE-2	36P1	GE-2	48P65123A95	GE-17	48S134924	GE-20	57C6-24	GE-12
21A015-006	GE-2	31-0206	GE-11	36P1C	GE-2	48R134621	GE-2	48S134925	GE-20	57C6-26	GE-22
21A015-008	GE-22	31-0229	GE-2	36P1F	GE-2	48R134632	GE-2	48S134926	GE-20	57C6-27	GE-20
21A015-013	GE-20	31-0239	GE-18	36P2F	GE-2	48R134666	GE-20	48S134933	GE-20	57C6-29	GE-20
21A038-000	GE-2	31-0246	GE-18	36P3	GE-2	48R134722	GE-16	48S134935	GE-20	57C9-2	GE-3
21A039-000	GE-2	31-0247	GE-2	36P3A	GE-2	48R869148	GE-2	48S134938	GE-16	57C12-4	GE-10
21A040-000	GE-2	33-071	GE-20	36P4	GE-2	48R869248	GE-20	48S134943	GE-22	57C23-1	GE-22
21A045-000	GE-9	34-1027	GE-26	36P4C	GE-2	48R869249	GE-2	48S134952	GE-20	57C23-2	GE-22
21A049-000	GE-9	34-6000-3	GE-1	36P5	GE-2	48R869253	GE-2	48S134953	GE-20	57C23-3	GE-22
21A050-000	GE-9	34-6000-10	GE-1	36P5C	GE-2	48R869282	GE-2	48S134956	GE-9	57D1-11	GE-2
21A051-000	GE-1	34-6000-16	GE-2	36P7	GE-2	48R869475	GE-2	48S134972	GE-12	57D1-26	GE-2
21A053-000	GE-2	34-6000-18	GE-1	36P7C	GE-2	48R869475A	GE-2	48S134977	GE-10	57D1-27	GE-2
21A054-000	GE-2	34-6000-19	GE-1	36P8C	GE-2	48S134404	GE-2	48SP134800	GE-10	57D1-42	GE



UNIVERSAL REPLACEMENT TRANSISTORS

57D1-56-121-353

JEDEC TYPE OR PART NO.	GE REPLACE-MENT	JEDEC TYPE OR PART NO.	GE REPLACE-MENT	JEDEC TYPE OR PART NO.	GE REPLACE-MENT	JEDEC TYPE OR PART NO.	GE REPLACE-MENT	JEDEC TYPE OR PART NO.	GE REPLACE-MENT	JEDEC TYPE OR PART NO.	GE REPLACE-MENT
57D1-56	GE-2	86-37-2	GE-9	86-277-2	GE-20	001-01253	GE-3	110P1	GE-22	121-104	GE-1
57D1-68	GE-1	86-46-2	GE-1	86-280-2	GE-1	001-01254	GE-3	112-001	GE-1	121-105	GE-1
57D1-69	GE-1	86-47-2	GE-1	86-281-2	GE-1	001-01255	GE-3	112-003	GE-2	121-106	GE-2
57D1-70	GE-2	86-48-2	GE-1	86-282-2	GE-1	001-01256	GE-3	112-004	GE-1	121-107	GE-2
57D1-97	GE-9	86-50-2	GE-2	86-284-2	GE-20	001-01257	GE-3	112-000187	GE-16	121-113	GE-1
57D1-105	GE-2	86-77-2	GE-2	86-301-2	GE-2	001-01258	GE-3	113-118	GE-20	121-120	GE-2
57D1-107	GE-9	86-80-2	GE-2	86-303-2	GE-2	001-01259	GE-3	114-118	GE-17	121-128	GE-1
57D1-111	GE-2	86-81-2	GE-8	86-304-2	GE-2	002-00840	GE-2	115-1	GE-20	121-145	GE-1
57D1-114	GE-9	86-82-2	GE-2	86-305-2	GE-2	002-00900	GE-9	115-4	GE-20	121-146	GE-1
57D1-120	GE-2	86-83-2	GE-2	86-308-2	GE-20	002-005100	GE-2	116-1	GE-12	121-147	GE-1
57D1-121	GE-2	86-84-2	GE-2	86-310-2	GE-20	002-006500	GE-20	117-1	GE-12	121-150	GE-9
57D1-123	GE-20	86-93-2	GE-2	86-311-2	GE-1	002-006600	GE-2	118-1	GE-17	121-161	GE-1
57D1-124	GE-20	86-95-2	GE-2	86-312-2	GE-1	002-006800	GE-2	118-2	GE-17	121-162	GE-1
57D3-6	GE-2	86-98-2	GE-2	86-313-2	GE-13MP	002-006900	GE-2	118-3	GE-17	121-164	GE-2
57D4-1	GE-3	86-109-2	GE-1	86-317-2	GE-16	002-007000	GE-3	118-4	GE-17	121-179	GE-9
57D5-1	GE-9	86-110-2	GE-20	86-319-2	GE-16	002-007100	GE-1	120-1	GE-20	121-180	GE-9
57D5-2	GE-9	86-111-2	GE-1	86-327-2	GE-10	002-007200	GE-1	120-001192	GE-1	121-181	GE-9
57D5-4	GE-9	86-112-2	GE-9	86-328-2	GE-10	002-007300	GE-2	120-001195	GE-2	121-184	GE-2
57D6-10	GE-12	86-114-2	GE-2	86-334-2	GE-21	002-007400	GE-1	120-002013	GE-2	121-185	GE-9
57D6-12	GE-16	86-115-2	GE-1	86-336-2	GE-18	002-008100	GE-3	120-02213	GE-9	121-186	GE-1
57D6-19	GE-20	86-116-2	GE-1	86-348-2	GE-1	002-008300	GE-10	120-002216	GE-9	121-187	GE-1
57D9-1	GE-3	86-120-2	GE-16	86-367-2	GE-9	002-008400	GE-2	120-002513	GE-9	121-189	GE-1
57D68	GE-2	86-123-2	GE-20	86-368-2	GE-9	002-008800	GE-16	120-002515	GE-1	121-190	GE-2
57D126	GE-2	86-126-2	GE-2	86-373-2	GE-9	002-009100	GE-12	120-002518	GE-9	121-191	GE-2
57D143	GE-2	86-127-2	GE-3	86-374-2	GE-9	002-009500	GE-20	120-002520	GE-1	121-192	GE-2
57D156	GE-2	86-128-2	GE-2	86-512-2	GE-4	002-009501	GE-20	120-002521	GE-2	121-193	GE-2
57D169	GE-2	86-129-2	GE-2	86-1392	GE-20	002-009600	GE-20	120-002748	GE-2	121-225	GE-2
57D170	GE-2	86-130-2	GE-2	86-5042-2	GE-2	002-009701	GE-3	120-004492	GE-9	121-226	GE-2
57D180	GE-1	86-131-2	GE-1	86-5043-2	GE-3	002-009800	GE-22	120-004493	GE-2	121-227	GE-2
57D184	GE-1	86-132-2	GE-2	86-5067-2	GE-2	002-009900	GE-20	120-004494	GE-2	121-240	GE-1
57D186	GE-1	86-133-2	GE-1	86-5085-2	GE-23	002-010100	GE-16	120-004495	GE-2	121-241	GE-1
57D187	GE-1	86-135-2	GE-9	86A318	GE-2	002-010300	GE-21	120-004496	GE-17	121-242	GE-9
57D188	GE-2	86-138-2	GE-9	86X6-1	GE-20	002-010500	GE-22	120-004497	GE-17	121-243	GE-9
57D189	GE-2	86-139-2	GE-17	86X6-4-518	GE-20	002-010600	GE-22	121-1	GE-20	121-244	GE-9
57D1127	GE-2	86-141-2	GE-20	86X7-2	GE-20	002-010700	GE-20	121-6	GE-7	121-246	GE-2
57D1130	GE-9	86-143-2	GE-20	86X8-1	GE-20	002-010800	GE-10	121-7	GE-7	121-256	GE-9
57D1131	GE-9	86-146-2	GE-3	86X8-3	GE-20	002-010900	GE-22	121-18	GE-12	121-257	GE-9
57D1132	GE-9	86-147-2	GE-3	86X0007-001	GE-20	002-011400	GE-20	121-19	GE-7	121-258	GE-9
57D1143	GE-2	86-149-2	GE-9	86X0008-001	GE-20	002-011500	GE-20	121-21	GE-6	121-259	GE-9
57D1186	GE-9	86-150-2	GE-9	86X0012-001	GE-20	002-011600	GE-1	121-22	GE-6	121-260	GE-9
57P1	GE-2	86-151-2	GE-9	86X0013-001	GE-9	002-011700	GE-8	121-24	GE-6	121-266	GE-2
61P1D	GE-9	86-155-2	GE-20	86X0014-001	GE-1	002-011800	GE-2	121-25	GE-6	121-267	GE-2
63P3	GE-2	86-156-2	GE-2	86X0015-001	GE-3	002-011900	GE-2	121-26	GE-7	121-271	GE-3
66-6023-00	GE-2	86-156-2A	GE-2	86X0017-001	GE-2	002-012000	GE-10	121-27	GE-2	121-272	GE-2
66-6024-00	GE-2	86-157-2	GE-20	86X0018-001	GE-2	002-012100	GE-22	121-33	GE-8	121-273	GE-2
66-6025-00	GE-2	86-158-2	GE-20	86X0022-001	GE-10	002-012200	GE-18	121-34	GE-2	121-274	GE-2
66-6026-00	GE-2	86-159-2	GE-2	86X0025-001	GE-20	003H03	GE-2	121-44	GE-1	121-275	GE-2
66-6027-00	GE-2	86-161-2	GE-20	86X0028-001	GE-12	004-8000	GE-16	121-45	GE-1	121-276	GE-20
66-6028-00	GE-2	86-162-2	GE-9	86X0029-001	GE-11	007-0074	GE-23	121-46	GE-2	121-277	GE-20
67P1	GE-16	86-163-2	GE-9	86X0030-001	GE-3	011H01	GE-1	121-47	GE-2	121-278	GE-20
67P2	GE-16	86-164-2	GE-9	86X0031-002	GE-20	012H01	GE-1	121-48	GE-1	121-279	GE-20
67P3	GE-16	86-169-2	GE-2	86X0031-003	GE-10	019-003349	GE-17	121-49	GE-1	121-291	GE-2
68P1	GE-3	86-170-2	GE-20	90T2	GE-17	019-003416	GE-2	121-50	GE-7	121-293	GE-2
68P1B	GE-16	86-171-2	GE-20	91N1	GE-17	022-3505-910	GE-2	121-51	GE-7	121-295	GE-9
69N1	GE-17	86-175-2	GE-20	92N1	GE-17	022-3640-050	GE-16	121-52	GE-2	121-302	GE-20
70N1	GE-20	86-177-2	GE-12	94N1	GE-20	022-006500	GE-20	121-53	GE-1	121-304	GE-9
70N2	GE-20	86-179-2	GE-9	96-5190-01	GE-20	022-3640-080	GE-17	121-54	GE-1	121-305	GE-2
71N1	GE-12	86-180-2	GE-9	96XZ6053-27N	GE-2	024	GE-26	121-60	GE-6	121-306	GE-2
71N2	GE-12	86-181-2	GE-9	97N2	GE-8	025-009600	GE-11	121-61	GE-2	121-307	GE-2
72N1	GE-20	86-185-2	GE-20	97P1	GE-2	025-100003	GE-17	121-62	GE-1	121-308	GE-16
72N2	GE-20	86-188-2	GE-20	99AT6	GE-2	025-100004	GE-17	121-63	GE-1	121-309	GE-2
73N1	GE-20	86-191-2	GE-20	99B5	GE-2	025-100009	GE-17	121-64	GE-2	121-310	GE-2
74	GE-11	86-194-2	GE-20	99BA6	GE-1	025-100012	GE-17	121-65	GE-1	121-311	GE-2
74P1	GE-20	86-199-2	GE-20	99BE6	GE-1	025-100013	GE-17	121-66	GE-1	121-312	GE-9
74Q1262	GE-2	86-201-2	GE-20	99P1	GE-21	025-100014	GE-11	121-67	GE-1	121-313	GE-9
75N1	GE-20	86-204-2	GE-20	99S001	GE-3	026-100003	GE-13	121-68	GE-2	121-314	GE-2
76-13570-39	GE-17	86-219-2	GE-20	99S002	GE-2	026-100004	GE-13	121-69	GE-2	121-315	GE-12
76-13570-59	GE-17	86-221-2	GE-19	99S003	GE-2	026-100005	GE-2	121-70	GE-5	121-319	GE-2
76-13866-17	GE-17	86-228-2	GE-12	99S004	GE-2	026-100017	GE-20	121-71	GE-5	121-320	GE-2
76-13866-18	GE-17	86-234-2	GE-20	99S005	GE-2	026-100018	GE-2	121-72	GE-1	121-327	GE-2
76-13866-19	GE-17	86-235-2	GE-3	99S011A	GE-2	026-100020	GE-13MP	121-73	GE-1	121-328	GE-9
76-13866-62	GE-17	86-237-2	GE-10	99S012	GE-20	080003	GE-2	121-74	GE-1	121-329	GE-9
76N1	GE-20	86-238-2	GE-20	99S012A	GE-20	080004	GE-2	121-75	GE-1	121-330	GE-9
76N2	GE-20	86-243-2	GE-17	99S014	GE-3	080073	GE-2	121-76	GE-1	121-331	GE-9
77N1	GE-20	86-244-2	GE-17	99S015	GE-16	081001	GE-2	121-78	GE-1	121-327	GE-2
77N2	GE-20	86-245-2	GE-17	99S016	GE-17	081038	GE-2	121-83	GE-1	121-332	GE-9
78-5009	GE-16	86-247-2	GE-10	99S017	GE-17	081046	GE-2	121-91	GE-1	121-333	GE-9
78N1	GE-20	86-249-2	GE-2	99S018	GE-17	081047	GE-2	121-92	GE-1	121-334	GE-9
79P1	GE-2	86-250-2	GE-20	99S019	GE-17	100T2	GE-19	121-93	GE-1	121-335	GE-9
80P1	GE-2	86-251-2	GE-22	99S020	GE-20	104T2	GE-19	121-94	GE-1	121-347	GE-2
83-1056	GE-3	86-253-2	GE-9	99S025	GE-20	106P1	GE-3	121-95	GE-2	121-348	GE-2
83P2	GE-22	86-254-2	GE-9	001-01204	GE-4	108-1	GE-9	121-96	GE-2	121-349	GE-9
86-16-2	GE-2	86-255-2	GE-20	001-01250	GE-3	108-2	GE-9	121-101	GE-9	121-350	GE-9
86-19-2	GE-16	86-257-2	GE-12	001-01251	GE-3	108-3	GE-9	121-102	GE-1	121-351	GE-9
86-36-2	GE-9	86-276-2	GE-22	001-01252	GE-3	108-4	GE-9	121-103	GE-1	121-353	GE-9

## UNIVERSAL REPLACEMENT TRANSISTORS

JEDEC TYPE OR PART NO.	GE REPLACEMENT	JEDEC TYPE OR PART NO.	GE REPLACEMENT	JEDEC TYPE OR PART NO.	GE REPLACEMENT	JEDEC TYPE OR PART NO.	GE REPLACEMENT	JEDEC TYPE OR PART NO.	GE REPLACEMENT	JEDEC TYPE OR PART NO.	GE REPLACEMENT
121-356	GE-9	121-1035	GE-2	297V025H05	GE-2	297V074C08	GE-20	473A31	GE-3	955-2	GE-9
121-357	GE-9	121-1036	GE-2	297V025H15	GE-2	297V074C10	GE-10	473B6-2	GE-2	964-19863	GE-2
121-358	GE-9	121-1124	GE-3	297V027H01	GE-2	297V074C11	GE-22	473B6-2A	GE-2	964-19864	GE-2
121-359	GE-9	124-1	GE-3	297V032H01	GE-1	297V074C12	GE-10	473B6-4	GE-2	965T1	GE-2
121-363	GE-3	129-4	GE-2	297V033H01	GE-2	297V076B01	GE-2	473B6-5	GE-2	987T1	GE-2
121-364	GE-20	129-5	GE-3	297V034H01	GE-1	297V076C01	GE-2	473B6-7	GE-2	989T1	GE-2
121-365	GE-20	129-6	GE-3	297V035H01	GE-1	297V081C01	GE-2	501-ES001M	GE-17	990T1	GE-2
121-366	GE-20	129-7	GE-3	297V036H01	GE-1	297V082B01	GE-10	511-515	GE-20	991T1	GE-2
121-367	GE-20	129-8	GE-2	297V037H01	GE-2	297V082B02	GE-22	511-519	GE-20	992-008-890	GE-16
121-369	GE-20	129-8-1	GE-2	297V038H01	GE-9	297V082B03	GE-22	515	GE-20	0019-003485	GE-23
121-371	GE-3	129-8-1A	GE-2	297V038H02	GE-9	299 Power	GE-4	515-521	GE-17	1004	GE-20
121-372	GE-2	129-8-2	GE-2	297V038H03	GE-9	300	GE-2	516	GE-20	1005	GE-20
121-374	GE-2	129-11	GE-9	297V038H04	GE-9	301	GE-2	517-518	GE-20	1023-17	GE-2
121-375	GE-2	129-13	GE-3	297V038H05	GE-1	302	GE-2	576-0001-005	GE-20	1032	GE-2
121-377	GE-17	129-14	GE-20	297V038H06	GE-1	310	GE-2	576-0036-847	GE-20	1033	GE-2
121-378	GE-17	129-15	GE-20	297V038H07	GE-1	310-68	GE-9	576-0040-051	GE-20	1034	GE-2
121-379	GE-20	129-16	GE-10	297V038H09	GE-1	310-139	GE-9	605	GE-20	1034-17	GE-20
121-380	GE-20	129-18	GE-2	297V040H01	GE-2	310-187	GE-20	614X6	GE-2	1035	GE-2
121-381	GE-9	130-138	GE-11	297V040H08	GE-2	310-188	GE-2	614X7	GE-2	1036	GE-2
121-382	GE-3	132-024	GE-26	297V040H10	GE-2	310-189	GE-2	614X8	GE-10	1124	GE-3
121-384	GE-9	145T1B	GE-9	297V040H11	GE-2	310-190	GE-9	614X9	GE-2	1124A	GE-3
121-385	GE-9	154A3675-105	GE-2	297V040H12	GE-2	310-191	GE-2	614X10	GE-2	1124B	GE-3
121-388	GE-2	154A3676-205	GE-2	297V040H13	GE-2	314-6006	GE-23	630-076	GE-20	1192	GE-2
121-389	GE-3	154A3679	GE-2	297V040H16	GE-2	324-019	GE-17	660-126	GE-20	1248	GE-2
121-395	GE-2	154A5943	GE-12	297V041H01	GE-3	324-0041	GE-2	660-131	GE-20	1320	GE-2
121-396	GE-2	154A5943-1	GE-12	297V041H06	GE-3	324-0055	GE-2	660-134	GE-20	1329	GE-8
121-397	GE-1	154A8681	GE-2	297V042H03	GE-9	324-0056	GE-2	660-145	GE-20	1330	GE-2
121-398	GE-3	154T1A	GE-9	297V042H04	GE-9	324-0086	GE-9	686-0210	GE-23	1360	GE-2
121-399	GE-2	156-032	GE-14	297V043H01	GE-1	324-0088	GE-2	690V028H28	GE-17	1414-180	GE-23
121-400	GE-2	156-043	GE-14	297V045H01	GE-9	324-0091	GE-2	690V028H48	GE-17	1459	GE-2
121-401	GE-2	156-053	GE-14	297V045H02	GE-9	324-0092	GE-2	690V028H69	GE-17	1524	GE-20
121-403	GE-2	156-063	GE-14	297V049H01	GE-20	324-0093	GE-2	690V040H58	GE-9	1526	GE-9
121-404	GE-20	157T1A	GE-9	297V049H03	GE-20	324-0128	GE-25	690V040H59	GE-9	1567	GE-20
121-408	GE-2	161-T2	GE-17	297V049H04	GE-20	324-0129	GE-9	690V040H60	GE-9	1567-0	GE-20
121-409	GE-2	161-T2	GE-17	297V050C02	GE-2	324-0130	GE-9	690V040H61	GF-2	1567-2	GE-20
121-414	GE-9	169-257	GE-12	297V050H01	GE-2	324-0131	GE-9	690V040H62	GE-2	2028-00	GE-17
121-415	GE-9	169-284	GE-12	297V050H02	GE-2	324-0132	GE-9	690V047H58	GE-2	2057B-27	GE-10
121-417	GE-22	171-003-9-001	GE-12	297V050H03	GE-2	324-0133	GE-2	690V047H60	GE-2	2057B-28	GE-10
121-418	GE-3	172-003-9-001	GE-12	297V051C03	GE-2	324-0134	GE-8	690V049H81	GE-17	2057B-29	GE-2
121-419	GE-21	173A3936	GE-16	297V051C04	GE-2	324-0136	GE-9	690V066H44	GE-9	2057B-32	GE-2
121-425	GE-2	173A3963	GE-16	297V051H01	GE-2	324-0137	GE-9	690V066H45	GE-9	2057B2-34	GE-2
121-428	GE-9	173A4419	GE-16	297V051H02	GE-2	324-0138	GE-9	690V066H46	GE-2	2057B2-43	GE-2
121-430	GE-20	173A4419-1	GE-16	297V051H03	GE-2	324-0139	GE-2	690V066H47	GE-2	2057B2-44	GE-2
121-431	GE-20	173A4419-2	GE-16	297V051H04	GE-2	324-0140	GE-2	690V052H24	GE-2	2057B2-45	GE-2
121-432	GE-9	173A4419-3	GE-16	297V052H01	GE-2	324-0142	GE-2	690V056H90	GE-2	2057B2-47	GE-12
121-433	GE-20	173A4420-1	GE-16	297V052H02	GE-2	324-0144	GE-2	690V057H27	GE-2	2057B-48	GE-2
121-434	GE-10	173A4422-1	GE-16	297V053C01	GE-2	324-0146	GE-2	690V057H28	GE-2	2057B-49	GE-2
121-435	GE-10	173A4424	GE-2	297V053H01	GE-2	324-0150	GE-17	690V061H99	GE-2	2057B2-57	GE-20
121-436	GE-12	173A4436	GE-16	297V054H01	GE-9	324-0151	GE-20	690V063H16	GE-2	2057B2-58	GE-12
121-437	GE-2	176-003-9-001	GE-17	297V054H02	GE-9	324-0152	GE-20	690V063H17	GE-2	2057B-59	GE-10
121-441	GE-22	176-005-9-001	GE-17	297V055H01	GE-9	324-0154	GE-20	690V068H30	GE-2	2057B-60	GE-2
121-442	GE-22	176-006-9-001	GE-17	297V057H01	GE-2	325-1442-8	GE-2	690V068H31	GE-2	2057B-62	GE-10
121-446	GE-22	176-007-9-001	GE-17	297V057H02	GE-2	325-1442-9	GE-12	690V077H37	GE-2	2057B-63	GE-10
121-447	GE-10	176-008-9-001	GE-20	297V059H01	GE-20	325-1446-26	GE-20	690V080H36	GE-17	2057B-64	GE-11
121-450	GE-10	180T2	GE-19	297V059H02	GE-20	325-1446-27	GE-20	690V080H44	GE-2	2057B-65	GE-9
121-453	GE-11	180T2A	GE-19	297V059H03	GE-20	325-1446-28	GE-20	690V086H86	GE-21	2057B-66	GE-9
121-490	GE-2	180T2B	GE-19	297V060H01	GE-12	325-1513-29	GE-20	690V086H90	GE-18	2057B2-72	GE-2
121-491	GE-2	180T2C	GE-19	297V060H02	GE-12	325-1513-30	GE-20	720-35019	GE-2	2057B2-78	GE-2
121-492	GE-2	200-010	GE-17	297V060H03	GE-12	325-1771-15	GE-10	770-045	GE-23	2057B-84	GE-12
121-494	GE-2	200-015	GE-17	297V061C01	GE-20	325-1771-16	GE-20	800-501-00	GE-20	2057B-85	GE-20
121-496	GE-22	200-016	GE-20	297V061C02	GE-20	352	GE-2	800-501-22	GE-20	2057B2-86	GE-2
121-497	GE-22	207A9	GE-17	297V061C03	GE-20	353	GE-2	800-502-00	GE-2	2057B-87	GE-20
121-498	GE-11	207A10	GE-17	297V061C04	GE-20	353-9306-001	GE-20	800-504-00	GE-9	2057B2-104	GE-1
121-546	GE-20	229-0204-6	GE-17	297V061C05	GE-10	353-9306-002	GE-20	800-505-00	GE-2	2057B2-105	GE-1
121-581	GE-10	229-0204-23	GE-17	297V061C06	GE-10	386-7178P1	GE-17	800-506-00	GE-20	2057B2-113	GE-20
121-582	GE-12	297V002M04	GE-7	297V061C07	GE-20	386-7188P1	GE-17	800-507-00	GE-3	2057B2-116	GE-20
121-600	GE-11	297V002M05	GE-7	297V062C01	GE-3	394-3074-5	GE-2	800-509-00	GE-20	2057B100-7	GE-2
121-602	GE-22	297V003	GE-2	297V062C05	GE-3	394-3097-1	GE-2	800-516-00	GE-22	2443	GE-20
121-603	GE-22	297V003H09	GE-2	297V063C01	GE-9	394-3097-2	GE-2	800-521-02	GE-20	2446	GE-20
121-610	GE-10	297V003M01	GE-2	297V064B01	GE-9	412	GE-1	800-522-01	GE-20	2448	GE-20
121-612	GE-17	297V004H03	GE-2	297V065C01	GE-1	417-126	GE-20	800-522-02	GE-20	2450	GE-17
121-613	GE-17	297V004H06	GE-2	297V065C02	GE-1	417-127	GE-20	800-523-01	GE-20	2473	GE-17
121-614	GE-20	297V004H10	GE-2	297V065C03	GE-1	421-6	GE-9	800-523-02	GE-20	2475	GE-17
121-632	GE-2	297V004H14	GE-2	297V070C01	GE-9	421-7	GE-9	800-526-00	GE-20	2476	GE-17
121-633	GE-2	297V004H15	GE-2	297V071C03	GE-12	421-8	GE-9	800-529-00	GE-20	2477	GE-17
121-639	GE-10	297V004H010	GE-2	297V072C01	GE-20	421-11	GE-2	801B	GE-17	2495	GE-20
121-640	GE-2	297V004M01	GE-2	297V072C03	GE-20	421-12	GE-2	815-1810	GE-2	2546	GE-20
121-671	GE-10	297V011	GE-1	297V072C04	GE-20	421-13	GE-2	822A	GE-20	2584	GE-20
121-695	GE-20	297V011H01	GE-1	297V073C01	GE-20	421-14	GE-2	822B	GE-20	2700	GE-9
121-706	GE-18	297V012	GE-1	297V073C02	GE-21	421-15	GE-2	829E	GE-21	2780-4	GE-3
121-713	GE-12	297V012H08	GE-1	297V074C02	GE-20	421-16	GE-1	830	GE-1	2780-5	GE-3
121-726	GE-14	297V012H09	GE-1	297V074C03	GE-20	421-17	GE-1	881-250-102	GE-20	2781	GE-2
121-1032	GE-2	297V012H10	GE-1	297V074C04	GE-20	421-18	GE-12	921-7	GE-20	2787	GE-20
121-1033	GE-2	297V025H02	GE-2	297V074C06	GE-20	421-19	GE-2	921-8	GE-20	2797	GE-9
121-1034	GE-2	297V025H04	GE-2	297V074C07	GE-20	421-26	GE-1	955-1	GE-9	2900-007	GE-17



UNIVERSAL REPLACEMENT TRANSISTORS

2904-003-226999

JEDEC TYPE OR PART NO.	GE REPLACEMENT	JEDEC TYPE OR PART NO.	GE REPLACEMENT	JEDEC TYPE OR PART NO.	GE REPLACEMENT	JEDEC TYPE OR PART NO.	GE REPLACEMENT	JEDEC TYPE OR PART NO.	GE REPLACEMENT	JEDEC TYPE OR PART NO.	GE REPLACEMENT
2904-003	GE-17	30203	GE-3	40080	GE-20	94009	GE-2	116079	GE-20	125144	GE-17
2904-034	GE-20	30208-2	GE-2	40081	GE-20	94017	GE-2	116080	GE-20	125329	GE-20
2904-035	GE-20	30219	GE-20	40217	GE-20	94032	GE-16	116081	GE-20	125389	GE-10
3002	GE-17	30224	GE-20	40218	GE-20	95101	GE-9	116082	GE-20	125390	GE-20
3227-E	GE-17	30227	GE-20	40219	GE-20	95102	GE-9	116083	GE-20	125475	GE-20
3425	GE-1	30228	GE-20	40220	GE-20	95125	GE-17	116085	GE-20	125995	GE-17
3434	GE-1	30229	GE-20	40221	GE-20	95126	GE-17	116087	GE-20	126093	GE-2
3435	GE-1	30234	GE-12	40222	GE-20	95127	GE-17	116089	GE-16	126093-1	GE-2
3458	GE-1	30243	GE-20	40231	GE-20	95128	GE-17	116091	GE-22	126093-2	GE-2
3500	GE-2	30235	GE-10	40232	GE-17	95129	GE-20	116092	GE-20	126093-4	GE-2
3504	GE-2	30241	GE-20	40233	GE-17	95130	GE-20	116093	GE-3	126138	GE-12
3519	GE-10	30242	GE-20	40234	GE-17	95201	GE-2	116148	GE-17	126150	GE-10
3544	GE-1	30244	GE-2	40236	GE-17	95202	GE-2	116198	GE-17	126188	GE-12
3577	GE-3	30245	GE-12	40237	GE-17	95203	GE-2	116199	GE-17	127962	GE-2
3600	GE-2	30246	GE-16	40238	GE-17	95204	GE-2	116200	GE-17	161705	GE-2
3851	GE-1	30246A	GE-16	40239	GE-17	95209	GE-2	116201	GE-2	162002-033	GE-16
3852	GE-2	30248	GE-20	40240	GE-17	95212	GE-2	116202	GE-9	162002-062	GE-16
3907/2N404A	GE-9	30254	GE-23	40242	GE-17	95213	GE-2	116203	GE-2	162002-062A	GE-16
3970	GE-2	30256	GE-23	40243	GE-17	95214	GE-2	116206	GE-2	170376	GE-3
4057	GE-20	30259	GE-20	40244	GE-17	95216	GE-20	116207	GE-9	170376-1	GE-3
4247	GE-3	30302	GE-2	40245	GE-17	95217	GE-2	116279	GE-12	170407-1	GE-3
4315	GE-2	34219	GE-1	40246	GE-17	95218	GE-2	116284	GE-22	170479-1	GE-3
4348	GE-2	34220	GE-1	40250	GE-12	95219	GE-2	116588	GE-20	170666-1	GE-3
4349	GE-2	34221	GE-1	40254	GE-16	95221	GE-10	116685	GE-2	170850-1	GE-13MP
4366	GE-1	34298	GE-3	40261	GE-9	95222-1	GE-2	116686	GE-2	171003	GE-16
4367	GE-1	34315	GE-3	40262	GE-9	95222-2	GE-8	116757	GE-2	171005	GE-8
4450	GE-2	35004	GE-17	40263	GE-2	95223	GE-20	116997	GE-2	171016	GE-2
4451	GE-2	35044	GE-3	40264	GE-12	95225	GE-10	116998	GE-2	171017	GE-2
4470	GE-20	35045	GE-2	40264V1	GE-12	95226-2	GE-20	117208	GE-2	171018	GE-2
4473-4	GE-20	35168	GE-9	40280	GE-20	95226-3	GE-21	117209	GE-2	171026	GE-10
4473-12	GE-20	35169	GE-9	40283	GE-20	95226-4	GE-18	117210	GE-2	171027	GE-10
4473N	GE-20	35170	GE-9	40290	GE-20	95227	GE-20	117727	GE-2	171029	GE-11
4562	GE-2	35201	GE-3	40294	GE-17	95250	GE-3	117728	GE-2	171031	GE-11
4563	GE-2	35349	GE-3	40309	GE-20	95251	GE-16	118279	GE-12	171033	GE-11
5464	GE-2	35449	GE-17	40311	GE-20	95252	GE-12	118686	GE-12	171038	GE-20
4565	GE-2	35454-1	GE-2	40314	GE-20	95252-1	GE-12	118713	GE-20	171039	GE-9
4567	GE-2	35454-2	GE-2	40315	GE-20	95252-2	GE-12	119554	GE-17	171040	GE-10
4587	GE-17	35454-3	GE-2	40320	GE-20	95252-3	GE-12	119555	GE-17	171044	GE-20
4734	GE-20	35628	GE-2	40321	GE-20	95252-4	GE-12	119556	GE-17	171045	GE-20
4801-1100-0011	GE-17	35677	GE-2	40322	GE-20	99101	GE-9	119557	GE-17	171046	GE-10
4851	GE-17	35678	GE-2	40323	GE-20	99102	GE-9	119635	GE-10	171048	GE-11
4854	GE-20	35728	GE-3	40326	GE-20	99103	GE-9	119636	GE-10	171049	GE-2
5253	GE-3	35815	GE-9	40327	GE-20	99104	GE-9	119650	GE-12	171052	GE-11
6100-35	GE-2	35816	GE-1	40351	GE-17	99106	GE-9	119982	GE-20	171054	GE-11
6440	GE-2	35817	GE-1	40352	GE-17	99107	GE-9	119983	GE-22	175006-186	GE-2
6445	GE-2	35819	GE-2	40421	GE-16	99108	GE-9	120073	GE-10	186342A	GE-16
6452	GE-2	35820	GE-2	40422	GE-12	99109-1	GE-20	120074	GE-10	190425	GE-16
7516	GE-20	35820-1	GE-2	40424	GE-12	99109-2	GE-20	120481	GE-20	190425A	GE-16
9390	GE-2	35818	GE-1	40425	GE-12	99201	GE-2	120482	GE-20	198063-1	GE-26
9391	GE-2	35820-2	GE-2	40426	GE-12	99202	GE-2	120483	GE-20	214396	GE-16
10036	GE-2	35820-3	GE-2	40427	GE-12	99203	GE-2	121151	GE-2	216986	GE-16
10037	GE-2	35824	GE-1	40439	GE-25	99204	GE-2	121152	GE-2	217119	GE-4
10038	GE-2	35885A	GE-3	40440	GE-25	99205	GE-2	121153	GE-1	217230	GE-4
10039	GE-2	35950	GE-2	40462	GE-16	99206-1	GE-20	121154	GE-1	217892	GE-16
12180	GE-9	35951	GE-3	40464	GE-19	99206-2	GE-20	121467	GE-22	218503	GE-2
12539	GE-26	35952	GE-2	40465	GE-19	99207-2	GE-20	121655	GE-10	219361	GE-16
15024	GE-3	35953	GE-2	40466	GE-19	99217	GE-2	121658	GE-22	219940	GE-16
15027	GE-3	35954	GE-2	40471	GE-17	99218	GE-2	121659	GE-22	221600	GE-20
15809-1	GE-20	35955	GE-2	40491	GE-12	99250	GE-3	121660	GE-10	221602	GE-16
15810-1	GE-20	36304	GE-3	40546	GE-12	99252	GE-12	121661	GE-10	221605	GE-16
15835-1	GE-20	36477	GE-3	40547	GE-12	99252-1	GE-12	121662	GE-10	221897	GE-20
15840-1	GE-20	36534	GE-2	47394-2	GE-2	99252-2	GE-12	121663	GE-10	221918	GE-20
15841-1	GE-20	36557	GE-2	50477-4	GE-3	100693	GE-2	121664	GE-10	221940	GE-16
16598	GE-2	36558	GE-2	61003-4	GE-2	101974	GE-2	122243	GE-2	221941	GE-16
16599	GE-3	36559	GE-9	64071-1	GE-2	111957	GE-2	122244	GE-2	222915	GE-16
17142	GE-2	36560	GE-9	65804-63	GE-2	111959	GE-2	122517	GE-20	223124	GE-2
17143	GE-2	36563	GE-9	67193-85	GE-2	114267	GE-11	122518	GE-17	223365	GE-16
17444	GE-20	36634	GE-12	68504-62	GE-9	115063	GE-3	122665	GE-20	223366	GE-2
17887	GE-16	36816	GE-2	68504-63	GE-2	115225	GE-10	122901	GE-2	223483	GE-2
17945	GE-3	36918	GE-17	68895-13	GE-2	115227	GE-9	123274	GE-20	223484	GE-2
18109	GE-2	36920	GE-17	70231	GE-17	115228	GE-9	123275	GE-12	223485	GE-2
18310	GE-12	36921	GE-17	70434	GE-16	115229	GE-9	123792	GE-16	223486	GE-2
18493	GE-9	37584	GE-12	75960CH	GE-2	115268	GE-3	123941	GE-20	223490	GE-16
18509	GE-20	37585	GE-10	80813VM	GE-10	115269	GE-16	124623	GE-17	223576	GE-16
18529	GE-2	38175	GE-8	80814VM	GE-10	115281	GE-16	124624	GE-17	223810	GE-2
18530	GE-2	38176	GE-2	80815VM	GE-10	115282	GE-16	124625	GE-9	224503	GE-16
18540	GE-9	38177	GE-2	80816VM	GE-10	115283	GE-16	124626	GE-2	224696	GE-2
18541	GE-9	38178	GE-10	80817VM	GE-8	115284	GE-16	125135	GE-10	224857	GE-2
18555	GE-20	38207	GE-20	80818VM	GE-2	115792	GE-26	125137	GE-20	225595	GE-16
18601	GE-2	38208	GE-20	86452	GE-2	115875	GE-20	125138	GE-17	225596	GE-16
18611	GE-2	38209	GE-1	86812	GE-20	116072	GE-9	125139	GE-20	225925	GE-16
18731	GE-2	40022	GE-3	86822	GE-20	116073	GE-17	125140	GE-20	225927	GE-16
20738	GE-20	40050	GE-3	86832	GE-2	116074	GE-20	125141	GE-20	226634	GE-16
30201	GE-2	40051	GE-3	86842	GE-2	116075	GE-12	125142	GE-21	226789	GE-4
30202	GE-2	40051-2	GE-3	94008	GE-2	116078	GE-21	125143	GE-20	226999	GE-16

## UNIVERSAL REPLACEMENT TRANSISTORS

JEDEC TYPE OR PART NO.	GE REPLACEMENT	JEDEC TYPE DR PART NO.	GE REPLACEMENT	JEDEC TYPE OR PART NO.	GE REPLACEMENT	JEDEC TYPE DR PART NO.	GE REPLACEMENT	JEDEC TYPE OR PART NO.	GE REPLACEMENT	JEDEC TYPE OR PART NO.	GE REPLACEMENT
227566	GE-16	603031	GE-3	611020	GE-1	815139	GE-2	2000646-103	GE-20	2092418-5	GE-9
227804	GE-16	603040	GE-1	613112	GE-11	815158	GE-2	2000646-104	GE-9	2092418-6	GE-6
228229	GE-16	603112	GE-9	660059	GE-2	815160	GE-2	2000646-106	GE-2	2092418-7	GE-9
228230	GE-16	603113	GE-17	660060	GE-2	815160C	GE-2	2000646-107	GE-20	2092418-071	GE-9
228558	GE-16	604112	GE-9	660082	GE-2	815160H	GE-2	2000646-108	GE-2	2092418-0711	GE-9
228559	GE-16	604113	GE-17	660138	GE-26	815164	GE-20	2000646-109	GE-16	2092418-0712	GE-9
229045	GE-4	605030	GE-2	670850-1	GE-13MP	815165	GE-20	2000646-111	GE-2	2092418-0715	GE-17
230208	GE-16	605112	GE-9	731009	GE-2	815166	GE-12	2000646-113	GE-3	2092418-0716	GE-17
230253	GE-2	605113	GE-2	814044A	GE-2	815166-4	GE-12	2000752-80	GE-17	2092418-0717	GE-17
230259	GE-2	606020	GE-2	815015	GE-2	815167-3	GE-12	2000804-7	GE-17	2092418-0719	GE-20
230523	GE-16	607030	GE-20	815020	GE-1	815170	GE-20	2000804-8	GE-17	2092418-0720	GE-20
230524	GE-2	608112	GE-16	815021	GE-1	815171	GE-20	2001653-23	GE-2	2092418-0721	GE-20
230525	GE-2	609020	GE-9	815022	GE-2	815171D	GE-20	2001653-24	GE-2	2092609-1	GE-20
231374	GE-20	609112	GE-20	815022A	GE-2	815172	GE-17	2001653-58	GE-9	2092609-2	GE-20
231588	GE-2	605113	GE-2	815022B	GE-2	815172A	GE-17	2001653-59	GE-9	2092609-3	GE-20
231797	GE-16	606020	GE-2	815023	GE-2	815173	GE-17	2002153-60	GE-9	2092609-0001	GE-20
232194	GE-16	607030	GE-20	815023A	GE-2	815173A	GE-17	2002153-76	GE-9	2092609-0002	GE-20
232674	GE-16	608112	GE-16	815023B	GE-2	815173C	GE-17	2002153-77	GE-10	2092609-0022	GE-20
232675	GE-16	609020	GE-9	815024	GE-2	815173F	GE-17	2002153-78	GE-2	2092609-0705	GE-20
232676	GE-16	609112	GE-20	815024A	GE-2	815174	GE-20	2002153-83	GE-8	2092609-0706	GE-20
233508	GE-4	610035-1	GE-2	815024B	GE-2	815174L	GE-20	2002336-19	GE-2	2092609-0707	GE-20
233509	GE-16	610035-2	GE-2	815025	GE-1	815175	GE-12	2002403-19	GE-2	2092609-0713	GE-20
234076	GE-2	610036-1	GE-2	815025A	GE-1	815175H	GE-12	2002620-18	GE-17	2092609-0715	GE-20
234077	GE-16	610036-2	GE-2	815026	GE-7	815177	GE-2	2002620-19	GE-17	2092609-0718	GE-20
234078	GE-4	610036-3	GE-2	815026A	GE-7	815178	GE-2	2002621-2	GE-20	2092609-0721	GE-10
234566	GE-16	610036-4	GE-2	815026B	GE-7	815179	GE-2	2003073-8	GE-2	2092693-1	GE-2
234630	GE-2	610036-5	GE-2	815026C	GE-7	815180-3	GE-12	2003073-14	GE-2	2092693-8	GE-2
235194	GE-2	610036-7	GE-2	815026D	GE-1	815180-4	GE-12	2003073-15	GE-2	2093308-1	GE-17
235205	GE-20	610036-8	GE-2	815027	GE-1	815180-7	GE-12	2003073-91	GE-12	2093308-2	GE-17
235206	GE-20	610039-1	GE-3	815028	GE-1	815181A	GE-2	2004746-87	GE-12	2093308-3	GE-17
236935	GE-16	610040-1	GE-2	815029	GE-2	815181B	GE-2	2057013-0701	GE-21	2093308-070	GE-17
237452	GE-16	610040-2	GE-2	815029A	GE-2	815181C	GE-2	2057013-0702	GE-21	2093308-0701	GE-17
238417	GE-2	610041-2	GE-20	815029B	GE-2	815181D	GE-2	2057013-0703	GE-21	2093308-0702	GE-17
238418	GE-2	610041-3	GE-17	815029C	GE-2	815182	GE-20	2076945-0701	GE-2	2093308-0703	GE-17
297240-1	GE-2	610042-1	GE-17	815030	GE-2	815183	GE-20	2090056-1	GE-3	2093308-0704	GE-20
300538	GE-2	610043-3	GE-2	815030A	GE-2	815184	GE-20	2090056-5	GE-3	2093308-0705	GE-20
300540	GE-2	610043-4	GE-2	815030B	GE-2	815184E	GE-20	2090056-27	GE-3	2093308-0706	GE-20
300541	GE-2	610043-6	GE-2	815031	GE-2	815185	GE-22	2090924-8	GE-2	2093308-8708	GE-20
309421	GE-2	610043-7	GE-2	815031A	GE-2	815186	GE-20	2090924-8A	GE-2	23114046	GE-10
310017	GE-2	610045-2	GE-17	815031B	GE-2	815186C	GE-20	2090924-008	GE-2	23114061	GE-2
310035	GE-2	610045-3	GE-20	815033	GE-2	815186L	GE-20	2090924-0008	GE-2	23115058	GE-18
310157	GE-1	610045-4	GE-10	815034	GE-2	815189	GE-2	2091241-1	GE-1	2495078	GE-9
310158	GE-1	610050-2	GE-9	815034A	GE-2	815190	GE-20	2091241-2	GE-1	2495079	GE-9
310159	GE-2	610051-2	GE-9	815034B	GE-2	815191	GE-20	2091241-5A	GE-1	2495080	GE-9
310160	GE-2	610051-4	GE-9	815034C	GE-2	815195	GE-2	2091241-7	GE-1	2495082	GE-2
310201	GE-2	610052-1	GE-1	815036	GE-1	815196	GE-2	2091241-13	GE-1	2495166-1	GE-11
310221	GE-9	610053-1	GE-9	815037	GE-1	815198	GE-20	2091241-13A	GE-1	2495166-2	GE-10
310223	GE-1	610053-2	GE-1	815038	GE-1	815199-6	GE-22	2091241-14	GE-1	2495166-4	GE-10
310224	GE-9	610055-2	GE-9	815041	GE-1	816135	GE-12	2091241-15	GE-1	2495166-8	GE-10
310225	GE-2	610055-3	GE-9	815043	GE-2	825065	GE-1	2091241-15A	GE-1	2495166-9	GE-10
373003	GE-2	610056-3	GE-1	815055	GE-2	980138	GE-17	2091241-0013	GE-1	3004856	GE-2
373117	GE-2	610056-4	GE-1	815056	GE-2	980139	GE-17	2091241-0014	GE-1	3005861	GE-20
373119	GE-2	610061-1	GE-9	815057	GE-2	980144	GE-2	2091241-0015	GE-1	4813466	GE-20
570000-5452	GE-20	610064-1	GE-16	815058	GE-2	980147	GE-20	2091260	GE-8	4907976	GE-2
570000-5503	GE-20	610067-3	GE-3	815058A	GE-2	980148	GE-2	2091260-2	GE-8	5955748	GE-2
570004-503	GE-20	610068-1	GE-3	815058B	GE-2	980149	GE-2	2091260-3	GE-8	7026014	GE-20
570005-452	GE-20	610069-1	GE-20	815058C	GE-2	980437	GE-16	2091578-1	GE-2	7026015	GE-20
570005-503	GE-20	610070-1	GE-20	815058X	GE-2	980440	GE-20	2091578-0702	GE-2	7026016	GE-20
570009-01-504	GE-20	610070-2	GE-20	815066	GE-1	980508	GE-2	2091858-11	GE-16	7026020	GE-20
570029	GE-14	610071-1	GE-12	815068	GE-2	980510	GE-2	2091859-2	GE-3	7278423	GE-2
573001	GE-2	610072-1	GE-20	815069	GE-2	980511	GE-1	2091859-4	GE-3	7279941	GE-2
573005	GE-2	610072-2	GE-20	815069A	GE-2	980514A	GE-9	2091859-6	GE-3	7281310	GE-2
573011	GE-2	610073-1	GE-20	815069B	GE-2	980836	GE-2	2091859-8	GE-3	7284751	GE-2
573012	GE-2	610075-1	GE-20	815069C	GE-2	980837	GE-2	2091859-9	GE-3	7294133	GE-2
573018	GE-2	610076-1	GE-20	815070	GE-2	980960	GE-2	2091859-10	GE-3	7296314	GE-20
573022	GE-2	610076-2	GE-20	815070A	GE-2	980961	GE-2	2091859-11	GE-3	7570003	GE-3
573029	GE-2	610077-1	GE-20	815070B	GE-2	981203	GE-9	2091859-0008	GE-3	7570004	GE-20
573103	GE-2	610077-2	GE-20	815070C	GE-2	981204	GE-9	2091859-0011	GE-3	7570004-01	GE-20
573117	GE-2	610077-3	GE-20	815070D	GE-2	981206	GE-2	2091859-0711	GE-17	7570005	GE-20
573118	GE-2	610078-1	GE-20	815074	GE-2	995001	GE-16	2091859-0713	GE-3	7570005-01	GE-20
573119	GE-2	610079-1	GE-2	815103	GE-1	995003	GE-2	2091859-0714	GE-3	7570005-02	GE-20
573125	GE-2	610080-1	GE-2	815104	GE-2	1810037	GE-10	2091859-0715	GE-3	7570005-03	GE-20
573142	GE-2	610083-1	GE-22	815105	GE-1	1810038	GE-10	2091859-0716	GE-3	7570008	GE-20
573152	GE-2	610083-2	GE-22	815114	GE-2	1810039	GE-10	2091859-0717	GE-3	7570008-02	GE-20
573153	GE-2	610083-3	GE-22	815118	GE-2	1944748	GE-16	2091859-0718	GE-16	7570009-01	GE-20
573480	GE-20	610088-2	GE-2	815120	GE-2	1960584	GE-16	2091859-0723	GE-16	7570009-21	GE-20
576001	GE-2	610091-1	GE-17	815120A	GE-2	1961480	GE-16	2092417-1	GE-9	7570013-01	GE-22
576005	GE-2	610092-1	GE-17	815120B	GE-2	1961837	GE-2	2092417-2	GE-9	7570022-01	GE-24MP
601113	GE-17	610094-1	GE-20	815120C	GE-2	1965017	GE-16	2092417-6	GE-9	8020540	GE-2
602032	GE-3	610099-1	GE-21	815120D	GE-2	1966079	GE-16	2092417-0711	GE-17	8020560	GE-2
602040	GE-2	610099-2	GE-22	815120E	GE-2	2000287-28	GE-2	2092417-0712	GE-17	8021897	GE-2
602075	GE-9	610099-3	GE-2	815133	GE-20	2000625-31	GE-2	2092417-0713	GE-17	8021898	GE-2
602113	GE-17	610102-1	GE-21	815134	GE-20	2000625-32	GE-2	2092417-0715	GE-17	9100502	GE-2
603020	GE-9	610106-1	GE-3	815136	GE-2	2000625-33	GE-2	2092417-0716	GE-17	9100621	GE-2
603030	GE-9	610110-1	GE-22	815138	GE-16	2000625-34	GE-2	2092418-2	GE-9	9100706	GE-2



## CRYSTAL DIODES, SILICON AND GERMANIUM RECTIFIERS

1B05J20-1N122A

JEDEC TYPE OR PART NO.	GE REPLACE-MENT
9100944	GE-2
13020000	GE-2
13020002	GE-2
20918596-2	GE-16
23114001	GE-11
27125210	GE-11
27125080	GE-20
27125140	GE-20
27125150	GE-20
27125160	GE-20
27125230	GE-9
27125240	GE-1
27125250	GE-10
27125260	GE-2
27126220	GE-11
48134666	GE-20
80050100	GE-20
80051500	GE-20
80052102	GE-20
80052202	GE-20
80052302	GE-20
20052600	GE-20
570004503	GE-20
570005452	GE-20
570005503	GE-20
1522210300	GE-1
1522211200	GE-2
1522216500	GE-2
1522216600	GE-9
1522217400	GE-9
3121004900	GE-9
3121007744	GE-9
3121024033	GE-9
3121024044	GE-9
3121047111	GE-9
3122005400	GE-2
3122005400	GE-2
3539306002	GE-20
3539306003	GE-20
5700045452	GE-20
57000901504	GE-20
Hammond Organ 2101	GE-10
Lowry Organ 8394	GE-10

JEDEC TYPE OR PART NO.	GE REPLACE-MENT	JEDEC TYPE OR PART NO.	GE REPLACE-MENT	JEDEC TYPE OR PART NO.	GE REPLACE-MENT	JEDEC TYPE OR PART NO.	GE REPLACE-MENT
1B05J20	GE-504A	1N319A	GE-504A	1N463A	GE-504A	1N677	GE-504A
1B05J40	GE-504A	1N320	GE-504A	1N464	GE-504A	1N678	GE-504A
1B2	GE-504A	1N320A	GE-504A	1N464A	GE-504A	1N679	GE-504A
1B10J20	GE-504A	1N321A	GE-509	1N476	GE-504A	1N681	GE-504A
1C2	GE-504A	1N322A	GE-509	1N482	GE-504A	1N682	GE-504A
1D2	GE-504A	1N323	GE-504A	1N482A	GE-504A	1N683	GE-504A
1D8	GE-509	1N323A	GE-504A	1N482B	GE-504A	1N684	GE-504A
1D10	GE-509	1N324	GE-504A	1N483	GE-504A	1N685	GE-504A
1E2	GE-504A	1N324A	GE-504A	1N483A	GE-504A	1N686	GE-504A
1E3	GE-504A	1N325	GE-504A	1N483B	GE-504A	1N687	GE-504A
1E7	GE-509	1N325A	GE-504A	1N484	GE-504A	1N689	GE-504A
1E8	GE-509	1N326	GE-504A	1N484A	GE-504A	1N819	GE-504A
1ET7	GE-509	1N326A	GE-504A	1N484B	GE-504A	1N846	GE-504A
1ET8	GE-509	1N327	GE-504A	1N485	GE-504A	1N847	GE-504A
1ET10	GE-509	1N327A	GE-504A	1N485A	GE-504A	1N848	GE-504A
1F2	GE-504A	1N328A	GE-509	1N485B	GE-504A	1N849	GE-504A
1F8	GE-509	1N329A	GE-509	1N486	GE-504A	1N850	GE-504A
1GD2	1N34AS, 1N60	1N332	GE-504A	1N486A	GE-504A	1N851	GE-504A
1HY50	GE-504A	1N333	GE-504A	1N488	GE-504A	1N852	GE-504A
1HY80	GE-509	1N334	GE-504A	1N488A	GE-504A	1N853	GE-509
1HY100	GE-509	1N335	GE-504A	1N530	GE-504A	1N854	GE-509
1N34-	1N34AS	1N337	GE-504A	1N531	GE-504A	1N855	GE-509
1N34A	1N34AS	1N339	GE-504A	1N532	GE-504A	1N856	GE-509
1N34G	1N34AS	1N340	GE-504A	1N533	GE-504A	1N857	GE-504A
1N34GA	1N34AS	1N341	GE-504A	1N534	GE-504A	1N858	GE-504A
1N43	1N34AS	1N342	GE-504A	1N535	GE-504A	1N859	GE-504A
1N45	1N34AS	1N343	GE-504A	1N536	GE-504A	1N860	GE-504A
1N46	1N34AS	1N344	GE-504A	1N537	GE-504A	1N861	GE-504A
1N49	1N34AS, 1N295	1N346	GE-504A	1N538	GE-504A	1N862	GE-504A
1N51	1N34AS, 1N60	1N349	GE-504A	1N539	GE-504A	1N863	GE-504A
1N60	1N60, 1N34AS, 1N295	1N350	GE-504A	1N540	GE-504A	1N864	GE-509
1N60A	1N60, 1N34AS, 1N295	1N351	GE-504A	1N541	1N295, 1N60	1N865	GE-509
1N60G	1N60, 1N34AS, 1N295	1N352	GE-504A	1N542	1N60 (2)	1N866	GE-509
1N64	1N60, 1N295	1N353	GE-504A	1N547	GE-504A	1N867	GE-509
1N64A	1N60, 1N295	1N354	GE-504A	1N550	GE-504A	1N868	GE-504A
1N65	1N60	1N359	GE-504A	1N551	GE-504A	1N869	GE-504A
1N66	1N34AS	1N359A	GE-504A	1N552	GE-504A	1N870	GE-504A
1N69	1N34AS	1N360	GE-504A	1N553	GE-504A	1N871	GE-504A
1N72	1N82A	1N360A	GE-504A	1N554	GE-504A	1N872	GE-504A
1N76G	1N295	1N361	GE-504A	1N555	GE-504A	1N873	GE-504A
1N82	1N82A	1N361A	GE-504A	1N596	GE-504A	1N874	GE-504A
1N82A	1N82A	1N362	GE-504A	1N560	GE-509	1N875	GE-509
1N86	1N60, 1N34AS, 1N295	1N362A	GE-504A	1N561	GE-509	1N876	GE-509
1N87	1N60, 1N295	1N363	GE-504A	1N562	GE-509	1N877	GE-509
1N87A	1N60	1N363A	GE-504A	1N563	GE-509	1N878	GE-509
1N87G	1N60, 1N295	1N364A	GE-509	1N599	GE-504A	1N879	GE-504A
1N90	1N34AS	1N365A	GE-509	1N599A	GE-504A	1N880	GE-504A
1N90G	1N34AS	1N367	1N60	1N600	GE-504A	1N881	GE-504A
1N95	1N34AS	1N368	GE-504A	1N600A	GE-504A	1N882	GE-504A
1N105	1N60, 1N295	1N400	GE-504A	1N601	GE-504A	1N883	GE-504A
1N109	1N34AS	1N400B	GE-504A	1N601A	GE-504A	1N884	GE-504A
1N110	1N82A	1N440	GE-504A	1N602	GE-504A	1N885	GE-504A
1N116	1N34AS	1N440B	GE-504A	1N602A	GE-504A	1N886	GE-509
1N124	1N82A	1N441	GE-504A	1N603	GE-504A	1N887	GE-509
1N124A	1N82A	1N441B	GE-504A	1N603A	GE-504A	1N888	GE-509
1N125	1N60, 1N295	1N442	GE-504A	1N604	GE-504A	1N889	GE-509
1N126	1N34AS	1N442B	GE-504A	1N604A	GE-504A	1N947	GE-504A
1N126A	1N34AS	1N443	GE-504A	1N605	GE-504A	1N1028	GE-504A
1N132	1N60, 1N295	1N443B	GE-504A	1N605A	GE-504A	1N1029	GE-504A
1N133	1N82A	1N444	GE-504A	1N606	GE-504A	1N1030	GE-504A
1N134	1N295	1N444B	GE-504A	1N606A	GE-504A	1N1031	GE-504A
1N139	1N34AS	1N445	GE-504A	1N607	GE-504A	1N1032	GE-504A
1N147	1N82A	1N445B	GE-504A	1N607A	GE-504A	1N1033	GE-504A
1N147A	1N82A	1N448	GE-504A	1N608	GE-504A	1N1052	GE-504A
1N148	1N34AS	1N449	GE-504A	1N608A	GE-504A	1N1053	GE-504A
1N172	1N82A	1N451	GE-504A	1N609A	GE-504A	1N1054	GE-504A
1N254	GE-504A	1N452	GE-504A	1N610	GE-504A	1N1055	GE-504A
1N255	GE-504A	1N453	GE-504A	1N610A	GE-504A	1N1056	GE-504A
1N256	GE-504A	1N454	GE-504A	1N611	GE-504A	1N1057	GE-504A
1N267	1N34AS	1N455	GE-504A	1N611A	GE-504A	1N1081	GE-504A
1N268	1N34AS	1N456	GE-504A	1N612	GE-504A	1N1081A	GE-504A
1N270	1N34AS, 1N60	1N456A	GE-504A	1N612A	GE-504A	1N1082	GE-504A
1N285	1N82A	1N457	GE-504A	1N613	GE-504A	1N1083	GE-504A
1N294	1N34AS	1N457A	GE-504A	1N613A	GE-504A	1N1084	GE-504A
1N295	1N295	1N458	GE-504A	1N614	GE-504A	1N1084A	GE-504A
1N296	1N295, 1N60	1N458A	GE-504A	1N614A	GE-504A	1N1095	GE-504A
1N298	1N60	1N459	GE-504A	1N636	1N60	1N1096	GE-504A
1N299	1N82A	1N459A	GE-504A	1N645	GE-504A	1N1100	GE-504A
1N316	GE-504A	1N460	GE-504A	1N645A	GE-504A	1N1101	GE-504A
1N316A	GE-504A	1N460A	GE-504A	1N646	GE-504A	1N1102	GE-504A
1N317	GE-504A	1N461	GE-504A	1N647	GE-504A	1N1103	GE-504A
1N317A	GE-504A	1N461A	GE-504A	1N648	GE-504A	1N1104	GE-504A
1N318	GE-504A	1N462	GE-504A	1N649	GE-504A	1N1105	GE-504A
1N318A	GE-504A	1N462A	GE-504A	1N673	GE-504A	1N1119	GE-504A
1N319	GE-504A	1N463	GE-504A	1N676	GE-504A	1N1122A	GE-504A

JEDEC TYPE OR PART NO.	GE REPLACEMENT	JEDEC TYPE OR PART NO.	GE REPLACEMENT	JEDEC TYPE OR PART NO.	GE REPLACEMENT	JEDEC TYPE OR PART NO.	GE REPLACEMENT	JEDEC TYPE OR PART NO.	GE REPLACEMENT
1N1169	GE-504A	1N1644	GE-504A	1N2107	GE-504A	1N3247	GE-504A	1N44	1N34AS
1N1169A	GE-504A	1N1645	GE-504A	1N2108	GE-504A	1N3248	GE-504A	1NA4G	1N34AS, 1N60
1N1217	GE-504A	1N1646	GE-504A	1N2115	GE-504A	1N3249	GE-504A	1NAG1	1N60, 1N295
1N1217A	GE-504A	1N1647	GE-504A	1N2116	GE-504A	1N3250	GE-504A	1S005	GE-504A
1N1217B	GE-504A	1N1648	GE-504A	1N2117	GE-504A	1N3253	GE-504A	1S031	GE-504A
1N1218	GE-504A	1N1649	GE-504A	1N2266	GE-504A	1N3254	GE-504A	1S032	GE-504A
1N1218A	GE-504A	1N1650	GE-504A	1N2267	GE-504A	1N3255	GE-504A	1S40	GE-504A
1N1218B	GE-504A	1N1651	GE-504A	1N2268	GE-504A	1N3256	GE-509	1S41	GE-504A
1N1219	GE-504A	1N1652	GE-504A	1N2269	GE-504A	1N3257	GE-504A	1S42	GE-504A
1N1219A	GE-504A	1N1653	GE-504A	1N2373	GE-504A	1N3258	GE-504A	1S43	GE-504A
1N1219B	GE-504A	1N1692	GE-504A	1N2374	GE-509	1N3277	GE-504A	1S44	GE-504A
1N1220	GE-504A	1N1693	GE-504A	1N2482	GE-504A	1N3278	GE-504A	1S45	GE-504A
1N1220A	GE-504A	1N1694	GE-504A	1N2483	GE-504A	1N3279	GE-504A	1S71	GE-504A
1N1220B	GE-504A	1N1695	GE-504A	1N2484	GE-504A	1N3298	GE-504A	1S72	GE-504A
1N1221	GE-504A	1N1696	GE-504A	1N2485	GE-504A	1N3493	GE-504A	1S73	1N34AS
1N1221A	GE-504A	1N1697	GE-504A	1N2486	GE-504A	1N3544	GE-504A	1S80	1N34AS, 1N60
1N1221B	GE-504A	1N1701	GE-504A	1N2487	GE-504A	1N3545	GE-504A	1S81	GE-504A
1N1222	GE-504A	1N1702	GE-504A	1N2488	GE-504A	1N3546	GE-504A	1S85V	GE-504A
1N1222A	GE-504A	1N1703	GE-504A	1N2489	GE-504A	1N3547	GE-504A	1S90	GE-504A
1N1222B	GE-504A	1N1704	GE-504A	1N2609	GE-504A	1N3548	GE-504A	1S92	GE-504A
1N1223	GE-504A	1N1705	GE-504A	1N2610	GE-504A	1N3549	GE-504A	1S93	GE-504A
1N1223A	GE-504A	1N1706	GE-504A	1N2611	GE-504A	1N3612	GE-504A	1S94	GE-504A
1N1223B	GE-504A	1N1707	GE-504A	1N2612	GE-504A	1N3613	GE-504A	1S95	GE-504A
1N1224	GE-504A	1N1708	GE-504A	1N2613	GE-504A	1N3614	GE-504A	1S032	GE-504A
1N1224A	GE-509	1N1709	GE-504A	1N2614	GE-504A	1N3615	GE-504A	1S100	GE-504A
1N1224B	GE-509	1N1710	GE-504A	1N2615	GE-504A	1N3639	GE-504A	1S101	GE-504A
1N1225	GE-509	1N1711	GE-504A	1N2616	GE-509	1N3640	GE-504A	1S102	GE-504A
1N1225A	GE-509	1N1712	GE-504A	1N2617	GE-509	1N3641	GE-504A	1S103	GE-504A
1N1225B	GE-509	1N1730	GE-509	1N2801	GE-504A	1N3642	GE-504A	1S104	GE-504A
1N1226	GE-509	1N1763	GE-504A	1N2850	GE-504A	1N3656	GE-504A	1S105	GE-504A
1N1226A	GE-509	1N1763A	GE-504A	1N2852	GE-509	1N3657	GE-504A	1S106	GE-504A
1N1226B	GE-509	1N1764	GE-504A	1N2858	GE-504A	1N3658	GE-504A	1S106A	GE-504A
1N1251	GE-504A	1N1764A	GE-504A	1N2858A	GE-504A	1N3669	GE-504A	1S110	GE-504A
1N1252	GE-504A	1N1907	GE-504A	1N2859	GE-504A	1N3748	GE-504A	1S110A	GE-504A
1N1253	GE-504A	1N1908	GE-504A	1N2859A	GE-504A	1N3750	GE-504A	1S111	GE-504A
1N1254	GE-504A	1N1909	GE-504A	1N2860	GE-504A	1N3754	GE-504A	1S112	GE-504A
1N1255	GE-504A	1N1910	GE-504A	1N2860A	GE-504A	1N3756	GE-504A	1S113	GE-504A
1N1255A	GE-504A	1N1911	GE-504A	1N2861	GE-504A	1N3757	GE-504A	1S113A	GE-504A
1N1256	GE-504A	1N1912	GE-504A	1N2861A	GE-504A	1N3758	GE-504A	1S115	GE-504A
1N1257	GE-504A	1N1913	GE-504A	1N2862	GE-504A	1N3759	GE-504A	1S116	GE-504A
1N1259	GE-509	1N1914	GE-509	1N2862A	GE-504A	1N3866	GE-504A	1S123	GE-504A
1N1261	GE-509	1N1915	GE-509	1N2863	GE-504A	1N3867	GE-504A	1S124	GE-504A
1N1406	GE-504A	1N1916	GE-509	1N2863A	GE-504A	1N3868	GE-504A	1S125	GE-504A
1N1415	GE-504A	1N2013	GE-504A	1N2864	GE-504A	1N3895	GE-504A	1S126	GE-504A
1N1439	GE-504A	1N2014	GE-504A	1N2878	GE-509	1N3938	GE-504A	1S146	GE-504A
1N1440	GE-504A	1N2015	GE-504A	1N2879	GE-509	1N3939	GE-504A	1S147	GE-504A
1N1441	GE-504A	1N2016	GE-504A	1N2880	GE-509	1N3940	GE-504A	1S148	GE-504A
1N1442	GE-504A	1N2017	GE-504A	1N2881	GE-509	1N3952	GE-504A	1S149	GE-504A
1N1443	GE-509	1N2018	GE-504A	1N2882	GE-509	1N4001	GE-504A	1S150	GE-504A
1N1486	GE-504A	1N2019	GE-504A	1N2883	GE-509	1N4002	GE-504A	1S180	GE-504A
1N1487	GE-504A	1N2020	GE-504A	1N3026	GE-504A	1N4003	GE-504A	1S180/5GB	GE-504A
1N1488	GE-504A	1N2069	GE-504A	1N3062	GE-504A	1N4004	GE-504A	1S181	GE-504A
1N1489	GE-504A	1N2069A	GE-504A	1N3063	GE-504A	1N4005	GE-504A	1S309	GE-504A
1N1490	GE-504A	1N2070	GE-504A	1N3072	GE-504A	1N4006	GE-509	1S310	GE-504A
1N1491	GE-504A	1N2070A	GE-504A	1N3073	GE-504A	1N4007	GE-509	1S312	GE-504A
1N1492	GE-504A	1N2071	GE-504A	1N3074	GE-504A	1N4009	GE-509	1S313	GE-504A
1N1538	GE-504A	1N2071A	GE-504A	1N3075	GE-504A	1N4043	GE-504A	1S314	GE-504A
1N1539	GE-504A	1N2072	GE-504A	1N3076	GE-504A	1N4245	GE-504A	1S315	GE-504A
1N1540	GE-504A	1N2073	GE-504A	1N3077	GE-504A	1N4246	GE-504A	1S318	1N34AS, 1N60
1N1541	GE-504A	1N2074	GE-504A	1N3078	GE-504A	1N4247	GE-504A	1S332	GE-504A
1N1542	GE-504A	1N2075	GE-504A	1N3079	GE-504A	1N4248	GE-509	1S358	GE-504A
1N1563	GE-504A	1N2076	GE-504A	1N3080	GE-504A	1N4249	GE-509	1S426	1N34AS, 1N60
1N1563A	GE-504A	1N2077	GE-504A	1N3081	GE-504A	1N4250	GE-509	1S446	1N34AS, 1N60
1N1564	GE-504A	1N2078	GE-504A	1N3082	GE-504A	1N4251	GE-509	1S457	GE-504A
1N1566	GE-504A	1N2079	GE-504A	1N3084	GE-504A	1N4361	GE-509	1S466	1N34AS
1N1567	GE-504A	1N2080	GE-504A	1N3106	GE-504A	1N4364	GE-504A	1S543	1N82A
1N1558	GE-504A	1N2081	GE-504A	1N3184	GE-504A	1N4365	GE-504A	1S557	GE-504A
1N1559	GE-504A	1N2082	GE-504A	1N3189	GE-504A	1N4366	GE-504A	1S558	GE-504A
1N1560	GE-504A	1N2083	GE-504A	1N3190	GE-504A	1N4367	GE-504A	1S559	GE-504A
1N1563	GE-504A	1N2084	GE-504A	1N3191	GE-504A	1N4368	GE-504A	1S588	GE-504A
1N1563A	GE-504A	1N2085	GE-504A	1N3193	GE-504A	1N4369	GE-504A	1S685	GE-504A
1N1564	GE-504A	1N2086	GE-504A	1N3194	GE-504A	1N4383	GE-504A	1S750	1N82A
1N1564A	GE-504A	1N2088	GE-504A	1N3195	GE-504A	1N4384	GE-504A	1S990	1N34AS
1N1565	GE-504A	1N2089	GE-504A	1N3196	GE-509	1N4385	GE-504A	1S1096	GE-504A
1N1565A	GE-504A	1N2090	GE-504A	1N3203	GE-504A	1N4585	GE-509	1S1224	GE-504A
1N1566	GE-504A	1N2091	GE-504A	1N3227	GE-504A	1N4586	GE-504A	1S1237	GE-504A
1N1566A	GE-504A	1N2092	GE-504A	1N3228	GE-504A	1N5004	GE-504A	1S1238	GE-504A
1N1567	GE-504A	1N2093	GE-504A	1N3229	GE-504A	1N5005	GE-504A	1S1622	GE-504A
1N1567A	GE-504A	1N2094	GE-504A	1N3230	GE-504A	1N5006	GE-504A	1S1623	GE-504A
1N1568	GE-504A	1N2095	GE-504A	1N3237	GE-504A	1N5007	GE-504A	1S1624	GE-504A
1N1568A	GE-504A	1N2096	GE-504A	1N3238	GE-504A	1N5055	GE-504A	1S1625	GE-504A
1N1617	GE-504A	1N2103	GE-504A	1N3239	GE-504A	1N5056	GE-504A	1S1691	GE-504A
1N1618	GE-504A	1N2104	GE-504A	1N3240	GE-504A	1N5057	GE-504A	1S1697	GE-504A
1N1619	GE-504A	1N2105	GE-504A	1N3241	GE-504A	1N5058	GE-504A	1SD2	GE-504A
1N1620	GE-504A	1N2106	GE-504A	1N3246	GE-504A	1N5059	GE-504A	1T22	GE-504A



CRYSTAL DIODES, SILICON AND GERMANIUM RECTIFIERS

1T23-66X0035-001

JEDEC TYPE OR PART NO.	GE REPLACE-MENT	JEDEC TYPE OR PART NO.	GE REPLACE-MENT	JEDEC TYPE OR PART NO.	GE REPLACE-MENT	JEDEC TYPE OR PART NO.	GE REPLACE-MENT	JEDEC TYPE OR PART NO.	GE REPLACE-MENT
1T23	1N34AS, 1N60	5A2	GE-504A	10M	GE-504A	30H	GE-504A	48K741255	6GC1
1T23G	GE-504A	5A3	GE-504A	10N1	GE-504A	30K	GE-504A	48K741752	6GD1
1T26	1N34AS, 1N60	5A4	GE-504A	10R7B	GE-509	30M	GE-504A	48K742698	6GD1
1T231	1N60, 1N295	5A4D	GE-504A	10R8B	GE-509	32-0045	GE-504A	48K746831	GE-504A
1T236	1N34AS, 1N60	5A4D-C	GE-504A	10R9B	GE-509	33-0006	GE-504A	48K751724	6GX1
1T503	GE-504A	5A5D	GE-504A	10R10B	GE-509	33-0023	GE-504A	48K752497	GE-504A
1T504	GE-504A	5A6	GE-504A	12C2	GE-504A	34-8037	6GC1	48K754153	6GD1
1T510	GE-509	5A8	GE-509	12J2	GE-504A	34-8037-1	6GC1	48R10001-A01	GE-504A
1T2011	GE-504A	5A8D	GE-509	12P2	GE-504A	34-8037-2	6GC1	48R10001-A03	GE-504A
1T2012	GE-504A	5A10	GE-509	13-10102-1	GE-504A	34-8037-3	6GC1	48R10001-A030-1	GE-504A
1T2013	GE-504A	5A10D	GE-509	13-10321-3	GE-504A	34-8048-2	GE-504A	48R100620A02	GE-504A
1T2016	GE-504A	5B3	GE-504A	13-14627-1	GE-504A	34-8053-2	GE-504A	48R100620A04	GE-504A
1T806	GE-504A	5E1	GE-504A	13-16104-8	GE-504A	34-8053-3	GE-504A	48R100620A05	GE-504A
1T505	GE-504A	5E2	GE-504A	13-16105-3	GE-504A	34-8053-4	GE-504A	48R660370A05	GE-504A
1WM6	GE-504A	5E3	GE-504A	13-16106-1	GE-504A	34-8054-1	GE-504A	48R134671	GE-504A
2E4	GE-504A	5G4	GE-504A	13-16219-7	6GC1	34-8054-2	GE-504A	48S191A02	GE-504A
2F4	GE-504A	5GD	GE-504A	13-16235-8	1N34AS	34-8054-5	GE-504A	48S191A05	GE-504A
2GA	GE-504A	5GFH	GE-504A	13-17174-1	GE-509	34-8054-6	GE-504A	48S191A06	GE-504A
2G8	GE-504A	5GJ/FR1N	GE-504A	13-17557-1	GE-504A	34-8054-7	GE-504A	48S10062A01	GE-504A
2G13	GE-504A	5H4D1	GE-504A	13-17557-1	GE-504A	34-8054-9	GE-504A	48S10062A05	GE-504A
2G805	GE-504A	5H750M	GE-504A	13-17569-2	GE-504A	34-8054-10	GE-504A	48S10062A05A	GE-504A
2HR3J	GE-509	5J-F1	GE-504A	13-17825-1	GE-504A	34-8054-11	GE-504A	48S134736	GE-504A
2K02	GE-509	5MA2	GE-504A	13-18458-1	GE-504A	34-8055-2	GE-504A	48S134790	GE-504A
2S160A	GE-504A	5MA6	GE-504A	13-18481-1	GE-504A	34-8055-3	GE-504A	49-3112	GE-504A
2T503	GE-504A	5MA8	GE-509	13-85943-1	6GC1	34-8056-1	GE-504A	50A	GE-504A
2T504	GE-504A	5MA10	GE-509	13-85943-2	6GC1	34-8058-1	GE-504A	50B5	GE-504A
2T507	GE-509	5MF1	GE-504A	13-85943-3	6GC1	34-9037-1	GE-504A	50D2	GE-504A
2T508	GE-509	5MS5	GE-504A	13J2	GE-504A	40A5	GE-504A	50D4	GE-504A
2T509	GE-509	5MS10	GE-504A	13P1	GE-504A	40B5	GE-504A	50D8	GE-509
2T510	GE-509	5MS20	GE-504A	14J2	GE-504A	40D6665A03	GE-504A	50D10	GE-509
2W4A	GE-504A	5MS30	GE-504A	14-514-10	GE-504A	40H	GE-504A	50E2	GE-504A
2W6A	GE-509	5MS40	GE-504A	15N1	GE-504A	40JZ	GE-504A	50E3	GE-504A
2W9A	GE-509	5MS50	GE-504A	16-2	GE-504A	40K	GE-504A	50E4	GE-504A
2X9A116	GE-509	5N1	GE-504A	16C4	GE-504A	40KR	GE-504A	50E7	GE-509
3A152	GE-504A	6-59010	GE-504A	16J2	GE-504A	40M	GE-504A	50E8	GE-509
3A252	GE-504A	6D67800A03	GE-504A	16P2	GE-504A	40NJ	GE-504A	50E10	GE-509
3AS1	GE-504A	6G4	6GC1	17P2	GE-504A	40N1	GE-504A	50M	GE-504A
3AS2	GE-504A	6G8	GE-504A	17-10	GE-504A	40Y3P	GE-504A	53-0051-2	GE-504A
3BS1	GE-504A	6M4	GE-504A	18J2	GE-509	41-001	GE-504A	56-5	GE-504A
3BS2	GE-504A	6RS6PH13BCJ1	GE-504A	18J2F	GE-509	41-J2	GE-504A	57-0006	GE-504A
3CS1	GE-504A	6RS6PH13BKJ1	GE-504A	18P2	GE-504A	42-14027	GE-504A	57-23	GE-504A
3CS2	GE-504A	6RS6PH13BMJ1	GE-504A	19AR4-1	6GD1	42-17443	GE-504A	57-27	GE-504A
3DS1	GE-504A	6RS7PH30BCB1	GE-504A	19P2	GE-504A	42-19865	GE-504A	57-36	GE-504A
3DS2	GE-504A	6RS18PH1108EB1	GE-504A	19-040-002	GE-504A	42-21362	GE-504A	57-42	GE-504A
3ES1	GE-504A	6RS18PH1108HB1	GE-504A	19-040-004	GE-504A	42-21408	GE-504A	60C	GE-504A
3ES2	GE-504A	6RS18PH1108MB1	GE-504A	19-080-002	GE-504A	42A11	GE-504A	60D	GE-504A
3FS1	GE-504A	6RS18PH1108NB1	GE-504A	20B5	GE-504A	42A23	GE-504A	60H	GE-504A
3FS2	GE-504A	6RS36PH13BJJ1	GE-504A	20H	GE-504A	42B2	GE-504A	60M	GE-504A
3GA	GE-504A	6RS36PH13BJK1	GE-504A	20K	GE-504A	42B16	GE-504A	61-7728	GE-504A
3GB	GE-504A	6RS36PH13BLJ1	GE-504A	20M	GE-504A	42X25	GE-504A	61-8968	GE-504A
3G152	GE-504A	6RS51GX12	GE-504A	20N1	GE-504A	42X32	GE-504A	61-8969	GE-504A
3G252	GE-504A	6RS56PHL3BKJ1	GE-504A	21A005-000	GE-504A	42X244	GE-504A	62J2	GE-504A
3GS1	GE-504A	6RW62HY	GE-504A	21A006-000	GE-504A	42X244B	GE-504A	63J2	GE-504A
3HS1	GE-504A	7MA60	GE-504A	21A008-016	GE-504A	42X245	GE-504A	64J2	GE-504A
3HS2	GE-504A	8-22	GE-504A	21A079-000	GE-504A	42X245B	GE-504A	65	GE-504A
3MS5	GE-504A	8-25	GE-504A	21A2	6GC1	45A2FX355	GE-504A	65A	GE-504A
3MS10	GE-504A	8-38	GE-504A	21A3	GE-504A	48-01	GE-504A	65P117	GE-504A
3MS20	GE-504A	8-710-222-21	GE-504A	21A4	GE-504A	48-110	6GC1	65P124	GE-504A
3MS30	GE-504A	8CG15	GE-504A	21A6	GE-504A	48B66629A03	GE-504A	65P124-1	GE-504A
3MS40	GE-504A	8CG15RE	GE-504A	21A7	GE-504A	48C65831A03	6GD1	65P124-2	GE-504A
3MS50	GE-504A	8GA	GE-509	21B-14	GE-504A	48C66037A03	GE-504A	65P153	GE-504A
3SB629	GE-504A	8G7	GE-509	21B-17	GE-504A	48C66037A04	GE-504A	65P155	GE-504A
3T503	GE-504A	9LR2-1	6GC1	23BSC101	GE-504A	48C66037A05	GE-504A	65P206	GE-504A
3T504	GE-504A	9LR2-1	6GC1	23J2	GE-504A	48C66037A10	GE-504A	65P284	GE-504A
3T507	GE-509	10-7	GE-504A	24-198	GE-504A	48C66037A12	GE-504A	65P297	GE-504A
3T508	GE-509	10-12	GE-504A	24-DP1	GE-504A	48C66653A02	GE-504A	66-6030-00	GE-504A
3T509	GE-509	10-42	GE-504A	24J2	GE-504A	48C67926A01	GE-504A	66-6031-00	GE-504A
3T510	GE-509	10AG2	GE-504A	25J2	GE-504A	48C751656	6GC1	66J2	GE-504A
4A4DX52D	GE-504A	10AG6	GE-504A	26J2	GE-504A	48D66037A03	GE-504A	66X21	6GC1
4GA	GE-504A	10AG8	GE-504A	27-226	6GC1	48D66037A04	GE-504A	66X23	GE-504A
4JA2FX355	GE-504A	10AL2	GE-504A	27-C226	6GC1	48D66037A05	GE-504A	66X25	6GC1
4JA2X355	GE-504A	10AL6	GE-504A	27J2	GE-504A	48D66037A08	GE-504A	66X26	GE-504A
4JA4DX520	GE-504A	10AT2	GE-504A	28-6-01	GE-504A	48D66653A02	GE-504A	66X218	6GC1
4JA10DX3	GE-504A	10AT6	GE-504A	28-21-01	GE-504A	48D66653APT001	GE-504A	66X0023-001	GE-504A
4JA10DX32	GE-504A	10B2	GE-504A	28-22-04	GE-504A	48D66653APT003	GE-504A	66X0023-002	GE-504A
4JA10EX3	GE-504A	10B5	GE-504A	28-22-07	GE-504A	48D66653APT015	GE-504A	66X0023-003	GE-504A
4JB2C6	1N82A	10C	GE-504A	28-22-10	GE-504A	48D66654A02	GE-504A	66X0023-004	GE-504A
4JBC12	1N82A	10D2	GE-504A	28-22-11	GE-504A	48D67120A01	GE-504A	66X0023-005	GE-504A
4T503	GE-504A	10D3	GE-504A	28-22-15	GE-504A	48D67120A02	6GC1	66X0023-006	GE-504A
4T504	GE-504A	10D4	GE-504A	28-25-01	GE-504A	48D67120A06	GE-504A	66X0023-007	GE-504A
4T507	GE-509	10DB	GE-509	28-26-01	GE-504A	48D67120A07	GE-504A	66X0023-008	GE-504A
4T508	GE-509	10GA	GE-509	28-254566-1	GE-504A	48D67120A08	GE-504A	66X0025-000-001	6GC1
4T509	GE-509	10G4	GE-509	28J2	GE-504A	48K64169	GE-504A	66X0033-000	GE-504A
4T510	GE-509	10H	GE-504A	30AS	GE-504A	48K646954	GE-504A	66X0033-001	GE-504A
5A-D	GE-504A	10K	GE-504A	30BS	GE-504A	48K647829	GE-504A	66X0035-001	GE-504A

JEDEC TYPE OR PART NO.	GE REPLACEMENT	JEDEC TYPE OR PART NO.	GE REPLACEMENT	JEDEC TYPE OR PART NO.	GE REPLACEMENT	JEDEC TYPE OR PART NO.	GE REPLACEMENT	JEDEC TYPE OR PART NO.	GE REPLACEMENT
66X0036-001	GE CR-2	93B5-8	6GC1	1-531-105-11	GE-504A	295V006H03	GE-504A	624-0007	6GC1
66X0038-001	GE-504A	93B5-9	6GC1	1-531-105-13	GE-504A	295V006H05	GE-504A	624-0009	GE-504A
66X041-001	GE-504A	93B12-1	GE-504A	1-531-106-17	GE-504A	295V014H04	GE-504A	624-0010	GE-504A
67J2	GE-509	93B12-2	GE-504A	1-534-106-13	GE-504A	295V014H7	GE-504A	630-052	GE-504A
67J2A	GE-509	93B12-3	GE-504A	8-719-205-10	GE-504A	295V017H01	GE-504A	650	1N295
70F40	6GC1	93B24-2	GE-504A	100A	GE-504A	295V020H01	GE-504A	684-652423-1	GE-504A
70S40	GE-504A	93B24-3	GE-504A	100D10	GE-509	295V023H01	GE-504A	690V031H33	GE-504A
70T40	GE-504A	93B27-2	GE-504A	100R7B	GE-509	295V027C01	GE-504A	690V037H92	GE CR-3
72Z	GE-504A	93B27-3	GE-504A	100R8B	GE-509	295V028C02	GE-504A	690V038H22	GE-504A
75	GE-504A	93B30-1	GE-504A	100R9B	GE-509	295V028C03	GE-504A	690V038H23	6GC1
75D1	GE-504A	93B30-3	GE-504A	101B6	GE-504A	295V028C04	GE-509	690V039H17	GE CR-2
75D2	GE-509	93B41-4	GE-504A	102B6	GE-504A	295V029C01	GE-504A	690V039H18	GE CR-1
75D8	GE-509	93B42-2	GE-504A	102D	GE-504A	295V031C02	GE-504A	690V039H52	GE-504A
75D10	GE-504A	93B45-1	GE-504A	103-19	1N60, 1N295	296V002H08	GE-504A	690V039H54	GE-504A
75E1	GE-504A	93B47-1	GE-504A	103-20	6GC1	296V004H01	GE-504A	690V041H08	GE-504A
75E2	GE-504A	93B48-2	GE-504A	103-22	1N295	296V006H03	GE-504A	710	GE-504A
75E3	GE-504A	93B52-1	GE-504A	103-31	1N295	296V020B01	GE-504A	742	1N60
75E7	GE-509	93C16-2	GE-504A	103-32	6GC1	301-1	GE CR-3	756	GE-504A
75E8	GE-509	93C19-1	GE CR-1	103-79	GE-504A	304B	GE-504A	800-006-00	GE-504A
75E10	GE-509	93C24-2	GE-504A	103-82	GE-504A	307A	GE-504A	800-014-00	GE-504A
75R7B	GE-509	93C26-7	6GC1	103B6	GE-504A	307B	GE-504A	800-01300-504	GE-504A
75R8B	GE-509	93C26-9	6GC1	103G3125	GE-504A	307C	GE-504A	800-01400	GE-504A
75R9B	GE-509	93C30-1	GE-504A	103G3125A	GE-504A	307D	GE-504A	880-207-000	GE-504A
75R10B	GE-509	93C30-3	GE-504A	104B6	GE-504A	307F	GE-504A	936-10	GE-504A
78-254566-1	GE-504A	93C40	GE CR-2	105B6	GE-504A	307H	GE-504A	964-174443	GE-504A
78-254566-4	GE-504A	93C42-2	GE-504A	106B6	GE-504A	307K	GE-504A	964-19865	GE-504A
78-271143-1	GE-504A	93K2-1	6GC1	107B6	GE-504A	307M	GE-504A	1014	GE-504A
80AS	GE-509	94-1066-1	GE-504A	108	GE-504A	310	GE-504A	1024	GE-504A
80H	GE-509	96-5022-01	GE-504A	108A4	GE-504A	310-4	GE-504A	1034	GE-504A
83-43-3	GE-504A	96-5022-1	GE-504A	108B4	GE-504A	320A	GE-504A	1044	GE-504A
84-44-3	GE CR-1	96-5023-01	GE-504A	109B6	GE-504A	320B	GE-504A	1070	GE-509
85-5	GE-504A	03-0018-0	GE-504A	110-629	GE-504A	320C	GE-504A	1080	GE-509
86-1-3	GE-504A	08-0040	GE-504A	110-635	GE-504A	320F	GE-504A	1084	GE-509
86-3-1	6GD1	08-0821	GE-504A	110-638	GE-504A	320H	GE-504A	1090	GE-509
86-4-1	GE-504A	004-03100	GE CR-2	110-672	GE-504A	320K	GE-504A	1104	GE-509
86-7-1	GE-504A	004-03200	GE CR-1	110-684	GE-504A	320M	GE-504A	1138	GE-504A
86-9-1	6GD1	004-03300	GE-504A	110B6	GE-504A	324-0011	6GC1	1263A	GE-504A
86-9-3	GE-504A	004-03500	GE-504A	112-500-0-501	GE-504A	324-0117	GE-504A	2052	GE-504A
86-18-1	6GC1	004-03600	GE-504A	112-601-0-102	GE-504A	324-0119	GE-504A	2060-024	GE-504A
86-21-1	GE-504A	004-03700	GE-504A	113A7739	GE-504A	324-0120	GE-504A	2093B4-6	GE-504A
86-23-3	GE-504A	004-002000	GE-504A	120-001-300	GE-504A	324-0135	GE-504A	2093B38-14	GE-504A
86-22-3	GE-504A	004-002700	GE-504A	124J490	GE-504A	324-0147	GE-504A	2093B41-6	GE-504A
86-26-1	GE-504A	004-002800	GE-504A	126-4	GE-504A	325-0135-B	GE-504A	2093B41-8	GE-504A
86-28-3	GE-504A	004-002900	GE-504A	135P4	GE-504A	325-0141-23	GE-504A	2093B41-9	GE-504A
86-30-3	GE-504A	004-003000	GE-504A	142-006	GE-504A	325-1441-10	GE-504A	2102	GE-504A
86-34-3	GE-504A	004-003400	GE-504A	145A9254	GE-504A	325-1441-11	GE-504A	2102-014	GE-504A
86-35-3	GE-504A	004-003900	GE-504A	145A9786	GE-504A	325-1446-29	GE-504A	2102-017	GE-504A
86-37-3	GE CR-3	004-004000	GE-504A	150	GE-504A	354-9101-002	GE-504A	2152	GE-504A
86-40-3	GE-504A	004-004100	GE-504A	154A3992	GE-504A	354-9102-001	GE-504A	2206	GE-504A
86-42-3	GE-504A	013-339	GE-504A	173A3981	GE-504A	359P	GE-509	2252	GE-504A
86-44-3	GE CR-1	015-002	GE-504A	173A3981-1	GE-504A	359S	GE-509	2302	GE-504A
86-45-3	GE CR-2	015-006	GE-504A	173A4393	GE-504A	359Z	GE-509	2400-23	GE-504A
86-46-3	GE-504A	019-002935	GE-504A	200	GE-504A	366B	GE-504A	2400-27	GE-504A
86-49-3	GE-504A	019-003870-013	GE-504A	212-18	GE-504A	369-2	GE-504A	2402	GE-504A
86-50-3	GE-504A	019-003870-020	GE-504A	212-23	GE-504A	369-3	GE-504A	2762	GE-504A
86-51-3	GE-504A	022-3905-001	GE-504A	212-25	GE-504A	380H61	GE-504A	2766	GE-504A
86-54-3	GE-504A	027-000296	GE-504A	212-27	GE-504A	385P	GE-509	2777	GE-504A
86-55-3	GE CR-3	027-000306	GE-504A	212-33	GE-504A	385S	GE-509	2779	GE-504A
86-57-3	GE-504A	027-000312	GE-504A	212-35	GE-504A	400A	1N34AS	2784	GE-504A
86-58-3	GE-504A	027-300226	6GC1	212-36	GE-504A	400D	1N34AS	2786	GE-504A
86-59-3	GE-504A	0100	GE-504A	212-37	GE-504A	454-A2534-1	GE-504A	2802	GE-509
86-62-3	GE-504A	0110	GE-504A	212-39	GE-504A	454-A2534-10	GE-504A	3700-153	GE-504A
86-63-3	GE-504A	0111	GE-504A	212-40	GE-504A	471-010	GE-504A	5416	GE-504A
86-0016-01	GE-504A	0112	GE-504A	212-41	GE-504A	474-004	GE-504A	7702-1A	GE-509
86-5009-3	GE-504A	0302	GE-504A	212-42	GE-504A	474-025	GE-504A	7704-1	GE-509
86-5024-3	GE-504A	0307	GE-509	212-46	GE CR-3	517-0021	GE-504A	7706-1	GE-509
87-56-3	GE CR-3	0312	GE-504A	212-47	GE-504A	517-0025	GE-504A	7708-1	GE-509
88-125	GE-504A	0317	GE-509	212-48	GE CR-1	517-0031	GE-504A	7710-1	GE-509
88-831	GE-504A	0322	GE-504A	212-49	GE-504A	517-0033	GE-504A	7711-1	GE-509
88-832	GE-504A	0327	GE-509	212-50	GE-504A	530-111-1	GE-504A	7712-1	GE-509
88-833	GE-504A	0400	GE-504A	212-58	GE-504A	600	GE-504A	7713-1	GE-509
91A06	GE-504A	0401	GE-504A	212-61	GE-504A	601	GE-504A	9650-001	GE-504A
93A5-2	6GC1	0402	GE-504A	212-62	GE-504A	604B	GE-504A	10031	6GC1
93A12-1	GE-504A	0410	GE-504A	212-63	GE CR-3	608	GE-504A	12602	GE-504A
93B1-6	GE-504A	0411	GE-504A	212-64	GE-504A	610	GE-504A	12720	GE-504A
93B1-18	GE-504A	0412	GE-504A	212-65	GE-504A	610C	GE-504A	12736	GE-504A
93B1-20	GE-504A	0450	GE-504A	212-71	GE-504A	612	GE-504A	12746	GE-504A
93B1-21	GE-504A	0460	GE-504A	212-72	GE-504A	614	GE-504A	12768	GE-504A
93B5-3	6GC1	04049B	GE-504A	212-77	GE-504A	616	GE-504A	12786	GE-504A
93B5-3-6	6GC1	013339	GE-504A	215-51	GE-504A	618	GE-504A	12788	GE-504A
93B5-3-8	6GC1	0727-50	GE-504A	215-58	GE-504A	620	GE-504A	12803	GE-504A
93B5-3-9	6GC1	08050	GE-504A	227-2000D1	6GC1	622	GE-504A	12837	GE-504A
93B5-4	6GC1	0510006	GE-504A	229-1054-5	GE-504A	624	GE-504A	13782	GE-504A
93B5-5	6GC1	1-20-001-890	GE-504A	229-1054-82	GE-504A	624-0005	6GC1	14027	GE-504A
93B5-6	6GC1	1-530-012-11	GE-504A	291-04	GE-504A	624-0006	6GC1	17443	GE-504A



## CRYSTAL DIODES, SILICON AND GERMANIUM RECTIFIERS

34174-AM460

JEDEC TYPE OR PART NO.	GE REPLACE-MENT	JEDEC TYPE OR PART NO.	GE REPLACE-MENT	JEDEC TYPE OR PART NO.	GE REPLACE-MENT	JEDEC TYPE OR PART NO.	GE REPLACE-MENT	JEDEC TYPE OR PART NO.	GE REPLACE-MENT
34174	GE-504A	113039	GE-504A	609113	GE-504A	A1H	GE-504A	A95-5297	6GC1
34394	GE-504A	113321	GE-504A	610112	GE-504A	A1H1	GE-509	A100	GE-504A
35287	GE-504A	113391	GE-504A	612112	GE-504A	A1H5	GE-509	A101-A	GE-504A
35287A	GE-504A	113392	GE-504A	613020	GE-504A	A1H9	GE-509	A123-7	GE-504A
3554	GE-504A	113397	GE-504A	613130	GE-504A	A1K1	GE-509	A200	GE-504A
36201	GE-504A	113398	GE-504A	614010	GE-504A	A1K5	GE-509	A300	GE-504A
36535	GE-504A	114013	GE-504A	633977	6GD1	A1K9	GE-509	A400	GE-504A
36537	GE-504A	115039	GE-504A	661010	6GC1	A1M1	GE-509	A500	GE-504A
36549	GE-504A	115559A	GE-504A	700647	GE-504A	A1M5	GE-509	A600	GE-504A
36554	GE-504A	115599	GE-504A	700663	GE-504A	A1M9	GE-509	A800	GE-504A
36555	GE-504A	116052	GE-504A	700664	GE-504A	A2D5	GE-504A	A1000	GE-509
37126-1	GE-504A	117145	GE-504A	742008	GE-504A	A2E5	GE-504A	A1946	GE-509
44465-3	GE-504A	117145A	GE-504A	742009	GE-504A	A2H1	GE-509	A10105	GE-504A
44465-4	GE-504A	118244	GE-504A	744002	6GC1	A2H4	GE-509	A10113	GE-504A
44465-5	GE-504A	118825	GE-504A	744006	6GC1	A2H5	GE-509	A10118	GE-504A
44465-6	GE-504A	161021	GE-504A	752309	GE-504A	A2H9	GE-509	AA800	GE-509
46140-2	GE-504A	161029	GE-504A	815142	GE-504A	A2K1	GE-509	AA922	GE-504A
47126	GE-504A	161032	GE-504A	817062	6GD1	A2K4	GE-509	AC30	GE-504A
14126-1	GE-504A	161033	GE-504A	817068	GE-504A	A2K5	GE-509	AC50	GE-504A
47126-1A	GE-504A	161037	GE-504A	817074	6GC1	A2K9	GE-509	AC150	GE-504A
47126-2	GE-504A	199919	GE-504A	817104	GE-504A	A2MA	GE-509	AD10	GE-504A
47126-3	GE-504A	199985	GE-504A	817109	GE-504A	A2M1	GE-509	AD50	GE-504A
47126-3A	GE-504A	121468	GE-504A	817111	GE-504A	A2M5	GE-509	AD100	GE-504A
47126-4	GE-504A	330003	GE-504A	817112	GE-504A	A2M9	GE-509	AD150	GE-504A
47126-4A	GE-504A	330018	GE-504A	817114	GE-504A	A3B3	GE-504A	AD200	GE-504A
47126-6	GE-504A	330019	GE-504A	817117	GE-504A	A3C3	GE-504A	AE10	GE-504A
47126-7	GE-504A	348048-2	GE-504A	817121	GE-504A	A3D3	GE-504A	AE30	GE-504A
66682-42	GE-504A	464010	GE-504A	817122	GE-504A	A3H1	GE-509	AE50	GE-504A
68504-78	GE-504A	464070	GE-504A	817123	GE-504A	A3H3	GE-509	AE100	GE-504A
69213-78	GE-504A	530045-1	6GD1	817124	GE-504A	A3H5	GE-509	AE150	GE-504A
72041	GE-504A	530045-2	6GD1	817130	GE-504A	A3H9	GE-509	AE200	GE-504A
72053	6GC1	530045-3	6GD1	817133	GE-504A	A3K1	GE-509	AH805	GE-509
72058	GE-504A	530045-4	6GD1	817135	GE-504A	A3K3	GE-509	AH810	GE-509
72058A	GE-504A	530057-1	GE-504A	817138	GE-504A	A3K5	GE-509	AH814	GE-509
72060	GE-504A	530063-6	GE-504A	817140	GE-504A	A3K9	GE-509	AH1005	GE-509
72097	GE-504A	530063-7	GE-504A	817141	GE-504A	A3M1	GE-509	AH1010	GE-509
72101	GE-504A	530063-11	GE-504A	817143	GE-504A	A3M3	GE-509	AH1015	GE-509
72103	GE-504A	530063-12	GE-504A	817148	GE-504A	A3M5	GE-509	AJ10	GE-504A
72109	GE-504A	530071-1	GE-504A	817149	GE-504A	A3M9	GE-509	AJ25	GE-504A
72110	GE-504A	530071-2	GE-504A	817156	GE-504A	A4H1	GE-509	AJ30	GE-504A
72111	GE-504A	530072-1	GE-504A	817157	GE-504A	A4H5	GE-509	AJ35	GE-504A
72113	GE-504A	530082-1	GE-504A	817962	6GD1	A4H9	GE-509	AJ40	GE-504A
72113A	GE-504A	530082-2	GE-504A	972571-2	GE-504A	A4K1	GE-509	AJ60	GE-504A
72119	GE-504A	530082-3	GE-504A	972571-3	GE-504A	A4K5	GE-509	AM3	GE-504A
72123	GE-504A	530082-3	GE-509	972571-4	GE-504A	A4K9	GE-509	AM010	GE-504A
72123A	GE-504A	530086-1	GE-504A	973962-1	GE-504A	A4M1	GE-509	AM020	GE-504A
72130	GE-504A	530087-2	GE-504A	980143	GE-504A	A4M5	GE-509	AM025	GE-504A
72130-1	GE-504A	530088-1	GE-509	1107832-7	6GC1	A4M9	GE-509	AM030	GE-504A
72137	GE-504A	530088-2	GE-509	1107832-9	6GC1	A5B2	GE-504A	AM035	GE-504A
83008	GE-504A	530093-1	6GC1	1107832-10	6GC1	A5C5	GE-504A	AM060	GE-504A
91001	GE-504A	530093-2	6GD1	1440977	GE-504A	A5D2	GE-504A	AM13	GE-504A
93005	GE-504A	530093-3	6GD1	1440977-1	GE-504A	A5D5	GE-504A	AM21	GE-504A
93006	GE-504A	530094-1	GE-504A	1440990	GE-504A	A5H1	GE-509	AM22	GE-504A
93007	GE-504A	530095-1	GE-504A	1470990-1	GE-504A	A5H2	GE-509	AM23	GE-504A
93011	GE-504A	530096	GE-504A	2000625-36	GE-504A	A5H5	GE-509	AM24	GE-504A
93012	GE-504A	530096-1	GE-504A	2000626-32	GE-504A	A5H9	GE-509	AM32	GE-504A
93022	GE-504A	530096-2	GE-504A	2000646-115	GE-504A	A5K1	GE-509	AM33	GE-504A
93022A	GE-504A	530096-3	GE-504A	2000646-119	GE-504A	A5K2	GE-509	AM42	GE-504A
93023	GE-504A	530097-3	GE-504A	2000646-120	GE-504A	A5K5	GE-509	AM43	GE-504A
100471	6GC1	530098-1	GE-504A	20001786-139	6GC1	A5K9	GE-509	AM53	GE-504A
100520	GE-504A	530099-1	GE-504A	20001786-141	GE-504A	A7B	GE-504A	AM62	GE-504A
100624	GE-504A	530099-3	GE-504A	20001786-142	GE-504A	A7C	GE-504A	AM63	GE-504A
101403	GE-504A	530106-1	GE-504A	2060041	GE-504A	A7D	GE-504A	AM65	GE-504A
103318	GE-504A	530109-1	GE-504A	4101685	GE-504A	A10A	GE-504A	AM66	GE-504A
104081	GE-504A	530111-1	GE-504A	7043261	GE-504A	A10B	GE-504A	AM300	GE-504A
104213	GE-504A	530113-1	GE-504A	7100628	GE-504A	A10C	GE-504A	AM300A	GE-504A
105064	GE-504A	530126-1	GE-504A	7100630	GE-504A	A10D	GE-504A	AM301	GE-504A
106379	GE-504A	530127-4	GE-504A	9246055	GE-504A	A10E	GE-504A	AM301A	GE-504A
107268	6GX1	530127-5	6GC1	9248015	GE-504A	A10M	GE-504A	AM302A	GE-504A
107628	6GX1	530127-6	GE-504A	9248055	GE-504A	A13A2	GE-504A	AM303	GE-504A
109328	6GC1	551026	GE-504A	9248058	GE-504A	A13B2	GE-504A	AM303A	GE-504A
109474	6GC1	552006	GE-504A	13033801	GE-504A	A13C2	GE-504A	AM304	GE-504A
110388	GE-504A	552007	GE-504A	13038900	GE-504A	A13D2	GE-504A	AM304A	GE-504A
110496	GE-504A	552010	GE-504A	2001786-142	GE-509	A13E2	GE-504A	AM305A	GE-504A
110629	GE-504A	575028	GE-504A	2002336-115	GE-504A	A13F2	GE-504A	AM306	GE-504A
110636	GE-504A	575042	GE-504A	27123050	GE-504A	A13M2	GE-504A	AM306A	GE-504A
110873	GE-504A	575050	GE-504A	27123070	GE-504A	A23	GE-504A	AM307	GE-504A
111086	GE-504A	575051	GE-504A	27123100	GE-504A	A30	1N60, 1N295	AM307A	GE-504A
111516	GE-504A	580029	GE-504A	27123100A	GE-504A	A86-3-1	6GX1	AM308A	GE-504A
111542	GE-504A	606113	GE-504A	27123120	GE-504A	A86-9-1	6GC1	AM420	GE-504A
111776	GE-504A	607113	GE-504A	43540012	GE-504A	A95-5280	6GC1	AM425	GE-504A
111820	GE-504A	608030	GE-504A	80001300	GE-504A	A95-5281	GE-504A	AM430	GE-504A
112017	GE-504A	608101	GE-504A	80001400	GE-504A	A95-5289	GE-504A	AM440	GE-504A
112018	GE-504A	608113	GE-504A	A07	1N34AS, 1N60	A95-5295	GE-509	AM445	GE-504A
112826	GE-504A	609030	GE-504A	A1B	GE-504A	A95-5296	GE-509	AM460	GE-504A

JEDEC TYPE OR PART NO.	GE REPLACE-MENT	JEDEC TYPE OR PART NO.	GE REPLACE-MENT	JEDEC TYPE OR PART NO.	GE REPLACE-MENT	JEDEC TYPE OR PART NO.	GE REPLACE-MENT	JEDEC TYPE OR PART NO.	GE REPLACE-MENT
AO4091A	GE-504A	BA119	GE-504A	CD1111	GE-504A	CL2	GE-504A	DHD805	GE-504A
AO4092	GE-504A	BA120	GE-504A	CD1112	GE-504A	CL3	GE-504A	DHD806	GE-504A
AO4092A	GE-504A	BA128	GE-504A	CD1113	GE-504A	CL7	GE-509	DI7	GE-504A
AO4092B	GE-504A	BA129	GE-504A	CD1114	GE-504A	CL8	GE-509	DI42S	GE-504A
AO4093	GE-504A	BA130	GE-504A	CD1115	GE-504A	COD1531	GE-504A	DI46	GE-504A
AO4093A	GE-504A	BA153	GE-504A	CD1116	GE-504A	COD1532	GE-504A	DI52S	GE-504A
AO4901A	GE-504A	BAY15	GE-509	CD1122	GE-504A	COD1533	GE-504A	DI56	GE-504A
AR7C	GE-504A	BAY16	GE-509	CD1123	GE-504A	COD1536	GE-504A	DI72S	GE-504A
AS-2	GE-504A	BAY17	GE-504A	CD1126	GE-504A	COD1537	GE-509	DI64S	GE-504A
AS-3	GE-504A	BAY23	GE-509	CD1127	GE-504A	COD1538	GE-509	DI646	GE-504A
AS-4	GE-504A	BAY44	GE-504A	CD1141	GE-504A	COD1551	GE-504A	DI650	GE-509
AS-5	GE-504A	BAY64	GE-504A	CD1142	GE-504A	COD1553	GE-504A	DI1649	GE-504A
AS-14	GE-504A	BAY86	GE-504A	CD1143	GE-504A	COD1611	GE-504A	DICR1	GE-509
AS-15	GE-504A	BAY87	GE-504A	CD1147	GE-504A	COD1612	GE-504A	DIS1S	GE-504A
B1B	GE-504A	BAY90	GE-509	CD1148	GE-504A	COD1613	GE-504A	DP100	GE-509
B1H	GE-504A	BB107	GE-504A	CD1149	GE-504A	COD1616	GE-504A	DR1	GE-504A
B1H1	GE-509	BB117	GE-504A	CD1151	GE-504A	COD1618	GE-509	DR2	GE-504A
B1H5	GE-509	BB127	GE-504A	CD13332	GE-504A	COD11556	GE-504A	DR3	GE-504A
B1H9	GE-509	BC207	GE-504A	CD13333	GE-504A	COD15524	GE-504A	DR4	GE-504A
B1K1	GE-509	BC307	GE-504A	CD13334	GE-504A	COD15534	GE-504A	DR5	GE-504A
B1K5	GE-509	BD107	GE-504A	CD13335	GE-504A	COD15544	GE-504A	DR200	GE-504A
B1K9	GE-509	BD117	GE-504A	CD13336	GE-504A	COD15564	GE-504A	DR300	GE-504A
B1M1	GE-509	BD127	GE-504A	CD13337	GE-504A	COD1-6045	GE-504A	DR400	GE-504A
B1M5	GE-509	BE107	GE-504A	CD13338	GE-504A	COD1-6046	GE-504A	DR427	GE-504A
B1M9	GE-509	BE117	GE-504A	CD13339	GE-504A	COD1-6047	GE-504A	DR435	GE-504A
B2H1	GE-509	BE127	GE-504A	CE502	GE-504A	COD1-6048	GE-504A	DR600	GE-504A
B2H5	GE-509	BR42	GE-504A	CE508	GE-509	CP102	GE-509	DR668	GE-504A
B2H9	GE-509	BR44	GE-504A	CE6050	GE-504A	CP102PA	GE-509	DR669	GE-504A
B2K1	GE-509	BR46	GE-504A	CER67	GE-504A	CP102RA	GE-509	DR670	GE-504A
B2K5	GE-509	BR52	GE-504A	CER67A	GE-504A	CP103	GE-509	DR671	GE-504A
B2K9	GE-509	BY100	GE-509	CER67B	GE-504A	CP152VA	GE-509	DR695	GE-504A
B2M5	GE-509	BY100S	GE-509	CER68	GE-504A	CT16XT	6GC1	DR698	GE-504A
B2M9	GE-509	BY101	GE-504A	CER68A	GE-504A	CT100	GE-504A	DR699	GE-504A
B3H1	GE-509	BY103	GE-504A	CER68B	GE-504A	CT200	GE-504A	DR700	GE-509
		BY108	GE-509	CER69	GE-504A	CT300	GE-504A	DR800	GE-509
B3H5	GE-509	BY109	GE-509	CER69A	GE-504A	CT461	1N295	DR826	GE-504A
B3H9	GE-509	BY112	GE-504A	CER70	GE-504A	CT600	GE-504A	DR848	GE-504A
B3K1	GE-509	BY113	GE-504A	CER70A	GE-504A	CTN200	GE-504A	DR863	GE-504A
B3K5	GE-509	BY114	GE-504A	CER70C	GE-504A	CTP-461	1N295	DR900	GE-509
B3K9	GE-509	BY118	GE-509	CER71	GE-504A	CV442	1N60, 1N295	DR1000	GE-509
B3M1	GE-509	BY119	GE-509	CER71A	GE-504A	CX-0037	GE-504A	DR5101	GE-504A
B3M5	GE-509	BY123	GE-504A	CER71B	GE-504A	CX-0039	GE-504A	DR5102	GE-504A
B3M9	GE-509	BY128	GE-509	CER71C	GE-504A	CX-0040	GE-504A	DRS1	GE-504A
B4H1	GE-509	BY129	GE-509	CER72	GE-509	CX-9001	GE-504A	DRS2	GE-509
B4H5	GE-509	BY153	GE-504A	CER72A	GE-509	CY80	GE-509	DRS107	GE-509
B4H9	GE-509	BY1001	GE-509	CER72B	GE-509	CY100	GE-509	DS0065	GE-504A
B4K1	GE-509	BY1002	GE-509	CER72C	GE-509	D4	6GC1	DS1K	GE-504A
B4K5	GE-509	BY1101	GE-509	CER72D	GE-509	D4R26	GE-504A	DS1M	GE-504A
B4K9	GE-509	BY1102	GE-509	CER72F	GE-509	D5	6GD1	DS2N	GE-504A
B4M1	GE-509	BY1201	GE-509	CER73	GE-509	D6	6GX1	DS13	GE-504A
B4M5	GE-509	BY1202	GE-509	CER73B	GE-509	D8HZ	GE-509	DS27	1N34AS, 1N60
B4M9	GE-509	BYX10	GE-509	CER73C	GE-509	D16U3	GE-504A	DX520	GE-504A
B5H1	GE-509	BYY31	GE-504A	CER73D	GE-509	D16U4	GE-504A	E1M3	GE-509
B5H5	GE-509	BYY32	GE-504A	CER73F	GE-509	D18	GE-504A	E1N3	GE-509
B5H9	GE-509	BYY33	GE-504A	CER680	GE-504A	D25	GE-504A	E075L	GE-504A
B5K1	GE-509	BYY34	GE-504A	CER680A	GE-504A	D25A	GE-504A	E14C350	GE-504A
B5K5	GE-509	BYY35	GE-504A	CER680B	GE-504A	D25B	GE-504A	E25C5	GE-504A
B5K9	GE-509	BYY36	GE-504A	CER690	GE-504A	D25C	GE-504A	E125C200	GE-504A
B-28	1N34AS, 1N60	BYY89	GE-504A	CER700	GE-504A	D28	GE-504A	E135	GE-504A
B30C250	GE-504A	BYY91	GE-504A	CER700A	GE-504A	D30	GE-504A	E146	GE-504A
B30C250-1	GE-504A	C1B	GE-504A	CER700C	GE-504A	D45C	GE-504A	E150L	GE-504A
B30C600	GE-504A	C1H	GE-504A	CER710	GE-504A	D65C	GE-504A	E300L	GE-504A
B30C600CB	GE-504A	C10110	GE-504A	CER710A	GE-504A	D85C	GE-509	E650L	GE-504A
B31	GE-504A	C11S1C1E1C	GE-504A	CER710B	GE-504A	D88	GE-509	E1018N	GE-504A
B35C600	GE-504A	C60	1N60	CER710C	GE-504A	D100	GE-504A	E1440	GE-504A
B46-110	6GC1	CA10	GE-504A	CER720	GE-509	D105C	GE-509	E1411	GE-504A
B66X0035-001	GECCR-1	CA20	GE-504A	CER720A	GE-509	D108	GE-509	E1412	GE-504A
B66X0036-001	GECCR-2	CA50	GE-504A	CER720B	GE-509	D300	GE-504A	E1413	GE-504A
B200C40	GE-504A	CA100	GE-504A	CER720C	GE-509	D400	GE-504A	E10116	GE-504A
B250C7K4S	GE-504A	CA1020A	GE-504A	CER730	GE-509	D600	GE-504A	EA0015	GE-504A
B250C75	GE-504A	CA102PA	GE-509	CER730B	GE-509	D800	GE-509	EA0016	GE-504A
B250C75K4	GE-504A	CA102RA	GE-509	CER730C	GE-509	D1000	GE-509	EA0031	GE-504A
B250C75K5	GE-504A	CA150	GE-504A	CF102DA	GE-504A	D1445	GE-504A	EA010	GE-504A
B250C100	GE-504A	CA200	GE-504A	CF102PA	GE-509	D6462	GE-504A	EA020	GE-504A
B250C100TD	GE-504A	CA250	GE-509	CF102RA	GE-509	DA90	1N34AS	EA030	GE-504A
B250C125K4	GE-504A	CB10	GE-504A	CG12-E	1N60	DA058	GE-509	EA16X1	1N60
B250C125N2	GE-504A	CB20	GE-504A	CH119D	GE-504A	DA2068	GE-509	EA16X4	GE-504A
B250C125X4	GE-504A	CB50	GE-504A	CK131	1N82A	DD003	GE-504A	EA16X5	1N60
B250C150	GE-504A	CB100	GE-504A	CK705	1N34AS	DD006	GE-504A	EA16X8	GE-504A
B250C150K4	GE-504A	CB150	GE-504A	CK706	1N60	DD007	GE-504A	EA16X9	1N60
B294	GE-504A	CB200	GE-504A	CK706A	1N295	DD056	GE-504A	EA16X21	GE-504A
BA100	GE-504A	CB250	GE-504A	CK706-P	1N60, 1N295	DD058	GE-509	EA57X1	GE-504A
BA104	GE-504A	CC102DA	GE-504A	CK710	1N82A	DD268	GE-509	EA57X3	GE-504A
BA105	GE-504A	CC102PA	GE-509	CK715	1N34AS	DD2068	GE-509	EA57X8	GE-504A
BA114	GE-504A	CC102RA	GE-509	CK731	1N82A	DH4R2	GE-504A	EA57X10	GE-504A



CRYSTAL DIODES, SILICON AND GERMANIUM RECTIFIERS

EA57X11-NA104

JEDEC TYPE OR PART NO.	GE REPLACE-MENT	JEDEC TYPE OR PART NO.	GE REPLACE-MENT	JEDEC TYPE OR PART NO.	GE REPLACE-MENT	JEDEC TYPE OR PART NO.	GE REPLACE-MENT	JEDEC TYPE OR PART NO.	GE REPLACE-MENT
EA57X11	GE-504A	FA8	GE-509	HF0W05	GE-504A	LRR300	GE-504A	MC080A	GE-509
EA1072	GE-504A	FD3	GE-504A	HR10	GE-504A	LRR400	GE-504A	MC090	GE-509
EA1448	GE-504A	FD6	GE-504A	HR11	GE-504A	LRR500	GE-504A	MC090A	GE-509
EC401	GE-504A	FD333	GE-504A	HR13	GE-504A	M0027	GE-504A	MC100	GE-509
EC402	GE-504A	FD1599	GE-504A	HS133	1N82A	M1H	GE-504A	MC100A	GE-509
ECR600-2	GE-504A	FD3389	GE-504A	HS1001	GE-504A	M12	GE-504A	MC170	GE-504A
ED4	GE-504A	FR1	GE-504A	HS1002	GE-504A	M34A	1N34AS	MC456	GE-504A
ED5	GE-504A	FR1M	GE-504A	HS1003	GE-504A	M51	1N34AS	MC1520	GE-504A
ED6	GE-504A	FR1P	GE-504A	HS1007	GE-504A	M60	1N60	MC1521	GE-504A
ED7	GE-504A	FR1033	GE-504A	HS1008	GE-504A	M68	GE-504A	MC1522	GE-504A
ED1804	GE-504A	FST2	GE-504A	HS1009	GE-504A	M68A	GE-504A	MC1523	GE-504A
ED1892	GE-504A	FST3	GE-504A	HS1010	GE-504A	M68B	GE-504A	MC1524	GE-504A
ED2106	GE-504A	FT1N	GE-504A	HS1011	GE-504A	M69	GE-504A	MC1527	GE-509
ED2107	GE-504A	FW100	GE-504A	HS1012	GE-504A	M69A	GE-504A	MC1528	GE-509
ED2108	GE-504A	FW200	GE-504A	HS1020	GE-504A	M69B	GE-504A	MC1529	GE-509
ED2109	GE-504A	FW400	GE-504A	HS3103	GE-504A	M70C	GE-504A	MD04	GE-504A
ED2110	GE-504A	FW600	GE-504A	HS3104	GE-504A	M72	GE-509	MD60	1N34AS, 1N60
ED2842	GE-504A	FW600A	GE-504A	HS3108	GE-509	M72A	GE-509	MD134	GE-504A
ED2843	GE-504A	FWL100	GE-504A	HS3110	GE-509	M72B	GE-509	MD135	GE-504A
ED2844	GE-504A	FWL200	GE-504A	HSC1	GE-509	M72C	GE-509	MD136	GE-504A
ED2846	GE-504A	FWL300	GE-504A	J241	1N34AS	M72D	GE-509	MD137	GE-504A
ED2917	GE-504A	G01	GE-504A	J242	1N34AS	M73	GE-509	MD138	GE-504A
ED2918	GE-504A	G02	GE-504A	J243	1N34AS	M73A	GE-509	MM7	GE-509
ED2919	GE-504A	G02A	1N82A	J2441	1N60, 1N295	M73B	GE-509	MM8	GE-509
ED2921	GE-504A	G1HA	1N34AS	JAM702C	GE-504A	M73C	GE-509	MM9	GE-509
ED3002	GE-504A	G5C	1N34AS	JCN3	GE-504A	M82	GE-509	MM10	GE-509
ED3003S	GE-504A	G5F	1N60, 1N295	JCN4	GE-504A	M95	1N34AS	MN34A	1N34AS
ED3004	GE-504A	G5K	1N34AS	JCN7	GE-509	M102	GE-509	MN51	1N34AS
ED3006	GE-504A	G7	1N82A	JCV2	GE-504A	M124J779-1	GE-504A	MN60	1N60
ED3008	GE-509	G7A	1N82A	JCV3	GE-504A	M150	GE-504A	MP01	GE-504A
ED3008A	GE-509	G7D	1N34AS	JCV7	GE-509	M500	GE-504A	MP100	GE-504A
ED3008B	GE-509	G7E	1N34AS	K1H5	GE-509	M604	GE-504A	MP225	GE-504A
EEER600-2	GE-504A	G7F	1N60	K1K5	GE-509	M680	GE-504A	MP300	GE-504A
EF100	GE-509	G7G	1N60	K1M5	GE-509	M680A	GE-504A	MP400	GE-504A
EG100	GE-504A	G100B	GE-504A	K2H5	GE-509	M680B	GE-504A	MPX25	GE-504A
EM408	GE-509	G100D	GE-504A	K2K5	GE-509	M690	GE-504A	MQ3/2	GE-504A
EM410	GE-509	G100G	GE-504A	K2M5	GE-509	M700C	GE-504A	MQ6/2	GE-504A
EM502	GE-504A	G100J	GE-504A	K3	1N82A	M702C	GE-504A	MQ8/2	GE-504A
EM508	GE-509	G100K	GE-509	K3AST47	1N82A	M720	GE-509	MR990	GE-509
EP1259-2	GE-504A	G100M	GE-509	K3E	1N82A	M720A	GE-509	MR1032B	GE-504A
ER11	GE-504A	G130	GE-504A	K3H5	GE-509	M720B	GE-509	MR1237FB	GE-504A
ER31	GE-504A	G222	GE-504A	K3M5	GE-509	M720C	GE-509	MR1237FL	GE-504A
ER41	GE-504A	G296	GE-504A	K4H5	GE-509	M730	GE-509	MR1237SB	GE-504A
ER57X2	GE-504A	G409	1N34AS	K4K5	GE-509	M730B	GE-509	MR1237SL	GE-504A
ER57X3	GE-504A	G657	GE-504A	K4M5	GE-509	M730C	GE-509	MR1247FB	GE-504A
ER57X4	GE-504A	G659	GE-504A	K5H5	GE-509	M4736	GE-504A	MR1247FL	GE-504A
ER61	GE-504A	G700	GE-504A	K5K5	GE-509	M8222	GE-504A	MR1247SB	GE-504A
ER81	GE-509	G701	GE-504A	K6	1N60, 1N295	M9206	GE-504A	MR1247SL	GE-504A
ER101	GE-504A	G702	GE-504A	K60	1N60	M9312	GE-504A	MR1267	GE-504A
ER102D	GE-504A	G10119	GE-504A	K117J460-1	6GC1	M9314	GE-504A	MS1H	GE-504A
ER103D	GE-504A	GD11E	GE-504A	K117J460-2	6GC1	M9317	GE-504A	MS2H	GE-504A
ER186	GE-509	GD12	GE-504A	K118J966-1	6GD1	M9319	GE-504A	MS3H	GE-504A
ER187	GE-509	GD12E	GE-504A	(WT16X9)	GE-504A	M41223-2	GE-504A	MS4H	GE-504A
ER201	GE-504A	GD72E/3	GE-504A	K118J966-2	6GX1	M109474	6GC1	MS5H	GE-504A
ER301	GE-504A	GD72E/4	GE-504A	K118J966-3 (WT16X8)	6GX1	MA-8	1N34AS, 1N60	MS11H	GE-504A
ER308	GE-509	GD72E/5	GE-504A	K118J966-4	6GX1	MA23B	1N60, 1N295	MS12H	GE-504A
ER310	GE-509	GD400	GE-504A	K122J176-1	GE-504A	MA101	GE-504A	MS13H	GE-504A
ER410	GE-504A	GD401	GE-504A	K122J176-2	GE-504A	MA102	GE-504A	MS14H	GE-504A
ER510	GE-504A	GE X36	GE-504A	K122J177-P1	GE-504A	MA110	GE-504A	MS35H	GE-504A
ERD300	GE-504A	GEX66	GE-504A	K882	1N295	MA203	GE-504A	MS36H	GE-504A
ERD400	GE-504A	GJ4M	GE-504A	K1615	6GC1	MA211	GE-504A	MS50	GE-504A
ERD700	GE-509	GSM51	GE-504A	K1616	6GD1	MA215	GE-504A	MT84	GE-509
ERD800	GE-509	GSM52	GE-504A	K1617	6GX1	MA350	GE-504A	N48	1N60, 1N295
ERD900	GE-509	GSM53	GE-504A	KC06E11/8	GE-504A	MA351	GE-504A	NA13	GE-504A
ERD1000	GE-509	GSM54	GE-504A	KC0911/8	GE-504A	MB01	GE-504A	NA21	GE-504A
ET16X1	1N60	GSM482	GE-504A	KC08C11/8	GE-504A	MC19	GE-504A	NA22	GE-504A
ET16X7	6GC1	GSM483	GE-504A	KC08C11/10	GE-504A	MC010	GE-504A	NA25	GE-504A
ET16X10	6GC1	H800	GE-509	KC08C21/5	GE-504A	MC020	GE-504A	NA32	GE-504A
ET16X11	6GC1	H881	GE-504A	KC1322/1	GE-504A	MC020A	GE-504A	NA33	GE-504A
ET55-25	GE-504A	H1000	GE-509	KD27	1N60, 1N295	MC021	GE-504A	NA35	GE-504A
ET55X25	GE-504A	HA800	GE-509	KD2103	GE-504A	MC021A	GE-504A	NA36	GE-504A
ET55X29	GE-504A	HB2	GE-504A	KS05	GE-504A	MC022	GE-504A	NA42	GE-504A
ET57X30	GE-504A	HB3	GE-504A	KSKE40C200	GE-504A	MC022A	GE-504A	NA45	GE-504A
ET57X31	GE-504A	HC67	GE-504A	KSKE40C500	GE-504A	MC023	GE-504A	NA46	GE-504A
ET57X32	GE-504A	HC69	GE-504A	L3/2H	GE-504A	MC023A	GE-504A	NA62	GE-504A
ET57X33	GE-504A	HD6865	GE-504A	L6/2H	GE-504A	MC025	GE-504A	NA63	GE-504A
ET57X35	GE-504A	HEP154	GE-504A	LL2	GE-504A	MC030	GE-504A	NA65	GE-504A
ET57X39	GE-504A	HEP156	GE-504A	LP1H	GE-504A	MC030A	GE-504A	NA66	GE-504A
ET57X40	GE-504A	HEP157	GE-504A	LP2H	GE-504A	MC030B	GE-504A	NA74	GE-509
F2	GE-504A	HEP158	GE-504A	LP3H	GE-504A	MC035	GE-504A	NA75	GE-509
F4	GE-504A	HEP159	GE-509	LP4H	GE-504A	MC040	GE-504A	NA76	GE-509
F6	GE-504A	HEP160	GE-509	LP4H	GE-504A	MC040A	GE-504A	NA84	GE-509
F8	GE-509	HFSD1	GE-504A	LRR50	GE-504A	MC070	GE-509	NA85	GE-509
F136	1N60, 1N295	HFSD1B	GE-504A	LRR100	GE-504A	MC070A	GE-509	NA86	GE-509
F10124	GE-509	HFSD1Z	GE-504A	LRR200	GE-504A	MC080	GE-509	NA104	GE-509

JEDEC TYPE OR PART NO.	GE REPLACE-MENT	JEDEC TYPE OR PART NO.	GE REPLACE-MENT	JEDEC TYPE OR PART NO.	GE REPLACE-MENT	JEDEC TYPE OR PART NO.	GE REPLACE-MENT	JEDEC TYPE OR PART NO.	GE REPLACE-MENT
NA105	GE-509	PD122	GE-504A	PT515	GE-504A	S2E60-1	GE-504A	SC8	GE-509
NL10	GE-504A	PD125	GE-504A	PT520	GE-504A	S2E100	GE-509	SC10	GE-509
NL20	GE-504A	PD129	GE-504A	PT525	GE-504A	S3A06	GE-504A	SC20	1N34AS, 1N60
NL25	GE-504A	PD130	GE-504A	PT530	GE-504A	S3AR1	GE-504A	SC54	1N34AS, 1N60
NL30	GE-504A	PD131	GE-504A	PT540	GE-504A	S3MX	GE-504A	SC110	GE-504A
NL60	GE-504A	PD132	GE-504A	PT550	GE-504A	S4A06	GE-504A	SCA8	GE-509
NP60A	GE-504A	PD133	GE-504A	PT560	GE-504A	S4AR1	GE-504A	SCA10	GE-509
NSS1021	GE-509	PD134	GE-504A	PT580	GE-509	S4FN300	GE-504A	SCE8	GE-509
NU34	1N34AS	PD135	GE-504A	PV8	GE-504A	S7AR1	GE-509	SCE10	GE-509
O101	GE-504A	PD910	GE-504A	Q18	GE-504A	SBAR1	GE-509	SD1	GE-504A
OA70	1N60	PD913	GE-509	Q1H	GE-504A	S9AR1	GE-509	SD1A	GE-504A
OA71	1N34AS	PD914	GE-509	Q3/2	GE-504A	S10AR1	GE-509	SD18	GE-504A
OA71C	1N34AS	PD915	GE-509	Q48	GE-504A	S10	GE-504A	SD1C	GE-509
OA73	1N60	PD916	GE-509	Q6/2	GE-504A	S13	GE-504A	SD1HF	GE-504A
OA73C	1N60	PE401	GE-504A	Q8/2	GE-504A	S16	GE-504A	SD1LA	GE-504A
OA79	1N34As, 1N60, 1N295	PE401N	GE-504A	Q52	GE-504A	S16A	GE-504A	SD1X	GE-504A
OA81	1N60	PE402	GE-504A	Q53	GE-504A	S168	GE-504A	SD1Y	GE-504A
OA85C	1N34AS	PE403	GE-504A	Q54	GE-504A	S17	GE-504A	SD1Z	GE-504A
OA127	GE-504A	PE408	GE-509	Q55	GE-504A	S17A	GE-504A	SD28	GE-509
OA128	GE-504A	PE410	GE-509	Q56	GE-504A	S20	GE-509	SD8	GE-509
OA129	GE-504A	PE502	GE-504A	Q57	GE-504A	S20ND400	GE-504A	SD46	1N34AS, 1N60, 1N295
OA130	GE-504A	PE504	GE-504A	Q58	GE-504A	S20NH400	GE-504A	SD51	GE-504A
OA131	GE-504A	PE506	GE-504A	Q59	GE-504A	S23	GE-504A	SD80	GE-504A
OA132	GE-504A	PE508	GE-509	Q60	GE-504A	S24	GE-509	SD82	1N82A
OA150	GE-504A	PE510	GE-509	R080	GE-509	S26	GE-504A	SD91	GE-504A
OA160	GE-504A	PH25C22/1	GE-504A	R3/2H	GE-504A	S28	GE-509	SD91A	GE-504A
OA200	GE-504A	PH108	GE-504A	R6/2H	GE-504A	S31	GE-504A	SD92	GE-504A
OA202	GE-504A	PH109	GE-509	R8	GE-509	S32	GE-504A	SD92A	GE-504A
OA210	GE-504A	PH1021	GE-504A	R8/2H	GE-504A	S33	GE-504A	SD93	GE-504A
OA211	GE-504A	PS010	GE-504A	R122C	GE-504A	S34	GE-504A	SD93A	GE-504A
OA214	GE-504A	PS025	GE-504A	R855-2	GE-504A	S35	GE-504A	SD94	GE-504A
OY101	GE-504A	PS035	GE-504A	R105064	GE-504A	S36	GE-504A	SD94A	GE-504A
OY5061	GE-504A	PS040	GE-504A	R106379	GE-504A	GECR-3	GE-509	SD948	GE-504A
OY5062	GE-504A	PS060	GE-504A	R109328	GE-504A	S61	GE-509	SD95	GE-504A
OY5063	GE-504A	PS120	GE-504A	R109474	GE-504A	S62	GE-509	SD95A	GE-504A
						S63	GE-509		
OY5064	GE-504A	PS125	GE-504A	R113321	GE-504A	S81	GE-504A	SD98	GE-509
OY5065	GE-504A	PS130	GE-504A	R113392	GE-504A	S82	GE-504A	SD98A	GE-509
OY5066	GE-504A	PS135	GE-504A	RC080	GE-509	S83	GE-504A	SD101	GE-504A
OY5067	GE-509	PS140	GE-504A	RD250	GE-504A	S91	GE-504A	SD102	GE-504A
P3/2H	GE-504A	PS160	GE-504A	RE504	GE-504A	S91-A	GE-504A	SD104	GE-504A
P6/2H	GE-504A	PS420	GE-504A	RER023	GE-504A	6GC1	GE-504A	SD105	GE-504A
P6RP8	GE-509	PS425	GE-504A	RF3160	GE-504A	S92	GE-504A	SD201	GE-504A
P6RP10	GE-509	PS430	GE-504A	RF3472	GE-504A	S92-A	GE-504A	SD404	1N82
P8/2H	GE-504A	PS440	GE-504A	RF26234-1	GE-504A	S92-H	GE-504A	SD910	GE-509
P580	GE-509	PS460	GE-504A	RF29799P	GE-504A	S93	GE-504A	SD910A	GE-509-
P1000	GE-509	PS603	GE-504A	RF31903P	GE-504A	S93A	GE-504A	SE05	GE-504A
P5100	GE-509	PS604	GE-504A	RF32101R	GE-504A	S94	GE-504A	SE05C	GE-509
P10115	GE-504A	PS605	GE-504A	RF32101-8	GE-504A	S100	GE-509	SE05D	GE-509
PA3	GE-504A	PS609	GE-504A	RF32101-9	GE-504A	S102	GE-504A	SE30826A	GE-504A
PA069	GE-504A	PS610	GE-504A	RF32102R	GE-504A	GECR-2	GE-504A	SE1730	GE-509
PA070	GE-504A	PS611	GE-504A	RF32103R	GE-504A	GECR-1	GE-504A	SFR135	GE-504A
PA305	GE-504A	PS615	GE-504A	RF32645	GE-504A	S105	GE-504A	SFR151	GE-504A
PA310	GE-504A	PS616	GE-504A	RF33976	GE-504A	S106	GE-504A	SFR153	GE-504A
PA315	GE-504A	PS617	GE-504A	RF34383	GE-504A	S108	GE-504A	SFR156	GE-504A
PA320	GE-504A	PS621	GE-504A	RFJ30704	GE-504A	S129	GE-504A	SFR268	GE-509
PA320A	GE-504A	PS622	GE-504A	RFJ31218	GE-504A	S201	GE-504A	SG005	GE-504A
PA320B	GE-504A	PS623	GE-504A	RFJ31362	GE-504A	S203	GE-504A	SG205	GE-504A
PA325	GE-504A	PS627	GE-504A	RFJ31363	GE-504A	S204	GE-504A	SG305	GE-504A
PA326A	GE-504A	PS628	GE-504A	RFJ33292	GE-504A	S206	GE-504A	SG805	GE-504A
PA3258	GE-504A	PS629	GE-504A	RFL30596	GE-504A	S208	GE-509	SG1198	GE-504A
PA330	GE-504A	PS632	GE-504A	RFM33160	GE-504A	S210	GE-509	SG3400	GE-504A
PA330A	GE-504A	PS633	GE-504A	RFP33118	GE-504A	S218	GE-504A	SH1	GE-504A
PA330B	GE-504A	PS636	GE-504A	RL41	GE-504A	S223	GE-504A	SH18	GE-509
PA340	GE-504A	PS637	GE-504A	RLF1G	GE-504A	S224	GE-504A	SH1C	GE-509
PA340A	GE-504A	PS1140	GE-509	RS220AF	GE-504A	S232	GE-504A	SH4D1	GE-504A
PA3408	GE-504A	PS2207	GE-504A	RS230AF	GE-504A	S233	GE-509	SH4D2	GE-504A
PA350	GE-504A	PS2208	GE-504A	RS3570	GE-504A	S234	GE-504A	SH4D8	GE-509
PA360	GE-504A	PS2209	GE-504A	RS3727	GE-504A	S235	GE-504A	SI91G	GE-504A
PA380	GE-509	PS2247	GE-504A	RS6344	GE-504A	S238	GE-504A	SI600	GE-504A
PA10556	GE-504A	PS2249	GE-504A	RS6461	GE-504A	S239	GE-504A	SIL200	GE-504A
PC0211/2	GE-504A	PS2412	GE-504A	RS6471	GE-504A	S240	GE-504A	SJ201F	GE-504A
PD101	GE-504A	PS2415	GE-504A	RS6705	GE-504A	S243	GE-504A	SJ202F	GE-504A
PD102	GE-504A	PS2416	GE-509	RT2016	GE-509	S253	GE-504A	SJ301F	GE-504A
PD103	GE-504A	PS2417	GE-509	RT3443	GE-504A	S254	GE-504A	SJ302F	GE-504A
PD104	GE-504A	PS4559	GE-504A	S101G	GE-509	S256	GE-504A	SJ601F	GE-504A
PD105	GE-504A	PS4560	GE-504A	S1A06	GE-504A	S257	GE-509	SL2	GE-504A
PD106	GE-504A	PS4725	GE-504A	S1A060	GE-504A	S258	GE-509	SL3	GE-504A
PD107	GE-504A	PS5300	GE-504A	S1C	GE-509	S260	GE-509	SL833	GE-504A
PD107A	GE-504A	PS5301	GE-504A	S1D	GE-509	S262	GE-504A	SL833A	GE-504A
PD108	GE-504A	PS5302	GE-504A	S2A10	GE-504A	S428	GE-504A	SLA01	GE-509
PD110	GE-504A	PT3	GE-504A	S2C30	GE-504A	S431	GE-504A	SLA18A8	GE-509
PD111	GE-504A	PT5	GE-504A	S2C40	GE-504A	S855	GECR-3	SLA18C	GE-509
PD114	GE-509	PT58	GE-504A	S2C40A	GE-504A	S6005	GE-504A	SLA4408	GE-504A
PD115	GE-509	PT505	GE-504A	S2E20	GE-504A	S17074	6GC1	SLA441	GE-504A
PD116	GE-509	PT510	GE-504A	S2E60	GE-504A	SC6	1N295	SLA4418	GE-504A



CRYSTAL DIODES, SILICON AND GERMANIUM RECTIFIERS

SLA442-ZW2

JEOEC TYPE OR PART NO.	GE REPLACE-MENT	JEOEC TYPE OR PART NO.	GE REPLACE-MENT	JEOEC TYPE OR PART NO.	GE REPLACE-MENT	JEOEC TYPE OR PART NO.	GE REPLACE-MENT	JEOEC TYPE OR PART NO.	GE REPLACE-MENT
SLA442	GE-504A	SR1A4	GE-504A	T22G	GE-504A	TV8	GE-509	ZJ2528	GE-504A
SLA4428	GE-504A	SR1A8	GE-504A	T26G	GE-504A	TV2496	GE-504A	ZR61	GE-504A
SLA443	GE-504A	SR1A12	GE-504A	T50	GE-504A	TV24104	GE-504A	ZR62	GE-504A
SLA444	GE-504A	SR1T	GE-504A	T100	GE-504A	TV24125	GE-504A	ZR63	GE-504A
SLA444A	GE-504A	SR2A1	GE-504A	T200	GE-504A	TV24136	GE-504A	ZR500	GE-504A
SLA445	GE-504A	SR2A2	GE-504A	T300	GE-504A	TV24155	GE-504A	ZR590	GE-504A
SLA4458	GE-504A	SR2A4	GE-504A	T400	GE-504A	TV24182	GE-504A	ZR1025	GE-504A
SLA537	GE-504A	SR2A8	GE-504A	T450	GE-504A	TV24193	GE-504A	ZR1031	GE-504A
SLA538	GE-504A	SR2A12	GE-504A	T500	GE-504A	TV24224	GE-504A	ZR1035	GE-504A
SLA547	GE-504A	SR3	GE-504A	T550	GE-504A	TVC6	GE-504A GECR-3	ZR1076	GE-504A
SLA560	GE-509	SR10	6GX1	T600	GE-504A	TVMK112C	6GC1	ZS7	GE-504A
SLA561	GE-509	SR13	6GC1	T650	GE-504A	TVMM2048	GE-504A	ZS8	GE-504A
SLA603	GE-504A	SR14	6GX1	T800	GE-509	TVMPH9DZ2/1	GE-504A	ZS10A	GE-504A
SLA603A	GE-504A	SR15	6GX1	T1000	GE-509	TVSDS1M	GE-504A	ZS108	GE-504A
SLA606	GE-504A	SR17	GE-504A	T4590	GE-504A	TVSFR1P	GE-504A	ZS20A	GE-504A
SLA606A	GE-504A	SR20	6GC1	T21312	GE-504A	TVSPCD2P11/2	GE-504A	ZS208	GE-504A
SLA1096	GE-504A	SR21	6GC1	TC02P112	GE-504A	TVSSD1A	GE-504A	ZS21	GE-504A
SLA1100	GE-504A	SR22	GE-504A	TC136	GE-504A	TW80	GE-509	ZS22	GE-504A
SLA1101	GE-504A	SR23	GE-504A	TE1011	GE-504A	TW100	GE-509	ZS23	GE-504A
SLA1102	GE-504A	SR24	GE-504A	TE1024C	GE-504A	U119	GE-509	ZS24	GE-504A
SLA1105	GE-504A	SR27	GE-504A	TE1029	GE-504A	U120	GE-509	ZS25	GE-504A
SLA1487	GE-504A	SR28	GE-504A	TE1042	GE-504A	U212	GE-504A	ZS30	GE-504A
SLA1488	GE-504A	SR29	6GC1	TF20	GE-504A	U213	GE-504A	ZS30A	GE-504A
SLA1489	GE-504A	SR30	GECR-3	TF21	GE-504A	U361	GE-509	ZS308	GE-504A
SLA1492	GE-504A	SR31	GECR-2	TF22	GE-504A	U2400-03	GE-504A	ZS31	GE-504A
SLA1694	GE-504A	SR32	GECR-1	TF23	GE-504A	UR205	GE-514	ZS31A	GE-504A
SLA1695	GE-504A	SR37	GECR-3	TFR120	GE-504A	UR210	GE-514	ZS318	GE-504A
SLA1697	GE-504A	SR76	GE-504A	TG11	GE-504A	UR220	GE-514	ZS32	GE-504A
SLA2610	GE-504A	SR100	GE-504A	TG12	GE-504A	UT16	GE-504A	ZS32A	GE-504A
SLA2611	GE-504A	SR101-1	GE-504A	TG21	GE-504A	UT112	GE-504A	ZS328	GE-504A
SLA2612	GE-504A	SR101-2	GE-504A	TG22	GE-504A	UT234	GE-504A	ZS33	GE-504A
SLA2615	GE-504A	SR112	GE-504A	TG31	GE-504A	UT235	GE-504A	ZS33A	GE-504A
SLA2616	GE-509	SR114	GE-504A	TG32	GE-504A	UT238	GE-504A	ZS338	GE-504A
SLA2617	GE-509	SR120	GE-504A	TG41	GE-504A	V270-D1	GE-504A	ZS34	GE-504A
SLA3193	GE-504A	SR200	GE-504A	TG42	GE-504A	V442	GE-504A	ZS34A	GE-504A
SLA3196	GE-509	SR2008	GE-504A	TG51	GE-504A	V8100	GE-504A	ZS348	GE-504A
SM10	GE-504A	SR401	GE-504A	TG52	GE-504A	V8300	GE-504A	ZS50	GE-504A
SM20	GE-504A	SR499	GE-504A	TG61	GE-504A	V8400	GE-504A	ZS51	GE-504A
SM30	GE-504A	SR500	GE-504A	TG62	GE-504A	V8500	GE-504A	ZS52	GE-504A
SM70	GE-509	SR5008	GE-504A	TI52	GE-504A	V8600	GE-504A	ZS53	GE-504A
SM71	GE-509	SR846-2	GE-504A	TI53	GE-504A	V8600A	GE-504A	ZS71	GE-504A
SM73	GE-509	SR889	GE-504A	TI54	GE-504A	V8H600	GE-504A	ZS72	GE-504A
SM80	GE-509	SR1693	GE-504A	TI55	GE-504A	VFA2745C	GE-504A	ZS73	GE-504A
SM81	GE-509	SR1694	GE-504A	TI56	GE-504A	FM009M	6GC1	ZS78	GE-509
SM83	GE-509	SR2121	GE-504A	TI57	GE-504A	VMPH11D522-1	GE-504A	ZS78A	GE-509
SM100	GE-509	SR2301	GE-504A	TI58	GE-504A	VS1	GE-504A	ZS788	GE-509
SM101	GE-509	SR9000	GECR-1	TI59	GE-504A	VS202	GE-504A	ZS90	GE-504A
SM103	GE-509	SR9001	GECR-2	TI60	GE-504A	VSFR1P	GE-504A	ZS91	GE-504A
SM120	GE-504A	SS321	GE-504A	TIR07	GE-509	TVSFR1P	GE-504A	ZS92	GE-504A
SM130	GE-504A	SS322	GE-504A	TIR08	GE-509	VSF1N	GE-504A	ZS94	GE-504A
SM150	GE-504A	SS324	GE-504A	TIR09	GE-509	VSPH9D522/1	GE-504A	ZS100	GE-504A
SM150A	GE-504A	SS334	GE-504A	TIR10	GE-509	VSSD18	GE-504A	ZS101	GE-504A
SM150C	GE-509	SS337	GE-504A	TJ10A	GE-504A	VSSD1Z	GE-504A	ZS102	GE-504A
SM150D	GE-509	ST12	GE-504A	TJ15A	GE-504A	VSTC02P11/2	GE-504A	ZS103	GE-504A
SM170	GE-509	ST16	GE-504A	TJ20A	GE-504A	WC14020	GE-504A	ZS104	GE-504A
SM180	GE-509	ST18	GE-509	TJ30A	GE-504A	WC14027	GE-504A	ZS108	GE-509
SM200	GE-509	ST47	1N82A	TJ35A	GE-504A	WD001	GE-504A	ZS120	GE-504A
SM230	GE-504A	ST2040P	GE-504A	TJ40A	GE-504A	WD002	GE-504A	ZS121	GE-504A
SM240	GE-504A	SV12388	GE-504A	TJ60A	GE-504A	WD003	GE-504A	ZS122	GE-504A
SM260	GE-504A	SV12388E	GE-504A	TK10	GE-504A	WD004	GE-504A	ZS123	GE-504A
SM270	GE-509	SW05	GE-504A	TK20	GE-504A	WD005	GE-504A	ZS124	GE-504A
SM280	GE-509	SW05-01	GE-504A	TK30	GE-504A	WD006	GE-504A	ZW2	GE-504A
SM300	GE-509	SW05A	GE-504A	TK61	GE-504A	WD007	GE-504A		
SM483	GE-504A	SW05C	GE-509	TKF80	GE-509	WD008	GE-504A		
SM486	GE-504A	SW05D	GE-509	TKF100	GE-509	WD009	GE-504A		
SM487	GE-504A	SW05V	GE-504A	TM33	GE-504A	WD010	GE-504A		
SM488	GE-504A	SW1C	GE-509	TM43	GE-504A	WD011	GE-504A		
SM517	GE-509	SW1D	GE-509	TM63	GE-504A	WD012	GE-504A		
SM518	GE-509	SX623	GE-504A	TM65	GE-504A	WD013	GE-504A		
SM520	GE-509	SX631	GE-504A	TM66	GE-504A	WD014	GE-504A		
SM645	GE-504A	SX633	GE-504A	TM86	GE-509	WD015	GE-504A		
SM646	GE-504A	SX641	GE-504A	TMD41	GE-504A	WR200	GE-504A		
SM710	GE-504A	SX642	GE-504A	TMD42	GE-504A	WR300	GE-504A		
SM720	GE-504A	SX643	GE-504A	TMD45	GE-504A	WR400	GE-504A		
SM730	GE-504A	SX644	GE-504A	TP34	1N34AS	WRE981	GE-504A		
SM770	GE-509	SX645	GE-504A	TP34A	1N34AS	WX6	1N60		
SM780	GE-509	T065	GE-504A	TR2880	GE-504A	X5M6	GE-504A		
SM800	GE-509	T075	GE-504A	TS05	GE-504A	X16	1N34AS		
SP1	GE-504A	T0150	GE-504A	TS1	GE-504A	X18	1N60		
SPN01	GE-504A	T3/2	GE-504A	TS2	GE-504A	XS10	GE-504A		
SO46	1N34AS, 1N60	T8/2	GE-504A	TS2A	GE-504A	XS17	GE-504A		
SR0004	6GC1	T12G	1N34AS	TS4	GE-504A	XS17A	GE-504A		
SR1	GE-504A	T14	GE-504A	TS6	GE-504A	XS31	GE-504A		
SR1A1	GE-504A	T14G	GE-504A	TS8	GE-509	XU604	GE-504A		
SR1A2	GE-504A	T17	1N60, 1N295	TS8-245	GE-504A	Y100	6GD1		

## SELENIUM RECTIFIERS FOR COLOR TV

COLOR TV MANUFACTURER AND PART NO.	GE REPLACE-MENT PART NO.	COLOR TV MANUFACTURER AND PART NO.	GE REPLACE-MENT PART NO.	COLOR TV MANUFACTURER AND PART NO.	GE REPLACE-MENT PART NO.	COLOR TV MANUFACTURER AND PART NO.	GE REPLACE-MENT PART NO.	COLOR TV MANUFACTURER AND PART NO.	GE REPLACE-MENT PART NO.
<b>Admiral</b> 93B19-1 93B53-1 93B53-2 93C19-1 93C40	GEGR-3 GEGR-3 GEGR-3 GEGR-3 GEGR-2	<b>CGE</b> 6RS18PH110BHB1 6RS6PH13BKJ1 R1 R2 R3	GEGR-1 GEGR-2 GEGR-1 GEGR-2 GEGR-3	<b>ET57X31</b> ET57X32 ET57X33 K122-J176-1 K122-J176-2 K122-J177P1 M128-J422PT.1 M128-J753	GEGR-2 GEGR-1 GEGR-3 GEGR-1 GEGR-1 GEGR-2 GEGR-3 GEGR-3	<b>Packard Bell</b> 7209A 72060 72109 72110 72111	GEGR-3 GEGR-3 GEGR-3 GEGR-1 GEGR-2	<b>Sylvania</b> 13-16105-3 13-16106-1 13-17569-1 105064 72060	GEGR-2 GEGR-1 GEGR-3 GEGR-3 GEGR-3
<b>Airline</b> 105064 34-8053-2 34-8055-2 34-8056-1 530087-2 530096-1 530097-3 B66X0035-001 SR-30 SR-31 SR-32 SR-37	GEGR-3 GEGR-1 GEGR-3 GEGR-2 GEGR-3 GEGR-1 GEGR-2 GEGR-1 GEGR-2 GEGR-3 GEGR-1 GEGR-3	<b>Coronado</b> 105064 34-8053-2 34-8055-2 34-8056-1	GEGR-3 GEGR-1 GEGR-3 GEGR-2	<b>Heath</b> 57-36 6RS6PH13BCJ1	GEGR-1 GEGR-2	<b>Penncrest</b> 34-8053-2 34-8055-2 34-8056-1	GEGR-1 GEGR-3 GEGR-2	<b>Truetone</b> 34-8053-2 34-8055-2 34-8056-1 66X0033-001 66X0035-001 66X0036-001	GEGR-1 GEGR-3 GEGR-2 GEGR-3 GEGR-1 GEGR-2
<b>AMC</b> 113391 113392	GEGR-1 GEGR-2	<b>Curtis Mathes</b> 21A005 21A3 21A4 51GX14	GEGR-3 GEGR-1 GEGR-2 GEGR-3	<b>Hoffman</b> 004-003200 004-003100 004-003700 (SR-37)	GEGR-1 GEGR-2 GEGR-3	<b>Philco</b> 34-8053-2 34-8053-3 34-8053-4 34-8055-2 34-8056-1 34-8058 34-8058-1 (2) 324-0015	GEGR-1 GEGR-1 GEGR-1 GEGR-3 GEGR-2 GEGR-3 GEGR-3	<b>Warwick</b> 86-44-3 86-45-3 86-56-3C (.3F) 87-56-3 6RS18PH110BEB1 6RS7PH130BCB1	GEGR-1 GEGR-2 GEGR-3 GEGR-1 GEGR-1
<b>Andrea</b> A-95-5295 A-95-5296 6RS18PH110BNB1 6RS6PH13BLJ1	GEGR-2 GEGR-1 GEGR-1 GEGR-2	<b>Dumont</b> 105604 R105064 817123 817124 817149 1440977-1	GEGR-3 GEGR-3 GEGR-1 GEGR-2 GEGR-3 GEGR-1	<b>Magnavox</b> M105064 1440977-1 1470990-1 530087-2 530096 (-1) 530097-2 530097-3 530132	GEGR-3 GEGR-1 GEGR-3 GEGR-3 GEGR-3 GEGR-2 GEGR-1	<b>RCA</b> 105064 113321 113391 113397 1440977 (SIM to THB1)	GEGR-3 GEGR-3 GEGR-1 GEGR-1 GEGR-1 GEGR-1	<b>Wells Gardner (Airline)</b> B66X0035-001 B66X0036-001 B66X0041-001	GEGR-1 GEGR-2 GEGR-3
<b>Bradford</b> 105064 66X0033-000 66X0035-001 66X0036-001	GEGR-3 GEGR-3 GEGR-1 GEGR-2	<b>Emerson</b> R105064 817123 817124 817127 817149	GEGR-3 GEGR-1 GEGR-2 GEGR-3 GEGR-3	<b>Motorola</b> 48C66653A02 48D66653A02 48D66653A PT. 005 48D66653A PT. 001	GEGR-3 GEGR-3 GEGR-1 GEGR-3	<b>Setchel Carlson</b> FR-1033	GEGR-1	<b>Westinghouse</b> 295V031B02 295V034C01 295V031B 690V037H92 690V039H17 690V039H18 690V039H54	GEGR-3 GEGR-1 GEGR-2 GEGR-3 GEGR-2 GEGR-1 GEGR-3
<b>Catalina</b> 66X0033-000 66X0033-001 66X0035-001 66X0036-001	GEGR-3 GEGR-3 GEGR-1 GEGR-2	<b>General Electric</b> 23B210679-1 ET57X26	GEGR-1 GEGR-3	<b>Olympic</b> RF32102R RF32103R 6RS18PH110BMB1 6RS6PH13BJJ1 105064 1440977-1	GEGR-2 GEGR-1 GEGR-1 GEGR-2 GEGR-3 GEGR-1	<b>Silvertone</b> 86-37-3 86-45-3 86-47-3 105064 199985	GEGR-3 GEGR-2 GEGR-3 GEGR-3 GEGR-3	<b>Zenith</b> 212-48 212-63 212-68	GEGR-1 GEGR-3 GEGR-2

## DUAL DIODE REPLACEMENT GUIDE

ORIGINAL EQUIP. MFRS. PART NO.	GE REPLACE-MENT PART NO.	ORIGINAL EQUIP. MFRS. PART NO.	GE REPLACE-MENT PART NO.	ORIGINAL EQUIP. MFRS. PART NO.	GE REPLACE-MENT PART NO.	ORIGINAL EQUIP. MFRS. PART NO.	GE REPLACE-MENT PART NO.	ORIGINAL EQUIP. MFRS. PART NO.	GE REPLACE-MENT PART NO.	ORIGINAL EQUIP. MFRS. PART NO.	GE REPLACE-MENT PART NO.
<b>Admiral</b> 93A5-2 93B5-3, 4, 5, 6, 8, 9 93C26-7, 9	6GD1 6GC1 6GC1	<b>Clairtone</b> 93K2-1	6GC1	<b>K118J966-2</b> K118J966-3 (WT16X8) K118J966-4 RER-023	6GX1 6GX1 6GX1 6GX1	<b>Muntz</b> SR0004	6GC1	<b>Sharp</b> 616010	6GC1	<b>Truetone</b> 27C226 66X21 66X25 66X0025-001 93B5-9 027-300226 109474 SR-10 SR-13 SR-15 SR-20	6GC1 6GC1 6GC1 6GC1 6GC1 6GC1 6GC1 6GC1 6GC1 6GC1
<b>Airline</b> 66X21 66X25 66X0025-001 296V004H01 109474 530045-3 530093-1 SR-14, 15 SR-20, 29	6GC1 6GC1 6GC1 6GC1 6GD1 6GC1 6GD1 6GC1	<b>Coronado</b> 27C226 027-300226 66X21 66X25 66X0025-001 109474 SR-13 SR-15	6GC1 6GC1 6GC1 6GC1 6GC1 6GC1 6GD1	<b>Hallcrafters</b> 27-226 27C226 027-300226	6GC1 6GC1 6GC1	<b>Hoffman</b> 004-002900 10031 744002 7440006	6GC1 6GC1 6GC1 6GC1	<b>Packard Bell</b> 72053	6GC1	<b>Silvertone</b> 48-110 A86-3-1 A86-9-1 86-18-1 27C226 A-86-3-1 B-46-110 100471 109328	6GC1 6GX1 6GC1 6GC1 6GC1 6GD1 6GC1 6GC1 6GC1
<b>Ambassador</b> 27-226 817074 SR-15	6GC1 6GC1 6GD1	<b>Dumont</b> 109474 R109328 817074	6GC1 6GC1 6GC1	<b>Hotpoint</b> ET16X7 RER-023 WT16X7	6GC1 6GC1 6GC1	<b>Panasonic</b> VM-0.09M	6GC1	<b>Sonora</b> SR-13 SR-15 SR-20	6GC1 6GC1 6GC1	<b>Warwick</b> A86-9-1 A86-4-1 A86-3-1	6GC1 6GD1 6GX1
<b>AMC</b> 66X21 66X25 817074 SR-15	6GC1 6GC1 6GC1 6GD1	<b>Dominion Electrohome</b> 14-503-02 109474	6GD1 6GC1	<b>ITT</b> K-1615 K-1616 K-1617	6GC1 6GX1 6GX1	<b>Penncrest</b> 66X21 66X25 66X0025-001 109474	6GC1 6GC1 6GC1 6GC1	<b>Spartan (Canada)</b> 19AR4-1	6GD1	<b>Wells Gardner</b> 66X218	6GC1
<b>Andrea</b> A95-5280 A95-5297	6GC1 6GC1	<b>Emerson</b> R109474 109474 817062 817074 817962	6GC1 6GC1 6GD1 6GC1 6GD1	<b>Magnavox</b> M109474 109474 530045-1, 2, 3, 4 530093-1	6GC1 6GC1 6GC1 6GD1	<b>J. C. Penney</b> 66X21 66X25	6GC1 6GC1	<b>Sylvania</b> 13-16219-7 13-85943-1 13-85943-2 13-85943-3 624-0005 624-0006 624-0007 109474 ECG-113 ECG-114 ECG-115	6GC1 6GC1 6GC1 6GC1 6GC1 6GC1 6GC1 6GD1 6GX1	<b>Westinghouse</b> 296V004H01 690V038H23	6GC1 6GC1
<b>Artone</b> 27-226 27C226	6GC1 6GC1	<b>Firestone</b> 27C226 34-8037-1 SR-15 SR-20	6GC1 6GC1 6GD1 6GC1	<b>Marconi</b> 817074	6GC1	<b>Philco</b> 34-8037 34-8037-1 34-8037-3 324-0011	6GC1 6GC1 6GC1 6GC1	<b>Tech-Master</b> Y100	6GD1	<b>Zenith</b> 103-20 103-32 633977	6GC1 6GC1 6GD1
<b>Bradford</b> 66X21 66X25 66X0025-000, 001 109474	6GC1 6GC1 6GC1 6GC1	<b>General Electric</b> ET16X7 ET16X10 ET16X11 K115J510-1, 2 (WT16X7) K117J460-1 K117J460-2 K118J966-1 (WT16X9)	6GC1 6GC1 6GC1 6GC1 6GC1 6GC1 6GC1 6GD1	<b>Meteor</b> 27-226	6GC1	<b>R.C.A.</b> 103872 107268 109328 109474 1107832-6 1107832-7 1107832-9 1107832-10 1107832-11	6GC1 6GX1 6GC1 6GC1 6GX1 6GC1 6GC1 6GC1	<b>Tonecrest</b> SR-15	6GD1	<b>Trans American</b> 227-200001	6GC1
<b>Capehart</b> 66X21	6GC1			<b>Motorola</b> 48C65831A02 48C751656 48D67120A02 48K741255 48K741752 48K751724 48K742698 48K754153	6GX1 6GC1 6GC1 6GC1 6GD1 6GX1 6GD1 6GD1	<b>Sears Silvertone</b> A86-9-1	6GC1	<b>Setchel Carlson</b> 9LR2-1 9LR21	6GC1 6GC1	<b>Trav-Jer</b> SR-10 SR-13 SR-15 SR-20	6GD1 6GC1 6GD1 6GC1



## COLOR 3.5 MC QUARTZ CRYSTAL REPLACEMENT GUIDE

## ZENER DIODES REPLACEMENT GUIDE

1/4A10-1N1881A

COLOR TV MANUFACTURER AND PART NO.	GE REPLACE-MENT PART NO.	COLOR TV MANUFACTURER AND PART NO.	GE REPLACE-MENT PART NO.	COLOR TV MANUFACTURER AND PART NO.	GE REPLACE-MENT PART NO.
Admiral 93B3-3, 4 93B22-3 93C22-1 93C22-3	GE-42 GE-42 GE-42 GE-42	Hoffman 3.58 MC Crystal 936001 136-000100 136-000200 136-000300	GE-42 GE-42 GE-42 GE-42 GE-42	(Sears) Silvertone T-E0317 33-4-3 33-4-3A 33-7-3 48-77 3374-3 105330 599995	GE-42 GE-42 GE-42 GE-42 GE-42 GE-42 GE-42
Airline TV24176 QC-1 136-000100 105330 530089-2	GE-42 GE-42 GE-42 GE-42 GE-42 GE-42	Magnavox M100449 M105330 530089-2 530128-1	GE-42 GE-42 GE-42 GE-42 GE-42	Stromberg Carlson 162201	GE-42
Ambassador R105330 817129 817147 817157	GE-42 GE-42 GE-42 GE-42 GE-42	Motorola 48B732230 48B7322230 48T66544A88 48C66865A01	GE-42 GE-42 GE-42 GE-42	Sylvania 72059 105330 26-16162-1	GE-42 GE-42 GE-42
AMC 66X0003-001 68X0003-001 105330 817147	GE-42 GE-42 GE-42 GE-42	Muntz CX9000 Olympic CR32077R CR32077-1 105330	GE-42 GE-42 GE-42 GE-42 GE-42	Symphonic T-E0317	GE-42
Andrea 3.5 MC Crystal A95-5286	GE-42 GE-42	Peckard Bell 72020 72059	GE-42 GE-42	Toshiba 599995	GE-42
Aristocrat 3.5 MC Crystal 2001786-169	GE-42 GE-42	Panasonic TSS-616-1	GE-42	Truettone 8M-26102 66X0003-001 68X0003-001 105330	GE-42 GE-42 GE-42 GE-42
Bradford 66X0003-001 68X0003 68X0003-001 105330 T-E0137	GE-42 GE-42 GE-42 GE-42 GE-42	Pennercrest 66X0003-001 68X0003-001 105330	GE-42 GE-42 GE-42	TV Mfrs of America CX-9000	GE-42
Capetart 750746A	GE-42	Philco 34-0012 34-8028 34-8034-4 34-8043-4 324-0012	GE-42 GE-42 GE-42 GE-42 GE-42	Westinghouse 296V001H01 296V001M01 690V38H25	GE-42 GE-42 GE-42
Catalina 66X0003 66X0003-001 105330 817147	GE-42 GE-42 GE-42 GE-42	Pilot 817147	GE-42	Zenith 103-28 103-71 103-89	GE-42 GE-42 GE-42
Clairtone 8000900	GE-42	RCA 78896 100449 102249 105330 1107863-1 1107863-2 1107863-3	GE-42 GE-42 GE-42 GE-42 GE-42 GE-42 GE-42		
CBS Columbia 63000061	GE-42	Raytheon 8M-26102	GE-42		
Coronado CX-9000 66X0003-001 68X0003-001 105330	GE-42 GE-42 GE-42 GE-42	Satchell-Carlson 3.58 MC X1018	GE-42 GE-42		
Curtis Mathes 3.58 MC 9A1 09A001-00	GE-42 GE-42 GE-42	Sentinal 3.5 MC Crystal 20E1114	GE-42 GE-42		
Del Monico A04021 QC-1	GE-42 GE-42	Sharp 615130	GE-42		
Dominion 37-8-1	GE-42				
Dumont 105330 R105330 817129 817147	GE-42 GE-42 GE-42 GE-42				
Electrhome 37-8-01 105330	GE-42 GE-42				
Emerson R105330 817036 817129 817147 817175	GE-42 GE-42 GE-42 GE-42 GE-42				
General Electric ET41X27 ET41X47 ET47X27 23B-210067-001 23B-210067-002	GE-41 GE-41 GE-41 GE-41 GE-41				

JEDEC TYPE OR PART NO.	GE REPLACE-MENT	JEDEC TYPE OR PART NO.	GE REPLACE-MENT	JEDEC TYPE OR PART NO.	GE REPLACE-MENT
1/4A10 1/4A10A 1/4A10B 1/4A15 1/4A15A	GEZD-10-4 GEZD-10-4 GEZD-10-4 GEZD-15 GEZD-15	1D6.2SB 1E12Z 1E12Z5 1E12Z10 1E15Z	GEZD-6.2 GEZD-12 GEZD-12 GEZD-12 GEZD-15	1N825A 1N827 1N827A 1N829 1N829A	GEZD-6.2 GEZD-6.2 GEZD-6.2 GEZD-6.2 GEZD-6.2
1/4A15B 1/4A27 1/4A27A 1/4A27B 1/4A23.6D5	GEZD-15 GEZD-27 GEZD-27 GEZD-27 GEZD-3.6	1E15Z5 1E15Z10 1E27Z 1D27Z5 1E27Z10	GEZD-15 GEZD-15 GEZD-27 GEZD-27 GEZD-27	1N960 1N960A 1N960B 1N961 1N961A	GEZD-9.1 GEZD-9.1 GEZD-9.1 GEZD-10-4 GEZD-10-4
1/4A23.6D10 1/4A25.1D5 1/4A25.1D10 1/4A25.6D 1/4A25.6D10	GEZD-5.1 GEZD-5.1 GEZD-5.1 GEZD-5.6 GEZD-5.6	1E23.6 1E25.1 1E25.6 1E29.1 1E212	GEZD-3.6 GEZD-5.1 GEZD-5.6 GEZD-9.1 GEZD-12	1N961B 1N963 1N963A 1N963B 1N965	GEZD-10-4 GEZD-12 GEZD-12 GEZD-12 GEZD-15
1/4LZ5.6D 1/4LZ5.6D5 1/4LZ5.6D10 1/4M5.6AZ 1/4M5.6AZ25	GEZD-5.6 GEZD-5.6 GEZD-5.6 GEZD-5.6 GEZD-5.6	1E215 1E22Z 1M12Z 1M12Z5 1M12Z10	GEZD-15 GEZD-27 GEZD-12 GEZD-12 GEZD-12	1N965A 1N965B 1N971 1N971A 1N971B	GEZD-15 GEZD-15 GEZD-27 GEZD-27 GEZD-27
1/4M5.6AZ10 1/4A26.2D5 1/4LZ3.6D 1/4LZ3.6D5 1/4LZ6.2D	GEZD-5.6 GEZD-6.2 GEZD-3.6 GEZD-3.6 GEZD-6.2	1M15Z 1M15Z5 1M15Z10 1M27Z 1M27Z5	GEZD-15 GEZD-15 GEZD-15 GEZD-27 GEZD-27	1N1314 1N1314A 1N1315 1N1315A 1N1426	GEZD-10-4 GEZD-10-4 GEZD-12 GEZD-12 GEZD-12
1/4LZ6.2D5 1/4M3.6AZ5 1/4M3.6AZ10 1/4M5.1AZ25 1/4M6.2AZ5	GEZD-3.6 GEZD-3.6 GEZD-3.6 GEZD-5.1 GEZD-6.2	*1M27Z10 1MJ33.6 1MJ33.6A 1MJ6.2 1MJ6.2A	GEZD-27 GEZD-3.6 GEZD-3.6 GEZD-6.2 GEZD-6.2	1N1427 1N1430 1N1485 1N1509 1N1509A	GEZD-15 GEZD-27 GEZD-6.2 GEZD-5.6 GEZD-5.6
1/4M10Z 1/4M10Z10 1/4M15Z 1/4M15Z5 1/4M15Z10	GEZD-10-4 GEZD-10-4 GEZD-15 GEZD-15 GEZD-15	1MJJ9.1 1MJJ9.1A 1MJJ12 1MJJ12A 1N376	GEZD-9.1 GEZD-9.1 GEZD-12 GEZD-12 GEZD-5.1	1N1513 1N1513A 1N1514 1N1514A 1N1517	GEZD-12 GEZD-12 GEZD-15 GEZD-15 GEZD-27
1/4M27Z 1/4M27Z5 1/4M27Z10 1/4Z15D5 1/4Z15D10	GEZD-27 GEZD-27 GEZD-27 GEZD-15 GEZD-15	1N429 1N468 1N468A 1N468B 1N471	GEZD-6.2 GEZD-5.1 GEZD-5.1 GEZD-5.1 GEZD-3.6	1N1517A 1N1520A 1N1522 1N1524A 1N1525	GEZD-27 GEZD-5.6 GEZD-12 GEZD-12 GEZD-15
1/4Z27D 1/4Z27D5 1/4Z27D10 1/2Z5.1T5 1/2Z5.6T5	GEZD-27 GEZD-27 GEZD-27 GEZD-5.1 GEZD-5.6	1N473 1N473A 1N473B 1N665 1N666	GEZD-5.1 GEZD-5.1 GEZD-5.1 GEZD-12 GEZD-15	1N1525A 1N1528 1N1528A 1N1735 1N1765	GEZD-15 GEZD-27 GEZD-27 GEZD-6.2 GEZD-5.6
1/2Z6.2T5 1/2Z12T5 1/2Z15T5 1/2Z27T5 3/4Z12D5	GEZD-6.2 GEZD-12 GEZD-15 GEZD-27 GEZD-12	1N669 1N675 1N701 1N708 1N708A	GEZD-27 GEZD-5.6 GEZD-10-4 GEZD-5.6 GEZD-5.6	1N1765A 1N1766 1N1766A 1N1770 1N1770A	GEZD-5.6 GEZD-6.2 GEZD-6.2 GEZD-9.1 GEZD-9.1
3/4Z12D10 25N15 25N27 4T6.2 4T6.2A	GEZD-12 GEZD-15 GEZD-27 GEZD-6.2 GEZD-6.2	1N709 1N709A 1N713 1N714 1N714A	GEZD-6.2 GEZD-6.2 GEZD-9.1 GEZD-10-4 GEZD-10-4	1N1773 1N1773A 1N1775 1N1775A 1N1781A	GEZD-12 GEZD-12 GEZD-15 GEZD-15 GEZD-27
4T6.2B 75N5 75N5.1 75N5.6 75N6.2	GEZD-6.2 GEZD-15 GEZD-5.1 GEZD-5.6 GEZD-6.2	1N716 1N716A 1N718 1N718A 1N724	GEZD-12 GEZD-12 GEZD-15 GEZD-15 GEZD-27	1N1781A 1N1820 1N1877 1N1514 1N1514A	GEZD-27 GEZD-5.6 GEZD-12 GEZD-15 GEZD-15
75N12 75N27 1AC12 1AC12A 1AC12B	GEZD-12 GEZD-27 GEZD-12 GEZD-12 GEZD-12	1N724A 1N747 1N747A 1N752 1N752A	GEZD-27 GEZD-3.6 GEZD-3.6 GEZD-5.6 GEZD-5.6	1N1517 1N1517A 1N1520A 1N1524 1N1524A	GEZD-27 GEZD-27 GEZD-5.6 GEZD-12 GEZD-12
1AC15 1AC15A 1AC15B 1AC27 1AC27A	GEZD-15 GEZD-15 GEZD-15 GEZD-27 GEZD-27	1N753 1N753A 1N757 1N757A 1N758	GEZD-6.2 GEZD-6.2 GEZD-9.1 GEZD-9.1 GEZD-10-4	1N1525 1N1525A 1N1528 1N1528A 1N1766A	GEZD-15 GEZD-15 GEZD-27 GEZD-27 GEZD-6.2
1AC27B 1C12Z 1C12ZA 1C15Z 1C15ZA	GEZD-27 GEZD-12 GEZD-12 GEZD-15 GEZD-15	1N758A 1N759 1N759A 1N761 1N761A	GEZD-10-4 GEZD-12 GEZD-12 GEZD-5.1 GEZD-5.1	1N1770 1N1770A 1N1773 1N1773A 1N1775	GEZD-9.1 GEZD-9.1 GEZD-12 GEZD-12 GEZD-15
1C27Z 1C27ZA 1D5.1A 1D5.1B 1D5.6	GEZD-27 GEZD-27 GEZD-5.1 GEZD-5.1 GEZD-5.6	1N761-2 1N765 1N765-1 1N821 1N821A	GEZD-5.1 GEZD-12 GEZD-10-4 GEZD-6.2 GEZD-6.2	1N1775A 1N1781 1N1781A 1N1820 1N1877	GEZD-15 GEZD-27 GEZD-27 GEZD-5.6 GEZD-12
1D5.6A 1D5.6B 1D6.2A 1D6.2B 1D6.2SA	GEZD-5.6 GEZD-5.6 GEZD-6.2 GEZD-6.2 GEZD-6.2	1N822 1N823 1N823A 1N824 1N825	GEZD-6.2 GEZD-6.2 GEZD-6.2 GEZD-6.2 GEZD-6.2	1N1877A 1N1878 1N1878A 1N1881 1N1881A	GEZD-12 GEZD-15 GEZD-15 GEZD-27 GEZD-27

JEDEC TYPE OR PART NO.	GE REPLACEMENT	JEDEC TYPE OR PART NO.	GE REPLACEMENT	JEDEC TYPE OR PART NO.	GE REPLACEMENT	JEDEC TYPE OR PART NO.	GE REPLACEMENT	JEDEC TYPE OR PART NO.	GE REPLACEMENT	JEDEC TYPE OR PART NO.	GE REPLACEMENT	JEDEC TYPE OR PART NO.	GE REPLACEMENT										
1N1929	GEZD-5.6	1N4161A	GEZD-9.1	1N5242A	GEZD-12	1Z15B	GEZD-15	38Z6	GEZD-6.2	BZY85/C3V6	GEZD-3.6	1N1929A	GEZD-5.6	1N4161B	GEZD-9.1	1N5242B	GEZD-12	1Z15C	GEZD-15	38Z6A	GEZD-6.2	BZY85/C5V1	GEZD-5.1
1N1929B	GEZD-5.6	1N4164	GEZD-12	1N5245	GEZD-15	1Z15D	GEZD-15	43Z6	GEZD-10.4	BZY85/C5V6	GEZD-5.6	1N1932	GEZD-10.4	1N4164A	GEZD-12	1N5245A	GEZD-15	1Z15D5	GEZD-15	43Z6A	GEZD-10.4	BZY85/C10	GEZD-10.4
1N1932A	GEZD-10.4	1N4164B	GEZD-12	1N5245B	GEZD-15	1Z15D10	GEZD-15	48-134698	GEZD-5.1	BZY85/C15	GEZD-15	1N1932B	GEZD-10.4	1N4166	GEZD-15	1N5254	GEZD-27	1Z15T20	GEZD-15	48-134991	GEZD-5.1	BZY85/C27	GEZD-27
1N1934	GEZD-15	1N4166A	GEZD-15	1N5254A	GEZD-27	1Z27	GEZD-27	48-134993	GEZD-5.6	BZY85/D5V6	GEZD-5.6	1N1934A	GEZD-15	1N4166B	GEZD-15	1N5154B	GEZD-27	1Z27A	GEZD-27	50Z12	GEZD-12	BZY85/D10	GEZD-10.4
1N1934B	GEZD-15	1N4172	GEZD-27	1R9.1	GEZD-9.1	1Z27B	GEZD-27	50Z12A	GEZD-12	BZY85/D15	GEZD-15	1N1937	GEZD-27	1N4172A	GEZD-27	1R9.1A	GEZD-9.1	1Z27C	GEZD-27	50Z12B	GEZD-12	BZY88/C5V1	GEZD-5.1
1N1937A	GEZD-27	1N4172B	GEZD-27	1R9.1B	GEZD-9.1	1Z27D	GEZD-27	50Z12C	GEZD-12	BZY88/C5V6	GEZD-5.6	1N1937B	GEZD-27	1N4295	GEZD-10.4	1R12	GEZD-12	1Z27D5	GEZD-27	50Z15	GEZD-15	BZY88/C6V2	GEZD-6.2
1N1960	GEZD-12	1N4295A	GEZD-10.4	1R12A	GEZD-12	1Z27D10	GEZD-27	50Z15A	GEZD-15	BZY92/C5V1	GEZD-5.1	1N1960A	GEZD-12	1N4326	GEZD-9.1	1R12B	GEZD-12	1ZB12	GEZD-12	50Z15B	GEZD-15	BZY92/C5V6	GEZD-5.6
1N1960B	GEZD-12	1N4326A	GEZD-9.1	1R15	GEZD-15	1ZB12B	GEZD-12	50Z15C	GEZD-15	BZY92/C15	GEZD-15	1N1964	GEZD-27	1N4326B	GEZD-9.1	1R15A	GEZD-15	1ZB15	GEZD-15	50Z27	GEZD-27	BZY92/C27	GEZD-27
1N1964A	GEZD-27	1N4329	GEZD-12	1R15B	GEZD-15	1ZB15B	GEZD-15	50Z27A	GEZD-27	BZY94/C12	GEZD-12	1N1964B	GEZD-27	1N4329A	GEZD-12	1R27	GEZD-27	1ZB27	GEZD-27	50Z27B	GEZD-27	BZY94/C15	GEZD-15
1N1983	GEZD-5.6	1N4329B	GEZD-12	1R27A	GEZD-27	1ZB27B	GEZD-27	50Z27C	GEZD-27	BZY94/C27	GEZD-27	1N1983A	GEZD-5.6	1N4331	GEZD-15	1R27B	GEZD-27	1ZC3.6	GEZD-3.6	75Z12	GEZD-12	CD31-00002	GEZD-3.6
1N1983B	GEZD-5.6	1N4331A	GEZD-15	1S137	GEZD-15	1ZC5.1	GEZD-5.1	75Z12A	GEZD-12	CD31-00006	GEZD-5.1	1N1986	GEZD-10.4	1N4331B	GEZD-15	1S190	GEZD-5.1	1ZC5.6	GEZD-5.6	75Z12B	GEZD-12	CD31-00007	GEZD-5.6
1N1986A	GEZD-10.4	1N4337	GEZD-27	1S195	GEZD-10.4	1ZC6.2	GEZD-6.2	75Z12C	GEZD-12	CD31-00008	GEZD-6.2	1N1986B	GEZD-10.4	1N4337A	GEZD-27	1S197	GEZD-12	1ZC9.1	GEZD-9.1	75Z15	GEZD-15	CD31-00012	GEZD-9.1
1N1988	GEZD-15	1N4337B	GEZD-27	1S239	GEZD-27	1ZC12	GEZD-12	75Z15A	GEZD-15	CD31-00015	GEZD-12	1N1988A	GEZD-15	1N4403	GEZD-9.1	1S330	GEZD-5.1	1ZC15	GEZD-15	75Z15B	GEZD-15	CD31-00017	GEZD-15
1N1988B	GEZD-15	1N4403A	GEZD-9.1	1S335	GEZD-10.4	1ZC27	GEZD-27	75Z15C	GEZD-15	CD31-00023	GEZD-27	1N1991	GEZD-27	1N4403B	GEZD-9.1	1S692	GEZD-5.6	1ZF5.1T5	GEZD-5.1	75Z15D	GEZD-15	CD31-12019	GEZD-9.1
1N1991A	GEZD-27	1N4406	GEZD-12	1S696	GEZD-12	1ZF5.1T10	GEZD-5.1	75Z27A	GEZD-27	CD31-12022	GEZD-12	1N1991B	GEZD-27	1N4406A	GEZD-12	1S697	GEZD-15	1ZF5.1T20	GEZD-5.1	75Z27B	GEZD-27	CD31-12024	GEZD-15
1N2032	GEZD-5.1	1N4406B	GEZD-12	1S700	GEZD-27	1ZF5.6T5	GEZD-5.6	75Z27C	GEZD-27	CD31-12030	GEZD-27	1N2037-1	GEZD-12	1N4408	GEZD-15	1S755	GEZD-5.1	1ZF5.6T10	GEZD-5.6	115Z4	GEZD-15	CD3122	GEZD-5.1
1N2038-1	GEZD-15	1N4408A	GEZD-15	1S2036	GEZD-3.6	1ZF9.1T5	GEZD-9.1	651	GEZD-5.1	CD4116	GEZD-12	1N2041	GEZD-5.1	1N4408B	GEZD-15	1S2036A	GEZD-3.6	1ZF9.1T10	GEZD-9.1	651C4	GEZD-5.1	CD4117	GEZD-12
1N2041-2	GEZD-5.1	1N4414	GEZD-27	1S2051	GEZD-5.1	1ZF9.1T20	GEZD-9.1	651C5	GEZD-5.1	CD4118	GEZD-12	1N3019	GEZD-9.1	1N4414A	GEZD-27	1S2051A	GEZD-5.1	1ZF12T5	GEZD-12	651C6	GEZD-5.1	CD4121	GEZD-12
1N3019A	GEZD-9.1	1N4414B	GEZD-27	1S2051B	GEZD-5.1	1ZF12T10	GEZD-12	652C1	GEZD-5.6	CD4122	GEZD-12	1N3019B	GEZD-9.1	1N4499	GEZD-6.2	1S2056	GEZD-5.6	1ZF12T20	GEZD-12	652C2	GEZD-6.2	CHA4Z3.6	GEZD-3.6
1N3022	GEZD-12	1N4625	GEZD-5.1	1S2056A	GEZD-5.6	1ZF15T5	GEZD-15	655C9	GEZD-10.4	CHA4Z5.1	GEZD-5.1	1N3022A	GEZD-12	1N4626	GEZD-5.6	1S2100	GEZD-10.4	1ZF15T10	GEZD-15	1010	GEZD-10.4	CHA4Z5.6	GEZD-5.6
1N3022B	GEZD-12	1N4634	GEZD-12	1S2100A	GEZD-10.4	1ZF15T20	GEZD-15	1015	GEZD-15	CHA26.2	GEZD-6.2	1N3024	GEZD-15	1N4636	GEZD-15	1S2120	GEZD-12	1ZF27T5	GEZD-27	1027	GEZD-27	CHA262.A	GEZD-6.2
1N3024A	GEZD-15	1N4642	GEZD-27	1S2120A	GEZD-12	1ZF27T10	GEZD-27	1105	GEZD-5.6	CHZ10	GEZD-10.4	1N3024B	GEZD-15	1N4620	GEZD-3.6	1S2150	GEZD-15	1ZF27T20	GEZD-27	1110	GEZD-10.4	CHZ210A	GEZD-10.4
1N3030	GEZD-27	1N4624	GEZD-5.1	1S2150A	GEZD-15	1ZF27T5	GEZD-27	1115	GEZD-15	CHM23.6	GEZD-3.6	1N3030A	GEZD-27	1N4655	GEZD-5.6	1S7036	GEZD-3.6	1ZM3.6T10	GEZD-3.6	1127	GEZD-27	CHM25.1	GEZD-5.1
1N3030B	GEZD-27	1N4656	GEZD-6.2	1S7036A	GEZD-3.6	1ZM3.6T20	GEZD-3.6	5124	GEZD-15	CHM25.6	GEZD-5.6	1N3403	GEZD-12	1N4660	GEZD-9.1	1S7036B	GEZE-3.6	1ZM5.1T5	GEZD-5.1	5130	GEZD-27	CZD010	GEZD-10.4
1N3416	GEZD-12	1N4663	GEZD-12	1S7051A	GEZD-5.1	1ZM5.1T10	GEZD-5.1	5222	GEZD-12	CZD015	GEZD-15	1N3496	GEZD-6.2	1N4665	GEZD-15	1S7056	GEZD-5.6	1ZM5.1T20	GEZD-5.1	5224	GEZD-15	CZD015-5	GEZD-15
1N3497	GEZD-6.2	1N4671	GEZD-27	1S7056A	GEZD-5.6	1ZM5.6T5	GEZD-5.6	5230	GEZD-27	CZD0105	GEZD-10.4	1N3498	GEZD-6.2	1N4689	GEZD-5.1	1S7056B	GEZD-5.6	1ZM5.6T10	GEZD-5.6	AV2012	GEZD-12	CZD012-5	GEZD-12
1N3499	GEZD-6.2	1N4690	GEZD-5.0	1S7100	GEZD-10.4	1ZM5.6T20	GEZD-5.6	AV2015	GEZD-15	DZ12A	GEZD-12	1N3500	GEZD-6.2	1N4711	GEZD-27	1S7100A	GEZD-10.4	1ZM6.2T5	GEZD-6.2	AB2027	GEZD-27	DZ15A	GEZD-15
1N3507	GEZD-3.6	1N4729	GEZD-3.6	1S7100B	GEZD-10.4	1ZM6.2T10	GEZD-6.2	AZ3.6	GEZD-3.6	DZ27A	GEZD-27	1N3511	GEZD-5.1	1N4733	GEZD-5.1	1S7120	GEZD-12	1ZM6.2T20	GEZD-6.2	AZ5.1	GEZD-5.1	E84	GEZD-10.4
1N3512	GEZD-5.6	1N4733A	GEZD-5.9	1S7120A	GEZD-12	1ZM9.1T5	GEZD-9.1	AZ5.6	GEZD-5.6	EVR4	GEZD-5.6	1N3513	GEZD-6.2	1N4734	GEZD-5.6	1S7120B	GEZD-12	1ZM9.1T10	GEZD-9.1	AZ6.2	GEZD-6.2	EVR4A	GEZD-5.6
1N3518	GEZD-10.4	1N4734A	GEZD-5.6	1S7150	GEZD-15	1ZM9.1T20	GEZD-9.1	AZ15	GEZD-15	EVR4B	GEZD-5.6	1N3520	GEZD-12	1N4735	GEZD-6.2	1S7150A	GEZD-15	1ZM12T5	GEZD-15	AZ27	GEZD-27	EVR5	GEZD-6.2
1M3522	GEZD-15	1N4735A	GEZD-6.2	1S7150B	GEZD-15	1ZM12T10	GEZD-15	BZ3.6	GEZD-3.6	EVR5A	GEZD-6.2	1N3528	GEZD-27	1N4739	GEZD-9.1	1T9.1	GEZD-9.1	1ZM12T20	GEZD-15	BZ5.1	GEZD-5.1	EVR5B	GEZD-6.2
1N3537	GEZD-12	1N4739A	GEZD-9.1	1T9.1A	GEZD-9.1	1ZM15T5	GEZD-15	BZ5.6	GEZD-6.2	EVR9	GEZD-9.1	1N3681	GEZD-12	1N4742	GEZD-12	1T9.1B	GEZD-9.1	1ZM15T10	GEZD-15	BZ6.2	GEZD-6.2	EVR9A	GEZD-9.1
1N3681A	GEZD-12	1N4742A	GEZD-12	1T12	GEZD-12	1ZM15T20	GEZD-15	BZ100	GEZD-15	EVR9B	GEZD-9.1	1N3681B	GEZD-12	1N4744	GEZD-15	1T12A	GEZD-12	1ZT12	GEZD-12	BZX10	GEZD-6.2	EVR12	GEZD-12
1N3683	GEZD-15	1N4744A	GEZD-15	1T12B	GEZD-12	1ZT12B	GEZD-12	BZX14	GEZD-12	EVR12A	GEZD-12	1N3683A	GEZD-15	1N4750	GEZD-27	1TA6.2	GEZD-6.2	1ZT15	GEZD-15	BZX17	GEZD-15	EVR12B	GEZD-12
1N3683B	GEZD-15	1N4750A	GEZD-27	1TA6.2A	GEZD-6.2	1ZT15B	GEZD-15	BZX19	GEZD-15	EVR15	GEZD-15	1N3689	GEZD-27	1N4842	GEZD-27	1TA6.2B	GEZD-6.2	1ZT27	GEZD-27	BZX25	GEZD-27	EVR15A	GEZD-15
1N3689A	GEZD-27	1N4842A	GEZD-27	1Z5.1T5	GEZD-5.1	1ZT27B	GEZD-27	BZX29C5V1	GEZD-27	EVR15B	GEZD-15	1N3689B	GEZD-27	1N4842B	GEZD-27	1Z6.2T5	GEZD-6.2	16Z6	GEZD-5.1	BZX29C5V6	GEZD-5.6	EVR27	GEZD-27
1N3732	GEZD-5.1	1N5227	GEZD-3.6	1Z9.1	GEZD-9.1	16Z6A	GEZD-5.1	BZY18	GEZD-12	EVR27A	GEZD-27	1N3822	GEZD-3.6	1N5227A	GEZD-3.6	1Z9.1A	GEZD-9.1	17Z6	GEZD-5.6	BZY19	GEZD-15	EVR27B	GEZD-27
1N3826	GEZD-5.1	1N5227B	GEZD-3.6	1Z9.1B	GEZD-9.1	17Z6A	GEZD-5.6	BZY57	GEZD-5.1	FA8009	GEZD-15	1N3826A	GEZD-5.1	1N5231	GEZD-5.1	1Z9.1C	GEZD-9.1	18Z6	GEZD-6.2	BZY58	GEZD-5.6	FA8010	GEZD-15
1N3827	GEZD-5.6	1N5231A	GEZD-5.1	1Z9.1D5	GEZD-9.1	18Z6A	GEZD-6.2	BZY65	GEZD-5.1	FA8011	GEZD-15	1N3827A	GEZD-5.6	1N5231B	GEZD-5.1	1Z9.1D10	GEZD-9.1	28Z6	GEZD-15	BZY69	GEZD-12	FA8012	GEZD-15
1N3828	GEZD-6.2	1N5232	GEZD-5.6	1Z9.1D15	GEZD-9.1	28Z6A	GEZD-15	BZY83/C5V1	GEZD-5.1	FZ5.1T5	GEZD-5.1	1N3828A	GEZD-6.2	1N5232A	GEZD-5.6	1Z12	GEZD-12	32Z6	GEZD-3.6	BZY83/C5V6	GEZD-5.6	FZ5.1T10	GEZD-5.1
1N4095	GEZD-5.1	1N5232B	GEZD-5.6	1Z12A	GEZD-12	32Z6A	GEZD-3.6	BZY83/C10	GEZD-10.4	FZ5.6T5	GEZD-5.6	1N4104	GEZD-10.4	1N5239	GEZD-9.1	1Z12B	GEZD-12	36Z6	GEZD-5.1	BZY83/C15	GEZD-15	FZ5.6T10	GEZD-5.6
1N4109	GEZD-15	1N5239A	GEZD-9.1	1Z12C	GEZD-12	36Z6A	GEZD-5.1	BZY83/D5V6	GEZD-5.6	FZ6.2T10	GEZD-6.2	1N4118	GEZD-27	1N5239B	GEZD-9.1	1Z15	GEZD-12	37Z6	GEZD-5.6	BZY83/D10	GEZD-10.4	FZ12A	GEZD-12
1N4161	GEZD-9.1	1N5242	GEZD-12	1Z15A	GEZD-15	37Z6A	GEZD-5.6	BZY83/D15	GEZD-15	FZ1215	GEZD-12												



# ZENER DIODES REPLACEMENT GUIDE

FZ12T10-ZJ12

JEDEC TYPE OR PART NO.	GE REPLACEMENT	JEDEC TYPE OR PART NO.	GE REPLACEMENT	JEDEC TYPE OR PART NO.	GE REPLACEMENT	JEDEC TYPE OR PART NO.	GE REPLACEMENT	JEDEC TYPE OR PART NO.	GE REPLACEMENT	JEDEC TYPE OR PART NO.	GE REPLACEMENT
FZ12T10	GEZD-12	LPZT15	GEZD-15	OA2209	GEZD-5.1	TZ5.6	GEZD-5.6	WZ538	GEZD-15	ZD5.1B	GEZD-5.1
FZ15A	GEZD-27	LPZT27	GEZD-27	OA2213	GEZD-12	RZ6.2	GEZD-6.2	WZ905	GEZD-5.1	ZD6.6A	GEZD-5.6
FZ15T5	GEZD-15	LR51CH	GEZD-5.1	OA2242	GEZD-5.6	RZ10	GEZD-10.4	WZ917	GEZD-12	ZD5.6B	GEZD-5.6
FZ15T10	GEZD-15	LR56CH	GEZD-5.1	OA2269	GEZD-5.1	RZ15	GEZD-15	WZ920	GEZD-15	ZD6.2A	GEZD-6.2
FZ27A	GEZD-27	LR150CH	GEZD-15	OZ3.6T5	GEZD-3.6	RZ15A	GEZD-15	Z185.0	GEZD-5.1	ZD6.2B	GEZD-6.2
FZ27T5	GEZD-27	LZ5.6	GEZD-5.6	OZ3.6T10	GEZD-3.6	RZ27	GEZD-27	Z185.6	GEZD-5.6	ZD9.1	GEZD-9.1
FZ27T10	GEZD-27	LZ10	GEZD-10.4	OZ5.1T5	GEZD-5.1	RZ27A	GEZD-27	Z186.2	GEZD-6.2	ZD9.1A	GEZD-9.1
G5.1T5	GEZD-5.1	M4Z12	GEZD-12	OZ5.1T10	GEZD-5.1	RZ23.6	GEZD-3.6	Z1810	GEZD-10.4	ZD9.1B	GEZD-9.1
G5.1T10	GEZD-5.1	M4Z12A	GEZD-12	OZ5.6T5	GEZD-5.6	RZ25.1	GEZD-5.1	Z1812	GEZD-12	ZD12	GEZD-12
G5.1T20	GEZD-5.1	M4Z15	GEZD-15	OZ5.6T10	GEZD-5.6	RZ25.6	GEZD-5.6	Z1815	GEZD-15	ZD12A	GEZD-12
G5.6T5	GEZD-5.6	M4Z27	GEZD-27	OZ6.2T5	GEZD-6.2	RZ26.2	GEZD-6.2	Z1D6.2	GEZD-6.2	ZD12B	GEZD-12
G5.6T10	GEZD-5.6	M4Z27A	GEZD-27	OZ6.2T10	GEZD-6.2	RZ210	GEZD-10.4	Z1D15	GEZD-15	ZD15	GEZD-15
G5.6T20	GEZD-5.6	MC6007	GEZD-5.6	OZ10T5	GEZD-10.4	RZ215	GEZD-15	Z2A51F	GEZD-5.1	ZD15A	GEZD-15
G9.1T5	GEZD-9.1	MC6007A	GEZD-5.6	OZ10T10	GEZD-10.4	SFZ708	GEZD-10.4	Z2A56F	GEZD-5.6	ZD15B	GEZD-15
G9.1T10	GEZD-9.1	MC6008	GEZD-6.2	OZ12T5	GEZD-12	SFZ716	GEZD-12	Z2A62F	GEZD-6.2	ZD27	GEZD-27
G9.1T20	GEZD-9.1	MC6014	GEZD-10.4	OZ12T10	GEZD-12	SUC650	GEZD-6.2	Z2A91F	GEZD-9.1	ZD27A	GEZD-27
G12T5	GEZD-12	MC6014A	GEZD-10.4	OZ15T5	GEZD-15	SUM6010	GEZD-6.2	Z2A120F	GEZD-12	ZD27B	GEZD-27
G12T10	GEZD-12	MC6016	GEZD-12	OZ15T10	GEZD-15	SUM6011	GEZD-6.2	Z2A150F	GEZD-15	ZD012	GEZD-12
G12T20	GEZD-12	MC6016A	GEZD-12	OZ27T5	GEZD-27	SUM6020	GEZD-6.2	Z3.6	GEZD-3.6	ZD015	GEZD-15
G15T10	GEZD-15	MC6018	GEZD-15	OZ27T10	GEZD-27	SUM6021	GEZD-6.2	Z485.1	GEZD-5.1	ZD027	GEZD-27
G15T20	GEZD-15	MC6018A	GEZD-15	PD6003	GEZD-3.6	SV122	GEZD-5.1	Z485.6	GEZD-5.6	ZE5.6	GEZD-5.6
G27T5	GEZD-27	MC6024	GEZD-27	PD6003A	GEZD-3.6	SV133	GEZD-10.4	Z489.1	GEZD-9.1	ZE10	GEZD-10.4
G27T10	GEZD-27	MC6107	GEZD-5.6	PD6007	GEZD-5.1	SV135	GEZD-12	Z4812	GEZD-12	ZE12	GEZD-12
G27T20	GEZD-27	MC6107A	GEZD-5.6	PD6007A	GEZD-5.1	SV138	GEZD-15	Z4815	GEZD-15	ZE12A	GEZD-12
GT15T5	GEZD-15	MC6108	GEZD-6.2	PD6008	GEZD-5.6	SV1017	GEZD-12	Z4827	GEZD-27	ZE12B	GEZD-12
GZ5.1	GEZD-5.1	MC6108A	GEZD-6.2	PD6008A	GEZD-5.6	SV1020	GEZD-15	Z4X5.1A	GEZD-5.1	ZE15	GEZD-15
GZ6.2	GEZD-6.2	MC6116	GEZD-12	PD6009	GEZD-6.2	SV4012	GEZD-12	Z4X5.1B	GEZD-5.1	ZE15A	GEZD-15
GZ9.1	GEZD-9.1	MC6116A	GEZD-12	PD6009A	GEZD-6.2	SV4012A	GEZD-12	Z4XL6.2	GEZD-6.2	ZE15B	GEZD-15
GZ27	GEZD-27	MC6118	GEZD-15	PD6014	GEZD-10.4	SV4015	GEZD-15	Z4XL6.2B	GEZD-6.2	ZE27	GEZD-27
HS2036	GEZD-3.6	MC6118A	GEZD-15	PD6014A	GEZD-10.4	SV4015A	GEZD-15	Z4XL9.1	GEZD-9.1	ZE27A	GEZD-27
HS2051	GEZD-5.1	MC6124	GEZD-27	PD6016	GEZD-12	SV4027	GEZD-27	Z4XL9.1B	GEZD-9.1	ZE27B	GEZD-27
HS2056	GEZD-5.6	MC6124A	GEZD-27	PD6016A	GEZD-12	SV4027A	GEZD-27	Z4XL12	GEZD-12	ZE27C	GEZD-5.6
HS2062	GEZD-6.2	MD752	GEZD-5.6	PD6018	GEZD-15	SVC625	GEZD-6.2	Z4XL12B	GEZD-12	ZE27D	GEZD-12
HS2100	GEZD-10.4	MD752A	GEZD-5.6	PD6018A	GEZD-15	SVM61	GEZD-6.2	Z583.6	GEZD-3.6	ZE27E	GEZD-27
HS2120	GEZD-12	MD753	GEZD-6.2	PD6044	GEZD-3.6	SVM601	GEZD-6.2	Z585.1	GEZD-5.1	ZF3.6	GEZD-3.6
HS2150	GEZD-15	MD753A	GEZD-6.2	PD6048	GEZD-5.1	SVM602	GEZD-6.2	Z585.6	GEZD-5.6	ZF5.1	GEZD-5.1
HS2270	GEZD-27	MD757	GEZD-9.1	PD6049	GEZD-5.6	SVM605	GEZD-6.2	Z589.1	GEZD-9.1	ZF5.6	GEZD-5.6
HS7036	GEZD-3.6	MD757A	GEZD-9.1	PD6055	GEZD-10.4	SZ5	GEZD-5.1	Z5810	GEZD-10.4	ZF6.2	GEZD-6.2
HS7051	GEZD-5.1	MD759	GEZD-12	PD6059	GEZD-15	SZ5.6	GEZD-6.2	Z5812	GEZD-12	ZF10	GEZD-10.4
HS7056	GEZD-5.6	MD759A	GEZD-12	PR515	GEZD-5.1	SZ6.2	GEZD-6.2	Z5815	GEZD-15	ZF12	GEZD-12
HS7062	GEZD-6.2	MEZ5.6T5	GEZD-5.6	PR605	GEZD-5.1	SZ6.2A	GEZD-6.2	Z5.6	GEZD-5.6	ZF12A	GEZD-12
HS7100	GEZD-10.4	MEZ5.6T10	GEZD-5.6	PR617	GEZD-12	SZ10	GEZD-10.4	Z6.2	GEZD-6.2	ZF12B	GEZD-12
HS7120	GEZD-12	MEZ12T5	GEZD-12	PR620	GEZD-15	SZ12	GEZD-12	Z10	GEZD-10.4	ZF15	GEZD-15
HS7150	GEZD-15	MEZ12T10	GEZD-12	PR804	GEZD-5.1	SZ12.0	GEZD-12	Z10K	GEZD-10.4	ZF15A	GEZD-15
HS7270	GEZD-27	MEZ15T5	GEZD-15	PS3017	GEZD-5.1	SZ15	GEZD-15	Z12K	GEZD-12	ZF15B	GEZD-15
HW9.1	GEZD-9.1	MEZ15T10	GEZD-15	PS1511	GEZD-10.4	SZ15.0	GEZD-15	Z15	GEZD-15	ZF27	GEZD-27
HW9.1A	GEZD-9.1	MEZ27T5	GEZD-27	PS1512	GEZD-10.4	SZ200.5	GEZD-5.1	Z15K	GEZD-15	ZF27A	GEZD-27
HW9.1B	GEZD-9.1	MEX27T10	GEZD-27	PS1513	GEZD-10.4	TC27A5A	GEZD-27	Z1012	GEZD-10.4	ZF27B	GEZD-27
HW12	GEZD-12	MR36H	GEZD-3.6	PS1514	GEZD-10.4	T1XD747	GEZD-3.6	Z1014	GEZD-12	ZG5.6	GEZD-5.6
HW12A	GEZD-12	MR150C-H	GEZD-15	PS1515	GEZD-10.4	T1XD753	GEZD-6.2	Z1112	GEZD-12	ZG10	GEZD-10.4
HW12B	GEZD-12	MZ5A	GEZD-5.6	PS1516	GEZD-10.4	T1XD758	GEZD-10.4	Z1112C	GEZD-12	ZG12	GEZD-12
HW15	GEZD-15	MZ5.1T5	GEZD-5.1	PS1517	GEZD-10.4	TMD01	GEZD-5.1	ZA9.1	GEZD-9.1	ZG15	GEZD-15
HW15A	GEZD-15	MZ6.2	GEZD-6.2	PS6468	GEZD-5.1	TMD01A	GEZD-5.1	ZA9.1A	GEZD-9.1	ZG15A	GEZD-15
HW15B	GEZD-15	MZ6.2A	GEZD-6.2	PS8906	GEZD-5.1	TMD02	GEZD-5.6	ZA9.1B	GEZD-9.1	ZG15B	GEZD-15
HW27	GEZD-27	MZ6.2B	GEZD-6.2	PS8908	GEZD-5.6	TMD02A	GEZD-5.6	ZA12	GEZD-12	ZG27	GEZD-27
HW27A	GEZD-27	MZ6.2T5	GEZD-6.2	PS8909	GEZD-6.2	TMD03	GEZD-6.2	Z12A	GEZD-12	ZG27A	GEZD-27
HW27B	GEZD-27	MZ10A	GEZD-10.4	PS8915	GEZD-12	TMD03A	GEZD-6.2	Z12B	GEZD-12	ZG27B	GEZD-27
KS31A	GEZD-3.6	MZ12	GEZD-12	PS8917	GEZD-15	TMD08	GEZD-10.4	ZA15	GEZD-15	ZH9.1	GEZD-9.1
KS35A	GEZD-5.1	MZ12A	GEZD-12	PS10019B	GEZD-9.1	TMD08A	GEZD-10.4	ZA15A	GEZD-15	ZH9.1A	GEZD-9.1
KS35AF	GEZD-5.1	MZ12B	GEZD-12	PS10022B	GEZD-12	TRR6	GEZD-6.2	ZA15B	GEZD-15	ZH9.1B	GEZD-9.1
KS37A	GEZD-6.2	MZ15A	GEZD-15	PS10024B	GEZD-15	TZ9.1	GEZD-9.1	ZA27	GEZD-27	ZH12	GEZD-12
KS42A	GEZD-10.4	MZ15T20	GEZD-15	PS10063	GEZD-9.1	TZ9.1A	GEZD-9.1	ZA27A	GEZD-27	ZH12A	GEZD-12
KS44B	GEZD-10.4	MZ27A	GEZD-27	PS10066	GEZD-12	TZ9.1B	GEZD-9.1	ZA27B	GEZD-27	ZH12B	GEZD-12
KS44A	GEZD-12	MZ500.5	GEZD-3.6	PS10068	GEZD-15	TZ9.1C	GEZD-9.1	ZB5.1	GEZD-5.1	ZH15	GEZD-15
KS44B	GEZD-12	MZ500.9	GEZD-5.1	OZ3.6T5	GEZD-3.6	TZ12	GEZD-12	ZB5.6	GEZD-5.6	ZH15A	GEZD-15
KS46	GEZD-15	MZ500.10	GEZD-5.6	OZ3.6T10	GEZD-3.6	TZ12A	GEZD-12	ZB5.6A	GEZD-5.6	ZH15B	GEZD-15
KS100A	GEZD-10.4	MZ500.15	GEZD-9.1	OZ5.1T5	GEZD-5.0	TZ12B	GEZD-12	ZB5.6B	GEZD-5.6	ZH27	GEZD-27
KS120A	GEZD-12	MZ500.16	GEZD-10.4	OZ5.1T10	GEZD-5.0	TZ12C	GEZD-12	ZB6.2	GEZD-6.2	ZH27A	GEZD-27
KS120B	GEZD-12	MZ500.18	GEZD-12	OZ5.6T5	GEZD-5.6	TZ15	GEZD-15	ZB6.2A	GEZD-6.2	ZH27B	GEZD-27
KS150A	GEZD-15	MZ500.20	GEZD-20	OZ5.6T10	GEZD-5.6	TZ15A	GEZD-15	ZB6.2B	GEZD-6.2	ZJ12	GEZD-12
KS150B	GEZD-15	MZ500.26	GEZD-27	OZ6.2T5	GEZD-6.2	TZ15B	GEZD-15	ZB10	GEZD-10.4	ZJ12A	GEZD-12
KS051A	GEZD-5.1	MZ605	GEZD-6.2	OZ6.2T10	GEZD-6.2	TZ215C	GEZD-15	ZB10X	GEZD-10.4	ZJ12B	GEZD-12
KS056A	GEZD-5.6	MZ610	GEZD-6.2	OZ10T5	GEZD-10.4	TZ27	GEZD-27	ZB12	GEZD-12	ZJ15	GEZD-15
KS056B	GEZD-5.6	MZ620	GEZD-6.2	OZ10T10	GEZD-10.4	TX27A	GEZD-27	ZB12A	GEZD-12	ZJ15A	GEZD-15
KS062A	GEZD-6.2	MZ640	GEZD-6.2	OZ12T5	GEZD-12	TZ27B	GEZD-27	ZB12B	GEZD-12	ZJ15B	GEZD-15
KVR10	GEZD-10.4	MZ1005	GEZD-5.1	OZ12T10	GEZD-12	TZ27C	GEZD-27	ZB15	GEZD-15	ZJ27	GEZD-27
LPM9.1	GEZD-9.1	MZ1010	GEZD-10.4	OZ15T5	GEZD-15	UZ3.6	GEZD-3.6	ZB15A	GEZD-15	ZJ27A	GEZD-27
LPM9.1A	GEZD-9.1	NGP5007	GEZD-6.2	OZ15T10	GEZD-15	UZ5.1	GEZD-5.1	ZB15B	GEZD-15	ZJ27B	GEZD-27
LPM12	GEZD-12	NGP5007	GEZD-9.1	OZ27T5	GEZD-27	UZ6.2	GEZD-6.2	ZB27	GEZD-27	ZO-12	GEZD-12
LPM12A	GEZD-12	NGP5010	GEZD-12	OZ27T10	GEZD-27	UZ9.1	GEZD-9.1	ZB27A	GEZD-27	ZO-12A	GEZD-12
LPM15	GEZD-15	OA126/5	GEZD-5.1	RD5A	GEZD-5.1	UZ15	GEZD-15	ZB27B	GEZD-27	ZO-12B	GEZD-12
LPM15A	GEZD-15	OA126/10	GEZD-10.4	RD5B	GEZD-5.1	VR12	GEZD-12	ZC012	GEZD-12	ZO-15	GEZD-15
LPM27	GEZD-27	OA126/12	GEZD-12	RV6.2	GEZD-6.2	VR12A	GEZD-12	ZC015	GEZD-15	ZO-15A	GEZD-15
LPM27A	GEZD-27	OAZ201	GEZD-5.1	RZ3.6	GEZD-3.6	VR12B	GEZD-12	ZC027	GEZD-27	ZO-15B	GEZD-15
LPZT12	GEZD-12	OAZ202	GEZD-5.6	RZ5.1	GEZD-5.1	WZ535	GEZD-12	ZD5.1A	GEZD-5.1	ZO-27	GEZD-27

### ZENER DIODES REPLACEMENT GUIDE

### A40A-1N1231A MAINTENANCE INDUSTRIAL REPLACEMENT SEMICONDUCTORS

JEDEC TYPE OR PART NO.	GE REPLACEMENT	JEDEC TYPE OR PART NO.	GE REPLACEMENT	JEDEC TYPE OR PART NO.	GE REPLACEMENT	JEDEC TYPE OR PART NO.	GE REPLACEMENT	JEDEC TYPE OR PART NO.	GE REPLACEMENT	JEDEC TYPE OR PART NO.	GE REPLACEMENT
ZO-27A	GEZD-27	ZT15A	GEZD-15	A40A	GEMR-2	NL-C36G	GEMR-3	TM27	GEMR-1	1N348	GEMR-1
ZO-27B	GEZD-27	ZT15B	GEZD-15	A40B	GEMR-2	NL-C36U	GEMR-3	TM28	GEMR-1	1N349	GEMR-1
ZOB3.6	GEZD-3.6	ZT27	GEZD-27	A40C	GEMR-2	NL-C37A	GEMR-3	TM29	GEMR-1	1N551	GEMR-1
ZOB5.1	GEZD-5.1	ZT27A	GEZD-27	A40D	GEMR-2	NL-C37B	GEMR-3	TM31	GEMR-1	1N552	GEMR-1
ZOB6.2	GEZD-6.2	ZT27B	GEZD-27	A40F	GEMR-2	NL-C37C	GEMR-3	TM32	GEMR-1	1N553	GEMR-1
ZOB12	GEZD-12	ZU12	GEZD-12	B5000	GEMR-6	NL-C37D	GEMR-3	TM33	GEMR-1	1N607	GEMR-1
ZOB15	GEZD-15	ZU12A	GEZD-12	B5001	GEMR-6	NL-C37F	GEMR-3	TM34	GEMR-1	1N607A	GEMR-1
ZOB27	GEZD-27	ZU12B	GEZD-12	C20A	GEMR-3 or 4	NL-C37G	GEMR-3	TM35	GEMR-1	1N608	GEMR-1
ZOD6.2	GEZD-6.2	ZU15	GEZD-15	C20B	GEMR-3 or 4	NL-C37U	GEMR-3	TM36	GEMR-1	1N608A	GEMR-1
ZOD15	GEZD-15	ZU15A	GEZD-15	C20C	GEMR-3		GEMR-3	TM37	GEMR-1	1N609	GEMR-1
ZOD27	GEZD-27	ZU15B	GEZD-15	C20D	GEMR-3	S2005	GEMR-1	TM38	GEMR-1	1N609A	GEMR-1
ZP12	GEZD-12	ZU27	GEZD-27	C20F	GEMR-3 or 4	S2010	GEMR-1	TM39	GEMR-1	1N610	GEMR-1
ZP12A	GEZD-12	ZU27A	GEZD-27	C20U	GEMR-3 or 4	S2015	GEMR-1	TM41	GEMR-1	1N610A	GEMR-1
ZP12B	GEZD-12	ZU27B	GEZD-27	C30A	GEMR-3	S2020	GEMR-1	TM42	GEMR-1	1N611	GEMR-1
ZP15	GEZD-15	ZV9.1	GEZD-9.1	C30B	GEMR-3	S2025	GEMR-1	TM43	GEMR-1	1N611A	GEMR-1
ZP15A	GEZD-15	ZV9.1A	GEZD-9.1	C30C	GEMR-3	S2030	GEMR-1	TM44	GEMR-1	1N612	GEMR-1
ZP15B	GEZD-15	ZV9.1B	GEZD-9.1	C30D	GEMR-3	S2035	GEMR-1	TM45	GEMR-1	1N612A	GEMR-1
ZP27	GEZD-27	ZV12	GEZD-12	C30F	GEMR-3	S2040	GEMR-1	TM46	GEMR-1	1N1034	GEMR-1
ZP27A	GEZD-27	ZV12A	GEZD-12	C30U	GEMR-3	S2105	GEMR-1	TM47	GEMR-1	1N1035	GEMR-1
ZP27B	GEZD-27	ZV12B	GEZD-12	C35A	GEMR-3	S2110	GEMR-1	TM48	GEMR-1	1N1036	GEMR-1
ZQ9.1	GEZD-9.1	ZV15	GEZD-15	C35B	GEMR-3	S2115	GEMR-1	TM49	GEMR-1	1N1037	GEMR-1
ZP9.1A	GEZD-9.1	ZV15A	GEZD-15	C35C	GEMR-3	S2120	GEMR-1	TP100	GEMR-1	1N1038	GEMR-1
ZP9.1B	GEZD-9.1	ZV15B	GEZD-15	C35D	GEMR-3	S2125	GEMR-1	TP200	GEMR-1	1N1039	GEMR-1
ZQ12	GEZD-12	ZV27	GEZD-27	C35F	GEMR-3	S2130	GEMR-1	TP300	GEMR-1	1N1040	GEMR-1
ZQ12A	GEZD-12	ZV27A	GEZD-27	C35G	GEMR-3	S2135	GEMR-1	TP400	GEMR-1	1N1041	GEMR-1
ZQ12B	GEZD-12	ZV27B	GEZD-27	C35U	GEMR-3	S2140	GEMR-1	TR50	GEMR-2	1N1042	GEMR-1
ZQ15	GEZD-15	ZY12	GEZD-12	C36A	GEMR-3	S3105	GEMR-2	TR53	GEMR-2	1N1043	GEMR-1
ZQ15A	GEZD-15	ZY12A	GEZD-12	C36B	GEMR-3	S3110	GEMR-2	TR100	GEMR-2	1N1044	GEMR-1
ZQ15B	GEZD-15	ZY12B	GEZD-12	C36C	GEMR-3	S3115	GEMR-2	TR103	GEMR-2	1N1045	GEMR-1
ZQ27	GEZD-27	ZY15	GEZD-15	C36D	GEMR-3	S3120	GEMR-2	TR150	GEMR-2	1N1058	GEMR-1
ZQ27A	GEZD-27	ZY15A	GEZD-15	C36F	GEMR-3	S3125	GEMR-2	TR151	GEMR-2	1N1059	GEMR-1
ZQ27B	GEZD-27	ZY15B	GEZD-15	C36G	GEMR-3	S3130	GEMR-2	TR152	GEMR-2	1N1060	GEMR-1
ZS5.6	GEZD-5.6	ZY27	GEZD-27	C36U	GEMR-3	S3135	GEMR-2	TR153	GEMR-2	1N1061	GEMR-1
ZS5.6A	GEZD-5.6	ZY27A	GEZD-27	C37A	GEMR-3	S3140	GEMR-2	TR200	GEMR-2	1N1062	GEMR-1
ZS5.6B	GEZD-5.6	ZY27B	GEZD-27	C37B	GEMR-3	S3205	GEMR-2	TR203	GEMR-2	1N1063	GEMR-1
ZS9.1	GEZD-9.1	ZZ3.6	GEZD-3.6	C37C	GEMR-3	S3210	GEMR-2	TR251	GEMR-2	1N1064	GEMR-1
ZS9.1A	GEZD-9.1	ZZ5.6	GEZD-5.6	C37D	GEMR-3	S3215	GEMR-2	TR252	GEMR-2	1N1065	GEMR-1
ZS9.1B	GEZD-9.1	ZZ6.2	GEZD-6.2	C37F	GEMR-3	S3220	GEMR-2	TR253	GEMR-2	1N1066	GEMR-1
ZS12	GEZD-12	ZZ10	GEZD-10-4	C37G	GEMR-3	S3225	GEMR-2	TR300	GEMR-2	1N1067	GEMR-1
ZS12A	GEZD-12	ZZ12	GEZD-12	C37U	GEMR-3	S3230	GEMR-2	TR301	GEMR-2	1N1068	GEMR-1
ZS12B	GEZD-12	ZZ15	GEZD-15	C106A	GEMR-5	S3235	GEMR-2	TR302	GEMR-2	1N1069	GEMR-1
ZS15	GEZD-15	ZZ27	GEZD-27	C106B	GEMR-5	S3240	GEMR-2	TR303	GEMR-2	1N1115	GEMR-1
ZS15A	GEZD-15			C106F	GEMR-5	ST2-10	GEMR-1	TR351	GEMR-2	1N1116	GEMR-1
ZS15B	GEZD-15			C106Y	GEMR-5	ST2-20	GEMR-1	TR352	GEMR-2	1N1117	GEMR-1
ZS27	GEZD-27			D27C2	GEMR-6	ST2-30	GEMR-1	TR353	GEMR-2	1N1118	GEMR-1
ZS27A	GEZD-27			D27C3	GEMR-6	ST2-40	GEMR-1	TR400	GEMR-2	1N1124	GEMR-1
ZS27B	GEZD-27			D27C4	GEMR-6	ST3-10	GEMR-2	TR401	GEMR-2	1N1124A	GEMR-1
ZT5.6	GEZD-5.6			MCR1907-1	GEMR-3	ST3-20	GEMR-2	TR402	GEMR-2	1N1125	GEMR-1
ZT5.6A	GEZD-5.6			MCR1907-2	GEMR-3	ST3-30	GEMR-2	TR403	GEMR-2	1N1125A	GEMR-1
ZT5.6B	GEZD-5.6			MCR1907-3	GEMR-3	ST3-40	GEMR-2	TR1120	GEMR-1	1N1126	GEMR-1
GE6.2	GEZD-6.2			MCR1907-4	GEMR-3	ST4-10	GEMR-2	TR1121	GEMR-1	1N1126A	GEMR-1
GE6.2A	GEZD-6.2			MCR1907-5	GEMR-3	ST4-20	GEMR-2	TR1122	GEMR-1	1N1183	GEMR-2
GE6.2B	GEZD-6.2			MCR1907-6	GEMR-3	ST4-30	GEMR-2	TR1123	GEMR-1	1N1184	GEMR-2
ZT9.1	GEZD-9.1			MCR2604-1	GEMR-4	ST4-40	GEMR-2	TR1124	GEMR-1	1N1185	GEMR-2
ZT9.1A	GEZD-9.1			MCR2604-2	GEMR-4	TA2888	GEMR-5	1N248	GEMR-2	1N1186	GEMR-2
ZT9.1B	GEZD-9.1			MCR2604-3	GEMR-4	TA2889	GEMR-5	1N248A	GEMR-2	1N1187	GEMR-2
ZT12	GEZD-12			MCR2604-4	GEMR-4	TIC44	GEMR-5	1N248B	GEMR-2	1N1188	GEMR-2
ZT12A	GEZD-12			MCR2604-5	GEMR-4	TIC45	GEMR-5	1N248C	GEMR-2	1N1191	GEMR-2
ZT12B	GEZD-12			MCR2064-6	GEMR-4	TIC46	GEMR-5	1N249	GEMR-2	1N1192	GEMR-2
ZT15	GEZD-15			MCR2605-1	GEMR-4	TIC47	GEMR-5	1N249A	GEMR-2	1N1193	GEMR-2
				MCR2605-2	GEMR-4	TIP31	GEMR-6	1N249B	GEMR-2	1N1194	GEMR-2
				MCR2605-3	GEMR-4	TM1	GEMR-1	1N249C	GEMR-2	1N1195	GEMR-2
				MCR2605-4	GEMR-4	TM2	GEMR-1	1N250	GEMR-2	1N1196	GEMR-2
				MCR2605-5	GEMR-4	TM3	GEMR-1	1N250A	GEMR-2	1N1199	GEMR-1
				MCR2605-6	GEMR-4	TM4	GEMR-1	1N250B	GEMR-2	1N1199A	GEMR-1
				MCR2918-1	GEMR-3	TM5	GEMR-1	1N250C	GEMR-2	1N1200	GEMR-1
				MCR2918-3	GEMR-3	TM6	GEMR-1	1N253	GEMR-1	1N1200A	GEMR-1
				MCR2918-5	GEMR-3	TM7	GEMR-1	1N254	GEMR-1	1N1201	GEMR-1
				MR1120	GEMR-1	TM8	GEMR-1	1N255	GEMR-1	1N1201A	GEMR-1
				MR1121	GEMR-1	TM9	GEMR-1	1N332	GEMR-1	1N1202	GEMR-1
				MR1122	GEMR-1	TM11	GEMR-1	1N333	GEMR-1	1N1202A	GEMR-1
				MR1123	GEMR-1	TM12	GEMR-1	1N334	GEMR-1	1N1203	GEMR-1
				MR1124	GEMR-1	TM13	GEMR-1	1N335	GEMR-1	1N1203A	GEMR-1
				NL-C35A	GEMR-3	TM14	GEMR-1	1N336	GEMR-1	1N1204	GEMR-1
				NL-C35B	GEMR-3	TM15	GEMR-1	1N337	GEMR-1	1N1204A	GEMR-1
				NL-C35C	GEMR-3	TM16	GEMR-1	1N338	GEMR-1	1N1227	GEMR-1
				NL-C35D	GEMR-3	TM17	GEMR-1	1N339	GEMR-1	1N1227A	GEMR-1
				NL-C35F	GEMR-3	TM18	GEMR-1	1N340	GEMR-1	1N1228	GEMR-1
				NL-C35G	GEMR-3	TM19	GEMR-1	1N341	GEMR-1	1N1228A	GEMR-1
				NL-C35U	GEMR-3	TM21	GEMR-1	1N342	GEMR-1	1N1229	GEMR-1
				NL-C36A	GEMR-3	TM22	GEMR-1	1N343	GEMR-1	1N1229A	GEMR-1
				NL-C36B	GEMR-3	TM23	GEMR-1	1N344	GEMR-1	1N1230	GEMR-1
				NL-C36C	GEMR-3	TM24	GEMR-1	1N345	GEMR-1	1N1230A	GEMR-1
				NL-C36D	GEMR-3	TM25	GEMR-1	1N346	GEMR-1	1N1231	GEMR-1
				NL-C36F	GEMR-3	TM26	GEMR-1	1N347	GEMR-1	1N1231A	GEMR-1



JEDEC TYPE OR PART NO.	GE REPLACE-MENT	JEDEC TYPE OR PART NO.	GE REPLACE-MENT	JEDEC TYPE OR PART NO.	GE REPLACE-MENT	JEDEC TYPE OR PART NO.	GE REPLACE-MENT	JEDEC TYPE OR PART NO.	GE REPLACE-MENT	JEDEC TYPE OR PART NO.	GE REPLACE-MENT
1N1232	GEMR-1	1N2275	GEMR-1	2N1845B	GEMR-3	2N4196	GEMR-4	16RC20	GEMR-3	408C	GEMR-1
1N1232A	GEMR-1	1N2276	GEMR-1	2N1846	GEMR-3	2N4441	GEMR-4	16RC20A	GEMR-3	408D	GEMR-1
1N1341	GEMR-1	1N2446	GEMR-2	2N1846A	GEMR-3	2N4442	GEMR-4	16RC25	GEMR-3	408F	GEMR-1
1N1341A	GEMR-1	1N2447	GEMR-2	2N1846B	GEMR-3	2N4443	GEMR-4	16RC25A	GEMR-3	408H	GEMR-1
1N1341B	GEMR-1	1N2448	GEMR-2	2N1847	GEMR-3	2N4921	GEMR-6	16RC30	GEMR-3	409A	GEMR-1
1N1342	GEMR-1	1N2449	GEMR-2	2N1847A	GEMR-3	2N5060	GEMR-5	16RC30A	GEMR-3	409B	GEMR-1
1N1342A	GEMR-1	1N2450	GEMR-2	2N1847B	GEMR-3	2N5061	GEMR-5	16RC40	GEMR-3	409C	GEMR-1
1N1342B	GEMR-1	1N2451	GEMR-2	2N1848	GEMR-3	2N5062	GEMR-5	16RC40A	GEMR-3	409D	GEMR-1
1N1343	GEMR-1	1N2452	GEMR-2	2N1848A	GEMR-3	2N5063	GEMR-5	18RC2	GEMR-3	409F	GEMR-1
1N1343A	GEMR-1	1N2453	GEMR-2	2N1848B	GEMR-3	2N5168	GEMR-3	18RC5	GEMR-3	409H	GEMR-1
1N1343B	GEMR-1	1N2491	GEMR-1	2N1849	GEMR-3	2N5169	GEMR-3	18RC10	GEMR-3	417A	GEMR-2
1N1344	GEMR-1	1N2492	GEMR-1	2N1849A	GEMR-3	2N5170	GEMR-3	18RC15	GEMR-3	417B	GEMR-2
1N1344A	GEMR-1	1N2493	GEMR-1	2N1849B	GEMR-3	2N5295	GEMR-6	18RC20	GEMR-3	417C	GEMR-2
1N1344B	GEMR-1	1N2495	GEMR-1	2N2322	GEMR-5	2N5296	GEMR-6	18RC25	GEMR-3	417D	GEMR-2
1N1345	GEMR-1	1N2513	GEMR-1	2N2323	GEMR-5	5N2	GEMR-1	18RC30	GEMR-3	417F	GEMR-2
1N1345A	GEMR-1	1N2514	GEMR-1	2N2324	GEMR-5	5N3	GEMR-1	18RC40	GEMR-3	417H	GEMR-2
1N1345B	GEMR-1	1N2515	GEMR-1	2N2325	GEMR-5	5P2	GEMR-1	20J2	GEMR-1	418A	GEMR-2
1N1346	GEMR-1	1N2793	GEMR-2	2N2326	GEMR-5	5P3	GEMR-1	20H3	GEMR-1	418B	GEMR-2
1N1346A	GEMR-1	1N2794	GEMR-2	2N3228	GEMR-4	10J2	GEMR-1	20N2	GEMR-1	418C	GEMR-2
1N1346B	GEMR-1	1N2795	GEMR-2	2N3525	GEMR-4	10H3	GEMR-1	20N3	GEMR-1	418D	GEMR-2
1N1346B *	GEMR-1	1N2796	GEMR-2	2N3528	GEMR-5	10N2	GEMR-1	20P2	GEMR-1	418E	GEMR-2
1N1537	GEMR-1	1N2797	GEMR-2	2N3896	GEMR-3	10N3	GEMR-1	20P3	GEMR-1	418F	GEMR-2
1N1538	GEMR-1	1N2798	GEMR-2	2N3897	GEMR-3	10P2	GEMR-1	20R3	GEMR-2	418H	GEMR-2
1N1539	GEMR-1	1N2799	GEMR-2	2N3898	GEMR-3	10P3	GEMR-1	20S3	GEMR-2	419A	GEMR-2
1N1540	GEMR-1	1N2800	GEMR-2	2N4150	GEMR-4	10RC2	GEMR-3	22RC2	GEMR-3	419B	GEMR-2
1N1541	GEMR-1	1N3208	GEMR-2	2N4151	GEMR-4	10RC2A	GEMR-3	22RC5	GEMR-3	419C	GEMR-2
1N1542	GEMR-1	1N3209	GEMR-2	2N4152	GEMR-4	10RC5	GEMR-3	22RC10	GEMR-3	419D	GEMR-2
1N1581	GEMR-1	1N3210	GEMR-2	2N4153	GEMR-4	10RC5A	GEMR-3	22RC15	GEMR-3	419F	GEMR-2
1N1582	GEMR-1	1N3211	GEMR-2	2N4154	GEMR-4	10RC10	GEMR-3	22RC20	GEMR-3	419H	GEMR-2
1N1583	GEMR-1	1N3212	GEMR-2	2N4155	GEMR-4	10RC10A	GEMR-3	22RC25	GEMR-3	40108	GEMR-1
1N1584	GEMR-1	1N3569	GEMR-1	2N4156	GEMR-4	10RC15	GEMR-3	22RC30	GEMR-3	40109	GEMR-1
1N1585	GEMR-1	1N3570	GEMR-1	2N4159	GEMR-4	10RC15A	GEMR-3	22RC40	GEMR-3	40110	GEMR-1
1N1612	GEMR-1	1N3571	GEMR-1	2N4160	GEMR-4	10RC20	GEMR-3	30J2	GEMR-1	40111	GEMR-1
1N1613	GEMR-1	1N3572	GEMR-1	2N4161	GEMR-4	10RC20A	GEMR-3	30H3	GEMR-1	40112	GEMR-1
1N1614	GEMR-1	1N3958	GEMR-1	2N4162	GEMR-4	10RC25	GEMR-3	30N2	GEMR-1	40208	GEMR-2
1N1615	GEMR-1	1N3959	GEMR-1	2N4163	GEMR-4	10RC25A	GEMR-3	30N3	GEMR-1	40209	GEMR-2
1N1621	GEMR-1	1N3960	GEMR-1	2N4164	GEMR-4	10RC30	GEMR-3	30P2	GEMR-1	40210	GEMR-2
1N1622	GEMR-1	1N3961	GEMR-1	2N4167	GEMR-4	10RC30A	GEMR-3	30P3	GEMR-1	40211	GEMR-2
1N1623	GEMR-1	2N681	GEMR-3	2N4168	GEMR-4	10RC40	GEMR-3	40J2	GEMR-1	40212	GEMR-2
1N1624	GEMR-1	2N682	GEMR-3	2N4169	GEMR-4	10RC40A	GEMR-3	40H3	GEMR-1	40378	GEMR-4
1N2026	GEMR-1	2N683	GEMR-3	2N4170	GEMR-4	13RC2	GEMR-3	40HF5	GEMR-2	40379	GEMR-4
1N2027	GEMR-1	2N684	GEMR-3	2N4171	GEMR-4	13RC5	GEMR-3	40HF10	GEMR-2		
1N2028	GEMR-1	2N685	GEMR-3	2N4172	GEMR-4	13RC10	GEMR-3	40HF15	GEMR-2		
1N2029	GEMR-1	2N686	GEMR-3	2N4175	GEMR-4	13RC15	GEMR-3	40HF20	GEMR-2		
1N2135	GEMR-2	2N687	GEMR-3	2N4176	GEMR-4	13RC20	GEMR-3	40HF30	GEMR-2		
1N2135A	GEMR-2	2N688	GEMR-3	2N4177	GEMR-4	13RC25	GEMR-3	40HF40	GEMR-2		
1N2154	GEMR-2	2N1595	GEMR-5	2N4178	GEMR-4	13RC30	GEMR-3	40N2	GEMR-1		
1N2155	GEMR-2	2N1596	GEMR-5	2N4179	GEMR-4	13RC40	GEMR-3	40N3	GEMR-1		
1N2156	GEMR-2	2N1597	GEMR-5	2N4180	GEMR-4	15N2	GEMR-1	40P2	GEMR-1		
1N2157	GEMR-2	2N1842	GEMR-3	2N4183	GEMR-4	15N3	GEMR-1	40P3	GEMR-1		
1N2158	GEMR-2	2N1842A	GEMR-3	2N4184	GEMR-4	15P2	GEMR-1	40R3	GEMR-2		
1N2216	GEMR-1	2N1842B	GEMR-3	2N4185	GEMR-4	15P3	GEMR-1	40S3	GEMR-2		
1N2228	GEMR-1	2N1843	GEMR-3	2N4186	GEMR-4	16RC2	GEMR-3	407A	GEMR-1		
1N2230	GEMR-1	2N1843A	GEMR-3	2N4187	GEMR-4	16RC2A	GEMR-3	407B	GEMR-1		
1N2232	GEMR-1	2N1843B	GEMR-3	2N4188	GEMR-4	16RC5	GEMR-3	407C	GEMR-1		
1N2234	GEMR-1	2N1844	GEMR-3	2N4191	GEMR-4	16RC5A	GEMR-3	407D	GEMR-1		
1N2266	GEMR-1	2N1844A	GEMR-3	2N4192	GEMR-4	16RC10	GEMR-3	407F	GEMR-1		
1N2272	GEMR-1	2N1844B	GEMR-3	2N4193	GEMR-4	16RC10A	GEMR-3	407H	GEMR-1		
1N2273	GEMR-1	2N1845	GEMR-3	2N4194	GEMR-4	16RC15	GEMR-3	408A	GEMR-1		
1N2274	GEMR-1	2N1845A	GEMR-3	2N4195	GEMR-4	16RC15A	GEMR-3	408B	GEMR-1		

### Section III—Experimenter/Hobbyist Components

Each electronic component in this series is blister packaged with circuit diagrams showing how educational, practical, and interesting electronic devices can be built. They can also be used in many other applications mentioned in hobby magazines and articles such as found in the General Electric Components Hobby Manual (ETR-3960).



### SILICON CONTROLLED RECTIFIER GE-X1

This silicon controlled rectifier is a sensitive, rugged solid state switch for use on 117 volt household circuits. The GE-X1 makes a fine speed control for hand tools, blenders, mixers, lamp dimmers, HO train controls, and automotive alternator regulators.

Peak Reverse Voltage	= 200 volts
Average forward current	= 4.7 amps
Gate current to trigger	= 15 to 25 ma DC
Gate voltage to trigger	= 1.3 to 3.0 volts DC
Supply voltage	= 120 or less volts

A schematic is included for building a PLUG-IN SPEED CONTROL for general purpose applications.

You'll need the following parts:

SCR1—GE-X1 silicon controlled rectifier
C1—2 f, 50 volt capacitor (GE Type MTI-1)
CR1, CR2—1N1693 rectifier diode (GE)
CR3—GE-X14 thyrector diode (optional transient voltage suppressor)
R1—2500 ohm, 4 watt resistor
R2—500 ohm, 2 watt potentiometer
R3—200 ohm, 1 watt potentiometer
R4—1000 ohm, ½ watt resistor
S1—SPDT switch
F1—3 amp or 5 amp

Suggested User Price \$2.60



### LIGHT ACTIVATED SILICON CONTROLLED RECTIFIER GE-X2A

This "mighty midget" is the first light activated SCR power switch. The GE-X2A is a genuine silicon controlled rectifier that is controlled by light. It can be used in photoelectric controls, experimental ignition systems, slave photoflash circuits, and miniature lightweight static relays.

Peak Reverse voltage	= 25 volts
Max forward current (100°F)	= 1.6 amp
Light intensity to trigger	= 200 to 500 foot candles
Supply voltage	= 6 or 12 volts AC or DC

A schematic is included for building a SLAVE PHOTOFLASH for flashbulbs. You'll need the following parts:

GE-X2A—Light activated silicon controlled rectifier
15 to 22½ volt battery
R1—10 K resistor, ½ watt
R2—10 ohm resistor, 1 watt
R3—56 K resistor, 1 watt
C1—250 MFD, 25V capacitor (GE Type QTI-28)
S1—SPST toggle switch
Flash bulb socket

Suggested User Price \$2.80



### SILICON CONTROLLED RECTIFIER GE-X3

A silicon controlled rectifier for high current at lower voltage. The GE-X3 is ideal for applications requiring higher current such as battery chargers, electroplating, relay replacement, or low voltage controls such as operating from automobile or boat batteries.

Peak Reverse voltage	= 50 volts
Average forward current	= 13 amps
Gate current to trigger	= 20 to 25 ma DC
Gate voltage to trigger	= 2.0 to 2.5 volts DC
Supply voltage	= 6, 12, 28 volts DC



A schematic is included for building a 12 VOLT REGULATED BATTERY CHARGER. You'll need the following parts:

SCR1—GE-X3 silicon controlled rectifier
SCR2—GE-X5 silicon controlled rectifier
C1—100µf, volt capacitor (GE-type MTI-20)
CR1—GE-X11 zener diode
CR2—1N1692 rectifier diode (GE)
CR3, CR4—GE-X4 rectifier diode
CR5—GE type GE-X14 thyrector diode
R1—500 ohm, 2 watt linear potentiometer
R2, R3—27 ohm, 3 watt resistor
R4—1000 ohm, ½ watt resistor
T1—Transformer: primary, 120 volts; secondary, 24 volts (UTC-FT10 or equivalent)

Suggested User Price \$4.00

### SILICON RECTIFIER GE-X4

For the first time a low priced high current conventional silicon rectifier is available. The GE-X4 can be used in Hi-Lo lamp dimmers, motor speed controls, battery chargers, in conjunction with the GE-X1 or GE-X3, full wave SCR light dimmers, or DC power supplies.

Peak Reverse Voltage	= 200 volts
Average forward current	= 20 amps
Supply Voltage	= 120 or less volts

A schematic is included for building a HIGH-LOW-OFF CONTROL for a heater, lamp, motor, etc. You'll need the following parts:

CR1—GE-X4 rectifier for 300 watts output
CR2—GE-X14 thyrector diode
S1—SPDT 120 volt AC, 3 amp switch with center "OFF" position

Suggested User Price \$1.60



### SILICON CONTROLLED RECTIFIER GE-X5

This rugged little silicon controlled rectifier can be activated by an extremely low signal power. The GE-X5 is invaluable for use in simple remote controls, temperature controls, alarm systems, and a host of other imaginative and intriguing devices.

Peak Reverse voltage	= 50 volts
Average forward current	= 2.0 amps
Gate current to trigger	= 50 to 200 microamp DC
Gate voltage to trigger	= .35 to .8 volts DC
Supply voltage	= 6, 12, 28 or 48 volts AC or DC

PHOTOTIMER. You'll need the following parts:  
A schematic is included for building an ENLARGER

SCR1—GE-X5 silicon controlled rectifier
C1—100µ f, 300 volt capacitor (GE type XC1-12)
CR1, CR2, CR3—1N1693 rectifier diode (GE)
CR4—1N1692 rectifier diode (GE)
R1—250,000 ohm, 2 watt potentiometer
R2, R3—3,300 ohm, ½ watt resistor
R4—1 megohm, ½ watt resistor
MR1—24 volt AC relay (Potter & Brumfield MR5A, or equivalent)
S1—DPDT switch
T1—Filament transformer; primary, 120 volts; secondary, 12 volts and 6 volts (Triad F25X, or equivalent)

Suggested User Price \$2.30





## PHOTOCELL GE-X6

This cadmium sulfide photo conductive cell is end-illuminated and can be used in control applications such as relay controls, automatic light flashers, remote indicators, and punched card or tape read-outs.

Wave length of maximum spectral response	= 6100 ± 600° A
Max power dissipation	= 250 mw
Max applied voltage	= 250 volts
Resistance at 2 ft.-C	= 9000 ohms
Resistance at 100 ft.-C	= 480 ohms
Ambient Temp. Range	= 40°C to + 65°C

Schematics are included for building (1) NIGHT LIGHT CONTROL and (2) LIGHT FLASHER. You'll need the following parts to build the Night Light Control:

GE-X6—Photoconductive cell  
GE-X7—Reed switch  
GE-604A Silicon rectifier  
R1—5 ohm, 1 watt resistor  
R2—10 K, 5 watt resistor  
C1—4 μ f, 300 volt capacitor (GE type QTI-2)  
Lamp, 15 watt maximum  
L1—Coil at 10,000 turns No. 39 wire, wound on 2" coil form packaged with GE-X7 or GE type No. C2 @ \$1.60

Light Flasher parts are listed under REED SWITCH GE-X7 Suggested User Price \$1.40

## REED SWITCH GE-X7

The GE-X7 with external magnetic actuation is ideal for liquid-level controls, weight measuring devices, temperature limiters, multiple relays, and many other applications.

Max contact rating (DC resistive) 250V @ 1 amp	= 15 watts
Max initial contact resistance	= 50 milliohms
Max breakdown voltage @ 60 CPS RMS	= 500 volts
Pull-in or operate ampere turns	= 90 ± 15
Drop-out or release ampere turns	= 35 ± 10
Temp range of operation	= 65°C to + 150°C

Schematics are included for building (1) LIGHT FLASHER and (2) BURGLAR ALARM. You'll need the following parts to build the Light Flasher:

GE-X7—Reed switch  
GE-X6—Photoconductive cell  
12 volt battery  
S1—SPST toggle switch  
R1—270 ohm, 1 watt resistor  
R2—500 ohm, .5 watt potentiometer  
Lamp No. 428 or equivalent, rating 12.5 volts 250 ma.  
L1—Coil at 7000 turns No. 38 wire, wound on coil form packaged with GE-X7 or GE Type No. C1 @ \$1.60

To build a Burglar Alarm you'll need these parts:

GE-X7—Reed switch  
Note: Magnet packaged with GE-X7  
Bell transformer  
Bell or buzzer Suggested User Price \$ .80



## TRANSISTOR GE-X8

The GE-X8 is an NPN isolated case germanium medium speed transistor designed for low level switching and amplification in applications such as oscillators, direct coupled amplifiers, flashers and bi-stable lamp driver circuitry.

DC collector to base current @ VCB + 5 volts	= 30 μ a max
Collector emitter breakdown voltage @ IC = 300 a	= 10 volts min
R <sub>BE</sub> = 10K	= 10 volts min
Forward current transfer ratio @ IC = 1 ma, V <sub>CE</sub> = 1 volt	= 15 min 45 max

Schematics are included for building (1) LIGHT FLASHER, (2) LIGHT TARGET and (3) TRIGGERED LIGHT SOURCE.

All parts are listed under TRANSISTOR GE-X9. Suggested User Price \$ .70



## TRANSISTOR GE-X9

The GE-X9 is a PNP germanium alloy transistor for extremely reliable medium power amplification and switching at low frequency. An ideal companion to the GE-X8, this transistor can be used to build a light flasher, light target or triggered light source.

Collector to emitter breakdown voltage @ IC = 600 ma, R <sub>BE</sub> = 10K	= 9 volts min
Forward current transfer ratio IC = 20 ma, T <sub>CC</sub> = 1 volt	= 34 min

Schematics are included for building (1) LIGHT FLASHER, (2) LIGHT TARGET and (3) TRIGGERED LIGHT SOURCE. You'll need the following parts to build the Light Flasher:

Q2—GE-X9  
Q1—GE-X8  
6 volt battery  
C1—20-mfd, 10 volt capacitor (GE type MTI-10)  
R1—100 K, 2 watt potentiometer  
R2—5.6 K, 1/2 watt resistor  
R3—5.6 K, 1/2 watt resistor  
Lamp No. 1850  
R4—1.2 K, 1/2 watt resistor

You'll need these parts to build the Light Target:

Q2—GE-X9  
Q1—GE-X8  
6 volt battery  
Lamp No. 1850  
C1—20-mfd, 10 volt capacitor (GE type MTI-10)  
R1—10 K, 2 watt sensitive control  
GE-X6—Photoconductive cell  
R2—1.2 K, 1/2 watt

You'll need these parts to build the Triggered Light Source:

Q2—GE-X9  
Q1—GE-X8  
6 volt battery  
Lamp No. 1850  
C1—20-mfd, 10 volt capacitor (GE type MTI-10)  
R2—5.6 K, 1/2 watt resistor  
R1—100 K, 2 watt potentiometer  
R3—1.2 K, 1/2 watt resistor  
S1—Trigger switch



### UNIUNCTION TRANSISTOR GE-X10

A device which has quite different electrical characteristics than those of the conventional transistor, the unijunction transistor is a three-terminal semi-conductor featuring: (1) Low cost (2) Low value of firing current (3) A negative resistance characteristic that is stable with temperature and life (4) A stable firing current (5) A high pulse-current capability. These characteristics make the unijunction invaluable for use in oscillators, timing circuits, voltage sensing circuits, SCR firing circuits and bi-stable circuits.

Peak point current = 25 microamps  
Min valley current = 4 milliamps  
Base one peak pulse voltage = 6 volts

A schematic is included for building a HIGH PRECISION TACHOMETER for automotive ignition systems with 12 volt negative ground. All parts are listed under ZENER DIODE GE-X11.

Suggested User Price \$1.35

### ZENER DIODE GE-X11

The GE-X11 is a silicon zener diode. It can be used in low voltage transistor or silicon controlled rectifier applications requiring voltage regulation or voltage transient protection.

Power dissipation = 1 watt  
Nominal zener voltage,  $\pm 10\%$  = 8.2 volts

A schematic is included for building a HIGH PRECISION TACHOMETER for automotive ignition systems with 12 volt negative ground. You'll need the following parts:

GE-X11 zener diode  
GE-X10-unijunction transistor  
GE-10-transistor  
R1-3300 ohm, 1/2 watt resistor  
R2, R3-1000 ohm, 1/2 watt resistor  
R4-3900 ohm, 1/2 watt resistor  
R5-470 ohm, 1/2 watt resistor  
R6-1000 ohm, 1/2 watt resistor  
R7-250 ohm, 2 watt potentiometer  
R8-330 ohm, 1 watt resistor  
C2-.22 mfd, 400 volt capacitor (GE type MPC-4P22)  
C3-.047-mfd, 200 volt capacitor (GE type MPC-2S47)  
M-Meter 0-.5 ma. calibrated 0-6000 RPM  
Suggested User Price \$1.80

### TRIAC GE-X12

The new GE TRIAC controlled AC switch can be used in many appliances. Here is a simple, easy-to-build example: controlling the power for a lamp or appliance from a remote location. This often requires an isolated low-voltage central circuit to eliminate danger of shock or fire, and permits use of inexpensive wiring and a small control switch.

Breakover voltage @ 100°C =  $\pm 200$  volts  
Peak gate power = 5.0 watts  
RMS current @ 75°C = 6.0 amps  
Gate current to trigger =  $\pm 50$  ma  
Gate voltage to trigger =  $\pm 3$  volts



A schematic is included for building a REMOTE CONTROL DEVICE for lamp or appliance. You'll need the following parts:

TRI-GE-X12 TRIAC  
F1-5-amp, 3AG, fuse  
R1-50-ohm, 2-watt potentiometer  
S1-SPST switch  
T1-Transformer: primary, 120 volts AC; secondary, 6.3 volts; 1-amp (min) "Filament" type  
Suggested User Price \$4.50

### DIAC GE-X13

Want something to turn the lights on when it gets dark and you aren't there? This circuit, using the new GE DIAC, will do that plus give full symmetrical control from zero to 100% over an AC load. It does a complete job of dimming lamps, and is suitable for controlling AC motors.

Breakover voltage =  $\pm 28$  volts min,  
 $\pm 36$  volts max  
Breakover current =  $\pm 200 \mu$  a max  
Peak current =  $\pm 2$  amps max

A schematic is included for building a COMBINATION FULL-WAVE LAMP DIMMER, LAMP SENTINEL, AC MOTOR CONTROL. You'll need the following parts:

DIAC-GE-X13  
TRIAC-GE-X12  
C1-0.1-mfd, 50-volt capacitor (GE MPC-2P1)  
C2-0.1-mfd, 200-volt capacitor (GE MPC-2P1)  
PC-GE-X6 cadmium sulfide photoconductor  
R1-68000-ohm, 1/2-watt resistor  
R2-47000-ohm, 1/2-watt resistor  
R3-4700-ohm, 1/2-watt resistor  
R4-250000-ohm, 2-watt potentiometer  
Suggested User Price \$1.60

### THYRECTOR GE-X14

The GE-X14 is a transient voltage suppressor providing a power supply level ample for handling a typical 100-watt transmitter, providing two voltage outputs from a single circuit. With an adjustable transformer in the line ahead of the step-up transformer, this circuit makes an excellent variable voltage power supply for laboratory experiments.

Steady Stake Ratings:

Cell voltage = 30 volts rms-42.4 volts peak  
Stack voltage = 30 to 600 volts rms  
Max leakage current = 1.2 ma

A schematic is included for building a DUAL VOLTAGE POWER SUPPLY.

You'll need the following parts:

CR2-GE-X14 Thyrector diode (optional transient voltage suppressor)  
C1, C2-4 mfd, 1000-volt capacitor (GE 23F1027)  
C3, C4-20 mfd, 600-volt electrolytic capacitor  
CR1-16 GE type 1N1696 silicon rectifier diodes connected in groups of four  
F1-3AGC fuse, 3-amp  
I1-120-volt, 6-watt pilot lamp  
L1-5/25-henry choke, 175-ma (UTC S-30, or equivalent)  
L2-10-henry choke, 175-ma (UTC S-29 or equivalent)  
L3-30-henry choke, 25-ma (UTC S-25, or equivalent)





- R1—50000-ohm, 25-watt resistor
  - R2—110000-ohm, 4-watt resistor (2-220K, 2-watt resistors in parallel)
  - S1—DPST switch
  - R1—200-ma transformer: primary, 120-volt AC, 60cps; secondary, 800-volt (Stancor PC-8412, or equivalent)
  - Chassis—Aluminum, 12" x 8" x 3"
- User Price \$1.15

### THERMISTOR GE-X15

Safety conscious? Want an adjustable temperature alarm that will ring a bell, actuate a buzzer, or turn on a light that can be used to detect a high temperature in hazardous locations? Here you are. For example, this device can be used in the home to determine when the attic ventilating fan should be turned on. Any temperature from approximately 115° to 165°F may be detected by the thermistor, at which point an alarm can be sounded or a switch actuated.

- Resistance @ 25°C = 1000 ± 10% ohms
- Nominal resistance @ 150°C = 18 ohms
- Dissipation constant = T.S. mw/°C
- Thermal time constant = 19 seconds

A schematic is included for building an ADJUSTABLE TEMPERATURE ALARM.

You'll need the following parts:

- R1—GE-X15 thermistor
  - Battery—12 volts
  - L1—7000 turns of No. 38 wire (440 ohms). This is General Electric C-1 coil available at GE distributors (\$1.60)
  - S1—SPST toggle switch
  - S2—GE-X7 magnetic reed switch (magnet supplied with reed switch)
  - B1—Standard bell or buzzer
  - T1—Standard 12/24-volt AC bell transformer
- Suggested User Price \$5.46

### SILICON CONTROLLED RECTIFIER GE-X16

There is often a desire to use a fluorescent lamp in applications where a low-voltage battery is the only source of power. The advantage of these lamps over incandescent lamps are: higher efficiency (you get about four times the light from the same battery current), better light distribution, and less heat dissipation. This high-frequency inverter will find many useful applications for lighting in trucks, yachts, houseboats, buses, mobile homes, camp trailers, and aircraft.

- Peak reverse voltage = 400 volts
- Max current DC @ 80 C case = 7.4 amps
- Gate current to trigger = 25 ma
- Gate voltage to trigger = 3 volts
- Supply voltage = 120 volts or less

A schematic is inclosed for building a BATTERY-OPERATED FLUORESCENT LIGHT.

You'll need the following parts:

- SCR1—GE-X16 Silicon Controlled Rectifier
- B1—12-volt battery
- C1, C5—0.01-mfd capacitor, 200-volt (GE type MPC-4S1)
- C2, C3, C4—1-mfd capacitor, 200-volt (GE type QT1-1)
- C6—0.04-mfd capacitor, 600-volt (GE type MPC-6S4)

- C7—60-mfd tantalytic capacitor, 15-volt (GE 29F481)

- CR1—GE-X4 rectifier diode
- F1—5-amp fuse, type AGX2
- I1—GE F8 fluorescent lamp

- L1—Coil: 11 turns of No. 22 insulated wire on core No. 930157-2 made by the Arnold Engineering Co., P.O. Box G, Marengo, Illinois

- Q1—GE-X10 unijunction transistor
- R1—220-ohm, ½-watt resistor
- R2—47-ohm, ½-watt resistor
- R3—150000-ohm, ½-watt resistor
- R4—100000-ohm, ½-watt resistor
- R5—68-ohm, ½-watt resistor
- S1, S2—SPST switch

- T1—Autotransformer: 25 turns of No. 22 wire and 220 turns of No. 28 wire (wound in same direction) on No. 930157-2 core made by The Arnold Engineering Co., P.O. Box G, Marengo, Illinois

- Lamp Fixture—Cat. No. MS8 with 60-cycle ballast and starter removed. Made by Inwood Elec. Mfg., Inwood, Long Island, New York, or equivalent. Dimensions 15" x 1¼" x 1".

Suggested User Price \$3.45

### TRANSISTOR GE-M100

A top quality germanium mesa transistor for the ham, hobbyist and citizens bander. The GE-M100 is packaged with complete circuit diagrams covering the construction of a transistorized citizens band receiver and remote control units.

- Collector to emitter breakdown voltage = 4 volts
  - Collector to base breakdown voltage = 4 volts
  - Collector current = 3 ma
- Suggested User Price \$1.20

A schematic is included for building a CITIZENS BAND RECEIVER AND CONTROL UNIT (27 MC).

You'll need the following parts:

- | Qty.                                    | Qty.                     |
|-----------------------------------------|--------------------------|
| 1—GE-M100 transistor                    | 2—GE-6 transistors (GE)  |
| 3—1.5 volt batteries                    | 2—2N404 transistors (GE) |
| 1—2 pf capacitor                        | 1—SPDT relay             |
| 1—470 pf capacitor                      | 1—2K, ½-watt resistor    |
| 1—5 to 10 pf trimmer                    | 1—47K resistor           |
| 1—.01 mfd ceramic capacitor             | 1—15K=R2 resistor        |
| 3—5 mfd 50V=(MTI-3)                     | 2—10K resistor           |
| 1—.2 mfd 500V=(GE type MPC-6P2)         | 2—68K resistor           |
| 2—25 mfd 6V=(MTI-13)                    | 2—1.2K resistor          |
| 1—1 mfd 6V=(MTI-1)                      | 2—5.6 resistor           |
| 1—LS6 10 coil form with No. 26 wire =L1 | 1—820 ohm resistor       |
| 1—50 mh RF choke=L2                     | 1—33 ohm resistor        |
|                                         | 1—Telex T-42 XMFR=T      |
|                                         | 1—Crystal headphone =P   |

### TRANSISTOR 2N107

An alloy junction audio germanium transistor PNP that's ideal for hobbyist projects such as a simple audio amplifier; one, two, or three transistor radios; code practice oscillator; and loudspeaker audio amplifier.



Collector dissipation @ 25 C = 50 mw  
 Collector to emitter breakdown voltage = -6 volts  
 Collector to base breakdown voltage = -6 volts  
 Collector current = -10 ma  
 Collector to emitter transfer ratio = 20 min  
 Transfer ratio cutoff frequency (common emitter) = 6 mc  
 Collector current at  $V_{ce} = -12$  (open emitter) = -10 a max  
 Suggested List Price \$1.25

Schematics are included for building (1) AUDIO AMPLIFIER, (2) SINGLE TRANSISTOR RADIO RECEIVER, (3) CODE OSCILLATOR, (4) LOUD-SPEAKER AMPLIFIER, (5) 2-TRANSISTOR RADIO RECEIVER and (6) 3-TRANSISTOR BROADCAST RADIO.

To build an Audio Amplifier you'll need these parts:

Qty.  
 1-2N107 transistor (GE)  
 1-.05 MFD, 400 volt capacitor (GE type MPC-4S5)  
 1-27K, 1/2-watt resistor  
 1-2K headphones  
 2-1.5 volt batteries  
 1-Battery holder

To build a Single Transistor Radio you'll need these parts:

Qty.	Qty.
1-2N107 transistor (GE)	1-1N60 diode (GE)
1-Antenna-Miller Loop Stick No. 6300 or equivalent	1-220K, 1/2-watt resistor
1-365 $\mu$ f variable capacitor	1-2K headphones

To build a Code Oscillator you'll need these parts:

Qty.	Qty.
1-2N107 transistor (GE)	1-50K Pot.
1-22K, 1/2-watt resistor	1-2K headphones
1-2.7K 1/2-watt resistor	2-1.5 volt battery
1-1.8K, 1/2-watt resistor	1-Battery holder
2-.01 MFD, 400 volt capacitor (GE type MPC-4S1)	

To build a Loudspeaker Amplifier you'll need these parts:

Qty.	Qty.
3-2N107 transistor (GE)	1-0.1K, 1/2-watt resistor
1-15K Pot.	1-DPDT switch
1-10-mfd, 25 volt capacitor (MTI-5)	2-6 volt batteries
1-1K, 1/2-watt resistor	T-T1=Triad A-81X or equivalent
1-22K, 1/2-watt resistor	1-T2=Triad S-51X or equivalent
1-2.2K, 1/2-watt resistor	

To build a 2-Transistor Radio Receiver you'll need these parts:

Qty.	Qty.
2-2N107 transistor (GE)	1-10 MFD, 25 volt capacitor (GE type MTI-5)
1-Antenna-Miller Loop Stick No. 6300 or equivalent	1-100K, 1/2-watt resistor
1-365 $\mu$ f variable capacitor	2-1.5 volt batteries
1-500K Pot.	1-Battery holder
1-T1=PRI 200K ohm Sec 1K ohm Argonne AR100 or equivalent	1-SPST switch
	1-2K headphones

To build a 3-Transistor Broadcast Radio you'll need these parts:

Qty.  
 2-2N107 transistors (GE)  
 1-No. 26 enamel wire for L1, L2, L3  
 1-.01 MFD, 400 volt capacitor (GE type MPC-4S1)  
 1-5K control  
 1-GE-1 transistor  
 3-T1, T2, T3 Argonne AR-100  
 1-360K, 1/2-watt resistor  
 1-.001 MFD, 600 volt capacitor (GE type MPC-6D1)  
 2-100K, 1/2-watt resistor  
 1-SPST switch  
 2-10 MFD, 25 volt capacitors (GE type MTI-5)  
 1-2K headphones  
 2-1.5 volt batteries  
 1-Battery holder

### TRANSISTOR 2N170

A low voltage high frequency NPN silicon unijunction oscillator transistor is an ideal companion to the 2N107. The 2N170 can be used to build pocket radios, amplifiers and other interesting devices.

Collector dissipation @ 25°C = 25 mw  
 Collector to emitter breakdown voltage = -6 volts  
 Collector to base breakdown voltage = -6 volts  
 Collector current = 20 ma  
 Collector to emitter transfer ratio at collector current of 1 ma = .95 min.  
 Transfer ratio cutoff frequency (common emitter) = 4 mc  
 Conversion gain = 22 db min  
 Collector current at  $V_{ce}$  of 5 volts = 5  $\mu$  a max

Suggested List Price \$1.70

Schematics are included for building (1) 3-TRANSISTOR RADIO RECEIVER, (2) DIRECT COUPLED AMPLIFIER and (3) PRE-AMPLIFIER.

To build a 3-Transistor Radio Receiver you'll need these parts:

Qty.	Qty.
2-2N170 transistors (GE)	1-120 ohm, 1/2-watt resistor
1-2N107 transistor (GE)	Qty.
1-Variable capacitor	1-5K ohm earphones
1-Ferrite core antenna 232 $\mu$ h	2-1.5 volt batteries
1-2.5K ohm control	1-Battery holder

To build a Direct Coupled "Battery Saver" Amplifier you'll need these parts:

Qty.	Qty.
2-2N170 transistor (GE)	1-22 ohm, 1/2-watt resistor
1-2N107 transistor (GE)	resistor
1-1 $\mu$ f, 6 volt capacitor (GE MTI-1)	1-10K ohm control
1-330 ohm, 1/2-watt resistor	1-2K headphones
	1-Battery holder
	2-1.5 volt batteries

To build a Variable Reluctance Compensated Pre-amplifier you'll need these parts:

Qty.	Qty.
2-2N170 transistor (GE)	1-5 mfd, 12 volt capacitor (GE type MTI-3)
2-1 mfd, 12 volt capacitor (GE type MTI-1)	1-.33 mfd, 600 volt capacitor
1-2.5K, 1/2-watt resistor	2-choose value between (100K-500K) for correct collector voltage
1-1.5K, 1/2-watt resistor	
1-10K, 1/2-watt resistor	
1-3.3K, 1/2-watt resistor	
1-22, 1/2-watt resistor	1-Battery holder
	4-1.5 volt batteries





### UNIUNCTION TRANSISTOR 2N2160

A device which has quite different electrical characteristics than those of the conventional transistor, the unijunction transistor is a three-terminal semi-conductor featuring: (1) low cost (2) low value of firing current (3) a negative resistance characteristic that is stable with temperature and life (4) a stable firing current and (5) a high pulse-current capability. These characteristics make the unijunction invaluable for use in oscillators, timing circuits, voltage sensing circuits, SCR firing circuits and bi-stable circuits.



Collector dissipation at 25°C = 450 mw  
 Collector to emitter breakdown voltage = 30 volts  
 Collector to base breakdown voltage = 30 volts  
 Collector current = 50 ma

Suggested List Price \$2.75

Schematics are included for building (1) TRANSISTOR METRONOME and (2) CODE PRACTICE OSCILLATOR.

To build a Transistor Metronome you'll need these parts:

- 2N2160 Unijunction transistor (GE)
- R1—20K resistor
- R2—220K resistor
- R3—IRC type Q13-328 potentiometer (log taper)
- R4—150 ohm resistor
- R5, R6—12K resistor
- 4—1N1692 rectifiers (GE)
- C1—100 MFD, 25 volt capacitor (GE type MTI-20)
- C2—10 MFD, 25 volt capacitor (GE type MTI-5)
- Utah model SP358 speaker 3.4 ohm V.C. size, 3½" Magnet 1 oz. (However any speaker may be used)

To build a Code Practice Oscillator you'll need these parts:

- 2N2160 Unijunction transistor (GE)
- 45 volt battery
- SW1—SPST switch
- 820 ohm resistor
- 50K volume control resistor
- 2200 ohm resistor
- 25K tone control resistor
- 2100 ohm resistor
- SW2—Mallory type 3123J .01 mfd, 200 volts capacitor (GE type MPC-4S1)
- 8-16 ohm speaker
- .33 mfd, 200 volts capacitor

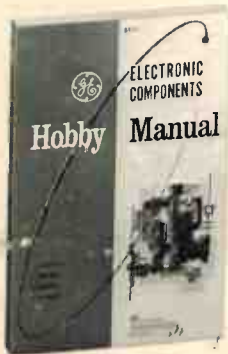
### LATE ENTRIES

#### UNIVERSAL REPLACEMENT TRANSISTORS

JEOEC TYPE OR PART NO.	GE REPLACE-MENT	JEOEC TYPE OR PART NO.	GE REPLACE-MENT	JEOEC TYPE OR PART NO.	GE REPLACE-MENT
A25-1001	GE-1	2SC382BN	GE-17	485134923	GE-17
A25-1002	GE-1	2SC423F	GE-10	485134924	GE-20
A25-1003	GE-1	2SC454LA	GE-17	485134925	GE-20
A25-1004	GE-2	2SC458C	GE-10	485134926	GE-20
A25-1005	GE-2	2SC460A	GE-20	485134956	GE-9
A25-1006	GE-2	2SC460B	GE-17	485134997	GE-10
C537F	GE-10	2SC461B	GE-17	86-403-2	GE-10
CS1168E	GE-20	2SC535C	GE-17	325-0042-351	GE-10
CS1168F	GE-20	2SC561	GE-17	36477	GE-3
CS1168G	GE-20	2SC682A	GE-17	815193	GE-9
CS1168H	GE-10	2SC717	GE-17	815197	GE-1
CS1229D	GE-10	2SC772D	GE-17	815201	GE-10
EU15X1	GE-17	2SC828Q	GE-10	815202	GE-18
EU15X27	GE-17	2SC856C	GE-18	815203-3	GE-13MP
EU15X34	GE-17	2SD77C	GE-8	965632	GE-17
J24561	GE-17	2SD96	GE-8	965633	GE-17
J24562	GE-17	2SD157B	GE-12	965634	GE-17
J24563	GE-20	0573036	GE-2	2320031	GE-20
J24564	GE-10	0573037	GE-8	23114046	GE-10
J24565	GE-10	0573142	GE-2	23114061	GE-2
J24566	GE-12	0573166	GE-3	23115058	GE-18
R-2SB492	GE-2	0573199	GE-25		
R24-1001	GE-2	0573200	GE-2		
R24-1002	GE-2	0573212	GE-25		
R24-1003	GE-2	0573474	GE-17		
R24-1004	GE-2	0573475	GE-17		
2SA564	GE-21	0573480	GE-18		
2SB136C	GE-2	0573481	GE-10		
2SB337B	GE-3	0573518	GE-9		
2SB341V	GE-25	0573529	GE-2		
2SB496	GE-2	0573532	GE-18		
2SC281B	GE-10	13-23543-2	GE-12		
2SC281C	GE-18	46-8682-3	GE-10		
2SC317C	GE-18	46-86143-3	GE-10		
2SC382BK	GE-17	485134922	GE-17		

The semiconductor devices and arrangements disclosed herein may be covered by patents of General Electric Company or others. Neither the disclosure of any information herein nor the sale of semiconductor devices by General Electric Company conveys any license under patent claims covering combinations of semiconductor devices with other devices or elements. In the absence of an express written agreement to the contrary General Electric Company assumes no liability for patent infringement arising out of any use of the semiconductor devices with other devices or elements by any purchaser of semiconductor devices or others.

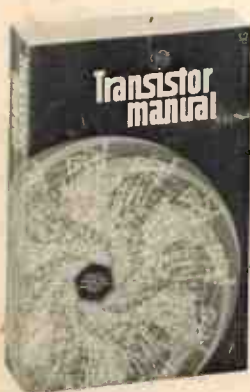
# BE SURE TO ORDER THESE SIX POPULAR ITEMS FOR THE ELECTRONIC ENTHUSIAST



## ELECTRONICS EXPERIMENTER HOBBYIST MANUAL, ETR-3960

Every engineer, experimenter, hobbyist, student, and technician can learn new applications for electronic components with the simple but interesting and useful circuits in this manual.

**Only \$1.50**



## TRANSISTOR MANUAL, ETR-3296

Nineteen fact-filled chapters containing transistor theory; interesting transistor circuits for radios, amplifiers, oscillators, specifications, etc.; valuable information needed by every engineer, hobbyist, experimenter.

**Only \$2.00**



## SCR MANUAL 4th edition, ETR-3875A

Written by SCR experts, many of whom actually developed this useful device, the 4th edition places emphasis on the practical rather than the theoretical. It serves as a guide for applications with many new chapters and up-dated material.

**Only \$3.00**



## SEMICONDUCTOR KITS

High Power Kit #920

Low Power Kit #930

quantity	type	quantity	type	quantity	type
4	GE-3	3	GE-1	2	GE-10
2	GE-4	3	GE-2	3	GE-11
1	GE-12	1	GE-5	4	GE-17
1	GE-13MP	1	GE-6	1	GE-18
1	GE-14	1	GE-7	2	GE-20
2	GE-16	2	GE-8	2	GE-21
1	GE-19	3	GE-9	2	GE-22
1	GE-23				
1	GE-25				

14

30

The 920 and 930 kits together will give you coverage of 11,000 parts numbers.



## Look for your GE Distributor's complete "Semi Center"

This revolving display rack (ETR-5035) contains the complete line of General Electric Entertainment Semiconductors, as well as many informative publications.

AUTHORIZED DISTRIBUTOR  
ELECTRONIC COMPONENTS

**GENERAL  ELECTRIC**

World Radio History