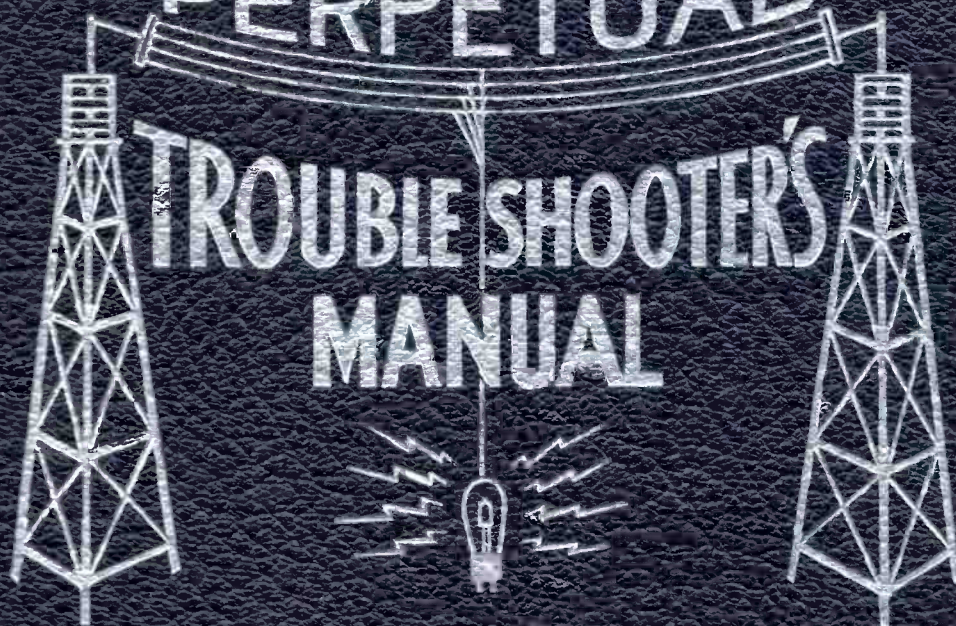


VOLUME V

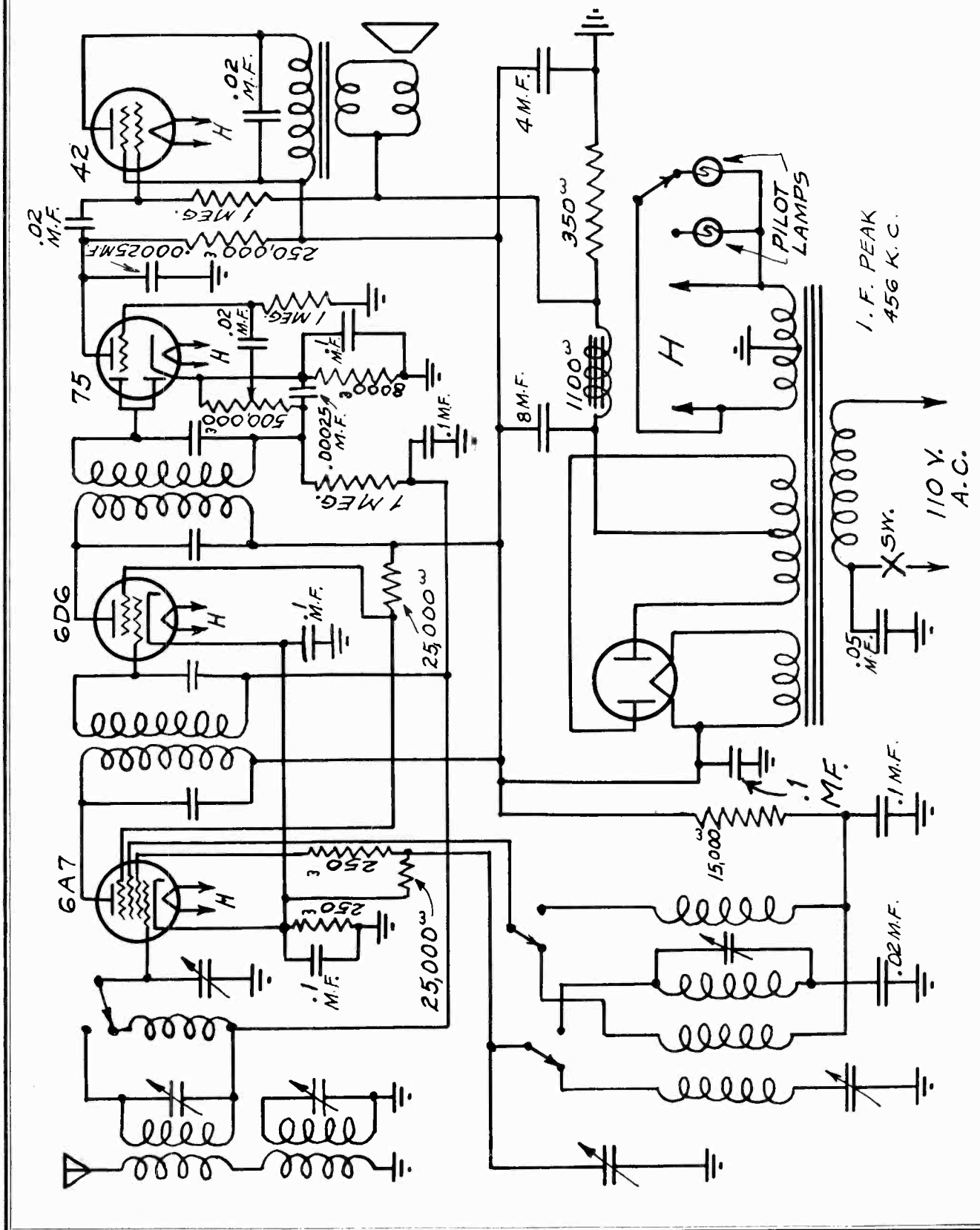
PERPETUAL

**TROUBLE SHOOTER'S
MANUAL**



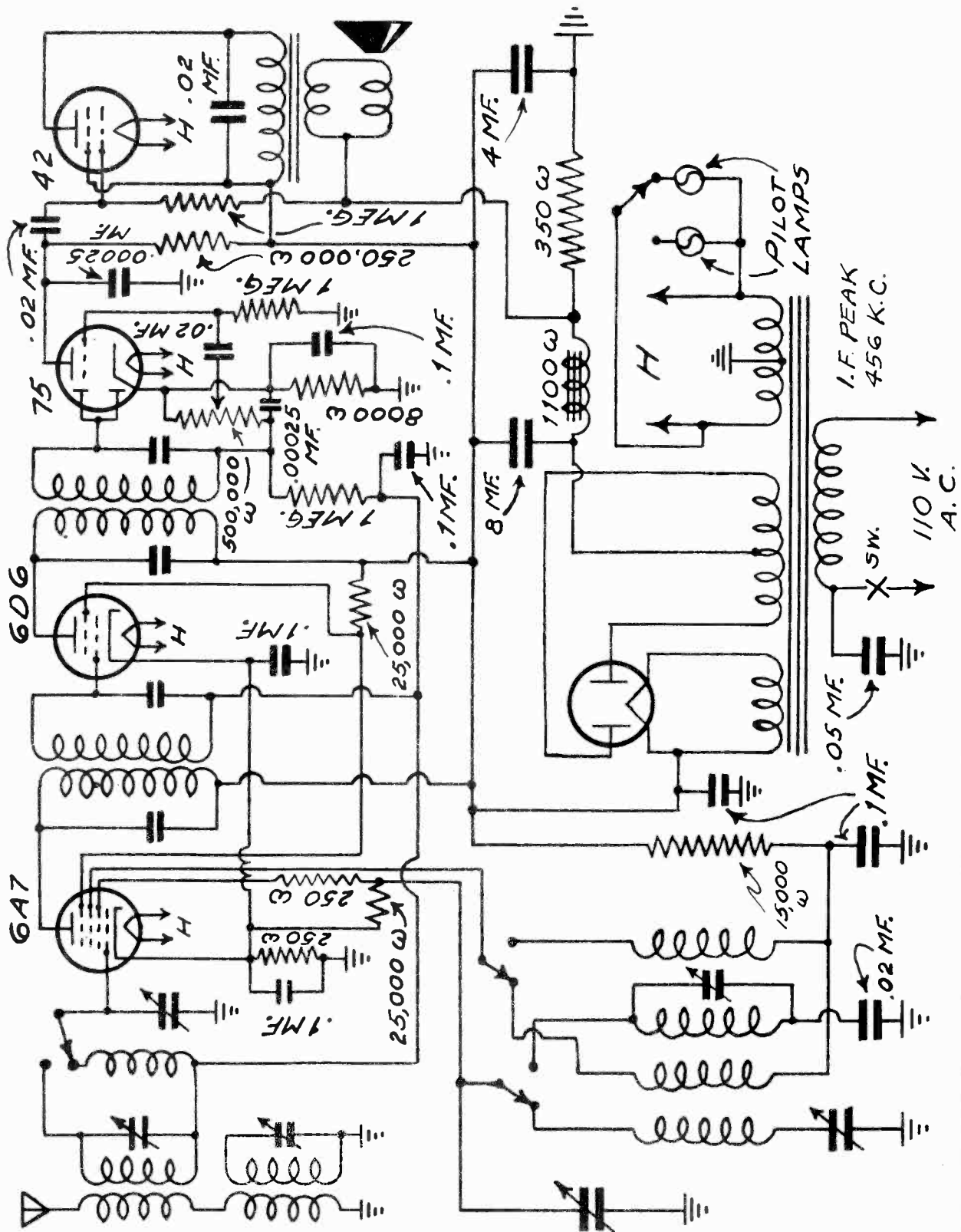
JOHN F. RIDER

ADMIRAL

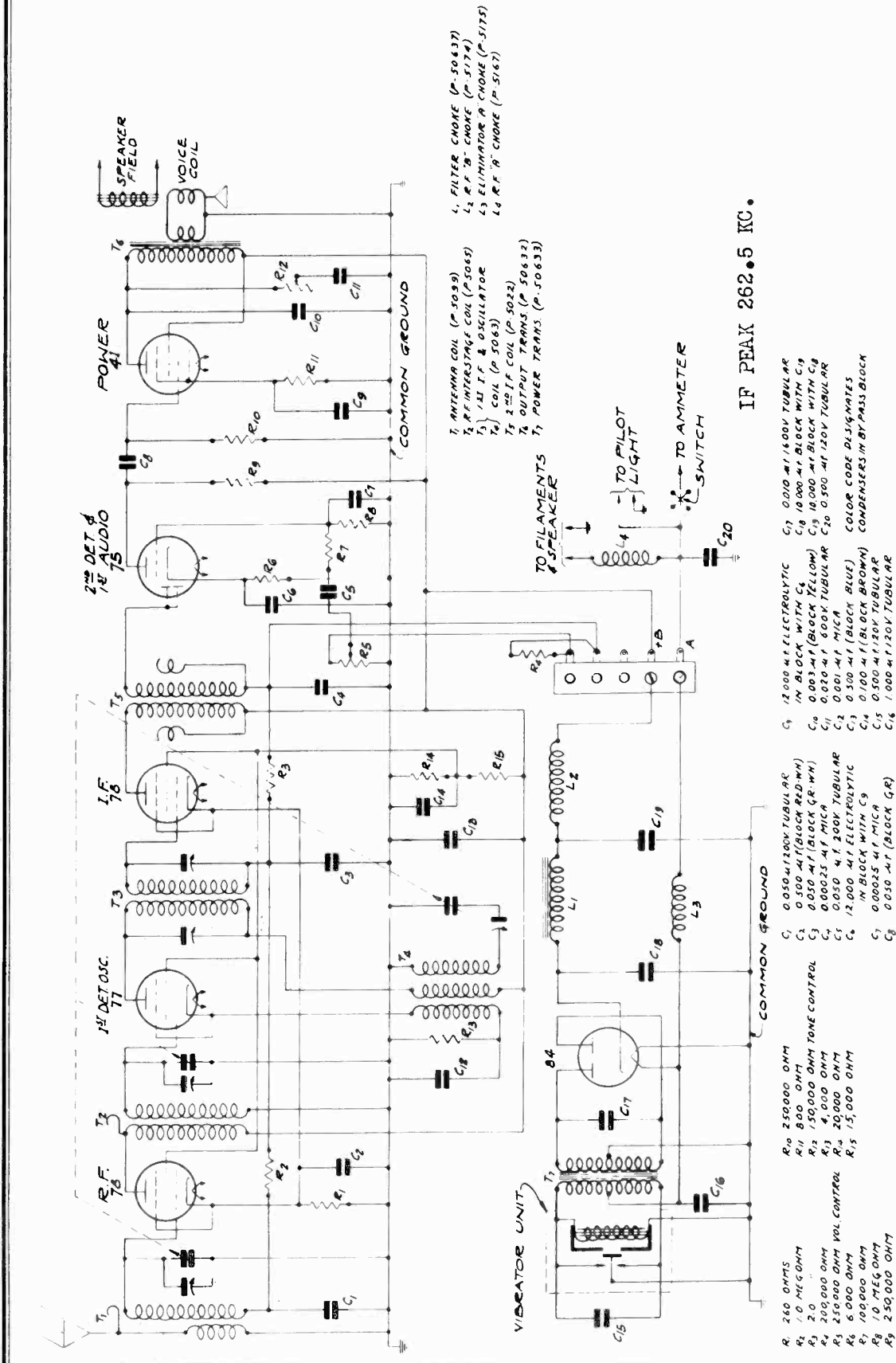


MODEL A-31
Schematic

AIR CASTLE



BLACKHAWK



- L1 FILTER CHOKE (P-50637)
- L2 R.F. 'B' CHOKE (P-5174)
- L3 ELIMINATOR 'A' CHOKE (P-5175)
- L4 R.F. 'A' CHOKE (P-5167)

- T1 ANTENNA COIL (P-5099)
- T2 R.F. INTERSTAGE COIL (P-5065)
- T3 1st I.F. & OSCILLATOR COIL (P-5063)
- T4 2nd I.F. COIL (P-5022)
- T5 OUTPUT TRANS. (P-50632)
- T6 POWER TRANS. (P-50633)

IF PEAK 262.5 KC.

- C1 12,000 MFD. ELECTROLYTIC
- C2 0.001 MFD. (BLOCK YELLOW)
- C3 0.003 MFD. (BLOCK YELLOW)
- C4 0.010 MFD. (BLOCK YELLOW)
- C5 0.001 MFD. (BLOCK BLUE)
- C6 0.001 MFD. (BLOCK BLUE)
- C7 0.001 MFD. (BLOCK BROWN)
- C8 0.001 MFD. (BLOCK BROWN)
- C9 0.001 MFD. (BLOCK BROWN)
- C10 0.001 MFD. (BLOCK BROWN)
- C11 0.001 MFD. (BLOCK BROWN)
- C12 0.001 MFD. (BLOCK BROWN)
- C13 0.001 MFD. (BLOCK BROWN)
- C14 0.001 MFD. (BLOCK BROWN)
- C15 0.001 MFD. (BLOCK BROWN)
- C16 0.001 MFD. (BLOCK BROWN)
- C17 0.001 MFD. (BLOCK BROWN)
- C18 0.001 MFD. (BLOCK BROWN)
- C19 0.001 MFD. (BLOCK BROWN)
- C20 0.001 MFD. (BLOCK BROWN)

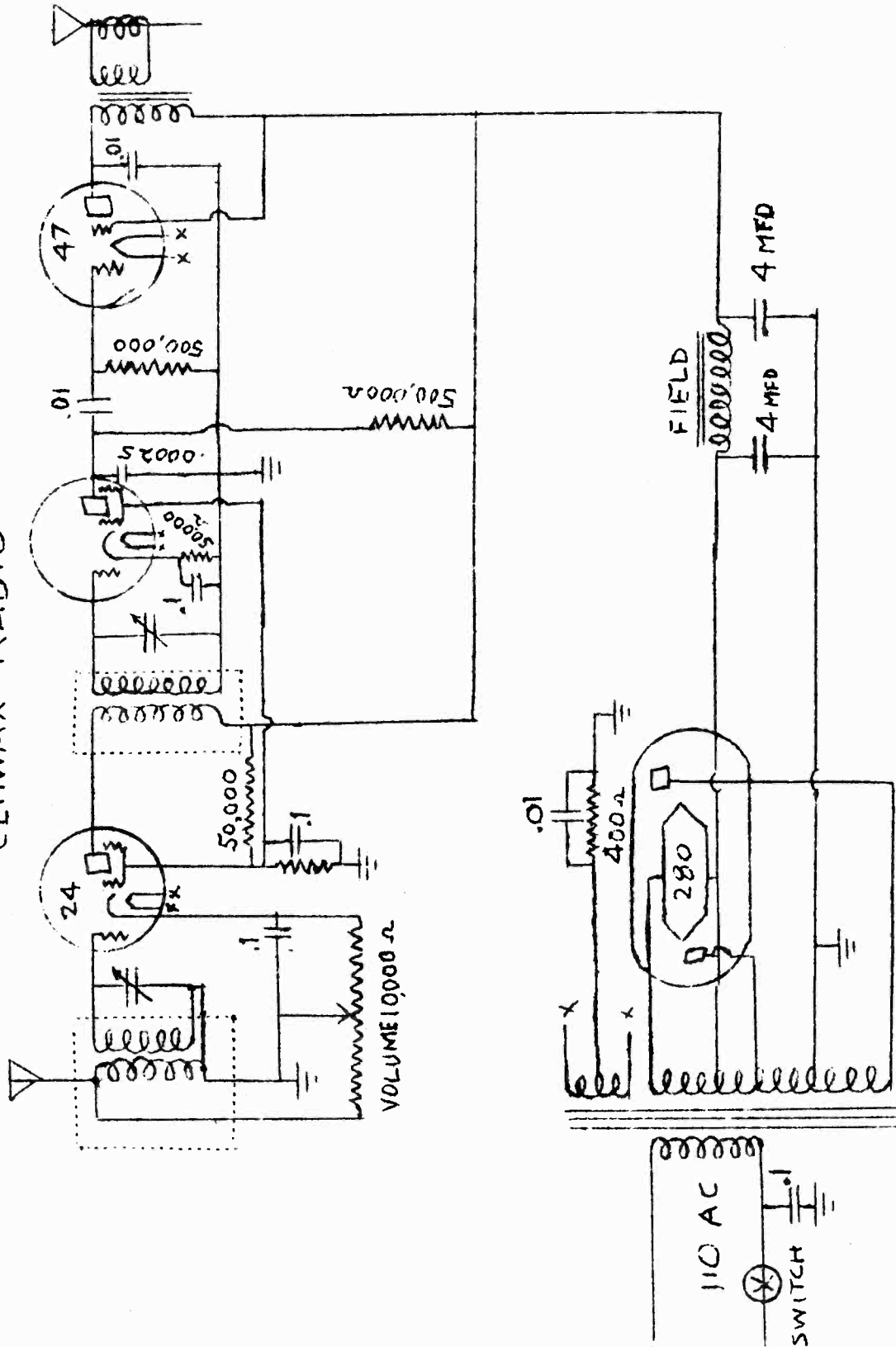
- R1 250,000 OHM
- R2 10 MEG OHM
- R3 10,000 OHM
- R4 10,000 OHM
- R5 10,000 OHM
- R6 10,000 OHM
- R7 10,000 OHM
- R8 10,000 OHM
- R9 250,000 OHM
- R10 250,000 OHM
- R11 800 OHM
- R12 10,000 OHM
- R13 10,000 OHM
- R14 10,000 OHM
- R15 10,000 OHM

6 TUBE AUTO
SCALE
TRACED BY J.L.S. CHECKED BY
DATE 5-15-34 APPROVED BY
NAME SCHEMATIC CIRCUIT
SERIES 6U

MODEL 424

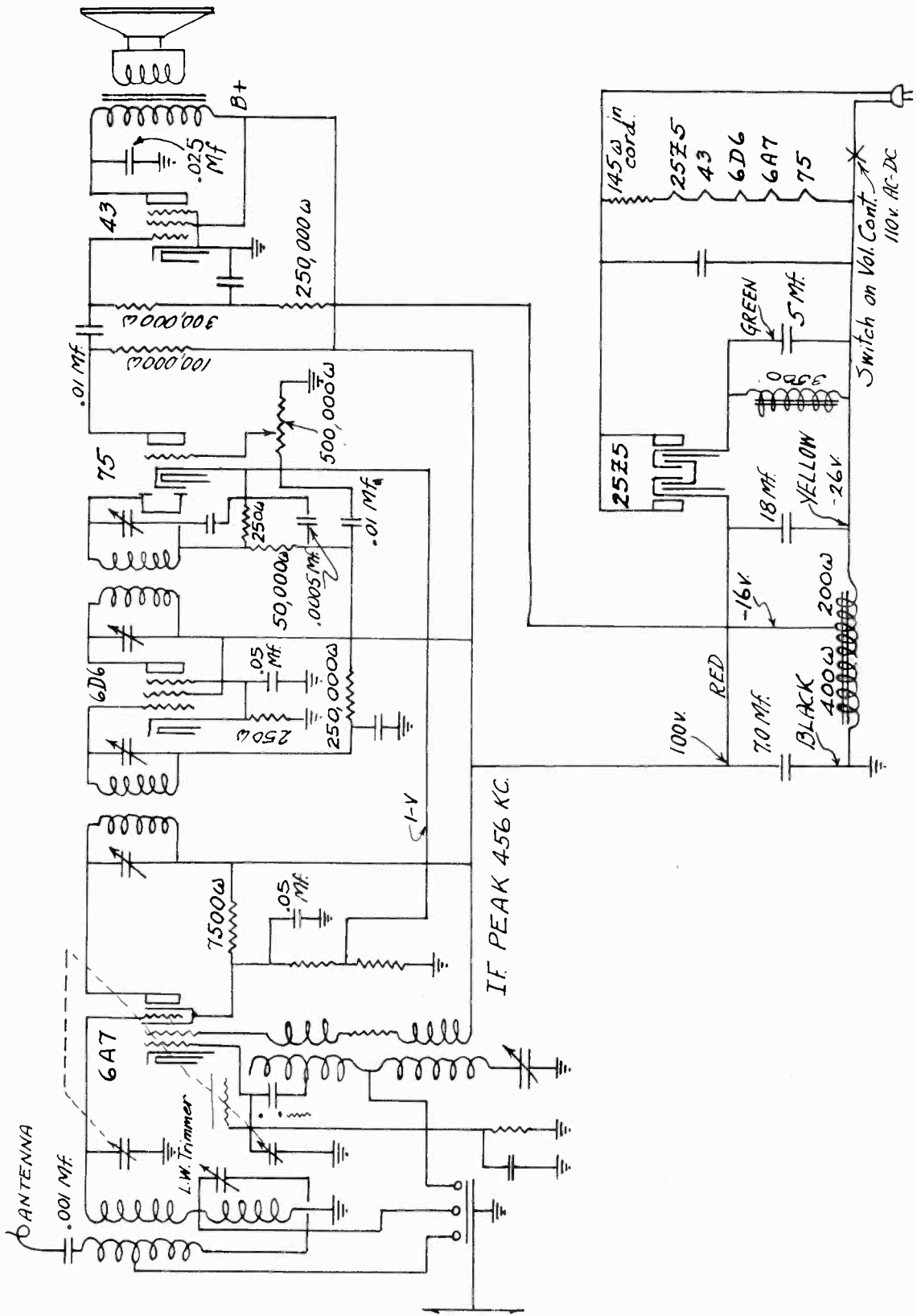
CLIMAX

MODEL 424
CLIMAX RADIO



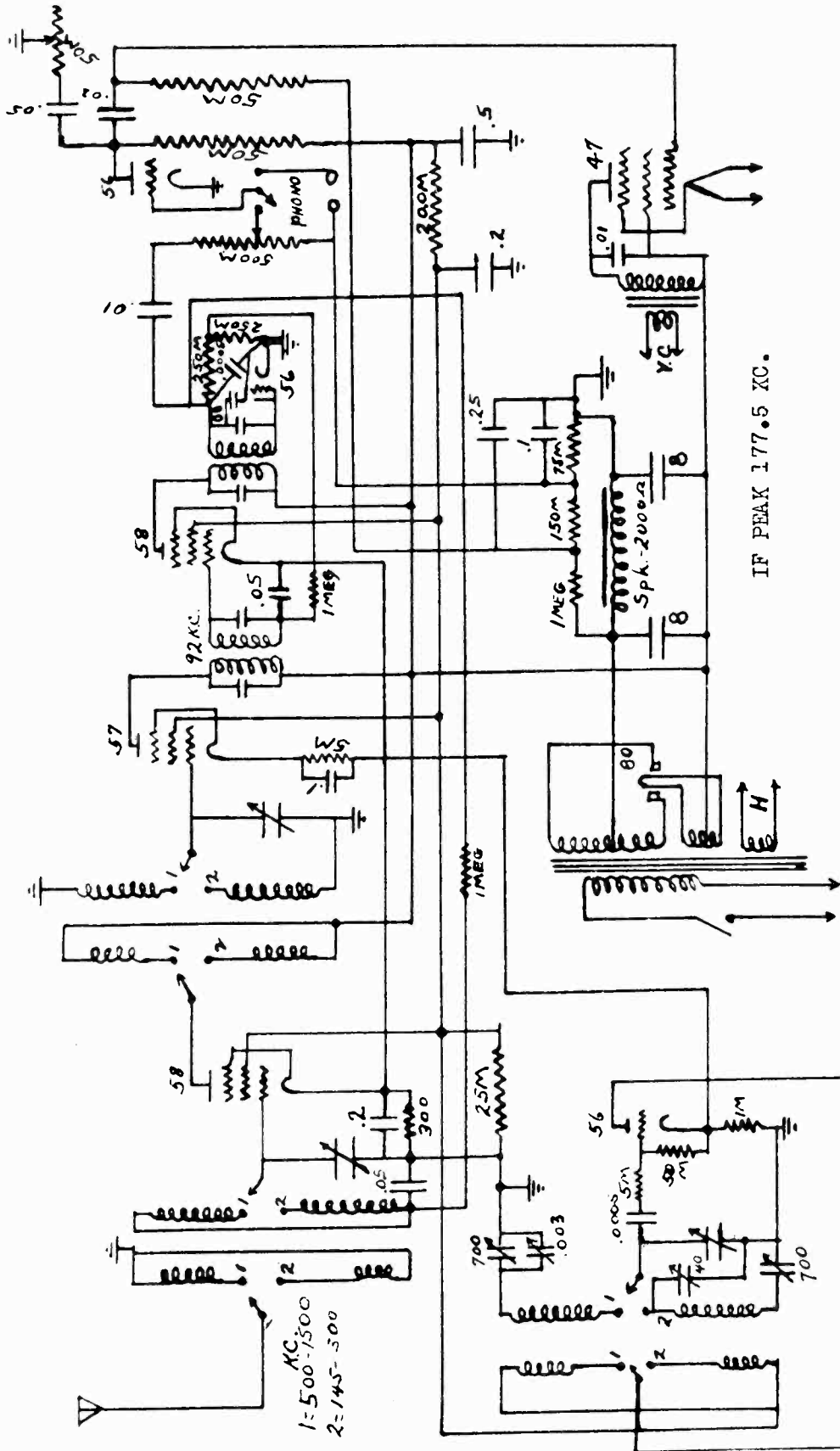
COMMONWEALTH RADIO MFG. CO.

MODEL 150
200-2000 Meters
Schematic



MODEL 23-T8-LW
Schematic

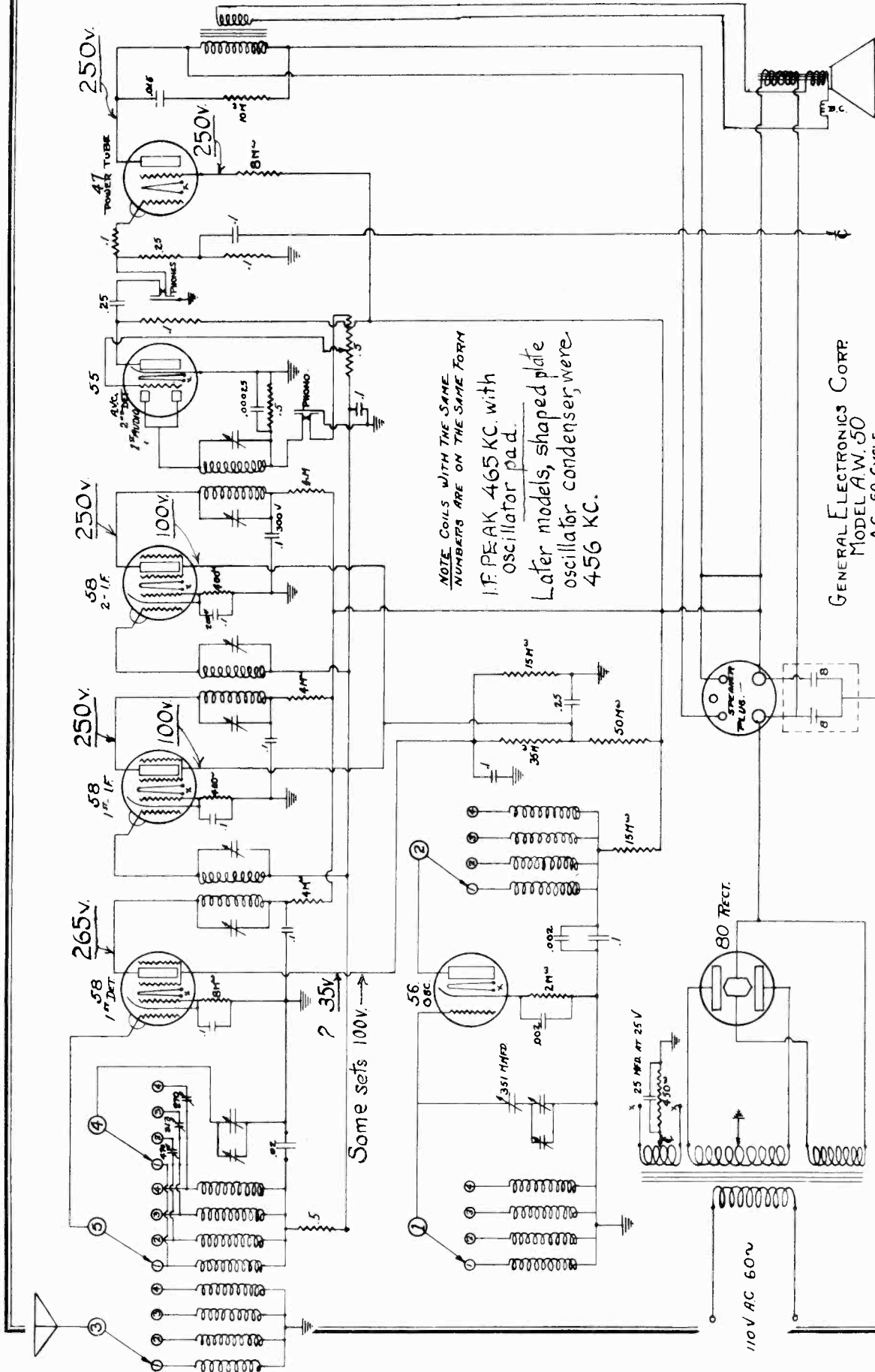
CRANE



IF PEAK 177.5 KC.

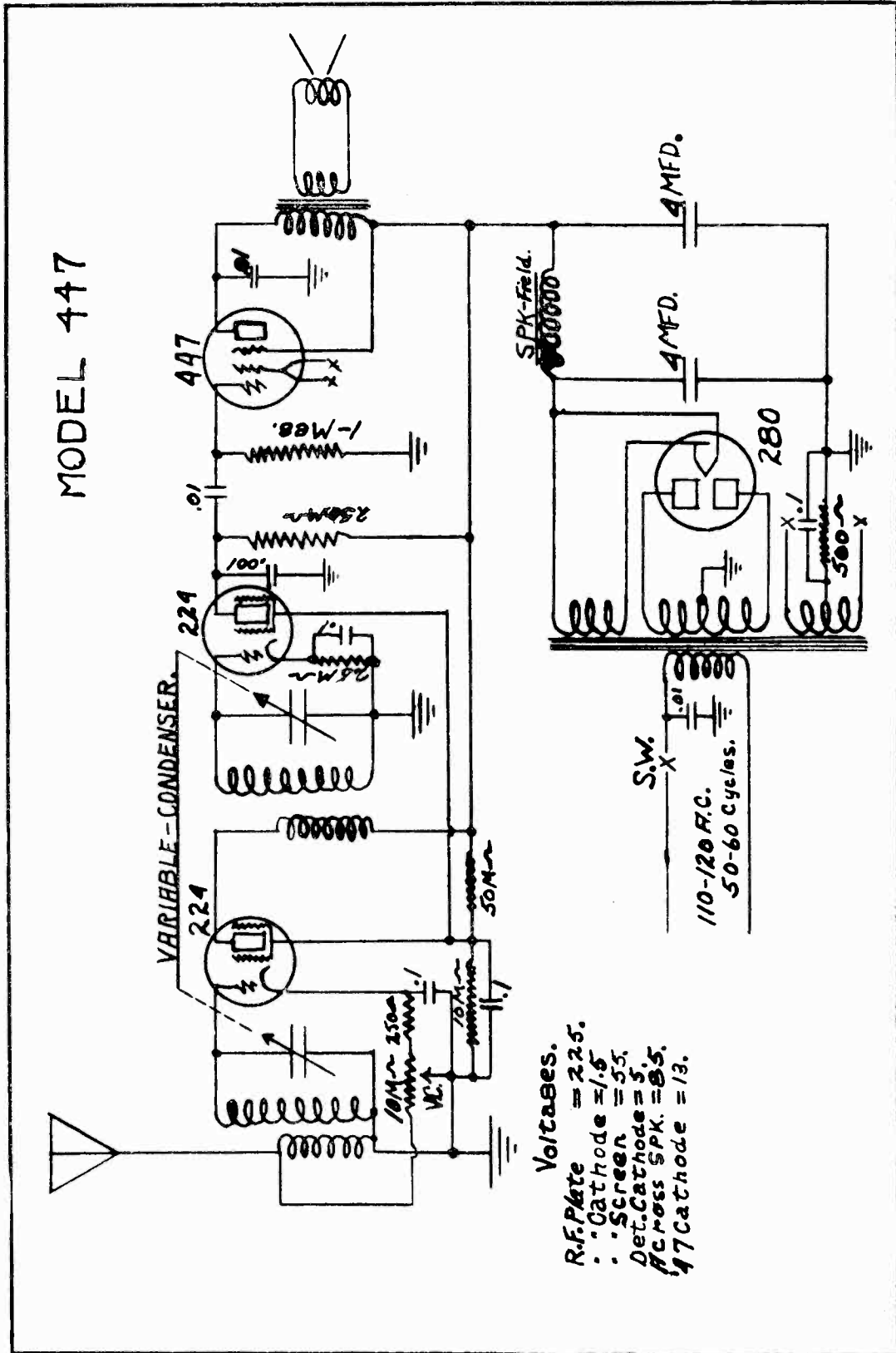
23T8LW
CRANE
A. R. CO. CHICAGO
#122752

GENERAL ELECTRONICS CORP.



GENERAL ELECTRONICS CORP.
MODEL A.W. 50
A.C. 60 CYCLE
MARCH 18, 1933.

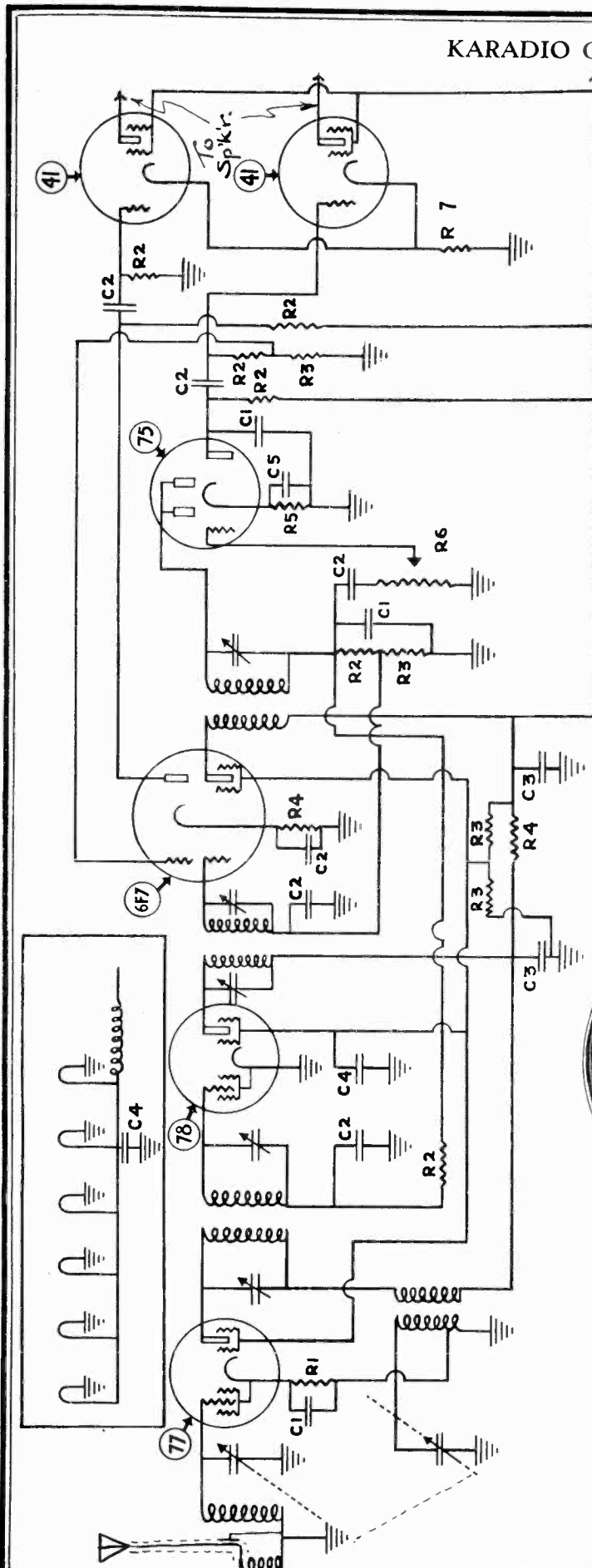
MODEL 447



- Voltages.**
- R.F. Plate = 225.
 - " Cathode = 1.5.
 - " Screen = 55.
 - Det. Cathode = 5.
 - AC. Cross SPK. = 85.
 - 47 Cathode = 13.

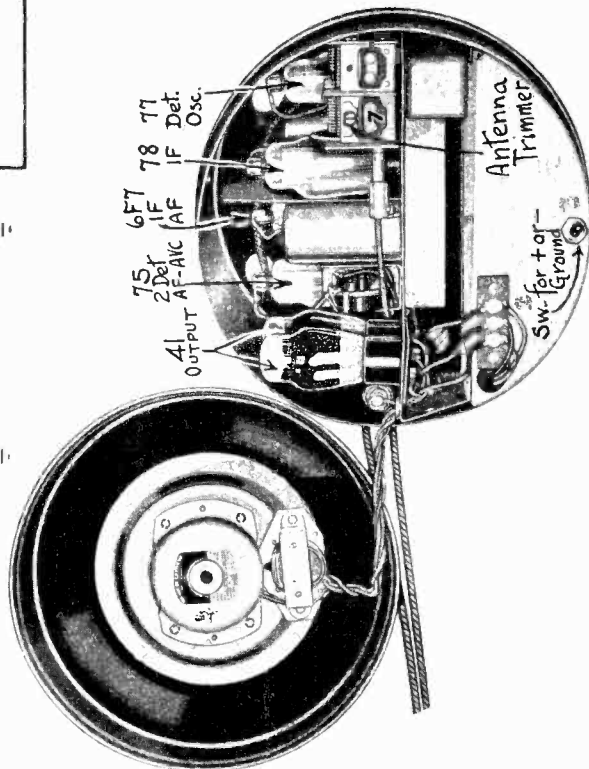
MODEL 56
Schematic
Socket

KARADIO CORP.



Tube 75 can be replaced with an 85 if
greatly delayed A V C is desired—Audio
Amplification will be decreased when 85
is used.

- | | | |
|-----|--------------|---------------|
| R-1 | 7,000 ohms | 1/4 watt |
| R-2 | 200,000 ohms | 1/4 watt |
| R-3 | 50,000 ohms | 1/4 watt |
| R-4 | 250 ohms | 1/4 watt |
| R-5 | 2,000 ohms | 1/4 watt |
| R-6 | 250,000 ohms | Potentiometer |
| R-7 | 700 ohms | 1/2 watt |
-
- | | | |
|-----|------------|--------|
| C-1 | .001 Mfds. | 200 V. |
| C-2 | 1 Mfd. | 200 V. |
| C-3 | 1 Mfd. | 400 V. |
| C-4 | 25 Mfd. | 200 V. |
| C-5 | 25 Mfd. | 8 V. |

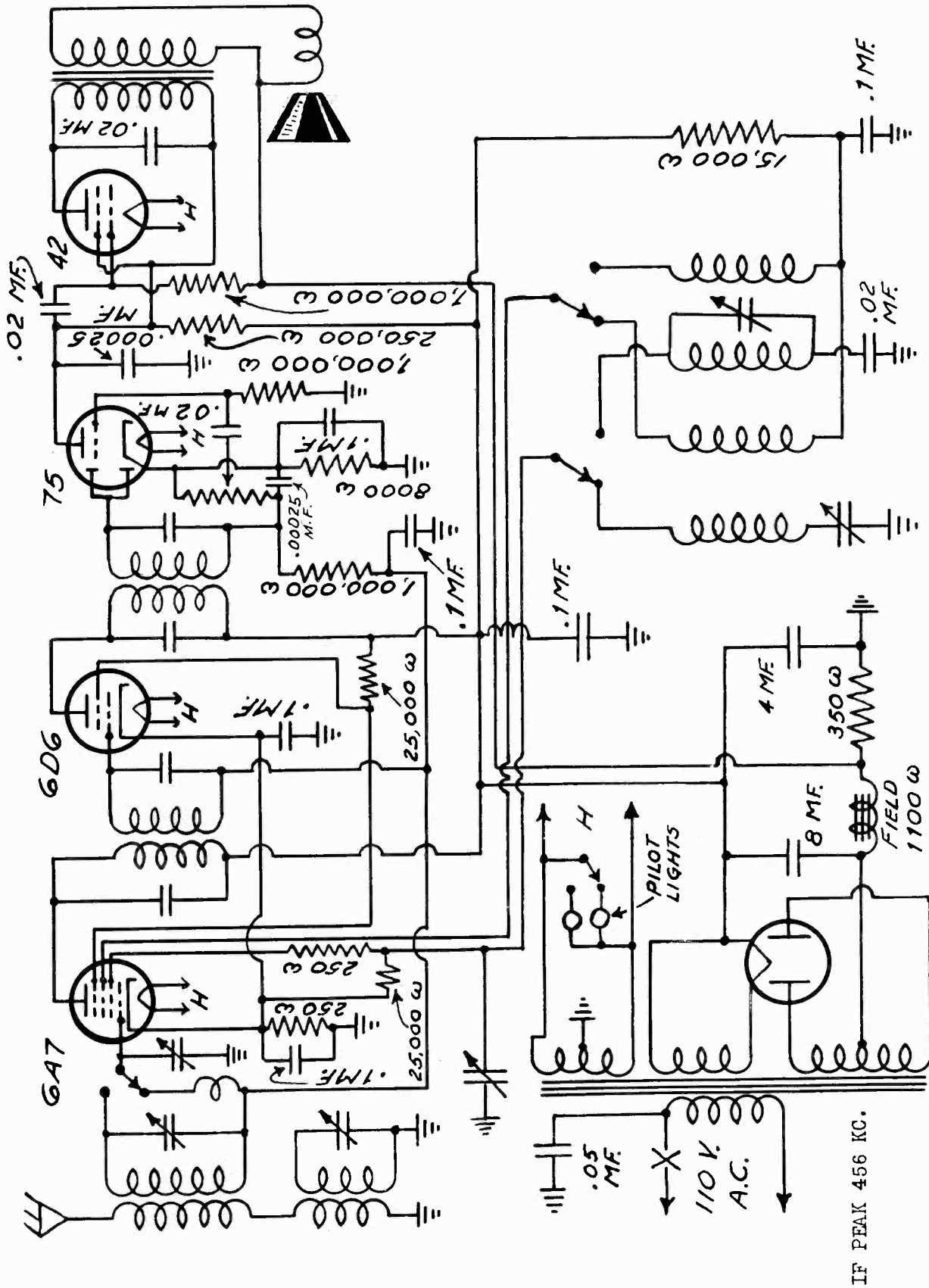


Model 56 KARADIO

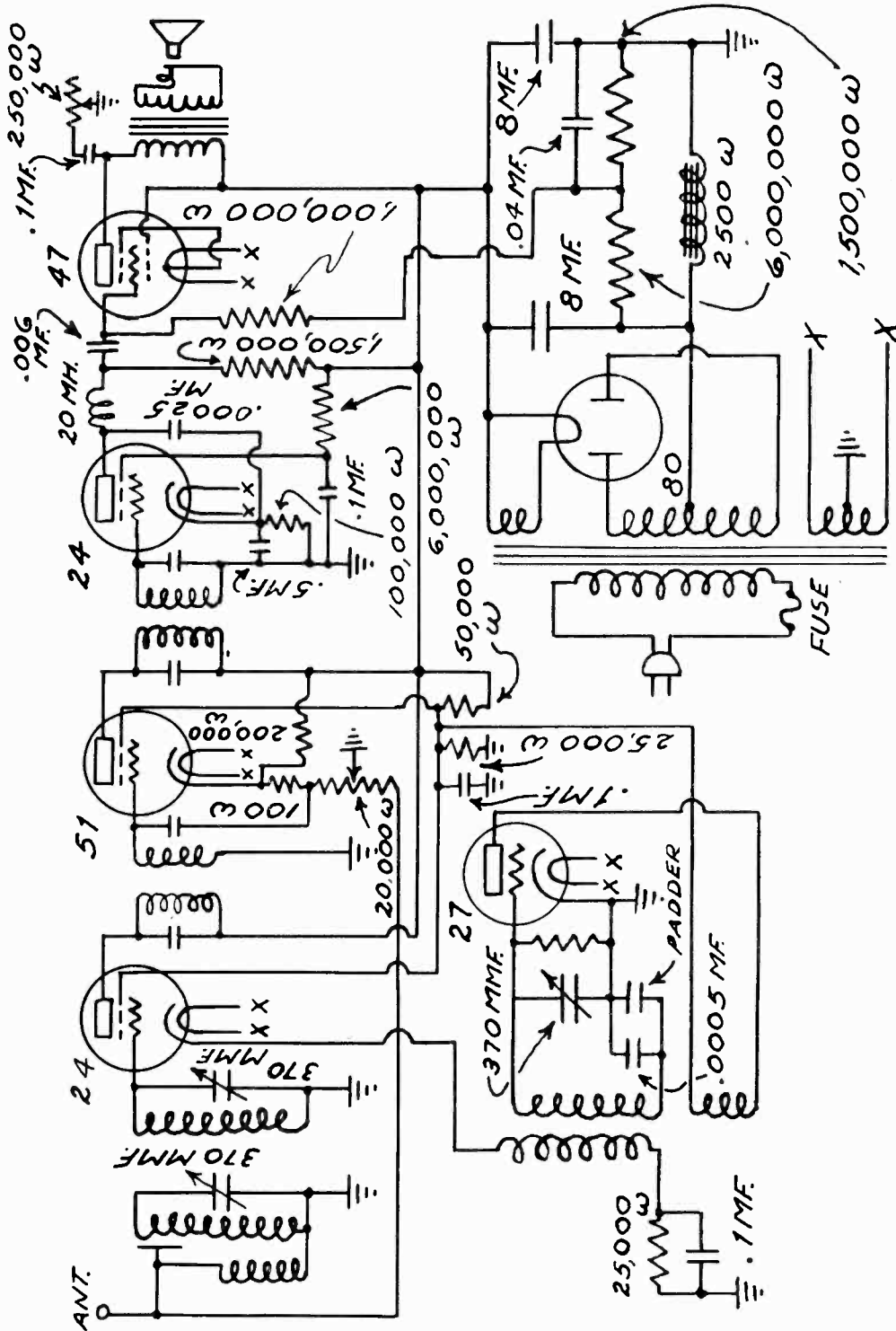
MODEL A-31

Schematic

KNIGHT

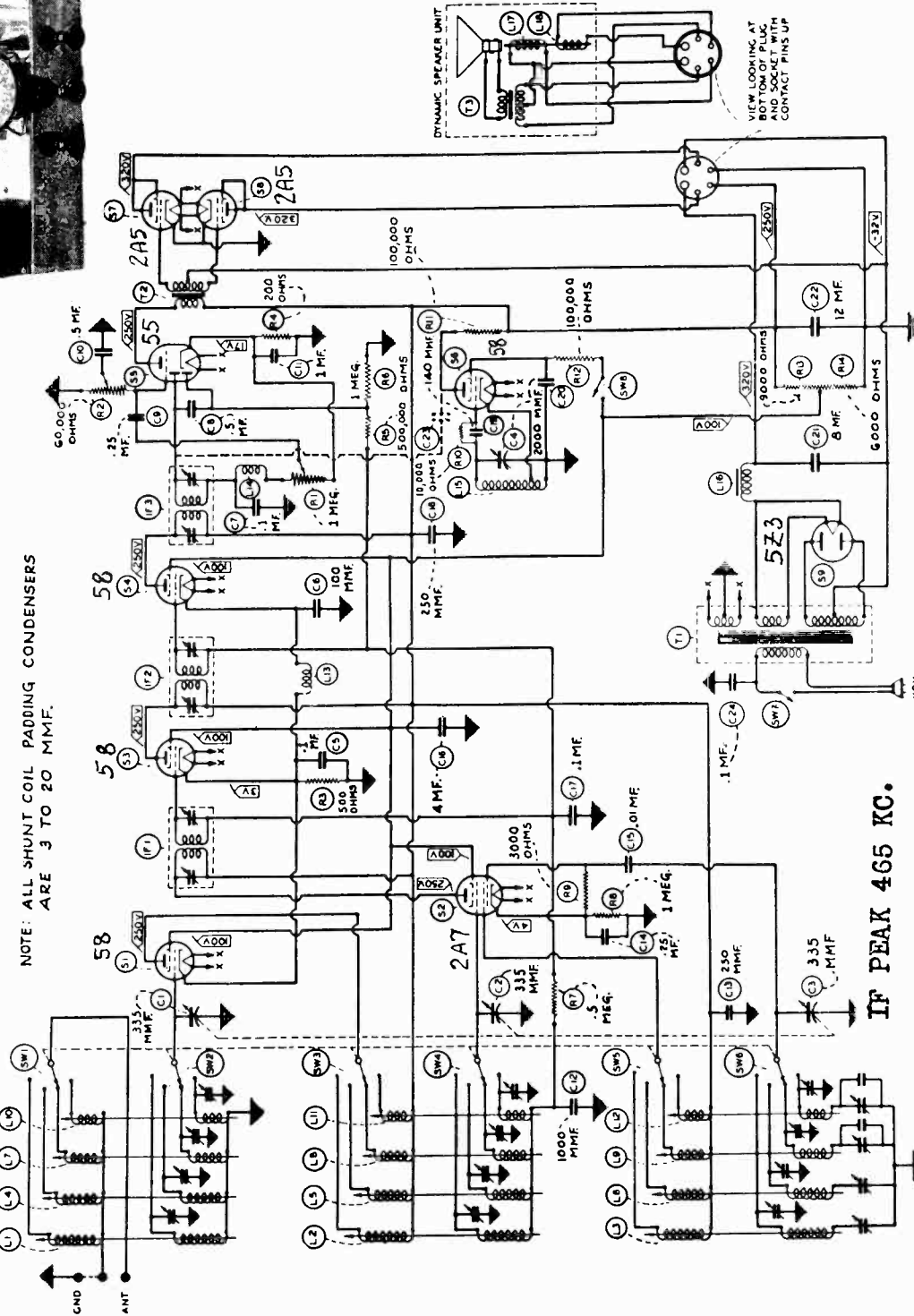
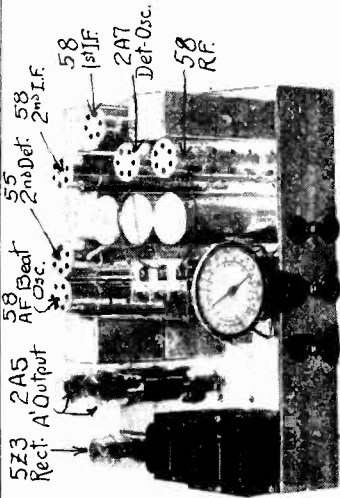


LEAR-WUERFUL CO.



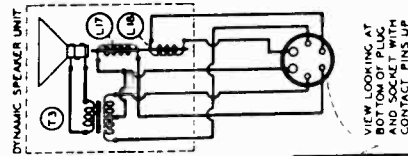
MODEL World-Wide Nine
Schematic
Socket

McMURDO SILVER, INC.



NOTE: ALL SHUNT COIL PADDING CONDENSERS ARE 3 TO 20 MMF.

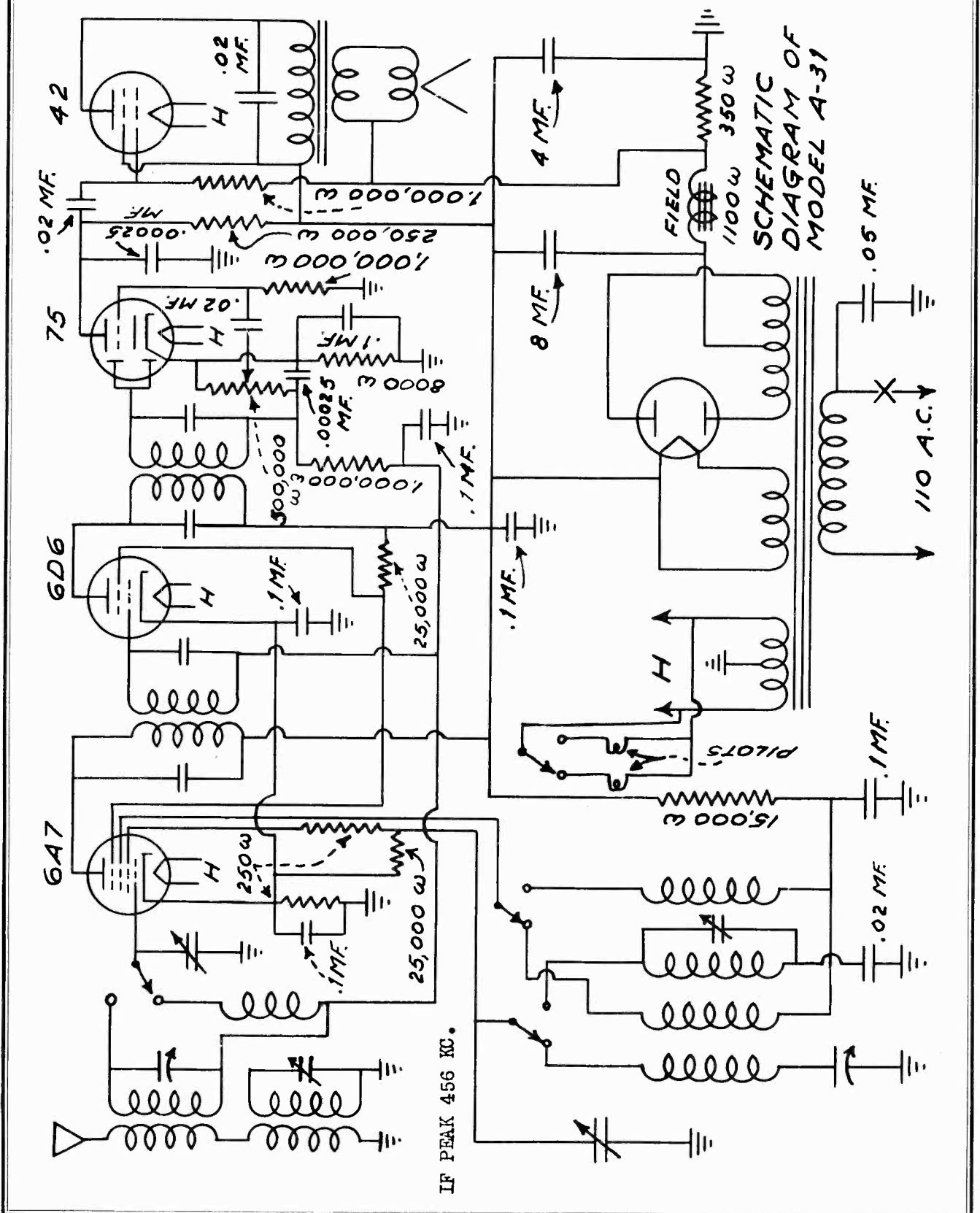
IF PEAK 465 KC.



Courtesy "Short Wave Radio"

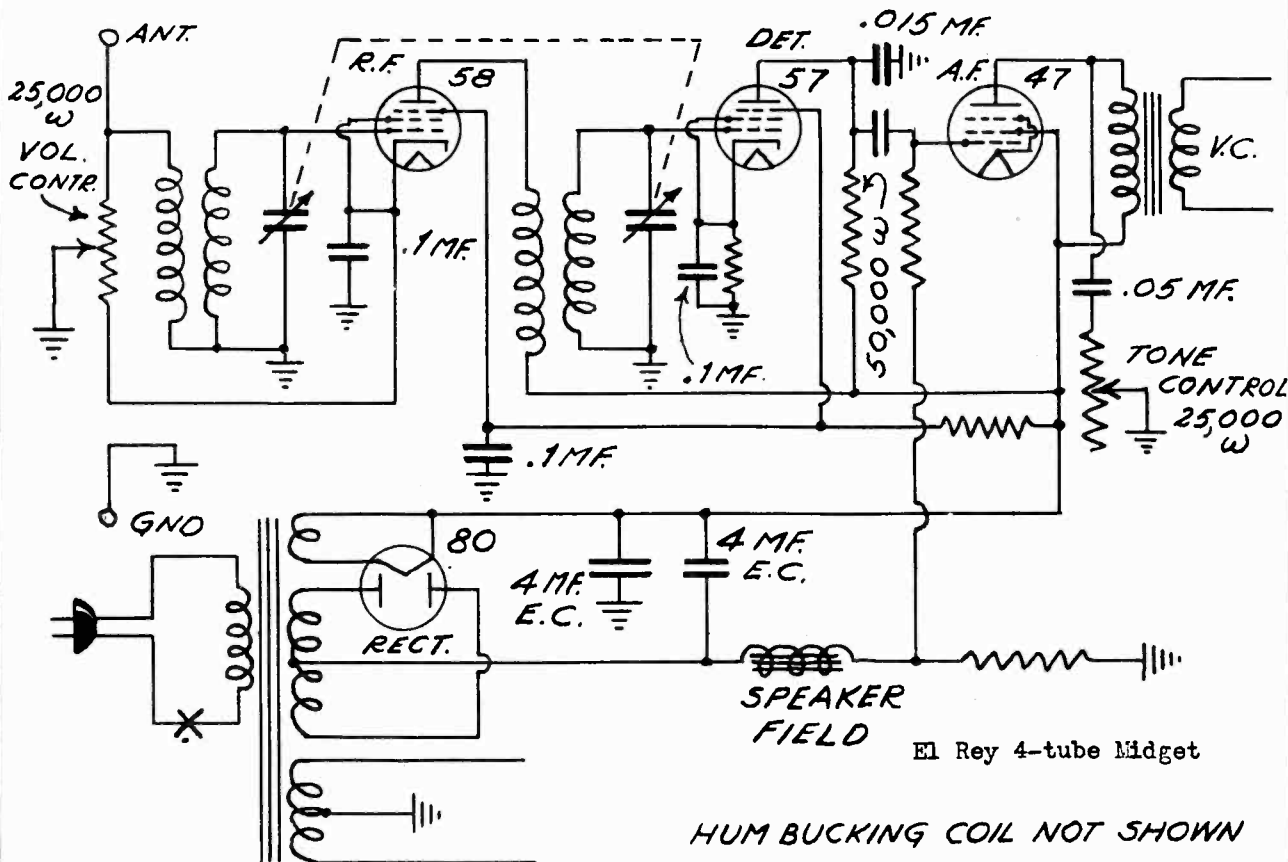
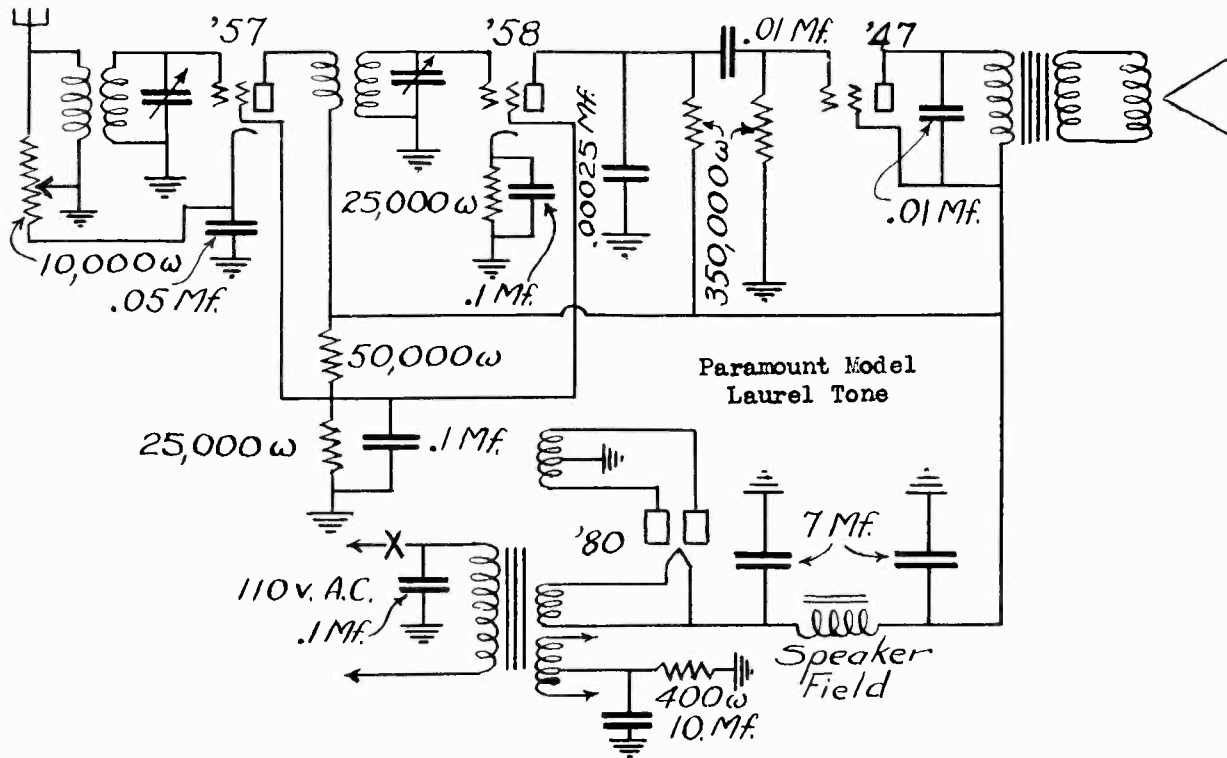
MONARCH

SCHEMATIC
DIAGRAM OF
MODEL A-31



MODEL Laurel Tone
MODEL 4-Tube Midget
Schematic

PARAMOUNT RADIO CO.
EL-REY RADIO MFG. CO.

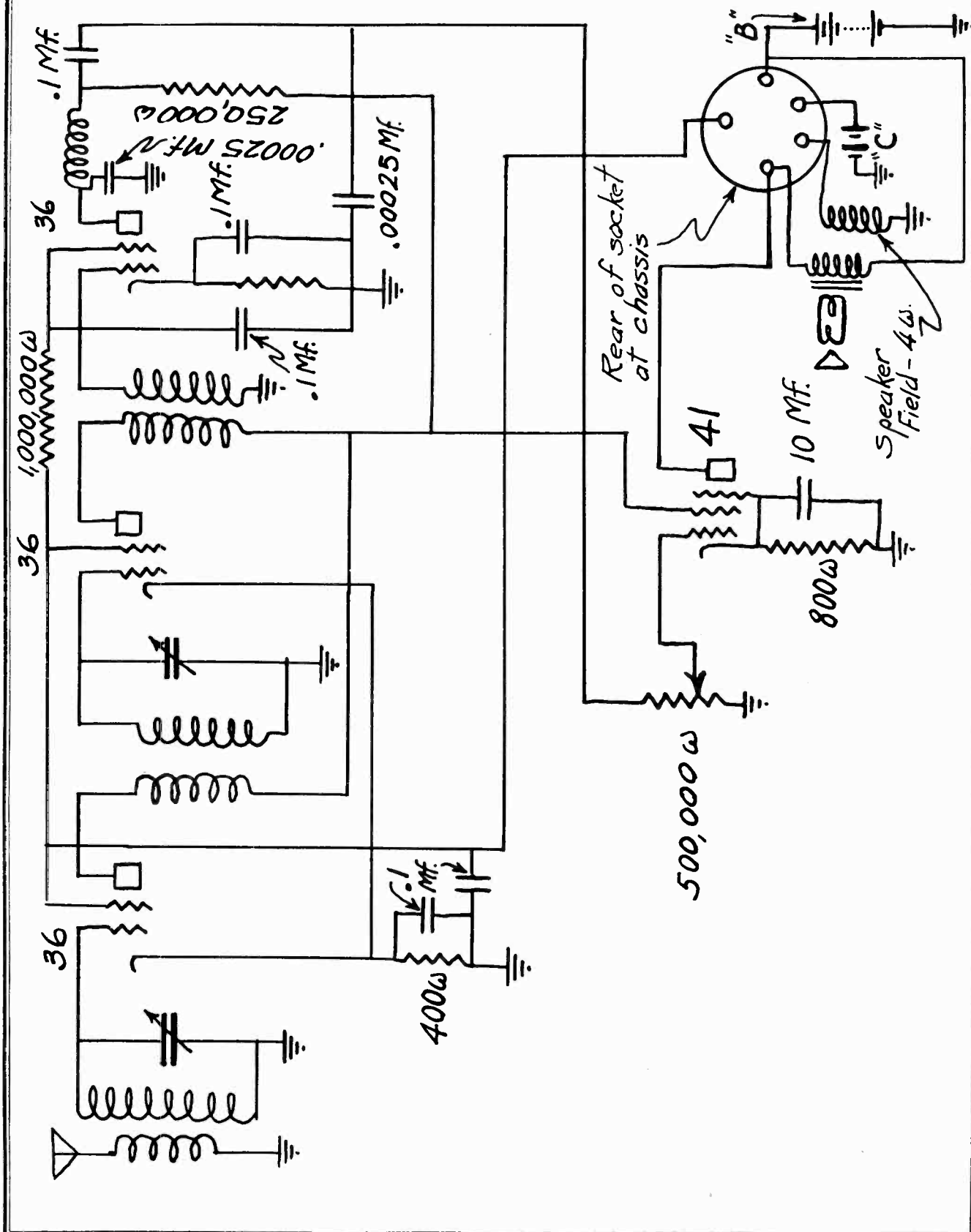


El Rey 4-tube Midget

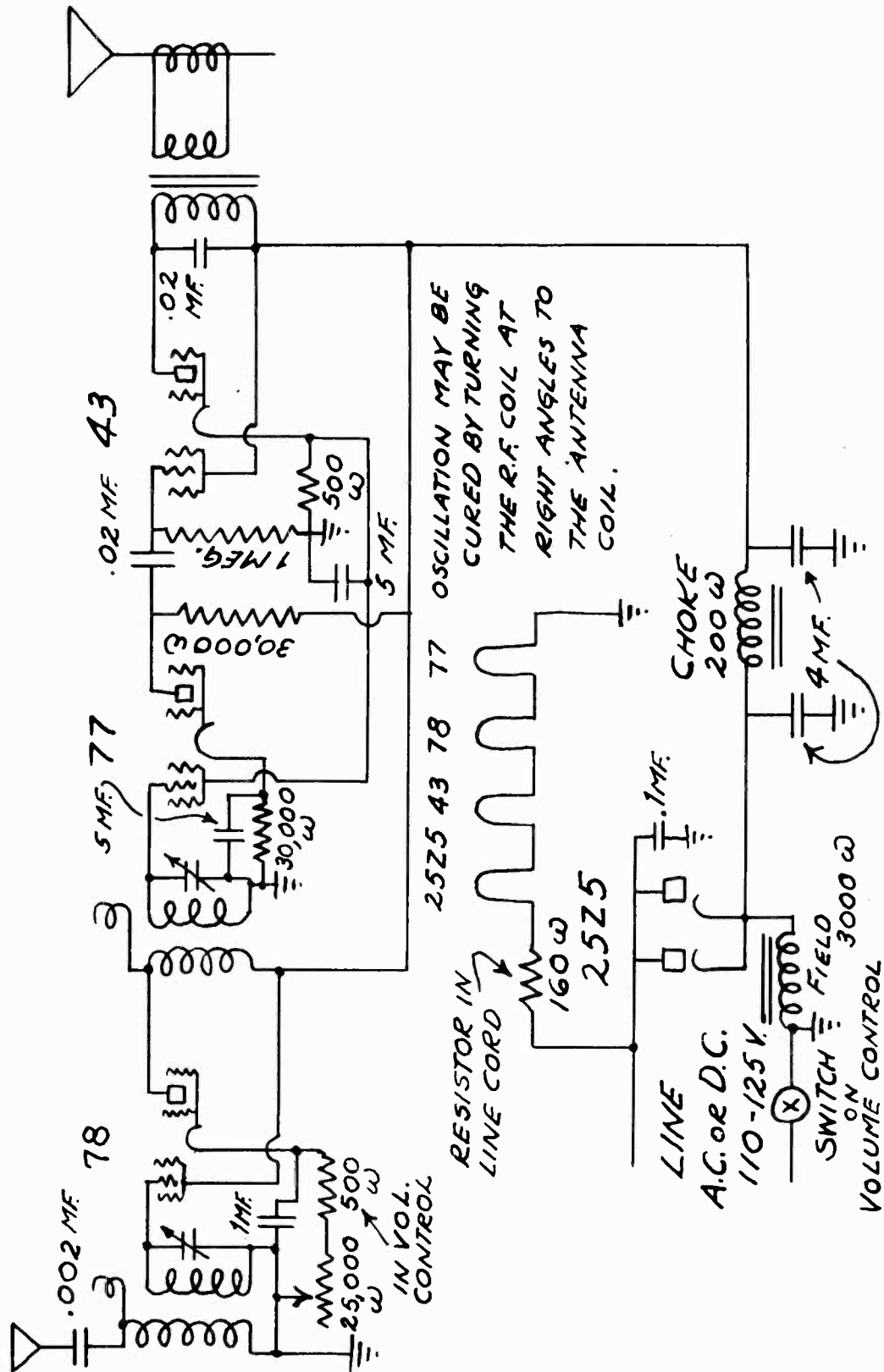
HUM BUCKING COIL NOT SHOWN

MODEL 4-Tube Receiver
Schematic

PERFECTONE, INC.

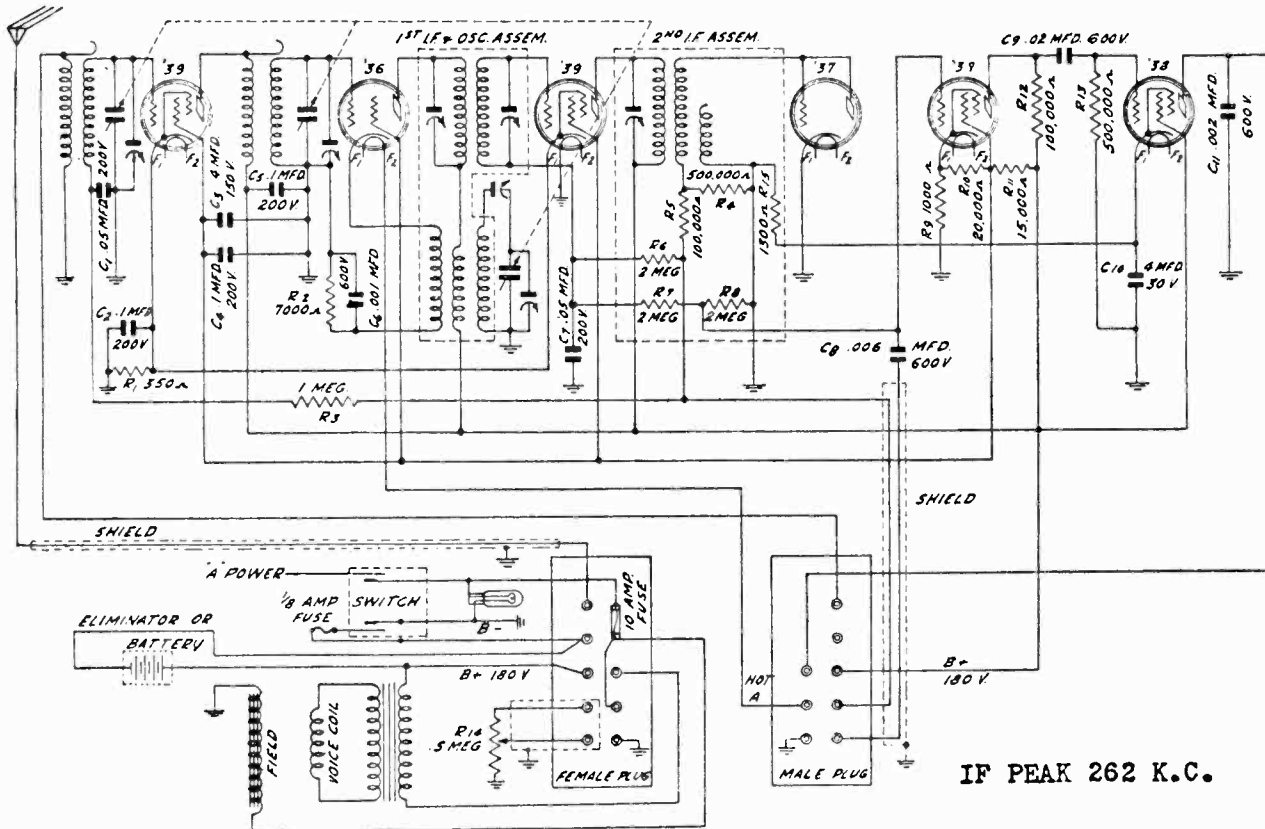


ROYAL

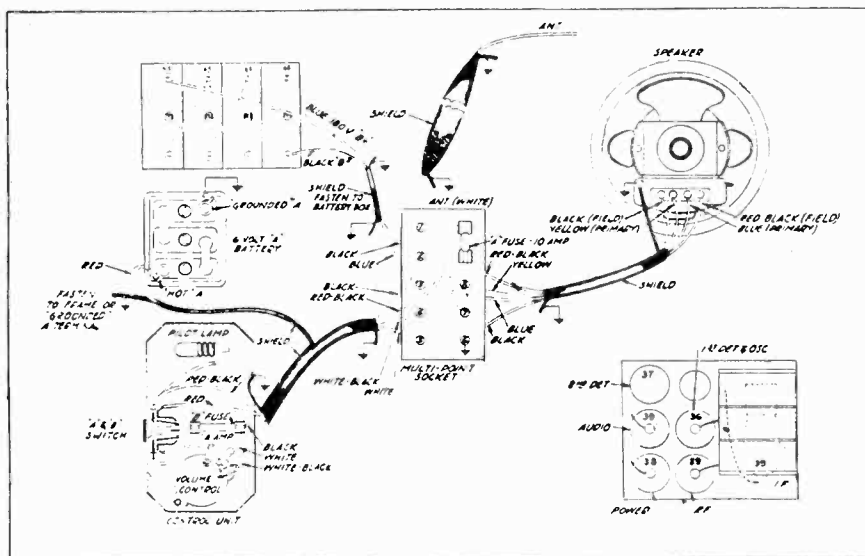


MODEL O62
Schematic
Voltage
Connections

SOLAR



IF PEAK 262 K.C.



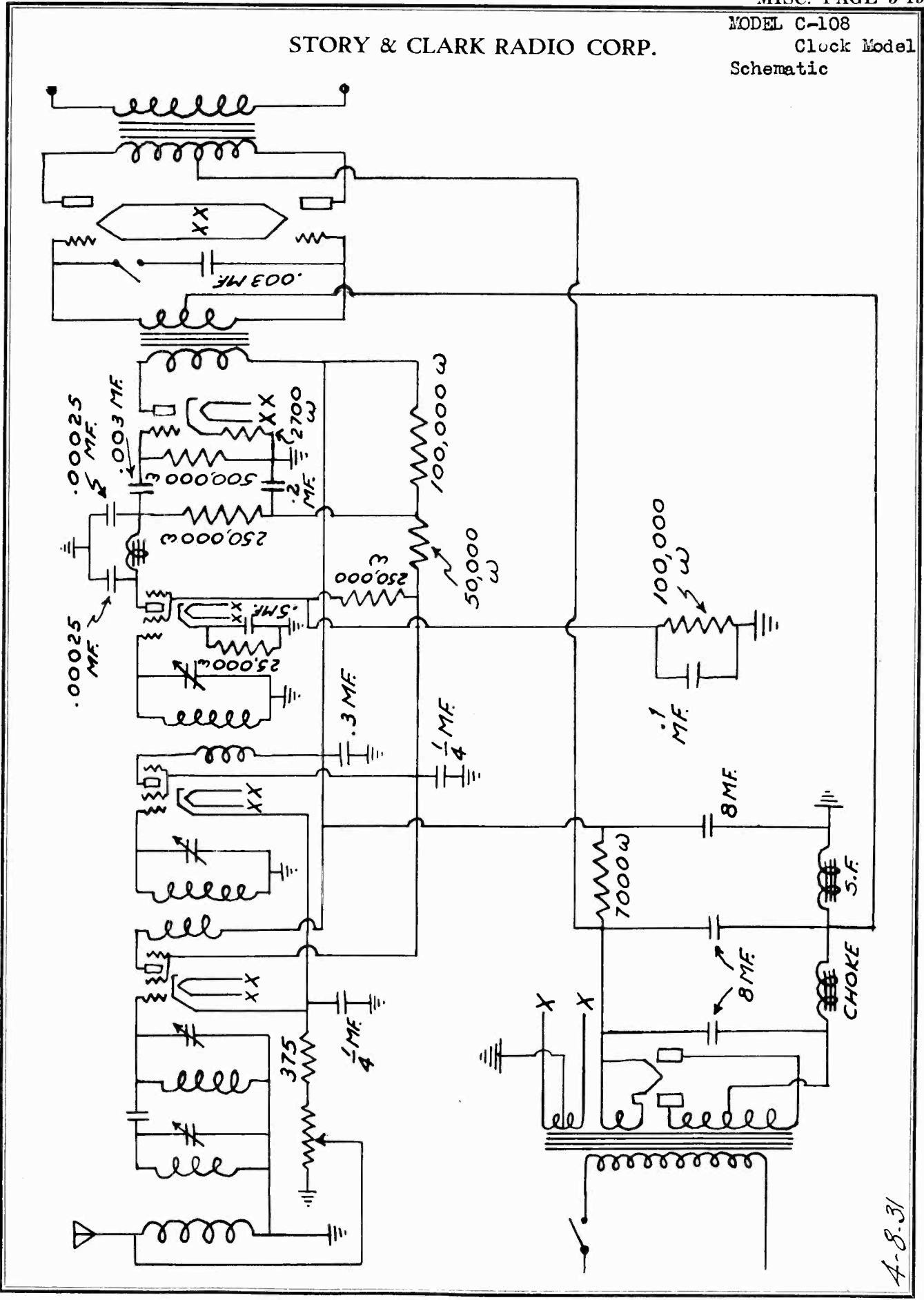
VOLTAGE DATA

Tube	Plate	Screen	Grid	Plate MA.
R-F	177	80	3	3.6
1st Det.	173	76	7*	.9*
1-F.	177	80	3	3.6
2nd Det.	0	0	0	0
1st A-F.	54	77	6	1.2
Output	159	165	15.5	10.0

* Will vary with dial setting.

STORY & CLARK RADIO CORP.

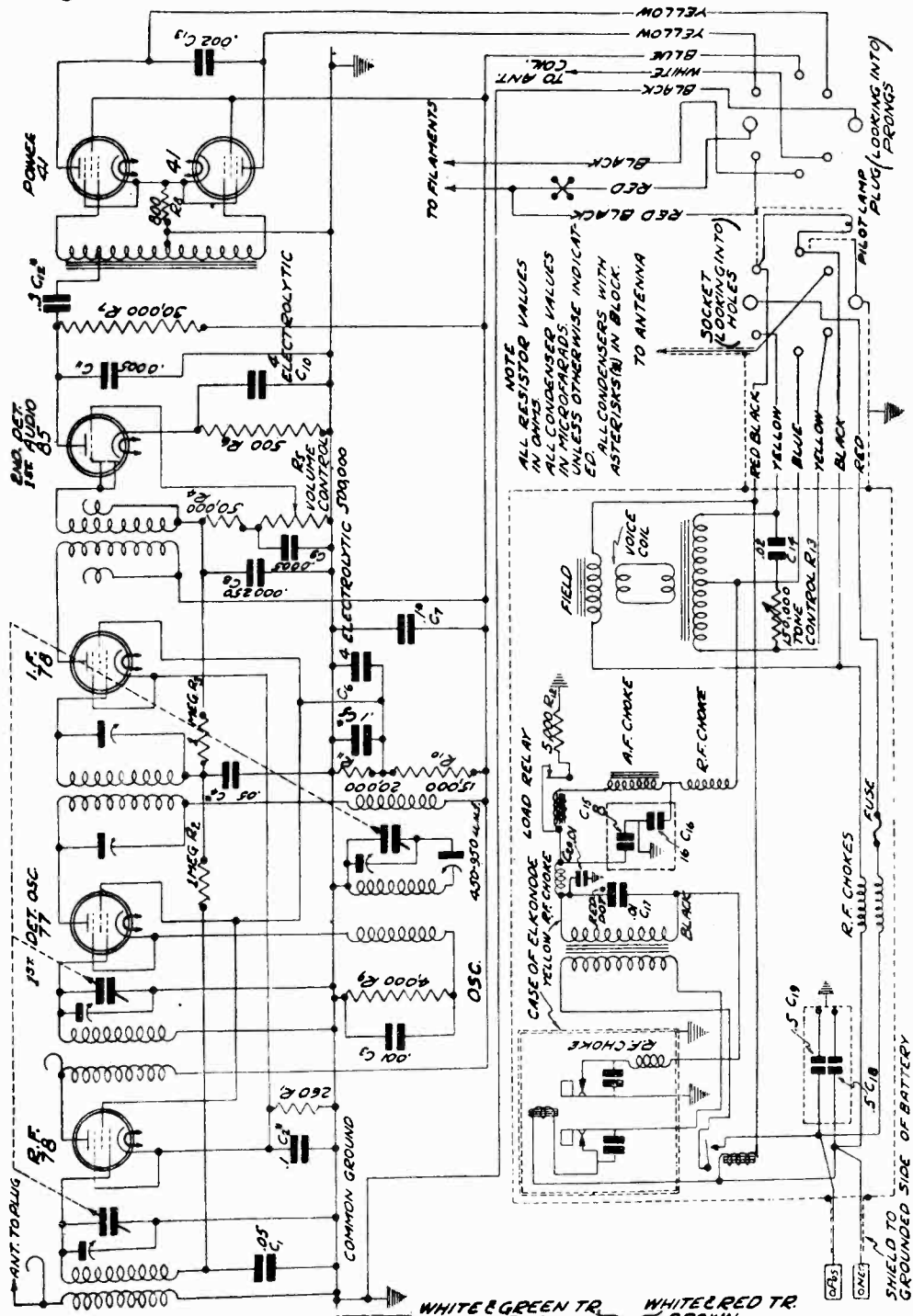
MODEL C-108
Clock Model
Schematic



4-8-31

MODEL O6-W
Schematic
Voltage, Socket

TROPIC - AIRE

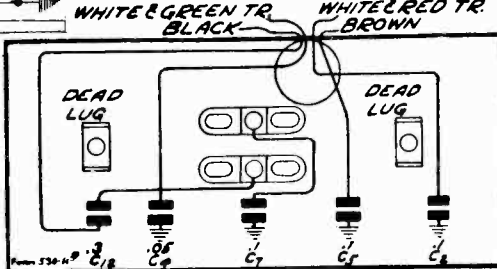


NOTE
ALL RESISTOR VALUES
IN OHMS
ALL CONDENSER VALUES
IN MICROFARADS
UNLESS OTHERWISE INDICATED
ALL CONDENSERS WITH
ASTERISKS (*) IN BLOCK

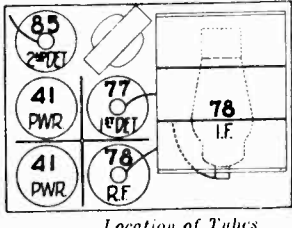
	Across Heater	Plate to Cathode	Screen to Cathode	Grid to Cathode	Normal Plate MA
78 R.F.	6.1	182	80	3**	7.0
77 1st Det. & Osc.	6.1	178	77	8 x	1.3 x
78 I.F.	6.1	182	80	3**	7.0
85 2nd Det. & 1st A.F.	6.1	70*	168.5	1.8**	3.5
41 Output	6.1	162		17	11.0

*-Triode Plate to Cathode. **-Cathode to Ground x-Subject to variation
NOTE:- All voltages are at 185 volts input from "B" Eliminator

IF PEAK 262 KC



Condenser Block—Internal Wiring

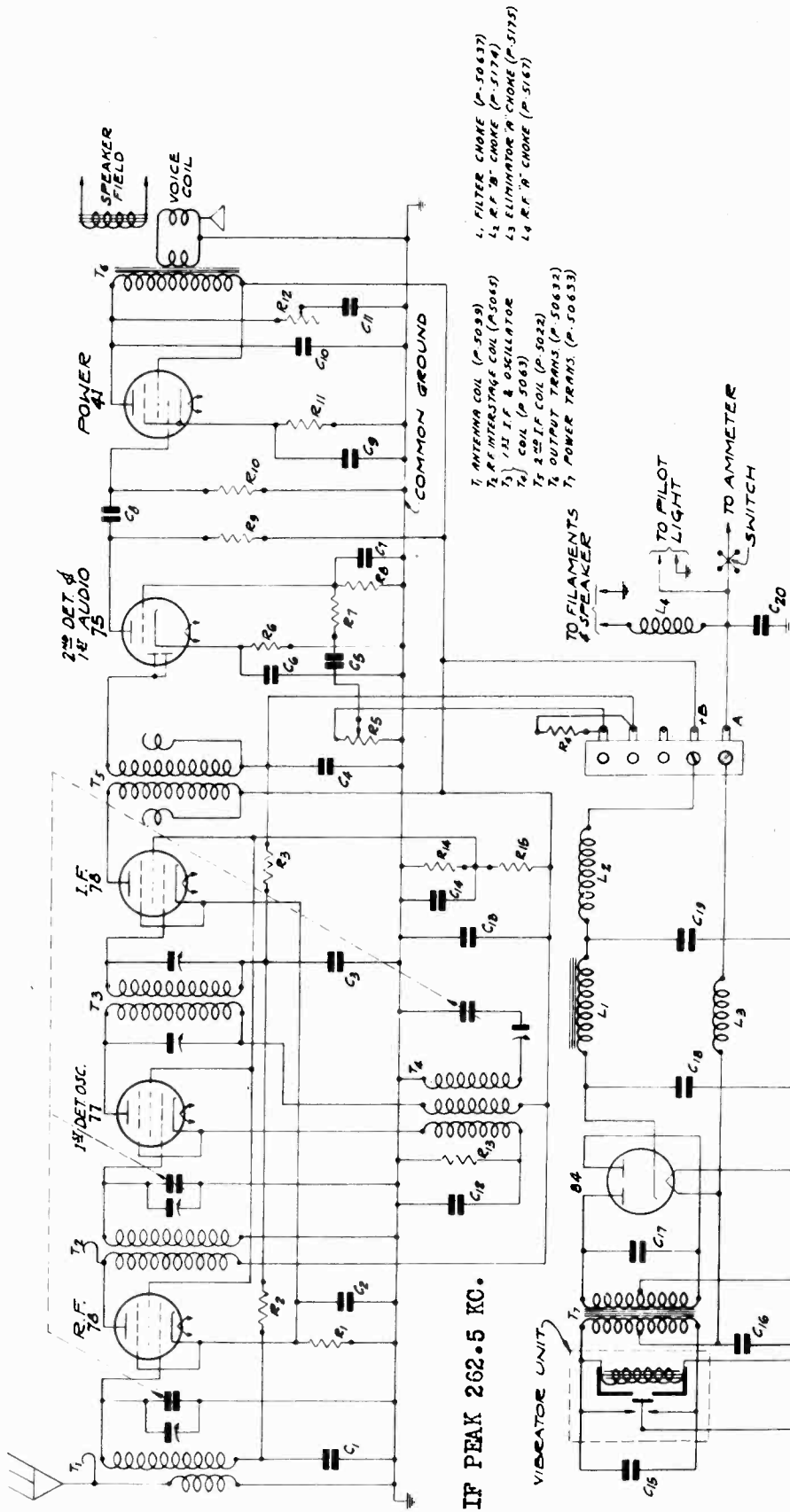


Location of Tubes

MODEL 6-U
Schematic

TRUE VALUE

IF PEAK 262.5 KC.



- 1. FILTER CHOKES (P-50637)
- 2. R.F. CHOKES (P-51774)
- 3. ELIMINATOR CHOKES (P-51755)
- 4. R.F. CHOKES (P-5167)

- T1. ANTENNA COIL (P-50639)
- T2. I.F. INTERSTAGE COIL (P-50651)
- T3. I.F. OSCILLATOR COIL (P-50663)
- T4. 250V I.F. COIL (P-50222)
- T5. POWER TRANS. (P-50632)
- T6. POWER TRANS. (P-50633)

- R10 250,000 OHM
- R11 800 OHM
- R12 150,000 OHM TONE CONTROL
- R13 4,000 OHM
- R14 20,000 OHM VOL CONTROL
- R15 15,000 OHM
- R6 6,000 OHM
- R7 100,000 OHM
- R8 1.0 MEG OHM
- R9 250,000 OHM
- C1 0.050-μF 130K TUBULAR
- C2 0.100-μF (BLOCK RED-WH)
- C3 0.050-μF (BLOCK GR-WH)
- C4 0.0025-μF MICA
- C5 0.050-μF 200V TUBULAR
- C6 12,000-μF ELECTROLYTIC
- C7 0.100-μF (BLOCK BLUE)
- C8 0.0025-μF MICA
- C9 12,000-μF ELECTROLYTIC
- C10 0.010-μF 1500V TUBULAR
- C11 10,000-μF BLOCK WITH C10
- C12 0.003-μF (BLOCK YE-LW)
- C13 10,000-μF BLOCK WITH C12
- C14 0.020-μF 500V TUBULAR
- C15 0.001-μF MICA
- C16 1,000-μF (BLOCK BROWN)
- C17 0.500-μF 120V TUBULAR
- C18 0.500-μF 120V TUBULAR
- C19 0.020-μF 500V TUBULAR
- C20 0.500-μF 120V TUBULAR

COLOR CODE DELINEATES
CONDENSERS IN BY-PASS BLOCK