

Radio- Electronics Special Projects

22 Exciting
NEW Projects
For You!

\$1.95
SPRING
1981

**2nd BIG Issue. All NEW Projects for Builders.
Every Kind Of Circuit For Every Kind Of Reader.
Must Reading You Will Want To Keep.**

**Ultrasonic Listener
Reliable Burglar Alarm**

**Frequency Multiplier Extends
Counter Range 100X** ➔

**Pool Table Scorekeeper
VMOS Flasher
Penny-Pinching Hints**

Short-Wave Booster Adds 20-dB Gain ➔

**Dual-Mode Power Supply
TRS-80 Cassette Controller
Broadcast Quality Phono Preamp
CRT Tester/Rejuvenator**

Do-Nothing-A Fantasy Of LED Magic ➔
VCR/TV Programming Adapter

And 8 More Projects



Sabtronics.

An entire range of low-cost, top-quality instruments.



A. 2010A — \$84.00*, B. 2015A — \$99.00*, C. 8610A — \$99.00*, D. 5020A — \$85.00*, E. 8000B — \$199.00**, F. 2035A — \$79.00*, G. 2037A — \$99.00*

Sabtronics revolutionized the market with the first low-cost, high-performance Digital Multimeter. Now we have an entire range of outstanding instruments in a reasonable range of prices. In fact, nobody can beat us in our price/performance ratio. And we can sell at a low price for some very good reasons. Our engineers design high performance products to be built at a low cost. And we refuse to stick on high mark ups. Plus we make sure your price stays low by selling directly to you. Because we sell so many instruments, we don't have to charge a high price. Naturally, we also offer all the helpful accessories you might want. And all our products are under warranty for good quality and high performance. In addition, you get from us the same quality aftersale service as any high priced instrument manufacturer. With Sabtronics instruments available, there's no need for you to spend a lot of money to do highly accurate testing and measuring.

- 2010A 3½ Digit LED DMM
- 2015A 3½ Digit LCD DMM
- 8610A 600 MHz 8-Digit Frequency Counter
- 8110A 100 MHz 8-Digit Frequency Counter
- 5020A 0.2 to 200 KHz Function Generator
- 8000B 1 GHz 9-Digit Frequency Counter
- 8610B 600 MHz 9-Digit Frequency Counter
- 2035A 3½ Digit LCD Handheld DMM
- 2037A 3½ Digit LCD Handheld DMM

*price in kit form. Also available factory assembled, tested, and calibrated. Call us for prices.

**price fully assembled, tested, and calibrated.

Call us for more information:
(813) 623-2631

Making Performance Affordable

sabtronics INTERNATIONAL INC.

5709 N. 50th Street Tampa, FL 33610

Radio Electronics Special Projects

Lots Of Goodies

Special Projects is dedicated to the electronics constructor—you—the project builder. It is filled with never-before published construction projects. This issue, our second one, again delivers just what you need and want.

You will find, as you flip through the pages, 22 new articles. You'll discover how you can build projects that include an Ultrasonic Listener, Step Attenuator Volume Controls, and a Pool-Table Scorekeeper (digital display of course). There's also a Temperature Meter, a Burglar Alarm, Dual-Mode Power Supply and even a Picture-Tube Rejuvenator.

All of these projects can be successfully completed. None of them are overly complex. All are useful and we hope you'll find them fun to use after you've had the pleasure of building them.

As a constructor, you have probably designed and built projects of your own. Projects that other readers would like to build too. So why don't you tell us about that favorite project of yours. If we like it, we'll ask you to write it up for us and, who knows, it might appear in our next issue.

We enjoy bringing Special Projects to you. We want it to be your kind of magazine. So whatever your comments, both good ones and bad ones; tell them to us. We need your input to keep Special Projects delivering the kinds of articles you want to read.



**LARRY STECKLER
PUBLISHER**

Radio-Electronics Special Projects, published quarterly by Gernsback Publications Inc., 200 Park Avenue South, New York, NY 10003. Phone 212-777-6400. No subscriptions. Single-copy price \$1.95 © Copyright 1981. Gernsback Publications Inc. All rights reserved. Printed in U.S.A.

A stamped self-addressed envelope must accompany all submitted manuscripts and/or artwork or photographs. If their return is desired. We disclaim any responsibility for any loss or damage to manuscripts and/or artwork or photographs while in our possession or otherwise.

As a service to reader, Radio-Electronics Special Projects publishes available plans or information relating to newsworthy products, techniques and scientific technological developments. Because of possible variances in the quality and condition of materials and workmanship used by readers, Radio-Electronics Special Projects disclaims any responsibility for the safe and proper functioning of reader-built projects based upon or from plans or information published in this magazine.

Radio-Electronics® Special Projects

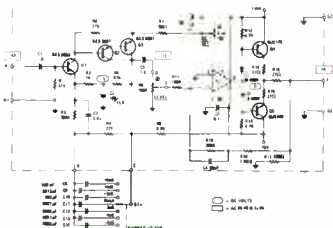
VOL. 1 NO. 2

SPRING 1981

6

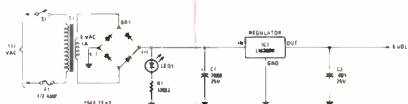
PHONO PREAMP

Broadcast-quality state-of-the-art instrument drives 600- or 150-ohm balanced or unbalanced lines. Preamp delivers 34-dB gain feeding a line amplifier with 26 dB gain.



25 CHEAP POWER SUPPLY

Mini project that delivers 5 volts at 1 amp. Quick and easy, one-evening project for your bench.



11

POOL TABLE SCOREKEEPER



Average pool player or true pool shark will love this device. It can add or subtract any number from 1 to 15 and keep a running total score for two players.

27

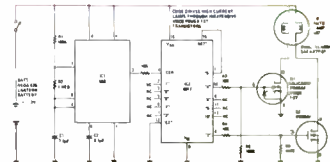
USING WHAT'S AVAILABLE

More ways to save on your projects. Makeshift plugs, sockets and mounting hardware you can whip up from odds and ends.

34

VMOS FLASHER ON A BREADBOARD

High-power low-cost electronic switch handles 2-amp loads with a single VMOS FET.



30

REMOTE CONTROL FOR HOUSEHOLD APPLIANCES



Sound-activated device controls up to four appliances with a single remote-control receiver.

43

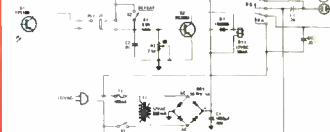
LED FANTASY, THE ULTIMATE DO-NOTHING



Endless LED display variations keep the eye of the beholder amused and entranced.

48

VCR/TV PROGRAMMING ADAPTOR



Here's how you can use your VCR to make your TV set programmable, for less than \$25.

20

PENNY-PINCHING HINTS



Want cheap breadboards, printed-circuit boards and money-saving substitute parts? Here's must reading that shows you how to save dollars and not spare quality.

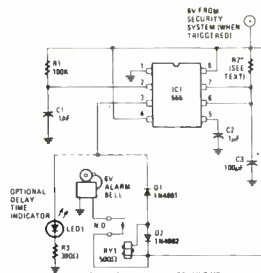
39

TEMPERATURE ADD-ON FOR YOUR DMM

Simple add-on device plugs into your DMM. Turns it into a temperature meter.

47

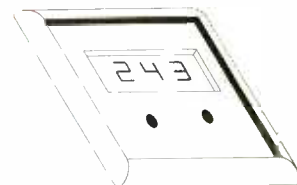
BURGLAR ALARM DELAY



You won't burglars caught, not scared away with part of the loot. This single-IC device does the trick.

50

COMMON PRODUCTS MAKE HANDY CABINETS

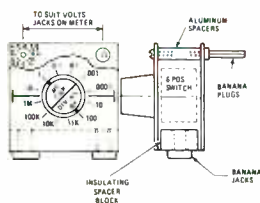


Hardware store and super-market items can make nifty cabinets for your projects.

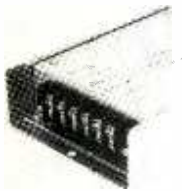
23

DMM MEASURES CAPACITANCE

Convert your DMM to a direct-reading capacitance meter. It's easy. It works. It's inexpensive. Try this one today.

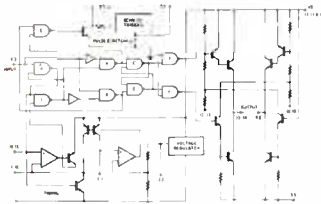


52 RELIABLE BURGLAR ALARM



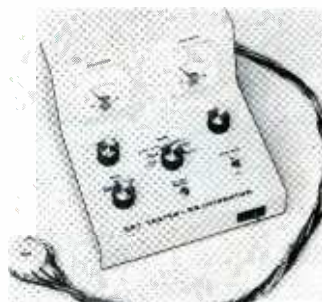
Does the complete job a first-rate alarm system should do. And you can build it yourself.

65 IC'S FOR SERVO CONTROL



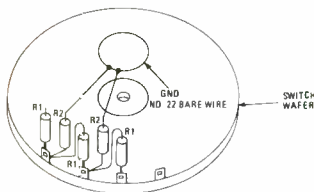
A group of servo-control circuits designed around a trio of common IC's.

82 PICTURE-TUBE TESTER/ REJUVENATOR



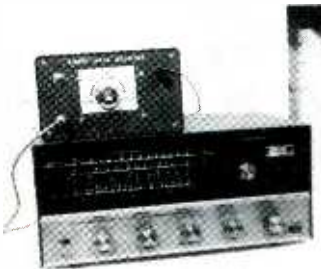
Before you replace the tube try this tester/rejuvenator. It could save you a bundle of dollars.

58 STEP- ATTENUATOR VOLUME CONTROLS



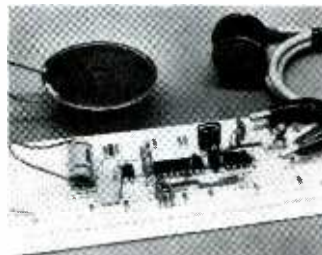
Switch in the level you want. It's easy and it works.

72 BOOSTER FOR YOUR SHORTWAVE RECEIVER



"Extra" receiver gain isn't hard to come by with this small but powerful add-on.

89 ULTRASONIC LISTENER



Translates the inaudible into the audio range. You'll have a lot of fun with this little device.

61 TRS-80 CASSETTE CONTROLLER



Another control box for that extremely visible TRS-80.

77 DUAL-MODE POWER SUPPLY

Adjustable power supply is variable from 2 to 15 volts at up to 300 mA.



92 FREQUENCY MULTIPLIER FOR YOUR COUNTER

Multiplies input frequencies and extends the range of your counter by 10 and 100 times.



Hugo Gernsback (1884-1967) founder
M. Harvey Gernsback, editor-in-chief
Larry Steckler, CET, publisher
Arthur Kleiman, managing editor
Josef Bernard, K2HUF,
technical editor
Carl Laron, assistant editor
Ruby Yee, production manager
Robert A. W. Lowndes, production
associate
Joan Burwick, production assistant
Gabriele Margules, circulation director
Arlene R. Fishman,
advertising coordinator

Cover photo by Walter Herstatt
Composition and interior design by
Mates Graphics
Technical Consultant, Robert F. Scott

Gernsback Publications, Inc.
200 Park Ave. S., New York, NY 10003
President: M. Harvey Gernsback
Vice President: Larry Steckler
Secretary/Treasurer: Carol A. Gernsback

ADVERTISING SALES 212-777-6400

Larry Steckler
Publisher

EAST

Stanley Levitan
Radio-Electronics
200 Park Ave. South
New York, NY 10003
212-777-6400

MIDWEST/Texas/Arkansas/Okla.

Ralph Bergen
The Ralph Bergen Co.
540 Frontage Road—Suite 361-A
Northfield, Illinois 60093
312-446-1444

WESTCOAST

Marvin Green
Radio-Electronics
413 So. La Brea Ave.
Los Angeles, Ca 90036
213-938-0166-7

SOUTHEAST

Paul McGinnis
Paul McGinnis Company
60 East 42nd Street
New York, N.Y. 10017
212-490-1021

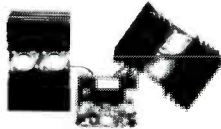


100 W CLASS A POWER AMP KIT

Dynamic Bias Class "A" circuit design makes this unit unique in its class. Crystal clear, 100 watts power output will satisfy the most picky fans. A perfect combination with the TA-1020 low T.I.M. stereo pre-amp.

Specifications:

- Output power: 100W RMS into 8-ohm 125W RMS into 4-ohm
- Frequency response: 10Hz - 100 KHz
- T.H.D.: less than 0.008%
- S/N ratio: better than 80dB
- Input sensitivity: 1V max.
- Power supply: $\pm 40V @ 5 amp$



TA-1000 KIT
\$51.95
Power transformer
\$18.00 each

REGULATED VARIABLE D.C. POWER SUPPLY KIT

Uses UA723 I.C. and 2N3055 power transistor as regulator. Output voltages can be adjusted from 0-30V at an internal resistance of less than 0.005 ohm, ripple and noise less than 1 mV, with built on board LED and audible overload indicator. Kit comes with P.C. board, all electronic components, transformer, connectors, 2 panel meters for voltage and amp, a professional look metal cabinet and instructions.

Model TR-88A 0-15V D.C. 3 amp
Model TR-88B 0-30V D.C. 2 amp



\$59.50 per kit



WHISTLE ACTIVATED SWITCH BOARD

All boards are pre-assembled and tested. Your whistle to its FET condenser microphone from a distance, as far as 30 feet away (sensitivity can be easily adjusted) will turn the switch on, then latched you whistle to it again then it turns off. Ideal for remote control toys, electrical appliance such as lights, coffee pots, TV, Hi-Fi, radio or other projects. Unit works on 9V D.C.



Model 968
\$4.50 each

SUB MINI SIZE FET CONDENSER MICROPHONE

Specification:

Sensitivity: $-65dB \pm 3db$
FEO. Response: 50 Hz - 8 KHz
Output Impedance: 1K ohm max.
Polar Pattern: Omni-directional
Power Supply: 1.5V 10V D.C.
Sound Pressure Level: Max. 120dB
EM4RP \$2.50 ea. or 2 for \$4.50



NEW MARK III 9 Steps 4 Colors LED VU

Stereo level indicator kit with arc-shape display panel!!! This Mark III LED level indicator is a new design PC board with an arc-shape 4 colors LED display (change color from red, yellow, green and the peak output indicated by rose). The power range is very large, from $-30dB$ to $+5dB$. The Mark III indicator is applicable to 1 watt - 200 watts amplifier operating voltage is 3V - 9V DC at max 400 MA. The circuit uses 10 LEDs per channel. It is very easy to connect to the amplifier. Just hook up with the speaker output!

IN KIT FORM \$18.50

2 WATT AUDIO AMP

Pre assembled units. All you need is to hook up the speaker and the volume control. Supply voltage from 9-15V D.C. measures only 2" x 3 1/2", making it good for portable or discrete applications. Comes with hook up data.



BUY 2 FOR \$4.99

MARK IV 15 STEPS LED POWER LEVEL INDICATOR KIT

This new stereo level indicator kit consists of 36 4-color LED (15 per channel) to indicate the sound level output of your amplifier from $-36dB$ to $+3dB$. Comes with a well-designed silk screen printed plastic panel and has a selector switch to allow floating or gradual output indicating. Power supply is 6-12V D.C. with THG on board input sensitivity controls. This unit can work with any amplifier from 1W to 200W!

Kit includes 70 pcs. driver transistors, 38 pcs. matched 4-color LED, all other electronic components, PC board and front panel.



MARK IV KIT \$31.50



MARK V 15 STEPS LED POWER OUTPUT INDICATOR KIT

All functions same as Mark IV but this is with heavy duty aluminum front plate and case. Can be easily slot into the front panel of your auto, truck or boat. Operates on 12V D.C.



\$41.50 EACH KIT

BATTERY POWERED FLUORESCENT LANTERN

MODEL 888 R

FEATURES

- Circuitry: designed for operation by high efficient, high power silicon transistor which enable illumination maintain in a standard level even the battery supply drops to a certain low voltage.
- 9" 6W cool/daylight miniature fluorescent tube.
- 8 x 1.5V UM-1 (size D) dry cell battery.
- Easy sliding door for changing batteries.
- Stainless reflector with wide angle increasing lamination of the lantern.



\$10.50 EA

30W + 30W STEREO HYBRID AMPLIFIER KIT

It works in 12V DC as well! Kit includes 1 PC SANYO STK-043 stereo power amp, IC LM 1458 as pre amp, all other electronic parts, PC Board, all control pots and special heat sink for hybrid. Power transformer not included. It produces ultra hi-fi output up to 60 watts (30 watts per channel) yet gives out less than 0.1% total harmonic distortion between 100MHz and 10KHz.



\$32.50 PER KIT

5W AUDIO AMP KIT

2 LM 380 with Volume Control
Power Supply 6 18V DC

ONLY \$6.00 EACH



PROFESSIONAL PANEL METERS



A. 0-50UA 8.50 ea.
B. 0-30VDC 8.50 ea.
C. 0-50VDC 8.50 ea.
D. 0-3ADC 9.00 ea.
E. 0-100VDC 9.00 ea.

All meters white face with black scales. Plastic cover.

SPECIAL 0.5" LED ALARM CLOCK MODULE

ASSEMBLED! NOT A KIT!

Features: • 4 digits 0.5" LED Displays • 12 hours real time format • 24 hours alarm audio output • 59 min. countdown timer • 10 min. snooze control.

ONLY \$7.00 EACH

SPECIAL TRANSFORMER FOR CLOCK



\$2.50

DIGITAL AUTO SECURITY SYSTEM

4 DIGITS PERSONAL CODE!!
SPECIAL \$19.95



- proximity triggered
- voltage triggered
- mechanically triggered

This alarm protects you and yourself! Entering protected area will set it off, sounding your car horn or siren you add. Any change in voltage will also trigger the alarm into action. If cables within passenger compartment are cut, the unit protects itself by sounding the alarm.

3-WAY PROTECTION!

All units factory assembled and tested - Not a kit!

SANYO HYBRID AUDIO POWER AMPLIFIER I.C.



Typical ratings

Operating case temp. 85°C
T.H.D. = 0.5% f = 20-20KHZ
input resistance $P_o = 0.1W 30K\Omega$
Power band width 20HZ-20KHZ
Freq. response 10HZ-100KHZ
Output resistance = $B\Omega$
With built in protection circuit.

All units come with data sheet

PART	OUTPUT (W)	SUPPLY VOLTAGE	PRICE
STK040	10W+10W Stereo	$\pm 16V$ D.C.	\$14.50
STK041	15W+15W Stereo	$\pm 20V$ D.C.	\$18.50
STK043	20W+20W Stereo	$\pm 22V$ D.C.	\$22.50
STK054	23 WATTS	$\pm 23V$ D.C.	\$13.50
STK056	30 WATTS	$\pm 22V$ D.C.	\$18.50
STK050	50 WATTS	$\pm 35V$ D.C.	\$26.50
STK070	70 WATTS	$\pm 42V$ D.C.	\$32.50
STK1050	100 WATTS	$\pm 50V$ D.C.	\$40.50

PROFESSIONAL FM WIRELESS MICROPHONE

TCT model WEM-16 is a factory assembled FM wireless microphone powered by an AA size battery. Transmits in the range of 88-108MHz with 3 transistor circuits and an omni-directional electric condenser. Element built-in plastic tube type case; mike is 6 1/4" long. With a standard FM radio, can be heard anywhere on a one-acre lot; sound quality was judged very good.

\$16.50



FOR DECODER BUILDERS

Pre-Drilled PC Board	\$17.50
Tolnoid Coils (Set of 4)	\$ 3.00
Multi Turn Trim-Pots 10K ohm	\$ 2.50
Trimmer Capacitor 6-35pF	\$ 0.60
MC1358	\$ 2.50 RC1458
MC1350	\$ 2.00 LM380
MC1330	\$ 3.50 LM340T-15
	NE565
	\$ 2.00

We also have transformer, capacitors set, resistors set antenna transformer. Please call for price

LCD CLOCK MODULE!

• 0.5" LCD 4 digits display • X'tal controlled circuits • D.C. powered (1.5V battery) • 12 hr. or 24 hr. display • 24 hr. alarm set • 60 min. countdown timer • On board dual back-up lights • Dual time zone display • Stop watch function.

NIC1200 (12 hr) \$24.50 EA.
NIC2400 (24 hr) \$26.50 EA.



SANYO UHF VARACTOR TUNER

For UHF CH 14-83
Tuning voltage + 1V to + 28V D.C. Input impedance 75 OHM. I.F. band width 7-16 MHz. Noise figure 11.5 dB MAX. Size 2 5/8" x 1 1/4" x 3/4". Supply voltage 15V D.C. Sound I.F. = 58.0 MHz Video I.F. = 62.5 MHz



All units are brand new from Sanyo.
MODEL 115-B-405A
\$35.00 EACH

FLUORESCENT LIGHT DRIVER KIT



12V DC POWERED
Lights up 8 15 Watt Fluorescent Light Tubes. Ideal for camper, outdoor, auto or boat. Kit includes high voltage coil, power transistor, heat sink, all other electronic parts and PC Board, light tube not included!

With Case Only \$6.50 Per Kit

SUPER FM WIRELESS MIC KIT — MARK III



This new designed circuit uses high FET. FET transistors with 2 stages pre amp. Transmits FM Range (88-120 MHz) up to 2 blocks away and with the ultra sensitive condenser microphone that comes with the kit, allows you to pick up any sound within 15 ft. away! Kit includes all electronic parts, OSC coils, and P.C. Board. Power supply 9V D.C.

FMC-105 \$11.50 PER KIT

PRESS-A-LIGHT SELF GENERATED FLASHLIGHT



Never worry about battery, because it has none! Easy to carry in pocket and handy to use. Ideal for emergency light. It generates its own electricity by squeezing grip lever. Put one in your car, boat, camper or home. You may need it some time!

EXCLUSIVE!! \$3.95 ea Model F-179

ELECTRONIC DUAL SPEAKER PROTECTOR



Cut off when circuit is shorted or over load to protect your amplifier as well as your speakers. A must for OCL circuits.

KIT FORM \$8.75 EA.

"FISHER" 30 WATT STEREO AMP



MAIN AMP (15W x 2)
Kit includes 2 pcs. Fisher PA 301 Hybrid IC all electronic parts with PC Board, Power supply ± 16V DC (not included). Power band with (KF 1% ± 3dB). Voltage gain 33dB. 20Hz - 20KHz.

Super Buy Only \$18.50

SPACE WAR SOUND GENERATOR BOARD



Brand new preassembled module for a toy factory. The board gives out 6 different selectable space sound with LED light effect. Sounds include UFO take-off, space gun blast, wave, and space chime. 7 LED on the board will work with the sound. Requires 9V battery to operate. Speaker not included.

SPECIAL \$3.99 EACH SPEAKER \$1.25 EACH

ELECTRONIC PIEZO BEEP BUZZER



Unique surplus 7/8" Dia. piezo ceramic disc on circuit board gives a distinct high freq. buzz. Unit contains an I.C., 2 caps, 6 resistors and is already pre-assembled. Requires 9V battery to operate.

SPECIAL 2 FOR \$2.99

2 BIT COUNTER, WARBLE PULSE ALARM BOARD



This new assembly easily converts to a counter, stop watch, warble and pulse alarm generator by adding a few components. We supply the data and typical applications. Requires 9V battery to operate.

SPECIAL 2 FOR \$1.99

PUSH-BUTTON SWITCH



N/Open Contact
Color: Red, White, Blue, Green, Black
3/\$1.00
N/Close also Available
50¢ each
LARGE QTY. AVAILABLE

HEAVY DUTY CLIP LEADS



10 pairs — 5 colors Alligator clips on a 22" long lead. Ideal for any testing.

\$2.20/pack

BATTERIES

PK/\$10.00
2 PK/\$19.00



NICKEL CADMIUM BATTERY PACK 'D' SIZE

ILLUSTRATED LESS COVER

Output: 3.6 Volts @ 3.0 Amp/Hour. Consists of three each, 1.2 Volt "D" size Nickel Cadmium Cells stacked and plastic film encapsulated. Tabs are provided at each end for electrical connections. The individual cells can be cut apart if desired. Rated recharge rate is 30 mA, 14-18 hours. Size: 1 1/4" dia. x 7" long. New. Shpg. Wt. each pack, 1 lb.

"C" SIZE BATTERY PACK



10 C size ni-cd battery in dng pack. gives out 12.5V D.C. 1.8 amp per hour. All fresh code, pull-out from movie cameras. Can be disconnected to use as single c cells. Hard to find \$15.00 per pack of 10 batteries

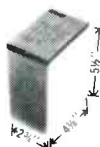
NI-CD BATTERY SALE



12V Pack 450 MZ/HR Size 3" x 1" x 2" \$8.00 PER PACK
4 AA Pack 450 MA/HR \$3.50 PER PACK

All above batteries are used but late date code and we guarantee to take back all bad ones for exchange.

GELCELL 6V 9AMP/HR SEALED LEAD ACID RECHARGEABLE BATTERY



Sealed construction permits this battery to be operated in any position. Recharge rate 2 1/5 amp max. for 14-16 hours. All brand new. Limited quantities. Size of battery 4 1/8" x 2 3/4" x 5 1/2".

\$16.50 each

ELECTRONIC PIN BALL MACHINE



That sounds and plays like the real thing. All units are brand new but without the case. Functions of the game include double flipper control, kicker control, 1-4 players, 3 speed ball control, tilt switch, automatic score, extra bonus cave and many more. All solid state with LED panel, no moving parts. Requires 9V battery to operate, speaker not included.

A perfect gift for yourself or friends.
SPECIAL \$8.99 EACH
SPEAKER \$1.25 EACH

ULTRASONIC SWITCH KIT



Kit includes the Ultra Sonic Transducers, 2 PC Boards for transmitter and receiver. All electronic parts and instructions. Easy to build and a lot of uses such as remote control for TV, garage door, alarm system or counter. Unit operates by 9-12 DC.

\$15.50

COMPLETE TIME MODULE

0.3" digits LCD Clock Module with month and date, hour, minute and seconds. As well as stop watch function!! Battery and back up light with the module. Size of the module is 1" dia. Ideal for use in auto panel, computer, instrument and many others!

\$8.95 EACH

SOUND ACTIVATED SWITCH



All parts completed on a PC Board SCR will turn on relay, buzzer or trigger other circuit for 2 - 10 sec. (adjustable). Ideal for use as door alarm, sound controlled toys and many other projects. Supply voltage 4.5V 9V D.C.

\$1.75 ea.

2 for \$3.00

REGULATED DUAL VOLTAGE SUPPLY KIT

4 30V DC 800 MA adjustable, fully regulated by Fairchild 78MG and 79MG voltage regulator I.C. Kit includes all electronic parts, filter capacitors, I.C., heat sinks and P.C. board.

\$12.50 PER KIT

AA SIZE NI-CD SPECIAL SALE

RECHARGEABLE BATTERIES LIMITED QUANTITY AVAILABLE

4 FOR \$6.00

SUB MINIATURE TOGGLE SWITCH 6 AMP 125V A.C.

SPDT	\$1.20	
SPDT MOMENTARY	\$1.40	
DPDT	\$1.80	
DPDT MOMENTARY	\$1.80	
DPDT (CENTER OFF)	\$2.20	
3PDT	\$2.20	
3PDT (CENTER OFF)	\$2.50	
4PDT	\$2.80	
4PDT (CENTER OFF)	\$3.80	

POWER SUPPLY KIT

0-30V D.C. REGULATED
Uses UA723 and ZN3055 Power TR output can be adjusted from 0-30V, 2 AMP. Complete with PC board and all electronic parts.



Transformer for Power Supply, 0-30 Power Supply 2 AMP 24V x 2 \$8.50 \$10.50 each

FLASHER LED

Unique design combines a jumbo red LED with an iC flasher chip in one package. Operates directly from 5V-7V DC. No dropping resistor needed. Pulse rate 3Hz @ 5V 20mA.



2 for \$2.20

BIPOLAR LED RED/GREEN

2 colors in one LED, green and red, changes color when reverse voltage supply. Amazing!

2 FOR \$2.20

ELECTRONIC SWITCH KIT

CONDENSER TYPE
Touch On Touch Off
uses 7473 I.C. and 12V relay



\$5.50 each

1 WATT AUDIO AMP

All parts are pre-assembled on a mini PC Board. Supply Voltage 6 9V D.C. SPECIAL PRICE \$1.95 ea.



LOW TIM DC STEREO PRE-AMP KIT TA-10 20

Incorporates brand-new D.C. design that gives a frequency response from 0Hz — 100KHz ± 0.5dB! Added features like tone defeat and loudness control let you tailor your own frequency supplies to eliminate power fluctuation!

Specifications: • T.H.D. less than .005% • T.I.M. less than .005% • Frequency response: DC to 100KHz ± 0.5dB • RIAA deviation: ± 0.2dB • S/N ratio: better than 70dB • Sensitivity: Phono 2MV 47K/Aux. 100MV 100K • Output level: 1.3V • Max. output: 15V • Tone control: bass ± 10dB @ 50Hz/treble ± 10dB @ 15Hz • Power supply: ± 24 D.C. @ 0.5A
Kit comes with regulated power supply, all you need is a 48V C.T. transformer @ 0.5A

ONLY \$44.50 X'former \$4.50 ea.



SOLID STATE ELECTRONIC BUZZER

Mini size 1" x 3/4" x 3/4"
Supply voltage 1.5V - 12V
Ideal for Alarm or Tone Indicator



\$1.50 each



FORMULA INTERNATIONAL INC.

3/81

	SHIPPING AND HANDLING CHARGES
	Under \$50.00 purchase Over \$50.00 purchase
Inside California	10%
Outside Calif. (includes Mexico & Canada)	15%
Overseas	20%

Minimum Order \$10.00/Calif. Residents Add 8% Sales Tax
Phone Orders Accepted on Visa or MC ONLY, ND C.O.D./Store Hours 10-7 Mon. thru Sat.

17601 CRENSHAW BLVD., HAWTHORNE, CA 90250
PHONE: (213) 973-1921 • (213) 679-5182

Send \$1.00 For Detailed Catalogue



BROADCAST-QUALITY PHONO PREAMP

Variable equalization, low noise, and low distortion are just some of the features of this high-quality instrument.

JOHN MAMIS

THIS BROADCAST-QUALITY PHONO PREAMP IS A STATE-of-the-art instrument in terms of performance and low noise. In addition it offers several new features not available in most commercial products.

Many phono preamps have three limitations. They are:

- a. High output impedance
- b. Fixed equalization
- c. Gain irregularities

Let's take a brief look at each of these problems.

Output impedance: Broadcast requirements specify either 600- or 150-ohm balanced lines between electronic equipment. The reason for this is that low-impedance lines are less susceptible to noise which permits running long distances without loss of fidelity. Most preamps on the market have unbalanced outputs with impedances of 4,000—10,000 ohms and therefore, are not capable of driving low-impedance lines. The preamp described below is capable of driving either 600- or 150-ohm lines and provides for either balanced or unbalanced configurations.

Equalization: All modern phonograph records are supposedly cut using the RIAA standard which was adopted in the early 1950's. Yet there seems to be great variation in modern recordings even from a given recording company. These variations occur in the upper end of the frequency spectrum. On some recordings the highs overpower the rest of the spectrum resulting in a very shrill sound. On others the highs are suppressed resulting in a "tubby" sound reminiscent of the old 78 recordings. Most phono preamps provide

only RIAA equalization. This limitation prevents proper equalization of signals during dubbing of records onto tape. The preamp described here provides a variable equalizer which includes the RIAA standard.

Gain: Most designs use a single-stage high-gain preamp which can lead to problems at low frequencies. A preamp with a gain of 60 dB at 1 kHz requires a closed-loop gain of 80 dB at 20 Hz and obviously a higher open-loop gain. This is difficult to achieve without design compromises. The design described below solves this problem by using a preamp with a gain of 34 dB and a line amplifier with a 26 dB gain. A trim pot between these two stages sets the overall gain to any desired level. This approach permits optimizing the preamp for low noise and low distortion while the line amp provides a low output impedance at any gain selected. The complete schematic is shown in Fig. 1. Specifications are given in Table 1.

Circuit description

The circuit is essentially divided into two parts: the preamp and the line-amp. The preamp is a classical transistor arrangement. Transistor Q1 was selected and biased for low noise, while Q2 and Q3 are tied in a Darlington configuration for high gain to prevent the loading of Q1. Resistors R2, R5, and R8 establish DC bias. Equalization is determined by the feedback loop consisting of R3, R4, C3, and C4. The value of C4 is selected by switch S1 to provide RIAA equalization with a variation of up to ± 8 dB at 10 kHz.

Trim pot R9 which is used to set the output level is

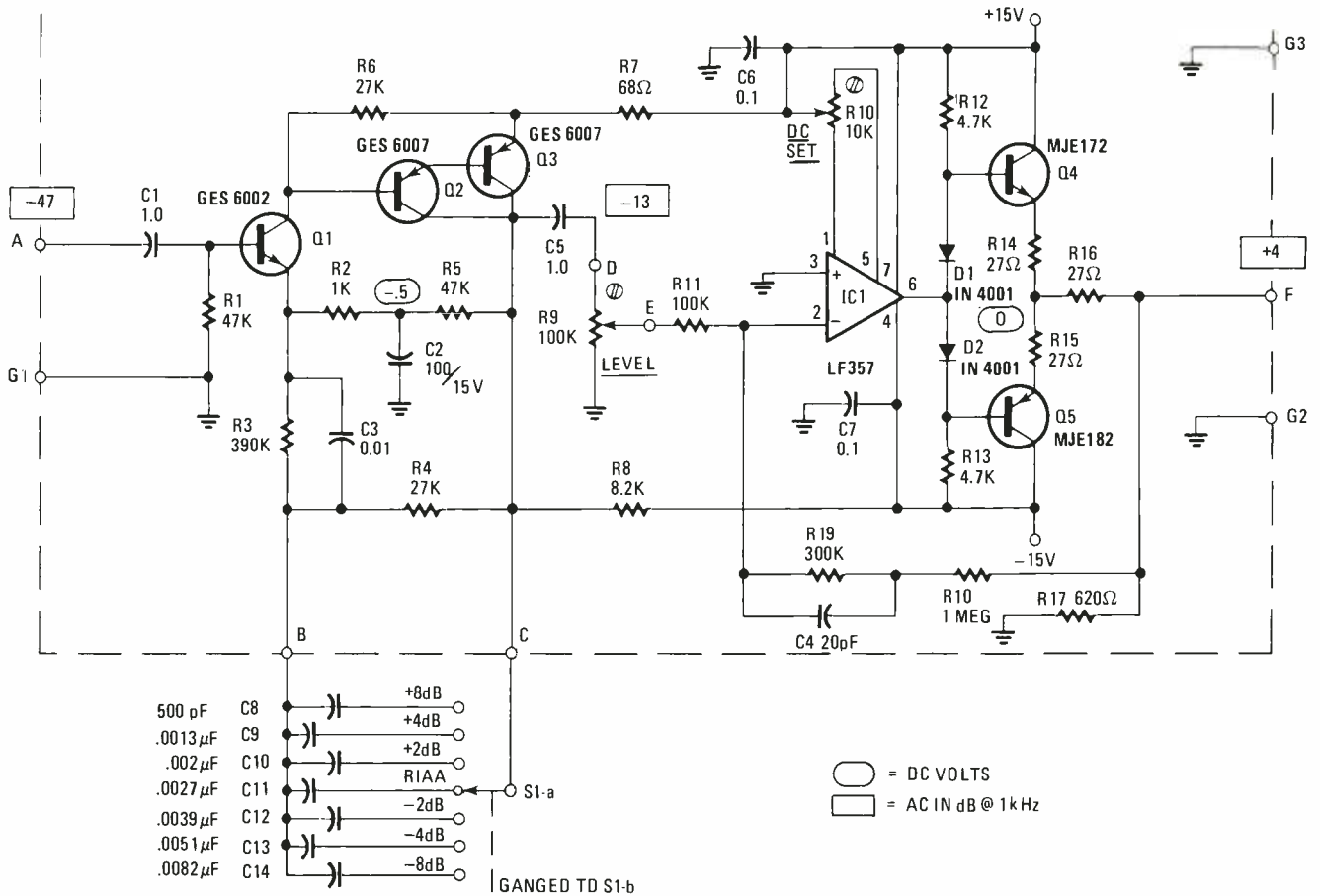


FIG. 1—SCHEMATIC DIAGRAM of the broadcast-quality phono preamp. The equalization can be adjusted ± 8 dB to compensate for deviations from the RIAA recording curve.

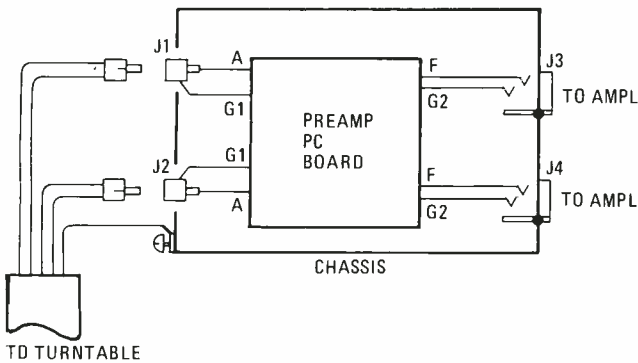


FIG. 2—BLOCK DIAGRAM SHOWS THE CONNECTIONS to the preamp for unbalanced low-impedance outputs.

placed between the preamp and the line-amp. The output of channels A and B can thus be set to exact and equal levels.

The LF357 operational amplifier was chosen for the line-amp because of its linearity, high slew-rate, and wide bandwidth. Transistors Q4 and Q5 were added to provide drive capability into 150- and 600-ohm loads. The line-amp uses direct coupling and is flat from DC to 200 kHz; C8 is used in the feedback loop to roll off the highs at 50 kHz, while trim pot R10 sets the DC level at the output to zero. For proper operation the line-amp must be terminated in a load of at least 600 ohms. The load resistor can be placed at either the

**TABLE 1
TECHNICAL SPECIFICATIONS**

Preamp:

1. Preamp gain
 - a. 70 dB open loop
 - b. RIAA ± 0.5 dB 20—20,000 Hz
 - c. RIAA ± 2 dB @ 10 kHz
 - d. RIAA ± 4 dB @ 10 kHz
 - e. RIAA ± 8 dB @ 10 kHz
2. Distortion less than 0.1%
3. Input impedance 47,000 ohms/50 pF

Line-amp:

1. Gain +26 dB
2. Maximum output
 - a. +18 dBm unbalanced
 - b. +24 dBm balanced
3. Output impedance 150 ohm or 600 ohms
4. Input impedance 100,000 ohms
5. Distortion less than 0.15%

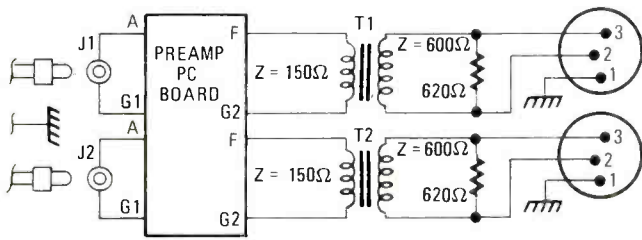
Preamp & Line-amp:

1. Gain 51 dB @ 1 kHz
2. Distortion less than 0.25%
3. Power source ± 15 VDC @ 25 mA per channel
4. Overload margin 25 dB
5. Noise:

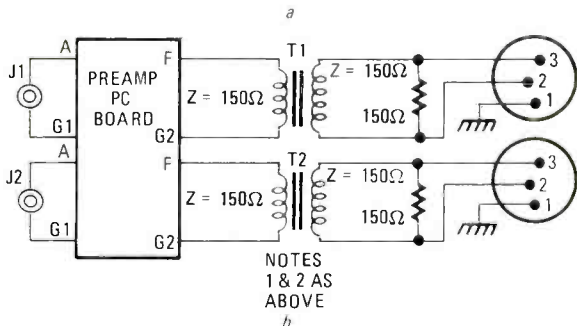
Filter	Output mV	Noise dBm	Equivalent	
			Input μ V	Noise dBm
20-20 kHz	0.5	-63	1.5	-114
ASA "A"	0.08	-79	.25	-130

POWER SUPPLY PARTS LIST

- R1—47,000 ohms, ¼ watt
 F1—fuse, 1 ampere, with holder
 NE1—neon lamp, NE-2 or equal
 T1—power transformer; 36-volt center tapped secondary or two 18-volt secondaries
 D1—D6—1N4003
 IC1—LM341P-15, 15-volt, 3-terminal positive-voltage regulator
 IC2—LM320MP-15, 15-volt, 3-terminal negative-voltage regulator
 C1, C2—1000 μ F, 30 volts, electrolytic
 C3—1.0 μ F, 25 volts, tantalum
 C4—10 μ F, 25 volts, electrolytic
 PC board, line cord and plug.



- NOTES:
 1. CONNECT TO PROPER TAPS ON T1 AND T2 PER MANUFACTURERS INSTR
 2. REMOVE R17 FROM PC BOARD



- NOTES
 1 & 2 AS ABOVE

FIG. 3—TO DRIVE BALANCED LINES a high-grade line transformer must be used in each channel. Figure 3-a shows connections for 600-ohm balanced lines; (b) shows connections for 150-ohm balanced lines. Select taps on transformer primary and secondary for desired output impedances.

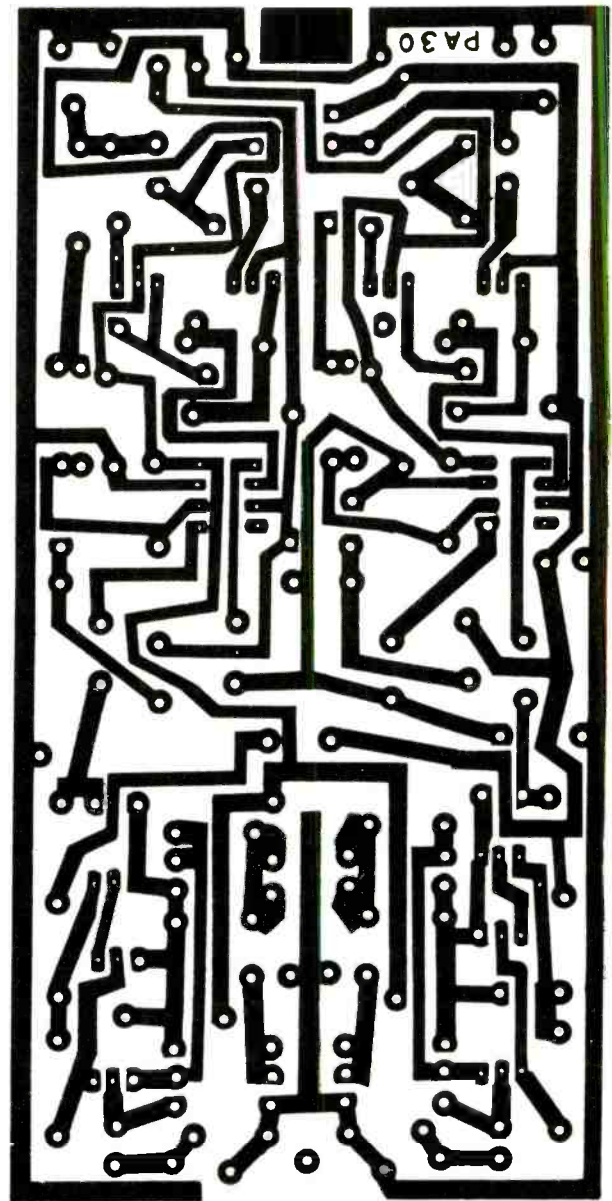


FIG. 5—FOIL PATTERN for the preamp PC board. Top and bottom halves of the board are almost mirror images of each other.

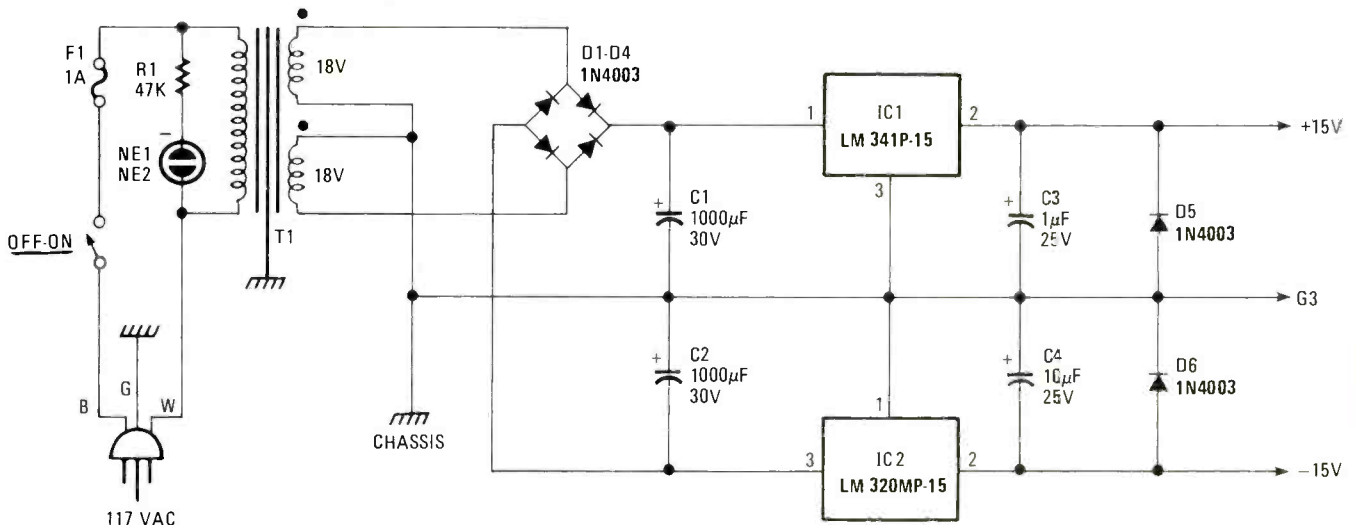


FIG. 4—THE POWER SUPPLY delivers plus and minus 15 volts to the preamp and line amplifiers. Both branches are regulated.

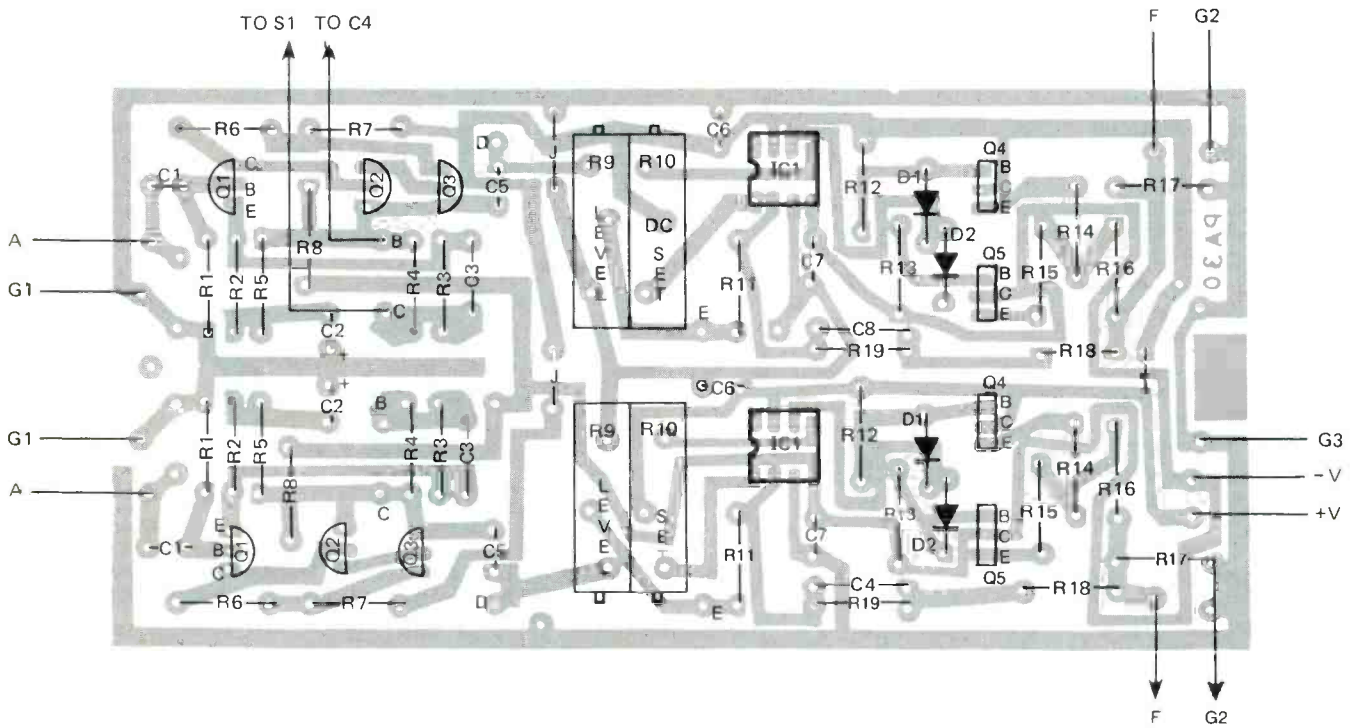


FIG. 6—PARTS PLACEMENT GUIDE for the preamp PC board. The trimmer pots are mounted so adjusting screws are easily accessible.

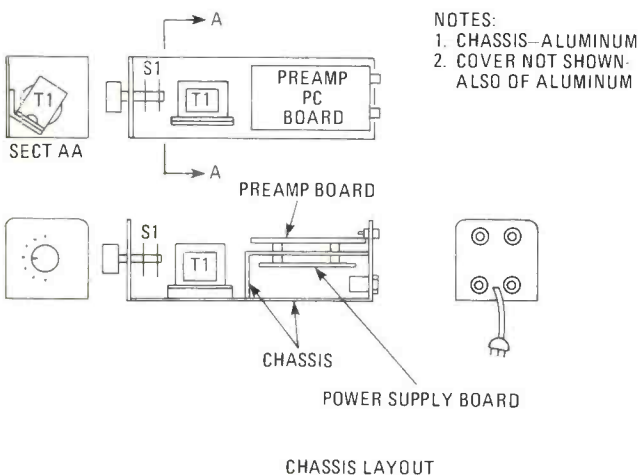


FIG. 7—TOP AND SIDE VIEWS show placement of parts within the metal case. Note the metal shield between the preamp and power supply PC boards.

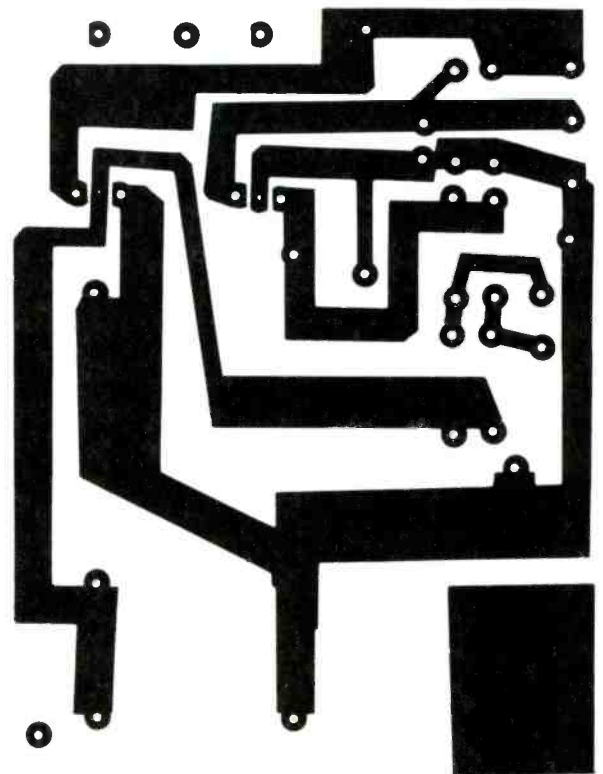


FIG. 8—FOIL PATTERN for the power-supply PC board. The power transformer is not on the board.

PARTS LIST

For a stereo preamp use two of each of the parts listed below

RESISTORS

Resistors $\frac{1}{4}$ watt, 5% unless otherwise noted

- R1, R5—47,000 ohms
- R2—1000 ohms
- R3—390,000 ohms
- R4, R6—27,000 ohms
- R7—68 ohms
- R8—8200 ohms
- R9—100,000 ohms, 10-turn trimmer potentiometer
- R10—10,000 ohms, 10-turn trimmer potentiometer
- R11—100,000 ohms
- R12, R13—4700 ohms
- R14—R16—27 ohms
- R17—620 ohms
- R18—1 megohm
- R19—300,000 ohms

CAPACITORS

- C1, C5—1 μ F Mylar
- C2—100 μ F, 15 volt, PC-mount electrolytic
- C3—.01 μ F ceramic disc
- C4—20 pF ceramic disc
- C6, C7—0.1 μ F ceramic disc
- C8—500 pF ceramic disc
- C9—.0013 μ F ceramic disc
- C10—.002 μ F ceramic disc
- C11—.0027 μ F ceramic disc
- C12—.0035 μ F ceramic disc
- C13—.0051 μ F ceramic disc
- C14—.0082 μ F ceramic disc

SEMICONDUCTORS

- Q1—GES 6002 (General Electric)
- Q2, Q3—GES 6007 (General Electric)
- Q4—MJE 172 (Motorola)
- Q5—MJE 182 (Motorola)
- IC1—LF357 (National)
- D1, D2—1N4001

MISCELLANEOUS

Preamp PC board (only one needed), double-pole 7-position shorting-type rotary switch; input and output jacks as needed to mate with existing equipment. Metal enclosure and shield (see text and Fig. 7). Transformers (UTC A20 or equal) for balanced output lines.

Printed circuit boards are available from SEOL, PO Box 1, Blacklick, OH 43004. Preamp board type PA-30 \$12.00; power supply board type PW-30 \$7.00.

line-amp or at the far end of the line.

Figure 2 shows the connections for the unbalanced case. To provide a balanced line a high-quality transformer is required for each channel as shown in Fig. 3. This arrangement provides a balanced line of 150 or 600 ohms.

The power supply shown in Fig. 4 is simply a standard split supply with three terminal regulators yielding ± 15 volts DC.

Construction

Two channels can be constructed on one printed circuit board. The foil pattern and parts layout are in Figs. 5 and 6, respectively. The PC board should be housed in a metal case to insure low noise. The power supply can be mounted in the same case with a metal

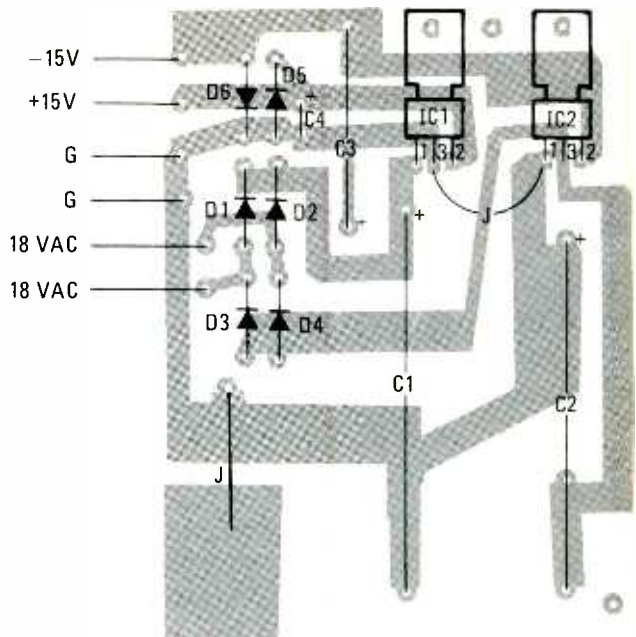


FIG. 9—PARTS LAYOUT FOR THE POWER SUPPLY. Note the jumper that must be added to connect the common terminals of the regulator IC's.

shield between the power supply and the preamp. See Fig. 7.

Grounding is especially important in reducing noise. The ground system for the electronics should be tied to chassis only at one point. This is accomplished on the power supply.

The separation of electronic ground from the chassis imposes the following restrictions.

- a. The phono cartridge return leads must not be tied to chassis.
- b. The output ground lead must not be tied to chassis.
- c. The turntable chassis must be tied to the PA-30 chassis.

These arrangements are shown in Figs. 2 and 3.

The power supply foil pattern are in Fig. 8 and the parts layout is shown in Fig. 9. Any residual hum can be totally eliminated by rotating the power transformer and moving its location on the chassis to an optimum position. A tested layout is shown in Fig. 7. **SP**



"I really hate some of this microelectronics repair work. Okay, I'm removing the chassis."



POOL-TABLE SCOREKEEPER

This electronic scorekeeper will add some real class to your game.

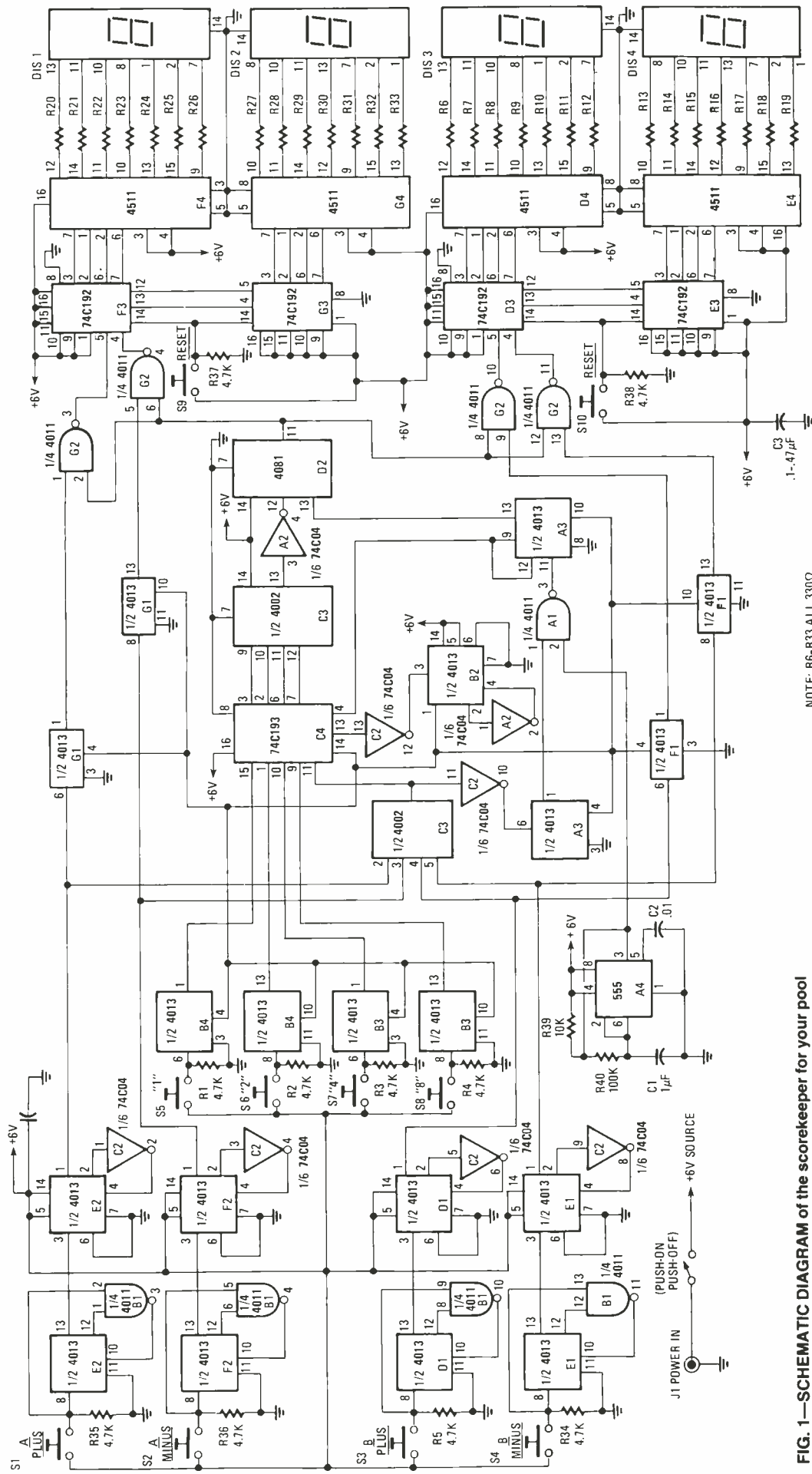
THIS SCOREKEEPER WAS DESIGNED FOR THE AVERAGE pool player and the true pool shark. With it you can add or subtract any whole number from one to 15, and keep a running total score for two players. The subtract function can be used to correct a player's mistake in entering an incorrect score or to subtract one point when a player scratches. This provides scorekeeping for games of straight pool or rotation. It uses low-power integrated circuits (IC's) with two LED seven-segment displays for each player. The total score recordable for each player is 99.

Circuit operation

Circuit operation enters around the 74C193, C4 down counter and two 74C192 up/down counters for each score, shown in Fig. 1. An input number is selected by depressing any or all of the push buttons labeled "1", "2", "4", "8". These four switches provide a latched binary "1" input to the down counter through four 4013 flip-flop latches (B3 and B4). Once a number is selected either of the two players may add or subtract it from his score by pushing his plus or minus push button. When either switch is depressed a

pulse is sent from a 4013 configured one-shot to latch open a 4011 NAND gate (G2); through a NOR gate (C3) to load the count into the 74C193 down counter, and to initiate the down-counting sequence. The down-counting sequence is necessary to transfer the count from the 74C193 down-counter to the chosen 74C192 up/down counter.

The down-count sequence begins when a "1" pulse is received at pin 6 of the 4013 (A3) flip-flop latch. This latches open NAND gate 4011, A1 at pin 1. This allows the oscillator output from 555 (A4 pin 3 to toggle the 4013 flop, (A3) at pin 11. To understand what the toggling does examine the two outputs from the toggle flip-flop pins 12 and 13. These are the Q and the Q (NOT) outputs and when toggling occurs they alternate being a "1" or "0". One of these two outputs goes to the count-down line pin 4 on the down-counter and the other goes to pin 13 of the 4081, D2 AND gate. When pin 13 of this AND gate goes to a "1" and a "1" is present on any of the down-counter output lines, a "1" is also put on all four NAND gates of the 4011, (G2) that feed the up- or down-count lines of the 74C192 units counters. Only one of these NAND gates should be



NOTE: R6-R33 ALL 330Ω

FIG. 1—SCHEMATIC DIAGRAM of the scorekeeper for your pool table. Keeps running total up to 99; and includes subtract-function for correcting mistakes.

active and it corresponds to the plus or minus switch selected. This active NAND gate allows a count of "1" to be put into the selected units counter. When the count-down line pin 4 of the 74C193 (C3) goes to "1" it bumps the down-counter down 1 count.

The next toggle of the 4013 flip-flop (A3) causes pin 13 of the AND gate 4081 (D2) to go to a "1". If any of 4 output lines from the down-counter are still at a "1" then the AND gate will place another count of "1" into the selected units counter. This action continues until the down-counter reaches a 0 count. When this occurs the borrow line, pin 13, of 74C193 (C4) triggers the 4013, configured as a 1-shot, (B2) that pulses all the reset lines for the 4013 flip-flop latches. At this point, since all of the count that was stored in the down-counter has been transferred to the selected units counter, the down-counting sequence must be stopped and all input latches reset.

The 74C192 units and tens counters hold the count transferred to them from the down-counter and are reset to 0 only with the reset switches or when the two-

PARTS LIST

RESISTORS

Resistors, 1/4 watt, 5% unless otherwise noted

R1—R5, R34—R38—4700 ohms

R6—R33—330 ohms

R39—10,000 ohms

R40—100,000 ohms

C1—1 μ F, tantalum

C2—.01 μ F ceramic disc

C3, C4—0.1—.47 μ F, 15 volts, ceramic disc

SEMICONDUCTORS

DIS1—DIS4—7-segment, common-cathode LED displays

A4—555 timer

C3—CD4002 dual 4-input NOR gate

A1, B1, G1—CD4011 quad 2-input NAND gate

A3, B2, B3, B4, D1, E1, E2, F1, F2, G1—CD4013 dual D flip-flop

D2—CD4081 quad 2-input AND gate

D4, E4, F4, G4—CD4511 BCD-to-7-segment latch decoder/driver

A2, C2—74C04 hex inverter

D3, E3, F3, G3—74C192 4-bit up/down decade counter

C4—74C193 4-bit up/down binary counter

S1—S10—miniature normally open push-button switch (Radio Shack 275-1547 or equal)

S11—SPST push-on/push-off switch (Radio Shack 275-617 or equal)

J1—chassis-mount power connector (Radio Shack 274-1549 or equal)

MISCELLANEOUS

1)—16-pin DIP jumper cable 8 inches long

11)—16-pin wire-wrap DIP socket

17)—14-pin wire-wrap DIP socket

4)—14-pin solder-tab DIP socket

1)—14-pin solder-tab DIP socket

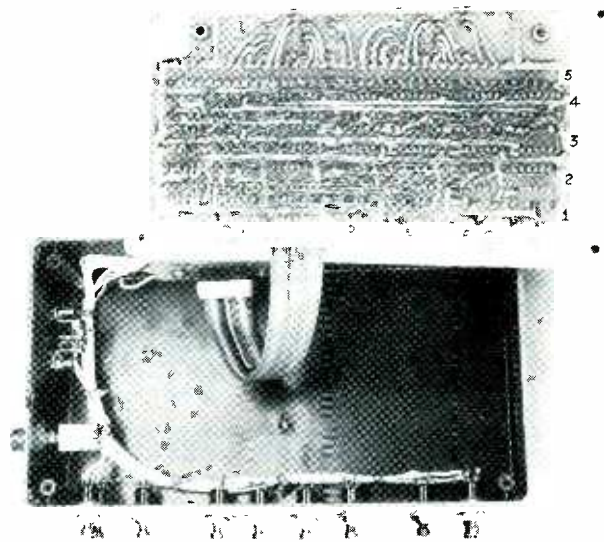
1)—bezel and lens, 1 \times 3-9/16 inch (Radio Shack 270-301 or equal)

1)—plastic utility box with metal cover, 7-3/4 \times 4-3/8 \times 2-3/8 inch (Radio Shack 270-232 or equal)

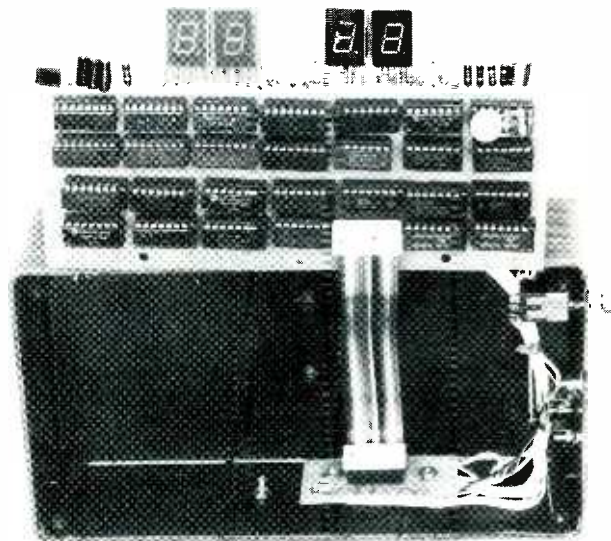
1)—50-foot spool 30-gauge wire-wrap

1)—AC adapter, 6 volts DC, 300 mA output

1)—6 \times 9-inch copper-clad (1 side) board for circuit board



WIRE SIDE of the main PC board. A row and column numbering system locates each IC.



THE MAIN PC BOARD is connected to the PC interface board by a 16-conductor cable.

stage counters exceed a count of 99. The output from these two-stage counters is decoded and displayed on two LED seven-segment readouts.

Construction

I implemented this design using a PC board with wire-wrap DIP sockets. Most of the short jumpers and the distribution of power is provided on the PC board. The remaining connections were made with wire-wrap between DIP sockets. Figure 2 shows the foil pattern for the main PC board. The location for each IC Fig. 3 is identified by columns (letters A,B,C,D,E,F,G) and rows (numbers 1,2,3,4,5). At the intersection of a column and a row a specific IC is placed. For example, the 74C193 down-counter, labeled C4 in Fig. 1, is placed in column C at row 4. Pin 1 of each IC is located at the bottom right hand corner of each 14 or 16 pin

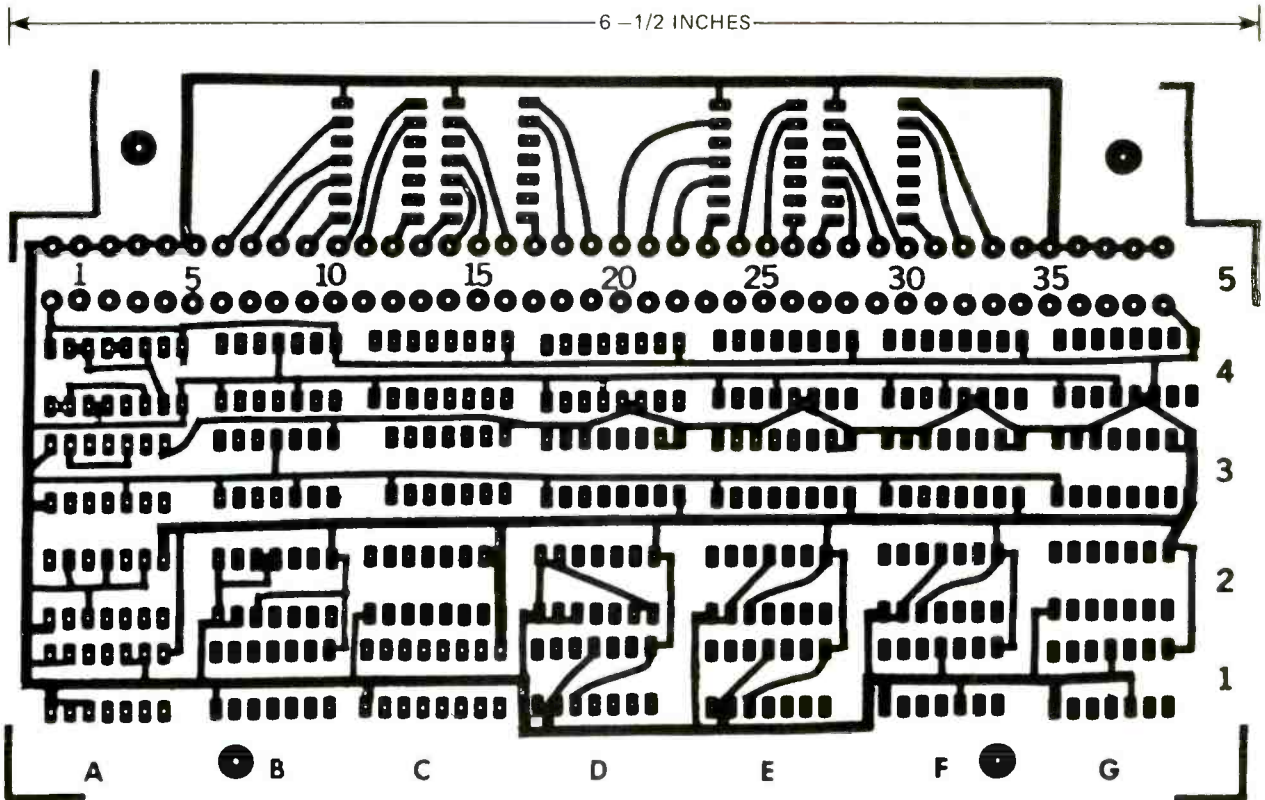


FIG. 2—FOIL PATTERN for the scorekeeper circuit. Printed circuit and wire-wrap techniques are combined in assembling this device.

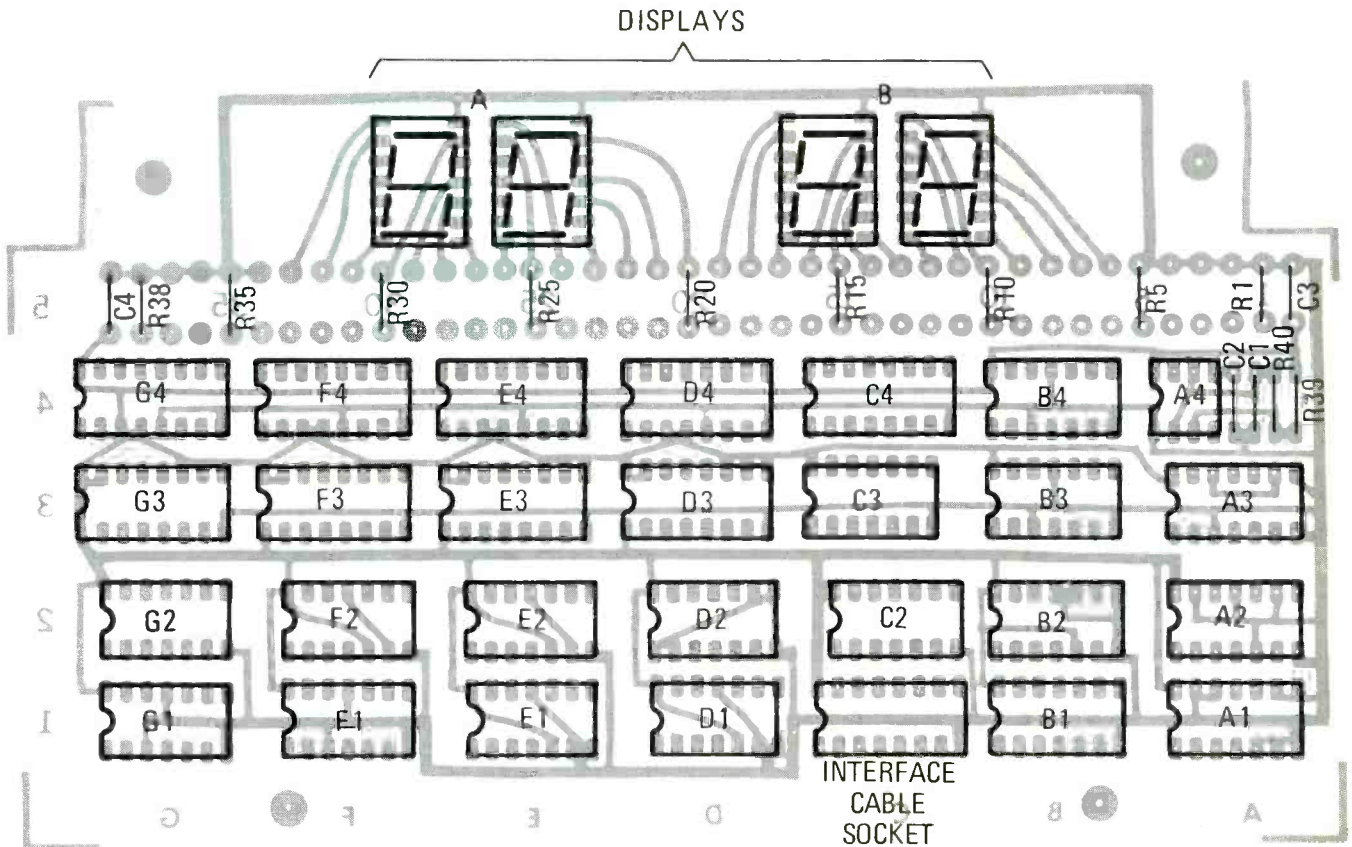


FIG. 3—WHERE COMPONENTS ARE MOUNTED on the circuit board. IC identification codes are based on their locations on the circuit board. These codes are useful when detailing the wire-wrap procedures.

TOP VIEW

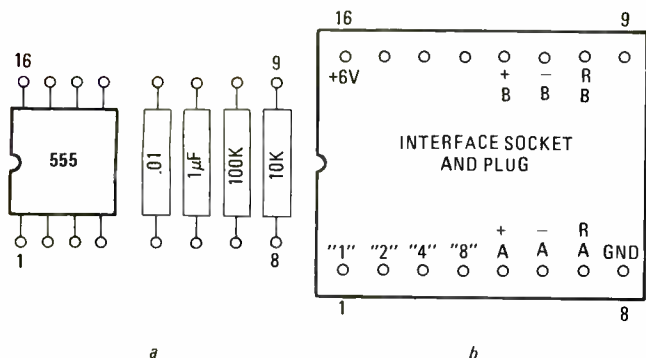


FIG. 4—THE TIMER IC (a) and its discrete components are all mounted on a 16-pin DIP socket. Call-outs (b) identify the terminals on the board used for switch and power interface.

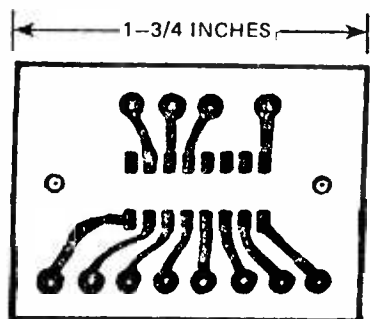


FIG. 5—PC foil pattern for the interface socket connected to the switches and power source.

DIP pattern shown from the foil side in Fig. 2. The numbers shown in row 5 identify locations where resistors are placed. In locations 1 thru 5 are placed five pull-down resistors for input latches 4013, B3 and B4 and the 4013, D1 1-shot. In locations 6 thru 33 are placed the 28 current-limiting resistors for the LED displays. In locations 34 thru 38 are placed five resistors for the input 1-shots and the reset lines on the 74C192 counters.

A decoupling capacitor is placed at each end of row 5 across the +6 volts and ground. These capacitors can be in a range from $.1 \mu\text{f}$ to $.47 \mu\text{f}$ and the working voltage can be any value higher than +6 volts. The four LED displays are placed at the top of the PC board with pin 1 located at the top right-hand corner of each DIP pattern. These displays do not fit a standard 4-pin DIP socket so sockets, if used, can be fabricated from a standard DIP socket by cutting the socket lengthwise. It is not necessary for the four LED DIP sockets to be the wire-wrap type since all of the connections to the resistors are made on the PC board foil.

The resistors and capacitors for the 555 oscillator (A4) are plugged into the DIP socket as shown in Fig. 4-a. This figure (Fig. 4-b) also shows the pin assignment for the switch and power interface. This interface is used to connect from the main PC board to input power and the switches. This is accomplished using a 16 conductor ribbon cable, with standard DIP plugs attached, plugged into position C1 on the board. The other end of this cable is connected to the respective switches and the input power plug through a PC interface board shown in Fig. 5.

TABLE 1
WIRE WRAP LIST

FROM TO	FROM TO	FROM TO	FROM TO
R1	B4-6	F4-7	F3-3
R2	B4-8	F4-1	F3-2
R3	B3-6	F4-2	F3-6
R4	B3-8	F4-6	F3-7
R5	D1-8	G4-7	G3-3
R6	D4-12	G4-1	G3-2
R7	D4-14	G4-2	G3-6
R8	D4-11	G4-6	G3-7
R9	D4-10	F3-14	G3-14
R10	D4-13	F3-13	G3-4
R11	D4-15	F3-12	G3-5
R12	D4-9	D4-7	D3-3
R13	E4-10	D4-1	D3-2
R14	E4-11	D4-2	D3-6
R15	E4-14	D4-6	D3-7
R16	E4-12	E4-7	E3-3
R17	E4-9	E4-1	E3-2
R18	E4-15	E4-2	E3-6
R19	E4-13	E4-6	E3-7
R20	F4-12	D3-14	E3-14
R21	F4-14	D3-13	E3-4
R22	F4-11	D3-12	E3-5
R23	F4-10	F3-4	G2-4
R24	F4-13	F3-5	G2-3
R25	F4-15	D3-4	G2-11
R26	F4-9	D3-5	G2-10
R27	G4-10	G2-12	G2-8
R28	G4-11	G2-8	D2-11
R29	G4-14	D2-11	G2-2
R30	G4-12	G2-6	G2-2
R31	G4-9	G2-1	G1-1
R32	G4-15	G2-5	G1-13
R33	G4-13	G2-9	F1-1
R34	E1-8	G2-13	F1-13
R35	E2-8	G1-6	E2-1
R36	F2-8	E2-1	C3-2
R37	G3-14	G1-8	F2-1
R38	E3-14	F2-1	C3-3
F1-6	D1-1	A3-10	A3-4
D1-1	C3-4	E2-2	C2-1
F1-8	E1-1	C2-2	E2-4
E1-1	C3-5	E2-3	E2-13
D2-12	A2-4	E2-12	B1-1
A2-3	C3-13	B1-2	E2-8
D2-13	A3-13	B1-3	E2-10
C3-9	C4-3	F2-2	C2-3
C3-10	C4-2	C2-4	F2-4
C3-11	C4-6	F2-3	F2-13
C3-12	C4-7	F2-12	B1-6
C4-4	A3-9	B1-5	F2-8
A3-9	A3-12	B1-4	F2-10
C4-13	C2-13	D1-2	C2-5
C2-12	B2-3	C2-6	D1-4
C4-11	C3-1	D1-3	D1-13
C3-1	C2-11	D1-12	B1-8
C2-10	A3-6	B1-9	D1-8
B2-5	B2-14	B1-10	D1-10
B2-2	A2-1	E1-2	C2-9
A2-2	B2-4	C2-8	E1-4
A3-11	A1-3	E1-3	E1-13
A1-1	A3-1	E1-12	B1-12
A1-2	A4-3	B1-13	E1-8
C4-15	B4-1	B1-11	E1-10
C4-1	B4-13	B4-6	C1-1
C4-10	B3-1	B4-8	C1-2
C4-9	B3-13	B3-6	C1-3
G1-4	G1-10	B3-8	C1-4
G1-10	F1-4	B1-2	C1-5
F1-4	F1-10	B1-5	C1-6
F1-10	B2-1	F3-14	C1-7
B2-1	C4-14	D3-14	C1-10
C4-14	B4-10	B1-13	C1-11
B4-10	B4-4	B1-9	C1-12
B4-4	B3-10	A4-4	A4-16
B3-10	B3-4		
B3-4	A3-10		

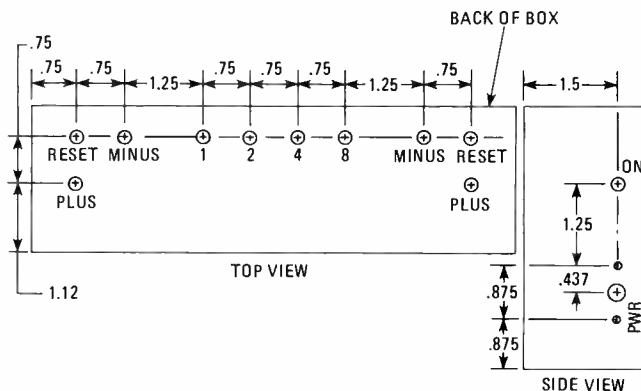


FIG. 6—DIMENSIONS for locating the switches and power connector on the enclosure.

You can make the PC board using the patterns in Figs. 2 and 5. The next step is to mount the resistors in row 5 and solder. Next, insert all the wire-wrap DIP sockets and the LED sockets and solder all pins that connect to foil on the PC board. Clean the board to remove all solder flux and put in the wire-wrap con-

PHOTO ETCH PRINTED CIRCUIT KIT

Makes circuits **THREE WAYS**

- 1 FULL SCALE ARTWORK MASTER
- 2 MAGAZINE ART ILLUSTRATION → FILM POSITIVE → NEGATIVE → DEVELOPED PHOTO RESIST IMAGE ON COPPER CLAD CIRCUIT BOARD → ETCHED CIRCUIT BOARD
- 3 DIRECT ETCH DRY TRANSFERS APPLIED TO COPPER CLAD BOARD

Copy circuits right from a magazine using special photo film. No camera or darkroom used. Page is not destroyed in process.

Do your own master art, make negatives, sensitize boards and etch one or a hundred circuits; all identical, all perfect.

For one-of-a-kind PC's, use special dry transfer patterns as a direct etch resist right on the blank copper board.

Do it all with the ER-4. In stock at parts distributors or order direct. Add 7% shipping. Minimum factory order: \$30.00.

ER-4 Complete Photo Etch Set	\$29.95
ER-2 Assorted Etch Resist Patterns & Tapes	4.25
ER-3 1/4 lb. Dry Ferric Chloride (makes one pint)	1.95
ER-5 Six sheets Pos-Neg Copy Film, 5"x6"	5.15
ER-6 Film Process Chemicals	2.50
ER-71 Photo Resist Liquid (negative) does 1700 in ²	6.50
ER-8 Photo Resist Developer, 16 oz.	3.30
ER-12 Power Etch bubble pump unit*	7.25

*not included in ER-4 set

the **DATAK** corp.
65 71st St. • Guttenberg, N. J. 07093

CIRCLE 405 ON FREE INFORMATION CARD

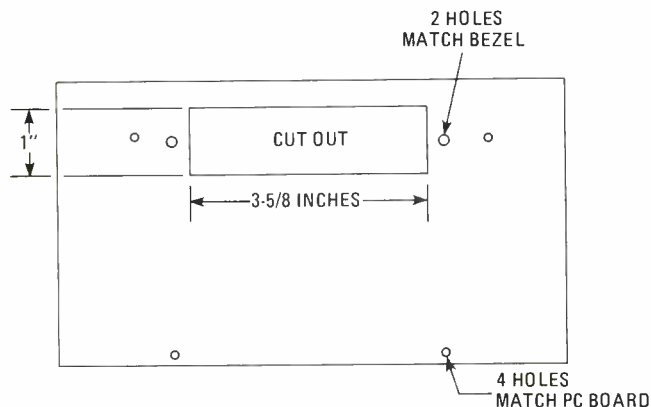


FIG. 7—CUTOUT for the bezel and filter and mounting holes for the circuit board. Use mounting holes in the PC board and the LED displays as aids when finishing the front panel.

nections as shown in Table I. This completes the fabrication of this board.

Plug the main board with the respective integrated circuits and LED displays according to Fig. 3. Remember pin 1 for each DIP socket is located at the bottom right hand corner of the DIP pattern as seen from the foil side of the board. The discrete resistors and capacitors for the oscillator should be plugged into their respective sockets as shown in Fig. 4-a at this time. The PC board is complete at this time and may be put aside.

Which one is the teacher?

They all are. There's so much we can teach our children... and so much we can learn from them.

Write for our free brochure of fun and simple tips on helping your children at home.

Parents and teachers.
Partners in our children's future.



nea
national education
association
Washington, D.C.
20036

Next prepare the chassis and cover. Drill hole as shown in Figs. 6 and 7. The box and cover may be covered with wood-grained contact paper if desired for a richer looking finished product. Next label the switches and power plug opening with press-on letters. Mount the switches and the power plug. Connect hookup wire from the switches and power plug to the interface board. Then, install the interface board in the chassis. Connections on the interface board should be the same as that shown in Fig. 4 for C1 on the main PC board.

Mount the LED filter assembly to the chassis cover. Next, mount the main PC board on stand-offs so that the LED displays can be seen through the LED filter. Plug the interface cable from C1 to the interface board socket. The scorekeeper is now complete and ready for power on.

Plug in power and turn on power switch. The LED display should light. Press reset switches for both A and B. Both displays should read 00. Next, press switches "1", "2", "4", "8" and switch PLUS A. the A side of the LED display will count up to 15 and stop. This may be repeated for side B with the same results. Select other numbers and add or subtract from the respective display.

Now that you have built your own scorekeeper and have it on display invite your pool buddies over and challenge them to a game of serious pool. **SP**

Now NRI takes you inside the new TRS-80 Model III microcomputer to train you at home as the new breed of computer specialist!

NRI teams up with Radio Shack advanced technology to teach you how to use, program and service state-of-the-art microcomputers...

It's no longer enough to be just a programmer or a technician. With microcomputers moving into the fabric of our lives (over 200,000 of the TRS-80™ alone have been sold), interdisciplinary skills are demanded. And NRI can prepare you with the first course of its kind, covering the complete world of the microcomputer.

Learn At Home in Your Spare Time

With NRI training, the programmer gains practical knowledge of hardware, enabling him to design simpler, more effective programs. And, with advanced programming skills, the techni-



Training includes new TRS-80 Model III microcomputer, solid state volt-ohm meter, digital frequency counter, and the NRI Discovery Lab with hundreds of tests and experiments.

(TRS 80 is a trademark of the Radio Shack division of Tandy Corp.)



cian can test and debug systems quickly and easily.

Only NRI gives you both kinds of training with the convenience of home study. No classroom pressures, no night school, no gasoline wasted. You learn at your convenience, at your own pace. Yet you're always backed by the NRI staff and your instructor, answering questions, giving you guidance, and available for special help if you need it.

You Get Your Own Computer to Learn On and Keep

NRI training is hands-on training, with practical experiments and demonstrations as the very foundation of your knowledge. You don't just program your computer, you introduce and correct faults... watch how circuits interact... interface with other systems... gain a real insight into its nature.

You also build test instruments and the NRI Discovery Lab, performing over 60 separate experiments in the process. You learn how your trouble-shooting tools work, and gain greater understanding of

the information they give you. Both microcomputer and equipment come as part of your training for you to use and keep.

Send for Free Catalog... No Salesman Will Call

Get all the details on this exciting course in NRI's free, 100-page catalog. It shows all equipment, lesson outlines, and facts on other electronics courses such as Complete Communications with CB, TV and Audio, Digital Electronics, and more. Send today, no salesman will ever bother you. Keep up with the latest technology as you learn on the latest model of the world's most popular computer. If card has been used, write to:



NRI Schools

McGraw-Hill Continuing
Education Center
3939 Wisconsin Avenue
Washington, D.C. 20016.



PENNY PINCHING HINTS FOR EXPERIMENTERS

**How some old fashioned Yankee ingenuity
can save you money**

HAVE WALLET-FLATTENING PRICES HELD UP YOUR latest electronics project? If so, here are some ideas to help you get that project going with very little money. Every electronics tinkerer has, at one time or another, had to find a substitute for some part called for in a project, so the problem of finding substitutes is not new.

Resistors, transistors, IC's and so on, are generally the least expensive parts in most projects. The real money eaters are circuit-board supplies, cabinets, connectors, and similar hardware. The secret of finding substitutes for the expensive items is to stay away from the electronic store, and look for them in such odd places as drugstores, supermarkets and hardware stores.

The cheap breadboard

The first problem in starting an electronics project is a breadboard or PC board. You can make a practical and inexpensive breadboard using materials available in any hardware store and most chain drugstores. The cheap breadboard uses 1/4-inch Masonite as a substrate, and brass-plated linoleum nails for terminals.

Figure 1 shows how it works. The linoleum nails are available at a cost of about three for a penny in hardware and chain drugstores.

The nails are rugged, easy to solder, and in many ways superior to some of their commercial equivalents. A coat of paint can give the board a bit of class. Royal blue makes an attractive complement to the brass nails. Masonite is nearly impossible to paint unless you use a primer first. Automotive primer is a good choice. The primer also provides an insulating layer that helps keep the paint from discoloring when you solder the brass nails.

The pattern for the nails should be layed out on the board before painting. The nails fit snugly into a 1/16-inch pre-drilled hole. The nails are short and it is hard to drive them with a hammer. Drilling is easier and neater. The nails can be soldered and unsoldered a

number of times, and can be easily replaced when they get too messy.

What about integrated circuits?

To use an integrated circuit, drill a hole pattern like one of those in Fig. 2. A metal drilling template is a good idea if you intend to use more than one IC. Insert brass nails in the outside oval and insert a wire-wrap IC socket in the hole pattern inside the ring. Bend the socket wires as shown in Fig. 2. Wrap each wire around its respective nail and solder.

Printed circuit boards

Blank copper-clad boards are inexpensive and easy to get. Professional-type art supplies for board layout are expensive and often hard to find. Artwork kits for the experimenter are fairly easy to find, but tend to be frustrating. They always seem to come up short with the patterns you need, while you pay for a bunch

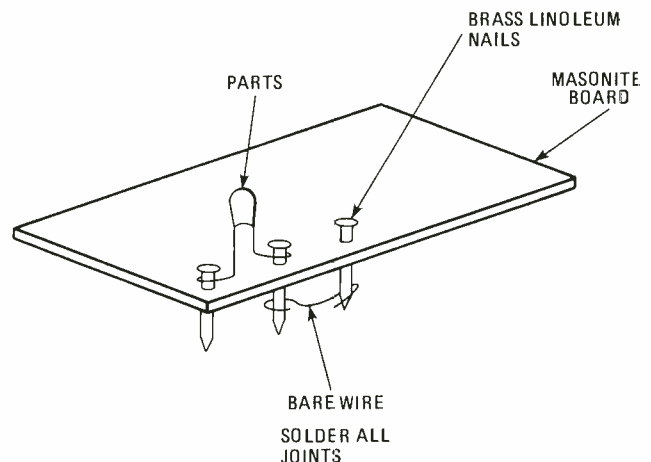
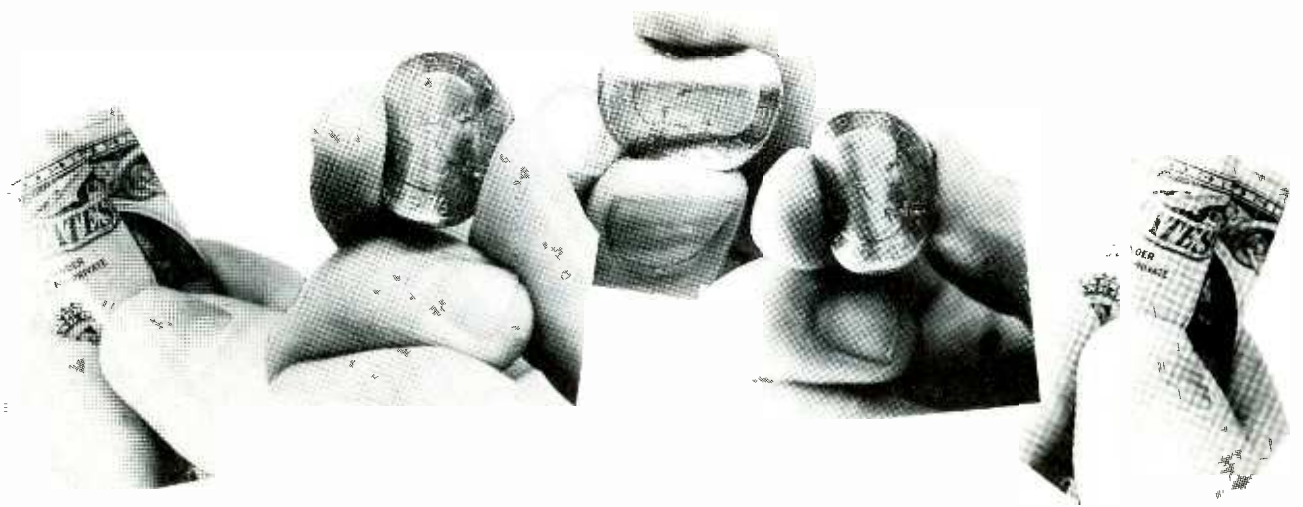
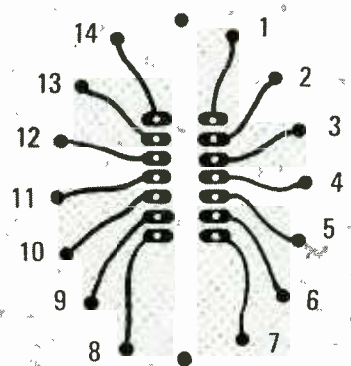


FIG. 1—THE "CHEAP BREADBOARD" has tie points made of brass-plated linoleum nails or brads forced into Masonite or similar pressed board. Point-to-point wiring is below the board; components are on top.

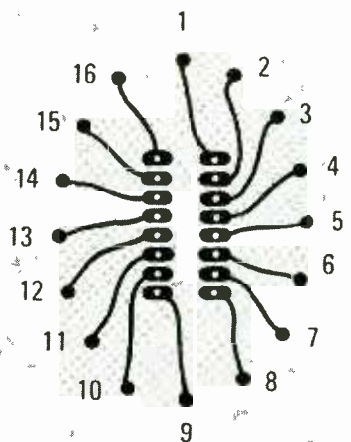


GERALD E. WILLIAMS

you don't need. I usually purchase a couple of packets of full-size 14- and 16-pin DIP paste-on patterns and use more common materials for the rest of the circuit.

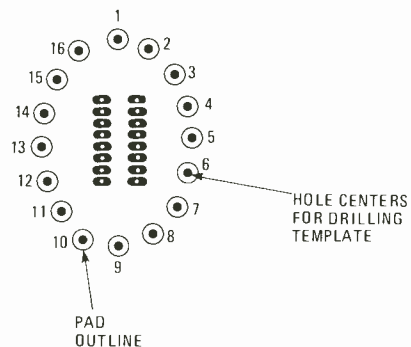


A. 14-PIN DIP



B. 16-PIN DIP

FIG. 2—HOW IC'S ARE BREADBOARDED. A full-size DIP pattern is used to position the holes for a wire-wrap IC socket. One-eighth-inch dots form the drilling pattern for the brass pins. Socket pins are wrapped around brass pins and soldered.



NOTE: ALL HOLES ARE 1/16 INCH DIAMETER

FIG. 3—ON A PC BOARD 1/4-inch pads are spaced as shown around the IC pattern. One sixteenth-inch holes are drilled in each 1/4-inch pad.

If your project is not a high-density one and you are willing to use a bit more board space, you can buy your supplies at your local office-supply store.

All you actually need for most layouts are spots and tape. The spots are used to color-code file folders. They are available in diameters from 1/4 to 1 inch. The 1/4-inch spot is the most useful, but occasionally, the larger diameters can serve a special need. The tape is 1/8-inch wide and is intended for the secretary and her typewriter. It is called correction tape, but like the color-coding labels, it has a self-adhesive backing. Note; this is not the strike-over kind. Automotive striping tape works as well or better than the correction tape. Figure 3 shows a pattern made with a DIP pattern and 1/4-inch pads.

Both self-adhesive labels and automotive striping tape can be used for either photographic layout or for sticking directly to the copper-clad board. The paper part of the self-adhesive labels may float off in the etching solution, but the adhesive will stay to mask the copper. You will need a solvent such as denatured alcohol or lacquer thinner to clean the adhesive off after etching the board.

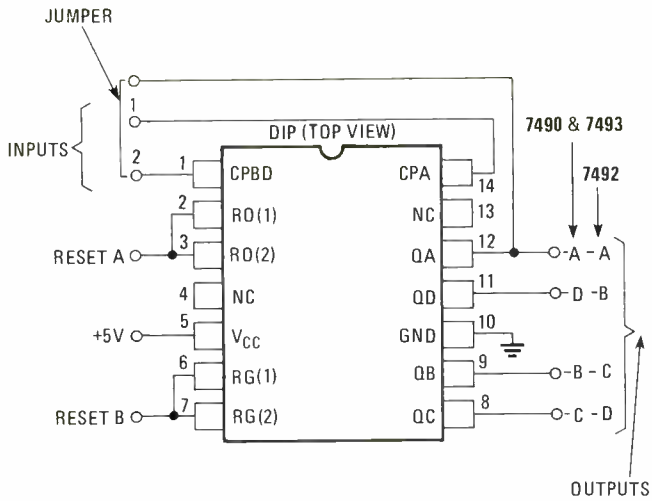


FIG. 4—SCHEMATIC DIAGRAM of a simple counter. Pin-out designations depend on the type of device that you use.

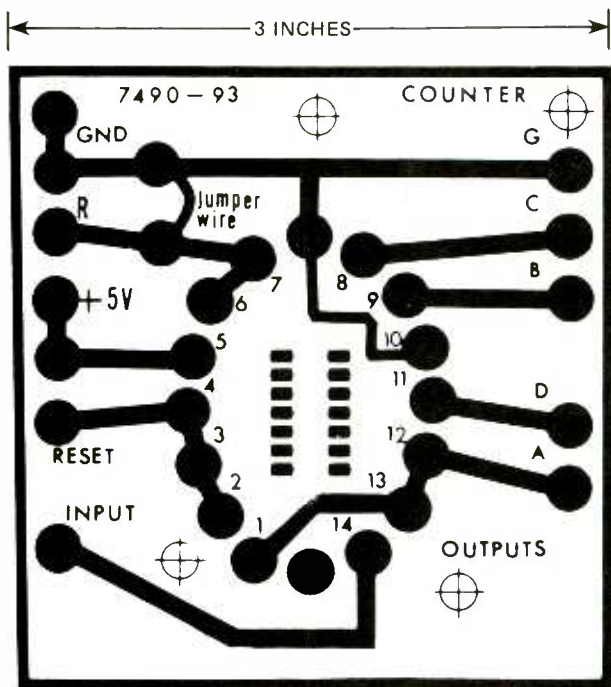


FIG. 5—PC BOARD FOIL PATTERN for a simple counter. Can be adapted for decade, divide-by-twelve, and 4-bit binary counters.

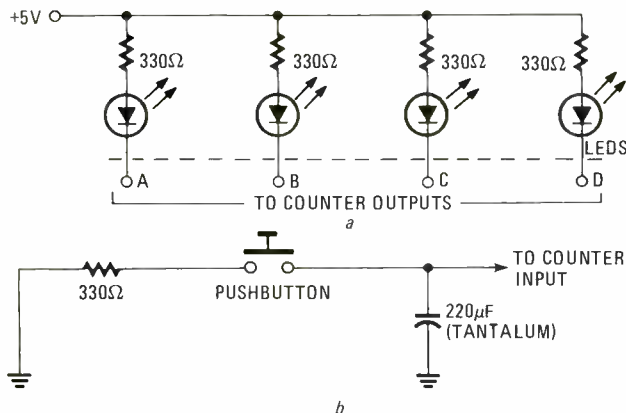


FIG. 6—COUNTER TEST CIRCUITS. Circuit (a) shows how output states are shown by LED's. Circuit (b) is a simple input test or trigger switch.

TABLE 1

TYPE	COUNT	RESET A	RESET B
7490	0-9 (MOD 10)	1. +5 VOLTS RESETS COUNTER TO ZERO.	1. +5 VOLTS SETS COUNTER TO 9.
7492	0-11 (MOD 12)	2. MUST BE GROUNDED FOR COUNTING NOT USED	2. MUST BE GROUNDED FOR COUNTING 1. +5 VOLTS RESETS TO ZERO. 2. MUST BE GROUNDED TO COUNT
7493	0-15 (MOD 16)	1. +5 VOLTS RESETS TO ZERO 2. GROUNDED FOR COUNTING	NOT USED

How to put integrated circuits on the board

You can put integrated circuits on the board by using a wire-wrap socket and an oval pattern like the one we used in the cheap breadboard. See Fig. 3.

Figure 4 shows the schematic diagram for a simple IC counter and Fig. 5 the circuit board layout for it.

If you are interested in building the counter, Fig. 6 shows a simple input and output test circuits. Table 1 provides essential information about the three 7400-series counters the board will accommodate.

Most of the commercially available PC layout kits use very narrow tape and small spots. This makes etching difficult, and yields a circuit board with fine traces and small solder pads. Such delicate wiring is fine if you are going to assemble the board and leave it alone. However, if you want to experiment with different component values and so on, you will find 1/4-inch pads and 1/8-inch traces to be far more tolerant of your tinkering.

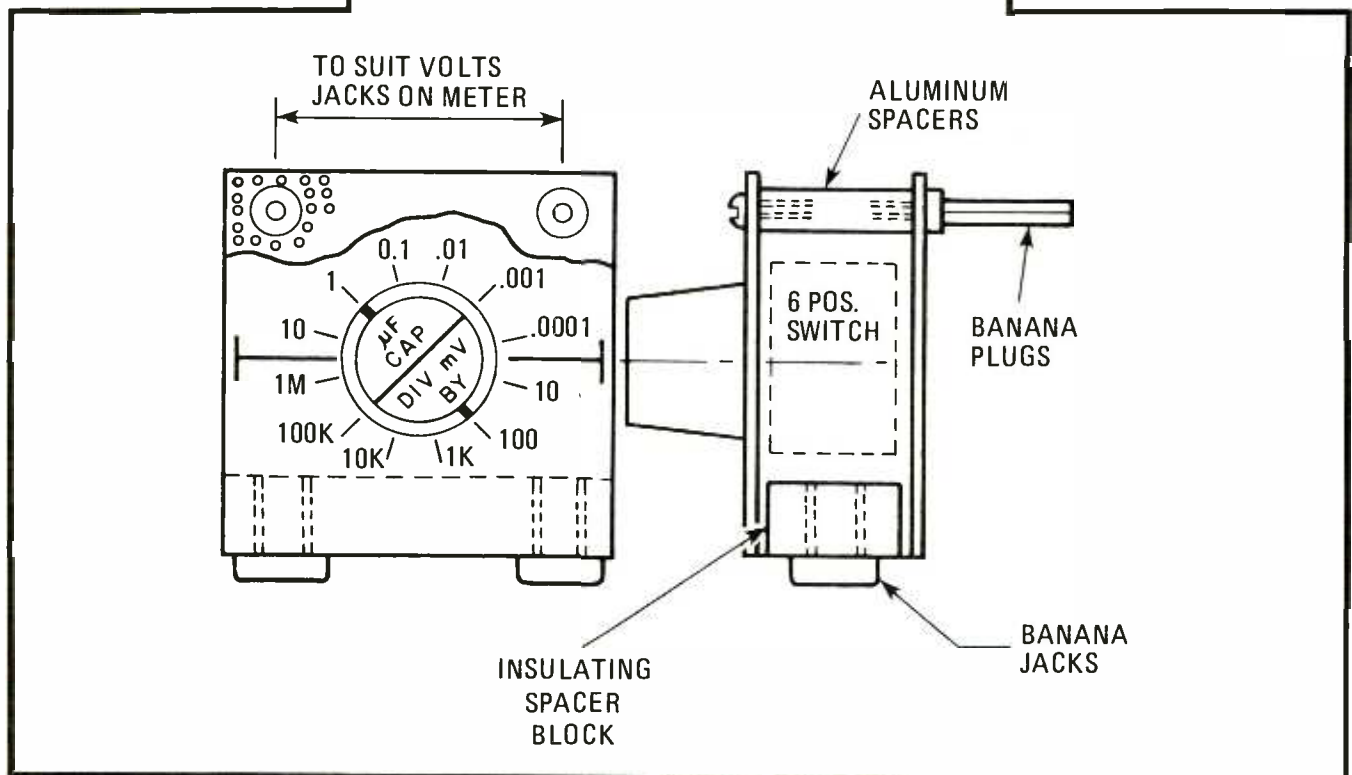
Some practical hints

1. Lay the spots out first, and then run tape between them.
2. Cut the tape near the center of the spot.
3. Use a ball-point pen to press the tape firmly to the board where the tape joins the spot.
4. Use a dab of fingernail polish to touch up where your knife cuts through a spot.
5. Use vinyl contact paper to mask large areas. Stick an over-size piece to the board. Use a stencil knife to cut the desired shape, and peel off the excess.
6. Use dry transfer (rub-on) letters and numbers to label the board. Dry transfer lettering has a wax base and will resist the etchant. Dry transfer lettering sheets are available in office-supply and art-supply stores.

Happy circuit boarding.

SP

USE A DMM TO MEASURE CAPACITANCE



Here's a simple, low-cost way of making your DMM perform tasks that you'd think would require an expensive capacitance meter

DON R. KING

EXPERIMENTERS OCCASIONALLY NEED A CAPACITANCE meter, but the limited use doesn't warrant the expense of buying one. If you have a DMM with a 200-mV AC range—as on most of the better instruments—here is an easy, \$5.00 way to hook it up for checking capacitance. It won't do a laboratory job, but it is quite adequate for sorting out that box of capacitors with the markings rubbed off, or making other practical measurements of capacitance.

The circuit, shown in Fig. 1, is essentially a type of "ohmmeter" with the capacitive reactance as part of a voltage divider in an AC-powered circuit. Because

capacitive reactance is an inverse function, you get a straightforward, linear readout, in contrast to the inverse, non-linear scale of the conventional moving-coil ohmmeter. The disadvantage of this circuit has been that the shunt resistance must be very low in proportion to the unknown value, and thus requires either a very sensitive meter, or excessively high currents in the circuit. With the availability of sensitive AC meters such as the digital, it becomes a more practical method. It could also be adapted to moving-coil types of meters having ranges as low as 0.2- or 0.3-AC volts, but their poorer resolution makes it more diffi-

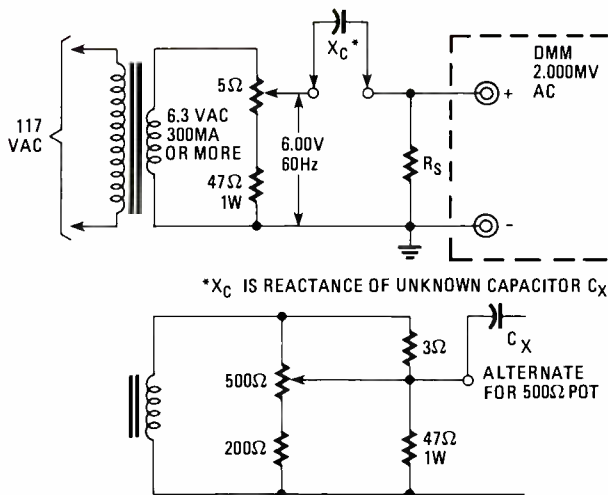


FIGURE 1—THE CAPACITANCE IN MICROFARADS will always be the numerical reading in millivolts divided by 100.

cult to read low values.

Power is supplied by any small 6.3 volt transformer with a secondary rated at 300 mA or more. The voltage is reduced to exactly 6.00 volts by an adjustable voltage divider. The resistance values are low enough so that the voltage source is mostly resistive, and the inductive reactance of the transformer is minimized. The value of 6.00 volts is arbitrarily chosen as being: a) conveniently available from a common 6.3-volt transformer; b) low enough to be well within the working voltage limits of most capacitors; and c) high enough to give reliable indications with reasonable shunt values. Other voltages—within those limits—can be used by altering the value of the shunt resistor R_S . The value of R_S is determined as follows:

In the capacitor/resistor voltage divider of Fig. 1, the AC voltage output to the meter will be:

$$\frac{6.00 \times R_S}{X_C + R_S}$$

Setting that equal to 0.1 volt (100.0 mV, or mid-scale on the meter), and using 2653 ohms as the reactance X_C of a 1.0 μ F capacitor at 60 Hz, the required shunt will be 44.96 ohms. Thus with that value shunt, a 6.00-volt input, and a capacitor of exactly 1.0 μ F, the meter will read 100.0 mV AC. The capacitance in microfarads will always be the numerical reading in millivolts divided by 100. The complete relationship for different values of shunts is shown in Table 1.

TABLE 1

SHUNT RESISTANCE (R_S)	NOMINAL CAPACITANCE RANGE	CAPACITY IN μ F = mV DIVIDED BY:
4.496 ohms	20 (19.99) to 0.1 μ F	10
44.96 ohms	2.0 (1.99) to .01 μ F	100
449.6 ohms	0.2 (.1999) to .001 μ F	1,000
4,496 ohms	.02 (.0199) to .0001 μ F	10,000
44,960 ohms	.002 (.0019) to .00001 μ F	100,000
449,600 ohms	200 (199.9) to 1.0 pF	1,000,000 or pF direct.

The first of those odd values shown for R_S can be made from a combination of two selected 10-ohm resistors, and one selected 47-ohm in parallel. The next

PARTS LIST-5 OHM POTENTIOMETER

Resistors 1/4 watt, 5% unless otherwise noted

R1—5 ohms, potentiometer

R2—47 ohms, 1 watt

R_C —see table 1

Miscellaneous

T1—6.3 volts, 300 mA or better

PC board, spacers, banana plugs and jacks, six-position rotary switch, knobs, hardware, etc.

PARTS LIST—ALTERNATE FOR 500 OHM POTENTIOMETER

R1—500 ohms, potentiometer

R2—200 ohms

R3—32 ohms

R4—47 ohms, 1 watt

Note: all remaining parts are the same as in the 5 ohm potentiometer version.

four values can be made up from selected 47-, 470-, 4700-, and 47,000-ohm resistors by paralleling each with a selected 1000-, 10,000-, 100,000-ohm and 1-megohm resistor, respectively. The shunt resistor for the last (lowest) range can use a 470 K resistor alone, as the meter's own internal resistance of 10 megohms will bring it down to the stated value.

For a convenient, permanent arrangement, you can mount the shunt resistors on a 2-inch-square PC board, with a six-position rotary switch, and with mounted banana plugs spaced to plug directly into the DMM jacks. A suggested construction layout is shown in Fig. 2. With this plug-in construction, all you need is a transformer rigged as a variable voltage source, and

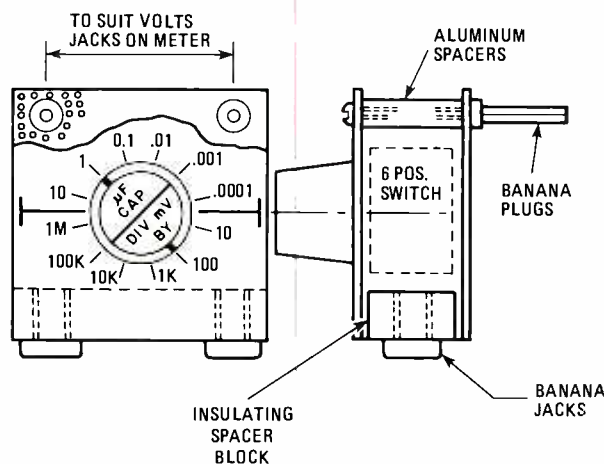


FIG. 2—SUGGESTED CONSTRUCTION LAYOUT; when plugged in, you can set up to check capacitance in minutes.

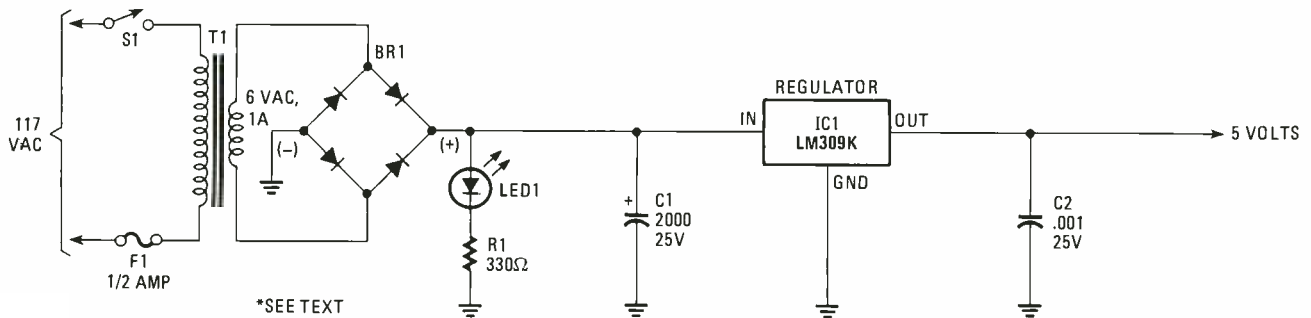
you can set up to check capacitance in minutes. While plugged in, transformer voltage may be verified by just switching to one of the two lowest capacitance ranges. In those ranges, the high values of R_S will have no effect on the 6.00 volt reading.

It would be possible to extend the capacitance range upwards another ten times by using a shunt of 0.4496 ohms, but that is a difficult value to obtain. If you must have a slightly higher range occasionally, it is simpler to use the 4.496-ohm shunt and switch to the 2,000-

A CHEAP POWER SUPPLY

You'll find that you already have most of the parts you're going to need

GREG MEAD



*SEE TEXT

THIS CIRCUIT USES a 2000- μ F electrolytic capacitor for the filter and a .001 disc capacitor to keep out radio interference.

PARTS LIST

SEMICONDUCTORS

IC1—LM309K voltage regulator—7805 can be substituted
LED1—general-purpose LED

CAPACITORS

C1—2000 μ F, 25 volts, electrolytic
C2—.001 μ F, ceramic disc

RESISTOR

R1—330 ohms $\frac{1}{4}$ watt
BR1—full-wave bridge rectifier, 1 amp (Radio Shack 276-1161 or 176-1151 or equal)

MISCELLANEOUS

T1—power transformer, 6 VAC, 1 amp (Radio Shack 273-050 or equal)
F1—Fuse, 0.5 amp with holder
S1—SP ST switch

A WHILE AGO, I BUILT A POWER SUPPLY FOR ALL MY digital circuits. It was inexpensive, easy to build and puts out 5 volts at 1 amp. Most of the parts you should already have in your possession. The 5-volt regulator I used was the LM309K, but you can use the 7805. Both of those must be connected to a heat sink.

The transformer should be rated at 6 volts at 1 amp. Radio Shack's (273-050) will do nicely.

Since it is for digital circuits, you need a full-wave bridge rectifier that has a rating of 1 amp. Either of Radio Shack's (276-1161) or (276-1151) will do the job.

This circuit uses a 2000- μ F electrolytic capacitor for the filter and a .001 disc capacitor to keep out radio interference. Both capacitors need to have a 25 WVDC rating or higher.

The LED is optional, but I have found it quite useful to indicate when the power supply is on. **SP**

volt scale on the meter. Note that due to the meter's own decimal point shift, the capacitance in μ F now becomes 100 times the numerical readout on the meter. Using the meter's 2,000-volt scale in that way allows you to stretch the high range enough to take in 22 μ F, but beyond that the accuracy begins to suffer. At least, you can tell a 22- μ F capacitor from a 47 μ F unit. That is about all you need to know in that range of capacitance.

Within the range of values in Table 1, the accuracy depends mostly on the accuracy of setting the 6.00 volts and the accuracy of the shunt resistors. Ideally, it will be within about 2%, with this possible exception: In checking larger electrolytics (above 5 or 10 μ F) there could be just enough current drain to pull down the transformer voltage slightly. With a fairly heavy transformer, it may be negligible. In any case, it can be compensated for by monitoring the 6.00 volts during the test with a separate meter and readjusting.

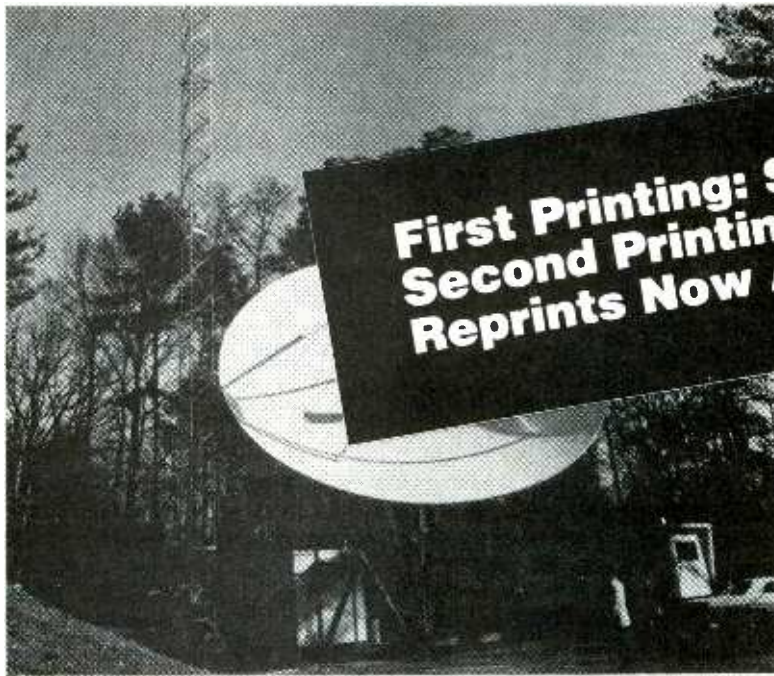
Because they may draw moderately high current, be careful not to overheat large-value capacitors of very small dimensions such as tantalums.

In adjusting the 6.00 volts, or calibrating the set-up, it should be noted that the 120-volt line can be quite jumpy in some locations. If you have trouble holding the calibration voltage setting, it may be better to wait for a quieter period on the line, then adjust the voltage and quickly make the capacitance check before the voltage can change. Also, at the millivolt range, meters are very sensitive to stray fields. You may get small residual readings with no capacitance connected. That will affect the accuracy. Try an earth ground to minimize stray pickup. The next step in reducing stray pickup is to try reversing the polarity of the line plug, and/or the polarity of the transformer secondary. When you find the best condition, mark it for future use. A short, shielded lead to the high side of the meter is also helpful. **SP**

Radio- Electronics

Copyright © Gerbech Publications Inc., 1980

SPECIAL REPRINT BUILD A BACKYARD SATELLITE TV RECEIVER



Don't miss out again!

Send away today for your 36-page booklet containing a complete reprint of all seven articles in the series on Backyard Satellite TV Receivers by Robert B. Cooper Jr.

This all-inclusive report gives you all the data you need to build your own Backyard Satellite TV Receiver.

- TELLS ALL ABOUT domestic satellite communications, with full details on how you can pull those elusive TV signals from space.
- LEGAL REQUIREMENTS, technical specifications, and how you, the

home constructor, can meet them. Find out what mechanical and electronics skills you need.

■ RECEIVER CHARACTERISTICS, technical details and specifications, along with examples of actual receivers built at comparatively low cost.

■ ANTENNA DESIGN... and exactly how you can build a spherical antenna, while keeping total earth-station cost for the complete system under \$1,000.

■ THE FRONT END is critical when you build your own system. We help you explore several different ap-

proaches to making one that will work for you.

■ RECEIVER-SYSTEM hardware, and how it goes together to bring you direct-from-satellite TV reception in your own home.

To order your copy:

Complete coupon and enclose it with your check or money order for \$6.00. We will ship your reprint, postpaid in U.S. and Canada, within 6 weeks of receipt of your order. All others add \$3.00 for postage. New York State residents must add 48c sales tax.

**Radio-
Electronics**

Satellite TV Reprints
45 East 17th Street
New York, N.Y. 10003

Please print

(Name)

(Street address)

(City)

(State)

(Zip)

I want _____ reprints @ \$6.00 each, postpaid.
I have enclosed \$ _____ N.Y. State residents must
add 48c sales tax.



USING WHAT'S AVAILABLE

PLUGS

SWITCHES &

HARDWARE

More ways to save on your experimental projects. This time we'll show some make-shift plugs, sockets, and mounting hardware.

GERALD E. WILLIAMS

DRESSMAKER'S SNAPS MAKE AN EXCELLENT PLUG assembly for either PC boards or the cheap breadboard described earlier. Dressmaker's snaps are available in both sew-on and stake-on types. Stake-on types are slightly more expensive but better suited for printed-circuit boards. The stake-on type also allows you to use a common push-pin as a handle. Figure 1-a shows how the plug is assembled on a PC board and Fig. 1-b shows how the snap socket mounts on the cheap breadboard.

If you need a multiple-contact plug, make one by soldering a row of snap sockets to the board, and staking a corresponding row of studs to a leather or heavy vinyl strip. A flexible mounting strip avoids the need for precision alignment of studs and sockets. This technique is used in 9-volt battery connectors. Figure 2 shows how.

Speaking of 9-volt batteries, a couple of snaps and a vinyl strip will do a good job of securing a 9-volt battery to a circuit board. See Fig. 3.

On-off switch for your circuit board

The simple cam operated switch shown in Fig. 4 requires a common safety pin, a push-pin, a machine screw and nut, and a brass-plated linoleum nail. Push-pins come in assorted colors, including clear. The plastic used will stand the heat of soldering with just a little care. File a flat side on the pin as shown in Fig. 4. If a detent is desired, you can file a notch on

the flat side and another on the round side of the push-pin. The bent-up safety pin will fall into the notches to provide the desired feel. When the end of the safety pin rides on the flat of the push-pin, it touches the linoleum nail to close the circuit. Twist the push-pin so the safety-pin wire moves away from nail and opens the circuit.

The skirt of the push-pin is sharp. It is a good idea to file a small flat around the base of the skirt to keep the safety pin from riding up to the narrow part of the pin.

The push-pin can be secured to the board with a drop of solder or preferably, a tiny washer and a drop of solder. A left-over snap half can also be used as a washer.

Stand-offs and brackets

If you need an insulated spacer or stand off between your circuit board and a cabinet or chassis, the push-pin assembly in Fig. 5 will do the job rather nicely.

This plastic bracket (Fig. 6) has a hundred uses. It is intended for mounting heavy mirrors so it is rugged. You can use these brackets to make a circuit-board holder that allows the board to slide in and out, or you can use it as an insulated spacer to bolt down circuit boards or any number of other items. A little imagination will find a number of uses for this neat little plastic bracket.

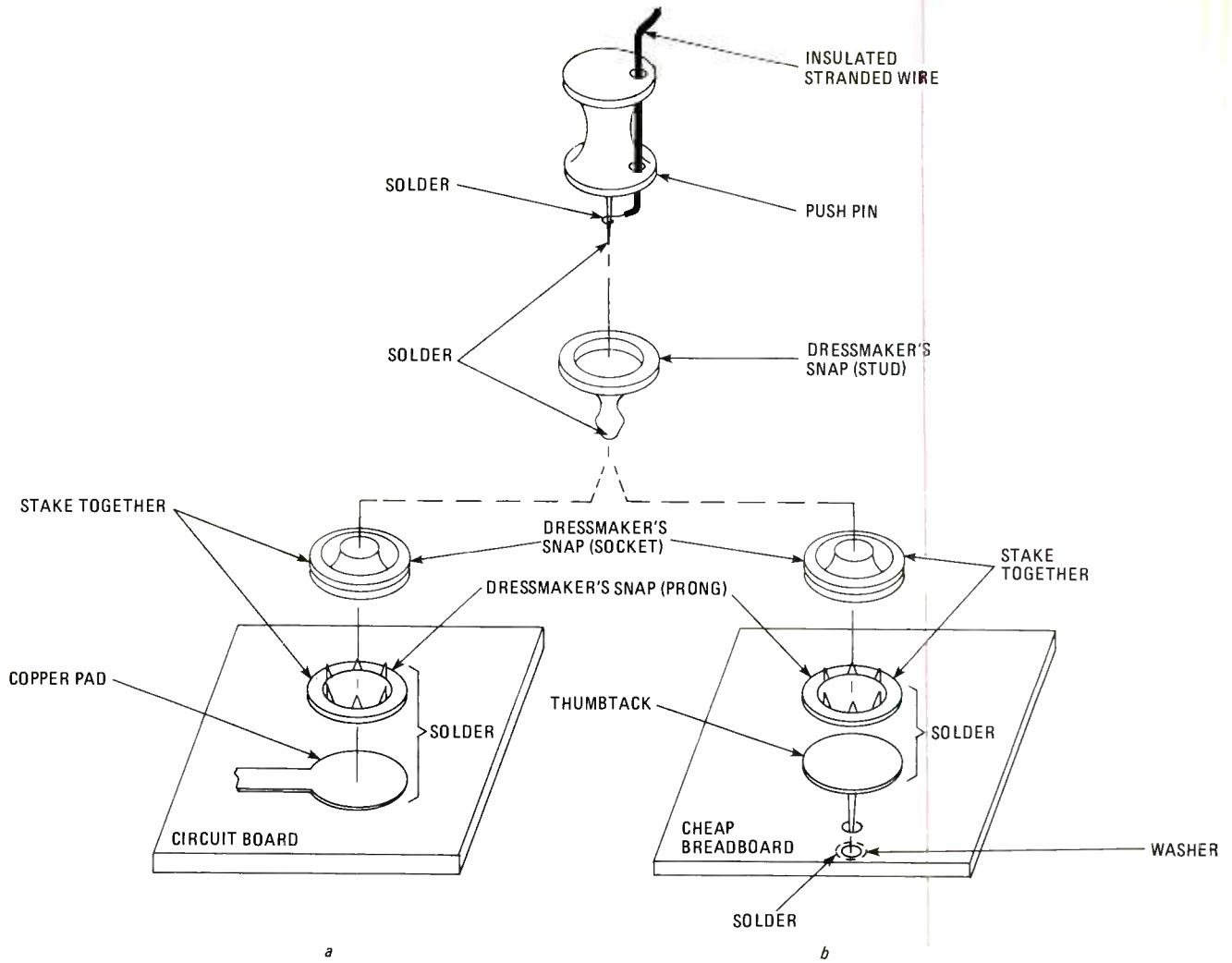


FIG. 1—DRESSMAKER'S SNAP with push-pin as a handle, makes a unique electrical connector. Drawing (a) shows the idea applied to a PC board and (b) shows how the connector is used on the "cheap breadboard."

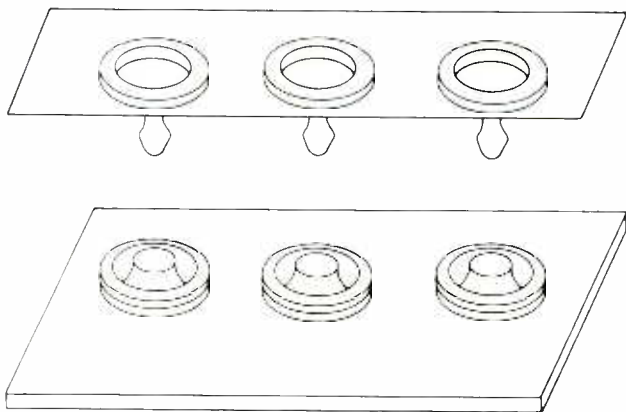


FIG. 2—MULTIPLE-CONTACT CONNECTOR has a row of snaps soldered to the circuit board and a corresponding row of studs staked to a thin leather or heavy vinyl strip.

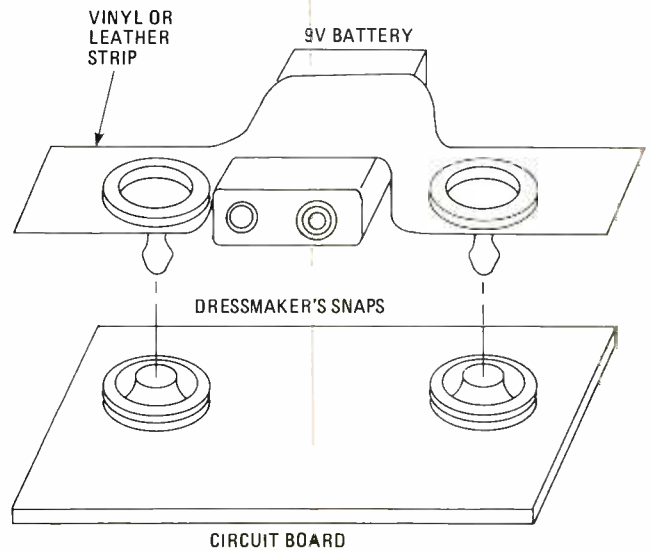


FIG. 3—A COUPLE OF SNAPS and a vinyl strip make a handy hold-down for a 9-volt radio battery.

Mounting light-emitting diodes

A simple wooden block can do a fine job of mounting light-emitting diodes. The thickness of the wood can be selected for the particular task. One-quarter

inch Masonite will allow just the dome of the lens to poke through. See Fig. 7-a. If you want a really fancy lens, use a thick block. Insert the LED into one side of the block and a stud of colored plastic rod into the

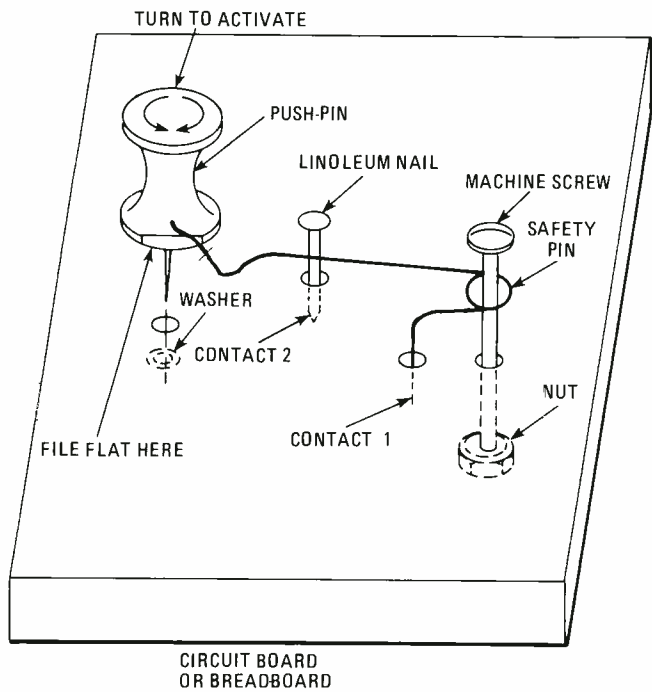


FIG. 4—A CAM-OPERATED SWITCH can be made from a few ordinary components.

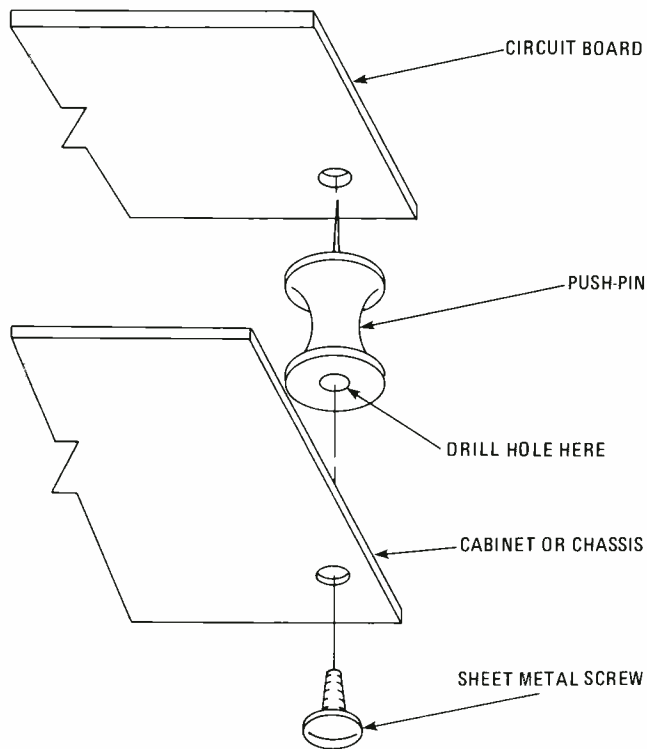


FIG. 5—A COMMON PUSH-PIN makes a handy stand-off or spacer for use between two circuit boards or between a circuit board and chassis.

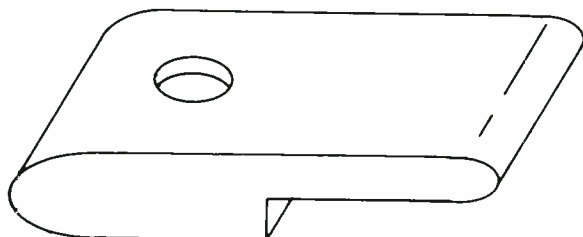


FIG. 6—PLASTIC MIRROR BRACKET can be used as a hold-down for circuit boards. Among other uses is as a holder for a filter shielding various types of numerical readouts.

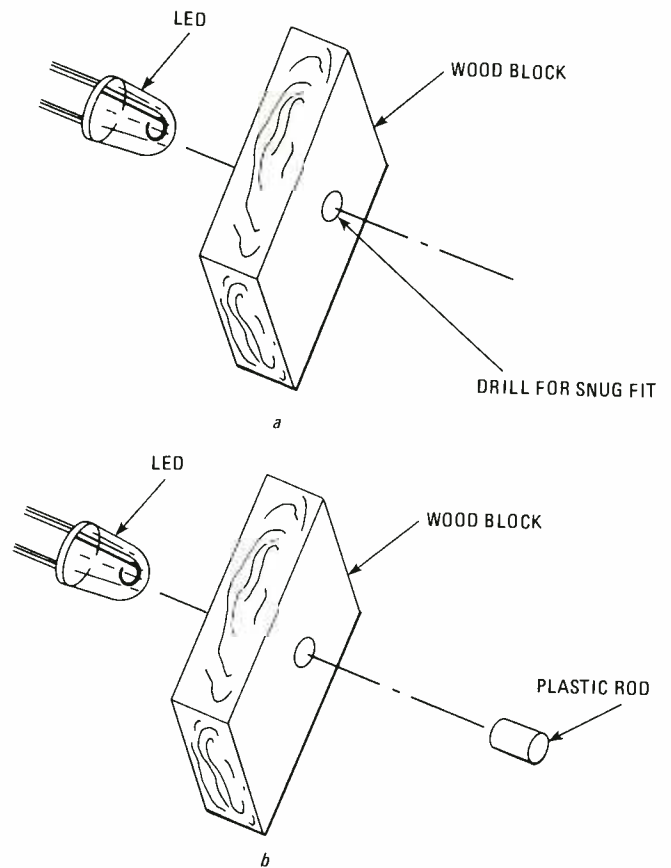


FIG. 7—SIMPLE MOUNTINGS for LED's. Poke it through a thin pressed-wool panel or mount in a thicker slab with piece of plastic rod for a lens.

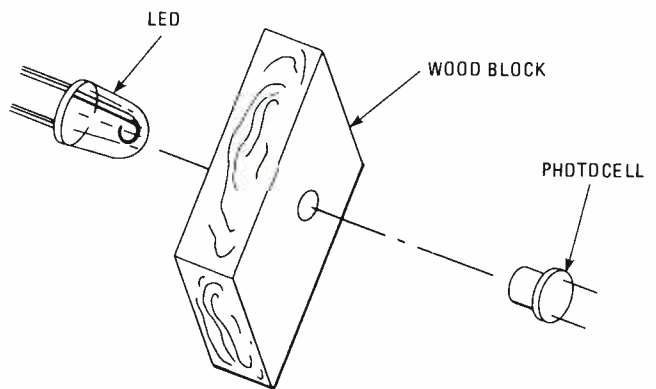


FIG. 8—OPTICAL COUPLER made by inserting an LED and a photocell in opposite ends of hold drilled in a block of wood.

other as shown in Fig. 7-b. Sandpaper the end of the plastic stud that faces the LED. The viewing end of the stub must also be roughened. You can use sandpaper again, but a more interesting effect will result from a few cross cuts in the end with a hacksaw or tiny triangular file.

Need some optical couplers? A single optical coupler won't crimp your budget, but if you need several, bargain LED's and photo-transistors or cadmium sulphide photocells mounted in a wooden block (Fig. 8) can save you some money. Don't forget that linoleum nail. It can provide a string of anchor pins for the LED's or photocells.

Happy tinkering.

SP

A REMOTE CONTROL FOR

Operate up to four appliances from a single remote-control receiver with this device.

DAVID LEITHAUSER

THERE ARE A NUMBER OF PLANS AND COMPONENTS available for building sound-activated switches and similar remote control devices for various types of appliances and equipment. Now it is fairly simple to build a device that lets you control up to four appliances with a single remote-control receiver, whether it is a sound-activated switch, a photocell, or a radio receiver. The remote control receiver's output can be any voltage to which you can add positive-going (or negative-going) pulses. This is possible because the device counts the number of pulses to determine which appliance to turn on.

About the circuit

The output of the remote control receiver is fed into the inverting input of comparator IC1 (Fig. 1). This voltage is compared to a reference voltage applied at the non-inverting input of the comparator through potentiometer R5. When the output voltage of the remote control receiver has a positive pulse that goes higher than the reference voltage, the output of the comparator (it is normally positive) has a negative pulse. If the remote control receiver can produce only negative pulses, reverse the inverting and non-inverting comparator leads. This will cause a negative pulse from the remote control receiver to produce a negative pulse from the comparator.

The negative pulse from the comparator triggers two monostable multivibrators (555 timers IC2 and IC3). Note that each of these monostable multivibrators has a diode from pin 6 and pin 2. These diodes keep capacitors C1 and C2 discharged when the comparator output is negative, so that the on-time of the monostable multivibrators continues for a preset period after the end of a negative pulse from the comparator.

The first multivibrator (IC2) is really just a debouncer, to properly condition the pulses fed to the 74193. The second multivibrator (IC3) has a much longer time-constant (about 3 seconds) and serves two purposes. First, on the first pulse it clears (resets) the 74193 counter to zero so that it can begin counting. Second, it inhibits the relays through the 74368 tri-state control so that the relays do not start turning appliances on until all the pulses have been counted. It does not allow the relays to be energized until there have been no pulses for 3 seconds.

The 74193 produces a binary output that represents the number of pulses it has received, minus the first pulse because IC3 was resetting the 74193 to zero at the same time the first pulse came in. This binary output is used to control the relays, after being inverted by the tri-state inverters in the 74368.

Table 1 gives the condition of the relays after the train of pulses. In order to change any of the relays, it is necessary to begin a new train of pulses and create the new combination from scratch.

Examples of Operation

Let's use this as a sound-controlled device. The amplifier in Fig. 2 makes a good input. The output of the op-amp goes to the inverting input of the comparator. When the sound strikes the mike (the 8-ohm speaker), voltage variations are produced at the output of the op-amp. Potentiometer R5 should be adjusted so that the reference voltage at the non-inverting input of the comparator is a little higher than the voltage at the amplifier output when there is no sound present. That way the comparator output will normally be positive. However, when sound strikes the mike, the voltage swings produced by the amplifier cause the voltage at the comparator's inverting input to go higher than the reference voltage. This will cause a negative pulse at

TABLE 1

Number of Pulses	Relays Activated
1	None, all relays turned off
2	RY1
3	RY2
4	RY1 and RY2
5	RY3
6	RY3 and RY1
7	RY3 and RY2
8	RY3, RY2, and RY1
9	RY4
10	RY4 and RY1
11	RY4 and RY2
12	RY4, RY2 and RY1
13	RY4 and RY3
14	RY4, RY3 and RY1
15	RY4, RY3 and RY2
16	RY4, RY3, RY2 and RY1

HOUSEHOLD APPLIANCES

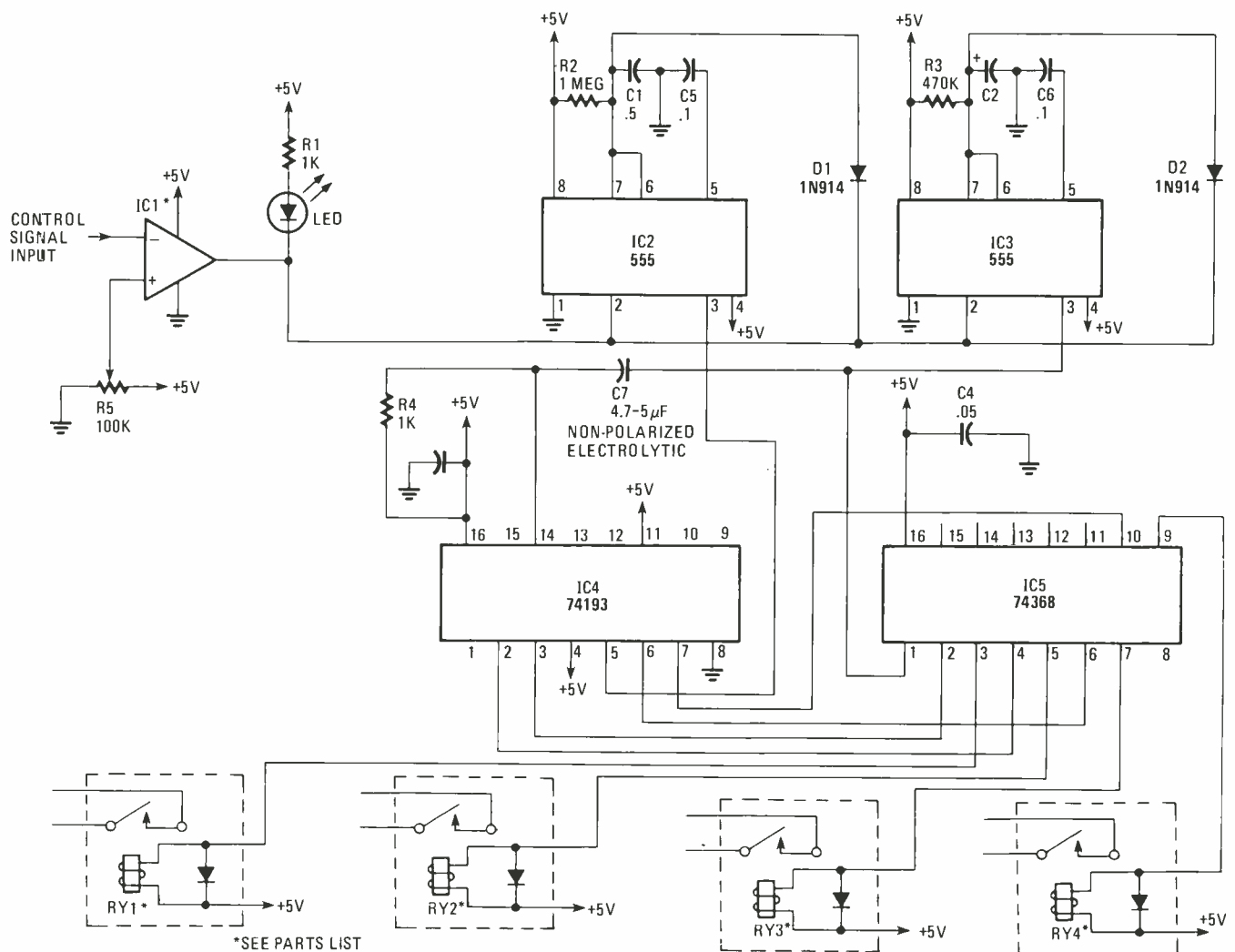


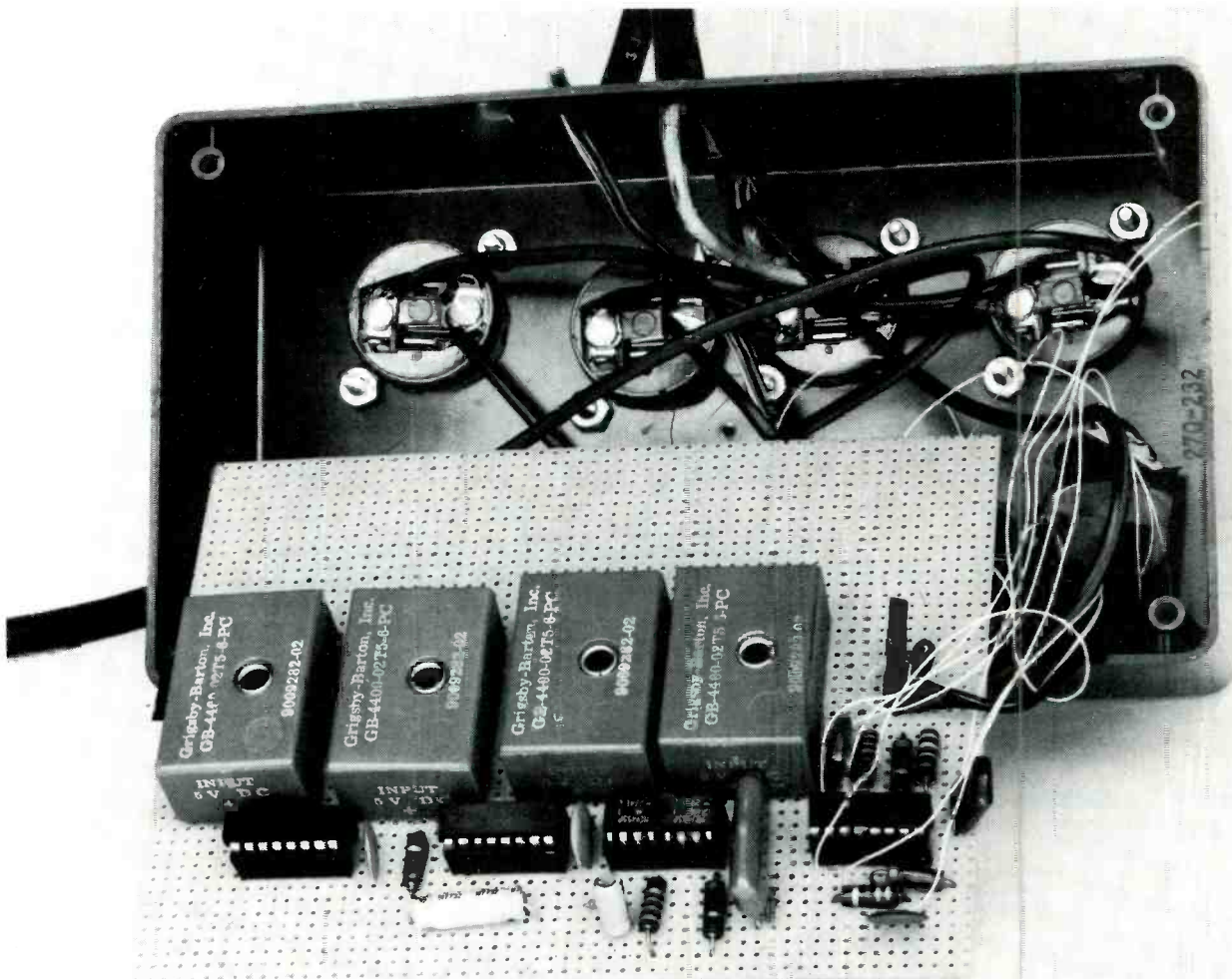
FIG. 1—SCHEMATIC DIAGRAM of the remote-control device. Up to four separate appliances may be controlled.

the comparator output. Actually, it will produce a burst of pulses, but multivibrator IC2 will condition these into one pulse provided there is no pause in the sound. That is, each clap or word counts as one pulse, while the pause between claps or words (if you speak each word distinctly) allows IC2 to reset and wait for a new pulse. The reference-voltage control (R5) will act as a sensi-

tivity control, since setting it at a high voltage means that a loud sound is required to produce voltage oscillations large enough to pass this voltage level. The sensitivity control must not be set too high or glitches will register as pulses. When this happens, glitches produced by the relays—as they are energized—will be “read” as a single pulse; thus turning off all relays



Assembled remote control switch. Note the four controlled outlets on the back panel. Unit is powered by AC low-voltage transformer supply.



Internal view shows how the parts are arranged inside the cabinet. Assembly is not critical and therefore easy to duplicate.

PARTS LIST

Resistors, 1/4 watt or larger, 10% or better

R1, R4—1000 ohms
 R2—1 megohm
 R3—470,000 ohms
 R5—100,000 ohms, potentiometer

CAPACITORS

C1—0.5 μ F
 C2—5 μ F Mylar or other low-leakage electrolytic
 C3, C4—.05 μ F, disc
 C5, C6—0.1 μ F² disc
 C7—4.7 or 5 μ F non-polarized electrolytic, 35 volts

SEMICONDUCTORS

IC1—any comparator that will work off 5 volts DC and has a low output impedance should be satisfactory. I used a 308 op-amp without a feedback resistor. A 741 will work OK here also.

IC2, IC3—555
 IC4—74193 or 74LS193 counter
 IC5—74368 or 74LS368 tri-state inverter
 D1, D2—1N914 diode
 RY1—RY4—solid-state normally open relay, input 5 volts DC, 10 mA; load 120-240 volts AC, 1.5 amps. Suitable relays are the BG 14420-05S by Gordos-Arkansas, 1000 N. 2nd St., Rogers, AR 72756 and the 226RE7-5DC by Sigma Instruments, Switching Products Div., Braintree, MA 02184. These relays are approximately \$10.00 each. A line to their respective manufacturers will get you the name and address of the retailers nearest to you.

MISCELLANEOUS:

1N4001 diode for each relay if the solid-state relays used do not include internal diode protection. A 5-volt regulated power supply, suitable housing, chassis-mount AC receptacles.

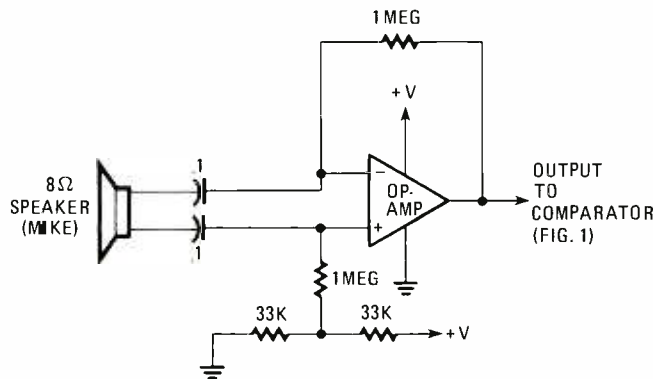


FIG. 2—MICROPHONE and preamplifier may be used to operate the remote-control device.

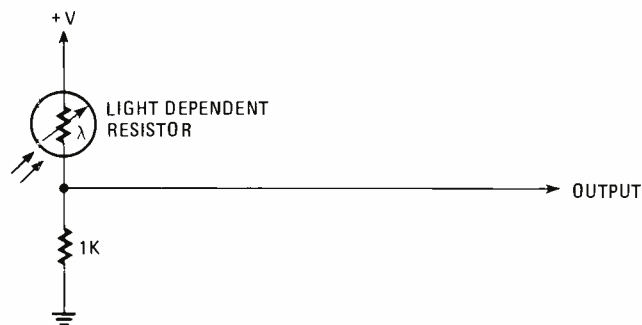


FIG. 3—PHOTOCELL VOLTAGE DIVIDER allows you to operate the remote-control device with a flashlight.

the instant they are energized.

The sensitivity could be adjusted so the LED is normally out but lights up when a pulse is applied to the comparator. This indicates that the reference voltage to the non-inverting input is properly adjusted.

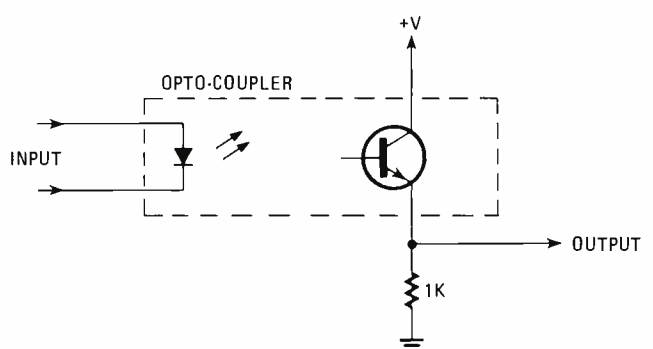


FIG. 4—OPTO-COUPLER will couple almost any remote-control receiver to the device.

Another useful control device is the photocell voltage divider shown in Fig. 3. Light striking the photocell drives the output high enough to pass above the reference voltage. Using an ordinary flashlight to send flashes of light to the photocell, you can operate four appliances by remote control.

If you wish to use this device with a remote control device that cannot be run on 5 volts, the circuit in Fig. 4 will couple virtually any remote control receiver to this device.

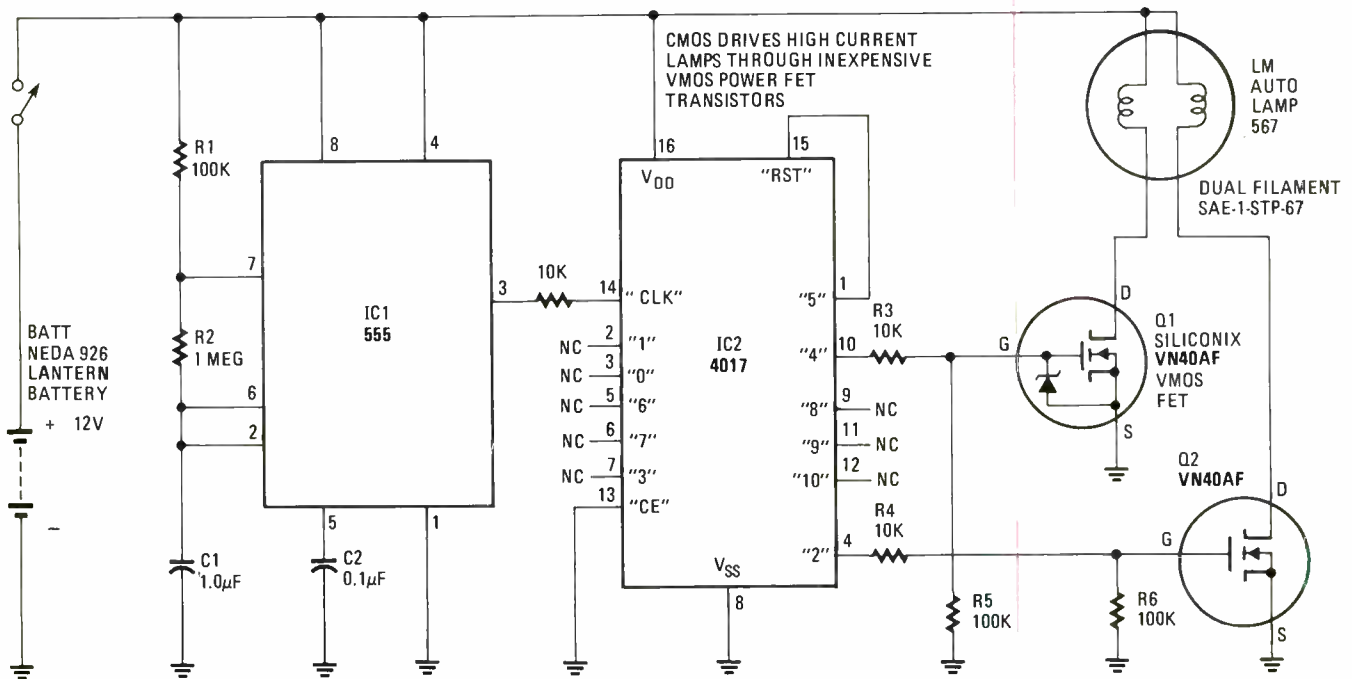
Construction

This circuit can be wired using a printed circuit, wire wrapping or point-to-point wiring. Wires should be kept as short as possible around the TTL counter. The solid-state relays should not require heat sinks unless the appliances they control draw a considerable amount of current. Be sure to include anti-glitching capacitors C3 and C4 on the 74193 and 74368. Install additional anti-glitching capacitors as needed.

SP

VMOS FLASHER

Drive high-current loads from CMOS? Use VMOS!



TAILLIGHT FLASHER CIRCUIT is made possible by VMOS technology. With VMOS FET's, CMOS IC's can be used to switch high-current loads.

MARTIN BRADLEY WEINSTEIN

JUST A FEW YEARS AGO, RUNNING A FET AT A WATT OR more was all but unthinkable. But a new technique, developed just recently, has more than broken that barrier.

A V-shaped groove in the transistor substrate (cut before metals are deposited) is the physical characteristic of this transistor technology, called VMOS for *vertical* MOS.

It's a bit too long a story to go into detail here and explain all the subtleties of VMOS, but here's a look at some of the benefits it offers.

Current capabilities now extend to multiple amperes, but at negligible drive—typically less than 100 nA. Switching delay times are on the order of a few nanoseconds. And because current reduces with rising temperature (not increases, as in bipolar), not only is thermal runaway eliminated, but devices can be paralleled without ballasting resistors for even higher current

capabilities. Finally, prices are very reasonable, with one manufacturer, Siliconix (2201 Laurelwood Road, Santa Clara, CA 95054), advertising one model at 50¢ in production quantities.

It almost sounds too good to be true. So we gave VMOS a trial by breadboard. The results, if you will pardon the pun, were enlightening.

We got a couple of VN40AF VMOS power FET's from Siliconix (less than a buck each). The specs were mildly incredible:

Maximum drain-source or drain-gate voltage—40V; maximum continuous drain current—2.0-A (3.0-A pulsed); -40 to +150°C operating range; input Zener-protected against static; fan-out from CMOS of 100 (!!) or more; and on and on and on.

So we set a mildly incredible task—driving an add-on taillight assembly from CMOS levels using only a VMOS FET and a couple of resistors in between.

It worked.

We clocked a 4017 decade counter (with ten decoded outputs) with a 555. The circuit counts to five before resetting. Two VN40AF's tied to the "two" and "four" outputs drive the two filaments in the light assembly.

The 10K series resistors limit the current to the transistor gates and, with the 100K resistors, not only help define the CMOS output load, but help the VMOS switch hard to the supply rails; these could be eliminated with only minor effect.

It's almost disgusting—a TO-220 between a lantern battery and a large-current taillight taking its orders from CMOS. Well, that's progress!

SP

PARTS LIST

RESISTORS

All resistors ¼ watt

R1, R5, R6—100,000 ohms; R2—1 megohm

R3, R4—10,000 ohms

CAPACITORS

C1—1.0 µF; C2—0.1 µF

SEMICONDUCTORS

IC1—555; IC2—4017; Q1, Q2—VN40AF

MISCELLANEOUS

BATT—12V lantern battery (NEDA 926)

LM—Auto lamp 567 (dual filament); S—SPST toggle

Breadboard or perfboard; Wire; Solder

The chances are excellent that... You have a talent other people are willing to pay for!

You're "handy" around your house, have the ability to fix things, and "make them work right"... that's why there may be a rewarding career for you in Electronics.

A career in Electronics?

Absolutely. Because you're interested in *things*. How they work. Why they work. How to take them apart and put them back together. Plus . . . you've got a head for detail work.

Your chances are excellent

With the right kind of *specialized* technical training, you can have a challenging, financially rewarding future waiting for you in Electronics. Think of the career opportunities . . . computers, aerospace, 2-way radio communications, radio/TV broadcasting, medical electronics, to name just a few.

And, surprisingly, you don't need a college degree!

All you need to do to qualify for one of these exciting career fields is to build upon the technical aptitude you already have . . . just put your hands and your head to work with a CIE Electronics career course.

You learn by doing

The CIE method of instruction is the refinement of over 40 years of Electronics, independent home-study experience. It works. And you don't need *any* prior electronics experience. A CIE *career* course can take you from ground zero right up to training in Lasers, Microminiaturization, Radar, Analog Computers, and various applications in Communications.

In some CIE courses, you'll perform "hands-on" experiments and tests with your own Personal Training Laboratory. In other courses, a Digital Learning Laboratory lets you apply the digital theory that's essential today for anyone who wants to keep pace



with state-of-the-art electronics technology. This "heads and hands" learning locks in understanding of the important principles you'll use on the job. If you're going to learn electronics, you might as well learn it right. But don't kid yourself...

Electronics is not an "easy" science and CIE courses are not "snaps." Subject matter is technical, thorough, and challenging. It has to be. We're training you for a *career*. So the presentation of ideas is logical, written in easy-to-understand language . . . you progress step by step, at your own pace.

CIE Education by mail

There is no need to "go back to the classroom" with CIE. Because you learn at *home* or wherever else is convenient. You keep your present job and income. No cross-town commutes. *You* decide when and where *you* study best.

Your eventual success . . . at CIE and in your electronics career . . . will be determined by your own motivation and self-discipline. *You can* do it. And CIE can show you how.



Pattern shown on oscilloscope screen is simulated.

Put your talent to full use

We believe that you may be a "natural" for Electronics, and we'd like to tell you more about potential career fields and our school. We'll be glad to send you our complete package of FREE career information if you'll send in the card or write mentioning the name and date of this magazine. For your convenience, we'll try to have a school representative contact you to review vari-

ous educational programs and assist in course selection. As soon as we receive your request, we'll mail you our school catalog, complete G.I. Bill details, and special information on government FCC License preparation. There's no obligation.

Let's discuss your new career in Electronics. NOW! Send for your FREE school catalog and career information TODAY.

CIE Cleveland Institute of Electronics, Inc.

1776 East 17th Street, Cleveland, Ohio 44114

Accredited Member National Home Study Council

Keep Ahead of Microcomputer Developments With America's Leading Authority

Interface Age is the most up-to-date source of microcomputer hardware and software advances. Whether you need to be informed for future purchases or to make comparisons, Interface Age should be #1 on your list.

- It has **more new product information** than any other small systems publication
- Indepth hardware and software reviews
- Software and hardware applications
- Programming
- Robotics
- Book reviews
- Business applications
- Educational applications
- Latest technologies
- Tutorials

Take advantage of this no-risk trial subscription offer. If for any reason you are not completely delighted with the first issue, we will refund your payment in full. Order your subscription to **INTERFACE AGE** now with this convenient coupon.



NO-RISK TRIAL SUBSCRIPTION ORDER

12 issues for \$18.00. That's a 40% savings off the single copy price. And if you are not delighted with the first issue, your payment will be refunded in full.

MAIL TODAY

- | | |
|---|---|
| <input type="checkbox"/> One Year (12 issues) \$18 (U.S. only) | <input type="checkbox"/> Check enclosed |
| <input type="checkbox"/> Two Years (24 issues) \$30 (U.S. only) | Must be in U.S. |
| <input type="checkbox"/> Canada/Mexico One Year \$20 | funds drawn on |
| <input type="checkbox"/> Foreign Surface Mail One Year \$35 | U.S. bank |
| <input type="checkbox"/> Foreign Air Mail One Year \$50 | |

Payment must accompany this order.



Card No. _____ Exp. Date _____

Signature _____

Name _____

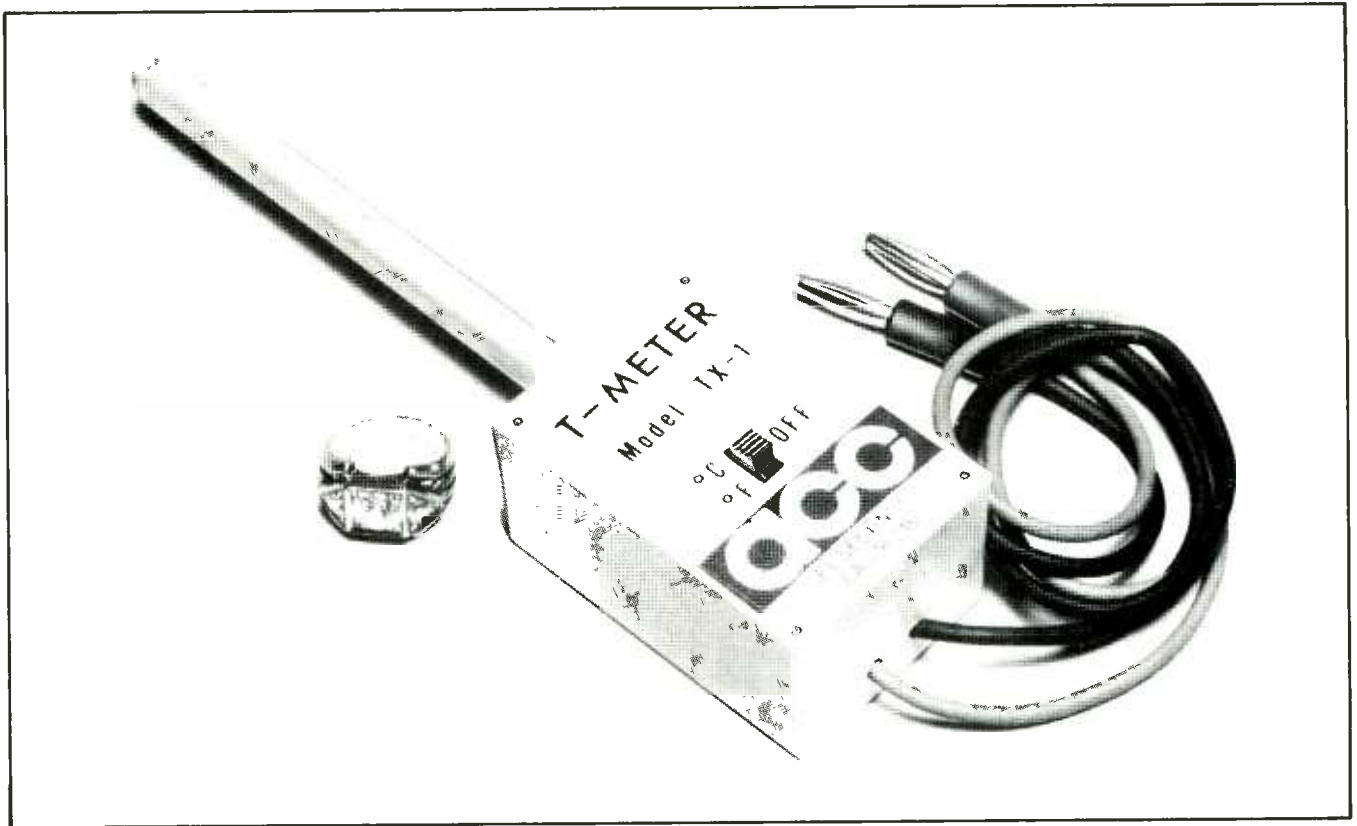
Street _____

City _____ State _____ Zip _____

Make check or money order payable to: **INTERFACE AGE Magazine**

P.O. Box 1234, Dept. RE2, Cerritos, CA 90701

Allow 6-8 weeks for delivery.



TEMPERATURE ADD-ON FOR YOUR DMM

***This accessory measures temperature
in °F or °C
with your digital multimeter***

J.T. CATALDO

WHEN TESTING ELECTRONIC EQUIPMENT WE OFTEN need to know the accurate temperature. This must be quickly and easily ascertained. The temperature of semiconductors is an example where this information is vital for good circuit design. Mercury thermometers, although accurate, are fragile and easily broken. Moreover, it is difficult to assure good contact with the surface being tested. Independently packaged electronic thermometers are, in general, too expensive for limited use. Consequently, T-Meter is an economical answer to the problem. It has the advantage of a rugged probe simplifying good surface contact plus the economy of utilizing a digital multimeter to display the temperature directly in either degrees Celsius or Fahrenheit (°C or °F) as selected by the user. Temperatures can be measured from -55° to 125°C or -67° to 257°F .

The circuit uses two unique IC's. One, an adjustable current source, is used as the temperature sensing element. Its operating voltage is directly proportional to absolute temperature, degrees Rankin or Kelvin. The other IC is a three-terminal programmable Zener. The third terminal allows setting of a reference voltage which is required to calibrate the T-Meter to Fahrenheit and Celsius instead of absolute temperature.

Block Diagram

A block diagram of the basic circuit is shown in Fig. 1. The section of the circuit on the left serves as the temperature sensor. The sensor IC is mounted in the tip of the probe and converts the sensor current to a voltage proportional to the temperature. On the right-hand side is an offset voltage source to convert absolute temperature to degrees F or degrees C.

PARTS LIST

RESISTORS

Resistors $\frac{1}{4}$ watt, 5% or better unless otherwise noted
 R1—10,000 ohms
 R2, R14—1000 ohms
 R3, R4—5000 ohms, trimmer potentiometer, PC mount Cermet type
 R5, R6—4700 ohms
 R7—33,000 ohms
 R8, R12—100,000 ohms
 R9, R10—20,000 ohms, trimmer potentiometer, PC mount Cermet type
 R11—180,000 ohms
 R13—230 ohms, Dale CMF55
 R15, R16—27,000 ohms

SEMICONDUCTORS

IC1—LM134H-3 (National)
 IC2—TL430C (Texas Instruments)
 S1—switch, 4P3T, Alco MSS4300R

MISCELLANEOUS HARDWARE

Transistor insulator for IC1 (Delbert Blinn No. P31034-1); aluminum tubing, 0.375 in. OD, 0.065 in. wall, 4½ in. long with nuts and washer. Case and cover (Pomona Electronics No. 3850-9); 9-volt transistor battery (rechargeable type with charger recommended for heavy duty); red and black banana plugs; red and black test-lead wire; PC board, etched and drilled.

The following are available from Alpha Components Corp., PO Box 306, El Segundo, CA 90245: PC board etched and drilled with switch S1 and resistor R13 mounted and soldered, \$8.00 plus \$2.50 shipping. Complete kit (less battery) \$42.00 plus \$3.50 shipping. T-Meter completely assembled and factory wired (less battery) \$59.95 plus \$3.50 for shipping. California residents add 6% sales tax.

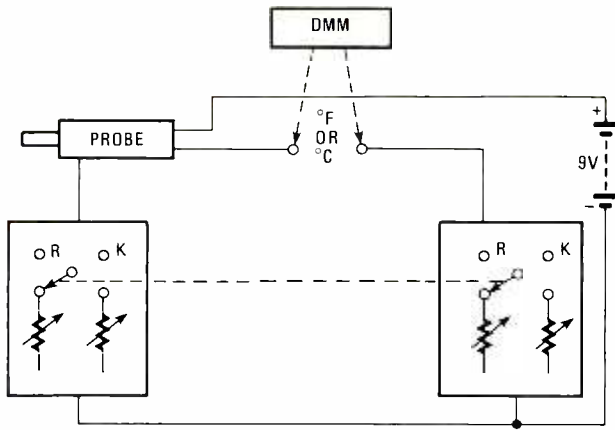


FIG. 1—BLOCK DIAGRAM OF THE T-METER. A sensor in the probe develops a temperature-dependent voltage that is compared to a fixed stabilized reference voltage. A digital multi-meter reads the voltage difference as temperature in °F or °C.

How it works

The complete schematic is shown in Fig. 2. Resistor R13 establishes the operating current for the LM134H sensor. The resistive load, R1, R3 and R5, converts this current to a voltage of 10 mV/°Rankin measured from V1 to common. Similarly, the load R2, R4 and R6 produces a voltage of 10 mV/°Kelvin.

Since absolute zero is -460 degrees Fahrenheit, trimmer R3, is adjusted so that the voltage V1 to common is 4.60 volts plus ambient temperature in degrees R. For example, at an ambient temperature of 68° F, voltage V1 should be set for 5.28 volts (4.60 + 0.68).

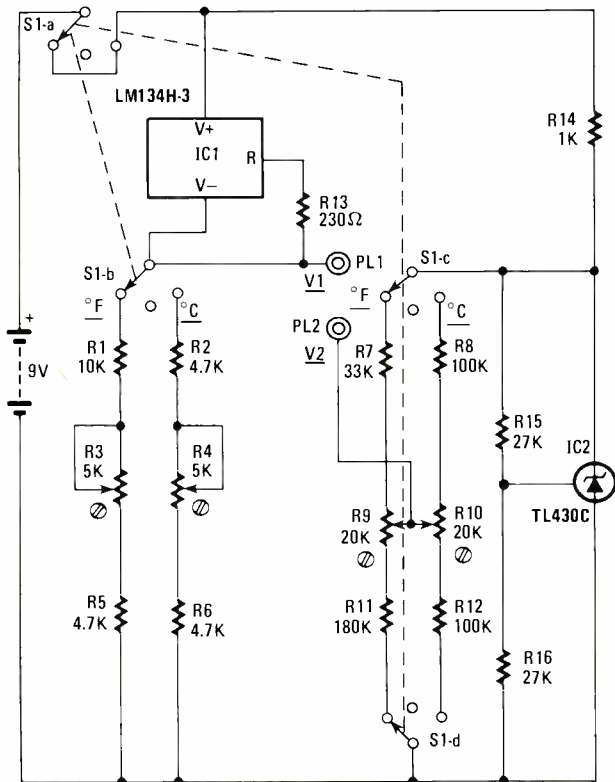


FIG. 2—SCHEMATIC SHOWS THE SIMPLICITY of the T-Meter. IC1 is mounted in the probe. All other parts except the battery are on a PC board hardly larger than 1¼ by 2½ inches.



COMPONENT SIDE OF THE BOARD with all parts in place. Note that resistors are mounted upright.

The offset voltage, V2, is set to 4.60 volts by adjusting trimmer R9. With the test leads of the T-Meter plugged into the DMM which is set on the 10-volt DC scale, the display will indicate 0.68 volt or 68°F. It is simply; V1-V2 = temperature reading (5.28 volts - 4.60 volts = 0.68 volts) (0.68 × 100°/V = 68°F). This holds true for degrees Celsius except that absolute

zero is -273 degrees Celsius. In this case, the voltage V_1 set for $2.93V$ ($273 + 20$) and V_2 for $2.73V$. Hence, $(V_1 - V_2) = 0.20$ or $20^\circ C$ (the equivalent of $68^\circ F$).

The power source for the unit is an ordinary 9-volt

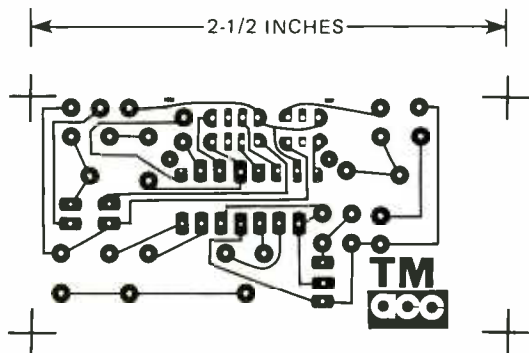


FIG. 3—FOIL PATTERN for the T-Meter PC board.

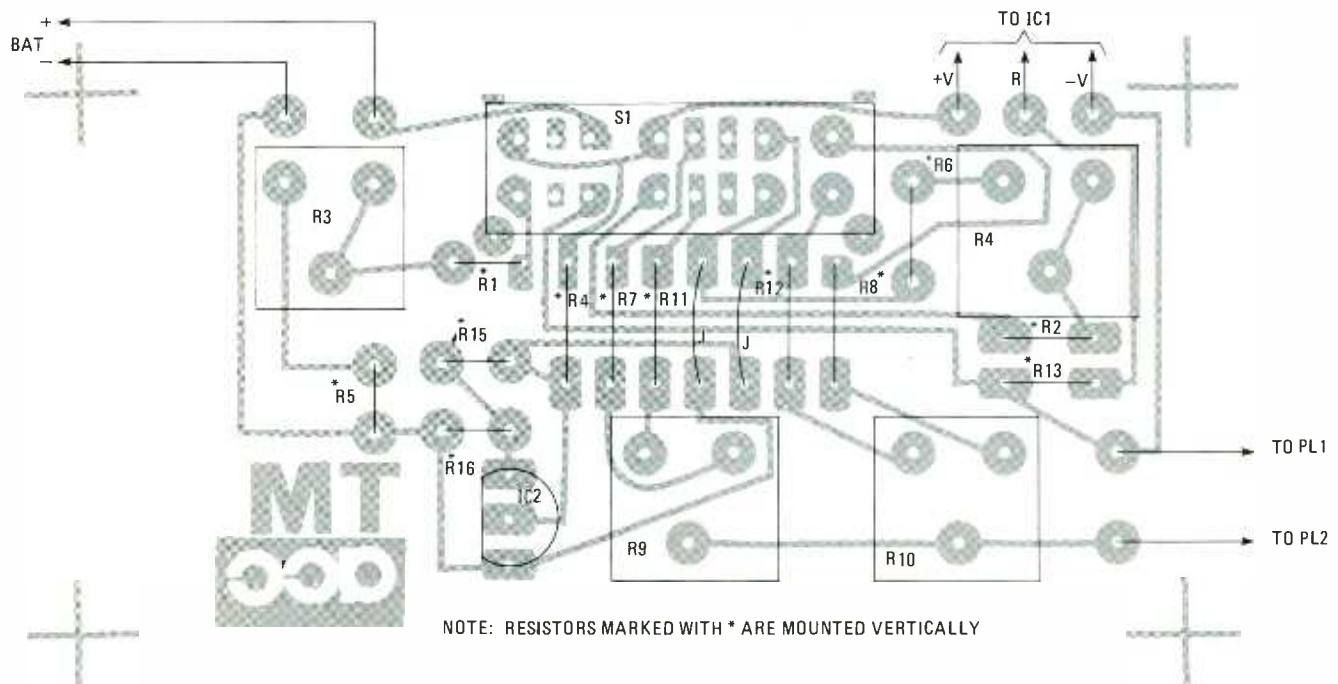


FIG. 4—COMPONENT SIDE OF THE PC BOARD shows the locations of the parts. Note the two jumpers that must be added. They are between R_{11} and R_{12} .



INTERIOR VIEW SHOWS HOW PARTS FIT into the enclosure. The case cover is drilled so switch handle protrudes.

transistor radio battery. Because the device draws only a few milliamperes, the battery should last over 500 hours or more, with ordinary usage. (If the T-Meter is used for extended periods daily on the service bench, we recommend rechargeable nickel cadmium batteries and a charger.)

Construction

Only normal soldering and assembly procedures are required. The PCB foil pattern is shown in Fig. 3 and the placement of components in Fig. 4. Note that the switch ($^{\circ}F$ - OFF - $^{\circ}C$) is mounted and soldered to the PCB. Precision resistors are not necessary. However, it is wise to use 5% deposited carbon-film resistors since they have a better temperature coefficient than composition carbon resistors. The trimmers are the one-turn square Cermet type having a temperature coefficient of plus or minus $100 \text{ ppm}/^{\circ}C$. Furthermore,

with the terminals of these units on 0.1-inch grid, it is convenient for perf board point-to-point assembly. However, the switch will pose a problem for perf board assembly as the terminals are metrically spaced. The resistor specified for R_{13} was selected for its excellent temperature stability.

The probe, in addition to the sensor, consists of a $4\frac{1}{2}$ -inch piece of aluminum tubing threaded for half an inch at one end, a nylon transistor insulator, an internal tooth lockwasher and two nuts threaded to fit the end of the tube. Three color coded No. 24 gauge wires (required for pin-out identification) are soldered to the sensor pins and insulated with shrink tubing. The sensor case tab is cut off. The leads are passed through the insulator from the large end and the sensor is pressed in. One nut is threaded onto the tubing with the sensor leads being inserted from the opposite end and pushed through. The sensor and the insulator are seated in the tube end.

The leads and tube are mounted in the case through the hole provided. The assembly is completed by means of the second nut and lockwasher. The three



JUMBO PAK JACK'S

PENNY SALE PLUS

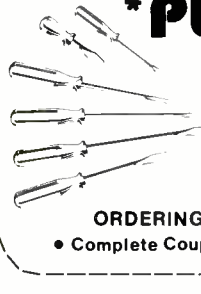
Buy 1 Jumbo Pak Get 2nd for 1 Penny More!

8-115VAC NEONS, NE-2 type lamps w/resistor-Amber lens (#6793)	2.99	16	for	53	25-SLIDE SWITCHES, various shapes, sizes, and types (#2726)	2.99	50	for	53
8-53VAC NEONS, Asst types, styles, & leads for panel mt (#6794)	2.99	16	for	53	50-TRANSISTOR ELECTROLYTIC, epoxy encapsulated, asst values, (#2747)	2.99	100	for	53
60-ASST MINI SOCKETS, incl screw bayonet, & snap-in types (#6789)	2.99	120	for	53	175-HALF WATERS, 100%, color-coded resistors, asst values, (#3046)	2.99	350	for	53
5-JUMBO SWITCH BANK 3-DPDT & one-6PDT, ganged w/reflector button (#6814)	2.99	10	for	53	20-SLIDE VOLUME CONTROLS, various values & types for Hi-Fi, etc. (#3057)	2.99	40	for	53
25-MICRO SWITCHES, Asst SPST & SPDT rated 125V @ 5A SPade terminals (#6815)	2.99	50	for	53	50-UPRIGHT ELECTROS, 100%, assorted values & voltages, marked, (#3226)	2.99	100	for	53
4-10A BAR TOGGLEs, Asst SPST & DPDT w/long chrome handles, eyelet terminals (#6816)	2.99	8	for	53	30-PANEL SWITCHES, assorted rotary, micro, slide, etc. (#6629)	2.99	60	for	53
10-QUAD PHONO JACKS, 4 RCA jacks on 2 x 1 1/2" Bakelite strip, (#6249)	2.99	20	for	53	20-PAIRS-RCA PLUGS & JACKS, popular for Hi-Fi speakers, etc. (#6630)	2.99	40	for	53
125-POLYSTYRENE CAPS, assorted types, styles & sizes, all good, (#2729)	2.99	250	for	53	60-INFR4 SWITCHING DIODES, 4 nsec axial, glass, untested, (#6632)	2.99	120	for	53
50-POWER TAB TRANSISTORS, plastic NPN, TO-220, asst. types, untested, (#2425)	2.99	100	for	53	4-2N3055 NPN TRANSISTORS, 115 watts, 15 amps, TC-3, 100% material, (#6633)	2.99	8	for	53
24-SKINNY TRIM POTS, multi & single turn, asst values & types, (#6285)	2.99	48	for	53	50-THERMISTORS, various types & styles, neg coefficient, 100% (#4089)	2.99	100	for	53
75-LONG LEAD DISCS, prime, marked caps, assorted material, (#2598)	2.99	150	for	53	30-INSTRUMENT KNOBS, for half round shafts, some w/pointers, (#6498)	2.99	60	for	53
50-TTLs, 7400 series, incl gates, flip-flops, etc untested, (#6226)	2.99	100	for	53	5-LINE CORDS, heavy-duty, 18 gauge, 6', molded plug, 2-cond (#6499)	2.99	10	for	53
5-BRASS LOCKS, with key, 1 1/2" long, for doors, windows, etc (#6253)	2.99	10	for	53	20-2N3055 HOBBY TRANSISTORS, manu! fallout, TO-3, U-test, (#6624)	2.99	40	for	53
175-MOLEX SOCKETS, "on-a-strip", make your own pc sockets, (#6255)	2.99	350	for	53	100-DTL IC's, mostly dual JK flip flops, marked, 100% prime, (#6444)	2.99	200	for	53
50-MINI POTS, pc style, single turn, assorted values, (#3345)	2.99	100	for	53	35-STEREO INDICATORS, liny red 15V bulbs, for Hi-Fi replacement, (#6244)	2.99	70	for	53
15-JUMBO RED LEDS, 3V 10 mA, 100% good material, red dome lens, (#3369)	2.99	30	for	53	25-PLASTIC POWERS, 25 watt, npn & pnp, 50-200 bycco, TO-220, (#6237)	2.99	50	for	53
2-SOUND TRIGGERS, sound activated amp, SCR triggered, on 3" board, (#3625)	2.99	4	for	53	9-DIGIT READOUTS, flat pak w/bubble map, 120" high, 14 pin, (#5558)	2.99	18	for	53
40-TRANSISTOR SOCKETS, assortment may include, TO-18, 5.66.3, etc (#3845)	2.99	80	for	53	400-PREFORMED 1/4 WATERS, assorted values, precut for PC appl (#6622)	2.99	800	for	53
75-CABLE TIES, 4" non-slip white plastic, like Ty-wrap, (#5218)	2.99	150	for	53	25-RCA PHONO PLUGS, popular audio/speaker plugs, 100% material (#3293)	2.99	50	for	53
150-FEEDTHRU CAPS, assorted types & sizes, for RF, UHF, etc. (#5668A)	2.99	300	for	53	15-RCA PHONO JACKS, popular Hi-Fi jack on a Bakelite strip, (#6230)	2.99	30	for	53
175-1/4 WATT RESISTORS, asstid carbons, carbo-films, some 5%ers, (#5797A)	2.99	350	for	53	150-4000" RECTIFIERS, IN4000 series, may include: 50 to 1000V, (#2417)	2.99	300	for	53
100-PLESSY CAPS, ceramic blocks in assorted sizes & values, (#6221)	2.99	200	for	53	50-AXIAL ELECTROS, asst values, volts, sizes, What a buy! (#3227)	2.99	100	for	53
25-NE-2 BULBS, neon, for 110 VAC, requires resistor, (not incl) (#2613)	2.99	50	for	53	3-SHIELDED AUDIO CABLES, 2 cond., with RCA plugs at each end, (#6412)	2.99	6	for	53
100-METALLIC RESISTORS, mostly 1/2 watters, asst val, 1-5% tol, (#6280)	2.99	200	for	53	200-PC-SEMICON SPECIAL, assorted semis of all types Untested material, (#3300)	2.99	400	for	53
100-POWERS POWERS, 3 to 7 watt power resistors, (#6281)	2.99	200	for	53	200-PRE-FORMED 1/4 WATERS, popular values, some 5 & 10%ers, (#6246)	2.99	400	for	53
15-CRYSTALS, assorted types, some H6/U, some frequency marked, (#6256)	2.99	30	for	53	30-SCRS & TRIACS, assorted values, 10 Amp TO-220, untested, (#6337)	2.99	60	for	53
150-SUBMINI IF TRANSFORMERS, asst may include, osc antenna, etc (#6259)	2.99	300	for	53	15-MINI PLUG & CABLE SETS, 3.5mm plug, 6' insulated 2 cond leads, (#6269)	2.99	30	for	53
25-MICRO MINI REED SWITCHES, 1" long, for alarms, relay systems, etc (#6263)	2.99	50	for	53	40-EDGE CONNECTORS, asst 4 & 6 pin, 2-sided, pc leads, (#6364)	2.99	80	for	53
150-PC-CAPACITOR SPECIAL, asst mylars, polys, micas, etc 100% good, (#6264)	2.99	300	for	53	6-MINI-MOTORS, Type RE56, 1.5-6 VDC, color-coded wire leads, (#6718)	2.99	12	for	53
10-PUSHBUTTON ALARM SWITCH, SPST, momentary, NC, w/hardware, (#6267)	2.99	20	for	53	24-MINI-BULBS, asst voltages & base styles, some colored, (#6757)	2.99	48	for	53
500-PC-HARDWARE SURPRISE, (approx.) 1 lb. asst. screws, washers, etc (#6271)	2.99	1000	for	53	40-STRAIN RELIEFS, asst types, styles, & sizes (#6756)	2.99	80	for	53
20-9V BATTERY CLIPS, snap connector, coded, insulated leads, (#6286)	2.99	40	for	53	6-TIME DELAYS, solid state, asst. from 450 mSec to 8 Sec, (#6758)	2.99	12	for	53
3-WATCH CUPS, 5-function, LED style, assorted sizes, untested, (#6287)	2.99	6	for	53	3-HEAVY DUTY AUTO CHOKe, filters 12 VDC @ 5A, open frame, (#6750)	2.99	6	for	53
4-HEAVY DUTY LINE CORDS, white, 2 cond 6 ft, 16 gauge, (#6292)	2.99	8	for	53	4-CHROME PLATED ALARM SWITCH, spst, N.C. momentary, (#6742)	2.99	8	for	53
20-SINGLE PIN LEDS, green, micro style, 3V 10mA, 100%, (#6293)	2.99	40	for	53	200-PRE-FORMED DISCS, caps w/leads for PC use, mixed values, (#2605)	2.99	400	for	53
30-LED TRANSISTOR SOCKETS, "snap-on", 3 pc leads, for TO-5, 18.46, etc (#6297)	2.99	60	for	53	10-RESISTOR LEDS, asst. red, green & yellow umbos, 5V, (#6761)	2.99	20	for	53
200-PRECISION RESISTORS, 1/2W, 1%, axial (#2428)	2.99	400	for	53	100-2 WATT RESISTORS, assorted carbons, films etc. some 5%ers, (#6238)	2.99	200	for	53

* PLUS FREE PREMIUMS!! POLY PAKS

P.O. BOX 942, SP3
S. LYNNFIELD, MA. 01940

A Six Piece Screwdriver Set with any Order Totaling \$25 or more!



For Faster Service Order By Phone

1-617-245-3828

ORDERING INSTRUCTIONS • Indicate Quantity in front of Jumbo Pak Desired.

• Complete Coupon Section • Cut Out Along Dotted Line and Mail Ad to Poly Paks Inc.

Total Amount of Order \$ _____
Please Add \$3 for Postage & Handling

NAME _____

ADDRESS _____

CITY _____

STATE _____ ZIP _____

Enclosed is CHECK, MONEY ORDER

Charge my MASTERCARD VISA

ACCT. # _____ EXP. DATE _____

Send me your FREE catalog

CIRCLE 404 ON FREE INFORMATION CARD

colored wires are soldered to appropriate pads on the PC board.

Calibration

The LM134 sensing element has a linear output characteristic with temperature, so the T-Meter may be calibrated at a single point. The most convenient temperature is 32°F. A temperature bath consisting of crushed ice and water can easily be made. To minimize heat loss, a polyurethane foam coffee cup may be used. The water should be just sufficient to fill the voids between the ice chips. Too much water may not lower the temperature to 32°F.

The bath should stabilize in 15 to 20 minutes with occasional stirring; this can be checked with a thermometer, if available. With the switch in the °F position, immerse the sensor probe in the ice water bath, adjust trimmer, R3, until the voltage V1 to common equals 4.92 volts (4.60 + 32) °F.

Insert the banana plug leads, observing polarity, into the DMM. Adjust potentiometer, R9, to obtain a reading of 0.32 volt on the 10-volt scale, which is 32°F, the temperature of the bath. To calibrate Celsius, push the switch to °C. Adjust trimmer, R4, for V1 to common to equal 2.73V. With the leads from the T-Meter plugged into the DMM, adjust trimmer, R10, until the reading is 0.000 volts or 0°C.

Operation

Insert the banana plugs of the T-Meter into the

DMM, observing polarity and set it on the 10-volt DC scale. Slide the T-Meter switch to °F. The display will now read the room temperature in °F. Apply the probe to the component to be measured. Since semiconductors are rated in °C, you should set the switch to this position. A temperature of, say, 90°C will read 0.9 volt which is 90°C when multiplied by 100.

For temperatures below 100, you can set the DMM to 1.0-volt scale. In this case, the DMM would read tenths of a degree. Assuming that the temperature is between 90 and 91, you may read 0.903 or 90.3°C. Since the T-Meter was calibrated on the 10-volt scale, accuracy of readings on the 1.0-volt scale depends on the relative accuracy of the two scales. The resolution of the T-Meter is plus or minus 1 degree on the 10-volt scale and plus or minus 0.1 degree on the 1.0-volt scale, plus or minus one digit of your meter. With the T-Meter you can determine thermal performance of your electronic circuit design. You can verify operating temperatures of semiconductors, resistors, transformers and other components. Furthermore, you can evaluate heat dissipation efficiency of heat sinks.

You will also find your unit is invaluable in troubleshooting malfunctioning equipment. For example, shorts can be located by searching out hotspots, such as drivers or output transistors. Absence of heat on any component indicates no current flow due to an open circuit. And, of course, the ingenious reader can develop many other applications.

SP



THE LATEST WAY TO DO NOTHING

NOEL NYMAN

This new version of the popular Do-Nothing box uses just a PROM and simple IC's to randomly select among several display routines.

PEOPLE HAVE BEEN BUILDING DO-NOTHING BOXES FOR many years. In addition to being fairly simple to build, their shifting light patterns have an almost hypnotic effect. In this article, I would like to present a state-of-the-art version of this popular device, a do-nothing box that randomly selects among several display routines.

An obvious way to do this is to use a microprocessor. By putting the display routines in memory along with a random-number-generator program, the processor could produce a constantly changing display. But even with today's inexpensive processors, the cost of the do-nothing box would go up sharply. By using a PROM with the display routines arranged in a particular manner, you can achieve the random-display effect with simple IC's.

Let's review the display format briefly. Some routines look best with a straight line display, others look better with a circle. Figure 1 shows a display using thirteen LED's to combine the two. There are seven LED's in the circle and seven in the line. The circle and line share LED 6. The LED's in the circle are spaced about 51 degrees apart. Although there are eight data bits available from the PROM, only seven are used to control LED's. The last bit is used to select the circle or line display. For this discussion, a logic 1 in the PROM bit 0 location indicates a line display.

Now we'll look at the memory arrangement. In computer memories, an 8×512 section of memory is called a page. This page can be divided into 32 sections or paragraphs. Each paragraph has sixteen words or bytes in it, see Figure 2. Each of these paragraphs has a five bit address, 00000 through 11111. Each word within the paragraph has a four-bit address, 0000 through 1111.

For the do-nothing display, I used each paragraph to

hold a display routine of fifteen steps or less. Five address lines are used to select a paragraph. The selection is done on a "random" basis. Then this paragraph address is latched and each word in the paragraph is addressed in sequences starting with 0000 at a pleasing display rate—2 Hz is about right. When the routine ends, a reset pulse latches a new random five-bit address to select a new paragraph and the four-bit word address starts from 0000 again.

Figure 3 shows the schematic of a circuit that does this. IC1 is a 556 dual timer with both timers in an astable mode. Capacitor C2 and resistors R2 and R3 give an output frequency around 2 Hz. Resistor R2 is made adjustable for the most pleasing display rate. The output from this "slow" clock goes to IC2, a synchronous up-counter used as a divide-by-sixteen counter. The outputs of IC2 go to the four low address lines of the PROM, IC3. As the counter counts up, each address in the paragraph will be selected.

Capacitor C4 along with resistors R4 and R5 form a timing network that produces a frequency near 250 kHz from the "fast" clock. The fast clock output goes to IC4 wired as a divide-by-thirty-two counter. Its five outputs will select the paragraph. A latch, IC5, is used between the counter and the PROM. At the start of a routine, the output of IC4 is latched by IC5 and becomes the paragraph address. IC5 holds this information until the end of the display routine. At that time a reset signal latches a new address from the constantly changing output of IC4 through a one-shot, IC6. The IC6 output brings pin 9 of IC5 high briefly to latch the new address and also resets the word-address counter, IC2 pin 7, to start the display at the beginning of the paragraph.

The eight outputs of the PROM connect to inverters,

PARTS LIST

RESISTORS

Resistors ¼ watt, 5% unless otherwise noted

R1—2700 ohms

R2—100,000 ohms, potentiometer

R3—10,000 ohms

R4, R5—1000 ohms

R5—27,000 ohms

R7, R8—2000 ohms

R9—R15—390 ohms

CAPACITORS

C1, C2—2.2 µF, electrolytic, 10 VDC or higher

C3—1000 µF, electrolytic, 10 VDC or higher

C4—.002 µF, ceramic disc

C5—.05 µF, ceramic disc

SEMICONDUCTORS

IC1—556 dual timer

IC2—CD4520B dual synchronous up counter

IC3—MM2758Q-A EPROM (National)

IC4—CD4024B 7-stage binary counter

IC5—74174 hex D-type flip-flop with clear

IC6—74121 monostable (one-shot) multivibrator

IC7, IC8—7404 hex inverter

IC9—7430 8-input NAND gate

IC10—7805 voltage regulator

LED's—13 TIL228 or equal

Q1, Q2—2N4402 or equal

The following is available from Noel Nyman, PO Box 88868, Seattle, WA 98188: 2758Q-A, \$25.00. Washington residents include sales tax.

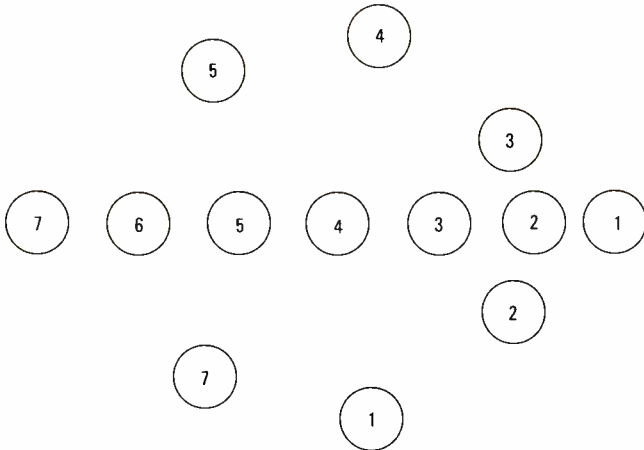


FIG. 1—DISPLAY FOR THE DO-NOTHING BOX has thirteen LED's laid out as shown so the random display can be in either the form of a circle or a straight line.

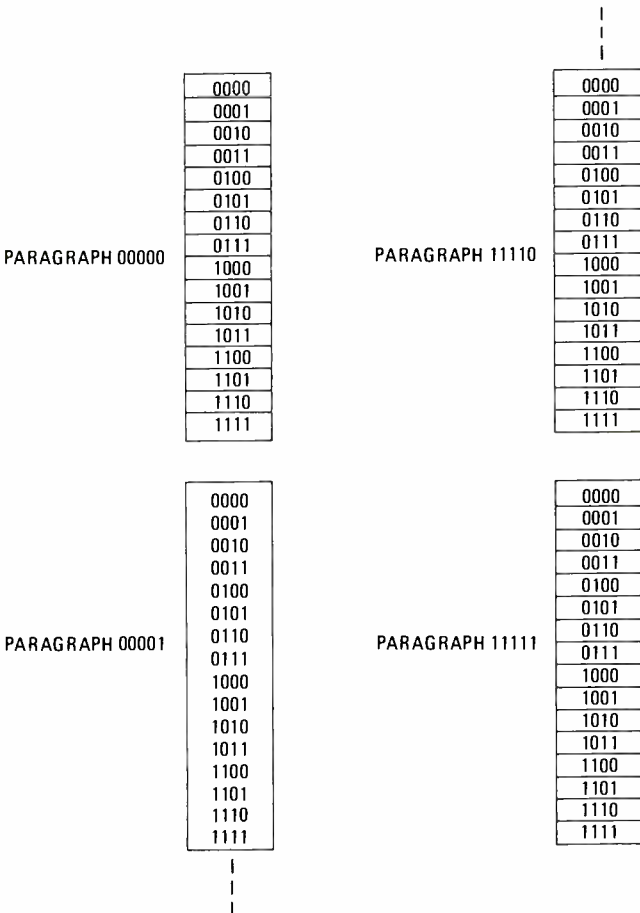


FIG. 2—HOW THE THIRTY-TWO PARAGRAPHS are programmed. The selection is random and each holds a display routine of up to fifteen steps.

TTL for high output current and a bright display. The outputs of seven inverters go to the display LED's through current-limiting resistors. LED 6 is common to both circle and line displays. The anodes of the circle LED's are connected together and driven by transistor Q1. Transistor Q2 drives the line display LED's. The PROM bit 0 output controls the transistors through inverters and current-limiting resistor. A logic 1 on bit 0 turns Q2 on and Q1 off, a zero on bit 0 reverses this.

The reset signal (fed through IC6) comes from IC9. The seven NAND gate inputs are wired to each LED. When all LED's are off and the display routine is over, the NAND output goes low and triggers the one-shot. The reset output from the one-shot (IC6) resets the word address counter and latches the new paragraph address as described, starting a new sequence. This happens fast enough that it's not visible in the display. Resistor R1 and capacitor C1 produce a reset pulse when the power is first applied.

To build this circuit you'll need a programmed PROM. The only restriction on the type of PROM you use is the price you want to pay and the complexity of your power supply. The cheaper PROM's often need three supply voltages. This isn't hard to achieve, but the extra regulators and filter capacitors may offset the original cost savings on the PROM.

I found what may be a good compromise. Both Intel and National make an EPROM called a 2758. This is an 8 × 1024 memory that uses a 5-volt DC power supply. The 2758 bears a striking resemblance to the more expensive 2716 except that it has only half the

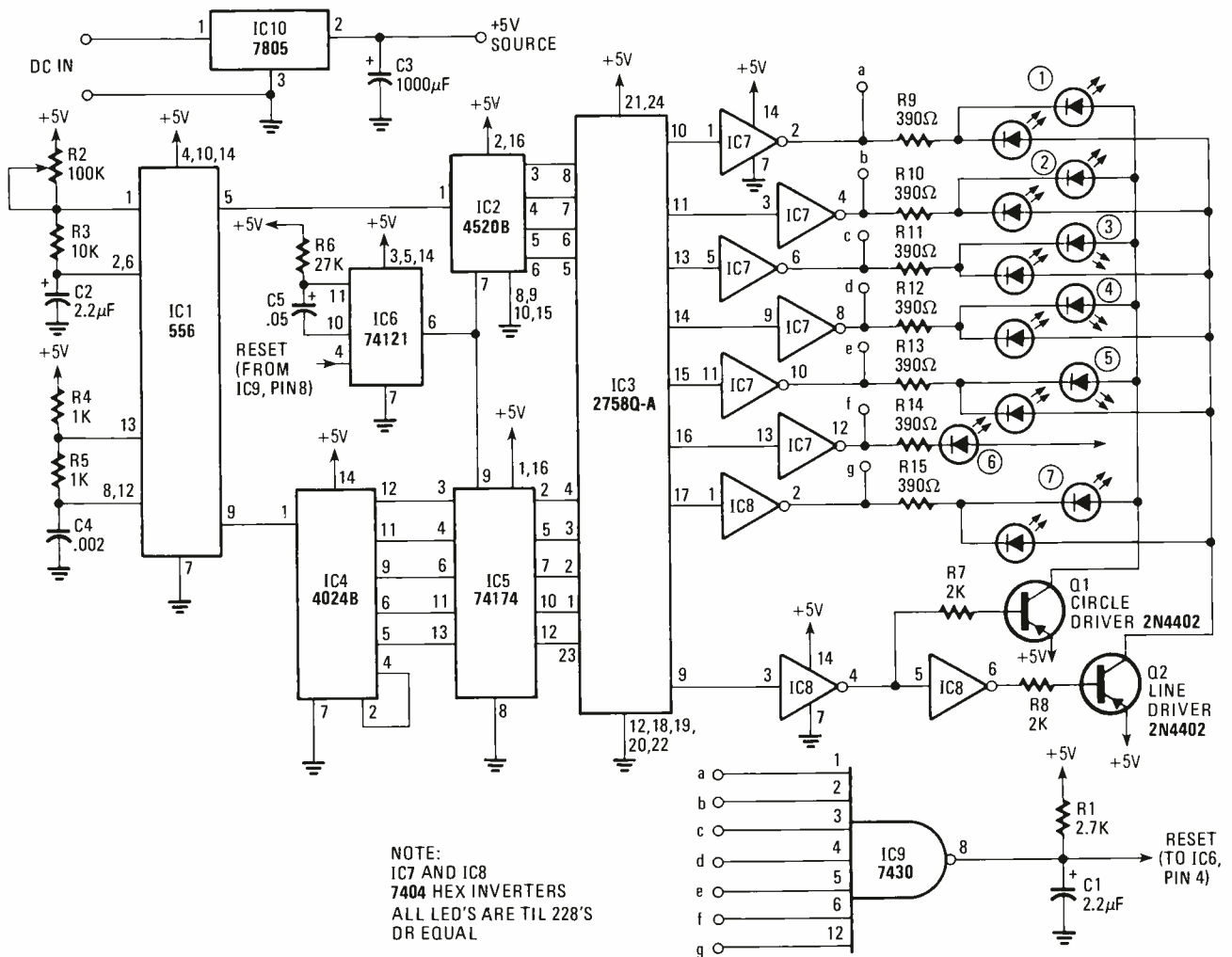


FIG. 3—SCHEMATIC DIAGRAM of the revised do-nothing box. The PROM can hold up to sixty-four different programs but only thirty-two are used here.

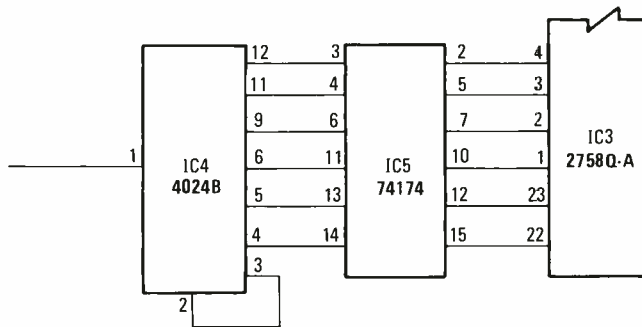


FIG. 4—YOU CAN USE BOTH PAGES OF THE PROM if you make the circuit modifications shown here.

memory size. The 2758 is actually a rejected 2716 that has half it's memory usable. The other half didn't meet manufacturing specs. Depending on the letter designation following the 2758 number, either the top half or the bottom half of the 16K of memory will be usable. For a 2758Q-A (National number) the highest address line, pin 19, is tied to ground and the lower 8K of memory is used. With a 2758Q-B, pin 19 is tied to V_{cc} .

Since the 2758 PROM is an 8×1024 , it can contain

64 paragraphs if you wish. I had trouble coming up with that many original display routines and used 32. As shown in the schematic, pin 22 is grounded to limit the PROM to the bottom page. You could use all 64 paragraphs, both pages, by making the changes shown in Fig. 4.

Figure 5 shows some program examples. A circle lighting clockwise and unlighting counterclockwise is shown in hexadecimal in Fig. 5-a. A dot moving left to right along the line is shown in Fig. 5-b. Fig. 6 is a hexadecimal listing of the 8×512 page I used. Notice that some paragraphs repeat a sequence twice. If you make up your own routines, don't use over fifteen steps or you'll lose the reset signal and the box will repeat the same paragraph over and over.

The power supply is a plug-in battery eliminator. Any unit supplying over 6 volts DC at 300 mA or more will work fine. The regulator (IC10) provides the 5 volts required by the IC's. Use a heat sink. The LED's specified are high light output, but any type will work. Nearly any small-signal PNP transistors will work for Q1 and Q2.

You'll notice I used CMOS counter IC's rather than TTL. TTL counters are noise sensitive. A printed-circuit board for TTL would require wide power-supply lines

```

40      81
60      41
70      21
78      11
7C      09
7E      05
FE      03
7E      00

7C      00
78      00
70      00
60      00
40      00
00      00
00      00
00      00

a      b

```

FIG. 5—TWO PROGRAMS for setting up displays. A circle lighting clockwise and blacking-out counterclockwise is shown in hexadecimal at a. Program b is the hexadecimal representation of a dot of light moving left to right along the line.

```

DUMF VERSION 1.11 - OFFSET=7400
0000 40 20 10 08 04 02 00 00 00 00 00 00 00 00 00 00 00 00
0010 40 80 02 04 06 10 20 00 00 00 00 00 00 00 00 00 00
0020 40 20 10 08 04 02 00 00 04 08 10 20 40 00 00 00 00
0030 40 80 02 04 06 10 20 10 00 04 08 10 20 40 00 00 00
0040 40 80 70 78 7C 7E 7E 7E 7E 7C 78 70 60 40 00 00 00
0050 40 00 C2 C6 CE FE FE FE FE FE CE C2 C0 40 00 00 00
0060 40 04 20 02 10 00 00 40 00 00 00 00 00 00 00 00 00
0070 40 04 20 02 10 00 00 40 04 20 02 10 80 00 40 00 00
0080 40 08 80 10 02 20 04 40 00 00 00 00 00 00 00 00 00
0090 40 08 80 10 02 20 04 40 08 80 10 02 20 04 40 00 00
00A0 40 C0 C2 C6 CE FE FE FE FE 7C 7E 7E 70 60 40 00 00
00B0 40 60 70 78 7C 7E FE FE FE CE C2 C0 40 00 00 00 00
00C0 81 41 21 11 09 05 03 00 00 00 00 00 00 00 00 00 00
00D0 81 41 21 11 09 05 03 E1 41 21 11 09 05 03 00 00 00
00E0 83 05 09 11 21 41 81 8C 05 09 11 21 41 81 8C 00 00
00F0 83 05 09 11 21 41 81 8C 05 09 11 21 41 81 8C 00 00
0100 81 41 21 11 09 05 03 05 09 11 21 41 81 8C 00 00 00
0110 83 05 09 11 21 41 81 41 21 11 09 05 03 00 00 00 00
0120 81 C1 E1 F1 F9 FD FF F0 F9 F1 E1 C1 81 00 00 00 00
0130 83 07 0F 1F 3F 7F FF 7F 3F 1F 0F 07 03 00 00 00 00
0140 83 07 0F 1F 3F 7F FF F0 F9 F1 E1 C1 81 00 00 00 00
0150 81 C1 E1 F1 F9 FD FF F0 F9 F1 E1 C1 81 00 00 00 00
0160 83 45 29 11 00 00 00 00 00 00 00 00 00 00 00 00 00
0170 11 29 45 83 00 00 00 00 00 00 00 00 00 00 00 00 00
0180 83 45 29 11 82 45 29 11 00 00 00 00 00 00 00 00 00
0190 11 29 45 83 11 29 45 83 00 00 00 00 00 00 00 00 00
01A0 83 C7 EF FF 7D 39 11 00 00 00 00 00 00 00 00 00 00
01B0 11 39 7D FF EF C7 83 00 00 00 00 00 00 00 00 00 00
01C0 81 40 20 10 08 03 00 00 00 00 00 00 00 00 00 00 00
01D0 81 40 00 02 04 03 00 00 00 00 00 00 00 00 00 00 00
01E0 81 40 20 10 08 05 09 11 21 40 00 02 04 03 00 00 00
01F0 83 05 09 11 21 40 80 02 04 08 10 20 40 81 00 00 00

```

FIG. 6—A HEXADECIMAL LISTING of the 8 × 512 page used in this version of the do-nothing box.

to minimize noise. But I used wire-wrap to build the Do-Nothing Box and noisy power lines are hard to avoid with that technique. That's why I used CMOS counters. They are less noise susceptible and the frequencies involved here are well within their range. Be sure to use B-series IC's (a letter B follows the type number) to insure TTL drive-capability, and observe proper handling techniques.)

A 4 × 5 box holds everything nicely and gives a fair size display. I used red plastic in place of the regular box cover. This was done for improved contrast. You could use a larger display, or even incandescent lamps if you wish, by replacing the LED's with transistor drivers. But whatever format you chose, this circuit will create an interesting "do-nothing" display. **SP**

Would you hire a person with epilepsy?

There is no reason a person with epilepsy should have to lie about the condition. But some do. Because they've learned that telling the truth means they won't be hired. They are given many reasons. Here are some of them. Included are some facts.

Absenteeism. Companies that do employ people with epilepsy reveal that employees with this condition are reliable and conscientious workers who often rate better in job performance, attendance, safety, and job stability than their non-handicapped co-workers.

Insurance and workers' compensation costs. Accident insurance rates do not increase when people with epilepsy are employed. It must be remembered that accident insurance rates are not based on who's employed, but rather they are based on the actual accident experience of the company and of other similar companies in the same area.



Employee reactions. It has been shown that employees when given the facts, are most understanding. And even if a person has a seizure on the job, co-workers are not alarmed but quite helpful.

Get the facts about epilepsy and employment by contacting your local chapter of the Epilepsy Foundation of America.

Epilepsy

It's not what you think.

Help light the candle of understanding.
Epilepsy Foundation of America, 1828 L Street, N.W., Washington, D.C. 20036.
(Incorporating the former National Epilepsy League.)

SPECIAL PROJECTS

This space donated by the publisher

1-IC

BURGLAR-ALARM DELAY

You want burglars caught, not scared away with part of the loot

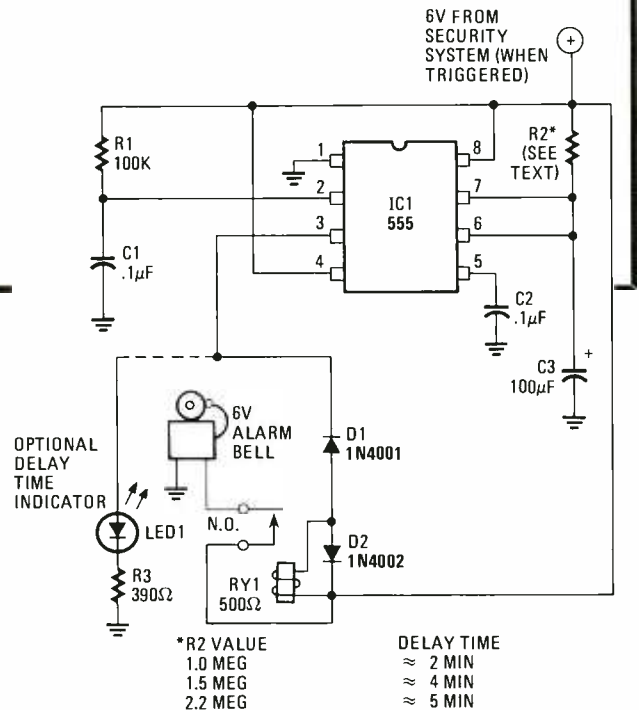
CRAIG ANDERSON

RECENTLY, A FRIEND APPROACHED ME WITH A HOME-security problem. He had installed a complete electronic security system, including an alarm and police-dialing service. However, there was a problem; as soon as the alarm went off, the thieves took what they could get and then cleared out before the police arrived. What my friend needed was a circuit that would delay the sounding of the alarm bell for a few minutes—just long enough for the police to arrive, and we hope, catch the thieves red-handed.

The diagram shows the circuit I devised to solve the problem. Normally, as soon as the intrusion detector is tripped, the police dialer goes into action, and 6 volts DC is applied to the alarm bell. With the circuit shown, the voltage normally going to the bell is now applied to the point labelled (+) on the schematic. After a delay set by the value of resistor R2, the bell—now connected to the delay circuit's relay—turns on.

There are a few points worth mentioning about the circuit. First of all, R1—C1 insure that the trigger pin (pin 2) will be at ground potential when power reaches the 555 in order to trigger it reliably. After a few milliseconds, C1 charges up and pin 2 goes high again.

The optional delay-time indicator LED starts glowing as soon as the circuit is tripped, and remains lit for the duration of the delay. When the alarm bell goes



THE VOLTAGE that would normally go the bell is now applied to point (+), delaying the sound.

off, the LED extinguishes.

The relay has a 500-ohm coil and normally open contacts. With pin 3 in the high state, the relay coil is non-energized. After pin 3 goes to ground at the end of the delay cycle, the coil energizes by sinking to ground through the 555 output stage and connects the bell to the 6-volt supply. The protective diodes are used to prevent latch-up with an inductive load such as the relay coil.

Note that the 555 must be a standard type; the low-power version (L555) is not suitable for this circuit. Also note that the leakage of C3 must be fairly low if R2 is going to be any greater than 2.2 megohms. Finally, the timing accuracy of this circuit is dependent on the value of C3. With different capacitors, you might have slightly different timing intervals from the ones listed. You may need to vary the value of R2 a little bit in order to compensate for variations in C3. Of course, you could always replace R2 with a 2- to 5-meg trimmer if you want to set a specific delay time.

That's about all there is to it; we can now hope that, if my friend's house is broken into again, the police will be ready and waiting when the would-be thieves start their getaway.

PARTS LIST

RESISTORS

R1—100,000 ohms, ¼ watt, 10%
R2—1 megohm to 2.2 megohms, ¼ watt, 10%. See text

CAPACITORS

C1, C2—0.1 µF, 10 volts or higher, ceramic disc
C3—100 µF, 10 volts or higher, electrolytic

SEMICONDUCTORS

D1, D2—1N4001 or equal silicon diode
IC1—555 timer
RY1—relay, 6 VDC coil, normally open single-pole contact

OPTIONAL

R3—390 ohms, ¼ watt, 10%
LED1—general-purpose red LED

SP

VCR/TV PROGRAMMING ADAPTOR

Here's how you can use your VCR to make your TV set programmable, for less than \$25.

KIRK VISTAIN

PROGRAMMABLE TV SETS ARE HERE. NOW YOU CAN SET them up and forget them. They come on automatically, change channels, and shut themselves off, all without human intervention after initial programming. What is that good for? Well, for one thing, they can turn themselves on when your favorite shows are on and turn themselves off when they're over. A less publicized, but useful application is to make the house seem lived in when you are on vacation. Most burglars won't chance a break-in if they hear voices, or notice that the TV is on just as when you're home.

Of course, those programmable sets are expensive. But with the device outlined in this article, you can use your VCR to turn any television set into a programmable one, whose versatility is limited only by the programming abilities of your VCR's timer. All that will cost you less than \$25 and your time. Installation is simple and requires no internal wiring changes to TV or VCR. In fact, you don't have to open up either unit at all.

How to use it

This unit was specifically designed to turn on the TV automatically and play a videotape at pre-arranged times as part of an over-all programmed entertainment system. It also works well as strictly a TV programmer, thanks to the tuners built into most VCR's. I know some of you are thinking, "It's going to wear my heads out, having the machine on all the time." Fortunately that is not the case with most of the seven-day programmable VCR's, which can turn the tuner

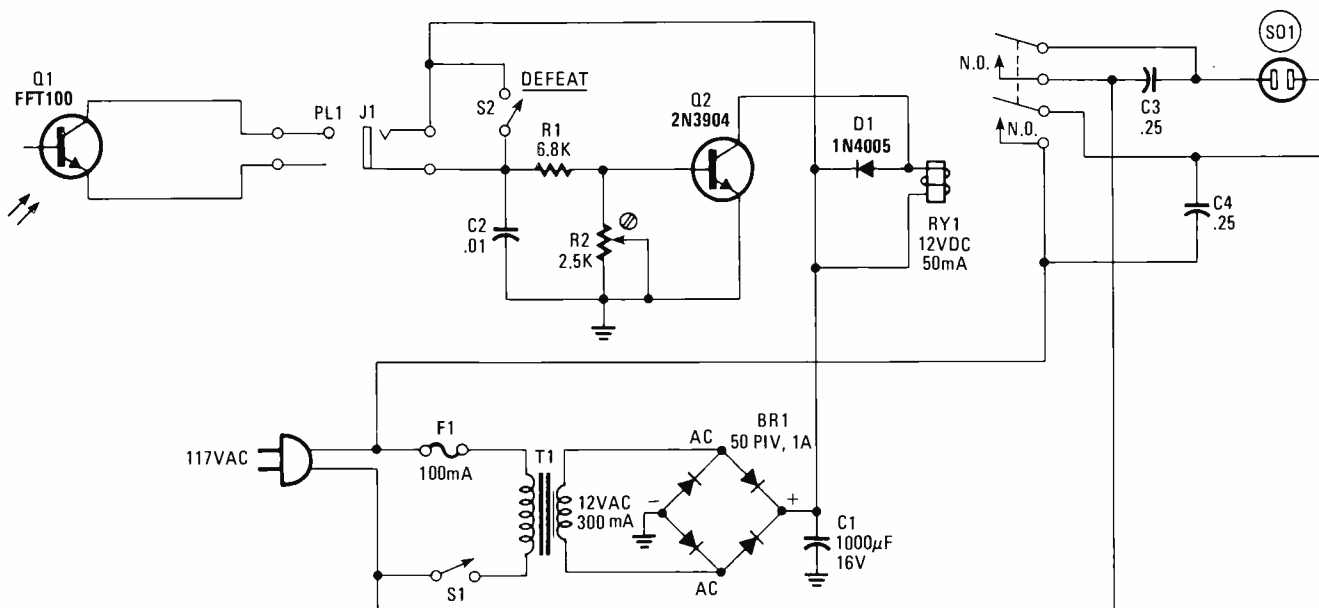
on by itself. The motors and heads on most models rotate only when the unit is in play or record modes.

You must, of course, remember to set the TV's tuner for whatever channel the VCR uses to broadcast. If your TV has a rotary selector or locking pushbuttons, there is no problem. But, if yours has momentary-contact type channel selector, you may have to put a small shim between the channel button and the cabinet to hold the channel selection. Remember that all power is removed from the machine and thus any "last-channel-selected" memory will be erased. Switch S1 (Fig. 1) turns the programming adaptor on, and S2 provides a defeat function, which allows the TV to operate normally.

How it works

The TV programming adaptor uses a phototransistor to sense when the pilot light on the VCR comes on. Current through the base of Q2 is insufficient to cause conduction when phototransistor Q1 is not illuminated. (VCR is off). As soon as the pilot light on the VCR is energized its light strikes Q1, which then conducts and supplies current to the base of Q2. Transistor Q2 conducts and energizes relay RY1. The relay contacts close and supply power to the TV set. Then, whatever program has been selected on the VCR appears on the TV screen.

A relay was used, rather than a triac, in order to keep circuitry as simple as possible, and to provide total isolation from the power line for safety. The diode across RY1's coil protects Q2 by damping the



SWITCH S1 turns the programming adaptor on, and S2 provides a defeat function, which allows the TV to operate normally.

inductive kickback which occurs when the relay is de-energized. The capacitors across the relay contacts are arc suppressors, which protect the contacts and reduce switching noise. Switches S1 and S2 provide power and manual/auto switching. Pot R2 is an optional sensitivity control, which I did not find necessary, but

which might prove useful if other transistors are used to build the circuit.

The best way to wire-up this device is with perforated board and solder clips. As an alternative, you can etch a board to include all parts except the phototransistor and AC socket. A small project box contains the device. Be sure J1 is insulated from the chassis if you use a metal enclosure.

PARTS LIST

RESISTORS

R1—6800 ohms, ¼ watt
R2—2500 ohms, trimmer pot

CAPACITORS

C1—1000 µF, 16 volts
C2—.01 µF
C3, C4—0.25 µF, 250 volts

SEMICONDUCTORS

Q1—FPT100 or equal photo-transistor
Q2—2N3904
D1—1N4005

MISCELLANEOUS

T1—power transformer, 12 VAC, 300 mA (Radio Shack 273-1385)
RY1—miniature relay, 12 VDC, DPDT contacts (Radio Shack 275-206)
S1, S2—SPST switch
F1—quick-blow fuse, 0.1 amp with holder
SC1—chassis-mount polarized AC receptacle
PL1—miniature phone plug or RCA phono plug to match J1
J1—miniature phone jack or RCA-type phono jack to match PL1

A word of caution here: Many TV's have polarized AC plugs, which are designed to fit into matching sockets. Don't defeat that system! Observe proper polarity throughout! Failure to observe that precaution may result in the TV chassis being connected to the high side of the AC line, and that is just asking for an electric shock. You can identify a polarized plug by comparing the blades. One is wider than the other or has tabs that prevent it from being inserted the wrong way. If your TV doesn't have a polarized plug, you needn't worry about it.

The design of the remote phototransistor probe is really dependent upon the type of VCR you have. Just remember that the interface between Q1 and the pilot light must be light-tight. I mounted the sensor in an assembly composed of a couple of grommets and some shrink tubing. That slipped around the pilot lamp, which was raised from the surface of my particular VCR. Finally, be sure you have a reddish pilot. Due to its spectral response, Q1 does not work well with green ones.

That completes your TV programming adaptor. Good luck, and happy viewing!

COMMON PRODUCTS MAKE HANDY CABINETS

You can beat the housing shortage with a little imagination and some common items.

GERALD E. WILLIAMS

IN EARLIER STORIES WE DESCRIBED unique methods of making circuit boards, connectors and other electronic components. Now let's consider housings. Survey your local supermarket and hardware stores for any plastic or metal object that can be adapted to house your electronic project. I will give you a few examples, but most of it will be up to you. The procedure is simply to think about what size and shape will fit your needs, and then go and see if you can find something that will look nice and do the job. It is not always easy. You must first forget the purpose for which the plastic or metal goodie was originally designed. Secondly, you must pick up any likely candidate and turn it upside-down and backwards to see if it will do your job in some strange position. Here are some examples.

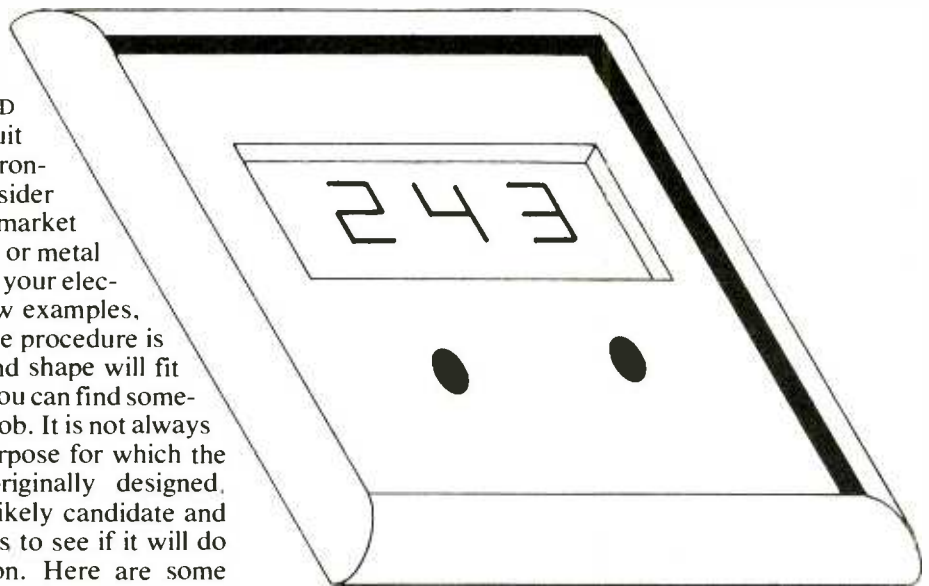


FIG. 1—PICTURE FRAMES make handy and attractive housings for some types of projects.

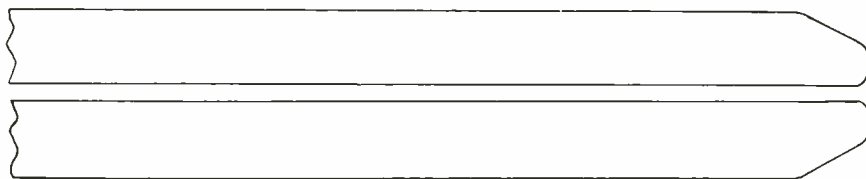


FIG. 2—TWO PICTURE FRAMES back-to-back provide the extra depth you'll need for some projects. For a modern up-to-date look, consider the box-like clear plastic picture frames.

Let picture frames house your projects

Picture frames are available in many sizes and shapes. Cut a piece of Masonite to fit in place of the picture for the control panel. Add four rubber feet and you have an attractive housing for those projects that can be set flat on a table. See Fig. 1.

If you need more depth, use two identical frames back-to-back. If you use frames with the general shape shown in Fig. 2, the housing will give the illusion that it is much more shallow than it really is.

Low-profile cabinet from a paint-thinner can

An empty paint thinner can, a couple of scraps of wood, some vinyl contact paper, a small scrap of Formica, and a couple of short lengths of wood dowel make up the bill of material for an attractive modern



FIG. 3—ELECTRONIC PROJECT housed in a cabinet made from a paint-thinner can.

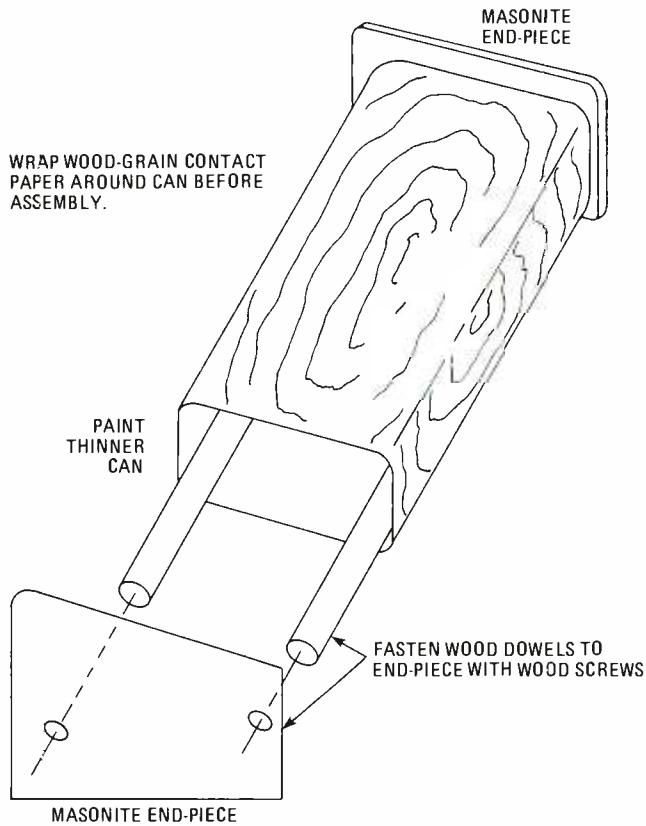


FIG. 4—HOW THE TIN-CAN ENCLOSURE GOES TOGETHER. A one-quart can makes a housing about 7 inches wide, 4¼ inches deep and 2 inches high. Scraps of oak, mahogany or similar hardwood make attractive end-pieces.



FIG. 5—PLASTIC PIPE forms a handy housing for probes and testers. (Photo; courtesy of American Technical Society)

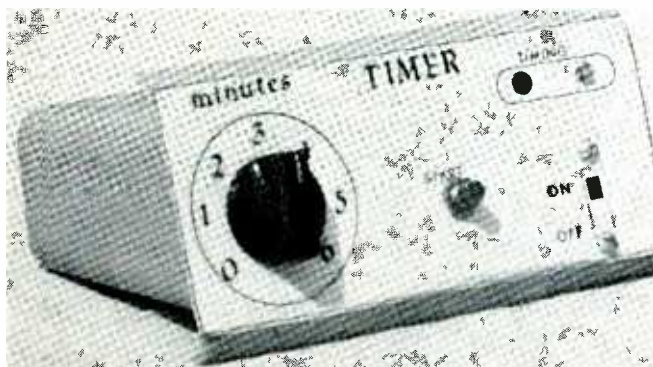


FIG. 7—SILVERWARE DRAINER is the basis for the attractive housing for an electronic timer.

cabinet. Figure 3 shows the finished product and Fig. 4 shows how it is made.

Front and back panels can be made from solid color Formica, brass, copper, aluminum, or whatever suits your decorators taste. Front and back panels also add necessary stiffness to the light-weight metal used in the can. You can use an ordinary electric drill to make holes for controls and so on, but be careful of sharp edges.

Using PVC plastic pipe

Plastic pipe can be used to house probes, or for more imaginative purposes like the tester unit and flashlight support shown in Figs. 5 and 6.

I built the tester unit as a project for junior high students¹. It is made from a 1½-inch plastic tee, a couple of caps, a ¾-inch nipple, and a cast iron pipe flange for a weighted base. The folding stand was designed to support a lantern-type flashlight that was used for a light-beam communications system. It is made of thick wall ½-inch plastic pipe and standard fittings. All parts are glued with PVC cement except for the moveable joints.

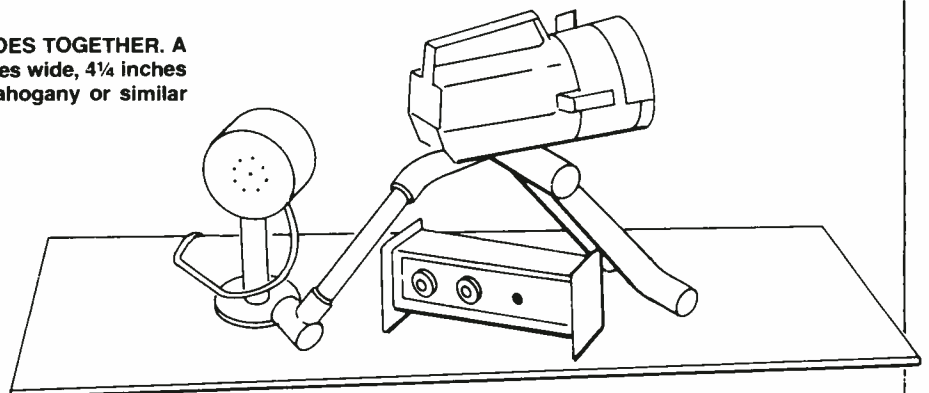


FIG. 6—PLASTIC PIPE with ells tees and similar fittings can be used for mechanical devices such as this tripod used to support an electronic project.

Take some time to browse in the plastic pipe section of your local building supply store and see if you don't come up with some other novel uses for this versatile plastic.

Housings from your supermarket

Your local supermarket carries a variety of plastic and metal trays, boxes, and so on. An aluminum baking tin makes an excellent chassis. Some plastic items are stiff enough and rugged enough to make excellent housings for electronics projects. Figure 7 shows a silverware drainer used as a cabinet for an electronic darkroom timer. With this one example, I leave the rest to your ingenuity. Good luck in beating the housing shortage.

SP

¹"The Basic Book of Electricity and Electronics" by Gerald E. Williams, Industrial Arts Series, American Technical Society

RELIABLE BURGLAR ALARM

This alarm system works well in the home or car, uses commonly available parts, and is inexpensive to build.

EDWARD R. CONNER

TO BE COMPLETELY SATISFACTORY, A BURGLAR ALARM should fill a variety of needs. It must develop a loud attention-getting sound that will be heard by neighbors, but only when a break-in occurs. It should remind the returning owner that it is on and needs to be turned off before a false alarm is sounded. It should also signify that no intruder has entered during the owner's absence. It should operate with either normally open or normally closed momentary-action switches and should have a "panic mode" so the outside alarm can be instantly started when the need arises. If, and when, it is set off, the alarm should shut itself off after a reasonable period. It should be compact, inexpensive and use readily available components.

This system meets these requirements in a highly reliable manner. Briefly, system operation consists of:

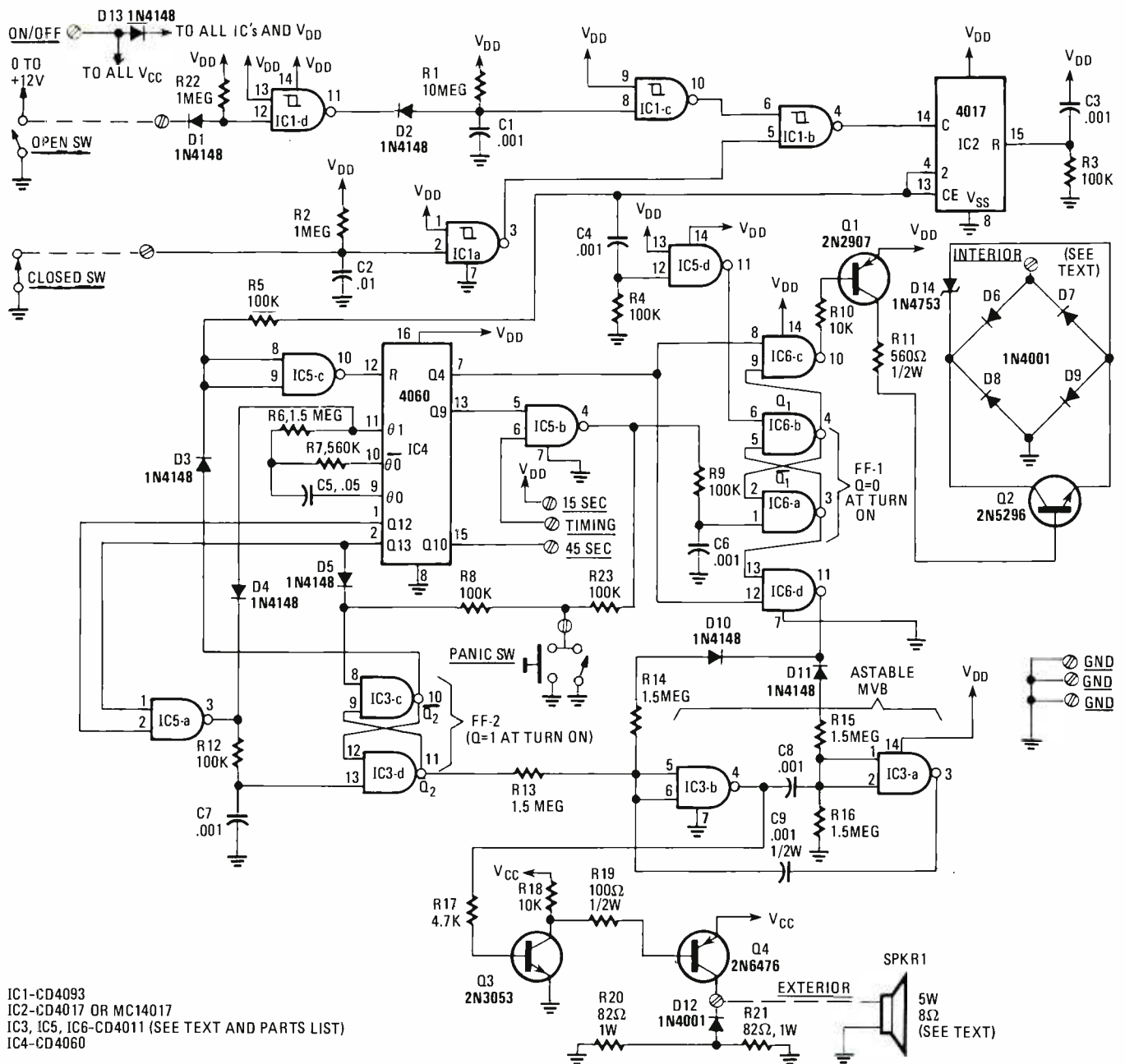
- 1. Latching on** after counting two entry-switch operations. The first actuation occurs when you turn on the system and leave the house or vehicle. The second occurs at the next entry.
- 2. When you re-enter** the protected area, a low-noise-level alarm starts. This signal tells you two things. (A) The alarm is still on and needs to be turned off before the out-door alarm sounds off. (B) No one has been in the protected area in your absence. The interior alarm also tells an intruder that he has set something off. To prevent his finding and silencing the alarm, this phase of operation is of short duration. About 15 seconds is used in a vehicle while about 45 seconds is used when protecting a more spacious area.
- 3. At the end of** the selected period the interior alarm turns off and the attention-getting outside alarm is turned on.
- 4. Approximately 6 minutes** after re-entry, the exterior alarm shuts off.

- 5. Anytime that the alarm system** is turned on, a panic switch can be used to immediately start the siren. Again, it will be automatically shut off after about 6 minutes.

The schematic of the logic and output-drive circuits in the control box is in Fig. 1. Figure 2 shows how the switches and alarms connect to the logic and drive systems in the control box while Fig. 3 is a photo of the control box. Note that it is small enough to be easily concealed. Figure 4 shows the shorting bar used to determine interior-alarm duration.

Entry switches

The alarm system is designed to be triggered by the closure of any one of a number of parallel-connected open switches or by the opening of one of a number of closed momentary switches. See Fig. 2. (The closed switches can be normally *open* switches that are held closed by a door or window when it is secured. Similarly, the open switches can be normally *closed* types that are held open by a door or window.) The open switches form a path to ground when closed. This pulls the input of the Schmitt-trigger connected NAND gate (IC1-d) to logic 0 via diode D1. The open switches must be connected in parallel and any number can be used. This switching mode was designed to be operated by normally closed switches set into the door jambs of most automobiles. (Note: The door switch must be wired so it closes and completes a path directly to ground when the door is opened. Most older cars have this type of hookup; some newer models do not.) These switches turn on the car's courtesy lights when the door is opened so full battery voltage appears across the switch when the door is closed. Diode D1 is back-biased and blocks this voltage (up to +75 volts) and the input to the gate is held at logic 1 by V_{DD} applied through the 1-megohm resistor.



IC1-CD4093
 IC2-CD4017 OR MC14017
 IC3, IC5, IC6-CD4011 (SEE TEXT AND PARTS LIST)
 IC4-CD4060

FIG. 1—SCHEMATIC DIAGRAM OF THE CONTROL LOGIC and drive circuits for the intruder alarm system. Device includes a low-level interior alarm that reminds you to disable the circuit before the loud alarm siren sound outside.

Any other type of normally open momentary switch can be used. A common type in residential and business installations is the type of pad that goes under a rug and the contacts close when stepped on. Open switches need not have DC applied to them. All they must do is make and break a path to ground.

The normally closed switches also complete a path to ground. In this case it short-circuits C2 to ground and clamps the input of Schmitt trigger IC1-a at logic 0. (Any number of closed switches can be used and must all be connected in series.) This switching mode was designed to use the popular and highly reliable magnet-operated reed switch. Usually, this type of switch is normally open and will have its contacts closed when the magnet is close to it. Any other switch that provides a closed path when the system is first turned on can be used. The conductive foil around a window serves as this type of switch. If no closed switches are used in the

system, connect a shorting jumper between the CLOSED SWITCH and GROUND terminals to pull C2 and the input gate to logic 0.

Alarm operation

When an open switch is closed the input to gate IC1-d goes to logic 0 and switches its output to logic 1 and reverse-biases diode D2. This allows V_{DD} to start charging C1 through R1. The input gate of Schmitt trigger IC1-c will rise to triggering level after a switch de-bouncing RC time interval. Now the output of IC1-c switches to logic 0. This causes IC1-b's output to switch from logic 0 to logic 1. This rising voltage clocks the 4017 decade counter (IC2) for one count.

If, instead, a closed-type switch is opened, V_{DD} charges C2 through R2 and the gate input rises gradually to trigger level. The output of gate IC1-a goes to logic 0, causing the output of IC1-b to switch to logic 1 and clock a count into the 4017. (Note that with an open switch left closed or a closed switch left open, actuating any other switch of either type will not send an addi-

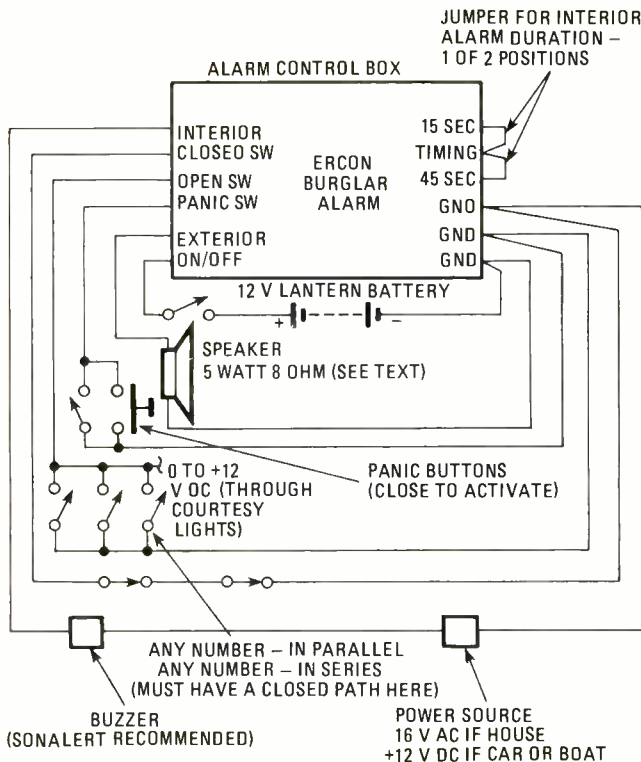


FIG. 2—BLOCK DIAGRAM SHOWS HOW the alarms and various switches connect to control box. The same terminal markings are used on the schematic diagram and the actual control box.



FIG. 3—EXTERIOR VIEW OF THE CONTROL BOX. The enclosure is 1.4 x 3.8 x 6 inches—easy to conceal from prying eyes.

tional clocking pulse to the 4017.)

At system turn-on the C3-R3 network resets the 4017 to a count of zero. The effective pulse width here is less than 1/100 of the de-bouncing rise time for triggering either IC1-a or IC1-c. This means that the system can be turned on at count of 0 and about 9 ms later go into a count of 1 because a door was inadvertently left open at the time of turn-on. If all switches are not subsequently put into the correct condition, the alarm cannot be given that all-important second count that starts it.

The 4017 counter advances one count on each up-going of a clock pulse providing the Clock Enable input (CE) is held at logic 0. Pre-setting the counter at a count of 0 starts it with its count-2 output at logic 0. At the

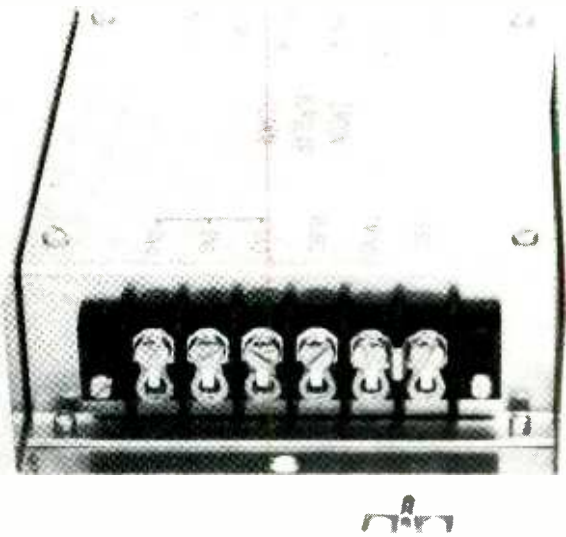


FIG. 4—SHORTING BAR between two selected terminals determines how long the interior alarm sounds. In this photo, the bar is set for 15-second timing. Extra shorting bar in the foreground is slotted for easy changing. Exact style depends on manufacturer used.

second clocking this output goes high. Connecting the CE terminal to the count-2 output causes the 4017 to stop at a count of 2. This means the alarm is latched on a 2 count and anything done with the entry switches is no longer significant. The system will now run its full cycle unless the power is shut off.

When the count-2 output goes high it applies V_{DD} to C4 and R4 at the input to gate IC5-d, to both inputs of gate IC5-c and reverse-biases diode D3. At this time, resistor R5 serves no useful function. When the inputs to IC5-c go high, its output and the reset terminal of the 4060 binary counter (IC4) go low.

A high on its reset pin sets all ten 4060 outputs at 0 and prevents any counting activity. When the reset is taken low, an internal oscillator then starts clocking the counter. Oscillator frequency is set to about 16 Hz by R6, R7 and C5. The Q_4 output divides this down to produce a squarewave of about 1 Hz with the first "high" starting one-half second after the 2-count on the 4017.

When the 4017's output high is applied to C4-R4, it pulses gate IC5-d low at its output. This low is applied to the input of a flip-flop made up of IC6-a and IC6-b. This the flip-flop's Q_1 output to go high. Consequently, gate IC6-c's output goes low whenever the 1-Hz squarewave from the 4060 is high. A low to the base of transistor Q1 turns on the inside alarm. This alarm sounds for one-half second, is silent for one-half second, etc.

The diode bridge around transistor Q2 will operate either AC or DC powered interior alarms. The intent is to power the inside alarm from either the doorbell/chime transformer in a building or the storage battery in a car or boat. This conserves the battery that powers the alarm system and the outdoor alarm siren. Note that during the negative half-cycle of an AC voltage, the current through R11 is due to V_{DD} plus the AC voltage

level. The 1/2-watt rating for R11 is adequate for use with the common 16-volt chime transformers. At higher voltages you must determine the currents and power dissipation and upgrade R11's wattage rating accordingly. Be sure to observe supply polarity when operating the interior alarm from a DC source. Positive to the alarm; negative to ground. The Zener diode across Q2 protects it from overloads and transients developed when power to an inductive load is suddenly shut off.

Successive counter stages fed from the Q₄ output in the 4060 divide down the 1-Hz square wave into progressively lower frequencies and give longer times before a high occurs. Also, as each stage goes high, all preceding stages go low. Additional outputs used to control the alarm system's action and the *nominal times* to go high are Q₉ at 16 seconds, Q₁₀ at 32 seconds, Q₁₂ at 128 seconds and Q₁₃ at 256 seconds.

NAND gate IC5-b has the Q₉ output of the binary counter connected directly to one of its inputs while the other can be connected, via a jumper, to either V_{DD} or to IC4's Q₁₀ output terminal. With inputs from Q₉ and V_{DD} IC5-b's output goes low at a *theoretical* 16 seconds. With inputs from Q₉ and Q₁₀ IC5-b's output goes low after 16 + 32 or 48 seconds. When IC5-b's output goes low it causes flip-flops FF1 and FF2 to go to condition Q̄=1.

(The actual time delays mentioned above depend on the supply voltage and the "stiffness" of its source. When a 12-volt battery is used, its output voltage drops under load and the time delays vary. When a small motorcycle or marine storage battery is used the time delays are more predictable.)

When FF1 switches to Q₁=0, the Q=1 the output of IC6-c will be a steady high which silences the interior alarm and the output of IC6-d becomes a 1-Hz square-wave.

At turn-on, FF2 (IC3-c and IC3-d) is pulsed by R2-C7 to a condition of Q₂=1 which inhibits oscillation of the astable multivibrator. When IC5-b switches FF2 to Q=1, Q=0, the astable multivibrator starts sending a squarewave to the speaker through amplifier transistors Q3 and Q4. When IC6-d's output is high, D10 and D11 are back-biased and the multivibrator frequency will be about 700Hz. When IC6-d's output is low, it puts R13, R14, R15 and R16 all in parallel and the multivibrator's frequency is raised to about 1400 Hz. The result is a "hee-haw" siren sound from the speaker.

The diode/resistor combination across the speaker may seem odd—particularly in view of the use of two paralleled 1-watt resistors. The design for extreme drive conditions called for a 41-ohm resistor and showed that 1/2-watt resistors would be marginal. Allowing for component tolerance, I used two 82-ohm 1-watt resistors.

When the binary counter (IC4) counts to a condition of Q₁₂=1 after Q₁₃ has previously gone to logic 1, a nominal time of 256 + 128 = 384 seconds (6 minutes and 24 seconds) will have elapsed. The output from gate IC5-a now goes low. This switches FF2 back to a condition of Q₂=1. This shuts off the astable multivibrator and shuts off the siren. As the output of IC5-a goes low, it also cuts off the oscillator in the 4060 through D4. At this point, power is still applied to the alarm but is silent and will remain so until it is shut off and then restarted.

Panic mode

The panic-mode capability simply requires the addition a number of normally open switches. They start things going when the junction of R8 and R23 is pulsed or pulled to ground. Simple doorbell switches make good panic switches in the home or shop.

With power on and the alarm not triggered, output 2 of the 4017 is low. Throwing or pressing a panic switch changes FF2 to Q₂=0. This starts the astable and the siren noise. Also, Q₂=0 also says Q̄₂=1 which is routed to the inputs of gate IC5-c through D3. Resistor R5 is now needed to prevent the low input of the 4017 from shorting out the inputs to IC5-c. The output of IC5-c now goes low, allowing the 4060 to start counting toward system shut-off. Diode D4 and resistor R8 are needed to shut down the system if a panic switch remains as a path to ground. The system shuts down after the Q₁₃ and Q₁₂ outputs of IC4 have both gone low. Note that the siren comes on the instant a panic switch is closed and remains on for the full time period. The interior alarm is not heard in this mode of operation.

ALARM SYSTEM PARTS LIST

RESISTORS

Resistors 1/4 watt, 10% unless otherwise noted

- R1—10 megohms
- R2, R22—1.0 megohms
- R3, R4, R5, R8, R9, R12, R23—100,000 ohms
- R6, R13—R16—1.5 megohms
- R7—560,000 ohms
- R10, R18—10,000 ohms
- R11—560 ohms, 1/2 watt
- R17—4700 ohms
- R19—100 ohms, 1/2 watt
- R20, R21—82 ohms, 1 watt

CAPACITORS

- C1, C3, C4, C6—C9—0.001 μF
- C2—0.01 μF
- C5—0.05 μF

SEMICONDUCTORS

- IC1—CD4093BE (RCA) or CD4093BCN (National) quad 2-input NAND Schmitt trigger
- IC2—CD4017 or MC14017 decade counter/divider with 10 decoded decimal outputs
- IC3—CD4011AE (RCA), CD4011BCN (National) or MC4011BCP (Motorola), quad 2-input NAND gates
- IC4—CD4060—14-stage ripple-carry binary counter
- IC5, IC6—CD4011 or MC14011 quad 2-input NAND gates
- Q1—2N2907
- Q2—2N5296
- Q3—2N3053
- Q4—2N6476
- D1, D2—D5, D10, D11, D13—1N4148 or 1N914
- D6—D9, D12—1N4001
- D14—1N4753, Zener diode, 36 volts, 1 watt

MISCELLANEOUS:

Speaker (see text), interior alarm (see text), switches as needed PC board, case, hardware.

The following are available from Ercon Co.,
6744 48 Avenue SW, Seattle, WA 98136:

BA-5PC—PC board etched and drilled—\$6.95

BA-5K—hardware kit including PC board, name plate, housing, barrier strips, shorting bar, screws—\$24.50

BA-5—Fully assembled and tested control box (does not include batteries, alarms, switches)—\$47.50

All items post paid anywhere in the U.S. Washington residents please add 5.3% King county sales tax.

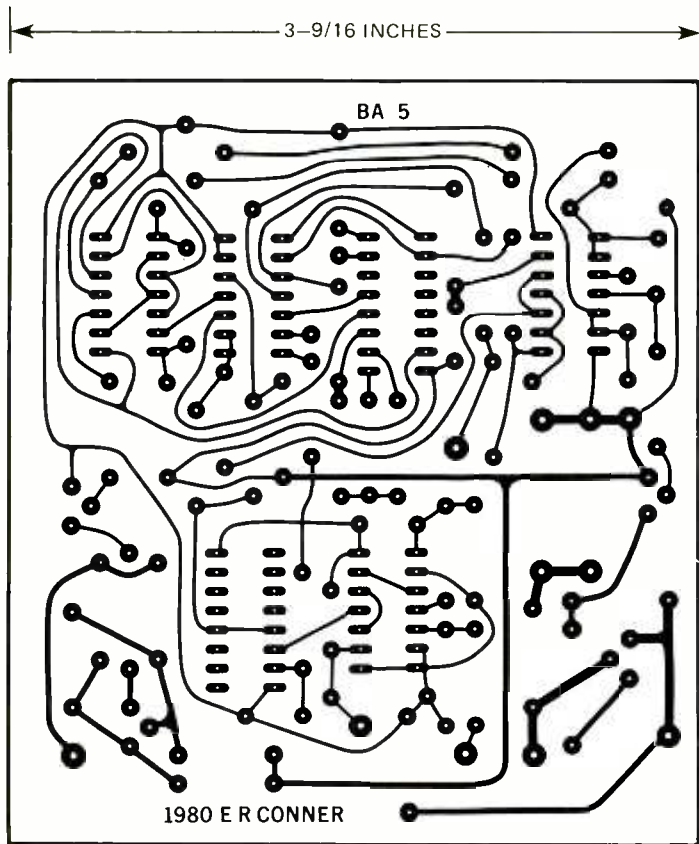


FIG. 5—FOIL PATTERN FOR THE PC BOARD. The layout is easy to duplicate. An inexpensive etched and drilled board is available from a source given in the parts list.

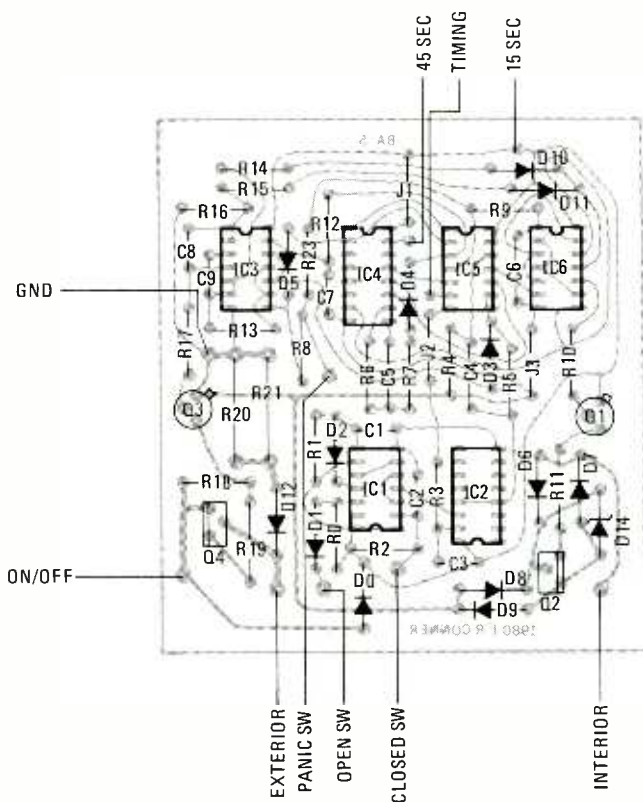


FIG. 6—HOW PARTS ARE PLACED on the PC board. CD4011 IC's are used in three positions. The type used for IC3 is critical. See text and parts list.

The simple addition of bed-side panic switches provides an added measure of security for the homeowner as he retires for the night. For a shop keeper with people coming and going, an additional switch must be added to the entry-switch system. Adding a toggle switch across the open switch string will take D1 to ground and hold the 4017 at a count of 1. Similarly, the same results can be had by adding a switch across the closed switching network. When leaving the shop this added switch must be returned to its normal position or the alarm system will be left disabled.

Powering the alarm

This alarm system was designed to be powered by a 12-volt lantern battery and use a single 8-ohm speaker for siren output. Upper-limit capability will allow two paralleled 12-volt lantern batteries to drive the system with two paralleled 8-ohm speakers for siren output. A 12-volt automotive or marine storage battery and a single 8-ohm speaker is also acceptable. Going beyond these limits is possible but you do so at the risk of burning out transistor Q4.

When the system is powered by a 12-volt lantern battery the siren drive voltage starts at about 11 volts and drops during operation. This directly acts to limit heating in Q4. The dropping voltage also tends to speed up the oscillator in the 4060 so that a time of about 5 minutes and 45 seconds for total operation is generally obtained. This too, limits heating in Q4.

A fully charged automotive or marine battery will actually apply about 13.4 volts throughout a full operating sequence; even with two 8-ohm speakers in parallel. To survive, Q4 needs heat sinking. This can be obtained by tying Q4 to the aluminum case of the alarm and keeping the case isolatec from ground.

Don't use a regulated 12-volt supply. Not only is there a danger from AC line transients but even a momentary interruption of AC power will shut off the alarm and turn it back on with a zero count on the 4017. It is then possible for an intruder to enter and leave without having set off the alarm.

A fresh lantern battery will operate the system for more than two years. However, because of battery shelf-life limitations, I recommend changing the battery every twelve months.

Accessories

When operated within the limits of its accessory components a semiconductor control such as this has a tremendous reliability. Consequently, overall reliability is determined by the quality of the accessory components in the system. For the ON/OFF switch, the entry switches and the panic buttons, about all that can be said is "Buy quality." For the speaker, a good quality 5-watt unit is recommended. Going much above 5 watts is not only a waste, but will also increase the inductive loading on the Q4 output network.

The noise maker for the interior alarm is harder to specify. Modern automobiles have several warning buzzers that hold up surprisingly well and can be used in automotive and marine applications. Most hardware stores stock small inexpensive doorbells and buzzers. These can be used in home and shop installations. Note well that all of the devices mentioned above will eventually give problems due to contacts sticking because of arcing or failure of moving parts. In one alarm system, a

doorbell fell apart after about five weeks. However, in another installation two buzzers are used in series. These have been in service for more than four years and are still in good working order.

At only a small increase in system cost a solid-state buzzer such as the Sonalert will provide the utmost in system reliability. A wide variety of both AC and DC Sonalerts are available. If an AC Sonalert is used, a drive voltage of up to 24 volts RMS is acceptable.

Construction

The complete control circuit will fit on a 3.6 × 4.0-inch single-sided PC board. This in turn, fits in a simple two-piece enclosure with overall dimensions of 1.4 × 3.8 × 6.0 inches. A 6-terminal feed-through barrier block is mounted on each end. Two Pop Rivets at each end fasten the enclosure together. Figure 5 shows the foil pattern for the PC board and Fig. 6 shows parts placement.

A full kit of parts is not offered because some types of CMOS IC's are just not available in quantity. Back-orders of several months are common. You can proceed much faster by shopping around locally or by ordering from mail-order suppliers advertising in this magazine and its sister publication **Radio-Electronics**.

Instead of using 5% tolerance resistors throughout, you can use 10%'ers with minimal affect on system timings. For IC2, IC4, IC5 and IC6 either the A series or B series devices are acceptable. For IC1 the Motorola MC14093 part will work, but the wide-hysteresis-voltage devices like those by National or RCA are preferred. When the CD4011 is used as an astable multivibrator, as in IC3, particular stresses are applied to the input circuit and the RCA A series type of protective network is needed to avoid trouble. Transistors Q2 and Q4 are RCA types selected because of performance data given in the handbook. No doubt there is a wide range of possible substitutes but we know that the ones specified will work.

Conclusion

When a good reliable alarm system has been installed, our reward is in having something that the neighbors can really trust and believe in. They will never hear it unless it is necessary that they do so. They should then have no cause to delay calling the police. But, perhaps even more rewarding is the intermittent buzzing of the interior alarm telling you, "Welcome home, no one has been here in your absence." It's a nice thing to hear. **SP**



Microcomputer-Controlled Autoranging DMM Model 2845



- Computer stabilized accuracy to 0.1%
- Auto-perfection
Selects range for maximum resolution
- Audible continuity indicator
Built-in audible tone generator
- G-MOV overload protection
Provides AC and DC voltage range protection to 1000 VDC or AC peak
- Shielded in RF fields
Accuracy maintained in RF fields

- Long life, high reliability
Four hermetically sealed reed relays perform range switching with virtually no contact wear.
- Microcomputer intelligence
Designed around 4-bit microcomputer. Analyzes stored data and range that provides greatest display resolution. Program memory capacity 1024 x 8 bits of ROM supported by 48 x 4 bits of data memory RAM

... in stock and available for immediate delivery.

Dual Trace 5"
30 MHz Triggered Scope
Model 1479A



Sweep/Function
Generator
Model 3020



Semiconductor
Transistor Tester
Model 520B



Portable Digital
Capacitance Meter
Model 820



Order with Confidence and get the Fordham Advantage!

Call for our prices **TOLL FREE**
(800) 645-9518
n N.Y. State call (516) 752-0050

FORDHAM

855 Conklin St. Farmingdale, N.Y. 11735

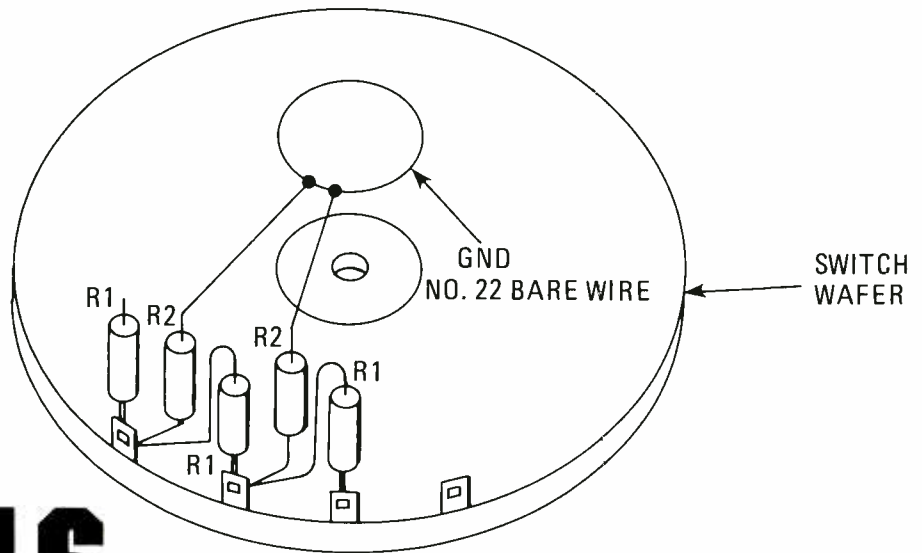


- Master Charge
- BankAmericard
- VISA ■ COD
- Money Order
- Check
- COD's extra



CIRCLE 408 ON FREE INFORMATION CARD

STEP ATTENUATORS MAKE GREAT VOLUME CONTROLS



JOHN MAMIS

A volume control that does not become noisy with age is one advantage in building a step-attenuator.

VOLUME CONTROL STEP-ATTENUATORS HAVE RECENTLY come into vogue in stereo equipment. The step-attenuator is not new. Ampex Corporation introduced it in the early 1950's in their professional recorders; and the telephone industry used the step attenuator as early as 1930.

The step-attenuator has distinct advantages over the potentiometer. These are:

1. Does not become noisy (scratchy) with age.
2. Can be made a constant-impedance device.
3. Can be calibrated for accurate attenuation.
4. Can be designed for any desired loss curve (i.e., linear, logarithmic, inverse log, etc.).
5. Can be gauged for multichannel use.

In audio systems, advantage number one is probably the most important. Everyone has experienced scratchy volume controls after a couple years of use. Even the very best volume controls will become noisy with age. The step-attenuator is essentially a switch and its metal-to-metal contacts do not develop noise. Step-attenuators are easy to design and build and can be used for volume controls as well as balance controls.

The network

The simplest type of attenuator is the potentiometer-type where resistors are connected between contacts of the switch. This arrangement uses the minimum number of resistors but has two drawbacks. First it is not a constant-impedance device; second it is difficult to build an attenuator which has a pre-

determined loss (2dB, for example) per step. The problem here is that every resistor value is different and most will have odd values. For instance it is difficult to find a resistor with a value of, say, 345 ohms.

The ladder-type network shown in Fig. 1 overcomes these problems. Its only drawback is that it uses two resistors per step; really not that big a penalty to pay. The attenuator shown in Fig. 1 is excellent for audio volume controls. Its input and output impedances are approximately 28,000 ohms and the design requires only six different resistor values, all of which are standard values. It attenuates the input signal at 2dB per step with a log taper on the last three steps which is desirable for volume controls.

Other impedance values can be derived using the formulas that follow. The key thing to remember is to adjust the impedance value slightly so as to wind up with standard resistor values. For instance an impedance of 27.2K was used to derive the values shown in Fig. 1.

Design procedure

This section presents the necessary formulas to design any desired step-attenuator. In addition a computer program (for the HP-25 programmable calculator) is presented to speed calculations.

First let us develop the basic formulas for the network. We can simplify the network to two resistors (see Fig. 2). Resistor R1 is the first series resistor while RE represents the rest of the network.

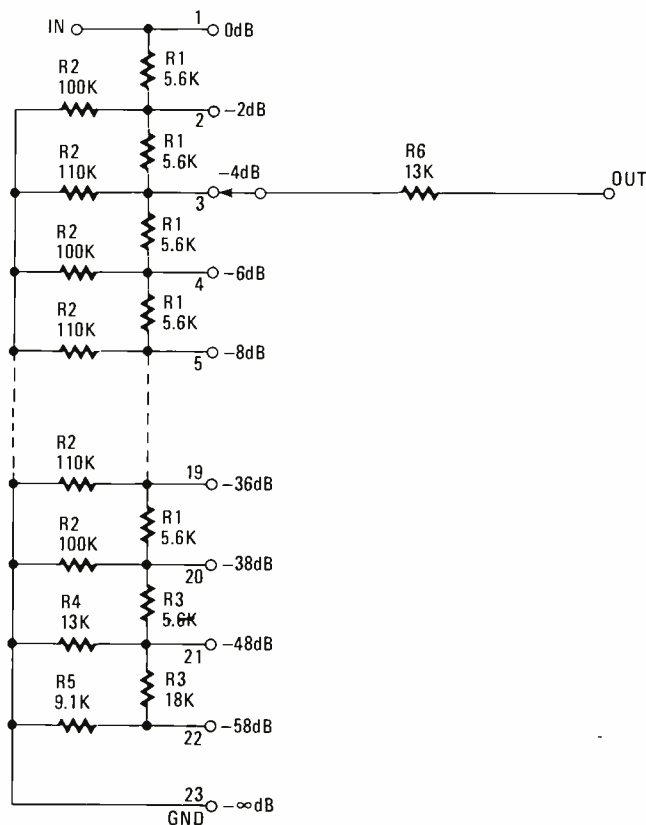


FIG. 1—STEP-ATTENUATOR, a design you can use in your hi-fi preamp. Input impedance is 27,000 ohms. All steps are linear except the last two. They provide a log (or audio) taper.

From this simple network:

1. Input impedance $Z = R1 + RE$
2. Loss (in dB) $L = 20 \log (RE/R1 + RE)$.

But loss per step is usually known and we need to know R1 and R2; so (2) can be rewritten as:

$$3. K = RE/(R1 + RE) = 10(L/20)$$

Solving for RE.

4. $RE = A (R1)$ where $A = K/(1-K)$.
5. $Z = R1 + RE = (R1) (1 + A)$
6. $R1 = Z/(1 + A)$

With these formulas we can begin calculating the values of the network. First let us state what is needed in terms of loss and impedance, and then make the proper calculations.

Given	Calculated
$L = 2\text{dB per step}$	$K = .794328$
	$A = 3.86212$
$Z \approx 25\text{K}$	$R1 = 5.14\text{K}$

But 5.14K is not a standard value; so let us select the nearest standard value. When $R1 = 5.6\text{K}$, $Z = 27.2278\text{K}$ and $RE = 21.6278\text{K}$.

RE is not a real resistor, it represents the rest of the network. The network can now be presented as shown in the lower half of Fig. 2.

Here RE is split into its component parts—namely R2 in parallel with Z. R2 is the real resistor in the network.

The value of R2 can now be calculated.

$$R2 = Z(R2)/(Z - R2) = Z(R2)/R1 = A(1 + A)R1$$

For this case $R2 = 105\text{K}$. Of course this is not a standard value. To solve this problem the first R2 in the network is selected as 100K and the second as

110K. This averaging technique works very well and introduces very little error.

This defines all the 2dB-per-step sections. The log taper at the end of the network can be done in a similar manner: keeping $Z = 27.2278\text{K}$ and setting the loss to 10dB-per-step.

Given	Calculated	Actual
$L = 10\text{dB per step}$	$K = .316228$	—
	$A = .462475$	—
$Z = 27.2278\text{K}$	$R3 = 18.6\text{K}$	18K
	$R4 = 12.6\text{K}$	13K
	$R5 = 8.6\text{K}$	9.1K
	$R6 = 13.6\text{K}$	13K

Where $R5 = Z - R3$ and is the last resistor in the network, and $R6 = Z/2$.

The calculated values are not standard values but are very close to them. Testing this network with the nearest standard values has shown that very little error has been introduced.

HP 25 PROGRAM

1. ÷	17. RCL 6	33. STO 7
2. $g(10^x)$	18. X	34. $g(1/x)$
3. STO 6	19. STO 2	35. RCL 0
4. CHS	20. GTO 00	36. X
5. 1	21. ÷	37. STO 3
6. +	22. $g(10^x)$	38. RCL 6
7. $g(1/x)$	23. STO 6	39. RCL 7
8. RCL 6	24. CHS	40. X
9. X	25. 1	41. RCL 3
10. STO 6	26. +	42. X
11. 1	27. $g(1/x)$	43. STO 4
12. +	28. RCL 6	44. RCL 0
13. STO 7	29. X	45. RCL 3
14. RCL 1	30. STO 6	46. —
15. X	31. 1	47. STO 5
16. STO 0	32. +	48. GTO 00

HP 25 PROGRAM

(2)

To execute the program for R1, R2.

R1 STO 1 R1 = Value of R1 (example 5600 STO 1)
L ENT L = dB loss for linear portion (example 2 ENT)

20 CHS
R/S

To execute the program for R3, R4, R5

L ENT (example 10 ENT)
20 CHS
GTO 21
R/S

The results can be read by recalling the following registers.

Register	Value
0	Z
1	R1
2	R2
3	R3
4	R4
5	R5

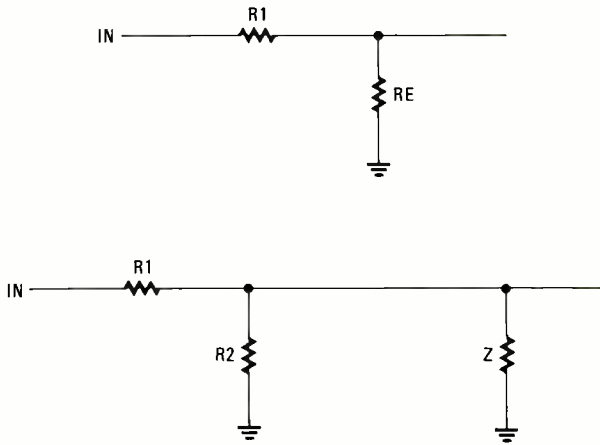


FIG. 2—SIMPLIFIED representations of a ladder network. RE is split into its component parts in the lower drawing.

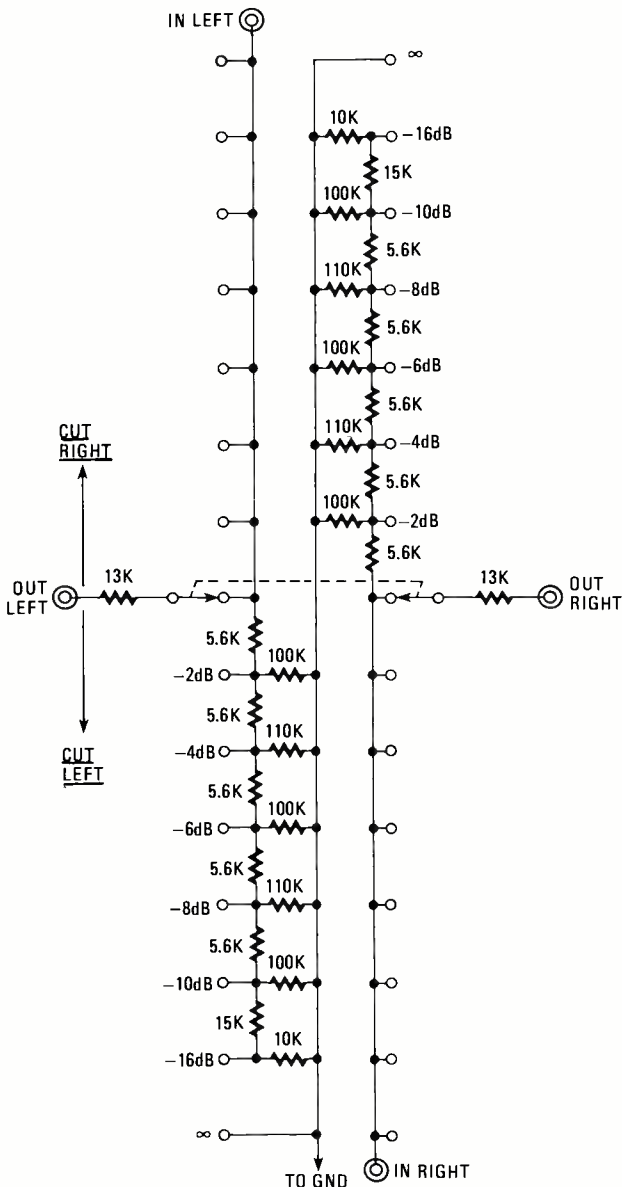


FIG. 3—BALANCE CONTROL for a STEREO PREAMP is designed around a 15-position 2-circuit switch. Last two positions provide a degree of log taper.

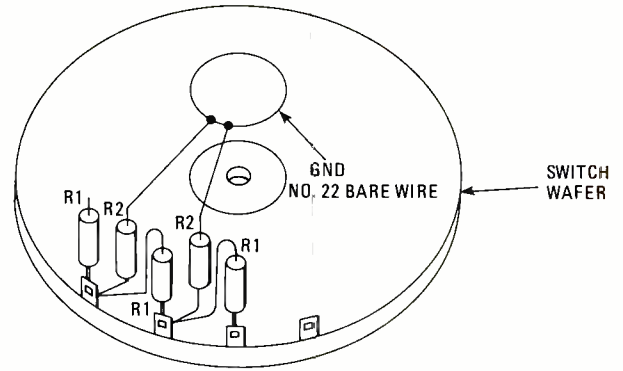


FIG. 4—HOW TO ASSEMBLE A SIMPLE ATTENUATOR on a single switch wafer. If you can find a switch with a second wafer, strap the terminals together on the second wafer and use the strapped terminals as the common ground. The wiper or rotor terminal will be the connection to ground.

Here is a summary of the equations developed above:

1. $Z = (1+A)R1$
2. $R2 = A(1+A)R1$ —Linear sections
3. $R3 = (1+A)Z$ —Log-Taper sections
4. $RE = A(R1)$ where $A = K/(1-K)$.
5. $R5 = Z - R3$ —Log-taper sections
6. $R6 = Z/2$
7. $A = K/(1-K)$
8. $K = 10(L/20)$

This procedure can be used to design a balance control. Figure 3 shows a typical balance control derived by using formulas 1—8.

PARTS LIST

RESISTORS

All 1/4 watt, 5% unless otherwise noted

R1(19)—5600 ohms; R2(19)*—110,000 ohms; R3(2)—18,000 ohms; R4, R6—13,000 ohms; R5—9100 ohms.

MISCELLANEOUS

17 or 24 position switch, knob, hardware, wire, etc.
 *105,000 ohms is not a standard value. author alternated 100,000 and 105,000 ohm resistors, see text.

NOTE: These are the author's values, yours may differ, see text.

Construction hints

A rotary switch with 17 or 24 position is best suited for step-attenuators. A 12-position switch just does not have enough range. The switch should also have shorting contacts to provide continuity as you switch from one position to another. The Centralab PA3002 or PA4002 is a good choice. Multiple wafers can be mounted on one shaft for multichannel use.

Resistors for the attenuator can be either 1/2- or 1/4-watt units with a tolerance of five percent. The 1/4-watt type make a more compact assembly and are therefore preferred. These can be economically obtained from mail-order houses advertising in the magazine.

Figure 4 shows an efficient assembly technique. There are others so don't be afraid to experiment. In this case, the ground ring is held in place by the leads from the R2 resistor elements.

SP



TRS-80 CASSETTE CONTROLLER

JAMES J. BARBARELLO

Monitor cassette tapes for dropouts and other defects with this inexpensive and easy-to-build instrument.

CASSETTE TAPE RECORDERS PROVIDE AN INEXPENSIVE and convenient method for computer program and data storage, although they do have some shortcomings. With microcomputers, such as Radio Shack's TRS-80, you must unplug the recorder cables to regain manual control of the recorder or to listen to what (if anything) was recorded. That problem, though, is minor when compared to the loss of a complete program or data file because of cassette-tape "dropout."

Dropout can be defined as the result of an imperfection in the magnetic coating of the tape which, in turn, causes the signal strength to fall to a level so low that the computer cannot accept it. Thus, you cannot load the program back into the computer and, in effect, have completely lost it. If that happens, you are faced with the laborious task of re-entering the information manually.

One solution to the tape dropout problem is to use only "certified" (specially manufactured and pre-tested) tapes. This, however, is expensive and still does not solve the recorder-control problem. The controller described here solves both problems. It provides for a choice of manual or computer-control of the recorder, allows monitoring of the tape contents with an earphone, and also contains a peak-level detector/memory circuit which can determine if your tape contains dropouts. The controller is easy to build and should cost under \$25.00

How it works

A typical cassette recorder accepts data through the AUX or MIC input, outputs data from the EAR output,

and allows computer control of the tape transport by means of the REMOTE jack. Typically, a "save" command energizes a relay in the computer that starts the recorder's motor. The digital information is then transformed into a form which can be recorded on an audio-frequency cassette recorder. That signal (output at a constant amplitude) is then supplied to the recorder's AUX connector.

In microcomputers such as the TRS-80, a "load" command overwrites what is stored in the computer's memory with what it "hears" from the recorder. If any portion of the recorded information is below the proper volume level, the computer will ignore or misinterpret it and the program or data will not be entered into memory correctly.

As shown in the schematic diagram of Fig. 1, the controller contains a peak-level detector/memory circuit consisting of IC1, IC2, and their associated components. The signal from the recorder is AC-coupled through C1 to the input of IC1, a 555 timer set up as a monostable multivibrator (one-shot). Also applied to the input of IC1 is a DC voltage. By adjusting that DC voltage, the data signal can be made to trigger the one-shot to produce a train of high duty-cycle, positive-going pulses. Those wide pulses are smoothed by C3 to a reasonably constant DC level. Diode D1 isolates the smoothing circuit from IC1 during the time its output is low, to prevent C3 from discharging. If the data signal momentarily decreases to the point where it will not trigger IC1, C3 rapidly discharges through R4, producing a negative-going pulse. That negative pulse triggers a RS flip-flop made up of IC2-a and IC2-b.

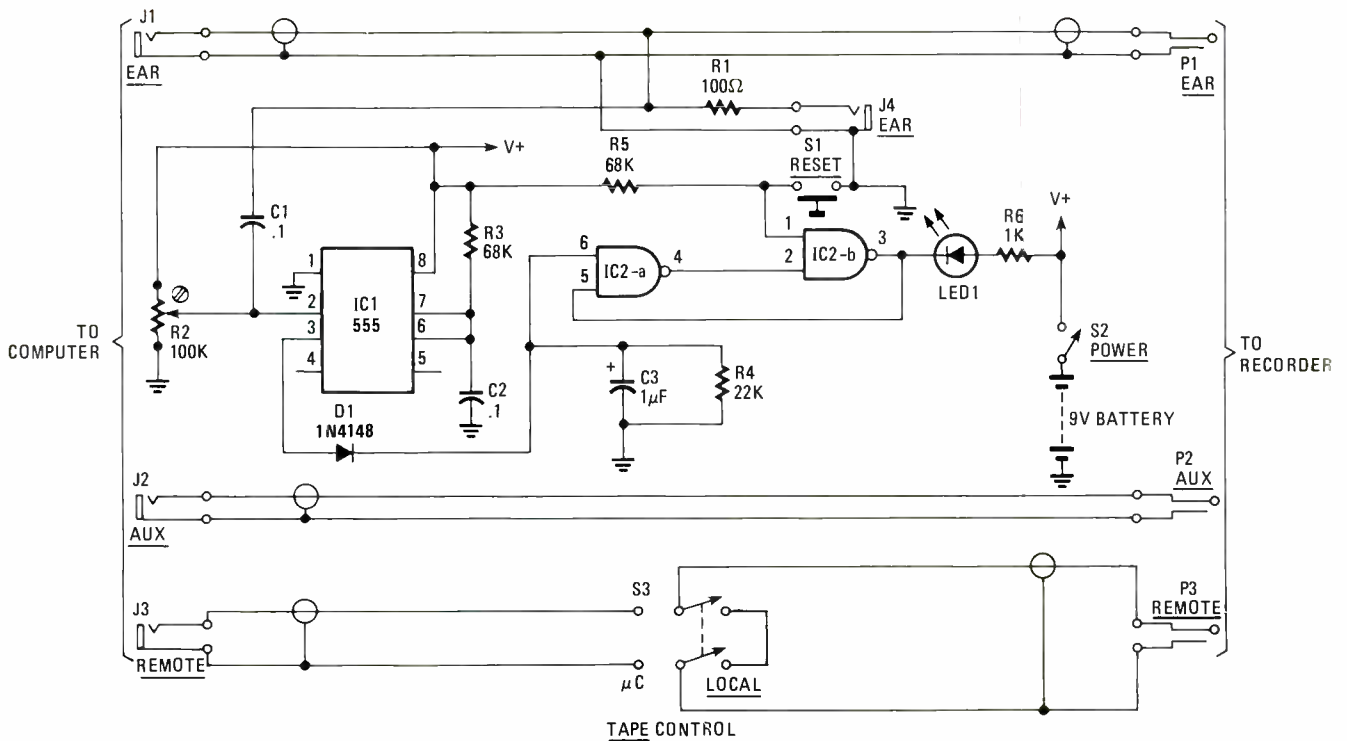


FIG. 1—THE SCHEMATIC DIAGRAM for the TRS-80 cassette controller.

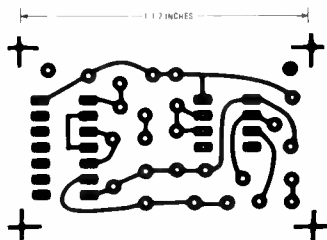


FIG. 2—FOIL PATTERN layout is shown actual size.

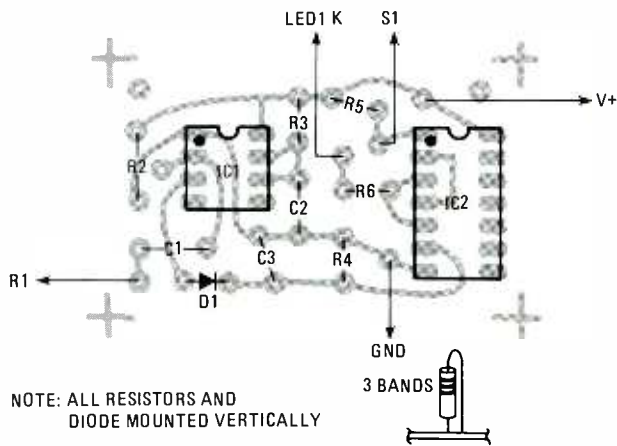


FIG. 3—PARTS PLACEMENT guide for the PC board. Be sure to observe polarities during construction.

PARTS LIST

Resistors, 1/4-watt, 5% unless otherwise noted

- R1—100 ohms, 1/2-watt
- R2—100,000 ohms, PC-mount trimmer
- R3, R5—68,000 ohms
- R4—22,000 ohms
- R6—1000 ohms

Capacitors

- C1, C2—0.1 μ F, 25-volt ceramic disc
- C3—1 μ F, 16-volt, radial-lead electrolytic

Semiconductors

- D1—1N4148 or 1N914
- LED1—.200 in. red LED
- IC1—555 timer
- IC2—4011 CMOS quad, 2-input, NAND gate
- S1—normally-open pushbutton switch
- S2—SPST switch
- S3—DPDT switch

- J1, J2—miniature phono jack
- J3—subminiature phono jack
- P1, P2—miniature phono plug
- P3—subminiature phono plug

Miscellaneous: PC board, enclosure, shielded cable, battery clip, wire, solder, hardware, etc.

MATCH GAME—(LEVEL I)

```
10 CLS:P. "*****MATCH GAME*****":P.
20 P. "THE GAME STARTS WITH 21
  MATCHES. YOU (THE HUMAN) AND"
30 P. "I (THE MACHINE) EACH CHOOSE TO
  ELIMINATE BETWEEN 1 AND 3"
40 P. "MATCHES ON OUR TURN. THE ONE
  TO TAKE THE LAST MATCH LOSES."
50 FOR I=5 TO 105 STEP 5
60 SET (I,19): SET (I+1,19)
70 FOR J=21 TO 25
80 SET (I,J): SET (I+1,J)
90 NEXT J: NEXT I
100 M=0:H=1:N=21
110 P. AT 640, "WHO GOES FIRST,
  HUMAN(H) OR MACHINE (M)":IN.S
120 IF S=0 THEN 215
130 P. AT 640, "CHOOSE A NUMBER
  BETWEEN 1 AND 3":IN.G
150 IF G > 3 THEN 130
160 FOR I=1 TO G
170 FOR J=19 TO 25:RESET (N*5+1,J):
  RESET(N*5,J): NEXT J
200 IF N=0 THEN 330
210 N=N-1: NEXT I
215 P.AT640, "MY TURN"
220 FOR Z=1 TO 1000:NEXT Z
230 IF(N=21)+(N=17)+(N=13)+(N=9)+
  (N=5)+(N=1) THEN 250
240 A=(4-G):GOTO 260
250 A=RND(3)
260 FOR I=1 TO A
270 FOR J=19 TO 25: RESET (N*5+1,J):
  RESET(N*5,J): NEXT J
290 IF N=0 THEN 340
300 N=N-1: NEXT I
310 IF N=1 THEN 330
320 GOTO 130
330 P.AT640, "SORRY OLD BUDDY. SINCE
  IT'S YOUR TURN. YOU LOSE!"
335 P.AT704, "-----"
  "-----":END
340 P.AT640, "PRETTY SMART FOR A
  HUMAN ! YOU WIN !!!"
350 P.AT704, "-----"
```

MATCH GAME—(LEVEL II)

```
10 CLS:PRINT "*****MATCH GAME*****":PRINT
20 PRINT "THE GAME STARTS WITH 21
  MATCHES. YOU (THE HUMAN) AND"
30 PRINT "I (THE MACHINE) EACH CHOOSE
  TO ELIMINATE BETWEEN 1 AND 3"
40 PRINT "MATCHES ON OUR TURN. THE
  ONE TO TAKE THE LAST MATCH LOSES."
50 FOR I=5 TO 105 STEP 5
60 SET(I, 19): SET (I+1, 19)
70 FOR J=21 TO 25
80 SET (I,J):SET(I+1,J)
90 NEXTJ: NEXTI
100 M=0:H=1:N=21
110 PRINT @640, "WHO GOES FIRST,
  HUMAN OR MACHINE":INPUTA$
120 IF LEFT$(A$,1)="M" THEN 210
130 PRINT@640, "CHOOSE A NUMBER
  BETWEEN 1 AND 3":INPUTG
140 PRINT@640, "
"
150 IF G > 3 THEN 130
160 FOR I=1 TO G
170 FOR J=19 TO 25:RESET(N*5+1,J):RESET
  (N*5,J):NEXTJ
180 FOR Z=1 TO 100:NEXT Z
190 IF N=0 THEN 320
200 N=N-1:NEXT I
210 PRINT@640, "MY TURN"
220 FOR Z=1 TO 1000:NEXT Z
230 IF(N=21)+(N=17)+(N=13)+(N=9)+
  (N=5)+(N=1) THEN 250
240 A=(4-G):GOTO260
250 A=RND(3)
260 FOR I=1 TO A
270 FORJ=19 TO 25:RESET(N*5+1,J):RESET
  (N*5,J):NEXT J
280 FOR Z=1 TO 100:NEXT Z
290 IF N=0 THEN 340
300 N=N-1:NEXTI
310 IF N=1 THEN 320 ELSE IF N=0 THEN
  340 ELSE 130
320 PRINT@640, "SORRY OLD BUDDY.
  SINCE IT'S YOUR TURN, YOU LOSE!"
330 PRINT@704, "-----"
  "-----":END
340 PRINT@640, "PRETTY SMART FOR A
  HUMAN ! YOU WIN !!!"
350 PRINT@704, "-----"
```

With the flip-flop in this state, the output of IC2-b is at a logic-low level, which causes LED1 to light. The LED will remain lit until the flip-flop is reset by depressing S1. If LED1 is lit, it indicates that a less-than-acceptable signal-level was present for a time.

The AUX signal line is routed directly through the controller. The REMOTE line, however, goes to TAPE CONTROL switch S3. In the μC mode, the REMOTE line

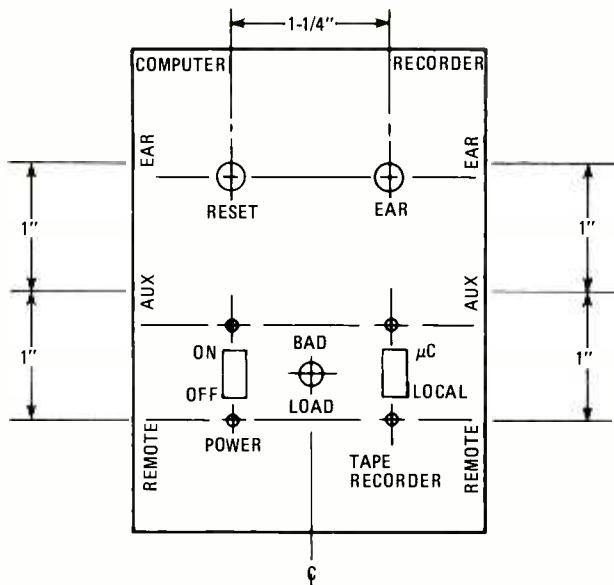


FIG. 4—DRILLING TEMPLATE and typical mounting dimensions for the controller.

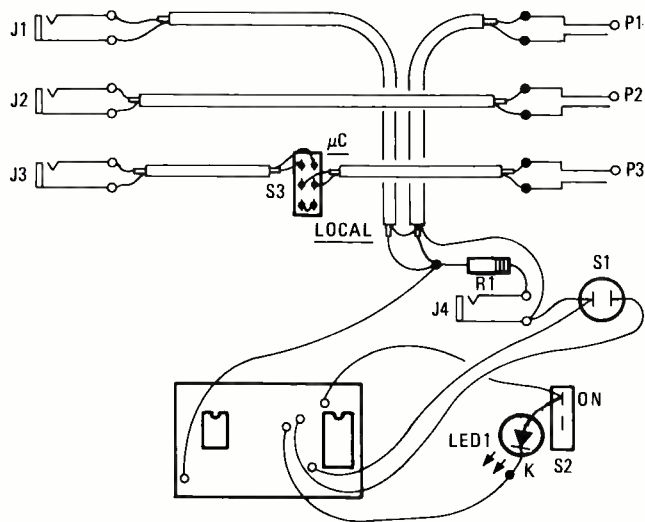


FIG. 5—WIRING DIAGRAM for off-the-board components. Use of this diagram will result in quick assembly.

is connected to the computer's microcomputer jack. In the manual mode, the terminals going to the recorder are closed. That completes the power circuit to the recorder's motor and allows normal operation. Power for the peak-detector/memory circuit is provided by a single 9-volt battery.

Construction

A major portion of the project is point-to-point wiring. All connections between jacks and plugs should employ shielded cable to minimize hum pickup. Connections to and from the peak-level detector/memory circuit can be made with standard hookup wire. A PC-board layout is provided for the detector (Fig. 2), although perforated prototyping-board construction would serve as well. Figure 3 shows parts placement for the PC board. Be sure to observe the polarities of IC1, IC2, D1, LED1, and C3 during installation. The

CMOS IC is diode-protected, but reasonable care should be used when handling this device.

Any standard enclosure may be used to house the project. Typical mounting dimensions as well as a drilling template are given in Fig. 4. Use of the wiring diagram to connect off-the-board components (Fig. 5) will result in a quick and trouble-free assembly.

Initial adjustment

Connect the unit to the computer as indicated on the top plate shown in Fig. 4, and install a 9-volt battery. Leave the PC board accessible to allow for adjustment of R2. Place a tape that you know loads reliably into your cassette recorder and set the volume control to the level recommended for use with the computer. Place TAPE CONTROL switch S3 to LOCAL, and connect an earphone to J7. Play the tape. As soon as you hear the recorded data, press RESET switch S1, and check to see whether LED1 lights. If it does, rotate the wiper of R2 towards pin 4 of IC1, press S1 again and check again. Repeat that procedure until the LED stays dark. Next, reduce the volume slightly and readjust R2, if necessary, so that the LED lights after the unit has been reset. Check to see that it stays dark when the volume control is returned to its former level. Adjustment is now complete.

Use

With the controller connected to the proper plugs and jacks, and with S3 set to μC , operation is normal. To advance or rewind tape, simply set S3 to the LOCAL position. Monitoring the "save" or "load" process is as simple as plugging an earphone into the EAR jack. To use the BAD LOAD check facility, save a program or data on tape. Place S3 to LOCAL and, with the volume control set as before, play the recorded information back. As soon as you hear the data, press S1 and the LED will go out. If it stays dark during the playback, the tape should load properly into your computer. If it remains on during playback, try again at a slightly higher volume level. If it *still* lights, you should try switching to a different portion of the tape or using another tape altogether.

NOTE: With some "bargain" tapes, you may have to increase the volume level significantly to keep the LED dark. However, if it stays off, you know that the tape is providing a good signal to the computer.

Here's an interesting program with which to try out your new controller. It's an old game, known by many names, which we'll call the Match Game. Each player, in turn, deducts up to three matches from the original quantity of 21. The object is not to be the one to take the last match since, if you do, you lose. You must, however, take at least one match each turn.

If the "Human" goes first, the computer will always win. However, if the "Machine" goes first, *you* can win. You must, however, figure out the game strategy used by the computer and use it to your advantage. The program is presented in both Level I and Level II BASIC's as used by the TRS-80, and use about 1 K of memory. The graphics are quite interesting, employing the "SET", "RESET" and "PRINT AT" graphics commands. A hint in determining the computer's game strategy is to note where a random number is selected in the program for the computer's move.

SP

IC'S FOR SERVO CONTROL

MARTIN BRADLEY WEINSTEIN

New IC's are bringing down the cost of R/C modeling. Here's a look at three that are leading the way

ONE OF THE REASONS RADIO CONTROLLED PLANES, cars, tanks, boats, robots and other models and toys have become so much more inexpensive and available is the development of new IC's to simplify their control. Here's a look at a few of them.

There are now a number of integrated circuits available that very much simplify the design of systems for the control of servos, specifically the position-control servos used to adjust such things as throttle position, rudder position, aileron position, wing flap position, landing gear position, steering and so forth.

We will be looking at three of these ICs: The NE544/644 from Signetics Corporation (P.O. Box 9052, 811 East Arques Avenue, Sunnyvale, California 94086); the XR-2266 from Exar Integrated Systems, Incorporated (750 Palomar Avenue, P.O. Box 62229, Sunnyvale, California 94088); and the ZN419CE from Ferranti Electronics Limited (Ferranti Electric Incorporated, 87 Modular Avenue, Commack, New York 11725).

The Signetics NE544/644 servo amplifier

A block diagram of the NE544 is shown in Fig. 1, an equivalent circuit schematic in Fig. 2 and a typical circuit using it in Fig. 3. You can see that a minimum of external components is required; in addition to the servo motor and position feedback potentiometer, only five resistors and seven capacitors. The IC itself can drive loads up to 500 mA (8 ohms minimum recommended load impedance over a supply range of 3.2 to 6 VDC), or external PNP transistors can be added as shown to drive larger loads.

This IC is available three ways: the 14-pin NE544N DIP; the 16-pin NE644N DIP with separate signal and

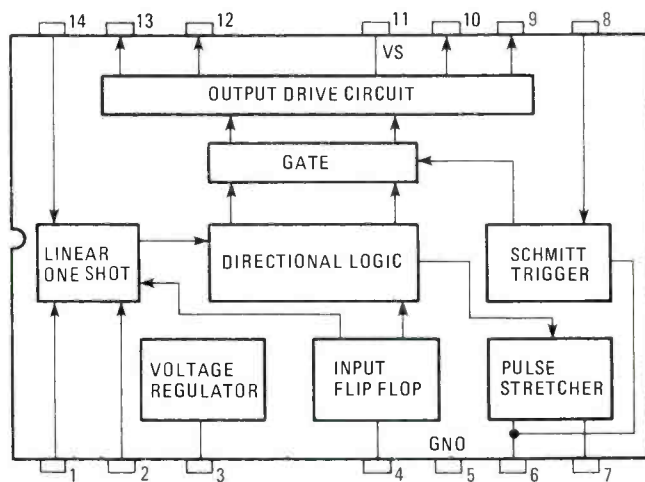


FIG. 1—BLOCK DIAGRAM of the NE544/644 servo amplifier from Signetics.

power grounds; and the miniature 16-pin NE644W package, intended for use with external PNP drivers for miniature servos and high accuracy applications.

An overview of the IC's operation begins with the pin 4 input, where a positive pulse sets the *input flip-flop*, which both triggers the *linear one-shot* and sets the *directional logic*. The *linear one-shot* is controlled by a timing resistor (pin 2), a timing capacitor (pin 1), and the arm of the position feedback potentiometer (pin 14), which is connected between the output of the on-chip *voltage regulator* (pin 3) and ground (pin 5). The length of the pulse from the *linear one-shot* is compared to the length of the *input pulse* and stores

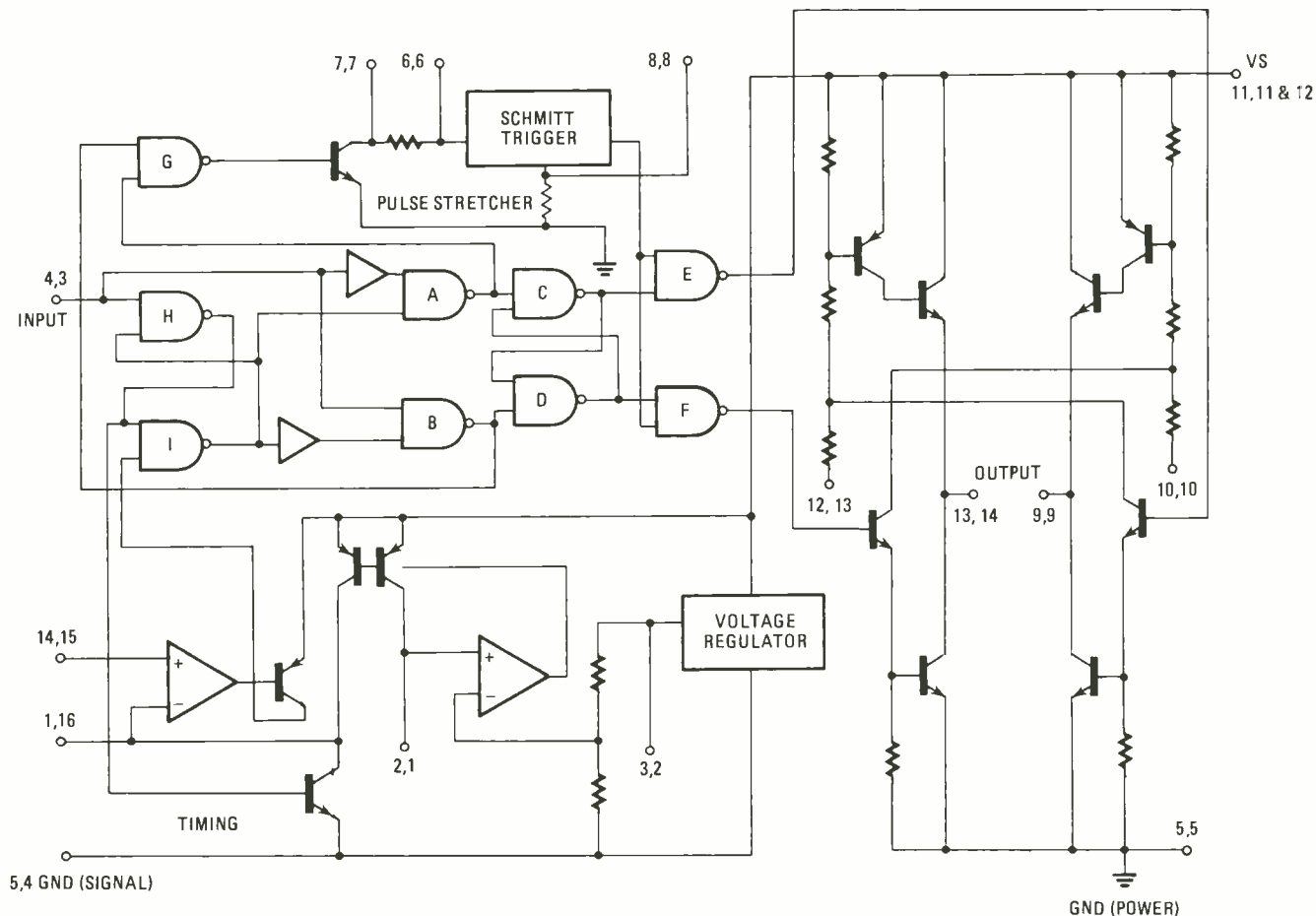


FIG. 2—EQUIVALENT SCHEMATIC circuit diagram of the NE544/644. This IC is capable of driving loads of up to 500 mA.

Pulse formats for hobby servos

The small servomotors used in model airplanes, cars, boats and so forth are actually packages that include small permanent magnet DC motors, a position-feedback potentiometer, linking gears, an output actuator-arm and some controlling electronics.

The input to the servomotor is a pulse train, in which the pulse width is maintained between 1 and 2 milliseconds. The swing of the actuator arm is over 180°, which is considered as -90° through rest to +90°. With a 1 millisecond pulse width, the arm is fully to one extreme, at -90°; with a 2 millisecond pulse width, the arm is fully at its other extreme, at +90°. The position of the actuator-arm between these two extremes is proportional to the width of the input pulse—hence the term *digital proportional* in reference to pulse width modulated (PWM) signals. A pulse width less than 1 millisecond wide or more than 2 milliseconds wide can cause damage to the servo through a condition called *stalling*. Also, the servo is designed so that the actuator arm returns to its rest (or *neutral*) position with no signal to the servo; this is a failsafe that causes a model airplane, for example, to fly straight and level in the event of a signal dropout or loss.

Most systems are designed to include a *dead band* (a

region of no response) when the actual servo position is close to the desired servo position in order to avoid *hunting*, a phenomenon typified by back-and-forth motion as the servo seeks its position, overshoots it, drives itself the other way, overshoots and so on.

Most IC servo controls incorporate a pulse width comparison scheme, in which the input pulse width is compared to a pulse generated by an on-chip monostable multivibrator which is triggered by the input pulse edge and has a period determined by the position feedback potentiometer. The output of the comparator is an error pulse, which both determines the status of a direction flip-flop and, after stretching, provides the drive signal to the motor—if, that is, the width is greater than the designated *dead band*.

Readers desiring additional information are referred to the following:

"A Monolithic Pulse-Proportional Servo IC for Radio Control Applications" by Joel Silverman, *IEEE Transactions on Consumer Electronics*, Vol. CE-25, August 1979.

And the following books by Edward L. Safford, Jr., available from Tab Books: *Model Radio Control*; *Radio Control Manual*; *Advanced Radio Control*; *Flying Model Airplanes & Helicopters* by Radio Control.

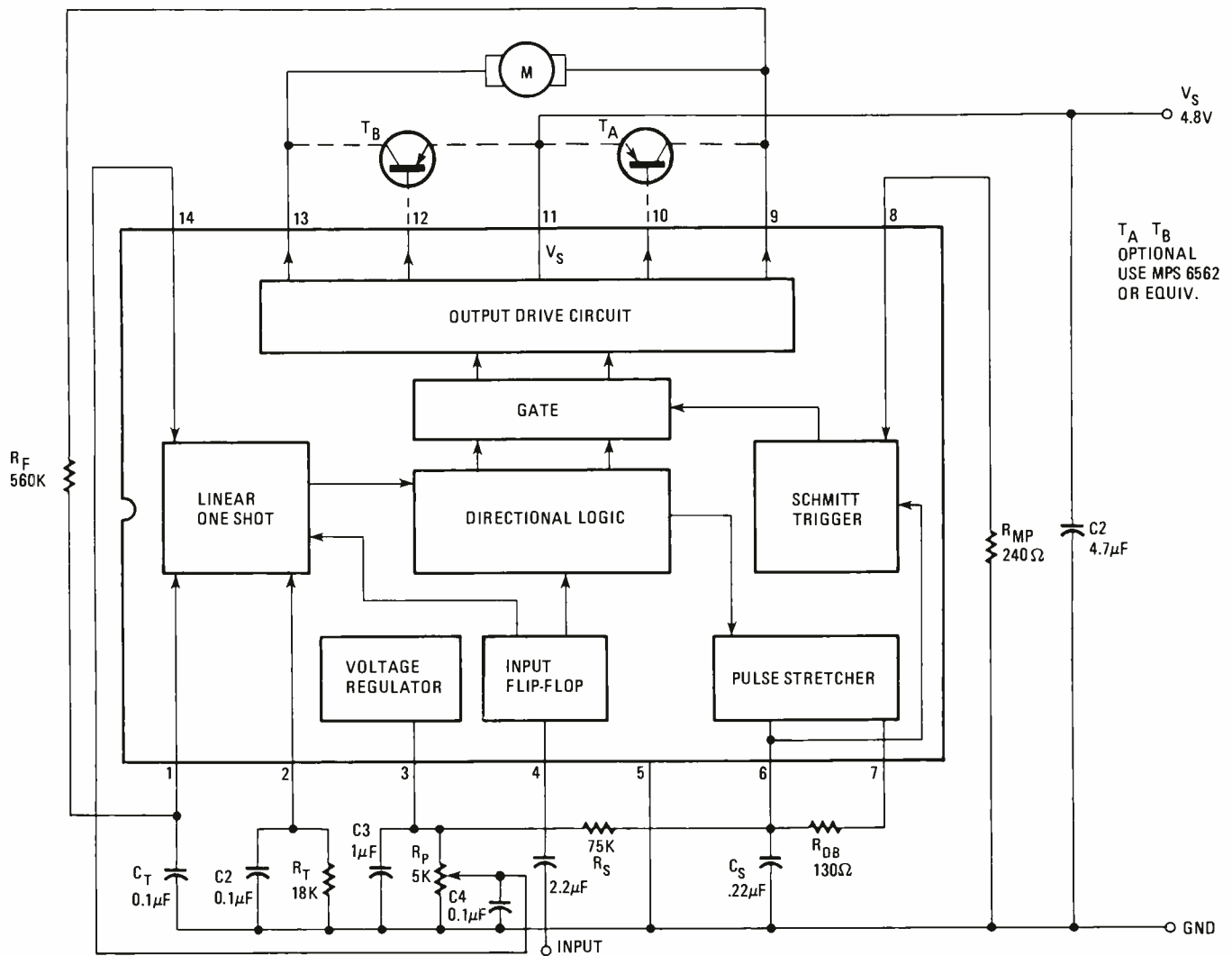


FIG. 3—TYPICAL APPLICATIONS CIRCUIT using the NE544/644 as a high performance servo amplifier.

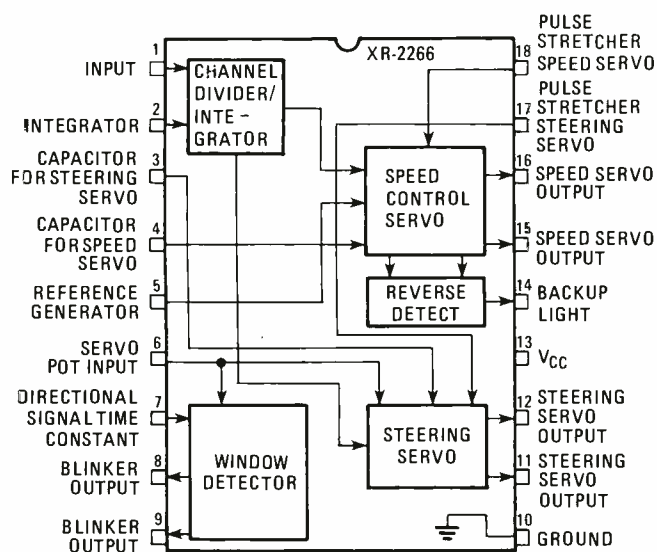


FIG. 4—FUNCTIONAL BLOCK DIAGRAM of the XR-2266 monolithic servo controller from Exar.

the result of the comparison in the *directional logic* flip-flop. This difference pulse goes to the *pulse stretcher* (pins 6 and 7), then to the *Schmitt trigger*; C_S and R_S (pin 6) determine the amount of stretching, R_{DB} (pin 7) the deadband and R_{MP} (at the *Schmitt trigger*, pin 8) varies the hysteresis at the *Schmitt trigger* as well as the minimum output pulse length. The output pulse is gated to the appropriate output drivers at the *output drive circuit* through the gates in the *gate* block, which are controlled by the *directional logic*. The *output drive circuit* (refer to Fig. 2) is a *bridge of H-type drive*, which controls motor direction by turning on diagonally-opposite transistors; this causes power polarity to the motor (and thus its direction) to be selected, as well as turned on and off.

That pretty well explains how these little gems operate. You may want to reread the last paragraph while looking at the diagrams to fully appreciate what's going on.

The Exar XR-2266 monolithic servo controller

The XR-2266 was designed specifically for radio-controlled model cars. It includes a channel driver that separates two channels, one that controls the steering

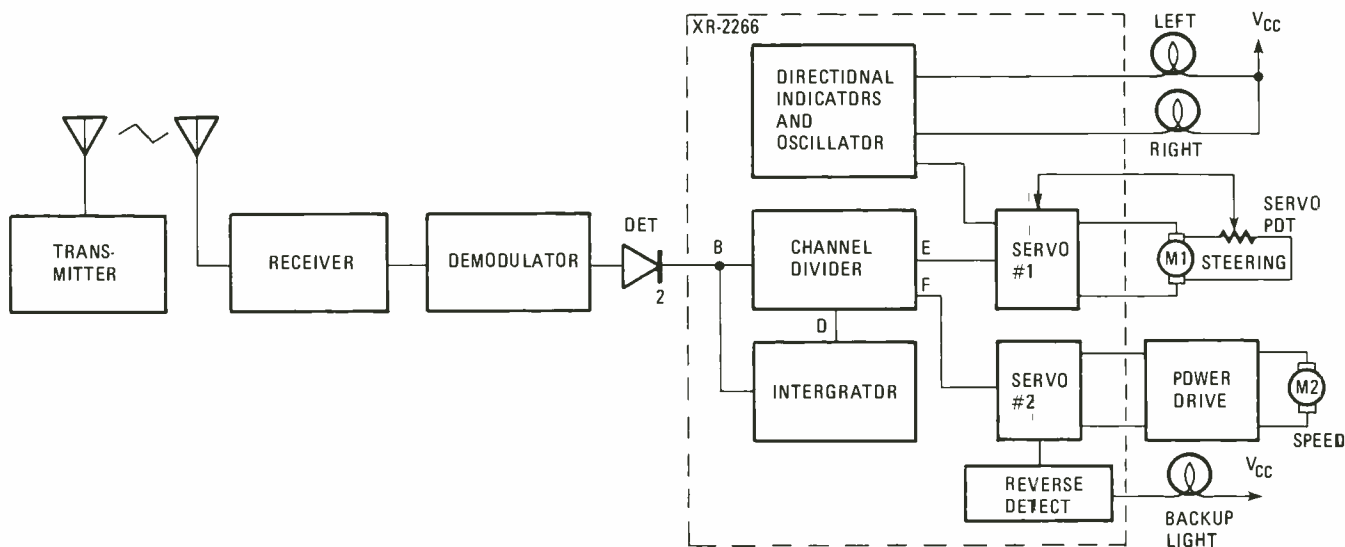


FIG. 5—BLOCK DIAGRAM of a radio control system using the XR-2266. This IC was designed specifically for model car control.

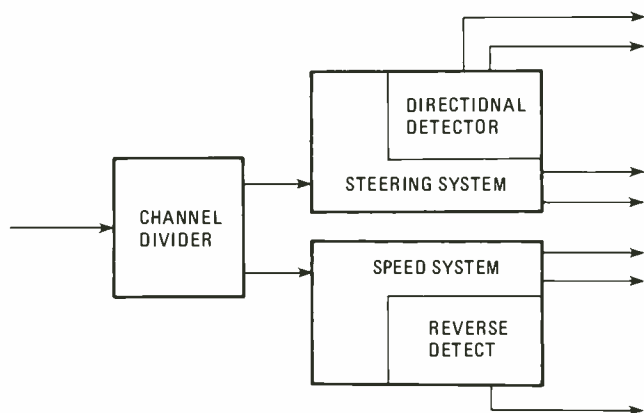


FIG. 6—THREE INDEPENDENT SYSTEMS make up the XR-2266. They work together to completely control the car.

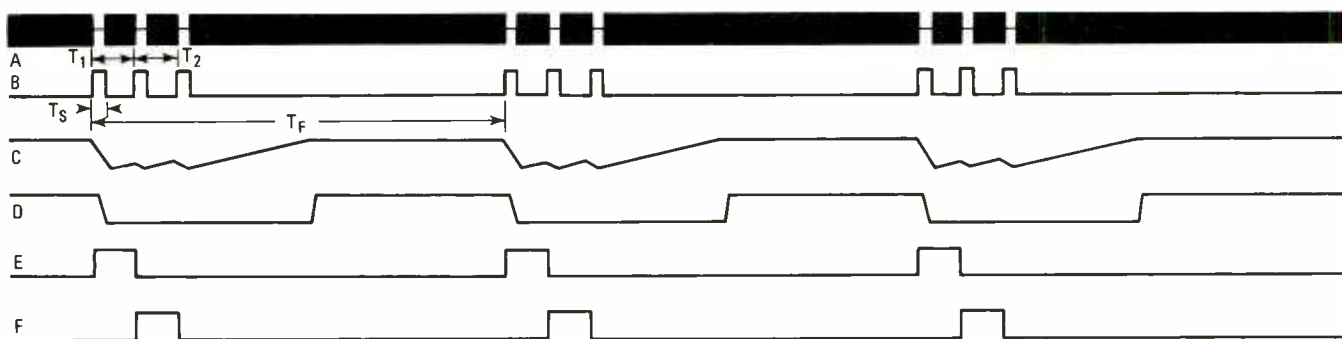


FIG. 7—TIMING DIAGRAM for the XR-2266. These waveforms correspond to the points shown in Fig. 5.

and the other that controls speed and direction. In addition, window detectors turn on outputs intended to light turn signal blinkers and backup lights, as appropriate.

An overview of this IC appears in its block diagram, Fig. 4. Here you can see the *channel divider*; the

speed control servo and *reverse detect*; the *steering servo* and *turn signal window detector*. Fig. 5 shows how these elements work together in a system, and Fig. 6 shows how the major subsystems are organized. Typical waveforms (with letters corresponding to the points shown in Fig. 5) are shown in Fig. 7.

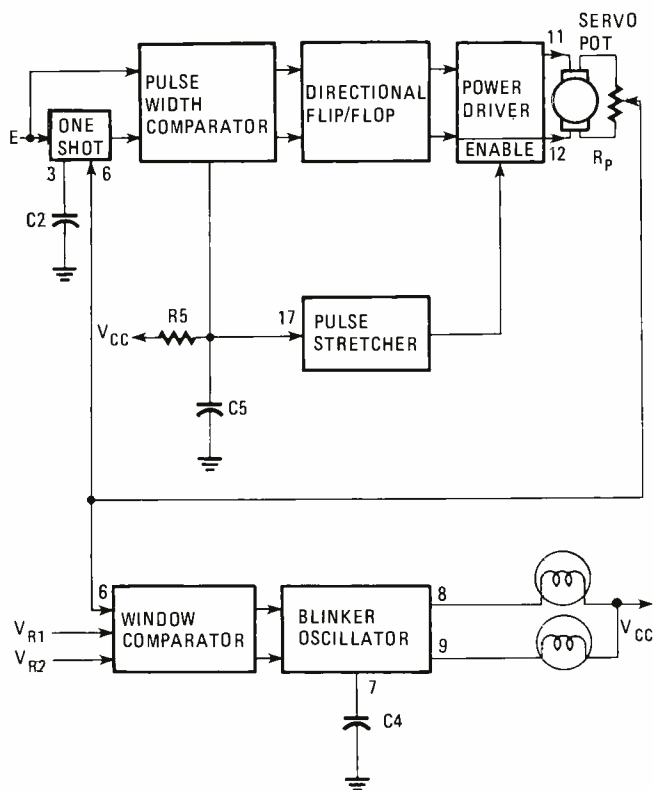


FIG. 8—STEERING SERVO AMPLIFIER. This system's function is to control a R/C car's front wheels.

The input signal is characterized by frame time T_F , pulse separation T_S , steering servo information T_1 (decoded at E) and speed/direction servo information T_2 (decoded at F). We can follow the signals at E and F into their respective servo circuits in Fig. 8 and Fig. 9.

The operation of these two servo circuits is straightforward, and conforms to a large extent to the operation of the NE544, as described above; there are, however, two exceptions worth noting. In Fig. 8, you'll notice that the slider of the position feedback potentiometer reaches the window comparator at pin 6, which compares this input voltage to internally-generated references V_{R1} and V_{R2} . When the steering servo is toward either end of its travel, the appropriate blinker is enabled through the *blinker oscillator*; the blinking rate is controlled by the capacitor between pin 7 and ground.

The other noteworthy addition is the *reverse detect* block shown in Fig. 9. Very simply, this looks at the state of the *directional flip-flop*, and when it detects reverse, it drives pin 14 low to turn on a back-up light. An application circuit is shown in Fig. 10.

Detroit—watch out for Sunnyvale!

The Ferranti ZN419CE precision servo IC

In the block diagram of the ZN419CE (Fig. 11), you can see many of the same circuit functions we've discussed for our first examples, but a slightly different organization. Let's follow this through, then see what difference, if any, this makes.

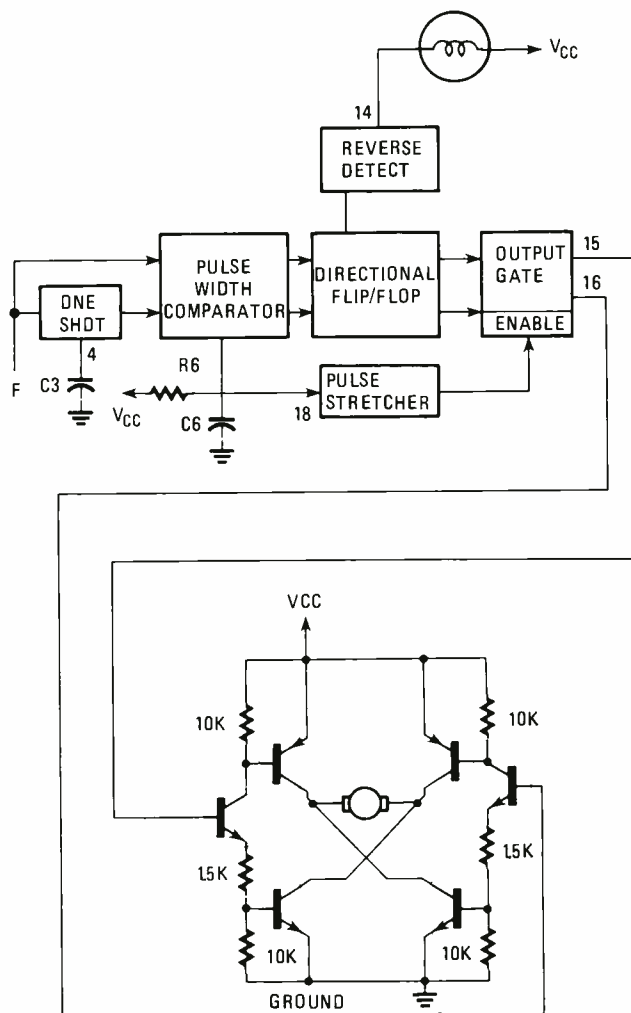


FIG. 9—SPEED CONTROL servo system is shown with a connection for external driver transistors.

The input signal comes into pin 14; while either AC or DC coupling is permissible, Ferranti recommends AC to avoid the problem of continuous commanded rotation which could occur if a DC input were to remain latched high for any reason; a value of $2.2 \mu\text{F}$ is recommended. The input is first conditioned by a *Schmitt trigger*, which allows good triggering even with slow or sloppy edges on the input waveform.

The *deadband* circuit uses a capacitor at pin 13 to add to the deadband already designed into the *pulse expansion circuit*. In Fig. 12, C_D is the deadband-determining capacitor. Capacitor C_E and resistor R_E determine the characteristics of the *pulse expansion circuit*, which incorporates a Schmitt trigger to help overcome motor inertia and reduce overall current consumption.

The rest of the circuit falls neatly in line with what we've seen earlier. We should note here (as earlier) that a feedback resistor is incorporated to sample the motor's back-EMF (the voltage the motor generates, proportional to its speed) which is added to the position feedback potentiometer's wiper voltage in such a way that the motor slows as it nears its target position; this dynamic feedback helps the motor settle into position without undue hunting.

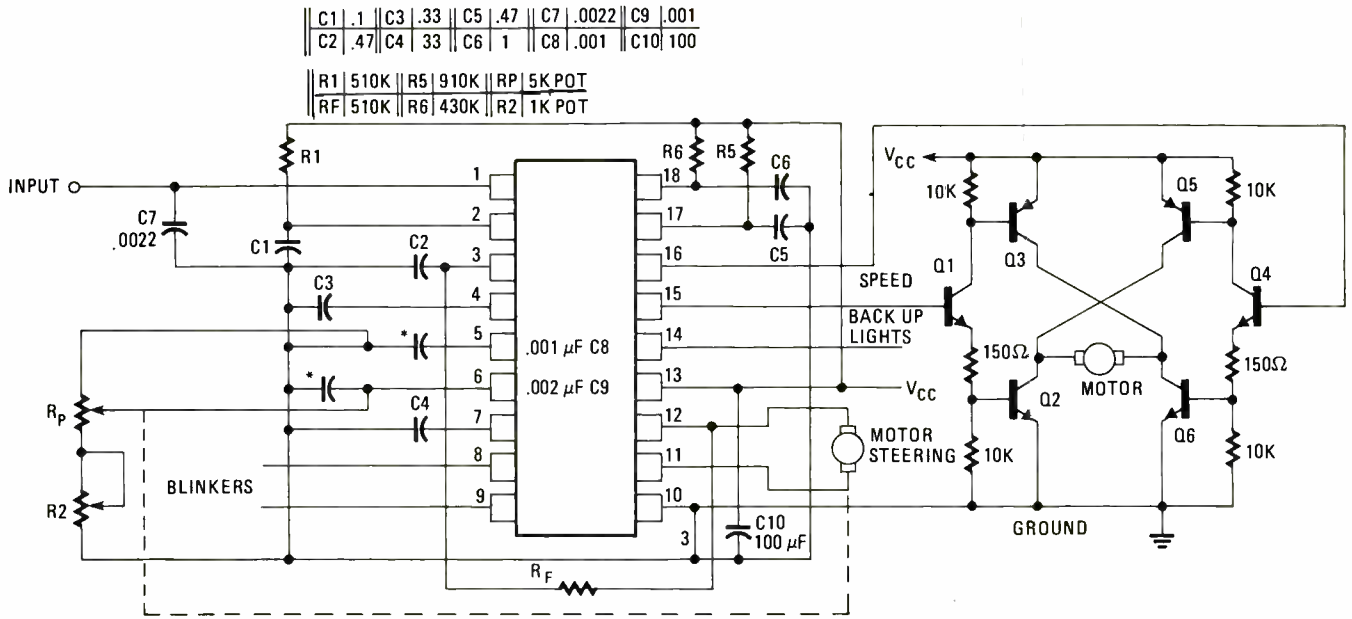


FIG. 10—SCHEMATIC of a typical applications circuit that includes control for such functions as turn signals and back-up lights.

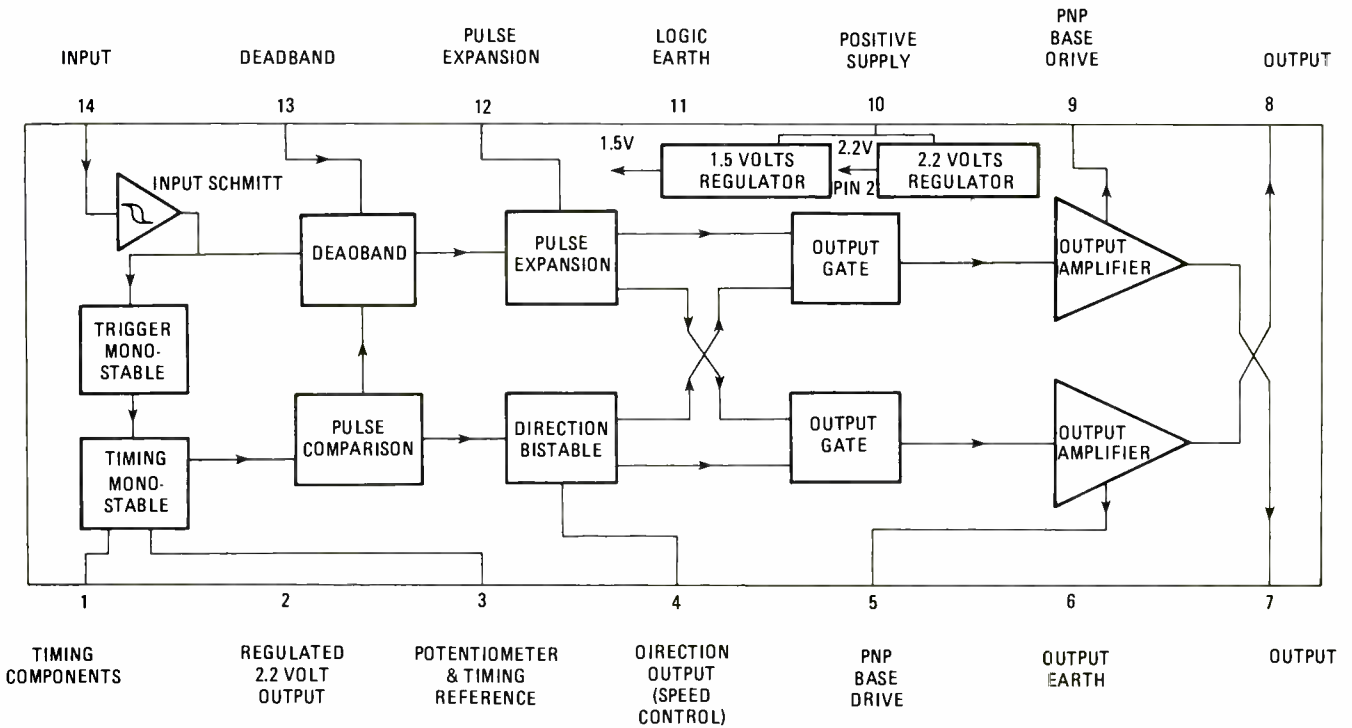
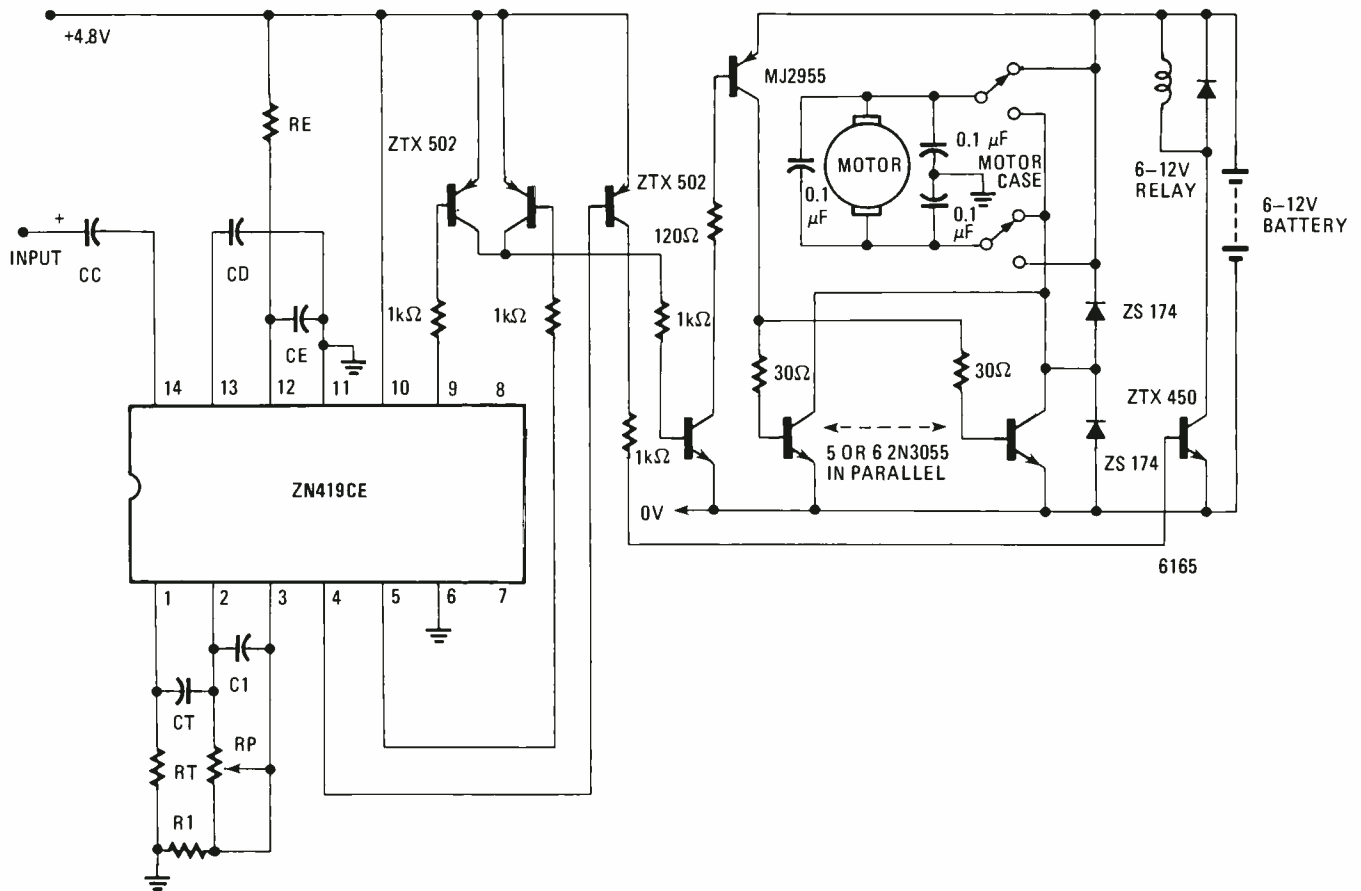


FIG. 11—BLOCK DIAGRAM of the ZN419CE precision integrated circuit from Ferranti Electronics.



HIGH PERFORMANCE proportional motor speed control. In this application the ZN419CE is used as a linear pulse-width amplifier.

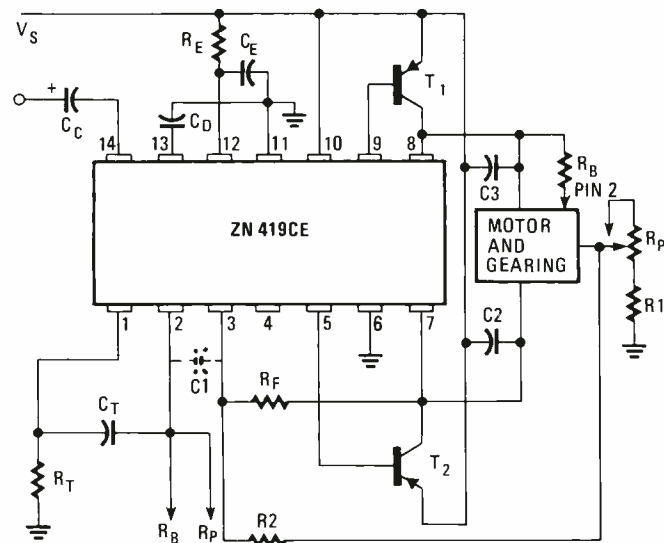


FIG. 12—SERVO SYSTEM using the ZN419CE. Capacitor C_D is the deadband determining capacitor.

Other applications

The usefulness of these circuits extends far beyond models and toys. With larger motors, for example, complete teleoperators (remote control mechanisms, like the material manipulators in nuclear facilities) can be built and precisely controlled. You could easily build an X-Y grid with potentiometers on each axis that control motors on a corresponding, remotely-located grid that drive a pen—voilà! a remote plotter!

Or use X-Y axis motors to position a pen under computer control for a do-it-yourself plotting peripheral.

If you're building a robot or android, servo circuits under the control of a harness-wire control box, a wireless remote control or an on-board or remotely-located computer can move the arms, rotate the head or trunk, run the thing in forward or reverse, turn it around, whatever you like.

Or with a feedback voltage derived from temperature, for example, instead of a position feedback potentiometer, you could control the speed and direction of a fan in specific heating or cooling ventilation applications.

It's time for you to experiment. Since these ICs are priced from a few dollars each and up, there's never been a better opportunity to begin.

SP

SHORT WAVE BOOSTER



HERB FRIEDMAN

This short-wave preamplifier gives you a little extra when you are fighting the noise level.

THOUGH WE ARE IN THE AGE OF THE SUPERPOWER transmitter and supersensitive receiver there are still times when we can use a little "extra" in the way of gain to dig out signals lying just over the noise level—and sometimes right smack in the noise level.

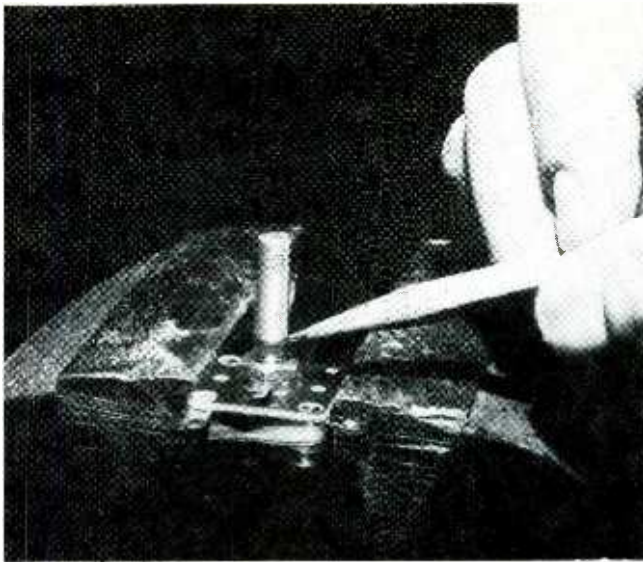
The way to get extra, or additional, receiver gain is to connect some form of booster amplifier between the antenna and the receiver. The booster can be either *broadband*—amplifying all frequencies and therefore often generating its own interference from very strong adjacent stations—or *selective* (tuneable), which actually attenuates all frequencies other than the one to which it's tuned.

A trouble-free way of getting additional receiver gain is with the Short Wave Booster, a tuneable booster amplifier providing approximately 20 dB of receiver system gain—about 3 S-units of extra sensitivity. We say *trouble-free* gain because the booster causes no problems of its own, either in construction of operation. It is free of spurious signals and instability unless you go out of your way to louse things up by deliberately connecting its output to its input; it is virtually overload-immune (unless the interfering transmitter is literally "down the block"); and best of all, there is

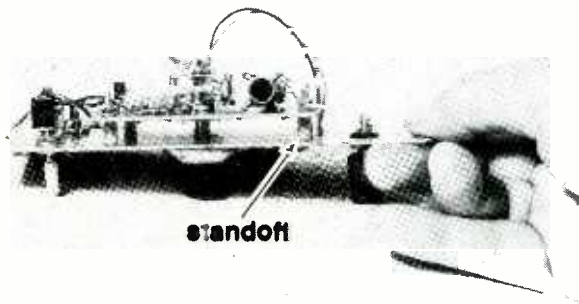
almost nothing critical about assembly, and that includes the printed circuit board.

The booster's input is intended for "long wire" antennas. It will not, however, reject reception if you use 300 ohm or even 50 ohm transmission line (replace BP1 with a two-terminal or coax connector). You'll just get a little less overall sensitivity. The booster's output is intended for standard receiver antenna inputs, but again it's not all that critical. It will drive just about any normally-used receiver input from 50 ohms to a telescopic-whip's high impedance; again, there might be a slight reduction in overall "extra" gain. If connected to a receiver's whip make certain you wire a "common" or "ground" connection from the booster to the receiver.

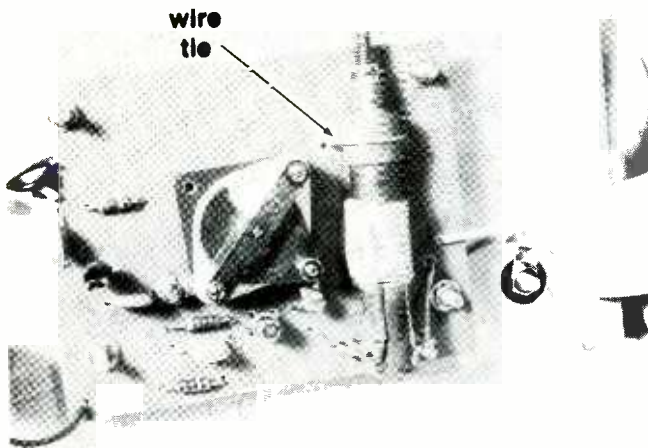
The tuning range is determined by C1 and L1. In the model shown L1 is a Miller C-5495-A 5.5-15 MHz antenna coil which actually provides a tuning range with the specified C1 of about 5-16 MHz. You can freely substitute any Miller coil in the 5495-A series. For example, the A-5495-A coil will give you a broadcast-band booster covering 0.5 to about 1.7 MHz. The D-5495-A coil provides a tuning range of approximately 15-30 MHz. Feel free to substitute as long as you use



LENGTHENING the shaft of capacitor C1. Using a vise makes the job easier.

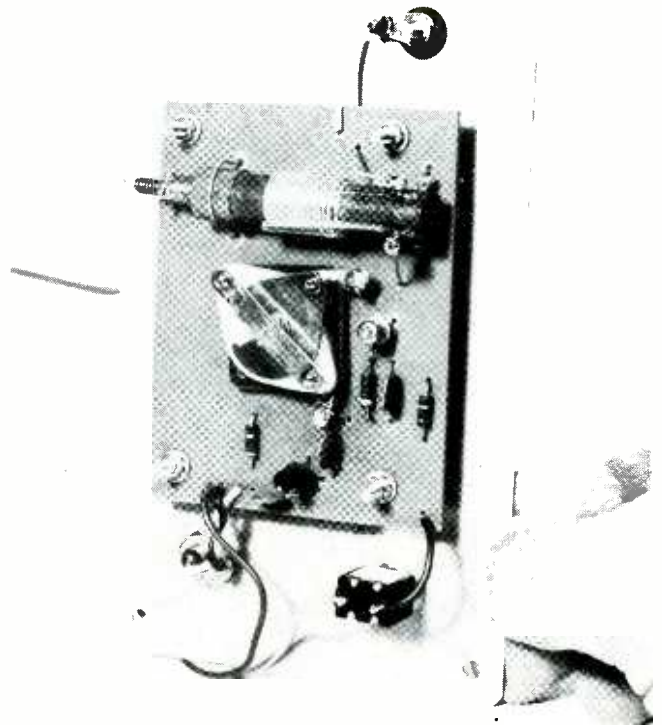


USE ¼-inch standoffs between the circuit board and the front panel.

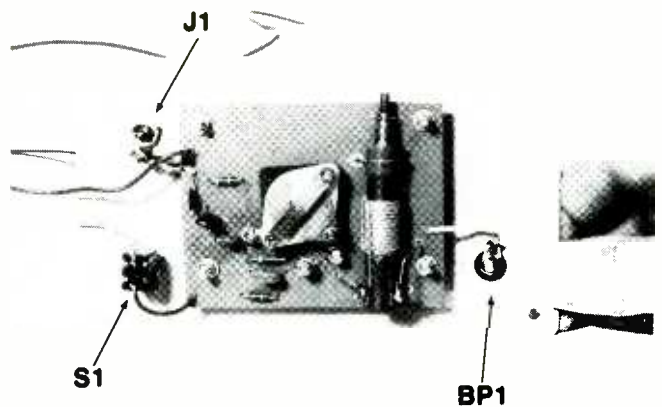


COIL L1 mounts flat and is secured to the circuit board with a wire tie.

the *antenna coil* from the series, as indicated by the final letter "A". Do not use an RF coil, which is designated as X-5495-RF, the "X" representing A, B, C, or D.

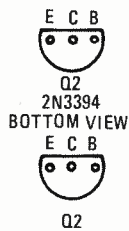
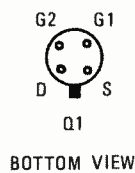
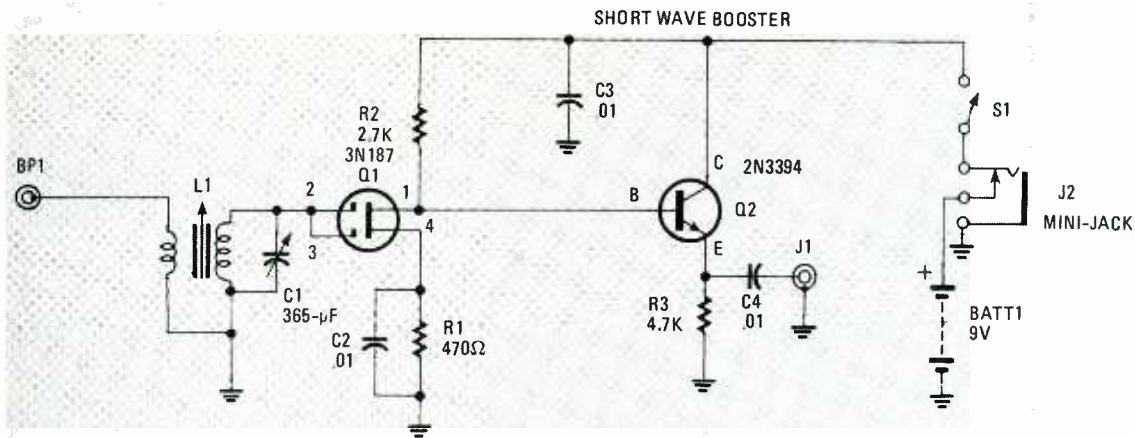


AFTER ALL PARTS are in place, the circuit board is mounted on the front panel of the case.

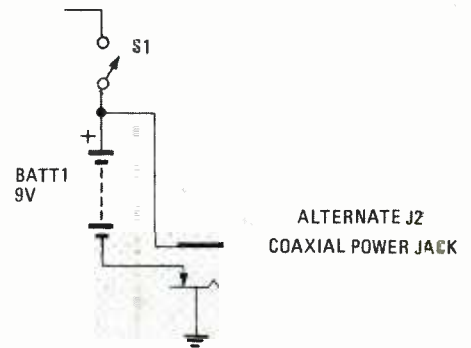


BINDING POST BP1 may be replaced with a coax connector if coax transmission line is used.

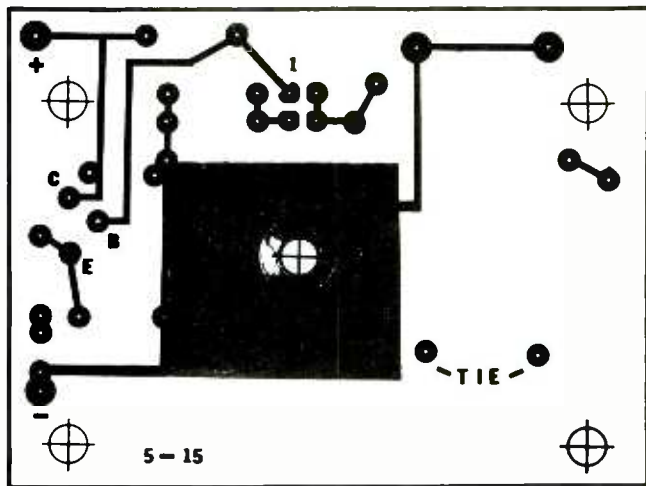
Capacitor C1 is a sub-miniature 365-pF poly-vari-con. At one time it was generally available. This is no longer true in many areas of the country. If you have difficulty obtaining C1 locally it can be ordered from



GENERAL SUBSTITUTE



SCHEMATIC DIAGRAM for the short-wave booster. Transistor Q1 is a dual-gate MOSFET type.



FOIL PATTERN for the circuit board. Layout is not critical as long as the general pattern is followed.

PARTS LIST

RESISTORS

Resistors 1/4-watt, 10%

R1—470 ohms

R2—2700 ohms

R3—4700 ohms

CAPACITORS

C1—365-pF subminiature tuning capacitor (see text)

C2, C3, C4—0.01- μ F ceramic disc rated 25 VDC or higher

SEMICONDUCTORS

Q1—FET, RCA 3N187, 40673, or direct substitute

Q2—2N3394 or equal (see text)

MISCELLANEOUS

L1—5.5-15 MHz antenna coil, Miller C-5495-A (see text)

S1—SPST switch

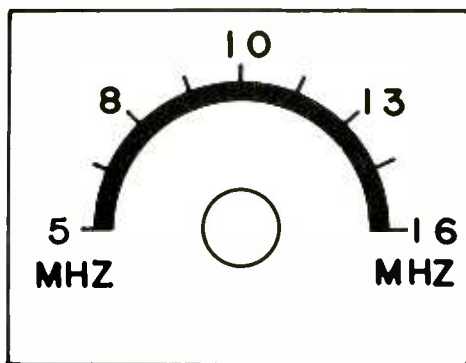
BP1—Insulated binding post

J1—phono jack

J2—closed-circuit power jack, see text

BATT1—9-volt battery, type 006P or equal

Misc.—Printed circuit material, cabinet, etc.



TUNING DIAL for the booster using coil L1. Changing the coil would require a different dial.

(Note. C1, a 365-pF Poly-Cap capacitor is available for \$4.95 from Custom Components, Box 153, Malverne, NY 11565. Add \$2 postage and handling per total order. NY State residents must add sales tax. Canada \$2 additional. No foreign orders.)

the source given in the parts list.

How it works

The tuned signal from L1's secondary is fed to Q1, a dual-gate MOSFET wired with both gates shorted together. This is the only critical component and is used for several reasons not too readily apparent. For one, its input impedance is hundreds of megohms, which effectively provides an unloaded C1/L1. This results in the highest possible "Q" of the tuned circuit and therefore the narrowest possible bandpass without using complex positive feedback circuitry. Tuning is actually so sharp that if reception is desired say, at 6 MHz, and the booster is tuned to say, 12 MHz, the only 6-MHz signal that gets through to the receiver will be mostly "leakage" from the wiring itself.

The specified Q1, the RCA 3N187 or 40673, and the direct replacement, the RCA SK3065/222, has diode protected gates. That is, there are internal back to back diodes from each gate to the source which "ground" transients—such as from static voltage discharge from the antenna—that would "blow" unprotected MOS FETs. The 3N187 family of FETs is immune to almost everything except a direct lightning hit.

Finally, the 3N187 is one of those "legendary" devices that always seem to work no matter what mistakes the builder makes. It can tolerate wide component value tolerances with little effect on overall performance (in this circuit).

Q2 is a low gain NPN RF transistor with an h_{fe} in the range of 30-50. It can be almost any device as long as the h_{fe} range is correct. Do not substitute a "general replacement" transistor if the gain exceeds 50, perhaps 60. When the gain reaches 100-300 it's possible you will actually get less signal out of the booster than was coupled from the antenna.

Q2 serves as an impedance matching device and a current (power) drive for the receiver. It is an "emitter follower" circuit, the base input providing a high impedance load for Q1's drain, the emitter output providing a relatively low impedance drive for the receiver's antenna input terminals. (Whereas L1/C1 and Q1 provide voltage gain; Q2 provides current gain.)

Overall stability of the booster is assured because there is but one tuned circuit; there is no coil in the output to "radiate" back to the input.

The project is powered by a 9-volt transistor radio type (006P) battery, or a 9 volt battery eliminator. Total current drain is slightly under 2-mA so: A) the battery will give almost self-life service; B) the smallest low-cost "surplus" battery eliminator you can find will work just fine.

Even if battery powered, the battery is automatically disconnected when the battery eliminator is plugged in. If your battery eliminator has a mini-plug use the wiring shown for a mini-jack, with the normal-through on the tip connection. If your eliminator has a coaxial power plug such as used on many portable cassette recorders use the alternate wiring shown for a coaxial jack, with the normal-through connection made through the sleeve. Take particular note that when using a mini-jack it is the battery's positive connection that is broken when the eliminator is connected. When using a coaxial jack it is the battery's negative connection



THE COMPLETED short-wave booster. Any type of case may be used.

that is opened.

No bypass switch has been provided because there's virtually no chance of overloading the booster. But if you want a bypass switch wire it in any way you choose as long as you keep input and output wires positioned on their own side of the switch and cabinet.

Making the circuit board

The circuit board (PCB) is not critical as long as you follow the general layout. Keep L1 on one side of the board and Q2 and its connections on the other. L1 is mounted flat on the PCB. The connecting terminals secure one end, the other end is secured by a piece of No. 20 or No. 22 solid wire wrapped around the top of the coil form and secured in the two holes used for a "tie". If you don't want to solder the tie to solder pads around the holes simply twist the wire ends together on the flip side of the PCB. Whatever, make certain L1 is secure; the tuning sensitivity "drifts" on the higher frequencies if something causes L1 to move or vibrate away from the PCB. (There is no problem below 10 MHz).

PCB neatness does not count in this project. It will work as long as the foils bear a reasonable resemblance to the template, so make the PCB the easiest way possible. You can even freehand the resist with a resist pen. Just make certain you provide a foil shield at least the dimensions of C1; it prevents hand capacitance from causing detuning if the PCB is installed in an all-plastic cabinet. (More on the cabinet later.)

All the PCB holes except for C1 and the four corner mounting screws can be made with a #56 to #60 drill bit. If you don't have numbered drills use a 1/16" bit. C1's mounting hole is anything close to, but larger than 1/4": 9/32, 5/16", etc. Do not go to 3/8". The corner mounting holes should provide clearance for #4 or #6 screws; whichever you prefer to use.

If you can obtain a 365-pF miniature poly-varicon capacitor with a standard length shaft, that is, one long enough to accept a knob (about 3/4-inch) by all means use it. More likely, the C1 you can locate will have a short stubby threaded shaft originally meant to accept a tuning dial. You will have to extend the shaft. This is easily done by simply cutting a length (about 3/4 to 1 inch) from the shaft of an old or salvaged volume control and cementing it to the C1 stub-

shaft with epoxy.

Do it this way. Use a fast setting epoxy such as Duro 5-minute Epoxy—it comes in individual “one-shot” packaging (about 5-for-\$1). Clamp C1 in a vise so the stub is exactly vertical. Using a toothpick or similar “tool”, fill the hole in the stub with epoxy and apply a very thin layer to the top of the stub; don’t let the epoxy run down the stub or you will end up with a permanently fixed C1 adjustment. Carefully apply the shaft section to the top of the stub. Make certain the end of the stub is the original end from the control’s shaft. The end you cut might not be exactly at right angles to the shaft and you will end up with a peculiar shaft alignment if you cement the cut end. When the shaft is on the stub rotate it about 180° to seat it into the epoxy, check the alignment, and allow a full 24 hours for the epoxy to set rock hard. Then install C1 on the PCB.

The PCB can be installed in any type of cabinet: plastic or metal...it doesn’t matter. A good low cost housing is a plastic cabinet with an aluminum front panel. The cabinet shown in the photographs is 6-1/4 × 2 × 3-3/4”, a convenient size. External power jack J2 mounts on the side of the cabinet.

If you use a metal panel make certain the PCB is spaced off the panel about 1/4” by metal or plastic spacers, or a stack of washers or nuts at each mounting screw.

Calibration is easy

A full scale template for a 5-16-MHz dial is shown. You can make a tracing or cut it out from the page and

secure it to the panel with rubber cement. If you build a broadcast booster version simply place a “period” in front of the numerals for proper calibration (.5, 1.0, 1.6). For other frequency ranges you’ll have to redo the calibration.

The tuning range will more or less match the dial if L1’s tuning slug is set so it sticks out about 1/8” above the top of the form. Tweak the slug either way to get the exact calibration you want.

Using the booster

Connect the booster output to the receiver using the shortest possible length of “thin” coaxial cable. And if you don’t have a short length of coax around you can get away with using ordinary shielded cable—the type used for “audio patch cords.” Like everything else about this project, the cable is not critical.

Connect your antenna to BPI. If you have used a plastic cabinet L1 might well serve as a “loop antenna” and you might not need any antenna; it all depends on the station(s) you want to receive.

Preset C1 to the approximate signal frequency and then tune the signal on the receiver. Finally, peak the signal with C1.

While the booster can be left connected for both weak and strong signals bear in mind it will appear to have no effect on strong signals because the “extra” gain is taken up by the receiver’s AGC (automatic gain control). It’s when the received signal is so weak the AGC is “wide open” and there’s still insufficient sensitivity that the “extra” booster gain will appear to raise the signal out of a “dead band.” **SP**



HAND-HELD LOGIC PROBE & KIT, the model 205 “Catch-A-Pulse” and model 205K kit, provide an inexpensive means of analyzing and troubleshooting logic gates and sequential circuits such as flip-flops, counters, registers, and microprocessors. The probe is the size of a felt-tip marker pen, and has a shirt-pocket clip. There is a very bright LED display of HI-LOW, pulsing, or open-circuit logic states, which are referred to on the probe’s truth table.

The “Catch-A-Pulse” logic probe adjusts automatically to the proper DTL, TTL, MOS, CMOS, or microprocessor circuit threshold when its leads are connected to the IC-circuit power supply. Power-supply

reverse polarity is also provided. The input impedance of the probe’s tip becomes a slave to the circuit under test, causing it to react to whatever signal or logic condition is present. The probe’s memory resets automatically every 50 microseconds to observe and display another pulse. The logic-probe circuitry has built-in current limiting for intermittent or low duty-cycle over-voltages.

The model 205 has a detachable 6-foot coiled cord with mini-alligator clips; it comes with an instruction manual and a clear plastic carrying case. The price is \$49.50.

The model 205-K kit, in addition to the “Catch-A-Pulse” logic probe, includes a high-voltage adapter model 79-465 for 15- to 25-volt circuit applications, and model 79-466 coiled cord, with micro-hooks for direct IC-pin attachment. The price of the kit is \$59.00.—Triplet Corporation, One Triplet Drive, Bluffton, OH 45817.

FOR MORE INFO CIRCLE 438 ON FREE INFORMATION CARD

ETCO 1981 CATALOG, new winter edition, has 96 pages listing bargains, discounts, unusual items, and thousands of hard-to-find parts. The winter edition offers what could be the world’s largest assortment of cable-TV converters and accessories.

Other new items include: microwave radiation detectors, wireless intercoms, wireless microphones and telephones, long-distance parabolic and shotgun microphones, VTR accessories, and disco



items. There are also TV-screen magnifiers, educational kits, hundreds of new surplus offerings, metric hardware, printed-circuit materials, and one of the world’s largest assortments of receiving and transmitting tubes, including hundreds of obsolete types, almost impossible to find elsewhere.

This “K” issue of the ETCO Catalog is available free on request to **Special Projects** readers.—**Etco Electronics**, Dept. 280, Box 796, Plattsburgh, NY 12901.

FOR MORE INFO CIRCLE 439 ON FREE INFORMATION CARD

DUAL MODE POWER SUPPLY

This easy-to-build power supply gives you constant-current or constant-voltage outputs at the flip of a switch.

RALPH TENNY

IT IS FREQUENTLY CONVENIENT TO HAVE AN ADJUSTABLE power supply that isn't dedicated to any other purpose except for that first trial of our latest bright idea. Here is a quickly built and very inexpensive power supply which has either voltage or current output. (I call it Chameleon because of its quick-change dual-mode capabilities.) When 2.0 volts to 15 volts at up to 300 milliamps will do the job, the voltage output is ready at the flick of the power switch. If you need to charge a Nicad battery pack, form a capacitor, test LED's or any other job for a current source, just switch the "hot" lead to the current output jack and go to it.

The LM317 is the heart of this power supply. It is a new adjustable voltage regulator from National Semiconductor, and it has a number of advantages over the usual three-terminal regulators we have come to know and love, in spite of its somewhat higher cost. Figure 1 shows the basic diagram of the regulator. It consists of the normal series regulator and voltage reference, but the LM317 uses a 1.25-volt reference instead of the usual 5 volts. Thus, when you use it like a normal three-terminal regulator (Fig. 2) its output is only 1.25 volts. (Note that R1 is necessary for proper operation.)

So, to get the more useful voltages from 5 volts up, we must connect two resistors or a potentiometer and a resistor (R1 and R2) to the basic regulator as shown in Fig. 3. Now, it may not seem like an advantage to use three parts instead of one, but I like the versatility

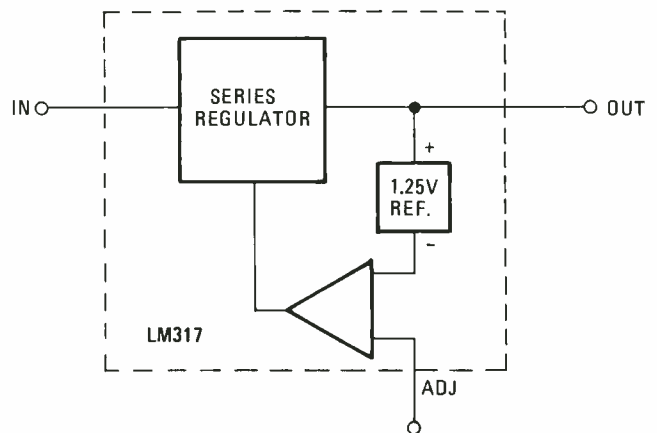


FIG. 1—THE LM317 is a three-terminal regulator with a 1.25-volt-internal reference.

the LM317 gives me. In the first place, I only need one type of regulator for a number of purposes. And, when I need a variable voltage, as with Chameleon, it should be possible to get as low as 1.25 volts (instead of 5 volts minimum) with this basic circuit. However, due to a design compromise discussed later, Chameleon's low end is about 2 volts.

One major advantage of the low reference voltage of the LM317 is that a very efficient current source is

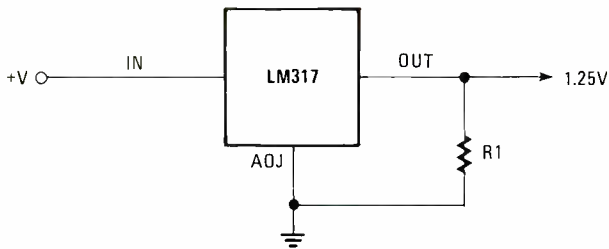


FIG. 2—MINIMUM OUTPUT VOLTAGE for the LM317 is 1.25 volts. Resistor R1 is needed for proper operation.

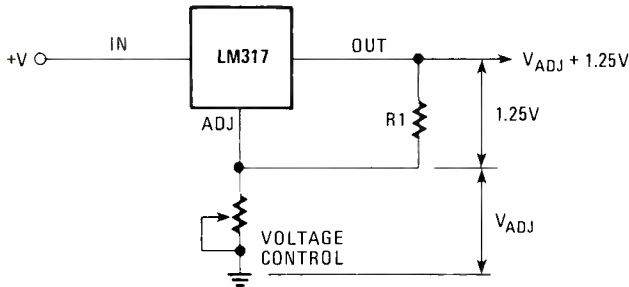


FIG. 3—ADD A POT to Fig. 2 and the LM317 becomes a wide-range adjustable voltage regulator.

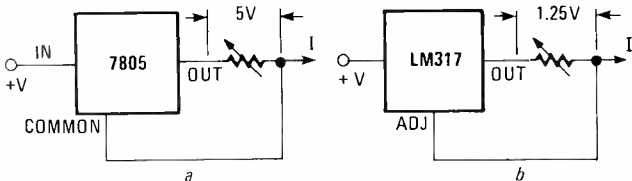


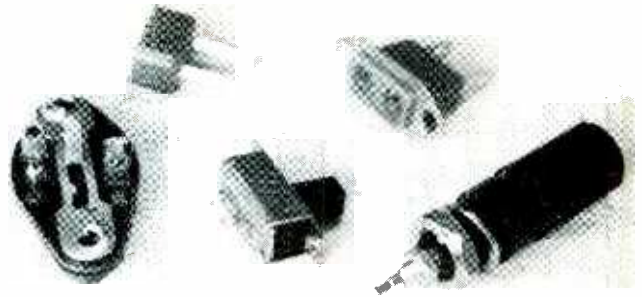
FIG. 4—ALL THREE-TERMINAL regulators can be used as constant-current sources.

possible. The current-source circuit is shown in Fig. 4. Figure 4-a shows a 7805 regulator, which requires 5-volt drop across the current shunt, because the older regulator design uses a 5-volt reference. In Fig. 4-b the LM317 requires only 1.25 volts, which means that the energy lost in the regulator and circuitry is about one-fourth that of the older circuit. Note that in Fig. 4-b, the variable resistance must not be allowed to go to zero; this would imply infinite output current. In the practical development, a small series resistor sets the minimum circuit resistance.

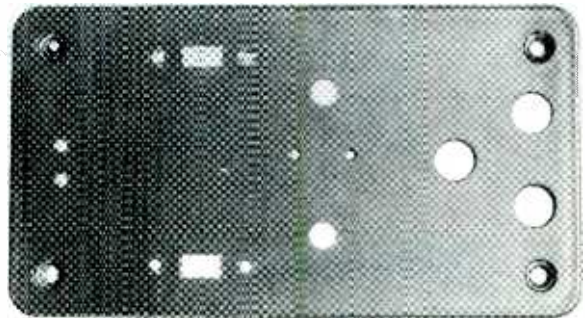
Current or voltage

As I designed the supply, it was apparent that only a few additional parts would give me either voltage or current output capability. Therefore, in Fig. 5 we see a circuit which can give either voltage or current output by changing one switch. Note that the voltage output terminal should not be used with current mode selected, and that any load between the current output terminal and common will reduce the output voltage if Chameleon is being used in voltage mode.

All the previous illustrations have omitted two important parts from the schematics. These are the input (C2) and output (C3) capacitors in the complete Chameleon schematic shown in Fig. 6. Capacitor C2 can be omitted unless the leads from the filtered DC



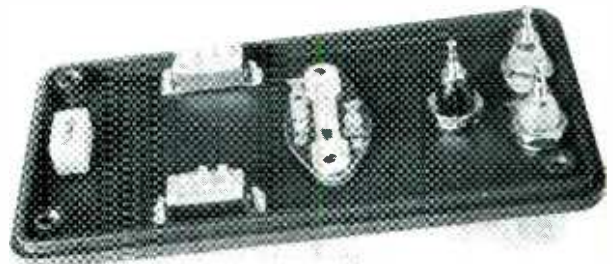
SOME OF THE HARDWARE needed to build the Chameleon. All parts are readily available.



TOP VIEW of the plastic project box chassis lid showing the suggested layout of the mounting holes.



PLASTIC project box chassis lid with all of the top hardware in place.



BOTTOM VIEW of the lid. The power connector (far left) should be locked in place with epoxy.

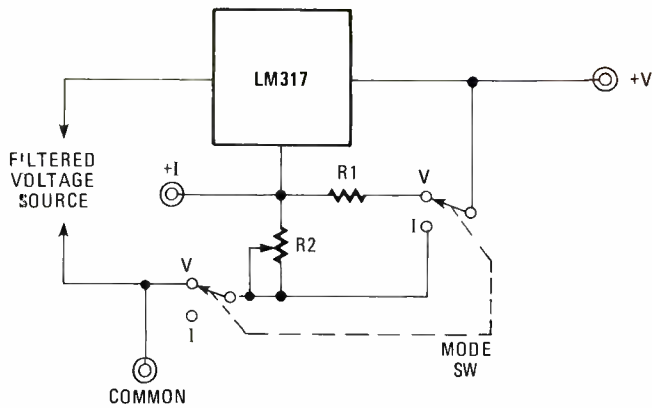


FIG. 5—ADDING COMPONENTS makes the LM317 into a switch-selectable constant-current or constant-voltage source.



MOST OF THE CIRCUITRY fits on a small perforated board. The bridge rectifier is just below the capacitor.

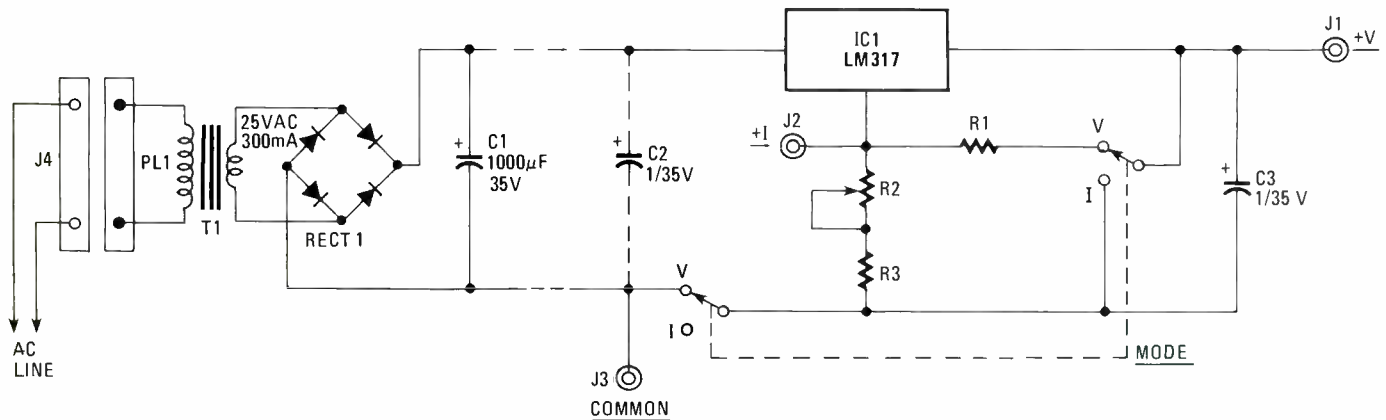


FIG. 6—SCHEMATIC of the Chameleon. Capacitor C2 is needed only if the leads from the filtered DC supply are over 5 inches long.

PARTS LIST

RESISTORS

Resistors, ¼ watt, 10% or better

R1—100 ohms

R2—1000 ohms, potentiometer, PC mount

R3—27 ohms

R4—(see Fig. 7)—100,000 ohms, potentiometer

CAPACITORS

C1—1000 µF 35 volts electrolytic

C2, C3—1 µF, 35 volts, tantalum

SEMICONDUCTORS

IC1—LM317

Q1—(see Fig. 7)—2N5210 or equal NPN transistor

RECT1—full-wave bridge rectifier, 50 PIV, 1.4 amp,
Radio Shack 276-1151 or equal

MISCELLANEOUS

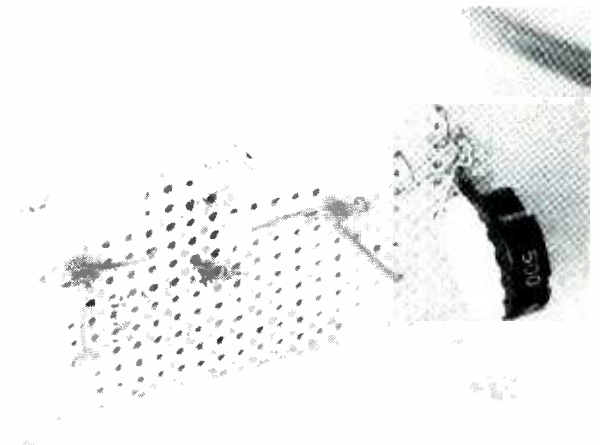
T1—transformer, 24 volts AC, 300 mA secondary,
Radio Shack 273-1386

J1, J2, J3—insulated 5-way binding post

J4—line-type AC receptacle (TV cheater cord or equal)

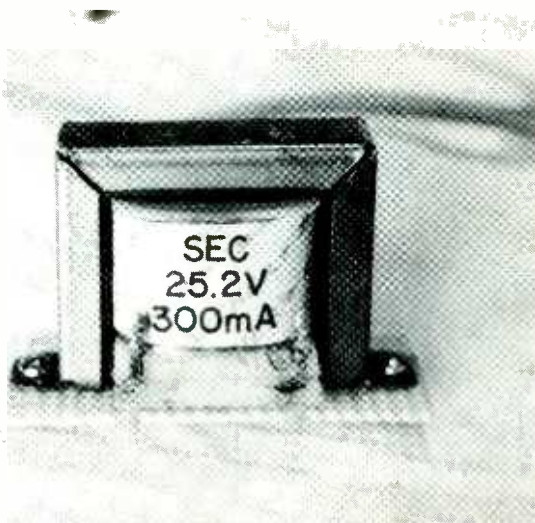
PL1—chassis-mount AC plug to match J4.

case—plastic project box, 4-3/4 × 2-1/2 × 1-2/5 inches,
Radio Shack 270-222 or equal

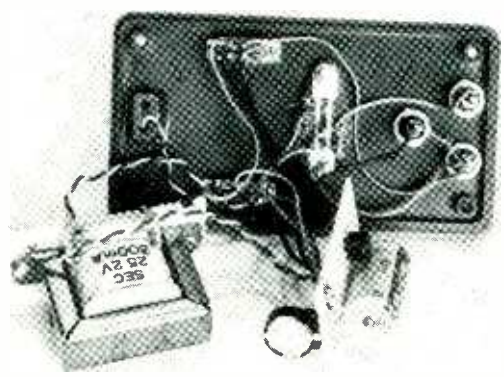


REAR VIEW of the board. Note that each lead is bent to form a loop to which connections are made.

supply are over 5 inches long. Capacitor C3 makes a big improvement in the recovery time of the regulator if a sudden change in the load current occurs. No special layout precautions are needed for Chameleon, and, except for good soldering and construction practice, nothing is critical about the circuit layout. In the version shown in the photos, C2 was omitted due to the small box and short leads.



TRANSFORMER mounts on a separate piece of perforated board that slides into a slot in the case.



THE COMPLETELY WIRED unit just before it is installed in its case.

One more component was added to the final schematic (Fig. 6); R3 sets an upper limit on the output current furnished to the load. The limiting factor is the power rating of R2; the part specified in the parts list is a 1/4-watt potentiometer. This simply means that there is a maximum current which any part of R2 can handle, and maximum load current occurs when R2 is set to the lowest resistance. This can be computed using the following formula:

$$\text{Power (watts)} = I^2 (\text{amps}) \times R (\text{ohms})$$

From the formula we can compute that about 22 mA current in R2 would be the maximum. Since the wattage rating on components is for continuous use, we can fudge some and assume that about 50 mA load current is acceptable for short-time applications.

Potentiometer R2 was chosen for its availability, even though a potentiometer with a shaft would have been preferable. The lack of shaft is solved by mounting R2 so that a hole in the side of the box allows screwdriver adjustment of the output. If a larger value of current is needed from Chameleon, you could substitute a 100-ohm, 1-watt potentiometer, and use a 10-ohm unit for R3. This combination will give you a maximum current of 300 mA, which is much more

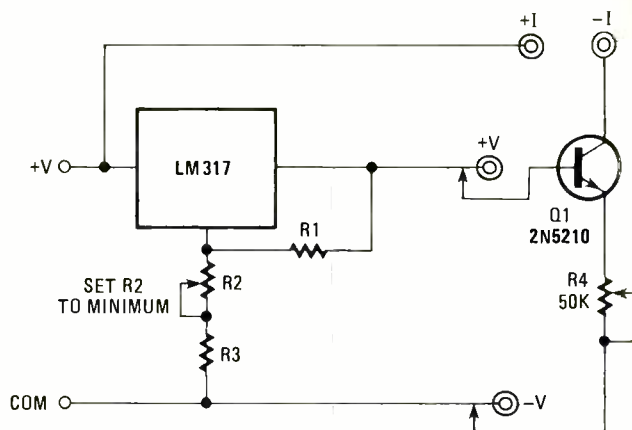


FIG. 7—ALTERNATE HOOKUP allows the unit to be used as a very-low-current source.

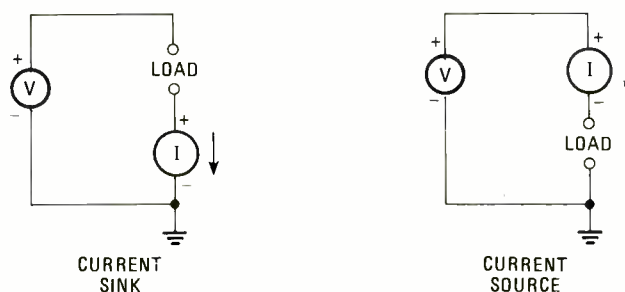


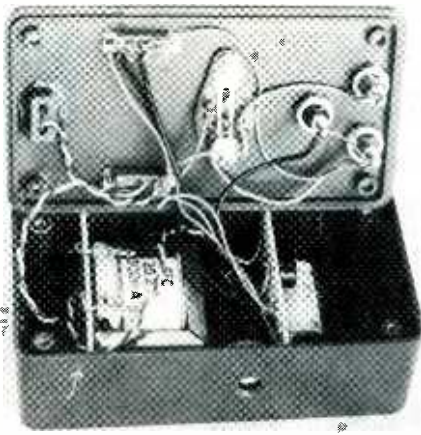
FIG. 8—A CONSTANT-CURRENT source may be used as either a constant-current source or constant-current sink.

than the LM317 should be called on to deliver without a heat sink. With the high current configuration installed, Chameleon will deliver about 3-volts maximum in the voltage mode, unless R1 is much smaller. However, with R1 set to 27 ohms, the maximum output will be about 6-volts; at this output level, the R1-R2-R3 string will pull over 40 mA. Therefore, if a heavy current source is needed, it should be a separate unit.

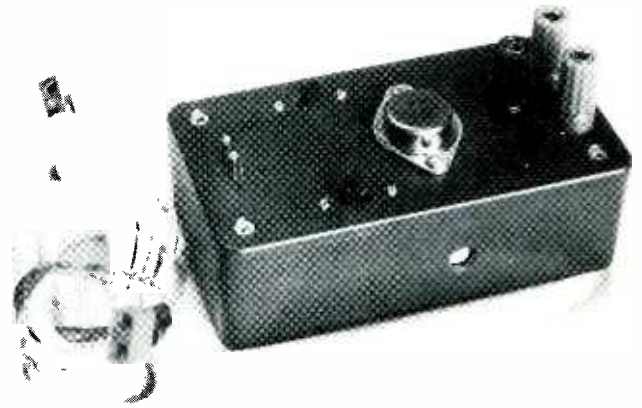
Test the current mode

When you test Chameleon's current mode (using the circuit in Fig. 6), you will note that about 3 mA is the lower limit of adjustment. This is due to the current used by the circuitry inside the LM317. However, Fig. 7 shows an alternate hookup which can give an arbitrarily small current (down to 100 microamps or less, if Q2 is a low-leakage transistor). What happens is that the LM317 serves as a voltage reference for Q2 and R4. The accuracy of this current source is directly dependent upon the current gain (h_{FE}) of Q2 at any collector current. That is, if the h_{FE} is only 10 at a collector current of 100 microamps, the actual load current will be 110 microamps, or a 10% error. For a h_{FE} of 250, the error is only 0.4%. Of course, the error is proportional to the h_{FE} at any collector current, instead of just at low currents as in the example chosen.

Just looking at the circuits in Figs. 4 and 7, it would seem that Fig. 4 shows a current source and Fig. 7 a current sink. Actually, Fig. 8 shows the same two-terminal current generator connected as both a current source and a current sink. The difference is in which



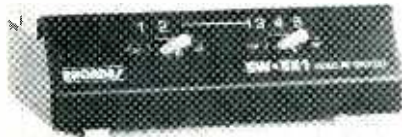
INSIDE VIEW of the Chameleon. Be sure to tuck in any stray wires as you close the lid.



THE FINISHED PRODUCT with the power transistor installed. At high current-levels heat sinking is advisable.

terminal is referenced to which terminal of the main circuit. All you need to remember in applying Chameleon as a current generator is that the + current terminal is a current source and the - terminal is a current sink, and to reference the appropriate terminal to the desired place in the circuit under test.

Chameleon is constructed entirely from readily available parts for convenience. If you choose the same chassis box (Radio Shack 270-222) as I did, the photos show one way to assemble the pieces. My bench testing of new circuits is a lot quicker since I have Chameleon around. **SP**

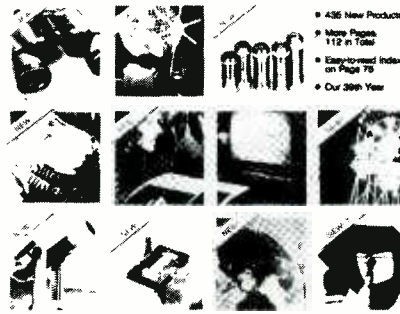


VIDEO SWITCH, model SW-5x1, is for those whose TV or VTR needs more than one source. With this low-loss, high isolation switch, you can plug in any five sources from VTR, game, antenna, pay-TV, computer, video disc or cable into the inputs 1 through 5 on the back of the model SW-5x1.

The load-compensated inputs mean that those inputs are switched into 75-ohm loads when not switched into the circuit; that is important for maintaining correct impedance loads on hybrid transformers and the outputs of your video components. The aluminum cabinet shields RF frequencies and the rubber cushion feet assure scratch proofing and stable positioning on the top of any surface.

The switch is $5\frac{1}{2} \times \frac{1}{8} \times 1\frac{3}{4}$ inches. Switches: three-position toggle, 50,000 operations; terminals: F-type; impedance 75 ohm; frequency, 0-900 MHz; isolation better than 60 DB, and there is a two-year warranty. The model SW-5x1 is priced at \$49.95.—**Rhoades National Corporation,** PO Box 1052, Highway 99 East, Columbia, TN 38401.

FOR MORE INFO CIRCLE 427 ON FREE INFORMATION CARD



Edmund Scientific Catalog
1980 Fall/Winter Catalog 91-114-02

EDMUND SCIENTIFIC CATALOG, Fall/Winter 1980 introduces 435 new products. The catalog is 112 pages, many in color, and measures $9\frac{3}{4} \times 8\frac{1}{4}$ inches. Design engineers, research laboratories, industrial plant managers, purchasing agents, experimenters, and hobbyists will find a wide variety of cost-cutting, time-saving bargains.

A full page in the catalog has been devoted specifically to OEM and instrument components. Other sections include industrial components such as lab equipment, lenses, fiber optics, comparators, lasers, reticles, infra-red viewing systems, microscopes, cobalt rare-earth magnets, optical testing equipment, and more.

The catalog is available free upon request.—**Edmund Scientific Co.,** 7082 Edscorp Bldg., Barrington, NJ 08007.

FOR MORE INFO CIRCLE 434 ON FREE INFORMATION CARD



SOLDERING-IRON STAND, lets you transport a hot iron. The new stand is a combination soldering-iron stand and caddy. When closed, the stand contains the soldering-iron shaft and tip within the closed metal compartment, thus allowing an iron that has not yet completely cooled down to be placed in a tool box or caddy without damage to adjacent compartments. The stand/caddy also protects the shaft and tip from possible damage in transit.

In the "open" position, the stand functions as a standard soldering-iron stand, holding the iron within easy reach between uses. It also features a tip-wiping sponge and well. The soldering-iron stand is priced at \$6.95.—**Wahl Clipper Corporation,** Sterling, IL 61801.

FOR MORE INFO CIRCLE 435 ON FREE INFORMATION CARD

CRT



WHEN A PICTURE TUBE GETS OLD AND TIRED, THE USUAL remedy is to trade it in for a replacement. But you might be able to bring it back to life with a rejuvenator. If you take a few minutes to perform the restoration procedure on the tube, you may well add a year to its life, and save the trouble of installing a new one. In addition to restoring the tube, the rejuvenator shows you the condition of the tube by measuring the emission of each gun, and detecting interelectrode leakage. Shorts will be found and removed in most cases. How does it do all of this? Well, read on, and you'll find a little theory on cathodes and rejuvenators, and construction details for a rejuvenator you can call your own.

The cathode

Electrons emitted by the heated cathode are focused into a beam, accelerated by high voltage, and swept across the phosphor-coated tube face to produce a picture. For good brightness the cathode current must be adequate. The lower the current, the darker the picture. But let's forget about the picture for now, and move back to the neck of the tube and take a closer look at the gun to see how the cathode works, and why it gets weak.

A simplified drawing of a gun is shown in Fig. 1. The grids G1, G2, and G3 are not made of wire mesh as are the grids in regular receiving tubes. Instead,

TESTER-

REJUVENATOR

MARVIN SMITH

This handy CRT tester-rejuvenator can save you time and money by extending the life of your television picture tube.

they are short sheet metal cylinders. G1 and G2 have a closed end with a hole (aperture) in the center, while G3 is open on both ends. The cathode K is a small cylindrical sleeve closed on one end, and is heated by the filament F. The effective electron-emitting surface is the end near the G1 aperture. Voltage is applied to G2 to accelerate the electrons from the cathode through the G1 aperture. After the beam passes through G2 it is accelerated again in the fields produced by the voltage on G3 and the high voltage on the second anode A2.

The phenomenon of electron emission from a heated cathode is called thermionic emission. This current is proportional to three things: (1) cathode temperature, (2) accelerating voltage, and (3) cathode efficiency. Although metal is a good choice for a cathode because of its conductivity and durability, it must be operated at very high temperatures since its efficiency is low. In fact, in the first vacuum tubes the filament itself acted as the cathode. Later it was found that coating the metal with an alkaline-earth oxide such as barium oxide increased the efficiency of the cathode. With this coating the cathode could be operated at the familiar cherry-red temperature rather than incandescent white. However, there is one disadvantage to the oxide—it is delicate and susceptible to contamination from residual gas and outgassing of internal parts. This lowers the cathode efficiency and the beam current. Cathode contamination is the major cause of weak picture tubes.

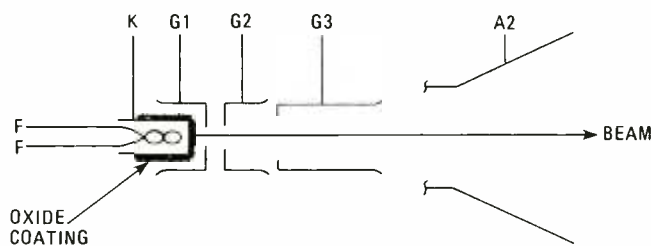


FIG. 1—SIMPLIFIED DRAWING of a picture tube gun. There are three such guns in a color picture tube.

Here is what can be done to increase the beam current:

1. **Raise the cathode temperature.** A picture tube brightener does this by increasing the filament voltage, but the improvement may not be adequate;

2. **Increase the accelerating voltage.** This adjustment range, however, is limited, or

3. **Make the cathode more efficient.** This is what a rejuvenator does by removing the contamination from the cathode.

We've been talking about the cathode as if there were only one. Of course, this is true for a black-and-white tube, but a color tube has a cathode for each of the colors—red, blue, and green. This brings up a subject called tracking. For a good color picture at all levels of brightness, the emissions of the guns should be about equal. Setting a value on how much they can differ is arbitrary, but it has been found that the ratio of the emission of the strongest gun to that of the weakest one should be no more than 1.5.

The rejuvenator

Basically, a rejuvenator applies a voltage between the G1 grid and the cathode, and raises the filament voltage to generate an abnormally high cathode current. This raises the cathode temperature above normal which removes the contamination, leaving the active oxide exposed.

There are two levels of restoration depending on the condition of the tube. The mild type, called cleaning, increases the emission of relatively good cathodes. The object here is to use just enough current to vaporize the contamination. This method will not always improve the emission sufficiently. In these cases the more powerful type of restoration called rejuvenation uses a higher current to boil the coating in an attempt to bring some of the good buried oxide to the surface.

Sometimes the restoration current does not flow when the filament is warmed up and the restoration voltage is applied. It is then necessary to increase the filament voltage to start current flow. Once started, the current will usually increase to the desired value.

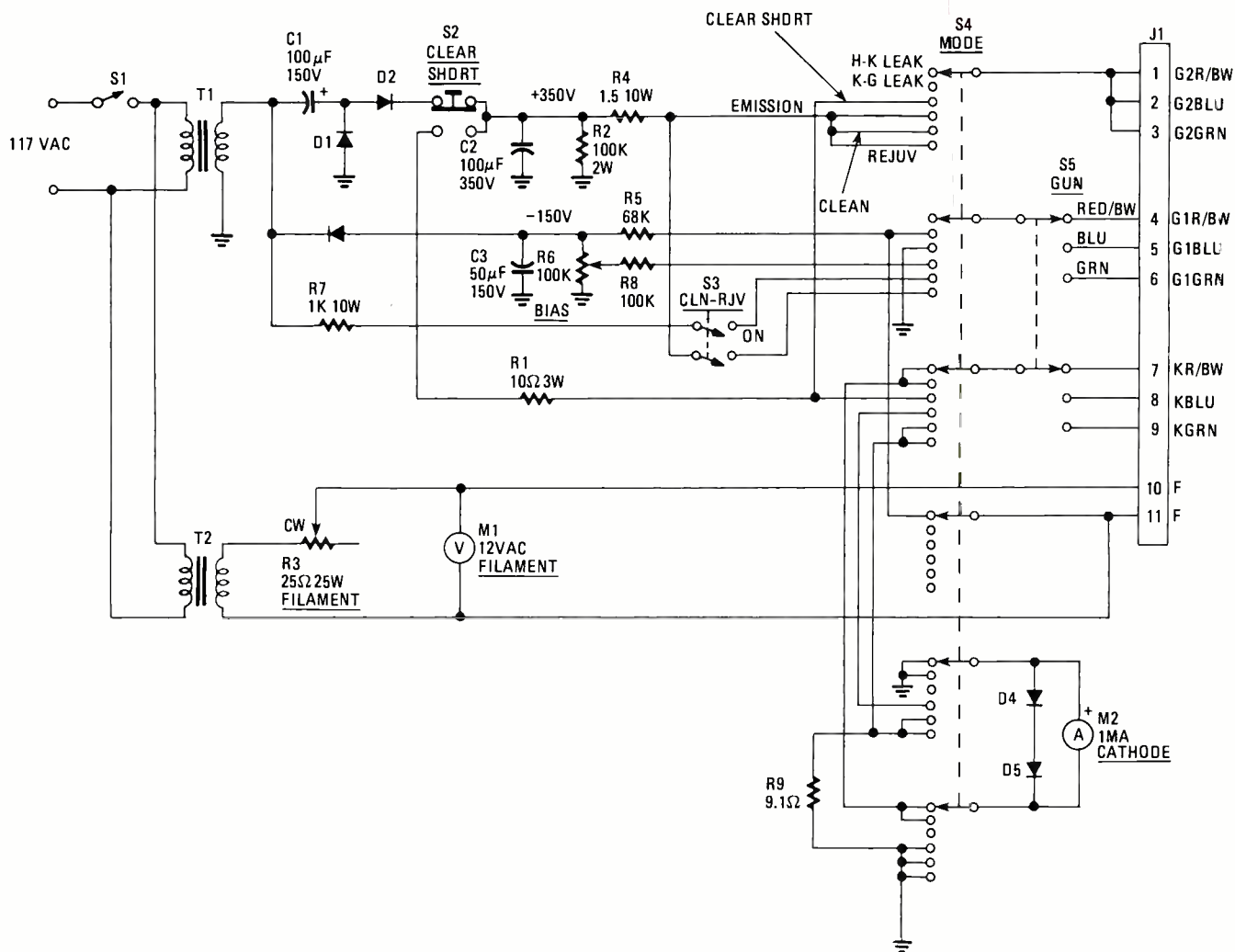


FIG. 2—SCHEMATIC DIAGRAM of the CRT tester-rejuvenator. Switch S4 is a six-pole, six-position miniature rotary switch.

Restoring the cathode is just one of the functions of the rejuvenator. It measures emission and leakage in a manner similar to that of a regular tube checker. The emission test indicates which guns require the restoration procedure. You may wonder at this point what is used as the "plate" for the emission test. The answer is the G2 grid, not the A2 anode, because we want to measure the current that passes through the G1 aperture from the cathode; this can be done by applying voltage to the nearest element, the G2 grid.

There are two leakage tests. One measures heater-to-cathode leakage; the other, interelement leakage. If excessive interelement leakage is detected, an attempt to clear away the leakage path is made by applying a charged capacitor between the elements which dislodges pieces of the oxide coating or other debris that bridge the elements.

Let's build one

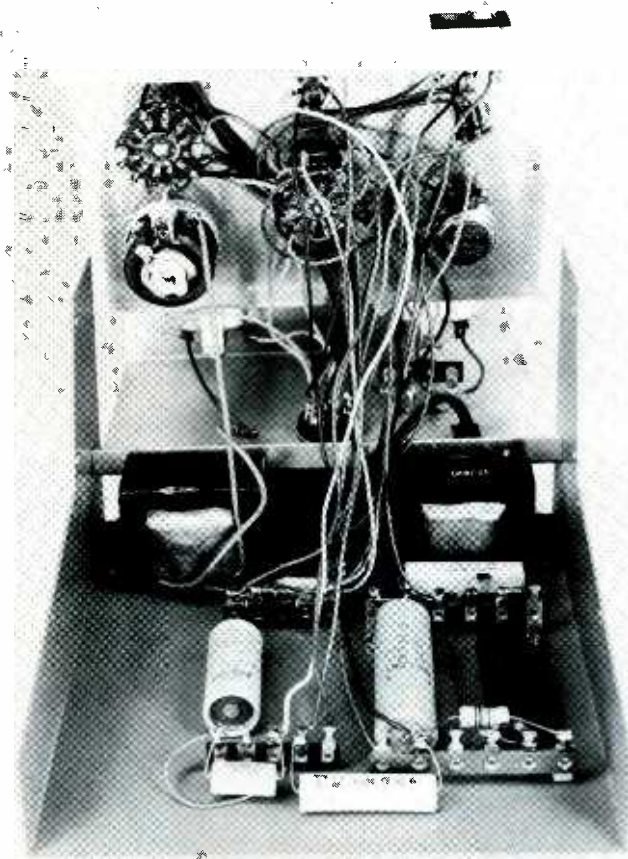
The schematic for the CRT Tester-Rejuvenator is shown in Fig. 2. The voltage doubler comprised of T1, C1, C2, D1, and D2 produces the 350 VDC required for the emission test and restoration functions. The CLEAR SHORT switch S2 serves a dual purpose determined by its position. Normally, C2 filters the 350

Some precautions

It should be pointed out that the restoration operation is not without its hazards, and in rare cases it may cause permanent damage to the tube. There is always the possibility of damaging the cathodes because of the high currents used. The result is that the emission is lowered, not increased. Some steps in the procedure call for increasing the filament voltage above the rated value. Usually, filaments can take twice the rated voltage for a short time, but they may burn out above the rated value because of manufacturing defects, or just plain old age.

Sometimes poor picture quality is blamed on the picture tube, when the real cause might be low line voltage, or incorrect focus or high voltages. So, before working on the picture tube, it is a good idea to take a few minutes to check these voltages to make sure that the chassis is supplying the correct voltages to the tube.

VDC, but when S2 is pressed it acts as a source of stored energy to remove shorts between K and G1, and between G1 and G2. Resistor R1 limits the current when S2 is pressed. Resistor R2 discharges C2 when



INTERIOR VIEW of the CRT tester-rejuvenator. Point-to-point wiring is used throughout.

PARTS LIST

RESISTORS

All resistors 1/2 watt, 10% unless noted

- R1—10 ohms, 3 watts
- R2—100,000 ohms, 2 watts
- R3—25-ohm, 25-watt wirewound potentiometer
- R4—1,500 ohms, 10 watts
- R5—68,000 ohms
- R6—100,000-ohm, 2-watt carbon potentiometer
- R7—1,000 ohms, 10 watts
- R8—100,000 ohms
- R9—9.1 ohms

CAPACITORS

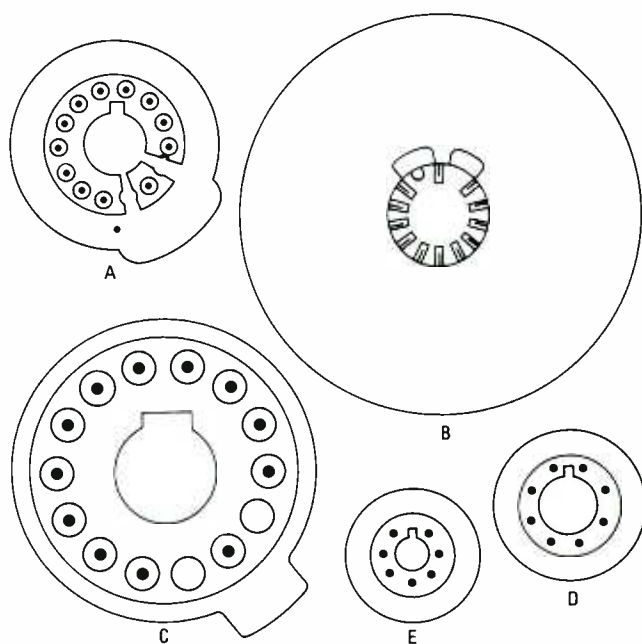
- C1—100 μ F, 150 volts, electrolytic
- C2—100 μ F, 350 volts, electrolytic
- C3—50 μ F, 150 volts, electrolytic

DIODES

- D1-D5—1N4004

MISCELLANEOUS

- S1—SPST toggle switch
 - S2—SPDT pushbutton switch
 - S3—SPST miniature toggle switch
 - S4—6-pole, 6-position miniature rotary switch (Centralab PSA-223)
 - S5—2-pole, 3-position rotary switch
 - M1—0-15 volts ac meter (Emico 6337)
 - M2—0-1 milliamper dc meter (Emico 2320)
 - T1—15 VA isolation transformer (Triad N-48X)
 - T2—12.6-volt, 2-amp. transformer (Triad F-44X)
 - J1—11-pin octal type relay socket
- Knobs, line cord, case (LMB MDDC 885), hardware.



ADAPTER	TUBE TYPE
A	12-PIN 90 DEG. COLOR TUBE. MOST COMMON SOCKET FOR COLOR TUBES.
B	12-PIN 110/90 DEG. IN-LINE COLOR TUBE. REWORK NEEDED—SEE TEXT.
C	12-PIN 70 DEG. COLOR TUBE. FOR OLD ROUND COLOR TUBES.
D	7-PIN LARGE BW TUBE. MOST COMMON SOCKET FOR LARGER BW TUBES.
E	7-PIN SMALL BW TUBE. MOST COMMON SOCKET FOR SMALLER BW TUBES.

FIG. 3—FIVE most common sockets in use. For other sockets, refer to the set schematic for pin assignments.

the power is removed to eliminate shock hazards when the adapter cable is disconnected from the picture tube. Restoration currents are limited by R4 and R7 to minimize damage to the gun. The negative voltage required for grid bias and the leakage tests is produced by D3 and C3.

The variable filament supply is comprised of 12.6-volt transformer T2 and FILAMENT potentiometer R3. FILAMENT meter M1 indicates the voltage applied across the filament. If the filament is open, or if no tube is connected, M1 will indicate 12.6 VAC regardless of the FILAMENT control setting because R3 is connected in series with T2.

CATHODE meter M2 has two ranges depending on the setting of the MODE switch S4. When reading leakage or emission, the full scale indication is 1 mA, but when the MODE switch is in the CLEAN or REJUV positions, full scale is 100 mA since the meter is then shunted by R9. Diodes D4 and D5 protect M2 against excessive current when the emission is high, or if there is a short in the tube. Resistor R5 limits the current through M2 when measuring leakage.

Resistor R8 limits the current through BIAS potentiometer R6 if there is a cathode-to-grid short. Restoration voltages are applied by the CLN-RJV switch S3. The GUN switch S5 selects the red, blue, or green gun. For black-and-white tubes the GUN switch is set to RED-BW. The MODE switch S4 selects the functions in the sequence they should be performed.

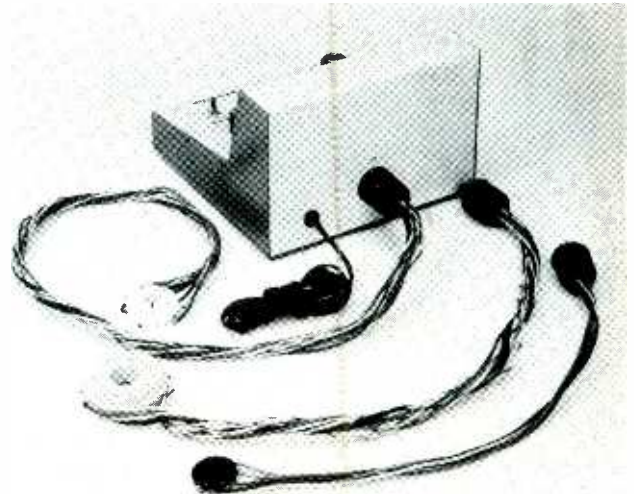
Since there are many types of picture tube sockets, the rejuvenator uses adapter cables that have a tube socket on one end and a plug P1 on the other that connects to the output connector J1, a round 11-pin relay socket. Figure 3 illustrates the five most common sockets in use. The wiring chart for the adapter cables is shown in Fig. 4. Cables with the tube socket on one end are available as replacement items at electronic stores. If the picture tube requires a socket other than those shown, refer to the set schematic or a tube manual for pin assignments. Then connect the adapter cable leads to the corresponding P1 pins using the first two columns of Fig. 4. In all cases, though, always check the pin assignments even though the socket in the set looks like one of those shown since the same socket will fit other tube types with different internal connections. The socket for adapter B must be reworked because it is made with 1K current-limiting resistors. Carefully open the socket, and install jumpers across the resistors, then reassemble.

TRACKING

1. Set the **MODE** switch to **EMISSION**.
2. Set the **FILAMENT** control for 6.3 volts.
3. Set the **GUN** switch alternately to RED-BW, BLU, and GRN. Adjust the **BIAS** control until the **CATHODE** meter indicates 1.0 (full scale) for the strongest gun. Set the **GUN** switch to the other guns. The **CATHODE** meter should indicate more than 0.7. If it does, the tracking is acceptable. If it does not, the ratios of the emissions is greater than the tracking limit of 1.5. In this case, perform step 4 below.
4. Attempt to make the tracking ratios less than 1.5 by performing the "Cleaning" and, if necessary, the "Rejuvenation" procedures on the guns that indicated less than 0.7.

P1 PINS	GUN ELEMENT	PICTURE TUBE SOCKET PINS				
		A	B	C	D	E
1	G2 RED/BW	4	10	3	3	6
2	G2 BLU	13	5	11	-	-
3	G2 GRN	5	11	7	-	-
4	G1 RED/BW	3	9	2	2	1
5	G1 BLU	12	4	12	-	-
6	G1 GRN	7	13	6	-	-
7	K RED/BW	2	8	4	7	2
8	K BLU	11	3	13	-	-
9	K GRN	6	12	5	-	-
10	HEATER	1	6	1	1	3
11	HEATER	14	7	14	8	4

FIG. 4—ADAPTER WIRING CHART



TUBE SOCKET and cable assembly is connected to the rear of the CRT tester-rejuvenator through connector J1.

Let's try it

This procedure for using the CRT Tester-Rejuvenator is written for color picture tubes that have 6.3-volt filaments. If your picture tube uses a different filament voltage, adjust the **FILAMENT** control for the rated voltage. For black-and-white tubes, set the **GUN** switch to RED-BW, and disregard all other references to the **GUN** switch.

PREPARATION

1. Turn off the TV set and the Tester.
2. Unplug the TV set from the ac outlet.
3. Remove the back cover from the TV set.
4. Discharge the second anode on the bell of the picture tube with a screwdriver connected by a test lead to the chassis near the high voltage cage. Be sure to connect the chassis end first. This step is important for safety and accurate emission measurements.
5. Remove the socket from the picture tube.
6. Connect the appropriate adapter cable between the Tester and the picture tube.
7. Plug the Tester line cord into an AC outlet.
8. Set the controls as follows:
FILAMENT fully ccw
GUN to RED-BW
MODE to H-K LEAK
BIAS fully cw
CLN-RJV to OFF
9. Turn on the Tester.

LEAKAGE-SHORTS

1. Set the **MODE** switch to **H-K LEAK** to measure filament-to-cathode leakage.
2. Set the **FILAMENT** control for 6.3 volts on the **FILAMENT** meter.
3. The **CATHODE** meter should indicate less than 0.1 mA for all positions of the **GUN** switch. If more, there is excessive filament-to-cathode leakage, but this cannot be corrected by the Tester since there is physical contact between the filament and cathode caused by insulation breakdown. All is not lost, though. You could try a tube brightener since it has a transformer which will isolate the filament.
4. Set the **MODE** switch to **K-G LEAK** to measure cathode-to-G1 and G1-to-G2 leakage.
5. The **CATHODE** meter should indicate less than 0.1 mA for all positions of the **GUN** switch. If more, there is a path caused most likely by flaking of the cathode oxide. Attempt to dislodge the debris by setting the **MODE** switch to **CLEAR SHORT**, and pressing and releasing the **CLEAR SHORT** pushbutton. A flash in the neck of the tube indicates that the short has been removed. If no flash is seen, repeatedly press and release the **CLEAR SHORT** pushbutton in an attempt to produce an arc through the leakage path. Set the **MODE** switch to **K-G LEAK** to see if the **CATHODE** meter now indicates less than 0.1 mA. If not, repeat this step. It may happen that you will have no success in removing a short because some shorts are mechanical in nature, and cannot be corrected.

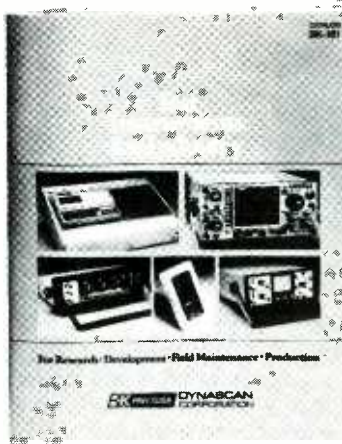
EMISSION-CLEANING-REJUVENATION

1. Set the **MODE switch** to EMISSION.
2. Set the **BIAS control** fully clockwise.
3. Set the **FILAMENT control** for 6.3 volts on the FILAMENT meter. Allow 30 seconds for warmup.
4. The **CATHODE meter** should indicate more than 0.8 mA for all positions of the GUN switch. Guns with high emission will peg the meter, but the movement will not be damaged. Record the meter readings for the guns that indicate less than 0.8 mA for reference later.
5. **Cleaning.** Try to restore the emission of weak guns by first using the "cleaning" type of restoration. Set the MODE switch to CLEAN. Select the desired gun with the GUN switch. Set the CLN-RJV switch to ON. The CATHODE meter should gradually increase to about 30 mA (remember, full scale is 100 mA when the MODE switch is in CLEAN or REJUV). If the meter indicates little or no current, increase the setting of the FILAMENT control, but do not exceed twice the rated voltage. Set the CLN-RJV switch to OFF when the current has been at 30 mA for 10 seconds.
6. Set the **FILAMENT control** for 6.3 volts if it was increased in the previous step, and wait 30 seconds for the filament temperature to stabilize.
7. **Recheck the emission in each gun** that was cleaned. Set the MODE switch to EMISSION, and see if the CATHODE meter now indicates more than 0.8 mA. If it does, the gun has been restored; go to step 10. If it does not, but is more than what you recorded in step 4, go on to step 8. However, if the emission is now less than what you recorded, do not perform step 8 as the rejuvenation procedure may further degrade the emission; instead, go to step 10.
8. **Rejuvenation.** If the emission is still below 0.8 mA, the cathode requires the "rejuvenation" type of restoration. Set the MODE switch to REJUV. Select the desired gun with the GUN switch. Set the CLN-RJV switch to ON. The CATHODE meter should increase to full scale. Increase the FILAMENT control, if necessary. After the meter has indicated full scale for 5 seconds, set the CLN-RJV switch to OFF. Wait 5 seconds, then set the CLN-RJV switch to ON for 5 seconds, then OFF. Wait another 5 seconds, then set the CLN-RJV switch to ON for 5 seconds, then OFF.
9. **Recheck the emission of each gun** that was rejuvenated. Set the MODE switch to EMISSION, and see if the CATHODE meter indicates more than 0.8 mA. If it does, the gun has been restored. If it does not, the gun is so weak that it cannot be restored. One last resort for weak tubes is to try a picture tube brightener if one is made for your particular tube type.
10. **Now go back and rerun the Leakage-Shorts test** to make sure the restoration procedure did not create any leakage paths.
11. **Set the BIAS control** fully counterclockwise. The CATHODE meter should indicate 0 mA for all positions of the GUN switch. Any reading indicates that the tube is gassy or has an enlarged G1 aperture; these conditions cannot be corrected. **SP**



RESISTOR ORGANIZER, model GL-25 Econo-Pak, contains 840 top quality $\frac{1}{4}$ -watt resistors in 42 of the most commonly used resistance values for the home hobbyist as well as for the shop and factory repairman. Each resistor value is pre-packaged in its individual compartment, thus assuring fast and accurate selection of any desired value. The compact Econo-Pak Resistor Organizer, model GL-25, measures $7\frac{1}{2} \times 6\frac{1}{8} \times 3$ inches and is priced at \$29.95, FOB, Factory.—**Century Electronics Corporation**, 3511 N. Cicero Ave., Chicago, IL 60641.

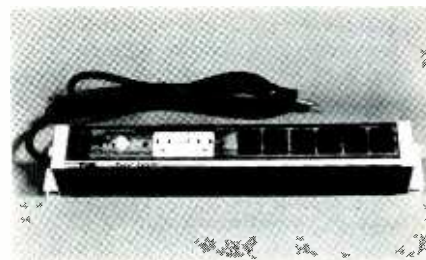
FOR MORE INFO CIRCLE 429 ON FREE INFORMATION CARD



INDUSTRIAL TEST-INSTRUMENT CATALOG, BK-181, from B&K Precision, has 44 pages, featuring more than 50 instruments. There is a broad range of high-quality test instruments for engineering, production line, MRO, and other industrial applications.

New products listed include a 100-MHz quadruple trace scope; a portable, dual-trace mini-scope; an autoranging micro-computer-controlled DMM; autoranging capacitance meters; a bench-top DMM, and new 30-MHz scopes. Catalog BK-181 is available free upon request.—**B&K Precision**, Dynascan Corporation, 6460 W. Cortland St., Chicago, IL 60635.

FOR MORE INFO CIRCLE 431 ON FREE INFORMATION CARD



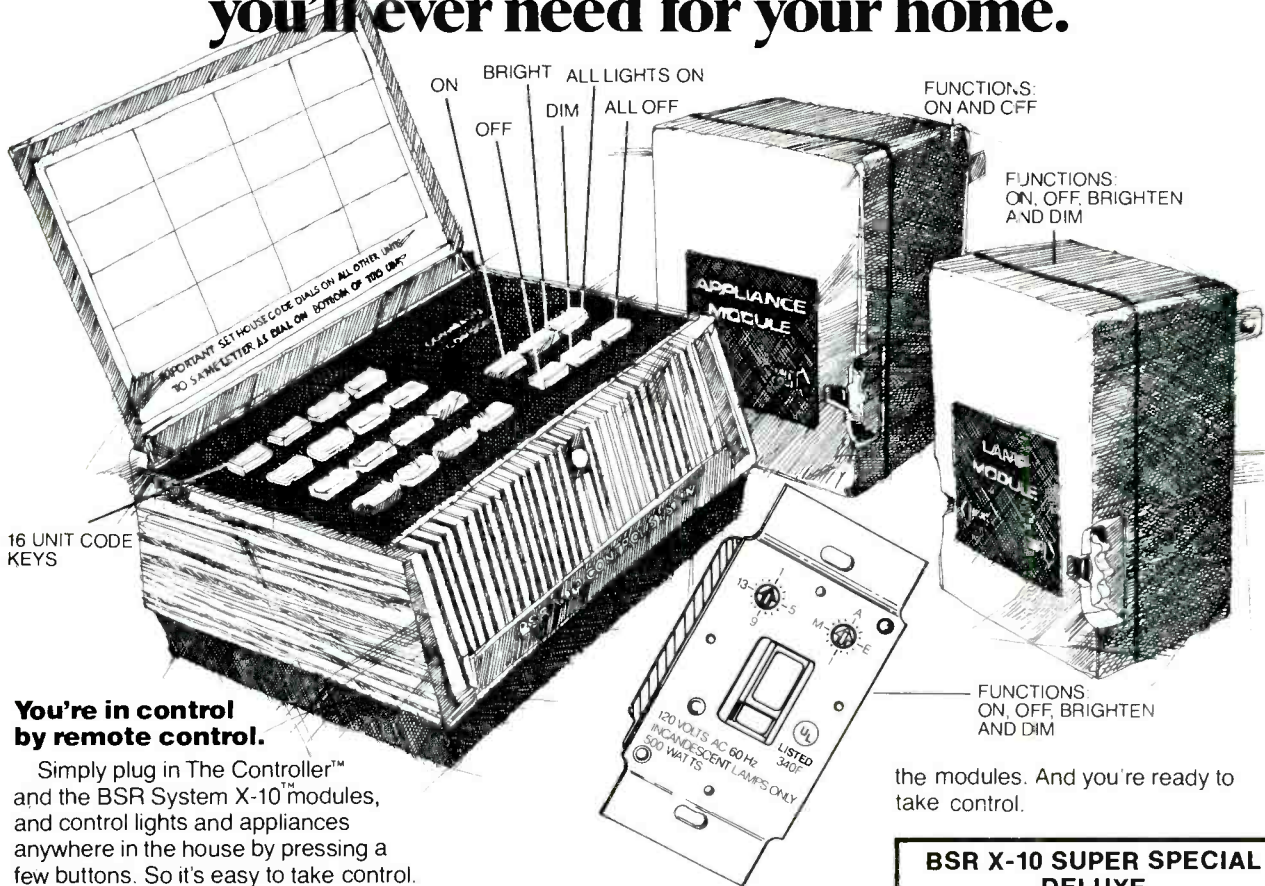
MULTIPLE-OUTLET BOX, the Power Console, features a built-in General Electric ground fault interrupter; it is intended for use with equipment, instruments, or tools in areas where there is shock potential, such as wet labs, instrument and equipment repair shops, home workshops, or any others where shock protection is needed.

The unit features 8 three-wire outlets, 6-foot three-wire heavy-duty line cord, main ON-OFF switch and indicator light, and a 15-amp resettable circuit breaker. The ground fault interrupter is wired to all eight outlets and trips instantaneously at 5 milliamps (± 1) to ground. The interrupter has built-in TEST and RESET buttons and comes with instructions for use and test recording. The *Power Console* is made of walnut vinyl-covered steel and black aluminum and weighs $2\frac{1}{2}$ lbs; dimensions are $16 \times 2\frac{1}{4} \times 2\frac{1}{2}$ inches. All components are UL-listed.

The *Power Console* is priced at \$109.50—**PMC Industries**, 1043 Santa Florencia, Solana Beach, CA 92075.

FOR MORE INFO CIRCLE 425 ON FREE INFORMATION CARD

An in-depth look at the only "plug-in" remote control system you'll ever need for your home.



You're in control by remote control.

Simply plug in The Controller™ and the BSR System X-10™ modules, and control lights and appliances anywhere in the house by pressing a few buttons. So it's easy to take control.

There's no end to all of the control you've got.

You can turn on the TV, radio or stereo in the morning to help you wake up without getting up from bed. Or at night, turn on the lights before going downstairs so you don't have to fumble in the dark. Turn off unnecessary lights and help get your electric bill under control. Or, dim the lights and save energy, too.

And when it's time to turn in, just push a button and turn everything off. And sleep soundly. But, if you hear a strange noise in the middle of the night, you can press a button to turn on all the lights and scare the daylights out of an intruder.

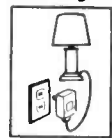
The Controller is designed to control every room in the house.

By pressing the buttons on the Command Console keyboard, command signals are transmitted over

existing household wiring to the module of your choice. The Lamp Module turns on, off or dims any incandescent lamp up to 300 watts. The Appliance Module turns appliances like TVs, window fans or stereos on and off. And the Wall Switch Module is designed to turn on, off or dim any light or lamp up to 500 watts normally operated by a wall switch.

There's even a Cordless Controller that transmits signals to an Ultrasonic Command Console from up to 30 feet away. So there's plenty of control for everyone.

Simplicity is built into the system.



No special wiring is needed. Simply plug The Controller Command Console into any wall outlet in any room of the house.

Then plug your lamps and appliances into the appropriate modules. Plug in

the modules. And you're ready to take control.

BSR X-10 SUPER SPECIAL DELUXE ULTRASONIC CONSOLE

REGULARLY \$49.95

NOW \$29.95

With the purchase of three or more modules

Modules normally \$20.00 ea.

Modules of your choice

3 or more \$16.95 ea. 6 or more \$14.95 ea.

Ultrasonic Hand Unit

Normally \$24.95 Now \$18.95

Please add \$3.00 for shipping

TOLL FREE HOT LINE

800-223-0474

THE TIMER™ Automatically Programs Lights, Appliances. Just plug in The Timer and the BSR X-10 modules and you can program up to 8 lights and appliances to go On and Off up to twice a day. UL listed. \$74.95 if purchased separately. If purchased with 3 or more modules \$59.95

NEW



ADVANCE ELECTRONICS

54 West 45 Street, New York, N.Y. 10036 212-687-2224

ULTRASONIC LISTENER

You can listen to sounds you've never been able to hear before with this Ultrasonic Listener - it translates the unhearable into the audio range.

MARTIN BRADLEY WEINSTEIN

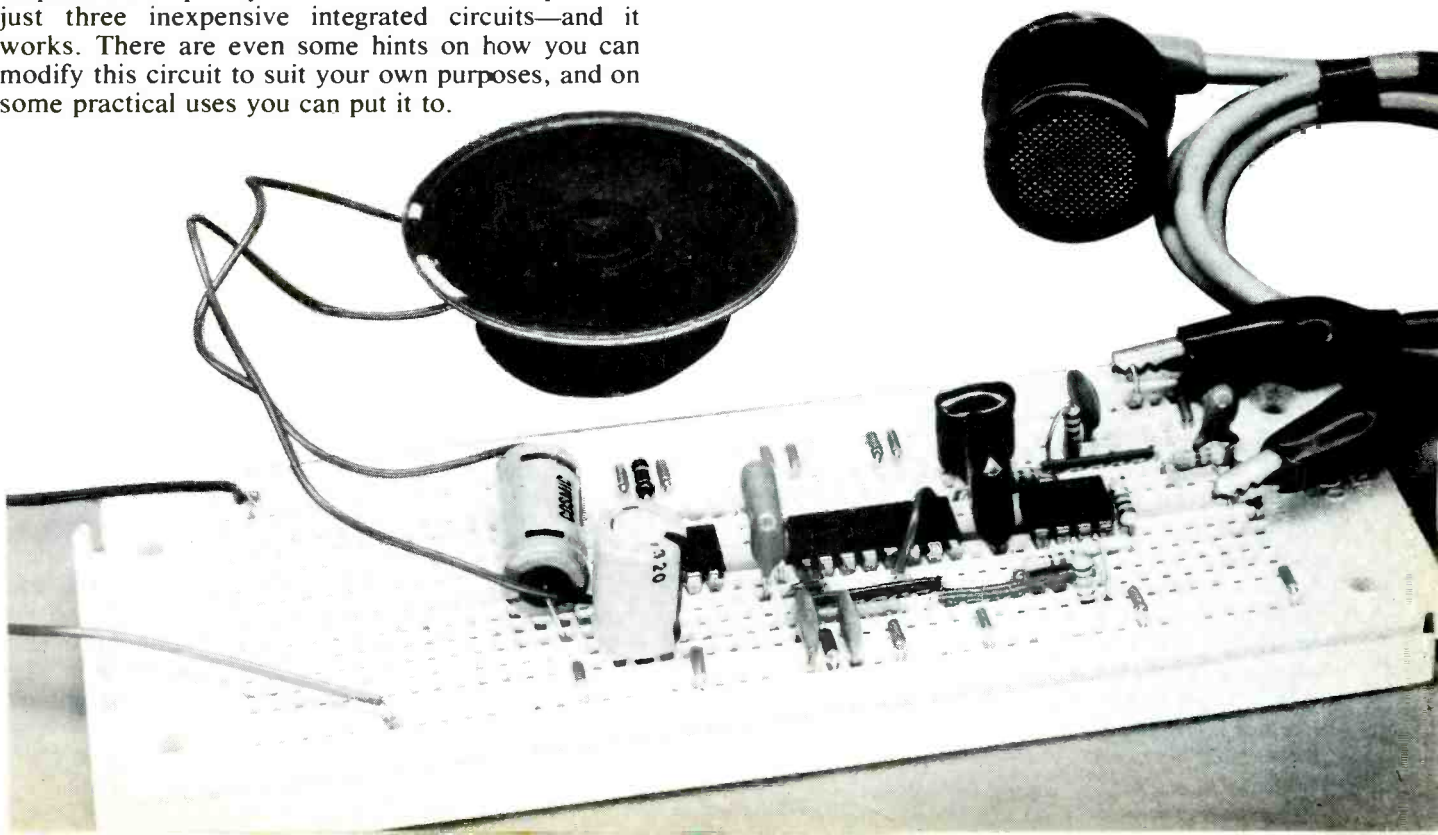
YOU'VE SEEN THEM ADVERTISED IN THE SURPLUS AND parts catalogs: ultrasonic transducers, originally designed for burglar alarms. But unless you were planning on building an ultrasonic burglar alarm of your own, why get one?

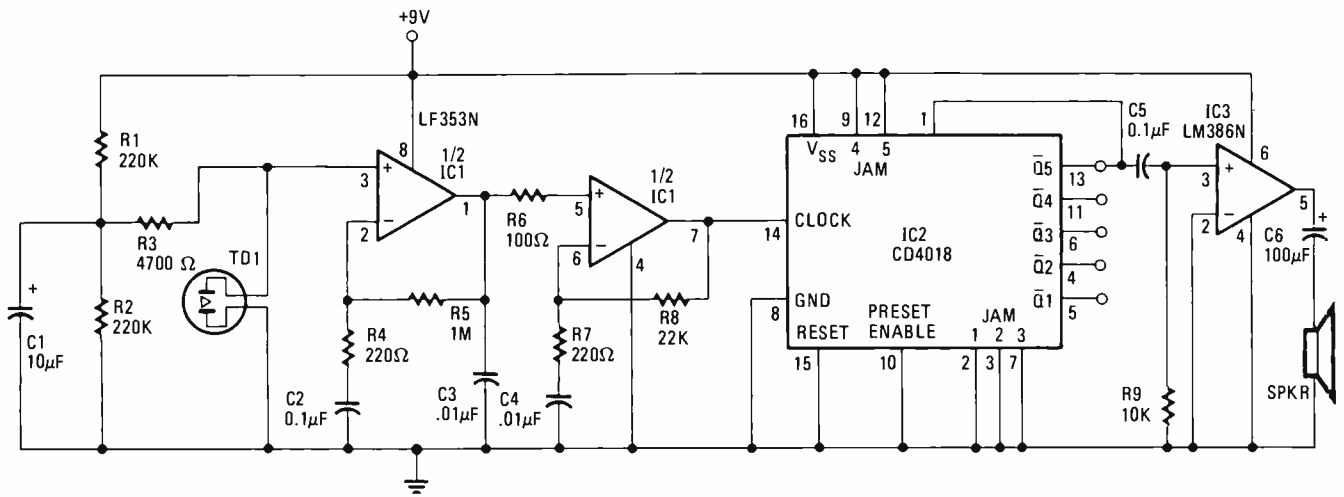
Why not! Because there are lots of signals and squeaks and squawks beyond the range of human hearing that make for interesting—and useful—listening. With this simple circuit, you can bring the ultrasonics down to frequencies you can hear. The circuit shown can hear well above 100 kHz (and so can you!), and you can follow its lead to develop your own circuit to listen in on even higher frequencies.

This Ultrasonic Listener includes a sensitive pre-amplifier, a frequency divider and an audio amplifier in just three inexpensive integrated circuits—and it works. There are even some hints on how you can modify this circuit to suit your own purposes, and on some practical uses you can put it to.

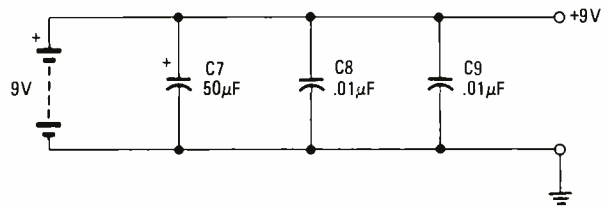
How it works

TD1 is an ultrasonic transducer. The one shown is Massa MK-109, one of the most available surplus piezoelectric ultrasonic transducers, but by no means the only one that will work here. Indeed, both the Massa Division Dynamics Corporation of America and Linden Laboratories, two of the one-time leaders in the manufacture of these devices, have since gone out of business. Still, these are the transducers you will most often see advertised at bargain prices in the fliers. This particular one has a peak response near 40 kHz, but in the circuit shown performs reasonably well from





TO DIVIDE INPUT BY	CONNECT DATA TO
10	$\bar{Q}5$
8	$\bar{Q}4$
6	$\bar{Q}3$
4	$\bar{Q}2$
2	$\bar{Q}1$



SCHEMATIC DIAGRAM of the ultrasonic listener. Transducer TD1 should be connected to the device using coaxial cable.

35 to 45 kHz and demonstrates some sensitivity beyond this range. The frequency limitations of your transducer are by far the largest limiting factor in determining the bandwidth of your listener, and other transducers near 23 kHz, 100 kHz or the high audio range all work well, producing interesting results.

IC1 is a National Semiconductor LF353N dual JFET-input op amp, which performs as a sensitive high gain preamplifier and a lower gain buffer amplifier. IC2 is a CD4018B presettable divide-by-N counter; we've disabled the presettable feature and configured it as a decade divider—you'll see how to make it divide by 2, 4, 6 or 8 instead with just the change of a jumper in just a bit. IC3 is an LM386N audio amplifier IC, which boosts the output to adequate speaker-driving power levels with a minimum of parts.

R1 and R2 provide a center reference for the input signal and permit single supply operation of the op amp. R3 provides the proper load for the transducer against this center reference. The first stage of IC1 yields a gain of 73 dB, the second stage an additional 40 dB. The signal then goes to the clock input of IC2.

IC2, as we've said, performs as a decade divider because we've fed the $\bar{Q}5$ (pin 13) output back to the *data* input. If we preset the *data* input with the output of $\bar{Q}4$ instead, IC2 divides by 8 instead of 10; similarly, $\bar{Q}3$ prompts a divide by 6, $\bar{Q}2$ a divide by 4 and $\bar{Q}1$ a divide by 2. Each time you cut the division factor in half, the output sound goes up an octave in pitch. A 40-kHz tone, for example, comes out at 4 kHz following a divide by 10, 5 kHz if divided by 8, 6.67 kHz if divided by 6, 10 kHz if divided by 4 and 20 kHz if divided by 2.

The *jam* inputs are tied to convenient power buses and the *preset enable* is disabled by tying it low, since we're not using the *presettable* features of this IC. The

reset input is also disabled by tying it low.

The frequency-divided output of IC2 is coupled through C5 to the input of IC3, which provides a gain of 20 and about half a Watt of drive for the speaker.

C7, C8 and C9 are included as bypass and ballast filters to keep switching transients from wreaking havoc with the circuit.

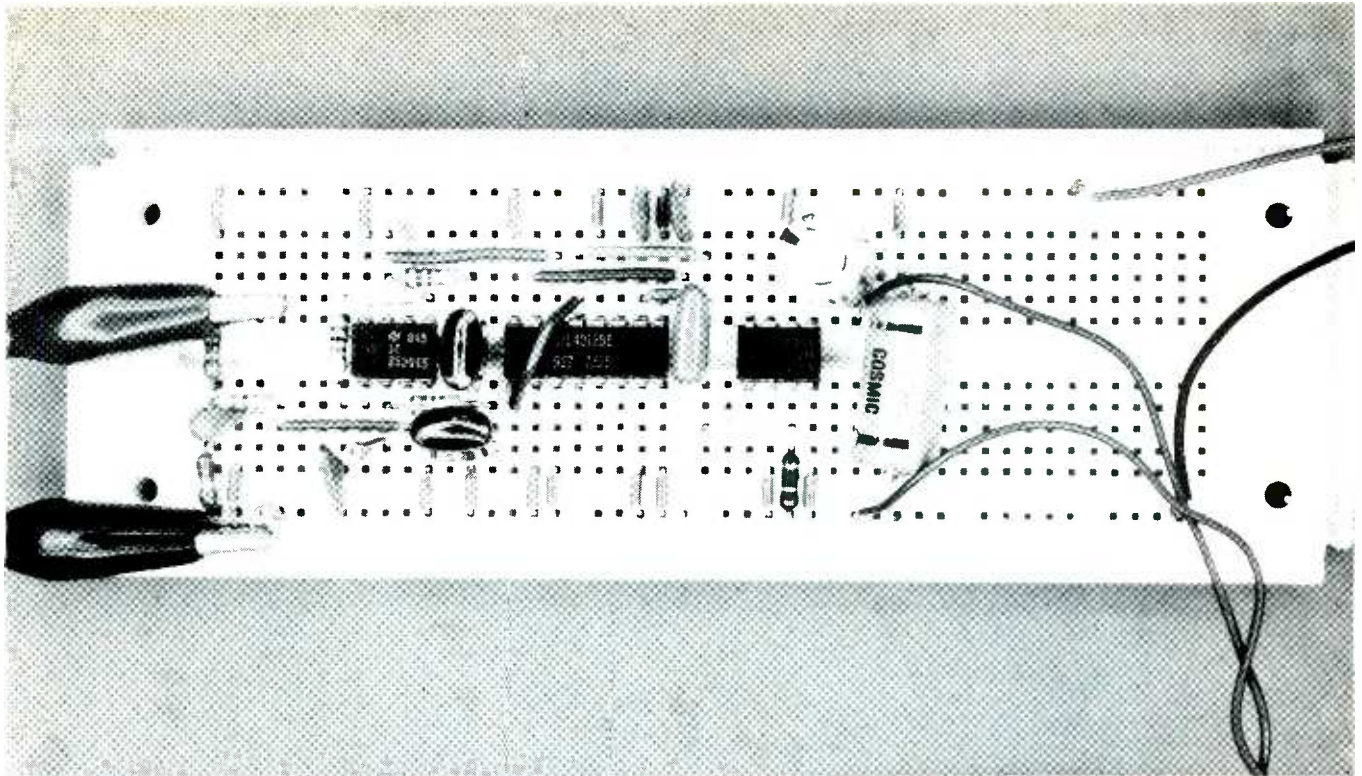
Checking it out

One of the difficulties involved in building a circuit that listens in on the ultrasonics is that you can't hear them yourself; so when it doesn't hear anything, it may be because it isn't working properly, or it may be because there's nothing there to hear. Fortunately, we can cheat as a starter, then double check with a "50¢ Special" ultrasonic generator.

An audio tone generator (you could even use the signal from a transistor radio or cassette player) should generate a tone when connected between ground and pin 3 of IC3. Moving it to pin 14 should dramatically alter the pitch of the signal, dropping it by $3\frac{1}{3}$ octaves and "fuzzing" it up a bit (due to the hard, fast switching of the CMOS logic); if the audio isn't at a lower pitch, double check the wiring of the divider.

Next check at pin 5 of IC1 (you may want to drop the level of your signal source in this and the next step) to make sure this amplifier is working and you've connected it properly. Finally, do the same with the source at pin 3 of IC1—the connection point for your transducer.

These transducers are capacitive in nature, and should be connected into the circuit through coaxial cable; a phone plug termination will mate with most transducers directly, but don't push them in all the way or you may damage the transducer's electrostatic element (these devices have been designed for use



ANY CONSTRUCTION technique can be used to build the ultrasonic listener as the layout is not critical.

with short-tip phono plugs).

Now, with everything connected (and your signal source put away), it's time for our "cheat test". If you've ever worked extensively with sensitive receivers (especially the older vacuum tube versions) or high gain amplifiers, you may be familiar with the phenomenon of *microphonics*, which is a usually undesired coupling of mechanical vibration into the signal chain of the device. With microphonics, scratching or banging on a tube or chassis surface or control shaft can be heard through the speaker output of the receiver or amplifier.

Luckily for our purposes here, piezoelectric transducers are prone to microphonics. Scratching, tapping or banging on their housings creates a noise (electrically) that you can hear at the output of our Ultrasonic Listener, $3\frac{1}{3}$ octaves lower than the noise you actually make. Try it.

Now it's time to try our "50¢ Special" ultrasonic generator, which is guaranteed to cost you exactly that, no matter what the state of the economy or inflation. All you need is two quarters.

Set the Ultrasonic listener on a hard surface, like a kitchen tabletop or hard floor, and set the transducer down near a small, clear area. Place one of the quarters near the transducer, and drop the other quarter onto the first. In "live" audio, you'll hear two quarters clinking; this clinking also produces some ultrasonic ringing, which you'll hear coming out of the speaker of your Ultrasonic Listener. The sound of two quarters clinking, as you'll hear it coming out of the speaker, is more like the sound of two silver dollars clinking—and no matter how much the dollar is worth that's one of today's biggest bargains, a four-to-one return on your investment.

Applications and other ideas

If you're like me, the first thing you're going to do with your ultrasonic listener is to poke around the house, seeing what does and doesn't generate transcendental vibrations. You'll learn that no matter how hard you try, you can't whistle that high; but if you make a "kissing sound" (keeping you lips together while energetically pulling in air), you'll find it does reach high into the ultrasonic region.

Many motors generate ultrasonics, especially those with bad bearings (which makes this a great technique for getting an early warning of worn bearings). Squeaky hinges—especially on metal-to-metal contacting surfaces, like oven doors—can reach into this frequency territory, again providing an early warning of a need for lubrication.

A number of electronic devices generate ultrasonics, including remote controls (with some, you can play an unheard concerto, and hear it with your Ultrasonic Listener) and alarm systems. This is a great way to double check their operation.

If you use one of the lower frequency transducers—23 kHz, for example—you can listen to the oscillators squeaking and squawking in your tv set (thanks to a phenomenon called *singing*).

There are interesting sounds under the hood of your car, too, including belts and bearings squeaking and squealing, fluids hissing and air whistling. You can also take advantage of the transducer's susceptibility to microphonics to listen in on the internal action by pressing it against selected engine parts.

The other things you hear in this range of the unheard are as surprising to you as any new sense might be. Build and enjoy—there's no telling what uses you can put an Ultrasonic Listener to.

SP



Mark C. Worley

THIS FREQUENCY MULTIPLIER WILL MULTIPLY INPUT FREQUENCIES within its range by 10 or 100 and add an equivalent amount of resolution to your frequency counter. It can also be used to count frequencies to within 0.01 Hz with only a 1 second count period.

Communications technicians and hams who use CTCSS (tone coded squelch) or other tone signalling methods will find this instrument invaluable for measuring and adjusting those tones with ease. Frequency counters with a low cutoff frequency of 50 or 100 Hz can now have that range extended down to 2 Hz. Additionally, anyone who has taken several minutes while adjusting an audio generator to a precise frequency can now make those adjustments in about one-tenth the time.

Its low-power CMOS circuitry, small size and 9-volt battery operation make the instrument ideally suited for portable or bench-top use. The easy construction and low cost should help fit it into your test equipment budget.

About the circuit

Let's first go to the heart of the circuit, IC2, the 4046 phase-locked-loop (PLL). See Fig. 1. The PLL contains two comparators and a voltage-controlled oscillator (VCO). In this application phase comparator 2 is used since it is a positive edge-triggered circuit that makes it immune to duty-cycle variations. Also it will not lock onto harmonics of the input signal as will phase comparator 1.

Refer to the block diagram. The circuit is in lock when the two input signals on pins 3 and 14 are the same frequency and phase. Any error between the two signals causes the error output voltage of the phase comparator to shift in a direction that will force the VCO to be in step with the frequency on pin 14 of the IC. The filter between the comparator and the VCO removes the AC component in the error voltage to prevent noise in the VCO output. (Note: Only tantalum capacitors are used in the filter due to their low leakage current in this high impedance circuit.)

A selectable divide by 10 or 100 is connected between the VCO output and the comparator input. This forces the VCO to oscillate at an exact multiple of 10 or 100 times the input frequency before the two signals will lock and be equal. Therefore the output of the VCO is equal to the input frequency times 10 or 100. In the $\times 10$ mode, an input frequency of 100 Hz will cause the VCO to oscillate at 1000 Hz due to the divide by 10 in the feedback loop. When this 1000 Hz signal is divided by 10 in IC3 and applied to pin 3 or IC2, the two frequencies at the comparator input will be equal and in phase even though the VCO outputs is 10 times the fundamental input frequency of 100 Hz.

The VCO frequency limits are set by resistors R9, R10 and capacitor C4 (See Fig. 2). With these values, the VCO range is about 200 Hz to 20 KHz. This results in a lock range of 20 Hz to 2 Hz in the $\times 10$ mode. The $\times 100$ lock range is from 2 Hz to 200 Hz. Phase jitter than 2 Hz.

BUILD A FREQUENCY MULTIPLIER

This easy to build, low-cost frequency multiplier is suitable for portable or bench use.

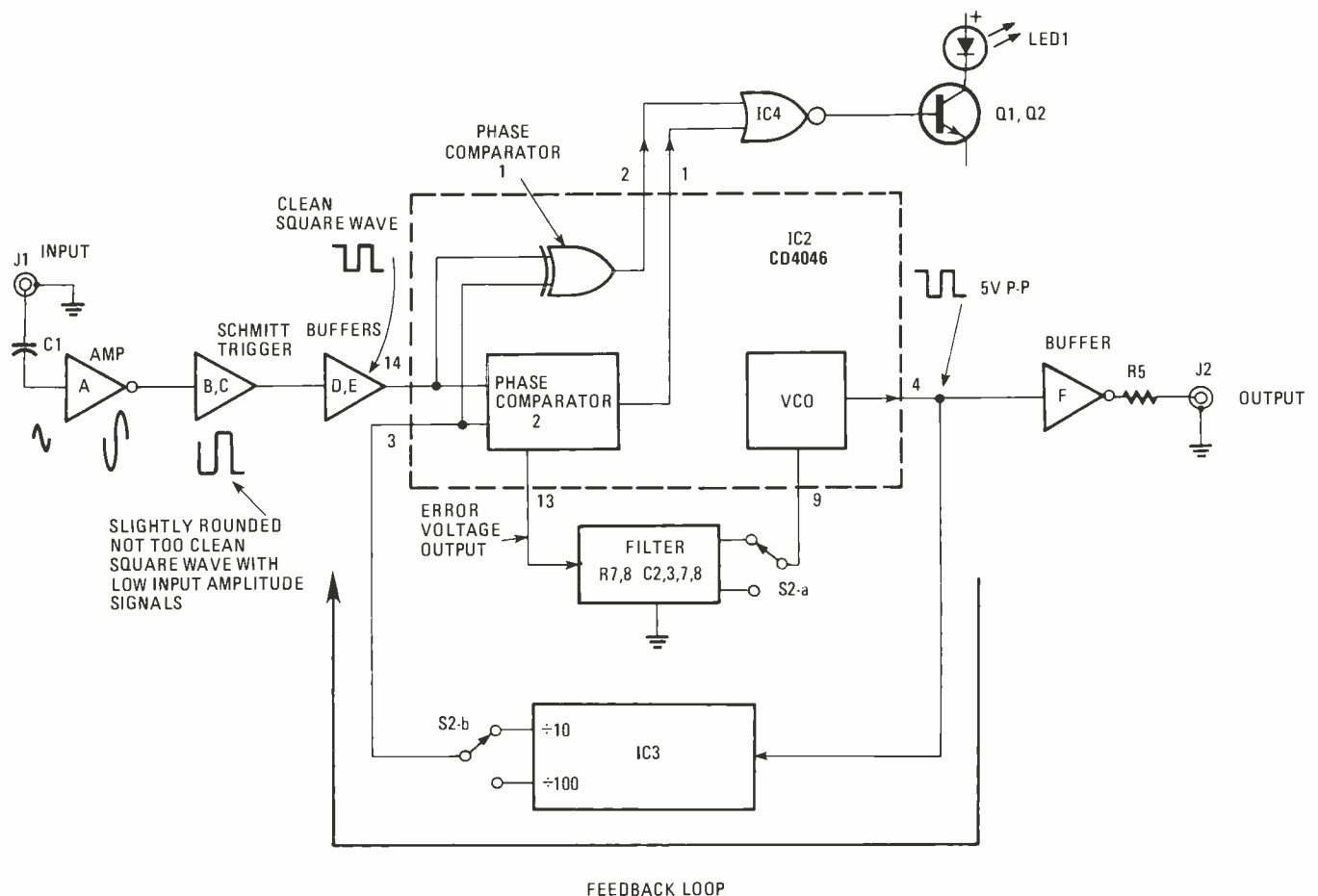
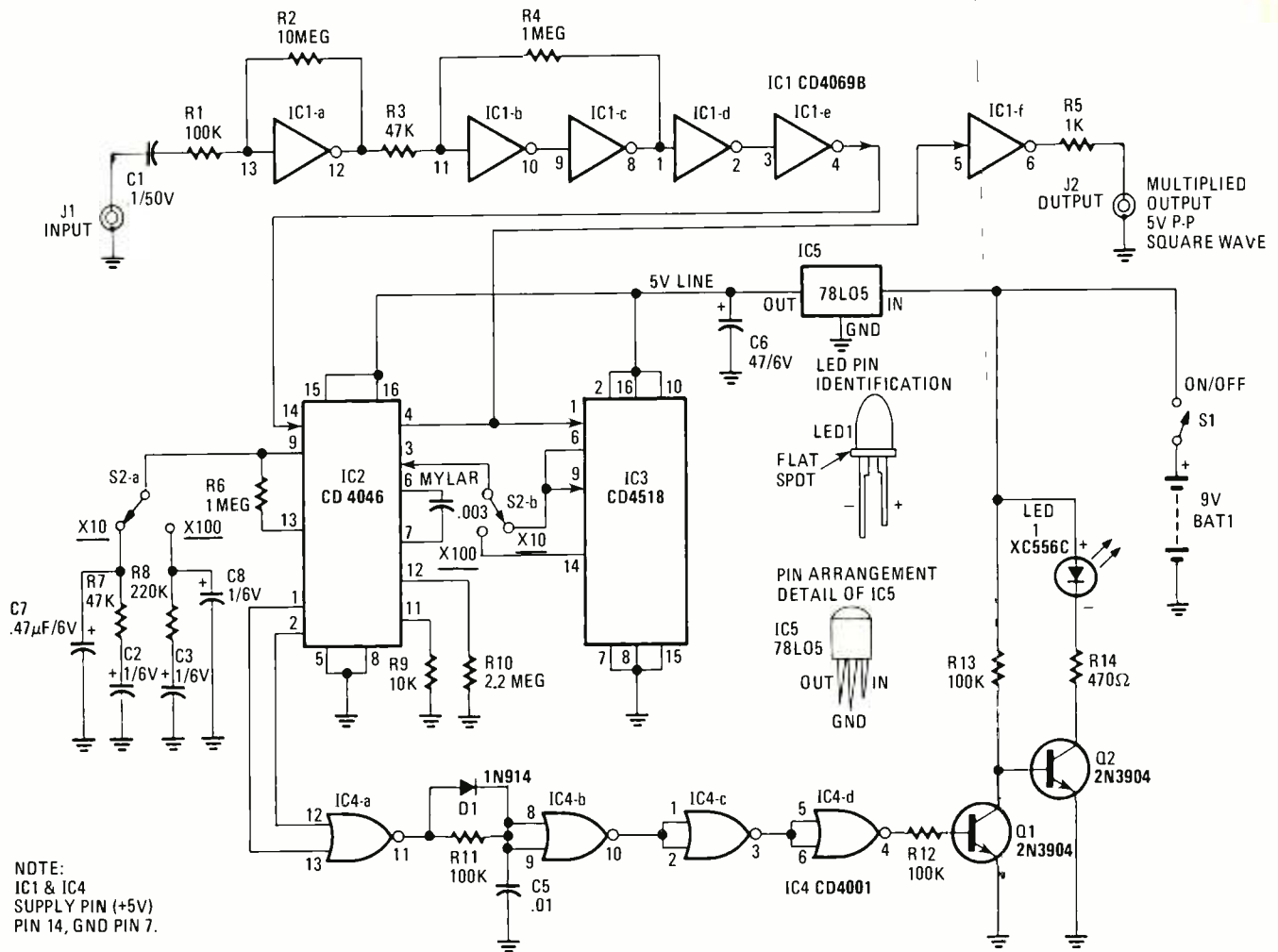


FIG. 1—BLOCK DIAGRAM of the frequency multiplier. The phase-locked-loop (PLL) uses two comparators.



NOTE:
 IC1 & IC4
 SUPPLY PIN (+5V)
 PIN 14, GND PIN 7.

FIG. 2—FREQUENCY LIMITS for the voltage-controlled oscillator (IC2) are set by resistors R9 and R10, and capacitor C4.

The rest of the circuit is straightforward although possibly unique to some of you. The CMOS hex inverter, IC1 has several functions. IC1-a is used as a preamp, a Schmitt trigger is formed from inverters IC1-b and IC1-c. Sections IC1-d, -e and -f are buffers. Resistor R2 biases inverter IC1-a into its linear range and allows it to amplify the input signal coupled through capacitor C1. Since a single inverter is used, there is negative feedback to the input similar to an op-amp circuit, but with lower gain. The Schmitt trigger two inverters, IC1-b and -c with resistor R4 for positive feedback. The ratio of resistors R3 and R4 sets the trip points of the Schmitt trigger to a very sensitive level so that a small input signal will result in a large square-wave output. Inverters IC1-d and IC1-e additionally shape and clean the squarewave applied to the PLL. Inverter IC1-f buffers the output and isolates the VCO from the output jack, J2. Resistor R5 is a current limiter for protection against output shorts to ground. Note that only "B" series 4069 inverters should be used since they have higher internal gain that allows them to be used as amplifiers.

The four 2-input NOR gates in IC4 form an out-of-lock indicator by comparing the phase pulses of comparators 1 and 2. Transistors Q1 and Q2 act as a level shifter and current drive for LED1. The LED is con-

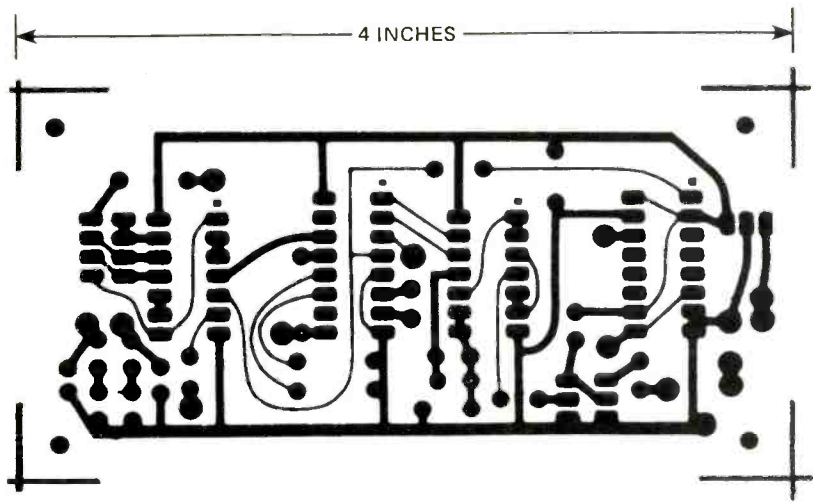
nected to the battery side of the circuit to prevent current surges in the 5-volt supply line.

Integrated circuit IC5 regulates the supply voltage for the four IC's. CMOS IC's can operate with supply voltages from 3 to 15 volts and require less regulation than do TTL IC's, however the VCO in IC2 is affected by supply variations and requires a steady supply voltage. A Zener diode could have been used to regulate the 5-volt supply at the cost of additional current drain and poorer regulation.

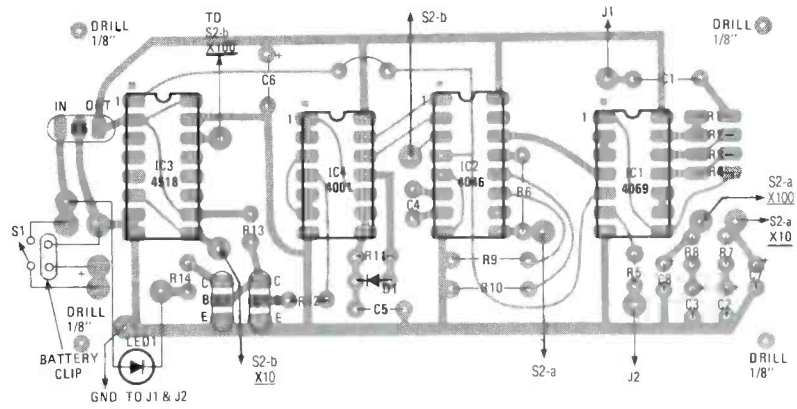
The input sensitivity of the frequency multiplier is 50 mV P-P with any waveform over the entire operating range. Typical current drain while locked to an input frequency of 500 Hz in the $\times 10$ mode is 4.5 mA. The unlocked current drain rises to 20 mA due to the current through LED1. The maximum input amplitude should be limited to less than 50 volts P-P. Lock-time varies from a few milliseconds at high frequencies to over two seconds at the lower limit frequencies in the $\times 100$ mode.

Circuit assembly

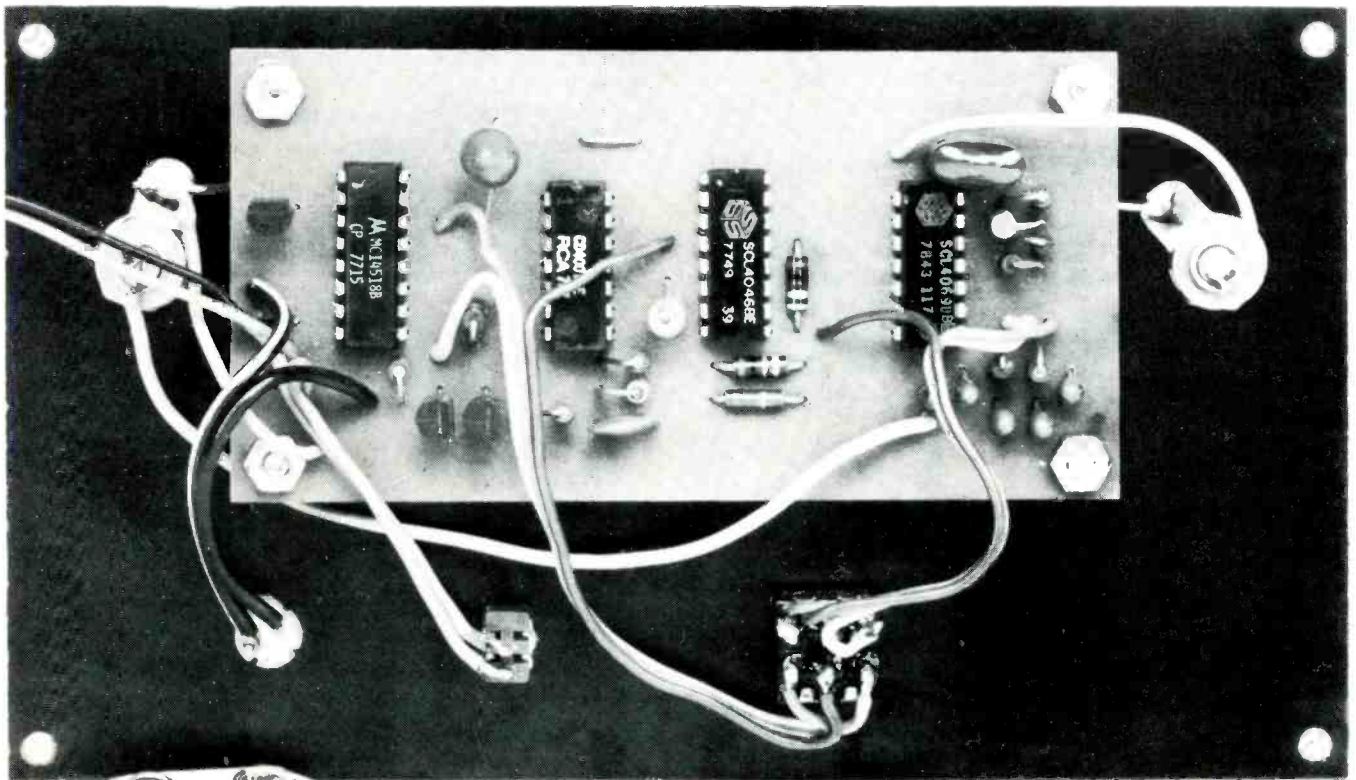
A PC board is strongly recommended since point-to-point wiring of CMOS IC's is sure to damage them from excessive handling. IC sockets should not be used since the board mounts with the parts side down which



ACTUAL SIZE foil pattern for the multiplier.



PARTS PLACEMENT guide indicating connections to off-board components.



COMPLETED PC board. IC sockets should not be used as the board mounts with the component side down.

PARTS LIST

RESISTORS

All resistors ¼ watt, 10% or better

R1, R11—R13—100,000 ohms

R2—10 megohms

R3, R7—47,000 ohms

R4, R6—1 megohm

R5—1000 ohms

R8—220,000 ohms

R9—10,000 ohms

R10—2.2 megohms

R14—470 ohms

CAPACITORS

C1—0.1 μ F, 50 volts, ceramic or Mylar

C2, C3, C8—1 μ F, 6 volts, tantalum, radial mount

C4—.003 μ F, 50 volts, Mylar

C5—.01 μ F, ceramic

C6—47 μ F, 6 volts, tantalum, radial mount

C7—0.47 μ F, 6 volts, tantalum, radial mount

SEMICONDUCTORS

D1—1N914, 1N4138 or equal

LED1—XC556C clean lens, red LED

IC1—CD4069B CMOS hex inverter

IC2—CD4046 CMOS phase-locked loop

IC3—CD4518 CMOS dual synchronous up counters

IC4—CD4001 CMOS quad 2-input NOR gates

IC5—78L05 5-volt, 200 mA voltage regulator

MISCELLANEOUS

S1—SPST toggle switch

S2—DPDT toggle switch

Box: Keystone No. 700 with lid or equivalent

Battery holder, battery clip, phono jacks or

equivalent connections, four ¼-inch standoffs,

PC board.

allow the IC's to loosen and fall out.

Install and solder all parts except the four CMOS IC's. Be sure to observe the polarity of capacitors C2, 3, 6, 7 and 8, and diode D1. Solder the CMOS IC's one at a time while using care to avoid touching the pins any more than necessary. A static-free, well grounded bench and soldering iron will help prevent damage to the static sensitive IC's.

After all parts and leads have been soldered in place, use a suitable solvent to clean the foil side of the board. Use caution since most solvents are flammable, toxic or both. Mount the PC board to the cover with 4-40 screws and ¼-inch spacers. Complete the assembly by wiring the switches, jacks and LED to the PC board. Refer to the photograph for suggested layout and wiring.

Checkout and use

Turn the power switch off and connect a good 9-volt battery. Turn on the multiplier and monitor the output at J2 with an oscilloscope. A 5-volt P-P squarewave at about 200 Hz should be present with no input at J1 and mode switch S2 in either position. Now, connect a known frequency to the input jack, J1. The 60-Hz output of a 6.3- or 12.6-volt transformer is a good choice for the reference frequency. Move the mode switch back and forth between $\times 10$ and $\times 100$ a few times while monitoring the output at J2. The circuit should readily lock onto the signal and output a frequency at 10 and 100 times the input frequency. The out-of-lock indicator, LED1, will flash on when switching be-

tween the two ranges and will stay on until the circuit resumes an in-lock condition. With no signal applied, the LED will stay on steadily as a reminder that the instrument has been left on.

If you monitor the circuit's current drain, you will notice that input signals of moderate to high peak-to-peak voltages cause a lowered current requirement. This is caused by inverters IC1-a, -b and -c moving out of the linear bias into the more efficient digital switching action. This can cause a 50% reduction in power consumption, but since this is only about 2 mA, it won't have a noticeable effect on battery life.

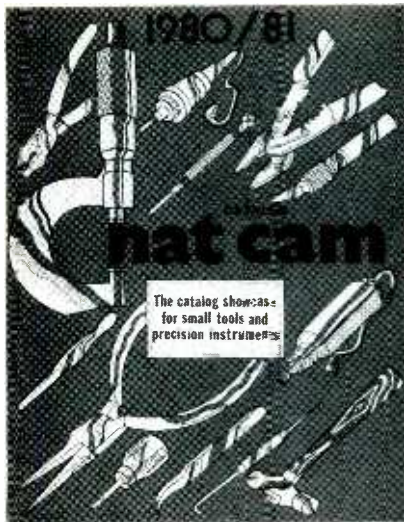
After assuring yourself that the circuit is working properly, it is a good idea to use an audio range signal generator to test the upper and lower frequency limits of the two multiplier ranges. Parts tolerances and substitutions will have an effect on the performance of the frequency multiplier. Keep in mind that any time the out-of-lock LED glows it is an indication that either the input frequency is too high or too low, or the input amplitude is too low or absent.

Some of you may prefer to use BNC connectors or banana jacks instead of the phono jacks specified. This is quite acceptable and will have no effect on the instrument's performance.

With the Multiplier in the $\times 10$ mode you will now find that 0.01 Hz resolution is possible with a 1-second count. If you use a 10-second count, the resolution increases to 0.01 Hz. Switching to $\times 100$, you can now have a display to 0.001 Hz with a 10-second count for frequencies up to 200 Hz. For example, 60 Hz input will be displayed as 6000.0 Hz. You will have to mentally reposition the decimal point when using the frequency multiplier.

The instrument will not add any significant error to the multiplied frequency except possibly at the lowest lock range when multiplying by 100. Keep in mind that it is usually unnecessary to achieve an accuracy greater than 0.1 Hz. Also, warm-up drift of your frequency source will become much more apparent when using the frequency multiplier.

SP



NAT CAM CATALOG of hard-to-find tools and supplies is now available in a new edition. This 56-page 8½ × 11 inch booklet is the first full catalog published by the new owners. It contains hundreds of items such as quality hand tools, measuring instruments, electronic test instruments, soldering equipment, and unique shop supplies. Over 100 new items are included, and many products are available only from NAT CAM. The new catalog is the successor to the tool catalog formerly published by National Camera.

The NAT CAM catalog is available free upon request.—**NAT CAM CATALOG**, 1835 W. Union Ave., Unit 15, Englewood, CO 80110.

FOR MORE INFO CIRCLE 436 ON FREE INFORMATION CARD



TEMPERATURE-MEASUREMENT PROBE, is a Weston Instruments' accessory to expand applications of its 3½-digit LCD display audio-response DMM, the Roadrunner. The probe has a low-impedance output and can be used with both analog VOM's and DMM's. There is a switch that enables users to go back and forth between Celsius and Fahrenheit. Typical uses are hot-spot trouble-shooting of cir-

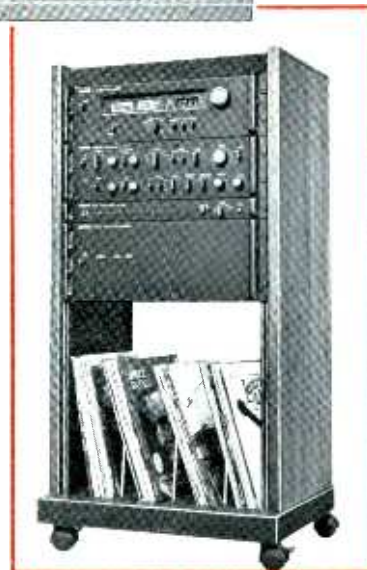
continued on next page

Free Heathkit Catalog

Discover the newest in electronics for your home and business:

- Computer hardware and software
- Precision test instruments
- Energy savers for car and home
- Self-study programs in electronics
- Fine stereo components
- Color TV's and video accessories
- Amateur radio gear

...all in easy-to-build money-saving kits.



Send today for the all-new, free Heathkit Catalog...with 104 pages describing nearly 400 exciting kits for your electronics hobby.



Please send my free Heathkit Catalog. I am not currently receiving one.
Send to: Heath Co., Dept. 021-752,
Benton Harbor, MI 49022

If coupon is missing, write Heath Co., Dept. 021-752, Benton Harbor, MI 49022

In Canada, write Heath Co., 1480 Dundas Highway East, Mississauga, Ontario L4X 2R7

Name _____

Address _____

City _____ State _____

CL-751 _____ Zip _____

CIRCLE 407 ON FREE INFORMATION CARD

circuits, determining heat rise of transformers and motors, thermostat calibration, PC-board testing, and checking true-RMS instruments.

The switch-selectable range is -50°C to $+150^{\circ}\text{C}$, -58°F to $+302^{\circ}\text{F}$; maximum temperature: probe tip 160°C (320°F); maximum voltage: 500 volts peak between probe tip and circuit. Response time is 10 seconds maximum to settle within 1°C for a 100°C temperature change. Accuracy is $\pm 1.7^{\circ}\text{C}$ ($\pm 3.0^{\circ}\text{F}$) over full temperature scale, and the sensitivity is 10 mV per $^{\circ}\text{C}$ or F. There is a 9-volt carbon zinc battery, Type 1604, 216 or equivalent, and the warning indicator produces a continuous high negative reading of about -100°C or F regardless of temperature.

The temperature-measurement probe is priced at \$119.00.—**Weston Instruments**, 614 Frelinghuysen Ave., Newark, NJ 07114.

FOR MORE INFO CIRCLE 428 ON FREE INFORMATION CARD



MINI-METERS, model SP-10 and model SP-15, are the latest additions to A. W. Sperry Instruments Mini-Meter V-O-mA series. Both models are shirt-pocket size, with everyday job capability and are safety-fused, with safety "off" positions, and safety front-panel layouts. They are shaped for full-hand grasp, and have easy-to-read 3-color scales, diode-protected meters, and positive-action ball-detented range switches.

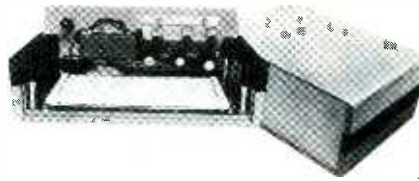
The model SP-10 features a low-ohm range with 5 ohms midscale. The ranges are 10/50/250/500 volts AC and DC; 250 mA; 500/5K/50K ohms; 2DB Rangerson scale.

The model SP-15 features a separate continuity range that gives audio-tone check, independent of meter. The range is 5/25/250 volts DC; 5/25/250/1000 amps AC; 0.5/5/250 ma DC; 5K/500K ohms; 2B Rangerson scale.

Both models come fully equipped with test leads, battery and fuse installed, ready to use.

The model SP-10 costs \$16.75; the model SP-15 is \$19.75.—**A. W. Sperry Instruments, Inc.**, 245 Marcus Blvd., Hauppauge, NY 11787.

FOR MORE INFO CIRCLE 430 ON FREE INFORMATION CARD



THE IDEA BOX is the latest of Global Specialties design-aid products. It combines three fully regulated, low-ripple, power supplies; a choice of a solderless bread-board; a pre-etched, pre-drilled printed-circuit board or a blank-foil PC board; and the best of Global's cases with expanding capabilities. That combination of features allows quick construction of a prototype or a once-only device.

The suggested price of The Idea Box is \$149.95. Replacement front panels and printed-circuit layout pads are also available, prices ranging from \$4.96 to \$44.95.—**Global Specialties Corporation**, 70 Fulton Terrace, New Haven, CT 06509.

FOR MORE INFO CIRCLE 433 ON FREE INFORMATION CARD



CIRCUIT-BOARD HOLDER, rapid assembly, model 333, features an eight-position rotating adjustment, indexing at 45-degree increments, and six positive-lock positions in the vertical plane. The holder gives you a full 10-inch height adjustment for comfortable working. With crossbars available up to 30 inches in length, the rapid-assembly circuit-board holder will contain circuit boards up to 28 inches in width. Extra arms can be added for dual or multiple board holding. The board holder is spring-loaded, allowing for fast one-hand position changes. There is a heavy cast-iron base to provide stability and prevent tipping. It is pre-drilled for easy bench mounting and there are two flanges pre-drilled and tapped for accessory mounting. The model 333 costs \$35.95.—**Panavise Products, Inc.**, 14024 Sylvan St., Van Nuys, CA 91401.

FOR MORE INFO CIRCLE 426 ON FREE INFORMATION CARD



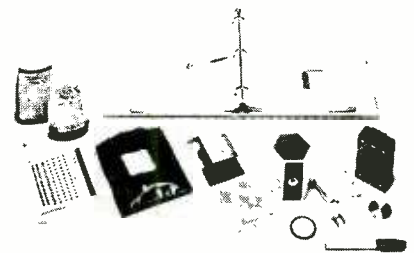
RADIO SHACK'S 1981 CATALOG celebrates their 60th anniversary and has 176 pages, with 120 of them in full color. The catalog features the latest in everything electronic, from computers and stereo components to toys and electronic games, parts and accessories for home entertainment, and other items for hobbyists and experimenters.

Among the products being offered for the first time are the TRS-80 Pocket Computer, the TRS-80 Color Computer, and the TRS-80 model III Desk Top Computer. In addition, there are six new stereo receivers, two with digital quartz tuning, and five stereo-cassette tape decks featuring Dolby noise-reduction circuitry.

Radio Shack has also expanded its line with the addition of 12 new telephone products, including a cordless handset telephone. There is the latest in home-alarm systems, one of which (microprocessor-controlled) enables homeowners to protect all openings without any wiring required. And, of course, the new catalog includes the TRS-80 line of microcomputers, stereo components, CB equipment, radios, tape recorders, electronic calculators, digital clocks, test instruments, and ArcherKit and Science Fair hobby kits, etc.

The catalog is now available free on request from more than 6000 participating stores and dealers nationwide.

FOR MORE INFO CIRCLE 437 ON FREE INFORMATION CARD



CIRCUIT-BOARD SELF-INSTRUCTION COURSE from Heathkit shows novice electronics hobbyists how to make their own printed-circuit boards. The EI-3134

Printed Circuit Boards Course explores types of PC-board materials, the different manufacturing processes, and layout design, as well as both the direct pattern and photographic methods of making PC boards.

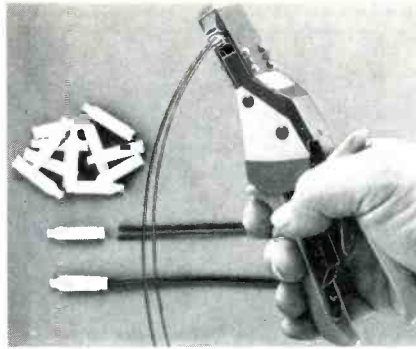
In the course of experiments, the student will construct circuit boards for two useful Heathkit products: the *Model GD-600* Automatic Lamp Switch, which turns lamps (up to 150 Watts) on at dusk and off at dawn, and the *Model GD-1787* Touch Control Switch, which lets you turn television sets (up to 225 Watts) and fans (up to 180 Watts) on and off with just a light touch—and no rewiring. All parts (including cases) necessary to complete those projects come with the study course.

All materials necessary for experiments are also provided. They include an etch-resistant pen, rub-on transfers, art tape, etchant, and plastic bags to make PC boards by the direct-pattern method.

The course, mail-order, is available only in the continental U.S.A., and is priced at \$64.95.—Heathkit/Zenith Educational Systems, Dept. 57-720, Benton Harbor, MI 49022.

FOR MORE INFO CIRCLE 432 ON FREE INFORMATION CARD

"D" CONNECTOR TOOL, model CP-200, is designed to crimp "B"-type insulated wire connectors onto the ends of unstripped wires. Metal "teeth" within the connector penetrate the wire insulation



and engage the conductor when the connector is crimped. A built-in ratchet assures that a complete pressing cycle is made before the handles are released. A factory-set mechanical stop prevents overpressing, thus assuring a high-quality conductive joint.

"B" connectors are available both plain and "jelly"-filled. The latter features "silicone-type grease packing" which wards off contamination of the connection and inhibits oxidation. Both types of connectors are available in packages of 250, 500, and 1000 pieces. Prices: CP-200—\$55.00; 250 "B" Connectors—\$12.00 for the plain, \$17.33 for the jelly-filled.—OK Machine and Tool Corporation, 3455 Conner Street, Bronx, NY 10475.

FOR MORE INFO CIRCLE 440 ON FREE INFORMATION CARD

LOW COST PARTS

4PDT RELAY FLASHER LED

POTTER BRUMFIELD
• 14 pin style
• 3 amp contacts
• 24 volt d.c. or 120 volt a.c. coil
• Used but fully tested



\$1.50 each
Specify coil voltage
LARGE QUANTITIES AVAILABLE
SOCKETS FOR RELAY 50¢ each

Litronix FRL-4403
diffused red led with built in flashing unit 1 1/2" package pulse rate 3hz @ 5v 20 ma

2 for \$1.70

1 1/2 RPM MOTOR

NEW SYNCHRON TIMING MOTOR
110 VAC 60 CY
\$2.00 ea
10 for \$17.50

SUBMINI DPDT DIP RELAY

AROMAT #HB2-DC6V
• 6 VDC coil
• Fits dip socket
• Norm op power 580 mW
• Contacts rated 1 amp @120V
\$1.50 each
10 for \$13.50 6 VDC only

7-17vdc S.S. BUZZER

STAR #CMB-12
• Fits dip socket
• CMOS compatible
• Max current 14mA
• Sound output 70dB @ 20 cm.
\$1.25 each

1N5762 DIAC

SWITCH VOLT 36V min 34 V max 38 V
4 for \$1.00

dual gate N-FET 3SK45

VHF, RF, AMP, MIX
CMOS N-CHANNEL
2 for \$1.50

COMPUTER GRADE CAPACITORS

ALL ARE BRAND NEW
1.700 MFD. 150 VDC \$2.00
2 1/2 in. dia. x 4 1/4 in.
6.400 MFD. 60 VDC. \$2.50
1-3/8 in. dia. x 4 1/4 in.
11.500 MFD. 18 VDC \$1.50
1-3/8" in dia. x 3-1/4" in
22,000 MFD. 15 VDC. \$2.50
2 in. dia. x 2 1/2 in.
22,000 MFD. 50 VDC \$3.50
3 in. dia. x 4 1/2 in.

CLAMPS TO FIT CAPACITORS 50¢ ea

FLAT LEVER HANDLE MINI TOGGLE

SPDT RATED 6 AMPS @ 125 V 1/4" 40 BUSHING
\$1.00 each
10 for \$8.50
100 for \$75.00

22/44 EDGE CONNECTOR TIN SOLDER TAIL .156" x .200"

LARGE QUANTITIES AVAILABLE
\$1.35 each 10 for \$12.50

TRANSFORMERS

120 volt primaries
3 VOLTS @ 200 mA \$1.25
6 VOLTS @ 150 mA \$1.25
12.6 VOLTS C.T. @ 150 mA \$1.50
16.5 VOLTS @ 3 AMPS \$6.50
24 VOLTS C.T. @ 280 mA. \$1.65

11x15x2 7/8 METAL CHASSIS BOX

IDEAL PROJECT BOX. FRONT AND REAR PANELS WERE PUNCHED FOR A MANUFACTURE. BLACK ENAMEL FINISH
\$3.50 each
LIMITED QUANTITY

ELECTRET MIKE ELEMENT

SENS: -44 DB ± 3 DB
FREQ RESP: 50 HZ - 20 KHZ
OUT IMP: 2.2 K OHM (MAX)
SUPER SMALL SIZE
SIZE: 6 MM X 5 MM LONG
MAX OP VOLT: 10 VDC
OPTIMUM VOLT: 2 VDC
OMNI DIRECTIONAL
\$5.00 EACH

ELECTROLYTIC AXIAL CAPACITORS

600 MFD. 100 VDC \$1.00 ea.
2-1/16" long x 1" diameter
SALE PRICED
8,000 MFD 15VDC
3-7/8" long x 1-1/16" diameter
\$1.00 ea 10/ \$9.00

SPRING LOADED TERM.

ONE RED ONE BLACK QUICK CONNECT TERM
IDEAL FOR SPEAKER SYSTEMS BLACK PHENOLIC BASE
2 for \$1.00

2 TERM. L-PAD

USED ON 100 WATT SPEAKER SYSTEMS AS A TWEETER FADER CONTROL
5 OHM W W 2 for \$1.50

L.E.D.s

RED JUMBO DIFFUSED 10 for \$1.50
GREEN JUMBO DIFFUSED 10 for \$2.00
YELLOW JUMBO DIFFUSED 10 for \$2.00

S.P.D.T. CENTER OFF MINI TOGGLE

STANDARD MINI TOGGLE WITH SOLDER TERMINAL RATED 5 AMP 115VAC
\$1.15 EACH
10 FOR \$11.00

ELECTRONIC SIREN MODULE

2 1/2 IN. DIA. UNIT PRODUCES A WHOOPING UP AND DOWN SOUND WHEN ATTACHED TO AN 8 OHM SPEAKER OR HOORN OPERATES ON 6 TO 12 VDC
\$7.50 EACH

50K SLIDE POT

Knobs for Slide Pot 20¢ each 75¢ each audio taper
• 3 1/2 inch long • 2 3/4 inch Slide

ALL ELECTRONICS CORP.

905 S. Vermont Ave. Los Angeles, CA 90006 (213) 380-8000

Store & Warehouse Hours
9 AM - 5 PM
Monday thru Friday
Saturday
10 AM - 3 PM

SEND FOR OUR FREE CATALOG
TERMS
• Quantities Limited
• Min. Order \$10.00
• Add \$2.00 Shipping USA
• Calif. Res. Add 6%
• Prompt Shipping

ARKON KITS

LED POWER METER

Uses the popular LM3915 display driver. Features switch selectable peak or average peak power level indication. The front end utilizes precision half wave rectification LED displays included 30 db (-24 db to +3db) dynamic range
\$24.95

LED VU/POWER METER

Same as LED power meter but uses NSM series display. Two types: NSM 3915 - 30 db (-24 db to +3 db power) NSM 3916 - 23 db (-20 db to +3 db VU).
\$29.95

THE BRUTE 300 WATT AMP

This kit is not recommended for beginners or inexperienced constructors. Power output: 200 watts RMS, 8 ohms, 310 watts RMS, 4 ohm. Input sensitivity, 1V for total output. This kit uses all standard parts and comes complete with instructions and printed circuit board (mono) (transformer required 100 VCT 5 amps is available for \$51.00 #167P100
P.C. Board \$11.25

COLOUR MODULATOR

This video modulator has been designed to complement the small home computer. It allows the standard colour television to be used as a high quality colour video monitor. Uses state of the art integrated circuit technology. Direct coupling is employed to provide white level compensation in the vestigial sideband output. The gain device of the LM1889's chroma oscillator is used to buffer, level shift, and invert the incoming composite colour input. The signal then passes to the RF modulator where a channel 7 carrier is provided. Requires 12 volt DC for operation.
\$24.95

VIDEO TO RF MODULATOR

Converts a video signal to a RF signal. The RF output terminals connect to the antenna of your TV. Connecting in the video and supplying 5 to 10 volts DC is all that is needed. You turn your channel selector to 4, 5 or 6 (whichever is not used in your area) and tune the adjusting coil for a suitable display.
\$8.95

ASCII KEYBOARD KIT

60 Key complete ASCII character set. Highest commercial quality key switches. Uses a KR2376 ST encoder IC. Output compatible with TTL. Caps lock for upper case alpha characters. Repeat key parity/data invertable. Positive and negative key pressed and strobe signals. Requires +5 volts to +30 volts at 100ma.
\$99.95

ARKON LOGIC PROBE LOGIC I

Easy to build Logic Probe kit. A full performance logic probe. With it, the logic levels in a digital circuit translates into light from the Hi or Lo LED. Pulses as narrow as 300 nano seconds are stretched into blinks of the pulse LED's. Specs - 300K ohm Imp Power - 30ma at 5 volts, 40ma at 15 volts, 15 volts max. Max Speed - 300 nano seconds 1.5 MHz. Input Protection - +50 volts DC continuous, 117 volts AC for 15 seconds (circuit included)
\$24.95

Send certified cheque, money order, Chargex, Master Charge...include expiry date, card number and signature. We process only prepaid orders. Minimum order \$10.00 Add 5% (minimum \$2.00) for shipping and handling. Ontario residents add 7% sales tax. All prices subject to change, Dealer inquiries welcome.

arkon
electronics ltd

409 Queen Street West, Toronto, Ontario Canada M5V 2A5. Tel. (416) 868-1315

CIRCLE 401 ON FREE INFORMATION CARD

CIRCLE 410 ON FREE INFORMATION CARD

IS YOUR Radio- Electronics® LIBRARY COMPLETE?

Back issues are available for most months of the last (3) years @ \$3.00 each, postpaid. Please send your check or money order to:

RADIO-ELECTRONICS®
BACK ISSUE DEPARTMENT
200 Park Avenue, South
New York, NY 10003

Name _____
(please print)

Address _____
(please print)

City _____

State _____ Zip _____

Issue(s) requested: (if available)

Month _____ Year _____

Month _____ Year _____

ADVERTISING INDEX

SPECIAL PROJECTS does not assume any responsibility for errors that may appear in the index below.

Free Information Number	Page
-	Advance Electronics88
410	All Electronics Corp.99
401	Akron Electronics99
-	CIE, Cleveland Institute of Engineering37
405	Dak Corp.16
408	Fordham57
402	Formula International Inc.4-5
407	Heath Co.97
409	Interface38
-	NRI National Technical Schools ..19
403	O.K. Machine & Tool Corp.Back Cover
404	Poly Paks42
-	SabtronicsCover 2
411	UngarCover 3

**YOU
DESERVE
IT! GET IT
EVERY MONTH!**

Come on, treat yourself—and save money too. Subscribe to RADIO-ELECTRONICS today, and make sure that you get all the interesting, exciting and authoritative electronics reporting in any magazine month after month. Don't miss a single one of the upcoming issues, jam-packed with test reports on new equipment, projects to build, servicing ideas, and news of solid state, computers, hi-fi, hobbies and everything electronic. Save money, too—as much as \$10 off the newsstand price. **Subscribe to RADIO-ELECTRONICS, come on, you deserve it—check off the money saving offer you prefer on the handy coupon, and start enjoying RADIO-ELECTRONICS every month.**

Get the Best—Every Month! Mail Today!

- YES! please send me
- Payment enclosed, 14 issues for \$13.00 (You save \$4.50 off newsstand price.)
 - Payment enclosed, 28 issues for \$25.00 (Save More! \$10.00 off newsstand price.)
 - Bill me, 1 year—12 issues only \$13.00 (You save \$2.00 off newsstand price.)
 - Bill me, 2 years—24 issues only \$25.00 (Save more! \$5.00 off newsstand price.)

Extra shipping: Canada \$3.00 per year, all other countries \$5.00 per year.

- Check here if this is a new subscription.
- Check here if you are extending or renewing your subscription.

(please print)

Name _____

Address _____

City _____ State _____ Zip Code _____

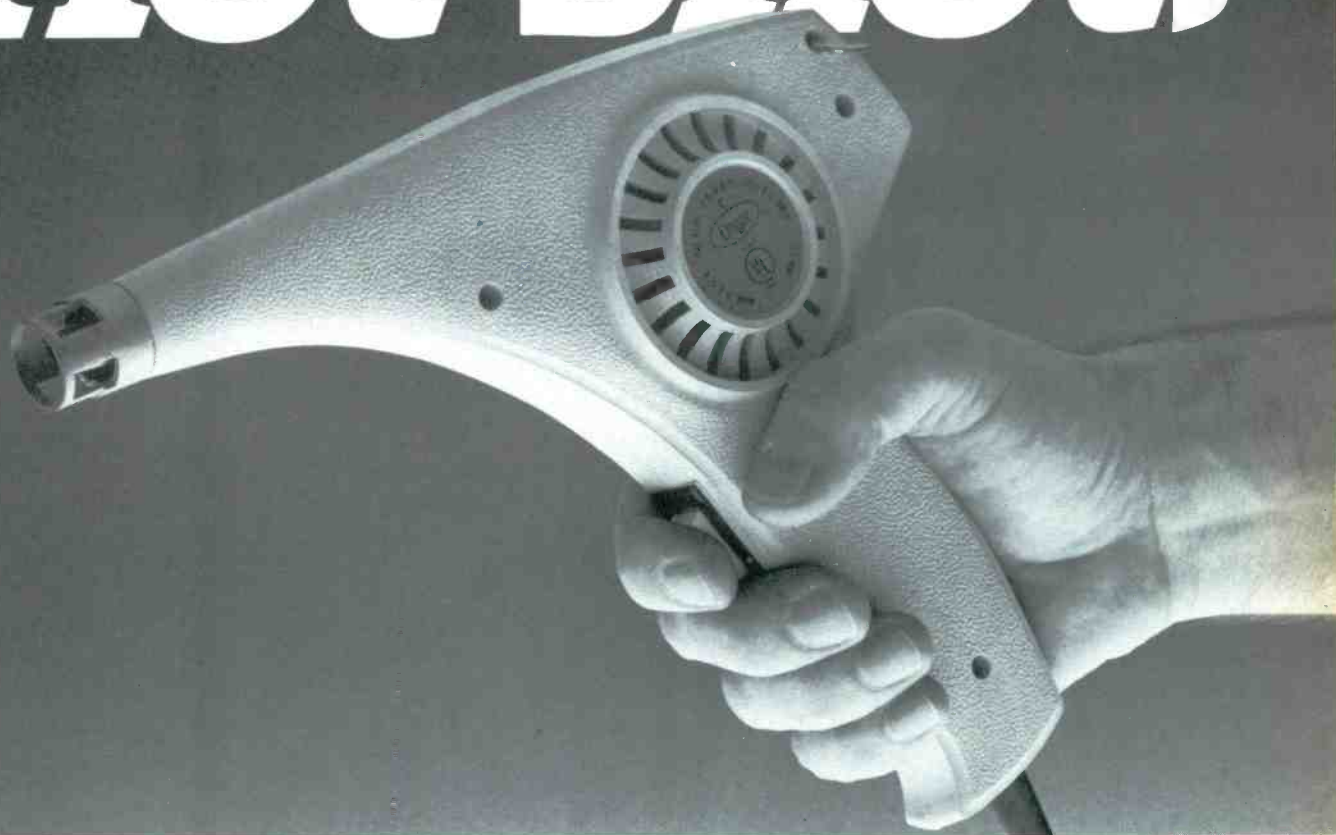
Mail to: **Radio Electronics**

P.O. Box 2520,
Boulder, Colorado 80322

Allow 6-8 weeks for delivery of first issue.

4PB

Hot Shot.



Our heat gun is light, tough and very easy to control. You get easier handling with precise hot air direction and built-in durability.

Weighing only 13 ounces, including its 3-wire cord, the heat gun sits comfortably in your hand. Its handle stays cool even during long hours on the job.

You can put the hot air stream exactly where you want it because the nozzle is smaller. And the four baffles that are included with the gun adapt it for a wide variety of uses.

There's a 3-way trigger switch with hot and cool positions. The nozzle temperature reaches 750° 800°F in seconds. And you can get our optional stand to hold the heat gun securely in several work positions.

In its high impact, heat resis-



tant molded case, the heat gun can withstand the rigors of industrial, service shop or laboratory use.

Try our versatile, economical heat gun for everything from shrink tubing, to reflow soldering, to repairing plastics. You'll see why half of our heat guns are bought by or on the recommendation of a satisfied user.

For our new catalog, write to Ungar, Division of Eldon Industries, Inc., P.O. Box 6005, Compton, CA 90220.

Ungar.

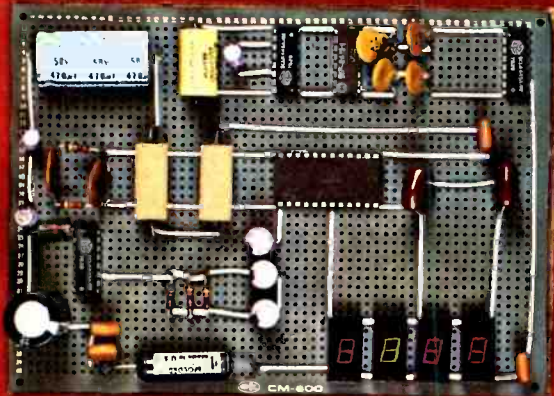
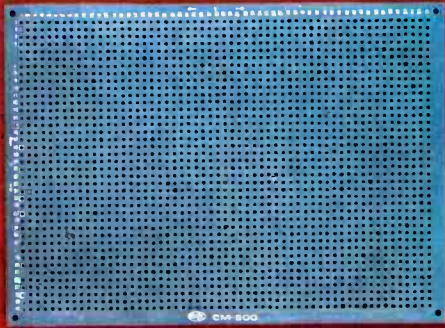
The Heat Gun, For Precise Control Of Hot Air.

CIRCLE 411 ON FREE INFORMATION CARD

Asbestos-Free!



CM-600 Circuit Mount



CM-600 \$6.95*
RW-50 \$2.98*

NEW CM-600 SOLDERLESS PROTOTYPE BOARD

CM-600 is a unique system for solderless construction of circuit prototypes, useful to both engineers and hobbyists. The CM-600 is a neoprene board $4\frac{1}{2}$ " (114mm) x 6" (152mm) with 2280 holes on .100" (2.54mm) centers. Standard components including DIP's are mounted by simply inserting leads into the holes in the long life neoprene material. Interconnections are easily made using 20 or 22 AWG (0,8 or 0,65mm) wire jumpers. Positive contact is assured by the elasticity of the hole, which compresses the leads together. To remove components or leads, simply pull out. This facilitates easy circuit changes making it ideal for breadboarding experimental circuits. CM-600 also features numbered rows and columns for easy reference.

Accessory Kit RW-50 contains 50 pcs of AWG 20 (0,8mm) insulated jumper wires of assorted lengths from $\frac{1}{2}$ " (13mm) to 4" (100mm). Both ends are stripped and bent 90° for easy insertion. In stock directly from

OK Machine & Tool Corporation
3455 Conner St., Bronx, N.Y. 10475 U.S.A.
Tel. (212) 994-6600 Telex 125091

* Minimum billings \$25.00, add shipping charge \$2.00
New York State residents add applicable tax