

1961

**ELECTRONIC**

Popular Electronics

# EXPERIMENTER'S HANDBOOK

**45 HOME-BUILT PROJECTS**

**25 SPECIAL DESIGN CHARTS & TABLES**

**COVERING**

**Citizens Band • Hi-Fi Audio**

**Amateur Radio • Test Equipment**

**PLUS Projects for Fun**

**TESLA COIL  
DESIGN  
(SEE PAGE 15)**

**\$100**

(1.25 in Canada)



# AMERICAN BASIC SCIENCE CLUB



# Sensational LOW COST SCIENCE LAB

**NOW** over 110 fascinating projects with



**COMPLETE LABORATORY COMES IN 8 KITS, ONE A MONTH... SUPPLIES ALL THE EQUIPMENT FOR ALL THE FOLLOWING:**

### ELECTRICAL EXPERIMENTS

Educational fun with Electro-Magnets, Transformer, Galvanometer, Rheostat, Relay, Voltmeter, Wheatstone Bridge, and other electric equipment

### RADIO RECEIVER

Three Tube Short Wave (80 Meter) and Standard Broadcast Receiver. Sensitive Regenerative Circuit uses regular 115 volt AC. Complete with Head Set.

### DC POWER SUPPLY

Power Transformer, Vacuum Tube Rectifier and 20 20 mfd. Capacitor Filter Circuit. Converts home AC to the DC required for Electronic Circuits.

### PHOTOELECTRIC EYE

Photoelectric Cell, Exciter lamp — and Electronic Relay. Everything you need to control motors, bells, alarms, and do other light beam experiments.

### MICROPHONE

A sensitive carbon-button microphone that greatly amplifies unexpected noise. Also adaptable for use with your radio transmitter.

### ELECTRONIC EXPERIMENTS

Explore functions of vacuum tubes and other electronic components. Build an Electronic Switch—Amplifier, and other experimental circuits.

### CODE PRACTICE SET

Signal Oscillator, Key and Flasher — the complete outfit to learn to receive and transmit the Morse Code — the first step to a Ham license.

### STROBE LIGHT

A variable pulse mean lamp "freezes" motion of rapidly vibrating or rotating objects for close study and checking frequencies. 8PM.

### BROADCAST TRANSMITTER

Send clear transmissions of both code and voice to nearby radios. Can be used with your microphone, record player, or code oscillator.

### RADIO SERVICE EQUIPMENT

All the parts to build your own Radio Signal Tracer and a Probe Light Continuity Tester. Both pieces are invaluable in radio servicing.

### SOUND EXPERIMENTS

laboratory demonstration of sound waves, resonance and pitch. Includes Variable Frequency Oscillator, Sonometer and Ripple Tank.

### TELESCOPE

A mounted astronomical Telescope. High quality ground lenses enable you to examine details of the moon's surface and distant objects.

### PHOTOGRAPHY LAB

Complete dark room equipment. Printer — Enlarger — Electronic Timer — Safe light — Developing Trays and supply of paper and chemicals.

### SLIDE PROJECTOR

Takes 16mm and 35mm slides, sharp focusing, convenient cooled C.T.E. Projection lamp included. Also adaptable as a Projection Microscope.

### MICROSCOPE

High and low power, precision ground lenses. Substage Light and Polarizer. Adaptable for photomicrography in connection with Photo Lab.

### SPECTROSCOPE

Fascinating optical instrument used to identify and analyze substances by observing the spectrum of their flame. Spectrum charts are included.

### ATOMIC RADIATION EXPM.

A variety of projects using Spinthariscopes and sensitive Electroscope. Radioactive sources included are Uranium Ore and Radium.

### ATOMIC CLOUD CHAMBER

See illuminated tracks of speeding nuclear particles emanating from radioactive Alpha source and mysterious cosmic rays from outer space.

### ULTRAVIOLET LAMP

Produces dazzling color effects with invisible "black light". Used extensively for crime detection, mineralogy and science. Fluorescent Ink, Crayon and Tracer Powder are included.

### HEAT EXPERIMENTS

Study the Molecular Theory of heat using 2 Thermometers, Thermostat, 3 foot Gas Thermometer and special Microscope arrangement that shows the effect of Molecular Movement.

### WEATHER STATION

Aneroid Barometer, Cup Anemometer that electronically measures wind speed. Sling Psychrometer, Humidity Gauge, Cloud Speed Indicator, Cloud Chart and Weather Map.

## A REAL SCIENCE COURSE

Developed with World Famous  
**SOUTHWEST RESEARCH INSTITUTE**

The 8 manuals are expertly written, clearly illustrated, excitingly different.

**NO EXPERIENCE NECESSARY**

You can complete every project and gain a **VALUABLE SCIENCE BACKGROUND** that will **ENRICH YOUR LIFE** and could **SHAPE YOUR FUTURE!**



Analyzing Glowing Gases with the SPECTROSCOPE



Trouble Shooting with the SIGNAL TRACER



PHOTOMICROGRAPH of a Fly's Wing made with Microscope and Photo Lab (Actual Size 5" diameter)

## A VALUABLE SCIENCE LAB

Containing Parts by **RCA, MALLORY, PYRAMID, G.E., STACKPOLE, TRIM** and other reliable manufacturers. Retail Value of Parts Alone is **over FIFTY DOLLARS**

### MEMBERS ARE ENTHUSIASTIC!

I wish I could provide each of my Physics students with all of your enjoyable kits. You are doing a wonderful job.

Your course is very enjoyable and educational for all ages. I would not sell mine for twice the price.

Francis Pitcher  
13 Friendship Dr  
Tivoli, New York

Allen T. Ayers, Physics Dept.  
Jamestown High School  
Jamestown, New York

**FREE!** These 6 Auxiliary Textbooks



**ALL THE EQUIPMENT FOR ALL THE ABOVE—only \$29.60**

SEND **\$2.00** WITH **PAY \$3.45** FOR EACH KIT YOU RECEIVE  
ONLY COUPON ONLY (ONE A MONTH FOR 8 MONTHS)

**FREE** SOLDERING IRON with second Kit

*Your Satisfaction or Your Money Back... AND you may cancel at any time without obligation.*

*These "no risk" assurances because we know you will be...*

**SURPRISED! AMAZED! DELIGHTED!**

**AMERICAN BASIC SCIENCE CLUB, Inc.**  
501 E. Crockett, Dept. EE, San Antonio 6, Texas

Start sending me A.B.S.C.'s "Science Lab" in eight kits, one each month. If not satisfied an inspection of first kit I may return it for immediate refund. (I choose the plan checked.)  
 I enclose \$2.00 and will pay \$3.45 plus COD postage on arrival of each kit. I may cancel unshipped kits at any time.  
 I enclose \$29.60, full payment. Postage Paid, for all 8 kits. I may cancel any time and get full refund on unshipped kits.

NAME \_\_\_\_\_  
STREET \_\_\_\_\_  
CITY \_\_\_\_\_ STATE \_\_\_\_\_

MAIL COUPON TODAY

**AMERICAN BASIC SCIENCE CLUB, Inc. San Antonio, Texas**

**NOW! McGraw-Hill's Low-Cost Home Course Shows**

# HOW TO FIX TV Radio and Record Changers RIGHT AWAY

— even if you've never looked inside a set before!



**AT LAST! At Amazing LOW COST— a Complete TV-Radio Repair Course. TELLS and SHOWS How to do Every Job Quickly and Easily—Make GOOD MONEY, Full or Spare Time, in the BOOMING Repair Business**

How would you like to be boss of a nice TV-radio-record changer repair business — making \$50 to \$75 spare time, or \$150 and up in your own shop?

Now, thanks to McGraw-Hill's new 6-volume Course, you can get started right away! This Course brings you EVERYTHING you need to "cash in" on the TV-Radio-Changer boom. Over 2,350 pages of money-making ideas and techniques by top factory engineers and electronics experts. **TWO HUGE TROUBLESHOOTERS** tell exactly WHERE to begin, WHAT tools to use. **THREE GIANT REPAIR MANUALS** tell and show how to FIX troubles the easy way, "polish off" every job like a whiz. Complete Home Study Volume guides you every step of the way, tells how to build your business into a spare- or full-time MONEY-MAKER!

**EARN While You Learn**

Tested — and now used in repair shops and by electronics instructors — Course volumes are simple enough for beginners, amaze "pros" with quick, easy methods. Start your doing simple repairs — and earning money — after 30 hours (or less) of reading and easy study. ABC pictures and directions make tougher jobs a "snap."

NO previous training needed; TV repair business pays well in good times or bad. NO complicated formulas. **PLAIN ENGLISH** pictures and directions cover ANY job on EVERY SET — tubes, circuits, speakers, new ac/dc, am/fm/shortwave portables, Color TV, even what to charge for every job and how to get customers!

**Age and Experience No Barrier**

Age doesn't matter. Past experience doesn't matter. Over 40 MILLION TV sets, 130 MILLION radios — and the shortage of repairmen — mean big money for you. Course makes it easy to cash in, start your own secure, profitable business.

**SEND NO MONEY**

Try Course 10 days FREE. (We pay shipping!) If you don't agree it can get you started in a money-making repair business — return it, pay nothing. Otherwise keep it, earn while you learn; and pay on easy terms. Mail coupon NOW. McGraw-Hill Book Co., Dept. EEH-61 327 W. 41st St., New York 36, N.Y.

**Free** 4 Valuable Repair Aids: TV, RADIO, CIRCUIT and TRANSISTOR Detect-O-Scopes (Total Value \$4.00)



FREE — whether you keep Course or not — **FOUR DETECT-O-SCOPE Charts. TV and RADIO** Scopes enable you to spot tube troubles in a jiffy. **CIRCUIT and TRANSISTOR** Scopes spot circuit and transistor troubles. Make fix-it jobs easier, faster. 16 x 21 inches each. **ALL FOUR** (worth \$4.00) yours FREE.

New **FREE EXTRA** New Transistor Detect-O-Scope



Examine Entire Course **FREE** for 10 Days!

**PARTIAL CONTENTS**

- 1 Television and Radio Repairing** — Testing, repairing, replacing parts, 586 pages. 700 "This-Is-How" pictures, diagrams. By John Markus, Feature Ed., Electronics Magazine.
- 2 Practical Radio Servicing** — Easy-to-follow directions, diagrams, drawings — with job sheet for every repair job. 599 pages, 473 illus. By William Marcus, Alex Levy, Electronic Training Experts.
- 3 Profitable Radio Troubleshooting** — WHERE to look and WHAT to do for every trouble. How to avoid costly mistakes, handle customers profitably. 330 pages. 153 "how to" illus. By William Marcus, Alex Levy.
- 4 Profitable TV Troubleshooting** — Short-cuts to SPOT and FIX every trouble — fast, for big profits. By Eugene A. Anthony, Service Consultant, General Elec. Co.
- 5 Repairing Record Changers** — Step-by-step pictures and directions — how to set up service bench, etc. 278 pages. 202 A-B-C pictures. By Eugene Ecklund, Eng. DuMont Lab., Inc.
- 6 Complete Home Course Outline** — Getting started in television and radio servicing. How to get the most out of your Course. How to get ahead FAST. By John Markus.

This Amazing Offer Saves You **\$13.30**

**6 BIG VOLUMES** Including Home Course Outline! Shows How to Get Ahead Fast

**THIS COUPON SAVES YOU \$13.30**

McGraw-Hill Book Co., Dept. EEH-61 327 West 41st St., New York 36, N. Y.

Send me — postpaid — for 10 DAYS' FREE TRIAL the 6-Vol. McGraw-Hill TV, Radio and Changer Servicing Course. If okay, I'll remit \$4.85 in 10 days; then \$5.00 monthly for 5 months. (A total savings of \$13.30 on the regular price of Course and Detect-O-Scopes.) Otherwise, I'll return Course in 10 days; pay nothing. ALSO send FREE (to KEEP together or not I keep Course) the TV, RADIO, and CIRCUIT DETECT-O-SCOPE CHARTS, plus up-to-the-minute Transistor Detect-O-Scope — total value \$4.00.

Name..... (Please Print Clearly)  
Address.....  
City..... Zone No..... State.....  
 CHECK HERE if you prefer to enclose first payment of \$4.85 with coupon. Same easy pay plan; same 10-day return privilege for full refund. EEH-61



# 1961 **ELECTRONIC** Popular Electronics **EXPERIMENTER'S** **HANDBOOK**

**Publisher**  
**PHILLIP T. HEFFERNAN**

**Editors**  
**W. A. STOCKLIN**  
**O. P. FERRELL**

**Technical Editors**  
**J. M. SIENKIEWICZ**  
**M. S. SNITZER**

**Associate Editor**  
**P. B. HOEFER**

**Art Director**  
**M. BERWIN**

**Draftsman**  
**J. A. GOLONEK**

**Advertising Director**  
**J. A. RONAN, JR.**

**Advertising Manager**  
**W. G. McROY**



(See Page 15)

Cover photograph by BOB LOEB

**ZIFF-DAVIS PUBLISHING CO.**, One Park Avenue, New York 16, New York. William B. Ziff, Chairman of the Board (1946-1953); William Ziff, President; W. Bradford Briggs, Executive Vice-President; Michael Michaelson, Vice-President and Circulation Director; Hershel B. Sarbin, Vice-President; Charles Housman, Financial Vice-President; Richard Kislik, Treasurer.



Editorial and Executive Offices: One Park Avenue, New York 16, New York. Midwestern Office: 434 S. Wabash Avenue, Chicago 5, Illinois. Jim Weakley, Advertising Manager. Western Office: 9025 Wilshire Blvd., Beverly Hills, Calif., J. R. Pierce, Manager; Don Cena, Advertising Manager. Foreign Advertising Representatives: D. A. Goodall Ltd., London; Albert Mithado & Co., Antwerp and Dusseldorf.

Copyright © 1961 by Ziff-Davis Publishing Co. All Rights Reserved.

## CONTENTS

### Charts & Tables

<i>Resistor Color Code Chart</i> .....	<b>4</b>
<i>Transformer Wiring Color Code Chart</i> .....	<b>6</b>
<i>Standard Resistance Control Tapers</i> .....	<b>6</b>
<i>Reactance Chart</i> .....	<b>7</b>
<i>Color Code Chart (Paper &amp; Mica Capacitors)</i> .....	<b>8</b>
<i>Color Code Chart (Ceramic Capacitors)</i> .....	<b>10</b>
<i>Amateur-Band Frequencies</i> .....	<b>52</b>
<i>Radio Amateur Great Circle Chart</i> .....	<b>56</b>
<i>POPULAR ELECTRONICS Citizens Band "11" Code</i> .....	<b>58</b>
<i>Citizens Band Call Signs</i> .....	<b>59</b>
<i>Amateur Radio Call Sign Prefixes</i> .....	<b>62</b>
<i>Allocation of International Radio Call Signs</i> .....	<b>66</b>
<i>International Radio Abbreviations</i> .....	<b>68</b>
<i>Short-wave Broadcast Bands</i> .....	<b>76</b>
<i>Calling Frequencies in the CB Service</i> .....	<b>78</b>
<i>CB Frequency Allocation Chart</i> .....	<b>78</b>
<i>Sound Levels</i> .....	<b>89</b>
<i>Frequency &amp; Intensity Ranges</i> .....	<b>103</b>



<i>Equal Loudness Curves</i> .....	103
<i>Audible Frequency Ranges</i> .....	113
<i>Resistors in Series and Parallel</i> .....	142
<i>Using the Decibel</i> .....	148
<i>Decibel Table</i> .....	149
<i>Screws: Styles, Sizes and Shapes</i> .....	156
<i>Capacitors in Series and Parallel</i> .....	158

## **PART 1 Projects for Fun (Page 13)**

<i>Tesla's Trickery</i> .....	Kenneth Richardson	15
<i>Black Box Magic</i> .....	Kenneth Richardson	19
<i>Build an Electronic Music Box</i> .....	E. G. Louis	23
<i>An Electronic Siren</i> .....	Edward H. Dingman	25
<i>Transistorized Driver Alarm</i> .....	Dave Gordon	26
<i>Low-Cost Black Light</i> .....	Louis E. Garner, Jr.	28
<i>Transistorized Pocket Receiver</i> .....	Louis E. Garner, Jr.	30
<i>Auto Safety Flasher</i> .....	Louis E. Garner, Jr.	32
<i>Wireless Metronome</i> .....	Martin H. Patrick	34
<i>Transistorized Electronic Fence Controller</i> .....	R. L. Winklepleck	36
<i>Build an Electronic Burglar Alarm</i> .....	Ed Duda	39
<i>High-Power Crystal Set</i> .....	Walter B. Ford	42
<i>One Transistor Pocket Radio</i> .....	Alvin Mason	45

## **PART 2 Amateur, Citizens Band, Short-Wave (Page 49)**

<i>Acoustic Phone Patch</i> .....	J. C. Fischesser, W4FMW	50
<i>"Tiny-Mite" Transmitter for DX-ing</i> .....	Gus Fallgren & Al Hankinson	53
<i>Easy-to-Build Beam Antenna</i> .....	Jim Fahnstock, W2RQA	60
<i>Build a Mobile Short-Wave Converter</i> .....	J. A. Stanley	63
<i>1-Tube Citizens Band Converter</i> .....	P. E. Hatfield	70
<i>Antennas for Citizens Band</i> .....	Leo G. Sands	73
<i>A Tubeless, Transistorless Code Practice Oscillator</i> .....	Leon A. Wortman	77
<i>Code Practice Oscillator</i> .....		77

## **PART 3 Hi-Fi and Audio (Page 81)**

<i>Build this Unusual Amplifier</i> .....	James Romelfanger	82
<i>Chip Chasing</i> .....	Joseph L. Reiffin, W5CWP	84
<i>Design Your Own Speaker Cabinets</i> .....		85
<i>TV Lead-in Serves as S.W. or B.C. Band Antenna</i> .....	Paul Falk	88
<i>Power Megaphone</i> .....	Louis E. Garner, Jr.	90
<i>Battery-Powered Intercom</i> .....	Louis E. Garner, Jr.	92
<i>Electronic House-Sitter</i> .....	Louis E. Garner, Jr.	95
<i>Transistor Alarm Generator</i> .....	Dave Stone	98
<i>Portable Utility Amplifier</i> .....	Luis Vicens	99
<i>Hi-Fi Speaker Crossover</i> .....		104
<i>Carrier Current Sentinel</i> .....	Martin H. Patrick	106
<i>One-Tube FM Tuner</i> .....	Robert E. Devine, W6AVW	109
<i>Compact Two-Tube Stereo Amplifier</i> .....	J. Augeri & D. Christiansen	114

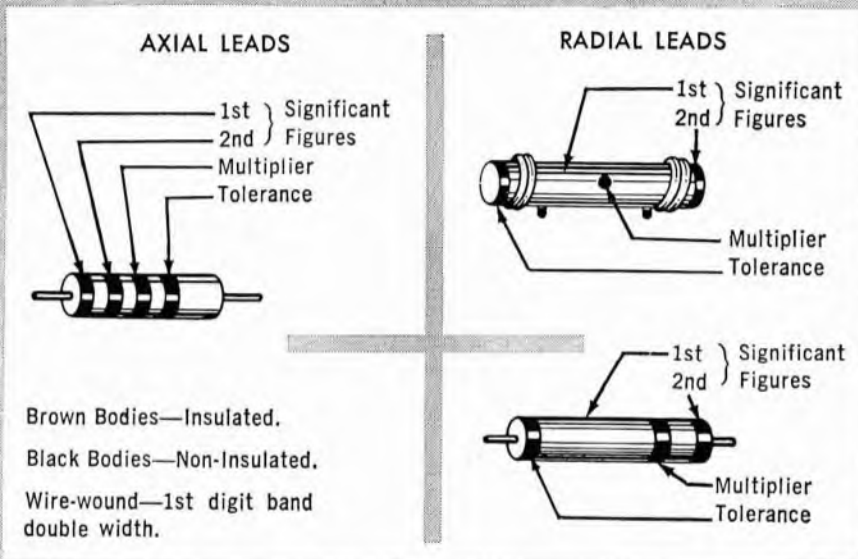
## **PART 4 Test Equipment (Page 117)**

<i>Direct Reading Frequency Meter</i> .....	Robert J. D'Entremont	118
<i>Modulate Your Grid-Dip Meter</i> .....	R. L. Winklepleck	120
<i>Build a Dual-Meter Transistor Tester</i> .....	R. J. Shaughnessy	122
<i>Citizens Radio Tune-Up Meter Probe</i> .....	Harold Reed	126
<i>Build an R.F. Power Meter</i> .....	Joseph Tartas, W2YKT	128
<i>Build a Field Strength Meter</i> .....	Russell Keller, K9CZO	131
<i>Capacitor Leakage Tester</i> .....	R. L. Winklepleck	134
<i>Dry Cell Tester and Rejuvenator</i> .....	James E. Murphy	136
<i>Low-Distortion Sine-Wave Generator</i> .....	Herbert Cohen	143
<i>Transistorized Tachometer Pickup</i> .....	Paul S. Lederer	144
<i>Transistor Tone Generator</i> .....	R. L. Winklepleck	146

# Resistor Color Code Chart

The standard resistance color code shown below is used on all carbon and composition resistors to show resistance value and tolerance. Some of these resistors have their values printed directly on them, but it is still a good idea to know how to read the color code for several reasons. Numbers printed on the resistors are usually very

small and difficult to read. What is more, they are frequently rubbed off, or the resistor is wired in the circuit in such a way that the numbers are not visible. By using the resistance color code, resistance values may be read off easily and conveniently. Use this chart often and you will begin to remember what colors go with what numbers. -30-



RESISTANCE IN OHMS			
COLOR	DIGIT	MULTIPLIER.	TOLERANCE
BLACK	0	1	±20%
BROWN	1	10	±1%
RED	2	100	±2%
ORANGE	3	1000	±3%*
YELLOW	4	10,000	GMV*
GREEN	5	100,000	±5% (EIA Alternate)
BLUE	6	1,000,000	±6%*
VIOLET	7	10,000,000	±12 1/2%*
GRAY	8	.01 (EIA Alternate)	±30%*
WHITE	9	.1 (EIA Alternate)	±10% (EIA Alternate)
GOLD		.1 (JAN and EIA Preferred)	±5% (JAN and EIA Pref.)
SILVER		.01 (JAN and EIA Preferred)	±10% (JAN and EIA Pref.)
NO COLOR			±20%

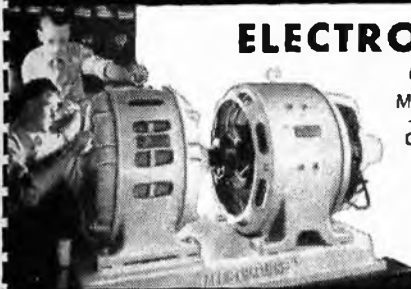
\*GMV = guaranteed minimum value, or -0 + 100% tolerance.  
±3%, 6%, 12 1/2%, and 30% are ASA 40, 20, 10, and 5 step tolerances.

These men are getting practical training in **NEW Shop-Labs of**

# ELECTRICITY

## ELECTRONICS ON REAL

Motors—Generators  
—Switchboards—  
Controls—Modern  
Appliances—  
Automatic  
Electronic  
Control Units



# TELEVISION

## RADIO ELECTRONICS ON REAL

TV Receivers—  
Black and White  
and Color  
AM-FM and  
Auto Radios  
Transistors  
Printed Circuits  
Test Equipment



# COYNE

in Chicago—prepare for today's **TOP OPPORTUNITY FIELD**. Train on real full-size equipment at **COYNE** where thousands of successful men have trained for over 60 years—largest, oldest, best equipped school of its kind. Professional and experienced instructors show you how, then do practical jobs yourself. No previous experience or advanced education needed. Employment Service to Graduates.

**START NOW—PAY LATER**—Liberal Finance and Payment Plans. Part-time employment help for students. **GET FREE BOOK**—"Guide to Careers" which describes all training offered in **ELECTRICITY** and **TELEVISION-RADIO ELECTRONICS**—no obligation; **NO SALESMAN WILL CALL**.

Coyne Electrical School, 1501 W. Congress Parkway  
Chartered Not For Profit • Chicago 7, Dept. 21-47C

### MAIL COUPON OR WRITE TO ADDRESS BELOW

**COYNE ELECTRICAL SCHOOL**  
Dept. 21-47C—New Coyne Building  
1501 W. Congress Pkwy., Chicago 7, Ill.

Send **BIG FREE** book and details of all the training you offer. However, I am especially interested in:

Electricity     Television     Both Fields

Name \_\_\_\_\_

Address \_\_\_\_\_

City \_\_\_\_\_ State \_\_\_\_\_



**COYNE** offers

**LOW COST**

# TELEVISION RADIO - COLOR TV

Training in  
Spare Time **AT HOME**



The future is **YOURS** in **TELEVISION!**

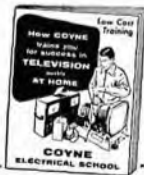
A fabulous field—good pay—fascinating work—a prosperous future in a good job, or independence in your own business!

Coyne brings you **MODERN-QUALITY** Television Home Training; training designed to meet Coyne standards at truly lowest cost—you pay for training only—no costly "put together kits." Not an old Radio Course with Television "tacked on." Here is **MODERN TELEVISION TRAINING** including **Radio, UHF and Color TV**. No Radio background or previous experience needed. Personal guidance by Coyne Staff. **Practical Job Guides** to show you how to do actual servicing jobs—**make money early in course**. Free Lifetime Employment Service to Graduates.

Send Coupon or write to address below  
for Free Book

and full details,  
including easy  
Payment Plan.

No obligation, no  
salesman will call.



### COYNE Television

#### Home Training Division

Dept. 21-H3 New Coyne Building  
1501 W. Congress Pkwy., Chicago 7, Ill.

Send Free Book and details on how I can get Coyne Quality Television Home Training at low cost and easy terms.

Name \_\_\_\_\_

Address \_\_\_\_\_

City \_\_\_\_\_ State \_\_\_\_\_

## COYNE ELECTRICAL SCHOOL

CHARTERED AS AN EDUCATIONAL INSTITUTION  
NOT FOR PROFIT

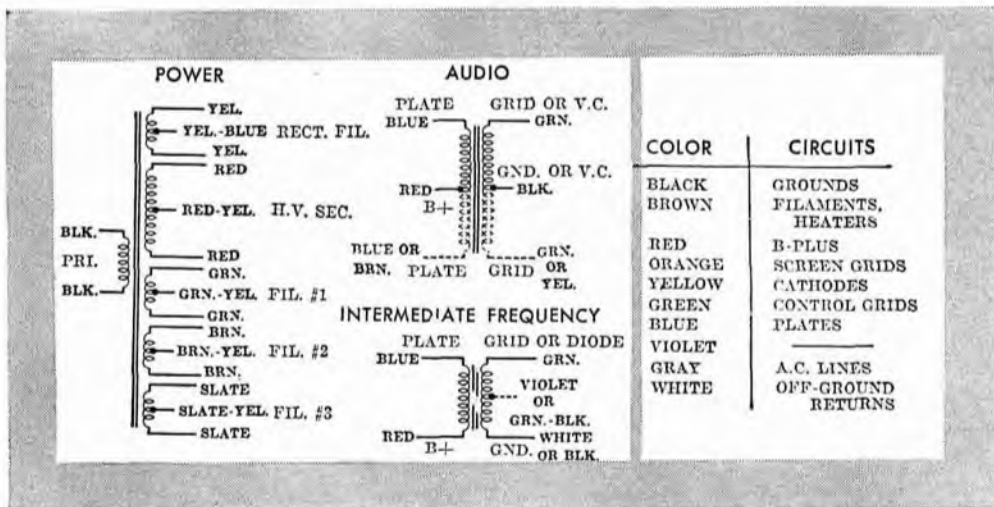
1501 W. Congress Parkway • Chicago 7, Dept. 21-H3



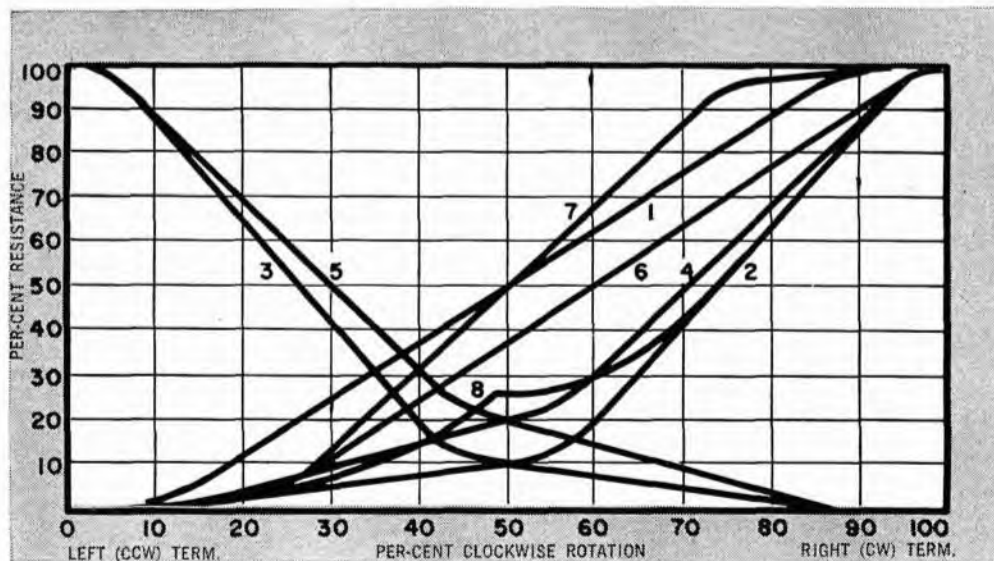
R. W. COOKE, Jr., President  
Coyne—the institution behind this training... the largest, oldest, best equipped residential school of its kind. Founded 1899.



# Transformer Wiring Color Code Chart



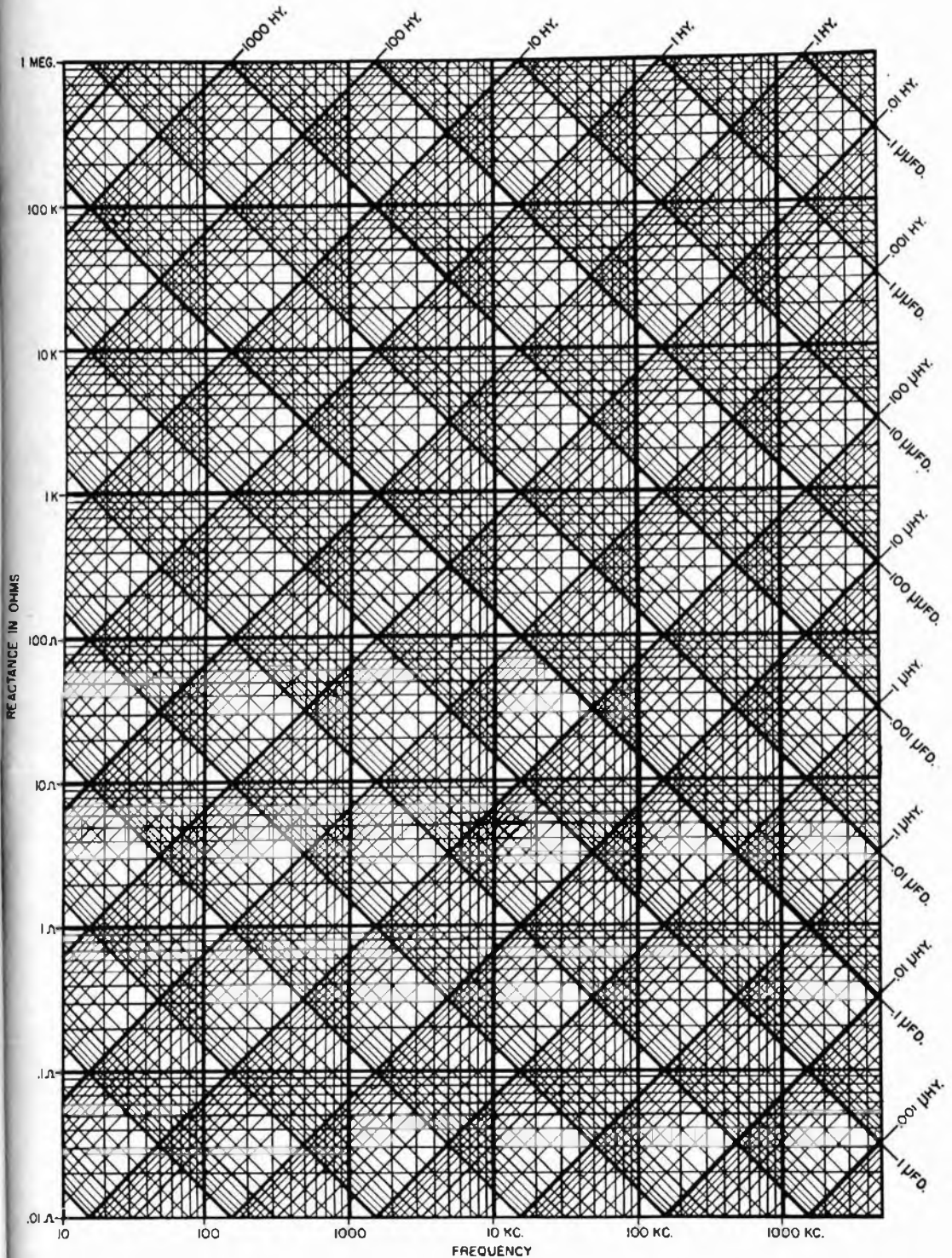
## Standard Resistance Control Tapers



- |  |  |
|--|--|
| 1 Linear—TV Rcvr. Uses                             | 5 Right-Hand Modified-Log—Reverse of 4                           |
| 2 Semi-Log (10% R @ Cntr)—Audio Volume or Tone     | 6 Modified-Log (40% R @ Cntr)—Vol. Cont., Ant. Shunt, Bias Cont. |
| 3 Right-Hand Semi-Log—Reverse of 2                 | 7 Straight-Line with Slow Changes at Ends—Tone Control           |
| 4 Modified-Log (20% R @ Cntr)—Audio Volume or Tone | 8 Tapped-Log—Tone Control with Bass Compensation                 |

The Reactance Chart on the facing page can be used to determine the inductive reactance of coils and the capacitive reactance of capacitors over a wide frequency range. Remembering that at resonance these two reactances are equal, it is also possible to determine how much inductance and capacitance are needed to produce a resonant circuit at a given frequency. Note that inductance values are read along diagonal lines sloping upward; capacitance values are read along diagonal lines sloping downward on the reactance chart.

# REACTANCE CHART

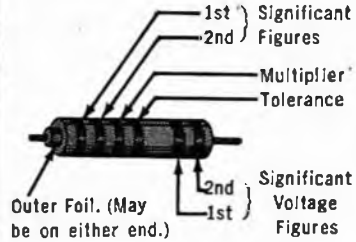


# Color Code Chart

## PAPER CAPACITORS

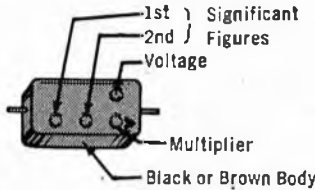
CAPACITY IN $\mu\text{FD.}$			
COLOR	DIGIT	MULTIPLIER	TOLERANCE
BLACK	0	1	20%
BROWN	1	10	
RED	2	100	5%
ORANGE	3	1000	
YELLOW	4	10,000	
GREEN	5	100,000	
BLUE	6	1,000,000	
VIOLET	7		10%
GRAY	8		
WHITE	9		10%
GOLD			5%
SILVER			10%
NO COLOR			20%

### MOLDED TUBULAR

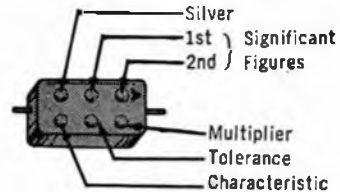


Add two zeros to voltage figures. One band indicates voltage ratings under 1000 volts.

### MOLDED FLAT (COMMERCIAL CODE)



### MOLDED FLAT (JAN CODE)



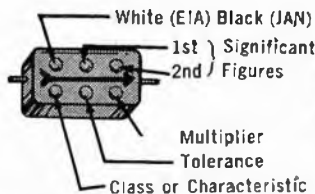
## MICA CAPACITORS

CAPACITY IN $\mu\text{FD.}$				
COLOR	DIGIT	MULTIPLIER	TOLERANCE*	CLASS OR CHARACTERISTIC**
BLACK	0	1	20%	A
BROWN	1	10	1%	B
RED	2	100	2%	C
ORANGE	3	1000	3%	D
YELLOW	4	10,000		E
GREEN	5		5% (EIA)	F (JAN)
BLUE	6			G (JAN)
VIOLET	7			
GRAY	8			I (EIA)
WHITE	9			J (EIA)
GOLD		.1	5% (JAN)	
SILVER		.01	10%	

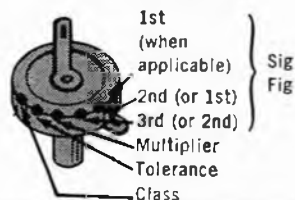
\*or  $\pm 1.0 \mu\text{FD.}$ , whichever is greater.

\*\*Specifications of design involving Q factors, temperature coefficients, and production test requirements. All axial lead mica capacitors have a voltage rating of 300, 500, or 1000 volts.

### MOLDED FLAT



### BUTTON SILVER





# Now! Work Over 300 PRACTICAL PROJECTS with these PARTS AT HOME!

## to help You learn ELECTRONICS RADIO - TELEVISION - RADAR

NOW . . . at home in your spare time you can get the very kind of training and subsequent Employment Service you need to get started toward real earnings in one of today's brightest opportunity fields—TELEVISION-RADIO-ELECTRONICS. Now that Electronics is entering so many new fields, here is a chance of a lifetime to prepare to cash in on its remarkable growth.

DeVry Tech's amazingly practical home method enables you to set up your own HOME LABORATORY. You spend minimum time to get maximum knowledge from over 300 practical projects, using the same type of basic equipment used in our modern Chicago and Toronto Training Centers!

### DeVry Tech Provides EVERYTHING YOU NEED . . .

—to help you master TV-ELECTRONICS. In addition to the home laboratory and easy-to-read lessons, you even use HOME MOVIES—an exclusive DeVry Tech advantage. You watch hidden actions . . . see electrons on the march. Movies help you to learn faster . . . easier . . . better.

#### LABORATORY TRAINING

Full time day and evening training programs in our modern Chicago and Toronto Laboratories are also available. MAIL COUPON TODAY for facts.

#### BUILD and KEEP Valuable TEST EQUIPMENT

As part of your training, you build and keep a fine Jewel-Beating Vacuum Tube VOLTMETER and a 5-inch COLOR OSCILLOSCOPE—both high quality, needed test instruments.

#### EFFECTIVE EMPLOYMENT SERVICE

Get the same Employment Service that has helped so many DeVry Tech graduates get started in this fast-growing field.

"One of North America's Foremost Electronics Training Centers!"

Accredited Member  
of National Home  
Study Council



**DeVRY TECHNICAL  
INSTITUTE**  
CHICAGO 41, ILLINOIS

#### EARN WHILE YOU LEARN

DeVry Tech's practical training helps you toward spare time income servicing Radio and Television sets.

**CHECK**  
These Exciting  
Job  
Opportunities!



Electronics in  
SPACE TRAVEL

**MAIL COUPON TODAY!**

**DeVRY TECHNICAL INSTITUTE**  
4141 Belmont Ave., Chicago 41, Ill., Dept. EEH-R

Please give me your FREE booklet, "Electronics in Space Travel," and tell me how I may prepare to enter one or more branches of Electronics.

Name \_\_\_\_\_ Age \_\_\_\_\_

Street \_\_\_\_\_ Apt. \_\_\_\_\_

City \_\_\_\_\_ Zone \_\_\_\_\_ State \_\_\_\_\_

2045 Canadian residents address: DeVry Tech of Canada, Ltd  
970 Lawrence Avenue West, Toronto, Ontario



VACUUM  
TUBE  
VOLTMETER



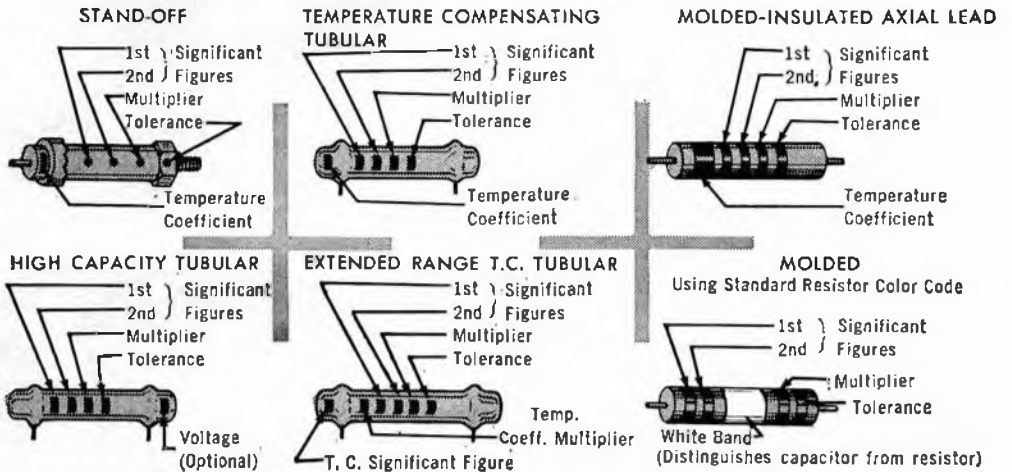
5-INCH  
COLOR  
OSCILLOSCOPE



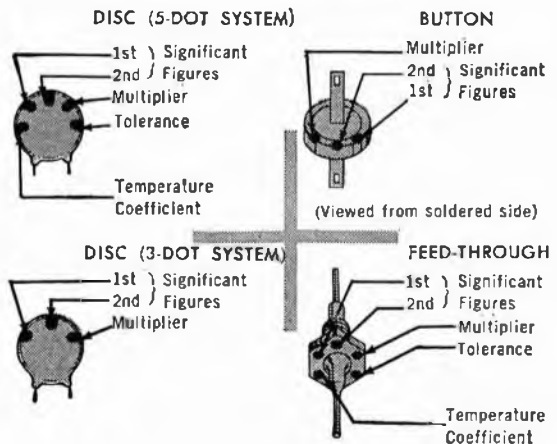
Build and keep this BIG  
DeVry Engineered TV set—  
easily converted to U.H.F.  
(DeVry offers another home  
training, but without  
the TV set.)

TV-Radio Broadcast Technician  
Color Television Specialist  
Radar Operator  
Laboratory Technician  
Airline Radio Man  
Computer Specialist  
Quality Control Manager  
Your Own Sales & Service Shop  
. . . PLUS MANY OTHERS

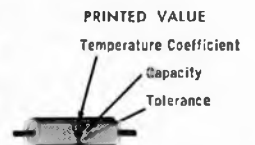
# CERAMIC CAPACITORS



# Color Code Chart



CAPACITANCE IN $\mu\text{F}$ FD.							
COLOR	DIGIT	MULTIPLIER	TOLERANCE		TEMPERATURE COEFFICIENT PPM/°C	EXTENDED RANGE TEMP. COEFF.	
			10 $\mu\text{F}$ FD. or less	Over 10 $\mu\text{F}$ FD.		Sign. Fig.	Multiplier
BLACK	0	1	$\pm 20\%$	$\pm 20\%$	0 (NFO)	0.0	-1
BROWN	1	10	$\pm 1\%$	$\pm 1\%$	-33 (N033)		-10
RED	2	100	$\pm 2\%$	$\pm 2\%$	-75 (N075)	1.0	-100
ORANGE	3	1000	$\pm 2.5\%$	$\pm 2.5\%$	-150 (N150)	1.5	-1000
YELLOW	4	10,000			-220 (N220)	2.2	-10,000
GREEN	5		$\pm 0.5\%$	$\pm 0.5\%$	-330 (N330)	3.3	+1
BLUE	6				-470 (N470)	4.7	+10
VIOLET	7				-750 (N750)	7.5	+100
GRAY	8	.01	$\pm 0.25\%$		+30 (P030)		+1000
WHITE	9	.1	$\pm 1.0\%$	$\pm 10\%$	General Purpose Ripress & Conding +100 (P100, JAN1)		+10,000



JAN BETTER	TOLERANCE	
	10 $\mu\text{F}$ FD. or less	Over 10 $\mu\text{F}$ FD.
C	$\pm 20\%$	$\pm 20\%$
D	$\pm 0.5\%$	$\pm 1\%$
F	$\pm 1.0\%$	$\pm 2\%$
G	$\pm 2.0\%$	$\pm 5\%$
J		$\pm 10\%$
K		$\pm 20\%$
M		$\pm 20\%$

- For the Experimenter
- For the Boat Owner
- For the Hi-Fi Enthusiast
- For the Ham
- For the Retailer

# PRECISION adds 6 NEW PRODUCTS to the **PACO** Kit Line!

1



## NEW PACO B-12 REGULATED POWER SUPPLY KIT

Two instruments in one! A reliable source of variable regulated DC plate voltage from 0-400 volts at 150 ma, plus bias and AC filament voltages ... with an exclusive 12.6 volt AC supply! Maximum stability. Lab-quality PACE double-jewelled D'Arsonval meters.

Model B-12 (Kit) . . . Net Price: \$69.95

Model B-12W (Wired)  
Net Price: \$99.95

2



## NEW PACO T-61C AND T-61F SELF-SERVICE TUBE CHECKER KITS

For the enterprising retailer who wants to increase his store traffic with this extra service. 2 models: Counter (T-61C illus.) and Floor (T-61F). 24 tube sockets, 3 simple selectors. Complete instruction data cards make tube-checking a 'snap'.

Model T-61C (Kit) . Net Price: \$ 99.95

Model T-61W (Factory-wired)  
Net Price: \$134.95

Model T-61F (Kit) . Net Price: \$124.95

Model T-61FW (Factory-wired)  
Net Price: \$164.95

3



## NEW PACO TK-6 TOOL KIT

For the kit-builder or experienced electronic technician, this complete set of precision-built English and American-made tools can handle any assembly job, large or small. Includes: diagonal cutters; long-nosed pliers; 40-watt soldering iron; two screwdrivers; a pair of wire-strippers. Plus see-through carrying case.

Model TK-6 . . . . . Net Price: \$9.95

4



## NEW PACO G-15 GRID DIP METER KIT

Truly, a hand-held electronic "jack-of-all-trades"—VFO; Absorption Wavemeter; Signal Source; field strength indicator, plus an exclusive visual/aural 'on-the-air' Modulation Indicator. A 'must' for the ham or electronic technician who wants maximum quality at the lowest possible cost.

Model G-15 (Kit) . . . Net Price: \$31.95

Model G-15W (Factory-wired)  
Net Price: \$49.95

5



## NEW PACO L-1 HIGH FIDELITY ULTRA-COMPACT SPEAKER SYSTEM SEMI-KIT

A 'bookshelf' speaker system whose sound output and small size will astound you! So efficient, it assures perfect results even with low-powered amplifiers. Response, 50-14,000 cps. Only 15 1/4" x 9 1/4" x 8 1/2". 12 lbs. Assembly-time—1 hour!

Model L-1U (Semi-kit) in walnut  
Net Price: \$24.95

6



## NEW PACO DF-90 TRANSISTORIZED DEPTH FINDER KIT

An absolute necessity for protection against shoals, and for finding that elusive school of fish! Range, 0 to 120 feet. Large, illuminated dial for easy readings. Operates on self-contained batteries or from ship's power source. Completely fungus and moisture-proof.

DF-90 (Kit) . . . . . Net Price \$ 84.50

DF-90W (Factory-wired)  
Net Price: \$135.50

PACO "Instruments in Kit Form" are produced under the auspices of PRECISION APPARATUS COMPANY, INC., world-famous manufacturer of industrial and laboratory electronic test instruments for over a quarter of a century. Write for new complete 1961 PACO Catalog, just off the press.

SEE THESE KITS AT ALL LEADING  
ELECTRONIC PARTS DISTRIBUTORS

# PACO ELECTRONICS CO., INC.

70-31 84th Street, Glendale 27, L. I., N. Y.  
Kit Division of PRECISION Apparatus Co., Inc.,  
a subsidiary of Pacotronics Inc.



# BUILD 20 RADIO

Reg. U. S.  
Pat. Off

**CIRCUITS AT HOME**  
with the New  
**PROGRESSIVE RADIO "EDU-KIT"®**

ONLY  
**\$26.95**



**A Practical Home Radio Course**

**Now Includes**

- ★ 12 RECEIVERS
- ★ 3 TRANSMITTERS
- ★ SQ. WAVE GENERATOR
- ★ SIGNAL TRACER
- ★ AMPLIFIER
- ★ SIGNAL INJECTOR
- ★ CODE OSCILLATOR

- ★ No Knowledge of Radio Necessary
- ★ No Additional Parts or Tools Needed
- ★ EXCELLENT BACKGROUND FOR TV
- ★ School Inquiries Invited
- ★ Sold in 79 Countries

**YOU DON'T HAVE TO SPEND  
HUNDREDS OF DOLLARS FOR A RADIO COURSE**

The "Edu-Kit" offers you an outstanding PRACTICAL HOME RADIO COURSE at a rock-bottom price. You will build 20 Receiver, Transmitter, Square Wave Generator, Code Oscillator, Signal Tracer and Signal Injector circuits, and learn how to operate them. You will receive an excellent background for television, Hi-Fi and Electronics.

Absolutely no previous knowledge of radio or science is required. The "Edu-Kit" is the product of many years of teaching and engineering experience. The "Edu-Kit" is the price you with a basic education in Electronics and Radio, worth many times the complete value of \$26.95. The Signal Tracer alone is worth more than the price of the entire Kit.

## THE KIT FOR EVERYONE

You do not need the slightest background in radio or science. Whether you are interested in Radio, Electronics because you want an interesting hobby, a well paying business or a job with a future, you will find the "Edu-Kit" a worth-while investment. Many thousands of individuals of all

ages and backgrounds have successfully used the "Edu-Kit" in more than 79 countries of the world. The "Edu-Kit" has been carefully designed, step by step, so that you cannot make a mistake. The "Edu-Kit" allows you to teach yourself at your own rate. No instructor is necessary.

## PROGRESSIVE TEACHING METHOD

The Progressive Radio "Edu-Kit" is the foremost educational radio kit in the world, and is universally accepted as the standard in the field of electronics training. The "Edu-Kit" uses the modern educational principle of "Learn by Doing." Therefore you construct, learn schematics, study theory, practice trouble-shooting—all in a closely integrated program designed to provide an easily-learned, thorough and interesting background in radio. You begin by receiving the services and parts of the "Edu-Kit." You then learn the function, theory and wiring of these parts. Then you build a simple radio. With this first set you will enjoy listening to regular broadcast stations, learn theory, practice testing and trouble-shooting. Then you build a more advanced radio, learn more advanced theory and techniques. Gradually, in a progressive manner, and at your own rate, you will find yourself constructing more advanced multi-tube radio circuits, and doing work like a professional technician.

Included in the "Edu-Kit" course are twenty Receiver, Transmitter, Code Oscillator, Signal Tracer, Square Wave Generator and Signal Injector circuits. These are not unprofessional "breadboard" experiments, but genuine radio circuits, constructed by means of professional wiring and soldering on a metal chassis, plus the new method of radio construction known as "Printed Circuitry." These circuits operate on your regular AC or DC house current.

## THE "EDU-KIT" IS COMPLETE

You will receive all parts and instructions necessary to build 20 different radio and electronics circuits, each guaranteed to operate. Our Kits contain tubes, tube sockets, variable, electrolytic, mica, ceramic and paper dielectric condensers, resistors, tin strips, coils, hardware, tubing, punched metal chassis, Instructions, Manuals, hook-up wire, solder, selenium rectifiers, volume controls and switches, etc.

In addition, you receive Printed Circuit materials, including Printed Circuit chassis, special tube sockets, hardware and instructions. You also receive a useful set of tools, a professional electric soldering iron, and a self-powered Dynamic Radio and Electronics Tester. The "Edu-Kit" also includes Code Instructions and the Progressive Code Oscillator, in addition to C. C. Experiments and Answers for Radio Amateur License training. You will also receive lessons for servicing with the Progressive Signal Tracer and the Progressive Signal Injector, a High Fidelity Guide and a Quiz Book. You receive Membership in Radio-TV Club, Certificate of Merit and Discount Privileges. You receive all parts, tools, instructions, etc. Everything is yours to keep.

## PRINTED CIRCUITRY

At no increase in price, the "Edu-Kit" now includes Printed Circuitry. You build a Printed Circuit Signal Injector, a unique servicing instrument that can detect many Radio and TV troubles. This revolutionary new technique of radio construction is now becoming popular in commercial radio and TV sets.

A Printed Circuit is a special insulated chassis on which has been deposited a conducting material which takes the place of wiring. The various parts are merely plugged in and soldered to terminals.

Printed Circuitry is the basis of modern Automation Electronics. A knowledge of this subject is a necessity today for anyone interested in Electronics.

## FREE EXTRAS

- SET OF TOOLS
- SOLDERING IRON
- ELECTRONICS TESTER
- PLIERS-CUTTERS
- ALIGNMENT TOOL
- WRENCH SET
- DISCOUNT CARD
- CERTIFICATE OF MERIT
- TESTER INSTRUCTION MANUAL
- HIGH FIDELITY GUIDE QUIZZES
- TELEVISION BOOK A RADIO TROUBLE-SHOOTING BOOK
- MEMBERSHIP IN RADIO-TV CLUB: CONSULTATION SERVICE, A FCC AMATEUR LICENSE TRAINING
- PRINTED CIRCUITRY

## SERVICING LESSONS

You will learn trouble-shooting and servicing in a progressive manner. You will practice repairs on the sets that you construct. You will learn symptoms and causes of trouble in home, portable and car radios. You will learn how to use the professional Signal Tracer, the unique Signal Injector and the dynamic Radio & Electronics Tester. While you are learning in this practical way, you will be able to do many a repair job for your friends and neighbors, and charges which will far exceed the price of the "Edu-Kit." Our Consultation Service will help you with any technical problems you may have.

J. Stalinski, of 25 Poplar Pl., Waterbury, Conn., writes: "I have repaired several sets for my friends, and made money. The "Edu-Kit" paid for itself. I was ready to spend \$240 for a course, but I found your ad and sent for your Kit."

## FROM OUR MAIL BAG

Ben Valerio, P. O. Box 23, Magna, Utah: "The Edu-Kits are wonderful. Here I am sending you the questions and also the answers for them. I have been in Radio for the last seven years, but like to work with Radio Kits, and like to build Radio Kits. Equipment I enjoyed every minute I worked with the different kits; the Signal Tracer works like a charm. I like to know that I feel proud of becoming a member of your Radio-TV Club."

Robert L. Shuff, 1534 Manoa Ave., Muncington, W. Va.: "Thought I would drop you a few lines to say that I received my Edu-Kit, and was really amazed that such a bargain can be had at such a low price. I have already started repairing radios and phonographs. My friends were really surprised to see me get into the swing of it so quickly. The Trouble-shooting Tester that comes with the Kit is really swell, and finds the trouble, if there is any to be found."

## UNCONDITIONAL MONEY-BACK GUARANTEE

**ORDER DIRECT FROM AD—RECEIVE FREE BONUS  
RESISTOR AND CONDENSER KITS WORTH \$7**

- Send "Edu-Kit" postpaid. I enclose full payment of \$26.95.
- Send "Edu-Kit" C.O.D. I will pay \$26.95 plus postage.
- Rush me FREE descriptive literature concerning "Edu-Kit"

Name .....

Address .....

## PROGRESSIVE "EDU-KITS" INC.

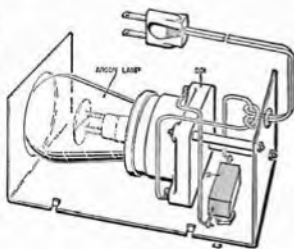
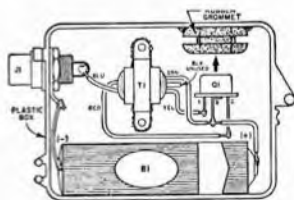
1186 Broadway, Dept. 505RR, Hewlett, N. Y.

# PART

# 1

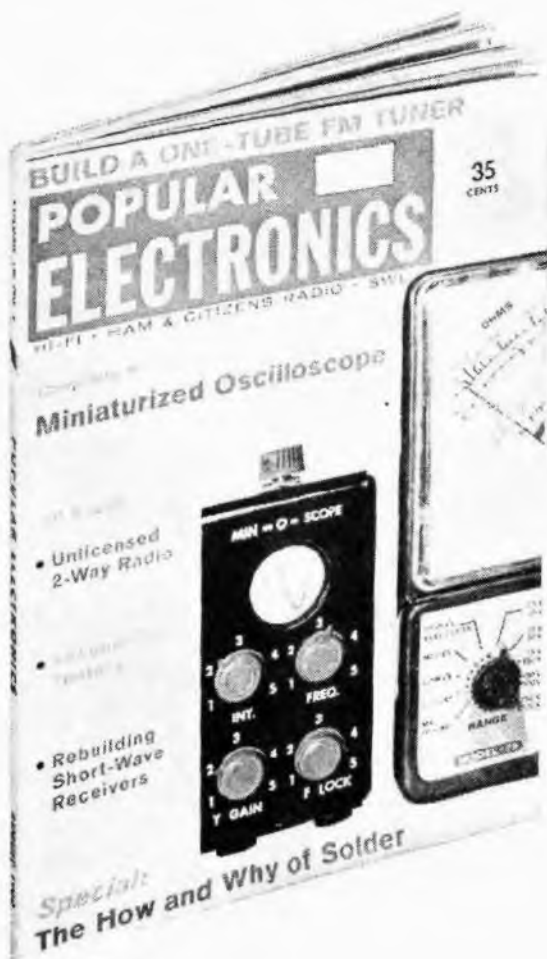
# Projects for Fun

<i>Tesla's Trickery</i> .....	15
<i>Black Box Magic</i> .....	19
<i>Build an Electronic Music Box</i> .....	23
<i>An Electronic Siren</i> .....	25
<i>Transistorized Driver Alarm</i> .....	26
<i>Low-Cost Black Light</i> .....	28
<i>Transistorized Pocket Receiver</i> .....	30
<i>Auto Safety Flasher</i> .....	32
<i>Wireless Metronome</i> .....	34
<i>Transistorized Electronic Fence Controller</i> .....	36
<i>Build an Electronic Burglar Alarm</i> .....	39
<i>High-Power Crystal Set</i> .....	42
<i>One Transistor Pocket Radio</i> .....	45



# Here's how you can receive the next 6 months of **POPULAR ELECTRONICS** Free...

## as part of this special introductory offer: 18 months for only \$3.85!



The regular subscription rate for 1 year (12 issues) of POPULAR ELECTRONICS is \$4. However, you can receive 18 project-packed issues for less than the regular price of 12—actually giving you 6 EXTRA ISSUES AT NO EXTRA COST!

If you like to take a set of diagrams and photos, a paragraph or two of clear directions, some simple tools, and build a practical, exciting electronics project—then this offer is for you.

During the next year and a half, POPULAR ELECTRONICS will bring you more than 270 projects—each one in complete detail, with exclusive "pictorial diagrams" that guide each step, complete parts lists, and clear instructions. Experts who have designed and built these projects will show you how to construct or assemble such valuable devices as hi-fi components and enclosures, money-saving test equipment, tape recorder gear, electronic games and computers, photo aids, radio apparatus, short wave receivers and antenna systems, solar powered and transistorized equipment—and much more.

POPULAR ELECTRONICS also reviews every major electronic kit released, gives full specifications, and the experts' opinions.

Just fill in the card alongside page 32 and mail it today. Or, if someone has already used the card, write to:

POPULAR ELECTRONICS, Dept. EEH-61  
434 S. Wabash Ave., Chicago 5, Ill.



ZIFF-DAVIS PUBLISHING COMPANY • One Park Avenue • New York 16, N. Y.



# TESLA'S

## Trickery

Famed inventor Nikola Tesla liked to startle friends with his own brand of lightning. Build this tiny Tesla coil and you, too, can be an electronic trickster

By KENNETH RICHARDSON

**N**IKOLA TESLA, father of artificial lightning, often produced 48'-long lightning bolts in his laboratory. He enjoyed demonstrating such pyrotecnics to unsuspecting guests visiting his workshop.

You can reproduce Tesla's feats on a smaller scale—and experiment with 20,000 volts—by building this simple Tesla coil. You'll amaze your friends with its eerie purple glow and the multitude of tricks you'll be able to perform. The Tesla coil has practical applications, too—you can use it for testing the vacuum in radio tubes, for instance.

This miniature unit costs about ten dollars to build—even less if you have a well-stocked junk box. Three parts must be homemade: the glass-plate capacitor (*C1*), the spark gap (*SGP1*), and the Tesla transformer windings (*L1* and *L2*). All other parts are standard except the Ford spark coil (*T1*) which is available from Polk's Model Craft Hobbies, 314 Fifth Ave., New York 1. N. Y., for \$5.25, prepaid. Auto ignition coil *T2*, auto radio vibrator *VB1*, and capacitor *C2* can be used in place of the spark coil as shown on the schematic diagram.

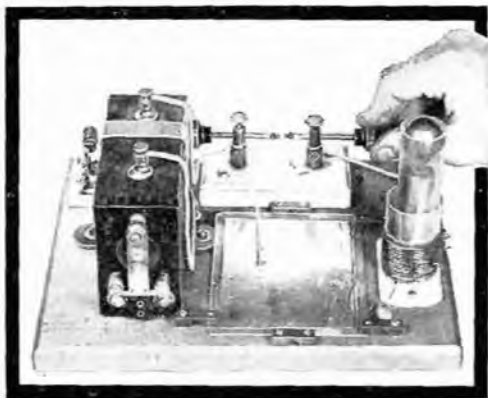
**Construction.** Assemble the parts on a plywood baseboard or a kitchen cutting board 8½" x 12". Attach a banana jack to the baseboard in the center of the Tesla primary so that it can be connected to the

Tesla secondary. Use No. 14 insulated wire for interconnecting wiring.

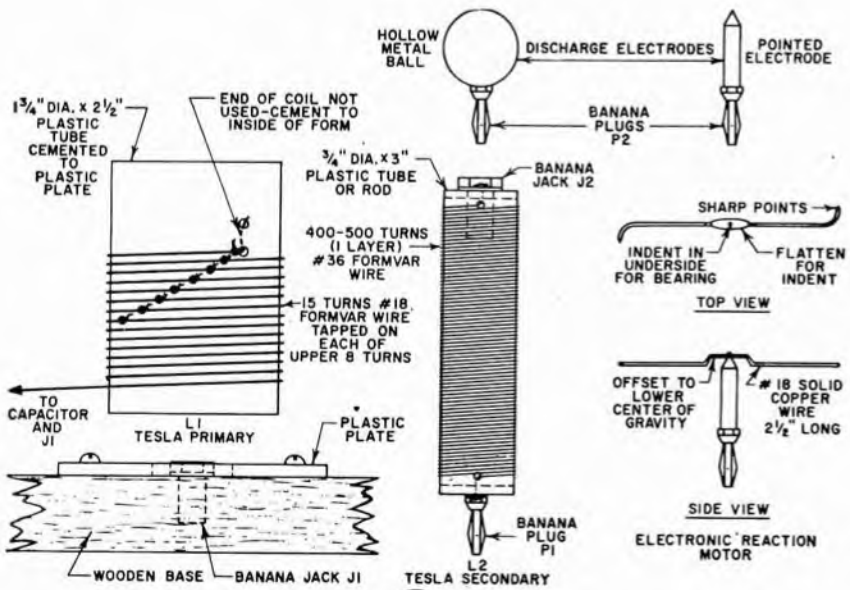
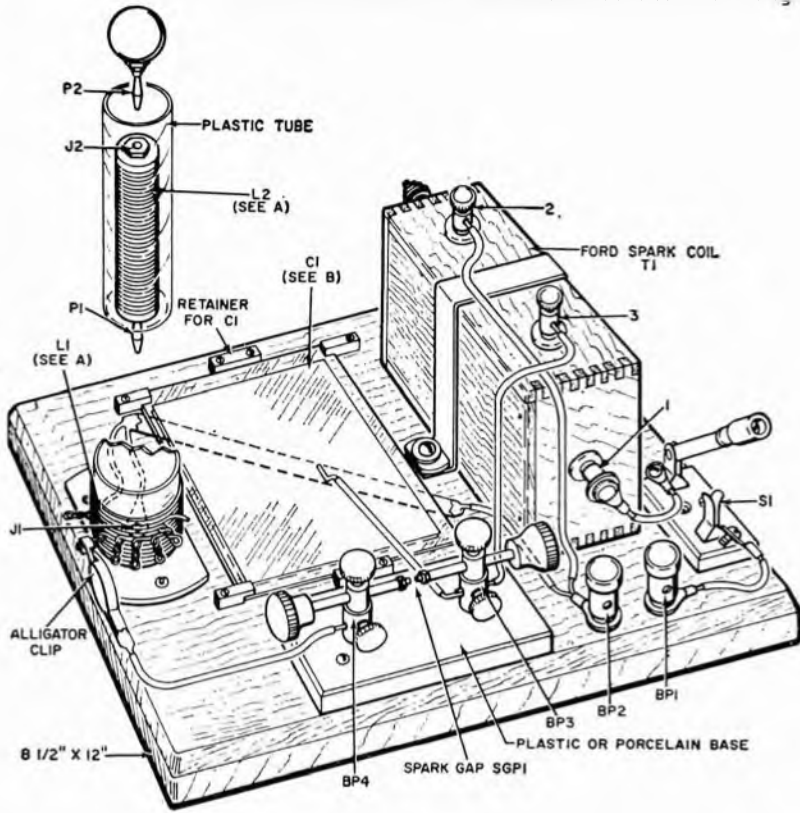
Capacitor *C1* can be made from a 4" x 5" piece of glass ¼" thick. Cement pieces of aluminum foil to both sides of the glass, using either quick-drying clear lacquer or coil dope. The foil should be about 3¼" x 4¼" in order to leave a margin of ⅜" around the glass plate.

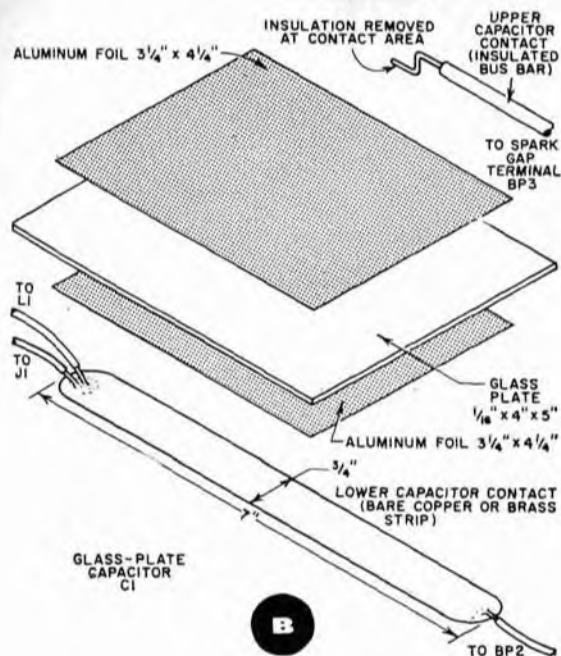
Spark gap *SGP1* consists of two metal rods held in binding posts so that the distance between the rod ends can be adjusted. Mount the spark gap on a 2" x 4" x ½" plastic or porcelain base.

The Tesla transformer itself is made up of two windings. The primary is wound on a tube which is then cemented to the baseboard. The secondary is wound on



Spark coil T1 can be replaced with vibrator and ignition coil combination, if desired. Parts required for vibrator supply appear as "optional" items in the parts list. If this is case, use the alternate shaded schematic diagram shown on page 18.





## PARTS LIST

- BP1, BP2, BP3, BP4—Screw- or pressure type binding post  
 C1—Glass-plate capacitor\*  
 C2—0.1- $\mu$ l., 1000-volt capacitor (optional)  
 J1, J2—Banana jack  
 L1, L2—Tesla transformer winding\*  
 P1, P2—Banana plug  
 S1—Knife switch  
 SGP1—Spark gap\*  
 T1—Ford (Model T) spark coil  
 T2—6-volt auto ignition coil (optional)  
 VB1—6-volt auto radio vibrator (optional)  
 1—4" x 5" x 1/16" glass plate\*  
 1—8 1/2" x 12" breadboard  
 1—6-volt battery or 10-12 volt a.c. power supply\*

Misc. plastic tubing,\* Nos. 18 and 36 Formvar wire, No. 14 hookup wire, aluminum foil, alligator clip, binding posts for T1, etc.

\* See text for details

another tube and is constructed so that it can be plugged in and out of the primary. This makes it possible to experiment with various secondary windings at will.

For the Tesla primary, wind fifteen turns of No. 18 Formvar enameled copper wire on a plastic or Bakelite tube about 1 3/4" in diameter and 2 1/2" long. A cylindrical plastic jar or pill bottle can also be used. Start winding near the bottom end of the tube. Space the turns from each other by simultaneously winding a string of about the same diameter as the wire between each turn. The upper eight turns should each be wound with a projecting twist; the twists should be staggered around the tube as shown. To keep the wire and string in place, paint or spray the coil with clear quick-drying lacquer or coil dope.

Obtain a plastic tube or cylindrical plastic pill bottle about 3/4" in diameter and at least 3" in length for the Tesla secondary. Close the tube ends with plastic discs drilled for banana plugs and cut to fit the tube snugly. Attach plug P1 to the bottom disc and jack J1 to the top disc and cement in place.

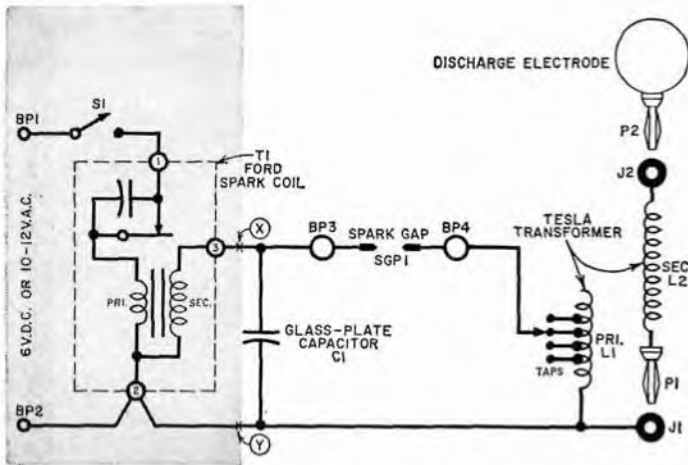
The Tesla secondary should be wound closely in one layer consisting of 400 to 500 turns of No. 36 Formvar wire spaced to fit on 2 1/2" of the tube. Solder the wire ends to J1 and P1 and cement the winding in place. Slip a 1"-i.d. plastic tube around L2 as

shown in the pictorial to prevent corona discharge from L2's sides.

The power supply for the unit can consist of four No. 6 dry cells in series, or a 6-volt "hot-shot" battery, or any 6-volt storage battery. Or, instead of a battery, a 10- to 12-volt transformer operating from the 117-volt a.c. line can be used—a large chimes transformer is ideal. The higher voltage is needed for a.c. operation to overcome T1's primary impedance. To make connections to T1 more easily, solder three binding posts to T1's terminals (1, 2, and 3) as shown.

**Adjustment.** With the wiring completed, plug the Tesla secondary (L2) into jack J1 as is shown on the pictorial diagram. Adjust the length of the spark gap (SGP1) to about 1/4" to 1/8". Then connect the alligator clip from BP4 to one of L1's taps. Be sure that the upper wire on glass-plate capacitor C1 is making good electrical contact; bend the wire if necessary. Open switch S1 and connect BP1 or BP2 to an a.c. or d.c. supply.

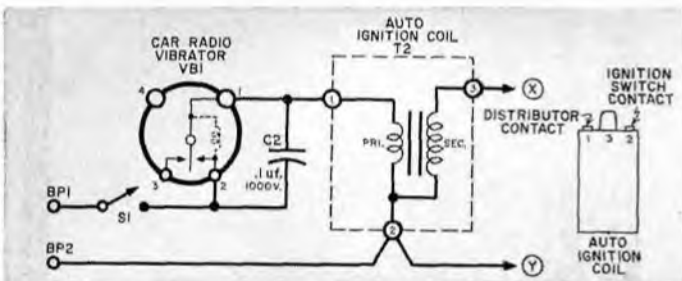
Now close switch S1. A steady stream of brilliant crackling sparkle should appear at spark coil T1 and spark gap SGP1. If there is no sparking at SGP1, adjust its spacing to about 1/32". Be careful not to touch the spark gap or capacitor terminals—you'll get a nasty but harmless shock if you do. Keep the small fry at bay!



## HOW IT WORKS

The high-voltage discharge at the output of the Tesla coil is the result of two step-up transformers cascaded so that the output of the first is stepped up again by the second. Automobile spark coil *T1* serves as the first transformer. The vibrator in the primary circuit interrupts the d.c. input and induces a very high voltage in the secondary. Operation is essentially the same with a 60-cps a.c. input.

The second transformer is the Tesla transformer (*L1*, *L2*). In this transformer, the spark gap serves the same general function as the vibrator in the primary of *T1*, and it also converts the output of *T1* into extremely jagged pulses, rich in harmonics throughout the r.f. region. A narrow band of r.f. is selected by tuned circuit *L1-C1* and stepped up by the action of the Tesla transformer. The very high r.f. voltage appears across *L2*.



**Wiring the unit** is simple once components are assembled on  $8\frac{1}{2}$ " x 12" breadboard (see pictorial, shown on page 16). Detail "A" (below the pictorial) gives data on the Tesla transformer primary and secondary winding *L1* and *L2*. Detail "B" (on page 17) shows how to construct glass-plate capacitor *C1*. In all cases, wiring is point-to-point, using No. 14 insulated hookup wire.

Hold a piece of metal close to the Tesla discharge electrode. You should see a small discharge taking place, perhaps  $\frac{1}{4}$ " long. The discharge can be seen best if room lighting is subdued or extinguished entirely. To adjust for maximum power, turn the unit off and move the clip up or down turn by turn on primary winding *L1*, testing after each adjustment. You'll eventually find the optimum position for the clip. When the unit is working properly, sparks should leap a distance of about an inch or an inch and a half to a bare finger or to a piece of metal held in the hand.

**Operation.** For best results, place the unit in a pitch-dark room with the spectators gathered closely around. Close switch *S1* and you'll see a beautiful corona discharge from the high-voltage electrode. The corona is caused by ionization of the surrounding air due to the high-voltage, high-frequency discharge. After a few moments you'll notice a pungent odor around the unit; this indicates formation of ozone, a

form of oxygen generated by some commercial air purifiers.

Now hold a small fluorescent or neon lamp near the discharge electrode. It will start glowing even when several inches away. Wave it rapidly and you'll see a series of flashes in the lamp, one for each of the sparks occurring across the spark gap. Shield the spark gap if its light interferes with viewing the discharge.

Try holding the glass part of an ordinary clear-glass 117-volt light bulb in your hand while touching the metal base to the discharge electrode. Lightning-like (but harmless) sparks will jump from the filament to your fingers. Also, a striking blue or lavender-colored glow will appear inside the lamp due to its nitrogen content.

You can build a tiny "motor" that will spin at high speed when mounted on the pointed discharge electrode (see Detail A). It reacts mechanically to the discharge from the sharp points on the rotor (the discharge creates an electronic "wind"). —30—



# BLACK BOX Magic

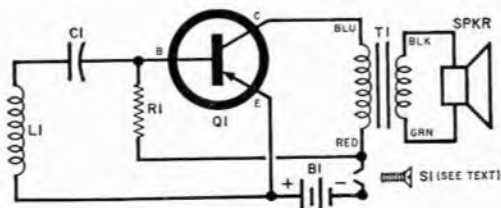


By **KENNETH RICHARDSON**

**Complete construction plans for a box that talks back.**

**W**HAT makes this black box talk? It's a safe bet that guests at your next party will be stumped. Close inspection makes it obvious that the box is empty. Yet it tells fortunes, brings back voices from the past, and asks questions that reveal rare insight and intelligence.

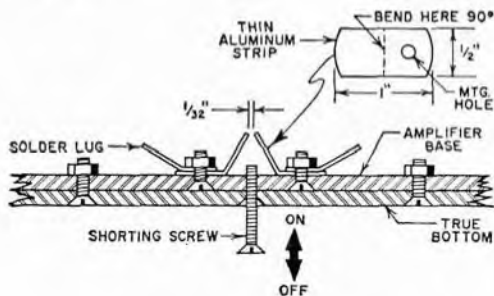
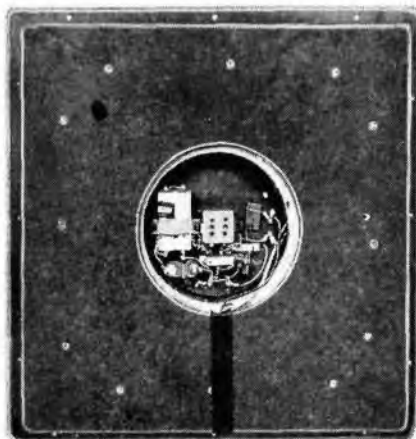
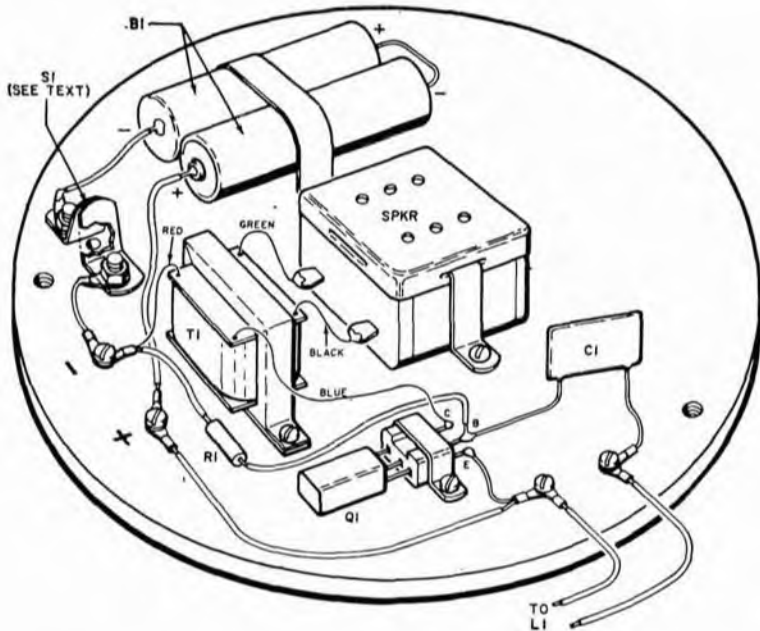
**Schematic** diagram of tiny, one-transistor amplifier which is the "heart" of black box. It is easy to build and inexpensive.



There's some trickery involved, of course. The black box is actually part of a huge air-core transformer. The transformer's "primary" is a large coil of wire hidden under the carpet in the room where your

## PARTS LIST

- B1—3-volt battery (two penlight cells in series)
- C1—0.1- $\mu$ f., 50-volt capacitor
- L1—Pickup coil, 2000 feet of #30 to 34 enameled wire (see text)
- Q1—CK721 transistor (or equivalent)
- R1—47,000-ohm, 1/2-watt resistor
- S1—S.p.s.t. "on-off" switch (see text)
- T1—Miniature output transformer; 2000-ohm primary, 11-ohm secondary (Argonne AR-114 or equivalent)
- Spkr.—Subminiature loudspeaker (Telex 9155 "Mini-Mike" or equivalent)
- 1—Length of #20 to 30 covered wire (see text)
- 2—1/8" plastic or Masonite sheets (see text)
- Misc.—1/2" and 3/4" plywood, felt, hardware, etc.



**Transistor amplifier** for black box is built on disc cut from plastic or Masonite sheet and attached to larger sheet. (See pictorial above and exploded view at right.) "Screw-switch" S1 (detail above) is optional; batteries can be wired permanently into circuit.

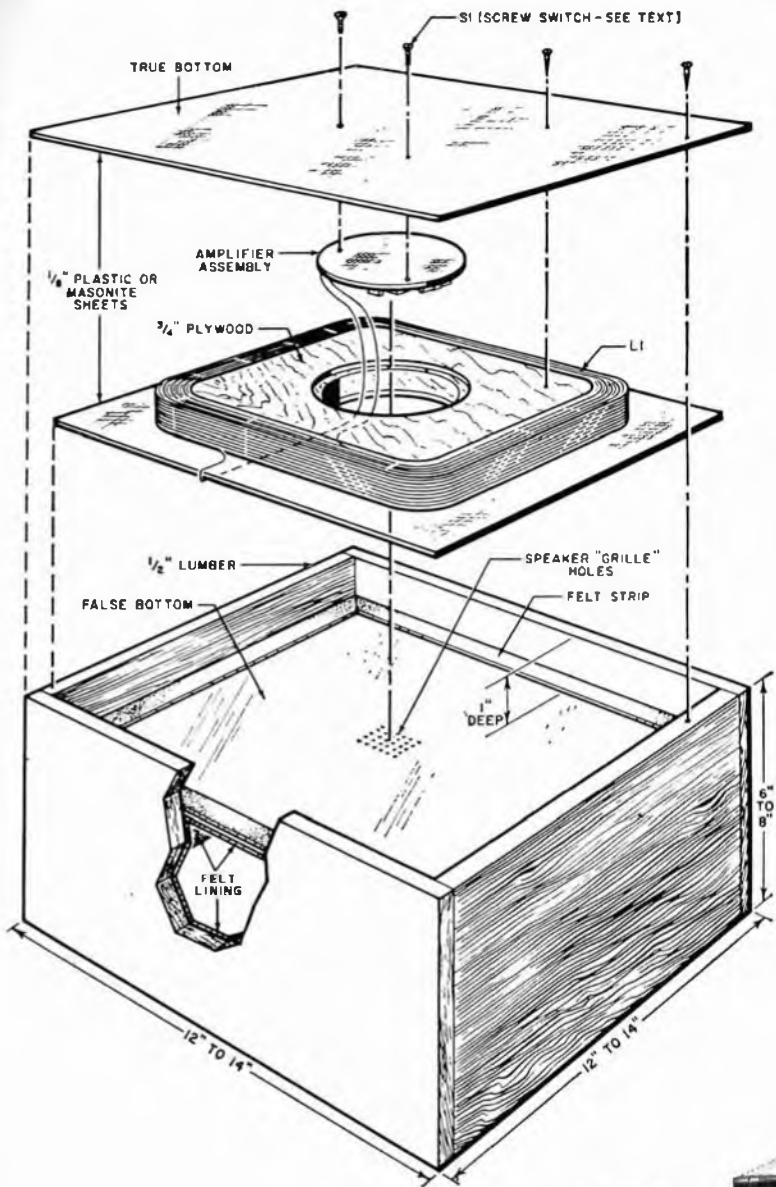
guests are seated. Its "secondary" is a coil of wire hidden in the base of the black box itself.

You'll need an accomplice to make it work, but he needn't be a ventriloquist—the black box is entirely electronic in operation. Unknown to your guests, your accomplice is seated in an adjoining room with a pair of amplifiers: a "talk" amplifier and a "listen" amplifier. A microphone concealed near your guests brings him their questions through the "listen" amplifier; his answers are returned through a second microphone plugged into the "talk" ampli-

fier. A radio could serve as one of the amplifiers, if convenient.

The concealed "primary" coil of wire is connected to the output of the "talk" amplifier. The "secondary" coil in the black box picks up the signal from the "primary" and feeds it to a tiny, one-transistor amplifier and subminiature speaker (also hidden in the box), thus allowing your accomplice's voice to emanate from the apparently empty box.

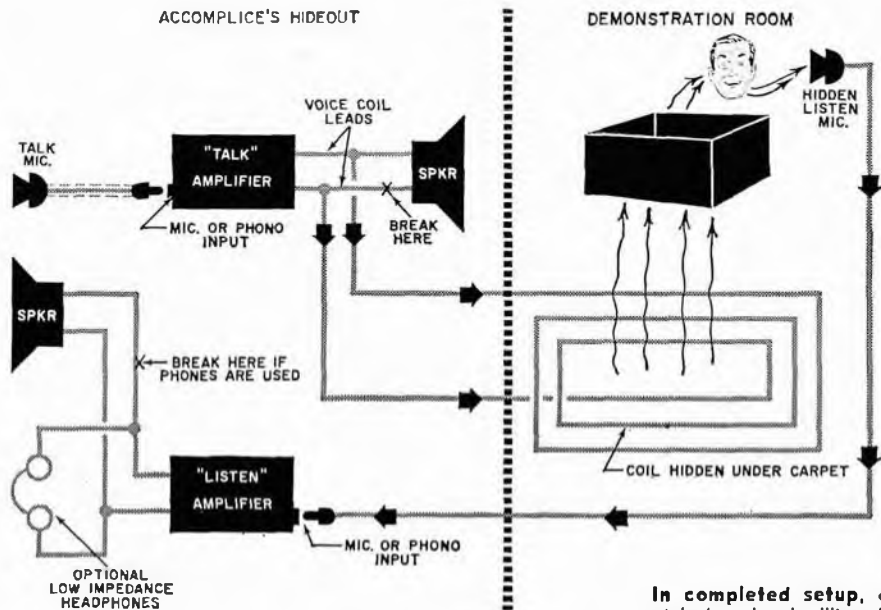
**Construction.** Make the black box from  $\frac{1}{2}$ " plywood. It should measure from 12" to 14" on a side, and from 6" to 8" high.



The box is open on one end and sealed with a false bottom about 1" from the opposite end (see exploded view above). Perforate about 1 sq. in. of the false bottom in its exact center—the holes will act as a speaker grille. The entire inside of the box can be lined with felt or other cloth to conceal the grille holes and to give the box an "empty" look.

Inserted in the false-bottom cavity is a "sandwich" made of two  $\frac{1}{8}$ " plastic or





In completed setup, questions are picked up by the "listen" microphone and fed to the accomplice's hideout. The "talk" amplifier sends his answers back to the demonstration room where hidden coils transfer them electrical-ly to the amplifier in the black box.

Masonite sheets separated by a  $11\frac{1}{2}$ " x  $11\frac{1}{2}$ " (for a 14" x 14" box) square of  $\frac{3}{4}$ " plywood with rounded corners. Cut the inside plastic sheet the same size as the false bottom; the outside sheet is the true bottom and is cut to fit the bottom of the box. Cut a 5"-diameter hole in the center of the inside sheet and in the plywood.

After assembling the plastic and plywood sandwich, wind pickup coil *L1*—about 700 turns of No. 30 to 34 enameled wire—around the inside of the sandwich on the  $\frac{3}{4}$ " plywood. To facilitate winding, mount the sandwich in a homemade jig so it can be turned like a wheel as this "secondary" coil is wound.

The one-transistor amplifier and speaker are mounted on the plastic or Masonite disc cut from the inner sheet of the sandwich. Reduce the disc diameter by about  $\frac{1}{2}$ " so it will fit in the false-bottom cavity.

A "screw-switch" (*S1*) can be made for the amplifier as shown in the pictorial detail. Simply bend two thin strips of aluminum and mount them about  $\frac{1}{4}$ " apart; then bend them until they are  $\frac{1}{32}$ " apart. Drill a hole in the disc between the strips and in the corresponding place in the true bottom. Threading a machine screw through this hole and screwing it flush with the true bottom shorts the strips and closes the switch.

If desired, the switch can be eliminated and battery *B1* wired directly to the ampli-

fier. No-signal current drain is about 2 ma., so the battery will last for some time before replacement is necessary.

**Using the Black Box.** The "primary" coil to be hidden under the carpet is made up of several turns of No. 20 to 30 wire. Experiment with the coil diameter and the number of turns for best results.

Place the "primary" coil under the edge of the carpet. If your demonstration room has wall-to-wall carpeting, or if the coil proves to be too bulky under the carpet, wind it on the baseboard or ceiling molding instead.

Then disconnect the speaker voice coil from your accomplice's "talk" amplifier and connect the secondary of its output transformer to the "primary" coil. Ordinary lamp cord is ideal for use as interconnecting wire.

Connect the concealed "listen" microphone to the "listen" amplifier, or use a wireless mike if you wish. Your accomplice can listen with headphones or through the loudspeaker of the "listen" amplifier if its level is not too high.

To bring back voices from the past, simply have your accomplice play a suitable phonograph record through the "talk" amplifier at the appropriate time. —50—



**R**EMEMBER the old-fashioned music boxes? Before the invention of the phonograph, these unique wind-up instruments were the only source of mechanically reproduced music for those unable to afford an expensive player piano. Although the music box, as such, has largely disappeared from the scene, battery-operated music box movements are stocked by a number of the large electronics parts distributors. Each of these tiny units plays a single 18-note melody and is operated by a miniature electric motor which can run on a single flashlight cell.

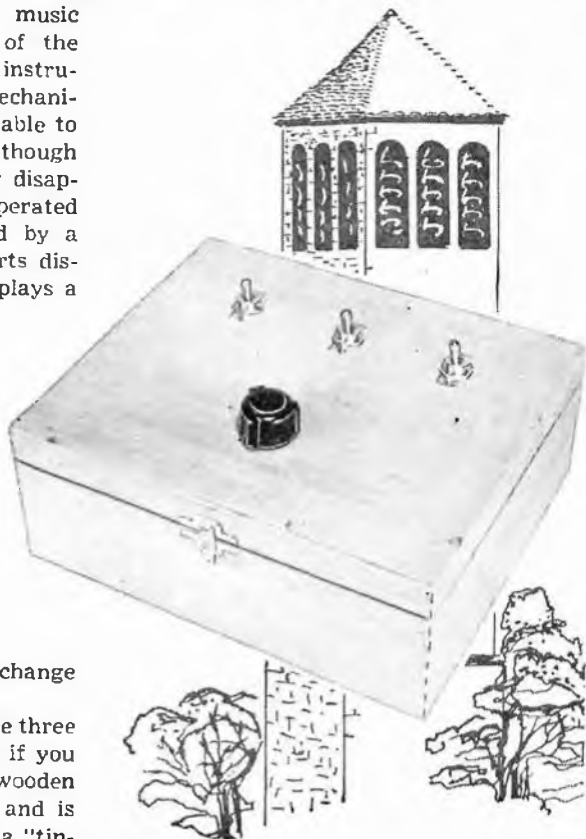
For less than \$10 and a few hours' pleasant work, you can assemble one or more of these movements into a modern music box which can be played through any standard audio amplifier. Its festive repetitive chime-like quality is perfect for outdoor reproduction on holidays—and there's no need to change records or tapes!

**Construction.** You can incorporate three movements in the unit as shown or, if you wish, use a single movement. A wooden cigar box makes an excellent case and is preferable to a metal box—to avoid a "tinny" sound. The printing on the box can be spray-painted over or removed by the liberal application of a scraper, sandpaper and elbow grease.

A commercially available contact microphone is used as a pickup. (This is the type of microphone employed with electric guitars and the like.) It is coupled mechanically to the tone plate of each movement. If you use a single movement, attach the contact microphone directly to one of the tone plate mounting screws.

If you use two or more movements, fabricate a coupler from strips of stiff sheet metal. Solder the strips together and attach them to the contact microphone with a standard machine screw and nut. One end of each strip fans out and attaches to a single tone plate, as shown.

**Wiring.** Each music box motor ( $M_1$ ,  $M_2$ ,  $M_3$ ) is controlled by a separate toggle switch ( $S_1$ ,  $S_2$ ,  $S_3$ ). Power is supplied by three-volt battery  $B_1$  made up of two flashlight cells connected in series. Series resistance  $R_1$ - $R_2$  provides a control over motor speed and permits tempo adjustment. Capacitor  $C_1$  serves as a bypass for electri-



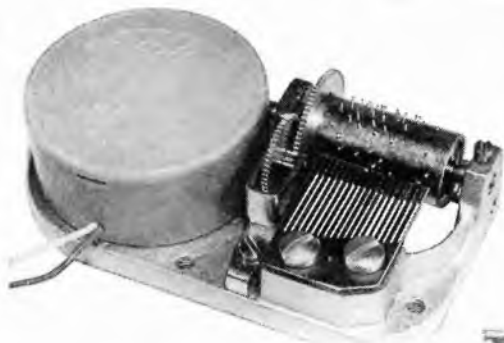
## Build an Electronic Music Box

You can get "bell-tower" effects from your audio system with this inexpensive unit.

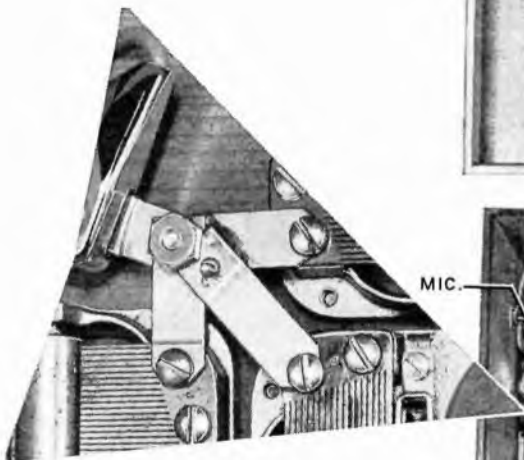
By E. G. LOUIS

cal noise developed by sparking of the d.c. motor brushes.

There are a number of possible parts substitutions. For example, a 50 to 100 ohm control should be used for speed adjustment, but in the model a 350-ohm control ( $R_2$ ) found in the junk box was employed



**Music box** movement consists of small d.c. motor in round can (above left) and a revolving "pipped" drum which plucks the metal rods.

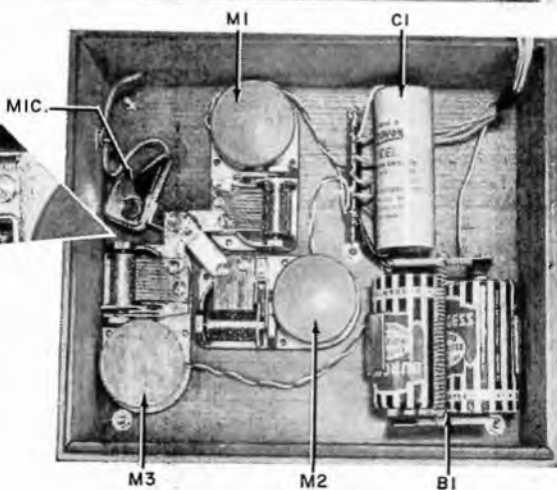
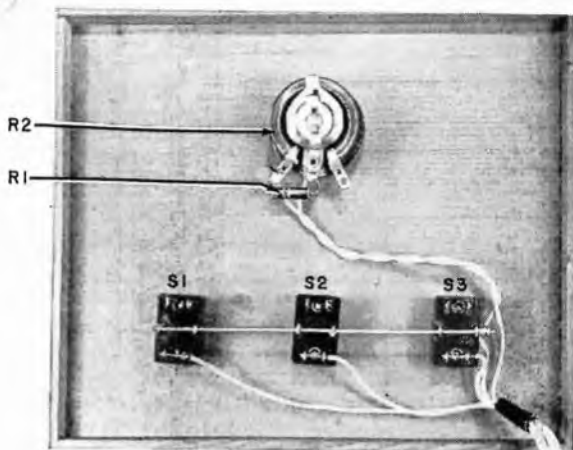


**Enlarged view** of mechanical linkage (above) used to couple music box movements to microphone shows the three metal contact strips.

**Speed control** and on-off switches are in cover of the music box (upper right). Movements, capacitors, and batteries are mounted in bottom of box (lower right).

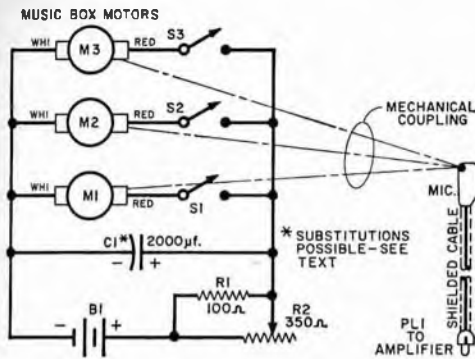
which required a 100-ohm shunt resistor ( $R1$ ). Toggle, slide, rotary or push-button switches can be used for  $S1$ ,  $S2$ , and  $S3$ . Capacitor  $C1$ 's value is not critical—any unit from 50 to 5000  $\mu f$ . at from 3.0 to 25 volts or higher will do.

Terminate the microphone cable in a plug ( $PL1$ ) to match the input jack of the amplifier used. Lead dress is not critical but care should be taken to observe d.c.



polarities—otherwise the motors will operate in reverse.

**Operation.** Check all wiring, install the batteries and close switches  $S1$ ,  $S2$ , and  $S3$ , one at a time, while adjusting tempo control  $R2$ . All three movements can be operated at the same time by turning  $R2$  to its minimum resistance position. If trouble is encountered, recheck the wiring and make sure there are no cold-soldered joints.



To use the electronic music box, connect *PL1* to the microphone input or "mag. phono" jack of the amplifier. Close one of the motor switches and adjust *R2* for the tempo you want. Gradually increase the amplifier volume until the desired level is reached. Experiment with the amplifier's tone control setting to achieve the most pleasing balance.

For unusual sound effects, try switching from one music box movement to another while the unit is operating. You can do this by closing one switch and then quickly

Three movements are shown in schematic of music box at left. A less expensive unit could have only one movement and a single fixed resistor {50 to 100 ohms} for *R1* and *R2*.

### PARTS LIST

- B1*—3-volt battery (two size D cells)
- C1*—2000- $\mu$ f., 6-volt electrolytic capacitor
- M1, M2, M3*—Electric music box movements (Olson Radio X-768—"Around the World in 80 Days"; X-767—"Tea for Two"; X-768—"How Dry I Am")
- PL1*—Phono plug or other connector
- R1*—100-ohm, 1-watt resistor
- R2*—350-ohm, 2-watt potentiometer
- S1, S2, S3*—S.p.s.t. switch
- MIC.*—Contact microphone (Arqonne AR-18)
- l*—Two-cell battery holder
- l*—Wooden cigar box
- Misc. terminal strips, rubber feet, knob, hardware

opening another. With care, a medley of all three tunes can be "played." Other effects may be obtained by adjusting *R2* to slow or speed the tempo. For real fun, try operating *two* of the movements at the same time, letting your friends guess the "tune" you are playing.

## AN ELECTRONIC SIREN

By EDWARD H. DINGMAN

WHEN the need for a fire siren arose at the plant in which the author is employed and cost and emergency power requirements precluded the purchase of a commercial unit, the following simple circuit was designed as a substitute. It gives a realistic siren sound whose volume can be governed by the volume control setting of the factory's p.a. system.

The circuit is, in effect, a double neon tube oscillator. Assuming a discharge condition at the start, the following action takes place. *C1* starts charging through *R1*. When the voltage level has reached a value to break down the neon bulbs, *PL1* and *PL2* are extinguished.

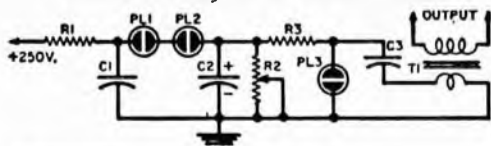
In the meantime, *C2* is charging *C3* through *R3*. When the voltage level reaches the breakdown value of *PL3*, *C3* discharges via the path through *PL3*. *R2* is adjusted for whatever cycling rate of the siren is desired.

Because of the effect of coupling on the required frequency, it is desirable to use a low-impedance to high-impedance coupling transformer. However, capacity coupling

can be used if a very small unit of approximately one-tenth the value of *C3* is selected. This will require a high-impedance, high-gain stage following it.

As neon bulbs vary in characteristics, some experimentation with resistor values may be required. Use only oil or paper capacitors in this construction. Since current drain is low, 1/2-watt resistors will be suitable.

Schematic diagram of electronic siren.



- R1*—500,000 ohm, 1/4 w. res.
- R2*—10 megohm pot
- R3*—1.2 megohm, 1/4 w. res.
- C1*—1  $\mu$ f., 400 v. oil or paper capacitor
- C2*—10  $\mu$ f., 400 v. oil capacitor
- C3*—.0001  $\mu$ f., 400 v. capacitor
- T1*—Coupling trans. Any unit with primary impedance of 100 ohms or more to highest available secondary impedance (UTC SO-1 "Sub-ouncer" is suitable)
- PL1, PL2, PL3*—NE-2 type neon bulb



# Transistorized

*Easy-to-build co-pilot keeps you awake on long drives.*

**I**F YOU'VE EVER found yourself nodding on long drives—or during classes—you'll be interested in this driver alarm. The complete gadget consists of a one-transistor oscillator in a plastic case plus an earphone and miniature mercury switch.

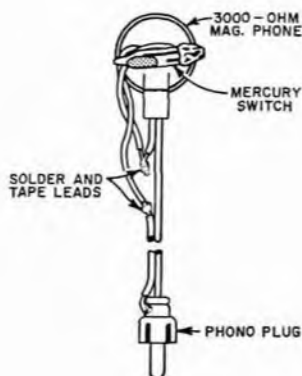
The mercury switch is the heart of the device and the secret of the alarm's action. Affixed to the headphone, it switches on the oscillator whenever the user begins to nod. The volume and harshness of the generated tone (it's loaded with harmonics) would have awakened Rip Van Winkle if

transistors and mercury switches had been available in his day.

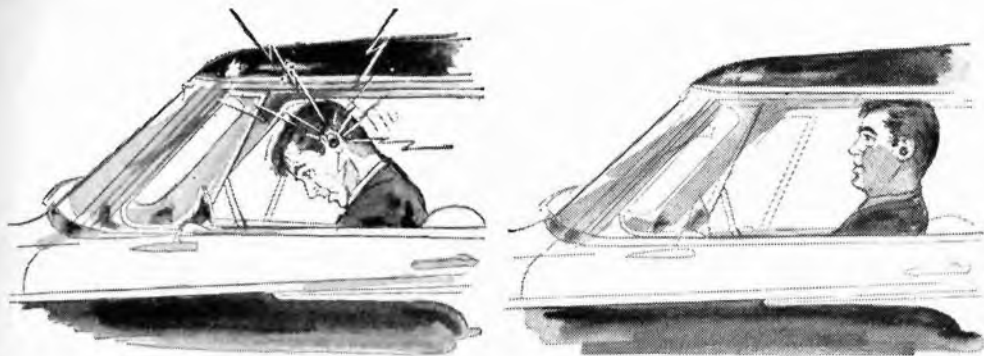
**You can construct** the gadget in any sort of container you wish. Since the circuit consists of only three components, detailed instructions are superfluous. Just make sure that the transistor and battery polarities are correct and that you follow the transformer color code accurately.

Solder the transistor directly into the

**Store the unit** in the glove compartment of your car with earphone unplugged. It will be ready for those long trips when you're liable to doze off.



**Glue the switch** to the back of the earphone so that the switch length is perpendicular to the wires leaving the earphone. Take care in soldering the leads from the earphone as they are delicate.



# Driver Alarm

By DAVE GORDON

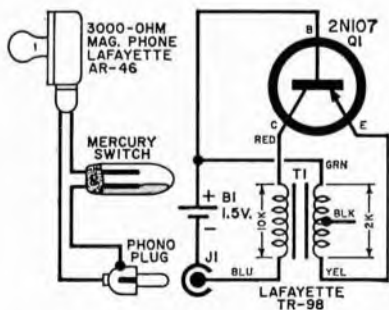
circuit, and leave its leads long to avoid heat damage. Use two or three miniature alligator clips clipped to the transistor lead as a heat sink and a hot well-tinned iron for rapid soldering.

The transformer, the penlight cell, and the rubber grommet in which the transistor is mounted are all glued to the plastic case. Glue the mercury switch to the rear of the earphone at an angle that will provide

convenient operation. (The mercury switch can be purchased from City Electric Distributors, 510 West 34th St., N. Y. 1, N. Y., for \$1.36, including postage. Specify Micro-switch AS408A1.)

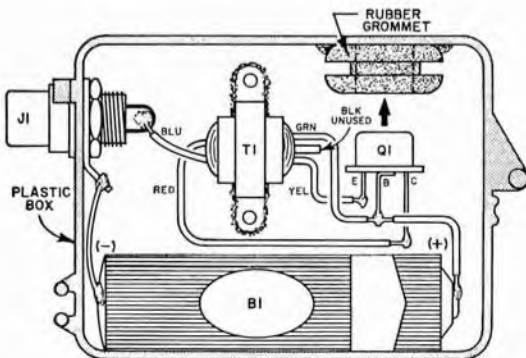
**In use**, the earphone is rotated in the ear until there is an absence of tone when the head is held upright. A slight nod should then trigger the oscillator.

When this gadget starts to sound off while you're driving, it is far safer to pull over to the side of the road and catch 40 winks than to continue to drive.

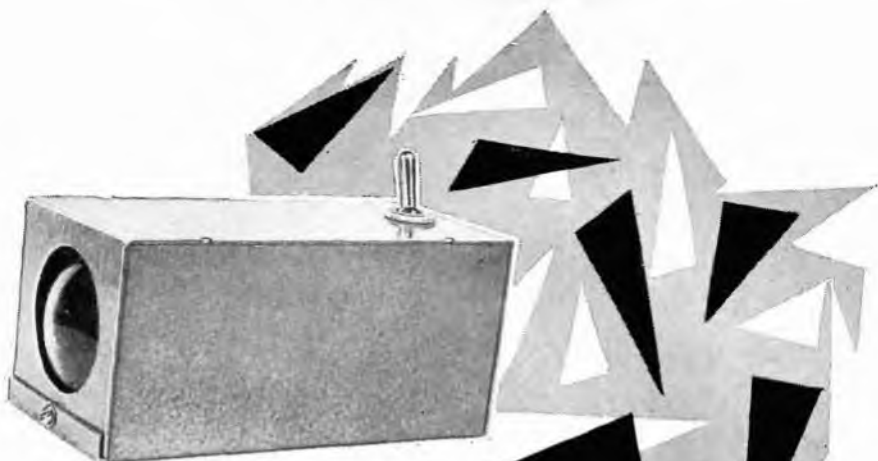


**Actual alarm** is one-transistor feedback oscillator. The center tap of the transformer (black lead) is not used. Install a Switchcraft 3501 FP phono jack and attach a mating plug on the earphone leads. Note that the mercury "shorts" the two internal contact rods in the switch, completing the oscillator circuit. There is no drain on the battery when the switch is open.

**Transformer connections** constitute most of the wiring. After the transistor is soldered, it is pushed into the rubber grommet which is glued to the side of the container.







**Low-Cost**

# **BLACK LIGHT**

By **LOUIS E. GARNER, JR.**

***This simple "black light" source  
can be built in a couple of hours,  
and it promises loads of fun.***

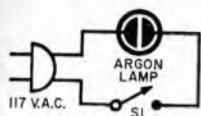
**U**LTRAVIOLET or "black light" is used extensively in criminal investigation work, prospecting, and chemical analysis. Under the pale-purple light of the ultraviolet lamp, many minerals, dyes, greases, and even familiar household substances glow in weird colors.

This characteristic glow—known as fluorescence—is the secret of many commercial products. It is found in the familiar fluorescent lamp; in dyes and inks which seems to "glow" in sunlight; and even in a popular laundry detergent—a fluorescent

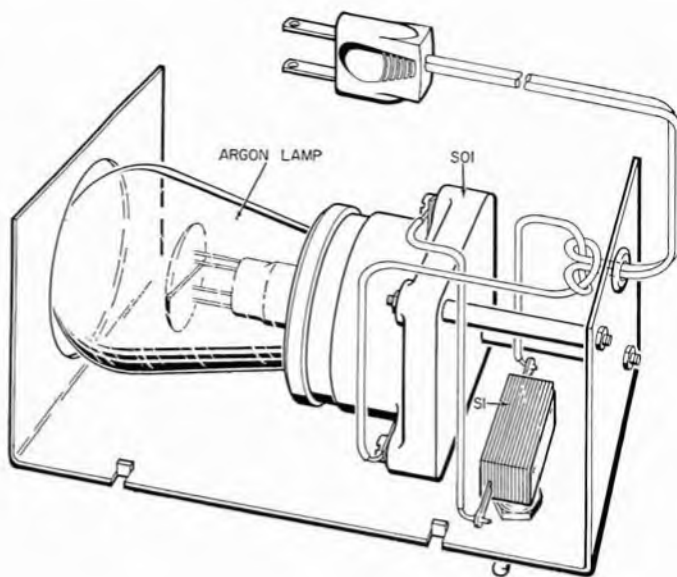
additive makes clothes appear whiter and brighter than normal in sunlight.

You can assemble your own low-power "black light" source from readily available components at a total cost of less than five dollars. Unless you're a slowpoke, you should be able to complete the job in less than two hours.

**Construction and Testing.** The circuit is extremely simple and requires only wiring a switch in series with an argon lamp. The lamp is mounted in a light-proof box to protect the eyes from direct exposure



Space lamp socket from box with two bushings. Bulb must be inserted before socket is mounted.



### PARTS LIST

- SI—S.p.s.t. toggle switch
- SO1—Edison-base lamp socket (Allied Radio 52E850)
- 1—Type AR-1 two-watt argon lamp (Allied Radio 52E810)
- 1—5" x 2 1/4" x 2 1/4" aluminum box (Bud CU-2104A or equivalent)
- Misc.—Hardware, line cord and plug, etc.

to it. Since the ultraviolet output of the lamp is harmful to the retina, the lighted bulb should not be viewed directly unless you wear glasses. Even then, it's best not to expose your eyes to the lighted argon lamp unnecessarily.

After you complete the wiring, plug the unit into a wall outlet (either a.c. or d.c.) and close the on-off switch. The half-moon electrodes of the argon bulb should glow with a faint purplish light. (If you obtain an orange glow, someone has slipped you a neon bulb in error; there is a neon-filled bulb which is externally and internally identical to the argon bulb, and the two types of bulbs are sometimes mixed in the stockroom.)

For best results, carry out your experiments in a darkened room. Use the com-

pleted instrument to examine minerals, powders, detergents, oils, greases, and other common substances. Often, you'll find a substance that is one color under normal room light will glow an entirely different color when viewed under "black light."

**Visible and Invisible.** The argon lamp gives off energy in both the visible and the invisible (ultraviolet) region of the spectrum. The visible light is a deep purple color. The invisible output from the lamp is spread over a number of wavelengths in the ultraviolet region but is concentrated mainly in the long-wave portion (see the spectrum diagram below). Although ultraviolet rays are invisible to the eye, a visible light is produced when they strike some substances. This phenomenon is called "fluorescence."

—50—

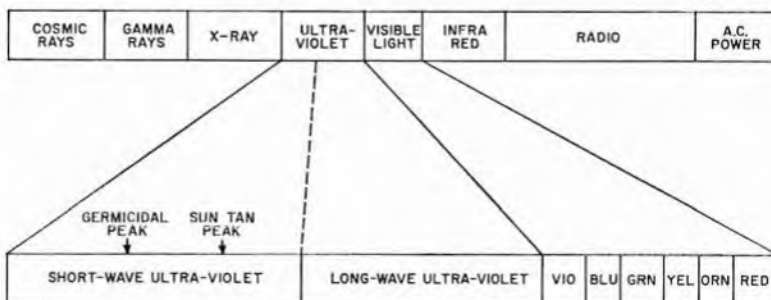


Chart shows the relative position of ultraviolet radiation in the electromagnetic spectrum.

# transistorized pocket receiver

By LOUIS E. GARNER, JR.

*A single-evening's construction project that pays big dividends in personal satisfaction.*

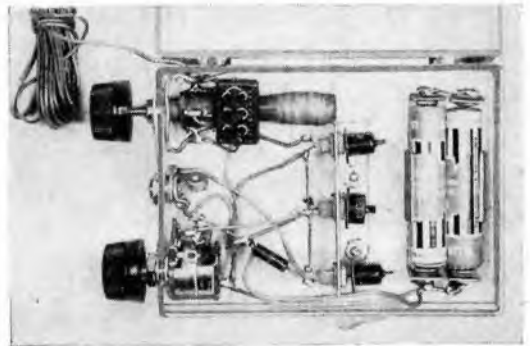
**H**ERE'S a little receiver you can assemble in a single evening. It is an excellent construction project for the hobbyist who has "graduated" from the crystal set but isn't quite ready to tackle a superhet. The small size of the completed unit makes it especially attractive: the entire receiver is about as big as a package of king-size cigarettes.

Although the radio lacks some of the features of commercial superheterodynes, its three-stage circuit has amazing sensitivity. You'll find that it will pick up most local stations within its tuning range with the short external antenna specified.

**Construction.** The receiver is housed in a small clear-plastic case. In the author's model, the case was given a finished appearance by applying a layer of self-adhering Contact plastic. But you can leave the case "as is," if you prefer, or finish it with a coat or two of enamel.

Small transistor sockets are mounted on a tiny "L-shaped" chassis cut from a scrap piece of aluminum. Operating power is supplied by a 3-volt power pack made up of two penlight cells in series. A standard battery holder is used for convenience in replacing batteries; positive terminals are identified with dabs of red fingernail polish.

Adjusting coil *L1*'s ferrite "slug" tunes the set. But since the variation in coil inductance is not adequate to cover the entire AM broadcast band (540-1600 kc.), a



## HOW IT WORKS

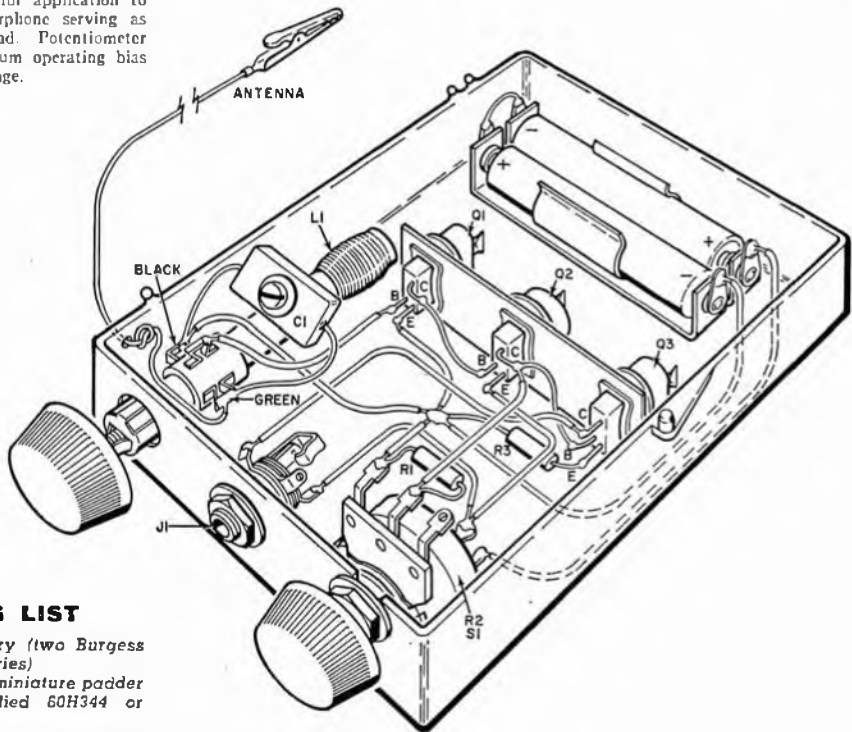
The receiver is basically a detector followed by two stages of audio amplification. All stages are direct-coupled through use of complementary *n-p-n* and *p-n-p* transistors; the common-emitter arrangement is employed in all three stages. First-stage transistor *Q1*, operated without base bias, detects the incoming r.f. signal selected by tuned circuit *L1-C1*. Transistors *Q2* and *Q3* amplify the signal for application to the magnetic earphone serving as *Q3*'s collector load. Potentiometer *R2* selects optimum operating bias for the output stage.

compression-type, 45-380  $\mu\text{f.}$  capacitor (*C1*) is used to tune *L1* for best coverage of stations in your area. Simply set *C1* for optimum local-station pickup with *L1* in the middle of its range.

Attach a 6' to 8' flexible lead to *L1*'s green terminal to act as an external antenna. Solder a small alligator clip at the end so the lead can be clipped to a window screen or a longer antenna for reception of more distant stations.

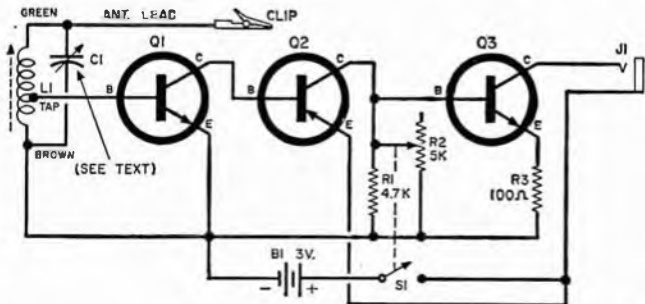
**Operation.** Install the battery and the transistors, after trimming the transistor leads to about  $\frac{1}{4}$ ". Extend the antenna lead and connect a high-impedance (at least 2000-ohm) magnetic earphone to output jack *J1*.

Turn the set on and adjust *R2* until you hear a slight hissing in the earphones. Then tune in the desired station by adjusting *L1*'s slug; re-adjust *R2* for best volume. —50—



## PARTS LIST

- B1—3-volt battery (two Burgess #7 cells in series)
- C1—45-380  $\mu\text{f.}$  miniature padder capacitor (Allied 60H344 or equivalent)
- J1—Subminiature jack (Telex 1PM-02)
- L1—Ferrite antenna coil (Lafayette MS-299)
- Q1, Q3—2N170 transistor
- Q2—2N107 transistor
- R1—4700-ohm,  $\frac{1}{2}$ -watt resistor
- R2—5000-ohm miniature potentiometer, with switch S1
- R3—100-ohm,  $\frac{1}{2}$ -watt resistor
- S1—S.p.s.t. switch (part of R2)
- 1—Small aluminum chassis (see text)
- 1— $3\frac{5}{8}$ " x  $2\frac{3}{4}$ " x  $1\frac{1}{8}$ " (approx.) plastic box
- 1—High-impedance magnetic-type earphone (Lafayette MS-260 or equivalent)
- Misc. battery holder, miniature knobs, alligator clip, etc.



# safety flasher

By LOUIS E. GARNER, JR.

**Avert tragedy by equipping your car with this flashing "trouble light", built at small cost.**

A SIMPLE engine breakdown or flat tire can turn from a minor inconvenience to a major tragedy if it occurs at night on an unlit highway. The parked car, even if driven off the highway onto the road's shoulder, can become a deadly target for other motorists.

Such danger can be minimized with this easily assembled safety flasher. Plugged into your car's cigarette-lighter receptacle, the device supplies a rapidly flashing bright-red light to warn approaching motorists. What's more, the unit's transistorized circuit requires so little current that the instrument can be left operating for hours—even overnight—without excessively draining your car's battery.

**Construction.** The circuitry is assembled on a small aluminum chassis which is in turn mounted inside an



aluminum Minibox. The chassis can be made from a discarded cookie sheet: simply cut out a small piece using a pair of tin snips or a hacksaw, then bend it to shape in a vise.

Take special care to observe all d.c. polarities when wiring. This applies not only to electrolytic capacitors *C1* and *C2*, but also to plug *P1*. Most American-made automobiles manufactured since 1955 have a negative ground, but you'd best check your car battery to determine whether its positive or negative terminal is grounded to the car frame. Wire *P1* accordingly.

Machine screws hold transistor *Q1* in place, with base

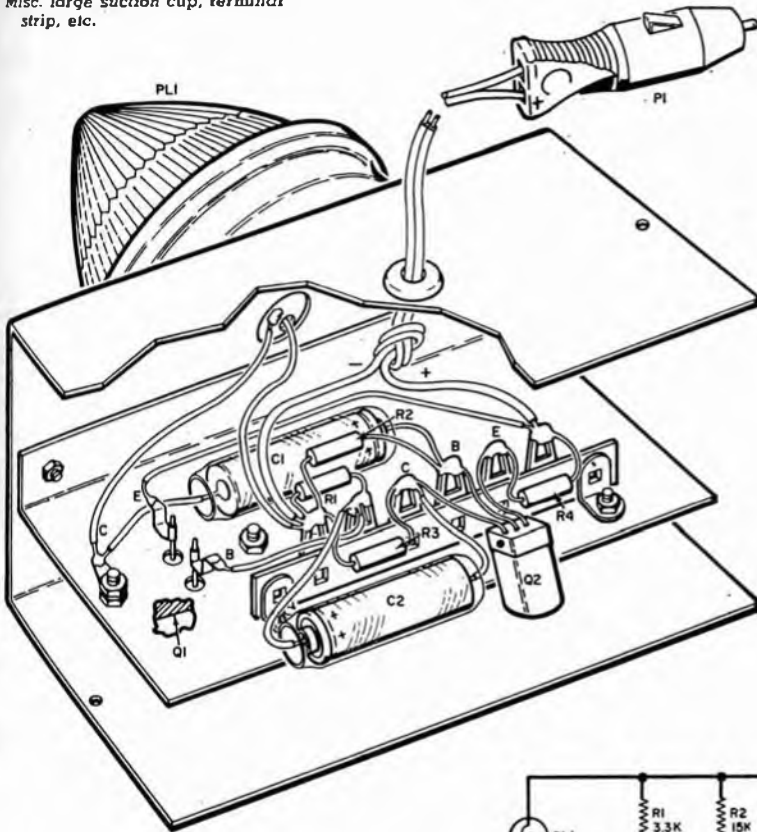


## PARTS LIST

- C1, C2**—100- $\mu$ f., 15-volt electrolytic capacitor  
**P1**—Cigarette-lighter plug and cord (Mallory R675)  
**PL1**—12-volt clearance-light assembly  
**Q1**—2N554 or 2N307 transistor  
**Q2**—CK722 transistor  
**R1**—3300 ohms  
**R2**—15,000 ohms  
**R3**—470 ohms  
**R4**—120 ohms  
 1— $4'' \times 2\frac{1}{4}'' \times 2\frac{1}{4}''$  Minibox  
 1—Small aluminum chassis (see text)  
 Misc. large suction cup, terminal strip, etc.

and emitter connections made with small clips. The smaller transistor, Q2, is soldered directly to the terminal strip which acts as a tie-point. Use care when installing Q2 to avoid overheating. In soldering, grasp each lead with a pair of long-nose pliers between the point being soldered and the body of the transistor itself. The pliers serve as a heat-sink to conduct heat away from the transistor.

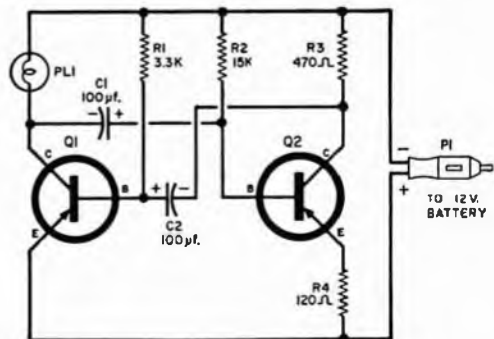
**Operation.** To use the completed unit, uncoil the power cord and attach the flasher to your car's body (a large suction cup on the bottom will hold the flasher on the



## HOW IT WORKS

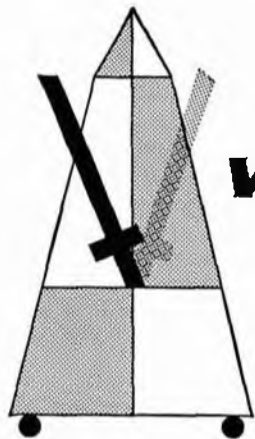
The flasher is a collector-coupled multivibrator with a low repetition rate. In operation, transistor Q1 conducts, supplying a signal which "cuts off" transistor Q2. After a period determined by the time constant of R2-C1, transistor Q2 starts conducting, cutting off the first unit. After a period determined by the time constant of R1-C2, Q1 repeats its cycle.

Current drawn by transistor Q1 lights 12-volt bulb PL1 which serves as Q1's collector load. Since the heavy current flow is in relatively short pulses, the average current drain is quite low, assuring minimum drain on the car's battery.



car's top, hood, or rear deck). Remove the car's cigarette lighter and insert the flasher's power plug (P1) in its place.

If the flasher doesn't operate immediately, unplug it, wait a few seconds, then plug it in again.



# Wireless Metronome

By MARTIN H. PATRICK

**Single-transistor unit transmits beat to broadcast radio.**

**M**USIC LOVERS, both classical and rock 'n' roll, can get on the beat with this simple self-powered metronome that "sounds" through a radio without need for wired connections. And for just "puttering" around, you'll find that the damped-wave "putt-putts" from this unit can be fun at parties and the like.

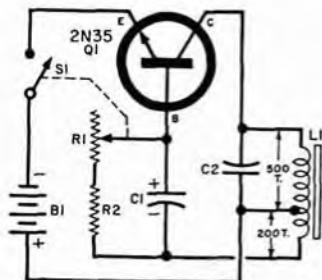
Assembled in a small plastic box, the entire unit is powered by three 1½-volt cells (Eveready #912 or the equivalent). A 2N35 *n-p-n* audio transistor (*Q1*) is connected as a Hartley oscillator, and a 25- $\mu$ f., 12-volt electrolytic capacitor (*C1*) provides the audio feedback. (If you want to use a *p-n-p* transistor, *C1* and the battery should be reversed.) Shunted across *C1* is a 6800-ohm resistor

(*R2*) in series with a one-megohm potentiometer (*R1*), as the timing control.

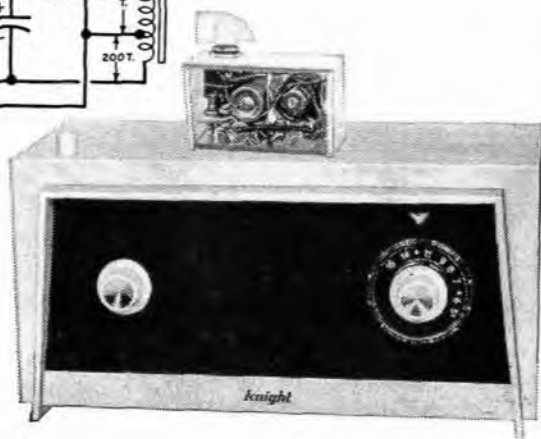
Coil *L1* is made by scramble-winding about 700 turns of #25 enamel-covered wire on a ¼" iron bolt, about 1½" long. At the five-hundredth turn, twist the wire to a pigtail for the tap and continue adding the remaining two hundred turns. You'll find it easier to wind *L1* if you place two plastic end stops on a bolt. Coil *L1* is tuned by capacitor *C2*, a .01- $\mu$ f. unit.

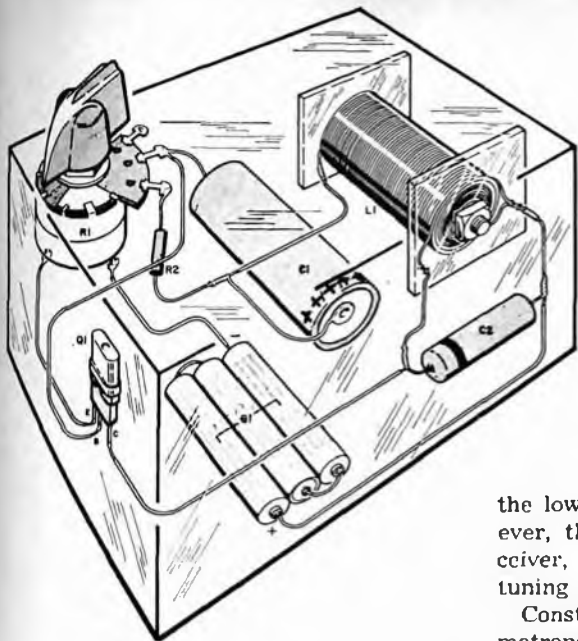
Set the metronome on top of a radio, select a dead spot on the dial, and adjust *R1* for timing. Turning the metronome in one direction or another will give different results.

The power radiation of this circuit is extremely small, so the



A *p-n-p* transistor with a similar power rating can be used instead of the *n-p-n* unit shown but connections to battery and capacitor *C1* must be reversed.





To vary the range of the metronome's oscillation, try connecting capacitor C2 across the entire coil (L1) or its two-hundred turn winding.

wireless metronome should be placed as close to the radio as possible. The author found that the clicks produced by the metronome appeared to have a more mechanical quality with the receiver tuned to

the low end of the broadcast band. However, this may vary from receiver to receiver, depending on its selectivity and tuning characteristics.

Construction and wiring of the wireless metronome is quite simple and straightforward as may be seen from the layout shown in the above drawing. Parts placement is not at all critical, and other arrangements can be utilized if desired or to fit a differently shaped housing. -50-

## TV-RADIO Servicemen or Beginners...

Send for *Coyne's*  
7-Volume Job-Training Set  
on 7-Day **FREE TRIAL!**



The First  
Practical  
TV-RADIO-  
ELECTRONICS  
Shop  
Library!

Answers ALL Servicing Problems QUICKLY...  
Makes You Worth More On The Job!

Get money-making, time-saving TV-RADIO-ELECTRONICS know-how at your fingertips—examine Coyne's all-new 7-Volume TV-RADIO-ELECTRONICS Reference Set for 7 days at our expense! Shows you the way to easier TV-Radio work—time saving, practical working knowledge that helps you get the BIG money! How to install, service and align ALL radio and TV sets, even color-TV, UHF, FM and transistorized equipment. New photo-instruction shows you what makes equipment "tick." No complicated math or theory—just practical facts you can put to use immediately right in the shop, or for ready reference at home. Over 3000 pages; 1200 diagrams; 10,000 facts!

**SEND NO MONEY!** Just mail coupon for 7-Volume TV-Radio Set on 7-Day FREE TRIAL! We'll include the FREE BOOK below. If you keep the set, per only \$3 in 7 days and \$3 per month until \$27.25 plus postage is paid. Cash price only \$24.95. Or return set at our expense in 7 days and use nothing. Either way, the FREE BOOK is yours to keep. Offer limited, so act NOW!

**LEARN MORE FROM THEM THAN FROM 5 YEARS WORK!**

"Learned more from your first two volumes than from 5 years work."  
—Glen Bliss, New York  
"Well set for either the serviceman or the beginner. Every service head should have one."—Malvin Mesbruch, Iowa.

### FREE DIAGRAM BOOK!

We'll send you this big book, "150 Radio-Television Pictures Patterns and Diagrams Explained" ABSOLUTELY FREE just for examining Coyne's 7-Volume Shop Library on 7-Day FREE TRIAL! Shows how to cut servicing time by reading picture-patterns, plus schematic diagrams for many TV and radio sets. Yours FREE whether you keep the 7-Volume Set or not! Mail coupon TODAY!



Educational Book Publishing Division  
**ELECTRICAL SCHOOL**  
1455 W. Congress Parkway Dept. 21-EN Chicago 7, Illinois

### Like Having An Electronics Expert Right At Your Side!

**VOL. 1—EVERYTHING ON TV-RADIO PRINCIPLES!** 300 pages of practical explanations; hundreds of illustrations.

**VOL. 2—EVERYTHING ON TV-RADIO-FM RECEIVERS;** 403 pages; fully illustrated.

**VOL. 3—EVERYTHING ON TV-RADIO CIRCUITS!** 335 pages; hundreds of illustrations, circuit diagrams.

**VOL. 4—EVERYTHING ON SERVICING INSTRUMENTS!** How they work, how to use them. 368 pages; illustrated.

**VOL. 5—EVERYTHING ON TV TROUBLESHOOTING!** Covers all types of sets. 637 pages; illustrations, diagrams.

**VOL. 6—TV CYCLOPEDIA!** Quick and concise answers to TV problems in alphabetical order, including UHF, Color TV and Transistors; 858 pages.

**VOL. 7—TRANSISTOR CIRCUIT HANDBOOK!** Practical Reference covering Transistor Applications; over 200 Circuit Diagrams; 410 pages.

BOOKS HAVE BRIGHT, VINYL CLOTH WASHABLE COVERS

### FREE BOOK—FREE TRIAL COUPON!

Educational Book Publishing Division  
**COYNE ELECTRICAL SCHOOL**  
1455 W. Congress Parkway, Dept. 21-EN, Chicago 7, Ill.

Yes! Send me COYNE'S 7-Volume Applied Practical TV-RADIO-ELECTRONICS Set for 7-Days FREE TRIAL per offer. Include "Patterns & Diagrams" book FREE!

Name ..... Age .....

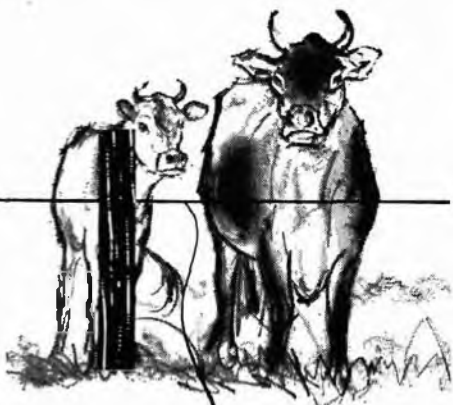
Address .....

City ..... Zone ..... State .....

Check here if you want Set sent C.O.D. Coyne pays postage on C.O.D. and cash orders. 7-Day Money-Back Guarantee.

**Coyne**

# Transistorized Electronic Fence Controller



*Inexpensive unit  
keeps animals in.*

By R. L. WINKLEPLECK

**A**N ELECTRONIC fence controller, or "charger," is a useful device for keeping animals either in or out of an enclosed area. It supplies a pulsed high-voltage output to a length of bare fence wire and thus delivers an annoying jolt to any animal that touches it. And, in addition to being ideal for keeping livestock within desired boundaries, the fence controller can also be connected to such things as garbage cans—to prevent dogs or pranksters from knocking them over.

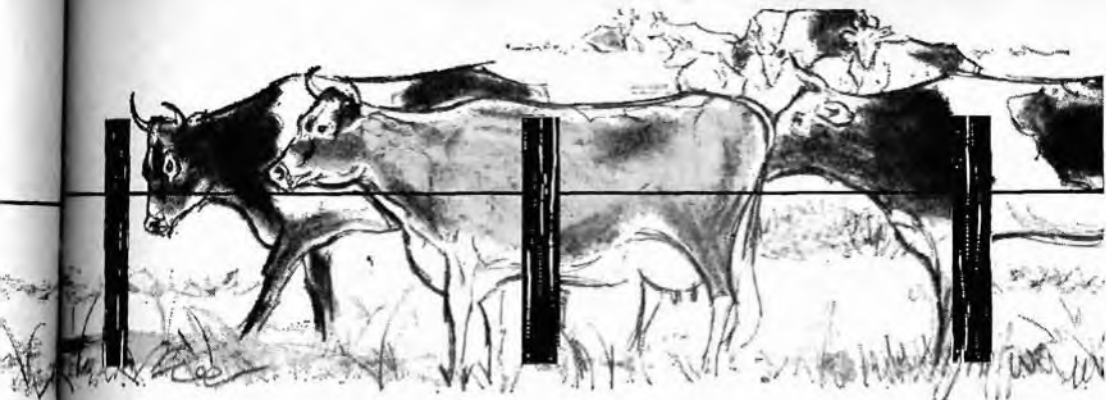
No moving parts are used in the transistorized fence controller described here. There is nothing to wear out except the battery, and—thanks to the circuit's high efficiency—battery replacement should be infrequent. The controller complies fully with safety regulations; it will give a stinging shock, but it can cause no serious harm to anyone coming in contact with the charged wire.

You can build the unit, ready for action, for just a shade over ten dollars.

**Construction.** The fence controller fits in a 3" x 5" x 7" Minibox. First, assemble the transistor circuitry on a 2" x 5" perforated phenolic circuit board. Then wire the components point-to-point, using solder lugs or "flea" clips where necessary. Attach completely wired phenolic circuit board to the mounting bracket on the spark coil



**Output** of controller is fed to a bare wire fence. With the controller connected, animals touching the wire will receive a harmless shock.



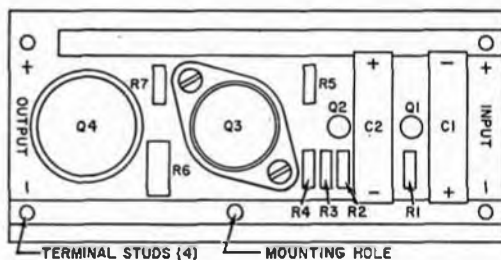
or to any other convenient point. Spark coil *T1* may be a 6- or 12-volt model depending on the voltage of the battery you decide to use.

Connect the high-voltage output of *T1* to the standoff insulator on the top of the box with auto ignition wire. Battery and ground connections are made to the three binding posts on the bottom of the box. As a final touch, fasten a bracket to the box so that you can mount it on a fence post.

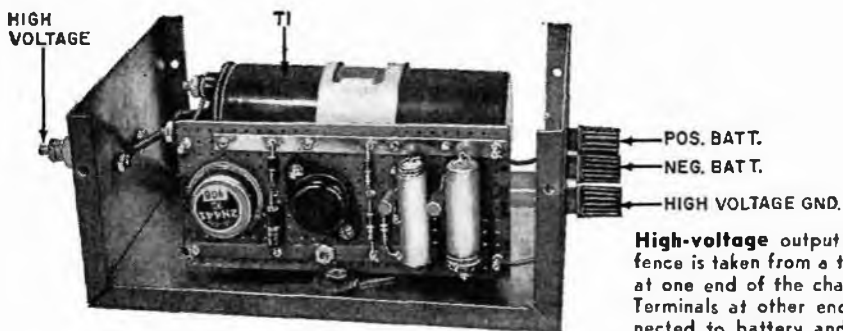
Test the finished controller by connecting a 6- or 12-volt "hot-shot" or storage battery to the positive and negative binding posts, being sure to observe polarity. Check for a spark between the standoff insulator and the ground binding post by scratching a well-insulated wire between these terminals. Don't use bare wire or you may be knocked off your feet.

After the unit is checked out, spray the circuit board and the outside of the box with an insulating spray lacquer to guard against dirt and moisture.

**Operation.** String single- or double-stranded bare wire around the area to be enclosed. Use insulators

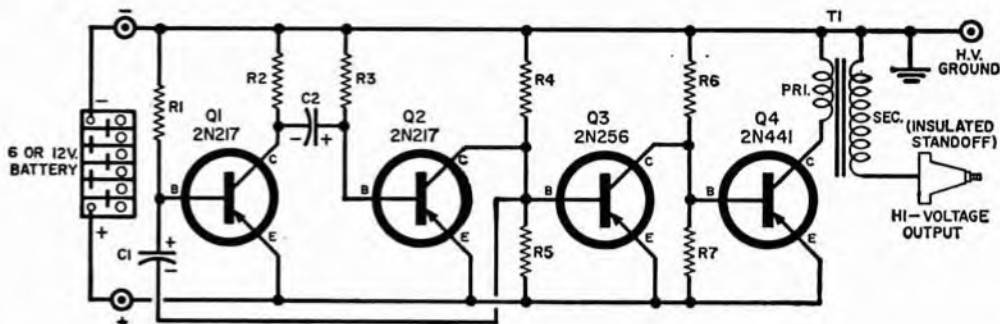


**Most components** are mounted on phenolic board. Wiring is made easier through the use of copper strips on either side of the board.



**High-voltage** output to fence is taken from a terminal at one end of the charger. Terminals at other end are connected to battery and ground.





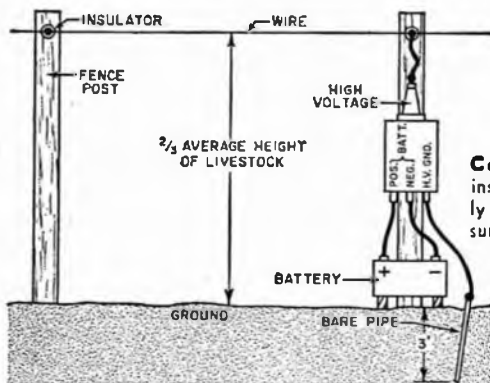
### PARTS LIST

- B1—6- or 12-volt storage battery (see text)
  - C1—20- $\mu$ l., 50-volt electrolytic capacitor
  - C2—100- $\mu$ l., 50-volt electrolytic capacitor
  - Q1, Q2—2N217 transistor (RCA)
  - Q3—2N256 power transistor (CBS)
  - Q4—2N441 high-power transistor (Delco)
  - R1—100,000 ohms
  - R2—2200 ohms
  - R3—82,000 ohms
  - R4, R5—220 ohms
  - R6—82-ohm, 1-watt resistor
  - R7—82 ohms
  - T1—6- or 12-volt automobile ignition coil
  - 1—3" x 5" x 7" Minibox (or equivalent)
  - 1—2" x 5" perforated phenolic circuit board
- All resistors  $\frac{1}{2}$  watt unless otherwise noted*

Transistors Q1 and Q2 operate as a multivibrator, Q3 and Q4 as common-emitter amplifiers. Capacitor C1 is feedback capacitor in multivibrator circuit.

(ceramic or plastic) to fasten the wire to the fence posts; the wire should be at a level roughly two-thirds the average height of the livestock. Then mount the controller on a fence post, preferably in a spot where it will be well protected from the weather.

Connect the controller's standoff terminal to any convenient point along the wire; auto ignition wire is best for this purpose if the wire is very long. The controller's ground terminal is connected to a pipe or rod driven at least three feet into



Connect the completed charger to an insulated fence. Check fence carefully before connecting the battery to insure that there are no paths to ground.

### HOW IT WORKS

Transistors Q1 and Q2 are connected in a multivibrator circuit which oscillates due to feedback from the collector of Q2 to the base of Q1. Transistors Q3 and Q4 are common-emitter amplifiers. In oscillation, Q1 and Q2 conduct alternately. When Q1 conducts, it biases Q2 to cutoff. With Q2 thus cut off, Q3 conducts, and cuts off Q4. When Q2 conducts, it biases Q3 to cutoff, which allows Q4 to conduct.

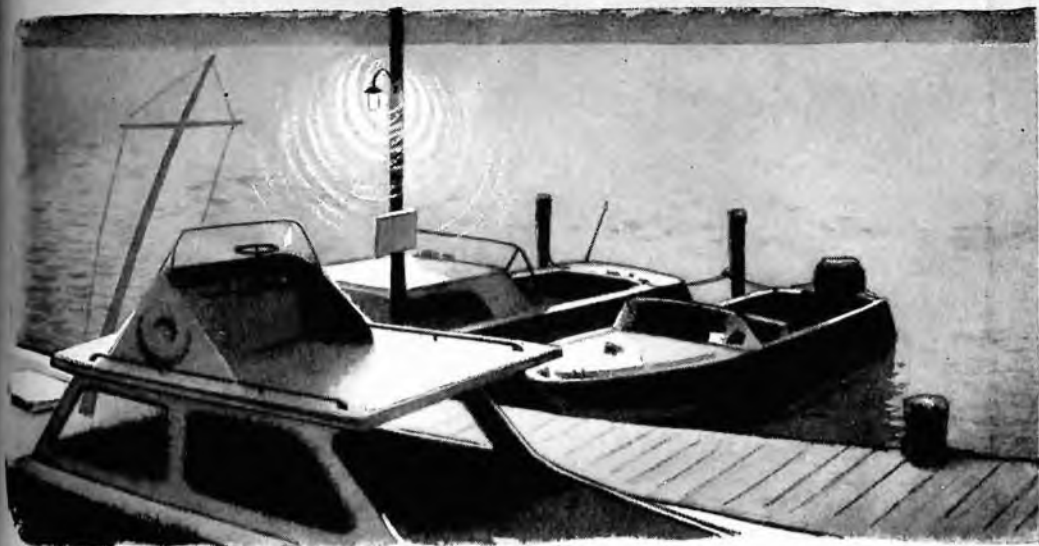
Since the output of the multivibrator is non-symmetrical, Q4 is cut off for a longer time than it conducts. Transistor Q4 therefore acts as an automatic switch to trigger the spark coil. The charger's "off" time is determined primarily by the time constant of C2-R3, its "on" time by C1-R1. With the values shown, Q4 is cut off for nearly a second and then conducts heavily for a fraction of a second.

the ground. When the battery is connected, the fence will immediately become "alive."

Use a lightning arrester to prevent damage to the controller. Connect the arrester between the porcelain standoff insulator and ground. The gap on the arrester should be wide enough (about  $\frac{1}{4}$ " ) to keep the normal output of the controller from jumping the gap.

To turn off the controller, disconnect either battery lead. Animals soon learn to respect and to avoid a charged fence; once they have been shocked they will often be wary of it for weeks after the power is disconnected.

To keep the neighbor's dog from knocking over your garbage can, just set the can on insulating blocks and connect the controller to it as described above.



# Build an Electronic Burglar Alarm

By ED DUDA

**B**EFORE the new boating season gets going, you'll want to take steps to protect your shipboard gear from burglary and vandalism. Here's an inexpensive and simple burglar alarm that can turn on a warning light, a horn, or even a siren, if any unauthorized persons attempt to remove equipment from the craft. It can also be used to protect ham gear in your car, or guard your home while you're away on vacation.

The alarm uses only a few parts and will operate for months on its self-contained battery—standby current is only 50 microamperes. Due to the low operating voltage and current, there is no danger of shock. Even so, the relay in the alarm can carry up to 2 amps at 125 volts, enough to operate most bells and sirens.

**Construction.** The model was built into a 6" x 3 $\frac{1}{8}$ " x 1 $\frac{1}{2}$ " plastic box with a hinged top, as shown in the pictorial. The accompanying test unit was built into a 2 $\frac{7}{8}$ " x 1 $\frac{1}{4}$ " x 1 $\frac{1}{8}$ " plastic box and is designed to plug into the burglar alarm. Other containers or layouts can be used, if you wish, since the circuit is not critical.

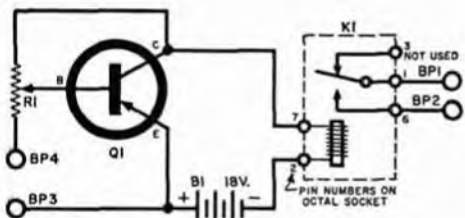
Relay *K1* plugs into a standard octal tube socket and transistor *Q1* into a transistor socket. All other parts are supported by

their leads except "five-way" binding posts *BP1*, *BP2*, *BP3*, and *BP4*, which are mounted at one end of the box. Be sure to position *BP1* and *BP2* exactly  $\frac{3}{4}$ " apart in order to match the spacing of banana plugs *P1* and *P2* on the test unit. If desired, potentiometer *R1* and transistor *Q1* can be mounted in a separate plastic box.

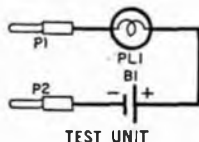
The relay should be waterproofed before it is installed in the alarm. To do so, remove the four screws from the relay's plastic cover. Then, using lacquer or clear nail polish, coat the area between the octal base and the metal flange, both inside and outside the relay. Replace the cover and screws, and coat the mating area between the relay cover and the metal flange. Use plenty of lacquer around each of the four screws.

**Adjustment.** Before adjusting the alarm, be sure that the relay and transistor are firmly seated in the sockets and that the 18-volt battery is properly connected. Wrong battery polarity can ruin the transistor.

Next, plug *P1* and *P2* of the test unit into binding posts *BP1* and *BP2* of the burglar alarm; lamp *PL1* on the test unit should light. Connect binding posts *BP3* and *BP4* with a length of wire and adjust

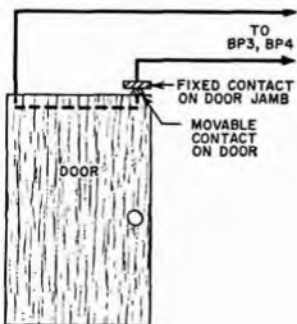
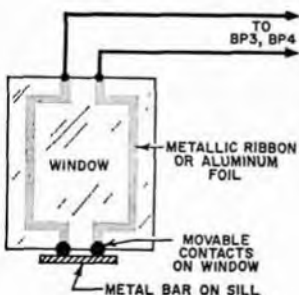
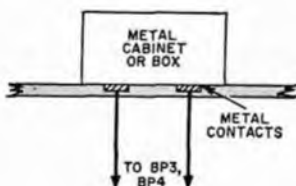


**Single transistor (Q1)** energizes relay K1 when circuit across BP3 and BP4 is opened. Test unit plugs into BP1 and BP2; lamp PL1 lights when K1 is energized.



## PARTS LIST

- B1—10-volt battery (two Burgess 2N6 9-volt batteries or equivalent in series)
- B2—1.5-volt penlight cell (test unit)
- BP1, BP2, BP3, BP4—Five-way binding post (Layette MS-566 or equivalent)
- K1—S.p.d.t. relay, 4000-ohm coil; 2-amp., 125-volt contacts; 1.9-ma. operating current (Kurman 23DB42 or equivalent)
- P1, P2—Banana plug
- PL1—1.5-volt flashlight lamp (test unit)
- Q1—2N188A transistor
- R1—250,000-ohm, 2-watt potentiometer (Ohmite CLU-2541 or equivalent)
- 1—Octal tube socket
- 1—Transistor socket
- Misc.—Hardware, plastic boxes, battery clips, penlight cell holder, penlight bulb socket, etc.



**Sensing circuits** are "switches" which trip alarm when they are opened. As current is only 50 microamps, alarm is safe to operate near children or pets.

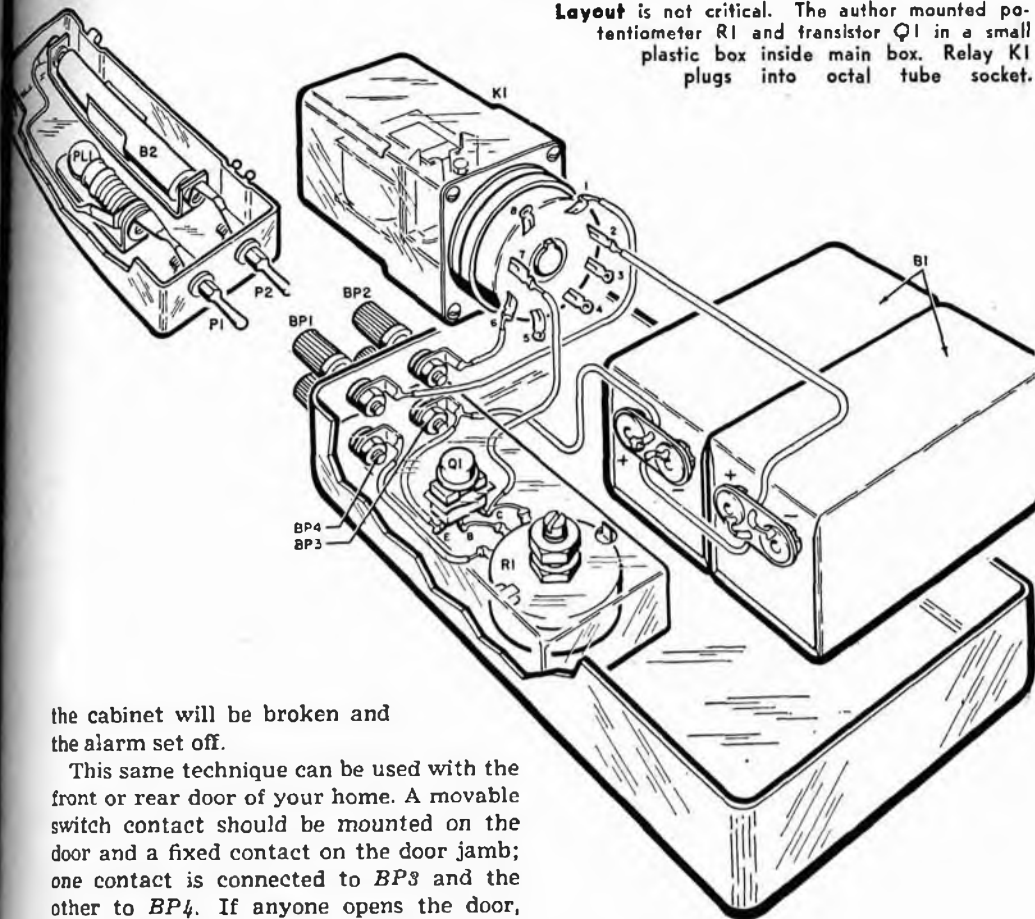
potentiometer *R1* until the lamp goes out. When you remove the jumper wire, the lamp should light once more. The burglar alarm should now be ready for installation.

Be sure to keep a jumper wire across *BP3* and *BP4* when the unit is not connected to an alarm circuit. This keeps current drain on battery *B1* at a minimum.

**Installation.** One of the most important considerations in any burglar-alarm system is to prevent the burglar from disabling the alarm. Once a convenient hiding place has been selected for the alarm, the next step is to hook up binding posts *BP3* and *BP4* to a "sensing" circuit at the property requiring protection. The sensing circuit is nothing more than a switch that is inadvertently operated by the burglar when he attempts to remove equipment or open a window or door. Typical sensing circuits, one for each of these three cases, are shown at left.

The final step is to connect binding posts *BP1* and *BP2* to the warning circuit, which can be any of a number of electrical signaling devices. Two typical warning circuits are shown at right. On your car or boat, you can use your horn for an alarm. To do this, connect one lead from binding post *BP1* to one horn-button terminal and another lead from *BP2* to the other horn-button terminal. In other installations, *BP1* and *BP2* can be connected to an alarm gong, flashing light, siren or even to a door bell.

If the equipment to be protected is a piece of mobile electronic gear housed in a metal cabinet, attach leads from *BP3* and *BP4* to separate metal plates underneath the cabinet. Should the cabinet be lifted off the metal plates, the circuit through

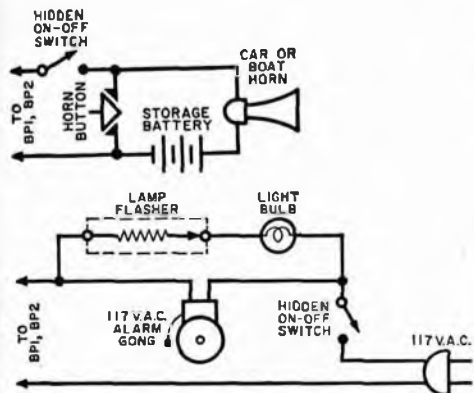


Layout is not critical. The author mounted potentiometer R1 and transistor Q1 in a small plastic box inside main box. Relay K1 plugs into octal tube socket.

the cabinet will be broken and the alarm set off.

This same technique can be used with the front or rear door of your home. A movable switch contact should be mounted on the door and a fixed contact on the door jamb; one contact is connected to BP3 and the other to BP4. If anyone opens the door, the alarm will go off. Be sure to use a sensing switch that will remain open once the door has been opened; otherwise the thief could close the door after him and thus silence the alarm.

-50-



**Warning circuit** on boat or car can use horn to sound the alarm. Installations in homes or stores can operate a 117-volt a.c. system. Open hidden switch to silence alarm after it has been tripped.

### HOW IT WORKS

The burglar alarm employs a single transistor (Q1) with a relay (K1) as its collector load. In operation, BP3 and BP4 are connected to each other at the equipment under protection. Potentiometer R1 acts as a voltage divider in series with battery B1 and relay K1.

The arm of R1 is set to a point where the base of Q1 is only slightly less positive than Q1's emitter. This setting of R1 keeps Q1 in the non-conductive state; insufficient current flows to energize relay K1. When the circuit across BP3 and BP4 is opened, the base of Q1 goes very negative and Q1 conducts heavily, energizing K1. With K1 energized, normally open contacts 1 and 6 of K1 close and connect binding posts BP1 and BP2. This switches on the warning device and thus sounds an alarm.

When plugs P1 and P2 of the test unit are plugged into BP1 and BP2, battery B2 will light warning lamp PL1 if there is a break in the circuit connecting BP3 and BP4. In actual use, a bell, siren, or other warning device is substituted for the test unit.

**H**ERE'S a pint-sized crystal radio with enough oomph to drive a 2½" speaker. This little unit's selectivity is far better than you'd expect to find in a crystal receiver and volume is equal to that obtained with sets using a transistor. No external power source is required.

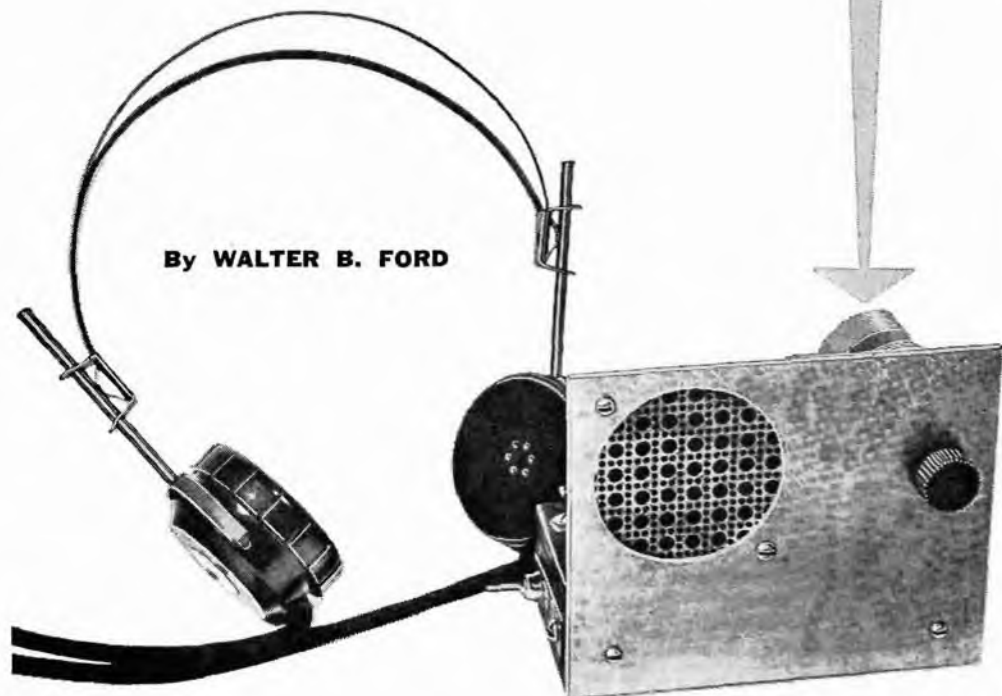
The unusual selectivity of this radio is due to its special double-tuned circuit. A pair of diodes connected as a voltage-doubler provides the extra kick to operate the small speaker. An output jack is provided for headphone listening and for connecting the set to an amplifier.

**Construction.** The model was built on a 2½" x 4½" wooden chassis with a 3½" x 4½" metal front panel. However, size is not critical, and other materials can be substituted if desired.

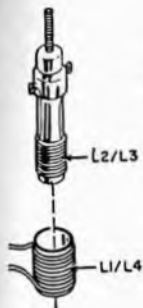
Two standard ferrite loopsticks, *L2* and *L3*, are used. Both must be modified by the addition of a second winding, *L1* and *L4*, respectively. Each of the added windings consists of 22 turns of No. 24 cotton-covered wire wound on a small cardboard tube as shown on the pictorial. (Actually, any wire size from No. 22 to No. 28 with cotton or enamel insulation will do the job.) The

# High-Power Crystal Set

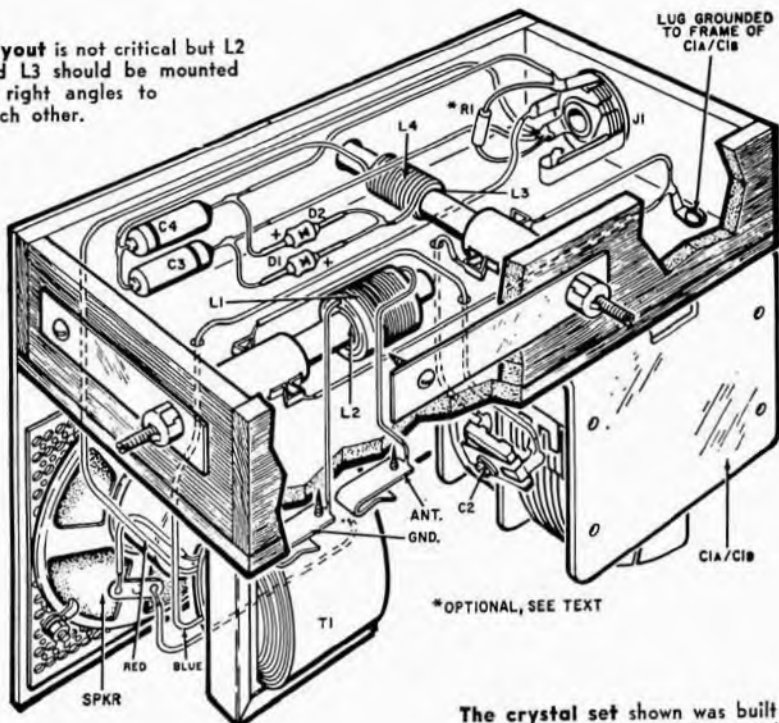
***Voltage-doubler circuit drives miniature speaker.***



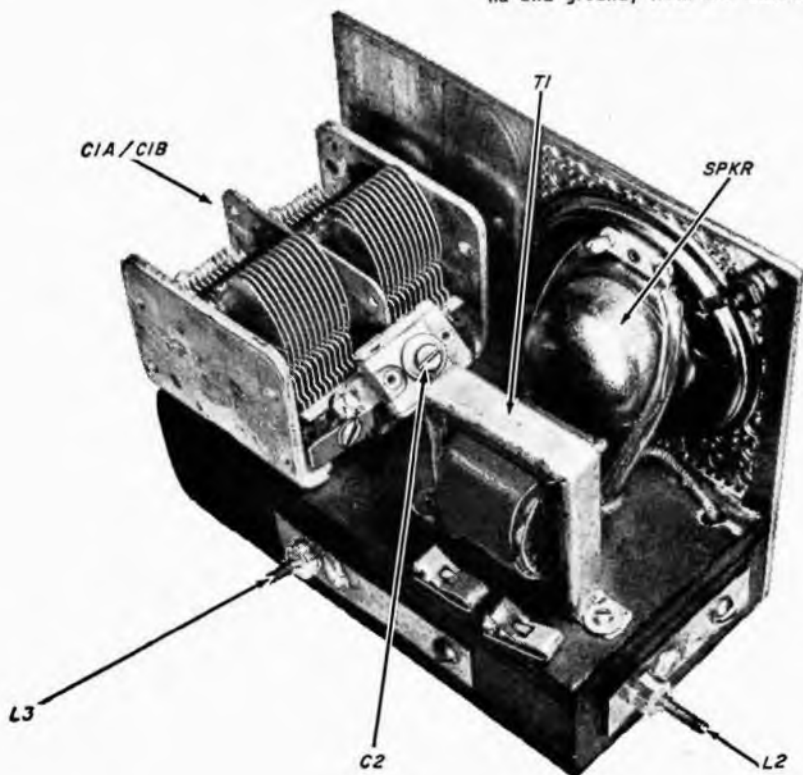


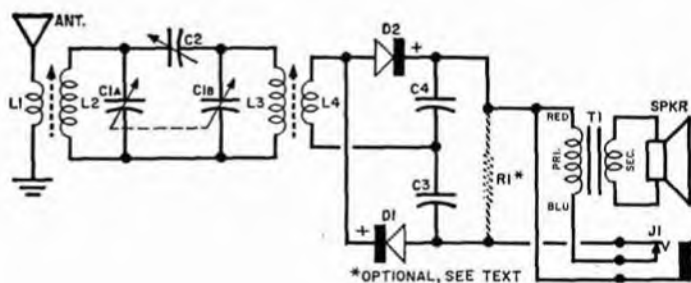


Layout is not critical but L2 and L3 should be mounted at right angles to each other.



The crystal set shown was built on a wooden chassis. If a metal chassis is used, be sure to insulate the Fahnestock clips (antenna and ground) from the chassis.





For phone operation only, the speaker, transformer, and resistor  $R1$  can be omitted. In this case, connect high-impedance phones in place of  $R1$ .

diameter of the cardboard tube should be slightly larger than  $L2$  and  $L3$  so that  $L1$  and  $L4$  will slip over  $L2$  and  $L3$  easily.

Resistor  $R1$  is used only for feeding the set into an amplifier; it should be omitted for both earphone and loudspeaker operation. Trimmer capacitor  $C2$  should be soldered across the stator terminals of two-gang variable capacitor  $C1a/C1b$ , as shown. The speaker and output transformer can be mounted wherever convenient.

After all of the parts have been mounted on the chassis, wire them together following the schematic and pictorial diagrams. Be sure that diodes  $D1$  and  $D2$  and capacitors  $C3$  and  $C4$  are correctly polarized.

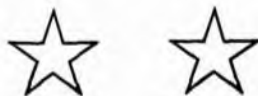
**Alignment and Operation.** To align the receiver, first connect it to an antenna and ground. (The optimum length of the antenna varies with location, but 50 feet will usually be suitable in areas serviced by several broadcast stations.) Next, plug in a high-impedance earphone at jack  $J1$ . Tune in a station near the high-frequency end of the broadcast band—say 1500 kc.—and adjust the trimmer capacitors on variable capacitor  $C1a/C1b$  for the loudest signal.

Trimmer capacitor  $C2$  should then be adjusted for the best selectivity and volume over the entire broadcast band. Finally, coils  $L1$  and  $L4$  can be optimally positioned by sliding them back and forth over coils  $L2$  and  $L3$ . If a nearby station interferes with reception of a weaker one, tune the slug on  $L2$  for minimum interference.

For loudspeaker operation, simply unplug the earphone from  $J1$ —strong local stations should come in with fair volume. To operate the set as an AM tuner, wire  $R1$  in place and connect  $J1$  to the crystal-phonograph input of a preamplifier or integrated amplifier. The set should give excellent results with a quality hi-fi system.

## PARTS LIST

- $C1a/C1b$ —2-gang, 365- $\mu$ f. variable capacitor (Lafayette MS-142 or equivalent)
- $C2$ —180- $\mu$ f. compression-type trimmer capacitor
- $C3, C4$ —0.05- $\mu$ f. fixed capacitor
- $D1, D2$ —1N34A diode
- $J1$ —Closed-circuit phone jack
- $L1, L4$ —22 turns of No. 24 cotton-covered wire (see text)
- $L2, L3$ —Ferrite antenna coil (Miller 6300 or equivalent)
- $R1$ —47,000-ohm, 1/2-watt resistor (see text)
- $T1$ —Replacement-type output transformer; 3000- to 10,000-ohm primary; 4-ohm secondary
- Spkr.—2 1/2" speaker, 4-ohm voice coil
- Misc.—Hardware, wood, aluminum sheet, Fahnestock clips, etc.



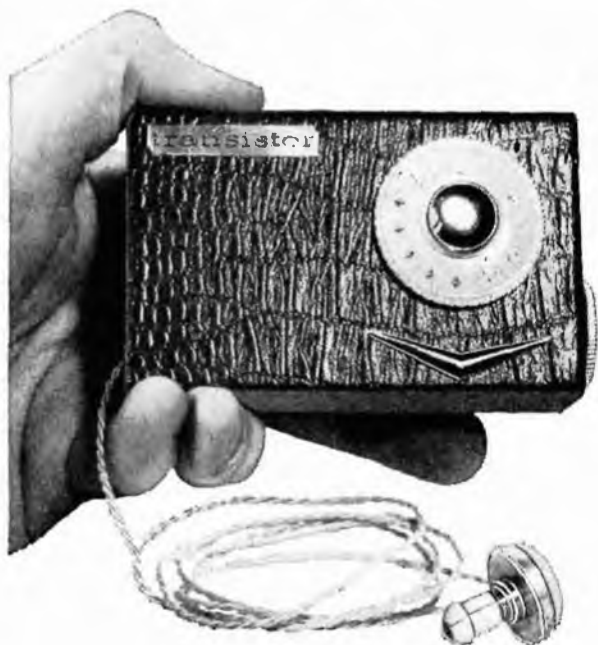
## HOW IT WORKS

The receiver employs a double-tuned circuit feeding a crystal-diode voltage-doubler/detector which drives a small speaker. In operation, r.f. signals picked up by the antenna system are induced into coil  $L2$  from coil  $L1$ . The desired signal is selected by tuned circuit  $C1a-L2$  and coupled through capacitor  $C2$  to a second tuned circuit,  $C1b-L3$ , which improves the selectivity by narrowing the r.f. bandpass. The twice-tuned r.f. signal is then induced into coil  $L4$  from coil  $L3$ .

The positive half of the r.f. signal appearing across  $L4$  passes through diode  $D2$  to charge capacitor  $C4$ ; the negative half of the signal passes through diode  $D1$  to charge capacitor  $C3$ . Polarities of the charges on  $C3$  and  $C4$  are such that the effective voltage is doubled. This voltage appears across the primary of output transformer  $T1$ , which changes the high impedance at the output of diodes  $D1$  and  $D2$  to the low impedance required by the speaker.

When high-impedance earphones are plugged into closed-circuit jack  $J1$ , the speaker is disconnected and the output from the diodes feeds directly into the earphones. Optional load resistor  $R1$  is placed across the output of the diodes when the receiver is used with an amplifier.

**Reflex and  
regenerative circuits  
are combined  
in this sensitive  
and stable . . .**



# ONE TRANSISTOR POCKET RADIO

**D**ESIGNING and constructing a one-transistor pocket receiver is a challenge to any experimenter. A good many "pocket" receivers are either too large or too bulky for true "pocket" operation. Or they simply don't possess enough sensitivity and gain to pull in stations without an external antenna.

The little receiver described here gets around both of these weaknesses. It uses a combination of reflex and regenerative action to cut size and components to a minimum and increase sensitivity to striking proportions. The complete unit measures only 4" x 2½" x ¾". And it's powerful enough to pull in every local station on the dial with no external antenna at all!

**Reflex Circuit.** Because of the "reflex" action of the circuit, a single transistor is made to amplify the signal twice—once at radio frequencies and again, after detection, at audio frequencies (see "How It Works"). To simplify the circuit, a diode is used as a detector, leaving

**By  
ALVIN MASON**

the transistor free to do nothing but amplify.

Also acting to increase the circuit's simplicity and stability is the regeneration hookup. The circuit is designed so that the amount of positive feedback or regeneration doesn't control the overall sensitivity as is usually the case with regenerative detectors. What's more, there is no regeneration control or annoying oscillation to contend with.

Since the remarkable efficiency of this little set doesn't depend on regeneration alone, only a limited amount of regeneration is used. Its stability is evidenced by

the fact that, once adjusted, the set is as stable as most non-regenerative detectors.

Although a Philco r.f. transformer was used as *T1* in the model, this particular transformer is available only from authorized Philco distributors and may prove hard to get. However, *T1* is in no way critical—a number of transformers were substituted for the Philco unit, and most of them worked satisfactorily.

The Argonne AR-162 (available from Lafayette Radio, 165-08 Liberty Ave., Jamaica 33, N. Y., for \$2.95) seems to be a good substitution. A miniature output transformer measuring only 1" x 3/8" x 3/8", the AR-162 has identical center-tapped primary and secondary winding of 500 ohms with a d.c. resistance of 18 ohms. You'll have to remove the transformer's strap and laminations to fit the unit in the small plastic box specified in the parts list. But you'll find that this bit of disassembling proves no problem (see illustration on next page). The windings are light enough to be held in place with a strip of transparent tape. The center-taps are not used.

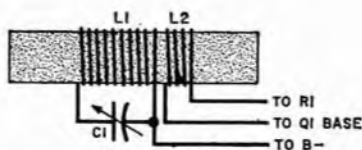
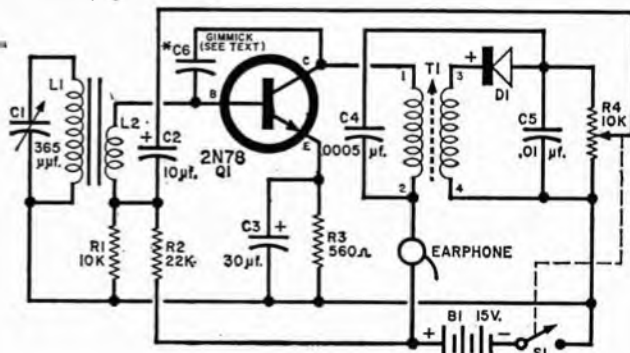
**Construction.** The chassis is a piece of Formica or phenolic board about 4" x 2 1/2" x 1/16". Depending on the size of the components, the chassis should fit into a small plastic box measuring about 4" x 2 1/2" x 3/4". Homemade printed circuitry was used on the model, but standard wiring will do just as well. Most of the component leads are long enough to permit point-to-point

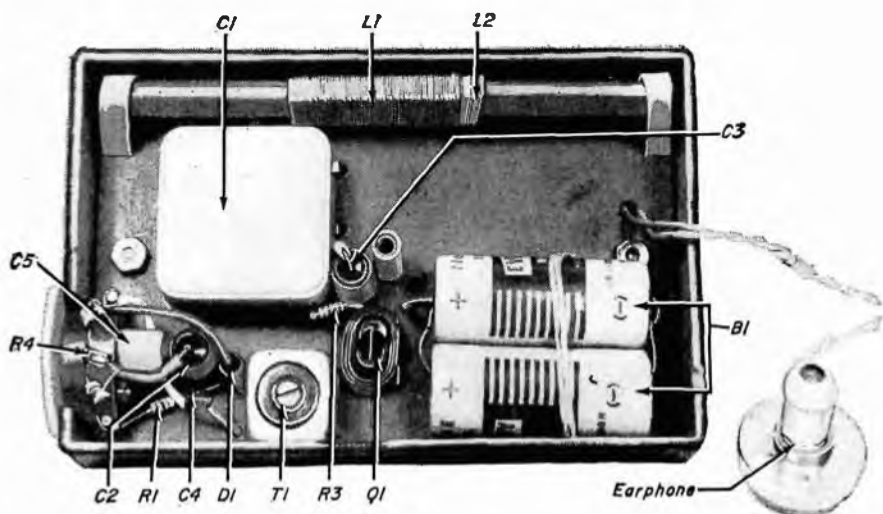
### PARTS LIST

- B1—15-volt battery (two Eveready 504's or equivalent in parallel)
- C1—365- $\mu$ f. variable capacitor
- C2—10- $\mu$ f., 25-volt miniature electrolytic capacitor
- C3—30- $\mu$ f., 25-volt miniature electrolytic capacitor
- C4—.0005- $\mu$ f. ceramic capacitor
- C5—.01- $\mu$ f. ceramic capacitor
- C6—Gimmick capacitor (see text)
- D1—1N60 diode
- L1—Antenna coil for C1 (Miller 2004 or equivalent)
- L2—Six turns of #26 insulated wire wound on L1 (see text)
- Q1—2N78 transistor
- R1—10,000 ohms
- R2—22,000 ohms
- R3—560 ohms
- R4—10,000-ohm volume control with s.p.s.t. switch S1
- S1—S.p.s.t. switch (on R4)
- T1—Coupling transformer (Philco 32-4763-2 or equivalent—see text)
- I—2000-ohm impedance earphone
- l—Transistor socket
- 1—4" x 2 1/2" x 3/4" plastic box
- 1—4" x 2 1/2" x 1/16" phenolic board
- Misc.—Tuning dial, knob for volume control, wire, solder, etc.

All resistors  
1/4 watt

One transistor does the work of two in this highly efficient circuit. The signal is amplified twice—once at radio frequencies and, after detection, at audio frequencies.





Parts are mounted on a phenolic board; R2 and C6 are on reverse side.

wiring, but a transistor socket was used to prevent possible damage to the transistor when soldering.

Coil *L2* consists of six to nine turns of No. 26 insulated hookup wire wound on the "ground" end of *L1* and spaced  $\frac{1}{10}$ " from it. "Gimmick" capacitor *C6* is made up of two  $\frac{1}{2}$ " lengths of insulated hookup wire twisted together several times to form a small capacitor.

It's a good idea to lay out all parts and drill most of the holes in the chassis before starting assembly. Since the wiring is relatively simple, you should be able to take your time and do a good job. As with any construction project, time spent in careful wiring will pay off in the long run.

**Operation.** After all parts have been mounted and soldered in place, double-check all connections. Now, with the switch off and battery *B1* in place, plug in the transistor. Turn on the set and rotate the volume control to full on. Select a station, preferably the strongest one on the dial. Listen for distortion. If necessary, either loosen the coupling in capacitor *C6* by untwisting the leads slightly or by snipping off the leads bit by bit until the distortion disappears.

Once adjusted, the set should be nearly as stable as the superhet in your living room. And it's a safe bet that in sensitivity and portability this little unit will have few equals.

-30-

#### HOW IT WORKS

One transistor and one diode are employed in a circuit that combines the advantages of both reflex and regenerative action. Because the signal passes through transistor *Q1* twice—once as r.f. and once as a.f.—the transistor is properly described as operating in a "reflex" circuit. Adding to the already high efficiency of this circuit is the regeneration furnished by gimmick capacitor *C6*.

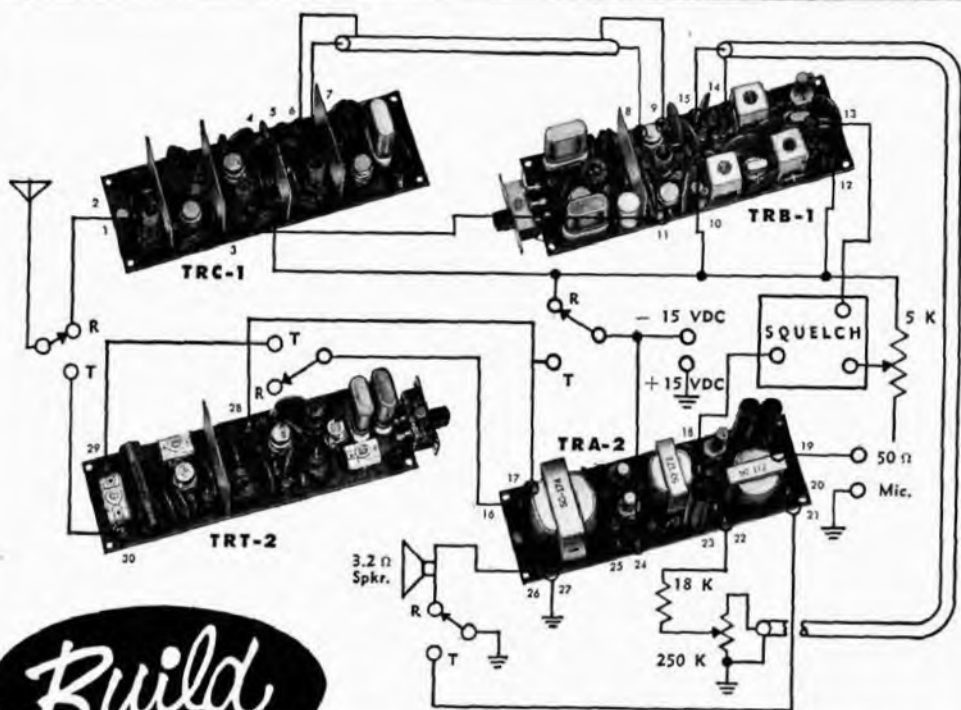
In operation, the r.f. signal picked up by antenna coil *L1* is tuned by coil-capacitor combination *L1-C1* and induced into secondary coil *L2*. Fed directly into the base of transistor *Q1*, the r.f. signal is amplified and passed to transformer *T1*. A portion of the signal from *Q1*'s collector is returned to *Q1*'s base by capacitor *C6* to provide additional gain through regeneration. The signal induced in *T1*'s secondary is detected by diode *D1*, smoothed by capacitor *C5*, and returned to the base of *Q1* through volume-control *R4* and coupling capacitor *C2*.

Transistor *Q1* again amplifies the signal, this time at audio frequencies. The audio signal from *Q1*'s collector is fed through the primary of *T1* to the earphone.



Coupling transformer *T1* must be a miniature unit. If Argonne Type AR-162 is used, it can be reduced in size by removing the strap and laminations.





*Build this*

## ALL TRANSISTOR TRANSCEIVER

Now you can build your own All Transistor, Crystal Controlled, Portable Transceiver for Citizens band or Amateur communications. International sub-assemblies, prewired and tested are "quickly" interwired and ready for operation. Fifteen transistors for transmitting and receiving. Dual conversion superheterodyne receiver. Noise limiter and squelch. International precision crystals and highest quality components throughout. Power requirements: 15 volts dc @ 60 ma average. Positive ground.

### TRC-1 CONVERTER

Crystal controlled, 3 transistors for 10 meters or Citizens band. RF amplifier, mixer/oscillator. Double tuned front end. IF output 6 mc. Others on special order. Power: 15 volts dc @ 5 ma. Wired, tested with Crystal. Cat. No. 300-132..... \$11.99

### TRB-1 MIXER IF UNIT

Special IF (Cat. No. 300-140)..... \$12.50  
 Six transistors, 2 diodes. 6 mc RF amplifier/mixer. Crystal controlled

local oscillator. 455 kc IF. Noise limiter/squelch. Input 6 mc. Specify frequency. Wired, tested with crystals. Cat. No. 300-131..... \$32.50

### TRA-2 AUDIO UNIT

Three transistors. Input 100,000 ohms and 50 ohms. Speech amplifier for dynamic microphone. Push-pull power amplifier class B. Output 300 mw. Wired and tested. Cat. No. 400-104..... \$11.50

### TRT-2 TRANSMITTER

Crystal controlled. Three transistors. Output 100 milliwatts minimum with g1 transistors. Power stage uses special HF transistors. Wired and tested less crystals and transistors. Cat. No. 200-138..... \$16.00

#1 Transistor Kit (100 mw output) Cat. No. 150-128..... \$ 9.00

#2 Transistor Kit (50 mw output) Cat. No. 150-129..... \$ 8.00

Crystals PCB for Citizens band (.0025%)..... \$ 4.75

Crystals FA-5 for Amateur (.01%)..... \$ 4.00



**ASSEMBLY PARTS KIT** makes it easy to interwire subassemblies. Kit includes base plate, squelch control, volume control, transmit-receive switch and antenna connector. Cat. No. 150-136..... \$9.95

ORDER DIRECT FROM INTERNATIONAL CRYSTAL MFG. CO.



18 NORTH LEE • OKLAHOMA CITY, OKLAHOMA

FREE  
1961 CATALOG

SEND FREE 1961 INTERNATIONAL CATALOG

NAME \_\_\_\_\_

ADDRESS \_\_\_\_\_

CITY \_\_\_\_\_ STATE \_\_\_\_\_

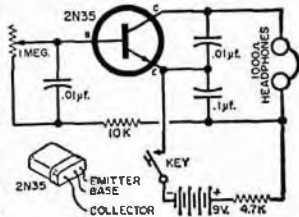
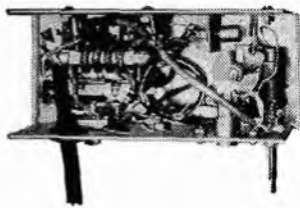
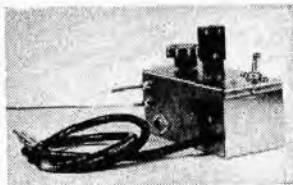
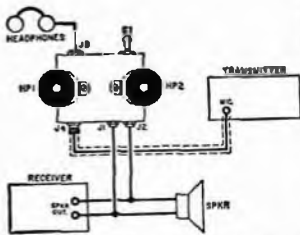
# PART

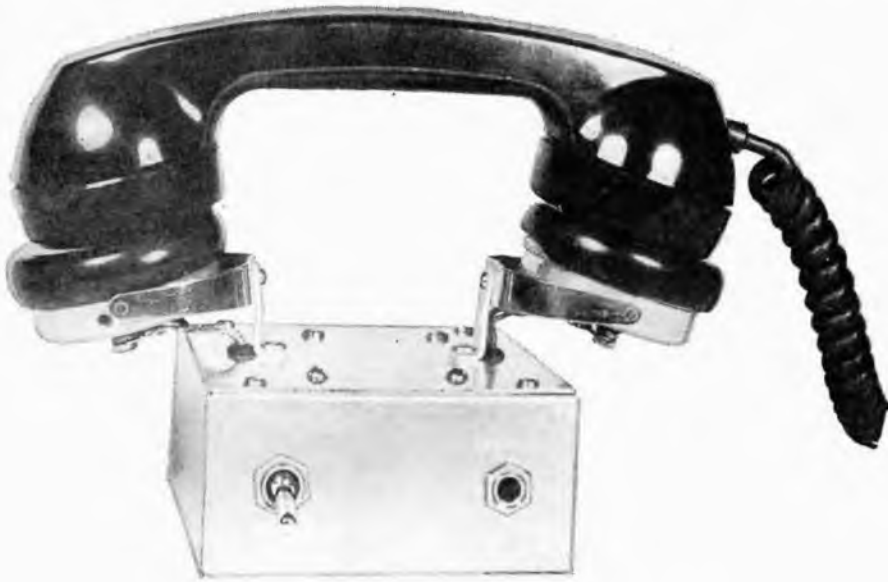
# 2

## Communications

### Amateur, Citizens Band, Shortwave

<i>Acoustic Phone Patch</i> .....	50
<i>Amateur-Band Frequencies</i> .....	52
<i>"Tiny-Mite" Transmitter for DX-ing</i> .....	53
<i>Radio Amateur Great Circle Chart</i> .....	56
<i>Popular Electronics Citizens Band "11" Code</i> .....	58
<i>Citizens Band Call Signs</i> .....	59
<i>Easy-to-Build Beam Antenna</i> .....	60
<i>Amateur Radio Call Sign Prefixes</i> .....	62
<i>Build A Mobile Short-Wave Converter</i> .....	63
<i>Allocation of International Radio Call Signs</i> .....	66
<i>International Radio Abbreviations</i> .....	68
<i>1-Tube Citizens Band Converter</i> .....	70
<i>Antennas for Citizens Band</i> .....	73
<i>Short-Wave Broadcast Bands</i> .....	76
<i>A Tubeless Transistorless Code Practice Oscillator</i> .....	77
<i>Code Practice Oscillator</i> .....	77
<i>Calling Frequencies in the CB Service</i> .....	78
<i>CB Frequency Allocation Chart</i> .....	78





# ACOUSTIC PHONE PATCH

*Build this third-party link  
between your ham contact and telephone.*

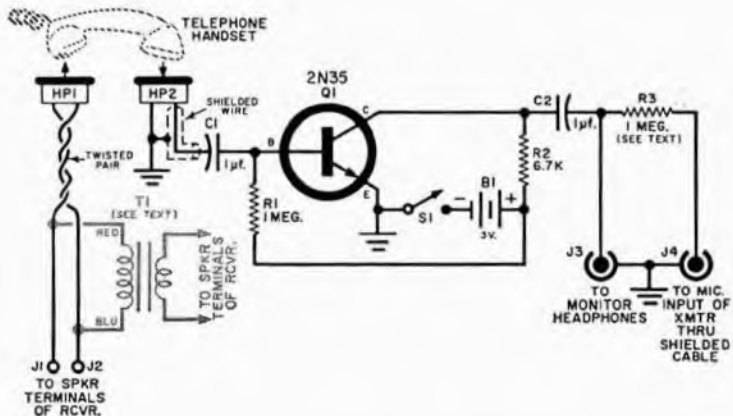
By J. C. FISCHER, W4FMW

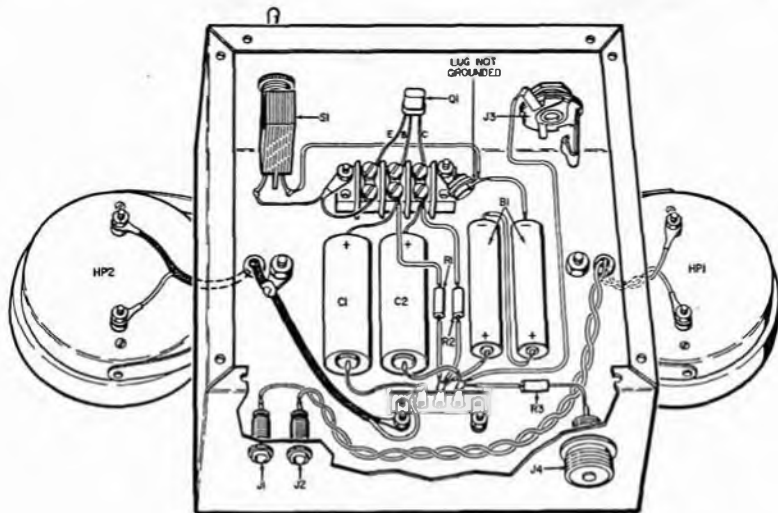
EVERY HAM realizes that a phone patch can add to the fun and usefulness of his station. A phone patch allows an operator to make a telephone connection between fellow operators and their friends who are in the vicinity. Here is one which is easy to build and needs no connections to tele-

phone wires, thus avoiding possible trouble with the telephone company.

**Construction.** Basically, this phone patch is a pair of magnetic headphone units mounted so that a telephone handset can rest on them. One headphone unit acts as a microphone and feeds the acoustical

Transformer T1's use is optional. With it, you can increase volume in the headphone unit (HP1) feeding the telephone mouthpiece. Note that the voice of the telephoned party is picked up by headphone unit HP2.





Substitute different jacks in the phone patch to match the equipment plugs in your station. A shielded lead is needed between headphone unit HP2 and capacitor C1.

### PARTS LIST

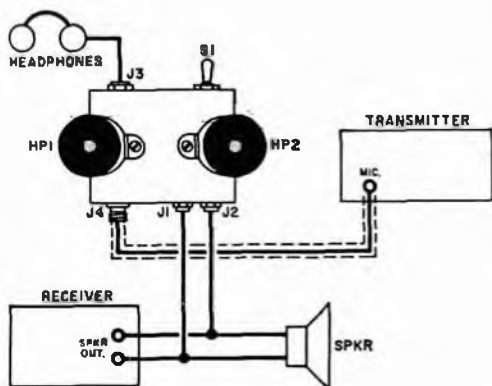
- B1—3-volt battery
- C1, C2—1.0- $\mu$ f., 100-volt paper or electrolytic capacitor
- HP1, HP2—High-impedance headphone unit
- J1, J2—Pin jack
- J3—Phone jack
- J4—Microphone jack
- Q1—2N35 transistor
- R1—1-megohm,  $\frac{1}{2}$ -watt resistor
- R2—6700-ohm,  $\frac{1}{2}$ -watt resistor
- R3—1-megohm,  $\frac{1}{2}$ -watt resistor (see text)
- S1—S.p.s.t. toggle switch
- T1—Replacement-type output transformer, single plate, 2000 to 10,000 ohms; to voice coil, 3.2 to 16 ohms (Lalayette TR-69 or equivalent—see text)
- 1—4" x 4" x 2" utility cabinet (Bud AU-1083)



output from the telephone through a one-transistor amplifier into the transmitter; the other feeds the output from the receiver into the telephone.

The headphone units (HP1, HP2) are mounted 5½" apart (center to center) on a utility cabinet about 4" x 4" x 2". The transistor amplifier is mounted on the underside of the cabinet. Isolation resistor R3 should be from 10,000 ohms to 2 megohms; try several values for the best output level at jack J4.

**Adjustment.** Connect jacks J1 and J2 to the speaker terminals of the receiver. Next, turn up the receiver volume to drive headphone unit HP1. If the output from HP1 is too low and the sound from the receiver's speaker is too loud, connect an inexpensive audio output transformer (T1) between the



**Hook up** the phone patch to the receiver, transmitter, and monitoring headphones as shown. Insert transformer T1 between jacks J1, J2 and the receiver's speaker leads for more volume at HP1.

speaker terminals and *HP 1* to improve the impedance match. The transformer's voice-coil winding should be connected to the speaker terminals and the plate winding to jacks *J1* and *J2*.

Output from the transistor amplifier is fed from output jack *J4* to the microphone input jack of the transmitter via a cable with suitable connectors. This input to the transmitter can be monitored at jack *J3* with a pair of high-impedance headphones.

**Operation.** Place the telephone handset on the phone patch with the mouthpiece against *HPI*. Don't worry if the telephone doesn't fit perfectly against the phone patch

headphone units. Quality is actually better if there is a small air gap.

When you close switch *S1*, you should hear the party on the telephone in your monitoring earphones. Adjust the transmitter speech amplifier gain control for the best modulation. Then turn up the receiver volume until the party on the telephone can hear your radio contact at normal telephone volume.

Make a note of the positions of your receiver volume control and the speech amplifier gain control, and you will be able to hook up the phone patch in a jiffy next time.

-30-

## Amateur-Band Frequencies

BAND	FREQ. (m.c.)	EMISSION			
80 m.	3.500-4.000	A1	6 m.	29.000-29.700	f.m.
	3.500-3.800	F1		50-54	A1, A2, A3, A4, n.f.m.
	3.800-4.000	A1 and n.f.m.		50.1-54.0	A2, A3, A4, and n.f.m.
40 m.	7.000-7.300	A1		51-54	AØ
	7.000-7.200	F1		52.5-54	f.m.
	7.200-7.300	A3 and n.f.m.	2 m.	144-148	A1
20 m.	14.000-14.350	A1		144-147.9	AØ, A2, A3, A4, and
	14.000-14.200	F1		& 220-225	f.m.
	14.200-14.350	A3 and n.f.m.	420-450 <sup>1</sup>	AØ, A1, A2, A3, A4, A5,	
15 m.	21.000-21.450	A1	& 1215-1300	and f.m.	
	21.000-21.250	F1	2300-2450	AØ, A1, A2, A3, A4, A5	
	21.250-21.450	A3 and n.f.m.	& 3500-3700	and f.m., pulse	
10 m.	28.000-29.700	A1	& 5650-5925		
	28.500-29.700	A3 and n.f.m.	& 10,000-10,500 <sup>2</sup>		
			& 21,000-22,000		
			& All over 30,000		

1. Input power not to exceed 50 watts. 2. No pulse permitted. Bands from 220 mc. through 10,500 mc. are shared with the government, which has priority.

In addition to the above frequencies, A1 and A3 emission is permitted on portions of 1800-2000 kc. band as follows:

AREA	BAND (kc.)	POWER (watts)	
		Day	Night
Minn., Iowa, Wis., Mich., Pa., Md., Del. and to the States to north, including District of Columbia	1800-1825	500	200
N.D., S.D., Neb., Colo., N. Mex., and states west, including Hawaii	1975-2000	500*	200*
Okla., Kan., Mo., Ark., Ill., Ind., Ky., Tenn., Ohio, W. Va., Va., N. C., S. C., Texas (west of 99 degrees W or north of 32 degrees N)	1800-1825	200	50

No operation elsewhere. \*Except in state of Washington where power is 200 watts in daytime and 50 watts at night.

Novice transmitters must be crystal-controlled, have a maximum power input of 75 watts, and operate on the following frequencies: 3.700-3.750—A1, 7.150-7.200—A1; 21.100-21.250—A1; 145-147—AØ, A1, A2, A3, A4, f.m.

Technician licensees have all amateur privileges in 50-54 mc., 145-147 mc. bands as well as in the bands from 220 mc. and higher.

**NOTES:** AØ—unmodulated carrier; A1—c.w. telegraphy; A2—tone-modulated c.w. telegraphy; A3—amplitude-modulated phone; A4—facsimile; A5—television; n.f.m.—narrow-band f.m. phone; f.m.—frequency modulation phone or telegraphy; F1—frequency-shift keying.





The authors tune up the tiny transistorized transmitter with grid-dip meter prior to going on air. (Right) Gus Fallgren keys the transmitter whose power source is 6 v. battery.



# “Tiny-Mite” Transmitter for DX-ing

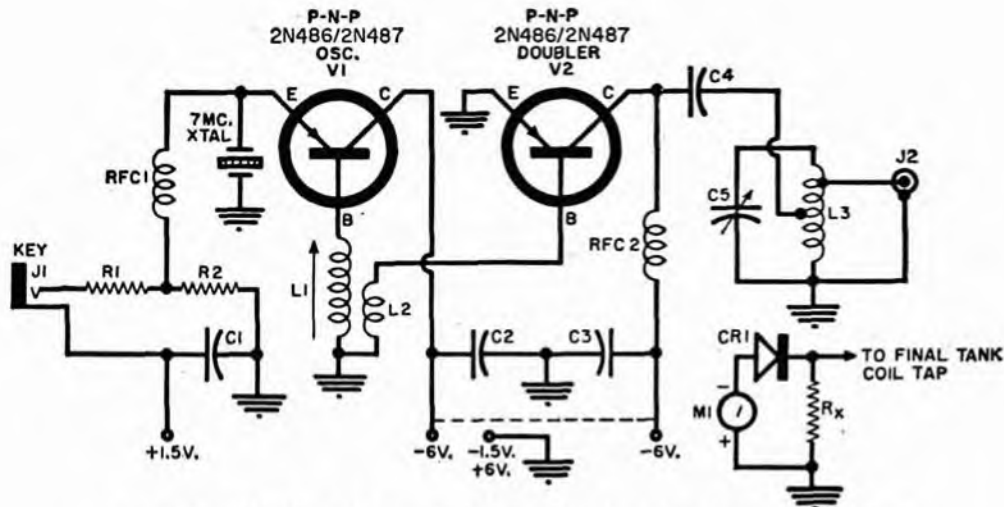
By **GUS FALLGREN**, Raytheon Company  
&  
**AL HANKINSON**, Federal Aviation Agency

*Bored with your big ham rig? Try  
this transistorized unit  
for new operating fun and thrills.*

**I**F YOU are bored with your big rig and I want a new and exciting experience, how about building this tiny .08-watt transmitter for your DX-ing. It is both transistorized and compact.

The entire unit can be constructed in a standard 5" x 2½" x 2¼" chassis box or case. The under-chassis view shows, from right to left, the key jack, the crystal sock-

et, a transistor socket for the oscillator section, the slug adjustment for the oscillator coil, another transistor socket for the doubler-final stage, the tuning knob for the output tank capacitor, and the antenna coax connector. The battery leads are brought out below the coax fitting in the lower left-hand corner. No further comments on component placement are needed,



Complete schematic and parts list for the .08-watt transistorized ham transmitter.

### PARTS LIST

- Rx*—Non-inductive resistor equal to line impedance (see text)  
*R1*—160 ohm, ½ w. res.  
*R2*—1 megohm, ½ w. res.  
*C1, C2*—.01 μf. disc ceramic capacitor  
*C3*—.005 μf. disc ceramic capacitor  
*C4*—.001 μf. disc ceramic capacitor  
*C5*—50 μf. variable capacitor (National HFS0)  
*L1*—38 t. #22 en. closewound, ½" dia. (CTC slug-tuned form)  
*L2*—8 t. #22 en. wound over ground end of *L1*  
*L3*—17 t. B & W "Miniductor" #3011, tapped ¾ t. from ground  
*J1*—Miniature open-circuit jack  
*J2*—Coaxial cable connector  
*M1*—1 ma. d.c. meter  
*CR1*—CK705 or equiv.  
*RFC1, RFC2*—2.5 mh. r.f. choke (Grayburne M25)  
*Xtal.*—7 mc. crystal  
*V1, V2*—"p-n-p" transistor (Raytheon 2N486, 2N487, or for more power, 2N417)

as nothing seems to be critical; you can adapt the layout to fit the components.

For matching the antenna to the transmitter the authors used a 52-ohm coax.

The oscillator coil should be wound as indicated in the schematic. Don't attempt to build the oscillator separately and then check it out as you may run into trouble from individual transistor variations. Build the entire transmitter, plug in the transistors, and you are ready to tune.

Tuning is a little different than with a regular tube transmitter, but if you follow directions you should find it simple. You will need a grid-dip meter or your receiver's "S" meter, a 0-25 milliammeter, and the simple r.f. indicator shown on the schematic. The r.f. indicator is easily constructed and is very handy for working

with transistorized transmitters. *Rx* is a carbon resistor which matches the line impedance—51 ohms for a 52-ohm coax, etc.

Here is the tuning procedure:

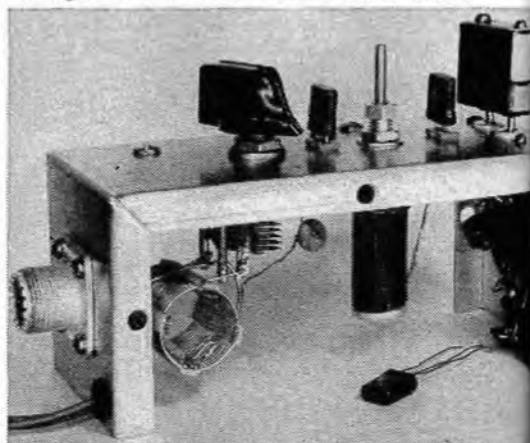
- Using either the grid-dip meter or the "S" meter, adjust the slug-tuned coil *L1* for maximum 7-mc. output. This step should give you no trouble, as transistor oscillators seem to oscillate easily.

- With the milliammeter inserted in the final stage collector lead, adjust link *L2* for maximum current (12 to 15 ma.).

- Again using either the grid-dip meter or the "S" meter, adjust the final tuning capacitor for maximum 14-mc. output.

- You are now ready to select the tap for the collector. Using the grid-dip meter as

**Complete** transmitter fits into a 5" x 2¼" x 2¼" box. Transistors shown in this photo were later changed to the newer 2N417's noted above.



an absorption wavemeter tuned to 14 mc. record the meter reading, then change the tap and hunt for a point where the output is maximum. Simple but effective! The best tap will be quite far down on the tank coil because of the low collector impedance.

5. Using the r.f. indicator, move up and down the final coil until the point of maximum output is found, and connect the antenna tap at this point.

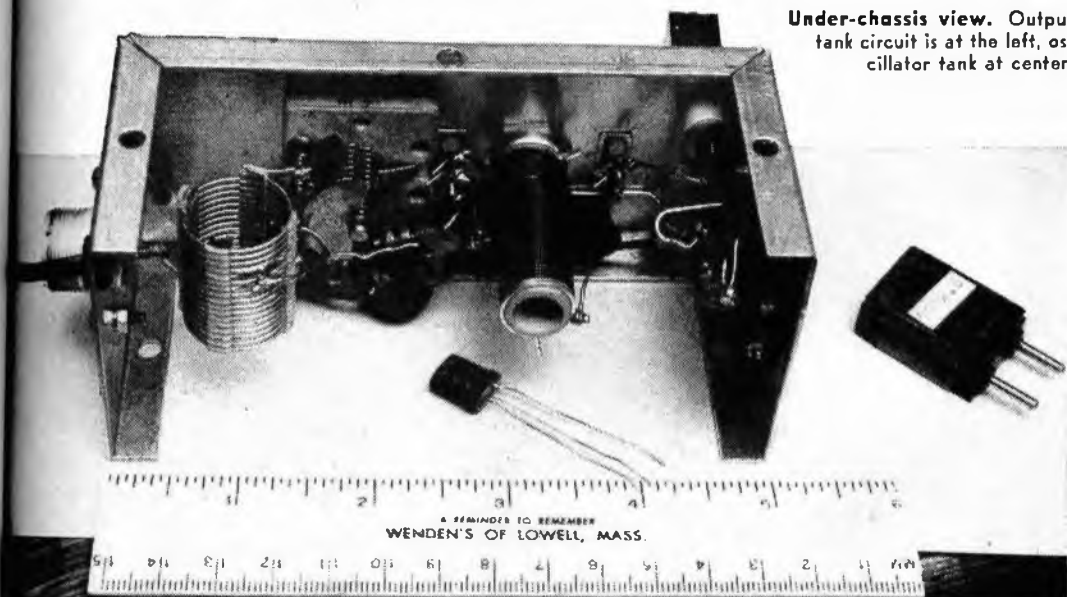
Now you have a working rig, any variations are up to you. One that was tried and discarded in the interests of simplicity was the use of a 1-megohm potentiometer in place of  $R1$  and  $R2$ . With a pot in this location, you will have control over your

drive and also your keying characteristics. The authors experienced no keying trouble whatsoever, so the pot was eliminated.

Another possible refinement is to include a closed-circuit jack in the "high-voltage" lead to the final. Then all you have to do to go on 20-meter phone is plug in a carbon mike of the F1 variety.

Connected to a 20-meter, three-element beam, this little rig has worked Denmark—which by simple math shows that 3600 miles (approximate distance to Denmark) divided by .08 watt is equal to 45,000 miles per watt! Not a bad record for a project that had its origins in boredom with our big ham rigs!

-30-



Under-chassis view. Output tank circuit is at the left, oscillator tank at center.

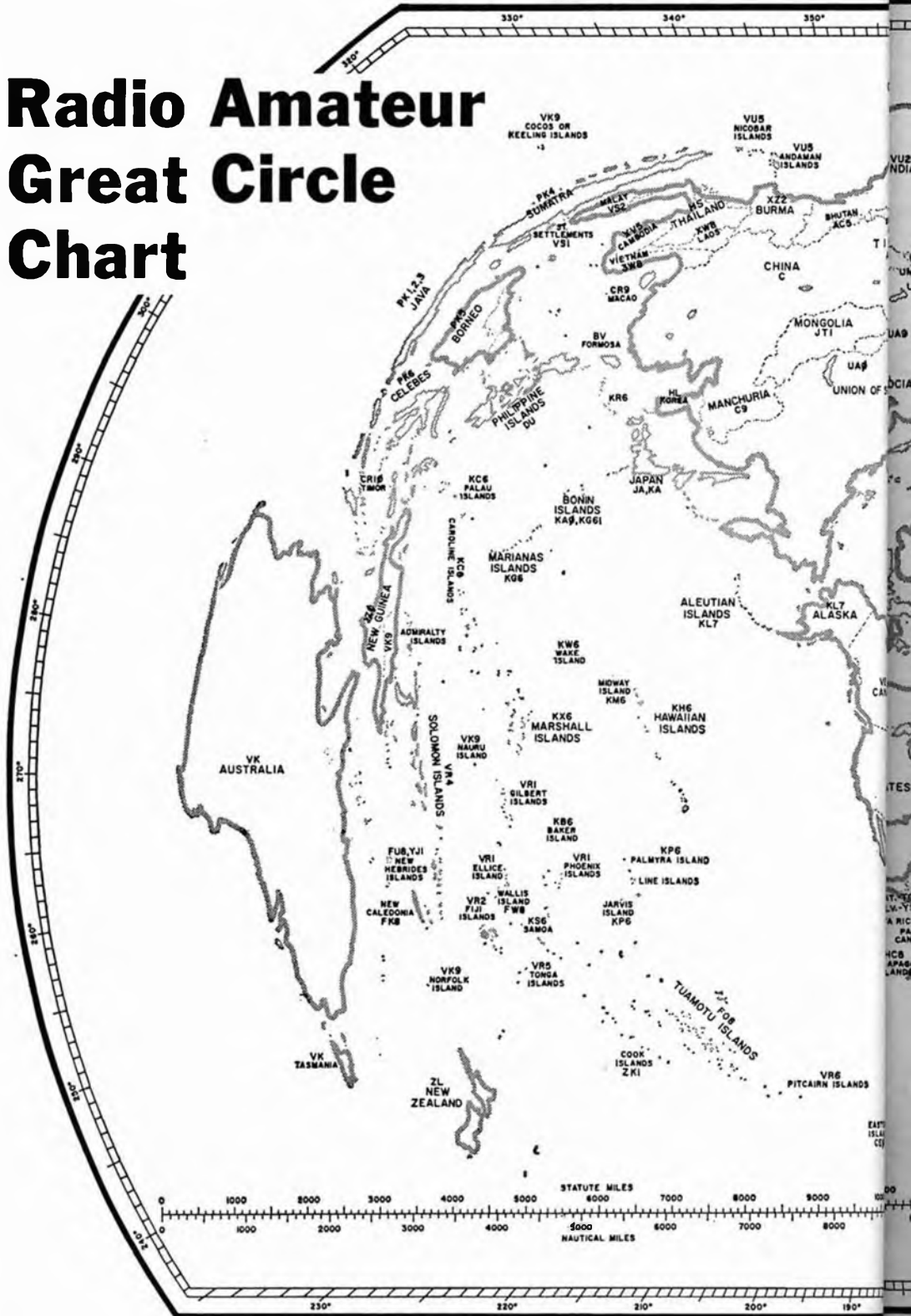
## Build Your Own CB Transceiver

Build your own CB transceiver from plans included in a four-page folder being offered to readers of *ELECTRONIC EXPERIMENTER'S HANDBOOK* for 15 cents a copy. This 117-volt, a.c.-powered unit uses five tubes and can be built on a 7" x 9" x 2" chassis. A sensitive "base station" for your CB set-up, this unit is a natural for use with a companion mobile rig. For copies of "Build This Citizens Band Transceiver," send 15 cents in coin to:

Room 21  
ELECTRONIC EXPERIMENTER'S HANDBOOK  
One Park Avenue  
New York 16, New York

Don't forget to PRINT your name and address clearly!

# Radio Amateur Great Circle Chart

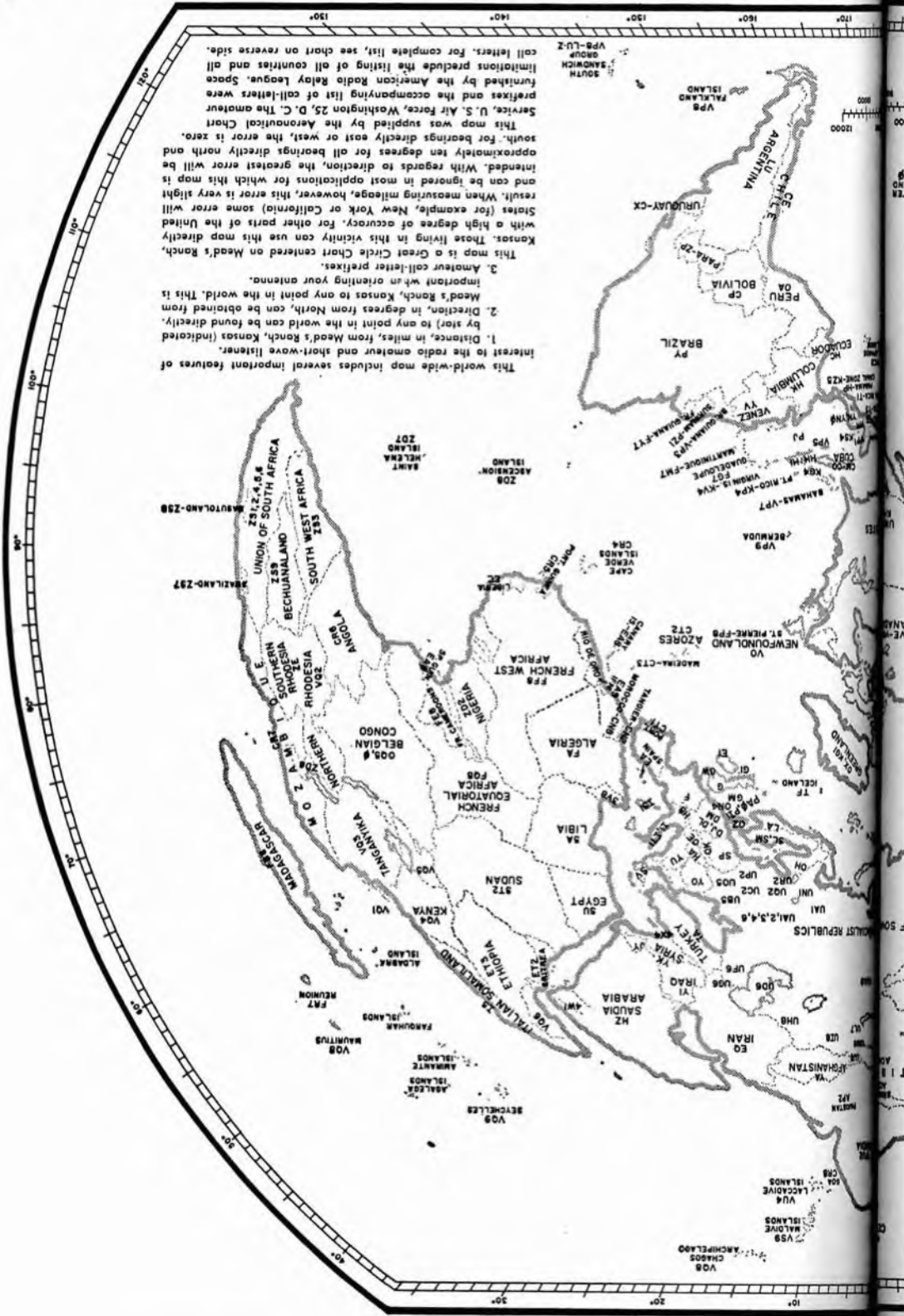


This world-wide map includes several important features of interest to the radio amateur and short-wave listener.

1. Distance, in miles, from Mead's Ranch, Kansas (indicated by star) to any point in the world can be found directly.
2. Direction, in degrees from North, can be obtained from Mead's Ranch, Kansas to any point in the world. This is important when orienting your antenna.
3. Amateur call-letter prefixes.

This map is a Great Circle Chart centered on Mead's Ranch, Kansas. Those living in this vicinity can use this map directly with a high degree of accuracy. For other parts of the United States (for example, New York or California) some error will result. When measuring mileage, however, this error is very slight and can be ignored in most applications for which this map is intended. With regards to direction, the greatest error will be approximately ten degrees for all bearings directly north and south. For bearings directly east or west, the error is zero.

This map was supplied by the Aeronautical Chart Service, U. S. Air Force, Washington 25, D. C. The amateur prefixes and the accompanying list of call-letters were furnished by the American Radio Relay League. Space limitations preclude the listing of all countries and all call letters. For complete list, see chart on reverse side.



# POPULAR ELECTRONICS CITIZENS BAND "11" CODE

**O**VER the past few months, many Class D Citizens Band operators have "adopted" the "10" code devised by the Associated Police Communication Officers, Inc. ("APCO"). CB'ers using this code find that their messages are easily, rapidly, and effectively transmitted over some pretty busy channels. Obviously, on a crowded channel, it's easier to understand someone speaking one or two numbers than a whole sentence.

But the APCO code is a hand-me-down: it's excellent for police departments, but it leaves much to be desired for CB work. While CB'ers can put many of the numbers to good use, signals such as "10-32"—which means "Is drunkometer available?"—are of no value at all to CB'ers.

In response to a considerable number of reader requests, POPULAR ELECTRONICS contacted CB manufacturers, clubs, and individual operators to find out just what they would like to have included in a CB code. We sifted, sorted, reworded, and re-worked hundreds upon hundreds of suggestions, combining many and junking many. The result is the POPULAR ELECTRONICS Citizens Band "11" Code (given below). We hope that you will use it and help cut down on interference caused by long transmissions.

You'll notice that some of the numbers between 11-1 and 11-100 have not been utilized. These omissions are deliberate on our part and allow for additions to the series. -30-

## GENERAL STATION OPERATION

- 11-1 Receiving poorly.
- 11-2 Receiving well.
- 11-3 Stop transmitting.
- 11-4 Okay—acknowledged.
- 11-5 Identify your station by FCC-assigned call sign.
- 11-6 Cease operation—signal indicates malfunctioning transmitter.
- 11-7 Out of service—leaving the air.
- 11-8 This station is standing by on \_\_\_\_\_ (channel number).
- 11-9 On which other channels can you transmit and receive?
- 11-10 Switch to \_\_\_\_\_ (channel number) for transmitting and receiving.
- 11-11 Unable to copy you because of \_\_\_\_\_.
- 11-12 Please repeat your last message.
- 11-13 Trouble at station because of \_\_\_\_\_.
- 11-14 Request licensed radio technician be sent to this station.
- 11-15 Conducting test—please count to ten slowly.
- 11-16 Conducting test—please transmit unmodulated carrier for ten seconds.
- 11-20 What is your location? (My location is \_\_\_\_\_.)

## MESSAGES AND TRAFFIC-HANDLING

- 11-30 Does not conform to operating rules and regulations.
- 11-31 Stand by! (order)
- 11-32 Please speak slower.
- 11-33 Please relay message.
- 11-34 Busy.
- 11-35 Confidential information.
- 11-36 Correct local time.

- 11-37 Please call this station by telephone.
- 11-38 Visitors present.
- 11-39 Is telephone patch possible?
- 11-40 Advise if \_\_\_\_\_ is available for radio contact.
- 11-41 Do you have any messages for this station?
- 11-42 Any answer on my message regarding \_\_\_\_\_?
- 11-43 Is \_\_\_\_\_ at your station?
- 11-44 What channel is \_\_\_\_\_ operating on?
- 11-45 Your reply is satisfactory.
- 11-46 I have an urgent message for \_\_\_\_\_.
- 11-47 Please clarify your message.
- 11-48 What is next message?
- 11-49 Please confirm.
- 11-50 Telephone \_\_\_\_\_! (order)
- 11-51 Can you contact \_\_\_\_\_?
- 11-52 I have an urgent message for \_\_\_\_\_ (NOT for emergency use)

## MOBILE AND EN ROUTE

- 11-60 Reserve hotel room with bath for \_\_\_\_\_.
- 11-61 Can you recommend a good local restaurant?
- 11-62 Can you recommend a good local hotel or motel?
- 11-63 Please advise weather/road conditions.
- 11-64 What is highway or best route to \_\_\_\_\_?
- 11-65 What is location of nearest service station?
- 11-66 Will arrive \_\_\_\_\_ (time and/or place).

## COMMERCIAL

- 11-70 Rush—quick action desired.
- 11-71 Return to base.



umber of  
NICS con-  
and indi-  
that they  
CB code,  
-worked  
gestions,  
y. The  
Citizens  
ve hope  
own on  
missions.  
numbers  
t been  
rate on  
to the

- 11-72 Assignment completed.
- 11-73 Report in person to \_\_\_\_\_.
- 11-74 I will be at your station in \_\_\_\_\_ (hours/minutes).
- 11-75 Pick up \_\_\_\_\_ at \_\_\_\_\_.
- 11-76 I have \_\_\_\_\_ with me.

**MARINE**

- 11-80 Please advise sea conditions at \_\_\_\_\_.
- 11-81 Do you have dockside moorings available for \_\_\_\_\_ (boat type)?
- 11-82 Do you have dockside fuel available?
- 11-83 I will monitor marine channel \_\_\_\_\_ (9 or 13) while under way.

**EMERGENCY**

- 11-90 Send police to \_\_\_\_\_.
- 11-91 Send ambulance to \_\_\_\_\_.
- 11-92 Send fire department to \_\_\_\_\_.
- 11-93 Send auto wrecker to \_\_\_\_\_.
- 11-94 Send Coast Guard to \_\_\_\_\_.
- 11-95 Personal injury due to accident at \_\_\_\_\_.
- 11-96 Please summon doctor to your station to give emergency first aid advice by radio.
- 11-99 Emergency conditions no longer exist.
- 11-100 I have emergency traffic regarding the safety of life and property. Will all stations please give me priority use of this channel until the emergency traffic is completed.

# Citizens Band Call Signs

**W**HEN your CB license arrives from the FCC, you will notice that it bears a number in the upper right-hand corner. This is your station's call sign, or serial number. Call signs are assigned with different prefix numbers for each radio district of the country. For instance, all stations in the metropolitan New York-New Jersey area, which is the Second Radio District, will have a "2" before the letter in the call sign (2W833, 2W4970, etc.). There are 24 radio districts in the CB service, so when you hear a distant station you will know where the operator is from, by noting his prefix number. The map below identifies each district.

Your call sign must be given regularly at

specified times during your transmissions, namely at the beginning and end of all communications. However, if you are exchanging brief communications (less than 3 minutes per transmission) with another station, you may give your call every 10 minutes (don't forget the 2-minute "break" every 5 minutes if you're talking with another licensee). Violation of these rules means loss of license.

Although anyone can listen in on CB frequencies, don't use your transmitter unless you have received your license and call letters from the FCC—it is a federal offense to do so. It is also an offense for you to use a call sign which has not been issued to your station by the FCC.



## Easy-to-Build

# Beam Antenna

Pull in the DX and cut down noise and interference.

By JIM FAHNESTOCK, W2RQA

**B**EAM ANTENNAS are becoming increasingly popular among users of frequencies above 14 megacycles. While once considered a luxury in amateur radio circles, the beam is rapidly joining the list of necessities as the spectrum becomes more crowded and competition more severe.

Thanks to "do-it-yourself" aluminum, which can be found in almost any hardware store, a ham or short-wave listener can start on a beam for a small investment of tubing and brackets. To squeeze out every possible ounce of performance, let's sacrifice multi-band operation and pick 15 meters, meeting place for veterans and Novices alike.

The dimensions shown in Fig. 1 were chosen for approximately the middle of the c.w. portion of the 15-meter band (21.2 mc.). These dimensions are not extremely critical. For other frequencies, the proper lengths can be calculated using the simple formulas:

$$\text{Driven element (in feet)} = \frac{475}{\text{freq. (mc.)}}$$

$$\text{Director (in feet)} = \frac{455}{\text{freq. (mc.)}}$$

The *gamma* matching bar is a proportionate length.

**Construction.** The boom is a 6' length of 1 1/4" tubing. (See Fig. 2.) The two center element sections are 8' lengths of 1" tubing and the four end element sections are 8' lengths of 3/4" tubing telescoped into the center elements. A 1 1/4" x 6' length of tubing serves as a mast. You can substitute a length of 2" x 3" lumber for the mast in the initial installation if you wish.

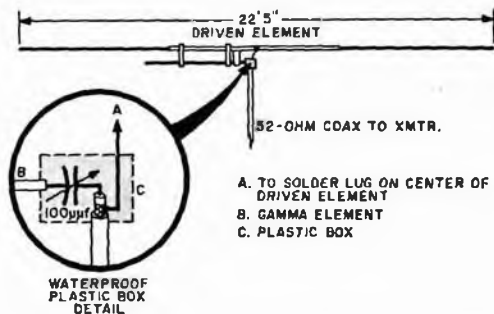
To create a snug fit at the telescope joints, the following procedure is recommended. Take a 6" length of 1" tubing and, with a hacksaw, cut a 3/8" slice along the length of the tube. Then, squeezing the

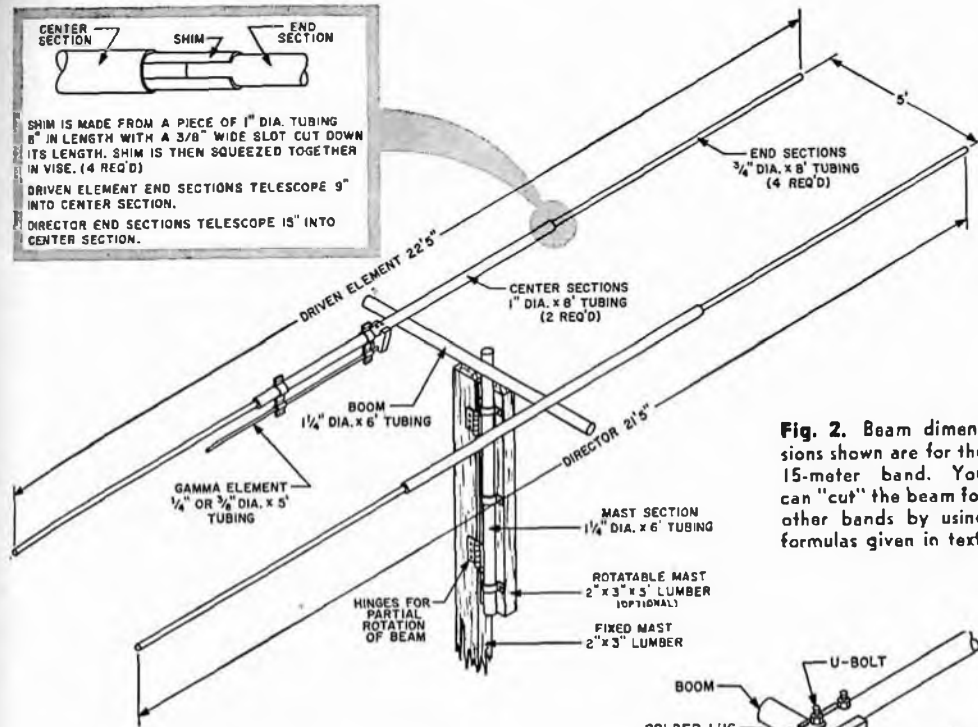
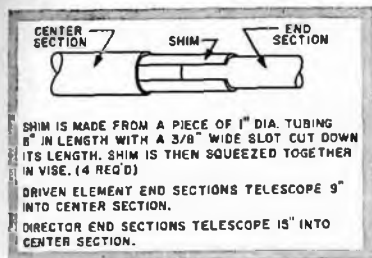
slotted section in a vise, reform the tube by closing the slot. This will create a new piece whose outside diameter corresponds roughly to the inside diameter of the 1" tubing, and whose inside diameter approximates the 3/4" tubing's outside diameter.

After you prepare four such shims, and insert them into the ends of the 8' sections of 1" tubing, then insert the 8' sections of 3/4" tubing into the shims. For the radiator, or driven element, the overlap will be 9", and for the shorter director, the overlap will be 15". The 3/4" end sections can be held firmly in place by several sheet metal screws which are long enough to pass through both pieces of tubing and the shim as well.

When the driven element has been assembled, the *gamma* matching section is attached to it. To form the *gamma* matching section mounting straps, bend the ends of a 6" strip around the 1" tubing and the *gamma* matching bar, and drill holes for screws and nuts to clamp the tubing. You can make the *gamma* matching bar from five feet of 1/4" or 3/8" tubing. The strap on the inner end must be insulated from the driven element, and the insulation must be strong enough to withstand anticipated

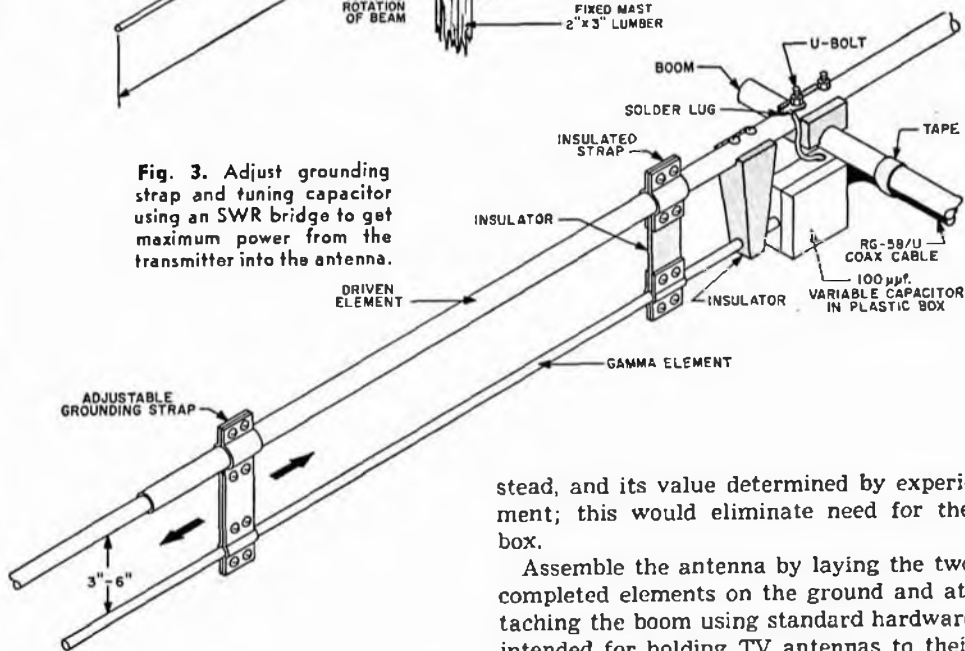
**Fig. 1.** Shield of 52-ohm line is connected to driven element and inner conductor to *gamma* element via the variable capacitor. To eliminate the box, use a weatherproofed fixed capacitor of optimum value.





**Fig. 2.** Beam dimensions shown are for the 15-meter band. You can "cut" the beam for other bands by using formulas given in text.

**Fig. 3.** Adjust grounding strap and tuning capacitor using an SWR bridge to get maximum power from the transmitter into the antenna.



strain due to wind—its electrical properties are not too critical.

The insulated waterproof box housing the receiving-type 100  $\mu\text{f}$ . variable capacitor can be attached to the boom or the driven element. Note that the outer conductor of the coax must be connected to the center of the driven element so that the exact location of the box depends on its size. A fixed capacitor could be used in-

stead, and its value determined by experiment; this would eliminate need for the box.

Assemble the antenna by laying the two completed elements on the ground and attaching the boom using standard hardware intended for holding TV antennas to their masts. Separation of the driven element and the director is not too critical—with the full 6' length as the boom, the elements can be placed 4" to 6" from either end. Movement of the elements after installation affords a degree of adjustment to improve front-to-back ratio using a remote signal-strength indicator.

Connect the center of the boom, by means of another TV clamp, to a mast of 1/4" tubing. In lieu of a mast, a vertical 2" x 3"

may be used with a 1¼" pipe strap to hold the boom. By connecting this "mast" to another 2" x 3" with heavy hinges, the array can be rotated almost 180° at minimum cost. The beam and its aluminum mast are so light that they can be supported in a fixed position using a small vise to hold the mast to some permanent part of the house or other structure.

**Adjustment.** The *gamma* matching section presents the correct impedance for standard five-cent-per-foot 52-ohm coaxial cable (RG-58/U). In adjusting the dimensions of the *gamma* matching section, there is no substitute for a standing-wave-ratio bridge or reflected power indicator. Both

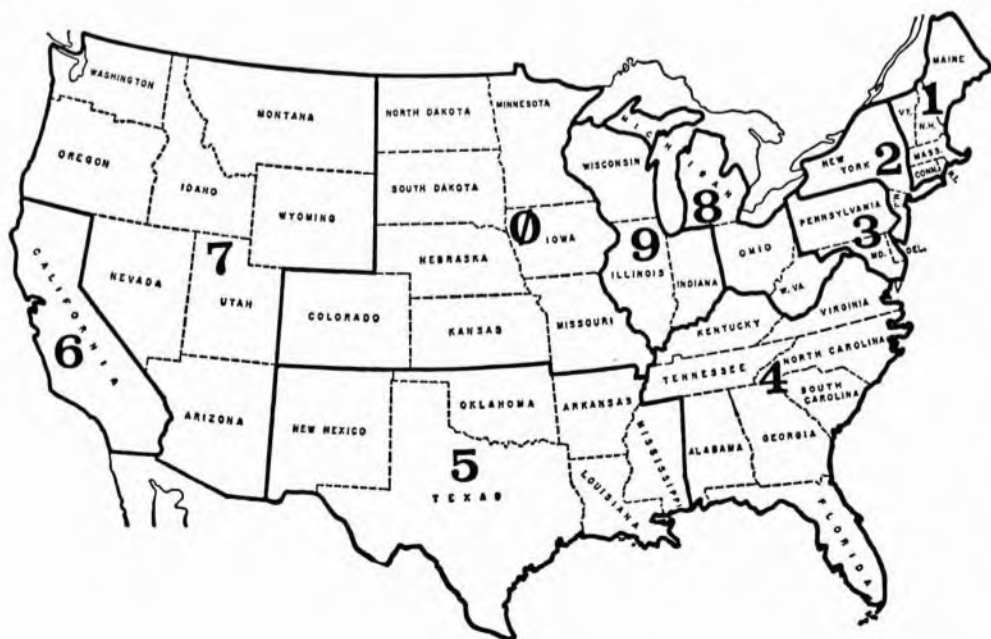
the matching section and the value of the capacitor should be adjusted to minimize SWR.

You'll find that the gain of the antenna will theoretically be only unity, but signals arriving at the ends will definitely be weaker than those arriving broadside. Later, if you wish, you can add a third element—a reflector—for increased gain.

Aside from adding to the signal strength of a station, a beam adds to the morale and courage of its user. The rare ones become more common. Disappointments in multiple layer pile-ups are rare, and 100% QSO's are the rule rather than the exception. -50-

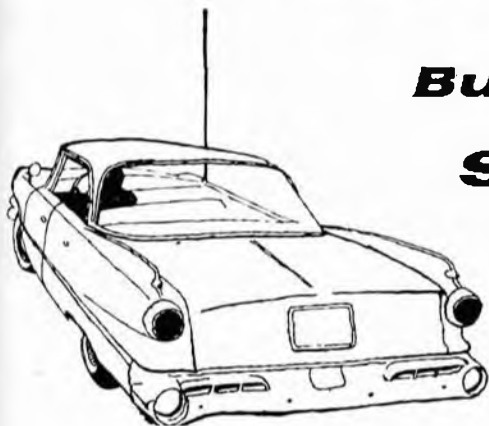
## Amateur Radio Call Sign Prefixes

- |   |  |
|---|--|
| <ul style="list-style-type: none"> <li>① Maine, New Hampshire, Vermont, Massachusetts, Rhode Island, Connecticut</li> <li>② New York, New Jersey</li> <li>③ Pennsylvania, Delaware, Maryland, District of Columbia</li> <li>④ Virginia, North and South Carolina, Georgia, Florida, Alabama, Tennessee, Kentucky, Puerto Rico, Virgin Islands</li> <li>⑤ Mississippi, Louisiana, Arkansas,</li> </ul> | <ul style="list-style-type: none"> <li>Oklahoma, Texas, New Mexico</li> <li>⑥ California, Hawaii</li> <li>⑦ Oregon, Washington, Idaho, Montana, Wyoming, Arizona, Nevada, Utah and Alaska</li> <li>⑧ Michigan, Ohio, West Virginia</li> <li>⑨ Wisconsin, Illinois, Indiana</li> <li>⑩ Colorado, Nebraska, North and South Dakota, Kansas, Minnesota, Iowa, Missouri</li> </ul> |
|---|--|





## Build a **MOBILE SHORT-WAVE CONVERTER**



By **J. A. STANLEY**

**Self-powered unit pulls in short-wave and ham broadcasts while you drive.**

**T**UNING IN short-wave or ham stations on your auto radio is easy with this crystal-controlled converter. A small, self-powered unit, it can be quickly connected to any auto radio by simply inserting it between the radio and the antenna. Although the converter uses only one transistor, it will pull in foreign short-wave broadcasts easily. You'll be able to tune all frequencies between 30 and 49 meters (about 5 to 10 mc.), using only five different crystals.

Since the converter runs on its own battery, you won't have to break into your car's electrical system. Parts will cost

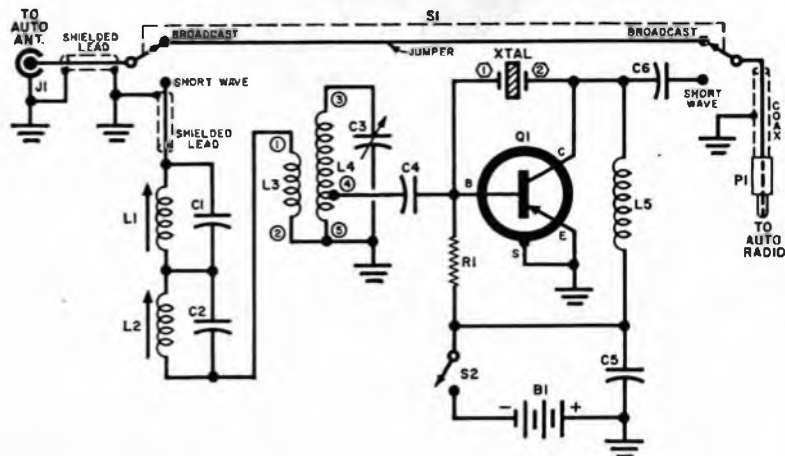
around \$10, and you should be able to complete the unit in a couple of evenings.

**Construction.** The complete converter is built into a 5" x 2 $\frac{1}{4}$ " x 2 $\frac{1}{4}$ " aluminum box as shown. Using a slightly larger box will make assembly easier, but take care to keep tuned-circuit leads short.

Of the five coils ( $L_1$  through  $L_5$ ) in the converter, only two ( $L_3$  and  $L_4$ ) are hand-wound. Coil  $L_4$  consists of 22 turns cut from a section of Barker & Williamson 3016 coil stock. Any similar coil stock can be used as long as it has a spacing ratio of 32 turns to the inch and a 1" diameter. Note that  $L_4$  is tapped 2 $\frac{1}{2}$  turns from the ground end, as shown in the pictorial detail.

Antenna coil  $L_3$  consists of nine turns of No. 22 solid insulated hookup wire wound directly over  $L_4$ . A turn or two of plastic tape around  $L_4$  separates the two coils.

Coils  $L_1$  and  $L_2$  are the "garden" variety of broadcast-band antenna loopsticks. If you have a couple of these in your junk box, so much the better, but keep in mind that they have to be short enough to fit into the box you select for the converter. The r.f. choke ( $L_5$ ) should have a value of about 2.5 mh., as shown in the parts list;



### PARTS LIST

- B1—3-volt battery (two pentlight cells in series, Burgess Type Z or equivalent)  
 C1—500- $\mu$ f. ceramic capacitor  
 C2, C4—100- $\mu$ f. mica or ceramic capacitor  
 C3—100- $\mu$ f. midget variable capacitor (Hammarland APC-100B or equivalent)  
 C5, C6—.001- $\mu$ f. ceramic capacitor  
 J1—Auto antenna jack (Motorola 1207 or equivalent)  
 L1, L2—Ferrite broadcast-band loopstick (Lafayette MS-11 or equivalent)  
 L3—Antenna coil (see text)  
 L4—Tuning coil (see text)  
 L5—2.5 mh. r.f. choke (National R-100 or equivalent)  
 P1—Auto antenna plug (Motorola 1200 or equivalent)  
 Q1—2N247 transistor (see text)  
 R1—390,000-ohm,  $\frac{1}{2}$ -watt resistor  
 S1—D.p.d.t. slide switch  
 S2—S.p.s.t. slide switch  
 XTAL—5- to 8-mc. crystal (James Knight H-73 or equivalent—see text)  
 1—5" x 2 $\frac{1}{4}$ " x 2 $\frac{1}{4}$ " aluminum box (Bud CU3004A or equivalent)  
 Misc.—Hardware, battery holder, sockets

Schematic diagram of converter shows a p-n-p transistor for Q1. Battery polarity should be reversed if an n-p-n transistor is used.

tal will do, as will the surplus FT-243 units.

The converter will tune from 550 to 1600 kc. *higher* than the frequency of the crystal you select. For example, if you select a 6450-kc. crystal, you will be able to tune from 7000 to 8050 kc. on your auto radio dial. This range takes in the 40-meter ham band and the 39-meter international short-wave band.

If you want to pick up other frequencies in the converter's 5- to 10-mc. range, simply select a crystal *near* the frequencies shown in the following table.

Crystal Frequency (kc.)	Frequency-Covered by Auto Radio (kc.)
5000	5550 to 6600
6000	6550 to 7600
7000	7550 to 8600
8000	8550 to 9600

current rating isn't really important, but the d.c. resistance should be as low as possible.

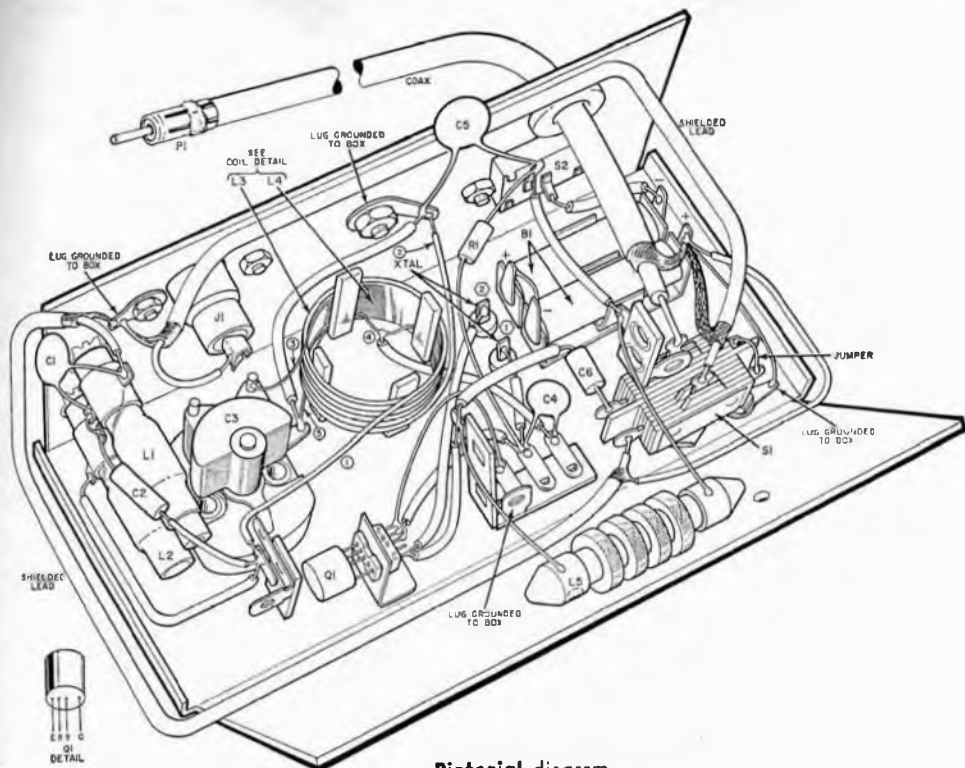
Any number of transistors will work in the converter; a 2N247 (RCA) was used in the model, but the AO-1 and 2N344/SB101 (Philco) will serve as well. The converter will even work with the low-cost 2N170 (G.E.), if you reverse the battery polarity shown on the schematic. With the 2N170, though, the converter's tuning range may be limited from 5.5 to 6 or 7 mc., depending on how well your 2N170 transistor oscillates.

**Frequency Coverage.** Select a crystal with a fundamental frequency between 5 and 8 mc. Any 40-meter ham-band crys-

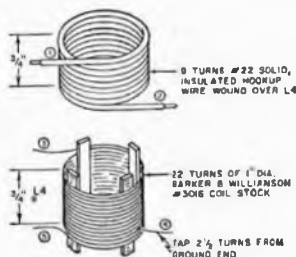
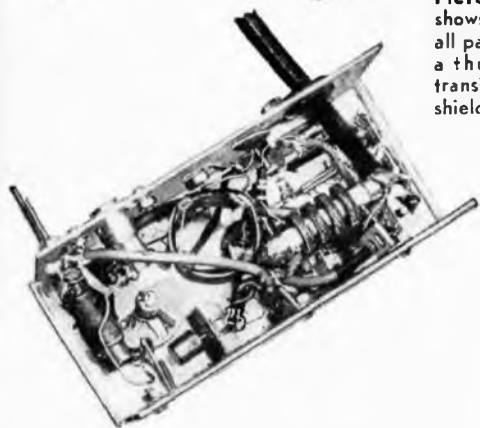
**Operation.** Once the crystal has been selected, it's an easy matter to fire up the converter. Simply unplug the antenna lead from the auto radio and plug it into jack J1 on the converter. Then insert plug P1 from the converter into the auto radio's antenna jack.

Now switch on the converter and the auto radio. Set bandswitch S1 on the converter to "short wave," and tune the car radio. Instead of the usual broadcast sta-





**Pictorial diagram shows placement of all parts. If you use a three-terminal transistor, disregard shield connection.**



### HOW IT WORKS

The converter is basically a self-oscillating mixer. With switch *S1* in the short-wave position, signals picked up by the auto antenna are fed into jack *J1* and pass through the switch contacts. Short-wave signals pass through both broadcast-band traps consisting of tuned circuits *L1-C1* and *L2-C2*, while unwanted broadcast-band signals are eliminated. The short-wave signals are then induced into tuning coil *L3* from antenna coil *L3*; capacitor *C3* tunes *L3* to the frequency of the short-wave signal.

Transistor *Q1* operates as an untuned crystal oscillator and an r.f. mixer. The desired signal is applied to the base of *Q1* through capacitor *C4* and is mixed with the frequency of the crystal. The difference frequency (signal frequency minus crystal frequency), which falls on the standard broadcast band, appears at the collector of *Q1*. This signal is applied to the auto radio via capacitor *C6*, switch *S1*, and plug *P1*. Resistor *R1* supplies base bias to *Q1*, choke *L5* serves as a collector load, and *C5* serves as an r.f. bypass capacitor. Transistor *Q1* is powered by battery *B1* through on-off switch *S2*.

When the converter is not in use, bandswitch *S1* is placed in the broadcast position. With this setting of *S1*, broadcast-band signals are fed through jack *J1* and plug *P1* directly to the auto radio.

tions, you should hear short-wave stations. You can now adjust tuning capacitor *C3* on the converter for best results.

If there are one or two broadcast stations that still "ride through," adjust the slugs on coils *L1* and *L2* to eliminate them. Otherwise, just set one slug "in" and one "out" to trap broadcast stations equally well across the band.

For normal broadcast-band reception on your car radio, switch off *S2* on the converter and set bandswitch *S1* to "broadcast band."

# Allocation of International Radio Call Signs

*The nationality of any short-wave broadcast, amateur,  
or other radio station may be found from this listing.*

Country	Call Signs	Country	Call Signs
United States of America . . . . .	AAA-ALZ	Switzerland . . . . .	HEA-HEZ
Spain . . . . .	AMA-AOZ	Poland . . . . .	HFA-HFZ
Pakistan . . . . .	APA-ASZ	Hungary . . . . .	HGA-HGZ
India . . . . .	ATA-AWZ	Republic of Haiti . . . . .	HHA-HHZ
Commonwealth of Australia . . . . .	AXA-AXZ	Dominican Republic . . . . .	HIA-HIZ
Argentina Republic . . . . .	AYA-AZZ	Republic of Colombia . . . . .	HJA-HKZ
China . . . . .	BAA-BZZ	Korea . . . . .	HLA-HMZ
Chile . . . . .	CAA-CEZ	Iraq . . . . .	HNA-HNZ
Canada . . . . .	CFA-CKZ	Republic of Panama . . . . .	HOA-HPZ
Cuba . . . . .	CLA-CMZ	Republic of Honduras . . . . .	HQA-HRZ
Morocco . . . . .	CNA-CNZ	Thailand (Siam) . . . . .	HSA-HSZ
Cuba . . . . .	COA-COZ	Nicaragua . . . . .	HTA-HTZ
Bolivia . . . . .	CPA-CPZ	Republic of El Salvador . . . . .	HUA-HUZ
Portuguese Colonies . . . . .	CQA-CRZ	Vatican City State . . . . .	HVA-HVZ
Portugal . . . . .	CSA-CUZ	France and Colonies and Protectorates . . . . .	HWA-HYZ
Uruguay . . . . .	CVA-CXZ	Kingdom of Saudi Arabia . . . . .	HZA-HZZ
Canada . . . . .	CYA-CZZ	Italy and Colonies . . . . .	IAA-IZZ
Germany . . . . .	DAA-DMZ	Japan . . . . .	JAA-JSZ
Congo . . . . .	DNA-DQZ	Mongolian People's Republic . . . . .	JTA-JVZ
Bielorussian Soviet Socialist Republic . . . . .	DRA-DTZ	Norway . . . . .	JWA-JXZ
Republic of the Philippines . . . . .	DUA-DZZ	Jordan . . . . .	JYA-JYZ
Spain . . . . .	EAA-EHZ	Netherlands New Guinea . . . . .	JZA-JZZ
Ireland . . . . .	EIA-EJZ	United States of America . . . . .	KAA-KZZ
Union of Soviet Socialist Republics . . . . .	EKA-EKZ	Norway . . . . .	LAA-LNZ
Republic of Liberia . . . . .	ELA-ELZ	Argentina Republic . . . . .	LOA-LWZ
Union of Soviet Socialist Republics . . . . .	EMA-EOZ	Luxemburg . . . . .	LXA-LXZ
Iran . . . . .	EPA-EQZ	Lithuania . . . . .	LYA-LYZ
Union of Soviet Socialist Republics . . . . .	ERA-ERZ	Bulgaria . . . . .	LZA-LZZ
Estonia . . . . .	ESA-ESZ	Great Britain . . . . .	MAA-MZZ
Ethiopia . . . . .	ETA-ETZ	United States of America . . . . .	NAA-NZZ
Union of Soviet Socialist Republics . . . . .	EUA-EZZ	Peru . . . . .	OAA-OCZ
France and Colonies and Protectorates . . . . .	FAA-FZZ	Republic of Lebanon . . . . .	ODA-ODZ
Great Britain . . . . .	GAA-GZZ	Austria . . . . .	OEA-OEZ
Hungary . . . . .	HAA-HAZ	Finland . . . . .	OFA-OJZ
Switzerland . . . . .	HBA-HBZ	Czechoslovakia . . . . .	OKA-OMZ
Ecuador . . . . .	HCA-HDZ	Belgium and Colonies . . . . .	ONA-OTZ
		Denmark . . . . .	OUA-OZZ
		Netherlands . . . . .	PAA-PIZ
		Netherlands Antilles . . . . .	PJA-PJZ
		Indonesia . . . . .	PKA-POZ
		Brazil . . . . .	PPA-PYZ

Country	Call Signs	Country	Call Signs
Surinam . . . . .	PZA-PZZ	New Hebrides . . . . .	YJA-YJZ
(Service abbreviations) . . . . .	QAA-QZZ	Syria . . . . .	YKA-YKZ
Union of Soviet Socialist Republics . . . . .	RAA-RZZ	Latvia . . . . .	YLA-YLZ
Sweden . . . . .	SAA-SMZ	Turkey . . . . .	YMA-YMZ
Poland . . . . .	SNA-SRZ	Nicaragua . . . . .	YNA-YNZ
Egypt . . . . .	SSA-SSM	Rumania . . . . .	YOA-YRZ
Sudan . . . . .	SSN-STZ	Republic of El Salvador . . . . .	YSA-YSZ
Egypt . . . . .	SUA-SUZ	Yugoslavia . . . . .	YTA-YUZ
Greece . . . . .	SVA-SZZ	Venezuela . . . . .	YVA-YYZ
Turkey . . . . .	TAA-TCZ	Yugoslavia . . . . .	YZA-YZZ
Guatemala . . . . .	TDA-TDZ	Albania . . . . .	ZAA-ZAZ
Costa Rica . . . . .	TEA-TEZ	British Colonies and Protectorates . . . . .	ZBA-ZJZ
Iceland . . . . .	TFA-TFZ	New Zealand . . . . .	ZKA-ZMZ
Guatemala . . . . .	TGA-TGZ	British Colonies and Protectorates . . . . .	ZNA-ZOZ
France and Colonies and Protectorates . . . . .	THA-THZ	Paraguay . . . . .	ZPA-ZPZ
Costa Rica . . . . .	TIA-TIZ	British Colonies and Protectorates . . . . .	ZQA-ZQZ
France and Colonies and Protectorates . . . . .	TJA-TZZ	Union of South Africa . . . . .	ZRA-ZUZ
Union of Soviet Socialist Republics . . . . .	UAA-UQZ	Brazil . . . . .	ZVA-ZZZ
Ukrainian Soviet Socialist Republic . . . . .	URA-UTZ	Great Britain . . . . .	2AA-2ZZ
Union of Soviet Socialist Republics . . . . .	UUA-UZZ	Principality of Monaco . . . . .	3AA-3AZ
Canada . . . . .	VAA-VGZ	Canada . . . . .	3BA-3FZ
Commonwealth of Australia . . . . .	VHA-VNZ	Chile . . . . .	3GA-3GZ
Newfoundland . . . . .	VOA-VOZ	China . . . . .	3HA-3UZ
British Colonies and Protectorates . . . . .	VPA-VSZ	Tunisia . . . . .	3VA-3VZ
India . . . . .	VTA-VWZ	Vietnam . . . . .	3WA-3XZ
Canada . . . . .	VXA-VYZ	Norway . . . . .	3YA-3YZ
Commonwealth of Australia . . . . .	VZA-VZZ	Poland . . . . .	3ZA-3ZZ
United States of America . . . . .	WAA-WZZ	Mexico . . . . .	4AA-4CZ
Mexico . . . . .	XAA-XIZ	Republic of the Philippines . . . . .	4DA-4IZ
Canada . . . . .	XJA-XOZ	Union of Soviet Socialist Republics . . . . .	4JA-4LZ
Denmark . . . . .	XPA-XPZ	Venezuela . . . . .	4MA-4MZ
Chile . . . . .	XQA-XRZ	Yugoslavia . . . . .	4NA-4OZ
China . . . . .	XSA-XSZ	Ceylon . . . . .	4PA-4SZ
France and Colonies and Protectorates . . . . .	XTA-XTZ	Peru . . . . .	4TA-4TZ
Cambodia . . . . .	XUA-XUZ	United Nations . . . . .	4UA-4UZ
Vietnam . . . . .	XVA-XVZ	Republic of Haiti . . . . .	4VA-4VZ
Lào . . . . .	XWA-XWZ	Yemen . . . . .	4WA-4WZ
Portuguese Colonies . . . . .	XXA-XXZ	Israel . . . . .	4XA-4XZ
Burma . . . . .	XYA-XZZ	Int. Civil Aviation Org. . . . .	4YA-4YZ
Afghanistan . . . . .	YAA-YAZ	Libya . . . . .	5AA-5AZ
Indonesia . . . . .	YBA-YHZ	Morocco . . . . .	5CA-5CZ
Iraq . . . . .	YIA-YIZ	Liberia . . . . .	5LA-5LZ
		Denmark . . . . .	5PA-5QZ
		San Marino . . . . .	9AA-9AZ
		Kuwait . . . . .	9KA-9KZ
		Nepal . . . . .	9NA-9NZ
		Saar . . . . .	9SA-9SZ

# International Radio Abbreviations

*Listing of the most common abbreviations used by all radio services in order to speed communications.*

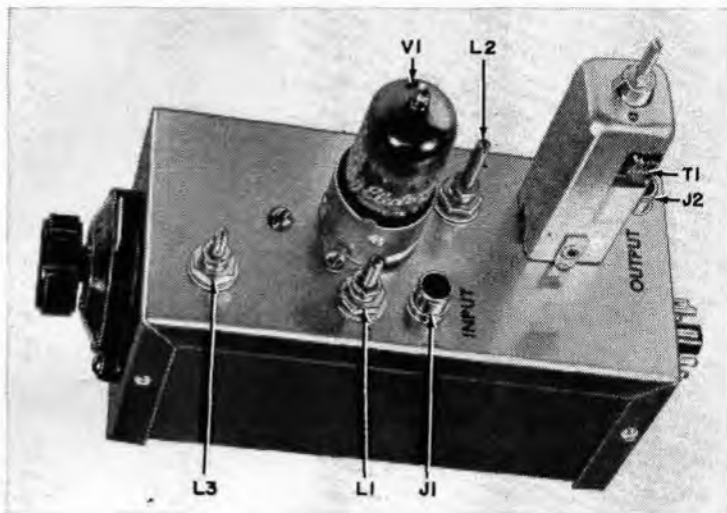
**T**HESE abbreviations were originally set up to facilitate telegraphic communications between ship or other stations of differing nationalities. They have been carried

over into contacts between stations of the same nationality and into some of the radiotelephone services because they speed communications, standardize messages.

Abbreviation	Question	Answer or Advice
<b>QRA</b>	What is the name of your station?	The name of my station is . . .
<b>QRG</b>	Will you tell me my exact frequency (or that of . . .)?	Your exact frequency (or that of . . .) is . . . mc. (or kc.).
<b>QRH</b>	Does my frequency vary?	Your frequency varies.
<b>QRI</b>	How is the tone of my transmission?	The tone of your transmission is . . . (1. Good; 2. Variable; 3. Bad).
<b>QRK</b>	What is the readability of my signals (or those of . . .)?	The readability of your signals (or those of . . .) is . . . (1. Unreadable; 2. Readable now and then; 3. Readable, but with difficulty; 4. Readable; 5. Perfectly readable).
<b>QRL</b>	Are you busy?	I am busy (or I am busy with . . .). Please do not interfere.
<b>QRM</b>	Are you being interfered with?	I am being interfered with.
<b>QRN</b>	Are you troubled by static?	I am troubled by static.
<b>QRO</b>	Shall I increase power?	Increase power.
<b>QRP</b>	Shall I decrease power?	Decrease power.
<b>QRQ</b>	Shall I send faster?	Send faster (. . . words per minute).
<b>QRS</b>	Shall I send more slowly?	Send more slowly (. . . words per minute).
<b>QRT</b>	Shall I stop sending?	Stop sending.
<b>QRU</b>	Have you anything for me?	I have nothing for you.

<b>Abbreviation</b>	<b>Question</b>	<b>Answer or Advice</b>
<b>QRX</b>	When will you call me again?	I will call you again at . . . hours [on . . . kc. (or mc.)].
<b>QRY</b>	What is my turn? (Relates to communication)	Your turn is Number . . . (or according to any other indication). (Relates to communication.)
<b>QRZ</b>	Who is calling me?	You are being called by . . . [on . . . kc. (or mc.)].
<b>QSA</b>	What is the strength of my signals (or those of . . .)?	The strength of your signals (or those of . . .) is . . . (1. Scarcely perceptible; 2. Weak; 3. Fairly good; 4. Good; 5. Very good).
<b>QSB</b>	Are my signals fading?	Your signals are fading.
<b>QSL</b>	Can you acknowledge receipt?	I am acknowledging receipt.
<b>QSN</b>	Did you hear me [or . . . (call sign)] on . . . kc. (or mc.)?	I did hear you [or . . . (call sign)] on . . . kc. (or mc.)
<b>QSO</b>	Can you communicate with . . . direct or by relay?	I can communicate with . . . direct (or by relay through . . .).
<b>QSP</b>	Will you relay to . . . free of charge?	I will relay to . . . free of charge.
<b>QSV</b>	Shall I send a series of V's on this frequency [or . . . kc. (or mc.)]?	Send a series of V's on this frequency [or . . . kc. (or mc.)].
<b>QSY</b>	Shall I change to transmission on another frequency?	Change to transmission on another frequency [or on . . . kc. (or mc.)].
<b>QSZ</b>	Shall I send each word or group more than once?	Send each word or group twice (or . . . times).
<b>QTC</b>	How many telegrams have you to send?	I have . . . telegrams for you (or for . . .).
<b>QTH</b>	What is your position in latitude and longitude (or according to any other indication)?	My position is . . . latitude . . . longitude (or according to any other indication).
<b>QTQ</b>	Can you communicate with my station by means of the International Code of Signals?	I am going to communicate with your station by means of the International Code of Signals.
<b>QTR</b>	What is the correct time?	The correct time is . . . hours.

**Top view** of the converter. A slug-tuned i.f. transformer is used for T1 in this model, but a capacitor-tuned transformer is equally suitable. One slug screw on T1 projects out of the bottom of the shield can and is adjusted through opening.



# 1-Tube Citizens Band Converter

By P. E. HATFIELD

Receiving Tube Dept., General Electric Co.

**Build this well-designed tunable converter for your broadcast receiver. Costs about \$10.00 to build and uses a single triple-triode tube.**

THE converter to be described was designed to be used in connection with any broadcast receiver capable of being tuned to 1500 kc. It may serve as the main Citizens Band receiver or make it possible to have auxiliary or monitoring receivers available at low cost. The cost of the converter is approximately ten dollars and will be even less if junk-box parts are available. The sensitivity, selectivity, and frequency stability are good, although these qualities are all governed, in part, by the receiver used as an i.f. amplifier. The basic circuit is shown in Fig. 1.

## The Circuit

One section of the General Electric 6E28 triple-triode is used as a grounded-grid input stage. This contributes useful gain as well as providing isolation between the antenna and mixer stage. This isolation decreases oscillator radiation, which some-

times reaches serious proportions with a superregenerative detector or a simple mixer-oscillator coupled to an antenna. A broadband input circuit is used so that no tuning is required.

A second section of the tube is used as a mixer with a broadband grid circuit. Use of broadband circuits in both the r.f. amplifier and mixer simplifies construction of the converter; only the oscillator need be tuned, and this eliminates the problems of ganging and tracking.

The oscillator employs a high-"C" tickler-feedback circuit which operates on the low-frequency side of the incoming signal. The circuit constants are selected to provide adequate bandspread of the Citizens Band.

## Construction

The converter is constructed in a 2½" x 2¼" x 5" chassis box. An inexpensive vernier dial is used to operate the oscillator



tuning capacitor, the only control on the converter. Input and output connections are made through phono-type connectors and power is fed in through an octal plug, arranged to mate with an octal socket on the matching power supply. If desired, a cable could be substituted for the power plug.

Parts layout is not especially critical. Since only one tube is used, the parts may be grouped around the socket with as short leads as practical, following the layout shown in the photographs.

An old TV booster or u.h.f. converter might be used to supply the cabinet, chassis, dial, and power supply at a considerable saving in parts cost.

The power supply is built in the same size box as the converter and has an octal socket mounted on one end to match the

plug on the converter. A 1:1 ratio transformer is used for power. A selenium rectifier, simple RC filter, and line switch complete this assembly. The suggested circuit is shown in Fig. 2. The use of a regulator tube is not mandatory but it does improve stability. If the 0B2 is not used, remove R7 and increase the value of R6 to 4700 ohms at 2 watts. Output voltage will then be about +100 volts.

### Connecting the Converter

If the receiver to be used with the converter is transformer-operated and does not use a loop antenna for its input coil, connection of the converter is relatively simple. A piece of 50- or 75-ohm coaxial cable not more than 2 feet long (up to 6 feet of low-capacity auto radio lead-in cable may be used) should be employed to con-

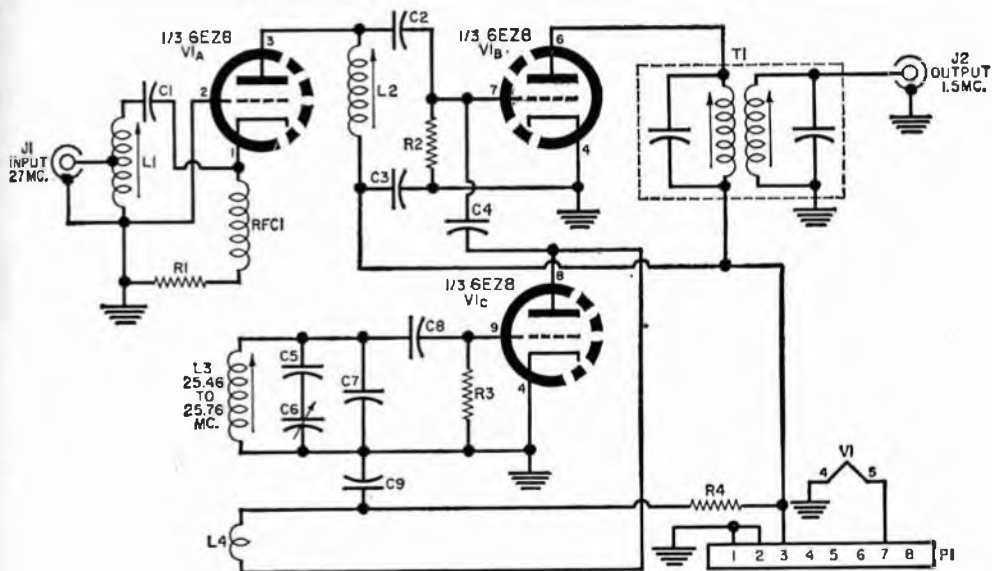
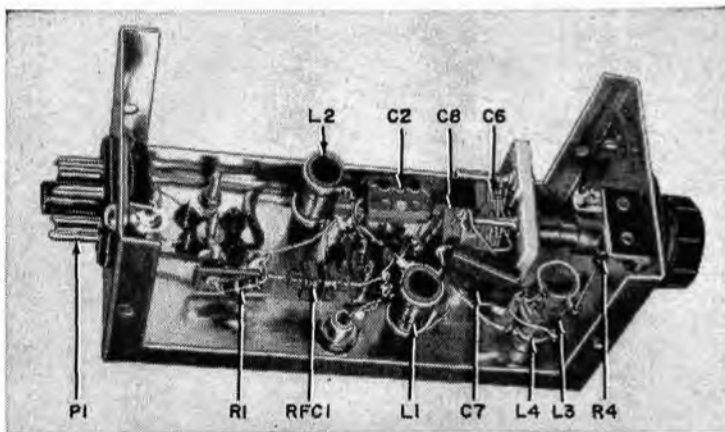


Fig. 1. Schematic diagram of the converter. Separate sections of the triple-triode 6EZ8 tube are used as r.f., mixer, and oscillator stages.

### PARTS LIST

R1—270 ohm,  $\frac{1}{2}$  w. res.  
 R2—1 megohm,  $\frac{1}{2}$  w. res.  
 R3—10,000 ohm,  $\frac{1}{2}$  w. res.  
 R4—2700 ohm,  $\frac{1}{2}$  w. res.  
 C1—470  $\mu$ f. ceramic capacitor  
 C2, C8—100  $\mu$ f. mica capacitor  $\pm 10\%$   
 C3, C9—.001  $\mu$ f. ceramic capacitor  
 C4—1  $\mu$ f. ceramic capacitor  
 C5—10  $\mu$ f. silver mica capacitor  
 C6—2.8-17.5  $\mu$ f. var. capacitor (Hammarlund Type HF-15)  
 C7—150  $\mu$ f. silver mica capacitor  
 J1, J2—Coax or phono jack  
 RFC1—750  $\mu$ hy. r.f. choke

L1—20 t. #26 en. closewound, tapped 6 t. from ground end (CTC Type LS3,  $\frac{3}{8}$ " form, 20063-B slug)  
 L2—18 t. #26 en. closewound (CTC Type LS3 form, 20063-B slug)  
 L3—4 t. #24 en. spaced to  $\frac{1}{4}$ " (CTC Type LS3 form, 20063-B slug)  
 L4—10  $\frac{1}{2}$  t. #28 en. closewound at distance of  $\frac{1}{4}$ " from ground end of L3  
 T1—1400-1600 kc. i.f. output transformer (J. W. Miller Type 12-W2)  
 P1—Octal plug  
 V1—6EZ8 triple-triode tube (General Electric)



**Bottom view** with shielding cover removed. Oscillator tuning capacitor, C6, is fastened to top of box with small angle bracket. Some capacitors have this bracket attached. Tie points were used to anchor the small parts.

nect the converter output to the antenna and ground binding posts of the receiver.

Use of an a.c.-d.c. receiver will require blocking capacitors in both leads from the converter in order to keep the converter chassis from being "hot". These capacitors may be any value from 0.01 to 0.1  $\mu$ f.

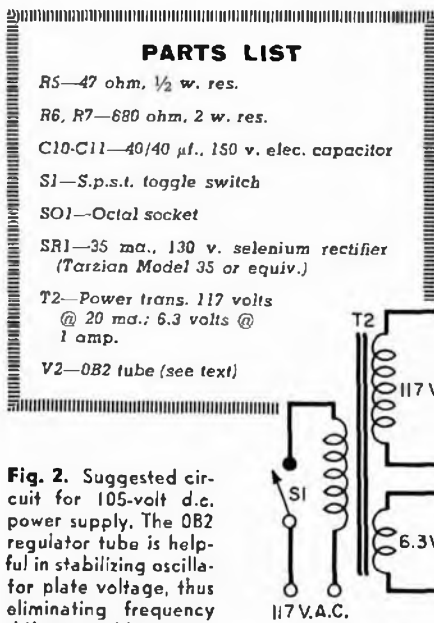
A receiver with a loop antenna may give trouble with pickup of broadcast stations which will ride in with the signals from the converter. The best solution to this problem is to remove the loop and substitute a shielded antenna coil. If the slug-tuned variety is used, no difficulty should be encountered in obtaining tracking of the re-

ceiver throughout the broadcast band.

### Alignment for Citizens Band

The converter may be aligned with a signal generator or by using on-the-air signals. If an on-the-air signal is used, it will be necessary to know the channel frequency, as the oscillator dial must be set to place the signal in its proper position on the dial.

After the converter is hooked up to the receiver and power supply, turn it on and allow approximately ten minutes' warm-up time before starting alignment. Tune the broadcast receiver to a relatively clear channel near 1500 kc. and feed in a signal of known frequency in the Citizens Band, either from a signal generator directly connected or from an antenna and a local station. Set the dial at a position which will place the signal at the proper part of the dial and adjust the slug in L3 until the signal is heard. Now adjust the slugs in L1, L2, and tune T1 for maximum signal, keeping the signal tuned in with C6. -30-



**Fig. 2.** Suggested circuit for 105-volt d.c. power supply. The 0B2 regulator tube is helpful in stabilizing oscillator plate voltage, thus eliminating frequency shifts caused by power-line voltage changes.

# Antennas for Citizens Band

By LEO G. SANDS

Author, "Class D Citizens Radio"

**Increase the operating range of your CB equipment by using the right antenna and transmission line in a proper installation.**

THE range of a class D Citizens Band radiotelephone depends, primarily, on its antenna system. While it will work using a plug-in indoor antenna, its signal will reach farther when connected to a proper outdoor antenna mounted up in the open where its signal is unobstructed.

The FCC stipulates that the height of the antenna shall be no greater than 20 feet above ground or the structure which supports the antenna mast. If only 20 feet above ground in flat country, the range would be limited to about five miles or less. If placed 20 feet above the ground on a hilltop, with the antenna clear of surrounding trees, the range could be considerable since it is the *effective antenna elevation*, not *height*, that is the important thing.

The 20-foot limitation isn't as restrictive as it sounds. You can put your base station antenna on a TV antenna mast to project its tip 20 feet above the roof or, if you live in a tall apartment building, you can hoist the tip of your antenna 20 feet above the roof and talk for many miles.

## Omnidirectional Antennas

For general, all-around use, the antenna should transmit and receive equally well in all horizontal directions. Fortunately, you have a wide choice of such antennas for base stations or you can make your own simple doublet antenna from a piece of 72-ohm twin-lead, as shown in Fig. 1. When installed vertically, it is omnidirectional but you can often get better results by using a ground-plane antenna or a coaxial antenna. Ground-

plane antennas are available from radio parts stores, mail-order houses, and mobile radio manufacturers for \$19.95 or less, including a 50-foot length of coaxial cable. Some ground-plane antennas can cost as much as \$100 or more.

A full-size ground-plane antenna for the 27-mc. band consists of a vertical whip about 9 feet long. See Fig. 2. At the bottom are three or four horizontal or drooping rods (which protrude from the hub where the vertical radiating element is attached) which are connected together but insulated from the vertical radiating element. Some of these antennas have telescoping rods which are extended when placed in operation. There are also antennas, developed especially for class D Citizens Band stations, which have three drooping ground rods and one vertical rod which are about a third of the usual length. Loading coils at the base of the vertical elements and at the hub end of each of the three ground radials provide the electrical effect of a longer rod. While not quite as efficient as a full-size ground-plane antenna, the smaller antenna can be installed where space is limited.

A coaxial antenna has no horizontal or drooping elements. It looks like two pieces of vertical pipe, of which the upper section is generally of smaller diameter than the lower section. For the class D band, a coaxial antenna is about 18 feet long.

## Directional Antennas

When communication in all directions is not required, a directional antenna may be used. It will transmit and receive better in one (unidirectional) or two (bidirectional)

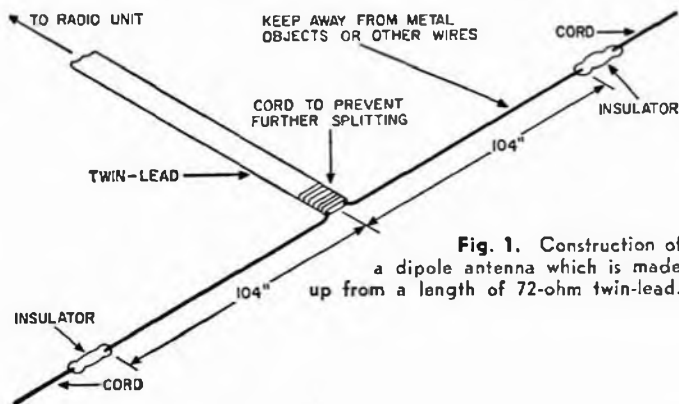
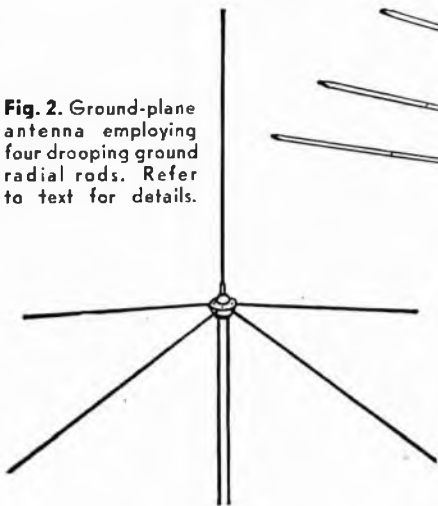


Fig. 1. Construction of a dipole antenna which is made up from a length of 72-ohm twin-lead.

**Fig. 2.** Ground-plane antenna employing four drooping ground radial rods. Refer to text for details.



**Fig. 3.** Three-element yagi antenna. While shown here horizontally polarized, the elements may be oriented vertically in order to produce vertical polarization.



directions than in all other directions. Not only does a directional antenna increase the strength of the signal and the range in the favored direction, but it also reduces radiation and reception in other directions.

A modified form of the ground-plane antenna, using two spaced antenna elements and known as a cardioid, transmits best in a heart-shaped pattern from the base station. In the most favored direction, the e.r.p. (effective radiated power) of the transmitter is doubled (3 db). A figure-8 pattern (bidirectional) can be obtained with a special type of antenna which consists of two coaxial, dipole, or ground-plane antennas separated by a critical distance. Gain in the two favored, opposing (forward and backward) directions is 3 db.

For concentrating most of the energy in one direction, a yagi antenna can be used. A 3-element yagi, designed for class D use, can be obtained for as little as \$29.95. See Fig. 3. More complex yagi arrays may have as many as five elements. There are much more expensive antennas with very high gains which can be used by class D Citizens Band stations. One such array, consisting of two yagi antennas side-by-side, has a rated gain of 13 db in the forward direction. This means that the effective radiated power is 20 times as great as the power fed to it by the transmitter. Thus, a class D transmitter, which puts out around two watts (for 5 watts input), can be as effective as a 40-watt-output transmitter connected to a conventional antenna.

### Mobile Antennas

The most commonly used mobile antenna

is a quarter-wave vertical whip, about nine feet long, mounted by means of a spring assembly to the bumper, cowl, or fender of a vehicle. See Fig. 4. It forms an efficient radiator since it is approximately a quarter of a wavelength long at the operating frequency. The body of the vehicle serves as the ground plane and is part of the antenna system. But, because

the body of the vehicle shields the antenna in some directions, it is more effective in some directions than in others. Ideally, the antenna should be mounted in the center of the metal roof of the vehicle but there it would be both cumbersome and unsightly, to say nothing of the damage it does to the top of the car.

More attractive, and easier to install, are the many special base-loaded whip antennas which are much shorter than a full-length, quarter-wave whip. At the base of the shorter whip is a coil, called a loading coil. The coil, which is a part of the antenna, makes it possible to use a shorter whip. The shorter whip, without the coil, has too little inductance at the operating frequency but the coil provides the requisite inductance, raising the inductive reactance of the antenna high enough to cancel out the capacitive reactance of the antenna, so that the antenna looks like a resistance at the operating frequency.

While a base-loaded antenna is not as efficient as an ideally located quarter-wave whip, it often works as well, if not better, when installed in the center of the metal roof of the vehicle. Since it is not always feasible or desirable to put the antenna in the center of the car top (it *does* jeopardize the trade-in value of the car), it is often installed on the cowl or a fender.

It is extremely important that the ground connection of the antenna-mounting device make good contact with the car body since the body is a vital part of the antenna system. While clip-on antennas will work, special attention should be given to making good electrical contact with the car body.

This has an important effect on ignition noise as well as on the transmitting range of the equipment.

### Antennas for Portable Operation

The plug-in antenna, which comes with many Citizens Band units, is equipped with a base loading coil. In some sets, the loading coil is a part of the set. With this kind of antenna, communicating range is only fair, for three reasons: first, the antenna is not a full quarter-wave long; second, it is not in the most advantageous location; and third, and quite important, the metal case of the set which functions as the antenna system's ground plane is too small.

By placing the set on top of a metal filing cabinet, the roof of a car, or other large metal surface the signal strength can be increased noticeably. But, for short-range communication the combination of the plug-in antenna and the set's cabinet form a fairly satisfactory antenna system.

### Transmission Lines

Irrespective of the type of antenna used, the transmitting antenna should be connected to the CB unit through coaxial cable, not microphone cable, twin-lead, or twisted-pair wire. Coax costs from about 7 cents per foot for small diameter cable to around \$1.00 per foot for heavy, low-loss cable. The kind you should use depends on how long a cable is required. Always get a cable in one piece; don't attempt to splice coaxial cable. If two pieces *must* be used, join them at the break with the proper coaxial connectors.

For runs of 50 feet or less for 27-mc. (class D) band operation, you can use RG-58/U (50-ohm) or RG-59/U (75-ohm) cable (cost about 7 cents a foot), the type depending on the kind of antenna used (50-ohm for ground-plane type, 75-ohm for dipole). In a 50-foot run, the loss is 1.25 db which means that even under ideal conditions about 25% of the available transmitter power is lost due to cable attenuation. For longer runs, use the larger, more expensive RG-8/U (50-ohm) or RG-11/U (75-ohm) cable (cost about 17 cents per foot) which wastes less of the transmitter power in the cable itself. The loss is about one db in 100 feet of cable, which means that 80% of the power should reach the antenna.

If you want to get maximum range, and cost is not a consideration, you can use

extra-heavy RG-17U cable or what is known as hollow transmission line. Here the cost runs about 80 cents per foot or more, plus several dollars apiece for connectors. By using such low-loss cable (0.42 db attenuation per 100 feet), around 90% of the transmitter power gets through to the antenna. The quoted losses are applicable only if the impedance is matched at both ends of the cable. It is obvious that length of the coaxial cable should be kept at a minimum because of the power losses in the cable. No matter what type of cable is used, it is often advantageous to get the antenna up high and in the clear since the added height will often more than offset cable loss effects.

Most Citizens Band transmitters can be used with any length of antenna transmission line. Some, however, according to

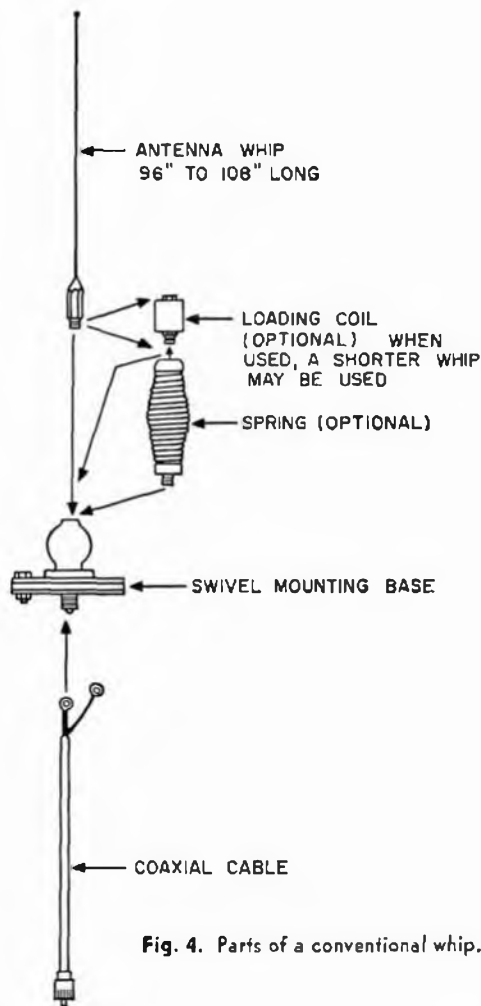


Fig. 4. Parts of a conventional whip.

# Simply Great!

## ELECTRONIC knight-kits®

A PRODUCT OF ALLIED RADIO

**A PLEASURE TO BUILD  
and YOU OWN THE BEST**



featured in the  
big 444-page 1961

**ALLIED**  
ELECTRONICS  
CATALOG

**free**



**KITS FOR  
EVERY NEED**  
Stereo Hi-Fi  
Hobby  
Instrument  
Amateur

### BIGGEST SAVINGS

Know the thrill of building your own money-saving electronic equipment. Make your selection from the complete KNIGHT-KIT line—available only from ALLIED. Lowest in cost, convenience-engineered for easiest assembly, best for performance; satisfaction guaranteed or your money back. Send today for the 1961 ALLIED Catalog—select exciting KNIGHT-KITS—and...

### SAVE ON EVERYTHING IN ELECTRONICS



Get more for your money in: Stereo hi-fi systems and components • Recorders and tape • Citizen's 2-way radio • Amateur station equipment • TV tubes, antennas, accessories • Test instruments • Electronic parts, tubes, transistors, tools. Send today for your FREE 444-page Allied Catalog!

only \$2 down  
on orders up to \$50

**FREE  
catalog**



### ALLIED RADIO

ALLIED RADIO, Dept. 94-1  
100 N. Western Ave., Chicago 80, Ill.

Rush FREE 1961 Allied Catalog No. 200

Name \_\_\_\_\_  
PLEASE PRINT

Address \_\_\_\_\_

City \_\_\_\_\_ Zone \_\_\_\_\_ State \_\_\_\_\_

their instruction books, should be used only with a specified length (or multiple of that length) of transmission line. Most antennas for Citizens Band use, except dipoles, have a rated impedance of 50 ohms, requiring the use of a 50-ohm transmission line.

Kinks, sharp bends, and splices in a coaxial cable cause a change in the impedance of the line, resulting in a higher standing-wave-ratio and should be avoided. It is for this reason that suitable connectors must be used at each end of the coaxial cable for connecting to the antenna and the radio. Sometimes the antenna is designed so that a connector is not used at the antenna end and the cable is connected directly to the antenna. With a ground-plane type, the inside wire (center conductor) of the coaxial cable connects to the vertical radiating element; the shield braid connects to the ground-plane radials.

Connectors for use with RG-8/U, RG-11/U, RG-58/AU, and RG-59/U cable cost around 75 cents each. If both the antenna and radio are equipped with receptacles to mate with coaxial cable plugs, two will be required, one at each end of the cable. Some Citizens Band radios use other kinds of plugs at the set end, such as a phono plug or the type used for connecting an antenna to a regular auto radio. No matter what type of plug is used, it should be carefully soldered to the cable, taking care to keep strands of the shield from contacting the center or plug pin.

-30-

## Short-wave Broadcast Bands

METERS

KC.

60	4850-5060 (Tropics only)
49	5950-6200
40	7100-7300 (Not N & S America)
31	9500-9775
25	11700-11975
19	15100-15450
16	17700-17900
13	21450-21750
11	25600-26100

ELECTRONIC EXPERIMENTER'S HANDBOOK



# A

By LEON A. WORTMAN

## Tubeless

## Transistorless

## Code Practice Oscillator

HERE'S a simple CPO that uses a neon tube relaxation oscillator. It operates without tubes or transistors and has enough output to drive a built-in loudspeaker. And if extra power is needed to serve a code class of a dozen or more people, output to an amplifier can be tapped off across the speaker voice coil leads.

A case intended for use with a 3" meter movement serves as a housing for the unit. Such cases are obtainable with the meter holes already cut out, thus saving you considerable time and labor. A small square of perforated metal or metal window-screening can be placed behind the cutout to serve as a loudspeaker grille.

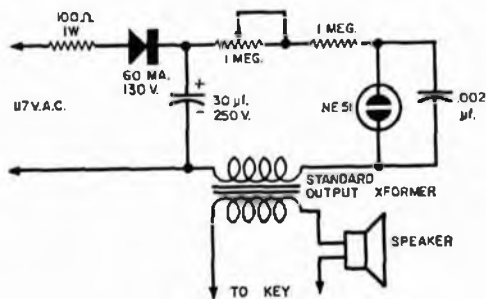
It is convenient to use one of the so-called "Postlite" neon indicators (manufactured by the Drake Company) for the neon lamp oscillator; this is a plastic unit, threaded for panel mounting, with the neon lamp molded in. Or, you may prefer to use a standard NE-51 along with a socket assembly.

Keying is accomplished by putting a key in series with the secondary winding of the output transformer. The circuit shown

works nicely on 105 to 125 volts a.c. If it is used with d.c. power lines, or with a 90-volt battery, the selenium rectifier and the 30- $\mu$ f. capacitor should be eliminated. For power line operation, make sure that no part of the circuit is connected to the cabinet.

No warm-up time is necessary—just plug in the line cord and press the key.

The potentiometer varies the pitch of the generated tone. Parts values given provide a variable-pitch control from about 500 to 900 cps. If you want to experiment with a wider tone range, try other values for the .002- $\mu$ f. capacitor and the pot. —30—



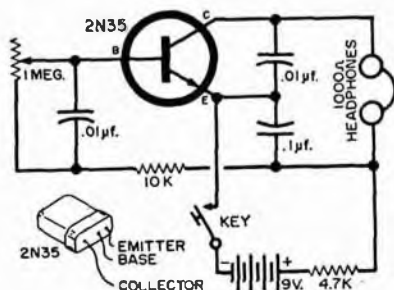
## Code Practice Oscillator

A TRANSISTORIZED version of a Colpitts oscillator can be used as a code practice oscillator, as indicated in the diagram. The one-megohm tone control shown at the upper left of the drawing, may be adjusted for a tone most pleasing to the user.

Ordinary 1000-ohm magnetic headphones are used and serve not only to monitor the signal but as an inductance in the oscillator circuit.

The transistor, an inexpensive *n-p-n* general-purpose 2N35, can either be wired directly into the circuit or plugged into a transistor socket. The leads for the transistor are indicated in the small drawing at the lower left-hand side of the

diagram. The capacitors may be any low-voltage units you have in the capacitances indicated in the schematic. —30—



# Calling Frequencies in the CB Service

THROUGH the efforts of manufacturers of Citizens Band equipment, CB users, and with the editorial support of leading electronic publications, "calling" frequencies have been informally established to provide service and assistance to boating enthusiasts and those traveling on the nation's highways.

For boatmen, it has been recommended that CB Channel 13 (27.155 mc.) be used for pleasure-craft contacts along with Channel 9 (27.065 mc.) to be shared by operators of both pleasure and commercial craft. A number of marina operators have already agreed to monitor these CB channels in order to be of maximum service to the boatsman in matters of docking facilities, reprovisioning, along with other similar services.

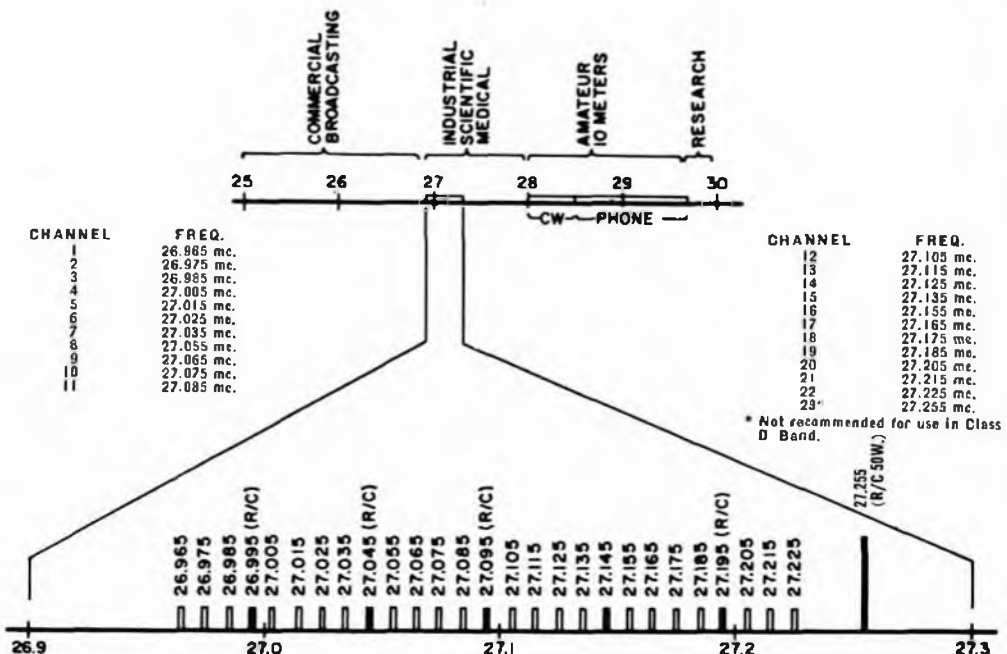
The national travel service frequency, established as a result of the enthusiastic acceptance of the marine monitoring provision, was selected as Channel 15 (27.135 mc.). In order to avoid infringement of

FCC regulations governing operation in the Citizens Band, the Commission emphasizes that the procedure must clearly indicate that it is not a general call to any or all stations hearing the transmission but that the transmission must be adequately specific to indicate the station or stations desired even though the names and call signs of the stations involved are not known. An appropriate form for such a message would be "This is 1W000 calling any motel in the (specified) area. I am located at . . . . and require accommodations for the night. Can you advise if you have an opening and, if so, the best route to follow."

While use of any of these "calling" channels is not compulsory, their acceptance by the majority of those operating in the Citizens Band will enhance not only the service as a whole but extend the usefulness of this person-to-person communications network which has been established by the federal government for the convenience of all U. S. citizens.

-30-

## CB Frequency Allocation Chart





# Very Hot News . . . from hallicrafters

Two great new kits... a complete, high-performance AM/CW station,  
from the world's most experienced designers of short wave equipment



## HT-40 TRANSMITTER, \$79.95

A perfect match for the handsome SX-140, both in quality and appearance. Hallicrafters' transmitter leadership is evident in every precision-engineered feature of this crystal-controlled 75-watt beauty—features as important to old-timers as they are to novices.

- **FEATURES:** You get excellent CW performance as well as AM. Full band switching, 80 through 6 meters. Enjoy easy tune-up and crisp, clean styling that has efficient operation as well as appearance in mind. Unit is fully metered, TVI filtered.
- **SPECIFICATIONS:** Maximum D.C. power input: 75 watts. Power output in excess of 35 watts CW, 30 watts peak AM phone. (Slightly less on 6 meters.) Frequency bands: 80, 40, 20, 15, 10 and 6 meters.
- **TUBES AND FUNCTIONS:** 6DQ5 power output; 6CX8 crystal oscillator and driver; 12AX7 speech amplifier; 6DE7 modulator; silicon high voltage rectifiers.
- **FRONT PANEL:** Function (AC off, tune, standby, AM, CW); Band Selector (80, 40, 20, 15, 10, 6); Drive control; Plate tuning, plate loading, Crystal-V.F.O.; Grid Current; Meter; AC indicator light; RF output.
- **REAR CHASSIS:** Microphone gain; antenna co-ax connector; remote control terminals; AC power cord.



## SX-140 RECEIVER, \$94.95

Doesn't it make sense to team up your skill with the experience of a company who has designed and built more high-performance receivers than any other in the world? Especially when the result is the lowest-priced amateur band receiver available?

- **FEATURES:** You get complete coverage of all amateur bands 80 through 6 meters, with extremely high sensitivity and sharp selectivity. Unit has RF stage; S-meter; antenna trimmer; and XTAL calibrator. Tuning ratio is 25 to 1.
- **CONTROLS:** Tuning; Antenna Trimmer; Cal. Reset; Function (AC off, standby, AM, CW-SSB); Band Selector; Cal. on/off; RF Gain; Auto. Noise Limiter on/off; Selectivity /BFO; Audio Gain; phone jack; S-meter Adj.
- **TUBES AND FUNCTIONS:** 6AZ8 tuned RF amplifier and crystal calibrator; 6U8 oscillator and mixer; 6BA6 1650 kc. IF amplifier and BFO; 6T8A 2nd detector, A.V.C., ANL and 1st audio; 6AW8A audio power amplifier and S-meter amplifier; (2) silicon high voltage rectifiers.

**P.S.** Both units are available fully wired, and tested. SX-140, \$109.95. HT-40, \$99.95.

halli-kits from  hallicrafters

Chicago 24, Illinois

... where the new ideas in communications are born!

Export Sales: International Div., Raytheon Co., Waltham, Mass. Canada: Gould Sales Co., Montreal, P.Q.

# special introductory offer

YOU RECEIVE **5** ISSUES OF  
ELECTRONICS WORLD  
**FREE**  
WHEN YOU ORDER  
14 MONTHS FOR ONLY \$3.75

(Regular subscription rate: 12 months \$5)

This is your opportunity to get the next 14 months of ELECTRONICS WORLD at the special reduced rate of only \$3.75. Compared to the \$5 yearly rate, you get 14 issues for the price of 9...the equivalent of 5 issues FREE!

### SAVE \$3.25 UNDER SINGLE-COPY PRICE!

These same 14 issues, if bought individually each month at 50¢ a copy, would cost you \$7. But by accepting this offer now, you save \$3.25—over 46% OFF!

### THE MOST COMPLETE COVERAGE OF THE FIELD!

ELECTRONICS WORLD is written expressly for men interested in advanced electronics. Whether you're in radio, TV, hifi, communications, infra-red, industrial research—whether you're a service technician, engineer, dealer or a serious hobbyist—you can depend on the world's most widely read electronics journal to bring you and keep you up to the minute on all new developments, instruments and techniques each month. Valuable reports on computers, missiles, SWL, telemetry, Citizens Band are profusely illustrated with charts, graphs, actual photos. Plus—up to 10 fully-diagrammed construction projects in every issue! So don't miss out on this wonderful, money-saving offer. Join the more than a quarter of a million men who make it a point to read ELECTRONICS WORLD regularly!



**EXCLUSIVE!**  
**TWO-WAY**  
**MONEY-BACK**  
**GUARANTEE!**

°If you are not completely satisfied with your first issue of Electronics World, we will cancel your subscription and refund your money in full immediately.

°If you wish to cancel at any later time, we will send you a full refund on the balance of your subscription—no questions asked!

**LIMITED TIME ONLY!**

*Clip Coupon &  
Mail It Today!*

**NOTE!** If coupon has already been clipped, write to: Electronics World, Dept. EEH-61, 434 S. Wabash Ave., Chicago 5, Ill.

Electronics World, Dept. EEH-61, 434 S. Wabash Ave., Chicago 5, Ill.

**YES!** Enter a subscription to Electronics World in my name, at the special reduced rate checked below:

- 14 months—\$3.75 (plus 1 extra issue FREE if you enclose payment now!)       28 months—\$6.95 (plus 2 extra issues FREE if you remit now!)

Specify:  Payment Enclosed.       Bill me later. \_\_\_\_\_  
Initial above

Name \_\_\_\_\_  
Please print

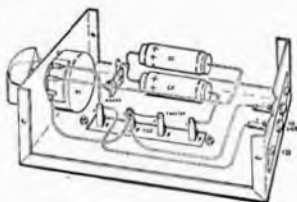
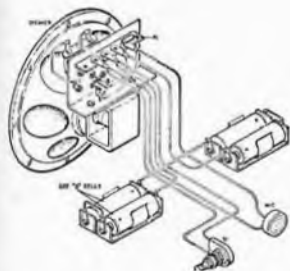
Address \_\_\_\_\_

City \_\_\_\_\_ Zone \_\_\_\_\_ State \_\_\_\_\_

# PART 3

## Hi-Fi and Audio

<i>Build this Unusual Amplifier</i> .....	82
<i>Chip Chasing</i> .....	84
<i>Design Your Own Speaker Cabinets</i> .....	85
<i>TV Lead-in Serves as S.W. or B.C. Band Antenna</i> .....	88
<i>Sound Levels</i> .....	89
<i>Power Megaphone</i> .....	90
<i>Battery-Powered Intercom</i> .....	92
<i>Electronic House-Sitter</i> .....	95
<i>Transistor Alarm Generator</i> .....	98
<i>Portable Utility Amplifier</i> .....	99
<i>Frequency &amp; Intensity Ranges</i> .....	103
<i>Equal Loudness Curves</i> .....	103
<i>Hi-Fi Speaker Crossover</i> .....	104
<i>Carrier Current Sentinel</i> .....	106
<i>One-Tube FM Tuner</i> .....	109
<i>Audible Frequency Ranges</i> .....	113
<i>Compact Two-Tube Stereo Amplifier</i> .....	114



**Build this**



# Unusual AMPLIFIER

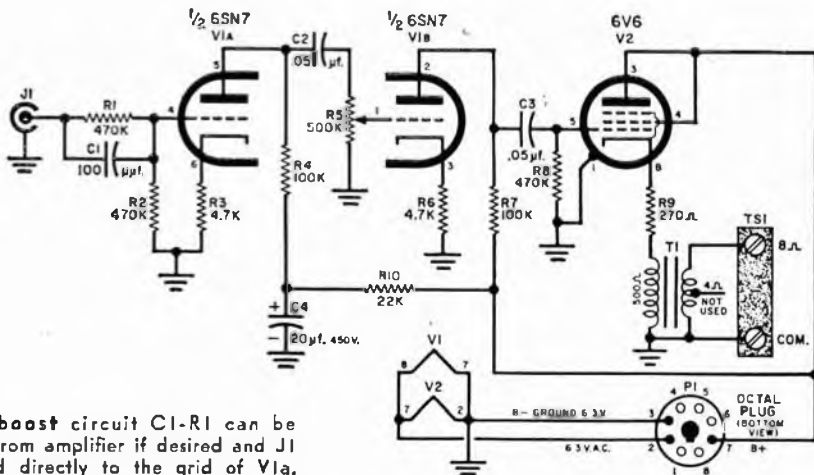
**Low-distortion  
cathode-follower  
output stage  
has surprising  
hi-fi quality.**

By  
**JAMES ROMELFANGER**

**H**ERE'S an unusual amplifier that should appeal to the hi-fi experimenter. It's unusual because the output is taken from the cathode and not from the plate of the output tube as you would expect. A similar circuit appears quite often in hi-fi preamplifiers where you probably know it as the cathode follower.

This amplifier was designed to work from a high output cartridge or tuner. You'll need about .1 volt or more to drive the unit to its full output which is in the region of 1 watt. For a simple stereo system, two of these units would be ideal.

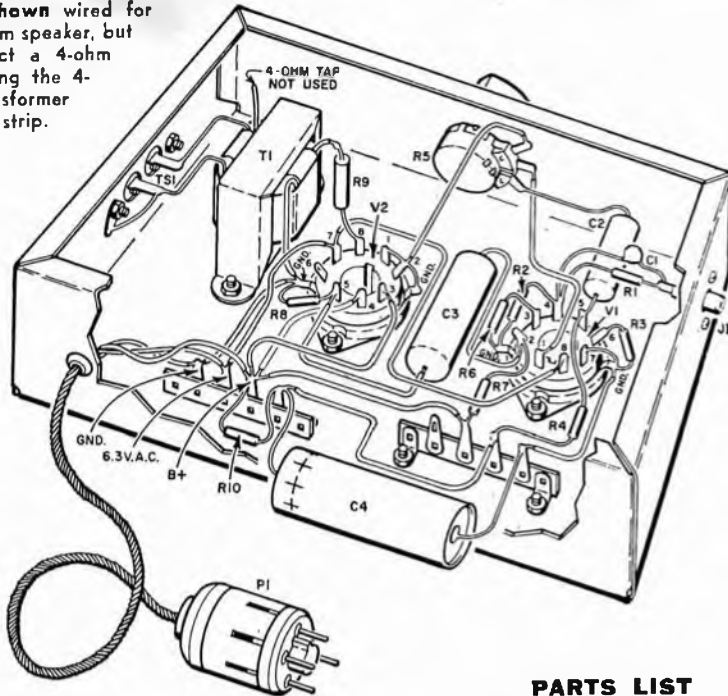
The author built his model on a 5" x 7" x 2" chassis he had on hand, and the power supply was built on a separate chassis of the same size. (If you wish, you can build both on a single larger chassis with no ill effects.) Although the circuitry is noncritical, all grid leads should



Treble boost circuit C1-R1 can be omitted from amplifier if desired and J1 connected directly to the grid of V1A.



Amplifier is shown wired for use with an 8-ohm speaker, but you can connect a 4-ohm speaker by wiring the 4-ohm tap on transformer T1 to terminal strip.



### HOW IT WORKS

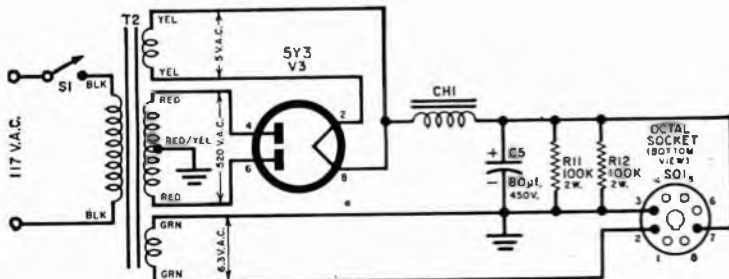
Audio signals from a crystal or ceramic phono cartridge are applied to triode *V1a* through simple treble-boost circuit *C1-R1*. Amplified signals are taken from the plate of this triode and fed to volume control *R5*. The desired portion of the audio is tapped off *R5* and applied to the grid of triode *V1b* where it is again amplified, and finally applied to *V2*'s control grid. The signal is then taken from the cathode of *V2* and coupled to the speaker through output transformer *T1*. Resistor *R9* biases *V2* in normal fashion.

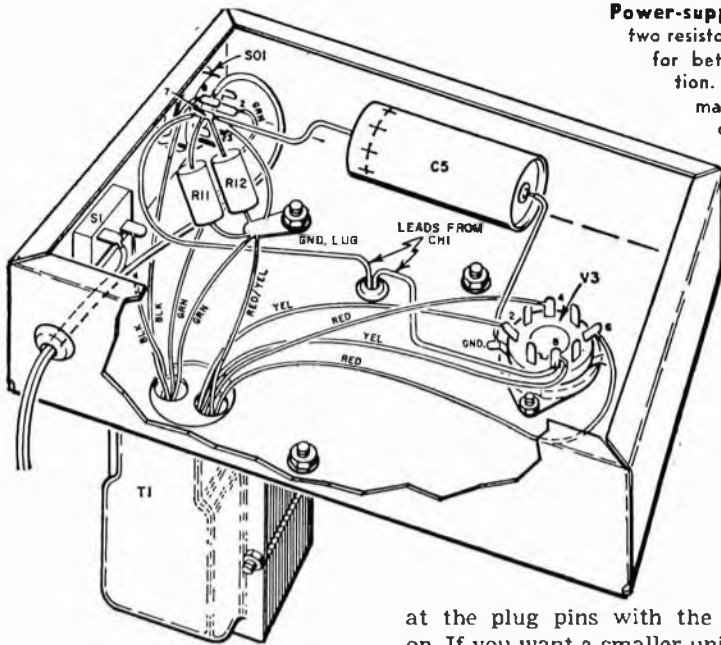
The power supply is a standard full-wave rectifier with a choke-input filter consisting of *CH1* and *C5*. Paralleled resistors *R11* and *R12* operate as a bleeder and as a discharge path for capacitor *C5*.

**Choke-input filter** in power supply lowers B+ to proper voltage for *V2*. Capacitor *C5* must be large since it filters output of supply and also serves as audio bypass for *V2*.

### PARTS LIST

- C1*—100- $\mu$ f. disc ceramic capacitor
  - C2*, *C3*—.05- $\mu$ f., 600-volt capacitor
  - C4*—20  $\mu$ f., 450-volt electrolytic capacitor
  - C5*—80- $\mu$ f., 450-volt electrolytic capacitor
  - CH1*—15-henry, 75-ma. filter choke (Stancor C1002 or equivalent)
  - J1*—RCA-type phono jack
  - P1*—Octal plug
  - R1*, *R2*, *R8*—470,000 ohms
  - R3*, *R6*—4700 ohms
  - R4*, *R7*—100,000 ohms
  - R5*—500,000-ohm potentiometer
  - R9*—270 ohms, 2 watts
  - R10*—22,000 ohms
  - R11*, *R12*—100,000 ohms, 2 watts
  - S1*—S.p.s.t. toggle switch
  - S01*—Octal socket
  - T1*—Line-to-voice-coil transformer, 500-ohm primary to 4- and 8-ohm secondary (Stancor A8101 or equivalent)
  - T2*—Power transformer, 117-volt primary, secondaries 520 volts CT at 90 ma., 5.0 volts at 2 amps, and 6.3 volts at 3.0 amps (Knight 61G444 or equivalent)
  - TS1*—Two-terminal screw-type terminal strip
  - V1*—6SN7 tube (see text)
  - V2*—6V6 tube (see text)
  - Misc. hardware, chassis, tube sockets, tie points, wire, etc.
- All resistors  
1/2 watt unless  
otherwise noted





**Power-supply bleeder** uses two resistors (R11 and R12) for better heat dissipation. Octal socket SO1 mates with plug P1 on the interconnecting cable.

be kept short and away from leads carrying a.c. power and heater current. It's generally best to wire the heater and power leads first, and then proceed with the rest of the wiring.

A cable is used to interconnect the two chassis, with an octal plug and socket serving as cable connectors. Mount the socket—but not the plug—on the power supply chassis. If the plug were on the power supply, you would be liable to get a bad shock

at the plug pins with the supply turned on. If you want a smaller unit, you can substitute a 12AU7 for the 6SN7 tube (V1) and a 6AQ5 for the 6V6 tube (V2). No circuit changes would be necessary.

Transformer T1 is not a standard output transformer. It is a line-to-voice-coil unit with a primary impedance of 500 ohms and a 4- and 8-ohm secondary.

A simple boost circuit, C1-R1, equalizes the phono cartridge output. These parts can be eliminated if no boost is required and J1 can be connected directly to the grid of V1a. -30-

## Chip Chasing By JOSEPH L. REIFFIN, W5CWP

**T**HE problem of drilling a hole in a completed chassis is one that faces every ham and experimenter at one time or another. Clearing away existing wiring and small components is difficult enough, but the real "fly in the ointment" is the "shavings in the circuitry."

Solutions to this problem, ranging all the way from the application of a constant stream of air under pressure to the use of magnets to catch the troublesome metal chips, have been offered by the ingenious among us. However, compressed air is available only to a fortunate few. The less fortunate majority of us can develop air pressure by lung power but this is difficult, if not downright impossible, to sustain at high enough levels to do any good. The magnet idea is helpful if the chassis is made of steel but absolutely useless if the chassis happens to be made of aluminum—which is often the case.

A method currently being employed to eliminate this problem when modifying sections of the huge Burroughs Corporation computers used in the Air Force SAGE system, is both easy and effective.

A small blob of ordinary soft modeling clay, such as is used in children's modeling sets, is stuck against the back side of the chassis over the spot where the hole is to be drilled. Another blob is stuck on the top side of the chassis, doughnut fashion, around the marking for the hole. The hole is then drilled and the metal chips are automatically caught up in the clay. It then becomes a simple matter to remove the blobs of clay and the danger of the metal shavings falling into the circuitry is eliminated.

The clay can be used over and over again until it becomes so full of metal shavings that it should be discarded. -30-

# Design Your Own Speaker Cabinets

*Complete construction details for both bass reflex and ducted-port types of enclosures.*

**T**HE matched bass-reflex enclosure is a very effective means of loading a cone-type loudspeaker so that the speaker and enclosure combination reproduce smooth low-frequency response well below the original free-air resonance of the speaker, with excellent damping, and with approximately twice the acoustic output of that of a closed box for the same speaker.

By means of a resonance condition set up by the volume of the box and the front opening (the port), the backwave from the speaker is reversed in phase, and radiates from the port in-phase with the front wave. The close coupling of the enclosure to the speaker, where both are tuned to the same resonant frequency, sharply attenuates the excessive original resonant peak of the speaker and substitutes for it two damped resonant peaks on either side of the original resonance. By this method, low frequencies are obtained below the original free-air resonance of the speaker.

In designing the bass-reflex enclosure, an enclosure volume and port opening are chosen so that the enclosure resonates at the same frequency as the speaker alone in free air. The enclosure consists of an internal box volume with a port or vent on the panel side of the enclosure which holds the speaker. Since this opening will radiate low frequencies comparable to those radiated directly from the speaker piston, port area should approximate the effective size of the piston. The effective piston area of a speaker is always less than that determined by its rated diameter. (See Fig. 1.)

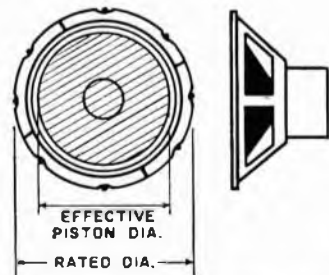
Fig. 2 gives the necessary internal volume of an enclosure to resonate at a given frequency for popular-sized speakers. Curves are based on a port opening equivalent to the effective piston area of the speaker being used. When the actual volume of the cabinet is chosen to be less than that given by the curves by a factor of "k", then the port area must be reduced by a factor of "k<sup>2</sup>" in order to maintain the orig-

inal resonance condition. For example, if volume is reduced to .866V, then the port must be reduced to .75A, or if the volume is reduced to .707V, then the port must be reduced to .5A. As the port area is reduced, however, it may impede effective bass radiation due to viscous losses and there may be a rise in low-frequency distortion. Rather than use a very small port then, a somewhat larger area in conjunction with a duct may be preferred.

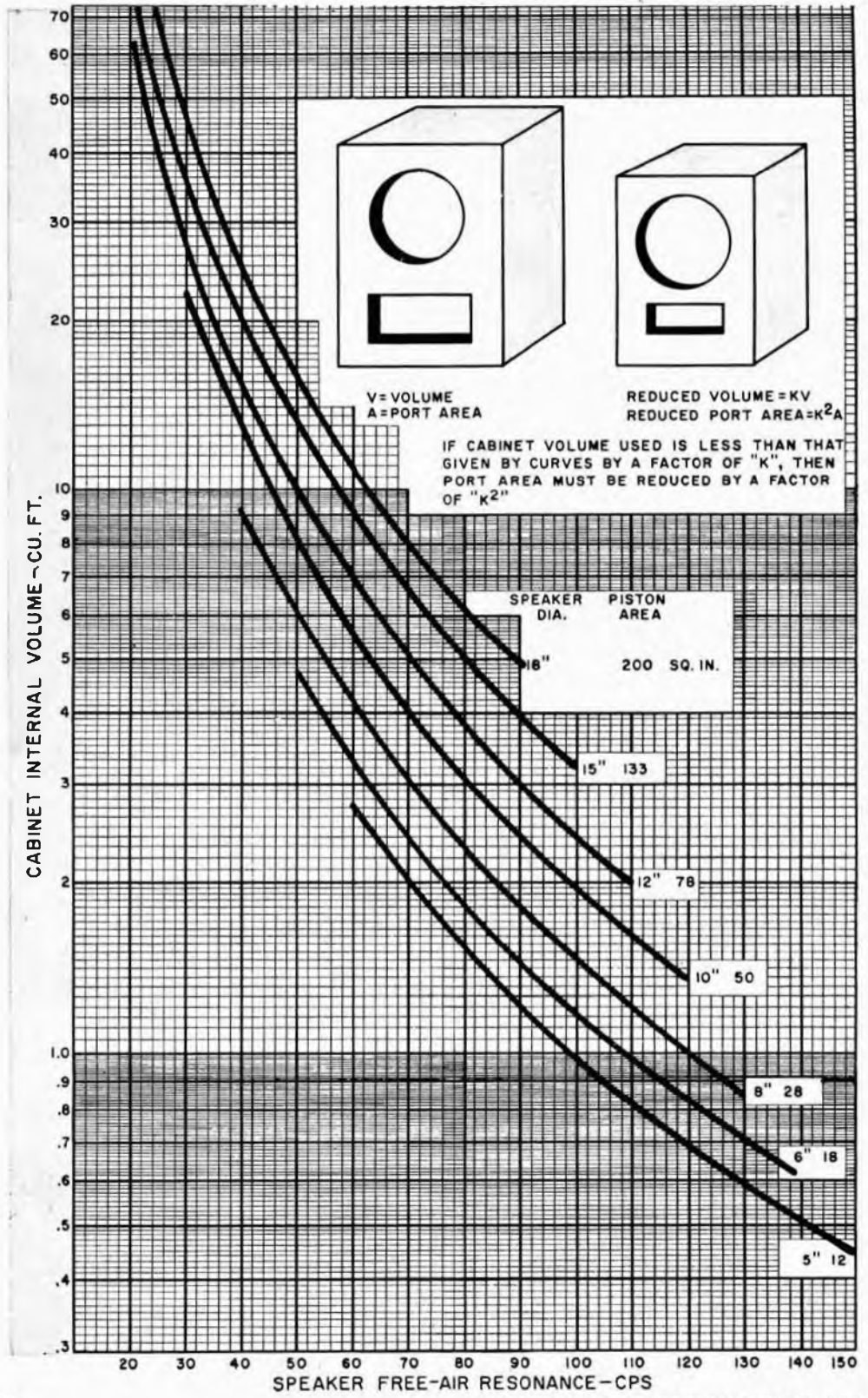
Enclosure volume may be reduced by the use of a ducted port. Fig. 3 shows a family of curves correlating cabinet volume as it is affected by introducing a length of duct for various resonances of the popular-sized speakers. For a given speaker size and resonance, a duct length may be chosen so that the volume of the cabinet is reduced to the desired size. These curves are based on a duct cross-sectional area equivalent to the effective piston area.

Where it is necessary to use a cabinet of

**Fig. 1.** Effective piston area and speaker volume displacements for typical speakers.



RATED DIA.	EFFECTIVE PISTON AREA	SPEAKER VOLUME DISPLACEMENT
5"	12 SQ. IN.	.05 CU. FT.
4" x 6"	12 "	.05 "
6"	18 "	.10 "
5" x 7"	18 "	.10 "
8"	28 "	.15 "
7" x 9"	28 "	.15 "
10"	50 "	.25 "
12"	78 "	.40 "
15"	133 "	.75 "
18"	200 "	1.50 "



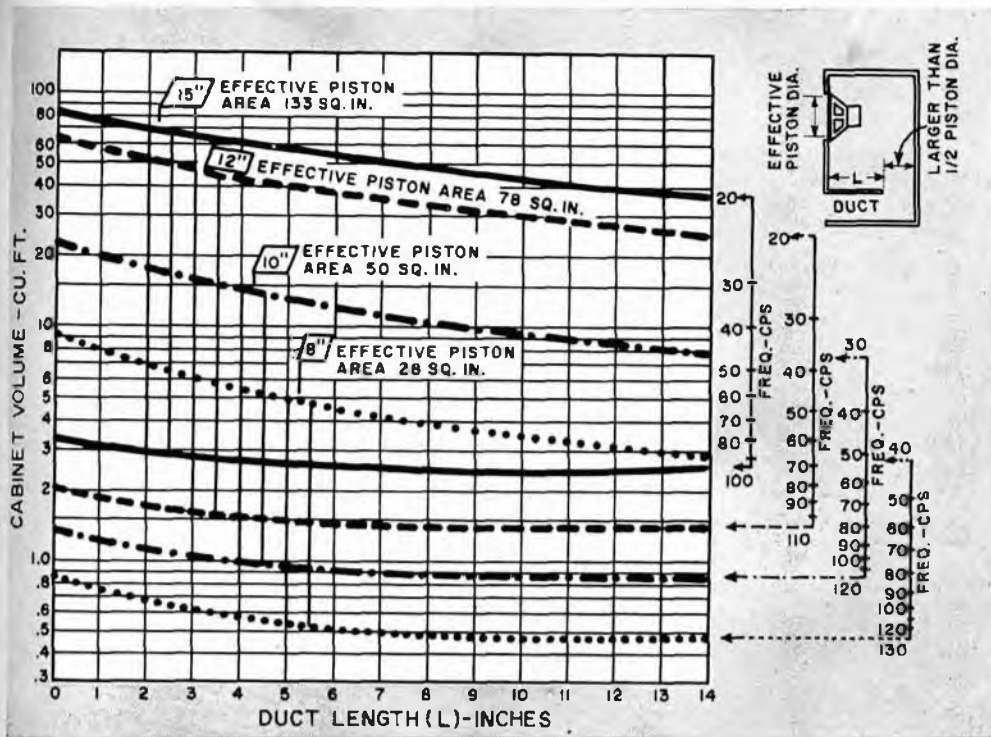


Fig. 3. Internal cabinet volume necessary for a given resonance for a ducted-port area equal to full equivalent piston area of speaker. Volume includes space used up by duct. If smaller size is desired, choose set of curves for smaller piston area, maintaining original resonance frequency of larger speaker. Refer to text.

smaller dimensions than given by these standard curves, it is possible to lay-out an alternate arrangement. The piston areas of Fig. 3 may also be considered to be the duct cross-sectional area irrespective of speaker size. Even if the speaker being used is a 15" type, the curves for the 8" effective piston area (in this case, duct area) may be used to choose a duct length and cabinet volume to resonate at the original 15" speaker resonance. The internal end of the duct should not be closer to the rear wall of the cabinet than one-half the effective speaker piston diameter. These values for cabinet volume include the volume occupied by the duct.

The curves give the free internal volume of the structure. The actual physical dimensions will be larger by a factor determined by the amount and density of sound-

absorbing material used to line the internal faces of the structure. (It is desirable to line all faces, but if at least two-thirds of the surfaces are lined, satisfactory results will be obtained.) A rule of thumb to determine volume of the sound-absorbing material is to multiply the area of the material by its hand-compressed thickness. This total volume should be added to the free volume figure. Also, the volume displaced by the speaker itself, from Fig. 1, should be added to the free volume figure. From the total internal volume thus obtained, Fig. 4 will give the final internal dimensions of the panels. The constructor will add to these dimensions sufficient overlap areas of these panels depending on their thickness and the method of assembly. Fig. 4 also provides a very close figure for the total area of lumber (and sound-absorbent material) required to construct the enclosure for the size chosen. The construction should be of a good grade  $\frac{3}{4}$ -inch plywood or solid wood, with all wood mating surfaces, except for the back panel, thoroughly glued. The panels should be

◀ Fig. 2. Internal cabinet volume necessary for a given resonance for a port area equal to full equivalent piston area of a speaker. If smaller volume is used, the port size is reduced, as indicated in this illustration.



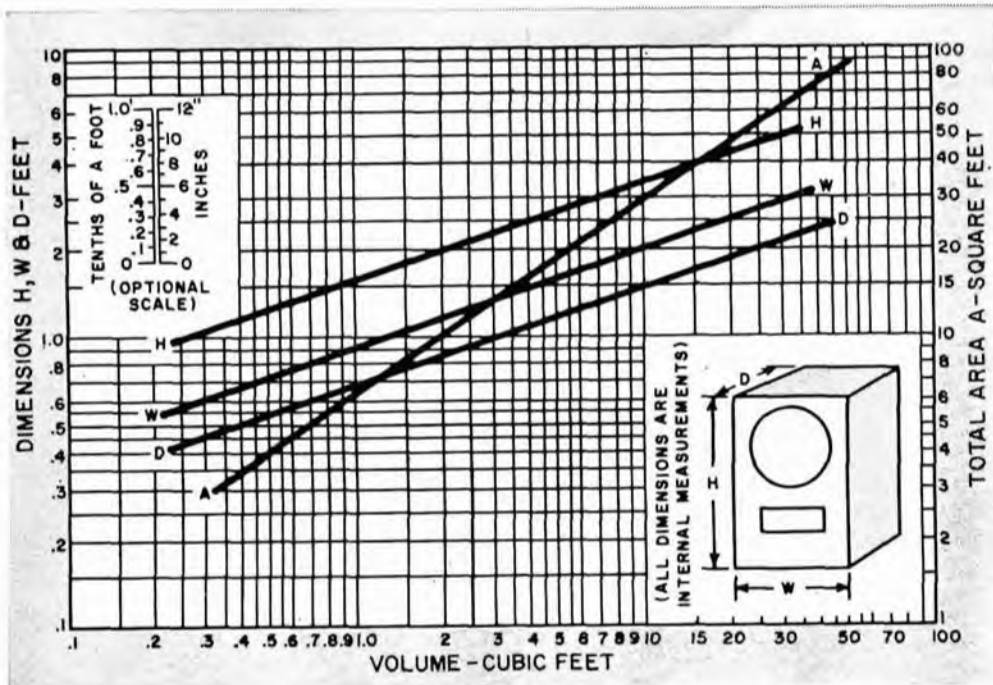


Fig. 4. Internal dimensions and total internal area of the panelling required for total volume of enclosure as determined from the previous curves, Fig. 3.

screwed together after the glue is applied, to insure maximum rigidity of the completed enclosure.

If these suggestions are followed and the dimensions are picked properly, the results will be very worthwhile. -50-

## TV Lead-in Serves as S.W. or B.C. Band Antenna

By PAUL FALK

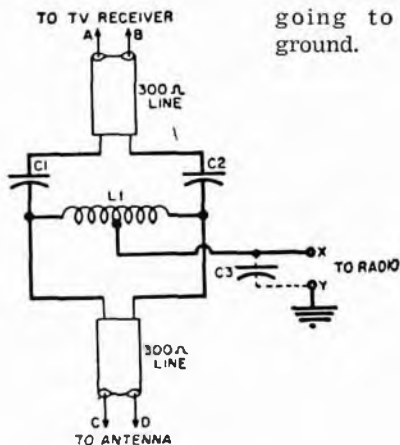
WITH the circuit shown, a TV lead-in can double as antenna for a radio or s.w. converter without a loss of efficiency on TV.

Make  $L_1$  by wrapping 20 turns of #22 wire on a  $\frac{1}{2}$ " form; bring out a loop for center tap  $X$ , and continue with 20 turns more. Remove the coil from the form and mount on a piece of fiber 2" x 3" in which suitable mounting holes have been drilled.

$C_1$  and  $C_2$  should be 20 to 50  $\mu\text{f.}$  each, but not over 50. They provide the path for v.h.f. and u.h.f. energy to reach the TV set. The inductance of  $L_1$  will tend to block these frequencies from reaching point  $X$ , but will permit longer waves to pass; while the capacitors block the longer waves from the TV set. In effect, desired filtering action is being provided for both units.

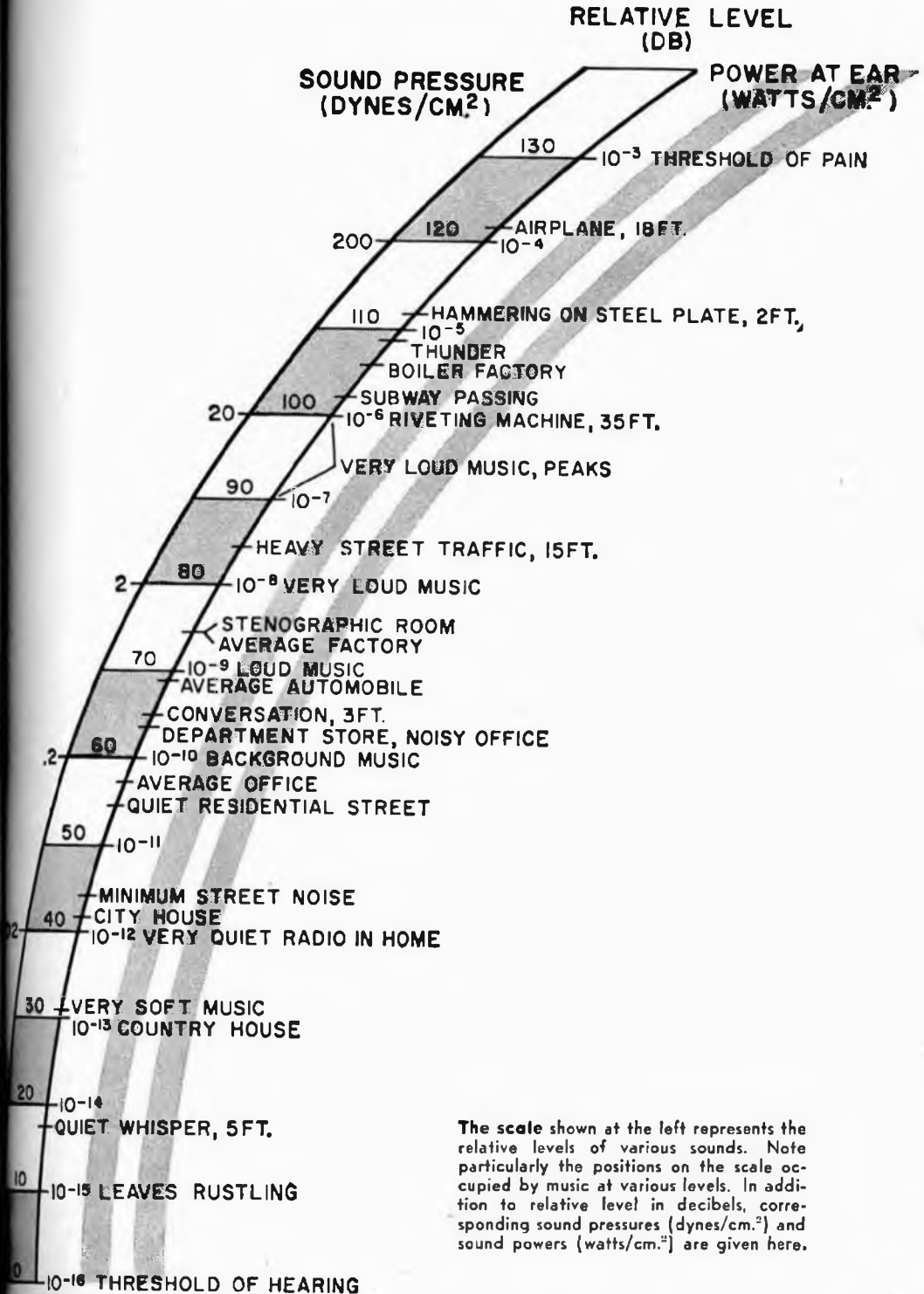
The addition of  $C_3$  (which can often be

achieved simply by twisting together the leads at  $X$  and  $Y$ ) will act to improve rejection of many types of TVI. Points  $X$  and  $Y$  are connecting points for the radio unit, with  $Y$  going to earth ground. -30-





# SOUND LEVELS



The scale shown at the left represents the relative levels of various sounds. Note particularly the positions on the scale occupied by music at various levels. In addition to relative level in decibels, corresponding sound pressures (dynes/cm.<sup>2</sup>) and sound powers (watts/cm.<sup>2</sup>) are given here.

# power megaphone

By LOUIS E. GARNER, JR.

*Fun to build—but practical too—at home, out camping, at the beach, or for boating.*

**Y**OU CAN USE a power megaphone at many outdoor events. It's handy when boating, for example, or for calling the gang to chow at picnics and beach parties. And it's just the ticket for announcing umpires' decisions and scores at outdoor games or for gathering in lost souls who have wandered off in the woods.

The low-cost unit shown here can be built for under \$15. Its megaphone-like housing consists of two plastic flower pots bolted together. Choose pots so that the top of the smaller rear unit fits within the bottom of the pot in front; the larger pot must be big enough to accommodate the speaker used.

**Construction.** Mount the microphone cartridge (*Mic.*) and press-to-talk switch *S1* in the smaller pot. All other components—the single-stage transistor amplifier, loudspeaker, and batteries—are mounted in the larger pot. Any standard carbon microphone cartridge will do, but it's best to choose a sensitive unit. The author's megaphone uses a mike picked up at a local surplus store for about three dollars. If you prefer a standard commercial unit, obtain a Shure Type R10 cartridge.

Use plastic foam rings or washers to bolt the microphone to the bottom of the smaller pot. After mounting the switch and the rear-handle mounting stud, stuff the smaller pot with plastic foam or similar material to cut down acoustic feedback and rattle. Run the microphone and switch leads through the hole in the bottom of the larger pot.

Choose a quality loudspeaker with as heavy a magnet as you can afford and attach it to a circular piece of perforated Masonite with plastic foam rings or washers. Cut the Masonite to fit the larger flower pot; the holes in the Masonite should be large enough to serve as sound ports. Transistor *Q1* and bias resistor *R1* are mounted on a small aluminum chassis attached to the rear of the speaker; machine screws secure the battery holders to the rear of the larger flower pot.

Two different microphone connections are possible, depending on the individual characteristics of the cartridge. In either case, one microphone lead connects to the



transistor's base electrode and the other to either the -3- or -6-volt battery terminal as shown on the schematic. Try both, and use the connection delivering maximum output at minimum distortion. If you decide upon -3 volts, be sure to disconnect the lead between the microphone and the -6-volt terminal.

**Operation.** With wiring completed and checked, install the batteries, being certain to use fresh ones (a high-resistance cell can cut power output drastically). Take care to observe polarities: positive terminals on the battery holders can be identified with dabs of red fingernail polish.

Hold the microphone close to your mouth, pointing the unit in the direction you wish to project your voice. Depress the push button and speak in a slightly-louder-than-normal voice. Release the button to turn the unit off. —30—

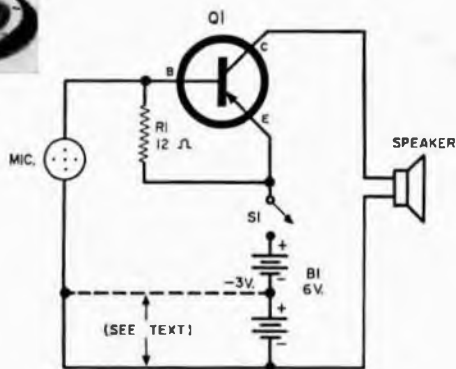
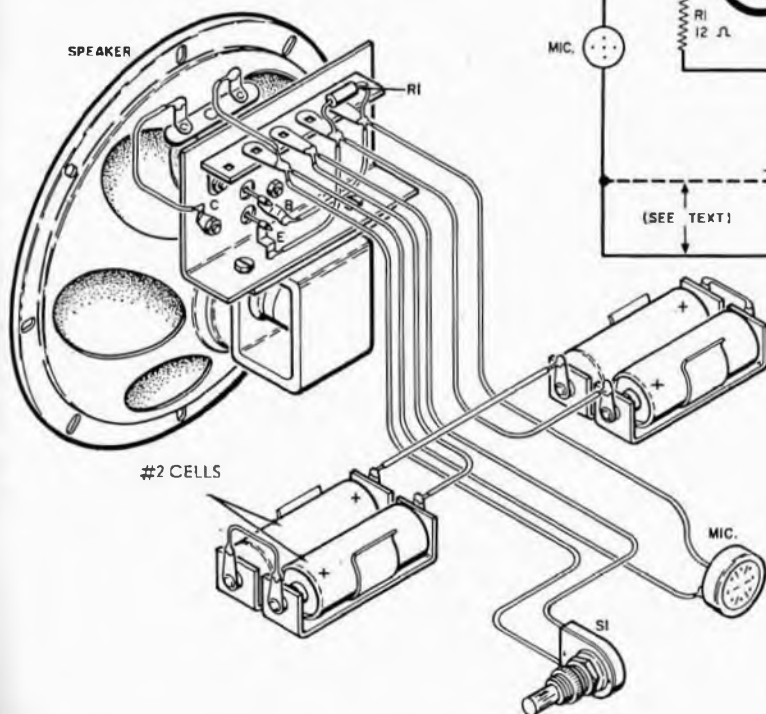


## HOW IT WORKS

The megaphone is a single-stage common-emitter amplifier using a  $p-n-p$  power transistor. Audio input is supplied by the carbon microphone; the PM loudspeaker serving as a collector load is coupled directly to the transistor. Resistor  $R_1$  stabilizes base bias; power is supplied by a 6-volt battery. The microphone is connected to either the -3- or -6-volt battery terminal, depending on the sensitivity of the mike used.

## PARTS LIST

- B1*—6-volt battery (Four Burgess #2 cells in series)
- Q1*—2N255 transistor (CBS)
- R1*—12-ohm,  $\frac{1}{2}$ -watt carbon resistor
- S1*—S.p.s.t. momentary-contact push-button switch
- Mic.*—Carbon microphone cartridge (see text)
- 2—Plastic flower pots (see text)
- 1—Small aluminum chassis (see text)
- Spkr.*—PM loudspeaker (see text)
- Misc. perforated Masonite, handle, battery holders, terminal strip, etc.



# battery-powered intercom

By LOUIS E. GARNER, JR.

**An inexpensive unit which functions away from power lines—at camps, summer homes, on boats, or in planes.**

**C**HANCES ARE you'll find dozens of uses for a two-station intercommunication system at your summer vacation spot. An intercom could be installed between the main lodge and the boathouse at a fishing camp, for example. At a hunting camp, it might provide communication between the lodge and the dog kennels. Or, in a simpler setup, it could be installed between any two cabins or tents. Now, while you have time, get it ready!

Lack of a power line often restricts use of electronic equipment. But the intercom described here has no such limitations. Because it's fully transistorized, the unit needs only standard flashlight cells to operate.

The complete system consists of two stations connected together with two-conductor "zip-type" line cord. The remote station is simply a small PM loudspeaker mounted in a metal or wooden baffle. The master station



contains a similar loudspeaker, plus the system's amplifier, power supply, and operating controls.

**Construction.** Assemble the master unit in a small wall-type loudspeaker baffle equipped with button-type "bumper" feet. The PM loudspeaker and pair of dual-battery holders are attached to the baffle with machine screws and nuts.

Assemble the transistorized amplifier on a small "chassis" made up of aluminum and perforated Masonite. An all-aluminum chassis can be used if the transistor cases are insulated with mica washers. Chassis size, circuit

layout, and wiring are not critical, but care must be taken to observe all d.c. polarities. The model uses Lafayette SP-147 transistors, low-cost equivalents of the CBS 2N255 specified in the parts list on the next page.

Once assembled and checked, the amplifier chassis can be attached to the baffle with long sheet-metal screws. Cut out a piece of the baffle's side wall to permit access to on-off switch *S2* and talk-listen switch *S1*.

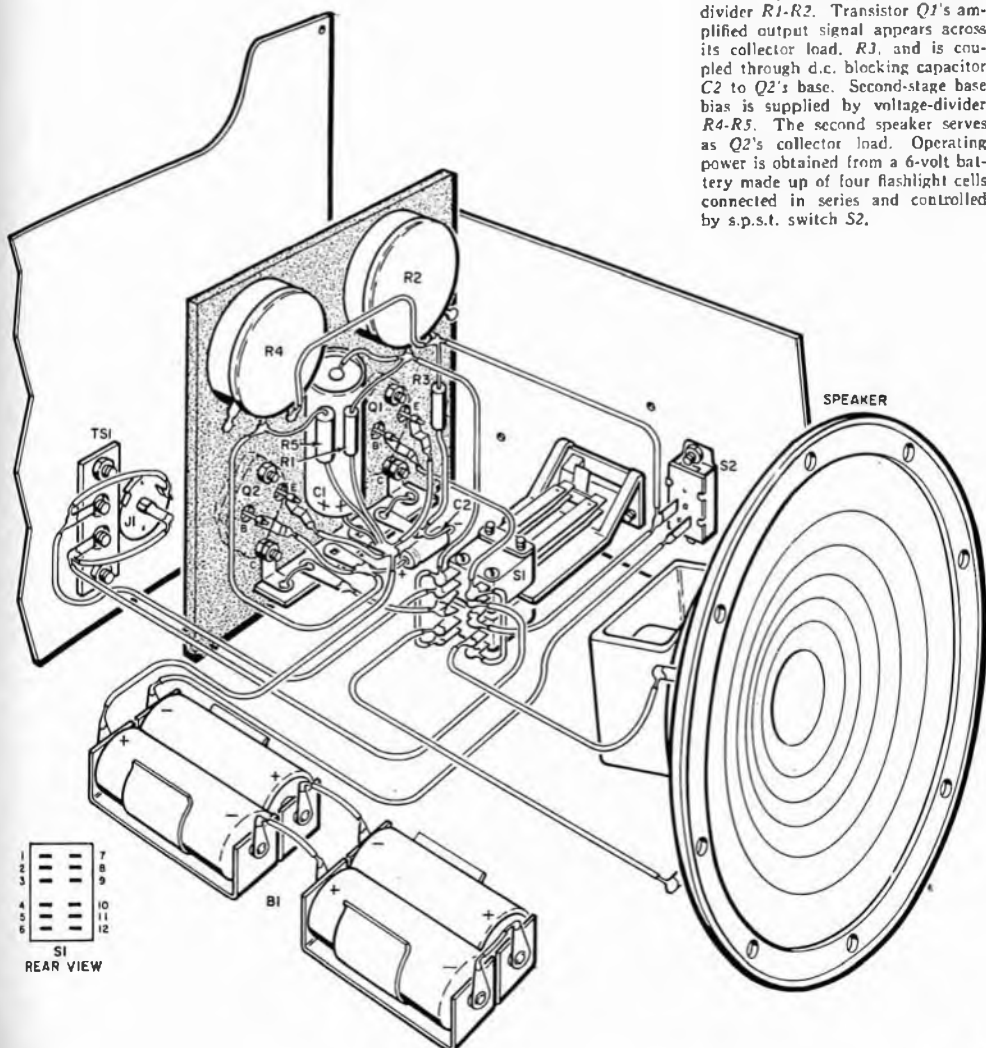
For connection to the remote station, dual outlets are provided—a conventional two-terminal screw-type strip, and a regular phono jack (*J1*). These dual outlets are hooked up in parallel and permit use of the master station in both permanent and temporary installations. For temporary setups, the line from the remote station can be terminated in a plug matching the master station's jack.

**Operation.** After the wiring has been completed and checked for errors, install the four flashlight cells. You can use dabs of red fingernail polish to identify battery

## HOW IT WORKS

The intercom is a two-stage resistance-coupled amplifier using *p-n-p* power transistors in the common-emitter arrangement. When *S1* is in its "talk" position, the master unit's built-in speaker serves as a microphone, with the amplifier driving the external remote speaker. Turning *S1* to "listen" reverses the speaker roles.

In operation, the input signal obtained from the speaker serving as a microphone is applied to *Q1*; base bias for *Q1* is supplied by voltage divider *R1-R2*. Transistor *Q1*'s amplified output signal appears across its collector load, *R3*, and is coupled through d.c. blocking capacitor *C2* to *Q2*'s base. Second-stage base bias is supplied by voltage-divider *R4-R5*. The second speaker serves as *Q2*'s collector load. Operating power is obtained from a 6-volt battery made up of four flashlight cells connected in series and controlled by s.p.s.t. switch *S2*.

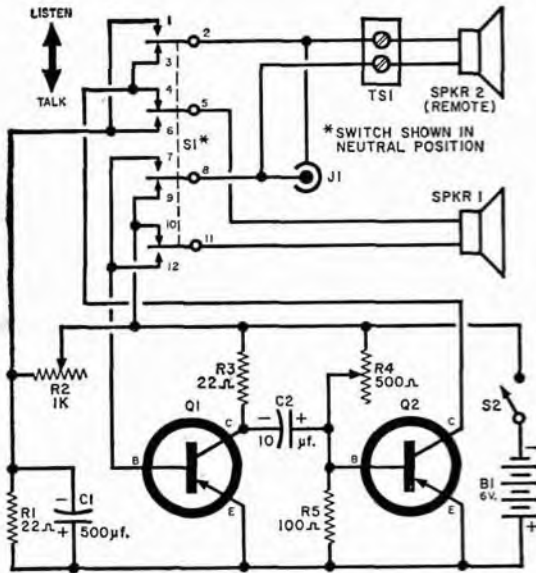


polarity in the holders. Connect the remote station with a length of line cord.

Next, turn  $R_2$  and  $R_4$  full on. Turn the unit on by closing  $S_2$ , and turn  $S_1$  to its "listen" position. Have a friend talk into the remote station speaker while you adjust  $R_2$  and  $R_4$  for maximum sensitivity and power output, respectively. Once these adjustments have been made,  $R_2$  and  $R_4$  can be left untouched unless one or both transistors are replaced.

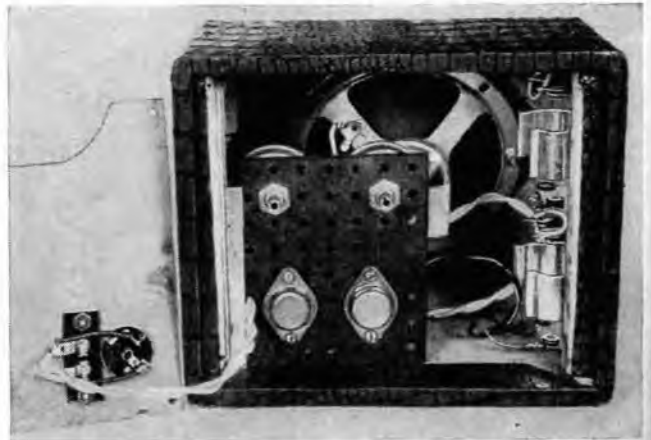
In normal use,  $S_1$  is left in its "listen" position. This enables the person at the remote unit to answer without having to operate a switch or control.

You'll find that this simplified circuit has less sensitivity and power than most commercial intercoms. But the unit's performance will be satisfactory as long as background noise levels are not high. -30-

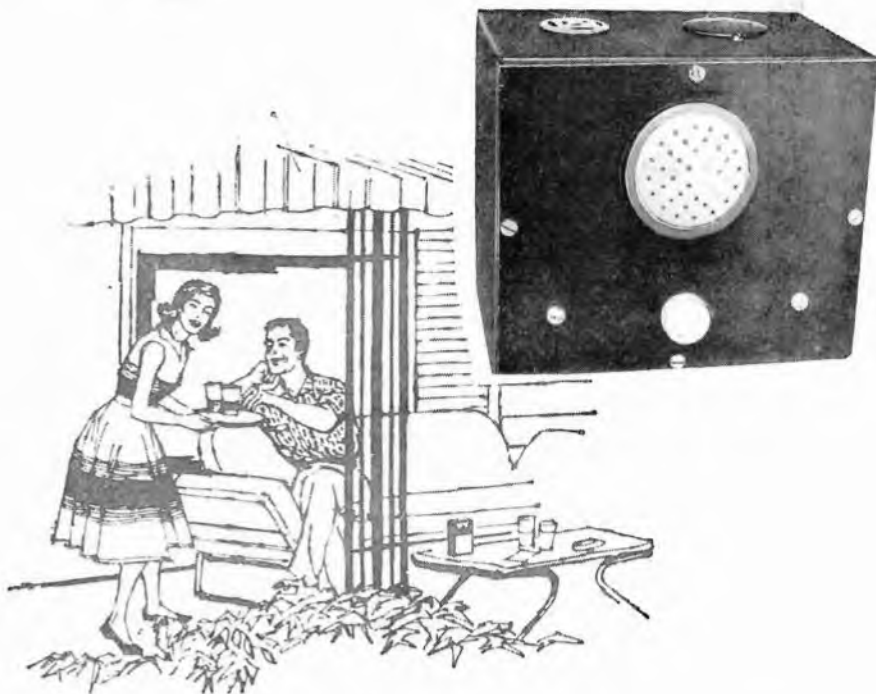


### PARTS LIST

- B1—6-volt battery (four Burgess #2 cells in series)
- C1—500- $\mu$ f., 15-volt electrolytic capacitor
- C2—10- $\mu$ f., 15-volt electrolytic capacitor
- J1—RCA-type phono jack
- Q1, Q2—2N255 transistor (CBS or equivalent)
- R1, R3—22-ohm, 1-watt resistor
- R2—1000-ohm wire-wound potentiometer
- R4—500-ohm wire-wound potentiometer
- S1—4-p.d.t. spring-return lever switch
- S2—S.p.s.t. switch
- TS1—Two-terminal screw-type terminal strip
- Spkr. 1, Spkr. 2—5" PM loud-speaker, 3-4 ohm voice coil
- 1—Wall-type speaker baffle
- 1—Desk-type speaker baffle
- 1—Aluminum chassis (see text)
- Misc. dual-cell battery holders, terminal strip, bumper tacks, wire, etc.







## Electronic House-Sitter

*Easy-to-build unit lets you monitor household activities at a distance.*

By LOUIS E. GARNER, Jr.

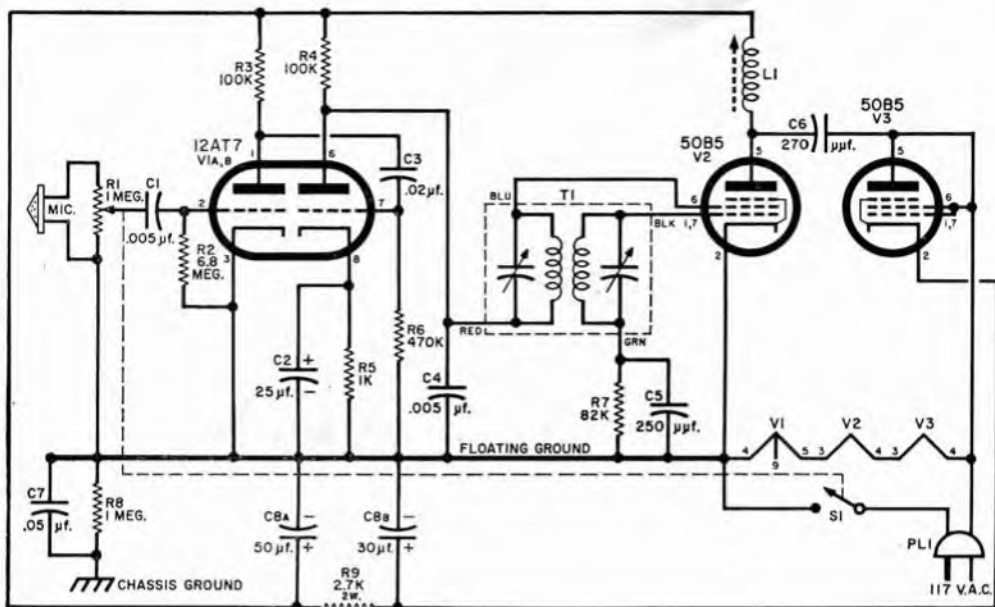
FOR a few dollars' worth of parts and several evenings' work, you can own an "Electronic House-Sitter," a useful little gadget that will:

- Let you know immediately if someone knocks on your front door, even though you are visiting a neighbor.
- Serve as a remote baby-sitter while you're out-of-doors, telling you the moment the baby wakes and starts to cry for his bottle.
- Allow you to listen to your favorite records or radio programs while you're working, yet call you immediately if the telephone rings.

The Electronic House-Sitter is a low-power transmitter operating in the AM broadcast band. It can be used in conjunction with any radio, though transistorized models are usually preferable because they are self-powered and small enough to be slipped into a spare pocket. With the transmitter broadcasting any sounds occurring in its vicinity, and a transistorized receiver in your pocket, you can wander all over the neighborhood and still know what's going on at home.

No separate antenna is required; the unit employs the house wiring as an antenna. A





### PARTS LIST

- C1, C4—0.005- $\mu$ f., 600-volt paper capacitor  
 C2—25- $\mu$ f., 25-volt electrolytic capacitor  
 C3—0.02- $\mu$ f. disc capacitor  
 C5—250- $\mu$ f. ceramic capacitor  
 C6—270- $\mu$ f., 600-volt capacitor  
 C7—0.05- $\mu$ f., 600-volt paper capacitor  
 C8a, C8b—30-50- $\mu$ f., 150-volt electrolytic capacitor  
 L1—Ferrite-core loopstick antenna coil (Meissner No. 14-9015)  
 PL1—Polarized line cord plug (see text)  
 R1—1-megohm potentiometer  
 R2—8.8 megohms  
 R3, R4—100,000 ohms  
 R5—1000 ohms  
 R6—470,000 ohms  
 R7—82,000 ohms  
 R8—1 megohm  
 R9—2700-ohm, 2-watt resistor  
 S1—S.p.s.t. switch ganged with R1  
 T1—455-kc. i.f. transformer (Meissner No. 15-6658)  
 V1—12AT7 tube  
 V2, V3—50B5 tube  
 MIC.—Crystal microphone cartridge (Lafayette PA-27)  
 1—4 $\frac{7}{8}$ " x 3 $\frac{3}{8}$ " x 1 $\frac{1}{4}$ " aluminum chassis  
 1—4" x 5" x 6" metal utility box (Bud CU-729B)  
 2—Seven-pin miniature tube sockets  
 1—Nine-pin miniature tube socket
- all resistors  
 1/2 watt unless  
 otherwise noted

special circuit keeps the output power within the limits stipulated by the FCC.

**Assembly.** Made from standard, readily available components, the gadget can be wired in two or three evenings, even by a builder with limited experience. It is a.c.-operated and measures only 4" x 5" x 6" over-all.

When drilling the case and panels, you should make provisions for reaching the oscillator transformer (T1) adjustments after assembly. This can be done by punch-

Wireless house-sitter uses "floating" ground to keep power line clear of chassis and eliminate possibility of dangerous shocks.

ing an appropriate hole in the case and covering it with a snap hole plug. Be sure to include ample ventilation holes to allow tube heat to escape.

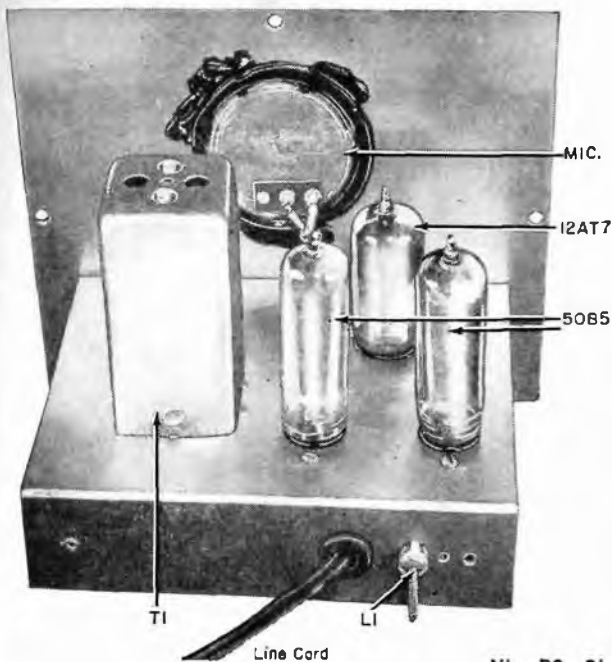
All major parts except the microphone and output coil are mounted with standard

### HOW IT WORKS

Sound is picked up by the crystal microphone and fed to a conventional two-stage resistance-coupled amplifier (V1). The amplified audio frequency signal appears across R4 and is superimposed on the voltage applied to the screen grid of oscillator V2. This modulates the r.f. signal. The r.f. oscillator (V2) is unique in that it operates as a combination oscillator and frequency doubler. Oscillator transformer T1 is tuned to one-half the frequency of output tank coil L1 which resonates in the broadcast band. Thus, the r.f. output is kept at a low level.

The screen grid of V2 serves as the "plate" of a triode oscillator. Transformer T1 furnishes the feedback path between screen and control grids necessary to obtain oscillation. The r.f. developed in the "triode" is doubled in V2's plate circuit by tank coil L1, which is tuned to the broadcast band by its ferrite core and distributed wiring capacities. Resistor R7, bypassed by C5, serves as the oscillator's grid-leak resistor and shunt capacitor. The modulated output signal appears across L1 and is coupled through C6 to the "hot" side of the 117-volt a.c. line.

The power supply is a conventional half-wave rectifier using a 50B5 (V3) with its screen and control grids connected to its plate. The "ground" side of the power line connects to a "floating" ground circuit through S1, and the "floating" ground in turn is connected to the chassis through C7, shunted by R8. Combined with the use of a polarized plug (PL1), this "floating" ground insures a shock-free chassis, although a transformerless supply is used.



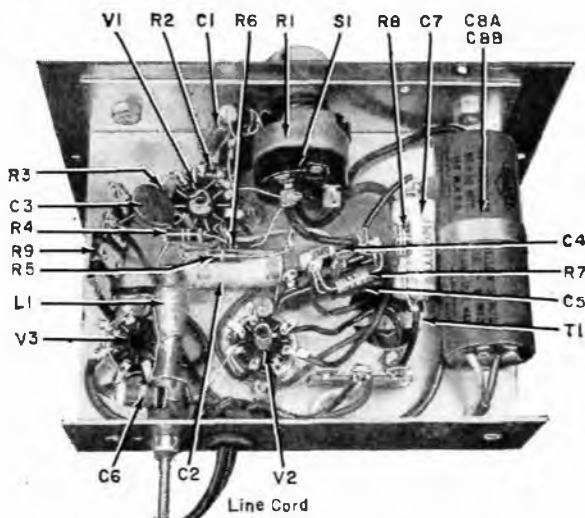
Parts layout is not critical. Only R8 and C7 should be connected directly to chassis. All other components which are grounded are connected to floating ground tie points or bus bar.

machine screws, nuts, and lock-washers. The microphone is furnished by the manufacturer with a rubber gasket which is cemented to the instrument's front panel. Coil *L1* is fitted with a familiar spring snap mounting and is simply slipped into an appropriate hole.

If you're unable to locate a commercial polarized plug for *PL1*, you can make your own by soldering a small piece of wire around the edge of one prong of a conventional line plug. This makes one wider prong which serves as the "ground" side of the line where a correspondingly polarized wall socket is used.

**Adjustment and Test.** With assembly completed, you are ready for preliminary tests. But double-check all wiring *before* installing the tubes or connecting to line power. If everything checks out, install the tubes and plug in the unit.

Turn the instrument on and allow a minute or two for warm-up. Use a 5000 ohms/volt (or better) voltmeter set for its 50-volt d.c. scale (or a VTVM) to check for d.c. voltage across *R7* (grid "end" is negative). Switch to a lower scale if necessary. If



there is no d.c. voltage across this resistor, the oscillator is not working. Try adjusting *T1*'s trimmer capacitors, checking again for a d.c. voltage. Also check for about 125 volts d.c. between pin 5 of the 50B5 oscillator (*V2*) and the "floating" ground. If you are still unable to obtain oscillation, try reversing *T1*'s secondary connections.

Once you are sure the oscillator is working, mount the instrument in its cabinet, and remove the snap plug covering *T1*'s adjustments.

Since the Electronic House-Sitter is used with a standard receiver, you'll need a radio

to make further adjustments. Place the receiver near the transmitter. Turn both instruments on and tune the receiver to a "dead" spot on its dial between 800 and 900 kc.

Now close *T1*'s trimmers *fully*. Turn up the set's volume control and set *R1* about two-thirds up. Then adjust *T1*'s trimmers slowly, backing each out an equal amount until a signal is picked up on the radio. This signal may be heard as a slight hum, as a "hiss," or as a squeal, depending on the relative adjustments of the volume and

gain controls. That takes care of one step.

For closer adjustment, move the receiver across the room, and re-adjust *T1*'s trimmers. Then adjust *L1* for maximum pickup by the receiver.

**Operation.** To use the instrument, simply plug it into a wall receptacle in the room where you would like to have maximum audio pickup. Turn the unit on and adjust gain control *R1* for desired pickup level as heard on your pocket receiver. Good results are also obtained when an earphone is used with the receiver. —30—

## TRANSISTOR ALARM GENERATOR

By DAVE STONE

**H**ERE is a useful and interesting circuit which produces pulses of audio tones at intervals of less than one-per-second to about eight-per-second. When it is connected to an audio amplifier the resulting output sounds like a series of "beeps" much like the busy signal on the telephone, or "whoops" similar to the emergency call which summons crews to combat stations aboard a battleship.

The self-quenched superregenerator is an old standby in the radio-frequency range. Feedback for regeneration is obtained from the split primary winding of the audio output transformer (Triad A-65J) and the circuit produces a normal audio tone at a frequency determined by *C2*'s capacity and the primary inductance of *T1*. It is approximately 600 cps with the values indicated on the schematic.

*C1* is connected so as to provide cut-off bias to the base-emitter circuit when it has sufficient charge. During oscillation it charges high enough to "quench" the oscillator and when no oscillator current is flowing, discharges until the cut-off bias is reduced and the circuit begins to oscillate again. The "tone-on," "tone-off" action is repeated at a rate determined by the values of *C1* and *L1*. The "Pulse Rate" control, *R2*, changes the bias and charging conditions which, in turn, affect the repetition rate.

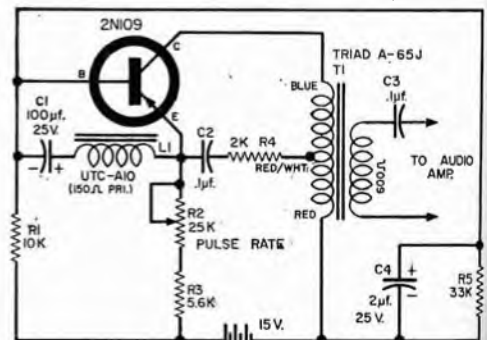
The values of *C1* or *L1* can be altered to obtain faster cycling—up to a rate of about fifteen-per-second, if desired. The optimum values for *L1* were found to lie between 500 and 700 millihenrys. The 50-200 ohm winding of a low-to-high impedance trans-

former—such as mike-to-grid or line types—will fill the bill. Several transformers of this type were measured and the low-impedance windings were within the desired inductance range. The UTC A-10 audio transformer provides several low-impedance combinations.

The tone of the audio frequency can be varied by changing the value of *C2*—the larger the capacitor, the lower the tone, while a smaller capacitor will produce a higher frequency output. *C3* and the 600-ohm secondary of the A-65J transformer will work well into a moderate- to high-impedance p.a. system input.

Use this stage to generate an alarm or warning signal with the higher pulsing rates. A burglar alarm relay can be connected to apply power to the alarm generator when it is activated. The resulting noise is guaranteed to attract attention! Use it as an audible "count-down" signal over the p.a. system by adjusting pulses to exactly one-per-second. —30—

**Complete schematic** of alarm generator. All parts are standard, intervals are adjustable.



# Portable Utility Amplifier

**W**HETHER your interest in electronics lies in servicing, in project construction, in circuit experimentation and testing, or in a combination of all these, you'll find that a self-contained audio amplifier is one of the most valuable instruments you can add to your home workshop. Here is a unit you can have fun building, and then use to troubleshoot or debug other projects.

For maximum utility, this audio amplifier was designed to deliver from 500 to 750 milliwatts with a frequency response and distortion level adequate for checking high-fidelity components. Both high and low input impedances are available, with a variety of input jacks for versatility. Over-all gain is high enough to permit its use with a magnetic phono cartridge, and battery operation minimizes hum and reduces the possibility of ground loops in checking other equipment.

Easy to build, using readily available components and

***Battery-powered  
transistorized amplifier  
has many useful  
workbench applications.***

**There is no power cord** in this transistorized unit. Just connect your source of audio, switch it on, and you have an amplified output—instantly.

**By  
LUIS VICENS**



standard hand tools, this unit compares favorably with high-quality factory-built equipment in both appearance and performance. The circuit consists of a three-stage amplifier using *p-n-p* transistors. Resistance-capacity coupling is used in the first two stages, with the second stage transformer-coupled to a class AB push-pull power amplifier.

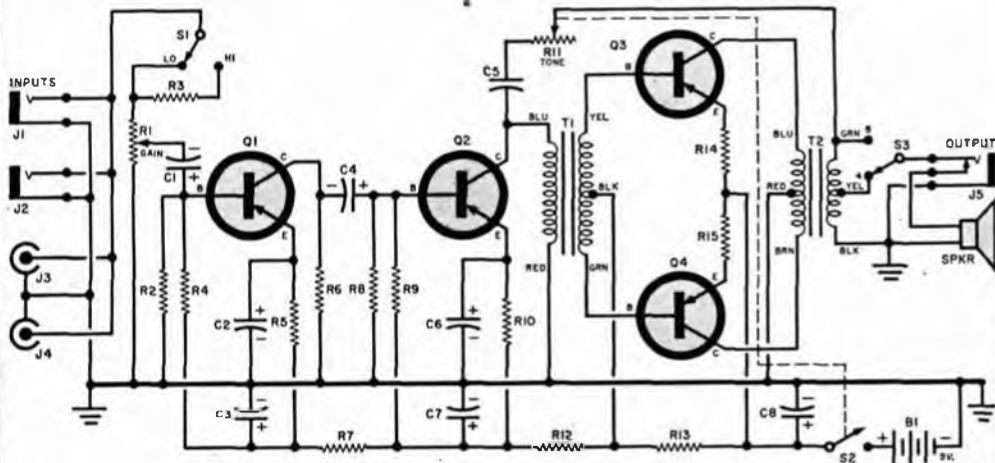
**Construction.** You can build the three-

stage transistorized amplifier on a 3½"-square Bakelite board (or use conventional wiring, if you wish). A wall baffle for an 8" loudspeaker provides the amplifier housing. The chassis is bracket mounted on the rear fiberboard panel of the baffle with leads to the speaker of sufficient length to permit testing and repair. The mounting technique is shown at right.

Before final assembly, install the transistors, connect the battery and give the instrument an over-all operational test by applying a test signal to one of the input jacks. Use an audio oscillator, radio tuner, record player, or even a small crystal receiver for the test. Turn the unit "on" by rotating the *Tone* control, and listen to the

### PARTS LIST

- B1—9-volt battery (Burgess 2N6 or equivalent)  
 C1, C4—30- $\mu$ l., 6-volt electrolytic capacitor  
 C2, C6—30- $\mu$ l., 15-volt electrolytic capacitor  
 C3, C7, C8—50- $\mu$ l., 12-volt electrolytic capacitor  
 C5—.02- $\mu$ l., 50-volt capacitor  
 J1—Miniature open-circuit phone jack  
 J2—Open-circuit phone jack



J3—Panel-mounting coaxial microphone connector

J4—RCA-type phono jack  
 J5—Closed-circuit phone jack

Q1, Q2—2N323 transistor

Q3, Q4—2N321 transistor

R1—5000-ohm potentiometer (audio taper)

R2—150,000 ohms

R3—470,000 ohms

R4—10,000 ohms

R5, R7, R10—1000 ohms

R6, R9—4700 ohms

R8—47,000 ohms

R11—25,000-ohm potentiometer (linear taper) with s.p.s.t. switch (S2) mounted on rear

R12—220 ohms

R13—47 ohms

R14, R15—10 ohms

S1, S3—S.p.d.t. toggle switch

S2—S.p.s.t. switch on R11

T1—Driver transformer; 10,000-ohm primary; 2000-ohm center-tapped secondary (Argonne AR-109 or equivalent)

T2—Output transformer; 160-ohm center-tapped primary; 3.2-8-ohm secondary (Argonne AR-170 or equivalent)

SPKR—8" PM loudspeaker, 3.2-8-ohm voice coil  
 1—Loudspeaker wall baffle

1—3½" x 3½" Bakelite board (see text)

Misc. fiberboard, hardware, transistor sockets, brackets, etc.

Four input jacks are provided in the utility amplifier for versatility. Low and high input impedances can be selected by switch S1 and both 4- and 8-ohm outputs are available for the self-contained speaker or at output jack J5.

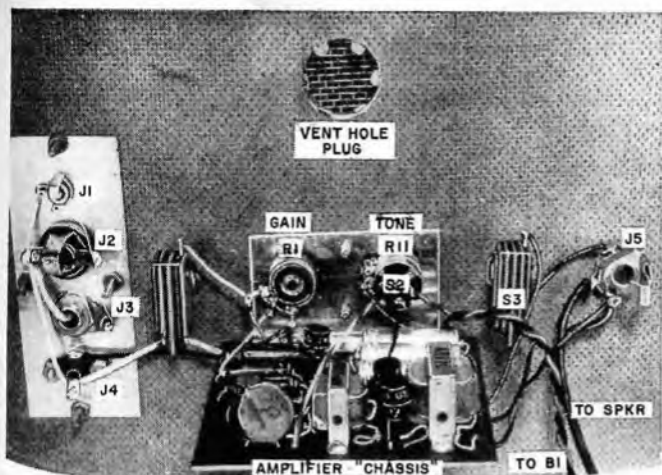
speaker's output. Adjust the *Gain* and *Tone* controls throughout their ranges to check them.

**Operation.** To test a phono cartridge or microphone, connect it to any of the four input jacks. Set gain control R1 for the desired volume level and switch S1 to the high or low impedance settings depending on the unit being tested. If in doubt, try S1 in both positions.

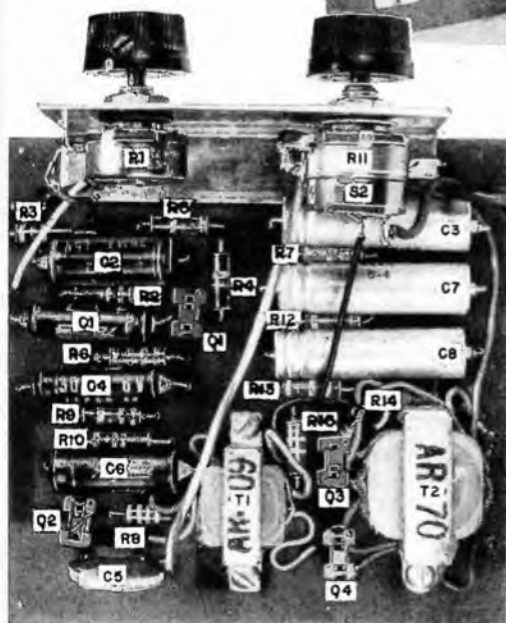
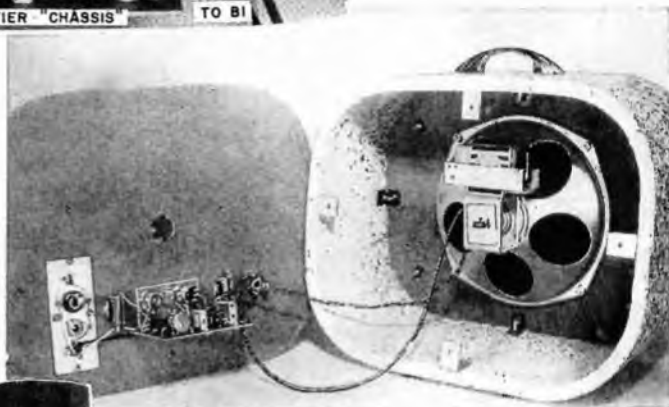
To test speakers or low-impedance headphones, simply plug them into jack J5 and flip output impedance switch S3 to 4 or 8 ohms. High-impedance headphones can be tested but will give low volume.

Many other applications are possible for this versatile instrument. For example, it





Mount amplifier chassis, controls, input and output jacks on rear panel of speaker baffle. Allow sufficient lead length between speaker, battery, and rear panel so that the unit can be opened for test and repair.



Compact chassis is achieved by using printed-circuit board. Similar layout can be made on perforated phenolic board.





**The  
Beautiful  
Schober  
CONSOLETTA**

—only small organ with two full 61-note keyboards and 22 stops. Requires only 2'x3'2" floor space! Commercial value approximately \$1600 or more.

## BUILD THIS SUPERB *Schober* ORGAN FROM SIMPLE KITS and save over 50%!

### Give Your Family A Lifetime of Musical Joy With A Magnificent Schober Electronic Organ!

Now you can build the brilliant, full-range Schober CONSOLETTA or the larger CONCERT MODEL with simple hand tools! No skills are needed; no woodworking necessary. Just assemble, clearly marked electronic parts guided by step-by-step instructions. You build from kits, as fast or as slowly as you please... at home, in your spare time — with a small table serving as your entire work shop.

#### Pay As You Build!

Start building your organ at once, investing just \$18.94! The superb instru-

ment you assemble is as fine, and technically perfect, as a commercial organ... yet you save over 50% on quality electronic parts, high-priced labor, usual store mark-up!

**THE GREAT  
CONCERT  
MODEL**  
meets  
specifications of  
American  
Guild of  
Organists

#### Free Booklet

Send for 16-page booklet in full color describing Schober organs you may build for home, church or school, plus articles on how easy it is to build

your own organ and how pleasant it is to learn to play. Also available is 10" LP demonstration record (price \$2.00 — refundable on first order). Send for literature. No obligation and no salesman will call.

### Mail This Coupon For FREE Schober Literature And Hi-Fi Demonstration Record TODAY!



The Schober Organ Corp., Dept. EE-1  
43 West 61st St., New York 23, N. Y.

Please send me FREE full-color booklet and other literature on the Schober organs.

Please send me the 10" hi-fi Schober demonstration record. I enclose \$2.00 (refundable on receipt of my first kit order).

Name.....

Address.....

City.....

Zone... State.....

will serve as a low-power p.a. amplifier, a guitar amplifier, or as a booster for low-volume transistor portables. And it won't be hard to find dozens of other uses. —30—

### HOW IT WORKS

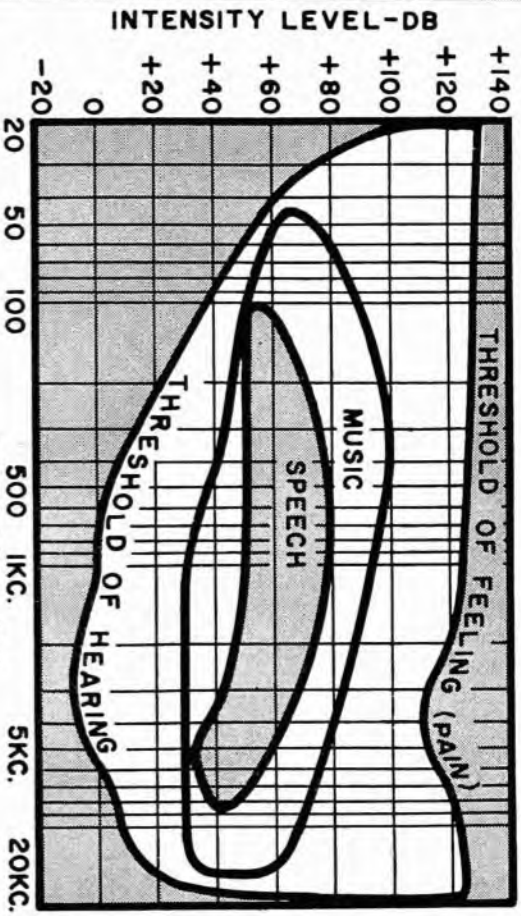
Audio signals applied to one of the four input jacks (*S1 to S4*) are coupled through input switch *S1* to Gain control *R1*. The input circuit normally has a low impedance, but it can be changed to a high input impedance by switching resistor *R3* in series with the Gain control. Input signals are applied to the base of preamp stage *Q1*. Stabilized base bias is furnished *Q1* by voltage-divider *R2-R4* in conjunction with emitter resistor *R5*, bypassed by *C2*. Resistor *R6* serves as the collector load, with stage decoupling provided by *R7* and *C3*.

The amplified signal developed across *R6* is coupled through *C4* to the driver stage, *Q2*, with the primary winding of driver transformer *T1* serving as *Q2*'s collector load. Transformer *T1* has a dual job: it matches *Q2*'s moderate output impedance to the relatively low input impedance of the push-pull stage and supplies the out-of-phase signals needed to drive the push-pull power amplifier, *Q3-Q4*.

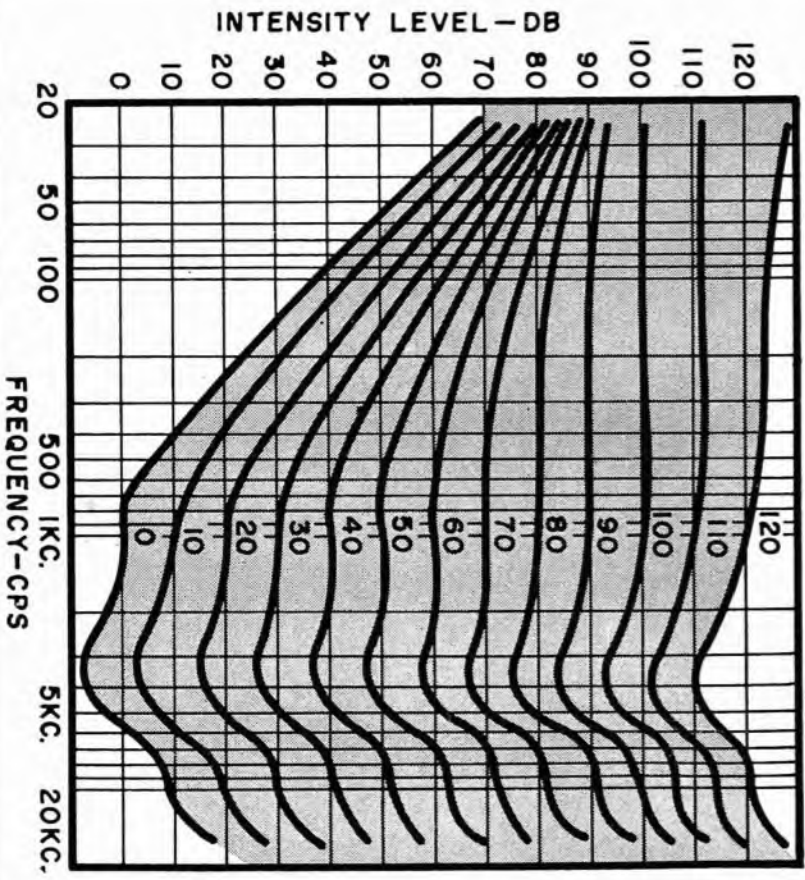
The small base bias required by the output stage for class AB operation is furnished by the d.c. drop across *R13*, stabilized by unbypassed emitter resistors *R14* and *R15*. The power amplifier stage is coupled to its load through impedance-matching transformer *T2*. A negative feedback signal is obtained from *T2*'s secondary and coupled back through blocking capacitor *C5* and Tone control *R11* to *Q2*'s collector.

Output transformer *T2* has a tapped secondary to provide a choice of output impedance values. The signal delivered here is coupled through the speaker impedance switch *S3* and closed-circuit output jack *S5* to the loudspeaker's voice coil. When a plug is inserted in *S5*, the speaker circuit is opened and the output signal can be delivered to an external load.



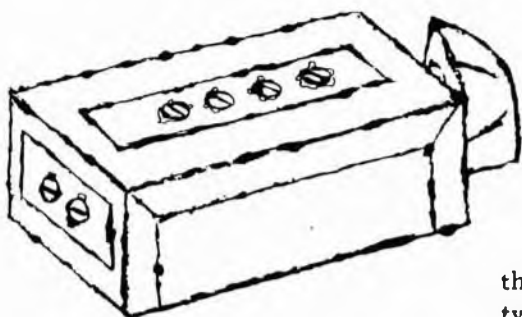


FREQUENCY & INTENSITY RANGES  
EQUAL LOUDNESS CURVES



# Hi-Fi Speaker

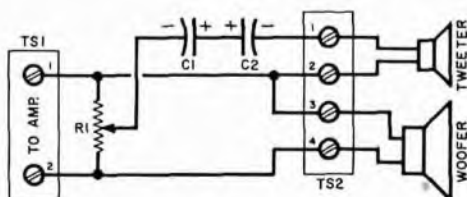
## Crossover



As a general rule, small loudspeakers do a better job of reproducing high-frequency sounds than do large units. By the same token, a large loudspeaker is best suited to handling low-frequency or "bass" sounds. Professionally designed high-fidelity installations utilize this fact by providing two or more loudspeakers: a small "tweeter" for high frequencies and a large "woofer" for low frequencies, with, often, a medium-sized unit for medium-range frequencies.

You, too, can take advantage of this fact by adding another loudspeaker to your present radio or phonograph if you do not now have a hi-fi system. All you'll need is another speaker plus a "crossover" to divide the high and low audio frequencies between the two units as shown.

Wire the crossover unit according to



SPKR	3-4 $\Omega$ .	6-8 $\Omega$ .	16 $\Omega$ .
R1	15 $\Omega$ .	30 $\Omega$ .	75 $\Omega$ .
C1, C2	50 $\mu$ f.	20 $\mu$ f.	10 $\mu$ f.

the pictorial diagram. Note that the two electrolytic capacitors (*C1*, *C2*) are connected "back-to-back," i.e., positive terminal to positive terminal. Check the wiring after you have completed it.

**Adding a Speaker.** If your set now uses a large loudspeaker, one with a diameter of from 8" to 12", you'll want to add a small "tweeter." This can be a 3" to 5" loudspeaker or a commercial tweeter, as offered by most distributors. An 8-ohm unit will work well with any impedance woofer.

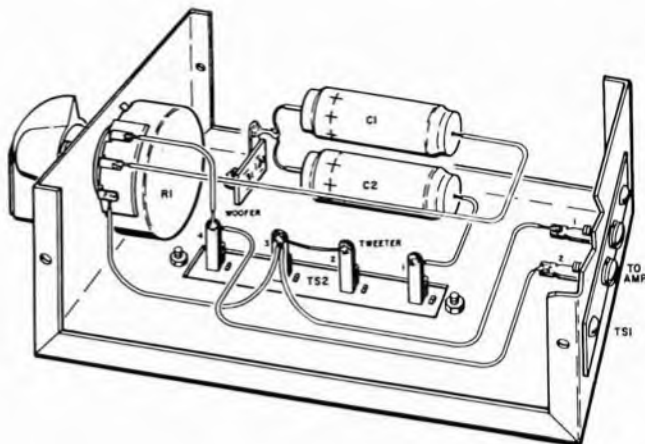
If your set now uses a 3"-5" loudspeaker, you'll want to use it as a tweeter and add a "woofer." Obtain a 10" to 12" PM loudspeaker of the best quality you can afford.

Mount the new speaker in a suitable enclosure; ask your audio dealer for his recommendations.

Disconnect the leads now connected to the voice coil terminals of your present loudspeaker and connect them to the *Amplifier* terminals of the crossover. Connect your small loudspeaker to the *Tweeter* terminals (1 and 2) and your large speaker to the *Woofer* terminals (3 and 4). Listening to music with a good balance between high and low frequency notes, adjust the crossover's control (*R1*) for the preferred balance between the two loudspeakers.

**How It Works.** In operation, the two electrolytic capacitors in series form a non-polarized "a.c." capacitor offering a relatively high impedance to low-frequency signals but permitting high-frequency signals to be applied to the tweeter with minimum loss. The 4-watt potentiometer (*R1*) serves as a variable voltage divider, controlling the voltage input to the tweeter.

-30-



**PARTS LIST**

*C1, C2*—25-volt electrolytic capacitor (see diagram for values)  
*R1*—4-watt wire-wound potentiometer (see diagram for values)

*TS1*—Two-terminal screw-type terminal strip  
*TS2*—Four-terminal screw-type terminal strip  
 1— $3\frac{1}{4}$ " x  $2\frac{1}{8}$ " x  $1\frac{1}{2}$ " aluminum box  
 Misc. control knob, screws, nuts, wire, solder, etc.

Say You Saw It in  
**ELECTRONIC EXPERIMENTER'S HANDBOOK**

**FREE Catalog**  
 OF THE WORLD'S FINEST  
 ELECTRONIC GOV'T  
 SURPLUS BARGAINS



**MAGNAVOX AUDIO AMPLIFIER**

Mfg. for the Navy for intercommunication and amplification of radio signals. Uses 2/12A8 tubes in push-pull; also high quality input transformer for carbon microphone, and Receiver input-output transformer has variable control for headset or speaker. Also mounting for 12 Volt Dynamo- tor, and Instruction book. Voltage required for operation 12 VDC and 250 VDC 60 Hz. Size:  $7\frac{1}{2}$  x  $7$  x  $10$ ". Wt. 15 lbs. Navy # UMN-50128. Price—Complete with 3/12A8 Tubes **\$2.95** (1 spare), less Dyn. .... \$6.95 Price—With 12 Volt Dynamo. .... \$6.95



Address Dept. EH—Prices F.O.B., Lima, Ohio.  
 25% Deposit on All C.O.D. Orders

**MAIL COUPON FOR CATALOG!**

**FAIR RADIO SALES**  
 2133 ELIDA RD. • Box 1105 • LIMA, OHIO

**FAIR RADIO SALES**  
 Dept. EH—P.O. Box 1105—Lima, Ohio—U.S.A.

NAME: .....  
 ADDRESS: .....  
 CITY: ..... STATE: .....

**EICO 1961**

**KITS AND WIRED**

- STEREO
- AND MONO
- HIGH FIDELITY
- TEST INSTRUMENTS
- HAM EQUIPMENT
- CITIZEN'S TRANSCEIVERS
- RADIOS

LABORATORY PRECISION AT LOWEST COST — WITH EICO KITS  
 Carry spare parts for the world

Send for **FREE** New 1961 **EICO Electronics Catalog**

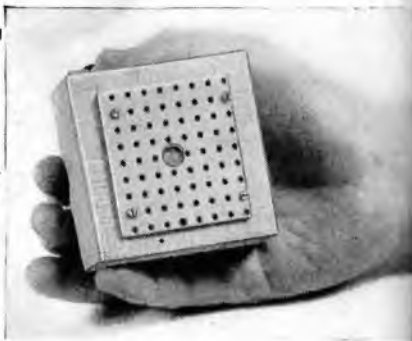
EICO, 3300 N. Blvd., L.I.C. 1, N. Y. EH-61  
 Send free 32-page catalog & dealer's name  
 Send new 36-page Guidebook to HI-FI for which I enclose 25¢ for postage & handling.

Name .....  
 Address .....  
 City ..... Zone ..... State .....

**EICO** 3300 N. Blvd., L.I.C. 1, N.Y.  
 ...praised by the experts  
 as BEST BUYS IN ELECTRONICS



# Carrier Current Sentinel



By  
**MARTIN H. PATRICK**

The Sentinel (above) feeds signal through power line to the pickup unit (coil on top of radio at left).

**Low-cost pager uses  
a. c. power line for  
inter-station wiring.**

**H**ERE'S a monitoring unit that can keep you in direct contact with other members of your family in various parts of your home. Plug the "Carrier-Current Sentinel" into a receptacle in one room, tune in a small radio in another, and you can keep tabs on calls from the nursery, garage, attic, basement, workshop, or anywhere else nearby.

The Sentinel uses a small PM speaker as a microphone and feeds a modulated r.f. carrier into the a.c. wiring. The signal is passed along the wiring to a pickup unit which plugs into an a.c. receptacle and

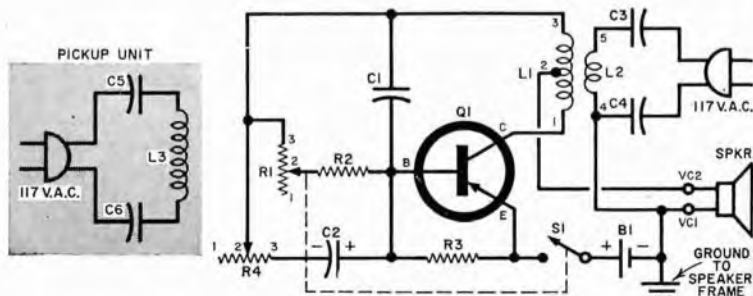
couples the r.f. signal from the power line to an ordinary AM radio.

Despite the low power output of the Sentinel, the pickup unit enables even an inexpensive a.c.-d.c. radio to detect any signal the Sentinel will put out. Parts for both the Sentinel and the pickup unit should cost less than \$10.00.

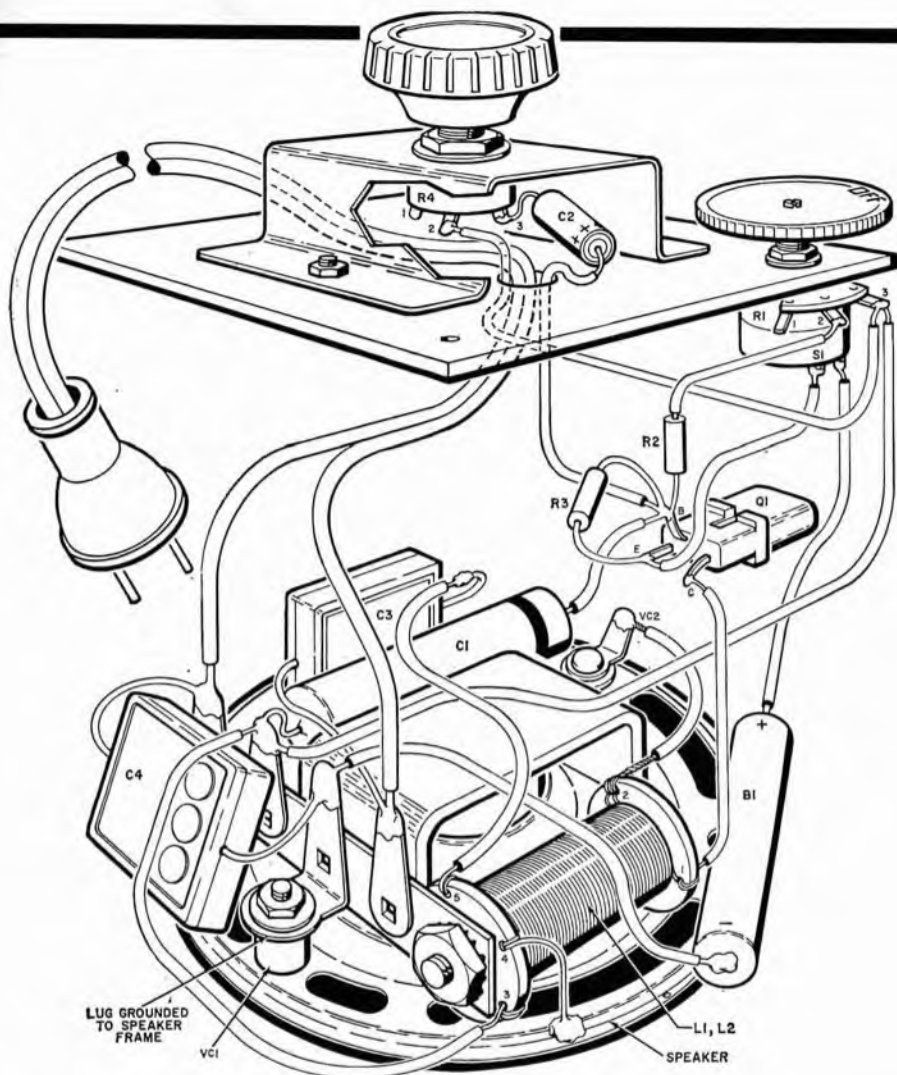
**Construction.** Coils *L1* and *L2* for the Sentinel are close-wound on a No. 8 brass bolt  $1\frac{3}{4}$ " long;  $\frac{3}{4}$ " fiber washers limit the winding space to  $\frac{3}{4}$ ".

Start *L1* by winding 300 turns of No. 25 enameled wire on the bolt, tagging the beginning of the winding terminal 1. When 300 turns have been wound, make a loop in the wire, label it terminal 2, and wind an additional 300 turns in the same direction. Label the end of the second 300-turn winding terminal 3, and you have completed *L1*. To hold the windings in place, pass the leads through holes in the fiber washers.

**Schematic diagrams** for Sentinel and pickup unit. Switch *S1* can be on either *R1* or *R4*.







### PARTS LIST

- B1—1.5-volt penlight cell  
 C1—0.1- $\mu$ l., 50-volt capacitor  
 C2—50- $\mu$ l., 10-volt electrolytic capacitor  
 C3, C4—.0015- $\mu$ l., 500-volt mica capacitor  
 C5, C8—0.003- $\mu$ l., 500-volt mica capacitor (for pickup unit)  
 L1—800 turns of #25 enamel-covered wire, center-tapped; scrambled-wound on  $\frac{3}{16}$ " brass bolt,  $1\frac{1}{4}$ " long; length of coil,  $\frac{3}{4}$ "  
 L2—20 turns of #25 enamel-covered wire wound over L1  
 L3—70 turns of #20 enamel-covered wire wound on broomstick handle (for pickup unit)  
 Q1—2N1265 transistor (Sylvania) or equivalent  
 R1—5000-ohm miniature potentiometer with switch S1 (Lafayette VC-27 or equivalent)  
 R2—470-ohm,  $\frac{1}{2}$ -watt resistor  
 R3—10,000-ohm,  $\frac{1}{2}$ -watt resistor  
 R4—500,000-ohm miniature potentiometer (Lafayette VC-37 or equivalent)  
 S1—S.p.s.t. switch (part of R1)  
 Spkr.—Miniature permanent-magnet speaker  
 Misc.—Line cords and plugs, fiber washers, wire, solder, etc.

Speaker frame serves as a support for most of Sentinel's components. In the model, voice-coil lug VCI was removed and replaced with a machine screw and spacer to hold a four-terminal mounting strip.

Coil L2 consists of 20 turns of No. 25 enameled wire wound on top of L1. Label its terminals 4 and 5 respectively, and pass them through additional holes in one of the fiber washers as shown above.

Wire the Sentinel as shown in the pictorial diagram, and be sure to use leads long enough so that the cover of the completed unit can be removed from time to time for battery replacement. When wired, the assembly can be placed inside a 3" x 3" x 1 $\frac{1}{2}$ " plastic or wooden box and the cover

# CITIZEN BAND KIT SALE!!

Closing out our stock of CB kits. Nationally advertised at \$39.95 up. Complete with power supply, tubes, crystal, cabinet, coils, etc., less mike. All sales final. Thousands of satisfied users. Plus FCC application.

110 VOLT CB TRANSCEIVER KIT...SALE PRICE **\$19.95**  
 12 VOLT CB TRANSCEIVER KIT...SALE PRICE **\$22.95**  
 6 VOLT CB TRANSCEIVER KIT...SALE PRICE **\$22.95**

## SAVE \$\$\$ ON FAMOUS MAKE CITIZEN BAND ACCESSORIES!!

GROUND PLANE ANTENNA—Top quality  
 .....SALE PRICE **\$12.98**  
 8-ELEMENT HORIZONTAL BEAM ANTENNA—  
 Reg. \$29.95 .....SALE PRICE **\$11.99**  
 102" WHIP, BASE, SPRING ASSEMBLY  
 .....SALE PRICE **\$ 7.98**  
 BUMPER MOUNT ANTENNA + SPRING  
 + 102" WHIP .....SALE PRICE **\$ 9.98**  
 SINGLE BUMPER MOUNTS .....SALE PRICE **\$ 4.49**  
 DOUBLE BUMPER MOUNTS .....SALE PRICE **\$ 6.49**

## GET ON CITIZEN BAND WITH MODULAR UNIT KITS!!!

**CB CONVERTER KIT:** Uses your car radio to achieve top quality reception. Complete with cabinet, crystal, tubes, plugs. 2" high x 6" wide—2 tubes. Power from your radio or power supplies.....SALE PRICE **\$14.50**

**TRANSMITTER KIT:** Complete with push-to-talk microphone, crystal, cabinet, panel meter to monitor input or output, 6-channel switching, etc. Regular price \$39.95 .....SALE PRICE **\$34.95**

**AC POWER SUPPLY KIT:** Powers converters or transmitters from A.C. source, for use in fixed station or home .....SALE PRICE **\$16.95**

**MOBILE POWER SUPPLY KIT:** Transistorized, plugs into cigarette lighter. For use with 12-volt systems. Powers above units.....SALE PRICE **\$22.98**

**FIELD STRENGTH METER KIT:** Includes load box and telescopic whip antenna. A must for every citizen bander .....SALE PRICE **\$14.98**

10-PC. MOBILE NOISE SUPPRESSION  
 KIT .....SALE PRICE **\$2.99**

CITIZEN BAND FAMOUS MAKE  
 TRANSMITTING CRYSTALS.....SALE PRICE **\$1.99**

**EMC TUBE TESTER:** Checks tubes for shorts, leakage, quality. Compact—6¼ x 5¼ x 2¼"—2-color meter dial, obsolescent proof. In kit form or factory wired.  
 KIT PRICE **\$13.90** FACTORY WIRED **\$18.83**

**REAR SEAT SPEAKER KIT:** Complete with 6 x 9 oval speaker, 2-pc. speaker grille, wired 3-way switch, switch plate, etc.....SALE PRICE **\$3.19**

**6-TRANSISTOR RADIO:** Top quality import, complete with carrying case, earphone, earphone case, and battery .....SALE PRICE **\$16.88**

## TRANSISTOR EXPERIMENTERS KIT!!!

A kit of transistor components for use in various Popular Electronics constructional articles. A must for the experimenter or engineer.

### Consists of:

6—Transistors (Audio, Driver, I.F.)	10—Terminal strips
1—Shielded Osc. Coil	3—Shielded I.F. coils
6—Transistor sockets	1—2-gang var. condenser
2—Transistor transformers	5—Trimmer condensers
5—Min. elec. condensers	10—Tubular condensers
	1—Transistor loopstick
	Transistor manuals

GROVE SPECIAL PRICE .....**\$9.95**

Send for our bargain packed 1961 catalog.  
 Get the Grove price on supplies.

**GROVE ELECTRONIC SUPPLY COMPANY**  
 4078 N. Milwaukee Ave. 4103 W. Belmont Ave.  
 CHICAGO 41, ILLINOIS

Include postage with orders or 50% deposit. Overage refunded.

screwed in place; if size isn't too important, a small cigar box or similar wooden container will do.

The coil for the pickup unit (*L3*) is wound on a dowel stick ¾" to 1" in diameter and approximately 5" long; an old broomstick was used in the model. Wind 70 turns of No. 20 plastic-covered hookup wire on the form, and pass the ends of the winding through two holes drilled through the ends of the dowel. Connect capacitors *C5* and *C6* in series with the leads, and solder the free ends of the capacitors to a line cord. House the pickup unit in a suitable wooden box.

**Operation.** Place the pickup unit on top of a broadcast radio in the listening room; to insure maximum pickup, make certain that the coil of the pickup unit is parallel to the loop antenna in the radio. Turn on the radio and tune it to the lowest unused frequency on the dial.

Now plug the Sentinel's line cord into an adjacent receptacle and turn the unit on. Set the modulation control about midway, whistle into the loudspeaker "mike," and turn the frequency control until you hear yourself on the radio. Talk into the Sentinel and adjust the modulation control for best sound. Next, unplug the Sentinel and plug it into a receptacle in the room you want to monitor, taking care not to upset the control settings.

Your Carrier-Current Sentinel is now set for receiving calls. Just talk into its miniature "mike," and the Sentinel will do the rest. —30—

## HOW IT WORKS

The heart of the Sentinel is a Hartley oscillator circuit (coil *L1*, capacitor *C1*, and transistor *Q1*) which develops an r.f. carrier. The center-tap of coil *L1* would ordinarily be connected directly to ground, but in this case the ground connection is made via the speaker voice coil. As a result, the output from the speaker collector-modulates (i.e., plate-modulates) the r.f. carrier.

Potentiometer *R1* adjusts the feedback to the transistor base and thus controls the carrier frequency; potentiometer *R4* controls the modulation level in the circuit. The oscillations in *L1* are induced in *L2* and coupled to the a.c. line through blocking capacitors *C3* and *C4*.

Coil *L3* in the pickup unit concentrates the signal on the line near the radio's antenna. The radio in turn detects the signal and broadcasts it over its speaker.

# ONE-TUBE FM TUNER



*This superregen circuit provides FM reception at low cost, yet combines features of more elaborate sets.*

By **ROBERT E. DEVINE, W6AVW**

**H**ERE'S a one-tube FM tuner that's inexpensive, easy-to-build, and remarkably good-sounding to boot. Naturally, the set's sensitivity doesn't compare with that of commercially available tuners, but it will pull in most stations within a range of approximately 10 miles. Parts for the tuner, including power supply, will cost approximately \$11.

Because it's built around a superregenerative detector, the set is comparatively insensitive to pulse interference—auto ignition noise, for example. Another inherent characteristic of a superregenerative detector is its tendency to hang on to a signal; this gives the set a sort of automatic frequency control action.

Although the tuner circuit isn't much more complicated than some fancy crystal sets, bear in mind that its operating frequency is measured in *megacycles*, not *kilocycles*. A good many sets will get by with long, sloppy leads at broadcast frequencies, but things just won't perk at 100 mc. unless the wiring is as short and direct as possible. For this reason, it's best to follow closely the pictorial layout.

**Construction.** The tuner and power supply were assembled on a  $3\frac{1}{2}$ " x  $6\frac{1}{2}$ " x  $\frac{1}{2}$ " piece of plywood. End pieces are  $3\frac{1}{2}$ " x  $3\frac{1}{2}$ " x  $\frac{1}{4}$ " plywood; the cover is a  $10\frac{1}{2}$ " x 7" piece of perforated metal bent into a "U" shape. If you have trouble with body-capacity effects, try mounting a  $3\frac{1}{2}$ " x  $2\frac{1}{2}$ " piece of sheet metal on the back of the front panel to isolate tuning capacitor  $C_2$ ; ground the metal plate.

Since pins 2 and 5 on socket  $SO1$  were not needed in wiring, they were removed. The metal grounding post in the center of the socket was also removed and replaced with a wood screw to mount the socket on the board. A 4-40 nut placed under  $SO1$  acts as a spacer to keep the remaining pins from being pushed out flat as the socket is tightened down.

Choke  $RFC1$  was wound on a  $\frac{1}{4}$ " dowel, then coated with polystyrene dope to make it easier to handle. If you don't have No. 23 enameled wire on hand, but do have No. 22 or 24, use it instead. Choke  $RFC2$  isn't overly critical, either—any 7- to 10-mh. r.f. choke should be satisfactory.

The B+, ground, and heater leads are

terminated on a three-terminal mounting strip;  $RFC2$  and  $L1$  are soldered to brass screws driven into the plywood. The a.c. cord, the shielded audio output cable, and the 300-ohm twin-lead can be passed through holes in the rear panel; make these holes slightly undersized to grip the leads firmly.

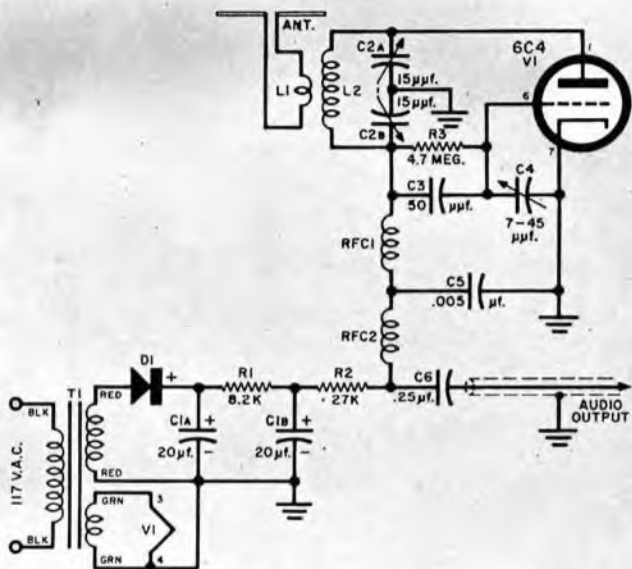
Note that transformer  $T1$ 's mounting strap is grounded. One red lead from  $T1$  is soldered to a lug under one of  $T1$ 's mounting screws; another lug is used under the other mounting screw. Be sure to

scrape off the paint around  $T1$ 's mounting holes to insure good electrical contact.

One last construction tip—don't fudge on the values of resistor  $R3$  and capacitors  $C3$  and  $C4$ . The total cost of these three parts is relatively small, and their values are quite critical. Capacitor  $C3$  must be a silver mica unit as specified.

**Operation.** With the a.c. power cord plugged in, an outside antenna attached (a TV antenna will work well), and the audio output lead plugged into an amplifier, you should hear either a hiss or a station. Now

**Circuitry** of the FM tuner is extremely simple, as the schematic diagram shows. A single triode ( $V1$ ) is connected in a superregenerative hookup; power for the tube is furnished by rectifier  $D1$ .



### HOW IT WORKS

A single triode is used as a superregenerative detector in the familiar Colpits circuit. Incoming signals from the TV or FM antenna pass through the 300-ohm twin-lead to  $L1$ . Since coils  $L1-L2$  act as a transformer, voltage is induced into  $L2$  with specific stations selected by tuned circuit  $L2-C2$ . The signal passes to the grid of  $V1$  through grid leak resistor-capacitor combination  $R3-C3$ . Since both grid and plate circuits of  $V1$  are tuned to the same frequency by  $L2-C2$ , oscillation takes place at that frequency.

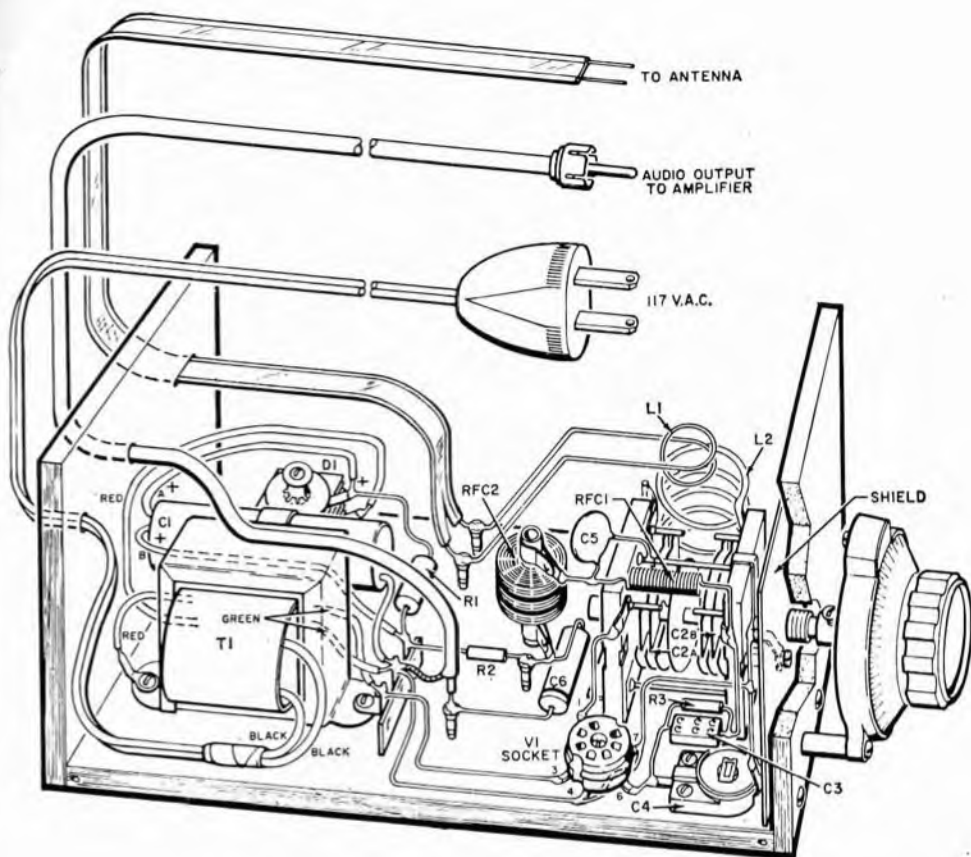
Because of the presence of  $R3-C3$ , oscillations occur simultaneously at another and lower frequency. This second or "quenched" frequency throws the detector in and out of oscillation at its main frequency some 20 to 30 thousand times a second. Since sensitivity in a regenerative detector is maximum when the detector is about to go into oscillation, throwing the detector in and out of oscillation at a ultrasonic rate results in sensitivity so great that thermal noise can be heard as a hiss between stations.

The a.f. component in the output from the detector is filtered by the r.f. chokes and capacitor  $C5$ , then fed to an external amplifier through d.c. blocking capacitor  $C6$ . Power for the detector is furnished by transformer  $T1$  working in conjunction with half-wave rectifier  $D1$  and filter  $C1-R1$ .

all you have to do is adjust  $C4$  or  $L1$  for best performance, and expand or compress  $L2$  so that the tuning capacitor covers the 88- to 108-mc. range.

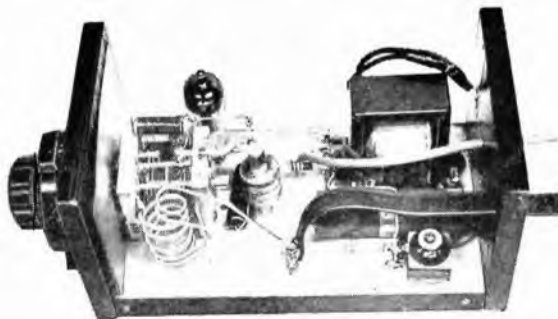
Capacitor  $C4$  is properly set when its capacitance has been increased as much as possible with the detector still oscillating over the entire frequency range. With  $C4$  at maximum, the receiver will be dead over part or all of the FM band. Too tight a coupling between  $L1$  and  $L2$  will also stop the oscillation, but the coupling here should be as close as possible to bring in stations strongly and eliminate hiss. You can also try grounding one side of  $L1$ ; make the connection permanent if it results in a stronger signal.

If you can't get stations on the high end of the band, unsolder  $L2$ , expand it slightly, re-solder it in place, and see if the high end of the band comes in. If it does not, repeat

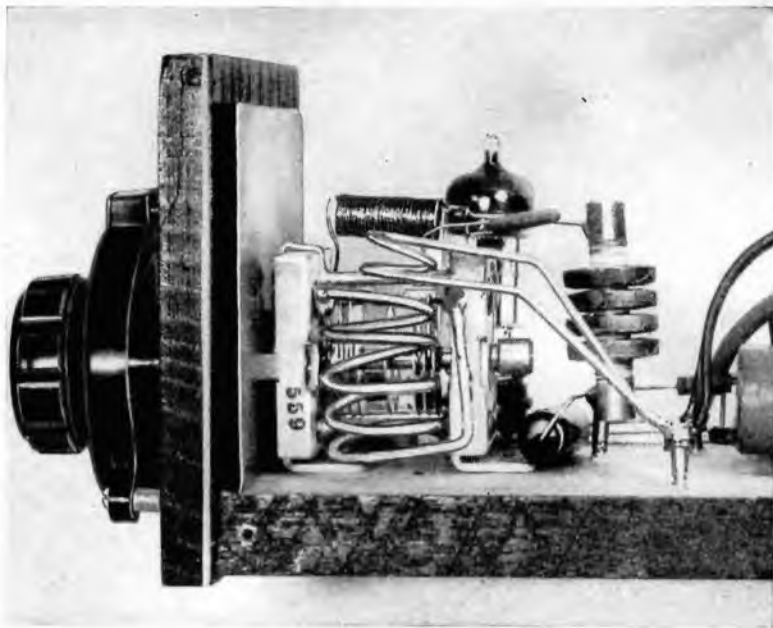


### PARTS LIST

- C1a/C1b—20-20  $\mu$ l., 150-volt electrolytic capacitor  
 C2a/C2b—15- $\mu$ f. dual variable capacitor (Bud LC 1660 or equivalent)  
 C3—50- $\mu$ f. silver mica capacitor  
 C4—7.45  $\mu$ f. trimmer capacitor (Centralab Type 833 or equivalent)  
 C5—.005- $\mu$ f. disc capacitor  
 C6—.25- $\mu$ f., 400-volt capacitor  
 D1—50-ma., 130-volt selenium rectifier  
 L1—1½ turns of #14 enameled wire, ¼" long, ⅜" in diameter  
 L2—4½ turns of #12 enameled wire, ¾" long, ½" in diameter  
 R1—8200-ohm, 1-watt resistor  
 R2—27,000-ohm, ½-watt resistor  
 R3—4.7-megohm, ½-watt resistor  
 RFC1—30" length of #23 enameled wire wound on ¼" form  
 RFC2—8 mh. r.f. choke  
 S01—7-pin miniature socket  
 T1—Power transformer; primary, 117 volts a.c.; secondaries, 125 volts at 15 ma., 6.3 volts at 0.8 amp. (Stancor PS-8415 or equivalent)  
 V1—6C4 tube  
 1—3½" x 6½" x ½" sheet of plywood  
 2—3½" x 3½" x ¼" sheets of plywood  
 1—10½" x 7" piece of perforated metal  
 Misc.—Tuning knob, a.c. cord and plug, shielded wire and phono pin plug, 300-ohm twin-lead, three terminal mounting strip, wire, solder, etc.



Parts are assembled in breadboard fashion on a 3½" x 6½" plywood base; slightly undersized holes in rear panel hold 300-ohm twin-lead, line cord, and audio output cable securely. Shield behind front panel is optional.



Coils L1 and L2 are hand-wound from No. 14 and No. 12 wire respectively and held in place by their own leads. Although the coils should be as close together as possible, they should not touch each other. Spacing of L2 can be varied until the tuner covers the entire 88-108 mc. FM band.



L1  
1½ TURNS #14  
WIRE, 3/8" DIA.



L2  
4½" TURNS  
#12 WIRE,  
3/4" LONG,  
1/2" DIA.

this procedure until it does. On the other hand, if the tuning capacitor becomes fully enmeshed before you get to the lower-frequency stations, unsolder L2 as above, but compress it before replacing it. If this doesn't work, add one turn to the coil—you'll have to make a new coil to do so,

but this should take only a few minutes.

Remember that you are not working on the AM broadcast band with this little tuner, but you are trying to receive 100 mc. signals. Therefore, you must use short, direct leads on everything but the power supply circuits. It is best to follow the layout shown in the photographs and in the drawing just as closely as you possibly can so you will not be troubled with any parasitic oscillations.

Prepare to be pleasantly surprised if you have a hi-fi rig to feed the tuner into. Many people are astounded at the quality of sound that emanates from this ultra-simple unit. In fact, you're likely to be swamped with friends by the bushel who want you to whip up one for them.

-50-

----- CUT OUT AND MAIL TODAY -----



# 8

FREE  
BIG ISSUES

# OLSON CATALOGS

TYPICAL VALUE

DIAL TELEPHONE

\$7.93

No. PH-31

Standard phone company model.



We will send you a new issue every 6 weeks for a full year—**NO CHARGE!** Compare our World Famous Values.

SEND FREE CATALOGS | MAIL TO: **OLSON ELECTRONICS**  
(Formerly Olson Radio)  
905 S. Forge St., Akron 8, Ohio

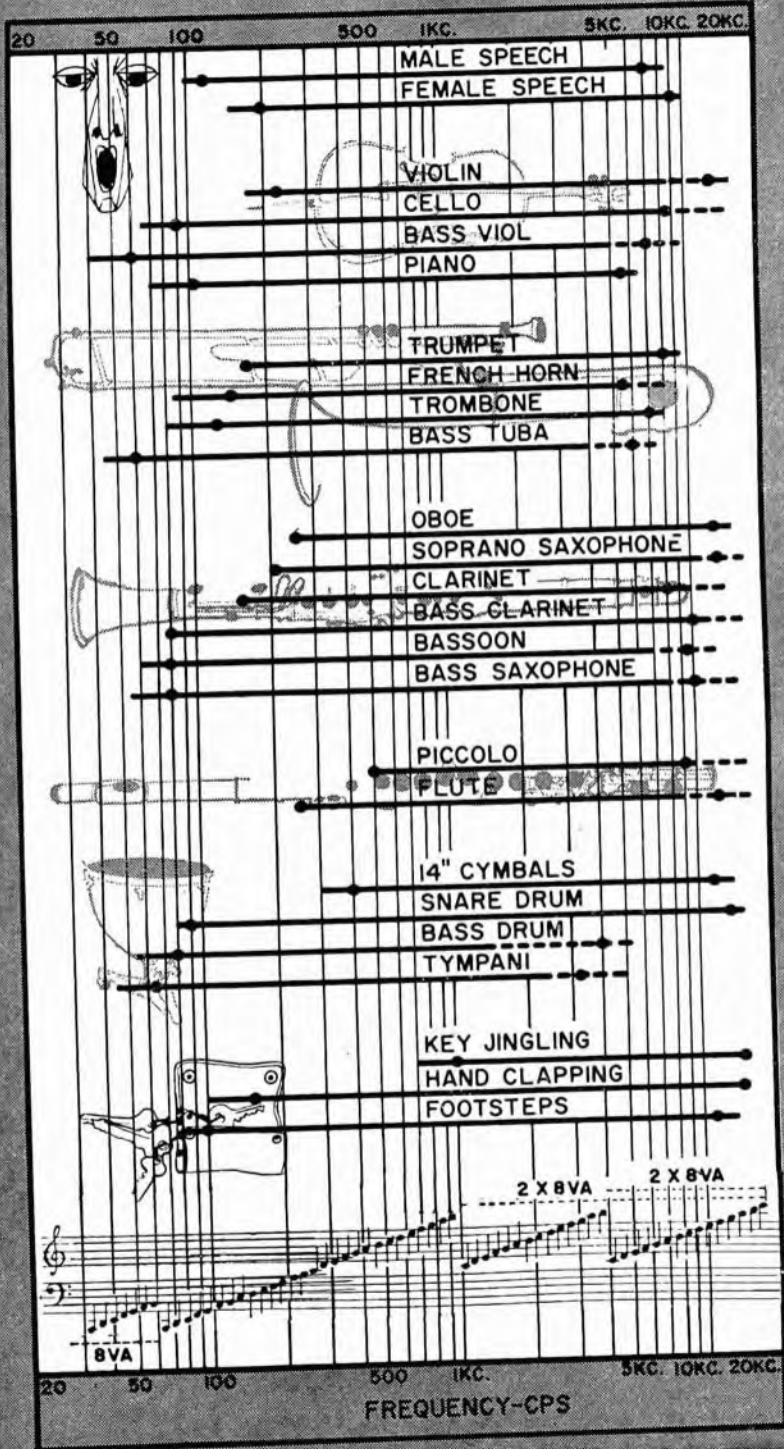
Send Dial Telephone @ \$7.93, plus postage | NAME \_\_\_\_\_

ADDRESS \_\_\_\_\_

CITY \_\_\_\_\_ ZONE \_\_\_\_\_ STATE \_\_\_\_\_

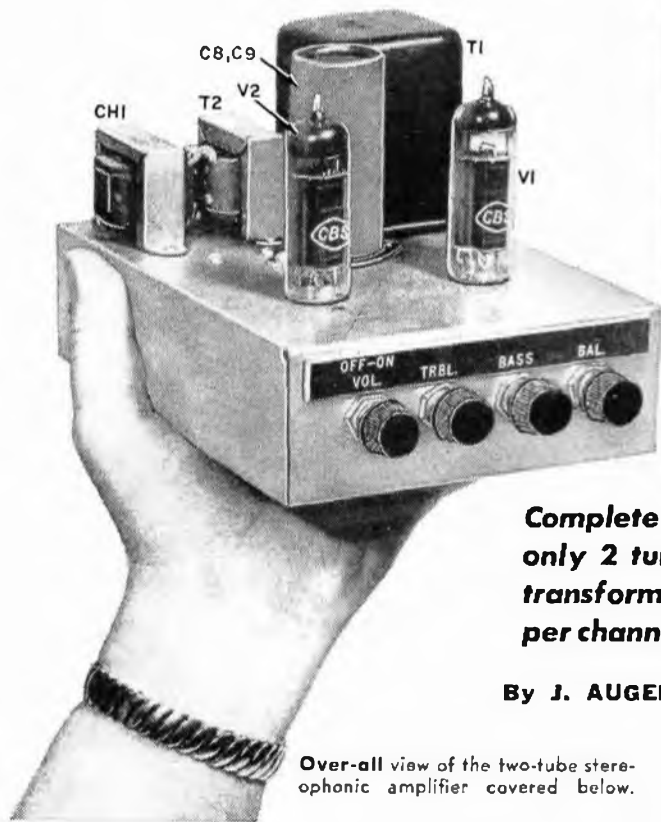


The chart below shows the audible frequency ranges for common musical instruments, speech, and noise. Actual tonal ranges are shown by the solid lines, while accompanying noise range is shown dashed. Points indicated are cut-off frequencies detectable in most tests. Corresponding musical scales are below.



# Audible Frequency Ranges

# Compact Two-Tube Stereo Amplifier



**Complete stereo amplifier uses only 2 tubes, requires no power transformer. Delivers 3.5 watts per channel, and includes controls.**

**By J. AUGERI and D. CHRISTIANSEN,**  
CBS Electronics

**Over-all view of the two-tube stereophonic amplifier covered below.**

**T**HIS compact, lightweight (less than four pounds) stereo amplifier uses just two tubes and is built on a chassis measuring only 5" x 7" x 2". With the proper choice of stereo cartridge it provides on the order of 3.5 watts per channel. Although the unit should not be compared with higher power, hi-fi amplifiers, it does do a good job where simplicity and compactness are required. Versatile controls include "on-off" and master volume, balance, bass, and treble controls.

The key to the unit's compactness is in the use of the CBS-Simplex circuit developed by CBS Laboratories of Stamford, Conn. This circuit saves money as well as space. Thus, in addition to the two tubes already mentioned, the builder needs only a pair of inexpensive output transformers and a handful of resistors, capacitors, and miscellaneous parts.

Although the CBS-Simplex circuit has been adequately described elsewhere,<sup>1,2</sup> the reader may find the following review of its operation interesting and helpful. The schematic diagram shows the basic push-pull circuit with an additional output

transformer (*T2*) connected in series with the "B+" centertap of the push-pull transformer (*T1*). This second transformer, plus the symmetrical connection of the speakers with respect to the *transformer combination*, are the important features of the circuit.

What the circuit accomplishes, in effect, is the selective amplification of two separate components of the total stereo signal—the "major" component by push-pull action and the "minor" component by single-ended action. Beyond the stylus itself, the total signal does not exist as a single measurable entity. It does exist, however, at the grids of *V1* and *V2*, as two separate signals proportional to the right- and left-channel information picked up by the stylus and, as we shall see, at the output transformers in somewhat different form.

If the instantaneous values of the signals at the input grids are *R* (right) and  $-L$  (left), respectively, then a signal proportional to *R plus L* is amplified *via* the push-pull action of the circuit and a signal proportional to *R minus L* is amplified by its single-ended action. Herein lies the se-

**Complete schematic diagram and parts listing for the two-tube stereo amplifier.**

**PARTS LIST**

- R1*—2 megohm, 1/2 w. res.  
*R2, R10*—2 megohm, 1/2 w. dual audio-taper pot  
*R3, R11*—1800 ohm, 1/2 w. res.  
*R4, R12*—220,000 ohm, 1/2 w. res.  
*R5, R13*—500,000 ohm, 1/2 w. dual linear-taper pot  
*R6, R14*—1 megohm, 1/2 w. dual audio-taper pot  
*R7, R15*—470,000 ohm, 1/2 w. res.  
*R8, R16*—1200 ohm, 1/2 w. res.  
*R9*—2 megohm, 1/2 w. audio-taper pot  
*R17*—75 ohm, 2 w. res.  
*R18*—22 ohm, 2 w. res.  
*R19*—120 ohm, 4 w. res.  
*R20*—200 ohm, 1 w. res.  
*C1*—.1  $\mu$ f. paper capacitor  
*C2, C5*—.005  $\mu$ f. paper capacitor  
*C3, C6*—.0005  $\mu$ f. paper capacitor  
*C4, C7*—.1  $\mu$ f. paper capacitor  
*C8*—100  $\mu$ f., 150 v. elec. capacitor  
*C9*—80  $\mu$ f., 150 v. elec. capacitor  
*C10*—100  $\mu$ f., 25 v. elec. capacitor

- C11*—80  $\mu$ f., 150 v. elec. capacitor  
*CH1*—1.5 hy., 200 ma. filter choke  
*S1*—S.p.s.t. switch (ganged to *R2, R10*)  
*SR1*—Silicon diode (1N1081)  
 Stereo Cart.—Columbia SC-2 stereo cartridge or equiv. (see text)  
 Spkr. 1, Spkr. 2—High-efficiency type speaker, 4-ohm v.c.  
*T1*—Output trans. 5000 ohms to 15. 8, 4 ohms @ 18 w. (Stancor A-3872 or equiv.)  
*T2*—Output trans. 2000 ohms to 4 ohms @ 5 w. (Stancor A-3876 or equiv.)  
*V1, V2*—50FY8 tube (CBS)  
 4—Phono input jacks (RCA type)  
 1—5" x 7" x 2" chassis

cret of the circuit. With proper phasing of the cartridge terminal voltages, the "R plus L" signal is directly related to the lateral component of stylus motion. Because this lateral component determines the main qualities and power of both channels, it is logically the component we want to amplify *via* push-pull action.

The other ("R minus L") component, although important, is less critical by virtue of its being related to the vertical component of stylus motion and it is amplified "single-endedly." This selective amplification of the two portions of the stereo signal, incidentally, enables the builder to use a parallel or single-ended transformer (*T2*) that is even smaller and less expensive than the push-pull transformer (*T1*).

The individual channel information is recovered at the speakers by connecting them as shown. Thus, if the voltages at the secondaries of *T1* and *T2* are, for example, 10 (R+L) and 5 (R-L), respectively, the actual outputs can be computed by tracing the connections to each speaker. They would be, for the right channel: 5 (R-L) + 1/2 x 10 (R+L) or 10R and for the left channel: 5 (R-L) - 1/2 x 10 (R+L) or -10L.

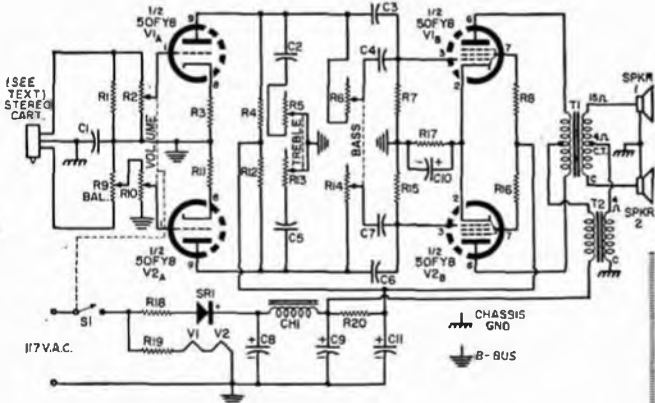
Thus we note that the right and left

channels are completely symmetrical with respect to both quality and power. The minus sign at the left channel output simply indicates opposite phase, as did the minus sign at the left channel input. It means that the leads to one speaker must be reversed in order to get the two speakers to operate in-phase.

The cartridge used by the authors is the Columbia SC-2. This commercially available cartridge is manufactured specifically for use with the CBS-Simplex circuit. It is identical to the Columbia SC-1 except for phasing of terminal voltages. Although other 3-terminal cartridges *cannot be used* with this circuit, 4-terminal cartridges having a sufficiently high output can be used by properly phasing their output voltages externally (reversing leads to one side).

**Construction Details.** The amplifier is built around a pair of newly introduced audio tubes (CBS 50FY8's). Each combines a high-mu triode and a power pentode in a single envelope. Plate and screen voltage required is only about 125 volts and thus a single silicon rectifier can be used for the d.c. supply.

The builder will find it convenient to first mount all the components with the ex-



ception of the controls. The 1N1081 silicon diode is mounted in a diode holder which is screwed to the side of the chassis. The heaters should be wired first, with the d.c. supply next. For low hum, care should be taken to wire the heaters so that pin 4 of each tube is toward the ground side and the heaters are on the ground side of R19, the 120-ohm, 4-watt resistor. Incidentally, C8, C9, C10, and C11 can be a multiple-section electrolytic, but in the amplifier shown in the photographs, C10 and C11 are actually separate capacitors.

Other connections are then completed and finally the controls are mounted and wired. Shielded wire is used between the input jacks and the controls. The shielded wire should be grounded to the chassis at the input jack end only to minimize hum pickup.

The balance control, R9, is a single 2-megohm audio-taper pot on one side of the amplifier only. This was done in order not to sacrifice any gain and means that the tubes may have to be swapped, initially, so that the stronger tube is on the same side as the balance control. Master volume, bass, and treble controls are dual half-watt pots and the "on-off" switch is ganged to the master volume control.

The builder will probably want to experiment with various speakers. Of course, they should be of the conventional high-efficiency type. For best results they should

be identical and should have a voice-coil impedance of 3-4 ohms. The authors used a pair of Columbia AX130's, each having a 12-inch woofer and two 4-inch tweeters in a 4.5 cubic foot cabinet.

One speaker is connected to the common (black) lead and the other to the 15-ohm tap (green lead) of the push-pull transformer secondary. One side of the parallel transformer secondary is grounded to the chassis and the other is connected to the center tap (brown lead) of the push-pull transformer.

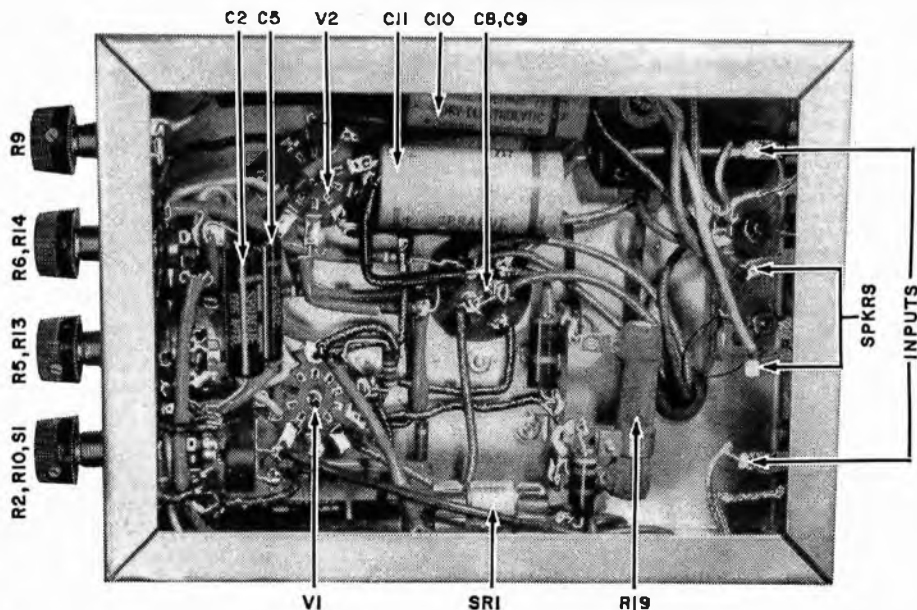
Speakers must be connected to operate in-phase. Phasing can be checked just as it is with conventional separate-channel stereo amplifiers. Note that this check should be made with signals applied to the input of the amplifier. If the speaker phasing is checked at the loudspeakers themselves, connections should be made in such a way that they are oppositely phased. This is required since the polarity of the signals applied to the speakers in normal operation is of opposite phase rather than being in-phase.

The system will provide amazingly good quality stereophonic sound at power levels entirely adequate for the average-size living room or den.

## REFERENCES

1. Crowhurst, N. H.: "Single Push-Pull Stage for Both Stereo Channels," *RADIO & TV NEWS*, January, 1959.
2. Bauer, Hollywood & Macerle: "A Two-Way Stereophonic Amplifier," *Audio*, October 1958.

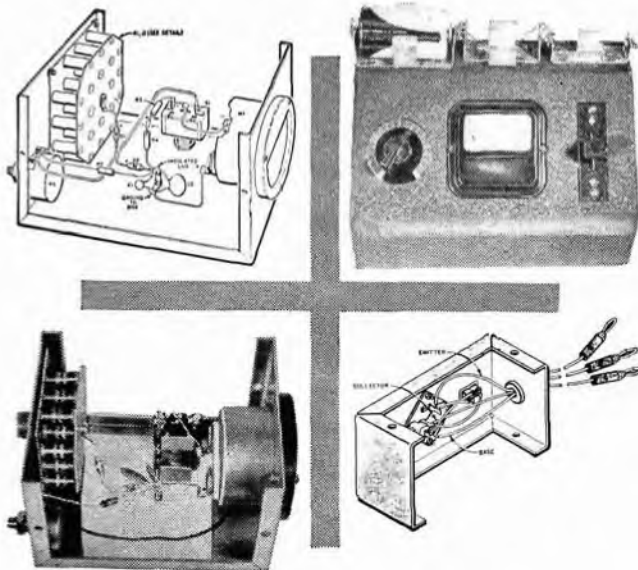
Under-chassis view of the amplifier showing components.



# PART 4

## Test Equipment

<i>Direct Reading Frequency Meter</i> .....	<b>118</b>
<i>Modulate Your Grid-Dip Meter</i> .....	<b>120</b>
<i>Build a Dual-Meter Transistor Tester</i> .....	<b>122</b>
<i>Citizens Radio Tune-Up Meter Probe</i> .....	<b>126</b>
<i>Build an R.F. Power Meter</i> .....	<b>128</b>
<i>Build a Field Strength Meter</i> .....	<b>131</b>
<i>Capacitor Leakage Tester</i> .....	<b>134</b>
<i>Dry Cell Tester and Rejuvenator</i> .....	<b>136</b>
<i>Resistors in Series and Parallel</i> .....	<b>142</b>
<i>Low-Distortion Sine-Wave Generator</i> .....	<b>143</b>
<i>Transistorized Tachometer Pickup</i> .....	<b>144</b>
<i>Transistor Tone Generator</i> .....	<b>146</b>
<i>Using the Decibel</i> .....	<b>148</b>
<i>Decibel Table</i> .....	<b>149</b>
<i>Screws: Styles, Sizes and Shapes</i> .....	<b>156</b>
<i>Capacitors in Series and Parallel</i> .....	<b>158</b>



# Direct Reading Frequency Meter

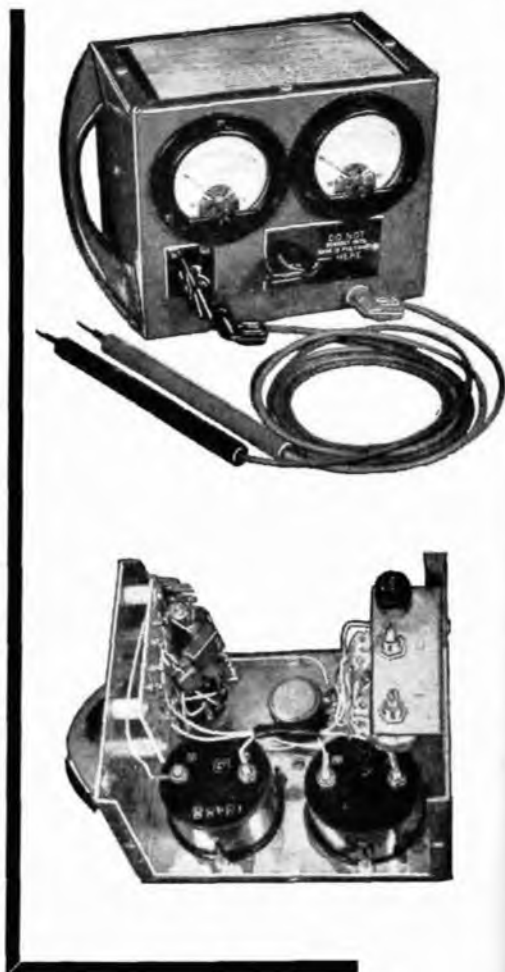
**This handy gadget  
measures frequencies from  
20 to 5000 cps.**

**H**ERE IS a direct-reading frequency meter that requires no tubes or batteries. A handy gadget for the workbench, it will measure frequencies between 20 and 5000 cps at any voltage between 15 and 200 volts, and will indicate the frequency directly on a meter scale which, once calibrated, needs no further adjustment.

You can build the unit in a 6"x5"x4" aluminum utility case and arrange the components to your own liking. Calibration potentiometers  $R_3$  and  $R_4$  should be recessed behind the panel to prevent them from being turned after the instrument has been calibrated.

**Calibration.** An audio generator having an accurate range of at least 20 to 5000 cps and an output of 15 volts or more will be needed for the initial calibration of the frequency meter.

First, turn potentiometer  $R_1$  fully counterclockwise and set selector switch  $S_1$  to the "X1" position. Now connect the audio generator output to the frequency meter input. The generator should be set for 15 or more volts output at 500 cps. Adjust  $R_1$  until meter  $M_1$  reads half-scale, or 25 microamperes. (As frequencies or voltages are shifted,  $M_1$  may go off its center scale reading. If it does, use  $R_1$  to reset  $M_1$  to a center scale reading.)



**By ROBERT J. D'ENTREMONT**

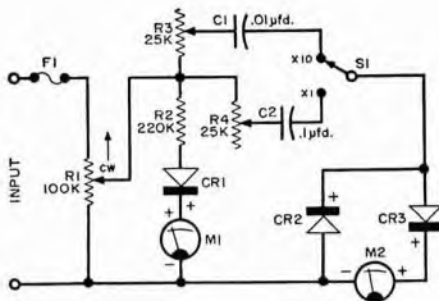
Next, adjust  $R_4$  until meter  $M_2$  reads full scale (1 ma.). Progressively decrease the frequency as follows: 500, 400, 350, 300, 250, 200, 170, 150, and in steps of 10 cps down to 20 cps. Keep a record of  $M_2$ 's reading at each frequency.

Repeat the above procedure with  $S_1$  in the "X10" position. Set the generator to 5000 cps and set  $R_3$  for a full-scale (1-ma.) reading of  $M_2$ . Decrease the frequency as follows: 5000, 4000, 3500, etc., as was done for the lower scale. Keep  $M_1$  at center scale at all times.

Now the scales should line up for all frequencies in the ratio of 1 to 10; for example, 400 cps and 4000 cps should be at the same point on the meter scale. If they do not line up, it means that  $C_1$  does not



**Polarity of the meters and diodes must be observed.** For reasons of economy, a 1-ma. meter could be used for *M1*, instead of the 0-50  $\mu$ amp. meter specified in the parts list, and an 11,000-ohm resistor for *R2*. In this case, *R1* would have to be adjusted for an input level reading of .5 ma. on *M1* for all measurements.



have exactly one-tenth the capacity of *C2*. To correct this situation, either add or remove capacitance to change *C1* slightly until the scales agree.

After recording the relationship of ma. to frequency, a new meter scale can be lettered, or a record of current vs. frequency may be pasted on the instrument case. Letter the scale from "0" to "500" and mark switch *S1* showing the "X1" and "X10" positions. If you wish, you can also attach operating instructions to the case.

**Operation.** Set switch *S1* to "X10." Be sure to rotate potentiometer *R1* fully counterclockwise. Connect the leads from the input terminals to the unknown voltage and frequency source, and rotate *R1* slowly clockwise until *M1* reads 25 microamperes. If the meter needle of *M2* is above 50 on the scale, that reading multiplied by 10 equals the frequency in cps.

If the meter reads below 50, the frequency under test is less than 500 cps and you can use the "X1" scale. In this case, set *S1* to "X1," readjust *M1* to 25  $\mu$ amp., and then read the frequency directly on meter *M2*.

-30-

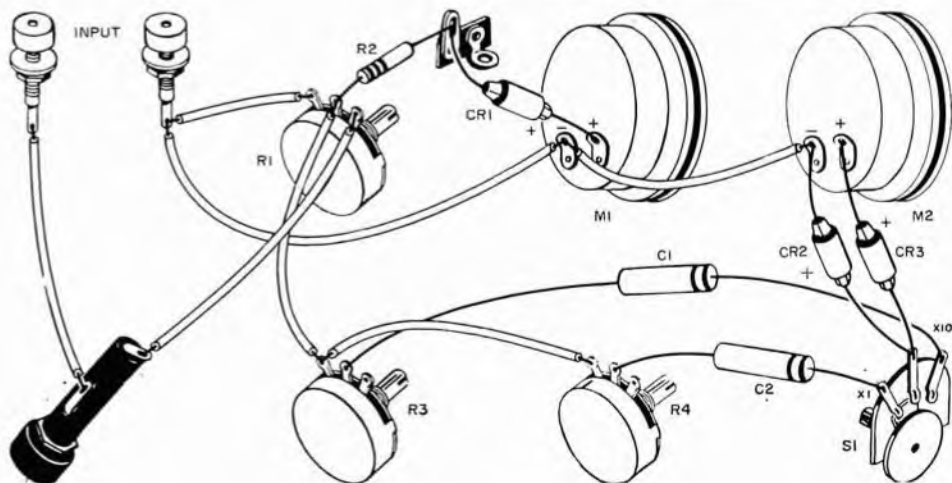
### PARTS LIST

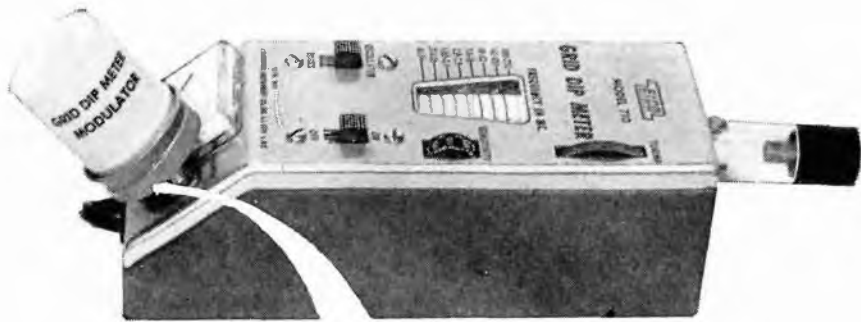
- C1*—.01- $\mu$ f., 400-volt capacitor
- C2*—.1- $\mu$ f., 400-volt capacitor
- CR1*, *CR2*, *CR3*—1N34A diode
- F1*— $\frac{1}{2}$ -amp. 3AG fuse, and holder
- M1*—0.50  $\mu$ amp. d.c. meter
- M2*—0.1 ma. d.c. meter
- R1*—100,000-ohm, 2-watt wire-wound potentiometer
- R2*—220,000-ohm,  $\frac{1}{2}$ -watt resistor
- R3*, *R4*—25,000 ohm potentiometer
- S1*—S.p.d.t. rotary switch
- 1—6" x 5" x 4" aluminum utility case
- Misc. test lead wire, tip jacks, knobs, hardware

### HOW IT WORKS

Input level indicator meter *M1*, in conjunction with *R1*, *R2* and *CR1*, serves to set a standard reference level. The actual reading of *M1* is not critical provided the same setting is used for the initial calibration and all subsequent readings.

When an alternating voltage of constant amplitude and waveform is impressed upon capacitor *C1* or *C2* (depending upon the scale being used), the current through the capacitor is directly proportional to the input frequency. If the frequency is increased, the current through the capacitor to diodes *CR2* and *CR3* increases proportionately. The d.c. output of the diodes is read by meter *M2*, which indicates the frequency.

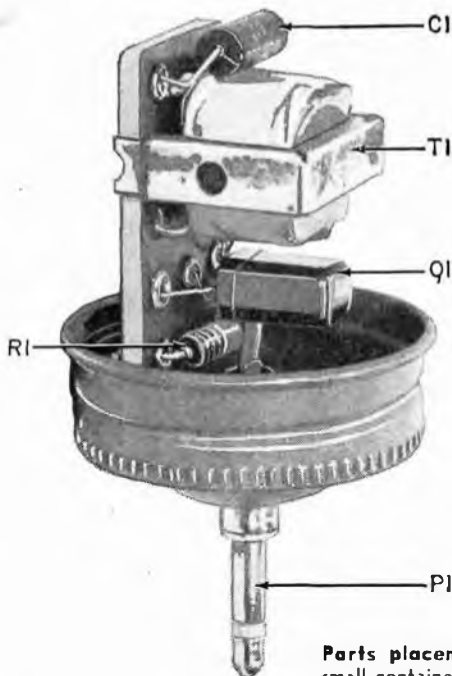




# MODULATE YOUR GRID-DIP METER

... with this easy-to-build plug-in accessory.

By R. L. WINKLEPLECK

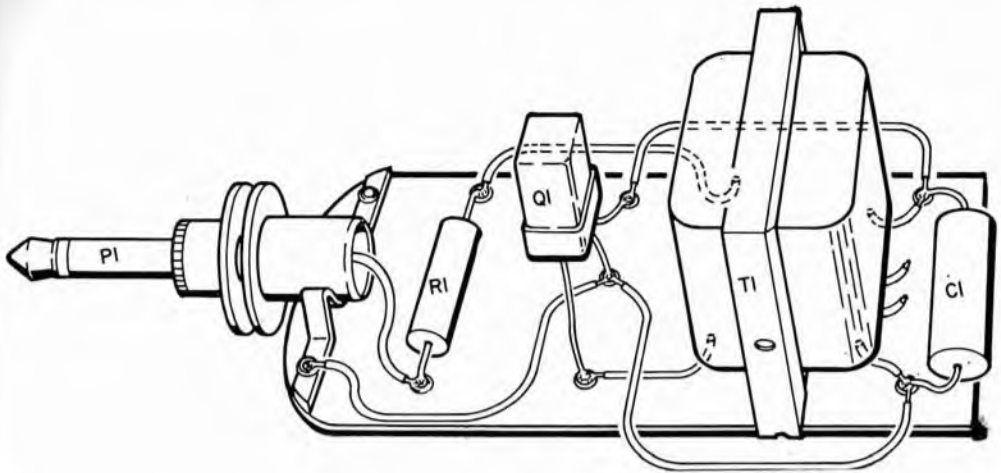


**M**OST EXPERIMENTERS who have used a grid-dip meter (GDM) as a signal generator know that it suffers from one major weakness in this application: the r.f. signals produced are unmodulated. It's difficult to use a GDM to check a receiver by ear, since no modulation of the r.f. signal from the GDM means no audio from the speaker of the receiver under test. Lack of a modulated output makes it virtually useless for alignment purposes, too.

But modulating your grid-dip meter is easy with the handy accessory shown here. It plugs into the phone jack on the GDM and requires no changes in the meter's circuitry. Plug it in, and your GDM is instantly modulated. Unplug it, and your GDM is precisely as it was before.

The modulator draws all its power from the meter, and its modulation frequency can be varied by adjusting the GDM's sensitivity control. This plug-in accessory

Parts placement is not critical. Any small container can be used to house the modulator. The phone plug should match the phone jack on the grid-dip meter.



### HOW IT WORKS

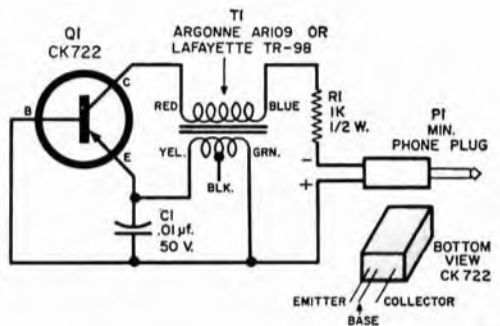
The modulator is a one-transistor feedback oscillator which operates without a battery and is driven by current in the grid circuit of the GDM. Transformer *T1* provides audio feedback between the collector and emitter circuits of the transistor. Capacitor *C1* tunes the emitter circuit to the frequency of oscillation, and resistor *R1* limits current surges. The unit acts as a grid modulator by varying the GDM grid current at an audio rate.

will work with almost every grid-dip meter on the market that has a phone jack. And you can build it in one evening for less than three dollars.

**Construction.** The author's model was built in a 35-mm. film can. Any small container will do, but choose one small enough to clear the controls and switches on the grid-dip meter. Cement the miniature phone plug to the lid of the can. If your GDM has a standard-size phone jack, use a mating plug and mount it on the container with a nut.

All other components of the modulator are mounted on a  $\frac{3}{4}$ " x  $1\frac{1}{2}$ " piece of perforated phenolic board attached to the underside of the lid. Component arrangement is not critical. Complete all wiring before the circuit board is attached to the lid of the can. Check the schematic or instruction manual of the grid-dip meter before wiring the phone plug. Polarity at the GDM phone jack must be observed or the modulator will not oscillate.

Another transistor can be substituted for the CK722 used here, but the frequency of oscillation may vary. The value of capacitor *C1* will also affect the frequency. If you



Various transistors and transformers can be substituted in the GDM modulator circuit. Changing the value of the capacitor will vary frequency of oscillation.

use a transformer other than one of those indicated on the schematic diagram, the circuit may refuse to oscillate; in this case, try reversing the leads to either the primary or secondary of the transformer.

**Operation.** Plug the modulator into the phone jack of the grid-dip meter, and place the GDM near the receiver antenna or i.f. circuit. Adjust the meter to the frequency of the circuit under test.

Now position the GDM sensitivity control for the desired audio tone and modulation level. You'll find that the frequency of oscillation varies with the voltage at the phone jack. The author's model oscillates in the range from 100 to 1000 cps.

When you want to go back to normal grid-dip meter operation, simply unplug the modulator.



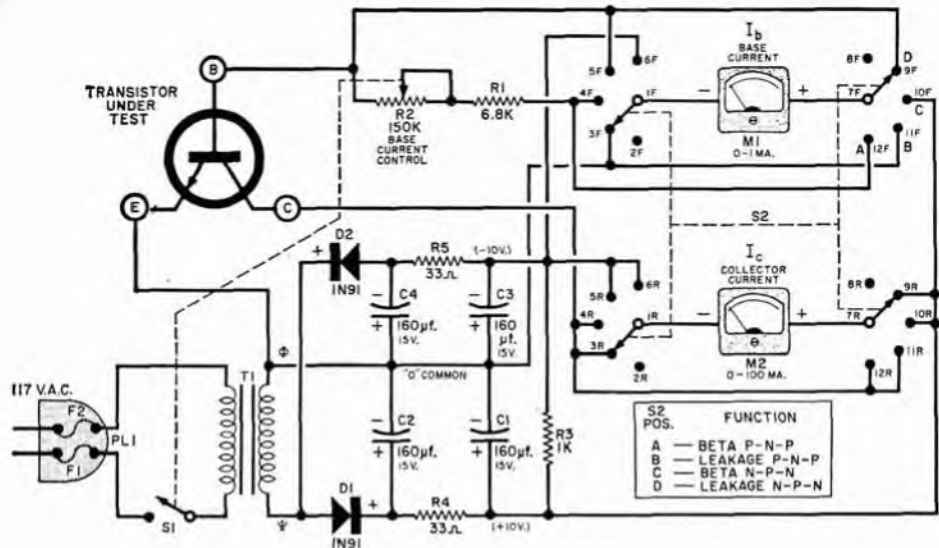
## Build a Dual-Meter Transistor Tester

*You can check both audio and power transistors with one easy-to-operate unit.*

By  
**R. J. SHAUGHNESSY**

SOMETIMES you'll finish building a transistorized project and find that it doesn't work. It's easy enough to recheck your wiring, but if you do and the unit still doesn't work, then what? Were the transistors good before you put them in the circuit? Were they burned out accidentally? It's obvious that you need a transistor tester to check the transistors before you wire them into the circuit and to check them again if the circuit stops working.

This tester measures the two important characteristics of almost all audio and power transistors: current gain (*Beta*) and collector-to-base leakage ( $I_{co}$ ). Only transistors which have a 5-ma. maxi-



Transistor tester base current control R2 should be wired so that maximum resistance is obtained when ganged switch S1 is open.

imum collector current cannot be tested with this unit; see the manufacturer's data for special testing techniques for these low-current jobs.

Two meters are built into the tester to allow the base current and the collector current to be monitored simultaneously under various bias settings. This monitoring feature enables a transistor to be tested under actual circuit load conditions.

For maximum flexibility, no sockets were incorporated in the tester proper. The transistor under test is simply connected by its leads to the tester terminals. An adapter which plugs into the tester's binding posts can be built which will accommodate the various types of power and audio transistor sockets.

Parts used in the tester and optional adapter are not critical. With all new components, cost of the tester is about \$15.

**Construction** of the tester is begun by mounting all the components directly on the cabinet. Before mounting function switch S2, crimp all jumper leads to the switch terminals. After the switch is mounted, connect and solder the remaining leads to it.

The transistor tester adapter can be built into the smallest Minibox that will accommodate a standard three-lead transistor socket (in-line or circular type) and a power transistor socket. When a transistor

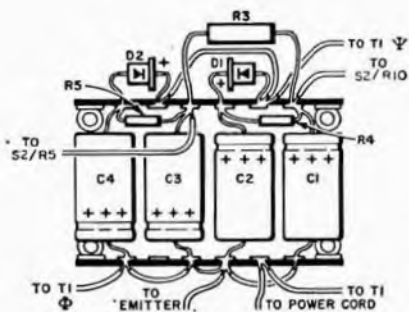
### TESTER PARTS LIST

- C1, C2, C3, C4—160- $\mu$ f., 15-volt capacitor
- D1, D2—IN91 germanium diode (Sylvania)
- F1, F2— $\frac{1}{2}$ -amp. 3AG fuse (to fit PL1)
- M1—0-1 ma. meter (Shurite 950-9300Z)
- M2—0-100 ma. meter (Shurite 950-9307)
- PL1—Fuse plug (El-Menco EL-32)
- R1—6800-ohm,  $\frac{1}{2}$ -watt resistor
- R2—150,000-ohm potentiometer (IRC Q13-328)
- R3—1000-ohm, 1-watt resistor
- R4, R5—33-ohm,  $\frac{1}{2}$ -watt resistor
- S1—On-off switch mounted on rear of R2 (IRC 76-1)
- S2—Four-pole, four-position rotary switch (Centralab PA-1013)
- T1—6.3-volt filament transformer (Triad F-13X)
- 1—7" x 5" x 3" Minibox (Bud CU-2108A)
- 3—Five-way binding posts
- 2—Pointer knobs
- 2—Six-lug terminal strips

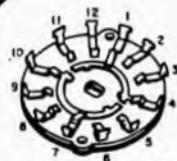
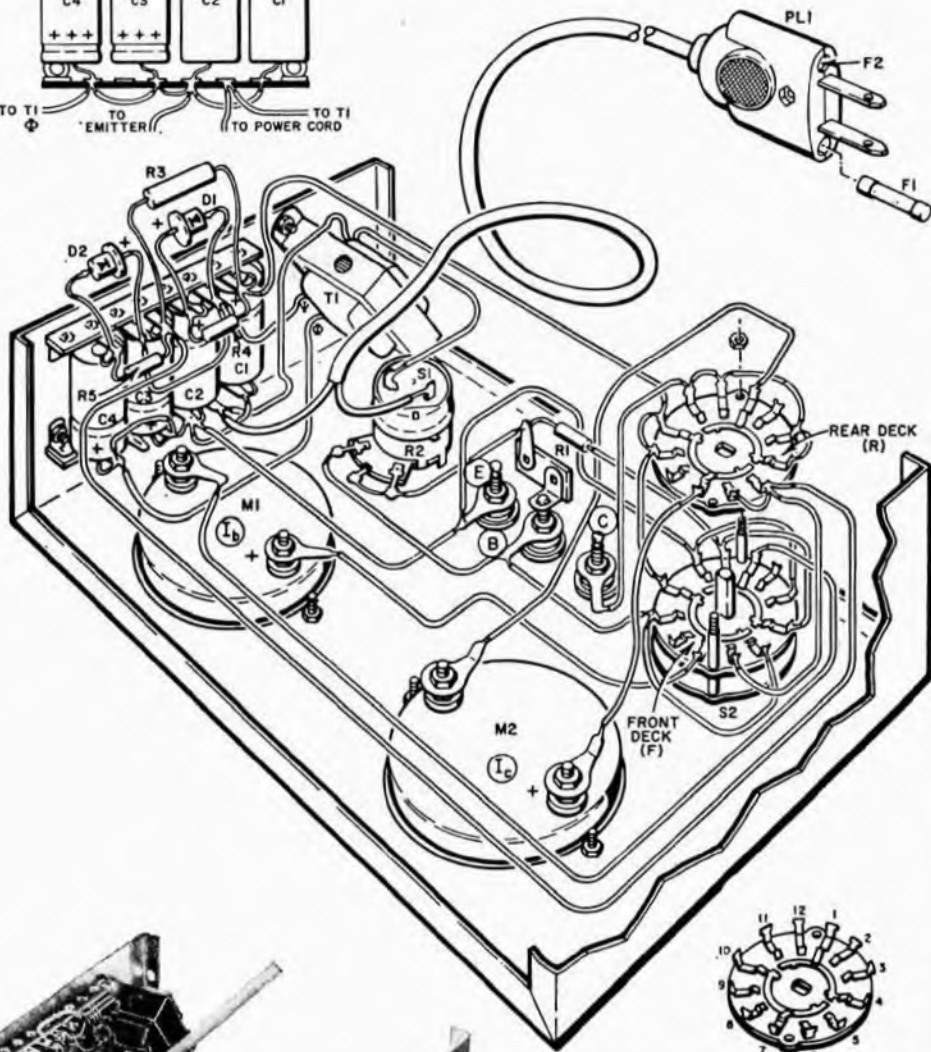
is being tested, the adapter's banana plugs (which are connected to the appropriate pins on the transistor sockets) plug into the tester's universal binding posts.

**Testing for leakage** is simple. Rotate function switch S2 to *Leakage N-P-N* or *Leakage P-N-P*, depending on the transistor in question. Connect the transistor base lead to the tester's emitter binding post. Then connect the transistor collector to the collector binding post. Leave the transistor emitter lead unconnected. (The transistor emitter is left unconnected for all leakage measurements.) Now turn on the tester by advancing the *Base Current* potentiometer (R2). If the 0-100 ma. collector current meter (M2) is not deflected, the leakage current is within acceptable limits.

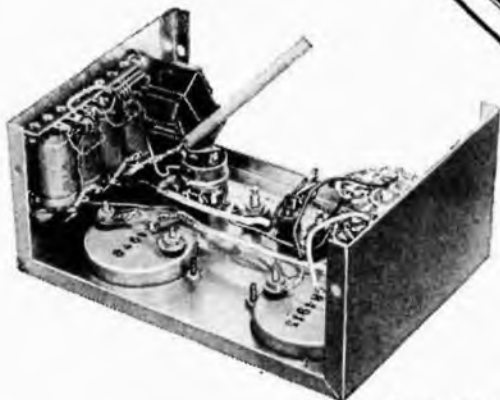
You can safely measure the exact leak-



Observe polarity of diodes and capacitors in tester power supply detail (left).



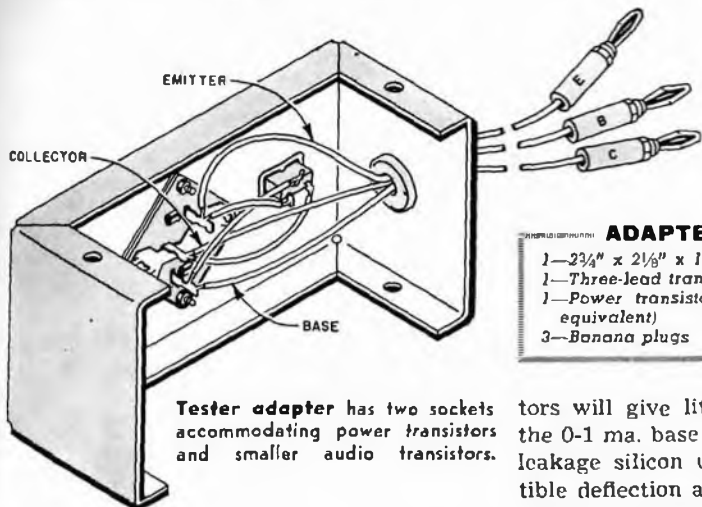
S2 FRONT AND REAR DECK DETAIL



Two-wafer ganged function switch is used in tester as shown in pictorial diagram above. Both wafers are identical. Note that pins two and eight are not used.

Power cord of tester is led through grommet in mating half of Minibox before soldering it in place.

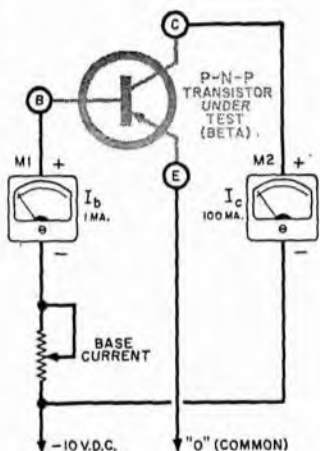




**Tester adapter** has two sockets accommodating power transistors and smaller audio transistors.

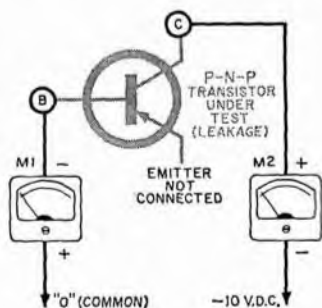
#### ADAPTER PARTS LIST

- 1—2 3/4" x 2 1/2" x 1 5/8" Minibox (Bud CU 2100A)
- 1—Three-lead transistor socket
- 1—Power transistor socket (Motorola MK-10 or equivalent)
- 3—Banana plugs



**Current gain (Beta) test** for n-p-n transistors is identical to p-n-p test shown in simplified schematic but polarities of meters and power source are reversed by switching S2.

**Leakage test** effectively puts two meters in series with transistor as shown in simplified schematic. Polarities for n-p-n transistors are reversed as in Beta test.



age current on the more sensitive 0-1 ma. base current meter (M1). Turn off the tester and reconnect the transistor base and collector leads to the corresponding tester binding posts. Do not connect the emitter lead; keep the function switch in the "leakage" position. When you turn on the power, you'll find that most transis-

tors will give little—if any—deflection of the 0-1 ma. base current meter. Some low-leakage silicon units will give no perceptible deflection at all.

If the transistor passes the leakage test, you can safely perform the current gain (Beta) test. Current gain cannot be read directly on the tester, but Beta is very easily found by dividing the collector current reading by the base current reading.

**The Beta test** is made by setting S1 to Beta N-P-N or Beta P-N-P. Make sure the power is off. Connect the transistor base, emitter, and collector leads to the corresponding binding posts. Check the manufacturer's specifications for the maximum collector current for the transistor under test and never exceed this value as read on the 0-100 ma. collector current meter. Now switch on the tester, but leave the Base Current pot full counterclockwise. Record the base current and collector current meter readings. Dividing the collector current by the base current will give you one value for the Beta (current gain) of the transistor under test.

Now increase the base bias current with the Base Current potentiometer. This will cause an increase in the collector current. Once more, record the meter readings and compute the current gain. Continue this process until you have several values for current gain.

Note that Beta is constant except at the higher collector currents; this is a normal transistor characteristic. Check your computed values for the current gain against the manufacturer's specs to see if the transistor is up to snuff.

You'll soon find that you'll have more confidence in the circuits you build and troubleshoot. Using the tester, you'll be able to give transistors a rapid check-out and use them to best advantage. —30—

# Citizens Radio Tune-Up Meter Probe



Probe ready for final assembly. Coax cable is wired in last.

By **HAROLD REED**

**Construct this simple VTVM probe for transmitter tuning and for monitoring the audio quality of your CB station rig.**

**W**HEN tuning-up and adjusting any radio transmitter the job is done most quickly and efficiently by picking up a small r.f. voltage at any particular stage and tuning for maximum, as indicated by a suitable meter.

The r.f. voltage may be rectified by a diode and applied to a d.c. meter for indication. In this unit, output is applied to the high-impedance input circuit of a VTVM set to one of its low d.c. ranges. The crystal-rectified current flows through the VTVM input circuit and produces a low voltage that is easily read on the meter.

#### **Circuit Analysis**

The tune-up meter circuit consists of an

untuned r.f. pickup coil made up of two turns of wire coupled through coax to a germanium crystal diode. The r.f. signal is converted to d.c. by the diode and this output is applied to the connector of the VTVM which is normally used for d.c. measurements. An r.f. bypass capacitor is connected across the diode output, as shown in the schematic diagram. The meter sensitivity is adjusted by means of a variable control while a phone jack is provided for the aural monitoring of the audio signal from the transmitter.

#### **Construction Details**

The few component parts required for this device are assembled in a metal container. A metal, rather than a plastic, housing is preferable because of its shielding properties. Although any metallic enclosure will be satisfactory, the one shown in the photograph is made of parts salvaged from the junk box. These are an old split-type tube shield and two caps from an electric pull-chain lamp socket which fits snugly over the ends of the tube shield.

A mating connector for the VTVM is soldered into one of the end pieces and the monitor phone jack is mounted in the other end piece. A hole was also drilled in this latter cap and fitted with a ¼-inch rubber grommet for passage of the input coax cable.

The miniature meter-sensitivity control is mounted in the shield housing as shown and a 3-terminal stand-off is soldered to the inside of the shield for tie-point connections, including the leads of the diode and capacitor.

After wiring, the end pieces are slipped over the shield and soldered in place. A bead of solder is also run down the tiny slit where the shield butts together. There was no concern about soldering up the container in this manner since it is unlikely that anything inside will ever have to be replaced. Of course, the meter probe should not be coupled tightly to higher powered transmitters, as this may burn out the crystal diode that is used to detect the radio-frequency signals that are indicated on the vacuum-tube voltmeter.

The r.f. probe consists of the pickup coil which is two turns of No. 18 insulated wire, ⅝-inch in diameter. The coil is connected to the end of a 2-foot length of small-size, 75-ohm coax cable. The coax cable fits nicely into a 6-inch length of ¼-inch plastic tubing which serves as the probe body or

handle. A dab of cement at each end of the tubing will hold the coax in place. The completed device is small and easily manipulated.

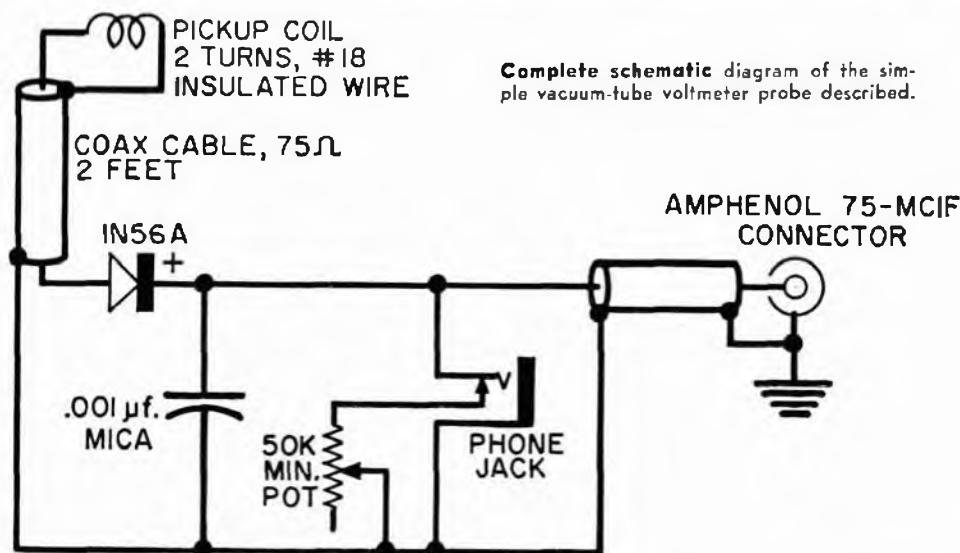
### Using the Device

The pickup coil of the r.f. probe is loosely coupled to any r.f. coil of any stage of the transmitter or antenna. (Note: The holder of a commercial radio operator's license may check and adjust the oscillator coil, but the unlicensed operator must confine his adjustments to the final r.f. amplifier or antenna circuits.) The VTVM voltage range-switch should be set to one of the two lowest voltage ranges. The author found the 1.5- and 5-volt settings both satisfactory. The meter-sensitivity control of the tune-up adapter is then set for suitable VTVM meter deflection. The r.f. stage being checked is now tuned for maximum indication on the VTVM.

Using a "VoltOhmyst," meter deflection to center scale was obtained with the voltage range-switch set to 5 volts and off-scale deflection resulted with the range-switch in the 1.5-volt position when checking the various stages of the Citizens Band transmitter.

To aurally check audio modulation of the transmitter it is only necessary to plug a pair of magnetic headphones into the phone jack of the device. The audio quality is then directly monitored.

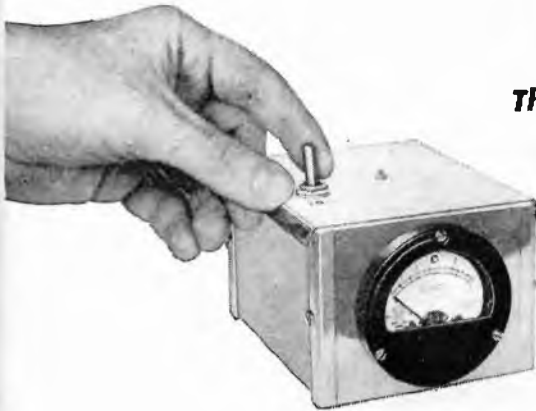
-30-



Complete schematic diagram of the simple vacuum-tube voltmeter probe described.

# Build an R. F.

*This inexpensive instrument doubles as a*

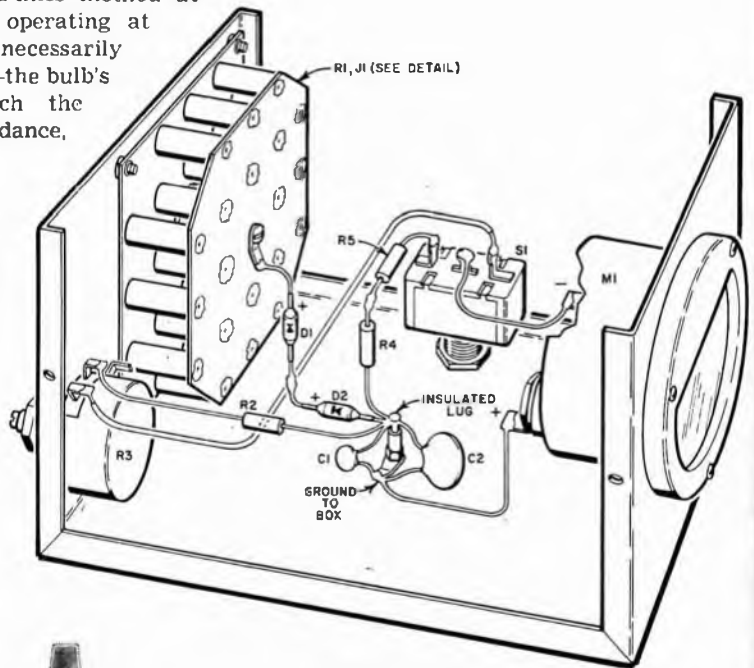


and "half-brilliance" is little more than a crude guess. The only accurate method of measuring r.f. power output is to use a calibrated r.f. power meter.

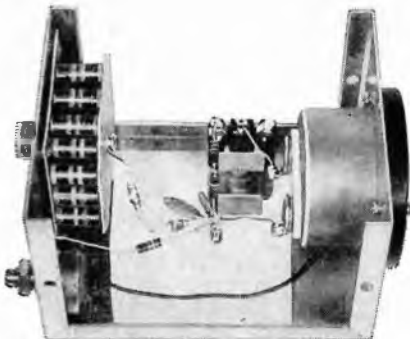
Here's a two-in-one unit that's both an r.f. power meter and a dummy load in one compact aluminum case. It's capable of handling 40 watts continuously and up to 100 watts for very short intervals. It can also be used to test a transmitter's low-pass harmonic filter.

This little unit has an effective input impedance of about 50 ohms to match the out-

**A**LTHOUGH many amateurs use an ordinary light bulb to "measure" r.f. power output, this is a hit-and-miss method at best. A 150-watt bulb operating at "half-brilliance" doesn't necessarily indicate 75 watts output—the bulb's impedance doesn't match the transmitter output impedance.



**Standard Minibox** serves as chassis for power meter. For best results, use a single insulated tie-point and ground lug when wiring, as shown in pictorial diagram.



## PARTS LIST

- C1—.001- $\mu$ l., 600-volt ceramic disc capacitor
- C2—.01- $\mu$ l., 600-volt ceramic disc capacitor
- D1, D2—1N38B diode
- J1—Coax connector
- M1—200- $\mu$ a. d.c. meter (Triplett 221T, or equivalent)
- R1—50-ohm, 40-watt resistor (see text)
- R2—330,000-ohm,  $\frac{1}{2}$ -watt, 5% resistor
- R3—250,000-ohm, 2-watt potentiometer, linear taper (Ohmite CLU2541 or equivalent)
- R4—33,000-ohm,  $\frac{1}{2}$ -watt, 5% resistor
- R5—100,000-ohm,  $\frac{1}{2}$ -watt, 5% resistor
- S1—S.p.d.t. toggle switch
- 1—3" x 4" x 5" Minibox
- Misc.—Hardware, brass plates, etc.

# Power Meter

dummy load in your ham shack.

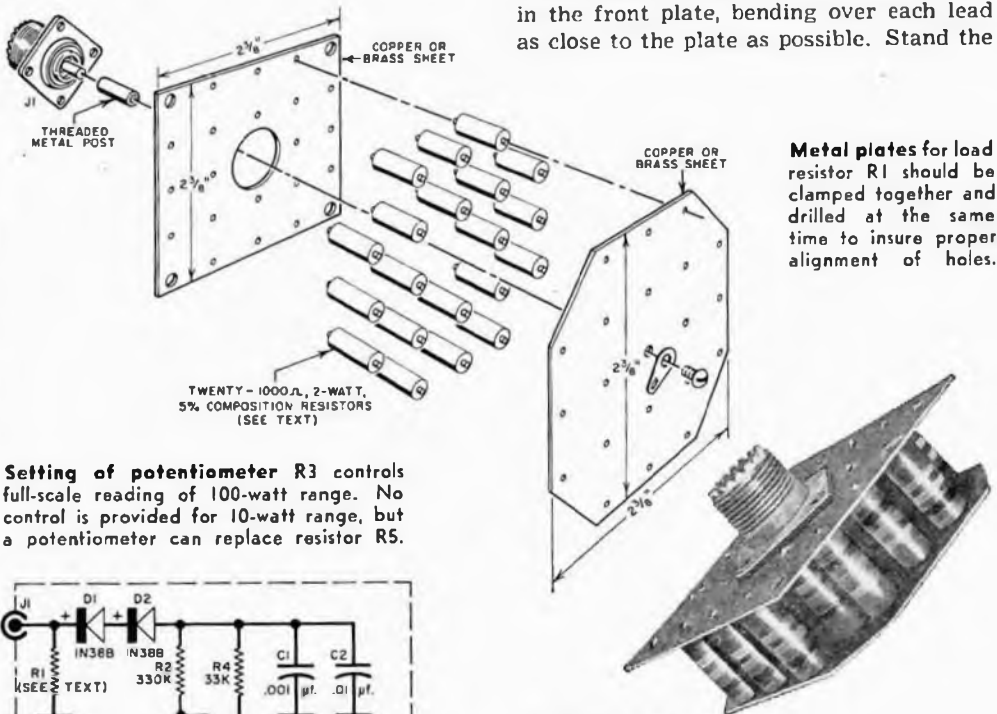
By JOSEPH TARTAS, W2YKT

put impedance of most transmitters. It operates on frequencies up to 200 mc. with a voltage-standing-wave-ratio (VSWR) of only 2:1 on the upper limit. Using standard components, you can build it for \$20 or less, depending on the meter used.

**Construction.** The 3" x 4" x 5" Minibox which serves as a cabinet also acts as a heat sink for load resistor *R1*. Drill the mounting holes for input jack *J1* and potentiometer *R3* at one end of the box; you'll need a hole for the meter on the opposite end. Switch *S1* mounts on top.

Load resistor *R1* consists of twenty 1000-ohm, 2-watt, 5% composition resistors soldered in parallel to a pair of brass or copper plates as shown in the pictorial detail. Cut the two load-resistor plates at the same time from two copper or brass sheets. Each plate should be 2 3/8" square; the thickness isn't important. When the plates are cut, mark one for drilling, clamp them together, and drill both at the same time. This will insure alignment of holes and make assembly easier. Cut off the corners of the back plate to allow access to the nuts on the mounting screws.

To assemble the load resistor, pass a lead from each 1000-ohm resistor through a hole in the front plate, bending over each lead as close to the plate as possible. Stand the



**Metal plates for load resistor *R1* should be clamped together and drilled at the same time to insure proper alignment of holes.**

**Setting of potentiometer *R3* controls full-scale reading of 100-watt range. No control is provided for 10-watt range, but a potentiometer can replace resistor *R5*.**

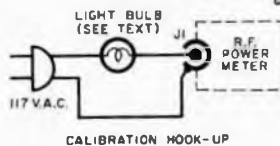
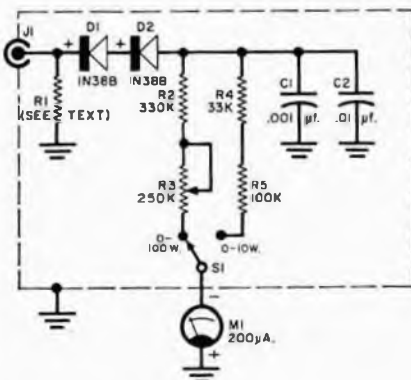


plate on edge and insert the remaining leads in the back plate, bending over only the leads of the "corner" resistors. Squeeze the plates gently against the resistors and solder the leads from the "corner" resistors to each plate. Finally, solder the remaining leads and clip them off next to the plates. File down any leads that prevent the assembly from being mounted flush against the rear of the box.

**Calibration.** Since meter *M1* is calibrated in microamperes, it must be recalibrated to read in watts. To do this, switch *S1* to the 100-watt range, and connect electric light bulbs to *J1* as shown on the calibration schematic. Start with any combination of light bulbs totaling 400 watts—for example, two 150-watt bulbs and one 100-watt bulb; then decrease the wattage of the lamps to 300, 200, 150, 75, and 40 watts. The three higher wattage combinations should be left connected only momentarily. In each case, measure the voltage across *R1*.

Using 117 volts a.c. in the calibration setup, calculate the power for a given meter reading as follows:

$$\text{Power (watts)} = \frac{\text{Voltage}^2 \text{ (across } R1)}{50}$$

This formula is valid only if the voltage scale on the VTVM is calibrated in r.m.s. Use *extreme caution* when calibrating, since one side of the 117-volt line is connected directly to the power meter case.

The full-scale reading on the 100-watt range can be changed to read approximately 20% higher or lower by adjusting pot *R3*. The 10-watt range need not be calibrated and should read 10 watts full-scale with the values of *R4* and *R5* shown. If desired the 100,000-ohm resistor used for *R5* can be changed to a 2-watt potentiometer of the

## HOW IT WORKS

The r.f. power meter determines the power output of a transmitter by measuring the voltage across fixed load resistor *R1*, which is connected to the transmitter output. Meter *M1* is calibrated in watts according to Ohm's law.

In operation, diodes *D1* and *D2* rectify the r.f. voltage across *R1*. The rectified voltage appears across resistors *R2*, *R3*, and meter *M1* in the 100-watt range, and across resistors *R4*, *R5*, and meter *M1* in the 10-watt range. In each range (selected by *S1*), a current flows through the meter in proportion to the rectified voltage present.

Two bypass capacitors (*C1* and *C2*) are used to maintain the linearity of the meter. At self-resonance, each capacitor becomes ineffective as a bypass device. But since the two capacitors are self-resonant at different frequencies, one always functions as an r.f. bypass.

same value. This would allow you to vary the full-scale reading with switch *S1* in its "10-watt" position.

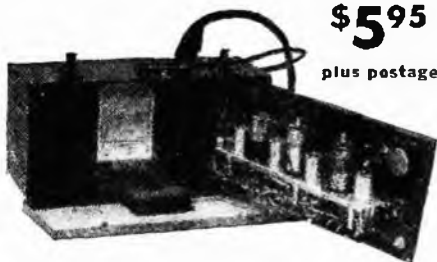
**Operation.** To operate the unit as a power meter, connect *J1* to the output jack of the transmitter under test. Set the range switch to the 100-watt position to start. If the meter reads 10 watts or less, you can safely switch *S1* to the 10-watt range for a more accurate reading.

To test a transmitter's low-pass harmonic filter, connect *J1* to the output of the filter with the transmitter output connected to the filter input. Record the wattage at the filter output jack. Next, remove the filter and connect *J1* directly to the transmitter output. A much higher reading without the filter indicates that the filter elements need re-adjustment or that the transmitter has a high harmonic output.

As a dummy load, the r.f. power meter can be operated continuously at 40 watts or less. Higher transmitter outputs should be applied only momentarily to prevent damage to load resistor *R1*.

-50-

## METAL LOCATOR ENTHUSIASTS



This is for you . . . BC-1141-C amplifier, the electronic heart of the famous SCR-625 mine detector. This unit is brand new with 2-3N5 and 1-13G6 vacuum tubes, in steel carrying case with handle; net weight with batteries is only 10 pounds. It operates from internal batteries (not included) and is complete with schematic diagram of the whole SCR-625 detector set. Case measures 14" x 6" x 5" including hinged cover. Operating panel hinges out for easy access to interior shock mounted chassis. This is a 1000 cycle fixed frequency amplifier, brand spanking new, and a once-in-a-lifetime bargain at \$5.95. Simple, easily followed drawings and description for building a sensitive budget-priced detector furnished free with each amplifier. Set of three spare vacuum tubes just \$1.00. Shipping weight of amplifier is 11 pounds . . . mailable.

WRITE FOR FREE GOVERNMENT SURPLUS BARGAIN BULLETIN

**JOE PALMER**

P. O. Box 6188CC  
SACRAMENTO, CALIF.



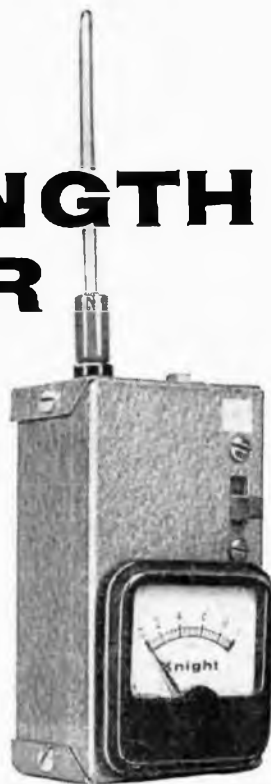


## **Build a FIELD STRENGTH METER**

**A**RE you curious about the radiation pattern of your CB or ham antenna? Here's a simple field strength meter (FSM) that will give you an indication of relative field strength on either the 6- or 10-meter ham bands or the 11-meter Citizens Band.

This little instrument is nothing more than a tiny receiver which drives a meter instead of headphones. The meter lets you read the relative signal strength of your signal at various points near your transmitting antenna. Parts should cost less than \$10, and total construction time shouldn't exceed a few hours.

**Construction.** The unit should be housed in a 4¼" x 2¼" x 1½" (or larger) metal box; unshielded plastic boxes are not suitable since inductive pickup by the FSM's coil will give a false meter reading. Mount the r.f. portion of the FSM (capacitors C1 and C2, coil L1, jack J1, and diode D1) in the upper half of the box as shown. Insulate antenna jack J1 from the box with a fiber



***Inexpensive device checks radiation pattern of your CB or ham antenna system.***

**By RUSSELL KELLER, K9CZO**

washer. Keep all leads in the r.f. portion short, and use a heat sink when soldering diode *D1* and transistor *Q1*.

A one- or three-band version of the FSM is possible, the only difference being in the choice of tuning capacitor *C1*. For a three-band model (the 6- and 10-meter ham bands and the Citizens Band), use a 75- $\mu\text{f}$ . unit (Hammarlund APC-75 or equivalent) for *C1*. If you want only a six-meter FSM, use a 25- $\mu\text{f}$ . unit (Hammarlund APC-25 or equivalent).

Coil *L1* consists of six turns of No. 18 enameled wire,  $\frac{1}{2}$ " in diameter. Solder *L1* directly across the terminals of capacitor *C1* and solder the negative lead of diode *D1* to a tap  $1\frac{1}{2}$  turns from the ground end of *L1*. Be sure to scrape the enamel from *L1* in the area of the tap before soldering *D1* in place. All other components except meter *M1* are also soldered in place by their leads.

A battery holder is not used since zero-signal current drain is only a few microamperes and penlight cell *B1* should last indefinitely. On-off switch *S1* can also be dispensed with if desired, but the antenna should be unplugged when the FSM is not in use.

Mount meter *M1* in the lower half of the box. For a more sensitive instrument, use a 500- $\mu\text{a}$ . or 100- $\mu\text{a}$ . meter instead of the 1-ma. unit specified; no circuit changes are needed for either of these meters. With one of the more sensitive meters in the circuit, you can operate the FSM with a shorter antenna and measure r.f. field strength at a greater distance from the transmitter.

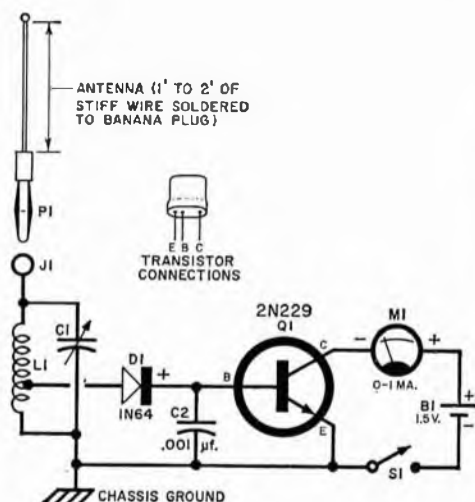
Make a short whip antenna, as shown, by soldering a 1' or 2' length of No. 12 or No. 14 bus bar to a banana plug. Jack *J1* on the FSM is a banana jack and permits the antenna to be unplugged when the FSM is not in use.

**Operation.** You can use the FSM to check the radiation pattern around your antenna or to see if your transmitter is improperly shielded and radiating r.f. Before these checks can be made, however, the FSM must be tuned to the transmitter. Do this by inserting the FSM's whip antenna into *J1* and placing it near the transmitter. Then rig a temporary short-wire antenna to the transmitter, and tune up the transmitter. If yours is a CB rig, just switch to "transmit" and use a clear channel. In any case, keep all experiments down to a minimum so that already burdened Citizens

Band and ham frequencies are free of unnecessary interference.

Switch on the FSM and adjust capacitor *C1* to the transmitter frequency. The meter will show a sharp rise from the zero mark at the transmitter's frequency. Adjust *C1* for a maximum reading on the FSM. If the meter goes off scale, move the FSM farther away from the transmitting antenna. At this point, you'll notice that the FSM pickup depends on its polarization with the transmitting antenna: maximum pickup results when the FSM antenna and the transmitting antenna are parallel to each other.

Once the FSM is tuned to the trans-



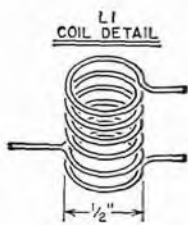
**Schematic diagram** of field strength meter. Exact values of *C1* and *M1* will depend on desired range and sensitivity of unit; switch *S1* can be omitted if antenna is unplugged whenever meter is not in use.

### HOW IT WORKS

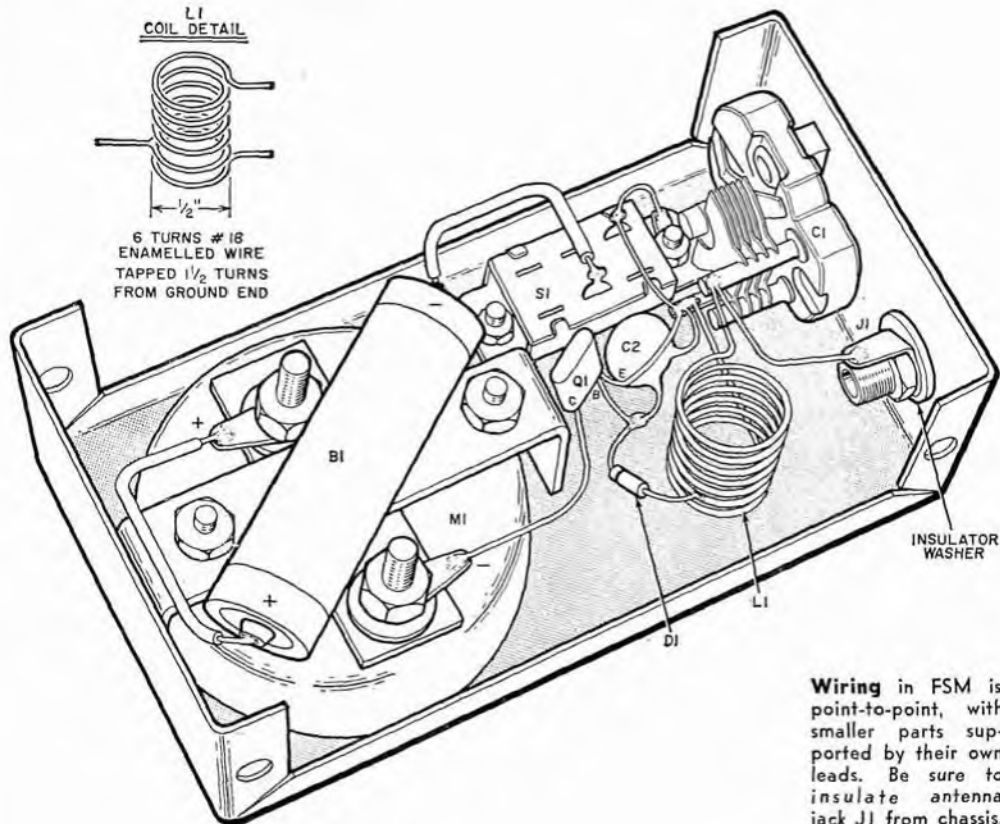
Operation of the FSM is similar to that of a receiver using a diode detector followed by a one-transistor amplifier. In this case, the transistor feeds a milliammeter rather than headphones.

When r.f. is picked up by the antenna, it is tuned by coil *L1* and variable capacitor *C1*. Diode *D1*, connected to a low-impedance tap on *L1*, rectifies the r.f. appearing across the *L1-C1* tuned circuit. The rectified signal is filtered by capacitor *C2* and fed to the base of transistor *Q1*, where it is amplified and fed to meter *M1*.

Serving as a visual indicator, *M1* measures the amplitude of the rectified signal, which is proportional to the r.f. field strength. Battery *B1* powers *Q1* through on-off switch *S1*.



L1  
COIL DETAIL  
6 TURNS #18  
ENAMELLED WIRE  
TAPPED 1/2 TURNS  
FROM GROUND END



**Wiring** in FSM is point-to-point, with smaller parts supported by their own leads. Be sure to insulate antenna jack J1 from chassis.

### PARTS LIST

- B1—1.5-volt penlight cell
- C1—See text
- C2—.001- $\mu$ f. ceramic disc capacitor
- D1—1N64 diode
- J1—Banana jack
- L1—Six turns of #18 enameled wire, 1/2" in diameter (see text)
- M1—0.1 ma. meter
- P1—Banana plug
- Q1—2N229 transistor
- S1—S.p.s.t. slide switch
- 1—4 1/4" x 2 1/4" x 1 1/2" box (Bud CU-2116 or equivalent)
- Misc.—Hardware, wire, solder, etc.



mitter, disconnect the temporary antenna and connect your regular transmitting antenna. If your transmitter and coaxial transmission line are properly shielded and grounded, you should get no reading on the FSM no matter how close to the transmitter or coax the FSM antenna is placed.

When this check has been made, go outside to your transmitting antenna and turn the FSM until its antenna parallels the transmitter's. Walk around the transmitting antenna with the FSM, taking care

to stay at least several wavelengths away from the antenna.

The r.f. field you detect should correspond with the type of antenna you have. If your antenna is directional, the r.f. field will be stronger in one location than in another; this is true of horizontal antennas. Vertical antennas, on the other hand, should exhibit a perfectly uniform field in a 360° sweep. Antennas with reflectors should be most effective on the side away from the reflector.

# Capacitor Leakage Tester

By R. L. WINKLEPLECK



**W**HAT do the drip, drip, drip of a faucet and the flip, flip, flip of your TV picture have in common? They are both caused by leakage—one by leaky pipes, the other by leaky capacitors.

Leaky capacitors are bad in any circuit but in TV sync circuits they're pure poison. And trouble-shooting is complicated by the fact that capacitors leaky enough to cause trouble are frequently detectable only by specialized test equipment. For instance, a capacitor with as little as 20 megohms leakage can completely upset the horizontal stability of a TV receiver and yet be immune to detection by a standard ohmmeter.

**You can assemble** this extremely sensitive, inexpensive leakage tester in about an hour. Since component values are not especially critical, the junk box should be able to provide its share of parts. The tester's simplicity is belied by its performance, for it will expose leaky capacitors as dependably as your ohmmeter finds off-value resistors—and you'll probably use it as often.

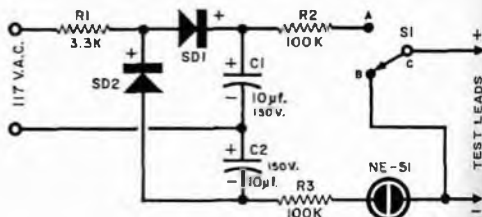
Essentially a voltage doubler which applies 250-300 volts to the capacitor under test through a neon lamp, the circuit is well enough isolated from the power line

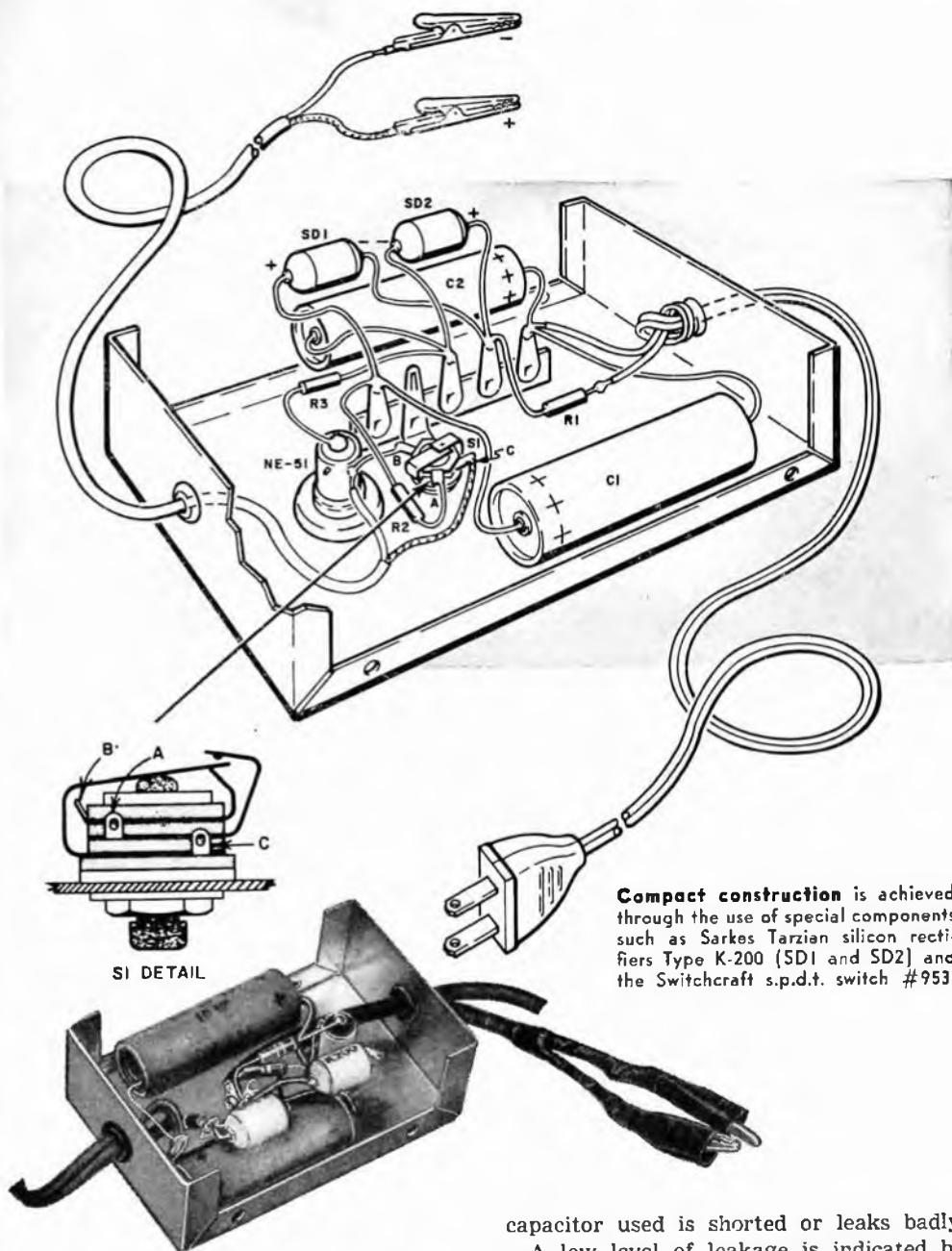
**Easy-to-build unit  
checks coupling capacitors  
quick as a blink**

to make an isolation transformer unnecessary. Just make sure not to connect any part of the circuit to the aluminum box.

There's little possibility of accidental shock since the s.p.d.t. push-button switch (S1) shorts the test leads, except during

**Push-button switch S1** is shown here in its normal position; when it is depressed, S1 unshorts the leads and applies the test voltage.





**Compact construction** is achieved through the use of special components such as Sarkes Tarzian silicon rectifiers Type K-200 (SD1 and SD2) and the Switchcraft s.p.d.t. switch #953.

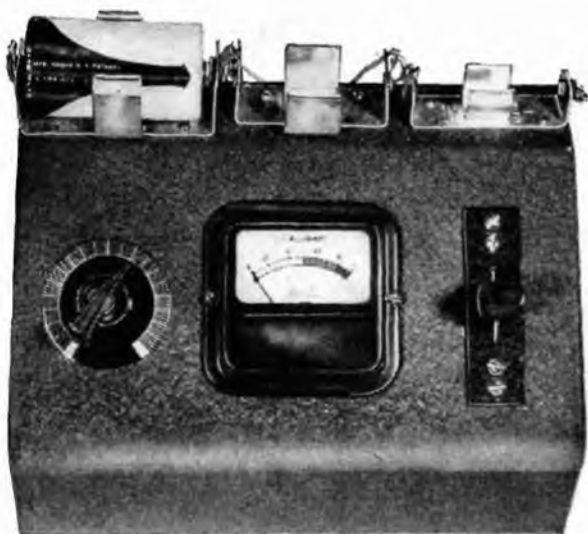
the actual leakage test. Keep in mind, however, that when *S1* is depressed there's nearly 300 volts across the test leads.

**In testing a capacitor**, one end of it should be disconnected from its associated circuit, and the radio or TV set must be disconnected from the power line. Attach the test leads and depress the push button. The neon lamp will blink only once if the capacitor is good. It will stay on if the

capacitor used is shorted or leaks badly.

A low level of leakage is indicated by repeated blinking of the lamp as the push button is held down steadily. The blinking rate indicates the degree of leakage. Exact calibration is not necessary.

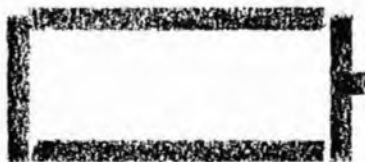
If a capacitor in a sensitive circuit shows any significant leakage, discard it. For if it's not causing trouble now—it will later. Potential trouble-makers can be eliminated in double-quick time with this handy test unit.



## Dry Cell Tester and Rejuvenator

*Simple circuit functions as  
Fountain of Youth for run-down 1½-volt dry cells.*

By JAMES E. MURPHY



**S**MALL 1½-volt dry cells, originally developed for flashlight service, are finding increasing use in children's toys, transistor radios, and all sorts of electronic gadgets. Since the life of these units is limited, a simple recharging or rejuvenating method can result in real savings.

Rejuvenation circuits of the simpler variety include a small transformer, a rectifier, and a fixed resistor. More complicated circuits have a means of varying the charging rate, and a meter to read the charging current. In some cases, a small amount of unrectified a.c. is passed through the cell, since this appears to improve performance, probably by providing a sort of mixing or stirring action within the cell during charging. The unit described here includes all of these features.

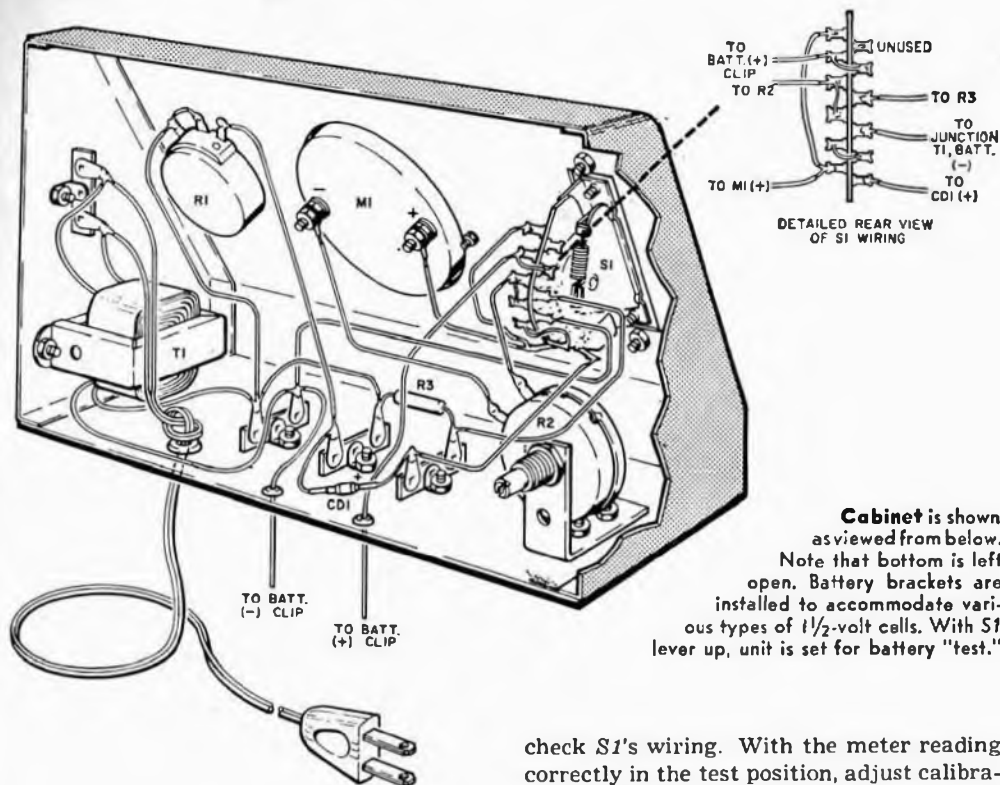
**One problem** immediately presents itself to anyone who tries to rejuvenate dry cells; there is no way to determine how weak a cell may be, other than by trying it out in a flashlight or other apparatus.

During the rejuvenation period, the same problem arises: there is no simple method for determining just when the cell has been brought back to its original condition.

With this rejuvenator, a flick of the switch indicates on the meter the exact condition of the cell. If the cell is below par, but not too far gone, the switch can be flicked to another position, and the rejuvenation process started. The charging rate, which is adjustable, is read from the same meter. The condition of the cell during the rejuvenation can be checked at any time by merely moving the switch to the test position. If more charging is needed, the switch is moved back to the charge position. All this can be done without removing the cell from the holder.

**Construction** is quite simple. Almost any type of cabinet, even a cigar box, can be used. Holes for the meter (*M1*) and function switch (*S1*) are drilled and all parts mounted except *S1* and the calibrating control (*R2*). Switch *S1* is wired before





**Cabinet** is shown as viewed from below. Note that bottom is left open. Battery brackets are installed to accommodate various types of 1½-volt cells. With *S1* lever up, unit is set for battery "test."

mounting, leaving long leads where necessary to connect to other parts; *R2* is left till the last to allow room for mounting *S1*.

Wiring should present no difficulties, but be sure to observe the correct polarity of the meter and the diode (*CD1*). The three cell holders are wired in parallel with the wires brought through holes in the back of the case.

**Testing and calibration** of the completed unit must be done with a fresh size D cell in the appropriate holder. Plug in the line cord, and set *S1* to the charge position. The meter should read upscale. If it reads downscale, reverse the diode. Set the charging rate for about 20 ma., as read on the meter, and then reverse the cell in the holder. The meter will now read either higher or lower.

The position which gives the *lowest* reading is the correct position. Mark the terminal contacted by the positive pole of the cell with red fingernail polish and use the same polarity with all cells for both charging and testing.

Move *S1* to the test position. The meter should read upscale. If it reads downscale,

check *S1*'s wiring. With the meter reading correctly in the test position, adjust calibration control *R2* for full-scale deflection (100 ma.). This takes care of the electrical calibration, but the calibration of the meter scale to read *Good-Weak-Reject* requires a bit of calculation.

Since the current, as read on the meter, is 100 ma. (0.1 ampere), and the cell voltage is 1.5 volts, Ohm's law indicates that the combined resistance of the meter and *R2* is 15 ohms. (The internal resistance of a fresh cell is too small to take into consideration.) From this information, it is possible to calculate the power furnished by the fresh cell to the 15-ohm load using  $P=I^2R$ . The answer (*P*) is found to be 0.15 watt.

Let's say that a cell which can deliver 75% or better of full power to a 15-ohm load is okay; one which delivers 50% to 75% is weak; and one which delivers less than 50% is no longer usable. With a little algebra, the formula for watts can be converted into a form which allows the watts to be converted into milliamperes.

% Power	Watts	Ma.
100	0.150	100
75	0.113	87
50	0.075	71

If we now carefully remove the cover from the meter, and color the region be-

# FREE!

## LAFAYETTE RADIO



324-PAGE  
**1961**  
ELECTRONICS  
CATALOG

America's "Electronics  
and Hi-Fi" Shopping Center

40 years servicing Experimenters, Servicemen, Dealers, Hobbyists, Technicians, Engineers, Amateurs and Audiophiles. Thousands of items at the lowest, money-saving prices.

SATISFACTION GUARANTEED OR MONEY BACK.

"THE BEST BUYS IN THE BUSINESS"



- Stereophonic Hi-Fi Equipment
- Tape Recorders
- Radio and TV Tubes and Parts
- Citizens Band and Amateur Equipment
- Lab and Test Equipment

PLUS

EXCLUSIVE LAFAYETTE KITS . . .

A product of Lafayette Electronics . . . easily the best value for your money any day.

EASY PAY PLAN . . .

The simplest and quickest way to get what you want, when you want it. As little as \$2 down, up to 24 months to pay.

Mail the coupon today for your FREE copy of Lafayette's 1961 catalog 610.

Lafayette Radio, Dept. EH-1

P.O. Box 190  
Jamaica 31, New York

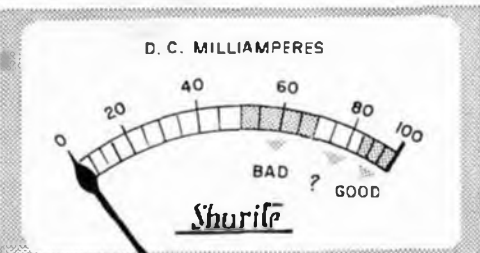
Send me the FREE Lafayette 324 page  
1961 catalog 610.

Name .....

Address .....

City..... Zone..... State.....

FREE!



Meter movement face should be color-coded for direct reading of battery's condition. Charging current is read on 100-ma. scale.

tween 87 and 100 on the scale with green ink, the region from 71 to 87 with yellow ink, and from 50 to 71 with red ink, the relation of these colored regions to the *Good-Weak-Reject* condition of a cell under test becomes obvious.

**Operation** of the instrument is simple. Just place a cell in the proper holder, observing the correct polarity. If the meter reads full scale with the selector switch in the test position, the cell is okay. If the reading is less than full scale, but in the *Good* or *Weak* region, move *S1* to the charge position; this will automatically start the

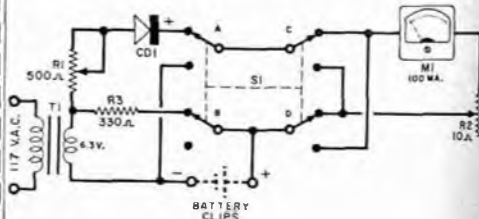
### HOW IT WORKS

In the charge position, the a.c. which has been rectified by diode *CD1* to d.c. is passed through the cell (via sections *a* and *b* of *S1*, and meter *M1*) in a direction opposite to the cell's normal current flow. This current causes a reversal of some of the chemical reactions which are responsible for the normal activity of the cell, and thus serves to extend the life of the cell.

In the test position, *CD1* is disconnected from the cell and the meter, and the cell is reconnected to the meter so that the normal current from the cell flows through the meter and calibrating control *R2*. Since the direction of this current is opposite to the direction of the charging current, sections *c* and *d* of *S1* reverse the meter connections.

Control *R2* is used to calibrate *M1* for full-scale deflection with a fresh cell. Potentiometer *R1* adjusts the charging current through the cell.

Function switch *S1* is shown in the charge position. Any small 6.3-volt filament transformer will be suitable for use as *T1*.



ELECTRONIC EXPERIMENTER'S HANDBOOK

charging cycle, and the charging rate can be adjusted by *R1* and read from the original 0-100 meter scale.

The charging rate is a matter of considerable controversy, but is limited in this case to 50 ma. by the maximum rating of *CD1*. Within reason, the charging rate is limited by the amount of heating of the cell being charged, and a high rate can be used as long as the cell does not get too warm. A charging rate of 100 ma. can be obtained by installing two diodes in parallel. Some writers, however, recommend only 10 to 20 ma. There is a considerable range here for individual experimentation. In any case, do not expect quick results; a charging time of several hours will be required for most cells.

Substitution of parts other than those indicated may be made. For example, almost any of the low-voltage germanium or silicon diodes can be used. The 100-ma. meter specified represents about the best load for testing size D cells, but any meter with a full-scale reading of 50 to 200 ma. will be satisfactory. Some of the low-priced meters may have too high an internal resistance to give full-scale deflection with 1.5 volts; such a meter can be employed but the maximum power point will have to be calculated from the maximum deflection obtained with a fresh cell. The more expensive moving-coil meters have very low resistance, and calibrating control *R2* will have to be increased to 20 to 25 ohms if a meter of this type is used.

Charging several cells at once, in series or parallel, is practical if the cells are similar in age and condition, and are all the same size. The circuit given here is suitable for parallel charging, but remember that the current read on the meter will divide among the cells in parallel, so that charging two cells in parallel at 50 ma. is the same as charging one at 25 ma. —30—

#### PARTS LIST

*CD1*—1N56 or 1N34A crystal diode (see text)  
*M1*—100-ma. meter (Shurite Model 950)  
*R1*—500-ohm, 2-watt wire-wound potentiometer (Mallory Type R500L or equivalent)  
*R2*—10-ohm, 2-watt wire-wound calibrating control (Mallory Type M10RK or equivalent)  
*R3*—330-ohm, 1/2-watt resistor  
*S1*—4-p.d.t. lever switch (Centralab #1458 or equivalent)  
*T1*—6.3-volt filament transformer  
 1—4" x 4 1/2" x 7" sloping front cabinet (Bud C1609)  
 Misc. dry cell holders, terminal strips, pointer knob, hardware

## "I put it together with my Wen Solder Gun"



*Buster Heston*

The Wen 100K Solder Gun Kit consists of a feather-light slim gun with 100 watts power. It heats in 2 1/2 seconds. A built-in spotlight focuses on the work. In addition you get extra tips for hot cutting and smoothing as well as a supply of rosin core solder . . . all in a handy fitted box for neat compact storage. It's perfect for every home soldering job.

Only

**\$7.95**

YOU CAN ALWAYS DEPEND ON  
NEWER AND FINER PRODUCTS FROM

**WEN**

**FINE FINISH SANDER**—Light, handy and quiet. Powerful motor delivers 14,400 straight-line-action strokes per minute. Perfect for fine finishing and polishing. Strong black plastic case. Comes complete with 6 assorted abrasive sheets and 2 polishing pads. **\$13.95**



**MULTI-PURPOSE 1/2 HP "ALL-SAW"**—Makes "one-job" saws obsolete. Does everything a Pattern Saw will do . . . more than a circular saw . . . many things normally done by a hand saw or nibbler—and many things that, until now, only a chain saw could do. UL "Industrially Rated," it cuts anything from a 6" log to intricate patterns in wood, metal, etc. Complete with 7 blades. **\$44.95**



3/8" 2-Speed Power Drill . . . . . **\$29.95**  
 Lightweight Sabre Saw . . . . . **\$26.95**

WEN PRODUCTS, INC., 5810 Northwest Hwy., Chicago 31, Ill.

# will send you your choice of these selected electronics and hi-fi books for a 7-DAY FREE EXAMINATION!

Here are some of the world's greatest electronics and hi-fi books...chosen carefully by Ziff-Davis Electronics Book Service as among the best in their fields. You'll find top-notch texts and manuals on theory and instruction...important volumes covering radio and TV servicing, electricity and appliances...reference books to help you understand such fields as computers, electronics experimentation and books on hi-fi and tape.

Each volume is designed to help you get more know-how, greater enjoyment from your electronics specialty or hi-fi hobby—and each is yours for 7 days FREE! Simply write your choices on the coupon below and mail it today. When your books arrive, read and enjoy them for seven full days. If, after that, you don't agree that they are everything you want, return them and owe nothing. Here is the perfect way to build the library every man in electronics must have.



**2500. BASIC ELECTRONICS,** Grob

An introductory text on the fundamentals of electricity and electronics for technicians in radio, television and industrial electronics. \$9.25



**2511. UNDERSTANDING RADIO,** 3rd Ed., Watson, Welch and Eby

For those with little or no technical knowledge who wish to know the fundamentals of radio theory and servicing. \$8.25



**2404. FM RADIO SERVICING HANDBOOK,** King

A practical guide to FM V.H.F. receivers, their design, construction, alignment and repair. \$5.00



**2442. BASIC ELECTRONIC TEST INSTRUMENTS,** Turner

Over 60 instruments described, their uses fully explained, and valuable work-saving short-cuts outlined. \$6.25

**PIX-O-FIX TROUBLEFINDER GUIDES,** Ghirardi & Middleton

Just dial Pix-O-Fix and it tells you what to do and how to do it! No. 1 for "common" troubles; No. 2 for "advanced" problems. Comprehensive guides to repairing any TV set ever made. 2438. No. 1, \$1.75. 2446. No. 2, \$1.75

**2407. HOW TO GET AHEAD IN THE TELEVISION AND RADIO SERVICING BUSINESS,** Marcus

Shows the easy way to get started as a TV-Radio repairman, how to earn while you learn, how to get and keep customers. \$3.50



**2415. MANDL'S TELEVISION SERVICING,** Mandl

This standard text book in the T.V. servicing field provides clear descriptions of the fundamentals of T.V., and practical instruction on the diagnosis and correction of typical trouble. \$7.50

**2803. BASIC MATHEMATICS FOR ELECTRICITY, RADIO AND TELEVISION,** Singer

Here, mathematical principles are presented as dynamic tools for solving electrical problems. A practical course for students as well as an excellent refresher course for skilled technicians. \$8.25



**2651. MAJOR APPLIANCE SERVICING,** Brockwell

Gives essential information for a career in major appliance servicing. Explains methods of repairing appliances, organizing and managing a service business. \$5.95

**2667. ELECTRIC MOTOR REPAIR,** Rosenberg

All details of modern motor repair work. Actual demonstrations of what to do and why. Designed for bench use with a duo-spiral binding that lies flat. \$9.25



**2011. STEREO & HI-FI DIRECTORY,** 1961, Ziff-Davis

New! Over 1200 component listings, 800 photos; latest models, prices! Entire sections on every phase of stereo and monaural high fidelity. \$1.00



**2010. AUDIO YEARBOOK,** 1961, Ziff-Davis

Brand new edition. Advanced discussions and instructions on every phase of audio. Special features make this an excellent guide for the advanced audiophile. \$1.00



**2755. THE PRACTICAL HI-FI HANDBOOK,** King

A guide to high fidelity sound reproduction for the service engineer and amateur. Chapters on amplifiers, loudspeakers, pickups, microphones, record players, disc, tape and stereo. \$5.95



**2765. YOUR TAPE RECORDER,** Marshall

This book helps to eliminate trial and error under all conditions. Includes illustrations of 55 magnetic recorders with specifications. \$4.95



**2750. ELEMENTS OF MAGNETIC TAPE RECORDING,** Haynes

How to get professional results with tape the way the experts do. Basic techniques, how to splice and edit, how to repair and maintain your recording equipment. \$7.95



**2752. HIGH QUALITY SOUND REPRODUCTION, Moir**

A perfect manual for both the professional engineer and the serious amateur in high fidelity. Complete coverage of sound reproduction in 591 pages. \$15.00

**2002. ELECTRONIC KITS DIRECTORY, Ziff-Davis Publishing Company**

New 1960 edition lists over 750 kits, latest models, prices and features for hi-fi, ham radio, SWL, shop improvement, Citizen's Band, fun and education. \$1.00



**2006. ELECTRONIC EXPERIMENTER'S MANUAL, Findlay**

With a few dollars worth of basic tools and this book to guide you, you can explore electronics experimentation more completely than ever before. 10 big sections. \$4.95

**2916. LICENSE MANUAL FOR RADIO OPERATORS, FCC EXAMINATIONS GUIDE, Johnson**

Complete treatment of all elements necessary to help you prepare for FCC Commercial Radiotelephone and Radiotelegraph License examinations. Diagrams! Pictures! \$6.75

2001. **1960 ELECTRONIC EXPERIMENTER'S HANDBOOK, Ziff-Davis Publishing Company**

40 projects for home and shop, 20 of which are transistorized. Special section on understanding transistor circuits. \$1.00; 2009. cloth, \$1.95

**2004. HI-FI ANNUAL & AUDIO HANDBOOK, Ziff-Davis Publishing Company**

1960 edition. Prepared by the editors of Electronics World. An excellent advanced guide to theory, construction and circuitry. \$1.00.



**2008. CLASS D CITIZENS RADIO, Sands**

First complete book on Citizens Radio operation. Covers Class D history, rules, applications, how it works. Many illustrations. \$4.95

**2901. HAM RADIO, Hertzberg**

Tells exactly how to become a "ham"—how to obtain a ham "ticket," how to learn code, how to select receivers and transmitters—everything you need to know is between the covers of this handy guidebook. \$2.50

**2907. RADIO OPERATING QUESTIONS AND ANSWERS, Hornung & McKenzie**

Presents specific information on radio law, operating practices and theory for those studying to pass the FCC commercial radio operator exams of the various license grades. \$6.25



**2600. TRANSISTORS, Gillie**

Describes and analyzes semi-conductors and transistors and how they behave. 300 pages, illustrated. \$7.95



**2000. STEREO-HI-FI GUIDE, Ziff-Davis Publishing Company**

Just published! 1960 edition features 60-page exclusive by Joseph Marshall on components and how they work. \$1.00

**2501. ELEMENTS OF ELECTRONICS, Hikey and Villines**

This basic electronics text offers an excellent course for training radio and electronics technicians and for students in television, radar and sonar. \$6.95



**2007. COMPUTERS AND HOW THEY WORK, Fahnestock**

A fact-filled guidebook to electronic computers. Explains the working of every major computer system. Must reading for all who want a more complete knowledge of this important field. \$4.95

**2601. TRANSISTORS IN RADIO, TELEVISION AND ELECTRONICS, Kiever**

A descriptive, non-mathematical text for radio, television, electronics technicians and for those who want a working knowledge of transistors and circuits. \$7.95

**3700. ELECTRONICS & NUCLEONICS DICTIONARY, Cooke & Marcus**

New! A revised, enlarged edition containing authoritative definitions of terms used in radio, television, industrial electronics, nucleonics, sound recording, etc. Bigger and better than ever! \$12.00

*See Your Parts Jobber Or Use This Coupon Today!*

Leading radio and electronics parts jobbers, hi-fi dealers and salons are making their stores headquarters for books on every electronics subject. You can take this list to your favorite dealer for immediate purchase.

If your local parts jobber or dealer does not carry books, use the coupon for prompt delivery from ELECTRONICS BOOK SERVICE, on a 7 day free trial basis.

**ELECTRONICS BOOK SERVICE**  
 One Park Avenue, New York 16, N. Y.

Please send me the book(s) I have listed below for a FREE 7-Day Trial Examination. I understand that if I am not completely satisfied, I may return my selection(s) and I'll owe you nothing. Otherwise, I will send you payment for the book(s) of my choice, plus postage and handling.

NUMBER	TITLE	PRICE
		<b>*TOTAL</b>

\*New York City Residents, please add 3% sales tax.  
 (If you need more space for other titles, attach a sheet of paper with add. list.)  
 **SAVE MONEY!** Enclose payment in full for the book(s) of your choice and we will pay shipping charges. Same return privileges and prompt refund guaranteed.  
 Please send me FREE CATALOG, when published. EF1712

NAME \_\_\_\_\_ PLEASE PRINT CLEARLY  
 ADDRESS \_\_\_\_\_  
 CITY \_\_\_\_\_ ZONE \_\_\_\_\_ STATE \_\_\_\_\_

(7-day free trial offer good only in U.S.A. and Canada. Foreign customers must enclose payment in full. Satisfaction guaranteed or money refunded.)

# Build your own Electronic Devices around the RCA-2N307



**New RCA Booklet  
featuring 2N307  
circuits**



## NOW AVAILABLE AT YOUR LOCAL RCA SEMICONDUCTOR DISTRIBUTOR

RCA's high-performance, low-cost 2N307 power transistor is a "natural" for hams, experimenters, hobbyists and others who enjoy building electronic devices for education and fun. The new 16-page RCA booklet shown above provides complete, easy-to-build circuits and parts lists for the following devices using RCA-2N307 transistors.

- 12-Watt Power Amplifier • Light Flasher • Regulated Power Supply • Regulated Power Supply with Amplified Correction Signal • Intercommunication System • Sinusoidal Power Oscillator • Photoflash Power Supply • DC AC Inverter • Garage Light Actuator • Boat Horn • Relay Actuator • Rain Alarm

Now, for a limited time only, this newly revised Practical Transistor Circuit Booklet will be available through your local Authorized RCA Semiconductor Distributor. See him today for your copy.

**RCA Semiconductor Products - Distributor Sales  
Harrison, New Jersey**



The Most Trusted Name  
in Electronics  
RADIO CORPORATION OF AMERICA

# Resistors in Series And Parallel

SOME of the projects described in these pages may use resistance values that you may not have on hand. It is an easy matter, however, to obtain these values by combining a number of resistors from your junk box in series or in parallel.

First consider what happens when you wire two or more resistors in series. The circuit current must flow through each resistance in turn. Hence, the total resistance in the circuit is the *sum* of the individual resistances. (See part (A) of the figure below.) For example, suppose you need a 1500-ohm resistor, but you only have a number of 500-ohm and 1000-ohm units. By simply connecting a 1000-ohm resistor in series with a 500-ohm resistor, you produce a total circuit resistance of 1500 ohms.

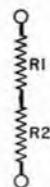
When two or more resistors are wired in parallel, the current in the circuit is able to divide into the parallel paths. Under these conditions, the total circuit resistance is lower than the smallest resistor value. With two resistors, the total resistance equals the product of the two resistance values divided by the sum of these values, as shown in part (B) below. For example, assume we need a total resistance of 1500 ohms as in the previous case. By using two paralleled resistors of 3000 ohms each, or by using a 2000-ohm resistor in parallel with a 6000-ohm unit, the required total resistance is produced. Other resistors can be used just so long as they result in the desired total resistance value.

When three resistors are connected in parallel, the calculations for total resistance get a little harder. The formula that is used is shown in part (C) below. -30-

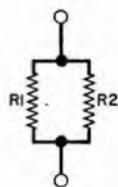
$$R_{TOT} = R_1 + R_2$$

$$R_{TOT} = \frac{R_1 \times R_2}{R_1 + R_2}$$

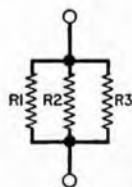
$$R_{TOT} = \frac{1}{\frac{1}{R_1} + \frac{1}{R_2} + \frac{1}{R_3}}$$



(A)



(B)



(C)



# Low-Distortion Sine-Wave Generator

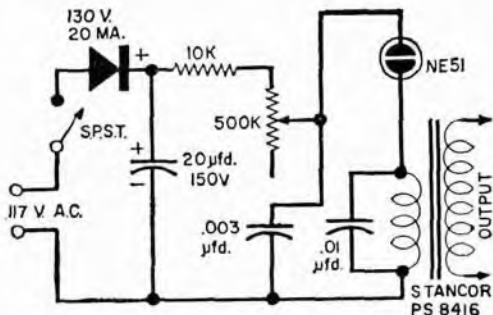
By **HERBERT COHEN**  
General Transistor Corp.

**T**HE author has been considering the problem of extracting the fundamental frequency from a conventional neon-tube saw-tooth generator. The slow charge time and the extremely rapid discharge time produces a saw-tooth waveform whose usefulness is limited but which contains the fundamental and many harmonics.

However, by parallel tuning the capacitor discharge circuit, a low-distortion sine wave can be obtained. The primary of a Stancor PS-8416 power transformer, paralleled by a .01- $\mu$ f. capacitor, is used as a high-*Q* tank circuit. The tuned circuit appears as an exceedingly high impedance to the fundamental frequency but practically a short circuit to its harmonics.

With an oscilloscope across the transformer primary, the pot is adjusted to set the oscillator at the *LC* frequency of transformer and capacitor. As the fundamental approaches the tuned *LC* frequency, the waveform becomes more and more sinusoidal with an increasing amplitude on approaching resonance.

At resonance, the waveform shows less than 3% harmonic distortion as measured with a distortion analyzer. The secondary of the transformer supplies many outputs for low- and high-impedance matching. One problem in this construction is that ground is also a.c. ground. An isolation transformer can be used to eliminate this problem. The stability of this unit is basically determined by the stability of the a.c. line. A 1000-cycle oscillator shown in the diagram puts out a waveform comparable to the Hartley type.



## ATR PRODUCTS FOR MODERN LIVING



**ATR PLUG-IN TYPE PORTABLE INVERTERS\***

**A.C. HOUSEHOLD ELECTRICITY**  
Anywhere... in your own car!

Operates Standard A.C.  
 • Record Players  
 • Dictating Machines  
 • Small Radios  
 • Electric Shavers  
 • Heating Pads, etc.  
 In your own car or boat!

**MODELS**  
 6-RMF (6 volts) 60 to 80 watts. Shipping weight 12 lbs. DEALER NET PRICE \$33.00  
 12T-RME (12 volts) 90 to 125 watts. Shipping weight 12 lbs. DEALER NET PRICE \$33.00  
 \*Additional Models Available



### ATR "A" Battery ELIMINATOR

For Demonstrating and Testing Auto Radios—**TRANSISTOR or VIBRATOR OPERATED!**

Designed for testing D.C. Electrical Apparatus on Regular A.C. Lines—Equipped with Full-Wave Dry Disc-Type Rectifier, assuring noiseless, interference-free operation and extreme long life and reliability.

**MAY ALSO BE USED AS A BATTERY CHARGER**

MODEL 610C-ELIF... 6 volts at 10 amps, or 12 volts at 6 amps. Shipping weight 22 lbs. DEALER NET PRICE \$49.95  
 MODEL 620C-ELIT... 6 volts at 20 amps, or 12 volts at 10 amps. Shipping weight 33 lbs. DEALER NET PRICE \$66.95

There is a trim plate kit for YOUR CAR!



### ATR CUSTOMIZED KARADIO

Vibrator-Operated with Tone Control

**ATR KARADIO**... is ideal for small import cars or compact American cars! Unit is completely self-contained—extremely compact! Powerful 8-tube performance provides remarkable freedom from engine, static, and road noises. The ATR Customized Karadio comes complete with speaker and ready to install. Can be mounted in-dash or under-dash—wherever space permits! No polarity problem. Neutral Gray-Tan, baked enamel finish. Overall size, 7" deep, 4" high, and 6 1/2" wide. Shipping weight, radio set, 7 lbs. Model K-1279—12 for 12V Dealer Net Price \$33.57 Model K-1279—6 for 6V Dealer Net Price \$33.57

### ATR TRUCK KARADIO



Excellent Tone, Volume, and Sensitivity!

Compact, yet powerful! Fits all trucks, station wagons, most cars and boats. Just drill a 3/8 inch hole in roof and suspend the one-piece unit (aerial, chassis and speaker) in minutes. Watertight mounting assembly holds antenna upright. Yoke-type bracket lets you tilt radio to any angle.

Extra-sensitive radio has 6 tubes (2 double-purpose), over-size Alnico 5 PM speaker for full, rich tone. Big, easy-to-read illuminated dial. Fingertip tuning control. Volume and tone controls. 33-in. stainless steel antenna. Neutral gray-tan enameled metal cabinet, 7 x 6 1/2 x 4 in. high over-all. Shipping weight 10 1/2 lbs. Model TR-1279—12 for 12V Dealer Net Price \$41.96 Model TR-1279—6 for 6V Dealer Net Price \$41.96

SEE YOUR ELECTRONIC PARTS DISTRIBUTOR WRITE FACTORY FOR FREE LITERATURE...

**ATR AMERICAN TELEVISION & RADIO CO.**  
Quality Products Since 1931  
SAINT PAUL 1, MINNESOTA—U.S.A.

# Transistorized Tachometer Pickup

By PAUL S. LEDERER



**Construction of simple photoelectric tach that produces indication proportional to shaft speed.**

**T**HE tachometer, a device which measures the speed of a rotating shaft, is a very important industrial and laboratory tool. When it is necessary to monitor the rotational speed of a shaft continuously, a tachometer in the form of a generator is usually permanently attached to the end of the shaft. There are many cases, however, where it is desirable to check speed only occasionally. Using a permanently attached tachometer under these conditions would become prohibitively expensive.

Portable, mechanical revolution counters are available commercially. They require direct contact with the rotating shaft, which at times may be dangerous. When applied to low-power devices, such a mechanical tachometer can seriously affect the speed of the shaft. It is possible to devise a tachometer which does not need any mechanical linkage to the shaft whose speed it measures. A magnet radially embedded in the shaft will induce a voltage whenever it passes a coil placed in proximity and radially to the shaft. Another method uses a light shining through a hole drilled in the diameter of the shaft. It impinges on a photocell and generates a pulse whenever all three are in line, thus producing a number of pulses proportional to the speed of shaft rotation.

Another technique, employing a light and photocell, uses light reflected from alternately dark and light colored areas along the shaft's circumference. If half of the shaft's circumference is painted black and the other half white and a light is shining on it, whenever the white area is lighted, most of the light will be reflected. Whenever the light shines on the black area, most of the light will be absorbed and very little reflected. If the photocell is mounted next to the lamp, but shielded from its direct

light and facing the painted areas on the shaft, the current flowing will depend on the amount of light reflected from the painted areas to the cell. One complete revolution of this shaft would generate one cycle of a (probably squared-off) sine wave at the photocell output. The speed of a slowly turning object can be determined by dividing the circumference into many dark and light areas so that one revolution will generate many cycles.

In practice, it is seldom necessary to actually paint adjacent areas black and white. Clean, bright metal reflects sufficient light; a piece of black electrical tape can serve as the non-reflecting (black) area.

A number of commercial tachometers operate on this principle. Most are designed to operate with electronic frequency counters from which they derive their power. They are fairly big and expensive.

The transistorized tachometer pickup to be described is self-contained in a 2¼" x 2¼" x 4" aluminum box. It employs a cadmium selenide photocell operating as a reflected-light pickup. A pre-focused flashlight bulb supplies the light and a grounded-emitter amplifier completes the device, which is powered by two small batteries.

The photocell used in this circuit is a photoresistive device. Its resistance decreases when light impinges on the face of the photocell. The unit used by the author is the Clairex CL-3 which has a diameter of approximately ¼" and is about ½" long. It nets for \$3.50. The cell is mounted in a piece of copper tubing about one inch long and with an i.d. of about ¼", sufficient for the photocell to slide in. The front face of the photocell is recessed about ⅝" inside the tube. The tube, besides keeping the photocell aligned, also serves as a light shield. This makes it possible to operate the ta-

chometer pickup under adverse ambient light conditions.

The copper tube is attached to a bracket fastened to and protruding through the  $2\frac{1}{4}'' \times 2\frac{1}{4}''$  surface of the box. The other end of the bracket carries the socket for the light bulb. This light bulb is a pre-focused "pen-lite" bulb (G. E. #112) designed to operate from a 1.2-volt battery. The copper tube and the light bulb socket are inclined toward each other and to the box surface at about a 60-degree angle. Their axes intersect about  $1\frac{1}{2}''$  in front of the box surface. This means that for optimum operation, the portable tachometer pickup should be held so that its front surface is about  $1\frac{1}{2}''$  away from the surface of the rotating object whose speed is being measured.

The circuit of the transistorized tach is shown in Fig. 1. The switch turns on both the lamp battery and the battery-energizing photocell and transistor amplifier. When light strikes the front of the cell, its resistance decreases and the battery pushes more current through it and the 82,000-ohm resistor, R1, into the base circuit of the transistor. The amplified signal generates a voltage across the 47,000-ohm load resistor, R2, which is picked off at the collector of the grounded-emitter transistor amplifier. It is fed to the output cable through a 0.1  $\mu$ f. paper capacitor, C1. It is not possible to give much information on the output voltage obtained because it will depend on such factors as distance from the rotating object, frequency of light variation, ambient light, and light reflecting qualities of the rotating surface.

In the case of a rotating anodized aluminum disc, half of which was covered with black electrical tape, the output was 1 volt peak-to-peak at about 110 cps (corresponding to a rotational speed of 6600 rpm) at a distance of  $1\frac{1}{2}$  inch. The output increases at lower frequencies. This is a characteristic of many of the crystal-type photocells. The output is adequate for frequency measurement by Lissajous figures on an oscilloscope (using a calibrated audio oscillator to feed the scope's horizontal amplifier). For industrial use, the output appears sufficient to drive the electronic counters of many frequency meters.

This tachometer can be used to measure rotational speed of electric fans if it is recalled that there will be as many cycles put out per revolution as there are fan blades.

Total construction cost of this unit is less than \$10.00. The batteries are held against the inside of the box by means of a home-made bracket. The switch serves to hold the 15-volt battery by pushing it against a spring-loaded screw in the end of the box which serves as ground terminal for the battery. A small plastic block holds the 1.5-volt cell against a similar spring-loaded screw. The d.p.s.t. switch, S1, is the only control.

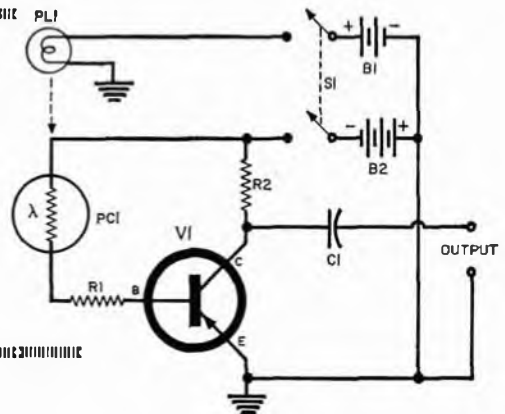
No problems should be encountered in wiring the electronics portion of the pickup because of the simplicity of the circuit that is employed. With only a handful of components needed, the circuit should be a worthwhile project for the experimenter interested in a simple device that will indicate shaft speeds.

-30-

**Fig. 1.** Single transistor amplifies output of photocell. This output may be applied to an oscilloscope, to a sensitive a.c. voltmeter, or to a frequency-meter circuit.

### PARTS LIST

- R1—82,000 ohm,  $\frac{1}{2}$  w. res.
- R2—47,000 ohm,  $\frac{1}{2}$  w. res.
- C1—0.1  $\mu$ f., 100 v. paper capacitor
- S1—D.p.s.t. switch
- B1—1.5-volt "C" cell
- B2—15-volt hearing-aid battery (Burgess V-10 or equiv.)
- PC1—Cadmium selenide crystal photocell (Clairex CL-3)
- PL1—1.2-volt pre-focused screw-base bulb (G-E #112)
- V1—"p-n-p" germanium transistor (Raytheon CK722)



THE VERY  
FINEST  
CITIZENS'  
RADIO...



Farming,  
delivery or  
fleet operation



Car-to-office  
or home  
communication



Boat-to-boat or  
ship-to-shore  
communication

**FREE**  
Color Brochure  
WRITE TODAY

*Messenger* from

- Anyone can operate—license issued by FCC on request!
- 23 channel Class "D" Band coverage—choose 1 of 5 channels by flip of switch!

Designed for 10 watts—limited to 5 for Citizens' Radio. Excellent receiver sensitivity and selectivity. Built-in Squelch, Automatic Volume Control, and Automatic Noise Limiter. With tubes, microphone, and crystals for 1 channel.

Available from authorized Johnson Distributors—installation and service at all General Electric Communications Service Stations.



**E. F. JOHNSON CO**

126 Second Ave. S.W., Waseca, Minn.

• Please rush me your full color brochure describing the Viking "Messenger" Citizens' Transceiver.

NAME \_\_\_\_\_

ADDRESS \_\_\_\_\_

CITY \_\_\_\_\_

STATE \_\_\_\_\_

Now... Build **35 ELECTRONIC PROJECTS** with these amazing kits!



LESS THAN  
**75¢**  
A PROJECT!

- ★ ONLY A SCREWDRIVER NEEDED!
- ★ PARTS CAN BE USED AND REUSED!
- ★ NO PREVIOUS ELECTRONIC EXPERIENCE REQUIRED!

**ELECTRONICS LAB**

Model LAB-18

**18 ELECTRONIC PROJECTS FOR ALL HOBBYISTS!** Build useful equipment... work with SOLAR ENERGY—SPACE COMMUNICATIONS—RADIOS—TRANSISTORS—OSCILLATORS. This fascinating kit will amaze you... start you on your way to a successful electronics career. Kit comes complete with all parts and simple picture instructions that even a beginner can follow! A fabulous buy at only \$12.95 ppd.

ORDER TODAY! And we will rush your kit to you by return mail! Send check or money order (no C.O.D.).

**TV SALES CO.,** Dept. EH, P.O. Box 44, Yonkers, N. Y.

Model LAB-35

**35 EXCITING SCIENTIFIC PROJECTS!** Contains all parts & simple illust. instruct. to build useful projects as PHOTO ELECTRIC RELAYS—SIGNAL GENERATOR—STEREO PREAMP—BROADCAST STATION—SOLAR POWERED RADIOS—RAIN ALARM—INTERCOM—VOICE OPERATED RELAY—TV COMMERCIAL KILLER—CAPACITY ALARM—BURGLAR ALARM—FIRE ALARM—FLASHER—WIRELESS CODE TRANSMITTER—TIMER & many more. A virtual electronics treasure chest, only \$18.95 ppd.

# Transistor Tone Generator

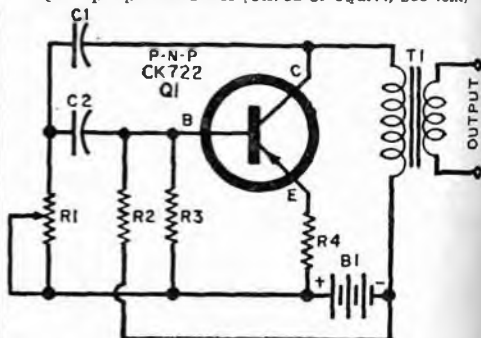
By R. L. WINKLEPLECK

THE phase-shift oscillator is a familiar vacuum-tube circuit noted for its simplicity and low distortion. The phase-shift principle isn't often used for transistor oscillators but it is equally suitable.

The one suggested here has a two-leg RC feedback network for phase shifting. Resistor *R3* acts with frequency network resistor *R2* to form a voltage divider for base bias stabilization. An interstage transformer is used in the transistor's collector circuit rather than a resistor. This provides better voltage gain plus a low-impedance output completely isolated from the oscillator circuit. A tapped winding is not needed for this type of oscillator. Output of this circuit with six volts power is about two volts peak-to-peak into a scope. A stage of transistor amplification can be added to increase the output, if desired. Waveshape is quite good.

The extremely small size and low power requirement of this oscillator permits it to be used for many purposes. It is a convenient source of sine waves for the oscilloscope. It can be used as an audio signal injector in radio and amplifier servicing or it can be used with headphones or speaker and a key for code practice. Many other possibilities will occur to the experimenter.

- R1—25,000 ohm pot
- R2—47,000 ohm, 1/2 w. res.
- R3—10,000 ohm, 1/2 w. res.
- R4—100 ohm, 1/2 w. res.
- C1—.01  $\mu$ l., 200 v. capacitor
- C2—.02  $\mu$ l., 200 v. capacitor
- T1—Transistor interstage trans. 20,000/30,000 ohms to 800/1200 ohms (UTC SSO-7 or equiv.)
- B1—1-25 volts (see text)
- Q1—"p-n-p" transistor (CK722 or equiv., see text)



# RAD-TEL

## GUARANTEED



# RAD-TEL'S FIRST QUALITY

WHY PAY MORE? - BUY  
DIRECT FROM RAD-TEL  
FOR SAVINGS AND  
PERFORMANCE  
IN RADIO AND  
TV TUBES



**Up to 75% OFF on BRAND NEW TUBES**

**GUARANTEED ONE FULL YEAR!**

You Can Rely On Rad-Tel's Speedy One Day Service!

**NOT USED—NOT PULLED OUT OF OLD SETS • EACH TUBE INDIVIDUALLY AND ATTRACTIVELY BOXED**

Qty.	Type	Price	Qty.	Type	Price	Qty.	Type	Price	Qty.	Type	Price	Qty.	Type	Price	Qty.	Type	Price	Qty.	Type	Price
074M	.79	4807	.96	6AR5	.55	6CG7	.60	6SA7GT	.76	8E8B	.94	12B4	.63	12E16	.50	190G6	1.39			
1AX2	.62	4858	.98	6AS5	.60	6CG8	.77	6SK7	.74	10DA7	.71	12BA6	.50	12E66	.54	19T8	.80			
1B3GT	.79	48U8	.71	6A16	.43	6CM7	.66	6SL7	.80	11CY7	.75	12BD6	.50	12E26	.53	21EX6	1.49			
10H5	.55	48Z6	.58	6AT8	.79	6CN7	.65	6SN7	.65	12A4	.60	12BE6	.53	12F5	.66	25B06	1.11			
1G3	.73	48Z7	.96	6AU4	.82	6CR6	.51	6SQ7	.73	12AB5	.55	12BF6	.44	12F8	.66	25C5	.53			
1J3	.73	4C56	.61	6AUG	.50	6CS5	.57	6T4	.99	12AC6	.49	12BH7	.73	12FM6	.45	25CA5	.59			
1K3	.73	4D16	.62	6A7	.61	6C05	.58	6U8	.78	12AD6	.57	12BI6	.56	12K5	.65	25C06	1.44			
1L6	1.05	4DX6	.60	6A8	.87	6C06	1.08	6V6GT	.54	12AE6	.43	12BD6	1.06	12SA7M	.86	25C06	1.11			
1LW5	.59	4D16	.55	6AV6	.40	6CV5	.70	6W4	.75	12AF3	73	12BY7	.74	12SK7GT	.74	25D06	1.42			
1R5	.62	5AN8	.78	6AW8	.89	6CV7	.71	6W6	.69	12AF6	.49	12BZ7	.75	12SN7	.67	25E55	.55			
1S5	.51	5AN8	.66	6A74	.65	6DA4	.68	6X4	.39	12A16	.46	12C5	.56	12SQ7M	.73	25L6	.57			
1T4	.59	5A05	.52	6AX7	.64	6DB5	.69	6X5GT	.53	12A15	.45	12CA5	.59	12U7	.52	25W4	.68			
1U4	.57	5AT8	.80	6BA6	.49	6DF6	.58	6XB	.77	12A18	.95	12CA5	.56	12V6GT	.53	25Z8	.66			
1U5	.50	5BK7A	.82	6BC5	.54	6DGG	.59	7AU7	.61	12A05	.52	12CR6	.54	12W6	.59	35C5	.51			
1XZB	.82	5B07	.97	6BC7	.94	6D06	1.10	7AB	.58	12A16	.43	12C05	.58	12X4	.38	35L6	.57			
2AF4	.96	5BR8	.79	6BC8	.91	6D15	.76	7B6	.69	12A17	.76	12C06	1.06	17AX4	.67	35W4	.52			
3AL5	.42	5CC8	.76	6BD6	.51	6DT6	.53	7Y4	.69	12A06	.50	12CX6	.54	17B06	.59	35Z5GT	.60			
3AU6	.51	5CL8	.76	6BE6	.55	6EUB	.79	8AUB	.83	12A07	.60	12CB5	.69	17C5	.58	50B5	.60			
3AV6	.41	5EUB	.80	6BF6	.44	6EAB	.79	8AWB	.93	12A05	.47	12D18	.75	17CA5	.62	50C5	.53			
3BAG	.51	5EUB	.80	6BG6	1.66	6HGGT	.58	8B05	.60	12A06	.41	12D18	.85	17D4	.69	50D5	.37			
3BC5	.54	5J6	.68	6BH6	.65	6J5GT	.51	8CC7	.62	12A07	.75	12D06	.67	17D06	1.06	50H5	.55			
3BC5	.54	5T8	.81	6BH8	.87	6J5	.67	8CM7	.68	12A14	.67	12D06	1.04	17L6	.58	50L6	.61			
3BE6	.52	5Q4	.60	6B16	.62	6K6	.79	8CN7	.97	12A17	.63	12D57	.79	17W6	.70	117Z3	.61			
3BN6	.76	5Q8	.81	6B7	.85	6S4	.48	8CX8	.93	12A27	.86	12D26	.56	19A04	.83					
3BU8	.78	5V6	.58	6B17	1.00															
3BY6	.55	5X8	.78	6B14	.57															
3BZ6	.55	5Y3	.46	6BNG	.74															
3CB6	.54	6AB4	.48	6BD5	.65															
3CF6	.60	6AC7	.96	6D06GT	1.05															
3CS5	.52	6AF3	.73	6D07	.95															
3CY5	.71	6AF4	.97	6BR8	.78															
3OK6	.60	6AG5	.65	6BUB	.70															
3OT6	.50	6AH6	.99	6BY6	.54															
3Q5	.80	6AK5	.95	6BZ6	.54															
3S4	.61	6AL5	.47	6BZ7	.97															
3V4	.58	6AM8	.78	6C1	.43															
4BC5	.56	6AN4	.95	6CB6	.54															
4BC8	.96	6AN8	.85	6CD5	1.42															
4BN6	.75	6AQ5	.58	6CF6	.64															

**TRANSISTORS — AT FABULOUS DISCOUNTS**

	PRICE	TYPE	RATING	ELECTRICAL CHARACTERISTICS		hfe
				1CB0 max.	1EB0 max.	
<input type="checkbox"/>	RF 49¢	GE PNP ALLOY JUNCTION GENERAL PURPOSE RF/AF	200 MW	20 $\mu$ a VCB = -3V	20 $\mu$ a VEB = -3V	VCE = -1.5 lb = 5 ma 20 min
<input type="checkbox"/>	AF 39¢	Power AF Med. Freq. To -3	Milli Power Output 2.25 w	20 ma VCB = -16V	20 ma VEB = -16V	VCE = -1.5 lb = 1 ma 40 min
<input type="checkbox"/>	80¢ ea.	Hi Power 15 AMP To 36		40 ma VCB = -100	40 ma VEB = -100	VCE = -1.5 lb = 1 ma 30 min

Series 83D OHMS

SEND FOR FREE, NEW TUBE & PARTS CATALOG.

NOT AFFILIATED WITH ANY OTHER MAIL ORDER TUBE COMPANY

# RAD-TEL TUBE CO.

55 Chambers Street

Newark 5, N. J.

TERMS: 25% deposit must accompany all orders—balance C.O.D. \$1 HANDLING CHARGE FOR ORDERS UNDER \$5. Subject to prior sale. Please add postage. No C.O.D.'s outside continental U.S.A. Dept. EH-61



# USING THE DECIBEL

**I**N ANY listening situation, the smallest increase in the volume of any sound that can be detected by the human ear is one-fourth, or 25 per-cent, over a previous sound. In other words, if any two sounds have a power ratio of at least 1.25 to 1, we will detect that the former is louder.

This ratio holds true for a wide range of power regardless of the absolute power of a particular sound. If we hear two sounds whose powers are respectively 12.5 and 10 watts, we would still hear the same difference in their loudness as we heard between the sounds at 1.25 and 1 watt, since the ratio is still the same (1.25).

This is because we hear approximately in proportion to the logarithm of the intensity, rather than in direct linear response to it. The decibel has been developed as a convenient unit for expressing and measuring intensity logarithmically. Mathematically, "1 decibel" is approximately 10 multiplied by the common logarithm of the ratio, 1.25 to 1.

The factor of 10 enters the picture because the original unit used was the "bel" (named for Alexander Graham Bell), which is the logarithm of 10 to the base 10. The decibel is actually one-tenth of a "bel" and is used in preference to the bel inasmuch as a change of sound intensity of 1 decibel approximates very closely the ratio of 1.25 to 1, which is the minimum change in sound intensity human ears can detect.

The decibel is used widely in audio work because it represents accurately the response of the ear to different intensities and because it can be used over a wide range of intensities. Decibels are used for expressing power ratios, voltage ratios, current ratios, amplifier gain, hum level, loss due to negative feedback, network loss, and loss in attenuator circuits and in transmission lines.

Gain is expressed as plus db; loss as minus db. Ratios between currents and voltages across the same or equal resistors



**\$33**  
Per 100 TUBES

## TRU-VAC I-YEAR GUARANTEED RADIO and TV TUBES

Factory Used or Factory Second Tubes! TRU-VAC will replace FREE any tube that becomes defective in use within 1 year from date of purchase! All tubes individually boxed, code dated & branded "TRU-VAC." Partial Listing Only—Thousands More Tubes in Stock!

SPECIAL! 65N7GT . . . . . 30¢ 6W4GT . . . . . 30¢

0Z4	4RS8	GAM6	6BC5	8CD6G	6J7	6W6GT	7F8	12AV7	12K7
1A7GT	4BZ7	6AK5	6BC8	6CF8	6K6GT	6X4	7G7	12AX4GT	12L6
1B8GT	4CB5	6AL5	6BD6	6CG7	6K7	6X5GT	7HT	12AX7	12Q7
1HG7	5AM8	GAMB	6BE6	6CH7	6N7	6X8	7NT	12AZ7	12RS5
1R5	5AN8	GANA	6BF5	6CM8	6Q7	6Y6G	7Q7	12B4	12S47
155	5AT8	GAQ5	6BC6G	6CL8	6S4	7A4	XXL757	12BA6	12S47
1T4	5AV8	GAQ5	6C8E	6CM8	6S6GT	7A5	7X6	12BA7	12SK7
1U4	5AZ4	GAQ7	6B18	6CM7	6SA7	7A6	7X7	12BD6	12SN7GT
1U5	5CG8	GARS	6BK5	6CN7	6SD7GT	7A7	7Y4	12BE6	12SQ7
1V2	5D4	GAS5	6BK7	6CO8	6S5	7B4	7Z4	12BF6	12V6GT
1X2	5T8	GAT8	6BL7GT	6CR6	6S7	7B5	32A8	12B7	12W6GT
2AF4	5U4	6AU4GT	6BNE	6C57	6SH7	7B6	12AB5	12BQ6	12X4
2B4	5UB	6AUSGT	6B8GT	6C65	6S7	7B7	12A25	12BR7	19AU4GT
2CV5	5V4G	GAU5	6B7	6C6	6SK7	7B8	12AT6	12BY7	19B6G
3AL5	5V6GT	GAU8	6BR8	6D6	6SL7	7C4	12AT7	12CA5	19T8
3BC5	5X8	6AV5GT	6B58	6DE6	6S7	7C5	12AU6	12CNS	25Z6GT
3B8	5Y3	6AV5	6BY5G	6DD6GT	6S7	7C6	12AU7	12C4	25A5
3BZ5	6AB4	6AW8	6B26	6DQ6	6T4	7C7	12AV6	12C8	25B5
3CB6	6AC7	6AX4GT	6B27	6F6	6T8	7E5	12AV6	12C8	25C5
354	6AF4	6AX5GT	6C4	6H6	6U5	7E6	12AV6	12C8	25D5
3V4	6AG5	6BR	6CA8	6J5	6U8	7E7	12AV6	12C8	25E5
4BQ7A	6AH4GT	6BA8	6CB8	6J6	6V6GT	7F7			35W4

BRAND NEW I-YEAR GUARANTEED TV PICTURE TUBES

Below Listed prices do not include duty. Add Additional \$5.00 Deposit on tube sizes to 20"; on 21" and 24" tubes—\$7.50. Deposit refunded immediately when tube is returned unused. Aluminized tubes—\$4.00 extra. Picture tubes shipped only to continental U.S. and Canada—All tubes P.O. Box Harrison, N. J.

10RP4	7.95	12CP4	15.95	21AMP4	17.95	21KP4	18.95
18CP4	16.95	17FP4	18.95	21VP4	18.95		19.95
16RP4	11.95	20CP4	15.85	21AWP4	17.45	21WP4	17.45
17AVP4	15.45	20HP4	17.85	21EP4	17.25	21VP4	18.95
18FP4	11.45	21ALP4	18.75	21FP4	18.95	21CP4	21.75

**ATTENTION QUANTITY USERS!** Big Discounts Are Yours... Call or Write For Our 1000 Tube "Private Label" Special!

Money cheerfully refunded within five (5) days, if not satisfied!

**SHIPPING INSTRUCTIONS: TRU-VAC® PAYS YOUR POST-AGE** on orders of \$5 or more in U.S.A. and Territories. Send amount in advance on Canadian and foreign orders. Any order less than \$5 requires 25c handling charge. Sent 25% on C.O.D.'s.

ANY TUBE NOT LISTED ALSO AVAILABLE AT 35c EACH!

Sensational Offer!

"Self Service" TUBE CHECKERS

\$37.95

FOR Our Warehouse

Let your customers test their own tubes! These reliable, checkers will return your investment with return your investment in one week or less with little or no effort on your part! Handsome, field-tested console models, field-BOTTOM WITH KEY FOR LIGHTED HEAD!

TRU-VAC

Harrison Avenue • Box 107 • Harrison, N. J. HUmboldt 4-9770





# DECIBEL TABLE

Voltage or Current Ratio (Equal Impedance)	Power Ratio	← — db + —→	Voltage or Current Ratio (Equal Impedance)	Power Ratio
1.000	1.000	0	1.000	1.000
0.989	0.977	0.1	1.012	1.023
0.977	0.955	0.2	1.023	1.047
0.966	0.933	0.3	1.035	1.072
0.955	0.912	0.4	1.047	1.096
0.944	0.891	0.5	1.059	1.122
0.933	0.871	0.6	1.072	1.148
0.923	0.851	0.7	1.084	1.175
0.912	0.832	0.8	1.096	1.202
0.902	0.813	0.9	1.109	1.230
0.891	0.794	1.0	1.122	1.259
0.841	0.708	1.5	1.189	1.413
0.794	0.631	2.0	1.259	1.585
0.750	0.562	2.5	1.334	1.778
0.708	0.501	3.0	1.413	1.995
0.668	0.447	3.5	1.496	2.239
0.631	0.398	4.0	1.585	2.512
0.596	0.355	4.5	1.679	2.818
0.562	0.316	5.0	1.778	3.162
0.531	0.282	5.5	1.884	3.548
0.501	0.251	6.0	1.995	3.981
0.473	0.224	6.5	2.113	4.467
0.447	0.200	7.0	2.239	5.012
0.422	0.178	7.5	2.371	5.623
0.398	0.159	8.0	2.512	6.310
0.376	0.141	8.5	2.661	7.079
0.355	0.126	9.0	2.818	7.943
0.335	0.112	9.5	2.985	8.913
0.316	0.100	10	3.162	10.00
0.282	0.0794	11	3.55	12.6
0.251	0.0631	12	3.98	15.9
0.224	0.0501	13	4.47	20.0
0.200	0.0398	14	5.01	25.1
0.178	0.0316	15	5.62	31.6
0.159	0.0251	16	6.31	39.8
0.141	0.0200	17	7.08	50.1
0.126	0.0159	18	7.94	63.1
0.112	0.0126	19	8.91	79.4
0.100	0.0100	20	10.00	100.0
3.16x10 <sup>-2</sup>	10 <sup>-3</sup>	30	3.16x10	10 <sup>3</sup>
10 <sup>-2</sup>	10 <sup>-4</sup>	40	10 <sup>2</sup>	10 <sup>4</sup>
3.16x10 <sup>-3</sup>	10 <sup>-5</sup>	50	3.16x10 <sup>2</sup>	10 <sup>5</sup>
10 <sup>-3</sup>	10 <sup>-6</sup>	60	10 <sup>3</sup>	10 <sup>6</sup>
3.16x10 <sup>-4</sup>	10 <sup>-7</sup>	70	3.16x10 <sup>3</sup>	10 <sup>7</sup>
10 <sup>-4</sup>	10 <sup>-8</sup>	80	10 <sup>4</sup>	10 <sup>8</sup>
3.16x10 <sup>-5</sup>	10 <sup>-9</sup>	90	3.16x10 <sup>4</sup>	10 <sup>9</sup>
10 <sup>-5</sup>	10 <sup>-10</sup>	100	10 <sup>5</sup>	10 <sup>10</sup>
3.16x10 <sup>-6</sup>	10 <sup>-11</sup>	110	3.16x10 <sup>5</sup>	10 <sup>11</sup>
10 <sup>-6</sup>	10 <sup>-12</sup>	120	10 <sup>6</sup>	10 <sup>12</sup>

# SERVICE MASTER... EVERY TOOL YOU NEED 99% OF THE TIME

Complete 23-piece kit for radio, TV, and electronic service calls. Includes 2 interchangeable handles (Regular and Stubby), 9 snap-in regular nutdrivers... 3 stubby, 3 screwdrivers (2 slotted, 1 Phillips), 2 reamers, 7" extension. Plus "Cushion Grip" long nose plier, diagonals, and adjustable wrench. Durable, plastic-coated case.



## XCELITE

XCELITE, INC., ORCHARD PARK, N. Y.  
Canada: Charles W. Pointon, Ltd., Toronto, Ont.

ask your distributor  
to show you  
Kit 99 SM.

find new  
adventure in  
amateur  
radio...

with  
*Viking*  
1st choice of  
amateurs the  
world over!

loaded with features... kit or wired!



**ADVENTURER**—50  
watts CW input 80  
through 10 meters.  
240-181-1... Kit  
Am. Net... \$54.95

**RANGER**—75 watts  
CW input; 65 watts  
phone—160 through  
10 meters.  
240-161-2... Kit  
Am. Net... \$229.50  
240 161-1... Wired  
Am. Net... \$329.50

**VALIANT**—275 watts  
CW and SSB; 200  
watts AM—160  
through 10 meters.  
240-104-2... Kit  
Am. Net... \$349.50  
240-104-1... Wired  
Am. Net... \$439.50

FREE  
CATALOG



Complete specifications and schematics on all Johnson Transmitters, amplifiers, station accessories, keys and practice sets!



**E. F. JOHNSON CO.**

1233 2nd Ave. S.W. • Waseca, Minn.

NAME \_\_\_\_\_

ADDRESS \_\_\_\_\_

CITY \_\_\_\_\_ STATE \_\_\_\_\_

are also expressed in decibels. In the case of voltages or currents, the logarithm of the ratio must be multiplied by 20. This is because the decibel is basically an expression of power (wattage) which is always a function of the square of either current or voltage. To square a number, you double its logarithm. Thus, in the case of values already expressed as powers (wattage), we multiplied the logarithms of the ratio by 10. But in the case of values not yet expressed as powers, such as voltage or current, we multiply the logarithm of their ratio by 10 doubled, or 20.

We now can state all the above in terms of these simple formulas:

$$db = 10 \log \frac{P_2}{P_1} \text{ when } P \text{ is known in watts.}$$

$$db = 20 \log \frac{E_1}{E_2} \text{ when } E \text{ is known in volts.}$$

$$db = 20 \log \frac{I_1}{I_2} \text{ when } I \text{ is known in amps.}$$

The value of the "common logarithm" (sometimes written as  $\log_{10}$ ) is easily obtained from standard tables that are included in most mathematics and technical textbooks. From then on it's a case of simple arithmetic.

The table on the opposite page is a shortcut aid in determining db gain or loss. It has, in effect, already computed the logarithms of the power (and voltage and current) ratios for you. Notice that the right-hand side (4th and 5th columns) expresses ratios in which there is a gain (1 or higher). The left-hand side (1st and 2nd columns) expresses ratios in which there is a loss (1 or lower). The center column gives you the number of decibels of either gain or loss for a given ratio.

Let us now work a few problems using both the formulas and the table.

*Example:* What will be the gain in db of an amplifier whose output power rises to 5 times its input?

The formula tells us that for power (in wattage),

$$db = 10 \log_{10} \frac{P_2}{P_1}$$

In this case,  $P_2$  over  $P_1$  is given; it is known to be 5. (In other words, the input might be 2, the output 10, resulting in a ratio of 5 to 1). The log of 5 is approximately 0.7. Multiplying this by 10, we get 7, which is the solution. In other words, this amplifier has a gain of 7 decibels. In practical terms this means that the difference in sound intensity between

the input to the amplifier and the output from it would be heard by the ear as seven times the minimum change in loudness that we could detect.

Now, let us use the table to work this problem. Since there is a gain involved, we refer to the right-hand portion of the table. Since the values are in terms of power (watts), we use the 5th column. The nearest figure in this column to our power ratio of 5 happens to be 5.012. This corresponds to plus 7 in the db column. Again, our answer is plus 7 db.

Let us work a problem using voltages.

**Example:** What will be the gain in db of an amplifier whose output voltage rises to 9 times its input (across equal resistances)?

Here we must multiply the logarithm of the ratio by 20, since we are dealing with a voltage rather than a wattage value.

The common log of 9 is 0.95. Multiplying this by 20 we get 19 db.

Again, the same answer could be obtained directly from our table. Since a gain is involved we again confine ourselves to the right-hand side of the table. Since our ratio is expressed in voltage, we check down the 4th column. We find that the number of decibels that corresponds most

closely to a voltage ratio of about 9 happens also to the 19 db.

As long as this table is available, there is no need for the formulas or for logarithmic values of the ratios. If the table is not handy, though, the formulas and a table of common logarithms will solve any problem.

Let us now take a situation in which there is a decibel loss to be calculated. For example, an amplifier has a negative voltage feedback loop which is intended to reduce distortion at the output. This feedback voltage also reduces the over-all gain of the amplifier. But by how much? Assume that we measure 1.2 volts at the output of the amplifier with its feedback loop in operation. Then we disconnect the feedback loop and find the output measures 12 volts.

Our ratio in this case is 12 over 1.2, or 0.1. We now consult the left-hand side of our table for decibel loss. Since these are voltages we check down the column so headed. We discover that a voltage ratio of 0.1 indicates a 20 db loss. Thus we express the feedback value in this amplifier as minus 20 db.

Conversely, if an amplifier's specifications claim that the circuit incorporates a

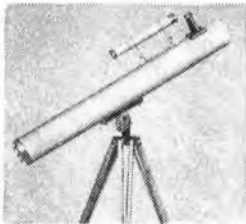
# UNUSUAL BUYS

● OPTICS  
● SCIENCE  
● MATH

See the Stars, Moon, Planets Close Up!

## 3" ASTRONOMICAL REFLECTING TELESCOPE

60 to 180 Power—Famous Mt. Palomar Type! An Unusual Buy!



Assembled—Ready to use! You'll see the Rings of Saturn, the fascinating planet Mars, huge craters on the Moon, Star Clusters, Moons of Jupiter in detail, Galaxies! Equatorial mount with lock on both axes. Aluminized and over-coated 3" diameter high-speed f/10 mirror. Telescope comes equipped with a 60X eyepiece and a mounted Barlow Lens, giving you 60 to 180 power. Low-cost accessory eyepiece available for higher powers. An Optical Finder Telescope, always so essential, is also included. Sturdy, hardwood, portable tripod. FREE with Scope:

Valuable STAR CHART plus 272-page "HANDBOOK OF HEAVENS" plus "HOW TO USE YOUR TELESCOPE" BOOK.  
Stock No. 85,050-GD.....\$29.95 Postpaid

## ANALOG COMPUTER KIT



Demonstrates basic analog computing principles—can be used for multiplication, division, powers, roots, log operations, trig problems, physics formulae, electricity and magnetism problems. Easily assembled with screwdriver and pliers. Operates on 2 flashlight batteries. Electric motor and 3 potentiometers are mounted on die-cast box. Answer is indicated on dial. Computer is 20" long, 9" wide, 2" deep.  
Stock No. 70,341-GD.....\$14.95 Postpaid

## BUILD A SOLAR ENERGY FURNACE



A fascinating new field. Build your own Solar Furnace for experimentation—many practical uses. Easy! Inexpensive! Use scrapwood! We furnish instructions. This sun powered furnace will generate terrific heat—2000° to 3000°. Fuses enamel to enamel. Sets paper aflame in seconds. Use out Fresnel Lens—14" diameter... f.1. 14".  
Stock No. 70,130-GD.....Fresnel Lens.....\$6.00 Postpaid

## WAR SURPLUS!—INFRARED SNOOPERSCOPE

Govt. Cost \$900—Bargain at \$39.50

Converts infrared to visible light. See in total darkness without being seen. Use in lab, factory, classroom, etc. Completely portable. Operates on two flashlight batteries (not included). Image is quite good, may be made even better by careful focusing. Size 11 1/2" x 8". Weight with carrying case 12 lbs. No infrared light source is furnished. (See below.)  
Stock No. 85,098-GD.....\$39.50 f.o.b. Barrington, N. J.



## INFRARED LIGHT SOURCE AVAILABILITY!

You will need a 6-volt transformer or 6-volt auto battery to operate.

Stock No. 80,035-GD.....\$10.00 Postpaid

## SCIENCE TREASURE CHESTS



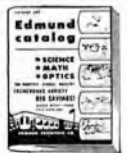
Extra-powerful magnets, polarizing filters, compass, one-way-mirror film, prism, diffraction grating, and lots of other items for hundreds of thrilling experiments, plus a "Ten-Lens" Kit for making telescopes, microscopes, etc. Full instructions included.  
Stock No. 70,342-GD.....\$5.00 Postpaid

Science Treasure Chest DeLuxe—Everything in these above plus exciting additional items for more advanced experiments including crystal-growing kit, electric motor, molecular models set, first-surface mirrors, and lots more.  
Stock No. 70,343-GD.....\$10.00 Postpaid

## FREE CATALOG-GD

144 Pages! Over 1000 Bargains!

Complete line of Astronomical Telescope kits and assembled Telescopes. Also huge selection of lenses, prisms, war surplus optical instruments, parts and accessories. Microscopes, binoculars, snooperscopes, math learning and teaching aids, etc. Send for catalog GD.



ORDER BY STOCK NUMBER... SEND CHECK OR MONEY ORDER... SATISFACTION GUARANTEED!

**EDMUND SCIENTIFIC CO. BARRINGTON, NEW JERSEY**

# Police, Citizens Band, Aircraft



may be monitored from any car radio using the Model 103

Crystal Controlled, Transistorized Converter. Any single frequency from 25-50 and 108-174 Mcs. Fully miniaturized (5x2¼ x2¼), it can be installed in seconds. Internal mercury battery approaches shelf life. Order now, or send for free information. *State frequency.* Guaranteed 1 year.

Model 103 ..... \$24.50

**ROBIN RADIO CO.**

13229 Red Fern Lane

Dallas 30, Tex.

FREE

## GIANT 1961 204 PAGE CATALOG

# B-A 1961

ANNUAL CATALOG #11

SINCE 1927

A Complete Buying Guide for Everything in

## RADIO TV ELECTRONICS

SAVE UP TO 50% ON B-A SELECTED KITS

HI-FI AND STEREO SYSTEMS & COMPONENTS

TOP VALUES IN POWER AND HAND TOOLS

30 PAGES OF BARGAINS NOT IN ANY OTHER CATALOG

**BURSTEIN-APPLEBEE CO.**

Dept. EH, 1012 McGee St., Kansas City 6, Mo.

Send Free 1961 B-A Catalog No. 611

Name .....

Address .....

City ..... State .....

SEND FOR IT TODAY

minus 20 db feedback loop (or "negative feedback, 20 db"), this means that the output of the amplifier should measure one-tenth the voltage with the loop than it does without the loop.

*Another example of decibel loss:* Assume that an amplifier has a rated output of 20 watts. We want to determine what its hum level is because in order not to hear the objectionable hum, its level should be very low—maybe 50 db below the rated output of 20 watts. Here's how this is done: We apply a signal to the input of the amplifier and connect a voltmeter across its output terminals, say the 8-ohm terminals. Next we turn up the gain of the amplifier to the point necessary to produce its rated 20 watts output. Since we are using a voltmeter at the output terminals, we must translate watts into volts. From Ohm's Law we know that power in watts is equal to the square of the voltage di-

vided by the resistance. ( $P = \frac{E^2}{R}$ ). There-

fore,  $E$  equals the square root of  $P \times R$ .  $P$  is 20 and  $R$  is 8. Thus  $E$  equals the square root of 160 which is approximately 12.7 volts.

Consequently, when our voltmeter—connected across the 8-ohm output terminals—reads 12.7 volts, we have reached the amplifier's rated output of 20 watts. We now disconnect the input signal and short the input. Naturally, the voltage to be expected with no input signal should be quite small. But whatever is present will be noise and hum within the amplifier circuit itself. Again, consulting our voltmeter (still connected at the 8-ohm terminals) we discover that it reads 3 millivolts (0.003 volts).

To determine the number of "minus decibels" the hum level is with respect to the 20 watts output, we must first get our voltage ratio, which is 0.003 over 12.7. This comes to approximately 0.00024. Since we are dealing with a loss in voltage, we consult the 1st column of our table, and we find there is no figure like our 0.00024!

Therefore, we must interpolate. The nearest significant figure to our ratio of 0.00024 happens to be 0.251. This gives us minus 12 db. But our ratio is about one-thousandth, or  $10^{-3}$ , of 0.251. We, therefore, consult the  $10^{-3}$  value in the same column and discover we must add another minus 60 db to the minus 12 we already have. Thus our final answer is minus 72 db. This means the hum level of the amplifier is 72 decibels below its rated output, which puts it well below the level at which it could be heard.

Conversely, this means that if an amplifier is rated at 20 watts output with a hum level of minus 72 db, the actual voltage measured across its 8-ohm output terminals with no signal input should not exceed 0.003 volt.

Three main types of meters are used for measuring db directly, without the need for calculating values by the use of logarithms or the table. The simplest and possibly the most familiar type is the "output meter" or the decibel scale found on many multimeters. This is actually an a.c. voltmeter calibrated to read the number of db that expresses a ratio between the power being fed into the meter and some fixed reference level, usually 6 milliwatts. The meter calibration assumes that the voltage is measured across 500 ohms resistance. This type of meter is used in determining the relative outputs of various audio circuits and is also used in receiver alignment.

The "VU meter" is similar to the output meter, except the reference level is 1 milliwatt in 600 ohms resistance. In addition, the VU meter has time-constant characteristics which determine its response to voltage peaks, such as "sound bursts" or other short time interval peaks. It is widely used in broadcasting and recording studios to monitor the output levels of programs.

A third type of decibel meter is the

sound level indicator. This is actually an assembly of a microphone, an amplifier, and an a.c. voltmeter calibrated to provide a db reading which corresponds to human hearing levels. On this meter, zero db represents the threshold of hearing. This meter is used by acoustics technicians to determine hearing conditions in auditoriums and theaters.

In summary, the decibel is used to express any ratio of power, voltage, current, acoustic energy, etc. whether it be a gain relationship or a loss. It can be used to express the range of a symphony orchestra and then to determine how much amplification is needed to carry the music across lines of certain distance in order to fill a hall of a certain size or cut a particular recording. Any type of gain or loss in any circuit may be expressed in decibels which provide a quick and accurate key to the operating conditions of the circuit. The advantage of using decibels is that it permits the simple addition of ratios to obtain complete gain and loss data whereas using *E*, *I*, or *P* ratios would involve multiplication and division. For example, it is easier to add 25 db and 36 db than it is to multiply the corresponding gain figures of 316.2 and 4000, to get the total gain of two amplifiers in cascade.

-50-

Study Programs in...

## APPLIED SCIENCE AND ENGINEERING

Associate in Applied Science degrees — 2 years

Electronics Communications Technology  
Electrical Power Technology  
Computer Technology  
Air Conditioning Technology  
Industrial Technology  
Metallurgical Technology

Bachelor of Science degrees — 4 years

Electrical Engineering  
— Communications option  
— Electrical power option  
Mechanical Engineering

At MSOE, new classes begin quarterly. Pre-technology program, scholarships, financial aid, and placement service available.



New! FREE "Your Career" booklet. Send coupon today.

**MILWAUKEE SCHOOL OF ENGINEERING**  
1025 N. MILWAUKEE STREET • MILWAUKEE 1, WIS.



MILWAUKEE SCHOOL OF ENGINEERING  
Dept. EEH-81, 1025 N. Milwaukee St., Milwaukee 1, Wis.

Name.....Age.....

Address.....

City.....State.....

Course Interest.....

(Please Print)

# Free Literature Available

The following interesting and informative booklets have been prepared for the readers of the **ELECTRONIC EXPERIMENTER'S HANDBOOK**. They are offered without cost or obligation. Simply circle the identifying numbers of the specific booklets you desire on the coupon. Indicate your name and address clearly, and mail coupon to the address given.

- 1/ **Allied Radio Corp.** offers data sheets on its many "Knight-Kit" products. These include receivers, test equipment, and amplifiers. Also offered is a pamphlet on "The How and Why of Stereo."
- 2/ **Wen Products Inc.** will send you a list of its many tools and an illustrated booklet entitled, "101 Ways with Electric Hand Tools." This booklet covers soldering guns, drills, sanding machines, and other tools.
- 3/ **Edmund Scientific Co.'s** fascinating 144-page catalogue lists material and equipment of interest to the experimenter. Unusual items, ranging from surplus Navy infrared "Snooperscopes" to diffraction grating replicas and Brazilian quartz crystals, can be found.
- 4/ **Superex Electronic Corp.** will send you information on its 1961 line of electronic kits and associated equipment for all age groups. These kits range from single-diode to six-transistor sets.
- 5/ **Keil Engineering Products, Inc.** has information on "Kepro" etched-circuit kits which will enable you to make your own printed circuits.
- 6/ **Fair Radio Sales Co.** has a 16-page catalogue offering surplus radio receiving, transmitting equipment, radar, and component parts.
- 7/ **Joe Palmer** offers a bargain bulletin of surplus and other electronic equipment, including such rarities as a klystron vacuum tube and a field-telephone switchboard.
- 8/ **Coyne Electrical School** publishes a large, well-illustrated booklet describing the Coyne School and its many courses. Coyne offers resident as well as home-training courses.
- 9/ **Lafayette Radio Corp.'s** 1961 Catalogue #610 contains 323 pages of electronic parts, equipment, tools, and kits. We estimate that over 50,000 items of interest to the experimenter are listed.
- 10/ **DeVry Technical Institute**—The status and importance of "Electronics in Space Travel" are described and illustrated in a booklet offered by the Institute.
- 11/ **Progressive "Edu-Kits" Inc.** has information on a radio course planned for the beginner, and three booklets with valuable tips on radio, high-fidelity, and TV troubleshooting.
- 12/ **Schober Organ Corp.** has an informative, colorful booklet on two "assemble-it-yourself" electronic organ kits manufactured by the Schober company.
- 13/ **Paco Electronics Co. Inc.** offers data sheets, which include schematics, on its many types of test equipment and high-fidelity audio amplifiers, available as kits or in factory-wired form.
- 14/ **E. F. Johnson Company** publishes three handsome books: one describes amateur radio receiving and transmitting equipment; another the company's Citizens Radio transceivers; while the third covers component parts of the firm's equipment.
- 15/ **Hallcrafters Company**—Entitled "Guided Tour of the Amazing World of Short-Wave Listening," this booklet describes the company's line of receivers and points out some of the pleasure and excitement to be derived from short-wave listening.
- 16/ **American Basic Science Club Inc.** has information on the American Basic Science kits which are available on a pay-as-you-build monthly basis. These kits comprise a home laboratory which will permit the home builder to experiment with more than 100 fascinating projects.
- 17/ **International Crystal Mfg. Co.** has an interesting catalogue of Citizens Band transceivers and accessories, transistor subassemblies, auto radio converters, amateur/commercial crystals, frequency alignment equipment, and antennas.
- 18/ **Grove Electronic Supply Company** offers a free monthly bulletin listing top values in electronic equipment, and a complete line of experimenter's supplies needed for all construction projects.
- 19/ **Olson Electronics Inc.'s** new catalogue offers name-brand merchandise as well as the firm's line of electronic supplies and private-brand products.
- 20/ **Robin Radio Company** provides information on the installation and use of crystal-controlled, transistorized converters.
- 21/ **Burstein Applebee Co.** offers 204 pages of bargains in radio-TV electronic parts, supplies, tools, and allied equipment.
- 22/ **Milwaukee School of Engineering** has a pictorial booklet on job opportunities for engineers and engineering technicians. The booklet tells how to prepare for these fields, the study courses required, and other information on applied science and engineering careers.
- 23/ **Irving Electronics Company** offers descriptive literature on the varied applications of etched (printed) circuit boards.
- 24/ **American TV & Radio** has literature on DC-AC inverters, battery chargers, battery eliminators, tube protectors, and "Shavpaks." Information on the firm's "Karadio" for trucks, customized auto radios, and home receivers is also available.



**USE THIS COUPON TO ORDER FREE LITERATURE**

To: **ELECTRONIC EXPERIMENTER'S HANDBOOK**  
 Village Station  
 P. O. Box 213  
 New York 14, New York  Indicate total number of booklets requested

Please arrange to have the booklets whose numbers I have encircled sent to me as soon as possible.

1	2	3	4	5	6	7	8	9	10	11
12	13	14	15	16	17	18	19	20	21	22
23	24	25	26	27	28	29	30	31	32	33

NAME (Print clearly).....  
 ADDRESS.....  
 CITY.....ZONE.....STATE.....

**COUPON VALID UNTIL OCTOBER 31, 1961. AFTER THAT DATE MAKE YOUR SELECTIONS FROM POPULAR ELECTRONICS' MONTHLY LISTING OF FREE LITERATURE.**

25/ **Xcelite Inc.** will be pleased to send you a four-page brochure describing its line of quality tools.

26/ **Electronic Instruments Co.** has a catalogue with more than 80 Eico kits including hi-fi, ham gear, CB transceivers, radios, and test equipment, plus a "Guide to Stereo Hi-Fi," and a "Short Course For the Novice License."

27/ **RCA Institutes, Inc.**, has prepared a 64-page booklet outlining the courses of study available in its home training program.

28/ **National Radio Institute** offers a free sample lesson entitled "How Electricity Is Produced for Electronics" and a copy of its catalogue describing the various courses in the field of electronics.

29/ **Radio Corporation of America** has available a practical transistor circuits booklet which includes easy-to-build circuits complete with parts lists. A natural for hams, experimenters, and hobbyists.

30/ **Rad-Tel Tube Company** will send you a chart on repairing your TV set as well as information on how to save money on tubes.

31/ **Tru-Vac** offers information on its line of electronic tubes.

32/ **Sonar Electronic Tube Co.** will send a complete listing of tubes for experimental and industrial use.

33/ **Micro-Electron Tube Co.** has a comprehensive list of tubes for all your construction projects.

*Abraham Marcus, co-author of famous best-seller "Elements of Radio" makes amazing offer!*



**TRY MY TV and RADIO REPAIR COURSE FREE FOR 1 MONTH**

**"If you haven't earned at least \$100 in spare time during that period you pay not a cent."**

Here it is! The most amazing guarantee offered on any radio-TV course anywhere! We'll send you Abraham Marcus' course to use FREE for one full month! If in that time you haven't actually made \$100 fixing radios and TV sets, just return the books to us and pay not a penny! Why do we make this sensational offer? First, because these books are so easy to use. They are written in the same clear, easy-to-understand language that made the author's "Elements of Radio" a 1,000,000-copy best-seller. Second, because these books get right to the point—tell you what to do in 1-2-3 fashion. For example, once you master the first few chapters of the TV book you are ready for business—ready to do service jobs in the field—jobs that account for over 80% of all service calls. DON'T WAIT! You risk nothing when you send the coupon at right. You don't have to keep the books and pay for them unless you actually make extra money fixing radios and TV sets. Even when you decide to keep them, you pay on easy terms. Mail the coupon now.

**WHAT YOU GET IN THESE 3 GIANT VOLUMES**  
**ELEMENTS OF TELEVISION SERVICING.** Analyzes and illustrates more TV defects than any other book, and provides complete, step-by-step procedure for correcting each. You can actually SEE what to do by looking at the pictures. Reveals for the first time all details, theory and servicing procedures for the RCA 28-tube color television receiver, the CBS-Columbia Model 205 color set, and the Motorola 19-inch color receiver.  
**RADIO PROJECTS.** Build your own receivers! Gives you 10 easy-to-follow projects, including crystal detector receiver—diode detector receiver—regenerative receiver—audio-frequency amplifier—tuned-radio-frequency tuner—AC-DC superheterodyne receiver—etc.

**RADIO SERVICING Theory and Practice.** Here is everything you need to know about radio repair, replacement, and readjustment. Easy-to-understand, step-by-step self-training handbook shows you how to locate and remedy defects quickly. Covers TRF receivers; superheterodyne receivers; short-wave, portable, automobile receivers, etc. Explains how to use testing instruments such as meter, vacuum-tube voltmeters, tube checkers, etc., etc.



**MAIL THIS COUPON**

**Prentice-Hall, Inc., Dept. 5216-A1  
 Englewood Cliffs, New Jersey**

Please send me Abraham Marcus' TV & RADIO REPAIR COURSE (3 volumes) for 10 days FREE examination. Within 10 days I will either return it and owe nothing, or send my first payment of \$5.00 plus a few cents postage. Then, after I have used the course for a FULL MONTH, if I am not satisfied I may return it and you will refund my first payment. Or I will keep the course and send you two more payments of \$5.00 a month for two months.

Name .....

Address .....

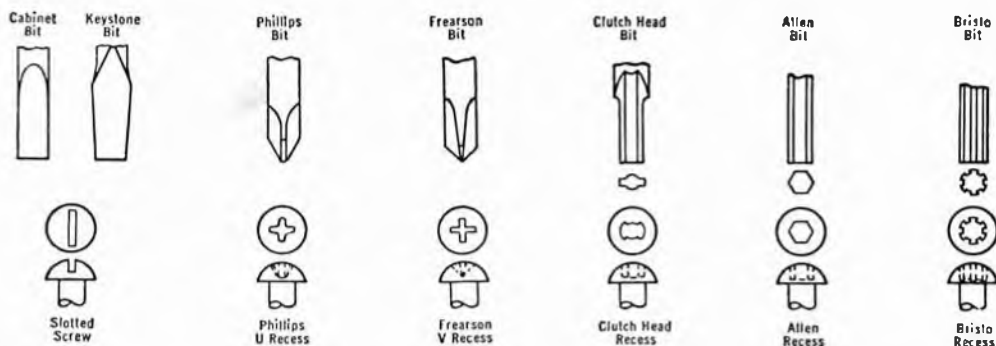
City .....Zone.....State.....

# SCREWS

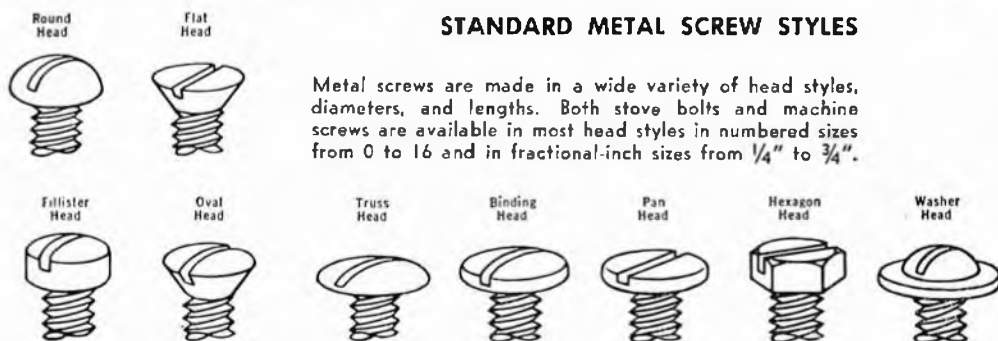
## styles, sizes and shapes

*Handy reference diagrams you can use*

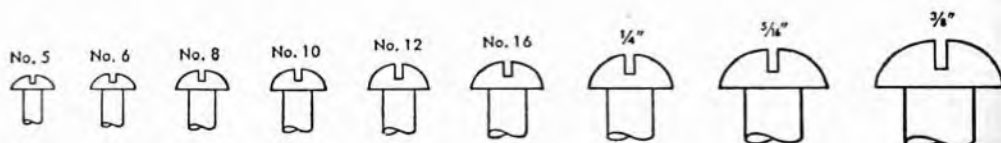
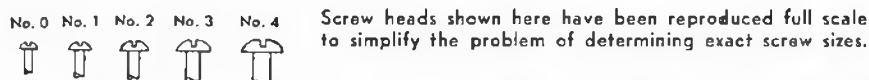
### STANDARD TYPES OF SCREW DRIVER BITS AND SCREW OPENINGS



### STANDARD METAL SCREW STYLES



### SIZE IDENTIFICATION CHART FOR METAL SCREWS





Round Head



Flat Head



Oval Head

## WOOD SCREW STYLES

Wood screws are available in a wide variety of diameters—from No. 2 to No. 8—and lengths of from  $\frac{1}{4}$ " to 4".

## SOCKET SCREW STYLES (Allen or Bristo Openings)

Socket screws come in numbered sizes from 4 to 10, inch sizes from  $\frac{1}{4}$ " to 1", and in almost any length.



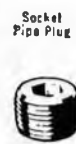
Socket Head



Flat Head



Headless



Socket Pipe Plug



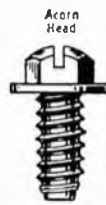
Socket Head Stripper Bolt

## SELF-TAPPING METAL AND SHEET METAL SCREWS

Self-tapping screws are produced in virtually any thread style and virtually any head style in a variety of lengths. Either slotted or Phillips type openings are available in sizes from No. 0 to No. 24.



Round Head



Acorn Head



Hexagon Head



Pan or Binding Head



Flat Head



Truss or Oven Head



Type A Thread



Type Z Thread



Type 2 Thread

Type F Thread

Type A Thread

Type A Thread

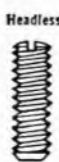
Type F Thread

Type U Thread

Type 21 Thread

## SET SCREW STYLES (Head and Headless)

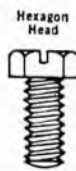
Set screws come in diameters from No. 4 to 1", lengths from  $\frac{1}{8}$ " to 3". Both headed and headless styles are available in the point types shown.



Headless



Square Head



Hexagon Head



Any Style Head



Any Style Head



Any Style Head

Flat Point

Cone Point

Oval Point

Cup Point

Dog Point

Half Dog Point

Courtesy of Vaco Products Company, Chicago, Ill.



## PRINTED CIRCUIT KITS

### PRECISE PHOTOGRAPHIC PROCESS

Make professional quality circuits of your own design without photographic equipment or experience

KEPTO Kits feature presensitized copper-clad laminates requiring only exposure development prior to etching. This simple inexpensive processing gives experimenters, hams and engineers alike a chance to investigate all phases of etched circuits—from experimental designs to production prototypes.

**P-101 PROFESSIONAL KIT**—Features 36 sq. inches (2 sheets) presensitized copper-clad phenolic, all processing chemicals, developing & etching trays, printing frame, mechanical negative materials. Ready for use. **5.40**

**L-505 PRINTED CIRCUIT LAB**—A complete laboratory for the experimenter or industrial. P.C. sockets, connectors, hardware, a large quantity of presensitized single & double copper-clad phenolic, a photo-layout kit, negative material, glass processing trays, printing frame, photo-flood lamp, safe light, all processing chemicals, and more. **31.50**

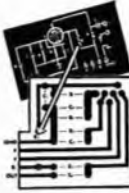
**S-101 STANDARD KIT**—Uses a manual method of applying a liquid etchant resist. 2 sheets copper-clad phenolic, etching tray, applicator, all chemicals, etc. **3.45**

If not available from your jobber, order direct F.O.B.

### KEIL ENGINEERING PRODUCTS

4356 Duncan Ave.

St. Louis 10, Mo.



# Capacitors in Series And Parallel

**I**F YOU wire capacitors in series or in parallel, you will be able to get some odd values of capacitance or some values that you don't already have on hand.

For example, consider what happens when two or more capacitors are connected in parallel. This effectively increases the area of the plates used and hence increases the total capacitance. As a matter of fact, the total capacitance is equal to the sum of the individual capacitances as shown in (A) below. For example, if an 8- $\mu$ f. capacitor is shunted by a 16- $\mu$ f. unit, the total capacitance is 24  $\mu$ f.

When capacitors are wired in series, the charge must be divided among the individual capacitors. Under these conditions the total capacitance is lower than the smallest series capacitor. See part (B) below. With only two capacitors, the total capacitance is equal to the product of the two values, divided by their sum. If the 8- $\mu$ f. and 16- $\mu$ f. units mentioned above were to be wired in series, for example, their total capacitance would be 5.3  $\mu$ f.

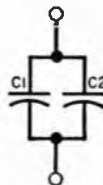
With three capacitors in series, the formula shown in part (C) below is used. As an example, assume that a 4- $\mu$ f., an 8- $\mu$ f., and a 16- $\mu$ f. capacitor are all wired in series. The total capacitance of these three units would then be 1, divided by  $\frac{1}{4} + \frac{1}{8} + \frac{1}{16}$ , or 2.3  $\mu$ f.

Sometimes capacitors are wired in series, not to reduce the over-all capacitance so much as to increase the voltage rating of the combination. For example, assume that two 16- $\mu$ f., 350-volt capacitors are connected in series. The total capacitance is now only 8  $\mu$ f.; however, the combination will be able to handle 700 volts before breakdown occurs.

$$C_{TOT} = C_1 + C_2$$

$$C_{TOT} = \frac{C_1 \times C_2}{C_1 + C_2}$$

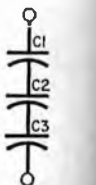
$$C_{TOT} = \frac{1}{\frac{1}{C_1} + \frac{1}{C_2} + \frac{1}{C_3}}$$



(A)



(B)



(C)

Send for Free Complete List of Tubes

0A2	3Q4	6BC8	12AQ5	25Z6
0Z4	4B27	6BD6	12AT6	26
1A7GT	5A58	6C4	12AT7	35A5
1B3GT	5AT8	6C5	12AU6	35B5
1H4G	5AV8	6C6	12AU7	35C5
1H5GT	5AW4	6CB6	12AV6	35L6GT
1L4	5BK7	6CD6G	12AV7	35W4
1L6	5J6	7A4/XXL	12AX4GT	35Y4
1N5GT	5T8	7A5	12AX7	35Z5GT
1Q5GT	5U4G	7A6	19BGGG	37
2A3	5U8	7A7	19J6	39/44
2AF4	6A7	7A8	19T8	42
3BC5	6AB	7B4	2A4	43
3BN8	6AB4	7B5	2SAV5	45
3BZ6	6AC7	7B6	2SBQ6	50A5
3CB6	6AF4	7B7	25DN6	78
3CF6	6B8	7B8	25L6GT	80
3CS6	6BA6	7C4	25W4GT	84/6Z4
3LF4	6BC5	12A8	25Z5	117Z3

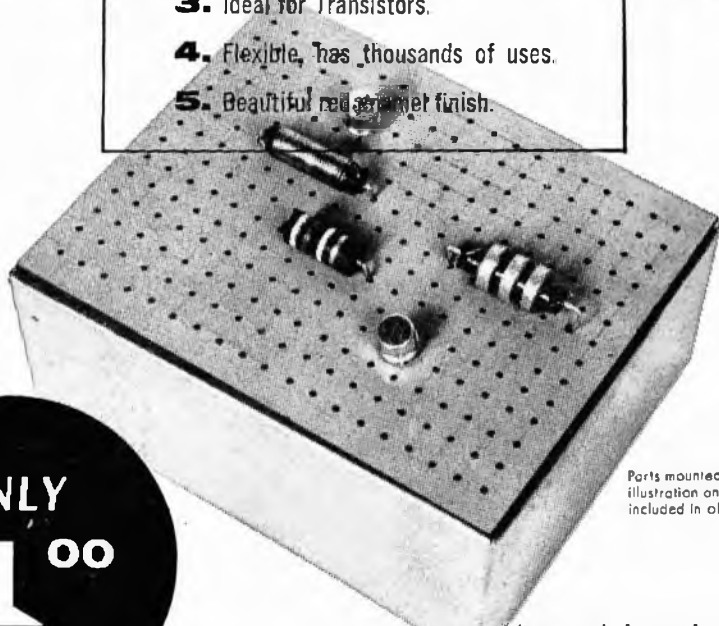
All tubes lab-tested for mutual conductance, life test. Guar. FREE 1 yr. replacement any tube failing under all operating cond. Adv. tubes not necessarily new; may be elec. perf. fact. seconds or used—clearly marked.

POSTAGE PAID. Send 25c handig. for orders under \$5. 25% dep. C.O.D.'s. Send approx. post. on Can. & foreign orders.

# EXPERIMENTER'S *Custom Built* PERFORATED CHASSIS

## Check these features:

1. Precision made of the finest Plastic and Steel.
2. Can be used over and over.
3. Ideal for Transistors.
4. Flexible, has thousands of uses.
5. Beautiful red enamel finish.



Parts mounted for illustration only—not included in offer.

ONLY  
\$ **1** 00

Many of the items in this book can be built on the Custom-Perforated Chassis, some with great ease. Use coupon today!

As an exclusive service to the readers of *Electronic Experimenter's Handbook*, we now have available for only a dollar, one of the handiest little items you have ever seen. Measuring a convenient 4" x 5" x 2" this Experimenter's Custom-Perforated Chassis is just the thing to give your projects that professional touch. It is convenient and can be used over and over again. The top is a brown perforated plastic board, the bottom is a red enamelled metal chassis specially engineered for the purpose. We know you'll like them. SEND FOR YOURS TODAY!

**PERFORATED CHASSIS OFFER**  
ZIFF-DAVIS, ONE PARK AVE., NEW YORK 16, N. Y.

Please send me \_\_\_\_\_ Experimenter's Custom-Perforated Chassis. My check or money-order for \$\_\_\_\_\_ is enclosed. I understand you will pay the postage.

NAME \_\_\_\_\_

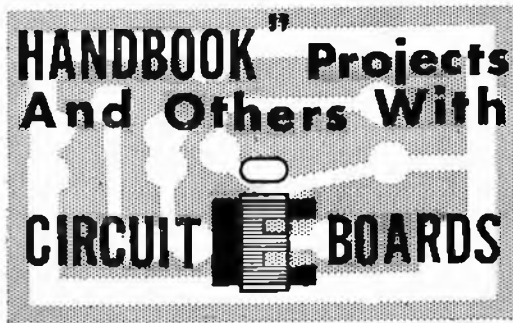
ADDRESS \_\_\_\_\_ PLEASE PRINT

CITY \_\_\_\_\_ ZONE \_\_\_\_\_ STATE \_\_\_\_\_

Sorry! No C.O.D. or Charges at this low price!

# SAVE Time & Worry!

## BUILD "POP" TRONICS



# HANDBOOK "Projects And Others With"

## CIRCUIT BOARDS

**Simple - Easy**  
**Send For FREE Catalog**

**IRVING ELECTRONICS CO.**  
 417 DWYER - SAN ANTONIO 4, TEXAS - POST OFFICE BOX 9222

## Electronic Experimenters Handbook 1961

### INDEX

Allied Radio .....	76
American Basic Science Club, Inc. ....	2nd COVER
American Television & Radio Co. ....	143
Burstein-Applebee Co. ....	152
Coyne Electrical School .....	5, 35
DeVry Technical Institute .....	9
EICO .....	105
Edmund Scientific Co. ....	157
Fair Radio Sales .....	105
Grove Electronic Supply Company ..	108
Hallicrafters .....	79
International Crystal Mfg. Co., Inc. ..	48
Irving Electronics Co. ....	160
Johnson Co., E. F. ....	146, 150
Keil Engineering Products .....	158
Lafayette Radio .....	138
McGraw-Hill Book Co. ....	1
Micro Electron Tube Co. ....	158
Milwaukee School of Engineering ..	153
National Radio Institute .....	4th COVER
Olson Electronics .....	112
Paco Electronics Co., Inc. ....	11
Palmer, Joe .....	130
Prentice-Hall, Inc. ....	155
Progressive "Edu-Kits" Inc. ....	12
RCA Institute, Inc. ....	3rd COVER
Radio Corporation of America .....	142
Rad-Tel Tube Co. ....	147
Robin Radio Co. ....	152
Schober Organ Corp. ....	102
SoNar Electronic Tube Co. ....	160
TV Sales Co. ....	146
Tru-Vac .....	148
Wen Products, Inc. ....	139
Xcelite, Inc. ....	150
Ziff-Davis—Book Division .....	140, 141
Ziff-Davis (Perforated Chassis Offer) ..	159

**SAVE MORE with**

• Tested for mutual conductance in our labs!  
 • 1-Yr. free replacement guarantee! • Prompt refunds on defective mdse.

## SONAR TUBES

SPEC. PUR. & TRMTG.		AND IND. TUBES		Price				
Type	Price/Type	Type	Price/Type					
OA2	80A150A	8.50	829B	.90	57G3	.30		
OA3	705R4GY	1.00	832	5.50	26Z6W	1.15	5874A	.75
OA4	75C6J	6.00	832A	1.05	5685	1.30	6080	2.75
OB2	45644WA	1.15	866A	1.05	5687	1.75	5802	1.00
OB3	65218	8.00	872A	.80	5702	1.30	6135	2.45
OB4	505129	50	884	.75	5703	1.50	6146	2.45
OC3	40750TL	32.00	885	.29	5725	.90	6159	1.00
OD3	69807	1.00	954	.30	5726	.40	6189	1.00
2D21	195N13	8.30	955	.30	5731	.90	6201	1.00
2K26	43515	1.70	957					
3A4								

## RECEIVING TUBES

Type	Price/Type	Type	Price/Type	Type	Price/Type	Type	Price/Type
OZ4	2AF4	58	578	407A4/XXL	43	50L6GT	.40
1A7GT	423BNG	48	578	497A6	43	50L6GT	.40
1B4GT	453B20	80	5V4G	497A7	44	50L6GT	.45
1H4G	529C86	40	5V4GT	497A8	42	50L6GT	.45
1H5GT	393CF6	41	5X8	4512A8	45	325W4	.48
1L4	393CF8	42	5Y3GT	4212AQ5	42	35W4	.48
1N5GT	4230L4	42	5Y4G	5512A76	52	57	.48
1Q5GT	4230L4	44	6A7	6012A17	42	5944	.48
1R5	443Y4	44	6A8	6012A16	61	42	.35
1S5	414B07A	44	6A8A4	6014A7/12B7	40	43	.45
1T4	394B27	55	6AF4	8214RG	48	71A	.45
1U4	413AS8	52	6AG5	4914G7	48	75	.59
1U5	415A18	52	6AG7	4419	48	75	.60
1V2	425A48	44	6AH4GT	5519AU4GT	48	77	.45
1X2	496AW4	44	6AH6	4324A	48	78	.45
2A3	325HR7	49	6AK5	4325A45	48	117P7	1.55
6-12 V5RT5	586AL7	58	6AL7	4325BQ6	75	50A5	.45
6-12 V5RT5	516AM18	50	6DNG	5950C5	39	50C5	.45

.....89¢ each 50L6GT

## SONAR ELECTRONIC TUBE CO.

112 Martin St.  
 Paterson 3, N. J.

All adv. tubes not nec. new, but may be elec. pft. fac. 2ds or used. Ea. clearly marked. All pkg. incl. 25c hdle. chg. Orders under \$5 incl. 25% dep. on C.O.D.'s. Send approx. pkg. on Canada & foreign orders. Write for comp. list of tubes & spec. purp. tubes.



**Let RCA Train You  
at Home in Radio and  
Electronic Fundamentals—  
TV Servicing—Color TV—  
Electronics for  
Automation—  
Transistors**



RCA Institutes, one of the leading technical institutes in the United States devoted exclusively to electronics, offers you the finest training-at-home. The very name "RCA" means dependability, integrity, and scientific advance. Practical work with your very first basic lesson. And — with the new Voluntary Tuition Plan you pay for your next study group only when you order it. You never have to pay for the whole course if you don't complete it. Remember, in electronics, the more you know the higher you go! Licensed by the New York State Education Dept.

**PRINT YOUR NAME AND ADDRESS HERE  
No Stamp, No Envelope Needed.  
Just cut out and mail for FREE Book.**

Send in this postcard for FREE 64 page Home Study Catalog. No salesman will call.

**RCA INSTITUTES, INC.**  
A Service of Radio Corporation of America  
350 West Fourth Street, New York 14, N. Y.



**The Most Trusted Name  
in Electronics**

Resident School Courses in Los Angeles and New York City also offer comprehensive training in Television and Electronics. Day and Evening classes. Free Placement Service. Catalog free on request.

Canadians—Take advantage of these same RCA Institutes Home Study courses at no additional cost. No customs, no delay. Enclose card in envelope and mail to: RCA Victor Company, Ltd., 5581 Royalmount Ave., Montreal 9, Quebec.

Name \_\_\_\_\_  
(Please print)  
Address \_\_\_\_\_  
City \_\_\_\_\_ State \_\_\_\_\_

First Class  
Permit No. 10662  
New York, N. Y.

**BUSINESS REPLY CARD**  
No Postage Stamp Necessary If Mailed in U.S.

Postage will be paid by —

**RCA INSTITUTES, INC., DEPT. EE-11  
350 West Fourth Street  
New York 14, N. Y.**



# NOW READY

## The NEW NRI Home Study Course in

# ELECTRONICS

PRINCIPLES — PRACTICES — MAINTENANCE

### SPECIAL TRAINING EQUIPMENT

No extra cost. In NRI Electronics training especially developed training kits bring to life theory you learn in easy, illustrated lessons. You get practical experience with Thyatron Tube circuits, Multivibrators, Capacitors, Diodes, Transistors, Telemetry, Computer Circuits and other basic circuits and components.



**KIT 1** Get practical experience measuring voltage, current, building circuits.

**KIT 2** Build d'Arsonval type Vacuum Tube Voltmeter. Test power line frequencies, high audio, radio frequency signals, resistances.

**KIT 3** Practice with resistors, capacitors, coils. Work with half-, full-wave, bridge, voltage doubler and pi-type filter circuits.

**KIT 4** Build circuits with pentode tubes, selenium resistors, transistors. Build oscillator, check signal phase shift with oscilloscope.

**KIT 5** Experiment with thyatron tube circuits, Lissajous patterns. Study basic amplitude detector circuits, modulation, demodulation.

**KIT 6** Get practical experience with magnetic amplifiers, learn to use modified Prony brake; determine motor torque. Use strobo disc to measure motor speed.

**KIT 7** Learn effects of positive and negative feedbacks (used in analog computers). Practice varying polarizing voltage and illumination.

**KIT 8** Experiment with multivibrators used as timing generators in binary counters, and as frequency dividers. Learn to use blocking oscillators, thermistors.

**KIT 9** Practical experience in telemetry circuits used in earth satellites, remote control devices. Work with basic circuits used in digital and analog computers.

**KIT 10** Assemble circuits in electrical and electro-mechanical systems, make valuable practical electronic circuits.

**MAIL COUPON—New 64-Page Catalog pictures and describes Training Kits, explains what you learn.**

NRI is America's oldest, largest home study Radio-Television-Electronics school. For over 45 years NRI has been training men without previous experience for success in Radio-Television Servicing and Communications. Now, expanded uses of Electronics in industry, business and defense are increasing the demand for Electronic Technicians. Four to seven Technicians are needed for every engineer. To meet this demand NRI announces a complete, comprehensive course in **ELECTRONICS—Principles, Practices, Maintenance.**

This training stresses basic fundamentals because so many Electronic devices are built around identical Electronic principles. It is for beginners, or for Technicians who wish to expand their knowledge.



**This is the Electronic Age. Electronic Equipment is already being used to count, weigh, control flow of liquids, solids,**

**gases. Control exposure in photography, detect fumes, or fire. Inspect at remote points. Supervise traffic. Survey land areas and ocean contours. Search for oil, miles beneath the surface. Measure radiation and control power levels in atomic installations. Control air traffic. Translate one language into another. The MILITARY applications of Electronics... particularly in space rockets and missiles, tracking devices, etc.,... probably equal all of the uses above. Electronic equipment is used to machine parts through complex cycles. It is used in business to process data, control inventory, prepare payrolls, post, calculate, and in medicine for electrodiagnosis, measure body characteristics, electro-surgery.**



**Job Counselors Recommend**  
Right today a career in Electronics offers

unlimited opportunity. Job Counselors know the pay is high, jobs interesting, advancement opportunities great. They advise ambitious, aggressive men who want higher pay now and a better future: "For an interesting career, get into Electronics."

### Learn More to Earn More

Simply waiting and wishing for a better job won't get you ahead. You have to decide you want to succeed and *you must act*. NRI can provide the training you need at home in spare time. No need to go away to school. You don't need a high school diploma or previous Electronic experience. This course is planned to meet the needs of beginners. You work and train with components and circuits you will meet throughout your Electronics career. You get especially developed training kits for practical experience that make Electronics easy, simple to learn.



### Oldest and Largest School

Training men to succeed, is the National Radio Institute's *only* business. The NRI Diploma is respected and recognized. NRI graduates are everywhere throughout U.S. and Canada. Mail the coupon today. New FREE 64-page Catalog gives facts, opportunities about careers in Industrial and Military Electronics, also shows what you learn, facts about NRI's other courses in Radio-Television Servicing and Radio-Television Communications. Monthly payments available.

OLDEST & LARGEST HOME STUDY RADIO-TV SCHOOL  
**National Radio Institute**  
WASHINGTON 16, D. C. ESTABLISHED 1914

### MAIL THIS COUPON NOW

NATIONAL RADIO INSTITUTE IAEZ  
Washington 16, D. C.

Send me full information without cost or obligation. No salesman will call. (Please print.)

Name ..... Age .....

Address .....

City ..... Zone ..... State .....

ACCREDITED MEMBER NATIONAL HOME STUDY COUNCIL