

The

# Call Letter

August 2019

Vol 45, #8



**Speed Feldschau Memorial Picnic**

# The Northwest Vintage Radio Society

Post Office Box 82379  
Portland, Oregon 97282-0379

The Northwest Vintage Radio Society is a non-profit historical society incorporated in the State of Oregon. Since 1974 the Society has been dedicated to the preservation and enjoyment of "Vintage Radio" and wireless equipment.

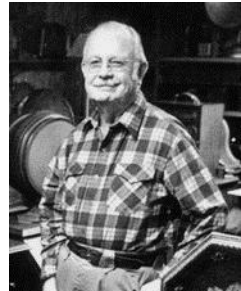
Membership in the Society is open to all who are actively interested in historic preservation. The dues are \$25.00 for domestic membership, due on January 1st of each year (prorated quarterly).

The Call Letter has been a monthly publication since 1974. It was originated with the founder, Bob Bilbie, and our first president, Harley Perkins. Through several editors and with the assistance of numerous society members, the Call Letter has continued to be a publication that informs members of the society's business and that supports the hobby of collecting, preserving, and restoring vintage radios.

Society meetings are held the second Saturday of each month at the Abernethy Grange Hall at 15745 S. Harley Ave. in Oregon City, Oregon. They convene at or about 9:30 AM for the purpose of displaying radios, conducting Society business, and exchanging information. Guests are welcome at all Society meetings and functions (except board meetings).

Other Society functions include guest speakers, auctions, radio shows, and radio sales which are advertised in the Call Letter and are held in and around Portland.

With each issue of the Call Letter, we remember Jim Mason, a charter member of the society who remained active until his death in 1999. A generous bequest from Jim's estate ensures the vitality of the Northwest Vintage Radio Society, and continued publication of the Call Letter.



## Society Officers

President	Pat Kagi 360 909-7009	<a href="mailto:patkagi@yahoo.com">patkagi@yahoo.com</a>
Vice President	Franklin Ouchida	<a href="mailto:crazykeychains@gmail.com">crazykeychains@gmail.com</a>
Treasurer	Ed Tompkins (360) 573-3895	<a href="mailto:edtomp@Q.com">edtomp@Q.com</a>
Recording Sec'y	Liles Garcia (503) 649-9288	<a href="mailto:landn2@frontier.com">landn2@frontier.com</a>
Corresponding Sec'y	Mark Moore (503) 286-5224	<a href="mailto:mark@pdxhistory.com">mark@pdxhistory.com</a>
Board member at large	Mike McCrow (503)730-4639	<a href="mailto:soundmikey14@gmail.com">soundmikey14@gmail.com</a>
Librarian	Jeff LaDoe (503) 408-4446	<a href="mailto:flat4pdx@gmail.com">flat4pdx@gmail.com</a>
Call Letter Editor	Don Hanson	<a href="mailto:vanguard4@lycos.com">vanguard4@lycos.com</a>

## On the Cover

2019 Annual Speed Feldschau Memorial Picnic / Swap Meet  
Photography by Don Hanson

---

## August Table of Contents

Announcements.....	1
President’s Note and Officers’ Notes .....	2
Calendar of Events .....	3
The 60 Cycle Buzz by Michael Hurley.....	4
Conquering the Philco Junior model 80 by Mike McCrow .....	7
Speed Feldschau Memorial Picnic - Photos by Don Hanson .....	10
Radiolaguy’s Monthly Showcase by Sonny Clutter .....	12
Swap Shop .....	12

---

## Announcements

**August Meeting** will start at 9:30 AM on Saturday, August 10

**August Monthly Feature** is Regenerative Radios

**August Tech Talk** will be presented by George Kirkwood

**The Trash Bash** will be held September 14, 2019

**Leads and Needs** - The Swap Shop has returned to the Call Letter.

Member ads are free and can either be permanent or temporary.

**Editor’s Note** - Please have September Call Letter Contributions in by Sunday, Sep. 28. Articles & Ads welcome (Tube labels too).

---

Visit our web site at:

[www.nwvrs.com](http://www.nwvrs.com)

Find us on Facebook:

[www.facebook.com/nwvrs](http://www.facebook.com/nwvrs)

---

## Note from President Pat Kagi

I've sent the club members want lists to the Colorado and Seattle clubs in hopes of finding those much needed items. We will be having one member from the Colorado club visiting us in August and we also planned a trek to Seattle for the PSARA meet. Keep your fingers crossed in finding these much needed items.

**The club will be losing our Archivist in August, so we desperately need someone to take up that responsibility and store two small cabinets in a safe and dry storage.**

Please enjoy the auction today as there will be a lot of items from Free Geek and also donations from the Summer Picnic.

The next Trash Bash will be September 14, 2019.

Pat

## Note from Vice President Franklin Terry Ouchida

August Feature: Regenerative Radios / Tech talk: George Kirkwood

September Feature: Stand Alone Speakers / Tech Talk: Sonny Clutter

November Feature: Clock Radios / Tech Talk: Sonny Clutter

Please submit your Nominations for the Feature of the Month for 2020.

We need you! We need your Help. Sign up for a committee.

Members needed for committees (or just willing to help):

Radio Sales Coordinators (Swap meets, Auctions, Sales): Robbie Robinson, Dan Howard

Christmas Party Coordinators (Plan, help, setup Christmas party): **none**

Makers Fair Coordinators Pat Kagi, Franklin Ouchida, Mike McCrow, Liles Garcia (Free admission and T-shirt)

Prize Coordinators Franklin Ouchida (Door prizes, drawings, features)

Tube Coordinators (Tube Testers & Tube of the Month): Mike McCrow, Damon Vandehey

Save the BS' project (Battery Sets, Battery Eliminator, and T-shirt):

Blake Dietze, Franklin Ouchida

Live Stream Coordinators Franklin Ouchida (Web site, YouTube Live streaming): **none**

The purpose of the committees is to provide a growing fan club.

It is your club help make it the best it can be.

Please let me know if you are willing to help out our committees

Franklin Ouchida (971)407-8108 [FO1963@gmail.com](mailto:FO1963@gmail.com)

## Calendar of Events

**August 9-11. 64th Annual Pacific Northwest DX Convention.** Everett, WA. *This is an ARRL sanctioned event.* <http://pacificnwdxconvention.com/>

**August 10. 2nd Annual Hell's Gate ARC Swap Meet.** Clarkston, WA. [Flyer in PDF](#). (920K) Contact Kelly Blackmon, NA5XX, [hellsgatearc@gmail.com](mailto:hellsgatearc@gmail.com) .

**August 10. Arctic ARC Hamfest.** Associated General Contractors building, 3750 Bonita St, Fairbanks, AK. 0900 to 1530. Contact: Eric Nichols, KL7AJ at [kl7aj@arrl.net](mailto:kl7aj@arrl.net) . <http://www.kl7kc.com/>

**Sunday, August 18. Antique Radio Swap Meet.** Puget Sound Antique Radio Association. Shoreline Community College, 16101 Greenwood Avenue North, Shoreline, WA. 98155. (Always the 3rd Sunday in August) <http://www.pugetsoundantiqueradio.com/index>

**August 25. Vancouver Island Ham Happenings.** Duncan, BC. [https://secure.eton.ca/rac/events/detail.php?event\\_ID=2030](https://secure.eton.ca/rac/events/detail.php?event_ID=2030)

**September 6-8. 20th Northwest APRS/Digital Summer Gathering.** Valley Camp, North Bend, WA. <https://wa7vc.org/summergathering/2019>

**September 21. N7YRC Tailgate Swap and Shop.** Yakima County EOC parking lot, 2403 S 18th Street, Union Gap, WA. *This is an ARRL sanctioned event.* [Flyer in PDF](#). (176K) Contact: Rod Rath, KC7VQR: [rrath@charter.net](mailto:rrath@charter.net)

**September 28. Washington State Convention (Spokane Hamfest),** Spokane Valley, WA. (Always the 4th Saturday in September) *This is an ARRL sanctioned event.* [Flyer in PDF](#). (674K) Contact Jake McCarty, KI7QPJ, (509)919-7202, [Treasurer@VHFclub.org](mailto:Treasurer@VHFclub.org)

**October 11. Pacific Northwest VHF Society Conference.** Issaquah, WA. *This is an ARRL sanctioned event.* <http://www.pnwvhfs.org/conference/2019/announcement.html>

**October 12. Kitsap County ARC Hamfest.** Bremerton, WA. *This is an ARRL sanctioned event.* [hamfest@kcarc.org](mailto:hamfest@kcarc.org) <http://www.kcarc.org/>

**October 19. Swap-Tober-Fest.** Mid-Valley ARES. Polk County Fairgrounds, Rickreall, OR. [www.swaptoberfest.net](http://www.swaptoberfest.net) [Flyer in PDF](#). (71K)

# **The 60 Cycle Buzz**

**By Michael Hurley**

When I was a kid in my family in the 40"s we had this big Console AM radio. It played swing jazz while my Mom vacuumed the floor, and wonderful holiday music, and as I began to make sense of things, we'd be listening to the adventures of The Lone Ranger, Gene Autry, and Straight Arrow. I'm glad we weren't following this on TV---nobody was---because the exercise it gave to my imagination has lasted the rest of my life, and helped me to make a living with my imagination. I was already 12 years old when my family got our first TV.

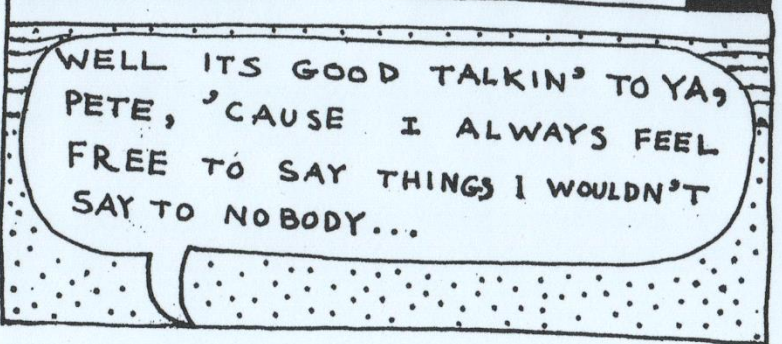
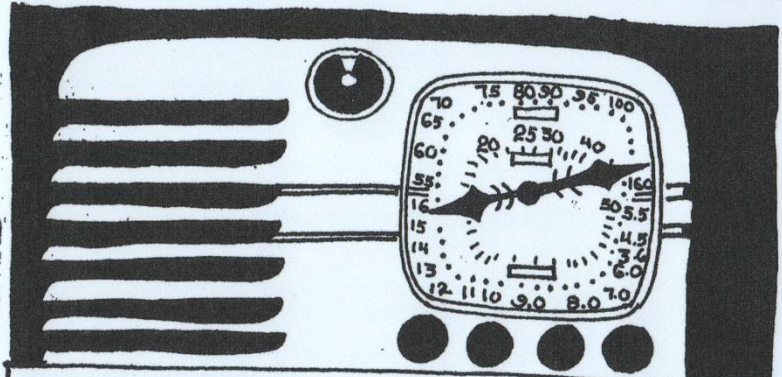
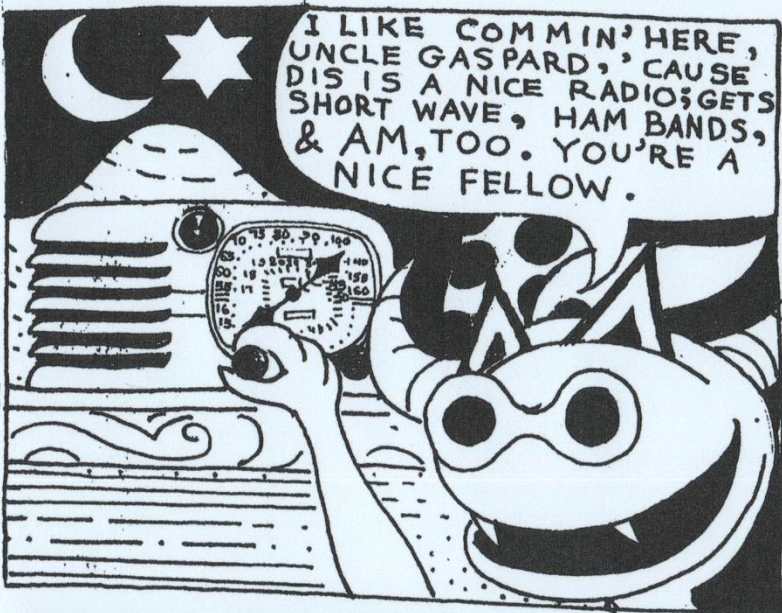
When I was about 15 years old a boyfriend of my older sister's, who was going into the Marines, gave me a nice little blue table model radio. I had to get a tube or two for it but that radio at night in my bedroom became a big influence on my days to come. WOR from NYC had a broadcast that went from midnight to 5:00 AM. It was a talk show hosted by one Long John Nebel. Imagine being startled awake at 3:00 AM or so by your radio transmitting someone allegedly jabbering in the Martian tongue. And Howard Menger, who claimed to have been abducted to the moon many times, was a frequent guest on the show. It wasn't too good for my schooling; but it was my schooling. Lucubration.

In high school some of my friends and I benefited by the Sunday night broadcasts of Jean Shepherd, a monologist from the Midwest presenting an unvarnished hour of tales with an attitude not readily available to us teens in the late 50's, early 60's. Also in the nights; the music, the rock and roll, in its first blooming upon the culture, coming in from probably 25 different states. Then to be educated in country music from WWVA; Wild, Wonderful West Virginia with host Lee Moore, who would say he was "your old coffee drinkin' nighthawk of the airwaves," and occasionally pick a tune or two live on the air with his guitar and sing something like The

Cat Came Back. And you could mail order a box of baby chickens. You could pick up a broadcast from Del Rio Texas. The station was in Texas but the powerful transmitter was actually in Mexico and cast with more power than was legal in the US.

I see that the West Virginia highway signs don't say its Wild, Wonderful West Virginia anymore. It's too bad there isn't so much music on AM today. Where I live now; in a pocket in the Clatsop County hills, I can't tune so many stations as I used to do in Bucks County, PA. I like the sound of music from those old AM radios. The AM sounds real. For a long time in my life there wasn't much radio anymore, but in the late 60's, in a thrift store in Vermont; I came upon this wooden table set AM receiver which would tune the HAMS. I used it for nearly 10 years before I checked it into a repair shop in Sparta, NC. I told the guy I was going to go work in Texas for a few months and would get it when I came back. But when I came back the repair man had died and his shop was gone and I didn't follow through to get my old wooden radio. I don't know what the manufacturer was, or have seen one like it since, but I had once drawn a portrait of it which I included in a comic strip I was doing at the time. In the picture my friend Peyote Pete admires it. Maybe someone in NWVRS can identify it from the crude likeness. It might even show up at a swap meet.

Today I'm thinking that radio broadcasting should be much better than it is. Why doesn't there be a great AM Radio station for us? I think the CBC is the best all-around that I can get here, and the BBC. I thought Radio Netherlands was the best of international shortwave before they quit. And I could get Australia in my kitchen every morning here in Brownsmead but last year they quit their shortwave. What are we going to do, boys? We will have to wait until we can tune stations from outer space; that's why we need to keep fixing the receivers.

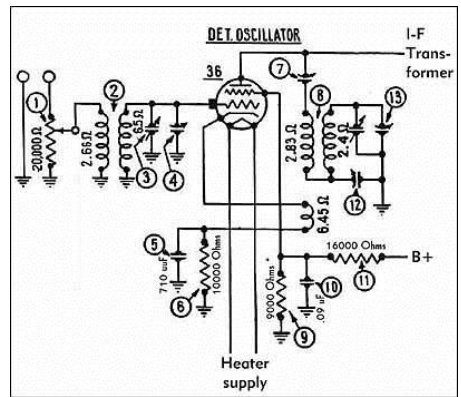
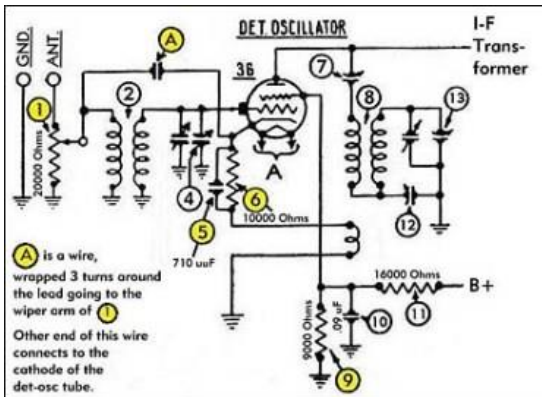




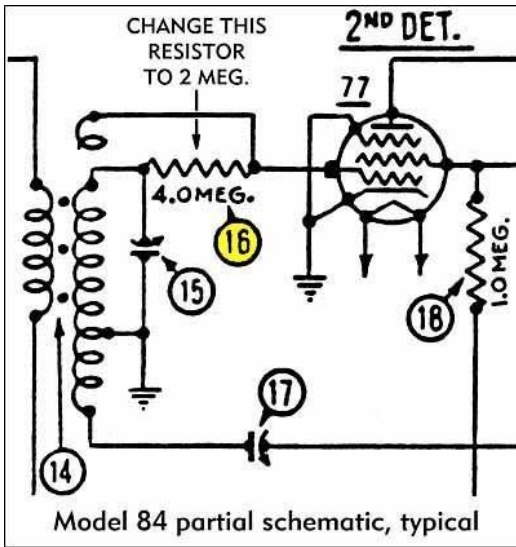
# Radio from Hell - Conquering the Philco Junior model 80

By Mike McCrow

It occurs to me that we have all been confronted with radios that weren't exactly made to their respective schematics, like in the case of the Philco model 60 there are about seven or so different designs with corresponding schematics. I started to restore this little model 80 in the usual way, rebuilding all the Bakelite blocks, changing all the bad dog-bone resistors, new filter caps, and checking the switches, controls, and transformers. I also I like to update these little radios with the changes recommended by Ron Ramirez in the Philco Repair Bench article. The first thing I noticed was that there was already a gimmick in the set that normally was not a factory design, but one that was to be added.

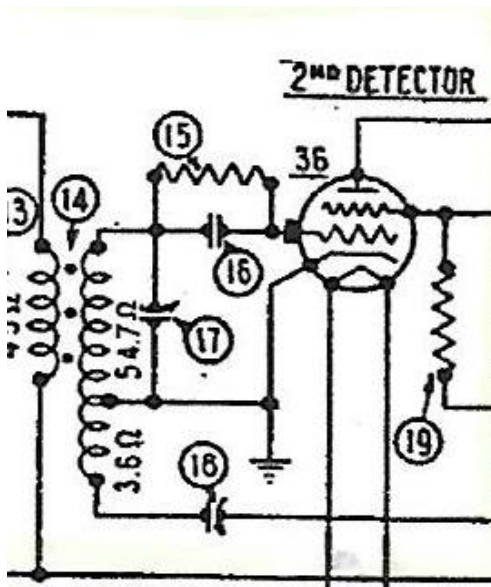


The first diagram is the original design. Changes in yellow in the second diagram are made to add performance. The capacitor "A" is just a gimmick. Take a wire from the cathode of the 36 Detector Oscillator, and wrap 3 turns around the sweeper wire close to the antenna coil. Next change the location of capacitor "5" and resistor "6" connect both to the cathode of the 36, then to the oscillator coil, connect the other side of the coil to ground. Now change the 9k ohm resistor "9" to 13k ohm. No problem so far.



The first diagram is the model 80 partial schematic. The model 84 partial schematic is given in the instructions to cover several radios. These partial schematics show the IF coil #14, and second detector.

When I went to change the 4.0 meg resistor in the IF coil to 2.0 meg as shown, I found that it was not like the model 80 schematic, it was identical to the model 84 diagram, tickler coil, and no capacitor #16. On the first diagram model 80, resistor # 15 is 4.0 megohm (the one you change to 2.0 megohm) capacitor # 16 is 55pf. This is very strange since nowhere do any of the schematics for the model 80 with # 36 tubes use this IF coil. The Canadian model 80 has it, but it uses # 77 tubes. Not knowing if this change was made for a good reason, or how the radio would play, I left things as they were and completed the repair. When I brought it up on the variac it played ok, but selectivity was way off. Each station would span about 100kc. Some strong stations would snuff out weaker ones completely. Also the selectivity trimmer did nothing at all. First I checked the trimmer, I removed it and it adjusted from 4.5pf to 62pf and the mica looked good. No problem there.



Thinking logically if the 55pf capacitor was added it should make the circuit more like the one designed for the # 36 tubes. Hopefully the selectivity will be improved. I removed the IF coil again and carefully soldered in a new silver mica 50 pf capacitor across the resistor like the first diagram. I aligned the IF, the high trimmer, low padder, and antenna trimmer. I tuned the selectivity trimmer, turning it clockwise until the radio oscillated then backed it out ¼ turn.

What do you know, the radio plays like a champ. Good reception, decent selectivity. I can pick up all the stations on the dial. I'm not sure how that style of IF coil ended up in that radio. My best guess is that someone changed it from a Philco JR. either a model 81, 84, or Canadian 80. All these radios have 77 tubes for both the Detector Oscillator, and 2<sup>nd</sup> Detector, and use that style coil. Anyway it was fun making a science out of it, especially since the radio is fixed.

Mike

# Speed Feldschau Memorial Picnic

Photography by Don Hanson





**... With many thanks to Arlene's Cuisine!!**

## Radiolaguy's Monthly Showcase - Rare 1934 Crosley



**August 2019**

**Unique, Rare**

**Crosley from 1934**

**< click/tap for details**

[http://radiolaguy.com/Showcase/RadiolaguyMonthlyFeature\(8-19\).htm](http://radiolaguy.com/Showcase/RadiolaguyMonthlyFeature(8-19).htm)

## Swap Shop

**Ads are free and can be permanent, or 3-month, with an asterisk added each month for tracking. Contact editor to extend.**

----

**Please contact the following members to be trained in Radio Repair**

Bruce Baur	503 708-4537	Milwaukee
Blake Dietze	360 944-7172	Vancouver
Mike McCrow	503 730-4639	Aloha
Sid Saul	503 869-5280	Hebo
Ed Tompkins	360 573-3895	Vancouver

----

I wish to purchase a 1942 Portable radio as pictured. Please contact me at 360 695-6349 or (C) 360 989-5981. The Model # is 985866. The radio is ID'd by the Model # and the GM under the dial. - Ray Holland \*



----

Three items that I wish to sell:

Tube Tester EICO Model 667 great condition \$75.00.

RCA Radiola 18 cab excellent all tubes test good \$90.00. I never powered it up.

Swiss Chalet novelty radio mfg. by Empire Designing Corp. New York - needs work \$45.00. John Bucholtz 360-693-7135 or bucholtz3049@comcast.net.\*



*Your  
Holiday  
DJ*

**Reliving Radio** entertains those who remember the **Way Radio Was** with audio and video clips of radio shows, commentary, news, music and memories of 40 years of radio history.

**Reliving Radio** has been part of the fun at car shows, banquets, museums, picnics, "sock hops," wedding receptions, "senior proms" or any special event for the over 65 set.

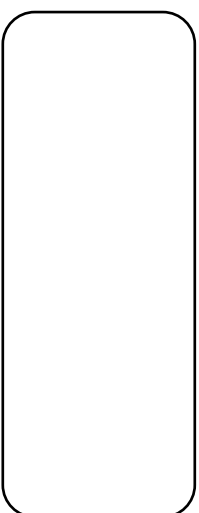
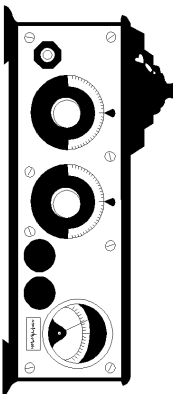
**Reliving Radio** provides entertainment and memories year round in more than 40 retirement communities in the Pacific Northwest.

[www.relivingradio.com](http://www.relivingradio.com)

Call to book **Reliving Radio** 503-784-4398



NW Vintage Radio Society  
P.O. Box 82379  
Portland, Oregon 97282-0379



**FIRST CLASS MAIL**