

The
**Call
Letter**

August 2015
Vol 41, #8



A Mickey Mouse Radio
as seen at the August Picnic
Swap Meet

See more picnic pictures inside

The Northwest Vintage Radio Society

Post Office Box 82379

Portland, Oregon 97282-0379

The Northwest Vintage Radio Society is a non-profit historical society incorporated in the State of Oregon. Since 1974 the Society has been dedicated to the preservation and enjoyment of "Vintage Radio" and wireless equipment.

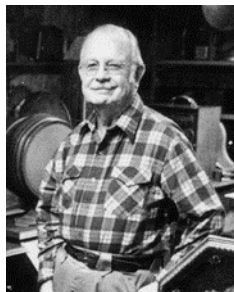
Membership in the Society is open to all who are actively interested in historic preservation. The dues are \$25.00 for domestic membership, due on January 1st of each year (prorated quarterly).

The Call Letter has been a monthly publication since 1974. It was originated with the founder, Bob Bilbie, and our first president, Harley Perkins. Through several editors and with the assistance of numerous society members, the Call Letter has continued to be a publication that informs members of the society's business and that supports the hobby of collecting, preserving, and restoring vintage radios.

Society meetings are held the second Saturday of each month at the Abernethy Grange Hall at 15745 S. Harley Ave. in Oregon City, Oregon. They convene at or about 9:30 AM for the purpose of displaying radios, conducting Society business, and exchanging information. Guests are welcome at all Society meetings and functions (except board meetings).

Other Society functions include guest speakers, auctions, radio shows, and radio sales which are advertised in the Call Letter and are held in and around Portland.

With each issue of the Call Letter, we remember Jim Mason, a charter member of the society who remained active until his death in 1999. A generous bequest from Jim's estate ensures the vitality of the Northwest Vintage Radio Society, and continued publication of the Call Letter.



Society Officers for 2015:

President	Mike McCrow (503)730-4639
Vice-president	Brian Toone (503) 266-5527
Treasurer	Ed Tompkins (503) 573-3895
Recording Sec'y	Liles Garcia (503) 649-9288
Corresponding Sec'y	Pat Kagi (503) 694-6149
Board member at large	Mark Moore (503)286-5224
Librarian	Damon Vandehey (503)459-1777

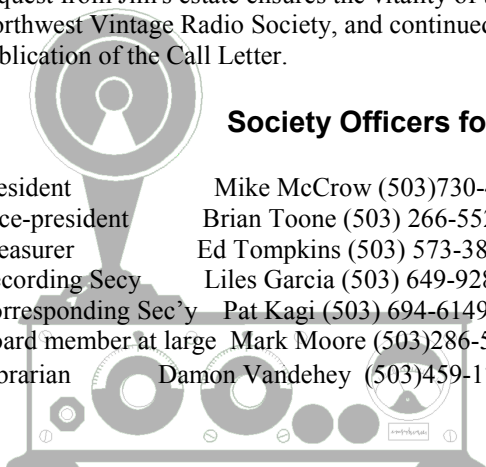
tranny53@frontier.com

edtomp@Q.com

landn2@frontier.com

kagi.pat@con-way.com

mark@pdxhistory.com



August

Table of Contents

From the President	2
The August Meeting	3
Remembering Ed Charman.....	9
The Picnic Pics.....	5
Your Aspiring Radiotrician.....	7
Technical Tip – “get the shock of your life!	9
The New Editor.....	10
The SEPTEMBER SHOW and SALE.....	11

Next Meeting:

August 8th, 2015 10 AM at the Abernathy Grange Hall,
15745 S. Harley Ave. in Oregon City, Oregon

August Monthly Feature:

The equipment that members decided upon for the August meeting is homemade test equipment and / or testing gear manufactured prior to 1950 .

The NW Vintage Radio Society conducts monthly meetings to promote and preserve the hobby of radio and radio equipment collection. Each meeting at the Grange Hall (excluding the shows, sales, picnics and parties) feature a predetermined classification of radio or radio-related equipment for display. Members who bring a piece of gear have the opportunity to give the attendees a little background on the piece. The Public is invited to all meetings, shows, and sales.

Visit our web site at www.nwvrs.com

Find us on Facebook: www.facebook.com/nwvrs

A letter From the President

By Mike McCrow

It was a splendid time for all. Thanks to a tremendous effort from the picnic volunteers, the Speed Feldshau memorial picnic and swap meet was a great success. We owe a great deal to Charlie Kent and Rick Ryan for the planning, organizing and food prep. Pat Kagi, as always, made sure we had popcorn and snow cones. All went smoothly.

Special thanks to Dick Karman for presenting the “the Way Radio Was.” Dick plays wonderful music, and throws in his DJ commentary. That's entertainment!

Dick Bixler and Charlie insured our advertising partner, Sunny 1550 KKOv's banner was a prominent place.

Along with the many tables of nice radio's, test equipment, tubes and the like, Sid Saul rode his Ural Gear Up motorcycle and side car all the way from his Hebo home. Sid gave rides to Brian Dietze, and Brian Toone too. Fun!



I wouldn't say that the swap meet tables set the world on fire with sales. In fact mostly some tubes and test equipment between members seemed to be the deals for the day. What we didn't make in sales, was made up for in a good time and good food.

I would like to thank everyone that came early, and stayed late to help with the set up and takedown. None of these wonderful events can take place without everyone pitching in and helping out. Thank you all.

The August Meeting

The Call Letter asked vice president Brian Toone the questions that people have been asking:

When does the meeting begin?

Currently the business meeting begins at 10:00am. The members present at the June meeting voted to change the start time to 9:30am beginning with the October meeting.

Any special business to work on?

The board is getting together for a special meeting before the next regular club meeting to discuss options on procuring an AED machine (defibrillator).

What is the radio feature this month?

The radio feature for August is Home Made and Pre-1950's test equipment. The November Feature may be Commemorative Radios.

Will there be a meeting in September, or just the Show/Sale?

No meeting; just the Show and Sale. The Bib Show and Sale is on the THIRD Saturday in North Portland. We will not have a monthly meeting at the grange on the months of the Show/Sale. This was voted on at one of the monthly meetings earlier this year.

November is nominations?

During the regular business meeting in November the floor will be open for nomination of officers.

December - Christmas get-together?

The regular monthly meeting in December will be replaced by the Christmas Party / Pot-Luck / Get Together. In addition we will have a very brief business meeting and election of next year's officers

I hope this clarifies what you were interested in. If not or you need more detail on some point please let me know.

Remembering

Ed Charman 1937 - 2008

By Dick Karman,

Ed joined the Society late in 1975. In 1979 he took the role of treasurer. He served for more than three decades. He loved music and old radios. While working at Pacific Power and Light as a “relay engineer” Ed invited coworkers to attend NWVRS meetings with him.

Ed’s contributions to the NW Vintage Radio Society’s public displays were plentiful and gracious. He contributed sets for the OMSI Show, the Forestry Center Show and many Concourse displays. He volunteered hours and evenings to make the Georgia-Pacific Historical Museum show one of the largest and definitely the longest running “special” show in our history.

Ed spent almost 30 years as treasurer of the Society. From the beginning the books were kept in a column ledger. Ed, a mathematician, tallied the columns in his head and was seldom wrong. Now the Society actually has money but it was tight in the early years.

Ed loved and played pipe organs. He often said that music and electronics were both based in mathematics. He played organ for churches in the area for 51 years.

His radio collection overflowed his home. We couldn’t walk in his basement because there were too many radios. He never gave me a straight answer when I asked “just where do you store all of them?” His wife Penny revealed at the memorial service that she has found 17 U-store sites full of radios.

Ed and I often attended memorial service together. We remembered the passing of folks like Craig Hoaglin, Tom James, Jim Mason, Tex Sloat, Speed Feldshau, Jerry Talbot and others. It is members like Ed who have made our society great.

Picnic Pics

(by Charlie Kent)



From Charlie Kent





Your Aspiring Radiotrician

Slight Mistake *or another "Where's Waldo"?* By Sid Saul

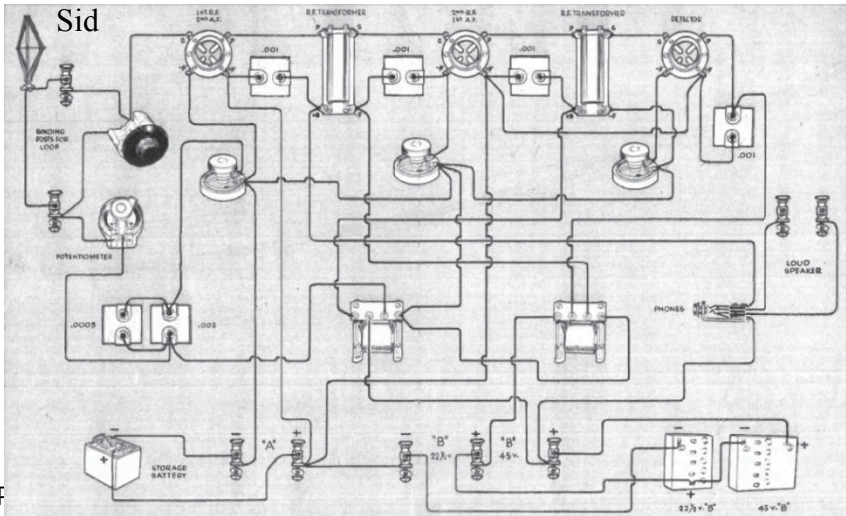
So very nice to see everyone at our annual summer picnic. Today finds the central coast with atypically 90+ degree weather!

Yours truly reluctantly holding an ice cold beverage bottle. Open is a radio magazine from a bygone era about to be packed away for the upcoming wedding here, now only two weeks away!

At the picnic, I was asked for a short article. "A perfect opportunity". Something in this issue's pictorial diagram has just now caught my attention. The radio depicted would play as shown, but there is a definite wiring issue, undiscovered in this 1923 publication. Can you identify the type of circuit and the error? My idea is to stimulate discussion amongst our varied membership, and a great learning opportunity, especially for me. Now it's time to close the magazine and find that bottle opener!

In search for correct wiring everywhere.

Your Aspiring Radiotrician,



ANTIQUE RADIO SHOW & Sale

Saturday September 19th, 9am - 1pm.



*Presented by the
Northwest Vintage Radio Society*

**at the North Portland Eagles Lodge
7611 No. Exeter St. Portland, OR 97203**

*You can see and purchase vintage radios
from the 1920s - '70s. Short wave, plastic,
consoles, wood, radio tubes & audio equip-
ment will be available.*

**Low cost tables are available for
vendors as well as outside spaces.
For more info, contact Charlie at
(503) 891-4615.**

**FREE (limited) Tube Testing
AUCTION (near end of sale)**



**FREE PARKING
FREE ADMISSION**

for more information, see our
website www.NWVRS.org

Technical Tips

From Sonny Clutter, the Radiola guy

AC/DC radio chassis shock hazard!

[Sonny acknowledges that this may be “old hat” for those of us who have been around old radios for years, but it may be new to some who are “new” to old radios.]

THIS IS AN IMPORTANT SAFETY ISSUE!

You may encounter a shock on any series strung (AC/DC) tube radio if you happen to have one hand on the chassis and the other hand (or your feet) coming in contact with a ground source. All AC/DC radios have the chassis connected to one side the AC line either directly or by a capacitor/resistor. In the case of the type that is connected by a capacitor network the shock is normal and not deadly unless the capacitor is shorted. You can get a deadly shock if the "HOT" side of the line cord is connected directly to the chassis as some early radios were!

Visually check the wiring, is the best way to tell if one side of the line cord goes to the chassis (usually via the AC switch). Some AC/DC radios have a floating ground (or B-), that is, the AC line is not connected to the chassis directly. This (ground bus or common return) floats above the chassis but is electrically connected to the chassis by a resistor and capacitor in parallel. No matter which side of the chassis the line cord connects to, you can still get a shock because the o/o switch will determine which way the chassis comes to the line cord potential (on, one side off, the other) Some of those sets were deadly as one side of the cord was tied directly to the chassis and in the 1930s and well into the '40s there was no such thing as a polarized AC plug. Getting a minor shock from a chassis that is not directly connected to the AC line (as stated before) is normal but not a real hazard as the current is quite low through the (normally); 270K - 330K resistor.

The only safe way to prevent a shock is to make wiring changes to the AC wiring so the neutral side of the line cord is always connected (with a polarized line cord & plug) directly to the chassis (or common if it's floating above chassis potential). You'll need to re-wire the AC line so the "hot" side goes to the switch, the neutral side to the chassis or common return bus. This way the neutral or ground is always at the chassis or "common" potential and you won't get shocked (as long as the polarized plug is plugged into a correctly wired socket). You will have to alter the chassis AC wiring so you are switching the "hot" side of the AC line into the circuitry and not the chassis or "common" to neutral (or ground).

When working on these AC/DC series strung chassis (no power transformer), always use an isolation transformer to prevent electrical shock or destroying your test equipment. Plug only the radio into the transformer, not your test equipment. If both are plugged into the transformer, your equipment can still be damaged depending on its polarity with respect to the radio chassis.

Your New Editor

Don Hanson will officially become the Editor of the Call Letter as in September. Don has recently retired from Intel and has volunteered to take on this much appreciated position.



SEND CALL LETTER
INFORMATION TO HIS E-MAIL
AT

vanguard4@lycos.com

September Submission deadline is August 22.

NWVRS Fall Lombard Swap/Sale – Saturday, September 19th

We're anticipating even greater success at this meet than ever before! At the April event comments were made by long-time members that it was the best swap meet ever. Additional advertising should bring in even more public, and the location has members coming longer distances to attend. Our September event will have the following timeline:

Friday, 9/18/15 – NEW! Longer set up time: 3:30-7:00 pm. Because of the fantastic response of member volunteers helping in April, we're able to open earlier.

Saturday, 9/19/15

- 7:00 am Doors open for members and vendor set up. The usual large Eagles roller carts that we have been enjoying the use of will again be available.
- 8:00 am A delicious full breakfast for \$8.00 will again be available a half hour earlier for purchase from the Eagles.
- 9:00 am Public admitted free of cost. Banners advertising the swap/sale will hang from both sides, East and West, of the large Eagles corner sign to draw more public.
- Later A.M. Lunch available for purchase from the Eagles. Please plan to purchase breakfast and/or Lunch from the Eagles so they can afford to continue serving us. Thank you!
- 12:30 pm Auction begins
- 1:00 pm Ending time, but if sales are still going on, the time will be extended

Pat Kagi will have his machines in operation again for free popcorn and snow cones!

Show/Sale Flyers

The .pdf flyer for the event is available from Mike McCrow, Sonny Clutter, Don Hanson, Pat Kagi, Liles Garcia and I. Have one of us forward to you for printing and distribution.

Table Rentals

Approximately 50% of those who had tables in April wanted to retain them. The remaining tables are up for grabs, so as soon as you read this Call Letter, call me. Inside tables are \$15 and outside space is \$10 each.

Charlie Kent, Swap Coordinator (503) 891-4615

Entertainment the way you like it !

For decades radio shows and the great music of the “radio years” have been the favorites of radio collectors. Reliving Radio and Dick Karman bring you that entertainment.

If you need a vintage DJ or your group wants a walk down memory lane call Dick at
503-784-4398

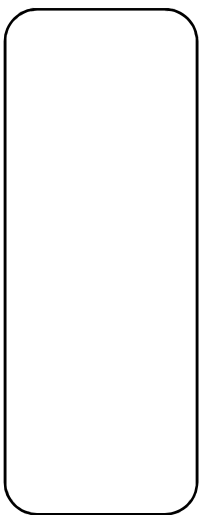
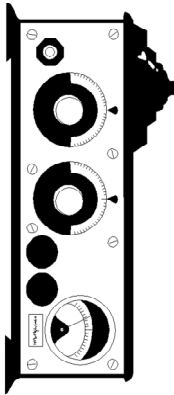


**...it's always
a Sunny Day at...**





NW Vintage Radio Society
P.O. Box 82379
Portland, Oregon 97282-0379



FIRST CLASS MAIL