

The **Call Letter**

October, 2012
Vol. 38 – No. 10

Antique Radio
SALE



**Presented by the
Northwest Vintage Radio Society**

SATURDAY, OCT. 13th
9 AM 'til 3 PM

American Legion Hall
21510 Main St.
IN HISTORIC
AURORA, OR

You'll see & can purchase; vintage wood, Bakelite, plastic, transistor & short-wave radios. Buy 'em all restored or in as-found condition. Hard to find tubes parts, vintage TV's, phono's and other related items will also be available.



NEXT MEETING: NOVEMBER 10th

The Northwest Vintage Radio Society

Post Office Box 82379

Portland, Oregon 97282-0379

The Northwest Vintage Radio Society is a non-profit historical society incorporated in the State of Oregon. Since 1974 the Society has been dedicated to the preservation and enjoyment of "Vintage radio" and wireless equipment.

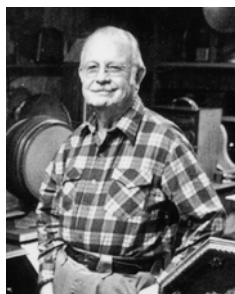
Membership in the Society is open to all who are actively interested in historic preservation. The dues are \$25.00 for domestic membership, due on January 1st of each year (prorated quarterly).

The Call Letter has been a monthly publication since 1974. It was originated with the founder, Bob Bilbie, and our first president, Harley Perkins. Through several editors and with the assistance of numerous society members, the Call Letter has continued to be a publication that informs members of the society's business and that supports the hobby of collecting, preserving, and restoring vintage radios.

Society meetings are held the second Saturday of each month at the Abernethy Grange Hall at 15745 S. Harley Ave. in Oregon City, Oregon. They convene at or about 10 AM for the purpose of displaying radios, conducting Society business, and exchanging information. Guests are welcome at all Society meetings and functions (except board meetings).

Other Society functions include guest speakers, auctions, radio shows, and radio sales which are advertised in the Call Letter and are held in and around Portland.

With each issue of the Call Letter, we remember Jim Mason, a charter member of the society who remained active until his death in 1999. A generous bequest from Jim's estate ensures the vitality of the Northwest Vintage Radio Society, and continued publication of the Call Letter.



Society Officers for 2012:

President	Mark Moore (503)286-5224	mark@pdxhistory.com
Vice-President	Mike McCrow (503)730-4639	tranny53@frontier.com
Treasurer	Ed Tompkins	edtomp@Q.com
Recording Secy	Charlie Kent (503)281-9335	radiogallerykent@qwestoffice.net
Corresponding Sec'y	Jim Harper (503)538-8738	JLHarperclan@aol.com
Board member at large	Dick Bixler (503) 690-2557	rf2af@comcast.net
Call Letter Editor	Tony Hauser (503)438-0297	abhauser@aol.com
Librarian	Robert Robinson (503) 255-3585	srrobins@comcast.net

October 2012

Table of Contents

NWVRS Meeting Minutes.....2
 From The Bench of WRNO.....5
 Roster Updates.....6
 Washington County Radio History.....7
 Monthly Meeting Display8
 A Message From The Vice-President.....10
 Substitution in AC-DC Radios.....11
 A Message From The President.....13
 NWVRS Calendar of Events.....15
 Swap Shop.....16

On the cover: Another beautiful flyer from Sonny Clutter advertising this month’s semi-annual NWVRS sale in Aurora.

Monthly Feature: None. November feature replaced by the Don Iverson Radio Restoration Award Competition.

Visit our web site at <http://nwvrs.com>

and on Facebook:

www.facebook.com/northwest-vintage-radio-society

Next Call Letter deadline: November 1, 2012

The *Call Letter* is the official publication of the Northwest Vintage Radio Society. Circulation is limited to the membership and guests of the Society. The Society is not responsible for the material contributed for publication, nor the quality, timeliness, or accuracy of the items or services offered for sale in the SWAP SHOP. By common agreement of the board of directors, the buyer assumes all responsibility for the satisfaction of any transaction.

NWVRS September Meeting Minutes

by Recording Secretary Charlie Kent

President Mark Moore called the September 8, 2012 meeting of the NWVRS to order at 10:00 a.m. New member Tom Mayfield was welcomed to the Club. The August meeting minutes as published in *The Call Letter* were approved as presented.

Treasurer's Report

Treasurer Ed Tompkins gave a brief Treasurer's report on the finances of the Club.

Membership Chair

The Club is looking for a new person for the Membership Chair duties. A call for a volunteer was made.

Sprint Swap Sale

A motion was made and carried to change the Spring Swap Sale date to the second Saturday in April. Brian Toon reported all the upstairs tables have been sold, as well as six tables downstairs with approximately five remaining. The price to rent the American Legion hall in Aurora will go up next year, and there will be a new charge for Friday evening set up. Prices are yet to be determined.

Merchandise

If you are interested in purchasing NWVRS shirts, hats or nametags, call Charlie Kent to order.

Tech Committee

Vice President Mike McCrow stated the rules for The Don Iverson Radio Restoration Award Competition being held November 10th will be reprinted in the *Call Letter* next month, as well as being posted on our website. The trophy was brought for viewing.

Archives

Bill Meloy donated a WLS radio album out of Chicago for the archives.

Membership

The Board decided (1) Canadian memberships must be paid in U.S. Dollars; and (2) that no lifetime memberships would be offered at this time.

Christmas Party

Dick Karman and Craig Adams are going to offer a presentation of Christmas traditions in Portland broadcasting at our Christmas Party.

Leads and Needs

Rick Walton has a 3A console with WD11's, contact him for the price.

Rick also has several items for sale and can be contacted for a list.

Michael Hurley needs 78 rpm phono cartridges.

Sid Saul needs a Masterpiece III escutcheon.

George Kirkwood needs a tuning capacitor for a Swiss transistor radio.

Bruce Bauer needs 1"x2" or 1"x3" boxes for semiconductors.

Liles Garcia has a lead for a K731 AM/FM Zenith radio.

Damon Vandehey has leads on tubes, and also wishes to purchase tubes.

Bill Meloy has a 13-volt Airline chassis for parts.

Announcement

As discussed at length, by all construction indications, the detour to the Clubhouse appears to be permanent.

Monthly Feature

Radio-related items were displayed and shown. November's Monthly Feature is being replaced by The Don Iverson Radio Restoration Award Competition.

Monthly Presentation

Estaban Mendoza gave a presentation on cabinet restoration.

There were 55 members in attendance. The meeting adjourned.



**Reliving
Radio**

Dick Karman
relivingradio.com
503.784.4398

10% DISCOUNT

To members in good standing of the
Northwest Vintage Radio Society
for any purchase from



NORVAC
Electronic Parts, LLC
WE'RE STILL HERE!

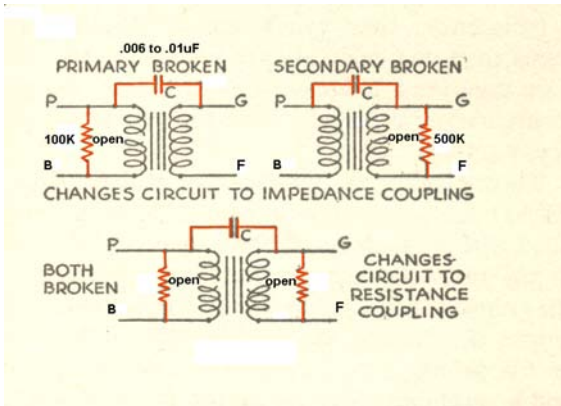
SALEM (503) 585-9810
1545 Commercial Street
Please show your
NWVRS membership
card for discount

From The Bench of WRNO

by Sid Saul

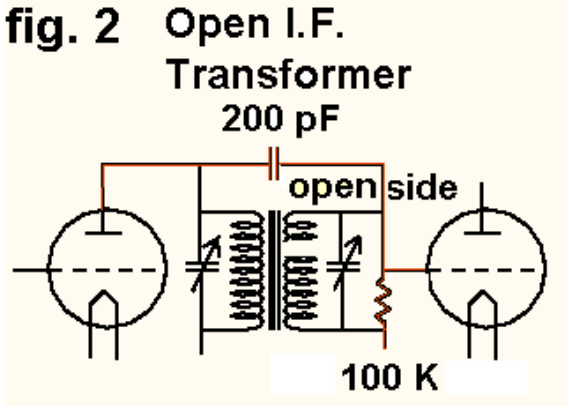
Your “Wednesday Radio Night Out” Gang RC Coupling

We spend countless hours testing tubes, replacing caps and *out of tolerance* resistors, only to have another dead receiver. Often this is due to an inter-stage audio transformer, or an I.F. coil being open. This is easily revealed with our signal generator-tracer. We may not have a 1:1 or 1:3 inter-stage on the shelf, and as for spare I.F. cans, they are tuned to the wrong I.F. frequency. We may ask ourselves; if only I could get this set playing with an easy fix, and without replacing transformers at all. Well, here is the easy fix.



We have determined the primary winding of the inter-stage open. Simply add a one watt 100K resistor *fig 1*, between P and B and a .006 to .01uF capacitor from P to G. If the secondary winding is open, add a 500K half watt resistor from G to F. The value of the secondary resistor can vary as long as it is not below 100K and the capacitor value re-

mains the same. With both primary and secondary coils open, resistors are placed on both sides as shown.



The volume may be lowered, but you may be surprised at the improved frequency response. RC coupling can even repair open I.F. transformers. The radio will tune more broadly than before, but we will have a working set even if temporary. Simply bridge a 200pF capacitor between the plate of the driving tube to the grid of the driven tube. A 100K resistor bypasses the open winding as shown in fig 2. Be sure to peak the working side trimmer for maximum response. We now have a working set just in time for election results!

So, until next time from the *Wednesday Radio Night-Out Bench*, See you at the swap meet.

Sid

Roster Updates

New member who joined at the September meeting:

Mayfield, Thomas	R
5202 SE Thiessen Rd.	
Milwaukie, OR 97267	
503-786-3786	
mayfieldtm@live.com	
Repair & Restoration	

Washington Co. Radio History

by Art Redman

Compiled by Craig W. Pattilo, July, 1991.
From the Washington County Historical Society

KFFO Began Operation March 23, 1923. Licensed to Hillsboro. Frequency: 229 meters (1310 kHz) Ended operation unknown; Washington County's first radio station.

KFGR Began operation November 16, 1950. Licensed to Forest Grove. Frequency 1570 kHz. Call Letters stood for Forest Grove Radio. Call letters changed to KRWC in 1953 standing for Radio Washington County. Call letters changed to KGGG in 1959. Call letters changed to KWAY in 1961 standing for Washington And Yamhill Counties; ended operation on October 31, 1965.

KRTV Began operation November 1, 1954. Licensed to Hillsboro on Frequency 1360 kHz. Call letters stood for Radio Tualatin Valley and changed to KUIK in 1957. Stands for Quick.

KKCW Began operation on February 24, 1984. Licensed to Beaverton. Frequency 103.3 MHz Call letters originally stood for Country Western but changed to Columbia-Willamette Broadcasting Company; Washington County's first FM station.

KDBX Began operation May 1, 1991 and licensed to Banks. Frequency 107.5 MHz having no call letter meaning.

September Monthly Display

Radio-related gadgets. Photos by Rick Walton



Bill Meloy



Dick Howard



George Kirkwood



John Aiken



Sonny Clutter



Seller's
Tables





Esteban Mendoza Tech Talk



Blake Dietze



Rick Walton



Dan Howard



Dan Howard

A Message From The V-P

by Mike McCrow



In memory of a true craftsman, our radio society is having a radio restoration competition.

At the November 10th regular meeting, the Don Iverson trophy shall be awarded to the best example of craftsmanship in radio restoration. The tech. committee to preside over the competition includes Sonny Clutter, Blake Dietz, George Kirkwood, Esteban Mendosa, and Dave Wise, with your humble Vice President acting as alternate.

Here are the rules:

1. Restoration to have been started no earlier than November 1st 2011.
2. Restoration to be performed by contestant only. Reproduction items such as dial lenses, dial faces, knobs, radio backs, etc. are allowed.
3. Contestants should have before and during pictures of the radio. Also a written explanation of what was done to the radio electronically.
4. A tech. committee of five judges and one alternate shall preside over the competition.
5. Entries shall be judged on:
 - a. Cosmetic restoration and authenticity.
 - b. Electronic restoration and how it plays.
6. Each judge shall rate each entry on a 1-10 scale with 10 being the best possible for each

category. The radio that receives the highest total will be declared the winner.

7. If a judge is entered in the contest he or she can not vote on their own radio. The alternate will take their place.

8. The alternate judges score will decide the winner in the event of a tie.

Let's make this a fun competition! Start getting your projects ready, November will be here sooner than you think.

See you in October!

Mike

Substitution in AC-DC Radios

by Mike McCrow

During the restoration process of my 14BR-736 Airline, I found that the gas gate tube 6T7G tested bad (see article in the call letter, September 2012 by Sid Saul). As it turns out this is not an easy tube to find.

My tube substitution book lists a 6B6 and a 6Q7 as subs but with an asterisk. * Parallel circuit only. Oh what to do? Why wouldn't they work in an AC-DC series filament circuit? They were all 6 volt tubes. The problem is they have a current draw of 300 ma (.3 amps). The 6T7G is rated at 150 ma. After some checking in my trusty tube manual, Sylvania copyright 1940, I discovered that the 12Q7 is a dual diode / triode with the same characteristics as the 6Q7, but draws only 150 ma. Most tube substitution manuals do not list tubes with different voltage ratings as replacements.

How many times have you run into an AC-DC set that someone has stuck a 50L6 in place of a 35L6? If you think about it, it makes sense. In 1941 when these radios were being produced nominal house line voltage ran anywhere from 110 to 117 volts or so. Notice that most schematics rate AC line at 117 volts. In today's world line voltage usually

is stable at 120 volts, give or take 1 to 2 volts. Now this Airline radio made by Belmont, C 1941 has 7 tubes with a total filament voltage of 124 volts. By adding an extra 6 volts to the string you are only making an increase of 8% for the total. I stuck the 12Q7 in place of the 6T7G and it plays with the best of them. Problem solved. Not only did this fix my tube problem, but by adding a little extra voltage to the filament string it gives the side benefit of the filaments operating a little cooler.

In transformer sets you have to use tubes with the same voltage, except for the rectifier tube that has its own secondary winding. In AC-DC sets you need to use tubes with the same current draw. Like everything else there is a limit to this, you just can't go out and start adding huge sums of voltage to your tube string. If you increase filament voltage by adding one tube of a higher value, you should be fine. Happy tube swapping!

Mike

A Message From The President

By Mark Moore

Greetings to our members,

Summer is winding down and fall is in the air, so that means our Fall Radio Sale is right around the corner. Before you know it, November will be here and we will be able to see and hear what some of our members have been working on this past year. The Don Iverson Restoration Award will be bestowed upon the member with the most impressive work of restoration.

On the NWVRS Archive front, we have had a couple of nice donations recently. Bill Meloy donated a really nice booklet about WLS in Chicago from 1938. Bob Campbell donated a 78 rpm record and sheet music by singer Johnnie Ray who was from Portland.

Coming up on Saturday October 13, 2012, we will once again hold our annual Fall Radio Sale at the American Legion Hall in Aurora. The Sale opens at 9:00 am and at 2:00 pm, we will have a Mini Radio Auction which is scheduled to close around 3:00 pm. Photos and information about the radios can be found on our home page at: www.nwvrs.org.

Twice yearly, we hold a Radio Sale that features radios lovingly restored and repaired by some of our own members. They are offered for sale at very reasonable prices, rarely covering the painstaking work that is put into the repair and restoration of these radios. When we can, we like to offer radios for auction that have been donated to the Club. I wouldn't expect to have radios to auction at every Radio Sale, but we had a very successful auction at our May Radio Sale. And we have a handful of radios to auction at our Fall Radio Sale.

Our membership is up over previous years and the collecting interests of our members vary widely. While some members reported going to our previous radio sales and coming away empty-handed, we looked for an activity that would help boost attendance and interest at our Radio Sale. The radio auction fell into our laps at the Spring Radio Sale.

Attendance was up and attendees stayed later than they usually do. There was a great deal of excitement and anticipation at our auction which featured radios that our members rarely get exposed to. Some of our members reported finding substantially more to bring home at our last sale which included the radio auction.

Thanks to the generosity of Ernie Swartout of Ephrata, Washington, who donated four wooden cabinet radios and 4 newer, novelty transistor radios to the NWVRS. We would like to see all of our members have a fair and equal chance at bidding on these radios. All proceeds will go to the Club's Education Fund.

There is a Guild 484 Spice Cabinet radio and it works. There is an Emerson 25A, a very attractive little table radio and it works. It is almost a baby cathedral! There is a neat Zenith 4A31 tombstone that works and it has a large dial that says "LONG DISTANCE" and there is a Grunow 470 farm radio with a beautiful cabinet. It is unknown if this radio works.

In addition, there are four newer transistor radios: a Polaroid 600 Film Box radio that is new or as new in the box. It has a telescoping antenna. There is also another eye-catching advertising radio for Ajax in new or as new condition. It has a telescoping antenna as well. There is a Shower Song radio and there is a TP Roll radio by Windsor in new or as new condition that are truly classics.

You won't want to miss this very rare opportunity to bid individually on these extraordinary radios. Former President Dick Bixler will handle the auctioneering chores. Our regular auction of items donated by our sellers will follow this special auction.

Make plans now to attend our annual Fall Radio Sale and Auction. I look forward to seeing you there and I hope you will find some radios to give a new home to.

NWVRS Calendar of Events

Most of the hamfest and ham swap meet information comes from: PNW Hamfair web page at www.n7cfo.com/amJradio/hf/hf.htm

- October 13** **NWVRS Swap Meet & Sale.** 9-3, American Legion Hall, 21510 Main St. Aurora, OR.
<http://www.nwvrs.com>
- October 20** **North Kitsap Amateur Radio Hamfest.** Bremerton, WA. *This is an ARRL sanctioned event.* <http://www.nkarc.org/>
- October 27** **Swap-Tober-Fest. Mid-Valley ARES.** Polk County Fairgrounds, Rickreall, OR. Contact: Don sch, k7un@swaptoberfest.net
 . <http://www.swaptoberfest.net>
- November 10** **NWVRS** monthly meeting 10am; tailgate swap 8:30. Nomination of 2013 Officers.
- December 8** **NWVRS** annual holiday party and Election of 2013 Officers 10am.
- January 12** **NWVRS Annual Meeting** 10am; tailgate swap 8:30.
- February 9** **NWVRS** monthly meeting 10am; tailgate swap 8:30.
- February 16** **Salem Hamfair & Computer/Electronics Swapmeet.** Rickreall, OR at the Polk County Fairgrounds.
<http://www.w7sra.com>

Swap Shop

FOR SALE: Thousands of tubes, hundreds of radio parts, panels, meters, surplus, etc. R5-D3 electronic surplus, Bob Lee, 9770 S.E. Stanley Ave., Milwaukie, OR 97222, (503) 513-0410

FOR SALE: ***Reducing collection for moving. Consoles and other stuff. Extremely reasonable. Contact Rick Walton, 503-701-3260, rewalton@gmail.com.

Leads and Needs

Questions about restoration of vintage radio? Visit Radiolaguy's web site often for this information plus lots of other interesting displays, photos, virtual museum plus lots of other information on vintage radio and television. Oh, yes, there are items for sale as well and NVRS members get a substantial discount on most of these items. Thank You, Sonny the Radiola Guy

Visit my vintage radio web site: <http://www.radiolaguy.com>

Radio Service

These members have indicated they are willing to perform radio repairs:

Roger Brown – (503) 693-6089

Bruce Baur - (503)-708-4537, brucebaur@comcast.net

Blake Dietze – (360) 944-7172, wb6ijh@ix.netcom.com

Jack Doyle – (503) 305-8097

Pat Hickman – (503) 887-9015 Web: www.classictubeaudio.com

Email: phickman@comcast.net

Jim Myers – (509) 525-6264

Todd Ommert – (503) 246-4141 Web: www.burlingame-radio.com

Email: burltv@msn.com

Tony Ranft – (360) 944-8489 or walterranft@hotmail.com – General repairs.

Dave Wise – (503) 648-0897, david_wise@phoenix.com

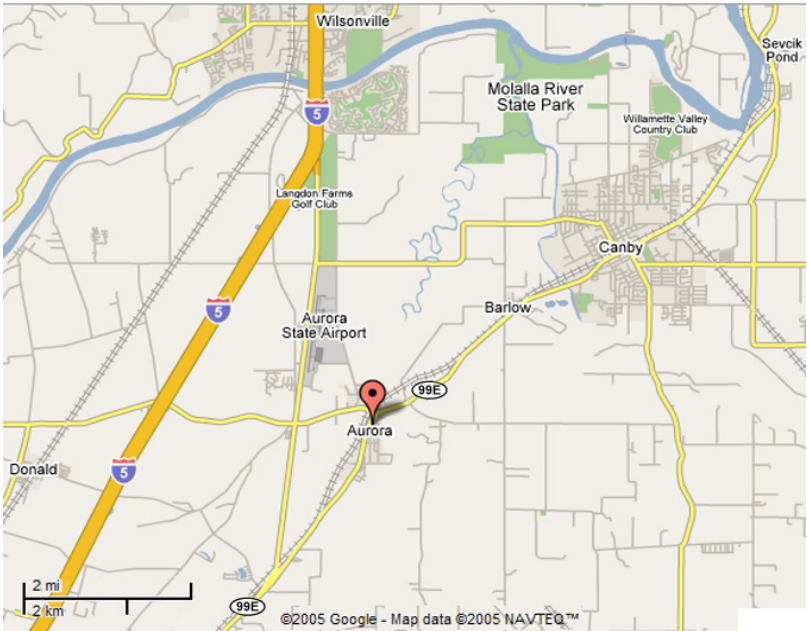
If you are willing to repair radios, give your name, phone and/or e-mail, and any comments to the *Call Letter* editor.

The Northwest Vintage Radio Society is not responsible in any disputes arising from services provided by members listed here. By common agreement of the board of directors, the buyer assumes all responsibility for the satisfaction of any transaction.

Fall Swap/Sale Location

Map by Google

Here is a map to Aurora. The American Legion hall is just off of Highway 99E at the corner of 3rd and Main Street NE. Exits off I-5 to Aurora are clearly marked from either direction. Really, you can't miss it.





NW Vintage Radio Society
P.O. Box 82379
Portland, Oregon 97282-0379



FIRST CLASS MAIL