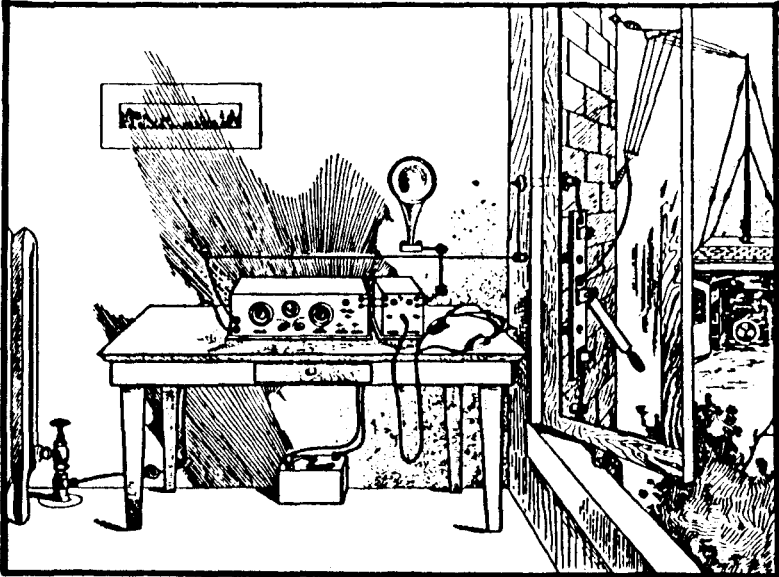


NORTHWEST VINTAGE RADIO SOCIETY CALL LETTER

May
APR '86

Vol. 11 No. 4



How the lightning switch is installed. It should always be installed on the outside of the building, with the ground wire going as straight as possible. The blade of the switch is connected with the antenna, one jaw is connected with the receiving set, and the other is connected directly to the ground. Thus the antenna may be connected with the receiving set or "grounded."

T a b l e o f C o n t e n t s :

- 3 - May - **Swap Meet** -
 - 4 - **ATMOSPHERICA**
from the Tom James Collection
 - 5 - -News and announcements
 - 6 - **MEETING MINUTES** By Dan Howard
 - 8 - The Carbon Button Microphone
(from Tom Edison's Lamp Chimney)

 - 12- **NWVRS - SWAP SHOP -**
 - 14- Puget Sound Antique Radio Assoc.
- **TRADIO -**
 - 15- **ACCESSION** By Robert Teague
- Editor In Chief....Dick Karman 288-1285
2515 NE 37th Ave, Portland, OR 97212
- Associate Editor....Bill DeVey 635-6746
16969 SW Tracy, Lake Grove, OR 97034
- Advertising.....Jerry Talbott 649-6717
1440 SW 239TH Av, Hillsboro OR 97123

The **CALL LETTER**, is published monthly, as the only official publication of the **Northwest Vintage Radio Society** which is a nonprofit organization incorporated in the State of Oregon. Meetings are held on the 2nd Saturday of each month (July and August omitted) at the Buena Vista Clubhouse in Oregon City (see page 3).

- President----- Bill DeVey 635-6746
- Vice President--- Jerry Talbott 649-6717
- Treasurer----- Ed Charman 654-7387
- Recording Secretary- Dan Howard 761-7799
- Corresponding Secretary -----
Dick Karman 288-1285
- Librarian----- Chuck Kibler 678-5066

MAY

DATE : May 10th, 1986
TIME : 10:00 AM
PLACE : Buena Vista Clubhouse
ADDRESS : 16th & Jackson Streets
Oregon City, Oregon

=====
Big doings at the clubhouse! Jerry Talbott will preside over the traditional swap meet business meeting. After that comes the annual spring Swap meet.

SPRING SWAP MEET

BUENA VISTA
CLUBHOUSE

OREGON CITY
Begins at 9:45
ends at Noon



ATMOSPHERICA

By J

Juvenile Jolt

Don Hunker, his eyes all a-spark,
Built a set for his son as a lark
But the boy made him mad,
When he said to him "Dad,
This must be a first from the 'Ark'!"

The Jersey Bounce

A diary farmer near the town of Rainier
Put radios for his Moo-cows to hear.
But a blast of HARD-ROCK
Stampeded his stock,
And his bull is now classed as a steer !!!

From the Tom James Collection
Originally from April, 1976.

News and Announcements

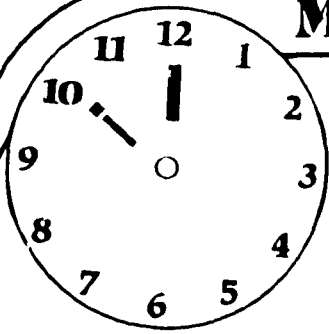
California Historic Radio Society
Next Swap meet is June 21st, 1986
at Foothills College.
For more information contact CHRS
P.O. Box 1147, Mountain View, CA.
94041.

The Puget Sound Antique Radio Society's
Horn of Plenty has a new editor. Thanks
to Hugh Miller who has been past editor
and welcome to Bill Lindsay, new editor.

The Antique Radio Club of America
(West Virginia Chapter) presents
"THE HISTORY OF RADIO ON DISPLAY"
at the Kentucky Highlands Museum,
1516 Bath Ave. Ashland, Kentucky,

The CALL LETTER editor & staff welcomes
President Bill DeVey as associate editor.
Special thanks from your editor for this
assistance. It will assure the on-going
quality of our publication.

Meeting Minutes



The April 12th, 1986 meeting was called to order by Pres. Bill Devey at 10:10am. The Minutes of the March meeting were approved as published in the **Call Letter**. The

treasurer's report was given & accepted. The current balance in the treasury is \$917.30.

Good and Welfare

Members are encourage to visit George Rudolph.

Old Business

The fate of the clubhouse & the related details have not yet been decided.

Flyers were available for the spring swap meet & the forest grove auto show.

Antique Radio Classified is still in the red, looking for new subscribers.

Sonny Clutter's presentation on repairing interstage transformer was moved from the May meeting to the June meeting so as not to conflict with the spring swap meet.

New Business

Members expressed an interest in moving the meetings from 10:00 am on Saturdays to a more convenient time to allow members to attend "sales". After a discussion it was agreed to poll the members at the May meeting to ascertain if there is sufficient interest to entertain a change.

CALL LETTER editor Dick Karman needs help with assembly and distribution of the **CALL LETTER**. After two requests for volunteers, President DeVey offered his services.

The Puget Sound Antique Radio Association - AWA spring swap meet will be held Sunday, April 20, 1986, at Ronald School.

Leads and Needs were given.

The meeting was adjourned at 10:34.

Dan Howard,
Secretary



JA MAC PRODUCTS
SPEAKER RECONING ALL MAKES

8600 NE Sandy Blvd

Portland, Or 97220

503-252-2929

The Carbon Microphone

Many of Edison's discoveries were not inventions in the sense of being devices that could be put to immediate practical use.

When he recorded an experiment that brought to light properties of nature which were previously unknown he recorded them as "phenomenon."

One such phenomenon was the behavior of carbon in the form of lamp black or powdered graphite. Edison's famous "carbon button" was made from lamp black which he carefully gathered from the chimneys of a large number of smoking kerosene lamps. Earlier, Edison had found that such finely divided carbon could be used to vary the strength of current flowing through a wire. He learned this in the year 1873, when he was trying to find a way to speed up the transmission of telegraph messages over a long under-ocean cable.

Anything in the wire that slows the movement of the electrons is called resistance. The resistance of a thin wire is greater than that of a thick wire. The resistance of a long wire is greater than that of a short wire. The resistance of a transoceanic cable was tremendous.

To conduct his cable experiments, Edison tried to simulate in his laboratory the conditions of a 3,000-mile-long cable. To produce the resistance that could compare, he pressed finely ground graphite into glass tubes and inserted wires in the ends of the tubes. By putting many of the tubes end to end, he was able to approximate the resistance of the cable. Edison tried, to no avail, to use the graphite-filled tubes in his experiments to test what would happen in the cable under various conditions. It did not work.

The tubes did give the resistance he needed. But he found that he could not keep the resistance constant. The slightest pressure on the end of the tube, even a vibration in the wires, varied the resistance. When Edison saw that the arrangement would not do, he laid it aside.

4 years later he remembered the "phenomenon" of the behavior of carbon and put it to another kind of use.

He was then at work trying to find some way to transmit the vibrations caused in a telephone diaphragm by the human voice. He thought of the curious behavior of the graphite in the glass tubes. He recalled that vibrations of the wire had altered the resistance of the graphite to electric currents.

Edison now experimented with graphite in various forms. He used a stick of graphite adjusted so that it would touch lightly on a spring attached to a telephone diaphragm. When a person spoke into the telephone, the diaphragm would vibrate, causing a change in pressure on the spring and so on the graphite. This caused a variation in the current passing through the graphite.

Edison found that he could get a tremendous sensitivity using the different forms of graphite with the telephone. The instrument would pick up the faintest sounds--a whisper, the touch of a finger, the foot-step of a fly, even a softly exhaled breath. This was the basis for the invention of the microphone. Reproduction of speech was not distinct. The instrument would blare but it would not speak clearly.

One day Edison happened by be distracted from his work by the annoying smoking of his kerosene lamp. Glancing at the lamp, he noticed the intense black of the smoked-up chimney. Edison was curious about this deposit and as soon as the lamp had cooled a little he wiped off some of the black and examined it.

It was not long afterward that Edison gathered the black from many chimneys and pressed it into a mold to make the first carbon button. Soon he set up banks of lamps and put them all to smoking in what he called his carbon factory. He kept assistants busy gathering the lamp black and pressing it into buttons.

The carbon button played an important part of the history of radio. It started in a chimney in Tom Edison's lab.

INSTRUCTION CARD IC-86968

INSTRUCTIONS FOR INSTALLING AND OPERATING AG-814 RADIOLA LOOP ANTENNA

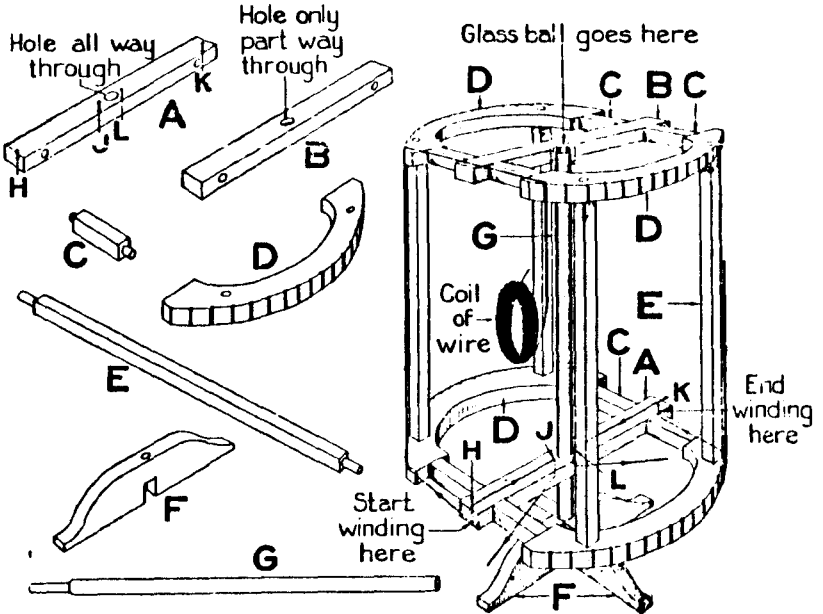


Fig. 1

Fig. 2

The loop is made with the following parts:

- | | |
|--------------------------------|-----------------|
| 1 center piece A | 4 long dowels E |
| 1 center piece B | 2 base pieces F |
| 8 short dowels C | 1 shaft G |
| 4 semi-circles D | 1 glass ball |
| 1 coil of wire (113 feet long) | |

Alternator		Grid leak and Condenser	
Ammeter		Inductance	
Aerial		Variable Inductance	
Arc		Key	
Battery		Resistance	
Buzzer		Variable resistance	
Condenser		Switches	Single pole Single throw
Variable Condenser		Single pole Double throw	
Connection of wires		Double pole Single throw	
No connection		Double pole Double throw	
Coupled coils		Reversing	
Variable coupling		Telephone Receiver	
Detector		Telephone Transmitter	
Galvanometer		Transformer	
Gap, plain		Vacuum Tube	
Gap, quenched		Variometer	
Generator, D.C.		Voltmeter	
Ground			

Standard symbols used in radio wiring diagrams. These symbols should be mastered so that the radio devotee can understand wiring diagrams and follow out their instructions.

Swap Shop

WANTED:

Two tuning dials for Atwater
Kent 20 compact.
Bob Hay 5225 SE Brookside Dr.
Portland,OR 97206, 503-659-8566

Atwater Kent, Large tube socket
and base assembly with binding
posts and reostat for breadboard
Sonny Clutter 14330 NE Fremont Ct
Portland,OR 97230 503-254-9296

Escutcheon for a PHILCO mod. 60
Dick Howard 9999 SE Frenchacres Dr
Portland,OR 97266, 503-775-6697

Front Panel, parts, power supply
lid, etc. for a PILOT superwasp
Dan Howard, 2940 SE 118th ave
Portland ,OR 97266 503-761-7799

A G.E. Variable Reluctance phono-
graph cartridge. The old type or
new variation on the same principle
James Smith, 5215 Tremper,
Houston, Texas 77020.

\$ STRONG BUYER \$ WANT all colors
and styles by Motorola, Bendix,
Fada, DeWald, Emerson, Sentinel,
Gerod, Addison, Knight. MUST be
bakelite. Also Pink Blue Green
mirrored Spartons. Deco & Mirrored
glass & Coca Cola Cooler Radios.
Mark Honea, 13201 NW 81st
Parkville,MO 64152 816-891-2441.

Cascade Surplus Electronics

☀ Phone ☀
☀ (503)285-0832 ☀

Store Hours: Friday and Saturday 10:00 A.M. To 6:00 P.M.
Sunday Noon To 4:00 P.M.

8221 North Denver Avenue
PORTLAND, ORE. 97217

GARY W. STELLER, OWNER



W

Tradio

Puget Sound Antique Radio Association

Need three tube adapters, WD11 to UX199
Jim Barrows, 15121 41ST AVE SE Bothell
WA, 98012, 206-337-4880

Need someone to do good cabinet restora-
tion in exchange for radios. Also need
a cabinet for Philco 90. Art Corbus
5704 11TH AVE NW, Seattle, WA 98107
206-783-6151

Need a cabinet for Philco 80B.
Colin Hallgren, 2205 Oakes, Everett, WA
98201, 206-252-3892

WANTED: colored plastic/ mirrored glass/
art deco radios. Airking plastic sets
with clock (1933). Travler leatherette
portables, Mickey Mouse radios, Peter
Pan radios, Philco 51 clock radio,
Radiola IV, Crosley XL, Sparton 1466
console, Emerson 729B plastic, Emerson
646B plastic, Emerson 547A plastic,
Sparton 500, Halicrafter S-38B and Sky
Courier, Emerson 628 T.V.
Ken Korhonen 4022 41ST AVE SW, Seattle
WA 98116, 206-932-9363

FOR SALE: 40's Magnavox console not
working FREE. Late 20's Steinite console
rough \$5.00. 16" blank record discs \$1
each. Harold Hagen, 4334 Evanston N.
Seattle, WA 98103, 206-634-1155

WANTED: Military or government radio
equipment, especially WW II, aircraft
or forest service "old" shortwave gear
Kit-type short wave regenerative radios
Hugh Miller, 11206 First Ave NE
Seattle, WA 98125, 206-365-3648

AC·CES·SION /ik-'sesh-ən, ak-/

1. acquisition of additional property
 2. to record in order of acquisition
-

Jim Mason:

Dictogrand Speaker "unusual"

Jerry Talbott:

1920's Beaver "baby Grand"

1934 G.E. B-52AR auto radio

1946 Stewart Warner 62736

Black & Gold Catlin Plastic

Dick Howard:

Early Home Brew Crystal set

Dan Howard:

2 Silverton miniature radios

=====



NORTHWEST VINTAGE RADIO SOCIETY

Regular membership \$15.00

Associate Membership \$12.00

Associate memberships are accepted from persons outside commuting distance of the Portland Metropolitan area.

NAME _____

ADDRESS _____

CITY, STATE _____

PHONE _____

VOCATION _____

SPECIAL INTERESTS _____

Mail membership information and dues to the **Northwest Vintage Radio Society**
P.O. Box 02379, Portland Oregon, 97202

Membership includes monthly newsletters, ten monthly meetings (all except July & August), two swap meets and two auctions each year, as well as a trading roster of members, and unlimited "unclassified" ads in the **CALL LETTER**.