

**Elektor  
Electronics  
USA**

**MIDI Program Changer**

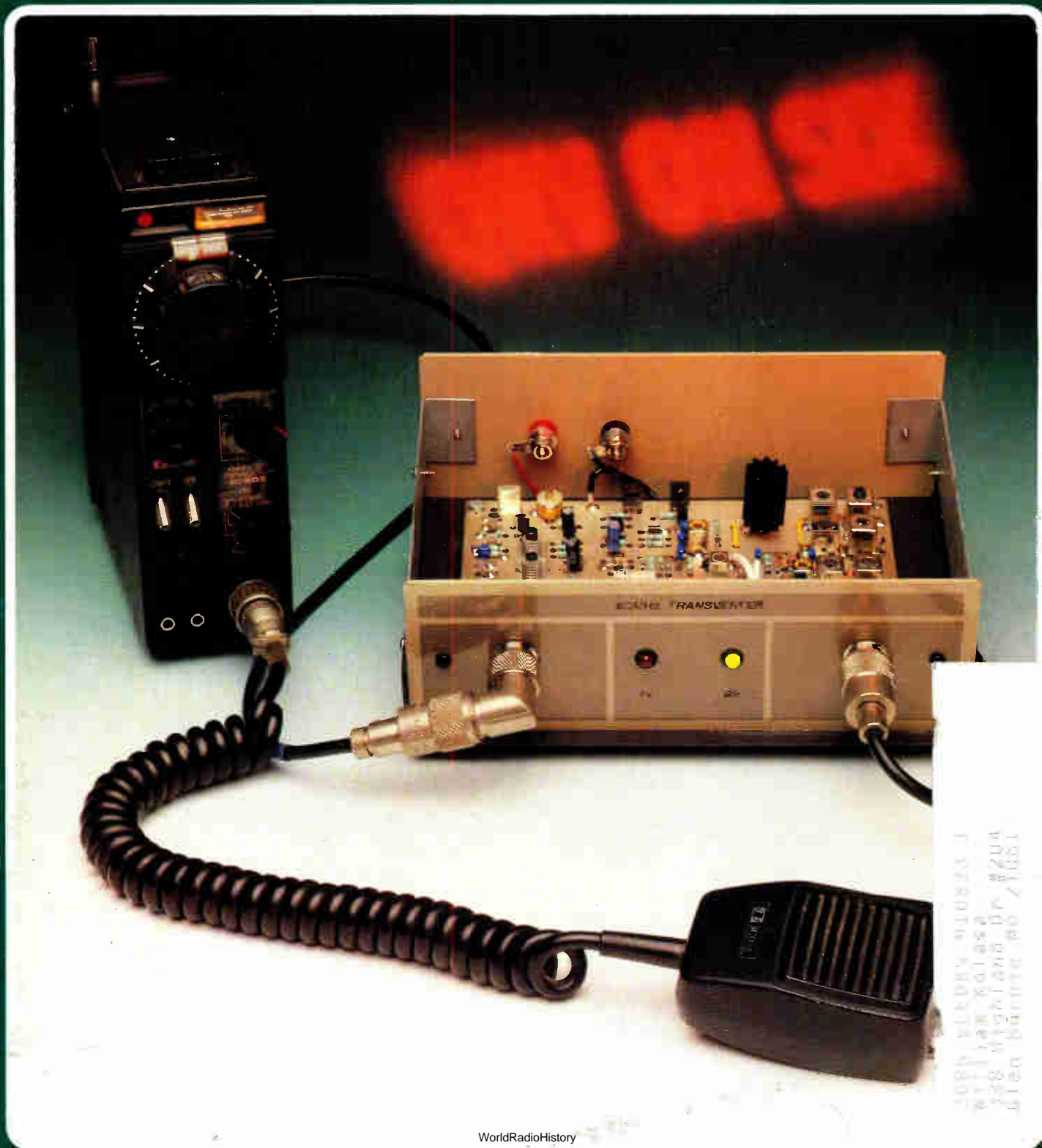
**Halogen Light Dimmer**

**Atari ST 8-Bit I/O**

**Moving Coil Phono Preamp**

**AM/FM Receiver**

**50MHz Transverter**



**SUPER**

**KELVIN** Electronics

**INDUSTRIAL QUALITY AT DISCOUNT PRICES**

**BREADBOARDS FOR LESS!**

DURABLE - MADE OF THE HIGHEST QUALITY PLASTIC - DESIGNED TO WITHSTAND THOUSANDS OF INSERTION CYCLES

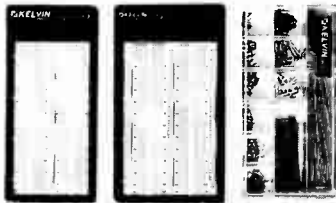


Fig.	Stock No.	Contact Points	YOUR COST
A	680093	500	\$ 4.25 ea
B	680097	840	\$ 5.95 ea
C	680098	1380	\$11.75 ea
D	680099	1580	\$15.75 ea

**WIRE JUMPER KIT**

Use with Quick test sockets and bus strips

Stock No.	Description	Points	YOUR COST
330290	350 Piece Set		\$ 7.75 ea

**PRO 400 The Professionals' Choice**

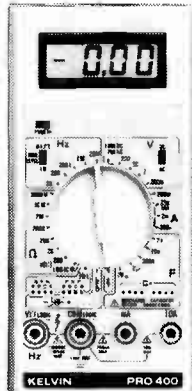
with 20MHz FREQUENCY COUNTER, excellent for COMPUTER, TV, VCR REPAIR and ENGINEERING.

**YOU CAN'T GO WRONG!**

**MONEY BACK GUARANTEE!**

- LOGIC TEST
- DIODE CHECK
- CONTINUITY TESTER
- 5 FREQUENCY RANGES
- TRANSISTOR hFE TEST
- 5 CAPACITANCE RANGES
- LED TEST VERIFY
- 20 MHz FREQ COUNTER
- AC/DC VOLTAGE RANGES
- AC/DC CURRENT RANGES

CASE - Yellow, Durable, Back Stand  
**\$ 69 95**  
 Stock No. 990092



**PROTECTIVE CARRY CASE**  
 Stock No. 990094 \$9.95 ea

**30 DAY MONEY BACK GUARANTEE!**

**SOLDERING EQUIPMENT**

**WELLER MARKSMAN SOLDERING GUN**



**Model SP23**

Featherweight 1-3/4 oz., 25 watts for PC work. Ideal for reaching into those hard to get spots. Replaceable tip.  
 Stock No. YOUR COST 6+  
 810002 \$8.55 ea \$7.95 ea

**SOLDERING IRON HOLDER**



**Model PH60**

Soldering stand with base, sponge  
 For W60P, WP25P, WP40P, and irons with barrel diameters up to 15/32"  
 Stock No. Description YOUR COST 6+  
 810041 PH60 Stand \$13.78 ea \$13.09 ea  
 810042 Replacement Sponge \$ 1.89 ea \$ 1.80 ea

**KESTER SOLDER**

**RESIN CORE SOLDERS 1 LB. ROLL**

Non-Corrosive Flux Resin Core

Stock No.	Inch	Dia.	GA.	Type	YOUR COST
580010	1/64"	.025	23	63/37	\$11.95 ea
580005	1/32"	.031	21	60/40	\$9.95 ea
580001	1/16"	.062	16	60/40	\$8.95 ea
580011	3/32"	.093	13	60/50	\$11.75 ea

**IT'S A FLUKE**

Model	YOUR COST	SALE	Model	YOUR COST
73	\$ 79.		83	\$199.
75	\$119.		85	\$229.
77	\$149.		87	\$269.



- 5 Digit Multifunction Dual Display
- Selectable Reading Rates & Resolutions
- True RMS AC Voltage, AC Current
- .02% Basic DC Voltage Accuracy
- DC Current to 10A ■ RS-232 Interface
- Touch Hold, Relative & Min/Max

Stock No.	Model	YOUR COST
710035	45	\$579.

**KELVIN 100**

Stock No. 990087 **\$ 23 95**  
 AC/DC VOLTAGE  
 DC CURRENT  
 RESISTANCE  
 DIODE TEST  
 BATTERY TEST  
 LOW BATTERY Warning  
 ACCURACY +/- 0.5%

**KELVIN 150**

Stock No. 990090 **\$ 29 95**  
 AC/DC VOLTAGE  
 DC CURRENT  
 RESISTANCE  
 DIODE & BATTERY TEST  
 LOW BATTERY Warning  
 ACCURACY +/- 0.5%  
 CONTINUITY TEST  
 TRANSISTOR CHECK

**KELVIN 200**

Stock No. 990091 **\$ 39 95**  
 AC/DC VOLTAGE  
 AC/DC CURRENT  
 RESISTANCE  
 DIODE TEST  
 LOW BATTERY Warning  
 ACCURACY +/- 0.5%  
 CONTINUITY TEST/BUZZER  
 TRANSISTOR CHECKER  
 CAPACITANCE CHECKER

**INDUSTRIAL QUALITY**



**YOU CAN'T GO WRONG!**

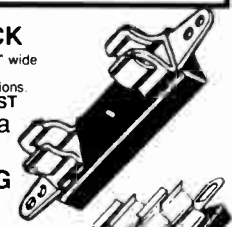
**30 DAY MONEY BACK GUARANTEE!**

**CARRYING CASE**  
 Stock No. 990093  
**\$4.95 ea**

**WE STOCK A COMPLETE LINE OF FUSES**  
**FAST ACTING - SLO-BLO TYPE - PIGTAIL**

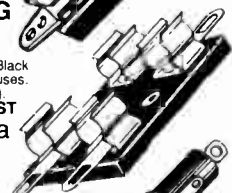
**3AG FUSE BLOCK**

Black laminated phenolic, 1/2" wide  
 1 7/8" long. For 1/4" x 1 1/4" long fuses. Solder lug connections.  
 Stock No. YOUR COST  
 380030 \$ .45 ea



**FUSE MOUNTING BLOCK**

Dual fuse block 2 1/4" x 1" long. Black bakelite base. For 1/4" x 1 1/4" fuses.  
 Mounting centers 5/8" (15.8mm)  
 Stock No. YOUR COST  
 380010 \$ .62 ea



**FUSE POST TYPE HKP**

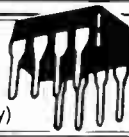
Bayonet type, 2 3/16" for 1/4" x 1 1/4" fuses. 15 Ampere 250V. Panel hole size 1/2" (12.7mm). Complete with mounting nut.  
 Stock No. YOUR COST  
 380001 \$ .90 ea



**TIMER - LM555**

Stock No. 600021

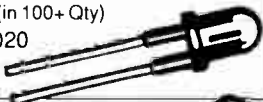
**20 ¢ ea.** (in 100+ Qty)



**L.E.D. RED** (in 100+ Qty)

Stock No. 260020

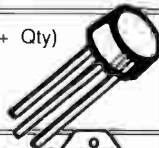
**6 ¢ ea.**



**Transistors** (in 100+ Qty)

**2N2222 18 ¢ ea.**

**PN2222 .08 ¢ ea.**

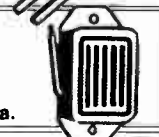


**Project BUZZER**

6-9V DC, 80 dB

Stock No. 680089

**\$1.59 ea \$1.39/10+ ea.**



**9V Battery Snap & Holder**

Snap .15 ea. .10ea/100+

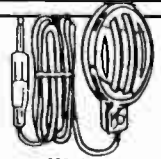
Holder .20 ea. .10ea/100+



**LAPEL MICROPHONE**

Stock No. 850306

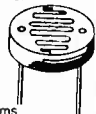
YOUR COST \$2.95 ea



**CADMIUM SELENIDE PHOTO CELL**

450 ohms @ 2 ft., C minimum dark resistance 225 ohms.  
 Max voltage 170V peak. Peaks at 6900 angstroms.

No. 260017 YOUR COST \$ .99 ea



**SULPHIDE PHOTO CELL**

1.5K ohms @ 2 ft., C minimum dark resistance 75 ohms.  
 Max voltage 170V peak. Peaks at 5500 angstroms.

No. 260018 YOUR COST \$ .99 ea



**SUB-MINIATURE MOMENTARY PUSH SWITCH**

Silent action red push button molded housing.  
 Requires 1/4" panel hole. Overall length including solder lugs is 1".  
 Rated 115 VAC, 1 AMP.

Stock No.	Color	YOUR COST	100+
990002	Red	\$ .35 ea	\$ .28 ea



**DC MOTOR**

1.5 to 6VDC

Stock No.	YOUR COST	20+
852211	\$ .50 ea	\$ .45 ea



**KELVIN BRAND HI-SPEED, HI-QUALITY PRINTED CIRCUIT ETCHANT**

Ready-to-use solution of ferric chloride printed circuit etchant in plastic container.  
 Stock No. SPECIAL BUY  
 440017 **\$ 6.25** per gallon



**KELVIN BRAND HI-SPEED DRY PRINTED CIRCUIT ETCHANT**

Clean, safe, economical, indefinite shelf life.  
 4 lbs. will make 2 gallons of recommended 20% etching solution.  
 Stock No. YOUR COST NEW PRICE  
 440026 \$8.40 ea \$ 7.00/4lb bag

**KELVIN BRAND COPPER CLAD BOARD**

NEMA grade FR-2 1/16" thick, unpunched clad on one side.

Stock No.	Size	YOUR COST
440002	4 1/2" x 6"	\$1.55 ea
440003	5" x 7"	\$2.40 ea
440015	8 1/2" x 12 1/2"	\$4.90 ea

**ETCH RESIST INK PENS**

Black felt tip pen for making resist circuits directly on PC boards.  
 Dries instantly for neat, easy application.  
 Can be removed with PC Board Stripping Solution.  
 Stock No. Model Description YOUR COST  
 440115 22-220 Draws 1/32" wide \$1.48 ea  
 440116 22-222 Draws 1/64" wide \$1.85 ea



**KELVIN** Electronics

7 Fairchild Ave. Plainview, NY 11803

Call: 1 (800) 645-9212

1 (516) 349-7620

FAX: 1 (516) 349-7830

**FREE CATALOG**  
 Call or Write

**In our next issue:**

- Universal rod antenna
- DC-DC converter
- Speed control of DC motors
- Augmented A-matrices
- Laser - Part 1
- Video D-A and A-D
- Computer-controlled weather station - Part 2

**Front cover**

Although it has been in use for over ten years in the UK, the 6-metre (50 MHz) band has recently gained a lot of attraction since the PTT (Post, Telephony and Telegraph) authorities of a number of continental European countries, including France, Holland, Belgium and Germany have, after a faltering start, issued the first few hundred 6-metre licences. The author, a Belgian radio amateur, invites you to take an active part in the growing 6-metre activity. The design for a transverter in this issue has a number of distinct advantages over earlier designs that have appeared in the radio amateur press.

Copyright © 1991 Elektor BV

ELEKTOR ELECTRONICS USA is published monthly except August at \$28 per year; \$50 for two years by Audio Amateur Publications, Inc., 305 Union St., Peterborough NH 03458 USA. Application to mail at second class rates pending at Peterborough NH and an additional mailing office.

POSTMASTER: Send address changes to Elektor Electronics USA, Caller Box 876, Peterborough NH 03458-0876. Return Postage Guaranteed.

**AUDIO & HI-FI**

- 18 PROJECT:** Preamplifier for Moving Coil Pick-Up  
by T. Giffard

**COMPUTERS & MICROPROCESSORS**

- 28 PROJECT:** 8-Bit I/O Interface for Atari ST  
by M. Breuer
- 31** Digital Research DOS 5.0 Brings Back Your Memory  
by J. Buiting
- 36** Intel/Tektronix-to-Hexdump Converter Program for PCs  
based on an idea by S. Mitra

**ELECTROPHONICS**

- 14 PROJECT:** MIDI Program Changer  
by R. Degen

**GENERAL INTEREST**

- 54 PROJECT:** Dimmer for Halogen Lights  
based on an idea by H. Peter

**INTERMEDIATE PROJECT**

- 51** Surf Generator  
from an idea by W. Cazemier

**RADIO, TELEVISION & COMMUNICATIONS**

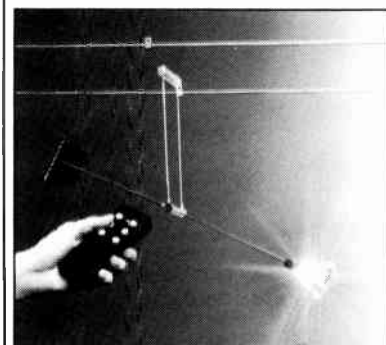
- 38 PROJECT:** 6-Meter Band Transverter  
by Pedro Wyns, ON4AWQ
- 59 PROJECT:** AM/FM Receiver  
based on a Philips design

**TEST & MEASUREMENT**

- 22 PROJECT:** Logic Analyzer Pt. 3  
by K. Nischalke and H.J. Schulz
- 32 PROJECT:** Wattmeter  
by L. Lemon
- 44 PROJECT:** PC-Controlled Semiconductor Tester Pt. 2  
an ELV design

**MISCELLANEOUS INFORMATION**

Electronics Scene 11-13; Book Reviews 62; Readers' Services 63; Terms of Business 64; Advertisers' Index 65; Readers' Forum 66.



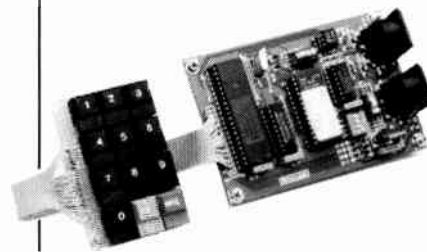
Dimmer for halogen lights - p. 54



Surf generator - p. 51



Wattmeter - P. 32



MIDI programme changer - p. 14

# OLD COLONY'S USER-FRIENDLY SOFTWARE

## BULLOCK & WHITE

### Speaker Designer™

Release 1.2 by Stuart E. Bonney

A loudspeaker system design aid and modeling tool for use with both closed and vented systems over the frequency range from 10 to 300Hz. Computes and displays system frequency response, power handling capabilities, and relative sound pressure level (SPL) outputs for each of 26 discrete frequencies over this range. Includes one year support by the author when the user registers this Shareware product. Each **\$19.50**

IBM 5¼" 360K DS/DD ..... SPD-1B5

### Loudspeaker Modeling Program by Ralph Gonzalez (SB 1, 2, 3/87)

LMP produces a full-range frequency response prediction for multi-way loudspeakers, including the effect of the crossover, driver rolloffs, interdriver time delay, "diffraction loss," etc. (Includes author support.) Each **\$17.50**

#### Specify:

Apple II 5¼" SS/DD (DOS 3.3) ..... LMP-1A5  
Apple Macintosh 3½" SS/DD ..... LMP-2M3G  
IBM PC/XT/AT 5¼" DS/DD ..... LMP-2B5G  
Commodore 64 5¼" DS/DD ..... LMP-1C5

"Souped-Up" LMP provides professional-quality graphics and a fast, friendly, user interface. Remains compatible with LMP data files and is available for IBM PC (CGA, EGA, VGA, or Hercules graphics) and Macintosh computers. The Macintosh version also provides square wave analysis with audible output. Each **\$49.50** (upgrade price: \$39.50\*)

#### Specify:

IBM PC/XT/AT 5¼" DS/DD ..... LMP-3B5G  
Apple Macintosh 3½" SS/DD ..... LMP-3M3G

\*Original LMP disk or sales receipt must be included w/ order.

### Driver Evaluation and Crossover Design

by G. R. Koonce (SB 5/88)

Disk 1 evaluates the suitability of drivers for closed, vented and passive radiator enclosures, and allows detailed designs of vented boxes.

Disk 2, in addition to driver evaluations, allows the design of first-, second-, and third-order crossovers. 5¼" IBM: 360K, DS/DD. Each **\$12.50**

#### Specify:

Driver Evaluations ..... DRI-1B5  
Crossover Design ..... CRS-1B5

### Active Filter Design

by Fernando Garcia Viesca (SB 4/88)

Calculates component values for Butterworth filters in four configurations: High- and low-pass in second- and third-order. (Includes author support.) Each **\$17.50**

IBM 5¼" 360K DS/DD ..... ACT-1B5

### Two-Way Active Crossover Design

by Gary Galo (SB 5/88)

Performs the calculations for the eight two-way active crossover designs described by Bob Bullock using formulas exactly as given in the articles; plus a program to calculate  $V_{TH}$ . (Includes one year user support.) Each **\$20**

#### Specify:

IBM 5¼" 360K DS/DD ..... TWO-1B5  
IBM 3½" 720K DS/DD ..... TWO-1B3

### Stepped Volume Controls

by Joseph O'Connell (TAA 4/88)

These ready-to-run Mac programs come on a 3½-inch SS/DD disk initialized as a 400K disk for compatibility with all machines. Also included are the Pascal source codes, should you wish to customize them for your own use. Program A. Precisely matches the resistor values to the measured or estimated source and load impedances, yielding great accuracy. Your volume control can have 3 to 99 positions. The program will ask you how many dB each step should be attenuated and has provisions for a standard audio taper or any other taper you devise. Program B. Calculates the taper that will result with your actual resistor values, because you are limited to standard values or with series and parallel combinations. It can also show the effects of different source and load impedances on the taper. Both programs (contained on the same disk) allow you to save their output to a text file and include author support via mail. Each **\$25**

Apple Macintosh 3½" SS/DD ..... SVC-1M3

### BOXRESPONSE

Model-based performance data for either closed-box or vented-box loudspeakers with or without a first- or second-order electrical high pass filter as an active equalizer (SB 1/84). The program disk also contains seven additional programs as follows:

**Air Core:** This program was written as a quick way of evaluating the resistance effects of different gauge wire on a given value inductor. The basis for the program is an article in *Speaker Builder* (1/83, pp. 13-14) by Max Knittel. The program asks for the inductor value in millihenries (mH) and the gauge wire to be used. (NOTE: only gauges 16-38.)

**Series Notch:** Developed to study the effects of notch filters in the schematics of some manufacturers. Enter the components of the network in whole numbers (i.e., 10 for 10 $\mu$ F and 1.5 for 1.5mH) and indicate whether you want one or two octaves on either side of resonance. Output is frequency, phase angle and dB loss.

**Stabilizer 1:** Calculates the resistor-capacitor values needed to compensate for a known voice coil inductance and driver DC resistance.

**Optimum Box:** A quick program based on Thiele/Small to predict the proper vented box size, tuning and -3dB down point. It is based only on small signal parameters, therefore, it is only an estimate of the response at low power (i.e., limited excursion).

**Response Function:** Calculates the small signal response curve of a given box/driver combination after inputting the free-air resonance of the driver ( $f_s$ ), the overall "Q" of the driver ( $Q_{TS}$ ), the equivalent volume of air equal to the suspension ( $V_{AS}$ ), the box tuning frequency ( $f_B$ ), and the box volume ( $V_B$ ). Output is the frequency and relative output at that frequency.

**L-Pad Program** by Glenn Phillips: Appeared in *Speaker Builder* (2/83, pp. 20-22). It is useful for padding down a tweeter or midrange while still retaining the same load as the driver itself.

**Vent Computation** by Glenn Phillips: Calculates the needed vent length for 1, 2 or 4 ports of the same diameter. Input box volume in cubic feet and required tuning frequency ( $f_B$ ), output is vent length and vent area for each case.

Medium: 5¼" SS/DD Disk. Price, **\$25**.

#### Specify:

#### BOXRESPONSE

Apple ..... BOX-1A5  
Commodore 64 (Disk) ..... BOX-1C5  
Commodore 64 (Cassette) ..... BOX-3CC  
IBM ..... BOX-1B5

#### IBM Plus Graphics

BOXRESPONSE ..... BOX-2B5G **\$50**

### PASSIVE CROSSOVER

This disk is a result of Mr. Bullock's extensive research concerning first-, second-, third-, and fourth-order passive crossovers in *Speaker Builder* 1, 2 & 3/85; **\$25**

#### Specify:

#### PASSIVE CROSSOVER CAD

Apple ..... PAS-1A5  
Commodore 64 (Disk) ..... PAS-1C5  
IBM ..... PAS-1B5

#### IBM Plus Graphics

CROSSOVER CAD ..... PAS-2B5G **\$50**

# CALSOD

## Computer-Aided Loudspeaker System Optimization and Design by Witold Waldman

CALSOD is a new entry into the field of crossover network optimizing software available for the IBM PC desktop computer. It combines the transfer function of an LC network with the acoustic transfer function of the loudspeaker, by using some form of iterative analysis. CALSOD creates, through the process of trial-and-error curve fitting, a suitable transfer function model which it can then optimize. The program is the subject of CALSOD author Witold Waldman's research paper "Simulation and Optimization of Multiway Loudspeaker Systems Using a Personal Computer" which appeared in the *Audio Engineering Society Journal* for September 1988, pp. 651-663. CALSOD differs considerably from other software since it models the entire loudspeaker output of a multiway system, including the low-end response, and the summed responses of each system driver.

The program performs a lot of tricks. One of the more spectacular of these allows the designer to specify the location of the driver acoustic centers using an XYZ coordinate system. Thus, if the designer ex-

pects to mount a driver combination on a flat baffle, the summed response can be optimized to compensate for rearward displacement of a woofer's acoustic center with respect to a tweeter. CALSOD can model up to seven drivers at a time in a four-way system giving the summed response and acoustic phase response of the entire system.

The CALSOD program comes on a single 360K floppy, and requires one directory and two subdirectories in installation, plus access to the DOS GRAPHBL file, which it uses for a couple of special symbols. The 133-page User Manual, provided on a second disk, is well written, adequately describes the various program functions, and contains an excellent tutorial example, which demonstrates the use of the program.

#### Specify:

IBM 5¼" 360K DEMO . . . . CAL-2B6D \$ 5.00\*  
IBM 2 x 5¼" 360K DS/DD . . . . CAL-2B6 \$65.00  
IBM 3½" 720K DS/DD . . . . CAL-2B4 \$67.50

\* Usable as credit toward later purchase of full CALSOD.

**NOTE: OLD COLONY SOFTWARE SHOWN ON THIS PAGE IS NOT RETURNABLE FOR REFUND OR CREDIT. ALSO, BECAUSE OF UNREASONABLE TAXATION REQUIREMENTS BY THEIR STATE, WE REGRETFULLY ARE UNABLE TO SELL SOFTWARE TO RESIDENTS OF CONNECTICUT.**

POSTAGE & HANDLING: In US, please add \$2.00 for first disk and 75¢ each additional disk. In Canada, please add \$4.50. Overseas, please include 20% of total order for shipping.

DEALER INQUIRIES INVITED  
CALL OR WRITE FOR YOUR FREE CATALOG!



### OLD COLONY SOUND LAB

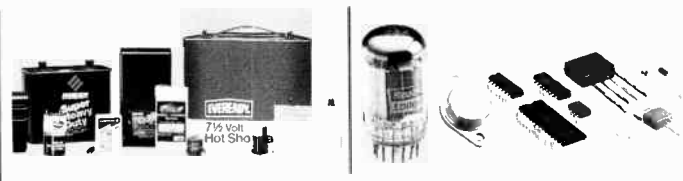
PO Box 243, Dept. E91, Peterborough, New Hampshire 03458 USA  
(603) 924-6371 / FAX: (603) 924-9467

Answering machine for credit card orders only: (603) 924-6371  
before 9:00 a.m., after 4:00 p.m. and weekends.  
Have information plus MC/VISA available.

# RADIO SHACK PARTS PLACE<sup>SM</sup>

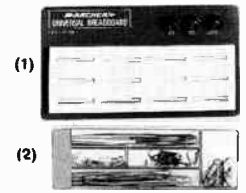


**Talking Multimeter.** Press a button on the probe and this meter calls out the reading while displaying it on a high-contrast LC display. Full auto-ranging, continuity sounder, diode-check mode. Low-battery and over-range indicators. #22-164 . . . . . **99.95**

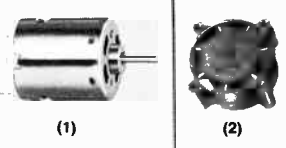


## "HOTLINE" SPECIAL-ORDER SERVICE

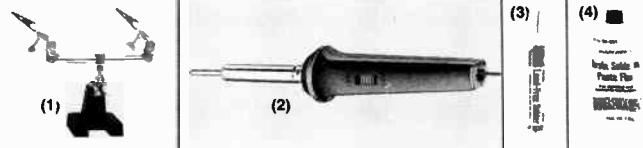
Your nearby Radio Shack stocks over 1000 popular electronic parts and can special-order many items from our main warehouse—ICs, tubes, semiconductors, phono cartridges and styli, even SAMS' manuals. We can also supply replacement batteries for cordless phones, computer memory, transceivers, pagers and more. Service is fast and there is no postage charge.



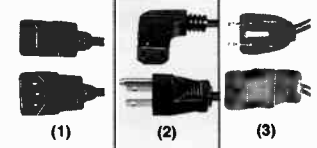
(1) **Universal Breadboard.** Our best! Molded 2 1/4" x 6 1/2" board on 7 x 4" steel base with rubber feet and three binding posts. #276-169 . . . . . **19.95**  
(2) **Breadboard Jumper Wire Kit.** Our 140-piece set of ready-to-use hookup wires. #276-173 . . . . . **4.95**



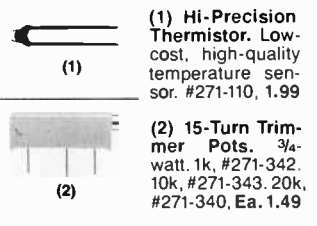
(1) **High-Speed 12VDC Motor.** Up to 15,200 RPM at no load. About 2" long (with shaft). #273-255 . . . **2.99**  
(2) **12VDC Brushless Micro Fan.** For cooling mobile equipment and hum-sensitive circuits. Rated 4.6 CFM. 150 mA. #273-244 . . . **17.95**



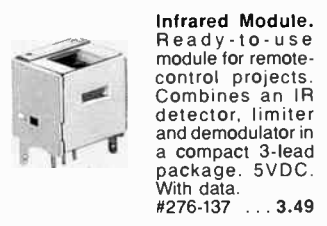
(1) **Adjustable Project Holder.** Our extra-sturdy "Helping Hands" holder simplifies soldering, gluing and assembly work. #64-2093 . . . . . **8.19**  
(2) **Dual-Wattage Soldering Iron.** Go from 15 to 30 watts with the flick of a switch. 8 1/4" long. UL listed AC. #64-2055 . . . . . **9.49**  
(3) **Lead-Free Solder.** Top choice for fine electronics work. 96% tin, 4% silver composition. .032"-diameter. 0.25 oz. #64-025 . . . . . **1.99**  
(4) **Soldering Paste Flux.** #64-021 . . . . . **1.79**



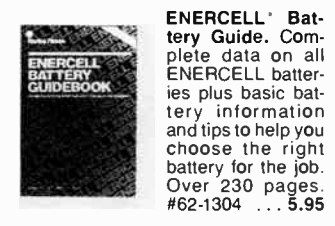
**Computer/Business Machine AC Power Cords.** 6 ft. HP (CEE-type) connectors. UL listed.  
(1) **Extension.** #278-1259 . . . **4.99**  
(2) **90° Type.** #278-1260 . . . **5.99**  
(3) **With Straight CEE Connector.** #278-1257 . . . . . **3.99**



(1) **Hi-Precision Thermistor.** Low-cost, high-quality temperature sensor. #271-110, **1.99**  
(2) **15-Turn Trimmer Pots.** 3/4-watt. 1k, #271-342. 10k, #271-343. 20k, #271-340, Ea. **1.49**



**Infrared Module.** Ready-to-use module for remote-control projects. Combines an IR detector, limiter and demodulator in a compact 3-lead package. 5VDC. With data. #276-137 . . . **3.49**



**ENERCELL® Battery Guide.** Complete data on all ENERCELL batteries plus basic battery information and tips to help you choose the right battery for the job. Over 230 pages. #62-1304 . . . **5.95**



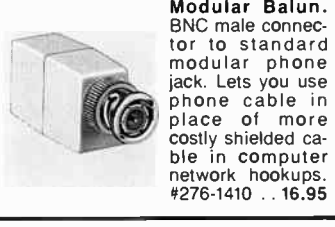
**Mini Audio Amplifier.** Perfect for use as a test-bench amp and for computer voice/music synthesis. Built-in speaker plus 1/8" headphone jack, 1/8" input jack, volume control. #277-1008, **11.95**



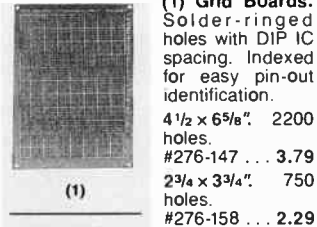
(1) **Stackable Banana Plugs.** Jack for "chain" hook-up. One red and one black. #274-734, Set **1.59**  
(2) **Package of 10 Jumper Leads.** 14" long. Mini gator clips. #278-1156 . . . **3.99**



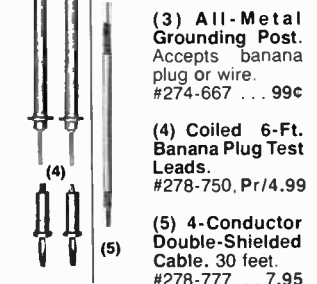
**Miniature Piezo Speaker.** Only 1 3/32"-diameter by 5/64" thin. Efficient 1200-ohm audio transducer can be directly driven by ICs. Response: 500 Hz to 20 kHz. 273-091 . . . . . **2.49**



**Modular Balun.** BNC male connector to standard modular phone jack. Lets you use phone cable in place of more costly shielded cable in computer network hookups. #276-1410 . . . **16.95**



(1) **Grid Boards.** Solder-ringed holes with DIP IC spacing. Indexed for easy pin-out identification.  
4 1/2 x 6 5/8". 2200 holes. #276-147 . . . **3.79**  
2 3/4 x 3 3/4". 750 holes. #276-158 . . . **2.29**  
1 27/32 x 2 27/32". 356 holes. #276-149 . . . **99c**



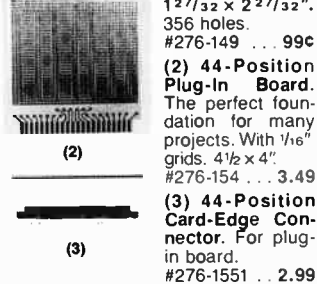
(3) **All-Metal Grounding Post.** Accepts banana plug or wire. #274-667 . . . **99c**  
(4) **Coiled 6-Ft. Banana Plug Test Leads.** #278-750, Pr/4.99  
(5) **4-Conductor Double-Shielded Cable.** 30 feet. #278-777 . . . **7.95**



**Crimp-Style D-Sub Connectors.** With quality gold-plated contacts.  
**9-Position Male.** #276-1427 . . . **99c**  
**9-Pos. Female.** #276-1428 . . . **1.19**  
**25-Position Male.** #276-1429 . . . **1.49**  
**25-Pos. Female.** #276-1430 . . . **2.49**



**D-Sub Pin Crimping Tool.** This professional steel tool makes it easy to install D-sub connectors. Accepts #20, #24 and #28 pins. Comfortable cushioned handles provide a firm, secure grip. 6 7/8" long. #276-1595 . . . **9.95**

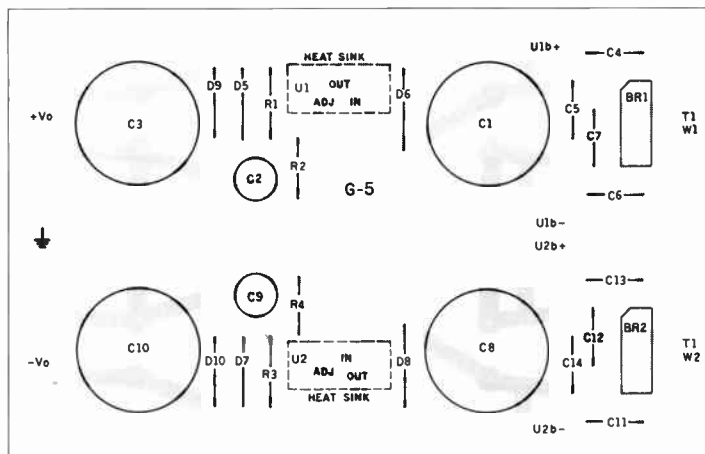


(2) **44-Position Plug-In Board.** The perfect foundation for many projects. With 1/16" grids. 4 1/2 x 4". #276-154 . . . **3.49**  
(3) **44-Position Card-Edge Connector.** For plug-in board. #276-1551 . . . **2.99**

Since 1921 Radio Shack has been the place to obtain up-to-date electronic parts as well as quality tools, test equipment and accessories at low prices. Over 7000 locations to serve you—NOBODY COMPARES  
Prices apply at participating Radio Shack stores and dealers. Radio Shack is a division of Tandy Corporation



# KIT SPECIALS FOR SPRING!



## PREAMP POWER SUPPLY

Gary Galo/Walt Jung/Rich Markell

**KG-5**  
**\$195**

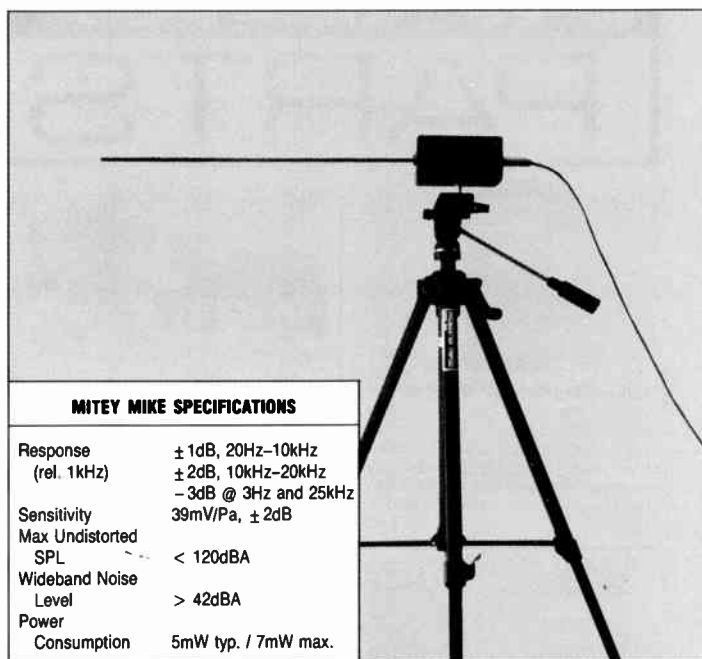
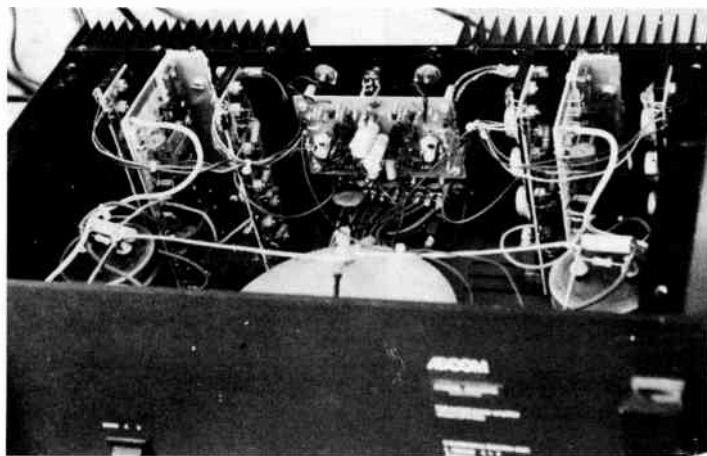
The designers of this classy workhorse refined and experimented until they came up with the perfect marriage of a hefty (18V + 18V, 120VA) toroidal transformer and 3-Amp Linear Technology regulators featuring low dropout voltage and a 1% output voltage tolerance. Kit includes PCB, all parts including filter caps, transformer. Case not included. From TAA 4/90.

## ADCOM POWER SUPPLY REGULATOR

Kit Ryan

**KY-2**  
**\$99 per chan.**

This popular mod was designed for taming Adcom's GFA-555, but it adds sweetness and definition to just about any amp in the 80V-in, 60V-out, 10A-regulated family. Mounts in existing case; complete with PCB, custom heatsink, and Japanese transistors. Two usually needed. From TAA 4/89.



## MITEY MIKE SPECIFICATIONS

Response (rel. 1kHz)	± 1dB, 20Hz-10kHz ± 2dB, 10kHz-20kHz - 3dB @ 3Hz and 25kHz
Sensitivity	39mV/Pa, ± 2dB
Max Undistorted SPL	< 120dBA
Wideband Noise Level	> 42dBA
Power Consumption	5mW typ. / 7mW max.

## MITEY MIKE TEST MICROPHONE

Joseph D'Appolito

**KD-2**  
**\$149**

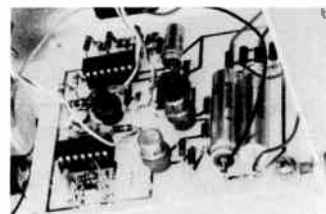
At long last, a top-quality test mike at a great price! Mitey Mike is the answer to many an audiophile's testing dreams, providing flat free-field frequency response; high, undistorted SPL capability; good measurement repeatability; and guaranteed long-term stability. Plus, it's a snap to build! Complete with PCB, uncalibrated mike cartridge, custom brass wand, all components, and (undrilled) blue case. Mike calibration service available. Tripod, 9V battery not included. From SB 6/90.

## THE WARBLER OSCILLATOR

Richard Crawford

**KK-3**  
**\$69**

The Warbler produces a swept signal covering any 1/3 octave between 16Hz and 20kHz. With a mike, it's a pink noise source to evaluate speaker system performance and the effects of reflection and absorption. Comes with PCB, transformer, all parts. Case not included. From TAA 1/79.



## MITEY MIKE/WARBLER SET

D'Appolito/Crawford

**KMW-1**  
**\$199**

Both of the above, at a special savings of \$19!

Yes! Please send me

\_\_\_\_\_ # \_\_\_\_\_ @ \$ \_\_\_\_\_ = \$ \_\_\_\_\_  
 \_\_\_\_\_ # \_\_\_\_\_ @ \$ \_\_\_\_\_ = \_\_\_\_\_  
 \_\_\_\_\_ # \_\_\_\_\_ @ \$ \_\_\_\_\_ = \_\_\_\_\_  
 SHIPPING \_\_\_\_\_  
 TOTAL \$ \_\_\_\_\_

SHIPPING: Postpaid in U.S. In Canada, please add 10% for surface; others, 20% for surface. Airmail: Please inquire.



## OLD COLONY SOUND LAB

PO Box 243, Dept. E91  
 Peterborough, NH 03458 USA  
 24-hour telephone: (603) 924-9464  
 24-hour FAX: (603) 924-9467

NAME \_\_\_\_\_ MAGIC NO. \_\_\_\_\_

STREET \_\_\_\_\_

CITY \_\_\_\_\_ STATE \_\_\_\_\_ ZIP \_\_\_\_\_

M/C/VISA \_\_\_\_\_ EXP. DATE \_\_\_\_\_

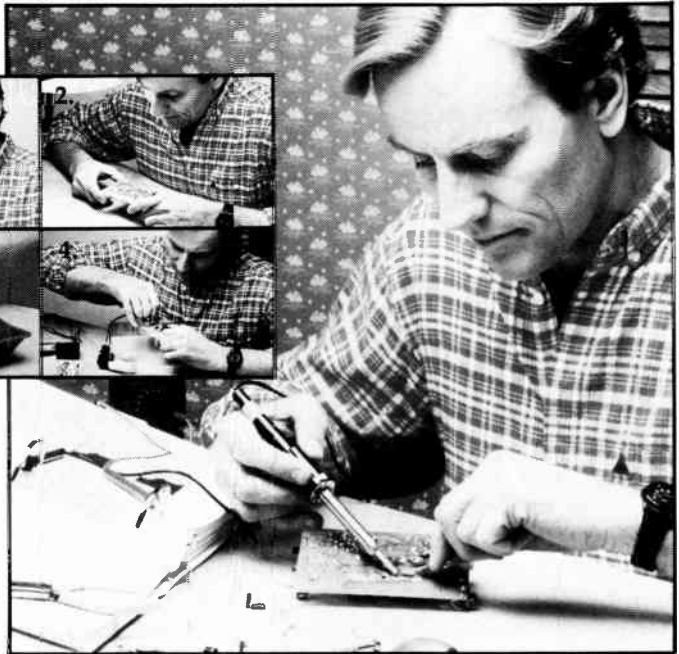
**CALL OR WRITE FOR YOUR FREE CATALOG!**  
**DEALER INQUIRIES INVITED.**

# 9 Reasons you'll really enjoy The Modern Electronics Manual



Look how easy it is to make your own printed circuits now

1. Select the board layout you want.
2. Place it on top of a photo-sensitive copper baseboard and expose to sunlight, spotlight or incandescent bulb.
3. Etch away unwanted material in bath solution to create your printed circuit.
4. Attach components and solder to board.
5. Plug it in and use it.



## 1. Filled with practical, useful projects

Over 400 pages of how-to information that's easy-to-follow and makes projects faster, easier and more enjoyable. Now you can build your own electronic components in wide range of areas—from telecommunications to stereos, computers, radio and TV.

## 2. Circuit layouts on acetate—Save you time and effort

Here's how to eliminate the most time consuming step of almost any project—fabricating the printed circuit you need. The Manual gives you the board layout in black on a clear acetate. Just place the acetate over a photosensitive PC copper baseboard, expose it to light, develop it, and you have your own printed circuit board specially crafted for each project.

## 3. Save money by doing things yourself

Build things for the home and office that make your life easier and more pleasant, and give you more efficiency. Learn when to call the repair man and

when you can fix it yourself. Save unnecessary service calls.

## 4. Sources of supply

Your Manual gives you listings of firms that sell electronic components through stores and through the mail.

## 5. Professional "hints and kinks"—tips, & new techniques

Professional techniques are explained in detail, step-by-step. You learn the easy shortcuts as well as the pitfalls to look out for.

## 6. Keep on top of what's new

Advances in electronics occur rapidly today, so we send regular updates to give you insight into new technologies and how you can work with it.

## 7. Trouble-shooting techniques

Build your understanding from the ground up. Learn the technology

and how it works, then the applications, the maintenance and repair procedures.

## 8. Well-organized, easy to access information

The FREE, sturdy 3-ring Binder with Index Tabs organizes material so you find what you need quickly.

## 9. Publisher's Moneyback Guarantee

There's absolutely no risk in taking a look at **The Modern Electronics Manual**. You pay nothing unless you are completely satisfied it's for you. If you have paid already you will receive a full 100% of your money back.

### No Risk Trial Certificate

Just return the coupon below and we'll send you the Manual to look over in the comfort of your home or office. Take the time it deserves to examine it carefully and then decide.

Send for your no risk look today.

### Here are just some of the subjects covered:

Electronic components and their characteristics  
Hand tools for electronic kit building  
Electronic component handling  
Electrical soldering techniques  
Sources of electronic components and supplies  
Printed circuit board layout techniques  
Making printed circuit boards  
Surface mount technology  
Electrical safety  
Basic radio  
Basic TV  
Solid state darkroom timer  
Electrical surge protection  
Amplifier for your Walkman  
Basic telephone  
Telephone testing set  
Cellular telephone  
Night light that turns on when telephone rings

Introduction to Satellite TV  
Facsimile fundamentals  
Guide to using computer bulletin boards  
Short wave radio  
Digital logic fundamentals  
A DOS tutorial  
BASIC programming tutorial  
Video display adapters for PCs  
Laser printing  
Installing accessory cards in your PC  
Installing a hard/fixed disk drive  
Managing data on your hard drive  
Electrical desoldering techniques  
Audible voltage continuity tester  
General diagnostic techniques  
Ground fault-interrupter  
Cost effective function generator  
Double sided painted circuit boards  
Soldering iron idler  
Improving antenna reception performance



**To order your Manual right away, call 1-800-222-WEKA**

### The Modern Electronics Manual

97 Indian Field Road, Greenwich, CT 06830

YES, send me **The Modern Electronics Manual** for only \$49.95 (plus \$5.00 for shipping and handling). Enclosed is my check or credit card number and signature. I understand if I am not completely delighted I can return the Manual at any time and receive a complete 100% refund.

Bill me  Payment enclosed  Charge my  Visa  MasterCard  
 Acct. No. \_\_\_\_\_ Exp. Date \_\_\_\_\_

Signature \_\_\_\_\_

Name \_\_\_\_\_

Address \_\_\_\_\_

City, St, ZIP \_\_\_\_\_

All orders must be signed to be processed. 400007

If I elect to keep the Manual, I understand I'll also receive supplements 4 to 5 times a year at 25¢ per page to ensure my Manual remains completely up to date. I'll be billed with each separate supplement and can return them unpaid if I'm not satisfied. I can also cancel further supplements at any time.

Now Available by Popular Demand!

# BULLOCK ON BOXES

BY ROBERT M. BULLOCK III  
with Robert White

Since 1980, readers of *Speaker Builder* magazine have delighted in the scope and clarity of Bob Bullock's explanations of vented-box loudspeaker systems. Now, for the first time, these articles have been collected into a single invaluable volume: *BULLOCK ON BOXES*.

This book is an easy-to-read guide to designing and building vented-box systems based on Thiele/Small models. And in addition to the background theory and descriptions of the models, *BULLOCK ON BOXES* carefully covers a host of related information drawn from numerous resources. Computer modeling, as demonstrated by the authors' BOXRESPONSE and BOXMODEL programs, is also explained in clear detail.

A professor of applied mathematics at Miami University (Ohio) since 1966 and long-time hands-on speaker buff, Dr. Bullock brings an unparalleled range of experience to the pages of *BULLOCK ON BOXES*. Fully indexed and referenced, with glossary, bibliography, and more than 100 illustrations, *BULLOCK ON BOXES* is a practical handbook and lasting reference indispensable to every serious speaker builder. Order yours today!

## CHAPTERS:

- Thiele, Small, and Vented Loudspeaker Design
- Determining Design Parameters for Your Loudspeaker
- Fine Points of Vented Speaker Design
- Alternative Alignments (incl. Fourth Order)
- T/S Calculator Programs (TI-58/59, HP-67/97)
- BOXRESPONSE: An Apple Program for the Thiele/Small Models
- Realizing BOXRESPONSE's Potential
- BOXMODEL: An Aid to Woofer System Design
- Correspondence & Updates

CK     MO     MC/VISA

NAME \_\_\_\_\_

STREET & NO. \_\_\_\_\_

CITY \_\_\_\_\_ STATE \_\_\_\_\_ ZIP \_\_\_\_\_

MC/VISA \_\_\_\_\_ EXP. \_\_\_\_\_

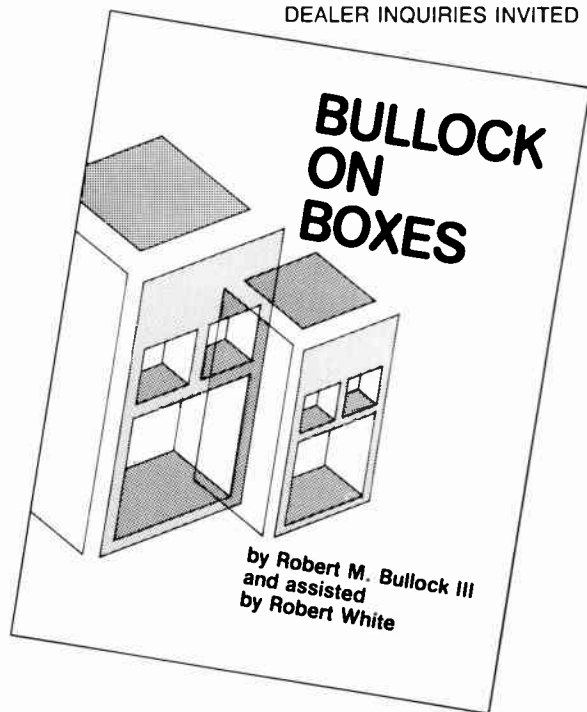


## OLD COLONY SOUND LAB

PO Box 243, Dept. E91  
Peterborough, NH 03458-0243  
(603) 924-6371 / 924-6526  
FAX: (603) 924-9467

Answering machine for credit card orders only:  
before 9:00 a.m., after 4:00 p.m. and weekends.  
Have all information plus MC/VISA available.

DEALER INQUIRIES INVITED



BKAA8 1990, 8½" × 11"

\$10.95

**SPECIAL OFFER:** For a limited time only, purchase *BULLOCK ON BOXES* and receive your choice of software package below at \$5 off the regular retail price. Order BKAA8/S.\*

\*Because of taxation requirements, software not available to residents of CT.

## SOFTWARE PACKAGES AVAILABLE (Sale Prices Shown):

### BOXRESPONSE \$20

Apple (not Mac) #BOX1A5 Commodore #BOX1C5  
IBM #BOX1B5 Comm. Cassette #BOX3CC

### BOXRESPONSE WITH GRAPHICS \$45

IBM only #BOX2B5G

### BOXMODEL WITH GRAPHICS \$45

IBM only #MOD3B5G

[NOTE: In general, BOXRESPONSE automatically generates alignments for a given driver. BOXMODEL does not do this, but instead compares up to four given alignments simultaneously. Both programs display various performance aspects of passive-radiator or vented-box systems.]

**YES!** Please send me \_\_\_\_ *BULLOCK ON BOXES* at \$10.95 each! BKAA8 \$ \_\_\_\_\_

**SOFTWARE, TOO!** Please send me one *BULLOCK ON BOXES* at \$10.95 BKAA8/S \_\_\_\_\_

**PLUS** my choice of software package # \_\_\_\_\_ at only \$ \_\_\_\_\_! BKAA8/S \_\_\_\_\_

**POSTAGE AND HANDLING** (see below) \_\_\_\_\_

**TOTAL ORDER \$** \_\_\_\_\_

## POSTAGE AND HANDLING:

U.S.—Book only: \$2.00 first book, 75¢ each additional.  
Book plus software: \$2.75.

Canada—Book only: \$4.50 first book, 75¢ each additional.  
Book plus software: \$5.25.

Other—Add 20% to order.



# CIE Gives You The Training You Need to Succeed... At Your Own Pace...& In Your Own Home!

## Discover Your Career Potential In The Fast-Growing Field Of High-Tech Electronics!

If you're anxious to get ahead...and build a *real* career...you owe it to yourself to find out about the Cleveland Institute of Electronics!

CIE can help you discover your career potential in the fast growing field of high-tech electronics. A career that will challenge and excite you every day...reward you with a powerful feeling of personal accomplishment...and deliver a level of financial security you may have only dreamed of before!

As the leading school in home-study electronics, CIE has helped over 150,000 students in the U.S.A. and over 70 foreign countries get started in this exciting field. To find out how CIE could be helping you...read on...then send for a CIE catalog TODAY!

### A Growing Need For Trained Professionals!

The career opportunities shown here are only a few of the challenging, high-paying careers you could enjoy as an electronics technician.

You could be the "brains" behind the scenes of an exciting TV broadcast...trouble-shoot life-saving medical equipment...design exotic new aeronautics systems...CIE's job-oriented programs offer you the quickest possible path to the career of your dreams! And CIE also features military and union re-training, to build on what you already know.

### Dozens Of Fascinating Careers To Choose From!

Even if you aren't sure which career is best for you, CIE can get you started with core lessons applicable to *all* areas of electronics. As you advance, CIE makes job opportunities available to you through the bimonthly school paper, *The Electron*.



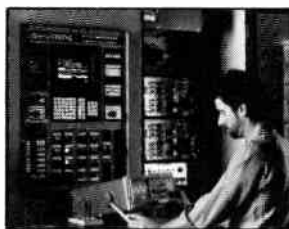
Data Communications



Automotive Electronics



Avionics



Computer-Assisted Manufacturing



Consumer Electronics



Military Electronics

### Personal Training From A Renowned Faculty.

Unlike the impersonal approach of large classroom study, CIE offers you one-on-one instructional help 6 days a week, toll-free. Each CIE lesson is authored by an independent specialist, backed by CIE instructors who work directly with you to answer your questions and provide technical assistance when you need it.

### Practical Training... At Your Own Pace.

Through CIE, you can train for your new career while you keep your present job. Each course allows a generous completion time, and there are no limitations on how fast you can study. Should you already have some electronics experience, CIE offers several courses which start at the intermediate level.

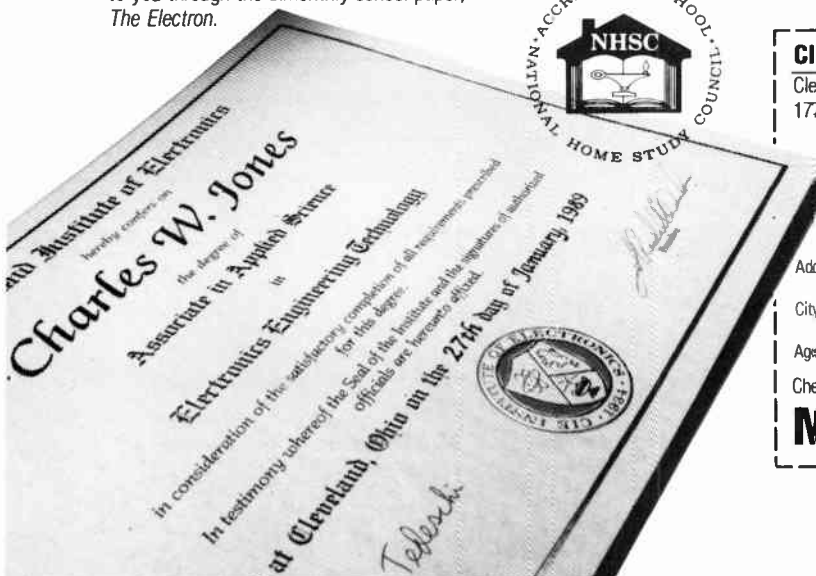
### "State-Of-The-Art" Facilities & Equipment.

In 1969, CIE pioneered the first electronics laboratory course, and in 1984, the first Microprocessor Laboratory. Today, no other home study school can match CIE's state-of-the-art equipment. And all your laboratory equipment is included in your tuition cost. There is no extra charge—it's yours to use while you study at home and on the job after you complete your course!

### Earn Your Degree To Become A Professional In Electronics!

Every CIE course you take earns you credit towards the completion of your Associate in Applied Science Degree, so you can work towards your degree in stages. And CIE is the only school that awards you for fast study, which can save you thousands of dollars in obtaining the same electronics education found in four-year Bachelor's Degree programs!

### Send For Your Catalog Today!



#### CIE World Headquarters

Cleveland Institute of Electronics, Inc.  
1776 East 17th St., Cleveland, Ohio 44114

**YES!** Please send me your independent study catalog (For your convenience, CIE will have a representative contact you—there is no obligation.)

Print Name \_\_\_\_\_

Address \_\_\_\_\_ Apt # \_\_\_\_\_

City/State/Zip \_\_\_\_\_

Age \_\_\_\_\_ Area Code/Phone No. \_\_\_\_\_

Check box for G.I. Bill bulletin on educational benefits:  Veteran  Active Duty

**Mail This Coupon Today!** AELO4

# J. GORDON HOLT

## If you had to invent a new language, where would you begin?

Back when high quality sound reproduction was a new idea and **J. Gordon Holt** was a staffer at *High Fidelity* magazine, manufacturers and journalists alike depended on the simple technical quality tests which everyone accepted as the yardsticks for performance. As the industry grew, equipment got better, competition fiercer, and technical reviewing became more crucial to sales managers. Before long, **J. Gordon** began to realize that reviewing was becoming more and more accommodating, and where the reviewers continued to rely on the standard tests, the measurement data began to look more and more alike.

Finally, in frustration, **Holt** left Great Barrington and headed for home in Pennsylvania where he founded *Stereophile* magazine in the spare room of his mother's house. He became convinced that although equipment tests and measurements were important, they no longer accounted for the differences he could hear. Two devices could easily measure the same and yet sound quite different.

**Holt** abhorred the tendency of the larger magazines to depend almost entirely on measurements, which he saw as a safe way to review without disturbing the manufacturer with any bad news. Not only that, he realized that not one of the US audio publications was publishing reviews that were critical of equipment. In fact, in some cases they were ignoring some flaws.

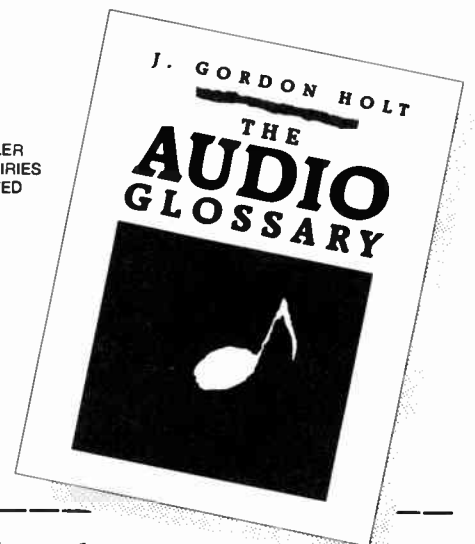
However, if the reviewer wishes to review how equipment sounds, he faces a severe problem. Our sense of hearing has the smallest vocabulary of any of our five senses. Thus, **Gordon** faced the difficulty of describing sound differences with all too few words with which to do it. He not only had to invent the techniques and disciplines of

what has become known as "subjective reviewing" but also the language with which to do it.

Today, the magazine he founded has become a major force in audio quality judgments around the world. And almost all the vocabulary definitions are his work.

Seldom will you have the opportunity to purchase a reference work backed by so much primary research and experience. Few reviewers have spent more time and energy in an honest search for a defined, factual account of what matters in good sound reproduction techniques. In audio equipment reviewing, **J. Gordon Holt** is not only a pioneer but a master.

*THE AUDIO GLOSSARY* is the first publication of not only a vocabulary for sound description, but also a comprehensive overview of over 1,900 audio terms: technical and subjective. Your copy is waiting—at your favorite dealer—or order direct using the coupon below.



**YES!** Please send me *The Audio Glossary!*

_____ Softbound BKAA-7/S @ \$9.95	TOTAL \$_____	<input type="checkbox"/> CK/MO enclosed	<input type="checkbox"/> MC	<input type="checkbox"/> VISA
_____ Hardbound w/ dust jacket BKAA-7/H @ \$17.95	\$_____	NAME _____		
_____ Autographed Limited Edition BKAA-7/L @ \$30	\$_____	STREET & NO. _____		
Please add \$2.00 shipping for first book. 75¢ each add'l	\$_____	CITY _____	STATE _____	ZIP _____
TOTAL ORDER \$_____		MC/VISA _____		EXP. _____

### OLD COLONY SOUND LAB

PO Box 243, Dept. E91  
Peterborough, NH 03458-0243 USA  
(603) 924-6371 / 924-6526 FAX: (603) 924-9467

Answering machine for credit card orders only: (603) 924-6371 before 9:00 a.m., after 4:00 p.m., and weekends.  
Have information plus MC/VISA available.

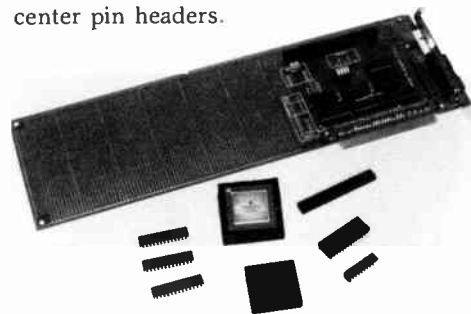
• also available at your favorite audio dealer •

### IBM-PC EXPANSION CARD PROTOTYPING KIT

Signal Systems announces DSPerato and MACRO-DSP. DSPerato is a low-cost real-time digital signal processing IBM-PC XT expansion card prototyping kit, using a Motorola 56001 DSP chip, and a macro assembler for IBM-PCs and compatibles.

Motorola's 56001 DSP runs at 20MHz and incorporates advanced chip technologies, including pipeline instruction fetches, parallel data moves to three separate 24-bit X data, Y data, and program memories, and easy host computer interfacing. The 56001 is capable of 10 MIPS and is the same DSP used in the Next computer.

DSPerato contains a full-length IBM-PC prototype card, which already has a bus decode and buffer printed circuit. The remainder of the card has uncommitted 0.100 center plated through holes with power buses and pads. Motorola's 56001 DSP and support chips are wired and soldered on these pads. Two optional high-performance video and audio A/D and D/A converter boards are attached to the DSP card via 0.100 center pin headers.



The 16-bit audio board uses Motorola's advanced 56ADC 55KHz 16-bit sigma delta converter, while the 8-bit video card uses Sony 8-bit, 20MHz, semi-flash converters. Both converter options, or only one, can be ordered and attached to the DSP card, which

## ELECTRONICS SCENE

also can be used without the converter boards. This hardware arrangement provides the user with maximum flexibility for custom DSP projects.

Parts needed to populate the card and converter kits are included, enabling configuration for custom applications.

DSPerato is priced at \$299, the audio and video converter boards are \$149 each. For information, write Signal Systems, 15105 Southeast East Ave., Milwaukie, OR 97267.

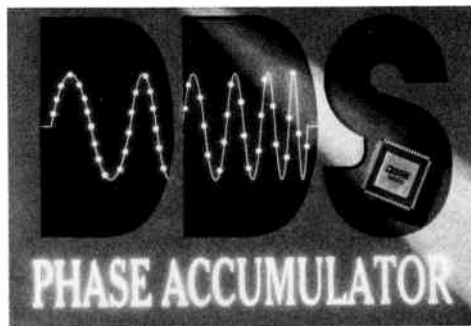
### PHASE ACCUMULATOR FOR DIGITAL SYNTHESIS

Analog Devices' AD9950 phase accumulator provides direct digital synthesis (DDS) of frequencies from 30-130MHz and improved spurious-free dynamic range (SFDR). When combined with an external lookup table and 10-bit DAC (such as Analog Devices' soon-to-be-announced AD9720), a DDS system based on this 32-bit phase accumulator yields frequency resolution to 0.7Hz (with a 300-MHz clock). SFDR is 76dB below full scale. A complete DDS system based on this IC (phase accumulator, memory, and DAC) dissipates 6.9W.

The built-in quadrature logic reduces the amount of external memory necessary to implement the lookup table for phase-to-amplitude conversions when generating symmetrical periodic waveforms. The IC's frequency-control signals are TTL compatible; output phase data lines are ECL compatible for interface with ROM or RAM lookup table memory. The frequency tuning update rate is 17 clock cycles; the clock frequency can be as high as 300MHz.

Fabricated in bipolar technology, the AD-9950 requires +5 and -5.2V supplies, consumes 1.5W, and does not require heatsinking. Housed in an industry-standard, 68-pin J-lead ceramic chip carrier, the AD9950 is available in commercial (0-70°C) and military (-55 to +125°C) versions. Pricing begins at \$99.95 (100s) for commercial versions; samples are available. Devices that meet MIL-STD-883 will be available early in 1991.

For more information, contact David Buchanan, Analog Devices, Inc., 7910 Triad Center Dr., Greensboro, NC 27409, (919) 668-9511.



### SURFACE MOUNT RESISTORS AND CAPACITORS

Due to increased requests for refills of kit parts, surface mount resistors and capacitors are now available from **Communications Specialists** in small quantities and in individual values.

The unit of sale is per strip and each is clearly marked with the value. Resistors are furnished in strips of ten and sell for \$2.50/strip. Capacitors are furnished in strips of five and sell for \$1.25/strip. The minimum order is \$10. MC, Visa, COD, or prepayment is accepted.

For a brochure, contact Communications Specialists, Inc., 426 W. Taft Ave., Orange, CA 92665-4296, (714) 998-3021 or (800) 854-0547, FAX (714) 974-3420.

Published by Audio Amateur Publications, Inc.

**Editor/publisher:** Edward T. Dell, Jr.  
**Editorial Offices:**  
305 Union St., P.O. Box 876  
Peterborough, NH 03458-0876 USA

Telephone: 603-924-9464 (National)  
or +1 (603) 924-9464 (International)  
**FAX:** (603) 924-9467 (National)  
or +1 (603) 924-9467 (International)

**Advertising:** Rally Dennis  
Telephone: (603) 924-9750  
**FAX:** (603) 924-9467

**Subscriptions:** Katharine Gadwah  
*Elektron Electronics USA*  
Post Office Box 876,  
Peterborough, New Hampshire 03458

**Subscriptions to Elektron Electronics USA** are available **ONLY** in the fifty United States, Canada, Puerto Rico, the Virgin Islands and those Pacific territories administered by the United States of America.

**European Offices:**  
Elektuur BV  
Postbus 75  
6190 AB BEEK  
The Netherlands  
Telephone: 011 31 4638 9444  
Telex: 56617 (elekt nl)  
FAX: 011 31 4637 0161  
**Managing Director:** M.M.J. Landman

**Overseas Editions:**  
**FRANCE**  
Elektron sari  
Les Trois Tilleuis  
B.P. 59; 59850 NIEPPE  
**Editors:** D.R.S. Meyer  
G.C.P. Raedersdorf

**GERMANY**  
Elektron Verlag GmbH  
Susterfeld Strasse 25  
5100 AACHEN  
**Editor:** E.J.A. Krempelsauer

**GREECE**  
Elektron EPE  
Kariskaki 14  
16673 Voula—Athena  
**Editor:** E. Xanthoulis

**INDIA**  
Elektron Electronics PVT Ltd  
Chhotani Building  
52C, Proctor Road, Grant Road (E)  
BOMBAY 400 007  
**Editor:** Surendra Iyer

**ISRAEL**  
Elektroncal  
P O Box 41096  
TEL AVIV 61410  
**Publisher:** M. Avraham

**NETHERLANDS**  
Elektuur BV  
Peter Treckpoelstraat 2-4  
6191 VK BEEK  
**Editor:** P.E.L. Kersemakers

**PAKISTAN**  
Electro-shop  
35 Naseem Plaza  
Lasbella Chawk  
KARACHI 5  
**Editor:** Zain Ahmed

**PORTUGAL**  
Ferreira & Bento Lda.  
R.D. Estef-83-ni, 32-1°  
1000 LISBOA  
**Editor:** Jeremias Sequeira

**SPAIN**  
Resistor Electronica Aplicada  
Calle Maudes 15 Entio C.  
28003 MADRID  
**Editor:** Agustin Gonzales Buelta  
**SWEDEN**  
Electronic Press AB  
Box 5505  
14105 HUDDINGE  
**Editor:** Bill Cedrum  
**UNITED KINGDOM**  
Down House  
Broomhill Road  
LONDON SW18 4JQ  
England UK  
**Editor/Publisher:** Len Seymour

Printed in the United States of America.

ISSN: 1051-5690

## CONFERENCE TARGETS ENVIRONMENT

The American National Standards Institute's (ANSI) 1991 Annual Public Conference, Seminar, and Workshop will feature its first international seminar, sponsored by the leading international standardization organizations, focusing on standards solutions for environmental problems. The three-day program will also include dialogues on the impact of standards and conformity assessment on maintaining open markets and the use of new technologies to speed up the standards development process.

The program will be held April 9-11 at the Hyatt Regency Reston in Reston, Virginia. Speakers and panelists will be announced. Registration costs range from \$425 to \$550.

For more information, call ANSI at (212) 642-4900 and ask for annual conference information.

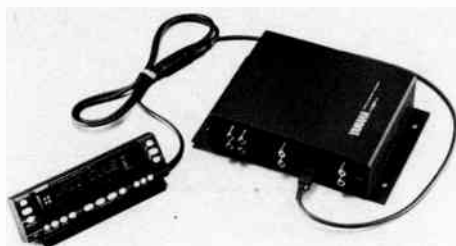
## CAR AUDIO DIGITAL SOUND FIELD PROCESSOR

Yamaha Electronics has introduced a digital sound field processor for car use. The YDSP-1 consists of two modules: the processor and the dash-mounted controller. The system also functions as a digital equalizer. This device re-creates the actual acoustic personalities of several known and measured music environments. Designed for four-channel operation, it can be expanded by using another subwoofer.

The DSP processor is designed to be mounted in the trunk or another out-of-the-way location. The YDSP-1 commander is a comprehensive dash-mounted control module hard-wired to the processor. The processor has eight DSP modes.

Due to the differing acoustic characteristics of car models, the YDSP-1 provides three settings: sedan with in-dash front speakers, sedan with door-mount front speakers, and van. Other processor features include an extra two-channel-to-mono subwoofer terminal with a selectable 80 or 130Hz turnover and a MIDI interface for connecting the processor to the command module.

In the digital equalization mode, the processor functions as a nine-band digital equalizer adjusted from the commander. The



## ELECTRONICS SCENE

bands include 63/125/250/500Hz and 1/2/4/8/16kHz. The control adjustment is  $\pm 12$ dB.

The suggested retail price is \$949. For more information, contact William A. Kanner, Yamaha Electronics Corp., USA, 6722 Orangethorpe Ave., Buena Park, CA 90620, (212) 986-6668.

## SCIENTIFIC/ENGINEERING PLOTTING PROGRAM

MicroMath has announced GRAPH version 3, a program for plotting scientific/engineering data. The new version retains high speed and ease of use and adds many new capabilities requested by customers.

The program allows data transformations with operators including log, exp, sqrt, add, subtract, reciprocal, logit, probit, integral, and derivative. X-Y plots can have linear, log, logit, or probit axes, and data can be presented as a histogram. You can plot empirical curves, including interpolating or least squares splines and polynomials, or straight lines. Text, lines, arrows, and other elements can be added to the plot interactively, and publication quality graphic output can be sent to PostScript devices, HPGL devices, or dot-matrix printers.

The upgrade price is \$69. Single copies are \$149. Site licenses and educational discounts are available. For more information, contact MircoMath, 2469 E. Fort Union Blvd., Suite 200, PO Box 21550, Salt Lake City, UT 84121, (801) 943-0290, FAX (801) 943-0299. For orders, call (800) 942-6284.

## FORTH CHIP SET FOR EMBEDDED CONTROL

A pair of custom chips suitable for making a powerful FORTH-based control computer are now available in the US from **The Saelig Company**. The 63B01Y-FORTH microprocessor and the TDS9 gate array can be used for machine-tool control, instrumentation, or data-logging, using the high-level FORTH language masked in the microprocessor chip. Low-power CMOS and surface-mount packaging house 35 I/O lines, two serial ports, a watchdog timer, an LCD driver, keyboard scanning, and low-power functions.

The chips sell for \$25 each in quantities of 1,000. For more details, contact Carol Lowne, The Saelig Co., 1193 Moseley Rd., Victor, NY 14564, (716) 425-3753, FAX (716) 425-3835.

## 33MHz 386 CPU MODULE FOR PCXI SYSTEMS

Rapid Systems has announced the PX1212, a high-speed, high-performance 33MHz, Intel 386-based CPU module for PCXI. This plug-in module features an optional integrated 40M hard disk with a 3½", 1.44M floppy.

The PX1212 is based on a single board computer and is enclosed in a metal chassis. Two serial communication ports, one parallel port, a 3½" floppy, and the keyboard connector and reset button are located on the front of the module. Applications for the module include production test, industrial PC, factory automation, networks, and workstations.

The module sells for \$2,890. For more information, contact Susan Conley, Marketing, Rapid Systems Inc., 433 N. 34th St., Seattle, WA 98103, (206) 547-8311, FAX (206) 548-0322.



## DISTRIBUTORS SELECTED FOR NORTH AMERICAN MARKET

Analog Devices announced it will begin marketing its full line of standard ICs through nine electronics parts distributors in the US and Canada. The company reported that it has agreements pending with Alliance Electronics, Allied Electronics, Anthem Electronics, Bell Industries, Future Electronics, Hall-Mark Electronics, Newark Electronics, Pioneer-Standard Electronics, and Pioneer Technologies Group.

Edward Renola will take on the new position of Director of Distribution Sales. He will be responsible for all nine companies and will report to Joe Reichbach, ADI Director of Sales, North America.

**A/D CONVERTER PROVIDES  
LOW-COST PERFORMANCE**

A precision 16-bit hybrid A/D converter from Analog Devices, the MIL-STD-883 qualified AD1378 converts in 17µs maximum. Combined with the AD386 sample/hold amplifier, it becomes a 50-kilo sample/sec sampling subsystem. Applications include missiles, guidance systems, flight controls, and harsh situations such as down-hole data acquisition in oil exploration.

Included are reference, clock, and scaling resistors for six input ranges. Power consumption is 800mW and maximum linearity error is ± 0.003% of full scale. Digital output is available in TTL-compatible parallel and serial format.

The converter can be short-cycled to provide faster conversions with reduced resolution: 15 bits/16µs and 14 bits/15µs. Packaged in a 32-pin bottom brazed ceramic DIP, it requires ± 15V and +5V supplies.

The MIL-STD-883 version sells for \$179 (100s); a comparable non-MIL version specified from -55 to +125°C is \$159. The companion AD386 S/H amplifier is \$149 for the MIL-STD-883 version and \$99 for the non-MIL version.

For more information, contact Steve Goldstein, Analog Devices, Inc., 831 Woburn St., Wilmington, MA 01887, (617) 937-1543.

**ELECTRONICS SCENE**

**FREQUENCY-SYNTHESIZED  
WIDEBAND PORTABLE**

Midland LMR has introduced a frequency-synthesized, wideband UHF portable two-way FM radio, the Model 70-265C. It is programmable over a 32MHz range from 480-512MHz. Either 16- or 48-channel capability is available. The latter model includes an LCD display and can be expanded to 99 channels with a plug-in module. The unit stands about 6" high and has a 600mAh high-energy battery. Output power is 4W, switchable to 1W. The Model 70-265C has built-in programmable priority channel scan and tone-coded squelch.

The compact, rugged portable meets or exceeds MIL STD 810C/D for shock and vibration. Many options are available including a function keypad, DTMF signaling, and weatherproof external speaker/microphone. The Midland 70-265C portable also meets intrinsically safe requirements when used with the appropriate batteries and accessories.

For more information, contact Midland LMR, Marketing Department, 1690 N. Topping, Kansas City, MO 64120, (800) 643-5263 ext. 1690.

**VARIABLE-D N/DYM  
CARDIOID MICROPHONE**

Electro-Voice has introduced a broadcast microphone to complement the industry-standard RE20, the RE27N/D. The microphone is especially intended for stations using digital source material.

The RE27N/D combines EV's patented N/DYM and Variable-D technologies. Its N/DYM element provides a crisp, high-end sound. The unit features internal shock-mounting and multi-frequency equalization.

For more information, contact Keith Clark, Electro-Voice, 600 Cecil St., Buchanan, MI 49107, (616) 695-6831, FAX (616) 695-1304.

**RECENT DEVELOPMENTS  
AT NEUTRIK**

Due to an expansion of Neutrik products, the company has expanded its facilities to the Isle of Wight (UK). They acquired three acres of industrially zoned land and buildings to house their manufacturing units.

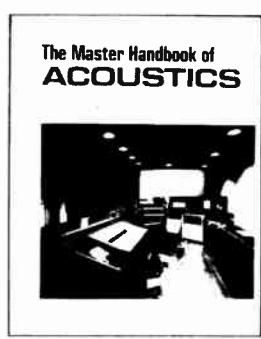
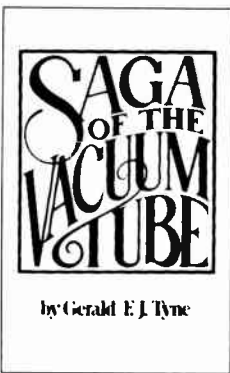
January saw the start of the joint venture between Neutrik and Eardley Electronics of London. Mr. Peter Eardley, Director of the new Neutrik Marketing UK Ltd., is responsible for all marketing and sales activities for the UK. Pat Walsh will act as General Manager and concentrate his efforts on servicing British customers.

**NEW!**  
**SAGA OF THE  
VACUUM TUBE**  
by Gerald F. J. Tyne

In his research of vacuum tube history through 1930, former Rensselaer Polytechnic Institute professor Jerry Tyne became acquainted with many pioneers involved in the development of tubes, including de Forest, Schottky, Mullard, and many others.

European manufacturers made their records available and opened their archives. In the years of verifying and cross-checking stray bits of information, European historians and archivists supplied elusive missing links to authenticate this history. From such sources comes the documentation for *The Saga of the Vacuum Tube*, a fascinating study of its evolution rather than a listing of "firsts."

1977, 494pp., 8 1/2" x 5 3/8" . . . . .BKAE-1 \$16.95



**THE MASTER  
HANDBOOK  
OF ACOUSTICS, 2ND ED.**

by F. Alton Everest

F. Alton Everest is an acoustics consultant and member of the Audio Engineering Society who has published over 50 papers in professional journals. His enlarged second edition of this classic sourcebook covers everything from the basics of sound to the latest advances, including frequency, wavelength, octaves, harmonics, the sound spectrum, digital reverb systems, white and pink noise, balancing speakers, digital recording systems, multitrack recording, setting up listening rooms, and setting up a sound studio control room—with examples, experiments, calculations, and much more!

1989, 366pp., 7 3/8" x 9 1/4" . . . . .BKT-13 \$19.95



**OLD COLONY  
SOUND LAB**

PO Box 243, Dept. E91  
Peterborough, NH 03458  
24 Hours: Tel. (603) 924-6371  
FAX (603) 924-9467

POSTAGE & HANDLING: In US, please add \$2.00 for first book and 75¢ each additional book. In Canada, please add \$4.50 for first book. 75¢ each additional. Overseas, include 20% of total order for shipping.

**YES!  
Please send me**

\_\_\_ BKAE-1 @ \$16.95 \$ \_\_\_\_\_

\_\_\_ BKT-13 @ \$19.95 \_\_\_\_\_

Postage \_\_\_\_\_

**TOTAL** \_\_\_\_\_

**CALL OR WRITE  
FOR YOUR FREE  
OLD COLONY CATALOG!**

NAME \_\_\_\_\_

STREET & NO. \_\_\_\_\_

CITY \_\_\_\_\_ STATE \_\_\_\_\_ ZIP \_\_\_\_\_

MC/VISA \_\_\_\_\_ EXP. \_\_\_\_\_

MC  VISA  CK/MO

# MIDI PROGRAMME CHANGER

by R. Degen

Since virtually all electronic musical instruments are now fitted with a Musical Instrument Digital Interface (MIDI), it has become possible to control a whole array of such instruments from a small keyboard. The MIDI programme changer described in this article is based on that concept and enables a number of electronic instruments to be accessed quickly and efficiently.

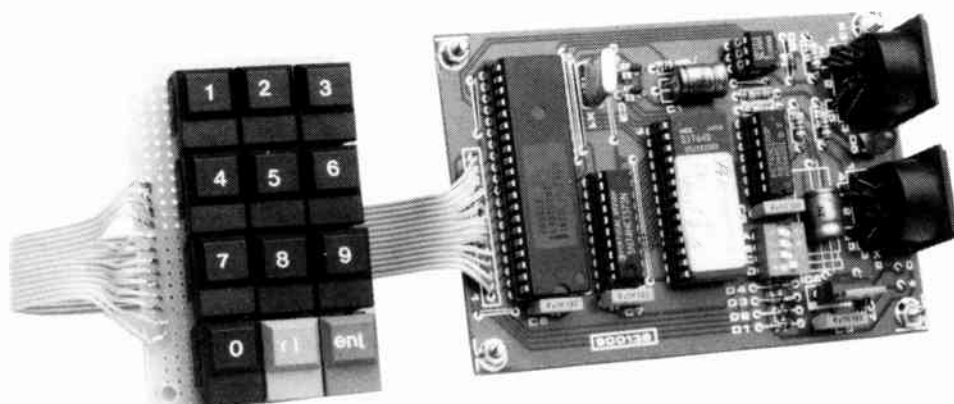
THANKS to the MIDI (Musical Instrument Digital Interface), it is now possible for all performances of a musician to be recorded digitally and stored on floppy disks. When the stored music is replayed, it sounds as natural as when it was recorded. Also, by performing a number of pieces in succession and storing them in a sequencer, the musician can simulate an entire orchestra. Furthermore, integration of the interface with a personal computer gives several new possibilities, such as the noting down of complete musical scores with the aid of a keyboard, and the transposing of pieces of music at the touch of a button.

The strength of the MIDI is its ability to exchange information rapidly in real time with the aid of a serial connection. Not only the key depressions, and the force with which these are carried out, can be transmitted via the MIDI, but also information about the tempo, the chosen preset, synchronizing pulses and complete samples. This is the reason that nowadays keyboards are frequently offered for sale together with an expander.

In principle, an expander is a complete musical instrument, the keyboard of which has been replaced by a MIDI input. It receives all the required control signals via the serial connection. In general, it offers more facilities for a smaller outlay: the money that would otherwise have been spent on a keyboard is now available for other things.

A disadvantage of the expander is that it requires a separate (MIDI-master) keyboard or sequencer to make full use of all its facilities. In particular, the changing of a preset can create problems, since most keyboards cannot generate a programme change instruction without altering its own settings. Also, there are differences in the counters fitted to the keyboards: on some these operate in the decimal system, while others use the octal system.

The present programme changer enables the choosing of a different preset in the musical instrument via the MIDI. This is done by keying the desired programme change code (a decimal number of not more than three digits) on the keyboard of the changer and confirming it with 'ent' (enter). Corrections may be made with the 'clear' key. Once the code has been confirmed, the unit transmits the hexadecimal code  $C_{xH}$  and the associated data



to the appropriate musical instrument.

The programme change command is made up of two bytes. The first of these is 1100nnnn, where nnnn is the binary coded number of the MIDI channel. The second is 0ppppppp, where ppppppp is the binary form of the decimal number keyed in. This number lies between 0 and 127, because the MIDI protocol has reserved seven bits for it.

### Circuit description

The MIDI programme changer is a small, but complete, microprocessor system. The Type 8031 microcontroller, IC<sub>1</sub>, processes the incoming MIDI data and scans the keyboard. The control program is contained in a Type 2764 EPROM, IC<sub>4</sub>. The demultiplexing of the microcontroller's data/address bus is carried out by IC<sub>2</sub>.

The microcontroller confirms that the data at gate 0 are valid address data via pin 30 (ALE/P). This information is stored by IC<sub>2</sub> and placed on address lines A0-A7 of IC<sub>4</sub>. The remaining address lines, A8-A12, are connected to gate 2 of the microcontroller.

The data bus of the EPROM is connected to gate 0 of IC<sub>1</sub>. The microcontroller reads the data from IC<sub>4</sub> via the PSEN signal.

The RD output of IC<sub>1</sub> is used to read the contents of DIP switches S<sub>1A</sub>-S<sub>1D</sub>. Diodes D<sub>1</sub>-D<sub>4</sub> ensure that the DIP switches can not adversely affect the operation of the keyboard. As soon as the RD line is high, they

form a sort of three-state input.

The setting of the switches determines which MIDI channel is selected for transmission of the data. When all switches are closed, that is, ON (equivalent to logic 0), channel 0 is selected; when they are all open

Table 1				
S <sub>1A</sub>	S <sub>1B</sub>	S <sub>1C</sub>	S <sub>1D</sub>	Channel
0	0	0	0	0
1	0	0	0	1
0	1	0	0	2
1	1	0	0	3
0	0	1	0	4
1	0	1	0	5
0	1	1	0	6
1	1	1	0	7
0	0	0	1	8
1	0	0	1	9
0	1	0	1	10
1	1	0	1	11
0	0	1	1	12
1	0	1	1	13
0	1	1	1	14
1	1	1	1	15

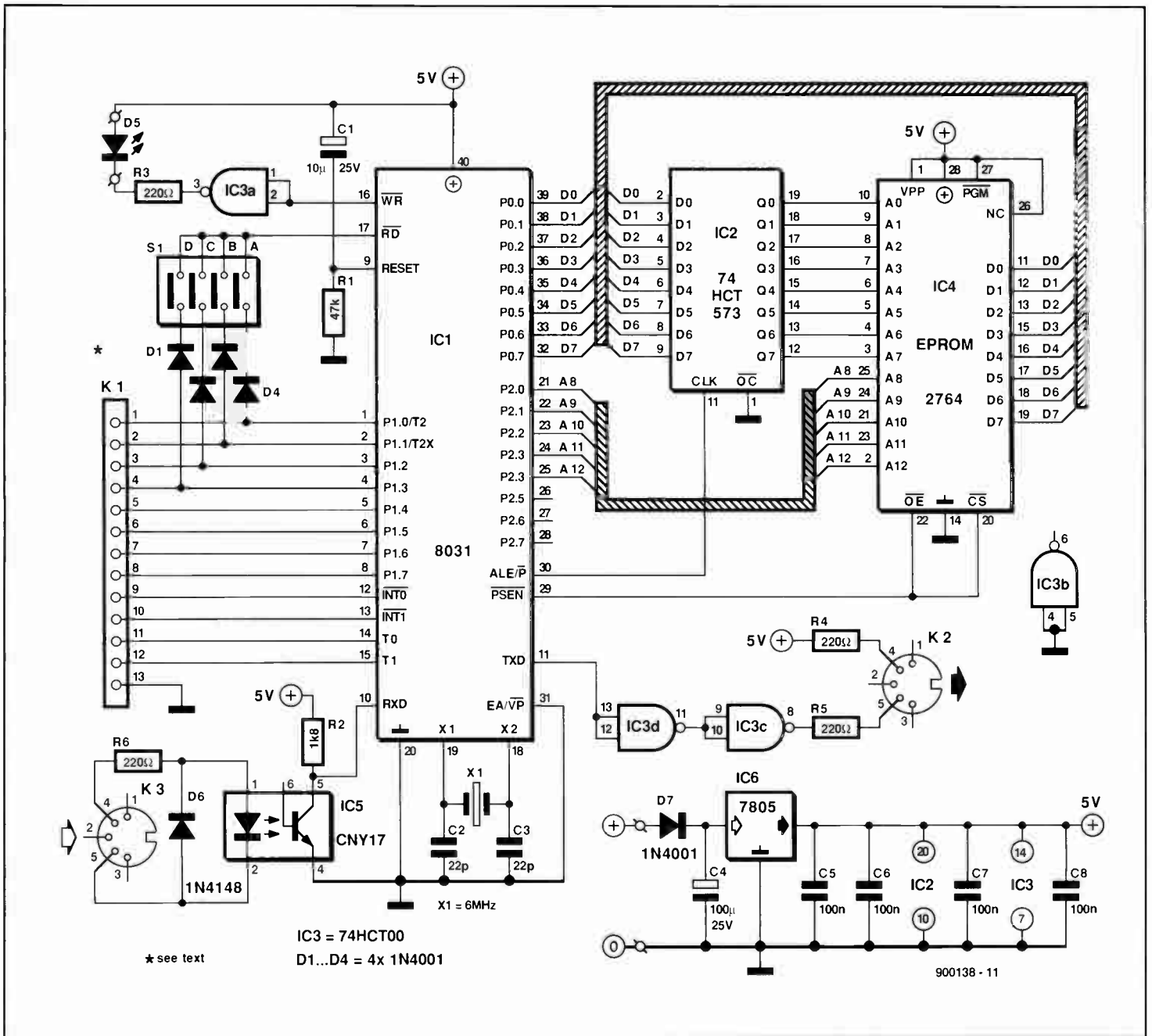


Fig. 1. Circuit diagram of the MIDI programme changer.

(OFF = logic 1), channel 15 is selected—see Table 1. When the setting of a switch is altered, the change becomes effective only after the next power-on reset.

Since the outputs of gate 1 are internally provided with a pull-up resistance, external resistors are not necessary.

All twelve keys on the keyboard are connected to a common earth on connector K<sub>1</sub>.

The microcontroller is reset via network R<sub>1</sub>–C<sub>1</sub>. Every time the power is switched on, pin 9 of IC<sub>1</sub> goes high for an instant and the microcontroller starts processing the data in the EPROM. At the same time, the settings of the DIP switches are read.

Crystal X<sub>1</sub> is connected directly to the X-pins of the controller and oscillates at 6 MHz.

Diode D<sub>5</sub> has two functions: it lights briefly when one of the keys is impressed and it flashes when the programme mode is active. The LED is controlled by the  $\overline{WR}$  output via IC<sub>3a</sub>. As soon as the level at this output goes

high, the diode lights.

Since the MIDI operates with a current loop and must be electrically isolated from the equipment connected to it, its input is formed by an optoisolator, IC<sub>5</sub>. The light-emitting diode in this device is operated by the current flowing in the loop. The serial data output of the CNY17 is fed directly to the receive data input (RXD) of IC<sub>1</sub> for further processing.

The transmit data output, TXD, of the microprocessor is connected to two series-connected gates, IC<sub>3d</sub> and IC<sub>3e</sub>, that, with the aid of resistors R<sub>4</sub> and R<sub>5</sub>, provide the necessary current drive.

The power supply is kept simple and uses a Type 7805 voltage regulator, IC<sub>6</sub>. Diode D<sub>7</sub> serves to prevent damage should the polarity of the supply voltage be reversed. The supply is best derived from a mains adapter with an output voltage of 9–15 V. Since the current drain is small, cooling of the regulator is not necessary.

## Construction

With the exception of the keyboard, all components are housed on the printed-circuit board shown in Fig. 2. Since the design is fairly simple and there is no alignment required, nothing can go seriously wrong.

The programmed EPROM is available through our Readers' services shown further on in this magazine, but you may do the programming yourself with the help of the hexdump given in Table 3.

The MIDI input is via connector K<sub>3</sub>, while the output is transmitted via K<sub>2</sub>.

Connector K<sub>1</sub> may be a 13-way single-row header, but many readers may find it more convenient to make the connection between the unit and the keyboard with a length of 13-way flat cable.

The keyboard may be any simple membrane type, but it should not have a matrix. Each key must be individually connected to the relevant pin of K<sub>1</sub> or, if this is not used,

to the relevant pin of IC<sub>1</sub>. A sturdy keyboard may be constructed from twelve miniature push-button switches fitted on to a piece of vero- or other prototyping board. In many cases, the digit keys can be bought ready-made; different colour keys can then be used for the 'ent' and 'clear' keys. Table 2 shows the layout of the keyboard and the correlation between keys, function and pins.

Once the keyboard has been completed, it may be mounted above the PCB with the aid of suitable spacers, after which the unit can be mounted in an appropriate enclosure.

Table 2

1	2	3
4	5	6
7	8	9
0	ent	clear

Key	IC <sub>1</sub> pin	Function	K <sub>1</sub> pin
0	1	P1.0	1
1	2	P1.1	2
2	3	P1.2	3
3	4	P1.3	4
4	5	P1.4	5
5	6	P1.5	6
6	7	P1.6	7
7	8	P1.7	8
8	12	INT0	9
9	13	INT1	10
Clear	14	T0	11
Enter	15	T1	12
			13

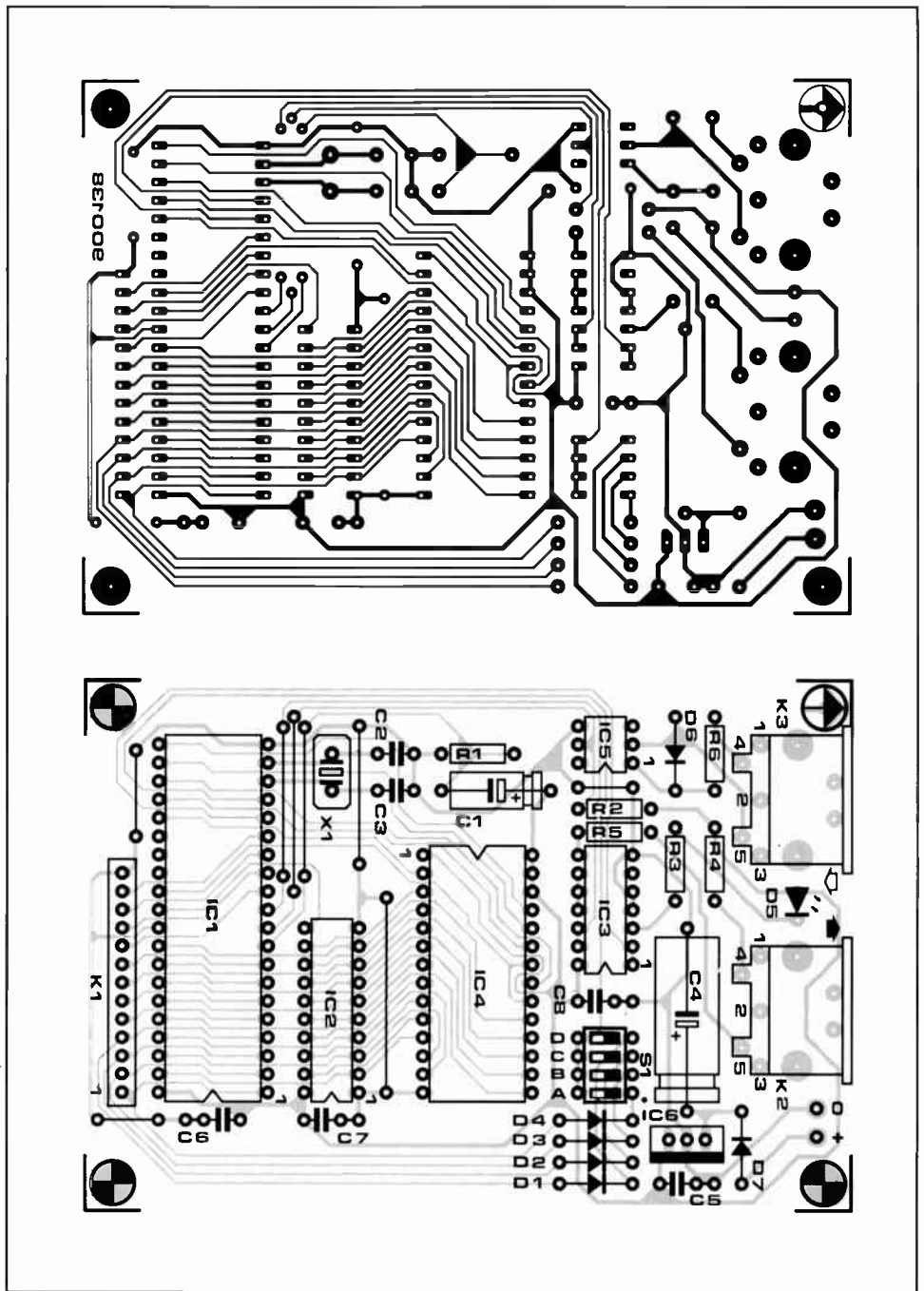


Fig. 2. Printed-circuit board for the MIDI programme changer.

### Taking the unit into use

- Switch on the supply.
- Depress each key in turn, whereupon the LED should light briefly.
- Choose the wanted MIDI channel: the setting of the relevant DIP switches is shown in Table 1.

- If a different MIDI channel is to be selected during operation, press down and hold the 'clear' key.
- Press the 'ent' key, whereupon the LED should begin to flash.
- Select the wanted channel with the aid of the DIP switches and press the 'ent' key. ■

### PARTS LIST

#### Resistors:

R<sub>1</sub> = 1×47 kΩ  
 R<sub>2</sub> = 1×1k8  
 R<sub>3</sub>–R<sub>6</sub> = 4×200Ω

#### Capacitors:

C<sub>1</sub> = 1×10 μF, 25 V  
 C<sub>2</sub>, C<sub>3</sub> = 2×22 pF  
 C<sub>4</sub> = 1×100 μF, 25 V  
 C<sub>5</sub>–C<sub>8</sub> = 4×100 nF

#### Semiconductors:

IC<sub>1</sub> = 1×8031  
 IC<sub>2</sub> = 1×74HCT573  
 IC<sub>3</sub> = 1×74HCT00  
 IC<sub>4</sub> = 1×2764  
 IC<sub>5</sub> = 1×CNY17

IC<sub>6</sub> = 1×7805

D<sub>1</sub>–D<sub>4</sub>, D<sub>6</sub> = 5×1N4148

D<sub>5</sub> = 1×LED (red)

D<sub>7</sub> = 1×1N4001

#### Miscellaneous:

K<sub>1</sub> = 1×13-pin header  
 K<sub>2</sub>, K<sub>3</sub> = 5-pin DIN connector, 180°  
 S<sub>1</sub> = 1×quadruple DIP switch  
 X<sub>1</sub> = 1×crystal, 6 MHz  
 1×keyboard with 12 keys and common earth or 12×mini push-button switches  
 1×connector for mains adapter  
 PCB 900138



	00 01 02 03	04 05 06 07	08 09 0A 0B	0C 0D 0E 0F
0000	80 4E FF FF	FF FF FF FF	FF FF FF FF	FF FF FF FF
0010	FF FF FF FF	FF FF FF FF	FF FF FF FF	FF FF FF FF
0020	FF FF FF 10	98 05 C2 99	C2 01 32 C0	D0 C0 E0 E5
0030	99 B4 F8 0E	30 01 03 30	99 FA C2 99	D2 01 F5 99
0040	80 09 50 F0	F6 18 B8 40	02 78 70 D0	E0 D0 D0 32
0050	78 70 79 70	75 87 80 75	89 20 75 8D	FF D2 8E 75
0060	98 50 C2 01	D2 AC D2 AF	75 81 28 C2	00 C2 02 C2
0070	03 75 7A 00	75 90 FF 75	B0 FF C2 04	C2 B6 C2 B7
0080	E5 90 F4 44	C0 F5 7C D2	B7 7D 80 75	7F 00 75 7E
0090	00 75 7D 00	E8 B5 01 16	12 00 DA 30	03 F6 E5 7C
00A0	12 00 D2 E5	7A 12 00 D2	C2 03 D2 02	80 E6 E7 19
00B0	B9 40 02 79	70 20 E7 12	30 02 09 FA	74 7B 12 00
00C0	D2 C2 02 EA	12 00 D2 02	00 94 F5 7B	12 00 D2 02
00D0	00 94 20 01	FD F5 99 D2	01 22 30 04	03 02 01 EA
00E0	20 90 04 74	00 80 59 20	91 04 74 01	80 52 20 92
00F0	04 74 02 80	4B 20 93 04	74 03 80 44	20 94 04 74
0100	04 80 3D 20	95 04 74 05	80 36 20 96	04 74 06 80
0110	2F 20 97 04	74 07 80 28	20 B2 04 74	08 80 21 20
0120	B3 04 74 09	80 1A 20 B5	04 74 0B 80	13 20 B4 04
0130	74 0A 80 0C	30 00 08 DC	06 C2 00 7C	FF 7B FF 22
0140	30 00 2A B4	0B 26 BB 0A	23 D2 04 7C	FF 7B FF 7D
0150	80 75 7F 00	75 7E 00 75	7D 00 43 89	01 75 8C 00
0160	75 8A 00 D2	8C 75 79 03	D2 B6 D2 00	22 B5 03 09
0170	DC 1B C2 B6	B4 0B 17 80	3D B4 0A 02	80 0A B4 0B
0180	02 80 05 BD	7D 02 80 05	D2 B6 7C FF	FB 22 B4 0A
0190	0E 7D 80 75	7F 00 75 7E	00 75 7D 00	D2 00 22 D2
01A0	00 1D BD 7F	04 F5 7F 80	0C BD 7E 04	F5 7E 80 05
01B0	BD 7D 02 F5	7D 22 C0 01	A9 05 B9 80	02 80 20 87
01C0	7A 09 B9 80	02 80 18 E7	75 F0 0A A4	25 7A F5 7A
01D0	09 B9 80 02	80 09 E7 75	F0 64 A4 25	7A F5 7A D2
01E0	03 D2 00 79	80 AD 01 D0	01 22 30 8D	14 D5 79 05
01F0	B2 B6 75 79	03 C2 8C C2	8D 75 8C 00	75 8A 00 D2
0200	8C 20 90 04	74 00 80 59	20 91 04 74	01 80 52 20
0210	92 04 74 02	80 4B 20 93	04 74 03 80	44 20 94 04
0220	74 04 80 3D	20 95 04 74	05 80 36 20	96 04 74 06
0230	80 2F 20 97	04 74 07 80	28 20 B2 04	74 08 80 21
0240	20 B3 04 74	09 80 1A 20	B5 04 74 0B	80 13 20 B4
0250	04 74 0A 80	0C 30 00 08	DC 06 C2 00	7C FF 7B FF
0260	22 30 00 01	22 B5 03 07	DC 17 B4 0B	15 80 31 B4
0270	0A 02 80 0A	B4 0B 02 80	05 BD 7D 02	80 03 7C FF
0280	FB 22 B4 0A	0B 7D 80 75	7F 00 75 7E	00 D2 00 22
0290	D2 00 1D BD	7F 04 F5 7F	80 05 BD 7E	02 F5 7E 22
02A0	C0 01 A9 05	B9 80 02 80	12 87 78 09	B9 80 02 80
02B0	0A E7 75 F0	0A A4 25 78	F5 78 09 E5	78 44 C0 F5
02C0	7C D2 00 79	80 AD 01 D0	01 C2 8C C2	B6 C2 04 22
02D0	28 43 29 20	50 52 4F 47	52 41 4D 4D	2D 43 48 41
02E0	4E 47 45 52	20 56 32 2E	30 20 20 20	20 20 52 6F
02F0	6C 66 20 44	65 67 65 6E	20 32 33 2E	38 2E 39 30
0300	20 20 20 20	FF FF FF FF	FF FF FF FF	FF FF FF FF

Table 3. Hexdump of the contents of the EPROM. A ready programmed EPROM is available through our Readers' services.

# PREAMPLIFIER FOR MOVING-COIL PICK-UP

by T. Giffard

Although the analogue record player (as it is now often called) was written off by many some years ago, well-known manufacturers like Thorens, Dual and Linn continue to design and produce new models. And no wonder, because long-playing records are still widely available, in spite of the forecasts in the mid-eighties by experts that this type of record would not be seen in the nineties except in museums and personal collections. As long as these record players remain available, there will be a need of special preamplifiers. The one described here has been designed specifically for the processing of signals from high-quality moving-coil pick-up cartridges.

THE case for a new preamplifier for moving-coil pick-ups rests on two important considerations. First, vinyl long-playing records are still being produced (and, of course, there are millions of people who have large collections of them). Second, the reproduction quality of analogue records is of the highest order and, many hi-fi enthusiasts maintain, far superior to that of the compact disk.

## Design considerations

It is clear that those who have a need of a preamplifier for a pick-up put quality at the top of their list of requirements. In the design it is assumed that by far the greater majority of serious listeners use a moving-coil pick-up since this now seems to have ousted most other types.

Also, it was thought desirable for the preamplifier not to be dependent on the RIAA correction network in the main amplifier. For those readers who are not conversant with this, a short explanation. A pick-up cartridge is a velocity-to-voltage converter. During the recording, the response of the cutting stylus is constant velocity, which means that its velocity is the same for all frequencies. In the absence of any correction, the amplitude would therefore increase as the frequency

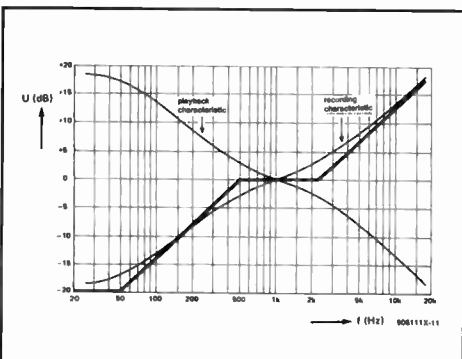


Fig. 2. RIAA recording and playback characteristics. The bold line is the theoretical recording curve.

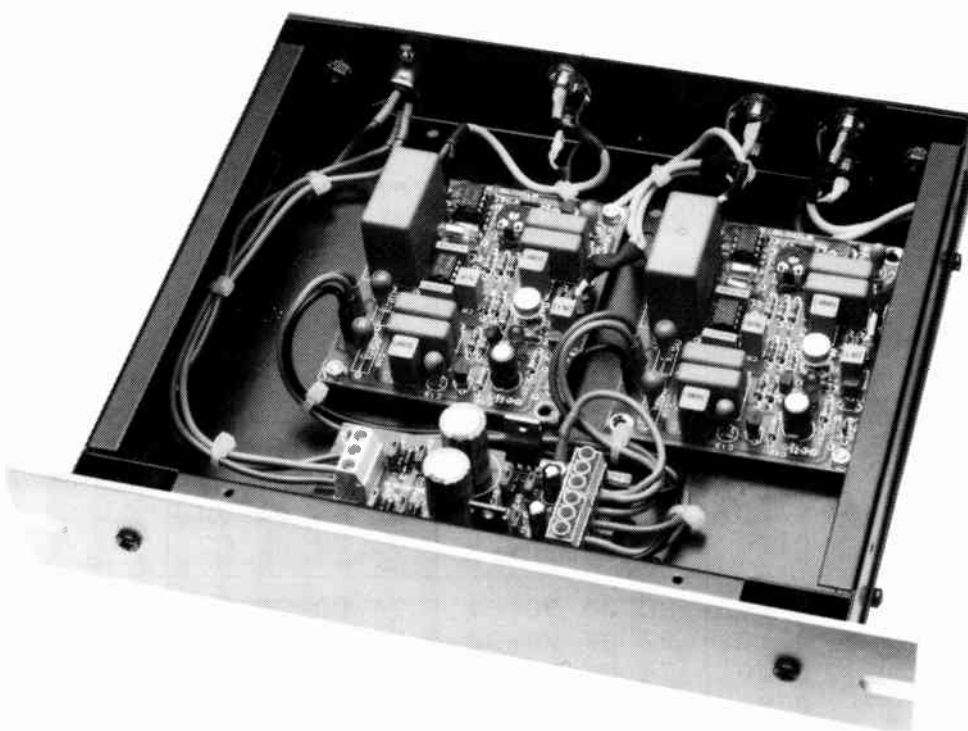


Fig. 1. General view of the stereo preamplifier and its power supply.

drops, at the rate of 6 dB/octave: that would make it about 16 times greater at 30 Hz than at 15 kHz. Large low-frequency stylus excursions are avoided by attenuating base frequencies below 500 Hz at a rate of 6 dB/octave and boosting treble frequencies above 2120 Hz at a rate of 6 dB/octave to improve the signal-to-noise ratio. The contours roll off either side of a short flat region centred on 1 kHz, to form the RIAA (Record Industries Association of America) recording characteristic. The preamplifier needs a correction network to convert the recording characteristic back to a straight line. Both characteristics are given in Fig. 2.

The filters required to obtain the desired playback characteristic are prominent in the block diagram of the preamplifier in Fig. 3. Note that since passive filters would give

rise to amplifier overdrive and higher noise and hum levels, active ones are used, except for that providing a high-pass response below 20 Hz. That filter serves to counter the effect of the IEC standard that requires the recording signal below 20 Hz to be amplified at 6 dB/octave so as to eliminate any adverse effects of rumble filters in playback systems.

As usual in this type of preamplifier, it needs a large voltage amplification factor, coupled with a very low hum and noise level. These requirements can not be met by inexpensive components.

Some readers may wonder why the block diagram is more complex than one might expect. Indeed, if the preamplifier was intended for frequency correction only, its design would probably consist of a single opamp with a suitable correction network in its feed-

back loop. However, since signals of only 250  $\mu\text{V}$  (average output level of a moving-coil cartridge) have to be raised to line level, a voltage amplification factor of about 800 is

required. That means at least one more amplifier and then it becomes logical to split the correction network over the two stages. The input stage serves primarily to keep the

noise and hum level as low as feasible.

Note, by the way, that the filter curves in Fig. 3 are the mirror images of the playback characteristic in Fig. 2, since the correcting networks are located in the feedback loop of the amplifiers.

### Circuit description

The diagram in Fig. 4 shows only one channel of the stereo amplifier circuit.

The input stage is formed by differential amplifier  $T_1$ , which is a very-low-noise double opamp Type MAT03. At very low signal levels, this p-n-p type gives an even better noise performance than its n-p-n counterpart, the MAT02. The use of this excellent opamp also means that  $IC_1$  and  $IC_2$  need not be super high-quality types. This stage will be discussed in more detail later on.

The first amplifier is formed by  $T_1$  and  $IC_1$ . The feedback network, located between the output of  $IC_1$  and the emitters of  $T_{1a}$ - $T_{1b}$ , contains the first part of the RIAA correction filter. For that reason,  $C_2$ - $C_7$  and  $R_3$ - $R_6$  must be high-stability types. More about that later on.

The passive 20 Hz high-pass filter is formed by  $R_{17}$ - $C_9$ . With values as specified, its cut-off frequency is exactly 20.037 Hz.

The second amplifier is formed by  $IC_2$ , the feedback network of which,  $R_{18}$ - $C_{10}$ , gives a cut-off frequency of 2120 Hz. With values of these components as specified, the theoretical deviation from this frequency is only 0.05%. The printed-circuit board allows for  $C_{10}$  to consist of two MKT type capacitors should the specified 1% polystyrene type prove difficult to obtain.

The last item in the preamplifier,  $R_{19}$ , looks insignificant, but is not, since it prevents any tendency to instability when the load is capacitive. This would be the case if the cable between preamplifier and main equipment were very long.

The symmetrical  $\pm 15\text{V}$  power supply is fairly straightforward. Additional ceramic capacitors across the electrolytic types and the rectifier diodes improve the HF performance.

### The input stage

The most important part of the preamplifier is the input stage. This provides a symmetrical input and has been designed to allow the pick-up cartridge to be direct-coupled. This obviates the nasty large input capacitor found in so many preamplifiers.

These facilities meant that the differential amplifier had to be designed very carefully. This is borne out by the additional filters in the supply lines,  $T_4$  and  $T_5$  and associated components, to reduce the hum and noise on these lines to an absolute minimum.

A stable d.c. operating point for  $T_1$  is ensured by current source  $T_2$ . This source derives its reference voltage from  $D_1$ , the current through which is kept constant by a second current source,  $T_3$ .

The symmetrical input meant that the feedback loop of the input stage had to be symmetrical. To ensure good common-mode

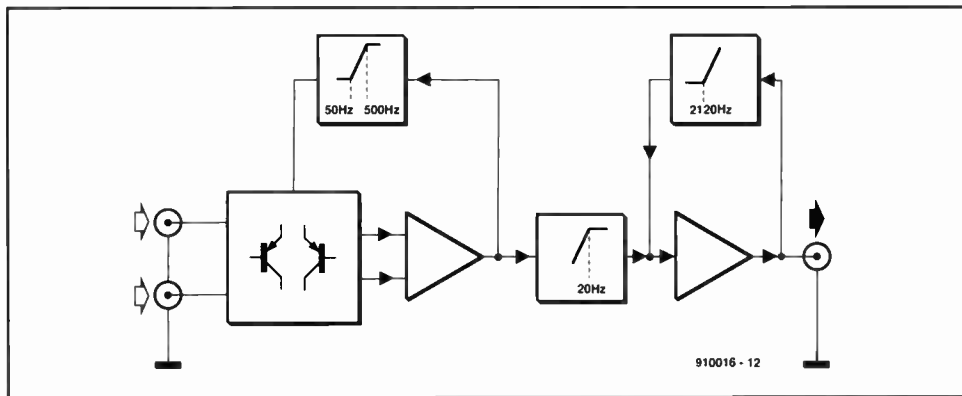


Fig. 3. Block diagram of (one channel of) the stereo preamplifier for a moving-coil pick-up.

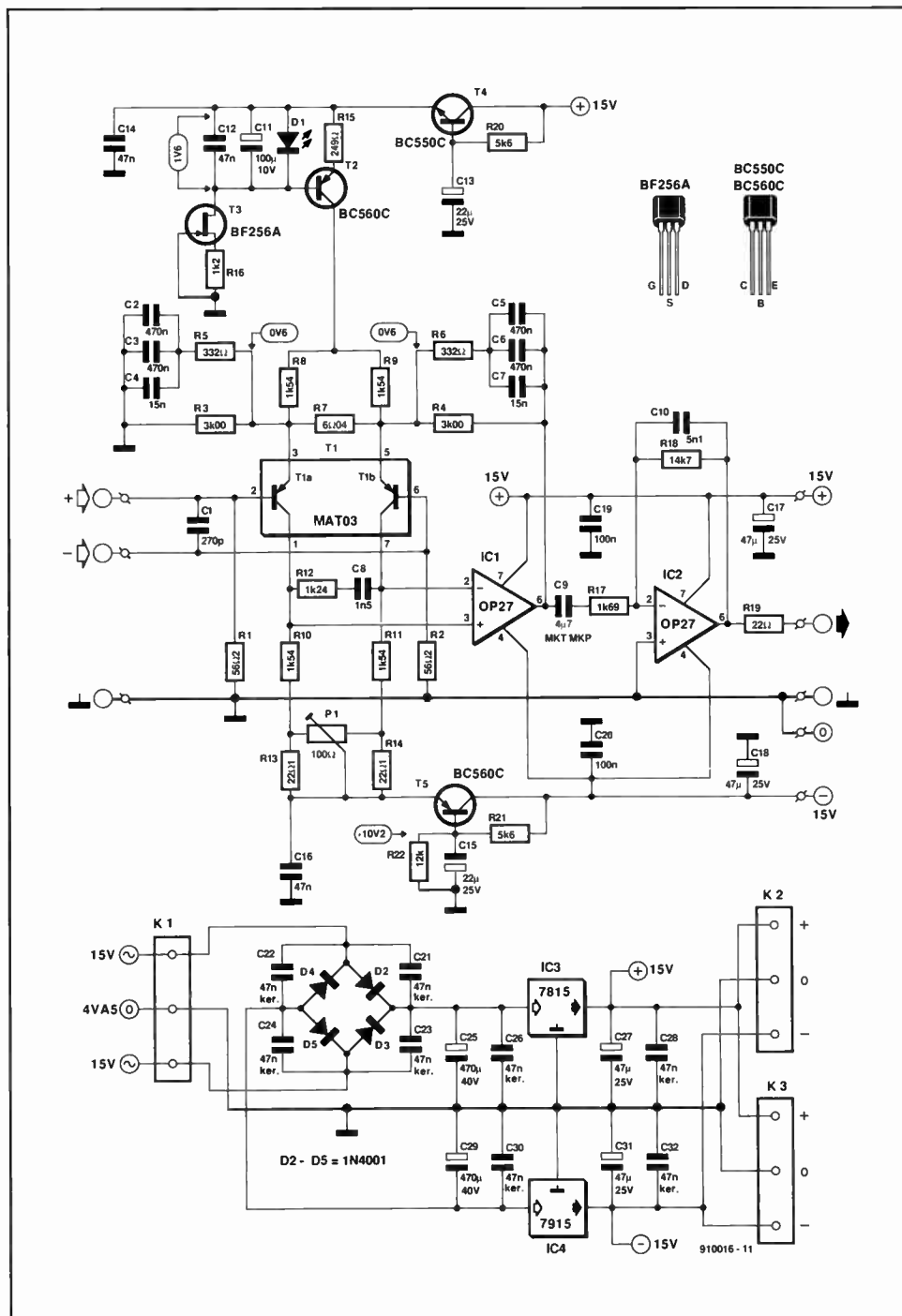


Fig. 4. Circuit diagram of (one channel of) the stereo preamplifier for a moving-coil pick-up.

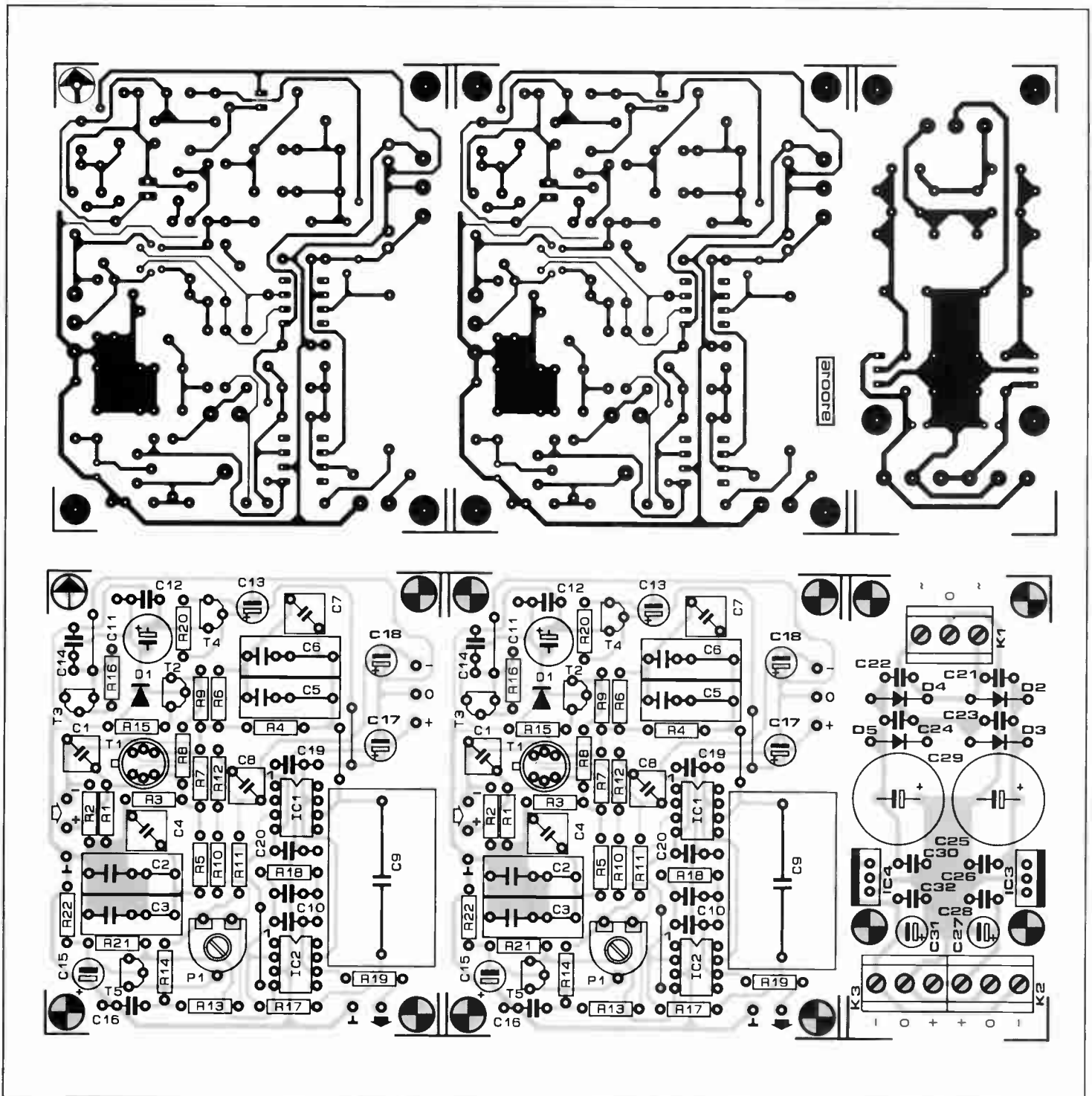


Fig. 5. Printed-circuit board for the stereo amplifier. Note that this consists of three sections, which may be separated before construction begins. Two of the sections are for the (left-hand and right-hand channel) preamplifiers and the third is for the common power supply.

## PARTS LIST (Amplifier – one channel)

### Resistors:

$R_1, R_2 = 56\Omega 2; 0.1\%$   
 $R_3, R_4 = 3k0; 1\%$  (to be matched)  
 $R_5, R_6 = 332\Omega 0; 0.1\%$   
 $R_7, R_{29} = 6\Omega 04; 1\%$   
 $R_8-R_{11} = 1k54; 0.1\%$   
 $R_{12} = 1k24; 1\%$   
 $R_{13}, R_{14} = 22\Omega 1; 1\%$   
 $R_{15} = 249\Omega; 1\%$   
 $R_{16} = 1k2$   
 $R_{17} = 1k69; 1\%$   
 $R_{18} = 14k7; 1\%$

$R_{19} = 22\Omega$   
 $R_{20}, R_{21} = 5k6$   
 $R_{22} = 12k$   
 $P_1 = 100\Omega$  preset

### Capacitors:

$C_1 = 270\text{ pF};$  polystyrene  
 $C_2, C_3, C_5, C_6 = 470\text{ nF};$  MKT or MKP  
 $C_4, C_7 = 15\text{ nF}; 1\%;$  polystyrene  
 $C_8 = 1n5; 1\%;$  polystyrene  
 $C_{10} = 5n1; 1\%;$  polystyrene  
 $C_{11} = 100\text{ }\mu\text{F}; 10\text{ V};$  radial

$C_{12}, C_{14}, C_{16} = 47\text{ nF};$  ceramic  
 $C_{13}, C_{15} = 22\text{ }\mu\text{F}; 25\text{ V};$  tantalum  
 $C_{17}, C_{18} = 47\text{ }\mu\text{F}; 25\text{ V};$  tantalum  
 $C_{19}, C_{20} = 100\text{ nF}$

### Semiconductors:

$D_1 =$  LED; red  
 $T_1 =$  MAT03  
 $T_2, T_5 =$  BC560C  
 $T_3 =$  BF256A  
 $T_4 =$  BC550C  
 $IC_1, IC_2 =$  OP27

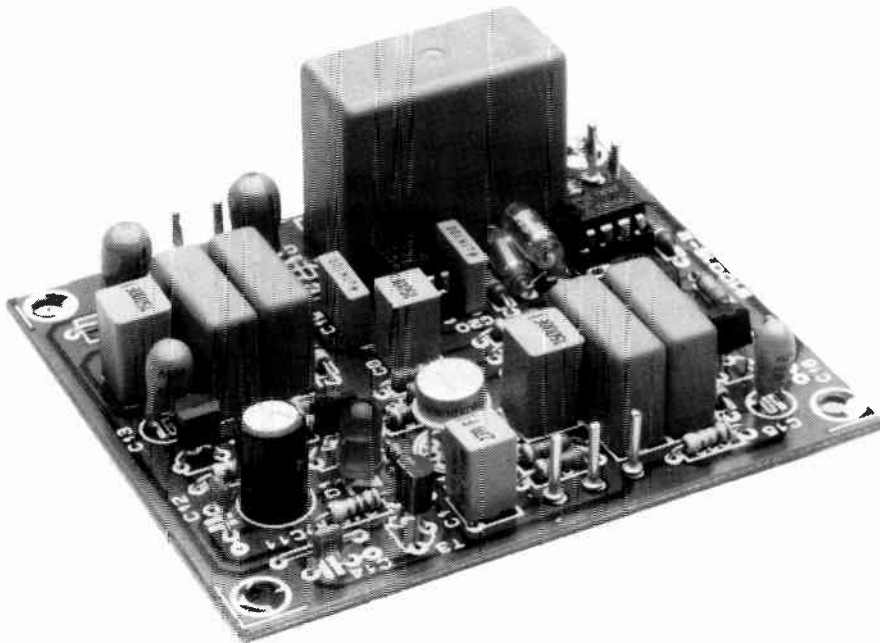


Fig. 6. Finished amplifier board (one channel).

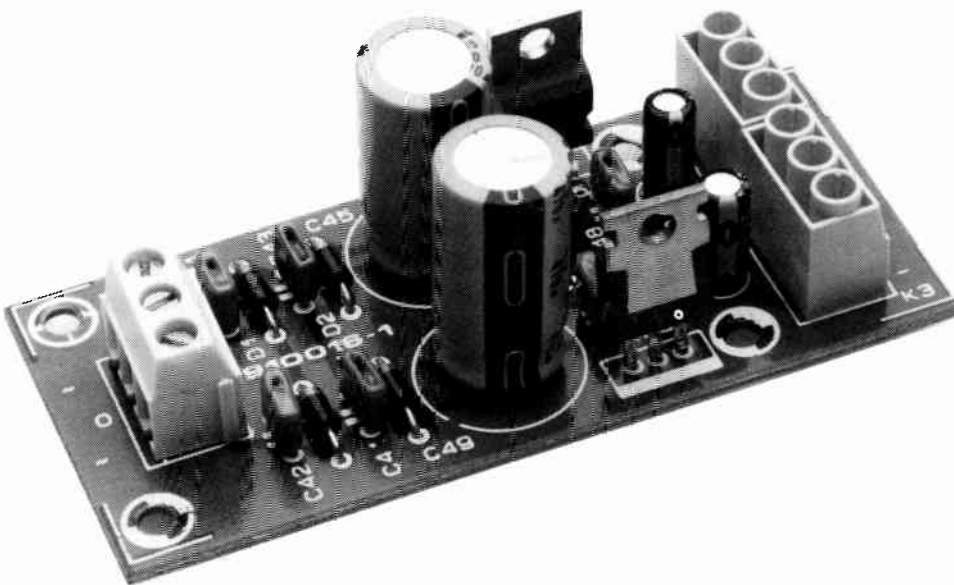


Fig. 7. Finished power supply board.

suppression, networks  $R_3-R_5, C_2-C_3-C_4$  and  $R_4-R_6-C_5-C_6-C_7$  must be identical. This means that the capacitors must be selected to within 1%. The theoretical value of each of the parallel threesomes is 955.3 nF.

To ensure that the circuit operates symmetrically, it is essential the output is set to exactly 0 V. The d.c. operating point is determined by  $R_{13}-R_{14}-P_1$ . If, after a short warming-up period,  $P_1$  is set correctly and components of the specified value, stability and tolerance have been used, the d.c. offset at the output will be zero. This is so, because the emitter potentials of  $T_{1a}$  and  $T_{1b}$  will be identical. Since these transistors are matched, the currents through their base junction, and thus the voltage drop across  $R_1$  and  $R_2$ , will be identical. There is then no potential difference across the input terminals, so that no direct current can flow through the pick-up cartridge connected to the terminals.

### Construction

The printed-circuit board—see Fig. 5—consists of three sections, which may be separated from one another before construction is begun. Two of the sections are for the two amplifiers (left-hand channel and right-hand channel) and the third is for the symmetrical power supply. If you do not separate the sections, note that the power lines on the three sections are not inter-connected.

The amplifier boards allow  $C_{10}$  to consist of two capacitors and also the use of either polyester (MKT) or polypropylene (MKP) types in the  $C_2, C_3, C_5, C_6,$  and  $C_9$  positions. The MKP types (which are slightly larger) are for those who want the very best.

The mechanical rounding off and building in of the amplifier are left to the constructor's taste and specific requirements. If the record player has the space, it is worthwhile considering building the amplifier and power supply in that space. Another solution is, of course, a stand-alone enclosure. In either case, use a separate mains adapter to power the supply: this will prevent annoying mains hum in the amplifier.

With some record players the symmetrical input may give a problem. If their pick-up cartridge is provided with an asymmetrical output, the signal return and earth connections are usually linked. In the present preamplifier, however, these must be separate. Normally, this problem is easily overcome, because in the cable running through the pick-up arm the signal return and earth connections are always separate.

It is advisable to provide the record player with separate two-core screened audio cables for the left-hand and right-hand channels. Each of the preamplifier channel outputs can then be taken via two phono sockets, of which the central pins are used for the "+" and "-" signal paths. The outer case of the four sockets can then serve as a common earth. That arrangement worked very well in our prototype.

The output of the preamplifier is asymmetrical, so one phone socket per channel will suffice. ■

### PARTS LIST (PSU)

**Capacitors:**

$C_{21}, C_{24}, C_{26}, C_{28}, C_{30}, C_{32} = 47$  nF; ceramic  
 $C_{25}, C_{29} = 470$   $\mu$ F; 40 V; radial  
 $C_{27}, C_{31} = 47$   $\mu$ F; 25 V; radial

**Semiconductors:**

$D_2-D_5 = 1N4001$   
 $IC_3 = 7815$   
 $IC_4 = 7915$

**Miscellaneous:**

$K_1, K_2, K_3 = 3$ -way PCB terminal block  
 PCB Type 910016

### SOME TECHNICAL DATA

Input sensitivity	250 $\mu$ V
Input impedance	100 $\Omega$
Output level	200 mV
Terminating impedance	>2 k $\Omega$
Signal-to-noise ratio	75 dB (A-weighted)
Accuracy of RIAA curve	$\pm 0.1$ dB
Distortion	<0.006%
Supply voltage	$\pm 15$ V
Current drain	Abt 24 mA

# LOGIC ANALYSER - PART 3

by K. Nischalke and H.J. Schulz

## The control board

ALTHOUGH the operating instructions for the logic analyser come from the computer, the commands are processed entirely by the control board. How the analyser is controlled has already been discussed in Part 1 with reference to Fig. 2. What has not yet been discussed is how the controller is driven by the computer and this will be done now with reference to Fig. 12.

Communication between computer and control board is via an interface that serves not only as a staging post for the data but also as a detector of differences between Atari and IBM or compatible computers.

The data from the computer are stored in the four eight-bit registers on the control board. Registers 1 and 4 are used exclusively to provide data to the two trigger-counters, while registers 2 and 3 provide data to the window-counter and the logic circuits. Note, however, that when the window-counter is active in the 100 MHz mode, the logic functions controlled by register 2 are not active and vice versa.

## Control logic

Although the control logic circuit consists of only one GAL (gate array logic) IC, it is involved in all operations of the logic board. The use of a GAL circuit reduces the parasitic capacitances, which is particularly important when the clock frequency is 100 MHz. It is, of course, true that the 100 MHz signal does not pass through the GAL circuit, but the edges of the signals processed and output by that circuit must remain in step with the clock.

Another advantage of a GAL circuit is that it may be reprogrammed electrically: ultraviolet erasing is not required.

The GAL, clock-select and post-trigger-counter circuits are shown diagrammatically in Fig. 13. Internally, the GAL resembles a PAL (programmable array logic). It has a similar matrix on to which the desired functions are programmed. In addition, however, the function of each "output" (OLMC = output logic macro cell) may be programmed as an input, output or register output, either inverting or non-inverting or three-state. In the control board most OLMCs are used as input and only four as output.

The internal 1 MHz clock is connected to pin 1. The reason that the other two internal clocks, 25 MHz and 100 MHz, are not connected to the GAL is that this has not enough inputs and outputs. By passing these signals first through a clock-select circuit (IC55), a larger (and more expensive) GAL is not needed.

If three internal clocks are not sufficient, an external clock may be connected to pin 2.

The two qualifier inputs are connected to

pins 3 and 4. These inputs form a kind of external stop/start line, which enable the analyser to accept data only when the level at them corresponds to the set logic level (high, low or don't care). This makes it possible to restrict the read data to those that are of interest to the user.

The signals at pins 2,3 and 4 can be switched on and off by means of the enable inputs at pins 5, 6 and 7. This is not sufficient, however, because it is also necessary to indicate whether these input signals are active high or low. That is made possible by the polarity inputs at pins 8, 9 and 11. The enable and polarity inputs are controlled directly by the computer, that is, via the registers on the control board and the computer interface.

There is one more input that is under direct control of the computer: the single-step input. Via this input, the computer controls the reading of data from the RAM cards. Since the computer software determines the reading rate via this input, there are no problems with the timing (that is, the speed of the computer is irrelevant).

The remaining three inputs and four outputs are associated directly with the operation of the analyser.

Trigger-counter 1 indicates via pin 16 that triggering has taken place. The GAL circuit then starts passing clock pulses to the post-

trigger counter via pin 12. The counter signals to the GAL circuit when the the second half of the RAMs is full. When that happens, the outputs of IC55 are made low and the clock-pulse-, the read/write-control-, and the data-clock-outputs are disabled via the ready-input (pin 15).

The function of the data clock becomes clearer when the various states of the clock-select circuit, IC55, are considered. The circuit has four sequential states: off (as shown in Fig. 13); 100 MHz mode; 25 MHz mode; and the 1 MHz/external clock mode. The state is determined by two lines (mode and 100/25 MHz) that are controlled by the computer. When the clock-select circuit is off, the computer reads the RAM-ICs byte by byte. The single-step signal enables the GAL circuit to pass appropriate pulses to the the data-clock output that clocks the address counter of the RAM-ICs and to hold the R/WCTRL line high (the RAM-ICs are read).

When the clock-select circuit is in the 100 MHz state, the 100 MHz signal is passed directly to the shift registers on the RAM card. Writing data into the memory and the counting of the post-trigger counter take place at 25 MHz, however. The lower half of the IC55 therefore sends a signal at that frequency to the clock input (pin 13) of the GAL-IC. That circuit thereupon produces appropriate sig-

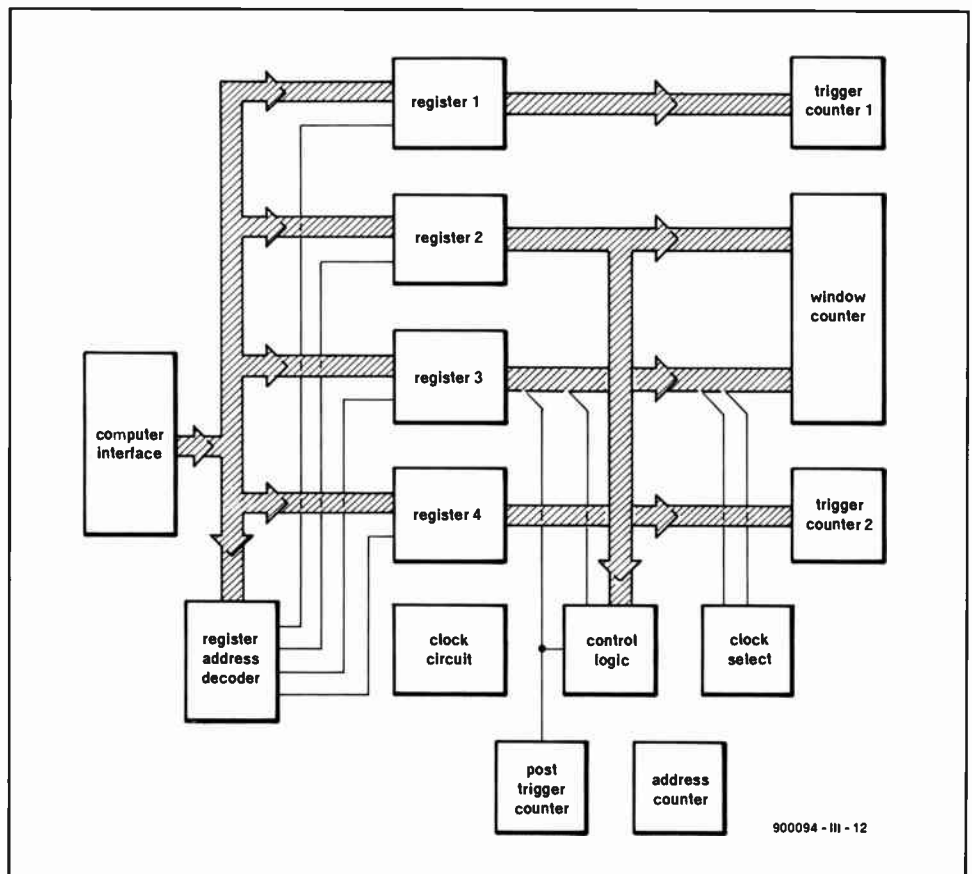


Fig. 12. Block diagram showing the connections between the control card and the computer.

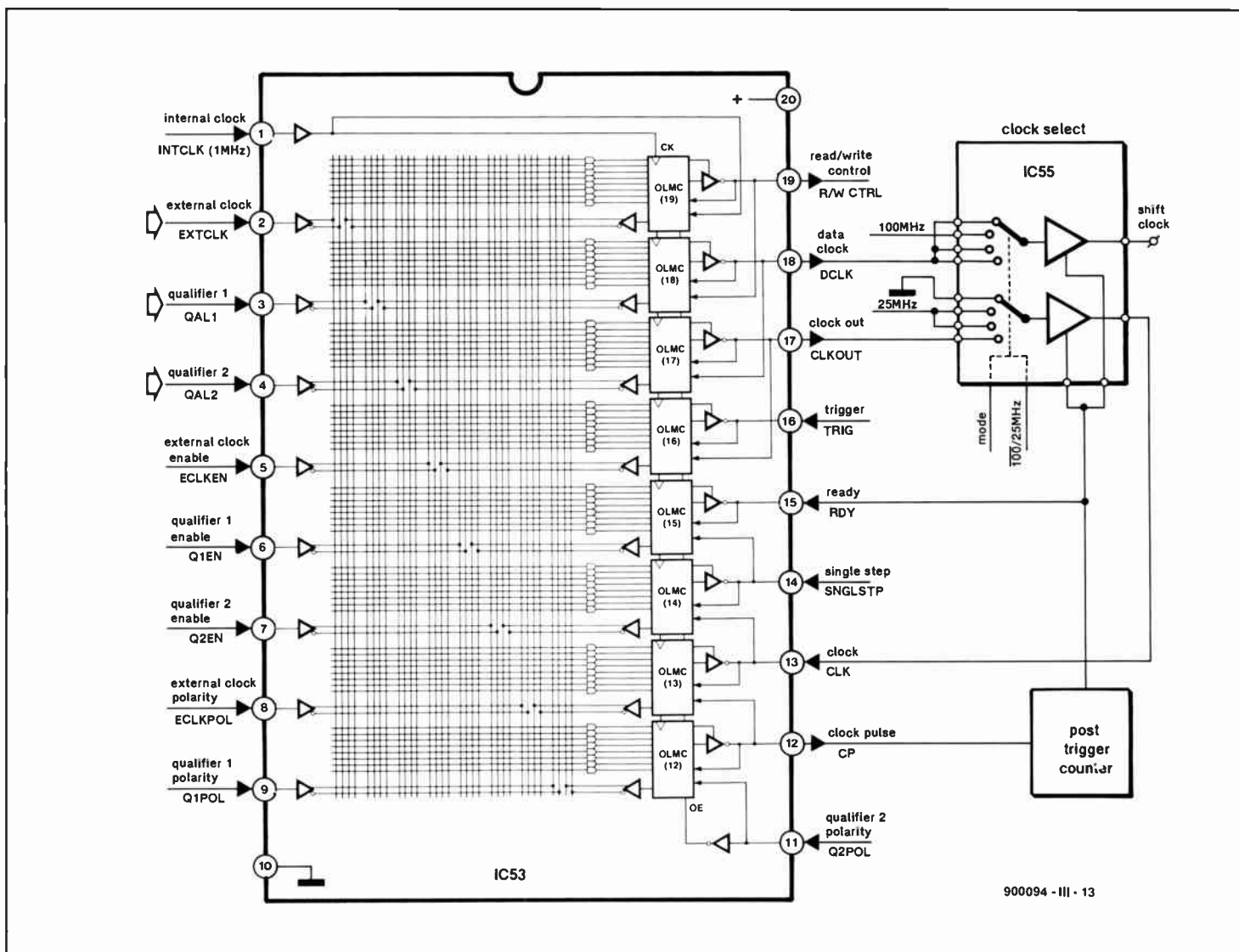


Fig. 13. The programmed gate array logic —GAL—IC plays an important role on the control board.

nals for the post-trigger counter (clock pulse); the address counter of the memory (data clock); and the RAM-ICs (read/write control).

When the clock-select circuit is in the 25 MHz state, a 25 MHz signal is again applied to the clock input of the GAL-IC. Since the shift registers are then used in the parallel-load mode, they can be clocked at that frequency, and are therefore connected to the data clock of the GAL-IC. A similar arrangement exists for the 1 MHz internal clock and the external clock, which are connected to the clock-select circuit via the clock output (pin 17), depending on the signal at the external clock enable input (pin 5). Whatever clock signal has been selected, it is fed to the clock input (pin 13) via the clock-select circuit so that the GAL circuit can ensure that the signals at pins 12, 18 and 19 remain in step with it.

## Circuit description

The clock generator is formed by T2 and T3—see Fig. 14. The output of the generator is buffered by T3, after which it is converted to TTL level and buffered again by R25, C39, IC50a-d and D1. The 100 MHz signal at the output of IC50 is processed in IC55 (clock select) and two frequency dividers, IC51 and

IC52. These dividers provide clocks of 1 MHz, 25 MHz and 50 MHz. The 50 MHz signal is used only for clocking trigger counters IC36-IC37 and IC44-IC45. The period that can be counted by these circuits may be set from between 20 ns and 5.1  $\mu$ s in 20 ns steps.

The window-counter, IC40-IC42, which is used only in the 100 MHz mode, is provided with a 25 MHz clock via IC55. That circuit also provides a clock to the RAM cards (of which there may be up to four). Each RAM card gets its own clock, which is first buffered by the gates in IC57, via a short length of coaxial cable. Note that the 100 MHz indications at the connections is for guidance only: the real frequency there is the set clock.

The resistors between the gates and the outputs suppress any reflections in the lines.

The three external inputs of the control board are taken to external circuits via connector K19, whose layout is identical to that of the input connectors on the RAM cards. This arrangement makes it possible to use the probes for the cards also to connect external inputs to the control board. As with the RAM cards, these probes obviate problems caused by parasitic capacitances and reflections.

To drive the control board, the computer

has available lines card select (CRDSL), write (WR), register address (RA0, RA1); data (D0-D7) and, in the case of the Atari, single step (SNGL step). If the computer is not an Atari, that line is driven indirectly via a register and the data lines.

Via the card select, write and the register address lines, the computer indicates whether the data are destined for the control board and, if so, for which register (IC34, IC38, IC39, IC43). These lines are taken to address decoder IC35, which converts the computer signals into control signals for the registers. The data written into IC34 and IC43 are fed direct to trigger counters IC36-IC37 and IC44-IC45 respectively.

The outputs of IC38 and IC39 are split between IC53 and window counter IC40-IC42. To that end, outputs Q0-Q5 of IC38 have a double function: they drive either IC53 or the window counter. This is possible, because the counter is active in the 100 MHz mode only, when it is not possible to operate with an external clock and qualifiers. The associated drive inputs of IC53 are then disabled and they may therefore be used for the window counter. In all other modes, the situation is reversed: the window counter is inactive and the lines are used to control IC53.

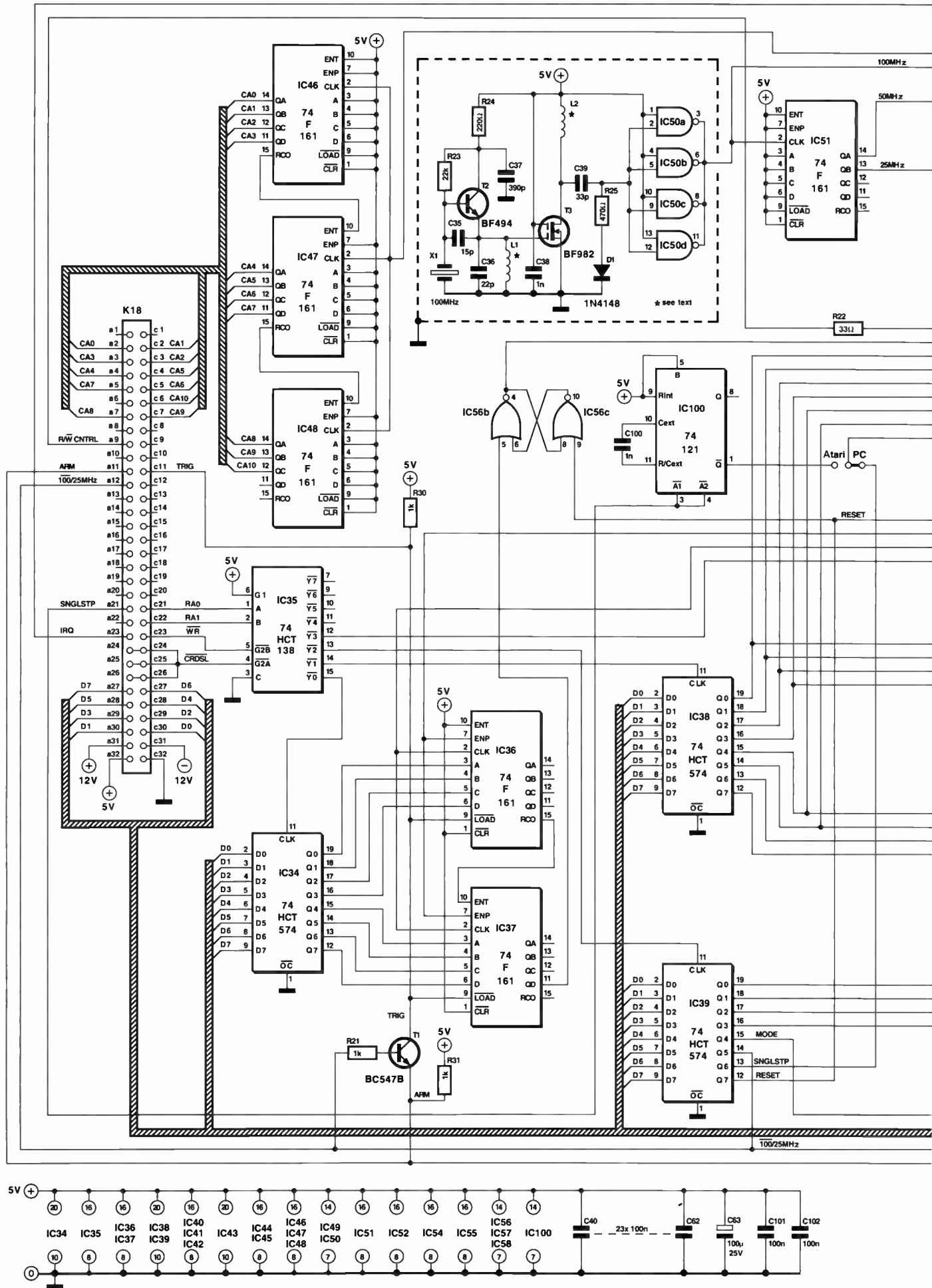


Fig. 14. Circuit diagram of the control board.



**PARTS LIST**

**Resistors:**

- R<sub>21</sub>, R<sub>30</sub>, R<sub>31</sub> = 1 kΩ
- R<sub>22</sub> = 33 Ω
- R<sub>23</sub> = 22 kΩ
- R<sub>24</sub> = 220 Ω
- R<sub>25</sub> = 470 Ω
- R<sub>26</sub>-R<sub>29</sub> = 27 Ω

**Capacitors:**

- C<sub>35</sub> = 15 pF
- C<sub>36</sub> = 22 pF
- C<sub>37</sub> = 390 pF
- C<sub>38</sub>, C<sub>100</sub> = 1 nF
- C<sub>39</sub> = 33 pF
- C<sub>40</sub>-C<sub>62</sub>, C<sub>101</sub>, C<sub>102</sub> = 100 nF
- C<sub>63</sub> = 100 μF; 25 V

**Inductors:**

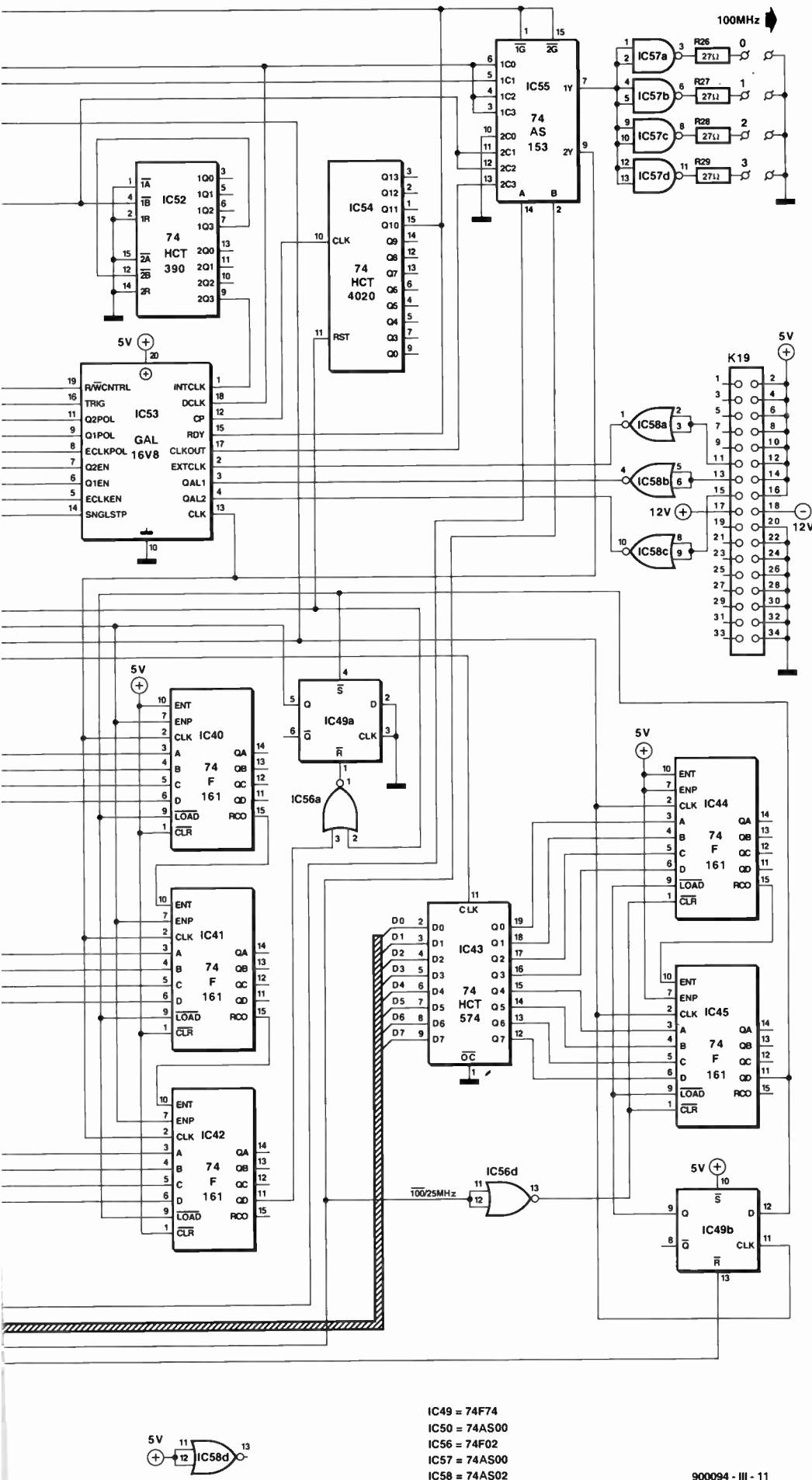
- L<sub>1</sub> = air-cored; 10 turns enamelled copper wire 0.5 mm; inside diameter 3 mm
- L<sub>2</sub> = air-cored; 25 turns enamelled copper wire 0.5 mm; inside diameter 3 mm

**Semiconductors:**

- D<sub>1</sub> = 1N4148
- T<sub>1</sub> = BC547B
- T<sub>2</sub> = BF494
- T<sub>3</sub> = BF982
- IC<sub>34</sub>, IC<sub>38</sub>, IC<sub>39</sub>, IC<sub>43</sub> = 74HCT574
- IC<sub>35</sub> = 74HCT138
- IC<sub>36</sub>, IC<sub>37</sub>, IC<sub>40</sub>-IC<sub>42</sub>, IC<sub>44</sub>-IC<sub>48</sub>, IC<sub>51</sub> = 74F161
- IC<sub>49</sub> = 74F74
- IC<sub>50</sub>, IC<sub>57</sub> = 74AS00
- IC<sub>52</sub> = 74HCT390
- IC<sub>53</sub> = programmed 16V8-10 (not yet available)
- IC<sub>54</sub> = 74HCT4020
- IC<sub>55</sub> = 74AS153
- IC<sub>56</sub> = 74F02
- IC<sub>58</sub> = 74AS02
- IC<sub>100</sub> = 74121

**Miscellaneous:**

- K<sub>18</sub> = 64-way male PCB connector; 90° (DIN41612)
- K<sub>19</sub> = 34-way male PCB header; 90°
- X<sub>1</sub> = 5th overtone crystal, 100 MHz; Series HC49
- PCB Type 900094-5



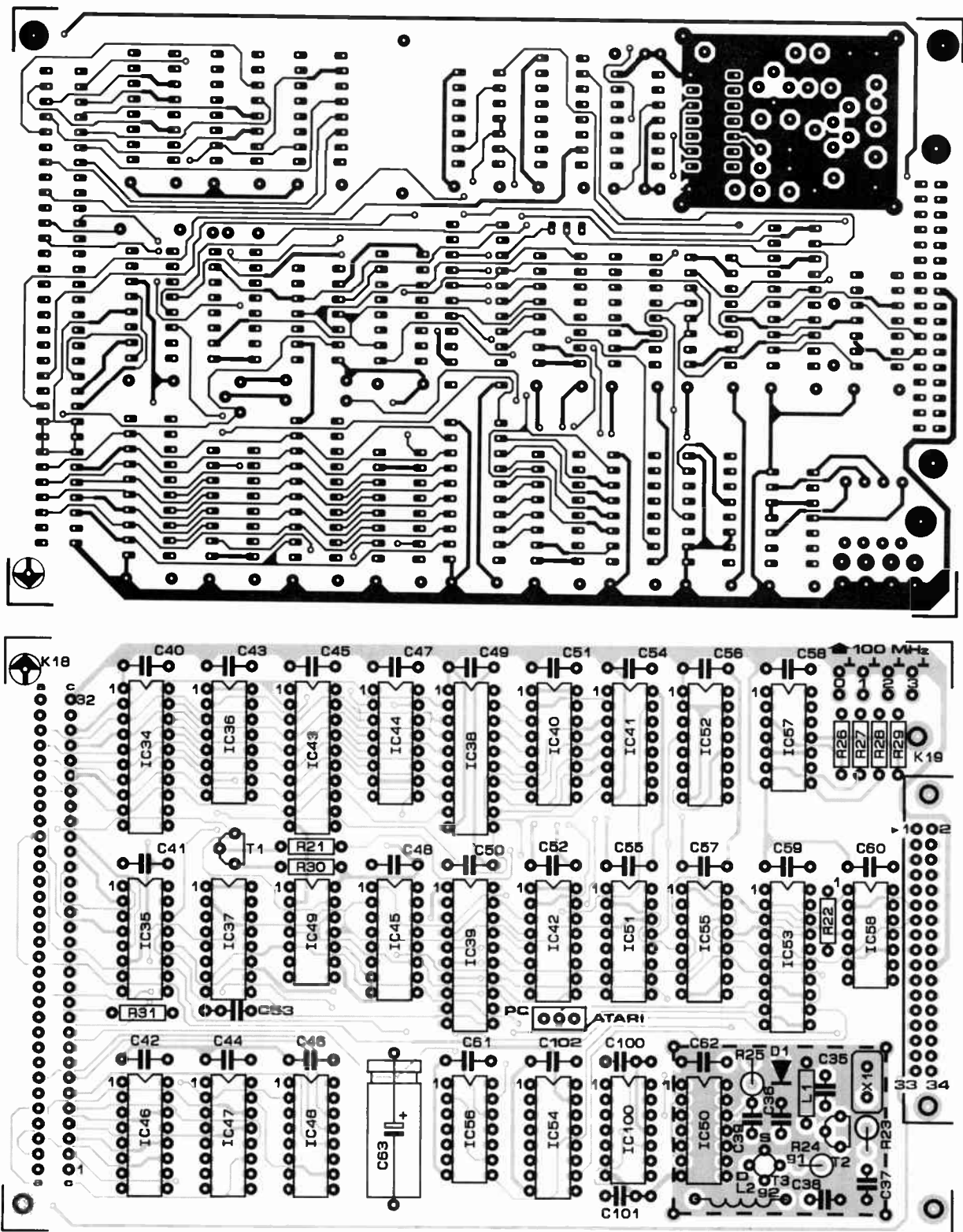


Fig. 15. The printed circuit board for the control circuits is double-sided and through-plated.

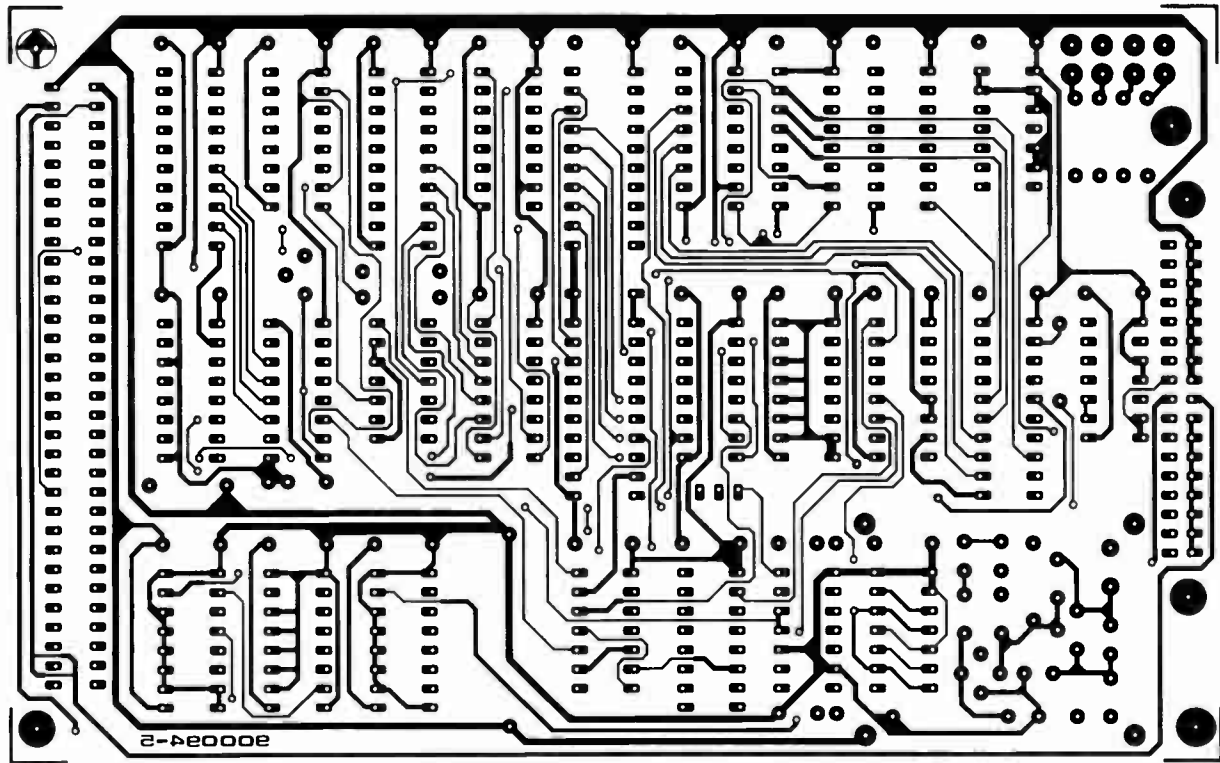
## Measurement cycle

Before a measurement can be made, the control card must be set to a certain mode: 100 MHz, 25 MHz, 1 MHz, or external clock, of which the last three are identical but for the clock frequency. Therefore, if reference is made in the following to the 25 MHz mode, the 1 MHz mode and the external-clock mode are included. For instance in the line indication "100 MHz/25 MHz" (Q5 of IC39), the "25 MHz" really means "not 100 MHz".

Apart from line 100 MHz > /25 MHz, the line mode (Q4 of IC39) co-determines which clock frequency is selected. Once the mode has been selected, the controller is put on standby by a reset (Q7 of IC39). After the reset, the control card sends clock pulses to the shift registers at the inputs of the RAM cards and write pulses (via R/W-CNTRL) to the RAM ICs. After each write pulse, the address counter, IC46--IC48, is increased by one so that data read to the RAM cards at

the subsequent clock pulse are stored in the next memory location.

This cycle of writing and storing data goes on continuously. When all memory locations have been filled, the oldest data are replaced by new data. This continues until the word recognizers on the RAM cards recognize the trigger conditions. In the 100 MHz mode, there are two trigger lines, TRIG and ARM, each of which has its own function. In the other modes, these two lines are inter-



linked via T1 (possible because they are driven from open-collector outputs).

When a non-100 MHz mode is selected, the load inputs of trigger counter IC36-IC37 go high, whereupon the counter begins counting from the position written in register IC34. If the trigger signal is of sufficient duration, the counter counts to the maximum position, whereupon bistable (flip-flop) IC56b-IC56c is set. If, however, the trigger signal goes low before the maximum position is reached, the counter is loaded again with the value in the register and the trigger pulse is not accepted as valid.

Assuming that the bistable is set, IC53 receives the signal "trigger acceptable". The writing of data then continues undiminished and IC53 also starts the post-trigger counter, IC54. This circuit ensures that the writing stops when the number of data samples written into the memory after the trigger pulse is exactly half the available memory locations. The memory then contains a block of data that indicates what happened before the trigger pulse and another block that indicates what happened after the trigger pulse.

The operation stops when output Q10 of IC54 goes high, whereupon IC53 gets the signal "ready", IC55 is switched off (its outputs go low) and the computer interface gets a ready signal via the IRQ line. The control board is then completely under the control of the computer, which first reads all the data in the RAM cards. This is done via the single-step line, which is provided by a signal in a slightly different way if an Atari is used than if an IBM or compatible is used. For each pulse on this line, the address counter is increased by one. Since this counter stopped at the last addressed sample with the newest

data, the next address is that of the sample with the oldest data. From there, all 2048 memory locations can be read byte by byte from the RAM ICs. Once all data have been read and processed, the analyser may be started again with a reset.

Basically, operation of the controller in the 100 MHz mode is little different from that in the other modes; only the triggering is slightly more complex. The TRIG and ARM lines are separated and have their own function. A sort of warning signal is given via the ARM line, whereupon the trigger circuit is put on standby for a short time. The real trigger signal, TRIG, must arrive within that time to ensure that the triggering is accepted. The triggering process thus starts with the signal ARM. When this goes high, trigger counter 2, IC44-IC45, starts counting. If this counter can count to the maximum position (like counter 1), the ARM triggering is accepted and the window counter starts. This counter checks the time during which a valid triggering signal must be given via the TRIG line and trigger counter 1. If that does not happen, bistable IC49a is reset, whereupon trigger counter 1 is disabled, and the window counter is reset in anticipation of a new ARM trigger. However, as long as the window counter counts, triggering is possible. If the TRIG pulse is long enough, the start bistable (flip-flop), IC56b-IC56c is set and the analyser can start sampling again.

## Finally

The printed-circuit board for the controller is shown in Fig. 15. Populating it is straightforward, although it is even more important than with other projects that the work is car-

ried out very carefully, interspersed with frequent checks. It is better to check too often than once too seldom, because faultfinding at a later stage is not easy.

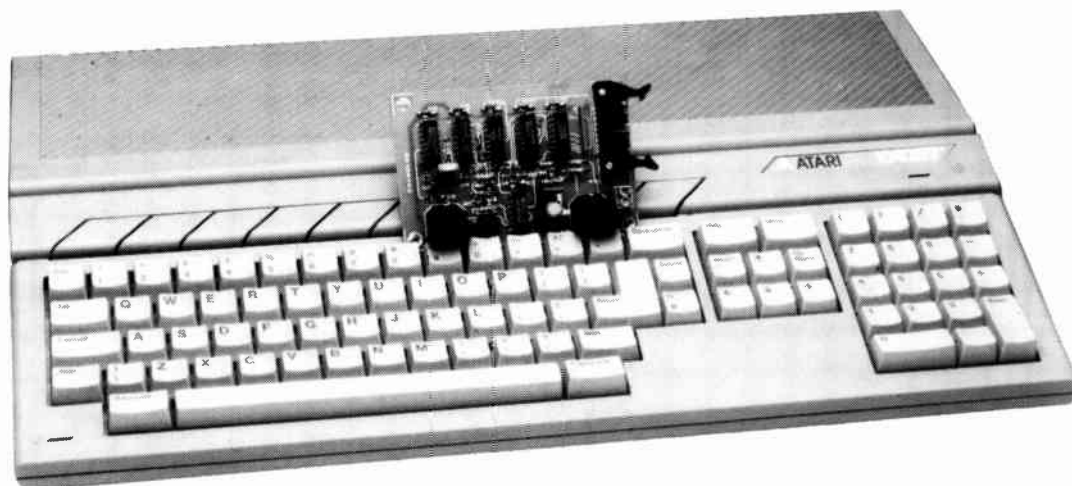
Note that IC50 is better not mounted in a socket, since that will result in additional parasitic capacitances in the oscillator circuit. In the prototype, all other ICs are fitted in a socket: this has not resulted in any noticeable deterioration. One of the prime benefits of sockets is that it reduces the likelihood of damage to the ICs, some of which are not cheap.

The inductors are best wound around a 3mm drill bit from enamelled copper wire as specified in the parts list.

It is advisable to screen the oscillator circuit, not so much to improve its operation as to prevent its radiating outside the analyser. It is also advisable, again in view of radiation outwards, to fit the entire analyser in a metal enclosure.

Forthcoming instalments of this article will deal with the power supply, an interface for IBM or compatible, an interface for the Atari ST, an overview of the various interconnections and building the analyser into an appropriate enclosure and software. It is the intention to make the software available together with a programmed GAL IC. ■

# 8-BIT I/O INTERFACE FOR ATARI ST



**The Atari ST series computers have their strong and weak points. For instance, these machines have a powerful graphics interface, but lack a parallel I/O port. The latter deficiency is a spot of bother when it comes to connecting certain non-Atari peripherals and, of course, home-made extensions. The circuit presented here solves this problem elegantly by means of ... music! A handful of standard, inexpensive components and a small control program written in BASIC, C or assembler language turn the MIDI channel of the Atari ST into an 8-bit I/O port that achieves a maximum data rate of 1 kBit/s. No modifications are required in the computer.**

**M. Breuer**

**I**N principle, the MIDI (Musical Instrument Digital Interface) on a computer works just like any other serial communication port. Each databyte is transmitted on a bit-by-bit basis via a serial connection. According to the MIDI standard, a logic high bit corresponds to no current through the serial link, while a logic low bit corresponds to a current of about 5 mA. In the receiver, this current is passed through an opto-coupler that ensures electrical insulation between the transmitter and the receiver. This insulation allows MIDI equipment with different supply voltages and ground potentials to be interconnected without problems.

The serial data format used on a MIDI port equals that specified in the RS-232C protocol. Each transmission starts with a start bit, which is always a 0. Then follow the eight databits, headed by the LSB (least significant bit). The transmission is terminated with a stop bit, which is always a 1. When the dataline is not in use, it carries no current, so that a logic high level is produced in the receiver.

The data rate on a MIDI channel is standardized at 31,250 bits per second (31.25 kBaud). Although the conversion of serial data into parallel form is fairly simple

to realize with a UART (Universal Asynchronous Receiver/Transmitter), the present interface uses a less expensive alternative to accomplish this function. The circuit we have in mind is based on a couple of standard CMOS ICs that perform the parallel-to-series and series-to-parallel conversions at reasonable speed.

## Circuit description

The circuit diagram of the interface is given in Fig. 1. The heart of the circuit is formed by IC<sub>6</sub>, a Type 4060 14-bit counter with an on-board oscillator. The clock signal divided by 128 is present at pin 6 of the 4060. From there, the signal is fed to three shift registers IC<sub>3</sub>, IC<sub>4</sub> and IC<sub>5</sub>, and a decimal counter, IC<sub>7</sub>. Since the oscillator on board the 4060 operates with a 4-MHz quartz crystal, the shift registers and the counter are clocked at 31,250 Hz, which equals the bit rate on the MIDI channel.

A 5-way DIN socket, K<sub>1</sub>, is connected to the MIDI output of the computer via a cable. The serial data arrive at the interface via optocoupler IC<sub>1</sub>. After being cleaned and shaped by two logic gates, IC<sub>2a</sub> and IC<sub>2b</sub>, the data arrives at the D (data-) input of IC<sub>3</sub>. The

falling edge of the start bit is used to generate a needle pulse that serves to reset IC<sub>6</sub> and IC<sub>7</sub>. This pulse is supplied by diode D<sub>2</sub>, gate IC<sub>2c</sub> and capacitor C<sub>2</sub>. The reset pulse ensures that all counters are in a predefined state at the start of a data transmission. Output Q<sub>9</sub> of IC<sub>7</sub> is low after a reset pulse, and blocks any further reset pulses with the aid of diode D<sub>3</sub>. Output Q<sub>9</sub> does not go high until after the tenth clock pulse, when the start bit of a new dataword causes the next reset. The rising edge of the pulse at Q<sub>9</sub> charges C<sub>1</sub> and causes a strobe pulse at the STR input of IC<sub>3</sub>. As a result, the received data is fed to the parallel data outputs of this IC. To protect the IC inputs, diodes D<sub>4</sub> and D<sub>5</sub> limit the negative pulses supplied by the differentiators to a voltage of -0.6 V. The digital data at outputs Q<sub>0</sub> to Q<sub>7</sub> of IC<sub>3</sub> are applied direct to the user interface connector, K<sub>3</sub>.

The timing diagram in Fig. 2 illustrates the operation of the circuit by showing the time relation between the most important signals. The measuring points are found back as letter codes in the circuit diagram.

When the first databit appears on the serial channel, decade counter IC<sub>7</sub> supplies a high level at output Q<sub>1</sub>. This results in the signals at inputs I<sub>0</sub> to I<sub>7</sub> of K<sub>3</sub> being read into

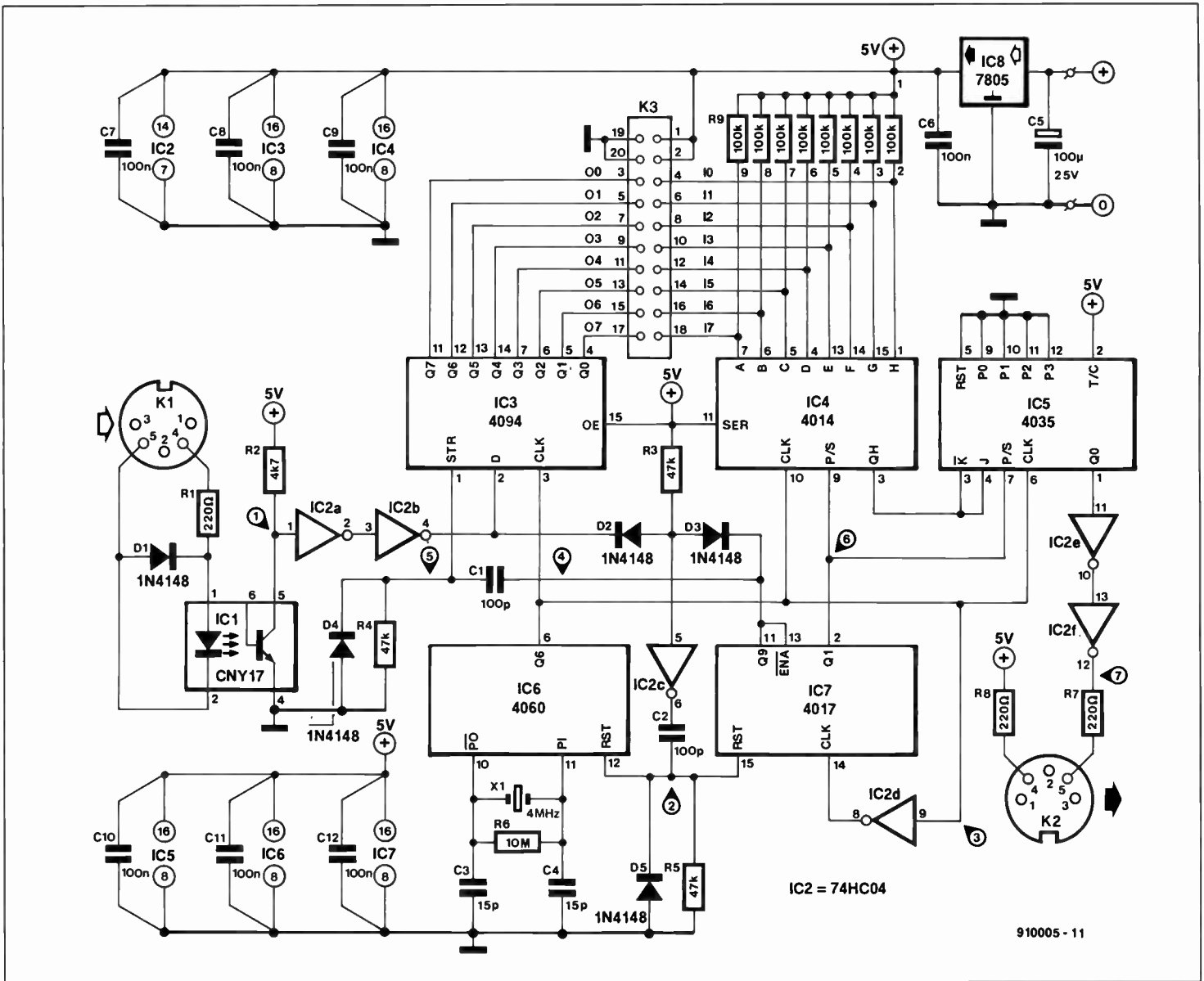


Fig. 1. Circuit diagram of the MIDI-to-parallel interface for Atari STs. Basically a bidirectional data format converter, the circuit is built from standard CMOS ICs.

the parallel register of IC4. On the first falling edge of the clock pulse, the P/ $\bar{S}$  input of IC4 goes low again, and the IC starts to shift out the bits that make up the parallel dataword. The shift-out operation is timed by the clock signal, and the serial bits appear at the QH

output of IC4. The serial data is accepted by IC5 at its J and  $\bar{K}$  inputs. Meanwhile, the low level at the Q1 output of IC7 has been read at the P0 input of IC5. This low level is placed before the data, and thus serves as the start bit.

The serial output data that appears at the Q0 output of IC5 are applied to buffer IC2e. This in turn drives IC2f, which forms a current source together with resistor R7. In this way, we have created a standard MIDI output.

Following the start bit, the eight databits are shifted out and fed to the current source. The LSB is transmitted first. Since the serial input of IC4 is connected to the positive supply voltage, the eighth databit is followed by a series of logic 1s. This is done to keep the MIDI channel 'off', with no current flow through the cable.

The MIDI data produced by the interface is fed to the computer via a second 5-way DIN connector, K2. As you will have gathered from the circuit diagram, two cables are required to connect the interface to the Atari computer.

**Control software**

Although the interface can be used with any computer sporting a MIDI connection, the control software discussed below was designed specifically for the Atari ST. Fortu-

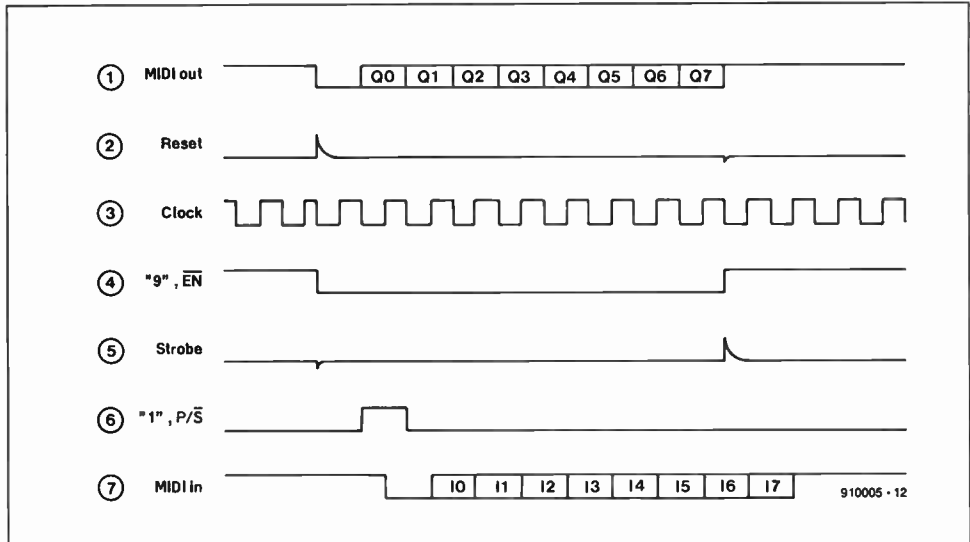


Fig. 2. Timing diagram to illustrate the operation of the circuit.

nately, the BIOS ROM in this computer offers a simple way of controlling its internal MIDI. Since most compilers for the ST support the use of the available BIOS routines, higher-language control software is relatively simple to write.

The present interface is tested in three

steps. First, data is transmitted for the output on the I/O bus. Next, the program performs a number of status requests on the input register of the ST's MIDI. If reading back data from the I/O card is not successful after a certain period, you are likely to have made an error of some kind in the construction or

connection of the interface. The listing in Fig. 5 shows the outline of a routine written in C for the control of the I/O interface.

An example of the screen graphics presented by a test and debugging program for the I/O interface is shown in Fig. 4. The window shows the status of each input and output bit. In the 'auto' (automatic) mode, a software counter increases the output value on the I/O bus by one every four seconds. In the 'manual' mode, the mouse may be used to toggle the logic level of each individual bit. When the I/O interface is not connected, the text in the input boxes is grey instead of black.

The programs on the diskette supplied for this project should help you on the way in developing a more extensive quasi-multitasking control utility which runs in the background. An interesting application is realized by using the interrupt from timer A in the 68901 to transmit a byte via the MIDI every millisecond. Provided the MIDI buffer in the ST is given its maximum size of 32 kByte, it is even possible to create relatively long intervals (say, several tens of seconds) between the updating of the buffer content.

Users of computers other than the Atari ST may use the structure of the program described here as a starting point to write control routines geared to their machines.

## Construction

No problems here, even for those with relatively little experience in building electronic

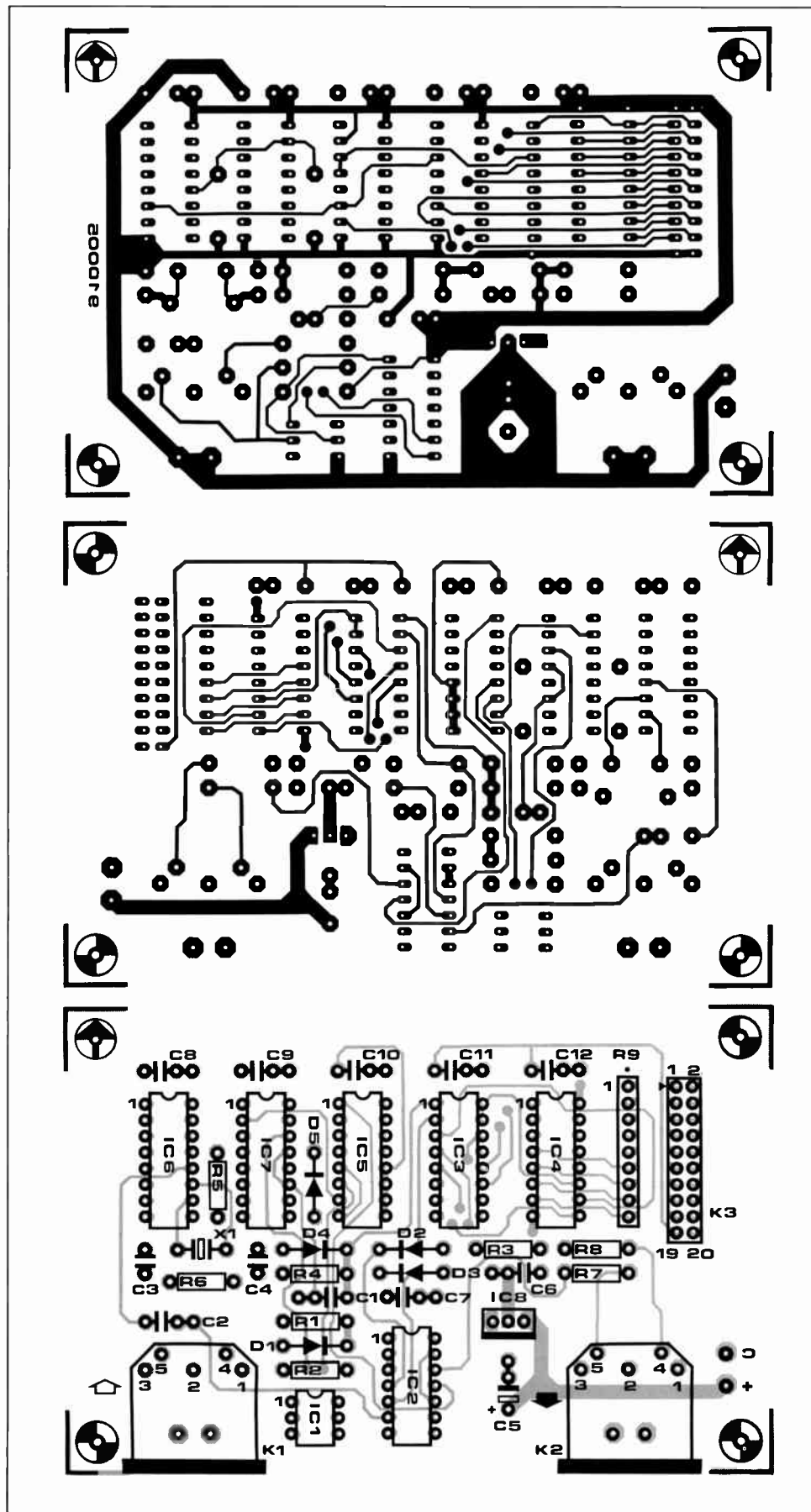


Fig. 3. Double-sided through-plated printed-circuit board for the interface.

## COMPONENTS LIST

### Resistors:

3	220Ω	R1;R7;R8
1	4kΩ7	R2
3	47kΩ	R3;R4;R5
1	10MΩ	R6
1	8×100kΩ SIL resistor array	R9

### Capacitors:

2	15pF	C3;C4
2	100pF	C1;C2
7	100nF	C6-C12
1	100μF 25 V	C5

### Semiconductors:

5	1N4148	D1-D5
1	4014	IC4
1	4017	IC7
1	4035	IC5
1	4060	IC6
1	4094	IC3
1	74HC04	IC2
1	7805	IC8
1	CNY17	IC1

### Miscellaneous:

2	5-way PCB-mount DIN socket	K1;K2
1	20-way PCB box header	K3
1	4 MHz quartz crystal	X1
1	printed-circuit board	910005

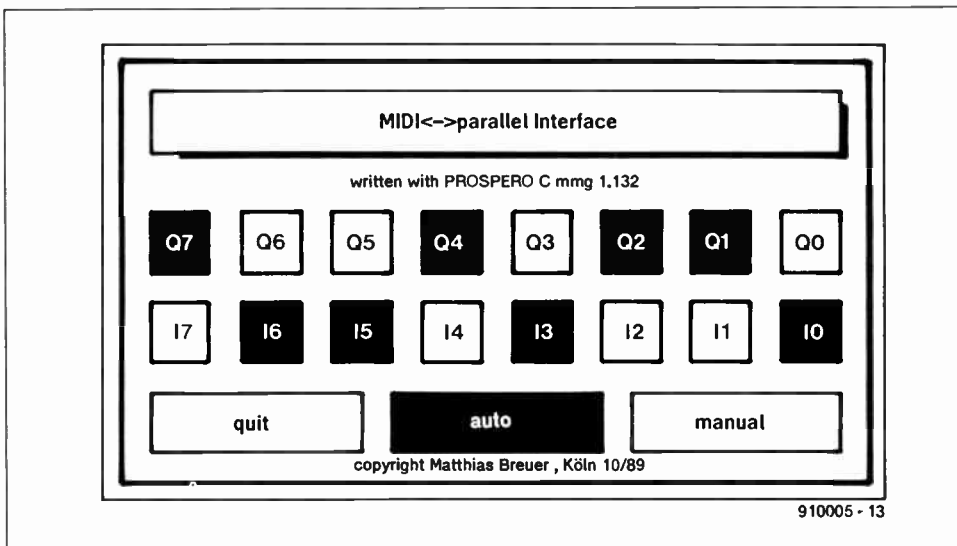


Fig. 4. Screenshot of the test program.

```

bios(3, 3, outvalue);
i = 10;
while (i > 0 && bios (1, 3) != -1) {
    i = i -1;
}
if (i > 0) {
    inval = bios (2, 3);
} else {
    printf("MIDI 8-bit I/O-interface not found\n");
}

```

910005 - 14

Fig. 5. Use this routine written in C to check the basic function of the interface.

circuits. The ready-made printed-circuit board for this project is double-sided and through-plated (see Fig. 3). The construction is a matter of fitting all the parts on to the board. If you can not secure the specified 8-way single-in-line resistor network, R9, use eight vertically mounted discrete resistors instead. A short piece of wire connects the top terminals of these resistors, and forms the 'common' terminal, pin 1.

The I/O interface is best powered by a ready-made mains adapter with an output voltage of about 9 VDC. To prevent data errors, the length of the cables between the computer and the interface should not exceed 5 m. ■

## SOFTWARE SERVICE

The project described here is supported by a control program which is available on an Atari-format diskette as order code ESS 1571. The diskette also contains the source code listing written in C, and the machine language listing, including the graphics support. For details on cost and ordering of this diskette please refer to the Readers Services page elsewhere in this issue. This item is available exclusively for Atari ST computers.

## DIGITAL RESEARCH DOS 5.0 BRINGS BACK YOUR MEMORY

**D**IGITAL Research has recently introduced what can safely be called the most memory-efficient operating system for PCs. Apart from being a very powerful and simple to use operating system, DR DOS 5.0 ends the hassle with TSRs and drivers eating up large portions of the PC's base 640 kByte memory. If you, like this reviewer, use two or three TSRs, and a less than usual system configuration file, you may well have 450 kByte or less available after booting the system. I certainly do not like to be told that there is 'insufficient memory' to run, say, Wordperfect 5.0 or Ventura 2.0 when my PC, an AT 286, has a comfortable 4 MByte of extended memory.

Every new IBM DOS and MSDOS release has seen an increase in used up base memory. True, the performance of these systems has increased significantly, and from MSDOS 4.0 on it is possible to select a 'minimum' DOS configuration during the installation. Unfortunately, this minimum system still eats up more than 100 KByte, and slows the computer down considerably by swapping large data blocks between the main memory and the hard disk.

DRDOS 5.0, unlike any operating system I have seen before (with or without fancy 'memory managers'), runs almost entirely outside of the valuable 640 KByte memory area. By virtue of MemoryMAX™, DRDOS is

### DR DOS RELEASE 5.0

- Fully compatible with all applications written for DOS
- Advanced memory management that allows over 620 kByte of free memory
- HILOAD and HIDEVICE to load drivers, TSRs and networking software outside the 640 Kbyte memory area
- Filelink file transfer program
- ViewMAX user interface
- Support for disk partitions greater than 32 MByte
- Menu-driven INSTALL and SETUP
- LIM expanded memory support using EMM386.SYS and EMMXMA.SYS
- Advanced disk-caching utility
- Ideal for use on NEAT-based PCs
- Password protection for files and directories
- Built-in help for each utility using /H switch
- Full-screen text editor

capable of moving TSRs and drivers into high memory, the 384 KByte area between the top of the main memory (640 KByte) and the start of upper memory (1024 KByte). In my case, I was pleased to see that I had 595 KBytes of available memory after installing DRDOS plus my network driver, a really large display driver and all of my system configuration stuff. I upgraded from MSDOS 4.01, which left me a frustrating 420 KByte, just under the minimum required to run my DTP package, Ventura 2.0.

The installation of DR DOS 5.0 is straightforward, although it must be said that to fine-tune the performance you will need to be familiar with quite a few internal specifications of the PC you are using. In particular, the use of high memory and extended memory must be known in detail. Fortunately, the default selections presented during the installation are in most cases perfectly acceptable to achieve good results, even if you do not understand the meaning of all available options. A superb feature of DR DOS is that it can be re-installed from hard disk.

J. Buiting

For more information on DR DOS 5.0, contact Digital Research, Box DRI, 70 Garden Ct., Monterey, CA 93940, (408) 649-3896, (800) 443-4200. List price: \$199, Street price: \$129.

# WATTMETER

It is an unfortunate but well-known fact that measuring the active power of a mains-powered apparatus can be quite tricky. While non-reactive loads such as bulbs are mostly plain sailing, appliances that present inductive or capacitive loads force us to brush up our knowledge of waveform theory. Unless ...



## L. Lemon

SINCE inductive and capacitive loads cause a phase shift between current and voltage, their real active power can not be measured by multiplying the applied voltage with the measured current. Such a measurement yields reliable results only when the phase shift angle is known and included in the calculation of the active power. A similar problem arises with non-sinusoidal waveforms. These are often supplied by dimmers, whose output voltages seem to take almost any shape except that of a pure sine-wave. Although an oscilloscope could be used to establish the active power of a load powered by a dimmer, this type of measurement is cumbersome and inaccurate.

A much simpler way of measuring a.c. active power is to use a four-quadrant multiplier. This analogue calculation device is capable of measuring the current through a load, and the instantaneous voltage across it, simultaneously. Next, the two values are multiplied, and the result is shown on a display. If this sounds like a complex set of functions, we are fortunate to have these multipliers available in the form of integrated circuits. What's more, a four-quadrant multiplier is almost all we require for the instrument we intend to build. Add a power supply, a potential divider, two opamps, a few presets, and you have your wattmeter with a measuring capability of up to 3.5 kW.

## The circuit

The circuit diagram of the wattmeter is simple and readily analysed. It consists of two parts — the meter circuit proper, and the display circuit.

The schematic in Fig. 1 is that of the

power-voltage ( $P-U$ ) converter, while Fig. 2 shows the liquid crystal display (LCD) section. In the top left-hand corner of Fig. 1 we see a load resistor,  $R_L$ , which is connected to K2. This is where the mains-powered load, for instance, a motor, a bulb, a TV set, etc., is connected. Two parallel-connected shunt resistors,  $R_6$  and  $R_7$ , pass the current drawn by the load. The effective resistance and power rating of the shunt are  $0.05 \Omega$  and  $10 \text{ W}$  respectively. The two resistors turn the current flow into a proportional voltage, which is amplified about 6 times by opamp IC3a before it is applied to the input of the four-quadrant multiplier, IC4. Switch  $S_1$  at the input of the opamp forms a range selector.

A potential divider (p.d.) formed by  $R_3$ ,  $R_4$  and  $R_5$  is connected in parallel with the load. Resistor  $R_8$  feeds the output voltage of this p.d. to the  $V_{x+}$  input of the multiplier, IC4. Two series-connected resistors are used in the upper branch of the p.d. to stay well below the maximum voltage that may be applied to a  $0.125 \text{ W}$  resistor. Since this voltage is usually specified at about  $200 \text{ V}$ , it is safer to use two identical resistors in series considering that the mains voltage may rise to  $250 \text{ V}$ . With two identical resistors in series, the voltage across each of them is unlikely to exceed the maximum permissible value.

Diodes  $D_1$  to  $D_4$  protect the opamp and multiplier inputs by diverting positive and negative voltage surges to the supply lines.

The basic operation of the analogue multiplier, a Type MC1495L from Motorola, is apparent from the internal structure shown in Fig. 3. The IC uses the input voltages,  $V_x$  and  $V_y$ , to supply an output voltage,  $V_o$ , that is described by

$$V_o = k V_x V_y \quad [1]$$

In this equation, the constant,  $k$ , is determined by external components:

### MAIN SPECIFICATIONS

- Accurate a.c. active power indication
- Four-quadrant multiplier handles ohmic and reactive loads
- $3\frac{1}{2}$ -digit LCD
- Simple to connect
- Two ranges; resolution  $1 \text{ W}$  or  $10 \text{ W}$
- Measures up to  $3,500 \text{ W}$

$$k = 2 R_L / R_x R_y I_3 \quad [2]$$

In the present circuit,  $R_L$  is composed of two  $150\text{-}\Omega$  resistors,  $R_{22}$  and  $R_{24}$ , at the output of the multiplier IC, while  $R_x$  and  $R_y$  are formed by the resistors connected to IC pins 10-11 and 5-6. The current  $I_3$  in equation [2] flows from pin 3 of IC4 into the ground line, and can be adjusted with the SCALE FACTOR preset, P6. Presets P4 and P5 each supply an off-set compensation voltage at the  $V_{x-}$  and  $V_{x+}$  inputs. These voltages serve to set the differential voltage at the relevant multiplier input.

The second opamp in the circuit, IC3b, amplifies the multiplier output signal before this is applied to the display driver.

The circuit diagram of the LCD section based on the ICL7106 is shown in Fig. 2. Preset P7 in the multiplier circuit is used for off-set compensation. The ICL7106 contains an analogue-to-digital converter (ADC) and a liquid crystal display driver. The chip is used in a standard application circuit, which requires a handful of external components for the on-board oscillator ( $R_2$ - $C_2$ ), the auto-zero function ( $R_3$ - $C_4$ ) and the capacitive reference ( $C_3$ ).



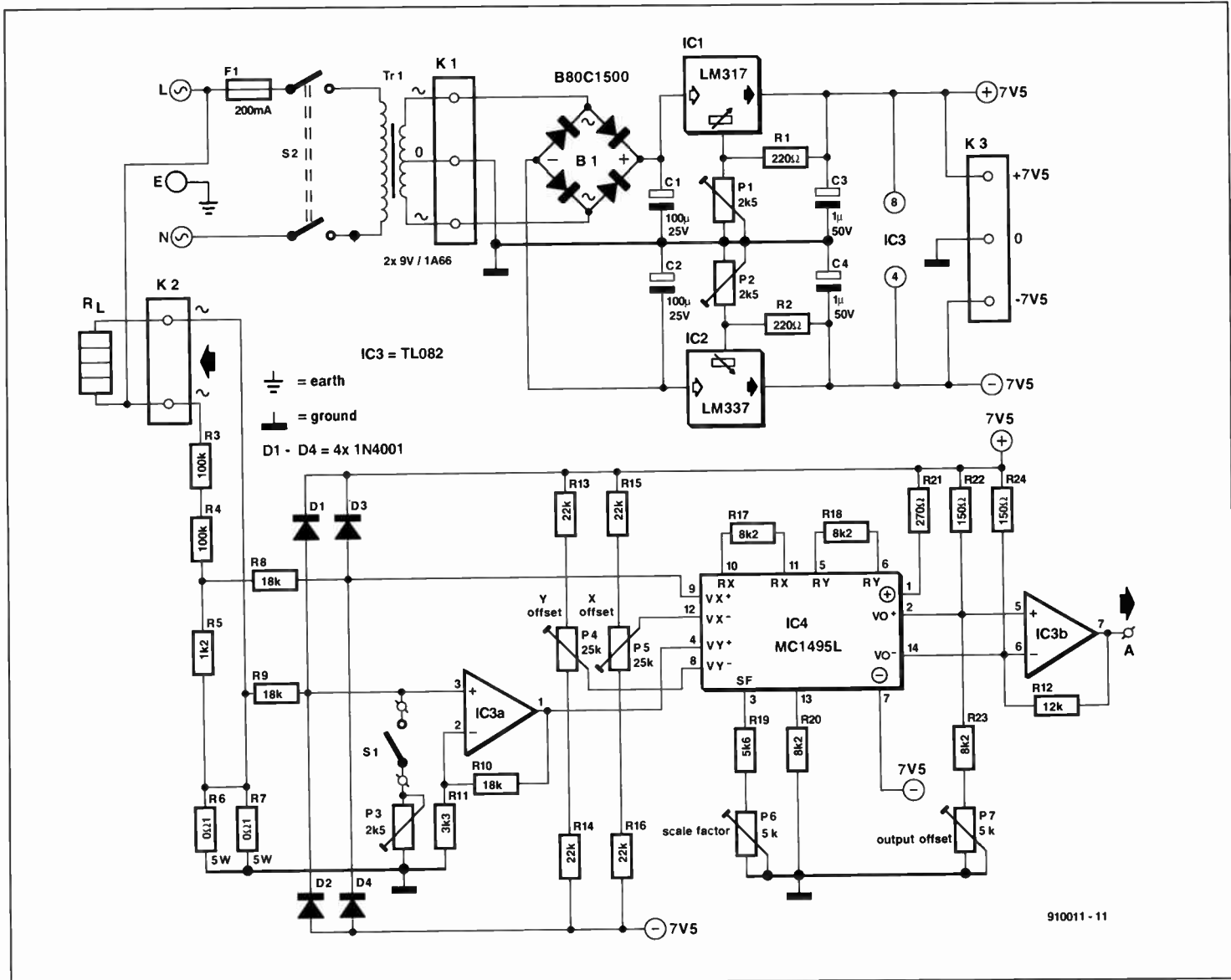


Fig. 1. The main meter circuit is a power-to-voltage converter based on a four-quadrant multiplier Type MC1495L from Motorola.

Returning to Fig. 1, the power supply is based on two adjustable precision voltage regulators Type LM317/LM337. Fixed voltage regulators are not suitable here in view of the required stability of the supply voltages. Also, the  $\pm 7.5$  V supply voltage must be exactly symmetrical, which requires the voltage regulators to have an adjustment facility. In the present circuit, the supply voltages are matched with the aid of presets P1 and P2.

**Construction: safety first**

Since the circuit is connected direct to the mains, the construction demands great care and attention to prevent any risk of electrical shock. With this in mind, it is not surprising that the wiring of the instrument requires much more attention than the construction of the two printed-circuit board, which are relatively simple designs (see Figs. 4 and 5). Although it is possible to use a fixed mains input cord inserted through a rubber grommet and fitted with a strain relief at the inside of the enclosure, it is safer to use a mains appliance socket rated at 13 A. The output of the circuit is connected to a mains socket fitted on the front panel of the enclosure.

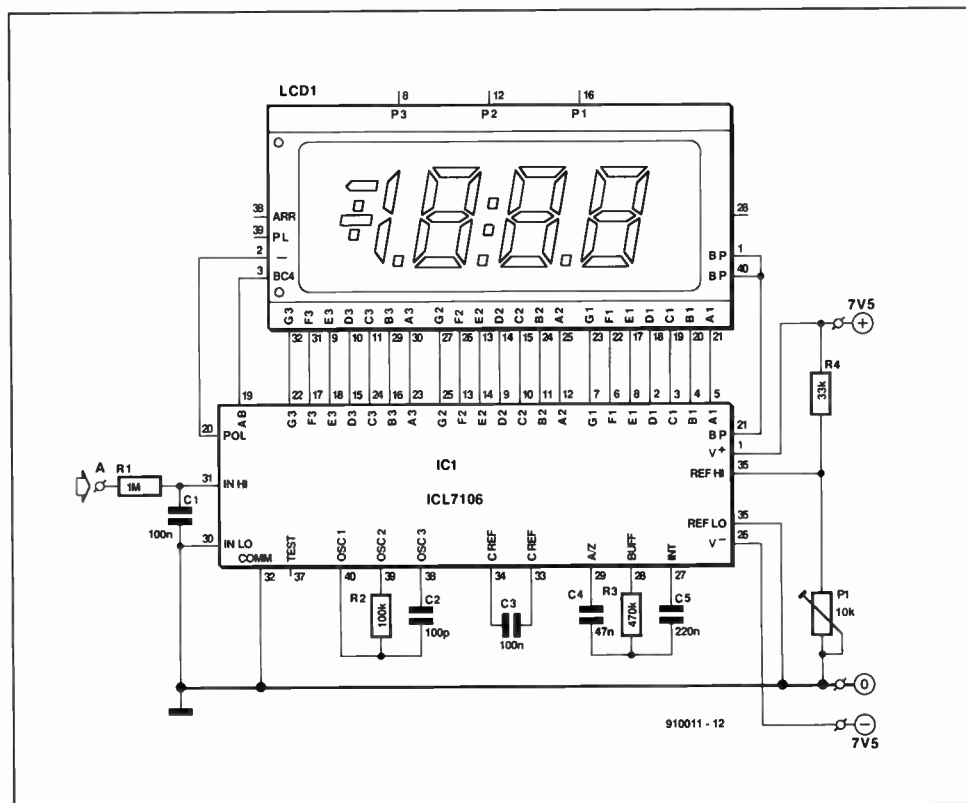
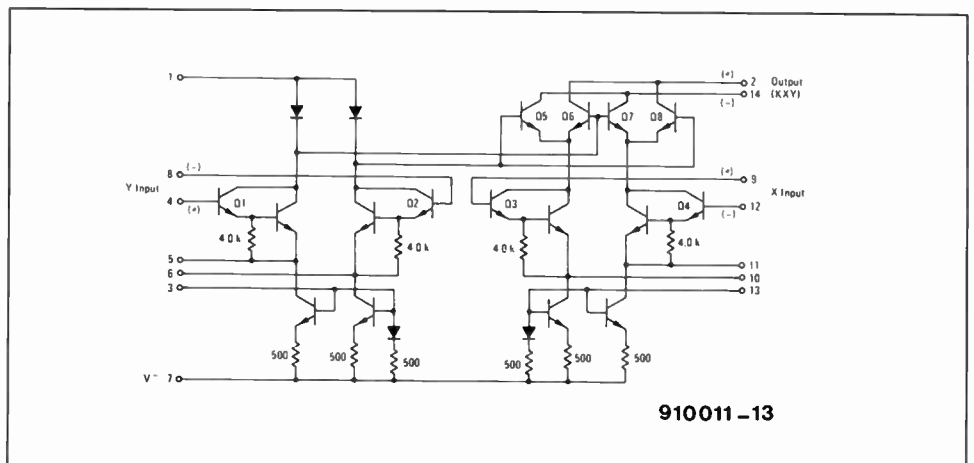


Fig. 2. Circuit diagram of the ICL7106-based LC display unit.

This connection must be made with wire with a cross-sectional area of  $2.5 \text{ mm}^2$  or greater. For the sake of safety, cover each solder joint between a wire and a connector or terminal in heat-shrink sleeving or insulating tape. All metal parts of the wattmeter enclosure must be connected to earth.

The front panel is cut and drilled to accept the mains socket, the display, the on/off switch and the range switch. Note that although an IEC-style earthed mains socket is shown fitted on the front panel of the prototype, the actual type of mains socket used depends on local regulations. There should be no problem fitting an U.S. or U.K. style mains socket. A ready-made self-adhesive two-colour foil is available to give the wattmeter a finished appearance. The layout of this front panel is apparent from the introductory photograph.

Finally, fit a 3-mm thick plastic or ABS plate between the display PCB and the front panel of the enclosure. This plate functions as an insulator, and must be at least 3 mm longer and wider than the display PCB.



910011-13

Fig. 3. Internal schematic of the MC1495L four-quadrant multiplier (illustration reproduced by courtesy of Motorola).

## Adjustment

The wattmeter is adjusted with the aid of a digital multimeter (DMM) and a sine-wave generator.

First, adjust presets P1 and P2 until the

circuit supply voltages are exactly  $+7.5 \text{ V}$  and  $-7.5 \text{ V}$ . Next, connect the sine-wave generator to pin 3 of IC3. Set the generator to an output voltage of  $3 \text{ V}$ , and a frequency between  $50 \text{ Hz}$  and  $200 \text{ Hz}$ . If applicable, set the DC-offset at the generator output to  $0 \text{ V}$ .

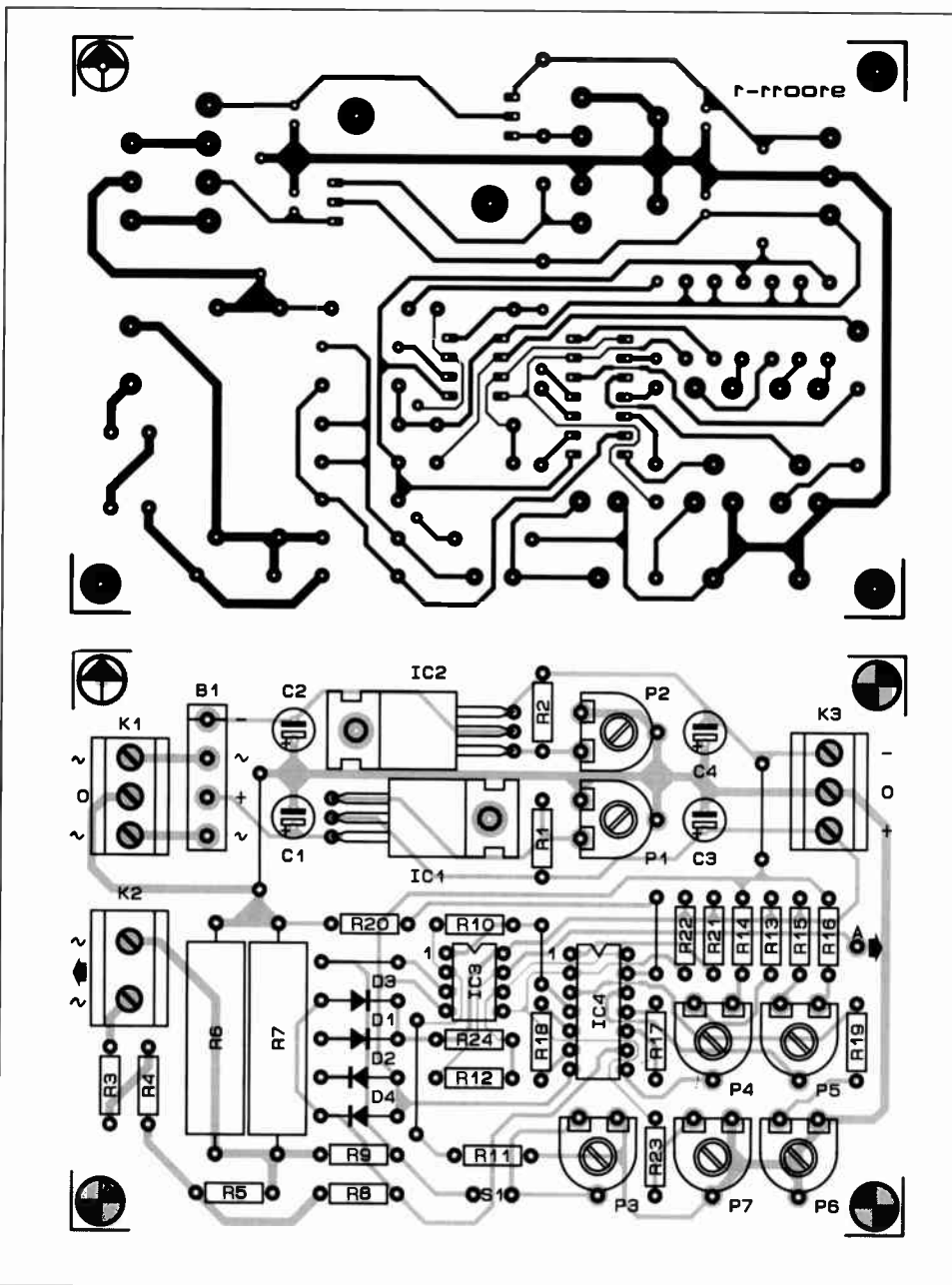


Fig. 4. Single-sided printed-circuit board for the power-to-voltage converter.

## COMPONENTS LIST

### METER BOARD

#### Resistors:

2	220 $\Omega$	R1;R2
2	100k $\Omega$	R3;R4
1	1k $\Omega$ 2	R5
2	0 $\Omega$ 1 5W	R6;R7
3	18k $\Omega$	R8;R9;R10
1	3k $\Omega$ 3	R11
1	12k $\Omega$	R12
4	22k $\Omega$	R13-R16
4	8k $\Omega$ 2	R17;R18;R20;R23
1	5k $\Omega$ 6	R19
1	270 $\Omega$	R21
2	150 $\Omega$	R22;R24
2	5k $\Omega$ preset H	P6;P7
3	2k $\Omega$ 5 preset H	P1;P2;P3
2	25k $\Omega$ preset H	P4;P5

#### Capacitors:

2	100 $\mu\text{F}$ 25V radial	C1;C2
2	1 $\mu\text{F}$ 63V radial	C3;C4

#### Semiconductors:

4	1N4001	D1-D4
1	LM317	IC1
1	LM337	IC2
1	TL082	IC3
1	MC1495L	IC4
1	B80C1500	B1

#### Miscellaneous:

3	3-way PCB-mount screw terminal block	K1;K2;K3
1	SPST switch	S1
1	fuse 200mA slow	F1
1	mains transformer 2 $\times$ 9V @ 1.66A	Tr1
1	DPDT mains-rated switch	S2
1	printed-circuit board	910011-1

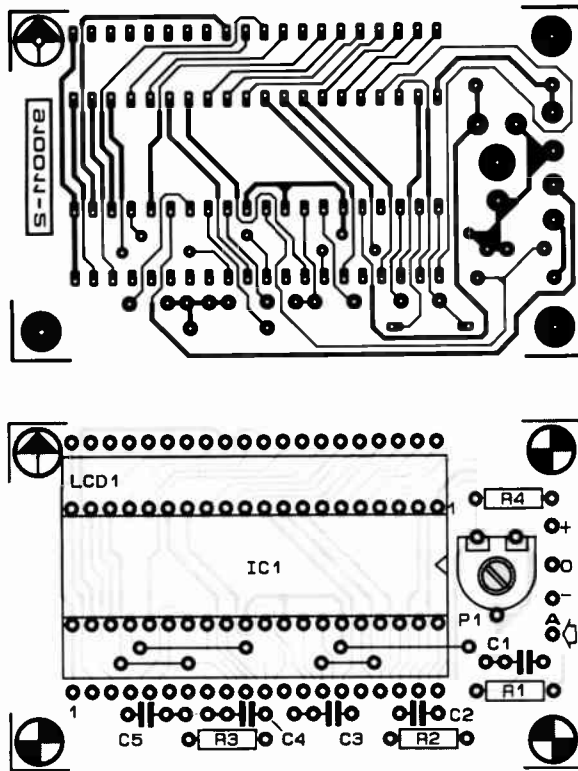
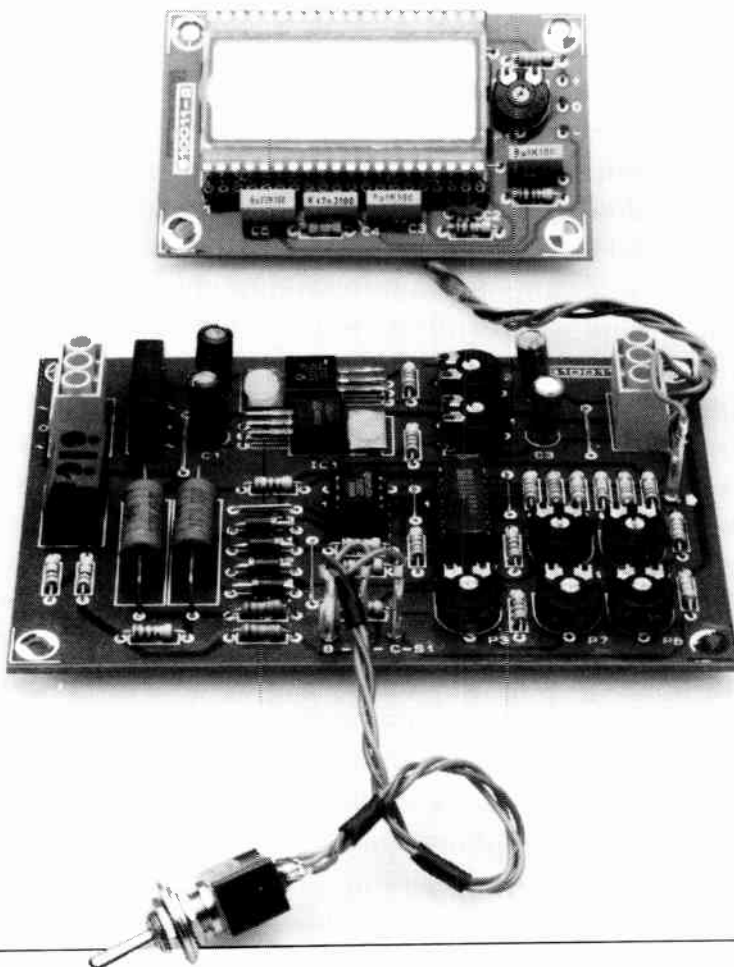


Fig. 5. Single-sided printed-circuit board for the liquid crystal display unit.



## COMPONENTS LIST

### DISPLAY BOARD

#### Resistors:

1	1M $\Omega$	R1
1	100k $\Omega$	R2
1	470k $\Omega$	R3
1	33k $\Omega$	R4
1	10k $\Omega$ preset H	P1

#### Capacitors:

2	100nF	C1;C3
1	100pF	C2
1	47nF	C4
1	220nF	C5

#### Semiconductors:

1	7106	IC1
---	------	-----

#### Miscellaneous:

1	3½-digit LCD	LCD1
1	printed-circuit board	910011-2

If you do not have a sine-wave generator, use a small mains transformer with a 3-V secondary.

Short out R10, the feedback resistor of IC3a. Connect pin 9 of IC4 to ground, and open switch S1. Adjust preset P4 (VX offset) for minimum alternating voltage at output A of the main meter board (all voltages are measured with respect to ground).

Connect the generator output to pin 9 of IC4. Connect pin 3 of IC3a to ground. Adjust preset P5 (VY offset) for minimum alternating voltage at output 'A' of the main meter board. Next, minimize the d.c. component at the output terminal, 'A', by adjusting preset P7.

Connect a non-reactive load, e.g., a 100-W bulb, to the output of the wattmeter. Measure the voltage across the bulb, and the alternating current. This measurement is preferably carried out with a true-RMS meter. Calculate the active power of the bulb. The direct voltage at terminal 'A' should be about 100 mV, corresponding to a sensitivity of 1 mV/watt. If necessary, correct the setting of P6. Next, adjust P1 on the display board until the calculated active power appears on the display.

The last adjustment involves the second measurement range. Close S1, and adjust preset P3 until the voltage at terminal 'A' is one tenth of the previously measured value. This completes the adjustment of the wattmeter.

You are now ready to test the wattmeter with 'real' loads whose active power you want to check against the manufacturer's specification. You can measure up to 3.5 kW. The accuracy of the instrument is about 5% even under less favourable conditions, for example, when a heavily capacitive or inductive load is connected, or when the mains voltage is distorted by a dimmer circuit. ■

Fig. 6. Completed boards, interconnected and ready for adjustment.

# INTEL/TEKTRONIX-TO-HEXDUMP CONVERTER PROGRAM FOR PCs

Those of you who run assemblers capable of producing Tektronix or Intel format output files have a problem when an available EPROM programmer is not 'intelligent', or when a simple hexdump is required of the object code. Here is a BASIC program to end your misery.

from an idea by S. Mitra

INTEL hex format and Tektronix Hex format are two very popular file formats used for uploading and downloading data between a host computer (such as a PC) and an intelligent EPROM programmer. That is

why most popular cross assemblers and file linkers supplied with different in-circuit emulators provide Intel/Tektronix format file output in addition to executable file output.

During system software development, it is often required to generate a hexadecimal dump listing from the Intel/Tektronix format for documentation or debugging. Doing such a conversion manually takes a lot of

```

10 ' HEXDUMP.BAS software listing.
20 ' Intel/tektronix Hex format to Standard Hex Dump Listing convertor
30 ' Written by -----
40 '      Soumya Mitra
50 '      15/2 Rani Sankari Lane
60 '      Calcutta 700 026
70 '      West Bengal
80 '      INDIA
90 ' -----
100 '
110 ON ERROR GOTO 1030
120 KEY OFF : CLS : CLOSE : FLAG=0 : EXIST=-1 : COLOR 14,6
130 PRINT "Intel/Tektronix Hex Format to standard hexdump Version 1.00"
140 PRINT "      Written by Soumya Mitra 1990"
150 COLOR 14,0
160 LOCATE 7,1 : INPUT "Input File      : ", INFILES
170 OPEN "I",#1, INFILES
180 CLOSE : FORMATS=""
190 LOCATE 8,1 : INPUT "Output File      : ", OUTFILES
200 LOCATE 9,1 : PRINT "Intel/Tektronix (I/T) : "; AS=INPUT$(1)
210 IF AS="i" OR AS="I" THEN FORMATS=":" : GOTO 240
220 IF AS="t" OR AS="T" THEN FORMATS="/" : GOTO 240
230 IF FORMATS="" THEN GOTO 200
240 PRINT AS
250 LOCATE 23,1 : COLOR 11,0 : PRINT "Esc - to exit   any key to continue"
260 AS=INKEY$: IF AS="" THEN 260
270 IF AS=CHR$(27) THEN END
280 CLS : PRINT "Please wait a moment."
290 OPEN "I", #1, OUTFILES
300 IF NOT EXIST THEN 370
310 CLS : LOCATE 10,20 : COLOR 28,8
320 PRINT OUTFILES; " exists, overwrite (Y/N)"
330 COLOR 7,0 : GOSUB 1180
340 AS=INKEY$: IF AS="" THEN 340
350 IF AS="y" OR AS="Y" THEN 370
360 IF AS="n" OR AS="N" THEN END ELSE 340
370 COLOR 7,0 : CLS : PRINT "Please wait a moment" : CLOSE
380 OPEN "I", #1, INFILES
390 OPEN "O", #2, OUTFILES
400 PAGE=1
410 LINENUM=1
420 HEADERS=SPACES(9)
430 FOR C=0 TO 15
440   HEADERS=HEADERS + HEX$(C) + SPACES(3)
450 NEXT C
460 CLS : PRINT "Please wait"
470 PAGEHEADS=DATES + "      Hex dump of " + INFILES
480 PAGEHEADS=PAGEHEADS + " software      Page " + STR$(PAGE)
490 LOCATE 19,1 : PRINT PAGEHEADS
500 PRINT #2, PAGEHEADS
510 PRINT
520 PRINT #2, ""
530 PRINT
540 PRINT #2, ""
550 PRINT HEADERS
560 PRINT #2, HEADERS
570 PRINT
580 PRINT #2, ""
590 LINENUM=LINENUM + 5
600 WHILE 1
610   LINE INPUT #1, BUFFERS
620   BUFFERLEN=LEN(BUFFERS)
630   TESTPOSITION=1
640   WHILE 1
650     TESTSTRINGS=MIDS$(BUFFERS, TESTPOSITION, 1)
660     IF TESTSTRINGS >=BUFFERLEN THEN 970
670     IF TESTSTRINGS=FORMATS THEN 700
680     TESTPOSITION=TESTPOSITION +1
690   WEND
700   BUFFERLEN=BUFFERLEN - TESTPOSITION
710   IF FORMATS="" THEN GOSUB 1230 ELSE GOSUB 1310
720   IF BYTECOUNT=0 THEN 980
730   HEXDUMPS=""
740   FOR X=1 TO BYTELEN STEP 2
750     HEXDUMPS=HEXDUMPS + MIDS$(BYTES, X, 2) + SPACES(2)
760   NEXT X
770   IF LINENUM<>22 THEN 940
780   PRINT
790   PRINT "Press any key to continue"
800   PS=INPUT$(1)
810   PAGE=PAGE +1
820   LINENUM=1
830   PAGEHEADS=DATES + "      Hex dump of " + INFILES
840   PAGEHEADS=PAGEHEADS + " software      Page " + STR$(PAGE)
850   PRINT #2, CHR$(12)
860   PRINT : PRINT : PRINT : PRINT : PRINT : PRINT PAGEHEADS
870   PRINT #2, PAGEHEADS
880   PRINT : PRINT :PRINT HEADERS: PRINT
890   PRINT #2, ""
900   PRINT #2, ""
910   PRINT #2, HEADERS
920   PRINT #2, ""
930   LINENUM=LINENUM + 5
940   PRINT ADDRESS$ + HEXDUMPS
950   PRINT #2, ADDRESS$ + HEXDUMPS
960   LINENUM=LINENUM +1
970 WEND
980 FOR X=LINENUM TO 22
990   PRINT
1000 NEXT X
1010 PRINT #2, CHR$(12)
1020 CLOSE : END
1030 CLS : COLOR 28,0 : LOCATE 12,30
1040 IF ERR=53 AND ERL=290 THEN EXIST=0 : RESUME NEXT
1050 IF ERR<>53 THEN 1090
1060 PRINT "File not found" : GOSUB 1180
1070 COLOR 7,0 : LOCATE 23,1 : PRINT "Press any key to continue"
1080 AS=INPUT$(1) : RESUME 120
1090 IF ERR<>71 THEN 1130
1100 PRINT "Drive not ready" : GOSUB 1180
1110 LOCATE 14,25 : COLOR 7,0 : PRINT "Press any key to continue"
1120 AS=INPUT$(1) : CLS : PRINT "Please wait a moment." : RESUME
1130 IF ERR=61 THEN PRINT "Out of disk space" : GOTO 1160
1140 IF ERR=62 THEN PRINT "WRONG FILE FORMAT!" : GOTO 1160
1150 LOCATE 14,23 : PRINT "Basic error " ; ERR; " has occurred"
1160 GOSUB 1180
1170 COLOR 7,0 : END
1180 FOR COUNTER=1 TO 3
1190   SOUND 2500, .8 : SOUND 20000, 1
1200 NEXT C
1210 SOUND 20000, 8
1220 RETURN
1230 ' INTEL FORMAT CONVERSION *****
1240 BUFFERS=MIDS$(BUFFERS, TESTPOSITION + 1, BUFFERLEN - 2)
1250 BYTECOUNT=VAL(MIDS$(BUFFERS, 1,2))
1260 IF BYTECOUNT=0 THEN 1300
1270 ADDRESS$=MIDS$(BUFFERS, 3, 4)
1280 BYTELEN=BUFFERLEN - 10 : BUFFERLEN=(BYTECOUNT+ADDRESS$+BLOCKTYPE+CHKSUM)
1290 BYTES=MIDS$(BUFFERS, 9, BYTELEN)
1300 RETURN
1310 ' TEKTRONIX FORMAT CONVERSION *****
1320 BUFFERS=MIDS$(BUFFERS, TESTPOSITION + 1, BUFFERLEN - 2)
1330 BYTECOUNT=VAL(MIDS$(BUFFERS, 5, 2))
1340 IF BYTECOUNT=0 THEN 1380
1350 ADDRESS$=MIDS$(BUFFERS, 1, 4)
1360 BYTELEN=BUFFERLEN - 10
1370 BYTES=MIDS$(BUFFERS, 9, BYTELEN)
1380 RETURN

```

900136-11

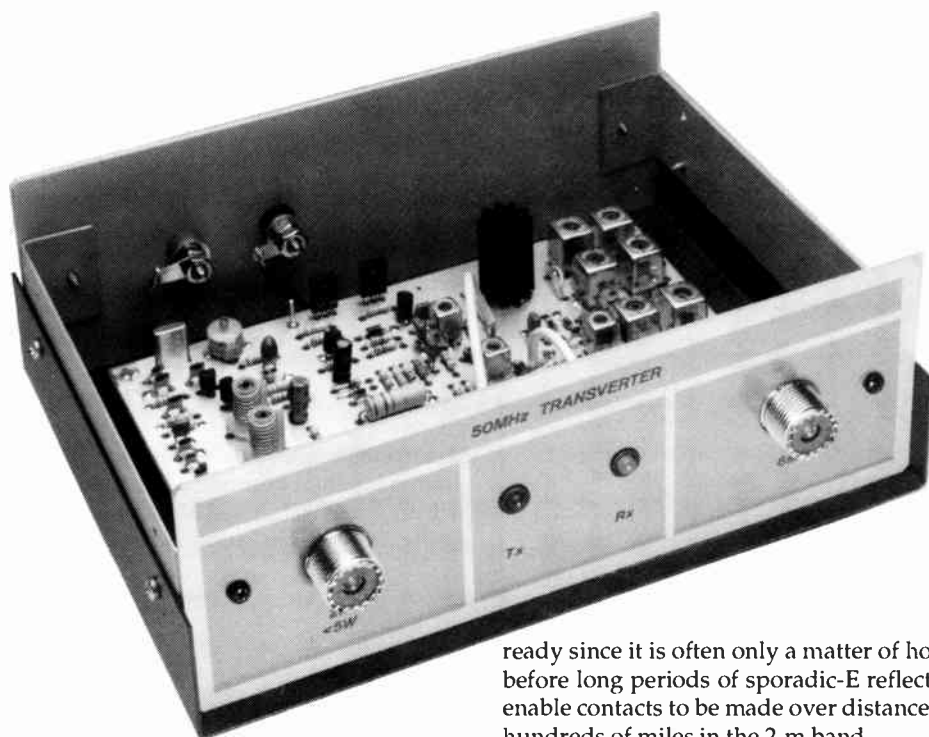
Fig. 1. Listing of HD.BAS, the file format converter, written in BASIC.



# 6-METRE BAND TRANSVERTER

Although it has been in use for over ten years in the UK, the 6-metre (50 MHz) band has recently gained a lot of attraction since the PTT authorities of a number of continental European countries including France, Holland, Belgium and Germany have, after a faltering start, issued the first few hundred 6-metre licenses to die-hard home brewers. The author invites you to partake actively in the growing 6-m activity. As shown in the 'specs' box on this page, the present transverter has quite a few distinct advantage over earlier designs that have appeared in the radio amateur press.

Pedro Wyns, ON4AWQ



## MAIN SPECIFICATIONS

- P-I-N-diode Rx/Tx switching; no relays
- Packet/Amtor compatible
- Output power approx. 1.5 W at 2 W input power (peak effective levels)
- Sensitivity approx. 0.2  $\mu$ V for 20 dB SINAD
- VOX/ALC output
- Tx 'hang' time set by user
- Ready-made inductors for easy construction and adjustment
- Eurocard-size PCB (10x16 cm)

**S**ITUATED at the low end of the VHF band, the amateur radio frequency segment between 50 and 52 MHz has some very exciting propagation characteristics. Thanks to atmospheric reflection, transcontinental radio contacts using very low powers have been made 'on six'. Radio amateurs working on the VHF and UHF bands know that the reception quality of signals from VHF Band-1 (48-68 MHz) TV transmitters can rise within minutes from very poor to quite acceptable. This often happens in the summer and early autumn, when there are temperature inversions in certain layers of the atmosphere. In the UK, where the VHF-1 band is no longer used for TV broadcast services, it is common practice among VHF radio amateurs to monitor the field strength of certain Dutch and Spanish TV transmitters. First, the syncs are audible, then the pictures seem to arise from the noise. The next thing to do is get the logbook out and the rig

ready since it is often only a matter of hours before long periods of sporadic-E reflection enable contacts to be made over distances of hundreds of miles in the 2-m band.

A quite different type of propagation, TEP (trans-equatorial propagation), carries 6-m signals across the oceans, reaching stations thousands of miles away. Contacts have been made between European radio amateurs and stations in Rhodesia, South Africa, Namibia and Brazil, using CW on six metres.

In Europe, equipment for the 6-m band is mostly of the home-brew type, although Japanese 'black box' transceivers are starting to become available. The 6-m band is not crowded, and equipment being mostly experimental with modest transmit power there is a certain distinction in being QRV on six.

## From two to six and vice versa

The word transverter is an acronym for transmitter-converter. The circuit described

here transposes received signals in the 6-m band to the 2-m band (144-146 MHz; in the USA: 144-148 MHz), while the transmit signal of the 2-m rig is transposed to the 6-m band (50-52 MHz; in the USA: 50-54 MHz). Basically, a transverter is a linear bidirectional mixer connected to an RF input stage and an RF power amplifier. Take a look at the block diagram in Fig. 1. When the transverter is in the receive mode, signals picked up by the 6-m antenna are passed through a filter before they are amplified by T4. Via an electronic RF switch based on p-i-n diodes, the 6-m signal arrives at the LO (local oscillator) input of a mixer. This may appear unusual, but it should be borne in mind that the LO and IF (intermediate frequency) inputs of the mixer are electrically interchangeable.

A local oscillator (LO) chain consisting of a quartz oscillator and two multiplier stages supplies a signal of 94 MHz to the IF input of the mixer. The up-converted 2-m signal is taken from the RF connection, and fed to the 2-m transceiver.

When the 2-m transceiver is switched to transmission, its RF output signal is rectified to control the electronic Tx/Rx (transmit/receive) switch based on T7-T10. The Tx LED lights, and the transverter is switched to

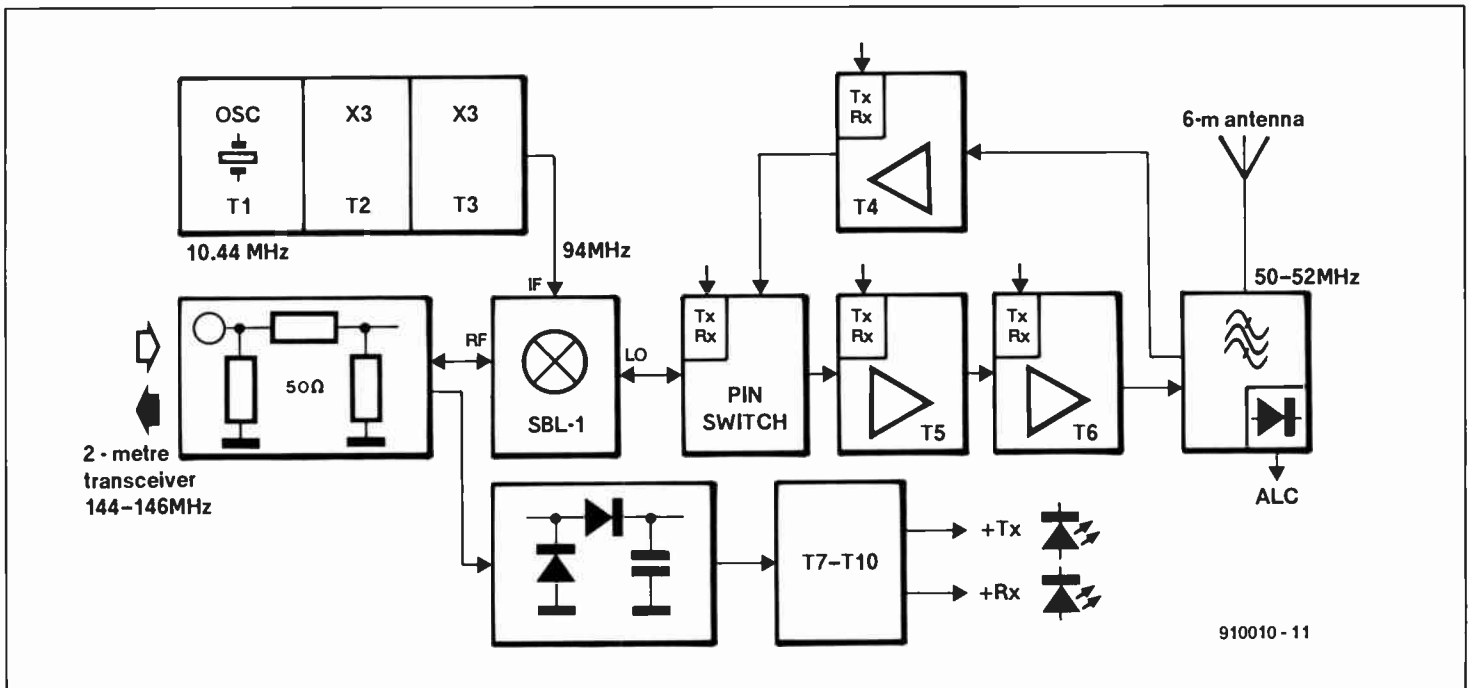


Fig. 1. Block diagram of the 6-m transverter. Not shown here for the sake of clarity is an L-C filter at the transceiver side of the DBM. In receive mode, this section forms a series filter tuned to 144 MHz. In transmit mode, it forms a 50 MHz notch. The switching is effected with a VHF p-i-n diode.

transmit mode. The 2-m signal is first attenuated before it is mixed with the 94 MHz LO signal. The mixer output frequency, 50 MHz (with the 2-m rig tuned to 144 MHz), is fed to the input of an amplifier, T5. Then follow the RF power stage and the antenna filter. A signal rectifier in the output filter provides an ALC function or a simple RF signal level meter that may be used to monitor the transverter's output power. The 'hang' time of the Tx/Rx switcher may be adapted by the user to individual requirements.

The input and output impedance of the transverter are 50 Ω. The circuit is powered from a 12-V supply, which makes it suitable for mobile use.

## Look: no relays!

The circuit diagram of the transverter, Fig. 2, follows the block schematic quite closely. At the heart of the circuit is a Type SBL-1 double-balanced mixer (DBM) from Mini Circuits Laboratories. This is a 7-dBm-LO, 1-dB-RF DBM for use up to 500 MHz. The SBL-1 is familiar to most VHF radio amateurs as it is used in many home made converters and transverters. An equivalent of the SBL-1, the IE500, may also be used in this circuit. An excellent discussion of DBM operation and selection criteria is given in Ref. 1.

### Receive mode

Let's assume that the transverter is in the receive mode, and start the description of the circuit diagram with the 94-MHz local oscillator chain. In the lower left-hand corner of the diagram we see a Colpitts-type quartz oscillator based on T1 and a 10.44 MHz quartz crystal, X1. The oscillator operates with the crystal resonating at its fundamental frequency. An overtone oscillator running at 94 MHz was found less suitable here in view of the required stability and tuning

capability. The output signal of the oscillator is multiplied by three to give 31.32 MHz at the collector of T2. A further tripler, T3, supplies the LO end frequency of 94 MHz at a power of about 10 mW. Via a short length of 50-Ω coax, the LO signal is fed to the SBL-1 (Mix1) which mixes it with the 50 MHz signal supplied by the receive amplifier, MOSFET T4.

Since the Rx supply line is at about +11 V, diode D4 is forward biased, while its Tx counterpart, D5, blocks. This 2-way p-i-n switch provides a high degree of RF isolation between the output of the receive amplifier, T4, and the output of the transmit amplifier, T5, ensuring that the switched-off circuit does not load the active circuit.

The RF signal picked up by the 6-m antenna is taken through a 50 MHz bandpass filter before it arrives at the G1 (gate-1) terminal of T4. The two antiparallel diodes, D1 and D2, form a clamping circuit that protects the MOSFET input and at the same time function in the Tx/Rx switching (remember, the RF power transistor, T6, is switched off because the +Tx supply line is at virtually 0 V). The amplifier based on T4 guarantees excellent sensitivity in the 6-m band, and has ample gain to compensate the mixing loss in the DBM. At the output of the receive amplifier, C31 forms part of a matching network that works in the both the transmit and the receive mode, while components R21 and C30 are used to bias the p-i-n diode.

The 94 MHz LO signal mixed with the amplified 50 MHz signal yields 144 MHz at the RF connection of the DBM. The 144-MHz signal is filtered by a series L-C network, C48-C49-L18 to bypass the transmit attenuator, before it is fed to the input of the 2-m transceiver.

### Transmit mode

When the 2-m transceiver is switched to

transmission, its RF output signal is rectified by D9-D10-C47. Consequently, transistor T8 is turned off so that T10 is turned on. The Tx LED lights, and the Tx supply line in the circuit is at about 11 V, while the +Rx line is at about 0 V. The +Tx voltage causes p-i-n diode D11 to conduct, which detunes the L-C series network and causes it to act as a 50-MHz notch. The 144-MHz CW or SSB signal is applied to a 50-Ω dummy load and attenuated by R32-R33 to give a suitable driving level for the DBM. Since the LO signal is permanently present, the IF connection of the DBM supplies the heterodyne frequency of 50 MHz. Diode D5 conducts, and the mixer output signal is applied to an amplifier stage based on MOSFET T5. This driver supplies an output power of about 40 mW to the RF power transistor, T6. The MRF237 used in this position is a VHF power transistor from Motorola. To ensure that the device operates linearly, its quiescent current is set to about 75 mA. The RF stage has an output power of up to 1.5 W, depending on cooling and the transistor characteristics. The quiescent current can be measured as a voltage across the 10-Ω supply resistor, R25. The typical voltage on R25 will be around 1 V.

A twelve-pole pi-type elliptical low-pass filter based on adjustable inductors is inserted between the RF amplifiers and the antenna connection. This filter has an additional notch, L15-C40, to trap the second harmonic (100 MHz).

The diode detector based on D7 and D8 may be used for output power level monitoring, adjustments or ALC (automatic level control) applications. The latter function however requires the two diodes to be reversed. The output may also be used to provide a basic RF power indication. The transverter has ample output power to drive a 6-m linear amplifier. The use of high power in the 6-m band is not advocated, however,

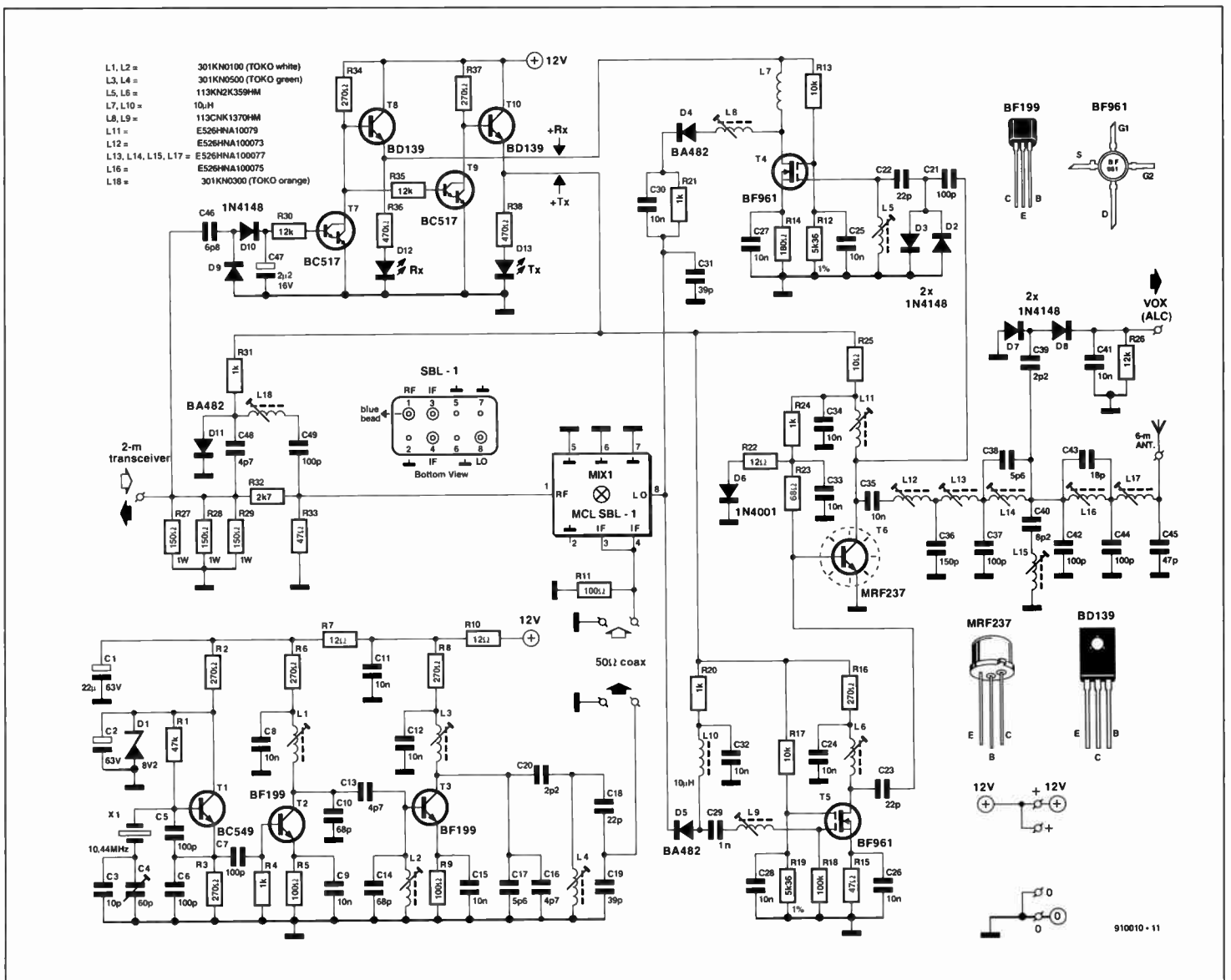


Fig. 2. Circuit diagram of the 6-m transverter.

and constructors should observe the maximum permissible EIRP level stated in their license. In practice, the 1.5 to 2 watts or so furnished by the transverter will scrape the EIRP limits when a directional antenna is used, say, a five-element yagi with 10 dB gain. Do not spoil the experimental character of the 6 m band by using excessively high power levels. QRP is much more fun!

### Tx/Rx switching

It will be noted that the circuit is totally solid-state, i.e., the dreaded transmit/receive relay does not come into play. All Tx/Rx switching is performed by p-i-n diodes, whose short response time allows the transverter to be used for Packet Radio and AmTOR, where Tx/Rx switching is computer-controlled. Note, however, that your licence may not allow these communication modes on six. The 'hang time' of the electronic Tx/Rx switch is determined by the 2.2 µF capacitor, C47. You may want to change this value to meet your individual requirements.

### Construction

The transverter is best built on the double-sided printed circuit board shown in Fig. 3.

The complete circuit is accommodated on this Eurocard-size (10×16 cm) board which has a pre-tinned copper ground plane at the component side to ensure screening and decoupling of the RF signals. Since ready-made inductors are used, the construction is really quite straightforward. A few points must be noted, though.

Start by fitting the capacitors, resistors and diodes. All parts must be fitted with the shortest possible terminal length. Grounded component terminals must be soldered to the ground plane at the component side of the PCB. Proceed with mounting the RF power transistor, T6. Experienced constructors may solder the case of this transistor flush to the copper screen at the component side of the board (see Fig. 4). If you are less confident of your construction skills, push the transistor firmly on the PCB surface, and solder the three terminals at the track side only. Remember that the case of the MRF237 is connected to the emitter, so that any direct contact between it and the ground plane is perfectly all right. Soldering the MRF237 to the board makes for minimum stray capacitance and optimum cooling, which helps to ensure the stability of the RF power stage. Carefully remove the solder resist mask lo-

cally with a sharp knife. Next, pre-tin the area. Remove excess solder and solder resin with the aid of desoldering braid and alcohol. Push the transistor firmly in place, and solder the rim on the case to the pre-tinned area. Solder as quickly as you can, and go all around the rim. The solder joint should be smooth. If you have reason to believe that your solder iron is not powerful enough to do this job quickly, pre-heat the transistor with the solder bit until it is so hot that you can just pick it up and fit it on the board. The MRF237 must be fitted with a heat-sink, preferably of the type shown in the photograph of the prototype. Never test the transverter without a heatsink fitted on the MRF237: the destruction of this fairly expensive device will be imminent.

Fit the mixer on the board, noting its orientation from the circuit diagram and the indication on the component overlay. Push the device flat on the PCB surface, and solder all eight pins at the track side.

Next, mount the inductors. There are quite a few, and the type numbers can be confusing, so make sure you fit each of them in the right position. The screening cans are soldered to ground.

The last components to be mounted are



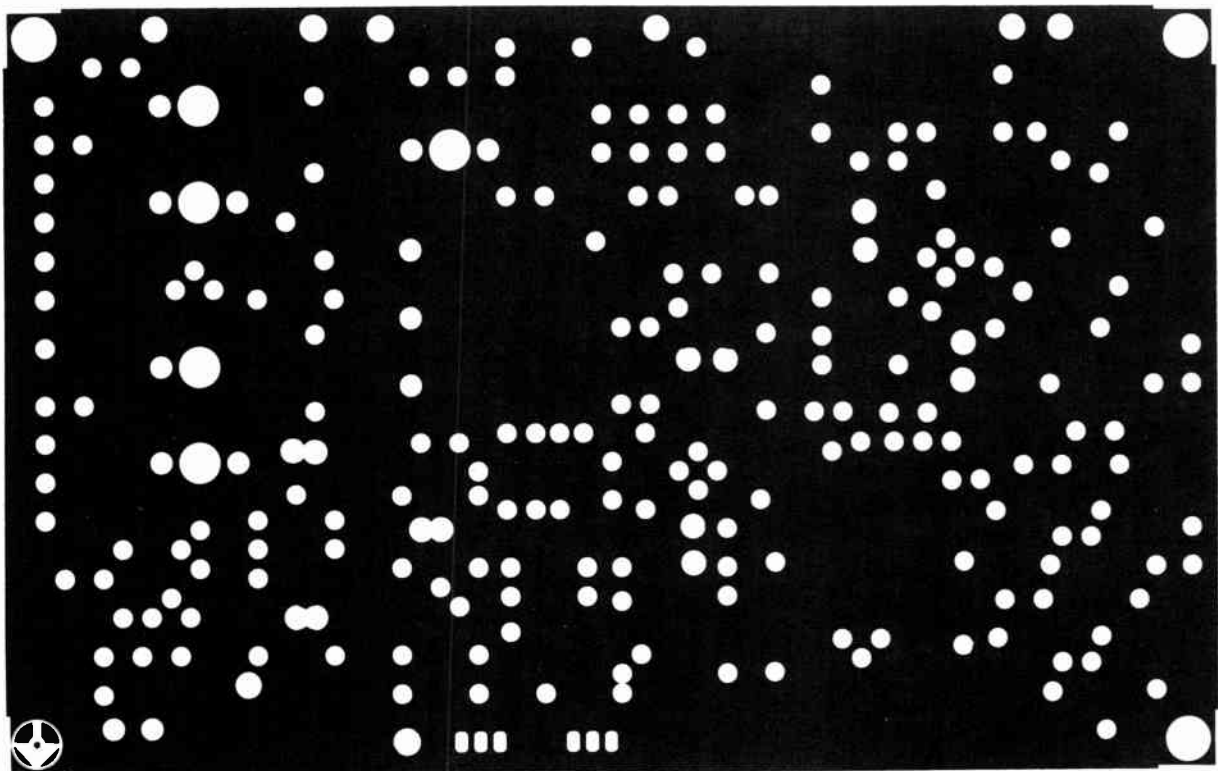
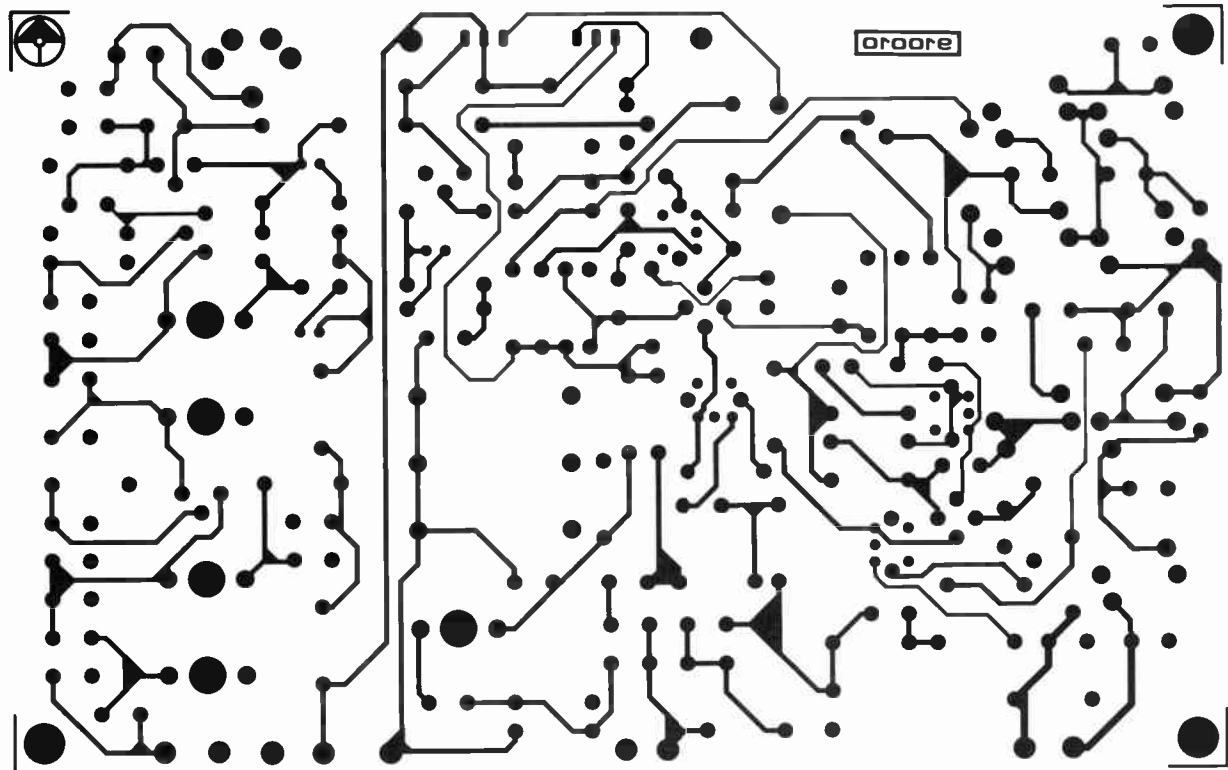


Fig. 3a. Double-sided printed-circuit board for the transverter.

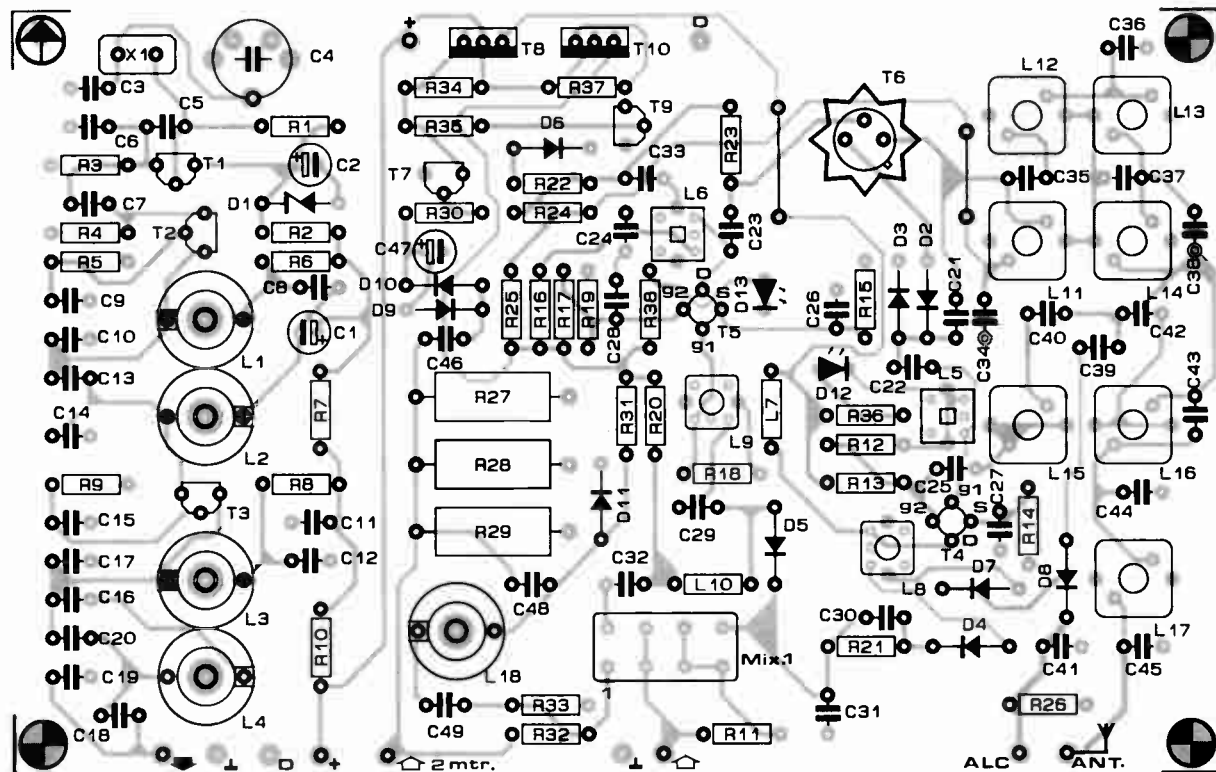


Fig. 3b. Component mounting plan.

## COMPONENTS LIST

### Resistors:

1	47k $\Omega$	R1
5	270 $\Omega$	R2;R3;R6;R8; R16
2	270 $\Omega$ 0.5W	R34;R37
5	1k $\Omega$	R4;R20;R21;R24; R31
3	100 $\Omega$	R5;R9;R11
3	12 $\Omega$	R7;R10;R22
2	5k $\Omega$ 36 1%	R12;R19
2	10k $\Omega$	R13;R17
3	150 $\Omega$ 1W	R27;R28;R29
2	47 $\Omega$	R15;R33
1	100k $\Omega$	R18
1	68 $\Omega$	R23
1	10 $\Omega$	R25
3	12k $\Omega$	R26;R30;R35
1	180 $\Omega$	R14
1	2k $\Omega$ 7	R32
2	470 $\Omega$	R36;R38

### Capacitors:

1	2 $\mu$ F2 25V tantalum	C2
1	22 $\mu$ F 63V radial	C1
1	2 $\mu$ F2 16V radial	C47
1	60pF trimmer	C4
Ceramic capacitors:		
1	10pF	C3
8	100pF	C5;C6;C7;C21; C37;C42;C44;C49
16	10nF	C8;C9;C11;C12;

2	68pF	C15;C24-C28; C30;C32-C35;C41
3	4pF7	C10;C14
2	5pF6	C13;C16;C48
3	22pF	C17;C38
2	39pF	C18;C22;C23
2	2pF2	C19;C31
1	1nF	C20;C39
1	150pF	C29
1	8pF2	C36
1	18pF	C40
1	47pF	C43
1	6pF8	C45
1	6pF8	C46

### Inductors:

2	301KN0100 (white)	L1;L2
2	301KN0500 (green)	L3;L4
2	113KN2K359HM	L5;L6
2	10 $\mu$ H choke	L7;L10
2	113CNK1370HM	L8;L9
1	E526HNA100079	L11
1	E526HNA100073	L12
4	E526HNA100077	L13;L14;L15;L17
1	E526HNA100075	L16
1	301KN0300 (orange)	L18

(All inductors from Toko Inc.)

### Semiconductors:

1	8V2 0.4W zener diode	D1
6	1N4148	D2;D3;D7-D10

3	BA482	D4;D5;D11
1	1N4001	D6
1	green LED	D12
1	BC549	T1
2	BF199	T2;T3
2	BF961	T4;T5
1	MRF237 (Motorola)	T6
2	BC517	T7;T9
2	BD139	T8;T10
1	red LED	D13
1	SBL-1 (Mini Circuits Laboratories)	Mix1

### Miscellaneous:

1	10.444 MHz quartz crystal	X1
1	heatsink TO-39 style for T6; length 25 mm	
1	printed-circuit board	910010
Coax cable RG174/U		

### Note:

The author can supply a number of components for the transverter, including the DBM (IE500 or SBL-1), the 10.444 MHz quartz crystal and all inductors. For further information, contact

Pedro Wyns ON4AWQ, Mechelsesteenweg 13, 2220 Heist-op-den-Berg, Belgium.

The majority of components for the transverter are available from

Bonex Ltd, 12 Elder Way, Langley Business Park, Slough, Berkshire SL3 6EP. Telephone: (0753) 49502, fax: (0753) 43812.

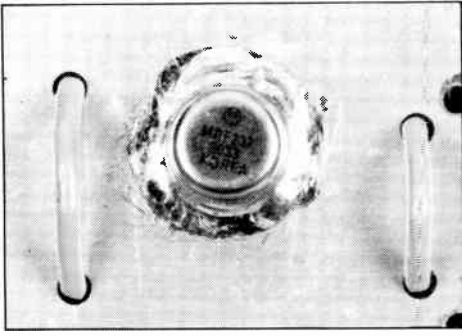


Fig. 4. Not for the faint-hearted: soldering the case of the MRF237 straight to the PCB ground plane.

the transistors. While the BF199s, BC517s and BD139s will pose little problems, pay attention to the MOSFETs. Do not remove the BF961s from their protective packaging until they are due for mounting. Aluminium kitchen foil is fine for storing these devices. Leave them on the foil while you run a thin, short wire around the transistor body, connecting the four terminals. Next, bend the terminals as required, and insert them in the PCB holes. Check the orientation of the MOSFETs: the terminal with the tab on one side is the source. Also note that T4 is fitted upside down, i.e., its type indication faces the PCB. Solder the terminals of the MOSFET before removing the shorting wire.

Inspect the board carefully for incorrectly fitted parts and bad solder joints. Next, connect a short piece of RG174U (dia. 3 mm) coax cable between the output of the LO chain and the IF input of the mixer. Two pairs of solder terminals are available for this connection. Finally, note that the local oscillator section of the board may be cut off to function as a separate module.

The completed board (see Fig. 5) is fitted in a metal enclosure. The size of our prototype is 200x150x70 mm (WxDxH). The Tx and Rx indicator LEDs are best fitted on the

front panel, with short wires connecting them to the board. UHF-style (Amphenol SO-239) sockets are used for the 2-m and 6-m connections. Use short lengths of RG58 or similar 50- $\Omega$  coax cable to connect the sockets to the appropriate PCB terminals. The screening must be connected at both ends of the cable. At the side of the socket, this means that you may have to use a solder lug.

The power supply is best connected via a chassis-mount plug of the type used on mobile transceivers. These plugs have two insulated pins, and connect to a screw-type cable socket. Both items are commonly available as spare parts from amateur radio retailers. It is recommended to insert a 2.5 A fuse in the positive supply line to the transverter.

The ALC output is optional, and since there appears to be no standard for this connection, any suitable combination of a plug and a socket may be used to carry the signal to other equipment.

## Adjustment

The transverter is adjusted in steps as described below. First, however, build the RF signal detector shown in Fig. 6. This circuit is used to probe the RF signal levels at various locations in the circuit. The moving-coil meter may, of course, be formed by your multimeter set to the most sensitive current range. The preset in the detector, P1, is adjusted depending on the signal level measured. To adjust the inductor cores, you will also require a gate dip meter and a plastic Allen key. Never use a screwdriver or a metal Allen key to adjust the inductor cores.

### Local oscillator chain adjustment

1. Connect the probe to the hot side of R4 (1 k $\Omega$ ), and check for oscillator activity.
2. Tune the gate dipper to 31 MHz, hold it close to L1, and adjust the inductor for maximum reading.

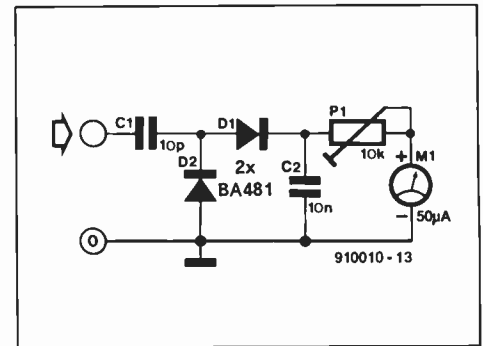


Fig. 6. Circuit diagram of a simple RF signal level meter used during the adjustment of the transverter.

3. Tune the gate dipper to 94 MHz, hold it close to L3, and adjust L2 and L3 for maximum reading.
4. Repeat steps 2 and 3.
5. Connect the RF probe to the hot side of R11 (100  $\Omega$ ).
6. Adjust L3 and L4 for maximum reading. Check that the LO frequency is 94.00 MHz. If not, adjust C6.

### Tx chain adjustment

7. The green LED (Rx) should light. Short the collector of T7 (BC517) to ground. The green LED goes out, and the red LED (Tx) comes on. Measure the voltage across R25 (10  $\Omega$ ). This should be between 0.75 and 1 V. Remove the core from L9.
8. Connect a dummy load/power meter or an antenna to the 6-m output. Apply a continuous power of 100 to 500 mW to the 2-m input.
9. Adjust inductor L6 for maximum output power.
10. Adjust inductors L11, L12, L13, L14, L16 and L17 for maximum output power. Repeat steps 9 and 10.
11. Adjust inductor L15 for minimum signal at 94 MHz (use an FM radio for this adjustment).

### Rx chain adjustment

12. Remove the short at the collector of T7. Connect an RF signal source to the 6-m input. Alternatively, ask a nearby ham to transmit a test signal on six. Tune the 2-m receiver to the test signal. Adjust L5, L8 and L18 for best reception. If necessary, gradually reduce the level of the test signal.

This completes the adjustment of the 6-m converter. The absolute maximum 2-m input power to the transverter is 5 W. In most cases, however, the maximum output power of about 2 W will be achieved with 2.5 W or less on 2 m. Switch the 2-m transceiver to SSB or CW, connect your 6-m antenna, and away you go. You are now QRV on six! International calling frequency: 50.110 MHz.

### Reference:

1. RF/IF signal processing handbook. Published by Mini Circuits Laboratories, P.O. Box 166, Brooklyn, New York, U.S.A.

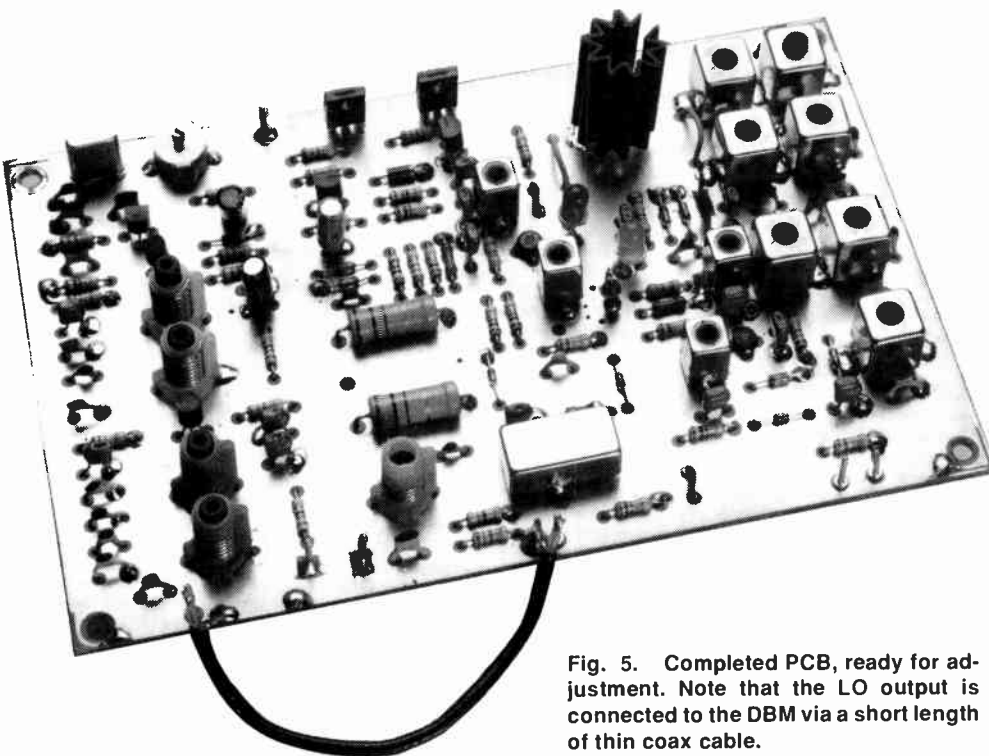


Fig. 5. Completed PCB, ready for adjustment. Note that the LO output is connected to the DBM via a short length of thin coax cable.

# PC-CONTROLLED SEMICONDUCTOR TESTER PC-TT 90

## PART 2: CIRCUIT DESCRIPTION, CONSTRUCTION AND SETTING UP

Continued from the March 1991 issue

### On-board power supply

The circuit diagram of the power supply, Fig. 19, shows that the semiconductor tester has an on-board step-up voltage converter that is powered from the 12-V supply in the PC. The 5-V supply of the PC is also used to power certain parts of the circuit. The 12-V supply of the PC is connected to a step-up converter via a 4-way connector as used for floppy disks and hard disks. The current requirement of the 12-V input is about 2.2 A. If this current is not available in your PC, it is still possible to use the semiconductor tester with a correspondingly reduced maximum collector current for the device under test. The input current of the voltage doubler in the power supply is about 2.2 times the output current. Hence the 2.2 A input current requirement if a maximum collector current of 1 A is to be achieved. The quiescent current drawn by the power supply is about 150 mA.

The power supply is essentially a switch-mode circuit based on a dedicated controller Type UC3524A, IC1, and two power MOSFETs, T1 and T2. The MOSFETs are connected to a ferrite transformer, Tr1, which doubles the input voltage to 24 V, and in addition provides a floating 15-V output. The

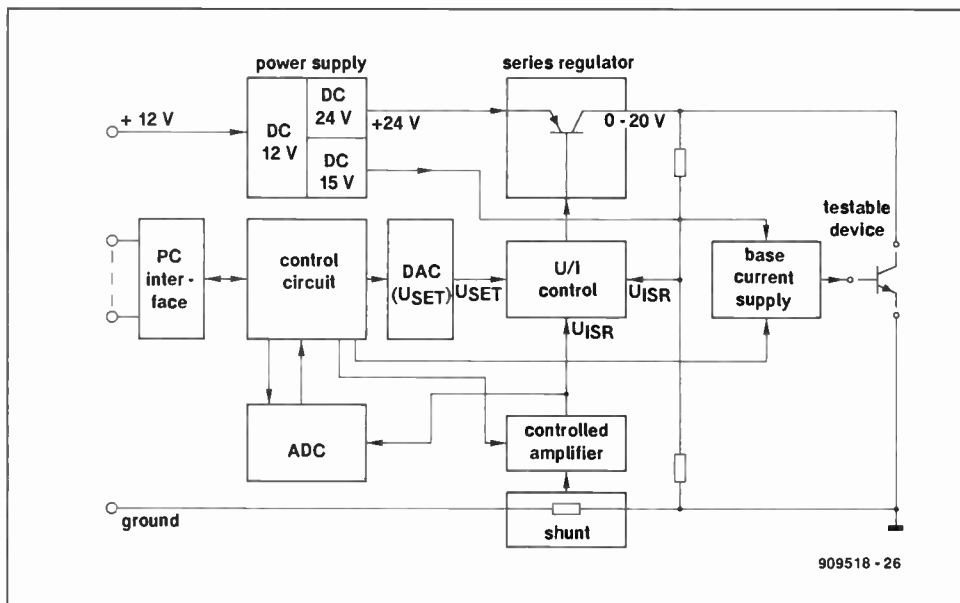


Fig. 18. Block diagram of the semiconductor tester.

15-V output of the transformer is rectified and smoothed by diodes D4-D5 and capacitor C8. Next, the rectified voltage is stabilized at 15 V by a Type 7815 fixed voltage regulator. The floating 15-V supply is used for the base voltage generator, which must operate potential-free, that is, at a potential that can not be measured with respect to ground.

Finally, capacitors C11-C24 are included

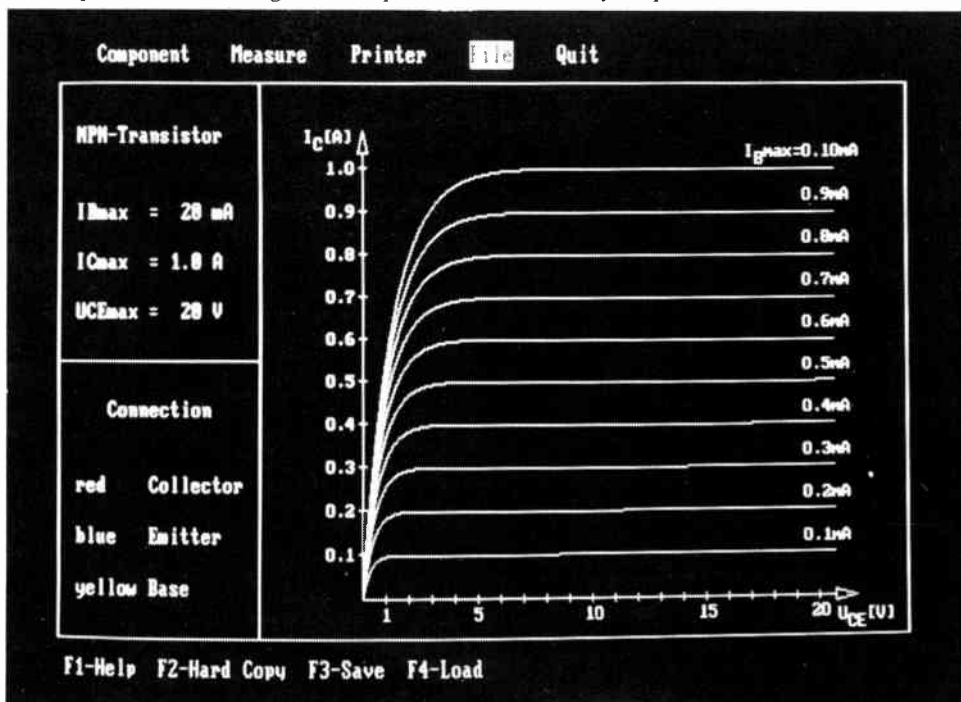
for stabilization, decoupling and noise suppression.

### Main circuit

Figure 20 shows the circuit diagram of the main digital and analogue sections of the semiconductor tester. The PC bus interface is shown in the top left-hand corner of the diagram. Data lines D0 to D7 (bus contacts A02 to A09) are connected to bidirectional bus driver IC10, a 74LS245, which forms the data link between the PC and the insertion card. Address lines A0 and A1 (bus contacts A30 and A31) drive inputs A and B of the two binary-to-decimal decoders contained in IC11. These two decoders control the operation of the various bus drivers. Bus signals  $\overline{IOWC}$  and  $\overline{IORC}$  (bus contacts B13 and B14) drive the enable inputs of IC11 via IC9C and IC9D.

The RESET line (bus contact B02) has an important function in the circuit because it ensures that all relays are de-actuated when the PC is switched on, preventing undefined switch configurations and short-circuits on power-up.

Address lines A2 to A9 (bus contacts A22 to A29), together with the address enable line, AEN (bus contact A11), are connected to an address decoder based on IC12, a Type 74LS688. The insertion card is normally addressed at I/O location 300H, but may be given a different address by changing the setting of the 8-way DIL switch. Details on



the address setting of the card are given in the READ.ME documentation file on the floppy disk supplied with the kit.

The digital control information supplied by the PC is latched and distributed by IC14, IC15 and IC16. Circuits IC14 and IC15 have direct control over relays Re1 to Re10, while IC14 additionally controls the switch for the range selection in the current measurement circuit. IC16 forms the interface between the PC and optocouplers IC18 to IC21.

The input data of bus driver IC13 is supplied by outputs Q6, Q7 and Q8 of IC6, by R35, which provides the current protection information supplied by IC6C, and by the INTR output of the A-to-D converter.

As already noted in the introductory instalment of this article, the collector-emitter voltage of a device under test rises in the range 0 to 20 V. This voltage is supplied by T3, a power transistor Type BD250C, which is driven via transistor T4 and opamp IC6A. The output voltage is applied to the input of the opamp, pin 3, via a potential divider consisting of R30, R110 and IC6B. In this arrangement, IC6B merely forms a differential amplifier that serves to shift the reference potential from output terminal ST5 to ground.

The set (i.e. required) output voltage is applied to pin 2 of IC6A via R25 and electronic switch IC17A. The PC supplies the set voltage in digital form to inputs D0 to D7 of DAC (digital-to-analogue converter) IC3.

Depending on the value of the dataword sent to the DAC via the PC interface, a voltage between 0 and -2.55 V is available at pin 6 of buffer opamp IC5.

With switch IC17A set to the position shown in the circuit diagram, R25 feeds the ADC (analogue-to-digital converter) output voltage to the voltage control opamp, IC6A. The subsequent voltage amplifier based on transistors T3 and T4 supplies an output voltage of 0 to 20.45 V at terminals ST3-ST5. When IC17A is set to the other position, the control voltage is reduced by potential divider R27-R28. This is done to increase the resolution of the output voltage in the lower range. A control voltage of -2.55 V at pin 6 of IC5 results in an output voltage of +3.6 V at ST3-ST5.

The collector current of the device under test is measured with the aid of series resistor R54 inserted into the supply line. Resistor R43 feeds the voltage drop across R54 to pin 3 of a low-drift opamp Type TLC271, IC7. In the feedback circuit of this opamp we find resistor R41, while the ground path consists of switch IC8 and either one or two of 11 resistors R44 to R53 plus R108. The resistor selection is accomplished by IC8, whose internal resistance may be ignored as it is very small with respect to the resistor values. In this setup, the amplification of IC7 can be set to a number of fixed values between 2 and 200. The control information required for the gain selection is supplied by latch IC14 to the

control inputs, A, B and C, of IC8.

At the maximum output current of 1 A, R54 drops exactly 1 V. This results in 2 V at the output, pin 5, of IC6. In the most sensitive measurement range, 10 mA, R54 drops a maximum of 10 mV. This also results in a maximum of 2.0 V at the output of IC6 because the gain of IC7 is then set to 200.

The measured and subsequently amplified voltage is fed to the input, pin 6, of the 8-bit ADC, which converts the input voltage range of 0 to 2 V into a corresponding digital value that can be processed by the PC.

The reference voltages used in the circuit are derived from a Type 7805 fixed voltage regulator, IC29. Resistors R14-R17 and R20 supply a reference of 2.55 V for the DAC, and 1.0 V for the ADC.

The current measurement circuit has a built-in electronic fuse based on IC6c. Pin 13 of this opamp is held at a reference level of 2.25 V, while the other input, pin 12, is at a voltage proportional to the measured current. Since this voltage is supplied by IC7, the full-scale value is 2 V. When this value is exceeded by about 10%, the output of IC6c changes from low to high, causing transistor T5 to conduct. As a result, T4 switches off the current amplifier, T3, so that the output current is interrupted, preventing damage to the device under test. Diode D7 provides a hold function for the actuated electronic fuse. The output current remains off until the PC clears the hold condition by opening

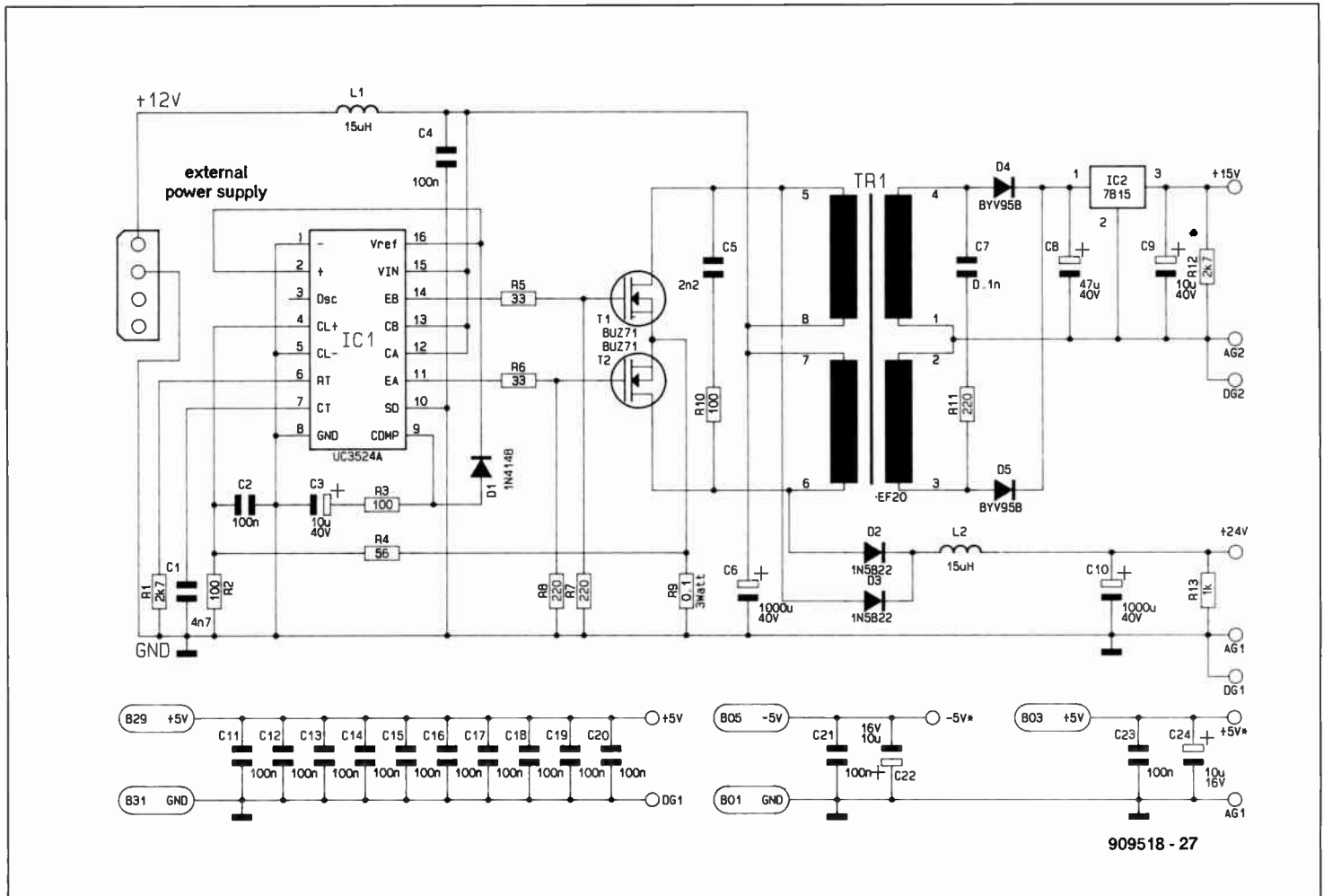
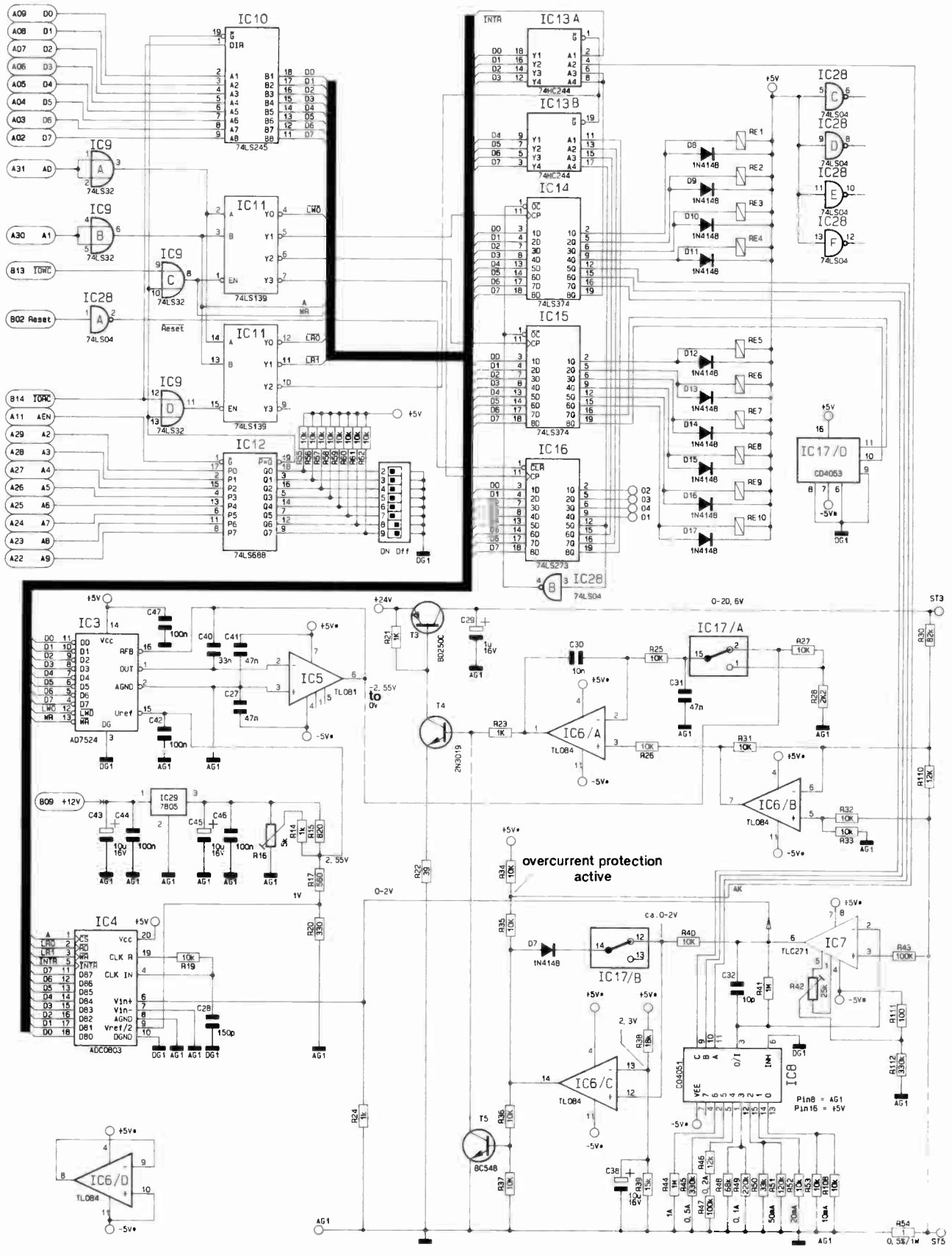
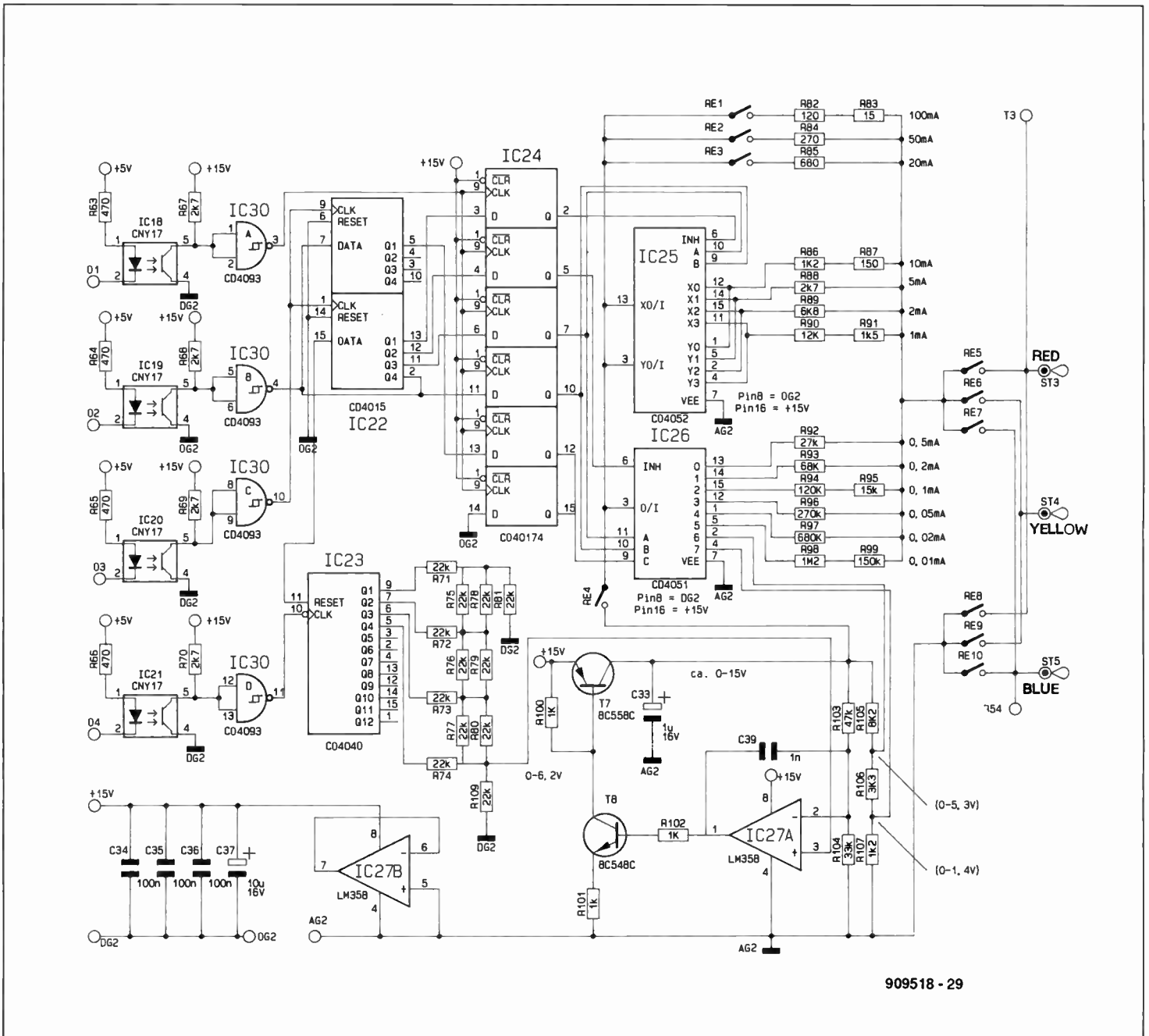


Fig. 19. Circuit diagram of the power supply section.



909518 - 28

Fig. 20. Circuit diagram of the PC I/O interface, the relay control logic, and the variable-gain measurement amplifier.



909518 - 29

Fig. 21. Circuit diagram of the PC-controlled base current supply. Note that the 15-V supply for this circuit floats with respect to ground.

switch IC17B. The overcurrent condition is signalled to the PC via potential divider R34-R35 and opamp IC13A.

### The base current supply

Since the base current of the device under test is either positive or negative, it is supplied with reference to the positive collector-emitter voltage terminal, ST3, or to the negative terminal, ST5. This means that the base current supply must float with respect to ground — hence the separate 15-V section in the power supply discussed earlier.

As shown in the circuit diagram in Fig. 21, an electronic regulator based on IC27A, T8 and T7 supplies an output voltage between 0 and 15 V, adjustable in 10 steps of 1.5 V. The required output voltage of the regulator is supplied by a DAC based on IC23 and a resistor ladder network, R71-R81 and R109. The clock input of IC23 receives the required output voltage in digital form via

optocoupler IC21. Following a reset (via pin 11 and IC19), the first clock pulse that arrives via the optocoupler sets an output voltage of 1.5 V. Every clock pulse increases the output voltage of the resistor network by 1.5 V, until the maximum value of 15 V is reached.

Relay Re4 takes the required output voltage (at the collector of T7) to the switches contained in IC25 and IC26, and to the contacts of relays Re1, Re2 and Re3. Next, resistors R82-R99 convert the output voltage of the regulator into a proportional base current for the device under test. When, for example, the contact of Re1 is closed, a regulator output voltage of 15 V corresponds to a base current of 100 mA, and one of 1.5 V to 10 mA. Smaller base currents, starting at 1 µA and up to 10 µA, are generated in a similar manner. The total number of available base currents is 130.

The previously mentioned reference terminal, ST3 or ST5, is selected with the aid of

two relay clusters, Re5-Re6-Re7 and Re8-Re9-Re10.

The base current supply is also capable of generating a gate voltage for the testing of FETs. This is achieved by opening the contact of Re4, so that the collector voltage of T7, reduced by R105-R107, is fed to the relevant test terminal via electronic switch IC26 (from pin 2 or pin 4 to pin 3) and relay Re1.

The PC determines which switch, IC25 or IC26, is actuated. This selection is effected via optocouplers to ensure that the base current supply floats with respect to ground. The actual selection is carried out by means of clock pulses. Five pulses are applied to the two inputs of 8-bit shift register IC22, a Type 4015. Each clock pulse causes the relevant data level to be loaded. After the fifth clock pulse, IC24 receives a latch pulse from IC18. This pulse enables IC24 to copy the 5-bit wide data word supplied by IC22. The outputs of IC24, pins 2, 5, 7, 10, and 12, then drive the output multiplexers, IC25 and IC26.

## Construction

All circuits discussed so far are accommodated on a single, double-sided and through-plated printed-circuit board. The size of this board is approximately 337 × 100 mm, to which 8 mm must be added for the bus contact area.

Before assembling the kit, it is recommended to read this entire section. This will help you keep a few points in mind that require special attention.

The construction of the printed-circuit board follows the component mounting plan printed on the PCB and shown separately in Fig. 22. Start with fitting the low-profile parts, followed by the higher parts, and solder each of these at the solder side of the board. Soldering at the component side is not required since the board is through-plated. During the construction, pay attention to the following points:

1. Transistors T1 and T2, and voltage regulator IC29 are fitted horizontally on to the

board, without heatsinks, and without screws to secure them.

2. The output transistor, T3 (a BD250C) and the positive voltage regulator IC2 (a 7815) are also fitted horizontally. Both components are, however, secured to the board by means of an M3×6 mm screw and a single M3 nut. The tinned copper PCB surface underneath these components has no solder resist mask, and assists in cooling the devices.

3. The ferrite transformer, Tr1, is fitted with the side with terminals 1 and 5 on it pointing to transistors T1 and T2. The terminals marked 6 to 10 point to capacitor C7. Note that although the symmetrical arrangement of its connecting terminals allows the transformer to be fitted the other way around from indicated, this must not be done for electrical reasons.

4. Electrolytic capacitors C6 and C10 must be fitted horizontally.

5. Inductors L1 and L2 are mounted as close as possible to the PCB surface.

6. A total of five wire links must be fitted on the board. The first is about 30 mm long and runs underneath IC13 (a 74HC244) as shown on the component overlay. Use the insulated wire supplied with the kit, and take care to avoid short-circuits with the nearby IC pins. The remaining four wire links have a length between 180 mm and 210 mm. As shown on the photograph of the assembled board, one wire connects the two points marked A, one the two points marked B, one the two points marked C, and one the two points marked D.

7. A part of the circuit has a metal screening box around it. This screening serves to ensure the noise margin of the preamplifier, and surrounds the circuit sections that take care of the voltage setting, the current measurement, and the amplifier gain selection. These functions involve IC6, IC7, IC8 and

## COMPONENTS LIST

### Resistors:

1	0Ω1 3W	R9
1	1Ω 0.5% 1W	R54
1	15Ω	R83
2	33Ω	R5;R6
1	39Ω	R22
1	56Ω	R4
4	100Ω	R2;R3;R10;R11
2	120Ω	R82;R107
1	150Ω	R87
4	220Ω	R7;R8;R11;R19
1	270Ω	R84
1	330Ω	R106
4	470Ω	R63-R66
1	680Ω	R85
2	820Ω	R15;R105
8	1kΩ	R13;R14;R17;R21; R23;R24;R100; R102
1	1kΩ2	R86
1	1kΩ5	R91
2	2kΩ2	R28;R117
7	2kΩ7	R1;R12;R67-R70; R88
1	4kΩ7	R101
1	6kΩ8	R89
24	10kΩ	R19;R25;R26;R27; R31-R37;R40;R52; R53;R55-R62; R108;R20
3	12kΩ	R46;R90;R110
6	15kΩ	R39;R95; R113-R116
1	18kΩ	R38
6	22kΩ	R71-R81;R109
1	27kΩ	R92
2	33kΩ	R50;R104
1	47kΩ	R103
1	56kΩ	R112
2	68kΩ	R48;R93
1	82kΩ	R30
2	100kΩ	R43;R47
2	120kΩ	R51;R94
1	150kΩ	R99
1	220kΩ	R49

### Capacitors:

1	10pF	C32
3	100pF	C7;C28;C40
1	1nF	C39
1	2nF2	C5
1	4nF7	C1
1	10nF	C30
2	47nF	C27;C41
1	56nF	C33
7	100nF	C2;C4;C29;C42; C44;C46;C47
15	100nF ceramic	C11-C21;C23;C34; C35;C36
6	10μF 16V	C22;C24;C37;C38; C43;C45
2	10μF 40V	C3;C9
1	47μF 40V	C8
2	1,000μF 40V	C6;C10

### Semiconductors:

1	ADC0804	IC4
1	AD7524	IC3
1	UC3524A	IC1
1	74LS04	IC28
1	74LS32	IC9
1	74LS139	IC11
1	74HC244	IC13
1	74LS245	IC10
1	74LS273	IC16
2	74LS374	IC14;IC15
1	74LS688	IC12
1	CD4015	IC22
1	CD4040	IC23
2	CD4051	IC8;IC26
1	CD4025	IC25

1	CD4053	IC17
1	CD4093	IC30
1	CD40174	IC24
1	TLC271	IC7
1	LM358	IC27
1	TLO81	IC5
1	TL084	IC6
4	CNY17	IC18-IC21
1	7805	IC29
1	7815	IC2
1	2N3019	T4
1	BD250C	T3
2	BUZ71	T1;T2
1	BC327	T7
1	BC337	T8
1	BC548	T5
2	BYV958	D4;D5
2	1N5822	D2;D3
12	1N4148	D1;D7-D17

### Miscellaneous:

10	PCB-mount reed relay	Re1-Re10
2	15μH inductor	L1;L2
1	EF20 transformer	Tr1
2	4-way DIP switch	
1	4-way PCB-mount DIN plug	
6	screw M3×6	
4	nut M3	
1	screening box	
1	PC card fixing bracket	
2	aluminium bracket	
1	rubber grommet dia. 4 mm	
3	solder pin	
3	crocodile clip	
1m	insulated wire, red, 1 mm <sup>2</sup>	
1m	insulated wire, blue, 1 mm <sup>2</sup>	
1m	insulated wire, yellow, 1 mm <sup>2</sup>	
85cm	insulated wire, 0.22 mm <sup>2</sup>	

### Release note:

R117-R120 new in circuit diagram; components R17, R101, R105-R107, R112, C28, C29, C33, C40, IC4, T7 and T8 changed with respect to circuit diagram.



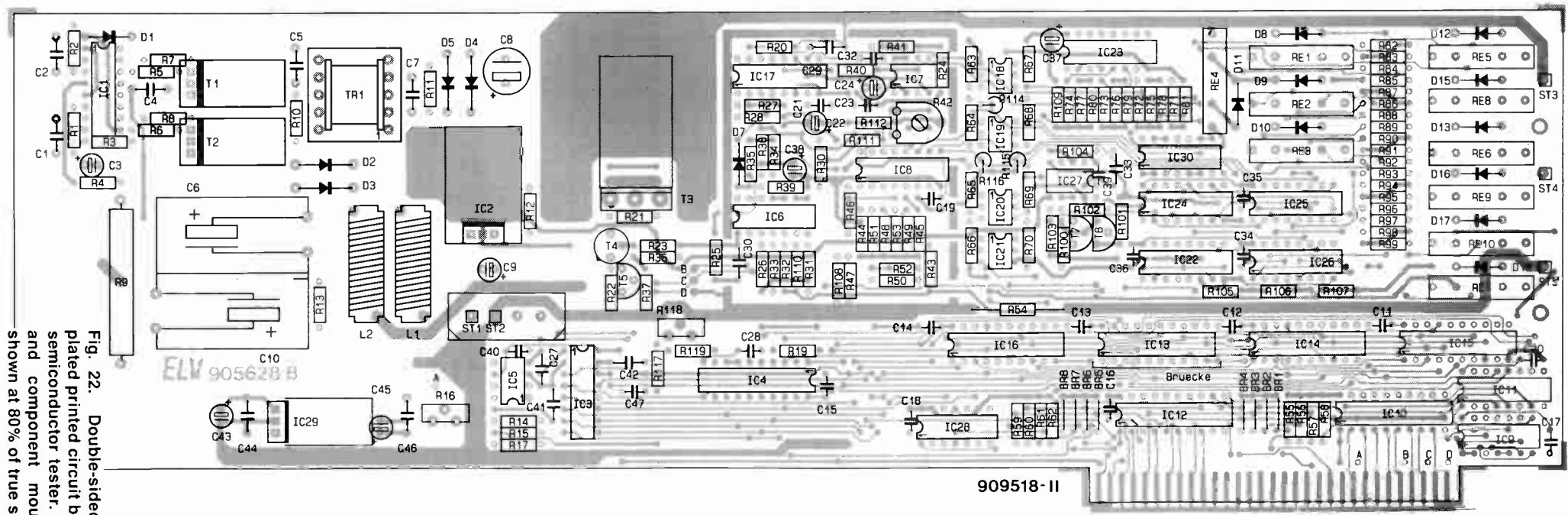
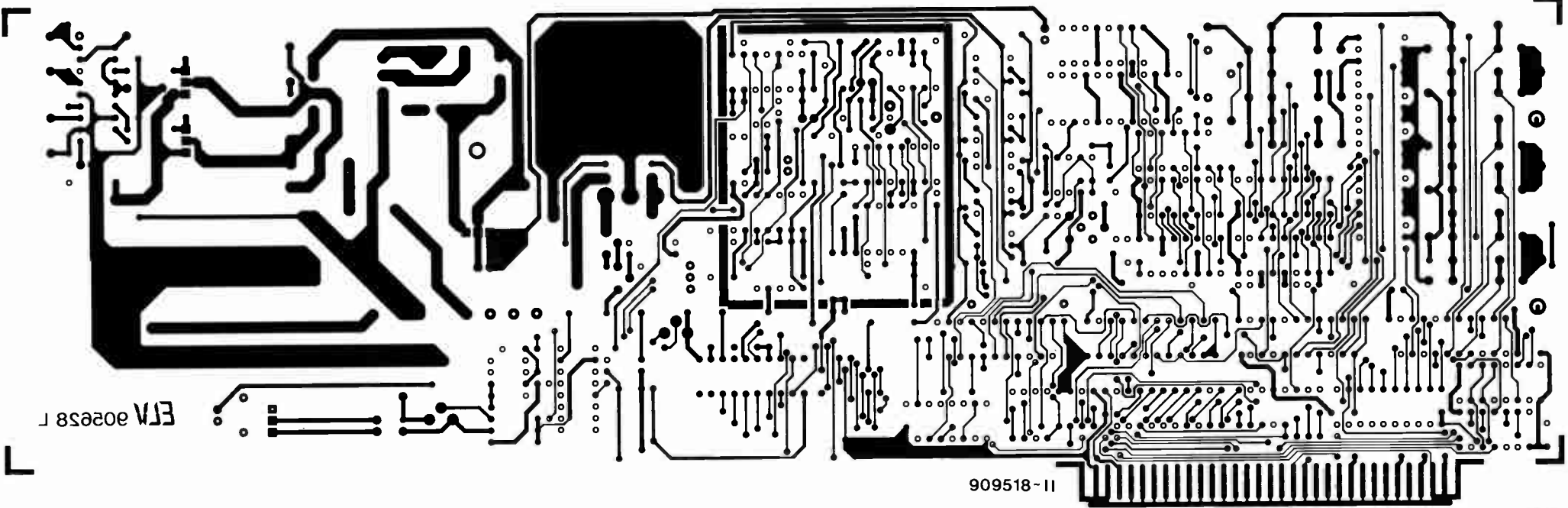
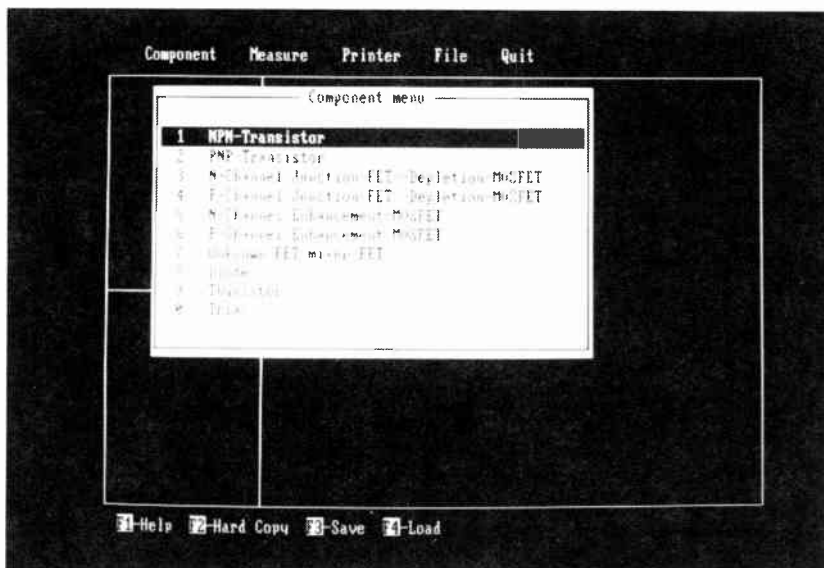


Fig. 22. Double-sided through-plated printed circuit board for the semiconductor tester. PCB layout and component mounting plan shown at 80% of true size.

ELKATOR ELECTRONICS USA APRIL 1991



IC17. The screening around these sections is fitted at the component side as well as at the solder side of the board. A cover is fitted on both screens.

First, bend the metal plate to give the box the required shape, and join the ends of the plate by soldering them where they meet. Next, place the 15-mm high screen on to the component side of the board. The small slots in the plate are to clear some parts on the PCB, preventing the underside of the screen causing short-circuits between PCB tracks. Solder the inside of the screen flush to the tracks it rests on, except where insulated tracks pass underneath the slots. A similar screen with a height of 4 mm is secured to the solder side of the PCB. Here, the same measures apply as regards the tracks that must be left clear by the underside of the screen. At the solder side of the board, the component terminals inside the screened area are cut to a length of 1 to 2 mm to prevent short-circuits when the cover is fitted.

Once again check the screened areas on the PCB for short circuits, then fit the covers at both sides, and solder these securely to the screens. The cover at the component side of the PCB is positioned such that the hole for

the off-set adjustment is over preset R42.

8. Secure the two angled aluminium pieces to the lower side of the PCB with the aid of two M3x5 mm screws and associated nuts. As shown in the photograph of the completed board, these brackets are used to secure the fixing bracket to the PCB.

9. Finally, twist the three 1-m long flexible wires to make the cable used for connecting the testable devices to the circuit. Insert the cable through the rubber grommet in the PCB plate, and make a knot at the inside to create a strain relief. Connect the red wire to ST3, the yellow wire to ST4, and the blue wire to ST5. The other ends of the wires are fitted with miniature insulated crocodile clips.

### Adjustment and first run

Switch off the PC, open it and remove a fixing bracket associated with a free slot. Fit the completed card into this slot, and bolt the fixing bracket to the rear casing of the PC. Connect an unused disk supply cable in the PC to the connector below capacitor C9 on the

A complete kit of parts for the PC-controlled semiconductor tester is available from the designers' exclusive worldwide distributors:

**ELV France**  
B.P. 40  
F-57480 Sierck-les-Bains  
FRANCE

Telephone: +33 82837213  
Facsimile: +33 82838180

PCB. This connection carries the high current (2.2 A max.) 12-V supply voltage required for the on-board switch-mode power supply.

Switch on the PC, but do not yet run the software for the semiconductor tester. At power-on the hardware on the insertion card automatically switches to the most sensitive measurement range, in which the three adjustments described below are to be carried out.

All measurements are carried out with a multimeter, with reference to AG1 (analogue ground). Connect the negative terminal of the multimeter to the lower terminal of power resistor R9 (this terminal is located about 6 mm to the left of the ELV logo, below C10). Connect the positive lead of the multimeter to pin 9 of IC4. Next, adjust preset R118 until the reference voltage of the ADC, IC4, is 1.000 V.

Next, adjust preset R16 until the reference voltage at pin 15 of IC3 is +2.55 V.

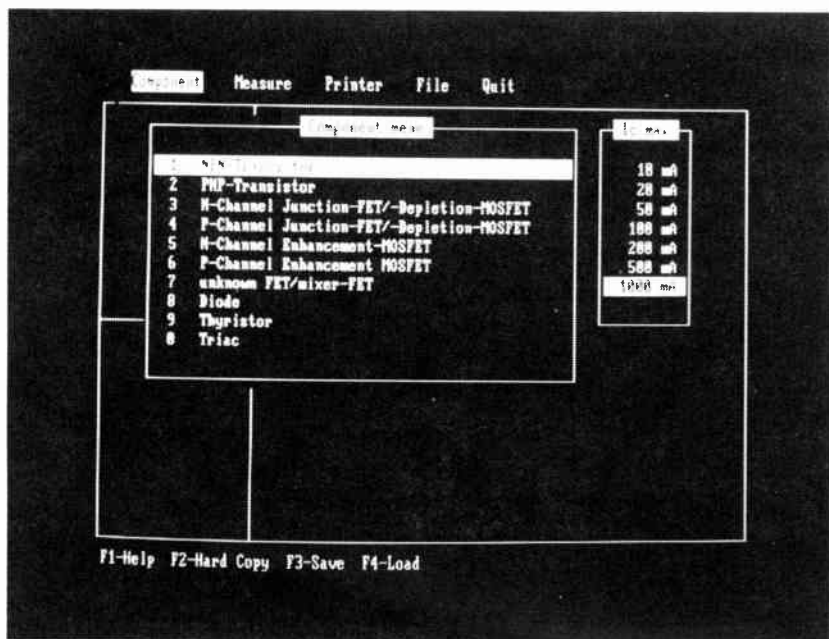
To adjust the off-set of the measurement amplifier, connect the positive lead of the multimeter to pin 6 of the ADC, IC4. Insert the trimming tool through the hole in the cover of the screening box, and adjust preset R42 for a multimeter reading of 0.00 V. A tolerance of  $\pm 10$  mV is acceptable here. This completes the adjustment of the insertion card.

The software supplied with the kit provides semi-automatic tests of the most essential parts of the circuit. The installation of the control software is straightforward, and requires no further detailing at this point. The hardware address setting of the card is accomplished with the two 4-way DIP switch blocks at either side of IC12, a 74LS688. The right-hand switch block corresponds to the contacts marked 2 to 5, and the left-hand switch block to contacts 6 to 9.

In cases where the default address, 300<sub>H</sub>, can not be used, the DIP switches are set to the required address. More information on how to do this in hardware and software may be found in the READ.ME file on the distribution diskette supplied with the kit. Ready-assembled semiconductor tester cards supplied by ELV are set to operate at address 300<sub>H</sub>. ■

### Reference:

1. "Integrated-circuit tester". *Elektronika* December 1989.



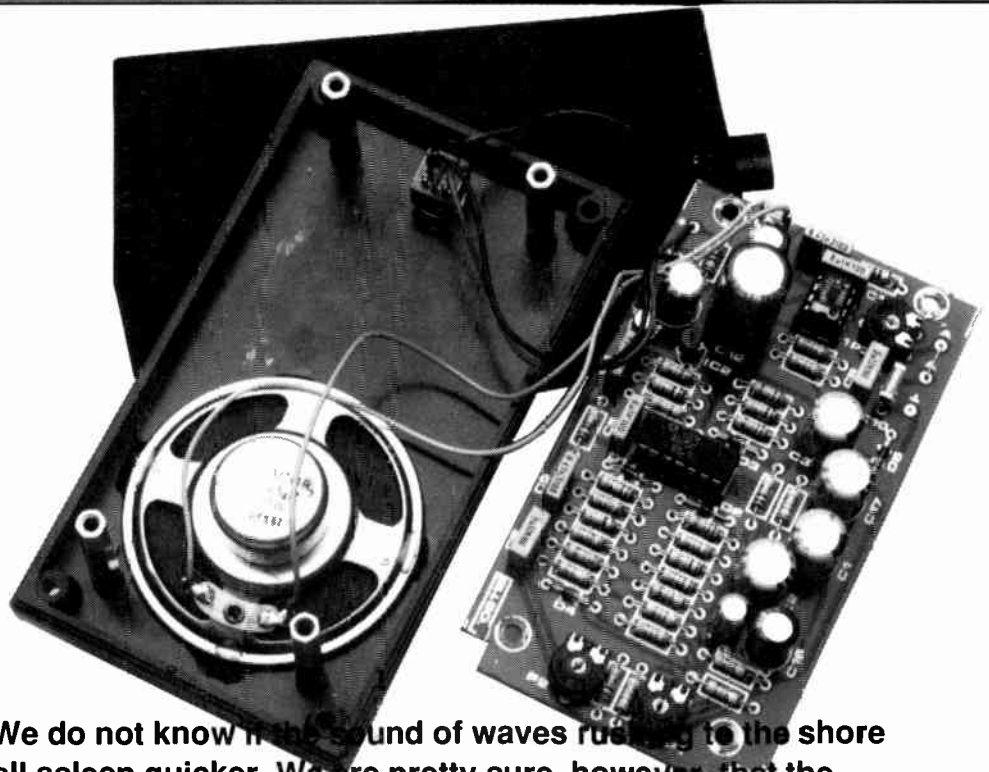
# INTERMEDIATE PROJECT

A series of projects for the not-so-experienced constructor. Although each article will describe in detail the operation, use, construction and, where relevant, the underlying theory of the project, constructors will, none the less, require an elementary knowledge of electronic engineering. Each project in the series will be based on inexpensive and commonly available parts.

## SURF GENERATOR

Those of you who have ever spent a summer's day at the beach will affirm that the sun, the wind, the sand and the water can have a soothing effect (we're not talking about the bikinis here). Interestingly, the sound of surf alone is reported to evoke impressions of the ocean, so that it can be used as a perfectly healthy and non-addictive 'tranquilizer'

in these hectic modern days. We do not know if the sound of waves rushing to the shore can help you feel relaxed, or fall asleep quicker. We are pretty sure, however, that the electronic circuit presented here provides a quite convincing imitation of the sound of ocean surf.



from an idea by W. Cazemier

LET'S leave the subjects of applied psychology and summer pleasures, and return to more familiar ground with the discussion of the block diagram of the surf generator shown in Fig. 1. In the lower left-hand corner of the diagram we find a noise generator. The output of this generator is passed through a voltage-controlled filter (VCF) and a voltage-controlled amplifier (VCA). The operation of the VCA and the VCF is controlled by a single voltage. In the case of the VCF, the control voltage determines the frequency response of the filter, while in the case of the VCA it determines the gain or attenuation of an amplifier. The latter function may be compared to that of a volume control with electronic drive. The control of the VCF and the VCA allows a wide variety of 'noisy' sounds to be produced. As shown in the block diagram, the VCA may be followed by an AF power am-

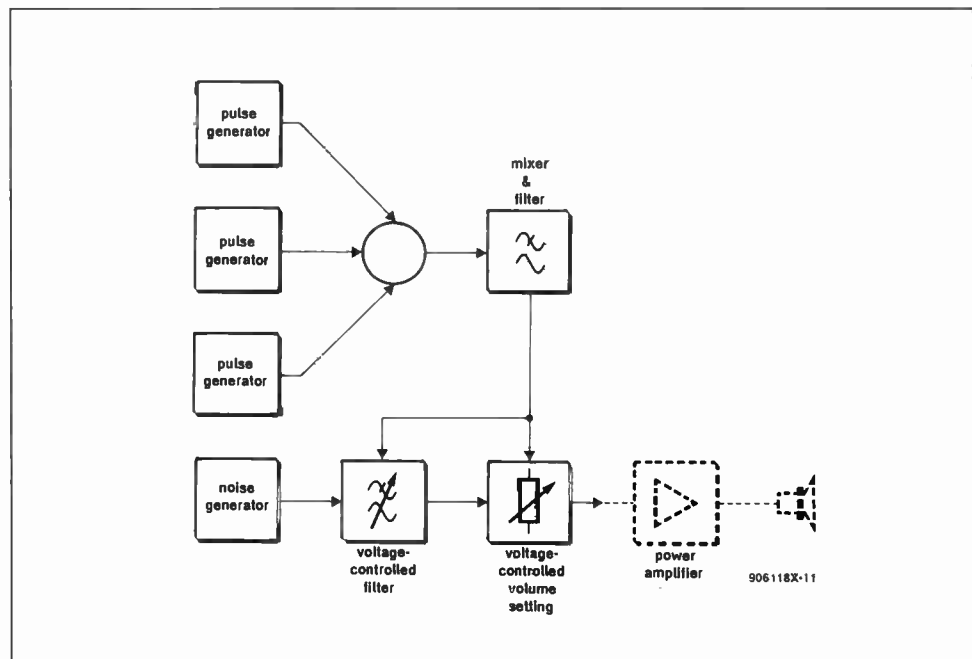


Fig. 1. Block diagram of the surf generator.

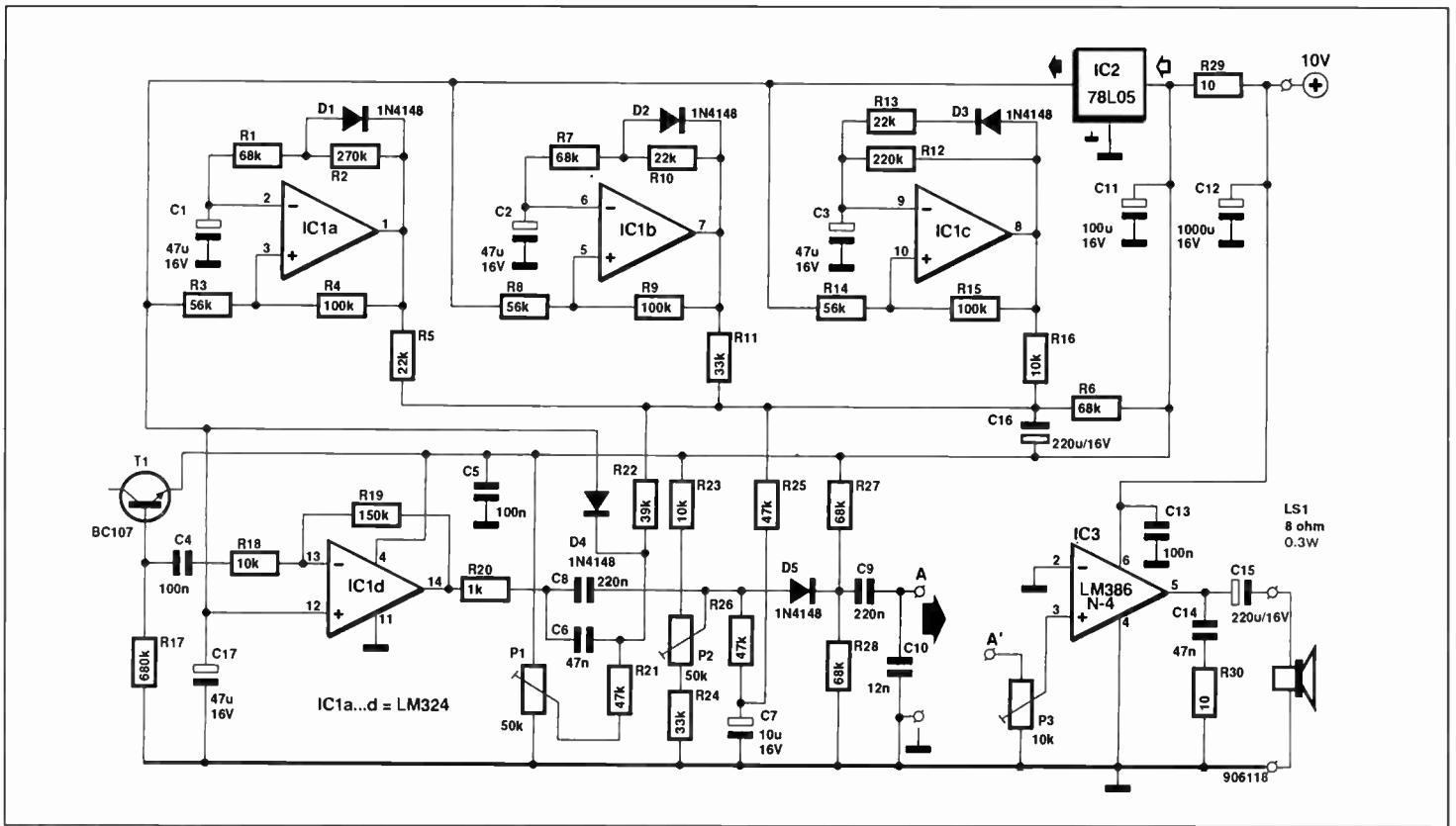


Fig. 2. Circuit diagram of the surf generator. The use of the LM386-based AF power amplifier is optional.

plifier with sufficient output power to drive a small loudspeaker.

The VCF/VCA control voltage is generated with the aid of three pulse generators, whose output signals are mixed. A filter at the output of the mixer provides some smoothing of the control voltage. The result is a quasi-random control voltage, whose erratic character is just what we need to imitate the sound of surf.

### Three pulse generators

The circuit diagram in Fig. 2 shows the three pulse generators based on opamps IC1a, IC1b and IC1c. Each pulse generator is derived from the 'classic' square-wave generator, whose basic layout is shown in Fig. 3a. The duty factor (pulse on/off ratio) of this generator is 0.5. By changing the duty factor, the

square-wave generator is turned into a pulse generator. Usually, the duty factor is changed by making the charge time of capacitor C different from its discharge time. Figure 3b shows how this can be achieved. Capacitor C is charged by R1+R2, and discharged by R1 alone.

Returning to the circuit diagram, the +inputs of the three pulse generator opamps are held at half the supply voltage with the aid of a 5-V regulator, IC2, and resistors R3, R8 and R14. The output signals of the opamps are mixed by resistors R5, R11 and R16. The previously mentioned smoothing function is realized by R6 and C16. The 'random' control voltage is pulled to the +10 V supply line by R6.

### Noise generator and filter

Applying an wrongly polarized voltage to a base-emitter junction of a transistor causes a zener effect in the diode junction. This effect is known to cause a considerable amount of noise. In the circuit diagram, the noise generator is formed by transistor T1 and current limiting resistor R17.

Coupling capacitor C4 feeds the noise voltage supplied by T1 to opamp IC1d, which provides an amplification of about 15 times. This amplification can be increased if desired by making R19 larger (the maximum value is 560 kΩ).

The first circuit section at the output of the noise amplifier is the VCF. The practical realization of the VCF is extremely simple, as illustrated by the basic schematic in Fig. 4a. Components R20 and C6 form an R-C low-pass filter, in which diode D4 acts as a resistor whose value is controlled by U<sub>ctrl</sub>. The diode conducts when U<sub>ctrl</sub> is lower than

1/2 U<sub>b</sub> - 0.7 V, with the internal resistance of D4 decreasing with the control voltage. As illustrated by the equivalent circuit in Fig. 4b, the control voltage determines the response of the filter with the aid of a variable resistance. The filter is most effective when the resistance is low. Thus, we can set the high-frequency content of the noise signal by varying U<sub>ctrl</sub>.

In the circuit proper, the control voltage consists of two voltages: one is applied to the VCF via R21 to provide the basic filter setting, and another is applied via R22 to set the con-

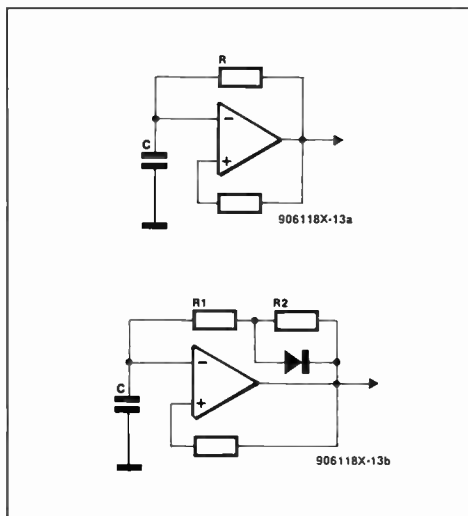


Fig. 3. Basic square-wave generator (a) and variable-duty factor pulse generator (b).

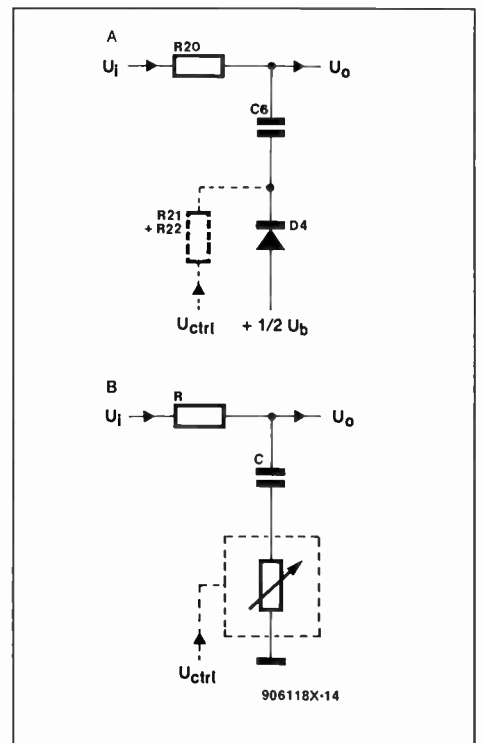


Fig. 4. Basic operation of the VCF circuit.

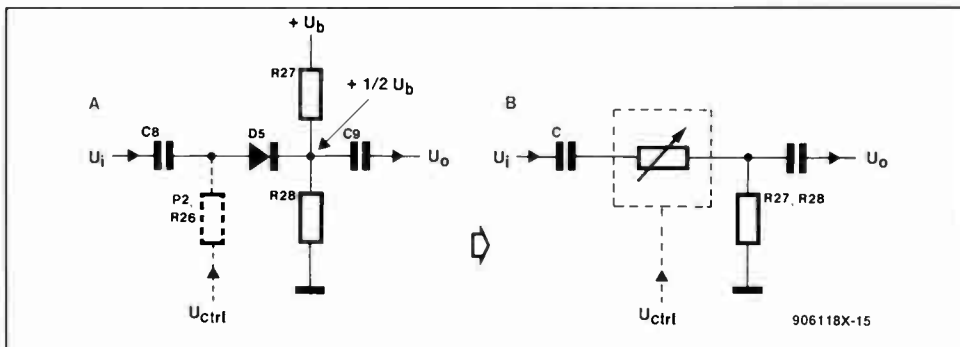


Fig. 5. A simple diode-based voltage-controlled attenuator.

control voltage proper. Preset P1 is used to set the basic filter response.

## VCA and power amplifier

The VCA is actually a voltage-controlled attenuator. Its basic operation is illustrated in Fig. 5a. As in the VCF, a diode functions as a variable resistance. The diode blocks when the control voltage,  $U_{ctrl}$ , is below  $\frac{1}{2}U_b$ . The output voltage,  $U_o$ , is then nought. When  $U_{ctrl}$  rises above  $\frac{1}{2}U_b + 0.7$  V, D5 starts to conduct, and its internal resistance drops as the control voltage rises. The equivalent circuit of the VCA is shown in Fig. 5b — the level of  $U_o$  can be set by varying  $U_{ctrl}$ .

As with the VCF, the VCA is controlled by two voltages: one for the 'coarse' setting, and one for the actual variation of the volume. The latter control level is derived from the random control voltage via R26 and a low-pass filter, R25-C10. Preset P2 determines the average output volume, while the second control voltage provides the required random variation.

The output signal of the circuit is available at terminal 'A', and can be fed to any suitable AF amplifier. Capacitor C10 shunts the generator output to limit the high-frequency content of the signal.

A small AF amplifier is provided in the circuit to enable an 8- $\Omega$  low-power loudspeaker to be driven. This amplifier is based on IC3, the well-known LM386. If you want to use the output amplifier, fit a wire link between points A and A' on the PCB.

## Power supply and construction

To make sure that the noise generator functions properly, a minimum supply voltage of 10 V must be observed. Unfortunately, the circuit will not work on a 9-V battery. The half supply potential,  $\frac{1}{2}U_b$ , is supplied by a 5 V fixed voltage regulator Type 78L05 (IC2). The +10 V supply line is decoupled by C11 at the input of the regulator, and by C12-C13 at the AF power amplifier.

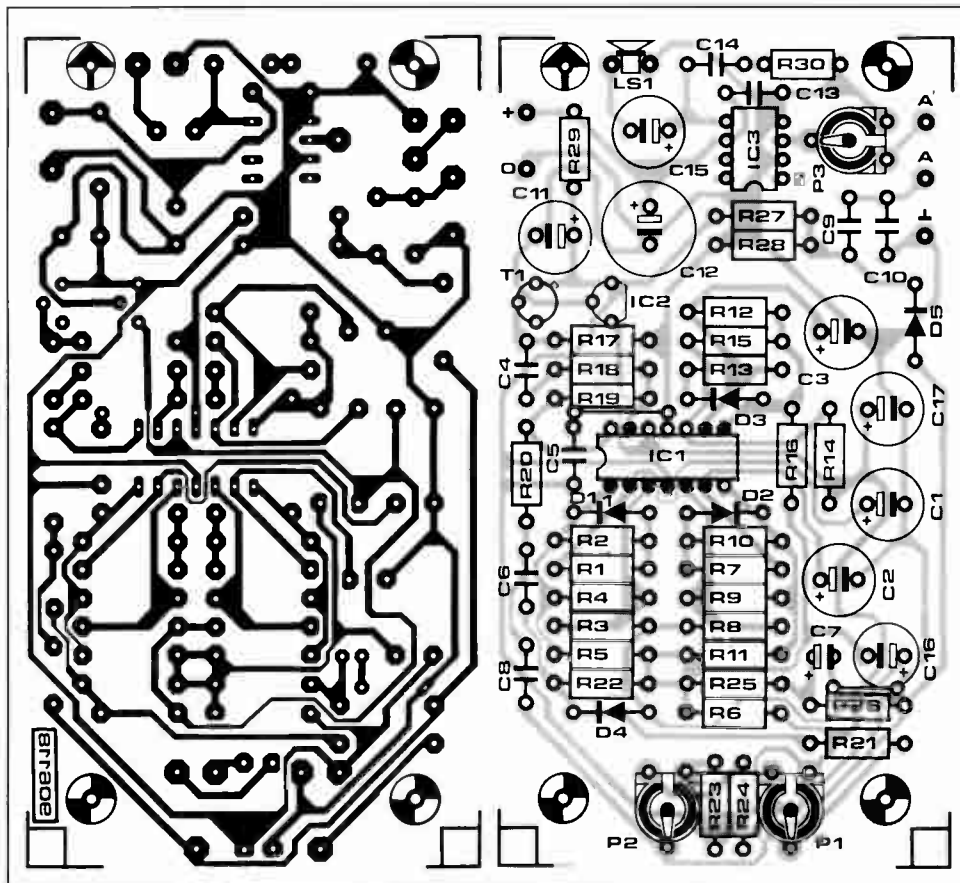


Fig. 6. Printed-circuit board for the surf generator.

Figure 6 shows the track layout and component mounting plan of the printed-circuit board designed for the surf generator. Start the construction by fitting the wire links. The ICs are best fitted in sockets. The LM386-based AF power amplifier is optional and may be omitted where a separate (head-phone-) amplifier is used. When the on-board amplifier is used, fit wire link A—A'. When an external amplifier is used, connect its input to terminal 'A' and ground via a length of screened cable.

The circuit draws about 20 mA at a supply voltage of 10 V. The supply voltage may be furnished by a mains adapter with a regulated 10 to 12 V d.c. output, or by seven 1.5-V penlight batteries fitted in one holder for four batteries, and one holder for three batteries. Whatever power supply is used, make sure that its connecting wires are as short as possible. This is a must to prevent oscillation which unfortunately occurs readily in the circuit.

Finally, the photograph in this article show a suggested construction of the surf generator in an ABS enclosure of dimensions 125x49x50 mm. The prototype has a built-in loudspeaker and operates from a 9-V PP3 battery with one 1.5-V penlight battery in series.

## COMPONENTS LIST

### Resistors:

5	68k $\Omega$	R1;R6;R7;R27; R28
1	270k $\Omega$	R2
3	56k $\Omega$	R3;R8;R14
3	100k $\Omega$	R4;R9;R15
3	22k $\Omega$	R5;R10;R13
2	33k $\Omega$	R11;R24
1	220k $\Omega$	R12
3	10k $\Omega$	R16;R18;R23
1	680k $\Omega$	R17
1	150k $\Omega$	R19
1	1k $\Omega$	R20
3	47k $\Omega$	R21;R25;R26
1	39k $\Omega$	R22
2	10 $\Omega$	R29;R30
2	50k $\Omega$ preset H	P1;P2
1	10k $\Omega$ preset H	P3

### Capacitors:

3	47 $\mu$ F 16V radial	C1;C2;C3
3	100nF	C4;C5;C13
2	47nF	C6;C14
1	10 $\mu$ F 16V radial	C7
2	220nF	C8;C9
1	12nF	C10
1	1000 $\mu$ F 16V radial	C12
2	220 $\mu$ F 16V radial	C15;C16
1	47 $\mu$ F 16V radial	C17

### Semiconductors:

1	BC107	T1
5	1N4148	D1-D5
1	LM324	IC1
1	78L05	IC2
1	LM386N-4	IC3

### Miscellaneous:

1	8 $\Omega$ 0.3W loudspeaker	LS1
---	-----------------------------	-----

# DIMMER FOR HALOGEN LIGHTS

Based on an idea by H. Peter

**Low-voltage halogen lights are becoming fashionable, which is not surprising when one considers the advantages of these small units. They offer low colour temperature, relatively low heat radiation, low operating voltage, wide-angle light emission, illumination that is two to three times brighter than that of conventional lamps for the same energy consumption and far better efficiency than traditional light sources.**

**M**ANY commercial lighting controls operate at the primary side of a transformer and this means that all lights in a circuit are switched or dimmed simultaneously. When a room contains a number of lights, that is a distinct disadvantage. The dimmer described in this article is based on the concept that each individual light in a two-wire system can be remotely controlled without any effect on the other lights in the system. A handheld infra-red remote controller provides four functions:

- light on;
- light off;
- light brighter;
- light less bright.

Each light is connected across the 12-V secondary of a mains transformer. To enable it being operated individually, it is fitted with its own infra-red receiver. To enable the lights being switched on from the entrance to a room, an additional, fixed infra-red controller is fitted beside the door opening.

Each remote controller has six operating channels, so that six lights or groups of lights can be controlled. The cost of the small receiver fitted in the lights is about equal to the cost of two traditional light bulbs.

All switching of the lights takes place at the zero crossing, which ensures a long life.

## Remote control transmitter

The remote control transmitter is based on Plessey's Type MV500 IC, the block diagram of which is shown in Fig. 1. Apart from a keyboard, an oscillator and a driver for the infra-red diodes, this IC contains all that is necessary for a 32-channel infra-red transmitter. Since the receiver board must of necessity be kept small (about 50x40 mm), the present transmitter is restricted to six channels: see Fig. 2. Because of the need to keep the receiver board small, the circuit of the transmitter is rather larger than Plessey's standard application circuit.

The MV500 IC is a CMOS type that, thanks to the power control block, which automatically switches the transmitter on or off, draws an almost negligible current during quiescent operation. When one of the keys is pressed, the current drain from a 9-V battery is only a few milliamperes even though the (pulsed)

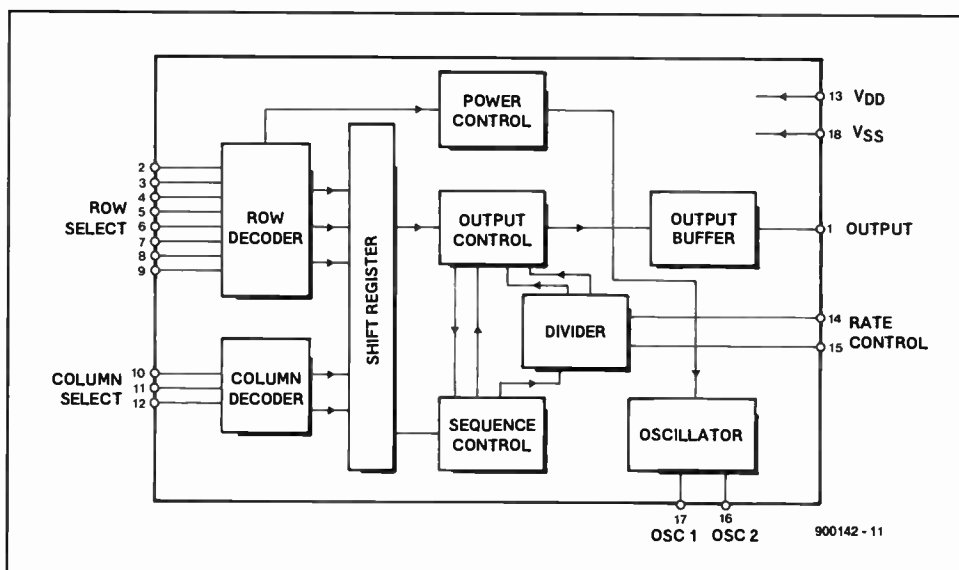


Fig. 1. Block diagram of Plessey's Type MV500 integrated circuit.

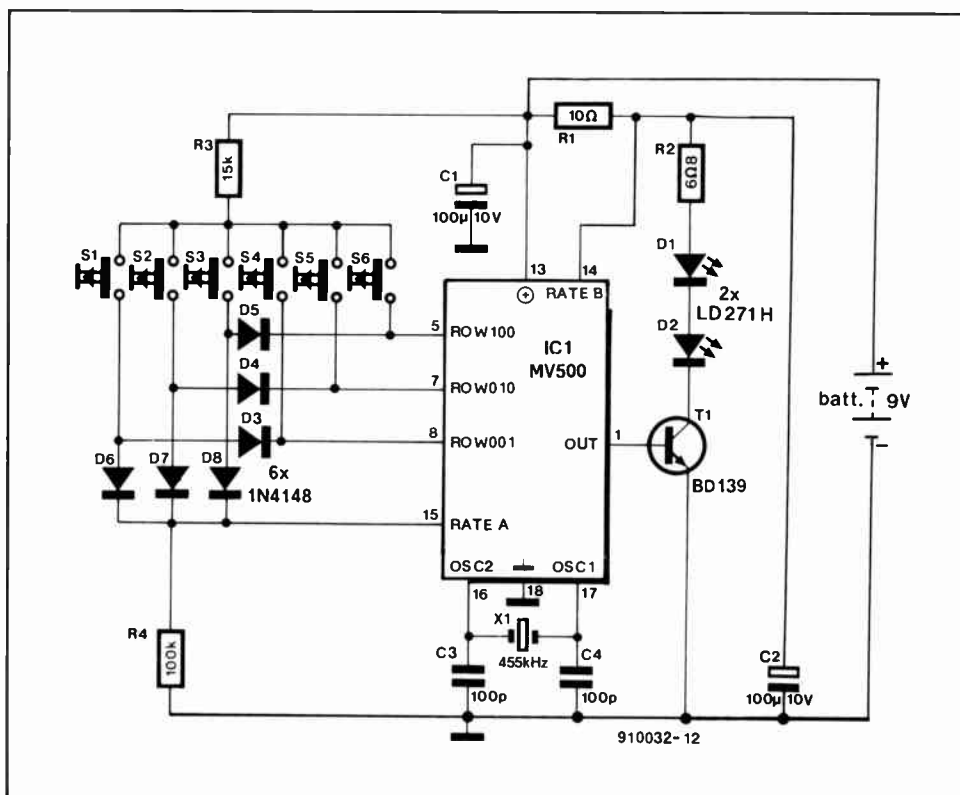
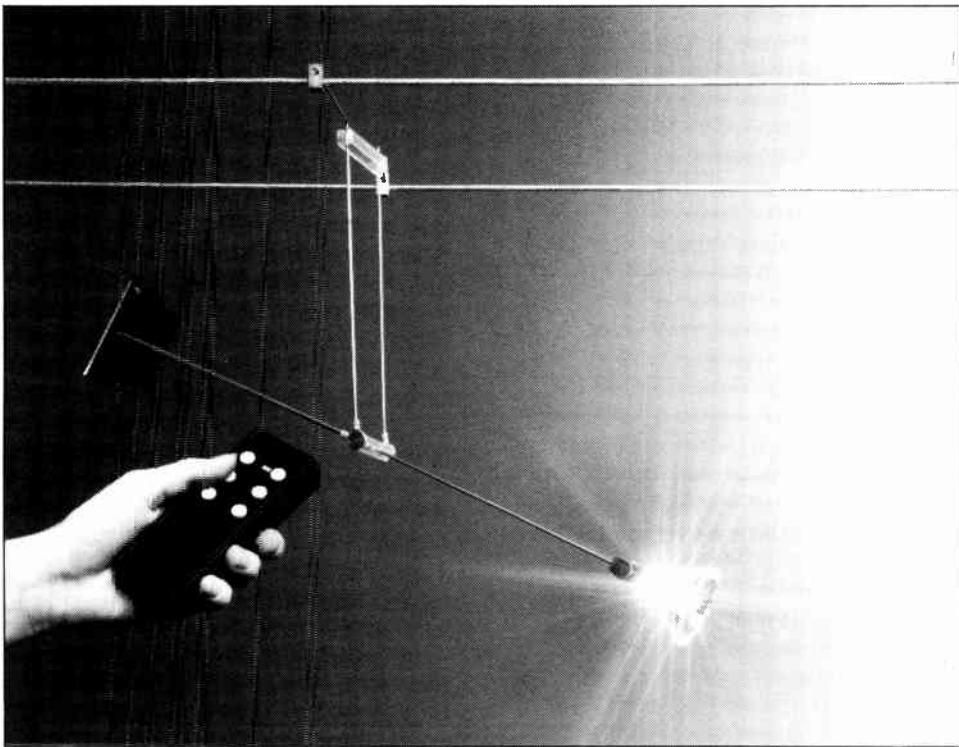


Fig. 2. Circuit diagram of the remote control transmitter.



current through the infra-red diodes is of the order of amperes. However, the duration of the current pulses, because of the pulse-spacing modulation, is only about 15µs. Moreover, the transmitter remains operational even when the battery voltage has dropped to just below 4 V.

During quiescent operation, the greater part of the MV500 is switched off. When one of the keys is depressed, the power control switches the supply voltage to all stages of the IC that were off before then. This causes the oscillator, consisting of crystal X<sub>1</sub> and capacitors C<sub>3</sub> and C<sub>4</sub>, to generate a 455 kHz signal.

The voltage from the keyboard is applied as a five-bit signal to the row and column decoders. In these, it is converted into a serial signal which, after being pulse-spacing modulated, is available at the output, pin 1. From there, it is applied to T<sub>1</sub>, amplified, converted to an infra-red signal by diodes D<sub>1</sub> and D<sub>2</sub> and then transmitted in the direction of a receiver.

In pulse-spacing modulation, also called pulse-interval modulation, the spacing between the pulses, rather than the pulses themselves, is modulated. This type of modulation ensures low current drain from the battery and also greater invulnerability to noise and hum.

The 455 kHz signal from the oscillator is converted to 17 µs long needle pulses. The spacing between the pulses varies according to the modulating information. The divider in the MMV500 arranges for a logic 1 to be given a duration of 9 ms, and a logic 0, a duration of 13.5 ms. The intervals are thus relatively long compared with the pulses. The data stream continues for as long as the key is pressed. When it is released, the power control removes the power supply from most of the IC again.

The rate control outputs enable the frequency of the transmission to be altered. This is effected by a logic 1 at either of these pins, which results in transmission rate A at

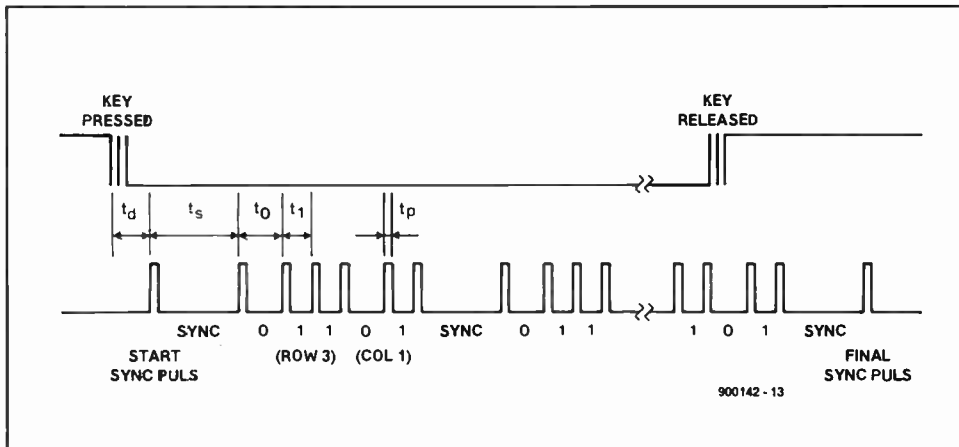


Fig. 3. Transmission of the infra-red signal begins 2.2 ms after a key is pressed with a 27 ms long synchronization interval, followed by the actual 5-bit data stream.

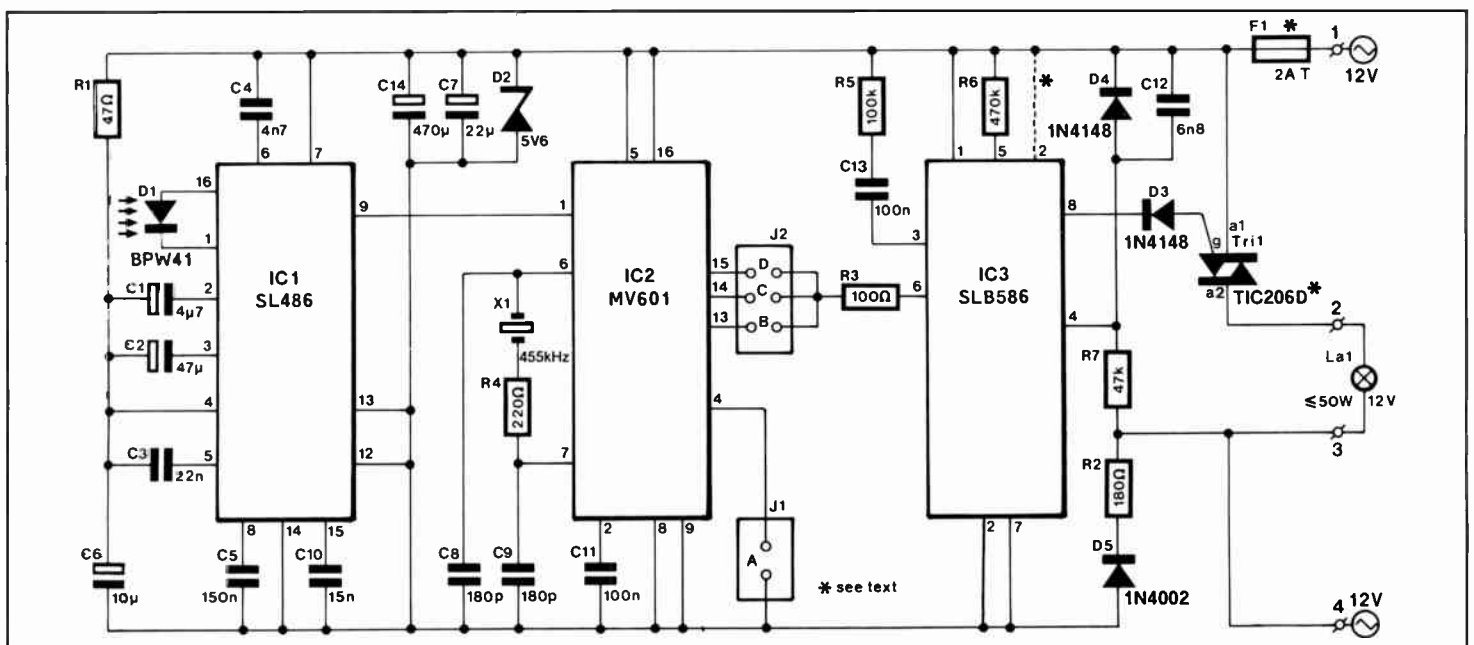


Fig. 4. Circuit diagram of the infra-red receiver.

**Table 1**

Correlation between transmit keys, data bits, wire link positions and transmission rates

Key	Bit	J <sub>1</sub>	J <sub>2</sub>	Rate
1	A	Yes	A	A+B
2	B	Yes	B	A+B
3	C	Yes	C	A+B
4	A	No	A	B
5	B	No	B	B
6	C	No	C	B

pin 15 or transmission rate B at pin 14. The pulse-pause ratio remains unchanged, however. The durations stated earlier pertain to rate A; they are halved with rate B. Note that the transmitter and receiver(s) must be set to the same transmission rate. There is the possibility of a third rate (A+B), which is obtained when a logic high is applied to pins 14 and 15 simultaneously.

Keys S<sub>1</sub>–S<sub>6</sub> provide the channel information to the row decoder; the column decoder is not used. This atypical configuration was chosen because the channel information is not decoded in the receiver(s) owing to space considerations.

The present system uses rate B and rate A+B. Pin 14 is permanently connected to the positive supply line via R<sub>1</sub>. Pin 15 is kept low via R<sub>4</sub> as long as no key is pressed. When one of the keys S<sub>1</sub>–S<sub>3</sub> is pressed, pin 15 also goes high via the OR gate formed by D<sub>6</sub>–D<sub>8</sub>. The transmitter then operates at rate A+B. When, however, one of keys S<sub>4</sub>–S<sub>6</sub> is pressed, pin 15 remains low and the transmit rate is B. In this way, it is possible by adding six inexpensive diodes to obtain operation in 2×3 channels without it being necessary for any decoding in the receiver(s).

## Infra-red receiver

Circuit IC<sub>1</sub> in Fig. 4 prepares the received signals, IC<sub>2</sub> decodes them, and IC<sub>3</sub> undertakes the dim function.

Circuit IC<sub>1</sub> is an infra-red preamplifier, which is quite complex, because it must provide a clean, usable electrical signal from a light signal that is full of spikes and constantly varies in intensity. A number of automatically operating amplifier stages raise the current of the receive diode from as low as just below 1 μA by 68 dB. A clean PPM (pulse period modulated) signal is provided at the output, pin 9.

Circuit IC<sub>2</sub> decodes the serial information into the same five-bit data word that was coded in the transmitter. Since all signals must be processed at the transmit frequency, the oscillator based on X<sub>1</sub> is identical to that used in the transmitter. Resistor R<sub>4</sub> ensures that the crystal oscillates at its fundamental frequency. The decoded data is available at pin 13 (bit A), pin 14 (bit B) and pin 15 (bit C).

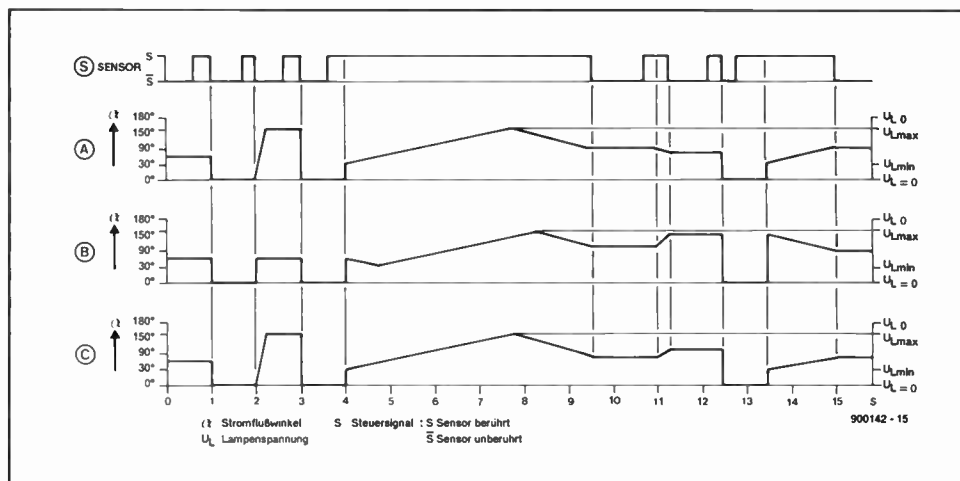


Fig. 5. The mode of operation of IC<sub>3</sub> is determined by the level at pin 2. In the figure,  $\alpha$  is the phase gating angle;  $U_L$  is the lamp voltage and S is the control signal: S = logic 1 and  $\bar{S}$  = logic 0.

## PARTS LIST (Transmitter)

### Resistors:

R<sub>1</sub> = 10 Ω  
R<sub>2</sub> = 6.8 Ω  
R<sub>3</sub> = 15 kΩ  
R<sub>4</sub> = 100 kΩ

### Capacitors:

C<sub>1</sub>, C<sub>2</sub> = 100 μF, 10 V  
C<sub>3</sub>, C<sub>4</sub> = 100 pF

### Semiconductors:

IC<sub>1</sub> = MV500  
T<sub>1</sub> = BD139/10  
D<sub>1</sub>, D<sub>2</sub> = LD271H  
D<sub>3</sub>–D<sub>8</sub> = 1N4148

### Miscellaneous:

X<sub>1</sub> = crystal 455 kHz (e.g. Murata Type CSB455E or Toko Type CRK455A)  
6 push-button keys  
2 reflectors for D<sub>1</sub> and D<sub>2</sub>  
1 plastic enclosure 61×26×101 mm with (PP3) battery compartment  
1 battery (e.g. 9-V PP3)  
PCB Type 910032-1

It is, of course, imperative that each receiver responds only to the corresponding transmit key. The selection of the appropriate signal is effected by wire links J<sub>1</sub> and J<sub>2</sub>. When J<sub>1</sub> is used, the transmission rate is A+B, when it is omitted, the rate is B. The transmit keys, data bits, use or omission of J<sub>1</sub>, and position of J<sub>2</sub>, are correlated in Table 1.

The on/off cum brightness control circuit is based on IC<sub>3</sub>. Since this circuit has only one input, pin 6, the four functions must be derived from the duration of the input signal. If the pulse width is in the range of 50–400 ms, the circuit arranges on/off switching. When the pulse width is greater (0.5 s to 7.6 s) the IC continuously varies the phase gating angle until the control signal becomes zero.

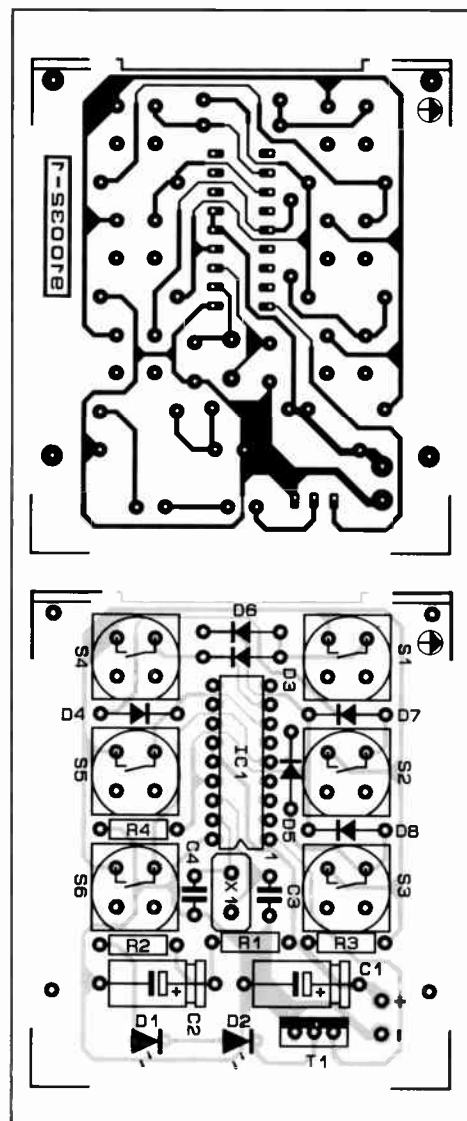


Fig. 6. Printed-circuit board for the transmitter.

The mode of operation of the circuit is determined by the level at pin 2—see Fig. 5.

**Level = 0 (variant A).** In this mode, the brightness is maximum when the light is switched on. Dimming takes place from minimum brightness; renewed dimming continues towards maximum.



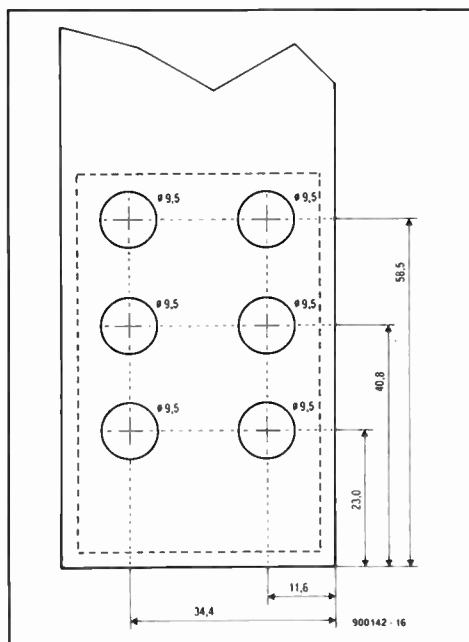


Fig. 7. Drilling template for transmitter case.

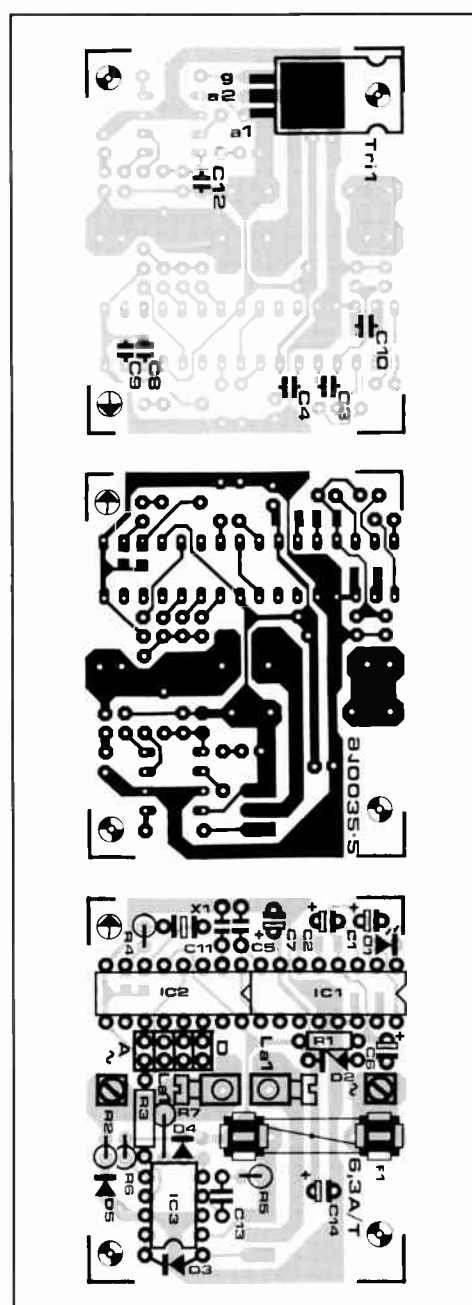


Fig. 10. PCB for the infra-red receiver(s).

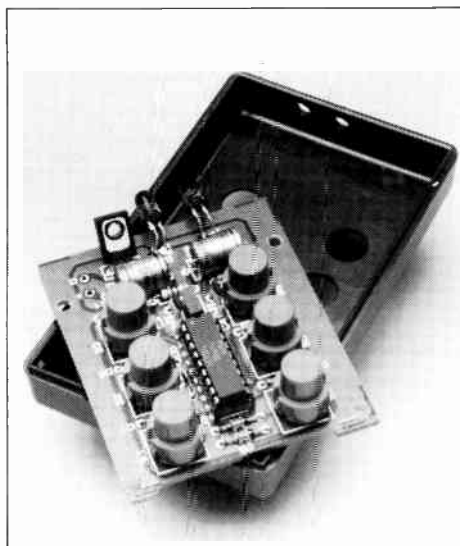


Fig. 8. Completed infra-red transmitter.

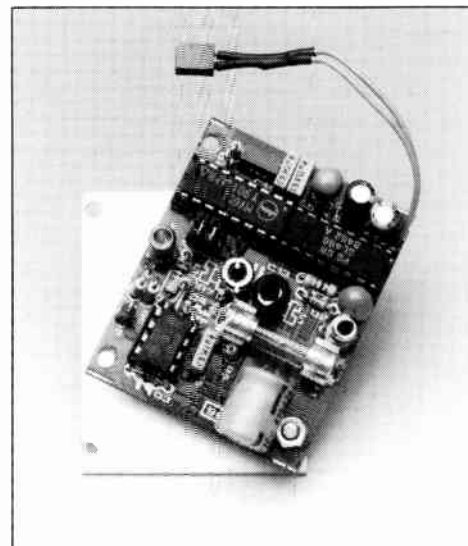


Fig. 9. Completed infra-red receiver.

## PARTS LIST (Receiver)

### Resistors:

$R_1 = 47 \Omega$   
 $R_2 = 180 \Omega$   
 $R_3 = 100 \Omega$   
 $R_4 = 220 \Omega$   
 $R_5 = 100 \text{ k}\Omega$   
 $R_6 = 470 \text{ k}\Omega$   
 $R_7 = 47 \text{ k}\Omega$

### Capacitors:

$C_1 = 4.7 \mu\text{F}$ , 16 V, radial  
 $C_2 = 47 \mu\text{F}$ , 16 V, radial  
 $C_3 = 22 \text{ nF}$ , surface-mount  
 $C_4 = 4.7 \text{ nF}$ , surface-mount  
 $C_5 = 150 \text{ nF}$   
 $C_6 = 10 \mu\text{F}$ , 25 V, tantalum  
 $C_7 = 22 \mu\text{F}$ , 16 V, tantalum  
 $C_8, C_9 = 180 \text{ pF}$ , surface-mount  
 $C_{10} = 15 \text{ nF}$ , surface-mount  
 $C_{11}, C_{13} = 100 \text{ nF}$   
 $C_{12} = 6.8 \text{ nF}$ , surface-mount  
 $C_{14} = 470 \mu\text{F}$ , 10 V

### Semiconductors:

$D_1 = \text{BPW41N}$  (Motorola)  
 $D_2 = \text{zener}$ , 5.6 V, 400 mW  
 $D_3, D_4 = 1\text{N}4148$   
 $D_5 = 1\text{N}4002$   
 $\text{IC}_1 = \text{SL}486$  (Plessey)  
 $\text{IC}_2 = \text{MV}601$  (Plessey)  
 $\text{IC}_3 = \text{SLB}586$  (Siemens)  
 $\text{Tri} = \text{TIC}206\text{D}$  (Texas Instruments)

### Miscellaneous:

$X_1 = \text{crystal}$ , 455 kHz  
 $F_1 = \text{fuse}$ , 2 A, slow blow  
 2 PCB-type screw terminals  
 $J_1, J_2 = \text{PCB pin strip header}$ , double row, 4-way, with jumper sockets  
 Heatsink for triac (see text on p. 58)  
 Plastic enclosure 80×26×45.4 mm  
 $\text{La}_1 = \text{halogen lamp}$ , 12 V, 50 W

Level = 1 (variant C). In this mode, operation is similar to variant A, but renewed dimming reverses towards minimum.

Level = three-state (variant B). In this mode, the phase angle at switching off is stored and the next switch-on occurs at the same angle. Renewed dimming reverses direction with respect to the previous dimming.

On the printed-circuit board, pin 2 is connected to earth, that is, the circuit is set for variant A. If one of the other variants is wanted, break the track to obtain variant B, or break the track and solder pin 2 to pin 1 to obtain variant C.

Resistor  $R_7$  and capacitor  $C_{12}$  filter the a.c. supply, which is then used for synchronizing the internal PLL (phase-locked loop) time base. Resistor  $R_5$  and capacitor  $C_{15}$  form the integrating network for the time base.

Diode  $D_3$  reduces to safe values the positive voltages that ensue at the gate of many triacs when they are fired. The TIC206D enables lamps rated at up to 20 W to be controlled; for higher rated lamps, a TIC226D should be used (see also under 'Receiver' on page 58).

Direct voltage is provided by rectifier  $D_5$ , regulated by  $R_2$  and  $D_2$ , and smoothed by  $C_{14}$ . Note that  $\text{IC}_3$  requires a negative supply.

## Construction

### TRANSMITTER

Populating the printed-circuit board for the transmitter—see Fig. 6 and Fig. 8—is straightforward.

A drilling template for the top of the enclosure (where the six holes that will give access to the push-button switches will be located) is given in Fig. 7. The switches are not seated on the PCB, but about 11.5 mm above it. Three spacers under the board ensure that the push-buttons protrude through the top of the case.

Furthermore, two small holes must be drilled in the front of the enclosure through which the infra-red diodes will transmit.

After the board has been completed, test

its operation with the aid of an oscilloscope connected between the collector of T1 and earth.

The MV500 is very sensitive to electrostatic charges. It may well operate almost normally after having been subjected to such a charge, but chances are that its power-down facility does not function properly any more. This causes a current of more than 1 mA to flow even during quiescent operation and this does of course shorten the life of the battery quite considerably.

A chromium reflector placed behind each of the infra-red diodes increases its operating range by 40–50 per cent. If that is still not sufficient, resistor R<sub>2</sub> may be short-circuited. This increases the current through the diodes, however, and thus shortens the life of the battery.

## RECEIVER

The completion of the receiver printed-circuit board—see Fig. 9 and Fig. 10—is not so straightforward. Because of lack of space, five surface-mount capacitors are fitted at the track side of the board. Great care must be exercised during the soldering of these components to make sure that no tracks are short-circuited.

Resistor R3 should be shrouded in insulating tape or inserted into a length of insulating sleeve to prevent its connecting wire touching the adjacent a.c. supply terminal.

The triac is soldered at the underside of the board in such a way that its inscription points towards the board: this makes it possible to fit the heatsink as shown in Fig. 11. A template for the heatsink is shown in Fig. 12. The heatsink is made from 2 mm thick aluminium sheet. Note that this suffices for lamps rated at up to 20 W only. If lamps of up to 40 W are to be used, a more substantial heatsink is required, for instance, a 50 mm long Type SK59 (5 K/W). Lamps of 50 W require a 75 mm long Type SK59 (6 K/W). Furthermore, it is advisable to use a Type TIC226D triac (which can handle currents of up to 8 A) instead of the TIC206D (which can handle up to 4 A only). Lastly, the printed-circuit board can cope with the temperature of lamps rated up to 20 W; higher rated lamps must be fitted externally, for instance, as shown in the photograph on page 55.

Do not yet fit any of the ICs or halogen lamps. When an alternating voltage of 12 V is connected across the supply terminals marked ~, there should be a direct voltage of about 5.5 V across C14. If this is so, disconnect the 12 V supply, discharge C14, and insert IC1 into its socket.

An oscilloscope connected between pin 9 of IC1 and earth should show the PPM signals whenever one of the push-buttons on the transmitter is pressed

Next, insert IC2 into its socket. A high logic level should appear at its pins 13 and 15 when the corresponding button on the transmitter is pressed. When this test is successful, insert IC3 into its socket and fit the lamps on to the board. When then the corresponding button on the transmitter is pressed, the lamps should light. ■

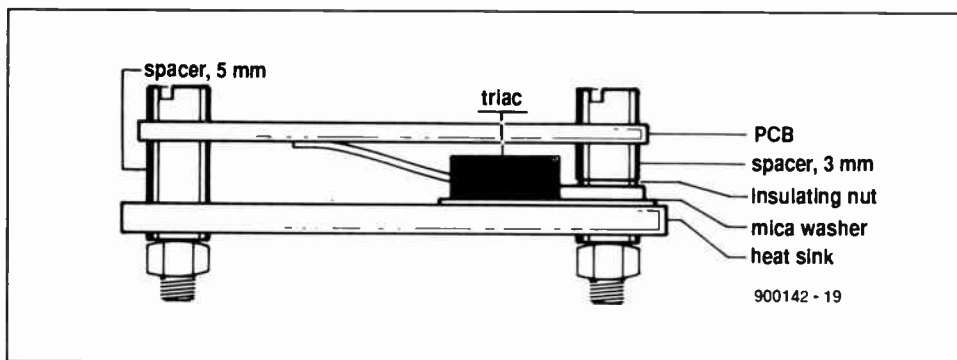


Fig. 11. Construction of the triac and its heat sink to the underside of the PCB.

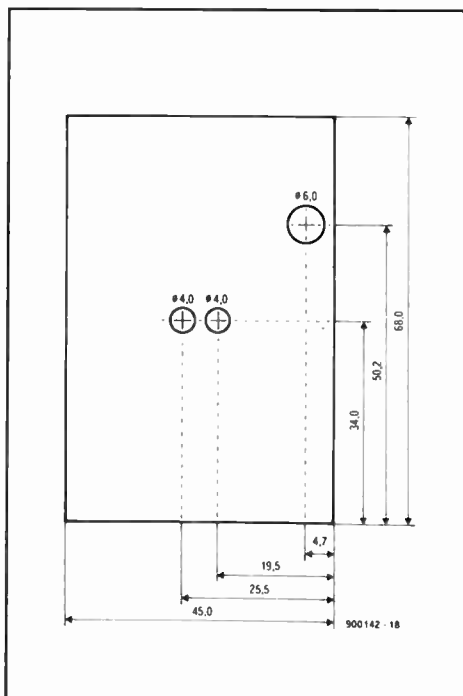


Fig. 12. Template for the heatsink for the triac.

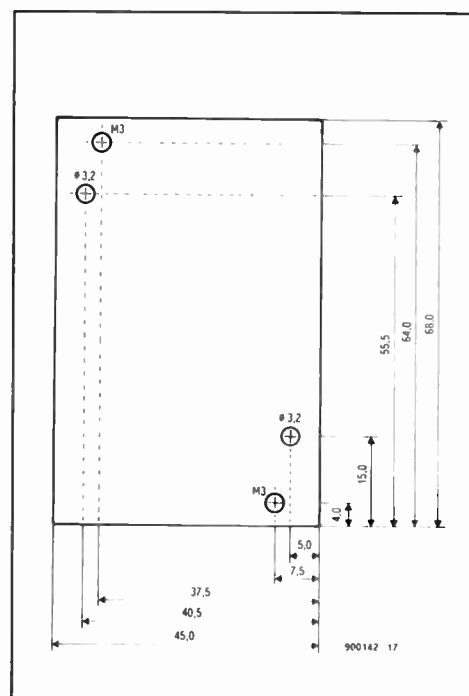
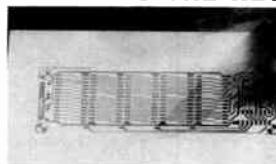


Fig. 13. Template for drilling the top of the receiver enclosure.

## MAKE CIRCUIT BOARDS THE NEW, EASY WAY



### WITH TEC-200 FILM

#### JUST 3 EASY STEPS:

- Copy circuit on TEC-200 film using any plain paper copier or laser printer
- Iron film on to copper clad board
- Peel off film and etch

#### SATISFACTION GUARANTEED

convenient 8½ x 11 size

5-Sheets for \$3.95 10-Sheets only \$5.95  
add \$1.50 postage NY res. add sales tax

#### The MEADOWLAKE Corp.

Dept C, P.O. Box 497, Northport, NY 11768

# AM-FM RECEIVER

The Type TEA5591A IC from Philips contains virtually all the electronics for an AM/FM tuner: all that needs to be added are a few tuned circuits. Moreover, adding a stereo decoder and an output amplifier results in a compact, state-of-the-art radio receiver.

TO KEEP the AM/FM tuner as small as possible, Philips have housed the TEA5591A not in a standard DIL package, but in a so-called shrink-DIP, of which the pins are not on a 0.1 in. but on a 0.07 in. grid. Consequently, the device is no longer than a standard 16 pin DIP circuit, but it is 0.1 in. wider.

## Inside the TEA5591A

From the block diagram in Fig. 1 it is seen that the TEA5591A contains two separate receivers, both superhets. The FM section receives the incoming signal via a wideband antenna circuit and pin 2. From there, the signal is amplified and then applied to a mixer via a parallel-tuned circuit.

In the mixer, the signal is mixed with an oscillator signal, which is also controlled by a parallel-tuned circuit. The oscillator is combined with an automatic frequency control circuit—AFC—which only needs an external

buffer capacitor.

The output of the mixer is applied to an external filter and from there to the first (internal) IF amplifier. From there, it is again filtered externally and then applied to the second IF amplifier.

Finally, the signal is demodulated in an FM discriminator. The resulting audio frequency signal is output via pin 11.

To prevent the AM receiver simultaneously delivering a signal to pin 11, the power supply to the AF stages is taken to earth via pin 14 during the reception of FM signals. Similarly, during AM operation, the supply to the FM IF stages is earthed via pin 5.

Broadly speaking, the AM section is similar to the FM section. There is, however, a difference in the input circuits: instead of a wideband antenna circuit, the AM section has a tuned antenna circuit, the inductor of which is formed by a ferrite antenna.

The amplified RF signal is applied to a

mixer together with the output of an appropriate oscillator.

The mixer is followed by IF filters and an IF amplifier. The output of the IF amplifier controls the automatic gain control—AGC—circuit. The AGC holds the outputs of the IF amplifier and mixer substantially constant in spite of variations in the RF signal.

The output of the IF amplifier is demodulated by a suitable detector and the consequent audio signal is applied to pin 11.

## Circuit description

The diagram in Fig. 2 shows the receiver complete with stereo decoder, IC<sub>2</sub>, and a stereo output amplifier, IC<sub>3</sub>, which can deliver about 2x1 W into 8 Ω.

Inductor L<sub>1</sub> and capacitor C<sub>1</sub> form the wideband input circuit for the FM receiver. The tuned circuit for the RF amplifier is formed by L<sub>7</sub> and one section of a 20 pF tuning ca-

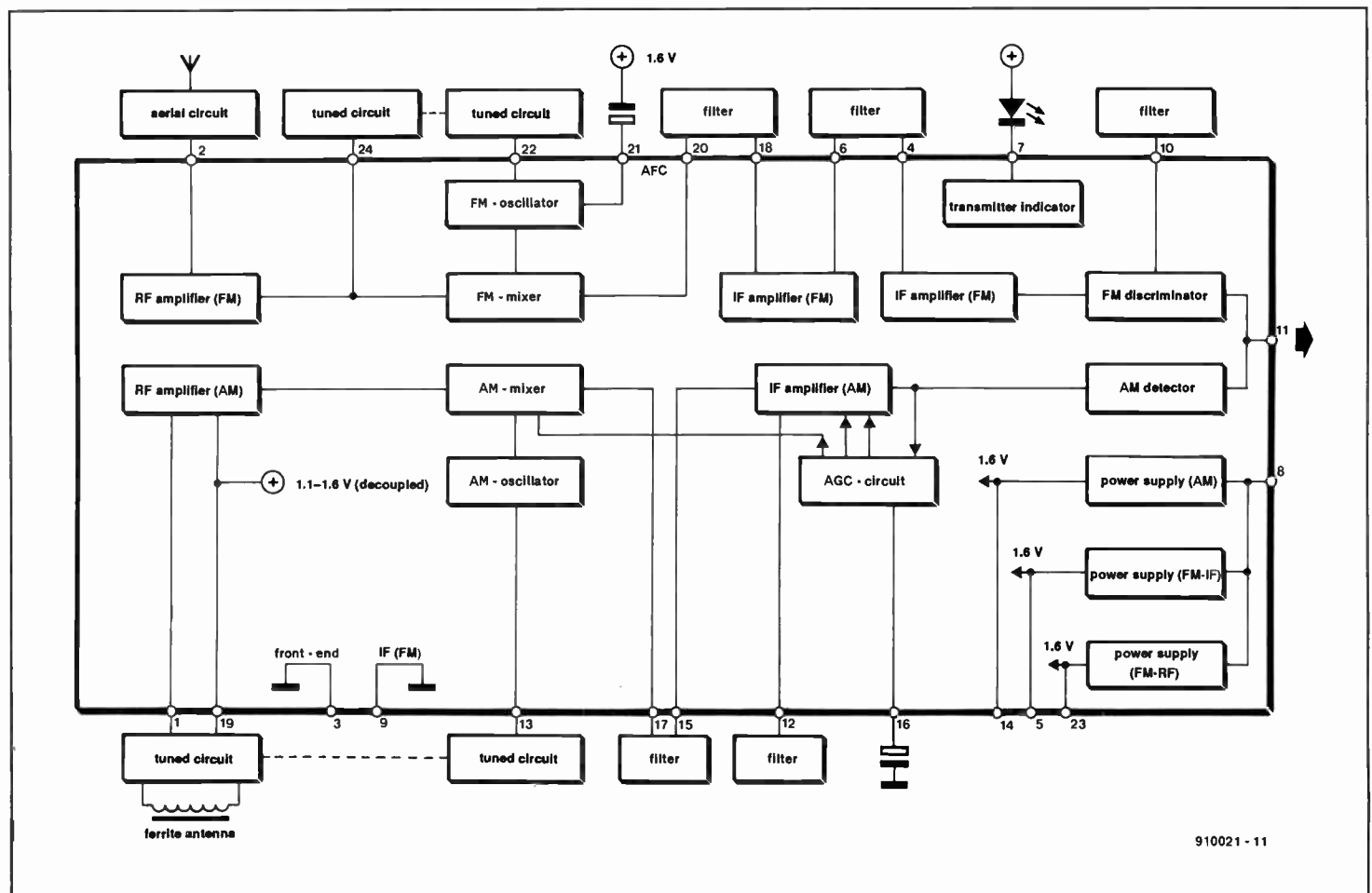


Fig. 1. Block diagram of the Type TEA5591A single-chip AF/AM receiver from Philips.

capacitor.

The oscillator for the FM section is tuned by  $L_6$  and a second section of the tuning capacitor.

The first FM IF filter is formed by  $L_5$  and  $C_{12}$ , while the second FM IF filter,  $K_1$ , is a ceramic type.

A second ceramic filter,  $K_2$ , ensures correct operation of the FM discriminator.

The 50  $\mu$ s time constant for the correct de-emphasis is provided by the internal resistance at the AF output pin 11 (2.4 k $\Omega$ ) and capacitor  $C_5$ .

The antenna tuning for the AM section is carried out by  $L_8$  and the 140 pF section of the tuning capacitor, while the oscillator is tuned by  $L_4$  and the 82 pF section of the tuning capacitor. Since the AM sections and the FM sections of the tuning capacitor are electrically interlinked,  $L_4$  and  $L_8$  form a transformer. In that way, the AM section remains electronically separated from the FM section.

The AM section contains two IF filters formed by  $L_2$ - $C_{11}$  and  $L_3$ - $C_6$  respectively.

Switch  $S_1$  selects either AM or FM. When it is in the FM position, the power supply to the AM section is earthed, whereas when AM operation is selected, most of the FM section is without power.

The AF signal at pin 11 of  $IC_1$  is applied to stereo decoder  $IC_2$ , a Type TDA7040T (Ref. 1). This chip occupies only 0.25 cm<sup>2</sup> of space. It may be switched to mono operation by connecting pin 7 to the positive supply line via a 4.7 k $\Omega$  resistor. The same pin may be used

### SOME TECHNICAL DATA

Frequency range	AM: 520–1600 kHz FM: 88.5–107 MHz
Sensitivity	AM: <5 $\mu$ V FM: <2 $\mu$ V
I.F.	AM: 468 kHz FM: 10.7 MHz
Power output	2 $\times$ 1 W into 8 $\Omega$
Harmonic distortion	<2.5%
Supply voltage	3–6 V
Quiescent current	$\approx$ 30 mA
Loudspeaker outputs are protected unconditionally against short circuits	
Output amplifier stages switch without any audible clicks	

to drive a stereo indicator via a transistor stage (mono is logic high; stereo is logic low).

The output of the decoder is taken to the output amplifier,  $IC_3$ , a Type TDA7053, via a stereo potentiometer, which is combined with on/off switch  $S_2$ .

Each of the two short-circuit-proof bridge amplifiers in  $IC_3$  delivers about 1 W into an 8  $\Omega$  loudspeaker. The advantage of bridge amplifiers is that they deliver more power for a relatively low supply voltage (minimum 3 V) than most other types of amplifier.

If modern, lightweight headphones are to be used, these can only be driven by one half of each of the bridge amplifiers (since they have only three instead of four connections).

They are connected to the amplifiers via 100  $\mu$ F electrolytic capacitors. Their common connection is taken to earth. The capacitors are necessary because the outputs of the amplifiers have a d.c. component of some 2 V.

In spite of the excellent properties of the tuner, it is not advisable to connect it other than via a 19 kHz band-stop filter to a hi-fi installation, because the output signal (during FM reception) contains a strong 19 kHz pilot tone. When the loudspeakers are connected to the TDA7053, this tone does no harm, but if it were amplified in a hi-fi installation, the tweeters might not be able to cope with the level.

If it is intended to use the TDA7053 regularly at full volume, bear in mind that the peak current is 1 A. This requires a medium-duty power supply instead of a simple set of batteries. In portable use batteries are, of course, the only possible supply. If only headphones are used, the batteries will give a long life, since the quiescent current is only 30 mA.

### Construction

The receiver is best constructed on an experimental printed-circuit board as shown in Fig. 3. Note that this board is not available ready made. When preparing the board, a number of points need to be borne in mind: for instance,  $L_4$  must be placed very close to the tuning capacitor. Furthermore, near pin 3 of  $IC_1$  a common earthing point must be provided for all h.f. returns. Similar multi-connection points must be provided near the neg-

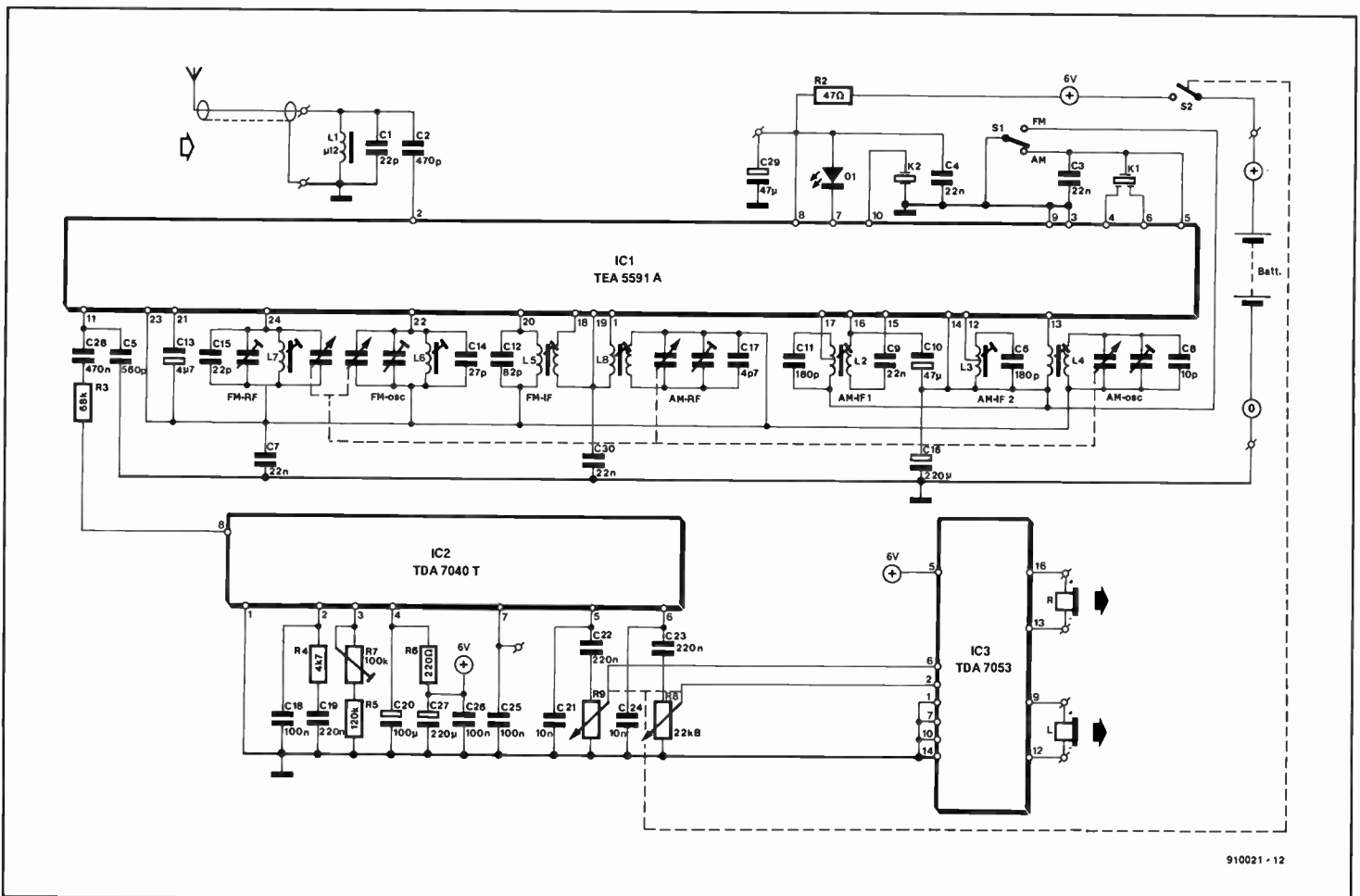


Fig. 2. Circuit diagram of the (portable) AM/FM receiver based on the TEA5591A.

active supply input terminal (circuit earth) and near pin 14 of IC<sub>1</sub> (power supply to AM section).

The tracks to pins 22 and 24 must be narrow to keep parasitic capacitances low. The track to pin 24 must be very short.

To avoid feedback problems, the ferrite antenna must be as far away from the AF output (pin 11) as possible.

Inductors L<sub>5</sub>, L<sub>6</sub>, and L<sub>7</sub> are commercially available Toko types (although your dealer almost certainly will not have them in stock, but he can order them); all others must be made individually. The coil formers specified are all Toko types.

## Alignment

1. Set all trimmers to their mid position.
2. Couple an RF signal generator, set to AM and tuned to 468 kHz, to the ferrite antenna via a few turns of wire around it.
3. Adjust L<sub>2</sub> and L<sub>3</sub> for maximum AF output at pin 11 of IC<sub>1</sub>.
4. Detune the signal generator to check the symmetry of the IF filters; adjust the filter(s) if necessary.
5. Tune the signal generator to 520 kHz and set the tuning capacitor to maximum capacitance.
6. Adjust L<sub>4</sub> for maximum AF output.
7. Tune the signal generator to 1600 kHz and set the tuning capacitor to minimum ca-

pacitance.

8. Adjust the trimmer of the oscillator circuit for maximum AF output.
9. Repeat steps 5, 6, 7, and 8, in that order, a number of times until no more adjustments of L<sub>4</sub> and trimmer are necessary.
10. Tune the signal generator to 600 kHz and set the tuning capacitor to maximum capacitance.
11. Adjust L<sub>5</sub> (by shifting the coil on the ferrite rod) for maximum AF output.
12. Tune the signal generator to 1500 kHz and set the tuning capacitor to minimum capacitance.
13. Adjust the trimmer of the AM RF circuit for maximum AF output.
14. Repeat steps 10, 11, 12, and 13, in that order, until no more adjustments of L<sub>8</sub> and the trimmer are necessary.

Note that tuning the antenna circuit below the two extreme frequencies ensures optimum synchronization of that circuit and the oscillator circuit.

15. Loosely couple the signal generator to the FM antenna circuit.
16. Set the signal generator to FM and tune it to 10.7 MHz.
17. Adjust L<sub>5</sub> for minimum distortion on the AF output signal (either on a scope or by listening to it).
18. Tune the signal generator to 87.5 MHz and set the tuning capacitor to maximum capacitance.

19. Adjust L<sub>6</sub> for minimum distortion of the AF output signal.
20. Tune the signal generator to 108 MHz and set the tuning capacitor to minimum capacitance.
21. Adjust the trimmer of the oscillator circuit for minimum distortion of the AF output.
22. Repeat steps 19, 20, 21, and 22, in that order, until no further adjustments of coil and trimmer are necessary.
23. Set the signal generator to 88.5 MHz and set the tuning capacitor to maximum capacitance.
24. Adjust L<sub>7</sub> for minimum distortion of the AF output.
25. Tune the signal generator to 107 MHz and set the tuning capacitor to minimum capacitance.
26. Adjust the trimmer in the FM RF circuit for minimum distortion of the AF output signal.
27. Repeat steps 23, 24, 25, and 26, in that order, until no further adjustments of L<sub>7</sub> and the trimmer are necessary.
28. Connect pin 8 of IC<sub>2</sub> to earth.
29. Connect a 5.6 kΩ resistor between pin 7 of IC<sub>2</sub> and the positive supply line.
30. Connect a frequency counter between pin 7 of IC<sub>2</sub> and earth.
31. Adjust R<sub>7</sub> for a reading of 19 kHz on the counter.

Reference: "SMA FM stereo receiver", *Elektor Electronics*, September 1987, p. 51.

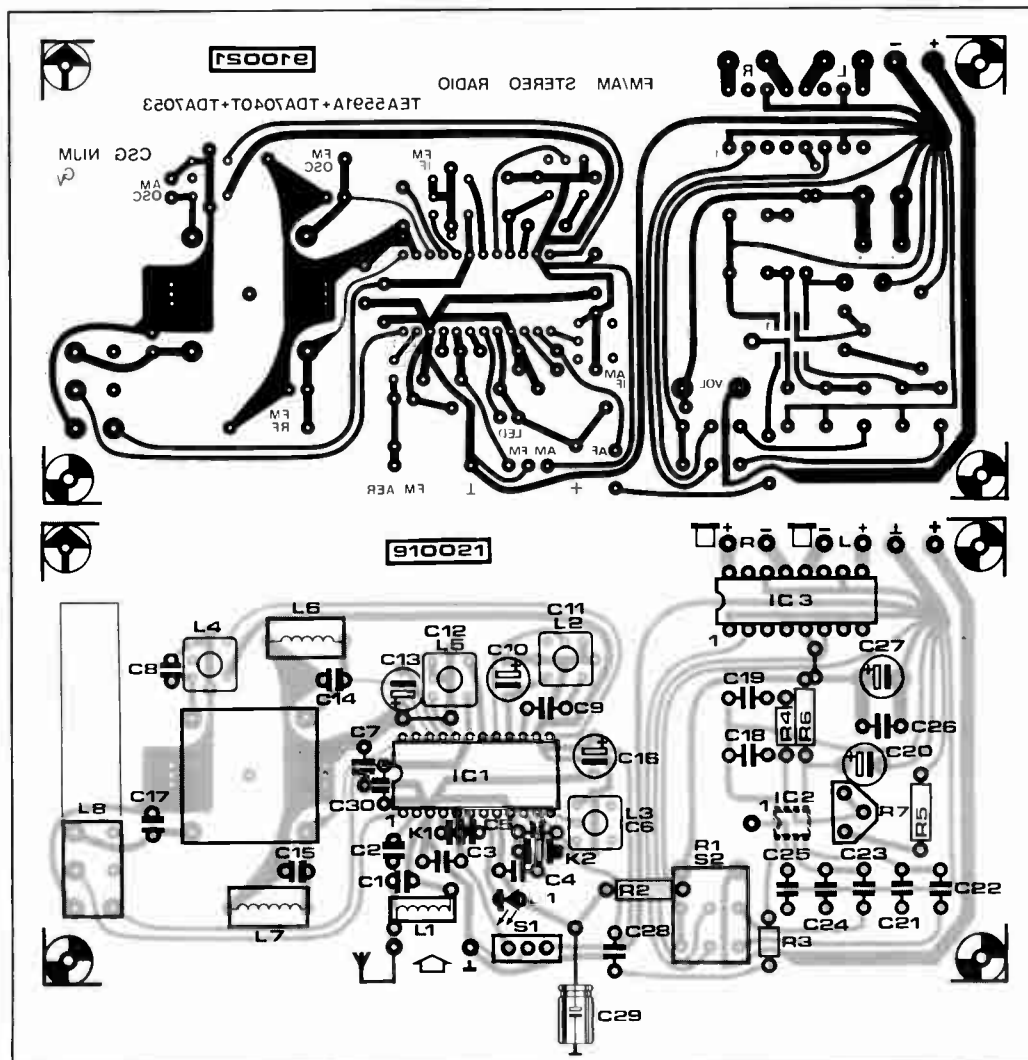


Fig. 3. Experimental printed-circuit board for the AM/FM receiver. Track layout is mirror image.

## INDUCTOR DATA

L<sub>1</sub> = air-cored, 12 μH, inside diameter 4.5 mm; 4.5 turns of 0.8 mm dia. e.c.w.

L<sub>2</sub> = 665 μH; former 7MCS; n<sub>1-2</sub> = 14 turns, n<sub>2-3</sub> = 132 turns, n<sub>4-6</sub> = 7 turns 0.07 mm dia. e.c.w.

L<sub>3</sub> = 665 μH; former 7MCS; n<sub>1-2</sub> = 33 turns, n<sub>2-3</sub> = 133 turns, 0.07 mm dia. e.c.w.

L<sub>4</sub> = 270 μH; former 7BRS; n<sub>1-3</sub> = 86 turns, n<sub>4-6</sub> = 4 turns, 0.07 mm dia. e.c.w.

L<sub>5</sub> = 119ACS/30120N

L<sub>6</sub> = 301SN0100

L<sub>7</sub> = 301SN0200

L<sub>8</sub> = ferrite rod 10×60 mm; 625 μH; n<sub>1-2</sub> = 105 turns, n<sub>3-4</sub> = 10 turns, 0.1 mm e.c.w.; wind coils on 10 mm outside diameter paper tube.

e.c.w. = enamelled copper wire

The tuning capacitor has AM sections of 140 and 82 pF, and FM sections of 2×20 pF; each section is shunted by a 5–10 pF trimmer (e.g., Toko FE22124)

### ARRAY SIGNAL PROCESSING

By S.U. Pillal

ISBN 0-387-96951-9

221 pages—illustrated

Price \$49.50 (hardcover)

This monograph provides an introduction to array signal processing with the aim of using available multiple sensor information in an efficient manner to detect and estimate signals and related parameters. The advantages of using an array of sensors in place of a single receiver extend the applicability of array processing into many fields, including radar, sonar, communications, astronomy, seismology, and ultrasonics.

The book emphasizes detection and estimation problems from the perspective of signal processing. Key features include recent advances in high-resolution signal parameter estimation and a comprehensive asymptotic analysis of eigenstructure-based techniques for direction finding. This book includes end-of-chapter problems and can be used as a graduate textbook and as a reference book for engineers and researchers. The systematic development of the major ideas enables readers to comprehend recent advances in the field quickly.

Springer-Verlag

175 Fifth Ave.

New York, NY 10010

## NEW BOOKS

### MANAGING CREATIVITY IN SCIENCE AND HI-TECH

By Ronald Kay

ISBN 0-387-51375-2

221 pages

Price \$29.95 (hardcover)

This is one of the books you cannot put down once you have started to look in it. It is a book I wish had been available many years ago when, as a young, newly appointed scientific manager, I was struggling with a mass of new ideas, rules, procedures, and so on: it would have saved me (and, no doubt, some of those I was managing) a great many headaches.

Since those days, not much has changed in scientific and technological management: when elevated to "management," scientists and engineers continue to be faced with having to develop a split personality. On the one hand, they are drawn into one direction by their training geared toward fostering their creativity and on the other into a "red tape area" by their need to manage.

Ronald Kay is well aware of these problems: he started his career as a research physicist and then moved on to management in a number of hi-tech organizations, teaching

about management, information technology, and computing, and then as an independent consultant to the hi-tech industry.

*Managing Creativity in Science and Hi-Tech* bears proof of his vast experience in managing scientific and technological research and development. Many of his ideas will cause not a few eyebrows to be raised: "Employees have a right to know where they stand." "In the world of hi-tech, women are underrepresented." "The need for praise and recognition is never fully satisfied." "Don't compete with the people you manage."

Some other findings in the book might with advantage be adopted by many organizations. "Bureaucracy is the antithesis of creativity. In a hi-tech environment where creativity is to be nurtured, introduction or change of any administrative procedure should be subject to line management concurrence" and "Be adamant in rejection of procedures that are defended purely on the basis of their long-lived existence. Creativity can only flourish in an environment that allows for change."

The book is an absolute must for all engaged in the hi-tech industry, university, and government laboratories, and engineers and scientists in, or moving to, administrative positions.

Springer-Verlag

175 Fifth Ave.

New York, NY 10010

## MARK V ELECTRONICS, INC.

**Competitive Pricing \* Fast Shipping Since 1985**

**ORDER IN CALIFORNIA 800-521-MARK  
ORDER OUTSIDE CA 800-423-FIVE  
FREE CATALOG & INFORMATION (213) 888-8988  
FAX (213) 888-6868**

▲ indicates the level of difficulty in the assembling of our Products. ▲ Beginner ▲▲ Intermediate ▲▲▲ Advanced ★ Fully Assembled

<b>Special Offer</b>	<b>Amplifier</b>	TA-3600	TA-477	TA-802	TA-1000A	TA-1500	
	<b>Metal Cabinet</b>	LG-1925	LG-1925	LG-1924	LG-1924	LG-1925	
	<b>Transformer</b>	#007	#003	#001	#001	#001	
	<b>Kit Set Assmb. Set</b>	\$155.61 \$179.36	\$125.21 \$141.36	\$100.45 \$113.54	\$113.52 \$133.36	\$130.00 \$150.00	

\* Due to this special offer & low price, we can only exchange or repair any of these units (TA-3600, TA-477, TA-802 & TA-1000A) within 15 days of your receipt.  
\* The above prices are for the complete sets. For separate unit price, please see below.

AMPLIFIERS		KIT ASSEMB.	
MODEL	DESCRIPTION		
TA-28MK2	Digital Voice Memo ▲▲	\$30.00	
TA-50A/B	Multi-Purpose Melody Generator ▲	12.84	17.20
TA-50C	Multi-Purpose Melody (Happy Birthday Wedding March etc.) Generator ▲	13.65	18.71
TA-120MK2	35W Class 'A' Main Power Mono Amp ▲▲	31.50	42.80
TA-300	30W Multi-Purpose Single Channel Amp ▲	20.00	29.00
SM-302	60W + 60W Stereo Power Amplifier (with Mic input)▲▲	67.00	78.00
TA-323A	30W X 2 Stereo Pre-main Amp ▲	31.50	42.80
TA-377A	State of the Art Fully Complementary Symmetrical FET Pre-Amp ▲▲▲	59.95	75.00
TA-400	40W Solid State Mono Amp ▲	28.00	34.93
TA-477	120W Mostel Power Mono Amp ▲▲	68.00	85.00
TA-800MK2	120W + 120W Low Trim Pre-Main Stereo Power Amp ▲▲	63.92	
TA-802	80W + 80W Pure DC Stereo Main Power Amp ▲▲	45.94	59.72
TA-1000A	100W Dynamic Class 'A' Main Power Mono Amp ▲▲	59.69	80.58
TA-1500	100W X 2 Class 'A' DC Stereo Pre-Main Amp ▲▲▲	73.70	95.81
TA-2200	DC Fet Super Class 'A' DC Pre-Amp ▲▲▲	47.70	58.24
TA-2400A	Electronic Echo & Reverberation Amp ★		96.00
TA-2500	HQ Pre-Amp w/10 band graphic equalizer ★		68.80
TA-2800	BI-FET IC Pre-Amp w/3 way tone control ▲▲	48.90	63.57
TA-3000	Stereo Simulator (For Mono TV or Any Mono Source) ▲▲	27.00	38.50
TA-3600	300W Hi-Fi Power Mono Amp ▲▲▲	85.00	110.00
SM-222	7 Band HI-FI Graphic Equalizer ▲▲▲	26.80	38.80
SM-328	4 Channel Professional Color Light Controller★		145.00
SM-333	Audio/Video Surround Sound Processor ▲▲▲★	65.00	75.00
SM-666	Dynamic Noise Reduction ▲	26.00	34.00
SM-888	Universal Audio/Video KARAOKE Mixer Pre-Amp ★		225.00

MISCELLANEOUS		KIT ASSEMB.	
MODEL	DESCRIPTION		
TY-23B	3 Channel Color Light Controller ★	\$	\$65.00
TY-25	Stereo Loudspeaker Protector ▲	14.85	20.85
TY-35	FM Wireless Microphone ▲	11.25	
TY-36	AC/DC Quartz Digital Clock ▲	19.00	26.20
TY-38	Sound / Touch Control Switch ▲	12.00	
TY-41MK V	Infrared Remote Control Unit (w/Case) ▲▲▲	22.00	35.00
TY-42	Bar / Dot Level Meter ▲	24.15	33.81
TY-43	3 1/2" Digital Panel Meter ▲	29.00	38.00
TY-45	20 Steps Bar / Dot Audio Level Display ▲▲	38.45	46.14
TY-47	Superior Electronic Roulette ▲▲	19.46	27.24
10.000u/f	80 V Capacitor (Suggested for TA-3600, TA-477, TA-1000A & TA-802)		23.00

REGULATORS		KIT ASSEMB.	
TR-355A	0-15V 5A Regulated DC Power Supply (no case & x'former) ▲	\$15.65	\$21.76
TR-355B	0-30V 3A Regulated DC Power Supply (no case & x'former) ▲	15.65	21.76
TR-503	0-50V 3A Regulated DC Power Supply (no case & x'former) ▲▲	16.75	23.65

METAL CABINETS WITH ALUMINUM PANEL			
MODEL	H" x W" x D"	MATCHING	PRICE
LG-1273	3" 12" 7"	TA-2800 TA-377A TA-2200	\$22.85
LG-1684	4" 16" 8"	TA-323A TA-377A TA-2200	27.50
LG-1924	4" 19" 11"	TA-802 TA-1500,TA120MK 2 TA-800 MK2 TA-1000A	32.80
LG-1925	5" 19" 11 1/2"	TA-477 TA-800, MK2, TA-1500, TA-1000A TA-3600	35.80
LG-1983	2 1/2" 19" 8"	TA-377A, TA-2800, TA-2200, TA-120MK 2	29.25

POWER TRANSFORMERS			
MODEL	DESCRIPTION	MATCHING	PRICE
001	28V x 2.6A to 30V x 2.6A	TA-800 MK2, TA-802, TA-820A, TA-1000A, TA-1500	\$27.00
002	36V x 2.3A	TR-503, TA-323A, TA-400, TA-300, TA-377A	22.00
003	40V x 2.6A	TA-477	28.00
004	74V x 2.6A	TA-120 MK 2	22.00
005	26V x 2.3A	TR-355B	16.00
006	18V x 2.5A	TR-355A	15.50
007	52V x 2.8A	TA-3600	43.00

Business & Showroom hours: (Pacific Time)  
Mon. thru Fri. 9:30 am to 5:00 pm  
Sat. 10:00 am to 5:00 pm

**MARK V ELECTRONICS, INC. - 8019 E. Slauson Ave. Montebello, CA 90640**

ELEKTOR ELECTRONICS USA APRIL 1991

WorldRadioHistory

**READERS SERVICES**

All orders, except for subscriptions, should be sent to Old Colony Sound Lab: by mail to PO Box 243, Peterborough NH 03458-0243; Visa/MasterCard charge orders by FAX to (603) 924-9467 (24 hours) or by voice 8-4 weekdays to (603) 924-6526 or 6371. Please use the form opposite for all orders. All prices are postpaid to customers in the fifty states except for books. **Please add \$2.00 for the first book and 75¢ for each additional book ordered. Canadians, please add \$4.50 US for the first book, and 75¢ for each additional one. Outside North America, please add 20%.** Canadians may expect Canadian duty charges on shipments of any items except books and subscriptions.

**SUBSCRIPTIONS**

Subscriptions can be provided anywhere in the United States and its territories as well as Canada by sending mail subscriptions to *Elektronik USA*, PO Box 876, Peterborough NH 03458-0876. Visa/MasterCard orders may be telephoned directly to (603) 924-9464 between 8 and 4 on business days and to our machine recorders at other hours and on weekends. Orders may be FAXed at any time to (603) 924-9467. Subscription rates: \$28 per year (11 issues); \$50, 2 years (2-year rate not available in Canada). Student Rate to full-time, registered students, \$15 per year (photocopy of student ID required).

**LETTERS**

Letters commenting on articles appearing in *Elektronik USA* or concerning a matter of general interest in any field of electronics should be addressed to the Editor. Publication is at the discretion of the Editor and all letters will be subject to prior editing and/or shortening for publication.

**PAST ISSUES**

Previous issues of editions published elsewhere are not available from Old Colony. Back issues of the British *Elektronik* from July/August 1987 onward are available from Worldwide Subscription Service Ltd., Unit 4, Gibbs Reed Farm, Pashley Road, Ticehurst TN5 7HE, England, United Kingdom. Single copies are \$4.50 surface mail, \$6.00 airmail.

**PAST ARTICLES**

Copies of articles from the British *Elektronik* January 1979 onward are available from Old Colony Sound Lab for \$5 each (multi-part articles: \$6 in Canada. Indexes are available. \$5 per issue, stamped (50¢), self-addressed business envelope to Old Colony, at the address for **EACH YEAR** desired. A complete set of indexes for 1979-90 is available for \$7.50. Also available postpaid: Digital model train (13 parts).....\$15.00

**TECHNICAL QUERIES**

Although we are always prepared to assist readers in solving difficulties they may experience with projects that have appeared in *Elektronik USA*, we regret that these cannot, under any circumstances, be dealt with by telephone or FAX.

**COMPONENTS**

Components for projects appearing in *Elektronik USA* are usually available from appropriate advertisers in this magazine. If you have difficulty finding parts, please send a self-addressed postcard listing the parts you desire and we will attempt to locate a source. If difficulties in the supply of components are envisaged, a source will normally be advised in the article.

**BOOKS**

The following *Elektronik* books are currently available from Old Colony Sound:  
301 Circuits .....\$12.50  
302 Circuits .....\$12.50  
303 Circuits .....\$15.95  
Data Sheet Book 2 .....\$16.50  
Databook 3 .....\$17.95  
Microprocessor Data Book .....\$17.90

**SHELF BOXES**

Blue heavy-duty *Elektronik* vinyl shelf box (holds 6 issues).....\$6.00

**FRONT PANEL FOILS**

PROJECT	No.	Price \$	Issue
Video mixer	87304-F	3.00	1-4/90
The complete preamplifier	890169-F	15.00	3/91
All solid-state preamplifier	890170-F1	33.50	12/89
LF/HF signal tracer	890170-F2	18.50	1/90
Q meter	890183-F	18.50	12/89
Q meter	900031-F	23.00	4/90

**OLD COLONY SOUND LAB**  
PO BOX 243  
PETERBOROUGH, NH 03458

**ORDER FORM**

**TELEPHONE CHARGE ORDERS**  
(603) 924-6371, 924-4620  
Answering machine before 8 a.m.,  
FAX: (603) 924-6467, 24 hours

CUSTOMER ADDRESS

NAME \_\_\_\_\_  
STREET & NO. \_\_\_\_\_  
CITY \_\_\_\_\_ STATE \_\_\_\_\_ ZIP \_\_\_\_\_  
MAGIC NUMBER (FROM SUBSCRIPTION LABEL) \_\_\_\_\_

SHIPPING ADDRESS IF DIFFERENT

NAME \_\_\_\_\_  
COMPANY \_\_\_\_\_  
STREET & NO. \_\_\_\_\_  
CITY \_\_\_\_\_ STATE \_\_\_\_\_ ZIP \_\_\_\_\_

PAYMENT METHOD FOR CHARGE CARD ORDERS UNDER \$10, PLEASE ADD \$2.

CHECK  MONEY ORDER  MASTERCARD  VISA

CARD NUMBER \_\_\_\_\_ EXPIRES \_\_\_\_\_ / \_\_\_\_\_

AUTHORIZED SIGNATURE \_\_\_\_\_ DAYTIME PHONE \_\_\_\_\_

Qty.	Part Number and Description	Price	Total

**CALL OR WRITE FOR YOUR FREE OLD COLONY CATALOG!**

Please supply the following: For PCBs, front panel foils, EPROMs, and cassettes, state the part number and description; for books, state the full title; for photocopies of articles, state full name of the article and month and year of publication. Please use block capitals.

SUBTOTAL  
SHIPPING  
TOTAL

Budget sweep/ function generator	900040-F	20.00	5/90
High current hFE tester	900078-F	28.00	2/91
400W lab power supply	900082-F	35.00	10-11/90
Milliohmimeter	910004-F	28.00	12/90
Wattmeter	910011-F	16.50	4/91

**EPROMS/PALS/MICROCONTROLLERS**

PROJECT	No.	Price \$	Issue
Intelligent time standard (1 x 2764)	553	20.00	2/88
I/O extension for IBM (1 x PAL 16L8)	561	17.50	6-7/88
Centronics interface for slide fader (1 x PAL 16R4)	562	17.50	10/88
µP-controlled radio synthesizer (1 x 27C64)	564	20.00	7-9/89
Portable MIDI keyboard (1 x 2764)	567	20.00	11/88
Pitch control for CD players (1 x 2764)	568	20.00	12/88
MIDI control unit (1 x 27C64)	570	20.00	6-7/90
Digital model train (1 x 2764)	572	33.50	2-5,7/89-4/90
Darkroom clock (1 x 27128)	583	18.50	2/90
Slave indication unit for I.T.S. (1 x 8748H)	700	30.00	3/88
EPROM emulator (1 x 8748H)	701	30.00	12/89
Microcontroller-driven powersupply (1 x 8751)	702	95.00	5,6,9/88
Autonomous I/O controller (1 x 8751)	704	95.00	12/88

Video mixer (1 x 2764)	5861	20.00	1-4/90
Four-sensor sunshine recorder (1 x 27128)	5921	20.00	6/90
µP-controlled telephone exchange (1 x 27128)	5941	26.00	10/90
MIDI program changer (1 x 2764)	5961	26.00	4/91
MIDI-to-CV interface	5981	26.00	2/91
8751 programmer (1 x 8751)	7061	70.50	11/90

**DISKETTES**

PROJECT	No.	Price \$	Issue
Digital model train	109	11.50	2-5,7/89-4/90
Logic analyzer for Atari ST (b/w only)	111	20.00	10/89
Computer-controlled Teletext decoder	113	20.00	10/89
Plotter driver	117	11.50	5-6/88
FAX interface, IBM PCs	119	14.00	6/90
RAM extension for BBC-B	123	10.00	7/89
EPROM simulator	129	11.50	12/89
RS-232 splitter	1411	11.50	4/90
Centronics ADC/DAC	1421	11.50	5/90
Transistor characteristic plotting (Atari ST b/w)	1431	13.00	5/90
ROM-copy for BASIC	1441	13.00	9/90
Multifunction measurement card for PCs	1461	13.00	2/91
8751 programmer	1471	13.00	11/90
PT100 thermomometer	1481	13.00	11/90
PC-controlled weather station (1)	1551	13.00	3/91
I/O interface for Atari	1571	13.00	4/91
Tek/Intel file converter	1581	13.00	4/91

**PRINTED CIRCUIT BOARDS**

PROJECT	No.	Price \$
<b>DECEMBER 1990</b>		
Active mini subwoofer	900122-2	10.50
Milliohmimeter	910004	10.00
Phase check for audio systems	900114-1/2	16.00
Signal suppressor for all solid-state preamp	904024	7.50
Audio input selector	904039	12.50
Search time monitor	904052	8.00
<b>JANUARY 1991</b>		
Logic analyzer (1) bus board	900094-4	18.00
SWR meter	900013	6.00
<b>FEBRUARY 1991</b>		
Logic analyzer (2)	900094-2	31.50
RAM board	900094-3	8.50
probe board	900124-1	48.00
Multifunction measurement card for PCs	900078	11.00
High current hFE tester	900078	11.00
<b>MARCH 1991</b>		
The complete preamplifier input board	890169-1	44.40
main board	890169-2	67.00
Electronic exposure timer	900041	18.50
PC-controlled weather station (1)	900124-3	7.50
2m band converter	900006-1	8.50
<b>APRIL 1991</b>		
Logic analyser (3) control board	900094-5	31.50
MIDI program changer	900138	11.50
8-bit I/O for Atari	910005	21.00
6m band transverter	910010	19.50
Wattmeter	910011-1	11.00
meter board	910011-2	7.00
display board	910016	18.00
MC preamplifier	910016	18.00
Dimmer for halogen lights	910032-1	7.00
transmitter	910032-2	7.50
receiver	910032-2	7.50

**SUPER "SAVE YOUR INVOICE" SALE—SEE PAGE 70!**

# TERMS OF BUSINESS

## PRICING

Prices, except as noted, include shipping in the continental USA. The minimum order is \$10. A \$2 service charge will be added to orders of less than \$10. Prices are subject to change as our costs change. **WE RESERVE THE RIGHT TO MAKE PRICE CHANGES WITHOUT NOTICE.**

## ORDERING

Please use the ORDER FORM provided and include part number, quantity and price. Please print clearly and include your Magic Number if you are a subscriber. Please include a ZIP code in your address. The ORDER FORM is designed to help us quickly and accurately process your order. We reserve the right to refuse mail orders not made using the ORDER FORM or orders under the \$10 minimum.

## TELEPHONE ORDERS

Telephone orders are welcome between the hours of 9:00 a.m. and 4:00 p.m. EST, Monday-Friday. Orders for parts are to be made on the ORDER FORM provided. Payment for telephone orders is by MC/VISA only. Our TELEPHONE ORDER NUMBER IS (603) 924-6371 or 924-6526. Our answering machine for MC/VISA orders during non-business hours is (603) 924-6371. FAX: (603) 924-9467 (24 hours).

## PAYMENT

All remittances **MUST BE IN US FUNDS DRAWN ON A US BANK.** Payment for telephone orders must be made by MasterCard or VISA. Mail order payment may be made by MC/VISA, money order, cashier's check or personal check. If payment is made by personal check, allow up to 2 weeks for clearance before order is shipped. Should check be returned for any reason, there will be a \$10 charge.

## SHIPPING

Unless noted, freight is prepaid by Old Colony. All orders shipped USPS first class mail or by UPS. Allow two to three weeks for delivery. Please inquire about appropriate funds for special handling (UPS

next day or second day). UPS requires a street address. If you cannot receive UPS delivery, please include an extra \$2 for insured service via Parcel Post. We cannot accept responsibility for safety or delivery of uninsured Parcel Post shipments. **Absolutely no COD shipments.**

## BOOKS, RECORDINGS, CDs, and SOFTWARE

The shipping/handling charge for the US is \$2.00, plus 75¢ each additional item. In Canada, please add \$4.50 for the first item, 75¢ each additional. **No returns.** According to the Connecticut Dept. of Revenue Services, Regulation #27, Section 12-426-27, in order to sell software to residents of Connecticut, we must register with the department as well as collect taxes for the state from the purchaser. We regret to inform our customers that we will not sell software to anyone from Connecticut, as it will prove to be too costly and burdensome.

## OVERSEAS ORDERS

For orders to be shipped outside North America, add 20% to the total order to cover shipping.

## RETURNS

If you wish to return all or part of an order for any reason, please call or write first. If we are in error, correction will be made promptly, without charge.

If the error is not ours, adjustment will be made at our discretion. We will send you a **return authorization label.** A restocking fee of 20% will be charged on returns. Merchandise considered not fit for resale will be returned without credit or refund. A \$2 fee will be charged on exchanges. All returns must be made within **30 days of invoice date.** Books, software, CDs, and recordings are not eligible for return or refund.

## WARRANTY

We warrant that all items sold conform to the quality and specifications set forth. We make no representations. We accept no responsibility whatever for further use by the customer. We accept no monetary

liability in excess of the original cost or replacement of the material if originally defective or damaged in transit.

## PATENTS

Patent protection may exist in respect of circuits, devices, components, and so on described in our books or magazines. *Elektor Electronics USA* does not accept responsibility or liability for failing to identify such patent or other protection.

## COPYRIGHT

All drawings, photographs, articles, printed circuit boards, EPROMs, software, and cassettes published in our books or magazines (other than in third-party advertisements) are copyright and may not be reproduced or transmitted in any form or by any means, including photocopying and recording, in whole or in part, without the prior permission of *Elektor Electronics USA* in writing. Such written permission must also be obtained before any part of these publications is stored in a retrieval system of any nature.

Notwithstanding the above, printed circuit boards may be produced for private and personal use without prior permission.

## LIMITATION OF LIABILITY

*Elektor Electronics USA* shall not be liable in contract, tort, or otherwise, for any loss or damage suffered by the purchaser whatsoever or howsoever arising out of, or in connection with, the supply of goods or services by *Elektor Electronics USA* other than to supply goods as described, or at the option of *Elektor Electronics USA*, to refund the purchaser any money paid in respect of the goods.

## LAW

Any question relating to the supply of goods and services by *Elektor Electronics USA* or its subsidiaries shall be determined in all respects by the laws of the United States of America and/or the State of New Hampshire. ■

# BOOKS FROM ELEKTOR ELECTRONICS USA

## 301 CIRCUITS

This book follows the theme of the first in this series, *300 Circuits* (now out of print). It contains over 300 assorted circuits first published in the 1979, 1980, 1981 summer issues of *Elektor Electronics*.

The circuits range from the simple to the more complex and are described and explained in straightforward language. The book is a comprehensive source of ideas and construction projects for anyone interested in electronics.

ISBN 0-905705-12-2

BKAA11 Price \$12.50

## 302 CIRCUITS

The popularity of this book is shown by its having been reprinted no fewer than three times. It offers a selection of the most interesting articles from the 1982, 1983, 1984 summer issues of *Elektor Electronics*.

In it you will find circuits for audio and video; car, cycle, and motorcycle; home and garden; receivers and aeriels; hobbies and games; measuring and testing; oscillators and generators; current sources and power supplies; microcomputers and music electronics; and a miscellany of other interesting subjects.

ISBN 0-905705-25-4

BKAA12 Price \$12.50

## 303 CIRCUITS

Like its predecessors, *303 CIRCUITS* offers a comprehensive collection of practical ideas, concepts, and developments in the gamut of electronics. Unlike its predecessors, the book is arranged in 11 subject sections to make it easier for the reader to find that long-sought circuit.

In well over 300 pages, the book offers 32 Audio and Hi-Fi projects; 14 circuits for Car and Bicycles; 43 Computer & Microprocessor circuits; 11 Electroponic projects; 24 HF and VHF circuits; 16 circuits for a number of hobbies and pastimes; 54 projects for Home and Garden; 29 Power Supply circuits; 29 circuits for Test and Measurement equipment; nine TV and Video projects; as well as 42 Design Ideas.

ISBN 0-905705-62-2

BKAA13 Price \$15.90

## DATA SHEET BOOK 2

Like its predecessor (now out of print), this book offers concise, relevant, and rapidly accessible information, which is both practical (e.g., the pin-out of a device) and informative.

The book contains data on integrated circuits as well as on discrete transistors and diodes. Moreover, it gives an introduction to fast (HCMOS) devices and a review of the new symbolic logic as laid down in British Standard BS3939:Section 21 (IEC Standard 617-12).

The final part of the book deals with a number of computer chips, such as memory devices (including programming information for these) and I/O circuits. This section also includes data on a number of non-digital discrete and integrated devices, such as op amps, as well as on some microprocessor peripherals (e.g., the 6522 VIA, the 6580 ACIA, and the 8355A PPI).

ISBN 0-905705-27-0

BKAA14 Price \$16.50

## DATABOOK 3: PERIPHERAL CHIPS

This book lists the most important design data of peripheral chips whose type numbers and functions relate them unambiguously to a microprocessor in the same family. All listed devices form part of families based on widely used microprocessors or microcontrollers. Their most evident application will therefore be in conjunction with the associated microprocessor. This should, however, not be taken to mean that a peripheral cannot be used in another application. Far from it, as witness the familiar type MC146818A real-time clock and the type MC6845 cathode-ray tube controller. It deserves a place on the bookshelf of anyone concerned with the design, maintenance and servicing of microprocessor-controlled electronic equipment.

ISBN 0-905705-30-0

BKAA15 Price \$17.95

## MICROPROCESSOR DATA BOOK

This book has come about because of a need by *Elektor Electronics* engineers, technicians, and editorial staff of a ready reference work on the most important microprocessors. This implies that it does not only contain information on the latest devices, such as the transputer, but also on older, well-established types, such as the Z80 and the 6800.

A general description, hardware block schematic, software structure, DC characteristics, and instruction sets are given for over 70 microprocessors. To prevent the book from becoming unwieldy (and to keep costs down), timing diagrams and AC characteristics have, however, been omitted. The detailed information on all manufacturers mentioned will, however, enable any additional information to be obtained quite readily.

Included in the book are, among others, the 68000 series; the 6502 family; the Z80, 8080, and 8085; Intel's 8086, 80186, 80188, 80286, and 80386; the NS32XXX series, and the INMOS transputers.

ISBN 0-905705-28-9

BKAA16 Price \$17.90

## SPECIALS!

BKAAZ/1 BKAA11, BKAA12, BKAA13: all 3 for \$35 (Save \$5.95!)

BKAAZ/2 BKAA14, BKAA15, BKAA16: all 3 for \$45 (Save \$7.35!)

BKAAZ/S Complete *Elektor* library: all 6 for \$70 (Save \$23.25!)

These books are all available direct from *Elektor Electronics USA* through the Readers Services, from a number of bookshops and electronics retailers in the US and Canada, and from selected bookshops throughout the world. Special prices are those of *EEUSA* only.



# CLASSIFIEDS

## FOR SALE

McIntosh MC2205 Power Amplifier 200W/ch with Cabinet, \$900; NAD 2200PE Power Amp 100W/ch, \$275. Roger Daniels, Rt. 5, Box 612, La Grange, TX 78945, (409) 247-4260 before 9 p.m. CST.

Tandy TL/2, 286 computer, 768 RAM, 40meg hard, 3 1/2" and 5 1/4" floppies, superior color monitor, \$950; Regency #ACT-R-106 scanner, 12/120V, 10 channel, \$15; Single tune, 8 pin DIP music chip data sheets, free for self addressed stamped envelope. Mike, Box 263, Avoca MI 48006, (313) 387-2495 between 10 a.m. and 2 p.m.

## TRADE

**WE SELL MORE HIGH PERFORMANCE SPEAKER KITS** than anyone in the US. Complete line of raw drivers, crossover components, etc. Free catalog. **AUDIO CONCEPTS, INC.** 901 S. 4th St., La Crosse, WI 54601, (800) 346-9183. T7/91

**COPPER CLAD LAMINATE** FR-4 SS, DS 3/64", 1/16", 3/32". Cut to size at no charge. Free information. **DIGI-TEK**, Box 538, Rockwell, IA 50469. T4/91

## CLUBS

**COLORADO AUDIO SOCIETY** is a group of audio enthusiasts dedicated to the pursuit of music and audiophilia in the Rocky Mountain region. We offer a comprehensive annual journal, five bimonthly newsletters, participation in meetings and lectures. For more information, send SASE to: CAS, 4506 Osceola St., CO 80212, or call Art Tedeschi, (303) 477-5223.

**THIS AREA AUDIO SOCIETY** being formed. Audiophiles contact J.J. McBride, 8181 Windy Cove, Memphis, TN 38125, (901) 756-6831.

**ELECTROSTATIC LOUDSPEAKER USERS GROUP** is now a world-wide network for those interested in sharing valuable theory, design, construction, and parts source information. If you are interested in building, or have built, your own SOTA ESL we invite you to join our loose-knit organization. For information, send an SASE to: Barry Waldron, 1847 Country Club Dr., Placerville, CA 95667.

**THE HI-FI CLUB** of Cape Town in South Africa sends a monthly newsletter to its members and world-wide subscribers. To receive an evaluation copy of our current newsletter, write to: PO Box 18262, Wynberg 7824, South Africa. We'll be very pleased to hear from you.

**THE INLAND EMPIRE AUDIO SOCIETY** our former name, has now been changed to the **SOUTHERN CALIFORNIA AUDIO SOCIETY (SCAS)**. Our effort is now inviting music lovers, audiophiles, hobbyists and other interested parties throughout the southland to join us in our pursuit for that elusive sonic perfection and truth at our meetings and seminars and through our official speaker, *The Reference* newsletter. For information write or call: Frank Manrique, President, 1219 Fulbright Ave., Redlands, CA 92373, (714) 793-9209.

**YOUR 50 WORDS  
In our private classifieds  
ARE FREE  
OVER 50: Send money  
(20 cents/word)**

**SOUTHEASTERN MICHIGAN WOOFER AND TWEETER MARCHING SOCIETY (SMWTMS)**. Detroit area audio construction club. Meetings every two months featuring serious lectures, design analyses, digital audio, A/B listening tests, equipment clinics, recording studio visits, and audio fun. The club journal is *LC, The SMWTMS Network*. Corresponding member's subscription available. Call (313) 477-6502 (days) or write David Carlstrom, SMWTMS, PO Box 721464, Berkley, MI 48072-0464.

## INDEX OF ADVERTISERS

All Electronics Corporation	67
Audio Amateur Publications	
<i>Elektr Electronics USA</i>	68
<i>Speaker Builder</i>	70
CIE	9
Kelvin Electronics	CV II
Madisound Speaker Components	67
Mark V Electronics	62
Meadowlake Corp	58
Morel Acoustics	69
Optoelectronics	CV IV
Old Colony Sound Laboratory	
<i>Audio Glossary</i>	10
Books	63, 64
<i>Bullock on Boxes</i>	8
EPROMS	63
Front Panel Foils	63
New Kits	6
<i>Master Handbook of Acoustics</i>	13
Printed Circuit Boards	63
"Save Your Invoice" Sale	70
Software	4
<i>Saga of the Vacuum Tube</i>	13
PC Boards	67
Radio Shack	5
RF Connection	67
Sescom Inc	CV III
Weka	7

## CLASSIFIED ORDER FORM

PLEASE FILL OUT IN CLEAR BLOCK LETTERS OR TYPE. PLEASE SPELL OUT ENTIRE WORD.

1	2	3	4	5	6	7	8	9	10
11	12	13	14	15	16	17	18	19	20
21	22	23	24	25	26	27	28	29	30
31	32	33	34	35	36	37	38	39	40
41	42	43	44	45	46	47	48	49	50

Private For Sale     Private Wanted     Trade    If Trade please indicate # of insertions. \_\_\_\_\_

*Private ads are on a one time insertion basis. Must be resubmitted for renewal. Ads cannot be taken over the phone.*

**Definition of a word:** A series of letters with a space before and after. Please remember to include your name, address and telephone number when making calculations. In order for Private For Sale and Want ads to be **free** you must be a current subscriber. **Ten dollar minimum charge for charge card orders and Trade ads.**

Any words over 50, 20¢ per word; Trade ads please charge at 70¢ per word and indicate number of insertions. Deduct 10% for a 6x contract; deduct 15% for a 11x (year) contract in *Elektr Electronics USA*. Payment **must** accompany first ad.

Please charge to my MasterCard/Visa:

Check/Money Order enclosed

CARD NUMBER \_\_\_\_\_ EXP. DATE \_\_\_\_\_

SIGNATURE \_\_\_\_\_

NAME \_\_\_\_\_

COMPANY \_\_\_\_\_

STREET ADDRESS \_\_\_\_\_

CITY \_\_\_\_\_ STATE \_\_\_\_\_ ZIP \_\_\_\_\_

Mail or FAX (603) 924-9467; *Elektr Electronics USA*, PO Box 876, Peterborough, NH 03458-0876

## FORMULA FOR SUCCESS

I have read the first issue of your new magazine, *Elektor Electronics USA*, from cover to cover and I am impressed.

The following are my thoughts on what such a magazine should contain and how articles should be presented to those inveterate electronics experimenters (your target audience). I hope you will take these comments as a sincere effort to make your new magazine a success.

First of all, most of us are not well-heeled yuppies. We cannot afford \$250 wattmeters, \$2,350 oscilloscopes, or \$495 data acquisition boards. If you must include reviews, stick to unusual and affordable components, tools, and low-cost test equipment. Also, give us the price of items in the reviews. And I don't mean the per-1,000 quantity price. Give us the single unit price and the name and address of a vendor who sells single quantities. This same pricing and availability policy should carry over to construction projects.

An occasional article on the theory and application of new and unusual components or devices would be welcome. Don't forget the prices and where to buy them.

Make certain the schematics are complete and accurate. Also include full-sized printed circuit drawings where applicable and see to it no ink runs between circuit lines.

Concerning schematics, I realize most of the articles are from European sources, but some of their conventions take a little getting used to. For example, a heavy, solid line representing ground is confusing to those accustomed to the ground or earth symbol used in the US. We are also unaccustomed to seeing a resistor as a box with the value of resistance in it. It would be nice if you could Americanize the schematic symbols.

While on the subject of Americanization, I find the use of "n" for nanofarads in the parts list confusing. Although a proper use, it is uncommon in American electronics literature and most of us do not regularly use it. We have to stop and convert 1n into .001 $\mu$ F to make sense of the circuit. It would be helpful if you could convert values to American usage prior to publication.

The mix of topics in the issue is good, although it is on the verge of having too many articles on audio. You will have to be careful to avoid a heavy concentration on this topic. You have other publications that adequately cover it.

Do not overlook articles on computers and related subjects (probably a sore

## READERS' FORUM

point with you). Subjects such as micro-processor-controlled test equipment, sound systems, and receivers would be in order. Peripheral equipment to make computers more versatile and useful would also fit the bill.

When you do publish an article requiring software, also print the program listing. Numerous times, I have threatened to terminate my subscription when a magazine prints, "Software can be downloaded FREE from our bulletin board." The last time I downloaded a program, it cost me \$23.87 in telephone tolls. I will no longer do that. Any magazine offering downloading as the only option to obtain the software for their projects loses me as a subscriber. A distant alternative to printing the necessary program listings with the article would be to offer the program on disk (in the appropriate format) for a nominal fee of \$3 to \$5. Any greater charge is unjustified.

Another pet peeve of mine concerns construction articles using many custom ICs and other specialty parts supplied only by the author. These have turned out to be nothing more than a commercial product available only from the manufacturer in a semi-kit form for a little less than the retail price of the finished product. The most notable periodical using this tactic is *Radio Electronics*.

I can see this type of problem happening with European articles specifying foreign-made component parts. Case in point: the parts list and schematic in "Tuned UHF TV Pre-amplifier" (*EE*, October 1990, p. 45) say T1, a field-effect transistor, is a type CF300 manufactured by Telefunken. I do not know where to find an equivalent part in the US. A sure way to lose readers is not to give them at least a cross-reference to a part number commonly available in the US. A better fix would be to list the American parts and not even mention the European ones.

I do not mean for you to list the US distributors, wholesalers, or jobbers. Most, if not all, require large dollar amounts per item with a minimum total order amount. We hardware hackers (excuse me, electronics experimenters) simply cannot afford those prices when all we need is one or two parts. The required parts are going to have to be available from places like Jameco, JDR, All Electronics, or Mouser. Or perhaps from a source you have arranged to supply your readers with parts at a reasonable

price. One way to ensure the failure of *Elektor Electronics* is to give your readers new, exciting projects to build and then leave them frustrated because they cannot find the parts at a reasonable price.

I sincerely hope you will take what I have been saying in the light given—a strong desire for your new magazine to succeed.

Henry H. Armstrong  
Garden Valley, CA 95633

## LED SCOPE DISPLAY

Here's an idea for your readers (Fig. 1). Rohm has a 16-by-16 LED display 64mm by 64mm (2½" by 2½") that would make a great LED scope display. You could do it in two parts, the first as an X-Y scope and the second as a 1mc or 5mc scope. The Rohm part is LU-2560 or 2563 with driving circuit, but I think the latter is an ASCII driver.

Are there any plans to publish an article on building an LED or even an LCD scope? [Perhaps there will be now.—Ed.]

Sam Taylor  
Oroville, CA 95965

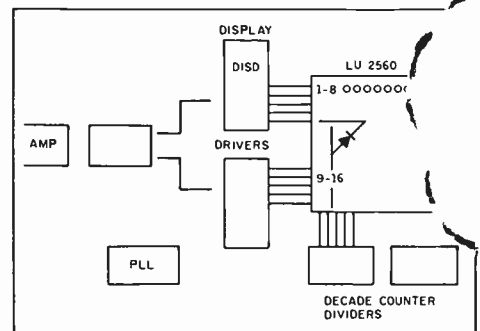


Fig. 1. An LED scope display.

### We Enjoy Hearing From You.

*Elektor Electronics USA* is a place for readers to meet and discuss ideas, projects, and challenges. When you write, please include a self-addressed envelope with stamp attached with a clip if you expect a reply. If the author lives outside of the US, please include two International Postal Reply coupons (available at your post office) instead of stamps on your envelope. Because of space limitations, we do reserve the right to edit all letters. Although we read and note all letters, only those of general interest are selected for publication. When responding to an article, please cite the name of the magazine, article, letter, department, and the page number. Address all correspondence to the **Letters Department, Elektor Electronics, Box 576, Peterborough, NH 03458.**

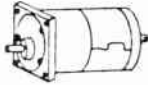
Courteous Service • Discount Prices • Fast Shipping

# ALL ELECTRONICS CORP.

P.O. Box 567 • Van Nuys, CA 91408

## MINIATURE GEAR MOTOR

Maxon DC motor #  
2130 910 61.112 050  
Rating with no load:  
24 Vdc @ 5 ma-168 RPM  
12 Vdc @ 5 ma -84 RPM  
Precision gear motor.  
Designed for 24 Vdc.  
Operates on 12-24 Vdc. 30:1 gear reduction head.  
2.07 long X 1.18" square mounting bracket has mounting holes on 0.97" centers. Motor has good torque when used at 24 Vdc. CAT# MOTG-15 \$12.00 each



## Special Reduced Price PHOTOFLASH CAP.

Rubicon CE  
210 Mfd 330 Volt photoflash capacitor.  
0.79" dia. X 1.1" high.  
These are new capacitors that have been prepped with 1.4" blackland red wire leads soldered to the terminals.  
CAT# PPC-210 \$1.25 each  
10 for \$11.00 • 100 for \$100.00



## INSTRUMENT ENCLOSURES

High quality molded ABS instrument enclosures. Integrated PC board standoffs and two sets of vertical mounting slots for front and rear sub panels. All enclosures are 6" wide X 6 1/4" deep. Choice of three hts. Includes non-skid rubber feet and hardware. Available in ivory, black, and blue.



Panel ht. CAT#  
2 1/4" CAT# MB-A \$7.50 ea 10 / \$65.00  
2 5/8" CAT# MB-B \$7.75 ea 10 / \$67.50  
3" CAT# MB-C \$8.00 ea 10 / \$70.00  
Please specify color.

## SWITCHES

### Mercury Tilt Switch

0.2" diameter  
X 0.65" long  
mercury tilt switch. S.P.S.T. Closes circuit when switch is tilted approx. 5 degrees.  
CAT# MS-3 \$1.00 each  
10 for \$9.50 • 100 for \$85.00



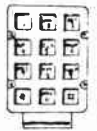
### Rotary BCD Switch

EECO # 2310-02G  
BCD 10 position rotary switch. DIP configuration fits in standard 8 pin I.C. socket. Right angle style. Screwdriver actuation.  
0.42" cube. CAT# RDIP-2 \$1.75 each  
10 for \$16.00 • 100 for \$145.00



## TELEPHONE KEYPAD

12 button telephone keypad. Ivory finish. 2.83" x 2.2" x 0.58" thick. Matrix encoded. Ideal for telephone or security keypad.  
CAT# KPT-1 \$1.00 each  
10 for \$9.00



## 6 Volt 1 Amp/Hour RECHARGEABLE Battery

JAPAN STORAGE BATTERY CO.  
PortaIac# PE6V1  
6 Volt 1 Ah rechargeable sealed lead-acid (gell cell).  
2" X 1.635" X 2" high.  
Batteries are prepped with 5" black and red leads terminated with 2 pin connector. Ideal for rechargeable reserve power.  
CAT# GC-61 \$4.75 each • 10 for \$42.50



## HEAVY-DUTY NICKEL CADMIUM "C" BATTERY

Yuasa 1800C Special purchase of new, rechargeable nickel-cad batteries.  
1.2 volts, 1800 mA.H.



PRICE REDUCED ON 10 OR MORE.  
CAT# HDNCB-C  
10 pieces for \$42.50 (\$4.25 each)  
100 pieces for \$375.00 (\$3.75 each)

## OPTO SENSOR

Optron # OPB5447-2  
Emitter/sensor pair in angular package with color coded leads.  
# OSR-4 2 for \$1.00



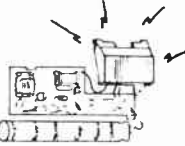
## HALL EFFECT SENSOR

Microswitch # SS41 -  
Tiny, solid state switch reacts instantly to proximity of magnetic field. Operates at extremely high speeds, up to 100 kHz. Case size: 0.12" X 0.17" X 0.06" thick.  
4.5 Vdc to 24 Vdc supply voltage.  
10 ma. sink type digital output.  
Operating gauss - 15 to 40.  
P.C. leads. CAT# HESW-2  
75¢ each • 10 for \$6.50  
100 for \$60.00 • 1000 for \$500.00



## \*\* New \*\* FLASH UNITS

This NEW compact flash unit comes from a U.S. manufacturer of cameras. Operates on 3 Vdc. Measures 2 1/2" X 1 1/4". Ideal for use as a strobe, warning light or attention getter. Complete with instruction on how to wire.  
CAT# FSH-1 \$3.75 each • 10 for \$35.00



# TOLL FREE ORDER LINES 1-800-826-5432

CHARGE ORDERS to Visa, MasterCard or Discover

TERMS: Minimum order \$10.00. Shipping and handling for the 48 continental U.S.A. \$3.50 per order. All others including AK, HI, PR or Canada must pay full shipping. All orders delivered in CALIFORNIA must include state sales tax (6%, 6 1/2%, 7%). Quantities Limited. NO C.O.D. Prices subject to change without notice.

Call Toll Free, or clip this coupon

FREE 60 Page Catalog containing over 4,000 ITEMS

ALL ELECTRONICS CORPORATION  
P.O. Box 567 • Van Nuys, CA • 91408

Name \_\_\_\_\_

Address \_\_\_\_\_

City \_\_\_\_\_

EE 390

State \_\_\_\_\_

Zip \_\_\_\_\_

In 1988, Madisound Speaker Components processed 20,000 orders.

VIFA  
FOCAL  
PHILIPS  
EUROPA  
MOREL  
KEF

DYNAUDIO  
MB QUART  
AUDAX  
PEERLESS  
SOLEL  
ETON

PERFECT LAY  
SIDEWINDER  
ELECTROVOICE  
SLEDGEHAMMER

Doesn't your hobby deserve these fine product lines?

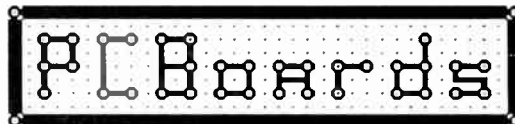


## MADISOUND SPEAKER COMPONENTS

8608 University Green

Box 4283, Madison, WI 53711

Phone (608) 831-3433 FAX: (608) 831-3771



## P-C-B ARTWORK MADE EASY !

Create and Revise PCB's in a Flash

- \* HERC, CGA, EGA, VGA, SUPER-VGA
- \* HELP SCREENS
- \* ADVANCED FEATURES
- \* EXTREMELY USER FRIENDLY
- \* AUTO GROUND PLANES
- \* DOT- MATRIX, LASER and PLOTTER ART
- \* CREATE YOUR OWN FILMS with 1X ART
- \* 1 YR. FREE UPGRADES
- \* LIBRARIES

REQUIREMENTS: IBM PC or Compatible, 384 K RAM  
DOS 3.0 or later. IBM compatible printers.

PCBoards - layout program 99.00

(PCBoards HP or HI PEN PLOTTER DRIVER 49.00)

PCRoute - auto-router 99.00

SuperCAD - schematic pgm. 99.00

Demo Pkg. - (includes all 3 programs) 10.00

Call or write for more information

PCBoards

2110 14th Ave. South, Birmingham, AL 35205

1-800-733-PCBS / (205)933-1122

FAX/BBS (205)933-2954

## THE R.F. CONNECTION

213 North Frederick Ave. #11  
Gaithersburg, MD 20877

ORDERS 1-800-783-2666

INFO 301-840-5477 FAX 301-869-3680

"THIS LIST REPRESENTS ONLY A

FRACTION OF OUR HUGE INVENTORY"

"Specialist in RF Connectors and Coax"

Part No.	Description	Price
PL-259/USA	UHF Male Phenolic, USA made	\$ 70
PL-259/ST	UHF Male Silver Teflon USA	1.50
UG-21D/U	N Male RG-8, 213, 214 Delta	3.25
UG-21B/U	N Male RG-8, 213, 214, Kings	5.00
9913/PIN	N Male Pin for 9913, 9086, 8214	
	Fits UG-21 DU & UG-21 B/UN's	1.50
UG-21D/9913	N Male for RG-8 with 9913 Pin	3.95
UG-21B/9913	N Male for RG-8 with 9913 Pin	5.75
UG-146A/U	N Male to SO-239, Teflon USA	6.00
UG-83B/U	N Female to PL-259, Teflon USA	6.00

PRICES DO NOT INCLUDE SHIPPING  
PRICES SUBJECT TO CHANGE  
VISA, MASTERCARD, ADD 4%  
UPS C.O.D. ADD \$3.50 PER ORDER



# Subscriber Services

Complete the applicable section(s) below and mail to:  
**Elektor Electronics USA**  
 PO Box 876  
 Peterborough, NH  
 03458-0876

## WOULD YOU LIKE TO . . . SUBSCRIBE?

YES! Just check the appropriate boxes in the "renew" section and fill in name and address.

### RENEW?

Fill in the appropriate sections below. For faster service use your mailing label and subscriber number.

- 1 year at \$28
- 2 years at \$50
- Check/MO enclosed
- Charge MC/VISA

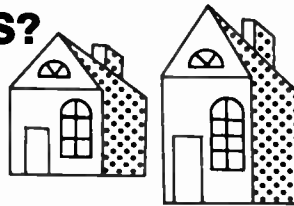
Canada add \$8 per year postage. Remit in US \$ only.

SUBSCRIBER NUMBER

NAME \_\_\_\_\_  
 STREET & NO \_\_\_\_\_  
 CITY \_\_\_\_\_ ST \_\_\_\_\_ ZIP \_\_\_\_\_  
 MC/VISA \_\_\_\_\_ EXP. \_\_\_\_\_

### CHANGE YOUR ADDRESS?

Fill in your new address to the right and old address and subscriber number above.



#### MY NEW ADDRESS:

NAME \_\_\_\_\_  
 STREET & NO \_\_\_\_\_  
 CITY \_\_\_\_\_ ST \_\_\_\_\_ ZIP \_\_\_\_\_

### GIVE A GIFT?

What a thoughtful idea! Fill out your name and address above, the recipient's name and address to the right. We'll even send a gift card announcing your gift.



NAME \_\_\_\_\_  
 STREET & NO \_\_\_\_\_  
 CITY \_\_\_\_\_ ST \_\_\_\_\_ ZIP \_\_\_\_\_

### TELL YOUR FRIENDS ABOUT US?

Print their names and addresses below or photocopy this form for them. We'll take care of the rest.

NAME _____	NAME _____
STREET & NO _____	STREET & NO _____
CITY _____ ST _____ ZIP _____	CITY _____ ST _____ ZIP _____

### COMPLAIN ABOUT YOUR SUBSCRIPTION?

Yes, it sometimes happens. We try to avoid it at all costs, but if you have a problem, we want to know. Call or write with all pertinent information.



#### YOU CAN CALL US

**(603) 924-9464**  
 Subscription Department  
 9-4 Business Days  
 Answering Machine  
 All Other Hours  
 FAX: (603) 924-9467  
 24 Hours

# morel

high fidelity  
range



ALUMINIUM  
**HEXATECH**  
VOICE COIL

The MDM 85 is a mid range 75mm soft dome unit of extremely high standard, both from a design and technical viewpoint.

It incorporates the renowned Morel double magnet and Hexatech voice coil techniques, and results in a unit of above average sensitivity with extremely low distortion and high power handling capability.

With an output level of 96dB distortion in the area of 400-800Hz is slightly over 1% falling to 0.015% from 1KHz.

There are two different types available, one with a rear enclosure and one without (MDM 85NE). The type with the rear enclosure can be fitted into a cabinet as an integral unit.

The MDM 85NE without the rear enclosure can only be fitted into a system having a separate housing to enclose the unit. A volume of 0.7 litre is recommended for this housing, which is essential to prevent inter-reaction with the bass unit compressions and expansions. This housing must be filled full with damping material, such as fibreglass or rock wool.

The Thiele small parameters are given for both types under specifications. The contribution of this unit to a suitably designed system will be evident in the clarity and detail given in the 500-5000Hz region.

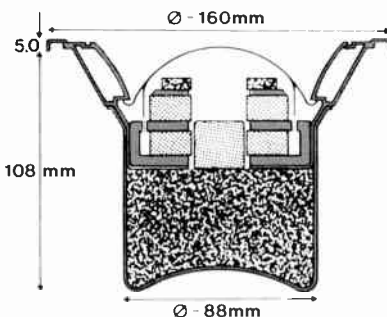
## Specification

### MDM 85 (with enclosure)

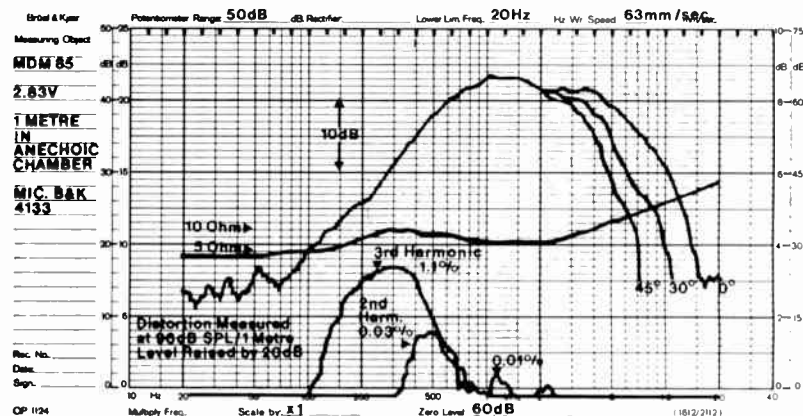
Overall Dimensions	Ø - 160mm x 113mm
Nominal Power Handling Din	300W
Transient Power 10ms	1500W
Voice Coil Diameter	75mm (3")
	<b>Hexatech Aluminium</b>
Voice Coil Former	Aluminium
Frequency Response	300-5000 Hz
Resonant Frequency	250 Hz
Sensitivity	92 dB (1W/1M)
Nominal Impedance	8 ohms
Harmonic Distortion for 96 dB SPL	<1%
Intermodulation Distortion for 96 dB SPL	<0.25%
Voice Coil Inductance @ 1 KHz	0.2mh
Air Gap Width	1.05mm
Air Gap Height	3.0mm
Voice Coil Height	6.0mm
Flux Density	1.0T
Force Factor (BXL)	4.6 W8/M
Rdc	5.2 ohms
Rmec	37.90
Qms	0.29
Qes	2.66
Q/T	0.20
Vas	0.33 litre
Moving Mass including Air Load	7.0 grams
Effective Dome Area	63.50 cm <sup>2</sup>
Dome Material	Chemically Treated Fabric
Nett Weight	1.25 kg

### Variations to specification for MDM 85NE (without enclosure)

Overall Dimensions	Ø - 160mm x 60mm
Frequency Response	250-5000 Hz
Resonant Frequency	170 Hz
Rmec	39.33
Qms	0.19
Qes	1.81
Q/T	0.17
Vas	0.7 litre
Nett Weight	1.05 kg



Specifications given are as after 24 hours of running.



### morel (U.K.) Ltd.

11 Foxtail Road.  
Nacton Rd (Ransomes)  
Industrial Estate,  
Ipswich, IP3 9RT  
England  
Tel: (0473) 719212  
Telex: 987601 Morel G

### morel acoustics USA

414 Harvard Street  
Brookline, MA 02146  
Tel: (617) 277-6663  
FAX: (617) 277-2415



Morel operate a policy of continuous product design improvement, consequently specifications are subject to alteration without prior notice

## Announcing Old Colony Sound Lab's

# SUPER "SAVE YOUR INVOICE" SALE!

That's right! When you order from Old Colony from now through June, be sure to save the invoice which comes with your shipment! **It's worth cash!** In July or August, you may subtract **10%** of the invoice's bottom line from any order of double or greater value—in addition to any other discount which may apply!

For example, if you placed an order for \$50 worth of products now, in July or August you would be eligible for a \$5 credit (10% of your earlier order) on any order of \$10 or more (double or greater the amount of your credit)! *Plus any other discount!*

### BUT PLEASE REMEMBER:

**YOU MUST SUBMIT YOUR ACTUAL PREVIOUS INVOICE WITH YOUR NEW JULY OR AUGUST ORDER, SO BE SURE TO SAVE IT!**



**SEE OUR ADS ELSEWHERE IN THIS ISSUE  
AND ORDER TODAY!  
START YOUR SUMMER SAVINGS NOW!**

## Your Ideal Loudspeaker Hasn't Been Built Yet.

Loudspeaker theory is younger, spottier, and more volatile than almost any of the fields of audio electronics. And the changes come almost daily. Ten years ago, we decided that loudspeakers were a topic worthy of their own periodical. Since then loudspeaker enthusiasts, from neophyte beginner to folks with doctorates working in space or defense have been meeting regularly in *Speaker Builder* to explore, design, build and share their enthusiasm and expertise.

The result is a truly remarkable magazine. *Speaker Builder* goes bi-monthly to over 10,000 subscribers all over the globe. The friendly atmosphere of interchange shapes the articles, the hundreds of letters, the updates of older designs and the new breakthroughs, whether you are talking about Thiele/Small design software, a \$50 measurement mike good enough to compare with the professionals, a Doppler radar gun to check what the cone of the driver is doing, or whether wool or synthetics are better stuffing material for a new PVC pipe transmission line.

*Speaker Builder* is full of news about new drivers made all over the globe: from matched pairs of woofers, ribbons, inverted dome tweeters and much, much more.

The loudspeaker enthusiast sees a rich variety of parts, crossovers, drivers, b connectors—indeed, everything he or she needs to build just about anything can be hooked to a power amp to make beautiful sound.

No loudspeaker format except perhaps gas flames have been neglected in *Speaker Builder's* pages: electrostatics, ribbons, closed and vented boxes, transmission line horns, Isobariks, subwoofers of every sort, as well as wall-mounted, automotive and ambience enhancing surround types. The shapes too are legion: pipes, polygonal dipoles, triangular, folded and even stiffened kraft corrugated boxes.

We're so sure that if you are a loudspeaker enthusiast you'll love *Speaker Builder* that your subscription is covered by our **ironclad guarantee: All your money back if you are not satisfied with the magazine.** Fill in the form below and mail or FAX it to us to begin your *Speaker Builder* subscription. Then, very probably, the loudspeaker of your dreams, can become a reality. Do it today.

Send me *Speaker Builder* \_\_\_\_\_ one year (six issues) for \$25. \_\_\_\_\_ two years for \$45  
\_\_\_\_\_ I'm enclosing check/money order. \_\_\_\_\_ Use my Mastercard or VISA.

I understand that my subscription will start with the first issue published in 1991, and that each year's subscription will end with the last issue of that year. Canada add \$4 postage per year. Remit in US \$ only.

MC/VISA \_\_\_\_\_ EXP \_\_\_\_\_  
NAME \_\_\_\_\_  
STREET & NO \_\_\_\_\_  
CITY \_\_\_\_\_ STATE \_\_\_\_\_ ZIP \_\_\_\_\_



**AUDIO AMATEUR PUBLICATIONS** PO Box 494, Dept E91 Peterborough, NH 03458-0494 (603) 924-9464 FAX (603) 924-9467





**3000**  
Top of the Line Universal  
Handi-Counter™.  
\$375.

# OFF THE BENCH AND RUNNING

When **OPTOELECTRONICS** took frequency counters off the bench we created a whole new dimension - Frequency Finding.



**2600**  
Super Sensitive RF  
Frequency Finder.  
\$325.



**2210A**  
Full Range  
Pocket  
Size LED.  
\$239.

Our Handi-Counters™ make Frequency Finding a reality by allowing you to pick-up radio transmitters at the maximum possible distance.

Monitoring Enthusiast, Security Specialists, Broadcast and Design Engineers, Two Way and Amateur Radio Operators and Service Technicians have all made the move. *Shouldn't you?*



**8030**  
Bench Portable (Fits in an attaché case) with ALL the Handi-Counter™ Features plus More. \$579.



**1300H/A**  
Low Cost Ultra  
Sensitive (HF,  
UHF, VHF).  
\$179.

Model	Range Low High	Display 8 Digit LED	Display 10 Digit LCD	Signal Strength Bargraph	Universal Counter	TCXO Option
8030	10Hz 2.4GHz		•	•	•	± .1ppm add \$125.
3000	10Hz 2.4GHz		•	•	•	± .2ppm add \$ 80.
2600	1MHz 2.4GHz		•	•	•	± .2ppm add \$ 80.
2210A	10Hz 2.4GHz	•				± .5ppm add \$ 75.
1300H/A	1MHz 1.3GHz	•				± .5ppm add \$ 75.

Sensitivity: <1 to <10mV typical. NICods & AC Charger/Adapter Included. Carry Case, Antennas and Probes extra. One year parts & labor warranty on all products.

## OPTOELECTRONICS

Toll Free Order Line:  
**1-800-327-5912**

In Florida call (305)771-2050  
FAX (305)771-2052

5821 NE 14th Avenue • Ft. Lauderdale, FL 33334  
Visa, MC, COD, Cash, M.O. accepted. Personal  
Check allow 3 weeks. 5% Shipping Handling.  
(Maximum \$10) U.S. & Canada. 15% outside  
continental U.S.A.