

# DX News

Serving DXers since 1933



Volume 70, No. 5 - November 4, 2002 (ISSN 0737-1659)

## Inside ...

2....DDXD  
10....IDX

11....Is AM DX'ing Dying?

12....Geomagnetic Indices

14....Western States TIS Update

18....DDXA

20....IDXA

21....FCA-1

22....Musings of the Members

23....FCC Approves IBOC

### CPC Test Calendar

WDFB	KY	1170	Nov. 2	0000-????
KTNS	CA	1060	Nov. 8	0000-0100
WLCR	KY	1470	Dec. 1	0300-0400

**WLCR-1470** - 3600 Goldsmith Lane - Louisville, KY 40220 (city of license, Shepherdsville) will conduct a DX test from 3:00-4:00 am EST Sunday, December 1, 2002. The station's regular programming is EWTN - their slogan is "Louisville's Catholic Radio". ID's will be played in both Morse Code and voice - the IDs will use a 1 kHz tone at 5 wpm sent every 5 minutes. The Morse will be played at 3am. The station will go to full power (750 W) from 2:45am-3:15am. (This test is intended to be a repeat of their 10/21/02 test, in which they encountered some difficulties and did not use the power they had planned on.) Reception reports(\*with return postage\*) may be sent to Vince Heuser; <<heuser@iglou.com>>; <http://www.wlcr.net>. Arranged for the IRCA CPC

**From the Publisher ...** So far, no one has reported hearing the KNOM test, including a few in Canada. We should know by next week's deadline if the test actually ran as scheduled.

**Canadian Funds ...** Ken Chatterton has made special arrangements so that the NRC can accept payments, in U. S. funds, on Canadian banks, for any NRC product, including subscriptions. However, all Canadian checks must be sent ONLY to the Publications Center. The NRC also can accept payments via PayPal. See p. 24 for more info.

**Art Bell Retires (again) ...** by the Associated Press, via many NRC'ers:

Radio talk show host Art Bell, whose overnight talk of UFO sightings and conspiracy theories made him famous, has announced his retirement.

Bell, 57, said on Wednesday night's show that he will retire because of ongoing back problems.

Regular guest host George Noory will replace Bell on Jan. 1.

Barbara Simpson will host on weekends.

"Coast to Coast AM" will continue its current broadcast schedule until Dec. 31. Bell hosts three nights a week, Noory hosts three nights and Simpson one night.

Bell, who broadcasts from his home studio in Pahrump, 60 miles west of Las Vegas, plans to be an occasional guest host for Noory.

"Coast to Coast AM" airs on 525 stations nationwide over the Premiere Radio Networks Inc., a subsidiary of Clear Channel Communications. The show deals in arcane mysteries, alien abductions and all things unexplained.

Bell, who created the show in 1993, had resigned in April 2000 because of ongoing torment he said his family had suffered since his son was kidnapped and raped in 1997 by a substitute teacher. He also said he left because he was falsely accused of being a child molester.

The teacher, Brian Lepley, 37, was convicted and sentenced to 10 to 25 years in prison for the assault.

Bell returned to the air in February 2001, saying his family and legal issues had been resolved.

**Lower Deck GTG ...** Ray and Arlene Arruda's annual Thanksgiving GTG will take place on Saturday, November 23, 2002 from noon until ? in "The Lower Deck" at 47 Burt Street, Acushnet, MA. All DXers, hams, and anyone with a general interest in radio are welcome. They have limited space available for overnight accommodations. This is their 25th consecutive year for the event!

### Partial DXN Publishing Schedule, Volume 70

Iss.	Deadline	Pub. Date	Iss.	Deadline	Pub. Date
6.	Nov 1	Nov 11	9.	Nov 22	Dec. 2
7.	Nov 8	Nov 18	10.	Nov 29	Dec. 9
8.	Nov 15	Nov 25	11.	Dec. 6	Dec. 16

### DX Time Machine

#### From the pages of DX News:

50 years ago ... from the November 1, 1952 DXN: In a nice letter of verification to Ron Schiller, Avenal, NJ, station WOOF-560, Dothan, AL claimed to be the "nation's 42nd most powerful station".

25 years ago ... from the November 7, 1977 DXN: Micky Theroux, West Warwick, RI said he'd have to set another DX goal when he nabbed KFI-640 at the beginning of the DX season on Oct 17 at 6:31 am.

10 years ago ... from the November 2, 1992 DXN: Dallas Lankford penned a favorable review of the Drake R8.

# Domestic DX Digest

West: Bill Hale phantom 2@eaze.net

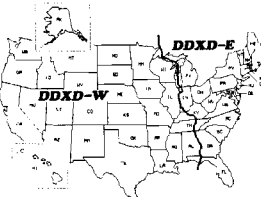
6124 Roaring Springs Drive - North Richland Hills, TX 76180-5552

East: Ginnie Lupi ginnie@nrcdxas.org

PO Box 4014, Clifton Park, New York 12065

**DX Catches in the U. S. and Canada, with 24-hr. ELT**

(Division line is  
between East and  
Central time zones)



## DDXD-West

### MEDIUM WAVE RAMBLINGS

- ❑ Reporter Comments: "Last new year I set a goal to hit #2055 loggings by new years 2003. I started at 2018. I'm at 2034 now. Call changes not counted. I do believe that by setting a goal and having a list of targets, this will help attain DX for the logs. (Yes, I'm a "bean counter", hi.) I have a list of 17 targets which I for whatever reason cannot log, or at least they are difficult! " - JJR-WI; "1230 KDAC Ft. Bragg /1250 KLLK Willits /1400 KUKI Ukiah (all California): These three are now Spanish AC "La Maquina Musical", ex: news-talk I think. They have a really distinctive ToH ID that really cuts through other stations: Two male announcers, taking turns shouting the call letters of all three stations one letter at a time." - TH-CA; "There's a billboard on southbound I-94 near Racine, Wis. advertising 'AM Stereo 920 WOKY'. Thought the AM stereo fans would like to hear about that." - DS-TN;
- ❑ The question has been posed: "Do you record totals in which the DXER has the most loggings on a given frequency?" Answer: No. That would be a project for someone else to take on.
- ❑ A note to new and old reporters alike, convert your times and dates to Eastern Time. That's our standard.
- ❑ A good turnout again. You done good!

### REPORTERS

- PG-CO Patrick Griffith Westminster Drake R-8 and Kiwa loop / 30' random wire <AMDXer@webtv.net>
- TH-CA Tim Hall back from On The Road Again ICF-2010, Kiwa Loop, Toyota car radio <tim\_hall\_dx@hotmail.com>
- BK-CA Bob Karchevski Sunnyvale R8-A/two long wires/MFJ-1026mw <karchev@worldnet.att.net>
- DKK-CA Don Kaskey San Francisco Drake R8 + KIWA air loop <kaskeyfamily@yahoo.com>
- EL-IL Eric Loy Champaign Drake R8 and Quantum QX <eloy@netscape.net>
- JJR-WI John J. Rieger South Milwaukee Icom IC-R75, Kiwa loop, MFJ-959B tuner-preamp or GE Superadio III with Terk AM1000 loop <johnrieger@webtv.net>
- JTR-OK John Reed Shawnee Sylvania R1414/URR + SE-3, modified KIWA MW loop <jreed@alum.mit.edu>
- KR-AZ Kevin Redding Mesa Sony ICF-2010 barefoot <amfamtvd@qwest.net>

**The NRC AM Radio Log, 23rd Edition,** including cross-referenced listings from 530-1700 khz., is compiled from both listeners' reports and official sources, making it the most accurate listing of U. S. and Canadian AM stations available. Unbound, three-hole punched for standard binders. \$19.95 to U. S. members; \$25.95 to U. S. non-NRC members; to Canadian members, \$23.00 (\$29.00 to non-NRC members). Airmail to members in western Europe (except Italy) and Australia, New Zealand, and Japan: \$29.00. All others contact us for exact prices. Order from: NRC Publications - Box 164 - Mannsville, NY 13661 (NY residents, please add sales tax).



- DS-IL/IL/KY/TN Doug Smith Manteno/Zion/Paducah/Pleasant View 1998 Ford car radio <w9wi@w9wi.com>
- DS-WI Doug Smith Menomonee Falls Grundig YB400PE barefoot
- JW-CO John Wilkins Wheat Ridge Drake R-8 + 4-foot box loop <peakbagger3@juno.com>
- MDW-NM Mike Westfall, N6KUY, WDX6O Los Alamos (DM65uv) <mwdx@gentoo.net> http://www.gentoo.net/mike
- Ed.-TX Editor North Richland Hills DX-398 or Delco caradio\*

### STATION NEWS & NOTES

- 560 KLZ CO Denver - 10/20 1400 - Denver's first licensed AM station noted with new ESPN Sports format (ex: music and talk for women). This is the fourth format for this station in two years. Most IDs through the hour only mention slogan *The Mighty 560* and ESPN. ToH ID at local noon was *This is KLZ Denver, sports radio for all of Colorado*. (PG-CO) [Format moved south, hi - Ed.]
- 910 WALT MS Meridian - Format change to talk. Ex: black gospel. (100000watts.com)
- 940 KPSZ IA Des Moines - 10/17 2258 - Upbeat REL music; gal with legal ID at 2259:54: *You're in the middle of a 30-minute music sweep on Praise 940 KPSZ Des Moines, your Number One home for today's Christian music*, then, sure enough, lots of music to 2305 fade. Generally fair signal. Ex: KXTK. (JW-CO)
- 980 KRTX TX Rosenberg - Changes to Tejano. Ex: leased time. (100000watts.com)
- 990 KCAF TX Farmersville - 10/21 - Debut of new "women's talk format". Jingles as *Café 990. Didn't last long* (3 days). May be a new record for shortest format change. They are back to "talk America" programming as of 10/24. [Ed-TX.]
- 1080 KSLLp UT Price - 10/19 0928 - Presumed, with C&W music, with some (all?) older C&W hits - *Johnny Cash, Jim Reeves*, etc. Occasional *KASL Castle Country* jingles. Monitored until 0950 fadeout, with no ads or announcements noted, just music and jingles. Supposedly, they only use their legal call at ToH. (JW-CO)
- 1090 KNCR CA Fortuna - 10/22 - Now Spanish *La Fiesta, La Mejor en la costa del norte*. (TH-CA)
- 1170 WFDL WI Waupun - Now these calls. (100000watts.com) Also CBS News on the hour; ID as *Waupun-Fond du Lac-Beaver Dam*. (Radio/DX Information from Wisconsin at http://www.angelfire.com/wi/dxing/) [We are wondering if this call letter change means a switch in formats to *All Fiddles, All The Time*. Nahhh. But Waupun is the site of a state prison. So...??? - Ed.]
- 1450 WDXR KY Paducah - 10/20 -1400 - Noted OFF. UNID *Oldies 1450* (WTRO-TN?) present instead. (DS-KY)
- 1480 WLMV WI Madison - 10/23 0935 - Noted in English, simulcasting WTDY-1670. However, they were in Spanish the previous night, and a sign promoting their Spanish format and new calls was noted on a Park Street business during a visit to my hometown the previous afternoon. (DS-WI)
- 1680 KSFO CA San Francisco - 10/19 0435 - Noted 3rd harmonic of KSFO, over/under KAVT. LOVELY!!! (DKK-CA)
- UNIDs, ASSUMEDs and UNID HELP
- 760 unID ?? - 10/21 0715 - Very strong with talk about U.S. and Mexican economies in Spanish. Seemed too strong to be Mexico. KCCV-KS with Spanish program? (DS-WI)
- 980 unID ?? - 10/21 0631 - *Sportstalk 980*, ad for *First Mount Vernon Mortgage* with 703 area code phone number. Into ESPN Radio, no more local info before 0645 fadeout. Very good when in, seemed too strong to be WTEM-DC. (DS-WI)
- 990 UNID ?? - 10/18 2120 - Tape with singing ID: *Café 990*, then *First talk station just for women*. Announced that their first live program would be on Monday, 10/21. (JTR-OK) [See the 990 item in Station News - Ed.]
- 1110 UNID ?? - 10/17 0720 - C&W music with location given as *Gulf Coast area*. Name of town sounded like *Daphne*, then faded out. (JTR-OK) [My guess is *WBCA-AL*, as there is a *Daphne, Alabama* on *Mobile Bay* - Ed.]
- 1130 KFANp MN or WDFNp MI Minneapolis or Detroit - 10/23 0750 - Fair during pauses in local WISN with *Sports Radio 1130 The Fan*. (DS-WI)
- 1140 UNID ?? - 10/19 2250 - Very strong Asian language station with ads for *Overseas Fashions* and *Asian Foreign Exchange*. Signal ended abruptly at 2302. I

couldn't tell if it was OC or if signal actually terminated. Does CHRБ carry Asian programming? (PG-CO)  
 1140 UNID ?? - 10/19 2337 - Oldies 1140 KC?? with mostly 70s oldies. Presumed KCLE. (PG-CO) [Sounds like them - Ed.]  
 1580 WPGCp MD Morningside - 10/22 2333 - Assumed them, with near local quality with urban gospel music, *Heaven 1580* ID. Didn't stick around long enough for definite ID. (DS-WI)  
 1590 KMICp TX Houston - 10/24 0754 - AM 1590 Radio Disney jingles, ad for Kroger, fade, back up with PSA for YMCA mentioning Memorial City Mall. Never heard an ID. [Ed.-TX\*]

TIS & OTHER STUFF

530 WPPU340 IL Manteno - 10/20 1815 - Local TIS in good, mentioning station will carry tornado warning instructions, and warning truckers to stay on truck routes or face \$500 fine. (DS-IL)

REGULAR DX LOGGINGS (times in ELT)

570 WKBN OH Youngstown - 10/22 2206 - Fair with local news (mostly of recently-ousted congressman) and several call mentions. (DS-WI)  
 600 CKAT ON North Bay - 10/20 0507 - Fair, with weather, jingle, and C&W music, in WMT null. (JJR-WI)  
 690 WTIХ LA New Orleans - 10/21 0616 - Very strong (as loud as WWL) with local promos for talk shows. (DS-WI)  
 710 KUET AZ Black Canyon City - 10/20 0748 - Poor, in WOR null. Clear calls. NOS. Third time heard in a week! (JJR-WI)  
 730 CHMJ BC Vancouver - 10/20 0849 - With Mojo Radio 730 ID. Many slogans, ads etc. Then back to Tom Leykis re-run. Ex: CJNW. Mojo Radio. Ugh! (DKK-CA)  
 770 WTOR NY Youngstown - 10/23 0743 - Strong, but bad audio, hard to understand. Announcer with East Indian accent reading ads with phone numbers (416) 745-2727 and (905) 612-0800. (DS-WI)  
 790 CIGM ON Sudbury - 10/22 2322 - Fair with sung ID in null of unID talk station, (probably WSGW). (DS-WI)  
 840 KSWB OR Seaside - 10/20 0854 - Nicely atop, with KSWB Seaside ID and into *Proud To Be An American*. Not often atop the pile here. (DKK-CA)  
 850 WYLF NY Penn Yan - 10/23 0516-0522+ - Fighting even with KOA, with mix of easy rock and oldies. *Music Radio 859 WYLF*. [Ehh? - Ed.] New here. (EL-IL)  
 850 KEYH TX Houston - 10/20 0457 - Fair @ 10/9, with legal ID. SS in KOA null. (JJR-WI)  
 910 KPOF CO Denver - 10/21 0730 - Call ID with religious talk. Heard here infrequently. (JTR-OK)  
 930 KIUP CO Durango - 10/23 0700 - Westwood One NOS format into ToH ID, and CBS News. Then into local news after CBS News. Nice signal until buried by KAFF. (KR-AZ)  
 930 WBEN NY Buffalo - 10/23 0746 - Poor in mess, with Radio 930 WBEN. (DS-WI)  
 940 WINZ FL Miami - 10/21 0720 - Brief, with sports talk and Miami area news. New here. (JTR-OK)  
 960 KKNT AZ Phoenix - 10/16 0859 - Caught ID in progress: ... Michael Medved ... weekdays at 12 noon right here on the new News Talk 960 KKNT ... Rough with KKFN-950 splatter. Ex: KCTK. (JW-CO)  
 960 KLTF MN Little Falls - 10/22 0758 - Yesterday's high in Little Falls was 33%. Fair. (DS-WI)  
 970 WHA WI Madison - 10/22 0759 - Poor, in mess, with pledge drive // local WHAD-FM 90.7. LSR is 0815 - was probably on 434 Watt PSRA. (DS-WI)  
 980 KGLN CO Glenwood Springs - 10/17 0959 - Legal ID in EE: *We keep you informed 24 hours a day, 7 days a week, 365 days a year with CNN Headline News. We are 980 AM KGLN Glenwood Springs* and into CNN News. Apparent format change; ex: SS. (JW-CO)  
 980 CFPL ON London - 10/21 0646 - Poor, with *Environment Canada Weather*, then ID AM 980 CFPL. (DS-WI)  
 1020 KKSC NE Plattsmouth - 10/20 0725 - Poor, with Bellevue's weather station, KKSC in KDKA null and over unID Fox Sports station (KOKP?) Old C&W. NEW! (JJR-WI)  
 1090 WCRA IL Effingham - 10/17 0725 - Call ID with Illinois ads. Fair, with flutter fading.

New here. (JTR-OK)  
 1110 WBCA AL Bay Minette - 10/20 2002 - Good with area ads. Slogan: *The Boss*. (DS-IL)  
 1140 KSFN NV North Las Vegas - 10/24 0100 - *Phil Hendrie Show* wrapping up, several ads, then female: ... *You're listening to Hot Talk Eleven-Forty, KSFN*. Fighting it out with a couple of SS stations underneath. Using DX-375 and RS loop while trying not to fall asleep (alas, I failed ...) (MDW-NM)  
 1160 WAMB TN Donelson - 10/20 2034 - Fair-to-poor, fighting with WYLL, with *Sidco Drive* ad. My local at home. (DS-WI)  
 1160 KSL UT Salt Lake City - 10/23 0751 - Poor, but over Chicago, with *KSL Newstime*. (DS-WI)  
 1210 KOKK SD Huron - 10/23 0754 - Here in Huron, then calls. Very weak but completely alone on channel. (DS-WI)  
 1230 KPRL CA Paso Robles - 10/21 2117 - With ID atop the mush. (DKK-CA)  
 1240 KEZY CA San Bernardino - 10/17 0245 - Atop in SS // KLTX-1390. I checked 1390 and verified this. (DKK-CA)  
 1260 WPHB PA Phillipsburg - 10/23 0631 - Fair and steady with *Radio P-A News*, lottery ad, weather. New. (EL-IL)  
 1260 KWYR SD Winner - 10/20 0630 - Poor, with *Country 1260* into many local ads. Old C&W from ABC's Real Country. (JJR-WI)  
 1270 KJUG CA Tulare - 10/22 0824 - Poor, in QRM, with program from the California Ag Net; spot for a truck dealer in Porterville. No ID heard. (JW-CO)  
 1270 CHAT AB Medicine Hat - 10/22 0834 - Centigrade weather, hockey scores, livestock report, call ID and chat slogans. In and out. Noted again at 0901 with *Medicine Hat's News* with Brian Conrad. Downright good signal at times. (JW-CO)  
 1280 KXTK CA Arroyo Grande - 10/22 0233 - With two separate IDs during ad break, then back to Coast to Coast with George Norris. Some KFRN QRM. Was in pretty solid for 15+ minutes. Call change from KKOM and not often heard on night pattern. (DKK-CA)  
 1280 WWTC MN Minneapolis - 10/20 2331 - AM 1280 *The Patriot*, and Shakopee ad. (DS-WI)  
 1280 KAQQ WA Spokane - 10/21 2101-2105 - With CNN News. Several national ads followed, then a AM 1280 KAQQ ID and into NOS music. Even better at 2109 with another ID as above then a *Nat 'King' Cole* song. Haven't heard this station since 1967 when they were KUDY and then only once. (DKK-CA)  
 1290 WNBФ NY Binghamton - 10/23 0620 - Very good and alone, with *Dr. Laura Minute*, and *News Radio 1290 WNBФ*. New here. (EL-IL)  
 1320 KCTC CA Sacramento - 10/22 0938 - NOS tunes. At 0942 guy says: *The Music of Your Life ... on KCTC*. Fair in QRM. (JW-CO)  
 1320 KELO SD Sioux Falls - 10/20 0630 - Poor, with *KELO-AM* jingle and website promo. Alone. (JJR-WI)  
 1380 KXCA OK Lawton - 10/19 2204 - USA Radio Network News. Dual ID for 1380 KXCA and 1350 KXCD. (PG-CO)  
 1420 KTOE MN Mankato - 10/22 2336 - Fair with local sports and weather, then back into *Bruce Williams*. (DS-WI)  
 1430 WION MI Ionia - 10/22 0808 - Poor, with AM 1430 WION. (DS-WI)  
 1460 WBNS OH Columbus - 10/21 1859 - Poor in mess. Local ad for indoor racing. (DS-WI)  
 1470 KELA WA Centralia - 10/21 0240-0402 - Phone call interview lasting to 0400. Several VIDs heard at 0330. RadioUnica (presume KUTY) in background. Trying for WLCR with no success. New. (BK-CA)  
 1490 KDMO MO Carthage - 10/19 2119 - Poor, though clear 1490 KDMO jingle. Rare! (JJR-WI)  
 1490 CFPS ON Port Elgin - 10/19 2049 - Fair. Faded up to hear ... on 560 CFOS. NOS. NEW! (JJR-WI)  
 1540 KXPA WA Bellevue - 10/22 0245-0300 - Making mince meat of KPMC, with SS talk. At 0259:30 an AM 1540 KXPA *Bellevue-Seattle* ID in EE was superimposed over the SS programming. A minute later another AM 1540 KXPA ID in EE was given. Eventually into slow ballads in SS. Seldom heard this well. (DKK-CA)  
 1550 WBSC SC Bennettsville - 10/19 0000 - Poor-to-fair, with sign-off and anthem. (DS-TN)  
 1640 KBJA UT Sandy - 10/20 0515 - Poor, with Unica programming, under local WKSH's OC! NEW! Utah #2. (JJR-WI)

## GRAVEYARD DX UPDATE

Remember all the GY DX records are on line at: [www.angelfire.com/tx2/phantom2/index.html](http://www.angelfire.com/tx2/phantom2/index.html)  
\* indicates record held by DXer from North America (excluding Alaska)

1230 kHz:					Miles
KOY	AZ	Phoenix	Tim Hall	Carmel-by-the-Sea, CA	596
KSZL	CA	Barstow	Tim Hall	The Sea Ranch, CA	444
KYPA	CA	Los Angeles	Tim Hall	Crater Lake Rim Village, OR	651
KVAS	OR	Astoria	Tim Hall	Crater Lake Rim Village, OR	*239
KZZR	OR	Burns	Tim Hall	Crescent City, CA	*290
KHSN	OR	Coos Bay	Tim Hall	The Sea Ranch, CA	*323

1240 kHz:					Miles
KEZY	CA	San Bernardino	Tim Hall	The Sea Ranch, CA	470
KCVL	WA	Colville	Tim Hall	Bandon, OR	*487
KGy	WA	Olympia	Tim Hall	Crater Lake Rim Village, OR	287

1340 kHz:					Miles
KAVC	CA	Mojave	Tim Hall	Burney, CA	735
KGLW	CA	San Luis Obispo	Tim Hall	Crescent City, CA	*490
KIST	CA	Santa Barbara	Tim Hall	Crescent City, CA	*564

1400 kHz:					Miles
KSHP	NV	North Las Vegas	Tim Hall	Crescent City, CA	628
KBDB	NV	Sparks	Tim Hall	Crescent City, CA	278
KNND	OR	Cottage Grove	Tim Hall	Chester, CA	*258
CIOR	BC	Princeton	Tim Hall	Bandon, OR	*475

1450 kHz:					Miles
KNOT	AZ	Prescott	Tim Hall	Solvang, CA	439
KFSD	CA	Escondido	Tim Hall	The Sea Ranch, CA	*526
KGAM	CA	Palm Springs	Tim Hall	Carmel-by-the-Sea, CA	359
KTIP	CA	Porterville	Tim Hall	Crater Lake Rim Village, OR	*650

1490 kHz:					Miles
KMET	CA	Banning	Tim Hall	The Sea Ranch, CA	493
KWOK	WA	Hoquiam	Tim Hall	Chester, CA	479
KLOG	WA	Kelso	Tim Hall	The Sea Ranch, CA	*512
KYNR	WA	Toppenish	Tim Hall	Chester, CA	*421

Totals:		1230	1240	1340	1400	1450	1490	Total
Tim Hall	Mammoth Lakes, CA	12	9	8	7	10	9	55
Tim Hall	Bandon, OR	7	4	6	9	5	9	40
Tim Hall	Monterey-Carmel, CA	10	6	8	5	6	4	39
Tim Hall	Chester, CA	5	8	6	5	7	7	38
Tim Hall	The Sea Ranch, CA	11	6	6	3	6	6	38
Tim Hall	Crater Lake, OR	10	7	4	6	5	5	37
Tim Hall	Crescent City, CA	4	1	6	9	6	6	32
Tim Hall	Burney, CA	4	5	4	6	6	5	30
John Vervoort	Brooklyn, NY	4	3	2	5	3	2	19

## DDXD-East

## REPORTERS

**MKB-ON** Mike Brooker, Toronto - Panasonic RF-2200; RFB-45.  
**SC-IN** Steve Chappell, McCordsville - Bearcat DX-1000; 3 terminated loops.  
**PC-VA** Perry Crabill, Winchester - Drake R8, Kiwa Loop, 100' wire.  
**JF-ON** Jeff Falconer, Clinton - AOR AR7030+, pair of 130' EWE antennas, Quantum phaser, etc.  
**DL-MD** Dave Larrabee, Columbia - Icom 8500 on random wire.  
**DL-MD** Dave Larrabee, Columbia - Unattended TenTec RX320 on random wire, recorded automatically using KF5OJ software.  
**GL-NY** Ginnie Lupi, Clifton Park - DX-398 and Select-A-Tenna.

**RCP-IN** Robert C. Pote, Greenwood - Drake R8A radio and Kiwa Loop; also 1946 Zenith Universal, barefoot.  
**JR-NY** Jim Renfrew, Byron - Drake R8 and long wire.  
**BT-NB** Brent Taylor, Muzzroll Brook on Highway 123 near Doaktown - Grundig YB-400 and Radio Shack tunable loop (15-1853). Also Dodge car radio and stock whip.  
**DT-JAM** Don Trelford, Jamaica - Kenwood R 200, long wire NS-EW.

## ADDRESS CHANGE

**1360 WKAT FL** N. Miami - they have moved from Biscayne Blvd. My letter to them was returned. I have emailed to "Listener Comments" on their internet site for street address. **(DT-JAM)** Editor's Note: If anyone has WKAT's new address, please email it to me! Thanks! ~ GL

## UNID AND PRESUMED

**1170 WMRHp WI** Waupun - 10/18 0615 - Sports news concerning Green Bay Packers followed by several news stories concerning Fond Du Lac and Madison. Poor with much noise. **(RCP-IN)**  
**1680 WTTMp NJ** Princeton - 10/20 1725 - Trivia call-in show called "Quiz Me" featuring East Indian accented host and many trivia questions about India, cricket, and some American history. Unbelievably long 6 minute commercial break at 1736 with ads for several NJ-area restaurants, an insurance company and a cremation service. Taking calls at 732-205-9600. ID'd at 1842 as "EBC (ABC?) Radio, 16-80 AM." My 22<sup>nd</sup> ed. NRC log shows it as sports, but must have switched to ethnic. **(BT-NB)**  
**WWHN 1510 AM**  
**The Gospel Station**  
**10321 S. Halsted**  
**Chicago, Illinois 60628**

## STATION LOGGINGS

**560 WQAM FL** Miami - 10/9 1906-Station slogan heard "Sports Radio 560, WQAM" then into a sports talk call-in program with ads for auto dealership in Pompano Beach, Dan Adams Lite Beer, Mercedes Benz etc. followed by another promo "log onto WQAM Sports Radio AM 560." Great signal with no fading no sign of usual WIND. First time heard. **(RCP-IN)**  
**600 WFST ME** Caribou - 10/20 1659 - With ad for Focus on the Family, and then into full ID to top of the hour: "You're listening to Family Christian Radio, WFST, Caribou, Maine." **(BT-NB)**  
**620 WDAE FL** St Petersburg - 10/17 1914 - Station slogan "you're listening to 620 WDAE, The Sports Animal" followed by ESPN Radio Hype. Briefly in. **(RCP-IN)**  
**670 WWFE FL** Miami - 10/22 2005 - Good: "WWFE 670 AM Miami" and back to SS talk/music. **(SC-IN)**  
**690 WTIX LA** New Orleans - 10/17 1905 - Station slogan "this is the mighty 690 WTIX." Followed by sports talk show. Excellent signal, not usually heard here. **(RCP-IN)**  
**710 WREM ME** Monticello - 10/20 1702 - Running "USA Radio News" and into Oreck vacuum cleaner ad at 1703:30. Out of news at 1705 with a promo for "County Court Side" sports show, Thursdays at 7pm on WEGP 1390, and WREM 710." **(BT-NB)**  
**WEKC KY** Williamsburg - 10/20 2015 - Fair: "Williamsburg" and "Kentucky" mentioned in several ads. **(SC-IN)**  
**KUET AZ** Black Canyon City - 10/22 0006 - Very weak but steady: "710 AM KUET" into Bill Black's "Smokie Pt. 2". Must be on day power/pattern making for easy catch and heard several nights. **(SC-IN)**  
**730 KEEL LA** Shreveport - 10/22 0105 - Good: "News Radio 710 KEEL." **(SC-IN)**  
**WACE MA** Springfield - 10/18 1800 - IRN news; ad for Midwest Center for Stress and Anxiety's free tape (I almost called!); more news; Sears ad; more news and stock update; then "Information Radio Network" slogan and ID: "WACE Chicopee-Springfield." First time heard since I moved to Clifton Park. **(GL-NY)**  
**790 WTSK AL** Tuscaloosa - 10/19 2317 - On top of mess from time to time with GOS music, ID "Great gospel music 24 hours a day, this is 'The Truth', WTSK." New! **(JF-ON)**  
**800 KREI MO** Farmington - 10/17 0600 - Very weak: "The Voice of the Missouri ?, AM-800 KREI Farmington" into ABC News. **(SC-IN)**

CKLW ON Windsor - 10/19 1900 - 3 hour reunion of "The Big 8 CKLW" with all the Big 8 Jocks, jingles, commercials and more for an upcoming film. (SC-IN)

820 WXTR MD Frederick - 9/29 1900 - Simulcast of WTOF fading into skywave co-channel. (DL-MD)

WOSU OH Columbus - 9/29 1950 - Community bulletin board with frequent Ohio and Columbus events. WXTR faded out about an hour earlier. (DL-MD)

830 WEEU PA Reading - 9/30 2020 - Mentioned WEEU several times in ads then faded. "Eight thirty AM WEEU." (DL-MD)  
+ 10/18 1807 - "On WEEU" popped up out of the mix, then discussion of sports lineups and games and "Sportstalk with Paul Roberts." Totally faded out at sunset. New. (GL-NY)

WCRN MA Worcester - 10/20 1707 - W/ ad for the new CD "Christmas with the Rat Pack" featuring Frank and his friends, then mention of the Frank & Friends radio program, mention of jimraposa.com web site, and then full ID at 1714 "Swing 830, WCRN." (BT-NB)

850 WDJA FL West Palm Beach - 10/5 2330 - ESPN (at times as strong as QSA3) fading back & forth with co-channel unidentified SS. Finally caught ID "on WDJA" on the half hour. Using LSB to clear adjacent channel interference from 860 kHz. (DL-MD)

870 WWL LA New Orleans - 10/6 2200 - "WWL New Orleans, your News Talk Leader." Sports and talk. QSA4 with very little co-channel, rather good for so early in the year. "From the heart of the Crescent City this is WWL." (DL-MD)

890 WLS IL Chicago - 10/6 2355 - "Log in to WLS dot com for the latest." With mild co-channel from a sports format. (DL-MD)

880 WCBS NY New York - 10/6 2305 - "From the world headquarters of CBS this is WCBS." "WCBS News Time eleven oh six." "Traffic and weather together on the eights." (DL-MD)

910 WSBA PA York - 10/5 1130 - "On the WSBA Fun Line... here on WSBA." PA-area advertising into a talk show. Heavy QRM from nearby WILC on 900 kHz. (DL-MD)

920 WGHQ NY Kingston - 10/18 1815 - Song "Garden Party"; mention of a Madison Square Garden concert; Ovaltine ad; "from WGHQ and the Mid-Hudson Valley Credit Union..." Extremely poor reception under much noise. (GL-NY)

940 WMIX IL Mount Vernon - 10/18 1914 - Alone on west wire with NOS music, ID "We are something special, WMIX." (JF-ON)

950 WCTN MD Potomac - 10/19 1600 - "AM nine fifty, WCTN." Recorded music up to the hour followed by a teen orientated program. (DL-MD)

990 CBY NL Corner Brook - 10/20 1716 - Rex Murphy's Cross Country Checkup call-in show, taking calls on this week's topic of Canadian immigration policy. (BT-NB)

1010 WINS NY New York - 10/11 2009 - "On ten ten WINS News." With co-channel. (DL-MD)

1040 WSGH NC Lewisville - 10/11 2000 - Spanish programming. On the hour in English: "This is WSGH Lewisville." (DL-MD)

1060 WBIX MA Natick - 10/20 1720 - Talk of Patriots football, taking calls at 877-711-1060 and ID for "Business Radio 10-60." (BT-NB)

1070 WKOK PA Sunbury - 10/21 1808 - Male voice saying "WKOK newstime 6:08" popped out of the slop and immediately disappeared. (GL-NY)

1110 KFAB NE Omaha - 10/19 1920 - Stronger than usual with promo for Doctor Laura, into sports talk. (JF-ON)

1120 WKQW PA Oil City - 10/17 1926 - surfaced out of mess with ID at end of local weather: "47 degrees at WKQW Oil City". Daytime only and presumably thumbing their nose at the FCC by staying on past local sunset. (MKB-ON)

1130 WRKY KY Murray - 10/2 1817 - Station slogan heard several times: "this is Oldies WRKY." Several oldies heard, including "Monday, Monday" and "Twist and Shout". Fair to good signal but mixing at times with KAAB. (RCP-IN)

KAAB AR Batesville - 10/2 1827 - Station slogan "you're listening to the Solid Gold Jukebox" followed by Dion's "Ruby Baby". 22th AM NRC Log shows religious and gospel format. I placed call to station and they confirmed a change to oldies format. Great signal but mixing badly at times with WRKY. New. (RCP-IN)

1150 WGGH IL Marion - 10/22 1830 - caught only "11-50, WGGH" through evening clutter while listening for LSS change-overs. (PC-VA)

1160 WAMB TN Donelson - 10/7 1812 - Male voice said: "this is Bill Miller, welcome to Miller Time", followed by a Gene Autry song. Faded up briefly then lost in mess. (RCP-IN)

1240 WRTA PA Altoona - 10/18 1924 - break in action during Gettysburg vs. Altoona high school football game: "it's 21-0 Altoona, back after these messages on WRTA", but faded out before I could copy the local ads, which would have been good material for a reception report. (MKB-ON)

1250 WARE MA Ware - 10/20 1800 - TOH news, followed at 1805 by "This is Hometown Radio - Hometown Radio, AM 12-50, WARE, Ware, AM 12-50", with echo sound effects. (PC-VA)

1260 WZBO NC Edenton - 10/18 1945 - Football between Eagles and Mounties with 14-7 score when tuned in, but Mounties made it 20-7. ID during 60-second break at 2007, "WZBO, Edenton". Signal up and down during evening mishmash. Didn't wait for final score. (PC-VA)

WWVT VA Christiansburg - 10/19 0800 - Weather, then "This is WWVT, Christiansburg-Blacksburg, a broadcast service of Virginia Tech". Followed by BBC news, complete with on-the-hour time pips. (PC-VA)

1300 WJFK MD Baltimore - 10/21 1925 - over WXRL's groundwave with promo for "The Lawyer Show, every Saturday morning at 9 on WJFK" into sports talk about yesterday's Ravens game. (MKB-ON)

1330 WETZ WV New Martinsville - 10/19 0648 - Good at times with C&W music // FM 103.9, "Power Country 104" slogans, and promo for Ohio Valley Jamboree. Ex News/Talk. (JF-ON)

1340 WXXK WV Clarksburg - 10/26 0727 - "Your forecast of ESPN Radio on the X, 13-40 AM, WXXK", then local weather. Later, "That's your forecast from ESPN Radio 13-40 AM, WXXK ... WXXK, Clarksburg". Semi-local WEPM-WV nulled. (PC-VA)

1350 WGAD AL Gadsden - 10/5 1842 - "This is the Crimson Tide Sports Network" with ads for Stargill Tire Barn, Slotzgey's Deli on Rainbow Drive near the mall in Gadsden and Richards' Motors, etc. Very strong signal with little fading. (RCP-IN)

WCHI OH Chillicothe - 10/19 0709 - Way under a strong station that was testing with tones. NOS music, ID "you're tuned to WCHI 1350, the station that gets results", back to NOS. New and much wanted! (JF-ON)

1370 WLTC NC Gastonia - 10/11 1820 - Dual ID given for WLTC 1370 and WCGD 1490 AM. Promos heard for Emmanuel Baptist in Gastonia, also mention of the Heart Crusade coming to Charlotte. Many other religious happenings heard. Good signal. (RCP-IN)

1390 WXTC SC Charleston - 10/17 - 1955 - Gospel music with ID at TOH, "WXTC, Charleston", then singing ID with female voices, "Heaven, heaven 13-90, I've got heaven ...". Local WINC-1400 nulled and RF Gain on R8 backed off. (PC-VA)

WVAA VT Burlington - 10/24 0106 - noted with new calls (ex-WKDR), ID followed news break, and the interference from WDCW was so bad I really couldn't determine the format at all! Web search says this changed calls on 9/24. (JR-NY)

1420 WRCG GA Columbus - 10/16 2215 - "... 14-20, WRCG. WRCG now resumes its regularly scheduled program ...". Fortuitous catch while paused on this frequency. (PC-VA)

1460 WKDV VA Manassas - 10/22 1931 - wiping out semi-local pest CJOY with SS talk show, two callers who said they were calling from Manassas, several mentions of "el tirador" (the sniper). (MKB-ON)

1530 WVBF MA Middleboro - 0/25 1858 - Massachusetts Reading Network station list, beginning with WVBF, and ending with WNRC! (Nichols College Radio). New! (JR-NY)

### *It may not be perfect ...*

but the NRC AM Log is, simply, the best there is because of your contributions. Why not make the next edition even better? Send all corrections and changes to  
Wayne Heinen - 4131 S. Andes Way - Aurora, CO 80013-3831, or amradiolog@nrcdxas.org. Thanks!

# International DX Digest

**Foreign DX Catches. Times are UTC; for ELT, subtract 5 hrs.**

**Bruce Conti** nrcidxd@aol.com  
46 Ridgefield Drive  
Nashua, NH 03062-1174

"Awfully slim pickings, but until I get a decent antenna outside, this is what I have to count as exciting, hi hi!" is how Brent Taylor introduced his log report. Hey, if it's international DX received over thousands of miles, then it's exciting! This week DXers pause to catch their breath after the volumes of logs over the past couple months. Nice stuff nonetheless.

## Transatlantic DX

1044 MOROCCO RTM Sebaa-Aioun OCT 24 2304 - Huge signal, but weak audio with a man in Arabic and string music, suddenly disappeared at 2308, early sign-off? [Conti-NH]

## Pan-American DX

- 530 TURKS & CAICOS R. *Visión Cristiana* OCT 18 0317-0339 - Presumed; Spanish religious program. Very good peaks mainly over CIAO. [Frodge-MI]
- 650 MEXICO XETNT Los Mochis SIN OCT 18 0621 - Fair to good in tight WSM null with music, chatty announcer. A few "Radio 65" canned IDs heard and several "La Ley" in 0800 hour. New here. [Loy-IL]
- 670 CUBA R. *Rebelde* OCT 18 0413-0502 - Easy listening vocals before 0430 and news features after. ID at 0459, music again after 0500. All in Spanish. Poor with occasional fair peak under WSCR *The Score*. [Frodge-MI]
- 750 VENEZUELA YVKS RCR Caracas OCT 23 0244-0255 - Male/female alternating talk. Into commercials at 0246, with many mentions of Caracas. Full ID at 0251. Good signal, occasionally fading down to about half strength with some long, slow flutter. No sign of WSB. [Taylor-NB]
- 820 MEXICO XEMVS Mexicali, SO OCT 23 1440 - With a real nice set of late '60s and early '70s hits. Very nice signal and no ads, IDs or anything for almost 40 minutes when broken up by one ad with a Mexicali phone number. [Redding-AZ]
- 1010 MEXICO XEXN Ures, Sonora OCT 18 0804 - With ID and "diez mil watts de potencia," and playing ranchera, what else? New. [Redding-AZ]
- 1030 MEXICO XEMPM El Fuerte SIN OCT 18 0600 - Huge signal and big surprise here, caught sign-off with many echoed "Radio Fama" announcements and one mention of El Fuerte, instrumental anthem and off. New here. [Loy-IL]

## International News

- AMERICAN SAMOA: WDJD 580 Pago Pago is shortly changing call to KJAL according to Vickie Haleck, Station Manager. [David Ricquish, OCT *New Zealand DX Times*, NZRDXL] According to the FCC database, the call sign change has been granted.
- GERMANY: DRM long term test transmissions on mediumwave 531 Burg, Germany (Medienstadt Sachsen-Anhalt), 24-hrs Multimedia, to Burg region. [Bob Padula, EDXP, OCT 18 *DX Listening Digest*]
- IRAQ: Clandestine from ? to Iraq. Following up on the *NY Times* story reporting that the Pentagon will start broadcasts to Iraq in a few weeks, I looked at Clandestine Radio to see what frequencies were used during the Gulf War by the Voice of the Gulf station that the US military operated. That schedule was 0300-2100 1134 kHz and 1800-1900 on 8962 kHz. No telling what they will use this time, but these would be good places to start checking. [Hans Johnson, OCT 18, Cumbre DX via *DX Listening Digest*]
- JAPAN: *Eagle 810*, <http://www.yokota.af.mil/afn/radio.htm>, the American Forces radio station in Tokyo, is back on the air after a break of three weeks during which its transmission equipment was upgraded. A new phaser has been installed in the station's 50 kW transmitter. Operations Superintendent, Air Force Master Sgt. Tracie Adams, hopes the improved signal will expand the station's coverage area. At Camp Fuji, for example, the old AM signal could not be received well inside buildings "because they're on the edge of our footprint." The station came back on low power while everything was tuned up, but the signal should be back up to full power by now... And there's a new station slogan: "Hot news, hit music." [R.Netherlands Media Network, OCT 18 via *DX Listening Digest*]

PARAGUAY: 1383 ZP8 R. Concepción ex-1380 heard September 27th. [Rubens Ferraz Pedroso in DXCB, via ARC CA/SA *News Desk*]

## Contributors

Bruce Conti, Nashua NH; Drake R8B, MWDX-5 LC-tank phasing unit, 15-m vertical 23-m horizontal Double-Ewe antenna.  
Harold Frodge, Midland MI; Drake R8B, 85-ft/215-ft random wires, 125-ft single loop. <yukon@tm.net>  
Eric Loy, Champaign IL; Drake R8 and Quantum QX. <ecloy@netscape.net>  
Kevin Redding, Mesa AZ; barefoot Sony ICF-2010, 1958 GE Model 780P chrome plated dinosaur, unaided. <amfmdx@fastq.com>  
Brent Taylor, Doaktown, NB; Grundig YB-400PE, Radio Shack Loop. <btaylor@abc.nb.ca>

73 and Good DX!

## Is AM (Broadcast Band) DXing Dying?

By César Objío

I attended the Lima, Ohio, Convention, and I was surprised to see that most of the attendants were more than 50 years old, including myself.

Even though we have a membership of about 800 members, and the club is running well, I kept thinking that our hobby is in danger of disappearing.

Why? Because of what I said in my first paragraph. Membership is getting older and older. Example? Ernie Cooper, one of the most enthusiastic of DXers, is already gone, and we are all in line, waiting. Another thing is that the actual candidates for AM DXing are not finding it easy, as we did in the 50's and 60's, to catch a distant station in AM, so the bug won't bite the young boys as easy as it did with us. Is there somebody to introduce them to this difficult hobby?

I remember that during the 50's it was very easy for me to hear, every night, AM US stations in Santo Domingo, also from Mexico, Cuba, South America, etc.; it was very easy for me to hear R. Belgrano, Buenos Aires, Argentina, late at night on 950 kHz. Others from Brasil were also easy, and Venezuela, Colombia, Ecuador, were an every-night banquet, even from Central America, not far from my land.

I was surprised to hear one night a station named "El Heraldo del Chocolate Abuelita". Intrigued by this ID I looked at the WRTH and I found it there, operating from a town in Mexico. XERF was a local every night on 1570 kHz with 150 kW. New York on 660, 770 and 880 were also easy after midnight. I even caught AM stations from Monte Carlo, Poland, Cairo, and some other European stations. But not any longer.

That was a very long time ago. Now it is impossible to hear from here stations from Venezuela and Colombia. Why? The Dominican dial has become so crowded, and the existing local stations are now operating on a 24-hour-a-day basis. How can I catch a new station from abroad with so many, so many stations in the local dial, including from Venezuela and Colombia, existing only as a constant noise in every frequency?

Now, what I think of is the following: How can a prospective DXer be interested in such a mess in the dial when everything is only a noise? Will they be interested in following our hobby? And more when they have right now a lot of different amusements at home with TV, TV games, cable TV, computers, computer games, Internet, etc. Will they despise all of this in order to take a simple AM radio and try to hear hard to get stations? I wonder.

The youngest member attending the Convention, I was told, was a 28-years-old. That is good. And there may be more of them scattered around in the United States. And I know that not everybody can attend a Convention due to the expenses involved, mainly in transportation, you tell me. I could attend only due to the fact that a nephew of mine living in Albany, N.Y., paid my Santo Domingo-New York ticket, otherwise I could not have been there. And I really enjoyed it; that is why I planned this attendance a long time.

I don't know what can the club do in order to try and get new young boys interested in this ever challenging hobby. Contests? Prizes? Hmm.

I can say that I really enjoyed those times, when it was very easy to hear far-away stations, no longer heard now on my radio. Sorry.

Comments are appreciated.

**Need more information about AM DX'ing?**  
Mail a First-Class stamp to NRC Publications - P. O. Box 164 - Mannsville,  
NY 13661-0164 and ask for the NRC Publications Catalog.

# 12 Geomagnetic Summary

Phil Bytheway phil-bytheway@teknologic.net  
 9705 Mary NW  
 Seattle, WA 98117-2334

High "A" values indicate possible auroral conditions

For some reason, the SA Forecast and GM Forecast are not being sent anymore. Will wait and see what happens.

## Geomagnetic Summary May 1 2002 through October 13 2002

SWF - Space Weather Forecast    pca - polar cap absorption  
 maf - major flare                SWT - Space Weather today  
 mas - major storm                spe - satellite proton event  
 mis - minor storm                ss - severe storm

Date	Flux	A	K	SWE	SWT	Etc.
5/22	142	7	3	none	none	8
23	143	10	2	minor	none	6
24	150	6	2	none	none	4
25	145	11	3	none	none	7
26	144	7	1	none	none	5
27	139	4	1	none	none	6
28	137	6	2	none	none	2
29	143	7	2	none	none	5
6/30	147	12	4	none	none	8
7/1	147	16	2	none	minor	6
2	149	5	2	minor	minor	3
3	173	6	2	strong	minor	3
4	146	6	3	minor	minor	6
5	139	14	4	minor	minor	7
6	134	21	3	minor	minor	10
7	137	11	2	minor	minor	4
8	131	10	4	minor	minor	3
9	136	17	4	minor	minor	7
10	129	8	2	none	minor	6
11	136	7	2	moderate	minor	4
12	133	15	2	minor	minor	6
13	135	7	2	minor	minor	6
14	144	4	1	none	minor	2
15	160	5	2	strong	minor	5
16	172	12	3	minor	minor	9
17	180	16	3	moderate	minor	6
18	181	7	1	minor	strong	1
19	182	10	4	minor	minor	8
20	185	18	4	minor	strong	6
21	182	22	2	minor	none	6
22	190	15	3	minor	minor	6
23	198	11	2	minor	strong	9
24	208	11	2	minor	minor	5
25	218	11	3	minor	minor	5
26	242	16	3	minor	minor	7
27	231	14	3	minor	moderate	7
28	239	10	2	minor	minor	3
29	234	12	3	minor	minor	5
30	227	9	2	none	minor	7
7/31	209	9	2	minor	minor	4
8/1	193	23	5	minor	minor	5
2	180	30	5	moderate	minor	9
3	168	18	2	strong	minor	6
4	151	15	2	moderate	minor	5
5	142	8	2	minor	minor	8
6	145	5	2	none	minor	4
7	136	7	2	minor	none	3
8	135	6	3	none	minor	6
9	140	15	4	none	minor	8

10	148	14	3	minor	minor	5	flares
11	172	12	3	none	minor	7	flares
12	184	13	2	none	minor	5	flares
13	192	13	2	minor	minor	6	flares
14	208	13	3	minor	minor	7	flares
15	210	21	4	minor	minor	9	flares
16	214	19	2	moderate	minor	5	flares
17	227	11	2	minor	minor	6	flares
18	241	15	2	minor	minor	9	flares
19	237	22	3	minor	minor	10	flares
20	228	15	3	moderate	minor	10	flares
21	220	34	3	strong	minor	6	flares
22	220	9	2	moderate	moderate	5	flares
23	210	10	3	minor	moderate	7	flares
24	196	7	1	strong	moderate	5	flares
25	179	8	3	minor	minor	6	flares
26	169	21	3	minor	minor	6	
27	161	14	3	none	minor	5	
28	163	10	2	minor	minor	8	
29	169	8	2	minor	minor	7	
30	170	10	1	strong	minor	5	
8/31	180	12	3	none	minor	7	
9/1	181	12	2	none	minor	6	
2	174	12	2	none	minor	3	
3	171	7	6	moderate	minor	10	
4	171	35	3	moderate	minor	6	
5	175	12	2	none	minor	6	
6	178	8	1	none	minor	3	
7	183	36	6	strong	minor	9	
8	192	23	3	moderate	minor	7	
9	206	6	2	minor	minor	7	
10	221	15	3	minor	minor	9	
11	216	23	4	moderate	minor	8	
12	212	15	3	no storms	minor	7	
13	206	18	3	no storms	minor	9	
14	207	8	1	no storms	minor	9	
15	188	8	2	minor	minor	6	
16	183	6	2	minor	minor	3	
17	194	14	3	no storms	minor	6	
18	177	13	2	no storms	minor	7	
19	165	16	5	no storms	minor	5	
20	164	4	1	minor	minor	5	
21	159	7	1	no storms	minor	5	
22	160	7	2	no storms	minor	4	
23	154	3	0	no storms	minor	1	
24	158	5	2	no storms	no storms	1	
25	153	5	2	no storms	no storms	4	
26	150	6	1	no storms	no storms	6	
27	152	7	1	minor	minor	4	
28	149	5	2	no storms	minor	3	
29	138	4	1	minor	minor	5	
9/30	138	4	5	minor	minor	8	
9/30	140	24	4	moderate	minor	4	
10/1	140	34	6	strong	minor	10	
2	136	35	6	strong	minor	10	
3	146	27	7	moderate	minor	8	
4	158	40	3	strong	moderate	7	
5	155	21	3	moderate	minor	7	
6	162	16	3	minor	minor	7	
7	164	31	3	moderate	minor	10	
8	165	28	2	moderate	minor	6	
9	167	19	3	minor	minor	7	
10	172	16	2	minor	minor	7	
11	179	8	1	no storms	minor	6	
12	180	9	1	no storms	minor	5	
10/13	179	7	1	no storms	minor	6	

## Western States TIS Updates

By Tim Hall

The following notes were taken during a car trip Oct 5th-19th, 2002, with 1-2 night stays in Solvang, CA; Carmel-by-the-Sea, CA; The Sea Ranch, CA; Crescent City, CA; Bandon, OR; Crater Lake Rim Village, OR; Burney, CA; Chester, CA; and Mammoth Lakes, CA. Equipment consisted of my ICF-2010, Kiwa Loop, Marantz tape recorder, Intermatic timer, and the weak car radio in our Toyota Prius.

Some of the HAR stations listed here are part of the new COATS system (California-Orgeon Advanced Transportation System). Whereas the California stations in this network were very much in evidence (inactive, but lots of signs up), I saw no activity on the Oregon side of the border in support of this initiative.

On to the listings...

- 530 (WNFU248)CA Bishop Delete this listing. We've been through here several times in recent years and there has never been a sign or a trace of a station.
- 530 (HAR) CA El Toro / Mission Viejo Delete these listings. (Orange County CalTrans stations are on 1620 these days). LAX Airport TIS is still active on 530 and widely audible around LA.
- 530 TIS CA Klamath National Forest Test loop noted on several nights from Oregon: "You are listening to a test broadcast operating on 530 kHz AM from the Klamath National Forest"
- 530 WNSA852 CA Oakland City TIS is active and getting out well with information about fire season.
- 530 (WNQV784)CA Pismo Beach This should probably be deleted. There are no signs for it, and I have not logged it on several recent trips through this area.
- 530 WPUV620 CA San Mateo New city TIS gets out well. Tape loop mentions phone number 650-344-8592. There are 3 other TIS stations listed on 530 in San Mateo but this was the only one we noted.
- 530 (KMG849) CA June Lake Has never been noted on multiple visits. No signs.
- 530 (WNFU245)CA Mammoth Lakes Has never been noted on multiple visits. No signs.
- 530 (KNEU564)CA Truckee-Lake Tahoe No sign of a station here.
- 530 (WPFM427)NV Carson City Convention/Vistors Bureau station not noted from the south end of town as we drove through. No signs.
- 530 (WPLX255)NV Incline Village NV DoT station not noted in this area. Station is further south.
- 530 WPLX255 NV Lake Tahoe NV DoT HAR gets out pretty well with detailed road closure info //1610 Carson City.
- 530 (WPJK465) OR Gold Beach Silent, no signs up.
- 620 WPF5414 CA Inglewood City TIS is on with information about local sporting venues, etc.
- 830 KNN5724 CA Carmel Valley Carmel Valley Village TIS gets out rather poorly. Interesting long tape loop includes Willie Nelson's "What a Wonderful World" in its entirety, and part of Chicago's "Does Anybody Really Know What Time It Is?"
- 840 WPEX988 CA Belvedere Noted with tape loop from local police department.
- 840 (WPIJ667) CA Santa Cruz No station noted here, no signs along CA-1.
- 1330 WPGU994 CA Corte Madera City TIS noted getting out well during the day.
- 1610 (WPUH732)CA Arcata Noted signs on both sides of US 101 at CA-299 junction, but station was not on. I found no sign of any station on 1630 in this area.
- 1610 (WPNQ481)CA Bridgeport There was no trace of a station as we drove through, and no signs. (The sister station in Coleville was on the air and getting out well as we drove through Coleville).
- 1610 (WPFK506)CA Burney Signs are up for CalTrans COATS station on all 4 sides of CA-139/CA-299 junction, but station was not on at the time.
- 1610 (HAR) CA Carson Not noted this time (I think the signs are gone now, but traffic on the 405 was very heavy so I might have missed them).
- 1610 WPNQ481 CA Coleville Mono County station for the "Antelope Valley" area along US 395 (Coleville, Walker, Topaz Lake) gets out very well. Logged as far north as Crater Lake with information about volunteer fire department and library. Calls itself "AVIS - Antelope Valley Information Station".
- 1610 (KPB794) CA Crescent City Delete this old listing for a Redwoods National Park TIS. There is no evidence of such a station, and CalTrans has recently built a COATS

- HAR station here.
- 1610 (HAR) CA Crescent City CalTrans has built a COATS HAR station here. Noted signs at south end of town on US 101. (These stations are only on the air when the lights on the signs are flashing. The signs used by all COATS stations we saw were identical.
- 1610 (WPPD491)CA Eureka Noted signs on both sides of US 101 at both the north and south ends of town, implying two stations, but there may be only one.
- 1610 (WPTJ432) CA Ft. Bragg No station noted here, and no signs were noted.
- 1610 (WPVP711)CA Gasquet - Collier Tunnel - Smith River Canyon CalTrans COATS HAR station at the US 199 rest area at the SW end of the Collier Tunnel was not on the air as we drove by, but signs were up. Internet listings for Gasquet, Smith River Canyon, and Collier Tunnel are all referring to this one station.
- 1610 (WNKB689)CA Gilroy No station noted here, no signs along CA-1.
- 1610 (KMC489) CA Johannesburg Delete this listing. It has never been noted on multiple visits over 3+ years, and there are no signs for it.
- 1610 (KMC472) CA Lone Pine Delete this listing. It has never been noted on multiple visits over 3+ years, and there are no signs for it.
- 1610 (KPB793) CA Malibu Noted running OC as we drove by the Malibu city center.
- 1610 WNHN952 CA Monterey City TIS is active, doesn't get out particularly well.
- 1610 KPB796 CA Orick Redwood National Park station gets out pretty well with information about elk viewing areas on Davidson Rd. near US 101.
- 1610 (KPB795) CA Prairie Creek Redwood National Park station not noted, and no signs were up for it.
- 1610 (KPB799) CA Pt. Mugu Signs are still up for the Santa Monica Mountains NRA station, but I suspect it has been off for years.
- 1610 KPB749 CA Pt. Reyes National Seashore Primary station for this area gets out well with information for visitors approaching the lighthouse, visitor center on Sir Francis Drake Highway, and Tomales Bay. This one really gets out well along the coast to the north.
- 1610 KPB749 CA Pt. Reyes National Seashore: Stinson Beach There is a low-power station located along Hwy 1 just north of Stinson Beach. The tape loop uses the same call sign as the main station, but includes information for people approaching Point Reyes National Seashore from Stinson Beach. Signs along Hwy 1.
- 1610 (KPB749) CA Pt. Reyes National Seashore: Olema We noted signs for a third station at this location, but no station was operating there at the time.
- 1610 (KMC471) CA Ridgecrest This station has never been noted from US 395, nor was it noted the night we stayed in Ridgecrest a few years ago.
- 1610 (KPD607) CA Santa Cruz No station noted as we drove through.
- 1610 (HAR) CA Tahoe Vista No sign of any HAR station here. I don't think KNEU564 Tahoe City was on either, but we weren't close enough to be sure.
- 1610 (KNEU564)CA Truckee Noted fairly new-looking signs on CA-89 at the N. end of town. Station wasn't on as we drove through.
- 1610 KNEC996 CA Yosemite area (west end, exact location unknown) Really getting out now. Noted on numerous nights with the following message: "You're listening to the Yosemite Area travelers (network?). Welcome to the Yosemite region. Sonora Pass is open. Tioga Pass is open. This message will be updated as conditions change."
- 1610 KNEC996 CA Yosemite area (east end, Lee Vining) The Tioga Pass road condition HAR is now operated by CalTrans, presumably from their maintenance yard near the junction of US 395 and CA-120, and now using these call letters which are normally associated with mobile CalTrans stations. This station does not currently get out like the one at the west end does. The tape loop contains most of the information in the west end station's tape loop (except for the Sonora pass update), plus a section on the Yosemite Area Regional Transportation System (YARTS). The YARTS information is probably a holdover from the tri-county radio station that used to be here (WPIR354). Delete the listing for WPIR354 in Lee Vining.
- 1610 HAR NV Carson City NV DoT HAR is on and gets out pretty well with detailed road closure //530 Lake Tahoe.
- 1610 HAR NV Sparks? From Burney, CA at night, we heard a test message from NV DoT that seemed to be saying it was in Sparks. We were in Carson City a day



- or so later and it definitely wasn't that station, so we may have a new HAR station in Sparks.
- 1610 (TIS) OR Beaver Hill We were in this area for 2-3 days and there was no sign of a Forest Talk station here.
- 1610(WPFI870) OR Berry Bogs We were in this area for 2-3 days and there was no sign of any station in the (cranberry) bogs area near Bandon.
- 1610 Realtor OR Brookings Talking house noted as we drove through. Must have been a few blocks off the highway as it was barely audible.
- 1610 KOC741 OR Cave Junction Oregon Caves National Monument TIS is located at or near the Illinois Valley visitor center in Cave Junction. Gets out very poorly, possibly carrier current. Tape loop includes call letters.
- 1610 (KOC736) OR Crater Lake NP Annie Spring (south) entrance station was running OC and getting out poorly. No signs.
- 1610 (KOC737) OR Crater Lake NP (North) entrance station was not on as we drove by. No signs.
- 1610 (KOC735) OR Crater Lake NP Rim Village station was not on the 2 days we stayed here. No signs.
- 1610 (WPFI870) OR Curtin No sign of a TIS here.
- 1610 (WNFP221) OR Drain No sign of a TIS here.
- 1610 (KOC713) OR Ft. Klamath No sign of a TIS as we drove through. There wasn't one when I drove through in 1988 either, so this station is probably long gone.
- 1610 (KOQ226) OR Glenada No sign of any TIS in Glenada.
- 1610 (KOQ227) OR North Bend No sign of any TIS in North Bend. This station is listed as pertaining to the Siuslaw National Forest, but this forest does not extend down to the North Bend area. We went as far north as Heceta Head lighthouse and found no TIS that would match this description.
- 1610 (TIS) OR Pass Creek No sign of a Forest Talk station here. This listing may be a redundant listing of the Curtin or Drain stations. Another station is listed in Cottage Grove, but we weren't quite close enough to Cottage Grove to verify that station was off too.
- 1610 (KOQ228) OR Reedsport No sign of any TIS in Reedsport.
- 1610 (WNLA427) OR Reedsport-Dune Creek No sign of any TIS at the Dune Creek elk viewing area east of Reedsport on OR-38.
- 1610 TIS OR Tillamook State Forest This was the only Oregon "Forest Talk" station noted while we were in SW Oregon, and it gets out really well at night with a long tape loop geared for motorists on Oregon highway 6. Mentioned offices in Forest Grove and Tillamook.
- 1610 (KOQ229) OR Winchester Hill No sign of a TIS here. Looks like this entire series of stations is gone.
- 1610 WPKY673 WA George This unique station is still getting out well. Logged at night from Bandon, OR with "Agfarmation" format. Tape loop contained a very full ID except for incorrect call letters "WFPY673".
- 1610 TIS WA Richland NOAA weather relay station is still getting out well. Logged from Bandon, OR at night.
- 1610 WPKV296 WA Toppenish City TIS gets out very well with civic information (points of historical interest, etc.). Logged from Bandon, OR at night.
- 1620 WPTD929 CA Malibu Listed as multiple stations, but there seemed to be only one transmitter, around the junction of CA-1 and CA-23. Covered most of Malibu's 27 mile city limits with faint signals at either end.
- 1620 WPMR237 CA Morro Bay City TIS gets out very well with typical civic information.
- 1620 WPQY890 CA Oceano Tape loop with 2 men talking about the Oceano Dunes State Vehicle Recreation Area and nearby Oso Flaco Lake.
- 1620 WNZA955 CA Pebble Beach Gets out well with civic information (message was largely about trash collection).
- 1620 (WPKE794) CA Torrance Was off the air on 10/5. (This one was on a few months ago; may have just been off the air today). I've never logged the CalTrans HAR that has been listed on 1620 in Torrance.
- 1630 (HAR) CA Arcata We found no evidence of a station on 1630 in this area as had been listed.
- 1630 Realtor NV Gardnerville Talking house from Carson Valley Homes realtor.
- 1630 (TIS) NV Lake Tahoe No TIS was noted from the north or east shores of the lake.

- 1660 Realtor CA Gleason Beach Adams Realty talking house for beachfront home at 5885 N Hwy 1 in Sonoma County north of Bodega Bay. Realtor's name was Scott Adams (guess the Dilbert royalties must have tapered off recently!).
- 1670 TIS CA Ft. Bragg "Fort Bragg Visitor Information Radio" is still on the air despite KNRO-1670, but gets out very poorly. Possibly carrier current. Only audible for a few blocks during the day and doesn't get out at night. Tape loop is mostly a PL for the transmitter company that donated the equipment. Noted one tiny AM 1670 sign near a gas station.
- 1680 WPPD481 CA Pescadero City TIS contains two messages: a tape loop with civic information and a two-minute snippet from NOAA weather. Gets out well along the coast.
- 1680 TIS CA Truckee-Lake Tahoe North Star Ski Area TIS puts out a strong midday signal but there are no signs along CA-267 to call attention to it.
- 1700 WNCM749 CA Burbank Burbank Airport station really gets out well these days. Logged as far north as The Sea Ranch, CA (100+ miles north of San Francisco).
- 1700 (HAR) CA Los Angeles Airport area traffic station signs are still up, so this station was probably just off today.
- 1700 WPMD956 CA Norwalk Cerritos College station also gets out very well, logged as far north as Bandon, OR.
- 1700 WPTZ516 CA Oakland Oakland Airport TIS gets out well, logged from Bandon and Crater Lake, OR at night. Be careful not to get this one mixed up with the Burbank Airport station which also gets out well.

## IRCA TIS LIST (2000)

COMPLETELY REVISED BY IRCA'S BILL HARMS TO 9/00, THE IRCA "TIS/HAR LIST" INCLUDES AM/FM AND TV LISTS FROM THE US AND CANADA. THIS 28 PAGE "DX AID" CAN BE YOURS FOR ONLY \$5.00. NON-IRCA/NRC MEMBERS... ADD \$1.00. OVERSEAS... ADD \$0.50. Order your copy today, in US funds payable to Phil Bytheway, from

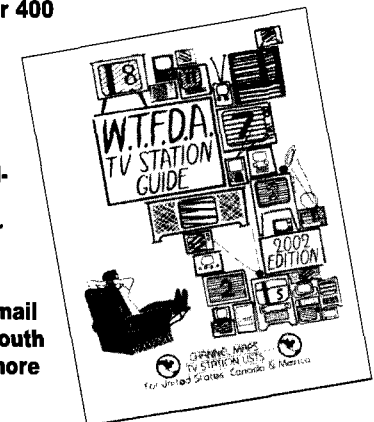
IRCA Bookstore - 9705 Mary Ave. NW - Seattle, WA 98117-2334

## IRCA's Foreign Log, #10

NOW available, this updated edition contains ALL the SDXM, DXWW-E, and DXWW-W tips from 9/96 to 7/99... almost three years of material, all collated and in frequency order by TA, PA and TP for each DXWW column. Prices: IRCA/NRC members - \$10.00 (US/Canada/Mexico/sea mail), \$11.00 (rest of the Americas airmail), \$11.50 (Europe/Asia airmail), \$12.00 (Australia/New Zealand airmail). Non-members: add \$2.00 to the above prices. Order your copy today, in US funds payable to Phil Bytheway, from IRCA Bookstore - 9705 Mary Ave. NW - Seattle, WA 98117-2334

## The 2002 WTFDA TV Station Guide

You just can't get any better than this! Over 400 pages of listings by channels and by plots on channel maps ... full power, LPTV's, translators, and DTW stations. The entire USA and most of Canada and Mexico is included. Convenient to use: it's 3-hole punched, 8.5x11 inches. And now, it's available to NRC members at the discounted WTFDA member price of \$23.00. Make your check or money order (U. S. funds only for those outside of the USA) payable to Dave Janowiak; write "NRC member" on it, and mail it to John Ebeling - 9209 Vincent Avenue South - Bloomington, MN 55431-2157. For even more info, go online at <http://fmdx.usclargo.com/tvg.html>.



# Domestic DX Achievements

Domestic DX totals listed periodically in different categories

**Paul Swearingen** [plsBCBDXER@AOL.com](mailto:plsBCBDXER@AOL.com)  
 2840 SE Illinois Avenue  
 Topeka, KS 66605-1427

Name and location	Yr	Last Upd.	TDT	ST	PT	DCT	TDV	SV	PV	DCV	TDH	SH	PH	DCH
Geary, Kermit-e PA	26	7/01	2768	49	10	✓	5448	50	10	✓	5939	50	10	✓
Steele, Sid-e IL	31	7/98	0	0	0		2994	49	10	✓	3400	49	10	✓
Kreiny, Ed-nr Cleveland, OH	50	11/96	0	0	0		2729	49	10	✓	3265	49	10	✓
Schiller, Ron-central NJ	52	11/98	0	0	0		2103	48	10	✓	2534	48	10	✓
Kramer, Robert-Chicago, IL	70	11/96	2733	49	10	✓	2010	49	10	✓	3803	50	10	✓
Wesolowski, Ernie-Omaha, NE	58	2/99	0	0	0		1970	49	9	✓	2115	49	9	✓
Wilkins, John-Denver/Des Moines	62	3/00	290	35	0		1931	45	7	✓	2250	45	7	✓
Starr, Jerry-Youngstown, OH	54	1/86	1055	50	10	✓	1610	50	10	✓	2159	50	10	✓
Rugg, Andy-Montreal, sc ONT	60	9/02	168	28	7	✓	1575	47	10	✓	1616	47	10	✓
Heinen, Wayne-NY/CO	64	12/96	0	0	0		1434	49	9	✓	1434	49	9	✓
Rugg, Andy-Montreal	60	9/02	168	28	7	✓	1419	47	10	✓	1456	47	10	✓
Musco, Ron-nr Hartford, CT	62	1/02	108	28	3		1244	47	9	✓	1386	47	9	✓
Jeter, Karl-Atlanta, GA	69	3/84	0	0	0		1193	44	6	✓	1574	44	6	✓
Arruda, Ray-nr Boston, MA	63	6/99	0	0	0		1150	47	9	✓	1292	47	9	✓
Chatterton, Ken-n NY	45	11/78	0	0	0		1101	50	10	✓	1845	50	10	✓
Forth, Karl-vic Chicago, IL	70	11/78	1077	48	10	✓	1088	48	10	✓	1771	48	10	✓
Falconer, Jeff-Clinton, ON	69	7/00	0	0	0		1070	49	10	✓	2799	49	10	✓
Fela, Joseph-cent. NJ	61	10/78	400	40	7	✓	1045	48	9	✓	1861	49	10	✓
Whatmough, Dave-Hamilton, ONT	51	1/00	0	0	0		1030	49	10	✓	2061	49	10	✓
Anderson, Roger-Arlington, MD	38	1/02	0	0	0		1017	48	9	✓	1017	48	9	✓
Schmidt, Dave-se PA/n DE	65	11/79	400	40	4		1006	48	8		1250	48	8	
Sampson, John-Omaha, NE	54	12/78	0	0	0		912	45	6	✓	912	45	6	✓
Malicky, John-Pittsburgh, PA	70	11/87	1184	40	6	✓	902	38	7	✓	1461	40	7	✓
Holland, George Jr., vic. Albany, NY	31	11/85	0	0	0		828	49	9	✓	828	49	9	✓
Harrison, Bob-ne NJ	82	6/98	0	0	0		772	36	7	✓	996	36	7	✓
Ponder, Stephen-Shreveport, LA	75	8/89	10	4	4		721	39	5	✓	769	39	5	✓
Voorhies, Don-New York/Oswego, NY	32	2/98	0	0	0		611	47	10	✓	1838	48	10	✓
Zank, Neil G.-Lincoln, NE	61	10/78	0	0	0		535	45	9		1100	46	9	
Wolfsh, Niel-Toronto, ONT	78	2/93	402	39	6		493	43	10	✓	1285	43	10	✓
Hopkins, Jim-s NJ	72	10/78	0	0	0		455	43	7		850	44	7	
Sampson, John-Winston-Salem, NC	68	10/78	0	0	0		450	30	1		450	30	1	
Pimper, Dennis-NE, UT	68	12/84	651	40	5		425	45	6		2447	47	7	
Rigas, Christos-vic Chicago, IL	81	3/98	0	0	0		382	44	6	✓	862	46	7	✓
Kureth, Joe-Uniontown, MD	61	1/00	0	0	0		342	41	7	✓	2162	46	10	✓
Sampson, John-Hutchinson, MN	60	10/78	0	0	0		336	42	6		336	42	6	
Taylor, Pete-San Francisco	58	3/00	70	6	1		329	31	7		450	32	7	
Foxworth, Robert-Long Island, NY	57	11/78	400	44	9	✓	270	48	7	✓	1000	49	10	✓
Edmunds, R. J.-n NJ/e PA	62	9/99	806	41	8	✓	263	42	6	✓	2001	47	9	✓
Sampson, John-Cupertino, CA	66	10/78	0	0	0		258	17	3		258	17	3	
Renfrew, Jim-New Canaan, CT	67	4/89	0	0	0		247	35	7	✓	721	39	8	✓
White, Thomas-nr Washington, DC	68	1/92	0	0	0		243	38	7	✓	970	39	7	✓
Mount, Paul-ne NJ	73	2/86	199	26	5	✓	224	33	6	✓	489	36	7	✓
Sanburn, Mike-Bellflower, CA	72	11/92	33	10	1		212	23	5		600	32	5	
Taylor, Pete-Durham, NC	52	3/00	0	0	0		208	38	6	✓	891	40	6	✓
Karchevski, Bob-San Francisco, CA	69	10/78	197	35	5		198	36	5		249	36	5	
Hayes, Harry J.-ne PA	70	7/98	641	39	9	✓	185	30	3		1354	41	9	✓
Sampson, John-New York, NY	65	12/78	0	0	0		181	33	6	✓	181	33	6	✓
Renfrew, Jim-Rochester, NY	76	3/98	68	27	5		161	42	8	✓	1678	44	8	✓
Alves, Paul H.-nr Boston, MA	48	2/99	0	0	0		145	25	5	✓	352	32	6	✓
Wallace, Jim-Columbus, OH	69	10/78	0	0	0		137	36	3	✓	795	41	7	✓
Taylor, Pete-Coral Gables, FL	45	3/00	0	0	0		132	30	2	✓	221	29	3	✓
Greene, George-Akron, OH	60	11/84	0	0	0		119	29	3		743	45	7	✓
Kureth, Joe-Southern Pines, NC	63	6/71	0	0	0		92	26	2	✓	878	38	7	✓
Edmunds, R. J.-Syracuse, NY	64	9/99	0	0	0		75	31	5	✓	533	45	9	✓
Taylor, Pete-Tacoma, WA	81	3/00	399	33	0		70	14	7		468	33	3	
DeLeurere, Harley-Hendricks, WV	55	10/78	0	0	0		59	48	10	✓	59	48	10	✓
Bezilla, Steve-cent. PA	24	10/78	0	0	0		50	45	4		3000	48	8	
Boersma, Philip-w MI	73	10/78	0	0	0		50	24	3		520	41	6	
Hardison, Greg-Atlanta, GA	64	11/78	0	0	0		42	19	5		900	36	6	
Francis, Steve-nr Knoxville, TN	70	2/00	315	45	3		37	36	0	✓	2687	48	8	✓
Houdek, Gary-n KS	75	1/81	0	0	0		31	21	1		294	34	3	
Wolfsh, Niel-Winnipeg, MAN	85	2/93	113	10	4		25	10	4		813	37	9	
Woods, Jack-w OR	74	2/81	0	0	0		25	18	0		194	26	4	

Truax, Dick- vic. Louisville, KY	72	12/78	120	35	5	✓	20	17	3		935	46	6	✓
Onyschuk, Ken-Homewood, IL	66	11/92	0	0	0		16	13	0		972	43	6	✓
Smolarek, Bob n NJ	82	6/02	78	16	5		7	7	0		817	36	5	✓
Bailey, Ron-Shelby, NC	92	4/01	0	0	0		4	4	0		1401	37	5	✓
Vervoort, John F.-Brooklyn, NY	00	10/02	9	8	0	✓	4	4	0		242	31	5	✓
Hardy, Nancy-coastal WA	69	12/84	0	0	0		3	2	0		778	40	5	
Mount, Paul-se OH	78	2/86	60	25	1		3	3	0		390	36	3	✓
Swearingen, Paul-e KS	75	10/02	711	44	7	✓	2	2	0		711	44	7	✓
Axelrod, Shawn M.-s MAN	85	10/00	0	0	0		0	0	0	✓	1913	50	10	✓
DeLorenzo, Marc-e MA	62	9/00	0	0	0		0	0	0		1172	45	9	✓
Bond, Jerry-Rochester, NY	62	10/78	50	10	2		0	0	0		785	43	8	✓
Reed, John-Ponca City, OK	95	1/02	0	0	0		0	0	0		656	40	5	
Renfrew, Jim-Severna Park, MD	71	4/89	15	8	1		0	0	0		553	36	5	✓
Winkelman, Bruce-Tulsa, OK	79	1/92	0	0	0		0	0	0		498	36	4	
Tudenham, John-Joplin, MO	90	10/97	0	0	0		0	0	0		444	36	5	
Renfrew, Jim-Raleigh, NC	78	4/89	0	0	0		0	0	0		329	7	2	✓
Turner, Richard-se MA	94	12/97	0	0	0		0	0	0		328	29	6	✓
Renfrew, Jim-New York, NY	78	4/89	0	0	0		0	0	0		242	32	2	✓
Edmunds, R. J.-ne ME	94	9/99	0	0	0		0	0	0		172	20	6	
Renfrew, Jim-San Diego, CA	84	4/89	0	0	0		0	0	0		164	17	3	

**Legend:**  
 ✓ District of Columbia heard, taped, and/or verified  
 TDH, TDT, TDV Total Domestic Heard, Taped, Verified  
 SH, ST, SV States Heard, Taped, Verified  
 PH, PT, PV Provinces Heard, Taped, Verified

Thanks for updates from Andy Rugg and John F. Vervoort. We hope to see YOUR name and updated listings the next time around. Please?

This column is arranged by "Total Domestic Verified" and then "Total Domestic Heard" as the tiebreaker, and we'll run various priorities at different times. Domestic of course include the contiguous 48 states and Canada; Alaska, Hawaii, Puerto Rico, etc., are counted as foreigners. We'll only delete listings of those who are no longer NRC members, so should you drop out and rejoin, you'll need to resubmit your totals. How about making it a priority for next time of filling in the blanks above, at least in the year started and last update column? Some of the listings are estimates, and that's just fine, but don't forget to update accurately when you can. See you next time? -73.

## IRCA AM Slogans List

Get in line NOW for your copy of the latest IRCA "AM SLOGANS LIST". Completely revised by IRCA's own Rich Toebe to 2/00 and including X-Band stations as well, this 24-page DX aid can be yours for only \$5.00. Non-NRC/IRCA members: add \$1.00. Overseas: add \$0.50. Order your copy today, in US funds payable to Phil Bytheway, from  
**IRCA Bookstore - 9705 Mary Ave. NW - Seattle, WA 98117-2334**

## A DX'er's Technical Guide

Now in its 3rd edition (published early 1998), this 155-page book answers questions on receiver and antenna theory (how to improve their performance), how audio filters and loop antennas can improve DX (and hints on their construction), how to build a Beverage and phasing unit, and much more. Only \$10.00 for IRCA/NRC members, \$12.00 for non-members (overseas airmail add \$2.50). Order your copy today, in US funds payable to Phil Bytheway, from  
**IRCA Bookstore - 9705 Mary Ave. NW - Seattle, WA 98117-2334**

## IRCA Mexican Log, 7th Edition, 2000

The IRCA MEXICAN LOG log lists all AM stations in Mexico by frequency, including call letters, state, city, day/night power, slogans, schedule in UTC/GMT, formats, networks and notes. In addition, stations that have changed frequency since 1996 are cross-referenced on the old frequency. The call letter index gives call, frequency, city and state. The city index (listed by state, then city) includes frequency, call and day/night power. The log has been completely updated from the 1998 edition and carefully cross-checked by IRCA members. This is an indispensable reference for anyone who hears Mexican radio stations. Size is 8 1/2" x 11" and three-hole punched for easy binding.  
 Prices: IRCA/NRC members - \$9.00 (US/Canada/Mexico/sea mail), \$10.00 (rest of the Americas airmail), \$10.50 (Europe/Asia airmail), \$11.00 (Australia/New Zealand airmail). Non-members: add \$2.50 to the above prices. Order your copy today, in US funds payable to Phil Bytheway, from  
**IRCA Bookstore - 9705 Mary Ave. NW - Seattle, WA 98117-2334**

# International DX Achievements

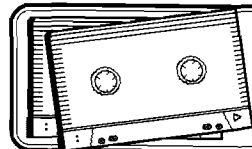
**Paul Swearingen** plsBCDXER@AOL.com  
 2840 SE Illinois Avenue  
 Topeka, KS 66605-1427

International DX verte/taped totals listed by continents

Year	DX'er	Location	Last Update	NA	Ctries	Total Veries	Forgn	As	Af	Eur	Oc	SA
1933	Geary, Kermit	PA	2001	571	115	6554	1106	2	28	152	62	291
1964	Sorensen, Morris	ON/MB	1975	375	13	537	385	0	0	9	0	1
1963	Scrimgeour, Gray	CA/ON	1971	354	47	526	440	26	1	18	31	10
1938	Anderson, Roger A.	VA/NY/PA	1993	227	105	1448	514	5	28	128	48	78
1940	Morss, Stan	MA	1993	218	84	3922	424	3	14	221	1	65
1958	Merriman, Alan	VA	1994	212	93	1615	368	4	14	88	3	47
1950	Krejny, Edward	OH	1996	208	76	2733	441	0	10	91	6	126
1952	Schiller, Ron	NJ	1999	136	86	2103	254	3	8	72	1	34
1954	Starr, Jerry	OH	1974	134	51	1209	194	0	3	20	3	34
1969	Karchevski, Bob	MA/CA	1975	112	24	204	141	0	0	0	6	0
1964	Reynolds, Bruce	MO	1977	111	28	1103	121	0	0	2	2	6
1931	Steele, Sid	IL	1998	104	36	3101	299	1	0	2	8	12
1947	Luton, Relfe	NC	1973	102	23	1049	142	0	0	3	33	4
1946	Moore, Ray	MA	1993	95	104	245	245	7	24	59	8	52
1960	Rugg, Andy	QC	2002	88	71	1784	208	1	6	66	0	48
1958	Dangerfield, Ben	PA	2000	85	128	432	332	10	33	152	8	44
1958	Wesolowski, Ernie	NE	1999	85	32	2222	103	2	1	0	7	8
1976	Froemming, Gary	AZ	1994	85	17	338	92	0	0	0	1	7
1955	Palmer, Richard D.	IL	1993	77	33	822	94	0	1	10	2	4
?	Callarman, John	?	1970	72	50	740	138	6	3	17	20	20
1965?	Neff, James R.	NY	1971	70	29	30	87	1	1	10	1	4
1967	Floden, Eric	ONT	1970	61	16	93	65	0	0	0	0	3
1962	Edmunds, R. J. (taped)	NJ	1998	50	43	897	56	1	0	14	0	37
1975	Swearingen, Paul (taped)	KS	2002	49	22	808	102	0	0	0	0	21
1931	Holland, George B., Jr.	NY	1996	46	22	885	58	1	0	5	2	5
1976	Renfrew, Jim	NY	1998	44	40	400	67	0	0	0	0	7
1962	Musco, Ron	CT	1999	40	49	1308	54	1	2	10	0	5
1965	Kadet, Jeff	MD	1969	39	12	703	41	0	0	0	2	0
1964	Heinen, Wayne	NY/CO	1996	26	38	1470	38	2	0	5	2	3
1973	Sgrulletta, John	NY	1998	24	54	64	64	3	3	19	0	24
?	Sampson, John	NJ	1965	23	54	445	72	1	3	38	1	6
1992	Taylor, Pete	CA	1993	22	26	375	58	19	0	0	13	4
1973	Mount, Paul	NJ	1995	22	6	230	25	0	0	0	0	2
1958	Phillips, Dan	TN/AL	1974	21	26	567	40	0	1	5	3	9
?	Fela, Joseph	NJ	1965	19	24	738	35	0	1	11	0	4
1966	Bruner, Jesse R.	KY	1966	17	23	132	27	0	0	5	2	3
1969	Falconer, Jeff	ON	2000	14	22	1091	20	0	0	2	2	2
1977	Wolfish, Niel	ON	1977	14	11	397	20	0	0	2	0	4
1962	Edmunds, R. J. (paper)	NJ	1998	10	7	266	13	0	0	0	0	3
1964	Whatmough, Dave	ON	1999	6	13	1014	15	0	6	3	0	1
1964	Edmunds, R. J.	NY	1999	1	3	76	1	0	0	0	0	0
1988	Kenneally, Rick (taped)	CT	1988	0	33	845	0	0	0	16	0	31
1965	Long, John	CT	1968	0	29	101	0	0	0	0	0	0
1968	Bytheway, Phil	WA	1982	0	9	457	20	0	0	0	0	0
1960	Lynch, Don	MA	1980	0	9	0	157	0	0	0	0	0
1975	Bartek, Daniel, Jr.	NE	1976	0	2	23	0	0	0	0	0	0

This IDXA is tabulated by North American totals, with total countries as the tie-breaker. Thanks to Andy Rugg for his recent update. Although non-renewing members are routinely deleted from this list, if you've rejoined and don't see YOUR name in the listing above, send in your totals so we see YOU here next time!

Feel free to send in your updated totals in time for the next IDXA; you probably have a month or more. Remember, only taped or paper veries are counted, and mainland U. S. and Canadian catches should not be included in NA totals for either U. S. or Canadian DX'ers. Include your best catch from each continent and all other totals when reporting. Our next column will feature Asian totals.



**DXAS back issues on audio cassettes:**  
**\$3.00 each; specify month and year. Order from NRC Publications - Box 164 - Mannsville, NY 13661. NY orders, please add sales tax.**

## FCA-1 Feedline Coupling Adaptor (Getting Two Antennas out of One)

**Mark Connelly, WA1ION**

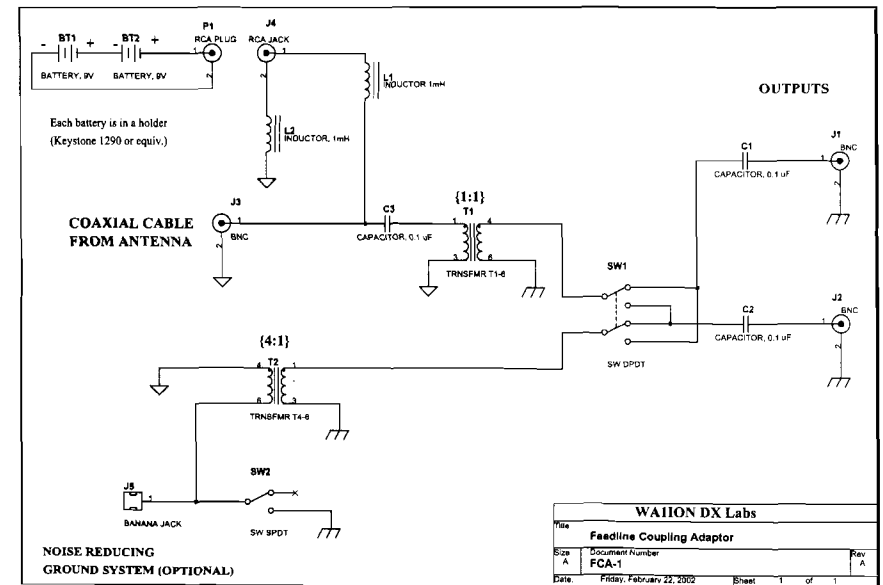
The accessory described in this article allows the coaxial feedline going to a specific antenna to be used as a "second antenna". The trick to this is connecting the coaxial cable through a Mini-Circuits T1-6 RF transformer (1:1 ratio) to separate the cable shield from receiver ground. The signal coming down the cable center conductor couples through that transformer (labelled T1 on the accompanying schematic) to supply the normal antenna output. A second transformer, T2, a Mini-Circuits T4-6 (a 4:1 ratio model) has its high-impedance primary connected to the coaxial cable shield and to a local ground (low-noise or the common receiver ground via switch SW2). The floating cable shield acts like a second antenna in this configuration. The low-impedance winding of T2 is routed to the output jacks via switch SW1.

If the antenna at the far end of the cable is an active whip or amplified broadband loop, DC power from a battery or other ground-isolated voltage source can be connected via J4. On the far end of the cable the DC would be choke-coupled to the amplifier. For passive antennas (such as a transformer-coupled Kaz, Pennant, Flag, or Beverage), the J4 DC input would not be used.

Inductors L1 and L2 should be rated for twice the anticipated DC-load current. Assembly of the FCA-1 is easiest if a plastic box is used rather than a metal one. Layout is not critical. Note that the cable shield "ground" at J3 (represented by a triangle) is different from receiver chassis ground at the J1 and J2 output jacks.

A major benefit of "floating" the coaxial cable shield is that if it picks up more noise or interference than the far-end antenna, it can be phased against the antenna signal to permit a significant reduction of electrical noise or interfering stations. The J1 and J2 outputs of the FCA-1 would be connected to the inputs of the chosen phasing unit (Quantum Phaser, MFJ-1026, or whatever). I have had good success with this system at several sites here in eastern Massachusetts.

FCA-1 Schematic



### The NRC is growing - and you can help.

More members in the NRC means a larger DX News ... and more features and services for all members. You can help your club grow: just send the names and addresses of potential club members to the NRC - P. O. Box 5711 - Topeka, KS 66605 and we'll send them a current copy of DX News. You could start with your local AM stations' personnel! Spread the word - the National Radio Club is on the grow!

# Musings of the Members

Thoughts from NRC members ... the opinions expressed in this column are those of the individual writer and do not necessarily reflect those of the editors, publishers, or the National Radio Club, Inc.

**Dave Schmidt** NRCMusings@aol.com  
P. O. Box 3111  
Scranton, PA 18505-0111

Times are local per Muse; submit double-spaced only.

**Doug Smith (W9WI) - Pleasant View (Nashville) - TN EM66 (<http://www.w9wi.com>)**

Well, I guess I should do this more often. I just got home from a few days back home in Wisconsin, and noted a few changes on the dials and a few things that never change. Reportedly KSTP-1500 and WTOP-1500 recently agreed to accept more mutual interference in order to let out their patterns. KSTP is definitely a lot stronger in Milwaukee than it used to be. When I lived up there, KSTP was rare DX. (Milwaukee is in line between St. Paul and Washington, dead in the night nulls of both stations) Now, KSTP is easy copy at night. There may have been a bit of WTOP in there too. AM Stereo fans note: WOKY-920 has a billboard on southbound I-94 just north of exit 337, near Racine, Wisconsin. This billboard specifically mentions "AM Stereo 920 WOKY". I'm not so sure WOKY can be "heard" at the billboard at night! (then again they do make the trip down here to Nashville from time to time). On a similar theme, WISN-1130 has a billboard (and an adjacent one for FM sister WLTQ-97.3) on westbound I-94 in central Jefferson County. In Jefferson County one is rapidly (at least 70mph!) leaving WISN's nighttime coverage area. In 10 minutes the station will be gone. I suppose they're depending on daytime listening, but that won't help the FM any! I'd like to be running the automatic recorder more often, but recently there hasn't been time to review the recordings. When I get too far behind I simply erase them without listening. Probably not a good idea. Good DX!

**Brent Taylor VE1JH - Doaktown, NB ([btaylor@nbnet.nb.ca](mailto:btaylor@nbnet.nb.ca))**

I have very little DX to report. Actually, I have none at all. But I do have a DX-related experience to pass along. After reading about the DXpeditions to Newfoundland and other places by Mark, Jean, Bruce, Jim and others I was anxious to see one in action, and a few weeks ago I was invited to witness my first, real, serious, "professional," DXpedition. It was the trip to nearby Miscou Island taken by Ken Alexander, Jacques D'Avignon and Niel Wolfish (Ontario); and Kevin Carey (Rochester, NY). My part of the story actually starts in early 2002, when I came across an article in *Monitoring Times* about the 2001 Miscou LW and MW DXpedition. Now, as far as I know, I am the only NRC member in the entire province of New Brunswick, so any DX activity in these parts is quite newsworthy to me. After reading the article, and visiting the web site dedicated to the trip (<http://dxpedition.tripod.ca/deepseaDX.html>) I decided to try to make contact with them to see if they planned on coming back, and whether there was anything I, as a "local" on the ground, could do to assist them next time. They graciously invited me to visit with them at any time during the week they were going to be here, so on Saturday, October 5th, I made my way down to Miscou and crashed their party for a few hours. Invited to bring a rig, I decided to pack my trusty FRG-7 and see what it could do when hooked up to some "real" antennas. I arrived at around 3pm, just as the remnants of Hurricane Lili passed through the area. Niel, Ken, Kevin and Jacques were all busy stringing Beverages and making radials - having started their DXing with only the Wellbrook loop during the previous two nights. With the wind abating, Ken was able to re-extend the mast supporting the loop, and the Beverage antennas were fed in to the rented cottage. There was more stuff on that little kitchen table than I had ever seen before. I've been DXing in virtual isolation, off and on, for 30 years and with very modest equipment. I've only met one or two NRC members in my lifetime, so to see this collection of DXers and their gear, so close to home, was something. There were three AOR-7030+s and one Drake R8B all plugged into a stack of preamps and splitters that rivalled the NSA's listening post. While Ken was briefly away from his rig I was invited to slide in and attach my FRG-7 to his antenna connection. Compared to what I could routinely hear at home I was impressed. Compared to the 7030s and the R8? My FRG-7 was a huge disappointment. Only then did I realize how far receiver technology had come in the 25 years or so since my receiver was built. Niel was getting armchair copy of Portugal on 666 with his 7030 on the loop but mine could not even get a trace of a het with the BFO on. I was stunned, and only now realize that if I want to hear on my own what I overheard in Miscou on that Saturday afternoon, I'm going to have to make a further investment. I was only able to stay a few hours, as I had commitments the following morning. I left the DXpedition site at around 8pm. The stuff heard (like Argentina on 710), and the auroras seen after my departure will be the stuff of legend in the coming weeks. For me, that little taste of DXpeditioning has certainly prompted me to plan for next year. The fellows were gracious hosts and made me feel very welcome. Clearly they are also excellent judges of character, be-

cause I've been invited back. I am going to take them up on their offer, and definitely bring a better rig and stay longer next time! 73

**Phil Boersma - 15570 Cleveland Street - Spring Lake, MI 49456**

I've been 'out of the loop' regarding new advances in broadcast technology (or any other technology, for that matter!) for over a decade. Therefore, I must admit to a large level of ignorance regarding the IN Band On carrier (IBOC) digital broadcasting which the FCC recently approved. Judging from the news headlines, the new technology (which supposedly can coexist with existing AM & FM broadcasting) will be on the air in at least the major markets by a year or so. But especially as regarding the AM band, I have also heard some troubling things about IBOC's viability. Therefore, I pose the following questions, and hope that some member of the NRC with much more knowledge than I of the subject will respond (preferably with a Musing!). Here we go: #1) I have heard statements quoting some engineers as saying that the digital component of the IBOC AM signal will not work in conditions of co-channel interference. In fact, didn't the FCC limit the testing of IBOC technology on AM to daytime only just for this reason? (Yes-DWS). If so, of what value will this technology be to, say, graveyard stations? #2) It's been reported that at least on study of IBOC-AM transmissions suggest that for a 50000 watt clear channel AM station, the effective range of the digital component will be only 4 MILES. The report quoted an engineer as saying that for a 5000 watt regional station, "You'd probably have to be standing on the ground radials" to get the digital signal. If this is true, I don't see how digital AM will be of much use. I'd love to see more coverage of the subject in *DX News*, from people who know more on the subject than I do.

**Dave Schmidt - P O Box 3111 - Scranton, PA 18505**

Phil has some valid questions above, and I'd like to hear from some others in this business on their thoughts, comments, etc. On a recent trip to Spring Valley, NY, I had a chance to tune in WOR-710, who has been testing IBOC digital. Yes, there is a lot of 'white noise' coming off of them when the digital is on, filling 690-710 then 710-730, I guess a good 30 miles from their transmitter sight. There is also a slight roll-off in their audio on the main carrier, but not all that noticeable on talk. One area that I would like to check is the area west/northwest of Newton, where WOR's signal has a very pronounced 'null'. When I attended a seminar on digital radio, I learned that most of the newer AM transmitters will accept IBOC (similar to an FM exciter), as long as the antenna bandwidth is tuned wide enough to pass the digital signal. This means that a number of stations, still using their trusty "tank" tube transmitter will have to upgrade (Yes they still do exist in MANY places!). Like I said before, stayed tuned, its going to be an interesting ride! Thanks, too, for notes from DAVE FOX and FRANK MERRILL! 73

## FCC Approves Ibiqity's IBOC Technology From Radio magazine, via Dave Schmidt

Washington - Oct 10, 2002 - The FCC has approved the in-band on-channel digital broadcasting technology developed by Ibiqity Digital Corporation for use by stations. Following an extensive review, the FCC's decision will allow radio stations to begin immediately broadcasting digitally using the Ibiqity-developed IBOC technology, which has been branded HD Radio.

Ibiqity previously announced that consumer electronics manufacturers utilizing HD Radio technology will debut products at the upcoming International Consumer Electronics Show (CES) in January.

This ruling allows for broadcasters to proceed immediately with IBOC broadcasting while the final IBOC standards are established. Digital FM has been approved for both daytime and nighttime broadcast, AM digital for daytime broadcast. Ibiqity is working closely with the National Radio Systems Committee (NRSC), co-sponsored by the National Association of Broadcasters (NAB) and the Consumer Electronics Association (CEA), to develop final FM and AM IBOC standards.

Ibiqity and the NAB have touted the improved audio and additional datacasting capabilities of IBOC as being the key to radio station acceptance and implementation of the technology.



**For NRC members only ...  
Membership certificate, \$1.00**

Suitable for framing; red and blue print on white stock. Suitable for framing. Order "CERT" from the NRC Publications Center - Box 164 - Mannsville, NY 13661. NY orders, please add sales tax.