

DX News

Serving DXers since 1933

Volume 68, No. 20 - February 26, 2001 (ISSN 0737-1659)



Inside . . .

2 .. DDXD
12 .. IDXD

14 .. DXP-3 DXpedition Phasing Unit
21 .. Coupling a Loop to the DX-390
23 .. Musings of the Members

WTIC/KRLD Non-test ... We've received word via officials at WTIC and KRLD, both 1080, that they intend to cooperate in being off the air for testing and maintenance, on March 3/4, and perhaps for a short time simultaneously.

According to CE Jeff Hugabone at WTIC: "WTIC and KRLD routinely communicate through quarterly corporate Engineering teleconference calls.

"During one of these sessions we found out we were going to be doing scheduled maintenance during the same month, and decided it would be a nice gesture to the DX'ing community to coordinate this maintenance, since it would be quite impossible for this to happen naturally.

"As broadcast engineers it is our nature as well to be curious about what folks can hear on 1080; we view this as a sort of "propagation experiment"...

"So in return for our effort, we simply ask if NRC could, in its promotion of this event, structure it in such as way as to encourage the results to be remitted to NRC and shared with WTIC/KRLD.

"As you know, certain circumstances, emergencies etc always could occur, canceling the event. But we have put MAR. 3/4, 12 MID - 1AM, CST up on the boards for this event. KRLD will likely go off first at 12 AM CST, with WTIC going off at approximately 11:25pm EST and remaining off until 12:05AM"

And so ... please report what you hear during this extraordinary event to your appropriate DDXD editor, and we'll send copies of DXN to both stations. Finally, thanks to both stations for their cooperation and thinking of the DX community.

From the Publisher ... No AM Switch this week ... I believe Jerry is somewhere in Florida watching fast cars go in a circle, hi.

FYI, DXN has gone to the post office on time (around 6 pm every Friday) since well before Christmas (#19 actually went to the Bulk Mail Entry Unit around 12 pm Friday, Feb. 16, thanks to my being out of school early after parent-teacher conferences), so if you experience really late DXN delivery times, we'd like to know about it. We had scattered reports of #15 being late to some east-

coast members but not enough to file an official complaint. I'm mentioning all this because I recently filled out a complaint form sent to me by the USPS (I'd suggested that the member requesting replacement of a large number of DXN's file one), and I'd encourage anyone noticing consistent late delivery times or missing or damaged DXN's to report them to me and to file a complaint with the USPS. I'd consider receipt of DXN on Monday through Wednesday to be "normal", by the way, at least in the U. S.

Welcome to these new members ... Boyd Skillin, Fresno, CA; Roy Barstow, Teaticket, MA; Marshall Seavyey, Walnut Creek, CA; George Davison, Jr., Des Moines, IA; Joe LaVarone, Erie, PA; Brooks Major, Hunt Valley, MD.

DXN Publishing Schedule, Volume 68

Iss.	Deadline	Pub. Date	Iss.	Deadline	Pub. Date
21.	Feb. 23	Mar. 5	26.	May 4	May 14
22.	Mar. 2	Mar. 12	27.	June 1	June 10
23.	Mar. 16	Mar. 26	28.	July 6	July 16
24.	Mar. 30	Apr. 9	29.	Aug. 3	Aug. 13
25.	Apr. 6	Apr. 16	30.	Sept. 7	Sept. 17

DX Time Machine From the pages of DX News:

50 years ago ... from the February 17, 1951 DXN: Steve Mann, Westbury, NY, reported that the morning of Feb. 19 was excellent for Brazilian stations, having heard PRF4-940, PRB9-1000, PRA8-720, and PRA2-800, while Ernie Cooper, Brooklyn, NY logged PRA2-800 and PRG3-1280 on the same morning. On the following morning, Ernie logged PRE3-1180, PRE4-1300 and PRB2-1440.

25 years ago ... from the March 1, 1976 DXN: Ray Moore, Walpole, MA reported: "Finally caught the much-sought "R. Caaguazu" [Paraguay, 645], ID on tape at 0800 on 2/6. Sig 100% readable for considerable stretches this AM."

10 years ago ... from the February 25, 1991 DXN: Nebraskans Neil Zank and Mike Hawk reported meeting each other, in separate Musings, at a GTG hosted by Ernie Wesolowski; Mike also reported acquiring for \$125 a Hammarlund HQ-180A which seemed to work well except for the band selector, which occasionally needed a little jiggling.

Domestic DX Digest

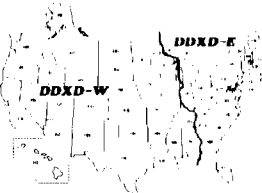
West: **Bill Hale** phantom2@eaze.net

6124 Roaring Springs Drive - North Richland Hills, TX 76180-5552

East: **Michael Shaw** mshaw002@tampabay.rr.com

455 Alt. 19 S., Apt. 176 - Palm Harbor, FL 34683-5931

(Division line is
between East and
Central time zones)



DX Catches in the U. S. and Canada, with 24-hr. ELT

DDXD-West

MEDIUM WAVE RAMBLINGS

- Effective immediately, any report which does not include the city and state will not see print in DDXD-West. Also, please report in the format seen in *DX News*: Frequency, Call, City, State, Date, Time, and finally what you heard. That's the least that can be done to make this job easier. I've mentioned this before, but the practice of sloppy reporting methods is increasing. And in some cases . . . by some of our seasoned veterans. Another note to those who report via e-mail: I do not accept reports that come via the NRC/DXAS reflector. I received an e-mail from a member asking why his report didn't show up in *DX News*, as was sent to the reflector. It so happens that I was out of town that week and had stopped reflector service during that time. And, I don't accept ANY e-mail without something in the "Subject" line. It just gets deleted. Too many viruses around. Forewarned is forearmed!
- E-mail or snail mail, deadlines are Thursdays. CU Next Week.



REPORTERS

WHERE YOUR FRIENDS ARE

- SA-MB **Shawn Axelrod** Winnipeg Icom ICR-70 & Drake R8 + 4 Foot Unamplified Box Loop/Quantum Loop, 145' outdoor wire, 100' indoor wire, MFJ 1026 Phasing Unit <saxelrod@mb.sympatico.ca>
- RD-IA **Rick Dau** Iowa City Sony ICF-2010 + Quantum Loop <rdau36@yahoo.com>
- PG-CO **Patrick Griffith** Westminster Drake R-8 and Kiwa loop <AM-DXer@webtv.net>
- TRH-CA **Tim Hall**, Chula Vista Delco car radio <halls@inetworld.net>
- TRH-CA1 **DXing between San Diego and Palm Desert** Delco car radio
- GJ-CA **Gary Jackson** Sacramento FRG-8800 + Kiwa Loop
- DKK-CA **Don Kaskey** San Francisco Drake R8a, Kiwa Loop <kaskey@jps.net>
- BM-SD **Bill Moser** Fort Pierre barefoot Superadio II <wcmfort@dakota2k.net>
- JJR-WI **John J. Rieger** South Milwaukee Icom IC-R75 + Kiwa loop or GE Superadio III + Terk AM1000 loop <johnrieger@webtv.net>
- JTR-OK **John Reed** Ponca City Sylva R1414 with 100' wire, homebrew balanced ferrite loop, MFJ phaser <jreed@ponca.net>
- MS-MB **Morris Sorensen** Winnipeg Drake R-8 with indoor random wire <SMosor@aol.com>
- JW-CO **John Wilkins** Wheat Ridge Drake R-8, 4-foot loop <peakbagger3@juno.com>
- Ed.-TX **Editor** North Richland Hills

STATION NEWS & NOTES

- 1320 KSDT CA **Hemet** - 2/10 2103 - Station is back on the air with Spanish hits format // FM. *Slogan is Radio Laser 105.7.* (TRH-CA1)
- 1340 (KKYD) CO **Denver** - Noted silent 2/13; still silent as of this writing (2/15). Reason unknown - possibly changing format, which had been rumored, then un-rumored, then rumored again. (JW-CO)
- 1620 KSMH CA **Auburn** - 2/6 - Called station. They are using a new antenna, but not yet at full strength. Splattering from 1610-1630. Still working on antenna. Stronger at night. (GJ-CA)

UNIDs and UNID HELP

- 980 UNID ?? - 2/10 2000 - ESPN programming, legal ID sounded like KZML? (TRH-CA1)
- 1140 UNID ?? - 2/9 - Atop in KHTK null briefly, with Adult Standard music from 2015-2030. SID at 2023 muffed but ended with B. Followed with *My Happiness*, then *Cry* by Johnny Ray. From 2030-2100 rock oldies seemed to dominate.

CHRB usually carries religion during this period. KQAB possible?? (DKK-CA)

- 1150 UNID ?? - 2/15 2007-2018 - Dominant station carrying business talk show. IDed clearly as *KFNN-1510* once. That gave me pause. By 2018 KSRB had swallowed him up. Whaddya think? KCKY? (DKK-CA) [My Log says KCKY is SS.MEX as *Radio Exitos*. But things change. The Log also says KSRB is *Silent*, so I guess you can "white-out" that - Ed.]
- 1260 UNID ?? - 2/9 0806 - 12-60, *Radio Disney* ID. Very weak, under several other stations. (PG-CO) [More than likely Belleville - Ed.]
- 1270 UNID ?? - 1/25 1223 - With WKBF off the air for just a few brief minutes, I got someone here with the Jim Rome Show. KWEB, or perhaps someone else? Does anyone have a copy an affiliate list for this program? (RD-IA)
- 1340 UNID ?? - 2/13 0839 - GOS music; Gal announcer says: *The Glory Days - KARS(?) AM and FM 92.1 (or 102.1)*. Soon lost. Looped approx SE-NW. (JW-CO)
- 1490 UNID ?? - 2/10 1949 - Poor, with jingle: *Non-stop oldies. W??M, WSEM, WFGM* or similar. Satellite-fed oldies. Totally stumped. (JJR-WI)
- 1570 UNID ?? - Hearing very strong het around 0500, never get any audio. Is some one off frequency?? Hear this almost everyday. (FA-ID)

DX AND EQUIPMENT TESTS

- 1450 WILM- DE **Wilmington** - 2/4 0000-0200 - Nothing heard, in mess, that sounded like a test. (FA-ID)
- 1570 WGSR- FL **Fernandina Beach** - 2/3 0000-0200 - Nothing heard I could confirm this was WGSR but heard several high pitched "beep-beep" then just "beep" tones. No code heard. Not sure what it was. (FA-ID)

TIS & OTHER STUFF

- 530 KNCN250 CA **San Bernardino** - 2/10 2040 - Station noted from Temecula to Banning with Cal Trans road info for Running Springs and Big Bear. Runs the same announcement twice, but the first time through the ID is KNCN250 Barstow and the second time it's KNCN250 San Bernardino. Sounds like the announcer tried to fix his mistake, but inadvertently added the second message instead of replacing the first one. (TRH-CA1)
- 1610 TIS CA **Desert Hot Springs?** - 2/10 2134 - New TIS for motorists entering Joshua Tree National Park, with short tape loop mentioning the Oasis Visitor Center in Twentynine Palms. Signs are posted at the I-10/CA-62 junction, but the station isn't audible until a few miles east of there, due to the noise generated by a local power plant. (TRH-CA1)
- 1610 House CA **San Diego** - 2/5 0907 - Talking house for Matt Batiana(?) Realty for townhouse at 10700 Crest Vista(?) Ct. in the Mira Mesa area along I-15. Another new one. (TRH-CA)

MIDNIGHT TO MIDNIGHT ELT

- 580 KFXD ID **Nampa** - 2/14 2031 - Over/thru KMJ, with ID stating KFXD was a classic country formatted station. Is this a change from News/Talk? (DKK-CA) [About two years ago - Ed.]
- 590 WKZO MI **Kalamazoo** - 2/7 0748 - Good, with 590 *WKZO Sports* and a traffic check. (RD-IA) [Did you cash it? Hi - Ed.]
- 660 KTNN AZ **Window Rock** - 2/5 1959 - Good, with Navajo chants, then an ID as *AM 660, KTNN, Window Rock.* (RD-IA)
- 730 KLOE KS **Goodland** - 2/5 1916 - Fair, with Goodland High School girls basketball game, then a KLOE ID and an ad for a local restaurant. (RD-IA)
- 730 CKDM MB **Dauphin** - 2/10 0735 - Fair, with 50th anniversary promo. Alone, with C&W. (JJR-WI)
- 790 KXXX KS **Colby** - 2/5 1909 - Fair, with satellite C&W music and a 790 *K Triple X* ID. (RD-IA)
- 810 KBHB SD **Sturgis** - 2/5 1905 - Fair, with a Mountain Time Zone time check and a weather forecast for *western South Dakota and northeast Wyoming.* (RD-IA)
- 830 KUYO WY **Evansville** - 2/5 1928 - Fair, with gospel music, a Casper-area weather forecast, then a detailed sign-off, which I was fortunate enough to get on tape. (RD-IA)

930 WBCK MI Battle Creek - 2/7 1835 - Fair and alone, with ads, calls. 1-on-1 Sports. (JJR-WI)

940 WMIX IL Mount Vernon - 2/1 2221 - Good, with St. Louis Blues hockey. (RD-IA)

980 KCTY CA Salinas - 2/11 2040-2050 - With rock music in SS, then a ballad. Despite proximity, seldom heard here. (DKK-CA)

980 CKNW BC New Westminster - 2/11 2040 - With ID over extreme QRM. Had local programming, but hard to follow. (DKK-CA)

990 KRMO MO Monett - 2/9 0903-0907 - ABC News, VID, weather, VID, and area news. Fair signal, with little CBW. Reception reported. (BM-SD)

1010 CBR AB Calgary - 2/11 2055 - Blasting thru local KIQI with classical music program. ID at 2058; still atop. (DKK-CA)

1020 KYXE WA Selah - 2/2 0856 - Poor-to-fair, assumed to be the one here, with lively Mexican dance music and slogan *La Mexicana*. No English ID heard at top of the hour and faded shortly thereafter. (MS-MB)

1060 KYW PA Philadelphia - 2/2 2105 - Philadelphia news with call ID. Heavy QRM. Heard by carefully adjusting phase controls. (JTR-OK)

1060 KKDS UT South Salt Lake - 2/2 2100 - Oldies with call ID, fading with QRM. New here. (JTR-OK)

1060 KKDS UT South Salt Lake City - 2/8 0943 - With *New York-New York* by Frankie with very good signal. At 0945 had Traffic Reports, ID and local news items. Was joined at 0945 by KBGW who upped power then. KKDS still atop at 0950. Gave up trying to hear them at SSS so tried SRS. (DKK-CA)

1060 CKMX AB Calgary - 2/8 1802 - Poor-to-fair, with news and sports from Broadcast News, followed by Calgary weather. Splatter from local CKSB-1050. (MS-MB)

1140 KCMJ CA Palm Springs - 2/10 2200 - Station is putting out a very loud pulsating tone on top of their regular signal. Station gets out pretty well, but is pounded by the Las Vegas station too. (TRH-CA1)

1160 WYLL IL Chicago - 2/9 0800 - Good signal, in KSL null, with religious programming, local ads, and weather. ID as 11-60 WYLL *Chicago's Word*. NEW!! (SA-MB)

1210 WJZZ MI Kingsley - 2/7 1805 - Fair, with legal ID. Faded out 20 minutes later. Oldies. NEW! (JJR-WI)

1230 WKLK MN Cloquet - 2/5 1806 - Fair, with AM 1230, WKLK heard at the end of weather forecast. (RD-IA)

1230 KCBN NV Reno - 2/8 2040 - Atop, with ID into *Always*. Format is still NOS. (DKK-CA)

1240 KPOD CA Crescent City - 2/14 1140 - Atop, with local weather sponsored by Baron's. Into *I Fall To Pieces* by Patsy Cline. (DKK-CA)

1240 KBIZ IA Ottumwa - 2/11 0708 - Poor-clear 1240 KBIZ with oldies. Still NOS at night? CBS:O&O. (JJR-WI)

1250 KKDZ WA Seattle - 2/14 1131 - Noted atop with Radio Disney. (DKK-CA)

1260 KIMB NE Kimball - 2/9 0813 - Local funeral listings followed by weather report. (PG-CO)

1260 KWYR SD Winner - 2/9 0800 - *This is Country* 12-60, KWYR, *servicing the Heartland*, then into ABC News. (PG-CO)

1270 WWWW MN Baxter - 2/5 1817 - Fair, with Dr. Laura and 3WI slogan and legal ID. Way under WKBF. (JJR-WI)

1270 KAJO OR Klamath Falls - 2/14 1040 - Atop, with Perry Como, then an Elvis ballad. ID at 1047 as *K-Joe*. Local ads and time at 1048. Still blasting in at 1132. Also 2/15 at 1900 atop with ID and still no Lakeport. (DKK-CA)

1280 KKOM CA Arroyo Grande - 2/8 1034 - With syndicated talk show, *The Mike Gallagher Show* after local ads. Was solidly atop 1280 mess from 0725-0735. Format is talk, contrary to what I reported a while back. (DKK-CA)

1280 KRVM OR Eugene - 2/14 1100 - With ID after 30 minute program of WRN-1 International News. Had pips and the whole bit at TOH then International News from RFN. Still strong at 1133. Have heard this format deep in the mush at SSS and later but never this good. (DKK-CA)

1280 KIT WA Yakima - 2/9 1915 - With ID after Paul Harvey. Great signal in KUYL null. (DKK-CA)

1340 KPGEt AZ Page - 2/13 0952 - OLD music, ABC news, *Lake Powell News Update*, Page and Kanab spots. Mentioned C-93.3 FM a couple of times, but no other ID's noted. Mixing with KCQL. Still there, weakly,



1340 KACH ID Preston - 2/15 1059 - Legal ID: . . . *radio KACH, Preston's . . .*; then ABC News. Had heard half an hour earlier with mentions of *Preston* and *monster trucks*. Poor, with band just about gone, but a new one, for Idaho #29. (JW-CO)

1340 KGFW NE Kearney - 2/13 1833 - Sports commentary, local spot. *Your official voice for mid-Nebaska sports - full service* 1340 KGFW Kearney. Generally fair, but up and down in group. (JW-CO)

1340 KPOK ND Bowman - 2/15 0942 - Area weather; birthday greeting, call ID, C&W music. Fair, with fading. (JW-CO)

1340 KVIV TX El Paso - 2/13 0949 - Mexican music, call ID, then more music. Poor, in pileup. New here, for Texas #157. (JW-CO)

1340 KWOR WY Worland - 2/13 1859 - Legal ID, then into news, but not sure which network, since signal was mixing with several others. OLD music followed news. (JW-CO)

1410 KBNP OR Portland - 2/15 1059 - With ID, partially heard as *Business Radio*, KBNP, but QRM fierce. Into news but soon back into daylight caused mush. (DKK-CA)

1430 KBRC WA Mount Vernon - 2/11 2026 - With ID way down in the mush. Noted with oldies for a few minutes. (DKK-CA)

1440 KDIF CA Riverside - 2/8 2033 - Looped atop KVON, with Spanish programming. Great signal. (DKK-CA)

1440 KDIZ MN Golden Valley - 2/10 1757 - Poor-to-fair, with PSA for MS Society of Minnesota into Radio Disney programming including an ad for a Disney on-line auction. (MS-MB)

1460 KKCS CO Colorado Springs - 2/5 1817 - Good, with *Hot Talk* 1460 *Skywatch Traffic*, which included a mention of I-25. (RD-IA)

1460 KKPR NE Kearney - 2/5 1816 - Fair, with promo for high school basketball game . . . *on our sister station, Power 99, 98.9 FM*. (RD-IA)

1470 WMBD IL Peoria - 2/4 2124 - Talk and call ID, then faded into QRM. Last heard 1997. (JTR-OK)

1470 WLQR OH Toledo - 2/7 1859 - Fair, with ID: *Sports Radio 1470, The Ticket, WLQR, Toledo*. (RD-IA)

1470 WLQR OH Toledo - 2/11 1844 - Fair, with WMBD nulled. Sports radio 1470 - *The Ticket, WLQR*. ESPN sports. Used to be more common way back as WOHO. (JJR-WI)

1490 WLFN WI La Crosse - 1/31 0757 - Fair, with a 1490 WLFN ID, in chatter by DJ between nostalgia songs. (RD-IA)

1530 KHPYp CA Moreno Valley - 2/13 1945-1950 - Presumed to be the station in SS with very rapid chit-chat and then some music. Was cutting up KFBK nicely at 1951, but since unneeded I didn't wait for a ToH ID. (DKK-CA)

1550 KMRI UT West Valley City - 2/12 0940 - With ID: *Here on KMRI* nicely audible in a KYCY pause. Two stations under KYCY at the time: one with C&W and one with hymns. Also that evening at 1945 a station with hymns noted under KYCY. (DKK-CA)

1560 KZIZ WA Renton - 2/14 0955 - With black gospel music, topping the frequency. News from 1000-1005. ID at 1006 for KYIZ and KZIZ. At 1007 announced a program sponsored by KRIZ-KYIZ-KZIZ. Best ever signal, with KIQS below and KNZR running third. (DKK-CA)

1570 WFRL IL Freeport - 2/7 0808 - Good, with news stories from Rockford and Freeport, then a 1570 WFRL ID. (RD-IA)

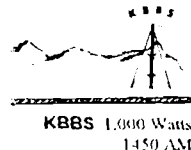
1600 WAAM MI Ann Arbor - 2/11 0747 - Poor, with clear calls and NOS music. No usual KCRG. (JJR-WI)

1610 KALT TX Atlanta - 2/11 0020-0120 - Noted from Winchester all the way back to San Diego, with talk programming and clearly enunciated IDs at station breaks. New. (TRH-CA1)

1610 KALT TX Atlanta - 2/11 0810 - Gospel music and call ID. New here. (JTR-OK)

1650 KWHN AR Fort Smith - 1/31 0724 - Good, with a mention of . . . *downtown Fort Smith* in talk by two male announcers. First time heard since the move. (RD-IA)

1690 WPTX MD Lexington Park - 2/10 2130 - David Horowitz Talk



1700 WEUP AL Huntsville - 2/10 2115 - Playing UC oldies, but no ID or ads. Heard in loop null of KBGG. New here. (JTR-OK)

GRAVEYARD DX UPDATE

indicates record held from Alaska or Hawaii

* indicates record held by DXer from North America (excluding Alaska)

1230 kHz:

KWTX TX Waco

Bruce Winkelman Tulsa, OK

Miles

321

REMINDER: All Graveyard records are on-line at: www.angelfire.com/tx2/phantom2/index.html

DDXD-East

You may, from time to time, notice that one of your loggings is placed in the UNID, UNID HELP, PRESUMED AND CORRECTIONS section of DDXD-East. If that happens, it's because you just didn't give enough information to form a solid logging. For example, if you log a particular syndicated program, then mention a number of songs in a certain format but have no ID or local identifiers, dig harder!

I hoped to have some news on the new career by the time this column went to the publisher. Guess it'll have to wait another column or two.

STATION NEWS

570 WTBN FL **Pinellas Park** - Correction: In DNX 6818, I incorrectly stated WTBN's "...area code needs to change from (813) to (727)". Tampa's area code is still (813).

970 WFUN OH **Ashtabula** - 02/09 2322 - Good with programming from Fox Sports Network. "Your new voice for news, weather and sports, AM 970, WFUN". New format; ex-oldies. (JF-ON)

1410 WENU NY **South Glens Falls** - 02/08 2015 - Tom Jones' "Its Not Unusual" followed by ID "1410 WENU". Male announcer with ad for Chopsticks Restaurant in Queensbury. I e-mailed WENU; Bob Barrett, Operations Manager for Vox Radio Group, NY stated "WBZA-AM 1410 has indeed changed calls and format. It is now WENU-AM, an Adult Standard simulcast with WENU-FM 101.7. Both are in the Glens Falls, NY market. AM is licensed to South Glens Falls; FM to Hudson Falls. By the way, the WBZA calls were snapped up by a station in Rochester, calling itself the Buzz." radio". Signal strong. No evidence of WPOP. (PG-MA)



UNID, UNID HELP, PRESUMED AND CORRECTIONS

640 WHLOp OH **Akron** - 01/27 0036 - Religious programming, commercial for "Food for the Poor" sponsored by the Exodus Network. Mention of program "Solid Gospel", 0815 weekday mornings. (LW-NY)

810 WSYWp IN **Indianapolis** - 02/07 1750 - Ad in English mentioning Greensburg, then talks in Spanish; good in WGY null. (WM-MD)

900 UNID - 01/26 2001 - Country station with partial jingle ID "AM ninety". Mixing with WCPA under CHML. (SK-PA)

CJBRp QC **Rimouski** - 02/03 1645-1700 - French panel or debate program // 860 CJBC. In CHML null, but also picked up massive TV/electrical noise. If CHYC and CKVO are definitely gone I can enter this in my log book. Are they? (SK-PA)

970 UNID - 02/09 2327 - Poor way under WFUN on east wire with country music and ID that sounded like "WBZT, Cat Country". Maybe WBGG, Pittsburgh with new format? (JF-ON)

1030 UNID - 02/06 2038 - Spanish station with lively dance music. One mention made of Orlando and used "Radio Musical (or Musica)" slogans. WONQ? (JF-ON)

1080 WKGXp NC **Lenoir** - 02/01 1740 - Local ads for businesses in Hudson and Granite Falls (e.g., Granite Funeral Home), then back to C&W. Good with usual WTIC missing in action. There were several addresses and phone numbers given, but I was driving home from work at the time! New. (BM-ON)

1120 WBNWp MA **Concord** - 02/10 1850 - In KMOX null with "Pages for People" program,

interviewing the author of book *The Death of Vishnu*. Ad for "Ten Easy Lessons to Making a Living in the Stock Market". Logged as WADN on DX test in 1990. (MKB-ON)

1330 UNID - 01/30 2006 - Ad for lumber company on Boston State Road in Boston. An English ad on WRCA or someone else? (SK-PA)

1340 UNID - 01/31 2000 - In with end of program from the "Files of the FBI". ABC Network; featuring old-time radio shows. (LW-NY)

1410 UNID - 02/08 2015 - Under WENU I could hear a talk show with Joan Rivers. Anyone have an idea who would be carrying her at 2015? (PG-MA)

1550 WDLRp OH **Delaware** - 01/24 2115 - Same Ohio State game as [1460 WBNS OH Columbus logging below- MS]. Break with ad for business celebrating their anniversary. Tough under CBE. (SK-PA)

1570 UNID - 02/08 2010+ - Heard with "The Joan Rivers Show". (RJE-PA)

UNID - 02/07 0700 - (REL) "A message from EWTN, Mobile Catholic Radio". "The radio ministry of the Catholic Research...". Heard this religious program all during the night at the top of each hour. (DL/MD)

1590 UNID - 02/08 1735 - With promo and station phone number 345-1590. Nothing in my 1999-00 Log matches this. (RJE-PA)

1640 WKSHp WI **Sussex** - 01/28 0100 - "Ministry of Life" message, then into medley of religious songs. Fair; #4 heard from Wisconsin. (LW-NY)

1680 WTIMP NJ **Princeton** - 02/07 1940 - Ad for New Jersey newspapers, promo for Penn State Internet Sports Service, then Penn State Sports program. (WM-MD)

DX AND EQUIPMENT TESTS

1450 WILM DE **Wilmington** - 02/04 0000-0200 - Siren at 0046, short code; more siren. Nearly buried in jumble. Verified last year with much better reception. (SK-PA)

STATION LOGGINGS

530 CIAO ON **Brampton** - 02/09 0600 - (ETH) Sounded like popular music format in English. "You are listening to Chow AM five-thirty, with news and opinions expressed in the following program (disclaimer). Good morning, you are waking up to Hot Light Pepper (?) Indian Radio at 0600. For news, traffic, and weather plus a light mix of songs for everyone, Hot Light Pepper Indian Radio is all you need in an Indian Radio Program..." into ETH (Hindi?) programming. (DL/MD)

540 WWCS PA **Canonsburg** - 02/14 0758 - New format! Used to be ethnic programming. ID'ed this morning in car as "540 Radio Disney Canonsburg/Pittsburgh". Fair signal. Heard the past couple of nights as well; seems a little stronger! Standard Disney fare. (BK-PA)

550 WSWA VA **Harrisonburg** - 02/05 1723 - Mention of "Sweetheart Dinner Banquet" 02/16 in area, followed by message from "...Virginia's Department of Health on WSWA NewsRadio 550". (LW-NY)

640 WFNC NC **Fayetteville** - 02/05 1759 - In with community bulletin board followed by news on the hour. Fair; in and out with WHLO. (LW-NY)

670 WIEZ PA **Lewistown** - 02/08 1728 - NOS music; ID; poor. (WM-MD)

680 WPTF NC **Raleigh** - 02/04 0100 - "News when you need it, NewsTalk 680", ID; into CBS News. (WM-MD)

750 WBMD MD **Baltimore** - 02/07 0700 - Full sign-on, ID, station address; mention of "750 watts" and "The Voice of Christianity". (WM-MD)

760 WCIS NC **Morganton** - 02/02 1725-1735 - C&W-ish music and news, then "That's our last newscast for the day. You're listening now to USA Radio Network sports and the 'powerhouse' forecast. In the WCIS newsroom, this is Bob Clark". Then new announcer with "It's 43 now in Morganton...working for Jesus", into religious music. Good with WJR nulled. New. (BM-ON)

780 CFDR NS **Dartmouth** - 01/29 0120 - Over and under WBBM with "780 Skywatch Weather", then into C&W music "...on 780 KIX Country". (LW-NY)

820 WBAP TX **Fort Worth** - 02/12 0200 - Caught under WXTR. "wbap.com" just going into news. This is a difficult station to catch here with WXTR in almost the same null. (DL/MD)

820 WXTR MD **Frederick** - 02/12 0100 - Running WTOP. Identical on the top of each hour for WTOP, WTOP FM and WXTR. (DL/MD)



- 820 CHAM ON Hamilton - 02/12 1915-1930 - C&W. "Ontario's Best Country" with loop nulling WXTR. (DL-MD)
- 830 CFJR ON Brockville - 02/02 1721 - "Not too hard; not too soft. The hits of yesterday and today on 830 CFJR". (WM-MD)
- 850 WYLF NY Penn Yann - 02/12 1900 - (NOS) At the top of the hour: "WYLF, Penn Yan, Canandaigua, Geneva" into news with WRMR in the background. (DL/MD)
- WRMR OH Cleveland - 02/12 1900 - "AM eight-fifty WRMR" into news with WYLF covering most of the time. (DL/MD)
- 900 WCPA PA Clearfield - 01/26 2000 - Live non-legal ID in basketball game (one team was the Bisons) "900 CPA, the Oldies Channel". Atop briefly, then mixing with country station under CHML. Seldom heard at night. (SK-PA)
- 920 WIRD NY Lake Placid - 02/07 2200 - "The Station of the Adirondacks"; ESPN Radio; ID. Probably on day power. (WM-MD)
- 1000 WIOO PA Carlisle - 02/05 1400 - C&W. On the hour: "(C&W Music) IOO Carlisle" apparently chopped the 'W' at the start of the ID; followed by ABC News. (DL/MD)
- 1050 WLIP WI Kenosha - 02/10 0450 - Poor with "AM 1050, WLIP" ID into nostalgia music. New! (JF-ON)
- 1060 WBIX MA Natick - 02/02 1700-1705 - News, Boston-area traffic report, WBIX and "Business 1060" IDs; slugging it out with KYW. Last heard as WMEX. (BM-ON)
- 1090 WAQE WI Rice Lake - 02/05 1743 - Local news with many local references: snowmobile accident victim in Shell Lake hospital, arrest in Eau Claire, etc. Buried at top of hour by WBAL, CKKW, KAAY and others. Fellow AM DXer Jerry Atherton of Rice Lake listened to a .wav file I made of this reception and confirmed that it was his local pest! New. (BM-ON)
- 1110 WUHN MA Pittsfield - 02/10 1810 - Absolutely creaming WBT with ID as "The Berkshires' WUHN", local weather; into C&W song. (MKB-ON)
- 1150 WNLR VA Churchville - 02/07 1723 - REL music, ID; time check. (WM-MD)
- 1160 WCCS PA Homer City - 02/08 1810 - Local news; ID; time check. (WM-MD)
- 1170 WMRH WI Waupun - 02/05 1624 - "...that's right here—two big reviews, on the morning show Wednesday, only here on AM 1170 WMRH". Fair in a mix with WWVA and others. (BM-ON)
- 1200 WTLA NY North Syracuse - 01/27 1918 - In with spots for hair loss [I'm not sure we need to be promoting hair loss! - MS] and the Used Car Warehouse, then NOS music. (LW-NY)
- WAGE VA Leesburg - 01/26 2000 - In with "USA Radio News on NewsTalk 1200, Leesburg". (LW-NY)
- CJBZ ON Ottawa - 01/27 0015 - In with SuperBowl talk on "SportsRadio 1200, the Team"; "The Senators' Hockey Network". (LW-NY)
- 1230 WEEX PA Easton - 02/01 2000 - End of Tom Leykis; clear for most of ID "News-Talk-Sports, WEEX 1230. CNN Headline News, mornings." (SK-PA)
- 1250 CJYE ON Oakville - 02/06 0730 - AM drive show with contemporary Christian music and slogan "Joy 1250, catch the spirit". Had been // CHWO-740 since 01/08. (MKB-ON)
- WTMA SC Charleston - 02/08 1742 - Traffic report; "NewsTalk 1250"; ID. (WM-MD)
- 1280 WNAM WI Neenah - 02/05 1640-1650 - Westwood One adult standards, dominant for some time then falling back into the pack; nice clear "AM 1280 WNAM" ID. (BM-ON)
- 1290 WJBR DE Wilmington - 02/05 1645-1652 - Westwood One adult standards, // WNAM-1280; good but faded as the music ended. Caught a "WJBR" ID amidst a jumble of other stations led by WHIO and CJBK. New. (BM-ON)
- 1310 WTZN PA Troy - 02/05 1423 - Promo says they will join the New York Yankees Network this spring; weather; back to ESPN. Now using 1000 watt CP making this a daytime regular, though very poor. (SK-PA)
- 1330 WFIN OH Findlay - 02/04 2144 - Tyler Wilson with AccuWeather "...on 1330 WFIN"; back to ESPN. Heard only once before in the morning. (SK-PA)
- 1340 WENT NY Gloversville - 01/26 1855 - In briefly in 1340 noise with local area weather and oldies music. (LW-NY)
- 1370 KDTH IA Dubuque - 02/05 1710 - Weather forecast for Dubuque, then "...the afternoon business report on KDTH is coming up next". Good; pretty much on top of the channel. New. (BM-ON)

KGL W
1340 AM
SAN LUIS OBISPO
"To Your Prosperity and Ours"

- 1390 WKLP WV Keyser - 02/06 2029 - "Now back to Keyser High School Tornadoes basketball on WKLP". The other team was Allegheny. (SK-PA)
- 1440 KDIZ MN Golden Valley - 02/08 1836 - Good mixing with WROK, with usual Radio Disney stuff. Promo for Radio Disney function at the Northland Mall in ? Minnesota; ID as "The best station in any city, 'Radio Disney', 1440, KDIZ". Ex-KQRS for me. (JF-ON)
- 1460 WWWG NY Rochester - 02/08 0755 - Over usual pest CJOY, with slogan "1460 AM 3WG, the spirit of Rochester"; PSA asking for volunteers at the Genesee Health Center. (MKB-ON)
- WBNS OH Columbus - 01/24 2100 - Pause for ID on the Ohio State Basketball Network: canned non-legal ID "1460, the Fan, WBNS-AM". Back to game vs. Wisconsin Badgers. Over C&W station. (SK-PA)
- WMBA PA Ambridge - 01/30 1945 - Basketball game (Blackhawks vs. Cougars); finally at 2020 "...from Beaver on BVP and MBA". Drifting in and out of big mix. The only times I've heard this station are when carrying sporting events. (SK-PA)
- 1470 WTTR MD Westminster - 02/10 0900 - "WTTR Westminster", local news; "Coming up, ABC News". This is a bit different. The local news was on the hour. I listened to this in real time but was not paying attention at the time. It would appear that the station delayed the network until about two minutes after the hour. (DL-MD)
- WWBG NC Greensboro - 02/02 1800 - ID heard over NOS music. (WM-MD)
- 1480 WLEA NY Hornell - 02/03 1650 - Local announcements, e.g., IOOF bingo at the Oddfellows Club in Hornell, then ID "You're listening to WLEA, Dansville, Bath and Hornell, 1480 on your dial". Good, mostly on top of the channel. (BM-ON)
- 1490 WLPA PA Lancaster - 02/08 0900 - Lots of co-channel. At the top of hour in the muck: "WLPA", followed by CNN News, however I am not sure this was originating from WLPA. Using lower sideband to help clear WTOP adjacent-channel splatter. (DL/MD)
- 1510 WLAC TN Nashville - 02/02 1820 - Ads for Mid-south Business Furniture and CIT, promo for hockey game between the Columbus Blue Bombers and Nashville Predators, traffic report, "NewsRadio 1510"; ID. (WM-MD)
- 1550 WYTK PA Pittston - 02/03 2250-2300 - Oldies (Supremes, Jim Croce, Beatles, etc); "WICK" ID (// WICK-1400, WYCK-1340). Poor under CBE, mixing with Disney noise from WDKZ. New. (BM-ON)
- WVAB VA Virginia Beach - 02/05 2104 - ID by kid repeated six times "AM 1550 WVAB, Lakeside, Virginia Beach, Norfolk". Shot over CBE; new with this format. (SK-PA)
- 1560 WAGL SC Lancaster - 02/08 0715 - With apparent sign-on announcements and weather blasting through Radio Disney-NY. Also booming in again 02/08 1720-30 with country music. (RJE-PA)
- WTNS OH Coshocton - 02/08 0723 - With Country music and "Country K'O 1560 WTNS" ID over/under WAGL. (RJE-PA)
- 1570 WPGM PA Danville - 02/08 2000 - With ID for "WPGM AM 1570, and FM 96.7 and 101.7 W269AJ" mixing in with WISP; others. (RJE-PA)
- + - 02/07 0800 - Listed as REL. Could this be the Catholic UNID above? Under WNST. Weather forecast; "You are listening to WPGM...". (DL/MD)
- WXLN IN New Albany - 02/08 1955 - With "Southern Indiana weather right here on 1570 WXLN". (RJE-PA)
- WPEP MA Taunton - 02/01 1605-1607 - USA Radio Network sports, Prudential Insurance ad, ID "AM 1570 WPEP Taunton". Good; alone. (BM-ON)
- WBUG NY Amsterdam - 02/07 0100 - At the top of the hour in the mud: "WBUG FM... WBU..."; not much else. (DL/MD)
- WNST MD Towson - 02/07 0800 - (SPT) Sports Talk. "WNST Towson, Baltimore", jingle "Sports One", Sports News. WPGM underneath. (DL/MD)
- 1580 WLIJ TN Shelbyville - 02/08 1805 - With ID and a reading of the latest obituaries; atop for several minutes. (RJE-PA)
- WBCP IL Urbana - 02/05 0027 - In and out of mush (nothing particularly dominant on 1580 since the demise of CBJ) with mix of Urban Contemporary and Oldies; ID as "24

(((WTSO)))
madison Ten Seven O radio

hours a day...the original 1580 WBCP". I have now heard all four 250-watt Illinois stations on 1580. (MKB-ON)

- WPGC MD **Morningside** - 02/05 0800 - (GOS) "15-80, your hometown gospel station. WPGC AM Morningside/Washington, D.C....". (DLMD)
- WZKY NC **Albemarle** - 01/27 0145 - In with oldies hits by The Drifters and Leslie Gore; spoken IDs after each song. (LW-NY)
- 1600 WBLY OH **Springfield** - 02/08 2003 - With ID and station promo briefly poking through the mess. (RJE-PA)
- WKKX WV **Wheeling** - 02/08 1750 - With "...The Business Talk Radio Network..." and a brief break for local weather. (RJE-PA)
- WHJB PA **Bedford** - 02/08 1740 - ..and again around 2010, and still again 02/09 0720, with Music Of Your Life-type standards and frequent ID's. (RJE-PA)
- 1650 WHKT VA **Portsmouth** - 02/05 2200 - NOS music, canned ID "WHKT, Portsmouth", then ABC News. Was REL; format change? (WM-MD)
- 1670 WRNC GA **Warner Robins** - 02/07 1850 - C&W music // 96.5 FM; "The New Cat Country"; ID. (WM-MD)
- WTDY WI **Madison** - 02/07 1934 - Talk show, insurance ad; ID. (WM-MD)
- 1700 WEUV AL **Huntsville** - 02/07 1945 - GOS music mixing with Spanish, listing of church events, mention of Huntsville; laser sound. ID heard at 1954. New. (WM-MD)

ADDRESS UPDATES

- 1420 WIMS IN **Michigan City** - New address: 6405 Olcott Avenue, Hammond, IN 46320. (219) 844-1230. (SK-PA)

REPORTERS

- MKB-ON Mike Brooker Toronto - Panasonics RF-2200; RFB-45.
- RJE-PA Russ Edmunds Blue Bell - car radio and whip.
- JF-ON Jeff Falconer Clinton - Drake R8B, pair of 135' noise-reduced/terminated wires (one pointed east and one pointed west), modified MFJ-1026 phasing box; Timewave DSP-599zx audio filter.
- PG-MA Phil Greenspan Marshfield - GE SuperRadio III.
- SK-PA Steve Kennedy Coal Township - GE SuperRadio III; indoor wire.
- BK-PA Bob Klingner New Cumberland - 1991 Chevy Cavalier Delco car radio.
- DL-MD David Larrabee Columbia - ICOM R8500 and IC706; loop and long wires.
- DL/MD David Larrabee Columbia - Unattended AMRAD LF-modified Ten-Tec RX-320, long wire; running KF50J RX-320 controller gathering timed samples at the top of the hour.
- WM-MD William McGuire Cheverly - Radio Shack DX-398.
- BM-ON Barry McLarnon Ottawa - JRC NRD-525, 1m loop, inverted-vee; MFJ-1026.
- MS-FL Michael Shaw Palm Harbor - SONY ICF-2010, Radio Shack DX-392 and DX-399; Radio Shack loop.
- LW-NY Leslie Wood East Meadow - SONY 2010, GE SuperRadio II; Radio Shack loop.



Are you expiring?

We hope not! To avoid expiration, mail your remittance to the DX News Membership Center early. Allow at least three weeks after mailing your check or money order for new renewal data to appear on your mailing label.

The NRC AM Radio Log, 21st Edition, including cross-referenced listings from 530-1700 khz., is compiled from both listeners' reports and official sources, making it the most accurate listing of U. S. and Canadian AM stations available. Unbound, three-hole punched for standard binders. Still only \$16.95 to U. S. and Canadian members; \$22.95 to U. S. and Canadian non-NRC members. Airmail to members: Latin America, \$24.00; Europe, \$25.00; rest of the world: \$28.00. Order from: NRC Publications - Box 164 - Mannsville, NY 13661 (NY residents, please add sales tax).

International DX Digest

Jim Renfrew renfrew@localnet.com
6988 Bank Street Rd.
Byron NY 14422-9702

Foreign DX Catches. Times are UTC; for ELI, subtract 5 hrs.

Hungry for more stumpers? Here's a new one. The following are abbreviations for various DX organizations. See how many you can identify! As before there is one item that is fake, so watch out!

NRC _____	IRCA _____	LWCA _____
NASWA _____	WDXC _____	ANARC _____
MWC _____	ARC _____	EDXC _____
DSWCI _____	FSDXF _____	WWDXC _____
RNM _____	UADX _____	NZDXL _____
SPARC _____	CIDX _____	ODXA _____

TRANS-ATLANTIC DX

- 225 POLAND Polskie Radio Konstancynow, FEB 4 0544 - Two Polish men in discussion. Good signal, S9+15. FEB 14 0323 - female host, male call-in. Fair signal with Aero beacon interference. [Stromsted-MA] FEB 12 0403 - very strong with woman reading news, 5-7! [Renfrew-NY]
- 243 DENMARK Danmarks Radio, Kalundborg, FEB 4 0543 - Female announcer then modern classical tonal music. Fair signal. FEB 7 0545 - Danish announcer into a Brass Quartet/quintet? Best signal this year for Danmarks Radio, S9+20! FEB 8 0710 - Religious music (Morning service) followed by classical music at 0515. Lately, I haven't heard the LW outlet programming // to the 1062 MW outlet (playing a slow rock piece). FEB 10 0436 - Classical trio or quintet, clarinet, horn slow piece, good signals lately. [Stromsted-MA]
- 261 RUSSIA R. Rossii, Taldom (presumed), FEB 14 0335 - Popular Slavic music with female vocal-then-male to female host call in. This station best in USB with automatic tone filter to suppress ESG Aero beacon. Another beacon with CW code of -25- also an interferor. However reception was the best yet, 5-9+10. Reception parallel on 4485 kHz too weak to confirm. [Stromsted-MA]
- 270 CZECH REPUBLIC Cesky Rozhlas Uherske Hradiste, FEB 4 0546 - A gay/spirited Czech? song with vocal, male announcer, followed by male caller. Good signal, S9+15. FEB 13 0312 - Two men in discussion (call in). Fair/poor signal. [Stromsted-MA]
- 1062 DENMARK Danmarks Radio, Kalundborg, FEB 8 0720 - American/soul music, strong signal. FEB 10 0436 - "You'll never know", American with vocal. Really big signal! [Stromsted-MA]
- 1314 NORWAY NRK Kvitsoy, FEB 12 0230-0305 - Presumed! This would be my first TA. I had a poor to somewhat fair signal of "Bluesy Rock" music in English. I think the one song was called "In The Middle of The Night". This type of music went on till about 10 PM when a male voice talked or gave news till about 10:03 PM. The language I am sure was Scandinavian sounding! I use to listen to Radio Norway and Radio Finland years before on short wave. This was before I got hooked on medium wave DX ing! Afterwards there was a little jingle or something , then into more music. I know this may not be much but I am just so psyched that this may be my first TA! I was just dialing around on the receiver. The Sangean AT5505 has the 9 kHz. spacing programmed in already. So I was checking some out since there have been postings about TA's coming in the past couple of nights with good signals. Low and behold I heard something on 1314. I checked some other frequencies as well. I heard some middle eastern chanting on 1323 but that was poor and faded out then. On 1521 there was a rather loud humming or pulsating audio heard! I am going to give it a go tonight and see if conditions are good again! This was heard on a Sangean AT5505 with a Radio Shack loop and a Select-A-Tenna. NO LONG WIRE! I know what I heard, but is this station that strong that I would be able to pick it up this good. [Klinger-PA] (Yes, this station is known to pound in at times. Jim)
- 1422 GERMANY DR Radio Heusweiler, FEB 8 0135 - Classical program // 153. Both fair signals. [Stromsted-MA]

Erik speaks: "It seems to me that TA signals - particularly on LW - are



building to new peaks. I have never heard all the above at once before and at such signal strength. The other LW stations in Western Europe are at higher levels too. We seem to be moving very slowly past the worst of propagation absorption. But the MW band is pretty quiet in general, even toward South America here. Oddly the 160 meter ham band just above the MW band (1.8 MHz) has almost daily contact openings to most of Europe (using a vertical antenna)."

PAN-AMERICAN DX

830 MEXICO XEVQ Navajalato SIN, FEB 13 1200 - with Mexican national anthem, announcement of 1000 and 250 watts then playing "The Theme From the Magnificent Seven" during the sign on. The slogan they were using was La Grande de Sinaloa. [Redding-AZ]

INTERNATIONAL NEWS

BERMUDA: Bermuda Broadcasting Co Ltd - 1230 ZFB AM and 1340 ZBM AM (affiliated with CBS and ABS, both 1 kW, also FM and TV. CEO Ulric P. Richardson, CE Operations Mg E Delano Ingham, Ass CE Earston Chapman, PO Box HM 452, Hamilton HM BX, Bermuda. Location 4 Fort Hill Rd., Prospect, Devonsh. DV 02. Tel 441-295-2828, Fax 441-295-4282. (Info from Business card). Web address: www.bermudabroadcasting.com (did not work when I tested Dec 5). Excerpt from longer story: "There was not a programme schedule available, but on my monitoring from my hotel room earlier I noted Portuguese programmes on 1340 ZBM2 Monday, Wednesday and Friday nights 7:30- 9:00 pm local time (2330-0100 UTC). Both AM transmitters are 1 kW. In order to cover the islands they are beamed about North-South, which may explain the rare receptions in Sweden." Local Bermuda AM band scanning: 1450 VSB1 - canned music, american style, little old, some country, male "automatic" host, never heard an ID! 1340 ZBM - locally produced programme mos to fthe time, local news, many ID's, e.g., "ZBM FM 89.1 24 hours a day." 1280 VSB2 - religious programme. 1230 - also local. 1160 VSB3 - BBC World Service, did not manag to hear any local ID, BBC all time. [Hasse Mattison, JAN 2001 mv-eko]

KUWAIT: Radio stations Radio the Future (al-Mustaqbal) and the Voice of the Brave Armed Forces after a period on 1575 kHz returned to 1584 kHz on NOV 12. These stations are using a common (Harris) 50 kW transmitter located in Kuwait. Radio the Future: 0100-0200, 0300-0400, 1800-2000, 2100-0000, Voice of the Brave Armed Forces 0000-0100, 0200-0300, 1700-1800, 2000-2100. This is not a full schedule, just what I heard in Lithuania. [Robert Petraitis via BC OX/MV EKO in Medium Wave News (UK) JAN 2001]

ST. LUCIA: St. Lucia Broadcasting Corporation no longer exists in its previous state where it ran the national radio station, Radio St. Lucia. The legislation enacting the Corporation was changed in 1999 to establish Radio St. Lucia Ltd. as a separate entity. The e-mail address for Radio St. Lucia Ltd. is <rs1@candw.lc>. [Roger D. Joseph, Principal Information officer <rjoseph@stlucia.gov.lc> via Paul Ormandy in amfntvdx@qth.net]

FROM THE LONGWAVE CLUB OF AMERICA (LWCA)

"There have been requests over the years for more information on LW broadcasters in The LOWDOWN and in the [LWCA] web site. Compared to NDB DX'ing, LWBC DXing is an interesting sideline with fewer practitioners in the Americas. Hence, it has been difficult to comply with reader requests for more coverage, since there weren't that many active participants prepared to share their experiences. We're ready to try again, though. We are currently preparing a list of all major (and some smaller) broadcasters in the longwave spectrum. At this point, we have data on the most significant stations from Europe, the Middle East and North Africa. So the question at this point is: Do we have any volunteers who can furnish current information on Asian LWBC's. If you are a regular visitor to the [LWCA] web site and can fill in the gaps, or if you are LWCA member who wants to be a regular contributor or columnist on LW broadcast topics, please e-mail <lwcanews@aol.com> as soon as possible" [From the LWCA web site]

FROM RADIO NETHERLANDS MEDIA NETWORK

I'm pleased to say that we have just published the brand new 2001 edition of our guide to Long Distance Medium Wave Listening. Incorporating much of the original text by Steve Whitt (after all, why reinvent the wheel), we've added some new chapters by Paul Ormandy. Paul describes how to go about organising a DXpedition, and he also looks at the future of Medium Wave DXing as digital AM broadcasting approaches. The equipment section has also been brought up to date. We've freshened up the 'clubs and pubs' page for those of you seeking further information, and we've added nine Real Audio samples of reception of DX reception in New Zealand. Some of them are absolutely



amazing! Your comments, criticisms and suggestions are welcome to <media@rnw.nl> <<http://www.rnw.nl/realradio/practical/html/longdistancemw.html>> [Andy Sennitt, Radio Netherlands Media, via HaraldKuhl@aol.com]

SOLAR GYMNASTICS

NASA Science News for February 15, 2001: NASA scientists who monitor the Sun say that our star's awesome magnetic field is flipping — a sure sign that solar maximum is here. Full story at <http://science.nasa.gov/headlines/y2001/ast15feb_1.htm?list105308>. [Philip Gebhardt via Saul Chernos]

DX HONOR ROLL

Bob Klinger, New Cumberland PA; equipment outlined in report above.
Kevin Redding, Mesa AZ; Magnavox D8334 boombox
Jim Renfrew, Byron NY; Drake R8, 1000' e/w wire, 250 ssw/nne wire. <renfrew@localnet.com>
Erik Stromstedt W1ZBT, Pepperell MA; Yaesu 1000MP, 500 meter terminated Long wire aimed NE (toward Europe) Also using a Palomar preselector. <icroadv@mindspring.com>

QUIZ ANSWERS

National Radio Club, International Radio Club of America, Long Wave Club of America, North American Short Wave Association, Women's DX Council (not real, but maybe a good idea?), Association of North American Radio Clubs, Medium Wave Circle, Arctic Radio Club, European DX Council, Danish Short Wave Club International, Finland's Svenska DX Forbund, World Wide DX Club, Radio Nuevo Mundo (or Radio Nederland Media, I suppose), Union of Asian DX'ers, New Zealand DX League, South Pacific Association of DX Clubs, Canadian International DX Club, Ontario DX Association. 1-6 correct: I recommend that you study the list of DX organizations in the back of the World Radio TV Handbook, 7-12 correct: if you join some of these clubs you'll never again lack reading material, 13-18 correct, congratulations, you are now appointed to the World Parliament of DXers as ambassador extraordinaire!



How to place mail orders:

Write to NRC Publications - P. O. Box 164 - Mannsville, NY 13661-0164. Enclose check or money order; NY residents, please add state and local taxes. Please allow 3-6 weeks for shipping.

Broadcasters' Guides to DX

Four different tri-fold guides for use with reception reports explaining DX'ing, how the NRC was formed, and the importance of QSL's to DX'ers. AM editions in English (EEG), Spanish (SSO), and French (FFO); FM edition in English (FMG). 20 for US\$2.95 (\$3.50 non-members). From NRC Publications. (NY residents, add sales tax)

IRCA's Foreign Log, #10

NOW available, this updated edition contains ALL the 5DXM, DXWW-E, and DXWW-W tips from 9/96 to 7/99... almost three years of material, all collated and in frequency order by TA, PA and TP for each DXWW column. Prices: IRCA/NRC members - \$10.00 (US/Canada/Mexico/sea mail), \$11.00 (rest of the Americas airmail), \$11.50 (Europe/Asia airmail), \$12.00 (Australia/New Zealand airmail). Non-members: add \$2.00 to the above prices. Order your copy today, in US funds payable to Phil Bytheway, from IRCA Bookstore - 9705 Mary Ave. NW - Seattle, WA 98117-2334

IRCA Mexican Log, 6th Edition, 2000

The IRCA MEXICAN LOG log lists all AM stations in Mexico by frequency, including call letters, state, city, day/night power, slogans, schedule in UTC/GMT, formats, networks and notes. In addition, stations that have changed frequency since 1996 are cross-referenced on the old frequency. The call letter index gives call, frequency, city and state. The city index (listed by state, then city) includes frequency, call and day/night power. The log has been completely updated from the 1998 edition and carefully cross-checked by IRCA members. This is an indispensable reference for anyone who hears Mexican radio stations. Size is 8 1/2" x 11" and three-hole punched for easy binding. Prices: IRCA/NRC members - \$8.00 (US/Canada/Mexico/sea mail), \$9.00 (rest of the Americas airmail), \$9.50 (Europe/Asia airmail), \$10.00 (Australia/New Zealand airmail). Non-members: add \$2.00 to the above prices. Order your copy today, in US funds payable to Phil Bytheway, from IRCA Bookstore - 9705 Mary Ave. NW - Seattle, WA 98117-2334

DXP-3 DXpedition Phasing Unit

Mark Connelly, WA1ION

INTRODUCTION

The DXP-3 is the most compact of several phasing units designed for DXpedition use. Chassis size is 5.25 x 2.92 x 2.125 in. (13.34 x 7.42 x 5.4 cm). For previous models, see DXP-1 [reference 1] and DXP-2 [reference 2]. As noted in other articles, the object of phasing units is to combine the contributions of two antennas at a 180 degree phase relation in order to null out a dominant signal (or noise) and let otherwise-inaudible weaker co-channel and adjacent channel signals come through.

DXP-3 is optimized for medium wave (500 to 2000 kHz) operation, though it may also perform reasonably well on the longwave and tropical band shortwave frequency ranges.

Phase shifting is wideband in nature: tuning is not required. In high-signal urban areas, one could benefit from passive L-C preselection on each of the two input lines ahead of the unit. In most cases, this isn't necessary.

With broadband phasing, a null set up in a given direction is often effective plus or minus 100 kHz or more from the set-up frequency.

The DXP-3 allows independent observation of each input line as well as providing two combined signal (null) positions. This enables the user to balance amplitudes accurately, at least if the receiver has an S-meter, before adjusting the phase for a null. For good null depth, each of the two input lines must have a similar strength of the signal to be nulled.

OPERATING THE DXP-3

Practicing on stable daytime medium wave groundwave signals is the best way to become familiar with the unit's operation. When starting out, choose a frequency having some evidence of a second station under the dominant one.

Initial set-up:

Connect a passive (unpowered) antenna to J1, or connect an active antenna (such as an MFJ-1024 whip) to J3.

Connect the second antenna to J2 (if passive) or J4 (if active).

Connect a DC power source of +12 volts (min.) to +18 volts (max.) to J6.

Connect the receiver, via coaxial cable, to J5.

Set R1 and R2 fully clockwise.

Amplitude Balancing:

Set R3 to center.

With S1 on 1, observe the level of the dominant signal (or noise) to be nulled. Also do this with S1 on 2.

If the signal level had been greater in the S1 = 1 position, adjust R1 so that the signal level measured with S1 on 1 is equal to that obtained with S1 on 2.

Conversely, if the signal level had been greater in the S1 = 2 position, adjust R2 so that the signal level measured with S1 on 2 is equal to that obtained with S1 on 1.

Nulling:

Set S1 to Null-a and adjust R3 for the best reduction of the dominant signal to be removed. Also do this R3 adjustment with S1 set to Null-b. Leave S1 on the null position which gave the deeper, better-defined null.

Finish up the null by small interactive adjustments of R3, R1, and R2.

Occasionally it may help to set R1 and R2 "fully clockwise minus 1 hour" (e.g. pointers at "4 o'clock" if fully clockwise is "5 o'clock") and then go back to the "Amplitude Balancing" section and proceed forward from there.

DXP-3A

This is an altered version of the DXP-3. It does not have active antenna inputs and the passive inputs use isolated-ground connectors (Mouser part number 523-31-10-RFX or equivalent) for implementation of low-noise grounding schemes. File "dpx3a.zip" [reference 3] contains the schematics of this design variation.

REFERENCES CITED

Links to Internet based references may change over time. If a specified link does not work, articles may still be accessible by contacting me directly so I can mail a disk of the article or suggest an updated Web link. Also, in some cases, articles may be available in "hard copy" from the National Radio Club reprints service.

[1] DXP-1

web = <http://members.aol.com/MarkWA1ION/dxp1.pdf>

[2] DXP-2

web = <http://www.qsl.net/wa1ion/dxp/dxp2.pdf>

[3] DXP-3A (zipped schematic files only)

web = <http://www.qsl.net/wa1ion/dxp/dxp3a.zip>

DXP-3 CONSTRUCTION DATA

Table HL-DXP-3: DXP-3 hole-drilling list

X = Horizontal distance, in inches, from the vertical centerline (VCL) on the side observed. Negative values of X are left of VCL, positive values of X are right of VCL.

Y = Vertical distance, in inches, from the bottom horizontal edge of the side observed.

D = Hole diameter in inches.

Hole loci are first marked on the box with a scribe and are then drilled with a .125" or smaller bit. Subsequently, as required, the holes are enlarged to the proper size by using progressively larger bits up to that corresponding to the final desired diameter.

Chassis Box = Radio Shack # 270-238: 5.25" X 2.92" X 2.125"

LEFT SIDE

Hole #	Comp. Desig.	Description	X	Y	D
1	J3	Line 1 Active Ant.In (BNC-f)	-0.875	1.0625	0.375
2	J1	Line 1 Passive Ant. In (BNC-f)	-0.625	0.4375	0.375
3	G1	grounding H/W - int.&ext.lug	0	0.4375	0.125
4	J2	Line 2 Passive Ant. In (BNC-f)	0.625	0.4375	0.375
5	J4	Line 2 Active Ant. In (BNC-f)	0.875	1.0625	0.375

TOP SIDE

Hole #	Comp. Desig.	Description	X	Y	D
1	S1	Input Select switch - tab	-1.75	1.5	0.125
2	S1	Input Select switch - shaft	-1.75	1	0.375
3	R1	Line 1 Level pot - shaft	-0.75	2.3125	0.3125
4	R1	Line 1 Level pot - tab	-0.75	2	0.125
5	G2	grounding H/W - int.&ext.lug	-0.75	1.5	0.125
6	R2	Line 2 Level pot - shaft	-0.75	0.6875	0.3125
7	R2	Line 2 Level pot - tab	-0.75	0.375	0.125
8	R3	Phase Null pot - tab	0.25	1.8125	0.125
9	R3	Phase Null pot - shaft	0.25	1.5	0.3125
10	A1	BUF-F amp card mounting H/W	1.25	1.8	0.125

RIGHT SIDE

Hole #	Comp. Desig.	Description	X	Y	D
1	G3	grounding H/W - int.&ext.lug	-0.75	0.5	0.125
2	J5	RF Out (BNC-f)	0	0.5	0.375
3	J6	B+ In (RCA-f)	0.75	0.5	0.25

Vendor Codes for Parts Lists

ALD = Allied Electronics = <http://www.alliedelec.com/>

CS = Circuit Specialists = <http://www.cir.com/>

MCL = Mini-Circuits = <http://www.minicircuits.com/>

MOU = Mouser = <http://www.mouser.com/>

NEW = Newark Electronics = <http://www.newark.com/>

RS = Radio Shack = <http://www.radioshack.com/>

Expiring? Time to renew? Not sure when? Need to call or e-mail someone? Check the back page - it's all right there!

Table PL-DXP-3

DXP-3 DXpedition Phaser upper level parts list (bill of materials)

Item	Quan	Ref	Vendor	Stock Number	Part Description	Notes
1	1	A1	see Table PL-BUF-F		BUF-F Buffer Amplifier card	-
2	5	C1 - C5	CS: CK05104K		Capacitor, 0.1 uF	-
3	2	C6, C7	MOU: 140-50P2-561K		Capacitor, 560 pF	-
4	3	G1 - G3	MOU: 572-01881		Screw, 4-40 * .375"	-
5	3	G1 - G3	MOU: 572-00484		Hex Nut, 4-40	-
6	6	G1 - G3	MOU: 534-7311		Solder lug, #4, internal tooth 2 at each hole (one inside, one outside)	-
7	1	-	MOU: 572-00649		Lockwasher, #4, split	mount A1
8	1	-	MOU: 5721-440-1/4		Screw, 4-40 * .25"	mount A1
9	5	J1 - J5	RS: 278-105		BNC jack	-
10	1	J6	RS: 274-346		RCA phono jack	-
11	3	R1 - R3	MOU: 31CN301		pot., 1K, linear	-
12	2	R4, R5	CS: RA4.7		Resistor, 4.7 ohm	-
13	2	R6, R7	CS: RA1K		Resistor, 1K	-
14	2	R8, R9	CS: RA150		Resistor, 150 ohm	-
15	2	RFC1, RFC2	MOU: 434-15-222J		RF choke, 2.2 mH	-
16	1	S1	MOU: 10YX034		Switch, 3-pole, 4-pos. rotary	-
17	2	T1, T2	MCL: T16-6T-X65		RF transformer, 1:16	-
18	1	-	RS: 270-238		chassis box, 5.2" * 2.92" * 2.125"	-
19	4	-	MOU: 45KN013		knob (0.94" dia.)	for R1-R3, S1

Misc. items: hook-up wire, buss wire, solder, labels "AS REQUIRED"

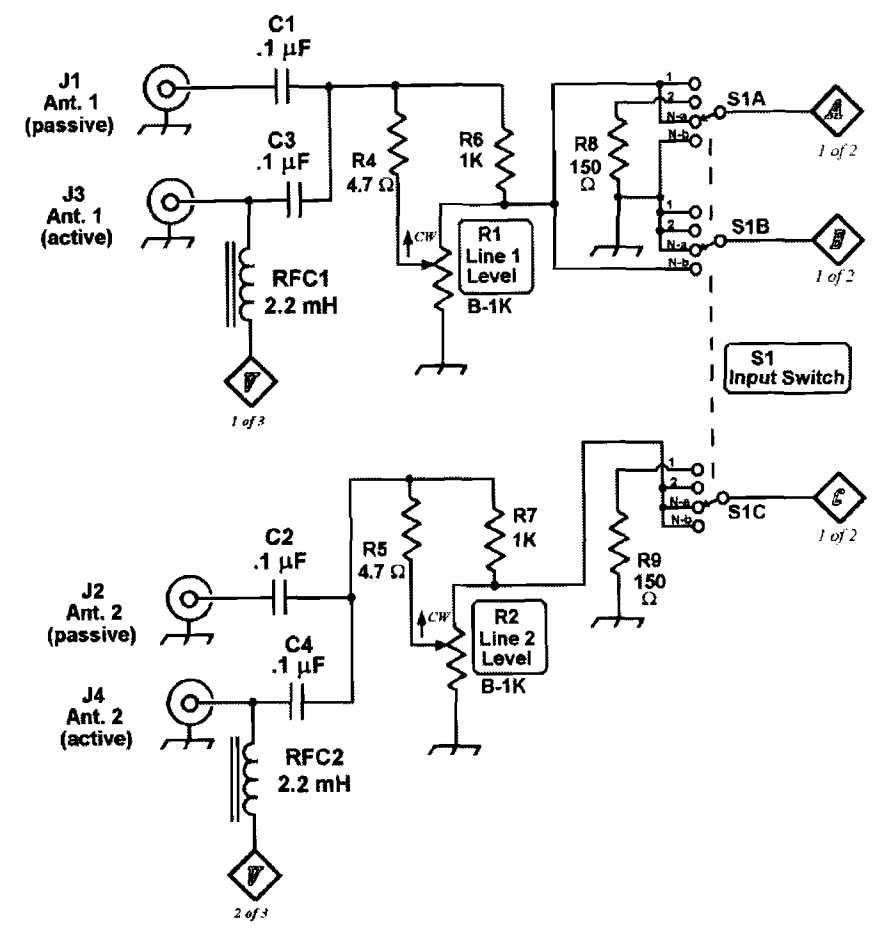
Table PL-BUF-F

BUF-F Buffer Amplifier card parts list (bill of materials)

Item	Quan	Ref	Vendor	Stock Number	Part Description	Notes
1	2	C1 - C2	CS: CK05103K		Capacitor, 0.01 uF	-
2	1	C3	CS: TAC008		Capacitor, Tantalum, 10 uF, 35 V	-
3	1	C4	CS: CK05104K		Capacitor, 0.1 uF	-
4	1	H_PB1	RS: 276-1396		Perfboard	cut size 1.0" * 1.0"
5	1	H_SC1	MOU: 5721-440-1/4		Screw, 4-40 * .25"	stock num. = 100 pieces
6	1	H_SL1	MOU: 534-7311		Solder lug, #4, internal tooth	-
7	1	H_SO1	CS: CA-8		Socket, 8-pin DIP	for U1
8	1	H_SP1	MOU: 534-1450C		Spacer, 4-40 * .5"	-
9	4	P1 - P4	CS: T42-1/100		Flea-clip Terminal Pin for .042" hole	-
10	1	R1	CS: RA33		Resistor, 33 ohm	-
11	1	R2	CS: RA15		Resistor, 15 ohm	-
12	2	R3 - R4	CS: 560K		Resistor, 560K	-
13	1	R5	CS: RA4.7		Resistor, 4.7 ohm	-
14	1	U1	NEW: 06F5241 (or) ALD: 903-3056		Harris HA3-5002-5 Buffer Amplifier, 8-pin DIP	-

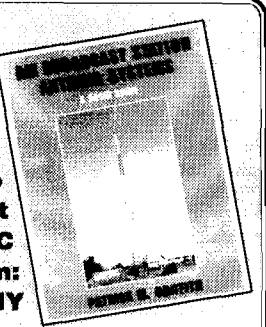
plus buss wire, solder "as required"

**DXP-3
DXpedition Phasing Unit
Figure 1 : Input Section**



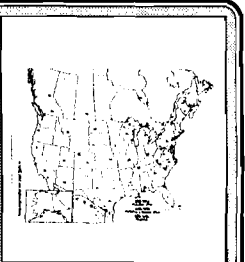
**AM Broadcast Station
Antenna Systems
A Basic Guide**

Written by NRC'er Patrick Griffith, this book makes it easy for the non-technical DX'er to understand everything about AM broadcast antennas. Over 35 photos. \$13.95 to NRC members (\$17.95, non-members). Order from: NRC Publications - Box 164 - Mannsville, NY 13661 (NY residents, please add sales tax).

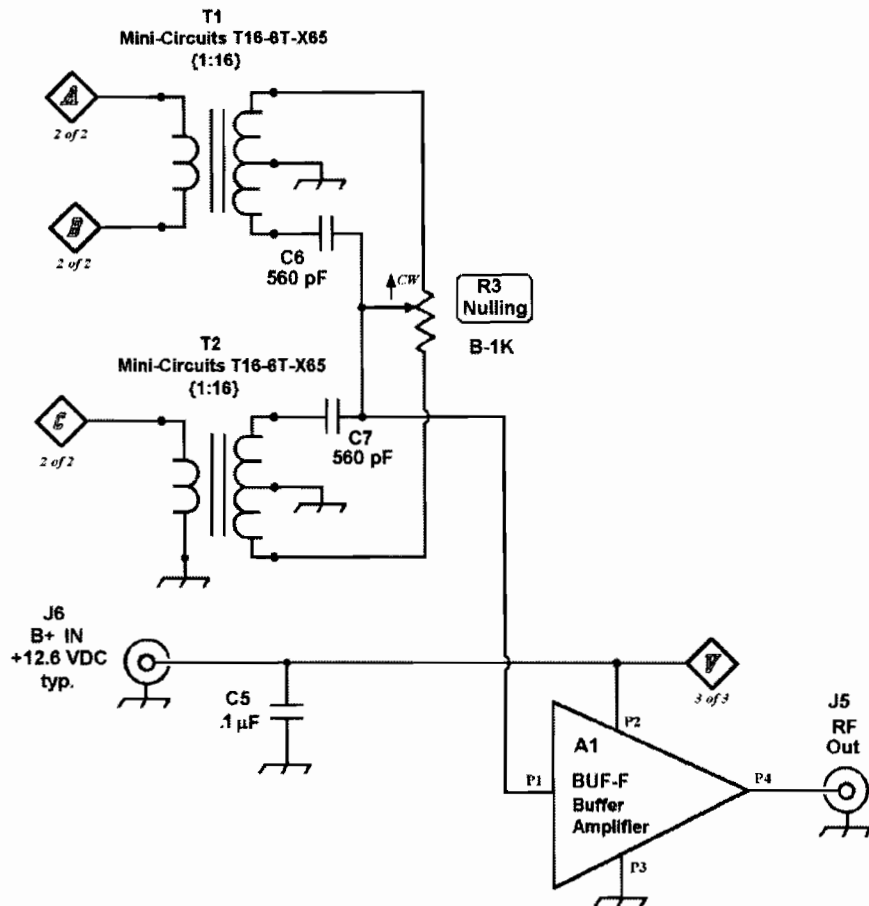


NRC Station Location Map Book

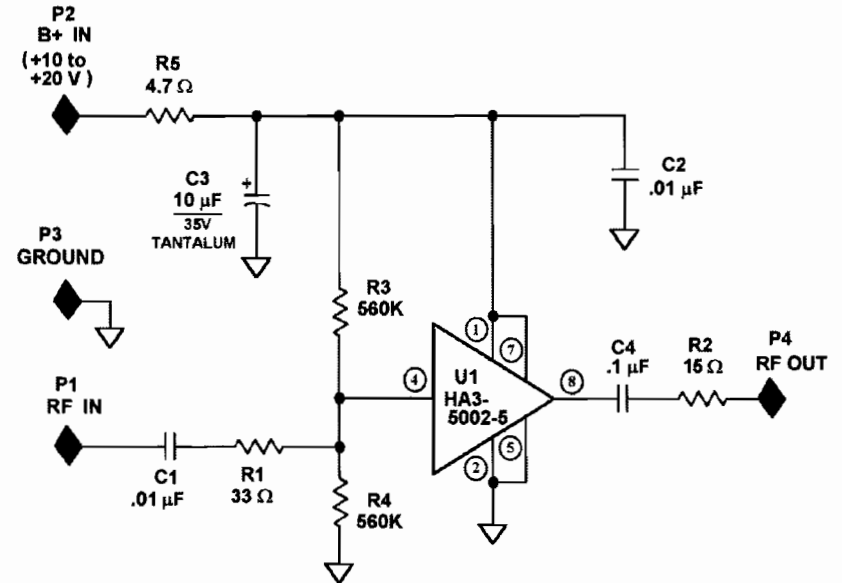
6th edition - \$12.00 to members (\$17.95 non-members), postpaid. Compiled by Bill Hale, this 239-page edition shows the location of all U. S. and Canadian broadcast stations (except TIS/LPRT) as well as latitude/longitude coordinates, plus instructions by Dave Sundius enabling users to calculate distance and bearing to any station. This 8.5x11-inch-sized book is three-hole punched for a letter-size ring binder. Order from NRC Publications - Box 164 - Mannsville, NY 13661. NY orders, please add sales tax.



DXP-3
DXpedition Phasing Unit
Figure 2: Output Section



BUF-F BUFFER AMPLIFIER CARD
Drawing BUF-F_F1: Schematic



Need more information about AM DX'ing?
Mail a First-Class stamp to NRC Publications - P. O. Box 164 - Mannsville, NY 13661-0164 and ask for the *NRC Publications Catalog*.

NRC's Antenna Manuals
Now completely revised and up-to-date!
Antenna Reference Manuals, Vol. 1 and 2,
\$6.95 each (\$9.95 to non-members)
Loop Antenna Design & Theory,
\$8.50 (\$12.95 to non-members)
Order from NRC Publications - P. O. Box 164 - Mannsville, NY 13661. NY orders, please add sales tax.

THE DX'PEDITION HANDBOOK

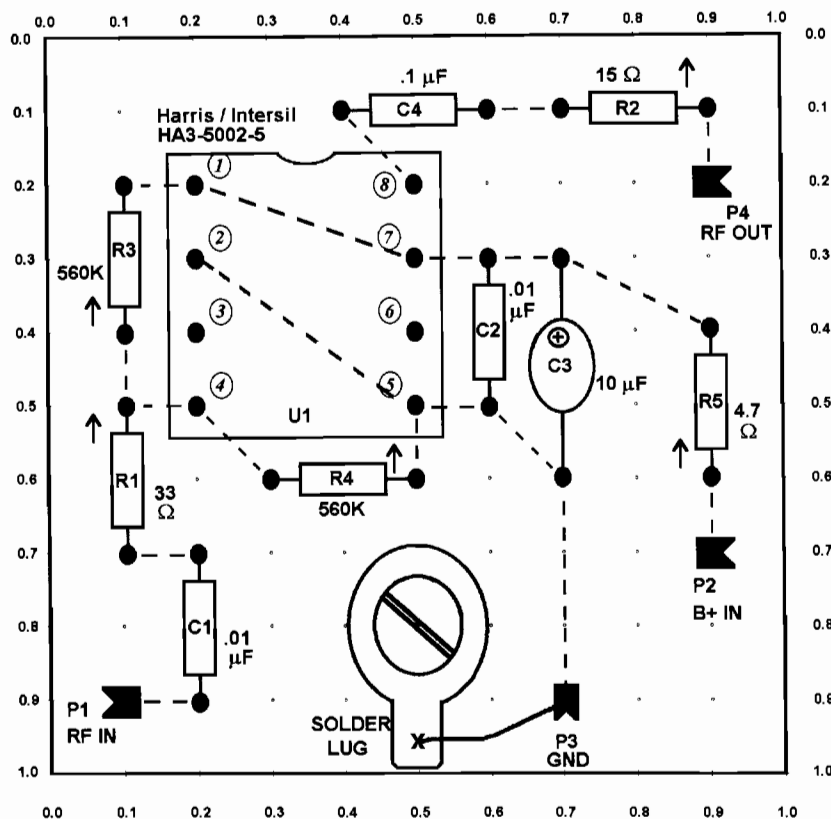
The DX'Pedition Handbook...
is simply all you need to plan your next DX'pedition. \$8.95 to NRC members, \$12.95 to non-members. Order from NRC Publications - Box 164 - Mannsville, NY 13661. NY orders, please add sales tax.

From NRC's DX Audio Service ...
'After Dark 9'

Now available, it includes longer articles not able to be included in normal DXAS programs ... including John Bowker's "1400 Travellog", "Sex and Deception", "Screening Calls", "A Visit to WODI-1230", "Radio from L. P. B." and much more. Two C-90 tapes in a cassette case, only \$5.00 postpaid to members in the United States, \$9.00 to non-NRC/DXAS members. Other areas, please write for pricing. Order from NRC Publications - Box 164 - Mannsville, NY 13661. NY orders, please add sales tax.

BUF-F BUFFER AMPLIFIER CARD

Drawing BUF-F_F2: Assembly



NOTES

- ↑ = Long lead side of vertically-mounted component
- - - = Buss wire on solder side of board
- = Buss wire on component side of board
- ☛ = "Flea clip" terminal pin
OPEN SIDE

The NRC is growing - and you can help.

More members in the NRC means a larger *DX News* ... and more features and services for all members. You can help your club grow: just send the names and addresses of potential club members to the NRC - P. O. Box 5711 - Topeka, KS 66605 and we'll send them a current copy of *DX News*. You could start with your local AM stations' personnel! Spread the word - the National Radio Club is on the grow!

Coupling an external loop antenna to the DX-390 Receiver

By Hans K. Schellenberg

I am a new NRC member and enjoy your publication. I am retired from the FAA as an electronics technician some time ago, but I am involved in the maintenance of non-federal Non-Directional Beacons (NDBs) in the 200-400 kHz Band. These facilities are usually owned by a city or local airport authority.

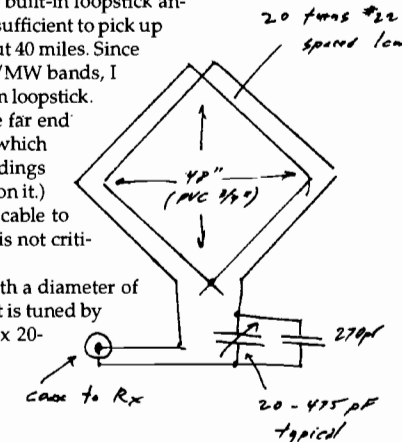
I regularly monitor the NDB's, but I found that the built-in loopstick antenna in receivers like the Radio Shack DX-390 are not sufficient to pick up a low power (25W) NDB at distances greater than about 40 miles. Since the DX-390 has no external antenna input for the LW/MW bands, I decided to couple an external loop antenna to the built-in loopstick.

I wound approximately 20 turns of #22 wire at the far end of the loopstick and connected it to a RCA phono plug which is mounted just below the volume control. (The windings can be held in place by dripping some hot candle wax on it.) The tuneable loop antenna is connected by a coaxial cable to the plug on the receiver. The length of the coax cable is not critical.

The rectangular loop was built using 3/4" PVC with a diameter of four feet with 20 turns spaced 1 cm. For the LW band it is tuned by a discarded two-section AM tuning capacitor (approx 20-475 pF) and paralleled with a fixed 270 pF capacitor. For other bands it is best to experiment with different loop turns and capacitors. Resonance is clearly indicated by an appreciable increase in signal strength or noise, if there is no station on the particular frequency.

I am sure this modification can be done on other receivers with loopstick antennas; however, I would not use more than 20 turns on the far end in order not to detune the loopstick too much.

I was surprised about the overall performance, and I was able to pick up NDB's as far away as North Carolina (CLB, 216 kHz) and Louisiana (GNI 236 kHz) during daylight hours. My location is in Odessa on the SW coast of Florida. Low powered NDBs were received up to 200 miles away.



IRCA TIS LIST (2000)

COMPLETELY REVISED BY IRCA'S BILL HARMS TO 9/00, THE IRCA "TIS/HAR LIST" INCLUDES AM/FM AND TV LISTS FROM THE US AND CANADA. THIS 28 PAGE "DX AID" CAN BE YOURS FOR ONLY \$5.00. NON-IRCA/NRC MEMBERS... ADD \$1.00. OVERSEAS... ADD \$0.50. Order your copy today, in US funds payable to Phil Bytheway, from
IRCA Bookstore - 9705 Mary Ave. NW - Seattle, WA 98117-2334

IRCA AM Slogans List

Get in line NOW for your copy of the latest IRCA "AM SLOGANS LIST". Completely revised by IRCA's own Rich Toebe to 2/00 and including X-Band stations as well, this 24-page DX aid can be yours for only \$5.00. Non-NRC/IRCA members: add \$1.00. Overseas: add \$0.50. Order your copy today, in US funds payable to Phil Bytheway, from
IRCA Bookstore - 9705 Mary Ave. NW - Seattle, WA 98117-2334

A DX'er's Technical Guide

Now in its 3rd edition (published early 1998), this 155-page book answers questions on receiver and antenna theory (how to improve their performance), how audio filters and loop antennas can improve DX (and hints on their construction), how to build a Beverage and phasing unit, and much more. Only \$10.00 for IRCA/NRC members, \$12.00 for non-members (overseas airmail add \$2.50). Order your copy today, in US funds payable to Phil Bytheway, from IRCA Bookstore - 9705 Mary Ave. NW - Seattle, WA 98117-2334

Musings of the Members

Thoughts from NRC members ... the opinions expressed in this column are those of the individual writer and do not necessarily reflect those of the editors, publishers, or the National Radio Club, Inc.

Dave Schmidt NRCMusings@aol.com
P. O. Box 3111
Scranton, PA 18505-0111

Times are local per Muse; submit double-spaced only.

Ken Onyshuk - 331 Pine Street #1 - Joliet, IL 60435

The 1160 simulcast of WXRT 93.1 came to an end 1/31 as Salem Communications took over 1160 and now simulcasts WYLL 106.7, located in suburban Des Plaines with its Christian teaching programs. 1160 is now DXable again while they're on their night pattern. Thankfully I've got a few WXRT AM ID's collected, though they didn't seem to make a big deal of being on AM. Wonder how many reception reports they received? I've been listening to WYPA-820 regularly now with its Catholic programming, which is scheduled to go away soon, also taping ID's and sign offs. That's all we need, another ethnic station in Chicago, which will happen when Newsweb takes over. WAUR-930, located in W suburban Sandwich, is airing both U of IL and Notre Dame basketball, but its night signal is very directional; my DX buddy Marc Marino, 35 miles E in Calumet City, can't hear the games at night. I'm still using a 20-year-old GE Superadio II and CCrane portable. I just added a Sony CD/radio/cassette/recorder CFD515 stereo that I picked up at a moving sale for \$10. It works great. I ran into a problem with the CCrane recently; I accidentally pulled the FM antenna out of the case! I did put the metal bottom piece on the antenna but it's not the same; how do I restore it again? As I write this, it's 2:25 PM 2/5 and with WWCA-1270 long gone (they used to air some Spanish last year for a while), I'm getting mostly WKBF with satellite MOR and WXYT with sports talk, both in/out. They had to change their pattern; they've never been this strong before. It must run over WFRN with its Christian programming. The 2/3 *Billboard* magazine listed 10 cities' Arbitrons. Highlights: #1 New York, top AM was 7th place WABC-770 with a 3.7, Los Angeles was KFI-640 in 10th place, Chicago's WGN-720 showed as #2, San Francisco/Oakland shows KGO-810 as #1, KCBS-740 as #2, KOIT -1260/96.5 as #3, and 4th was KSFO-560. Paul Harvey recently mentioned that KGO has been the #1 station for 22 years! In Philadelphia, KYW-1060 was #2, Dallas/Fort Worth shows WBAP-820 in 4th, Detroit's WJR-760 was #3 (the non sports station), WBZ-1030 leads the pack in Boston, in Washington, WTOP-1500 finished 4th, and Houston, primarily an FM area, KTRH-740 showed up in 7th place. Yes, I've heard CHWO-740 a few times, nice MoR, but never an ID. CU again soon! (I believe the Canadian rule for legal ID's is once in 24 hours, I've heard the CHWO calls on 740 a few times, especially when they were simulcasting on 1250-DWS)

Dave Schmidt - P O Box 3131 - Scranton, PA 18505-0111

The WFBS DX TEST was on as scheduled on 2/17, with the first ID in code (thanks Al!) blasting out at 12:15AM. I ended the test about 1:40AM. Thanks to ANDY RUGG who called and let me know he was hearing the code, and he caught a station he had been looking to hear for a number of years! I also received a call from a DXer in California at 12:20AM who said he was hearing the code ID's. He was prying for some information, like the times that I ran the ID's, but I gave him "I've run a few" and wouldn't mention the times. I told him to send a tape. Reception of a 1000 watt non directional station in California from Pennsylvania at 12:20AM EST? Doubtful. So we'll see what the tape brings. Thanks to all for their 'radio adventure' reports; they've been the most enjoyable reports that I've put together for this column in YEARS! (How many years have I been doing this now, pls?) (10 years and a few months; ya havin' fun yet? -pls.). But the column can only survive if YOU send in your reports; hard copy or electronic, they both work. 73

Even the Technical side of the 'behind the scenes' part of radio can be of interest, as well as staying clothed! Here are some entries into our "Behind The Mike" series of reports submitted by the membership ... And the Beat Goes On!

Perry Crabill, Winchester, VA: Although I never worked as an engineer for a BCB station, during a significant part of my 41 years and 7 months with C&P Telephone in Washington, DC, I was involved with wireline program channels between studio and transmitter sites. In 1948 and 1949 I worked at the Radio and TV Operating Center in the Downtown Toll office at 725-13th Street, NW, and was involved with the first televised Presidential Inauguration in 1949. In 1953 I was promoted into C&P's Engineering Department, working on Transmission Special Services. My responsibilities eventually grew to include the wireline program channels I had worked on as a craftsman. The Engineering Depart-

ment was the company's ultimate technical resource for resolving problems when the Plant Department needed help. At that time C&P provided a 15 kHz audio channel via aerial telephone cable facilities between the studios of AM station WPIK in Alexandria, Virginia, and its transmitter site off US Route 1 near Groveton, Virginia. WPIK operated on 730 kHz, and was cited by the FCC for causing Morse code interference to Alexandria area reception of WBMD in Baltimore, Maryland, on 750 kHz. Some lady was a regular listener to a country music program from WBMD and complained of Morse code signals marring the music. The FCC quickly determined that the code signals were from the 1 megawatt US Navy station at Annapolis, Maryland, operating on 21.4 kHz for communication with submerged nuclear submarines. WPIK's wireline studio-to-transmitter loop was picking up this strong signal from no more than 40 miles away, and it was getting into their audio console, modulating their 730 kHz carrier, and creating Morse code sidebands at 751.4 and 708.6 kHz. When our Plant Department referred the problem to me I told them that it was up to the radio station to restrict their system's audio response above 15 kHz. However, the station pleaded that they didn't have the expertise to deal with the problem; also, they faulted the Telephone Company because they claimed that we were delivering the out-of-band signal to them. I agreed to look into it, and designed and built a high-Q series resonant LC circuit tuned to 21.4 kHz and checked it with an oscillator and frequency counter. I turned the circuit over to the Audio Foreman at our Radio Shop, who happened to be my younger brother Ward, and told him to install it across the cable pair at the transmitter site and re-equalize the program channel. This took care of the problem for quite some time; however, one day I received a call saying that WPIK's Morse code problem had surfaced again. I asked if the trap circuit I had built had been disconnected, and learned that the station had burned down. The trap was lost in the fire, and the station was back on the air with a new transmitter. I gave them another LC tuned circuit identical to the first, and that was the last I heard of this problem. In thinking this over, I wonder if any other AM station with program loops in aerial cable spans near the Navy LF stations in Maine or Washington state had similar problems.

George Santulli, Lovettsville VA: My early days in broadcasting did include some time behind the microphone. In the early 1980's I worked part time on weekends for Santa Barbara radio KKIO-990. The station ran basically a C&W format, but on the weekends it was a mix and the DJ, "Jim" who preceded me was a rather straight arrow guy who played big band music, he didn't care much for C&W. He was a pretty conservative no nonsense guy. One Saturday shift, my brother-in-law Phil came out to visit from Georgia. He was planning on spending most of the day at the local art museum, but a severe winter rainstorm in southern California prompted an early closing of the art museum and Phil came to the station to spend the rest of the day with me. On the way to the station, Phil got drenched by the heavy wind driven rain, and he arrived at the station looking like a survivor of the Titanic, soaking, dripping wet. Since we were alone in the station I told him to hang up his wet clothes and sit with me in the studio until it was time for us to leave, around 6 pm or so. No one would come in since it was the weekend. Phil, now stripped to his underwear only, sits down on the floor in the radio studio and occupies his time by going through the many phonograph albums that lined the studio walls. I played music and broadcast the many road closures that the rainstorm had created, Phil thumbed through albums. Since it was Saturday there was no one else around except us two, or so we thought. Since the studio was noisy with the music, we never heard "Jim" slip back into the studio to pick up something he left behind. Jim was the "big band" guy who was on before me. He opens the door to the studio and there greeting him is me in my chair and Phil on the floor in his BVD's looking up at Jim with startled eyes. No one knew what to say. Jim looks at me, he looks at Phil, mutters something and leaves. He never did comment on that day ever, but there was a "coolness" between us that never did melt during my time at the station. Soon after that my radio days were over and I went into TV.

Sunrise-Sunset Maps

Monthly maps (12) showing the average monthly sunrise/sunset times for the U. S.; customize them for your location. \$3.00 for NRC members (\$4.50, non-members). Order from NRC Publications; NY residents, add sales tax.



What a Time-saver - the County Cross Reference

A complete list of counties, parishes, and similar political divisions in the U. S. and Canada. Two lists are included: alpha by county, and by state. Compiled by Bill Hale and designed and produced by Wayne and Joan Heinen. \$6.50 for members, \$9.95, non-member. Order item CCR from the NRC Publications center; NY residents, please include sales tax.