

DX News

◆ Serving DX'ers since 1933 ◆

Volume 63, No. 28 - July 15, 1996 (ISSN 0737-1659)



Inside...

3 .. AM Switch

6 .. Radio Roundup

7 .. DDXD

12 .. IDXD

23 .. Noise-Reducing Antenna

28 .. Two Updated Active Antennas

39 .. Unofficial DX Countries

41 .. Pro Sports Nets

42 .. IDXA

43 .. Mustangs

CPC Test Calendar

HCJB	ECU	690	Aug. 4	0100-0115
HCJB	ECU	690	Sept. 1	0015-0030

HCJB-690 - Quito, Ecuador will conduct monthly DX tests at various times. The tests will include Morse code ID's and "other unique items". Correct reception reports will be verified with a special QSL card. According to the station, if you hear code, you must report EXACTLY when you heard it and WHAT CHARACTERS you heard. Tape recordings are welcome, but tapes cannot be returned. Please include one international reply coupon (IRC) or first class postage in US or Canadian stamps for a reply to your reception reports, which may be sent to: Mr. Rich McVicar (HC1JMN) Frequency Manager - Attn: 690 DX test c/o English Language Service HCJB - Casilla 17-17-691 - Quito, Ecuador. Arranged by Mr. Rich McVicar of HCJB for the benefit of all DXers.

From the Publisher ... I think my computers are back to normal again; I traced the problem to a bad SCSI connection, which corrupted most of my software and wasted about two weeks of my time in tracking down the origin of the anomalies. It's not a pretty sight when your computer offers to reformat your hard drive, which has about half a gigabyte of files and applications on it!

Check your new address label on this issue; it may or may not have a bar code on it, as I'm still grappling with software inconsistencies. Again, if you have been providing us with an incorrect address, you may no longer receive DXN until you check with your local USPS for the correct address. Recently, two NRC'ers have failed to do so, and until they realize that they no longer are receiving DXN and send us the correct street address, they won't see DXN in their mailbox. In other words, you cannot depend upon your local P. O. and mail carrier to find you any more. One hint: if you haven't been providing us with a N/S/E/W designator on your street address, your address may not be correct. We can check ZIP codes with the USPS data base, but only if we have correct street/P. O. Box addresses.

Now is the time to send Ron Musco your votes for NRC International DX'er of the Year and Domestic DX'er of the year. Nominated for Domestic DX'er of the year: Frank Aden, Jr. and Kermit Geary; and for International DX'er of the year: Jean Burnell

and Al Merriman. The deadline for all votes is August 15. The awards will be presented at the 1996 NRC convention in Knoxville. Please send all votes to Ron Musco at P. O. Box 118 - Poquonock, CT 06064-0118, or

<<MUSCORJ@hswdl.utc.com>>.

NRC membership certificates are now available from NRC Publications at 75¢ each. Suitable for framing, etc.: they're quite attractive.

(continued on page two)

DXN Publishing Schedule, Volume 63

#	Deadline	Pub. Date	#	Deadline	Pub. Date
29.	Aug. 2	Aug. 12	30.	Sept. 6	Sept. 16

DXN Publishing Schedule, Volume 64

1.	Sept. 27	Oct. 7	16.	Jan. 17.	Jan. 27
2.	Oct. 4	Oct. 14	17.	Jan. 24	Feb. 3
3.	Oct. 11	Oct. 21	18.	Feb. 7	Feb. 17
4.	Oct. 18	Oct. 28	19.	Feb. 14	Feb. 24
5.	Oct. 25	Nov. 4	20.	Feb. 21	Mar. 3
6.	Nov. 1	Nov. 11	21.	Feb. 28	Mar. 10
7.	Nov. 8	Nov. 18	22.	Mar. 7	Mar. 17
8.	Nov. 15	Nov. 25	23.	Mar. 14	Mar. 24
9.	Nov. 22	Dec. 2	24.	Mar. 28	Apr. 1
10.	Nov. 29	Dec. 9	25.	Apr. 11	Apr. 21
11.	Dec. 6	Dec. 16	26.	May 9	May 19
12.	Dec. 13	Dec. 23	27.	June 13	June 23
13.	Dec. 27	Jan. 7	28.	July 11	July 21
14.	Jan. 3	Jan. 13	29.	Aug. 8	Aug. 18
15.	Jan. 10	Jan. 20	30.	Sept. 12	Sept. 22

DX Time Machine

From the pages of *DX News*:

50 years ago ... from the July 20, 1946 DXN: The 1945-'46 Contest final standings were reported, with Ray Edge winning First Prize (\$2.00 cash), Grant Batson, Second Prize (one year membership in the NRC), and Stan Morss, Third Prize (\$1.60 cash).

25 years ago ... from the July 24, 1971 DXN: Final results of the 1970-'71 contest managed by Stewart Drake showed Dennis Pimper edging out Jerry Conrad for first place, with Robert L. Neal, Jr., Jim Critchett, Ross Hansch, Marc DeLorenzo, Larry Black, Mike Hawkins, Eric DiRocco, Mark Katz, and Duane Giese all scoring over 1,000 points ... SPEEDX's first bulletin resembled *DX News*, and the yearly subscription was the same, \$10.

10 years ago ... from the July 14, 1986 DXN: Bill Hale was scheduled to replace Dave Schmidt as DDXD-E editor ... George Santulli told about DX'ing from an airplane at 35,000 feet.

(continued from page one)

And the NRC *Distance and Bearing, Latitude and Longitude Handbook* is now available; check out page 11 for more details.

Publications, equipment ... Chris Cuomo sends word of *Voices in the Big Sky*, the history of Montana broadcasting, by C. Howard McDonald, a 154-page paperback available for \$16.95, payable to Big M Broadcast Services - P.O. Box 1672 - Bozeman, MT 59715 ... former NRC member Craig Siegenthaler sent us a copy of his latest Kiwa Electronics catalog, which includes the Pocket Loop and the Premium Filter Module for the AOR AR7030. For more info, write him at 612 South 14th Ave. - Yakima, WA 98902 or Kiwa@wolfe.net; Kiwa's web site is at <<http://www.wolfe.net/~kiwa>>.

Vincent Reh's *Facts About Railroad Radio* is now available at \$19.95 + \$3.50 shipping (Vermont residents, add \$1.00 sales tax) from Byron Hill Publishing Co. - P. O. Box 197 - Grand Isle, VT 05458. The R. L. Drake company offers a toll-free line if you'd like to have a copy of their latest catalog: 1-800-9DRAKE4.

Knoxville ... From 1996 convention host Steve Francis: "The 63rd annual NRC Convention welcomes you to beautiful East Tennessee, home of the most-visited national park in North America! On the edge of the Great Smoky Mountains, Knoxville is within an hour's drive of Dollywood, The Museum of Atomic Energy, Gatlinburg, Biltmore House, and so much more: lakes, majestic mountains—just about everything but the beach! Three major interstates, 40, 75 and 81, traverse East Tennessee. This year's convention site, the Ramada Inn, is at the junction of 40 and 75, just off Exit 378 at 323 Cedar Bluff Road, Knoxville, TN 37923. Special convention rates are \$48.50—single/double and \$56.50—triple/quad. Registration fee, including the banquet is \$40. The Ramada's telephone number is 423-693-7330. Specify the National Radio Club when making your reservation. Questions? Write Steve Francis, 1620 Lodge Street, Alcoa, TN 37701, or telephone 423-982-3122. See you August 30-September 2!"

IRCA convention ... Thanks to Phil Bytheway's electronic DX newsletter, we present this info on IRCA's convention: Ocala FL, July 19-21 1996. Hotel: Ritz Historic Inn - Full Suite \$75, Regular Suite - \$65, Standard Suite - \$55 less 15% discount-reservations (904) 867-7700. Contact: Lee Freshwater, 414 SE 3rd St., Ocala, FL 34471, (904) 732-6408, FAX (904) 732-7223 or email: LFreshwater@AOL.COM.

And WTFDA convention info from both Phil and Tom Bryant:

WTFDA - Estes Park CO, August 9-11 1996. Hotel: The Dripping Springs B&B Inn and Cabins, Estes Park CO - rates \$74 - \$89 (room for 2) - reservations 1-970-586-3406. Registration - \$5.00, banquet (all you can eat) - \$12.50. Contact: Jim Thomas, 4437 S Stover, Apt 3, Ft Collins CO 80525 (info packet \$1.00). Wdxofbu@aol.com. They have recently started taking major credit cards, and no longer require a cash deposit. For info call Oliver and

Janie Robertson. Jim says that other facilities in the area tend to sell out early as well...so if you're planning to attend and don't want to stay too far from the convention site...you'd best hurry!

Madison, WI GTG ... The 3rd annual Madison area DX GTG is being held on Saturday, August 17 from 1:00 P.M. until past the dinner hour. The GTG is being held at Bill Dvorak's house, 501 Algoma Street, Madison WI 53704-4812. This is an all-band GTG. Directions and any other information can be obtained by writing, by calling Bill at (608) 244-5497, or by e-mail <dxearak@aol.com>.

Grove Expo at Atlanta ... The theme for the annual Grove Expo is "Share the experience, bring a friend" (share the expenses, hi?), as Grove is offering special discounts to those who bring first-timers to the convention. The 7th annual Grove Communications Expo will be held October 18-20 in Atlanta, GA and will feature astronaut Ron Parise WA4SIR as the keynote speaker. For more info, contact Grove at <<http://www.grove.net/hmpgexpo.html>>, E-mail at expo96@grove.net, phone 1-800-438-8155 (outside the U. S. at 01-704-837-9200), or even by mail at P. O. Box 98 - Brasstown, NC 28902. Ask for Grove Enterprises' latest catalog if you haven't received one yet.

DXChange ... Here's some good reading opportunities from Nolan Stephany -3369 Lake Road - Williamson, NY 14589, 315-589-8863: *DX News*, Oct. 1983-Sept. 1985 (V. 51, 52); \$9.00 ppd; *The Ace*, April 1984-Oct. 1985, plus a few others; \$6.00 ppd; *Review of International Broadcasting*, May 1983-Mid-1986, #76-106, \$9.00 ppd. All in excellent shape, with no writing or cutouts.

More radio resources on the internet ... From WTFDA's Saul Chernos: <<http://www.infospaceinc.com>> is an online directory of all businesses and personal addresses. It's searchable by state individually or by all states and Canadian provinces and includes broadcasting outlets.

Finally, you might want to check out the brand-new Website for El Grupo DX Mediterraneo (MEDI DX) <<http://www.geocities.com/SiliconValley/4847/>>. Although it's in Spanish now, they promise English in the near future. They specialize in medium and long wave topics.

Welcome to these new members ... Tom Kelly, Novelty, OH; James Arnott, Elmhurst, IL; Steven C. Wiseblood AB5GP, Brownsville, TX (rejoins); Hugh McDermott, Sandwick, IL; Jim Wright N0TDZ, Denver, CO; Matthew Malinoski, Enfield, CT; Timothy L. Coucke KE4KE, Mantorville, MN; Frank J. Sepic, Milwaukee, WI (rejoins); John C. Parker, Lilburn, GA; Jeffrey M. Graham, Wixom, MI; Keith Davidson, Vallejo, CA; James Barrele, Somerville, MA; Peter Morales, Santa Monica, CA; Stephen Foisey, Stratford, CT; James M. Moertell, Meadville, PA; Louis M. Poda, Akron, OH (rejoins); Robert L. Foxworth, Lake Grove, NY (rejoins); Raymond Gendron, Lacombe, Alberta; Wayne J. Benkinney, Burton, MI (rejoins); Robert Hoffman, Ocean City, NJ (rejoins); and Theodore R. Hall, Vienna, WV (rejoins). Welcome especially to those who've come back to the NRC; we missed you!

AM Switch

Jerry Starr
c/o WHOT Radio
4040 Simon Road
Youngstown, OH 44512-1320

Status changes in AM stations, supplied by the FCC and listeners

We're back! Following three separate eye surgeries we're finally on the mend and once again permitted to spend some time looking at the computer screen. So, here we go.

CALL LETTER CHANGES

	Old call		New call
540	WRTM	FL	Pine Hills WQTM
860	KSFA	TX	Nacogdoches KEEE
870	WZMC	TN	Colonial Heights WPWT
900	KGRB	CA	West Covina KRRA
920	KCPL	WA	Olympia KGHO
1090	KYBG	CO	Aurora KMXA
1150	WCNX	CT	Middletown WMRD
1230	KEEE	TX	Nacogdoches KSFA
1340	WBMS	NC	Wilmington WAHH
1350	WSVY	VA	Portsmouth WGPL
1370	WKFD	RI	Wickford WEGM
1380	KPAL	AR	North Little Rock KRNN
1400	WKWK	WV	Wheeling WBBW
1420	KTAN	AZ	Sierra Vista KLTW
1460	WQCR	TN	Jackson WJAK
1490	WVIX	MS	Vicksburg WRTM
1510	WVIO	NC	Blowing Rock WXIT
1510	*New	NJ	Hackettstown WRNJ*
1560	KGUL	TX	Port Lavaca KILE
1600	KVRD	AZ	Cottonwood KYBC

Note: The WRNJ call moves from 1000 kHz to what is effectively a new station and is shown as such.

APPLICATIONS FOR NEW STATIONS

830	AL	Hartselle: facilities now shown
1160	AL	Fairhope: facilities not shown
1440	AB	Sparwood: 100/100 U1 (would relay CFEK-1240)

GRANTS FOR NEW STATIONS

1340	NV	Elko: 1000/1000 U1
1510	NJ	Hackettstown: 900/230 U2

APPLICATIONS FROM EXISTING FACILITIES

630	KSTE	CA	Rancho Cordova: powers to 25000/10000 U4
730	CJNR	ON	Blind River: requests move to 94.1 FM and will surrender AM license if granted. This FM would be in Elliot Lake and, if granted, would result in two other stations surrendering their AM license, CKNS-930 in Espanola and CKNR-1340 in Elliot lake
790	WQXI	GA	Atlanta: day power to 28000 watts
850	KICY	AK	Nome: day power to 50000 watts
1000	KKIM	NM	Albuquerque: add 38 watts nights, antenna to U1
1010	KIQI	CA	San Francisco: reduce day power to 10000 watts
1060	WHBF	MI	Benton Harbor: add 1 watt night, antenna to U1 (this supercedes any previous applications you may have seen for this station)
1090	CKRX	AB	Lethbridge: requests move to 95.5 FM and will surrender AM license if granted
1120	WMSW	PR	Hatillo: reduce day power to 2600 watts, antenna to U2
1160	WPVG	MD	Funkstown: night power to 1000 watts
1240	WMMB	FL	Melbourne: reduce powers to 940/940
1240	WMFG	MN	Hibbing: reduce powers to 800/800
1260	KLYC	OR	McMinnville: reduce powers to 800/750

CKRC
→ RADIO 63

300 CARLTON STREET
WINNIPEG 2, MANITOBA

KBOA
KTMO
P. O. BOX 509
KENNETT, MO. 63857

1280	CHRB	AB	High River: to 1140 kHz with 50000/46000 U4
1370	KTMG	CO	Deer Trail: reduce power to 700 watts
1390	KSLM	OR	Salem: reduce night power to 690 watts
1430	KEWZ	CO	Aurora: day power to 10000 watts
1430	WWGS	GA	Tifton: license CANCELLED and call DELETED
1450	WIBM	MI	Jackson: reduce powers to 780/780
1470	WBUL	KY	Shepherdsville: reduce power to 760 watts (this long-silent station was thought to be missing from the FCC Database (see Issue 23) but they are still with us, seems the FCC, in its unending quest for accuracy, is still listing WBUL in Fort Knox, their city of license many years ago)
1480	CHRD	PQ	Drummondville: requests move to 99.3 FM and will surrender AM license if granted
1510	KNOB	CA	San Rafael: power to 8000 watts, antenna to D3
1530	KCMN	CO	Colorado Springs: day power to 3000 watts
1530	WCTR	MD	Chestertown: day power to 1000 (277 C1H)
1530	KSHY	WY	Fox Farm: modify CP to show day power as 5000 (1000 CH); this station is still operating on 1370 in Cheyenne and was granted an X-band move to 1630 so we're not quite sure what's going on here.
1580	WCCF	FL	Punta Gorda: power to 1250 watts

GRANTS TO EXISTING FACILITIES

580	WKAQ	PR	San Juan: powers to 10000/10000, antenna to U3
690	WADS	CT	Ansonia: day power to 3500 watts, add 200 watts nights, antenna to U4
810	WISZ	MI	Rockford: power to 3600 watts, antenna to D3
870	KIEV	CA	Glendale: relocate transmitter site
1050	WMSG	MD	Oakland: relocate transmitter site
1240	WJIM	MI	Lansing: reduce powers to 890/890
1260	WBBK	GA	Blakely: relocate transmitter site
1350	WLOU	KY	Louisville: reduce day power to 2200 watts
1370	WEGM	RI	Wickford: reduce power to 255 watts, relocate transmitter site
1450	KBKW	WA	Aberdeen: relocate transmitter site
1500	KRIG	OK	Pawhuska: reduce power to 500 watts, antenna to D1, relocate transmitter site
1530	WVFC	PA	McConnellsburg: relocate transmitter site

OTHERNESS

The FCC continues to notify silent stations that their license is about to be revoked since they have been silent for more than a year. These stations are designated by +++ below.

590	CFNL	BC	Fort Nelson: requests move to 102.3 FM and will surrender AM license if granted
620	KZTY	NV	Winchester: CP for this new station has expired but the FCC granted a reinstatement so KZTY may still have life
630	CKRC	MB	Winnipeg: has moved to 99.9 FM but will continue to operate on AM for another "two to three months"
700	KVRG	CA	Soledad: antenna mode in Log should be U1
710	WREM	ME	Monticello: silent station is ON THE AIR relaying WEGP-1390 Presque Isle, ME
730	WACE	MA	Chicopee: CP for 5000/500 U2 is DISMISSED
740	KWNT	WA	Buckley: CP for new station CANCELLED and call DELETED
800	WVCQ	PA	Brockway: CP for new station CANCELLED and call DELETED
820	WARL	VA	Cloverdale: CP for new station CANCELLED and call DELETED
830	KABN	AK	Long Island: application to reduce power to 8000 watts has been DISMISSED
830	WNZQ	FL	St. Cloud: CP for new station CANCELLED and call DELETED
830	KBUC	TX	Cibolo: license CANCELLED and call DELETED
880	KKMC	CA	Gonzales: CP for 50000/2500 DISMISSED
880	KNZS	CA	Montecito: CP for new station CANCELLED and call DELETED
960	KCLL	CA	Lompoc: station is SILENT
990	WWRS	WI	Mayville: CP for new station CANCELLED and call DELETED
1000	WRNJ	NJ	Hackettstown: station has been DELETED on this frequency, see 1510 below
1000	KNDA	TX	Odessa: license CANCELLED and call DELETED



1000	WVWI	VI	Charlotte Amalie: station is SILENT
1010	KXEG	AZ	Tolleson: CP for 7500/250 U5 is on
1010	WITL	MI	Lansing: station is SILENT
1050	KTEZ	TX	Slayton: license CANCELLED and call DELETED
1060	WBIV	MA	Natick: application for 50000 days is DISMISSED
1060	WBMB	MI	West Branch: license CANCELLED and call DELETED
1080	WKKE	NC	St. Pauls: CP for 50000 D3 DISMISSED
1100	WUBS	IL	Harrisburg: license CANCELLED and call DELETED
1100	KWXL	TX	Hudson: CP for new station CANCELLED and call DELETED
1120	WKTD	NC	Wilmington: CP for new station CANCELLED and call DELETED
1130	WAME	SC	Camden: silent station is ON THE AIR
1160	WELX	FL	Callahan: expired CP for new station has been reinstated but CP for synchro in Jacksonville has been CANCELLED
1160	WPVG	MD	Funkstown: +++ (note WPVG has just made application to modify their facilities, see above)
1160	KNKQ	NV	Virginia City: CP for new station CANCELLED and call DELETED
1170	KDLP	LA	Bayou Vista: license CANCELLED and call DELETED
1170	WWTG	MI	Stanwood: CP for new station CANCELLED and call DELETED
1180	KYET	AZ	Williams: silent station is ON THE AIR
1200	KTCD	CA	Cottonwood: CP for new station CANCELLED and call DELETED
1200	WRVX	TN	Mount Carmel: CP for new station CANCELLED and call DELETED
1220	KBNO	CO	Denver: CP for 660/11 is on
1230	WANO	KY	Pineville: silent station is ON THE AIR
1230	CJLB	ON	Thunder Bay: has moved to 105.3 FM and has surrendered license for AM station
1240	KXPA	CA	Pasadena: station is SILENT
1240	WJIM	MI	Lansing: CP for 890/890 is on
1240	CKLS	PQ	La Sarre: requests move to 102.1 FM and will surrender AM license if granted
1250	KGRJ	CO	Fraser: CP for new station CANCELLED and call DELETED
1250	KFKU	KS	Lawrence: +++
1270	WVOM	MS	Iuka: license CANCELLED and call DELETED
1280	KRAN	TX	Morton: license CANCELLED and call DELETED (had been silent since 1991)
1290	WRRR	VI	Fredericksted: station told NRC's Ernie Cooper that they have no intention of moving to 1620 when he visited the station recently
1300	KAKQ	AK	Fairbanks: license CANCELLED and call DELETED (has been silent since 1987)
1320	KAVI	CO	Rocky Ford: license CANCELLED and call DELETED (had been silent since 1991)
1350	WCRM	FL	Fort Myers: CP for 2000/150 is on
1350	WHMI	MI	Howell: license CANCELLED (the call, however, was not deleted, it's now being used on FM)
1350	WBEM	PA	Windber: +++
1350	CHVR	ON	Pembroke: has moved to 96.7 FM and surrendered license for AM station
1360	WYSE	GA	Bainbridge: license CANCELLED and call DELETED
1360	KDXI	LA	Mansfield: license CANCELLED and call DELETED (had been silent since 1991)
1360	WRAH	SC	Easley: +++ (WRAH has since returned to the air)
1370	WMNY	SC	Elloree: license CANCELLED and call DELETED
1370	WEGM	RI	Wickford: since returning to the air this station has been identifying as being in North Kingston although we've seen nothing in the FCC record to indicate a city-of-license change
1380	KRNN	AR	North Little Rock: silent station is ON THE AIR and relaying programs from KARN-920 Little Rock
1380	WAMS	DE	Wilmington: application for 4200 watts night has been DISMISSED
1380	WKTJ	ME	Farmington: license CANCELLED and call DELETED had been silent since 1992)
1390	KAMO	AR	Rogers: application for 1000/125 DISMISSED
1400	WAJQ	GA	Alma: silent station is ON THE AIR
1400	KEBE	TX	Jacksonville: CP for 1000/1000 is on
1400	KOLE	TX	Port Arthur: silent station is ON THE AIR
1420	KSKM	AK	Bethel: CP for new station CANCELLED and call DELETED



1420	WACK	NY	Newark: application to move to 840 kHz DISMISSED
1430	KCOH	TX	Houston: CP for 5000/330 U4 is on
1450	KEZJ	ID	Twin Falls: +++
1480	WSDS	MI	Salem Township: CP for 750/750 Plymouth Township DISMISSED
1480	KGCX	MT	Sidney: +++
1490	WAYB	VA	Waynesboro: +++
1510	WRNJ	NJ	Hackettstown: new station is ON THE AIR (as shown above, this is technically a new station although effectively is a frequency change for WRNJ)
1520	WNMT	GA	Garden City: license CANCELLED and call DELETED
1550	KRGQ	UT	West Valley City: according to the licensee via telephone this is the correct call and city of license for this station, the FCC's database listing of KZQQ Granger is very old information, the FCC continues to sporadically neglect updates in its own database
1560	KPWS	LA	Crowley: license CANCELLED and call DELETED
1590	KIRS	NV	Sun Valley: silent station is ON THE AIR
1600	KYBC	AZ	Cottonwood: silent station is ON THE AIR
1600	KWOM	MN	Watertown: new station may be on the air by the time this reaches you, can anybody in that area confirm this?

THANKS: Mike Riordan, Shawn Hurlburt, Howard Kemp, Shawn Axelrod, Ernie Cooper, Ed Krejny, John Thresher, John D. Bowker, John Hanz, Al Hemmalin, Al Merriman, Les Johnson and MSJ

Denny & BK

73 and Good DX,

Jerry Starr & Buffalo K. Foonman

Radio Roundup

Pete Kemp (KZ1Z) PeteKZ1Z@AOL.com
P. O. Box 73
Bethel, CT 06801-0073
News of the radio industry, of interest to DX'ers

Greetings all ... Bob Grant, axed at WABC, was scooped by WOR-710 in less than a week and is now on the WOR syndication schedule ... Bob Kwesell is the new afternoon talkhost on WCBM in Baltimore. Tom Marr has moved on the Philly's WWDB ... Dan Gates has retired from KCUB in Tucson, after 46 years of broadcasting ... Max Kinkle, long remembered from his CKLW days, and most recently at WCBS-FM in NYC, is currently looking for employment. He was dropped by CBS-FM when legendary oldies dj Norm N. Nite returned to the airwaves in the Big Apple ... Detroit's WLLZ's call letters are rumored to be moving on to WHND-560 ... Famed cross-dressing model Rue Paul has been doing an on air gig on WKTU in NYC. He did so well that Evergreen Media has offered him a contract ... NRCer John Haugen reports that WTMJ-620 is moving its 50Kw transmitter to a site near Union Grove, WI. Antenna fanciers should note that this system has six towers, with a ground radial system using 57 MILES of #12 wire. A very impressive system. The tower heights are 420 ft, as are the radials, a 1/4 wave of their 620 frequency ... Jerry Starr take note, it has been reported that the entire weekend staff of WHOT had to take the weekend off, due to illness, as they had the misfortune of trying the bagels and cream cheese in the refrigerator. Maybe they should have taken a look at the expiration date. Part timers were called in as replacements ... Canadian NRCer Russ Horton reports that CFRB-1010 is still the top AMer in the Toronto market,

with a 10.2 share. The next AMer in line is CBC-740 with a 4.2 two. The rest of the top ten are all FMers ... WVNJ-1160 in Vineland, NJ looks to come a Big Band outlet in the metro New York City area. Their on-air staff brings back radio heavyweights like Jim (the Green Door) Lowe, Ted Brown to the air ... I have always been fascinated by radio names, but this one rates up there, Bubba the Love Sponge. This certainly has changed things from the Johnny Dark, Doctor (you fill it in) and the Cousins/Uncles that have permeated the dial in years past ... NRCer Greg Hanson reports that veteran Washington D.C.'s traffic reporter Brooke Stevens has decided to ground herself on WMAL. She is still on the air, but safely on the ground ... SFX Broadcasting has purchased Liberty Broadcasting for 223.25 million dollars ... Bush is back in CD; no, not the former President but his nephew Bill, who is the new midday DJ on WARW ... From the Where-are-They-Now Department, Adrian Cronauer, featured DJ in the film *Good Morning Vietnam*, is now a lawyer for the firm of Maloney & Burch in Washington, DC. ... Veteran talker Tom Leykis is out of his LA gig on KMPC ... WXYT-1270 is the new home of the Detroit Lions ... KGRB's 32 years as a Big Band outlet has come to an end. They will henceforth simulcast their Spanish speaking FM sister KMQA ... If you would like to contribute to this column, I may be reached at the address above, InterNet PeteKZ1Z@AOL.COM, The Oracle 1:141/1015, or amateur radio packet, KZ1Z @ K1UOL.CT. So much for now.

Domestic DX Digest

West: Bill Hale billhale@wazoo.com

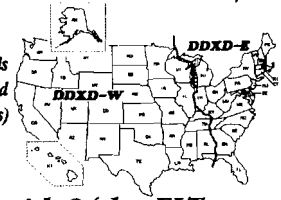
301 Boulder Bluff - San Marcos, TX 78666-8350

East: David Yocis 73564.203@compuserve.com

David Yocis - 97 Clinton Ave. - South Nyack, NY 10960

DX Catches in the U. S. and Canada, with 24-br. ELT

(Division line is
between East and
Central time zones)



DDXD-West MEDIUM WAVE RAMBLINGS

- Welcome to Issue 298 from this editor. The weather has really heated up, and some hot loggings have followed suit. Thanks to all reporters who have checked in this month. Aside from the regular loggings, Joe Kureth reports he received a very nice (suitable for framing) QSL from KTRK-1670. Me, too! I imagine many DXers will report hearing from Kay Truck. And ... Aussie Michael Rolphe grabs another Graveyard record.
- Remember the deadlines for this column are one week prior to those published as part of the "DX News schedule". That gives me time to get things together and E-Mailed to HQ. So don't wait 'til the last minute to get your loggings in!
- A tip of the DDXD-West hard hat to Russ Horton of Acton, Ontario for sending a cassette of IDs and promos from worldwide AM stations! Russ collects airchecks and offers a similar tape to you in exchange for a non-scoped (unedited) 90 minute cassette of a local AM station in your neck of the woods. If you're interested in trading, send your cassette to Russ at 55 Wellington Street, Acton, Ontario L7J 2H1. Let's give him something to do this summer while the AM DX activity id down.
- Shawn sez his local CKRC-630 is now simulcasting with new 99.9 FM and the AM will be shutting down before long. And he hopes that 630 stays open long enough to gather a few new ones on or near that channel. More details in Special.

REPORTERS

RO-AK	Rod O'Connor Kodiak
FA-ID	Frank Aden Boise modified FRG-7, modified TRF, Sony SRF-42 AM \$ Walkman; 45' N-S longwire, 180' L-longwire, 4' box loop
SP-WI	Sheryl Paszkiewicz Manitowoc Drake R8, Eavesdropper antenna
RD-IA	Rick Dau Spirit Lake Kenwood R-1000 + Radio West Loop
RD-IN	Rick Dau Lafayette (my future QTH!!!) R-1000 + RW Loop
PMG-CO	Pat Griffith Denver, CO <104152.2214@compuserve.com>
SA-MB	Shawn Axelrod Winnipeg ICOM ICR-70 w/filter mods and PLAM board +4' box loop, Quantum Loop, 100' long wire
Ed.-NM	Editor Alamogordo ICF-2010
Ed.-TX	Editor San Marcos ICF-2010

SPECIAL

KLIF 1190 AM

560	KVOK	AK Kodiak - Now running satellite-fed oldies, ex: //KJJZ-101.1 classic rock. (RO-AK)
600	KROD	TX El Paso - Now carries 1-on-1 Sports. [Ed.-NM]
630	CKRC	MB Winnipeg - 6/14 1700 - At last the FM is on ... CKWM with <i>Magic</i> 99.9 as the slogan. The format is "Your favourite hits of the 70s, 80s and today. They will be // FM for 2-3 months and then go silent. This will be the first AM station to leave the air in Winnipeg in over 60 years. (SA-MB)
1460	KKTK	TX Waco - Now these calls,; ex:WACO. So we lose one of the only two instances where the call letters match the city ... and another W call west of the Mississippi. [Ed.-NM]
1490	KNOW	TX Austin - Is now 1-on-1 Sports exclusively. Slogan is <i>Sportsfan</i> 1490. [Ed.-TX]
1620	NEW	IL Lockport - 6/19 - The <u>Helixing Company</u> has applied for a license for a license for an experimental station here. [Editor, from the FCC WWW site]

UNIDs and UNID HELP

580	UNID	?? - 5/8 0012 - Weak-to-fair signal, with programming from IRN. I can't find any IRN affiliates on 580 in the 16th Edition of the AM Log. (RD-IA)
940	UNID	?? - 5/21 0122 - Someone here carrying the show <i>Sports Overnight America</i> . Who might this be? (RD-IN)
950	UNID	?? - 5/21 2022 - Fair-to-good with <u>Atlanta Braves</u> baseball // WSB. WGTA is a possibility, but it is listed at only 110 watts at night. Maybe WSPA joined the <u>Braves</u> network this year? (RD-IN) [Or WGTA "forgot" to power-down? - Ed.]

- 1639.9 UNID ?? - 6/15 0605 - Poor signal. Also heard on 6/16 at 0440 with light rock music such as *Lady In Red* and *Loving You*. Could not make out what the male announcer was saying to get an ID. (SA-MB)
- 1660 UNID ?? - 6/16 0450 - Very poor, with deep fades, under WJDM, with bits of music. Is there a new guy on the frequency??? (SA-MB) [Not to my knowledge. May have been a Pir Rate - Ed.]

TIS & OTHER STUFF

- 530 WNPC752 CO Cherry Creek State Park (Aurora) - 5/23 1700 - Good signal throughout much of Denver area. Confirmed with prepared card. (PMG-CO)
- 540 WPD1548 CO Denver International Airport - 4/22 2000 - Good signal throughout east Denver. Confirmed with prepared card. 10 watt transmitter with waiver for 2Mv @ 3 Km. (PMG-CO)
- 890 WNEN689 CO Denver (Coors Field, home of the Colorado Rockies)- 5/12 2000 - Good signal throughout Denver metro. 10 watt transmitter and 'powerplane' ground plane antenna. Confirmed with prepared card. (PMG-CO)
- 1610 WPH858 TX Fort Stockton - 6/11 1200 - Excellent while travelling west on I-10 thru area. About 3 minute dialogue describing "what-to-do" and "what-to-see" while in Stockton by real "down home" announcer. Fort Stockton Info Radio, WPH858. [Ed.]
- 1640 KWJC ?? ?? - 5/20 0200 - Caught *You're listening to AM 1640, KWJC and FM 105.2, KBCK*. Strong signal, as reported last time, running light MOR. Does anyone know who this is?? (FA-ID)

MIDNIGHT TO 0800 HOURS ELT

- 920 KARN AR Little Rock - 5/21 0059 - Fair, with *All-News Radio*, KARN ID. Heard one hour after WBAAs sign-off. (RD-IN)
- 940 CBM PQ Montreal - 5/21 0108 - Good, with Radio Sweden's *60 Degrees North* program in EE. (RD-IN)
- 960 KZIM MO Cape Girardeau - 5/22 0459 - Good, with ID as KZOM, your News Authority. (RD-IN)
- 1410 WIZM WI La Crosse - 6/2 0058 - With call-in show about exercise. ID. (SP-WI)
- 1510 WNRBp MA Boston - 6/2 0147 - With talk show, ads, phone numbers with 617 area code. (SP-WI)
- 1540 KXMG CA Los Angeles - 6/8 0608 - Poor-to-fair signal, under KXEL, with lots of SS talk and lively Mexican music.. NEW. (SA-MB)

0800 TO 1600 HOURS ELT

- 1290 WIRL IL Peoria - 5/22 1127 - Good, with end of Paul Harvey News & Comment, then ad for an Internet business in Peoria. Somewhat of a midday surprise here. (RD-IN)

1600 TO 2400 HOURS ELT

- 550 CHLN PQ Trois Riviers - 6/17 2302 - Presumed this, with sports, mentions of Quebec and Montreal, baseball scores. All in FF. (SP-WI)
- 950 WWJ MI Detroit - 6/3 2233 - With CBS News, traffic report, *WWJ Newsradio 950*, *Mercury* ad, weather, sports. (SP-WI)
- 960 KMA IA Shenandoah - 5/21 2025 - Weak, with Kansas City Royals baseball. Really getting clobbered by WERC. (RD-IN)
- 1020 WPEO IL Peoria - 5/22 1730 - Fair, with ID as *Central Illinois' Christian Voice*, WPEO, Peoria. (RD-IN)
- 1030 WCTS MN Maplewood - 6/9 2132 - With Minnesota Twins game, mention of *hometown innng* on CBS Sports, Lenscrafters ad. (SP-WI)
- 1140 KHTK CA Sacramento - 4/28 2317 - Fair, with Sacramento Kings vs Seattle SuperSonics basketball and mention of... *The Kings Network*. (RD-IA)
- 1260 WCOL OH Columbus - 5/26 2306 - With weather and ID. (SP-WI)
- 1270 WMKT MI Charlevoix - 5/7 2145 - Good, with Detroit Tigers baseball. At 2236 I caught a promo for *The Oliver North Show* on WMKT. (RD-IN)
- 1320 WILS MI Lansing - 5/28 2249 - With old standards, ID, news. (SP-WI)
- 1350 WIOU IN Kokomo - 5/15 2227 - With oldies, Hoosier News, ID, Dodge and Bryant Air Conditioning ads, another ID. (SP-WI)
- 1370 WGCL IN Bloomington - 5/27 2000 - ABC News, Coast Guard PSA, ID, talk show. (SP-WI)
- 1380 WHWB IN Fort Wayne - 5/28 2145 - With minor league baseball, *Radio Hollywood* IDs, ads. ID at 2203. (SP-WI)
- 1420 WOC IA Davenport - 5/19 2206 - Fair, with *Accu-Weather Forecast* and *Newstalk 1420 WOC* ID. Tough to hear due to WIMS. (RD-IN)
- 1460 WBRN MI Big Rapids - 5/24 2112 - With C&W music, Memorial Weekend 150, prizes, AM 1460 ID. (SP-WI)

- 1470 WLOL MN Brooklyn Park - 5/20 2300 - Legal ID, CNN News. (SP-WI)
- 1490 WEFQ MI Whitehall - 5/24 2110 - Music by Journey and War. CL ID. (SP-WI)
- 1600 WARU IN Peru - 5/19 1837 - Fair, with Boston's Long Time, then *Oldies 98 FM* ID and local weather. (RD-IN)

GRAVEYARD DX UPDATE

* indicates North American record-holder

- 1400 kHz: **Warm**
KVTO CA Berkeley Michael Rolph Oakwood, NSW **101.3 FM** 7282
Soft Rock - Less Talk

No animals were harmed in the preparation of this column! (And not very many trees, either, hi-pls)

ABBREVIATIONS USED IN DDXD

/ : parallel to :00: on the hour AC: Adult contemporary AP: Associated Press BBD: big band C&W: country & western CCR: contemporary Christian radio CHR: contemporary hit radio CID: code ID CL: call letter EZL: easy listening EE: English FF: French GOS: gospel LSR: local sunrise LSS: local sunset NHL: National Hockey League NPR: National Public Radio OC: open carrier PRI: Public Radio International PSRA: pre-sunrise authority PSSA: post-sunset authority QRM: man-made interference QRN: natural interference QTH: location PRI: Public Radio International REL: religious ROK: rock 'n' roll RS: regular schedule \$: stereo SID: singing ID SRS: sunrise skip SS: Spanish SSB: Star Spangled Banner SSS: sunset skip TC: time check TT: test tones UC: urban contemporary UPI: United Press International VID: voice ID

DDXD-East

Upcoming deadlines are Tuesdays: July 30, September 3.

Some members kindly send logos to help spice up the column. However, they should really be sent to pls in Topeka; the column is typed here and delivered to Topeka by e-mail, and I can't send the logos that way!

Thanks to *Brandon Artman* who sends along the story of his hunt for the correct address of WQSI. He wrote to the postmaster in Frederick and got the address that way. And to *Chris Cuomo* for the updated carrier-current station list.

Russ Horton sends along a fine tape of station airchecks ... some clear channel, some local, Canadian, U.S., and U.K. It's a delightful 90-minute collection of station promos and IDs. What if NRC members would like a copy for themselves? "All they have to do," Russ writes, "is send me an unscoped recording of their local AM station, AM only." He'll edit another tape when he has more material. Write him at: 55 Wellington St., Acton ON L7J 2H1 Canada.

SPECIAL

- 810 WMJH MI Rockford - 6/4 1600 - Noted with these calls, ex-WISZ, "Magic 810" slogan, satellite NOS. (PB-MI)
- 820 WQSI MD Frederick - Correct address is P.O. Box 1129, Frederick MD 21702-0129. (BrA-PA)
- 1000 WRNJ NJ Hackettstown - 6/12 0730 - Vacated the frequency at this time, and moved to its newly granted allocation at 1510, per call to station. (PRM-NJ)
- 1260 WNSS NY Syracuse - 7/2 2020 - Finally got an call ID from this one, now NWS and ex-WNDR. Runs CBS news on the hour and AP news feed the rest of the time, mostly IDing as "The News Station," "W-News 12-60," and so on. WNSS was the old call of WTLA-1200 North Syracuse. (DY-NY)
- 1300 WLIR NY Spring Valley - 6/24 1825 - After 3-year legal battle, old owners won back the license to the station. All-Jewish format went dark on 6/18; station reappeared 6/24 with NOS music, owner at this time thanking lawyers and sponsors. (DY-NY)
- 1430 WNJR NJ Newark - 6/20 2204 - With Chinese programming over CKYC's CTV news and IDs; so CC in the evenings here isn't necessarily CKYC. This local runs USB-carrier; on LSB it falls well below WTTT even at midday. (DY-NY)
- 1480 WNMX NC Charlotte - Call change ex-WIST. Both AM and FM now ID at top of hour as WNMX, into ABC news. All other IDs are "W- M-I-X," slogan "Mix 106." AM and FM still simulcasting ABC Radio "Stardust" satellite programming, some local programs during weekday drive times. (JM-NC)
- 1510 WRNJ NJ Hackettstown - 6/12 0730 - Started regular operation at this time. Had been testing here since 6/8. Not yet ready for night operation per a posting to AOL; a new site may be erected. (PRM-NJ)
- 6/20 1731 - Fair with weather, "Hometown Radio 15-10 RNJ" IDs, in WPUT null. (DY-NY)
- 1530 WDJZ CT Bridgeport - 6/12 1158 - Heard with SS religion and bilingual ID: "You're listening to the all-new WDJZ, Bridgeport; está Ud. a la [...] sintonía de la nueva WDJZ, frecuencia AM, Radio Musical Cristiana." But PP also still heard, e.g., 6/20 1738. (DY-NY)

- 1560 WNNW MI Portage - 6/4 1800 - Legal ID buried under a song, now "1560 The Touch," with urban AC, ex-country // 98.5-FM. (PB-MI)
- 1580 WPGC MD Morningside - 6/21 - Owning the frequency here mornings while WNZT has been temporarily off the air due to storm damage. The morning program today seems to be more MoR with occasional GOS than its previous hip-hop. Numerous PSA's this week on church burnings. (JW-PA)
- + 7/2 0013 - Noted IDing as "WPGC 95.5," evidently a new FM simulcast. (DY-NY)
- WCTJ NC Camp Lejeune - Has been noted on for brief periods on various days during daytime hours. ID is for "WCTJ, Camp Lejeune-Jacksonville." Programming is gospel. Twice noted // WLOJ- 1490. Slogan "The New Light 15-80" is noted before ID at top of the hour. The slogan is after a lead-in promo for Light 14-90 which has a minister or business person encouraging people to tune-in and support Light 15-80. There is a phone number: (910) 455-8812, but no answer. I have heard WCTJ with a fair signal as far as Goldsboro area, so looks like they're trying to go the full 10kw. (MH-NC)



- UNID and UNID HELP
- 870 UNID 7/2 0052-0057 - Talk program, two soft-spoken men, definitely in EE, possibly religious in nature, weak in shaky WHCU null. WWL was in there too. Maybe WLAM? WABI-910 was heard around the same time. Faded by the hour. At 0112 recheck, WWL was way atop. (DY-NY)
- 1000 UNID 5/31 0440 - SS male singing, fairly strong under WMVP. (RCP-IN) [Colombia? - DY]
- 1070 UNID 6/3 0438 - CNN News format, Doug Whiteman and the Business News discussing e-mail followed by slogan "The News Station. I'm Larry [...] news when you want it." Some QRM from CHOK and over local WIBC at times. WTSO? (RCP-IN) [Sounds like the AP network, whoever it is. - DY]

LOGGINGS: 0000-0800 ELT

- 810 WEKG KY Jackson - 6/14 0536 - IDing as WJSN-FM and WEKG-810, C&W format, Brooks & Dunn tune, very good, new. (RCP-IN)
- 820 WOSU OH Columbus - 6/4 0000 - Promo for morning show, ID. (WM-MD)
- 850 WREF CT Ridgefield - 5/30 0600 - Sign on, good, fluttery. (JD*NJ)
- 900 WGSN SC North Myrtle Beach - 5/27 0550 - "I'm Not in Love," ID. (WM-MD)
- 910 WABI ME Bangor - 7/2 0108 - ID by man, into Johnny Mathis: "Chances Are," fair with CHRL in WRKL null. (DY-NY)
- 1030 WNVN IL Vernon Hills - 5/10 0530 - Sign-on at 0530, Northbrooke and Chicago also mentioned, poor, much T-storm QRN, QRM from WBZ, KCTA. (RCP-IN) [Log has 1000 sign-on. - DY]
- 1040 WSKE PA Everett - 5/30 0605 - Everett area weather report, message from PA Business Roundtable. (JD*NJ)
- 1270 CJTN ON Trenton - 6/25 0100 - ID rising atop "... 1270 Trenton ... NH 1240 Bancroft." (DY-NY)
- 1340 WYCB DC Washington - 7/4 0130 - TC, "From the nation's capital, the inspiration continues," into black religious program, good. (DY-NY)
- WEPM WV Martinsburg - 7/4 0100 - Legal ID, CBS news on the hour, good briefly. (DY-NY)
- 1360 WAOZ OH Cincinnati - 7/2 0002 - Call ID by young girl, promo for kids format, briefly good. (DY-NY)
- 1440 WHHY AL Montgomery - 6/17 0432 - OLD format, song "I'm a Believer" followed by ID: "WHHY, Montgomery, only the best oldies of the 50's and 60's." Very good with little fading. (RCP-IN)
- 1470 WJDY MD Salisbury - 5/27 0535 - Promo, mention of Delmarva, ID as "Y- 99." (WM-MD) [I thought they ID'd as "The Touch"? There is a "Y-99" FM in Salisbury, though. - DY]
- 1580 WONZ NJ Hammonton - 6/13 0659 - In very well briefly with ID. WNZT knocked off the air by bad storm 6/12; Ted Byrne said it should have been back up in a few days. (JW-PA)
- WLIM NY Patchogue - 6/20 0740 - In quickly with ID, mostly music under WPGC; WNZT still off. (JW-PA)

LOGGINGS: 0800-1600 ELT

- 1270 WEIC IL Charleston - 6/2 1500 - ID atop hour, slogan "Solid Gospel WEIC," then into news. First time heard here. (RCP-IN)
- 1300 WLXG KY Lexington - 6/2 1509 - Musical ID, into talk show hosted by female, much noise. Poor. (RCP-IN)
- 1450 WAOV IN Vincennes - 6/2 1545 - NOS music, tune by Ames Brotehrs, very good. First time heard, some QRM from WASK. (RCP-IN)

LOGGINGS: 1600-2400 ELT

- 620 WHJB PA Greensburg - 6/4 2345 - Chicago song, "Your station for classic hits," ID. (WM-MD)
- 1000 WCMX MA Leominster - 7/2 2000 - EZL music, ID, fair in noise. (DY-NY)
- 1030 WYSL NY Avon - 5/29 2028 - Sign-off with SSB, weak in WBZ null. (JD*NJ)
- 1050 WADC WV Parkersburg - 5/30 1922 - NOS music, Johnny Mathis song, ID. Fair while in. (RCP-IN)
- 1290 WKNE NH Keene - 6/11 2355 - Call letters only heard. (WM-MD)
- 1310 WDOE TN Chattanooga - 5/27 2235 - NOS music, ID, under unID hockey game. (WM-MD)
- 1340 WLVL NY Lockport - 7/3 2028 - "AM 1340 WLVL" ID briefly strong, I think them with sports talk in the mess. (DY-NY)
- WVNR VT Poutney - 6/24 2301 - ID rising above the pack, "This is your Information Station, AM 1340 WVNR." (DY-NY)
- 1350 WFLS VA Fredericksburg - 5/26 2000 - ID, mention of Fredericksburg. (WM-MD)
- 1360 WMNS NY Olean - 7/1 2349 - ID by woman, clear and strong, as "News-Talk 1360 WMNS." Log says signs off at sunset ... and this was *not* 20 watts. (DY-NY)
- 1420 WCOJ PA Coatesville - 5/26 2200 - CNN news, weather, ID. (WM-MD)
- 1460 WEMR PA Tunkhammock - 6/30 2333 - Call letters out of nowhere, atop, then gone. Never heard before from any location. (DY-NY)
- WRAD VA Radford - 6/18 2125 - Poor, in and out with call letters, C&W music. (MB-IN)
- 1490 WPOR ME Portland - 6/5 2040 - ID, C&W music. (WM-MD)
- + 7/3 1959 - Promo, 2 IDs, C&W music, good in WGCH null. (DY-NY)
- WOHI OH East Liverpool - 6/1 2150 - Pittsburgh Pirates baseball (vs. Colorado Rockies), ID. (WM-MD)
- 1530 WMBT PA Shenandoah - 6/23 2030 - PSA, ID. (WM-MD)

TIS AND MISCELLANEOUS

- 1610 WPAN977 NY Buffalo? - 6/25 0125 - NY State Thruway TIS, tourist info, relay of National Weather Service Buffalo outlet "for western New York." Morris Sorensen reported this from ON back in February; anyone know exactly where it is? Steady, atop others, seems too strong and regular to really be from Buffalo. (DY-NY)

REPORTERS

- | | | |
|--------|-----------------|--|
| BrA-PA | Brandon Artman | West Chester PA: Special news |
| PB-MI | Phil Boermesa | Spring Lake MI: Local news |
| MB-IN | Mark Burns | Terre Haute IN: R8, Quantum loop, 80' LW |
| JD*NJ | John Dunn | DXing from Surf City NJ: DX440, AOR loop |
| MH-NC | Mike Harvester | Jacksonville NC: Local news |
| WM-MD | William McGuire | Cheverly MD: DX-380 |
| PRM-NJ | Paul Mount | NJ: Local news |
| JM-NC | Jeff Multer | Charlotte NC: Local news |
| RCP-IN | Robert C. Pote | Greenwood IN: R8A, Quantum loop |
| JW-PA | Jim Weber | Lancaster PA: Delco Autobeverage |
| DY-NY | David Yocis | South Nyack NY: R71A, Kiwa loop |

The NRC is growing - and you can help.

More members in the NRC means a larger *DX News* ... and more features and services for all members. You can help your club grow: just send the names and addresses of potential club members to the NRC - P. O. Box 5711 - Topeka, KS 66605 and we'll send them a current copy of *DX News*. You could start with your local AM stations' personnel! Spread the word - the National Radio Club is on the grow!

NRC Latitude and Longitude Handbook

Need to pinpoint the exact location of a station? You can find every USA and Canadian station listed in the "Lat/Lon" book, including day/night sites and CP's for site relocations. Only \$7.95 to U. S. and Canadian members; \$9.95 to U. S. and Canadian non-NRC members.

Order "DBH" from: NRC Publications - Box 164 - Mannsville, NY 13661 (NY residents, please add sales tax)



International Jim Renfrew JimRenfrew@Delphi.com

DX Digest

61 Wilcox Street
Rochester, NY 14607-3832

Foreign DX Catches. Times are UTC; for ELI, subtract 5 hrs.

Interesting developments on 1610 heard in Florida. Also a long-time split on 885 has dropped down to 880. John Bryant reports some excellent TPs under mediocre conditions from BC (putting that province on our list of reporting states and provinces!). John will do some more Northwest DXpeditioning later in the summer. Bruce Conti adds ME to our list of reporting states - so will U. S. or Canada have the greatest percentage of states/provinces reporting in DXN Volume 63? It would be a shame to have John or Bruce have the last word on this matter for the season. Also, sharp-eyed readers will learn that Ben Dangerfield's DX secret has been revealed!

TRANS-ATLANTIC DX

- 567 IRELAND RTE Radio 1, Tullamore JUN 2 0240 - Good signal but weak audio, a "Good morning and welcome aboard..." was about all that could be heard through incessant WMCA-570 splatter. [Conti-MA]
- 612 MOROCCO, Sebba-Aioun, JUN 16 0220 - AA talk; atop second station (probably Ireland) that had rock music. [Connelly*Y-MA]
- 621 CANARY ISLANDS, Santa Cruz de Tenerife, JUN 16 0012 - bits SS talk, het against 620 mess. [Connelly*Y1-MA]
- 684 SPAIN, RNE1, Sevilla, JUN 16 0228 - SS talk; fair to good. [Connelly*Y-MA]
- 764 SENEGAL? JUL 3 0024 - I did a quick Mini-DXpedition trip to the Rowley MA salt marsh. Conditions were somewhat short-skip dominated, but some common European and North African signals were in at fair to good levels. One interesting thing I noted was a good-strength open carrier on 764.0 (not 765). I'm going to guess that this was probably Dakar, Senegal with some sort of technical problem. This would be a good frequency to watch; maybe someone can catch this with some meaningful audio to solve the mystery. [Connelly-MA]
- 765 SENEGAL, Dakar, JUN 16 0006 - African music; to fair peak, some hum on carrier. [Connelly*Y1-MA]
- 819 EGYPT Batra JUN 2 0105 - Fair; Holy Koran program // 864 & 12050. [Conti-MA]
- 836 AZORES, Pico da Barossa, JUN 2 0428 - PP-sounding talk; poor to fair with het against 837 Spain / Canaries. [Connelly*Y-MA]
- 837 CANARY ISLANDS // SPAIN, COPE synchros, JUN 30 - SS vocal music; fair with het from Azores which was still on 836. [Connelly*Y-MA]
- 891 ALGERIA Alger JUN 2 0215 - Good; dissertation in Arabic // 153. [Conti-MA] JUN 2 0221 - AA female vocal; audio light, but carrier strong. JUN 30 0258 - female AA vocal; fair through slop. [Connelly*Y-MA]
- 999 SPAIN, Madrid, JUN 30 0341 - SS teletalk to good peak. [Connelly*Y-MA]
- 1044 SPAIN SER synchros JUN 18 0225 - Poor to good on fade in; sports talk in Spanish. [Conti-NH] JUN 30 0328 - fast SS news & teletalk; very good, strongest TA at the time. [Connelly*Y-MA]
- 1089 ENGLAND TalkRadio synchros JUN 18 0250 - Fair; promo with pushbutton phone sound effects, conversation about football cup tournament, England vs. Scotland. [Conti-NH]
- 1089 UNITED KINGDOM, TalkRadio UK synchros, JUN 16 0244 - EE teletalk to good peaks, but with very jumpy fades. The northern Europeans were few and far between at the time. This time of year, with darkness hours at a minimum, the 0200-0300 UTC period is the best opportunity window for reception. [Connelly*Y-MA]
- 1107 SPAIN, RNE5 synchros JUN 30 0327 - SS teletalk; fair to good. [Connelly*Y-MA]
- 1114.9 ANGOLA Emisora Provincial do Kuanza Sul or whatever, JUN 14 0400 - afro-instrumental guitar music to 0400ish PP woman, then afro-lang man, possible news, into highlife at 0405. Great signal. [Crawford-FL]
- 1115/1116 UNID's, JUN 15 2354 - het pair here with 1115 almost certainly Angola, 1116 maybe Spain: audio lost to the bad slop coming from salsa-rengue music on pest daytimer WPMZ (RI) 1110. [Connelly*Y1-MA]
- 1134 CROATIA, Hrvatska Radio, Zadar, JUN 16 0252 - Slavic female vocal, then bouncy Alpine-style instrumental music; over prominent SAH & second audio that was probably Spain. The signal was fair and peaked during a brief period of European pre-dawn enhancement. [Connelly*Y-MA]

- 1197 LESOTHO, BBC, Lancer's Gap, JUN 15 2342-2353 - BBC EE discussion with man & woman, musical selections were included; fading up in strength. JUN 16 0000 - LOUD !! Well over S9 with "This is London" followed by Lilybolero interval music and the BBC news. Amazingly, this was the strongest TA here in the period a bit before local sunset. [Connelly*Y1-MA] JUN 16 0310 - Woman with news in English, then London ID and sports, // 6005 & 12095; good signal better than any SW parallels. [Conti-NH]
- 1251 LIBYA, Tripoli, JUN 30 0258 - man & woman in AA to fair peaks through WUOK-1240 slop with WARE/WKBR-1250 nulled / notched. [Connelly*Y-MA]
- 1422 GERMANY DLF Heusweiler JUN 2 0050 - Good; classical music // 153. [Conti-MA]
- 1502 ANGOLA EP de Benguela, JUN 14 0345 - pop music // Luanda 3374.9 kHz, fair/good signals at peaks, taking a pounding from Anguilla 1505. [Crawford-FL]
- 1521 SAUDI ARABIA/SPAIN, JUN 2 0308 - AA talk mixed with apparent SS talk; only poor to fair with lots of static and slop. [Connelly*Y-MA]
- 1521 SAUDI ARABIA, Duba, JUN 16 0318 - AA music in WWKB slop; fadey, rapidly losing strength to transmitter daylight. Pre-sign-on het (half an hour earlier) was huge. [Connelly*Y-MA]
- 1530 VATICAN, Vatican R., JUN 2 0315 - Vatican interval signal, then Slavic-sounding talk by woman; good, atop VOA Sao Tome & WSAI. [Connelly*Y-MA]
- 1530 SAO TOME E PRINCIPE VOA Pinheira JUN 2 0430 - Fair in temperamental WSAI null; "The hour's top news stories on the Voice of America" // 7170. [Conti-MA] JUN 16 0320 - Fair; VOA news in English // 7405, in and out of WSAI null. [Conti-NH] JUN 2 0455 - PP talk // 9480 w/ discussion of environment and economy, then music was played; LOUD - Atop WSAI on sloper, behind it a bit on loop. JUN 16 0315 - Pakistani-influenced folk vocal "Long Road" from movie "Dead Men Walking", then man in EE, // 7405. Signal over/under WSAI; Vatican running a poor third. [Connelly*Y-MA] JUN 21 0300 - Yanquidudel theme into EE man with news, poor thru WSAI on poor afro night. [Crawford-FL] JUN 23 0305 - Fair; VOA news in English. [Conti-ME]
- 1575 SPAIN, SER synchros, JUN 2 0350 - SS talk; fair over probable Italy, in CBJ slop. [Connelly*Y-MA]
- 1584 SPAIN, SER synchros, JUN 2 0350 - SS talk in CBJ slop. [Connelly*Y-MA]
- 1584 CEUTA/SPAIN, JUN 2 0020 - Both SER and Ceuta mixing it up early with music and talk in Spanish. [Conti-MA]
- 1584 UNID, JUN 14 0400 - had rather strong carrier(s) here around 0400 but couldn't pull any audio. [Crawford 6/14]
- 1698 SPAIN, La Coruna, JUN 2 0335 - SS man read list of ship callsigns starting with EE (Echo Echo) and EH (Echo Hotel). La Coruna mentioned. Good signal on upper sideband. [Connelly*Y-MA]
- Dave speaks: "Working from yet another new QTH (South Nyack, NY) ... I'm hoping that this one will be a good TA spot, being on the east side of some big hills leading down to the Hudson. I've noticed, for example, on I-80 around Stroudsburg PA, approaching the Delaware, that TA hets seem to be all over the car radio dial; that must be how Ben Dangerfield does it, I suppose. Sure enough, on June 21, the band was alive with carriers, including a powerful het on 891. No audio, but then it was the longest day of the year!"
- ### PAN-AMERICAN DX
- 526 BAHAMAS, ZLS, Stella Maris, JUN 2 0636 - fair to good with ZLS Morse code ID. [Connelly*Y-MA]
- 530 TURKS & CAICOS R Vision Cristiana, JUN 15 1345 random daytime check had this still blowing in at S9 level here. 1540 ZNS1 in also, but transmitter seems to be deteriorating (misadjustment, no doubt) since the new tx was installed, much weaker than previous. [Crawford-FL] Just noticed that RVC Turks & Caicos is back on their assigned frequency of 530 kHz. Don't know how long, first heard at 0125z on JUN 18. [Merriman-VA] JUN 16 0214 - festive SS music, SS talk: spot on 530 w/ much-weaker CIAO way, way under. Heted by 531 TA's. [Connelly*Y-MA] JUN 18 0320 - Good; religious discussion in Spanish with many Católica and el Señor mentions, // WWRV-1330. [Conti-NH] JUN 25 0244 - SS religious talk by enthusiastic man // WWRV-1330, weak under local HAR station and right on frequency. [Yocis-NY]
- 532 TURKS AND CAICOS, RVC, JUN 2 0231 - noted here (rather than recently-reported 535); excellent with female SS religious talk. [Connelly*Y-MA]
- 535 GRENADA, GBC, St. George's, JUN 2 0232 - soca music; poor to fair in bad RVC-532 slop. [Connelly*Y-MA] JUN 12 0140 - fair with trumpet music, Caicos mercifully down on 530 tonight instead of usual 532. [Crawford-FL] JUN 30 0218 - calypso/soca music with female vocal; poor to fair. [Connelly*Y-MA]

- 540 MEXICO, XEWA, Monterrey, JUN 30 0926 - Mexican folk-style music over/under FL domestic. This is the easiest Mexican here on the East Coast. [Connelly*Y-MA]
- 550 VENEZUELA Mundial, Caracas JUN 23 0230 - "...Mundial, la emisora... Venezuela" and many more Mundial mentions in a long promo, briefly over what seemed to be a plethora of Latin American stations and a strong het from Algeria-549. [Conti-ME]
- 555 ST. KITTS & NEVIS, ZIZ, Basseterre, JUN 2 0230 - soul-reggae male vocal, Carib-EE male DJ talk; to good peaks over WGAN slop. JUN 16 0212 - man in Carib-EE, then light US soul vocal; good. [Connelly*Y-MA]
- 570 CUBA, CMDC, Pilon, JUN 30 0904 - Reloj news program in like a local with item about Guantanamo. [Connelly*Y-MA]
- 580 PUERTO RICO, R. Reloj, WKAQ, San Juan, JUN 16 0218 - SS news of Puerto Rico mixed with CJFX; both under WTAG Red Sox baseball. [Connelly*Y-MA]
- 590 CUBA R.Rebelde JUN 18 0310 - Fair; talk in Spanish // 600 & 710, under WBNW-Boston. [Conti-NH] JUN 30 0906 - // 600 with romantic SS male / female duet; good, over/under WBNW. [Connelly*Y-MA]
- 595 DOMINICA, DBS, Roseau, JUN 16 0219 - reggae music; fair with het from 594 TA's. [Connelly*Y-MA]
- 600 CUBA, R. Rebelde, CMKV, Urbano Noris, JUN 30 0906 - // 590 with romantic SS male / female duet; huge signal here at local dawn. [Connelly*Y-MA]
- 640 VENEZUELA (t), likely YVQO, Puerto La Cruz, JUN 16 0221 - SS talk & Venezuela mentions mixed with WNNZ/CBN/Guadeloupe/others. [Connelly*Y-MA]
- 640 GUADELOUPE Pointe-a-Pitre JUN 2 0310 - Fair; announcements in French and Afropop music, seemed like local program rather than RFO. [Conti-MA] JUN 2 0635 - FF talk mentioning Quebec; over others. JUN 16 0014 - FF talk // French Guiana - 1070; over/under WNNZ, others. [Connelly*Y1-MA]
- 640 CUBA, JUN 30 0948 - Reloj program running at this time instead of usual R. Progreso offerings. Good signal over possible KFI about 40 minutes after local sunrise. [Connelly*Y-MA]
- 650 COLOMBIA, RCN Antena Dos, HJKH, Bogotá, JUN 2 0240 - uptempo brass music with SS male vocal; to good peak. JUN 16 0609 - cumbia music in a high-energy party mix; loud / dominant. [Connelly*Y-MA]
- 650 VENEZUELA, YVLH, Maracay, JUN 16 0040 - had to be this with slogan "de la costa norte de Venezuela", fast reverberated SS talk - maybe sports; dominant. [Connelly*Y1-MA]
- 660 COLOMBIA (t), possibly HJJM, Cali, JUN 30 0914 - flashy high-spirited Colombian accordion music, ID that sounded somewhat like R. Autentica; in messy mix with WFAN and a Cuban. [Connelly*Y-MA]
- 660 CUBA, R. Reloj, JUN 16 0608 - Reloj program in with big signal, shredding WFAN! [Connelly*Y-MA]
- 670 CUBA, R. Rebelde, CMQ, Arroyo Arenas, JUN 30 0917 - // 710 with female SS vocal; excellent, way over a tantalizing SS teletalker that - at this late time - could have been Costa Rica, Guatemala, or Honduras. [Connelly*Y-MA]
- 670 VENEZUELA, R. Rumbos, YVLL, Caracas, JUN 16 0231 - moderate-tempo old-fashioned Latin American dance music vocal, then announcer "en R. Rumbos, La Emisora de Venezuela", SS timecheck (11:31 PM); loud & dominant. [Connelly*Y-MA]
- 670 BRAZIL / CUBA, JUN 16 0233 - PP talk and R. Rebelde SS talk were duking it out during a brief fade of powerhouse YVLL. [Connelly*Y-MA]
- 690 ANGUILLA, Caribbean Beacon, The Valley, JUN 2 0243 - explanation of Bible verses; atop SS vocal station and easily audible through CBF's jazz. JUN 30 0020 - US EE preacher; loud, way over CBF, others. [Connelly*Y-MA]
- 690 BRAZIL, R. Dragao do Mar, ZYH587, Fortaleza, JUN 16 0011 - PP talk & vocal rolled over CBF's groundwave. This was a classic northeastern Brazil sunset opening of a type experienced previously from other coastal sites in New England and eastern Canada. [Connelly*Y1-MA]
- 700 COLOMBIA, CARACOL, HJCX, Cali, JUN 16 0604 - CARACOL ID, promotional chatter; slamming in, way over Jamaica/YV(?) / WLW/CHS] mess. [Connelly*Y-MA]
- 705 ST. VINCENT & THE GRENADINES, Kingstown, JUN 2 0245 - rhythmic soca music; poor - bass was getting through better than the rest of it. JUN 16 0227 - EE talk, possible Abba song; fair. JUN 16 0234 - now loud (!) with soca music. [Connelly*Y-MA]
- 710 CUBA, R. Rebelde synchros, La Julia et al., JUN 30 0917 - // 670 w/ female SS vocal; excellent/dominant, crushing WOR. [Connelly*Y-MA]
- 720 VENEZUELA, YVQE, Porlamar, JUN 2 0247 - Oriente mention, then fast excited SS talk about Venezuelan sports; mixed with CHTN. [Connelly*Y-MA]

- 720 MEXICO, Saltillo XEDE MM 6/10/96 0758 Very strong, all alone on channel (where was WGN?). Slogan is "720" (not "7-20", but "setecientos veinte"). Nice clear ID caught on tape @0800. Most distinguishing feature was a crazy-sounding high-pitched male voice yelling "720, 720, 7-2-0, 720!" as part of the pre-recorded ID at the top of the hour. New, COAH #12, XE #245. [Hall-CA]
- 720 BRAZIL, ZYI770, Recife most likely (eastern Brazil does better at sunset), but ZYK276, Porto Alegre also possible, JUN 16 0009 - PP talk, a political speech in an echoey hall, looped SE (so Brazil, not Portugal ... Iberians non-existent at the time anyway). This was good and was fully in control of the channel! There were only feeble hints of CHTN groundwave under. [Connelly*Y1-MA]
- 720 VENEZUELA, YVQE, Porlamar, JUN 16 0226 - R. Oriente ID, Isla Margarita mentions; over/under CHTN. [Connelly*Y-MA]
- 721.93 UNID mostly carrier, JUN 16 0506+ - fragments of undetermined music. Presume Latin American. [Krueger-FL]
- 730 TRINIDAD & TOBAGO (t), JUN 2 0250 - Carib-EE shouting, mixed with unID SS; through phased CKAC. [Connelly*Y-MA]
- 730 unID (maybe TRINIDAD), JUN 16 0236 - EE discussion mentioning religious topics: it seemed more like a VOA-type panel discussion than preaching; in a jumble of stations under CKAC. Maybe it was just a domestic, but possibly Trinidad & Tobago. [Connelly*Y-MA]
- 750 VENEZUELA, YVKS, Caracas, MAY 31 0115 - loud/dominant with ID "RCR, La Red Nacional de Noticias". [Connelly*MA] JUN 16 0100 - End of economic news, then "Informe RCR noticias"; good signal noted as early as 0000 over WSB. [Conti-NH] JUN 16 0037 - elaborate rock 'n' roll jingle, RCR slogan, SS mentions of news department cooperative venture with "BBC de Londres"; massive local-like signal, alone on channel with just a slight 747 (Canaries or Burkina Faso) het. [Connelly*Y1-MA] JUN 23 0000 - Fair; Informe RCR over/under WMHX-Pennsylvania. [Conti-ME]
- 760 VENEZUELA, YVQO, Puerto la Cruz, MAY 31 0059 - Doble Q ID's, news-machine fanfare, SS news; good. Other staff under included accented EE (probably Guyana) & bits of PP (likely Fortaleza, Brazil). Heard on car radio at shore in Gloucester area. [Connelly*MA]
- 760 COLOMBIA, RCN, HJAJ, Barranquilla, JUN 30 0228 - SS sportstalk by man & woman, // 770; dominant o/ growl. [Connelly*Y-MA]
- 760 CUBA, R. Reloj, Las Mercedes / Guanabacoa, JUN 30 0923 - Reloj SS news & time show; good, over others. [Connelly*Y-MA]
- 760 GUYANA, R. Roraima, 8RG, Georgetown, JUN 16 0003 - Caribbean EE news, local mentions; poor to fair in jumble. [Connelly*Y1-MA]
- 760 BRAZIL, R. Record, ZYH588, Fortaleza, JUN 16 0036 - PP sports event or promotion, mention of "goooooooooall!"; in mess with Guyana & others. [Connelly*Y1-MA]
- 770 DOMINICAN REPUBLIC? "Pura Popular", JUN 16 2350+ and random checks throughout evening - merengue, man with TC/IDs between songs, often virtually alone on channel. No site references noted, but announcer sounds Quisqueyan, maybe the Santiago station. [Crawford-FL]
- 770 COLOMBIA, RCN, HJXX, Bogotá, JUN 30 0228 - over/under WABC with SS sportstalk // HJAJ-760. [Connelly*Y-MA]
- 780 BRITISH VIRGIN ISLANDS, ZBVI, Roadtown, Tortola, JUN 16 0005 - Carib-EE talk, reggae music; good/dominant. [Connelly*Y1-MA]
- 789.8 BARBADOS (t), JUN 16 0007, strong het against WLKW was likely this, but little usable audio getting through the slop. [Connelly*Y1-MA]
- 800 NETHERLANDS ANTILLIES, PJB Trans World R., Bonaire, JUN 11 0329 - Finishing EE religious program, gave mailing address, promo for morning show, into SS programs, nice ID as R. Transmundial. [Yocis-NY] JUN 30 0238 - great Celtic-folk style female religious vocal, then Australian-accented preacher; excellent, rolling over CHRC/CJAD. [Connelly*Y-MA]
- 810 COLOMBIA, CARACOL, HJCY, Bogotá, JUN 16 0034 - SS news, CARACOL ID & jingles; huge, crushing WGY/CJVA. [Connelly*Y1-MA]
- 810 COLOMBIA CARACOL Bogotá JUN 2 0220 - Fair; mention of 90.5 FM and salsa music // 5075. [Conti-MA]
- 820 VENEZUELA R.Guadalupana, Coro JUN 23 0100 - Good; R.Guadalupana jingles and "emisora de Falcon" ID. [Conti-ME]
- 830 ST. KITTS & NEVIS, TBN, Basseterre, JUN 30 0233 - // 7510 with sermon in US EE about the meaning of the Cross. Excellent on sloper, in muddy mix with CFJR/WCRN on loop regardless of loophead orientation. The sloper kills any loop used ... even Kiwa and RSM-

- 105 ... on the swath of bearings from low Africa to the eastern Caribbean (100 to 170 degrees). [Connelly*Y-MA]
- 840 ST. LUCIA R. Caribbean International, Castries, JUN 16 0033 - probably this with high-energy soca music dance mixes; briefly over "stew" of stations during good Caribbean opening. [Connelly*Y1-MA] JUN 23 0030 - Fair; soca music over/under WHAS-Kentucky. [Conti-ME]
- 840 BRAZIL, R. Bandeirantes, ZYK687, Sao Paulo / unID SS, JUN 16 0457 - PP talk (as noted on MAY '95 Rockport, MA DX outing) over/under SS that was probably the Colombian (but maybe Cuba or Venezuela); WHAS phased. [Connelly*Y-MA]
- 860 BRAZIL, ZYJ459, R. CBN, Rio de Janeiro, JUN 2 0225 - the best of the Brazilians this evening: good with PP talk, local commercials; well atop 2 SS stations with CJBC in a deep fade. [Connelly*Y-MA] JUN 16 0240 - Tentative; bits of talk in Portuguese coming through R. Clarin-Dominican Republic, certainly not enough for a positive ID but a possibility considering the conditions and results of Connelly's southern exposure DX from Cape Cod. [Conti-NH] JUN 16 0453 - PP talk suddenly rose up, demolishing all others, including CJBC. Excellent signal! JUN 30 0250 - noted in passing with man in PP mixed with two SS stations. This is probably the easiest late evening Brazilian for eastern US DXers. [Connelly*Y-MA]
- 860 CUBA, R. Reloj, CMBL, Arroyo Arenas, JUN 16 0452 - R. Reloj SS news & time show sneaked in briefly between Panama and Brazil dominance of the channel. [Connelly*Y-MA]
- 860 PANAMA, R. Reforma, HOL55, Chitre, JUN 16 0452 - good ID as R. Reforma; just over others with CJBC phase-nulled to the dirt. [Connelly*Y-MA]
- 860 DOMINICAN REPUBLIC R. Clarín, Sto Domingo JUN 23 0150 - Good; Illegales Latino rap/dance hit, Radio Clarin ID, over an abundance of unID Latin American stations and hints of Portuguese from the elusive Brazilian. [Conti-ME]
- 870 CUBA, JUN 16 0556 - SS program (not Reloj) was followed by Cuban anthem (as though signing off) and then the station picked up the R. Reloj feed. Signal good; atop WWL/WLAM and messing up chance of getting LRA1 Argie at this time. [Connelly*Y-MA]
- 880 VENEZUELA, YVYM, Puerto Ordaz, JUN 2 0530 - dance/disco music, "Onda Mundial" ID, then C&W-influenced SS vocal; good on peaks through nulled WCBS. JUN 16 0445 - fast SS talk, "R. Mundial presenta ..."; good through nulled WCBS; no sign of ZJB (ex-885). JUN 30 0253 - continued monitoring of this channel still finds this and WCBS ruling the roost w/ no evidence of Montserrat. "Mundial" ID, fast Latin American dance music heard at 0253; about even with WCBS in strength on sloper. [Connelly*Y-MA]
- 880 VENEZUELA? Radio Paraguana, JUN 3 2340 - Man with ID cart into salsa, good, frequent IDs, ments of city "Chilleques" or similar, Z-4 TCs. Another SS co-channel. See also below. [Crawford-FL]
- 880(t) MONTSERRAT ZJB, JUN 5 0202* - was afraid this had happened; Lucky Dube reggae music to 0159 mumbling woman EE cart, then rather majestic sounding closing prayer, then the shortest version of GSTQ ever heard here. No clear ID noted though, co-channel YV, WBBM, Progreso. Not audible while sitting on freq for a while the previous evening. [Crawford-FL] JUN 5 2300-2315+ - mostly good, Sports Roundup ended Top of hour and into world news without ID. 2315 M ID as Zed-J-B, so definitely QSY rather than volcanic-induced QRT or something. [Crawford-FL]
- 885 MONTSERRAT (NOT), JUN 3 2345 - nothing here, but 660/895/1505 all booming. [Crawford-FL]
- 895 ST. KITTS & NEVIS, VON, Charlestown, JUN 2 0145 - female vocal w/ reggae beat; excellent. Interestingly, Montserrat -885 was not noted ... off? [Connelly*Y-MA] JUN 16 0030 - loud w/ rap music, fast-talk Carib-EE DJ, local ads, "VON Caribbean" slogan. [Connelly*Y1-MA]
- 900 unID, JUN 16 0029 - SS talk, ID or promo sounded like "Oriente" or "Presidente", uunder mess. At this early time, SS is usually Venezuela. [Connelly*Y1-MA]
- 920 CUBA R Reloj, Union de Reyes, Matanzas, JUN 16 0515-0518 - good with news and "RR"'s, parallel 940, 950, 960, 980 ad nauseum. [Krueger-FL]
- 924 UNID, JUN 21 0305 - good-sized carrier here, no audio. [Crawford-FL]
- 940 CUBA, R. Reloj, Holguin / Colon, JUN 30 0931 - Reloj SS news with on-the-minute time checks, "RR" beeps; good over apparent XEQ with CBM phased. [Connelly*Y-MA]
- 950 CUBA R Metropolitana, Arroyo Arenas, Ciudad Habana, JUN 17 1540-1608 - Cuban pop and merengue, news summary, Habana daily events at 1555, canned ID by man at 1600, "Transmite R Metropolitana, Ciudad de la Habana". Presumably the 860 (WRTH) listed outlet, which has been here for awhile. Strong daytimer. [Krueger-FL]

- 970 ST CROIX WSTX JUN 14 2358+ - nice instrumental steel pan through WFLA and another unid talk show with psychobabbling idiot; man with cart ID and ad string, mostly poor, signal still worse than pre-hurricane levels. Also hearing 2 UNID Latins here in 0000-0030 timeframe most nights when WFLA seems to be weakest. Tonight however, domestics particularly strong. Also, a few checks of 1000 hasn't revealed any trace of WWVI, anyone know their current status? [Crawford-FL] (Yes, we have our man on it!, see Fredericksted report below - Jim)
- 1000 COLOMBIA, RCN, HJAJ, Cartagena, JUN 2 0215 - SS mention of election in Santa Marta, then RCN ID; good, over WMVP/CKBW. [Connelly*Y-MA] JUN 16 0027 - popped up over the Latin American jumble with SS talk about Colombia, RCN ID. [Connelly*Y1-MA]
- 1000 VENEZUELA, probably YVNM, Moron, JUN 16 0025 - slogan or ad / promo "primera en Venezuela", SS talk over jumble; just over reverberated PP talk and other SS; no evidence of domestics. [Connelly*Y1-MA]
- 1000 BRAZIL, R. Record, ZYK522, Sao Paulo, JUN 16 0545 - soft music, PP talk; well over HJAJ/CKBW/WMVP. [Connelly*Y-MA]
- 1020 VENEZUELA, Mundial Margarita, YVRS, La Asuncion, JUN 16 0432 - "está la Margarita" & "Mundial Margarita" slogan / ID, also mentioned R. Oriente (so maybe some ownership connection or net affiliation with 720); folkish vocal followed. Strong and generally atop Turks & Caicos with no trace of KDKA. [Connelly*Y-MA]
- 1020 TURKS & CAICOS, Caribbean Christian Radio, JUN 2 0213 - preacher talking about how the Jamaican government denied him air time on Jamaican radio stations; loud, way atop KDKA baseball game. [Connelly*Y-MA] JUN 16 0024 - EE preaching, like a local, over YVRS SS talk (no KDKA). [Connelly*Y1-MA]
- 1040 BRAZIL, ZYK537, R. Capital, São Paulo, JUN 2 0520 - political-sounding PP talk; mixed with unID SS talker; over faded WYFX and phased WHO. JUN 16 0531 - just after getting Argentina-1070, I tuned to 1040 to hear this one absolutely blasting in with reverberated PP talk: a news item about, or advert for, a business in Sao Paulo. Male PP vocal followed. [Connelly*Y-MA]
- 1040 HONDURAS, HRNN2, San Pedro Sula, JUN 16 0242 - SS talk with several San Pedro Sula mentions, then female SS romantic vocal. A real surprise here with its 3 kW briefly atop the Latin American co-channel melange. 1040 has been a real "candy store" for Latin American DX lately. [Connelly*Y-MA]
- 1040 COLOMBIA, HJCI, Bogotá, JUN 16 0537 - fast teletalk with frequent Bogotá mentions was most likely this; signal briefly popped up over Brazil/WHO/WYFX. [Connelly*Y-MA]
- 1050 MEXICO XEG, Monterrey, JUN 17 0452-0502 - local quality in check for XEQOO R Pirata (anyone heard them lately?), nortenas, singing "La G de Monterrey" ID 0454, NA (vocal) 0500, back to music, male DJ. [Krueger-FL]
- 1070 FRENCH GUIANA, RFO Guyane, Matoury, JUN 15 2358 - FF political speech by man with Afro-Caribbean accent, then FF accordion music with rhythm track of an African influence. Woman in FF followed. JUN 16 0014 - FF talk // Guadeloupe-640; over/under unID SS station. [Connelly*Y1-MA] JUN 16 0525 - woman in FF // St. Pierre - 1375 popped up over Argentina & others. On many channels, including 1070, if you got tired of what you were hearing, you only had to wait a few minutes for something else to surface. [Connelly*Y-MA]
- 1070 ARGENTINA, Radio El Mundo, LRI, Buenos Aires, JUN 16 0523 - I was more than slightly surprised when SS talk saying "Mundo, en Argentina" quickly took over the channel and a number of Argentina news items followed. It held up for almost a minute over French Guiana, CHOK, other SS (YV or HJ), and remnants of nulled CBA. Now if I could just hear this back at home in Billerica! [Connelly*Y-MA]
- 1080 HAITI (IS NOT/NOT) -- Frequent checks here and 1170/1240/1330 have yielded nothing. Some possible Kreyol noted on 840 after 0100, not confirmed as 4VEH yet though; still hearing it on 1430 around 0300Z but not sure it's Haiti, and of course 1610. [Crawford-FL] JUN 18 0240 - indeed active (tonight anyway), booming in with frequent woman cart IDs, mostly soft male FF vocal music. [Crawford-FL]
- 1090 COLOMBIA, CARACOL, Cucuta/Sogamoso, JUN 16 0515 - fast SS talk, CARACOL ID & news // 1100.3, 810. Way atop oldies station (CKKW ?) with WBAL phased. [Connelly*Y-MA]
- 1100 ANTIGUA ZDK, JUN 3 2355 - EE man live remote from Pizza Hut with James Bond music in background, telco quality feed. Excellent. Glad to see them back. [Crawford-FL]
- 1100 BRAZIL, ZYK694, R. Globo, Sao Paulo, JUN 30 0339 - most likely this with bits of PP talk in and out of a Latin American pile-up on this frequency. At times, there was a strong low-pitched growl. WWWE easily nulled with phasing unit. [Connelly*Y-MA]

- 1100.3 COLOMBIA, CARACOL, HJAT, Barranquilla, JUN 16 0505 - SS news including items about cocaine and marijuana busts, ad for firm that was "la primer compania Colombiana de segura", then sports report (futbol: Colombia versus Argentina). Parallel to CARACOL's on 810, 1090. Loud signal, totally trashing WWWE. [Connelly*Y-MA]
- 1130 BRAZIL, ZYJ460, R. Nacional, Rio de Janeiro, JUN 2 0508 - with WBBR off for a few minutes (a "lucky" technical problem DX-wise!), man & woman with PP talk / Rio mentions was atop one or more SS stations and bits of EE (probably KWKH). Although other Brazilians (such as Belem) are listed on 1130, all the other ZY's heard tonight were from the Rio/Sao Paulo region (where it's late autumn now), so this - with its high power - is most likely. WBBR threw a hum-modulated carrier on and off a few times before getting back on for good. [Connelly*Y-MA]
- 1131.25 UNID Latin American, JUN 17 0524+ - SS male DJ, soft SP vocals. Very poor, IDing impossible, at least tonight. Didn't bother trying to DF as CA or SA (... later, later). Anyone else know who this is? [Krueger-FL]
- 1131.3 UNID JUN 12 0135 - weak carrier here, no audio pulled. Also had carriers on 732 and 688. [Crawford-FL] Maybe a Colombian but no real ID material yet, JUN 16 0249 - SS fragments and a screamer het against WBBR. Rich McVicar, can you hear this down there in Quito? [Connelly*Y-MA]
- 1160 BERMUDA VSB3 Hamilton JUN 2 0355 - Good; BBC "Write On" mailbag program, "This is London" and BBC Newsdesk, // BBC-5975. [Conti-MA] JUN 16 0015 - BBC news by man over WOBM/WVJN. [Connelly*Y1-MA]
- 1170 COLOMBIA, CARACOL, HJNW, Cartagena, JUN 16 0405 - SS talk, Havoline oil ad, Orlando Garcia mentioned, cough medicine ad (with coughing), mentions of Colombian baseball teams; massive needle-bending signal, alone on channel. [Connelly*Y-MA]
- 1180 UNID's, JUN 16 0403 - enormous Latin American pile-up of at least 7 stations registering well over 59: one, probably Cuba, had US pop, C&W, and mellow soul vocals with slogan "International Hit Radio" followed by SS talk. When that sank into the muck, a station calling itself "R. Caribe" surged to the fore. Maybe this is a program name, rather than "ID", as not found in WRTH. "Caribe" could suggest Dominican Republic, but I need to chase this one some more. Bits of PP seemed to be in there too (ZYJ463, Rio, as heard recently, or maybe ZYH889, Sao Luis). In any event, the channel sounded like a graveyard of 50(+) kW signals. If WHAM was in there, it would be hard to prove it! [Connelly*Y-MA]
- 1190 COLOMBIA, HJCV, Bogotá, JUN 16 0347 - SS teletalk show with phone calls from Bogotá listeners; atop South American pile-up with WOWO nulled. [Connelly*Y-MA]
- 1196.99(t) LESOTHO BBCWS, JUN 12 0105 - world new with actualities // 5975. Weak but pretty much in clear, easily paralleled. Not much other TA activity on MW tonight, but LW had pretty good sigs on the Euros, 153/162/177/183, drowned in monsoon QRN. [Crawford-FL]
- 1200 CUBA UNID, JUN 12 0101* - caught tail end of vocal NA then gone, CMKC/Revolucion maybe? Excellent. [Crawford-FL]
- 1200 CUBA CMKC/R Revolucion JUN 18 0100 - Andean flute music to 0102 man with ID, slow electronic music, poor/fair thru co-channel rumble. 1210 had only Sancti-Spiritus, still no sign of Ariguanabo and/or mystery 0100 sign-off Cuban heard previously. (Crawford 6/18)
- 1200 CUBA, JUN 14 - cf. earlier reported log, check last night had no Cuban signing off at 0100 as heard previously. Sancti Spiritus // 1190/1210 and another station heard here around the time frame. (Crawford 6/14)
- 1200 VENEZUELA, YVOZ, Caracas, JUN 16 0020 - romantic SS vocal, Radiotiempo ID over mess with PP-sounding talk (likely Fortaleza) just behind. [Connelly*Y1-MA]
- 1259a unID, JUN 16 0328 - buzzy, wobbly carrier knocking the stuffing out of WEZE Boston. Not sure if a wayward Cuban, Azores out of control, a local QRM-generating appliance (unlikely because of apparent fading), or something else. [Connelly*Y-MA]
- 1260 CUBA Radio Musical Nacional?, JUN 18 0133 - is the one here previously reported, site unknown, 0133 man with ID & program previews, classical music snippets. Mostly dominating but still generally poor. [Crawford-FL]
- 1260 UNID JUN 18 0110 - running 1000 Hz test tones briefly through Cuban. [Crawford-FL]
- 1260 CUBA UNID, JUN 14 0300 - here throughout local evening with mostly continuous classical music. Not Radio 26, as that was audible also // 1220. 0300 woman announcer, no ID gleaned, into modern jazz program. Recheck after 0400 had some kind of sports report. Mostly poor. WRTH lists a Radio Victoria de Giron at Torrientes, wherever that is, but also marks it as "P04" which is the Radio 26 listing. Doesn't quite sound like

- Enciclopedia but couldn't parallel (the @#%#@ EMW spur conveniently disappeared now that I needed to hear it). [Crawford-FL]
- 1280 BERMUDA VSB, JUN 12 0225-0235+ - relay of BBN feed, OLD gospel music to 0235 "Christian Classics" reading program, no local IDs. Poor/fair at peaks through Puerto Rican and another UNID SS, maybe New York, no sign of Metropole. 1160 also in with BBC feed; 1450 also in with generic C&W satellite feed, latter almost alone on channel. [Crawford-FL]
- 1290 ST CROIX WRRR 0015-0057* - some Carib EE noted at first random check on this freq, so stuck with it and hit paydirt. After 0030 running wierd reggae keyboard interval signal sounding like low-budget MIDI music on a PC, repeating a couple of times at 0030 and again heard at 0040. Between ran sterile keyboard reggae-ish muzak reminiscent of the instrumental track on "Wild World" by Maxie Priest. 0055 American EE man cart closing ID, gave address as No. 1 Mahogany Road, then Star Spangled Banner & gone. Mostly poor in QRM, but announcement easily readable. Co-channel UNID C&W, Cuban, and WCHY (?) Ocala FL with CNN feed. [Crawford-FL]
- 1290 CUBA Dóbleve, Rancho Veloz, JUN 12 0112 - Abba "Mama Mia" poor through UNID C&W station. Easily // 840 after local WPDS s/off at 0100 there. Seemed // 1310 also, but very difficult copy there. [Crawford-FL]
- 1300 PUERTO RICO WTL Mayagüez, JUN 12 0003 & throughout evening - quite strong, some kind of sports program, adstrng for --- Auto Air in Mayagüez. Mixing with Kreyol program (yet another one), Tampa maybe (can any of you Bay Area DXers verify this?) [Crawford-FL]
- 1300 ST. MAARTEN, PJD2, JUN 14 0100ish - with reggae music, male ID ID as PJD2 into Marley music. Good over the Puerto Rican. This station must have fixed up their transmitter since the hurricanes of 1995; has never been audible previously here even on the beverage. [Crawford-FL] (A nice log - Jim)
- 1329.91 UNID, JUN 6 0005-0301+ - mostly Borinquen-folkish vocals, frequent breaks in transmission, same SS man cart ID frequently between songs as "Radio Pinera" or similar. No ads, good peaks. [Crawford-FL]
- 1340 UNID, JUN 12 0250-0300+ - Greek language station here, very weak, man talking and usual Tarpon Springs music. Was hoping to catch Bermuda s/off here but no sign of it. [Crawford-FL]
- 1350 UNID, JUN 12 1030-1105+ - SS evangelical programming, mostly vocal music to top of hour, man with unreadable ID, CNN Radionoticias, then reading from San Mateo. Probably Puerto Rican. Co-channel WMYM Cocoa and UNID XE, latter showing occasionally. Fair/good peaks, needs more work obviously. [Crawford-FL]
- 1390 PUERTO RICO? UNID, JUN 5 2320 - with slogan "Noroeste 90" or maybe "... Trece Noventa", couldn't quite get it, mushroom syndrome. Co-channel other SS station, mostly strong, ballads. [Crawford-FL]
- 1400 PUERTO RICO Radio Vida, JUN 14 0200ish - ID & phone numbers, seemed to be running a telethon of some sort. Fair at best. [Crawford-FL]
- 1430 PUERTO RICO WNFD? Caguas, JUN 4 0250-0300+ - Caguas, mostly guitar music, 0258 male ID mentioned Caguas, call sign didn't sound anything like my archaic WRTH and the Airwaves AM-FM web site is QRT right now. Lotsa co-channel crap. [Crawford-FL] Caguas station is WNEL, re. previous log. [Crawford-FL]
- 1430 UNID, JUN 4 0250 - while listening to the PR, Kreyol religious program, mostly man babbling, fair/good peaks, no ID over Top of hour. I have vague recollections of a FL station with this format being here. Any ideas anyone? [Crawford 6/4] Kreyol reported previously here may be the 4VGM reported in IDXD. [Crawford-FL]
- 1430 MEXICO? "Radio Continental", JUN 15 0015+ - XE music well over the usually dominating Puerto Rican; either song or voice-over cart included man yelling greetings for "nuestros amigos en Zacatecas" and some other towns. 0016 M ID as above, then quickly lost. [Crawford-FL] (no obvious station in my IRCA Mexican Log - Jim)
- 1430t FLORIDA WOIR, Homestead, JUN 20 1030 - believe this is the "XE" Radio Continental reported earlier, noted at 1030 with Z-4 TCs & ments "sur de la Florida", co-channel Lakeland. Mostly poor. Can any of you M-Street owners confirm call? [Crawford-FL]
- 1480.39 UNID JUN 6 0300 - SS evangelical programming, very poor, man talking over top of hour, hymn or chorus 0301. [Crawford-FL]
- 1610 HAITI UNID, (no date) 0510-0520+ - mostly very poor through TIS mess, but some readable peaks, all Haitian kompa style music including one song in which man shouted "hallelujah" so possibly an evangelical station. Anguilla wasn't audible at the time, so I called them and verified they were carrying Gene Scott. This station was also heard briefly here at 0045 on MAR 5 with a Kreyol preacher, presumed I was hearing things at

the time. Given the format, this might be the same station that was heard on 1620.1 for a while last year. Other 1610 observed during the time period: "Gospel Sing-along", Ocoee, and UNID woman loop (either Columbus or Florida Bay) audible, 1611 had strong carrier from Everglades City. Possibly a few others in also, nothing really readable. Haven't heard Causeway Information Radio here in several weeks, suspect it's off-air. [Crawford-FL] Discovered a couple of days ago by David Crawford during local evenings. I tuned in at 0032 on JUN 4, using the NRD-535, never got an ID but all programming in Kreyol, peaking to fair level night, mostly talk, double chimes 0045 followed by (seemingly) ads, no obvious IDs at top of hour. On the HQ-180A with the loop, seemingly DF's more SSE/NNW than Haiti (Miami pirate? Domestic expanded? Turks & Caicos-ish legit operation? A Haitian?), but with Tampa Int'l Airport TIS messing things up as I point more westward, inconclusive. For what it's worth, Crawford was, for some months until recent, hearing an unID in Kreyol on 1620. [Krueger-FL] JUN 5 1002-1100+ - running continuous SS ballads all by the same guy alternating with salsa this morning, no announcements until 1041 woman cart in surprisingly clean FF, still couldn't pull an ID out of it, but possible mention of Cap Haitian. Anguilla pretty much absent until 1020 when suddenly began dominating channel on the E-W wire. 1022 brief Florida Bay Research Radio appearance, then gone again. Tuned out 1045, recheck 1054 had FF man monologue, past top of hour. (Did get the 300' longwire to the south installed yesterday evening, results for this station are: more signal on the E-W but signal-to-Anguilla QRM ratio much better on the N-S). Anguilla has been sitting on the low side of the freq lately, around 1609.97ish. The @#%#@#\$ Encyclopedia spur has drifted down to 1611.7 now, causing problems this morning. [Crawford-FL]

- 1610 HAITI Radio Republique Haitienne possible ID here, JUN 21 1130+ - with FF PSAs or "live" ads, one mentioned Radio Republique and another mention Radio Republique Haitienne noted during same. 1138 kompa music, Kreyol chatter 1140, live ad for Tropical (Motors), 1143 possible ID again, mentions Cap Haitien. In clear, mostly weak, deep fades heavy QRM at this hour. More ads at 1200 recheck. [Crawford-FL]
- 1616.3 unID, JUN 15 2348 - bits of audio (talk by woman); poor. Maybe Latin American, pirate, or run-amok TIS. [Connelly*Y1-MA]
- 1617.26v CUBA, R Encyclopedia, JUN 2 0404-0430 - thanks David Sharp tip of unID here, tune-in to fair-weak signal, drifts (down to 1617.13 by 0430) with all instrumental music (usual Encyclopedia format), SS ID at 0430. Presume a spur from unID MW site. [Krueger-FL]
- 1618 UNID NDB "HIV" (navigational AIDS), JUN 18 0137 - very weak with 1020 Hz A2 mode Morse ID. MER 1685 also in, no other EMW NDBs noted. [Crawford-FL]
- 1650 UNID, JUN 21 1155 - very weak BCB here 1155, also noted carrier at times previous evening, best on N-S antenna. Harmonic or new EMW station? Not Argentina at this hour. Fishing beacon QRM. [Crawford-FL] (I have yet to see the Argentine station reported anywhere - Jim)
- 1650U UNID Marine, JUN 21 0240+ - FF man QSO, very weak. [Crawford-FL]
- 1732 UNID, JUN 2 0338 - repeating CW sequence "9W183" and long dash; fair. [Connelly*Y-MA]
- 1920.04H COLOMBIA CARACOL, JUN 18 0145 - presumably 2x listed Magangue site on 960, 0145 network sports babble including Olimpico report. Good, some FMing on audio, no sign of fundamental through QRM. [Crawford-FL]

Mark speaks: "Only a very brief DX session this weekend with emphasis on stations not written down 2 weeks ago during a better opening. This time, the skip was quite short and domestic interference correspondingly worse. Some listening around local dawn (which I seldom do usually) revealed a pipeline to Cuba & Florida at the time: not all that interesting in itself, but possibly an indicator that Central American rarities could be heard just before dawn along the greyline under more auroral conditions this time of year, especially if "big wire" (a Beverage) was available."

Mark speaks again: "WEIRD HETS NOTED: 641.15, 989.0, 1140.95. Noted during Cuban opening, so that's a clue. I think the 1141a thing is the jammer against WQBA Miami (although I'm not sure that this is still being used). [Connelly*Y-MA]

TRANS-PACIFIC DX

- 531 AUSTRALIA 2MC West Kemsey, JUN 10 1133 - presumed at this time with Beatles "Help" then into another 70's pop record; good level. [Bryant/Hall-Patch*/S/BC]
- 567 AUSTRALIA 4JK Jukia Creek QSLD, JUN 10 1133 - With Regional Network ABC programming // 675 2CO Corowa. Noted first at 1133 in passing, lasted well until past 1230, good level. [Bryant/Hall-Patch*/S/BC]
- 594 AUSTRALIA 3WV Horsham, JUN 10 1135 - Running a radio play. [Bryant/Hall-Patch*/S/BC]

- 700 ALASKA KBYR Anchorage, JUN 9 1100-1115 - Presumed, with weather for Anchorage, etc. Signal good until Anchorage dawn, wiped out around 1125. [Bryant/Hall-Patch*/S/BC]
- 702 AUSTRALIA 2BL Sydney, JUN 10 1130 - Running Metropolitan Service ABC Programming with an excellent signal from 1130 until well after 1230, // 774. [Bryant/Hall-Patch*/S/BC]
- 774 AUSTRALIA 3LO Melbourne, JUN 10 1140-1145 - Also offered an excellent signal with one feature noted as a talk on dietary fat. A second Aussie program noted beneath 3LO was likely 4TO in Townsville. [Bryant/Hall-Patch*/S/BC]
- 830 HAWAII KHVH Honolulu, JUN 9 - Audible after WCCO fade-out. One slogan was heard "KHVH, Hawaii's news, talk and weather station". [Bryant/Hall-Patch*/S/BC]
- 846 KIRIBATI, R. Kiribati, JUN 10 1100 - Excellent level at 1008 tune-in, // 9825 kHz. Both slowly declined in level until probable sign-off at 1100. Both were so weak that I'm not sure of sign-off on MW. Shortwave transmitter dropped off air for 1-2 seconds intermittently throughout. Level on SW was such (low) that I have a hard time believing that they are running listed 250 watts. Believe that their regular sign-off is at 1100 rather than 1000 listed in 1996 WRTM. [Bryant/Hall-Patch*/S/BC]
- 891 AUSTRALIA 5AN Adelaide, JUN 10 1145 - ABC Metropolitan Service // 2BL 702 Sydney. Phone-in program hosted by female announcer. Into ABC News at 1200. 5AN level moderate and fighting it out with 4RR (presumed). [Bryant/Hall-Patch*/S/BC]
- 1107 AUSTRALIA 2EA Sydney, JUN 10 1240 - Presumed, spotted by Nick, one of the relatively new Special Broadcasting Service stations serving ethnic communities. I believe the programming from 1240 tune-in until 1300 was in Vietnamese (though it has been 20 years since I've heard much of that language). Program changed at 1300 to a Middle Eastern language, but the level had faded too much to identify. [Bryant/Hall-Patch*/S/BC]
- 1557 MARSHALL ISLANDS B7RR "The Micronesian Heatwave", Majuro, JUN 10 1205 - Presumed with continued uninterrupted music from tune-in at 1205 until tune-out at 1230, as reported by others. However, there was a burst of island language by a female announcer at 1207 which may have been an ID. Tape recorder not activated through sheer stupidity on my part. [Bryant/Hall-Patch*/S/BC]

OUR MAN IN FREDERIKSTED

Ernest Cooper sent a daytime bandscan of English language stations logged during a vacation in St. Croix May 8-27. Just a few of the more interesting loggings and program descriptions are included here:

- 880 MONTSERRAT ZJB (ex 885) - "testing with 10,000 watts for better coverage".
- 970 US VIRGIN ISLANDS WSTX - Carib music.
- 1000 US VIRGIN ISLANDS WVWI - Silent!
- 1030 PUERTO RICO WOSO - Mostly US network news and features, but uses "El Oso" slogan.
- 1090 US VIRGIN ISLANDS WGOD - All religion/gospel, 250 watts, // 97.9 MHz.
- 1190 PUERTO RICO WBMJ - All religion/gospel.
- 1290 US VIRGIN ISLANDS WRRR - Now operating only 0700-1830 AST (1100-2230 UTC).
- 1340 US VIRGIN ISLANDS WSTA - Pop music and news, LA Dodgers network! Why? (perhaps a player is from the USVI? A man from Curaçao was on the team here in Rochester at one time, and I believe games were broadcast there - Jim)
- 1560 PUERTO RICO - All news, in English.
- 1610 ANGUILLA Caribbean Beacon - Mostly gospel, asking for phone calls, but is not // 690.

STATION NEWS

AUSTRALIA: Australian Dance Radio is back on air on 1620. They only seem to be testing at the moment, with a loop tape of back to back dance tunes & rare ID's, including "Australian Dance Radio, The Beat Behind The Nation". I'm yet to confirm the power in use, but it sounds stronger than the 1995 tests.

Another new one is Business Community Radio on 1629, from Footscray, a suburb of Melbourne, Victoria. They're only using 150 watts for their current tests. I have heard Spanish programming, but plan English and some other community languages, such as Vietnamese. Signal here in Northern NSW is very poor. Address is PO Box 132, East Brunswick VIC 3057, Australia. [Michael Rolph-AUSTRALIA via e-mail]

FIJI: FIJI The 5kw transmitter of Radio Fiji Lautoka on 990 blew up earlier this year. Until a new 5kw transmitter could be delivered and installed in Lautoka, the 1089 Suva transmitter was taken off air and set up in Lautoka with 1kw output. The new 5kw transmitter for Lautoka arrived in late April. Note that these are the only 2 AM frequencies still broadcasting in English. [Chris

Martin via NZDXT e-mail]

NICARAGUA: Radio Habana Cuba reported (local June 7) that a rebel commander, "Chispero" (sp?) and his gang, overthrew the studios of Radio Corporación (YNOW, 540 kHz), and was in turn surrounded by Nicaraguan army units. No updates on the June 9 GMT 0330-0500 nxcasts. [Krueger-FL]

SRI LANKA: SRI LANKA On 25 May and until further notice, Sri Lanka has changed its standard time zone from UTC +5 1/2 to UTC +6 1/2. This is presumably related to recent reports via \$DXing with Cumbre\$ that there is power rationing in Sri Lanka caused by a major drought, which has already caused a reduction in TV transmission hours, with closedown now at local 9.00pm. [Bryan Clark, NZDXT e-mail]

TONGA: Tonga A3Z is reported by NZ DXer Robin Chambers on 1233 // 1017. [Ormandy, DX Times via e-mail]

QUERIES, ETC.

Anyone have a current sked for Radio Caribbean International on 840? How about e-mail contacts in Cap Haitian? [Crawford-FL] (There is a Florida address for 4VEH in the 1996 WRTH - Jim)

In the 1950's I lived with my parents in Aberdeen, Scotland. I was just a new DXer, and every day I'd hear a "Deutsche Freiheitsender Neunhundertvier" on 904 kHz. Through the years I've wondered what I heard. Do you know? Or do any of your readers know? It may have been in the old East Germany. [G. Harley DeLeurere] (At the very end of the 1950's I was only 5 years old, can anyone help Harley? - Jim)

CONTRIBUTORS (@=e-mail)

John Bryant and Nick Hall-Patch, DXing from Jordan River BC; NRD-525, 2500' East Asia beverage. Also DXing from Sombrio Beach BC; NRD-525, 2500' central Pacific/Australia beverage.

@Mark Connelly (WA1ION), DXing from West Yarmouth (Y), Cape Cod, MA; Drake R8A, 25 m east sloper, RTL-2 remotely-tuned loop; phased via DCP-2 Dual Controller - Phaser. Also DXing South Yarmouth (Y1), Cape Cod, MA; Drake R8A, RTL-2 remotely-tuned loop; MWT-3 regenerative tuner / controller; also DXing from various sites, northern suburbs of Boston, with car radio & antenna. [MarkWA1ION@aol.com]

@Bruce Conti, Nashua, NH; Drake R8A, MWDX-5, 30-m east sloper, 30-m wire; and Parker River NWR, Rowley, MA; Lowe HF-225 Europa, MWDX-5, 30-m ea. and Crescent Beach, Kittery, ME; Drake R8A, DCP-2, RL-1 with Quantum loophead, RW-1 with 6-m wire.

@David Crawford, DXing from Oak Hill FL; R8 with 1000+ ft E-W beverage, 300' N-S longwire.

@Tim Hall, Chula Vista CA; ICF-2010, KIWA Loop [MSNL77A@prodigy.com]

@Terry L. Krueger (TOCOBAGA DX), Clearwater FL; NRD-535, HQ-180A, Scotka Loop. [DXSFTK@aol.com]

@David Yocis, South Nyack NY; R71A, Kiwa loop.

Problems, Problems?

We can't solve all your woes, but we can solve your *DX News* problems. Torn, soiled, partially-printed, MIA, or worst of all, delivered in a USPS plastic baggie? No need to return the copy - just send a postcard to NRC - 2840 SE Illinois Ave. - Topeka, KS 66605, and a replacement copy will be mailed free. Missing back issue? Replacement copies from Vol. 56 on, to current NRC members only, are sent for the cost of first-class postage. Quantities will be sent book rate; reimburse by check after you receive the package and verify the postage amount.

See? No problem!



The *NRC AM Radio Log, 16th Edition*, compiled from members' reports and from official sources so that it is the most accurate listing of AM stations on the market. Cross-referenced, 3-hole punched for standard binders. Only \$16.95 to U. S. and Canadian members; \$22.95 to U. S. and Canadian non-NRC members. Airmail to members: to Latin America, \$21.00; Europe, \$24.00; rest of the world: \$28.00. Order from: NRC Publications - Box 164 - Mannsville, NY 13661 (NY residents, please add sales tax)

Skotka-Lankford Phased Noise-Reducing Antennas by Dallas Lankford and Russell Scotka

This is a preliminary description of phased noise-reducing antennas which have been under development by us for several years. The performance of these antennas approaches the performance of full sized phased beverage antennas, but they require much less space.

The phasing circuit is similar to the null steering circuit on page 75 of Victor Mizek's *The Beverage Antenna Handbook, Second Edition* but with some important changes:

- (1) The VN66AF VMOS FET sources follower has been replaced by a push-pull 2N5109 amp which has much higher 2nd and 3rd order intercepts than the VN66AF source follower (see "Ultralinear 2N5109 and 2N3053 Amplifiers")
- (2) the fixed inductance and capacitance have been replaced by switched inductance and capacitance in order to provide a better match to 50 ohms over a frequency range of 200 kHz - 2.0 MHz
- (3) a "brute force" signal level control has been added to one of the signal paths (the 100 ohm pot R3 in series with the 100 ohm fixed resistor)
- (4) the inputs are set up for twin lead rather than coax inputs, and
- (5) primary "pattern reversal" is accomplished with a "phase reverse" switch (S1) at one of the twin lead inputs of the phasing circuit (secondary "pattern reversal" may be accomplished, when necessary, by reversing the twin lead inputs).

Mizek's phasing circuit is intended for use with parallel wire beverage antennas, which present approximately equal signals and patterns. Our short two-wire antennas seem not to present approximately equal signals and patterns, at least over parts of the 200 kHz - 2.0 MHz frequency range. Or perhaps there is some other reason why the signal level control, a 100 ohm pot R3 in series with a 100 ohm resistor in the signal path which includes T9 and T7, is necessary. In any case, R3 only needs to be adjusted once to a 60 ohms 140 ohms split as shown, and need not be adjusted again, though it is occasionally useful as a vernier adjustment control for maximizing null depth.

The lead-in may be coax, in which case T8 and T9 are omitted. Until early October 1995, Russ' antenna was the only one in existence, and it used coax. Initially Dallas's antenna used coax too, but Dallas found that changing to zip cord twin lead improved null depth on two daytime Shreveport signals on 710 kHz

and 1130 kHz about 70 miles to the west. With coax, the pattern reverse switch S1 would have to be mounted at the mast, and a DC relay used to remote switch S1, which is how Russ initially implemented his antenna. Russ also used a remote switched relay on the mast at T2, which is useful for obtaining best nulls with coax lead-in, but unnecessary with zip cord lead-in. Apparently the coax braid, even though grounded at the receiver, acts as part of the antenna, and apparently there is much less signal pickup with zip cord lead-in. Coax length should be 30 feet, the same as the zip cord length. Using lead-in significantly longer than 30 feet may, and probably will, cause the antenna not to operate correctly (reduce null depth on some signals, cause null instability on some signals, etc.)

The switched L and C values used by Dallas are approximately the following:

Frequency	L	C
200 kHz	39 uH	0.0159 uF
400 kHz	20 uH	7950 pF
600 kHz	13 uH	5300 pF
1000 kHz	8 uH	3180 pF
1500 kHz	6 uH	2400 pF
2000 kHz	4 uH	1591 pF

Russ used 8 uH and 3300 pF fixed, with which he has been able to obtain deep nulls on all daytime groundwave and nighttime skywave signals at his central east coast of Florida location. However, Dallas was unable to obtain deep nulls on all his signals with fixed L and C. It is believed that this difference in antenna performance is due to differences in arrival angles for Russ' central east coast Florida location and Dallas' north central Louisiana location. For example, two of Dallas' "problem" signals are WWL New Orleans 870 kHz, about 200 miles south, and WOAI San Antonio 1200 kHz, about 400 miles southwest, which have nighttime skywave signals that are impossible to null deeply or for very long. Dallas also has difficulty nulling the daytime groundwave signals of Shreveport on 710 kHz and 1130 kHz about 70 miles west. Russ has no signals comparable to these at his location.

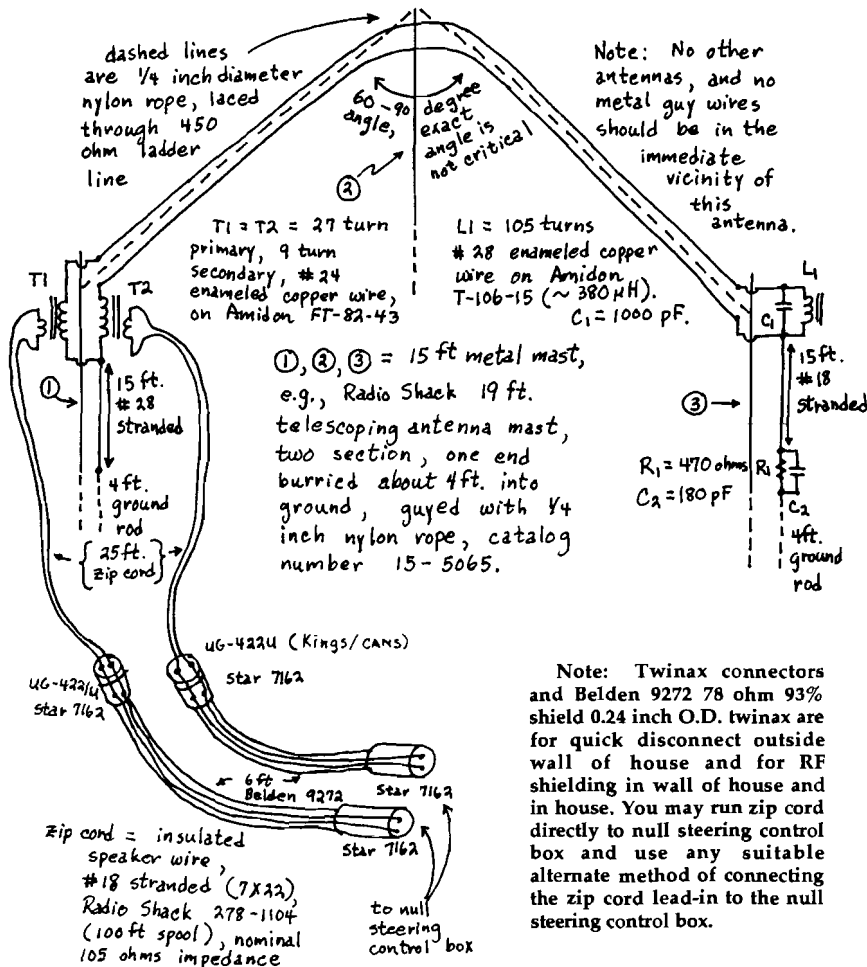
Except for the problem signals mentioned above, Dallas has no difficulty nulling all daytime groundwave signals and all nighttime skywave signals at least 50 dB, and frequently between 60 and 70 dB. Russ has no difficulty nulling all his signals between 50 and 70 dB. Dallas has found that it is easier to adjust maximum null depth by using 50 ohm pots in series with the 200 ohm pots R1 and

R2, but you can get by without the 50 ohm pots.* A pair of two speed 1:1/10:1 vernier planetary drives attached to R1 and R2 would probably be ideal, but it is unknown at present where to obtain such devices.

Operation of the phasing circuit is straightforward. Set the values of L and C to the nearest values corresponding to the frequency to be nulled. Alternately adjust R1 and R2 while observing the receiver S-meter. A dip in signal level should be observed; i.e., the beginning of a null. Continue to alternate between adjusting R1 and R2 for the deepest null. If a null of at least 50 dB cannot be obtained, try other values for L and C, and again alternately adjust R1 and R2. Some of the nulls may be near the ends of the rotational ranges of R1 and R2, and may require adjustment of the 50 ohm vernier pots.

Changing S1 (reversing the phase) sometimes gives more rotational range to R1 and/or R2. The "default" position of the 50 ohm vernier pots is mid range. After the deepest possible null has been obtained with R1 and R2, try deepening the null with the 50 ohm vernier pots. In some cases, reversing the twin-lead inputs (input for T2 connected to S1, and input from T1 connected to T8) may increase the rotational ranges and R1 and R2. A DPDT switch could be included for this purpose,** but it is about as easy to change connectors at the RF tight box containing the phasing circuit.

Russ recently added a parallel RC (510 ohms, 180 pF) circuit at the ground rod at the far end of his antenna because he found that this addition improved the "signal-to-slop" ratio for some adjacent channel signals when



Note: Twinax connectors and Belden 9272 78 ohm 93% shield 0.24 inch O.D. twinax are for quick disconnect outside wall of house and for RF shielding in wall of house and in house. You may run zip cord directly to null steering control box and use any suitable alternate method of connecting the zip cord lead-in to the null steering control box.

a strong local was nulled. Dallas has only one strong local on 1490 kHz, and no daytime signals on 1500 kHz, so it has been difficult to confirm this aspect of Russ' antenna. But it does appear that the "signal-to-slop" ratio was improved on 1480 kHz when Dallas added the RC network and nulled the strong local on 1490 kHz.

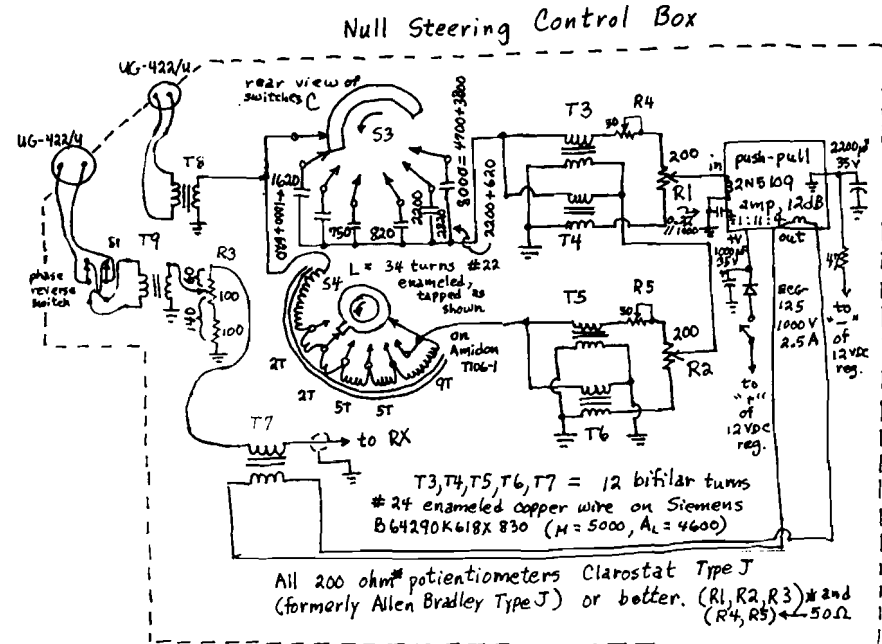
The values of L and C for the end transformer (380 uH and 1000 pF) and for R and C of the RC network (510 ohms and 180 pF) were arrived at by Russ experimentally (as were many aspects of these antennas). For example, Russ started with 380 uH and 150 pF for the end transformer, but found that deep, stable nulls could be obtained only down to about 1400 kHz. He continued increasing the value of C until deep, stable nulls could be obtained down to 540 kHz. A larger value of C may possibly be more

effective for VLF, but Russ and Dallas have no difficulty nulling all of the VLF signals.

* If you do not use the 50 ohm pots for vernier phase adjustment, then for some VLF signals you may need to adjust the input signal level control R3 for a greater "resistance split," say 100/100 ohms, in order to obtain maximum nulls on some VLF signals.

** A DPDT switch was tried later, and stability of nighttime nulls was lost!!! ... perhaps due to cross coupling. In any case, the DPDT is a NO-NO.

What sets the S-L PNR antennas apart from previously reported short phased wire antennas are the deep, stable nulls on nighttime skywave signals in the 1000 - 1600 kHz frequency range. For example, with a balanced loop antenna, stable nulls on nighttime signals greater than 30 dB are



The null steering circuit above is mounted inside an Eagle brand diecast aluminum case, size 8.7" x 5.7" x 4.2" (LWH), Mouser catalog # 400-4589. It would be difficult, though possible, to cram the circuit above into a smaller box, such as a Hammond 1590E (7.4" x 4.7" x 3.2"). The Siemens toroids are difficult to obtain in the USA; a suitable substitute is Amidon FT-82-75 (and use 15 bifilar turns #24, after wrapping the FT-82-75 with thick Teflon Tape or Glass Cloth Electric Tape). The

Eagle box lid is affixed with six screws which look like Phillips head screws, but are not. The screws are also "robot installed," and "Gorilla tight." If you use a Phillips screwdriver, you will probably have to drill out a few stripped head screws, like Dallas did. The original Eagle screws are so "flakey" that Dallas drilled out all six screw holes with an 11/64 bit, tapped out the drilled holes with an 8-32, and now used 8-32x5/8" flat head stainless Phillips screws. It is suggested that you do likewise.

seldom possible, and then usually only for low band signals, i.e., frequencies below about 1000 kHz. The situation is somewhat better with phased loops and longwires, with stable nulls up to about 45 dB often possible for low band signals. And with a phased loop and long wire, nulls up to about 45 dB can often be generated for high band signals, but the nulls are not stable, i.e., generally do not last for more than a few seconds without readjustment of the phasing controls. (The 30 dB and 45 dB null values given above are estimates because it is difficult to measure null depth for skywave signals with changing signal levels, and to measure null depth for quickly changing null depth.) The S-L PNR antennas produce 40 - 70 dB nulls on most nighttime skywave signals throughout the medium wave band with excellent long term stability which may last for hours, or even for days.

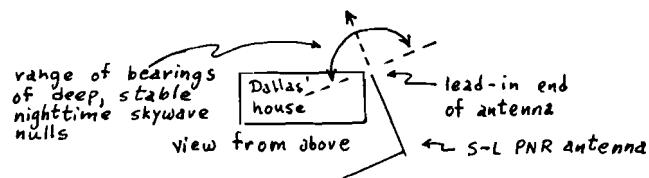
Undoubtedly, the patterns of the S-L PNR antennas account for their superior null depth and superior null stability for nighttime skywave signals. Unfortunately, the patterns of S-L PNR antennas are not known at this time. The pattern of this S-L PNR antenna could be "super cardioid", i.e., a 60 dB 'Null cone' with angular width considerably greater than the 7.2 degree null cone width of a standard cardioid. (By comparison, the null cone width of an ideal loop antenna alone is about 1/10/degree, which explains why a loop antenna alone is not nearly as effective at nulling nighttime skywave signals as a phased loop and longwire antenna with its cardioid pattern.) Or the nulls of the S-L PNR antennas could be "fan shaped", similar to the fan shaped nulls of the cascaded loop arrays described by O. Villard, G. Hagan, and J. Lomasney in their 1993 WRTH article, "More compact directional SW antennas."

The S-L PNR antenna described on the first page of this article is oriented north to south, then turns about 90 degrees to the west, and continues east to west (abbreviated NS90EW). Dallas removed his NS70EW antenna and erected a WE90NS S-L PNR antenna in order to determine possible differences due to orientation of the antenna. Dallas' experiences with those two S-L PNR antennas suggest that deep, stable nulls for nighttime skywave signals over the full 360 degree compass bearings can not be obtained at this

time with a single S-L PNR antenna. For example, with the NS70EW antenna, nighttime skywave signals from New Orleans, 870 kHz, about 200 miles south, and nighttime skywave signals from San Antonio, 1200 kHz, about 350 miles southwest cannot be nulled deeply or with any long term stability. With the WE90NS antenna, both New Orleans and San Antonio can be nulled deeply, and the San Antonio null is very stable, while the New Orleans null, though not as stable as San Antonio, can be maintained by regular adjustment of the phasing pots R1 and R2. There also seem to be some differences in null depth and stability for daytime groundwave signals between the NS70EW and WE90NS antennas, but these possible differences have not been examined carefully at this time.

Based on the above limited observations, it is believed that deep, stable nulls of nighttime skywave signals can be obtained with an S-L PNR antenna only for a range of compass bearings about +90 degrees from the direction of the lead-in end of the antenna.

Null stability of an S-L PNR antenna may vary one night to another for nighttime skywave signals, presumably due to ionospheric conditions. Also, nulls of skywave signals are sometimes less stable during sunrise and sunset transitions (from an hour or two before to an hour or two after local sunrise or sunset). Null stability of daytime groundwave signals also tends to vary throughout the daylight hours, with greatest stability an hour or two before or after local noon. Daytime groundwave nulls greater than 70 dB can sometimes be obtained by careful adjustment of the phasing controls. For example, recently Dallas was examining the null depth of WNOE Monroe, LA, 540 kHz, 5 kW, about 35 miles to the east. XEWA Mexico City, 150 kW, about 1000 miles to the southwest was in the clear with about 6 dB sub-audible heterodyne (SAH) and an SAH period of about 1 second. By careful adjustment of the phasing controls, the SAH could be completely eliminated. Elimination of this SAH was extremely difficult, even with the 50 ohm vernier pots. Clearly finer phasing resolution is sometimes needed. Dallas temporarily wired in a 10-150 pF air variable capacitor in parallel with the primary of T9,



which gave good fine phasing resolution for this 540 kHz null. More observations are needed to determine if this is a satisfactory solution for the finer phasing resolution problem. SAH's can also be used to maximize null depths for some nighttime skywave signals, though often there are multiple SAH's for nighttime skywave signals, which can make it difficult to determine which SAH to minimize. Here it should be mentioned that SAH's can vary in period from several seconds (a fraction of a Hertz) to near audibility, say 1/20 of a second, depending on how one defines audibility. The shorter period (higher frequency) SAH's are often referred to a "flutter", though flutter can be due to other reasons, such as propagation near or through the auroral oval. Flutter may remain on nighttime domestic channels despite one's best efforts. In those cases, a good fast attack slow release AGC often improves signal audibility, as with graveyard domestic channels. As a matter of fact, residual signal(s) at night after nulling a strong local or clear channel signal generally sound like domestic graveyards, though, of course, the dominant language, especially at Dallas' and Russ' locations is Spanish (Mexico, Cuba, Central America, South America).

The S-L PNR antenna nulls are broadband (more-or-less frequency independent). This means that a null in a particular direction at a given frequency is about as deep and in about the same direction for hundreds of kHz above

and below the given frequency. This means that adjacent split frequencies and adjacent domestic frequencies are DXable on an S-L PNR antenna which would be un-DXable on a tuned loop antenna alone, or on a phased tuned loop and longwire system. For example, Dallas now gets clear audio regularly for Montserrat 885 and Cayman Islands 1205, which might happen a few times a year with other antennas systems Dallas has used in the past.

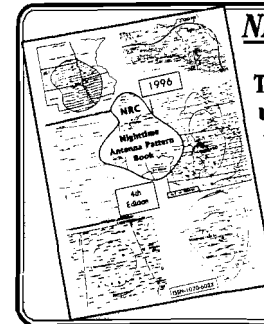
In addition to different antenna orientations, Dallas has experimented with variations of the S-L PNR antennas, including a straight version, and a diamond shaped version (50 foot spacing across the middle). Deep nulls could be obtained with both the straight and diamond shaped version, but in both cases, stability of nighttime skywave nulls was poor. It is believed that the 90 degree S-L PNR antenna using 450 ohm ladder line is the optimal configuration for S-L PNR antennas. Wider spread parallel wires may be used, such as #18 (7x22) stranded copper wire spaced one foot apart using 3/8 inch wood dowels, but no advantage has been found with wider spaced antenna wire. Narrower spacing that 450 ohm ladder line is not recommended. Dallas tried a 300 ohm TV twin lead antenna, and a zip cord antenna: The 300 ohm twin lead antenna exhibited some anomalies, and the zip cord antenna failed to work (deep nulls, but no residual signals).

Are you expiring?

We hope not! To avoid expiration, mail your remittance to the *DX News* Membership Center early. Allow at least three weeks after mailing your check or money order for new renewal data to appear on your mailing label.

Not sure about renewing?

Consider these benefits of a membership in the National Radio Club: 720+ pages per year of varied and comprehensive DX and radio information ... reduced prices for publications ... responsive editors ... and the friendliest bunch of DX'ers in the world! Why not send that renewal check to Ron Musco at the membership center today!



NRC Nighttime Antenna Pattern Book, 4th Edition

Get it now; it's the second half of the NRC's "Dynamic Duo"! Teamed with the *NRC AM Log*, the NPB provides DX'ers with up-to-date maps of all (except Class IV) stations with nighttime operations. Convenient to use: 3-hole punched for standard binders. Only \$16.95 to U. S. and Canadian members; \$22.95 to U. S. and Canadian non-NRC members. Airmail to members: to Latin America, \$21.00; Europe, \$24.00; rest of the world: \$28.00.

Order from: NRC Publications - Box 164 - Mannsville, NY 13661 (NY residents, please add sales tax)

Two Updated Remote Active Antennas

RL-1 Remotely-Tuned Loop and RW-1 Remotely-Tuned Whip

by Mark Connelly

Remotely-tuned antennas, operated by a controller such as DCP-2 or MWT-3, can give DX receptions that would otherwise not be possible. Operating positions in vehicles and in steel-frame buildings usually require outdoor antennas that are compact, placed away from structural shielding and electrical noise sources, and capable of delivering sufficient signal-to-noise for serious DX listening, including medium wave operation during low-signal daytime and auroral-nighttime conditions at rural sites. Furthermore, at high-signal urban locations, if amplifiers are used at the remote antenna head-ends, they must be able to deliver desired-frequency weak DX signals free of intermodulation distortion / mix spurs from local transmitters on different in-band and out-of-band frequencies.

This is a "tall order", and many of the commercially-available broadband active whips are not up to the task. The "Ultralinear" active whip design by Dallas Lankford is about the best. For many, whips made by Dressler, Rohde & Schwarz, RF Systems, MFJ, and others will suffice. A broadband design offers frequency-agile listening, but for a given amount of gain, a properly-designed remotely-tuned antenna - whip or loop - will outperform a broadband active antenna in terms of freedom from spurious responses. Often the receiver itself, as it is hit with many strong signals at once, is just as likely to generate spurs as is the antenna's untuned head-end amplifier. Thus, even remotely-tuning a very "crunchproof" antenna amplifier can still improve the final "as heard" signal.

The perfectionist will consider a motor-driven variable capacitor at the remotely-tuned antenna instead of more-overloadable varactors. For that matter, he will probably eschew the front-end amplifier altogether in favor of an antenna of sufficient size ... such as a 1 m. loop or 10 m. wire ... to deliver adequate drive to a 50 ohm coaxial line after having been coupled through a very efficient tuning / impedance-matching tank circuit that includes that motor-driven capacitor. Since my main interest involving remotely-tuned antennas is DXing on car trips to good DXing locations that are NOT in the shadow of multiple local-station transmitting towers, my overload immunity considerations are somewhat less stringent than those of a DXer in a Manhattan high-rise. Varactors do work well for my needs and the circuits are much simpler to implement than those supporting motorized capacitors.

The high cost and lack of common availability of some of the buffer amplifier

chips (such as the National Semiconductors LH0033CG) at the heart of the RTL-2 Remotely-Tuned Loop and other prior designs led me to investigate other amplifier options. The BUF-B amplifier which uses a 40673 (or equivalent NTE222) MOSFET followed by a 2N5109 output bipolar transistor (see RTL-2 article) did an adequate job, but I figured that further improvements were possible. Anyway, the dual gate MOSFET's seem to be getting less available and more expensive. Dallas Lankford's ultralinear whip amplifier looked good on paper, except for my own bias against those wind-'em-yourself transformers. Also, the circuit's gain seemed less than what is required for small antennas used at rural sites. After a bit of research, the BUF-D design evolved. This card uses a low-noise JFET input (2N4416 or J310 can be used) and a VMOS FET (VN10KM) for the output power amplifier. No RF transformers are required, so nagging worries about core saturation IMD on strong signals could be put aside. The 2N4416's (or J310's) are widely available and the VN10KM power FET is available at Active Electronics (and at my local Electronics Superstore in Woburn, MA). Thomson SK9155, equivalent to the VN10KM, is available from Allied and other mail-order vendors. Achieving optimum transistor biasing for lowest intermodulation distortion is a bit of a "black art" and is best done with two-tone testing on a spectrum analyzer, although the component values I've chosen (as a result of single-tone oscilloscope testing) should be reasonably close to optimum values.

To keep antenna circuitry simple, I designed one unit, the RL-1, to amplify a plug-in loophead (ferrite such as the Quantum and Palomar heads, or homebrew air-core) and I designed a second unit, RW-1, to amplify a wire or BNC-equipped whip (such as the now-unavailable 30-inch / 76 cm Radio Shack 20-008). Having two simple different-use units reduces wiring complexity and the likelihood of unexpected coupling and oscillation: these problems have occurred with the rat's nest of wiring required inside some prototype combination-loop/whip bases having high-gain amplifiers.

Each remote base (RL-1, RW-1) contains a varactor / relay card and a BUF-D amplifier card. Other contents are specific to the task of loop or whip/wire operation.

The RW-1 has bandswitch inductors that resonate with the varactor to permit tuned operation on longwave, medium wave, and tropical band ranges. Each range is divided into two sub-ranges controlled by the relay on

the VRLY-B card: LW-low = 130 - 220, LW-high = 220 - 475; MW-low = 475 - 830, MW-high = 830 - 1720; TB-low = 1720 - 2700, TB-high = 2700 - 5500 (up to ~ 7500 kHz with short whips). The RW-1 also has an attenuator pot to keep overloading under control at strong-signal urban / suburban locations. RW-1 can be used for broadband whip amplification in addition to remotely-tunable operation. It works at least as well as an MFJ 1024 in this regard.

The BUF-D amplifier in both the RL-1 and RW-1 can be operated at low gain or at high gain. Low gain operation will give somewhat better freedom from mixing spurs; high gain will give the signal levels often required for successful phasing through the delay-line circuitry in a DCP-2 Dual Controller / Phaser located at the receiver - operator "shack" position.

Tank circuit Q can be reduced, if desired, on both the RL-1 and RW-1. Doing this can sometimes improve null stability and effective null bandwidth when phasing; however, reduction of signal-to-noise margin can be a trade-off.

Because of the simplicity of the RL-1 and RW-1, detailed comments and operating instructions are not included. The tables and drawings which follow should provide enough information to allow a DXer to run either unit in conjunction with a suitable controller such as MWT-3, DCP-1, or DCP-2. For more thorough discussions of remotely-tuned antennas, see the various National Radio Club and International Radio Club of America reprints of RTL and RTU style remotely-tuned antennas and of DCP and MWT style controllers. These articles refer to useful additional works by Ken Cornell, Dallas Lankford, Joe Farley, E. L. Cummins, and others.

RL-1 and RW-1 CONSTRUCTION DATA

Table 1: RL-1 hole-drilling list

X = Horizontal distance, in inches, from the vertical centerline (VCL) on the side observed. Negative values of X are left of VCL, positive values of X are right of VCL.

Y = Vertical distance, in inches, from the bottom horizontal edge of the side observed.

D = Hole diameter in inches.

Hole loci are first marked on the box with a scribe and are then drilled with a .125" bit. Subsequently, as required, the holes are enlarged to the proper size by using progressively larger bits up to that corresponding to the final desired diameter.

Chassis Box = Mouser # 537-TF-779: 5" X 4" X 3"

Systems comprised of an RL-1 (with Quantum loophead), RW-1 (with BNC-plug-equipped whip), and DCP-2 Dual Controller / Phaser (with necessary "umbilical" cables and 12 VDC power source) are being used successfully by me and by Bruce Conti on car DXpeditions to beaches, salt marshes, and other advantageous DX sites. Antennas may be vehicle-mounted for use at locations not having space and/or privacy for proper longwire installations. When electrical noise and shielding are not too bad, the system can be used indoors as well. Phased loop-versus-whip systems can produce the cardioid patterns most suitable for transoceanic DX reception.

A system with a DCP-2 and two RL-1's (with loopheads aimed 60 to 120 degrees differently) also works well. At rural sites, you can use two RW-1 bases, preferably in tuned mode, each connected to a moderate-length (up to 100 m / 330 ft.) wire. The two wires (like the loopheads mentioned in the "two RL-1" case) should have a bearing difference of 90 +/- 30 degrees for best results.

An RL-1 remotely-tuned loop, if set to the lower-Q mode, can also be phased against a broadband-mode RW-1 active whip or against an untuned longwire (fed directly to the DCP-2, or through an RW-1) with reasonable results. This is commonly done on DXpeditions, as it allows "band cruising" and parallel-checking when the DCP-2 controller is switched to the untuned antenna.

All these variations on the same theme are systems which outperform a loop used alone. They are the modern (and compact) versions of the LIL (Dallas Lankford) and LSCA (Ron Schatz) loop / vertical cardioid set-ups that have worked so well in fixed "base station" home applications.

LEFT SIDE

Hole #	Comp. Desig.	Description	X	Y	D
1	G1	grounding H/W - internal lug	-1	2.5	0.125
2	S1	Gain / Q mode switch - tab	-0.5	2.125	0.125
3	S1	Gain / Q mode switch - shaft	-0.5	1.875	0.25
4	M1	VRLY-A card(mounting h/w H3)	0.5	1.5	0.125
5	M1	VRLY-A card(mounting h/w H1)	0.5	0.5	0.125
6	M1	VRLY-A card(mounting h/w H4)	1.5	1.5	0.125
7	M1	VRLY-A card(mounting h/w H2)	1.5	0.5	0.125

TOP SIDE

Hole #	Comp. Desig.	Description	X	Y	D
1	J1	Loop Head In - stereo jack	0	2	0.375
2	A1	BUF-D card (mounting h/w H2)	0.875	2	0.125
3	A1	BUF-D card (mounting h/w H1)	1.875	2	0.125

RIGHT SIDE

Hole #	Comp. Desig.	Description	X	Y	D
1	J2	control cable stereo jack	-1.125	0.5	0.375
2	G2	grounding H/W - internal lug	0	1.125	0.125
3	J3	RF out / DC pwr in- BNC jack	0	0.5	0.375

Table 2: RL-1 "upper level" parts list

*: Note follows parts list.

Vendor codes for this and subsequent parts lists:

ACT = Active Electronics / 11 Cummings Park
/ Woburn, MA 01801
/Tel. 1-800-677-8899,
617-932-4616

CS = Circuit Specialists / P. O. Box 3047
/ Scottsdale, AZ 85271-3047
/Tel. 1-800-528-1417,
602-464-2485

DC = DC Electronics / P. O. Box 3203
/ Scottsdale, AZ 85257-3293
/Tel. 1-800-467-7736,
602-945-7736

MCL = Mini-Circuits Lab. / P. O. Box 350166
/ Brooklyn, NY 11235-0003
/Tel. 1-800-654-7949,
417-335-5935

MOU = Mouser Electronics / 958 North Main Street
/ Mansfield, TX 76063-4827
/Tel. 1-800-346-6873,
817-483-5712 (export)

RS = Radio Shack / Many locations worldwide

Schematic = Figure 1 / Assembly = Figure 6.

Item	Designator	Description/Value	Vendor	Vendor Stock #	QTY
1	A 1	BUF-D amp. card	>>>	see Table 4	1
2	C 1,3	capacitor, 0.1 uF	MOU	539-CK05104K	2
3	C 2	capacitor, 10 uF	MOU	581-10K35	1
4	G 1,2	solder lug, #4	MOU	534-7311	2
5	G 1,2	screw, 4-40 X.375"	MOU	572-01881	2
6	G 1,2	hex nut, 4-40	MOU	572-00484	2
7	J 1,2	stereo headphone jk	DC	16P3080	2
8	J 3	BNC jack	RS	278-105	1
9	L 1,2	inductor, 22 uH	MOU	43LR225	2
10	M 1	VRLY-A var./rly cd.	>>>	see Table 3	1
11	R 1	resistor, 1 megohm	CS	RA1.0M	1
12	R 2	resistor, 10 ohm	CS	RA10	1
13	R 3,5,6	resistor, 10K ohm	CS	RA10K	3
14	R 4	resistor, 470 ohm	CS	RA470	1
15	R 7,8	resistor, 270 ohm	CS	RA270	2
16	RFC 1	RF choke, 1.8 mH	MOU	434-05-182J	1
17	S 1	switch, DPDT, on/off/on	RS	275-620	1
18		chassis box, 5X4X3"	MOU	537-TF-779	1
19	*	screw, 4-40 X .25"	MOU	572-01880	6
20	*	split lockwasher, #4	MOU	572-00649	6

Misc. items: hook-up wire, buss wire, solder, labels "AS REQUIRED"

* Item 19: two each for A1 mount; four for M1 mount

* Item 20: two each for A1 mount; four for M1 mount

Table 3: (RL-1 M1) VRLY-A Varactor & Relay Card parts list

*: Note follows parts list.

For VRLY-B (RW-1 M1) use this list, but delete RFC1, RFC2, and C2.
Assemble VRLY-B per notes on Figure 3.

See Table 2 for vendor codes.

Schematic = Figure 2 / Assembly = Figure 3.

Broadcasters' Guides to DX Four different tri-fold guides for use with reception reports explaining DX'ing, how the NRC was formed, and the importance of QSL's to DX'ers. AM editions in English, Spanish, and French; FM edition in English. 20 for US\$2.00. From NRC Publications. (NY residents, add sales tax)

NRC Letter Opener

\$1.75 each! Sturdy yellow plastic ... opens letters, cuts string, package wrapping, and more! Order from NRC Publications - NY orders, please add sales tax.



Item	Designator	Description/Value	Vendor	Vendor Stock #	QTY
1	-	perfboard:1.4"X1.4"	RS	276-1396 (cut)	1
2	C 1,2,4	capacitor, 0.1 uF	MOU	539-CK05104K	3
3	C 3	capacitor, 270 pF	MOU	232-1900-270	1
4*	D 1,2	varactor, MVAM109	DC	MVAM109	2
5	D 3	zener,1N4733 (5.1V)	RS	276-565	1
6	H 1,2,3,4	screw, 4-40 X .25"	MOU	572-01880	4
7	H 1,2,3,4	spacer, 4-40 X .5"	MOU	534-1450C	4
8	H 1,2	split lockwasher, #4	MOU	572-00649	2
9	H 3,4	solder lug, #4	MOU	534-7311	2
10	K 1	relay (5V DIP SPST)	MOU	528-171-2	1
11	(for K1)	DIP socket, 14 pin	RS	276-1999	1
12	P 1-6	flea-clip/.042"hole	MOU	574-T42-1/100	6
13	R 1	resistor, 1K	CS	RA1.0K	1
14	R 2	resistor, 270 ohm	CS	RA270	1
15	RFC 1,2	inductor, 4.7 mH	MOU	434-1120-473K	2

Misc. items: hook-up wire, buss wire, solder "AS REQUIRED"

* Item 4: Motorola MVAM108 or Siemens BB112 may be substituted directly. NTE618 may be substituted if the maximum control voltage is raised from +10 VDC to approximately +11 VDC.

* Item 10: equivalent to Magnecraft W171DIP-2.

Table 4: (RL-1 & RW-1 A1) BUF-D Buffer Amplifier Card parts list

See Table 2 for vendor codes.

Schematic = Figure 4 / Assembly = Figure 5.

Item	Designator	Description/Value	Vendor	Vendor Stock #	QTY
1	-	perfboard:1.4"X2.0"	RS	276-1396 (cut)	1
2	C 1,3,9	capacitor, 0.01 uF	MOU	539-CK05103K	3
3	C 2,4-7	capacitor, 0.1 uF	MOU	539-CK05104K	5
4	C 8	capacitor, 10uF tant	MOU	581-10K35	1
5	H 1,2	screw, 4-40 X .25"	MOU	572-01880	2
6	H 1,2	spacer, 4-40 X .5"	MOU	534-1450C	2
7	H 1,2	solder lug, #4	MOU	534-7311	2
8	P 1-11	flea-clip,.042"hole	MOU	574-T42-1/100	11
9	Q 1	FET, 2N4416	CS	2N4416	1
10	Q 2	FET, VN10KM	ACT	19002	1
11	R 1	resistor, 1 megohm	CS	RA1.0M	1
12	R 2,7	resistor, 2.7K	CS	RA2.7K	2
13	R 3	resistor, 1K	CS	RA1.0K	1
14	R 4	resistor, 75 ohm	CS	RA75	1
15	R 5	resistor, 4.7 megohm	CS	RA4.7M	1
16	R 6	resistor, 2.2 megohm	CS	RA2.2M	1
17	R 8	resistor, 4.7 ohm	CS	RA4.7	1
18	R 9	resistor, 10 ohm	CS	RA10	1
19	R 10	resistor, 470 ohm	CS	RA470	1
20	R 11,12	resistor, 2.2 ohm	CS	RA2.2	1
21	RFC 1	inductor, 1.8 mH	MOU	434-05-182J	1
22	VR 1	9V regulator, 7809	MOU	513-NJM7809FA	1

Misc. items: hook-up wire, buss wire, solder "AS REQUIRED"

See notes on Figures 4 and 5 for information regarding possible alternative component usages.

Table 5: RW-1 hole-drilling list

See Table 1 for meanings of X, Y, D parameters and for drilling notes.

Chassis Box = Mouser # 537-TF-779: 5" X 4" X 3"

LEFT SIDE

Hole #	Comp. Desig.	Description	X	Y	D
1	S1	Function Select swt. - tab	-1.375	2.125	0.125
2	S1	Function Select swt. - shaft	-1.375	1.875	0.25
3	G1	grounding H/W - internal lug	-0.9375	2.5	0.125
4	R1	Input Atten. pot - tab	-1.125	0.75	0.14
5	R1	Input Atten. pot - shaft	-0.8125	0.75	0.3125
6	S3	Gain / Q mode switch - tab	-0.5	2.125	0.125
7	S3	Gain / Q mode switch - shaft	-0.5	1.875	0.25
8	M1	VRLY-B card(mounting h/w H3)	0.5	1.5	0.125
9	M1	VRLY-B card(mounting h/w H1)	0.5	0.5	0.125
10	S2	Bandswitch - shaft	1	2.25	0.25
11	S2	Bandswitch - tab	1.25	2.25	0.125
12	M1	VRLY-B card(mounting h/w H4)	1.5	1.5	0.125
13	M1	VRLY-B card(mounting h/w H2)	1.5	0.5	0.125

TOP SIDE

Hole #	Comp. Desig.	Description	X	Y	D
1	J1	Whip / Wire In - BNC jack	0	2	0.375
2	A1	BUF-D card (mounting h/w H2)	0.875	2	0.125
3	A1	BUF-D card (mounting h/w H1)	1.875	2	0.125

RIGHT SIDE

Hole #	Comp. Desig.	Description	X	Y	D
1	J2	control cable stereo jack	-1.125	0.5	0.375
2	G2	grounding H/W - internal lug	0	1.125	0.125
3	J3	RF out / DC pwr in- BNC jack	0	0.5	0.375

Need more information about AM DX'ing?

Mail a First-Class stamp to NRC Publications - P. O. Box 164 - Mannsville, NY 13661-0164 and ask for the NRC Product Catalog.

Promote the NRC and DX News and help us grow!

Planning to attend a DX or hobby gathering? Why not include DX News in your plans. Upon request, we'll send you a packet of up to 50 recent DXN's to be given free to attendees. Just send a postcard to NRC - P. O. Box 5711 - Topeka, KS 66605. Packets are sent by Fourth Class Printed Matter rate, so please allow 10-15 days for delivery. Help keep the NRC on the grow!

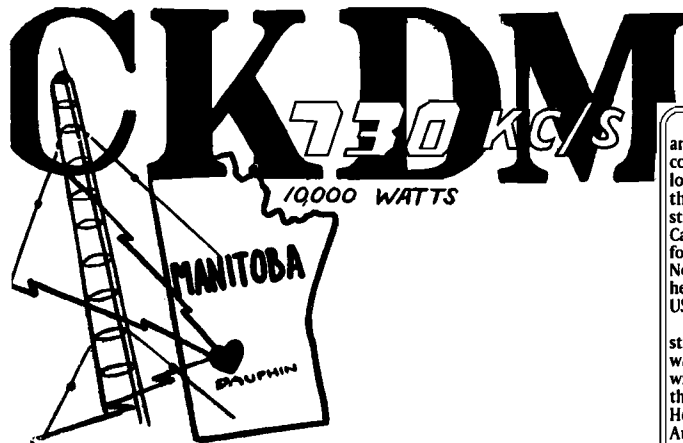
**NRC's antenna manuals ...
Now completely revised and up-to-date!**

Antenna Reference Manuals, Vol. 1 and 2, \$5.95 each (\$6.95 to non-members)
Loop Antenna Design & Theory, \$7.95 (\$9.95 to non-members)
Order from NRC Publications - P. O. Box 164 - Mannsville, NY 13661. NY orders, please add sales tax.

Table 6: RW-1 "upper level" parts list
 *: Note follows parts list.
 See Table 2 for vendor codes.
 Schematic = Figure 7 / Assembly = Figure 8.

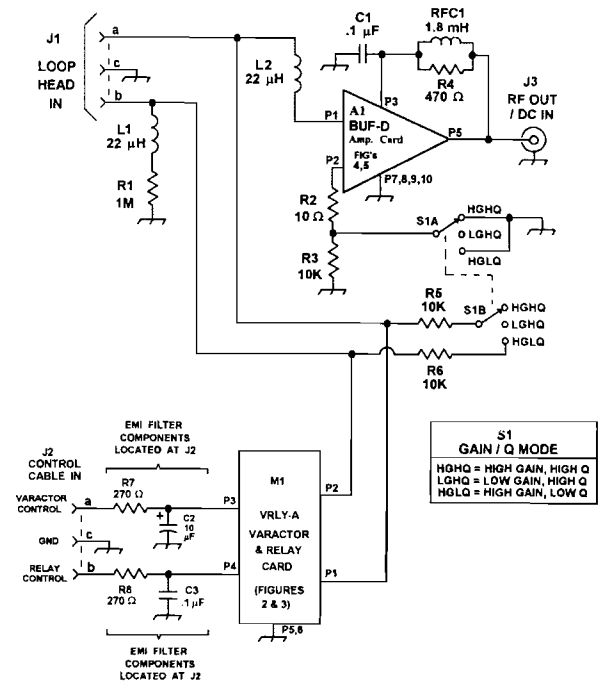
Item	Designator	Description/Value	Vendor	Vendor Stock #	QTY
1	A 1	BUF-D amp. card	>>>	see Table 4	1
2	C 1,4,5	capacitor, 0.1 uF	MOU	539-CK05104K	3
3	C 2	capacitor, 43 pF	MOU	21CB043	1
4	C 3	capacitor, 10 uF	MOU	581-10K35	1
5	DS 1	NE-2 neon bulb	MOU	36NE002	1
6	G 1,2	solder lug, #4	MOU	534-7311	2
7	G 1,2	screw, 4-40 X.375"	MOU	572-01881	2
8	G 1,2	hex nut, 4-40	MOU	572-00484	2
9	J 1,3	BNC jack	RS	278-105	2
10	J 2	stereo headphone jk	DC	16PJ080	1
11	L 1	inductor, 1.5 mH	MOU	434-1120-153K	1
12	L 2	inductor, 82 uH	MOU	43LR825	1
13	L 3	inductor, 6.8 uH	MOU	43LR686	1
14	M 1 *	VRLY-B var./rly cd.	>>>	see Table 3 +notes	1
15	R 1	pot,1K,linear,w/swt	MOU	31CQ301	1
16	R 2,3	resistor, 270 ohm	CS	RA270	2
17	R 4,6,7	resistor, 10K ohm	CS	RA10K	3
18	R 5	resistor, 10 ohm	CS	RA10	1
19	R 8	resistor, 470 ohm	CS	RA470	1
20	RFC 1	RF choke, 1.8 mH	MOU	434-05-182J	1
21	S 1	switch,DPDT,on/on	MOU	10TA560	1
22	S 2	switch,SPDT,on/off/on	MOU	10TA535	1
23	S 3	switch,DPDT,on/off/on	RS	275-620	1
24	(for R1)	knob, 0.94" black	MOU	45KN013	1
25		chassis box, 5X4X3"	MOU	537-TF-779	1
26	*	screw, 4-40 X .25"	MOU	572-01880	6
27	*	split lockwasher,#4	MOU	572-00649	6

Misc. items: hook-up wire, buss wire, solder, labels "AS REQUIRED"
 * Item 14: VRLY-B is an unbalanced version of the VRLY-A. It is built per Figures 2 & 3 and Table 3 with associated notes.
 * Item 26: two each for A1 mount; four for M1 mount
 * Item 27: two each for A1 mount; four for M1 mount

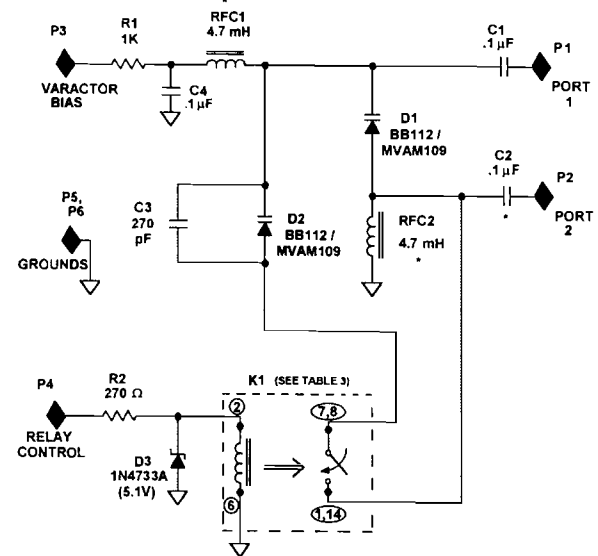


You know how every year anxious NRCers get their new copy of the NRC AM Log and look up their local stations and then grumble, "Look, that stupid Heinen blew it again. Can't he even get my locals' formats and networks right?" Nope! He can't! Not without the help of NRCers throughout the USA and Canada!
 Write or E-mail for your state's proofing list NOW. That way the up-to-date information will be in the 17th Edition of the NRC AM Log. Write Wayne Heinen, 4131 S. Andes Way, Aurora, CO 80013-3831 or nrclog@filebank.com

REMOTE ANTENNAS
 FIGURE 1
 SCHEMATIC: RL-1 REMOTELY - TUNED LOOP

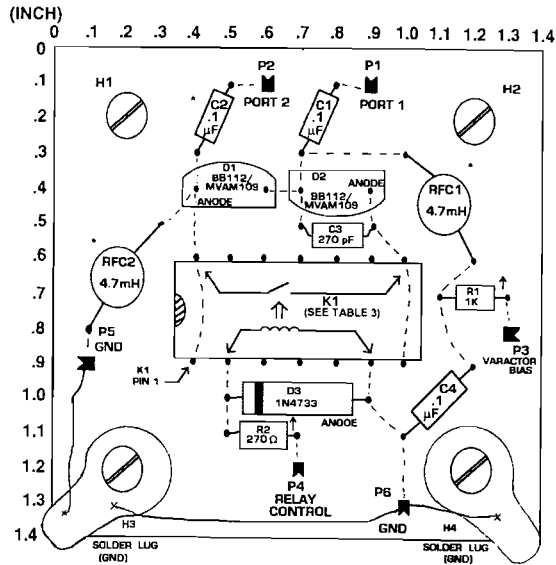


REMOTE ANTENNAS
 FIGURE 2
 SCHEMATIC: VRLY-A VARACTOR / RELAY CARD
 * = For VRLY-B, see notes on Figure 3.



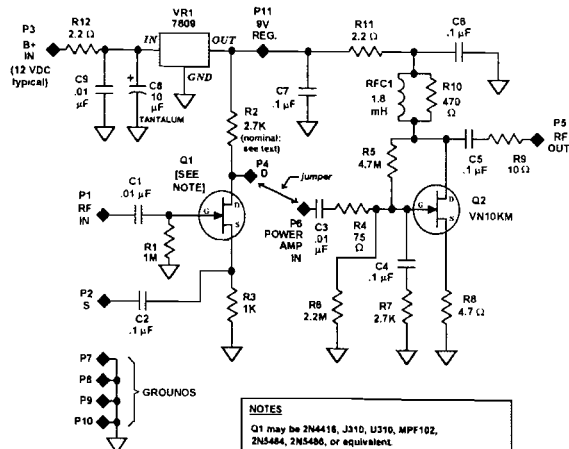
REMOTE ANTENNAS
FIGURE 3
ASSEMBLY: VRLY-A VARACTOR / RELAY CARD

For VRLY-B adaptation, see notes.



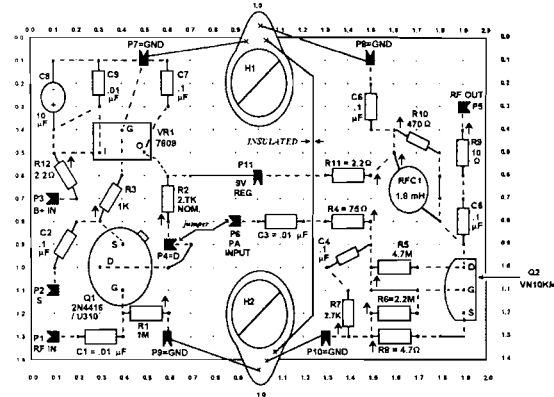
- Notes**
- ↑ = Long lead side of vertically-mounted component
 - - - Buss wire on solder side of board
 - - - Buss wire on component side of board
 - "Flea clip" terminat pin OPEN SIDE
 - * = For VRLY-B, as used in RW-1 whip, change RFC1 & C2 to shorts (jumpers) and delete RFC2 (change to open).

REMOTE ANTENNAS
FIGURE 4
SCHEMATIC: BUF-D BUFFER AMPLIFIER CARD



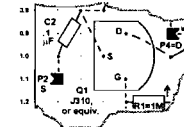
- NOTES**
- Q1 may be 2N4416, J310, U310, MPF102, 2N5484, 2N5486, or equivalent.
- Set R2 to 2.7K nominal value with 2N4416. For other Q1 types, adjust R2 value to get minimum large input-signal distortion as observed with an AC-coupled high-impedance (e.g. 10⁵) oscilloscope probe on P4, with P4-P6 jumper removed.
- RFC1 is Mouser type 434-05-182J (rated 200 mA DC).

REMOTE ANTENNAS
FIGURE 5
ASSEMBLY: BUF-D BUFFER AMPLIFIER CARD

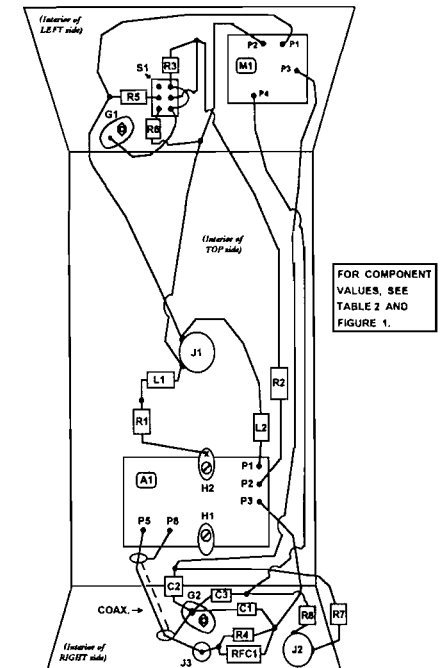


- NOTES**
- REMOVE FOURTH LEAD (CASE: OPPOSITE DRAIN) IF 2N4416 IS USED FOR Q1.
 - ↑ = LONG-LEAD SIDE OF VERTICALLY-MOUNTED AXIAL-LEADED COMPONENT. VALUE OF R2 (NOMINALLY 2.7K) MAY BE VARIED; SEE FIGURE 4 NOTES.

DETAIL: SECTION OF LAYOUT ALTERED FOR TO-92 CASE FET'S (J310, MPF102, 2N5484, 2N5486, ETC.)

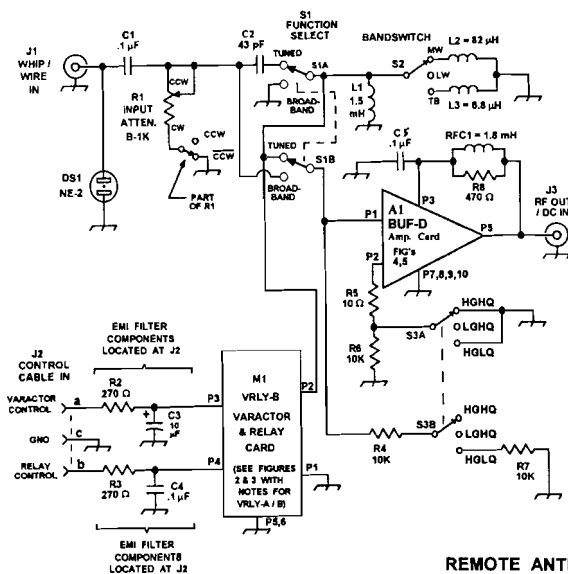


REMOTE ANTENNAS
FIGURE 6
ASSEMBLY / WIRING PICTORIAL, RL-1 REMOTELY-TUNED LOOP



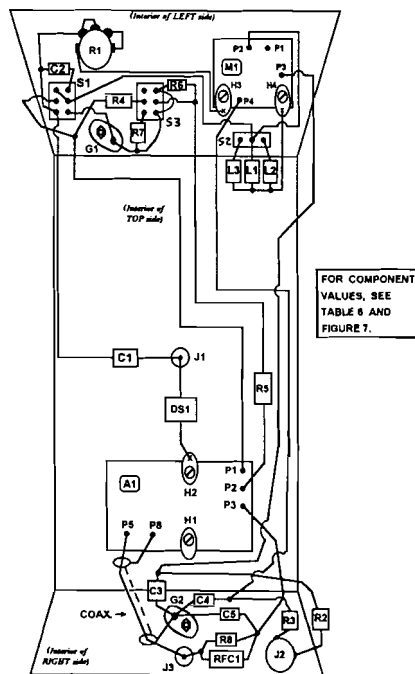
FOR COMPONENT VALUES, SEE TABLE 2 AND FIGURE 1.

REMOTE ANTENNAS
FIGURE 7
SCHEMATIC: RW-1 REMOTELY-TUNED WHIP



S3
GAIN / Q MODE
HG HQ = HIGH GAIN, HIGH Q
LG HQ = LOW GAIN, HIGH Q
HG LQ = HIGH GAIN, LOW Q

REMOTE ANTENNAS
FIGURE 8
ASSEMBLY / WIRING PICTORIAL, RW-1 REMOTELY-TUNED WHIP



FOR COMPONENT VALUES, SEE TABLE 6 AND FIGURE 7.

Unofficial NRC DX Countries List

Edited by Al Merriman - P. O. Box 734 - Chincoteague, VA 23338-0734
merriman @shoreintercom.net

(Publisher's note: Al and others have worked on this list, the first to appear in nearly 30 years for use by NRC members. It is not yet an "official" NRC countries list, and we are publishing it so that you can contact Al with your comments. Most likely the Board will consider it at the convention in a few months, so please contact Al as soon as practicable with your suggestions.)

Well, here it is. The promised updated Country List for the NRC. For the most part this is based on the current ARRL List less the ARRL Countries that do not have medium wave operations. The few exceptions are explained under each continent. Although I do not have a copy of the old NRC List, which I believe was last updated about 1968, this should conform to that list with the exception of the name changes and new countries added.

Deleted countries. If you logged and/or verified these countries during the period they were active, they still count in your totals.

Hopefully everyone will be happy with this. The ARRL List is a good combination of easy/hard and makes a good basis for our list. It has the added advantage of having someone else do the work for us and possibly save some arguments. The ARRL is currently reviewing the DXCC Program under something that is called DXCC 2000 or something similar. This could result in some changes in country criteria and at that time we might want to take another look at basing our list on theirs, depending on what the changes are.

AFRICA

Algeria, Gambia, Nigeria, Angola, Guinea, Reunion, Ascension Is., Guinea-Bissau, Rodrigues Island, Benin, Ivory Coast, São Tome e Principe, Botswana, Kenya, Senegal, Burkina Faso, Lesotho, Seychelles, Cameroon, Liberia (1), Sierra Leone, Canary Is., Libya, Somalia (1), Central African Republic, Madagascar, South Africa, Ceuta y Melilla, Madeira Island, Sudan, Chad, Malawi, Swaziland, Chagos Island (BIOT), Mali, Tanzania, Comoros, Mauritania, Togo, Congo, Mauritius, Tunisia, Djibouti, Mayotte, Uganda, Egypt, Morocco, Western Sahara, Eritrea, Mozambique, Zaire, Ethiopia, Namibia, Zambia, Gabon, Niger.

(1) Countries that formerly had Medium Wave operations but are currently off.

AFRICA - DELETED COUNTRIES

Tangier - Before Jun 30, 1960. Now counts as Morocco.

ASIA

Afghanistan, Japan, Qatar, Andaman & Nicobar Is., Jordan, Saudi Arabia, Armenia, Kazakhstan, Singapore (1) Asiatic Russia, Kuwait, South Korea, Azerbaijan, Kyrgyzstan, Sri Lanka, Bahrain, Laccadive Is., Syria, Bangladesh, Laos, Taiwan, Cambodia, Lebanon, Tajikistan, China, Macau, Thailand, Cyprus, Maldives, Turkmenistan, Georgia, Mongolia, Turkey (2), Hong Kong, Myanmar, United Arab Emirates, India, Nepal, Uzbekistan, Iran, North Korea, Vietnam (3), Iraq, Oman, West Malaysia, Israel, Pakistan, Yemen

(1) Countries that formerly had Medium Wave operations but are currently off.

(2) Most of Turkey is in Asia but part, Istanbul etc is in Europe. My opinion is that this should count as two separate countries, due to being split between two continents, but ARRL has never done this.

(3) ARRL never had separate countries for North & South Vietnam. I do not have a copy of the old NRC List so am not sure how this was listed, but I imagine it was two separate countries. We can add South Vietnam as a deleted country as it was absorbed by North Vietnam and became Vietnam in 1976 (?).

ASIA - DELETED COUNTRY

Ryukyu Is (Okinawa) - Before May 15, 1972. Now counts as Japan.

EUROPE

Albania, Faroe Islands, Netherlands Andorra (1), Finland, N. Ireland, Austria (1), German Federal Rep, Norway, Azores, Gibraltar, Poland, Balearic Islands, Greece, Portugal, Belarus, Guernsey, Romania, Belgium, Hungary, Sardinia, Bosnia-Herzegovina (2), Iceland, Scotland, Bulgaria, Ireland, Slovakia (4), Corsica, Isle of Man, Slovenia (3), Crete, Italy, Spain, Croatia (3), Kaliningrad, Svalbard, Czech Republic (4), Latvia, Sweden, Denmark, Lithuania, Switzerland, Dodecanese Islands, Luxembourg, Ukraine, England, Macedonia (5), Vatican, Estonia, Malta,

Wales (7), European Russia, Moldova, Yugoslavia, France, Monaco (6)

- (1) Countries that formerly had Medium Wave operations but are, currently off.
- (2) Oct 15, 1991 on. Before that counts as Yugoslavia.
- (3) Jun 26, 1991 on. Before that counts as Yugoslavia.
- (4) Jan 1, 1993 on. Before that counts as Czechoslovakia.
- (5) Sept 8, 1991 on. Before that counts as Yugoslavia.
- (6) Even though the transmitters for R Monte Carlo and Trans World, Radio are in France they were always counted as Monaco by NRC, up until fairly recent times. NASWA, which was suggested by, someone as a basis for our list counts these as Monaco and in, the EBU Monitoring Service both 702 and 1467 are listed as, Monaco. I doubt if there is any radio club country list that, doesn't count this as Monaco.
- (7) This is a bit tougher. The BBC R Wales transmitter that is, located in Washford, England was always counted as Wales. I, don't know when this was started - when I first joined NRC in, 1958 it was already this way. Maybe at some point the xmtr, was actually located in Wales. I would suggest that this be continued - I doubt that anyone who has logged and counted, this as Wales wants to lower their totals - I know I don't. If enough of the newer DXers object strongly to this a, possible solution would be to count this as Wales when it, was on 881 but logs after the band reorganization when it, moved to 882 will count as England. Any comments or, thoughts on this will be appreciated by all I am sure.

EUROPE - DELETED COUNTRIES

Czechoslovakia. Deleted effective Dec 31, 1992. Now Czech Rep/Slovakia. East Germany. Deleted effective Oct 3, 1990. Now German Federal Republic. West Berlin. Deleted effective Oct 3, 1990. Now German Federal Republic.

NORTH AMERICA

Alaska, Dominican Rep, Montserrat, Anguilla, Dutch West Indies (1), Nicaragua Antigua, El Salvador, Panama, Bahamas, Greenland, Puerto Rico, Barbados, Grenada, San Andres Is., Belize, Guadeloupe, St Kitts & Nevis, Bermuda, Guantánamo Bay, St. Lucia, British Virgin Is., Guatemala, St. Pierre et Miquelon, Canada, Haiti, St. Vincent, Cayman Is., Honduras, Turks & Caicos Is., Costa Rica, Jamaica, United States, Cuba, Martinique, U. S. Virgin Is., Dominica, Mexico

- (1) This is a name that I made up to differentiate this from the Netherlands Antilles which is South America. This is made up of Dutch St. Maarten, Saba, and St. Eustatius.

NORTH AMERICA - DELETED COUNTRIES

Canal Zone - Before Oct 1, 1979. Now counts as Panama. Newfoundland - Before Apr 1, 1949. Now counts as Canada. Swan Is - Before Sep 1, 1972. Now counts as Honduras.

OCEANIA

American Samoa, Hawaii, Norfolk Is., Australia, Indonesia, Palau (W Caroline Is), Brunei, Kiribati (1, 2), Papua-New Guinea, Christmas Is., Mariana Is., Philippines, Cocos (Keeling) Is., Marshall Is., Solomon Is., Cook Is. (1), Micronesia (E Caroline Is.), Tonga, East Malaysia, Nauru, Tuvalu, Fiji, New Caledonia, Vanuatu, French Polynesia, New Zealand, Wallis & Futuna Is., Guam, Niue, Western Samoa

- (1) ARRL breaks these countries into more than one; however, there is Medium Wave operations in only one area. In the event that new, stations go on the air in other areas we can split them up.
- (2) Gilbert & Ellice Is. is now this.

SOUTH AMERICA

Argentina, Ecuador, Peru, Aruba (1), Falkland Is., Suriname, Bolivia, French Guiana, Trinidad & Tobago, Brazil, Galapagos Is., (2), Uruguay, Chile, Guyana, Venezuela, Colombia, Netherlands Antilles (3), Easter Is., Paraguay

- (1) Jan 1, 1986 and later. Before this counts as Netherlands, Antilles.
- (2) I can find no current Medium Wave stations listed here in WRTH, so I overlooked it or is now inactive. I believe at one time this had Medium Wave operation.
- (3) This includes Bonaire, Curacao and Aruba before Jan 1, 1986.

More comments on Deleted Countries. There are quite a few others that can be added to our list if we have members who happen to have loggings or veries from them when they were active. In order not to clutter up the list I only included the ones that members were likely to have. If you have any questions or any countries that you think should be added, let me know.

Please check this over carefully and let me know if I have made any mistakes or have left anything out. Hopefully everyone will agree with this list.

Professional Sports Networks Barry S. Finkel BSFINKEL@ANL.gov
10314 S. Oakley
Chicago, IL 60643-2409
Network listings for team sports stations

Here is more Major League Baseball information.

Ken MacHarg send the following via e-mail from Louisville, KY: Cincinnati Reds baseball is NOT on WHKW. It is being carried in Louisville by WAVG-970. WHKW (which was recently bought by the company which owns WHAS) carried Louisville Redbirds. It used to be that WAVG carried Redbirds, and filled in with Reds when they didn't have Redbirds. At that time WXVW was the main Reds outlet. But, that has all changed. Joe Kureth reports via e-mail that he heard Minor League Reading Phillies on 1290, which was not on my list. I do not know what station it was.

Here are two more network lists. There are still some MLB network lists that I do not have. Please send me any that you have.

Boston Red Sox 1996

Joe Castiglione, Jerry Trupiano (via Sheldon Harvey and Jon Ohman)

550 WDEV-VT	1080 WTIC-CT	1290 WKNE-NH	1420 WBEC-MA	93.5 WCFR-VT
560 WHYD-MA	1140 WLPZ-ME	1340 WGAW-MA	1450 WKXL-NH	99.3 WKTJ-ME
580 WTAG-MA	1160 WSKW-ME	WSTJ-VT	1470 WSRO-MA	100.1 WHOU-ME
610 WGIR-NH	1230 WNAW-MA	1350 WINY-CT C	1480 WSAR-MA D	100.7 WTBM-MEe
620 WZON-ME	WQDY-ME	1370 WDEA-ME	1490 WMRC-MA	101.7 WOZI-ME
630 WPRO-RI	WMOU-NH	1380 WNRI-RI	WEMJ-NH	101.9 WCIM-MA
730 WJTO-ME	WERI-RI	WVYB-VT	WCFR-VT	102.5 WQSS-ME
800 WLAD-CT	WJOY-VT	1400 WILI-CT C	WFAD-VT	103.1 WDME-MEe
850 WEEI-MA *	1240 WHAI-MA	WHMP-MA	WKEE-VT	104.9 WSRD-NY
930 CFBC-NY	WSYY-ME	WIDE-ME	WKVT-VT	
WIZR-NY	1250 WARE-MA	WLTN-NH		
970 WESO-MA	1270 WTSN-NH	WTSN-NH	92.7 WOXO-ME e	
990 WCMF-NY q	1280 WEIM-MA	1420 WLIS-CT	WQDY-ME	

Boston Red Sox (SS) 1996

Bobby Serrano, Hector Martinez

(from center field message board at Fenway Park via Jon Ohman), home night games only

730 WACE-MA	830 WCRN-MA	1120 WPRX-CT
800 WCCM-MA	950 WROL-MA *	1220 WXCT-CT

q = This station broadcasts both the Baltimore Orioles, the Boston Red Sox, and the minor league Rochester Red Wings. [NOTE that this footnote has been updated since my last column; all "q" stations in my last column also carry the Boston Red Sox.]

c = This station broadcasts both the Boston Red Sox and the minor league Norwich Navigators.

d = This station broadcasts both the Boston Red Sox and the minor league Pawtucket Red Sox.

e = This station broadcasts both the Boston Red Sox and the minor league Portland (ME) Sea Dogs.

It may not be perfect ...

but the NRC AM Log is, simply, the best there is because of your contributions. Why not make the next edition even better? Send all corrections and changes to

Wayne Heinen - 4131 S. Andes Way - Aurora, CO 80013-3831, or nrclg@filebank.com. Thanks!



Bruce Elving's FM Atlas ...16th Edition

The world-famous guide which has served FM DX'ers for over 20 years is available from NRC Publications at the special price of \$18.00. NY orders, please add sales tax.

42
**International DX
 Achievements**

Paul Swearingen plsBCBDXER@AOL.com
 2840 SE Illinois Avenue
 Topeka, KS 66605-1427

International DX verie/taped totals listed by continents

Year	DX'er	Location	Last Update	Eur	Ctries	Veried	Foreign	NA	SA	Oc	Af	As
1940	Morss, Stan	MA	1993	221	84	3922	424	218	65	1	14	3
1946	Holbrook, Hank	MD	1993	156	103	2876	640	303	103	49	26	3
1958	Dangerfield, Ben	PA	1995	149	120	424	325	85	44	8	31	8
1933	Geary, Kermit	PA	1993	147	107	6190	988	512	243	61	23	2
1938	Anderson, Roger A.	VA/NY/PA	1993	128	105	1448	514	227	78	48	28	5
1934	Gustafson, Hilding	IL/FL	1995	114	118	860	314	69	34	61	24	13
1958	Merriman, Alan	VA	1994	88	93	1615	368	212	47	3	14	4
1933	Cooper, Ernest	NY-MA	1980	88	79	4142	760	528	131	7	6	
1960	Rugg, Andy	QC	1996	66	71	1705	208	87	48		6	1
1946	Moore, Ray	MA	1993	59	104	245	245	95	52	8	24	7
1952	McIntosh, Eric	NJ	1965	45	63	686	635	301	2	253	4	81
?	Sampson, John	NZ	1965	38	54	445	72	23	6	1	3	1
1954	Starr, Jerry	OH	1974	20	51	1209	194	134	34	3	3	
1963	Scrimgeour, Gray	CA/ON	1971	18	47	526	440	354	10	31	1	26
?	Callarman, John	?	1970	17	50	740	138	72	20	20	3	6
1962	Edmunds, R. J. (taped)	NJ	1993	14	43	897	56	845	37			1
?	Fela, Joseph	NJ	1965	11	24	738	35	19	4		1	
1955	Palmer, Richard D.	IL	1993	10	33	822	94	77	4	2	1	
1964	Sorensen, Morris	ON/MB	1975	9	13	537	385	375	1			
1962	Musco, Ron	CT	1995	7	40	1226	41	33			1	
?	Dellit, Sam	Australia	1978	5	37	362	218	109		80	1	23
1958	Phillips, Dan	TN/AL	1974	5	26	567	40	21	9	3	1	
1966	Bruner, Jesse R.	KY	1966	5	23	132	27	17	3	2		
?	Heinen, Wayne	NY	1981	5	18	882	116	109	2	1		
1947	Luton, Relfe	NC	1973	3	23	1049	142	102	4	33		
1931	Holland, George B., Jr.	NY	1993	3	18	884	57	46	5	2		1
1931	Steele, Sid	IL	1996	2	36	1092	299	104	12	8		1
1964	Reynolds, Bruce	MO	1977	2	28	1103	121	111	6	2		
1964	Whatmough, Dave	ON	1994	2	13	1014	15	6	1	6		
1977	Wolfish, Niel	ON	1977	2	11	397	20	14	4			
1931	Wheeler, Frank	PA	1993	1	25	1885	78	68	7	2		
?	Falconer, Jeff	ON	1976	0	49		1175		44			
1976	Renfrew, Jim	NY	1993	0	35	331	51	44	7			
1965	Long, John	CT	1968	0	29	101						
1969	Karchewski, Bob	MA/CA	1975	0	24	204	141	112		6		
1958	Wesolowski, Ernie	NE	1995	0	24	2001	69	53	7	7	1	1
1975	Swearingen, Paul (taped)	KS	1996	0	22	738	95	43	16			
1976	Froemming, Gary	AZ	1994	0	17	338	92	85	7	1		
1974	Knitter, Mike	WI	1983	0	17	936	53	45	8			
1941	Kruse, Len	IA	1971	0	15	4080	77	61	3	13		
1968	Bytheway, Phil	WA	1982	0	9	457	20					
1960	Lynch, Don	MA	1980	0	9	157						
1962	Edmunds, R. J. (paper)	NJ	1994	0	7	266	13	10	3			
?	Erickson, Don	CA	1982	0	6	442	9	8		1		
1973	Mount, Paul	NJ	1995	0	6	230	25	22	2			
1975	Barrek, Daniel, Jr.	NE	1976	0	2	23						

Thanks to Sid Steele for his recent update. Now that summer's here, why not take time to check your totals and join us! And if you've rejoined and I've not added you to the above, please let me know; the IDXA records go back to 1956 when Fred VanVorhees edited what was known then as "Supremacy Ratings". Remember, only taped or paper veries are counted, and U. S. and Canadians are not included in NA totals. Include your best catch from each continent when reporting. Our next column will feature Oceania veries.

Musings
 of the Members

Thoughts from NRC members ... the opinions expressed in this column are those of the individual writer and do not necessarily reflect those of the editors, publishers, or the National Radio Club, Inc.

Dave Schmidt
 P. O. Box 11502
 Wilmington, DE 19850-1502

Times are local per Muse; submit double-spaced only.

HANK HOLBROOK - 407 ARUNDEL ROAD - FAIR HAVEN CLIFFS - DUNKIRK, MD 20754

At long last, I'm responding to DAVE SCHMIDT's request in the 2/12/96 *DX News* on "Best Catches of stations heard and/or verified in your DXing career." I started logging AM stations in about 1940, using my dad's table model GE radio. Did not know about verifying stations until 1946. My dad passed away in 1939, and on his radio (a friend told me I needed an outside wire to DX) I had about 85 stations logged and kept a list on 3x5 cards. Best catch was KIUP-Durango, CO on 1230 or 1240; this was never verified! In today's mail, I received my 69th CA verie from KXBT-1640. Two others are verified between 1610 and 1700 khz from CA POLICE STATIONS KMA539 San Leandro 3/20/60 on 1658 and KMA338 Bakersfield on 1698 3/24/60. These are collectors items as the police have not operated in this range in over 30 years. Just recently received was a verie from EJM-1677 Malin Head Radio, Ireland, heard many times this winter with a call to ships giving navigational and gale warnings commencing around 7:35PM EST and lasting 5 to 10 minutes. TIS/POLICE/BEACONS total around 80 verified 1610 to 1700khz. The great years for DXing on AM here were from 1946 to the early '60's, most being received on an HQ129X, a great AM receiver (transformer blew about 10 years ago), with far fewer AM stations staying on 24 hours, and many of the clear channel stations would cool their tubes on Sunday or Monday AM, leaving the air for several hours. I was able to verify all US states, and 27 from Australia (best being 5PI-1040 Crystal Beach, 2000 watts, most distant, over 10000 miles) and another good one was 2LT-1370 Lithgow 500 watts. 11 verified from Hawaii (low power KMVI-550 with 1000 watts and a great card from KULA-690 showing a HULA girl!). 10 New Zealand (1YZ-800, first down under 2/4/52). 1 Fiji Island (VRH-930). 1 Alaska (KFAR-660 10000 watts). 103 verified from South America, tops being CB76-760 heard at night on regular schedule thru WJR, CX28-1090 on a DX TEST, LRI-1070 heard evenings thru US stations, and ZYB5-1270 Natal, Brazil, 1000 watts, first report from USA and got a full page story in the newspaper! 181 Trans-Atlantics (best WIND-1582 Nousseur Air Depot Fr., Morocco and in recent years, Saudi Arabia-1582, plus

Kalunborg, DNK-1061). Favorite from Central America, AHD-780 Ramey AFB from 3/15/51 with only 22 watts. Verification writer remarked 'reports like this make a radio man feel like a million!' Graveyarders always my favorites; verified KKIN-1400 Visalia, CA with 250 watts, my report was their first from the East Coast 11/21/49, KPUY-1450 Puyallup, WA on a DX TEST 1/4/53, KGFL-1400 Roswell, NM, XEAA-1340 Mexicala, BC heard on a Zenith Trans-Oceanic from MD, XEBN-1240 C. Delicias, CHIH 3/19/56, CMOX-1490 Havana 5/3/51, WGBY-1450 Guantanamo Bay, Cuba on a DX TEST with 50 watts 3/16/52, WMDD-1490 Fajardo, PR, WSTA-1340 Charlotte Amalie, VI, CJOB-1340 Winnipeg, MB, CKEN-1490 and CFAB-1490 NS on DX programs 3/21/49, CJRW-1240 PEI, CFSE-1425 RCAF Senneterre, PQ 50 watts on 12/8/63 DX TEST, ZBM-1240, CBNC-1190 NF with 40 watts and so many, many more! Fun going back thru collection! AM veries stand at 2956 with 104 countries since 1946. The expanded band should be fun - just like the old days! 73 (Thank you Hank for this great report! We'd like to see more like this so send them along, always good reading!-DWS)

DAVID BRAUN - 863 ALLABANDS MILL ROAD - WYOMING, DE 19934

Welcome back to DE, DAVE! Have taken advantage of the batch of spring tests to add 9 new ones to the log here. March began with the KBRT test being heard with code only, and thanks to ROBERT TIARA confirming the code times I reported were indeed KBRT, this is CA #2 here and the first since KFI in 1985. This was followed on 3/12 with KXBT being heard for CA #3. Tried for most of the FL tests on 3/23 and 3/25 and heard WMOP-900, WOCA-1370, WRUF-850, WLUS-980 and WAMR-1320. Then on 3/31, got the WLIK-1270 test dominating the frequency after 12:13AM. Up the next morning for WTBQ and heard some very weak code at 5:31AM when both WBT and CKTY were in news. The morning of 4/6, the KFNW Test was heard



much better than expected, no voice but almost constant tone and code. Other recent DX has brought CFBC-930 while trying for the WKXY test on 3/25, they were carrying Good Time Oldies. While in New Castle County on business in late March, noted that WNJC-1360 is now "World Harvest Christian Radio 1360 AM", at least through the morning. Also noted WPAZ-1370 carrying a talk show from WTTM-920. WLPA-1490 was heard with the slogan "Sports Radio 1490" with one of the syndicated nets, but not equal to anything I could find. The weekend of 3/28, WKEN-1600 was off quite regularly and most of the day Saturday, but back on by Monday with normal oldies. Nothing new heard but nice to actually hear some DX on 1600 for a change! WKEN has been carrying the Orioles games this year, the first time in a long time either local has carried major league baseball. WDOV carries the Wilmington Blue Rocks Class A games. The evening of 4/6 heard WTLA-1200 at 10:54PM with NOS and ID as "WTLA, WTLB and WTLO where we play unforgettable music", but I forgot the songs anyway. CIHI-1260 was heard with "C-HI AM and FM" IDs with rock music 4/17 10:44PM. And on 4/27, heard WNIO-1540 with "Music and Memories" ID at 8:23PM. Sunset is much more convenient for me now, after the baby goes to bed! Got the new *Night Pattern Book*, great job by all! That's it from here, hope everyone has a good summer! (Yes, I'm back and working just about everything on the Eastern Shore these days, even in Dover again!-DWS)

ERNEST J. WESOLOWSKI - 13312 WESTWOOD LANE - OMAHA, NE 68144-3543

The past season hasn't been strong with about 15 or so new catches, mostly on the exclears and a few call changes. I, too, have logged KXBT-1640 and now 1630. Can now hear both coasts in the clear which is like it was in the '60's. 2 locals changed calls: 1420 is now KBBX and 1490 is KSRO. KFAB-1110 lost the NE Football network contract to KKAR-1290 for 5 years. Following that, Henry Broadcasting sold KFAB and the programming has decreased its sports-talk by 75% and the ratings have increased! Local WOW-590 had several power failures on 5/12 lasting most of the day. DAVE - isn't it still a law that if a station loses its control line, the transmitter must turn off? (Yep, either automatically by the loss of the interlocking thru the circuit or via a loss of audio sensor that would shut it down within a set time-DWS) WOW had an open carrier most of the day and was unable to ID on the hour, each hour. I'm helping STEVE FRANCIS at the

KNOXVILLE CONVENTION, if you need a roommate, contact STEVE. Please bring auction items or door prizes with you. *DX News* has the details elsewhere. 73's

QUENTIN R. DAVIS - 1905 BLACKISTON MILL ROAD - JEFFERSONVILLE, IN 47130

Thought I would check in as I logged the KFNW-1200 test on 4/6 with the R392 and SelectAntenna, heard the code ID so might try for more later! Now have a Radio West Loop so will report more often!

BILL TOWNSHEND - 4500 CONNECTICUT AVE NW #901 - WASHINGTON, DC 20008-4326

Time for a re-intro. I'm 65 (a full-fledged senior citizen, where does the time go?) but young at heart, happily single and live in a 1000 square foot flat in Upper NW DC and work for the National Weather Service as a computer programmer (don't blame me for the screwed up weather!) in an 8 story DX Buster (FM and TV not affected, though) in Marlow Heights, MD (16 m/25km SE of my den) just inside the Beltway (I495) but outside the city proper. With the last report sent to DDXD-E, this years AM season is history and now the FM/TV DXers have their day in the sun with trop and E-Skip. I haven't decided on my summer travel plans as far as conventions are concerned, I have 3 options, the IRCA convention at Ocala, FL (which is Amtrak accessible) in early July, the WTFDA convention at Estes Park, CO in early August or the NRC convention at Knoxville, TN during the Labor Day weekend. Enough for now, LXXIII.

G. HARLEY DELEURERE - PO BOX 10 - HENDRICKS, WV 26271-0010

This morning, WJBR-1290 was booming in here and it reminded me that I've not sent a MUSING for a while. WMSG-1050 is back on the air. The old WMSG had financial problems after the owner died and his wife took over. WMSG's call letters stand for "Western Marylands Sports Gateway". About a month ago, our son was attending a track meet in Parsons and I had to pick him up. While I was waiting in the car, I heard on or about 1350 khz a black station announcing as having new call letters of WGPL (?). I've seen nothing about it in *DX News*, any information



COUNTRY - 1520 AM
KOMA Radio / P.O. Box 1520 / Oklahoma City, Oklahoma 73101

on this? Finally, a while ago, I heard Paul Harvey mention about a book by Eric Rhodes entitled "Radio, The First Seventy-Five Years". Who knows anything about this? (It was put out by a few months back, it shows up in a lot of radio station lobbies. If I can get an address, I'll send it along-DWS) Our eldest is graduating as salutatorian and is going to go to Calgary, AB for a month. Thank you for all your help!

KEN ONYSCHUK - 1016 LOIS PLACE #204 - JOLIET, IL 60435

Hello again. I've enjoyed the recent *DX News* with baseball news, usual quality stuff. I listen to the Sox and Bulls games regularly, though sometimes I forget who's on where. Next year, both teams will be on WMVP-1000 so WMAQ-670 will be all news except for the 6-12pm "Sports Huddle". Locally, WJOL-1340 has added NOS to its daily schedule. Veteran Art Hellyer at 72 does his show Sat. and Sun. afternoon, and 40 year veteran Frank O'Leary is back daily 2-6PM replacing satellite talk. Speaking of talk, since WJJD-1160 replaced its NOS with "Hot Talk", its ratings have dropped 50% since! WAIT-850 picked up the NOS and its listenership has soared! I'm still using my 2 Superdials, though I can't DX in the apartment. And I eventually want to get an expanded band receiver. I'm enjoying contributing to the DX Audio Service and have made plans for the '96 NRC Convention already. The wife, JoAnn, wants to visit Dollywood while there. About the only radio I'm listening to regularly now is the Weather Radio due to the unusual rainy, cool spring season. Plus I've got 2 part time jobs to deal with, I left the printing/driving job in Dec. and found these jobs shortly after. I'd like to hear some opinions on the BOSE WAVE RADIO, advertised by Paul Harvey. I've seen ads for it priced at \$350 but really haven't seen one. Is it a DX tool? As a side note, if there are DXers with an interest in the naturist movement, please write me. So, hopefully the weather will warm up around here by the next issue, I can DX outside for a change. Last Sun., I heard Art Hellyer make mention of the 2nd edition of Valley Voices being out now, he was impressed with it. So, that's it for now, enjoy the summer and C U in Knoxville!

GREG HARDISON - PO BOX 570144 - TARZANA, CA 91357-0144

Wed. 5/29 produced some rather phenomenal daytime conditions here in the nitty gritty of the San Fernando Valley. Local weather was overcast, temps. in the low 70's, but we all know tropospheric weather and ionospheric DX can't be related, right?

Among the highlights, during a quick 1030-1115 PLT scan with a Superadio II, KSFO-560 with groundwave like signal, something with talk under KLAC-570 local (null lines up with Salt Lake City from my location), KTNN-660 with traditional country plus Navajo banter (listened from 10:38-10:45 without one fade), KCBS-740 was readily chewing up local KBRT, no nulling needed, KKOBB-770 and KKOH-780 at near night time levels, KGO-810 splattering on to 820 with a weak UNID under their null (been up working all night, by now I'm slapping myself!), KNCO with talk, rather loud under KPLS-830, KVEG-840 and KDXU-890 like semi-locals. KNEW-910 made hamburger out of KOXR, some 60 miles away, KATD-990 did the same to a weak KQSB. An UNID under normally alone KCEO-1000, KKGO-1550 being hammered by KOFY, and in their null, KTBA good with AZ news at 11:03PLT. Onward, to good audio from KFAX-1100, KSJI/KPNW/KANN-1120, KXNO loud on 1140, KSL-1160 weak, groundwavish with no fading. KLOK equalled KCBQ on 1170, this usually only noted at night here. The regionals held a few treats, KREL-1280 loud in KFRN null, also KCTC-1320 fairly loud in KWKW splash with Ronstadt's 'When You Wish Upon A Star', equal with KZZZ-1400. Not much above that except a loud KSJX-1500 with Broadway type vocals in CC, a mess on 1510, KFBK-1530 completely covering any sign of KHPY, all in KXMG splash, and the good ole Motown of KXBT-1630, a very listenable station. For all I know, kids may be catching Radio Aahs on WJDM-1660, but I haven't heard it yet. Waiting for a Quantum Loop Plus, to mate with the FRG-7700, maybe then? Also, anyone else notice these incredible daytime conditions on 5/29 ever before so close to the longest day of the year in the Northern Hemisphere? I'd love to see some replies. 73z

BILL ANDRES - 719 WEST JOHN STREET - FRACKVILLE, PA 17931

Harry Mankin, a good friend of mine (a KFRC listener in the mid 80's would know him as 'Boswell') recently issued a Harry Hypothesis, which contends that a story loses every shred of authenticity as early as the 3rd telling. So, after chuckling with hearty reminiscence halfway through JEFF ROSS's MUSE in the 5/20 *DX News*, I was startled at one name: VINNY CAVASENO. Harry's Hypothesis had undergone its first validity test. The name of the operator of pirate WEJP was not Vinny, a former NRCer, but Pete

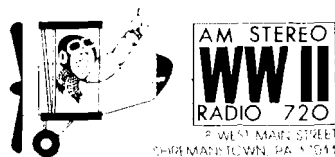
CJOR6000

Palagonia, former non-NRCer and hitherto, a complete stranger to the DXing clan. Briefly, I heard a station one night on 1460 which had too many "Richmond Hill" ID's to suit my sense of DX symmetry, and I called John Javetski, who lived about a mile NW of me. John, with his off-dormant DX instincts now ascending off the gauge, hung up quickly, took stairs 4 at a time and called back a while later to say that HE had a loud station on 730 - a pirate! The math tallied....730 was the main frequency. We did some DF, based on signal strengths and loop bearings (his N-S, mine E-W) and found the station in about 15 minutes! Jeff, I presume you're the same fellow who DXed from the Rockaways, which is the better part of 10 miles from Aqueduct, so if Javetski and I found the exact house in fifteen minutes, the FCC must've had their engines warming up. Cavaseno had nothing to do with WEJP, and certainly didn't operate it. He was (and is) a pretty straight guy who wasn't about to fool with high-powered piracy, nor were any of the rest of us. Roger Wade from Cambria Heights, Harry Mankin from Brooklyn (a few blocks from where ERNIE COOPER toiled feverishly and finally heard WERA), Javetski, Doug Lamerson and Artie Krass from Richmond Hill, and Cavaseno, myself and Dave Seney from S Ozone Park (in fact, I recall Vinny's name linked inaccurately to a similar impropriety in *DX News*, perhaps another WEJP fable). Lamerson, Seney, Wade, Mankin and myself wound up in broadcasting to one degree or another, and back then were certainly reluctant to blanket 250,000 people with an illegal signal. I subsequently ran into Palagonia years later. With appropriate and residual bitterness, he commented that "some neighbor of his" heard WEJP bleeding over the telephone, panicked and called Erkskine Zimbalist and the gendarmes. What WAS odd was that WEJP was in S. Ozone Park, and not Richmond Hill. Provinciality alone usually thwarted most association of one to the other and often was the reason behind most territorial teasing (the issue which postal zone 'ruled' actually got settled in Oct. at the John Adams-Richmond Hill High game, and the decree had a one-year warranty, unlike the slippery accountability of today's sports where pros seem to play a crucial championship game every other month). Richmond Hill was the older of the two neighborhoods and grew up around the LIRR, while S Ozone Park was newer and developed around Jamaica Bay and JFK Airport (when it was known as Idlewild International). Tree lined 109th Avenue, an E-W road, separated the two and WEJP's studios, offices, transmitter and dipole (about 1/40th of a

wavelength) were one full block south of this boundary. One has to sense Palagonia's sense of direction, and the FCC, perhaps adhering to the mandate of strict coordinates, may have acted accordingly. Coverage of city-of-license and so forth. As to the weirdest station I recall hearing: In 1972, while I was working at WHVY in Springfield, crosstown WCRX, WTYM's FM, made a slight adjustment in their calls and approach, from religion to Top 40. The initial programming was automated. They dutifully acquired one jingle, a half-shouted "Wacky!" That adjective was more than applicable a few days into WAQY's new crusade, circa 1 AM, when a chance tune-in produced the end of "I Can See Clearly Now". The song faded out completely, followed curiously by about 20 seconds of dead air, and then by the electric-bass beginnings of "I Can See Clearly Now". The whole song played again, faded out, and the sequence repeated for a couple of hours, the unconscionable dead air, the bubbling electronic mis-cues, that one jingle, and that one song. I doubt they were unvieling a new format called "The Top One," as the song was nowhere near the top of the charts at the time. Runner-up Weird Station was the grumpy re-startup of local WMIM a year back, when an especially bizarre two-week confrontation between Man and rusted Machine resulted in the arrangement of my AM buttons to WPPA/WPAM/KYW/WMBT/WLSH and "Close To You". WILLIAM WYLLIE: the WMIM co-owner is Bill Ertman. And from the stations busy local spot load, it sounds as though he's gotten a lot of out 17 watts, Chick Watkins and the other satellite stuff. 73

DAVE SCHMIDT - PO BOX 11502 - WILMINGTON, DE 19850

Landmark verie #1100 came in within the past few weeks, a very nice certificate from ABS-1570, which I heard while in Myrtle Beach while they were on the air in January. DX, none, have been keeping busy 6 to 7 days a week again with the radio work. This summer, I'm hoping to get a real office and shop in the neighborhood as things have just crowded me out of the den. With any home-run business, the paperwork demands equal space. Strangest station heard department, when I first started DXing back in the late '60's, there was a pirate operating in SE PA on the KFI-only 640 when WHLO signed off at



sunset in LA which was broadcasting a series of speeches by Hitler! This was heard by BEN DANGERFIELD and myself but its location was never found. Years later, I tracked down a pirate near the WPEN sight in Havertown (SW Philly) that was running on 1400. The signal was DFed to a house with a huge tower in the backyard, and the calls of a ham operator on a name plate in the front yard. I sent a reception report to the address, and got a phone call back from the guy who said it wasn't him. The station wasn't on after that and I never got a verie. I did get a verie from a pirate operating near West Chester, PA once, who I tracked down by a mistake given on the air. All day they were saying references to Philadelphia until one guy slipped up and said "at the West Chester airport" which at the time was a modified cow pasture, and the DF fit in that direction. So off I went in a '64

Malibu and found it when the second harmonic on 1280 was louder than the main signal on 640. We have a nice yellow card from WVVF, the Voice of Vista Farms, and half of the east coast. Transmitter was a home-made job, including a couple of fish tank heaters and toasters. They were shut down when they changed frequency to a lower spot on the dial.....560! Then someone decided to see how far a signal would go when a wire was hung on a homebrew carrier current transmitter at West Chester State Teachers College (as it was at the time), it brought then WCSC-640 in nice and clear to the old Green Ridge locale and a nice verie to go along with the then WCSC-1390 card I got the same day! That's it for this time; if we don't miss the deadline, we'll see you for sure next month and we will make it to Knoxville on time! 73's

Copycat radio station challenging St. Louis giant

The Topeka Capital Journal
-via Paul Swearingen

By GIANNA JACOBSON
N.Y. Times News Service

ST. LOUIS — For decades, KMOX-AM, St. Louis, has been a dominant radio station in the Midwest.

Its 50,000-watt, clear-channel signal allows it to be heard in at least eight states. Its ownership by CBS Radio gave it the programming power and financial muscle to rank first in the local market, first among the CBS stations and, at times, first nationally, as measured by market share.

With a longstanding tradition of community involvement, the station was a St. Louis institution.

Now the giant is being annoyed by a gnat.

WIBV-AM, a 5,000-watt station in a Belleville, Ill., cornfield 15 miles from St. Louis, began challenging KMOX on April 15, with a nearly identical format of news, talk and entertainment — and more than a dozen former KMOX employees, including three top stars.

The leader of WIBV's assault is Tim Dorsey, a former KMOX executive who bought the small station with backing from Charter Communications Inc., the largest cable company in St. Louis. Charter owns 79 percent of WIBV, Dorsey owns 19 percent and Bill Wilkerson, a morning host at KMOX for 27 years, owns 1 percent.

The gap between the stations remains enormous, but a preliminary Arbitron report covering March 1 to May 31 shows WIBV raising its share of the 12 plus audience to 3.2 from 1.3, while KMOX dropped to 17.6 from 19.5. In other words, WIBV's gain was precisely KMOX's loss.

"We can do the same kind of radio as KMOX and do it better," said

Dorsey, who is hoping to eat away at KMOX until WIBV has 7 percent or 8 percent of the market.

WIBV isn't the only new competitor for KMOX. The public radio station, KWMU-FM, announced on June 24 that it plans to drop its six hours a day of classical music in favor of a round-the-clock news-talk format.

KMOX's management insists it is paying little attention to the new competition, especially from its former employees.

"One person buying a very small station with a bad facility and a bad signal trying to compete in a top 25

market has little effect on what we are doing," said KMOX's general manager, Rod Zimmerman. "No media outlet, including KMOX, can be as dominant today as it used to be with so many sources of information that didn't exist even five years ago."

Dorsey acknowledged that WIBV's signal is weak and said he planned to improve it as quickly as possible. "We will either move our transmitter or buy another station," he said. "By the end of the year, we will make the signal 10 to 20 percent stronger."

He added: "I'm not in this to run a cornfield radio station, I assure you. WIBV will be a dominant station that's here for the long haul."

Operating his own station has long been a goal of Dorsey, who began his radio career selling ads for KMOX in 1975. For the next 16 years he worked alongside KMOX's legendary general manager, Robert Hyland, who had orchestrated the station's rise to national dominance.

Hyland died of cancer in 1992, a year after Dorsey left KMOX to head the Cable Advertising Network, an advertising-sales venture owned by Charter, and Continental Cable, the second largest cable company in St.

Louis.

Dorsey said he and Hyland had approached CBS several years ago about buying KMOX but were told the purchase price would be at least \$70 million. When Dorsey and Charter began discussing a radio purchase early this year, he again inquired about KMOX and was told the station wasn't available.

In March, Dorsey announced that he and Charter had bought WIBV for \$1.4 million, were dropping WIBV's mostly syndicated programs and had lured away the KMOX employees, most notably the morning-drive team of Wilkerson and Wendy Wiesse and the host of "Morning Meeting," Kevin Horrigan.

The story made headlines for weeks in St. Louis, where KMOX is perceived as being as much of a local fixture as the St. Louis Cardinals and Ted Drowes frozen custard.

The new owners plan to leverage their cable connections by placing television cameras in the WIBV studio and airing the station's broadcasts on a regional cable channel.

"For pennies we'll be in the TV business, with our news and promotion departments already in place," said Dorsey. "Tell me where you can start a television station for less than \$250,000."

Most of the employees who left KMOX for WIBV pointed to a number of factors, including increasing pressure for higher profits from Westinghouse Electric Corp., which acquired CBS last year; Zimmerman's decision to add Rush Limbaugh's syndicated show in the middle of the day; and a February layoff of 10 KMOX employees.

"The KMOX I went to work for doesn't exist anymore," said Wiesse, who joined KMOX in 1966, when she was 24. "People don't laugh and have fun at KMOX anymore. They were pulling things apart to be cost-efficient, and they made it very clear that we had to put up with everything they did because we didn't have any place else to go."