

DX NEWS

• Serving DX'ers since 1933 •

Volume 61, No. 26 - May 23, 1994 (ISSN 0737-1659)



Inside...

- 2 AM Switch
- 4 DDxD
- 18 DDxD
- 25 DXA
- 26 Now and Then
- 27 Formats
- 28 Signals Above 1600 kHz

- 29 GDXA 1490
- 33 For Beginners
- 34 DL-1 Phasing Unit
- 41 Target DX
- 42 Geomagnetic Indices
- 43 NRC E-Mail Addresses
- 44 Household RFI
- 45 Musings of the Members
- 47 New Hampshire Beckons!

GPC Test Calendar

HQJR 690 May 29, 1994 0100 EDT

From the Publisher ... Lots of good stuff inside, including complete details on the "alphabet shuffle" amongst various stations in Cincinnati. Those of you who have ordered a copy of the membership list and haven't yet received it ... I appreciate your patience. The next edition will be mailed after September 1, and Ken and I are working on adding the list to the Reprints catalog.

I received a complaint recently, but as often happens, the complainer had sent an item to the wrong address, which can add several weeks to returnation. As we approach the summer months, let's remember that the NRC is a volunteer club and that important duties and responsibilities have been divided between a number of members. Now, every time that I remind members to check the back page for the proper address to which they should send items, the volume of renewal checks sent to Topoka (WRONG!) increases, for some reason. Nevertheless, check the back page for the various addresses; in addition, remember that status changes in AM stations should be sent to Jerry Start and programming changes to Tony Fitzhbert, including those in newspaper clippings (their addresses are with their columns this issue); news of the radio industry should go to Pete Kemp (P.O. Box 73, Bethel, CT 06801-0073); other clippings may go to Topoka. And thanks to all who continue to support DX News by sending items to me or to the various columns. Also, don't forget to send status changes in stations to Jerry Start, as the next edition of the NRC AM Log isn't very far away.

DXChange ... Charles C. Harrison - 3 Hollywood Lane - Lincoln, RI 02865-2213, (401) 334-2517 is selling his R-390A (you pick up). It's a Stewart Warner Nbr 1433, and he'll throw in copies of *Hollow State News Letter*, numerous NRC reprints,

and a Hallcrafters SX-62, all for \$325.00 ... A new publication is *The Medjer Letter*, which caters to MW experimenters, particularly those who broadcast with non-directional beacons. No subscription price is mentioned, so you might want to send Mark Burkart - 6713 Belaire Dr. - New Orleans, LA 70124 an SASE for a sample of the newsletter ... your publisher has a rather large selection of inexpensive 35 mm SLR cameras (most under \$75) which he'd trade for radio-related items, including collector-type things such as coffee cups, refrigerators or magnets, and certain receivers.

Welcome to these new members ... Mario J. Stuttheim, Montauk NY; Lawrence Davis, Kansas City, KS; Donna M. Gabriel, Philadelphia, PA; Alfred L. Hemmahn, Middletown, RI; James J. Corsiatio, South Bend, IN; Keith A. Belongia, Racine, WI; Shawn Hurhurburt, Middletown, CT.

Reminiscing DXVY Schedule, Volume 61

| # | Deadline/Pub. Date | 29. | Aug. 5 | Aug. 15 | |
|-----|--------------------|---------|--------|---------|----------|
| 27. | June 10 | June 20 | 30. | Sept. 9 | Sept. 19 |
| 28. | July 8 | July 18 | | | |

DX Time Machine

From the pages of DX News:
50 years ago ... from the May 20, 1944 DXN: NRC President Joe Becker, the "Hamilton (Ohio) Night Owl", thanked members for their support during the past season and pleaded for more CPC workers to help Chairman Earle Cooper.

25 years ago ... from the May 3, 1969 DXN: Another 32-pager ... Musings editor Ernie Cooper requested that members observe the 30-line limit in their Musings, as the bulletin was right on space ... from the May 24, 1969 DXN: *Camar Ohio* published a list of Colombian stations ...

10 years ago ... from the May 7, 1984 DXN: Ray Cole published a construction article for a regenerative preamp which he termed the "knock-your-socks-off" amp.

2 AM Switch

Jerry Starr
c/o WHOT Radio
4040 Simon Road
Youngstown, OH 44512-1320

Status changes in AM stations, supplied by the FCC and listeners

CALL LETTER CHANGES

| Old call | New call | Old call | New call |
|---------------------------|----------|---------------------------|----------|
| 540 WSTH GA Columbus | WDAR | 1230 WFTF GA Gainesville | WGCG |
| 560 WLVA OH Cincinnati | WCKY | KMUZ OR Gresham | KKBK |
| 600 WOKV FL Jacksonville | WPDQ | 1240 WEZK TN Knoxville | WZEH |
| 690 WPDQ FL Jacksonville | WOKY | 1270 WHYD GA Columbus | WMOQ |
| 820 WRTA FL Largo | WYTA | 1300 WYXI MS Jackson | WOAD |
| 900 KICR LA Oakdale | KREH | 1320 KHSJ CA Hemet | KSDT |
| WKDW VA Staunton | WBGT | WOIK FL Jacksonville | WIGR |
| 910 WDAR AL Pepperell | WTLM | 1360 WSAI OH Cincinnati | WAOZ |
| 970 KCTR MT Billings | KDWG | 1390 WKHF FL Avon Park | WAVP |
| 1000 WPTAK AL Huntsville | WDJL | 1400 WOAD MS Jackson | WXXI |
| 1010 KBIS AR Little Rock | KSYG | 1430 WCKN IN Indianapolis | WIBJ |
| 1030 KKSA CA Folsom | KGOQ | 1470 WVBX SC Georgetown | WLMC |
| 1050 WTLM AL Alexander Cy | WFRS | 1530 WCKY OH Cincinnati | WSAI |
| 1060 WPAK MS Tupelo | WWZD | 1550 KAPL CA Apple Valley | KWNR |
| 1070 KRBE TX Houston | KENR | | |

APPLICATIONS/GRANTS FOR NEW STATIONS

None
 710 KUET AZ Black Canyon City: change CP to UZ
 970 KNFX MN Austin: night power to 4500 watts
 1200 WCHB MI Taylor: powers to 50000/15000

GRANTS TO EXISTING FACILITIES

680 CROM NT Fort McPherson: to 690 kHz (LPRT)
 920 WKYM AL Andalusia: night power to 40 watts, antenna to U1
 1010 KLAT TX Houston: night power to 3600 watts
 1040 KURS CA San Diego: night power to 63 watts (Log shows 470 watts nights, a typo, was 47 watts, now 63 watts)
 WCOX PR Moca: power to 5000 watts
 1130 WAGM TN Gallatin: powers to 2300 watts (940 CH)
 1230 KCBN NV Reno: reduce powers to 820/820
 1250 WKBL TN Covington: reduce day power to 800 watts
 1350 KCKC CA San Bernardino: night power to 600 watts
 1380 KJFO HI Pearl City: CP powers to 6200/6200



OTHERNESS
 610 CIAT BC Trail: will move to FM (95.7) and delete AM
 640 WWJZ NJ Mount Holly: several interesting RUMORS are circulating about this silent station which is reportedly at odds with the owner of their present transmitter site; one is that they will return to the air by dipping into the 4-tower system at WJFL-1460 and the other one has them being sold to KYW-1060 for a simulcast to fill in the deep null KYW has toward NYC (protecting 1050 kHz). We stress the word "RUMOR".
 Jacksonville: silent as WPDQ, is now ON THE AIR presently simulcasting on their old frequency of 600 kHz with the old 690 calls, WPDQ
 880 KUTE CA Desert Hot Springs: CP for new station CANCELLED and call DELETED
 890 WBMA MA Decham: powers to 25000/5000 U4; city of license to Wellesley, MA, relocate transmitter site
 930 CJCA AB Edmonton: silent station (thought to be deleted) is ON THE AIR
 1060 KXER CA Tuleton: CP for new station CANCELLED and call DELETED

1070 WSCP NY Sandy Creek: station is SILENT
 KWSA OR West Klamath: station is SILENT
 1110 WZAM VA Norfolk: silent station is ON THE AIR
 1150 WCEN MI Mount Pleasant: station is SILENT; towers and studios have been torn down to make way for a shopping center; their FM remains on the air and they expect the AM to return eventually as a non-directional daytime-only facility

1190 WMAE PA Hughesville: station is SILENT
 1220 KRGO CA Fowler: silent station has been sold but the sale is contingent on the FCC reinstating their expired CP for move to 1210 kHz.

1230 CBQQ NT Fort Franklin: change name of city to Delina; station will soon move to 105.1 FM and delete AM
 1270 WTMQ GA Columbus: silent at WHYD is now ON THE AIR
 KSCB KS Liberal: reduced night power of 30 watts and U1 antenna is ON THE AIR

1300 WNQM TN Nashville: 10000 watt day power is ON THE AIR
 1330 KDRO ND Washke: application for 253/108 U1 is DISMISSED
 1340 CBNH NE Searston: will move to 93.7 FM and delete AM
 1390 WECF ME Presque Isle: silent as WTM5; is ON THE AIR

1400 KLEB MN Ajax: requests 93.7 FM and delete AM
 St Paul: in the last issue when this station left here is was on 1400 kHz but somehow by the time it appeared in DX News it was magically transported to 1530 kHz. Wrong! It's still on 1400 kHz. How this happened is a puzzlement. (Another one of the publisher's ignorant errors? - pls)

1460 KULA HI Maunawili: station is SILENT
 1480 CKER AB Edmonton: station is in hearings for possible move to FM at which time AM will be deleted

1570 KUAD HI Haiku: station is SILENT
 1580 WCCF FL Punta Gorda: CP for 670/350 U4 is ON THE AIR
 ???? BC Revelstoke: new Canadian "Weatheradio" service is on the air here with continuous weather info, runs 60 watts into the CKCR-1340 tower so has a pretty good range, can be heard on portable radios in downtown Edmonton. The Atmospheric Environment Service which runs this prototype reports they already have one on the air in Steamons, BC on 1260 kHz as well as Castlegar, Vernon, Penikton and "a few around the coast" but no frequencies were given. These could be quite DXable.

THANKS: Wayne Heinem, Ed Krejny, James Dale, Brian Vernon, Shawn Axelrod, Dave Schmidt, Hank Holbrook, Andy Rugg, John D. Bowker, Al Merriman, Martin Marletta, Dick Truax and M Street Journal

Jerry's BKF
Jerry Starr & Buffalo K. Foonnan

8670
Wolam
Bath Brunswick 730 AM
Portland 870 AM
Lewiston Auburn 1470 AM

IRCA Mexican Log, 3rd Edition, Now Available!

After months of preparation, IRCA has published the 1994 edition of the IRCA Mexican Log. The log lists all AM stations in Mexico by frequency, giving call letters, state, city, day power, night power, slogans, schedule in UTC/GMT, formats, networks, and notes. Stations that have changed frequency since 1990 are cross-referenced on the old frequency.
 The call letter index gives call frequency, city and state. The city index (listed by state, then city) gives frequency, call day and night power. There is even a guide to the Spanish alphabet and numbers.
 The log has been completely updated from the 1990 edition and carefully cross-checked by IRCA members in Mexico and the U.S. This will be an indispensable reference for anyone who hears Mexican radio stations.
 The price, payable to IRCA in U.S. funds: IRCA/NC Member: \$6 U.S./Canada/Mexico/annual, \$7 rest of the Americas airmail, \$7.50 Europe/Asia airmail, \$8 Australia/New Zealand airmail. Non-Member: \$8 U.S./Canada/Mexico/annual, \$9 rest of the Americas airmail, \$9.50 Europe/Asia airmail, \$10 Australia/New Zealand airmail.
Order from Phil Byteway - IRCA Bookstore - 9705 Mary N.W. - Seattle, WA 98117.

Domestic DX Digest

West: Bill Hale

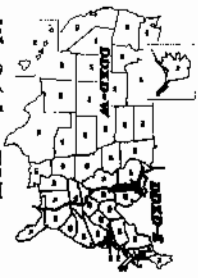
495 Cacklew Drive - Meridian, ID 83642-3241

East: Dave Braum

11 Mill Bend Acres - Wyoming, DE 19934-9523

(Distinction line is between East and Central time zones)

DX Catches in the U. S. and Canada, with 24-hr. EIT



DDXD-W

Prodigy Address: MTFH12A
Internet: MTFH12A@Prodigy.Com

MEDIUM WAVE RAMBLINGS

A BIG DDXD-West welcome to Dennis Elya of Jefferson City, Missouri. Dennis is a long-time DXer, but a new member of our club. Let's hope all our other new members take a hint and report to their respective columnists too.

Thanks to Jack Woods Dr. Aisushi Masamune, Gary Houdek and Eric Buensman for sending logos and stuff. All have been processed and should be back in your hands shortly, if not already. And maybe appearing in a DX News near you. And thanks to Gary for Log updates, found in SPECIAL. John Wilkins' KCFL "Tyrate" in Issue 24 should have been listed as being on 1470, not 1250 as was indicated. My error. Eric says: It's nice to hear Unistar's AM Only on a Clear Channel for a change... with WSAI's move from 1360 to 1530. No more el cheapo talk on 1530! The calls on 1360 in Cincinnati sounded like WXAI... ironically, their former SW affiliate was W8XAL and I believe they also operated a W8XAI back when Crosley owned the 1360 outlet (along with WLVW-700). As Shawn rolls up the wires at the farm and puts away the snowblower until at least, ah, September, he utters: *Show is gone, and so is the DX.* He also checks in, after hibernation, with three pretty-much-an-ID for three better-late-than-never unIDs. Jack's wearing a grass skirt after logging Hawaii. To Don Trelford... yup, your postcards made it. See Issues 24 and 25 for your CY records. And thanks to Dale Park for a last-minute Island Update.

- Remember when I told you I had won a KBOI coffee cup? Well, I did some fast talking and Bill Franks (KBOI/KQPC/KLCI Chief Engineer) came up with a second one for me. Now what would I do with two KBOI coffee cups, you ask. Why, donate one to the NRC Convention for auction material, of course. I can't be there, but my coffee cup will be.
- Have some "East" stuff for you, some obtained from former NRC member Greg Coniglio, now of WTFDA. We continue to glean all sources to keep you up-to-date on things. Actually got it too late to pass on the Eastbit on to Dave. Lotsa E-Mail reports again. Remember, when reporting via electronic means, to format your report just as you see here. That includes the cities in lower case letters! And I'm skeptical about accepting messages from people whose "nicknames" are kinda strange, like "Quack" and "Gamer". I can't tell who you are until I've downloaded the message and imported the file into WordPerfect. Let's keep things easy.
- Trivia Time! Which major Midwest station, once known as WRK on a wavelength of 345 meters, was operated by the Sears Agricultural Foundation? A train whistle was adopted as the signal to open each program, as well as when signing off. Answer somewhere within.
- If you don't get your fill of Special stuff after reading this issue, we'll try harder next month!
- Here are the deadlines for DDXD-W for the remaining issues of DX news for Volume 61:
 - Issue 27 June 4 Issue 29 July 30
 - Issue 28 July 2 Issue 30 September 3

REPORTERS

- DS-TN Doug Smith Nashville SuperRadio 2 barefoot or 1990 Ford Escort caradio w/LCD backlight burned out
- DS-TN* Doug Smith same 1990 Ford Escort caradio w/LCD backlight burned out driving among the swamps along the Cumberland River just north of Ashland City
- EB-MO Eric Buensman, WUIIH Hazelwood DX-200, TM-152, SMZ
- SA-MB Shawn Axelrod, NUNIH ICOM R-70 w/PLAM board & 0.5, 2.4 & 4 kHz filter + 4' box loop or 100' 1w or

- SA-MB1 Somebody DXing from Swan River, Manitoba with the R-70 and a Quantum Loop (Northern Lights still available for birthdays, weddings, bar mitzvahs, etc.)
- SA/WMAK Shawn Axelrod & Wayne McRae Vahalla Beach, MB ICOM ICR-70 w/PLAM board and filter mode
- FA-ID Frank Aden Boise modified FRG-7, modified radio Shack TRF + 45' N-S longwire, 180' L-longwire or 4' box loop
- DE-MO Dennis Elya Jefferson City Superadio III & Delco ETR
- JW-OR Jack Woods Waldport ICF-2010 + Martens Loop
- GH-KS Gary Houdek Menden
- JW-CO John Wilkins Wheat Ridge Drake R-8 + 4' Box Loop
- GC-NY Greg Coniglio Williamsville, NY (WTFDA)
- BA-GA Bill Aikins/Doug Douglasville via EB-MO's Prodigy Hotline
- CK-CO1 Chris Knight DXing at Idaho Springs 1992 Toyota rx, GE Superadio III + whip [Who didn't trust the E-Mail and followed it up with a letter hi - Ed]
- CK-CO2 CK DXing at Georgetown 1992 Toyota rx, GE Superadio III Antenna + whip
- CK-CO3 CK DXing at Dillon 1992 Toyota rx, GE Superadio III + whip
- CK-CO4 CK DXing at Parachute 1992 Toyota rx, GE Superadio III + whip
- CK-UT1 CK DXing at Crescent Junction 1992 Toyota rx, GE Superadio III + whip
- CK-UT2 CK DXing 15 miles south of Richfield 1992 Toyota rx, GE Superadio III + whip
- CK-NM1 CK DXing near Gallup 1992 Toyota rx, GE Superadio III + whip
- CK-NM2 CK DXing at Raton 1992 Toyota rx, GE Superadio III + whip
- CK-CA CK DXing at San Bernardino 1992 Toyota rx, GE Superadio III + whip
- JE-MN Jon Ellis Maple Grove Sharp 8-band
- DE-IA Doug Beard Springville SX-110, Hy-Gain 18HT
- DP-HI Dale Park Honolulu
- Ed-ID Editor Meridian = newswire sources

SPECIAL



- HOLD ON, HERE WE GO...
 - 550 WCKY OH Cincinnati - Station is now here. Ex:1530. (BA-GA)
 - *WCKY* OH Cincinnati - 5/5 - Now with talk format, consisting of local talk 5-9 am, Jay Brown 9-12, Rush 12-3, Liddy 3-6, a local cooking show 6-7, something called *At Your Service* 7-8, Bruce Williams 8-11, Bohannon 11-2, Rush 2-5. The call must still be WLWA since 1530 is still legally WCKY. (JE-MN)
 - 560 KEXD ID Nampa - Carries weekend games of the Seattle Mariners. [Ed-ID]
 - 590 WGNF FL Panama City - Now all Sports. (BA-GA)
 - 620 KTKK CO Grand Junction - 4/8 1558 - In break from *Don and Mike Show* with slogans *The New Talk 620 KTKK-Talk 620* and *The All-new K-Talk 620*. Ex: KSTR (CK-CO4)
 - 630 WBMQ GA Savannah - Report sent to address as in NRC Log (One Riverview Road) returned as "no mail recipient". Isn't this illegal under FCC rules? Need help with an alternate mailing address. (EB-MO)
 - KIDO ID Boise - Has dropped the Bohannon show in favor of SEN Sports from 0000-0400, then Art Bell 'til 0700, followed by *America In The Morning*, then local news/talk to Rushtime. Also carries more hours of sports on the weekends, so that format is moving in here, too. [Ed-ID]
 - WDGY MN St. Paul - Per report on Fido-Net, is off the air and their 6-tower array is being dismantled. The land has been sold to an insurance company. These guys are dropping like flies! [Ed-ID]* And now we get the latest from our Minnesota reporter. Over to you, Jon... The rumor is right. WDGY went off the air on 4/15 after Midcontinent Media sold the transmitter site to State Farm Insurance to build a new office complex. A newspaper article says the owners intend to bring WDGY back on the air, but they have to find a new site, rebuild everything, and decide on a new format (the Nostalgalia format was being run by the owner of WMIN-740, which leased 630). They say 6-8 months minimum. I don't think they have much commitment to an AM station in this market if they sold the old transmitter site without having any idea where the new one will be. (JE-MN)
 - KJSL MO St. Louis - Per report in the April 14 St. Louis Post-Dispatch. Legend Broadcasting (who will retain KKOK-FM 97.1 in suburban Florissant) has sold the station to Crawford Communications (KLTZ-560 Denver, CO, KLTJ-800 Brighton, CO), and the station is planning to switch to either Contemporary Christian or Southern Gospel shortly. Silence was expected to last until at least 4/18. (EB-MO with help from Earl Higgins).
 - WOI IA Ames - 4/1 - 15 24 hours again, apparently NSP per their published schedule. Overnight programming is BBC World Service. (DB-IA)

670 KBOI ID Boise - Has picked up the weekend CBS Baseball Games of the Week, although they remain with ABC for the main network. [Ed-ID]

690 KTQ MN Minneapolis - MBD Broadcasting and Chancellor Communications (owned by the same individual) out of Dallas, Texas are acquiring 11 radio stations from American Media Inc., including this station and KTQJ's Flier, KTQZ, for \$150 million. This transaction, one of the largest since the Federal Communications Commission relaxed ownership restrictions of radio stations, is subject to FCC approval. MBD, which does not currently own any radio stations, is also acquiring WUBE-AM & FM and WYGY-FM in Cincinnati; WALK-AM & FM in East Patchogue, New York; KMEN-AM and KGGH-FM in Riverside/San Bernabeo, California; and WOCL-FM in Orlando, Florida. Chancellor, which currently owns KBRK-AM and KGBY-FM in Sacramento, is acquiring KHYL-FM there. [Ed-ID*]

710 KMPC CA Los Angeles - Capital Cities/ABC Inc.'s KABC Radio Inc. has signed a definitive agreement to buy KMPC, owned by Golden West Broadcasters. Golden West is owned by my favorite cowboy, Gene Autry (sorry Roy) and his wife. It looks like KMPC will probably be switching to a "Hot Talk" format, geared towards 18-34 year-olds around the first of May. This will be in direct competition with KFI. The fire is already being stoked as former KFI and WRKO personality Tom Leykis will be starting on KMPC in Afternoon Drive around May 9th. Incidentally, Gene bought KMPC in 1992 for \$800,000 and is selling it for \$20 million. [Ed-ID*]

750 WSB GA Atlanta - Has snatched the contracts for the Atlanta Hawks and Atlanta Braves from WGST-640/105.7. Hawks coverage to begin with the 1994-95 season. Braves with the 1995 season. Also, WSB's owners (Cox Broadcasting) are also attempting to buy WJZA-104.1 La Grange, GA. (BA-GA)

KMMJ NE Grand Island - Has moved to 3290 Woodbridge Blvd Suite 200, per v/l. P.O. Box and ZIP are as in Log. (GH-KS)

(WQSV) TN Ashland City - 4/17-1945 - OHH, (and I was about 100' from their tower at the time.) Tom Bryant says this has been off since at least 4/10. WQSE-1030, which used to relay them, is still on with a kind of mix of country & nostalgia. (DS-TN)

930 CICA AB Edmonton - 4/24 0632 - Strong, with H's 4:32. You've listened to CICA into GOS/REL music. Back on air. Will NOT air preaching or church services." (SA/WMDR)

940 KJPN HI Waipahu - 5/9 - Is now all Japanese programming with these CLs, after a buyout by local and foreign businessmen. DS as 1:34. Ex: KDEO & C&W. (DP-HI)

970 KYMW AZ Show Low - 4/12 0900 - Noted several times with what seems to be a new EZL-type format. Some selections almost classical. Good on peaks this day, over/under ORM. Also noted 4/7 0934 with ID: With more Standard AM coverage than any other Navajo or Apache County radio station, this is KYMW-AM and FM, Show Low. (JW-CO)

980 KRXX MN Richfield-Minneapolis - Has not gone silent; at least as of 5/4. I expect them to go silent when KEGE-93.7's sale is final. (JE-MN)

1000 KKM NM Albuquerque - 4/9 2131 - Apparent format change to C&W music. Ex: REL Slogan as Forever Country KKM. Good signal, still on day power. (JW-CO)

1030 KBBQ MO Blue Springs - No longer // FM. Now doing talk from The People's Network. (DE-MO)

1060 WPHC TN Waverly - While scanning FM I heard WVRV-105.1 run a dual ID with WPHC-1060. Checking AM, WPHC is indeed now simulcasting WVRV-105.1 with satellite outlets. (DS-TN)

1120 WKOW PA Oil City - Now AC (seemingly satellite-delivered) and IDing as 1120 KQW. No longer // FM 96.3. (GC-NY)

1130 WWWWMI Detroit - Article in Billboard magazine says WWWW will go all sports in June. (JE-MN)

1140 KPWB MO Piedmont - 4/2 1759 - With Southern Gospel music, ad for local church, VID. Change from AC format. (DE-MO)

1230 WUBE OH Cincinnati - See 690 KTQJ.

1260 KDUTZ MN Hutchinson - Adds AC and Country to its Oldies format. (JE-MN)

1270 WTMO GA Columbus - Station is now back, with SS format. Ex:WHYD, Contemporary Christian. (BA-GA)

WXYT MI Detroit - Taken over by Infinity Broadcasting. [Ed-ID*]

1290 KMEN CA San Bernardino - See 690 KTQJ.

WPCP FL Panama City Beach - Now travelers' information. (EB-MO)

1330 WFLP PA North East - With talk. Ex: 1530 and WEYZ (Ene). (GC-NY)

1360 WXAI OH Cincinnati - 4/29 Midnight - Fair-to-poor, with KSCI/KAHZ/WGCE, with legal ID. Sounded like a News/Talk format. Ex: WSAI (which moved to 1530). (EB-MO)

KRYS TX Corpus Christi - Now carries SEN Sports 24 hour, per announcement on network. [Ed-ID]

KAHZ TX Fort Worth - 4/26 2258 - Fair-to-poor with KSCJ/WGCE/KHAK with contest winner, Radio Oz promo, into kids' programming. (EB-MO)

1370 KKSJ CA San Jose - 4/26 - Back on the air with a sort of easy listening/big band combo with live DJs, an occasional live local newscast, and Metro Traffic. KEEN, country music since 1946, was taken down January 1, 1993 because the estate of the original owner of the station and land decided they could make more money with the land than with the station. The land will become an office park. So, the staff was told to go out and find a place to put it back up. But where do you put 3 towers in Silicon Valley? So, the station was moved to the KSJX-1500 transmitter site and a new 4-tower array was designed using the existing 4-tower directional array of KSJX. [Ed-ID*]

1370 WALK NY East Patchogue - See 690 KTQJ.

1430 GJCL ON Toronto - Has applied to the CRTC to buy CKYC, and move to 590. Telemedia Communications executive vice-president Don Pagnutti said Telemedia's flagship radio station, The Fan, an all-sports radio station, operates on 1430 with limited coverage to areas outside of Metropolitan Toronto. He said acquisition of CKYC will allow The Fan to reach a larger potential audience. He added that a decision hasn't yet been reached on the disposition of The Fan's current frequency. [Ed-ID*]

1440 WPRS IL Paris - Is now C&W // their FM, WACE 98.5. (GC-NY)

1450 KIOV ID Payette - 5/1 - Has returned to the air with SS programming. Frank and I have egg on our faces, hi. [Ed-ID]

1470 KBGW MN Brooklyn Park - 4/26 2210 - Good with Music of Your Life on 14. KLBB into NOS/BBB music. Now // KLBB-1400 St. Paul. (SA-MB)

KWRD TX Henderson - Phone number on v/l is 903-657-4528. (GH-KS)

1530 WCKY OH Cincinnati - 4/13 2213 - Good with continuous loop announcing WCKY is now on 550. WCKY ID at 2300. (SA-MB)

WCKY OH Cincinnati - 4/17 2013 - During break in Kalamazoo vs. Cyclones minor-league hockey, with call ID as 1530 WSAI. Not a legal ID, as I believe calls are still actually WCKY. Earlier in the week, I've also heard canned preachers and a tape loop directing Rush Limbaugh and G. Gordon Liddy listeners to 550. (DS-TN)

WCKY OH Cincinnati - Drops News/Talk for local programming 0600-1800, then Unistar AM Only 1800-0600 as WSAI. Also drops CBS News for NBC. Legal ID is still WCKY. They've still got a 7-second delay from the talk format. There's also talk of moving Limbaugh to WLMW-700. (JE-MN)

WSAI OH Cincinnati - 4/14 2200 - With adult standards music, WSAI ID. Ex: WCKY. New call and format. (SA-MB)

WSAI OH Cincinnati - 4/28 2212 - Very good with Unistar AM Only feed, AM 1530 WSAI ID, mention of the above date being Kiss Your Mate Day, local ads. NBC News noted at 2300. Ex-1360. (EB-MO)

[There has been big switcheroo of call signs and formats in the Cincinnati market. Lacey WLV's owner, is buying WCKY (and it's Flier). How 1360 got into the mess...?? I picked up some on this, first off Fido-Net and later off the biznews wire. 1360 was mentioned in a story as joining the Children's Radio network (Oz) out of Minneapolis, WCKY's news/talk programming was to go to 550, and 1530's format was rumored to be NOS. What is happening to "WLV/A" and how all the call letters will end up out the shaker is still to be seen, and heard, by you guys back east. Jerry Starr will, no doubt, have it all sorted out in AM Switch. [Ed-ID]

WEYZ PA Erie - With standards music. Ex:1330 and NOS (North East). (GC-NY)

1540 WFNE OH Niles - Is now formatted as Comedy. Ex: UC. (GC-NY)

WMMNS
AM 1200

UNIDs and UNID HELP

750 UNID ?? - 4/19 0715 - With IRN. Gone by ISR KOALZ (JE-MN)

770 WXEI? ?? - 4/11 2227 - Sounding Mexican (SS announcer, XE music), but as 2302 heard a definite *Deh-te-n equis-eh-hola*. Might have been a mention of a network affiliate during top-of-hour news break. Looping SSE. (JW-CO)

790 UNID ?? - 4/6 0713 - Fair, in QRM, with traffic, weather, 93 Q slogan. Looped SSE. Suspect KKBQ. (JW-CO)

1190 KMFJ MN Wabasha - A match for SA/WMDR (Issue 24), per my FM Atlas. (GH-KS)

1260 UNID ?? - 3/27 0030 - Poor with NOS music. Heard during WNRK test. (SA-MB)

1400 UNID ?? - 4/1 0458 - Fair with EZL music, dual ID as WRUV and W???? into CBS News. (SA-MB)

1480 UNID ?? - 4/15 0530 - Fair with heavy rock music. Faded up for 10 minutes. (SA-MB1)



1530 UNID ?? - 5/2 1700 - Someone testing with intermittent tones, making it hard to hear Cincinnati's Legal ID. Could be any number of daytimers on this frequency. (JE-MN) [A 17000]?? Maybe one of the "silents" or a newbie getting ready to come on? - Ed.]

1556 0171 ?? - 11/23 2400 (an oldie but goodie) - UNID by Bruce Winkelman in Issue 11 is probably a fishing net buoy. This, and next, two attributed to a list of stations between 1610 and 1800 kHz in the Grove Shortwave Directory. (SA-MB)

1657 KA90 ?? - 11/24 0004 - Definitely a fishing beacon. (SA-MB)

1663 B466 ?? - 11/23 2127 - Also a fishing buoy beacon. (SA-MB)

DX AND EQUIPMENT TESTS



550 KOAC+ OR Corvallis - 3/28 0330-0400 - Fair signal with CID, VIDs and Stars and Stripes Forever. (FA-ID)

KOAC- OR Corvallis - 3/28 0330 - Not heard. Only KFYR & KSD. (SA-MB) Not heard. Just KBOW/KTSA/KOY/++ and some KLZ-566 splatter. (JW-CO)

780 WWOL- NC Forest City - 4/4 0300 - Nothing, due to massive Northern Lights display. (SA-MB) Nothing heard. (FA-ID) No dice. Just WBBM/KKOH/ noise. (JW-CO)

820 WYAMM-TN Jasper - 4/2 0030 - Not heard. CHAM, WBAP & CKJ5 splatter only. (SA-MB)

930 WTLB WI Auburnville - 4/8 0230 - Fair signal, good copy with TTS at 0229, 0231, 0238 and 0239. New. (SA-MB)

1230 KEJL IA Marshalltown - 4/17 0100-0130 - Nothing heard. (FA-ID)

1240 KCCR+ SD Pierre - 4/4 0103 - Fair-to-poor with one full CID and parts of others. Unneeded. (JW-CO)

KCCR- SD Pierre - 4/4 0100-0130 - Nothing heard. (FA-ID)

1260 WNRK- DE Newark - 3/27 0000 - Extremely tentative with tones at 0203. WNDE and KTS there. (SA-MB)

WNRK- DE Newark - 3/27 0000-0030 - Nothing heard. (FA-ID)

1270 WGGC- NC Belmont - 3/27 0300 - Nothing heard. (SA-MB) Nothing heard. (FA-ID)

1300 WOPM MN Princeton - 4/11 0130-0200 - Heard what may have been some tones, but unable to identify. (FA-ID)

WOPM- MN Princeton - 4/11 0130 - Not heard. Only XEP & others in background. (JW-CO)

1450 KYOW- WY Riverton - 4/11 0210-0220 - Nothing heard at this time. (FA-ID)

1570 KCVR+ CA Stockton - 3/28 0300-0330 - Heard several CIDs, VIDs including echo chamber. A better test than last time. Good signal. (FA-ID)

KCVR+ CA Stockton - 3/28 0308 - Fair-to-poor in QRM with several CIDs; one VID noted. New, for CA #86. (JW-CO)

KCVR- CA Stockton - 3/28 0300 - Nothing from them, as CKMW too strong to hear a test. (SA-MB)

TTS & OTHER STUFF

530 WTBNS21 CO Central City - 4/8 1227 - Fair w/info on Central City, ID: Central City Travel Radio slogan. Loop tape. (CK-CO1)

WNFZ94 CO Georgetown - 4/8 1237 - Info on Bighorn Sheep. ID. Loop tape. (CK-CO2)

TTS CO Breckenridge - 4/8 1303 - Good w/ski info, etc. Does not ID. Welcome to beautiful Breckenridge. (CK-CO3)

KNCN50 CA San Bernardino - 4/13 0240 - Good w/ID, Highway Advisory Radio, mention of being operated by "CalTran". Another SIN under. (CK-CA)

WNWE970 NM Fort Wingate - 4/17 2215 - Good w/Loop tape narrated by Rickard Montalban, with history of the immediate area - Very interesting! ID. (CK-NM1) [De plane. De plane!] - Ed.]

WNWE971 NM Raton - 4/18 1620 - XLNT in passing w/Loop tape narrated by Rickard Montalban, similar to the TTS at Ft. Wingate. ID. Long loop tape. (CK-NM2)

1610 KOP728 UT Crescent Junction - 4/8 1826 - Loop tape, ID, sign on HWY, info on SE UT parks. (CK-UT)

TTS UT Fremont Indian State Park - 4/9 1210 - Loop tape, info on park, never ID'd. (CK-UT2)

MIDNIGHT TO 0800 HOURS EJT

550 KMVI HI Wailuku - 4/18 0526-0602 - Fair with Portuguese music. Sounds of Portugal with DJ speaking EE. IDs at 0530 and 0600. Formal sign-off with 5SB at 0602. (JW-OR)

560 KILZ CO Denver - 4/13 0242 - Fair in KSFO null, w/Christian Contemporary music, ID as 56 KIZ, Eric Scott DJ. (CK-CA)

620 WRIZ TN Knoxville - 4/11 0322 - Very good-to-fair, over UNID, SS with light Christian music station promos, anti-drug PSA, Grace To You promo, log 62 IDs. (EB-MO)

630 CKRC MB Winthrop - 5/2 0159 - Good-to-poor with intermittent \$, over mess, with frequent Country 630 IDs, C&W music, national news and local ads. Winthropg 45 from this QTH. (EB-MO)

CFCO ON Chatham - 4/24 0304 - Weak with SBN news, Good Times and Great Oldies. During WDCY silence. (JE-MN)

640 WOI IA Ames - 4/11 0342 - Good-to-poor, mixing with Cuba, with talk on the upcoming elections in South Africa from the BBC World Service, This is London ID at 0359, legal ID at 0400 into BBC News. (EB-MO)

660 CHFA AB Edmonton - 4/15 0652 - Good with FF talk and music. Over/under CIOB. (SA-MB1)

780 KSP1 OK Stillwater - 4/5 0722 - With C&W music and VID. In for only seven minutes [and you were there - Ed.] OK #13. (DE-MO)

830 KHVH HI Honolulu - 4/18 0534 - Fair-to-good with talk show return of Coast-to-Coast AM [that sounds like the Art Bell thing from Parmpump, Nevada via KDWN. He's big on UFO topics - Ed.]. ID as New 830 KHVH - Hawaii's new talk, traffic and weather station. (JW-OR)

850 KHILO HI Hilo - 4/18 0515 - Fair-to-poor, with KOA null'd, with AM 850 KHILO ID and C&W music. (JW-OR)

860 KOSE AR Osceola - 3/31 0725 - With Arkansas Radio News net, local ad for Osceola Grain Elevator. VID. Then KKWV-KS came on with day power/pattern. (DE-MO)

890 KBYE OK Oklahoma City - 4/6 0710 - With southern GOS and ad for the Lord's Garage Sale. OK #14. (DE-MO) [That must be one heckuva sale, hi - Ed.]

900 WGOX AL Mobile - 4/2 0305 - UC Music with VID. AL #9. (DE-MO)

KSGI KS Wichita - 4/6 0700 - Fair in QRM with You're listening to Sunshine Radio, KSGI Wichita. (JW-CO)

KVAL MO Fulton - 4/6 0659 - With local ad, ID by male. Central Missouri's source for news, KEAL Fulton. Fair over QRM. (JW-CO)

950 WSPA SC Spartanburg - 4/2 0200 - With overnight sportstalk & VID into CBS News. Log sez MBS. SC#3. (DE-MO)

960 KZIM MO Cape Girardeau - 4/12 0706 - With local news and The Cape's News Station slogan. News followed by VID. (DE-MO)

CFAC AB Calgary - 4/1 0258 - Very pleasant female announcer, liberally giving out VID numerous times and C&W music. AB #1. (DE-MO)

1230 CHFC MB Churchill - 4/15 0558 - Fair with sign-on for CBC Manitoba and into national news. (SA-MB1)

1240 KOEN OR Roseburg - 4/24 0722 - Fair with ID within a MBS network talk program. New. (SA/MW/CR)

1250 KURB AR Small Stone - 3/17 0100 - ID by male, then AC or UC, hard to tell. Poor, but barely readable, but needed for call change. (JW-CO)

1340 CJNC MB Norway House - 4/15 0622 - Fair, playing a wide variety of music - NOS, country, bluegrass. CBC Northern Service. New! (SA-MB1)

1390 WRIG WI Schofield - 4/12 0722 - With nostalgia music. Slogans More Memories WRIG and Original Hits. (JE-MN) [Remember when these guys were on 1400 and called themselves Big Rig? - Ed.]

1450 KLBM OR La Grande - 4/24 0716 - Fair with promo for Rush Limbaugh and dual ID for 1450 & 1490. // KBKR. New. (SA/MW/CR)

1460 CLOY ON Guelph - 4/24 0311 - Weak with Oldies. (JE-MN)

1480 KKKC MN Fosston - 4/15 0544 - Good with KKKC IDs and NOS music. Now 24 hours. (SA-MB1)

KSDR SD Watertown - 4/21 0709 - Fair with Good Times, Great Oldies, ad for Hy-Vee weather. (JE-MN)

1490 KBKR OR Baker - 4/24 0716 - Programs // to KLBM-1450. (SA/MW/CR)

KEYG WA Grand Coulee - 4/24 0713 - Fair with KEYG Grand Coulee ID in a mess. (SA/MW/CR)

0800 TO 1600 HOURS EJT

620 KRTK CO Grand Junction - 4/8 1558 - Break from Don and Mike Show on The new Talk 6-20 KRTK, plus slogans K-Talk 6-20 and The all-new K-Talk 6-20. Ex: KSTR. (CK-CO4)

810 KXOI TX Crane - 4/12 0802 - Female with EE/SS ID: This is KXOI Crane-Odesse-Midland. Esta es kah-eguis-oh-ee, Crane-Odesse-Midland. La Nueva Radio Alaburiza and into

more SS religion programs. Think *Radio Albenza* is a new slogan. Heard several times previously, but didn't know who it was. (W-CO)

1470 KNXN AZ Sierra Vista - 4/7 2100 - Local ads, female DJ giving request line number as 459-1470. 2102 canned ID. *Live 24 hours-a-day and Kickin' / KNXN Sierra Vista, the new Hot Mix 1470* and into A-C-type music. Fair on peaks with QRM. (W-CO)

KDHN TX Dimmitt - 4/9 0925 - Ag features, two announcers chatting about farm stuff. Ad for local car dealer. Fair, over/under QRM. (W-CO)

1520 WHOW IL Clinton - 4/5 1544 - With farm news, C&W music and VID. IL #30. (DE-MO)

1600 TO 2400 HOURS ELT

620 WSTN FL St Petersburg - 4/10 2119 - Good-to-fair mono and Stereo signals, over WRJZ with local ads, *The Best of The Mad Dog* talk program. Local KKOK-630 off. (EB-MO)

630 WTDB AL Thomassville - 4/9 2016 - Good-to-fair, with WAVU/WBMO/KVMA, with full-data sign-off. Local KKOK off. (EB-MO)

680 WQCN GA Atlanta - 4/17 1931 - Fair-to-good with Atlanta-Milwaukee minor-league hockey. (Milwaukee leading 3-2; go Admirals). Slogan *Sportstradio The Fan* - Is there a call sign change here? (DS-TN)

WCAW WY Charleston - 4/1 2100 - With satellite NOS music. Called themselves *CHS-680*. Sears Sliding seemed to be the only sponsor. Finally got a VID. Called them, and found the number was changed to that of WCHS-590 Charleston. Not bad for 250 watts!! (DE-MO)

700 KSEV TX Tomball - 4/10 2122 - Well over WLW, in very auroral conditions, with sports talk & many Houston-area ads. (DS-TN)

890 WLS IL Chicago - Trivia answer! The mystery station once known as WJR became The Big 89, WLS. This debit from an article in the *New York Times* dated June 1, 1924. [Ed-ID]

920 KORR NV Lost Wages - 4/9 2134 - NOS vocals to 2145, then *Las Vegas Stars* baseball pre-game show. Play-by-play at 2200 vs *Tacoma Tigers*. Occasionally good, but QSB/QRM. (W-CO)

930 KCCC NM Carlsbad - 4/9 2309 - Latin music on *Varietades Musicales* program. Female DJ with requests at 887-5521. Fair with QRM/QSB. (W-CO)

960 WPKT KY Prestonburg - 4/17 2000 - Poor, over/under someone with the Atlanta-Milwaukee hockey game // WCNN-680, with end of syndicated oldies show, then ID with 105.5 FM (WXXZ) & a Williamsburg station. New. Suspect interfering station was unneeded WRRC-GA. (DS-TN)

1040 KCGR TX Dallas - 4/5 2035 - With UC-type gospel. Superior signal compared to WHO. Very liberal on VIDs. TX #27. (DE-MO)

1090 KRLL TX Dallas - 4/10 2100 - Legal ID including satellite coordinates! (too many static crashes to copy, what the coordinates were). (DS-TN)

1200 WOPA IL Chicago - 4/5 1826 - SS music *Blue Bayou*. Mentions of Chicago. (DE-MO)

1220 KOMC MO Branson - 4/1 1942 - With ad for Osmond Brothers show, then VID. (DE-MO)

1260 WJTH GA East Point - 4/1 2143 - With UC/Gospel, ad for an Atlanta church, then VID. Log shows only 39 nighttime watts! (DE-MO)

1270 WWWW MN Baxter - 4/26 2147 - Fair with ads for a bank and other merchants in Baxter. Into oldies music. New! (SA-MB)

1290 WCBL KY Benton - 4/1 1857 - With many mentions of Marshall county, then ID. (DE-MO)

1360 KGME AZ Glendale - 4/8 2100 - SID, then female with sports headlines. Ex: KNNS. Rough, with KHNC/et al. (W-CO)

KHAK IA Cedar Rapids - 4/28 2205 - Fair-to-poor, with KSCJ/WGEE/KAHS, with C&W music, CJs and local ads. (EB-MO)

KBBB IA Fort Madison - 4/5 1800 - AC music, then VID. IA #17. (DE-MO)

1380 WKBO MO St. Louis - 3/30 1943 - Fair, in fade-up over KILZ, with Q-104 IDs, CHR/UC music. New call. (SA-MB)

1460 KDMI IA Des Moines - 4/7 2246 - With REL programming. Been trying for this one for some time! IA #18. (DE-MO)

KLTC ND Dickinson - 4/9 2018 - *Minnesota Twins* baseball p/bp, and legal ID at 2029. Fair in QRM/QRN. (W-CO)

1500 KDFN MO Doniphan - 4/5 2012 - With NOS music and VID. A real surprise! (DE-MO)

1570 CHLO ON St. Thomas - 5/2 2122 - In KYCK's null, with Country and slogan *All New Country 1570*. (DE-MN)

DDXD-E NEWS AND VIEWS

Welcome to Perry Crabill of Winchester, VA, a familiar name, but I believe this is the first time I've received a report from him. Also received a note via Internet from Richard Clark, testing if the message got through - hope to get some reports from you too, Richard!

Paul Mount sent along an item via Prodigy he got from FidoNet about WCEN-1150 in Mount Pleasant, MI being silent. Apparently they are planning to return sometime in the future with daytime programming only.

Jeffrey Less says his log during the KPROW-1260 test was of WNDK rather than WJRE as was reported in Issue #24. See Jeff, I was paying attention!

Don Treford is looking for the address of WOON-1450, Miami Beach, he says the P.O. returned the letter he sent to 1779 W. Flagler St.

If anyone has been hearing something strange on 650 the last couple of weeks, you may want to skip ahead to *Other Stuff* to begin your reading.

See if you can find the report of the DXer who bought a new Superadio II. Upcoming deadlines are June 3, July 1, July 29 and September 2.

SPECIAL

540 WDAK GA Columbus - Tom Bryant tells me he read in one of the trades that this station, formerly W5TH with gospel, is now again WDAK with news/talk. He's confirmed it by monitoring. (BH-ID1)

600 WPDQ FL Jacksonville - 4/30 - Ex-WOKV, these two stations have swapped frequencies. (RB-NC)

690 WOKV FL Jacksonville - 4/30 - Has moved from 600 with sports radio format, frequency swap with WPDQ. (RB-NC)

820 WJFA FL Largo - Is now Dting as WYTR (Your Talk Radio) and changed from REL to TLK. (BH-ID2)

880 WPIP NC Winston-Salem - Re: *AM Switch* Vol. 61, No. 23, nothing heard yet from this station here in Shelby. Just WGBS and WLOE with NOS in that direction. (RB-NC)

1070 WKMB NJ Sirling - Sign-on 0630 weekdays, 0645 Saturday, 0700 Sunday. Sign-off 1900 all 7 days. (JH-NI)

1160 WKJT NC Tryon - 4/7 1900 - Apparently some of their announcers don't know the Cls. Taped what I was sure was "You're listening to WJVV, Asheville, WJIT, Tryon, WGCN, Pisgah Forest". (RB-NC)

1210 WGNP PA Philadelphia - 4/18 2100-2200 - Fair with Phillies-Dodgers baseball, nothing but Spanish on 1210 earlier. DX across the band this week was the poorest in recent memory. Had heard new calls earlier, ex-WOGL. Is now sports talk using slogans "The Game" and "The new AM 1210". (TS-MD)

WGMP PA Philadelphia - 5/2 1337-1400 - Ex-WOGL, now all sports. Carries American Sports Network plus local ads and news. (HH-MD)

1270 WTMQ GA Columbus - 4/26 2100 - Silent as WHYD, noted back on with tropical Spanish music and legal ID in English by accented male. Six SS AM's in GA now. (SF-TN)

1360 WAQZ OH Cincinnati - 5/3 0200-0231 - Ex-WSAI, *Radio Aids* kids programming, fairly good through QRM. New address from call to station, 1111 Saint Gregory Street, Cincinnati, 45202, same as WSAI-1530. (HH-MD)

1440 WRRQ OH Warren - 3/7 2120-2130 - Good signal, "101 Strings on WRRQ, the world's most beautiful music". (DE-ON)

WRRQ OH Warren - 3/10 2215-2235 - EZL music, continuous 20-minute wait for ID. WFTQ also around. (RH-IN)

1530 WSAI OH Cincinnati - 4/13 2220 - Tape loop mimicking woman phone operator spell - "The number you have reached 1530 has been changed to the new number 550". Then tape of male with promos for Rush Limbaugh and G. Gordon Liddy shows "at the other end of the dial". (CM-ON)

WSAI OH Cincinnati - 4/15 2250-2300 - Ex-WCKY and Ex-1360. In stereo with "Original Hits" format with program director asking for opinions and suggestions from listeners. Nice to hear a biggy with some music instead of talk. Was this a swap or has the old WCKY passed into history? (DE-ON)

WSAI OH Cincinnati - 4/19 2203 - Florist ad, station ID, message from station manager, address in Cincinnati, MOR oldies music. (CM-ON)

WSAI OH Cincinnati - 5/2 0240-0306 - Ex-WCKY, popular music from the past - "Greatest songs of all times". New address from call to station, 1111 Saint Gregory Street, Cincinnati, 45202, same as WAQZ-1360. (HH-MD)

DX TESTS

- 780 WWOL NC Forest City - 4/4 0300-0330 - Not heard in auroral conditions, just Spanish and weak WBBM (RA-MA)
- 820 WWAM TN Jasper - 4/2 0030-0200 - Code heard for a few seconds, but nothing else, mostly WBAP and UNID with sports. (DT-JAM) (Don, when I heard WBAP it had Sports Byline USA - db) ... Not heard under WNYC and WBAP QRM. (RA-MA)
- 830 WWMO NC Eden - 4/24 0000-0030 - No sign of them, XELK was atop in auroral conditions. (SF-TN)
- 930 WLBL WI Auburndale - 4/8 0230-0330 - Very good on peaks with varying TTs, OC and infrequent tapped IDs. (SF-TN)
- 1230 KFSB IA Marshalltown - 4/17 0100-0130 - Not heard. (SF-TN)
- 1260 WNRK DE Newark - 3/27 0000-0230 - Weak on test with infamous siren TT and code IDs, unneeded as previously verified on DX test a few years ago, verte card received anyway! Thanks DWS! (RA-MA)
- 1260 KFGQ IA Boone - 3/21 0230-0300 - Not heard, only a strong WSUA. (DT-JAM)
- 1270 WCCG NC Belmont - 3/27 0300-0400 - Not noted, but first test of 12/20/93 heard and reported with still no voice yet. (RA-MA)
- 1300 WQPM MN Princeton - 4/11 0130-0200 - Extremely faint code IDs, apparent 1 KHz TT, all too weak to be sure. (IL-OH) ... Possible bits of code, mostly WFK and others. (DB-DE) ... No luck. (SF-TN)
- 1450 KVOX WY Riverton - 4/11 0210-0220 - Not heard. (IL-OH)

UNID AND UNID HELP

- 540 WSTH GA Columbus - Bruce Condit's UNID in Issue 24 with *Solid Gospel* feed is them, I've heard them after CBK signs off at 0200. (EB-MO)
- 580 CHLC PQ Baie-Comeau - RE: JK-VA's UNID in Issue #24, the only French station I know of on this frequency is CHLC and they are supposed to be AC. (SA-MB) ... This is Jeff Kitzel's UNID in Issue 24, the format and language match this station, according to the 1994 AM Log. (EB-MO)
- 830 R. Paradise St. Kitts & Nevis - RE: John Hanz' UNID in Issue #24, the only Trinity station ever heard up here is St. Kitts. (SA-MB) ... This is John Hanz' UNID in Issue 24, they are TBN, simulcasting the audio from TBN's TV feed // KTBN Shortwave. The station's transmitter is actually on Nevis, and they're 500000/50000 U1. (EB-MO) ... My UNID from Issue #24 // 7510 - thanks. (H-NJ)
- 900 UNID 0400, no ID heard due to interference from XEW, nothing in log file. (DT-JAM)
- 900 CJBR PQ Rimouski - RE: The editor's UNID in Issue #24, the ONLY CBC French station on 900 is CJBR, must be them. (SA-MB) ... The editor's UNID in Issue 24 is this CBC French outlet, they should be the only one running classical music with French announcers. (EB-MO)
- 1050 UNID 4/21 2345 - Heard Mets baseball "on the Mets Radio Network" // WFPAN-660. Was this WEVD or one of the other NY's? (DB-DE)
- 1180 UNID The editor's UNID in Issue #24 made Radio Taino or Radio Rebelde, both make it up here on a regular basis. (SA-MB)
- 1510 CKOT ON Tilsonburg - RE: the editor's UNID in Issue #24, most likely CKOT. They used to use "AM 1-51". Probably still do but...? (SA-MB) ... The editor's UNID from Falls Church, VA is definitely the only remaining Canadian daytime listed as "AM 1-51" in the latest Log, in addition to holding a CP to move to 1200 KHz. (EB-MO)

0000 to 0800 ELT

- 610 WIOD FL Miami - 4/18 0023 - Good signal with Don & Mike sports talk on "News Talk 610", mention of NH. Draft party at Joe Robbie Stadium on WIOD. (LV-NY)
- 620 WRIJ TN Knoxville - 4/11 0555 - Good with religious tune, ID "Joy 62... Christian Family radio... now in our tenth year", call sign, Radio Bible Hour. (CM-ON)

- 630 CHLT PQ Sherbrooke - 5/1 0047 - French talk good and loud over all, including usual WVAL. (DB-DE)
- 700 KSEV TX Tomball - 4/4 0159 - Difficult under dominant WLW, but able to copy "Super Talk Radio 700 KSEV and 950 KPRC, Houston" during break in talk show. (RB-NC)
- 730 WNAAK PA Nanticoke - 3/11 0718 - EZL music, Kaempfer, Sinatra. (RH-NJ)
- 740 KRMG OK Tulsa - 3/27 0158 - Two guys talking about everything, CBL gone for the night. (RH-NJ)
- 840 WCTG SC Columbia - 4/12 0700 - Fair in WHAS fade with sign-on mentioning "Lighthouse Christian Radio". This is 15 minutes after Columbia's April sunrise, so maybe they aren't interested in being on prior to 0700. If so, could explain my failure to hear them after 0630 during March. (SF-TN)
- 860 WDMG GA Douglas - 3/11 0700 - ID, ads, news, telephone number given as 912-384-3250, as in NRC log. First timer. (RH-NJ)
- 890 WFOA PA Nicholson - 3/11 0642 - Religious music, WCBS splash. (RH-NJ) (Rich, I think you probably had WFK-Castilton, PA, a daytime regular here. The 1994 AM Log doesn't show WFOA anymore - db)
- 920 WBAA IN West Lafayette - 4/1 0013 - Classical music in background, under two others. First timer. (RH-NJ)
- 960 CTFX ON Kingston - 4/1 0002 - Oldies, *Duke of Earl*, mixing with WFR and others. (RH-NJ)
- 990 WEEB NC Southern Pines - 3/20 0325-0332 - OLD, ID at 0332 in part as "... WEEB..."; poor interference from UNID Spanish. (DT-JAM)
- 1040 WSGH NC Lewisville - 4/16 0700 - Fair with first part of sign-on, seconds before local WQBB's sign-on covered it. WSGH's April sunrise is 0645, so possibly another one who doesn't care to be on before 0700. (SE-TN)
- 1070 WNCT NC Greenville - 3/11 0710 - News on "News Star Net", blasting in. (RH-NJ)
- 1150 WDEL DE Wilmington - 4/18 0025 - Fair signal with discussion about IRS, followed by CNN News. (LV-NY)
- 1160 KSL UT Salt Lake City - 3/21 0309-0317 - *Road Gang Show*, ads for *Decker Transportation* wanting drivers and a restaurant on Highway 90 in Houston, western weather. CW music fair. UNID interference. (DT-JAM)
- 1200 WAGE VA Leesburg - 4/11 0106 - Dominating frequency with local news and weather into *Talknet*. ID as "There's only one choice, WAGE 1200, the sound choice". (LV-NY)
- 1220 WKMT NC Kings Mountain - 3/11 0731 - ID, mention of telephone number, not clear bad jumble. First timer. (RH-NJ)
- 1240 WCGM MS Gulfport - 3/23 0430-0500 - Sports talk call-in show, ID as "Sports Network 1240 WCGM", poor, over/under probable WINK. (DT-JAM)
- 1250 WPRZ VA Warrenton - 4/1 0659 - Good with call letters spoken by man, then woman with, "It is 7 o'clock at WPRZ, Warrenton," followed by local weather forecast and into *Insight for Living* program. (RB-NC)
- 1260 WNDI IN Indianapolis - 4/12 0428 - Heard by "Sleepless in Shelby", "Thanks for listening to the G. Gordon Liddy show ... home of the Pacers, 1260, WNDI". (RB-NC)
- 1290 WTMG FL Ocala - 3/17 0730 - Legal ID on the half hour. Not much else heard under heavy QRM. (RB-NC)
- WBZT FL West Palm Beach - 3/17 0727 - Fair with CLS and mention of Delray Beach and West Palm Beach. Ex-WPBG, but new here. (RB-NC)
- WVOW WV Logan - 3/17 0655 - Strong with local news including talk of some Logan High School students being suspended. (RB-NC)
- 1340 WJOL IL Joliet - 4/28 0525 - In-out with ID "WJOL, the voice of Joliet" into AC music, *Scarborough Fair*, then gone. New. (MB-IN)
- 1410 WOBQ FL Leesburg - 3/21 0712 - "You're listening to Jeff? and Mike Hatfield on Lake County's radio station, News Star 1410." Mentions of Route 441 and Leesburg. Way under WFOC QRM. (RB-NC)
- WING OH Dayton - 3/27 0418-0422 - Sports phone-in talk show, CNN, ID as "WING", interference from UNID with Gospel. (DT-JAM)
- 1420 WACT AL Tuscaloosa - 4/9 0730 - Good with ID, COS music. New. (MB-IN)
- WIMS IN Michigan City - 4/28 0630 - Good with ID, political ad, news. Some WYJS QRM. New. (MB-IN)

1430 WLKF FL Lakeland - 3/28 0400-0433 - *Talknet*, ID in part as "WLKF..."; poor with interference from WNEF. (DT-JAM)

1480 WADR NY Rensselaer - 4/26 0515 - Poor. IDing as "WADR-WRNY". Probably using 500 watt PSRA. (JH-NJ)

1510 WQMG NC Greensboro - 3/19 0641 - Choir music under WLAC turned out to be this new one where WVOG is normally heard. (RB-NC)

1540 WSMI IL Litchfield - 4/9 0735 - Mentions of "FM-106" (I believe?), weather forecast calling for lots of rain and "25 away from 6 o'clock". Legal ID at 0756 then ad for news "...brought to you by Farmers & Merchants Bank and Prairie Farm Dairy". (RB-NC)

WBTC OH Uhrichsville - 4/9 0719 - Heard faintly with temperatures in surrounding towns under dominant WREJ, then "7:19 at WBTC, 1540" followed by promo for a Cleveland Indians baseball game. (RB-NC)

WBRY TN Woodbury - 4/9 0716 - Call letters heard very weakly among the multitude. (RB-NC)

1550 WCLV NC Raleigh - 4/11 0357 - Fair signal dominating frequency with Gospel music. (LW-NY)

1570 WTWB FL Auburnville - 4/10 0741 - Reference to nearby Lakeland then woman answering phone with "Good morning - WTWB" as she took a listener's request for a program dedication. (RB-NC)

WQAI FL Fernandina Beach - 4/8 0657 - In as a local with ad for bonding agency in Jacksonville then, "You're listening to WQAI, Fernandina Beach" into C&W mx. (RB-NC)

1580 WSRF FL Ft. Lauderdale - 4/3 0158-0208 - OLD (very), events coming up, times of programs "only on WSRF" over/under WCCF. (DT-JAM)

WSRF FL Ft. Lauderdale - 4/9 0155 - In with FM ID: "Triple shot weekend, 103.5 WSHF, serving Fort Lauderdale, Miami and Palm Beaches"; "WSHE, the only rock 'n' roll". First time heard in a while. (LW-NY)

WCCF FL Punta Gorda - 4/3 0158-0213 - ID as "News Radio WCCF", ad for AM-SW radio, believe it was *Peoples Network* talk show, poor over/under WSRF. (DT-JAM)

1590 WEXB FL St. Petersburg - 4/3 0217-0300 - UG, soul, blues, ads for *Ancin, Overtime* and *Late Office of Whyne?* ID as "Star 16 WEXB", poor-fair with UNID interference. (DT-JAM)

WONX IL Evanston - 4/9 0205 - Spanish, classical and light SS music, both vocal and instrumental. First timer. (RH-NJ)

WAKR OH Akron - 4/28 0400 - Fair with news, ID, ad for *Benjamin Moore Paint*. New. (MB-IN)

WATX TN Algood - 4/7 0659 - Fair under WCSL with full-into sign on then, "stay tuned to 1410, WATX, The Voice of the Cumberland". (RB-NC)

0800 to 1600 ELT

660 WMIC MI Sandusky - 4/19 0825-0830 - Fair in WMAQ splash with "Thumb-area community calendar". (TS-MI)

690 WNZK MI Dearborn Heights - 4/19 0830-0845 - Solid in Grand rapids, no splash, with UNID foreign language (possibly Armenian) program. (TS-MI)

1030 WUFL MI Sterling Heights - 4/19 0830-0900 - Good, UNID way under, "Sunrise Sounds" gospel music, traffic and weather. (TS-MI)

1070 WITWS WV Beckley - 4/9 0859 - Fair with "Welcome to West Virginia" then descriptions and info regarding various tourist attractions throughout WV. Number 1,000 here in less than 2 years of DX'ing. (RB-NC) (Congrats! - db)

1210 WKNX MI Frankenmuth - 4/19 0825-0900 - Fair, UNID way underneath, BBD music on *The Larry Hilton Show*. (TS-MI)

1600 TO 2400 ELT

590 WAMB PA Uniontown - 0/2 2150 - Storm warnings, school closings and many IDs. 1 kw, new. (DE-CN)

640 WENC NC Fayetteville - 4/25 2030 - Very poor IDing as "WENC 64- Fayetteville-Fort Bragg". (JH-NJ)

770 WWCN FL North Fort Myers - 3/17 2006-2030 - Talk show, ID in part as "WWCN Fort Myers", poor, interference from HJFX. (D1-JAM)

830 KBOA MO Kennett - 4/19 1955 - Fair on Quantum Loop with call letters, then *Memories, Lying Eyes*. New. Not audible on longwrite. (RB-IN)

840 WKTR VA Earlysville - 4/19 1944 - Gospel program then sign-off by woman. Fair, new. (WPT-DC)

890 WQIS MS Laurel - 4/7 2000 - Good in WLS null with ID, UPI news, Chuck Harder's *For the People*. Probably auroral as many northern powerhouses weak or absent tonight. New. (MB-IN)

900 WCPA PA Clearfield - 4/9 2005 - Good prior to *Penguins - Canadians* hockey game listing sponsors such as *Gulf, Pittsburgh Brewing* (Iron City and I.C. Light), etc. then, "...live on WCPA, Clearfield, your station for sports in north central Pennsylvania" (RB-NC)

910 WFNST FL Plant City - 4/9 1956 - Sounding more like a TS when heard ("Welcome to Florida", etc.) Jerry Starr suggested this could be their weekend format? (RB-NC) (Per a phone call from Ron on 4/30, he says this is actually WFPV, Valdosta, GA - db)

WFNS FL Plant City - 4/25 2200 - Popped up out of slop, ID "WFNS 910 Tampa-St. Pete", then back into it. (JH-NJ)

990 WHOO FL Orlando - 4/7 2228 - Strong with "Unforgettable WHOO, 990 AM at 407 295-3990" taking requests for NOS music. (RB-NC)

WCMF NY Rochester - 3/10 2205 - ID "WCMF 96 FM and AM, home of rock 'n' roll" into Bo Diddley's *Who Do You Love*. (RH-NJ)

1130 WCLW NC Eden - 4/2 2104 - Under WBRR with full-into sign-off including "We hope you've enjoyed our broadcast day here on CLW" and mention of Rockingham County. Believe they said transmitter was in Ellsboro? (RB-NC)

1190 WANN MD Annapolis - 4/1 1843 - First time (barely) heard with sign-off and full into under WQWO. (RB-NC)

1230 WFOU GA Marietta - 4/3 2006 - Female news person in a mess with "From the Washington News Desk, I'm ?? then man saying "All-Christian, WFOU". Also 4/4 0712 man with "Cobb County, WFOU". (RB-NC)

WSOX GA Savannah - 4/3 2013 - In very briefly with preacher saying "... here in Savannah ..." with other local references. Again 4/6 1851 with full ID. (RB-NC)

WFAL NC Fayetteville - 4/5 2037 - Spot for local auto dealership, fair-good New. (WPT-DC)

1240 WPAK GA Thomsville - 3/15 1925 - Good signal during high school baseball game with "... a good look at the WPAK sign in left field". (RB-NC)

WHVN NC Charlotte - 4/5 2008 - Spot for store in Lincolnton by man. Good, new. (WPT-DC)

WEKR TN Fayetteville - 3/15 2106 - Number 22 on this graveyard frequency. ID dragged out of mess! Logged as "tentative" several times before this, in. (RB-NC)

1250 WDAE FL Tampa - 4/2 2002 - In and out with Orlando Magic/New York Nets basketball game, under WTMA most of time. (RB-NC)

1350 WCAD AL Gadsden - 4/7 1900 - Briefly on top with ID, local news, then gone. New. (MB-IN)

1380 WMPX KY Millington - 4/1 2000 - Good with GOS music, ID, local news, ad for Sears. New. (MB-IN)

1400 WTRA FL Ft. Pierce - 3/26 2056-2125 - Talk show, ID as "WTRA", poor, interference from WFTL. (DT-JAM)

1410 WPOP CT Hartford - 4/7 2300 - Logged once again for first time in 2 years. Those of us who were at Enfield last September can say, "I've been there!", in. (RB-NC)

WDOE NY Dunkirk - 4/7 2245 - Under several others heard "... for WDOF weather, I'm Scott?" during excellent opening to north. (RB-NC)

WSCW WV South Charleston - 4/3 1959 - Good with full-into sign-off, instructions to tune to 100.9 FM (WVY?); then gospel song. (RB-NC)

1430 WVAM PA Altoona - 3/7 2015 - Fair with intro to "WVAM Sports", new. (DE-CN)

1470 WMMW CT Meriden - 4/7 2153 - Rising up from nowhere to "as local" strength with "Stardust 1470". (RB-NC)

WMMW CT Meriden - 4/28 2100 - Instrumental music, ID by man then news Good, #22 on this frequency. New. (WPT-DC)

WXXW PA Allentown - 4/7 2044 - CW music, fair-good-excellent, ex-WSAN. (WPT-DC)
WXXW PA Allentown - 4/7 2142 - Strong signal caught my ear with ad for car dealer in Lehigh Valley (which I know is in PA), ID and shortly covered by WMMW (RB-NC)
1480 WYZE GA Atlanta - 3/29 2115-2135 - GOS, ID in part as "1480 WYZE", poor with UNID interference. (DT-JAM)
1520 WEXY FL Willton Marions - 4/4 2143-2200 - REL, preacher, ads at 2100 for appliance store, Gold Bond Medicated Powder and carpet store, ID as "24 hours a day 1520, WEXY", poor (DT-JAM)
1550 CBE ON Windsor - 4/1 2145-2200 - Music, weather including Algoquin region, announced as "CBC Weather", poor, first Canadian heard here! (DT-JAM)
1580 WOXR AL Oxford - 4/5 2015 - ID by man just before power-down. #30 on this frequency. Fair new. (WPT-DC)
WPGC MD Morningside - 4/9 1932 - In with mention of Sunday programming *Sales Talk, Desk Warmer, Computer American, and Dinner Hour*, "on Business Radio Network, 1580". (LW-NY)
WPGC MD Morningside - 4/29 2306 - ID as "1580 Business Radio", (JW-MA) Also 4/30 1930-1935 - in very well with strong ID "WPGC news time 7:34", (JW-NJ)
WONZ NJ Hammonston - 4/30 1939-2230 - Phillies baseball in OK for a good while. (JW-NJ)
WLUJ TN Shelbyville - 3/15 1858 - In a mess with sign-off; partial info, no SSB. (AL-NC)
1590 WGY AL Atmore - 4/2 2353-0023 - UC, *Say You Will*, Jackie Wilson mention, ID in part "WGY...", poor with UNID interference. (DT-JAM)

OTHER STUFF

650 TIS NC Camp Lejeune - 5/2 - Per a phone call from Charles Taylor in Grifton, NC, I was alerted to a government radio station operating on 650 kHz (possibly) in my area on 5/1. Charlie first noted the station on 4/30 with a test message by a man and tones with loop towards my area. On tune in today, I noted the same with tones varying from 20-30 seconds. Noted on truck radio with strong signal around Camp Lejeune and decreasing away from base. My loop bearing is towards Camp Lejeune. Hamnotes noted on 1300 and 1950 plus spurs on several frequencies. Heard today at 1200, 1430 and 1600. 5/3 - There are two stations operating from Camp Lejeune. Both are PSYOPS units (1 Navy and 1 Army) participating in Exercise Agile Provider, and will operational daily through May 9 from roughly 0700-1900. Due to potential QRM to civilian stations nighttime ops are not permitted. They welcome reports to: F.T.R.G. (ATTN: N-3), 2555 Amphibious Dr., Naval Amphibious Base Little Creek, Norfolk, VA 23521. I would suggest a PFC/PFC and return postage accompany any report. Power varies from 5 kw up to 50 kw. They're almost continuously transmitting, so possibly sunrise or sunset may provide reception. (MH-NC)
740 WCTC NJ New Brunswick - Allan Ng had to be on Rt. 27/Lincoln Highway or better yet on Verona Avenue which goes right past station and its huge tower (JH-NJ)
1060 TIS FL Tampa - *MacDill Air Force Base* "Airstest '94" TIS activated for the second year for events 3/25-3/27; however this year they forgot to turn the transmitter off until sometime during local day 4/11. Consisted of a male voice with nearly two-minute cart, mentioning it was operated by the Fixed Air Unit. Some local press reports say this was the final Airstest (just as they said last year), while others say it may continue. (TK-FL)

1610 TIS FL Crystal River - *Radio Monitor* future TIS will be activated in a few weeks, pending airing of recorder to air 10-minute cart instead of three, operated by the Crystal River National Wildlife Refuge. Their desire is to have singer Jimmy Buffet record a six-minute portion of the tape, dedicated to biological info about manatees. The same St. Petersburg *Times* article on 4/13 also mentioned that the Crystal River Chamber of Commerce has been allocated \$8,750 for a TIS (no frequency, known yet, per my call same day to the Chamber). Wonder if former station is the reported planned TIS on 1610 for nearby Chassahowitzka National Wildlife Refuge? (TK-FL) (Put that one in your spell checker - db)

1610 KID324 WV Seneca Rocks - 4/9 1100 - On WV Routes 28/55, near junction with U.S. Route 33. Woman's voice on tape loop giving sightseeing and camping information for the Spruce Knob/Seneca Rocks National Recreation Area. Audio spitters at times despite strong RF signal. (PC-VA)
1610 TIS UNID - Regarding Laurence Keardley's UNID airport log, definitely not Tampa International, as it runs a male voice, and does not mention specific airlines. (TK-FL)
1625 8W004 EU-NY had an UNID in Issue #13; this is 100% for sure a net buoy as listed in the *Grove Shortwave Directory*. (SA-MB)
1630 8W108 BC-NH had an UNID in Issue #3; is definitely a fishing net buoy or beacon per the *Grove Shortwave Directory*. (SA-MB)

REPORTERS

RA-MA Ray Arruda, Acushnet, MA: HQ-180A, SX-122, Radio West and Palomar loops
SA-MB Shawn Axelrod, Winnipeg, MB: (Who now needs only DE for 50 states - ironic, eh? - db)
RB-NC Ron Bailey (AAAS), Shelby, NC: Icon IC-765, 7 beverages
EB-MO Eric Buenuman (NOUIH), Hazelwood, MO:
MB-IN Mark Burns, Terre Haute, IN: Drake R-9, Quantum loop, 80' longwire
PC-VA Perry F. Crabill, Jr., (W3HQX), Winchester, VA:
DE-ON Dave Evans, Cornwall, ON: Sony SRR-11, Superadio II (Bought new at Fay's Drugs, Malone, NY - \$35.88)
SF-TN Steve Francis, Alcoa, TN: Realistic TRF
BH-1D1 Bill Hale, Meridian ID: From Doug Smith via Internet
BH-1D2 Bill Hale, Meridian ID: From Fido-Net
JH-NJ John Hanz, Old Bridge, NJ: Sony 2010, Alpha-delta sloper
MH-NC Mike Hardester, Jacksonville, NC:
RH-NJ Rich Harrison, Hewitt, NJ: Grundig Satellit 3400, SM-2, Select-a-tenna
HH-MD Hank Holbrook, Dunkirk, MD: SP-600, Colegrove loop
TK-FL Terry L. Krueger, Clearwater, FL:
IL-OH Jeffrey Less, 223 Pasadena, Toledo, OH 43612: Panasonic RF5900A
CM-ON Chris Meloche, London, ON: Yaesu FRG-8800, 4' loop, 30db amp, GE Superadio II
TS-MI Tom Sanders, Grand Rapids, MI: JVC Car radio
TS-MI2 Tom Sanders, Davison, MI: Sony 2010
WPT-DC Bill Townshend, Washington, DC: Sony ICF-2010
DT-JAM Don Treford, St. Annas Bay, Jamaica:
JW-MA Jim Weber, on the road in Springfield, MA: Delco car radio
JW-NJ Jim Weber, on Route 78 in central NJ: Delco car radio
LW-NY Leslie Wood, North Merrick, LI, NY: Superadio
DB-DE Dave Braun, Wyoming, DE: R-5000, Quantum loop

ABBREVIATIONS AND SPECIAL SYMBOLS USED IN DDXD

// parallel to :00: on the hour A-C:Adult contemporary, A-P:Associated Press, BRD:big band, BRN:Business Radio, Net C&W:country & western, CCR:contemporary Christian radio, CHR:contemporary hit radio, CSD:code ID, C:call letter, E:easy listening, EE:English, FR:French, GOS:gospel, IRN:Interstate Radio Net, LSR:local sunrise, LSS:local sunset, MLB:Major League Baseball, NBA:National Basketball Assn, NHL:National Hockey League, NPR:National Public Radio, OC:open carrier, POL:political, PSR:AP-sunrise authority, PSSA:post-sunset authority, QRM:man-made interference, QRN:natural interference, QTH:location, REL:religious, ROK:rock 'n' roll, RSR:irregular schedule, S:stereo, SLD:singling ID, SRS:sunrise skip, SSS:Spanish, SSS:S:ster Spangled Banner, SSS:sunset skip, T:time check, TT:test tones, UC:urban contemporary, UPI:United Press International

AM 1420 WJBS FM

88 92 96 100 104 108 FM

530 600 700 800 1000 1200 1400 1600 AM

WJBS 88 (96.3) (Contemporary)
WJBS 92 (96.3) (Contemporary)
WJBS 96 (96.3) (Contemporary)
WJBS 100 (96.3) (Contemporary)
WJBS 104 (96.3) (Contemporary)
WJBS 108 (96.3) (Contemporary)

International DX Digest

Foreign DX Catches. Times are UTC; for EDT, subtract 5 hrs.

Jim Renfrew
61 Wilcox Street
Rochester, NY 14607-3832

First off, our congratulations to John H. Bryant, recently named as "North American SW Broadcaster of the Year" by ANARC. We, of course, know John for his occasional loggings in DXD, which are only the tip of the iceberg of his craft. Harry Weatherly, known to friends of DX Australia, was named as "International DXer of the Year". Darryl Springton was named as "North American Specialty DXer of the Year". ANARC is the Association of North American Radio Clubs, of which the NRC is a member; and Paul Swearingen is on its board.

A special welcome to first-time reporter Herb Shatz. We look forward to getting more of your reports. Once again, Ben Dangerfield uses the same equipment to report things I never seem to be able to hear! César Obispo sent in his Holy Week loggings, when many Dominican stations are off the air.

A reminder to all who reprint information and loggings from this column: please give credit to original sources as shown after each item. I've noticed that some items printed here later appear in other publications with only "NRC" credited. This is unfair to the individuals and newsletter editors who first reported the information. I would also suggest that whenever possible the date of the original item be noted when you reprint it elsewhere. I see too many out-of-date items in circulation among our various newsletters. Thanks.

TRANS-ATLANTIC DX

549 ALGERIA Les Trembles, MAR 26 0400 - Strong signal with woman in AA followed by Algerian pop music with orchestra and vocals, into Koran at 0415. [Dangerfield-PA]

621 CANARY ISLANDS Santa Cruz, APR 10 0120 - SS talk; poor - only low-latitude TA's were noted on the low end of the dial. [Connelly-MA]

693 ENGLAND Droitwich etc., M/AR 29 0445 - BBC talk program with man and woman, fair signal. This one supposed to go 24 hours on APR 1. [Dangerfield-PA]

693 AZORES Terceira, MAR 29 0455 - On top of BBC with instrumental orchestra music. These two stations were taking turns for about an hour. [Dangerfield-PA]

792 FRANCE Rennes, MAR 29 0502 - Fair signal with man and woman giving (I think) the news. France and England had turned their clocks ahead the previous weekend, thus making it an hour sooner to pick up their early morning signals since we didn't advance our clocks until the following week. [Dangerfield-PA]

837 FRANCE Nancy, MAR 29 0505 - Pop song by a woman, fair signal and // to 864. [Dangerfield-PA]

855 SPAIN Murcia etc., MAR 31 0325 - Good with SS-type music and female vocals; and a station below them at almost equal strength. [Dangerfield-PA] APR 9 0502 - SS talk; slopped by WHDH. [Connelly-MA]

855 ROMANIA Bucharest, MAR 0330 - Overrode the 55 stations with a strong signal, with a man, and later a woman, speaking slowly in Romanian. These two stations alternated until about 0400. I also noted a weak signal on 756 KHz. [Dangerfield-PA]

864 FRANCE Paris, MAR 29 0505 - Woman singing // to 837. [Dangerfield-PA]

891 unID, APR 9 0214 - rock music, PP or SS talk poor, so maybe Portugal; instead of Algeria. [Connelly-MA] (Possibly Cuba, see logging below - Jim)

909 ENGLAND synchros, M/AR 29 0440 - Heard with talk program // 693. [Dangerfield-PA]

1044 SPAIN San Sebastian, MAR 26 0250 - In well with 10 KW over 300 KW Morocco. Had instrumental pop music and a woman announcer, better yet at 0445. [Dangerfield-PA]

1098 CANARY ISLANDS // SPAIN, APR 24 0521 - man & woman in SS; good. [Connelly-MA]

1107 SPAIN RNE-5 synchros, MAR 30 0415 - Nice signal, man and woman (what would we do without them?). Wish I could tell what station I'm hearing. [Dangerfield-PA] (Your only chance for a local ID is during local ad blocks heard occasionally heard before the hour and half-hour, and - by the way - that man and woman are heard on stations all over the world! - Jim)

1107 SPAIN, APR 24 0514 - SS talk, jazz, poor // 1143, 1152. [Connelly-MA]

1107 EGYPT Bahrah, APR 9 0207 - AA male Koranic chant; fair to good through slop. APR 10 0206 - Koranic a cappella vocal; good, hitting S9+20 on peaks (about equal to adjacent WWWE - 1100 & WRT/WHIM - 1110). Egypt completely dominated over Spain, apparently due to dawn-enhancement of the former. [Connelly-MA]

1125 unID (Bulgaria or Russia probable), APR 10 0253 - classical piano music; occasionally breaking over heavy WBBR slop. [Connelly-MA]

1143 SPAIN, APR 24 0512 - SS talk, jazz, poor; // 1107, 1152. [Connelly-MA]

1152 SPAIN, APR 24 0510 - man & woman in SS, then jazz music; fair; // 1107, 1143. [Connelly-MA]

1206 FRANCE Bordeaux, APR 7 0417 - ff vocal; poor to fair. [Connelly-MA]

1215 RUSSIA Bolshakovo, APR 10 0300 - I was surprised to find a huge OC here with only background evidence of the usual UK & Spain stations. Then, the "Midnight in Moscow" chimes came on, then time pips and talk at 0300 sign-on. This was a complete surprise! [Connelly-MA]

1251 LIBYA Tripoli, APR 6 0343 - big OC. APR 9 0204 - female AA vocal at low audio level on monster carrier; other stations (likely Hungary & Portugal) rumbling around underneath. APR 19 0323 - AA female vocal & talk at low audio level; big carrier. [Connelly-MA]

1269 unID's, APR 9 0201 - stew of signals here with apparent blend of Slav / GG / SS talk. [Connelly-MA]

1305 SPAIN / ? APR 24 0506 - mx. & SS talk (not sure if both audios were from same station). Bad low-pitched growl was present. [Connelly-MA]

1314 SPAIN, APR 24 0505 - dominant with SS news by woman; slopped by CKEC - 1320. [Connelly-MA]

1332 ITALY Rome et al., APR 7 0413 - news by woman in II // 1575; fair through WRCA slop. [Connelly-MA]

1359 SPAIN Arganda, APR 24 0500 - pips, SS news by woman; splittable from local WTYN - 1360. [Connelly-MA]

1375 ST. PIERRE ET MIQUELON, APR 15 0332 - woman in FF; fair to good. [Connelly-MA]

1377 FRANCE Lille, MAR 31 0502 - Good signal with a choir and possibly a religious service. Man in FF at 0504. The choir sounded like the one at Notre Dame. [Dangerfield-PA] (During Holy Week - Jim)

1386 RUSSIA Bolshakovo, APR 9 0157 - bits of classical music. APR 10 0304 - fair with woman in RR. [Connelly-MA]

1422 GERMANY Heusenweller, MAR 31 0455 - In briefly with instrumental music, man in GG at 0500, news? [Dangerfield-PA]

1467 FRANCE Roumoules, APR 7 0357 - religious choral music; fair to good (but choppy fades). APR 7 0410 - good with woman in GG. APR 22 0402 - religious music; in slop. [Connelly-MA]

1476 unID, APR 9 0155 - two carriers (SAH about 2 Hz) - bits of AA-sounding talk, so maybe UAE on dawn-enhancement. [Connelly-MA]

1494 RUSSIA (tentative), APR 9 0153 - bits of Slav-sounding talk, also a test-tone was noted. [Connelly-MA]

1503 POLAND (f), APR 10 0308 - carrier, possible Slav talk in WTOP - 1500 & WSSH - 1510 slop. [Connelly-MA]

1503 SPAIN, APR 24 0451 - music; SS talk; poor through WSSH-1510 / WTOP-1500 slop. [Connelly-MA]

1512 BELGIUM Wolvenstem, APR 7 0409 - pop rock music; in bad WSSH slop. [Connelly-MA]

1512 SAUDI ARABIA Jeddah, APR 9 0148 - AA a cappella vocals; to good peaks with WSSH slop null'd with the RTL-2 loop. WSSH is one local pest that seems to null better with the loop than with the phased wires. [Connelly-MA]

1521 SAUDI ARABIA Duba, APR 10 0307 - female AA a cappella vocal; S9+50 (!), like a local, completely mauling WWKB. APR 19 0258 - AA music fair to good; few other TA's noted at the time. [Connelly-MA]

1521 SPAIN, APR 24 0448 - man in SS; to fair peaks through residual slop from phased WWKB. [Connelly-MA]

1530 VATICAN, APR 2 0158 - just under a strong WCKY with a choir, followed by interval signal and a woman speaking. [Dangerfield-PA]

1530 SAO TOME & PRINCIPE, APR 22 0412 - VOA about equal to WCKY with African Service in EE // 7405 - end of news followed by "Newswire" with Neil Curry; in-depth reportage of Sept attacks on clinic in Gorazde, then items about Rwanda. Bits of a third station (presumably Vatican) way off in the background. On this generally mediocre DX night Sao Tome was actually one of the best TA's! APR 24 0420 - VOA noted with EE talk about the Muslim religion and culture around the world. Signal poor behind WSAL (ex-WCKY)

1548 ENGLAND, APR 9 0150 - man in EE; poor. APR 24 0434 - fair with EE news by woman. [Connelly-MA]

- 1577 FRANCE Nice, MAR 31 0505 - Fair signal with a soprano and a woman in FF at 0508. Again on APR 3 0500 with a man talking before a male vocal. [Dangierfield-PA] APR 24 0435 - pop rock; poor in WQJEW slip. [Connelly-MA]
 - 1575 ITALY Genova et al., APR 7 0407 - news by woman in II // 1332; good, atop Spain. [Connelly-MA]
 - 1575 SPAIN, APR 24 0440 - fast SS news // 1584 to fair peaks. [Connelly-MA]
 - 1584 SPAIN, APR 24 0438 - good with man & woman in SS. There was considerable echo with audio delays up to a full second (!) between the various co-channel stations on the network. [Connelly-MA] (No, Mark, it's because as you get older one of your ears gets out of phase with the other! - Jim)
 - 1611 VATICAN, APR 2 0340 - Very strong with woman in RR. How do these Vatican stations get out so well? Especially this 15 kW one here? [Dangierfield-PA] APR 6 0335 - hymn by men's choir; fair to good (stronger than Anguilla - 1610). APR 7 0402 - man in Slavic-sounding language mentioning Jesus; good. [Connelly-MA] APR 14 0350 - Poor, woman in Slavic language, interval signal at 0400, then more slavic (possibly Ukrainian), first time in Winnipeg! [Axelrod-MB] (See STATION NEWS below - Jim)
- Ben speaks:* "The DX continues. On the last 4 nights I have noted 43, 59, 34 and 40 TA signals respectively. This includes some weak hets, of course, but also quite a bit of audio and some pretty good signals. I keep trying to relate the better TA cycles with the full moon as some of the oldtimers did, and it does seem that over the past four months this did the in, plus or minus 10 days to a week. However, some of my best loggings were not even close to the full moon, so there you go!" (maximum/minimum A-indeces follow a 28 day cycle, so it's reasonable to expect that TAs might be in synch with the full moon during the course of a season - and out of synch the next - Jim)
- Sharon speaks:* "A TA at home unheard of, but there two nights in a row. Only TA to make audio, though hets on 1008, 1035, 1107, 1134, 1314 and 1602. This season isn't over yet!"
- Mark speaks:* "Conditions have certainly deteriorated, especially to Europe. Still, the spring season can still yield good DX on trans-equatorial paths (e. g. deep Africa, Brazil) on auroral nights when good receiver / antenna / location combinations are used ... High-band dawn-enhanced openings seem to be the bright spot during the otherwise mediocre conditions that characterize this time of the year. Those on the east coast of the USA & Canada should look for high-band openings into Spain around 0400 to 0500 UTC. Some of these signals can rise up from the domestic slop to good levels quickly and unexpectedly (and later they can disappear just as fast)."

PAN-AMERICAN DX

- 530 COSTA RICA R. Rumbó, Cartago, APR 3 0345 - With a program of ranchera. [Objio-DR]
- 533 TURKS & CAICOS, MAR 6 & MAR 8 heard here, then back to 535 on MAR 14. [Meloché-ON]
- 535 TURKS & CAICOS / GRENADA, APR 10 0126 - T&C with SS talk over apparent BE religion from Grenada. (There was a growl (beat note) of about 50 Hz between the two stations. [Connelly-MA])
- 540 MEXICO XEW Monterrey, APR ? 0409 - Announcing Mexican singers, then a song, probably entitled "Le cassette" (You Got Married) because of the repetition of the words. IDed as "WVA" at 0409, then more Mexican music. [Objio-DR]
- 550 VENEZUELA R. Munday, Caracas, APR 1 0402 - IDing as "VYKE Munday" at the end of a Dominican merengue, then ID, and after that a "typical Venezuela song criticizing government corruption with joropo music and a harp "Oiga, Senor President" (Listen, Mr. President), beautiful. [Objio-DR]
- 555 ST. KITTS & NEVIS Bassefere ZIZ, APR 10 0128 - political speech by man in Caribbean EE; to fair peaks. [Connelly-MA]
- 560 JAMAICA - Probably JBC with typical accent. A very long talk by a woman, very good, but did not wish to wait for an ID. I've heard them before. [Objio-DR]
- 600 BRASIL R. Gaucha, Porto Alegre, APR ? 0413 - Surprised to hear Portuguese here, suspected Brasil, until I heard "Gaucha at 0413, then no doubt. [Objio-DR] (Nice - Jim)
- 610 TRINIDAD & TOBAGO?, APR 25 0400 - fair to poor with WZZK/WDAF with contemporary music (mostly from the '60s, '70s and '80s), someone with English announcements. Quality of studio-transmitter link (likely a standard phone line) lower than those in use here in the United States (digital phone lines and microwave are most commonly used for studio-transmitter links in the U.S.). Best guess may be Port of Spain, Trinidad and Tobago. It seems to have an AC/NOS format, and IDs as "?? National Radio 610" (couldn't get the first word) by slightly accented male and female announcers. The WRTVH '94 says the station in Port of Spain, Trinidad and Tobago IDs as "NBS Radio 610", so there may be a

- possibility that NBS-Trinidad and Tobago may have added "National Radio" to their name. This is the second night in a row that this foreign station (likely a Caribbean station) has been heard here on 610. I'm 95% sure it's Trinidad and Tobago, but in reviewing the tape, the three letters said before "National Radio 610" sounded like RTT, but I may be confusing it with NBS, the occupant of the 610 slot in Port of Spain. A tentative report will be sent shortly. International DXpers may contact me at dxkx13a@prodigy.com. [Buene-man-MO]
- 610 HONDURAS Radio America HRLP Tegucigalpa, APR 26 0353 - good to fair over WDAF/tentative Trinidad and Tobago with information programming promo, "Radio America" IDs, local ads in SS, at times in at semi-local strength! HRLP7-630 also in. Somehow, I've stumbled upon good conditions to Central America and the Caribbean! [Buene-man-MO]
- 630 MEXICO La Estacion de las Noticias XEBB Monterrey, NL, APR 13 0413 - good to fair over WAVU/other with local ads and local, national and world news in SS. (English translation: "The News Station.") Local KXOK 630 off. [Buene-man-MO]
- 630 HONDURAS Radio America HRLP7 La Ceiba, APR 25 0241 - good to fair over XEBB with "Radio America Deportiva" promo, another station promo, "Radio America" ID, then notidas. WRTVH '94 lists three stations on 630 relaying HRLP-610 Tegucigalpa (all with 1 kW). La Ceiba is the closest one as this city is on the northern coast, facing North America so this is the most likely of the three. The other two relays on 630 are HRLP3 Choluteca, and HRLP13 San Lorenzo. Local KJSL not yet on. [Buene-man-MO]
- 650 COLOMBIA Antena 2, Bogotá, APR 8 0550 - Good, with talk by man and woman, mention "Antena Dos de Colombia", more SS chatter. [Meloché-ON]
- 650 MEXICO XEINT Los Mochis SIN, APR 14 1157 - Mexican music, canned ID at 1159:50 "¡D, escucha XEINT, La Sesenta y cinco, La ... desde Callejon Sinaloa (should be Calle Sinaloa?) 442 Puente en Los Mochis, Sinaloa. 650 KHz en la banda de Amplitud Modulada, ml waits en antena, orgulloosamente regional" and into news, fair signal. [Wilkins-CO]
- 694 CUBA R. Progreso, Jovellanos, MAR 20 2330 - Noted strong at this time and throughout the evening. Was back on 690 the next day. [Dangierfield-PA]
- 700 COLOMBIA CARACOL, Cali, APR 9 0948 - Fair-good with man in SS with talk, and many IDs, heard through WLVW. [Meloché-ON]
- 720 VENEZUELA R. Oriente, Maracaibo, APR ? 0542 - IDing, with romantic music. [Objio-DR]
- 730 UNID, APR 11 0944 - Good with SS pops, "R. Oriente" ID, timecheck at 0947. [Meloché-ON]
- 730 UNID, APR 10 0130 - maybe Trinidad here with Carb. EE-sounding talk mixed with CKAC groundwave during sent-auroral low-band conditions. [Connelly - MA]
- 740 UNID, APR 3 0852 - From 0852, poor with WIAC (San Jose, Puerto Rico) and CHCM (Marystown, Newfoundland) QRM. Spanish, Latin ballads played by a male announcer giving TCS. Cuckoo-clock sounds between selections with several mentions of "Super". Elusive -- I've heard this before. WIAC dominated at 0900, so I had no chance for an ID. Probably Colombia, but strange that I was getting CHCM drifting in on the signal. The Kiwa was aimed almost at right angles to CHCM! Funkenhauser-ON! (In 1994 WRTVH R. Maracaibo is shown as part of Sistema Super Radio - Jim)
- 750 COLOMBIA CARACOL, APR 1 0426 - Very good ID as Caracol and "R. Noticias", the time was given as 11:25 at 0426. [Objio-DR]
- 750 JAMAICA RIR Galna, APR 18 0210-0233 - EZL music with listener phone-ins to male DJ. Religious program til 0303, then local news and fade-out at 0307. Numerous ID's throughout, and mostly excellent signal. [Shatz-NY]
- 760 COLOMBIA RCN Barranquilla, APR 2 1251 - With news, when IDed. [Objio-DR]
- 770 MEXICO XEPMN?, Cd. Manate, APR 8 0302 - Heard man in QRM with XEPMN ... emisora ... Cd. Manate". About 90% sure of call, not so sure of QTH, there is a Cd. Manate in Tamaulipas. Mix with KKO and another XE or two. [Wilkins-CO]
- 770 UNID, APR 8 1200 - Heard "F-S Tropical" (for similar) in QRM. Maybe a slogan, maybe nothing at all, into news at 1200. 770 is getting kind of messy these days. [Wilkins-CO]
- 770 WXEI?, APR 12 0227 - Mexican music, male announcer, sounds Mexican, but at 0302 heard "Doble u equis eh jola" [WXE] clearly. Nothing fits; may have been just a mention of a station in network during news break. [Wilkins-CO]
- 780 VENEZUELA R. Coro, APR 1 - With time as 11:20 at the end of a song entitled "Cuando Florezcan Las Amapolas" (When Poppies Bloom). [Objio-DR]
- 790 VENEZUELA San Cristobal, WQJEW, APR 19 0230 - rustic-style SS vocal & guitar then talk "Ecos del Torbes presenta ...", dominant. I was surprised at getting this in the clear instead of usual Coro. [Connelly-MA] (Yes, this old stand-by is rarely heard these days. - Jim)
- 790 MEXICO XEIPC Chihuahua CHIH, APR 13 0400 - "En la Cd. de Chihuahua, esta es XEIPC, R. Rancho, 790 KHz, 5000 watts de potencia"; then into PSA. Generally fair, not much QRM. [Wilkins-CO]

- 880 NETHERLANDS ANTILLES PJB Bonaire, APR 2 0325 - Fair with religious program and prayers in EE. TWIR ID. [Axelrod-MB]
- 830 MEXICO XEQV Navolato SIN, APR 8 1204 - Ad for "Supermercado DN" en Costa Rica, Sinaloa; "La Grande de Sinaloa" slogans, contest promo with Box 120 mentioned (as in WRTI), generally fair; not much QRM. [Wilkins-CO]
- 830 ST. KITTS & NEVIS Basserre, APR 10 0117 - talk about 410 stations on the network preaching the gospel. Loud (S9+20) // 7510. APR 19 0212 - excellent with religious C&W vocal, then preaching by southern-accented woman; // 7510. (S9+20) // 7510. [Connolly-MA]
- 840 MEXICO XEXXX Tamazula, MAR 24 0350 - fair with Mexican ballad music. Triple X ID, new! [Axelrod-MB]
- 850 COLOMBIA R. Recurdos, Bogota, APR 3 0057 - (Ding with "HJKC 850 Santa Fe de Bogota, Caracol", very good with ads. [Objio-DR]
- 850 PUERTO RICO WABA, Aguadilla, APR 2 1242 - Like a local, relaying WKAQ-580 R. Radio newscast, which could not be heard on 580, naturally it is in San Juan (farther than Aguadilla), so only R. Fe 580, Maracibo. [Objio-DR]
- 860 NETHERLANDS ANTILLES R. Curon, Willemstad, Curacao, APR 2 1253 - In Papiamentu, only heard when R. Clarin is off. [Objio-DR]
- 860 VENEZUELA R. Enlace 8-60, Valle de Pascua, APR 3 0100 - Ads and typical Venezuelan music, joropo with harp at 0100. [Objio-DR]
- 880 VENEZUELA "Paraguana 8-80", APR 1 1615 - New station on the Paraguana peninsula, in the Coro area, very good with news about the beaches. [Objio-DR]
- 885 MONTSERRAT Plymouth ZJB, APR 10 0112 - excited Caribbean talk spoken by man & woman; weak. [Connolly-MA]
- 890 XENZ Culiacan SIN, APR 7 1207 - Probable with tuba music, typical of Mexico's west coast, male announcer with MST or PDT timechecks, spot for Iondhera Buena Vista. Today, and on other occasions, have heard "La Fiesta Mexicana" mentioned, so I think it is their slogan, not "Fiesta Latina" that is listed. Over/under KVOZ, also SS. [Wilkins-CO]
- 891 CUBA MAR 31 0030 - Not sure which one, but very strong on this frequency from this time on. Blocked Algeria. Also noted but not as strong on APR 3 0200-0400. What kind of standards do they have in Cuba? [Dangerfield-PA] APR 6 0231 - Hearing WLS with "R. Progreso", man and woman announcers, light vocals, good signal, even this far west. [Wilkins-CO]
- 895 ST. KITTS & NEVIS Charlestown, APR 10 0154 - reggae & calypso music; good to excellent. [Connolly-MA]
- 900 VENEZUELA Mara Ritmo 900, APR 2 0450 - ID and pop music. [Objio-DR]
- 910 PUERTO RICO WPRP? Ponce, APR ? 0107 - Weak, with baseball game. [Objio-DR]
- 920 MEXICO XETAA Torreon COAH, APR 6 1133 - Canned ID: "XET Doble A, Radio Exitos, energia pura. 920 kHz en amplifitad modulada; cinco mil watts de potencia, Torreon, Coahuila, desde la Comarca Fuera ["From the Outer Limits"]", then into U. S. rock song, fair over/under QRM. [Wilkins-CO]
- 940 VENEZUELA Super Radio Punto Fijo, APR 1 1803 - With news about "vacacionistas" travelling during Holy Week. [Objio-DR]
- 950 VENEZUELA R. Informativa, Caracas, APR 3 0110 - Many, many IDs, 8:09 time check, news, local R. Popular off. [Objio-DR]
- 960 COLOMBIA Magangue HJOP, APR 3 0448 - With ads for Avianca, Seguros Nacional. [Objio-DR] APR 19 0310 - severe CARACOL mentions, SS tele-talk, good over CHNS / others. [Connolly-MA]
- 960 ARUBA R. Victoria, Oranjestad, APR 2 1320 - With programs in EE. [Objio-DR]
- 990 COLOMBIA HDDB Medellin, APR 8 0623 - Poor, RCN network, political program // 770 and 1020, new! [Axelrod-MB] (According to station, this is now 100 kW - Jim)
- 1000 COLOMBIA Cartagena HJAQ, APR 19 0243 - RCN mention, SS talk about Colombian politics. [Connolly-MA]
- 1020 COLOMBIA HJFQ Pereira, APR 8 0524 - Good with RCN political program, // 770, new! [Axelrod-MB]
- 1020 TURKS & CAICOS, APR 19 0245 - black gospel vocal, then ID "Superpower 1020, Caribbean Christian Radio from Grand Turk in the British West Indies", well over KDKA & others. [Connolly-MA]
- 1030 PUERTO RICO WOSO "El Oso" (The Bear), San Juan, APR 2 0444 - Surprised to hear this station so strong and all in EE, despite local R. Comercial 1010, though R. Central 1040 off. Many ads for Sears and other companies. I did not know who they were till they IDed at 0444. Heard them again APR 3 0112, very good; increase of power? [Objio-DR]
- 1070 VENEZUELA Mundial Zuhia, Maracaibo, APR 3 0529 - With news and ID. [Objio-DR]

- 1100 COLOMBIA CARACOL Barranquilla, APR 2 0438 - With news. [Objio-DR]
- 1101 undD, APR 10 0243 - net against WWWE. I think that this is the Colombian noted by others. [Connolly-MA]
- 1160 BERMUDA Hamilton VSB3, APR 19 0248 - "On the Sunny Side of the Street" by Pete Fountain, played on BBC big-band jazz show // 5975. Sometimes atop the WSKW/WOBM/WVNY melange, sometimes under it. [Connolly-MA]
- 1340nd VENEZUELA R. Falcon, Sintrota Tushita 94, APR 1 1758 - Not on 1350 as in WRTI, and as they themselves announce. News about the movement of tourists during Holy Week on Venezuelan highways. [Objio-DR]
- 1420 VENEZUELA R. Marabina, Maracibo, APR 2 0430 - Pop music; did not mention the word "Super" as it is used by most Venezuelan stations. [Objio-DR]
- 1430 VENEZUELA "Bahia" (did not use "Radio?"), Puerto La Cruz, APR 1 0443 - Repeating "Bahia" several times, then a song. [Objio-DR]
- 1520 PUERTO RICO "R. Aeropuerto Quince Veinte AM", San Juan, APR 3 0136 - Announcing a program entitled "Por Una Cabeza" (For One Head), a horse racing program with the musical introduction of Carlos Gardel singing that song, then another ad for a program of tangos. [Objio-DR]
- 1530 PUERTO RICO WUPR Utuado, APR ? With a baseball game between Utuado and Poverur, ads for ferreteria in Utuado, Centro car service. [Objio-DR]
- 1530 MEXICO XEUR Mexico DF, APR 14 0746 - Good with lively music, ID as "Radio Onda, Onda, Onda". [Axelrod-MB]
- 1580 PUERTO RICO R. Jefe, Morovis, APR 3 0123 - With a baseball game between Aguadilla and Vega Alta, with this one in the 4th inning. [Objio-DR]
- 1610 ANGUILLA The Valley, APR 19 0229 - religious group vocal; fair to good. [Connolly-MA]
- 2120 HONDURAS LV de CentroAmerica APR 9 0315-0321 - ID and ads. Excellent signal. 2x1060 harmonic. [Moore-IA]
- Eric speaks:* "I've also been logging Cuba in the evening hours on 640, after midnight CDT, KEI, WWLS and WOJ battle it out on 640, while WJIZ still dominates on 620, along with an undD SS (maybe another Pan-American station or WSKQ). WAVU (all 28 watts) has been hogging 630 the last few nights, with the only other 630 heard at night being XEPB with its all-news format in SS."
- Dor speaks:* "Logs dated APR 8-10 were made at the MARE DXpedition at Island Lake State Recreation Area, near Detroit, Michigan. Equipment was an unmodified Sony ICF-2010 connected to a 360 foot north to south nut-beverage, via a diode protection block. Loggings with other dates were made in at home in Daveport with an R-5000 and two 400 foot mini-beverages."

STATION NEWS

- BELGIUM: RVI uses 1512 0400-2300, they increase power at local sunset. [BE in ARC APR 17 1994]
- CLANDESTINE: National Radio of the Saharan Democratic Republic now observed on 11800 in parallel with 1544 and 576 (announced). Transmissions are in AA to the Middle East, scheduled 0600-0800 (exc. Fr), 0700-0900 (Fr), and 1800-2400. A transmission in SS can be heard irregularly at 0000-0100. [Benelux DX Club in Medium Wave News MAY/JUN 1994]
- GERMANY: The following NDR transmitters have been taken out of service: Rostok 559, Schwern 576 and Kiel 612. The output power of Hamburg 972 is now 100 kW (ex 400), Hannover 828 50 kW (ex 100), [Hilpertberg 657 20 kW (ex 40) and Lingen 792 5 kW (ex 10)] [Kurier via DXclusive #690 in ARC APR 17]
- MEXICO: Further listening on 2020 kHz has proven it was Radio Lobo 1010 from Mexico, and not the Dominican Republic as first thought. There are still some reports from the southern U. S. of the Radio Comercial 1010 being heard on 2020 on Glenn Hauser's World of Radio. Our 1010 // 2020 was Radio Lobo as also heard on World of Radio. Just love these mix-ups. [Axelrod-MB]
- NETHERLANDS: RMC 702 plans 1200 kW. [HR, Wurtzburg in ARC APR 17]
- NETHERLANDS: Holland FM 1224 kHz; Address is incorrect in previous posting. It has also been reported incorrectly by other people. According to a station QSL card its address is: Holland FM, Eendrachtsweg 36, 3012LC Rotterdam Netherlands. [Derek Taylor and Medium Wave News via Steve Whitt e-mail]. Currently operating with a 10kW transmitter from an underground emergency bunker at Nozema site at Lopik. Actual radiated power is less (approx 2.5kW) limited by local radiation limits. Holland FM has bought the Communicator radio ship (ex Laser 558) which it wishes to operate from the middle of the IJsselmeer. The intended site was a small harbour on the 20km dyke crossing the sea from Enkhuizen and Lelystad. Operation here is proposed to be about 40kW for coverage of much of the Netherlands, failing this plan, Holland FM may be stuck with using several low-power land-based sites which is considerably more expensive than one higher-power site. Address: 1 Draksweeg 37, 3012LC Rotterdam, Netherlands

(station will QSL). Programming has a large proportion of Dutch music. [Jonathan Marks, David Duckworth and Derek Taylor via Steve Whit e-mail]

UNTTED KINGDOM: Virgin Radio 1215 is currently campaigning for an FM frequency, undoubtedly with the debate over the use of 105-108 MHz in mind. On-air announcements are advertising an "FM petition pack" ... they hope to present the RA with "millions of signatures". [Tony Rogers in Communication, March 1994 via *Dishtech* 4/94]

UNTTED KINGDOM: The Radio Authority has received six applications for the third Independent National Radio licence (INR3). This station will use the 1053/1089/1107 KHz channels currently occupied by BBC Radio 1. The RA hopes to announce their decision in June/July 1994. The highest bid, at GBP 3.82 million, came from Talk Radio UK Ltd. [BDXC in ARC APR 17]

VATICAN: 1692 kHz Vatican Radio. Spurious signal noted here consisting of mix of audio from Vatican transmitters on 1530 kHz and 1611 kHz. This is an intermodulation product = (2x1611 kHz) - 1530 kHz thought to be generated at the transmitter. Noted around 2030 UTC. Spurious signal on 1692 kHz noted in Suffolk, England. Similar problem noted in Preston directly affecting 1611 kHz output. [Derek Taylor and Steve Whit e-mail] Vatican Radio is now using approximately 100 kW on 1611. [BE in ARC APR 17]

YUGOSLAVIA (?): 1062 kHz UNID probably in former Yugoslavia. New station first noted early April with overnight operation. Eclectic music mix (including local music, Irish music, US 1960 pops etc) with presenter & phone calls in East European language (definitely not Polish or Russian - probably Serbo/Croat). Time checks definitely Central European. Extremely distinct time pip at top of hour consists of a very violent Cuckoo Clock! Very clear signal after Denmark and Italy sign off 1062kHz. Very loud modulation. [Steve Whit e-mail]

TA BEACONS: 1635 Brest Radio FRANCE, ship-to-shore telephone (ship on 2049 kHz); 1641 Lands End and Nilton Radio UK, navigation warning WZ783.773; 1641 Nilton Radio UK, Thames Pilgrage Services/traffic list; 1677 Main Head Radio IRELAND, Navigation warning 219, 1688 Edda ? Radio, navigation warning 289, 1692 Boulougne Radio FRANCE, navigation warning; 1698 La Corona Radio SPAIN, station-station communications; 1704 Lyngby Radio DENMARK, Gale warning/Nav warning 523; 1704 Tarifa Radio SPAIN, Navigation warning 339; 1707 North Foreland Radio UK, gale warning; 1713 Scheveningen R NETHERLANDS, weather forecast // 1716 kHz. [heard APR 1994 by Steve Whit (UK) in Medium Wave News MAY/JUN 1994]

UNIDS (in DXN 61-24)

1030 "unID RCN" - the 1993 WRTM lists HER as RCN, not Antena Dos, therefore not // 650, so possibly 1994 WRTM is wrong. [Wilkins-CO] (Thanks, John - Jim)

1510 "XEZ?" - The 1990 IRCA Mexican List shows an XEQI on 1510 from Monterrey, listed as 10 kW days however. [Wilkins-CO]

1550 "XEREN" - IRCA Mexican List shows call as XEREL in Michoacan, Morelia with only 500 watts. [Wilkins-CO]
1560 "XEMAR" - both 1994 WRTM and 1990 IRCA List show call as XEMAS with 1 kW day and night. [Wilkins-CO]

John speaks: You wondered "so why tentative?" regarding XEMBC-1190 [in DXN 61-24]. I guess I'm pickier than most when it comes to ID'ing a station. If I had heard a phrase such as "aquí en Radio Variedades de Mexicali", i.e. "tying together slogan and city, then I would have counted it. But "Mexicali" is everything, a mere mention of "Radio Variedades" is not an ID, a mere mention of "Mexicali" proves nothing; PST timechecks are only a clue. These items were heard separately and may not have been coming from the same station - there was QRM on the frequency. This definitely ranks as probable, but until I'm 100% sure in my mind, not 95%, I'll not positively count it. Also "Radio Variedades" is a very common slogan, used by many XE stations, and just because a station is listed somewhere as using a certain slogan doesn't mean it is so. "Logging" still remains one of the cardinal sins to be avoided by DXers. There is no substitute for a real station ID. Anything less is either "unID", "tentative" or "probable", depending on the listener's degree of confidence. (John, I agree with everything you say. The way you described the logging gave me the impression that the items you heard were one after another from a single signal, apparently they were more fragmentary and more open to question. - Jim)

QSL INFORMATION

MEXICO: 620 XERU Chihuahua. PFC, note, stickers in 19 days for C-10 tape, \$1. V/s Reyna Salton de Boone, Depto. de Continuidad. [Wilkins-CO] 820 XEUDO Los Mochis. PFC, n/d letter, postcard in 50 days for \$1. V/s Lic. R. Irma Penabaz Castro, Directora, Address: Blvd. M. Gavayola y Carretera Int'l, A.P. 926, 81200 Los Mochis, Sinaloa. [Wilkins-CO] 830 XELK Zacatecas. PFC, n/d letter, desk calendar in 72 days for \$5 report, \$1. V/s Francisco J. Llanas A., still using "Onda Juvenil 128" stationery. 50th XE QSL on medium wave. [Wilkins-CO] XEQ-940 sent qsl

card and letter in 3 months by certified air mail, along with XEW-900 banner, and stickers from XEQ 92.9, XEX-730, XEW- 900 and XEQ-940; v/s is Ing. Miguel Angel Barrantes Valdez, Director Técnico de Plantas Transmisoras, Grupo Radiópolis, Tlalpan 3000, Col. Espartaco, C.P. 04870, Mexico City. [Kentrew-NY]
TURKS & CAICOS: RVC 535. Usual f/d card from Box 2908, Patterson NJ. V/s Bob Janney KANVVO, CE. [Wilkins-CO]

CONTRIBUTORS

Ben Dangerfield, Wallingford PA; HQ-180, Radio West Loop.
Eric Buerneman, N0UHF, Hazelwood MO; Realistic DX-200, Worcester SM-2.
Jim Rennew, Rochester NY; HQ-180, Radio West Loop
Shawn Axelrod, Winnipeg MB; ICOM ICR-70 with PLAM Board and filter mods, 100' longwire, 4' box loop, Quantum Loop.
Herb Shatz, Warwick NY; ERG 7000 and Quantum Loop.
Mark Connolly, WALION, Billerica. Drake R8, two slopers (approx. 37 m. each) via noise-reducing transformers to DL-1 Phasing Unit <OR> RTL-2 Remotely-Tuned Loop --- Both setups are passed through MWT-3 Regenerative Tuner.
Don Moore, Davenport IA
Werner Runkenhauer, Kitchener ON; ICOM R71A, Kw a Mediumwave Loop.
Steve Whit, *Medium Wave News*, United Kingdom.
Chris Melodie, London ON; Yaseu ERG-8800, 4' loop, 300dB Amp/Preselect, CE Superadio II
John Wilkins, Wheat Ridge CO, Drake R-8, 4' Box Loop
Cesar Obijo, Santo Domingo, Dominican Republic; TRF Realistic, 4' loop.

International DX Achievements

International DX totals listed periodically in different categories

Paul Swearingen

2840 SE Illinois Avenue
Topeka, KS 66605-1427

| Year | DX'er | Location | Last Update | Total Verified | As | Chrs | Frgn | SA | NA | Eur | Oc | AF |
|------|-------------------------|-----------|-------------|----------------|----|------|------|-----|-----|-----|-----|----|
| 1952 | Mcintosh, Eric | NZ | 1965 | 666 | 81 | 63 | 695 | 2 | 301 | 45 | 253 | 4 |
| 1952 | Miller, Roy | WA | 1993 | 2034 | 63 | 81 | 369 | 34 | 154 | 18 | 99 | 1 |
| 1977 | Vernon, Brian | YU | 1981 | 314 | 55 | 39 | 232 | 1 | 7 | 63 | 106 | |
| 1983 | Schlegelour, Gray | CA/ON | 1971 | 526 | 26 | 47 | 440 | 10 | 354 | 18 | 31 | 1 |
| ? | DeJill, Sam | Australia | 1978 | 362 | 23 | 37 | 218 | | 109 | 5 | 80 | 1 |
| 1958 | Taylor, Pete | CA | 1993 | 375 | 19 | 26 | 98 | 4 | 22 | | 13 | |
| 1958 | Gustafson, Hilding | IL/FL | 1993 | 865 | 14 | 115 | 319 | 36 | 68 | 115 | 61 | 24 |
| 1958 | Dargatzfeld, Ben | PA | 1981 | 422 | 8 | 118 | 323 | 44 | 84 | 148 | 8 | 31 |
| 1966 | Moore, Ray | MA | 1993 | 245 | 7 | 104 | 245 | 52 | 95 | 59 | 8 | 24 |
| ? | Callhann, John | ? | 1970 | 740 | 6 | 50 | 138 | 20 | 72 | 1 | 20 | 3 |
| 1938 | Anderson, Roger A. | VA/NV/PA | 1993 | 1448 | 5 | 105 | 514 | 78 | 227 | 123 | 48 | 28 |
| 1938 | Merriman, Alan | VA | 1993 | 1615 | 4 | 93 | 368 | 47 | 212 | 88 | 3 | 14 |
| 1946 | Holbrook, Hank | MD | 1993 | 2876 | 3 | 103 | 640 | 103 | 303 | 156 | 49 | 26 |
| 1940 | Mores, Stan | MA | 1993 | 3922 | 3 | 84 | 424 | 65 | 218 | 221 | 1 | 14 |
| 1933 | Geyer, Kermit | PA | 1993 | 6190 | 2 | 107 | 788 | 243 | 512 | 147 | 61 | 23 |
| ? | Sanpson, John | NJ | 1965 | 445 | 1 | 54 | 4 | 6 | 23 | 38 | 1 | 3 |
| 1962 | Eldmanns, R. J. (apeck) | NJ | 1993 | 897 | 1 | 43 | 56 | 37 | 845 | 14 | | |
| 1931 | Steele, Sid | IL | 1993 | 3071 | 1 | 35 | 298 | 12 | 103 | 2 | 8 | |
| 1938 | Wesolowski, Ernie | NE | 1977 | 1898 | 1 | 24 | 168 | 6 | 153 | | 7 | 1 |
| 1931 | Holland, George B, Jr. | NY | 1993 | 884 | 1 | 18 | 129 | 5 | 46 | 3 | 2 | 0 |
| 1981 | Buenneman, Eric S. | MO | 1994 | 472 | 0 | 12 | 40 | 1 | 470 | 2 | 0 | 0 |
| 1933 | Cooper, Ernest | VT/MA | 1980 | 4142 | | 79 | 760 | 131 | 528 | 88 | 7 | 6 |
| 1960 | Rigg, Andy | QC | 1993 | 1672 | | 69 | 203 | 48 | 83 | 65 | 6 | 6 |
| 1954 | Sarg, Jerry | OH | 1974 | 1209 | | 51 | 194 | 34 | 134 | 20 | 3 | 3 |
| 1962 | Falconer, Jeff | ON | 1976 | | | 49 | 1175 | 44 | | | | |
| ? | Mason, Ron | CT | 1994 | 1206 | | 36 | 30 | 30 | 30 | 6 | 1 | 1 |
| 1976 | Kealrew, Jim | NY | 1993 | 331 | | 35 | 51 | 7 | 44 | | | |
| 1955 | Palmer, Richard D. | IL | 1993 | 822 | | 33 | 94 | 4 | 77 | 10 | 2 | 1 |
| 1965 | Struss, Elliot | NJ | 1993 | 890 | | 33 | 41 | 5 | | | | |

| | | | | | | | | | | |
|------|-------------------------|-------|------|------|----|-----|----|-----|----|----|
| 1965 | Lang, John | CT | 1968 | 101 | 29 | 121 | 6 | 111 | 2 | 2 |
| 1966 | Reynolds, Bruce | MO | 1977 | 1103 | 28 | 40 | 9 | 21 | 5 | 3 |
| 1968 | Phillips, Dan | TN/AL | 1974 | 567 | 26 | 78 | 7 | 68 | 1 | 2 |
| 1931 | Wheeler, Frank | PA | 1985 | 1885 | 25 | 25 | 7 | 19 | 11 | 1 |
| 1969 | Pela, Joseph | NJ | 1965 | 738 | 24 | 35 | 4 | 19 | 11 | 1 |
| 1969 | Karczewski, Bob | MA/CA | 1975 | 204 | 24 | 141 | 4 | 112 | 6 | 33 |
| 1947 | Luton, Reile | NC | 1973 | 1049 | 23 | 142 | 4 | 102 | 3 | 33 |
| 1967 | Swarungen, Paul (taped) | KS | 1994 | 715 | 23 | 93 | 16 | 41 | 1 | 1 |
| 1967 | Eddle, Rich | MO | 1982 | 1570 | 22 | 32 | 2 | 29 | 5 | 1 |
| 1976 | Heinen, Wayne | NY | 1981 | 882 | 18 | 116 | 2 | 109 | 5 | 1 |
| 1974 | Katner, Mike | AZ | 1994 | 338 | 17 | 92 | 7 | 85 | 1 | 1 |
| 1941 | Kruse, Len | WI | 1983 | 926 | 17 | 53 | 8 | 45 | 13 | 13 |
| 1962 | Kerfoot, Tim | IA | 1971 | 4000 | 15 | 77 | 3 | 61 | 1 | 1 |
| 1964 | Sorensen, Morris | ON | 1975 | 342 | 13 | 299 | 2 | 255 | 2 | 2 |
| 1964 | Whannough, Dave | ON/MB | 1975 | 537 | 13 | 385 | 1 | 375 | 9 | 2 |
| 1977 | Wolfsch, Niel | ON | 1964 | 990 | 11 | 820 | 1 | 815 | 2 | 2 |
| 1968 | Byrdway, Phil | ON | 1977 | 397 | 11 | 20 | 4 | 14 | 2 | 2 |
| 1960 | Lynch, Don | WA | 1982 | 457 | 9 | 20 | 2 | 14 | 2 | 2 |
| 1962 | Edmunds, R. J (paper) | MA | 1980 | 266 | 9 | 157 | 3 | 10 | 1 | 1 |
| 1976 | Higgins, Earl | NJ | 1994 | 60 | 7 | 13 | 5 | 4 | 1 | 1 |
| 1973 | Erickson, Don | IL | 1981 | 412 | 7 | 5 | 9 | 8 | 1 | 1 |
| 1975 | Mount, Paul | CA | 1982 | 225 | 6 | 25 | 2 | 22 | 1 | 1 |
| 1975 | Barek, Daniel, Jr. | OH | 1978 | 23 | 6 | 6 | 2 | 22 | 1 | 1 |

This edition of IDXA, a month late, is by Asian venues. Next time: Africa. Join us and update!

Now and Then John D. Bowker

Dial changes in AM markets, from 1930 to 1948 to 1992

DAYTON MARKET

(NOT SHOWN, WLVW IS HIGHLY RATED IN THE DAYTON MARKET)

| | | | |
|------|-----|------|------|
| 1930 | | 1380 | WWSM |
| 1948 | 910 | 1210 | WWSO |
| | 910 | 1290 | WHIO |
| | | 1340 | WZEE |
| | | 1410 | WING |
| | | 1570 | WPTW |
| | | 1600 | WJEL |
| 1992 | 910 | 1210 | WWSO |
| | 960 | 1290 | WHIO |
| | | 1340 | WZEE |
| | | 1410 | WING |
| | | 1500 | WBZI |
| | | 1570 | WPTW |
| | | 1600 | WJEL |

NRC Letter Opener

\$1.75 each! Sturdy yellow plastic... opens letters, cuts string, package wrapping, and more! Order from NRC Publications - NY orders, please add sales tax.

Formats

Changes in programming status; reported by listeners

Tony Fitzherbert
356 Jackman Avenue
Fairfield, CT 06430-1728

Both Al Holtz and Dave Schmidt have sent along the information that WOGL-AM, 1210 kHz, in Philly became WQMP at 1:00pm, on March 18. WQMP, which stands for "The Game in Philadelphia", is now Philly's second all sports outlet. It will compete with essentially sports talk WIP-610 with a diet of Phillies baseball, Temple University sports, and American Sports Radio network feed.

Soon I will be off on my annual railroad trip, this journey over the Amtrak boulevard of steel to Miami, New Orleans, Chicago, and St. Louis. Along with employing the commuter rail facilities and rapid transit lines in these cities, I hope to get some interesting station profiles from radio in Miami and Chicago....and of course some format info for this column.

Your Formats column is courtesy of The N Street Journal, Eric Beneman, and Dave Schmidt. Here goes.....

- 590 WARM PA Soranton
 - 600 KVNA AZ Flagstaff
 - 600 WFSP NE Caribou
 - 630 KRVC NV Reno
 - 700 KSRV CA Soledad
 - 700 KCCV KS Overland Park
 - 780 KKOH NV Reno
 - 790 WRMS IL Beardston
 - 830 KBOA MO Kennett
 - 920 KDES CA Palm Springs
 - 950 WYSA AL Montgomery
 - 970 WKHM MI Jackson
 - 970 KNXP MI Austin
 - 980 WXBQ VA Bristol
 - 1010 KZRC OR Milwaukie
 - 1040 WHO IA Des Moines
 - 1130 WHHR SC Hilton Head Island
 - 1150 KSVZ TX El Paso
 - 1250 KZEP TX San Antonio
 - 1270 WGGC NC Belmont
 - 1280 WANS SC Anderson
 - 1290 KUMA OR Pendleton
 - 1340 KXEO MO Pikeville
 - 1360 KCMG MO Mountain Grove
 - 1370 KKSJ CA San Jose
 - 1400 WTEL KY Elizabethtown
 - 1400 RTWC OK McAlistar
 - 1450 WEXI MI Jackson
 - 1450 WELY MN Ely
 - 1490 WXBQ MS Biloxi
 - 1500 WDER MI Reed City
 - 1570 KPVK TX Terrell
 - 1590 WAKR OH Akron
- Full service days, oldies, local news and info, sports, real live DJ's, talk and sports at night (DS).
 - Talk and oldies, moved from 690 kHz (M).
 - Back on the air with religion (M).
 - Contemporary Christian (M).
 - Classical//KSRV-FM (EB).
 - Religion//KCCV-FM (EB).
 - News and talk (M).
 - Hot country//WRMS-FM (EB).
 - AC Monday - Saturday, Southern Gospel on Sundays (EB).
 - Oldies//FM (M).
 - Unistar standards (M).
 - News and talk (M).
 - Country//KMPX-FM (M).
 - Talk (M).
 - Hot Ac//FM (M).
 - News and talk, Talknet (EB).
 - News and talk//WLOW-FM 106.9 (EB).
 - Spanish//KINT 93.9 (EB).
 - Labbo Spanish talk (M).
 - Talk (M).
 - Country//WRIX-FM (EB).
 - Unistar standards (M).
 - Solid gold 1340^o oldies (EB).
 - Southern Gospel//KCMG-FM 106.5 (EB).
 - Ex-KEEN, Adlt standards by the time you read this (M).
 - PTP News and talk (M).
 - News and talk (M).
 - Country music (M).
 - Nostalgya//WELY-FM (EB).
 - SMN Standards (M).
 - Oldies (M).
 - Country music (M).
 - Drops talk for oldies (DS).

WVZZ 1360

From N Street Journal comes word that Inner City Broadcasting, owners of WJLB-1190, in New York City, is trying to buy port Wayne's WQMP, so that either the new owner can shut down WQMP, or carry WJLB's (a directional daytime) Black oriented talk and Caribbean format. Evidently the city fathers of Fort Wayne are not overjoyed at the prospect of losing their best known radio station, or its airing a format which will not really serve WQMP's market. Another oddity...the silent KOPY-1530, in Georgetown, Texas, has been bought by the Lower Colorado River Authority; to broadcast an all weather format, and, when appropriate, FLOOD WARNINGS! The new call? KPTR for "Water"! And WLVW, WZOU, and WOTO, all in Maine, and always simulcasting, have added Unistar standards...now the three stations can run totally automated. "Look, Ma...three stations and no board operator! How cool effective!!!" Our column is courtesy of The N Street Journal, and Gary Houdek. Here it goes.....

| | |
|--------------------------------|--|
| 600 WFRM PA Coudersport | - Country, talk. |
| 640 WISZ MI Zeeland | - CSN Childrens Network. |
| 810 WBY MI Rockford | - SEN Sports. |
| 830 KHNH HI Honolulu | - Univstar oldies. |
| 950 KAHJ CA Auburn | - News, talk. |
| 990 KRTW AZ Tucson | - Univ. CNN Headline News. |
| 1150 KSAL KS Salina | - All talk (Gary Houdek). |
| 1170 WFFL FL Bushnell | - Talk//WPRR. |
| 1230 KKUL MT Hardin | - JEN Country, talk. |
| 1230 KEE TX Nogocodches | - SNM Urban adult contemporary. |
| 1250 WQHL FL Live Oak | - PRN "For the People", MOR talk. |
| 1260 KMHK KS Hutchinson | - Gospel (Gary Houdek). |
| 1270 KIOX TX Bay City | - Univ. CNN Headline News. |
| 1290 KTVY TX Crockett | - Standards and easy listening. |
| 1300 WQAD MS Jackson | - Black, gospel. |
| 1330 KXRR AZ South Tucson | - JEN Easy listening. |
| 1330 WOLD VA Marton | - Country gospel. |
| 1340 WBBT GA Lyons | - PRN Talk. |
| 1350 WBNY NY Rome | - Univstar adult contemporary, SEN Sports. |
| 1370 WKJF MI Cadillac | - Country//WRCM-FM. |
| 1390 WREG ME Presque Isle | - Talk. |
| 1400 WXXI MS Jackson | - Urban adult contemporary//FM. |
| 1410 WQMD MI Grand Rapids | - CHR//FM. |
| 1450 WBFH GA Carterville | - News, talk, sports. |
| 1470 KXMD TX Henderson | - Country music (Gary Houdek). |
| 1480 WADR NY Remson | - AC/SEN Sports//WRNY-1350. |
| 1490 WQZR WV Charleston | - Gospel, urban contemporary, talk. |
| 1520 WXYB FL Indian Rock Beach | - Ethnic. |
| 1530 WJSP MI Lapeer | - SEN Sports. |
| 1540 WJNE OH Niles | - Comedy "Funny", see call. |

All for now. Thank you to our contributors.

73's.



Great Songs Great Memories

Unusual Signals Above 1600 kHz ... by Shawn Axelrod

Over the years there have been numerous loggings between 1600 and 1700 kHz of unusual Morse code signals. Many of these are the small Medeters, or small, very low-powered beacons run by private radio experimenters.

However, there are other signals that have mystified listeners for years. While looking through the *Grove Shortwave Directory*, I came across some excellent information that may help clear up these mystery signals. The *Directory* lists a series of frequencies and call identifiers for "Fishing Net Buoy and Beacons", identified as being used by offshore fishing boats.

It seems these boats or ships place radio transmitters on their nets or lines and use these beacons for locating via direction-finding antennas at a later date. Each of these CW identifiers is made up of numbers and/or letters in seven patterns. The beacons use ROMs that are factory-programmed in the following patterns:

- KA+ 4 or 5 numbers
- 8/9W + 3 numbers
- 1 letter + 1 number
- 1 letter + 2, 3, or 4 numbers
- 2 letters + 1, 2, or 3 numbers
- 5 letters
- 1 number + 3 letters

As you can see, there are a lot of possibilities for identifiers. Many of the KA calls start with an 8 or 9. The others vary

widely, but many do start with an A or B. It seems that there are beacons on almost every frequency from 1612 through 1797 kHz, and several of the frequencies have more than beacons on them, so be careful.

Besides these fishing net buoys and beacons, there are also other radio location signals that can be heard:
 DECCA HI-FIX: Uses one short, three long dashes per second.
 CUBIC ARGCO: Two four-second bursts of uneven chirps.

Also found in this area of the radio spectrum are two- or three-number CW identifiers from aeronautical beacons. These are for the most part from Central or South America and the Pacific regions.

If you are looking for more information, find a copy of the *Grove Shortwave Directory, Eighth Edition*. You can be surprised at the information you can find about medium-wave DX'ing in some shortwave publications.

I do hope this helps you out in your DX'ing. One final note: many of these stations may have to move to new frequencies as the AM radio band expands towards 1700 kHz. They are expected to move to the 200-400kHz range.

(Note: the *Directory* is available in looseleaf form from Grove Enterprises - P. O. Box 98 - Brasstown, NY 28902-0098, (800) 438-8155, for \$29.95 with binder, \$24.95 without.)

Graveyard Achievements

Distance records for stations logged on graveyard frequencies

Bill Hale
 495 Creekside Drive
 Meridian, ID 83642-3241

1490 kHz

Logged from Jan 1, 1960 to Present
 Date of Last Update: March 12, 1994
 * indicates North American record holder

| | | | | | |
|------|----|------------------|-----------------|---------------------|-----------|
| WANU | AL | Anniston | Charles Reh | Leannington, ON | 605 |
| WAJP | AL | Decatur | Neil Wolfish | Toronto, ON | 745 |
| WHDB | AK | Selma | Frank Merrill | Milan, MI | 687 |
| AFRN | AK | Campion | Esa Hannunen | Lennunjoki, Finland | 3209 |
| AFRN | AZ | Elision AFB | Frank Merrill | Nenana, AK | 52 |
| KBAS | AZ | Bullhead City | Jeff Tynan | Parker, CO | 609 |
| KCUZ | | Clifton | John Wilkins | Wheat Ridge, CO | (Tie) 609 |
| KYCA | | Prescott | Rick Carr | Bloomington, IL | 1168 |
| KAIR | | Tucson | John Wilkins | Wheat Ridge | 540 |
| KZAO | AR | Dardanelle | Laurie Boyer | Invercargill, NZ | 7386 |
| KDRS | AR | Paragould | Roy Miller | Bellevue, WA | *1220 |
| KOTN | | Pine Bluff | Stephen Ponder | Harrison, AR | 74 |
| KARV | CA | Russellville | Shawn Axelrod | Winthrop, MB | 1033 |
| KWAC | CA | Bakersfield | Carl Dabelstein | Lincoln, NE | 510 |
| KMET | | Banning | Steve Francis | Alcoa, TN | 519 |
| KOWL | | Bijou | Olie Alm | Abisko, Sweden | 4947 |
| KICO | | Calexico | Bruce Reynolds | San Jose, CA | *210 |
| KRKC | | King City | Rae Taylor | San Jose | 364 |
| KTOB | | Petaluma | Bruce Reynolds | San Francisco, CA | 155 |
| KBLF | | Red Bluff | Frank Merrill | San Jose | 482 |
| KDB | | Santa Barbara | Frank Merrill | Nenana | 2266 |
| KOWL | | South Lake Tahoe | Jim Hilliker | Nenana | 2107 |
| KSYC | | Yreka | Richard E. Wood | Anahatin, CA | 498 |
| KBOL | CO | Boulder | Roy Miller | Hilo, HI | 2393 |
| KGUC | | Gunnison | Esa Hannunen | Bellevue, WA | *921 |
| KIIO | | Manitou Springs | Esa Hannunen | Lennunjoki, WA | 4791 |
| KOLR | | Sterling | Bruce Reynolds | Marysville, WA | *609 |
| WGCH | CT | Greenwich | Esa Hannunen | Lennunjoki | 4634 |
| WNLC | | New London | Bruce Reynolds | San Jose | *305 |
| WTOR | | Torrington | Esa Hannunen | Lennunjoki | 4519 |
| WTXL | FL | Bradenton | Bruce Reynolds | Warrensburg, MO | *621 |
| WXVQ | | Deland | Jeff Tynan | Parker | 124 |
| WKEM | | Imnokalee | John Wilkins | West Des Moines | 612 |
| WMBM | | Miami Beach | Bruce Reynolds | Warrensburg | 517 |
| WCKC | | Milton | Rodney Valdron | Petit Rocher, NB | 610 |
| WTTB | | Vero Beach | Russ Edmunds | Little Silver, NJ | 122 |
| WSIR | | Winter Haven | Russ Edmunds | Little Silver | 114 |
| WMOG | GA | Brunswick | Frank Merrill | Milan | 1013 |
| WNJM | | Condele | Karl Jeter | Stone Mountain, GA | 375 |
| WALS | | Monroe | Ernie Cooper | Provincetown, MA | 1253 |
| WSFB | | Quitman | Mike Coorby | Cantfield, ON | 1191 |
| WSNT | | Sandersville | Steve Francis | Alcoa | 399 |
| WSYL | | Sylvania | Shawn Axelrod | St. Anns, IMC | 665 |
| | | | Don Lynch | Orlando, FL | 34 |
| | | | Don Davis | Wilbraham, MA | 907 |
| | | | Jason Hustedt | Warner Robins, GA | 50 |
| | | | Don Lynch | Lexington, SC | 144 |
| | | | Ernie Cooper | Lynn, MA | 1063 |
| | | | Mike Coorby | Provincetown | 990 |
| | | | | Cantfield | 715 |

| | | | | |
|-------|-----------------------------|--------------------------------|--|----------------------|
| WRLD | West Point (Lanette, AL) | Don Trelford Charles Reh | Runaway Bay, JMC | 1111 |
| KCID | ID Caldwell | Esa Hanninen John Wilkins | Leamington Lemmenjoki | *649 |
| KCLB | Chubbuck | Esa Hanninen John Wilkins | Wheat Ridge Lemmenjoki | 4435 |
| WKRO | IL Cairo | Russ Edmunds Niel Wolfish | Wheat Ridge Glen Rock, NJ | *650 |
| WHDAN | Danville | Shawn Axelrod Niel Wolfish | Winnipeg Winnipeg, MB | 4431 |
| WBSL | East St. Louis | John Matlack Wayne Heinan | Pittsburg, PA Buffalo, NY | 851 |
| WBOA | Oak Park | Niel Wolfish | Willowdale, ON Winnipeg | 848 |
| WZOE | Princeton | Steve Francis | Alcoa | (Tie) 848 |
| WKNDU | IN Richmond | Esa Hanninen John Wilkins | Lemmenjoki Wheat Ridge | 346 |
| KBUR | LA Burlington | Esa Hanninen John Wilkins | Colorado Springs, CO Chloro Ridge | 460 |
| WDBQ | Dubuque | Wayne Heinan John Wilkins | Lemmenjoki Parker | 541 |
| KXLO | Indianola | Esa Hanninen | Winnipeg | 961 |
| KRIB | Mason City | Jeff Tynan | Albisko, Sweden Wheat Ridge | 4220 |
| KKAN | KS Phillipsburg | Olle Alm John Wilkins | Lemmenjoki Leamington | *739 |
| KTOP | Topelka | Esa Hanninen Charles Reh | Weston, ON Milan | 615 |
| WKY | KY Frankfort | Tim Kerfoot Frank Merrill | Chicago, IL Toronto | 4318 |
| WKAY | Glasgow | Robert Kramer Niel Wolfish | Waterloo, ON Leamington, ON | *308 |
| WFEY | Middlesboro | Andy Rugg Charles Reh | Alcoa | 4417 |
| WOMI | Owensboro | Charles Reh | Leamington | *717 |
| WSIP | Parisville | Esa Hanninen | Lemmenjoki | 472 |
| WIKC | LA Bogalusa | Russ Edmunds Charles Reh | Leamington, NJ Leamington, ON | 352 |
| KIN | Houma | Andy Rugg | Montreal, PQ Youngstown, OH | 418 |
| KRUS | Ruston | Charles Reh | Chicoutimi, PQ Clinton, ON | 573 |
| WPKR | ME Portland | Esa Hanninen | Warrensburg Pehr Kocher | 407 |
| WTVL | Waterville | Russ Edmunds Charles Reh | Winnipeg Winnipeg | 887 |
| WARK | MD Hagerstown | Andy Rugg | Winnipeg | 854 |
| WHAV | MA Haverhill | Jerry Starr | Leamington | 859 |
| WMRC | MA Milford | Christian DeHaes | Leamington, NJ Leamington, ON | 3600 |
| WACM | West Springfield | Jeff Falconer | Leamington, NJ Leamington, ON | *288 |
| WABJ | MI Adrian | Esa Hanninen | Leamington, ON | 673 |
| WAND | Manistiquie | Bruce Reynolds | Winnipeg | 455 |
| WMXP | Midland | Rodney Valdron Niel Wolfish | Winnipeg | 516 |
| WFBK | Whitehall | Shawn Axelrod | Winnipeg | 420 |
| KKRA | MN Alexandria | Don Voornies | Winnipeg | 4009 |
| KODS | Duluth | Russ Edmunds Shawn Axelrod | Winnipeg | *554 |
| KLGR | Redwood Falls | Roy Millar | Winnipeg | 975 |
| WLOX | MS Biloxi | Frank Merrill | Marysville, WA Milan | 791 |
| WCJD | Cleveland | Charles Reh | Leamington | 489 |
| WHOC | Philadelphia | Jerry Starr | Youngstown | (Tie) 791 |
| WTLF | Tupelo | Ralph Sperry | Fairfield, CT Alcoa | 731 |
| WFL | Vicksburg | Steve Francis | Winnipeg | 1180 |
| KDMO | MO Carthage | Frank Merrill | Winnipeg | 462 |
| KTRR | Rolla | Shawn Axelrod | Winnipeg | 874 |
| KDKO | Sedalia | Esa Hanninen | Winnipeg | 913 |
| KDBM | MT Dillon | Roy Millar | Winnipeg | 4279 |
| KXGF | Great Falls | Shawn Axelrod | Winnipeg | *486 |
| KLYN | Laurel | Esa Hanninen | Winnipeg | 621 |
| KEZO | NE Omaha | Esa Hanninen | Lemmenjoki | 4199 |
| WEMJ | N H Laconia | Roy Millar Jerry Starr | Lemmenjoki Marysville Youngstown | 4282 *1363 511 |

| | | | | |
|-------|-------------------|-----------------|---------------------|-----------|
| WILGW | Lancaster | Andy Rugg | Nuns' Island, PQ | 125 |
| WUSS | NJ Atlantic City | Debra Hidden | Orlando, FL | 860 |
| KRSN | NM Los Alamos | John Wilkins | Wheat Ridge | 274 |
| KRTN | RAton | Tim Hall | Rancho Bernardo, CA | 767 |
| KOAW | Ruidoso Downs | Tim Hall | Port Carling, ON | 668 |
| WCSS | NY Amsterdam | Morris Sorensen | Little Silver | 303 |
| WBTVA | Batavia | Russ Edmunds | Port Carling, ON | 286 |
| WKNY | Kingson | Frank Merrill | Milan | 496 |
| WIDJC | Malone | Charles Reh | Leamington | 446 |
| WCDO | Port Jervis | Don Trelford | Scarborough, ON | 286 |
| WOLF | Sidney | Joe Kureth | Urontown, MD | 218 |
| WSSB | Syracuse | Charles Reh | Leamington | 333 |
| WLOE | Durham | Andy Rugg | Montreal | 705 |
| WRNB | Fayetteville | Russ Edmunds | Kinnelon, NJ | 430 |
| WRMT | New Bern | Tim Kerfoot | Weston | 599 |
| WSTP | Rocky Mount | Dave Fox | Reading, PA | 370 |
| WSVM | Salisbury | Andy Rugg | Montreal | 705 |
| WVSL | Valdese | Charles Reh | Leamington | 452 |
| WHSL | Wilmington | Frank Merrill | Milan | 449 |
| KNDK | ND Hettinger | Tim Kerfoot | Toronto, ON | 655 |
| KOVC | Valley City | Olle Alm | Abisko, Sweden | 3982 |
| WBEX | OH Chillicothe | Jeff Tynan | Parker | *483 |
| WJMO | Cleveland Heights | Roy Millar | Marysville | 1137 |
| WOHI | East Liverpool | Bill Alesaukas | Douglasville, GA | 378 |
| WMOA | Marion | Chris Lucas | Fairfield | 430 |
| WMRN | Marion | Steve Francis | Alcoa | 382 |
| KOKC | OK Guthrie | Steve Francis | Alcoa | 284 |
| KBIX | Muskogee | Niel Wolfish | Winnipeg | 978 |
| KBKR | OR Baker | Shawn Axelrod | Winnipeg | (Tie) 978 |
| KRNR | Roseburg | Esa Hanninen | Lemmenjoki | 4620 |
| KBZY | Salem | John Wilkins | Wheat Ridge | *500 |
| WESB | PA Bradford | Esa Hanninen | Lemmenjoki | 1000 |
| WAZL | Hazleton | John Wilkins | Lemmenjoki | 4374 |
| WARD | Johnstown | Niel Wolfish | Lemmenjoki | 4541 |
| WLPA | Lancaster | Esa Hanninen | Lemmenjoki | *412 |
| WBCB | Lewistown | Bruce Reynolds | San Jose | 4420 |
| WMRF | Lewistown | Esa Hanninen | Lemmenjoki | *514 |
| WMGW | Meadville | Mike Hardester | Modesto | 3894 |
| WNBT | Wellsboro | Esa Hanninen | Lemmenjoki | *262 |
| WVGB | SC Beaufort | Russ Edmunds | Alcoa | 558 |
| WCCD | Chester | Steve Francis | Lynn | 435 |
| WMRB | Greenville | Jeff Falconer | Clinton | 354 |
| WSDC | Hartsville | Morris Sorensen | Kirkland Lake, ON | 671 |
| KRCR | Custer | Niel Wolfish | Toronto | 228 |
| KORN | Mitchell | Esa Hanninen | Lemmenjoki | 3945 |
| WOPF | Bristol | Charles Reh | Leamington | *126 |
| WDXB | Chattanooga | Charles Reh | Leamington | 271 |
| WCSV | Crossville | Charles Reh | Leamington | 598 |
| WROL | Knoxville | Charles Reh | Leamington | 174 |
| WJIM | Lewisburg | Andy Rugg | Chicago | 570 |
| WDXL | Lexington | Carl Dabstein | Little Silver | 515 |
| KNOW | Lexington | Charles Reh | Wheat Ridge | 284 |
| TX | Austin | Joe Kureth | Montreal | 788 |
| KBST | Big Spring | Mike Sorbey | Leamington | 750 |
| KOTY | Bogert | Tom Sundstrom | Leamington | 440 |
| KNEL | Brady | Roy Millar | Urontown | 451 |
| | | Shawn Axelrod | Canfield | 641 |
| | | Jim Boehm | Willingboro, NJ | 825 |
| | | | Marysville | 1779 |
| | | | Wheat Ridge | 557 |
| | | | Winnipeg | 988 |
| | | | San Antonio, TX | 125 |

| | | | | |
|-------|---------------------|------------------|---------------------------|-----------|
| KWMC | Del Rio | Jim Boehm | San Antonio | 147 |
| KZZN | Littlefield | Shawn Axelrod | Winnipeg | 1125 |
| KPLT | Paris | Bruce Reynolds | Warrensburg | 370 |
| KDOK | Tyler | Steve Francis | Alcoa | 690 |
| KJON | UT Ogden | Olie Alm | Abisko | 4449 |
| WKVT | VT Brattleboro | Bruce Reynolds | San Jose | *594 |
| WFAD | Middlebury | Rodney Valdron | Petit Rocher | 439 |
| WIKE | Newport | Mike Soorhay | Canfield | 339 |
| WYKR | Wells River | Charles Reh | Leannington | 580 |
| WCVA | VA Culpeper | Rodney Valdron | Petit Rocher | 395 |
| WPAK | Farmville | Andy Rugg | Montreal | 525 |
| WVEC | Hampton | Mike Soorhay | Canfield | 397 |
| WAYB | Waynesboro | UK DXPedition £ | Sheigra, Scotland | 3445 |
| KBRO | WA Bremerton | Charles Reh | Leannington | *477 |
| KVAC | Forks | Don Lynch | Lynn | 514 |
| KEYC | Grand Coulee | Esa Hänninen | Lemmenjoki | 4239 |
| KCHO | Hoquiam | Esa Hänninen | Lemmenjoki | 4229 |
| KLOC | Kelso | Shawn Axelrod | Lemmenjoki | 4180 |
| KENE | Toppensish | Tim Hall | Vancouver, BC | 161 |
| KTEL | Walla Walla | Esa Hänninen | Vancouver, BC | (Tue) 161 |
| WXIT | W V Charleston | Esa Hänninen | Winnipeg | 4324 |
| WLOS | Fairmont | Esa Hänninen | Lemmenjoki | 4294 |
| WTOS | Princeton | Rodney Valdron | Lemmenjoki | 4295 |
| WLOH | Sutton | Frank Merrill | Petit Rocher | 1030 |
| WSGB | Bruce Reynolds | Frank Merrill | Milan | 257 |
| WGEZ | WI Beloit | Jerry Star | Warrensburg | 347 |
| WLCX | LaCrosse | Steve Francis | Winnipeg | 700 |
| WIGM | Medford | Steve Francis | Youngstown | 680 |
| WOSH | Oshkosh | Esa Hänninen | Alcoa | 580 |
| KJML | W Y Gillette | Steve Francis | Lemmenjoki | 3968 |
| KUGR | Green River | Gene Allen | Alcoa | *619 |
| KOJO | Laramie | Olie Alm | Vallejo | 985 |
| KGOS | Torrington | Jeff Tynan | Abisko | 4390 |
| WNAD | Fajardo | Niel Wolfsh | Winnipeg | *290 |
| QJPR | AB Blainmore | Shawn Axelrod | Parker | 708 |
| CBXY | Falher | Hank Holbrook | Winnipeg | 614 |
| CFWB | BC Campbell River | Esa Hänninen | Chevy Chase | 1600 |
| CKGO | Hope | Esa Hänninen | Lemmenjoki | 4033 |
| CKBN | Natal | Esa Hänninen | Lemmenjoki | 3631 |
| CKOO1 | Oliver | Esa Hänninen | Lemmenjoki | 4102 |
| CKM | NB Grand Sault | Roy Millar | Lemmenjoki | 135 |
| VOHF | NF Harmon Field | Tim Hall | Marysville | 375 |
| CBDO | Labrador City | Christian DeHaas | Marysville | 227 |
| CBDT | NT Hay River | Rodney Valdron | Banff, AB | 182 |
| CKEN | NS Kentville | Esa Hänninen | Chiconium | 410 |
| CKAD | Middleton | UK DXPedition £ | Petit Rocher | 2968 |
| CHVR | ON Amprior | Chris Lucas | Petit Rocher | 3261 |
| CHYM | Kingston | Shawn Axelrod | Lemmenjoki | 2591 |
| CFRC | Kitchener | John Wilkins | Lemmenjoki | *601 |
| CFPS | Port Elgin | Don Voorhies | Little Silver, NJ | 495 |
| CKLR | Q Ontario | Shawn Axelrod | Troy, NY | 485 |
| CKBM | Q Ontario | Charles Reh | Oriens, ON | 210 |
| QJMC | SK Shaunavon | Russ Edmunds | West Des Moines | 691 |
| QJNS | See Anne-des-Monts | Esa Hänninen | Oswego | 54 |
| XERO | AGUA Aguascalentias | Esa Hänninen | Winnipeg | 871 |
| XEGT | MICH Zamora | Tim Hall | Leannington | 490 |
| | | | Little Silver | 493 |
| | | | Espoo, Finland | 3818 |
| | | | Lemmenjoki | 3930 |
| | | | 40mi W of Puerto Vallarta | 226 |
| | | | 10mi W of Mazatlan, SIN | 361 |

| | | | | |
|------|-----------------|-----------------|---------------------|------|
| XESK | NAY Ciudad Ruiz | Pete Taylor | Cabo San Lucas, BCS | 316 |
| XEDR | SON Guaymas | Tim Hall | Poway, CA | 503 |
| XEMS | TAMS Matamoros | Esa Hänninen | Lemmenjoki | 5321 |
| HJZB | COL Tula | Pete Taylor | Cabo San Lucas | *803 |
| YVRP | VEN Maracaibo | UK DXPedition £ | Sheigra | 5298 |
| | | UK DXPedition £ | Sheigra | 4747 |

£ = UK DXPedition [Steve Whitt, Mark Hatram, Clive Rooms]

For Beginners

Jack Woods

P. O. Box 1003

Waldport, OR 97394-0514

Information and advice of interest to inexperienced DXers

A Walk Through the NRC Product Catalog
NRC members have access to a veritable treasure of DX knowledge and experience through the NRC Product Catalog. The purpose of this "For Beginners" column is to bring attention to some of the items in the catalog.

Over the years, many hundreds of articles on all aspects of medium wave DXing have appeared in *DX News*. Several hundred of those articles have been selected for listing in the catalog, and reprints are available at nominal cost. Some of those articles present information at the novice level. Others are technically advanced. For convenience, selections of articles on some subjects have been assembled in booklet form.

Antennas are the heart of DXing. The catalog lists four collections of antenna articles in booklet form and a listing of 79 separate articles available as reprints. Note here that some of the reprints also appear in the booklets. Few DXers build their receivers "from scratch", although that has been done, but many have built their own loop antennas. Home construction of an effective loop antenna is not particularly difficult. Even for those DXers who have bought or will buy a commercially-built loop antenna, home construction of a loop is an inexpensive and informative project. The only advantage of ferrite-core loops is compact size.

Probably most of us never heard of a Beverage antenna before getting into organized DXing, although the name appears often in *DX News*. The first was built about 1920 by Harold Beverage, an engineer for RCA. It was twelve miles long. The Beverage antennas used for medium wave DXing are not that long, but still require considerable real estate. To function as a Beverage, the antenna should be at least a half wavelength long, which means that to cover the medium waveband, a length of about 900 feet is needed. When correctly installed and located, the

Beverage is the ultimate antenna for medium wave reception. There are numerous Beverage articles in the catalog and one booklet, "Beverage and Longwire Antennas Design and Theory".

For information on receivers and receiving techniques there are two booklets and over one hundred articles in the reprint listings. Some of the articles appear in both the reprint lists and in the booklets. Included are reviews of some receivers which are currently popular, including the Drake R8, as well as others which are fading into history. Again, the articles vary in technical level from basic to considerably advanced.

Much is known about radio wave propagation in the medium wave band, but it is not an exact science. The 39 articles listed in the section on propagation contain material not found in the radio textbooks. Recommended reading for all DXers is P10, "A Beginner's Guide to the Ionosphere".

The best-known item in the catalog is the NRC AM Radio Log. Now in the 14th edition, and updated annually, the AM Log is over 300 pages in 8.5 x 11 loose leaf format. All medium wave stations in the U.S. and Canada are listed by frequency, in large type with adequate space for entering call letter changes and other changes reported in *DX News*. Also included are cross reference pages which list the stations alphabetically by call letters, by State, and by City. The NRC AM Radio Log is recognized internationally and is almost essential for medium wave DXing.

Numerous other items appear in the catalog, and their not being described in this article is in no way a reflection upon their value. The Product Catalog was included in the October 11, 1993 issue of *DX News*. A copy can be obtained by sending a 29-cent stamp to NRC Publications Manager Ken Chatterton, P.O. Box 164, Mannsville NY 13661-0164.

DL-1 Delay-Line Phasing Unit ... by Mark Connelly - WA1ION

The DL-1 phasing unit is a delay-line based design similar to Gerry Thomas's Phase One. His 1985 article "The Phase One - A Delay Line Phasing Unit" is available through the NRC and IRCA reprints services. Gerry's design was the first real usage of this technology as applied to medium-wave DXing. The Phase One was derived from an HF phaser presented by John Webb in QST (October 1982). The DL-1 updates the concept and uses a delay-line (RCD P2420-600NS-100) that is somewhat less expensive (about \$20) and more available than the Allen Avionics I-C300Z050A specified for the Phase One. Unlike the Phase One, there are no broadband amplifiers in the DL-1. It is a totally passive unit which is meant to work into a companion regenerative presselector (Mini-MWT-3) when additional gain is required. Tests here (3 miles from 50 kW WRKC - 680) indicate that, in urban and suburban settings, running a broadband antenna (e.g. untuned longwire) into a broadband amplifier is just a bad idea. Even if the broadband amplifier is robust enough not to generate noticeable second and third order intermodulation distortion products with amplifier outputs around +20 dBm (local station frequencies), the receiver may not fare as well. You want to boost weak signals without boosting already-strong local stations 100 kHz or more away from the frequency of interest. There are very few instances in which a broadband-amplification-after-broadband-phasing scheme will result in as low a noise floor and as good immunity to spurious signals as a tuned amplification approach would. In many cases, at least with longer wires and a good receiver such as a JRC NRD-53SD, Drake R8, or Hammarlund HQ-180A, amplification is not necessary. This is especially true on "normal" nights when the desired DX left after "pest" nulling can still be of appreciable strength.

The DL-1 has enhanced flexibility in controlling nulls because the levels of Antenna Line 1 and Antenna Line 2 are both adjustable; also, each line can be connected alone to facilitate level balancing and appraisal of each antenna's directional pickup characteristics.

Noise-reducing principles have been incorporated by the provision for floating (non-chassis) grounds at the J3 and J4 inputs.

Principles of Delay-Line Phasing

In order to null out unwanted station "A" and hear subdominant (desired DX) station "B" when using two wires, the difference in phase between "A" and "B" on Antenna 1 should differ appreciably from the difference in phase between "A" and "B" on Antenna 2. This condition will most often occur when the "A" and "B" signals are coming from different directions and the wire antennas are oriented somewhat differently. What the phasing unit must do is to equalize the levels of Antenna 1's pest station "A" contribution to that from Antenna 2 and to provide a 180 degree phase shift of "A" from Antenna 1 to Antenna 2 entering the summation point. Level-equalization is most easily accomplished when the two wires are of similar length. If the equal-amplitude / opposite-phase condition is met, station "A" is nulled, leaving "B" in the clear. Station "B" might be reduced somewhat as well, or it may actually be increased in level, depending on how different the phase difference ("A" to "B") is on Antenna 1 relative to that difference on Antenna 2. The occasional instances of desired DX stations getting nulled along with co-channel pests from a different direction can be minimized by having more than two longwire antennas available. Three wires give 6 possible pairing combinations (1 vs. 2, 1 vs. 3, 1+2 vs. 3, 1+3 vs. 2, and 1 vs. 2+3). If there are substantial angular spreads between the three wires, almost any nulling situation can be managed. Desired DX close in bearing to pests to be nulled can sometimes still be listenable if the vertical arrival (skip) angles differ. Use of Beverage-length (over 300 m / 1000 ft.) wires helps in such cases.

The goal of both the delay-line and the L/C type (e.g. MWDX-5)phasing units is to provide a continuously-variable phase shift of the signal contributions from one or both of the antenna inputs. The delay-line method provides continuous shift on one of the two lines: Line 2 in the DL-1 case. To provide a full 360 degrees of shifting, a 0-deg. / 180-deg. vector is provided by R2 across the T2 balun secondary and a 90-deg. / 270-deg. (approximate) vector is provided by R3 after the delay-line with range-switch S2 set to the tap providing a delay time of a quarter of a cycle of signal frequency (250 ns at 1 MHz). The 0/180 and the 90/270 vectors are summed to provide a variable-amplitude vector that can be "rotated" through a complete 360 degrees of shift. The delay time (tap) setting is a good deal less critical than you would think. I've labelled S2 positions as "low band", "mid-band", and "high band" but, in reality, the setting of S2 is not too important.

The R1 (Line 1) potentiometer reduces the level of pest station signal from Antenna 1 in cases when it is substantially larger than pickup of the same station on Antenna 2. Without this capability, it would not be possible to equalize the Antenna 1 contribution with the 180-degree shifted Antenna 2 contribution and a null would not be produced.

The RCD P2420-600NS-100 delay-line has 20 taps on it; these provide more delay times than needed. The four taps connected to S2 have been chosen for best performance at medium-wave frequencies. I've tested the DL-1 on longwave, 160-meters, and tropical bands and nulls of

electrical noise and of steader signals have been obtainable. Of course, a switch with more positions could be used at S2 if a given DXer wanted to utilize more of the taps.

The user will find that nulling with the DL-1 can be simpler than nulling with L/C design units because there are fewer knobs to tweak. The broadband delay-line based phasing approach does have as an advantage the ability to QSY (change frequency) to scan the band and to check parallel frequencies on both medium-wave and shortwave quickly. These features can come in handy on Beverage DXpeditions and in other cases when a good opening is bombarding you with rare DX and you want to get maximum loggings in minimum time.

A tuned L/C phaser can provide somewhat higher signal levels than a broadband delay-line based unit such as the DL-1. Also, in urban areas, the presselection provided by an L/C phaser such as Super-MWDX-5 can reduce the likelihood of the receiver being overloaded and producing spurious signals. There are advantages and disadvantages to both delay-line and tuned L/C type phasing unit designs.

For adequate signal levels with the DL-1, the minimum suggested wire length for each antenna is 30 m / 100 ft. Wires much shorter than Beverage length should be aligned for an angular spread of 45 to 135 degrees, or 225 to 315 degrees, between them. Slopers and Beverages may work best with a 180 degree spread as they would each have distinct inherent nulls in opposite directions. I use one sloper that nulls about 10 dB to the west and another that nulls about 10 dB to the east. Phasing with that set-up is good because virtually no eastward signals come off the westward-favoring sloper when the amplitude of its western pick-up is reduced to the same level as the fairly-low (180-degree shifted) western pick-up of the eastward-favoring antenna. The result is little or no cancellation of eastward Trans-Atlantic stations when pesty midwest clears are nulled. Indeed, stations easily heard on the phased wires (such as Alberta - 891 with WLS - 890 nulled and England - 1089 with WBAL - 1090 nulled) are often just loud hets on any loop used.

Operating the DL-1: Initial Set-Up

The controls, as shown in Figure 1, are R1 (Line 1: level), R2 (Line 2: 0/180 deg. level), R3 (Line 2: 90/270 deg. level), S1 (Ground Mode: FLOAT or COMMON), S2 (Frequency Range), and S3 (Function: Ant. Line 1, Ant. Line 2, Null-a, Null-b). Connect one antenna wire to J1 and the other wire to J2. Floating grounds (e.g. sets of ground rods separated in distance from mains / receiver chassis ground) may be connected to J3 and J4 for reduction in electrical noise. Coaxial feeders from remote noise-reducing Bewanther style transformers can be connected to J1/J3 (Line 1) and to J2/J4 (Line 2). S1 is set to FLOAT if noise-reducing grounding is available; otherwise it should be set to COMMON. Frequency range switch S2 should be set to Low Band for coverage below 800 kHz, Mid-Band for 800 - 1400 kHz, or High Band for above 1400 kHz. There is a fourth position of S2 (Auxiliary or "X"), an experimental setting which may occasionally yield better nulling, especially in the Tropical Band frequency range. The settings of S2 are approximate, not overly critical, and somewhat affected by antenna length. Settings of S3, R1, R2, and R3 are discussed in the Nulling Procedure to follow.

Operating the DL-1: Nulling Procedure

The first part of nulling is to determine which of the three level pots (R1, R2, or R3) has the greatest initial effect in setting up a null. All three pots' knob pointers should first be set to "10 o'clock" where "9 o'clock" represents the fully counterclockwise (CCW) setting.

1. Set S3 to Null-a and observe the strength of the dominant "pest" station to be nulled as you run R1 through its range. If there is a distinct "dip" in strength and a possibly greater evidence of other stations, leave R1 at that null-initiating setting and skip to step 8 below; unless the dip occurs at the fully-clockwise (CW) (e.g. "4 o'clock" R1 pointer position).
2. Set S3 to Null-b and run R1 through its range. If a dip then occurs and R1 is not fully CW, leave R1 at that setting and proceed to step 8. If null-initiation still hasn't occurred, set R1 back to "10 o'clock" and switch S3 repeatedly between Ant. Line 1 and Ant. Line 2. If the pest station strength is noticeably higher on Ant. Line 1, adjust R1 such that signals from the pest station are about equal when S3 is switched back and forth from Ant. Line 1 to Ant. Line 2. If Line 2 had been stronger, return R1 to "10 o'clock". Put S3 on the null position (Null-a or Null-b) exhibiting the greater reduction in pest station strength (default to Null-a if there is no difference).
3. Run R2 through its range. If a dip then occurs, leave R2 at that setting and proceed to step 8. If null-initiation still hasn't occurred, set R2 back to "10 o'clock".
4. Run R3 through its range. If a dip then occurs, leave R3 at that setting and proceed to step 8. If null-initiation still hasn't occurred, set R3 to "12 o'clock" (center).
5. Run R2 through its range (now that R3's position has been changed). If a dip then occurs, leave R2 at that setting and proceed to step 8. If null-initiation still hasn't occurred, set R2 to "12 o'clock" (center).

6. Run R3 through its range (now that R2's position has been changed). If a dip then occurs, leave R3 at that setting and proceed to step 8.
 7. Swapping the antenna inputs and/or trying a different S2 (frequency Range) setting (before re-iterating steps 1 through 6 above) may help in the rare cases in which a null will not set up satisfactorily.

The second part of nulling is to maximize the null that has already been initiated.
 8. Deepen the null through small, careful adjustments of all three pots (R1, R2, R3) in a repetitive sequence. Before doing this, make a mental note as to where the three knob pointers are set just in case you overshoot the ideal setting of one of the pots and have to backtrack. When you're done, previously-covered DX stations should be audible.

Application Notes

If there are several stations in a given section of the band on similar bearings, null solutions (settings of S3, R1, R2, and R3) will be similar. The controls can often be preset to close approximations requiring only minor re-tweaking to get to a given null. For instance, from a New England QTH, null control set-ups for WMAQ-670 (IL), WLW-700 (OH), WGEN-720 (IL), CBL-740 (ON), WJZR-760 (MI), WBSM-780 (IL), CKLW-800 (ON), and WLS-899 (IL) do not vary much from a single approximate set-up of the four controls. That comes in handy in situations such as mine where the majority of pest stations come from similar bearings. In the daytime, Maine stations (over 90 miles distant) can be logged through the phased remnants of normally-dominant WHEM-1280, WORC-1310, and WVEI-1440 (all in central Massachusetts 40 or so miles west of me) with a single setting of the DL-1 controls. This result is similar to what Gerry Thomas observed with his Phase One. Keeping a mental or written note of commonly-used control settings employed in the removal of groups of pests will speed up the nulling process as a DXer gains experience with the unit.

Loop versus wire operation is not recommended because a broadband source (wire) phased against a tuned source (loop) will make a thorough null of offending-station audio difficult because of the different frequency-response curves and group-delay properties of the two sources. Two loops of similar Q and gain could conceivably be phased by passing their outputs through the DL-1. The loop heads should be aligned at right angles to each other and at approximately 45 degrees to the pest station (one loop 45 deg. clockwise, one 45 deg. counterclockwise of the bearing of maximum pest pickup). When two-loop nulling is nearly completed using normal DL-1 procedures, the last few dB of null may be squeezed out through fine adjustment of either loop's physical position and/or loop tuning capacitor settings.

As with any nulling system (phasing or looping), the best results will be on daytime groundwave and on lower-angle skip at night. Nulls of low-band stations are somewhat more stable than those of high-banders. "Easy" nulls of daytime regional and "graveyard" stations (already exhibiting evidence of sub-dominant stations) should be pursued first in order to gain proficiency in adjusting the DL-1 controls.

High-angle skip, mixed groundwave / skywave, and various multipath / multi-skip situations are difficult nulls to set up on any looping or phasing system. Phased Beverages seem to do the best and Adcock arrays are supposed to work well also.

Amplification

Broadband amplification is possible, but not recommended with cheaper receivers such as portables or with any receiver in a high-RF urban area. The simultaneous application of a wide spectrum of MW, SW, and VHF signals to an amplifier or receiver input can be a challenge. By going from the 5" X 4" X 3" box suggested for DL-1 to a slightly larger case, broadband amplifier components could be mounted in the same case as the phasing circuitry. The added components would consist of a gain control potentiometer, a 3-pole / 2-position amplifier on/off switch, a jack for DC power input, and the amplifier itself. Circuits which have good dynamic range are the BBA-C (as used in the Super-MWDX-5), the BUF-A (or BUF-B) preceded by a 1:36 step-up transformer (as used in the RTL-2 Remotely-Tuned Loop), and the Motorola MHW591 circuit used by Craig Healy in his VCR DX scheme. Also usable are the Mini-Circuits ZHL-32A and Dallas Landford's Noiseless-Feedback (ZN5109-based) amplifier (as well as some of his grounded-gate FET designs). Tuned amplification can provide a higher signal to noise ratio and superior rejection of spurious responses that typically result from too many strong signals at the amplifier or receiver input. The recently-published MWT-3 article describes a suitable tuned amplifier. MJJ, Grove, and other vendors have commercially-available units advertised in Monitoring Times, Popular Communications, QST, and other hobby publications. Figure 2 of this article shows the Mini-MWT-3, a regenerable preamplifier that is simple in design. Documentation will be limited to this schematic and to Table 3 (a hole list) as that is, in essence, a reduced-complexity version of MWT-3.

The MWT-3 article and vendor catalogs (e.g. Mouser) will fill in other useful details for those wishing to build and operate the Mini-MWT-3.

DL-1 Construction Data

Table 1: DL-1 hole-drilling list

X = Horizontal distance, in inches, from the vertical centerline (VCL) on the side observed. Negative values of X are left of VCL, positive values of X are right of VCL.

Y = Vertical distance, in inches, from the bottom horizontal edge of the side observed.
 D = Hole diameter in inches.

Hole loci are first marked on the box with a scriber and are then drilled with a .125" bit. Subsequently, as required, the holes are enlarged to the proper size by using progressively larger bits up to that corresponding to the final desired diameter.

Chassis Box = Mouser 537-779 (metal): 5" X 4" X 3"

| Hole # | Comp. Desig. | Description | X | Y | D |
|--------|--------------|------------------------------|--------|-------|--------|
| 1 | J1 | Ant. #1 In - red banana jack | -1.375 | 0.75 | 0.3125 |
| 2 | J3 | GND. #1 In - black banana jk | -0.625 | 0.75 | 0.3125 |
| 3 | G1 | Internal ground lug hardware | 0.0 | 0.75 | 0.125 |
| 4 | S1 | GND mode switch - shaft | 0.0 | 1.625 | 0.25 |
| 5 | S1 | GND mode switch - tab | 0.0 | 1.375 | 0.125 |
| 6 | J4 | GND. #2 In - black banana jk | 0.625 | 0.75 | 0.3125 |
| 7 | J2 | Ant. #2 In - red banana jack | 1.375 | 0.75 | 0.3125 |

| Hole # | Comp. Desig. | Description | X | Y | D |
|--------|--------------|------------------------------|--------|-------|-------|
| 1 | R1 | Line 1 pot. - shaft | -1.625 | 3.25 | 0.375 |
| 2 | R1 | Line 1 pot. - tab | -1.625 | 2.75 | 0.375 |
| 3 | R2 | Line 2 (0/180) pot. - shaft | -1.625 | 2.0 | 0.375 |
| 4 | R2 | Line 2 (0/180) pot. - tab | -1.625 | 1.5 | 0.144 |
| 5 | R3 | Line 2 (90/270) pot. - shaft | -1.625 | 0.75 | 0.375 |
| 6 | R3 | Line 2 (90/270) pot. - tab | -1.625 | 0.25 | 0.144 |
| 7 | for Z1 | tie wrap hole (see note) | -0.125 | 2.875 | 0.144 |
| 8 | for Z1 | tie wrap hole (see note) | -0.125 | 1.375 | 0.144 |
| 9 | S3 | Function switch - shaft | 1.0 | 3.0 | 0.375 |
| 10 | S3 | Function switch - tab | 1.5 | 3.0 | 0.144 |
| 11 | S2 | Freq. Range switch - shaft | 1.0 | 1.25 | 0.375 |
| 12 | S2 | Freq. Range switch - tab | 1.5 | 1.25 | 0.144 |
| 13 | G2 | Internal ground lug hardware | 1.875 | 2.125 | 0.125 |

Note: Z1 delay-line is secured by a nylon tie-wrap through Top Slide holes 7 and 8.

| Hole # | Comp. Desig. | Description | X | Y | D |
|--------|--------------|-------------------|-----|-----|-------|
| 1 | J5 | RF out - SMC jack | 0.0 | 0.5 | 0.375 |

The Challenging Crystal Set
 A hobbyists demanding the ultimate DX challenge, Ray Cole's puzzle
 detailing step-by-step procedure in building a crystal set for only
 only \$3.50. Order from NRC Publications. (NY residents, add sales tax)

Table 2: DL-1 "upper level" parts list

*: Note follows parts list.

Vendor codes for this and subsequent parts lists:

- MCL = Mini-Circuits Lab. / P. O. Box 350166 / Brooklyn, NY 11235-0003 / Tel. 1-800-654-7949
- MOU = Mouser Electronics / 11433 Woodside Ave. / Santee, CA 92071 / Tel. 1-800-346-6873
- RCD = RCD / 520 East Industrial Park Drive / Manchester, NH 03109-1824 / Tel. 1-603-669-0054
- RS = Radio Shack / Many locations worldwide

Schematic = Figure 1

| Item Designator | Description/Value | Vendor | Vendor Stock # | QTY |
|-----------------|--|--------|-----------------|-----|
| 1 | chassis box 5K4X3 | MOU | 537-TR-779 | 1 |
| 2 | capacitor, 0.1 uF | RS | 274-416 | 5 |
| 3 | GI,2,3 screw, 4-40 X .375" | MOU | 539-CR0510AK | 3 |
| 4 | GI,2 solder lug, #4 | MOU | 572-01881 | 2 |
| 5 | GI,2 hex nut, 4-40 | MOU | 534-7311 | 2 |
| 6 | GI,2 red banana jack | MOU | 572-00484 | 2 |
| 7 | J3,4 BNC jack | RS | 274-662 | 2 |
| 8 | J5 BNC jack | RS | 278-105 | 2 |
| 9 | R1,2,3 pot., 500 ohm, linear | MOU | 31VA205 | 3 |
| 10 | R4,5,6 resistor, 10 ohm | RS | 271-001 | 3 |
| 11 | R7 resistor, 150 ohm | MOU | 296J250-150 | 1 |
| 12 | S1 switch, DPDT, on/on | MOU | 10TXA560 | 1 |
| 13 | S2,3 switch, DPDT, on/off | MOU | 10TX034 | 2 |
| 14 | R1 transformer, 1:1 | MCL | TR-6-X65 | 1 |
| 15 | R1 transformer | MCL | TR-1T-X65 | 1 |
| 16 | delay line, 600 ns | KCD | P2420-600NS-100 | 1 |
| 17 | Misc. items: hook-up wire, buss wire, solder, labels "AS REQUIRED" | | | 1 |

Table 3: Mini-MWT-3 (companion regen. preamp.) hole-drilling list
For X, Y, D parameter definitions and for drilling instructions: see Table 1. For Mini-MWT-3 schematic, see Figure 2.

| LEFTR | SIDE | Description | X | Y | D |
|-------|------|-------------------------|-----|-------|-------|
| 1 | G1 | GND H/W - Internal lug | 0.0 | 1.125 | 0.125 |
| 2 | J1 | RF source in - BNC jack | 0.0 | 0.5 | 0.375 |

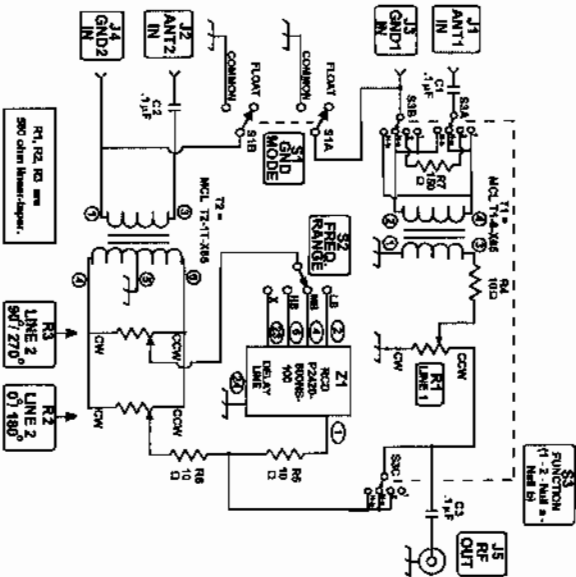
T O P S I D E
Mounting holes on C1 must be tapped to 6-32 thread.

| Hole # | Comp. Desig. | Description | X | Y | D |
|--------|--------------|------------------------------|---------|-------|--------|
| 1 | C1 | Tuning cap. - mounting H/W 1 | -1.963 | 3.25 | 0.144 |
| 2 | C1 | Tuning cap. - shaft | -1.5 | 3.0 | 0.5 |
| 3 | C1 | Tuning cap. - mounting H/W 2 | -1.037 | 3.25 | 0.144 |
| 4 | C1 | GI's vernier knob - H/W 1 | -0.184 | 2.375 | 0.125 |
| 5 | C1 | GI's vernier knob - H/W 2 | -0.86 | 2.375 | 0.125 |
| 6 | R1 | Input Atten. Pot. - shaft | -1.8125 | 0.75 | 0.3125 |
| 7 | R1 | Input Atten. Pot. - tab | -1.5 | 0.75 | 0.144 |
| 8 | S2 | Function switch - tab | -0.25 | 3.125 | 0.144 |

Table 3 (continued)

| R I G H T | S I D E | Description | X | Y | D |
|-----------|---------|------------------------------|-------|-------|--------|
| 1 | A1 | Regen. Front-End card -H/W 3 | -1.5 | 1.5 | 0.125 |
| 2 | A1 | Regen. Front-End card -H/W 1 | -1.5 | 0.5 | 0.125 |
| 3 | A1 | Regen. Front-End card -H/W 2 | -0.7 | 1.5 | 0.125 |
| 4 | A1 | Regen. Front-End card -H/W 4 | -0.7 | 0.5 | 0.125 |
| 5 | J3 | B+ input - phone jack | 0.0 | 1.125 | 0.25 |
| 6 | J2 | RF out - BNC jack | 0.0 | 0.5 | 0.375 |
| 7 | A2 | Buffer amp. card - H/W 1 | 1.125 | 2.2 | 0.125 |
| 8 | A2 | Buffer amp. card - H/W 2 | 1.125 | 0.6 | 0.125 |
| 9 | R2 | Function switch - shaft | 0.0 | 3.125 | 0.375 |
| 10 | R2 | Regen. Control pot. - shaft | 0.0 | 0.75 | 0.3125 |
| 11 | R2 | Regen. Control pot. - tab | 0.875 | 0.5 | 0.144 |
| 12 | G2 | GND H/W - Internal lug | 1.125 | 0.5 | 0.125 |
| 13 | S1 | Bandswitch - shaft | 1.125 | 2.0 | 0.375 |
| 14 | S1 | Bandswitch - tab | 1.625 | 2.0 | 0.144 |

FIGURE 1: DL-1 DELAY - LINE PHASING UNIT - SCHEMATIC



IRCA AM-FM Almanac - 1991 Edition Reprint

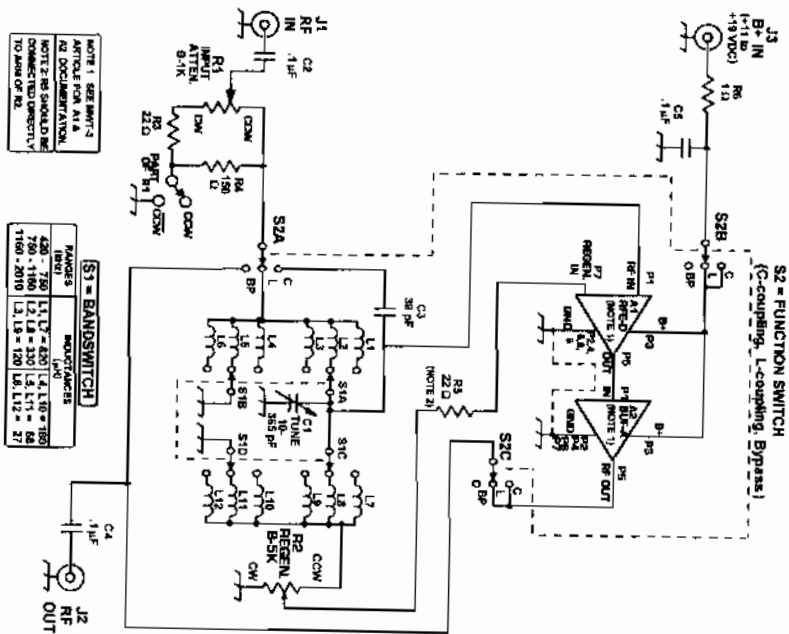
IRCA has reprinted a limited number of copies of the 5th Edition of the IRCA AM-FM Almanac. Several DXers have expressed interest in obtaining the most recent Almanac edition from 1991, rather than waiting for the next complete Almanac in 1994.

◆ 1991 Edition - this is the edition sent to the press in October, 1990. Information is from 1988 thru 1990. Much of the information is still useful today.

◆ Be sure to state your preference for looseleaf or Comb Binding. This edition is available looseleaf, ready to hole-punch and place in a binder, allowing for easy updates. Comb binding is available at no extra charge if you request it. The price for this reprint is the same as in 1991:

- IRCA/ABC member: U.S. - \$13.00 Canada - \$14.00 Overseas Sea Mail - \$14.00 Overseas AirMail - \$17.00
 - Non-member: U.S. - \$15.00 Canada - \$16.00 Overseas Sea Mail - \$16.00 Overseas AirMail - \$19.00
- Send check or money order, payable to "IRCA" in U.S. funds, to Phil Brydaway, IRCA Bookstore, 9705 Mary N. W., Seattle, WA 98117. Thank you!

FIGURE 2: MINI-MWT-3 REGENERATIVE TUNER - SCHEMATIC



NOTE 1: SEE MWT-3 KIT FOR PARTS LIST.
NOTE 2: REGENERATIVE TUNER IS NOT TO BE USED FOR AM OR FM.
NOTE 3: REGENERATIVE TUNER IS NOT TO BE USED FOR AM OR FM.

| RANGES | INDUCTANCES |
|-------------|-------------|
| 420 - 720 | 1.1 μH |
| 720 - 900 | 1.1 μH |
| 900 - 1100 | 1.1 μH |
| 1100 - 2010 | 1.1 μH |

S1 = BANDSWITCH
C1 = 1.0 μF
C2 = 1.5 μF
C3 = 100 pF
C4 = 100 pF
C5 = 100 pF

TOWER TIP

KXEN - 1010 - Fessler-St. Louis, MO
50,000 / 500 Wais U3
WGRN - 920 - Granite City, IL
500 / 500 Wais U4

CONTRIBUTED BY: Eric Bismarck

WHAT TO LOOK FOR: KXEN - 8 towers easily visible from Hwy 111, 1-270 & I-270
WGRN - 4 towers - Chain of Rocks Road from KXEN and visible from the same highways.

TOWER TIP

XETUO - 850 - Claydon, MO
5,000 / 5,000 Wais L1 (RCA)

CONTRIBUTED BY: Eric Bismarck

WHAT TO LOOK FOR: One tower at Concordia University, visible from I-64 & US-40 about 2 miles SE of downtown Clayton.

Target DX

DX'ing 'smart', with shared tips and requests by NRC members

Time for a parallel target list update, but first a brief introduction to parallel DX'ing.

The term parallel is used to describe when two or more radio stations are carrying the same program material. Everyone's familiar with parallels, with so many domestic AM stations now carrying satellite delivered talk and music programming almost full-time. It's easy to hear Bruce Williams' talk show, music from the Real Country network, or Oldies Coast-to-Coast from Canada, on several stations at the same time. Parallel DX'ing can help to ID such stations, especially if they're way down in the noise, by comparing the audio to locals on the same network. There are local non-network parallels as well, such as CKTS-900 relaying C/AD-800, and WVEI-1440 relaying WEHI-590. Consult the NRC Domestic Log and the IRCAs' Almanac for more domestic network and relay information.

The following target list focuses on international DX. Parallels are perhaps more useful for international DX'ing. Suppose you aren't very good at identifying or translating foreign languages. Just match up a station with a parallel, and you could have one or two new ones for your log.

Note the listing for Mexico-900. Referred to as synchros (short for synchronized), these stations are identifiable by a distinct echo. The echo is heard because there's a delay due to the amount of time it takes sound to travel from the program source to the relaying station. If you hear the echo, then you're hearing both stations. If you don't hear the echo, then you're hearing only one of them. Spain and the Canary Islands have synchros operating on several frequencies, too numerous to list here. More on Spain/Canary Islands synchros can be found in the WRTH or the recent Newfoundland DXpedition report.

International Parallel Target List

- Alaska 670-KDLC / 840-KSDP / 930 KNSA.
- Algeria 891 / 981
- Anguilla ex-690 // 1610, no longer parallel.
- Azores 693 / 837
- Belgium 927 // 1512
- Belize VOA, 1530 // 1580, govt surplus stations for sale, so this // may not be around much longer.

Bruce Conti bc@textcon.com
46 Ridgefield Drive
Nashua, NH 03062-1174

- Bermuda BBC, 1160 // 5975 // 6175.
- China 540 // 639 // 1035.
- Colombia RCN, 760 // 770 // 1000.
- Cuba R. Rebelde, 600 // 620 // 670 // 710 // 890 // 5025, ex-3365 (appears to be off-the-air).
- Cuba R. Radio, 590 // 660 // 760 // 930 // 940 // 960 & others.
- Cuba R. Progreso, 600 // 740 // 880 // 890 // 900.
- Dominican R. Universal, 650 // 920.
- Republic 1FM, 1053 // 1089.
- England Virgin Radio, 1197 // 1215 // 1242.
- France 864 // 945, 1377 // 1404.
- Guadeloupe RFO, 640 // French Culana-1070 // St. Pierre-1375.
- Hungary Magyar Radio, 1188 // 1251 // 1341
- Jamaica JBC R. One, 560 // 620 // 700 // 750 // 800.
- Jordan R. Jordan, 801 // 1494.
- Lesotho BBC, 1197 // 5975 // 6175
- Mexico XEW-900 // XEWB-900 (synchros).
- Mexico R. Educacion, ex-1060 // 6185, reported no longer parallel.
- Montserrat 930 has been noted // BBC, CBC, and VOA SW broadcasts.
- Morocco 540 // 594 // 819 // 1044 // 1053 // 1080 // 1233.
- Portugal 666 // 720.
- Russia 1386 // 1494.
- St. Kitts 830 // 7510-KTBN.
- Sao Tome VOA, 1530 // 7405 // 11820.
- Saudi Arabia 900 // 1440 // 1521 // 9870.
- Spain RNE1, 684 // 774 // 855 & others.
- Spain CODE, 837 // 1134 & others.
- Turks & Caicos R. Vision Cristiana.
- United Arab Emirates 535 // 1330-WWRV NY.
- Ukraine 1476 // 11945.
- Ukraine 972 // 1242 // 1377 // 1404.
- Vatican 1530 // 5882 // 6245.
- Venezuela Ecos del Torbes, 780 // 4980.
- Venezuela R. Rumbos, 670 // 4970.
- Venezuela R. Tachira, 1000 // 4830.
- Venezuela // = parallel, all frequencies kHz.

I tried to limit the list to those stations consistently reported as parallel. Keep in mind that the stations may not carry the same programming 100% of the time. Good luck chasing parallels, and be sure to report any additions or changes to Target DX or IDXD.



WOW! FM / WBSK-AM
646 Church Street • Suite 201
Norfolk, VA 23510

Geomagnetic Summary

High "A" values indicate possible auroral conditions

Phil Bytheway
9705 Mary NW
Seattle, WA 98117-2334

Geomagnetic Summary March 15 1994 through May 8 1994

Soft copies of this report available through phil_bytheway@aol.com

| Date | FLUX | A | K | SA | SEO | OTHER |
|------|------|----|---|----------|------------------|---------------|
| 3/15 | 87 | 36 | 4 | very low | active-mis | mis 0000; swa |
| 16 | 86 | 16 | 5 | very low | quiet-active | swa |
| 17 | 85 | 26 | 5 | very low | unsettled-mis | - |
| 18 | 87 | 18 | 4 | very low | quiet-mis | swa |
| 19 | 89 | 13 | 3 | very low | quiet-active | swa |
| 20 | 89 | 13 | 3 | very low | quiet-unsettled | swa |
| 21 | 91 | 21 | 2 | very low | quiet-active | swa |
| 22 | 91 | 13 | 4 | very low | quiet-active | swa |
| 23 | 92 | 13 | 4 | very low | quiet-active | swa |
| 24 | 93 | 16 | 1 | low | quiet-mis | swa |
| 25 | 91 | 13 | 3 | very low | quiet-unsettled | swa |
| 26 | 89 | 7 | 1 | very low | quiet-unsettled | swa |
| 27 | 88 | 6 | 2 | very low | quiet | swa |
| 28 | 88 | 7 | 1 | very low | quiet-unsettled | swa |
| 29 | 86 | 6 | 3 | low | quiet | swa |
| 30 | 86 | 11 | 2 | low | quiet-unsettled | swa |
| 3/31 | 85 | 7 | 1 | very low | quiet | swa |
| 4/1 | 82 | 5 | 2 | very low | quiet-unsettled | mis 0900 |
| 2 | 79 | 25 | 6 | very low | unsettled-mis | mis 0600 |
| 3 | 77 | 48 | 4 | very low | active-mis | mis 0600 |
| 4 | 77 | 30 | 4 | very low | unsettled-mis | mis |
| 5 | 77 | 25 | 4 | very low | unsettled-mis | mis |
| 6 | 73 | 30 | 5 | very low | unsettled-mis | mis |
| 7 | 73 | 27 | 6 | very low | unsettled-mis | mis |
| 8 | 73 | 31 | 5 | very low | unsettled-mis | mis |
| 9 | 75 | 34 | 3 | very low | unsettled-mis | mis |
| 10 | 75 | 25 | 3 | very low | active | mis end 0600 |
| 4/11 | 74 | 32 | 4 | very low | unsettled-mis | - |
| 12 | 74 | 17 | 3 | very low | quiet-active | - |
| 13 | 74 | 23 | 5 | very low | unsettled-mis | - |
| 14 | 79 | 19 | 3 | very low | quiet-mis | - |
| 15 | 80 | 15 | 5 | very low | quiet-mis | - |
| 16 | 82 | 23 | 6 | very low | quiet-mis | - |
| 17 | 82 | 63 | 3 | very low | quiet-mis | mas 2030 |
| 18 | 84 | 17 | 5 | low | unsettled-active | mas end 1500 |
| 19 | 85 | 16 | 3 | low | quiet-unsettled | - |
| 20 | 86 | 11 | 2 | very low | quiet-active | - |
| 21 | 87 | 9 | 2 | low | quiet-unsettled | - |
| 22 | 85 | 7 | 1 | very low | quiet-unsettled | - |
| 23 | 85 | 6 | 2 | very low | quiet-unsettled | - |
| 24 | 83 | 9 | 2 | very low | quiet-unsettled | - |
| 25 | 83 | 6 | 1 | very low | quiet-unsettled | - |
| 26 | 81 | 7 | 1 | very low | quiet | - |
| 27 | 78 | 4 | 1 | very low | quiet | - |
| 28 | 77 | 2 | 2 | very low | quiet | - |
| 29 | 78 | 5 | 0 | very low | quiet-unsettled | - |
| 4/30 | 75 | 1 | 2 | very low | quiet | - |
| 5/1 | 75 | 20 | 5 | very low | unsettled-mis | mis 2100 |
| 2 | 76 | 30 | 5 | very low | unsettled-mis | mis |
| 3 | 74 | 32 | 4 | very low | unsettled-mis | mis |
| 4 | 73 | 22 | 4 | very low | active | mis |



The Brownsville "King Bee" keeps Business Buzzing!



| | | | | | |
|-----|----|----|---|----------|---------------|
| 5 | 73 | 24 | 5 | very low | unsettled-mis |
| 6 | 74 | 23 | 5 | very low | unsettled-mis |
| 7 | 74 | 27 | 4 | very low | unsettled-mis |
| 5/8 | 74 | 24 | 4 | very low | quiet-mis |

As a special project, I am going to compile an audio tape of TIS messages from all over the US and Canada. I can accept either reel-to-reel or cassette tapes, and the announcement should be readable (not faint DX, although clear DX is OK). Please include call (if known), location, frequency, date and time with each submittal. The length of the final product will depend on how many submissions I get... but I am hoping for at least two sides of a C60 and copies of the final product will be available for a nominal charge. My deadline is August 1 1994. Send tapes to: Phil Bytheway, 9705 Mary NW, Seattle, WA 98117.

NRC E-Mail Addresses ... compiled by Paul Sweetingem (P5BCHDX@AOL.com)

During the past year or so, the number of NRC members who joined others with E-mail (electronic mail) addresses on the information superhighway burgeoned. E-mail address holders correspond directly and so quickly now that they have dubbed USFS-delivered messages "Snail Mail!"

Those who have E-mail addresses have a computer and a modem which allow them to tap into phone lines. They have joined an electronic bulletin board or service, such as FidoNet, America On Line, Prodigy, Compuserve, Delphi, or one or more of several others, and obtained a unique E-name, which usually is limited in length and can consist of numbers or letters or both. The government-sponsored Internet, in turn, connects these systems (and many other entities) and passes messages back and forth at a nominal fee or just as a service of the electronic service.

E-mail is extremely fast. I have received a message within two minutes of posing a message to an individual who belongs to a completely different service than I do. It also does not protect the anonymity of the sender, so that the recipient never has to put up with "hate" mail. It is also quite convenient, as unlike the telephone, one can retrieve messages from the service at leisure.

Disadvantages do exist. User fees can mount when one is composing replies while on-line; and those who receive many messages may find that downloading (retrieving) messages can take some time and effort.

Nevertheless, most E-mail address holders want to be able to correspond with others via electronic means. The following is a first attempt to compile E-mail addresses of NRC members who have either corresponded with me or specifically let me know that they wanted their E-mail addresses published in DX News. I've listed the complete addresses as furnished to me, and when an individual has more than one address I've tried to list the name of the service except for AOL (America On Line), Prodigy, and Compuserve, which are obvious. Please note that you may not need all of the address to correspond with

someone who is on your own service. Let me know of any errors, and I'll correct them in the next DXN. Finally, if you're not on the list, send a Musing to Dave Schmidt and include your E-mail address. We'll update this list again in a few months.

| | |
|---------------------|------------------------------------|
| Steven Alexy | stevan.alexys@HAL9K.com |
| Gerry Bishop | 73171.2265@compuserve.com |
| Dave Braun | DPHT10A@prodigy.com |
| Eric Buemanan | dkk13a@prodigy.com |
| Phil Bytheway | bytheway@AOL.com |
| Alex Calabrese | EUTYCHUS@AOL.com |
| Mark Connolly | MarkWA11ION@AOL.com |
| Bruce Conti | BC@lexxon.com |
| Richard D'Angelo | r.dangelo3@genie.geis.com |
| Barry S. Finkel | B19141%ANLVM.BITNET@UICVM.UICF |
| George C. Greene | 74367.3305@compuserve.com |
| Bill Hale | MTEH12A@prodigy.com |
| Bill Hardy | 73201.2263@Compuserve.com |
| Nancy Hardy | FMH721A@prodigy.com |
| Earl Higgins | PMFH721B@prodigy.com |
| Ron Musco | Higgins@amsa.nde.com |
| Stephen H. Ponder | MUSCORJ@hswi.utrc.com |
| At Work: | sponder%scotd@esnic.jsc.nasa.gov |
| | shp5511@n0003.jsc.nasa.gov |
| | nbarship@scprofs.nasa.gov |
| At Home: | sponder1@aol.com |
| Al Prete | n5wiship@btkbox.com |
| Jim Renfrew | 71212.1644@compuserve.com |
| Richard E. Robinson | JimRenfrew@AOL.com |
| Gray Scringueour | rerobins@mosaic.uncc.edu |
| Rocky Stone | 70614.3561@Compuserve.COM |
| Fred Vobbe | Guitripck@AOL.com |
| | 71533.657@AOL.com |
| | Fred Vobbe@f16.n234.21.fidonet.org |

RFI From Household Electronics

by Perry F. Grubill, Jr., W3HQX

I recently discovered that our late-model TV set was emitting radio-frequency interference throughout the long-wave beacon band WHILE TURNED OFF! Unplugging the power cord killed the RFI, and reconnecting it started the interference again.

This is a Zenith 20V Century 2 MTS Stereo Color TV Model SF-2065-W, with infra-red remote control. The interference was manifested as buzzy, slightly broad and unstable signals, apparently harmonics of a 36.96 kHz fundamental frequency from their spacing. The signals were strong enough to drown out weak NDB stations. They could be nulled in the Drake R-8 with my 2-ft. homemade loop; the null was in the direction where the local TV cable system's coax entered the building.

For this reason, I had attributed these signals to radiation from the cable system; however, they persisted when I disconnected the cable at the outdoor lightning arrester and splitter. The signals did disappear when I opened the main a-c power switch, showing they came from inside the house. After restoring power, I used a battery-powered Sony ICF-2010 on the long-wave band as a search receiver tuned to one of the harmonics. Eventually, I found the source of these signals was the turned-off Zenith TV located in the bedroom next to my listening post. Right at the TV set, the harmonics were strong enough to light up all of the Sony's signal strength LEDs.

Disconnecting the cable system's coax from the TV did not affect the QRM as observed in the shack, nor did adding an a-c line filter at the power outlet for the TV. The only action affecting the offending signals was to turn on the TV, or to disconnect its power cord.

Incidentally, the harmonics of the 36.96 kHz radiation were not limited to the 190-530 kHz NDB band; they were found well up into the shortwave spectrum. In fact, I derived the frequency of 36.96 kHz by zero-beating the 100th harmonic at 3696 kHz with the Sony's BFO.

I have no way of knowing whether this behavior is generic to some feature of the TV set, such as the remote control circuitry or not; it could possibly be a malfunction. I checked with a local TV shop franchised by Zenith, and the technicians weren't able to help me. I plan to write Zenith for their opinion.

This experience prompted me to check other household electronics equipment for radiating signals while turned off. The VCR associated with the Zenith in the bedroom was clean, as was the older Zenith TV in the living room. The living room VCR, a Sanyo VHR-3350 VHS HQ Model with infrared remote control, radiated a strong signal at 525 kHz, with fairly strong second and third harmonics. However, these signals weren't audible in the shack two rooms away.

Our AT&T Model 5500 cordless phone in the living room was generating a 300 kHz fundamental signal, with harmonics up into the SW region, while on-hook. Going off-hook had no effect on this signal. It and its harmonics could not be heard in the shack; they were detected only in the immediate vicinity of the 5500.

The Brother Model 600 Facsimile machine in the shack generated spurious signals at the low end of the AM broadcast band while in a stand-by mode. The actual frequency varied according to the answer mode; for Auto Answer, the frequency was 557.9 kHz; for Manual Answer, it was 561.7 kHz; for TAD (Telephone Answering Device) it was 554.2 kHz. Again, harmonics from this equipment extended up into the SW spectrum. This machine was located four feet from the Kiwa Loop used for BCX DX'ing. I had realized previously that the Brother fax caused interference when operating, but never considered it as an RFI source in standby.

The last piece of radiating turned-off equipment turned out to be the Kenwood R-5000 general coverage receiver stashed away in the basement until the shack is remodeled. It was plugged in to keep the memories alive and minimize any problems from humidity. The Sony showed a whole series of strong signals in the beacon band with a spacing about 17.56 kHz apart which disappeared when the power cord was disconnected. Interestingly enough, turning the R-5000 on caused these signals to change from a pure cw beat note to one modulated with a buzz which remained even after it was turned off. However, unplugging it from the power and reconnecting it restored the pure cw beat. These signals couldn't be heard a few feet from the R-5000; however, one wonders what would happen if it were in the shack with the Drake R-8 and its 2-ft. loop.

Because of these findings, when I want to DX the 190-530 kHz beacon band late at night, I unplug the offending TV set, along with the automatic night light in the bedroom which generates broad-spectrum noise interference. I also turn off the solid state timers that control the front and side porch lights, and make sure that the 20-watt fluorescent light in the kitchen used as a night light is also off. The cabinet humidifier in the kitchen uses a solid state speed control for the fan and moisturizing pad, so I turn that off too. After all this, I sometimes find that the atmospherics are too strong to make listening worthwhile, and turn everything back on and go to bed!

Missings

Dave Schmidt
P. O. Box 11502
Wilmington, DE 19850-1502

Times are local per Miss; submit double-spaced copy. Thoughts from ABC members... the opinions expressed in this column are those of the individual writer and do not necessarily reflect those of the editors, publishers, or the National Radio Club, Inc.

BRUCE REYNOLDS - 917 GOODWIN AVENUE - SAN JOSE, CA 95128

Well, after nearly 16 months of silence, 1370 is again occupied here. The new KRJSJ began running promos on 4/23 and began regular programming on 4/25 as "Magic KRJSJ" (omitting the nostalgia format formerly heard on KRFC-610). Other new catches: 3/31 KRBD-600 at 1PM for a call change; 4/1 KVPF-540 at 6AM with rel1910n; and 4/8 KCMX-580 at 6AM with newstalk format, KTKN-760 in very well with talk at 6:22AM, and KQME-1360 at 6:36AM with sports talk for new call. These latest additions bring my 3 year total of stations taped to 498. Varities were received from the KARB & KCVR DX tests, but several reports are outstanding to other DX Testers, generally the only ones I report these days. The 4/25 DX NEWS mentioned that KTTD-1500 was silent. I can't normally hear them anyway at this location because of the local on 1560, but based on the content of a news article of a few weeks ago, I suspect they are off temporarily for the installation of new equipment. The local paper reported that KGO-810 was silent for 90 minutes on the night of 4/21 due to an equipment malfunction, but I missed it. According to Herb Caen's column in the 4/29 SF Chronicle, the FCC has approved the sale of KKHI-1550 to Westinghouse, which will change it from classical to an all news station with the same KPIX calls as the TV station owned by Westinghouse. Caen says the format change could come as early as 6/1 and that KKHI will scrap the all night show as of 4/30. There are plans to up the power to 50kW, so the rev's a good chance for considerable silent time in the short term.

JIM RENNERT - 61 WILCOX STREET - ROCHESTER, NY 14607-3832

Well, in talking with BEN DANBERTHEID on the phone last night, I realized I hadn't sent in a MISSING in some time. I've been DXing since about age 12, first with a Heathkit that I built with my Dad's help, and now with a Hammett and HQ180 & Sony 2010. My last logging was back then (1977) was W4LO-640, my most recent logging this week were W5AT-1530 & W6MN-1210 (both call changes). Best logs of the 93-94 season include KMTL-770, St. Vincent-705, KXON-770, WMSW-1120 (PE), CPTP-1000, & CBI-1140. Verified during this season were new countries Colombia & St. Lucia, new province NS, & new states CO & SD. I've logged almost 1500 stations from Rochester since 1976, from 43 states and 47 countries. After my 1st year of parenting our 9 year old son, I have to admit that DXing has taken a real dive. These days, I only manage to tune in on Friday or Saturday nights. Even then I can't give it my full attention, because I'm busy preparing my Sunday sermon. You'd never know from reading IDXD, but I am a Presbyterian minister working with 2 churches, one in the city of Rochester and the other in the rural town of Bergen. Both churches are struggling to survive from week to week, so I keep very busy. And with so many IDXD reporters, lately, the rest of my free time seems to go into typing! Actually, some of our most prolific reporters send their loggings in by e-mail, which considerably shortens the typing time! Thanks to everyone who makes DX NEWS happen! (Welcome to this side of the fold, Jim, you're doing a great job with IDXD-DMS)

JOHN TUDERNHAM (W4TRP) - 2824 MISSOURI - JOPLIN, MO 64804-2755

We had a good time at the St. Louis get-together 4/16-17, ERIC RY-ENEMAN did a great job! We enjoyed meeting the same DXers we had seen last Nov. at Rolla, MO plus several more. On the local scene, KRFB-1310 has changed format and is no longer 24 hours, now operating 6:30A-1M. They simulcast their sister FM KRXQ-93.9 except for mornings and evening drive time when they have local news & sports talk. They also now carry KC Royals baseball and St. Louis Blues hockey plus local college sports. Their FM is CW. A very good move since the FM is the top rated station in the area. Have logged one new station on 1300, KXOR with newstalk & TD. Have heard Spanish on 1310 which I have yet not IDed, probably ex-KRAM. Thinking of another MO get-together here in Joplin, maybe in late summer/early fall. Have found a local motel with reasonable rates. If anyone is interested, let me know! 73

BILL ALTSBUSKAS - 7553 HILLSIDE DRIVE - DUNGLASVILLE, GA 30134

Hello again! It's been quite a while since I've MURSED, but not being too active DX wise makes it that way. Question is what happened in Clinch-land? Early this week, there was a tape loop on 1530 saying WCRY moved to 550, now W6AI is parallel on 1360 & 1530, tape loop was on 1360 on 4/14 advising the change, they were parallel this AM 4/15. Who's going to fill 1360? Anyone, any info on this mess? Also, as you know, WPTT-1360 is gone, the IRS shut them down for \$95,000 in back taxes. I really doubt they'll be back, there goes radio job #2! Otherness, only one big item, noted GRNB-1010 may drop, the channel 4/8 6:24 AM, 1st time noted here. Totals - who knows? My records are in awful shape! So much for now, hope all have a good summer!

GERRY BISHOP - 126 DYER STREET - NICEVILLE, FL 32578

It has been a quiet winter here in Niceville, a little colder than normal. I had less DX than usual, as well, mostly due to grad school & work. Can't complain, though, as I added MD, through K0E1, to the log from this den. Thanks, Dave! Several of the tests came through well, but New England continues on the most wanted list from here. Looking over past logs, I've discovered I've never logged VT from any location. WDEY didn't show, either, to keep my record perfect! I make a habit to send a thank you card to stations which test, but I didn't hear despite trying. I won't mention any calls, but I have 3 verifs from this season, verifying reception I did not make. What do you think M05ERS thnk? (Sounds like file #13 material to me, Gerry-DMS) Should I continue to send thanks for tests I didn't hear and get verifs that really aren't or should I write only if I hear them? Local radio seems to be pretty stable here in Okaloosa County. WNUW-1400 is still silent as is WCNN-1010. WZZR-1120 tested once last Aug., relaying WFSH-1340 but has been silent since that time. Edlin APR now has a new public service radio station on 530, 10 watts. Its purpose is for public affairs information, severe weather warnings & military recalls. It gets out about 15 miles during the day. 73s

ERIC BUDENMAN - 631 COACHWAY LANE - HAZELWOOD, MO 63042-1347

The St. Louis DX get-together held over the 4/6-17 weekend has been declared a success for the most part. No was the most represented state in attendance were: yours truly (Hazelwood), JOHN TUDENHAM & wife BECKY (Joplin), GIL MORGAN (Stockton), WALT BEVELLE (Arlton), loop designer & exNRCr Bob Flick (Greve Coeur), WPTDA member Keith Smith (St. Ann), Cyber David Box (St. Louis). I was represented by JOHN CALDERMAN (Mr. Vernon) & WPTDA member Bill Eckberg (Dixon). ERNIE WESOLOWSKI came in from Omaha, NE & he brought a friend of his, Don Payne from Leawood, KS for a grand total of 12. The gathering started with disc ussions on antennas and DX, Bob Flick & David Box offered further input with antenna & crystal set designs. After lunch, 8 DXers made the trip to KEV-89.5 where I showed them the station, and how things are done at a college radio station. Following that and a short discussion period at the hotel, the 45 minute trek to Mentzville, MO was made to the shack of Vern Jackson W4GCR, who runs the amateur radio bulletin station on 1860kHz. A very detailed tour of Vern's broadcast style set up and a look at his 110' tower soon followed. Back to the hotel for more discussions, and a trip home to pick up more verifs, a verife arrived from the recent W0IC-1510 test with a coverage map, business card, & bumper sticker. After dinner, a DX session followed mostly on FM, demonstrating an FM/VHF-TV loop that GIL MORGAN had made. The rooms had AM/FM radios built into their TV sets so I tried the AM side in my room, and noted WPAJ-1560 dominating 1M 4/17. The MOAB move from 1400 to 1300 was also confirmed. Despite the success of this GFC, St. Louis will not be in the running for the 1995 NRC convention but may bid for the 1996 convention. In local changes, KXOK-630, by the time you read this, will have changed to KJST, and switches to Christstain programming. 630's silence allowed me to og several newies on 620, 630 & 640. WFSH-1490 is once again noted in AM Stereo. The DX season has wound down here with the final totals for the season (9/1/93-4/18/94) as follows: 234 heard (237 since 3/1/93), 100 verified (a 43% return rate), several hard to hear states were logged (several thanks to DX TESTS) & 2 stubborn non verifiers (WPNR-660 & WRRM-1180) finally answered! As of 4/18, DX TEST holders include KSD-550, WJLS-360 (that may not have been on, Eric-DMS), WFRM-600, K0RL-730, WCGC-1270, WTRN-1340, RWNC-1370 (tentative), KVOV-1450, WSSR-1510 & KCNN-1590. Most recent verifs: WTAX-1240 (with WBR-103.7), RBCO-1190 & W1IC-1510, as noted. Thanks to DAVE for the WNRK-1260 CW, even though the test wasn't verified, and thanks to all who have done a good job for the NRC CPC this year. 73 & good DX!

DAVE SCHMIDT - P O BOX 11502 - WILMINGTON, DE 19850

It looks like the combo of WCR-740/WEE 89.5 may be running 24 hours by the time you read this. The 740 is one worth trying if you didn't get it on the DX test last year, all of 5 watts! Sorry about that BSR D.1 A 6/1 airate for WXR-89.1 looks like it may be taking place, construction moves along with that one. BOB LENO, CE at WRR-590 advises that WYCK-1340 is now silent, having lost the lease on the ground of their transmitter/tower sight and having it taken down already! Missed the WEMR-1460 DX TEST on 5/7, the sandman got me on that one. ERC mentioned a few issues back of an overload problem on his SM2 using batteries such as Duracell, Energizers, et al, and not being able to locate the old, standard mercury 9 volt batteries, which for some reason, do not overload (mine does it also). Eveready still has the silver 9 volt 'classic' available, it is #716, and I have found them locally for 2 packs for \$3 (4 batt-eries). Remember, now that the season is just about wound down, now is a good time to have your set checked, and may I make the offer for R390A & HQ180 repairs & alignments by John Tiedeck & myself. Please contact me at the above address if you may be interested for prizes, shipping, etc. Please make an effort to drop us a few lines, let us know what you thought of this past season, what your goals are for the upcoming season, what your best catches have been, anything which is related to what this is all about...DX! 73 & CON4 (weeks that is!)

1994 National Radio Club Convention September 2 - 5, Labor Day Weekend Nashua-Manchester, NH

New Hampshire, *The Granite State*, welcomes the National Radio Club for its annual Labor Day weekend convention. The convention site is central to all that New England has to offer. The mountains, seacoast, and historic Boston are all within an hour's drive.

Program of Events

The convention program has something for everyone. Upon arrival on Friday night, convention goers will receive a souvenir packet loaded with information on how to get the most out of your stay in New Hampshire, including maps and radio station information. The hotel's *Presidential Suite* will be open for NRCCers to renew old acquaintances and make new ones. Radio station tours are scheduled for Saturday morning, to include the WKBR-1250 studio and transmitter site and the "mini-WLW" WFEA-1370 transmitter site.

Saturday afternoon, a group will be assembled for a tour of the Anheuser-Busch brewery and Clydesdale hamlet. The entire process is explained on the tour, from grain storage to beerwood aging to bottling. Participants are then invited to a beer-tasting. Following the brewery tour, its a short walk through beautiful flower gardens to the Clydesdale hamlet, to see the workhorses that have become a Budweiser trademark.

Saturday night is reserved for the traditional banquet and auction. Banquet guest of honor Mr. Bob Bittner, WLW/WKBR owner and manager, will speak about his experiences in AM radio. Don't forget to bring your bumpstuffers, hit lists, coffee mugs, T-shirts and other radio related items, along with DX gear, to donate to the auction and support your NRC! Door prizes will also be awarded.

Sunday seminars will cover such topics as FCC rules, broadcasting, reception reports, and phasing techniques, along with the NRC Quiz. A trip to the seacoast for some 1A DXing may also be on tap, as NRCCers will be free to step out on their own and discover New England.

Convention Hotel/Reservations

The convention will be held at the **Ramada Hotel at Merrimack**. The hotel is located at Exit 11 of the F.E. Everett Turnpike, just north of downtown Nashua. The hotel features the *Sporting Club* restaurant and lounge for breakfast, lunch, and dinner, with room service available. For exercise, try the indoor swimming pool or take a quiet walk along the trails in the Merrimack Forest. The entire hotel is handicapped accessible.

A block of 50 rooms are set aside at special rates of \$45.00 single/double and \$55.00 triple/quadr, not including 8% tax. Rates and rooms are guaranteed available until August 26. The hotel is now accepting reservations at (800)922-3477 or (603)424-6181. Be sure to mention the National Radio Club convention for special rates.

Transportation

Air service is available from two convenient points - nearby Manchester Airport, and Boston's Logan Int'l Airport, one hour's drive away via U.S. Route 3. The hotel offers complimentary van service to and from Manchester Airport M-F 8am-10pm, given 48 hours notice. Several independent shuttle services operate to and from Manchester, Logan, and Boston's Amtrak train station. Make reservations directly with one of the following, or consult your travel agent.

- * M and I Transportation (617)665-7791 Logan hourly service.
- * Minuteman Airport Service (308)649-9629 Manchester, Logan, and Amtrak.
- * Hudson Bus Lines (603)883-4807 Logan Airport service.

Individuals are responsible for their own room reservations and transportation to and from the hotel. The NRC will not be involved in room sharing and airport transportation arrangements.

Convention Registration

A registration fee of forty dollars (\$40.00) per person (\$16.00 children under 12), which includes the banquet, is payable in advance. Checks payable to the *National Radio Club* may be sent to NRC Convention, c/o Bruce Corti, 46 Ridgeland Drive, Nashua, NH 03062-1174 before August 26. Please register before August 26, to insure seating for the banquet. Specify whether you prefer chicken or beef. For further info, send a SASE with your specific inquiries to the same address. Hope to see you for the New Hampshire 1994 NRC Convention! 73s

