



# DX NEWS

The magazine of the  
National Radio Club

— SINCE 1933 —

Volume 58, No. 23 - April 1, 1991 (ISSN 0737-1659)

## Inside ...

- |                 |                               |                     |                     |
|-----------------|-------------------------------|---------------------|---------------------|
| 2 .. AM Switch  | 17 .. DDXD-W                  | 30 .. For Beginners | 34 .. GYDXA - 1230  |
| 4 .. WKSP, WPRW | 23 .. Area Code Map           | 31 .. Answerman     | 40 .. FM DXD        |
| 5 .. DDXD-E     | 24 .. Verie Signers           | 41 .. Formats       | 43 .. Radio Roundup |
| 17 .. DDXD-W    | 25 .. What's Wrong with Loops | 44 .. Radio Waves   | 45 .. Musings       |
|                 | 27 .. High Dynamic Loops      |                     |                     |
|                 | 32 .. WRTH                    |                     |                     |

## CPC Calendar ...

Date	Station	From/To (EST)
April 15	WJTZ-640	4:30/5:00 AM
April 22	WYRU-1160	5:40/5:45 AM

**WJTZ-640**, 640 Radio Way Suite 286-B, Blountville, TN 37617 will conduct a special DX TEST on Monday morning, April 15, 1991 from 0430-0500 EST. This test will consist of tones and code ID's. This will be the last portion of WJTZ's POP testing. Our thanks to Mr. Mitch Sandidge, Chief Engineer for this test. Arranged by the Colorado CPC Machine for the National Radio Club.

**WYRU-1160**, Box 711, Red Springs, NC 28377 will conduct a special DX TEST on Monday morning, April 22, 1991 from 0540-0545 EST. This test will consist of code ID's that will be broadcast just prior to WYRU's 0545 s/on. Our thanks to Mr. Richard Atwell for this test. Arranged by the Colorado CPC Machine for the National Radio Club.

**Corrections ...** My apologies for a poor job of proofreading names last week: WNLC's test was arranged by Stephen Keefe, and new member Chuck Wolski is N2IKW.

**They joined ...** Roger McDonald, Germantown, TN, and Todd Roberts, Hilton Head Island, SC.

**DXChange ...** Ken Romstadt, MI, is offering his Space Magnet-1, which is in good shape, for \$60, shipping included. He's also looking for an FM tuner, such as a TX 9800 or 9100. Give him a call at (517) 486-4440. And former member Clarence H. Freeman - 705 Hill St. - Yreka, CA 96097 is offering 40 pounds worth of DXN's ranging from 1969 to 1981 for just the shipping costs.

**From the publisher ...** FM DXD with new editor Todd Brandenburg returns with this issue,

and we're debuting our new column, For Beginners, courtesy of co-editors Jack Woods and Mike Hawk. Also, in spite of doubling our usual 24 pages to 48, we still have left a few submissions which we'll try to squeeze in next issue. Thanks to all editors, authors, and contributors for making this issue so information-packed!

**"TFAGWDXP" ...** stands for AMANDX's "First Annual Great White North DXpedition" scheduled for May 17-20 at Hecla Island Provincial Park, about 90 minutes north of Winnipeg, Manitoba. For more information, write to AMANDX at 30 Becontree Bay - Winnipeg, MB R2N 2X9, Canada; mention the NRC when you write.

## Remaining DXN Schedule, Vol. 58

Issue #	Deadline	Publication Date
24	Apr. 5	Apr 15
25	Apr. 26	May 6
26	May 24	June 3
27	June 21	July 1
28	July 19	July 29
29	Aug. 16	Aug. 26
30	Sept. 13	Sept. 23

## DX Time Machine

### From the Pages of DX News

**50 years ago ...** from the March 29, 1941 DXN: Steve Mann, Lakewood, OH, reported that March 24 was an excellent morning for TP reception: 12 were logged at signal strengths up to S-6.

**25 years ago ...** from the April 4, 1966 DXN: ANARC was publicizing its first annual convention July 29-31 in Kansas City ... Daniel Burstein, Bay-side, NY, found five new SS signals on March 23 on 1170 (2), 1180, 1200, and 1220.

**10 years ago ...** from the March 23, 1981 DXN: First-class postage increased from 15c to 18c ... the issue included several Radio Shack TRF reads ... Mark Connelly composed the TRF, the GE Superadio, and the Sony ICF-653W.

**THE WORLD'S OLDEST AND LARGEST ALL MEDIUM-WAVE DX CLUB**

# AM Switch

**Jerry Starr**c/o WHOT Radio  
4040 Simon Road  
Youngstown, OH 44512-1320*Status changes in AM stations, supplied by the FCC and NRC members***CALL LETTER CHANGES****Old call:**

640 WBMX MI Zeeland  
660 KQSR ND Williston  
910 KGLC OK Miami  
980 WMAK KY London  
1240 \*New MS Flowood  
1330 WBIG SC Conway  
1460 WIQN AL Phenix City  
1540 WNRE OH Circleville  
1550 WCCZ FL New Smyrna Beach  
1580 KDAY CA Santa Monica  
WKNN MS Pascagoula

**New call:**

WROR  
KEYZ\*  
KVIS  
WBBE  
WZQA  
WPJS  
WPNX  
WNRJ  
WNBH  
KBLA  
WZZJ

2600 South Spring Avenue  
Sioux Falls, South Dakota 57105

\*Note: Change from KQSR to KEYZ on 660 kHz reflects the move of existing station KEYZ from 1360 kHz, more in Otherness

**APPLICATIONS FOR NEW STATIONS**

None

**GRANTS FOR NEW STATIONS**

770 NY Youngstown: 5000 D3 (suburban Buffalo, NY)  
800 PA Brockway: 500/500 U4 (10 miles north of DuBois)

\*Note: In answer to several requests we will try to include a short description of new station locations if they are not obvious.

**APPLICATIONS FROM EXISTING FACILITIES**

790 CIAO ON Brampton: to 530 kHz with 250/250 U1 (move will take place when CJFT moves operations to FM)  
1210 KBSG WA Auburn: decrease night power to 6500 watts  
1580 WOCF FL Punta Gorda: amend powers of previous application to 670/430

**GRANTS TO EXISTING FACILITIES**

540 KPUP CA Carmel Valley: day power to 50000 watts  
670 KWNK CA Simi Valley: day power to 5000 watts  
1200 CBQW MNT Rae/Edzo: to 1160 kHz  
1230 CILW AB Wainwright: to 830 kHz with 10000/3500 U4, relocate transmitter site  
1260 WJOT SC Lake City: power to 5000 watts  
1430 WNMZ TN Germantown: day power to 2800 watts, relocate transmitter site

**OTHERNESS**

660 KEYZ ND Williston: call and format has moved here from 1360 as KEYZ buys this CP for new station. The license for 1360 kHz has been turned to the FCC  
750 WHEB NH Portsmouth: station has turned in the license for this silent station, remove it from your Log

770 \*App PA Ridgeway: application for new station DENIED in same action granting new Brockway, PA station  
900 CJER PQ St. Jerome: station was SILENT but has returned with CKLY-1570 which it relays  
KICR LA Oakdale: station is SILENT  
980 WMAK KY London: station was silent, then reported to be back on the air, now is SILENT ONCE AGAIN  
990 WBTE NC Windsor: station is SILENT pending sale  
1000 WJHH GA Soperton: station is SILENT  
WKLO KY Danville: station is SILENT  
1020 WIBG NJ Ocean City: station that just recently returned to the air on this frequency with traveler's info is now simulcasting WREY-1440's Spanish format  
1030 WONS KY Pleasure Ridge Park: application for another extension of their permit to build a new station has been DENIED, this one may be dead  
1140 KSSQ TX Conroe: station is SILENT  
1150 KPMX CA Santa Rosa: silent station is back ON THE AIR  
1170 WDAT MS Amory: station is SILENT  
1230 CJSA PQ Ste. Agathe des Monts: station was silent but has returned to the air along with CKLM-1570 which it relays  
1270 WWSE VA Hot Springs: station is SILENT  
1310 KOYL TX Odessa: station is SILENT  
1340 KTMP UT Heber City: station is SILENT  
1360 WYSE GA Bainbridge: station is SILENT  
KEYZ ND Williston: station has been DELETED at this facility and has moved to 660 kHz where it took over the facilities of KQSR. Remove this 1360 kHz facility from your Log  
1400 KVLA LA Vidalia: silent station is back ON THE AIR  
CKSJ PQ St. Jovite: station was silent but has returned along with CKLM-1570 which it relays  
1430 KSTB TX Breckenridge: station is SILENT  
1440 WSEL MS Pontotoc: station is SILENT  
1450 WLPM VA Suffolk: station is SILENT  
KZAO AR Dardanelle: new station is ON THE AIR  
1490 KTOP KS Topeka: here's the last word on this station's proposed move to 1250 kHz: the deal is OFF, KTOP will be staying on 1490 kHz. We understand that vandalism at the former WREN transmitter site is extensive and it is presently unusable. What a sad fate for a once proud heritage facility  
1510 KIDZ MO Independence: previously reported to be silent, this station is ON THE AIR and it appears they were not off the air at all. Thanks to the NINE members who wrote with this information!  
1520 WARR NC Warrenton: station is SILENT  
1530 KCLR TX Ralls: station is SILENT  
1550 KVFW KS Winfield: station is SILENT pending sale  
1560 WSMO MD La Plata: silent station has been sold to owner of WQMR (FM) but we don't know if they intend to return it to the air

**Need more information about Medium Wave DX'ing?**

Mail \$1.00 to NRC Publications - P. O. Box 164 - Mannsville, NY 13661-0164; ask for the Reprints Catalog.



1570 WNNQ GA Ashburn: station is SILENT  
 WGSR GA Millen: station is SILENT  
 WBUG NY Amsterdam: application to move to Ballston Spa, NY has been DISMISSED  
 OKLM PQ Laval: silent station is back ON THE AIR as you may have already noted, they claim the silence was due to transmitter technical problems

Thanks: AL MERRIMAN, WAYNE PLUNKETT, TODD BRANDENBURG, MORRIS SORENSEN, DAVID LEWIS, SKIP LABELSTEIN, BOB MCCOY & M STREET JOURNAL

73 and Good DX, *Dumy & BKF* Jerry Starr & Buffalo K) Foorman

## LICENSE PULLED FOR DRUG CONVICTION

FCC revokes license of Kingstree, S.C., AM for majority owner's drug conviction; owner says ex post facto ruling is unfair

FCC Administrative Law Judge Joseph Chachkin has revoked the license of WKSP(AM) Kingstree, S.C., citing the 1987 drug-trafficking conviction of the station's principal owner, Gregory Knop.

Knop, who along with other family members acquired the now dark AM daytime in 1979 for \$200,000, was arrested on federal trafficking charges in August 1987. Three months later, he pleaded guilty to one count of conspiracy to distribute cocaine and was sentenced to five years in prison.

Now unemployed and living in Myrtle Beach, S.C., the 45-year-old Knop told BROADCASTING he intends to appeal the judge's revocation order at the FCC. Having little money, he added, he will act as his own attorney.

In finding Knop unfit to hold a broadcast license, Chachkin also cited Knop for "lack of candor" and violation of full disclosure rules in failing to report the drug conviction in a 1987 application for a new FM station in Kingstree.

The FCC, by a 5-0 vote, began a revocation hearing against Knop in September 1989. At the same time, it stated convictions for drug trafficking would be potentially disqualifying. The agency maintained it was "clarifying," not modifying, its so-called character policy.

Knop admits (and is contrite for) his involvement in drug trafficking—"I did what I did"—but believes the FCC treated him "unfairly." More than two years after he was arrested, he said, the FCC expanded the scope of misconduct that could result in revocation or non-renewal of a license to include drug convictions.

In deciding to go after his license due to the drug conviction, Knop said, the FCC was responding to mounting political pressure to take a hard line against drug users and traffickers. "For [the FCC] not to take a stand would have been politically dangerous," he said. "For it to take a stand after the fact was unfair to me."

All broadcasters should be alarmed by the FCC willingness to take away licenses, he said. His case "sets a dangerous precedent," he said. Broadcasters convicted of drunk driving or income tax evasion could find their licenses in jeopardy.

Knop also complained the loss of the

license would unjustly hurt the owners of the stations—his wife, mother and sister-in-law—who were not involved in his drug activity. "I don't think it's fair they put everybody else's head in the same noose with me," he said.

If anything, Knop said, the FCC should have ordered him to divest his interest, which amounted to 51% at the time of his arrest. "Why hurt the other stockholders who had nothing to do with it?"

And contrary to the judge's finding, Knop said, he was "very open and candid" in his FM application. According to Knop and the FCC record, he noted in the application that he had been convicted of a nonbroadcast-related felony and was willing to supply details upon request.

Lending some credence to Knop's charge that the FCC changed the rules of the game is the fact that the FCC renewed the license for WKSP in 1988, even though Knop listed on the renewal application the unspecified felony conviction.

Knop has acknowledged he was arrested a second time on drug charges in Myrtle Beach by Horry county police on Oct. 17, 1989, just two days after being released from a halfway house in Wilmington, S.C. Knop entered the halfway house August 1989 after serving 17 months of his five-year sentence at a minimum security prison at Maxwell Air Force Base in Montgomery, Ala.

Following his arrest, he said, he was jailed in Horry county until officials dismissed the charges on Jan. 23, 1990. "The charges were baseless," he said.

## Manassas station signs off air

MANASSAS — A 3.33-AM-old Manassas radio station, WPRW, has signed off the air temporarily. The owner pledged to return with a new format.

"I took it off for 45 days and I'll be back with a new format. Business is terribly slow," said Robert C. McKee, president and owner of the

Northern Virginia Daily  
 via Peery Csabill

Broadcasting  
 -via Jerry Starr

declining elaboration.

However, because he was still on probation, upon his release from the Horry county jail he was incarcerated at a federal prison in Atlanta while federal officials investigated the new charges. He was finally freed, again on probation, on May 30, 1990.

After his release, he got a job selling ads for WSPN-TV Georgetown, S.C., but left the station in November. When the station went into bankruptcy, the receiver brought in a new management team, and Knop said he no longer felt welcome. "They wanted to do their own thing."

Barry Brown, the current manager of the station, confirmed that Knop had worked there until November, but would not comment on the circumstances of his departure.

While he was in jail, Knop said, his brother Allyn took over management of the station and, in November 1989, was forced to shut it down due to the same financial troubles that Knop has said led him to become involved in drug trafficking.

Knop said he hopes to pay off back county taxes on the station facilities and sell them to repay creditors. In addition to \$75,000 for the original note, he said, he owes "less than \$20,000."

Knop, who said he worked in Chicago in the 1970's as an engineer at CBS's WBBM-TV Chicago and as a helicopter traffic reporter-pilot before coming out on his own in Kingstree, is eager to resume work in broadcasting as either a reporter or salesman. "I have a tremendous amount of experience," he said.

AM country music and soul news station.

"This was the right time to take it off temporarily," McKee said Monday.

McKee said he relies on advertising from local business for 90 percent of his budget. "When the recession hit, local retailers either cut out or cut way back on their ads," McKee said.

The station signed off earlier this month.



# Domestic DX Digest - East

William Hale

734 Burlleson  
 San Marcos, TX 78666-4335

DX Catches in the Eastern U. S. and Canada, with 24-hr. ELT

## MEDIUM WAVE RAMBLINGS

- DDX-DW Editor Wayne Holmes forwarded a DX report from new member Bob Thompson of Marysville, Kansas. Remember, if you live in or DX from the Eastern or Central Time Zone (or East), send your reports to me. If you live in or DX from the Mountain or Pacific Time Zone (or West), Wayne's your guy. In any case, welcome aboard, Bob. Hope to hear from you again soon. Also, a BIG DDX-DW welcome to Bill Nienajady of Clifton, NJ. Since being a member for 3+ years, this is Bill's first report. Now that the reporting drought has been broken, let's hear more from you. And our third new reporter this issue is "Ranger" Rick Dettmann from Buffalo Grove, Illinois, a Chicago 'burb. The report's just fine Rick. So...what's the deal on the "Ranger"?
- If you've been paying attention to our contributors lately, you'll notice the name of Mike Roderick. I noted in *Monitoring Times* (March issue) that Mike was deployed to the Middle East. I was kinda shocked as I've been getting regular mail from him with an NC postmark. A quick call to Mike's desk revealed that not only did MJ pass along some misinformation, but another DX magazine did, too. Glad you're still on this side of the Atlantic, Mike. Rumors, rumors, rumors!
- Rod O'Connor, up Kodiak, AK way, sends word that Camp Blanding, FL (see inquiry in Issue 21) is 40 miles southwest of Jacksonville on Hwy 301. Well, my map doesn't show it, but maybe it's one of those new stealth bases, hi. Thanks, Roderick!
- And Chuck Reh reports that as of March 8th, the CMC English AM service is still running all-night.
- When sending in your reports, try to format them in the manner seen here. IE: divided into the various areas as seen here in 24 hour ELT time, report in frequency order, print neatly or type, on one side of the paper, keep it current, and very important...ensure it's true DX. I'm sure Wayne wishes you'd do the same. Oh, by the way, deadlines here are ALWAYS one week prior to the Topeka deadlines. See the cover of Issue 21 for those dates

## SPECIAL

- 530 GIFT ON FORT ERIB - formally a regular here, not heard in 3-4 weeks (as of 3/11), so presumed off forever... (RJE-PA)
- 560 WYOR TN BRENTWOOD - was not silent when 2/25 DX News arrived [see Issue 20 - Ed.], nor had it been silent since my arrival in Nashville in December. However, WYOR did go silent during the week of 2/25!; they had been BRN Biznews, and that format was taken over by WWJN 99.7, which went on the air 1/91 (DS-TN)
- 610 KDAL MN DULUTH - format is TLK/AC (MH-NE)
- 750 WSB GA ATLANTA - no C-QUAM testing noted since 9/90 (EB-GA)
- 760 WEND FL BRANDON - re: question raised in Issue 20, address is 2857 Executive Drive, Suite 100, Clearwater, FL 34622, according to M Street Journal Yearbook via Stan Morris; now Mike Brooker can send them a follow-up [Ed.-TX]
- WJR MI DETROIT - now carries ABC's Nightline via WXYZ Channel 7 (RCW-MI)
- 800 CKLW ON WINDSOR - now carries WJBK Channel 2's 6 PM Newscast weekdays (RCW-MI)
- 840 WKTR VA EARLYSVILLE - 2/25 1627 new station now on the air with REL programming; 20 minute sermon *Voice of the Last day of Prophecy* by Brother Stair of Walterboro, SC; asked for money for broadcasts, followed by 3:30 PM mtg until USA Radio News at 1700; USA Business Radio Report at 1705; sign-off at 1745 (PCW-A)
- 860 WAEC GA ATLANTA - 2/7 1830 noted with ComChr mx, *Love 86 is WAFAC Atlanta legal ID - The Urban Alternative* with Dr. Tony Evans; power cut/pattern change at 1831, fulltime CP is NOW GN with U2 5000 500 (EB-GA1)
- 870 WLAM ME LEWISTON - 3/8 2235 good with MoYL III, on new frequency (BC-NH)
- 1110 WBT NC CHARLOTTE - 2/14 2004 noted with CBS Nix and in mono. ex-NBC/ABC-I and Kahn Radio (EB-GA2)
- 1140 KLIJC NV LAS VEGAS - per verie, power is 25000/5000, not 10000/2500 as in Log; phone # is 702-739-9383 (MH-NE)
- 1160 WAMB TN DONELSON - 3/6 1900 noted broadcasting in Japanese(?); thought I heard an NHK (Japanese Government Radio) ID, but given that I don't speak JJ, I'm not sure! (DS-TN)
- 1180 KZAR NE BELLEVUE-OMAHA - add CNN to Nets (MH-NE)
- 1210 KLDI WY LARAMIE - format currently OLD, slogan *K-Oldies* (BM-NE)



- 1230 WFOM GA MARIETTA - sked is Mon-Sat 0600-2030, Sun 0600-2200, antenna is U1 (NOT U5 as in Log, as only one tower exists at their XR site), format is BRN BizNews 0600-1800, WSB-TV (Channel 2) *Action News* 1800-1900, REL 1900-2030 and all-day Sun (EB-GA)
- 1300 WIMG NJ EWING - not heard at all lately; there had been news in the local paper about a significant power increase some time ago, but nothing further (RJE-PA)
- 1310 WHGL PA TROY - QSL letter states they simulcast with their FM station from 0500-2400 Mon-Sat, and 0600-2400 Sun; their slogan is *Wiggle 100* (DT-ON)
- 1330 WKTA IL EVANSTON - 2/21 1805 *Your station for the Big Ten game of the week, Northeastern Illinois basketball and Mid-Continent Conference basketball*; XLNT; ex: WSSY, I guess (MJ-MI)
- 1340 WLAV MI GRAND RAPIDS - 3/3 after a few weeks of simulcasting their FM, WLAV is now offering the sweet, melodic tones of SMN's Z-Rock; Yippee, hi (PLB-MI)
- 1370 KFON TX ROLLINGWOOD - 3/6 has dropped all talk segments except *Rush Limbaugh* and now simulcasts FMer KKMJ 95.5 (Magic 95)'s *Soft & Easy Favorites, what a waste!* [Ed.-TX]
- 1380 WIZO TN FRANKLIN - 2/28 1910 noted carrying WTVF-5 news (DS-TN)
- 1490 WNTJ PA JOHNSTOWN - 3/6 1900 on top with legal ID: AM-1490, WNTJ. *Johnstown's only news-talk radio station*; ex: WKQS; PA #240 (REH-PA)
- 1500 WFIF CT MILFORD - QSL, nice letter, schedule, etc...wants reports from us, write to William Bennett (evidently new CE, but didn't give title) (DT-ON)
- 1530 KXTD OK WAGONER - hrd many times late at night, so not D3 anymore; also, add to *Sports Final* list (MH-NE) [Yes, they are | WWLS-640...both barely audible here thru the mush - Ed.]
- 1540 KGBC TX GALVESTON - phone # is 409-774-4567, per verie (MH-NE)
- 1590 WDBL TN SPRINGFIELD - 2/28 1915 noted carrying WTVF-5 news (DS-TN)

### UNIDS AND UNID HELP

- 640 UNID ?? - 2/22 0041-0053 fair - good under WOI with opera(!) and CLA mx; WWLS was running *Sports Final*, KFI had *Larry King*, and a quick ✓ of 710 showed that whoever this is was not | Radio Rebelde; there's only ONE possibility I can think of, and the CBC Network IS on all night, at least for the duration of the war, whatcha think? (RD-IA) [Yup...probably CBN...nice catch -Ed.]
- 730 UNID ?? - 3/3 = 1930 heard several local ads, one for *Sears*, one for *Ato Hot Water Heaters*, one for an insurance agency, all with 988- or 987- phone number prefixes; could have been one of my ID'ed catches as well as someone else... (RJE-PA)
- 760 UNID ?? - 3/7 0108 someone with local wx forecast, *You're weather station* slogan, then talk show with female host; poor under WJR and Cuban QRM (DS-TN) [Maybe WEND? - Ed.]
- 800 UNID ?? - 2/28 1930-1955 fair with Polk Cnty HS BKB, Madisonville ads; only Madisonville I can find anywhere near a Polk County is East Texas, and there's no stn on 800 anywhere near there! (DS-TN) [The only Madisonville/Polk County matches I could find were Tennessee and Texas. Madisonville is just north of Polk County, Tennessee and WDEH Sweetwater, TN is just a hoot and a holler from Madisonville. Maybe WDEH?? They do have 370 watts nights! And you did hear them with another BKB game earlier!! And it is tournament time!!! - Ed.]
- 810 UNID ?? - 3/3 0205 with heavy street rap mx, certainly NOT WGY; nothing else to go by (BN-NJ)
- 820 UNID ?? - 2/25 1930 hrd fairly strong with FF talk under WUSI; since NYC-owned WNYE(FM) runs a lot of FF, maybe their WNYC does too??? (RJE-PA)
- 1020 CKVH AB HIGH PRAIRIE - this is most likely *Mike Hawk's* unID from 2/3 (RD-IA)
- 1030 UNID ?? - 3/1 0512 good with *The all-new AM 1030 KZ Country, C&W* mx, Satellite News Network at 0530; no ID heard (SA-MB) [Well, WJKZ in White Bluff, TN is supposed to play C&W, they are on 1030, and might be on SNN... - Ed.]
- 1072.2 UNID ?? - 2/26 from 2130 tune-in to 2140 with strong tones of varying kHz; tones noted on/off for short (5-10 seconds) periods of time; covered WIBC-1070, unable to loop; local? Silent from 2140-2145 tune-out; nothing noted on rechecks remainder of evening (MH-NC)
- 1180 UNID ?? - 2/11 0049-0100 fair, over/under WJNT & NOS (prob. WHAM) with TT; started 1000 Hz, then manually tuned up and down; no ID at 0100 - just disappeared (DS-TN)
- 1290 WNBG? ?? - 2/23 [?Time?] ad for *National Safe Kids Campaign* and PSA for AIDS, ID as *Your station for first choice news, AM Stereo 1290, WNBG* followed by *Solid Gold Saturday Night*, mixing with WIRL/WHIO/WHGR; pretty sure the call was NOT WFBG; any ideas? (RCW-MI) [How 'bout WNBG? - Ed.]

- 1420 WHK OH CLEVELAND - is Chuck Reh's unID of 1/10 with *Northern Illinois BKB*; is the *Cleveland State* connection and flagship station for the new Mid-Continent Conference radio net; ten stations have agreed to consider carrying some of the games...maybe; *Les Grobstein* (former sidekick to *Larry Lujack* on WLS) does p/bp (JB-IN) (Not my father, John D!) [Or his Oldsmobile, hi -Ed.]
- 1460 UNID NC? - 2/15 1800 station briefly atop pileup with WRAL-TV-5 News (Raleigh, NC); WNBK is most likely (JF-ON)
- 1480 UNID ?? - 2/8 -2040 and several other times; someone weak with AOR or classic rock format - doesn't match anything in my Log; someday I'll hear an ad on this one... (DS-TN)
- UNID ?? - 2/20 2154 fair with *Auburn BKB* (vs *Tennessee*); I suspect WABB, but maybe Edward Soule can help out on this (RD-IA)
- 1550 UNID ?? - 2/21 2053 fair with small-college BKB; one of the teams playing was *William Jewell*, which I believe is located in Missouri; KCJJ splash made things tough to decipher; any help on this? (RD-IA)
- 1570 UNID ?? - 2/21 2003 fair with ad for *VIP Limousine*, mentioning *Tennessee* and a phone # with 469 or 479 prefix; Steve Francis, where are you? (RD-IA)
- UNID ?? - 3/2 2034 someone running a bit high for weeks now; ruins 1570 (MH-NE)
- 1600 UNID ?? - 2/27 2154 fair - good under KCRG with *Oklahoma State BKB* vs *Nebraska*; methinks KUSH in Cushing, so maybe someone from down that way can find out if KUSH carries the Pokes (RD-IA)

### DX AND EQUIPMENT TESTS

- 640 KTIB LA THIBODEAUX - DX Test not heard; too much WHLO/WGST (MJ-MI)
- 720 KUAI HI ELBELE - 2/25 0530-0600 only WGN, very, very faint mx under them, but not readable (DT-ON)
- 820 WBAP TX FT. WORTH - 2/25 0313 over CHAM with TTs and OC; TTs also noted again at 0442 (RD-IA)
- 960 KNEB NE SCOTTSBLUFF - 3/11 0202 weak TTs with CFAC and CFFX (MH-NE)
- 1140 WRVA VA RICHMOND - 3/4 0150 TTs with occasional pauses (MH-NE)
- 1210 WOGL PA PHILADELPHIA - 2/27 0012 XLNT with OC and TTs; noted back on RS at 0021 with *Beach Boys' God Only Knows* (RD-IA)
- 1310 KARY WA PROSSER - 2/18 0700-0730 tried for, but not heard; the late starting time (6 AM CST) may have had something to with that (RD-IA) ...no sign, just a jumble of stations; LSR here 0715! (DT-ON)
- 1340 KTOQ SD RAPID CITY - 3/11 0220 weak TTs heard with a jumble; new (MH-NE)
- 1440 WEZJ KY WILLIAMSBURG - 3/5 0532 occasional TTs during freq test; new (MH-NE)
- 1450 KVOW WY RIVERTON - 3/11 0210 TTs fading in and out; new (MH-NE)
- 1480 WSMP PA SHIPPENSBURG - 2/25 0524 popped in suddenly with TTs for monthly f/c; disappeared shortly thereafter (RD-IA)
- 1520 WOOO IN SHELBYVILLE - 3/1 0447 weak with TTs already in progress when I tuned in; ended shortly thereafter (RD-IA)
- 1530 WVFC PA MC CONNELLSBURG - 2/18 0030-0039 good with TTs and test announcements (RD-IA)
- 1540 WSMI IL LITCHFIELD - 2/27 0101 noted with TTs for monthly f/c already in progress; my 2nd logging on 1540 (One guess who was 1st and only previous, hi) (RD-IA)
- 1570 WMYM WI MINOQUA - 2/10 0631-0640 fair CIDs under XERF (BM-NE)
- 1580 WLIM NY PATCHOGUE - 2/16 0439 good over CBF with CIDs and VIDs; WKKD was also noted way underneath (JF-ON)
- WLIM NY PATCHOGUE - 2/16 0441-0500 weak CIDs (BM-NE)
- WLIM NY PATCHOGUE - 2/16 0443-0519 BBD, OLD, etc; good with CBJ in background; QSL in '89, but wrote anyway and QSL already received (DT-ON)
- 1600 WINX MD ROCKVILLE - 2/18 0017-0019 fair with TTs for monthly f/c (RD-IA)

### TIS AND OTHER STUFF

- 530 TIS DC WASHINGTON - 3/3 1045 in car in south part of town; tape loop *Welcome to Washington National Airport...for security reasons unattended cars in front of the terminal will be immediately ticketed and removed*; no VID (PC-VA)
- TIS DC WASHINGTON - 3/4 1220 this station has a good range...used to hear it when I lived in Chevy Chase; QSLd (HH-mobile)
- WNQI579 DC WASHINGTON - 3/3 1030 tape loop: *This is the Maryland State Highway Administration Traffic Advisory Radio ... this is station WNQI579*; mixing with TIS for Washington National Airport TIS (PC-VA)



- WNQ1579 MD COLLEGE PARK - [seems to be a question as to the QTH of this one -Ed.]  
3/4 1240 noted with weak to fair signal with hwy traffic info; no QRM from KNJX865  
Annapolis as they are off (probably only operate summer season with beach traffic; 10  
watts (HH-mobile near Upper Marlboro)
- TIS VA RICHMOND - 3/4 1045-1110 testing; good signals leaving Richmond Marriott,  
then north on I-95 and weak at Exit 40, Kings Dominion (HH-MB)
- WNHQ463 VA PRINCE WILLIAM COUNTY - 3/4 1150-1212 first noted with weak signal  
near Exit 47 Stafford, VA; peaked near Quantico, VA; previously QSLd; power listed  
as 10 watts (HH-mobile)
- 1610 TIS VA PRINCE WILLIAM FOREST PARK - 3/4 1150-1212 about the same signal  
characteristics as WNHQ463 on 530, but stronger (HH-mobile)

## HARMONICS

- 1520 WJR MI DETROIT - 2/23 1925 good with martial mx medley (HF-MI2)

## MIDNIGHT TO 0800 HOURS ELT

- 550 WAYR FL ORANGE PARK - 2/8 0633 fair, out of taped REL pgm: *Financial assistance  
for this program on WAYR will be appreciated* (DS-TN)
- WDUN GA GAINESVILLE - 3/7 0000 fair with Larry King, ID, local nx (DS-TN)

## WWL 870am

- KFYR ND BISMARCK - 2/23 0456 with AC mx, ABC Nx at 0500, *K-Fire Radio News*  
with Elizabeth Campo at 0505 and Doug Rams with *K-Fire Radar Weather*, good in  
WKRC null (RCW-MI)
- 560 KLVI TX BEAUMONT - 3/7 0100 good with legal ID, then network nx (DS-TN)
- 570 WKYX KY PADUCAH - 2/25 0221 good with *Sports Final Extra*; CLs heard at 0259  
(RD-IA1)
- 590 WCAB NC RUTHERFORDTON - 3/8 0617 poor with CKWW splatter; had ads for a  
clothing store in Forest City and *The Stormin' Norman Sale at Daniels' Furniture* in  
Spindale where you get a freebie in you *mention you heard this ad on WCAB -*  
southern GOS mx with group called *Back to the Bible* (REH-ON)
- 600 KSJB ND JAMESTOWN - 2/23 0516 with IRN and local wx cut-ins at 0516 and 0542  
with Jim Good; ID as *600 Country, KSJB* and *AM 600, KSJB*, very good atop channel  
(RCW-MI)
- 620 WSKQ NJ NEWARK - 2/23 0734-0811 surprisingly good, way atop channel, with slight to  
little WHJB QRM and some WMAL-630 splash; all in SS with POP mx and nx; best  
ever hrd - good report (HH-MD1)
- 640 KFI CA LOS ANGELES - 2/22 0200 fair with TC by female: *It's 11:00 at 640 KFI, Los  
Angeles - traffic ✓ for the San Fernando Valley* (RD-IA)
- WJTZ TN BLOUNTSVILLE - 2/4 0729 fair with CHR, *It's 6:29 at 64 WJTZ* call ID  
(DS-TN)
- 660 WESC SC GREENVILLE - 3/3 0646 fair with C&W; SC #5 (MH-NE)
- WCRR VA RURAL RETREAT - 3/3 0638 with C&W/GOS mx and call ID: *66 Country  
WCRR*; fair with WFAN nulled; thanks to WMIC which normally has sign-on at  
WFAN LSR for their 0700 Sunday sign-on (REH-ON)
- 720 WGCR NC BREVARD - 2/4 0730 USA nx - local nx with construction of store at US  
64276 junction, info on Transylvania Community Hospital (Yes, there is a  
Transylvania County, North Carolina!) (DS-TN)
- 730 KKDA TX GRANDE PRAIRIE - 3/7 0108 good with *Soul 73 KKDA* slogan/ID (DS-TN)
- 790 CIGM ON SUDBURY - 2/23 0438 fair with C&W mx, HKY scores, *CIGM SID* (HF-MI2)
- 730 WFMC NC GOLDSBORO - 2/23 0637-0702 with local ads, community calendar and ID as  
*The call letters of this station are WFMC, 730 on the radio. WFMC, Goldsboro-  
Smithfield*, slogans noted: *AM Stereo, WFMC* and *WFMC, Your Variety Country*  
(MH-NC)
- 850 WAIT IL CRYSTAL LAKE - 2/23 0748 tune-in with EZL (mostly lush instrumentals  
with one vocal by *Andy Williams*); legal ID at 0801; was over/under KOA with  
WRMR on OC 'til 0802 sign-on; IL #135 (REH-ON)
- WHDH MA BOSTON - 2/26 0647 *Talk Radio WHDH*, with calls about auto problems;  
logged after LSR switch, behind WBEU with WJAC nulled (PC-VA)
- 880 WRFD OH WORTHINGTON - 2/8 0755 good with end of *Right Start* REL pgm, promo  
for *Lighthouse Hour* with call ID (DS-TN)
- CKLQ MB BRANDON - 2/22 0329 good with wx and current temps across Manitoba -  
song by *Waylon Jennings* (RD-IA)
- CKLQ MB BRANDON - 2/22 0640 fair - good, chewing up partially-nulled WCBS with  
C&W mx, 0645 ID as *The best country on AM 880 CKLQ*, promo for *Feedback* pgm  
with special guest, Federal Grains and Oilseeds Minister *Charlie Mayer* (MB-ON)

- CKLQ MB BRANDON - 2/23 0550 with C&W mx, IDs as *Q Country Radio*, anner *Cathy  
Caspick* with *Q Country News, weather and sports* at 0600; good, mixing at times with  
WCBS (RCW-MI)
- CKLQ MB BRANDON - 2/24 0548 poor, well under WCBS with female DJ with C&W  
mx; WRFD QRM later (HF-MI2)
- 900 WFRO OH FREMONT - 2/23 0653 fair with OLD, Tom with nx (HF-MI2)
- 910 WALT MS MERIDIAN - 3/10 0603 UC mx then ID; new at SRS (MH-NE)
- 920 KDHL MN FARIBAULT - 2/25 0640 fair with WOKY/WHJJ/etal with C&W mx, farm  
report and local (subzero) wx at 0642 (MB-ON)
- WOKY WI MILWAUKEE - 2/26 0125-0130 CNN Nx, ...*stay close to WOKY, your only  
source - for CNN, AM 920 WOKY*; BBD incl *Frank Sinatra* with *The Tender Trap*,  
poor, over/under 2 others; unID with CLA mx, likely CBO (DT-ON\*)
- 930 WREB MA HOLYOKE - 3/5 0601 sign-on with SSB with WEOL nulled; sign-on anct by  
lady with musical background followed by male with disclaimer: *The views and  
opinions on WREB are those of the hosts and guests and not those of the WREB staff,  
management or sponsors*; lots of Springfield mentions; Log sez CHR, but appears to  
be TLK; MA #50 (REH-ON)
- WBEN NY BUFFALO - 2/23 0529 poor with long ID promo: *News 930 WBEN*; OLD;  
WEOL QRM (HF-MI2)
- 950 WQBE WV CHARLESTON - 2/11 0115 fair with C&W, *WQBE 97.5 FM* call ID (DS-TN)
- 960 KMA IA SHENANDOAH - 2/24 0005+ poor - fair in partial WFR null with C&W mx,  
local ads, IDs, and 0100 sign-off with SSB was probably them as well (MS-ON)
- WTCH WI SHAWANO - 3/10 0606 CBX Nx followed by local news, ID (MH-NE)
- 970 WAVG KY LOUISVILLE - 2/24 0007 good in WEBR null with MoR-type oldie mx and  
non-ID with slogan *All original hits-Wave* (MS-ON)
- KSYL LA ALEXANDRIA - 3/10 0638 soft AC mx and *Light 97* slogan followed by as for  
*Mosses Furniture* (MH-NE)
- 990 CBW MB WINNIPEG - 2/23 0707 good with *World Report* CBC Nx with extensive  
Canadian sports; BBD mx (HF-MI2)
- 1030 WUFL FL STERLING HEIGHTS - 3/1 0640 good with ContChr mx, then *WUFL  
Family Life Radio* ID - wx (SA-MB)
- WBZ MA BOSTON - 3/2 0530 good with *WBZ* ID - song ID contest, wx report;  
dominating frequency (SA-MB)
- KTWO WY CASPER - 3/6 0640 good with ads for truckers to haul fruit & vegetables from  
the south; wx for western USA; IRN IDs (SA-MB)
- 1040 CKXY BC VANCOUVER - 2/27 0332 with nx headlines and anct *You're listening to the  
Larry King Show on ??? CKXY-1040*; I thought this one was a ROKer; gave call ID  
after each commercial break (I wish all LK stations would do the same); was barely  
readable under strong WHO (REH-ON)
- 1050 CKSB MB WINNIPEG - 2/18 0113 way over everyone else here with FF talk after song  
(RD-IA)
- 1080 WDJX KY LOUISVILLE - 3/3 0711 poor with AOR and ID under KRLD; KY #25  
(MH-NE)
- 1160 WOBM NJ LAKEWOOD TOWNSHIP - noted with fair - poor (yep - QSB!) signal on 3/3  
from 0049-0118 with C&W format, *Star Country* promos and ID at :00 *It's one  
O'Clock at 1160 AM, Star Country, WOBM AM, Lakewood*; no local ads noted; NJ  
#1 and state #44½ (tentative on Maine, hi!) (MH-NC)
- WCCS PA HOMER CITY - 2/21 0059 *Eagles* mx and ID mentioning full coverage of  
*Indiana University of Pennsylvania* sports - ABC Nx (MJ-MI)
- 1170 WJCC MA NORFOLK - 3/2 0631-0640 topping the channel for awhile before fading under  
WVVA - also some QRM from unID stations; POP mx and solid ad for a restaurant  
in Foxboro, Mass; good report; now 5 stns added on 1170 with WBRW off the air!  
(HH-MD1)
- 1190 KYII TX DALLAS - 2/25 0352 over WOWO with CNN News (RD-IA)
- 1200 WOAI TX SAN ANTONIO - 3/3 0258 fair in mix with CFGO/WBZY with promo for  
*10th Annual San Antonio Home and Garden Show*, legal ID at 0300 - CBS Nx; lost  
to CFGO by 0305 but still possible here despite proliferation of fulltime stations on  
1200; this used to be a very easy catch not too long ago! (MB-ON)
- 1220 CJRB MB BOISSEVAIN - 2/18 0207-0222 weak - fair with CLA mx; WKNR dominant  
(RD-IA)
- 1250 WTAE PA PITTSBURGH - 2/18 0259 fair with ID: *1250 WTAE Pittsburgh*, #3 from The  
Steel City at this QTH (RD-IA)
- WTAE PA PITTSBURGH - 3/9 0005 fair with *Weathercenter Forecast*, followed by *Larry  
King*; over/under others (BC-NH)



- 1280 **WWOK** IN EVANSVILLE - 3/8 0032 fair with NOS mx → ID at 0035, and back to NOS (RD-IL)
- 1290 **WKLB** KY MANCHESTER - 2/25 0558 fair with SSB and detailed sign-on (RD-IA)  
**CIFX** MB WINNIPEG - 2/19 0040 atop briefly with 1290 Fox ID; this leaves CKJS-810 as the only Winnipeg stn not logged here (RD-IA)
- 1300 **WKCY** VA HARRISONBURG - 3/7 0658-0703 weak, but atop with *KCY Country for the Shenandoah Valley*, *WKCY 1300* amidst C&W, with WIMG not hrd at all (RJE-PA)
- 1340 **WLZR** WI MILWAUKEE - 3/11 0228 Milwaukee wx; #100 on the locals & #25 from WI (MH-NE)
- 1390 **WCSE** SC CHARLESTON - 2/25 0048 good with 97 FM *WXTG* ID (MJ-MI)
- 1450 **WOL** DC WASHINGTON - 3/3 0200 *WOL Washington, DC* followed by laid back soul mx; on top, good for a few minutes, then gone; my longest (200 mile) GYer to date (BN-NJ)
- 1460 **WPNX** AL PHENIX CITY - 3/7 0012 good, briefly over unID UC stn with *Continuous Country Favorites*, Stereo 1460 *WPNX* slogan; note call/format change (DS-TN)
- 1490 **KRIB** IA MASON CITY - 2/25 0159 *You're listening to Northern Iowa's oldies station*, Stereo 1490, *KRIB, Mason City - Clear Lake* (MJ-MI)
- 1500 **KSTP** MN ST. PAUL - 2/24 0532 poor with Tom Snyder promo; *Talk Radio 1500 KSTP*, WTOP QRM (HF-MI2)
- 1520 **KOLM** MN ROCHESTER - 2/22 0325 OLD mx and frequent IDs; listed as daytimer in LG (BM-NE)  
**WKZQ** SC MYRTLE BEACH - 2/4 0755 fair in WLAC splash with OLD, 101.7 *WKZQ* call ID; thought I had KOMA... (DS-TN)
- 1530 **KXTD** OK WAGONER - 2/26 0100 satellite sports pgm, ID as 640 *WWLS Norman and 1530 KXTD Wagoner-Tulsa* (BM-NE)
- 1550 **WYNX** GA SMYRNA - 2/8 0732 with Georgia Network News, wx, promo for *WYNX Weatherline* at 436-1550, to traffic report (DS-TN)  
**WYNX** GA SMYRNA - 3/10 0755 instructions on how to return your tax forms, then wx; new (MH-NE)
- 1570 **CPEZt** AB TABER - 2/26 0107-0125 EZL, *Today's easy listening, 1570 AM*; no CL mentioned (BM-NE)
- CHLO** ON ST. THOMAS - 2/23 0546 good with *All oldies 1570...on the Morning Show* (HF-MI)
- 1580 **WKKD** IL AURORA - 2/13 0245 CHR mx, full ID (BM-NE)  
**WKKD** IL AURORA - 2/23 0538 fair with oldies; ? Baker with sports (HF-MI2)  
**WVKO** OH COLUMBUS - 2/21 0645 fair, poking through CBJ and polka mx on null'd WAMJ with black mx, contest promo to win a CD player; took listeners' calls (*Hello...WVKO*), gave Ohio lottery winning numbers at 0551 (MB-ON)
- 1590 **KVGB** KS GREAT BEND - 2/18 0059 fair with ID: *We are proud to be your country, KVGB, Great Bend* (RD-IA)
- 1600 **WAAM** MI ANN ARBOR - 2/18 0006 good with wx and ID: *I'm Brett Peterson and you're listening to WAAM - Larry King*; a pleasant surprise to find this topping KCRG (RD-IA)

### 0800 TO 1600 HOURS ELT

- 560 **WQAM** FL MIAMI - noted during daytime reception on 2/24 at 1352-1424 with fair signal & OLD format; ID as *Cool Gold means good time rock time and roll on 560, WQAM, Miami-Ft. Lauderdale*, promo for *Miami Heat Fast Break Getaway* contest and *Cool Gold Spotlight Weekend* (MH-NC)
- 610 **WIOD** FL MIAMI - also noted during daytime reception on 2/24 at 1445-1514 at fair to occasionally good level with *Miami Hurricanes vs Florida Gators* BB [yes, baseball - Ed.] game; ID on the hour as *This is newstalk radio 610, WIOD, Miami-Ft. Lauderdale, in the Sunshine State*; QSL, stickers, and aerial photo received (MH-NC)
- 670 **WWFE** FL MIAMI - final daytime FL sin noted 2/24 from 1515-1537 with SS-language format; poor → occasionally fair level with frequent mentions of *WWFE* and *Miami*; should list as "tentative" as no definite ID hrd (MH-NC)
- WMAQ** IL CHICAGO - 2/22 1028 with traffic report with *Mark Napoleon, Chris Michaels* with business news; little interference for midday reception (BT-KS)
- 720 **WWII** PA SHIREMANSTOWN - 2/19 1450-1520 now with REL pgms, ContChr mx; keeps BRN Nt at :00; mention of writing to *One Heart Ministries* for info on sending contributions to keep station on air; *Love-720* slogan (GV-while driving from Danville to Benton, PA)
- 790 **KXXX** KS COLBY - 2/24 1000 good, strong signal, playing C&W mx, 30 minutes between IDs (BT-KS) [I wasn't sure about your time (010.00), but figured it was 1000 -Ed.]

- 880 **WMEQ** WI MENOMONIE - 2/18 0827 sports, call ID, TC, then gone with KRVN pattern change at 0830 (BM-NE)
- 920 **WBAA** IN WEST LAFAYETTE - 2/4 0823 good with CLA, ...*on WBAA 920*, Greater Lafayette wx (DS-TN)
- 1240 **CJCS** ON STRATFORD - 2/17 1502 poor with some CHWO splatter & unID co-channel QRM; Broadcast News by man, local wx by woman, *CJCS* ID by man at 1506; new here, but a daytime regular when I lived in Milton (MS-ON)
- 1330 **WKTA** IL EVANSTON - 2/23 0942 with Polish and SS programming, ID as *AM 1330, WKTA, Evanston-Northbrook-Chicago, a Polenet Communications Limited Broadcast Company*; good (RCW-MI)
- WSPQ** NY SPRINGVILLE - 2/20 1158 fair in WEYZ null with instrumental mx, ID at 1200 mentioning service to *Southern Tier and East Aurora* (MS-ON) [This is correct city, Morris - Ed.]
- 1350 **WGDN** MI GLADWIN - 2/16 1453 good with EZL POP mx; *You're listening to WGDN AM & FM Gladwin, Making your days a little brighter, we're EZ 103 WGDN Gladwin*; USA Radio Net Nt at 1500; ads for *Boyer Highlands Skiing, Schumaker Auto-Owners Insurance, Community Pharmacy in Gladwin, Diesel Fuel Injection Rebuilt Center in Bay City* (HF-MI)
- 1390 **WMPO** OH MIDDLEPORT/POMEROY - 2/4 0805 fair with *I'm Brian Jones with WMPO news*, OH ntx and lottery numbers, WV news (DS-TN)
- 1400 **CKCB** ON COLLINGWOOD - 2/24 1556 poor in WXBK null with AC mx, local ads, dual ID by man at 1600 for 950 *CKBB* and 1400 *CKCB* - ntx by female (MS-ON)
- 1460 **WBRN** MI BIG RAPIDS - 2/16 1447 fair with C&W mx; *WBRN updates West Michigan every hour at your place in the country* (HF-MI)
- 1510 **WJCO** MI JACKSON - 2/23 1117 fair with C&W mx; *John* with sports; *1510 AM WJCO*, CBS Nt; *Call 784-1510 for our sales kit. Our listeners listen--after all, you're listening* (HF-MI2)
- 1540 **CHIN** ON TORONTO - 2/23 0903 fair with Italian pgm; 2 men with chit-chat, [???-Ed.], vocal Italian mx; ads for *Chesterfield Furniture, Town Home, Tuxedo Gallery, Liberty Travel*; over/under KXEL (HF-MI2)
- 1600 **WKBJ** TN MILAN - 2/8 0845 poor with NOS, ad for *Ford Truck* dealer in Tennessee, wx with call ID (DS-TN)

### 1600 TO 2400 HOURS ELT

- 530 **CJFT** ON FORT ERIE - 2/23 2257 fair with *Maple Leafs vs Canadiens* HKY; word is they'll move to FM soon--QSL! (HF-MI2)
- 550 **WAYR** FL ORANGE PARK - noted 2/28 at 1754-1815 with USA Radio News at 1755; ID at 1800: *This is your channel of Blessings?*, at 550 AM, *WAYR Orange Park* → REL pgm centered on book review; fair → poor with QSB (MH-NC)
- WSVA** VA HARRISONBURG - hrd 2/26 at 2033-2100 with BKB tourney results; frequent mentions of the *James Madison University Foundation*; local ad for *Town and Country Furniture*; returned to *TalkNet* at 2052; fair → poor with QSB (MH-NC)
- 600 **WMT** IA CEDAR RAPIDS - 2/23 2244 poor with *Univ of Iowa BKB* post-game; QRM/oldies station (HF-MI2)
- KSJB** ND JAMESTOWN - 3/1 1943 C&W mx, ID & ads for Valley City; fair with WICC (MJ-MI)
- 610 **WZZK** AL BIRMINGHAM - 3/9 2250 good with ad for *Lazy Boy* chairs - *American Country Countdown*, C&W mx (RD-IL)
- WIP** PA PHILADELPHIA - 3/8 2105 poor under WDAF with *Elyers* pregame HKY show; faded right out (RD-IL)
- 630 **WLAP** KY LEXINGTON - 3/9 2300 XLNT with legal ID at :00 - OLD mx (RD-IL)
- CFCO** ON CHATHAM - 2/11 1943 good with *Kent County's AM-630 CFCO*, MOR/POP mx; ads for *Pepperman's, Video Movie Shop; Ken Ray CFCO News*; WLAP QRM (HF-MI)
- 640 **WOI** IA AMES - 2/22 1853 fair with CBC's *As It Happens* on Gulf War; *CHOG QRM* (HF-MI2)
- 660 **KUUY** WY ORCHARD VALLEY - 3/1 2005 NBC Nt, ID and mention of music for the *capital city* and C&W mx; fair in WSM null (MJ-MI)
- 680 **WNZK** MI WESTLAND - 2/11 1924 fair with Greek? pgm; ad for *Clawson Steak House*; EE ID as *Dearborn Heights* (HF-MI)
- 690 **WTIX** LA NEW ORLEANS - 2/11 1932 poor with Mardi Gras promos, race results; CBF QRM (HF-MI)
- 710 **WUFF** GA EASTMAN - 3/3 1850 sign-off after WEKC with *Wuff 71 AM* IDs (MJ-MI)
- WEKC** KY WILLIAMSBURG - 3/3 1847 live sign-off ending with *I'm outta here*; good (MJ-MI)



WDSM WI SUPERIOR - 3/3 1854 *Twin Cities weather* and C&W mx; good in WOR/CKVM null (MJ-MI)

730 WFMW KY MADISONVILLE - 3/5 atop briefly after 1900 with sports, including KY and IN BKB, ID, C&W (RJE-PA)

WFMV NC GOLDSBORO - 3/5 1930-2000 with NASCAR Winston Cup call-in pgm, mostly atop; incredible for 90 watts; anybody have a Winston Cup network list? (RJE-PA)

WLIL TN LENOIR CITY - 3/5 1910 presumed the one in/out with CKAC/CHYR/WFMC; a TN state tournament BKB pregame show; hrd again with *Tennessee vs Mississippi college BKB 3/7 2030-2040* (RJE-PA)

CHYR ON LEAMINGTON - 3/5 1900-1930 back here again, with *Maple Leafs vs Bruins* pregame and HKY (RJE-PA)

790 WWKY KY LOUISVILLE - 2/23 2000 and

KFYO TX LUBBOCK - 2/23 2016 and

WEAQ WI EAU CLAIRE - 2/23 2016 these three all had very clear signals for a very short time; report sent to WEAQ (BT-KS)

CIGMt ON SUDBURY - 2/18 1830 sports, with most time devoted to *Wolves* HKY team, fading out before call ID; *Sporting News Hockey Annual* and library lists *Sudbury Wolves* in Ontario Hockey League (BM-NE)

800 WDEH TN SWEETWATER - 2/28 1900 *McMinn Central HS girls BKB*; good (DS-TN)

810 KCMO MO KANSAS CITY - 2/26 1853 good in WGY null with sports talk, pgm anncets mentioning upcoming *Wall Street Journal Report*, into *WSIR* sponsored by *Red Roof Inn* with special rates at all Kansas City locations, ad for *City-Wide Builders* with a special deal *Say you heard this on KCMO and receive a free gift*; KCMO jx and mention of *KCMO Radio News* (MS-ON)

850 KEYH TX HOUSTON - 2/28 1853 good in SS; ad for *Noticias Univision en Canal 45* (KXLN-TV) with Houston mentions (DS-TN)

CKVL PQ MONTREAL - 3/8 2225-2231 fair with FF talk, instrumental mx during break; under/over WHDH (BC-NH)

860 WSON KY HENDERSON - 2/28 1936 good with *Henderson Cnty vs Christian Cnty HS* BKB, complaints about lack of sponsors! (DS-TN)

870 WQRX AL VALLEY HEAD - 2/26 1830 sign-off at LSS with statement of frequency and power, *RAK70 (?) will return to the air tomorrow morning with the best of music and information programming ... the staff and management of WQRX ... wishing you a very pleasant good evening*; no SSB (PC-VA)

WKAR MI EAST LANSING - 2/27 1805 end of Monitor Radio News; VID *This is Michigan State Radio WKAR East Lansing* (PC-VA)

WGTL NC KANNAPOLIS - 2/27 1758 sign-off at LSS with male vocal version of *The Lord's Prayer* (PC-VA)

KFJZ TX FORT WORTH - 3/4 1930 poor under WWL with MoYL; 18th different CL from Dallas-Ft. Worth metro (MH-NE)

880 KRVN NE LEXINGTON - 2/24 1857 poor fair in WCBS null with CL ID, pgm anncets mentioning upcoming ABC Nix; C&W mx (MS-ON)

CHQT AB EDMONTON - 2/18 1910 wx, sports, IDs; heard on 1110 years ago (BM-NE)

910 WRKL NY NEW CITY - 3/3 1826 VID thru jumble with CKLY null'd; didn't believe it because it's after their LSS and the night power is only supposed to be 73 watts; VID taped at 1845 to make sure it wasn't WRNL (PC-VA)

WAVL PA APOLLO - 2/22 1725 with *Truth For Living* and *Focus on the Family*, REL format, ID at 1730; good signal way atop channel (RCW-MI)

CHRL PQ ROBERVAL - 3/8 2250 fair with FF talk; under WRNL and noise (BC-NH)

920 WOKY WI MILWAUKEE - 3/4 1834 VID *WOKY Newstime is 5:34*; very good at times; dropped out of sight at LSS switch at 1900 (PC-VA)

CKNX ON WINGHAM - 3/4 1813 *Sixpack* program with C&W; group of songs with *Highway* in title (PC-VA)

CFLS PQ LEVIS - 3/8 2255-2325 good, j CJVL with FF C&W mx, nx, *CJVL ID* at 2305; over/under unIDs (BC-NH)

940 WCSY MI SOUTH HAVEN - 2/22 1659 with *Cozy 5 O'Clock Southwest Report*, ad for *SIS Federal Savings Bank* and *Paul Harvey's The Rest of the Story*; j WCSY-FM, *FM98* good, mixing with WIDG (RCW-MI)

WFAW WI FORT ATKINSON - 3/1 1845 strong over/under KIOA with *AM 94* slogan, wx and OLD (MH-NE)

950 WIBX NY UTICA - 2/26 2000 poor in WWJ null with NY mention, CL ID (MS-ON)

WPEN PA PHILADELPHIA - 2/15 1935-1950 *We're 950 WPEN*, ad for car dealer, annual *WPEN 2*; over/under WBBF; poor (DT-ON)

WSPA SC SPARTANBURG - 2/28 1922 poor in WQBE QRM with SC sports call-in show, callers from Anderson and other northern SC locations (DS-TN)

WQBE WV CHARLESTON - 2/28 1954-2014 C&W mx, *WQBE 97.5 ABC Nix*, C&W mx over a weak CKBB; fair (DT-ON\*)

960 WSBT IN SOUTH BEND - 2/24 1801 fair with postgame show of *Indiana-Michigan BKB j WOWO-1190* (RD-IA)

WEAV NY PLATTSBURGH - 2/29 2015-2034 with *Buffalo Sabres vs Quebec Nordiques* HKY, local ad in between-periods program; poor under WFIR (DT-ON\*)

WEAB TN ADAMSVILLE - 2/28 1850 good with GOS, promo with call ID (DS-TN)

970 WEEB NC SOUTHERN PINES - 2/23 1903 with ABC Nix, wx sponsored by *The Pine Tree Outlet*, IDs as *...the Best in Southern Gospel* and *AM 990*; good, over WWCW (RCW-MI)

WDAY ND FARGO - 2/21 1923 good with discussion about earlier state HS HKY playoff game (*Fargo North vs Fargo South*) (RD-IA)

WWSW PA PITTSBURGH - 2/10 2027 fair with OLD, wx, *Pittsburgh's 94.5* and *3WS* slogans (DS-TN)

990 WEEB NC SOUTHERN PINES - 2/26 2021-2040 sports talk, BKB teams in NC mentioned; poor, over, but mostly under CHTX (DT-ON\*)

1010 WYST MD BALTIMORE - 2/23 1732 with AC mx, promo for *Big Don O'Brien*, morning DJ; IDs as *92 Star* (simulcast w/WYST-FM); *The all-new 92 Star plays the best variety of songs*; over CFRB until 1941; good (RCW-MI)

1060 CJRP PQ QUEBEC - 2/16 1631 fair with FF ad for *Holiday Inn*; *CJRP* promo (HF-MI)

CJRP PQ QUEBEC - 2/21 1852-1900 sports talk in FF, *Radio Nordique*, FF nx with female anncr; over/under KYW (DT-ON)

1070 WIBC IN INDIANAPOLIS - 2/24 1755 fair in CHOK null with promo for upcoming *Gulf War coverage ...on NBC and 1070 WIBC Radio* (MS-ON)

1080 WDJX KY LOUISVILLE - 2/22 1953 with promo *Today's best music is on 99 point 7, WDJX and 99 point 7, WDJX gets back to the music faster. 30 minutes non-stop, next, please stand by*; CHR mx, local ad for *Johanny's Restaurant*; j with WDJX-FM 99.7; good atop channel, over WTIC (RCW-MI)

1110 WMBI IL CHICAGO - 2/24 1828 good with talk on health and religion, ID *This is WMBI Chicago AM 1110* (MS-ON)

KFAB NE OMAHA - 2/26 1858 fair in CKTY null with nx, TC, *KFAB Newstime 5:58*, local ad and mention of *KFAB Comment Line* (MS-ON)

1130 WSJP KY MURRAY - 2/28 2102-2107 with *Murray vs Fulton County BKB* game, ad for *J&S Chevron* in Murray; fair in WCXI null & over WNEW (RCW-MI)

WDGY MN MINNEAPOLIS - 2/17 1805 fair with nx ending, promo for *Jerry Baker on .2 Radio 1130 WDGY* and *The home of the Wolves-WDGY* - *WDGY wx* (MS-ON)

WISN WI MILWAUKEE - 2/24 1808 good with *Milwaukee Admirals IHL HKY* pregame show; *Admirals vs Phoenix Roadrunners* (MS-ON)

1150 WZBQ AL TUSCALOOSA - 2/11 2039 good with *Majic 102 ID* and request line # of 339-3700 (which corresponds with Log, isn't that special?) (RD-IA)

KIMM SD RAPID CITY - 2/11 2104 weak with ID; *Great Country 1150 KIMM*; heard promo ending with *...right here on 1150 Kimm a few minutes later*; my 2nd new logging from Rapid City within 24 hours (RD-IA)

1160 WPGV MD FUNKSTOWN - 2/20 2311 ID and request line #, followed by C&W mx; noted later with sign-off at 0005: *...wish you sweet dreams*; fair in WACY null with WOBM/WJJD (MJ-MI)

1170 WJCC MA NORFOLK - 3/5 1739 briefly over WWVA with end of wx 4cast: *Currently outside WJCC it's 46* followed by slogan: *WJCC, doing its part to bring back the big band sound* (RBH-ON)

KVOO OK TULSA - 2/24 1855 poor - fair in WWVA null with phone # 1-800-STAR, ID as *AM 1170 KVOO* (MS-ON)

WVZN VA LYNCHBURG - 3/8 1819 briefly with ID and something like *Christian Radio in Southwestern Virginia*; over/under WWVA and another unID GOS (RJE-PA)

1180 WJFF RI HOPE VALLEY - 3/4 1757-1759-45 finally hrd after much trying with ID - C&W; briefly up & over WHAM, with no sign of recent pest WMYT, which was hrd under WHAM several afternoons in late February and early March as early as 1748 in Feb...hrd several times on PSA at SRS, too (RJE-PA)

WFGN SC GAFFNEY - 3/8 1816-1819 hrd with ad for local furniture store in midst of GOS pgm; atop channel after WMYT off, with no WHAM - AU conditions (RJE-PA)

WHJM TN KNOXVILLE - 3/8 1831 hrd with very clearly spoken ID over/under WFGN and another unID GOS, in euro (RJE-PA)

1190 KVSF KS BELOIT - 2/16 2007 very good with *Electroad Mae's Don't Stop* - jx ID; anyone knew if they even have a night power? (RD-IA)

WBSL MS BAY ST. LOUIS - 2/24 1841 very good with song *You're The One* - ID and *Desert Storm soldier salute* (RD-IA)

14	1200	1210	1220	1260	1270	1280	1290	1300	1320	1330	1360	1420	1440	1450	1460	1470	1480	1510	1530	1540	1550	1560	1580	1600	15																																																																																						
WSML	NC GRAHAM - 2/19 1710-1730 good atop all with C&W/GOS mx, ABC Sports, word for call-in show starting March 4th (GV-PA)	KGYN	OK GUYMON - 2/18 1929 fair with ad for a New Mexico ski resort (with 505 phone #) - 1210 AM KGYN ID (RD-IA)	WSLM	IN SALEM - 2/21 2151 weak in mess with Indiana BKB (vs Iowa!)   WOWO and WFXF (RD)	WWDC	DC WASHINGTON - 2/28 1910-1925 fair under WNDR with NBA pregame show followed by Knicks-Spurs game; ad for United Optical (GV-PA)	WEZE	MA BOSTON - 2/19 1840-1910 good with REL pgms: Bible Answerman (suspect no relation to NRC Answerman) & Sound Words; also ad for James Dobson's book Children at Risk (GV-PA)	WEZE	MA BOSTON - 3/2 2349-0005 man preaching; This is WEZE Boston ; REL mx, Evening Inspirations pgm with Freda Battle; poor over WRDZ/unID (DT-ON*)	WKXR	NC ASHEBORO - 2/25 1832-1840 fair with sports, stock car racing nx, mention of Carolina Sports Survey; also hrd on 2/27 1830-1845 with C&W mx, then girls' HS BKB; ad for First Bank (GV-PA)	WNOO	TN CHATTANOOGA - 2/25 1815-1830 good with UC/rap mx; Live 1260 slogan; sign-off at 1830 (GV-PA)	WJII	VA CHRISTIANSBURG - 2/13 1830-1850 fair with others; BIZ nx, ads for Metro Insurance Agency, Mokadoo's, Liberty Nissan; market update @ 1838, wx @ 1845 (GV-PA)	WEKZ	WI MONROE - 3/8 1743 fair with ad for The Idle Hour Mansion in Monroe - C&W mx (RD-IL)	KTRT	OK CLAREMORE - 2/12 1940 ad for First Bank of Oklahoma, ID, then world nx (BM-NE)	WLBR	PA LEBANON - 2/12 1915 PSAs for Good Samaritan Health Fair; good (BM-NE)	WSVE	FL JACKSONVILLE - 2/8 2028 good with GOS, WSVE Jacksonville, Save Radio 1280, black history trivia question with Jesse Jackson; note format change - no longer BRN (DS-TN)	WWOK	IN EVANSVILLE - 2/24 1844-1900 fair under WADO with NOS mx, Your station for great songs and wonderful memories slogan (GV-PA)	WADO	NY NEW YORK - 2/11 2032 poor with SS nx; EE ID WADO in New York ; WFYC/FF QRM; NY #36 (HF-MI)	WIRL	IL PEORIA - 2/23 1958 with Rocket Gold Radio Show OLD mx, IDs as Newsradio 1290, WIRL, ad for Hammond on Sports call-in show, and Chicago Bulls Radio Network at 2019; good, over WHIO, mixing with WHGR (RCW-MI)	WEIM	MA FITCHBURG - 2/22 1710 briefly over CJMS with lady and WEIM News - Accu-Weather with John ?? mentioning towns of Sutton and Townsend followed by CL, TC and a WEIM update on the Persian Gulf (REH-ON)	WHGR	MI HOUGHTON LAKE - 2/23 2009 with NOS mx, satellite fed, Jeff Rollins Show; IDs as 1290, WHGR ; sign-off at 2028, no SSB; fair, mixing with WHIO/WIRL (RCW-MI)	WATO	TN OAK RIDGE - 3/4 2158 topping the channel with Oak Ridge Lady Rebels HS BKB (RD-IA)	KRGE	TX WESLACO - 3/1 2256 fair with garbled ID: You're listening to ??? Radio, KRGE (RD-IA)	KWCK	AR SEARCY - 2/14 1820 good with ad for Addington Heating & Air in Searcy (RD-IA)	KGLO	IA MASON CITY - 2/22 1820 with The KGLO Restaurant Guide , local ads, In The Marketplace and CBS News Update ; good 'til fadeout at 1831 (RCW-MI)	KGLO	IA MASON CITY - 2/22 1827 fair with ad for Sixty Minutes, CBS Nx; ads for Iowa Lottery, Goodyear Tires in downtown Mason City, Unicom Toppers in Garner, Action Electronics & Satellite on Hwy 65; WOOD QRM (HF-MI2)	WFHR	WI WISCONSIN RAPIDS - 2/22 1753 with ads for The Craft Shop and Cranberry's Restaurant; promo for WFHR News, Central Wisconsin's Newsletter ; poor signal in WILS null (RCW-MI)	KFH	KS KANSAS - 2/19 1850 fair with Beginnings by Chicago - 1330 KFHD ID and Wichita wx (RD-IA)	KVOL	LA LAFAYETTE - 2/19 1920 fair with ID: After all these years, we're still your station for the hits, Stereo 1330, KVOL - one of my favorite sixties classics, The Ronettes' Be My Baby (RD-IA)	KSCJ	IA SIOUX CITY - 2/22 1833 with sports, ad for Bob Rowe's Town House, briefly atop channel with fair - poor signal (RCW-MI)	CJVL	PQ STE. MARIE DE BEAUCE - 2/19 1855-1903 OLD, singing in EE, a waltz number with violin, FF male anncr & FF female anncr; nx; unID with C&W; poor (DT-ON)	CJVL	PQ STE. MARIE DE BEAUCE - 3/8 2307-2325 fair with FF C&W mx; under/over WDRC and WFEA splash (BC-NH)	KDTH	IA DUBUQUE - 2/22 1805 poor with female with local nx--Dubuque Detour Maps are available (must be alot of them); Iowa Hawkeyes Basketball on AM 1370 KDTH; John Eberly? with local stock prices; over/under WSPD (HF-MI2)	KCRV	MO CARUTHERSVILLE - 2/28 1911 fair with GOS, call ID at 1912 (DS-TN)	WBEL	IL SOUTH BELOIT - 3/8 1800 fair under QRM with legal ID - nx, then I lost them (RD-IL)	KXSS	MN WAITE PARK - 2/28 1840 good at times over WHOT/WFBL with ROK mx, Kiss FM non-IDs; ex: KKCM & KRAR (JF-ON)	WADA	NC SHELBY - 3/6 2019 with C&W mx, Dave Thomas Show, IDs as Digital 1390, WADA and Cleveland County's Radio Station ; good signal, mixing with WCSE (RCW-MI2)	WCSE	SC CHARLESTON - 3/6 2028 with AC mx, IDs as 97FM, WXTC   WXTC-FM 96.9; Alex Oliver announcer, and Love Light at 2100; good signal atop WADA (RCW-MI2)	WHK	OH CLEVELAND - noted on 2/26 at 2155-2207 with TalkNet; local ads and promos before/after hour; ID: You're listening to Northeast Ohio's only source for all news, all day, WHK, Cleveland, news and business radio 1420 ; fair level, and back to TalkNet at 2207 (MH-NC)	WROK	IL ROCKFORD - 3/8 1806 good with nx about state jobs available to returning Desert Storm troops (RD-IL)	KMLB	LA MONROE - 3/3 2230 Louisiana Tech BKB and ID at :30; ID sounded like KWLZ in Monroe (MH-NE) [Their FM is supposed to be KJLO-FM - Ed.]	WSSL	SC GREENVILLE - is occasionally noted with WWSL, Whistle 100 IDs across hour, without mention of WSSL; noted with dual ID on 2/23 at 2300: ...WWSL, Whistle 100...WSSL, Greenville ; C&W format (MH-NC)	WCEV	IL CICERO - 2/26 1800 ID after Arabic pgm; WVON commonly heard late at night, but this is first time I've heard as WCEV (MH-NE)	CKRD	PQ ST. GEORGES DE BEAUCE - 2/14 2017-2033 man & woman with talk show in PF; over/under unID (DT-ON)	WPNC	NC PLYMOUTH - 3/6 1800 in WWW null with end of nx from the North Carolina News Network followed by legal ID: 96 Country is 95.9 FM, 1470 AM. WPNC Plymouth - Williamston - Windsor - Edenton ; NC #185 (REH-ON)	WBKV	WI WEST BEND - 2/24 1805 AP Nx followed by ID and local nx; good (MJ-MI)	WJBM	IL JERSEYVILLE - 2/19 2048 good with Greenfield HS BKB postgame show followed shortly thereafter by game from Carrollton (RD-IA)	WAHT	PA ANNVILLE-CLEONA - 2/24 1742 good with Latin American mx, male anncr in SS with end of Spanish service for Ciudad de Lebanon ; also said on again mañana, then gone abruptly @ 1745 - apparent sign-off, although no EE anncrs or anthem hrd (MS-ON)	WKDC	IL ELMHURST - 3/8 1815 good with wx, then ad for a craft fair in Naperville - PSA about high blood pressure - EZL mx by the Lettermen (RD-IL)	KNNT	MO KENNETT - 3/2 2039 fair in KXEL null with wx; must be more than 9 watts (MH-NE)	KFST	MO ST. JOSEPH - 2/25 1859 good with C&W song - generic ID: KSFT St. Joseph (RD-IA)	WQXR	NY NEW YORK - 2/12 1940 very weak under KCJJ with CLA mx (RD-IA)	KCWW	AZ TEMPE - 3/1 2043 strong with KCWID, then mx; all good west condition indicators (KBOI, KGA, KDWN, etc) were strong (MH-NE)	KFDF	AR VAN BUREN - 2/13 2259 fair with sign-off and SSB (RD-IA)	KOKB	OK BLACKWELL - 2/13 2257 fair with ID and Oklahoma vs Oklahoma State BKB (RD-IA)	WPUV	VA PULASKI - 3/5 1820-1830 good after WWOV sign-off with REL mx, Family 1580 slogan, ad for Southwest Times, notes for Hometown Gospel on Saturday from sign-on to 9 AM, Trading Post and Bluegrass Gospel Express (GV-PA)	WTVB	MI COLDWATER - 2/21 1745 atop with TVB ID (RD-IA)	WSNZ	MI MUSKEGON - 2/16 1655 fair with CHNR/WAYC with CHR mx   FM station, many Sunny 104.5 FM non-IDs; ex: WSNX, WTRU; logging #2500 here (JF-ON)	KSSA	TX COCKRELL HILLS - 3/1 1905 SS CL ID, then ROK-type mx; 1600 clear of usual KATZ/KCRG QRM; only #7 on 1600 (MH-NE)



## REPORTERS

RCW-MI BOB WALKER//M.A.R.E. DXpedition at Island Lake Rec Area, Brighton, MI//ICF-2010 + RW Loop

RCW-MI2 BOB WALKER//Wixom, MI//ICF-2010, RW Loop, Inline Components Active Antenna

BM-NE BOB MC COY//Lincoln, NE//RF2200, ICF7601, GE7-2882A (digital Superadio)

HF-MI HAROLD FRODGE//Midland, MI//R71A + Arcomm AP-4 + 100/185' wire

HF-MI2 HAROLD FRODGE//Island Lake, MI//R71A + Arcomm AP-4 + 500' wire

EB-GAX ERIC BUENEMAN//Woodstock, GA//DX-200, TM-152, SM-2, or GA1//Atlanta, GA//Clarion 5100R in '84 Merc, or GA2//Red Top Mtn State Pk, GA//Mopar AMS/FMS

MH-NC MIKE HARDESTER//Camp Lejeune, NC//R-70 + RW 22" ferrite loop

MB-ON MIKE BROOKER//Toronto, ON//RF-2200, ICF-7600D

PLB-MI PHIL BOERSMA//Spring Lake, MI//

IF-ON JEFF FALCONER//Clinton, ON//R9000 + SM-2 loop or 250' LW

JB-IN JOHN BOWKER//Valparaiso, IN//

PC-VA PERRY CRABILL, W3HQX//Winchester, VA//R-5000, 65' Inverted "L", 2-ft homebrew loop, CTR-75 cassette recorder

MS-ON MORRIS SORENSEN//Scarborough, ON//ICF-2010, RFB-65 + SM-2

RD-IA RICK DAU//IA = Iowa City, IA//R-1000 + RW Loop and IA1 = Algona, IA//Ford Caradio

DT-ON DON TREFLORD//Scarborough, ON//DX-440 or \* Kenwood R2000

BN-NJ BILL NIENAJADLY//Pathmark parking lot, Clifton, NJ//Delco caradio

DS-TN DOUG SMITH, W9WI4//Nashville, TN//

SA-MB SHAWN AXELROD//Winnipeg, MB//R-70, Superadio + 140' LW, 100' LW, 4' loop

MH-NE MIKE HAWK//Omaha, NE//

BC-NH BRUCE CONTI//Nashua, NH//R70, DX400, wire

REH-ON CHARLES REH//Leamington, ON//R-390A + Sanserino Loop + TR-800 open reel tape recorder

RJE-PA RUSS EDMUNDS, WB2BJH//Blue Bell, PA//Nissan caradio

GV-PA GEORGE VANISH//Trucksville, PA//caradios

HH-xx HANK HOLBROOK//Dunkirk, MD// -MD = SP-600 + 50' LW; -mobile = '90 Tayaata caradio + whip

RD-IL "RANGER" RICK DETTMANN//Buffalo Grove, IL//Superadio II + Select-A-Tune

MJ-MI MIKE JEZIORSKI//Detroit, MI//Superadio

## GYDXA UPDATE

1400 kHz:								
WDNY NY Dansville	Don Trelford	Scarborough, ON						117
WSLB Ogdensburg	Charles Reh	Leamington, ON						402
1490 kHz:								
WIKE NH Newport	Charles Reh	Leamington, ON						582
KORN SD Mitchell	Charles Reh	Leamington						786
Totals:								
CHARLES REH Leamington	63	74	85	66	78	81		447

## ABBREVIATIONS AND SPECIAL SYMBOLS USED IN DDXD-E

|| parallel with or to - to or into :00 on the hour AC:Adult contemporary AP:Associated Press BBD:big band  
BRN:Business Radio Net C&W:country & western CHR:contemporary hit radio CID:code ID Cont:Contemporary  
Christian EZL:easy listening EE:English FP:French GOS:gospel IRN:Interstate Radio Net jx:jingle LSR:local sunrise  
LSS:local sunset mx:music nx:news NPR:National Public Radio OC:open carrier pbp:play-by-play PSRA:pre-sunrise  
authority PSSA:post-sunset authority QRM:man-made interference QRN:natural interference QTH:location REL:religious  
ROK:rock 'n' roll RS:regular schedule S:stereo SID:singing ID SRS:sunrise skip SS:Spanish SSB:Star Spangled Banner  
SSS:sunset skip TC:time check TT:tes tones UC:urban contemporary UPI:United Press International wx:weather

73. Bill

The 1991 NRC Log contains two cross-reference sections and more station information than ever before. Only \$16.95; Canada \$17.95 to U. S./Canadian NRC Subscribers ONLY. \$19.95 to U.S., Non-NRC Subscriber; \$20.95 Canadian Non-NRC Subscriber. Others - please write.

Mail or Call your order in. Specify your mailing address and number of Logs ordered. Make out check or money order to: NRC. Mail to: NRC Publications - Box 164 - Mannsville, NY 13661 or use your credit card (VISA/MC) and call (608) 423-4159.

o NRC  
AM RADIO  
LOG

o 1991 Edition

# Domestic DX Digest - West

DX Catches in the Western U. S. and Canada, with 24-hr. ELT

**Wayne Heinen**

4131 S. Andes Way  
Aurora, CO 80013  
FIDO NET 104/108  
(303) 699-6335 (prepaid only)

## DX TESTS!

640 KTIB LA Thibodaux  
3/11 0320 C&W Mx, voice ID's. Fair sig w/KFI QRM & KHOW-630 slop. LA #8. (0W-CO) Same stuff LA #9 (JT-CO) Not hrd only regulars KFI & KYUK (RO-AK)

720 KUAI HI Ele'ele  
2/25 0551-0620 Poor to fair. HI Mx, Morse & Voice ID's. Test started & Ended 20 min late. Needed for report. (TH-CA) Fair w/WGN code ID's, Hawaiian Mx; weak VID's (MD-CA)

1010 KBBW TX Marlin-Waco  
3/16 0100-0700 Possible REL Mx w/VID's (0W-CO)

## SPECIAL!

1000 KFLG AZ Bullhead City  
3/6 2153 Spot for Lost Wages Casino; "FM 102 K-Flag" C&W Mx to 2159 ID "Serving the great Southwest KFLG..." & ABC Nix. (ex-KRHS) (0W-CO)

1320 KCTC CA Sacramento  
3/1 0300 Noted w/ Ezlstar NOS // KPOP-1360 & KORG-1190 Ex EZL. (TH-CA)

1360 KFIV CA Modesto  
2/28 2359 "News Talk 13-60 KFIV" prgm notes; "K-five" slogans. missed legal ID, apparent call change to former call. (ex-KASH) (0W-CA)

## Midnight to Midday!

560 KSFO CA San Francisco  
3/2 0122 Oldies, Lcl Wx, Good. (0W-CA)

610 KVVU UT Logan  
3/10 0900 Ai nx, wx for "Cash Valley", into long prgm of LDS Nix. Fair fade free signal for over 10 minutes. UT # 37. (0W-CO)

740 CBL ON Toronto  
2/23 0332-0606 Fair/Good w/CLA Mx. Male DJ w/few ann. Easter after KCBS's/off 0400. Caught "CBC Radio 7-40 Toronto" ID 0605. Also hrd KTRH/KRMG/KMEO/XEVAY w/KCBS off 0400-0800. ON # 5 (TH-CA)

760 KSJL TX San Antonio  
2/27 0328 Fair w/CMBD & Unid TLK thru lcl KFMB. Rock Mx format. (TH-CA)

830 KIKI HI Honolulu  
2/25 0640-0655 Fair o/u WCCO w/OLD. Previously misstated 5000 miles on 3000 miles. Almost a nighty regular. (MD-CA)

910 KFYI AZ Phoenix  
2/28 0031 Good Signal ID & CBS Gulf Update. (0W-CA)

1000 KCBO CA Vista  
2/28 0018 "AM 1000 Talk Radio for San Diego. KCBO"; Carlsbad & Escondido ads, into "Night Talk" (0W-CA)

1130 KRDU CA Dinuba  
2/21 0114 Lcl Spot. Prgm. "Gateway To Joy" Good w/KW KH nullcd. Easil for a rpt. (0W-CO)

1240 KICD IA Spencer  
2/23 0129 Quick ID, Wx then King. IA #28, Verte back. (0W-CO)

1270 KNWZ CA Thousand Palms  
2/28 0208 Weak to very strong w/XEAZ off. Simulcast KESQ (?) -TV Nix w/ads & PSA's. ID & slogan "AM 12-70, the information station". (TH-CA)

1300 KAZN CA Pasadena  
3/1 0045 YL in CC; Oriental Mx; 0059 "This is K-Azn in KAZN Pasadena" into JJ Good on Peaks. (0W-CA)

1430 KRGJ NE Grand Island  
3/12 0900 Ai Nx; Area Wx by YL. Fair in KEZW null. (0W-CO)

1450 KSGI UT St. George  
3/9 0859 Lcl spot, ID, CBS Nix. Fair in KGRE null. (0W-CO)

1450 KEYV UT Provo  
2/21 0959 Ad for lcl church, quick ID & "Insight for Living", soon lost. (0W-CO)

## Midday to Midnight!

1170 CKGY AB Red Deer  
3/12 2010 C&W Mx, bumper sticker promo. "Thunder Country" slogans. Fair w/QSB in KYOO null. AB # 25. (0W-CO)

1230 KTRF MN Thief River Falls  
3/12 1947 Actually DOMINATING freq w/Ag tips, Lcl wx, North Stars Hockey promo. Awesome sounds to the North tonite. (0W-CO)

1380 KMUS OK Muskogee  
3/13 2018 ID barely thru QRM. "... Good Time Rock n' Roll for you here on AM 13-80 KMUS" & Supremes song. OK # 40. (0W-CO)

1380 KSRV OR Ontario  
3/13 2153 HS BKB tourney on the "OAB Sports Network"; lcl spots, ID Good sig over KOTA at times. OR # 6. (0W-CO)

1380 KBWD TX Brownwood  
3/13 2259 ID & A; Nx punching thru QRM. (0W-CO)

1450 KSFA CA Escondido  
2/23 2353 IRS PSA; "The New K-spa" slogan EZL Mx. Rough copy 10 miles away! (0W-CA)

1480 KKCC MN Fosston  
3/12 1915 State HS BKB coverage. tail ID's, tele spots. Fair signal even w/KRAE. (0W-CO)

## Contributors!

(MD-CA) Marc DelOrnela Yuba City, CA - GE World Monitor w/SM-1  
(0W-CA) John Wilkins Near Escondido - GE SuperRadio II  
(0W-CO) John Wilkins Wheatfarms, CO - R-1000, 4238 Anguilla Loop  
(JT-CO) Jeff Tynan Parker, CO - Sony-2002 w/240' Isi Loop  
(RO-AK) Rod O'Connor Kodiak, AK - GE SuperRadio w/4' loop  
(TH-CA) Tim Hall Chula Vista, CA - ICF-2010, Radio West Loop  
(WH-CO) Wayne Heinen Aurora, CO - R-390A, 4' NRC loop

# International DX Digest

Foreign DX Catches. Times are UTC; for ELT, subtract 5 hours

It's been such fun preparing the column each week that I'm a bit sad as we move into the DX News spring publication schedule. In any event, keep those reports coming! As always, submit your reports in UTC (MST + 7).

The major ice storm that hit Rochester last week brought down thousands of trees and paralyzed several counties. Our house stayed on line, but ten days later there are still thousands without power. Locals WRMM-990 and WXXI-1370 were off the air for several days, allowing me to get six new ones, as well as a tentative reception of RFO St. Pierre, even though there is a strong noise level, possibly due to arcing in various nearby stressed power lines and transformers.

Welcome to new reporter Hugh Montgomery!

JIM

## TRANS-ATLANTIC

153 ALGERIA 0254 3/6. AA talk and musical interludes. Signal good, but terrible interference. Also heard 3/7 at same time; not heard 3/8. No other LW TAs heard. Thank God for the Kenwood noise blanker!! [LHM-OH]

## PAN-AMERICAN

590 MEXICO XEE, Durango 1305 2/24. Poor w/Radio Festival jingles and male announcer. First time heard at home. [TRH-CA]

650 MEXICO XETNT, Los Mochis 1125 2/23. Totally off, rare SP for this mega-pest. CISL/KUUY noted in their absence. [TRH-CA]

650 MEXICO XEEJ, Puerto Vallarta 1158 2/24 SH. Nice full ID and R. Paraiso slogan, mentioned power is now 1 kW. Has probably been 1 kW for at least the last several months. [TRH-CA]

740 MEXICO XEVAY, Puerto Vallarta 1121 2/23. Fair w/uptempo SS mx in KTRH null during unusual Saturday KCBS SP. Slogan still "7-40 La Mexicana." [TRH-CA]

760 CUBA CMBD, Guanabacoa 0716 2/25. Weak through local KFMB with usual Reloj program. [TRH-CA]

770 MEXICO unID 1132 2/25. Ranchera and mention of Monterrey. Possibly needed XEATH. [TRH-CA]

## Jim Renfrew

61 Wilcox Street  
Rochester, NY 14607-3832

800 MEXICO XEMMM, Tijuana 0752-1034 3/3. Off for a few years instead of their usual idiotic nightly OC. Usual XERDK/KNKK noted. [TRH-CA]

820 MEXICO unID 1229 2/25. "La Poderosa" jingles as found on XEHES-1040 and XEGD-700. Bet this is a new slogan for unneeded XESB. [TRH-CA]

875 MEXICO XEKAM, Tijuana 0445 2/24. Loud, distorted spur // 950, 1025. [TRH-CA]

880 MEXICO XEKAM, Tijuana 0705 2/25. Loud distorted spur // 950, 1020. Still here as of 0400 3/6. [TRH]

895 MEXICO XEKAM, Tijuana 0838 2/21. Very distorted spur // 950, 1005. Moved around for about a week, eventually settling on 880. [TRH]

1005 MEXICO XEKAM, Tijuana 0838 2/21. See 895 kHz above. [TRH-CA]

1020 MEXICO XEKAM, Tijuana 0705 2/25. See 880 item above. [TRH-CA]

1025 MEXICO XEKAM, Tijuana 0445 2/24. See 875 kHz item above. [TRH-CA]

1270 MEXICO XEAZ, Tijuana 0627 2/28. Totally off, probably due to a storm. [TRH-CA]

1310 MEXICO XEC, Tijuana 0310 3/1. Totally off, probably due to storm. [TRH-CA]

1370 ST. PIERRE & MIQUELON RFO (tent) 0017-0220 3/5. With WXXI off due to ice storm, probable RFO with FF man and woman talking, light pop, possible mention of "Radio France." Strong for first 30 minutes, then bits and pieces till tune-out. CKBC-1360 NB in well at the time, too. [JR-NY]

1370 MEXICO XEMON, Monterrey NL 0505-0600 3/5. Extremely strong until tune-out w/1000 Hz IT completely overpowering KFON and night regular KPRO; even dominant in Austin making KFON unlistenable 1.5 miles from the transmitter; WRTH says 10 kW, and I believe every bit was aimed North; hope this was just a test of daytime facilities. [WRH-TX]

## CONTRIBUTORS

[WRH-TX] Bill Hale, I-35 between San Marcos and Austin, TX; Delco ETR

[TRH-CA] Tim Hall, Chula Vista CA; Sony ICF-2010, Radio West Loop

[LHM-OH] Hugh Montgomery, Jr., Bethel OH; Kenwood 5000 with beverages N-S, S (terminated)

[JR-NY] Jim Renfrew, Rochester NY; HQ-150, SM-1

March 2nd. Finally an afternoon for DXing! Peace and quiet in the house, an hour or so free, warm attic from a 60 degree day, reasonably low A-index, prime day of the month for sunset skip. Turn on the receiver ... STATIC CRASH! And thirty minutes later an unexpected T-storm comes pounding through, as if it's July. My nephew from California has been hoping for a blizzard since arriving last week. Maybe "Global Warming" is already becoming evident!

At least the mail has been friendly, with QSLs from Norway, Spain and Haiti, and loggings from new reporter Stephen Ponder. Read on!

JIM

## TRANS-ATLANTIC

162 FRANCE Allouis 0603 2/15. Man in FF, fair to good. [MC-MA]

183 GERMANY Saarlouis 0602 2/15. Good w/man in FF. [MC-MA]

216 FRANCE Roumoules 0610 2/15. Good w/FF talk. [MC-MA]

234 LUXEMBOURG Junglinster 0604 2/15. News by man and woman in FF, good. [MC-MA]

252 IRELAND Clarkedstown 0643 2/13. Fair to good w/rock mx, fast-talking British accented EE announcer. Fast SAH and some "SKR" beacon QRM noted. 0608 2/15. Excellent w/wake-up show "Pump Up the Jam" by Techtronic, reveille bugles, jingle about the DJ "and now it's that crazy American Charlie Wolf"; 6:08 TC and wx. "8 degrees (C) with rain" by US-accented DJ. Truly entertainment quality. [MC-MA]

567 IRELAND Tullamore 0632 2/13. EE talk by woman o/CJEM slop w/WYSR phased and WMCA apparently off. [MC-MA]

612 IRELAND Tullamore 0628 2/13. Fair w/EE DJ, pop mx. [MC-MA]

756 GERMANY Braunschweig/Ravensburg 0420 2/12. Good w/man in GG talking about Saddam Hussein. 0554 2/23 loud w/woman in GG. [MC-MA]

765 SENEGAL Dakar 0609 2/13. AA a capella chant, LIKE A LOCAL! Strong low-altitude signal should be best TA bet in US southwest. [MC-MA]

774 SPAIN synchros 0423 2/12. Loud



P.O. Box 219 Newport Lincoln  
Telephone Lincoln 0522140011 Telex 50155

w/man and woman in SS. 0549 2/13 excellent w/SS talk by man. [MC]

783 PORTUGAL Miramar 0548 2/13. PP male vocal; then PP talk; SAH of 1 Hz present. [MC-MA]

837 unID (SPAIN or CANARY IS.) 0613 2/13. SS talk by man; atop mx station. [MC-MA]

864 FRANCE Paris 0615 2/13. Good w/man in FF. [MC-MA]

882 ENGLAND Washford (et al) 0557 2/19. Male EE DJ, then "I Am I Said" by Neil Diamond. [MC-MA]

891 ALGERIA Algiers 0542 2/13. AA mx, good. [MC-MA]

945 FRANCE Toulouse 0602 2/18. Good w/FF male folk vocal. [MC-MA]

1044 MOROCCO Sebbae Ajour 2220 2/18. Poor w/AA-sounding vocal. [MC]

1062 PORTUGAL Norte 2225 2/18. Pop mx, PP female DJ; o/SAH w/WBIV phased. [MC-MA]

1062 DENMARK Kalundborg 0530 2/19. Fair w/man and woman in Danish. [MC-MA]

1089 ENGLAND Brookman's Park (et al) 0615 2/18. Good w/Sting song, male DJ; wx for numerous UK cities, then Radio One jingle. 0520 2/19 rock, 5:20 TC, male DJ, talk about contest "prize is now up to £110." Fast SAH present. [MC-MA]

1107 SPAIN/EGYPTI (tent) 0515 2/19. Bits of SS and AA in graveyard-like mess. [MC-MA]

1116 MOROCCO (tent) 0450 2/21. Poor w/male AA vocal. [MC-MA]

1125 unID (BULGARIA or YUGOSLAVIA) 0509 2/19. Slavic-sounding talk by woman, then flute mx. Poor "telephone-like" audio w/bad AC hum. [MC-MA]

1134 SPAIN (synchros) 0503 2/19. SS pop vocals fair to good; WNEW partially nullified (though some residual slop present). [MC-MA]

1179 SWEDEN Salvesborg 2229 2/18. Excellent w/jazz, chime IS; IDs in several languages including EE "Radio Sweden - Stockholm", WHAM phased, // 6065 SW. [MC-MA]



- 1314 NORWAY Kvitsøy 0437 2/19. To excellent peaks w/woman in NN, then group folk vocal similar to English/Irish "pub" folk mx style. [MC-MA]
- 1377 FRANCE Lille 0532 2/15. Pop mx, man and woman in FF; poor to fair in slop. [MC-MA]
- 1512 BELGIUM (tent) 0644 2/15. DD or GG talk, in slop. [MC-MA]
- 1530 VATICAN CITY 0508 2/13. Good w/Slavic talk by man, WCKY phased. [MC-MA]
- 1548 ENGLAND (tent) 0642 2/15. Poor w/man and woman in EE. [MC-MA]
- 1566 AZORES Vila de Porto 0507 2/12. Good w/female PP vocal. [MC-MA]
- 1566 SWITZERLAND Sarnen/Monte Cerini 0516 2/15. Fair w/GG talk. [MC]
- 1575 SPAIN (tent) 0509 2/12. Bits of SS talk in jumble. [MC-MA]
- 1575 GERMANY Burg 0512 2/15. Light mx, GG talk by man; dominant o/others. [MC-MA]
- 1593 GERMANY Langenberg 0514 2/15. Excellent w/man and woman in GG. [MC-MA]

#### PAN-AMERICAN

- 526 BAHAMAS ZLS, Stella Maris This is Gerry Thomas' unID NDB of issue 16. It's located on Long Island, and really gets out well. Has been heard nightly since 1/2



**Unión**  
LA RADIO

Uniendo al Perú  
y al Mundo!

- Noticias
- Deportes
- Mensajes

...a nivel nacional!

LA MAS  
POTENTE  
DEL PAIS

A.M. - 880 Kic.  
O.C. - 6.115 KHz.  
F.M. - 103.1 MHz

via DM

w/1000 Hz code IDs. May be a "best bet" for the Bahamas. Thanks to Bill Hale for supplying info where I found this one listed. [REH-ON]

- 540 MEXICO XEWA, San Luis Potosi 2126-2141 2/22. Many mentions of "San Luis", frequent IDs as XEWA, music request program. [SHP-TX]
- 770 MEXICO XEQRV, Ciudad Coral VER 1135 2/20. Very good in WJR null (no sign of WABC) w/mix of ranchera and SS ballads. IDs after every second or third song with musical fanfare, full call letters and slogan. Still going strong after WAIS s/on at 1145. Seemed much stronger than listed 1 kW. WRTH shows 1200 s/on which is obviously out of date. [REH]
- 780 VENEZUELA R. Coro (tent) 0546 2/13. "R. Coro" ID slogan, festive SS mx. Good w/WBBM phased. [MC-MA] (Why tent? - Jim)
- 1030 MEXICO XEQR, Mexico DF 0546 2/19. "Johnny's Got a Girlfriend" whistle, romantic SS mx, noted w/WBZ phased. [MC-MA]
- 1140 MEXICO XEMR, Monterrey 1046-1057 2/12. Full ID at 1049 "XEMR desde Monterrey, 1140 kHz con 5 mil watts potencia." [SHP-TX]

#### STATION NEWS

ANDORRA: Radio Andorra has applied to the Catalan authorities to start broadcasting on medium wave, probably on 702 kHz. [El País 4th Jan. via D. Monferini via HK/Distance]

EGYPT R. Kuwait has been using an Egyptian transmitter on 1107, 1800-2100 UTC. [Monitoring Times]

FAROE ISLANDS: Station mentioned here in previous weeks is now 200 kW. [MT]

FINLAND: R. Finland is now using 252, 558 and 763 for English broadcasts at 0000, 0730, 1500, 1930, and 2200 UTC. [MT]

HAITI: According to information sheet attached to my QSL, 4VEH 840 is 10 kW, not 1 kW as printed in WRTH. Also states that broadcasts have been curtailed to morning hours during the last eight months due to erratic local electrical supply and high cost of self-generated power. (No SW at all, and 50 watt FM is from battery power). This doesn't explain why several of us heard 4VEH in the evening back in early December - special Xmas program, perhaps? [JR-NY]

INTERNATIONAL WATERS: Radio Caroline has been off the air since November 5th due to a PA valve needing replacement.

#### QSL INFORMATION

The main generator also failed, leaving the ship freezing cold and without adequate lighting. After a period of gales even the small generator on deck failed on the evening of 10th December. After contact with the coastguard a RAF helicopter was able to lift the three crew members to safety leaving unlit Ross Revenge deserted at sea. On Friday 14th December the Caroline engineers managed to reach the Ross Revenge which had been in danger of being boarded by salvage crews. Full power, heat and light were restored. However, before being allowed to reclaim the ship, an assurance had to be given to the DTI that no broadcasts would be made. It is questionable if the station will ever broadcast again. [Caroline Infoline, Monitor Newscaster, WFRL & Ace Infoline via Comm. Jan.1991/Distance]

LITHUANIAN SSR: Special broadcasts in support of the Lithuanian government monitored on January 13 & 14, on 666/1107/1557 kHz, in Lithuanian, English and Russian and Polish. Soviet troops regained the broadcast facilities. Mostly Russian programs are heard on the Lithuanian frequencies. [several monitors via Distance]

USSR: Leningrad 1494 has been off the air for maintenance and service. It is possible that this powerful transmitter will start with a new external commercial service in EE, probably in mid-1991. The programs will be primarily beamed to Great Britain. [AD/URS via ARM in DXC1 #606/Distance]

#### PORTUGAL/MADEIRA BAND-SCAN

"I'm reporting mostly on the stations usually heard on this side of the Atlantic. Incidentally, there are lots of TA hets in Portugal from 2130 on through the night, probably many from Brazil as well as NA, but I could pull practically no real audio on my Sony 4910."

- 540 MOROCCO Sidi-Bennour A strong daytimer on the Portugal coast, but unlikely here because of even frequency.
- 549 ALGERIA Les Trembles Very strong at night.
- 594 PORTUGAL Muge Good days in Lisbon area w/100 kW.
- 603 MADEIRA Ariero At 10 kW is the best bet for Madeira log.
- 612 MOROCCO Sebaa Aïoun Good in Portugal day and night.
- 621 CANARY IS, Santa Cruz Not the best CI station in Madeira. Fair days and good nights.
- 666 PORTUGAL Lisbon At best day and night in Lison area.
- 675 FRANCE Marseille Best FF station in Portugal.
- 684 SPAIN Sevilla Semi-local days in Lisbon area and on the south coast. Super at night in Madeira, no fading. No wonder its heard so well over here. Now using 500 kW.
- 702 MOROCCO Sebaa-Aïoun Strong days on south coast of Portugal. Distinctive because of Berber mx.
- 711 MOROCCO Layayoune Not strong in either Portugal or Madeira.

- 774 SPAIN QSL card in 40 days from Red de Radio Nacional de España (Emisiones de Onda Media), Apartado de Correos 156.200, 28080 Madrid. [JR-NY]
- 840 HAITI QSL card and info sheet in 70 days for 2 IRCs from Box 1, Cap Haitien, Haiti, W.I., v/s Jean Van Dervort. Also three other addresses: OMS International, Inc., Box 1739, Port-au-Prince or OMS International, Box A, Greenwood, IN 46142, or Radio Station 4VEH c/o MFI, Box 13665, West Palm Beach FL 33416 [JR-NY]
- 1314 NORWAY QSL card in 30 days from Radio Norway International, 0340 Oslo 3. [JR-NY]



#### CONTRIBUTORS

- [MC-MA] Mark Connelly (WA1ION) Billerica, MA; Sony ICF-2010, two phased 74 m longwires.
- [REH-ON] Chuck Reh, Leamington DN; R-390A + Sanserino loop
- [SHP-TX] Stephen H. Ponder, Houston TX; Toshiba RP-F11, Phillips D-1875

By Benjamin Dangerfield





# Verification Signers

A listing of verification letter signers, contributed by NRC members

Freq.	Call	Verie Signer	Contributer	1300	WFXNlbz	T.D. Worthington P	BH
530	CJFTI	U/U CE	MH	1310	WDOCBlmz	Gormon Collins P	BH
530	WNXP698I	Lance E. Wright NJDOT	BH	1320	KOZYI	Tim Edwards	OW
540	CJSBf	Jeff Ruck CE	BH	1330	KNOWeb	U/U	OW
550	KUSAibm	Bill Schmidt ESu	OW	1350	KMANlbz	Richard Wartell GM	OW
550	WJMWlmu	Theodore C. Koppen CE	BH	1350	WLUXI	Ted Sauceman GM	MH
570	WKYXf	Joseph Weitlauf CE	SD	1360	KSCJlmh	Sam Seldon CE	MH
570	WSYRq	U/U	BH	1370	WSPDqu	Benjamin J. Solomon ACE	BH
570	WWNCIu	U/U	BW	1400	WSClmbz	Juanita W. Padgett	BH
580	WELOlbm	Jim Duke OpM	MH	1410	KGNNlbh	Ken Bowles VP	OW
590	KEZKI	Robert Hoffman E	SD	1420	AFRTSh Joel	Hatcher NCOinChrg PanamaSP	
600	WMTqz	Rick Sellers OpD	MH	1470	CHOWI	G.W. Burnett M	SD
610	KONAcz	Art Blum CE	OW	1480	WZRCI	Mark Chernoff PD	BH
620	KMNSfmb	Gerry Gibbs CE	MH	1520	KOLMrb	U/U M	OW
640	WOIq	Daavid Kippel CE	BH	1520	KSIBpu	Charles Maley CE	OW
650	KUUYI	Reese Hull CE	MH	1520	KYNDI	Jim Glogowski GM	SP
690	KOAcq	Robert Hinze CE	MH	1550	KSFTIbh	Ted Mahn CE/GM	MH
690	WVOKIqm	Roger Parker CE	MH	1560	KNZRLm	Randy Warwick GM	OW/SD
730	KKDALu	Paul N. Strickland CE	MH	1560	WMEQI	Mike Philpi O	SD
760	KGUJ	Billi R. Gilman PROD	SP	1570	KVLGI	Ivan Fajkus GM	SP
760	KRZNI	Bill Harris CE	SD	1580	WLIMc	George Drake VP	WH
780	XESFTI	C.P.Juan Fco. Aguilar Glz. Dir.	Dir.	1590	KXEMlu	Richard Keating GM	OW
		- Segundo Centenario No. 52, Col. Centro, San Fernando, Tamaulipas 877600, Mexico		1590	WAIKI	Rick Heater PD	SD
790	CIGMI	Scott Sloan EDept	BH	SP	Stephen Polder		TX
810	KCMOI	Lloyd W. Collins CE	BH	SD	Skip Dablestein		KS
820	WRFAIz	Jim White MxD	MH	WH	Wayne Heinen		CO
830	KFLTlbz	Ed Phipps GM	MH	JW	John Wilkins		CO
850	WKIXI	Jonathon Hardee CE	BW	BH	Bob Harrison		NJ
860	KOSEI	Bob Abel PD	BH	MH	Mike Hawk		NE
860	WGOMq	Steve Miller CE	MH	BW	Bob Walker		MI
920	KKLSIbu	Kevin Phillips PD	OW				
940	WIDGpu	U/U M	BW				
970	KFELIm	Mike Landry OpM	MH				
970	WWSWcu	U/U ACE	BH				
980	KMBZrb	Bread Wells	MH				
990	CHTXI	Jill Fitzgerald	BH				
990	WIVKf	Milton Jones CE	BH				
1020	KCKMfm	Dick Niccum (NRC) CE	MH				
1030	WMINI	Rosann Juenemann OFM	OW				
1070	CFAXfbu	Peter Learning DoE	OW				
1070	WNCTI	Scott Cherney GM	BH				
1140	KZMQI	Bill Burkhardt E	SD				
1150	WCENI	Richard Sommerville O/GM	BH				
1160	WSKWl	Alan W. Anderson P/GM	BH				
1170	KVOCkz	Larry White CE	MH				
1170	WLGOR	Art James GM	BH				
1180	R.Martiq	M. Pallone DTop	SP				
1190	KKOFJbu	Larry Anderson PD	OW				
1190	KRDSlmv	U/U	MH				
1210	KOKKfmbz	Tim Omodt PD	MH				
1220	WLPOLq	Steve Vogler CE	SD				
1230	WJBCI	Larry Shoel CE	SD				
1250	KIKClm	Melanie Andrews MxD	MH				
1260	KROXlu	Steve Krueger PD	OW				
1270	WXYTh	Neil T. Schwanitz CE	BH				
1280	KVOXI	Bob Holtan GM	MH				

## Wayne Heinen

4131 S. Andes Way  
Aurora, CO 80013  
(303) 699-6335 (prepaid only)

### Contributer

SP	Stephen Polder	TX
SD	Skip Dablestein	KS
WH	Wayne Heinen	CO
JW	John Wilkins	CO
BH	Bob Harrison	NJ
MH	Mike Hawk	NE
BW	Bob Walker	MI



DARRELL McWHORTER RADIO

## WIL-AM Switches Its Name To WRTH

SOME AM listeners were confused last week when they thought they had tuned in to WIL-AM (1430) only to hear the deejays say that they were listening to WRTH. "I thought I had lost my mind," said a reader who listens to WIL and was a fan of the old WRTH-AM.

WIL-AM changed its call letters to WRTH last week. General manager Dick Williams said the station had been contemplating changing the call letters back in the summer when the AM station dropped the country music format in favor of hits from the 1940s, '50s and '60s by singers such as Frank Sinatra, Johnny Mathis and Barbra Streisand.

The new format was similar to the format that made WRTH a popular station years ago, Williams said. "But first of all I have to tell you that any time you have a set of call letters like WIL that have been on the air since 1922, you think long and hard before you change them."

The FM station (92.3) will retain the WIL call letters.

Like most things in the radio business, changing call letters is not so simple as announcing it over the airwaves. The WIL situation was certainly no exception.

Usually it is pretty easy to get the Federal Communications Commission to OK a change in call letters — provided that nobody else has them. In this case, a small station owner in Maine had obtained rights to the call letters and planned, someday, to get a St. Louis AM station and revive WRTH under its old format.

Williams said that when the FCC informed station owners that the rights to the call letters belonged to someone else, they promptly struck a deal with the Maine operator.

"We paid him to give the call letters back to the FCC. We wanted those call letters," Williams said. "They are synonymous in St. Louis with the kind of music that we will be playing."

-via John Tudenham

## What's Wrong with Present-Day Loop Antennas... Dallas Lankford

© March, 1991

The purpose of this article is to discuss what's wrong with present day loop antennas, and to suggest some solutions for those problems.

There are often several reasons why a given loop antenna does not perform well, but the most frequent problem for amplified loops is excessive amplifier gain. I don't know why so many DXers believe that more gain is better. Excessive signal input to a receiver has only one effect, and that is bad — the dynamic range of the receiving system is degraded. Also, high gain amplifiers frequently have poor dynamic range; they are often the cause of spurious responses such as intermodulation distortion products and cross modulation.

When Gordon Nelson introduced his 4 foot square, balanced, tiltable, amplified, air core loop in the 1960's, it was not optimized for strong signal handling performance. This should not be taken as a criticism of his pioneering work. After all, concepts like dynamic range and 3rd order intercept had not yet been defined, and DXers were generally not familiar with the negative effects of excessively high signals.

A 4 foot square loop is too large. Most DXers do not have room for such a large loop, and it is not easy to construct a 4 foot square loop which is mechanically stable. The amp Nelson used also has too much gain. Nelson himself mentioned cross modulation problems with his loop and amp. Other DXers developed scaled down versions of his loop, but excessive amp gain has remained a common problem.

The first balanced, tiltable, air core loop I built was 2 feet square, inspired mainly by Russell Edmunds' NRC loop and Ralph Sanserino's loop (IRCA reprint A8). It is still my main air core loop antenna. However, the first amp I built was long ago tossed in the circular file. Subsequently, I must have built just about every loop amp ever published. They all had too much gain for a 2 foot air core loop, and they all suffered from spurious responses and other problems related to excessive signal levels.

Perhaps it is appropriate to remark here that no single loop antenna is optimal for all receivers and all locations. For some receivers, like the HQ-180(A), an unamplified, 2 foot, air core loop is sufficient. For others, like the R-390A, 5LJ-4, and HQ-150, a low gain amp is needed for adequate signal levels with a 2 foot, air core loop. And for some recent solid state receivers with desensitized MW bands, still more gain is required. In addition, the minimum ambient background noise is an important factor in determining how much loop amp gain is needed. For example, a DXer in a large urban area will usually have higher power line and other man-made noise than a DXer in a small town or rural location. Consequently, a less than optimal loop antenna is generally satisfactory for an urban DXer.

It doesn't make any sense to use a high performance loop antenna for MW DXing unless you use it with a high performance MW receiver. So the following discussion about loop antennas is concerned mainly with loop antennas for use with an R-390A, 5LJ-4, HQ-180(A), or HQ-150. The loop antennas I will describe may also work well with other receivers, but I make no claims in that regard. Many recent top of the line solid state receivers, such as the R-71A, R-5000, and WRD-525, are either insensitive throughout the MW band (they are deliberately designed that way), or emit digital display noise in the MW band, or both. I have been told that it is possible to use one of these MW RF1 emitters with a loop antenna by separating the receiver and loop antenna, but I cannot guarantee that.

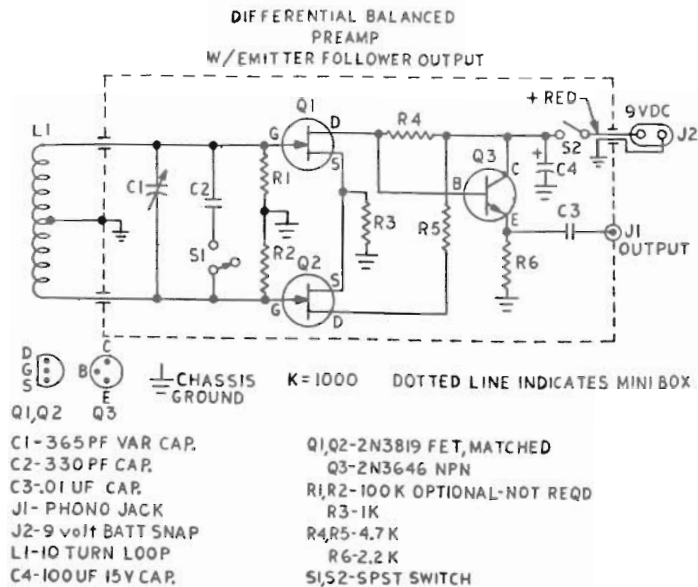
If you aren't inclined to build a rather large and complicated air core loop antenna, there is a much easier way to get a small and very good loop antenna. Buy the Radio West "Great Little Loop" and modify the amp for reduced gain. This loop has been around in various forms for many years, and is built by Ralph Sanserino. The amp used in these loops is a balanced differential amp which Ralph told me he obtained from John Kolb in late 1970 or early 1971; see Figure 1 below.

I first saw this amp about 1980 in IRCA reprint A8, a description of a balanced, tiltable, amplified, 2 foot square, air core loop written by Ralph. A few years later I tried the amp with my 2 foot air core loop, but like all the other amps I tried, it had way too much gain for a 2 foot air core loop. Through correspondence with Paul Kowalski I learned that the same amp was used with Ralph's ferrite rod loops, so eventually I tried it with some ferrite rod loops I prototyped. The amp gain was too much even for the lower signal levels developed by the ferrite rod loop coil. However, I recently discovered that amp gain can be reduced by reducing the values of the load resistors R4 and R5. With lower gain the overall performance was much better — less amp noise, fewer and weaker spurious responses, clearer split reception, and so on.

After considerable listening tests with different values for R4 and R5, the optimal value of R4 and R5 was found to be about 470 ohms for the following three types of ferrite rod configurations; see Figure 2 below. One loop consisted of a four rod bundle with two rods end to end and the other two rods stacked in the middle. The rods were 8" long, 3/8" diameter, 125 permeability. The 4 rod bundle was wound with 24 turns of Teflon insulated #22 tinned stranded wire, center tapped, close spaced, at the center of the bundle. A second loop consisted of seven rods of the same kind, bundled together without overlapping, and had a 26 turn coil. A third loop used a Space Magnet rod which is 12" long by 9/16" diameter, 400 permeability. The



FIGURE 1



coil was 30 turns. Signal levels with all three loops was about the same. A smaller single rod or fewer bundled rods are not recommended because sensitivity of the antenna would be reduced.

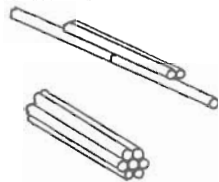


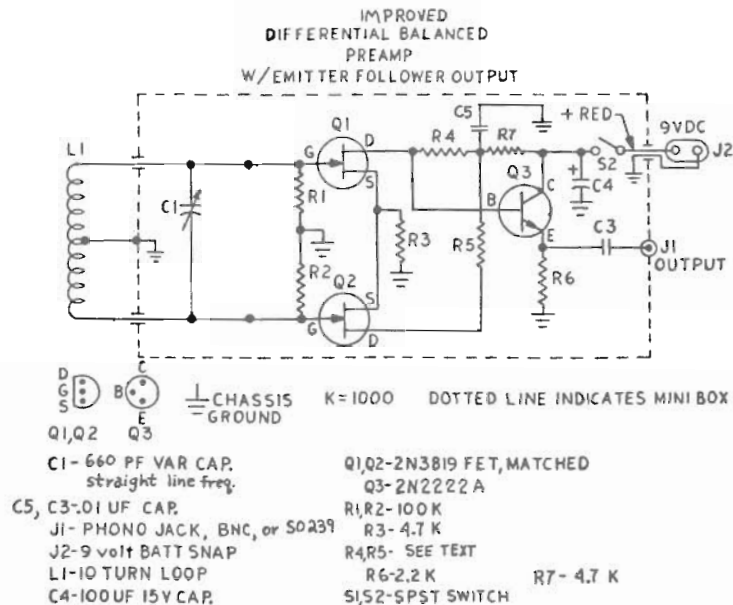
FIGURE 2

After discovering how to reduce the gain of the amp, I turned my attention to the remaining two problems with this amp -- amp noise, and spurious responses. With the original 4.7 K load resistors, amp noise was quite obvious as 10 dB or more carrier meter indication on an R-390A with the receiver tuned to an empty spot above or below the MW band and the loop detuned to the opposite end of the MW band. Some improvement in amp noise was obtained by hand selecting Q1 for minimum noise, but 3 or 4 dB noise remained despite my best efforts. Spurious responses were minimized by "matching" Q1 and Q2 in the sense that they were hand selected for nearly as possible (within 2%) equal drain voltages. However, some spurious responses remained. The remaining spurious responses were found to be 2nd order IMD products, and were generated by both pairs of MW signals and pairs of SW signals. Not entirely by accident (while testing a differential amp designed and developed in UK by Trevor Brook and Dave Porter) I discovered that amp noise could be further reduced (to 0 meter indication on an R-390A) by changing the FET load circuit, and that spurious responses could be further reduced by increasing the source resistor R3 from 1 K to 4.7 K. My final circuit is shown in Figure 3 below.

In addition to the load circuit and source resistor changes, you will observe several other changes from the original circuit. First, the two band tuning via switched C2 has been replaced with single band tuning by deleting C2 and replacing C1 with a 660 pF air variable. I have also specified the main tuning capacitor C1 as straight line frequency. Second, the 100 K gate resistors R1 and R2 are not optional for this circuit. Without the gate resistors R1 and R2 the Q of the tuned circuit is considerably higher, so high that signals may be distorted unless they are tuned precisely. With R1 and R2 the Q is lowered and audio quality is improved. Also, the lower Q reduces amp gain by maybe 4 to 6 dB, which lowers 2nd order IMD products by about 8 to 12 dB.

As before, resistors R4 and R5 are the load resistors, and they determine the gain of the amp. The maximum gain of the amp occurs when R4 and R5 are about 2.2 K, so there is no point in using larger resistors. Maximum gain should be used with the ferrite rod loops discussed above. I have also used the amp with a one foot air core loop, 20 turns, 1/4" spacing between turns. In that case the load resistors R4 and R5 should be 470 ohms. However, I do not recommend using the amp with a one foot air core loop because weak 2nd order IMD products were observed at the threshold of detectability on nights with strong signals (loop tuned to my super local, and R-390A tuned through the 480 - 520 KHz range with the BFO on). The only amplified air core loop I have used which is completely free of IMD products is my 2 foot air core loop with high dynamic range balun amp. I will discuss a 2 foot air core loop, baluns, and a high dynamic range amp in a future article.

FIGURE 3



With a 660 pF air variable capacitor the tuning range can be adjusted for at least 500 KHz to 2000 KHz. This is more than is needed for tuning the MW band, even with the upcoming frequency changes. So a smaller capacitor can be used. For example, Ralph uses a Mouser two section poly film variable capacitor with both sections wired in parallel for a maximum capacitance of 532 pF. But I like to use the old style metal frame air variables both for aesthetic reasons and because the mechanical rigidity is needed for stable operation with my phasing units. I also use air variable capacitors with a straight line or semi-straight line frequency. The shaft of these capacitors does not pass through the center of the metal plates, but is offset to one side, with teardrop plates for straight line frequency, and semicircle plates for semi-straight line frequency. With these capacitors the tuning is not squeezed together at the high frequency end of the tuning range. And I use a Jackson Brothers dual speed planetary drive, 6:1/30:1, for loops which I plan to use with a phasing unit because the extremely low tuning rate is needed for phase adjustments to generate cardioid null patterns. If you do not plan to use the loop with phasing units, no tuning reduction is needed. The 660 pF value is not critical. You could use both sections of a two section 365 pF air variable, which would give a maximum capacitance of 730 pF.

The 2N3819 FETs are currently available at Radio Shack, as are MPF102s which work equally well. If you use MPF102s, be sure to observe that the pin out (G,S,D) is different than the 2N3819s. The JB dual speed drive is available from Radiokit for (gasp!) \$18.00. Their catalog is \$1, and their address is P.O. Box 973, Pelham, NH 03076. Other parts (metal boxes, 9 volt battery holders, etc.) are available from Radiokit and suppliers like Mouser. You can get a Mouser catalog by calling their toll-free number (800) 992-9943 if you live in the continental USA. For Alaska, Hawaii, Canada, and Puerto Rico call (800) 346-6873. With prices like \$28.75 for Radiokit's two section 365 pF air variable (and I don't even know if it is semi-straight line frequency), one is inclined to shop around for less expensive parts. One of the nicest 660 pF air variables I have found recently is available from Antique Electronic Supply, 6221 S. Maple Ave., Tempe, AZ 85283. The capacitor, catalog number CV-240, is a dual section 320/345 pF, priced at \$4.65 each plus shipping. I believe the AES catalog is free. If you buy some of these capacitors, you will need to remove the old dried out grease with a suitable solvent and regrease the bearings because the original grease is so dry that shaft rotation is stiff and bumpy.

## High Dynamic Range Balun Loops... Dallas Lankford

© March, 1991

This article is a continuation of my previous article, "What's Wrong With Present Day Loop Antennas." In that article I pointed out that the main problems were excessive amplifier gain, usually accompanied by spurious responses, and amplifier noise. The improved version of Ralph



Sanserino's balanced differential amp which I presented in that article is excellent for use with ferrite rod loop antennas, and very nearly solves those problems completely. For DXers in large urban areas with high ambient noise levels, one of the amplified ferrite rod loop antennas I described in my previous article is more than adequate for their needs, provided it is used with a top-of-the-line tube receiver such as an HQ-180(A) or R-390A in good operating condition. But for some of us who are fortunate to have occasional low levels of power line and other man-made noise, a well designed 2 foot air core loop antenna will sometimes produce audible signals where these kinds of amplified ferrite rod loop antennas will not. It may be that small ferrite rod loops are inherently less sensitive than a 2 foot air core loop, or it may be that balanced differential amp noise limits their sensitivity. In any case, I have concluded that a 2 foot air core loop is the best starting point for a high performance MW loop antenna.

As I said in my previous article, no single loop antenna is ideal for use with all receivers. For example, a 2 foot unamplified air core loop is sensitive enough and provides adequate signal levels for an HQ-180(A). In fact, it is ideal for an HQ-180(A). An amplifier would not improve sensitivity; it would merely degrade the dynamic range of the receiving system. For other receivers, such as an R-390A, 51J-4, or HQ-150, the signal levels produced by an unamplified 2 foot air core loop antenna are not sufficient. Perhaps a larger air core loop, say 4 feet square, would provide adequate signal levels for these receivers. But as I said in my previous article, most DXers do not have adequate space for a 4 foot square air core loop, and mechanical stability becomes a problem for such large loops. A better solution is to use a low gain, high dynamic range amplifier with a 2 foot air core loop.

In this article I will describe a balanced 2 foot square air core loop in several versions for use with the receivers mentioned above. First, I will describe the loop with balanced feed lines for use with an HQ-180(A). Next, I will describe the loop with a balun (BALANCED to UNBALANCED transformer) so that the loop can be connected to an HQ-180(A) with a single unbalanced feed line. Finally, I will describe the loop with a low gain, high dynamic range amplifier which makes the 2 foot air core loop ideal for use with an R-390A, 51J-4, or HQ-150. Curiously, the amplified version has virtually no gain when used with an HQ-180(A), and so the amplified version can be used with all these fine receivers.

In my opinion, loop antennas should be balanced because balanced loops have deeper nulls than unbalanced loops, which makes them better for nulling local noise sources or strong interfering stations. The simplest way to connect a balanced air core loop to an HQ-180(A) is by direct coupling with balanced taps; see Fig. 1 below.

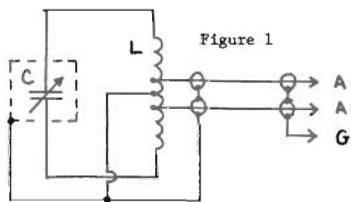


Figure 1

An HQ-180(A) has two A terminals and a G terminal on a rear chassis terminal strip. When the shorting link between the G terminal and the adjacent A terminal is opened, the antenna input terminals are configured for balanced input. With a 14 turn loop coil, which is typical for 2 foot air core loops, the coil taps should be one turn each side of center tap. In this case, the taps provide an impedance transformation of 49:1. Taking 240K ohms as the impedance of a tuned circuit at resonance, a source impedance of 4.9K ohms is presented to the HQ-180(A) antenna input terminals. Theoretically, this is not a good

impedance match. According to the HQ-180(A) manual, the antenna trimmer can be used to match antenna impedances between 50 and 600 ohms. However, as I will explain below, a better match does not increase signal levels or improve sensitivity.

While enough details will be given for an experienced builder to duplicate my circuits, it is not my intention to make this a step-by-step construction article. If you are not an experienced loop builder, but would still like to try building one of these loops, get the NRC Antenna Reference Manuals and Ralph Sanserino's IRCA reprint A8, and study how loop antennas are built. It is unlikely that you will copy any of those designs exactly because your loop frame will be determined to some extent by locally available construction materials.

My loop coil L is 14 turns, center tapped, of #18 stranded bare copper wire, 7 strands of #22, which was obtained by stripping the insulation from some Radio Shack speaker wire. The 7x22 speaker wire does not seem to have a fixed Radio Shack catalog number, but my friendly Radio Shack salesman stripped about an inch off the end of a 50 foot spool and let me count strands. I do not recommend other kinds of wire because I have found that the 7x22 has the best balance of strength, rigidity, and flexibility. Currently I am using 11/16" spacing between turns with a 1-3/4" gap between the two 7 turn halves of the loop coil. The 1-3/4" gap is due to my use of 2 by 2 fir (actual dimensions 1-3/4" by 1-3/4") for the loop cross arms and a metal box containing the tuning capacitor C mounted on a cross arm below the bottom loop coil support; see Fig. 2 below.

### Are you expiring?

We hope not! To avoid expiration, mail your remittance to the *DX News* Membership Center early. MC/VISA? Call (608) 423-4159. Allow at least four weeks after mailing your check or money order for new renewal data to appear on your *DXN* mail label.

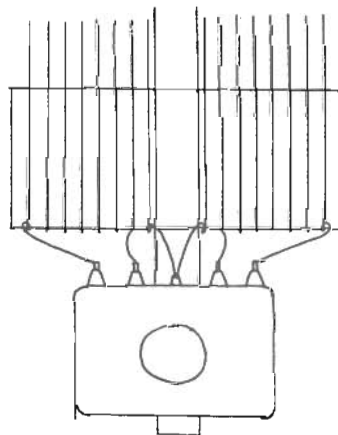


Figure 2

frequency limit (to well below 500 KHz for the amplified version). I don't recommend spacing between turns wider than 11/16" because that is about the widest spacing possible with 12" coil supports, and wider coil supports might present rigidity problems.

I used 12" wide by 4" high pieces of 3/16" thick plexiglass for my loop coil supports. A better choice would have been 1/4" thick plexiglass, at least for the bottom support, because when tension is applied to the coil with spreaders, the bottom loop coil support flexes slightly. Spreaders are desirable because they apply tension to the #18 stranded wire which helps maintain uniform spacing between turns and a rigid geometry for the turns. I used 12" long pieces of 2 by 1/2 fir (actual dimensions 1-1/2" by 3/8"), and threaded the spacers between alternate turns of the loop coil; see Fig. 3 below. The plans for "The N.R.C. Two-Foot Loop" specify 3/4" wide spreaders, but I found 1-1/2" wide spreaders a better choice.

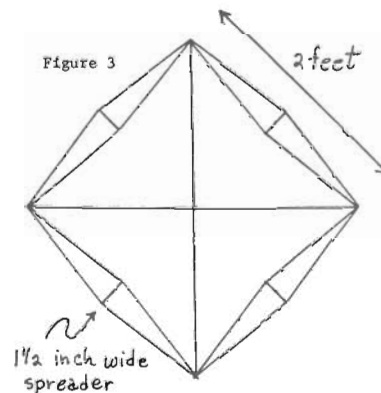


Figure 3

As shown in Fig. 1 the tuning capacitor C is mounted inside a metal box. This is not necessary for the unamplified version. In my experience nulls are about as good with a simple "open air" mounting arrangement as with a metal box. However, the box does protect the capacitor from dust and from damage by accidental contact. If the capacitor is mounted in a metal box, it must be insulated from ground, and the tuning knob should be isolated from the tuning knob with an insulated coupler such as a Milen #39002. Shortcuts like using a short length of 1/4" wood dowel are acceptable for prototyping loops, but they don't hold up well under heavy use. The coax for connecting the loop to the receiver may be RG-58 (my choice), RG-59, miniature coax, or even audio coax. Wires entering and exiting the box may be implemented with grommet lined holes, or with insulated feedthroughs (H. H. Smith #955G or #955S) and connectors (RCA, BNC, or SO-239). I like Smith #9550 feedthroughs and BNC connectors.

To make tuning easier, I recommend a 6:1 planetary reduction drive. If you plan to use the loop as part of a phased array for generating cardioid patterns, you should use the amplified version below with a dual speed 6:1/30:1 Jackson Brothers planetary drive.

As I said above, the output impedance of the loop of Fig. 1 is not well matched to the input impedance of an HQ-180(A). A better impedance match is obtained by using a balun; see Fig. 4 below. The balun T of Fig. 4 is a 4:1 balanced to unbalanced broadband transformer. With the 4:1 balun, the 4.9K ohms source impedance of the taps is transformed into a 1.25K ohms source impedance. However, there is little, if any, difference between the S-meter readings for the two methods of feed. Apparently any loss due to mismatch in the balanced feed of Fig. 1 is offset by the higher voltage levels of Fig. 1. The only advantage of the unbalanced feed circuit of Fig. 4 is that it permits the use of a connector (PL-259, or BNC with a BNC to PL-259 adapter) for connecting the coax to the HQ-180(A).



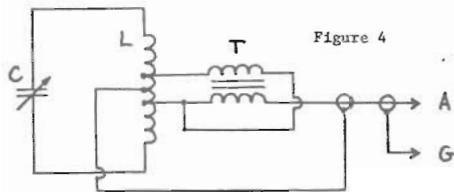


Figure 4

circumference of the toroid, you will be within a few turns of 70 turns when the toroid is completely covered.

As with Fig. 1, the circuit of Fig. 4 may be mounted "open air" or the capacitor and toroid may be mounted in a metal box. And as before, the nulls of the open air version of Fig. 4 are about as good as with the metal box mounting arrangement. In Fig. 4 I have shown the coax attached to the A and G terminals on the HQ-180(A) chassis rear. Alternately, you may use a PL-259 connector and attach to the SO-239 socket on the HQ-180(A) chassis rear. In both cases, be sure that the shorting link is connected to the adjacent A terminal.

The 2 foot, unamplified, air core loops I have described are ideal for use with an HQ-180(A). Unfortunately, the signal levels are not quite adequate for an R-390A, 51J-4, or HQ-150 if (and only if) you occasionally have very low levels of power line and other man-made noise. In that case, some (but not much) amplification is needed. After extensive testing over several years, I have arrived at the amplifier design shown in Fig. 5 below.

Before I discuss the amplifier, let me belabor the point I have made repeatedly in this article and the previous article. Excessive signal levels do nothing but degrade the dynamic range of a receiving system, which may make it more difficult to hear the DX you want to hear. At my location, for a foreign split to be audible with my amplified loop or 80 foot inverted L, the signal level must be at least 30 dB and usually more like 40 dB on the R-390A carrier meter. The signal levels with one of the unamplified loops I have described are typically about 15 dB lower than with the amplified version when used with an R-390A, so a split becomes audible when it reaches 15 to 30 dB on the R-390A carrier meter. That is plenty of signal. Virtually any foreign split I can hear on my R-390A with the amplified loop can be heard equally well with the unamplified version of Fig. 4. The only exception might be Senegal on 765 KHz at local sunset which tends to have lower signal levels, but I have never made a comparison to find out. For DXers in large urban areas with high power locals, one of the unamplified versions may be a better choice for the following reasons. Because they have no amplifier, the unamplified versions have theoretically infinite dynamic range and no spurious responses. Any spurious responses you hear with the unamplified versions originate in your receiver or elsewhere. If you are plagued by powerful locals, one of the unamplified versions may actually improve the performance of your receiver. Here is how. In theory the 3rd order IMD products of any amplifier increase or decrease 3 times as fast as the fundamental signals increase or decrease, and the 2nd order products increase or decrease 2 times as fast. Consequently, in theory the 3rd order IMD products should be about 45 dB lower and the 2nd order IMD products should be about 30 dB lower when using one of the unamplified loops I have described as compared to the amplified version below. The only cases where the amplified version is needed with an R-390A are for sunrise DXing, daytime DXing, sunset DXing, and when using the loop as part of a phased antenna system.

The amplifier is based on designs discussed in A. Burwasser's November 1979 *Ham Radio* article, "How to design broadband JFET amplifiers to provide top performance from VLF to over 100 MHz," pages 12 - 18. The amplifiers discussed in that article are grounded gate amplifiers which have low input impedance, low gain, and high 2nd and 3rd order intercepts (typically 35 dBm and 25 dBm respectively). Their only disadvantage is that the source is usually biased for rather high current drain, typically 18 mA, which eats up batteries quickly. The drain current is determined by resistor R of Fig. 5. The article above contained no information on how a lower drain current would effect the 2nd and 3rd order intercepts. So I spent a lot of time listening with different values of R. I observed no spurious responses with values of R as high as 470 ohms (which corresponds to 5 mA current drain). I recommend against lower drain currents (higher values of R) because a Siliconix data book shows that the noise figure for grounded gate U-310 amps begins to increase as drain currents fall below 5 mA. There is only one super local at my location, so it is possible that some spurious responses would be experienced in urban areas with several super-locals. I suggest that you start with R=470 ohms and use a lower value of R (higher drain current) only if spurious responses are observed.

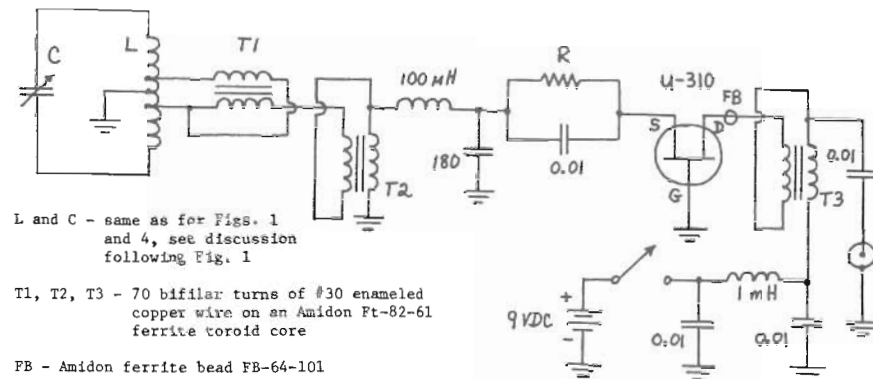
Transformer T1 is a 4:1 broadband balun which converts the balanced and rather high impedance of the loop coil taps to an unbalanced and lower impedance. Up to this point, the circuit is identical to the circuit of Fig. 4. Transformer T2 is a 4:1 broadband transformer which converts the impedance to a still lower value, about 312 ohms assuming 240K ohms for the

The balun T of Fig. 4 is 70 bifilar turns of #30 enameled copper wire on an Amidon FT-82-61 ferrite toroid core. This is not an off-the-shelf item. You will have to wind the balun yourself. Take two 8 foot lengths of #30 enameled copper wire, twist the two lengths together, about 4 twists per inch, and start winding. It is somewhat like sewing. The 70 bifilar turns are close spaced, and will just barely fit, covering the entire toroid. The exact number of turns is not critical. With close spaced turns, which means the turns touch each other on the inside

Figure 5

Amplified Loop For R-390A, 51J-4, HQ-150 And Other Receivers

TWO FOOT AIR CORE HIGH DYNAMIC RANGE BALUN LOOP



L and C - same as for Figs. 1 and 4, see discussion following Fig. 1

T1, T2, T3 - 70 bifilar turns of #30 enameled copper wire on an Amidon Ft-82-61 ferrite toroid core

FB - Amidon ferrite bead FB-64-101

R - nominally 470 ohms, which gives a drain current of about 5 mA; if spurious responses are experienced, try a lower value for R which gives a higher drain current: 220 ohms gives about 9 mA, 100 ohms gives about 15 mA

impedance of a tuned circuit at resonance. The 100  $\mu$ H choke and 180 pF capacitor following T2 are artifacts from a previous design of mine and are supposed to function as a 3 MHz cutoff low pass filter. The 180 pF capacitor seem to have little or no effect in the circuit of Fig. 5, and so could be omitted. The 100  $\mu$ H choke should not be omitted because it seems to reduce amplifier noise. The ferrite bead on the U-310 drain lead is to suppress VHF parasitic oscillation which sometimes occurs in broadband JFET grounded gate amps. The output is coupled to the receiver through a 4:1 broadband transformer.

The gain of the amp depends on the load it sees. For example, a receiver with a 50 ohm antenna input impedance presents 200 ohms as a drain load for the U-310. In theory, the voltage gain equals the power gain for this amp, and both are equal to  $R_L/R_{in}$  where  $R_L$  is the load resistance and  $R_{in}$  is the resistive component of the U-310 input impedance. Taking 10,000 microhos as the nominal transconductance of a U-310, it can be shown that the input impedance is approximately 100 ohms. Thus when this amp is used with a receiver having a 50 ohm antenna input impedance, the voltage gain is 2, or 6 dB. For an R-390A the nominal antenna input impedance is 125 ohms, so we would expect about 14 dB gain. This is in good agreement with the observed gain when the amp is used with an R-390A.

Curiously, as I mentioned before, the amp has virtually no gain when used with an HQ-180(A). By this I mean that signal levels with the amplified version of the loop are at most maybe 3 dB greater than with the unamplified version when they are used with an HQ-180(A). I do not consider this to be a problem, but rather an advantage because the amplified version of my loop works equally well with all of the top MW tube receivers - HQ-180(A), R-390A, 51J-4, HQ-150.

For best performance, I recommend that the amplifier and tuning capacitor be enclosed in a metal box.

## AM Radio Station Maps

by Bill Hale

Complements the NRC AM Radio Log  
Large type ... maps show location of  
stations ... easy to keep up-to-date. Only  
\$9.50, NRC members; \$10.50, Canadian  
members, \$11.95, non-members. Over-  
seas customers, please write. Order from  
NRC Publications - Box 164 - Mannsville,  
NY 13661 or use your credit card (VISA/  
MC) and call (608) 423-4159.





# For Beginners

Jack Woods - P. O. Box 1003  
Waldport, OR 97394-0514  
Mike Hawk - 10212 P St.  
Omaha, NE 68127-2130

Information and advice of interest to inexperienced DX'ers

This is the first of a series intended to help the beginning DXer. The concept is not new. Similar columns have been done before, but as people continue to take up the hobby, the idea needs to be rejuvenated occasionally.

This column has two editors; Mike Hawk and Jack Woods. Mike is a young person, an active DXer, and relatively new to DXing. He has a beginning DXer's viewpoint and fresh memories of problems encountered. Jack has a technical background and has been DXing in Alaska and Oregon for about 25 years. The editors will divide the ongoing workload of the column as follows: Mike will be contact man for the readers. He will receive the questions, comments, and other correspondence. Jack will type up the column.

The column will be a combination of questions and answers, and written articles.

Questions will be welcome. They should pertain to the basics of medium-wave DXing. Questions which the editors believe are more appropriate for "The Answer Man" column will be forwarded to R.J. Edmunds. The names of the persons who submit the questions will not be published. Some questions may be published for answering by the members.

Mention of a commercial product in the column will not imply endorsement of the product. The editors won't give opinions on the merits of any product, but may refer the reader to existing product reviews.

Remember, the sole purpose of the column is to help novice DXers to enjoy the hobby. The column format is subject to change. Readers' constructive comments will be welcome.

Let's start this series with some thoughts on radio frequency noise. RF noise is a continual and perhaps increasing problem for nearly all DXers.

RF noise is caused by a great number of voltage fluctuations, both natural and man-made, present at the receiver input. Some noise is generated within the receiver itself. It is obvious that noise sets the lower limit on which stations can be heard. Station signals below the noise level are covered by noise and cannot be identified regardless of how sensitive the receiver is. If it were not for noise, almost any weak signal could be amplified to a useable level by designing adequate gain into the receiver.

Just how much of a problem is noise? Obviously it varies with time of day and place to place. Estimates of magnitude vary but are surprisingly high. In his article "Noise Levels and Useable Receiver Sensitivity" (available as an NRC reprint), Hutton says that it is improbable that we would ever need sensitivity in a medium-wave receiver below 20 microvolts.

Cosmic, or galactic noise arrives from space. It is sometimes known as cosmic hiss. Thermal agitation noise results from small voltages caused by the random motion of free electrons in a conductor and is proportional to the temperature of the conductor. Antennas at usual temperatures generate thermal agitation noise in addition to whatever signals they pick up. The forgoing are present at broadcast band frequencies but are usually masked by atmospheric noise and electrical noise. Atmospheric noise (for the most part static caused by lightning) is certainly significant at some times of the year in much of North America. Electrical noise is the dominant noise most of the time except in remote areas away from power lines. It is also the kind we can do something about. Electrical noise is caused by man-made devices, including TV sets, light dimmers, power lines, fluorescent lights, automobile ignition, etc.

What measures can we take to reduce the effects of noise? Measures include the obvious action of simply turning off the offending device, and also the selection of antennas and receivers.

The loop antenna is the type most used by medium-wave DXers. Inspection of the credits at the end of the DDXD columns will verify this. The loop antenna will pick up less local noise than a longwire antenna, for equal desired signal pickup. Its directive response can be used to null a local noise source, such as a power line. When tuned to a desired signal it will

discriminate against noise and other spurious signals. Construction of an effective loop antenna is not particularly difficult.

Let's digress here and consider the reference material available from the NRC Publications Center. The Product Catalog lists a wealth of DXing information in the form of booklets and reprints. Prices are nominal. The material has been contributed by NRC members over the years and includes articles on antenna types and construction, receiver performance and comparisons, and many other subjects. If you don't have the catalog, send \$1.00 to the Publications Center. The mailing address is on the back cover of DX News.

The horizontal sweep circuits of TV sets generate noise throughout the medium-wave band. It shows up at 15.75 kHz intervals. It is more of a problem with older sets. The noise is radiated by the set itself and by the signal input cable and power cord. Ferrite beads and toroids can be easily installed to reduce radiation from the power cord and signal cable. Whether the noise reduction in any particular installation is worthwhile can only be determined by trial and error. A free catalog and RFI tip sheet can be had from Palomar Engineers, Box 455, Escondido, CA 92033.

Electric light dimmers are a common source of noise which shows up as a loud buzz throughout the band. Dimmer switches which contain interference-suppressing circuitry are available at small extra cost. When buying a dimmer look for words such as "with RFI suppression" on the package.

Overhead power lines can generate noise due to defective insulators, transformers, connections, etc. Prompt repairs by the power company may result if they are told where a trouble source is. Therefore, some detective work in the neighborhood with a portable receiver may be time well spent. Some street lighting systems use photocell units to switch individual lights on at dusk. Those units when defective can generate high amplitude noise. If the noise starts about dusk, look for a light fixture with reduced brilliance or which does not come on at all.

Some ideas on choosing a receiver will be the subject of a future article.

73 Mike and Jack



Need more information about Medium Wave DX'ing?  
Mail \$1.00 to NRC Publications - P. O. Box 164 - Mannsville, NY 13661-0164; ask  
for the Reprints Catalog.



# Graveyard Achievements

## William Hale

734 Burleson  
San Marcos, TX 78666-4335

Totals achieved on each graveyard frequency by contributors

A word of explanation from the editor - actually two. For those of you who regularly follow this irregular feature in *DX News*, you'll notice that only one-half of the normal column is here. I have not received an update for the period of "Prior to Jan 1, 1960" since December 6, 1989 (for 1230). Therefore, no changes. So what was... is. I understand that those who currently hold a place on the GYDXA lineup for that period deserve to be mentioned. But considering the space constraints of *DX News*, I am not going to print up the "Pre-1960" loggings for submission until I get some updates. Possibly some of the new members have Graveyard loggings which surpass those in the record books. If anyone would care to see the "Pre-1960" lists, send me an SASE with 75¢ worth of stamps affixed (naturally more to Canada and abroad), and I'll send you a personal copy of all six lists. Number two item... a number of the mileages seen here will differ, some greatly, from the last printing. Here's why. I have a set of the FCC Database containing exact geographic coordinates of transmitter locations for all stations. Slowly, but surely, I've been updating my mileage computing program with the new data, and recomputing a great number of records. Those records of stations I found with little (less than 5 minutes of latitude or longitude) difference, I left as is. Several were 10-15 miles away from previous data, and a couple as far as 20. As I've always used "best data available", say the city center (coordinates from an atlas) or an airport nearby, and the transmitter was on the outskirts of town or on the other side of the city from the airport, these locations have changed most. Some of the previous record-holders have gained mileage; some lost a few miles. But rest assured, the distances are more accurate than ever before. And, as time permits, all frequencies will be "fixed" with the new data included in the computations. So, here we go... enjoy... and hope to hear from some new Graveyard DXers!

1230 kHz

Logged from Jan 1, 1960 to Present

Date of Last Update: Feb 12, 1991



WAUD	AL	Auburn	Jeff Falconer	Clinton, ON	789
WJBB		Hayleyville	Steve Francis	Alcoa, TN	232
WBHP		Huntsville	Carl Dabelstein	Lincoln, NE	685
WHOD		Jackson	Niel Wolfish	Toronto, ON	957
WNUZ		Talladega	Steve Francis	Alcoa	193
WTBC		Tuscaloosa	Dave Whatmough	Hamilton, ON	805
KIFW	AK	Sitka	Doug Lamerson	Makapu'u Point, HI	2772
KVAK		Valdez	Esa Hänninen	Lemmenjoki, Finland	3453
KAAA	AZ	Kingman	Rich Eddie	St. Louis, MO	1333
KFLR		Phoenix	Richard E. Wood	Hilo, HI	2821
KATO		Safford	Carl Dabelstein	Lincoln	905
KINO		Winslow	Carl Dabelstein	Lincoln	860
KFPW	AR	Ft. Smith	Jerry Starr	Youngstown, OH	855
KGEE	CA	Bakersfield	Roy Millar	Marysville, WA	854
KSZL		Barstow	Tim Hall	Chula Vista, CA	158
KIBS		Bishop	Les Carpenter	El Toro, CA	281
KXO		El Centro	Don Kaskey	Sacramento, CA	521
KDAC		Ft. Bragg	Richard E. Wood	Hilo	2191
KGfJ		Los Angeles	Don Kaskey	Sacramento	357
KPRL		Paso Robles	Frank Merrill	Nanena, AK	2313
KRDG		Redding	Don Kaskey	Sacramento	145
KWG		Stockton	Richard E. Wood	Hilo	2404
KEXO	CO	Grand Junction	Shawn Axelrod	Winnipeg, MB	903
KRMH		Leadville	John Wilkins	Wheat Ridge, CO	80
KDZA		Pueblo	Niel Wolfish	Winnipeg, MB	864
			Shawn Axelrod	Winnipeg	(Tie) 864
KBCR		Steamboat Springs	Shawn Axelrod	Winnipeg	845
KGK		Sterling	Carl Dabelstein	Lincoln	335
WINF	CT	Manchester	Rodney Valdron	Petit Rocher, NB	530
WGGG	FL	Gainesville	Frank Merrill	Milan, MI	858
WONN		Lakeland	Alan Imprescia	New York, NY	985
			Richard Recco	Malverne, NY	(Tie) 985

WMAF		Madison	Steve Francis	Alcoa	356
WSBB		New Smyrna Beach	Charles Reh	Leamington, ON	904
WNVY		Pensacola	Alan Imprescia	New York	1024
WCNH		Quincy	Jerry Starr	Youngstown	760
WJNO		West Palm Beach	UK DXpedition*	Sheigra, Scotland	4121
WBIA	GA	Augusta	Debra Hidden	Orlando, FL	350
WBLJ		Dalton	Tim Kerfoot	Weston, ON	635
WXLI		Dublin	Gene Allen	Vallejo, CA	2253
WFOM		Marietta	Charles Reh	Leamington	568
WSOK		Savannah	Don Lynch	Chelmsford, MA	900
WAYX		Waycross	Harry Hayes	Thornhurst, PA	780
KBAR	ID	Burley	Nancy Hardy	Aberdeen, WA	580
KORT		Grangeville	Esa Hänninen	Lemmenjoki	4277
KRXX		Rexburg	Esa Hänninen	Lemmenjoki	4380
WJBC	IL	Bloomington	Rick Carr	Austin, TX	865
WMRZ		Moline	Shawn Axelrod	Winnipeg	697
			Niel Wolfish	Winnipeg	(Tie) 697
WHCO		Sparta	Niel Wolfish	Willowdale, ON	665
WJOB	IN	Hammond	Niel Wolfish	Winnipeg	773
WSAL		Logansport	Niel Wolfish	Winnipeg	855
WTCJ		Tell City	Steve Francis	Alcoa	210
WBOW		Terre Haute	Shawn Axelrod	Winnipeg	989
KFJB	IA	Marshalltown	Joe Fela	Newark, NJ	976
WHIR	KY	Darville	Don Lurch	Chelmsford	788
WHOP		Hopkinsville	Rick Carr	Austin	780
WMLF		Pinville	Frank Merrill	Milan	434
KLIC	LA	Monroe	Frank Merrill	Milan	803
WBOK		New Orleans	Charles Reh	Leamington	934
WBME	ME	Belfast	Steve Whitt	Sheigra, Scotland	2793
WDQY		Calais	Morris Sorensen	Milton, ON	600
WSJR		Madawaska	Andy Rugg	Nuns' Island, PQ	284
WITH	MD	Baltimore	Steve Francis	Alcoa	464
WALI		Cumberland	Don Lynch	Lynn, MA	448
WMNB	MA	North Adams	Jim Renfrew	Rochester, NY	227
WESX		Salem	Rodney Valdron	Petit Rocher	440
WNEB		Worcester	Rodney Valdron	Petit Rocher	485
WCUZ	MI	Grand Rapids	Niel Wolfish	Winnipeg	748
			Shawn Axelrod	Winnipeg	(Tie) 748
			Don Voorhies	Oswego, NY	415
WGRY		Grayling	Shawn Axelrod	Ames, MB	485
WIKB		Iron River	Jeff Falconer	Clinton	114
WMPG		Lapeer	Morris Sorensen	Leaf Rapids, MB	992
WOO		Sault Ste. Marie	Joe Fela	Newark	588
WSTR		Sturgis	Carl Dabelstein	Omaha	415
WKLK	MN	Cloquet	Shawn Axelrod	Winnipeg	237
KGHS		International Falls	Morris Sorensen	Leaf Rapids	740
KYSM		Mankato	Shawn Axelrod	Winnipeg	318
KMRS		Montic	Morris Sorensen	Leaf Rapids	980
KTRF		Thief River Falls	Shawn Axelrod	Winnipeg	475
KWNO		Winona	Joe Kureth	Uniontown, NJ	710
WCMA	MS	Corinth	Charles Reh	Leamington	831
WHSY		Hattiesburg	Charles Reh	Leamington	680
WSSO		Starkville	Charles Reh	Leamington	717
KODE	MO	Joplin	Carl Dabelstein	Lincoln	285
KLWT		Lebanon	Shawn Axelrod	Winnipeg	775
KWIX		Moberly	Niel Wolfish	Winnipeg	(Tie) 775
			Nancy Hardy	Aberdeen	610
KBMN	MT	Bozeman	Frank Merrill	Milan	1216
KHDN		Hardin	Nancy Hardy	Aberdeen	398
KLCB		Libby	Robert Kramer	Chicago, IL	425
KTNC	NE	Falls City	Frank Merrill	Milan	773
KHAS		Hastings	Nancy Hardy	Aberdeen	877
KLAS	NV	Las Vegas	Roy Millar	Marysville	555
KCBN		Reno	Ron Musco	Windsor, CT	209
WMOU	NH	Berlin	Joe Fela	Newark	205
WTSV		Claremont	Mark Hattam	Sheigra, Scotland	270
WCMC	NJ	Wildwood	Robert Wien	San Jose, CA	940
KALG	NM	Alamogordo	Mike Hawk	Omaha, NE	901
KOTS		Deming	Tim Hall	Chula Vista	509
KYYA		Gallup	John Wilkins	Wheat Ridge	285
KFUN		Las Vegas	Frank Merrill	Macomb, IL	912
KRSY		Rosewell	Don Lynch	Boston, MA	391
WNIA	NY	Cheektowaga	Don Lynch	Lynn	297
WENY		Elmira	Morris Sorensen	Milton	316
WBZA		Glens Falls	Rodney Valdron	Petit Rocher	525
WIGS		Gouverneur	Don Voorhies	Oswego	163
WHUC		Hudson			



WLFH		Little Falls	Charles Reh	Leamington	395
WDLG		Port Jervis	Laura McCusker	Ravenna, NY	88
WFAS		White Plains	Jeff Falconer	Clinton	434
WSKY	NC	Asheville	Steve Francis	Alcoa	84
WFAI		Fayetteville	Jeff Falconer	Clinton	612
WMFR		High Point	Eric Bueneman	Hazlewood, MO	595
WNNC		Newton	Steve Francis	Alcoa	153
WCBT		Roanoke Rapids	Hank Holbrook	Chevy Chase, MD	184
KDIX	ND	Dickinson	Charles Reh	Leamington	1045
WUBE	OH	Cincinnati	Russ Edmunds	Glen Rock, NJ	584
WCOL		Columbus	Shawn Axelrod	Winnipeg	1010
WIRO		Ironton	Shawn Axelrod	Winnipeg	1098
WTOL		Toledo	Don Lynch	Lynn	647
KADA	OK	Ada	Wayne Heinen	Aurora, CO	570
WBBZ		Ponca City	Shawn Axelrod	Winnipeg	912
KVAS	OR	Astoria	Doug Lamerson	Makapu'u Point, HI	2580
KZZR		Burns	Nancy Hardy	Aberdeen	331
KOOS		Coos Bay	Don Kaskey	Sacramento	369
KRRR		Gresham	Esa Hänninen	Lemmenjoki	4376
KQIK		Lakeview	Esa Hänninen	Lemmenjoki	4578
KYJC		Medford	Don Kaskey	Sacramento	278
KDOV		Talent	Roy Millar	Marysville	361
KTDO		Toledo	Roy Millar	Marysville	218
WBVP	PA	Beaver Falls	Stephen McIntire	Des Moines, IA	715
WEEX		Easton	Rodney Valdron	Petit Rocher	680
WKBO		Harrisburg	Frank Merrill	Milan	379
WCRO		Johnstown	Rodney Valdron	Petit Rocher	830
WBPZ		Lock Haven	Don Lynch	Lynn	345
WTIV		Titusville	Rodney Valdron	Petit Rocher	805
WERI	RI	Westerly	Rodney Valdron	Petit Rocher	535
WAIM	SC	Anderson	Steve Francis	Alcoa	112
WXAP		Columbia	Charles Reh	Leamington	565
WOLS		Florence	Joe Kureth	Uniontown	405
KISD	SD	Sioux Falls	Jerry Robertson	Crosswell, MI	700
WKCE	TN	Harriman	Steve Francis	Alcoa	52
WMLR		Hohenwald	Robert Kramer	Chicago	451
WAKI		McMinnville	Russ Edmunds	Glen Rock	682
KSIX	TX	Corpus Christi	Jim Boehm	San Antonio, TX	141
KDLK		Del Rio	Dave Margritz	Omaha, NE	866
KNUZ		Houston	Frank Merrill	Milan	1059
KLVT		Levelland	John Wilkins	Fort Davis, TX	238
KERV		Kerrville	Rick Carr	Austin	88
KEEE		Nacogdoches	Frank Merrill	Milan	945
KOZA		Odessa	Rich Eddie	St. Louis	821
KGRO		Pampa	Robert Walker	Chicago	955
KSEY		Seymour	Shawn Axelrod	Winnipeg	1129
KSST		Sulphur Springs	Jim Boehm	San Antonio	298
KWTX		Waco	Rick Dau	Oakland, IA	679
KMOR	UT	Murray	Shawn Axelrod	Winnipeg	917
KOAL		Price	Carl Dabelstein	Omaha	808
WJOY	VT	Burlington	Rodney Valdron	Petit Rocher	425
WBBI	VA	Abingdon	Joe Kureth	Uniontown	320
WODI		Brookneal	Jerry Starr	Youngstown	350
WCFV		Clifton Forge	Joe Kureth	Uniontown	185
WFVA		Fredericksburg	Andy Rugg	Montreal, PQ	530
WNOR		Norfolk	Andy Rugg	Montreal	610
WAMM		Woodstock	Steve Francis	Alcoa	365
KZZR	WA	Burns	Nancy Hardy	Aberdeen	330
KOZI		Chelan	Brett Hanavan	Chula Vista, CA	1057
KWYZ		Everett	Esa Hänninen	Lemmenjoki	4268
KRSS		Spokane	Olle Alm	Abisko, Sweden	4114
WLOG	WV	Logan	Don Voorhies	Oswego	390
WKYG		Parkersburg	Russ Edmunds	Little Silver, NJ	398
WHBY	WI	Appleton	Joe Fela	Newark	765
WCLO		Janesville	Charles Reh	Leamington	332
WXCO		Wausau	Rich Eddie	St. Louis	440
KVOC	WY	Casper	Frank Merrill	Nanena	2228
CJOK	AB	Ft. McMurray	Esa Hänninen	Lemmenjoki	3509
CIYR		Hinton	Shawn Axelrod	Winnipeg	866
CJLW		Wainwright	Niel Wolfish	Lewis, MB	597
CKQR	BC	Castlegar	Roy Millar	Marysville	248
CKTK		Klmtat	Roy Millar	Marysville	531
CJNL		Merritt	Tim Hall	Banff, AB	238
CKNW		New Westminster	Gene Allen	Vallejo	787
CHFC	MB	Churchill	Olle Alm	Karesuando, Sweden	3093

CFLN	NF	Goose Bay	Esa Hänninen	Lemmenjoki	2799
CFGN		Port-aux-Basques	Steve Whitt	Sheigra	2295
VOAR		St. John's	Rodney Valdron	Petit Rocher	610
CFFB	NT	Iqaluit	Esa Hänninen	Ristina, Finland	2786
CKMP	ON	Midland	Robert Kramer	Chicago	445
CJTT		New Liskeard	MB DXPedition#	Ames, MB	812
CJLB		Thunder Bay	Morris Sorenson	Leaf Rapids	1105
CJLP	PQ	Disraeli	Don Treford	Scarborough, ON	422
CHVD		Dolbeau	Esa Hänninen	Lemmenjoki	3334
CJSA		Ste-Agathe-des-Monts	Andy Rugg	Montreal	50
CKLD		Thetford Mines	Charles Reh	Leamington	625
ZFB	BER	Hamilton	Derek Taylor	Preston, England	3337
XESCT	BCN	Ensenada	Tim Hall	Chula Vista	52
LT2	ARG	Rosario	UK DXPedition*	Sheigra	7075
CMAD	CU	Artemisa	Frank Merrill	Milan	1330

\* UK DXPedition [Steve Whitt, Mark Hattam, Clive Rooms]  
# MB DXPedition [Shawn Axelrod, Wayne McRae]

KDBN  
1480AM

### GYDXA UPDATE

1240 kHz:					
WBGF FL	Chipey				
KODY NE	North Platte	Don Treford	Scarborough, ON	952	
1450 kHz:		Shawn Axelrod	Winnipeg, MB	618	
KSEL NM	Portales	Shawn Axelrod	Winnipeg, MB	1115	
CKYR AB	Jasper	Shawn Axelrod	Winnipeg	1244	

**The Answer Man** **R. J. Edmunds**  
"No Question Is A Dumb Question"  
Answers to members' questions, from the basic to the technical

Greetings again! At long last, the Answerman column is back, in between a fair bit of travel here. First off, we'll address some "old business", hi.

**ANSWER:** I have received several comments regarding the question posed last time about the antenna jack on the Realistic DX-440, which is, I am told, virtually the same receiver as the Sangean ATS-803A. The answers I received were about 50/50 as to whether or not this jack is for SW only. I don't know how to respond further at this point, nor do I wish to further an open debate on the subject. I would therefore recommend that you write directly to the manufacturer on this, and, if you get a reply, I'd appreciate seeing a copy.

**QUESTION:** I recently purchased an ICOM R71A receiver. I am having a problem of sideband splash. I live about two air miles from the heart of New York City. Will a good loop help with this problem?

**ANSWER:** You bet! Any received would have that problem in that location. I would suggest that you first try an unamplified loop, as the use of a high-gain amplifier could cause other problems which could offset the benefits of the loop. If the receiver has not been aligned recently (or, if

you're not sure) that would help also, as would the addition of mechanical filters, however that is neither an easy nor inexpensive route. The loop should help, and there are several designs in the NRC Antenna Manual, Volumes 1 & 2, available from NRC Publications.

**QUESTION:** Why, when conditions are severely auroral, do I pick up not only deep south stations, but a lot of CW signals and other noise that sounds like every TV set in the house is on at the same time? I use an NRD-525 w/ a 2' Sanserino loop, but I also hear this stuff on my 450' LW. When the auroral cx subsides, these problems go away also.

**ANSWER:** The reason that the southern stations predominate during auroral cx is that the closer, stronger signals from the northern stations are absorbed, leaving the field clearer for the weaker, more distant stations. Accepting that premise, it stands to reason that, in the absence of the strongest skywave signals because of absorption, and the concurrent absorption of the skywave components of other stations where only groundwave is now heard, the residual noise level which is propagated via groundwave or electrical wiring locally would be enhanced. In your location, within groundwave distance of all sorts of government and military



installations, CW spurs, harmonics and/or subharmonics would be included. The TVI and other electrical noises are, of course, common in many locations. The loop should outperform the longwire as far as locally-generated electrical noise, unless it's actually getting into your receiver via the power lines. The signals etc. which are externally generated should show little difference between antennas, other than directionality.

**QUESTION:** I am in possession of a McIntosh program called "DX Helper" which calculates Maximum Usable Frequencies (MUFs) anywhere in the world based on the Solar Flux numbers. What is the relationship between MUFs and BCB DX? Can I somehow use the program for BCB?

**ANSWER:** I've seen something about this package (which is available in other than Mac as well) somewhere recently, but I'm not sure what or where - probably in Popular Communications, but I can't remember how it works. Generally speaking, however, the MUF never gets down as far as the BCB, and, if it did, it would mean that signals above that frequency would be so heavily absorbed that there'd be little left. I'll see if I can dig up anything more, and perhaps we'll get an assist from one of our other readers as well.

**QUESTION:** For BCB DX I use a McKay-Dymek DA-7 amplified loop. This has metal casing on 3 sides. The top and ends are covered by an aesthetic panel. I have opened up the box and inserted aluminum foil behind the end panels, leaving only the top open, and have seen improved directivity as a result. I have noticed, however, that the Great Little Loop, the Shotgun Loop and the Palomar Loop are all totally unshielded. Would I be better off removing all of the shielding on the DA-7? What are the benefits and drawbacks of this shielding?

**ANSWER:** For starters, the designed purpose for the DA-7 is different from that of the others. The DA-7 is not specifically a DX antenna. It was originally designed for use in the broadcast industry, for monitoring stations with high fidelity over moderate distances. Therefore, I'm not surprised to see such differences. The fact that you've achieved greater directivity (I would guess that this results in a tighter pattern) from your modification is a plus for BCB DX, and indicates that on the DA-7 at least, removal of the shielding might further degrade directivity. I'd leave well enough alone there. Your antenna, as modified, strongly resembles the Worcester Space Magnet series antennas in terms of shielding now. Without knowing the various design

elements of all of these antennas, I'd not be able to state with accuracy how features of one might work on another.

**QUESTION:** I use an Autek QF-1 audio processor. It consists of a notch filter, a peak filter, and a lowpass filter. Only one of these can be used at any one time. Each is tuned by two knobs, Frequency and Selectivity. For spoken word, I have considerably more trouble getting a good peak. Where, in the spectrum of sound, does the human voice lie? How should I set this unit to maximize its voice-peaking capabilities?

**ANSWER:** The QF-1 is primarily designed for SW use, although it is usable on BCB. A filter of this type is primarily designed to work on CW signals, heterodynes and the like, as opposed to voice. Second, as you peak any variable selectivity device, you automatically degrade the audio quality of it, making it sound more "tinny" owing to the fact that the sharper the peak, the narrower the band passed is. I'm not saying that what you're looking for can't be accomplished, but you probably won't be able to achieve really high quality. You will need a peak less than maximum, and you can safely cut off down to about 5000 Hz on voice without losing much. My high school physics seems to have fallen out of the memory banks as to just what the actual numbers are, and there's a good degree of variance between the male and female voice. My experience indicates that different people prefer noticeably different audio characteristics for DX'ing, and I'd recommend that you set the lowpass filter up for your preferences by ear, and adjust for the particular vocal characteristics you're hearing individually. It's not a short-cut, unfortunately.

**QUESTION:** Sometimes there is a heterodyne near a weak signal. Would it be useful to use two audio processors in series, one to notch out the het and the other to peak the voice?

**ANSWER:** It may be, but it may also not be necessary. Referring to the previous discussion, you may find, depending upon the frequency of the heterodyne, that you can do both with the same processor, using the lowpass filter. If your receiver has a crystal notch filter or a Q-multiplier built in, either of these could be used to notch out the heterodyne, leaving the audio processor to take care of peaking the voice. Remember that as you add more circuits into the audio line, you also add loss and noise. I think that the combination of a receiver with a crystal filter and/or Q-multiplier, along with a variable bandpass audio filter (generally available at amateur radio flea markets or in

other places where surplus receivers can be found) is a better setup, but of course that's because I've been working with such a combination for over twenty years, hi.

**QUESTION:** I have an ICOM R70, and a Radio West Ferrite Loop w/ 2-FET preamp. Short of encasing the R70 in lead, is there a way to eliminate the noise from the digital readout? While I can null it to some extent, it does limit the directivity of the loop. The LOOR cable to the rx is shielded coax, 6 feet long. I try to keep the loop and rx separated by the full six feet. It does help some, but the hash is still there, and the operation is a bit awkward.

**ANSWER:** See what high-tech does, hi. All I can suggest is trying longer coax. Granted there will be a trade-off in unwanted vertical pickup from the feedline, as well as marginal losses, your individual circumstances may permit a longer line, but of course, that makes things worse in the awkwardness department. Perhaps another reader will have some further suggestions. I'm not familiar enough with the receiver to know how well shielded the digital readout is.

**QUESTION:** My truck radio seems good enough for DX when the engine is off, but the shielding isn't too great when it's on. What can I do here?

**ANSWER:** First, try exchanging your sparkplugs for a low-noise variety. Next, low-noise distributor cables can be purchased either from many dealers, or, thru many larger auto supply houses. J. C. Whitney carries them, for sure. Keep the engine well-tuned, and keep the points clean. If all of that's not good enough, try re-positioning your antenna to the rear of the vehicle if it's not there already. If the antenna must stay in front, try re-routing the antenna cable away from the engine compartment wherever possible. If you have one of those built-in windshield-embedded antennas, disconnect it and use a rear-mounted whip instead. Finally, try a noise filter in the power line to your radio. These are available from many amateur radio suppliers.

**QUESTION:** I've read some fine reports in DX NEWS by members using the Kowalski loop. I know that it is no longer available, but can I somehow reproduce it?

**ANSWER:** Have I got news for you! You can build it exactly, if you choose. Simply order NRC Reprint # A-41 from NRC Publications. That is the original construction article for the Kowalski loop.

**QUESTION:** Whatever became of Allied Radio and Lafayette Radio? Are they still in business?

**ANSWER:** Lafayette went out about ten years ago. I don't believe that Allied is around either, although I'm not sure when they did. Changes in technology, marketing, and consumer habits were to blame.

**QUESTION:** I'd like to build James Hagan's Large Aperture Ferrite Core Loop Antenna. The 42" ferrite core is made up of seven 12" by 0.6" rods. I have been unable to find any Amidon Associates' largest rod is 7.5" by 0.5", and are \$15 each. Can I order the 12" rods direct from Japan, or from a North American supplier?

**ANSWER:** Per the author, the original rods were imported exclusively from Japan by Joe Worcester of Space Magnet antenna fame. I don't know if anyone else is now importing them, but perhaps someone out there knows. An acceptable substitute would be the Amidon rods, however you will require more turns on each coil to achieve the desired effects. Since Jim hasn't tried these, he can't provide any specifics here.

\*\*\* Well, that's about all I have here on hand as of 3/5. Hopefully, we can get some further information on some of the items in the column this time. I have more travel planned in April; but that shouldn't cause too much delay, as we're into monthly issues after that anyway. I do hope to get a column out in May for publication in either May or June. 73's  
NRC

The Ohio Lottery's nightly drawings are now being broadcast on radio stations throughout the state. A network of nine stations, with more to be added, are simulcasting the televised drawings for the convenience of players who are unable to view television at drawing times. The pioneer network stations and the regions they cover are as follows:

## LOTTERY GOES RADIO

via Gayle Yeager



- WERE-1360 am, Cleveland  
Region 1
- WZAK-93.1 fm, Cleveland  
Region 1
- WVOI-1520 am, Toledo  
Region 2
- WING-1410 am, Dayton  
Region 3
- WDLR-1550 am, Delaware  
Region 5
- WUCO-1270 am, Marysville  
Region 5
- WNXT-1260 am, Portsmouth  
Region 5
- WELW-1330 am, Willoughby  
Region 7
- WBKC-1460 am, Painesville  
Region 7



# FM DX

## Todd Brandenburg, KAOKAN

9720 NW 31st  
Silver Lake, KS 66539-9403

### Digest

*DX on the FM band, from April through September*

Welcome to my first attempt at a DX column. I have been DX'ing FM since 1980 when I heard Florida with an AM/FM/8-track boombox. Since many of you don't have a lot of equipment for FM, I'd like to focus on getting as much as possible from a modest station. I would particularly like to hear from those of you who do your DX'ing with modest equipment. Much of the luck in catching E-skip, properly known as Sporadic E, on FM is purely a matter of being near the radio at the right time, but even when the E-skip is not in DX is still possible via tropo ducting, aurora, and meteor-scatter, to name a few modes. Elaborate equipment is not necessary, just a good tuner/receiver and directional antenna. My first real DXable set-up was an old Marantz receiver and a 6-element Radio Shack yagi, which let me hear almost everything within 150 miles. Currently I use a Marantz ST-300 analog tuner which I modified with 150 kHz ceramic bandpass filters, a Heathkit AR-1650 receiver (circa 1980), and an Antennacraft FM-10 10-element yagi at 38 feet which is fed with RG-6 coax. The 150 kHz filters are a godsend for adjacent-channel selectivity, with 150 being the bandpass at -6dB. My antenna is the long-boom FM antenna that Radio Shack sold years ago, now being marketed

under their own name.

This is it for now. '73 till next issue,

Todd KAOKAN

Hank Holbrook - 407 Arundel Rd- Fair Haven Cliffs-  
Dunkirk, MD 20754

Equipment: Toyota auto radio 1990 with standard auto  
whip

Date? 1329-1402 EST

1013 WXPZ Milford, DE - Good signals parked in  
driveway here at home. New station with reli-  
gious programming

Me- Silver Lake, KS

Equipment: see above

3 10 91 1643 CST

92.1 KCMA Broken Arrow, OK - Classical music in  
stereo. Would have been impossible without the  
narrow filters because of KOEZ-92.3 Newton KS  
3.12.91 2208

93.5 KWME Wellington, KS - news -> s/off and men-  
tion of sister stn KLEY KS #84 and much  
wanted. Hard to hear due to co-channels KOTE  
Eureka, KS and KLKC Parsons, KS

106  
WLAC FM

## NRC FM Radio Log - 1991 Edition

Columns include:

Call Letters  
Location  
Antenna Height in feet  
Horizontal and Vertical Power  
Address  
Stereo Information  
Formats  
Networks  
Construction permit info

\* Over 300 pages

\* *Large* easy-to-read type

\* 3-hole punched

\* Popular 8 1/2" X 11" size

The Frequency section lists FM stations numerically for fast and complete station information.

The Call Letter section lists stations alphabetically so you can easily look up a station to determine frequency and station location.

The City/State section lists stations alphabetically by city for quick and easy reference.

Plenty of room is available for you to make your own personal notes.

Only

U.S. \$16.95

Canada \$17.95us

Order from NRC Publications.

# Formats

## Tony Fitzherbert

356 Jackman Avenue  
Fairfield, CT 06430-1728

*Changes in programming status; reported by NRC members and others*

First, thank you to all who wrote to tell me how much you enjoyed the CKLW profile. I am glad that you did - CKLW was indeed an unusual station. The next profile you see will be the last for a while, UNLESS you send me some Profiles of your favorite station. I do want to do profiles on WRHC-1550, Coral Gables, and transmitter in the middle of Biscayne Bay, KICY-850, Nome (my first verie, but I got it in Fairbanks, not in CT!!!!), CJMR-1320 (they use 13 towers), with its compendium of rock, religion, and local news, CIAO-790 which lives on ethnic programming, and KIEV-870, Glendale, as well as any others which you can suggest. There is a station on 1230, I believe, that is in a small town at 12,000 feet elevation, somewhere in Colorado. Also would like to do WCHB-1200, in Taylor, MI, which is allegedly 50,000 watts with 17 towers, WNZK, in the same area as WCHB, which operates on 680/690, WJR which quite a history, and KTNB-660, a Navajo station. Other suggestions???

Jim Guthrie writes from Los Angeles that KIEV-870, Glendale is now running CNN Headline News between brokered talk shows. Also, KIEV has laid off half of the staff. And, finally, part of the KIEV hammock antenna was partially dismantled last month. The wires and one of the supporting towers came down when the owners of the Glendale Hotel (former studio location) wanted additional parking space. But the city objected, because the hotel is a historic landmark, and receives a tax break. The unused antenna is a part of the structure....so the owners must REBUILD the hammock on the roof. A NEW HAMMOCK antenna being built in 1991!!!!

WGNV-1220, Newburgh, NY, has dropped its nostalgia format in favor of CNN Headline News....and runs with very few watts at night, I noted as I returned from Syracuse last night. The signal hardly covers Newburgh, and barely crosses the Hudson River into Beacon. And, also in the Nutmeg state, WPIE-1160, Trumansburg, is indeed on the air with an easy listening format, with real DJ's, as opposed to a satellite. Slogans are "Your piece of the pie!", and "Fresh air for the Finger Lakes". As I drove to Syracuse, I lost WSKW just north of Binghamton for these folks. WSKW....your chance for Maine!!!! (Unless you live in Chicago).

Our column is from Phil Boersma, Dave Schmidt, our Musings editor, Jim Guthrie of the City of Angels, Geov Parrish and your editor. Here goes.....

550	WSAU	WI	Wausau	-	Satellite soft AC (GP).
580	KCMX	OR	Ashland	-	Business news (GP).
600	WFST	ME	Caribou	-	Now news and talk (GP).
630	WEJL	PA	Scranton	-	Hits 40's thru 60's "Original Hits Station" (TF).
640	WNNZ	MA	Westfield	-	News, talk (GP).
720	WWII	PA	Shermanshire	-	Picks up religion from WNNK-1400 (DS).
790	WSWL	FL	Pensacola	-	CNN Headline news (GP).
800	CKOR	BC	Penticton	-	Oldies "O-R Network" (GP).
870	KIEV	CA	Glendale	-	CNN Headline News between brokered talk shows (JG).
900	WSSR	DE	Georgetown	-	Satellite adult standards (GP).
910	WLAS	NC	Jacksonville	-	Silent, Pedrsian Gulf war casualty, as 30,000 troops in Camp LeJeune have left for Middle East, and local businesses are suffering economically (GP).
910	WGBI	PA	Scranton	-	AC (TF).
920	WKRT	NY	Cortland	-	Now SMN Kool Oldies (TF).
950	KJR	WA	Seattle	-	Lots of sports 3:00pm to 5:00am (GP).
960	WLVW	MD	Salisbury	-	Formula 41 Standards (DS).
960	WHYL	PA	Carlisle	-	Drops MYL for Formula 41 Standards (DS).
960	KPMY	UT	Provo	-	Was oldies //FM, adds motivational talk 0600-2100 (GP). Should add business news and travelers' information for that well rounded sound (TF).
970	WANV	VA	Waynesboro	-	Rock oldies (GP).
980	WMAK	KY	London	-	Drake soft AC (GP).
980	WSIX	TN	Nashville	-	CWM//FM, pending sale to Bible Broadcasting Network (GP).
1050	KIIZ	TX	Killeen	-	UC//FM (GP).
1060	WHFB	MI	Benton Harbor	-	Unis. AM Standards (GP).
1090	KACO	TX	Bellville	-	Reported silent (GP).
1160	WPIE	NY	Trumansburg	-	EZL (TF).
1220	WGNV	NY	Newburgh	-	CNN Headline News (TF).
1240	WRTA	PA	Altoona	-	Sun talk, news/talk (GP).
1240	WIMZ	TN	Knoxville	-	Rock//FM (GP).

WKNF

Post Office Box 90352  
Knoxville, Tennessee 37990



1240	KXYL	TX Brownwood	- Adult standards(GP).
1250	WKBR	NH Manchester	- Now silent (GP).
1260	WCRT	AL Birmingham	- Business News as of 3/1 (GP).
1270	WDLA	NY Walton	- CWM, call stands for Delaware River Valley (TF).
1320	KCTC	CA Sacramento	- Unis AM Standards (GP).
1320	WICO	MD Salisbury	- Talk, CWM during AM drive (DS).
1330	WEBO	NY Owego	- Satellite talk (TF).
1340	WLAV	MI Grand Rapids	- //AOR of their FM 96.9, was Kool Gold (PB).
1400	WFOR	MS Hattiesburg	- Unis AM Standards (GP).
1400	WNNK	PA Harrisburgh	- Now //WNNK 104.3, rock (DS).
1450	WGNS	TN Murphresboro	- News, talk (GP).
1460	KCKX	OR Stayton	- SMN CWM (GP).
1470	KBCW	MN Brooklyn Park	- Satellite CWM (GP).
1480	KFMQ	NE Lincoln	- Rock//FM (GP).
1490	WTIQ	MI Manistique	- Drake CWM (GP).
1490	WDLG	NY Port Jervis	- CWM (TF).
1490	WOLF	NY Syracuse	- Still//WNYR-FM "Fresh Hits", AC, Waterloo (TF).
1490	WOPI	TN Bristol	- CWM (GP).
1490	WKZT	VA Waynesboro	- Silent (GP).
1550	KITH	CA Apple Valley	- SMN Standards (GP).
1570	KPRO	CA Riverside	- Religion 0600-1800, ethnic brokered 1800-2400, AC overnight (JG).
1590	WAUB	NY Auburn	- Sun Talk, AC (GP).

And a hearty thank you, gentlemen, for your contributions. And please get in your format changes AND suggestions for Station Profiles.

73's.

## IN THE BEGINNING

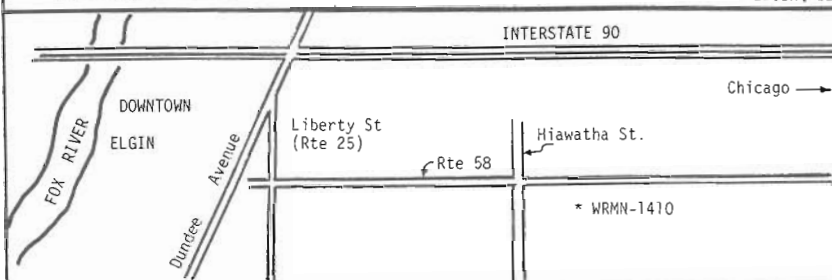
BY JOHN D. BOWKER

THIS IS THE COMPLETE LIST OF U. S. BROADCAST STATIONS ON THE INDICATED FREQUENCY AS PUBLISHED BY THE FEDERAL RADIO COMMISSION IN 1934. "S" MEANS SHARED; "SH" MEANS SPECIFIED HOURS; "T" INDICATES TRANSMITTER LOCATION; "D" MEANS DAYTIME OPERATION ONLY; "U" MEANS UNLIMITED TIME.

Frequency (kc)	Call letters	Main studio and transmitter location	Power	Time designation
960, Canadian exclusive.				
970, clear----	WIBG	Glenside, Pa.----- T—Elkins Park.	100 w-----	D.
	WCFL	Chicago, Ill.-----	1½ kw-----	L KJR. (L = LIMITED TIME DUE TO KJR)
	KJR	Seattle, Wash.-----	5 kw-----	U.
980, clear----	KDKA	Pittsburgh, Pa.----- T—Saxonburg.	50 kw-----	U.

## TOWER TIP

IL-6

WRMN - 1410  
1 KW-D; 500 W-N  
ELGIN, IL

WHAT TO LOOK FOR: A single tower next to a small brick transmitter building with two satellite dish antennas on site just east of the Hiawatha/Rte 58 intersection. This is all about 35 miles west of downtown Chicago.

CONTRIBUTED BY: J. ZACHER, Elgin, IL

Send information about a.m. broadcast towers in your area to John D. Bowker, 14 Canoe Brook Drive, Princeton Jct., NJ 08550. Include a simple map of the nearby highways and landmarks. Tell how many towers, how they are laid out, and any other information that will help in spotting each station.

## Radio Roundup

Pete Kemp (KZ1Z)

P. O. Box 73

Bethel, CT 06801-2203

News of radio personalities, of interest to DX'ers

Greetings all...President Bush's proposed budget shows the FCC getting an INCREASE in their allotment. If approved by Congress, they anticipate an additional 50 staffers to come along with 15 a percent increase, amounting to a 17 million dollar bonus. The Corporation for Public Broadcasting and The U.S. Information Agency will also see big improvements in their respective budgets...The FCC has upheld the fines against Chicago's Gary Meier and Steve Dahl on WLUP, six thousand dollars worth...The Gulf War has started. CNN's ad rates have soared 500%. They have come under some flack for this opportunistic approach to the market place. They have even contacted their affiliated cable systems concerning a surcharge of \$.07 per subscriber to offset the increased costs of providing Gulf War News. CNN's newscasts are being relayed around the world on shortwave frequencies, as well as a host of stateside AM stations. They have been adding affiliates at a rapid clip too. CNN's initial coverage was most dynamic, but has been somewhat dulled of late by censorship and clearance issues. Ted Turner's news network certainly has earned a place in broadcast history. I am sure that he is probably planning on a videotape of the Gulf's Greatest Hits, for distribution after the hostilities have ceased...Ted Koppel has decided to stay put and place his independent aspirations and production company, Koppel Communications, on hold. He cites the increased workload at ABC for this decision...One of the Windy City's premier DJs, Jonathon Brandmeier, has signed on with Via-Com/NBC for a TV show to be called Johnny B. On The Loose. It is scheduled to begin airing in June...With recent world events many radio stations are screening their playlists very closely. The BBC has even put out a list of songs considered to be inappropriate for airing at this time, including such classic protest songs of the 60's as Give Peace a Chance. Back during the Vietnam Conflict, the U. S. Armed Forces Radio and Television Service had a similar policy, so this isn't anything new...Our TV cousins are even being a bit more conservative. TV shows scheduled to air before the start of the war have been put on hold or toned down considerably. Major Dad has responded by re-scheduling shows and using voice overs in certain instances to keep things

current. TV wrestlers, long on class-conscious confrontations for the entertainment of their viewers, have downplayed some of their antics so as not to offend anyone...Bob Collins, the morning man at Chicago's mighty WGN, continues to rule the a.m. The latest book show him in the first sport for the 18th consecutive time...KDKO, in Littleton, Colorado, has been fined by the F.C.C. for using their daytime power at night. Anybody get a QSL on that one?...The ax continues to swing in many areas of the country. KDMA's late night talkshow host Joe Gaering has been given his walking papers along with Howard Elson and Bob Kopper. Several other staffers have been relegated to part time status...Word on the street in LA has the Pirate Radio concept sinking fast. Scott Shannon is no longer on the air...It is sad to see the demise of a once great radio station. In Philadelphia, WCAU became WOGL and the results have been disastrous! In the recent book they went from 3.7 to 0.6, in 20th place. While loyal readers know I have a personal fondness for soldiers, this isn't good...Remote Engineers are very pleased with the telephone company new system called "Switched 56". It allows radio stations to send their remote signals via the phone lines, using a dial-up system. No longer will a remote engineer have to put in the papers many weeks before an event to insure a broadcast quality line. It should be noted that many stations are now using cellular telephone for their remotes...The Mighty Six Ninety slogan is again gracing the airwaves from XETRA...NRC'er Dick Wheeler reports that WDAE-1250, Florida's oldest licensed station, has dropped its nostalgia format and five staffers. WDAE simulcasts its FM-sister WUSA most of the time now...Stations in many markets had better wake up to the importance of localizing their formats. The high degree of computerization has driven many local listeners crazy. Taped delayed broadcasts coupled with other drop-ins have done some crazy things. Networks seemingly cut in with War Updates that can a day old and weather reports of sunny and cold are in reality 16" of snow, too bad no one was around to update the cartridge machine...So much for now.

56 WHBQ

453 SOUTH HIGHLAND  
MEMPHIS, TENNESSEE 38111



# Radio Waves

**Laura McCusker**

c/o WROW - 341 Northern Blvd.  
Albany, NY 12204

*News of the industry, of interest to DX'ers*

...To start off this edition, a confirmation of something DX'ers have long suspected - in 42% of the stations visited, AM power patterns were operating out of licensed tolerances, and 18% of AM's checked were operating over or under licensed power. This from FCC reports for 1990... Saying that it isn't "economically viable as a satellite-delivered format", Unistar will no longer carry Music of Your Life as of April 15. WOLB was originated at station WWSB in Springfield MA by Al Ham in 1978. Ham is reportedly reviewing options to keep the format available... As noted elsewhere previously in this magazine, we've lost two very DX'able AM's recently in WPHW 1460 Manassas VA and WHEB 750 Portsmouth NH. As for WPHW, it's been speculated that it's multi-acre 5-tower former transmitter site will be sold, being in a prime location adjacent to an IBM facility in a fast growing area. Regarding WHEB, Norman Knight, chairman of knight quality stations, cited as his reasons for shutting the AM/FM combo down as the troubled New England economy, and high construction costs for the FM's new 500' tower. He also claimed that protecting WSB on the 750 clear channel limited to too great an extent the AM's allotted air time, allowing WHEB-AM to operate only between Atlanta sunrise and sunset. WHEB-AM signed on in 1932... 1,646. That's the grand total of new commercial AM & FM stations on the air since the FCC passed Docket 80-90 in

1984. It breaks down to 1,327 FM's and 319 AM's. Those numbers from a survey done by the M Street Journal. More #'s to confuse you - there are 4,582 FM's actually on the air this week, compared with 1984 when there were around 3,250. That comes out to 41% more commercial FM's on the air in '91 than in '84. AM's also went up, though, as expected, by much less. AM's clock in at 4,686 in '84, compared to 5,005 in '91... And lastly, the FCC is trying once again to dispel a rumor that has persisted for 16 years - that they are considering banning religious programming. The story begins in 1974 when a petition, KK-2493, was filed seeking a freeze on applications by religious institutions for radio or TV channel use. The FCC dismissed the petition the following year, and that was the end of the issue. Unfortunately for the FCC, rumors continue to circulate that they are considering a religious program ban, and they continue to receive as many as 83,000 letters a month concerning the imagined "ban." The problem with inquiries has become so pervasive that the FCC now has a phone number those with questions on KK-2493 can call. The phone number is the latest attempt to quell the rumors; in the past the FCC has issued a public notice on the subject, and aid stories in TV Guide and Time, hoping to get the message out. For whatever reason, it's turning out to be the rumor that simply refuses to die.....

# Musings

of the Members

**Dave Schmidt**

P. O. Box 11502

Wilmington, DE 19850-3516

*Times are local per Muse.*

*Thoughts from NRC members... the opinions expressed in this column are those of the individual writer and do not necessarily reflect those of the editors, publishers, or the National Radio Club, Inc.*

CURN CHADWICK - 3014 S. 104th AVENUE - OMAHA, NE 68124-2507

So, anyway, being retired, DXing proves to be a great hobby! The 24 hour a day railroad communications job was good but the telephone is no longer my master! And that is also good! I DXed in Jr. High School, in High School, in College, on Navy Destroyers using the radio direction finder, also on the railroad during the midnight hours. Now I am going to get serious about DXing. AM DXing is new to me but it is a big kick! Neil Zank of Lincoln, NE mentioned in a recent Muse about his interest in the little Sony AM/FM Walkman Model SRF-M30. I called Neil to get some more information on it. He bought it at a Walmart store in IA, of which there are none in Omaha. On a recent trip through Springfield, MO, I spotted a big Walmart, and was directed down an aisle, once inside, and found the same set for \$39.95. It was purchased along with the batteries and I spent the rest of the evening DXing! WOW-590 came in at a good level with very little fading. KFAB-1110 came in, not well, since their night pattern does not favor Springfield. I did pick up enough info to find out that freezing drizzle would be on my road home unless I left early in the morning. I think I'm going to be as happy with this jewel as Neil is with his. With the digital readout and a small pen light, I can stay in bed and check on the CPC tests at 2AM & 4 AM in the morning without getting up, turning on the light and heating up the whole house. It has a 10 memory preset capacity, a DX/Local switch that is very effective, also a lockswitch. DXing with a small radio may be the lazy mans way but it has its advantages. You can DXing on the back porch, in the living room, or I have DXed in a movie without anyone noticing me (it was a dull movie!). May the powers favor your DXing!

BOB CURTIS - 17 COBBLEVIEW DRIVE - COLCHESTER, VT 05446-1180

A big thanks to DON LYNCH who sent in the article from the Springfield (MA) Journal of 1921 on the story of WBZ's early days. This old time DXer remembers those days in the late 20's and 30's when WBZA was a mainstay in the area. Living in Springfield, WBZA was our local. I did some of my first BCB DXing from that area and even did it on a Westinghouse receiver, mentioned in the article. I remember attending a local meeting of the old Newark News DX Club in Springfield at that time. BCB DXing then was a bit different, believe me! My first BCB DXing was done in the Boston area, in 1923! 73

BILL TOWNSHEND - 4500 CONNECTICUT AVENUE NW #901 - WASHINGTON, DC 20008

Greetings once again from the land of Sharon Pratt Dixon, our new XYL mayor! I joined the NRC in the spring of 78 at the same time I bought a Radio Shack 12-655 TRF receiver which still works but shows its age. I have it at my office. On joining, I 'smotherated' DX NEWS with a barrage of reports (over 100) including mid day tips. My Super Bowl Bandscan yielded 15 stations carrying the game (a real head basher) including both flagships, WGR-550, WTAR-790, WFMD-930, WSBY-960 (now WLWV, Bill-DWS), WLUP-1000, WBAL-1090, WWNE-1100, KMOX-1120, WNEW-1130, WHAM-1180, WAGE-1200, WOGL-1210, KQV-1410 & WCKY-1530. I may be out for some long hikes before long, the winter has been the mildest in several decades with the lowest only 17 degrees. We may be zonked in March or early April. I did add 11 stations to my AM log this fall and winter bringing the total to 1277. Time for SP, LXXIII.

ERNEST COOPER - 5 ANTHONY STREET - PROVINCETOWN, MA 02657

Two more veries bring me up to 4377, a v/q from WLIF-1300 and a brief, hand written one from WZRC-1480, which also brought me a verie for their FM station, heard here last summer. The Commonwealth Electric Company sent their trouble finding truck here to track down my new buzz and they found it, coming from the porch light at the head of the stairs to our tenant's apartment. Seems he had one of those photo-electric gizmos that turns on the light when it gets dark, and that was the source of the buzz, which has now been corrected. So the electric company came some 26 miles (Orleans) to find my trouble which was about 26 feet from my receiver! So I can't get to mad at them for raising the cost of electricity! Don Treiford, I don't believe WNMP-1450 runs AM but I'm not positive since 1450 is a jumble here after sunset. DX ramblings: 2/1 somebody of 900 Aning and using the slogan 'K-900', I believe 'tis a Canadian, either CKTS or CKDH, and some-one else on 900 on the Sports network in there also, all u/CHML. 2/3 I noted WHEB-750 is silent and is still off as of 2/26, opening up 750 for SSS DXing, which so far has featured CBGY. I'm trying to eke out WMAX but so far, niht. 2/5 Unn CKAD-1350 "Star Country" atop here at 2:27A. Has CKLM-1570 quit ANing? I don't hear them here anymore, they previously were the dominant force here at night. 2/10 up early to try for WBUG-1570 on a tip from Stan Morss but no go, one station noted w/either SS or PP and one with nonstop MoR, no CW noted. 2/12



