



# DX NEWS

The magazine of the  
National Radio Club

SINCE 1933

Volume 58, No. 22 - March 18, 1991 (ISSN 0737-1659)

**Inside ...**

15 .. DDXD-W	21 .. NRC Contest
16 .. IDXD	23 .. College Sports Nets
2 .. AM Switch	18 .. MWT-2
4 .. DDXD-E	19 .. In the Beginning
	24 .. New layout

## CPC Calendar ...

Date	Station	From/To (EST)
Mar. 16	KBBW-1010	1:00/7:00 AM
Mar. 18	WNLC-1510	4:00/4:30 AM
Mar. 23	KTGG-1540	4:30/5:00 AM

**KTIB-640**, Box 682, Thibodaux, LA 70301 will conduct a special DX TEST on Monday morning, March 11, 1991 between 0200-0400 EST. This test will include Morse code ID's. Our thanks to Mr. Ray Saadi, General Manager for this test. Arranged by the Colorado CPC Machine for the National Radio Club.

**KBBW-1010**, 1019 Washington, Waco, TX 76701 will conduct a special DX TEST on Saturday morning, March 16, 1991 from 0100-0700 EST. This test will feature music, voice and Morse code ID's. Our thanks to Mr. Bernarr Howell, Chief Engineer for this test. Arranged by the Colorado CPC Machine for the National Radio Club.

**WNLC-1510**, 90 Foster Rd. - Waterford CT 06385 will conduct a special DX TEST on Monday Morning, March 18, 1991 from 0400-0430 EST on day pattern and power. The test will include Morse code ID's. Our thanks to Mr. Stephen Kwefe for this test. Arranged by the Colorado CPC Machine for the National Radio Club.

**KTGG-1540**, Spring Arbor College, Spring Arbor, MI 49283 will conduct a special DX TEST on Saturday morning, March 23, 1991 from 0430-0500 EST. Details to follow. Our thanks to Mr. Edmond R. Trombley, Chief Engineer for this test. Arranged by the Colorado CPC Machine for the National Radio Club.

**They joined ...** Chucfk Wolksi N2IKW, Inwood, NY; and Terry Ward, Redmond, WA.

**Tom Stone ...** Stan Morss notified DXN that long-time former member, from the '30's through '50's, Tom Stone of Toronto passed away January 28. Our sincere condolences to his family.

**From the publisher ...** You'll note some obvious differences in the back page, all to comply with USPS requirements for machineable mail. The bar code (which should be on your copy) is supposed to make mailings more consistent in their arrival times, and the taped corners are supposed to eliminate mangled copies. It's also more expensive: I'm paying Ten Fingers \$10 more per mailing. So ... if your DXN arrives mangled or unusually late, I want to know about it. Send at least the cover of any damaged copies so that I can present the evidence to the USPS; they can identify the problem from the marks, and we can eliminate any problems.

## Remaining Publication Schedule, Volume 58

Issue #	Deadline	Publication Date
23	Mar. 22	Apr. 1
24	Apr. 5	Apr. 15
25	Apr. 26	May 6
26	May 24	June 3
27	June 21	July 1
28	July 19	July 29
29	Aug. 16	Aug. 26
30	Sept. 13	Sept. 23

(Notice that the deadlines for DXN have been moved up to Fridays, instead of Saturdays; later mail delivery necessitates this move.)

## DX Time Machine

### From the Pages of DX News

50 years ago ... from the March 8, 1941 DXN: WBRW-1310, Welch, WV conducted a test Feb. 15, and the farthest listener was from Waterville, ME (approx 325 air miles). The listener won a six-month membership in the NRC. Next farthest listener was from Canton, MN at 700 air miles ... J. B. "Pat" Bellley, Jamestown, NY, recounted his DX experiences since Dec. 7, 1929, when he heard his first DX program from WNRC, Greensboro, NC.

25 years ago ... Frank Merrill recalled March 14, 1966, when a tremendous aurora affected DXing conditions, with WMMB-1240 blanketing the eastern half of the U. S., and Cuban stations all over the dial.

THE WORLD'S OLDEST AND LARGEST ALL MEDIUM-WAVE DX CLUB

# AM Switch

## Jerry Starr

c/o WHOT Radio  
4040 Simon Road  
Youngstown, OH 44512-1320

Status changes in AM stations, supplied by the FCC and NRC members

### Old call:

690 KBLI ID Blackfoot  
730 WSTT GA Thomasville  
980 WSIX TN Nashville  
1150 KRVE CA Santa Rosa  
1260 KTEE ID Idaho Falls  
1280 WPXY NY Rochester  
KLGX TX Longview  
1330 WDKC FL Fort Pierce  
1360 KASH CA Modesto  
1400 KTFS TX Texarkana  
1440 \*New KY Paris  
1550 KMJK WA Vancouver  
1580 WTYO NJ Hamonton

### New call:

KECN  
WSNI  
WYFN  
KMXN  
KICN  
WKQG  
KDOX  
WJNX  
KFIV  
KHSP  
WYGH  
KVAN  
WONZ

**WLS TALKRADIO 890AM**

190 N. State Street, Chicago, Illinois 60601

CALL NOTE: Remember the FCC slip-up that granted a "K" call to a station in Michigan (KTGG-1540)? Well, they've done it again, this time to a new FM station in Jacksonville, TX which was assigned the call WYGD! Will they correct this? As you know, they let the KTGG call stand and, in fact, this station will be conducting a DX Test for us this month.

### APPLICATIONS/GRANTS FOR NEW STATIONS

None

### APPLICATIONS FROM EXISTING FACILITIES

None

### GRANTS TO EXISTING FACILITIES

930 KXXX CA Paradise: add 500 watts nights, antenna to U2  
1180 KKAR NE Bellevue: day power to 25000 watts  
1270 KTRT OK Claremore: night power to 1000 watts, relocate night transmitter site  
1390 KBEC TX Waxahachie: day power to 480 watts, add 260 watts night, antenna to U3, relocate transmitter site

### OTHERNESS

660 KQSR ND Williston: new station is ON THE AIR  
680 WLSY KY Newburg: even though this new station has had their four tower transmitter site built for nearly two years and had been heard with periods of tests consisting of tone modulation over the past year, they never began regular broadcasting. Now their FM station (101.7) has gone silent which does not bode well for this station ever coming on the air.  
730 WJTO ME Bath: silent station expected to return to the air by the time this reaches you  
CHYR ON Leamington: repairs have been made to this oft-damaged transmitter and they have returned to this frequency at night.

810 KSVW NM Santa Fe: silent as KMIK, this station is back ON THE AIR, facility was purchased by the owners of the permit for a new station on 1550 kHz in Santa Fe and the fate of that permit is in doubt although we have not seen any official cancellation of the CP or any move to sell it.  
840 WKTR VA Earlysville: new station is ON THE AIR with REL format, address given as Box 309, Quinque, VA 22965  
910 WCMG TN Columbia: station is SILENT, plans to return in April following their move from Lawrenceburg, TN  
1080 KRPX UT Price: silent station is back ON THE AIR  
1090 WKII FL Port Charlotte: although they are licensed for fulltime operation (4800/2500 U2) they have never built their night directional antenna system and are presently operating D1 (daytime only)  
1150 WMET MD Gaithersburg: station is now simulcasting WPGC-1580 under a one-year lease arrangement, they must carry WPGC programming at least from 1700 to 0500 and may carry WPGC up to 100 percent of the time if they wish. WMET gets to sell two local spots per hour during the simulcast, all this in part to bolster WPGC's rather enemic nighttime signal on 1580 kHz which, by the way, is now ON THE AIR.  
1230 WIGS NY Gouverneur: station is SILENT, has released their entire staff. Indications are that WSLB-1400 is considering purchase of the station and will begin a simulcast operation in both Gouverneur and Ogdensburg.  
1260 KICN ID Idaho Falls: silent as KTEE, is back ON THE AIR simulcasting KECN-690 (ex-KBLI) Blackfoot, ID  
1290 WCCC CT Hartford: station went SILENT in February, land where transmitter is located will become a housing development. The AM transmitter will eventually be moved to their FM site on Avon Mountain (also the site of WTIC's impressive two-tower system) and will then return to the air.  
1400 KHCB TX Galveston: silent station is back ON THE AIR  
1460 WPRW VA Manassas: station has been silent, then returned to the air for a few weeks, only to go SILENT again. Owner Bob McKee claims he is taking it off the air for "45 days and I'll be back with a new format."  
1570 CKLM PQ Laval: this station, long considered a "pest" by some DXers, has gone SILENT!!!  
1580 WONZ NJ Hamonton: silent station is back ON THE AIR simulcasting WOND-1400 Pleasantville, NJ  
1590 WETT MD Ocean City: silent station is back ON THE AIR

THANKS: AL MERRIMAN, RON MUSCOO, BILL SAMPSON, PERRY CRABILL JR, JOHN BOWKER and M STREET JOURNAL

73 and Good DX, *Jerry & BKF* Jerry Starr & Buffalo K. Foorman

### Not sure about renewing?

Consider these benefits of a membership in the National Radio Club: 720+ pages per year of printed, easy-to-read, comprehensive DX and radio information ... reduced prices for publications ... responsive editors ... and the friendliest bunch of DX'ers in the world! Why not send that renewal check to Ron today!

# Domestic DX Digest - East

DX Catches in the Eastern U. S. and Canada, with 24-hr. ELT

**William Hale**

734 Burleson  
San Marcos, TX 78666-4335

## MEDIUM WAVE RAMBLINGS

- **Bob Straube** of Palmyra, Nebraska notes that conditions have been the best in years for him, with the likes of WABC, WCBS, WFAN, WBZ being logged. Glad to hear things are picking up.
- A note from **Jack Woods** from Waldport, Oregon has straightened out a lot questions we've had lately about non-directional beacons, markers, etc. Thanks, Jack. Maybe you'd care to write up a short article on the subject...or a muse? Space here can't relay the scoop, but I know there are enquiring minds out there in NRC-land who want to hear more.
- New reporter **Curt Engberg** of Wayland, Massachusetts visited Austin, Texas in early February. While here (it's only 35 miles away) he did a bit of DXing, but had trouble IDing some of the Spanish-speaking stations. Hey, His reported unIDs are in the proper section, with limited help from me. Maybe others can help further.
- Another new NRcer, **Earl Higgins** of suburban St. Louis, Missouri checks in for the first time with some great DX, especially to the southeast. Now if you could only reverse the date and time in your reports, and separate your catches into the time categories, you'd get an A+, hi. Welcome aboard, all new reporters...lets hear more from you soon.
- Our man in Western Virginia, **Barry Shinall**, says there are two Bristols, one in Virginia, the other in Tennessee (see last issue, Special, 1490, WOPI). Seems the main street (State Street, it's a great street) runs along the state line, separating the two Bristols. But the controversy was...where WOPI is licensed, and where the studios and transmitter are. It makes no difference. Lots of stations are licensed to a community, and the studios, transmitter, mailing address, etc are all in another city, county, state, and even COUNTRY. Even XERF had a Del Rio mailing address. And HCJB has a Miami address. See 1490 below in SPECIAL. Case closed.
- I heard on Paul Harvey's 2/20 noontime show that longtime WLS DJ Gary Gears died of a heart attack. He was only 47. Also heard this on *World of Radio* this week (3/1/91).
- Something missing this issue? Like your logging(s)? Maybe you forgot the date and/or time info???

## SPECIAL

- 590 **WBMS PA UNIONTOWN** - 2/12 0130 sign-off mentioning 5000 watts, O&O by *Fayette Broadcasting*; is this a nightly SP? (JF-ON)
- 630 **KXOK MO ST. LOUIS** - 2/17 0243 ID: *Soul 63* followed by UC/AC and even some EZL; ID: *55 minutes of music, and no rap, Soul 63, ex: News/TLK* (MH-NE)
- 710 **WOR NY NEW YORK** - 2/18 0325 noted off this morning, leaving only CKVM and a weak unID SS station (BC-NH)
- 730 **CHYR ON LEAMINGTON** - has been operating on 710 some nights, and on 730 other nights, without any apparent logical reason; what is going on here? (RF-ON) [I thought we cleared this up last issue, but maybe you heard them testing before/after they got the bugs cleared out of the 730 transmitter, which still needs tweaking. So CHYR may be on 710 some nights due to this, so says **Charles Reh** - Ed.]
- 940 **KIXZ TX AMARILLO** - 2/21 1916 ID as *Magic 940*, then NOS and MoYL; ex: *94 Kix and C&W* (NH-NE)
- 960 **WHAK MI ROGERS CITY** - 2/8 1715 fair under CIAM with full-data sign-off, more than an hour before LSS (JF-ON)
- 1050 **WEVD NY NEW YORK** - 2/2 0835 noted completely off; still off at 0850 re ✓; was also off 12/15, 0630-0830 for maintenance, so Saturday morning is repair time for them (BH-NJ)
- 1240 **WBGC FL CHIPLEY** - recent verie states their hours of operation are: 0600-2200 M-F, 0700-2200 Sat, 0700-1900 Sun, also on Sun and Florida Networks; format EZL (DT-ON)
- WBAB NY FREEPORT** - letter from them says they changed from WGBB (as listed in new Log) to WBAB in July, 1989 and address should be 555 Sunrise Highway, Long Island, NY 11704; scratch my having received this station; 0500-1000 is news-talk, then simulcast with WBAB-FM (DT-ON)
- WBAB NY FREEPORT** - these are correct CLs, not reported by DT-ON; also, format at evening hour is usually AOR, not talk, so I doubt Don really heard them (BH-NJ)
- 1330 **WASA MD HAVRE DE GRACE** - 2/18 1745 full-data sign-off; stn operates a daytime-only schedule with REL programming and 5000 watts, per anct (KG-PA) [Log sez U2 5000 500, which would indicate they are licensed for fulltime, but don't use the nighttime authorization - Ed.]

- 1420 **KESY NE OMAHA** - 2/17 2214 noted with soft AC; ID as *Soft 104 and one-half FM*; not EZL anymore and now J **KESY-FM 104.5** (MH-NE)
- 1470 **WWWM OH TOLEDO** - 2/14 1830 announcing *Toledo's only source of CNN News, 24-hours-a-day on 3-W-M*; format change (JF-ON)
- 1490 **WOPI TN BRISTOL** - this station is licensed to Bristol, Tennessee, not Virginia as is in Log...so change 'em (BKF-OH)
- 1499.8 **WKXO KY BEREIA** - 2/21 0608 finally able to get some audio thro the howl this one os causing; had C&W and female with non-ID: *KXO Radio, ??? 106.7*, has been off frequency for quite sometime; doesn't anybody conduct f/c's anymore? The band is turning into a mess with all these sloppy operations [Thanks to de-regulation!! -Ed.];

## KSTP

- some others include WASB-1590, WCLE-1570, CKAR-1350, FF on 1340 (think it's CKVT) and unks on 1400, & 1450; where's the FCC and DOT/CRTC? (REH-ON)
- 1510 **KIDZ MO INDEPENDENCE** - 2/17 1858 noted again with ID, so if they were silent, not anymore (MH-NE)
- 1530 **KLRA AR ENGLAND** - 2/20 0035 and AN with satellite C&W and slogan *No hype, no hoopla, just real people and real country from 96-5 KLRA*; must've forgot to pull the AM plug at LSS but 0100 legal ID was for AM only: *KLRA England, a service of Diamond State Broadcasting, 1530* (possibly the automation feeds different IDs to AM and FM); had lots of *Real Country* non-IDs; no local ads and very few from the net; good over unID with *Sports Final*; WCKY was off; AR #75 (REH-ON)
- 1560 **KLNG IA COUNCIL BLUFFS** - 2/24 0213 noted with OC; noted also on 2/21 (MH-NE)
- KKID OK SALLISAW** - RK-IL asked if they were fulltime...I believe they are, as I have heard them twice late at night in the past three months (MH-NE)
- 1569.6 **WCLE TN CLEVELAND** - 2/13 1835 noted off frequency with end of *America's Music Makers* and call ID: *Serving Cleveland with the country sound on WCLE*; het had been hrd for several days but couldn't ID 'cuz of CHLO; unn (REH-ON)
- 1580 **KPFD AR VAN BUREN** - re comments by **Mike Hawk** in Issue 20, concerning the correct city-of-licence for this guy...**Buffalo** sez Log is correct, regardless of what sign-on anct said...station is in Van Buren!! [Ed.]
- WPGC MD MORNINGSIDE** - now has *Dolans Talknet*, per anct on WHO (MH-NE)

## UNIDS AND UNID HELP

- 580 **UNID ??** - 2/1 1600 strong daytime SS, but unable to ID because of KLBJ-590 slop (CE-TX) [XEMU, Piedras Negras (just across Rio Grande from Eagle Pass) rules here in the daytime - Ed.]
- 750 **WNDZ IN PORTAGE** - is probably SA-MB's unID in the January 28th edition of DXN with Polish (MH-NE)
- 800 **UNID ??** - 2/1 1630 weak SS mixed with weaker EE (CE-TX) [Any later and I would guess XEROK, Ciudad Juarez. 800 is dead here (except for 790 & 810 slop) from LSR +1 to LSS -1 when XEROK is boss...could have been them - Ed.]
- 860 **UNID ??** - 2/20 1912 strong with FF talk; not CJBC; looped NNW/SSE; the old Log shows a CBKF-2 in Saskatchewan that was FF, but the new Log doesn't, are they still around? Lost at 1933 to pattern change and/or power cut, which would fit Saskatoon (MH-NE)
- 870 **UNID ??** - 2/1 1700 weak SS, essentially alone (CE-TX) [Dunno about this one. 860 & 880 splash ruins 870 here in daytime...maybe Dallas - Ed.]
- 910 **UNID ??** - 2/21 2025-2150 with BKB game and meany mentions of *The Black Bears* with the opposing team IDd as both the *Lions* and the *Cougars*; IRCA's Almanac shows WABI in Bangor, ME as carrying *Black Bear* BKB, would be nice! QRM from unID AM simulcasting FM with frequent IDs as *XL102* (WRXL, 102.1 via WRWL?) (MH-NC)
- 1000 **UNID ??** - 2/22 0620-0645 during fade of WLUP with promos of *Hi, this is Nat King Cole*, and then - promo congratulating *this fine station on their recent increase in power*, and another person congratulating them for both power increase and *servng a greater area*, naturally, then - fade; Ideas?? fair signal when in (MH-NCm)
- 1010 **UNID ??** - 2/22 0655 during KBIS fade with local wx rpt, and *Currently, it's 45° in Salem. This is...with...news*; Salem? Who? (MH-NCm) [A quick check of **Rand McNally** turned up a Salem in the following states with 1010 stations: IN, OH, VA, WV and WI. But no 1010's in or near any Salem's in these states. Good luck -Ed.]
- 1030 **UNID ??** - 2/5 1750-1759 C&W program sounding much like a *Grand Ole Opry* broadcast with emcee and applause between selections, probably taped from a live performance somewhere; lost to WBZ nx at 1800, gone and probably signed off by next fade; WGFC-VA? (RJE-PA)
- 1070 **UNID ??** - 2/14 1757 in mess with black-oriented soft ROK mx, and IDs that sounded like *WQIZ* or *WQIC* (MH-NE)

- 1130 UNID ?? - 2/1 1730 SS IDing as *Radio Grandé*, I believe; mixed with others (CE-TX) [KTMR Edna, Texas is dominant here LSR-LSS and have a considerable amount of SS programming during the day, so may have been them - Ed.]
- 1170 UNID ?? - 2/4 with three back-to-back 60s oldies up thru and under WCLN sign-off, then buried by WWVA; NBC Nx at 1800; not common WCXN, maybe WARN? (RJE-PA)
- 1200 UNID ?? - 2/20 2045-2106 with *St. Mary's* BKB noted during WAGE QSB (MH-NC) [Easy...I think. WOAI carries *St. Mary's Rattlers* BKB (a private SA school) when the Spurs schedule permits - Ed.]
- 1220 UNID ?? - caught *Indiana* BKB game here...maybe WSLR?? (BS-NE)
- 1310 UNID WIT? - 1/23 0617-0631 well over WDOC, simulcasting WOSX-FM *Oldies 92.1*, Spencer, Wisconsin with ROK OLD, wx and Persian Gulf Update from SNN; the only Wisconsin station on 1310 is unnn WIBA, Madison, which is 125 miles south of Spencer (KG-PA) [The new *FM Atlas* (Elving model) sez 92.1 in Spencer is *WMJA*; this is gonna be a good one to solve - Ed.]
- 1350 UNID ?? - 2/17 0140-0230 fair with reggae and soca mx, no talk or IDs between songs; under CJLM (BC-NH)
- 1410 UNID ?? - 2/19 2040-2125 (1) with C&W format, (2) "heavy" preaching/religion, (3) a BKB game between (seemingly) *Utah* and *Providence*...however, *LISA Today* of 2/20 indicated Utah had a bye on 2/19; who? (MH-NC) [Maybe WPOP. Who was Connecticut playing that night? They're called "U Conn", and do play *Providence*. That may have sounded like "Utah", and be number (3). A (now) humorous story about a logging of mine from about 3 years ago while living in Binghamton, NY centers on hearing "U Conn" for the first time, and thinking I had Yukon... Go ahead, yuk it up!! - Ed.]
- 1420 WHK OH CLEVELAND - re: *Don Treford's* unID on 1/10...WHK was carrying a Mid-Continent Conference BKB *Game of the Week (Northern Iowa vs Eastern Illinois)* on 2/13; *Northern Illinois* played *Valparaiso* in an MCC game on 1/10 (MJ-MI)
- 1450 UNID ?? - 2/23 0100 ID as *Your Inspiration Station, WIGO or WGEO* (MH-NE)
- UNID ?? - 2/25 0600 ID as *Classic Gold*, any ideas? (MH-NE)
- 1490 UNID CT? - 2/11 0102 instrumental mx faded up followed by ID: *W??? in ????*, *Connecticut* and *WDJZ, AM 1530, Bridgeport, Connecticut*, ID didn't sound like WGCH, and *WDJZ* is a daytimer; *Who???* (JF-ON)
- 1530 UNID ?? - 2/17 0510 with WCKY off; unID with *Sports Final*; a new affiliate or is this KXTD in Wagener OK? *W-CO* reported hearing them 1/5 2230 (4 hrs after their LSS) | *WWLS-640* which is a *Sports Final* outlet; KXTD is supposed to be D3, but now that they're a *WWLS* relay perhaps they sometimes get left on AN; also hrd 2/20 AN way under *KLRA* with WCKY off again; looped *WSW* (REH-ON)

### DX AND EQUIPMENT TESTS

- 700 KBYR AK ANCHORAGE - 2/4 0400 not heard...only *WLW* (JF-ON)
- 720 KOTZ AK KOTZEBUE - 2/11 no sign, only *WGN* (DT-ON) ...not heard, *WGN/CHTN/unID LA* on channel (JF-ON) ...not heard (SF-TN)
- KUAI HI ELBELE - 2/25 0530-0600 not heard, only *WGN* (MH-NE) ...not hrd (SF-TN) ...not a trace, too much *WGN* (ETH-MO)
- WGN IL CHICAGO - 2/3 0210 noted off and testing with TT & OC; later hrd with mx during ET, don't know if they were completely off (KDF-IL)
- 760 WJR MI DETROIT - 2/13 0150+ and 2/14 0020+ noted off the air, I assume for ETs; alas, no sign of *KGU*...just Cuba, Colombia and 2 unID SS's (RF-OH)
- 780 WABS VA ARLINGTON - 2/11 0013 good with low-pitched CID, VID and address, jazzy REL mx; mixing with *WBBM* (KDF-MD)
- WABS VA ARLINGTON - 2/11 0000-0030 with *GOS* mx, full ID, *WASB* in code; over *WBBM* most of the time; (best, and almost only, test reception this season) (DT-ON)
- WABS VA ARLINGTON - 2/11 0035 w/one clear CID hrd; *WBBM* dominating (MH-NE)
- WABS VA ARLINGTON - 2/11 0100 XLNT, way over *WBBM* with CIDs, contChr mx; a regular here at LSS, under/over *WBBM* (JF-ON)
- WABS VA ARLINGTON - 2/11 test fair, under *WBBM* (MJ-MI)
- WABS VA ARLINGTON - 2/11 0032 gospel song, ID by CE; XLNT; a local yokel (WPT-DC)
- WABS VA ARLINGTON - 2/11 0000-0020 powerful, completely blocking *WBBM* with *GOS* songs and VID/CID after each selection; announced address as *Arlington County* rather than *Arlington* (KG-PA)
- WABS VA ARLINGTON - 2/11 0000-0100 poor to very good in *WBBM* null with modern *GOS* and a CID after every song (SF-TN)
- 920 KYFR IA SHENANDOAH - 2/24 0309 noted off air; unnn *KYST* dominating (MH-NE)
- 970 KPEL CO PUEBLO - 1/14 not heard (WPT-DC)



- 1090 WBAL MD BALTIMORE - 2/18 0230-0305+ totally off, leaving *CKWW, AM One-Oh-Nine*, dominant with *POP* mx (KG-PA)
- 1180 WHAM NY ROCHESTER - 2/11 0140-0200 OC, with Cuba strong and clear; pgm resumed at 0200 (KG-PA)
- 1280 KSOK KS ARKANSAS CITY - 2/3 0500 poor on DX Test with CID (RK-IL)
- KSOK KS ARKANSAS CITY - 2/3 0500 not hrd on DX Test; *WKST* hogging channel after dominant *CJMS* nulled (PC-VA) ...not heard; I thought this one might have a chance, but too much *WADO/CJMS QRM* (KG-PA) ...not heard (WPT-DC) ...not heard as couldn't null *WADO* (BH-NJ)
- 1310 KARY WA PROSSER - 2/18 0725 chopped up CIDs' I made out a *K, A*, and the last part of a *Y* (MH-NE)
- KARY WA PROSSER - 2/18 not heard (SF-TN)
- 1530 WCKY OH CINCINNATI - 2/17 tune-in to 0552, off for testing; OC at 0536 and full sign-on at 0552 (REH-ON)
- WCKY OH CINCINNATI - 2/20 0034 tune-in, off again for testing; OC on at 0225 and on/off TT starting at 0245; full sign-on at 0258 and into *Roy Masters* but still had problems 'cuz at 0308 recheck, was off again; on/off OC 'til 0424 when they signed on again (during Talknet), this time they stayed on (REH-ON)
- 1570 WMYM WI MINOQUA - 2/10 0630-0640 possible VID hrd; also a mention of *5000 watts* several minutes after 0640; QRM from *WTLK*/others, so not sure (KG-PA)
- WMYM WI MINOQUA - 2/10 not heard (WPT-DC) ...not heard, frequency very congested (BH-NJ) ...not heard (SF-TN)
- 1580 WLIM NY PATCHOGUE - 2/16 0440 CID at 0440, then *All of the great popular music you always wanted to hear is here on WLIM, the ?? music station in Patchogue*; more CID, then SSB at 0445 with vocals, then *Good Morning, this is Jack Ellsworth welcoming you...* etc; dominant on channel (PC-VA)
- WLIM NY PATCHOGUE - 2/16 0442 CIDs in progress when I tuned in; some sore of annc at :43, but too weak to hear what was said, SSB hrd at :45; *WKKD QRM*; test was run too early, or time was wrong in *CPC Calendar* (MH-NE)
- WLIM NY PATCHOGUE - 2/16 0443-0521 very strong with occasional, brief fading + *QRM*; three groups of CIDs; lost to mess, mostly *WVKO*; no sign of *NBC's* new Washington, DC affiliate *WPGC*; QTH here is inside Washington Beltway, 40 yards from DC (WN-MD)
- WLIM NY PATCHOGUE - 2/16 0444-0521 entire test heard with SSB, *BBD* mx, voice and code IDs; heavy *QRM* from *CBJ, WVKO* and *WPGC*; noted much weaker at 0530 regular sign-on; a daytime regular here (BH-NJ)
- WLIM NY PATCHOGUE - 2/16 0500-0515 weak - fair under new fulltimer *WPGC*, with CIDs at 0500 and a taped ID by a woman at 0504 (SF-TN)
- WLIM NY PATCHOGUE - 2/16 *ZZZZZZzzzzz*; unnn (WPT-DC)

### TIS, NDB'S and OTHER STUFF

- 515 RRQ IA ROCK RAPIDS - 2/13 2315 CIDs; with *PP-513 QRM* (MH-NE)
- ONH MO JEFFERSON CITY - 2/16 0136 CIDs; *PP QRM* (MH-NE)
- 517 GQ MO KANSAS CITY - is *Charles Reh's* 517 unID (Issue 20); the beacon is in/near Kansas City (Norge?) Airport; listed in *The Aero/Marine Beacon Guide* as 25 watts; may be an FAA operation (MH-NC)
- 521 ORC IA ORANGE CITY - 2/13 2306 CIDs; not audible on R-1000 (MH-NE)
- RRQ IA ROCK RAPIDS - 2/24 0035 fair with CIDs (ETH-MO)
- TO KS TOPEKA - 2/22 0228 weak CIDs under *ORC*; *NDB #5* (MH-NE)
- 526 CYV FL CAMP BLANDING - more on the location of this guy...*Bob Kramer* writes to say this is at *Starke, Florida*. I still can't find a *Camp Blanding* or an *NDB* at *Starke*. Not to say it's not there, but what is official location?? Gotta confirm this guy [Ed.]
- TO KS TOPEKA - 2/24 0030 good with CIDs (ETH-MO)
- ZLS BAH STELLA MARIS - 1/21 0456 *Ken Stryker* of *LWCA* solved this unID; poor with CIDs (RK-IL)
- ZLS BAH STELLA MARIS - my unID of 1/2 (Issue 16); located on Long Island in the Bahamas (REH-ON)
- 530 TIS MO ST. LOUIS - 2/24 0030 good, atop other with *Poplar Street Bridge* construction info by female; anybody know *CLs*? (ETH-MO)
- CIRS ON SAULT STE. MARIE - 2/9 0530 with info for U.S. tourists; included info on Ontario traffic laws and currency exchange; also listed the *Soo's* commercial radio stations (*CFYN-1050, CHAS-100.5, CKCY-920 & CJQM-104.3*); IDd as *CIRS, Sault Ste. Marie, your tourist information station on 530 kHz* (REH-ON)



1620 WNSF589 VA VIRGINIA BEACH - 2/11 0035-0125 fairly strong, easily ID'd with repeating ET announcement; operated by the City of Virginia Beach (KG-PA)  
UNID ?? - 2/22 0521 under background noise with continuous IDS: *This is travelers advisory station W??? [location]...conducting equipment tests*; audio very muddy but thought I heard Iowa City mentioned (REH-ON)

MIDNIGHT TO 0800 HOURS ELT

540 WYLO WI JACKSON - 2/24 0055 good in KUSA sloop with mx, USA Network Special Report (war), local ID; possibly on day facilities (ETH-MO)

570 WKYX KY PADUCAH - 2/24 0205 forecast for Kentucky, then ID; WNAX QRM; new (MH-NE)

WWNC NC ASHEVILLE - 2/16 0143 over/under WNAX with C&W mx and ID; never hrd before with WNAX on (MH-NE)

CJEM NB EDMUNDSTON - 2/17 0312-0330 good during regular Sunday morning WMCA SP with MOR mx, in EE & FF; local ads and regional wx forecast in FF; CLs not heard, but frequent *New Brunswick* mentions (BH-NJ)

CJEM NB EDMUNDSTON - 2/18 0300 fair with FF nx, FF and instrumental EZL mx; over/under unID stations (BC-NH)

580 CKPR ON THUNDER BAY - 2/11 0441 ID and *Music Radio* slogan; much WOW-590 QRM (MH-NE)

590 CKRS PQ JONQUIERE - 2/18 0310 fair, | with CJMS with *Radio Mutuel*; under WEEI (BC-NH)

630 WMAL DC WASHINGTON - 2/15 0200 over & under with *WMAL Washing* ID, then nx; pest CFCO looped; DC #7 (RF-OH)

640 KFI CA LOS ANGELES - 2/16 0148 TC and ID followed by traffic check; never hrd this strong before (MH-NE)

KFI CA LOS ANGELES - 2/18 0150 atop in WHLO null with TLK, 0151 ID (RF-OH)

WCRV TN COLLIERVILLE - 2/24 0100 fair with ID after REL, *WCRV Memphis - Collierville* (ETH-MO)

660 WVAL MN SAUK RAPIDS - 2/17 0657 OLD mx, *W-Gold* ID; lost at 0658 when KCRO threw their carrier on (MH-NE)

680 KNBR CA SAN FRANCISCO - 2/24 0010 good with *Golden State Warriors* BKB, local ads; state #37 (ETH-MO)

720 CHTN PI CHARLOTTETOWN - 2/18 0351 good with *Classic Hits* ID; no sign of WGN (BC-NH)

730 KSUD AR WEST MEMPHIS - 1/16 0102 poor with sign-off, mentioned 0700 sign-on (KDF-IL)

WFMC NC GOLDSBORO - 2/23 0637-0702 with Community Calendar, IDs as *AM Stereo*, *WFMC*, and promos as *WFMC - Your variety Country*; local ads, *Univ. of NC* BKB promos (station carries), and ID: *The call letters of this station: WFMC, 730 on the radio. WFMC Goldsboro/Smithfield* (MH-NCm)

880 CKLQ MB BRANDON - 2/24 0020 fair - good in WCBS null with C&W, *Q Country* ID (ETH-MO)

900 WSSR DE GEORGETOWN - 2/11 0653 on top with adult standards (*Lawrence Welk*, *Fats Domino*, *Sonny James*) and slogan *WSSR, for people who care about good music*; 0700 ID: *You're listening to the all-new WSSR, Georgetown - SNN Nx; ex:WSEA* (REH-ON)

910 WNEZ CT NEW BRITAIN - 2/12 0650 out of the mess with *...in Hartford. EZ-910, time to wake up* - unknown instrumental; couldn't hold long enuf for legal ID (REH-ON)

920 WKRT NY CORTLAND - 2/1 0025-0100 OLD and OLD "Teeny Bopper" ROK, and *You are listening to oldies station WKRT*; poor under WHJJ (DT-ON)

KENT TX ODESSA - 2/24 0330 end of *Radio Bible* then ID: *This is Sunshine Radio, KENT, an inspiration oasis*, TX #101 (MH-NE)

950 WJPC IL CHICAGO - 2/15 0152 mostly under WWJ with wx report mentioning 5° at O'Hare, ad for import store in Chicago; long-sought-after (JF-ON)

960 CFFX ON KINGSTON - 2/16 0200 ID then BNL Nx followed by CHR and OLD; no CFAC (MH-NE)

990 WRMM NY ROCHESTER - 2/16 0753-0804 fair with AC mx, *101.3* mentions, promo for station appearance at shopping mall, legal ID *WRMM FM-AM Rochester* (BH-NY)

1010 KBIS AR LITTLE ROCK - 2/22 0644-0700 with *American Sunrise* pgm, local nx at 0652 with *Bill Powers*, nat'l nx at 0655; ID as *This is...station for the 90s: KBIS, Little Rock*; in the 70s, briefly hrd KLRA while living in CA, but no rpt; AR #2 (MH-NCm)

CFRB ON TORONTO - 2/18 0206 good with *Weathercaster* forecast, promo for *...news every 30 minutes*, OLD mx; over/under WINS (BC-NH)

1040 WYFX FL PINELLAS PARK - 2/23 0158 *Larry King* then NBC Nx; looped SE/NW; ID at 0205 which sounded like *WZSS*, which does sound like WYFX; FL #5 (MH-NE)

CFZZ PQ MONTREAL - 1/21 0216 poor - fair thru WHO with AC mx, FF jx (RK-IL)

CFZZ PQ MONTREAL - 2/18 0200 xlt with *Le Nouveau 1040* ID, FF & EE POP mx; over WHO (BC-NH)

1050 WEVD NY NEW YORK - 2/18 0124 xlt with *Danny Styles* show, NOS mx, mentioning *studio location at Broadway and 9th* (BC-NH)

CHUM ON TORONTO - 2/18 0130 fair with *All Oldies Station* ID; under WEVD (BC-NH)

1060 CJRP PQ QUEBEC - 2/18 0110 fair, | w/CJMS w/*Radio Mutuel*; under KYW (BC-NH)

1080 WEEI PA PITTSBURGH - 2/17 0734 *NewsTalk 1080* ID in KRLD null; also hrd *WZLZ* followed by a syndicated talk show; PA #10 (MH-NE)

1120 WBIS CT BRISTOL - 2/19 0645 strong at power-up from PSA, with local nx, ad, wx; over KMOX (RJE-PA)

1150 CKOC ON HAMILTON - 2/17 0347-0400 atop channel with CHR, promo for *Canadian Entertainer of the Year* station contest, DJ taking phone requests, *Broadcast News* net nx; not heard in ages...once common here (BH-NJ)

1160 WSKW ME SKOWHEGAN - 2/13 0723-0725 surprisingly atop 4 others with ID and ad for dry cleaners on Front Street in Skowhegan (RJE-PA)

WOBM NJ LAKEWOOD TOWNSHIP - 2/18 0104 good with nx from the *WOBM Newscenter*, wx, and *1160 AM Star Country* ID (BC-NH)

1170 WCTF CT VERNON - una, but right there over/under *WWVA* with power-up from PSA at 0647, both 2/12 & 2/13 with march mx in progress from Family Radio Net; no ID, but couldn't be anyone else, based on latest net list and time, strength (RJE-PA)

1200 CFGO ON OTTAWA - 2/17 0725 CHR mx under WOAI; finally got an ID on this one (MH-NE)

1270 WCBC MD CUMBERLAND - 2/6 0248-0300 with *Larry King Show*, ID at 0300: *WCBC, --- County, Cumberland*; ad for *USA Today*, promo for paper recycling; poor over/under WXYT (DT-ON)

CFGT PQ ALMA - 2/18 0040 good, | w/CJMS with *Radio Mutuel* (BC-NH)

1280 CJMS PQ MONTREAL - 2/3 0330-0407 usually way above WADO with old pop hits in EE and FF; often mentioned CJMS & chorus sand CJMS all in FF (HH-MD2)

CJMS PQ MONTREAL - 2/18 0029 xlt with nx, jingle ID, mention of *Radio Mutuel*, FF and EE pop mx (BC-NH)

1310 WISE NC ASHEVILLE - 2/17 0200 ID and SNN Nx followed by NOS mx and ads for a will kit and life insurance; ID at :24 as *Tune to Wise 1310 for music you will always remember*, some KFSB QRM; new (MH-NE)

KNOX ND GRAND FORKS - 2/6 0310-0407 with Talknet, nx, *KNX--* over/under WTUX and unID; poor (DT-ON)

1320 CKEC NS NEW GLASGOW - 2/17 0035 good with *Shadoe Stevens AT 40*, jingle ID, ad for *Aberdeen Mall*; over WJMS (BC-NH)

1330 WRCA MA WALTHAM - 2/17 0100 noted with FF Caribbean mx pgm; over unID UC/dance mx station (BC-NH)

WTWR OH CAMPBELL - 1/30 0006 good with CL mention - *Business Radio Network pgm Ways and Means*, phone 1-800-241-2468; 1st definite logging here with these CLs (MS-ON)

WEYZ PA ERIE - 2/2 0025 fair with PSA for the Southeast Erie Lion's Club and *Erie Pirate vs Richmond* HKY; must have been tape delayed as this is very late for hockey (RK-IL)

1340 WHAR VA CLARKSBURG - 2/23 0100 up very briefly with ID; WBCR off due to nightly SP (HJH-PA)

CKNR ON ELLIOT LAKE - 2/13 0013-0025 OLD, *Ray Charles*, ads for *Life Sign. Arc* Ind., 335 Station Rd., Espanola; under/over unID (DT-ON)

1350 WSLR OH AKRON - 2/17 0146 poor with ID caught under CJLM and unID reggae mx station (BC-NH)

CJLM PQ JOLIETTE - 2/18 0726-0740 good with POP FF tune, ads and lengthy discussion in FF; no ID hrd (BH-NJ)

1390 WHOT OH YOUNGSTOWN - 2/3 0100 poor on top briefly with ID mentioning Youngstown; not sure if CNN News hrd later was them as well; 1390 sounded like a GY channel at this time (MS-ON)

1430 WRTH MO ST. LOUIS - 1/20 0035 fair with ID (RK-IL)

1480 WTDY WI MADISON - 2/17 0707 dominating KFMQ with Wisconsin news and ID; tough catch with KEZO splash and KFMQ QRM; new (MH-NE)

CKAN ON NEWMARKET - 2/18 0041 over/under pileup with local ads, 0042 *CKAN All-Night Houseparty* promo; 0043 - AC mx; ON #63 (RF-OH)

- 1490 WKQS PA JOHNSTOWN - 2/13 0129 poor in mess with wx and SID for 96.5 Kiss FM, OLD mx; ex: WJNL (JF-ON) [Their newest CLs are WNTJ-Ed.]
- 1500 WLQV MI DETROIT - 2/3 0755 with REL pgm; ID as Christian Radio 1500, WLQV; WTOP nulled; have been trying to ID this one for weeks (PC-VA)
- 1560 WSLA LA SLIDELL - 2/24 0215 hrd with Star Communications' Sports Final Extra; CP in on; hrd clear ID at 0300; new (MH-NE)
- 1570 WBUG NY AMSTERDAM - 2/10 0700-0706 fair with local newscast, frequent Mohawk Valley mentions (BH-NJ)
- WTLK NC TAYLORVILLE - 2/9 0558-0600 atop channel with promos for weather phone and North Carolina Skier Show, then wx and legal ID just before the rest of the 0600 crowd (BH-NJ)
- 1580 WBBA IL PITTSFIELD - 2/14 0110 ID hrd in mess; if power in Log is correct, 525 miles at 10 watts! IL #21 (RF-OH)
- 1590 WGGO NY SALAMANCA - 2/18 0607-0709 usually atop channel with WQRT IDs and jx, C&W mx, legal ID: Q-Country, WQRT-WGGO Salamanca (BH-NJ)
- WCBG PA CHAMBERSBURG - 2/18 0623-0629 atop WGGO with local ads, listener's birthdays, Elvis record; atop again at 0706 with: Thank you for making the right choice. WGLL Mercersburg-Greencastle, WCBG Chambersburg (BH-NJ)
- 1600 WLNG NY SAG HARBOR - 2/9 0608 with CL, TC and birthday greetings - ad for a Mystery Fantasy Party at the Sag Harbor Inn; then annod WLNG with...the #15 song this week...I Saw Red; also hrd mention of FM-92, so may be || WLNG-FM (REH-ON)
- WJSA PA JERSEY SHORE - 2/12 0706-0708 briefly atop with sports and ad for store on Main Street in Jersey Shore (RJE-PA)

## 0800 TO 1600 HOURS ELT

- 710 WHB MO KANSAS CITY - 2/17 1230 weak with ID after oldie; was much stronger at my old Iowa City QTH (ETH-MO)
- 720 KSAH TX UNIVERSAL CITY - 2/16 1059-1117 strong with Radio Festival IDs at 1058 and 1105, full ID at 1100 (SHP-LA)
- 800 WKZI IL CASEY - 2/17 1320 fair in KREI null with C&W, IDs, radar wx (ETH-MO)
- 1090 WBZB NC SELMA - 2/20 1355-1407 with a 'near-perfect' TIS-like format; no ads noted; format (program?) consisted of promos for local attractions, and a VERY complete description of what could be found at EVERY highway exit (Exits #73 to 107!) [but what highway? -Ed.]; bluegrass (instr) mx noted throughout pgm; possible ID at 1403 with mention of Travelers Information Radio, WBZB, frequent mentions of cities of Selma, Smithfield and Kinley (MH-NCm)
- 1150 KDLF TX PORT NECHES - 2/16 1259-1405 full ID at 1300 Texas Gospel AM 1150 KDLF Port Neches, REL pgms (SHP-LA)
- 1240 WOBT WI RHINELANDER - 2/19 0808 ending ad with 362-2081 phone #; gave 1240 WOBT in Rhinelander ID and then had Wisconsin Lotto numbers (I thought everything was 'void in Wisconsin') [nah, they've got Greyhounds and the lottery now, with more 'sin' to come soon -Ed.] followed by TC, CL and wx forecast; faded to WCBY; is #154 in Maps book but is missing from station listings (REH-ON) [I hope the new editors of the Map Book catch that! -Ed.]
- 1320 WHHO NY HORNELL - 2/18 0857-0907 good in WKAP null with local mx, jx - Dial-to-Dial pgm; lots of weird mid-morning skips today, but this was only newie (BH-NJ)
- 1350 WNLK CT NORWALK - 2/10 0929-0948 good, during quiet church pgm on WHWH (way under WHWH) with syndicated Make Believe Ballroom NOS show, local ads and IDs (BH-NJ)
- 1480 WBBP TN MEMPHIS - 2/16 1700 good with black REL, ID as All New WBBP (ETH-MO)
- 1490 WUSS NJ ATLANTIC CITY - 2/18 1543-1600 weak, but alone with black/soul mx, Sheridan Broadcasting Network Nc, legal ID as WUSS Atlantic City, the only station that jams, no sign of usual WBCB (BH-NJ)
- 1510 KFNN AZ MESA - 2/18 0915 sign-on Good Morning and welcome to a new broadcast day on KFNN Business News Radio. It's 15 minutes past the hour - mx, wx, sports; This is Arizona Business News on KFNN at 0920 (JB-TX)
- KROB TX ROBSTOWN - 2/24 1555-1600 C&W - America The Beautiful - Your radio station for country and western music and news, KROB FM 99.5 and 1510 AM - wx; good signal for this time and 500 watts...maybe recent rains? (JB-TX)
- 1520 KYND TX CYPRESS - 2/16 1011-1030 REL programming, full ID at 1028 The new KYND AM 1520 Cypress - REL pgm (SHP-LA)
- 1590 KWEY OK WEATHERFORD - 2/27 0825-0904 in and out with KYOK, ad for Weatherford Auto Supply Company and local and state wx; It's eight-oh-four, 40° on Radio Hill, KWEY - C&W (JB-TX)

## 1600 TO 2400 HOURS ELT

- 540 WETC NC ZEBULON - 2/18 1920-1949 with local ads, promo for WETC Winter Cup, occasional ads (?)/promos for WRAL-TV 5 News; C&W format; ID as 540 Country, WETC (MH-NC)
- 560 WJLS WV BECKLEY - 2/18 1759 weak before 1745, good by 1750; GOS songs and REL with Brother Rolls, Corpus Christi, TX; MBS Nc special report at 1757, SID at 1759; part of the jumble after LSS switch at 1800; WFRB nulled (PC-VA)
- 570 WWNC NC ASHEVILLE - 2/11 1945 good, atop with ID, ad for a cable TV company (ETH-MO)
- WNAX SD YANKTON - 2/11 1855 good/loud with cattle auction anncet by female, ID (ETH-MO)
- 580 WELO MS TUPELO - 2/19 1915 atop with 58 Gold WELO ID after wx (ETH-MO)
- 610 WRUS KY RUSSELLVILLE - 2/16 1915 good with WDAF; local ads, Hilltop Radio Network (ETH-MO)
- WIP PA PHILADELPHIA - 2/18 1854-1919 with WIP All Sports Radio promo and frequent mentions of 610, WIP, phone-in sports pgm in progress; fair with QSB/mix with ROK sta (MH-NC)
- 630 WBMQ GA SAVANNAH - 2/18 1825 ID as Golden Module (?) BMMQ, also full VID later; CBS Nc; competition from poorly nulled WMAL with BKB (PC-VA)
- 670 WWFE FL MIAMI - 2/15 1756 male anncr with SS VID WWFE, La Voz de ...; male w/accnt, speaking slowly, with EE VID at 1801 WWFE, Big City, after WIEZ sign-off at LSS; WMAQ nulled (PC-VA)
- 680 KFEQ MO ST. JOSEPH - 2/11 1900 fair, weak/alone with ID (ETH-MO)
- WPTF NC RALEIGH - 2/11 1950 poor - fair w/ID in mess, NC State sports (ETH-MO)
- WCAW WY CHARLESTON - 2/16 1915 good with KFEQ; local ads, legal ID (ETH-MO)
- 690 WVOK AL BIRMINGHAM - 2/13 1750 Hello! I'm Rick Wilson, and you're listening to your NASCAR Racing Station in Birmingham, WVOK; after WELD sign-off at LSS, with CBF nulled (PC-VA)
- WPDQ FL JACKSONVILLE - 2/13 1805 Greg Larson show; sports and talk; sponsored by Frank Griffin Volkswagen; no CL ID, but the call-in phone # was 264-4523, same as listed in Log; hrd after WVOK, faded out of the picture (PC-Va) [Or speaker, hi-Ed.]
- WPDQ FL JACKSONVILLE - 2/23 2340 loud with Talkradio 690 WPDQ, likely on day facilities due to Gulf War; state #361 (ETH-MO)
- 730 KLOE KS GOODLAND - 2/16 1924 ID as 102.5 KCCI and KKLOE; DJ IDd two other times as KKLOB! (MH-NE) [Maybe he was c-c-cold? -Ed.]
- WPIT PA PITTSBURGH - 2/20 2155 with REL and hymns, under WCPT; A Mighty Fortress Is Our God and Jesus Loves Me; VID at 1700 (PC-VA)
- 780 WZZX AL LINEVILLE - 2/16 1945 fair in WBBM null; clear WASZ 95 Country ID; Thanks Mike Jeziorzki for help IDing this (ETH-MO)
- 810 WGY NY SCHENECTADY - 2/12 1945 SID under KCMO, then lost; been trying for this for years (BS-NE)
- 820 WRFA FL LARGO - 2/23 1811 VID before LSS switch, with WQSI nulled; lost in jumble after switch at 1815 (PC-VA)
- WOSU OH COLUMBUS - 2/23 1800 fair, ending NPR pgm, then promo for Christian Science Monitor pgm weekdays at 5 AM and for pgm of Bluegrass mx on Saturday and Sunday evenings from 6 to Midnight (HJH-PA)
- 830 WWMO NC EDEN - 2/23 1757 strong, ending Investment Update which touted wireless cable's multi-million dollar opportunity, jx, then abruptly off (HJH-PA)
- WWMO NC EDEN - 2/24 1758 VID just before LSS changes; quite weak; most of pgm not copied except for repeated urgings to call 1-800-344-7070; CFJR nulled (PC-VA)
- 840 KWDF LA BAILL - 1/16 1822 with ID, anncet for GOS concert, GOS mx in WYSA; null (KDF-IL)
- 850 WJAC PA JAMESTOWN - 2/17 1940 NOS and OLD mx; call ID; under KQX; new (MH-NE)
- 950 WWJ MI DETROIT - 2/11 1915 good, other other with ID in promo (ETH-MO)
- WSPA SC SPARTANBURG - 2/22 1850, weak strong w/ID in sports talk show (ETH-MO)
- WAKM TN FRANKLIN - 2/23 1930 atop with C&W, LDS ad, local ads, ID (ETH-MO)
- 960 WRFK GA ATHENS - 2/5 1810 sports, wx report (67°); fair - good (WPT-DC)
- WEAB TN ADAMSVILLE - 2/23 1935 good with IDs in promo to advertise on Christian Radio WEAB (ETH-MO)
- 980 WILK PA WILKES-BARRE - 2/4 2243-2300 Larry King Show, WILK, promo for local show, 980 WILK; over/under WWRC/unID (DT-ON)
- WPRE WI PRAIRIE DU CHIEN - 2/23 1830 C&W mx, then sign-off ...inviting you to turn to WPRE FM, new (MH-NE)

- 12  
990 **WEEB** NC SOUTHERN PINES - 2/19 1930 good, briefly with local insurance ad ...in *Southern Pines* (ETH-MO)
- 1000 **KTOK** OK OKLAHOMA CITY - 2/22 1855 good, ID in passing, sports talk show (ETH-MO)
- 1030 **WUFL** MI STERLING HEIGHTS - 2/13 1757 good with sign-off anncs mentioning service to Michigan and Southwestern Ontario followed by Canadian and American National Anthems (MS-ON)
- 1040 **WQBB** TN POWELL - 2/24 1750-1805 MoYL format, interspersed with CNN war updates; numerous ads for Knoxville concerns hrd, plus several IDs; hrd 2/23 also; had a rather poor signal both nights; can't believe this is 10 kw, sounds like 1 (HJH-PA)
- CHRS** PQ MONTREAL - 2/12 1833-1845 mx in EE, ad for restaurant, FF mx, sports (NHL hockey schedule); good with no interference (DT-ON)
- 1060 **WNOE** LA NEW ORLEANS - 2/16 1815 good, atop with C&W, 101 FM, WNOE ID (ETH-MO)
- 1070 **WIBC** IN INDIANAPOLIS - 2/21 1935-2007 with network discussion on Iraq/Moscow Peace Proposals - to 1945 when local talks resumed; frequent mentions of *WIBC*, *Indianapolis*, local nx at 2000; at end of wx rpt: *In Indianapolis, it's now 49°. I'm Lee Denair - WIBC News*; unID with CNN (constant) news feed noted under (MH-NC)
- WEKT** KY ELKTON - 2/14 1753 surfaced briefly with ID; KY #22 (RF-OH)
- WDIA** TN MEMPHIS - 2/11 1843 ID hrd in mess; finally grabbed this after years of trying for TN #33 (RF-OH)
- WDIA** TN MEMPHIS - 2/18 1855 good, atop with UC, ID (ETH-MO)
- WINA** VA CHARLOTTESVILLE - 2/21 1935-2007 (in WIBC fades) with *WINA Ski Report*, oldies format and clear ID: *You're listening to the news and sports leader in Central Virginia. This is AM 1070, WINA, Charlottesville, CBS Nx followed* (MH-NC)
- WTWS** WV BECKLEY - 2/13 1753-1806 strong, over all with WV travelers info, wx for southern WV, ads and frequent mention of *Visitor Information Radio*; no CLs hrd at :00 (KG-PA)
- 1080 **WDJX** KY LOUISVILLE - 2/13 1821-1835 fairly good in WTIC's null with ROK, annc of a Community Concert ticket giveaway, and 99.7 *WDJX* ID (KG-PA)
- KEXS** MO EXCELSIOR SPRINGS - 2/16 1850 poor - fair w/legal ID in mess (ETH-MO)
- WKBY** VA CHATHAM - 2/14 1737 fair atop (WTIC looped) with promo for mail-in anniversary anncs (gave station address); 1738 GOS mx; VA #32 (RF-OH)
- 1150 **KRMS** MO OSAGE - 2/22 1902 loud with *Lake Country KRMS* hurried late non-legal ID by female - CBS Nx (ETH-MO)
- WAYY** WI CHIPPEWA FALLS - 2/14 1714 fair, atop at times with ID then TLK; 1730 nx; 1733 *Newstalk WAYY* ID & SID, then wx; WI #17 (RF-OH)
- 1170 **WCTF** CT VERNON - 2/18 1658-1724 surprising signal, usually way atop the channel with WWVA nulled; REL programming - *Family Radio Worldwide* - a couple of local announcements (HH-MD1)
- WJCC** MA NORFOLK - 2/8 1700-1712 nx, sports update, ad for Pontiac dealer, *WJCC news*; over unID; poor (DT-Ford truck radio in Scarborough parking lot)
- WHXT** MA ORLEANS - 2/5 1752-1815 noted at times with ads & mx, relaying FM *Kape 104*; QRM WWVA (looped out somewhat) and WLGO; also noted first time here; *WBRW is OFF the air!* (HH-MD1)
- WCLN** NC CLINTON - 2/4 1757-1759 atop WWVA with sign-off annc mentioning 5000 watts day, 1000 watts CH (RJE-PA)
- WCLN** NC CLINTON - 2/16 1708-1720 weak with satellite-fed OLD, quick ID between records (BH-NJ)
- WLGO** SC LEXINGTON - 2/5 1759-1814 atop the channel at times with WWVA/WHXT QRM; pop tunes with sign-off annc at 1813; IDs as *Lexington-Columbia*, 1st-timer here (HH-MD1)
- WVZN** VA LYNCHBURG - 2/10 1713-1749 usually atop channel with a good signal; WWVA nulled with loop, some WWVA QRM at times plus unIDs; Christian mx and ads and plenty of IDs!!! (HH-MD1)
- 1190 **WHIY** AL MOULTON - 1/23 1731-1734 in the clear with USA Radio News, IS as *AM 1190, WHIY, Lawrence County's Radio Station* - C&W mx; lost to WOWO (KG-PA)
- WGKA** GA ATLANTA - 2/11 1806 good atop with WLIB looped with CLA mx; 1812 sign-off annc; CLA mx until abrupt sign-off at 1814; this and following 1190 catches courtesy a very weak WOWO (for a change!); GA #19 (RF-OH)
- WBSL** MS BAY SAINT LOUIS - 2/11 1824 briefly atop mess with *WBSL's news coverage of Operation Desert Storm continues*, MS #10 (RF-OH)
- WLIB** NY NEW YORK - 2/11 1757 atop with wx and ID; finally got this one for NY #40 (RF-OH)
- WHMT** TN HUMBOLDT - 2/22 2020 loud with local ads, ID, HS BKB (ETH-MO)
- 1200 **KFNW** ND WEST FARGO - 2/12 1724 good atop WBZY with local birthday anncs; 1726 4:26 TC; wx 32 degrees in Fargo; ID (RF-OH)
- WAGE** VA LEESBURG - 2/20 2045-2106 with local ads, mentions of *WAGE, Leesburg*, MBS Nx at :00, and partial ID: *Your sound choice...1200...WAGE, Leesburg*, fair - poor with QSB, and unID QRM w/BKB game (MH-NC)
- 1270 **WMKT** MI CHARLEVOIX - 1/24 1710-1736 strong, way over WXYT with BRN Nx, ads, *Accu-Weather* for Northeast Michigan, and occasional WMKT promos; ID as *Market Radio, AM 1270, WMKT*; WXYT QRM after 1736 (KG-PA)
- 1280 **WSAT** NC SALISBURY - 2/13 1823-1901 good, over/under WWOK with *Tarheels* BKB, ad cluster at 1855 including one for *Carolina Country Store*, ID at :00 as 128, *Salisbury, WSAT* (JF-ON)
- WGLR** WI LANCASTER - 2/13 1825 briefly over WWOK and WSAT with college BKB scores and WGLR Weather Watch Forecast (JF-ON)
- 1310 **KMBS** LA WEST MONROE - 2/19 1950 good with oldies, promo, ID (ETH-MO)
- 1320 **WATR** CT WATERBURY - 2/18 1722 in clear with winter wx advisory after WDER pattern change (BC-NH)
- WGLD** NC GREENSBORO - 2/19 1953-2020 with frequent *AM 1320, WGLD* mentions; EZL Oldies; ID: *AM 1320, WGLD, the station you can count on for your original hits*; no city-of-license noted (MH-NC)
- 1350 **WGAD** AL GADSDEN - 2/22 1835 loud with oldies, call ID (ETH-MO)
- 1330 **WFIN** OH FINDLAY - 1/29 1700-1720 mostly in the clear with ANC Nx, sports, wx, ads and program promos; no WYWR detected (KG-PA)
- 1360 **WFLW** KY MONTICELLO - 2/2 1901 good with PSSA sign-off (KDF-IL)
- WCHL** NC CHAPEL HILL - 2/13 1800 good with sports featuring *Tar Heels* BKB - 1360 *WCHL Chapel Hill ID* (MS-ON)
- CKBC** NB BATHURST - 1/30 1652-1709 poor - good with *Junior Achievements Award* message, annc concerning Scout and Guide Week Feb 17th-24th, *A message from Scouts Canada, and this station* - song *When I Close My Eyes*, fade to CJVL/WIXZ and CKAR splatter, then back at 1700 with 136 *CKBC* - wx with snow in forecast (MS-ON) [Snow? hi -Ed.]
- CJVL** PQ STE-MARIE-de-BEAUCE - 1/30 1656 poor - fair with FF talk - mostly political - with male & female alternating; CL ID IDs mixed with CKBA & others (MS-ON)
- 1380 **WBEL** IL SOUTH BEOIT - 2/24 1811 strong with *Taco John's* ad and nx which included lottery numbers followed by wx; unn (MH-NE)
- WCQL** NH PORTSMOUTH - 2/12 2052+ in fair and present most of the evening for a new one; female DJ with oldies and *FM 95.3 IDs, Seacoast Weather jx* (HJH-PA)
- WKDM** NY NEW YORK - 2/13 2000-2007 talk in SS, *New York*, SS mx; very poor under unID (DT-ON)
- 1390 **WDOT** VT BURLINGTON - 2/12 1634 under WHOT with OLD mx; *WDOT AM & FM goodtime oldies IDs* (RF-OH)
- WKLP** WV KEYSER - 2/10 1827 faded up during *Keyser Golden Tornadoes* BKB game (JF-ON)
- 1400 **KUNO** TX CORPUS CHRISTI - 2/26 2030 with *Ranchera* mx, *KUNO Corpus Christi, Texas, 24 hours-a-day, number one for all the people*; ID is SS - SS ad for *The Most Delicious Bar-B-Q*; new (JB-TX)
- 1410 **WDOV** DE DOVER - 2/19 2040-2125 in jumble with mention of 1410, *WDOV* and *WDOV*, now providing *Central Delaware with the best in local news*; OLD format; not enough for a report; others in jumble (see 1410 in UNID section) (MH-NC)
- WING** OH DAYTON - 2/3 1759 good with oldie *Hair*, then non-ID as *It's 5 O'Clock at the home of good-time rock and roll* - NBC Nx; no CLs hrd until 1803 when announcer said *WING...hello America!* after news (MS-ON)
- KQV** PA PITTSBURGH - 2/19 2040-2125 with *Dequesne* BKB, occasional mentions of KQV, local Pittsburgh ads, and mention of a *KQV Public Service Award* to... (fade, what else? Hi) (MH-NC)
- 1420 **WKSJ** TN PULASKI - 2/20 1940 good with school closings in Giles County (ETH-MO)
- CJMT** PQ CHICOUTIMI - 1/30 1714 in FF with promo for their sports coverage; fair with some CJCL splatter (MS-ON)
- 1440 **WCDS** KY GLASGOW - 2/22 1830 loud, full sign-off after C&W (ETH-MO)
- 1450 **KOKO** MO WARRENSBURG - 2/24 2100 ID: *1450 is Cocoa, KOKO, Warrensburg Radio*; 2nd time hrd (MH-NE)
- WMOH** OH HAMILTON - 2/24 2057 ad for *Ohio Ford Dealers*, then call ID; 1450 #25 (MH-NE)
- WDLB** WI MARSHFIELD - 2/23 1843 ID and wx, then gone; WI #49 (MH-NE)

- 1460 **WCDS** KY GLASGOW - 2/24 1800 call ID then news; uncomm (MH-NE)  
 1470 **WQSN** MI KALAMAZOO - 2/14 1835 poor with local annets, then *Stereo 1470*, *WQSN* for *continuous country hits*, C&W mx; ex: WYYY (JF-ON)  
 1480 **WBBP** TN MEMPHIS - 2/8 1836 fair with B:GOS mx and call ID: *WBBP, the very best in Christian Gospel music*, some WHBC/CKAN QRM; ex: WMQM (REH-ON)  
 1500 **WFIF** CT MILFORD - 2/7 1712-1730 REL talk show, promo for meeting in Waterbury on Saturday; *WFIF, music until sign-off*, poor, over/under WGFT (DT-same truck radio, same parking lot - see 1170)  
 1520 **WHIC** KY HARDINSBURG - 2/13 1820 ID hrd in pileup; another ID at 1829 snuck thru for KY #21 (RF-OH)  
**KMPL** MO SIKESTON - 2/13 1831 briefly atop mess with ID (RF-OH)  
**WREA** TN DAYTON - 2/13 1825 in mess with *You're listening to WREA*; TN #34 (RF-OH)  
 1550 **WFXA** GA AUGUSTA - 2/3 2146 fair with JAZ and ID (RK-IL)  
 1570 **WHLP** TN CENTERVILLE - 2/16 1840 good, steady with sign-off including address (ETH-MO)  
 1580 **WAMJ** IN , SOUTH BEND - 2/16 2000 fair, atop with call ID by female (ETH-MO)  
**WDMP** TN KNOXVILLE - 2/7 1815 weak under WAMJ with full-data sign-off mentioning 500 watts, no SSB; ex: WSKT/WMRE; #68 on 1580 (JF-ON)  
**WPSK** VA PULASKI - 2/1 1757-1800 atop with ad for the *Southwest Times*, with 2 phone numbers, then sign-off annet beginning *Until tomorrow morning, WPSK...* (RJE-PA)  
 1590 **WHPY** NC CLAYTON - 1/30 1718 fair with plug for *Entertainment Tonight* on WRAL-TV and a country music concert at Clayton Elementary School, then - C&W mx; Log #200 since I began keeping totals for Scarborough on 9/29/90 and a new one for me at any location! (MS-ON)  
 1600 **WJQI** VA CHESAPEAKE - 2/24 1730 in for about 90 seconds with *Joy 95* ID and CHR mx; had wx report mentioning *The Peninsula*; ex: WCPK (HJH-PA)

## REPORTERS

- BS-NE BOB STRAUBE//Palmyra, NE//GE Superadio  
 KDF-IL KARL FORTH//Chicago, IL//  
 KDF-MD KARL FORTH//Baltimore, MD hotel room//Walkman  
 DT-ON DON TRELFOID//Scarborough, ON//  
 REH-ON CHARLES REH//Leamington, ON//R-390A + Sanserino Loop + TR-3000 open reel tape recorder (X2)  
 RF-OH RICHARD FRCHO//Willoughby, OH//R7A, NRD-515, LA-36 loop, LW, Special Hooked On Phonics nausea rejection circuit  
 JB-TX JIM BOEHM//San Antonio, TX//Superadio II + MFJ Dual Tunable Audio Filter (X2)  
 MH-NE MIKE HAWK, KB0GXE//Omaha, NE//R-1000, HQ-180A, ATS-803 + 2' coax loop + CT-3000 tape deck//new portable computer (X2)  
 WN-MD WALTER NISSEN//Silver Spring, MD//Sony CFS-1000 + Select-A-Tenna  
 PC-VA PERRY CRABILL//Winchester, VA//R-5000, 65' Inverted 'L', 2' homebrew loop, CTR-75 cassette recorder (X2)  
 BC-NH BRUCE CONTI//Nashua, NH//R70, DX400, wire  
 JF-ON JEFF FALCONER, VE3LSK//Clinton, ON//R9000 + SM-2 or 250' LW  
 MS-ON MORRIS SORENSEN//Scarborough, ON//HQ-150 + McKay-Dymek DA9 ferrite loop  
 HH-MDx HANK HOLBROOK//Dunkirk, MD//SP-600 + Colegrove Loop (1) or + 50' LW (2)  
 MJ-MI MIKE JEZIORSKI//Detroit, MI//  
 RJE-PA RUSS EDMUNDS, WB2BJH//Blue Bell, PA//Nissan caradio  
 RK-IL ROBERT KRAMER//Chicago, IL//R-5000, R-1000, HQ-129X + 2 RW Loops, Kowalski Loop + Kantronics Signal Enforcer peak/notch filter  
 WPT-DC WILLIAM TOWNSHEND//Washington, DC//ICF-2010  
 KG-PA KERMIT GEARY//Walnutport, PA//HQ180, R389, HRO; LWs, SM2  
 CE-TX CURTIS ENGBERG//Wayland, MA//DXing in Austin, TX//TRF 12-655  
 BOB HARRISON//Union, NJ//Superadio  
 MH-NC MIKE HARDESTER//Camp Lejeune, NC//R-70 with Radio West 18" ferrite loop or -NCM mobile in '86 Jimmy radio w/fender antenna (X2)  
 HJH-PA HARRY HAYES//Wilkes-Barre, PA//Superadio + Superloop  
 SHP-LA STEPHEN PONDER//somewhere in Louisiana//Toshiba RP-F11 or Phillips D-1875  
 SF-TN STEVE FRANCIS//Alcoa, TN//TRF  
 ETH-MO EARL HIGGINS//University City, MO//Superadio  
 BKF-OH BUFFALO K. FOONMAN//Starr, OH//

# 85 KOA

## NEWSRADIO

1680 LAWRENCE STREET, SUITE 1100  
DENVER, COLORADO 80202

73  
Bill

# Domestic DX Digest - West

Wayne Heinen

4131 S. Andes Way  
Aurora, CO 80013  
FIDO NET 104/108

(303) 699-6335 (prepaid only)

DX Catches in the Western U. S. and Canada, with 24-hr. ELT

- DX TESTS**  
 700 KBYR AK Anchorage  
 2/4 0400-0430 Not Hrd. (TH-CA)  
 720 KUAI HI Elele, Kauai  
 2/25 0550-0620 Poor to Fair w/WGN late start and ran late Code ID, Mx, Voice ID ments of NRC. KDWN SP (JW-OR) Not Hrd (WH-CO)  
 720 KOTZ AK Kotzebue  
 2/11 0401-0500 Not Hrd. (TH-CA)  
 780 WABS VA Arlington  
 2/11 0000-0100 Not Hrd only KNOM & KROW (RO-AK) KAZM w/ weird song that sounded like TT 0015-0020! (TH-CA)  
 1280 KSOK KS Arkansas City  
 2/3 0500-0530 Not Hrd. (TH-CA)  
 1310 KARY WA Prosser  
 2/18 0700-0730 Not Hrd even w/XEC-1310 (TH-CO) Not Hrd (WH-CO) Not Hrd only KNPT/KLIX (JW-OR)  
 1570 WMYM WI Minocqua  
 2/10 0630-0640 Not Hrd. (TH-CA)
- Special Interest**  
 850 KTAC WA Tacoma  
 2/16 1410 "KBRD" & "K-Bird" slogans. Now // KBRD 103.7, Only KTAC calls are on the hour (NH-WA)  
 1550 KVAN WA Vancouver  
 2/22 1840-1900 Fair w/ OLD, many "K-Van" slogans, 1900 ID "15-50 KVAN< Vancouver" to Lcl Nrx. 1913 Promo for lcl BKB broadcast coming up. Real Surprise call change from KMJK of last week! (ex-KMJK) (NH-WA)
- Midnight to Midday**  
 750 KAMA TX El Paso  
 2/14 0201 Good w/ID ment // KLTO-94.7 No longer // KAMZ-93.1. Still SS. Tnx Jim Renfrew for tip (TH-CA)  
 1230 KQWZ WA Everett  
 2/25 0435 Fair in QRM C&W Mx & ID (JW-OR)  
 1380 KSRV OR Ontario  
 2/18 0130 Noted w/Trailblazers BKB Net lists only their FM Hrd later w/C&W (TH-CA)  
 1600 (KMNY) CA Pomona  
 2/18 0115 Rare SP off before 2400 lcl KRXY "Y-108" w/KGST/KXEW. (TH-CA)
- Midday to Midnight**  
 530 CKYL AB High Level  
 2/20 2240 Mix of AdCon & CHR, 2242 Call, ad Pearce River, Hockey Scores. More Mx Usually only static hear. FTH (NH-WA)  
 800 CKOR BC Penticon  
 2/15 1900 ID "... CKOR AM 800" by man then "AM 800 Radio Auction" Poor w/KPDQ nulled (NH-WA)  
 920 KQLO NV Reno  
 2/14 1940 Fair w/ Lcl ads, "Cool Nevada Gold" to call in requests (JW-OR)  
 1080 CKSA AB Lloydminster  
 2/9 1834 CHR Mx, ID, Wx, ad 1842 ID "10-80 CKSA Variety, Always had it, Always will"
- XLNT w/ KWJ nullled. No sign of 'em 1/2 hour later. (NH-WA)  
 1110 KBND OR Bend  
 2/14 1958 Good w/PSA, "Talk Radio AM 1110 Bend" to Nrx. (JW-OR)  
 1130 KRDU CA Dinuba  
 2/13 2000 ID XLNT o/CKWX then AP Nrx (NH-WA)  
 1170 KPUG WA Bellingham  
 2/15 2030 Fair o/KLOK Nrx, call ID to Beatles Mx (JW-OR)  
 1200 WQAI TX San Antonio  
 2/15 2108 Fair "Radio Free Texas" Talk Show Rare hear. (JW-OR)  
 1250 KLLK CA Willits  
 2/8 2000 Good w/Lcl Nrx, Wx Mendocino Cnty, "KLLK Willits-Blue Lake". (JW-OR)  
 1270 KTFI ID Twin Falls  
 2/7 1920 Fair w/ ID, Wx, Lcl ads. Last hrd as KTLK in '81. (JW-OR)  
 1400 KNND OR Cottage Grove  
 2/20 1928 Fair w/ lcl ads, Wx, ID @ 1928. (JW-OR)  
 1440 KODL OR The Dalles  
 2/23 2000 Good w/ OR State U BKB, ID & Nrx (JW-OR)  
 1460 KMWX WA Yakima  
 2/23 2005 Fair w/ Husky BKB (JW-OR)  
 1540 KLAU CA Capitola  
 2/8 2100 Woman w/ ID "Kool Gold, KLAU, Capitola-Monterey-Santa Cruz" Good w/KLSY nullled. (NH-WA)  
 1590 KOGO CA Ventura  
 2/16 1952 ID only in crowd Poor (JW-OR)
- UnID & ID'd UnID's  
 610 UNID  
 2/12 0415 Looped E w/ CNN Nrx. (TH-CO) (Tim, this could be KSKE, Vail. Have noted them w/CNN lately at all hours-ed) (TH-CA)  
 1530 KLRA AR England  
 2/20 0035+ Bird fed C&W; slogan "No Hype, no hoopla, just real people and real Country from 96-5 KLRA" Lot's of "Real Country" slogans Good o/UNID w/Sports final. WCKY off. May not be the first time this got left on AN and could be WH-CO's UNID of Issue 13. (Sure sounds like it! Thanks Chuck! - ed. (CR-ON)
- CONTRIBUTORS!**  
 (CR-ON) Chuck Reh Leamington, ON - R-390A w/ Sanserino Loop  
 (JW-OR) Jack Woods Waldport, OR - ICF-2010, SP-600, Martens Loop  
 (NH-WA) Nancy Hardy Aberdeen, WA - FRG-7, Radio West Loop  
 (RO-AK) Rod O'Connor Kodiak, AK - GE SuperRadio w/4' loop  
 (TH-CA) Tim Hall Chula Vista, CA - ICF-2010, Radio West Loop  
 (WH-CO) Wayne Heinen Aurora, CO - R-390A, 4' NRC loop

73  
Wayne



# International DX Digest

Foreign DX Catches. Times are UTC; for ELT, subtract 5 hours

Only a few loggings this week, but lots of station news, and some comments by Ben Dangertield concerning afternoon IAs. All times UTC (MST + 7).

J.M.

## PAN-AMERICAN

760 COLUMBIA HJAJ, Barranquilla 0650 2/13. Good atop Cuban and 2 unID SSS w/male announcer giving Cadena Nacional IDs and mentions of Colombia; 0704 "R. Cadena Nacional" ID followed by a screaming DJ (my ears are still ringing!). This courtesy of unexpected WJR SP. [RF-DH]

790 CUBA R. Rejo, 0250 2/22. Heard with continuous news, usual ticks, and code "RR" IDs every minute. [JR-NY]

800 MEXICO XEMM, Tijuana BCN 0932 2/14. Totally off tonight (usually OC all night) leaving XEROK and KNKK. [TRH-CA]

900 MEXICO XEW, Mexico DF 0815 2/13. Excellent tonight with ID and slogan "W, La Buena Compania." [TRH-CA]

1050 MEXICO XED, Mexico City BCN 0627 2/14. Totally off all evening, leaving XEG huge even on car radio. [TRH-CA]

1310 MEXICO XEC, Tijuana BCN 0300 2/18. Station has raised power to 1 kW per full ID at top of the hour. Has also resumed using their old "R. Enciso" slogan. "Enciso" is apparently the office/industrial complex from which they broadcast. [TRH-CA]

1580 MEXICO XEDM, Hermosillo 0606 2/14. Periodically surfaced in real pile-up w/SS mx, "XEDM" and "R. Macil" - I think - IDs. [RF]

## TRANS-PACIFIC

738 unID 0951 2/14. Gigantic carrier and het, audio growly and poor at best. [TRH-CA]

## TRANS-ATLANTIC

1557 FRANCE Nice (tent) 0610 12/18. Poor to fair (up to S8) w/FF announcer and mx. Faded out by 0620. [RF-UH]

1593 GERMANY WDR (tent) 0607-0613 2/25. Man and Woman announcers in BG talking between light pop mx selections. Something else

## Jim Renfrew

61 Wilcox Street  
Rochester, NY 14607-3832

may have been under it. Hets noted during next 30 minutes on 1602, 1566, 1557, 1539, and 1404, but 1593 was the only one with audio, and only for eight minutes. [JR-NY]

1611 VATICAN CITY Vatican Radio 0452 2/7. After years of trying, came through w/surprisingly good signal, little to heavy DRM at times. In various languages. Vatican musical IDs heard, etc. DRM, of course, from Anguilla 1610. [HH-MD]

## STATION NEWS

ANGUILLA Dr. Gene Scott's religion program on KVOH 9785 shortwave is also carried on Caribbean Beacon 1610, check between 0400-0800 for parallel program. The program sounds like the audio feed to his TV network. [JR-NY]

AZORES: 1566 is still Asas do Atlantico. "Radio Comercial Azores" is just a program. [ARC/UKVK]

BAHRAIN/BELIZE: VOA 1350 has a 25 kW relay transmitter in EE 2200-0300. Transmitter is from Belize. [Bill Whittaker in WNMN 1/31/UKVK] (Does anyone know if VOA Belize is still operating? A VOA Frequency schedule through March 91, shows VOA on 1530 and 1580. - Jim)

DOMINICAN REPUBLIC: R. Amanecer International 1565, is operated by Seventh Day Adventists, 1000-0400, with 5 kW. [Ejorn Disson/UKVK]

GERMANY: DLF 1575 has started tests for a new European service, 1300-1400. [DX-News, Norway via DXC1606 via mv-eko/UKVK]

ICELAND: The antenna for 207 was damaged during an autumn gale, so temporarily broadcasting to Icelandic fishing boats on 3295, 6218, and 9268 kHz. [R. Netherland Media Network (2/22)]

IRELAND: Atlantic 252 won its court battle to keep its antenna masts [RNMN (1/22)]

LITHUANIA: According to fax from Vilnius, 666 is 150 kW. [BA in UKVK]

NEPAL: R. Nepal noted on new frequency 648 // 684 and 792 kHz. [SCDX2110 via PNN via mv-eko/UKVK]

NICARAGUA: R. Ya 601 address is Frente a la UCA, Managua (Manager Carlos Guadamuz) [TELCOR 19/10 via UKVK]

USSR: A restructuring of programs is underway. M1 will officially be the 1st All-Union program. M3 will be the second program. M2 won't have a number, will just remain "Mayak." M4, the CLA mx program will be R. Orfei (or Orri). The station Radio Rossiya, being "pro-Yeltsin" has been stopped from broadcasting on its most popular frequencies, schedule announced as 0330-0600 on M1, 1100-1300 on Mayak and 1915-2100 on M3. [Communication 1/91 via UKVK]

VENEZUELA: R. Guadalupe (ex-1540) [Contin via Salazar & Monferini/UKVK]

## MORE ON DAYTIME IAs

"Prompted by Mark Connelly's mid-afternoon TA reception, I have checked back on some of my loggings from the years 1963-64-65, those remarkable low sunspot years: 11-23-63 40 IAs heard between 2050 and 2100; 12-28-63 several BBC very strong and clear at 2112; 1-12-64 Morocco and Portugal up between 2030 and 2100; 11-1-64 VOA-1196 very good @ 2100; many IAs like locals by 2130; 11-8-64 many IAs in well 2020-2045; 11-15-64 TA hets @ 2005; VOA-1196

## STATION NEWS

AZORES: RdP 828 new since 10/11, 1 kW, from Monte das Cruzes. [EBU/RB/ARC]

COLUMBIA: HJCS 890 (ex-930) R. Continental. HJCE 930 (ex-890) LV de Bogota. HJSY 1040 R. Super (ex-R. Rejo) now belongs to R. Super network, on the air 09-04 w/15 kW. [PAMPAS/ARC] HJMM 660 R. Uno (ex R. Mundial), HJPL 670 Antena 2 de RCN heard signing on at 1000. [YHG/PAMPAS/ARC]

ECUADOR: HCMJ1 615 (ex 610) Em Gran Colombia heard in November. [YHG/PAMPAS/ARC]

ENGLAND: BBC 3 is likely to lose 1215 outlet to a commercial service in Oct 91, and BBC 1 will vacate 1053/1089 in 1992. [DK/Comm 12-90/ARC]

GERMANY: R. Sachsen-Anhalt 657 0400-1800 (Burg), 1800-0400 (Bernburg). [Comm 12-90/ARC]

HAITI: Numerous Boston stations run Haitian Creole programs on Saturday night. This stuff sounds very Africa (more correctly, Afro-Caribbean). Stations noted with this programming include WROL-950, WEZE-1260, WUNR-1600 and sometimes WRCA-1330. The coastal proximity and directional patterns of these transmitters could likely propagate signals into Europe, Africa and the Caribbean/northeast-coast South

good @ 2048; 12-12-64 IAs coming in from 2115 on; 11-13-65 several; BBC good at 2030; and 12-10-65 C88-9 702 audio @ 1950, BBC 1088 audio @ 2010, BBC 647 audio @ 2030, many IAs @ 2050. Sunset here at those times was between 2140 and 2200. My location here is about 400 miles south and west of eastern MA, so TA receptions would be later. I do recall Gordon Nelson, DXing from Boston during those years, reported early afternoon reception on a number of occasions." [Ben Dangerfield, Wallingford, PA] (At 2150 on 2/22, I had a strong het on 1521 but no audio Jim)

## CONTRIBUTORS

[RF-DH] Rich Frenno, Willoughby OH; Drake #74, JRC NRD-515, LA-36 Loop, LW

[TRH-CA] Jim Hall, Chula Vista CA; Sunny XCF-2010, Radio West Loop

[HH-MD] Hank Holbrook, Dunkirk MD; SP-600 w/50' longwire

[JR-NY] Jim Renfrew, Rochester NY; HQ-150, SM-1

American region. DXing in those regions could be thrown off by this stuff and think it's something considerably more exotic. [MC-MA]

HUNGARY Nyiregyhaza 1251 now w/500 kW. [EBE/ARC]

JAMAICA Independent Radio Company (IRC) has got permission to start a new commercial station on the island. [SDXL/ARC] No mention if the.

MAYOTTE (additional info) Regional nx 1600 M-F, 1630 nx from Paris daily, French-African chart mx other times, France Inter relay after 1920. [Greenway/Kenny in Kenya in Comm. Nov 90 via Dis 14/ARC]

SPAIN New regional service of RNE-1 M-F at 0655-0659 (ex 0605-0809). Also new local service of RNE-5 M-F at 0655-0659. Stations w/no local service will carry RNE-1 regional service. [Molano/PDX 623/ARC] SER Asturias 1026 now here (ex-1521). [HS in DXC1 606/ARC]

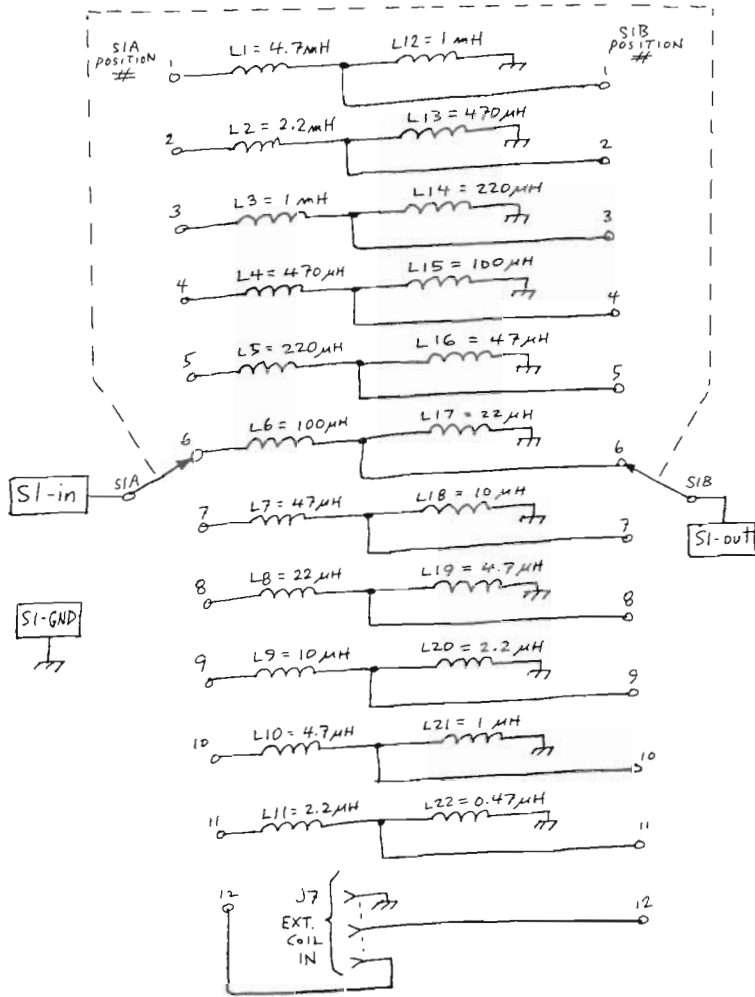
VENEZUELA YVWV 1240 R. Nacional de Venezuela has ceased testing after complaints from stations in the Caribbean. [Rodriguez Lanza to Molano via PDX via UKVK/ARC]

**mv-eko**

Need more information about Medium Wave DX'ing?  
Mail \$1.00 to NRC Publications - P. O. Box 164 - Mannsville, NY 13661-0164, ask for the Reprints Catalog.

(part three ... continued from last issue and concluded this issue)

FIGURE 4 MWT-1 (OPTION 1) SI BANDSWITCH WITH J7 JACK



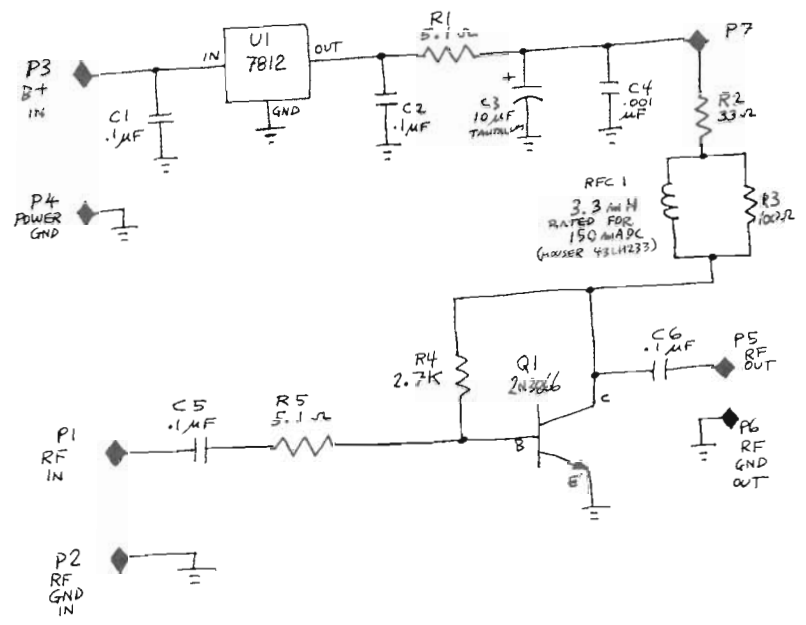
FOR CONNECTIONS, SEE FIGURE 8.  
SWITCH IS MOUSER 10 WR 212, OR EQUIVALENT.  
FOR FREQUENCY RANGES, SEE TABLE 9.

**NRC FM Radio Log, 1991 Edition** **US\$16.95;**  
 Includes listings by frequency, call letters, city/state - with locations, antenna height (in feet), horizontal/vertical power, address, stereo information, formats, networks, and construction permit info. Now over 300 pages, with large, easy-to-read type, and in the popular 3-hole-punched 8.5x11" size. Order from NRC Publications. **to Canada, US\$17.95**

MWT-2  
OPTION 3

FIGURE 5

BBA-C BROADBAND AMPLIFIER CARD : SCHEMATIC  
 FOR CONNECTIONS, SEE FIGURE 8.  
 (COMPONENT DESIGNATIONS ARE INDEPENDENT OF MWT-2 MAIN ASSEMBLY COMPONENTS)



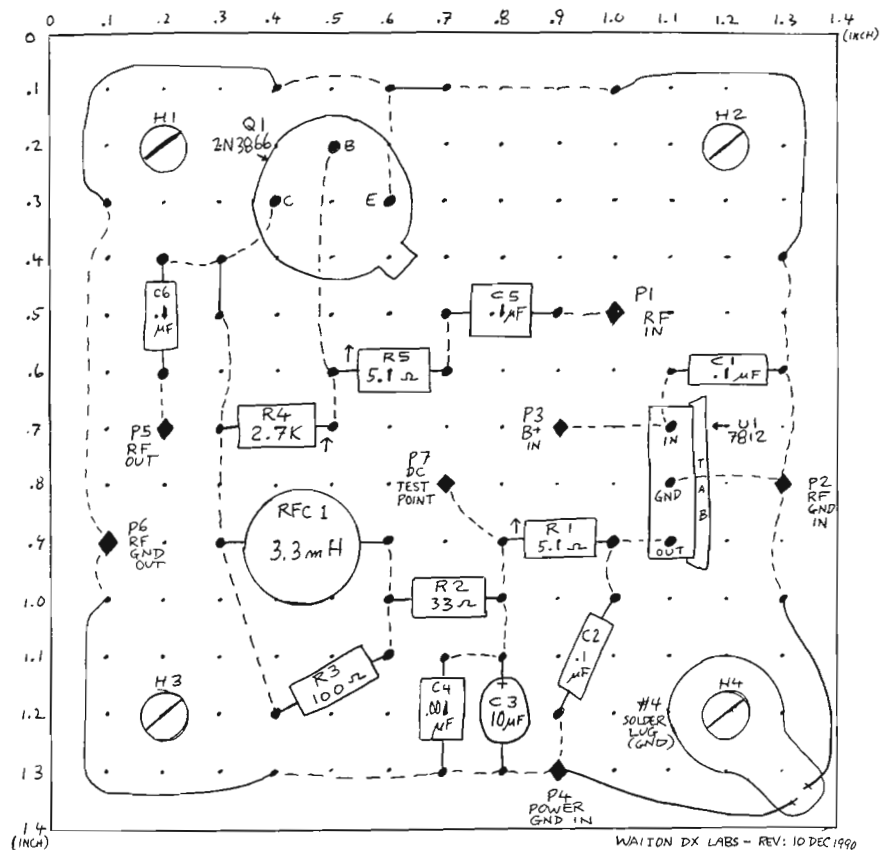
NOTES  
 ⊥ = CIRCUIT BOARD GROUND  
 FOR ASSEMBLY DRAWING, SEE FIGURE 6.  
 FOR PARTS LIST, SEE TABLE 10.  
 THIS IS "A1" OF MWT-2 (OPTION 3).

**IN THE BEGINNING**

BY JOHN D. BOWKER

THIS IS THE COMPLETE LIST OF U. S. BROADCAST STATIONS ON THE INDICATED FREQUENCY AS PUBLISHED BY THE FEDERAL RADIO COMMISSION IN 1934. "S" MEANS SHARED; "SH" MEANS SPECIFIED HOURS; "T" INDICATES TRANSMITTER LOCATION; "D" MEANS DAYTIME OPERATION ONLY; "U" MEANS UNLIMITED TIME.

Frequency (kc)	Call letters	Main studio and transmitter location	Power	Time designation
950, regional	WRC KMBC	Washington, D.C.....	500 w.....	U.
		Kansas City, Mo.....	1 kw.....	U.
	KFWB	T-Kansas City, Kans.	1 kw.....	U.
		Hollywood, Calif.....	1 kw.....	U.
	KGHL	Billings, Mont.....	1 kw.....	} U.
			2½ kw LS	

MWT-2 **FIGURE 6** BBA-C BROADBAND AMPLIFIER CARD: ASSEMBLY**NOTES**

FOR SCHEMATIC: SEE FIGURE 5.

FOR PARTS LIST: SEE TABLE 10.

↑ = LONG-LEAD SIDE OF VERTICALLY-MOUNTED COMPONENT

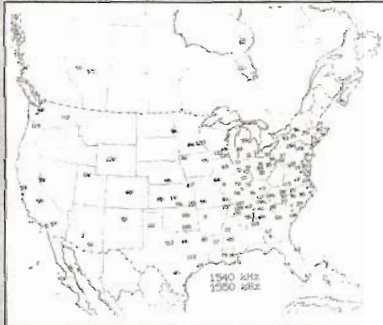
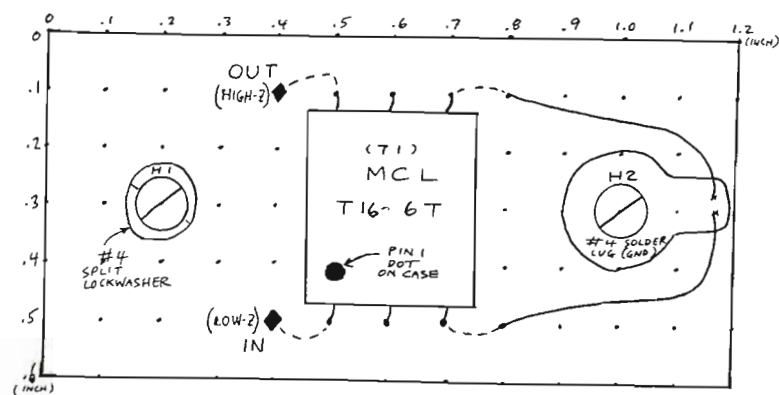
— = BUSS WIRE ON COMPONENT SIDE OF BOARD.

--- = BUSS WIRE ON SOLDER SIDE OF BOARD.

**AM Radio Station Maps**

by Bill Hale

Complements the NRC AM Radio Log  
Large type ... maps show location of  
stations ... easy to keep up-to-date. Only  
\$9.50, NRC members; \$10.50, Canadian  
members, \$11.95, non-members. Over-  
seas customers, please write. Order from  
NRC Publications - Box 164 - Mannsville,  
NY 13661 or use your credit card (VISA/  
MC) and call (608) 423-4159.

**FIGURE 7** IMPEDANCE TRANSFORMER CARD: ASSEMBLY ("TA1" FOR MWT-2 OPTION 4)

NOTES: a) FOR CONNECTIONS, SEE FIGURE 8.

b) SCREWS FOR H1, H2 ARE 4-40 X .25": THESE CONNECT TO 4-40 X .5" SPACERS ON THE BACK OF THE CARD.

c) BOARD IS FABRICATED FROM PERFBORARD WITH .1" X .1" GRID OF .042" HOLES.

d) IN, OUT PINS = MOUSER 574-T42-1/100 OR EQUIV.

e) SOLID LINE = WIRE ON COMPONENT SIDE OF BOARD  
DASHED LINE = WIRE ON SOLDER SIDE OF BOARD

f) MINI-CIRCUITS LABS T36-1 OR TT25-1 MAY BE SUBSTITUTED FOR T16-6T TRANSFORMER

**Contests****George Sherman**104 Pinewood Circle  
Apple Valley, MN 55124-9319

Promotion of the DX hobby through competitive listening.

Contest standings - contests #1 2 3 4 7 8 extended to 4/30/91 so catch up if you can

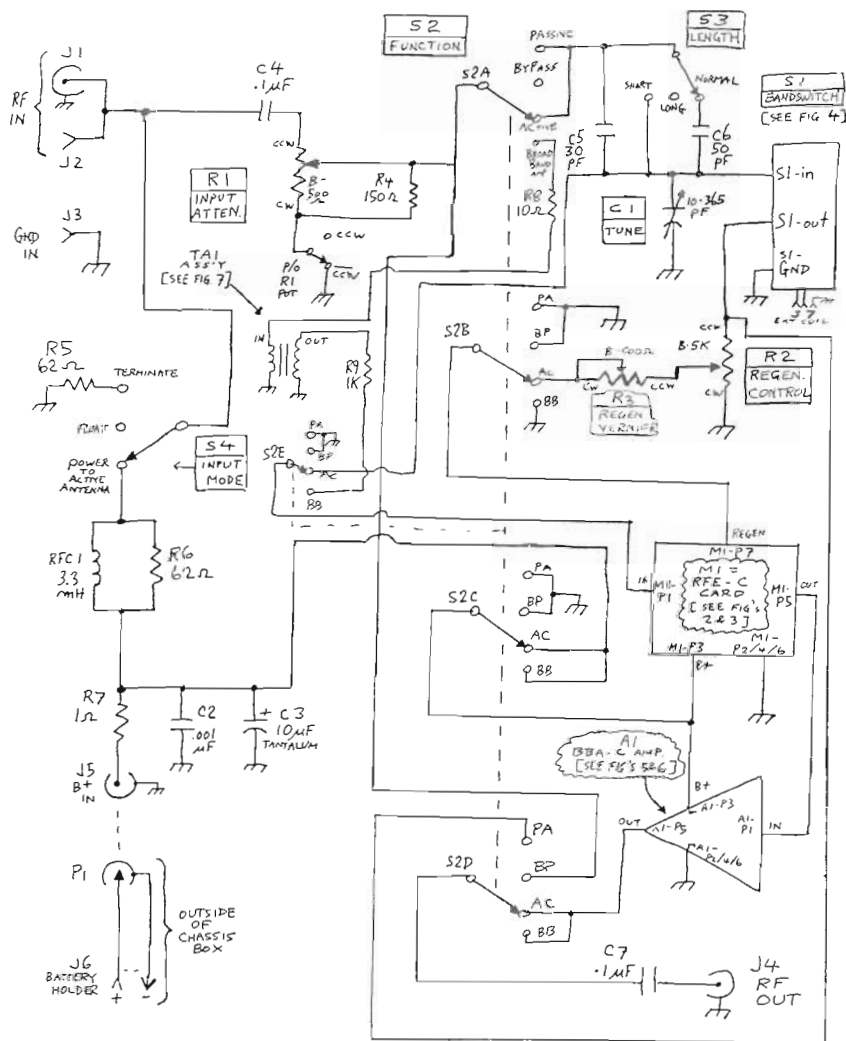
	GTP	C#1	C#2	C#3	C#4	C#5	C#6	C#7	C#8	GY	AS	OP
Mike Hawk, Omaha, NE	4574	1854	1855			353			512	52	Nov	
Nancy Hardy, Aberdeen, WA	2571	1159	240	50	135	172	15	750	36			
Robert Kramer, Chicago, IL	2457	1627		375				400	55	12/31		
Jim Kenfrew, Rochester, NY	1759	1108	200	25				120	306	15		
Dave Hascall, Fortville, IN	1637	969	430	25	50			35	128	8	12/29	
Doug Smith, Nashville, TN	1583	788	655						140	3	2/2	
Doug Smith, Madison, WI	1255	703	130			211	211		50	10		
Bill Hardy, Aberdeen, WA *	1062	462	140			103	135		222	15		
William Moser, Lk Preston, SD	1056								1056			
Robert Vance, Ft. Belvoir, VA	936	831	90					15	4	12/31		
Jonn Tudenham, Joplin, MO	709	577							132	5	12/12	
Ed Janusz NJ contest #9	77	stations heard	10AM-2PM	- only entry								

Bill Hardy, if I got a 2nd report I can't find it, sorry-send w/logs thru 4/30

This report should've been sent to Paul weeks ago, so I'm extending the contests thru 4/30 so there is a better chance to catch up to other contestants. I may need to quit being contest manager as it has been hard for me to find the time for this along with everything else. So, if anyone would like to take over this September, that would be appreciated; I'll have one last report after 4/30.

**FIGURE 8**  
 SYSTEM SCHEMATIC

MWT-2 (WITH OPTIONS 1, 2, 3, 4 4)



# College Sports Networks

**Rick Dau**

 Apt. E-9, 401 Emerald St.  
 Iowa City, IA 52246-3003

Network listings for team sports stations

Hello again, sports fans! You may be wondering why the column hasn't appeared in DX News in a while. Well, that's because my typewriter went on the DL near the end of January, and I haven't been able to type up a column until now.

With the NCAA tournament bearing down on us, here are a few affiliate lists of midwestern teams that you can use to do some "station-searching" when these teams are in action:

IOWA HAWKEYES Jim Zabel, Jerry Strom

800 KXIC-IA	1370 KDTH-IA
950 KOEL-IA	1420 WOC -IA
1040 WHO -IA	1490 KBUR-IA
1150 KCKY-AZ	1570 KQWC-IA
1180 KKAR-NE	1600 KCRG-IA
1240 KICD-IA	
1300 KGLD-IA	103.9 KUOO-IA
1360 KSCJ-IA	

INDIANA HOOSIERS Don Fischer, ??

790 WKY-KY	92.3 WITS-IN
860 WGOM-IN	WGOM-IN
960 WSBT-IN	92.7 WKST-IN
1190 WOMO-IN	94.3 WJNZ-IN
1220 WSLM-IN	WNZE-IN
1230 WTCJ-IN	95.3 WUME-IN
WBOW-IN	95.9 WKUZ-IN
1280 WWOK-IN	96.7 WAXT-IN
1330 WTRE-IN	WCOE-IN
1340 WTRC-IN	WFML-IN
1350 WIOU-IN	97.7 WLQI-IN
1370 WGCL-IN	99.3 WSCH-IN
1420 WIMS-IN	101.7 WENZ-IN
1430 WFXP-IN	102.3 WSAL-IN
1450 WQVW-IN	WCBK-IN
1460 WKAM-IN	WFPC-IN
1490 WRBV-IN	103.9 WRBI-IN
1520 WOOD-IN	WVJY-IN
1550 WCVL-IN	104.7 WITZ-IN
WMDH-IN	104.9 WNNY-IN
WNDI-IN	WAXI-IN
1580 WAMW-IN	105.5 WIFP-IN
1590 WPCO-IN	WQRK-IN
1600 WARU-IN	106.1 WINN-IN
	107.1 WBNL-IN
	107.3 WRSW-IN

KANSAS JAYHAWKS

Bob Davis, Max Falkenstien

730 KLOE-KS	93.5 KLKC-KS
980 KMBZ-MO	KZED-KS
1240 KIUL-KS	93.9 KLLS-KS
1280 KSOK-KS	95.9 KQNS-KS
1290 KWLS-KS	99.1 KYPG-KS
1310 KFLA-KS	99.3 KIKS-KS
1320 KLVN-KS	100.3 KOLS-KS
1370 KIKS-KS	100.7 KHOK-KS
1410 KQAM-KS	101.7 KECS-KS
1420 KJCK-KS	103.1 KNDY-KS
1440 KMAJ-KS	105.9 KLZR-KS
1450 KWBW-KS	107.7 KMAJ-KS
1470 KYUU-KS	
1540 KLKC-KS	
1600 KMDO-KS	

KANSAS STATE WILDCATS

580 WLEW-KS	1490 KRAN-KS
650 KGGF-KS	1510 KANS-KS
730 KLOE-KS	1540 KNGL-KS
860 KKOW-KS	1550 KVPW-KS
990 KRSL-KS	1590 KVGB-KS
1010 KIND-KS	
1050 KBUF-KS	92.5 KQMA-KS
1130 KLEY-KS	93.5 KWME-KS
1150 KSAL-KS	94.5 KSKL-KS
1270 KSCB-KS	95.3 KSNP-KS
1330 RTOD-AR	KNCK-KS
1350 KMAN-KS	95.9 KCAY-KS
1370 KGNO-KS	96.7 KQDF-KS
1390 KCKS-KS	100.9 KCLY-KS
1400 KAYS-KS	101.1 KPNF-KS
KVOE-KS	103.9 KNZA-KS
1420 KJCK-KS	105.5 KQSM-KS
KULY-KS	106.7 KHUQ-KS
1460 KKOY-KS	
1480 KZSN-KS	
KBEA-KS	

Mucho thanks this time around go to the Sports Info office at the University of Iowa, Don Fischer at WFXP in Indianapolis, and NRCer Todd Brandenburg (I'll give you two seconds to figure out which lists HE submitted, hi). Baseball season is now just days away, so perhaps I'll receive some affiliate lists from some of you out in DX-land. Until next time, turn on that radio, sit back, and enjoy the game! 73!

*Rick*

# KPRC RAD

## NewsTalk 950/Houston

 KPRC RADIO COMPANY  
 P O BOX 2222 / HOUSTON, TEXAS 77252

- o NRC AM RADIO LOG
- o 1991 Edition

The 1991 NRC Log contains two cross-reference sections and more station information than ever before. Only \$16.95; Canada \$17.95 to U. S./Canadian NRC Subscribers ONLY. \$19.95 to U. S., Non-NRC Subscriber; \$20.95 Canadian Non-NRC Subscriber. Others - please write.

Mail or Call your order in. Specify your mailing address and number of Logs ordered. Make out check or money order to: NRC. Mail to: NRC Publications - Box 164 - Mannsville, NY 13661 or use your credit card (VISA/MC) and call (608) 423-4159.

### The Broadcaster's Guide to DX

A tri-fold guide for use with reception reports explaining DX'ing, how the NRC was formed, and the importance of QSL's to DX'ers. Versions also available in Spanish and French. US\$1.50 for 20. Available from NRC Publications.