



DX NEWS

*the magazine of the
National Radio Club*

— SINCE 1933 —

VOLUME 51 ISSUE 29 August 28, 1984

Didn't know about WISE-1310 Asheville NC doing some audio tests on Aug 18-20? You should have been in the NRC Flash Alert System!! By the way, if you heard the test write to Terry Sherwin-CE, WISE, 98 Lookout Rd., Asheville, NC 28804. Thanks to John Malicky for this info.

The long awaited World Famous Log Book is finally ready to be handed out to you! After waiting nearly 3 years for this hummer, and having worked on it for the last couple of months, whew! Check out the page 47, to get the details on how to order your copy. The Log Book will be at the P.O. about the time this is in your hands, so, it won't be long now!! Those that haven't ordered the book yet, What are you waiting for!!!! Oh yea, don't forget about.....

NRC CONVENTION REGISTRATION DEADLINE is past!!! If you haven't sent your Forms off yet, you better write or call Wayne real soon, like right now!!! NEW ADDRESS for Wayne: 4131 South Andes Way, Aurora, CO 80013. Phone: 303-699-6335. Don't use the Idalia Circle Address anymore!!

NRC CONVENTION HIGHLIGHT PREVIEWS The NORAD Briefing & Tour of the Aerospace Museum are confirmed. And our Dinner Speaker is Mr. Paul Hale. Mr. Hale heads up a group known as Friends & Listeners of Radio Beijing. Mr. Hale was highlighted in the newspapers and in DXN last year.

RADIO EARTH We had the honor of having Jeff White of Radio Earth here at the NRC HQ. Along with him was Michael Murray Secretary General of the European DX Council. Also in attendance were local DXers of the Milwaukee Area. We enjoyed their knowledge and expertise in the area of Shortwave and on Convention hosting. It seems that Jeff & Mike both enjoyed the tour of the Data Center here at HQ. Thanks for dropping in. Radio Earth can be found nightly on 6.185 MHz 0300-0400z.

The S. Illinois Univ. at Carbondale has written and asked if we would give them some names & address so that those individuals could be contacted to fill out a survey on the hobby of radio listening. If you would like to be a participant in this survey send a postcard stating that fact to us here at HQ, and your name will be forwarded to the appropriate department. Do not write to them directly as a control number, which we have here, has to be on the name prior to them sending you a survey. Thanks go out to te 50+ that have responded so far...now what about the rest of you! It doesn't hurt!

New Tourist Trap has been set up at HQ! Another Wall Drug!?, or maybe Disney World!? No, not really. We did have "Rocky Stone" over here in July. He even let us watch him play at the Waukesha County Fair. Got to meet everyone in the band, including those two cute girls!! Boy, can they sing, all of them! (Hope Mickey isn't mad at us getting you back to the airport a little late. Also hope your Deer spell has finally ended too!) We had fun.

We hope to see many of you at the C. Springs CONVENTION site. Got a question to ask your Editor that would be the time to corner me. Plus bring your ideas, we are always looking for ideas from you. See you there.....

LOOK INSIDE:

- | | | |
|--------------------|-----------------------------------|------------------------------|
| 2....AM SWITCH | 16....Ramblin' Back | 27....WNRCC QSL Items |
| 4....DDXD | 17....Selectivity vs.
Fidelity | 28....FCC News Release |
| 9....IDXD | 18....New Contest Season | 28....New Uses for the QF-1A |
| 11....Top End | 19....Games???? | 31....Musings!(There Back!) |
| 12....Formats | 20....Sum. of Unreported Stns | 46....HAP Page |
| 14....DXChange | 21....MwDX-2A Article | 47....Log Book Order Form |
| 15....Pub Schedule | | 48....NRC Facts & Your Name! |

THE WORLD'S OLDEST AND LARGEST ALL MEDIUM-WAVE DX CLUB

N.A. SPECIALITY - BAND DXER OF THE YEAR MARK CONNELLY

CONGRATS!!!

AM SWITCH

JERRY STARR
C/O WHOT RADIO
401 N. BLAINE AVENUE
YOUNGSTOWN, OHIO 44505

CALL LETTER CHANGES

Old call:	New call:	Old call:	New call:
580 KSAC KS Manhattan	KEXT	1320 KHIT WA Walla Walla	KAFR
710 *New MT Ennis	KHMD	1380 WLRO OH Lorain	WRKG
750 WJRR IN Portage	WNDZ	1420 *New AK Bethel	KSKM
840 KBLC CA Lakeport	KWTR	K000 NE Omaha	KROM
850 WBLP TN Fairview	WPFJ	1430 KARM CA Fresno	KFIG
870 *New TN Colonial Heights	WIVK*	WJMR SC Ridgeland	WBUG
930 WFXI FL Haines City	WTHN	1450 WZRA TN Chattanooga	WMOC
950 WBER SC Moncks Corner	WMCJ	WNWZ VA Highland Springs	WENZ
1050 WDAY MD Silver Spring	WNTR	1470 WFNN FL Dunedin	WWTY
1080 KWAH HI Honolulu	KZHI	WEAG TN Alcoa	WMDR
1110 WNAR PA Norristown	WGHW	1490 KBAB IA Indianola	KXLQ*
1130 KKSJ IA Mount Pleasant	KILJ	WCDO NY Sidney	WSID
1180 WENL GA Trion	WSAF	WMRB SC Greenville	WQOK
WDTB MI Diamondale	WXLA	1550 KQOT WA Ferndale	KNTR
1190 WXT0 PR San Juan	WBMJ*	1600 KLAK CO Lakeland	KRXY
1230 KLRR CO Leadville	KRMH	WJNJ FL Atlantic Beach	WQBR
1250 KTXC TX Port Arthur	KALO		
1290 WWUN MS Batesville	WJBI		

* Colonial Heights above corrects listing of this call on 970 last

issue. WXT0 call application was "set aside" by station request and was never used. Indianola, IA call was incorrectly reported as KXLQ last issue, it is, indeed, KXLQ

APPLICATIONS FOR NEW STATIONS

600 KY Paintsville: 500 D1	1340 GA Mountain City: 1000/250 U1
650 WI Superior: 10000 D1	1360 AK Wasilla: 5000/5000 U1
700 MD Walkersville: 5000 D1	1440 AR Lowell: 1000 D1
720 MS Richland: 5000 D1	1450 CA Buena Vista: 250/250 U1
750 PA Shiremanstown: 5000 D3 *	1460 FL Naples: 500 D3
800 TX Somerset: 1000 D1	PA Tunkhannock: 2500/1000 U4
810 TX LaCoste: 250 D3 *	1490 UT Selina: 1000/250 U1
820 CO Fountain: 1000 D1	1550 NJ Seaside Park: 1000/1000 U4
1000 TX Marion: 1000 D3 *	1570 OR Coburg: 5000 D1
1010 MN Sartell: 500 D1	WA Kelso: 5000 D1
1020 MI Mount Pleasant: 5000 D3	1590 FL Port St. Lucie: 500 D1
1130 PR Guayanilla: 2500 D1	

* marked stations were all reported last issue as D1. All are, in fact, D3

GRANTS FOR NEW STATIONS

830 FL Haileah: 1000/1000 U1
1140 FL Pine Hills: 1000 D1
1180 NE Bellevue: 5000/1000 U4*
1300 UT Nephi: 5000 D1
1540 MI Spring Harbor: 250 D1

*In cross-referencing this new grant we discovered that it was listed under it's application as being in Bellevue, WA. It actually is in NE and was competing with a half-dozen applications for 1180 in Lincoln, NE. These will no doubt be dismissed with this grant.

APPLICATIONS FROM EXISTING FACILITIES

610 WRUS KY Russellville: 5000/5000 U2 (corrects previous listing)
790 WAEB PA Allentown: night power to 5000
950 KFSA AR Fort Smith: day power to 5000
990 WPIK AL Flomaton: to 1090 kHz with 2500 D3
1340 WLEW MI Bad Axe: night power to 1000*
WOYL PA Oil City: night power to 1000*
WSTA VI Charlotte Amalie: day power to 1000
1380 WTOB NC Winston Salem: 5000/2500 U2
1390 KVLA LA Ridgecrest: to Vadalia, LA on 1400 kHz with 1000/250 U1
1430 WGFS GA Covington: power to 5000
1560 WKIQ FL Inverness: add 1000 watts night, U2
1580 WJTX IL Urbana: to 870 kHz 1000 D1
WPGC MD Morningside: eliminate Critical Hours power, run 50000 SR to SS
WCRV NJ Washington: 2500 D3

*In announcing the upcoming wholesale raising of night powers on Class IV stations the FCC stipulated that no application for this power increase was necessary, that it would be a blanket grant to all Class IVs EXCEPT the handful that operate with directional antennas. Those stations must make formal application for the power increase. This is reflected in the WLEW and WOYL applications above.

GRANTS TO EXISTING FACILITIES

550 KAFY CA Bakersfield: changes in antenna system
600 KESR CA Independence: power to 1000
660 KSKY TX Dallas: to Balch Springs, TX with 10000/1000 U2*
760 WURL AL Moody: relocate XR
790 KURM AR Rogers: relocate daytime XR site, make changes in night antenna
870 WHCU NY Ithaca: add 1000 watts night, become U2
870 WIVK TN Colonial Heights: changes in antenna system*
920 WKSD SC Orangeburg: relocate XR, new antenna
980 KCAB AR Dardanelle: power to 5000
990 KRSL KS Russell: taller tower
1010 WKQT LA Garyville: power to 50000/250 U4
1100 WAAS TN Thompson Station: power to 5000, relocate XR
1110 KTEK TX Alvin: changes in antenna system
1120 WKQW PA Oil City: changes in antenna system*
1190 WAVS FL Fort Lauderdale: to 1170 kHz in Davie, FL with 5000/250 U2
1300 WCJL WI Marinette: taller tower
1310 KKAH HI Honolulu: reduce power to 1000/1000 U1*
1340 WKOZ MS Kosciusko: changes in antenna system
WKSJ NY Jamestown: power to 500/250 U1
1390 KJPW MD Waynesville: power to 5000
1440 WRPZ KY Paris: relocate XR
1490 KVOZ TX Laredo: to 890 kHz in Del Mar Hills, TX with 10000/1000 U1*
KEYG WA Grand Coulee: taller tower
1540 KHND ND Harvey: to 1470 kHz with 1000 D1
1570 WFGN SC Gaffney: to 1180 kHz with 2500 D3
1590 WVRT TN Algood: power to 1000
KJET WA Seattle: relocate XR
1600 WKBJ TN Milan: relocate XR

*Notes on above: KSKY-660 corrects last month's listing as U1. WIVK-870, WKQW-1120 and KKAH-1310 are all CPs that are not yet on the air. KVOZ-1490 grant to move to 890 was listed with incorrect powers last issue, those above are correct.

OTHERNESS

700 VA Reston: application for new station returned
750 MO Eldon: application for new station returned
830 FL Sweetwater: application for new station DISMISSED
880 GA Jefferson: The mystery around this grant grows deeper. It was embroiled with three other applications for 880 and adjacent frequencies. There was a great deal of shuffling, trading, buying out of applications and other intrigues. One report had two applications in Jefferson, one for 880, the other for 670. We have now seen "grants" listed by several sources on both 880 and 670 but both to the same applicant name which, of course, cannot be. The mystery surrounding the White Pines, TN situation is interwoven with this whole situation which has now become hopelessly clouded. We will attempt to get the correct information from the FCC directly as soon as we locate the "BP" numbers for all these. In the meanwhile we assume that Jefferson, GA has been granted but we're not certain which frequency. More as it happens.
950 WXLW IN Indianapolis: FCC CANCELLED CP for fulltime
1000 KXRB SC Sioux Falls: application for fulltime returned

Note that the FCC has officially lifted the freeze on new applications for new stations on the clear frequencies. The floodgates are opening. Stand back!

73 and Good DX,

Jerry & BKF
Jerry Starr & Buffalo K. Foonman
See 'all in Colorado Springs!

LAST MINUTE NOTES: ANOTHER MAGAZINE (IRCA) SHOWS OAK HARBOR WA AS BEING ON 1550, HOWEVER WE HAVE CHECKED AND OUR INFORMATION SHOWING IT ON 1110 IS CORRECT.

ALSO A STATION WITHOUT CALL LETTERS IN QUEBEC CITY, QUEBEC, 1000W, IS A TEMPORARY FACILITY BROADCASTING TRAFFIC AND TRANSPORTATION INFORMATION IN QUEBEC CITY FOR THE QUEBEC 1534-1984 FESTIVAL. THE STATION WILL CEASE OPERATION ON SEPTEMBER 30TH 1984. NOT MANY DAYS LEFT TO HEAR IT!!!! (INFO FROM PETE NOLAN RADIOPHILES MAGAZINE)

4 DOMESTIC
DX DIGEST

Here is the official NRC column which is almost as exciting as watching reruns of Marlin Perkins! When sending your items in, please type or neatly write, skip a line between items, EDT, one side of the paper, etc. Without further ado.....

SPECIAL:

- 640 WWLS OK MOORE - 6/20 0055-0101 loud w/CW music, PSA and "640 Country" ID, full s/off stating FCC required they s/off then (likely still using former daytime only s/off!). (DKK-IA) 7/10 2315 w/CW music, mentioned on til 0100, "Oklahoma Country" slogan, U2 CP now on. (BW-OK)
- 670 KWXI AR GLENWOOD - 7/11 0830 "Kwixie Country" slogan, ID into weather, ads, etc., ex-1470. (BW-OK)
- 870 KFPJZ TX FORT WORTH - 7/14 0751 w/ID and Music of Your Life mentions, add, all o/WML, ex-KJIM. (BW-OK)
- 880 KIKR TX CONROE - 7/14 0753 ID barely surfaced behind KRVN w/promo then CW music, ex-900. (BW-OK) 6/24 0317 nicely atop in WCBS null w/KRVN off, pop/CW blend of music, 500 watts nite, ex-900. (DKK-IA)
- 990 KGTM TX WICHITA FALLS - 7/13 1930 noted w/BFL music, "AM 99" slogan and ads, ex-KNIN. (BW-OK)
- 1110 WGHW PA NORRISTOWN - 8/4 1100 noted w/new calls, ex-WNAR, goes w/gospel format, "Gospel Highway 11". (DS-DE)
- 1180 KTUN TX HUMBLE - 7/1 thru 7/4 noted all day w/OC, ID, mention of BT, 60's oldies, located about 50 miles north of here. (CD-TX)
- 1220 KLCO MO BRANSON - 6/23 0810 noted w/ID into real down-home CW music, ex-KBHM. (BW-OK)
- 1230 KYKC SD SIOUX FALLS - 7/18 1307-1310 o/KFJB w/news, ID, slogan is "Kicks" and plays contemporary/pop music. (DKK-IA)
- 1270 WUCO OH MARYSVILLE - Per verie, this is the correct calls on this station, listed last issue as WUTO. (JM-PA)
- 1370 KCEZ MT BUTTE - 6/28 0115 noted w/Satellite music net EZL/MoR format, ID and time check after local ads, bothered by someone else running Talknet (KDH?), ex-KXLF. (DKK-IA)
- WGTC IN BLOOMINGTON - 7/18 2110 good w/PSA and CW music, ex-WTTS. (JM-PA) 7/27 0130 ID, weather, CW music, ex-WTTS. (EB-MO)
- 1380 WRKG OH LORAIN - 7/31 2100 s/off mentions new call w/"adult easy listening program" and "Golden 13 Radio", ex-WLRO. (JM-PA)
- 1480 KLSC SD WATERTOWN - 6/23 2153-2200 nicely atop w/rock music, ads and ID, ex-KSDR. (DKK-IA)

FREQ. CHECKS:

- 3rd MON....KVSH-940 w/TT 0114-0120, ID at end and off. (DKK-IA)
- 3rd TUE....KBRK-1350 w/TT 0225-0240, ID's every 2 1/2 minutes. (DKK-IA)

MIDDAY - MIDNITE:

- 560 CFOS ON OWEN SOUND - 7/9 2037 xlint w/deep fades o/WFIL w/rock music. (HJH-PA)
- 610 CHNC PQ NEW CARLISLE - 7/12 2248 w/French news, talk about presidential campaign, Jesse Jackson, Michael Jackson, time pips, interview. (SP-WI)
- 850 WWJC MN DULUTH - 6/25 2147-2200 in well w/Chapel of the Air, all alone on channel, ID into s/off, to return 0515. (DKK-IA)
- 870 KAAH MO BETHANY - 6/18 1836 fair/good signal daytime considering distance and 250 watts, ID's as "Radio Kan". (DKK-IA) If Radio Kan can, then anyone can? Who said that? Yeech! (DS)
- 980 WPRE WI PRARIE DU CHIEN - 6/27 2137 w/ID "it's a slow evening in Prarie Du Chien" then played disco song, s/off 2145. (DKK-IA) Is that right? Wonder what it's like on a fast night? (DS)
- 1090 KKBB CO AURORA - 6/27 2235-2237 w/big band music way atop KAAH then out abruptly (power change) w/no ID. Again 6/28 2222-2226 wiping out KAAH w/Big Band music, two ID's then more music. (DKK-IA)
- KNWS IA WATERLOO - 6/19 1233-1241 weakly u/KVDB, again 6/21 1241 w/classical music, 1st time noted daytime. (DKK-IA) Heard & verified at sunset back in the 60's! Thought ya got me, bud!(DS)
- 1100 KKLK MO WEBB CITY - 6/18 2135-2145 fair w/religious music and into full s/off. (DKK-IA)
- 1110 WHIM RI PROVIDENCE - 7/2 1953 good w/CW music, ID. (HJH-PA)
- 1170 KSTT IA DAVENPORT - 6/18 2239-2241 thru KVOO w/ads, many ID's. (DKK-IA)
- 1190 KOKK SD HURON - 6/20 1247 dug out from u/KKOJ w/ID, ads, weather and into CW music. (DKK-IA)

WKDZ AM-FM
BARKLEY LAKE BROADCASTING CO., INC.

DAVE SCHMIDT
42 CHELWYNNE RD.
CASTLE HILLS
NEW CASTLE, DE 19720

WFOUN 96AM

KSD/KSD-FM

WISN
1400-96FM

- 1200 KPNW ND WEST FARGO - 6/18 2045 w/ID, weather then religious music, rather poor signal daytime and virtually wiped out by W0AI at night. (DKK-IA) Often 8-9 steady at sunset winters here!
- 1220 WVLE MN STILLWATER - 6/20 2141 thru KJAN w/MYL type music and ID, cut thru and often heard during the next week. (DKK-IA)
- KDDR ND OAKES - 6/23 2229 ending religious program and into full data s/off, poor/fadey w/WGAR, noted again 6/25 2206 much better w/weather and news. (DKK-IA)
- 1230 KYSM MN MANKATO - 6/28 1232 w/ID, dug out daytime from u/KYKC/KFJB, noted w/pop music. (DKK-IA)
- 1260 KDUZ MN HUTCHINSON - 6/21 1256 w/local ads u/KPGQ w/KWYR nulled, pop music then 1/2 hour of news at 1300. (DKK-IA)
- 1270 KLXX ND BISMARCK - 6/25 2345-2355 atop others w/local ads, ID into news and weather, pop music. (DKK-IA)
- 1280 WMRO IL AURORA - 6/23 2137-2142 atop w/local softball game then gone. WGLR WI LANCASTER - 6/23 2140 took o/from WMRO w/ads, "Country Twin Radio" slogan, ID then s/off. (DKK-IA)
- WPXY NY ROCHESTER - 7/12, 7/13 2020-2030 very good w/Contemporary music, '98 PXY' ID, simulcast w/PM, ads, celebrating a "Victory Weekend", 1st time noted on good opening to N.(JM-PA)
- 1290 WCOV WI SPARTA - 6/27 2141 w/CW song then PSA for Olympics into full s/off atop KOIL in their null, vocal SSB. (DKK-IA)
- 1300 KSMN NE McCOOK - 6/21 2200-2205 atop KGLO w/AP news followed by state and local news til s/off, often noted. (DKK-IA)
- KOLY SD MOBRIDGE - 6/21 2219 w/ID 'Country Radio', time check and into local ads, CW music, atop freq. til s/off. (DKK-IA)
- WSYD NC MT AIRY - 7/30 2050 xlint w/ID then anct'd "broadcasting 24 hours, now in compliance w/the FCC, we must change power levels and will return in 15 seconds." (JM-PA)
- WXPX PA W HAZELTON - 7/13 2017-2028 xlint w/some fading, promo for Frankie Sinatra, weather, item for account executive opening at station, s/off w/"Greater Hazelton news and info. authority" 1st time noted. (JM-PA) Wonder if they're back on freq.?(DS)
- 1310 WNIC MI DEARBORN - 7/25 2144+ xlint w/"Detroit's Nicest Rock" ID, ads, promos, music, dual ID as Dearborn-Detroit, "The Nice Guys". (JM-PA) Must be from Mt Kisco? (DS)
- WISE NC ASHEVILLE - 7/24 2118-2135 good w/local ads, contemporary music, 13 WISE ID. (JM-PA) Did you do WJAS in? (DS)
- WTK NC DURHAM - 7/30 2100 good w/fades thru WNIC w/Braves baseball, ID as "No. 1 sports station in the Triangle". (JM-PA)
- WSLW WV WHITE SULPHUR SPRINGS - 7/23 2045 just heard s/off w/owners mentioned and mention of Greenbrier Mountain. (JM-PA)
- WIBA WI MADISON - 7/31 2204 very strong o/WNIC w/baseball. (JM-PA)
- UNID WI 7/30 2050-2053 good w/weather and weather line phone # as 886-8291, CW music w/female anc'r, s/off w/mention of "13 Country UOP", looped south. (JM-PA) I think YOU were looped!
- 1320 WCOG NC GREENSBORO - 7/23 2041 noted w/ID up thru local WJAS. (JM-PA) You have to understand why John is so happy about this catch friends, he lives in one of their tower houses! (DS)
- CPGM ON RICHMOND HILL - 7/23 2048 mixing well w/WJAS w/CW music. (JM-PA) 7/15 2242 w/talk about computers, foot surgery (not both at once!) into religion. (SP-WI)
- 1330 WEAW IL EVANSTON - 7/30, 7/31 2115-2130 peaking very well w/"positively Christian music", ID's as "AM-1330", legal ID in s/off only, sweated this one out. "Evanston-Chicago" ID. (JM-PA)
- WBTM VA DANVILLE - 7/25 2147-2152 faded w/EZL music, local ads, time and temp. check, ID then faded. (JM-PA)
- WOLD VA MARION - 7/23 2045 just noted w/ID in s/off. (JM-PA)
- WHBL WI SHEBOYGAN - 7/25 2115-2130 good w/others w/Brewers baseball, almost positive but no ID heard. (JM-PA)
- UNID KY 7/26 2227 in w/ad and ID as WLOS, looped S, new call? (JM-PA)
- WYGO KY CORBIN - 7/28 2100 good w/quick, no data s/off after ad.(DS-DE)
- 1340 WMID NJ ATLANTIC CITY - 7/5 2200 in w/ID and NBC news. (JM-PA)
- KWLM MN WILMAR - 6/25 2033-2038 w/ID, female anc'r w/news and into pop music, regular daytimes u/KHUB. (DKK-IA)
- KDIO MN ORTONVILLE - 6/20 2206 w/MN and ND weather, local news, CW music then into s/off, in/out w/others. (DKK-IA)
- 1370 WMCD PA CORRY - 7/22 2056 up strong w/rock music then long fades u/WSPD/WXXI, s/off 2258 w/SSB. 7/23 2240 soft rock music w/promo, ID, UPI news, seems strong AFTER pattern change here, signal favors this direction. (JM-PA) Lucky you...yawn!
- WHBE VA MARTINSVILLE - 7/29 2043-2044 good w/weather and full data s/off, CW music, "WE" radio ID, Ch. 6 cablevision. (JM-PA)
- WXXI NY ROCHESTER - 7/20 2100-2300 o/all w/NPR programs, AP news and sports, short speech into Spanish program at 2300. (KG-PA)

WJMG
1300 on your AM dial

1390 WMPO OH MIDDLEPORT - 7/19 2037-2059 peaks to xlt w/Reds baseball, local ads, s/off in mid-game w/mention of FM 92.1 for Music til midnight, mixes w/WFMY/WRSC. (JM-PA)
 WRSC PA STATE COLLEGE - 7/5 2100 mixes w/WFMY w/EZZL music, later "Nightounds", ID as "Lion Country Radio". (JM-PA)
 KMRY IA DES MOINES - 6/18 1255-1300 'Memory Radio' in u/KJAM daytime w/MYL type music, often atop nights w/KKCM/KKOA. (DKK-IA)
 1400 KMHL MN MARSHALL - 6/18 1250-1300 w/Paul Harvey, ID then news, heard daily in KPVD null. (DKK-IA)
 1410 KCLO KS LEAVENWORTH - 6/27 2247 w/local ads, then back to KC Baseball, fair/poor thru WIZM. (DKK-IA)
 KOOQ NE NORTH PLATTE - 6/24 2200-2204 w/news, ID then NE weather, slogan is K-Q and plays CW music. (DKK-IA)
 WHAG MD HALFWAY - 7/8 2047 way atop w/s/off, no SSB, o/WDOV. (DS-DE)
 1420 WACK NY NEWARK - 7/7 2052 in like a ton of bricks w/soft rock and Star Station ID, thought at first was WCOJ, dropped out at pattern change. (HJH-PA) WCOJ never sounded that good! 7/12 1958-2004 in well w/remote from Ontario County fair, Star Station ID, soon faded. (JM-PA)
 WCOJ PA CDATESVILLE - 7/29 2200 cutting thru WHK w/Inspiration Moments and Coatesville-West Chester-Chester County mentions.(JM)
 WIMS IN MICHIGAN CITY - 6/23 2100-2110 cutting thru KTOE w/White Sox baseball. (DKK-IA)
 1430 WVAM PA ALTOONA - 7/18 2000 very good w/CW til 2000, NBC news then Talknet, often heard. (JM-PA)
 1440 WROK IL ROCKFORD - 6/18 2109 w/news and ID, KCHE off, again 6/28 2133 well atop w/local ads. (DKK-IA)
 KQRS MN GOLDEN VALLEY - 6/20 2101 w/ID for Twin Cities, rock oldies music, in thru WGM/KSKX. (DKK-IA)
 WMER ME WESTBROOK - 7/3 2050-2105 way o/all w/Red Sox baseball (must have been on day pattern), ID on the hour and anc'ing location as Westbrook-Portland, "Greater Portlands Red Sox Station".(KG)
 1460 WBUC WV BUCKHANNON - 7/12 2029 very good w/s/off by Jeff Newman.(JM)
 CKRB PQ ST GEORGES DE BEAUCE - 7/28 2101 way atop WCMB w/talk in French then English rock music. (DS-DE)
 1470 WTTR MD WESTMINSTER - 7/1 2055-2105 fair in WSAN's null w/Orioles baseball, ID, are they on fulltime or extended hours to carry games? (KG-PA) Or "forgot to pull the plug" dept.(DS)
 1480 CKAN ON NEWMARKET - 7/12 2359 usually topping channel, good/strong following CW music, "C-Kan Classic", ID into full data s/off to return 0530, GSQ. (JM-PA)
 1490 WMRF PA LEWISTOWN - 7/12 2117 up briefly w/local ad then faded.(JM-PA)
 1510 WDJM MI JACKSON - 7/13 2002 w/oldies, ID u/WAUK. (SP-WI) So they're back on again? (DS)
 1520 WRID PA HOMER CITY - 7/7 2045 way o/WKBW w/s/off giving hours of operation for the month, legal ID at end of s/off, no SSB. Station serves Indiana (PA) area. (DS-DE)
 1550 WUTQ NY UTICA - 7/14 2045 CW music up til s/off. (HJH-PA)
 1580 KTGR MO COLUMBIA - 6/25 2130 w/s/off weakly o/din. (DKK-IA)
 WEY AL TALLADEGA - 7/14 2100 in weak w/long s/off. (HJH-PA)
 WSRF FL PORT LAUDERDALE - 7/14 2041 mostly along w/old rock and Surf 16 ID's, don't usually hear this one in the summer. (HJH-PA)
 1600 WJSA PA JERSEY SHORE - 7/7 2030 making a rare showing here w/ID then s/off, "Christian Radio". (HJH-PA)

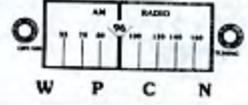
WLIJ 1580 KC.....1000 Watts
 "THE VOICE OF SHELBYVILLE"

MIDNITE - MIDDAY:

550 KUSA MO ST LOUIS - 6/24 0225 atop w/ID, CW music. (DKK-IA)
 580 CKY MB WINNIPEG - 6/26 0156 w/rock music, CST time checks, "58 CKY" ID's, cutting thru WIBW well. Also on 6/28 easily noted w/WIBW daytime at 1425. (DKK-IA)
 600 KSJB ND JAMESTOWN - 6/24 0259 w/ID after CW music, female anc'r, WMT was off. (DKK-IA)
 620 WSUN FL ST PETERSBURG - 6/28 0357-0400 CW music, ID for St Pete's-Tampa on hour then ABC News. (DKK-IA)
 630 CKRC MB WINNIPEG - 6/26 0128-0131 well atop w/pop music, ID, also noted daytime 6/28 1411 w/assumed KDWB w/ID. (DKK-IA)
 660 CFFR AB CALGARY - 6/24 0251 fair w/rock music o/WNBC/Spanish.(DKK-IA)
 680 CJOB MB WINNIPEG - 6/18 0126 u/KPEQ w/local ads and news, Canadian news w/female anc'r, again 6/28 0354 destroying KPEQ and later same day 1305 weakly u/KPEQ. (DKK-IA) Not in SD though!
 800 CHAB SK MOOSE JAW - 6/26 0114-0115 well atop w/ads, ID for Stereo 800 then rock music. (DKK-IA)
 810 CKJS MB WINNIPEG - 6/26 0307-0309 w/rock music, ads, ID, cutting thru KCMO well. (DKK-IA)
 870 *UNID 7/13 0134-0142 very good w/fades nulling WWL, looped SE, w/CW music, rock music then off. (JM-PA)

KTXC 1250 RADIO

890 *WLS IL CHICAGO - 7/16 0320 noted off this AM. (DS-DE) Ditto 0127 completely off. (JM-PA)
 910 KCJB ND MINOT - 6/26 0255 sneaking thru din w/NBC news, local ads, ND news, KPOF somewhat nulled out. (DKK-IA)
 WSBA PA YORK - 7/16 0130 very good w/lost pet report, news, scores, soft rock music, ID w/"Where News Comes First". (JM-PA)
 940 KSWM MO AURORA - 7/14 0822 "Aurora Radio, Just For You" slogan w/ID, promo, ads, and "Breakfast News". (BW-OK) Sounds like the big time stuff department to me! (DS)
 960 KNED NE SCOTTSSBLUFF - 6/24 0109-0113 w/regional weather, MST time check, ID, weak w/KMA off then into pop music, CFAC atop later in AM. (DKK-IA)
 980 WCUB WI TWO RIVERS - 6/26 0029-0030 w/local weather in Larry King break then into news, fair thru mucho din. (DKK-IA)
 KKSS MN RICHFIELD - 6/24 0047-0100 w/time and temp for Twin Cities, MoR/Pop music w/XENR/KMBZ, ID and RKO news, apparently didn't switch calls to KMFY. (DKK-IA) Apparently!
 1060 *KYW PA PHILADELPHIA - 7/15 0127 noted off and on OC. (JM-PA)
 1080 WEEP PA PITTSBURGH - 7/23 0100 noted on OC, sounded like carrier was left on since s/off! (JM-PA) Call Uncle Charley! (DS)
 1090 WBAL MD BALTIMORE - 7/30 0225 poor w/jingle/ID, talk program, KAAV noted off this AM. (EB-MO)
 1110 CKJD ON SARNIA - 7/29 0747 fair/good w/pop/rock music, ad for Bingo Country! (JM-PA) To many cough drops! (DS)
 WBT NC CHARLOTTE - 7/30 0309 ID as AM Stereo 1110, pop music, some splash from KMOX-1120, KPAB was off. (EB-MO)
 1120 WYNO OH NELSONVILLE - 7/29 0729 finally noted fair but loosing to WUST/KMOX w/CW music and ID. (JM-PA)
 WUST DC WASHINGTON - 7/29 065-0708 good w/gospel music and promos for events and singers, ID. (JM-PA)
 1150 WHUE MA BOSTON - 7/2 0118-0232 fairly good in CKOC's null w/BFL music in stereo, local ad, ID's every half hour. (KG-PA)
 WHUN PA HUNTINGTON - 7/29 0639 strong mixing with local WKPA w/MoR music, UPI news, local ads. (JM-PA)
 WELC WV WELCH - 7/30 0638 noted w/ID then faded. (JM-PA)
 1250 *WTAE PA PITTSBURGH - 7/2 0106 noted w/TT, off after 0200. (JM-PA)
 1270 WCBC MD CUMBERLAND - 7/27 good w/local ads, weather, rock music, does he verie? (JM-PA) Only if you put times on the report!
 KSSA TX FORT WORTH - 6/22 0158 atop in Spanish w/'Radio Variedades' ID w/UNID s/off mentioning 5000 watts, WTAL? (DKK-IA)
 1290 WJBR DE WILMINGTON - 7/11 0604-0610 fair at end of local news, big band type music, weather, local ad then faded. (JM-PA)
 WQIN PA LYKENS - 7/20 0548 good w/sports and promo "for the winning combination", ID. (JM-PA)
 WPVA VA PETERSBURG - 7/12 0643 very good w/trivia contest question and big band music. (JM-PA)
 1300 WXPX PA W HAZELTON - 7/11 0643-0653 xlt w/soft rock music, ads, sports, ID's as "13-X". (JM-PA) No rocks are soft to me, they're all hard, especially when your hit in the nose! (DS)
 KBBJ OK TULSA - 6/26 0235 atop briefly w/promo and 3 ID's then MYL type music, ID as "Music That You Love". (DKK-IA) Maybe you might but not me, pal! (DS) (JM-PA)
 1310 WEPD PA BEDFORD - 7/25 0600 fair w/ID, time check into Mutual news.
 WNAE PA WARREN - 7/27 0605-0637 strong but fading w/local ads, rock music, ID's. (JM-PA)
 WMLF IN INDIANAPOLIS - 6/28 0225-0235 w/MYL type music, ads, weather and ID, in null of UNID w/Larry King. (DKK-IA)
 1320 CPGM ON RICHMOND HILL - 7/24 0642 tearing up WJAS w/ad, traffic report on QEW then CW music. (JM-PA)
 1360 KKBK MN BEMIDJI - 6/25 0047-0100 w/CW music, ID, u/KSCJ but cutting thru very well, local ads, MN news, sports, weather and s/off, w/mention of 5000/2500 watts, heard many times since. (DKK-IA)
 1370 WVMR WV FROST - 7/13, 7/20 0601 good at s/on w/full data w/mention of owners. (JM-PA)
 WXXI NY ROCHESTER - 7/23 0007 xlt w/fades w/AP news, "Fanfare for the Common Man" program, America the Beautiful then s/off. (JM-PA)
 1380 *WAMS DE WILMINGTON - 7/16 0310 noted on ET w/TT this AM. (DS-DE)
 KOTA SD RAPID CITY - 6/21 0001 w/ID thru KCIM/KLIZ into local news w/male and female anc'rs. (DKK-IA)
 1400 WINC VA WINCHESTER - 7/6 0244 ID w/woman anc'r w/staying-up-late info, ID and into soft rock type music. (JM-PA)
 1410 WING OH DAYTON - 7/24 0200 fair thru KQV w/ID and ABC news. (JM-PA)
 *WGGM VA CHESTER - 7/24 0200-0211 xlt w/TT and Gospel/religious music w/ID for transmitter ET then off, ripping thru KQV. (JM-PA)



- 1430 WIRE IN INDIANPOLIS - 7/11 0707 good w/local news, ads, CW music, noted most AM's about this time. (JM-PA)
- WENE NY ENDCOOT - 7/12 0559 fair w/ID into ABC news. (JM-PA)
- WCLT OH NEWARK - 7/18 0600 good w/SSB, full data s/on, "Licking County's Info." weather, MoR music, don't laugh on that slogan. (JM-PA) If you say so! (DS)
- WVAM PA ALTOONA - 7/12 0615+ strong at times w/NBC sports, local ads, ID for "All Country WVAM", local news. (JM-PA)
- WJRB TN MADISON - 7/30 0144-0200 strong at times w/ads, weather, CW music, ID's as "KZ Country" but legal ID gives correct call/location for AM and FM (WJKZ). (JM-PA) 7/30 0239 good/poor w/CW music, ads, o/WIRE w/WIL off. (EB-WO)
- 1450 KSIW OK WOODWARD - 7/15 0845 w/weather for NW OK, ID, promo just before being buried by KGFF. (BW-OK)
- 1480 KMEZ TX DALLAS - 6/28 0007 local weather and temp check, then into CW music, noted similar weather at 0107 mixing w/KLMS and UNID w/Music Country Network (KUUX?). (DKK-IA)
- 1530 *WCKY OH CINCINNATI - 7/16 0300 completely off this AM leaving Spanish station and WKBW splash. (DS-DE)
- 1540 WBTC OH UHRICHSVILLE - 7/20 0226 good w/WJLY-1550 splash w/CW music, ID's as "Big Time Country" then weather. (JM-PA)
- 1550 *WTYN NC TRYON - 7/9 0115-0130+ ET w/Pete Fountain and CW music, many ID's and countdowns, fair but fadey signal. (DS-DE)
- 1560 WXTR MD LAPTATA - 7/7 0555 s/on barely noted in weakly w/WQXR null'd then into rock music. (JM-PA)
- 1580 *WLIM NY PATCHOGUE - 7/30 0010 another test. (DS-DE)
- 1600 WUNR MA BROOKLINE - 7/23 0206 noted w/one of the longest full data s/off's noted, full station info then 3 chorus of a vocal SSB ending at 0214 then OC, must be off MM's again? (DS-DE)

DON KASKEY sends along these following UNID's from his IOWA vacation:

- 920 6/18 0142 atop w/Spanish, possibly KYST?
- 1150 6/28 2232-2245 w/CW music, ads, thru WKY/KSAL but faded around 2242 then gone after 2245, likely KIMM, tried to check 6/29 from N PLATTE NE but didn't get thru KSAL there.
- 1440 6/21 0206 w/White Sox baseball, WGEM or WRBA?
- 1580 6/26 thru 6/28 2300-0300 weak station playing pop/R&B music, soft voiced anc'r but never clear enuf to ID, suspect KGAF.

LARRY KING noted 6/17 thru 6/28 0000-0300 on 740, 1310, 1340, 1380, 1480. NBC Talknet noted 6/17 thru 6/28 0000-0300 on 950, 1140, 1320 and 1330. NIGHTSIDE/NIGHTTIME AMERICA noted 6/26 0129 on 1340. MUSIC COUNTRY NETWORK noted 6/17 thru 6/28 0000-0300 on 1360, 1430, 1440 (not KSXX), 1450 and 1480....

ADDRESS INFO:

- 1080 WFIW FL P O DRAWER 5519, Orlando, 32855, per v/l. (JM-PA)
- 1310 WNIC MI Box 1310, Zip 48121, noted 7/25 2011. (JM-PA)
- 1370 WXXI NY 280 State St, (or PO Box 21), 14601 per verie. (KG-PA)
- 1420 WCOJ PA P O Box 1408, per verie. (JM-PA)
- 1460 WWG NY 1850 Winter Road South, 14618. (JM-PA)
- 1540 WPZZ PA P O Box 458, per verie. (KG-PA)
- 1440 WMER ME 583 Warren Ave, Portland ME 04103. (KG-PA)
- 1580 WLIM NY Last address wrong, still is Woodside Ave as in book. (JM-PA)

And that cleans up the works for this report, John Malicky is hearing some very fine stuff. Get the dust and cobwebs cleaned out of your receivers and get ready for another season, it'll be here before you know it. And when you hear something, send it along, we can use just about ANYTHING-hi!

DIAL TWISTERS DEPT.:

- KG-PA/Kermit Geary, Walnutport, PA/HQ180, R392, SM2, LW
- JM-PA/John Malicky, Pittsburgh, PA/Aiwa AR 157
- EB-MO/Eric Bueneman, Hazelwood, MO/DX 200, Superadio, SM2
- SP-WI/Sheryl Paskiewicz, Manitowoc, WI/DX 400, LW
- DKK-IA/Don Kasket, Galva, IA/Patrolman SW 60
- CD-TX/Conrad Durocher, Dickinson, TX/ICF 6500, LW
- BW-OK/Bruce 'The Big Wink' Winkelman, Tulsa, OK/R390A, LW
- HJH-PA/Harry Hayes, Wilkes Barre, PA/HQ180, SM2
- DS-DE/You expected John Wayne?/HQ180A, HQ180AX, SM2, LW (still short,too!)

And now we leave the following space for MIKE KNITTER to tell of his exciting trip to the municipal park in downtown Milwaukee!

KWOS RADIO
217 East McCarty
P.O. Box 478
JEFFERSON CITY, WISCONSIN



73's - Good DX!



INTERNATIONAL DX DIGEST

CHUCK HUTTON
437 HARDENDORF AVE.
ATLANTA, GA 30307

Times are GMT. For ELT subtract 4 hours. Deadlines are usually Monday.

- 558 NORTH SEA Laser 558 noted 5/29 0900 w/ID "International Waters. Laser 558", 0901 rr mx w/David Lee Stone, address given as c/o The Communicator, Box 1892, Grand Central Station, New York, New York 10163, was noted w/a female anncr also, was CHR format, no spots except for a L4 cashiers check only to Music Media, 431 Madison Avenue, New York 10017. Ship is also called "MV Communicator". TC's also given for Britain and Europe, ID's as "Europe's All Hit Radio". Reception poor in north of England due to Ireland-567 GRM. (Vernon)
- I was in Grand Central Station last week and can verify that there is no radio station broadcasting from Box 1892, hi-CH
- 690 ANGUIILLA Caribbean Beacon fair-good // 160 0005 5/27 (K&H)
- 690 COLOMBIA Bogota HJC2 6/3 at 0753 with LV de Bogota ID o/2 other stns. (Connolly)
- 720 JAMAICA well atop WGN w/rowdy Caribbean accented EE man anncr into Caribbean island mx 0518 5/27. Very common after YU pest s/off. (K&H)
- 738 IRELAND R. Nova-Dublin 5/29 0958 rr mx then endless spots, some only 5 seconds, 1000 ID as R. Nova 738 AM, 107.2 FM then Bob Gelaco w/nx, called itself independent news, 1004 Birthday File, more rr mx, xint sig in north of England. (Vernon)
- 740 BRAZIL Salvador 2YH446 fair-good and dominant w/soccer in PP 0105, 0123 5/25. (Kaz)
- 740 VENEZUELA Maracaibo YVNC 6/3 0816 R. Maracaibo Musical ID, just o/mess. (Connolly)
- 750 NICARAGUA Managua 4/29 0312 R. Sandino ID, mixed w/YUKS and USB. (Connolly)
- 750 VENEZUELA Caracas YUKS 6/3 0821 good w/hard dance-rock synth-pop hits atop USB. (Connolly)
- 760 COLOMBIA Barranquilla HJAJ 6/3 0815 dominant with R. Suceso, RCN, La Radio de Colombia network ID's. (Connolly)
- 770 PANAMA Chitre HOL47 well u/WABC w/nx 0414 5/27. Lost to presumed HJ which soon took over as the sub-dominant. Nx was // 1001. (K&H)
- 800 NETHERLANDS ANTILLES Bonaire PJB 0750 6/3 alone with PP pgm. I wonder how much of Brazil is covered by PJB's medium wave signal. No doubt the Azores get a pretty fair signal from PJB at times too. (Connolly) (and Angola and Portuguese Timor and CH)
- 820 COLOMBIA Cali HJED 6/3 0825 SS ads mentioning several Colombian towns. Cuba null'd. (Connolly)
- 820 CUBA Havana 6/3 0824 loud w/"All Night Long" by Lionel Ritchie, then man and woman in SS. No sign of WBAP. Cubans really boom in from about 0700 till dawn. (Connolly) (You should lock your door and not let strangers in at that hour, HI-CH)
- 823v NICARAGUA Managua HTA820 we chased an unid LA here most of the night until SS man cut in through talk of other anncr to ID as "Ondas del Luz" 0650 5/27. Stn plays variety of US and SS mx, and was accompanied by growling sounds like jamming which seemed to be chasing it around from 823-824. If not jamming the station's drifting may have produced the raucous deep growl. Not Radio Peninsula from 825-they ID very frequently. This was xint at times and occasionally stronger than R. Paradise on LW. Not here next night.(K&H)
- 870 ARGENTINA Buenos Aires LRA1 poor-fair w/three pips on 1/2 hour 0430 5/27 and improving to good w/choral mx 0437. WWL looped. (K&H)
- 882 SAUDI ARABIA Damman 12/28 2144 likely this, did have Hindi mx but per Hank Zeck, TWR Sri Lanka his stn not on the air then. (Vernon)
- 936 PIRATE (north of England) R> Atlantis 530 1030 noted w/rr mx w/Steve Bishop, noted on 5/29 0830 and announced "tuning problems", appeared to have power problems on 5/30, noted w/Deutsche Welle service 5/29 at 0500 with program a day old and no Atlantis ID's. Address given and plea for records to address: 150 Rake Lane, Wallasey, Merseyside. Believe this is a land based stn, good signal, s/on seemed irregular, s/off is midnight British Time. (Vernon)
- 940 BRAZIL Rio De Janeiro IYJ453 poor u/weak CBM w/soccer // 740, 880 et al 0120 5/25. (Kaz)
- 963 NORTH SEA R. Caroline noted often and has sponsors, for news it is Newsweek magazine, almost hourly spot for Priority Freight from London to New York, also spot for Jordache Shampoo noted. New address given only as R. Caroline, NY 11518. (Vernon)
- 1000 BRAZIL Sao Paulo ZYK522 to very good peak but mostly poor/fair w/PP talk and usual format of PP romantic mx, helped atop GRM of other LA's by loop 0107-0114 5/27. (K&H)
- 1001 PANAMA very good w/man and woman in SS talk 0325 5/27, still in 0400 and ID as R. Nacional de Panama noted 0405 then into SS nx. During nx 770 Panama was noted as //. Perhaps stn is 5 kw HOK36 on national net. (K&H)

We have another bountiful column this month, with several old pillars of the dial divesting themselves of their calls, formats, or both. Our contributors this month are Eric Bueneman, of Hazelwood, MO, Pete Nolan, from down in Galveston, TX, Dave Schweikart, of Fairfax, VA, David Schmidt, of DDXD fame, listening down in Newcastle, DE, and Ye Editor, while en route to and from Chicago via the Amtrak Broadway Limited and the Lakeshore Limited. The Chicago trip saw a lot of trains, and will give rise to some very interesting Station Profiles, courtesy of a lot of great people. Now, on with the show.....

570	WKYX	KY	Paducah	-	Ad Con, CHR(EB)
610	WDAP	MO	Kansas City	-	CWM (EB)
620	KNGS	CA	Hanford	-	SMN - CWM(PN)
710	WHP	MO	Kansas City	-	AD CON.(EB)
740	WVLN	IL	Olney	-	Oldies(EB)
790	WRMS	IL	Beardstown	-	CWM
800	KREI	MO	Farmington	-	AD CON (EB)
810	WDDD	IL	Johnson City	-	AD CON (EB)
	KCMO	MO	Kansas City	-	Talk(EB)
830	KBOA	MO	Kennett	-	MOR(EB)
850	WJAC	PA	Johnstown	-	CWM, NBC Nc (TF)
900	KPAL	MO	Fulton	-	MOR(EB)
910	KLCN	AR	Blythville	-	AD CON(EB)
	WAKO	IL	Lawrenceville	-	CWM(EB)
920	WGNU	IL	Granite City	-	Talk, EZL(EB)
	WKVA	PA	Lewistown	-	CWM, ID's as "92, celebrating its 35th Anniversary", three tower array is near the Amtrak station (TF).
930	WTAD	IL	Quincy	-	Talk, AD CON(EB)
940	WMIX	IL	MT VERNON	-	AD CON (EB).
950	KLIK	MO	Jefferson City	-	CWM(EB)
960	KGIR	MO	Cape Girardeau	-	MOR (EB)
970	WNAY	IL	Springfield	-	CWM(EB)
980	KSGM	IL	Chester	-	CWM(EB)
990	WCAZ	IL	Carthage	-	CWM(EB)
1000	WCPL	IL	Chicago	-	Contemporary Christian, some wags in the industry call it "Amen 1000".....(TF)
1020	WCIL	IL	Carbondale	-	AD CON (EB)
1050	WDZ	IL	Decatur	-	AD CON (EB)
	WNTR	MD	Silver Spring	-	News and Talk, ex WGAY (PN)
1060	WMGL	IL	McLeansboro	-	CWM(EB)
1070	KHMO	MO	Hannibal	-	CWM(EB)
1080	WNWI	IN	Valparaiso	-	MOR, small studio building and huge tower are next to the Valpo Amtrak station(TF).
1090	WPCV	IN	Port Wayne	-	Religion, Contemporary Christian, still ID's for Port Wayne(TF)
	WCRA	IL	Effingham	-	AD CON(EB)
1110	WNAR	PA	Norristown	-	Has been sold, is now all gospel, ID's as "Gospel Highway 11" and "The Gospel Highway to Heaven", was BPL, and very popular in the Philadelphia western suburbs with its BBD specials (DS) and (TF)...wants new callWGHR for Gospel Highway Radio.
1120	KLIM	CO	Limon	-	New station, with CWM (PN)
1130	WISC	WI	Milwaukee	-	AD CON "Radio 11", RKO Net (TF)
1150	WGGH	IL	Marion	-	Religion (EB)
	WHUE	MA	Boston	-	Will drop BFL, EZL, and go all news with CNN (PN)
1180	WLDS	IL	Jacksonville	-	AD CON, Oldies (EB)
1170	WOBN	NJ	Lakewood	-	CHR, Local News and WX (TF) (Yeah, I am out of sequence!!)
1190	KHAD	MO	DeSoto	-	CWM (EB)
1210	WILY	IL	Centralia	-	AD CON (EB)
1220	KLPW	MO	Union	-	AD CON, CHR (EB)
	WGAR	OH	Cleveland	-	Now is the "All New Cleveland Country, 1220 - WGAR" (DS-VA)
1230	WKHT	CT	Mangchester	-	EX WINF with MYL, now is CWM (PN)
	WJOB	IN	Hammond	-	CHR, MOR "The Calumet News Leader"(TF)
	WCMC	NJ	Wildwood	-	CHR (TF)

And on we go with more formats from metro Kansas City, metro Fort Wayne (while the Broadway Limited poked its way over poor Conrail trackage in Indiana), and from other locations in America's heartland.....

1240	WRTA	PA	Altoona	-	MOR for AM and PM drive, ABC Talknet the rest of the time (DS)
	KPFO	MO	Flat River	-	AD CON (EB)
	WTAX	IL	Springfield	-	AD CON, Talk (EB) (TP)
1250	WGL	IN	Fort Wayne	-	"News Talk 1250, WGL", CNN, ABC Directio
1270	WVCA	IN	Gary	-	Black, Gospel(TF)
1280	KYRO	MO	FOTCSI	-	CWM (EB)
1300	WTAQ	IL	LaGrange	-	Automated BPL, Ezl, A(e) News, ethnic on weekends. Call stands for "Towns Along the Q", referring to the old Chicago, Burlington and Quincy Railroad, now the BBN, which carries 40,000 fares daily from these suburbs..(TF)
	WFRX	IL	West Frankfort	-	MOR (EB)
1340	KXEO	MO	Mexico	-	BBD (EB)
1350	WJBD	IL	Salem	-	CWM (EB)
1370	WXXI	NY	Rochester	-	Ex WRTK, ex WSAY, formerly CWM, now (PN) "Educational"(Is this a new format????)
	WKMC	PA	Roaring Spring	-	"Stardust" Satellite Network, BBD (DS).
1380	WQHK	IN	Fort Wayne	-	CWM (TF)
1390	WLAN	PA	Lancaster	-	Now BBD, CBS Net (DS)
1390	WMZQ	VA	Arlington	-	Ex BBD WEAM, CWM, now, simulcasts with WMZQ-FM, as of 8-1 (DS-VA)
1400	KJCP	MO	Pestus	-	CWM (EB)
	WOND	NJ	Pleasantville	-	CHR, but talk with Pinky Kravitz from 12:30 to 2:00 PM weekdays (TF).
1410	WTIM	IL	Taylorville	-	AD CON (EB)
1420	WMSM	IN	Michigan City	-	CHR, with UPI (TF)
1430	WVAM	PA	Altoona	-	The Voice of the Altoona Mirror features CWM until 8:00 PM, then Talknet, NBC Net
1450	WAFX	IN	Fort Wayne	-	MYL, nostalgia "AM 1450" (TF) (DS)
	WIIN	NJ	Atlantic City	-	All news, ABC Talk Radio at Night (TF)
	WPTR	VA	Front Royal	-	AD CON days, Talknet nights, simulcasts with FM (DS-VA)
1490	WQVA	VA	Culpepper	-	AD CON, RKO Net (DS-VA)
1490	WOLF	NY	Syracuse	-	CHR, simulcasts with FM "95-X" (TF)
	WUSS	NJ	Atlantic City	-	Black programming, some Spanish (TF)
1520	WTRI	MD	Brunswick	-	"1520 Country WTRI" (DS-VA)
1530	KPOR	MO	Bowling Green	-	CWM (EB)
1540	WSMI	IL	Litchfield	-	AD CON (EB)
	WPGR	PA	Philadelphia	-	"Philly Oldies", lots of 1960's hits by local artists, "Philadelphia Gold Radio" (DS)
1550	WJIL	IL	Jacksonville	-	CWM (EB)
	KEWI	MO	Cape Girardeau	-	CWM (EB)
1560	KTUI	MO	Sullivan	-	CWM (EB)
1570	WBEE	IL	Harvey	-	Black programming, Jazz (TF)
1580	WPUV	VA	Pulaski	-	CWM, simulcasts with WPSK, ID's as "PSK-107" or "PSK-PUV" (DS-VA)
1600	WKZK	SC	North Augusta	-	Drops AD CON for REL/Gospel (PN).

And this is the latest-keep sending in the format changes....remember, when WQXR goes CHR, or WEZ changes to a Portuguese format, your fellow NRC members want to know about it....a good turnout this time. All for now... and get some profiles in, too....OH, forgot one...

1490	WBMX	IL	Oak Park-	-	Ex WOPA, now all Black programming, with their FM, WBMX..call stands for Black Music Experience..the studios, offices, transmitter, and 185 foot self supported tower are atop the Oak Park Arms, a five story, former luxury Hotel in this near suburb to Chicago..the hotel is now a retirement home....station drops its Ethic and Spanish programming (TF).
------	------	----	-----------	---	---

All for now....good DX as we gear up for the fall!!

783
Tony

Greetings again. Unfortunately, I simply blew the deadline for getting this to HQ, therefore, I held up a bit longer to get more stuff in, which actually happened! Next deadline will be announced by HQ, but will probably be late September or early October. Onward!

FOR SALE - RECEIVERS

NATIONAL NC-183D general coverage rx, from Carleton Lord's collection, .54-30MHz in 4 bands plus 47-54 mHz. In nearly mint cx w/matching spkr and manual. Serviced and aligned by Steve Bohac in late '81, 17 tubes, orig. \$500 in late 1950's. Seems almost on a par with HQ-150 or 160. \$225 plus shipping. (Dick Truax, 3003 Gleeson Lane, Jeffersonton, KY 40299; (502)-491-2871 even, weekends)

HALLICRAFTERS SX-62 general coverage rx tunes .54-108MHz continuous! A good unit in exc. physical and operating cx. W/spkr. A good 2nd rx for frequencies above 30MHz. Also from Carleton Lord collection. \$100 plus shipping (Truax)

DRAKE R-7 general coverage rx, tunes 10 kHz. - 30 mHz continuous with 4, 2.3 kHz, and 300 Hz. filters, NB-7A noise blanker. In mint cx w/ manual. I've used it very little. \$800 includes UPS anywhere in US. (Truax)

REALISTIC DX-302; exc. cx, UPS shipping incl. for \$200. (paul Stephan, 15 Manor Rd., Old Greenwich, CT 06870 ; (203)-637-7789)

FOR SALE - ACCESSORIES

CV-591/URR Sideband Converter, companion device to R390A. Complete with silver military connectors and copy of manual. Plugs directly into R390A, no modifications necessary. 13 tubes. Exc. cx. Highest bid over \$90 plus shipping; prefer pickup. (Tom Farmerie, 62 Sunrise Ave., Grafton, MA 01519)

FOR TRADE - MAGAZINES

Have assorted duplicate issues of RADEX, wish to trade only to fill in gaps in my own RADEX collection. Send list of what you have and what you need. Would also consider trade for other pre-WW II DX publications. (Farmerie)

WANTED - ANTENNAS

MFJ-1020 active indoor antenna. (John Herman, Box 171, Vinita, OK; call collect (918)-256-3575 after 5 pm CLT. Leave message and number if not there)

WANTED - RECEIVERS

SONY ICF55W in good cx. (B. Haworth, 8 Cousins Dr., Aurora, Ontario, Canada; L4G 1B3)

HALLICRAFTERS SX-122 in great shape. (Peter Pompe, 38 Val du Prince, B-1950 Kraainem, Belgium)

WANTED - MISCELLANEOUS

1940 Broadcast Station Frequency List. (Bill Cooley, 1240 Salem Ave., Hagerstown, MD)

Well, that's it for this time - 73's de RJE *RJE*

NEW ADDRESS FOR WAYNE HEINEN

4131 South Andes Way
Aurora, CO 80013

Law & Regulation

What to do with additional AM space?

Comments to FCC suggest plans for new allocations in 1605-1705 kHz; among ideas: full-time service, daytime service, some slots for noncommercial use, preference for minorities

What should the FCC be keeping in mind as it prepares for the International Telecommunication Union administrative radio conference for planning broadcasting in the 1605-1705 kHz band?

In comments at the FCC last week responding to a notice of inquiry (BROADCASTING, May 14), the National Association of Broadcasters said the commission should give "primary consideration" to using that band for resolving incompatibilities that have developed among existing and proposed AM radio stations. "It is our view that, where such incompatibilities exist, these new channels should be used to afford foreign nations opportunities to provide service while 'freeing up' for United States operations, those frequencies where conflicts currently exist," the NAB said. "Also, it may be that the commission would consider reservation of at least a portion of these channels for noncommercial use."

NAB also said broadcast stations assigned to the new frequencies should have reasonable guarantees of providing effective, interference-free service day and night. It said it agreed with the commission's initial assessment that higher power is needed at 1605-1705 kHz to provide effective groundwave coverage.

The NAB also recommended that the FCC establish nighttime protection requirements to provide for the "most reliable" service possible. "That is, we oppose the use of the Class IV model as the pattern for AM operation on the expanded band," said the NAB. "We recommend that the commission utilize the 'RSS' method, as described in Section 73.182(o) of its rules, for calculating night limits and protection requirements. This approach will offer an appropriate balance between substantial protection of nighttime service and the lack of protection that otherwise might result were the commission to use the Class IV model for operation on the expanded AM band. The commission, we believe, also should impose a 'ceiling' on the received night limits of stations which may be allocated on the expanded portion of the band."

The NAB further urged that the existing Advisory Committee on Radio Broadcasting provide recommendations and guidance on the matters contained in the FCC notice.

In addition, NAB said that if the commission should determine that there is a true need for travelers information service, "then an appropriate reservation should be made for domestic use with, if necessary, provi-

sion for international clearance."

The National Radio Broadcasters Association urged the FCC to concentrate, at this stage of the game, on allocations questions, not technical issues. "It is expected that, in order to stimulate service in the extended band, the receivers to be used to cover the extended spectrum will not differ materially from those in use to cover the current broadcast band," the NRBA said. "Therefore, the technical standards to be applied to the expanded band should, for the most part, be similar to the technical standards applied to the current band. Consequently, the commission does not need to dwell upon these matters."

On the topic of allocations, however, the NRBA urged the FCC to give attention to the resolution of incompatibilities in the 535-1605 kHz band. "The 'incompatible' assignments are those assignments which (1) cannot be utilized because stations operating thereon would cause or receive unacceptable interference or (2) are being utilized by stations which are suffering severe interference problems. A large number of existing stations in the United States fall within the latter category," NRBA said. "To resolve this problem, the commission should consider reserving the spectrum from 1605-1705 kHz for the realization of as many of these incompatible assignments as possible," said NRBA.

The Corporation for Public Broadcasting urged the FCC to include in its plans a commitment to provide for public radio service. "Reservation of a portion of these new AM channels will be necessary to insure their equitable and effective use for noncommercial educational purposes," CPB said. "CPB therefore urges the commission to include in its plans for use of the new AM channels the eventual reservation of channels in specified locations for Class III stations up to 5 kw with protected contours, based on unlimited-time operation, using omnidirectional antennas, to provide noncommercial educational broadcast service," CPB said.

"Reservation of channels is essential to the development of such Class III public radio stations. Reservation insures not only that a channel is available for public radio service, but that the public radio station may be built with an omnidirectional antenna, even after the construction of other stations on the same or adjacent channels. Use of omnidirectional antennas would be necessary for public radio stations because of the prohibitive expense of constructing and maintaining Class III stations with directional antennas."

The National Black Media Coalition urged the FCC to insure the greatest possible benefit to black consumers and the nation. "Historically, blacks and other minorities

have had to purchase stations others obtained free in order to enter the broadcasting industry," NBMC said. "This proceeding represents a rare opportunity for minorities to obtain stations the same way they were obtained by nonminorities."

The consulting engineering firm of du Treil-Rackley recommended that a new class of station be established to operate with extended daytime hours on the 1605-1705 kHz frequencies, along with one or more Class I-B stations. It envisioned that this new class of station would operate year-round from 6 a.m. until 7 p.m. During daytime hours, the stations would operate with a maximum power of 5 kw; during non-daytime hours, power would be limited to 1 kw. "This proposed operation would mimic the operation of existing Class IV stations, except that the sign-on and sign-off times would be uniform throughout the year and the power would be slightly higher to compensate for propagation characteristics of the relatively high frequencies," the firm said.

The firm also said that one or more Class I-B stations, with maximum power of 50 kw day and night, should be permitted on each of the new frequencies. The nighttime skywave service areas of the Class I-B stations would be protected from interference to the same extent they are under current rules. "During daytime hours, Class I-B stations would be provided protection from interference as are Class II stations under the present rules," the firm said.

"The primary reason for the suggested use of the new frequencies during nighttime hours by I-B stations is spectrum efficiency," the firm said. "For example, if the new frequencies were treated as the existing Class IV channels, we can assume that somewhat less than 400 stations could be established, each with a nighttime interference-free service radius of approximately four miles. The estimated 50 square miles of coverage by each station would, in total, cover an area of about 20,000 square miles."

"On the other hand, a single Class I-B station operating with 50 kw and directional antenna is estimated to provide skywave service to over 800,000 square miles. This additional skywave signal could provide service to large areas which are unserved or underserved. [The new class of station it recommends] would terminate operation in the evening at the point where their audience is insignificant due to various other audience interests, such as television, sporting events, etc."

Also last week, Robert Powers, FCC chief scientist, denied a petition by the Association of Federal Communications Consulting Engineers seeking an extension of the comments deadline. Reply comments are due July 20. □

Broadcasting July 9, 1984

62

PUBLISHING SCHEDULE FOR VOLUME 51:

ISSUE	MASTHEAD DATE	PUB SESSION DATE	14	15	16	17	18	19	20	21	22	23	24	25	26	27	28	29	30
1	October 8, 1984	September 30, 1984	January 14	January 21	January 28	February 4	February 11	February 18	February 25	March 4	March 11	March 18	March 25	April 1	April 8	April 15	April 22	April 29	May 6
2	October 15	October 7	January 13	January 20	January 27	February 3	February 10	February 17	February 24	March 3	March 10	March 17	March 24	April 7	April 14	April 21	April 28	May 5	May 12
3	October 22	October 14	January 13	January 20	January 27	February 3	February 10	February 17	February 24	March 3	March 10	March 17	March 24	April 7	April 14	April 21	April 28	May 5	May 12
4	October 29	October 21	January 13	January 20	January 27	February 3	February 10	February 17	February 24	March 3	March 10	March 17	March 24	April 7	April 14	April 21	April 28	May 5	May 12
5	November 5	October 28	January 13	January 20	January 27	February 3	February 10	February 17	February 24	March 3	March 10	March 17	March 24	April 7	April 14	April 21	April 28	May 5	May 12
6	November 12	November 4	January 13	January 20	January 27	February 3	February 10	February 17	February 24	March 3	March 10	March 17	March 24	April 7	April 14	April 21	April 28	May 5	May 12
7	November 19	November 11	January 13	January 20	January 27	February 3	February 10	February 17	February 24	March 3	March 10	March 17	March 24	April 7	April 14	April 21	April 28	May 5	May 12
8	November 26	November 18	January 13	January 20	January 27	February 3	February 10	February 17	February 24	March 3	March 10	March 17	March 24	April 7	April 14	April 21	April 28	May 5	May 12
9	December 3	November 25	January 13	January 20	January 27	February 3	February 10	February 17	February 24	March 3	March 10	March 17	March 24	April 7	April 14	April 21	April 28	May 5	May 12
10	December 10	December 2	January 13	January 20	January 27	February 3	February 10	February 17	February 24	March 3	March 10	March 17	March 24	April 7	April 14	April 21	April 28	May 5	May 12
11	December 17	December 9	January 13	January 20	January 27	February 3	February 10	February 17	February 24	March 3	March 10	March 17	March 24	April 7	April 14	April 21	April 28	May 5	May 12
12	December 31	December 23	January 13	January 20	January 27	February 3	February 10	February 17	February 24	March 3	March 10	March 17	March 24	April 7	April 14	April 21	April 28	May 5	May 12
13	January 7, 1985	December 30	January 13	January 20	January 27	February 3	February 10	February 17	February 24	March 3	March 10	March 17	March 24	April 7	April 14	April 21	April 28	May 5	May 12

NORTH AMERICAN BROADCASTING SYSTEM

John C. Kalmbach, Buffalo, New York, writes that a new radio network has been formed, known as The North American Broadcasting System, which includes the following stations:

WHAD	Milwaukee	1120	250 w
WCLD	Janesville	1200	100
WHBY	Greenbay	1200	100
WQMT	Manitowac	1210	100
WIBU	Poynette	1210	100
WRHM	Minneapolis	1250	1000
WTAD	Eau Claire	1330	1000
WKBH	LaCrosse	1380	100
WHBL	Sheboygan	1410	500

BRAZILIAN DX REPORT

by Louis Rogers Gray, Rio de Janeiro

FREQ	CALL	REMARKS
660	WEAF	NEW YORK
675	LS4	BUENOS AIRES (TELEFUNKEN)
700	WLW	CINCINNATI
710	WOR	NEW YORK
750	PRA2	RADIO SDC DE RIO DE JANEIRO
760	WJZ	NEW YORK
820	PRA6	RADIO EDUCADORA PAULISTA
830	LR5	RADIO EXCELSIOR
855	PRB7	RADIO EDUCADORA DO BRASIL
870	PRA3	RADIO CLUB DO BRASIL
890	PRB4	SAO PAULO
930	LR2	RADIO PRIETO
935	PRD2	RADIO CRUSIERO DO SUL
960	LR3	RADIO NACIONAL
970	PRC6	RADIO PHILIPPS
990	LR4	RADIO SPLENDID
1000	WOC	DES MOINES, IA
1010	PRB9	RADIO SOCIEDADE RECORD
1030	LR9	RADIO FELIX
1050	PRC8	RADIO GUANABARA
1050	CP4	LA PAZ, BOLIVIA
1055	CX26	MONTEVIDEO, URUGUAY
1140	PRA9	RADIO SOCIEDADE MAYRINK VEIGA
1080	LS3	RADIO MAYA
1090	PRC7	A VOZ DE MINAS
1150	PRB2	RADIO SOCIEDADE PARANANAENSE
1160	PRB6	SOCIEDADE RIO RADIO CRUZEIRO DO SUL
1170	PRA7	RIBEIRAO PRETO, SAN PAULO
1250	LS8	RADIO SARMIENTO
1260	LS9	LA VOZ DEL AIRE
1310	PRA5	RADIO SOCIEDADE DO RIBEIRAO PRETO
1370	PRD5	MINISTERIO DE EDUCACAO
1380	PRD7	RADIO PETROPOLITANA

by Neal A. Perdue

One of the most needlessly stressed qualities of a receiver, for the Domestic BCB DX'er, in various articles, muses and other sources of radio information is selectivity. Many articles or muses say that selectivity is "good", or "better than my old -----". I never see any mention of FIDELITY, and you cannot have both, simultaneously.

What is SELECTIVITY, and why is it desirable? Selectivity is simply the ability of the receiver to reject unwanted stations on adjacent frequencies. It is usually given in "KHz at -6db, and from there it gets complicated. The -6db is very near the top of the selectivity curve and is virtually meaningless until the standard number of KHz at -60db is known. These two numbers determine the "skirts" or Shape Factor of the selectivity and are very important. The relativity of these numbers and a good definition can be found in any good electronics handbook. I wish to discuss the aspects of selectivity which seldom if ever hit print, as I said, for the DOMESTIC BCB DX'er. Also, a few sneaky tricks being played on the public by electronics manufacturers. One is to give selectivity as +/- 3 KHz at -6db. This transforms to 6 KHz! Another is to give the second number of KHz a -50db instead of at -60db. It is undoubtedly much higher at -60db, or they wouldn't try to cover it up that way, a -60db has always been the standard for the 2nd number, to determine the true shape factor. For instance, a good Communications receiver, say vintage Drake, Halicrafters, or Hammarlund might have a single-sideband filter of about 2.5 KHz at -6db and 7.5 KHz at -60db, or 2.0 KHz at -6db and 6.0 KHz at -60db. Both of these filters have the same shape factor: 3:1. This shape factor used to be pretty much the standard on these rigs and was a pretty good compromise between true selectivity and fidelity. The 2 KHz filter on the Collin R-398A (their famous mechanical filter) boasts a shape factor of 1.2:1 at -60db. That is TIGHT! Tight selectivity like that is needed for communications work.

FIDELITY: Is generally referred to as the ACCURACY with which a system REPRODUCES the output of its essential characteristics. So, now we are at the crossroads. How do we get the "full" sound (Fidelity) that BCB station is transmitting, and the wide range of frequencies THAT OPEN ENABLE US TO COPY A MAN'S AND WOMAN'S VOICE WHEN TWO STATIONS ARE ON THE SAME FREQUENCY, and still get SELECTIVITY? ANSWER: There is no way! To get one is to sacrifice the other. WHAT DO WE NEED, THEN? ANSWER: We need a compromise.

I have been fortunate enough to own just about everything from the Rolls Royce of receivers, the R-398A, down to some that could only be described as "Junk". The ideal selectivity, with little sacrifice of fidelity, on Domestic BCB DX'ing is 5 KHz at -6db and 15 KHz at -60 db. Many of the old tube-type receivers have selectivity options meeting these specs, as well as some of the newer models.

SPLATTER & SELECTIVITY: Many DXers think that when a strong station "splatters" over into the next station on each side, spaced 10 KHz away, using a tighter filter would reduce or eliminate the "Pest". This is rarely true, unless you're comparing a very cheap rx with a high-priced one. On all the receivers here, if I have a station splattering from 10 KHz away on the 5 KHz filter, he'll still be splattering on the 1 or 2 KHz filters. For this reason, and the previously mentioned importance of fidelity, I feel that "Tight selectivity" is often overemphasized as a good quality of a rx whose primary use is to be on a band where stations are spaced 10 KHz apart.

FCC Stands By Call Sign Deregulation

Last fall's virtual elimination of call sign regulations has withstood a challenge from NAB and NRBA. Their petitions for partial reconsideration were dismissed by the FCC.

Their prime objection was to the Commission's decision to quit resolving call sign disputes among stations, forcing stations to turn to the courts for relief. Large-scale confusion is unlikely, said the FCC, because only 10% of call sign changes draw objections, and only 10% of those protests are sustained.

Letting local courts handle call sign fights leads to "a more comprehensive determination" because all relevant local factors can be considered, according to the Commission. It also dismissed as "speculative" NRBA's argument that ratings distortion will result from the ability of stations to immediately pick up relinquished call signs.

FCC Fines Two Honolulu Stations

In unrelated cases, the FCC has fined KCCN/Honolulu and KISA/Honolulu \$2000 each. Both stations were hit for failing to respond to official inquiries from the Commission, while KISA was accused also of an improper emission on 1600 kHz.

In the other actions, WDAY/Fargo, ND was fined \$1000 for power, logging and meter violations; KSTN(FM)/Stockton, CA was fined \$1500 for remote metering and modulation violations; and WRAN/Dover, NJ was fined \$1300 for failing to make antenna proof of performance measurements and other equipment performance tests. The Commission refused to rescind a \$1000 fine against KCRX/Rosewell, NM for failure to respond to official FCC inquiries.

Applications Freeze Lifted On 25 Class I-A Clear Channels

On Tuesday (7-17) the FCC lifted the freeze, in effect since February 1982, on applications for new AMs on 25 Class I-A clear channels. The freeze was imposed to allow the United States and Canada to work out incompatibilities among stations proposed on the channels at the 1981 Region 2 AM conference in Rio de Janeiro.

The Commission is now prepared to accept applications for stations on the following frequencies: 640, 650, 660, 670, 700, 720, 750, 760, 770, 780, 820, 830, 840, 870, 880, 890, 1020, 1030, 1040, 1100, 1120, 1160, 1180, 1200, and 1210 kHz.

A freeze remains in effect on the six Canadian clear channels: 690, 740, 860, 990, 1010, and 1580 kHz.

1984-85 CONTEST RULES

I. General Rules

- Dates: 0000 9/1/84 to 2359 5/31/85.
- Entry fee: \$1 to help defray contest costs.
- All entries must be updated every 45 days. Any contest entry over 60 days old will be discarded.
- When reporting loggings, please include the call letters & location of the station, frequency, date & time logged. There is no need to include program details.

II. Scoring

- Each DXer is to make a list of 25 most wanted stations (they must be domestic) and send it to the contest manager. All of these stations must be unheard. For each of these stations heard during the contest period: 25 points.
- Each DXer is to create an "honorable mention" most wanted list of 15 stations. Again, none of these can be previously logged. For each of these heard during the contest period: 15 points.
- The contest manager will assign 25 target stations for each contestant. These target stations will be somewhat difficult to hear, but will be possible in your area. Target stations may be relogs. For each target station heard during the contest period: 10 points.
- The contest manager will assign 10 auxiliary target stations. These will not be as difficult as the 25 target stations. These may be reheard. For each of these logged during the contest period: 5 points.
- States and provinces
 - For each state and province logged, 1 point.
 - 3 points for a 2nd station from each state and province provided that 38 states and 5 provinces are heard (subject to local handicap).
 - 5 points for a 3rd station from each state & province provided that 42 states and 6 provinces are heard (subject to handicaps)
 - 7 points for a 4th station from each state & province provided that 150 points are logged at level 3 (including handicap points)
 - 10 points for a 5th station from each state & province logged, provided that 210 points at level 4 are reached (including handicap points).
 - For DXers reaching levels 4 & 5 in areas with handicaps, add your points for the states heard plus the handicap points you would get for that level. When you reach 150 or 210 (depending on the level) you are eligible to proceed to the next level.

III. Handicaps

Just as last season, DXers living in certain areas of the country will receive both point handicaps in the form of multipliers (not to exceed 1.25) and in states & provinces needed to reach higher levels. Handicap multipliers apply only to states & province loggings. These are designed to equalize the contest so that those living on the coasts or deep south have the same chance in the states & province levels as those in the midwest. This year, the handicaps will be created for the individual DXer, unlike last year's large area handicaps. The handicap will be based upon the logability of states in your area. DXers in the western areas will receive the maximum or close to it. East coasters will get about $\frac{1}{2}$ of the handicap of those on the west & some areas of the south will receive about $\frac{3}{4}$ of the maximum handicap. Other areas may receive smaller versions of the handicap.

IV. Prizes

- Most Points... NRC Pattern Book or Domestic Log.
- Most State & Province points (including handicaps)—. \$6 in NRC Reprints
- Most Loggings off the Most Wanted List... \$4 in NRC reprints.
- Most loggings off the Target Station List... \$3 in NRC Reprints.
- Most loggings off the "Honorable Mention" Most Wanted List... 1 set of sunrise/sunset maps.
- Most loggings off the auxiliary target station list... \$1 in NRC Reprints.

V. Some hints at winning the contest:

- Don't make your Most Wanted Lists impossible. At least one DXer last year did this. Instead of loading the list with states needed & near impossible stations, look for unheard nearby stations, new CPs, & stations you have tried a lot for. Mix these in with states & provinces you need, you'll have a much better chance at being competitive.
- You can change the stations you hear from each state & province up until you reach the next level. So if you get an easy station from a state & then a hard one, change your state logging to the harder station. This leaves the easier station available for higher levels. Just be sure you inform me that you are changing stations, because my records are the only ones that count at the contest

end.

C. Make use of the Frequency Check List & DX Tests. Many hard stations or states may be heard via these modes.

D. Don't ignore sunrise/sunset or Monday mornings. May difficult areas may be heard at these times.

CONTRIBUTOR'S NAME(S) LOST! CAN YOU FIND THEM?

by John Malicky

NAMLEKNIWNIETSLEBADNEHSNWOTIKP
 OLDFIELDKAZEROSSULLIVANFOKIINA
 SSR0MHQBWZYKCILAMAKANSIPIETGTS
 PITHANFR0DGENAYRLUNTRIKEJDNTZ
 MMLANTAYLOREIPLADRAMULTRBUOIRK
 IRELAALEFAPBVLALLIZEBLAD00MMEI
 SHSKMAIKINOBKESALKKPI0UWHKEBE
 LACEEITSSDNOLMHHWNWACEGMKKQOLRW
 ERHRLATAHRDVYIJUIBROHMOUEBOFEI
 IDMAOREKAEEEWEAMWSEAAAHRNRROHC
 KYICCKTUSRRFRLOSITRUCTEE0BXZZ
 ALDLA0BDYSHMB00GFATESSMTTSLNTT
 HLTERHRRIRAAADRNI I IYEA AHEI00IT
 TETINEEEVERNONCTNB NBRRAEJRHMFI
 RNEMPNGMCTDNS00IHOKKRLZRWRLLB
 ONV00EEIEAYQEBNSSTCBERGADAN0AU
 W00CLEIKARRBYNTKIQ00ELWHLHYBNC
 XCLSDORRRZPARADIESDLENSMOLAREKM
 0ATUIGEEDEEIHREENGRATNN00JELFI
 FDUMBWMHROGREANWHGIANBABUDNOOE
 ROYROZRCCURTNALONURSHUTTONSJRH
 AORKTTAORTETOLLIRREHMELCSLTEDR
 NWSDEAFRFOELBINAUPYRENINGERTAE
 COLEJHOURUNAEZSDNUMDEENGBERGNT
 IPMUSCLDACBUQDAELGGUTHSAMOHTLT
 SMITHSCHNIETSKLIMSNO SAE LGJEALU
 RETTEBDELORENZONYSARENFREWALOT
 SKICNSERNEGNIRAEWSLITTENAMREHS

ANARC Newsletter Round out your hobby of radio with the ANARC Newsletter. It contains briefs on all club bulletins, and on equipment and publications. To subscribe to this monthly newsletter send US\$7.00 N.A., US\$10.00 by airmail elsewhere. A sample copy is available for 60 cents and a business-size SASE in the US; 75 cents mint stamps in Canada; or 4 IRC's elsewhere. The Address is ANARC NEWSLETTER, 1500 Bunbury Dr., Whittier, CA 90601.

LOOK FOR THE FOLLOWING NAMES:

Andres	Arey	Arruda	Atkins	Barno
Bartek	Bergadano	Best	Bezilla	Bigley
Binau	Bond	Bowker	Braun,T	Bueneman
Carr	Chatterton	Clemmer	Cohen	Cole
Coleman,	Connatser	Connelly	Conti	Cooper,E
Cubitt	Curtis	Dabelstein	Deleunere	Delorenzo
Durocher	Eddie	Edmunds	Engberg	Erikson,D
Falconer	Farmerie	Fela	Finkel	Fitzherbert
Fleming	Ford	Forth	Fox,D	Foxworth
Francis	Frodge	Geary	Giannini	Gillis
Gleason	Greenberg	Greene	Hakiel	Hale
Hardison	Hardy,B	Hardy,N	Harrison,R	Hauser
Hayes	Healy	Heinen	Hepburn	Herkimer
Herman,J	Holbrook	Holland	Houdek	Hutton
Jeter	Kasky	Kazeross	Kemp,H	Kemp,P
Kennedy,S	Klasek	Knitter	Kramer,R	Kudlemyer
Kureth	Lanmyer	Lankford	Ledbetter	Levin
Lewis,D	Littek	Lobel	Lovett	Loy,E
Malicky	Martin,G	Merrill	Mielcarek	Mittus
Monti	Moss	Moser	Mount	Musco
Nolan	Objio	O Connor	Oldfield	Onyschuk
Overmann	Paige	Paradies	Paszewicz	Perdue
Pitman	Ponder	Prater	Renfrew	Reninger
Resnick	Rieger	Rugg	Ryan	Schatz
Schmidt	Sherman,G	Siegel	Simpson	Skowers
Smilkstein	Smith,B	Smolarek	Starr,J	Stutterheim
Sullivan	Swearingen	Taylor,P	Tetro,R	Thomas,GE
Tobia	Townshend	Truax	Tuggle	Vernon
Vobbe	Wallace	Wawro	Weeks	Winkleman
Wolfish	Wood	Woods	Zank	

SUMMARY OF UNREPORTED STATIONS
through Volume 51 #28 dated July 16, 1984

compiled by Don Keskey

The following chart lists the total number of stations in the USA and Canada and the volume they were last reported as being heard in DX NEWS.

COUNTRY	V51	V50	V49	V48	V47	V46	V45	V44	V43	V42	Prior	Total
CANADA	229	79	34	12	12	9	7	1	2	0	31	=== 416
USA	2739	846	384	221	134	74	49	26	32	17	184	===4706
TOTAL	2968	925	418	233	146	83	56	27	34	17	215	===5122

New stations reported as having taken to the air during the period between V51 #27 through #28.

650-CISL-BC (x-940)	1270-WUCO-OH
760-KGJL-TX	1530-WHEX-WI
1030-KMAS-WA (x-1280)	1580-WHEX-PA
1120-KLIM-CC	

Previously unreported stations noted by NRC Reporters in DX NEWS since the last update (V51 #27)....Covers V51 #27 & #28:

AL---4---WGBA-1150 (G.Thomas-FL)
AZ---7---KRHS-1000 (Keskey-GA)
CO---5---KLIM-1120 (Heinen-CO)
HI---0---KIPQ-570 (Kuddelemer-OR)
KC---1---KJEL-1080 (Bueneman-MO & Dablestein-KS)
OH---0---WUCO-1270 (Malicky-PA)
PA---0---WHEX-1580 (Malicky-PA)
TX---33---KGJL-760 (Hale-TX)
WA---2---KMAS-1030 (B.Hardy-WA)
WI---3---WHEX-1530 (Rieger-WI)

KLIM Radio

1120 AM

165 E Avenue, Box 218
Limon, Colorado 80828



RADIO STATION

KRDD



P.O. BOX 1615
ROSWELL, NM 88201

The following article includes the schematic for the MWDX-2A phasing unit, an enhanced version of an earlier unit, the MWDX-2, which was described circa February 1984 in NRC's DX News and IRCA's DX Monitor.

Reprints of the MWDX-2 article should be obtainable from NRC & IRCA HQ, or directly from me.

The MWDX-2A eliminates a couple of MWDX-2 features not deemed, after evaluation, to be overly useful. Improvements have been in the dual input tuners so that virtually any length wire pair may be tuned & then used to produce phasing nulls of dominant signal(s) (be they of a meaningful-communications nature or a noise-source origin), thereby permitting weaker 'sub-dominant' stations to be audible. The main stipulation in this scheme is that, since the S6 length switch controls both lines (in the interest of tuning simplicity), the two wires used should be of comparable (+/- 25%) lengths.

The length switch (S6) allows wire aerials whose reactance is either capacitive or inductive to be tuned successfully; it also permits the use of frequency range switches of only 4 positions to cover the band of interest. Note that, with proper inductor selection (see Table 1), one can build a longwave (LW) version of this unit, a medium-wave (MW) version, or a tropical-bands (TB) version.

MWDX-2 documentation can generally be used in conjunction with the notes & drawings of this article to guide the construction of the MWDX-2A. The hole list will be the same, with the following exceptions:

- Right Side - delete J6 (holes 5, 6, 7)
- Left Side - add S6 (DPDT on/off/on toggle)
- hole 6 = S6 shaft (X=0, Y=1.5, DIA=0.25)
- hole 7 = S6 tab (X=0.25, Y=1.5, DIA=0.113)

The revamped level-equalising/Q-spoiling pots (R1, R2) scheme permits smoother level/Q adjustment than the arrangement in several previous phasing unit designs.

Tuning and Nulling Procedure Abstract

NOTE: The receiver to be used should have a shielded input. Operation with portable radios using a coupling-coil input on a ferrite rod antenna may not always be successful because of stray pickup by the rod.

1.0 Two Wire Phasing

1.1 Setup

1.1.1 (Inputs)

- Connect wire #1 to J1.
- Connect earth-ground wire to J2.
- (no connection to J3)
- Connect wire #2 to J4.

1.1.2 (Output)

- Connect the output cable from J5 to receiver or amp. input.
- Output cable must be of a coaxial type; amplification of MWDX-2A output by means of a tunable (e.g. APT-type) or broadband (e.g. BBA-type) RF amplifier is suggested if wires shorter than 1/10 wavelength (approx. 30 m./ 100 ft. at 1 MHz) are being used.

If an amplifier is put between the MWDX-2A output and the receiver input, switch the amplifier to its 'Off/Bypass' mode, thereby (initially) routing the MWDX-2A output directly to the receiver.

1.1.3 (Controls)

- Set C1, C2, & C3 to midrange / half-meshed.
- Set R1, R2, & R3 fully counterclockwise (CCW) = maximum Q.
- S1 & S2 will be set in step 1.2.
- Set S3 to '1' (= Line 1 tuner)
- Set S4 to 'Wire'
- The position of S5 is irrelevant during this step.
- Set S6 to 'short' if the wire is shorter than 1/10 of a wavelength; otherwise, set S6 to 'normal'.

1.2 Line 1 Tune

- 1.2.1 Run S1 through its 4 positions; leave it on the position yielding the strongest desired-frequency signal. (After the unit has been used for a while, a frequency-range-switches versus frequency 'look-up table' can be prepared for a particular pair of comparable-length wires.)
- 1.2.2 Tweak C1 for a peak. If maximum signal occurs with C1 fully meshed, then set S1 one position CCW (= higher tank L) and re-adjust C1 for a peak. If maximum signal occurs with C1 fully open, then set S1 one position CW (= lower tank L) and re-adjust C1 for a peak.
- 1.2.3 If, in step 1.2.2, a well-defined peak couldn't be obtained, try each of the other two possible positions of S6 (length switch); each time this is done, re-do steps 1.2.1 & 1.2.2. The S6 position which enables you to get the strongest, sharpest peak is the one which should be maintained throughout subsequent steps.
- 1.2.4 Once Line 1 has been peaked, set R3 to midrange.

1.3 Line 2 Tune

- 1.3.1 Set S3 to '2' (Line 2).
- 1.3.2 Set S2 to the position corresponding to that of S1, as set during section 1.2.
- 1.3.3 Tweak C2 for a peak. Apply the concepts of step 1.2.2 (with respect to S2 positions instead of those of S1) if proper C2 peaking doesn't occur.

1.4 Level Equalisation

- 1.4.1 Switch S3 back & forth from 1 to 2 (to 1, etc.); if the '1' position has the stronger signal from the station to be nulled, adjust R1 until the Line 1 & Line 2 levels are equal. If position '2' has the stronger 'pest station' signal, adjust R2 to equalise the Line 1 & Line 2 levels.

1.5 Null Initiation

- 1.5.1 Set S3 to 'N' (Null).
- 1.5.2 Flip S5 back & forth from 'a' to 'b' (to 'a', etc.). Leave S5 on the position with the lower 'pest-station' signal / greater evidence of subdominant stations.

1.6 Nulling

- 1.6.1 Tweak C1 to get a 'dip' (= point at which adjusting the control either CW or CCW strengthens the station to be nulled). Re-adjust whichever pot had been tweaked in step 1.4.1 (try to get deeper 'dip'); if neither pot had previously been tweaked, try using R3 to enhance the dip. Tweak C2 for further dip (null) enhancement.
- 1.6.2 Repeat step 1.6.1 as long as continued improvements in the null are noted.
- 1.6.3 Finalise the null (when use of the main controls becomes too touchy; this may be accomplished by adjusting the vernier (fine-tune) controls C3 & R3).

1.7 Amplification

- 1.7.1 Set S5 to the opposite position from that yielding a null.

- 1.7.2 Treat the MWDX-2A phasing-unit output as a signal source and follow the normal steps for the external amplifier used (whether tunable or broadband) to get maximum level at the desired frequency, without creating objectionable spurious signals. (Such spurs usually result from the amp. being overdriven by strong local stations on frequencies not necessarily close to the operating frequency.)

- 1.7.3 Set S5 back to the null-producing position. If necessary, touch up the null by using C3 & R3 (this isn't usually needed). Increase amp. gain, if possible & if necessary, to bring weak desired station(s) (left after nulling the 'pest') up to readable level.

2.0 Loop versus Wire Phasing

NOTE: The loop to be used (whether active or passive) should be equipped with a 'Q-pot'. Such a pot (recommended value 50K or 100K, linear taper) should parallel the main loop L-C tank. A provision to switch the pot out of the circuit is advisable so that, when phasing is not being done, the loop can be used in its normal high-Q state. The Q pot shaft & case should be grounded to minimise hand capacitance effects.

2.1 Setup

Follow step 1.1 with the following changes: Loop output cable to J3. No connection to J4. The positions of R2 & C2 are irrelevant. Set S4 to 'Loop'.

2.2 Line 1 Tune

Perform step 1.2.

2.3 Line 2 Tune

- 2.3.1 Set S3 to '2'.
- 2.3.2 Turn loop power on, if an active loop is being used. Set loop's Q-pot to maximum Q position. If the loop has a frequency-range switch, set it to the proper position for the desired frequency. If the loop has regeneration capability, set the regeneration switch to 'Off'.
- 2.3.3 Tweak the loop's tuning capacitor for peak desired-frequency signal. Aim the loop for (what you think) is the direction of the wanted subdominant station(s), regardless of the dominant's bearing.
- 2.3.4 Set the loop Q-pot to midrange if a 100K pot, or about '1 hour' (1/12 turn) from the maximum Q position if a 50K Q-pot is used.

2.4 Level Equalisation

- 2.4.1 Follow step 1.4.1 except substitute 'Loop Q-pot' for 'R2'.

2.5 Null Initiation

- 2.5.1 Perform step 1.5.1.

2.6 Nulling

- 2.6.1 Follow step 1.6.1 except substitute 'Loop Tuning Capacitor' for 'C2'.
- 2.6.2 Repeat step 2.6.1 as long as continued improvements in the null are noted.
- 2.6.3 Perform step 1.6.3.

2.6.4 'Absolute' null finalisation may be aided by slight re-positioning of the loop.

2.7 Amplification

2.7.1 If amplification of MWDX-2A output is required, perform all steps in section 1.7.

Construction

This unit is very similar to the MWDX-2. If you follow the MWDX-2A schematic (Figures 1 & 2) and the MWDX-2 hole list (taking note of the previously-mentioned modifications), construction should proceed in a relatively straightforward manner.

The MWDX-2 article details of the C1 & C2 'floating' variable capacitor card subassemblies and of the T1 & T2 RF transformer card subassemblies are still valid for the MWDX-2A.

The chassis box used is also the same, a 10 X 6 X 3.5-in. bare aluminium box (Mouser # 537-TF-784).

Conclusion

The MWDX-2A should prove to be a worthwhile DXing tool, for nulling both unwanted dominant stations and unwanted manmade noise (e.g. light dimmers, TV's). Use of an external output amplifier (broadband OK in country, tunable recommended in city) will enhance the MWDX-2A's operational capabilities, allowing use of much shorter wires than anyone ever thought about phasing back in the early '70s, when phasing units became popular with medium-wave Trans-Atlantic DXers in the Boston area.

It should be noted that the MWDX-2A is but one of many considerably different phasing unit designs generated here and in the 'labs' of other DXers. Medium-wave DXers have done the most research & development in this area; however, some designs have appeared in the longwave-DX and amateur radio press. Interestingly, most ham interest centres about the 160-m. band (1800-2000 kHz).

Phasing, like looping, provides the deepest nulls when signal vertical & horizontal arrival angles are not fluctuating greatly in short-term real time. It is on the frequencies below 5 MHz that these techniques have, traditionally exhibited their greatest worth.

1604-1705 kHz Seen Solving AM Incompatibilities

In comments filed with the FCC, both NRBA and NAB urged use of the expanded AM band from 1605-1705 kHz to resolve conflicts that now limit the power and hours of existing AMs, or that are keeping new stations off the air. An international conference will act on the proposed expansion in 1968.

NAB said, "These new channels should be used to afford foreign nations opportunities to provide service while freeing up, for United States operations, those frequencies where conflicts already exist." NAB suggested some noncommercial use of the new spectrum, and agreed with the FCC that high power will be needed for effective coverage.

Because radio receivers for the new band will be similar to those now in use, NRBA urged the Commission to focus on allocation issues like power limits and interference protection, rather than technical issues like bandwidth.

Allocation issues are paramount, said NRBA, "because the total number of stations licensed in the extended band and the amount of service they will be able to provide is a direct function of the power of each station and the degree of interference permitted."

AM Stations Cleared To Profit From Subcarrier Use

AM subcarriers last week became the latest radio technology to win virtually total deregulation from the FCC. The new rules won't be effective for at least 30 days. Currently, the only nonbroadcast uses allowed for AM carrier signals are utility load management and remote control telemetry.

Possible new uses for AM subcarriers fall into two general categories, slow-speed data transmission and polling/synchronization of remote devices. Data services might include:

- sending time and weather information
- broadcasting to home computers or hand-held receivers
- transmitting data to highway display signs.

Possible polling/synchronization tasks for AM carriers include turning on and off devices of any kind, such as:

- street lights
- traffic lights
- emergency receivers
- remote environmental sensors
- agricultural irrigation equipment.

The Commission placed relatively few restrictions on use of AM carriers beyond saying they must not interfere with the station's main channel operation or with the signals of other AM stations. The services will be limited to the station's authorized operating hours.

It is aware that compatibility problems may arise with regard to AM stereo, the FCC noted. But it said the situation isn't severe enough to warrant holding up AM subcarrier deregulation.



WE
PLAY
FAVORITES!

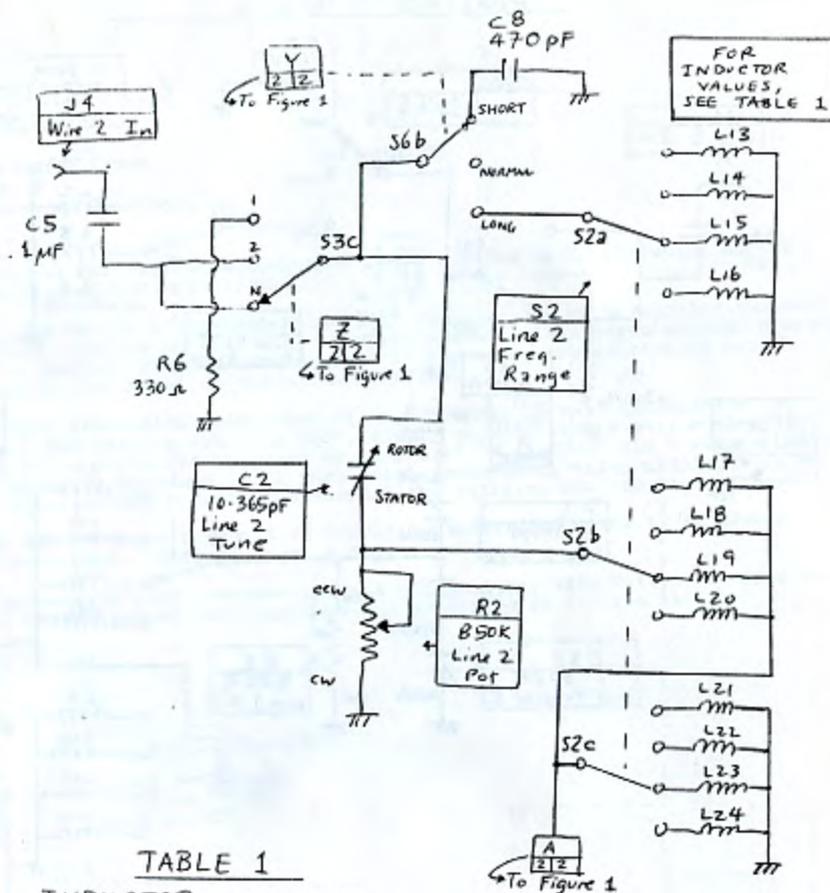
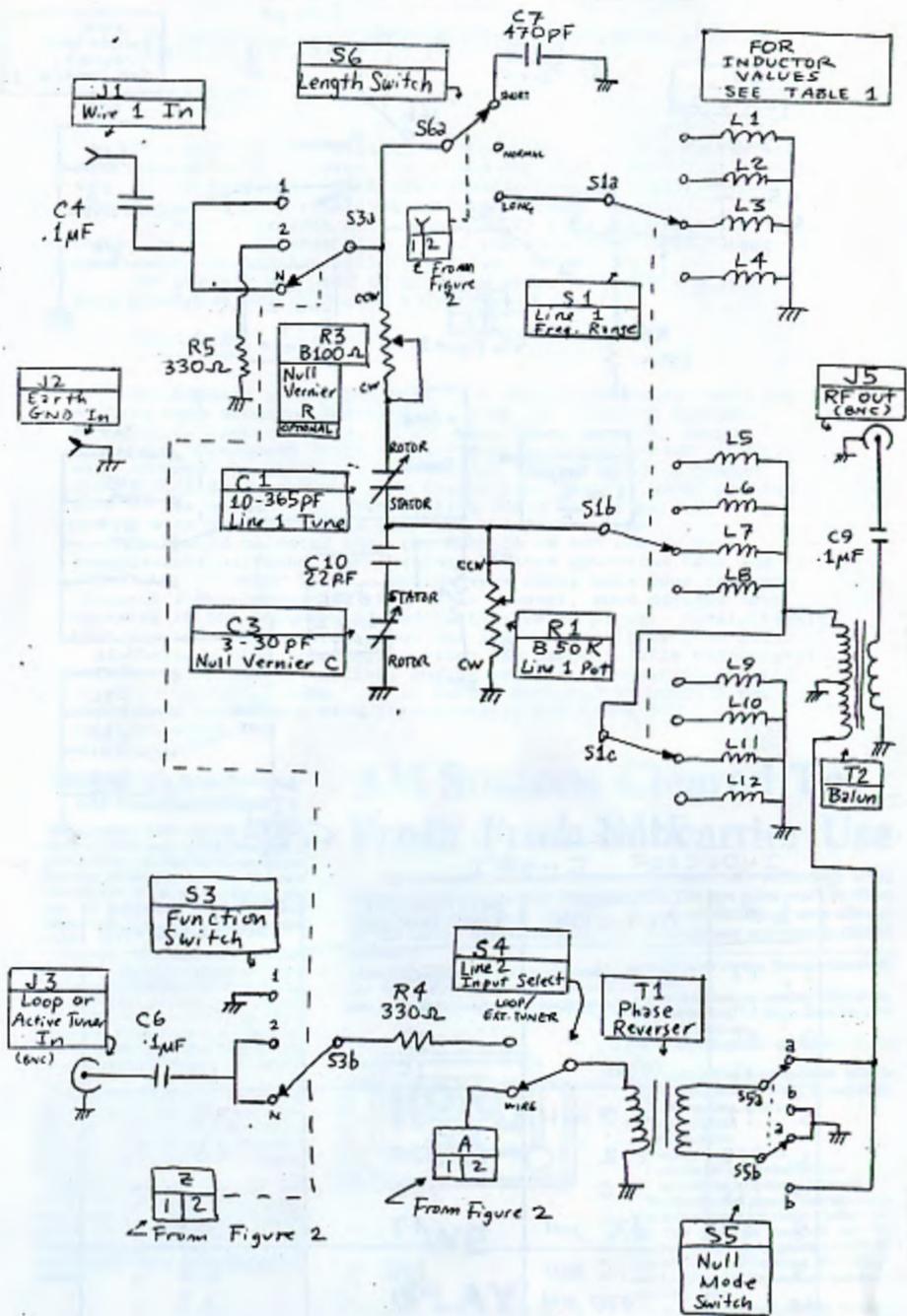


TABLE 1
INDUCTOR CHART

L #	LONGWAVE 150-600 KHZ	MEDIUMWAVE 500-2000 KHZ	TROPICAL-BANDS 1600-6400 KHZ
1, 13	1.5 mH	150 μH	10 μH
2, 14	680 μH	68 "	4.7 "
3, 15	330 "	33 "	2.2 "
4, 16	150 "	15 "	1.0 "
5, 17	4.7 mH	470 "	33 "
6, 18	2.2 "	220 "	15 "
7, 19	1.0 "	100 "	6.8 "
8, 20	470 μH	47 "	3.3 "
9, 21	1.0 mH	100 "	6.8 "
10, 22	470 μH	47 "	3.3 "
11, 23	220 "	22 "	1.5 "
12, 24	100 "	10 "	0.68 "

SCHEMATIC : MWDX-2A

PHASING UNIT



The Wizard
 Box 118
 Poquonock, Conn. 06064

Enfield, CT

Thank you for report reception of radio station WNRK, operating on the frequency of 650 kilohertz.

WNRK was not an illegal operation, it was operated as a "carrier current" station, similar to what many university and college organizations operate as "on campus" stations, being that it was using the electrical system of the Harley Hotel as the antenna system!

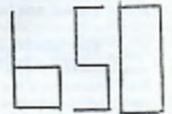
The WNRK transmitter consisted of an LPB RC25C 20 watt transmitter fed into a T2C ferrite coupling unit, simply plugged into a wall outlet in Room 513. Audio was supplied by many area FM stations via a simple Heath-kit portable FM tuner, with some local programming after midnight, which was pre-recorded. Reception through the building was reported as "good".

WNRK was on the air from 8 PM Friday September 2nd until 11 AM Monday September 5th, 1983, 24 hours a day.

We appreciate your interest in this station, may this letter be added to your collection of verifications and be unique in its own way!

Best of DX!

David W. Schmidt
 David W. Schmidt
 Operator - WNRK
 Enfield, CT.



Verification # 1

WSWT 1620

This will verify your reception of WSWT. "SWAT Team Radio" WSWT-AM is operated by the clandestine National Radio Club SWAT Team, a group of degenerates and social misfits with the purpose of ridiculing our hobby of wimp, geeks and nerds.

Time 0015-0030 EST Date 9/5/83 E. WINDSOR, CT.
 Frequency 1620 kHz Power CLASSIFIED
 Antenna 45' vertical Operator FRANK WATERS/BVG
 The S.W.A.T. Motto: IF THEY CAN'T TAKE A JOKE!

from the Wizard's collection



PUBLIC NOTICE

FEDERAL COMMUNICATIONS COMMISSION
1919 M STREET N.W.
WASHINGTON, D.C. 20554

54-39

News media information 202/254-7874 Recorded listing of releases and texts 202/632-0002

July 16, 1984

FREEZE LIFTED ON AM CLASS I-A CLEAR CHANNELS

Effective July 17, 1984, the freeze on the filing of applications for AM facilities on the below-listed twenty-five Class I-A Clear Channels:

kHr	kHr	kHr
640	770	1030
650	780	1040
660	820	1100
670	830	1120
700	840	1160
720	870	1180
750	880	1200
760	890	1210
	1020	

The freeze, announced on February 25, 1982 in FCC Public Notice 82-97, was imposed in order to facilitate the resolution of incompatibilities between assignments proposed on those channels by the United States and Canada that were incorporated into the Plan adopted at the Regional Administrative Radio Conference at Rio de Janeiro in 1981. Under a mutual understanding between the Federal Communications Commission and the Canadian Department of Communications, the freeze was maintained by both countries until six months after the January 17, 1984 signing of the new bilateral AM Agreement between the United States and Canada.

The lifting of the freeze on the above-listed channels does not affect the freeze separately imposed June 5, 1984 by Public Notice FCC-172 on the filing of applications on the Canadian clear channels 690, 740, 860, 990, 1010 and 1580 kHz. For the reasons stated in that notice, that freeze will not be lifted until final action is taken in the rule making proceeding under MM Docket No. 84-281.

For additional information contact: Louis C. Stephens, Mass Media Bureau, (202) 632-7792.

- FCC -

YET ANOTHER USE FOR THE AUTEK RESEARCH QF-1A ACTIVE AUDIO FILTER

by Neal A. Perdue
WDX4NAP

Many radio hobbyists are quite familiar with the advantages of a good active audio filter in line with the receiver output to the speaker or phones/recorder. For the price, the QF-1A is a very cost-effective model. It gives a slight degree of amplification, and the four variable controls on it make the unit quite versatile for improving reception of CW, SSB, and AM-Mode signals. I have mine in parallel to the speaker and recorder.

I have some old records here that bring fond memories of years past whenever I play them, but they have gotten scratched up through the years. They are 15-28 years old, and are irreplaceable.

The QF-1A is capable of "cleaning them up", and I then tape the cleaned up version of the record through the QF-1A output. The best setting that I have found for this procedure is as follows:

(From left to right)
AUX NOTCH FREQ: Between 7 and 8 O'clock, depending on how scratchy the record is.
FUNCTION: HP (Hi-Pass).
SELECTIVITY: 3 O'clock.
FREQ: 250 Hz.

The saga of call letters: from KAAA to WZZZ

FCC's relinquishing of much call letter regulation to marketplace has proved mixed bag; search for identity is key to history of christenings and changes

The call of the genus, broadcaster—either three or four letters in length—is distinctive, being in the main unique to each individual and serving to distinguish one's territory from that of another.

In laying down the letter, or more specifically letters, of the law on station calls, the FCC had historically assumed the burden not only of a host of procedural responsibilities, but also that of divining local tastes. With its December 1983 adoption of new guidelines for assigning call signs, the FCC effectively backed out of the call letter business, and in the process reduced expenses and expedited the processing of applications and requests.

The commission would still issue call signs and insure that they were not duplicated (except in the case of group owners, who could use the same call for three stations in different communities [the stations had previously been required to be in the same market], as long as two of the calls included the suffixes "-FM" or "-TV"). But the FCC would no longer lay claim to being arbiter of the taste, or lack thereof, of requested call signs. And it would no longer require those seeking new calls, or call changes, to notify every station within 35 miles. Call sign disputes—a new call sign too closely resembling another, for example—would now be settled in the local courts or some other forum (BROADCASTING, Dec. 5, 1983). Gone was the FCC's rule requiring a 180-day waiting period before reassigning a call to a station in the same market as the one relinquishing it, and gone was the one relinquishing assignment of call letters using the initials of the President, a living former President, the United States of America, or any of its agencies or departments without "suitable clearance."

While most applauded the attempt to thin the procedural underbrush, the curtailment of the FCC's oversight of calls has met with mixed reaction from broadcasters. Most concur with the decision not to arbitrate good taste, and some group owners with stations in different markets have already taken advantage of the opportunity to give the same call to a second and even third station (CBS, for example, which owns KCBS(AM) San Francisco, has renamed its KNXT(TV) Los Angeles as KCBS-TV [BROADCASTING, April 9]). However, when it comes to leaving the settlement of call sign disputes to the local courts, the consensus among broadcasters is that the decision, given the time-consuming and expensive legal process, is a bad one.

According to a resolution passed by the National Association of Broadcasters board of directors in June, the FCC's "resolution of call letter disputes is analogous to the traditional 'traffic cop' functions of the commission. . . . Rather than fostering competition, certain elements of the [FCC's] action could result in competitive chaos that cannot be resolved effectively and efficiently through reliance on local courts that are ill-equipped to resolve call letter disputes in an efficient, timely and consistent fashion."

Also criticized was the deletion of the 180-day waiting period for the re-use of call letters—sometimes referred to as "hot calls"—by a station in the same market. The NAB said in comments filed at the FCC that deletion of the rule would result in "a diminution in the reliability of audience ratings essential to effective competition among broadcast stations." The National Radio Broadcasters Association and John Dimling, director of the Electronic Media Rating Council, also have spoken out against the change.



Of concern to Dimling is the "potential for damaging ratings." There have been in the last six months, he says, "three or four" cases of a station picking up the recently dropped call of another station in the same market. He said that while he "happens to believe in deregulation" he also believes that "for the marketplace to work correctly, it has to have good information. . . . If the stations accept call letters right after they are dropped by another station, it really can adversely affect the information that the marketplace is using." Since the FCC's decision to liberalize its call sign guidelines, the rating services have contacted the EMRC to discuss what could be done about the problem. Among the suggestions was one—characterized by Dimling as "draconian"—in which Arbitron would develop a procedure whereby a station picking up "hot" calls would not get credit for listening that was recorded in rating diaries for those call letters for a designated period of time. Dimling said that while such a procedure would discourage stations from re-using the calls, it would at the same time be implementing a rule "that you know would not be entirely correct. At least some of the listening would be legitimate," he said.

One alternative means of protecting established call signs from "interlopers," according to New York attorneys Zave Unger and James J. Romano Jr., is afforded by the Trademark Act "which is designed to protect registrants from infringement where there is the likelihood of public confusion, deception or mistake" and which qualifies the call signs for protection as "service marks" ("Monday Memo," May 7). In reply comments to the FCC's call sign decision, NAB points out that the commission itself "suggests that service mark registration would be an important element in local resolution of complaints." However, as Washington lawyer Arnold P. Lutzer of Dow, Lohnes & Albertson points out, the Patent and Trade Office has historically refused to register call signs as service marks (a form of trademark used to identify services rather than goods), on the grounds that calls are technically



Two pronoun calls

Broadcasting Aug 6 1984
67

WRITE TO RADIO WEST AND GET THEIR FREE MONTHLY GARAGE SALE INFORMATION SHEET!!!!

THE SUN NEVER SETS ON THE WORLD OF SHORT WAVE

RADIO WEST

3417 Purer Road
Escondido, California 92025
(619) 741-2891



Where else but Las Vegas?

owned by the FCC. A broadcast licensee has only a revocable license from the commission. Thus the licensee can register call letters in the context of a logo, but the letters themselves are not covered," Unger and Romano said, adding that with the FCC's diminished role in call sign guidelines, it is likely that more stations will attempt to register their calls.

One area in which broadcasters are in general agreement with the FCC is that of the arbitration of "good taste." As NAB counsel Barry D. Umansky said, this is "one area where the marketplace might work." Broadcasters choosing "questionable" call letters would risk complaints and/or deflection to other stations by listeners or advertisers. And as an applicant for the call sign W3XUPM Arlington Heights, Ill., pointed out last year, the commission had already approved such calls as KDC, KOK, WLY and WSUX (Broadcasting, Dec. 3, 1983).

Despite its dissatisfaction with the FCC's decision to stop arbitrating call sign disputes, the NAB has decided not to seek judicial review of the decision. (The NAB's petition for partial reconsideration of the guidelines was refused.) It is currently gathering information on what sorts of problems arise under the commission's action and is preparing "counsel memos" for its members explaining how to litigate call sign disputes in local forums. Additionally, NAB is looking into whether industry rating services, or other related organizations, could engage in self-regulation (Broadcasting, July 16).

Since the FCC's deregulation decision, there have been 1,149 requests for call letter changes. According to Lewis Young, chief of the FCC's operations support branch, there was a surge of requests in January following the deregulation ("It was almost as if they [the broadcasters] were out there waiting," he said), but the totals have since evened out, and are comparable to those of last year. Another FCC representative speculated that the January swell was caused by stations waiting for the new guidelines to say they would not be required to notify other stations within 35 miles of their station.

The reasons for call switches are many: some stations make the switch because a call may not be successful in a community; a change of ownership often brings a change in call; sometimes a station will request its previous calls when a new one is unsuccessful in the marketplace. In the case of WTM-TV Winston-Salem, N.C., the station changed its call to WNKW as a memorial to its general sales manager, William N. Ris-miller, slain in a hostage incident at the station (Broadcasting, June 11). Noncommercial KSUCFM Keene, Tex., owned by the Southwestern Adventist College,

changed its call letters last March to KICR (which stands for "Joyful Christian radio"), in part to rid itself of KSUC's "negative connotations," a station spokesman said.

Sometimes a new call is just too good to pass up, or not to pursue—Ted Turner donated \$50,000 dollars to a Cambridge, Mass., educational FM to obtain its WTBS call for his superstation (then WTGQ-TV Atlanta). Such was the case with KUSA-TV Denver, and KHITAM Bremerton, Wash. Soon after Bingham Broadcasting of Washington Inc. bought KHITAM (formerly KWVA-FM), Last May, it approached KHITAM Walla Walla, Wash., which was contemplating a format change, about purchasing its call sign. (The later station subsequently became KAFR-AM-FM—which it says stands for "America's Fun Radio.") By July 4, the transaction was made and the new KHIT had a call to match its contemporary hit format.

According to Charles T. Leasure, president and general manager of KUSA-TV (formerly KATV-TV Denver), the USA letters were "dynamic" and "too strong to let someone else end up with them." The station's colors, Leasure said, have been red, white and blue since 1975. In addition, the station is owned by the Gannett Co. which publishes the national USA Today newspaper (although Leasure said there was "no hook" between the paper and the station, and the latter is not "laying claim to being the nation's television station").

Joseph L. Dorton, president of the radio division of the Gannett Broadcasting Group, got the idea of obtaining the USA letters more than two years ago. Leasure said. Broadcasters historically had assumed that the call was reserved for governmental use and was not available. Gannett's attorneys found, however, that the call could be used with the permission of "all interested parties." So, 14 "letters of permission" later—from the White House Office of Telecommunications, the U.S. Army and other organizations—Gannett obtained permission to use the calls.

At about the same time the FCC's relaxed call letter regulations went into effect, freeing Gannett to seek the USA letters for up to three of its stations (KUSA)AM St. Louis is its other all-American call, with its option on a third yet to be exercised).

KUSA was approved by the FCC in February, but did not go into effect until April 23. That was following a lawsuit brought by the USA Network, which unsuccessfully attempted to block the call change, claiming that viewers would confuse the television station and the cable network. (USA Cable has since filed a notice of appeal and is "discussing" possible solutions with the station.) But changing call signs entailed more than

permission from the courts or the FCC. As Leasure pointed out: "You have no idea how many places you have your name until you try and eradicate it." More than \$250,000 was spent to change the sign on the front of its building, the station's logo, cars, stationery, helicopter, cameras and mike decals. Even the license plates on station vehicles now bear the KUSA call.

The Trivia Call Letter Game

For more than 60 years, the name of the call-letter game has been identical. To broadcasters, those combinations of letters are treasured as calling cards to win audiences and woo sponsors.

In the beginning, for example, licensee Sears, Roebuck & Co. test-programmed its new Chicago station as WES to underscore the retailer's boast of the "World's Economy Store." But three days later, on April 12, 1924, the official start was made with WLS call letters to connote a more prestigious-sounding "World's Largest Store." Similar chest-thumping in the Windy City came with the debut of WGN, signifying the "World's Greatest Newspaper," slogan of the commonly owned Chicago Tribune.

Early call letter requests—first to the Commerce Department, then the Federal Radio Commission and finally the FCC—often reflected an owner's desire to perpetuate his own initials, promote his other business enterprises or herald his community's position under the economic sun. In later years, call letter requests reflected more subtle promotion aims such as mirroring program formats or common ownerships of groups.

The editors of BROADCASTING have again revisited that part of the industry's history. Based on stories since the magazine's first issue (Oct. 15, 1931), books and memoirs of pioneer broadcasters, checks with stations and other sources, here is how the Fifth Estate has played a form of Scrabble:

■ **Illusion of no change.** There's a look-alike and sound-alike reason for the call letters of WQXR(AM) New York, now owned by the New York Times. In his book, "Rebel in Radio," former co-owner Elliot Sanger explains the station began as experimental outlet W2XR (numerals were used in experimental operations). But on receipt of a regular commercial license in 1939 and with a desire not to confuse listeners, it was decided that the "2" and a cursive capital "Q" were similar in appearance and that the sounds of "2" and "Q" were somewhat alike.

■ **Just happenstance.** Pioneer KDKA Pittsburgh (which started as 8XK) was a random assignment from a list of available call



Broadcasting Aug 8 1984 UNIVERSAL SHORTWAVE RADIO

1280 Aida Drive
Reynoldsburg, Ohio 43068
Phone: 614-866-4267

UNIVERSAL SHORTWAVE CATALOG

Universal Shortwave Radio is pleased to announce the publication of its first complete catalog for the radio listener. The UNIVERSAL SHORTWAVE CATALOG offers a comprehensive selection of receivers, antennas, accessories, books, and parts for the communications enthusiasts. This 70 page catalog offers a wealth of information on current equipment. But it goes beyond just "specifications" by offering detailed background information on topics such as radioteletype, antennas, etc. This publication will also serve to inform listeners about some of our exciting projects here at Universal such as the "DXER'S DIRECTORY" and "UBIX".

This catalog is being offered for \$1.00 (or 3 IRCs). The \$1.00 fee is fully refundable with any purchase!

MUSINGS

The opinions expressed in this column are those of the individual members, and do not necessarily reflect those of the editors, publishers, or the National Radio Club, Inc., or its subsidiaries. Times are local per Muse.

PAUL SWEARINGEN
7310 ENSIGN AVENUE
SUN VALLEY, CA 91352

(AND WELCOME BACK TO THE HEAT/HEART-OF-THE-SUMMER EDITION OF MUSINGS. WHAT?? YOU HAVEN'T SENT IN YOUR RESERVATIONS TO WAYNE HEINEN FOR THE 51ST NRC CONVENTION? WELL, GET WITH IT! AND LET'S GET ON WITH MUSINGS ...)

CONRAD R. DUROCHER - RT.1, BOX 2245 - DICKINSON, TX 77539 (FM 5-29; Rec'd 5-31) (713) 339-1143 Howdy from the Houston area, and hope this finds everyone well and happy. This long-awaited muse is to re-introduce myself, to announce another move, to discuss a future trip, and too much. Firstly, I'm originally from RI, spent most of my life in the Boston area, and moved to Houston in 1978. Joined the NRC in '76, been a HAM since '59, have SWL'ed/AM-DX'ed on/off since '56, and have been a friend to man since birth in '42. Guitar playing has been my life since age 4, thanks to my musical parents, and I've been covering the country, travelling with MICKEY GILLEY for 6 1/2 years, hence the move to Houston. I use the professional name of "ROCKY" STONE, get lots of TV coverage (and a quick shot in "URBAN COWBOY"), but I keep my feet on the ground by carrying my trusty 655 TRF on the road, and do invite NRC'ers to seek me out whenever we play your town (you might even get in free - HI). (Plus get to meet the entire Band!-HQ) I'd been apartment dwelling for four radio-frustrating years till 5-1 when I moved to San Leon, TX (Dickinson is the P. O.), 34 mi. south of Houston, 40 ft. from the Gulf. With the trees, land, and open water, the radio and antenna bugs have left me covered with bites. Lots of possibilities: How about an over-the-water Beverage? RCUR. Shopping has become very serious (not to mention a sudden craving for copper wire), and I'm scrutinizing everything from a DX-400 to an IC-R71. This location deserves the best. Presently, I'm active on 2M-FM mobile as W4LYTK, but looking forward to 2M-DX, upgrading license, and hitting the low bands. Come January, we'll embark on a 17-day USO Tour that will take us to Guam, the Philippines, Garcia (Indian Ocean), Oman, The 7th Fleet, and Tokyo. We'll become regular army for the duration, so restrictions won't be as bad. But I'd like to hear from some APD'S out there about what to expect (and what I can buy cheap). Camera and film will tag along, and I will seek out radio operators and R-390'S and bases and ships, providing future muse material. For now, 73's. P. S. Thanks to DX AUSTRALIA for the fine report on the IC-R71. I was drawn to the R70, but now a used Drake R7A looks pretty good. P. P. S. As I sit looking out the window, I still contend there must be a way to tap into the greatest antennae ever, the telephone and AC power lines. P. S. P. S. S. P. S. P. S. Thanks to W. R. MCINTOSH for the UTM S-Meter Idea. AMEN.

JUST CHECKING IN

NEAL A. PERDUE - ROUTE 1, BOX 154 - FALKVILLE, AL 35622 (FM 5-29; Rec'd 6-1) Very little heard on BCB recently as I normally sleep past sunset when I'm on 3rd shift. Finally got up to 2nd shift, but my BCB DX'ing is now on a share-time basis with Utility monitoring (AEROS, MARITIME, Etc.) so I'm not sure just how much time I'll be devoting to MJ in the future. UTES are a great way to add new countries. I had 287 countries heard in Shortwave, and I have added 7 with the UTES in just a few months. /// Due to a local pest not of the radio variety I have had to get an unlisted phone number. Anyone who needs it can get it by writing to me. /// It was good to take a trip down memory lane with the old typed format in musings, but let's get back to something legible for those of us with sight problems, paul. (I bought a new ribbon today, hi -pls) /// Only 2 newies here lately: WPLK-1220 GA, Rockmart, s/off ants and call at 2030 on 5-15, and WTUG-1228 AL, Birmingham, ex-WBUL with EZL Mx and ID at 2842 same date. /// I guess that's about it for this time, except to echo some comments about the Hallicrafters SX-100 Communications general coverage RX that one DX'er made a few months ago. I've had a couple of them for years and the rig is indeed ideal for BCB DX'ing. It's a real bargain at the current going rate of a little over \$100. When the trimmer capacitors are properly adjusted, the frequency can be read right off the main tuning dial except for the very high and very low end of the dial. These freqs (or any freqs) are easily read from charts and a 0-20 marker system on the dial and a 0-100 vernier dial on the main tuning knob. Resettability is excellent as the knob is geared to the dial. Features that I find especially useful on the BCB are: "honest" S-Meter, notch filter, very little adjustment of the antenna trimmer needed from one end of the band to the other, a super compromise of fidelity and selectivity in the 5 khz selectivity position (3:1 skirt selectivity) with options of 3, 2, 1, and .5 Khz, AVC on/off, and everything else you'd expect to find on a first-class comm rig. I highly endorse this rig as a BCB DX'er. If you can get one for \$100 or so, in good shape, it's a steal. It works well with either an amplified loop or a passive loop, and is not the least bit prone to overload. One fine rig. 73 de Neal.

STEVE KENNEDY - P. O. BOX 552 - HUNTINGDON, TN 38344 (PM 6-1; Rec'd 6-4)

Howdy to all from what I was called, the "Ear of the Everglades"... Now it is the Huntingdon Radio Nut. I have moved to (Brrr...) cold country, the northwest part of the volunteer state, Tennessee. As I type this muse it is cool outside, a big change from what I am used to down in Florida. Anyhow, this means I probably will be able to get into the full swing of DX'ing MW as obviously there is a dial full of new stations to DX now. This year I know I will hit the magical 1000 stations heard, combining my old Florida totals. Note I will start a new log since I MOVED. I am now working with WJPJ-1538 here, the reason for the move. After a 3-month wait for WKEM/WZOR down in Immokalee to return to the air, I just couldn't find a decent-paying position in radio, country music radio, so an old friend of mine took over the GM spot at WJPJ and looked me up. I accepted the position immediately. WJPJ is a daytimer, 1 Kw D-1. It needs a lot of work to make it into a good station, but we are now programming oldie country during AM hours, and religion with gospel during the PM hours. Also, I am News Director, AM Jock, Production Director, and Engineer. If there are any NRC Members in these parts, please give me a call, or drop me a line. I would like to make contact to know SW and BC-DX'ers in the area. No DX to report this time, but will give a full daytime Bandscan next time around here in Musings. (Please send all Bandscans to Eric Bueneman - 836 Lamplight Lane - Hazelwood, MO 63042.) As everyone should know by now, I am a Daytime DX'er, specializing in groundwave conditions. That's all this time around ... 73's.

HARRY HAYES - 9 HENRY STREET - WILKES-BARRE, PA 18702 (PM 6-1; Rec'd 6-4)

Despite not being visible due to thick clouds, the 5-30 Annular Eclipse was not a complete bust. Hoping for some mid-day skip, I got just that. Shortly after noon I noted WLIM-1588 Patchogue taking over for the weak WCRV-MJ on that channel. By about 12:25 the upper part of the band broke open just like at sunset. By 12:29 normally weakish WCOJ-1420 Coatsville had faded up to a strong level. 12:35: WAYC-1600 Bedford, PA at 160 miles faded up to a good level at times with "Sports Watch 16". 12:41: normally noisy WQXR-1560 with strong sig. with several UNID's underneath. 1:01 PM: Tentative WLIS-1420 CT in over WCOJ with ID. 1:05: WKOL-1570 Amsterdam, NY with ID's and mention of the Mohawk Valley clobbering semi-local WPGM with several others. 1:15 PM: WOKO-1460 clobbering normally present Harrisburg with NY State Tourist ads. 1:18: WTYO-1588 NJ holding the channel. Also noted at 12:58 was a 1420 station with an ad mentioning Warrenton. Probably WKCW. Shortly after 1:30 PM the band had returned to normal summertime AM conditions. One thing I am thankful for today is that there were no thunderstorms present. Even though I couldn't see the eclipse the resultant opening was awe-inspiring. It was more than I expected and was my first experience with this rare DX phenomenon. Believe it or not, during the 1970 eclipse I was so dumb I checked the TV for skip but not the AM Band. That's what it is when you're a dumb novice, hi. Other news WCCM-880 MA verie arrived today for sunset reception this month, a Curt Gowdy Broadcast station. The last couple of nights I parked my tuner on 1230, hoping for something to come up but only managed to get some weak ID's from CHMP. The Superadio and SH-2 do a nice job of killing WBAX's sideband. Last night I put the radio on 1230 around 12 midnight then crawled into bed with the channel hopelessly locked up with about 30 weak UNID's. The next thing I knew I woke up with the light on at 4:15 am and the channel still sounding hopeless locked up. If anything surfaced in all that time it's forever locked in my unconscious. What a sleep aid these GY's are!

KEN ONYSCHUK - 40 W. 23RD ST. - CHICAGO HTS, IL 60411 (PM 5-31)

Hello, friends, I've been absent from these pages for awhile, but very busy on other matters. My main goal now is to move from this lousy apartment and find more suitable living quarters. My landlord practically has abandoned this place, and it's up for sale anyway. I'm also trying to find a better job, at least a more challenging one. I'm also trying to get enrolled in a pipefitting apprenticeship and make a decent wage again. I'm supposed to start in Sept. I'm still trying to qualify. Otherness: Last Tues., WCFL changed format from MOR/Comedy/TLK to christian programming. The final 4 hrs. on Monday night were beautiful, as pieces of the last 20 years of "Super CFL" were played, and I taped the last 2 hours or so. The new WCFL isn't as bad as originally I thought. I'm not a religious station listener, but the new music was different, but decent. It's now called the "Christian connection." It's not a WMBI type, just an uptempo-beat kind of easy listening. On to other things. The FM-AM switch inside the SONY ICF-SSW broke months ago and will play on FM only. Local repair man said he couldn't fix it; have to send it back to the manufacturer. I do miss the great AM reception but can't afford to fix it now. Have to wait a while - any help out there? My Superadio has taken a ton of use over 7 years or so, and I got a friend to lend me his seldom-used GE to see if it performs any better than mine. The Superadio has decent FM DX-ability. I'm also involved in putting together a book similar to the AM-FM

section in "Broadcast Yearbook", though more compact and accurate. The 1984 Yearbook has over 1500 pages and 10 or so sections. I feel the 400 pages of AM and FM Stations could be broken down and updated similar to the monthly S. R. D. S. Book. I'm 2/3 done with a pencil-written master copy. I'm pretty organized and hope to complete by fall or so. I don't intend to replace any log book. Just an alternative. It's a big job, but I enjoy it and being up to date via Broadcasting and DX NEWS, Etc. I DX here and there, nothing major to report. Wish I could. I mainly enjoy listening to rock oldies; it's terrific music. I do have my favorite artists and dislike Presley and Beatles and Michael Jackson. 73

SKYWAVE RECEPTION DURING THE ECLIPSE OF THE SUN

CARY SIMPSON - 601 FIFTH STREET - TYRONE, PA 16686 (PM 6-4; Rec'd 6-7)

I recall reading during the last eclipse that in addition to the birds and chickens who were confused by the early "Sunset" at mid-day, the ionized layer in the atmosphere also behaved as if night were falling. The skywave reception conditions were something I had been awaiting as the hour of the eclipse arrived. It took a while for the ionized layer to begin to rise and reflected signals began to come into Central Pennsylvania. At the height of the eclipse, there appeared to be a belt of optimum reflection in an area around Richmond and Roanoke, VA. And, the effect seemed to be confined to the upper extremes of the AM dial. But, the interesting thing was that every channel was like a graveyard channel, and it was virtually impossible to pull any one station out of the mud in order to get an ID or location. Outside of a few Richmond and Roanoke stations that came to the top, there appeared to be no movement up and down of stations as one notices at sunrise or sunset, where, often, you can remain tuned to one channel and have a parade of clear stations that rise to the top as ducting conditions bring you an ideal skip. None of this. Instead, it was the same on every channel from 1600 down to about 1460 - A Babel's tower of chatter. But, not a loud roar, compared to the GY channels at night. The multitude of signals was there, but at somewhat weak signal strength. Fascinating. I had alerted a friend who had planned a trip to northern Pennsylvania to what he might expect to hear during the eclipse. He told me later that he heard dozens of french language stations. A look at the map shows that Quebec would be about the same distance from him as southern Virginia was from me. If you're around at the time of the next eclipse, don't fail to note the daytime DX conditions.

ROD O'CONNOR - USCG AIR STATION CG BOX 1467 - KODIAK, AK 99619 (PM 6-7; Rec'd 6-9) (Home phone (907) 486-8441) Hello from Kodiak, AK. Arrived here April 1, having left Hawaii March 1 and driving from Los Angeles to Florida and then up to New England. I was surprised at the growth of FM across the Southwest as compared to my last cross-country trip to the Southwest in '76. Most of my listening was to FM with only a few spots along I-10 in SE Arizona and West Texas devoid of either FM or AM. My SONY car radio continues to be very noisy on AM, so only when I was in the vicinity of AM XR'S would I flip over to AM to check out the locals. Even night-time Skywave reception of Clear channel stations was poor. Meanwhile I have settled down at my new unit and enjoy my job and enjoy even more the DX conditions. With only 2 local AM's here on Kodiak Island KVOK-560 1 Kw U and AFRN-960 50 W U (Not 25 W as in NRC LOGS) The dial is wide open. Most West Coast powerhouses are regulars during evenings and nights. Many BC AM's to be heard also from Vancouver and Victoria. Also relatively common are Hawaiians, but to my surprise no Russians and only 1 Japanese heard so far. Alaska's newest station KKEN-980 came on the air 14 May, operating with 1 Kw U from 6 AM-11 PM Alaska time (EDT Minus four hours) with a country format. ID's as "Kenai Country". Fair signal here at 205 miles. More Alaskan info next time.

RADIO ROUND-UP

PETE KEMP - BETHEL, CT (PM 6-11; Rec'd 6-15)

WMSW DJ Bob Koffee carried the Olympic Torch as it passed through Pittsburgh ... Ralph Story, a 36-year Vet of the broadcasting trade, has received the Governor's Award by the Academy of Arts and Sciences. I used to love to listen to him on the Armed Forces Radio Network, while I was stationed in Okinawa ... Remember Mr. Wizard, from the early days of television? Well, in addition to his Cable-TV show on Nickelodeon, he is doing science segments for the Independent Network News ... WTAR recently tore down its transmitting tower - it was 48 years old - and is moving both its antenna site and studio facilities ... KBEA-AM in the Kansas City area is offering college credits to listeners of programs in conjunction with Longview Community College. If it proves to be successful, the programs will be expanded in the fall. Such programs were once quite popular on the AM band here in the States. Overseas,

similar programs are still used to reach the rural areas of technologically poorer countries ... KMOX's popular hockey sportscaster Dan Kelly will be staying in St. Louis for a while as he has just signed a long-term contract ... WAKR, once the home of Alan Freed in Akron, has just gone the AM Stereo route ... WUCO-AM is now on the air 24 hours a day, with 500 watts and a directional pattern, ... WTJH in East Point, GA has been sold to Silver Star Communications. ... A study just completed by the National Radio Broadcasters Association indicates that the Motorola Stereo-AM System is preferred by stations in the field ... Rick James, a 17-year Vet of WABC-AM in the newsroom, has resigned to move up north to the woods of Maine to own and operate a radio station ... Michael Jackson is back on the air at KABC-AM in LA, after suffering a mild heart attack ... John Bodnar, formerly of WASH-FM has moved over to WPKX-AM ... With summer upon us, many Amateur Radio/Electronic Flea markets are popping up. NRC'ers looking for classic receivers, such as Hallicrafters, Hammarlund, Collins, and other tube-type mainstays, will find them available at reasonable cost. Most Amateurs are into the solid state rigs and are finally parting with their remembrances of days gone by. This summer I will be busy teaching, so will be unable to attend any of the fun radio conventions. I wish a good summer and happy, listening in between the static bursts.

DICK TRUAX - 3003 GLEESON LN. - LOUISVILLE, KY 40299 (PM 6-12; Rec'd 6-15)
(502) 491-2871 Greetings once again from the Derby City of beautiful women and fast horses, or is it vice-versa? (hmm -pls) DX since last muse has been meager, but here it is, such as it is. 3-4: WJUN-1180 in noted on testing at 2 PM, mentioned first day of broadcasting to begin 3-5. Now on RS. 4-22: WHP5-1380 TN with ID and Satellite Net News at 8 PM. 5-8: WCFB-1060 MS s/off at 8:45 PM all alone. Went to the Annual Dayton HAMFEST 4-28. The Flea Market was bigger than ever and the weather was ideal. I believe the supply of older tubed receivers is drying up after seeing what was there and two subsequent smaller Hamfest Flea Markets. So those of us who own those old "Hollow-State" units had better hold on to them! The eclipse on 5-27 was interesting from several standpoints. I snuck home at noon and took several pictures while also leaving a tape running while scanning the high end of the BCB. Many signals noted under locals and semi-locals, and the graveyard channels were truly just that at high noon. I have not had the chance to replay the tape entirely and I was outside taking pictures for part of the time. But if any ID's surface they will be noted in next muse. For certain skip conditions were in effect, just as they were in 1970 when I last listened during the eclipse that was total in the Southeast but not in West Virginia. The other item of interest noted while listening that day was that new WPMG-1140 KY is now on RS, though off-channel about 700 Hz creating a nice het. Don't know if they still are off-channel or not, but midwesterners should be on the lookout for this new daytime. More as it happens. Hope to be in COLORADO SPRINGS this Labor Day if all goes as planned. One last note: I have a mint R-7 that is very little used. Anyone wanting it please feel free to contact me.

ALBERT S. LOBEL - P. O. BOX 26762 - SAN DIEGO, CA 92126 (PM 6-12; Rec'd 6-18)
I am planning to drive to the NRC CONVENTION in COLORADO SPRINGS and can comfortably carry several persons. The trunk of my Mercury Zephyr is very large and there should be no problem with luggage space. The trip should take about two days if we stop only at night and for gas and food along the way, and a hotel room or two should not cost too much if we can all split the costs equally. If you would be interested in splitting expenses, call me at either (619) 566-8092 or 494-8604. Best time to call me is between 8800-8830 weekdays except Thursday and after 1930 most nights except Saturday. If you get the answering machine at any time you can ignore the times mentioned on the tape if the tape says the business is closed. I'll call you back as soon as I get your message; and if I know that you are an NRC Member I'll intercept the call if I am listening. At any rate just leave a message and I'll get back to you!

WENDELL P. FORD - 625 EAST R. R. #1 - WESTVILLE, IN 46391 (PM 6-15; Rec'd 6-18)
Since this is my first muse, since joining the BEST RADIO CLUB IN AMERICA in May, let me introduce myself. I am a 20-year-old ex-Radio Announcer (WBTO-1400 Linton, IN) looking for work, preferably in radio. I started DX'ing in 1980. From DX'ing here in tiny-town America my total is 482 stations, but from various vacation spots in IN and KY the total is up to 512 stations and still counting. My receiver is a C. E. C. AM/FM Stereo Dual Tape-player/recorder. I chose this simply because it's easy to reproduce tapes without the network of cords needed the other way. Well, that's about it for this time. Always remember, no muse is good muse unless it appears in DX NEWS, hi ...73's. (And welcome with your muse in de 'NEWS, Wendell! -pls)

WILLIAM J. PRATER 38993-133 - P. O. BOX 4000, MCFP - SPRINGFIELD, MO 65802
(FM 6-18; Rec'd 6-21) I am in this Federal Medical Center, a bad location for AM DX or anything else due to a stroke I had in the USP, Atlanta, GA, on May 23 1983. I am paralyzed in my left side; my left arm and hand are useless. I can hobble about on my left leg with a cane. I hesitated writing due to not having access to a typewriter (nor couldn't use it if I did). I hope you can make out this musing (No problem - pls). I do correspond some and enjoy doing so with members Lefty Cooper and John Malicky, who are fine DX'ers in every way. After years of inactivity in the hobby, I regained my interest while in the USP at Terre Haute, IN in 1982. Most of my DX'ing was in Fentress County, TN from 1933 to 1956. I now have a total of 3,603 AM confirmations and have separate files for my different locations. I would appreciate some help -- a report to KXVI McKinney, TX was returned by the P. O. for a new address. Skip Dabelstein of Kansas says his verie was a PPC with a Dallas postmark. My wife called McKinney but phone company sez no KXVI listed there. So need a new address for them. Help, Please. Also could use signers and addresses for WPHC-1060, KFLO-1300, WSLV-1110, KARN-920, KCMW-1380, KMOK-1530, WCCL-1590, KCLF-1500, WQVE-1280. KFMH-1560 Abilene TX had on TT, FC 0550 6-14. Do not know if rec. although they announced as a scheduled FC. Maybe a verie if received will say so. I inquired. Another mystery, WIZO 24 Hr NSP on 1380 Franklin, TN who has ignored reports from me from T.H. and Springfield was heard to announce as WIZO Cleveland, TN at 2200 legal break 6-16. Have they transferred?? I have not noticed any notice of a changed CP. Replies to reports extremely slow with more recent ones in from KHAM Butler, MO 1530 s/on 0600 5-31. KHAM Started broadcasting on May 11, 1962, says B. D. Thornton, Pres. Also KHAM 0600-0615 4-30 sez call letters changed from KOKE to KHAM in Sept. 1982 due to change from C&M to Spanish format. And KEOR nice letter from CE James R. Cunningham. They failed to answer a T. H. report. I would appreciate letters from any of our good members. This life is tough for anyone and letters are a big thing with us. I will answer all correspondence by return mail (I have my log with me so can answer questions about my collection, although most of it is at my home in LaFollette, TN.) Please drop me a line, you guys, I would be delighted. All questions welcome and will be answered to the best of my poor ability. I have been incarcerated since April 12, 1972. DX'ingly Yours & 73.

LYNN GILLIS - FSU 5262 - TALLAHASSEE, FL 32313 (PM 6-20; Rec'd 6-23)
Hello again from Florida State. I'm still stumbling around the DX dial, finding out what is and isn't DX. A few words to Rick Overmann: Dorm DX ranges from good to terrible. Here, I'm surrounded by dozens of fluorescent lights and TV sets, all in easy DX-killing range. The most serious effect is under 800 KHz, where the band is almost unlistenable. 800-1200 is DXable, with difficulty, WNTN-1270 takes care of 1240-1300, and 1300-up is clear. The HOT ROD will help, I'm sure. In local radio, WKQE-1410 programs "Contemporary Christian", which is Gospel lyrics given T40 sound. WCVC-1330 programs Gospel, but more traditional. WTAL-1450 is (UGH) MYL. Oh, yeah; WCVC uses the slogan "Music of New Life." In otherness, I missed the program on WLS last winter (of course I wasn't in the Club then), which makes me prize my WLS-Mountain Dew T-Shirt all the more (Be careful - Don't wear it to a Radio Club CONVENTION, hi -pls). /// The major is now electrical engineering with specialization in computers instead of electronics. I have a TI 99/4A (My mom works for them), which will hopefully give way to an APPLE IIC by this time next year. /// What's the ETA for the 7th Edition of the NRC LOG? (End of this month -pls) /// If I can find some useful DX I'll send it to Dave. My 12-655 TRF is still sputtering, so we'll see. More at a later date.

STEPHEN H. PONDER - 4105 GLEN ST. - BOSSIER CITY, LA 71112 (PM 6-22; Rec'd 6-25)
Greetings again from the HOT 'N' HUMID SOUTH (CAPS added for emphasis)! Things have been rocking right along since the school year ended, but no DX to report. I have been very busy working on an interesting computer program that calculates Great Circle Distances for various transmitter locations around the world. For a reference list, I've used the 1983 WRTH and an old (1974-very old) FBIS broadcast list. So far, so good, but it's really tiring work, especially thumbing through the huge atlas at the local college library! Anyway, I'll let you know as time goes by as to the outcome. No radio news to report, since the summer static level is exceeding the summer temperature level, hi! My latest intentions are to begin getting up at 4 AM local time to hear more good DX, but, like all good intentions go, I haven't made it yet! Don't hold your breath, gang! Well, I guess that's all for now. Good DX and may God Bless.

MARTIN GREER - 38 BROUGHAM ST. - LAUNCESTON, TASMANIA, AUSTRALIA 7250 (PM 6-20;

Rec'd 6-25) I recently purchased a National Panasonic R00170 Loop with preamplifier. I am using it in conjunction with my Yaesu musen preamplifier and ATU; the results of it have been very good, with reports sent off to KNIX-1500 and KUHL-1440, KGU-760, and Radio Vanuatu. Radio Vanuatu was not previously audible with my other loop and comes in here at a very good level every night. Conditions to the U. S. A. seem to be a bit unusual for this time of year in Tasmania, and my loggings of U. S. A. Stations was very pleasing. I am looking forward to summer here in Australia when conditions are more suitable for reception of NA Stations. 73's.

HARRY J. HAYES - 9 HENRY ST. - WILKES-BARRE, PA 18702 (FM 6-22; Rec'd 6-26)

DX happening of late: 6-15: 2209 CHAM-1200 Hamilton on with C&W mx and ID's, former CJJD, and before that CHAM, so a call return. 6-16: 2053 WFMJ-1390 OH. 6-20: 0001 CKAN-1400 Newmarket, ON with s/off and ID with Anthem following, good sig. CX on the radio aren't that bad; there aren't that many thunderstorms. Lately I note some mobile telephone interference on 1600 and below; anyone else have any problems with these? I have three SM-2's with AC power guts but only one is left working. The problem is that the 12-volt power cords always go haywire. The most common problem is that the blades come loose and when this happens it's next to impossible and besides useless to take the cords apart. It invariably involves replacing them which is a problem in that these plugs are rather hard to come by. I never have success finding any in the local stores. About the only way I know how to get ahold of these is to write to radio companies like Zenith, and I'm not so sure that they still make them. Still out of work here, but am not staying up that late to look for stations. I don't know if it's old age coming over me or my almost-sure knowledge that I won't hear much, or both. As of 6-20 the UHF skip season is really turning into a bumper here, contrary to what I expected last musing, so if I want to do any DX'ing at all this summer I have to keep the AM DX Shack open. CKAN-1400 was a welcome addition to the log this morning. DX reports to WAYC-1600 and WTYO-1500 from the eclipses receptions still go unanswered. They must think it was a hoax or something. That's it for this time.

GEORGE WININGDER - P. O. BOX 2155 - REVELSTOKE, B. C. CANADA V0E 2S0 (FM 6-19;

Rec'd 6-28) Hello. My first Muse. As DX is basically cut off for awhile here and the school year draws to a close and my report cards are all finished and in their envelopes ready to ruin kids' summers, I have some time. DX is on hold here as a bear has ravaged my cabin/listening post, strewn coffee hither and yon, eating my stock of salmon noodles and smashing my kerosene lamp, tearing out my window, wallboard, and insulation and generally making a nuisance of itself. (I've had roommates like that ... pls)(Sounds like a pub session here- HQ) The place is boarded up (I hope) until I can convince the beast that he can't get in. Of course, it can get in, but maybe it's stupid enough to believe me when I try to tell it that boards are mightier than bears. Fortunately, apart from an overturned battery, no damage was done to any radio gear as I don't trust people to leave the place alone and carry my receiver with me. In any case, it being slow season, I'd really be foolish to risk my neck for something in BC or WA or AB. (Now maybe if somebody offered me RI ...) As you could gather from the preceding, I'm a teacher, grade 3 most years. I'm 36, a former NRC Member from my high school days in Atlanta, an on-and-off DX'er of SW, HAM Bands, and MW for about 5 years (recent times) and a member of CIDX. I also do photography, a little guitar plinking, and some years I do acting in summer theatre. I have decided that 1984 is the year to start serious MW DX'ing and maybe get my HAM ticket if I can get myself into an appropriate course. At my usual listening post, I have strung what I refer to as the abominable Beverage through the woods. It was quite a job at the end of February through 2 M or so of snow with cold rain soaking me totally but I was determined. With its crooks and bends and uneven height, it's not as directional as I would like but it did produce reception of my first TP's (off its back end) and my first reception south of Mexico as well as some fairly decent loggings through ID, WY, MT, and CO. Since it's been in use my station count has moved up from 123 to 270, although a number of these are stations heard but not logged earlier. Around 12/13 June we had some excellent skip from the east which afforded reception of CBJ-1500, Chicoutimi PQ; KKA-1560 Aberdeen, SD; and CJUR-1420 Melfort, SK on the RF 2900 using only the internal loop. The R78 with 4 ft. Loop barely caught KKA the following sunset and by the 14th it was back to normal. Does anybody have a full call on 1450 Canmore AB which relays CFAC? That's it Farewell, Folks. (Don't make it sound so final, George ... we hope to see you often in these pages ... or are you planning on meeting that bear soon, hi? -pls)

ANDREW F. RUGG - 6719 GLEN ERIN DRIVE, APT. 804 - MISSISSAUGA, ON L5N 3S4
CANADA (FM 6-24; Rec'd 6-28) For various reasons, I didn't DX

at all this last winter. Veries did dribble in from WSKE-1040 and WFAD-1490 - PP. This is my sole musing from Mississauga. I was transferred back to Montreal at midyear and will be living on Nuns' Island again. 73.

THREE BRICKS SHY OF A LOAD

JOHN R. MALICKY - SHADYCREST RD. - PITTSBURGH, PA 15216 (PM 6-27; Rec'd 6-29)

What's new, NRC'ers? In baseball, the Mets are hot, the Pirates are not. C'est la vie. Onward ... Thank you very much to Ken Chatterton who personally visited and was able to obtain 3 veries from WJCN-1460 Albany, WGNV-1220 Newburgh, and WINR-600 Binghamton, all in New York. I was happy to receive WINR's after 3 reports with no answers, even though this time the CE, James Scholefield, sent a v/f of WINR's old address, 70 Henry St., and scratched out a previous signer and put his name on it. A few other veries have trickled in, including 2 within 4 days of each other from Columbus, OH. First WJKO-1500 OR "KO-16" with a form, c/m, and arbitron rating sheet and Second, WBNS-1460 with just a v/f, both names very helpfully obtained from VERIE SIGNERS. Please members, if you get a confirmation, send that name to Wayne Heinen; it really helps myself and everyone else, right, Paul? (You betcha, John -pls) A very interesting v/f from WRRZ-880 Clinton, NC even though it was mailed January 11 and came June 22. The signer, Dan Lucas, had my report posted on their bulletin board and finally realized he had not confirmed it. He then made a copy and put it on the board, I guess because they really enjoyed my report, then sent a v/f, c/m, and my original report back!! I'm now 3 shy of 600 veries having made a push to get to that number before September, so when you read this I hopefully will be there... A couple of local radio items. First, announced on TV, KDKA radio will most likely pick up Penguin Hockey from KQV because KQV did not want to carry hockey and spirit soccer. Now, you can follow the escapades of the worst team in the NHL even better as first pick Mario Lemieux leads the Pens to the Stanley Cup - hi! Also, WQTW-1570 Latrobe, PA is now on the air as of June 13, ID'ing as "Solid Gold 16-0" playing oldies mixing with old current hits, as now I have finally realized I can get them in the daytime here. A notable DX catch was KIDA-940 Des Moines on Monday morning, June 11 at 2:20 AM in very well with MOR mx and ABC NX as their pattern is all towards the west. I called the DJ as he was amazed and later said on the air that we're heard in PGH! Finally, I have begun QSL'ing my locals along the lines of Skip Arey's helpful article (Issue 26, page 18) and trying to include some visits. Two visits already to WPLW-1590 Carnegie and WJAS-1320 here, more as it happens. 73's to all!

We found some more in the back warehouse.....

50th Anniversary Books!!!!

The Publication Center has dug up a whole box of the 50th Anniversary Books. So, for those that have written to us here at HQ, you can now order the book from the Pub. Center.

Cost: **US\$11.00** U.S. & Canadian Members

US\$12.75 All Other Countries (Members Only)

NON-MEMBERS ADD US\$3.00

Publication Center Address on Back Cover

ERNEST R. COOPER - 5 ANTHONY ST. - PROVINCETOWN, MA 02657 (PM 6-26; Rec'd 6-30)
 EDT. My reception of 5-18 of a "WHEX or WHEF in Columbus" turned out to be none other than WHEX, Columbia, PA, and thanks to John Malicky for enlightening me on this one, which has now verified that report! I much enjoyed a recent visit by Anthony Lagattuta of Portsmouth, VA, and Bob Ruch of Northampton, MA. No reply from Newark's WSKO-620; any help on a v/s, Joe Fela or Paul Mount, please? DX: Tuesday 5-16: unID TT'er on 1590, 1:08-2:15, no ID's. Wed. 5-16: an OC topped WJJD/KSL here all AM, I wonder whose it was? hockey on 1590 this am, WAKR? Mention of feed from WFBR, Baltimore, and Cleveland; apparently one of the teams, at 1:56 am, with Charlie Ackman announcing. WCKY asking at 2:18 am, "Why take diet pills when you can enjoy AIDS?" (AYDS). Seems like they'd do well to change the name of their product! Fri. 5-18: pips and hi-speed code on 1610a at 2:25 am. CBC-FF Network Stations noted in CBEF-540, CBF-690, CJBC-860, but not CBJ-1580, who simply won't give up their present oh-so-popular AN show (solid four hours of TT!) New to the Larry King Network are K14J-500, WDLW-1330, WIP-610, with 50 kw stations WRKO-680 and WCAU-1210 dropping him. MM 5-21: raining profusely here, and WFTH-1590 in again with CL MX on its monthly F/C-ET, promising to get "QSL Cards" printed "one of these days". It hasn't happened yet, as of 6-25! A report went to WRRC-900, and v/q for old WRC is in, with a "W" typed in in front of the calls; CE says the call change is an interim till the sale of the station is consummated. Tue. 5-22: WHOL-1600 r/c-TT with low-pitched TT ended 2 1, no announcement heard - is the Tuesday after the third Monday. MM 5-28: nothing; WSSJ-1310, all 250 watts of it, is now calling itself "The Super Station"! Wed. 5-30: unnn WNR-CT noted today, seldom heard here; are they perhaps the slightly off-frequency station causing that low-pitched hum every night/morning on 1380? MM 6-4: both WBIS and WNUH-1350 on Talknet, about equal in volume, sounding like two people talking simultaneously. ATT'er on 1310 at 1:35. MM 6-25: WSPR-1270 and WEZE-1260 both on ET'S at 1:12 AM. A PoP on 1460 o/WCHB/WMON never did ID as I listened and waited, to no avail. unnn WRJS-1560, San Juan, is the BFL station here, believe it or not - announcements, though, are in SS. WRKO-680 was completely off but my hopes of logging WQNN were dashed by several other stations, including unnn WCAW with C&W MX. FM's been awfully quiet for this time of year, only one brief opening into MO and AR on the first day of summer. I'll be attending the WTFDA and IRCA CONVENTIONS; and I hope to see many of you at either Jamestown or Toledo! FORWARD - MARCH! (Wish I could make both, but C. Springs will be my only Convention this year -pls)

DAVE SCHNEIDER - 2412 E. JUANITA - MESA, AZ 85204 (PM 6-5; Rec'd 6-7)
 This is the first time I have sent a MUSING since becoming a member a few months ago. I was a member back in 1963 to 1967 while living in Woodstock, NY. Those were good days for DX during the fall and winter months. I have written a Program for the Color Computer that will keep a log of stations, alphabetize them, look them up by frequency, or by call letter. The Program will log up to 100 stations on each file. Each log has 4 lines of data that you can input (such as call letter, frequency, city, state, date logged, signal condition). In addition to the four input lines of 30 characters each you have 3 other input lines for data. The Program is menu driven and works with cassette or disk, for 16k to 32k memory. I have used a 32k Color Computer with a disk since the cassette is very slow for this program. The Program has a printer command for giving you a print-out of your "stations logged". The best part of the Program is that it's free to any member that has use for it. Just send me a blank cassette or disk and I will copy it and send it back to you. (Members-remember to include enough postage for return of your item-HQ) I use a standard 35-track Radio Shack drive. Stations received on 5-6-84: CHAT-1270 Medicine Hat, Alberta 1:36 am under KR01 Sparks, NJ, called KR01 and found out they are 1000 W. with pattern to the west. KWSO-1300 at 3:41 am; KRKS-990 Denver at 6:35 am. 5-21: CBK-540 at 10:00 pm; KLO-1430 at 4:40 am; KBBQ-1590 Ventura at 5:11 am. 5-28: CFFR-660 Calgary, AB at 2:15 am, station ID as "66 CFR". I talked to Rick Mitchell from CFFR that night, and he is sending me some information about CFFR. That's all for now; see you next month.

BILL HARDY - 2301 PACIFIC AVE. - ABERDEEN, WA 98520 (PM 6-26; Rec'd 7-2)
 Times are Pacific. My last MUSE was four months ago! So I haven't told you yet that KGRV-700 Winston, OR went on the air in February. First noted here 2-14 8:20 am with contemporary christian mx, then into "Back to the Bible" 8:30. Fairly good sunrise-skip signal using 25 kw, but drops to oblivion at night (500 w or 1 kw night depending on whom you believe). 3-4: Final DX campout of the season at Ocean City State Park. Only two new loggings there - 5:30 pm CKST-1070 Alberta very good in KNX null with full ID, and 12:30 am 3-5 KOOX, serving Spokane and the Inland Empire from Opportunity, WA. Then AE NX. Back home, 3-8: three call changes logged. 7:05 pm KERI-1180 ex-KWSO ending APR NX, promo with several "Kerry" and "K-E-R-I" mentions, then

contemporary christian mx, hourly ID is now "Wasco-Bakersfield," good signal in KOFI null but KEX-1190 splattering badly at times. 8:01 pm KORY-1270 ex-KR01 but same rock oldies format, good atop CHMK and others, nice legal ID as "Kory Sparks-Reno." 10 pm KIFH-1040 Honolulu, HI, ex-KP01 good with YL ending KIFH NX and MX, then contemporary christian mx. 3-17: Nancy noticed something interesting today. Trying for KIXI-880 which had sought call change to KHRK, a change then cancelled because their proposed sale of KIXI-FM fell through, Nancy noticed an hourly legal ID with different cities every hour! I guess stations can now ID for any cities they serve, as long as the official city of license comes first. Well, the 9 am ID 3-17 was "KIXI, Mercer Island, Seattle, and Langley at 880." at 11 am, it was "KIXI, Mercer Island, Seattle, and Utsalady at 880." at noon, the third city was Sedro Woolley. Later in the day, ID's included Pouso, Anacortes, Suquamish, Port Ludlow, Ballard, Oak Harbor, Shelton, and Ferndale. These towns are big and small (some even have their own stations), and are both close-in and as far away as 80 miles. 4-18: 10:37 pm KYKN-1200 Eugene, OR, ex-KBDF, new call and format, "13 Kickin', Continuous Country in AM Stereo," also had end of Portland Trailblazers NBA Basketball. 4-22: KIXI's idea for different hourly ID's has spread south to KPNW-1120, which has been ID'ing as "Eugene-Springfield, OR" since it took the air in 1968. 3 am ID was "Eugene, Springfield, Cottage Grove, and Junction City." 4 am ID was "Eugene, Springfield, Albany, and Corvallis." Also heard later was "Eugene, Springfield, Florence, and Roseburg." 5-8: KMAS-1030 is here, ex-1200, still Adult Contemporary mx, KMAS nx hourly at :57 followed by AI nx, ID is "Shelton-Olympia." KMAS was granted fulltime on 1030 but is still a daytimer as of late June. 6-19: 7 pm KCIS-630 ex-KGDN, good signal, ID as "KCIS Edmonds-Seattle," mentioning "Christian Information Service," then religious show. Other hours has UPI nx and contemporary christian mx. This station has a CP to go fulltime, and Nancy heard KGON "Testing our new nighttime facilities" during daytime 6-13 at 9:30 am (still ID'ing as KGON that day), but again they're still a daytimer as of 6-26. KCIS brings my totals to 865 heard. 73 and Good DX.

ERIC BUENEMAN - 836 LAMPLIGHT LANE - HAZELWOOD, MO 63042 (PM 6-26; Rec'd 7-2)
 (314) 895-1436 (PPD. Only) Due in part to the responsibilities of putting out a bulletin for my club, The Gateway DX Club International, the responsibility of BANDSCAN, and other numerous chores, musing on my part has taken a back seat. I finally verified thirty states last winter, with number thirty being Connecticut (WTIC-1000). Are you ready for these new veries? Here we go: AL: WSGN-610, WASG-1140. AR: KWCK-1300, KHOG-1030, KARN-920, KSDH-1050. CA: KNBR-600. CO: KADE-1190. FL: WBGW-1500. GA: WQNN-680. IL: WHCL-1060, WPMB-1500, WLS-890, WFXW-1400. IA: KWTM-540, KSCJ-1360. KS: KKOW-860. WPTR-1540. ND: KFW-1200. OH: WHIO-1290. SD: KSOO-1140. TX: KUDD-1540. WI: WTSO-1070. ON: CJCL-1430. PQ: CBF-690. SK: CBK-540. Other Countries: Nicaragua: HTA620-620 (ex-YN6R). My Totals: Stations: 34 heard, 31 verified, Countries: 10 verified. Stations heard: creeping up on 300, getting close to 200 verified. Anyone who has plans to go through St. Louis on the way to Colorado Springs, please stop by my shack and see the equipment. Call me at the above phone number for precise directions. DX is on fire all year here! 73 and Good DX, especially to all St. Louis NRC'ers who do not MUSE (Please do it every once in a while).

DAVE SCHMIDT - 42 CHELWYNNE RD. - CASTLE HILLS - NEW CASTLE, DE 19720 (PM 6-30; Rec'd 7-3) It's been a while since I've checked in with the MUSINGS section, too long, but work has just kept things at a busy level for the past 6 months. I'm sorry to have let things get as backed up as they'd have as it usually takes twice as long to get caught up-hi! Looking back in the books: 12-17: WXAX-1170 1:53-2:04 am noted on AN ET with MOR mx, in WMAA's null, ID on hour, guess a pre-start test. 12-18: WASG-1140 DX 1-1:14 am in nicely on their test with slight WOEL-1150 splash. 1-15: WBGW-1500 1:45-1:56 am with DX test, what is the story on the guy who did this test not working at the station for five years? 2-4: WHTC-730 6:05-6:15 pm with news, religion, then s/off, mentions Sunday s/on at noon! 2-8: WHUB-1400 1:46-1:53 am with listed f/c, tone with ID's each 2 minutes. 4-30: WTTN-1500 12:59-1:18 am on weather emergency broadcast, replay of local NOAA Weather Radio Service. (We put part of May issue of DXN under the table that nite-HQ) 5-4: CKSL-1410 12:45-12:59 am local like with rock music, s/off for "Technical Adjustments", must've had some antenna problems as they've never been heard before! 5-16: WBDX-1030 12:44-12:59 am s/off way o/WB2, must've forgot to go to night pattern! Only one verie to report, a v/f from the WMPZ-1000 Test from 3-28-83, total at 1116. We've added another HQ-100 to the den, thanks to Jerry Strauman and his offer in DX NEWS, set works better than mine! NRC'er Charlie Slezak and myself have formed a small engineering and audio consultant company, offering service to area radio stations in the line of repairs, regular scheduled maintenance and improvements in existing equipment. I am a firm

believer that AM radio can sound technically just as good as FM! This also includes carrier current AM; it can be made to sound like the big guys, too! We made our annual Easter vacation trip down to NC this year with visits to WATA-1450, WKSK-500, and WJSO-1590, plus a side trip to the transmitter plant of WIDD-1520/WJSO-FM Elizabethtown, TN, and the TV/FM sights atop 3000+ ft. Mt Holston outside of Bristol, TN (and WIDD never did verify my report from last year and I was standing right in front of the transmitter and tower!) (No wonder, hi! -pls). WJSO is very interested in receiving reports and all reports will be verified with a nice card to CE Paston Durham, who also has run past Tests from WQBX-710, WKEX-1430, WYVE-1200, and WFGH-900 over past years. He promised some from a few others he services this fall. And WHHM-1400 Hillsville, VA does exist; they're TOP 40, Mutual Net, and their mid-day report gave a complete run down and full details of the winners in the Hillsville easter egg hunt! Big time stuff! WJBK-1440 is not on the air per reports earlier in DX NEWS. That should be it for now; have a safe summer!

BRUCE A. CONTI - 39 BAYBERRY DRIVE - WEST WARWICK, RI 02893 (PM 7-2; Rec'd 7-5)

The hazy, hot, and humid southern New England summer weather has made for ice-cold DX conditions, as the lightning storms and air conditioner noise have taken over the air waves. But locally, there's been a heated battle going between two Providence radio stations. Popular talk show host Steve White resigned from WHJJ-920 after the station temporarily suspended him from going on the air because he was not adhering to station policy. So Steve packed his bags and moved the "Steve White Flight" talk show to WONG-550. This was after he received an offer from an Albany station to bring his style of radio show up to New York's capitol city. Steve gained a reputation for leading the way in the fight against corruption in Local and State Government. He helped launch the campaign to recall the Mayor of Providence, and his influence has been blamed for the rejection of bond issues and referendum by RI voters. Anyway, Steve decided to stay in RI, even though he was stepping down from 5000-watt WHJJ to 500-watt WONG. Since the show has been on WONG, many listeners have called Steve on the air saying they will no longer listen to WHJJ, and that since he's left WHJJ, the station has become very dull and boring. Meanwhile, at WHJJ, whenever a listener calls up to complain about the loss of Steve White, or even mentions the name, the caller is cut off the air and a tape recording of a flushing toilet is played. Back at WONG, the "Steve White Flight" has been continually marred by technical difficulties at the station along with bad telephone connections. This has brought up comments by callers who say WHJJ may be interfering with or jamming WONG's signal, and politicians against Steve White along with WHJJ have gotten insiders at WONG and the phone company attempting to sabotage the radio program. Steve White wants the FCC to investigate the possibilities. // In answer to Gene Martin's MUSING in the 6-11 DX NEWS, Providence is another market where a Beautiful Music station has been consistently number one. WLKW-FM holds the top position overall, with BFL mx, live DJ's, National and Local nx, sx, and wx, along with drive-time traffic reports. // Paul Stephan, John Morus, and I will be driving to Colorado for the 1984 NRC CONVENTION. So if you happen to see a red T-bird with RI registration "BCB0X", That's us inside with the radios glued to our ears! 73's. (And if you spot a crummy-looking red-cum-oxidized Dodge Colt sporting California plates reading "BCB DXER", Don't steal the plates! I paid through the nose for them, hi -pls)

WAYNE HEINEN - 1642-C S. IDALIA CIRCLE - AURORA, CO 80017

Hopefully by the time you read this, Emmy (that's my bride) (YEP, Married again) (Congrats, I think, hi! -pls) and I should have moved, new address TBA. I'll wait until after the closing to be sure nothing else gums up the works. DX - Yep, I've done a little. 4-30: KQYX-1560 on ET/TT 1:30 am EDT with TT. 5-9: While spinning the dials after dinner, KAZM-700 with C&W 9:50 pm EDT. 5-20: New KLIM-1120 Limon, CO with small-town C&W format. Semi-local here. 6-11: KEWI-1550 ET/TT ending at 1:30 am EDT. Veries back from KQYX, KLIM, and KAZM. I'll be setting up a new shack and trying to sort out my stuff after 2 years of living in two cities; the new QTH is high on a ridge about 3 miles east of my present location and will hopefully offer up good DX with lots less noise than the town house complex i'm in now. Although not yet history, the CONVENTION of the West is NOW, by the time you get this. If you don't have a room, call me now and we'll see if we can get you in. C. Springs busy tourist time is now so if you're coming and need space call me at (303) 695-7788; if you get a recording stay tuned for my new phone number courtesy of Mountain Bell. Hope to see many of you here in Colorado over Labor Day. 73 and Best.

RADIO ROUND-UP

PETE KEMP - BETHEL, CT 06001 (PM 7-2; Rec'd 7-5)

Radio Laser is the latest entry in the English Channel broadcasting war, operating on 558 with the slogan "All Hit Radio". They are riding the waves about a mile away from Radio Caroline, with the very latest equipment, including Satellite transmission/reception facilities. CNN had an interview with some of its operators and pictures of this floating station; very impressive ... Washington Redskins Coach Joe Gibbs has signed a contract for a daily report on WTOP ... Boston is getting ready for their second all-news station. WHUE has signed on with the Cable News Network and will be switching from their Beautiful Music format ... The Ohio AP Broadcasters Association has awarded WBNS a First Place for their sports coverage ... Metromedia has sold KJR-AM Seattle for \$6,000,000 ... ABC has decided to sell off WXYZ in Detroit for somewhere in the neighborhood of \$9,000,000. ABC will retain its hold on WRIF-FM and WXYZ-TV ... KABC-Talkradio has given away over \$20,000 worth of Olympic tickets as prizes ... Rumors are flying in the New York market has WABC said to have made overtures to John Gambling, a member of the family institution on crosstown rival WOR. The Pact is even said to include his son John R. It should be noted that WOR has been shifting around its personalities a lot this past year in an attempt to modify its demographics. The month of August will be a pivotal one, as Bernard Meltzer's contact will be up at the same time. Also note that Roger Skibenes has left his evening news anchor slot at WOR for the morning news anchor position at WABC ... Radio can be a dangerous place to work if you are a member of the insult-the-public school of talk show hosts. Alan Berg of KOA in Denver was killed in what police say looked like a contract killing; no suspects yet ... Despite NAB's best efforts, the legislation to repeal the Fairness Doctrine, Equal Time regs, has been shot down by the Senate Commerce Committee ... WJME has just signed a four-year agreement with the Cleveland Cavs for broadcasting rights. The Cavs had previously been heard on WERE ... The AP Radio Network will soon begin airing the "National Policy Forum" produced by the American Enterprise Institute. The show will be 24 minutes in length and will be fed to affiliates on Friday afternoons at 12:35 ... Took a trip up to the American Radio Relay League in Newington, CT, and chatted with NRC'ers Bruce Kampe and Jim Clary. Always a pleasure to talk with members who share an interest in Amateur Radio ... So much for now ...

NEW YORK TO COLORADO ROUND TRIP

JAY SMILKSTEIN - 105 MANCHESTER DR. - MT. KISCO, NY 10549 (PM 7-2; Rec'd 7-5)

Good Morning Volkswagen Campers, I would like to make a camping trip to Colorado Springs and 14,100-foot high Pikes Peak this Labor Day weekend, if I have the money. So if you need or have a ride or live along the way, please let me know. I was surprised to see WDAY-1050 for sale in the June issue of DX NEWS, Page 46, as June is Gay Pride Month, with parades the last Sunday in June. I enjoyed the phone calls, but before 1 am New York Time, unless it's important. I was impressed by the ring Jerry Bond was wearing at the 1983 CONVENTION, as I like plain, simple jewelry that is nicely finished without sharp edges. As if you couldn't tell, I like metal-working; in fact if it's high fidelity radio, electrical-mechanical or metal-jewelry related give me a call. I find the straight magazines boring, the gay magazines too weird, and adult magazines in bad taste. Fortunately I found one magazine I really like; it's called DX NEWS. See you in Colorado Springs? Hopefully!

G. HARLEY DELEURERE - P. O. BOX 10 - HENDRICKS, WY 26271 (PM 7-6; Rec'd 7-9)

I should mention that on May 31 I heard WJLY-550, Braddock, PA. I wasn't going to write to it, because I had already confirmed WLOA and WHYW. I wrote anyway. In a few days the lady announcer of the program that I heard gave me a call on the telephone. She and WJLY were all excited about being heard in WY. Of course, WJLY did confirm my report. Today I received a nice verie from WYST-1010, Baltimore, MD. I had given up on its verifying, but my letter must have gone astray. WYST's correct address is 1111 Park Avenue - The Penthouse - Baltimore, MD 21281. That's all for now.

ROBERT RUSH - 50 PEGUOT ROAD - SOUTHAMPTON, MA 01073 (PM 7-10; Rec'd 7-14)

Greetings from the Western Massachusetts DX'er! I hope everyone's summer has brought bountiful DX catches. My DX'ing has been minimal due to my busy schedule. However, it's only a matter of time before the radios are humming in my shack! Recently, I spent a few days on Cape Cod taking in the sights. One stop took me to a Mr. Ernest Cooper in Provincetown, MA. Ernie, thanks for taking the time to sit and chat with me. Your collections of verifications, including Grenada, is most impressive! With those words, it is time for me to sign off. 73's de bob.

PEREGRINATING CALL LETTERS

GENE MARTIN - 3303 EAST EVANS AVE. - DENVER, CO 80210 (PM 7-18; Rec'd 7-20)

There are a couple of obvious errors in Peter Kemp's "Ramblin' Back" Column in DX NEWS for July 16. First, the item reporting a KOA power increase to 500 watts. The fact is that KOA was rated at 12,500 watts as early as 1936. A power increase for KOA in 1934, the date of this quoted item, could only have been to 50 thousand watts. The second error involves the mention of WCBS, Charleston, WV increasing its daytime power to 1,000 watts. The station was most likely WCHS in Charleston, then and now. WCBS in 1934 was located in Springfield, IL, a hundred watt dividing time with WTAX in Springfield on the local frequency of 1210. Sometime near the end of World War Two, I believe it was, the Columbia Network went out to Illinois and persuaded WCBS to give up that call. You can figure that quite a lot of money changed hands. The next thing that happened: Columbia's Network Key station in New York dropped its long-standing call of WABC and became WCBS, followed almost immediately by the new ABC Network dropping its long-standing call, WJZ, and turning into WABC. The people at Rockefeller Plaza also noticed what was going on, and before long, WJAZ New York turned into WNBC. And what happened to little WCBS in Springfield, IL? They took Columbia's money and decided they could be happy forever after as WCVS, as they are today. And note the amazing similarity in sound between the dropped B and the adopted V. A DX'er often fails to hear the difference between a V and a B, if he's listening in poor conditions. I have told this call letter change story before in DX publications, but perhaps it will be something new for some readers.

THE WIZARD - BOX 118 - POQUONOCK, CT 06064 (PM 7-18; Rec'd 7-21)

It's been a year since I've written to Paul (Bet he jumps for Joy, possibly Alice, when he reads this missive) (Who's Alice? -hi! -pls). Back in May, I conducted my annual sojourn to New Castle, DE to visit "Outlaw". One highlight, this time, was not visiting WNRK-1260 but traveling north to 1156-WDEL Sunday morning, to visit with Charlie Slezak. Alphonso Bedoya and I once again traveled that yellow brick road, I-80 this past June to visit Buffalo K. Foonman. Various and sundry other personages were in attendance. Friday night featured a trip to the SWAT Team Ammo Dump but the highlight was Saturday afternoon when we visited 1348-WSAJ Grove City, PA. For those of you with your decoder rings the message is as follows: 6-43-124-888-753-844-11. For those of you without decoder rings, you can obtain one by sending five dollars to decoder ring, Box 1011, Cid del Rio TX 78840. (Better yet, invest the \$5 in Ripple and ingest until the numbers in this muse makes sense, hi! -pls) Two nice veries received this year: 658-WNRC Enfield, CT (Postmarked Wilmington, DE) and 1628-WSWT East Windsor, CT. These veries sent to Herr Knitter and, hopefully, these two rare veries will appear in DX NEWS. The WIZARD will again tempt fate by flying (Sans Drugs) to Denver for the SWAT TEAM 1984 CONVENTION where the WGN quotient should be at an all-time low. Message for Captain Giotz: Contact me at the above address - your plan sounds feasible.

J. B. HUGHES - 13720 GULF BLVD., APT. 401 - MADEIRA BEACH, FL 33708 (PM 7-19; Rec'd 7-23) Greetings All. While DX is slow, I thought I'd take time to look into the new, silent, and changing stations here in Florida. The only new station (not shown in the 6th edition NRC DOMESTIC LOG) noted as being on is WKZY - N. Ft. Myers, FL on 770. I talked with GM Joe Cope who was quite helpful and patient in fielding my questions. He said they hit the air 12-17-83, are 24h NSP, and U4 10,000/1000. Their address is 3440 Marinatown Lane NW, N. Ft. Myers, FL 33903. WJEA-760, WLNW-1240, WAUX-1330, and WKEZ-1530 have not yet been noted on the air and none yet has a listed phone number. (That is, WAUX-1330 was noted off 6-16 while was in Milton.) WZOR-1490 is the only station currently noted as Silent. WAUS-1170 (1190) has been on the air for about ten days (since about 7-1). This is per Fred Hall, who was filling in for another DJ on the day I called. He said their power was 5000/250 24h although they're on only 12hr presently. He wasn't sure of the pattern. ID is dual, Davie-Ft. Lauderdale. The address is 2124 Davie Extension Road (Ft. Lauderdale, I assume). On frequency changes, Bruce Green, Operations Manager at WHBO-1050 says they hope to make the switch to 1040 in mid-Sept. He says they initially will be 2500 watts going to U2 5000/1000 24h (NSP, I believe). City of License will be Pinellas Park. Many thanks to Mr. Green, who answered my questions as fast as I could ask them. WKAD-1510 hasn't made the switch yet to 1040. All they would say is that they hope to switch A.S.A.P. and that they'll be 24hr. WGNB-1520 is still in Indian Rocks Beach and still D3 1000. The CE is on vacation so I'll try to find out later if they still plan on any change. (The GM said it would be a year or two.) WBRD-1420 is now Palmetto, FL and U4 2500/1000 24h NSP per CE Dave Glenn (Thanks, Dave). WXYX-1360 is Winter Haven-Cypress Gardens, FL and U4 5000/2500. The address for WAMA-860

(ex-WAZE) is 5203 Armenia Ave. - Tampa, FL 33607. As near as I can tell, there are presently 201 stations on the air in FL, 10 of which are spanish full-time, one silent station, and four new station grants. Please let me know if any grants (or anything else) have slipped by me and I'll try my best to check them out. I hope to check out progress on WJEA-760 and WKEZ-1530 next weekend and will keep you posted. Also, does anyone have anything on that cp for 990-Miami? Also, Mark Williams, CE at WDAE-1250, says their CP for U2 50,000/5000 has long since been put in the circular file due to the expense of limiting interference. (Due also to new owners, I assume.) 73's.

RADIO ROUND-UP

PETE KEMP - BETHEL, CT 06801 (PM 7-23; Rec'd 7-26)

Greetings, All ... The Supreme Court is considering the possibility of reviewing the famous Red Lion Decision, of a few years ago pertaining to the Fairness Doctrine. The court will be looking for guidance from the Congress and the FCC ... The Business Times, currently seen on ESPN on Cable systems, will have its audio feed rebroadcast on WNYC-AM at 4:30 pm daily. By the way, WNYC-AM recently celebrated its 60th year of broadcasting ... The National Association of Broadcasters and the National Radio Broadcasters Association have asked the FCC to reconsider its position as the allocation of call letters. The FCC said "No way, Handle it yourselves, REQUEST DENIED" ... The FCC, after many years of wondering, has said that they are not interested in the "Loudness of radio-TV commercials controversy." The FCC simply stated that loudness is too subjective ... isn't de-regulation fun? Jack Elliott from KJR is the new morning man on WJSA ... KDKA is the new home of the Pittsburgh Penguins, taking over the reins from KQV ... KSNL in Phoenix is expected back on the air having been purchased in bankruptcy court. The station will program adult mx aimed at minorities when it returns to the air after over a year gathering dust ... In the big apple wins has come out ahead of WCBS in the all-news ratings race, according to Arbitron ... For you international types, the Voice of America is going to be trying a listener call-in show, beginning October 7 and thereafter on the first Sunday of each month. Guests will be present to answer questions from listeners around the globe ... Kenay Delmar, the actor who played the long-winded southern Senator Beauregard Claghorn of Fred Allen's "Allen's Alley" has died at age 73. He will be remembered for his line "That's a joke, son." He was also the announcer on March of Times, Hit Parade, and he played three parts on the historic Mercury Theater Broadcast of The War of the Worlds with Orson Wells ... I loved his pompous Senator routine; my two favorite lines of his were "I only drink from a dixie cup" and "While visiting New York I refused to drive through the Lincoln Tunnel." ... The latest issue, August, of POPULAR COMMUNICATIONS, has a new column, "Broadcast Topix", edited by Mark Manucy-W3GMG. It will cover AM and FM listening topics ... Also noted in that issue was a letter from Don Hainzi; he is SYSDP for the Communications Industry Forum on COMPUSERVE. On that SIG many Data Bases may be accessed consisting of a variety of broadcast communications areas and modes. If you are a COMPUSERVE User, Type "GO SPF-35" and join in. Another available SIG is HAMNET, where a number of useful Databases and electronic reports can be found; Type "GO HOM-11" for Amateur Radio-related information ... Hope that all have fun at the CONVENTION ... So much for now ...

IT'S FINALLY READY FOR YOU!

The 7th Edition of the
DOMESTIC LOG BOOK

We are now taking PRE-publication orders.

ORDER: NRC LOGBOOK
P.O. BOX 24
CAMBRIDGE MA
USA 03523

Members
Price

AMOUNT: US\$9.00 U.S. & CANADA
Others please write for
postage rates.



GRIPES AND QUESTIONS

DOUG BEARD - 604 7TH ST. N. - SPRINGVILLE, IA 52336 (PM 8-2; REC'D 8-6)

The Pattern Book Update rates only a 9. My criticisms are threefold: (1) Few patterns include dots for the TL. It is impossible to tell the depths of the nulls on many patterns. (2) Some patterns, like WGNB-680 and CKGB-730, need asterisks to show that they were drawn on a smaller scale. (3) I question several of the patterns: KVIJ-540 - to my knowledge, this station is a daytimer; KTBB-680 - too big; WTUN-610 - too little; KUNU-610 - looks like their day pattern; WCAP-980 - that's WTRY's pattern; CFYQ-1810 - looks like their old 1350 pattern; KNQM-1070 - not sure here - seems like an awful lot of power is headed toward KXK; WFCU-1090 - What is it? KAAY and WBAJ would be mad ...; KBMR-1130 - This, I suspect, is their CP for 50 kw, D3 (Sans asterisk). Any night pattern here would have to be similar to other midwest 1130 patterns (WDGY, WISN, WCXI). Speaking of patterns, since the Day Pattern Book seems dead, would HQ consider putting CM'S in DXN? (The Day Pattern Book isn't dead, it just hasn't grown very big yet on the Day Pattern Book Tree outback. These monster size projects take time, a lot time. About the CM'S in DXN, we'll give some thought-HQ) Anyone wonder what happened to WDLN-960'S application for U4 1000/1000? Well, per letter, they dropped it 4 years ago after they got their FM on. WDLN'S day pattern is mostly N-S with a small lobe to the E. It seems curious that WDAY-970 is NSP while nearby KNSP-1430 is day only. I note with apprehension the grant of fulltime status to CHIN-1540. Toronto would seem to be well within KXEL'S night coverage area. What's going on? Does KXEL indeed have protected secondary? Does WPTR cause so much QRM in eastern on that the area is not considered part of KXEL'S secondary range? Or does the new N. American treaty do away with skywave protection of stations in neighboring countries? I sincerely hope not, as I would feel very deprived should I no longer be able to hear CBL-740 and CBW-990.

ED MITKUS - 114 S. KIRKLAND AVE., #36 - ELKIN, NC 28621 (PM 8-4; REC'D 8-7)

EDT Time. Greetings to all. It's been awhile since I've checked in, so it thought now would be a good time to do so. My wife Kerry and I have moved from Tampa to Elkin, NC, 50 miles from Winston-Salem. Reintro: I'm 27 and manage a Western Steer Restaurant here in Elkin. Any traveling DX'ers, stop in. I'll show you my log book! DX'ing here is a big change from Tampa, less static and less Cuban interference! So far, 73 new BCB stations are added to my log, which brings my total to 648 all. I don't have much time to DX, but my wife has taken a little interest in it. She DX's with me sometimes at sunset. Best new heard - WGUN-1010 Atlanta 8-2 2030 with s/off. Wanted this one in Tampa for 6 years! Heard new WLWL-770 Rockingham NC 8-2 2015 s/off. They're new on 770, switched over from 1500. When I left Tampa in April, I had logged 149 Florida BCB stns. My 150th I thought wouldn't be heard for awhile! But I heard WCNV-1010 Crestview, FL 7-18 at 2045 with s/off. So 1010 has been very nice indeed. Mostly, I hear small-powered daytimes in VA, TN, NC, SC, OH best one is WJRE Circleville, OH 1540 8-1 with County Fair coverage. I can't wait for a crisp winter night. Should be great. It's also nice to hear those clears again, WTOP, WCBS, WBZ, WLS, WBBM. These are my favorites. No locals at night. WJOS-1540 Jonesville is a daytimer only. I'm only 40 minutes from the Blue Ridge Parkway; I've already DX'ed in the mountains, with great results. More as it happens.

A GRAND OPENING

JOHN R. MALICKY - 995 SHADYCREST RD. - PITTSBURGH, PA 15216 (PM 8-1; REC'D 8-7)

What a July! First an incredible opening day ceremony for the Olympics which I am enjoying immensely. Second, the logging of 23 new stations to bring a total of 1,131. Some notables include on 7-1 WUCD-1270 Marysville, OH, a new stn on as of 5-24-84 playing "U-Country" mx at 1 am, verie back and we may have a possible CPC test this fall. On the 11th and 13th, WXPX-1300 W. Hazelton, PA with soft rock, ads, 13-X ID's and "Greater H. nx and information authority" coming thru strong at s/off 8:30 pm. Also, an opening to Jerry Bond country netted WXPY-1280 Rochester on the 12th with R&R mx and "98-PXY" ID's at 8:30 pm, and WACK-1420 NE2ARK, NY at 7:50 pm broadcasting from the Ontario County Fair. On Friday the 13th, no bad luck; heard CKAN-1480 Newmarket, ON at 12 am s/off with "C-KAN Country". On the 24th, loud T'ER WGGM-1410 Chester, VA ripping thru KGV at 2 am and also playing gospel-rel mx. Openings to the South brought a wisecracker on 1310 out of Asheville, NC coming over WNIC with local ads, "13-WISE" and R&R mx at 9:30 pm on the 24th and the following night E2L mx at 9:47 pm from 1330-WBTH Danville, VA, in strong also with 2 local ads. America's team baseball with the Atlanta Braves on the 30th with WTIK-1310 Durham, NC at 9 pm "The No. 1 stn in the triangle serving D., Raleigh, and Chapel HILL." Finally, on the last day of July, just "positively christian mx" from WEAU-1330 Evanston/Chicago with s/off at 9:30 pm! Veries have dried up as I think everyone has gone on

vacation, only 3 in the last 3 1/2 weeks with a very friendly v/1 from WFIV-1000 Kissimmee, FL on the 14th. The President and GM Mr. Edward Allmon wrote, "Radio stations positively do appreciate that DX listeners ... do take their time and postage money to send out reports." It's the first time anyone has recognized our postage efforts! On the 19th, a nicely written PPC from WUIV-1500 Icard, NC from Elaine Lowman, OPM as the station is full-time gospel for 1 1/2 years. Finally on the 30th, a simple OSL card from WCEJ-1420 Dubois, PA. Only one other local verie to report from WTKN-970; WEEP-1080 and KQV-1410 seem to be holdouts. 3 weeks ago I had the opportunity to visit WAMO-860 and FM-106 and just as things were moving along, the AM went off due to a thunderstorm, so the engineer had to leave. So that's about it; Oh, one more small non-related DX item, where are Grand Union Supermarkets located? Seems our store has got some of their shipping carts. Oh, well, 73's to all, and to all a good night!

J. B. HUGHES - 13720 GULF BLVD. #401 - MADEIRA BEACH, FL 33708 (PM 8-6; REC'D 8-9)

Greetings all. To pick up where I left off concerning the status of the Florida CP's, WCGY-850 will be U5 5000/1000 around Sept. 1, per Steve Cody, PD, so six previous CP. The CP for D3 5000 must have gone out with the former call letters for WWOJ-970 as GM C. R. Buckner says he knows nothing about it and that they're still D3 1000. I received an interesting letter from Tom Anthony, PD at WMBF-1130. He says that when they make the switch in Sept., they will be Florida AM Stereo #10 (I know that local WRBQ-1300 is Stereo; does anyone know the other 8?). He also says they'll be fulltime U2 2500/1000. Per C. Marshall Spinn, CE of WNOG-1270, they've been U4 1000/1000 since 6-83. They're affiliated with CBS and Mutual. Equipment test is every MM 0000-0500. Jeff Donovan, PD at WFNN-1470, says their power is U3 5000/500 (not 2500/5000). Mr. Stortz, CE of WGNB-1520, says the land for their CP was just purchased so it will be a while yet before they complete it. Power will be U1 1000/1000 (not U4 10000/1000). Jim Snaders, GM at WJZ2-1200, says they've dropped their CP for D3 2500 but are considering applying for something like 1000/1000 (24h) in a year or so. Per J. A. H., UP of Heratland (Heartland?) Broadcasting (in reference to WAUC-1310) power is D3 5000, format is country. WJBC-1510 says its CP for U4 5000/500 Rockledge is not complete yet. 1170-WAVS is Davie, Ft. Lauderdale. Address is 4124 S. W. 64th Ave., Davie, FL 33314. Their first day on 1170 was 6-30-84. This per Ron Gull of WAVS who says just he and one other person are working their current 10 am to 10 pm schedule until they go 24 h. He wasn't sure about their pattern except to say there was a day and night pattern and there were two antennas. Am I right in suspecting this would most likely be U3? Power is 5000/250. Well, that's it this time around. (Gerry Thomas, what happened to WAVX-1330, is it silent or has it never been on yet?) 73's.

WILLIAM R. HALE - 9823 NORTH MEADOW - CONVERSE, TX 78109 (PM 8-4; REC'D 8-9)

Greetings again from the Great Southwest (at least that's what WDAI calls it). My DX has been at a virtual standstill the past couple of months, hence no reporting to the columns. The last new stations heard here have been WKZY-770 Ft. Myers, FL; KTUN-1180 Humble, TX, both thanks to Artie Bigley, who tipped me off on their existence. In a recent "Formats" Column, it was reported that KHJK-1060 Lockhart, TX had "dropped C&W mx and is now Rel". Not true, not true at all. They have been, at least for 6 months or so, "The best music you've been enjoying for the past 40 years". That means Sinatra, Letterman, Captain & Tenille, etc., plus most of the instrumentals of the 50's, 60's, 70's, and 80's. They also have CNN Radio, which I can't distinguish from CNN Headline News. Are they the same? That being CNN Radio is the audio from CNN Headline News. I recently joined the WTFDA (May) and am thoroughly enjoying reading all the FM/TU news. A couple of their editors seem to be having a spitting contest as to who rates more space, but the way I see it, the more news, the merrier. We have been enjoying (?) a record hot and dry summer in San Antonio. I can't wait to move back up North and get some relief. Although I did enjoy this past winter of no snow, and little real cold temperatures. Also, I have just ordered the new DOMESTIC LOG, and am eagerly anticipating seeing it in its new format. The way my current (6th) edition looks, it's got more changes than BOY GEORGE!! It's a mess. So the new log will be a welcome sight. Have also ordered a new Vane Jones Log from B. Dalton. Should be here any day. So I'll be all set for the DX'ing season. That's about all from here for now. Good DX to all. (Did you ever get that radio!?!-HQ)

PAUL SWEARINGEN - 7310 ENSIGN AVE. - SUN VALLEY, CA 91352

My apologies for the absence of MUSINGS from DXN last month. The Software for the MODEM glitched, and although I sent off for a replacement a month before I thought I would need it, the company failed to send it to me until the actual publication day, in spite of my pleading with them to get it in the mail. (Well, Gang, should he join mKee in the lake??? Let us know through your MUSES- Sue) It shouldn't happen again; after all, what else could go wrong go wrong gO wRONG gO wRonG Go wRonG Go wronG



Your bids go to the Address at the right and NOT TO NRC HQ. Orders for direct sale items and for All bids should be sent to:

SAM BARTO
47 PROSPECT PLACE
BRISTOL, CT 06010

MAKE YOUR CHECKS & MONEY ORDERS OUT TO "HAP"

This page brought to you as a Public Service of the NRC

HAP THANKS: Thanks go out to the following individuals for their recent donations: T. McLemore, T. Haskett, A. Cushen, F. Pagano, B. Plum, M. Hardester, A. Merrill, D. McCants, P. Chorocz, H. Cones, M. Schmitz, B. Hassman, A. Schlaugat, A. Wertheimer, M. Brooker, N. Drew, J. Fortney, J. Fisher, J. Bryant, C. Mann, J. Talbot, B. Matthews and D. Maxfield. Thank you so very much... Sam.

HAP BID ITEMS: #815:BBC Radio 1 sticker(2x3.5")red,white,blue.#816:Northsound Radio(UK)decal(3x13")m/c.#817:Northsound Radio decal(6"cir)red,B&W.#818:Radio Clube Paranaense(Brasil)sticker(2x2.5")m/c.#819:WFLA"Little General" sticker(3x9")m/c.#820:Radio Apollo(Euro. Pirate)QSL card(4x6")B&W.#821:Signal Radio(UK)decal(2.5x9")m/c-nice:#822:Netherlands World Broadcasting book-over 100 pages w/ photos and the history of radio in Holland.#823:BBC Radio Stoke 24 page magazine w/ photos.#824:4XD(New Zealand)sticker(1.5x7")blue,white.#825:Radio Vatican"St. Peters"QSL card(4x6")m/c.#826:Radio Vatican"Pope w/ Microphone"QSL card(4x6")m/c.#827:Radio Vatican"Speech"QSL card(4x6")m/c.#828:Radio Vatican"Cupola"QSL card(4x6")m/c.#829:Radio Vatican"Plaza Pio"QSL card(4x6")m/c.#830:Radio Vatican pen,black,gold.#831:Radio Vatican FDC w/ stamp(4x7")m/c.#832:JOFF(Okinawa)sticker(1.5x4")m/c.#833:JOFF sticker(1x1.5")green,black.#834:Northsound Radio DJ photo card,(4x6")B&W.#835:Radio Polonia cloth pennant w/ tassel(4.5x9.5")red,B&W.#836:Radio Polonia reflective sticker(3x3")m/c.#837:Radio Polonia sticker(2.5"cir)m/c.#838:Radio Polonia QSL card(4x6")m/c.#839:Radio Polonia "Building" stamp/sticker(2x3.5")m/c.#840:Radio Polonia metal pin,m/c.#841:Radio Play 26(Italy)sticker(3x6")blue,yellow.#842:Radio Luxembourg sticker(4x5")red,white.#843:Radio Menapahing(Italy)sticker(4"cir)white,purple,blue.#844:RAE paper pennant(4x8.5")m/c.#845:NBC(Papua)paper pennant(3x6")yellow,brown.#846:QPCN metal badge,red,B&W.#847:QMC metal badge(3"cir)red,B&W.#848:Beacon Radio(UK)metal badge(1.5"cir)red,white,blue.#849:CBC "Logo"metal badge,black,gold.#850:Radio Bucharest key chain,m/c-nice:#851:Radio 210 pencil,red,gold.#852:Beacon Radio pen,red,blue,white.#853:Radio Cleveland(UK)pen,red,white.#854:Radio Shetland sticker(3.5"cir)green,white.#855:Radio Shetland sticker(3.5"cir)blue,white.#856:Red Rose Radio(UK)sticker(5x5")red,B&W.#857:Radio Italia reflective sticker(3x5")m/c.#858:RBI(DDR) plastic litter bag,m/c-nice:#859:Radio Manchester(UK)large plastic litter bag,m/c.#860:RBI large cloth calendar,m/c-very nice looking:#861:Radio Southland(NZ)sticker(5"cir)m/c.#862:2XX(NZ)sticker(4x6")m/c-beautiful:#863:KATT sticker(4.5x6")m/c.#864:QGB-TV felt pennant(4x9")B&W-very rare:#865:KATT metal badge(1"cir)m/c.#866:BSR "Beserk" T-Shirt(XL)yellow,white,blue.#867:WRAP "Hot and Nasty" sticker(3x11")m/c.#868:WVZ sticker(3.5x10")m/c-nice:#869:2WD sticker(3x7")m/c.#870:WNOB sticker(3x11.5")m/c.#871:6WF (Australia)cloth arm patch(2x3")blue,white,orange.#872:Radio Nottingham diary(6x8")gold,white.#873:Radio Vatican 1984 calendar in EG(8.5x9")m/c.#874:Radio RSA sticker(3.5x5.5")yellow,black.#875:Radio Veritas(Philippines)1984 calendar(7x13")m/c.#876:IBC(Italy)sticker(3x5")purple,white.#877:Radio West(Ireland)decal(4x7")m/c.#878:WDAE Tampa Bay Bucs"sticker(3x10")m/c.#879:Radio Nottingham decal(3x7")m/c.#880:ORF(Austria)sticker in SP(4x5.5")red,B&W.#881:KNUI(Hawaii)sticker(4x7.5")red,white.#882:Radio Korea paper pennant(4x8.5")m/c-double sided.#883:Radio West pen,red,blue,white.#884:Radio Mncarena(Columbia)reflective sticker(2x5")m/c-nice:#885:KAIM(Hawaii)sticker(4x7")blue,white.#886:BBC Radio One decal(2x12")m/c.#887:RBIplastic badge(2x2")m/c.#888:Cleveland Area Cable TV cloth arm patch(3"cir)blue,white.#889:WSM metal badge(1.5"cir)red,white,blue.#890:Voice of Asia(Taiwan)metal badge,m/c-very nice:#891:Radio Clwyd(Wales)decal(5"cir)m/c.#892:Voice of Turkey cloth pennant(4.5x8")m/c.#893:Radio Newcastle(UK) sticker(3x6")m/c.#894:REB(Spain)cloth pennant(5x8")m/c.#895:HRVC cloth pennant(6x11.5")blue,B&W.#896:Radio Faso(Italy)sticker(1x9")m/c.#897:Radio Bras(Brasil)sticker(3.5"cir)m/c.#898:City-TV Koblenz(FRG)sticker(3x5")m/c.#899:HCJB-FM sticker(3.5x8")B&W.#900:Radio Hallam decal(3x13")m/c.#901:Radio Nederland address book(2.5x3")red,white.#902:Radio Peking"Great Wall" metal pin,m/c.#903:Radio Peking pin,blue,gold.#904:Radio Peking metal pin,light blue,white.#905:Radio Peking metal pin,m/c.#906:ORF metal pin,red,white.#907:RBI stick pin,blue,white.#908:Radio Bucharest metal pin,m/c.#909:WDR(FRG)station pen,blue,B&W...Hope you like this selection...Sam.

HAP DIRECT SALE ITEMS: The following stickers decal are available for \$3.25 each or any 5 for \$1.00: Radio Polonia,WFRE,WQYK,Cub Radio,WEEI,CKCK,CFRA,RCI,KREM,2-93,WGBB,WPLI,ANARC,WAZU,WCTI,KLOS,WQMR,WLUP,KROY,WQFM,WNBC,WBWA,KTTS,KDKD,WQMF,WJNC,RBI(large),Radio Budapest,RFI(large)(cir)(red)(blue),REE(cir)(square),4MK,Radio Caroline(white),BRT,Radio London, Radio 210,SRI,Radio Nederland,Radio Vatican(Pope)(square)(semi-cir),RTE,ZCH,Metro Radio,WDR Radio(TV)(square),Deutsche Welle and Radio Peking.

ADDRESS: Please send your bids and orders for direct sale items to Sam Barto, 47 Prospect Place, Bristol, CT, USA 06010.

IT'S FINALLY READY FOR YOU!

(Well, Almost !!)

The 7th Edition of the DOMESTIC LOG BOOK

We are now taking PRE-publication orders.

ORDER: NRC LOGBOOK
P.O. BOX 24
CAMBRIDGE WI
USA 53523

Members
Price

AMOUNT: US\$9.00 U.S. & CANADA
Others please write for
postage rates.

ORDER FORM

=====

NAME -----

STREET ADDRESS -----

CITY -----

STATE/PROV. ----- ZIP -----

NO. OF LOGS PURCHASED -----

AMOUNT ENCLOSED: -----

MAIL TO: Price includes
Shipping & Postage

NRC LOGBOOK
P.O. Box 24
Cambridge, WI
USA 53523

LOGBOOKS WILL BE MAILED AS SOON AS THEY ARE
PRINTED. ESTIMATED DATE: AUGUST 20th.

NON-MEMBER PRICE: US\$10.00