



DX NEWS

*the magazine of the
National Radio Club*

— SINCE 1933 —

VOLUME 51 ISSUE 9 DECEMBER 5, 1983

KH0G-1440 1kw D, will on or about Dec 10th change to 1630KHz, and goto 10kw D/1kwD. This according to Randy Castlerock, Owner per phone conversation with him. Stn welcomes reception reports. (Thanks also to J.E.Lewis).

Radio Beacon Handbook More than 9000 radio beacons between 150KHz and 1800 KHz around the world. Listed alphabetically by call sign in sections, Europe, USSR, Africa, etc. Included are most coordinations of the stns. Price: US\$5.00 includes postage. 252 pages. Author: Jurgen Trochimczyk In the U.S. you may order from: Sol C. Quintos, 2055 E. Hampton 202, Mesa, AZ 85204 Make checks payable to: S.C. Quintos.

1984 WORLD RADIO TV HANDBOOK The WRTH will be published in Jan or Feb and retail at \$17.50 in the US; orders are being taken at \$15 USPS Book Rate, worldwide, or UPS, US Only. (Please specify) or \$16 First Class Mail, US only. Calif. residents must add 6% sales tax. Orders, with an SASE for confirmation of shipment, & a check or money order in \$US on a U.S. bank, payable to **Century Print Shop**, should be mailed as soon as possible (no deadline) to: Century Print Shop, Don Erickson, 6059 Essex St., Riverside, CA 92504-1599. Inquires welcome, (714)687-5910. In Canada, please include \$21 fourth class or \$23.50 special delivery and mail orders for receipt no later than Jan 7th, to: Canadian International DX Club, Don Moman, 6815 12th Avenue, Edmonton, Alberta, Canada T6K 3J6.

Publication Center Reminder December 10th will be the last day that Ken will ship orders, due to the Holiday Mail load, he will restart the system on December 27th. So...if you want your orders to get to you BEFORE Christmas, then get your order in now.

Interested in formats, airchecks, promotional items and general radio mania you will probably be interested in **RadioPhiles** formerly QDXA. For more info write to: RadioPhiles, Box 54881, Houston, TX 77254

This from WHFB-1060, they conduct weekly maintenance tests as follows: 1st Monday of the month - 5kw, 2nd Mon. of month - 1kw w/ testing done w/ 1000 Hz tone, tone bursts & voice technical description. Testing is done between 12 midnight & 3 am Michigan Local Time. Reports are welcome & please send return postage. Addr: WHFB, 100 Fairplain Ave., Benton Harbor, MI 49822 (For those of you in FM, WHFB-FM tests 3rd Monday of the month w/ 10kw on 99.9 MHz). This all courtesy of Steve Messer, CE and E.H. Eisentaeger.

Well, we finally did it, inclosed you will find the article "APT-2 Active Antenna Tuner" by Mark Connelly, however it is only the first of part of many, as the article is quite long, but interesting. Hopefully we will have more next issue.

CPC TESTS (TIMES ARE E.L.T.)

Dec 19 WLS-890 Chicago, IL Silent Period, 8100-8600. This per Al Resnick. Monday

Dec 19 KBYE-890 Oklahoma City, OK will be on during the WLS silent period. Monday Reports to: Roger Logan, CE, KBYE Radio, Box 20700, Oklahoma City, OK 73156. Arranged by: Al Resnick.

LOOK INSIDE

2....AM SWITCH

3....DBXD

7....Ramblin' Back

8....DBXD

14....APT-2 Article

14....Network Satellites

16....50th Anniv. Book

Order Form

17....NRC Calendar

Order Form

18....MUSINGS

24....NRC Facts

THE WORLD'S OLDEST AND LARGEST ALL MEDIUM-WAVE DX CLUB

AM SWITCH

JERRY STARR
c/o WSRD RADIO
401 N. BLAINE AVENUE
YOUNGSTOWN, OHIO 44505

CALL LETTER APPLICATIONS

Present call:	Seeks:	Old call:	New call:
1340 WKRZ PA Wilkes-Barre	WKZE	1020 *New FL Ochlochnee	WJEP
1410 WUNI AL Mobile	WMML	1140 KYXS TX Mineral Wells	KJSA

APPLICATIONS FOR NEW STATIONS

710 HT Ennis: 10000 D1*
840 NE West Point: 2500 D1*
TX Jacksonville: 250 D1*
1040 KY Athens: 500 D1
1050 NM Los Ranchos de Albuquerque: 500 D1
1170 AL Hanceville: 500 D3*
1200 MO Kennett: 1000 D1*
MO Lamar: 2500 D3 (incorrectly listed as "CO" last issue)
1590 KY Gray: 500 D1*

GRANTS FOR NEW STATIONS

700 WA Newport: 10000/1000 U2 (correction from previous listing)**
1170 SC Lexington: 10000 D1*
1220 XY Radcliff: 500/500 U2
TX Madisonville: 500 D1*

APPLICATIONS FROM EXISTING FACILITIES: NONE

GRANTS TO EXISTING FACILITIES:

680 KFAM UT Bountiful: moves to 700 kHz with 50000/1000 U4. This was first reported by Broadcasting Magazine as being a grant for daytime only on 680, by another source as fulltime, but still on 680 kHz, and we dutifully reported same several issues ago. Turns out they were BOTH wrong. In fact, KFAM has already moved to 700 kHz, although not with full power yet.

OTHERNESS

650 MA Hudson-Clinton: application for new station returned
1200 TN Lebanon: application for new station dismissed

Once again it's time to play catch-up with Broadcasting Magazine's mistakes and omissions. For those members who use Broadcasting as their primary source of information, we call your attention to the above entries marked with a *. These are items that were completely missed by Broadcasting's "For the Record" section. The ** item above re the new Newport, WA station corrects the granted facilities which Broadcasting listed as daytime only. Maybe someday we'll discover why a magazine with the stature of Broadcasting has such a lax...make that: sloppy... policy on accuracy when it comes to current information such as you find in AMS.

73 and Good DX,

Jerry & BKF

Jerry Starr & Buffalo K. Foonman



WEEL-AM sale awaits OK

BOSTON - Federal Communications Commission approval is the only hurdle remaining to the sale of Boston radio station WEEL-AM to the Helen Broadcasting Corp. of Framingham by CBS.

Yesterday, Gene F. Jankowski, president of the CBS Broadcast Group, announced that the network had agreed to sell.

ELC

Argus Leader, Sioux Falls, S.D.
Friday, November 18, 1983

Will you play any Finnish tunes? ... K500 Radio in Sioux Falls received a letter from a 34-year-old bachelor who picked up the station's signal in northern Finland. It seems Tuomo Ahonen, who is studying economics in a city of 100,000 in northern Finland, likes to go to the country and listen to radio stations operating in North America. He calls it DXing. On a recent trip to the country, he said he heard 300 stations in the United States and Canada, including K500.

"Every fall and winter some Finnish DXers go to the very north of Finland, Lapland and stay there a couple of weeks listening to AM stations around the world," Ahonen wrote in a letter that Cary Wentz read on his afternoon show.

The letter continued: "Lapland is an ideal place for DXing because so-called man-made noise doesn't exist there. There is also plenty of empty space and room for long antennas."

For K500, long-distance listeners are nothing new. The station has letters dating back to the

1950s from people in other countries who have picked up the signal.

Fence wonders if there will ever be enough foreign listeners for the station to have its broadcasters speak another language on the air.

VIA GEORGE A. LaPRAY

DOMESTIC
DX DIGEST

DAVE SCHMIDT
42 CHEELWYNNE RD.
CASTLE HILLS
NEW CASTLE, DE 19720

Here is the NRC column which offers the first and official word on the up-coming invasion of the West Indies, right next to the B-V-D Island, with special reports being offered through stations in Hainesville! When sending your items in, type of neatly write, skip a line between items, EST, one side of the paper, etc. And away we go:

WQUA

DX TESTS:

940 WECO TN Heard: WPT-DC. Yes: SP-TN. Fair w/CW music, tones. (TC-TN)
1140 WLNT TN Weak to fair w/CW music, tones o/u WRVA. (DS-D3)

FREQUENCY CHECKS:

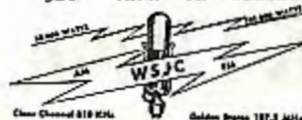
1st Mon....KQIK-1230 w/TT, Code ID 0300-0315+. (DKK-CA)
2nd Tue....KDER-1240 w/TT, 0545-0600 per station GM. (WM-ND)

SPECIAL:

750 XERR MT POLSON - 11/12 1900 poor during great NW opening inspite of semi-aurora A Index, w/W53 w/ID, ex-1070. (RK-IL)
1200 KPNW ND W FARGO - 11/1 0056; fair w/s/off, night CP now on, per s/off, night facilities are 1000 watts directional N.(RK)
1370 WTKY KY TOMKINVILLE - 10/24 0700 s/on w/SS3, 2500 watt CP is on per s/on. (SP-TN)
1390 WGCI IL CHICAGO - 11/6 0143 xint w/jingle/ID and old B/Sol music, call change from WVON. (RK-IL) Surprised that you heard them thru WDOT knowing how strong they were in that area last September! (DS)
1410 WYBQ TN KINGSTON - 11/14 1350-1410 weak w/ads, contest promo, rock music, ID's as "14 Q", RKD net. Ex-WTNR, back on air. (TC)
1530 WKDC IL ELMHURST - Station off the air since late October. (RK-IL)

MIDDAY - MIDNITE:

540 WGZO FL CYPRESS GARDENS - 11/13 1654 local ads, community notes, ID into CW music. (RH-NJ)
WDAK GA COLUMBUS - 11/13 1756 CW music in clear, ID as "K Country, the Legendary 540". (RH-NJ)
690 WYIS PA PHOENIXVILLE - 11/13 1639 ID w/mention of 1645 s/off, ad.
730 KURL MT BILLINGS - 11/14 1815 w/ad, temp. check, MST time check and ID, last heard on DX TEST years ago! (NE-NE) (CAC-WI)
WJOR GA THOMASVILLE - 11/13 1743 heard w/s/off, no SSB, fair signal.
WJMM AL ATHENS - 11/13 1745 w/full s/off, no SSB, fair signal. (CAC)
WPMC NC GOLDSBORO - 11/13 1625-1635 in clear w/CW music, ID. (RH-NJ)
760 KMFL AR SHERWOOD - 11/5 1759 xint in WJR null w/full data s/off, mention of religious format and sunrise/sunset sked. (SP-TN)
11/14 1745-1800 w/gospel music, religious prg. to s/off, call listed as KMFL in latest Updater which isn't right. (NE-NE) Take sources into consideration-hi! (DS) 11/10 1800 w/s/off w/no sign of WJR. (EB-MO)
790 WBTB TN JOHNSON CITY - 11/13 1715 noted at s/off w/mention of 5000 watts, no SSB. (RH-NJ)
800 WSVS VA CREWE - 11/13 1643 CW music, local ads, jingle ID o/WZMR. (RH)
WDSO SC DILLON - 11/3 1714 good w/s/off w/SSB. (WPT-DC)
810 WMPS TN MURFREESBORO - 11/13 1716-1721 way o/unusual WGY w/American Country Countdown, many ads, ID. (RH-NJ)
860 WPMO NC FAIRMONT - 11/13 1700 w/end of American Top 40 program, ID into more pop music, low level but good on SM2. (RH-NJ)
KOSE AR OSCOLA - 11/8 1820 fair w/deep voiced ancor thanking listeners for tuning in, CW music, slight CJBC. (CAC-WI)
880 KRVN NE LEXINGTON - 11/14 1800 w/ID into news, only my 4th NE. (JK-MD)
11/10 1712 alone on freq. w/CW music, local ads. (EB-MO)
KJJR MT WHITEFISH - 11/18 1702-1732 w/KRVN w/CW music, ads, and promo for basketball tournament coverage. (WM-ND) (BM-WI)
900 KFAL MO FULTON - 11/10 1759 s/off w/mention of Clear Channel 900.
KHOZ AR HARRISON - 11/10 1800 w/ID into s/off. (BM-WI)
WCPA PA CLEARFIELD - 11/13 1600-1602 w/Pittsburgh football, ad, "CPA" ID mixing w/many others. (RH-NJ)
910 WRKL NY NEW CITY - 11/13 1650 fair w/W5BA null'd w/rock oldies, ID before break for news. (DS-D2)
920 CKNX ON WINGHAM - 11/12 1620 good o/WHJJ w/CW music, ID, ads. (TF-OT)



WNPV

CHOO
COUNTRY RADIO 14

940 WMAZ GA MACON - 11/13 1723 solid w/pop music, ID, not'd earlier w/ID then black preacher. (RM-NJ) Are they makin' Bacon in Macon anymore? (DS)

950 WJW MI DETROIT - 11/7 1705 good at end of CBS news, ID, local news. (PRM-NJ)

960 WHYL PA CARLISLE - 11/8 1700 contest then s/off w/mention of "tuning to 102 FM." (PRM-NJ)

970 KSAX TX FORT WORTH - 11/10 1830 w/s/off to return 0600. (BM-WI)

990 WETE NC WINDSOR - 10/31 1801 good w/ID, news. (WPT-DC)

WANT VA RICHMOND - 11/12 1653 briefly atop w/ads, ID. (PS-CT)

WCEL NC SOUTHERN PINES - 11/12, 11/13 1714 popping up strong at s/off, both days. (PS-CT)

WNOX TN KNOXVILLE - 11/13 1726 topping strongly w/CW music and mentioning "only country station in Knoxville". (PS-CT) My closest unheard. (TC-TN)

WNRV VA NARROWS - 11/7 1715 detailed s/off w/no SSB. (TF-CT)

1000 WKYB SC HEMINGWAY - 11/13 1640-1703 good w/ads, gospel music, local news on hour. (TP-CT)

WTAK AL HUNTSVILLE - 11/13 1734 ID after ABC news as "Huntsvilles Only Oldie Station." (PS-CT)

WRAR VA RAPPAHANNOCK - 11/7 1655 fair w/contest winner, time check, and ID. (PRM-NJ)

1020 KBCQ NM ROSWELL - 11/10 1855 news promo, ID after AP news. (BM-WI)

1030 XTWO WY CASPER - 11/10 1718 pop music, community note mixing w/WHBX. (EB-MO) Mixes good w/Jack Daniels, too! (DS)

KCTA TX CORPUS CHRISTI - 11/11 1807-1831 good w/religious program, local ad into s/off. (EB-MO)

1050 WKIC AL SCOTTSBORO - 11/13 1741 blasting in at s/off, no SSB. (RK)

1070 KHMO MO HANNIBAL - 11/10 1709-1712 o/KFBI w/news, weather and CW music. (WM-ND)

1090 KAAV AR LITTLE ROCK - 11/14 1740 nibbling at WBAL for more than an hour, finally up even w/"K-Double-A-Y" ID w/live remote w/pop-oldeas/Mor/CW. (PS-CT) Aka Hedgepodge! (DS)

1110 WKED PA WASHINGTON - 11/12 1655 Pittsburgh sports news, weather, lost by s/off at 1700. (TF-CT)

1120 WIZY GA GORDON - 11/6 1729 poor w/KMDX w/s/off. (RK-IL) Moo!

1180 WKKE MS PEARL - 11/13 1815 xint w/no WHAM w/CW music, ID. (CAC-WI)

KOPI MT KALISPELL - 11/12 1856 fair thru WJJD splash w/talk or spot w/local mention, no sign of WHAM, 1st time at sunset! (RK)

1230 KFJB IA MARSHALLTOWN - 11/10 2344 in quickly w/clear ID. (BM-WI) But what if it was an unclear ID, you'd complain? (DS)

1240 UNID 11/11 mention of Forest County Recreation Dept. teaching basketball, no ID. (BM-WI) WBBW strikes again! (DS)

KTHE WY THERMOPOLIS - 11/12 1848-1852 o/din w/WY football network play by play and break w/2 local ads, ID. (WM-ND)

1260 WJJJ VA CHRISTIANSBURG - 11/13 1715 good w/s/off, no SSB. (RK-IL)

1270 WGSV AL GRUNTERSVILLE - 11/13 1744 fair way w/semi local WNCN w/s/off, no SSB noted. (RK-IL)

1310 KAAM TX DALLAS - 11/13 1827 Stereo 1310 ID w/pop music, faded down after power cut to WMLP. (EB-MO)

1370 WCOA FL PENSACOLA - 10/27 2130-2137 ID into Big Band music. (WR-FL)

KTPA AR PRESCOTT - 11/10 1815 s/off w/mention of 1000 watts "regulated" power. (BM-WI) Hey...someone should be thankful they've got that much! (DS)

1380 WRAQ NC ASHEVILLE - 11/13 1726 good w/promo, ID. (RK-IL)

KEMD TX BROWNWOOD - 11/12 2136 American Top 40 u/KWK OC. (EB-MO)

UNID 11/6 1659 s/off w/mention of studios and offices "in ----- Township" and phone # 543-1380 given, instr. SSB, equal w/null'd local. (PRM-NJ)

WXIZ OH WAVERLY - 11/6 1725-1738 good w/Top 40, FM 104 IDs, called and asked s/off time, heard him say "5:15" to guy in back-ground then abrupt s/off! (PRM-NJ) Unique way! (DS)

1390 KNCK KS CONCORDIA - 11/8 1809-1911 o/rest w/local news, 95% copy. (WM)

WROA MS GULFPORT - 10/26 2251-2305 w/MOR music, ID, NBC news. (WR-FL)

1400 KWYN AR WYNNE - 11/13 1759 good w/CW music w/"K-Win" ID and full local ID. (RK-IL)

1410 KQV PA PITTSBURGH - 11/8 1644 good taking votes for Reagan/Carter/Ford on phone. (PRM-NJ)

KOOQ NE NORTH PLATTE - 11/6 1805 good w/weather and ID as "K-Double-O-Q". (RK-IL) Guess that's better than WFRT! (DS)

WUNI AL MOBILE - 10/26 2248 "Solid Gold Country" w/ID. (WR-FL)

1420 WRCS GA COLUMBUS - 10/25 2300-2306 w/CBS news, ID, music. (WR-FL)

1430 WWQC FL PANAMA CITY - 11/1 2107 w/3WQ ID's, CW music. (JK-MD)

KTYN ND MINOT - 11/11 1812-1815 o/rest w/"new and old solid gold" format, s/off w/no SSB. Plans to start sunset plus 2 hours before Dec. 1st. (WM-ND) Want to bet they don't? (DS)

1440 KITA AR LITTLE ROCK - 11/6 1800 noted w/abrupt s/off, no SSB. (CAC)

1450 KBFS SD BELLE FOURCHE - 11/11 1748-1807 o/u din w/CW music, ads, ABC news and World of Sports. (WM-ND)

1460 UNID 11/10 1655 promo for Pulaski football. (PRM-NJ) My money is on WRAD-Radford, VA. (DS)

1470 WRGA GA ROME - 10/25 2258 CW music, ID. (WR-FL)

1480 WAME NC CHARLOTTE - 11/13 1807 w/Carolina news and weather, CW/religious music. (JK-MD)

KRAE WY CHEYENNE - 11/13 1824-1834 o/rest w/pop music, ads and "We Play It For You", ID. (WM-ND)

1490 WCLD MS CLEVELAND - 11/10 2122 weather followed by clear ID. (BM-WI) If the weather was cloudy, would the ID be cloudy? (DS)

WCSS NY AMSTERDAM - 11/12 1750-1802 ads, ID, oldies. (TF-CT)

1500 WPMB IL VANDALIA - 11/12 1255 fair w/CW music, UPI news, report from Brownfield Network, local ads. (EB-MO)

1520 WNMT GA GARDEN CITY - 11/15 1745 good w/CW music up til s/off, mention of music all on records, not tapes! (DS-DE) Cheezey!

1530 WBCW PA JEANETTE - 11/12 1638 fair w/ID thru WCKY. (RK-IL)

1550 WAAY AL HUNTSVILLE - 11/13 1740-1805 way atop w/Top 40 music, lots of ads, another one never heard by me before! (TF-CT) Gee, Tony, you must be asleep with your radio on again! (DS)

UNID 11/13 1740-1757 fire and brimstone preaching, WYXK had switched to 500 watts, tentative on WMOO. (TP-CT) Likely..

WVAB VA VIRGINIA BEACH - 11/4 1700 w/stock report and s/off "in compliance w/regulations..." (PRM-NJ)

WOKJ MS JACKSON - 10/25 2245-2254 good w/ID, taking requests. (WR-FL)

1580 KNLY AZ TEMPE - 11/11 1828-1831 clear w/ads, CW music and Arizona Country slogan before change to nite pattern and gone. (WM)

WRFK FL FORT LAUDERDALE - 11/13 1738 Surf 16 in solid w/pop music. (RH)

WAJE PA EBENSBURG - 11/4 1700 tail end of s/off w/jingle, ditto 11/6 1700 w/same thing. (PRM-NJ)

WPMP MS PASCAGOULA - 11/13 1800 alone at s/off. (JK-MD)

WBBR SC TRAVELERS REST - 11/13 1730 detailed s/off, no SSB. (TF-CT)

WSKT TN KNOXVILLE - 11/13 1705-1713 gospel music, program notes, 1st time noted w/good signal. (TF-CT)

1590 WLIJ TN SHELBYVILLE - 11/13 1718-1728 Univ. of TN Football, ads. (TF)

WHPY NC CLAYTON - 11/4 1659 good w/ID in s/off. (PRM-NJ)

WXRS GA SWAINSBORO - 11/13 1730 CW music, mention of 2500 watts, local ads, note to tune to 103.9 FM after s/off. (RH-NJ)

1600 WBPV AL HUNTSVILLE - 11/7 1735-1745 way atop w/soul music, ads, great signal o/WWRD/WIXY. (TF-CT)

MIDNITE - MIDDAY:

550 KOAC OR CORVALLIS - 11/5 0100 w/NPR program then ID thru heavy splash from KSFO. (DKK-CA)

570 KLEB UT SALT LAKE CITY - 11/5 0105 w/EZL music after news, o/u KVI w/basketball game, severe KSFO splash. (DKK-CA)

700 *UNID 11/8 0608 very strong OC o/WLW, as well as 11/7 0325, from strengths, suspect KGRV-Winston OR on BT w/25000 day xmtr, should be on about now w/religious format. (DKK-CA)

710 WGES FL MIAMI - 11/14 0307-0314 fair atop weak jumble w/telo-talk, ID, WOR was off. (MB-MA) 11/14 0145-0153 w/phone in psychic program, many Radio 710 ID's, stronger 0223-0230. (PRM-NJ) Often runs day rig on MN after 0200. (DS)

*WOR NY NEW YORK - 11/14 0153 on/off this AM, TT til 0223, 10 miles away! (PRM-NJ) 11/14 0150 noted off this AM leaving WGES/CJRN at fair level. (DS-DE)

820 WAIT IL CHICAGO - 11/10 0530 in like a local w/"Great Music", ads, sounded like xmtr was in Bridgeport! (TF-CT) NJ or PA? (DS)

840 *WRAS KY LOUISVILLE - 11/14 0155 noted off this AM leaving just a Cuban w/digar ads, plug for free trips, etc. (DS-DE)

860 KVVA AZ PHOENIX - 11/7 0208 fair w/Spanish talk and Radio Viva ID's, this should make AZ easy, has been good every nite since! (RK-IL) Sure it will.....tion tell St. Louis! (DS)

930 *WLSL WI AUBURNDALE - 11/12 0300-0352 good on apparent ET w/TT and ID at 0352 then gone. (CJ-TN)

940 WMIX IL MT. VERNON - 10/31 0100-0200 this guy strong o/u WCCD EX w/rock music, equal w/WCCD at least 4 different times. (TC)

980 KVLV NV PALAZON - 11/4 0942-0947 atop w/local items and anc'ts then into CW music. (DKK-CA)

1060 KRSP UT SALT LAKE CITY - 11/7 0430-0440 u/KPAY OC w/rock music, ID then weather. (DKK-CA) Must be a conspiracy! (DS)

- 1080 *UNID 11/8 0557-0602 weak TT u/others, no breaks noted. (DKK-CA)
- 1090 CHCC AB LEZHBRIDGE - 11/7 0214 good w/rock music and "1090 Check" ID's, equal w/CKTA-1570, also in good. (AK-IL)
- 1110 KPIP CA ROSEVILLE - 11/8 0200 finally w/ID in English atop KRLA, continued into Spanish programs, much KPAC splash. (DKK-CA)
- *WUIS FL TAMPA - 11/11 0017 on ET w/pop music, ID o/u KPAB. (EB-MO)
- 1230 KCBN NY RENO - 11/8 0500 faded up for ID then gone. (DKK-CA)
- WOOL OH COLUMBUS - 11/14 0153 pulled ID out in mess, got my hands dirty in the process. (BM-WI) Borax will clean it! (DS)
- 1240 WBCF AL FLORENCE - 11/14 0028 ID, promo for Paul Harvey. (BM-WI)
- WAFB AL JASPER - 11/14 0103 w/s/off to return 0500. (BM-WI)
- KTRY CA MONTEREY - 11/7 0338 up for ID then local ads. (DKK-CA)
- KDIG CA SAN BERNARDINO - 11/7 0355 atop w/CW music and "Voice of the Inland Empire" ID. (DKK-CA)
- KSVE CA SUSANVILLE - 11/9 0300-0307 w/ID, news then s/off. (DKK-CA)
- 1250 *UNID 11/9 0304-0316 TT noted thru KTMS and heavy KYA splash, off w/no ID. (DKK-CA)
- 1260 *WCRT AL BIRMINGHAM - 11/14 0137-0144 good on ET w/religious/rock music and ID's between selections, o/NWBC. (DS-DE)
- UNID 11/12 0235-0239 poor u/XGBX w/mention of Solid Gold Sat. Nite from 6 till midnite, pop music, call sounded like WSHA, any ideas? (CJ-TN) Yeah, but they aren't fit to print! (DS)
- 1280 WKST PA NEW CASTLE - 11/7 0555 w/sports report and ID. (JK-MD)
- 1300 WXPX PA WEST HAZELTON - 10/31 0601 w/s/on, het really gets on WFBH here days. (JK-MD) Herree, also! (DS)
- 1310 *UNID 11/15 0050-0110 some turkey here who can't read a clock w/TT w/WOOD, no ID heard as required on hour. (TC-TN) So what else is new? (DS)
- 1320 WOBL OH OBERLIN - 11/9 0340 poor w/mention of Amherst Workshop, weather by male anc'r, "Music Country Radio" mentioned. (CJ)
- CHQM BC VANCOUVER - 11/7 0125 atop w/classical music, KBCU under, little splash from local KDIA-1310 w/PSA program. (DKK-CA)
- 1400 WDUZ WI GREEN BAY - 11/14 0204 "WDUZ Weather" then weather. (BM-WI) I'd worry if they read the race results! (DS)
- KTTS MO SPRINGFIELD - 11/14 0235 w/ID and possible countdown show. (BM)
- 1430 WDEX NC MONROE - 11/14 0051 fair w/weather, ID by female anc'r. (WPT)
- UNID 11/14 0106-0113 fair w/CW music, female anc'r, call sounded like WIE, possibly WIRE. (CJ-TN) Yeah... (DS)
- UNID 11/14 0122-0135 poor/fair w/others w/pop music, "4 X" ID weather (sounded like southern temps)... (CJ-TN) WLAK? (DS)
- WIL MO ST. LOUIS - 11/14 0125 w/others w/ABC program, ID then Country Crossroads program, poor signal. (CJ-TN)
- 1440 KVON CA NAPA - 11/7 0135 w/MYL music, ID, local KEST-1450 also in talk, little splash. (DKK-CA)
- 1450 WJAR TN ATHENS - 11/14 0126 CW music, SE TN weather. (BM-WI)
- WGCA SC CHARLESTON - 11/14 0047 fair w/WOL off w/big band music and ID's. (WPT-DC)
- 1480 WAME NC CHARLOTTE - 10/31 0110 fair w/religious program, ID. (RK-IL)
- 1510 KSKO CO LITTLETON - 11/11 0245-0300 on top of WJAC w/B/Sol music, ID's, best ever signal on this one. (NZ-NE)
- 1550 *WVAB VA VIRGINIA BEACH - 11/16 0020 noted on ET w/countdowns, full ID's and OC, no music, smashing CBE. (DS-DE)
- 1570 CKTA AB FABER - 11/7 0210-0318 per FK tip, surprisingly strong and on top w/mix of pop music/CW music, MST time checks, ID w/CHEC-1090, CKLM must have been off. (PRM-NJ)... 11/5 0105-0113 o/XERP w/CW music, local ads. (DKK-CA) CKLM has been off last 3 or 4 MM's. (DS)
- WPGM PA DANVILLE - 11/13 0601 detailed s/on noting listener supported station, also covered their PM, way atop frog. (TP-CT)
- 1580 *WJIM NY PATCHOGUE - 11/6 0025 ET w/MXL/pop music, fair signal. (DS-DE) 11/7 0156 ET w/Top 40 music, ID during song, weak day regular here. (PRM-NJ) Here, too! (WHA-NY, BE-NY, etc.)
- 1590 WHIM PA MT. CARMEL - 11/13 0559 atop w/detailed s/on while hoping to hear WSMN, WQQN has late s/on on Sunday AM. (TP-CT)
- 1600 WXVI AL MONTGOMERY - 11/16 0000 good w/end of gospel music program, promo for high school football, ID's as "Love 16" and "Sunshine 16" into more gospel music. (TC-TN)

RANDUMBS:

Column going out Tuesday 11/22, lots of work going on here w/adding a room in the basement, etc. We've held back as late as Wednesday in the last few weeks trying to get everything in. As long as the PO doesn't send this to Omaha then we'll keep it that way. Confused? Just remember SATURDAY, that'll make it simple.

WFDU 640 AM

T'was nice to have VIC MELIS here on 11/19, tried to get him to take a guest editor position for the evening but he suddenly had to leave! It isn't all that bad-hi!

Listening to a super hyped up fast paced talk show on WJW-700, I noticed no legal ID given at all, from 12:50 till 1:10 AM on 11/22. I guess that's the trend, they don't want to ID during experimental testing, now they don't want to ID during regular programming!

MEMBERS OF THE COOL-TUNERS CLUB:

- SF-TN/Steve Francis, Alcoa, TN/TRF
- NZ-NE/Neil Zank, Lincoln, NE/HQ180A, RP2600
- WPT-DC/Bill Townshond, Washington, DC/ICF35W
- TC-TN/Tom Connatser, Sevierville, TN/Superadio
- ERM-NJ/Paul Mount, Teaneck, NJ/Superadio, TRF, SK1, FAS Car Radio
- RH-NJ/Rich Harrison (NYC), Ocean Grove, NJ/Grundig 3400, SM2
- EB-MO/Eric Busneman, Hazelwood, MO/DX200, SM2
- CAC-WI/Craig Cook, Shorewood, WI/FRG7, Kolwalski Loop
- BM-WI/Bob Mielcarek, Milwaukee, WI/HQ180A, SM2
- DKK-CA/Don Kaskey, San Francisco, CA/HQ140X, SM2
- MD-MA/Marc DeLorenzo, Sudbury, MA/HQ100, SM1
- RK-IL/Robert Krammer, Chicago, IL/HQ140X, HQ129X, R1000, R. West, Kolwalski Loop
- CJ-TN/Chris Johnson, Memphis, TN/R50, EM
- PS-CT/Paul Stephan, Old Greenwich, CT/ICF35W, SM2
- WR-FL/Walt Rogers, Miami Beach, FL/R600, 5' Auto Antenna
- WM-MD/William Moser, Wishek, ND/Zenith K731, Loop, LM
- TF-CT/Tony Fitzherbert, Fairfield, CT/ICF35W
- DS-DE/Datza mol/HQ180A, SM2, Superadio, EM

73's - Good DX! *JDE*



NEWS PLUS

#1 STEREO MUSIC

RAMBLIN' BACK

with Peter Kemp

PROGRAMMING & PERSONALITIES

AL JOLSON

Through with his Hollywood talkie assignment, Al Jolson returned to the NBC Kraft Hour with the assertion that he will devote all of his future time to broadcasting. The mammy singer explained that he prefers the informality of the microphone, which permits him to enter the homes of his listeners and entertain them at their firesides, to the indirect approach necessitated by the films. Paul Whiteman's splendid orchestra is co-featured with Jolson, while Deems Taylor, the opera composer, continues as master of ceremonies.

HARRIET LEE

Harriet Lee, veteran radio contralto and winner of the "Miss Radio" designation in 1931, has returned to the air on the Sweetheart Melodies program heard over NDC Thursdays. She is co-featured with William Kennedy, a singer of ballads, who made his network debut on this series. Kennedy has previously been heard on local New York City stations.

MAUDE ADAMS

When Maude Adams made her radio debut on the NBC Friday Pond's programs, all visitors were barred from the studios. Only her supporting cast and the studio staff saw the former stage star in action at the microphone. Miss Adams emerged from a retirement that had broken but once before in sixteen years to present her broadcast series of plays. NBC informants tell me that she adhered to stage technique by memorizing her lines and performing them with gestures.

INTERNATIONAL DX DIGEST

Times are GMT. For ELT subtract 5 hours. Deadlines are usually Monday.

CHUCK HUTTON
1035 LATHAM ROAD
DECATUR, GA 30033
(404) 633-1198
BEFORE 2300 ELT

And here is IDX, the column that is about as exciting as reading the intros to DDXD from Dave Schmidt!!!!

- 535 GRENADA fair //990 w/accented EE talk concerning military takeover. (Ksz)
- 549 ALGERIA Oran fair //576 011k 10/18. (Ksz)
- 555t NICARAGUA HTS (Nicaraguan calls are now HT ex YW per DXWII) presumed very poor w/SS LA rx 1012 10/1k, too late for ZIC. (Ksz)
- 555 ST. KITTS absolutely local like w/mellow rock song 0111 10/6. I've heard them mention PW on 96 MHz-WRTH take note! (Ksz)
- 560 GUYANA Sparendu to xint peaks!! w/semi-local WAA nullled 0211-0215 10/6 w/a jazz history program w/two heavily accented EE male announcers who mentioned Guyana. SS LA mx and WRXN were noted way under. (Ksz)
- 576 ALGERIA Bechar fair //549 w/AA chanting 011k 10/18. (Ksz)
- 580 PUERTO RICO San Juan WKAQ xint sig w/Radio Rojo ID crushing WTAG and presumed YVMJ 0159 10/5. Dominant here in AU ex. (Ksz)
- 590 CUBA strong one here so strong it topped local WEEI in WEEI's null on 10/18 at 0447. (Cooper)
- 595 DOMINICA Roseau xint w/guitar mx 0013 10/6. (Ksz)
- 600 VENEZUELA Cumana YVQB fair w/Rumbos mx and doorbells //670, u/ Cuban null 0329 10/5. (Ksz)
- 610 TRINIDAD very good-xint stop SS LA w/weak WGR groundwave nullled. Accented EE male announcer w/ad for jai-alai (did I spell that right?) and Radio 610 ID during great lowband LA ex. (Ksz)
- 620 ANTIGUA St. John's often noted here during au cx 0100 10/6 w/ABS newsroom mention into local news followed by "music with a soothing touch" 0105. Mixed with Brazil QRM 2300 10/6 w/three pips (--) slightly higher pitched than Argentina's pips. Briefly o/LA grave-yard w/Caribbean accented announcer w/bingo ads 0305 10/19. (Ksz)
- 620 BRAZIL Fortaleza ZYH590 is by far the most likely possibility for the commonly noted Brazilian here: 0246-0249 10/5, 0352-0356 10/5, 2336-2347 10/5, generally in stop 0000-0200 time period on 10/7, on top about 65% of the time 0020-0050 10/20. Always w/ 760, 810 etc. w/soccer game or soccer highlights (lots of goooooalls) and clear PP announcer on tape looping Brazil. (Ksz)
- 620 COLOMBIA Cali HUEL just o/mess with R. Ciudad de Cali ID by SS men 2332 10/20. They were occasionally in background w/accordion mx at other times during the October auroral nights. Nicaragua and Cuba were also noted on 620 for a total of seven LA's! (Ksz)
- 620 DOMINICAN REPUBLIC Santo Domingo faded stop to very good peak w/several RTVD ID's, music popular 0050-0100 10/20. (Ksz)
- 620t VENEZUELA Caimanes YVND briefly stop before Brazil blew them away w/ad mentioning Venezuelans, into lively LA mx 0204 10/18. (Ksz)
- 621 CANARY ISLANDS poor-fair //RNE 77k w/SS man talking 0116 10/18. (Ksz)
- 630 PUERTO RICO San Juan WQBS xint destroying WPRO w/local ads and SID "salsa essents y tres" 0243 10/19. (Ksz)
- 630t VENEZUELA I presume I had the R. Nacional synchrony w/a sx event w/a Valencia team well u/WQBS/WPRO. I caught "de Venezuela" at 0201 tune in and probably just missed the "Radio Nacional" that would have preceded that phrase. (Ksz)
- 660 VENEZUELA Coro YVNA rendering WNEC helpless w/xint sig at near local strength! Lively LA mx and "Ondas de los Kedenos" ID 0119-0122. (Ksz)
- 670 CUBA a really loud one here, noted s/off 10/18 0459. (Cooper)
- 680 PUERTO RICO San Juan WAPA good w/semi-local WRKO w/call ID into slow SS mx 0034 10/6. Was commonly noted w/occasional classical mx from R. Nacional de Colombia well under during good LA nights. (Ksz)
- 690 ANGUILLA xint way o/CBF/LA's w/religious EE pegs 0050 10/6. (Ksz)
- 690 BRAZIL ZYH587 is only listed possibility for definite Brazilian // 620/760 during superb Caribbean and East South American opening 2352 10/5 w/acceler and occasional electronic sounds w/fanfara well u/CBF/Anguilla looking same as other Fortaleza (northeast coast of Brazil) stns. (Ksz)
- 710 VENEZUELA YVKY Caracas superloud and smashing WOR w/disco mx 0327 10/5. (Ksz)

CFCN
1000 W. 10th Street, Suite 100, Anchorage, Alaska 99501

KT 1070
RADIO
GCTV

St. Albert Broadcasting Ltd.
8610 McKenney Avenue, St. Albert, Alberta T8N 2T7

- 710 VENEZUELA YVKY R. Capital, Caracas looping WOR easily on Saturday 11/12 at 0719, another SS AN'er. (Cooper)
- 720 COLOMBIA Em. Unides w/ID and program of Mexican music, "Centros de Mexico". Theme song of show: Mexican Hat Dance! 0430 11/11. (Renfrew)
- 730 TRINIDAD Port-au-Prince good on top w/Hindi type rx 2349-2351 10/5 good, well stop su enfeebled CKAC pest w/beautiful Indian gitar rx followed by R. 730 ID by accented EK announcer 0000 10/19. (Ksz)
- 740 BRAZIL Salvador ZYH446 noted well u/CBL (su didn't get CBL) and with LA's definitely //990 et al w/PP coverage of soccer-Paraguay versus Uruguay 0203-0205 10/21. (Ksz)
- 740 VENEZUELA YVNC R. Mercedes good: w/ID u/CBL 0533 11/14. (DeLorenzo)
- 750 VENEZUELA YVKS R. Caracas l&c well stop channel w/US Top 40, lively SS vocal, woman in SS 0547-0550 11/14. (DeLorenzo)
- 760 BRAZIL ZYH588 first noted 2309-2311 10/5 w/soccer in PP; then YVQQ (usual pest here) took over. I then found PP soccer //620 at about an equal mix w/YVQQ at 2338. In well again //620 and 810 w/soccer 0037 10/7 in continuing AU ex on low end of band. Over/under YVQQ //620, 810 w/PP soccer again 10/20 0045. (Ksz)
- 770 VENEZUELA Valencia YVKK well above WABC null w/light instrumental mx into R. Nacional ID 0201 10/6 //1050. (Ksz)
- 774 SPAIN synchrony xint as good as WABC w/SS men 0111 10/18. (Ksz)
- 780 BRAZIL three reasonably powered possibilities listed for the PP soccer game not stn noted here w/game and some electronic sounds as noted on other frogs during fanfare 0135 10/21 somewhat under YVOD and HJZW mix. (Ksz)
- 780 British virgin islands Roadtown ZBV1 well o/YVOD with s/off 0107 10/7, played local NA then GSTQ, very good signal. (Ksz)
- 780 COLOMBIA Richeche HJZW good w/YVOD with R. Almirante ID 0133 10/7. (Ksz)
- 790 BRABADOS St. George o/WEAN w/British accented EE woman who said "if your children have a cold, make sure they get a shot" followed by EE Top 40 mx 0229 10/6 and 0131 10/7 to very good peak stop WEAN w/accented woman mentioning "Babados" then mention of world monetary contributions. (Ksz)
- 792 SPAIN Seville good w/SS men 0404 10/23. (Ksz)
- 800 NETHERLANDS ANTILLES PJB Bonaire good w/English Back to the Bible program o/u XEROX 11/1 0246. (Bueneman)
- 810 BRAZIL Fortaleza ZYH589 a fourth Fortaleza stn noted w/soccer // the others during au cx; atop WGY groundwave null w/soccer and Brazil mentions in PP o/other LA and //620 and 760 0037 10/7. 10/20 0032 noted briefly well u/WGY null and slightly w/Subtenza which was partially nullled w/this loop placement. This one was another nice surprise. (Ksz)
- 820 COLOMBIA HJED Cali good o/two other LA's w/Ad for Banco de Bogota and trumpet call 0605 11/14. (DeLorenzo)
- 820 DOMINICAN REPUBLIC Santiago HIAZ fair stop w/Radio Santiago ID and local mention 2350 10/20. (Ksz)
- 825t PANAMA Maceracas HOR56 presumed the one noted in passing w/lively SS mx looping well west of bearing to ZIZ which would be in daylight by now 1019 10/14. (Ksz)
- 825 ST. KITTS Basseterre fair/poor 0257 11/1 with religious program, ID and bad WBAF-820 het. (Bueneman)
- 836 UNID carrier very often noted here letting 837 looping east at 0109 10/18. This carrier is very commonly noted but no audio. I suspect Canary Islands on 837 and Azores on 836 or vice-versa due to bearings and ex. Can somebody confirm who is on 836? (Ksz)
- 840 COLOMBIA Ondas del Caribe w/mx over WHAS 0450-0500 11/11. Program concluded w/NA, man and woman trading brief news (?) items followed by more NA and power cut. (Renfrew)
- 840 CUBA R. Revolution l&c, way stop w/SS talk on Grenada 0634-0637 11/14. (DeLorenzo)
- 870 ARGENTINA Buenos Aires LRA1 xint (1) w/usual 6 pips-this time followed by about 15 seconds of classical mx then R. Nacional ID and "Moda noche" mention (local midnight) faded to good strength and mixed with another LA by 0303 10/25. WWL noted occasionally underneath at this time. (Ksz)
- 870 PUERTO RICO San Juan WVOZ very good w/Radio Voz, la Radio Musical ID then "white label" ad into usual lively mx 0321 10/5. (Ksz)
- 880 BRAZIL Belo Horizonte ZYL245 in w/SS LA's u/WCBS groundwave w/PP soccer game (Uruguay versus Paraguay) like all the other Brazilians in on this au night of nights 0153 10/21. (Ksz)
- 880 CUBA R. Revolution Pinar del Rio good o/u WQBS w/SS political talk 0647 11/14 //840. (DeLorenzo)
- 890 DOMINICAN REPUBLIC Santo Domingo HIPJ atop w/Radio Continental SID and lively LA mx 2359 10/20. (Ksz)

895 COLOMBIA Santa Marta HJPM still here and often noted in well and had EE ID for tourists w/mention "we are ready to help you" followed by SS TC into lively mx 0204 10/20. Low growl present from presumed Haitian which has gone unheard by me since HJPM moved here. (Kaz) Fair w/LA dance mx and ballads, ID by man in SS 0440-0702 11/14; what are calls and location please? (DeLorenzo)

900 BARSADOS Bridgetown good-very good on top w/HBC World news 2304 10/5. (Kaz)

904.6 UNID LA in here w/growl from 905-I couldn't hold it long enough to ID 0340 10/5. Ecuador in well on 715 at the time and Hekiel suspects this is the HC rather than the XS off freq from 905-can somebody who hears these better than I do confirm? (Kaz)

910 VENEZUELA Maiquetia YVRQ a real crusher signal at times, way-way o/WAEI and other LA w/Venezuelan and Caracas mention noted in passing 0324 10/5. (Kaz)

914 SURINAM Nisum Nickerie poor with undermodulated audio on good carrier 0020 10/4 w/commonly heard Hindi type mx. (Kaz)

915 ECUADOR Machala KCR03 noted in passing very good w/SS mx 0341 10/5. (Kaz)

920 UNID presumed commonly in su cx heard HJAE in w/accordion mx through WHJJ 0215 10/20. (Kaz)

940 CUBA R. Reloj very good w/all news o/WINE 0706 11/14. (DeLorenzo)

950 DOMINICAN REPUBLIC Santo Domingo HIG stop w/several "en Santiago" ads 2234 10/21. The YV is my usual LA on this channel. I was looking for R. Boigiano since deep SA cx has been so good. (Kaz)

960 BERMUDA ZFB Hamilton turned out to be the one in the clear w/BPL EZL music on FM 11/7 at 0815; ID'ed as ZFE-PH-95. (Kaz)

960 BRAZIL two 10 kw possibilities are the presumed source of PP soccer like all the rest noted well w/Sutatenza, etc. 0152-0158-0201 10/21. (Kaz)

965t ECUADOR HCO01 0225 10/21 likely, audible only briefly and lost before I could // 3395, Hekiel, who is closer and has a better water path to Ecuador, had them in decently that night. (Kaz)

980 BRAZIL Brasilia ZYJ41 was often noted: 10/7 0017-0020 fair-good stop WCAP and presumed YV with clear PP song followed by PP snarer with Radio Nacional ID. Well stop-very good w/PP soccer, gave score as 0-0 0151 10/21 same as Globo 1220 but not perfectly //--maybe a tape or xmsn delay. (Kaz)

981 ALGERIA Algiers (yes 981 not 891) I think Algeria 891 moved to 781 based on the fact that previously rarely noted 981 is in nightly during poor/fair TA cx while nightly post 891 no longer shows a trace of a signal since 10/18. 891 noted back 11/6. (Kaz) 981 has been a weak but all season here-CH

990t COLOMBIA Medellin HJDB ranchero mx w/accordion 11/15 0247 fair w/WNOX. (Townshend)

990 GRENADA St. George's 10/24 2310 news in EE by man; hours before US invasion/liberation. Good. (Townshend) Not noted any more from 10/27 until the evening of 11/15 when it was in fairly strong with an Episcopal Church service, a marked improvement over their former policy! Noted 2325-2400 when an SS took over on a very very surreal evening. (Cooper)

1000 COLOMBIA HJAC Cartagena l&c way atop w/laid back guy in 33, RCN ID 0708-0711 11/14. (DeLorenzo)

1010t BRAZIL ZYH025 most likely the Brazilian atop WINS groundwave null until taken out by more westerly LA's 2228-2232 10/21. PP man and woman with news mentioned "do Brazil" and possible R. O. Povo ID on tape but too much local QRN to be sure-I tried for this on other nights but no soccer not heard here. (Kaz)

1015t HONDURAS Bocas del Toro listed here in CA log-bits of SS mx noted 0414 10/5. (Kaz) Doesn't memory recall that this is Penama?? CH

1020 VENEZUELA La Asuncion fair 0153 10/26 with LA mx, ID's, national news mixing with KDKA. (Buenemann) Good, stop w/lively SS vocal and ID 0713 11/14. (DeLorenzo)

1044 MOROCCO Sebba-Aiou presumed to be the one with Arab chanting 2135-2200, then what seemed to be the news with a socko signal on my OE Superradio 10/26. (Cooper) Very good w/AA talk 0301 during great cx that were rather su. This one must have avoided the absorption layer as few of the usual lower latitude TA's were in 10/20. (Kaz)

1050 MEXICO Monterrey XEG 11/9 0247 ranchero mx, spot, mention of Monterrey, xint. (Townshend)

1050 VENEZUELA YVKE u/WRN and other LA's definitely //770 with R. Nacional ID 0201 10/6. (Kaz)

1055 COLOMBIA El Espinal HJFZ good-very good w/RCN world news 0343 10/5. (Kaz)

1070 VENEZUELA YVMA Mundial Zulia, Merscaibo l&c, alone on channel w/ID between two SS vocals 0715 11/14; some WE OP-1060 stop. (DeL)

1080 HAITI Port-au-Prince QVRD blasting WHIC/YVQJ et al w/pop FF song then men in FF exclaiming Haiti 0013 10/21. (Kaz)

1100 COLOMBIA HJAT now ID'ing as Radio Reloj Caracas, Barranquilla and with a tremendous signal 0546 10/31, AM'ing. (Cooper) L&C, alone with SA's ID and alias mx 0717 11/14. (DeLorenzo)

1120 VENEZUELA YVMP xint w/"Super Ondas" ID into a song by the Police 2315-2316 10/21. (Kaz)

1127 UNID this season's mystery LA here w/carrier 0140 10/6. (Kaz) It was Costa Rica when I last listened in September-CH

1130 COLOMBIA Barranquilla HJAC noted u/WNEW with SS mx and Rio Mar ID 0417 10/5. (Kaz)

1130 DOMINICAN REPUBLIC/VENEZUELA MIXED HER)))@))@ WITH HIRL atop first w/lively LA mx then H. Exitos ID, then YVRL rose atop to very good-xint peak with two R. Igesl (pronounced e-dsy-whl) and TC followed a long dissertation by SS man. (Kaz)

1150 VENEZUELA/COLOMBIA often noted YVME noted good stop w/2306 w/Mundial Caribe ID-faded w/HJFI Armenia w/"do Colombia" and Caracas ID 2307 10/21. Generally well s/wHUE in su cx. (Kaz)

1160 CUBA this one which has appeared again in all its glory in September has disappeared again as of 10/21 and still missing thru 11/15. (Cooper)

1170 COLOMBIA 10/21 0603 an HJ with an ad for Banco de Bogota, also mention of Caracas, la gran Compania, way o/WWA. (Cooper) I think that is "Colombians" rather than Compania-CH

1170 HAITI Port-au-Prince QVRS commonly noted here early even and was real loud 2317 10/21 well stop SS LA stn; PP male ancer into lively mx. (Kaz)

1180 BRAZIL several stns possibly the source of PP soccer coverage // 1220 w/another LA which was in SS 0228-0230 10/21. (Kaz)

1180 DOMINICAN REPUBLIC HIBE very good w/Radio Mil ID onto slow LA instrumental mx w/vocals 0006 10/21. (Kaz)

1190 BRAZIL one of the top listed 1 kw night power stns in NE Brazil is presumed to be the source of PP soccer coverage between Uruguay and Paraguay 0049-0058 10/21 during amazing Brazilian opening. Stn was o/u other LA's and //1220. I noted H. Nacional ID at 0058. R. Nacional ID was occasionally noted on other channels and a Globo Nacional DI was noted on 1220, I believe all the Brazilians pickup up coverage of the H. Nacional stn. (Kaz)

1190 COLOMBIA/VENEZUELA unid YV stop w/promo for "Super Musica de Venezuela" 2311 10/21 mixed w/HJCT Barranquilla w/LV do la Costa ID and TC after a long political talk by SS man 2312 10/21. (Kaz)

1195.3 HAITI Jeremie presumed w/13land mx very poor-poor in some stop 0017 and last by 0020 10/19. (Kaz)

1206t SIERRA LEONE-I think long sought after Freetown is the source of carrier looping same as Dekar 2259 10/20 and 2226 10/21 during good Au African cx. About seven years ago this was heard often and even made it to California a few times but now it doesn't get out well at all! (Kaz)

1220 BRAZIL Rio de Janeiro good-very good w/R. Globo ID and into ad for football 0007 10/7; stop //620, 760, 4895 and 810 w/soccer 0207 10/20; loud //810 2227 10/21; xint 0320 10/21 w/PP mx after soccer game. (Kaz)

1224 SENEGAL Ziguinchor vrierly fair-good w/man in vernacular looping same as 765 2232 10/20 and noted next night 10/21 in continuing su cx 2221 fair. No Spaniards in tonight-su killed them all. (Kaz)

1280 BRAZIL Rio de Janeiro o/R. Reloj w/PP soccer game w/same snrcs as 1220 but not perfectly // (perhaps a tape delay) fair o/u others 0108 10/21 and up to very good 0250 10/21. (Kaz)

1280 CUBA Santa Clara Reloj noted here w/Brazil w/RR in Morse Code and bits of SS mx 0250, 0251 and 0252 10/21 (those RR's and beeps occur every minute). (Kaz)

1290 VENEZUELA one of the YV's (possibly a new YV) very good w, mention of Puerto la Cruz and Margarita and faded u. two other LA's 0234 10/21 later a YV was noted w/LV de la Capital ID and mention of Caracas-is there a new stn here? (Kaz)

1305 SENEGAL Dakar fair-good 2235 10/20 w/weird tribal music and loud w/mx-slow PP song dogged somewhat by QRN from neighbors which screws up things here between 2200 and 2300 but ceases later, 2310 10/21. (Kaz)

1315t DOMINICAN REPUBLIC San HIAV presumed poor-fair w/SS man w/deep voice 0252 10/21. (Kaz)

1320 CUBA a Reloj tx noted here w/HLQY in great su cx w/usual beeps every minute 0329-0331 10/21 w/bits of SS mx another LA noted u/ was too weak for an attempt. (Kaz)

1349 MAURITANIA Nouakchott good w/AA talk 2320 10/21 fair-good w/rhythmic mx and chants 10/20 at 2237. Not is a nightly occurrence here. (Kaz)

- 1360 VENEZUELA Mercedes good and stop w/Catetumba Internacionales ID 0254 10/21. (Kaz)
- 1375 ST. PIERRE local WRTK-1370 w/rare SP until 1000 11/7, but I forgot to check for 0730 s/on on 1375. I tuned in at 0940 to hear definite FF program w/mx but no ID (or even hint of one) WRTS-came back on just before the hour. (Honfrew) Close, bsby....CH
- 1380 UNID SS heard topping this freq on 10/20 0425-0517, some classical, some romantic then talk, likely the news at 0447-0500 with many mentions of various places like Barcelona, Nicarsagua, Encinitas, Santa Cruz del Sul, Carnaval and R. Carena Capucante or similar; then music featuring steel drums till it faded into the pile at 0517. (Cooper)
- 1400 BRAZIL two stns seem to be possible here although the Rio stn has been logged in Saudi Arabia and Sweden and is known to get out well. PP soccer coverage definitely //1220 was noted 0230 and 0242 w/ semi-local WIDE and generally mixed with or under another domestic. I speculate that some of these seemingly impossible Brazilian stns were the result of the stns using their higher daytime power for the soccer game. (Kaz)
- 1400 COLOMBIA R. Universal, Barranquilla has been in top of this spot almost every morning so far in November as the au cx prevails. (Cooper) Poor well w/WIDE news w/"Universal" ID into lively mx 0305 10/21. Looped about 30 degrees west of previously heard Brazilian. (Kaz)
- 1404 GUINEA Consky up to very good audio quality w.man in PF 2259 10/20. (Kaz)
- 1410 UNID SS LA in with sports event 0111 10/21 in au cx. (Kaz)
- 1420 VENEZUELA Mercedes YV20 0303 fair-good w/another LA with R. Vision ID 10/21. (Kaz)
- 1425 UNID carrier-quite possibly Greenland back here-noted looping N/S during rather good cx to Quebec; several times from 0158-0413 10/23. Signal had many rapid deep fades ranging from undetectable to strong enough for bits of audio to be heard in slop. I've received a letter from Bill Block who was vacationing in Nova Scotia and says he heard Greenland with rock music here. (But not heard by either Wood, Heuser or Schatz during their Canadian trips-CH) The \$64,000 question is did Bill log a definite ID? By the way, the format heard on this one sounds very much like ARTS. (Kaz)
- 1430 COLOMBIA Barranquilla HJFW stop democrats w.accordion mx, TC and local mention 0302 10/21. (Kaz)
- 1430 CUBA R. Sarcos here w/Cubano mention by typical Cuban sounding snnr stop another LA which was probably HJFW 0115 10/21. (Kaz)
- 1450 ST. VINCENT this one really floored me by completely dominating this channel at 2224 with an ad for Tenkeray gin then had ten minutes of news in German from Radio Deutschland, then 2235-2305 the American "The World Tomorrow" then rel program to its very early s/off at 2321 (yes, 6:21 PM EST), mentioning frequencies of 930, 730, and 1450 and address of Box 930, Montserrat for your comments and off with a hymn-like orchestral selection-likely their NA; reported. (Cooper)
- 1460 TURKS AND CAICOS after many tries during su nights, finally this one made it here on 11/15 also, as good as St. Vincent on 1450 with BBC news to 2300 then into music by Brahms after an ID which sounded like "This is RTP, 1460 on the AM band- the time is 7 o'clock", and faded out by 2325. Reported. (Cooper) Presumed w/Caribbean accented man snnr stop another LA w/lively SS mx but bad QM at the time marred reception 0422 10/21. (Kaz)
- 1470 VENEZUELA Valencia fair 0257 w/R. Latins ID and Venezuela mention but soon lost to a LA w/accordion mx which also faded w/domestic stn before 0300 ID time, 10/21. (Kaz)
- 1480 PUERTO RICO Farado WDDD very good and well stop w/GMT-4 TC and SS ballad 0117 10/21;"de Puerto Rico" mention at 0119 w. another TC, su cx. (Kaz)
- 1493E IVDRY COAST presumed w/carrier and audio bits but not strong enough for SW // 2240 10/20. (Kaz)
- 1490 COLOMBIA HJAY H. Nueva Barranquilla briefly stop this crowded freq on Sat 10/29 at 0504 and occasionally surfacing after that; call letter ID at 9546 and s/off with the HJ anthem at the unusual time of 0547. (Cooper)
- 1500 COLOMBIA HJLJ Call H. Tigre running AN and in the clear here on MX 10/3 at 0616 with a shouting, hard sell snnr. (Cooper)
- 1502 UNID weak carrier hitting 1503 during African opening 2246 10/20. Togo used to be here but I've seen mention that they are on 1503 now. The rear section of WRTN 83 lists Togo, Angola and Cape Verde here. (Kaz)
- 1503t SENEGAL Tambacounds almost certainly the Afro-sounding stn looping along Dakar's bearing during AU Afro opening 2241 10/20. Spain often has the channel at LSS but tonight the AU killed all the Spaniards. (Kaz)

- 1505 ANGUILLA The Valley strong enough to be noted in passing in 6 KHz bandpass w/EE talk-this seems to be somewhat undermodulated, 0113 10/21. (Kaz) Non-modulated might almost be closer to the truth-CH
- 1530 VENEZUELA San Felipe fair-good w/male snnr w/Venezuela and San Felipe mention after SS ballad 0333, up to xint strength 0341 into love song 10/21. (Kaz)
- 1530 VENEZUELA Puerto Ordaz noted a bit w/other YV w/mention of Estadio Bolivar (Puerto Ordaz is in Bolivar) 0350 10/21. This was definitely logged in July 1981 from RI by me, but I've not seen another report of this new YV-ID was R. Sur-taped in 1981. (Kaz)
- 1536 UNID weak carrier in too much WPTA slop to DF 0051 10/19. (Kaz)
- 1555a CUBA badly splintered (overmodulated?) program parallel to 640 0530-0700 11/14. No ID but definitely Cuba with discussion of current Caribbean events from a revolterspective. (Honfrew)
- 1555a UNID SS noted here 0702-0617 MX 11/14; terrible modulation quality, squeezed in between WQXR's OC and GJLM with such US selections as "I've Been Working on the Railroad" but mostly SS songs and some classical. No ID's caught but I'd bet my right arm it's a Cuban. (Lefty Cooper) You got lucky this time.....CH
- 1566 AZORES Santa Marta noted to xint peaks with little WQXR slop at times 0027 10/19 with PP man snnr and songs like "In the Mood", "Hadar Lavar" and "Born to be Alive" quite strong till 0125 when faded down to poor-fair and was noted after 0130 still on with a short catchy tune replayed over and over. Went off about 0203. I've been getting audio here almost nightly. (No name-is this Kaz or Cooper? CH)
- 1500 ANTIGUA VIA was An'ing all during the Grenada crisis and has now quit staying on all night. (Cooper)

Eric Bueneman-Hazelwood, MO DX200, SM1
 Ernie Cooper-Provincetown, MA Super Radio
 Marc DeLorenzo-Sudbury, MA HQ100, SM1
 Neil Kezross-Ogunquit, ME R70, Sanserino loop
 Jim Renfrow-Rochester, NY HQ150, YF
 Bill Townshend-Washington, DC IC95W

678

BOX 870 / GILLINGHAM, ALASKA 99576

Ernie says to mention that he tried for 930 (see 1450 above) but no go. Ditto on 730. When he was in San Juan, 930 was heard well at sunset but was poor in the daytime and Mr. Cooper speculates they use less power days. Good luck to Kaz on ID'ing some of the Brazilians so they can go into the logbook:-Maybe even little old me can put something into the logbook with the holidays coming up soon. I'd even take a CUBAN!!

Don't forget to take some time out over the Holidays and send your DX into WRC's best Foreign DX Column - IXXX.

1653261

SLOWLINE



YOUR RADIO STATION

VACATION GUIDE

7th EDITION
Compiled, written & edited
by
NOEL F. MURPHY

The Community-minded stations of
HUMBER VALLEY BROADCASTING COMPANY LTD.
are pleased to provide you with this Guide to the Happy
Province. Have a Happy Holiday - and for Happy
listening, tune to one of the Stations listed below when
you're in our area.

CFCB <small>Corner Brook 530</small>	CFLC <small>Claremont 91.9 FM</small>
CFSX <small>Highlands 91.0</small>	CFNN <small>St. Anthony 97.9 FM</small>
CFGN <small>Fort au Rocher 102.0</small>	CFDL <small>Deer Lake 102.9 FM</small>
CFLW <small>Windsor Liquor Co. 100.0</small>	CFCV <small>St. Andrews 87.7 FM</small>
CFLN <small>Cape Bre 100.0</small>	CFNW <small>Fort au Chae 96.0</small>

INTRODUCTION

This article gives construction plans and usage notes for an active parallel tuner with regeneration capability. The high-impedance FET input with switch - selectable coupling levels for different length aerials permits tuning of antennae as short as a 2-foot car whip and as long as a Beverage over 1000 feet. Aside from wires, the APT-2 can also serve as a tuned gain stage after an active loop; it can also be a tuner/amplifier for a loophead coil. The DXer can fabricate a whole series of loopheads, using cheap ferrite rods available from ETCO and other surplus houses.

The frequency range for non-regenerated "normal" wire tuning is approximately 150 to 8000 KHz. With regeneration, the range is approximately 150 to 2000 KHz.

Even in the non-regenerative mode, tuning sharpness is quite satisfactory for most DX applications. The APT-2 tuner provides pre-selection which, when the tuner is properly adjusted, can eliminate many spurious responses, especially on inexpensive receivers operated in an urban environment. It can also provide considerable gain over the signal achievable by a direct connection of the wire to the receiver. For this reason, it makes an excellent shortwire tuner. Even the signal from a Beverage can be increased, at least in rural areas where overloading isn't a concern.

The regeneration option built into the APT-2 distinguishes it from the earlier APT-1, mentioned briefly in my recent article "Modular Phasing Systems".

Sharpness and gain can be further enhanced by employing regeneration. Although regenerative tuning is touchy and time-consuming, the results are often well worth the effort. The APT-2 when used in a regenerative mode, allows receivers of mediocre selectivity, such as a car radio, to be readily capable of foreign split MW DX reception. Where only heterodynes were heard against domestic stations prior to using the APT-2 tuner, foreign split DX audio can often be extracted when the APT-2 is "in-line".

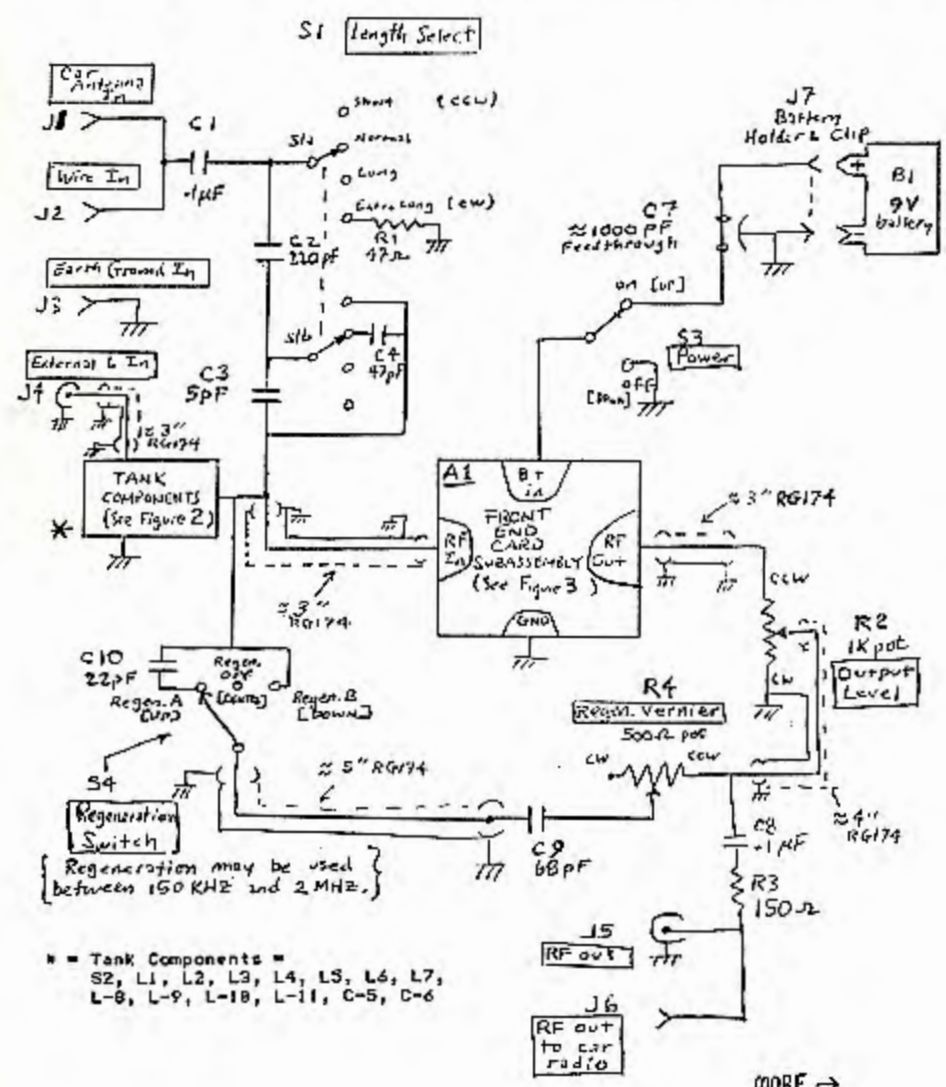
The APT-2 provides a low-impedance output, suitable for most receiver inputs. All inputs and outputs provide DC-blocking. In non-regenerative mode, the tuner can be used as a wire-tuning module in a modular phasing system.

Figures 1, 2, and 3 are electrical schematics characterizing the tuner. Table 1, accompanying Figure 2, gives an idea of "ballpark" frequency range switch settings to use for a given frequency. Figure 4 is the parts layout "roadmap" for the A1 (Front End Card) subassembly. Table 2 through 5 are the materials (parts) lists for the APT-2 tuner. Table 6 (hole list) and Figures 5 (a, b, & c) (Hole pictorials) will be used to guide the drilling of holes during the APT-2 assembly procedure immediately following Figures 5 (a, b, & c).

You may first wish to read about using the tuner; several applications are examined after the section on assembly.

This tuner should be a worthwhile addition to any DXer's shack.

MAIN SCHEMATIC; APT-2 Active Parallel Tuner with Regeneration



* = Tank Components = S2, L1, L2, L3, L4, L5, L6, L7, L-8, L-9, L-10, L-11, C-5, C-6

MORE ->

Network satellite roundup

Listed below are major networks along with the name of the satellite and transponder they use as well as an affiliate count (in some cases, an approximate number). ABC, CBS and NBC are in the process of converting their affiliates from land line to satellite delivery.

Network	Satellite and Transponder	Affiliate
ABC Radio Networks ¹	Satcom I-R, 23	1,650 (combined)
Telmedia (2 systems)	Satcom I-R, 23 & Westar II, 4	
Associated Press Radio	Westar II, 5	1,130
QNT Radio Network	Satcom I-R, 14	65
CBS Radio Network ²	Satcom I-R, 19	520 (combined)
Radio/Telex	Satcom I-R, 19	
Music Country Network	Westar II, 1	88
Musart	Westar II, 10 and 20	100
National Black Network ³	Westar II, 1	126
NBC Radio Network ⁴	Satcom I-R, 19	
The Source	Satcom I-R, 19	
Talcof (2 systems)	Satcom I-F, 19 & Westar II, 5	675 (combined)
National Public Radio	Westar II, 10 and 20	241
RFD Radio Networks ⁵ (One and Two)	Westar II, 1 and 4	400 (combined)
Satellite Music Network ⁶	Satcom I-R, 3	281 (combined)
Sheridan Broadcasting Network	Satcom I-F, 4	19 of 115 ⁴
Starlink Network	Westar II, 2	77
UPI Radio Network ⁸	Westar II, 1	1,130
Wall Street Journal Report	Westar II, 1	80

¹ Contemporary Direction, Entertainment, FM Information, Black
² ABC plans to have all network programming delivered to all affiliates via satellite by Dec. 25. Telmedia to be available totally on Satcom system by next year.
³ CBS plans to have all programs delivered via satellite by Jan. 1.
⁴ Service to Atlanta, Chicago, Dallas, Los Angeles and San Francisco.
⁵ RFDI plans to announce full satellite-delivered plans via the Westar system by year's end.
⁶ NBC plans to have all programs delivered via satellite by Dec. 15. It will switch back to Satcom system in mid-1984.
⁷ RFDI plans to switch to Satcom I-R, 19 on Oct. 1.
⁸ Station, Country Coast to Coast, Standard.
⁹ 62 of 116 which are receiving programming via satellite.
¹⁰ UPI plans to be totally satellite delivered by year's end.

PHONE (808) 732-6602
KEN WOOLEY
Broadcast Engineer
"Preaching Christ" Station 53
CHRISTIAN BROADCASTING ASSOCIATION
3555 HAWAIIAN AVE. • HONOLULU, HI 96818
KFSH

98 Rock AM/FM
1043 AM/98 FM
— BROCK WHALEY —
808-524-7100
741 Bishop Street Honolulu, HI 96813

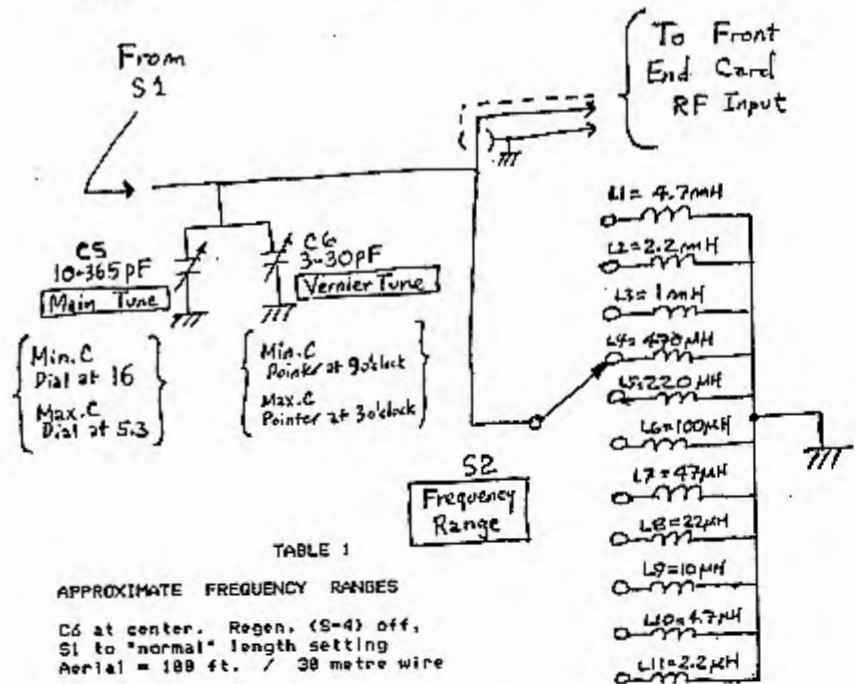


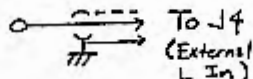
TABLE 1

APPROXIMATE FREQUENCY RANGES

C6 at center. Regen. (S-4) off.
S1 to "normal" length setting
Aerial = 100 ft. / 30 metre wire

S2 Switch Pointer (o'clock)	L uH	fmin KHz	fmax KHz
7	4700	150	260
8	2200	170	330
9	1000	240	520
10	470	300	710
11	220	470	890
12	100	820	1500
1	47	1200	1950
2	22	1600	3000
3	10	2700	4400
4	4.7	3050	5550
5	2.2	3500	8300
6	external	*	*

* = range depends on ext. L value



P.O. BOX 3636
EVANSVILLE, IN 47735

ORDER FORM ---- 50TH ANNIVERSARY BOOK

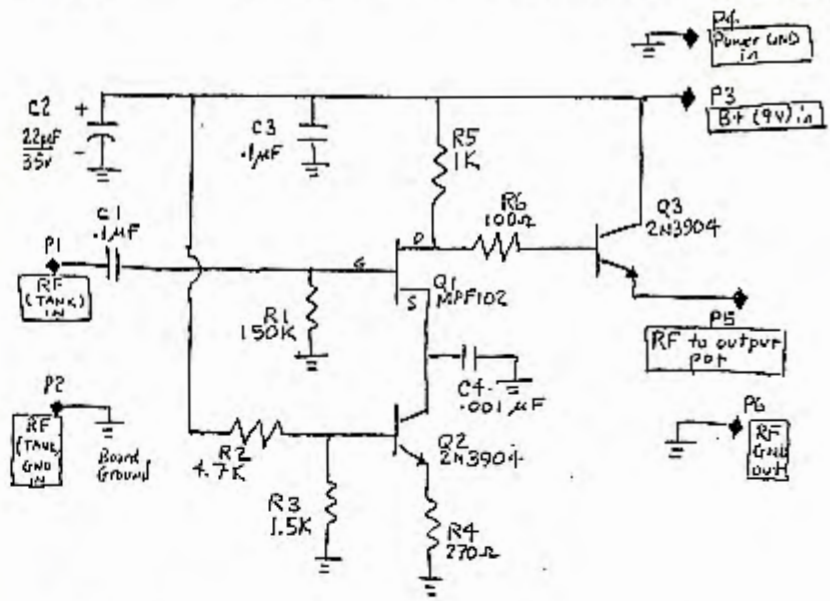
NAME _____

ADDRESS _____

CITY _____ STATE _____

ZIP CODE (POSTAL CODE) _____ # OF BOOKS _____

\$11.00 = U.S. & CANADA MEMBERS ONLY \$12.75 = ALL OTHER COUNTRIES (MEMBERS ONLY)
NON-MEMBERS ADD \$3.00 TO APPROPRIATE CATEGORY



NOTES:

- Component designations for parts on A1 are a completely separate entity from the designation of APT-2 components external to A1. (In other words, C1 of Figures 3 and 4 is a different component from C1 of Figure 1.)
- The nominal power input voltage is +7 to +10 VDC. The tuner may be operated on +10 to +16 VDC; for peak performance in that voltage range, change R2 of the A1 subassembly from 4.7K to 10K.

CONTINUED NEXT ISSUE

ORDER TODAY!
\$4.00

ORDER FORM ---- 1984 NRC DX CALENDAR



NAME _____

ADDRESS _____

CITY _____ STATE _____

ZIP CODE (POSTAL CODE) _____ # OF CALENDARS= _____

\$4.00 TO ALL (PRICE INCLUDES POSTAGE)

MUSINGS

PAUL SWARINGEN
7310 ENSIGN AVENUE
SUN VALLEY, CA 91352

The opinions expressed in this column are those of the individual members, and do not necessarily reflect those of the editors, publishers or NRC.

The deadline for Musings for #12: Dec. 17; for #13: Dec. 24. KFI makes it into Massachusetts and VOA Antigua-1588 into Illinois ...

DX Highlights

John R. Malicky - 995 Shadycrest Rd. - Pittsburgh, PA 15216 (pm 11-9; rec'd 11-12) It's still not too late, the conditions are great, so tune up your box, the receptions will knock you out of your socks! hill (New stns are underlined) (No problem; I read my WordStar manual and found out how to do it -pls) The end of September on the 27th, I heard the 2 Georgians at 7:48 pm EDT on 1128 (WIZY) and 1168 (WLBH) just barely. 9-28: WQAT-1950 Gale City, VA was coming in really well with c&w mx and s/off at 7:43 pm. Later that morning on 1558, I heard 3 stns testing, a rather rare occurrence! First the usual WVAH at 1 am, then WPHB-Augusta, GA with BLK/SOL mx and ads given with ID's. In between WTHB, WNTN-Newton, MA came on with a brief ID "conducting a brief test" at 2:52 am, so brief I did not hear them again. An outstanding DX night occurred the same day on 9-29 as I heard from WHPG-988 Bristol, VA with r&r at 7:38 pm; WLOU-1350 Louisville, KY with a s/off at 8 pm; WQKX-1578 Alton, IL really stunned me when they came in thru a mess with a s/OFF at 8:15 pm and KRRT-1350 Des Moines, IA thru another mess with a rx promo and MOR mx at 8:28 pm. I received veries from the last 3! On the first of October at 7 am on 1070, I heard WKOK-Sunbury, PA with rx and wx as they faded to WINA-Charlottesville, VA (my 500th verie) with ads, wx, MOR mx, and the voice of UVA football and basketball. Late Sunday morning on the 16th at 2:45 am, on 600, I heard WCAD-Baltimore as they were in well with c&w mx, RKO mx, and many short promos like "where Johnny Dark, your 5 o'clock shadow, rides home with you ..." In between, up the east coast WICC-Bridgeport with esy lis. rock, lottery no.s, AP rx, and a clear PSA for a report. Time running out today; will see you soon with more highlights. 73's!

Radio Roundup

Pete Kemp - Bethel, CT (pm 11-11; rec'd 11-14)
The FCC has, in an unanimous decision, expanded its interpretation of the Aspen Rule, to allow broadcasters to sponsor political debates free from the current equal opportunity rules. This action should heat up the upcoming national elections a bit ... Effective next year the Atlanta Braves are moving their act from the giant WSB, with its 50,000-watt signal, to WCNN. Uncle Ted is at it again ... While many states promote their bank balances with legalized gambling in many forms, the FCC still frowns upon broadcasting enticements to gamble. Fines have recently been handed down to a number of Atlantic City area stations. Among them, AM'ers WOND, WIBG, WIIN, and WUSS. The broadcasters are naturally upset, and I am sure an effort will be made to liberalize the law ... The CBS Radio Net will be terminating its Mike Wallace at Large and The World of Religion segments around the first of the year... Jim LaBarbara has resurfaced on WCKY handling phone-in show chores... Former WJR DJ Marc Avery has gone across the river to CKLW... In the Snow Capital of New York, Buffalo, WEBR will be picking up the rights to the Buffalo Stallions Major Indoor Soccer League from WBEN... WIND, in Chicago, will be airing a full hour of business news at noon and 5:00 pm CST... Nepotism strikes again. Joe Mullins, the 17-year-old son of that station's popular country platter spinner Moon Mullins, has been hired for the 5:00 pm to midnight spot, weekdays, on WPPR... The top AM'ers in Detroit, in order, are WJR, WXYZ, and WWJ... Recent world events have certainly placed an even greater emphasis on news reporting. The ability to receive information from any corner of the globe is an idea which has almost arrived. The commercial broadcasters still have a number of "holes" in their systems. The FCC has recently sent out a clarification of its regulations, with reference to its use of radio amateur transmissions. Originally interpreted, these regulations prohibited any use of amateur radio frequencies for commercial use. These regulations now allow airing of amateur radio transmissions, what we call "actualities." Reporters, however may NOT use amateur radio frequencied for conducting interview or becoming "involved" with these transmissions. During the recent rescue attempt of Americans in Grenada, Dan Rather requested a waiver from the FCC to conduct an interview with Mark Barrettella, KAZDORR; this request was denied. Commercial stations were able to record these transmissions and use them on their newscasts. Locally, I was quite active handling traffic and monitoring these transmissions. Local reporters, as well as my students, flocked to the school's radio shack, obtaining a first-hand education in world events. The school received many phone calls and inquiries about this operation. As an end result, a front-page story, with color pictures, extolling the virtues of radio communications and some good publicity for the school... So much for now.

Bill Andree - 1159 Montauk Highway - Copingue, NY 11726 (pm 11-10; rec'd 11-14)
"Howdy", as they say in Chicopee, MA (or, at least they used to when I was there --). MM DX of 11-7, a go at the dials that seemed average at first, managed to fill up four pages of logged entries, the most I've jotted down in years. I may even send out for some QSL's, a practice I usually save for outlandish and/or exceptional DX (hardly ever, hi). 1:30-1:50 KRMG ET with "65 Love Affair" and QC and a few ID's. Loudest I've heard 'em, probably non-D. A "R. Festival" topping 730 w/SS and menrs of Mexico and cute jungles. Probably XEX. Who'd put another XE on 730 -- and one this loud, anyway? A MYL-type on 740 w/LD at 1:56, call sounded like WFB- or WSV--. Giant het AN of 1555a, no audio noted, and another signal with garbled audio on 1548a at 2:15. TT on 1578 with carrier on and off, perhaps CKLM, left there 2:18. Still no new stuff, so I plugged in the Zenith, made some soup, and tried some GY DX. WBTM-1330 ID right through local WPOW at 5:30. C&w on 1328 u/an accordion mx station at 5:35 ID'ed as CFGM, first time noted since their 1310 days. 18 minutes later the accordion mx station ID'ed as CJSO with a jingle and into news at 5:45 - the third new catch in 15 minutes! Having real fun now, I let the dial find a loud regional and look for the ones under it. 1308 gave me a loud regional. They ID'ed as WQBK, one I've been looking for (and gave up on) since my DX days began, with weather for "The Capital District" and an ID at 5:59. Bursting with confidence, I flipped to find 568 in search of another elusive one, upstate WCKL. Well, they weren't there, but a booming loud c&w was, on 550. "55 KSD" was literally in the clear for twelve minutes with no fading. They must have changed the pattern at 6:27, because they simply vanished right in the middle of "Baby I Lied". I had to sit here for a while listening ... very reminiscent of the mid '60's when another loud St. Louis regional - top 40 KKOK - used to roar right through on 630. There followed one of those "Appalachian" openings, with WCHS loud and clear on 588, WKGY-1308 on top, WYNT-1298 over all, WMPM-1270 with c&w, loud, and newie WBTM scill haunting WPOW. And all on the old Zenith, yet, with one of the tubes having to jut crookedly out of the socket for it to work. I might save some time and mothball the Lafayette HA-600 and just DX the last two hours of a proposed session on the Zenith next time. Con-ED's noise from the wires was less - they were out there Friday - but there's still a lot of it. Another call later today to them. Shoot for the moon. With the season still early, I may even have time enough (after canvassing my favorite fishing holes - the AN dial) to try to time everyone else seems to have a good go at (and one I've hardly ever gone near) - SSS. 73.

Carl W. Dabelstein - 8289 West 78th St. - Overland Park, KS 66284 (pm 11-8; rec'd 11-14) Sitting here reading the latest DX News, I decided it was about time to send in a Musing. The following are the bits and pieces of DX to come this way since my last Muse. On 7-21 a log was taken on KLCO-1228 (ex KBHM) in Branson, MO at 7 am s/on. Another call change taken care of on 9-6 with KOOO-1410 (ex KAHL) North Platte with KC Royals baseball at 9 pm. A real surprise on 9-11 when rc/tt from KTOD-1340 Rapid City right through local KRKR. 9-17 brought 6 am s/on from WBHC-1270 Hampton, SC. Another call change snatched on 9-28 with the s/on of KOKN-1270 (ex KWPR) in Claremore, OK at 7. WVHI-1330 (ex WKKR) Evansville hrd s/on at 7 on 10-1. A real double play on 10-2 at 7 am on 1450 with the s/off and s/on respectively of WXOL and WCEV from Chicago. 10-12 brought CFGM-1320 Richland Hill completely covering the frequency with c&w mx at 5:58 am. Illinois #94 was added to my BCB log on 10-17 with the 7 am s/on from WRDY-1460 in Carmi. The all-new KROX-570 (ex WFAA) (Boot -pls) hrd running AM stereo on 11-1 at 7 am ID'ing as K-Rocks. After quite a lot of trying, I finally snagged a much-wanted KRDE-1000 from Hayden, CO on 11-5 at 6:45 s/off ID'ing as KZ-100. Finally, on 11-6 I caught the all-new KMTL-760 in Sherwood, AR playing Gospel MX at 5:30 pm. The few veries to come this way recently have been v/I's from WINI-1428, WJJC-1270, KIKM-910, KLBJ-598, CHAM-1288, WTSO-1070, KOOO-1410, WBHC-1270, WCEV-1450, and WRDY-1360. V/F from KVAA-910. V/ppc from KCLW-900 and KXVK-1600. V/r from WVHI-1330. Total veries now at 2,188. KXVI was Texas #195 (out of 206 logged). I hope to reach the 200 level this season. Only other state over 100 is Missouri with 125. Sorry I was not able to make the Convention this year, but plan to be there next time. Thanks to Neil Zank for his hospitality last month when I was back home in Lincoln attending the NU-Wyoming football game. It was nice talking to Bob McCoy, then, too. Well, that's it for now. 73's and good DX.

Brian Pitman - 835 Milford Dr., Apt. 182 - Kingston, ON K7P 1A7 (pm 11-4; rec'd 11-14) For the first time in ages I actually stopped driving my cab long enough to take a vacation. A buddy and I agreed that a cycling holiday through the Adirondack Mountains would be the thing to do this year, so that's just what we did. After arriving in Plattsburg, NY by van we headed westward along Rt. 3 which would take us to Watertown, NY, only 32 miles from Kgtn. We left on Oct. 1 for the 4-day trip, and fearing cold weather decided to stay in motels, although we brought a tent and sleeping bags just in case. The scenery was beautiful, especially between Plattsburg and Saranac lake where most of the mountains were, and if it had not been for some mile-long hills and a few vicious dogs, the trip would have gone exceedingly well. Actually, I had a great time, and am presently planning next year's assault around Lake Ontario.

20
Fellow cyclists feel free to write. Feel free to write to me for stamps as well, as I'm still selling Canadian and American stamps at face value to all members. Please be informed, however, that my bank is now charging one dollar to cash American cheques and money orders. I've been retyping my log through the summer and took the opportunity to scrutinize what was therein contained. Does that make sense? (Oh yes - pls) Anyway, I scratched off about 20 stations that were listed from who-knows-how-long ago, when I was young and foolish, and now feel that I have a fair and accurate log book. A great weight has been lifted from my shoulders, hi. I'm looking forward to DX'ing on the new broken-down clear channels this year. It seems to work out well for eastern DX'ers, since most of the full-time stations are out west and can only improve our chances of hearing those states. The only station I received during the summer was WDXB-1498 TN, but my recent catches are 18-19 Antigua-1165 with s/off at 18:15 pm after REL show "Modern Times", 18-21 WHOG-1490 GA popped up with ID and some kind of station promo pertaining to photography at 6:06 am. 18-25 WCAT was hrd on new frequency of 700 with EZ listening mx and s/off at 6:15, no SSB, then at 6:35 pm WJRB-1430 TN was hrd through the ruckus with ID and c4w mx. 18-31: The WECO-948 test was hrd with bluegrass mx and much ID's. There: I'm caught up. Bye for now.

Alphonse B. Tobia - 7603 Linden Ct. - Newark, CA 94560 (pm 11-10; rec'd 11-14)
Hello to all. I heard two new stations recently. On 11-8-83 with election results heard KRFW on 1210. They made an announcement that they were operating with 1000 watts; good signal, but easy to null out. Guess they made the move from 1230 recently. They were heard on 11-8-83 at 18-30 pm PST. Last night at approx. 1 am they were not on. Also heard tone only at about 1:30 to 2:30 am on 11-18-83 on 780. Signal at times was real strong then would drop to almost nothing ... no ID but direction seemed to indicate new station in Colorado going on 780. Recent trip to east coast took NRC member Vic Meiss and me to Allentown to check out some towers (TV and radio). Was fascinated by WSAN-1470 site ... now part of a parking lot for a shopping mall. WSAN site was the most unusual. Just got my copy of the NRC 50th Anniversary Book. It's really great. I especially enjoyed the section on receivers and verification and QSL's. Out in this area KYA is expected to be moving to 560. KSFO calls will stay (the KYA owners will move to 560). KYA on 1260 (new owners have applied for KOIT, so look for those changes around beginning of December. As I have said before about the east-coast clears: they seem always to make it out here in the winter season, often with "gusto". The station that was testing on 780 ... WLW was in behind whenever there was no modulation during test. Also, KRNV punches thru KWIP and KIXI interference 100% of the time; same with WWL-870. With KTWO on 1830 off, WBZ is usually around; WHAS always there too. I am a clear-channel "freak", so this interests me. The one clear that is there 99% of the time ... WLS-890, Chicago. That's it. Bye. (Al, I can't hear WLW, with locals on 690 and 710, but I regularly note WSM-650, WCCO-830, and WHAS-840, for example, and I thought I had WJR-760 once in early October. Notable no-show: WSB-750. We heard WBZ lsc in early July in Seattle, also. And with KFI being reported on the east coast ... trans-continental reception is still a reality -pls)

W. (Rakimo) Ritayik - 1408 Valencia Ave. - Holly Hill, FL 32017 (pm 11-14; rec'd 11-16) Hi! Fellow calloused ears. Hope all are well. I have often wondered of the wisdom of my leaving past copies of the bulletin in the hospital waiting room, doctors, dentists, insurance and attorneys' offices, library and two college libraries here. Considering the growing number of unstable people (DX'ers?) in the world, I have ceased the practice. I don't want any of our members annoyed. (An interesting point. Comments, anyone? -pls) I haven't disturbed the repose of my HQ in over a year but with the growing number of power increases there should be a better chance of new receptions. I hope I can get past the Cubans. "Malicky" - due to medical problems I could not get to WRDD re your verie until Nov. 1. I hope in the meantime you received it. They are very nice; said they answer all mail and would write you. Ernie ... you joined my club! Hang in there! My gratitude for all you editors, officers, etc., continues. 73, (+1). (Thanks, W. (E.) ... receiving letters laced with humor like yours makes it all a little more enjoyable -pls)

Tony Fitzherbert - 356 Jackman Ave. - Fairfield, CT 06432 (pm 11-14; rec'd 11-14) Hi! Thanks to Brad Chappell who ID'ed the arrays on the Toronto Islands - CKEY is indeed the array in the lake, and C3CL-1430 broadcast from the bird sanctuary, using an array of five very short towers. And I goofed - the six towers next to the power house in Clarkson belong to CHUM, not CHWO. Strange - WXNL-1310 is off the air again - recent times that I have driven up I-80 past the 4 towers, I have heard the same announcer at different times of day, including Sundays - literally, I would guess, a one-man station. I would not buy that station - it is surrounded by well-established local stations, plus it's in the shadow of New York - so, with its competition, and tight pattern (away from population centers), making it pay would be a real challenge. Veries - a real Death Valley - nothing, although 15 or so reports are out - but three thank-you notes came back from CHOO for the station profile - the Director of Marketing said that he hopes "we hear from some of your buddies" ... I wonder if that means reception reports. If you like c4w mx and

21
are north or east of Ajax, CHOO is a very enjoyable station! CHOO is only the second station that has written back thanking us for the station profile - the other was WESX-1230, although the president of WNPV-1440 noted that he enjoyed their profile, in a verie - I hope that the broadcasters realize that we are indeed interested in a constructive way in their activities. DX has been good, although veries have been virtually non-existent. 73's. (Your profiles are a very important public relations tool for the NRC, Tony, and I hope other members can support your column with more profiles -pls)

Robert J. Mielczarek - 3131 S. New York Ave. - Milwaukee, WI 53207 (pm 11-15; rec'd 11-17) Greetings again from Millville. // The way the stations are rolling in I'm going to have to muse more often just to keep up. I've logged 59 new stations since 9-6 for a total of 1,041. If this pace keeps up I'll have my second thousand in less time than it took for my first. The last three weeks have been highlighted by several outstanding sessions. Recent catches include: KZZM-1360 LA at SS and WXVI-1600 AL at 8:02 on 18-20, WACT-1420 AL SS (10-21, WCOA-1370 PL and KXOL-1360 TX SS 10-23, KBHB-810 SD, on a tip from John (my new phone # is ...) Reiger, and KNEB-1150 OK both at SS 18-24. On 18-25 I caught KNEA-970 AR at SS and a tip from Paul Kowalski gave me WIAP 1500 GA at 8:12, on the air with nx of the Grenada invasion. SR 18-28 brought WOYK-1350 PA, with WRTL-1460 IL and KLNG-1560 IA at SS. On 18-31 I heard the WECO-948 TN test, with WFRO-900 OH at SR and WLKK-1260 PA at 9 pm. SS on 11-3 brought KELC-1530 AR, with WDLK-1450 AL later that night. KXTP-970 WI was in at SR on 11-6. 11-8 was the first of the outstanding sessions with three newies on the same frequency at SS. It started with a tip from J. R. that WKKA-1110 MS was in: this was followed by WBCA AL and KTEK TX. 11-10 was even better. KPAL-900 MO, KHQZ-900 AR, KTPA-1370 AR, and KBCC-1020 NM all in at SS, with WCLD-1490 MS and KFJB-1230 IA later that evening. CBCQ is from my original most-wanted list. MM 11-14 was the best of all, with six new graveyards in two hours. WBCP-1240 AL, WARP-1240 AL, WLAR-1450 TN, WCOL-1230 OH, WDUX-1400 WI, and KTTTS-1400 MO. Veries have been non-existent; I'm a perfect 8 for 10. (And I'm an imperfect 2 looking for a 10, hi! -pls) I'm worse than Gorman Thomas. // Paul, you may not be aware of it, but California suffered a major set-back in August. For the first time since 1975, a non-California corps won the Drum Corps International Championship. (Oh, no-a-ol -pls) Congrats to the Garfield NJ Cadets. Don't feel bad, tho, the Concord Blue Devils and Santa Clara Vanguard finished second and third. // Overheard on the water dept. radio: I'm not receiving you; if you can hear me press your mic. button twice; if you can't, press it once." (What do they put in the water in Milwaukee, anyway? hi -pls) // If the dials stay hot, I'll be back soon.

Sidney E. Marshall - 7224 Pam Dr. - Millington, TN 38053 (pm 11-14; rec'd 11-17) (Sidney, you get my award for beautiful penmanship this week. Now, if I could only get more entrants in the contest ... hi! pls) Time at the dials has been slim, but I have managed to add 3 more stations to my log book to bring my station total to 1,122 heard at this location. Times shown are CST. On 11-8 at 4:24 pm WRDY-1460 IL surfaced with spot for auction in Carmi, temp and time check followed by ID. Was back in at 4:44 pm, with strong signal, with full s/off announcement heard. On 11-9 at 4:33 pm I caught most of the s/off of WXXO-1150 GA. Early morning DX'ing on 11-12 reaped me KCKW-1480 IA with full s/on announcement heard at 6:00 am before semi-local WNOH blasted in with their s/on. Have had several re-logs of interest that show excellent openings that have prevailed here during the past week: On 11-8 KYKK-1110 NM was in like a local from 5:37 to 5:45 pm with mx, program schedule for next day, ID, Paul Harvey, and s/off heard. During this entire period the signal remained very strong! This is the 3rd time this one has been heard in several years. Evening of the 11-10 showed good opening to FL with both WGBS-710, Miami and WTVT-1270, Tallahassee in several times with local-like signal between 4:38 and 5:30 pm. In reading the Nov. issue of Review of International Broadcasting the following info will clear up why WDGR-1210 is on at night: This "daytimer" had applied for post-sunset operation and much to their surprise on Oct. 14 received FCC authorization for full-time operation! After confirming this with the FCC, on Oct. 17 they expanded their hours to 0530-2300 ELT with 10 kw day power and 2.5 kw night power. They plan to go 24 hours at a later date when they add personnel to their staff. While the RIB publication is geared to the shortwave listener, it often contains much info of interest to the MW DX'er! (Sample copy \$1.25; year's NA sub is \$15; Glenn Hauser - Box 6287 - Knoxville, TN 37914. And that's this week's plug; say you saw it here -pls) Work schedule may stop DX'ing here for a few weeks. I'll be looking forward to my annual 3-week mid-winter vacation in Jan. 1984 with plenty of DX'ing planned for this period! So till next time, good DX'ing to all.

A Spectacular Sunset

Bruce A. Conti - 39 Bayberry Drive - West Warwick, RI 02893 (pm 11-14; rec'd 11-17) The evening of November 13 turned out to be one of the best domestic DX sessions I've had in recent memory. All times are EST. Early in the evening at 4:00 pm, I tuned in to 1550 kHz, and with WNTN nulled out, I caught unnn WXVA-WV on top with EZL mx, while WVAB-WA was trying to get through

22
u/WXVA. These are both heard regularly at 55. Then I tuned to 1070 kHz, where I found newie WNCT-NC coming in 1bc with c&w mx, an ad for the Tobacco Farmers Show in Greenville, and eastern NC wx, 4:20-4:35 pm. I went back to check out 1550 kHz, and it sounded like a GY channel with a jumble of stns coming in. At 5:00 pm, and at 5:17 pm, newie WIRV-KY managed to make it through the mess well enough to hear the call letters between songs. T'was 5:20 pm, when WRHC-FL began to take over the frequency with Spanish programming. At 5:30 pm, I heard the ID in English, "WRHC Coral Gables - Miami" and then it was gone. After WRHC disappeared, newie WYXK-GA came through with nx from the Georgia Radio Net. Folio by the ID at 5:32 pm "50,000 watt Family Radio", then it was gone. Newie WOR-TN was the next one to surface with c&w mx, folio by a quick s/off at 5:46 pm, with no SSB. And finally, one more newie made it this way before CBE dominated 1550 for the night. WAAY-AL, "Huntsville's Hit Radio", was in strong from 5:50 pm to 6:13 pm with T-400 mx, an ad for channel 31 TV, and mentioned power of 50,000 watts in the top-of-the-hour ID. Reception reports went out to WNCT and WAAY. All were heard on my new rx, the Realistic DX-400, with an SM-2 antenna. The DX-400 seems to be an excellent rx for domestic DX'ing, but I haven't really tried for any TA splits yet. As I gain more experience on the DX-400, I'll send in a report on its performance. 73's.

Robert Rush - 50 Paquot Road - Southampton, MA 01073 (pm 11-16; rec'd 11-18)
Greetings from Western Massachusetts! As a new member of the NRC, a brief introduction is in order. I'm 21 years old and a senior at Westfield State College, majoring in Economics. My interests in AM DX began in the spring of 1979 using a Realistic TRF. Since the monumental event, a total of 560 stations have been logged from Southampton. This total should increase with my acquisition of a GE Superadio and an ICOM R78 with a Sony AN-1 antenna. Best loggings to this date include the following: KFI-640, WSKR-1040, WJFB-1060, and CKTA-1570. There is still plenty of DX to be heard on the old AM band! The key to success rests on proper listening and reception conditions. You never know what you will hear on the medium wave band! Until next time, 73's and good DX to everyone. (Good to hear from you, Robert, and I hope you keep on sending those WC loggings! -pls)

Paul Mount - 471 Emerson Ave. - Teaneck, NJ 07666 (pm 11-16; rec'd 11-19)
I've been bad about putting activities and information into Musings since my Ohio/Michigan trip last summer. I have a whole load of information on station formats, slogans, etc. compiled from that trip, the Wildwood trip in August with member George Greene, the NRC/Vermont trip, the Baltimore/Washington/Sharptown trip in September, and the Indianapolis trip over Hallowe'en weekend with Bob Smolarek. Guess I keep thinking someday I'll sit down with all the tapes and notes and type it up all at once. It's more likely to be done in chunks. There will be one master copy made, with AM and FM information together, sent to deserving editors like Greg Monti in IRCA, Jerry Starr, John Clements, and Tony Fitzherbert's columns in NRC, Dr. Bruce Elving's "FM News", and Pete Nolan's "Evolution", plus there will be promo info also to be put on that or another list. Also will take highlights from the day for various descriptive Musings. Welcome to new members Alan Hyams of Bronx NY and Frank Passage of Verona NJ. Alan I met through FM DX'er Robert Goodman, and Frank works on the other side of glass partitions about 50 feet from me at IREX. Both asked for information on AM DX clubs, and I recommended them to the best. If only there was a membership drive contest, hi. (Not a bad idea. You wanna be chairman? -pls) Have been DX'ing some, with those perfectly-timed drives home from work during SSS. Get in on the Tip Traders list; its appearance is the only sign from me this fall that I exist, hi. Hopefully this will be the start of many Musings from me this season. That "PTL definition" was not my doing; credit BS. 73 and support your local theatre showing the Monty Python double feature. --- PRM

Dave Schmidt - 42 Chelwynne Road - Castle Hills, New Castle, DE 19720 (pm 11-16; rec'd 11-19)
Evidently the post office has lost yet another letter; Musings sent in over 3 weeks back never showed up, so here's another. Some DX to report: 10-8: WAMQ-1400 1810-1905 with Penn State Football, no breaks during most of the quarter made this one tough to ID. 10-22: WXPX-1300 5:44-6:07 pm with rock oldie, puts out a nice het on the channel and could be easily separated from the 1300 back. (?? -pls) Noted in report, still like that on 11-16! Also 10-22 inspirational/religious music was noted on 1200 7:23-7:45 pm, no breaks but c/WOAL no a tentative on KFNW. They did not s/off but dropped out of the picture as if they reduced power at 7:45 pm. 10-30: WOCB-1240 12:57-1:09 am with Talknet, NBC news, local news and weather, nicely atop the channel this AM. 10-31: WIDD-1520 12:16-12:48 am on an ET with rock music, ID's c/w WKBN, asking for reports. Tom C's WRCO-940 Test was a real boomer here. 11-12: WYNO-1120 5:05-5:12 pm with c&w mx and detailed s/off, giving muber of FCC authorization for program tests on 1120 11-14: WCRT-1260 1:34-1:44 am ET with religious rock music, nice signal. Veries are very poor return-wise this year, total now at 1112 adding v/1's from WAMQ-1400 and WXPX-1300, PA total now at 155. All other notes and C were sent to the DDXD department (in the basement - hi!). Lots of work going on around the house, adding a room to

23
the other side of the den, sort of keeping me away from the dials lately but a couple of days a week in the AM does me fine. Welcome back to John Arthur and Joe Kureth! Thanks to all who reported the WCHH test, 8 letters received, 6 verified; and 2 tentatives didn't match up. Tape went to Christi Rigas of Chicago, most distant verifiable report. And that is it for now. 73's.

Jeffrey Cohen - 10489 S. Menard Apt. 304 - Oak Lawn, IL 60453 (pm 11-16; rec'd 11-19) (312) 424-4639 Hi, everyone. I'd like to thank Ernie Cooper and Kirk Melhuish for their help while I waited for my log and first DXN. I was an NRC member 7 years ago from Stoughton, MA, then Jackson, MI. I'm chief technician of a cable TV operation in Alsip, IL and a ham operator. My new bride and I moved here from the Boston area few months ago. I'm excited about DX'ing in a new area and being back in the NRC. I use a Radio Shack TRF with no special antenna; I had a homemade loop but it was too big to move here. In the future I'll list my DX officially but for now a list of a few catches since I've been here: The Caribbean Beacon-1610 and VOA Antigua-1590, easy around 7:00 pm 11-14. WSRP-1580 in all MM 11-14. KSRB-1570, my best SSS catch with veris. Also WHLP, WAGL with SSS veries. KPNW, WDRG, and WDBX all heard here, report out to KFNW. So far I'm only getting 25% verifications on my reports. I did much better when I was 15! I'll be trying new techniques; any suggestions would be welcome before I go after the mailman. We would like to have a GTG here to meet new friends and talk DX. Anyone in the area (Chicago) please call or drop a line. Thanks and good to be back. 73... (Welcome back, Jeffrey, and keep those reports rolling in! -pls)

Paul Swearingen - 7310 Ensign Avenue - Sun Valley, CA 91352
Not much to report from this end. However, let me use this space to promote something ... You've noticed some artwork from time to time in the pages, things I've clipped from letterheads, etc. I'm taking it a step further and actually soliciting artwork now from NRC members. It should deal with radio or DX'ing and must fit in a 3-inch wide vertical strip (to be reduced by 50%). Use black ink on white paper (NO color!); sign or initial it so we can give you credit. Cartoons (with captions) are okay, if they fit, but smaller pictures stand a better chance of being used. Letterheads are always fair game! All artwork will be subject to acceptance, rejection, and revision, but unless it is too big, a real mess, or in poor taste, you can count on it getting in eventually. The object will be to brighten up the graphics in Musings and broaden the reader appeal, but the primary purpose of Musings, of course, will continue to be to present information to be of help and interest to BCH DX'ers. 73!

Radio family gone from the airways

CAPE COD TIMES, WEDNESDAY, OCTOBER 5, 1983 via CRC

By PETER KERR
The New York Times

NEW YORK — The story of the McCanns in broadcasting began one day in the 1930s when a man with a powerful jaw and fierce dark eyes first sat behind a microphone in a studio of radio station WOR. Its end came a little over a month ago when his granddaughter bid farewell to the family's listeners for the last time.

Between those days stretched more than a half century in which three generations of McCanns talked, joked, fought, cried, announced births, deaths and marriages. The number of listeners of Miss McCann's show has generally went about the business of living in the company of the strangers they called their friends.

"It sort of feels like leaving home," said Patricia McCann, as she sat in her upper West Side apartment recently poring over the yellowed newspaper clippings that form a history of the WOR radio programs on which she, her parents or her grandfather were hosts. "I never really thought that the show would go off the air," she said.

The program, in its last incarnation called "The Patricia McCann Magazine," was canceled on Aug. 26 as part of a major

alteration of WOR's schedule of talk programs. The station also canceled "The Pagan Fitzgerald Show," which can trace its roots to a program started by Mrs. Fitzgerald's husband, Edward, in 1938. A third family of broadcasters on WOR — in which John B. Gambling was followed by a son and grandson by the same name — remains on the air.

According to Robert H. Biernacki, WOR's vice president and general manager, the program changes were designed to attract a larger, more diverse audience in the competitive New York radio market. The number of listeners of Miss McCann's show has fallen from an average of 97,000 a year ago to 38,000 this year, Biernacki said, adding that 80 percent of the audience was 50 years old or older. Those numbers, Biernacki said, did not translate well into advertising dollars.

The first McCann program, "The McCann Pure Food Hour," went on the air in the 1930s (the date is a matter of dispute — the station says 1928, Miss McCann says 1926 or 1927) as a vehicle for a muckraking journalist named Alfred W. McCann to denounce the unsavory and unsanitary practices of the American food industry. He had worked as an invest-

igative reporter for The Daily Mirror and other New York newspapers writing about tainted and unhealthy food. Miss McCann said McCann also ran a laboratory on 16th Street where foods were tested before they received his approval or criticism on the air.

In 1931, McCann died, and his son, a 20-year-old student at Georgetown University, left school and took over the program. Alfred W. McCann Jr. was joined by his wife, Dora, several years later, and their show, broadcast from their house in Yonkers, eventually became "The McCanns at Home."

Although she was frequently on the air as a child, Miss McCann said she originally had no desire to take over her parents' program. But in the mid-to-late 1960s she appeared on the program to discuss some of the more controversial topics of the era, including some of the tumult taking place in politics and the arts.

"I was responsible for the first radio broadcast from inside a banana," she said, recalling one show in which she interviewed an artist and several of his students who sat naked inside a giant banana made of yellow acetate.

After her father died in

1973 Miss McCann joined her mother as a permanent part of the program. In 1975, the show became hers alone and broadened to include discussions of psychology, the arts and travel, among a varied range of topics. At least one show a week, Miss McCann said, remained dedicated to food or wine.

Biernacki, the WOR general manager, said that one of the reasons for the show's decline was that its subject matter strayed away from food, to areas as far afield as foreign affairs.

Miss McCann said her show's 2 p.m. broadcast time was responsible in large part for its striking audience. It had been switched from an 11 a.m. time period four years ago.

