



DX News

OFFICIAL PUBLICATION OF THE
NATIONAL RADIO CLUB

P. O. BOX 99
CAMBRIDGE, MASS. 02138

VOLUME 36

March 15, 1969

NUMBER 22

LOG UPDATER

John Callarman, whose fine efforts made the first edition of the NRC Log a reality, has just completed preparing the NRC Log Updater which corrects and revises the NRC Log through 3/1/69. John notes that about 90% of the info in the Updater is new; the rest represents various types of proofreading errors which crept into the original Log. This latest updating is being distributed to Lon Berman's computer log crew for incorporation in the 1969-1970 NRC Log. While at least some of the information in the Updater has already appeared in the pages of DX News, John's put it into a handy by-frequency format that makes the Updater a most useful auxiliary to the Log itself. The Updater is 15 pages long and is available from HQ immediately for the cost of duplication and mailing: 60¢ by 3rd Class, 70¢ by First Class mail, for NRC members. Price for nonmembers, \$1.00. Order today - it's like getting a brand new edition of the Log. The NRC Log and Updater are the best bargains around!

picture it!

This week's fine article by Jerry Starr contains our first offset photographs; somebody had to be first and we won't know how they came out until this issue is actually completed. As we continue to experiment with the offset process we'll be incorporating more and more photographs and some will no doubt come out better than others; please bear with us as we continue to run across minor problems as we gain more experience. Being the first DX club to go offset also means being the first to learn the idiosyncrasies of this particular process. Last week's lesson was that some shades of red (on the "NB" QSL) won't reproduce properly, for example. Our printer is going out of his way to compensate for some of these problems as best he can, and we're most appreciative of his extra efforts. All of the large SW and general coverage clubs have expressed great interest in the possibilities of going offset, and NASWA has gone so far as to distribute a questionnaire to their membership about it. Once again NRC leads the way!

GPN

DX NEWS - where DXing comes first

March 15, 1969

(Dan Phillips) criticism with an effort to tear down what others have built up is very unnecessary. My apology goes to J.J. for saying KIRL was a fulltime station. It is not; I just read my log book wrong. When you try to DX at 83 years of age, it's hard to see like you once could, hi. As the good book says, "Love those DXers who curse you." What in the world is ERBA? Sounds like an organization that needs Alcohol Am. with it. Also anyone with info on who formed RLA, etc. would be appreciated. DX: CKCK-620 heard AN 2/23 @ 3:44am. TGN-725 Guatemala heard on 2/20 @ 11-11:30pm in EE. KVPT-1050 La. heard s/off 7pm 2/15. KPWB-1140 s/off 6:30. WLYB-1250 Ga. ET heard 2/21 from 12:20-12:30am very weak. WOKS-1340 Ga. AN on 2/17 @ 2 KEFA-1360 Ark. RS 2/21 7:15-7:30pm w/beautiful signal. KCLA-1400 Ark. heard 2/23 5:30am o/the mess on this frequency. WNKY-1480 Ky. heard on r/c 2/17 w/ID @ 1:24am w/plenty of QRM. WQNE-1480 Fla. had ET @ same time. Verie: KVOL.

CHUCK HUTTON - 1521 Fama Drive - Atlanta, Georgia - 30329

Hi all. Big news is loop antenna built by Walter La Roche while visiting me this weekend. DX has been OK even though DX died Sat. afternoon. All DX after 2/22 on mother's transistor. 2/24- WAWO TEST in L&C of course with program of religious mx & Bible readings, IDs every three minutes, mentioning the IRCA, not NRC. It's great when a TEST you arrange IDs the wrong club! WWRL-1600 in well all morning w/radio placed near loop. WDR-1586 in w/male & female announcers from 3:15 to 3:30. WGST-920 was testing all morning; nearly blew my ears. WRKH-580 Tenn. in w/good daytime signal 2/23, WPLO looped. WQVP-600 NC also looped w/Coke ad @ 3:13, then faculty platform from the U. of Tenn. WTRP-620 Ga. w/rr, Tommy Roe @ 3:27, then WX. WESC-660 SC w/religious mx from 3:33 to 3:37 tuneout. WROM-710 Ga. in at 3:37 w/Daytona race & ad for transmission service. WMIS-810 Tenn. w/WX @ 4:17, followed by mobile home ad @ 12:4 Bond St., then c/w. WGAC-580 Ga. w/pop mx, then ad for C & S Bank @ 3, then a short WX report before joining CBS NX w/Nixon's arrival at Brussels. By the way, WLAW was on beginning 15 minutes later than sked & lasting much longer than the CE said. Are there any other Georgia members besides me? I'm after someone to talk serious DX with, not clear channels like WLW, WWL. That's it for now - I might be back in 7. 73s.

ROGER W. WINSOR - 718 North Fremont Road - Valparaiso, Indiana - 46383

DX was going great until 2/24 when I got hit by the flu bug, and that has really put the brakes on anything since. I'm just getting over it today, 2/28. Veries in nicely for a change, w/the following v/l: WZEN WKLM WGLB KOAK WPBO KGKO WTIQ. v/q- WTVN WDAF KOGO. v/f- CKRR for '68 DX. DX from 2/21- WTIQ-1490 Manistique, Mich. on r/c-TT, per verie. TP-1440 1:18-1:32 with others - was this WMYB, ECers? KWVY-1470 on r/c 1:15-1:28. Umm WLET-1420 Ga. on r/c-TT w/phonetics @ 1:33. 2/22- Much-wanted WRAP-850 Va. on R: w/NN mx 7:49-8:04, mixed w/KFUO/WKBZ. MM 2/24- TT on 1240 during WRTA time 2:30-2:46. ID @ 2:46 sounded like Va. Any help? (Duane Giese heard WMIS at this time, Roger - ERC) No answer at WRTA phone number listed. KCKY-1150 Ariz. briefly w/Jungle & c/w @ 2:52. WGAN-560 Me. copied o/WPIL/WHBS OC 3:09-3:25 w/YL announcer n la HI, but not HI, though! Bah! WJML-1110 Mich. copied on RS 5,40-6:02 s/off w/WMMH on. Much QRM from WKDZ off back side, (Sounds like quite an antenna-ERC) Unusual CX thereafter, w/CBA-1070 NB copied all alone 6:20-6:30. Also heard wau WIIWI-1350 NJ w/local NX 6:35-6:40, but not reported due to poor copy, plus WCVU QRM, which is also never heard here. Verie friendly verie, hi, from WGLB mentions a lot of trsting during experimental hours will be done in March to install a 3kw. FM rig. Keep an eye on that hot spot, 1560 I have written them concerning a TEST also. Totals now 2,426/780 as I head towards that 1,000 verie mark in seven years of verifying. 73s.

LON J. BERMAN - 1511 Dieman Lane - East Meadow, New York - 11554

Hi y'all. Not too much DXing time these past few weeks, as school & sundry other things have left me w/no time at all. I did manage to catch CBH-860 for the first time last MM signing off @ 10:14 I&C. I received a v/q from WHAZ-1330 for a reception report of quite some time ago. Seems the new CE is cleaning (con'd)

(Lon Berman) up the files. I had previously received a v/PP from WHAZ, but I certainly preferred the v/q. A fine time was had at Dave Roys' place on 2/22. Nice seeing all of you guys again, and thanks, Dave! As they say in Decorah, Ia. KWLC - Key-punchers Wanted for Log Computerization. 73 & have a ball, y'all.

JOE FELA Jr. - 167 Goodwin Avenue - Newark, New Jersey - 07112

Recent veries are v/ls from WGSB-1480 (who said it was definitely they I heard on ETs) WSWN-900 WJPF-1340 (said I heard them even on 250w.) & a v/f from WCVL-1550. Also a card from WHAZ-1330 for a 1966 report. (I have a v/l for that reception), & a v/q from WROW-FM after four-five mo. without any f/up. I'm mentioning that just in case anyone is waiting for a WROW-590 verie. Recent DX: 2/13- 12:15am, WOTR-1370 very good for about five minutes on their f/c-TEST, very weak at other times; 12:20 WNEW-1130 on ET/OC. 2/17- 12:17am, WSWN-900 ET/mx, 1:10 WNKY-1480 r/c; 1:20 WKAP-1320 ending ET/mx; 1:31 CHYM-1490 noted; 1:43 WJPF-1340 r/c-TT through heavy WOOK QRM; 1:48 WTYN-1550 r/c-mx. 2/24- 1am, WJBK-1500 s/off to return @ 5; 1:16 XERB-1090 much better than KNX-1070 but KNX was noted better later in the AM. 1:41, KGBS-1020 good w/WINS-1010 off; 2:06 station on 1010 battling CFRB on RS assumed to be umm CBR. New DX palything: Ampex 755 stereo tape deck. Now to get some work done on the RX once the season ends. 73.

BILL ALISAUSKAS Jr. - 7 Avenue B - Haledon, New Jersey - 07508

Hi again! I got the 2/15 & 2/22 DX NEWSes on 2/24, so I figured it was time again. Does anybody have any ideas on where my 1/8 DX NEWS might have gone? I don't have it, hi! (There was no 1/8 DX NEWS, Bill - 1/11 was the first offset issue -ERC) New DX here: 2/10- WKOW-1070 6:25pm, KPAB-1110 6:59pm. 2/20- WSEW-1240 6:01pm, and what a birthday present, 2/22, WCAR - 1130 finally @ 1 am through WNEW's OC, the first time I've caught 'em off RS in my eight years of DX ing. 918 now heard. Verie in from WGOE-1590. In Frank Waldron's style, here in Haledon we have 47 stations in a 50-mile radius, 26 are locals, 29 are full time, & five are not usually heard here. Closest station unheard are now WVOS-1240 or WITM-920. Re the Spurious Signal article, in the Howcum department, how come my images are 920 kc/s. apart, GPN? Is my RX crazy or what? Isn't RJE having much spur trouble? Funny, all I've ever noted was WABC occasionally on 540; the 1090 thing everybody hears, WNEF on 1250, & WABCon 1540. Other than that I have very little, except for images from WWRL WQXR WKBW WKER WHOM 920kc/u. below their channels. I guess I'm lucky, being in line of sight w/WABC/WJZZ etc. Well, that's it since DX is suffering from other interests. I'll say no more. 73 from Catastrophe Corners!

JOHN JAVETSKE - 104-21 122 Street - Richmond Hill, New York - 11419

DX from The Hill as follows: 2/22 AM- WTRP-1440 Va. w/ET/OC @ 12:01 WAFI-1560 w/another ET/mx 12:15 & on u/WQXR OC. WURF-1200 NC TT 12:17-12:20 end. WHYL-960 w/EP/rr @ 12:40. Umm KNEW-1480 on r/c 2-2:15. MM 2/24- WRTA had WLEA/WHP-1480 s/ons @ 6 (WLEA had SSB, WHP no), WHAV-1490 Mass. In/out 6:07@6:30. Then MM 2/24, best I've ever heard. At 12:15, a TA on 1197, believed to be Hungary. VQ @ 1196 Munich very good @ 12:25. As I was returning to 1196 @ 12:10, I hit 1190 and heard a KRDS Ariz. ID. They fade o/u KLIF until 1:03 when they w/off w-3/4 signal way o/KLIF. Other goodies included KOMO-1000 o/KPDK w/WINS-1010 off; CBR-1010 u/CFRB; KORL-650 finally @ 2:30 w/NX. They faded in about every ten minutes. And KHOS-940 about even w/WINZ @ 3:06 w/c/w. Along w/BUC-1011, right now logging, none closer than 2,100 miles. The rest of the week brought another WAFI EP on 2/27 at 12:50 s/off. Also on 2/27, WSAR-1480 noted AN, I guess for the NE newsmen, & an unk TT-1310 who IDED @ 1:28m but I missed it. Any help? And on 2/24, an OC lent from WKCY-3100 Va. @ 1:40. Totals now 1,042/293; 46/65; 9/11; 40/11. Sorry I couldn't make the 2/22 Eastern ERBA (?) meeting, but I'm kinda tied up w/school these days. Also, I guess it takes an airman to unearth Schmidt, hi. Verien thru week from WOKO-1560 who veried my tentative sent per ERC's tip in 2/14 issue. That makes an even v/regard to WBSG, hi Ernie? (Right! -ERC) Also v/q from WNAV & v/l WJOP-1370 on r/c. More next time from outskirts of Imagery (WV, geographically). 73 to do Chin.

March 15, 1969

(Dan Phillips) criticism with an effort to tear down what others have built up is very unnecessary. My apology goes to J.J. for saying KIRL was a fulltime station. It is not; I just read my log book wrong. When you try to DX at 83 years of age, it's hard to see like you once could, hi. As the good book says, "Love those DXers who curse you." What in the world is ERBA? Sounds like an organization that needs Alcohol Am. with it. Also anyone with info on who formed RLA, etc. would be appreciated. DX: CKCK-620 heard AN 2/23 @ 3:44am. TGN-725 Guatemala heard on 2/20 @ 11-11:30pm in EE. KVPI-1050 La. heard s/off 7pm 2/15. KPWB-1140 s/off 6:30. WLYB-1250 Ga. ET heard 2/21 from 12:20-12:30am very weak. WOKS-1340 Ga. AN on 2/17 @ 2 KFFA-1360 Ark. RS 2/21 7:15-7:30pm w/beautiful signal. KCLA-1400 Ark. heard 2/23 5:30am o/the mess on this frequency. WNKY-1480 Ky. heard on r/c 2/17 w/ID @ 1:24am w/plenty of QRM. WGNE-1480 Fla. had ET @ same time. Verie: KVOL.

CHUCK HUTTON - 1521 Fama Drive - Atlanta, Georgia - 30329

Hi all. Big news is loop antenna built by Walter La Roche while visiting me this weekend. DX has been OK even though DX died Sat. afternoon. All DX after 2/22 on mother's transistor. 2/24- WAWO TEST in L&C of course with program of religious mx & Bible readings, IDs every three minutes, mentioning the IRCA, not NRC. It's great when a TEST you arrange IDs the wrong club! WWRL-1600 in well all morning w/radio placed near loop. WDR-1586 in w/male & female announcers from 3:15 to 3:30. WGST-920 was testing all morning; nearly blew my ears. WRKH-580 Tenn. in w/good daytime signal 2/23, WPLO looped. WCVP-600 NC also looped w/Coke ad @ 3:13, then faculty platform from the U. of Tenn. WTRP-620 Ga. w/rr, Tommy Roe @ 3:27, then WX. WESC-660 SC w/religious mx from 3:33 to 3:37 tuneout. WROM-710 Ga. in at 3:37 w/Daytona race & ad for transmission service. WMIS-810 Tenn. w/WX @ 4:17, followed by mobile home ad @ 4:24 Bond St., then c/w. WGAC-580 Ga. w/pop mx, then ad for C & S Bank @ 3, then a short WX report before joining CBS NX w/Nixon's arrival at Brussels. By the way, WLAW was on beginning 15 minutes later than sked & last ing much longer than the CE said. Are there any other Georgia members besides me? I'm after someone to talk serious DX with, not clear channels like WLW, WWL. That's it for now - I might be back in 7. 73s.

ROGER W. WINSOR - 718 North Fremont Road - Valparaiso, Indiana - 46383

DX was going great until 2/24 when I got hit by the flu bug, and that has really put the brakes on anything since. I'm just getting over it today, 2/28. Veries in nicely for a change, w/the following v/1: WZBN WLKM WGLB KOAK WPEO KGKO WTIQ. v/q- WTVN WDAF KOGO. v/f- CKRB for '68 DX. DX from 2/21- WTIQ-1490 Manistique, Mich. on r/c-TT, per verie. TT-1440 1:18-1:32 with others - was this WMBV, ECers? KWVY-1470 on r/c 1:15-1:28. Umm WLET-1420 Ga. on r/c-TT w/phonetics @ 1:33. 2/22- Much-wanted WRAP-850 Va. on RS w/NN mx 7:49-8:04, mixed w/KFUO/WKBZ. MM 2/24- TT on 1240 during WRTA time 2:30-2:46. ID @ 2:46 sounded like Va. Any help? (Duane Giese heard WMIS at this time, Roger - ERC) No answer at WRTA phone number listed. KCKY-1150 Ariz. briefly w/jingle & c/w @ 2:52. WGAN-560 Me. copied o/WPIL/WHBQ OC 3:09-3:25 w/YL announcer a la HI, but not HI, though! Bah! WJML-1110 Mich. copied on RS 5:40-6:02 s/off w/WMBI on. Much QRM from WKDZ off back side. (Sounds like quite an antenna- ERC) Unusual CX thereafter, w/CBA-1070 NB copied all alone 6:20-6:30. Also heard was WWHN-1350 NJ w/local NX 6:35-6:40, but not reported due to poor copy, plus WCVU QRM, which is also never heard here. Verie friendly verie, hi, from WGLB mentions a lot of trsting during experimental hours will ne done in March to install a 3kw. FM rig. Keep an eye on that hot spot, 1560 I have written them concerning a TEST also. Totals now 2,426/780 as I head towards that 1,000 verie mark in seven years of verifying. 73s.

LON J. BERMAN - 1511 Dieman Lane - East Meadow, New York - 11554

Hi y'all. Not too much DXing time these past few weeks, as school & sundry other things have left me w/no time at all. I did manage to catch CBH-860 for the first time last MM signing off @ 12:14 I&C. I received a v/q from WHAZ-1330 for a reception report of quite some time ago. Seems the new CE is cleaning (con'd)

(Lon Berman) up the files. I had previously received a v/PP from WHAZ, but I certainly preferred the v/q. A fine time was had at Dave Roys' place on 2/22. Nice seeing all of you guys again, and thanks, Dave! As they say in Decorah, Ia. KWLC - Key-punchers Wanted for Log Computerization. 73 & have a ball, y'all.

JOE FELA Jr. - 167 Goodwin Avenue - Newark, New Jersey - 07112

Recent veries are v/l's from WGSB-1480 (who said it was definitely they I heard on ETs) WSWN-900 WJPF-1340 (said I heard them even on 250w.) & a v/f from WCVL-1550. Also a card from WHAZ-1330 for a 1966 report. (I have a v/1 for that reception), & a v/q from WROW-FM after four-five mo. without any f/up. I'm mentioning that just in case anyone is waiting for a WROW-590 verie. Recent DX: 2/13- 12:15am, WOTR-1370 very good for about five minutes on their f/c-TEST, very weak at other times; 12:20 WNEW-1130 on ET/OC. 2/17- 12:17am, WSWN-900 ET/mx, 1:10 WNKY-1480 r/c; 1:20 WKAP-1320 ending ET/mx; 1:31 CHYM-1490 noted; 1:43 WJPF-1340 r/c-TT through heavy WOOK QRM; 1:48 WTYN-1550 r/c-mx. 2/24- 1am, WJBK-1500 s/off to return @ 5; 1:16 XERB-1090 much better than KNX-1070 but KNX was noted better later in the AM. 1:41, KGBS-1020 good w/WINS-1010 off; 2:06 station on 1010 battling CFRB on RS assumed to be umm CBR. New DX palything: Ampex 755 stereo tape deck. Now to get some work done on the RX once the season ends. 73.

BILL ALISAUSKAS Jr. - 7 Avenue B - Haledon, New Jersey - 07508

Hi again! I got the 2/15 & 2/22 DX NEWSes on 2/24, so I figured it was time again. Does anybody have any ideas on where my 1/8 DX NEWS might have gone? I don't have it, hi! (There was no 1/8 DX NEWS, Bill - 1/11 was the first offset issue -ERC) New DX here: 2/10- WKOW-1070 6:25pm, KFAB-1110 6:59pm. 2/20- WSEW-1240 6:01pm, and what a birthday present, 2/22, WCAR - 1130 finally @ 1 am through WNEW's OC, the first time I've caught 'em off RS in my eight years of DX ing. 918 now heard. Verie in from WGOE-1590. In Frank Waldron's style, here in Haledon we have 47 stations in a 50-mile radius, 26 are locals, 29 are full time, & five are not usually heard here. Closest station unheard are now WVOS-1240 or WPTM-920. Re the Spurious Signal article, in the Howcum department, how come my images are 920 kc/s. apart, GPN? Is my RX crqzy or what? Isn't RJE having much spur trouble? Funny, all I've ever noted was WABC occasionally on 540; the 1090 thing everybody hears, WNEW on 1250, & WABC on 1540. Other than that I have very little, except for images from WWRL WQXR WKBW WKER WHOM 920kc/s. below their channels. I guess I'm lucky, being in line of sight w/WABC/WJRZ etc. Well, that's it since DX is suffering from other interests. I'll say no more. 73 from Catastrophe Corners!

JOHN JAVIETSKI - 104-21 122 Street - Richmond Hill, New York - 11419

DX from The Hill as follows: 2/22 AM- WPTM-1450 Va. w/ET/OC @ 12:01 WAFI-1560 w/another ET/mx 12:15 & on u/WQXR OC. WBIS-1290 NC TT 12:17-12:20 end. WHYL-960 w/ET/rr @ 12:40. Umm KWEW-1480 on r/c 2-2:15. SM 2/23- SRS DX had WLEA/WSHP-1480 s/ons @ 6 (WLEA had SSB, WSHP no), WHAV-1490 Mass. in/out 6:07@6:30. Then MM 2/24, best I've ever heard. At 12:15, a TA on 1187, believed to be Hungary. VQ 1196 Munich very good @ 12:25. As I was returning to 1196 @ 12:30, I hit 1190 and heard a KRIS Ariz. ID. They faded o/u KLIF until 1:03 when they s/off s-8/7 signal way o/KLIF. Other goodies included KOMO-1000 o/KPOK w/WINS-1010 off; CBR-1010 u/CFRB; KORL-650 finally @ 2:30 w/NX. They faded in about every ten minutes. And KHOS-940 about even w/WINZ @ 3:06 w/c/w. Along w/BBC-881, eight new loggings, none closer than 2,100 miles. The rest of the week brought another WAFI ET on 2/27 at 12:50 s/off. Also on 2/27, WSAR-1480 noted AN, I guess for the NE snowman, & an unk TT-1310 who IDed @ 1:28m but I missed it. Any help? And on 2/28, an OC test from WKCY-3100 Va. @ 1:40. Totals now 1,042/293; 46/42; 9/8; 40/11. Sorry I couldn't make the 2/22 Eastern ERBA (?) meeting, but I'm kinda tied up w/school these days. Also, I guess it takes an airman to unearth Schmidt, hi. Veries this week from WOKC-1560 who veried my trntative sent per ERC's tip in 2/15 issue. That makes us even w/regard to WBSG, hih Ernie? (Righto! -ERC) Also v/q from WDAY & v/1 WLOP-1370 on r/c. More next time from outskirts of Imagery (MYC, geographically). 73a de Chin.

March 15, 1969

RALPH M. JOHANNIS - 501 Ellicott Street - Apt. 2 - Buffalo, New York - 14203

Local FBI* brought out WCOY-1580 Pa. got taken over two years ago by Krancor Comm. Inc. & (note "K" STarr) Wm. Kauffman is just a plain CE, not a Dr.! A lkw Dstation, he sends the regular v/q & no PP/c is needed. K.L. & I got one for 2/13. V/f WLOA-1550 for 1/31 @ 3:31am f/c & I hears him again 2/21 f/c-IT 3:05-3:29 off. WLOA-Pa. has no r/c & RS daily s/on 7am, SM 8am, EST or EDT. A f/up brought v/1 from CKJL Le Poste de la Belle Musique, dans les Laurentides, St. Jerome Que. 900 au cadran for a 12/28 report (Sat. runs to 3am). K.L., Akron's #1 DXer got some interesting info from Joe Cooper (Kittanning man's boy) doing "Shoulder Arms" in Germany, former employer WEEP-1080 says PoP this March & new XR building going up for 50kw. etc. The FCC is slapping heavy fines on CBB violations. WVOZ-1400 PR got \$7 $\frac{1}{2}$ K for using the 500w at night. (What's 7 $\frac{1}{2}$ K?? -ERC) WMMW-1090 Ohio \$600 improper operators & being below power! WIOO Pa. \$700 for no properly licensed operator. WLUZ-PR got \$500; WAVA-Va. got \$500 etc. ANer WCIS-1580 Ga. had control from the old man to C.H. Parish Jr. & to Ramona P. They're trustees for station. In Corry Pa. Brinsfield Bg. Co. has a CP ready for 1370 1,000 U-2. I've noted this year-of-the-chicken: 4667, in NYC, WQXR-1560 foing often long test hours after s/off & local WBEN-930 ditto every MM (the silent period). 1070 has CHOK Ont. RS s/on 5:56am weekdays, then tops others. CBI-1140 s/on @ 4:45am & holds fair. I noted WAFI-1560 Ky. (u/WQXR-OC) on 2/20 @ 12:15am TT, this 3/1. I heard ALL listed Ky. f/cs & WPGC-1580 Md. s/on 6:15am, no SSB; CFOR-1570 did @ 5:30 & was terribly overloaded for a half hour; on 1110 KFAB Neb. RS was tops yet @ 6:41am. 2/23, I heard a f/c-IT by KRCE, Ia. 2-2:15am. Wayne Heinen, 381-042-SR; Bks. 261, Main Deck, U.S. C.G. Trng. Center, Cape May NJ 08204. Drop him a line! Two weeks ago he fell on ice & landed in the base hospital with a kinked cranium. Ernie, I'm still abstaining & it's doing me good! (Great going, Ralphie -ERC) Chuck R. enjoyed Dave Roys' gathering 2/22 very much. C U B-4 St. Pat's Parade. 73.

RUSS EDMUNDS - Box 291 - Hawthorne, New Jersey - 07507

Peace, brethren, I come bringing you good tidings of great DX! Well not great really, but it sounded good. 2/25- WCBM-680 @ 5:43; WAIT-820 @ 5:48; WOSU-820 @ 5:49; WAMO-860 @ 5:53; WHCU-870 @ 5:56pm. Then up to 1380 to get the goodies through WAWZ: WPKO, Waverly, O. w/s/off @ 6:01. In only WENX had a 5:59 s/off instead of 6! 7:24, CKLC-1380 ID fade-in, which of course is no great piece of luck if you happen to want to verify everything you hear, or even only the rare ones. 7:32, CKLB-1350; 10:15, CKSM-1220 FF. Station s/off-900 (unID) w/choral "America" @ 5:30, WFLN, WBRV, or WKAJ, I guess. 2/26 SSS: WHRF-1570 @ 4:33pm; WPGM-1570 @ 4:35; WFLR-1570 @ 4:47; WNTN-1550 @ 5:04; CHIN-1540 5:22-5:45 s/off w/Italian programs, some EE. This was my unID domestic "SS" (sic) of a few weeks ago, thanks, ERC. Report out. WDON-1540 briefly 5:36. Seems either a dormant sun or this storm (which my DF reads a bearing right over Admiral Nelson's house, hi,) is causing strange CX here. All anadians are in too strong too early, & several of the clears, notably WBT WGAR & WKYC are in strong & early too. Oh, to know in advance of impending Aurora, so I can rent a tape recorder for IAs.. 3/3- WCOY-1580 5:29 u/WPAC/WCRV. 3/4- WFIF-1500 u/almost unheard local WKER & dominant WTOP (in EARLY) 5:37; WTHM-1530 o/WCKY & unID @ 6. WPAW-1540 o/u WPTR/CHIN @ 6:14 s/off; an unID s/off-WSB w/two verses of anthem instead of usual one on 1380. It could be only WACB WAYZ WMLF WMTD or WFSR, but which? WLIJ-1580 @ 7pm s/off w/no s/off announcements, no SSS. Record, ID, & then cut carrier. I won't report as they've still got two from Syracuse; 7:17, KSTP-1500 in u/WTOP & quite readable. 7:40, WSRF-1580 u/CBJ & an unID, sounded c/w, but so garbled it could've been WCIS-rr. 7:50, WNLC-1510; 8:37, WLBR-1270; 8:41, WSPR-1270; WBUD-1260 @ 8:45; WKBR-1250 @ 8:49, & (you guessed it) an ID fade-in from CKJD-1250. Darnit, I like reporting Canadians. They answer one way or the other. 9pm, unnn CJSS-1220 reported. 9:13, WJJD-1160; 9:35-10:12 logged & reported SRS w/EE DJ show, EE rr, many IDs & jingles. 10:29, CJLR-1060 FF, which I was too tired to try to translate. Re Paul Kilroys' suggestion of a Supremacy Ratings for loggings, I've been in favor of it for ages, & would be glad to handle the compiling of it if HQ & membership approve. 73s.

March 15, 1969

DAVE ROYS - 7 Iler Drive - Middletown, New Jersey - 07748

Hi, DX fans. I have just about recovered from the DX Blast & ready to sked another one. What about some time in June, after school lets out? Maybe more guys could make it then. John Tweedie's KICK-type verie is ready! On 3/1, TA stuff all over. Weak one on 548, 737, & we thought we had a hot one on 1509 until I discovered it was the I.F. oscillator of my other RX tuned to 1050, hi. A goodie on 719, I was able to get some audio but it s/off @ 8pm before we could get ID. No sign of my friend on 1546 on 3/2 or 3/3. Weak one on 650 @ 2:45am on 3/3, but WSM TT killed it at 3. Lots of TAs but already QSLed most of 'em from Indy. Any bids out yet for Convention '70? If not, perhaps Red Bank, NJ would be a good site, hi! I had a blast hosting the '62 meeting, and kept my notes on the preparation of same

JOHN JAVETSKI - 104-21 122 Street - Richmond Hill, New York - 11419

Hi. Not much in the line of DX to report this time, but here goes. On Sat. AM 3/1, an ET ending on 1550 @ 1:15, the call sounded like KELA, & 5kw. announced. I'd guess beans in my ears & it was KGMO. Anyone else get it? That AM, CJNR-730 was also noted @ 2am w/rr, but unnn. On 3/1 PM, unnn WSOQ-1220 NY way on top 6:03-6:14 s/off w/no SSB for a report. 3/2 PM brought WCHE-1520 Pa. @ 6:01, & unnn WNAK-730 WBMT-1530 WJIC-151Q & WVOB-1520 all s/off 6:15. Nil on MM 3/2 save for WZKY-1580 r/c for another try to QSL. Also, WBEM was overloading my RF at about midnight w/WABC on, so no wonder GPN heard 'em on his new contraption. If it's all he says it is, it should be great. On 3/5 AM WNEW-1130 off, so tape to HJAC-1136 & that mystery on 1155A IDed, see IDX. Unnn WYNX-1550 Ga. had TT/mx 12:30-1:15 off. Anybody, which SS on 650 s/off @ 1am? Heard 3/5. Unk s/off-SSB on 790 @ 6:30 3/5 PM. Veries, today a v/q from KOMO-1000 for #300 & State #43. Others in this week were v/ls from CJRN WBBS WLEA; a v/QM from WLET-1420 for 12/67 reception w/no f/up, & a v/q from JBC-620 for cricket, & CJGX-940. Here's some station density info from The Hill. Within 100 miles are 131 stations, of which 61 are day-timers. Of the 71 nighttimers, 39 are AN, & 20 NSP. Overall, Six 10kw-ers, 13 50 kw-ers, 5 CPs & 11 unheard. Beat that, anyone? (Will you accept a tie? -ERC) I agree w/Bruce Reynolds re Musings. There's a certain flavor to reporting & reading DX via Musings. Items of special interest should be sent to DDXD or IDX, though. So much for that. Anyway, I think something like Mike Bugaj's Muse in the 3/1 issue is kind of a classic, hi. Totals now 1,045/300 & still trying for Falkland Islands, if they do indeed exist. 73 & C U N 7.

WALT BREVILLE - 9127 Coral Drive - St. Louis, Missouri - 63123

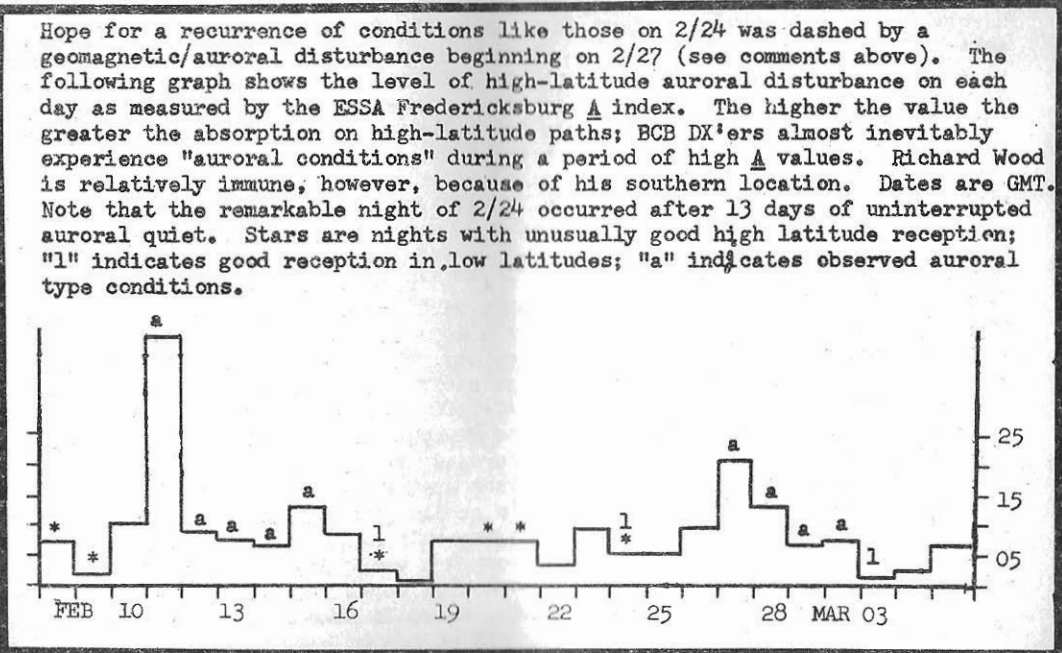
Greetings from the 1969 Convention Site. Plans for the upcoming shindig are well kicked off and underway - we'll have more details before long. I haven't Mused for the last three moons what with DX being in the doldrums due to first the Christmas-time rush, then a bout with colds, & other reasons. But I've been logging a few new ones again lately & hope to have more to report before the onset of static, Convention preparations, etc. shut the DX out of this Den. 2/1-KAIT-900 Atlanta, Tex. in nicely @ 6:59pm s/off. 2/10- KOWB-1290 Wyo. DX made it real well here on 5kw, o/KOIL. 3/1- WAAC-1300 Ind. 7pm s/off. 3/3- KCBS-740 Cal. o/Cuban @ 1:30am. KTOP-1490 Kan. in good @ 2:07am s/off, CKWX-1130 was in weakly Q looped WNEW @ 2:26am for my first BC. Veries? Well, the only real decent one is KOWB v/1 for State #40 QSLed. Others since last Muse are v/ls from WPRW-1460 WINN-1240 KSUD-730 WVQJ-1320. Seems like it's really getting rough to hold new stations long enough for a report lately; KOWB is the only catch in '69 so far in that category. But then DXing on MM once every 4-6 weeks doesn't help either. I'm tickled pink w/the new offset format in booklet form, 'tis easier to read as well as to store! High school & college students, we would like to see a lot of you make it here & with this in mind we're doing all we can to keep motel/meal costs on the reasonable side, so start saving your allowances & hounding your parents now! This promises to be an NRC Convention w/more states represented than any CBB DX Convention in history, from where the Convention-goers come from, and you're the key to it. A great big 73 to all. (SO IT WON'T TAKE MUCH JUICE TO COME TO ST. LOUCE!ERC)



Propagation & Features:
Gordon Nelson, 19 Irma Ave.
Watertown, Mass. 02172

Members' Loggings:
Bob Foxworth, GPO Box 2111
New York, N.Y. 10001

DX conditions here in the Northeast have been pretty much so-so during the past week; no good TA's noted since the Aurora kicked up again on 2/27. Glenn Jacobs in Philadelphia noted a bit of TA activity on 3/5. Jerry Starr in Ohio also experienced remarkable reception on 2/24 (see past two issues for other comments on that night's conditions); "Outstanding TA openings, both hi and lo, on 2/24. Cx held til around 0220 when low-banders started to drop away; high-banders soon followed. Had readable copy on many TA's, "armchair" copy on 647, 773, 1214, etc. The next MM, 3/3, was just the opposite with the most terrible static level since summer. Otherwise cx here as of late have been very uninspiring - just the usual blah with increasing noise." Glenn Hauser, in Colorado, says, "Severe auroral cx noted here the evenings of 2/27, 2/28, and 3/1, with a pipeline from Guatemala on 670 and 760; and 1030, 1040 and 1110 among the US clears particularly hard hit on 2/27; at times WTWO, WHO and KFAB were completely absent. On 2/28 and 3/1 auroral cx gradually approached normal a few hours after sunset. Nothing beyond Ecuador was hrd, but reception from Central America was better than usual these nights." Indefatigable Richard Wood once again checks in with some interesting comments from Hawaii, "3/1 mostly North American but not outstanding; a few Asians in late; only Majuro among Pacific Islands; no Southern Hemisphere. 3/2 a good North American night; EC good, WCBS new and good. Otherwise as 3/1. 3/3 a fine North American night; Alaska back at fair levels; WCBS, WHAM good; WCAU new; lots of Canadians as far as Manitoba (new Province). Tahiti noted for first Southern Hemisphere logging in a week; very interestingly, an opening into northern South America including Venezuela for a new country; but Cuba and Sint Maartin not noted; Asians better on low freqs than on high, and quite a few Japanese noted. Still no Australia, New Zealand, Fiji, Tonga, etc." (Yah, same here - Ed)



*GERMANY (EAST). DDR on 755 is now running 100 kw. (MWN)



Telephone Tip No: (212)-582-0844. All times in DX News and MR are E.S.T.

- 600 Colombia. HJHJ booms in here with s-9+ MM's. Fades at times, leaving WPDQ, but usually strong and steady. (Bob Schneider, Wisc.)
- 610 Mexico. XEGS Guasave, Sin. good 0730 2/28 with "L.V. del Rancho" pgm., local requests for rancheros. (Wood, Hawaii)
- 670 Guatemala. TGRT La Fabulosa on top with strong sig 2151 2/27 with ID, TC and ad for margarina. (Hauser, Col.)
- 690 Cuba. CMBC good MM's, s-7 to 9. No fade, some QRN. (Schneider, Wi.)
- 720 Cuba. Very poor signal in Montego Bay. Must be directional. (from Boston BAD-guy Pete Taylor who wisely vacationed in Jamaica)
- ** 725 Guatemala. TGN noted here 2/21 from 2310-2331 s/off in EE religious and not hrd since so apparent xmtr defect. Excellent sig. (Merriman)
- 760 Guatemala. Super Radio TGHB at ID 2154 2/28, low het. Again at 0115 3/2 in super-florid s/off ancmt w/marimba, to return at 0530, way over XEABC, concluding with "super buenos días" 0117. (Hauser, Co)
- 780 Br. Virgin I. Finally logged here 0500-0535 3/1, mostly very poor. Pgm called Morning Devotions with gospel mx and dedications to 0530 then I lost them until 2 minutes later when they defied all DX laws and faded up for a very clear ID which I got on tape. Most welcome as Country #82. (Merriman, Va.) (Simple, Alan, that's Yhprum's Law of Reverse Propagation, hi. ZBVI is being hrd coast-to-coast now, and we most modestly point out that NRC scooped everyone else on this story. Now if only WABC would somehow stop splashing....)
- 780 Colombia. La Voz del País, ID at 2002 3/1, this is the station thought to be Radio El País HJZG Cali, hrd for the first time thru YVOD and Barbados, having looped them out. (Objío, Dom. Rep.)
- ** 810 Colombia. HJGY R. Sutatenza, Bogotá with a powerful signal over all 2115-2205 2/28. Long drama, then complete ID at 2155 and news. Noted several evenings since; fully as strong as PJB. This must be the 250 kW xmtr this one was supposed to get. The High Power Race in the New World Escalates! (Merriman, Va.) Found two stations, XEFW who is always good from just across the Gulf, and a station in German (GG) giving a lengthy 2-man lecture on scientific achievements of the Germans in the early 1900's. Loops SSE and s-9+ 10 db. Faded by 2115 and lost audio due to a 80 cps het on the channel. WGY in background with tel-talk. Was hrd 3/5 at 2110 and very strong for a few minutes. (Conrad, Fla.) (looks like HJGY, but in GG? -Ed.)
- 810 Mexico. XEFW Tampico, Tams. quite good 0730 3/3 with rancho mx, the farmers' favorite request on morning shows. (Wood, Hawaii)
- 840 Colombia. HJBI Ondas del Caribe on late, logged and reported 0030 to 0045 with excellent signal. Asked for reports on the air, apparently, and gave QTH as Apto. Aereo 757. (Merriman, Va.) HJBI very good for loudest Colombian yet here, 0530 3/3 with tropical mx and requests for foreign reports. In Santa Marta. (Wood, Hawaii)
- 940 Venezuela. R. Punto Fijo, YVNN very good for first Venezuelan, a new country here 0530 3/3, rapid-fire news from Radio Rumbos net. (Wood)
- 950 Colombia. Radio Eco, Cali, HJGB IDed at 0023 and after every record on 3/2 and also w/telephone no: 22 61 58. Hrd until 0200 and seems to be AN with pop mx. Did not hear HJFN, L.V. de Café. (Objío, DR)
- 980 Kazakh SSR. Bugaj's logging of RR on 980 is Alma-Ata. Hrd here some nights, starts around 1900. About the unID Russian on 1080 I have no idea, but will check. (Ericson, Sweden) (cf. MR March 1, 1969)

- 995 Ecuador. R. Suceso, Guayaquil must be the one w/mx and EST at 2240 2/28, a good auroral evening. (Hauser, Colorado)
- 1025 Costa Rica. Radio Fides, San José in "reloj" format with chimes in newscast at 2110 3/3. (Hauser, Colorado)
- ** 1034 Mexico. Another spur or drifter obliterating 4VEF and finally IDed as XEWS-1010 Culiacán, Sinaloa. Noted at 2315 2/28 with 1-to-2 minute slow MST TC's, IDs after each selection as "La S Mexicana" and no complete ID heard until 0130 3/1. Also the night before, on 1032, hrd 2/27 with ratchety sound, no discernable carrier. At 2229, Diario de Culiacán sorteo, 2232 talk on Cuba, 2236 the Javier Solís mx pgm, 2239 and 2247 bicliceta ads, 2254 ad for zapateria (shoestore-Ed) etc. Quit it at 0115, no // audible on 1010. (Glenn Hauser, Lowry AFB Colorado)
- 1040 Honduras. HRVH, Radio Mil yelled ID 0024 1/3 (that's 1 March) with dance mx, WHO easy to null during auroral cx. (Hauser, Col.)
- 1040 Colombia. HJFV R. Tropical 0201 3/2 ID as "La nueva emisora Caracol en Barranquilla," 10 kW, dance mx. (Hauser, Col.)
- 1065 unID. Likely the weak SS at 2210 2/28 was HCRV-3, Radio El Oro, Machala; probably Merrill's unID also. (Hauser, Col.)
- 1075 Costa Rica. Faro del Caribe, TIFC at ID 2145 2/27, Sousa march, plug for news, a lack of ads. (Hauser, Col.) (is religious owned)
- 1080 Venezuela. YVQJ Radio Barcelona with NA on MM 3/3 at 0504, s/on at 0506, QRM de TT, last logged a year ago when KRLD off. (Hauser)
- 1080 Haiti. Station 4VA, la Voix de la Révolution Duvalieriste seems the only possibility for EE lessons for French listeners, at 0543 MM 3/3 thru KRLD OC, ending at 0551 but soon faded out. Can you confirm, César O.? (Hauser, Col.)
- ** 1100 Dom. Rep. R. Oriente, HIHD, San Pedro de Macorís hrd here on 3/1, this is a move here ex-1325 kc. (César Objío)
- 1110 Mexico. XERCN unusually strong aurorally at 2125 2/28 with RCN IDs and had to loop them to get a lousy signal de KFAB. (Hauser, Col.)
- 1120 Cuba. CMDL, R. Angulo, Holguín at s/on 0355 with NA and s/on anct using this call and slogan, 3/3. (Starr, Ohio)(7/68 Cuba list says this one using only 250 watts.)
- 1155 El Salvador. My unID is probably YSCF listed on 1150; LBG says it's Ondas Orientales. Probably Winsor's unID too. (Hauser, Col.)
- 1170 Venezuela. R. Acarigua, YVQV, Acarigua hrd for the first time by me, IDing at 2150 3/1 and with pop mx. (Objío, D.R.)
- 1178 Ryukyu Is. Tuned across a totally clear BCB at 1235 2/21 and noticed only 2 stations, Dushanbe-1160 and oriental talking on 1178 at a s-9 level. Stayed with it until 1259 when "Yankee Doodle" faded up. Was s-9+ 20 db at this time. Then anct: "This is the V.O.A. from Okinawa concluding broadcasts on this frequency." Unbelievable strength and has to be my best catch. Hrd again next day 2/22 at the same time but much weaker. Hrd both days 90 minutes before local sunset. (Bugaj, Iceland) (ARC monitors in Sweden report excellent cx to Asia 2/20 and 2/21 also, so it seems you caught the tail end of a period of good high-latitude skip; GPN could confirm this. Regarding the no. of minutes before LSS you heard a skip signal, like this, the elevation of the sun above the horizon at the time of reception, among other factors, would affect the signal strength. I assume the sun would appear to "skim" into the horizon at your far-north latitude, and so would have been low in the sky at 1230-1300 EST, allowing VoA to creep in from the opposite bearing. Were the sun high in the sky, of course, it's radiation would ionize the D-layer sufficiently heavily to absorb the signals as they approached you, and no reception would be the result.

- 1180 Mexico. XEFR, R. Felicidad, ID at 0224 3/2, ph. no. (Hauser, Col.)
- 1205 Sierra Leone. SLBC Freetown with good signal 0100-0143 on 2/17, a slight het of 10 cps against ORTF. Terrible summer-like static bursts took all the fun out of it. (Starr, Ohio)
- ** 1210 Greenland. Bugaj's unID on 1210 must be Greenland. There have been two here, 1210 and 1425 not in // but 1210 shall be very weak. Have you any chance to check with AFRS? (Ericson, Sweden) (Such a check is inconclusive at best as it depends vitally on how diligently some unknown clerk keeps his records in order. Our understanding was that 1210 had moved to 1420, and that 1425 stayed as it was before...however it might be that 1420 is a new AFRS outlet at Sondrestromfjord, and that 1210 it still at Thule...as is 1425. I would think Mike's unID would most likely have to be Greenland if for no other reason than there are no other likely possibilities.) (I would check with AFRS...at the Thule station, not in NYC tho.)
- 1250 Venezuela. Radio Puerto Ordaz, YVPZ Puerto Ordaz hrd with ID at 1718 3/2, hrd with pop mx pgm. New logging for me. (Objío, D.R.)
- 1340 Guantanamo. Good daytime signal in Montego Bay from the AFRTS station in Gitmo Bay. Time they use = EST+1 hr. Basic rock format most of the time, AFRS news via shortwave, also is using a jingle package based on "thirteen-forty" and "A-F-R-S", however the call letters WGBY were not used. Hrd 2/20 thru 2/24 while on vacation in Jamaica. (Pete Taylor, Mass.)
- 1385 Haiti. 4VS hrd nightly at very good levels, reported 2/20 at 2050 in FF with music in FF. Had news and many adverts at 2100, all in French and undecipherable to this ear. Sigs peaked s-9+ 10 db. (Conrad, Fla.) (simple-listen for mentions of "Papa Doc", hi hi)
- ** 1445 Colombia. Ondas de Ríohacha HJBZ Ríohacha IDed at 1700 3/2 and announced freq. as 1440. Football game (Objío, DR) (soccer to us)
- ** 1518 Dom. Rep. R. Pueblo, HIBL is back on the old trail. I had a talk with the director and he said they had been given a right for 760 kcs. from the Provisional Government in 1966 but they did not make the change until now. The Dirección General de Telecomunicaciones said that they could not use it. I recommended them to their frequency but they suggested that they were going to exchange freq. with Radio Nagua (1510 kc) since they belong to the same owner and think the frequency is better. There are not many stations on this frequency in this area. (Objío, D.R.)
- ** 1575 St. Lucia. Windward Islands Broadcasting Svce. station heard on this freq., thought to be Castries ex-1565. Hrd 3/1. (Objío, D.R.)
- Verifications-----
- 840 BRAZIL PRH-9 São Paulo, Radio Bandeirantes sent a lengthy letter and well-worded postcard QSL. V/s is Samir Razuk, Diretor Geral. Caixa Postal 372. At last a Brazilian that verifies. (Starr, O.) (they have a real nice pennant, too...called a "flâmula" in PP.)
- 1040 COLOMBIA. R. Tropical, Barranquilla sent a nice pennant (it's a "banderin" in SS) plus letter received on 3/1 for a report of 2/16 sent to CARACOL Hq. in Bogotá. Signed by Jorge Tobon Lince, Gerente. Pennant shows HJAI call, letter nothing and the envelope shows HJFV call; would guess the 2 stations merged. Has anyone hrd R. Quince lately? (Merriman, Va.) (LBG, via DXWW reports identical response, adds QRA: Apto Aereo 1688, same v/s. Merger looks likely)
- 1235 BERMUDA. Definite veri, pix postcard in 16 days. (Schneider, Wisc.)
- 1550 PUERTO RICO. WKFE Yauco sent color pix postcard showing station. Good verie text in EE from Charles Cordero, G.M.; 250 w. (Starr, O)
- For those needing a microscope to read this section, may we recommend the Edmund Scientific stock item #20008 at \$16.50 bpd. Write your MR editor for further details on this useful item. 73 Bob

DOMESTIC DX Digest

Randall Kane
37 Myrtle Ave.
Winthrop, Mass 02152



The Exceedingly Strange Case of the **STOLEN STATION**

by Jerry Starr, WHOT Radio

Can you imagine the surprise of the announcer who tried to sign on WELW-1330 the morning of February 9 and discovered that the station had been stolen? This is not another hard-to-believe T.X. Thrush fable. In one night, this daytimer in Willoughby, Ohio, was cleaned out. The thieves managed to spirit away all the monitoring equipment, control boards, mikes, turntables, recorders, cartridge machines, records, tapes, clocks...the whole works. The transmitter was much too large to move, so the nocturnal raiders disconnected the power lines and stripped out all of its components. In all, about \$25,000 worth of WELW was whisked away into the night. Was this perhaps a real Alexander Mundy? Or a Wes Boyd?

Although speculation among broadcasters covered everything from an irate group of listeners to international smugglers, the real answer is more fantastic than all of these. In time a crate of equipment, discarded and found under a bridge, was traced by local police to the alleged mastermind of the robbery, a 15-year-old from suburban Cleveland. He confessed that he and a 16-year old buddy alone had pulled off the job at WELW. Police recovered most of the stolen equipment at the youth's home. The boy, described as an electronics genius, was the operator of a bootleg station which the FCC had shut down several months previous. The kids had decided to return to the air with some better equipment and higher power. Investigators said the youngster had equipment sufficient to radiate in excess of 1000 watts. They also had stolen gear from Cleveland stations WIXY, WKYC, WJW, and WGAR; much of the stolen equipment which could not be used for the planned station, undoubtedly to have been the world's most elaborate and powerful teen-operated bootlegger, was thrown into the river by the youths.

Meanwhile, a call had gone out to other stations in the area for help, especially others on 1330, WHOT included. As Ken Otstot, Station Manager at WELW, said, "The response has been fantastic." He was deluged with calls from the competition offering equipment and spare parts. WELW, which calls itself "All Heart Radio", returned to the air a little over a week after the robbery with an ad in the local newspaper. The ad read: "WELW, All Heart Radio, has just had a transplant."

NRC - ex Efram Glotz never joined CP C.....but then, who ever heard of Efram Glotz?

after hours: midnight to sunrise

- * 580 WIBW-Kans S/off SSB 0159 3/3, HI AN6. (Dave Fischer, Lincoln, Neb) Is that EST? Listed off 0300...just checking. (rk)
- 600 WREC-Tenn On AN 3/2 w/"Night Sounds". SP? (Paul Hart, Ft Worth, Texas) NSP. (rk)
- 620 KTAZ-Ariz Hrd AN HI 3/2. (Hart, Texas)
- 660 WNBC-NY Weak but readable ID on tape, 2/21 0115. (Chuck Sadoian)
- + 740 GBX-Alta Hrd s/off w/GSQ 0303 2/17 u/KCBS OC. (Sadoian)
- * 750 WSB-Ga AN MM 2/17, are they going NSP? (Chuck) Looks like it. (rk)
- 920 KCES-Cal RR 2/16 0237, looped o/unID. (Sadoian, Dinuba, Cal)
- WBAA-Ind 2/24 on RLA DX o/u CKCY 0102-0129. (Ken Lyon, Akron, NY)
- 930 WKY-Okla S/off as listed 3/2, then AXR ET at 0700, sorry about that last report. (Hart, Tex)
- 960 CFAC-Alta 0418 3/3 wx, R. 96 ID. Not noted before- maybe 50kw now? (Glenn Hauser, Lowry AFB, Colo)
- *1080 KRLD-Tex Off 0230 3/3, 2 wks in a row. (Hart, Texas) Off MM 3/3, OC some too. Like 3/1/68- possibly a pattern? (Hauser)
- *1100 WKYC-Ohio Not off 2/10 at listed 0005. (George Sherman, Minn)
- +1130 WISN-Wis S/off 3/2 at 0200 w/SSB, anncd back on at 0800. This would be Sun s/on, rest of the week prob earlier. Only 27w this way, patt must have been a little off. (Hart) On at 0200 but off by 0300 2/22 w/WNEW off. (Waldron)
- 1150 KRKD-Cal Hrd 0330 2/22 w/IDs, soft mx. (Sadoian, Cal)
- *1190 KLIF-Texas Has constructed a new array w/12 towers for new 5kw night pattern. Tune-up on or after 3/9 will start w/5kw non-dir after 0100 weekday nites only, estimated 2-3 wks to complete. Voice IDs ever 1/2 hr; when measurements are complete, will be off many weekday nites for cutover to new facilities. Weekend nites AN w/present 1kw & old patt. Keep watch on 1190, accurate rpts w/SASE will be acknowledged. (Paul Hart, Texas)
- 1230 WENY-NY About 0228 3/5, MoR w/requests. (Geoff Fox, Boston, Mass)
- * WERI-RI Per stn, f/c is any Thurs the CE feels like it at 0000. (Fox, Mass)
- 1240 KCLV-NM 0205 3/1 rock, 0209 ID, downtown ad (15000-nickel give-away! (Hauser, Colo)
- 1250 WREN-Kans Hrd w/mx, nx 2/22 0353 o/u KTMS & KTW. (Sadoian, Cal)
- 1260 CFRN-Alta S/off 0305 2/27 w/GSQ. (Fischer, Neb)
- 1300 WKCY-Va Heard 2/27 0119-0131 ET-PT, quite strong for 500w. (Lyon, NY) Likely new 5kw AXR.
- 1330 WJPS-Ind S/off 0200 2/26 w/"America". (Fish)
- 1350 KTXJ-Tex OC-ID 0315 2/8. (Sadoian, Cal)
- 1360 KRUX-Ariz DX 0517 3/3 w/psd rock (? rk), ID "In the Valley of the Hits, this is... KRUX, Glendale", etc. (Hauser, Cold) Enough detail for you, Glenn? (rk)
- +1380 KLIZ-Minn S/off 3/2 at 0105. (Sherman, Minn)
- 1400 WYSL-NY On top 0107 3/9, lotta DX I've been doing... (rk)
- 1410 WING-Ohio Hrd w/RR AN 2/17, many ads & no QRM; all else off, I guess. (Sadoian, Cal)
- **731V WKPA-Pa U. Penn. in Philly is currently radiating much signal; strong het on 730 in Philly-Camden area. Hrd by Dangerfield in Chester, Bennett in N.J., and by Admiral Nelson in Massachusetts 3/10 0100 on; seems NSP. (GPN)

- *1410 WGMT-Tenn Hrd 2/27 0232-0244 w f/c-TT not on list, way under WING. (Lyon, NY) *Goodbye, Seagull.*
- WKBH-Wis S/off-SSB 0305 2/16. (Fischer, Neb)
- *1420 WOC-Iowa S/off 3/1 0135. (Sherman, Minn)
- * KTOE-Minn S/off 0129 SSB, s/on 0723 3/2 Sun. (Fischer)
- *1450 KLMX-NM Has ulisted monthly r/c-TT 2nd Sat ending 0220. Uses 1kw, IDs ever 2-3 min. (Sherman, Minn)
- *1460 WACO-Tex Not off at listed 0100 2/16 or 3/1. (Sherman, Minn)
- *1510 WLAC-Tenn 0049 3/2 w/ad, local KDKO nulled; 4cps SAH. (Hauser) Almost caught me w/those retarded- backward, that is- dates, Glenn. *(sk)*
- 1520 unID ET-march mx, must be KCHF-SD (new), very strong. Could have been KOLM but they're 100% C&W. (Sherman, Minn) Date & time? *(sk)*
- 1560 WAFI-Ky New stn had ET 2/15 & 17+ w/good sigs. (Waldron, NJ)
- 1600 KCRG-Iowa S/off 0101 w/"This is My Country" 2/3. (Fish)

sunrise and daytime

- 620 WSUN-Fla Nice signal popped up at 0510 3/2, must be switch to day patt. Good until s/on KWFT. (Hart, Texas)
- 710 WDSM-Wis L&C on pattern change 0815 2/26. (Fischer, Neb)
- 1270 WHBF-Ill 0600 3/3 SSB, s/on+FM, wx. (Hauser, Colo)
- *1310 KGMT-Neb S/on-SSB 3/1. (Fish)
- 1370 KAWL-Neb S/on no SSB 0900 3/2. (Fish)
- WDEF-Tenn S/on-SSB 0500 2/28. (Fischer, Neb)
- *1550 WCTW-Ind S/on 0525 3/8 all alone. (Frank Waldron, Matawan, NJ)
- *1580 KFDF-Ark S/on 0730 SSB 3/1. (Fish)
- WAMY-Miss S/on no SSB 0700 3/1. (Fischah, Nebrasker)

sunset and evening

- 540 KWMF-Iowa S/off 1815, quickest s/off in the West! (No SSB) 3/3
- 640 WOI-Iowa S/off 1815 3/3, no SSB. (Both by Dave Fischer)
- *840 WMOB-Ala Ex-KTUF, hrd 2/23 1828-1845 s/off-SSB w/easy listening mx. (Bruce Reynolds, Warrensburg, Mo)
- 970 KOIN-Cal 2/14 2259 w/nx ending, then symphony. (Sadoian, Cal)
- 1000 CKBW-NS Booming in all eve again 3/5, almost listenable signal w/WCFL nulled; good bet for NS when cx are right. (FW)
- 1030 KTWO-Wyo 2/28 evening completely auroraed out, inaudible, along w/WHO, KFAB at times. KLZ-560 is north of me but was still there. (Hauser, Colo) I should hope so, hi. WRKO is north of us, but is powerful (except in sections of Watertown) on Aurora nights... *(sk)*
- 1220 CKJD-Ont ID fade-in (hi rk) (Hi yrself-*sk*) 3/3 2052. (Russ Edmunds, Hawthorne, NJ)
- 1230 KMRS-Minn Hrd 1928 2/26. (Sherman, Minn)
- 1240 WMFG-Minn Hrd 1928 2/26. (Sherman, Minn)
- 1380 unID S/off 1817 e/TWO verses of SSB; 5 possible. (RJE)
- 1450 WILM-Del W/WOL at 1800 3/5 w/MBS nx. (Fox, Mass)
- WLKN-Me 1755 3/5 local nx, 1800 CBS nx. (GJ)
- 1500 WFIP-Conn Hrd u/WKER & WTOP (already) 1737 3/3. (Edmunds, NJ)
- KSTP-Minn In already u/WTOP 1917 3/3, fairly strong. (RJE)
- 1530 WTHM-Mich Hrd 1800 3/3 o/WCKY, and unID. (Edmunds)
- 1540 WDON-Md u/CHIN, WPTR 2/26 1736. (RJE)
- WPAW-NY Hrd 1814 s/off 3/3 o/u WPTR, CHIN. (Edmunds, NJ)
- CHIN-Ont Hrd w/II (Italian) (Gryzmysh-*sk*) 1722-1745 s/off 2/26. (Edmunds, NJ)

- 1550 KOKA-La Very strong 2210 2/26 w/ID & "10kw in all directions", listed as U2 w/500w nites. (Hart) No doubt illegal RS w/day power/pattern. *(sk)*
- KKHI-Cal Hrd w/symphony, nx 2/3 2357, Mex QRM. (Sadoian, Cal)
- WNTN-Mass Hrd u/WBAZ, WEXT 2/26 1704. (Edmunds, NJ)
- 1570 WFLR-NY Hrd 2/26 1647 thru WHRF/WPEP. (RJE)
- WPGM-Pa Hrd o/WHRF, WPEP 2/26 1635. (Edmunds)
- 1580 KPIK-Colo S/off 1930 no SSB va only (va: voice annct) 2/27. (Fish) Beware the abbreviated-mind syndrome, Dave... *(sk)*
- WSRF-Fla Hrd 3/3 1940 u/CBJ. (Edmunds, NJ)
- WGOY-Pa Hrd u/WPAC, WCRV 3/3 1729. (RJE)
- WLIJ-Tenn S/off no SSB, no anncts 1900 3/3. (Edmunds)
- 1600 KUSH-Okla S/off 1915 2/26. (Fish)

schedules and other info

- + 570 WBAP/WFAA Per new share-time agreement, WBAP 0730-1330 & 1900-0100; WFAA 0100 (0555 Mon)-0730, 1330-1900. (Jay Murley)
- + 630 WMAL-DC SP is 0100-0530 MM. Will be NSP by about 5/1, and will soon propose U2 operation. (Hart, Texas)
- + 710 WHB-Mo Is off MM only irregularly now. (Bruce Reynolds, Mo)
- + 820 WBAP/WFAA Per new ST agreement, WBAP 0100 (0555 Mon)-0730, 1330-1900; WFAA 0730-1330, 1900-0100. (Murley, Cal)
- + 850 KOA-Colo SP 0215-0700 MM, all testing. (Hart, Tex)
- + 910 WGBI-Pa Sked is 0600-0200, not NSP. (Waldron, NJ)
- * 920 KDHL-Minn Now 0600-0100. (Sherman, Minn)
- + 930 CP-PR New, Cabo Rojo, 500 D3. (Edmunds)
- + 980 KMBZ-Mo Is off MM only occasionally. (Reynolds, Mo)
- +1150 KRKD-Cal Per v/l SP is Sun 0500-0800. (Sadoian, Cal)
- +1360 WMCK-Pa Granted WIXZ. (RJE)
- + KRY5-Tex SP: Mon 0100-0600 per v/l. (Sherman, Minn)
- **1380 WOWW-Conn Per CE will be on here in about a month. (Jim Renfrew)
- +1400 WSTC-Conn 0600-0035 daily. (Waldron, NJ)
- + KLIN-Neb 0630-0200. (Fish) Sun sked same? *(sk)*
- + KTFS-Tex On w/1000/250 U1. (Edmunds)
- +1450 WWRI-RI Granted W5VP. (RJE)
- +1460 WMBR-Fla 0600-0030, not AN. (Waldron, NJ)
- +1490 KRIB-Iowa 0630-0215. (Sherman, Minn)
- +1560 WDXR-Ky 0630-0100 daily. (Waldron)
- X+1230 WERI-RI 0545-2315 except AN Sat & Sun AM. (Fox, Mass)

new psa's

All 500w except where otherwise noted. 910 WTOY-Va, 1090 WQIK-Fla (16.2), 1140 WCLW-Ohio (250), 1190 KMCW-Ark (60), 1260 WWPP-Fla, 1290 WTYL-Miss, 1470 KRBC-Tex, 1500 WDEM-Ga (23.5), 1510 WJCO-Mich, KCAW-Tex, 1520 WINW-Ohio (250), 1540 WFCM-NC (6.75), 1560 WBKC-Ohio. (RJE)

CPC needs you!

73, Randy

Kerplunk.

MECHANICAL FILTERS FOR THE HQ180

JERRY STARR
WHOT RADIO

In these days of increasing spectrum saturation on the medium waves, DXing those foreign "splits" becomes increasingly hard. What you need is the extra selectivity offered by the addition of mechanical filters such as the unit shown in photograph A.

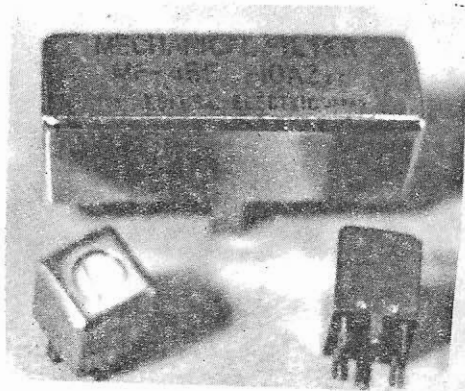


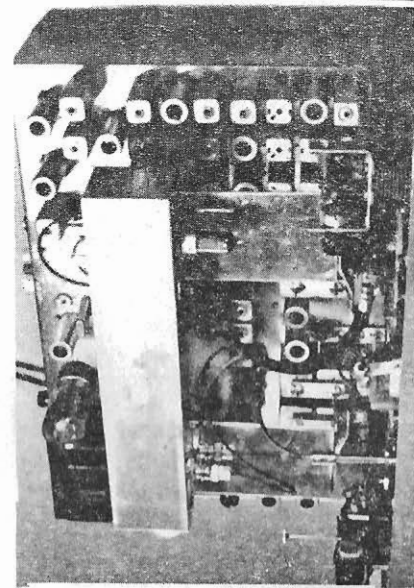
Photo A Mechanical Filter and Transformers

This feature will outline all the modifications necessary to add a filter section to the Hammarlund HQ-180 receivers. The same basic installation can also be adapted to other receivers in the 455 kc IF group. This installation also makes use of the waste space in the 180 cabinet making possible inboard installation of the filter and additional IF amplification.

First, a word of warning. Don't even attempt this modification unless you know what's happening inside your receiver, this is not a project for beginners. If you feel you're not sufficiently experienced to tackle this work,

I suggest you discuss the modification with a qualified ham who has some construction experience or a qualified repairman.

Photos B and C show the completed installation. The entire unit is mounted on two screw lugs mounted on the rear plate of each variable. The shield cans covering the variables were formed of sheet aluminum. Some later models come from the factory with this modification. If nothing else, they keep the dust out of the plates and provide a firm base for mounting the filter array. Notice the tube (shield removed in photo) is mounted on the side of the unit. If you locate it on the top or end you'll never get the chassis back into the cabinet. Notice the box is mounted so as not to be above any tubes, to do so would hinder cooling of the tube. The control next to the tube will be discussed later. The IF inputs and outputs are on connectors, other leads are simply routed through small drill holes. If the back of the 180 chassis looks changed, it is. I have added two jacks for speaker and tape outputs and three binding posts to replace the antenna screw terminals. This makes for much easier connection of external units without having to find a screwdriver, and eliminates the screw terminal



that always strips out with constant use. The flexible coupling through the front panel is a tracking error adjustment. These are all worthwhile and fairly easy modifications.

FIGURE 1 is the schematic for the filter/amp unit which should need no further explanation. Remember to keep all leads short. All of the components shown are inside the box except the 6BE6 (V-3) and transformer T3 which are existing components in the receiver and are so numbered in the Hammarlund instruction book.

The additional tube (V-19) is a 6BA6 or EF93 which is the low-noise 6BA6. If you make your own printed circuit, a small board will hold everything nicely.

SEVERAL CONSTRUCTION TIPS: Use shielded wire for all external leads. I used RG-174U coax, the same stuff many of you use for winding loops. Remember, ground the shield at one end only. Larger coax can be used but it's much less flexible, which could cause some headaches. When you locate T3 in the Hammarlund chassis you'll find it under the selectivity switch nearly hidden, a good reason for using small coax. This area is shown in Photo D. If you want to make this a two-week project, try to work through the switching unit. Otherwise, carefully unsolder all leads to this switch and remove it. Be sure you mark down the color code and termination of all the wiring for reference in re-installation of the switch. A glance at this wiring will tell you why this is not a good project for beginners.

Chances are you'll have some instability in the unit. To clear up same, place a small shield between pins 5 and 6, 2 and 3 on the 6BA6 socket and use a tube shield.

Photos B (above) and C at right show completed installation.

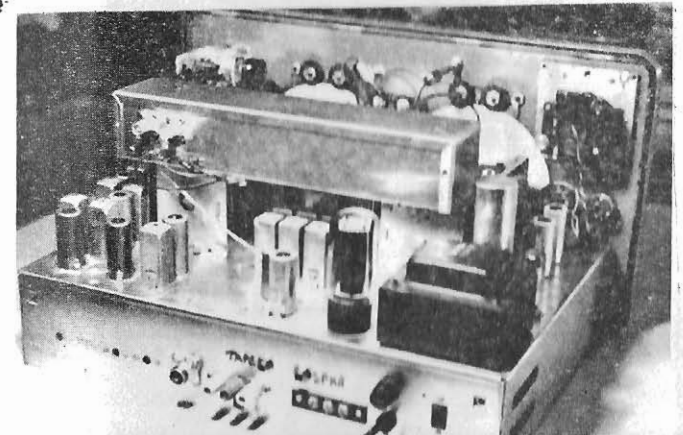
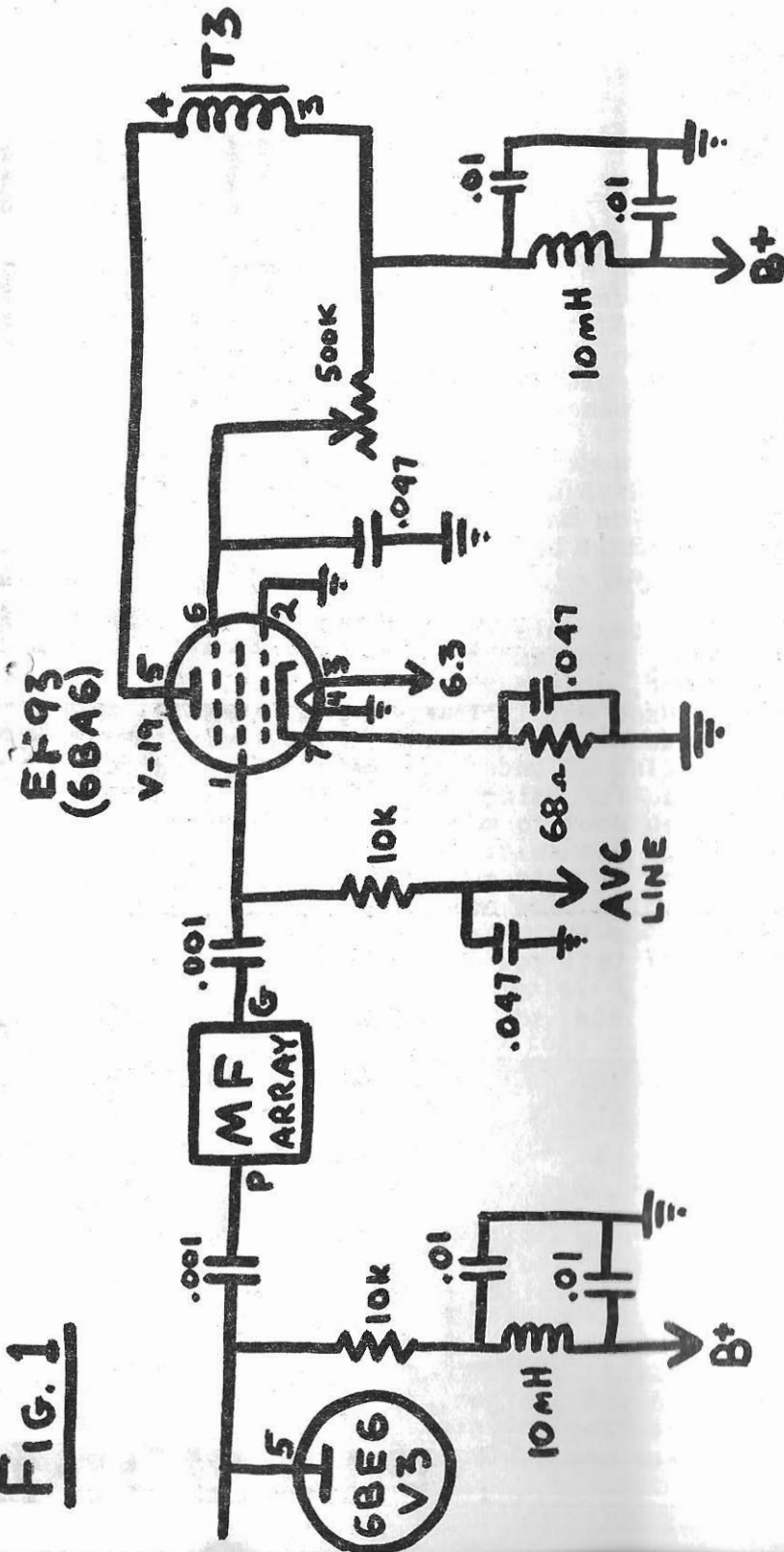


FIG. 1



ALL CAPACITORS 600V
 ALL RESISTORS 1/2 WATT
 CHOKES ARE MILLER 4612
 500K POT IS I.R.C. RQ11-133

★ -
 MODIFICATION
 FOR
 HAMMARLUND
 HQ-180(A)

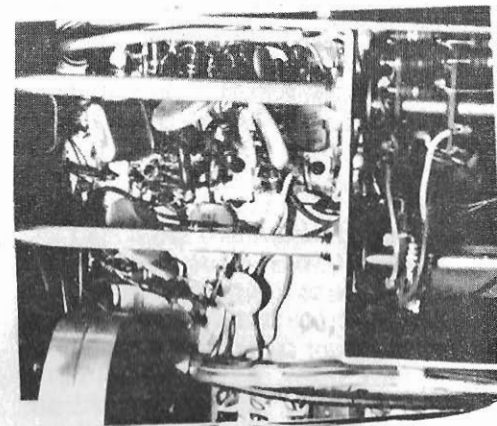


Photo D showing wiring jumble in the installation area.

The cable bundle from the unit is easily routed through the access hole in the Hammarlund chassis directly under the "S" meter. With shielded cable you shouldn't have any problems here although you may have to do some under-chassis rerouting if you get instability. This hunt-and-try process will vary from one installation to the next.

It is advisable to keep the input and output terminals of the filter well shielded from each other. Here's an easy solution to this mounting.

Use two pieces of printed circuit board, one of the type with solid foil on one side, the other without foil. This board is easily worked with an Exacto knife and a small drill. Cut three pieces as shown in figures 2 and 3 (not shown at scale), the figure 2 pieces from the board with foil, the figure 3 piece from the board without foil. The external dimensions are dictated by the size of box you're mounting the filter in. The width of each piece should equal the inside width of the box. Cutout A should be the exact size of the body of the filter. Round off the corners of cutout A to fit snugly over the filter. The width of cutout B is the same as A, the depth is the same as the thickness of the PC board.

On figure 3, the width of cutout D should be the same as B. Cutout C is the same as the thickness of the PC board. The board in figure D is the one on which the filter is mounted. Lightly ink the bottoms of the pins on the filter, center it on the board and press down slightly. Then drill out the holes for the pins to pass through. Do the same with the two

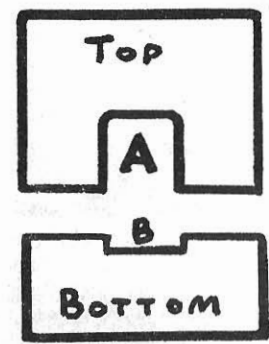


FIG. 2

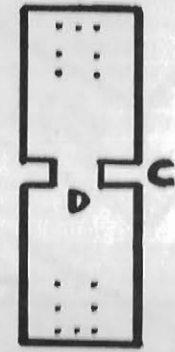
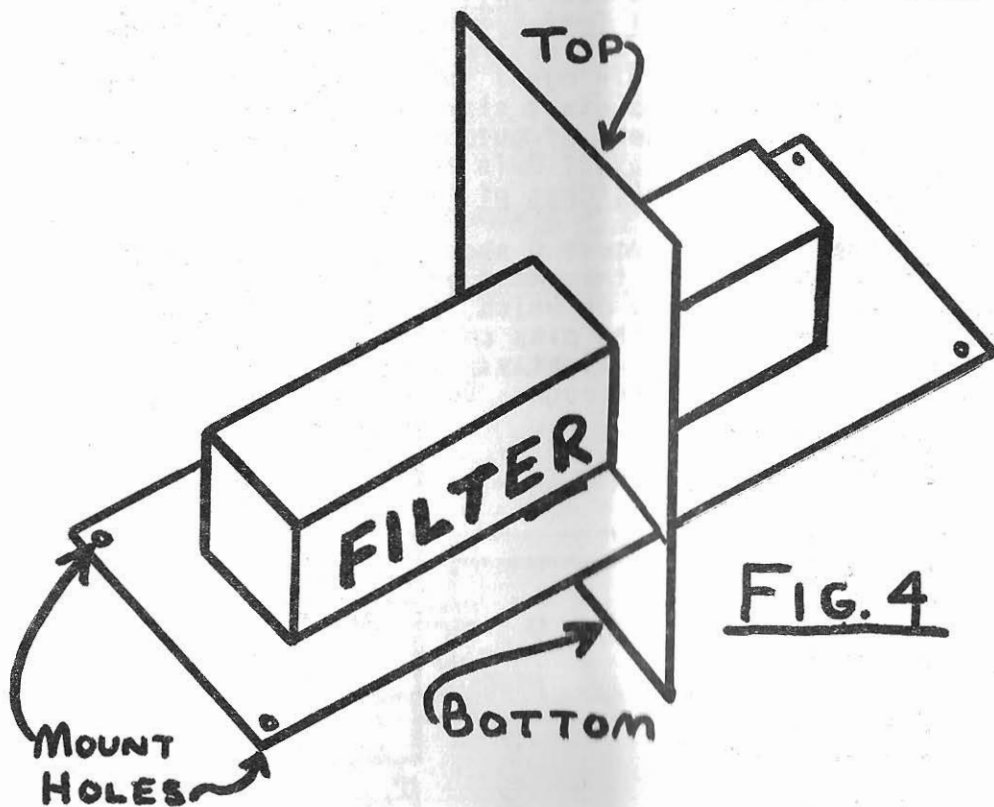


FIG. 3

transformers. The two mounting tabs on the filter body should be located to one side of cutouts C, not across it. Don't get the transformers mixed, they are marked G or P on the bottom and match with similar markings on the bottom of the filter body. Mount G to G, P with P. Bend the mounting tabs securely under the board.

With the filter mounted, slide the figure 2 top over the filter and the figure 2 bottom from the underside of the board. Top and bottom should completely surround the filter and come together in cutout C. Remove the decal from the top of the filter, put the top and bottom boards in place and solder them together where the foil of the two pieces meets. Then solder the foil around cutout A to the body of the filter. The completed unit can be mounted on two or four small stand-off insulators by drilling mounting holes at the ends of the figure 3 piece. The completed product should resemble figure 4 below.

For mechanical filters to do their job, this type of shielding is a must.



Once the installation is complete, adjust the 500k pot for 90 to 100 volts on pin 6 of V-19.

Additional required reading before starting this project is Gordon Nelson's excellent study of mechanical filters which appeared in DX NEWS in 1968. If you don't have a copy, you can get reprints for \$1.00 from Gordon.

After everything is in and working, don't be surprised if you now have to realign the receiver. It may not be necessary but it's a good idea to check the alignment as outlined in the Mammariund instruction book. This procedure is a must on installations with more than one filter.

Good luck with your project and good DX.

- 30 -

Photos by Glover Graphics of Youngstown

Text and Illustrations by Jerry Starr

PRESSTIME FILLER - GPN

Isaac Eaves: DIGFET is Dual Insulated Gate Field Effect Transistor; they're quite new and slightly superior to ordinary junction FET. Unfortunately they are extremely sensitive to static electricity and transient overloads; I ruined 6 in spite of great care in installation. It turned out that local static bursts - appliances, motors, etc. - induced enough voltage in the loop to burn them out every time. I suggest you stick with JFETs unless you really need the slight added performance. Ray Moore is using them in an extremely quiet area but whether his will survive the first lightning bolt of the year remains to be seen. Drop him a note for more info.

Bill A.: Images appear twice the IF frequency from the true frequency; your receiver just happened to have been aligned for 460 kc/s instead of 455, that's all.

Bob Schneider: The printer's very aware of the stapling problem and is doing his best to eliminate the occasional off-center staples; problem should be taken care of when he gets a new stitching machine in a couple of weeks. We switched to heavier staples because of complaints from members that the light staples tended to open up in the mails.

Bugaj/Foxy: Brand new list from AFRTS HQ lists only 1420 and 1425. Likewise a letter in from Thule's CE this week mentions only 1425; I've written him back to see if it might be at another base.

Waldron/Edmunds/ERC: Yes, it's not uncommon to find a mixing spur with one audio much stronger than the other. I think that some of the strange products that Russ is getting (e.g., WPAT/WHN on 990) may be triple interactions with the 3rd audio too weak to hear. The auroral connection you mention is probably because the average noise level drops greatly when you've got auroral blanketing; spurs often seem strongest around noon too because that's the quietest time of day. Thus weak spurs seem stronger than when the QRM is around. I'll check on it.

March 15, 1969

ROY H. MILLAR - Box 851 - Everett, Washington - 98201

The "DX Grab Bag" opened a bit in February with two new countries logged - it has been a long time! New loggings in Feb. were: 2/2- KFLI-1240 Mountain Home, Ida. atop in spots from 8:01-8:26am. 2/10- KMTI-920 Midway Islands with call & NX @ 4:28am, then out w/nothing further heard; thank goodness for tape! 2/2 - KSKI-1340 Hailey, Ida. ET w/IDs noted @ 4:58 & 5:06am. 2/24- ZEVI-780 Roadtown, B.V.I. quite loud from 5:25am tune-in with "Morning Devotions"; no sign of them around 5am when I figured they should be signing on. I did not apparent Barbados from 4:30 on, but weak, unID & unn. Verifications: KRED-1480 KMTI-920. I received a New Year's card from Korean P.D.R. & a tape from Austrian Radio Technical Dep't., Vienna, but nothing yet from either country that resembles a verification; fingers still crossed! Feb. DX of TEN YEARS ago featured reception of the fine NRC DX show from WAMP-1320 Pittsburgh on 2/23; memories? Also added same AM were WKIN & WCPC on same channel. FIFTEEN YEARS ago 2/12 marked an excellent early evening skip to N w/CKPG-550 CJDC-1350 & CKUA-580 all logged around 8:25-8:45pm. Feb. of FIVE YEARS ago was quite international, w/such as OAX4a-854, HLCA-970 KICY-850 heard, plus the never quite solved mystery of "R. Moscow" IS on 656A that was thought to be Blagoveshchensk, but which R. Moscow replied must have been Murmansk, as no other station broadcasting on that frequency. Incidentally, Murmansk was subsequently verified from an evening reception report, TA in nature. Enough of the reminiscing, eh? OK, on to bigger and better things! 73.

GEORGE B. SHERMAN - 104 Pinewood Circle - Rosemount, Minnesota - 55068

No new DX here, only unn KTW-1030 Wyo. for about 1/2 hour one night, almost even w/WBZ at times, & WBZ was almost like a local, & XEQR not heard at all at this time. I received a v/l from KIGR-1490 & v/q from KWKH-1130. The reason I don't have any DX is because I've been listening to SW lately, where I had Australia on a frequency under 5m, so I've got hopes for 4QD-1550, which should be easy as my RX is an eight transistor & it's only 10,000 miles, hi. Now my daytime log: State is * for Minn. KWMT-540 Ia., KFYZ-550 ND w/rr; WEBC-560 w/rr; WNAX-570 w/strong signal (SD); WKTY-580 Wis. strong & WIBW/KSAC Kans. are there all day too; I think; WOW-590 Neb., calls describe their signal; WMT-600 Ia.; KDAL-610*; KMNS-620 Ia.; KDWB-630*, WOI-640 Ia. strong; KOZN-660 Neb. w/c/w; WMAQ-670 Ill., KFEQ-680 Mo., KTCR-690 w/c/w; WDSM-710 & WHB Kansas City w/rr; WGN-720 Ill., KWOA*-730; KBOE-740 Ia., KUOM/WCAL*-770; WEAQ-790 Wis., WVVA-800; KCMO-810 Mo.; WCCO-830*; KNUJ-860*; KTIK-900*; KDHL-920*; KRSI-950*; KLIT-960*; KQAG-970*; WPBC-980*; WJSW-1010*; & KSMN Ia. w/c/w; WHO-1040 Ia., strong; KLOH-1050; KFIL-1060 w/c/w; KYMN-1080*; KFAB-1110 Neb.; WDG-1130*; KASM-1150*; WAVN-1220*; KYSM-1230*; 1250-KCUE; KDUZ-1260; KWEE-1270 WUTC-; 280*; WKPM/KGLO-1300 Ia.; KRBI-1310; WLOL-1330* (heard in NZ) KROC-1340*; WCMP-1350; WMNE-1360 Wis.; WMKT-1370*; KSUM-1370; KLIZ-1380; KRFO-1390; WMIN-1400*; KLFJ-1410; KTOE-1420*; WRDN-1430 Wis.; KQRS-1440*; KATE-1450*; KDWA-1460*; KANO-1470 w/c/w; KAUS-1480 w/rr; KIGR-1490; KSTP-1500*; KOLM-1520 w/c/w; KSMN-1530*; KXEL-1540 Ia., KBEW-1560; KUXL-1570*; WIXK-1590 Wis. strong; KLGA-1600 Ia. strong. Total of 80 stations. If I get around to it, I should have something in IDXD & DDXD, but that's all for this column for this week. Please write, I haven't been exactly flooded w/mail lately, so I should find time to write back. Don't forget I also DX SW, if you want to mention something about that in your letter. 73.

ALEX BOWAB - RD/A Class 50-A - USNTC - Great Lakes, Illinois - 60088

My sidekick at WEYY-1580 scheduled a PoP-TT 2/23 from 1:00, until ?? . I had a TT there 1-1:25 atop WCIS/XEDM but he didn't ID. Perhaps when I'm home in April we can run a TEST. Only other DX in the jolly I got from hearing a former local, WM00-1550 6:30pm SSS. I was surprised, since they null NNE. To the member who reported hearing WBOP-980 w/c/w, they are an NN station (WPFA & WMEL are c/w in Pensacola). And to the member who had 2am SS-1240, I don't think it was WEDC, though the three Chicagoans who share 1240 do specialize in foreign language, WEDC has an MoR show in EE 1-7am, girl announcer Sat. only. Also, the WOPA-1490 is also foreign language, their AN-7 show is NN (jazz Tue-Sat, H&B SM & MM). Other foreign (con'd)

March 15, 1969

(Alex Bowab) language here is on WEAW-1330 (late afternoon & weekends), WTAQ-1300 (most of the day); WPTH-1370 & WJOB-1230 Sundays only.

JOHN HOOGERHEIDE - Box 941 - Marquette, Michigan - 49055

2/24- I had s/off w/unID NA @ 11pm u/WGY-810 which I couldn't loop out entirely so unable to ID. DX NEWS says WKVM s/off @ 11pm w/ PR NA & SSB, but the latter was not heard. Someone else try this frequency. 2/25- WNAX/WKEN s/off-SSB @ 1 & 1:01 respectively. At 1:06, WMAM-570 s/off-SSB, so this could be a good bet for a 100 watt, fellows. This left new one in WFAA & five-six unIDs. Just a hash w/WFAA dominant. WMBN/WAGN wealy atop 1340 @ 4pm, former a new log w/NBC NX w/much WDMJ slop. WKNT-1520 w/sports @ 4:55; WHLO-640 noted @ 8:30pm s/off, no anthem, announced "with a tremendous power output of 1,000 watts." Barely atop the weak SS signals! At 8:40 an opera in session w/8:45 announcements all in FF, assumed to be ORTF, Guadeloupe. Funny though - almost the exact loop direction as KFI who came in when ORTF faded out by 8:50. Is CBN ever in FF? 2/26- WAHT-1510 w/excellent signal w/NX @ 5:20pm; WANN-1190 @ 5:40 atop WOWO; then WPME-1540 s/off 5:45. WJVA-1580 w/NX @ 5:50; WBEE-1570 atop 5:55; WPUV-1580 w/local ads 5:55; WBKQ-1560 now on RS, s/off-SSB @ 6. First new station in March, 3/1, was WMAN-1400 on apparent AN RS @ 1:35 w/NX; Tler noted on 1460, 1:15 tunein to 1:45 tuneout behind WBNS, no IDs. Then WBIZ-1400 noted 1:45 briefly w/Dolly Holiday on HI AN. Up to 896 now, so 1,000 seems a distinct possibility by season's end.

RICK MARR - 6912 West Park Drive - Hyattsville, Maryland - 20783

Hi NRCers. Although college at U. of Md. has really been keeping me busy lately, DX nevertheless rolls in slowly & steadily as I continue my daytime DX journey up the dial. 12/7- WFBR-1300 Md. w/MoR @ 12:07pm; local WEEL-1310 Fairfax, Va. w/SID @ 12:30pm following NX/WX. 12/8- WGET-1320 Pa. @ 12:05pm after MBS NX on the hour. 12/27- WESR-1330 Va. w/brief ID @ 11:59am, terribly difficult to log because of WOOK splash. 12/28- Local WOOK-1340 DC w/Boul mx @ 1:53pm. Where is the "fantastic" WMID, hi? 2/8- With 1350 nil because of splatter from WOOK, next logged was WEBB-1360 Md. @ 3:16pm w/Soul mx. 2/12- WKIK-1370 Md. w/mention of call letters @ 2:15pm mixed w/WMHI-1370 Md. w/ID @ 2:30. 2/16- WAYZ-1380 Pa. w/brief ID @ 1:07pm, exceptionally hard to pull in because of WEAM splatter. 2/24- Local WEM -1390 Arlington, Va. w/rr @ 2:57pm. Total number of stations log ed now stands at 59 from six states & DC, daytime reception only. During my semester break from college I flew out to Cal. & visited NRC/IRCA member Bob Jacoby of Pomona. While in the Golden State, Bob & I toured many AM stations; among them: KGO-600 KPMB-760 & KSON-1240, all in San Diego; KCIN-1590 Victorville; KIOP-1310 & KWTC-1230, both in Barstow; KSFE-1340 Needles. Also visited were the following Nevada stations: KIEN-1460 KORK-920 & KVEG-970, all in Las Vegas; KEML-1400 Henderson. Locally, WIMC-1150 Gaithersburg, Md. has officially become the first fulltime AM progressive rock station in the country & has placed ex-soulman-turned hippie Barry Richards, as PD. The Spring semester of college has arrived, & w/it loads of school work. However, I plan to DX as much as possible within the next few months & I'm also now working as Wed. night NXcaster for the U. of Md. campus station, WMUC-690. Finally, welcome to new NRCer Roddy Freeman of Randallstown, Md. who works part-time for WNAV-1430 Annapolis. Till ne xt time 73, Peace, & may the Bird of Paradise lay a Giant Egg on Russ Edmund's head, hi.

KEN LYON - 5155 South Newstead - Akron, New York - 14001

Only heard WBAA-920-DX on 2/24, all the rest not heard, including WFTA. Seems no one in this area heard them - I wonder if they were on. DXheard this week includes: 2/24- WBAA-920 on RLA DX 1:02-1:29am o/u CKCY, WAVO-1420 not there, only WHK. KSL-1160 heard @ 2:18 for first time here, 1160 was always sandwiched in between CKOC & WVVA. 2/25- WANV-970 heard on r/c-TT 12:18-12:30, I had to null WEDR & still had mucho slop. 2/26- WHOM-1480 heard testing w/TT after 12 s/off. 2/27- WKCY-1300 @ 1:19-1:31 w/ET/TT o/u WERE, KRGI-1430 1:52-2:05am w/r/c-TT u/WIRE, WGMT-1410 2:32-2:44 w/f/c-TT not on list. I'm glad to see they're listing new (con'd)

March 15, 1969

(Ken Lyon) members with their addresses again. Recent veries are WAMS WLDY WHIS WPGC which is worthless except for CM, & CHGB w/CM. C U later.

JERRY BOND - Room 439 - 121 North Fitzhugh Street - Rochester, New York - 14614

Hi gang. It's been almost two months since my last Musing so I think I'm due for another one. First off, let me say I think the new format of DX NEWS is just great & the first page usually comes through in good shape. The bulletins are much easier to store now, too. Now, on to the DX I've gotten at home in Watertown, NY, since my last Musing: MM 12/30- DX to the Far West & the South was just great this AM as seven new ones were heard & many others that hadn't been heard in years made it in. The new ones I heard were WBHP-1230 Ala. @ 2:05am, KITKT-990 Ari. @ 2:39, WINN-1240 @ 3:10, R. Barbados-780 @ 3:18, YVLL-670 @ 4:02, WRNC-1240 NC @ 4:25 & W???-1410 in Prattville, Ala. which was ending an ET @ 2:43. The call on this last one sounded like WBXC but I'm not sure about it. I can't find the call for it anywhere - does anybody know what it is? Other station heard that morning included KRDS-1190 @ 1:36, WDAY-970 @ 1:57, KFJZ-1270 @ 2:05, WAMO-860 testing @ 2:22, KOIL-1290 @ 2:42, WSOC-930 @ 2:49, KOMO-1000 @ 3, XEG-1050 very loud @ 3:20, KGBS-1020 @ 3:23 w/old 1957 rr recrod by the Del Vikings, KIMN-950 @ 4, WPNX-1460 @ 4:50 and WLAQ-1410 @ 5:01 s/on. That was just about my best MM in about two years. Later that day I heard a few goodies like WBEC-1420 Mass. @ 4:45pm, WYOU-1550 Fla. @ 5:30 s/off & WSBP-1580 Fla. @ 5:45 s/off. That is the extent of my DX activity as I have not been able to get back to Watertown very often since Christmas. I'm now working fulltime in Rochester as a junior accountant & if & when I decide I want to stay here I will bring my RX down & try to get into the swing of things again. This isn't a great location w/all the big Buffalo & Toronto stations booming in & w/three local ANers so I'm not too thrilled about it. Watertown is really an ideal place w/the scarcity of stations up there. That's about it from here except to say that local WNYR-690 has applied to the FCC for permission to go fulltime & they expect to hear from them shortly. If permission is granted, look for them to go AN like WNYR-FM. All this town needs is a fourth ANer, hi. 73. (Four ANs, Jerry? Come down here & try our dial, hi -ERC)

MARTIN BLUMENTHAL - 10 Cutler Street - Worcester, Massachusetts - 01604

I have a new "interest." It's called snow shoveling, hi. We've got about 50' of the white stuff here with more to come. DX such as it is: 2/28 saw good Aurora CX. WXUR-690 s/off @ 5:30pm u/CBF. WMBL/WBCI-740 s/off @ 5:44, followed by WPAQ w/sports @ 5:46. WFNC/WMAZ mixing on 940 @ 5:50. WOAY-860 s/off @ 6, followed by a weak Fla. station w/rr, probably WKKO. The big mystery on 860 came @ 6:15pm. Looping SW, I heard a WX forecast, temperature given as 47°. I thought I heard Pittsburg mentioned, so possibly KOAM, but no ID. 3/1- WBVM PoP & WIRV r/c on 1550, both IDed @ 3:09am. 333, WCYB-690 @ 6:10pm, but lost between WAPE/CBF; 6:20pm, MoR on 740 looped SW. 3/2- I spent almost an hour trying to ID a station on 1360 from 3:06am on. It seemed to be WSW by loop, & gave TX in EST. It had NX @ 3:14 & 3:44. They said they were new (probably call change), no call given, just a slogan from the call that sounded like "Weezy" or "Weegy". WBAY & WSAI both should have been off at that time. It was not WKAT as they gave temperature as 30. WKMI heard w/HL, so what is left? Either a brand new one or a call change, but who? MM 3/3- Nothing much new. I did finally get a log on KPRC-950 u/powerhouse KIMN. WSPD off RS & Tting @ 2:44. Way underneath was an MoR giving time in CST, but WSPD back on RS @ 3 before I could get an ID. Who's this one? Any help on any of my unIDs would be much appreciated. Feb. turned out to be a very poor month for veries. Only 12 reports sent out, and only 11 veries received. CX were only fair at best with one good Aurora session on 2/11, and only one really good TA opening on 2/24. Only one new verie this past week, but a good one in WBYS-1560 for Oct. report plus f/up. Well, time to go shovel out my car, if I can ever find it.

WE FIND YOU CANNOT RELY ON THE MAIL SERVICE TOO MUCH ANY MORE. FOR EXAMPLE, IT TOOK JOHANN'S MUSING FOUR DAYS TO GET HERE THIS WEEK! MAIL EARLY AND MUSE OFTEN!

March 15, 1969

ROBERT A. SCHNEIDER II - 301 Franklin Street - Waterford, Wisconsin - 53185

Since this is my first Muse, I'd better introduce myself. I'm an 18-year-old senior, planning to go on to college. At the moment, I'm taking an extension course from a local technical college, on Monday & Wednesday nights. Monday night is a little hard after a long MM! The RX here is a Hammarlund HQ-140X, mated to a 60"x20" figure "4" antenna, in the attic. The RX has been modified (I'm about the third or fourth owner), & no longer tracks decently, being off by 5-8k. I've been thinking of the HQ-145AX or Drake SW-4A as a replacement, so anyone with pertinent info on either of these RXes, please forward it to me. Records here are State 21/17, Provinces 4/4, Countries 7/3. Holdouts are WDXR WKY KECK-TEST WPDQ WBAA-DX CMQ HJHJ & R. Belize. Returns are 37/28 or 76%. Recent veries are CBK WSM WKBN WPTF CBX WABC WFAA KOA CHML KOIL WOAI WILS ZEM1 WKYC WMAM & KAAY, the last three after second report. I usually don't send f/ups, but send new reports. I figure that the station didn't consider the first one good enough for a verie, so I try again. I like the format of DX NEWS, but wish the staplers were more accurate. Also, couldn't the Publisher use thinner diameter staple wire that wouldn't tear the paper as badly when they go through? Maybe I'll have the DX NEWS sent Air Mail as first class has been as late as ten days, and usually doesn't come through until 3-4 days after it's mailed, even though it's marked "First-Class Rush - Time Value" The Post Office thinks it's third class - "Deliver when you have the time." Well, that's enough for now. 73 & good DX. (Welcome to the NRC & Musings, Robert, and we will be hoping for regular reports from you! -ERC)

ROSS E. HANSCH - 5013 Risser Road - Madison, Wisconsin - 53705

"Wade through 8-10 pages of Musings to garner 10-20 tips that are usable?" I'm quoting Randy Seaver in the Feb. 15th issue. A requirement for membership in NRC should be reading of all Musings, get acquainted a bit, find out what the other fellow is doing, and help to bring the comments above the level of childish prattling. Anyone who doesn't read Johann's writings very carefully is missing half the game. Our own DDXD has become a "brag" column - that's the place to report things that might help the membership. Let's do our bragging in the Musings! The day a member can ignore the Musings and just read the column of stations will be the end of the NRC. Sorry to hear about Hank Tyndall's wife but I'm glad to hear a word about Hank Tyndall, the greatest BCB DXer of all time. I thought Hank was in Florida or I would have looked him up. We'll be at Dora Canal Court in Tavares during April. 73. (Thanks, Ross! -ERC)

Bruce Reynolds - Route 2 - Warrensburg, Missouri - 64093

Hi. With a week's vacation beginning, some DX to report: 3/1- New KRFB-1000 Sioux Falls in w/modern c/w @ 7:19pm, weak signal & faded out before s/off. KIMM-1150 logged 7:48-8pm s/off for another verie attempt. MM 3/3- WFIL-560 in again, weak, but reportable 2:16-2:35am. KGHL-790 good on r/c. I listened on 1360 for the full 45 minutes and got one ID from KRUX through a very loud WBAI. Tape sent. KGLD-1080 was off & ETing again, so WEWO-1080 @ 6:30am s/on. Oh yes, CJIV-910 was noted still on @ 3:12am w/religious mx program, asking for phone calls. New extended MM asked? Veries: v/q- WDVA & KGYN-DX. v/1- WMOB (changed calls on 1/20)-840. XEIQ's "Record Roost" program is giving away two records per week to the most distant listener writing in and two to the most distant from the continental U.S. The most distant might not be too easy to win, though, as they read a letter from a Peace Corps volunteer who picked them up in the Tonga Islands on a six transistor RX! If you're interested in trying, the address is Record Roost, Box 188, El Paso Texas 79942. Totals here now stand at 1,478/728, states 46/45, provinces 0/0 & countries 33/22. 73a & good DXing.

ANOTHER REASON FOR SO MANY AN STATIONS?
ON THE STATION'S STATIONERY - WSEW-1240, SELINGSGROVE, PENNSYLVANIA - 17870.
(partial quote) "In view of current FCC thinking, all night radio is a necessary service. We run all night to provide to provide a special service to local listeners"

March 15, 1969

ROGER W. WINSOR - 718 North Fremont Road - Valparaiso, Indiana - 46383

DX has been very good from this end. I hope all others experienced same. Here goes: 2/28- WKEE-800 WVa. noted w/rr @ 5:45, but soon faded to PJP, so not logged yet. Surprise, WMTG-730 Ky. w/local NX 6:01-6:15 s/off, no SSB, mixed w/WLIL, whom I also would like to report some day. 3/1- KTSA-550 Texas logged on RS 1:23-1:39 w/rr, no commercials at all, just TCs, jingles, etc - not too beefy a logging, but solid signal. Bad news in WIOU-1350 Kokomo Ind. announcng "around the clock radio" was AN 3/1. I don't hear them usually at night, so I can't say for sure if AN-6 or what. 3/2- WVLK-590 Ky. logged w/rr nicely 6:15-6:30, much wanted here, some WPLO/WOW QRM. MM 3/3 I had to work 12-8, but still listened before I left. I noted HJBI-840 w/whopping signal 12:10-12:15 w/several mentions of Santa Marta. Also noted unID SS-765 //--770, so maybe HJAJ slipped back again? That PM, I was much surprised to find WRYM-840 Conn. in w/great signal o/WHAS, logged 4:47-5 s/off, but in that time I got several IDable items, #7 Conn. WELF-810 Wis. logged 6:30-6:46pm w/much QRM from WSJC/KCMM/WATI. WDSM-710 also on SSS 6:51-7:07 fadeout. I reported all of them. 3/4- WXCL-1350 Ill. on RS daytime 9:55-10:30 o/looped WIOU, good haul for lkw. 3/5- CKPR-580 all alone on AN Ken Williams show w/MoR 2:18-2:42. TT-1080 @ 2:10 IDed w/what sounded like KNDK, but not sure. Anyone else hear this one? Loud TT-620 unID, looped E/W, 2:42-2:59. That PM, WIRL-1290 logged on daytime RS o/WNIL 2:32-2:55 w/rr on Bon LaMont show. WTHM-1530 Mich. heard faintly @ 6:43 s/off but not reported. KMMN-1080 Minn. in well enough. Finally for logging from 7:08-7:15 s/off. Also logged KEHG-1480 Minn. 7:20-7:30 s/off w/good signal. 3/6- WHEN-620 NY on SSS 5:57-6:15 DA change o/WTMJ null. I've been after them for seven years. Veries have been coming in very nicely as follows: WHIQ WRAP KHVY WSON KCAW, all v/l. v/q from WGAN KSTL & v/f from WJML. They are DA, but CM shows a nice round circle, hah! Totals now up to 2,431/787. 73.

RICHARD E. WOOD - 1630 Ruth Place - Honolulu, Hawaii - 96816

One of the many delights of DXing from Hawaii is the fact almost every station of any rarity seems never to have received a report from Hawaii before. My latest veries include two 50kw-ers, WKYC-1100 & WQXR-1560, which say my report is the first. Only other verie is CJCA-930. Reports out, mostly on new loggings, are KOLQ-920 Nev., KSAY-1010 Cal., KWRO-790 Ore., KCOY-1440 Cal., KPIS-1150 Cal., KSON-1240 Cal., KSWB-1020 NM, KNGS-620 Cal., KIDO-630 Id., KGYN-1210 Okla., KOAM-860 Kans., KCHJ-1010 Cal., KARM-1430 Cal., KGAL-920 Ore., KVEN-1450 Cal., KIDD-630 Cal., KMJJ-1080 Ore., KMJ-580 Cal., KEEN-1370 Cal., KEZY-1190 Cal., CHAB-800 Alta. KRWN-1010 Neb., KGFV-1060 SD, KDIA-1310 Cal., WCBS-880 NY, KXLY-920 Wash., CFAX-1070 BC, CKKC-620 Sask., WCAU-1210 Pa., KGFJ-1230 Cal., CBK-540 Sask., CKY-580 Man., CKBI-900 Sask., KLIV-1590 Cal., WHAS-840 Ke., KROY-1240 Cal., KGER-1390 Cal., KDB-1490 Cal., KFOX-1280 Cal., WFLA-970 Fla., WTAI-1560 Fla., KGEE-1230 Cal., CJOR-600 BC, KCKC-1350 Cal. & KCPX-1320 Utah. Excellent CX to NA lately; local KPOI-1380 sandwiched between louder KEEN-1370 Cal. & KGER-1390 Cal. Likewise, KCCN-1420 twixt CFUN-1410 BC & KARM-1430 Cal. There are more stations on the band at good listenable quality here in Hawaii than any other place I have listened. Where I am DXing now, spurs are no trouble except KORL-650/KKUA-690 mixing product on 730. I hope that is cleared up by the time rumored 25kw. in Tahiti is installed there. FCC is cracking down on the chaotic spur & splatter situation here, I hear. (When the guy is finished there, Richard, send him out this way, hi -ERC)

JOHN SAMPSON - 4148 Wycliff Drive - Winston-Salem, North Carolina - 27106

It looks like I'll have more opportunity for DXing during the next month, as I'm in the hospital right now for minor surgery & expect to be home for about three weeks afterwards. Some DX before coming in here included WYNA-1550 Raleigh @ 7 s/on on 2/21, WUSM-1330 6 s/on, Havelock, NC. 2/22- Daytime DX included WEGO-1410 Concord, NC; WSRC-1410 Durham, WSKK-1600 W. Jefferson, NC, WBOB-1360 Va., WAGR- 580 Lambertson, NC way u/WCHS/WGAC. MM 2/24- WBBN-1590 Bryson City, NC on r/c. Letter stated their r/c is third MM 12:45-1:00. 2/25- WKSP-1090 Kingstree, SC @ 7 s/on. SM 3/2- WYSH-1380 Clinton, Tenn. 6 s/on & WHEI-1290 Jacksonville, NC (con'd)

March 15, 1969

(John Sampson) I&C @ 6:15. Some veries in but they're home & I don't remember what they are. Bulletin format still looks fine. Little luck recently on DX programs. TAVO on 2/24 not heard - hard to tell w/the QRM if they were on. KGYN not heard - too much nighttime null this way. Too bad they didn't run some of that TEST with their day pattern, since I'm sure they would have been heard all over the East. Oh well. Still no WACE KECK or WSSA TEST veries in. Judging from others' reports, WACE has verified for wvryone else & KECK/WSSA were too inundated for quick reply.

ALAN MERRIMAN - Box 6 - Fairfax, Virginia - 22030

Well, here I am again. Very sorry to have missed the gettogether in Middletown but at the last minute I decided I didn't want to trust my old car to the trip. DX continues fairly good so here goes. Veries in from WDOV WATS WKBY WMEN WNKY WMBI WVAM WCSV WLIX & HJAI-1040. New loggings: 2/22- WCAR-1130 @ 1:30am w/WNEW using OC, also some WISN there but not enough for a log. 2/23- WMBI-1110 good signal @ 5:45pm. WFMI-1000 very poor u/WVOV @ 6:30 s/off, taped report sent. 2/24- CHEC-1090 w/a good signal at times, 2am. WLIX-540 logged for another report @ 12:05pm, then several days later I got a verie from a 1967 report, most welcome. WHTC-540 to 6 s/off. 3/1- KGMO-1550 w/r/c 1:07 to 1:15. This time I tried a taped report. WBVM-1550, I just caught the last announcement on ET @ 3:09. WSWV-1570 w/r/c 3:30-3:45, ditto WPRF-960, 4:30-4:45. 3/6- WIXZ-360, ex-WMCK, noted on new CN program @ 2:30 & surprised also to find WBAY fading in at times for a report to 3 s/off. By the way, the CE at WVAM-1430 would like more reports from the D.C. area. That's about it for now. 73 & DX & see you in a couple of weeks.

FRANK WALDRON - 65 Lakeridge Drive - Matawan, New Jersey - 07747

DX: 3/1- WKDR-1070 noted w/ET/mx/TT 12:25 & on; WBVM-1550 ET/OC and- ing 3:09; WBBN-1330 ET/TT/OC @ 3:30. MM 3/3 rather mediocre. WBBN-1340 s/off 12:30; I noted very unusual CX to N w/CKOY booming in like a local all morning, along w/WBHY-1240, CHYM-1490 coming through strongly. A CKIM-1570 image on 660 all AM, also a WQXR-1560 ET/OC image on 650. WJET-1400 @ 3:30, rr. PM, WRAK-1400 mc & CIB BK @ 6, for my third Pa. graveyard logging that day. WOAY-860 s/off 6:29; unID v/ light mc 6:30-6:45 on 860, either changed pattern or s/off @ 6:45. WCYD-690 s/off 6:29pm on 3/6. Veries: v/q- XEMO-860 WYNS-1150 WISN-1130 & WFFB-910 (100w) CBO-910 plus v/l, both on f/ups. v/l- WLLH-1400 from early Dec. WELW-1330 WPEM-1470 WJNH-1350. v/f- WMBR-1460. The ol' totals are up to 835,482. WELW-1330 v/l says almost all of their transmitting & studio equipment had been stolen, and that the ET I heard was w/their new equipment. CM reveals a deep null in my direction, so good catch for 500w. They were pleased to hear from me & appreciated my report, so got working on 'em, CPC, hi. After some time behind an HQ-180, I am thoroughly convinced that my RX is NG, but can't do anything about it in the near future. After reading GMN's article on spurs, I calculated where my locals should show up & have found a few to exist. The one I get most regularly is a WABC/WOR mixture on 830, along w/WBNI/WBIS on 1090. I've noticed that sometimes the most powerful station in a mixture is frequently the only one audible, such as WNEB/WADO on 1430 where only WBBN was heard. Also, Aurora CX seem to make spurs stronger for some reason. 73.

ROBERT R. COOPER - 438 East 21 Street - Brooklyn, New York - 11226

One verie, WSEW-1240, who got only seven reports on their NRC DX report of 12/8/68. Another week went by with no new loggings, but looking for some of 1110's southern daytimers, I was aghast, if not agog, to note R. Carupano, Venezuela strong u/WBT as early as 6:35pm! I believe it's WGMF-1500 I'm hearing u/ATOP 6-6:15 pm these evenings. MM 3/9- I took the "late shift" this MM, DXing 3-5am in order to latch onto EDVI-780's 5am s/on, but all I got was that ever-lovin' OC & WABC-770 slip. More info on R. Colossal-1020, AN, w/WINS-1010 off. CFRB as usual AN & loud, but a strong TTer u/them 4:14-4:25, off & behind both of 'em, an BB. An AN on 1000 advertising fried chicken for \$1.25 - where is this one, yummy yummy? WVLE-1170 is still not on FB. I also note more spurs during Aurora CX p what say, Admiral? CURT. MAKE THOSE PLANS NOW TO GET TO ST. LOUIS FOR THE NRC ANNUAL CONVENTION 8/29-31; 9/1.