

**NASWA**

the  
**JOURNAL**

**NORTH AMERICAN SHORTWAVE ASSOCIATION**

Volume XXXII, Number 9

September, 1992



# UNIVERSAL RADIO ANNUAL BOOK SALE



## PASSPORT TO WORLD BAND RADIO 1993 Edition

By Larry Megne. A must-have book for every worldband listener. Provides complete visual data on all SWBC stations from 2 to 27 MHz. See at a glance: station name, location, frequency, time, language and power. Also includes candid, hard hitting reviews on worldband radios including portables and table-top models. An expanded station address section has been added. Indispensable! *IBS*. New 1993 Edition in stock.  
Order #1000 ..... \$46.95 \$13.90

Every fall Universal features a special sale on our most popular titles. We work with major shortwave publishers to bring you exceptional savings on the best radio books.

*Sale prices valid until 11-15-92.*

PLEASE ADD \$1 PER TITLE FOR SHIPPING

## EASY-UP ANTENNAS FOR RADIO LISTENERS AND HAMS

By Edward Noll. Learn how to construct low-cost, easy to erect antennas. This comprehensive handbook contains all the latest antenna design and construction tips, techniques and tools you need to build effective, inexpensive antennas that work and stay up. For LW, MW, FM, SW, HAM and scanner frequencies. ©1988 *Sams*, 157 p.  
Order #0005 ..... \$46.95 \$13.90

## THE WIRE ANTENNA HANDBOOK

By Dave Ingram *K4TWJ*. The author gives you all the needed instructions and dimensions for a full range of easy-to-build HF antennas. No complicated formulas! Plus information on tuners, transmatchers, transmission lines and commercial wire antennas. ©1992 *Universal Electronics*, 105 p.  
Order #0296 ..... \$9.95 \$8.90

## PIRATE RADIO STATIONS

Tune In Underground Broadcasts  
By Andrew R. Yoder. The author takes you behind the scenes to trace the history of pirate radio. Also includes up-to-date listings and fresh insights. Does pirate radio represent free speech or criminal activity? An interesting book regardless of your perspective. ©1989 *TAB* 177 p.  
Order #2031 ..... \$42.95 \$11.90

## SHORTWAVE RECEIVERS PAST & PRESENT

By Fred Osterman. A concise guide to over 200 shortwave receivers manufactured in the last twenty years. Gives key information on each model including coverage, display, circuit type, performance, new value, used value, etc. Photos on most models. The *Blue Book* of shortwave radio values. ©1987 *URR* 104 p.  
Order #2948 ..... \$8.95 \$6.90

## SHORTWAVE LISTENING GUIDEBOOK

By Harry Helms. This book contains understandable information on: selecting a SW radio, operating a SW radio, getting program schedules, antennas, time stations, pirates, and much more. With tables and diagrams. Gives you an understanding of SW radio, so you can hear history in the making. ©1991 *DX/SWL*.  
Order #0498 ..... \$46.95 \$14.90

## WORLDWIDE AERONAUTICAL COMMUNICATIONS (2-26 MHz)

By R.E. Evans. DXing HF aeronautical can be exciting and productive if you know when and where to look. This absolutely accurate and up-to-date book covers all major civil and military aero freqs. from 2 to 26 MHz plus a cross-listing by country. An excellent glossary of terms is featured. First Edit. ©1991 *U.R.R.* 42 p.  
Order #3005 ..... \$6.95 \$5.90

## LANGUAGE LAB

A complete guide to writing reception reports. All words, formats & phrases are provided. In 4 separate editions.

### Language Lab - Spanish

Order #1175 ..... \$42.95 \$10.90

### Language Lab - Portuguese

Order #1176 ..... \$42.95 \$10.90

### Language Lab - French

Order #1177 ..... \$42.95 \$10.90

### Language Lab - Indonesian

Order #2198 ..... \$42.95 \$10.90

## COMPLETE SHORTWAVE LISTENER'S HANDBOOK

By Bennett, Helms & Hardy. This expanded Third edition of nearly 300 pages covers SW/Ling from A to Z. Perhaps the best "background" book on the listening hobby. Chapters include receivers, terminology, antennas, QSLs, propagation, frequencies, FM and television DXing too. ©1986 *Tab* 294 p.  
Order #0872 ..... \$47.95 \$15.90

## DISCOVER DXING! - AN INTRO. TO TV, FM AND AM DXING

By John Zondlo. This book provides a readable Introduction into DXing AM, FM and TV. Topics include: propagation, seasonal conditions, equipment, antennas and reference materials. There is an excellent section on "best bets" for hearing fifty states on AM. ©1992 *Universal Radio Research*.  
Order #0010 ..... \$4.95 \$3.90

**HUGE 100 PAGE CATALOG 92-08** .... Our new catalog is bigger than ever and now features new receivers by Lowe Electronics and McKay Dymek. Available FREE by 4th class mail or \$1 first class mail.

- Visa, MC, Discover
- Prices are subject to change.
- FREE used equipment list available.

### RETAIL STORE HOURS

Monday - Friday 10:00-5:30  
Except Thursday 10:00-8:00  
Saturday 10:00-3:00  
Sunday -CLOSED-

Serving Listeners Since 1942!

**Universal Radio**  
6830 Americana Pkwy.  
Reynoldsburg, OH 43068

**universal radio inc.**

Orders 800 431-3939  
Info. 614 866-4267  
FAX 614 866-2339

# NASWA Notes

Bob Brown KW3F  
238 Cricklewood Circle  
Lansdale, PA 19446  
CompuServe 74756.1557  
Genie R.BROWN106  
Packet KW3F @ WB3JOE



Hello again. The big news tonight is from our publisher **Bill Oliver** -

"Well, the Great Experiment is over. Even in those areas where it worked, it didn't work as well as I had expected. In the other areas, especially parts of Indiana, Florida, California and New Jersey, it was terrible.

"I'd like, however, to clear up an apparent misunderstanding that some members have. Bulk Mail was never intended to be used as the regular form of mailing. The test was devised to see if this type of mailing two or three months during the summer was a viable alternative to increasing the dues when and if the next postal increase arrives. I will be the first to admit that this should have been more clearly explained in the *Journal*, but time didn't allow an in-depth overview of all of this. To those of you who understood this and

wrote giving me your opinions, thank you. I would especially like to thank the member in Omaha, Nebraska who wrote, "You guys are thinking, though." Thanks, Carl. I appreciate that. If you ever need a pint of O-Negative, just write."

You should have received this month's *Journal* much earlier in the month than last month. To give you a comparison, this month's book was put in the mail on Friday, September 4. Thanks to all who sent along comments, suggestions, and concerns. Rest assured, NASWA will continue to be First Class forever.

## Welcome Joe Buch!

I'm pleased to announce that Joe Buch, N2JB has joined the NASWA staff as Tech Topics editor. Many of you already know Joe through his regular participation on the ANARCSWL.

## Welcome to the following new NASWA members -

Larry D. Baden, Toledo, OH  
Nancy Bogden-Rowe, Ferndale, MI  
Bartlett Burnap, Palm Beach, FL  
David W. Carter, Bellingham, WA  
Richard Cassidy, Loganport, IN  
Mike Cooper, Atlanta, GA  
Mr. Ron Corlies, Belleville, Ontario  
Robert F. Day, San Francisco, CA  
Gerald Devin, Tamarac, FL  
Gary Elston, Fremont, CA  
Malcolm Fisher, Algonquin, IL  
Robert S. Florczyk, Chicago, IL  
Daniel Flynn, Abington, PA  
Robert E. Gaetz, Rochester, MN  
Joe M. Gangl, Atlanta, GA  
Paul John Gough, Watertown, CT  
Walter M. Kaufman, New York, NY  
Edward G. Klump, Monroeville, PA

Mike Logue, Harrodsburg, KY  
Tim McFarland, Salem, OR  
Frank Murray, Denver, CO  
Thomas Nowicki, North Liberty, IN  
David A. Nudleman, Ft. Worth, TX  
Benton Owsley, Ventura, CA  
Richard D. Palmer, Decatur, IL  
Eugene Peroni, Philadelphia, PA  
Jim Pogue, Memphis, TN  
E. A. Pratt, St. John's, NFLD.  
Walter J. Reis MD, Greensburg, PA  
Larry Russell, Flushing, MI  
David Edgar Tampke, Austin, TX  
Robert J. Taylor Sr., Riverdale, MD  
L. Mitchell Wein, Yonkers, NY  
Herbert J. Weintraub, Lafayette Hill, PA  
John K. Williams, Chicago Ridge, IL

Our Motto is - "Unity and Friendship"

Net on Sundays. I could tell Joe was pretty excited about editing this column when I received a four page letter in the mail from him outlining his ideas for topics for the next 12 months. Joe's a knowledgeable and personable fellow and it's great to have him on board. If you've got some technical questions or ideas please feel free to contact Joe directly.

## New QSL'ing Book Special For NASWA Members.

In 1986 our own Gerry Dexter wrote the definitive guide to reception reports and QSL collecting. Completely updated, the new second edition of *Secrets Of Successful QSL'ing* offers proven techniques for new DXer's and veterans alike in building their QSL collection. NASWA is pleased to be able to offer a special pre-publication offer to it's members. Please see the display ad on page 4 describing this offer.

## NASWA Company Store

As you can see, we are starting to add some books to our list of items available through the NASWA Company Store. We will have a complete updated list of store offerings in next month's Journal. When you purchase something through the store you are accomplishing two things. You are helping out the club because the store purchases help a little in offsetting operating expenses and you are obtaining items that help make your hobby a bit more enjoyable. If you have ideas, suggestions, or comments concerning the store, please drop me a line.

## Hallicrafters Founder Dies At Age 93

I spoke with John Bryant a couple of weeks ago and he told me that the man who founded the Hallicrafters company, William J. Halligan, had passed away on July 14th in Miami Beach, FL.

The September issue of QST has a news item about this on page 104. Here are a few excerpts from that article -

*He was 93 years old and outlived his company by 17 years. Born in 1898, the year Marconi first sent a signal across the English Channel, Halligan's life spanned the history of radio. He began as a spark experimenter*

## ANARC SWL Ham Net

Tune in Sunday mornings at 10 A. M. Eastern Time on 7240 LSB for the latest in shortwave listening, DX tips, and up to the minute hobby news. Contributors share their DX tips via their own amateur radio stations or by telephoning a "gateway" station who then broadcasts the relayed tips. Net Controls Bob Brown KW3F and Dave Kirby N8JQX host an always lively gang of DX monitors. (Best heard in the eastern half of NAM)

*and ended a computer user.*

*"Hallicrafters -- The Radio Man's Radio" said the display sign in local radio stores around the world, and it was true. Hallicrafters receivers especially - and transmitters to a lesser extent - set industry standards for decades with their big, readable dials and people-sized knobs. These radios were not for the faint of heart, they were for operators.*

*Halligan and his company will live for decades in the hearts of thousands of radio amateurs and military operators who used his radios, and his immortal stamp was made on modern communications equipment, of which many of his innovations are an integral part.*

*Halligan leaves two sons, William Jr. and Jack, 10 grandchildren, and 12 great-grandchildren.*

I feel I've been very fortunate to have used Hallicrafters equipment over the years. Thanks Mr. Halligan, we all appreciate greatly your contribution to our great hobby.

## Help!

Other than a few station profiles, I'm clean out of articles for DX'ers Forum. Submissions are necessary to keep the Forum alive. Also, suggestions for Musings topics would be appreciated.

## Oh No! That \$%#%\$ Post Office!

I just got a call from Bill saying that Sheryl's Tropical Band Column was sent over a week ago and hasn't arrived. If it doesn't appear in this issue you now know why. There's an outside chance it'll get here on Monday or Tuesday. If it does, we'll get it in.



## Upcoming HamFests

- Sept 18-20 Walla Walla Valley ARC, Milton-Freewater, OR  
Carl Elsner, 223 W Chestnut, Walla Walla, WA 99362
- September 19 Rochester ARA, Buffalo, NY  
Harold Smith, K2HC, 153 Mason Ave., Rochester, NY 14620
- Sept 19-20 Peoria Area ARC, Peoria, IL  
Ron Morgan, KB9NW, 114 Herman St., East Peoria, IL 61611
- Sept 19-20 Roanoke Division Convention, Virginia Bch., VA  
Art Thiemens, AA4AT, 2836 Greenwood Rd., Chesapeake, VA 23321
- September 20 Columbia-Montour ARC, Berwick, PA  
Dave Schack, 6020 Ft Jenkins Lane, Bloomsburg, PA 17815
- September 20 L'anse Creuse ARC, Clemens, MI  
Donna Luh, KA8QBD, 732 Brookwood Lane, Rochester Hills, MI 48309
- September 20 MIT Radio & Electronics Society, Cambridge, MA  
Steve Finberg, W1GSL, P O Box 82, Cambridge, MA 02139
- September 20 Candlewood ARA, Sandy Hook, CT  
Martin Saar, WK1D, 38 Scott Ridge Rd., Ridgefield, CT 06877
- September 26 St. Peters ARC, O'Fallon, MO  
Walt Franzer, WX0C, 1333 Pegasus Trail, St. Peters, MO 63376
- September 26 Danville/South Boston ARC, Danville, VA  
Bonnie Manasco, AB4KO, Rt 1, Box 1542, Ringgold, VA 24586
- Sept 26-27 Great Lakes Division Convention, Louisville, KY  
Mike Doerhoefer, WB4AJZ, P O Box 34233, Louisville, KY 40232
- September 27 Metro 70cm Network, Yonkers, NY  
Otto Supliski, WB2SLQ, 53 Hayward St., Yonkers, NY 10704
- September 27 Cleveland Hamfest Assoc., Cleveland, OH  
Glenn Williams, AF8C, 513 Kenilworth Rd., Bay Village, OH 44140
- October 3 Miami Co ARC, Cass Co ARC & Tioga ARS, Peru, IN  
Byron Wilson, K9SBW, RR #5, Box 337, Peru, IN 46970
- October 3 Radio Amateurs of Greater Syracuse, Baldwinsville, NY  
Vivian Douglas, WA2PVV, 213 Monticello Dr., S., Syracuse, NY 13205
- October 3-4 New England Division Convention, Boxborough, MA  
Eugene Hastings, W1VRK, 18 Churchill Rd., Marblehead, MA 01945
- October 4 Huntington County ARA, Huntington, IN  
Mike Brooker, WD9JFC, 3341 E-722N, Huntington, IN 46750
- October 4 Independent Radio Assn., Inc., Springfield, OH  
Ralph Pamer, WA8KSS, 1738 Meadow Cr., Springfield, OH 45506
- October 4 Mt. Airy VHF Radio Club, Cherry Hill, NJ  
Al Boblitt, K3EOD, 8389 Langdon St., Philadelphia, PA 19152
- October 10 Mid South ARA, Memphis, TN  
Nita Wofford, N4DON, 2966 Cordell, Memphis, TN 38118
- October 10 Amateur Radio Club of Augusta, Augusta, GA  
Lois Abercrombie, N4POL, P O Box 5943, Augusta, GA 30506
- October 11 Columbia ARA, Friendship, MD  
Richard Frank, W9RZ, 12933 Kentbury Dr., Clarksville, MD 21029
- October 11 Jersey Shores Amateur Radio Clubs, Wall Township, NJ  
Al Allen, K2LG, P O Box 129, Belford, NJ 07718
- October 17-18 Pacific Division Convention, Concord, CA  
Lauren Styles, WA6CIE, 1910 Sunshine Dr., Concord, CA 94520
- October 18 MIT Radio & Electronics Society, Cambridge, MA  
Steve Finberg, W1GSL, P O Box 82, Cambridge, MA 02139
- October 18 Firclands ARA, Milan, OH  
Jack Hubbard, N18N, 816 Superior Dr., Huron, OH 44839
- October 24 South Carolina State Convention, Sumter, SC  
Jim Reading, WB4KIV, 38 Alice Dr., Sumter, SC 29150
- November 1 Oak Park ARC, Southfield, MI  
Ajan Quirie, KA8ZRR, 4324 Mandalay, Royal Oak, MI 48073
- November 6-8 South Texas Section Convention, Houston, TX  
Richard Shankle, N5KV, 203 Arrow Wood, Lake Jackson, TX 77566
- November 14 Twin City Hams, West Monroe, LA  
Jimmy Ramsey, N5DMX, 103 West Fairway Dr., West Monroe, LA 71291
- November 14-15 Indiana State Convention, Fort Wayne, IN  
Don Gagnon, WB8HQS, P O Box 10342, Fort Wayne, IN 46851
- Nov 21-22 Florida State Convention, Tampa, FL  
Pat Barbieri, WB1GZW, 2225 Glen Dr., Safety Harbor, FL 34695

## New From The NASWA Company Store -

### *Secrets Of Successful QSL'ing - The Complete Guide to Reception Reports and QSL Collecting by Gerry Dexter*

Collecting QSL's from radio stations is one of the radio hobby's most time honored traditions and for many listeners as basic as the logging itself. It is also more of a challenge than ever, often requiring "extra measures" in order to obtain a reply.

When first released in 1986, Gerry Dexter's *Secrets Of Successful QSL'ing* was praised and welcomed by QSL fans both old and new. Now Tiare Publications has released a new and expanded edition, filled with tips and techniques to help pull in those hard to get replies.

The book covers every aspect of QSL'ing - from the basics of reception reporting to handling multiple followups, to prepared cards, foreign language reporting, and using the postal service. It also discusses special techniques such as paralleling, peppering, shotgunning, the John Alden technique, tracking, and much more. Woven through the text are tips, techniques, and "war stories" contributed by other listeners and DXer's

The book also contains a special chapter by Jerry Berg, chairman of the Committee to Preserve Radio Verifications, on caring for your QSL's. A special section, "CPRV Page" contains some three dozen pages of historic QSL's.

Expanded to full 8½ x 11 size, *Secrets Of Successful QSL'ing* gives you all the information you need to become a big winner in the QSL game.

*Secrets Of Successful QSL'ing - The Complete Guide to Reception Reports and QSL Collecting* by Gerry Dexter. Approximately 120 pages illustrated. \$12.95

### **SPECIAL! For NASWA members only -- \$11.95!**

Place your order during the month of September and receive Gerry's new book at a special price of \$11.95 + \$1 s/h NAM, \$3 elsewhere. (Normal price \$12.95 + \$2 s/h NAM, \$4 elsewhere -- Save \$2!) Order now from: The NASWA Company Store, 2641 S. Shields St. Philadelphia, PA 19142. All checks payable to NASWA. This is a prerelease special and all orders for this book will be shipped in early October.

### **Calendar Of Events**

- Sep 15** - Meeting, N.E. Ohio SWLs. Cuyahoga County Library, 9089 Brecksville Rd., Brecksville, OH (Rt. 21, just South of Rt. 82). 7:00 PM. For info send SASE to: NE Ohio SWLs, c/o Donald J. Weber, P.O. Box 652, Westlake, OH 44145-0652
- Sep 18** - Meeting, Boston Area NASWA Chapter, GTE Labs, Waltham, Mass. For additional information please contact Paul Graveline (508) 470-1971, or via modem on Tom's BBS, (617) 698-8649 (300/1200/2400 baud), (617) 698-8734 (9600).
- Sep 18** - Meeting, Philadelphia Area NASWA Chapter. Kulpsville Holiday Inn, Kulpsville, PA. 7:30 PM Contact Dan Cashin (215) 446-7831
- Sep 19** - The Miami Valley DX Club (All band orientation) meets on the third Saturday of each month at 1 PM. Locations vary but are announced in advance. For info, call the MVDXC Newsline at (614) 471-9973 (24 hrs.) Or, send a SASE to MVDXC, Box 292132, Columbus, OH 43229-8132
- Oct 2-4** - 1992 Monitoring Times Convention at the Omni Hotel at CNN Center, Atlanta, GA. \$40 registration fee, \$21.95 banquet fee. Contact: Monitoring Times Convention Registration, P.O. Box 98, Brasstown, NC 28902-0098 (704) 837-9200

**Members are invited to submit items to be included in this calendar to Bob Brown.**

## Musings

*This column provides a forum whereas members can express comments, ideas, and thoughts about NASWA or the SW radio hobby. Please feel free to comment on anything presented this month (or previous months), or use next month's theme as a basis for your discussion. Next month's theme is - "My Most Memorable DX Catch" (Due to the late delivery of the August Journal we'll keep this topic going for next month). The monthly theme is only used as a suggestion for discussion. Any other items of interest to members may be also submitted. Because I edit this column, I'll jump in with responses where appropriate.*

**Bob Curtis W1EXZ, 17 Cobbleview Dr., Colchester, VT 05446**

My most memorable DX catch brings to mind TI4NRH in Costa Rica, which I heard many years ago. TI4NRH was a low-powered station, ten watts I think, which was operating in the early '30s as I recall. Although TI4NRH sounds like a ham callsign, in those days shortwave stations did have callsigns with prefixes similar to ham prefixes. W2XAF was WGY's shortwave outlet in Schenectady, NY and I think KDKA's shortwave station was W8XK; western Pennsylvania being in the 8th call district at that time.

TI4NRH in Costa Rica was apparently operated by a man of little means, who scrounged together enough parts to put this low-powered station on the air. Even so, it was heard very well in the U.S.; and particularly in New England where I lived. I cannot remember the frequency that TI4NRH used.

TI4NRH had a benefactor, a wealthy man in Connecticut ( I forget his name ), who did contribute to assist the station to stay on the air. In fact, TI4NRH put out a little booklet entitled "ME AND LITTLE TI4NRH", which gave the whole story of the station. Although I had the booklet as well as a QSL, they are long gone, lost in the vicissitudes of many location changes over the years.

I wonder if any other long-time SWLs can recall TI4NRH and, perhaps, with a better memory than mine, come up with more details on this little station that was quite well-known in the early '30s.

**Richard A. D'Angelo, 2216 Burkey Drive, Wyomissing, PA 19610**

Who could resist a theme such as "My Most Memorable DX Catch"?!?! Unfortunately, many of our memorable DX catches become faint memories over time. That's why my most memorable DX catch is a recent experience that was shared by four other NASWAns. Sound kinky, eh?

The Gifford Pinchot State Park DX Team was at it again last April. Hans Johnson, Dave Valko, Fred Kohlbrenner and I were joined by "rookie" sensation Bob "Big Signal" Brown in another memorable weekend of DXing. Each of our outings produces some surprises and this weekend's excitement resulted in "My Most Memorable DX Catch" - Radio Apintie in Suriname. It was fairly late, around 0405 UTC on April 5th when Hans casually announced he was listening to Apintie on 5,006 kHz. Due to constant utility station interference, this flea powered station from Suriname is rarely heard or reported. In less than two seconds five DXers, sitting in a cabin in central Pennsylvania, were listening to a late night musical program featuring Top 40 music from Suriname. The music was continuous until an elusive ID was heard at 0428. Just to confirm our collective sanity, I believe each of us said out loud "They just IDed". Although the signal was weak, the channel, which is usually dominated by a pesky utility station that other clubs consider DX, was free from QRM. For more than an hour the announcer played the hits, whispered those sought after ID's and chatted about nothing important. We loved every minute of it. Later we learned that Dave Clark in Ontario



enjoyed the same experience. Perhaps we were the only distant listeners to hear Suriname that night.

The station verified promptly with a form letter reply and a note at the bottom of the letter stating that they were operating at only 50 watts because their linear amp was not working. WOW! That lowered my QRP total as my previous low from Latin America was HCJB's 26 mHz test during the last sunspot cycle with a 100 watt transmitter.

Although I have had many memorable DX experiences over the years, the Radio Apintie log and subsequent verification has to rank up near the top. I have not heard the station since that night at Gifford Pinchot!

73 - Rich

**Kris Field, 431 Babylon Rd., Ambler, PA 19002-2302**

One of my most memorable DX catches has to be Kalaallit Nunaata Radioa, Radio Greenland. They had announced that they were closing down their shortwave transmitter at the end of 1989. It was December and I hadn't ever heard them. I was sweating as time grew shorter. I'd listened for them earlier that year but wasn't persistent about it at all. So I started listening every morning in November,... then December... Finally, December 13, 1989, 0955 UTC, I woke up early and turned on the radio. One of my regular stops on the dial, 3999 kHz. I almost tuned right past it because I expected to hear the hams who held a net there every morning on LSB and nothing else... as usual. But wait, in the background, I hear...is it... yes it's a celeste playing! Then the hams even started talking about it in a nonchalant manner... "hey, there's Greenland. It's pretty loud this morning..." I switched sidebands and there it was, loud and clear and no interference from the amateur operators who so nicely ID'd it for me. I listened for quite some time, got a lot of great details and fired off a letter. It was almost anticlimactic to finally receive the QSL card from Henrik Jorgenson in early 1990. Whew! Almost missed them before they left us for good. It's a bittersweet memory today though. I was glad to hear them and verify them but I'm sad to see them leave the air. I'll just have to be content to have the memory. It ranks right up there with my log of RTV Malaysia. Ah...but that's another story.

CUL Kris

-- *Thanks for waking me up that morning, that's the only time I heard a clear enough signal also!*

**Dr. Harold Cones, 2 Whits Court, Newport News, VA 23606**

I expect my story is not exotic enough, but my BEST DX catch was HCJB. Since it was the first shortwave station I ever heard and at that point in my life, there could be no better DX catch. One of the toughest catches I ever made was in 1958—Fiji. Fiji was a low power station and there was not a lot of information available about it and I had to do some real work to hear and identify it. In more recent times, the Indos prove to be challenging targets and any of those I can verify become my best DX (at least for now). I guess what I am trying to say is that my first and last catches have been my best ones.

Dr. DX

**Andrew Yoder, P.O. Box 109, Blue Ridge Summit, PA 17214**

I have been a bit upset about the lack of pirate news in *The Journal*, but your response to Jim Clar's letter in the July issue motivated me to write a letter on the subject, too.

NASWA has cut out nearly all pirate logs since 1989, while no other segments of the shortwave broadcasters have been cut. In your response to Jim Clar you said that we



shouldn't duplicate ACE's efforts. That makes sense, except that the "Upcoming Hamfests" page is basically a reprint of what QST, CQ, and 73 already print. The "English Schedules" section is very similar to a section in MONITORINGTIMES. And to top it off, the "Listener's Notebook" has almost NO original material -- it is mostly taken from MEDIA NETWORK, FINE TUNING, PLAY DX, etc.

As far as the European pirates are concerned, they have even more newsletters than the North American stations. If you want Europirate DX news, try:

Pirate Chat, 21 Green Park, Bath, Avon, England, BA1 1HZ  
FRS Goes DX, P.O. Box 2727, 6049 ZG Herten, The Netherlands  
Free-DX, 3 Greenway, Harold Park, Romford, Essex, England, RM3 OHH  
FRC-Finland, P.O. Box 82, SF-40101 Jyvaskyla, Finland  
Pirate Express, P.O.Box 220342, Wuppertal, Germany

As you can see, there is no shortage of Europirate information.

So, why not include the pirate logs or at least have someone write a 1- or 2-page column every month about pirate radio? It surely wouldn't be pushing out other valuable information and it wouldn't hurt ACE. It's a shame to see such a growing, lively part of the shortwave listening hobby being censored from The Journal.

*-- First off, thanks for the addresses for Europirate DX newsheets. Your letter was one of two that I received commenting on my response to Jim's musing. The other letter was similar to yours - "Why should I pay another subscription to get info on pirates and clandestines? Can't NASWA serve this 'need', too, or are we somehow removed from unlicensed broadcasts?"*

*You are absolutely correct - the hamfest info is available in the ham magazines. And yes, some of Listener's Notebook is available elsewhere although widely scattered. However, the reporting of BBCMS info is unique in a non-commercial publication. Also, MT wishes their English language schedules were as accurate as Sundstrom's.*

*You mentioned that I should "at least have someone write a 1 or 2 page column every month about pirate radio." Did you have "someone" in mind?*

*I'm going to sit back and let the membership voice their opinions to your recommendations. I've already given mine in my response to Jim. As far as "censorship" is concerned I guess you didn't see Page 51 of the June Journal. Wally gave an entire page of clandestine and pirate loggings. He works under a page count limit which is imposed by the Managing Editor. In his column, International Broadcast loggings take priority and if there is any available space he will list clandestine and pirate activity.*

*Members - comments?*

**Philip J. Wanat KVT1AX, PO Box 354, Northfield Falls, VT 05664**

I really enjoy being a member of NASWA, and look forward to each and every issue of The Journal. I also take part in the ANARC/SWL Net on Sunday mornings when I can. It makes me feel that our motto of friendship and sharing is alive and well in these trying times.

At present, I live in a mobile home park with antenna restrictions - no antennas allowed. Well, so far the disguised flagpole antenna works okay. Extending the bathroom vents enabled me to run a thin wire between them; reception was improved greatly. Recently, I completed a 36" loop with a 50 ohm coax lead in, for temporary use. It works well between 9-13 MHz. I doubt that it is matched as I am not a technician.

Would there be someone in the hobby that could submit some antenna projects that work well in restricted areas? I'm sure there are quite a few that have experimented, and have had some success in this area.

The guys at The Journal, and the guys that run the ANARC/SWL Net are doing a great job.

**Larry Nebron, 27 Garden Grove Dr., Daly City, CA 94015-3066**

I wonder how many of our members are using the FIDO, RIME, GENIE, COMPUSERVE, INTERNET and the other shortwave 'echos?' For those of you who have a computer and modem and are not, you don't know what you're missing! The FIDO Shortwave Echo is available on anywhere from 200 to 300 BBS's worldwide.

If you live in an urban area, you are most likely a local call away from joining. Most, but not all SYSOPs make no charge for the use of Conferences such as the Shortwave Echo. If you have a PC but no modem, modems have come down in price to a level where the average no name modem is not much more expensive than \$25 or \$30.

How does one go about finding which BBS in their area carries the Shortwave Echo? You start by calling Tom Sundstrom's Pinelands Boards and download the shortwave echo list or find a local FIDO Board and 'ask around' for the local number of the board carrying the Shortwave Echo. In the San Francisco Area, call Coconino County BBS's at (415) 861-8290 and check area 79. This board supports various off-line message readers using the QWK format.

These on-line conferences do not take the place of the Journal, but add a personal touch that a publication like the Journal, just can't. Every chance I get to I plug the club on FIDO or RIME, I do. A lot of beginners ask the usual question and when I answer them I suggest they sent \$2 to Bill for a sample copy. Thanks again to you, Bill Oliver, and the rest of the editors and volunteers who make the Journal, the First Class publication of the Shortwave Listening World!

73's

Larry

**Bob Brown, 238 Cricklewood Circle, Lansdale, PA 19446**

I could list about a dozen "most memorable DX catches" but there is one that stands out that I'd like to tell you about. I can remember coming home from work on a cold Feb. 4, 1988 to the February issue of DX Ontario on the mail pile. After dinner, I grabbed the DXO and headed up to the shack. While paging through DXO I read on page 70 an item submitted by (Wilkner, Numero Uno) mentioning that Radio Amistad from Peru was presumed back on 8515 and heard from 0037-0300 in early January. I read that and thought, "Now that's an odd frequency..." and flipped on the radio. I punched in 8515 on the NRD and got blasted with CW and RTTY on LSB. However, upon flipping to USB, there in the clear was (as indicated in my log from that date) "romantic vocal music". I started the tape recorder, and started taking down some details. Got an ID for R. Amistad and typed up a reception report on the computer. (Those were the days when I wrote reception reports rather than editing club bulletins). I was pretty excited about this catch because WRTH had them listed for 200 watts. About 5 weeks later I received a very nice letter from the lady who was running the station with a gas generator for 3 hours a day. Her husband had recently died from a cerebral hemorrhage and she was doing her best to keep the station running because "her husband would have wanted that".

I only heard the station that one time. To this day I check 8515 every evening and all I hear is chirps, bleeps, and buzzes, but no R. Amistad. I wonder if they've ever appeared again?

# DXer's Forum

Please submit all contributions to:  
**Bob Brown KW3F**  
238 Cricklewood Circle  
Lansdale, PA 19446  
CompuServe 74756,1557  
Genie R.BROWN106  
Packet KW3F @WB3JOE

This month Mark Hoersten takes us to Kentucky for a profile of WJCR. Ron Howard gives us some insight into United Nations Radio. Dr. Charles Wootten gives us his opinion of the Grundig RK-709 portable receiver. **Attention NASWA Members!** I need your articles to keep these pages full! Of particular interest are DXing tips and techniques, station profiles, antenna construction articles, and anything else related to DXing the shortwave bands.

## Station Profile: WJCR World Wide

by Mark Hoersten\*

Located in rural west central Kentucky is one of the newest shortwave broadcast station in the continental United States. WJCR World Wide began broadcasting on March 15, 1992 in the 41 meter band on 7490 kHz. The station is a religious broadcaster with programming consisting of Southern Gospel Music and Christian teaching programs. WJCR is a non-profit charitable organization that began searching for a site to build a Christian Radio Station back in 1985. Locations in several states as well as foreign countries were considered but the final choice was Kentucky. WJCR first went on the air in February of 1990, broadcasting on 90.1 MHz in the FM band with 100 kW. This powerful FM station is able to reach listeners in a five state area. Once the FM outlet was on the air, WJCR began to have some of its programming broadcast over shortwave via WWCR. Based on the response to this shortwave exposure, plans were developed to build a shortwave station on the same site as the WJCR FM. The 50 kW WJCR World Wide is now reaching listeners around the

globe.

The station site consists of two buildings and an antenna array all surrounded by farmland and open pasture. One building houses the studio and transmitters for the shortwave station with the second building containing the FM station and the administrative offices.

The shortwave building is a white rectangular structure that resembles a modern barn or industrial facility on the outside. About one fourth of the building is a modern office area and studio. The rest of the building houses the transmitters. The studio for the shortwave station is very basic as nearly all the programming is taped and produced at the

FM complex. The 7490 kHz service goes out via an RCA transmitter and a rhombic antenna

to Europe and Northern Africa. The antenna is supported by a series of extra tall wood poles, the same type used by the telephone and electric utilities. When I first drove up to the site I did not notice the shortwave antenna. I was expecting a more complex system like I saw at a VOA transmitter site, the metal towers supporting the curtain array. The WJCR



\* 8326 Summit Dr.  
Chagrin Falls, OH 44023



antenna looks much simpler. The antenna wire is strung between the poles and the layout of the poles determines the direction.

A second transmitter was nearly ready in July and should be on the air by the time you read this. The additional frequency is 7460 kHz and will use a second antenna system on the site aimed towards South America. An extra studio is planned within the shortwave building to support the South American service. By autumn additional frequencies of 13595 kHz and 17525 kHz will be in service with targets of South America and Europe respectively. These frequencies have already been assigned to WJCR by the FCC.

The 405 ft (123 meters) FM tower is located just beyond the station site on a small hill. The FM programming is also a Christian Gospel format similar to the shortwave, although they are separate. From 8:00 to 9:00 pm ET Monday through Friday both stations carry the live program "Prayer-Line". Both the FM and shortwave stations are operated by a dedicated staff of volunteers with only six full time employees.

WJCR enjoys receiving letters from all over the world and have been happy with the response to their broadcast. Thirty to forty letters are received each day. Many listeners request Bibles, prayer tapes, and other religious literature.

A large wall map of the world in the shortwave studio is marked with pins indicating all the locations around the world from where listener's letters have been received. All of the WJCR programming is in English so there are many listeners throughout the U.S.A., Canada, and the U.K., but many letters come in from all parts of Africa, Europe, Asia, South America, as well as listeners in

Russia. The correspondence department reads and responds to each letter which is usually written in English. The shortwave service recently received a letter written in French, but with no one fluent in the language the French department of a local high school was contacted to have the letter translated in order to respond to it.

The staff is very friendly and was happy to give me a tour of the facilities. Visitors are welcome between the hours of 9:00 am and 4:00 pm ET. The station is located near Millerstown (the FM station ID's as "WJCR Millerstown") Kentucky which is west of Upton, and 25 miles (40 kilometers) north of Mammoth Cave National Park. To get to WJCR take Interstate 65 to the Upton exit, go west on State Route 224, 9 miles (14 kilometers) past Upton turn left on state route 1140 and follow the WJCR signs. The station is at the end of a long lane, situated on a 256 acre (1 square kilometer) farm. The separation line between the eastern and central time zones cuts very close to the station which is in the eastern zone. Keep this in mind if you are approaching from the central time zone.

WJCR welcomes listener's reception reports and verifies with a nice full data QSL card. If you are able to log the FM station they will also verify this reception, the same staff handles both FM and shortwave correspondence. As with a QSL request to any station it is a good idea to include return postage. The address is:

WJCR World Wide  
P.O. Box 91  
Upton, KY 42784  
U.S.A.

WANTED; Books on servicing and design of vacuum tube receivers. SWBC crystals for Drake R-4B receiver. Alan Johnson, 6001 Goldboro Road, Bethesda, MD 20817. Phone (301) 229-7069 before 0200 UTC, please.

FOR SALE: Kenwood R-5000 in mint condition with extra filters. Must sell. \$600.00 or best offer. Philip Worob, 4003 Sidehill Path, Austin, TX 78731. Phone (512) 478-4665 days. Not collect.

WANTED; National SW-54 and Hammarlund HQ-145X with clock. Steve Reininger, 43 Chapin Road, Barrington, RI 02806. Phone (401) 247-1557.

إذاعة الأمم المتحدة

联合国广播处

UNITED NATIONS RADIO

LA RADIO DES NATIONS UNIES

РАДИО ОБЪЕДИНЕННЫХ НАЦИЙ

LA RADIO DE LAS NACIONES UNIDAS



By Ron Howard\*

United Nations Radio and UNESCO Radio provide a wide variety of programming to various shortwave stations around the world. Stations such as Radio Cairo, All India Radio, Radio Beijing, Radio for Peace International, Italian Radio Relay Service, Sierra Leone Broadcasting Service, Radio Tanzania, Radio Polonia, HCJB, Radio Mexico International, and the Bhutan Broadcasting Service are just some of the stations which air U.N. programmes.

In the past six months I have had the pleasure to tune in to the Bhutan Broadcasting Service (BBS) to hear U.N. Radio programmes such as SCOPE (an economic and social affairs radio magazine) and PERSPECTIVE, both of which I found to be very interesting. BBS transmits these programmes from the Himalayan Kingdom's capitol, Thimpu, on a 50 KW transmitter. U.N. Radio in New York has received letters about U.N. programmes via BBS from such areas as Australia and the Pacific to the Nordic countries. In fact they received 35 letters from throughout the world in just the first three months of this year regarding reception of BBS. That volume of letters now places BBS in fourth place on the U.N.'s list of requests received for QSL cards, behind Italian Radio Relay Service, Radio for Peace International and All India Radio. During the period from October 1991 to March 1992, the U.N. received 259 requests for QSL cards (verifying reception) for 13 different stations.

In addition to the fine programming I heard via BBS, there are also shows called WOMEN and U.N. CALLING ASIA, also carried by BBS. The broadcast schedule (dated: June - 1992) from U.N. Radio shows their programmes via BBS at 16.30 - 16.45 UTC on Monday and 14.30 - 14.45 UTC on Thursday, on 5025 kHz. Both of the programmes I noted were in fact on Thursday, from 14.30 - 14.45 UTC.

It is indeed fortunate that United Nations Radio will respond to correct reception reports of BBS, with a nice full data U.N. Radio QSL card, confirming "via BBS, Thimpu, Bhutan", seeing as BBS has in recent times not been QSLing reception reports. So I for one am very happy to have just received my U.N. QSL card and also a beautiful U.N. T-shirt. If you are interested in learning more about U.N. Radio, why not write to them at the address below and if you should hear their programme over BBS or any other station, why not send them your reception report? I know that they are very pleased to hear from their listeners.

(Compiled from information contained in U.N. FREQUENCY, an in-house circular containing relevant information received directly from listeners of U.N. Radio programmes, prepared by the office of the Chief, Electronic Magazine and Features [Chief: Sylvester E. Rowe]).

Address: United Nations Radio, S - 850 A,  
New York, N.Y. 10017

\* 4000 Rio Road, #48  
Carmel, CA 93923

# A User's Review Of The Grundig World Receiver: RK-709

By Dr. Charles A. Wooten\*

Spying the Willabee and Ward advertisement in the August 1992 issue of Popular Communications caused me to call the toll-free number to obtain one of these tiny marvels of modern electronics. It arrived within 72 hours of the call.

The opening card congratulated me on becoming the owner of a GRUNDIG RK-709 World Band Receiver. It further said it is today's state of the art in shortwave listening and that I was ready to travel the world and hear its many voices. Well, with that introduction I had to rip the plastic off the protective box to check out the world's smallest 12-band receiver. It measures 3.5 x 5 5/8 x 1.25 inches and weighs a mere 14 ounces. To be able to listen to MW (they said, "AM"), FM, FM Stereo (with quality stereo headphones included) and all nine major shortwave bands without hearing a mess of overmodulation and other garbage was almost too good to be true.

Sliding in the three AA batteries was easy, even without referring to the guide. On the left side of the case, near the earphone jack, is a switch that allows turning from mono reception to stereo. Below that is an input jack for use with an ac-dc 3-volt converter. I found the "finger-nail controlled" on-off switch on top of the unit.

Besides the settings for ON-OFF, there was also something called HWS. I had to sit carefully after reading what that meant. "Humane Wake System" proclaimed the instruction booklet. Why, the "tone begins softly and gathers volume until you wake up!" The digital alarm clock features a sleep timer that turns off the radio 10 - 60 minutes after you turn in and comes back to life at a time of your choosing to turn you on. I would have tried it the next morning with Radio Australia tuned in but my wife takes a dim view of the shortwave hobby at anytime much less at the

crack of dawn. In the event I wanted to listen at night with the headphones on, there is a switch that illuminates the clock. It goes off after a few seconds. Unfortunately, there is no light on the main dial.

Pulling up the telescoping antenna allowed some fair signal strength stations to be heard in the upper bands between 1800-1930 UTC (1400-1530 Eastern). The stronger stations turned on a red tuning light, sandwiched between a similar power light and stereo light. The sliding volume control on the right side of the case allowed really fine audio through the small speaker. I thought to compare performance to my PANASONIC DR-49 connected to Partridge's JOYMATCH III indoor antenna, but that would be unfair. Instead, I turned to my GRUNDIG SATELLIT 2100, a much larger version of this tiny waif. The SATELLIT 2100 was one of the last analog receivers before the company added digital readout to the later product line. This little RK-709 does not have digital readout.

This is a real twelve-band receiver. Each band must be selected by a switch on the top of the strongly molded plastic case. The receiving bands are:

FM ranges from 87.5 to 108 MHz.  
Longwave (LW) is from 145 - 285 kHz.  
Longwave enthusiasts will appreciate this!  
Medium Wave (MW) is from 520 - 1610 kHz  
continuous tune. The built-in ferrite antenna is operative.

SW1 (75 meters)	3900 - 4000 kHz
SW2 (49 meters)	5950 - 6200 kHz
SW3 (41 meters)	7100 - 7400 kHz
SW4 (31 meters)	9500 - 9900 kHz
SW5 (25 meters)	11650 - 12050 kHz
SW6 (21 meters)	13600 - 13900 kHz
SW7 (19 meters)	15100 - 15600 kHz
SW8 (16 meters)	17550 - 17900 kHz
SW9 (13 meters)	21450 - 21850 kHz



Immediately the DXer notices that the 60 meter band is missing as well as access to time station WWV. But, then, there were no advertisements touting this as a DX machine.

The instruction book is in German, English, French, Italian, and Spanish. The English section has many grammatical and spelling errors, so one wonders about the syntax of the other languages. The graphics suggest there is another version of the RK-709 that has a complete calendar function on the front dial. I really did want to set "summer time". I can console myself, though, that "at the programmed waking up time the radio is automatically switched on, and remains in operation for 60 minutes." And if I touch any other button except STOP, "the radio sound is switched off for 8 minutes and then recommences."

Reception quality is quite good. It compares well to the SATELLIT 2100 in that there is no indication in any band of the standard tinny sound and frequency loss due to handling with that of similar sized radios. The stereo even sounds great when the switch is set. It does not reject electrical noise like the

SATELLIT 2100. There is no noise filter switch. Frequency selection is pretty much guesswork on analog receivers even with a SCALE at the bottom of the dial. Compared to the SATELLIT 2100, this RK-709 is accurate enough for the casual listener to estimate the actual working frequency. Grasping the antenna will cause signal loss. There seems to be no indication of increased signal strength when attaching an alligator clip and a long wire to the antenna. Even in the shortwave bands, sometimes turning the receiver around or laying it flat may improve signal strength. The telescoping antenna is rotatable. In my rural environment weak stations are heard easily at the same strength of the SATELLIT 2100. Deep fades, however, take longer to recover on this little mighty mite.

You may write to WILLABEE & WARD, 47 Richards Avenue, Norwalk, Connecticut, 06857 for an information sheet if the POPULAR COMMUNICATIONS ad is not immediately available. Or call 1-800-367-4534. You can order it for \$159.00 plus your local tax and shipping on your credit card. WILLABEE & WARD will bill in four easy installments on your card. Good listening!

## Hardware Bits

by Alan Johnson

**NEW YAESURECEIVER** - As announced on Media Network of 14 August 1992, Yaesu plans to introduce a new SW receiver in December. The model number will be FRG-100.

**MFJ POWERSTRIP** - MFJ Enterprises has introduced the MFJ-1116 Deluxe DC Power Outlet for \$44.95. This is a 2.75 x 13.5 x 2.5 inch enclosure with 8 sets of binding posts, a voltmeter, fuse and an on-off switch designed to distribute 12 volt DC power to station accessories. Yes, you could build one yourself, but would it look as good? The MFJ-1112 with 6 outlets and no fuse or switch is also available for \$29.95. Contact MFJ Enterprises, Inc., P.O. Box 494, Mississippi State, MS 39762 (800-647-1800 to order/601-323-5869 for info).

**GROVE SW-100 RECEIVER** - From info I've seen posted on Genie, it appears that the new receiver from Grove Enterprises will be available in October 1992.

**WEAK SIGNAL TUNING TIP** - One technique used to find weak signals when band-scanning is to tune in SSB mode. As one tunes across a signal a whistle (heterodyne or beat note) is heard. When the receiver is tuned to the point where the whistle decreases in frequency and then disappears (called "zero beat") the receiver is tuned to the broadcast station's carrier frequency. Although it may be obvious to some, it took me a while to figure out the following convention: when tuning from the high end of a band to the lower end, use LSB mode; use USB for the opposite direction. This will cause the pitch of the beat note to decrease as the receiver is tuned closer to the station's frequency.

# African Destinations

Bill Kurrasch  
5607 Lincoln Road  
Ontario, New York 14519  
GENIE W.KURRASCH

I hope that summer in your location was better than we experienced here in western New York. Lots of rain and cool temperatures. Much of that rain was produced by thunderstorms which, of course, produces much static which doesn't produce very good listening conditions for the signals coming from Africa. Needless to say, not much time was spent twisting the knobs during the last few months. Hopefully, that will change very shortly. I did spend some time upgrading and reinforcing my antennas however, so hopefully we'll be able to report on some interesting reception over the next few months.

Continuing on with our tour of the African nations with some DX and QSL tips for those who would like to increase their reception and verification totals - here are a few more targets. (All times listed are UTC).

14.) **Chad** - is a rather easy catch in eastern North America. Radiodiffusion Nationale Tchadienne can often be heard transmitting with 100 kW of power at the following times and frequencies:

0330 - 0600 & 1830 - 2200 on 4904.5 kHz  
1300 - 1400 on 7120 kHz

The latter time and frequency is only very rarely heard here due to time of day and crowded frequency conditions. This station broadcasts in the French language and for best QSL results, your report should be written in the same. A reply from this station usually takes a month or two. A few IRC's, mint stamps or a dollar will help to encourage a reply.

A challenging DX target to aim for is Radio Moundou. Transmitting with only 5 kW of power, this station is not widely received. Try listening at the following times and frequency:

0500 - 0800 & 1400 - 1830 on 5286.1v kHz

This station broadcasts primarily in French, Arabic and Sara. Again, a report in French along with IRC's, Mint Stamps and/or dollars may result in a rare and rewarding QSL card or letter in one or two months. For NASWA country counting purposes these stations would also be counted as "CHAD". Simple enough!

15.) **Nigeria** - is another relatively easy African nation to hear in North America. There are numerous stations that comprise Radio Nigeria and they broadcast primarily in English. Try a few of the following stations:

Trans. Site	Time	Freq (kHz)	Power(kW)
Lagos	0430-1000	3326	50
	1700-2330	3326	50
	0430-2330	4990	50
	1000-1600	7285	50
Kaduna	0430-2300	4770	50
	0400-2300	6090	50
	Unknown	7275	100
	0430-2300	9570	50
Jos	0430-2300	5965	10
Enugu (*)	0400-2300	6025	10
Ibadan	0400-2300	6050	50
Maiduguri	0400-2305	6100	10

Mint Stamps, IRC's and especially dollars help to encourage replies from these stations which are often irregular and slow in coming.

The **Voice of Nigeria** is a rather easily heard station: Try the following:

0400-0800 and 1930-2000 on 7255 kHz

Most programs are in English. Replies from this station are much more reliable and expedient. Return postage is not always necessary but IRC's or Mint Stamps do seem to help.

Warning: As almost anyone who has ever written to Nigerian radio stations can tell you, if you do write to these stations, you can expect to receive some strange letters in return. These letters often bring requests for additional money and/or other favors. These requests may continue for a year or more after your original correspondence.

For NASWA country counting purposes these stations would also be counted as "NIGERIA" except for the station broadcasting from Enugu. This location would be counted as "NIGERIA (Biafra).

16.) **Niger** - This land locked nation with eight million inhabitants can also be heard from time to time in North America. The principle language of this nation is French, but English is also widely spoken. Try listening for **La Voix Du Sahel** at the following times and frequencies:

0500-0700 & 1630-2300 on 5020v kHz (20/100kW)  
0700-1630 on 6060 kHz (4/20kW)  
0700-1630 on 7155v kHz (4/20kW)  
1100-1630 on 9705 kHz (100kW)

A report written in French along with the usual IRC's, Mint Stamps and/or dollars will generally result in a QSL card or letter in a month or two. However, this broadcaster has been known to be a little bit stingy when it comes to replies. Also the same warning noted above also applies to Niger. Don't be too surprised if you get some strange requests with your QSL. You would do well to ignore any such solicitations unless you want to encourage odd correspondence for the rest of your life.

For NASWA country counting purposes these stations would also be counted as "NIGER". Another simple one!

17.) **Namibia** - This southwest African nation with a population of about a million and a half is slightly tougher to hear than most of the other broadcasters reported in this column. The **Namibian Broadcasting Corporation** transmits at the following times and frequencies:

1600-0600 on 3270 kHz  
1600-0600 on 3290 kHz  
0600-1600 on 7165 kHz  
0600-1600 on 7190 kHz

Each of these transmissions are a domestic service broadcast using 100 kW transmitters. The 7165 and 7190 kHz services are plagued by fairly crowded band conditions making them

hard to receive in North America. And with the usual noise on the lower frequencies, these too can be difficult to hear at times. Best bet is 3290 kHz near your local sunset time.

With English being the primary language of Namibia, this is the language that you will most likely hear when you tune into this station although don't be too surprised if you should happen to hear someone speaking in Afrikaans or some other local dialect.

A reception report will general result in a QSL card in short order. P. Schachtschneider seems to reply very quickly to QSL requests. An IRC or other compensation is helpful and appreciated. Another easy nation for NASWA country counting purposes, "NAMIBIA".

17.) **Cote D'Ivoire** - Continuing on our DX tour of the African continent, Cote D'Ivoire (or, popularly referred to as Ivory Coast) is a nation of twelve and a half million people located on the west central coast. With a name like that, it's no secret that the principal language of this nation is French. RTV Ivoirienne is another relatively easy broadcaster to receive in North America. Try listening at the following times and frequencies:

\*0600 - 2400 on 4940 kHz (25 kW)  
0600 - 1900 on 6015 kHz (500 kW)  
\*0600 - 0900 on 7215 kHz (20 kW)  
1700 - 2400 on 7215 kHz (20kW)  
1900 - 2400 on 11920 kHz (500 kW)\*\*

\*Best chances for reception. Try near local sunset time.

\*\* Reported operating on this frequency. Unconfirmed.

If you should catch this station operating, a reception report in French is a must if you would like a reply. A taped report may be very helpful in this particular instance. Don't forget to enclose some type of means for return postage and some type of small gift may also be helpful. Even after all this, it may take three months or more to receive your reply. Then again, you may not receive one at all. For NASWA country counting purposes this station would be counted as "Cote D'Ivoire". (I like these simple ones!)

18.) **Djibouti** - is a tiny nation that is situated on the east central coast of Africa at the mouth of the Red Sea and has a population of nearly 350,000. **Radiodiffusion-Television De Djibouti** is another station that is a little bit tougher to hear and is probably best heard on the east coast of North America. Try listening during the following times and frequency:

0300 - 2400 on 4780 kHz (20 kW)

French and Arabic are often heard on this station. A report in French is required for a reply from this station and again, a taped report may be very helpful. It may be two to six months before you see a QSL from this broadcaster, if at

all. They are not known to be one of the best verifiers in Africa. Don't forget some type of return postage.

19.) **Burkina Faso** - is a much better verifier and is also easier to hear. With a population of almost ten million this western African nation uses French as its primary language. Try listening for **Radiodiffusion-Television Burkina** at the following times and frequencies:

0530 - 0800 on 4815 kHz (50 kW)  
\*1700 - 2400 on 4815 kHz (50 kW)  
0800 - 1700 on 7230 kHz (50 kW)

\* Best chances for reception. Try near local sunset time.

A reception report in French will generally result in a QSL card or letter in two to four months although this station has on occasion replied to reports in English. This station has answered correspondence somewhat irregularly in the past, but they seem to be more responsive lately. Again, the usual allowance for reply postage in helpful and appreciated. For NASWA country counting purposes this station would be counted as "Burkina Faso" (This is getting too simple!)

20.) **Benin** - is another small west coast African nation with a population of about five million. French and English are the primary languages of this country. Try listening for broadcasts from the **Office De Radiodiffusion Et Television Du Benin** or **Radio Parakou** at the following times and frequencies:

0500 - 2300 on 4870 kHz (30kW)  
0400 - 0900 on 5025 kHz (20 kW)\*  
1700 - 2300 on 5025 kHz (20 kW)\*

Note: Monday - Friday 0500 - 0800, 1100 - 1400 and 1700 - 2100; Saturday and Sunday 0700 - 2300 the Regional Service of Radio Parakou uses these transmission facilities:

\* Best opportunity is from 0500 - 0900 due to interference from Radio Rebelde.

A reception report in French to either of these broadcasters may yield a QSL in two to six months. Enclosing the usual reply premiums may help to get your QSL but these broadcasters are not known to be prolific with their replies. Try writing to the following addresses:

ORTB	Radio Parakou
B.P. 366	B.P. 128
Cotonou, Benin	Parakou, Benin

For NASWA country counting purposes check off "Benin", if you hadn't already guessed!

That will due it for this time. If you can log all the station listed in the last three "African Destination", you are already half way to receiving your first NASWA African DXers Award. Don't forget to send your loggings into Sheryl Paskiewicz and Wallace Treibel via Vern Hyson. Back in December! '73



# Easy Listening

Richard D. Cuff  
213 Parkview Avenue  
Allentown, PA 18104-5323  
GENie R.CUFF  
MCI Mail 375-4854  
CompuServe 71207,1604  
Prodigy NCHT70A

## The Mother of Invention

You remember the adage "Necessity is the Mother of Invention", right? The combined responsibilities of parenthood and business travel have made routine listening somewhat difficult. Since I normally record programs for later listening, I don't have the audio tape gear or timer switch capabilities to record several days' programs at once.

I then remembered that our VCR can record at the same time every day with little fanfare. So, I connected a patch cord from my Sangean ATS-803 headphone jack to the "Audio In" RCA jack on the VCR. I then set up the Sangean and left it switched on. The arrangement worked just fine. All I need to do now is to figure out how to fit that VHS tape into my Sony Walkman...

## Radio Beijing

It has been interesting to observe the stance of China as its former Communist colleagues have self-destructed. China seems to want to retain strong central control while encouraging a more open economic system. Radio Beijing appears to reflect its government's ideology while presenting a more open face about China.

As with my outline on Deutsche Welle last month, I'll be focusing on a week's worth of programs at the specific time of 0300 UTC. Eastern North America is an easy target at that hour, using relayed transmissions from Radio Exterior de España and from Mauritania in Africa. I somehow missed recording the Sunday and Friday program; I'll catch up on that next month.

## Daily

Each broadcast begins with 10 minutes of **World News**. The scope is worldwide, with some emphasis on Asian affairs and news impacting China. This news appears to be either broadcast live or taped very close to air time. **News About China** follows for about 4 minutes following the World News. Stories originating in China and stories about events affecting China are included. Business and economic news generally are prominent in

this segment.

A four-minute editorial, a reading from a government policy paper, or a brief review of foreign opinion on a particular topic follows most days. For instance, there was a three-part reading of excerpts from a government "white paper" on China's prison system. Another day sampled Asian reaction to the Allies' latest strategic moves concerning Iraq. Monday programs do not have this feature; see below.

**Current Affairs**, Beijing's answer to Deutsche Welle's European Journal, follows on UTC Wednesdays through Saturdays, plus every other Tuesday. It appears program references are to local USA days, not UTC days. The focus of Current Affairs is on events in China or elsewhere in Asia that affect China. Typical program length is about 23 minutes. There are normally two to four stories covered in each edition. Economic developments, China's space program, and this prison system "white paper" were story topics during the period I sampled. Sometimes a musical interlude is inserted if the program runs short of the 23 minute time block. After Current Affairs, there is a divergence of program material by day of the week. Here are the topics covered and the days aired:

## Mondays

**Sports Beat** replaces the editorial feature. Topics include international sporting events in China, or performance of China's athletes in international competitions. The program airs weekly and runs about three or four minutes.

**Weekend Feature** is the name for the following "package" of features. **Ancient Science and Technology** is a multi-part series investigating scientific principles practiced in ancient China. The role of magnetism for navigation was discussed. It's interesting to hear how these supposedly modern, Western innovations were practiced hundreds of years ago in China. This feature ran about 6 minutes.

**Music Album** features music recorded by premier China orchestras. The sampled

program featured modern Chinese music, having a somewhat more Western orchestration. This feature ran 16 minutes.

**Listeners' Letterbox**, also airing Wednesdays, features the typical male/female host pairings with background stories researched in response to listener questions. Questions were addressed on Chinese agriculture and tourism during the segment I caught. Musical interludes are included. **Listeners' Letterbox** ran about 15 minutes.

### Tuesdays

Two programs alternate: **China's Open Windows** and **Business Show**. Both programs take a detailed look at business and economic development issues and opportunities in China. **China's Open Windows** seemed a bit like **Radio Moscow's** "New Market" program. The **Business Show** carried a lengthy interview with a Swiss company concerning Switzerland's involvement in Chinese ventures. Both of these programs occupied the 23-minute time slot otherwise filled by **Current Affairs**. **China's Open Windows** also appeared to preempt the editorial commentary.

**Learn To Speak Chinese** is **Radio Beijing's** language training program. It also airs on Thursdays. References were made to a study guide that I presume is available from **Radio Beijing**. The lesson pace appeared to be good for those with minimal understanding of the language. **Learn To Speak Chinese** runs 15 minutes. During the two Tuesdays I caught the program, I didn't hear an airing of **Current Affairs** during one of the two programs, as is indicated in their promotional announcements.

### Wednesdays

**Listener's Letterbox**, described under Monday's programming, again airs following **Current Affairs**.

### Thursdays

**Learn To Speak Chinese**, described under Tuesday's programming, again airs following **Current Affairs**.

### Saturdays

**In The Third World** features news from developing countries, and airs in the time slot following **Current Affairs**. Singapore was one of the countries featured on the day I tuned in. China considers itself the largest member of the Third World. I found the 9690

kHz relay from Spain to be the most reliable frequency in this time slot. On the whole, I found the programs interesting as a reflection of the Chinese government's straddling of controlled government and liberalized economic policies.

**Radio Beijing's** address was given as **Radio Beijing, English Department, Beijing 100866, China**. Other times for probably easy catches include 0000, 0400, and 1200.

## BBC World Service Highlights

At least I didn't lose the September issue of *London Calling*. The biggest news from the BBC isn't over the airwaves, it's in print: *London Calling* will cease publication after the October issue, to be replaced with a new 100-page guide entitled *BBC Worldwide*. Actually, *London Calling* will be the center pull-out section of the new guide.

This new guide will feature BBC World Service Television listings along with significantly more feature articles than the single article normally gracing *London Calling*. Technical articles, book/audio/video reviews, and competitions will also be included. The annual subscription will run £24 (about \$45) after an introductory period. It appears this change was necessitated with the rapid availability of BBC World Service television. I don't know if any USA cable systems carry BBCWSTV or not; please drop me a note if you know. I should have more details next month.

The feature subject this month is the status of "Indians" (native Americans) in North and Latin America 500 years after Columbus' arrival. A one-time special, **Hostages To Fortune**, airs Monday, September 14th at 0101 and 1515, looking at the Nisga'a Indians of British Columbia. A second six-part series, **The Invaders' Legacy**, looks at Latin American affects of Columbus' voyage. Sundays, beginning September 6th, at 1615 with repeats Mondays at 0730. Here are other feature programs, sorted by date.

Sundays, 2030 - **Brain of Britain** is moving into the final stages, which means the questions get tougher. Repeated Mondays 1215 and Tuesdays 0230.

Mondays, 1715 - **Slightly Foxed** is a panel game in which entertaining wrong answers earn points - don't worry, correct answers count, too. Reminds me of the adage "If you can't dazzle them with brilliance, baffle them

with...." Repeats Tuesdays 0030, Wednesdays 0830.

Saturdays, 0415 - **Good Books** keeps with the Columbus theme, featuring books in which visitors to America recorded their impressions. This month's impressions all originate in the 20th century. Repeats Wednesdays 1445 and Thursdays 0815.

Fridays, 0730, beginning September 11th: **Farming After Communism** explores the dilemmas facing governments and individuals as they grapple with new obligations and ownership responsibilities. The previously unheeded voice of the consumer is analyzed, along with the steep learning curve Eastern Europeans face on the principles of marketing. Repeated 1215 and 1930.

Mondays, 1635, beginning September 21st: **The Naturalist's Tale** invites professional and amateur naturalists to describe wildlife encounters they consider particularly significant. Jane Goodall ("The Shadow of Man") is featured on the 28th. Repeated Tuesdays 0730 and Wednesdays 1235.

Saturday, 1901, September 26th: **The Sandwich** explains the history and tradition of the ubiquitous nutritional invention considered of British origin, but originally created in Ancient Babylon. Bring your own bread. Repeated Monday 0101 and 1515.

Sundays, 0445, beginning September 27th: **Encounters With The Unknown** is a six-part series on paranormal events: "...Remarkable incidents that common sense simply cannot explain." Don't listen alone... Repeated Mondays 1445, Wednesdays 0815.

#### **Drama Features:**

Wednesdays, 1530, through September 23rd: **The Hitchhiker's Guide to the Galaxy** appears to be related to the TV series, but no mention was made of the link in London Calling. Follow the adventures of Arthur Dent, Ford Perfect, and Zaphod Beeblebrox. Repeated Thursdays 0030 and 1030.

Saturday, 1901, September 19th: **Passport to Permanence** is a play about the career of John Galsworthy, a winner of the Nobel Prize

for literature. Compiled by Richard Mullin. Repeated Mondays 0101 and 1515.

Sunday, 0030, September 20th: Peter Shaffer's **The Royal Hunt of the Sun** is the **Play of the Week**. This play chronicles the Spanish conquest of the Inca empire in 1529.

#### **Music Features:**

The pace of BBC Phone-Ins has really picked up in recent months. **Pop On the Line** brings in distinguished rock and pop musicians to participate in phone-ins. Ring 011-44-71-379-0411 from 1200 UTC on the day of the program with your question; you'll be called back just before or during your program to ask your question live. Sundays 1401 live; edited repeats Mondays 0630 and 1001. Tune in **Multitrack 3** (Fridays 1830 and 2330, Saturdays 1215) for the roster of upcoming musicians.

Mondays, 0145, through September 21st: **Music from the Age of Columbus** looks at the music Columbus' voyagers would have brought with them to the New World. Repeats Tuesdays 1445 and Fridays 0415.

Tuesdays, 1030 through September 22nd: **Modern Masterpiece** considers suggestions from noted musicians and composers as to what constitutes a masterpiece here in the 20th Century. Repeated Fridays 0030 and 1715.

## **Helloo! Is Anybody Out There?**

I know the Postal Service hasn't forgotten us. The bills still show up regularly each month. If you have any ideas on column topics, suggestions, criticisms, or just would like to chat, please drop a line via E-mail (see above) or via the US Mail. This column - as do all the columns in the *Journal* depend on your contributions to keep them fresh.

Now that the first three months are under our belt, things have settled into a routine around the house...somewhat. I'd love to hear from you.

Until next month,

73 DE Richard



This is the first in a series of Technical Topics articles which will focus on the theoretical aspects of shortwave radio reception, broadcasting and propagation. The articles will look at each topic from the perspective of the non-technical listener but will have enough meat and further reading references in them to allow the interested reader to pursue the topic in greater depth. Comments, questions and suggestions from NASWA members are welcomed. Although I will not be reviewing specific equipment items, it is hoped that a better understanding of the technology and issues involved will enable the reader to better understand the significance of equipment specifications and published equipment reviews.

---

## INTERMOD HUNTING FOR FUN AND PROFIT

---

Intermodulation (IM) products are the plague of the modern shortwave listener. In this article the techniques are described to allow you to recognize an IM product when you hear one, determine whether the IM comes from outside or inside your receiver, and calculate the possible frequencies of the transmitters generating the IM. You will also learn what, if anything, you can do to eliminate the interference caused by IM products.

### ***What is an IM product anyway?***

An IM is an unwanted signal which is generated by the combining of two or more signals in a non-linear device. Because the IM product falls on a frequency which is offset from either of the two original signals, the IM product can cause interference to the reception of the other stations. Non-linear devices which can cause IMs are overloaded amplifiers, transmitter output amplifiers, poor antenna connections at the transmitter or receiver, and diodes of all kinds including those found in solid state receiver protection circuits.

### ***How do you recognize an IM product?***

The IM product contains a combined

version of the programming of each of the signals which are combining in the non-linear device. The IM product has a full carrier just like the normal AM signal except that there will be two or more programs heard simultaneously. If at least one of the programs can be identified, there is a good chance that you can calculate the frequencies of the signals involved. (More on this in Part 2 next time.)

It is important not to mistake independent sideband (ISB) transmissions for IM products. The VOA and others often use such transmissions for the feeders to remote relay sites. ISB transmitters often carry one program on the lower sideband and another program on the upper sideband. In a wideband receiver you will hear both programs simultaneously. This could lead you to believe that you are hearing an IM product. The way to identify the ISB transmission from the IM product is to configure your receiver for single-sideband (SSB) reception. You will hear one program on upper sideband and a different program on lower sideband if the signal is ISB. If you hear both programs on both sidebands, chances are you have found an IM product. The ISB transmissions also use reduced carrier power. When ISB is detected in an ordinary

AM envelope detector, the audio will sound overmodulated and distorted. Normally, the audio associated with an IM product will sound clean but this is not necessarily true.

### ***How do I know if the IM is being generated in my receiver?***

There is a very simple test. First tune in a station that is known not to be an IM which is about the same strength as the suspected IM signal. Insert a 10 or 20 dB attenuator at the front end of your receiver. This can be an external pad or a push-button on the front of your radio. Note how much the signal drops on the S-meter. This value is noted as a reference for the next measurement. Now tune to the suspected IM and repeat the test. Remember that the mixing process that causes the IM is a non-linear process. If the signal is an IM generated in your receiver, the S-meter will drop more on the IM than it did on the reference signal. That response results from the non-linear nature of the IM generation process. If the IM signal is coming in from the antenna, the S-meter will drop an amount equal to the drop noted previously on the reference signal.

### ***if IMs are being generated in the receiver, what can be done?***

IMs generated in the receiver are a sign that something in the receiver is operating in a non-linear manner. This could be due to poor design, a malfunction in the receiver or simply too much signal at the receiver input. There is probably no cure for poor design other than

to donate the radio to your favorite charity so you won't feel so bad and then purchase a set with better performance. A malfunction can be isolated with proper test equipment and skill but that's another article. Overload is easy to fix. Use enough attenuation ahead of the receiver to just cause the IM product to drop into the noise coming in from the antenna. Radio Shack sells a variable attenuator that looks like it should work in this application (Radio Shack P/N 15-578).

### ***How are the IM products related to the signals causing the IMs?***

The most commonly encountered IM product is a "third order IM". The third order IM is found at twice one frequency minus the other. Mathematically, the calculation can be expressed like this:

$$IM_{\text{lower}} = 2F_1 - F_2$$

$$IM_{\text{upper}} = 2F_2 - F_1$$

Where  $F_1$  and  $F_2$  are the original signal frequencies.

The structure of the IM products and the signals which cause them can be visualized using Figure 1. Note that the space between the two signals is exactly the same as the space between the upper frequency signal and the upper third order IM product. The relationship also holds on the low side. Knowing this allows calculation of IM frequencies in your head.

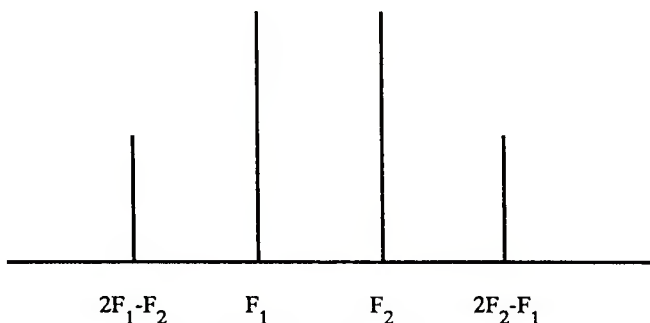


Figure 1. Third order IM spectrum

As an example, WJCR operates two transmitters from a single site. One transmitter is on 7.490 MHz and the other on 7.465 MHz ( assigned frequencies, actual frequencies are lower). Using the above formulas:

$$IM_{upper} = 2 \times 7.490 - 7.465 = 7.515 \text{ MHz}$$

$$IM_{lower} = 2 \times 7.465 - 7.490 = 7.440 \text{ MHz}$$

Tune to 7.515 or 7.440 MHz and see if you can hear the IM products.

### **How are IM products generated at the transmitter site?**

Several possible ways exist but the most common shown in figure 2. Two transmitters are configured to drive one antenna through a multi-coupler. If the coupler is not tuned precisely, some RF can leak from transmitter 1 into the output stage of transmitter 2 or

transmitter or coupler adjustment will cure this kind of problem.

### **Can corrosion on the receive antenna connections also result in IMs?**

Yes, but normally this is not a problem unless you happen to live close to a transmitting facility. The diodes resulting from the corrosion become non-linear at high signal levels. Unless you live within a few miles of a powerful broadcaster, voltage levels on the antenna will not drive the diodes into the non-linear portion of their transfer function. But remember that hams, CB transmitters and similar stations can generate the required field strengths near their transmitting antennas. Once the diodes are driven into the non-linear region, they can cause intermods between other signals.

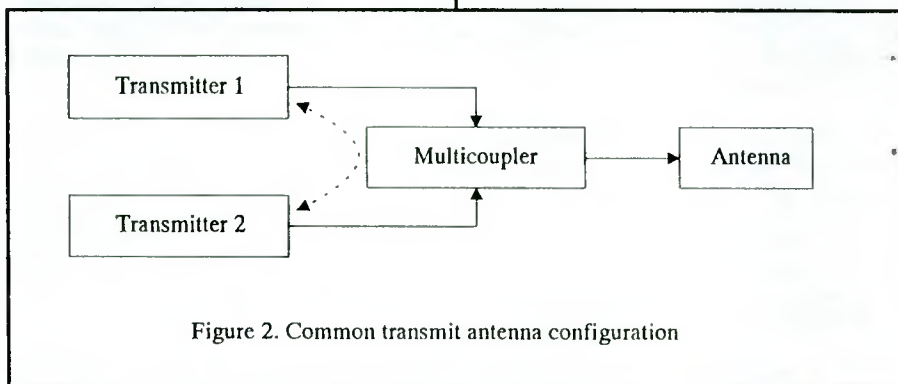


Figure 2. Common transmit antenna configuration

vice-versa. The amplifiers provide the necessary non-linear element for mixing the two signals and generating the IM products. Another way the IMs can be generated at the transmitter site is by corroded contacts on the antenna or feedline. Corrosion sets up semiconducting regions which behave like diodes. Many SW broadcast installations are located near salt water to enhance low angle radiation. The salt air can lead to corrosion if proper preventive maintenance practices are not observed. Signals from one or more transmitters can mix in the non-linear diodes formed by the corrosion. The signals are then radiated by the antenna. No amount of

### ***I know the IM is not being generated in my receiver. How can I tell if the IM is being generated by the transmitter site or locally in my receive antenna?***

The easiest way is to make use of your friends in the SWL hobby. Call up another listener. Describe what you are hearing and the frequency you are hearing it on. If the IM is also being heard at another location, chances are real good that it is being radiated from the transmitter site.



## ***What if the problem is in my receive antenna? What do I do about it?***

First make sure all connections are clean, soldered and protected from corrosion. Electronic supply houses sell special heat or chemical shrink tubing that forms a tight weather seal around connections. I use a couple of wraps of electrical tape. Each year before the start of the DX season I unwrap the tape, resolder the connections and then rewrap the connections.

If the problem persists, a portable radio should be used to sniff out the exact location

where the mixing is occurring. Move the radio around until the IM is strongest. This practice is tricky because large metal objects like rain gutters can act like antennas. When you think you have located the culprit joint, short across it with a short length of wire. If the joint is defective the IM strength should drop when shorted.

Good luck dealing with and tracking down IMs. One more thing. If you track a radiated IM to a particular transmitter site, a friendly letter to the chief engineer would be in order. Nobody likes air pollution, even those who generate it. Until next time, stay tuned.

---

## **The Dymek FC-11 Fog Cutter**

*by Alan Johnson*

Practically speaking, SW radio is an inherently low-fidelity medium, due to atmospheric noise levels, electromagnetic interference and heterodynes from interfering stations. Most modern receivers don't help due to less than optimal audio amplifier sections which add hiss, hum and distortion. All of these factors (and more!) add up to equal the "mud" from which listeners try to extract a readable signal.

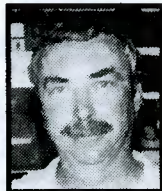
Over the years, various approaches have been tried to improve on the audio quality of communications receivers. These include such things as the Kiwa Electronics MAP unit and the Sherwood Engineering SE-3 which basically replace the detector and audio amp stages of a receiver. They work well, but are expensive. There are also various brands of active audio filters which allow shaping of the audio signal between the radio and its speaker. These range in price from \$100 to \$300 and require some practice in use in order to obtain full benefit. Recently, audio filtering units using digital signal processing techniques have become available, most notably the JPS NIR-10 for \$400 (see the July, 1992 Journal for a review).

Stoner Communications now offers the FC-11 "Fog Cutter" which is an easy to operate, passive audio filtering device. It is a 6" x 4" x 2 1/2" slope-front cabinet with a single six-position rotary switch. On the back are two RCA phono jacks which connect to the speaker output of the receiver and an external speaker. There is also a 1/8" mono headphone output jack on the back panel. The device requires no batteries or external power supply. Inside are several capacitors and a large ferrite toroidal inductor. The front panel switch selects these components in various low-, high- and band-pass configurations with varying cut-off frequencies. Once connected into the receiving system, the switch is rotated to select the most useful response.

Although a passive L-C filter like the FC-11 offers less steep cut-off slopes than an active device, I found it to be effective in reducing high-frequency hiss and low-frequency rumble/hum. Passive filters like this are designed to work with a specific load impedance (i.e. 8 ohm speakers or headphones) but it worked well with 600 ohm headphones. My only major complaint is that the headphone jack is not the standard 1/4" size and it is not mounted on the front panel for easy access. The FC-11 is easy to connect and use and at a suggested price of \$79.95 is relatively cheaper than alternative audio processing units. Contact Stoner Communications, Inc., 9119 Milliken Ave., Rancho Cucamonga, CA (714-987-4624) for ordering information.

# NASWA Portraits

Jerry Klinck  
43 Lein Road  
West Seneca, NY 14224



Welcome again to another NASWA "PORTRAITS". This month we make a return trip to PA and a nice visit with Jon Klinedinst in York.

"My earliest recollection of SW radio was back in the '60s when my dad told me to 'turn the dial slowly when listening to shortwave'. My dad was not a DXer so how he knew this good piece of advice is beyond me. And I remembered his advice when I received a Galaxy brand SW radio for Christmas in 1973. I enjoyed tuning around on the shortwave and hearing the many different whistles, roars, powerhouse broadcasters and numbers stations. It was almost a tradition on New Years Eve to tune in WWV and know precisely when the new year started."

"I quickly learned one of the drawbacks of general coverage analog shortwave radios: It is very tedious to try to find favorite stations night after night. For a while I tried putting narrow strips of masking tape on the analog dial to mark favorite stations. However, I soon realized that shortwave broadcasters change frequencies and I was behind the eight-ball again."

"For quite a few years I didn't listen to shortwave, save for occasionally setting my watch to WWV. (At least WWV didn't change frequencies.) Then, in 1984, I stumbled across a GE World Monitor receiver with digital readout, in a local store. I didn't buy one then but about three years later the realization hit me; if you have digital readout all you have to do is write the frequency and time of your favorite stations and you have no trouble retuning them the next night. By now the GE World Monitor was no longer available but I was soon directed to Popular Communications magazine where I found an advertisement for EEB. The rest is history. I was soon waiting impatiently for the UPS truck to bring me my new Sangean ATS 803A PLL digital shortwave receiver. I can still remember the lump in my throat, racing heartbeat and sheer zeal of tuning that ATS 803A for the first time. I'll never forget the night in July, 1989 when I was able to hear Radio Clandestine on the pirate band at 7420 kHz. They claimed to be broadcasting from an ocean going ship and

the signal died suddenly at 0435 UTC. It may be that the U.S. Coast Guard shut them down. I have not heard that station since that one night in July, although I have tried. The announcer used a lot of bad language which makes me think that the station really was clandestine or pirate."

"With the ATS 803A, it was easy to compile a modest English language logbook of broadcasts like Tom Sundstrom's. I now have a Sony ICF-2010 with a longwire antenna. I like tuning to powerhouse broadcasters for program content. HCJB is always an interesting station for religious inspiration or secular programming. Exotic music can be heard on Musica del Ecuador on Saturdays on HCJB."

"I especially enjoy trying to find DX news to help Tom Sundstrom with his English Broadcast schedules. I tune the bands for stations that are not on Toms' schedules or for stations that might have changed frequencies. Also, I have accumulated a few QSL cards from the international broadcasters such as Deutsche Welle, R. Nederland, R. Portugal, Spanish National Radio, RCI, SRI, and HCJB. I have them displayed on my wall with plenty of room for more."

"Another joy in SWL is tuning the Ham Bands. Believe it or not, most hams do make interesting conversation." [*I guess the interest is in the ears of the listener, just as beauty is in the eyes of the beholder . . . right Sam? . . . ed.*]

"I am a little concerned that Radio RSA and others no longer broadcast to North America. I am also worried about what is going to happen to all the international broadcasters in the former Communist block. However my faith in shortwaves' survival was somewhat recharged with the new WJCR in Kentucky. Meanwhile, I am completely fulfilled by the SWL hobby as it takes up a lot of idle time and it allows me to learn more about the world and its' people. It has also opened up a whole new world of international music!"

Thanks for the story Jon, and till next time,  
73 to all!!

# Equipment Review

Alan Johnson N4LUS  
6001 Goldsboro Road  
Bethesda, MD 20817  
CompuServe 76665,1756  
Genie A.JOHNSON64

*I HAVE SEEN THE FUTURE  
(AND IT DOESN'T HAVE A TUNING KNOB)*

## THE DYMEK DR-333 RECEIVER

Computers have assumed a pervasive role in the SW hobby, just as in everyday life. From humble beginnings as logkeepers and reception report generators, their uses have expanded to control of our radios. With the exception of the cheapest analog portables, nearly every receiver sold today has a microprocessor in it. Many of today's receivers have provisions for external computer control of tuning and memory channel utilization. Stoner Communications has gone a step further with the Dymek DR-333, a receiver which totally eliminates the front panel interface and relies completely on a PC compatible computer for control of all receiver functions.

### NO KNOBS?!!!

That's right - the DR-333 is a 7 1/2 x 5 x 2 1/2 inch black box with connectors for antenna (BNC), speaker, tape out, headphones, 12v DC power and RS232 (DB-9) along one side - and that's all. It requires an XT or AT compatible computer with 256K of memory, running DOS 3.1 or higher with a 9600 baud serial port configured as COM1 or COM2. CGA or VGA color graphics capability is required for running the graphics interface program and a mouse is highly recommended for this mode. Two interface programs are included with the receiver - the Special Purpose Program is a graphics oriented interface which generates a receiver front panel on the computer display screen, complete with AF/IF gain and squelch controls, a frequency display which reads down to one Hertz, a tuning knob, "S" meter, dual zone clock, a "slider" for pass band tuning and pushbuttons for mode, bandwidth, AGC and five memory channels. These control functions are actuated by moving the displayed cursor to the desired control with either the mouse or the arrow keys, clicking the mouse or hitting the enter key, then moving the mouse or the up/down arrow keys. "Hot keys" are also available (such as "b" for bandwidth) to move the cursor directly to a function.

### TUNING

Frequencies may be tuned directly by hitting the "f" key, entering the frequency with the number keys, then hitting "k" for kilohertz or "m" for megahertz. In the graphics interface mode there are 15 available memory channels which are accessed by combining the "shift" and "alt" keys with number keys 1 through 5. "Manual" tuning is accomplished by the following process: clicking on the tuning knob positions a cursor beneath one of the digits of the frequency display (the cursor can be moved horizontally with either the mouse or arrow keys) and that digit can be changed with the mouse or vertical arrow keys. The display will scroll, i.e. with the cursor beneath the one kilohertz digit, the display will go from 13,999 to 14,000 without moving the cursor horizontally. This process is much harder to describe than to actually use. However, tuning the radio seems a bit clunky at first, especially having to press two keys in addition to the frequency to directly tune the radio. I must admit I've been spoiled by the Lowe keypad which requires only the frequency be entered in kHz to tune the radio for any frequency above 3 mHz.



## SEE WHAT YOU HEAR

The big attraction of the Special Purpose Program is the spectrum analyzer mode. When this mode is entered, the receiver will scan across any user defined swath of spectrum and display a graph of signal strength versus frequency over that band. The user can then invoke the "Find" command and move the cursor to a signal "spike" of interest and the radio will tune to that frequency. The scan is quite rapid and in most cases, clearly distinguishes actual signals from background noise. The only drawback is that the scanning steps (and subsequent tuning steps in the "Find" mode) are not user-selectable but are determined by the program based on the total width of the bandscan. This means if you're using ECSS tuning, you may not be able to zero-beat a signal while still in the spectrum analyzer mode, however, you can get close and then switch back to "Radio" mode and fine tune.

## THE TEXTUAL RADIO

The other program included with the DR-333 is the Standard Operating Program (SOP), which is an entirely text-based interface. The rather sparse screen displays titles of all parameters and their current settings. Along the bottom of the screen are the "hot-key" designations for changing modes and entering the Scan and Channel subprograms. Tuning in this interface is by direct keyboard entry, again requiring the "f" and "k" or "m" keys or by changing the digits of the frequency display by using the "function" keys F1 through F8. Pressing the keys increments its respective digit one step, pressing "Shift" and the function key decrements the digit.

## HOW MANY CHANNELS ARE ENOUGH?

The SOP is capable of storing up to 9,999 memory channels, each with a unique frequency, mode, bandwidth, AF/IF gain level and a 15 character comment. Calling up the Channel menu displays the filled channels in groups of ten. Channels may be selected by typing in the channel number or by scrolling the channel list with the arrow keys. There is no way to index the memory channels other than by channel number. Adding new memory channels is menu-driven but has the quirk of entering an "o" to output to permanent memory in addition to answering "y" to the prompt "SAVE INFORMATION ABOVE (Y/N/E)?" which appears at the completion of the new memory channel entry menu. It is possible to scan any number of memory channels and log the active channels. The beginning and ending channel numbers of memory scans are not stored in permanent memory. Reading the log of a scan requires exiting the program and using the DOS "type" command.

## BANDSCANS

The SOP also allows the user to set up to 999 individual band scans. The user-defined parameters for each scan are beginning/ending frequency, tuning step, mode, bandwidth, AF/IF gain, minimum signal strength to stop on a frequency and stop time for an active frequency. Logging of active frequencies can also be specified. I found this to be the most expedient method to tune across a band when DX'ing.

## THE RADIO

All the interface bells and whistles would be pointless if the basic radio performance of the DR-333 were lousy...fortunately, the performance is on par with its price tag. Frequency coverage is from 10 kHz to 29.999999 MHz. Sensitivity is equal to other premium receivers. Selectivity is very good with standard bandwidths of 6.0 and 2.7 kHz. The standard 6 kHz bandwidth filter is a ceramic unit and the 2.7 kHz filter is a Collins mechanical unit. There are two extra filter slots available which the factory can equip with additional Collins units. I found the unit to be very free of spurious signals and was very well-behaved in the presence of strong adjacent signals. I did notice a few quirks, however. I was unable to get the attenuator (a fixed -20 dB) or the squelch to work. There is no notch filter or synchronous detector. I also was unable to get usable audio when tuning in ECSS with the wide filter, although it worked fine with the 2.7 kHz filter. I suspect that this is due to the offset used for SSB reception with passband tuning. The audio quality is

very good. The enclosed documentation for the radio and interface programs is fairly minimal and not directed towards someone with no radio or computer experience.

## QUIRKS

One unusual deficiency of the DR-333 in light of its total computer control is that there is no provision for unattended (i.e. timer) operation. What I found most annoying is that there is no way to turn the radio completely off without pulling the power plug. When exiting the control program, the radio will continue receiving the last tuned station. Even when the mute function is activated before exiting the control program, a hiss is still audible from the speaker. At first, I found the interface programs to be a bit clumsy, but I relatively quickly developed the ability to combine the use of the mouse, "hot-keys" and arrow keys to quickly manipulate the radio. I would recommend using multi-tasking on the control computer to prevent tying up the computer just to run the radio. There is an additional diskette supplied with the radio which contains a library of sub-routines (written in Turbo C Version 2.0) which someone with more programming ability than myself could use to customize and streamline the interface.

## RECOMMENDATION

The DR-333 represents a unique (and visionary) concept in receiver control. One interesting potential application would be using the receiver in a remote location with computer control via telephone lines or radio link (which is probably a very appealing feature to government agencies). One other novel application would be to use the radio with a notebook computer for portable/DXpedition operation. I would really like to see what someone who is skilled in constructing receiver control programs could do with this radio/interface combination. Some changes that I would suggest would be a trackball instead of a mouse for tuning, user selectable tuning steps in the graphic interface mode (i.e. 5 kHz steps) and a better system of indexing the memory channels, such as by station name or country of origin. The possibilities seem almost limitless. However, my present opinion for the general listening community is that a radio with a conventional front-panel user interface coupled with a computer interface offers greater flexibility and economic value. This opinion could change once some of the rough edges of the DR-333 are smoothed.

---

For those who would like more information on the DR-333 there is an in-depth review by John Bryant in the 1992 edition of Fine Tuning's Proceedings. The DR-333 is available from C. Crane Co., Watson Lane, Fortuna, CA 95540 (707-725-5940) or Universal Radio, Inc., 6830 Americana Pkwy., Reynoldsburg, OH 43068 (614-866-4267). Price class is \$1500 for the basic unit with control programs and two filters.

*Available now from The NASWA Company Store -*

*Shortwave Listening Guidebook* by Harry Helms AA6FW The new bible for SWLing. Written in non-technical language, it covers equipment, antennas, propagation, station profiles, utilities, clandestines, QSLing etc. (\$16.95 + \$3 s/h NAM, \$5 elsewhere)

*All About Ham Radio* by Harry Helms AA6FW Written in a friendly, humorous style without the stiff formality, wordiness, and extensive math that makes so many other books on ham radio boring. (\$19.95+\$3 s/h NAM, \$5 elsewhere)

Both books are available now from The NASWA Company Store, 2641 S. Shields St., Philadelphia, PA 19142. All checks payable to NASWA.

the



page

COMMITTEE TO PRESERVE RADIO VERIFICATIONS

JERRY BERG, Chairperson • 38 Eastern Ave. • Lexington, MA 02173 • (617) 861-8481

All communications should be addressed to the Director by title and not by name.  
Telegrams:—"AIRVOICE".  
Telephone:—"Regent Hill."  
- 818.

GOVERNMENT OF INDIA.  
**ALL INDIA RADIO.**

1, Garsins Place,

Calcutta, 3rd February 1939.

Ref. No. S/A. 123

FROM THE DIRECTOR,  
ALL INDIA RADIO,  
CALCUTTA.

TO Eugene S. Allen Esq.,  
3190, Clay Street,  
San Francisco City,  
U.S.A.

Dear Sir,

With reference to your reception report dated the 25th December 1938, I have to inform you that on checking we find that the station under reference was VUC 2.

A schedule of All India Radio Broadcasting is herewith for your information.

Yours faithfully,

<p><b>LAHORE</b> VUB 276 METRES (1,086 KC/S)</p> <p><b>DELHI</b> VUB 321 METRES (926 KC/S) VUC 312 METRES (960 KC/S) VUB 312 METRES (960 KC/S) VUB 312 METRES (960 KC/S)</p> <p><b>BOMBAY</b> VUB 324 METRES (926 KC/S) VUB 312 METRES (960 KC/S) VUB 312 METRES (960 KC/S)</p>	<p><b>PESHAWAR</b> VUP 300 METRES (1,000 KC/S)</p>	<p><b>LUCKNOW</b> VUV 301.2 METRES (1,000 KC/S)</p> <p><b>CALCUTTA</b> VUC 370 METRES (810 KC/S) VUC 312 METRES (960 KC/S) VUB 312 METRES (960 KC/S)</p> <p><b>MADRAS</b> VUM 315 METRES (950 KC/S) VUB 312 METRES (960 KC/S) VUB 312 METRES (960 KC/S)</p>
---	--	---

The Director ALL INDIA RADIO, Delhi, gratefully acknowledges your communication of 26<sup>th</sup> June 1939. Your information is CORRECT

India started shortwave broadcasting in May 1934 but reports from those early years suggest that neither VUB, Bombay, nor VUC, Calcutta, was very well heard here. The letter shown here is from Calcutta, 1939, and the card is from Delhi, 1940. The card reflects Indian shortwave broadcasting from Delhi, Bombay, Calcutta and Madras.

73 --

A Committee of the Association of North American Radio Clubs



# Listener's Notebook

Dan Ferguson  
P.O. Box 2604  
Dale City, VA 22193  
CompuServe 76702,771

**COPYRIGHT NOTICE** - Items credited to WBI (World Broadcasting Information) are copyright by the BBC Monitoring Service and may not be reproduced without BBCMS permission.

All times, dates, and days of the week are GMT (UTC), dates are MM/DD or MM/DD/YY.

**ABU DHABI** - Abu Dhabi is being heard in EE at 2200 on new 17855 kHz and on 15305 kHz under VOA. (AC on RNZI 8/16)

**AFGHANISTAN** - Pressure from fundamentalist factions in the Afghan transitional government has led to the departure of women news readers from TV and radio. When the new government took power in April, women presenters had to give up their western clothes and cover their heads with Islamic scarves. (RNMN 7/30) [mf]

**ALASKA** - The number one QSL problem at KNLS has been poorly written return addresses. If the address isn't legible, the QSL can't be sent. Most DXers will send adequate information on program details. But some still use local time instead of UTC. Using UTC to begin with means that the KNLS staff won't make any arithmetic errors or time-zone errors. "It's more important to get the proper time in UTC than the exact frequency" (because KNLS has only one transmitter). "If the report includes the proper time and some specific phrases or words from programming, then we really know that they heard our station." Brown bears visit the KNLS xmtr site regularly, but only their tracks and other signs have been seen; brown bears are wary of humans. Moose, however, come right up to the office windows and eat the pansies. (Kevin Chambers, KNLS station manager, on Bonaire Wavelength 8/1) [mf]

**ALGERIA** - The *Islamic Salvation Front* [FIS] has launched a clandestine station called Fidelity Radio [French: la radio de la fidelite]. It's said to have transmitted for a quarter hour 8/5, with speeches by Abassi Madani and Ali Belhadj, and a news bulletin. (WBI 8/14 quoting the Arabic language paper *Algeria Today*)

**ANGOLA** - Provincial and Regional Stations (frequencies in brackets may be inactive), by province: Bie [4896]; Benguela 5041.2, 6154v; Cabinda 4970; Cuando-Cubango [4780]; Huambo [7160], [5060], 3345; Huila 7350, 4820.3, [3994]; Lobito 11815v, 7151v, 5043; Lunda Norte [4770]; Lunda Sul [6115], 4860; Malanje [4941]; Moxico 5091.2; Namibe 5015, 5402; Uige [4849]; Zaire [4885]. (WBI 8/14)

*Radio Nacional de Angola* is scheduled: 0500-1800 on 7245, 9720, 11955; 1800-2200 on 4960v, 7245; 2200-0500 on 3355, 3377v, 4960v, 7245. The National Languages Service operates 0500-1800 on 3355, 7215 && 9535 kHz in vernaculars & Portuguese. The International Service operates on 3355 & 9535 kHz at 1800-1900 in French, 1900-2000 in Spanish, 2000-2100 in English (news at 2030), and 2100-2200 in Portuguese. (WBI 8/14) Interestingly, though identified as an international service, the target area for the transmissions is shown by WBI to be Dom[estic]. [df]

**ANGUILLA** - Dr. Gene Scott announced 8/9 that the Caribbean Beacon outlet on 1610 kHz will increase power from 15 to 50 kw in November. (Mike Fern--CA) I thought it was already 50 kw and 690 kHz was 15 kw; at least that's what Andy Sennitt told me (last time I read his book). [df]

**ARGENTINA** - WRTH 92 lists the *RAE* DX program in French on 11710 kHz at 0315 Fri, but I found it at 0335-0345. It's scripted by Gabriel Ivan Barrera, whose DX bulletin *Onda Corta* isn't mentioned in WRTH. The address given on the air is Casilla 2868, Buenos Aires 1000. (Mike Fern--CA)

**ARMENIA** - *R. Yerevan* has added a new EE program at 1845 on 4810 and 12065 kHz. (Ole Alm, WRTH, via Andy Sennitt on RNMN 8/6)

**AUSTRALIA** - Jerry Berg, in MA, notes in NU reception of *Radio Australia*, Darwin, 250 kw, beamed 3 degrees from Darwin for a study of transpolar propagation, at 0845 in English, //9580; weak & off 0858:30 with no announcement.

**BAHRAIN** - The VOA medium wave relay on Bahrain, set up during the Gulf War, closed on 7/31, pursuant to the agreement with the government of Bahrain. The 50 kw xmtr is being withdrawn, but a second xmtr will be turned over to the Bahrain b/c service. A new site for a MW station in the gulf is being sought. (Bill Whitacre, VOA Engineering, on RNMN 7/30)[mf] See Kuwait. [df]

**BELARUS** - Minsk has QSLed to AC; they broadcast only in Belorussian and RR, from 1830-1900 on 7210, 7330, and 9600 kHz.; 2130-2200 on 6160 and 11965 kHz.; and from 2330-2400 to NA on 11870 and 13675 kHz. (AC on RNZI 8/16)

**BOLIVIA** - R. Pío Doce, Llalagua, Potosi, reactivated on 5948 kHz, at 1058 with very good signals; IDs promote station's 25th anniversary. This is a new xmtr; the old gear was destroyed in a dynamite attack in mid-January. (Daniel Camporini on DXPL 8/1)

R. *Difusora Villamontes*, 4600 kHz, at 1100 with full ID, freqs, "La Hora del Pais" (a network program).

R. *Centenario La Nueva*, Santa Cruz, 4855 kHz, at 1000 with time check and ID.

R. *Sararenda*, Tamiri, 4886v kHz, at 1050 with news, time checks, IDs and "Hermano Pablo" gospel program.

R. *Juan XXIII*, 4965 kHz, at 1100 with messages; regular in Buenos Aires with good signals;

*Radiodifusora CBU, La Voz del Tropico*, Villa Tunari, 5935 kHz, at 1114 with very good signals, many IDs and "Antena Informativa" news program.

R. *San Gabriel*, La Paz, 6084 kHz, at 1120 in Indian languages with short SS messages. Very low signal level; QRM from a Brazilian station.

R. *Cosmos*, Cochabamba, 6094 kHz, at 0950 with fair sigs, time checks and IDs.

R. *Fides*, La Paz, 6155 kHz, signing on at 1000 with "La Hora del Pais" in a network with R. *Santa Cruz* and *La Voz del Tropico*.

R. *Fides'* freqs are 760 MW, 4845 and 6155 SW. (Daniel Camporini, editor, Radio Panorama, Argentina, on DXPL 8/1)

R. *Fides* has a request program until 0600 Sun UTC and is heard well in Quito on 49m at 0530. (RMV/DXPL 8/1)

**BOSNIA HERZEGOVINA** - Sarajevo's 612 kHz MW xmtr was still on the air the week of 8/12-8/19 and had added an EE newscast at \*2220-2230.\* The xmtr is in the city proper according to WRTH, so it should be a main target for Serbian attackers. (Julius Herrmanns, Holland, on RNMN 8/19)

**BOTSWANA** - R. *Botswana* has provided revised SW skeds to WRTH, as follows: 0300-0700 and 1530-2200 on 3356; 0300-2200 on 4830; 0300-1800 on 7255; 0600-1530 on 9600 kHz. A newscast in EE at 0800 has been added. (Andy Sennitt on RNMN 8/13)

**BRAZIL** - *Radio Educacao Rural*, Tefe, 3385 kHz, heard in Quito at 0202 in PP with closing announcements. Poor to fair signals. (RMV/QLB/DXPL 7/18) WRTH 92 says 0900-1500, 2000-0200 [mf]

**CAMBODIA** - The head of the U.N. mission in Cambodia accused the Khmer Rouge on 7/22 of broadcasting racist and inflammatory radio programs designed to stir animosity against ethnic Vietnamese settlers. The censure involves a U.N. Security Council decision to hold back international aid to parts of Cambodia controlled by the Khmer Rouge if the hardline guerrilla group continues to defy a peace plan. The UN Transitional Authority in Cambodia ordered the Khmer Rouge to broadcast their specially prepared UN programs. (RNMN 7/23) [mf]

**CANADA** - *Radio Canada International* will purchase three new 250 kw SW xmtrs from ASEA-Brown-Boveri, to replace old transmitters at Sackville. (RNMN 7/30) [mf]

RCI has announced that because of a transmitter failure at Sackville, some freqs are missing from their sked. The big gap in European coverage is at 1800-2000 on 13650 kHz. (RNMN 8/20)

**CHINA** - From 10/1 *Radio Beijing* will be known as *China Radio International*, to distinguish it from the local Beijing radio station. (WBI 8/14)

**CIS** - Heads of the Commonwealth governments met in Minsk 6/26. The project to make Ostankino Co. (formerly Gosteleradio, the Soviet national broadcasting system) the inter-republican voice of the

CIS and a joint stock company owned by the member republics made little progress. The Belarus delegation accused Ostantkino management of dragging their feet. Delegates decided to have a corporate charter and other necessary documents prepared for action at a later meeting. (Moscow Interfax in EE 6/26 and Radio Rossii in RR 6/26, both in FBIS-SOV-92-127 7/1 via Mike Fern)

**COLOMBIA** - *R. Buenaventura*, Buenaventura, 4833 kHz, recently reactivated, at 2145 with Latin American music, time check and ID. Strong splatter from *R. Tachira*, Venezuela, on 4830. (Imber Gaviria, Colombia, on DXPL 8/15) WRTH 92 says the MW outlet is 24H [mf]

*R. Las Lajas*, Ipiales, heard on its fifth harmonic of 5800 kHz at 2052 with station ID and RCN network ID. (Imber Gaviria, Colombia, on DXPL 8/15) The Santuario de Nuestra Senora de Las Lajas, a chapel built on a bridge over a deep canyon, may be the most-visited shrine in South America. (RMV on DXPL 8/15)

*Radiodifusora Nacional de Colombia* sked is 1800-0330 in Spanish on 11822.7v, 17865v, or the alternate, 15335v. No significant current affairs programs observed. (WBI 8/21)

**CROATIA** - *Hrvatska Radio*, Zagreb, is being heard with news in EE from 2103-2115 on 13830 kHz. Heard in Asia and by Tom Sundstrom, NJ. Croatia also carries a United Nations segment in EE at 1930-44, heard in Holland 7/29 by Andy Sennitt. (RNMN 7/30) [mf]

Zagreb is putting very good entertainment-level signals into NZ on 13830 kHz at \*0100-0500\* with news on the hour, // 9830 and 6210 kHz. The latter best at 0400 and 0500 respectively. (AC on RNZI 8/16).

**CUBA** - On the August 18th edition of *DXers Unlimited*, host Arnie Coro mentioned that *RHC* has obtained yet another transmitter for ssb test transmissions scheduled to commence this winter. Its a 20 kw East German ptp unit which will be used in the 7.3 to 7.6 kHz range. He expects tests real soon and indicated a special verification is available for these tests. [D'Angelo]

From 7/20, *Radio Habana Cuba* changed its NA service to 0000-0500 on 11950 kHz and 0230-0430 on 13710 kHz. *RHC* had been experiencing 'malicious interference' to its NA service, a sort of rumbling sound. The cause is unknown. (Arnie Coro, freq mgr, *RHC*, on RNMN 7/23) [mf]

**CYPRUS** - A BBC program in Arabic on 23460 kHz around 1900 UTC is being widely heard in Europe; it seems to be a harmonic of the Cyprus xmtr on 11730 kHz. (RNMN 7/23) [mf]

**CZECHOSLOVAKIA** - *R. Czechoslovakia* has begun relaying its home service on SW for Czechs and Slovaks living abroad, at 0357-1600 on 5930 kHz. After 1600, 5930 kHz carries the external service. The Home Service moves to 5920 kHz which has an excellent signal in Hilversum. (BBCM and JM on RNMN 8/6) [mf]

An announcement on Radio Czechoslovakia said the station had stacks of old QSL cards. AC believes that if you write to *R. Czechoslovakia* you will almost certainly get a *R. Prague* card in reply. The Pacific sked in EE is 0730-0800 on 17725 and 21705 kHz. (AC on RNZI 8/2) [mf]

**ECUADOR** - *HCJB* has been heard in Europe on a new SSB freq, 17535 kHz USB, with the European service. The USB freq is unannounced and may be only a test. (Tony Barrett, UK, and JM on RNMN 8/6) Also at 0450 8/7 in JJ to NA // 9745 and 15155 kHz. Could be the 24H replacement for 21455 that did not appear in May. (Mike Fern--CA)

The Ecuadorian government has withdrawn ('expirado') the SW freq of *R. Pastaza*, El Puyo, formerly on 3315v kHz. (RMV/Monitor DX, TWR Bonaire 8/2) [mf]

In 1990 *HCJB* purchased two used SSB xmtrs from the Swiss PTT. One has been in regular use on 21455 kHz. Another was operated on 25950 kHz during the peak of the sunspot cycle. John Stanley has been refitting the xmtrs so they can use tubes which are cheaper and widely available. He has also built an antenna coupling network which will allow simultaneous use of both xmtrs on a wide-band bi-directional rhombic antenna that serves Europe and the South Pacific. Each xmtr is putting out about 10 kw with 30 per cent carrier insertion. 17535 kHz may become part of the regular *HCJB* sked on 11/1. It has been widely reported in Europe. (RMV on DXPL 8/8) [mf]

*R. Cumanda*, Coca, 3351 kHz, heard at 0118 with nonstop Ecuadorian music. (Imber Gaviria, Colombia, on DXPL 8/15)

**CENTRAL EURASIA** - SWLs who were stamp collectors just after World War I will remember the appearance in stamp albums of tiny enclaves, byproducts of the self-determination of nations, using German stamps overprinted "Allenstein" or "Memel." Today we have some budding radio countries in the former USSR, where several oblasts and autonomous republics have decided to seek full independence. (At least one such is as autonomous as a hog on ice.) [mf]



**Checheniya** - The Chechen government will not hold talks with Russian authorities since it considers them (the authorities) illegal. President Dzhokhar Dudayev told journalists in Groznyy 6/10. (Moscow Interfax in EE 6/10 in FBIS-SOV-92-113 6/11 via mf)

**Crimea** - Crimea's parliament revoked its declaration of independence within two or three days of passing it. An independent Crimea would have to buy water and gas (among other things) from Ukraine, which would put a double whammy on its balance of payments. (Moscow Mayak in RR 5/21 in FBIS-SOV-92-100 5/22) The Crimean parliament has put off indefinitely the referendum on independence, previously set for Aug. 7. The Ukrainian government protested that the referendum was unconstitutional. (RMWS in EE 0000 7/10 via Mike Fern--CA)

**Ingushetia** - The Soviet Parliament began debating a law that would set up an Ingush Republic in June. Nazran has been named the provisional capital. The Ingush want their republic to include the Prigorodnyy Rayon (district), and the right-bank area of Vladikavkaz, both in North Ossetia. (Moscow Nezavisimaya Gazeta in RR in FBIS-SOV-92-113 6/11 via mf)

**Tatarstan** - Tatarstan's Parliament has adopted a resolution to implement state sovereignty and define the new status of the Republic, basing its sovereignty in international law. (Moscow Interfax in EE 5/22 in FBIS-SOV-92-102 5/27) The first draft of Tatarstan's bill on languages proclaims Tatar and RR equally official and requires certain officeholders to know both. (Moscow Interfax in EE 5/23 in FBIS-SOV-92-102 5/27 via mf)

Russia's minister for nationalities visited Kazan in May and learned at first hand what "to catch a Tartar" means. He told a Tatar civic group that attacks on Russians living in Tatarstan might bring consequences which could not be predicted. His remarks were taken as a threat. A Tatar spokesman replied that Tatarstan never had been part of Russia and Tatarstan's fight was "a struggle for the liberation of the Tatar people from colonial oppression." (Moscow Rossiyskaya Gazeta in RR 6/11 in FBIS-SOV-92-116 6/16 via mf) [The Tatars, with or without the 'r', ranged over the heart of Russia and the Ukraine from \*1223-1246\*.--mf]

**Trans-Dniestria** - A 700-member congress met at Tiraspol 5/30, proclaimed the Dniester Republic independent of Moldova, and asked for Russian and Ukrainian recognition. (Moscow Ostankino TV 1 in RR 5/30 in FBIS-SOV-92-105 6/1 via mf) R. Vilnius said the week of 6/21 that it was worried about its relay on 15485 kHz at 2300 UTC. The xmtr site in Trans-Dniestria had been seized by Dniester Republic separatists and was no longer under Moldovan control. (RNMN 6/25) [R. Vilnius did not announce 15485 on the Vilnius Listeners' Club broadcast 6/28, so the plug had been well and truly pulled. --mf] The Dniester Republic is being heard by BBCM on 999 kHz, one of the Grigoriopol MW freqs. (When the separatists took over the Grigoriopol site, they left Moldova holding MW freqs near Chisinau that had been set up to carry All-Union Radio's RR home services on reserved USSR-wide channels.--mf) Because of the shortage of high-power clear-channel MW stations in Moldova, Romania has allowed the Moldovan BC center at Chisinau to use a Romanian xmtr at Iasi on 1053 kHz for nine hours a day. (BBCM on RNMN 7/2) The Russian Parliament has taken the position that the grant to Trans-Dniestria of a distinct status within Moldova and its participation in negotiations concerning its destiny could make up the basis for a peace settlement. (RMWS in EE 0400 7/9)

**GABON** - The RFI relay via Africa No. 1 on 4890 kHz is well heard in NZ with news in FF at 0500. Reports should be sent to RFI's Paris address. (AC on RNZI 8/6)

**GEORGIA** - Tblisi is being heard in NZ at 2025 in RR followed by EE at 2030 on 11750 kHz. (AC on RNZI 8/2)

**GERMANY** - *Deutsche Welle's* "Tune In" magazine indicates some program changes for North America. "Many letters have reached us recently asking why certain interesting features which Deutsche Welle broadcasts to Africa and Asia are not included in our programmes for North America. Well, the answer has always been lack of time. However, we now want to start an experiment and include some of these programmes in our schedule for North America. On weekdays, the second transmission (03.00-03.50 UTC) will carry a shorter version of European Journal followed by a feature programme. On Wednesdays, we also will repeat the German language course for those who are not able to listen Saturdays. This new arrangement will allow listeners in most areas of North America to listen to both the long version of European Journal (01.00-01.50 or 05.00-0550 UTC) as well as the modified second transmission." [Rich D'Angelo].

**GUAM** - *Adventist World Radio* Guam is using 15610 kHz, ex 25m, for EE at 1500-1630. (AWR direct on RNMN 7/30)

**ST.HELENA** - Jan Tuner, a former correspondent of Radio Netherlands' DX Jukebox, and Swedish DXer John Ekwall visited St. Helena in March. Before the widespread use of satellites, St. Helena was a monitoring post and a relay station for the British diplomatic service's radio network.

Cable and Wireless, which owns the 1 kw marine SSB xmtr on the island, has agreed to make a second SW broadcast of R. Saint Helena. The transmissions on 11092 kHz USB will take place at 2000-2100 and 2220-2300 on Friday, Oct. 23. Station manager Tony Leo says they want to try a call-in program. Some countries permit direct-dialing to St. Helena, (290) 4654. Tuner says the WW II xmtr is kept together with baling wire and the staff, though paid very little, are enthusiastic. There is no airmail, and surface mail takes at least six weeks. (RNMN 8/13)

**INDIA** - An unidentified AIR transmitter has been heard testing with continuous music. At times it takes programs from AIR Jaipur and Ajmir, both in the state of Rajasthan. Similar programming has been heard on 3345 kHz at 0100-0300 and 7200 kHz at \*0800-1200\*. Signals are only fair in Sri Lanka which leads to the belief that it is an AIR domestic outlet at Jaipur rather than an external-service xmtr. (Jose Jacob and VG on RNMN 7/30)

**INDONESIA** - Guy Atkins reports spotting an unidentified Indonesian signal, in early August, varying between 3186 and 3187.5 during the period 1154 to 1302. The signal quality was good at times but with poor modulation from the unstable transmitter. The absence of any SCI interval signal or Jakarta news relay at either 1200 or 1300 certainly suggests this is not an RRI station. (Guy Atkins via ODXA)

*RRI Gorontalo*, recently moved to 4987.3, ex 4992, and was heard well in Japan past 1530. (Tutomu Kito, via OZ DX)

**IRAN** - An anti-Iran station is being heard on 5760 kHz at 1830 with severe bubble jamming. A few minutes after sign-on the jammers find it and it moves to 5730 kHz, and so onward. Shades of R. Venceremos. (RNMN 7/30)

The *Voice of the Mojahedin of Iranian Baluchestan* [Persian: Jonbesh-e Mojahedin-e Baluchestan-e Iran] carries programs hostile to the Iranian government & is believed to operate from transmitters in Iraq. A Baghdad post office box is announced as an address. [But not given by WBI. [df]] The station was first observed 3/2/87; previous frequencies include 9545, 7250 & 7180 kHz. Current schedule is 1258-1455 daily in Baluchi on 11970 kHz. (WBI 8/21)

**IRAQ** - *R. Baghdad* has added a second freq for its EE service to Europe, 1800-2000 on 15210 and 13680 kHz. (Tom Sundstrom, NJ, on RNMN 7/23)

*R. Baghdad's* resurgence has attracted jammers again during peacetime. The Baghdad outlet on 13680 kHz was totally blocked one evening, but the next night neither Baghdad nor its consort could be heard. (RNMN 7/30) When Baghdad started up on 15240 kHz in June it broadcast different programs each night, sometimes EE, sometimes AA to abroad, sometimes Baghdad FM. In mid-July they had settled down with EE from 1400-1700 and FF after 1700 every other day. (VG on RNMN 7/30) 15340 kHz (sic) is heavily jammed between 0100-0400. EE news is at 0230 between AA programs. 9650 is used for a service to Iran from 1600-1800, which is also jammed. (JM on RNMN 7/30).

*Radio Iraq International's* NA service in EE went missing on 8/17 and 8/18. It's still audible at 2330 in the SA service on 15180 kHz. The Iraqi News Agency has returned to shortwave with an RTTY bulletin on 13524 kHz closing at 1759. (Tom Sundstrom on RNMN 8/20) [mf]

(Clandestine) - *Voice of the Iraqi People* still observed on 17958, 15470, 9980 and 9570 kHz. (WBI 7/31)

A station in Arabic, hostile to Saddam Husyan, IDing as *News Center of Free Iraq* [Arabic: *Markaz Akhbar al-Iraq al-Hurr*] noted on 11945 in the 2200-2353 period. Believed to be the same station noted on 15190 3/92, and may have had some connection with the Voice of the Iraqi People station. (WBI 7/31 & 8/7)

The *Voice of Rebellious Iraq* [Arabic: *Sawt al-'Iraq al-Tha'ir*, Kurdish: *Dangi Iraqi Shurashgar*] operates 0330-0600, 1130-1400 & 1630-1900 in Arabic on 8150 (8000-8200v) and 7090 (7050-7100v) kHz, as well as 1431 kHz MW. Programs are in Arabic, though some programming may be in Kurdish. In the past the station has also operated around 6330 kHz. (WBI 8/14)

**IRELAND** - DXers seeking to log this country should look for the Shannon Airport Volmet (aircraft weather) broadcasts on 8957 kHz SSB. Heard with fair sigs in UK at 2115 with a man reading weather report and update on conditions at European civil airports. (Karl Kruger, UK, on DXPL 8/8)

**ISRAEL** - *Reshet Bet* (Home Service no. 2) in Hebrew heard at 2332 on 13750 kHz // 9388, 11588 and 15615 kHz; all good in central NY. (Jim Clar, NY, on DXPL 7/18)

Kol Israel announced 8/16 that a new row has blown up around the joint VOA/Radio Liberty relay station planned for that country. The Society for the Preservation of Nature in Israel has asked for an urgent meeting with Prime Minister Rabin to express opposition to the building of the station



in the (Arava?) desert. The request follows reports that Rabin spoke in favor of the station during his visit to the U.S. (Kol Israel quoted on RNMN 8/20)

**ITALY** - *Italian Radio Relay Service*, Milan, conducted tests for North America between 7/11 and 7/24, from 0130-0330 on 7125 kHz. Reception reports will be welcome at P.O. Box 10980, I-20110 Milan. Tom Sundstrom reported a fine signal in NJ 7/11 until 0300 when the VOA signed on in Bulgarian. (Andy Sennitt on RNMN 7/17) There are those who probably think it would have been more appropriate to conduct tests to North America somewhere other than in the middle of the Region 2 40 meter ham band. [df]

*Adventist World Radio* operates from Forli on 7205 kHz at 0630-0700 (Sa/Su from 0600), 0700-0800 Italian; and on 7230 kHz at 0800-0830 in German, 0830-0900 (Sa/Su) French, 0900-0930 (Sa/Su) English; 0930-1000 English, 1000-1100 Italian, 1100-1130 German, 1130-1200 (Sa/Su) French, 1200-1230 (Sa/Su) Spanish, and 1230-1300 (Sa/Su) Swedish. (WBI 8/14)

**JORDAN** - *Amman* is being heard in AA on 11955 kHz, a BBC (Singapore) channel, from \*0430-0600\*. BBC signs on around 0600. (AC on RNZI 8/16)

**KUWAIT** - The *Radio Kuwait* main program is scheduled on shortwave at 0400-0715 on 15345 & 6055 kHz; at 0715-1315 on 15495 & 6055; at 1315-1755 on 21675 & 11990 ; and at 1755-2310 on 15505 kHz. The English service is on 13620 kHz at 1730-2100. (WBI 8/28)

The *Voice of America* announced 8/4 an agreement had been signed providing for the construction of a relay station there, with a medium wave and up to 10 shortwave transmitters. Kuwait has agreed to provide the site at no charge, and to provide services, such as electricity, to the site. Kuwait will be allowed to use the facility for its own broadcasts free of charge on a time available basis. (VOA Press Release)

**KYRGYZSTAN** - Bishkek is being heard well in NZ mornings, in EE 1830-1900, on new 3955 kHz, which is not announced; three other freqs are announced with requests for reports at signoff. (AC on RNZI 8/16) *R. Kyrgyzstan*, Bishkek, sends out the First Program of its home service from 2300-1800 on 4010 kHz in Kyrgyz, Russian, and other languages. The Second Program is heard on the same freq, in Kyrgyz and Russian. (RAE 8/20) [These are summer skeds; WRTH 92 says the Second Program is on 4050 kHz., would also be 2300-1800.--mf]

**LEBANON** - *Green Lebanon Radio* [Arabic: *Idha'at Lubnan al-Akhdar*] began transmissions from Nabatiyah 7/31 in the name of the Democratic Socialist Party, led by Kamil al-As'ad [a Lebanese Shiite and former Chamber of Deputies speaker]. The station, which previously carried social programs and is now being used by the party, transmits from the home of Nabatiyah Deputy Engineer Anwar al-Sabah. (WBI 8/7) Frequency not mentioned. [df]

**LESOTHO** - After an extended period of silence, *Radio Lesotho* was reactivated last May on 4800 kHz [s/on is at 0300] but transmissions have been on an irregular basis. (Vashek Korinek via WOR via ODXA)

**LIBERIA** - *ELBC*, Monrovia, is being heard on 7275 kHz signing on at 0655, with a gospel program at 0700. Signals are poor in New Zealand, but the station does verify; the mailing address is Box 594, Monrovia. (AC on RNZI 7/19)

The Sudan Interior Mission, operator of *ELWA*, is installing two 10 kw SW transmitters near Monrovia. The new transmitters will be able to cover the 25 West African (language) areas served by the original SW equipment. No date for starting service is known. ELWA has resumed broadcasting to Monrovia on FM. (AC on RNMN 8/6)

**MADAGASCAR** - *R. Madagasikara* noted fair on 3231.7 kHz thru ute using USB at 0325 with EZL music and OM anmts in lang at 0330; //very strong 5009.37. After 0330, severely splattered by what turned out to be Radio RSA on 3230. 8/24. (Dave Clark)

**MALAWI** - *MBC* very good on 3380.7 with drums/tribal vocal accompaniments at 0320; OM w/TC in English at 0323, then anmts in lang. Aug 24 (Dave Clark via ODXA)

**MONGOLIA** - Muran, Mongolia, 4894 kHz, heard at 1220 with Mongolian songs // Ulan Bator on 4081 and 4850 kHz, and Choibalsan on 4995 kHz. (David Foster in OZ-DX via DXPL 7/18) DXers should watch out for some name changes in Mongolia now that the Communist Party is out. Ulan Bator and Choibalsan [named after a pro-Soviet leader] are prime candidates for name changes. (Peter Bunn in OZ-DX via DXPL 7/18)



**MOZAMBIQUE** - *A Voz de Renamo* now has an "external" and a "domestic" service on two separate frequencies. On 7/29 it was heard on 10100 kHz at 0500-0515, with an announcement that 10100 kHz is also used at 1600-1615. But on 8/2 transmissions were heard there at 1555-1601. The station identifies the transmissions on 10100 as being an "external service". Also, on 8/2 at 0515 it announced that "within a few seconds" it would begin its "domestic service" on 7380 kHz. The frequency was confirmed 8/3, when it was heard 0515-0600 in Portuguese and Mozambican vernacular languages. The 7380 kHz channel was also heard briefly at 1619-1622. The station previously had a single service at 0500-0530 & 1500-1600 on 9990 kHz. (WBI 8/7, 8/14)

**NETHERLANDS** - Tom Meyer's departure as presenter of the Happy Station program will be marked 9/20 with a look into the archives going all the way back to 1927 and the program's beginnings with Eddy Startz. AC has been advised that his interview with Eddy Startz in 1969 will be part of the show. (AC on RNZI 8/16) [Radio Netherlands' "On Target" 92-1 says the correct spellings of the presenters' names are \*Tom Meyer\* and \*Pete Myers.\* - m]

**NETHERLANDS ANTILLES** - Antenna maintenance at *Radio Netherlands'* Bonaire relay base caused Bonaire to use a standby antenna to NA on 9590 kHz at 0330-0425 8/19 thru 8/29. (RNMN 8/20). [m]

**NEW ZEALAND** - *R. New Zealand International* had broadcasts of rugby matches featuring a touring New Zealand team in South Africa in the first half of August from 1330-1630 on 9510 kHz., except for Aug. 10 which was aired 1630-1930 on 9675 kHz. (Tony King on RNZI Mailbox 8/6) RNZI published a special edition of exactly 92 QSL cards to mark the 25th Olympiad. This announcement was made once, on RNZI Mailbag 8/6 and 8/10, so this item may be for the historical record only. (Tony King on RNZI Mailbox 8/6)

**NORWAY** - The *Democratic Voice of Burma* began broadcasting from Kvitsoy, Norway, on 7/19. It identified itself as belonging to the national coalition government of the Union of Burma. The signal in Europe was drowned out by BBC WS on 17840 kHz. Reception in Yangon in July was poor, so changes were made. Ordinary AM has replaced compatible SSB, which cuts through the intentional QRM. An antenna adjustment has been made as well. The sked was later changed to 1430-1530. (RNMN 7/23) Moved to 17845. (WBI 8/7) Harald Fuertoft, of the sponsors, Worldview International, said his group and the Burma Committee Norway had received the license from the Norwegian PTT. The Norwegian groups then offered the facilities to the Burmese government in exile which will prepare programs directed at various ethnic groups in Burma. 7/19 was chosen because it is National Heroes Day in Burma. Broadcasts in Burmese at 1430 GMT on 17840 kHz. will reach Burma at 9 pm local. Programs will begin with 25 min but the license allows one hour a day. The initial contract will run until 9/30. (RNMN 7/17)

*R. Norway* - is being heard from 2100-2200 on new 17845 kHz, ex 17735, which suffered severe QRM from VOA Philippines, beamed at the same time to the South Pacific. Radio Denmark is heard during the second half hour. (AC on RNZI 8/16)

**PALAU** - The Voice of Hope for All Asia (KHBN) plans to add a third channel for the coming winter broadcast season - thus potentially effective anytime on or after Sept 27th. The new frequency is 9785, running 50 kW and to be used at 2000-2400 beamed to East Asia. The original frequencies, both 100 kW to Central Asia, continue with 11980 at 0000-0800 and 9830 at 0800-1600. Note that another Voice of Hope Station, KVOH in California, also uses 9785 at 0400-0800. Each of these stations is using transmitters which actually originated with HCJB. (WOR / DXPL via ODXA)

**PAPUA NEW GUINEA** - According to a phone call that was received from Sam Voron, Radio Free Bougainville has moved from 3880 to 3875 to avoid utility interference. It continues to operate 0800-1100 daily. (Larry Magne via Numero Uno)...this change sounds definitive although I wonder if it is a permanent move - the station has been reported wandering off 3880 on occasion before. (Dave Clark via ODXA)

**PERU** - *R. Altura*, Cerro de Pasco, 3339v kHz, heard at 0113 with Peruvian music and ID. (Imber Gaviria, Colombia, on DXPL 8/15) [WRTH 92 says 1100-0500--m]

**PHILIPPINES** - *R. Veritas Asia*, Manila, 15140 kHz, heard in Filipino at 1400 with very good signals. Closing announcement at 1428 mentioned CC program starting at 2100. (Ziglai Yota, Hungary, on DXPL 7/18)

**QATAR** - *Qatar B/c Service* is being heard on new 11910 kHz, ex 11750 at 0245-0700 and 1700-2130. (Andy Sennitt on RNMN 7/30)

**RUSSIA** - A station broadcasting in Vietnamese, IDing as the *Voice of Freedom Broadcasting from Moscow*\* [Vietnamese: Tieng noi To do phat thanh tu Moscow] noted by BBCM since 7/26 on 15580 kHz at 1400-1500 (announced as 2200-2300 Hanoi time). It follows a transmission of Radio Moscow in Vietnamese. In May the frequency carried Radio Moscow World Service in English at 1400-1500. The transmitter is thought to be one of the 500 kw units in the Irkutsk region. The station gives its address as 121069 Moscow.

This transmission is separate from Radio Moscow's Vietnamese service, heard at 1100-1200 on 21575, 21505 & 15580 kHz; and at 1300-1400 on 21575, 15580, 15480 & 12070 kHz.

A press release from the Voice of Freedom station, dated 7/15, said it would start broadcasts from 7/20. Says it's world's 1st sw station devoted to democracy, freedom & human rights in Vietnam; would provide news & other programming not currently available to Vietnamese listeners; that it was a "broad international joint effort established by citizens of Russia and several other nations". Says funded by various private donations. A "U.S. News & World Report" article 7/6 said broadcasts were being organized & financed by a group of former Vietnamese refugees now settled in the United States. (WBI 7/31) *Radio Irina*, The Voice of Freedom, is now on 15425 & 15580 kHz at 1400-1500 kHz. The opening announcement 7/29 stated, "This is privately run Radio Irina, the voice of freedom broadcasting from Moscow. The Vietnamese program for democracy and human rights." On closing it announced, "We are looking forward to receiving suggestions from listeners supportive of the debate section. We assure you that we will treat as confidential the identity of writers. Our address in Moscow is 121069 Levinskiy Moscow 18/257. Telephone number is Moscow 420-1228. Radio Irina, a privately run and non-political organ, is funded with contributions from various organizations, associations and individuals in Russia. Goodbye." Russia's Radio announced 8/4 that official Hanoi is unambiguously opposed to the station, and has said either the station or the Russian military base at Cam Ranh must go. (WBI 8/7)

A dispute over control of Russia's leading liberal daily, *Izvestia*, erupted in the USSR the week of 7/17. The Russian Parliament, which is dominated by conservatives [anti-Yeltsin hard-liners] voted to take control of the paper. Konstantin Eggert, one of *Izvestia*'s foreign editors, told Toni Spierman of Radio Netherlands' News Line that this is a worrying sign. "If *Izvestia* falls victim to parliamentary attack, well, that would signal that the progress of reform is really in danger, because the next step after quelling the freedom of speech is usually quelling general freedoms in all."

JM: Media Network correspondent Vasili Strelnikov is actively involved in the Moscow broadcasting scene himself. I asked him if the independent broadcasters were worried

VS: There is some speculation that there might be pressure in terms, yes, the government or whatever other governmental agencies will start demanding from the radio stations to account for what they are putting on the air. The powers-that-be will start going "Okay, what are you putting out and what are you saying, what are you advertising, what kind of music you're playing, and then, if worst comes to the worst, they might start saying "Well, don't put this out on the air. Don't do this. Don't do that." And that would be reminiscent of the Cold War era or the period of stagnation or call it whatever it is." (RNMN 7/23)

"As for our future plans, many things still remain uncertain and unclear. Preparations are in progress for a number of joint projects between Radio Moscow and broadcasting organizations in other countries. ... In the current economic crisis it is impossible to predict what will happen in the future. However we hope that RMWS will be able to keep up its work at the present level."

(To a second listener) "You write that you recognize the voice of one of the presenters from R. Moscow on New Wave Radio. Some ... new radio stations have enticed some members of our staff to work for them by offering bigger salaries and fringe benefits as a lure." (excerpts from RMWS Moscow Mailbag in EE 6/21 in FBIS-SOV-92-123, 6/25 via mf)

*Radio Aum Shinrikyo*: latest schedule received with a QSL card shows the following broadcasts: to NA at 0430-0500 on 12040, 11980, 11850, 11675, 9685 and 9470 kHz; 2030-2100 on 17695, 15580, 15500, 15485, 15425, 15405, 15375, 15355, 13645, 12070, 12050, and 11840 kHz. To ANZ at 2030-2100 on 17740, 17655, 15560, 15190, 15170, 15130, 11985 and 11686. To Europe 0430-0500 in addition to No. Am channels add: 9880, 9760 and 9560; 2030-2100 in addition to NA & ANZ add: 15175, 11675, 9880, 9810, 9800, 9785, 9775, 9540 and 7115. To Africa 0430-0500 in addition to the NA, ANZ & Europe frequencies add: 21760, 21740, 21630, 21585, 21545, 17735, 17710, 17690, 17620, 15550, 15470, 15455, 15320, 15210, 15140, 12055, 12015, 12010, 11960, 11775, 9760, 9560, 7130, 6110, 4975 and 4940; at 2030-2100 15385, 11850, 9810 and 9775. To S.Asia & SEA at 0430-0500 in addition to the NA, ANZ, Eur, Africa frequencies, add the following: 21830, 21790, 21690, 21615, 21515, 21505, 17880, 17870, 17860, 17850, 17835, 17740, 17730, 17720, 17655, 17635, 17610, 17590, 17570, 17560, 15590, 15545, 15340, 15280, 15140, 13775, 12025, 11970, 11915, 11710, 9535 and 7315.



In addition to the address in Japan (Radio Aum Shinrikyo, 381-1 Hitona, Fujinomiya, Shizuoka 418-01, Japan) the schedule lists branch offices in USA (Aum Supreme Truth, 8 East 48th Street, #2E, New York, NY 10017, USA), Germany (Aum Shinrikyo, Auf dem Hugel, 48, Enderich 5300, Bonn 1, Germany) and Sri Lanka (Aum Sacca Sangha Association, Sorahena, Watta, Anglugaha, Galle, Sri Lanka). I hope the station has enough frequencies to get their religious message across. [Rich D'Angelo].

*Radio Moscow International* announced 8/10 it will [again] broadcast in Quechua on Tuesdays from 9/1 at 0210 GMT. The station ceased it's twice weekly broadcasts in Quechua sometime in 1987. (WBI 8/14)

**RWANDA** - *R. Muhabura*, the voice of the Rwanda Patriotic Forces, also uses new 6340 kHz as an alternative to 6400 kHz. The sked is 0415-0515, 1015-1715, and 1715-1815, all in Kinyarwanda. (BBCM via Andy Sennitt on RNMN 7/23)

*Radio Muhabura* (clandestine station of the Rwanda Patriotic Forces) noted w/good carrier coming on at 0407 on 6339.80, slowing drifting up to 6339.88 by 0413. Tone at 0415 for nearly a minute, then into long choral theme with a melodic refrain (accompaniment sounded like electric guitars) repeated over and over; short opening by OM at 0420: "Niha (?) Muhabura...", then choral refrain again to 0422. OM again with a longer anmt mentioning Muhabura and Rwanda, followed by interlude of loud drums and another anmt w/clear mention of Muhabura. Further interlude of native singing and into talk at 0423. Numerous mentions of Rwanda and also once of Kigali. Native chant s briefly at 0428 and OM w/talk until native instrumental/vocals at 0437. Talk by OM resumed at 0450 (again citing Rwanda frequently) and still going at 0458 fade (approx 55 minutes after SR). Fair level for the first half-hour and almost clear of a ute carrier using USB. Steady on 6339.90 after 0425. Hrd this thanks to Richard Meacham's BBCM report on RNMN. I'd like to know what the power is and if it verifies! Opening anmt and all talk in presumed Kinyarwanda. This log was on 8/22; no sign of it 8/23 thru 0420, however, so probably doesn't operate local Sunday mornings, unless K index=6 at 0300 on the 23rd wiped it out. (Dave Clark)

*R. Muhabura* (clandestine) fair thru QRN on 6399.96 at 0448 w/commentary by OM mentioning Rwanda vy frequently. Usual drums at 0457 ending this segment, then into vocal across 0500 to 0503 when OM returned. Usual pattern of steady audio level to about 0455, then weakening rapidly; however, threshold audio still present at 0518 when OM with short anmt, and instrumental closing to 0420+. No ute QRM so easily monitored carrier until off the air at 0522. I suspect this station is running in the 5-10 kW range. 8/27 (Dave Clark)

**SAO TOME** - The *Voice of America* has found a site in West Africa to replace the old VOA base near Monrovia, Liberia. It will be located on the island of Sao Tome, 275 miles west of Libreville, Gabon. Four VOA staff are on Sao Tome. The formal agreement with the government was signed about June 30. By mid-1994 the VOA expects to have 4 SW xmtrs and a large MW xmtr in use. Monitoring receivers to test the impact of seasonal tropical QRN on MW coverage have been set up in Abidjan, Ivory Coast, and Libreville. A 100 kw MW xmtr will sign on next March, but a 600 kw MW xmtr, expected to cover many West African capitals in daylight, should be ready in 1995. (Bill Whitacre, VOA engineering, on RNMN 7/30)

**SENEGAL** - *Radio Senegal*, Dakar, "Chaine Internationale," broadcasts in FF on 7210 kHz Mon-Fri at 0556-0800; at 0830-0900 it carries a United Nations program. (Gabriel Ivan Barrera, RAE 8/20) [WRTH 92 lists 1305 kHz MW only for the "International Service" and does not list a 41m freq.--mf]

**SEYCHELLES** - *FEBA* has moved its 25m EE channel to 11710 kHz at 1500-1600. (Kanwarjit Sandhu and Pintu Darwan, India, on RNMN 7/30)

**SOMALIA** - *Radio Mogadishu* operates on 6968 or 9475 kHz at 0400-0600, 1000-1100, 1400-1430 and 1600-1900. (WBI 8/21)

**SOUTH AFRICA** - *Radio RSA* reactivated on 3230 - first time since 10/87, I believe, noted in English with program of big band music at 0345. Time pips and TC at 0400, and announced this channel and 9695 (hrd in the clear but considerably weaker), then into African news items. Strong signal - likely 250 kW, as was listed here in the past. 8/24 (Dave Clark)

The *BBC World Service* is to sign a relay deal with *Radio South Africa*, according to S92 or W92 skeds provided to WRTH. 15420 kHz is registered from 1745-1900 with BBC WS in EE from a 250 kw sender at Meyerton. 17790 kHz with 500 kw will be used at 0700-0730 for Central Africa. BBC seems to be using the site to improve its coverage in both Central and Southern Africa. (RNMN 8/20) [mf]



**R. Orion** is heard on 3320 kHz replacing a domestic freq of 4810 kHz with programs in EE and Afrikaans. (RAE 8/20) [mf]

**SPAIN - Radio Espana al Exterior**, Madrid, has only one EE program for Europe as of mid-July, from 1900-2000 on 9675 and 9685 kHz. (Peter Goody on UK bulletin board via RNMN 7/23)

**SRI LANKA - Trans-World Radio**, Puttalam, Sri Lanka, has received OK to start broadcasting 9/27/92 with a 12.5 kw xmtr on 49m between 1330-1500. Programs will probably be in two South Indian languages, Kannada and Tamil. The exact freq has not been picked. The signature tune is the hymn "Send a Light" played on Indian string and percussion instruments. (Dan Blosser, TWR Sri Lanka program coordinator, on DXPL 8/1)

TWR expects to start broadcasting 90 minutes a day on 49 or 60m in September. The HC-100 xmtr now being built at HCJB's Elkhart, IN, plant is not expected to arrive in Sri Lanka until mid-1993. It will be used five or six hours daily. (Tom Corcoran, former director of operations, TWR Sri Lanka, now at TWR Bonaire, on Bonaire Wavelength 8/8)

**ST. HELENA - Radio St. Helena Day** As noted last month, the response to the October 1990 one day relay of Radio St. Helena on shortwave has prompted the island's governor to authorize further shortwave transmissions. According to a promotional flyer received with a recent NU, there will be an annual Radio St. Helena Day. The flyer further notes that the government is developing more convenient access to the island (presumably an airport? [df]) and that the Radio St. Helena will be a vital instrument to promote tourism to the "best kept secret in the world. The 1992 transmission will take place Friday, October 23, 1992, at 2000-2100 and 2220-2300 on 11092 usb.

Listeners are invited to call the station manager, Tony Leo, during the transmission and ask him about St. Helena. Direct dial is available to +290-4654. Reception reports are invited and will be acknowledged with a QSL card and an informative letter. Reply postage is highly appreciated. Address reports to Radio St. Helena, Jamestown, ST. HELENA, South Atlantic Ocean.

For further information about St. Helena, write South Atlantic Travel & Trade (SATT), Box 6014, S-600 06 NORRKOPING, Sweden. SATT is set up to promote tourism on St. Helena, and is directed by long time DXers John Ekwall and Jan Tuner.

Another telephone line for Radio St. Helena is (290) 4669. Both shows will be live but the contents will be the same except for the overseas calls. The broadcast is a joint effort of the St. Helena government and South Atlantic Travel and Trade, a firm headed by longtime Swedish DXer Jan Tuner. (Jenny Tuner, Jan's daughter, visiting in Ecuador, on DXPL 8/15)

**SUDAN - Republic of Sudan Radio's** Arabic service from Omdurman is heard on 9190v kHz at 0300-0600, 0800-1100 & 1900-2200. Times vary considerably from day to day. Continues to also operate on parallel 7200 kHz. Between 1300 and 1700 the 9190 kHz channel carried National Unity Radio from Omdurman, till 7/23. On 7/24-25 it shifted to 9170 & appeared to be used to counter broadcasts from Radio SPLA, which is hostile to the Sudanese government. In the past, National Unity Radio has often been observed to "shadow" the Radio SPLA broadcasts. (WBI 7/31)

(Clandestine) - Radio SPLA noted 7/24 & 25, first time since the end of May, on 9170 kHz in Arabic at 1300. The frequency was followed shortly by a broadcast of National Unity Radio, which has traditionally shadowed Radio SPLA. (WBI 7/31)

Radio SPLA no longer broadcasts in English, except for an announcement at s/on. The station operates at 0500-0600, 1100-1200 & 1300-1400 on either 9170 or 9190 kHz, in Arabic, Sudanese colloquial Arabic & Sudanese local languages. It continues to suffer from intermittent apparently deliberate co-channel interference from Republic of Sudan Radio and National Unity Radio, in Omdurman. (WBI 8/7)

**SWAZILAND - TWR** turns out to be the one on 3335 kHz here at 0256 with IS and English ID's, opening at 0300 in Portuguese, then into hymn. OM with ID at 0315, then a different program, again in Pt. Good signal; TWR-3200 and 3240 also on at this time, each with a program in a different African language at vy good levels. This freq was last used by TWR-Swaziland in 1986/87, I believe, for a listed program in Portuguese around 1800. 8/24. (Dave Clark)

TWR very strong (totally covering RFO-Guyane) at 0420 on 5055 kHz w/ OM in German after hymn; //3200, still surprisingly good. Closing ID and both channels off at 0428 - RFO itself then quite good on 5055. TWR's English segment at 0430 presumably on some higher freq. Deep southern Africans were very good on 90/60 meters in wake of the geomagnetic storm of the 8/23, however the Rwandese clandestine, R Muhabura, disappointingly poor when checked on 6339.95 at 0435 - barely audible this night on E Beverage. 8/24. (Dave Clark)

Swazi Radio has dropped the word 'Commercial' from its name; the station now carries only religious programs taped elsewhere by various organizations. The mailing address for Swazi Radio

and Radio 702 is; P.O. Box 5572, Rivonia 2128, RSA. The current sked is Mon-Fri 1700-2030; Sa 1700-2000, and Sun 0500-0600 and 1700-2045 on 1377 and 6155 kHz. MW is silent Sunday mornings. 9750 kHz is inactive. *Radio Cidade*, formerly *R. Paralelo 27*, uses 6155 kHz Mon-Fri 0700-1000 in PP, Sat 0600-0900 in Italian, 0900-1200 in PP, and 1200-1700 in PP and EE; Sun 1100-1200 in Greek and 1200-1500 in PP. *R. Cidade* is // 1377 kHz only on Sat at 1600-1700. Its business is now named Communities Broadcasting Services. (Martin van Delft, traveling in Africa, on DXPL 8/15)

**SWEDEN** - ASEA-Brown-Boveri (ABB), the Swiss-Swedish electronics giant, has announced the sale of 3 x 500 kw transmitters to Radio Sweden to replace existing 350 kw equipment. R. Sweden had considered leaving SW altogether but a survey revealed that it was too early to put all its resources into developing a satellite service. (RNMN 7/30)

**TAJIKISTAN** - *Tajik Radio* domestic service, from Dushanbe, operates on 4635 kHz at 2340-1900. Address is State Teleradio-Broadcasting Company of the Republic of Tajikistan, 735025 Dushanbe, Chapayeva 31. Telephone 277327 (radio), 224367 (TV), 277497 (radio/TV guide) (WBI 8/14)

The Second Program/External Service operates 0100-0500 in Dari & Persian for Afghanistan & Iran; 0500-1500 in Tajik, and 1500-1900 in Dari & Persian to the Afghanistan & Iran. All on 7245 kHz. (WBI 8/14)

**THAILAND** - The 1000 kw VOA relay in central Thailand on 1575 kHz has been heard carrying programs directed to the UN Transitional Authority in Cambodia. The UN is there to supervise the changeover period through elections in early 1993. The Voice of Free Asia broadcast at 1200-1230 Mon-Fri is replaced by Cambodian. A second UN program is heard daily at 0000-0100, replacing VOA in EE. (RNMN 7/30) The second program is at 0030-0100, and WBI 8/14 incorrectly shows the 1200-1230 broadcast as daily. [df]

**TONGA** - While vacationing in Hawaii in June, I heard a program of country & western music on 5030 kHz. There were only two announcements in the 1400-1500 period, one just about 1458 at sign-off with a National Anthem. I received a rapid QSL from Tonga for this, and assume they were testing, since that time is 0400 s/off there. Only heard once despite many attempts, and the signal was pretty good at Hawaii sunrise. (Hank Michalenka, RI, who says he found Richard Wood on the streets of Kona)

**TRANSKEI** - Capital Radio is now on 7150 kHz from 0530-1700. 3930 kHz may be reactivated from 1700-0530. (Martin van Delft on DXPL 8/15)

**UKRAINE** - Additional frequencies have been given to *Ukrainian Radio's* First Program in Ukrainian. Earlier, only the Second Program was well heard on sw. Further, *Radio Ukraine International* is now operating 24 hours in Ukrainian, German & English. Three hours in German, two in English, nineteen in Ukrainian. The latest expansion fills the 0630-1300 gap. *Radio Ukraine International* also has a limited service in Moldovian, apparently not a part of the mainstream *Radio Ukraine International* service. (WBI 7/31)

**UNITED ARAB EMIRATES** - *R. Dubai* has been heard on new 17890, ex 15435 for NA with EE at 0330 // 11945, 13675 and 15400 kHz. (Richard Urena, MA, via Fidonet and Andy Sennitt on RNMN 7/23)

**UNITED KINGDOM** - The M.V. *Ross Revenge*, home of Radio Caroline, was scheduled to be towed from Dover to Chatham, Kent, in mid-August, British marine inspectors willing. Arrangements had been made for a short-term (4 weeks) FM license on 101.4 MHz. with a 15-watt xmtr on Blue Bell Hill near Chatham, using programs produced on the ship. Taped programs from the ship are also being broadcast on SW by Radio Harmony in the Irish Republic, 6305 kHz at 1000-0200 Sat/Sun. It is also being heard early Saturday and Sunday mornings on the Dutch PTT transponder on Eutelsat. Negotiations for a Third World (non-ITU member) license for the station are still being pursued. (Chris Edwards and JM on RNMN 8/13)

**USA** - *WEWN*, The Eternal Word Network, Birmingham, AL, expects to be on the air at Christmas 1992. The 140-acre site will be home to eight curtain antennas and 4 x 500 kw Continental transmitters. The transmitter hall was 70% complete in late July. Half of the curtain antennas are up. Test xmsns should start early in October. *WEWN* will try to cover two-thirds of the globe from the site near Birmingham, which raises many frequency management problems. So *WEWN* will have several computer-controlled remote monitoring sites overseas and volunteer human monitors. Programs in 15 languages will be produced in Italy; EE, SS, FF, PP and CC will be produced in



Alabama. WEWN is negotiating for a time-sharing agreement with a Far Eastern transmitter operator to cover the back side of the globe. The address is: Bob German, WEWN Shortwave Transmitter Site, 1500 High Road, Vandiver, AL 35176. The CompuServe account number is 70413.40. (Bob German, WEWN shortwave project manager, on RNMN 7/30) [mf]

Yet-another religious station [henceforth to be abbreviated 'yars'. [df]] is gearing up to begin shortwave broadcasts by Dec/92. Here's the complete list of WEWN frequencies: 5825, 7465, 7520, 7540, 9350, 9410, 9870, 9985, 11735, 11885, 11970, 13615, 13710, 17760, 17890, 18930, 21670 and 21735. (WOR via ODXA)

WWCR2, which carries the Gene Scott show, currently operates at 0200-1100 on 5920 kHz and at 1100-0200 on 13815 new kHz. The schedule announcements are made by University Network announcers about three minutes before signoff. (Mike Fern--CA) [mf]

WRNO is being heard on new 7395 kHz at 0300-0500 Tu-Sa at least; 0300-0330 in EE, 0330-0500 with "La Voz de la Fundacion" in SS, to back up WHRI on 9495 which is jammed by Cuba. Strong teletype QRM at times may or may not go with the territory. (Mike Fern--CA) [mf]

Radio Miami International had clients' programs in SS on WWCR, 15690 kHz at 2315-2400 Sun in April. (Nobuyoshi Aoi on RJMR 7/12) [mf]

Media Network 8/19 was devoted to a long retrospective on the Scituate, MA, SW xmtr site and the stations associated with it: WIXAL Boston, WRUL Boston/New York, WNYW New York/Scituate, and WYFR Oakland. Lou Josephs, who helped JM with the live show from the site, got his first radio job at WNYW. One of his duties was verifying reception reports. If you have a WNYW card initialed "LJ", it's probably his. The Scituate, MA Historical Society has no information (let alone files) on WIXAL/WRUL or the WWI Navy Proving Ground which previously occupied the site. One of WRUL's most famous exploits was a series of broadcasts in Norwegian during the German invasion in 1940, which warned Norwegian fishing boats and freighters to head for Britain instead of Norway. Larry Yount, formerly of WNYW, is now a staff announcer at WQXR New York. (Des?) Marshack is one of the regular voices on NBC TV. (RNMN 8/20). [The three original transmitters at Scituate were designed and built by the WIXAL/WRUL staff. One or more may still be in use at WYFR in Florida.--mf]

President Bush is committed to all the U.S. international b/c outlets including Radio Free Europe and Radio Liberty, despite recent suggestions to close RFE/RL down. White House spokesman Marlin Fitzwater said 8/15 that the president intends to see that they remain active and effective. (JM's eagle eye on RNMN 8/20) [mf]

**UZBEKISTAN** - *Russia's Radio* reported 7/27 that a joint correspondent's office for *Voice of America* and *Radio Liberty* would open in Tashkent. "For \$150,000 a year Uzbekistan will grant these radio stations all the medium wave and ultra-shortwave [VHF/FM] transmitters previously used for jamming hostile broadcasts beamed to Central Asia." Another report on *Russia's Radio*, 7/29, said transmissions will start 9/1. (WBI 7/31) [Wonder what they jammed with the VHF transmitters? df]

*R. Tashkent's* second home-service program is heard on 15165 kHz most of the day until 1900. (Olle Alm, WRTH, via Andy Sennitt on WRTH 8/13)

*R. Tashkent* has been heard with what seems to be a new EE xmsn at 0100-0130. Freqs are announced as 7235, 7325, 9740 and 11975 kHz. 25m gives the best reception in NZ. (AC on RNMN 7/16)

**VATICAN** - Vatican Radio noted on new 15025 kHz at 0150-0200\* in English. (Hans Johnson via NU)

**VENEZUELA** - *R. Minuto*, Barquisimeto, has asked for a freq change from 1340 kHz to 790 kHz, and for a SW outlet on 4990 kHz. (?Vinter Benite Mojes, Venezuela, in Pampas DXing 5/92 on DXPL 8/15)

**VIETNAM** - *Hanoi* noted in Australia on 6136, ex 6560, as early as 1115 to 1215+, with plaintive unaccompanied vocals in Hmong. (David Foster via OZ DX)

**YUGOSLAVIA** - BBCM and WRTH staff checked 7/13 and found that EE to Europe is now at 1830-1900 on 6100 and 7200 kHz. Material produced by the UN Peacekeeping Forces is included. A second EE program at 2100-2130 uses the same freqs. EE for NA is at 0030-0100 and at 0130-0200 on 11870 kHz. A third xmsn to NA is announced for 1130-1200 on 17740 kHz, but has not been heard. (Andy Sennitt on RNMN 7/17)



Belgrade was heard in EE from 0030-0100 and 0130-0200 on 11870 kHz with some RR interference. Transmissions for Europe are at 1830-1900 and 2100-2130 on 6100 and 7200 kHz. Reception in New Zealand is best at 1830. (AC on RNZI 7/19)

**ZAMBIA** - ZNBC Domestic Service (Radio 1) was noted on July 25th on 4909.8 kHz running past listed 0530 s/off on this channel. (Cedric Marshall via ODXA) **Radio 2** Domestic Service (in English) is active on 6164.7 - sked unstated. **Radio Zambia International's** External Service has been terminated. (Vashek Korinek via WOR via ODXA)

Frequencies used by ZNBC in the past, but thought now to be inactive, include 3346 (R2), 3290 (R1), 6060 (r1), 7220 (R1) and 9505, 11880 & 17895 (Radio 3 - the external service, which closed in early 1992). Current schedule of **ZNBC Radio** is 0245-0605 and 1500-2205 on 4910; 0605-1500 on 7220. ZNBC Radio 2 sked is 0240-0605 & 1530 on 6165 kHz; 0605-1530 on 7235 kHz. (WBI 7/10)

**AWARDS** - Rules for the World By 2000 Award, sponsored by HCJB's DX Party line, have been revised slightly. The World By 2000 program of broadcast evangelism is a joint project of HCJB (The World Radio Missionary Fellowship), Trans-World Radio, Far East Broadcasting Co., and the Sudan Interior Mission, backers of ELWA in Liberia. QSL's from the following stations are eligible:

TWR: Short wave: Monte Carlo, Bonaire, Swaziland, Sri Lanka and KTWR Guam; medium wave: Cyprus, Guam, Uruguay.

FEBC: Short wave: Philippines, Far East Christian Broadcasting Russia, KFBS Saipan, KGEI San Francisco, FEBA Seychelles. Medium wave: Korea, Saipan.

SIM; ELWA (still silent because of the civil war in Liberia.)

WRMF: Short wave: HCJB; medium wave: HOXO Panama City; and six FM stations in Texas (see WRTH 92 and M Street Journal).

MW and SW xmtrs of one station do not count as two stations. The rule change allows a DXer to use MW and FM QSLs if he has them. The award requires at least one QSL from a World By 2000 station in each of five geographical areas: Europe, the Americas, Africa, Asia and the Pacific. Of these five, one each must be from FEBC, HCJB [sic, not WRMF] and TWR. [FEBC Russia is in Khabarovsk in the Soviet Far East, but FEBC also has programs on a Russian network based in Moscow. Khabarovsk on 1224 and 9560 kHz is meant here, since the QSL policy for the Moscow-based programs is unknown.]

QSLs from sites which have gone silent (e.g. TWR Tangier) are eligible.

An endorsement will be awarded for nine complying QSLs. The endorsement used to require 10 QSLs, but the count was changed to nine because ELWA is silent. If TWR begins broadcasting with high power on SW in Sri Lanka - and the transmitter is said to be en route - then the count might go back to 10. Anything more than 10 QSLs is impractical to administer as a side job.

To submit entries for the award, send a list of your QSLs, copies of the QSLs on which the location and full data are legible, and one IRC to DX Party Line, HCJB, Box 17-17-691, Quito, Ecuador. (DXPL 8/1)

**EQUIPMENT** - The French transmitter maker Thomson-CSF has developed a whole new approach to shortwave transmitter design. A large rotatable multi-band antenna sits on top of a reinforced building which houses the xmtr. There is no antenna switching. A whole xmtr site with six or eight such modules is far more difficult to silence than, say, the Iraqi 16-xmtr site which was silenced when its antenna switching matrix was bombed by U.S. airmen. Patrick Bureau, marketing manager for Thomson-CSF's RF division, said the new system is named "Alliss" from the names of the SW transmitter sites Allouis and Issoudun of Radio France International.

JM: The modular system requires a lot of land but is cheaper in the long run.

PB: Telediffusion Francais made the calculations. A conventional system would cost 30% more. The second installation will be for Radio Suisse International at Montsinery in French Guiana. They want to cover both North and South America.

JM: The antennas on top of each building can rotate.

PB: In the past, rotatable antennas were used as stand-bys. The basic antenna covers 5.9 to 26.1 MHz, with two antenna systems, one serving 5.9-11 MHz and the other 11 to 26.1 MHz. We have sold 17 complete models so far.

JM: Of which 15 will be built in France. Thomson CSF says the patented antenna design will withstand windspeeds of 160 km/h. (RNMN 7/23)

Material for LN is most welcome, to the masthead address, on diskette or paper, or via CompuServe 76702,771, Prodigy JDBM33A, or GENIE D.FERGUSON14. As always, opinions are mine, not VOA's. Back next month. Dan

# QSL Reports

**Sam Barto**  
47 Prospect Place  
Bristol, CT 06010



## CAPITAL RADIO INTERNATIONAL SHORT WAVE

L.F. M.B.

**Q.S.L.**

TO Chris Lobbell  
DATE Wed 22 April 1992  
TIME 02.10-02.16 G.M.T.  
FREQUENCY 6.225 KHz  
TX POWER 200 Watts



THANK YOU FOR YOUR REPORT 73s

f/d cd. w/ site in 32 ds. (Rigas-IL). same in 47 ds. w/ sticker and pennant. v/s Lina Lega, Secretary. (Kusalik). same in 37 ds. (D'Angelo-PA). Radio Moscow 21690 via Vladivostok f/d cd. in 80 ds. (Rigas-IL). 9845 via Novosibirsk f/d cd. in 80 ds. (Rigas).

AUSTRALIA: Radio Australia 9580 via Shepparton n/d "Wilderness" cd. w/ f/d ltr. and schedule in 22 ds. (Name?)

AUSTRIA: Radio Austria International 21490 f/d ltr. w/ schedule and sticker in 48 ds. for 1 IRC. (Clement-GA). 13730 f/d "Narcissus Festival" cd. in 24 ds. (Levison-PA). same cd. in 1 mo. (Miller).

BELGIUM: BRT 9930 f/d "Gent" cd. in 2 1/2 mo. (Millard-TX).

BRITAIN: BBS 5023 f/d prepared cd. in 36 ds. for \$1.00. (Paszkwicz). United Nations \* Radio 5025 via BBS f/d grey "U.N. Building" cd. w/ site and schedule in 122 ds. C/V #232! (Kusalik-ALB). same w/ cd. including site in 107 ds. (Yamada-JPN).

BONAIRE: Trans World Radio 9535 f/d cd. w/ post cards and station pennant in 27 ds. for ms. (Galvano-NY). 9515 f/d "Nina" cd. w/ sticker in 50 ds. (Yamada-JPN). Radio Netherlands 9590 f/d "Solar" cd. in 51 ds. (Poston). same in 2 mo. (Miller).

BOTSWANA: VOA 15370 and 11895 f/d "Map" cd. in 194 ds. (D'Angelo-PA). 7265 f/d cd. in 8 ds. v/s Dan Ferguson. (Moore-KY). 7265 and 11940 f/d "Map" cd. in 161 ds. (Lamb-NY). 9885 same cd. in 10 ds. w/ schedule. (Martin-CA). 15445 f/d cd. w/ schedule and sticker in 2 mo. (Kusalik).

BRASIL: Radio Pioneira 5015 n/d cd. w/ info. folder in 22 ds. for a PT rpt. after a f/up rpt. v/s Tony Batista. (Durden-GA). Radio Bras 11745 f/d cd. w/ sticker in 2 1/2 mo. for 2 IRCs. (Clar-NY). Deutsche Welle 11810 n/d cd. in 126 ds. (Schwartz-NY). Radio Nacional da Amazonia 11780 n/d ltr. w/ sticker and schedule in 155 ds. for a f/up rpt. in PT. v/s Renato Geraldo de Lima, Manager. (Schwartz-NY). Radio Guaiaba 6000 n/d cd. w/ sticker and a booklet covering the station history in 15 ds. for a PT rpt. and \$1.00.

BULGARIA: Radio Sofia (Durden-GA). 11720 f/d cd. w/ 3 different stickers and two schedules in 5 mo. (Poston). 9700 and 11720 f/d cd. w/ schedule and stickers in 84 ds. (Schwartz-NY). 9700 f/d cd. in 138 ds. w/ stickers. (Moore-KY).

BURKINA FASO: Radiodiffusion Television Houet 4815 f/d "Province du Houet" cd. in 89 ds. after a f/up rpt. in FR. v/s Mr. Raphael Onadia. (Fanderys-OH).

CANADA: Radio Canada International 9635 via Sackville f/d cd. in 11 ds. w/ schedule and sticker. (Reininger-RI). 21675, 17875, 15325 and 13650 f/d "1985 Youth Year" cd. in 10 ds. (Kusalik-ALB).....cond't.

PCS Secretary  
Secretary Plus  
Secretary Super  
Executive Center



DEAR FRIEND,

We are pleased in verifying your reception report of our broadcast on 17/Mar. 19 92 2258 GMT  
On 02.52 Please send QSL 9835  
Please check for your information and we shall reproduce your feedback report, as well as continue on our broadcast. Good Reception, DX and 73!

© Copyright 1992 Sam Barto

Mr. Mark Alexander Humenyk  
26 Crearidge Heights Rd  
Watson, Ont. M9P1L4

© Canada

YOURS SINCERELY  
ENGLISH LANGUAGE BROADCAST  
OF RADIO BRITAIN



Free Sev. Allow  
P. E. 1074991  
430 0020

**VERIFICATION SIGNERS:** Trans World Radio - Bonaire Sally Rork. Radio El Mundo 6015.8 Fred- dy Banegas Carrasco, Gerente. Radio 8 de Setembro 2490 Adonias Gomes. Radio Verdes Florestas 4865 Miss. Marlene Valente de Andrade. Canadian Forces Network (RCI) Jean Choquette, Chef des Services Techniques. Addr: Jamm Strasse 9, D (W) 7630 Lahr, Ger- many. Radio Nacional 6250 Cipriano Somori. Radio Cairo International 9990 Mrs. Magda Hamman, Secretary ...this for the Italian Service. RRI Bengkulu 3265 Drs. H. Hamdan Syahbeni. RRI Palembang 4855 Iskandar Suradilaga, Station Manager. Radio Community / Radio Dublin 6912 Eamon Cooke.....via PLAY/DX.....Sam.

**CANADA:** CFRX 6070 f/d cd. in 7 ds. for \$1.00.(Clement-GA). Canadian Forces Network 15325 \* via RCI f/d ltr. in 1 mo. for a rpt. to the Lahr address. v/s Jean Choquette, Manager for Technical Operations.(Kusalik-ALB). 13650 f/d "35th Anniversary" cd. via CIDX w/ pennant and schedule.(Clar-NY).

**CANADA (Pirate):** CSIC 7413 f/d ltr. in 2 1/2 mo. for \$1.00.(Kusalik-ALB).

**CHINA, PEOPLES REP. OF:** Radio Beijing 9770 and 11715 f/d cd. in 25 ds. w/ schedule.(Lev- ison-PA). f/d cd. in 33 ds.(Miller). Voice of the Strait 6170 f/d cd. via Beijing for a reception while I was in Okinawa.(Hardester). Cuizhou PBS 3260 f/d cd. for Okinawa reception.(Hardester). Voice of Jinling 4875 via Fuzhou f/d cd. in 60 ds. for SASE. (Murray-OR). Voice of Puijiang 3280 f/d cd. in 2 mo.(Hardester).

**CLAUDESTINE:** Voice of Free Sahara 15215 via Radiodiffusion TV Algerienne p/d cd. in FR \* w/ personal ltr. in SP w/ sticker and "Sahara" newspaper in 48 ds. for a SP rpt. v/s \* Sneiba Lehib.(Yamada-JPN). Radio Free Bouanville 3880 home-made f/d cd. in 20 ds. for \$1.00. v/s Sam Voron (who says that he heard my report over the DXPL on HCJB:) (Kusalik-ALB). f/d form ltr. in 1 mo. v/s Martin R. Miriori, Humanitarian Aid Coordin- ator. QSL via: Interim Government, P.O. Box 1203, Honaire, Solomons.(Kusalik-ALB). \* Rumbo a la Libertad / La Voz del 30 Noviembre / La Voz de Alpha 66 7355 via WRNO rcvd. separate f/d cds. in 38 ds. for a taped rpt. and \$2.00. v/s Jeff White.(Clar-NY). \* Radio 16 de Diciembre 17835 via WIRI f/d cd. in 38 ds.(Clar-NY). Radio Venceremos 6750 f/d "Certificado de Sintonia" w/ prepared cd. v/s Anita Ocampo. She is at the following US addr: El Salvador Media Project, 335 West 38th St., New York, NY 10018.

## "REMEMBRANZAS"

Radiodifusora "La Voz de Los Caras"

Cañilla 628, Bahía de Caráquez, Junio 9 - 1972

señor Don Christopher R. Lobdell, Stoneham, Massachusetts 02180 U.S.A.

Estimado Mr. Lobdell:

Con gran alegría he recibido su atenta carta del 1 de Marzo 72, con la que tiene la gran gentileza de agradecerme un reportaje de sintonía, el que tiene para la Bahía y toda sus que la integramos, fundamental importancia.

Me satisface mucho saber acerca de Usted y de su familia: igual, de Stoneham, la ciudad donde reside y de la especiali- zación a la que se dedica. Le auguro, junto a su familia y en el trabajo, toda clase de éxitos.

Nuestra ciudad es Bahía de Caráquez, perteneciente a la provincia de Manabí; esta población es balneario con 40.000 habitantes, teniendo solamente dos estaciones, perfecta- mente definidas: invierno (de Diciembre a Mayo) y verano (los restantes meses del año); en nuestra ciudad viene bastante tu- rismo nacional e internacional. Básicamente sus pobladores viven de la agricultura, la ganadería, la cría de camarones en conchivi- rio, que se exportan a los Estados Unidos de América y Europa. Nuestra zona rural es muy extensa, con una población que alcanza los 100.000 habitantes.

Soy Profesor de Educación Media (de Colegio), con 27 años de docencia y dirijo el Programa "REMEMBRANZAS" por Radio "LA VOZ DE LOS CARAS" (mi familia la integran mi esposa María Dolores y mis hijos Eduardo (Médico), actualmente siguien- do un curso de especialización de Cirugía Plástica en Miami, Teniente de Fragata Javier (oficial de la Marina de Guerra), la- mentablemente fallecido en un accidente hace cuatro años, María e Iván, que trabajan conmigo; decís que son cuatro; además tra- bajo en Acuicultura en la producción de camarones (con la ayu- da de mis dos hijos menores) (tengo 10 piscinas con un total de 70 hectáreas (70.000 metros cuadrados). Como podrá apreciar, debo laborar intensamente para solventar la subsistencia de mi familia; mi esposa también es Profesora, en otro Colegio, pero enseña la misma asignatura que yo, Matemáticas.

La Emisora opera en frecuencias modulada y A.M., teniendo gran aceptación local y nacional y constantemente ce- lebramos exitosos reportajes (como el suyo) desde el exterior, con preferencia de Australia, Alemania, Italia, Suecia, Colombia y Brasil.

Es muy grato adjuntarle un fotografía de nuestra ciudad, al tiempo que le repito mi agradecimiento por su va- lioso reportaje. Con esta ocasión le deseo a Usted, junto a su familia, muchas felicidades y los reitero mis consideraciones.

Muy atentamente  
Eduardo Rodríguez Coll.

**COLOMBIA:** Caracol 5075 p/d "Map" cd. w/ stickers in 36 ds. for a SP

\* rpt. (Schwartz-NY). La Voz del Guainía 3500 n/d personal ltr. in EG in 129 ds. for \$1.00. v/s Ancizar Gomez Arizmendi, Director. (D'Angelo-PA).

**COSTA RICA:** Radio for Peace Interna- tional 15030 f/d cd. w/ schedule and a personal note in 3 mo. for \$1.00. v/s James Latham, Manager. (Gold-MI).

**CROATIA:** Hrvatski Radio 9830 f/d cd. in 92 ds. (Rigas-IL). f/d cd. in 3 1/2 mo. (Paszkiewicz). 7240 f/d "Studio Building" cd. in 148 ds. for \$1.00. (D'Angelo-PA). 6210 f/d cd. in 131 ds. for \$1.00. (Comeau-MA).

**CYPRUS:** Cyprus Broadcasting Corpora- tion 9770 f/d cd. in 2 1/2 mo. for a taped rpt. and \$1.00. (Clar-NY).

**CZECHOSLOVAKIA:** Radio Prague 7345 via Litomyšl f/d "Tyl Theatre" cd. w/ pennant and sticker in 11 wks. (Kohl- brenner-PA). 11990 and 7345 f/d cd. w/ schedule in 27 ds. (Poston). 5930, 7345, 9540, and 11990 f/d "New World" cd. in 3 mo. (Humenyk).

**DUBAI:** Radio Dubai 21605 f/d cd. w/ schedule and paper pennant in 38 ds. for \$1.00. (Clement-GA). same in 31 ds. w/ pennant and schedule. (Miller).



**ECUADOR:** HCJB 21455 f/d "Antenna" cd. in 1 mo. (Walker-MI). personal ltr. w/ pennant in 25 ds. for returned station survey. (Clement-GA). f/d "Mayra" cd. in 35 ds. v/s Glen Volkhardt. (Miller). 15155 f/d cd. in 31 ds. for ms. (Galgano-NY).

**ENGLAND:** VOA f/d "Capital Hill" cd. in 1 mo. (Humenyk). Radio Canada International 7235 via Skelton f/d "XV Olympic" cd. w/ site in 10 ds. v/s Bill Westerhaver. (Kusalik).

**ERITREA:** Voice of the Broad Masses of Eritrea 7020 f/d blue cd. in 5 mo. Address on cd: \* Information Dept., P.O. Box 872, Asmara, Eritrea. Address on envelope: P.O. Box 2571, Addis Ababa, Ethiopia. (Lobdell-MA).

**EUROPEAN RUSSIA:** Radio Moscow 21550 via St. Petersburg f/d cd. w/ site and power as 240 kws. in 80 ds. (Rigas-IL).

**EUROPIRATE:** Radio Mi Amigo 6224 and 7416 f/d form ltr. in 4 mo. Note on ltr. says that \* they were testing a new 3 meter high aerial with only 22 watts when I heard them! (Lobdell-MA).

**NOTES:** Nick Grace is still overjoyed about the Vanuatu and Kiribati QSLs that he got in the mail on consecutive days! I wish my days were that kind... Sam. Ross Comeau says that the QSLs are slow in arriving. So does everyone else... Sam. Scott Helm says he finally got a new radio and if the darn sun spots stop causing all sorts of problems he'll be all set. Mike Hardester of 3118 Gaitway Court, Jacksonville, NC 28546-6973 needs the address for Radio Nueva Vida-5570 in Colombia. He has already used the Ap. Aereo 402, Cucuta address with no luck. Can anyone help... Sam.

**EUROPIRATE:** Capital Radio International 6225 f/d "Ireland" cd. from the Radio FAX addr, \* in 3 mo. from v/s Aidan Hughes who says this is the same station as operated in the early 80s. 200 watts. (Lobdell).

**FINLAND:** Radio Finland 11755 f/d "YLE Building" cd. in 13 ds. after my 4th rpt. for \$1.00. (Schwartz-NY).

**FRANCE:** Radio France International 21465 two f/d "Place des Vosges" cd. w/ schedule in 23 ds. (Poston). 21635 f/d "Souvenir de Paris" cd. w/ schedule in 23 ds. (Poston).

**GERMANY:** Deutsche Welle n/d "ADDX 25th Anniversary" cd. in 3 mo. (Humenyk). same n/d cd. in 53 ds. (Miller). RFE/RL 7220 via Lampertheim p/d "Map of Europe" cd. w/ paper banner and stickers in 5 ds. (Schwartz-NY). VOA 5995 f/d "Jefferson Memorial" cd. in 4 wks. (Humenyk). Radio Bremen 6190 f/d "Antenna near the Highway" cd. in 2½ mo. w/ personal ltr., stickers and schedule. v/s Jim Senberg. (Humenyk). Bayerischer Rundfunk 6085 p/d "Logo" cd. in 65 ds. (Frodge-MI). Suddeutscher Rundfunk 6030 f/d "Rain-bow" cd. w/ sticker in 3 wks. (Kohlbreuner-PA). Sudwestfunk 7265 via Rohrdorf p/d "Sunset" cd. w/ stickers in 1 mo. for \$1.00. (Clar-NY).

**GREECE:** Voice of Greece 17525 f/d "Santorini Island" cd. in 30 ds. (Rigas-IL). VOA 7205 f/d "White House" cd. in 7 wks. (Humenyk).

**GUAM:** KSDA Adventist World Radio 11980 f/d cd. w/ stickers and schedule in 29 ds. for 1 IRC. (Martin-CA). same in 1 mo. w/ pennant for \$1.00. (Kohlbreuner-PA). f/d "Logo" cd. in 28 ds. for \$1.00. (Gold-MI). same w/ stickers in 5 wks. for ms. (Klinck-NY). f/d cd. in 29 ds. (Miller).

**GUATEMALA:** Radio Maya 3325 f/d "Warrior" cd. w/ personal ltr. in 60 ds. for a SP rpt. and ms. v/s Jose Castaneda, Gerente. (Durden-GA).

**HOLLAND:** Radio Nederland 6020 via Flevo f/d cd. in 25 ds. (Clement-GA).

**HUNGARY:** Radio Budapest 11910 f/d cd. w/ stickers in 66 ds. (Poston). f/d "Band of the Danube" cd. w/ schedule and stickers in 34 ds. (Poston). f/d "Three photos of Keszthely" cd. in 1 mo. (Humenyk).

**INDIA:** All India Radio 11620 via Bangalore f/d cd. w/ schedule and sticker in 50 ds. for \$1.00. (Clement-GA).

**IRELAND:** Radio FAX 6205 f/d cd. in 9 ds. for \$1.00. (Comeau-MA). in 13 ds. for ms. w/ info. sheets and a personal note. Addr: The Forge, Cranleigh, England GU6 7BG. (Frodge-MI). \* Live Wire Radio 15050 f/d "Popeye" cd. w/ sticker. v/s Bill Lewis. (Comeau-MA).

**ISRAEL:** Kol Israel f/d blue/white cd. in 30 ds. (Miller).

**ITALY:** RAI f/d "Aprile" cd. in 6 mo. (Galgano)

## RADIO PIRANA INT.

# QSL



To: John Miller R. Lobdell We are pleased to confirm your reception report that is in accordance with our programme details.

Date: July 22 Time: 08:00:00 Freq: 11980 kHz

SINPO: A..... Tx. Power: 100W

Ant.: Yen. 3m. ant. 1W. etc. QSL no.: 045

THANK YOU! Sincerely: J.V. Larrea

**JAPAN:** Radio Japan 11865 via Yamata f/d cd. w/ schedule in 40 ds. v/s K. Hishikawa. (Name?) f/d "Tea Plantation" cd. in 36 ds.(Miller).  
**KIRGHIZIA:** Radio Moscow 12070 via Bishek f/d cd. w/ site and power in 80 ds.(Rigas-IL).  
**KIRIBATI:** Radio Kiribati 14917.7 f/d "Native Girl" cd. in 4 mo. for \$1.00.(Lobdell-MA).  
**KOREA, REPUBLIC OF:** Radio Korea 9750 f/d "Modern Korean Dance" cd. in 45 ds. w/ schedule for 2 IRCs.(Murray-OR). f/d "The Monk's Dance" cd. in 29 ds.(Miller). 9570 and 15575 f/d cd. in 3 mo. w/ schedule.(Humenyk).  
**LITHUANIA:** Radio Vilnius 7400, 9675, 9710, 11780, 15580, 17605 and 17690 f/d "Map of Lithuania" cd. in 8 mo. w/ schedule.(Humenyk). 17690 f/d cd. w/ schedule in 58 ds. for 2 IRCs.(Levison-PA).  
**LUXEMBOURG:** Radio Luxembourg 15350 f/d "Tower" cd. w/ schedule in 36 ds.(Poston). f/d cd. in 16 ds.(Miller).

**NOTES:** Ed Poston reports that quite a few QSLs have arrived during the last month. He is a United Methodist minister and since last time I printed his address it has once again changed. The new address is P.O. Box 208, St. Charles, IA 50240. George Clement says he has been a NASWA member for 5 months. he started in SWLing at age 14. After a 20 year absence due to ham radio he has decided to return to his roots. His ham call was KE4AK. Glad to have you with us...Sam.

**MALAGASY REP:** Radio Nederlands 15150 f/d "Solar" cd. in 30 ds. for 1 IRC.(Martin-CA).  
**MALI:** Radio Beijing 11715 f/d "Ornament" cd. in 28 ds. for 1 IRC.(Martin-CA).  
**MEXICO:** La Voz de Vera Cruz XEFT 9545 f/d 2 page personal ltr. in 193 ds. for a SP rpt. and \$1.00. v/s C.P. Miguel Rodriguez Saez, Sub-Director.(Kusalik).  
**MONGOLIA:** Radio Ulaan Baatar 12015 f/d cd. w/ postcards, schedule, stickers and newspaper in 42 ds. for SASE.(Murray-OR). 12780 f/d cd. w/ schedule, stamps and sticker in 39 ds. for 1 IRC.(Martin-CA).  
**NEWFOUNDLAND:** CKZN 6160 f/d cd. w/ personal ltr. in 21 ds.(Helm-KS).  
**NEW GUINEA:** Radio Sandaun 3205 n/d ltr. in 60 ds. for SASE. v/s Gabriel Deckwalen, Station Manager.(Murray-OR).  
**NEW ZEALAND:** Radio New Zealand International 9700 p/d cd. in 26 ds. for 3 IRCs.(Clement-GA). f/d cd. in 28 ds.(Miller). f/d cd. w/ schedule and sticker in 22 ds. for 3 IRCs.  
**NICARAGUA:** Radio Miskut 5970 p/d 3 page ltr. after a f/up rpt. in SP in 145 ds. (Name?) \* v/s Evaristo Mercado Perez.(Schwartz).  
**NORWAY:** Radio Norway International f/d cd. in 31 ds.(Miller).  
**PALAU:** KHEN 9830 form ltr. w/ f/d cd. in 28 ds. for a rpt. to the CA addr. v/s Patrick C. Kowalick.(D'Angelo-PA). 3 f/d cds. and 3 f/d prepared cds. in 21 ds. for a rpt. on their opening day broadcast.(Kusalik).



He loved 283 women ... and killed ten of them. In a country famed for its lovers, he was the most famous. His name was Henri Landri, but they called him ...

# BLUEBEARD

**PAPUA NEW GUINEA:** NBC 4890 p/d personal ltr. in 12 wks. for a taped rpt. and ms. v/s Iga Kila, Manager of the Karai Service.(Klinck-NY). Radio Southern Highlands 3275 n/d 2 page personal ltr. in 47 ds. for SASE. v/s Andrew Meles, Provincial Station Manager.(Murray-OR).  
**PERU:** Radio Ancash 4991 f/d ltr. in 43 ds. w/ postcard for a SP rpt. and \$1.00. v/s Roque Moreno Neglia, Gerente Financiero and Armando Moreno R., Gerente-General.(Durdan-GA).  
**PORTUGAL:** RFE/RL 11885 and 7255 via Maxo-quera p/d cd. in 5 ds.(Schwartz-NY).  
**RIO MONI:** Radio Africa 7203 f/d "Logo" cd. w/ station stamp in 2 mo. for \$1.00. (Clar-NY).  
**RUSSIA:** Radio Aum Shinrikyo 17710 very \* nice multi-colored cd. w/ station name in Greek in 1 mo. for a taped rpt. Addr: 381-1 Hitoana, Fujinomiya, Shizuoka, Japan 418-01.(Berg-MA). Radio Moscow 15210 f/d cd. w/o site in 74 ds. for 3 IRCs.(Clement-GA). "Alexander Pushkin" cd. in 41 ds.(Miller).  
**RWANDA:** Deutsche Welle 17860 n/d cd. in 90 ds.(Schwartz-NY).

**SAIPAN: KIBI** 9530 f/d "Antenna" cd. in 24 ds. for ms. (Moore-KY). 11580 same cd. in 23 ds. (Schwartz-NY). 15665 same cd. in 1 mo. for 2 IRCs. (Clar-NY).

**SEYCHELLES: BEC Indian Ocean Relay** 11730 p/d ltr. w/ info. sheet in 1 mo. for \$1.00. v/s Steve Welch, Assistant Resident Engineer. (Clar-NY). **FEBA** 9810 f/d cd. in 36 ds. for 1 IRC. v/s M. Asba, QSL Secretary. (Martin-CA).

**SOUTH AFRICA: Radio RSA** f/d "Durban Beech" cd. in 26 ds. (Miller).

**SPAIN: Radio Exterior de Espana** 9530 f/d cd. w/ schedule and sticker in 49 ds. for 1 IRC. (Clement-GA).

**SUMATRA: RRI Bengkulu** 3265 f/d prepared cd. in 121 ds. for an IN rpt. and \$1.00. v/s Drs. H. Hamdan Syahbeni. (D'Angelo-PA).

**SURINAME: Radio Apintie** 5006 f/d ltr. w/ pennant in 60 ds. v/s E. Vervuurt, Director.

**SWAZILAND: Trans World Radio** 9655 f/d folder cd. in 82 ds. for 1 IRC. v/s Carol Tallow. (Martin-CA).

CONFIRMA: Quo su reporte-  
ja de sintonfa del 30/03/  
92, de 7.10 a 7.30pm., en  
la frecuencia de 4825KHz,  
son todos CORRECTOS.

Julia Juste  
Directora

Kenneth D. McCharg  
Casilla 17-17691  
Quitos - Ecuador.-



**NOTES: Barry Schwartz** reports that after many frustrating tries he has typed a f/d prepared postcard of the YLE-Radio Finland building and sent it to them with a reception report. Hopefully they will sign it and return the card. Let us know the outcome..Sam **Ken Gold** says that after 10 years away from the hobby, he has had a tremendous urge to get back in. (I get that same urge!) He replaced his old receiver with a DX440 and hooked up an external longwire antenna. Good luck and report in..Sam. **Marie Lamb** says that she is very grateful for the assistance from Dan Ferguson in obtaining her VOA Botswana QSL. Received a note from **Marlin Field** of 128 Oak St., Hillsdale, MI 49242. He has the address for Flag of Freedom Radio. I believe **Barry Schwartz** requested the address. Write to him Barry...Sam.

**SWITZERLAND: Swiss Radio International** 21770 f/d cd. in 30 ds. (Levison-PA). f/d "The Munot Tower" cd. in 41 ds. (Miller).

**SYRIA: Radio Damascus** f/d "Tower" cd. in 65 ds. (Miller).

**TADZHIK: Radio Moscow** 17580 via **Dushanbe** f/d "Female Announcer" cd. in FR w/ sticker, form ltr., schedule and a newsletter in 35 ds. (Yamada-JPN).

**TAIWAN: Voice of Free China** 11745 f/d "Art Works" cd. w/ schedule and stickers in 26 ds. (Schwartz-NY). same cd. in 16 ds. (Miller).

**TANGER: VOA** 15205 f/d "Globe" cd. in 2 mo. (Humenyk). **Radio Mediterranee International** 9575 f/d cd. w/ sticker and schedule in 87 ds. (Leite-MA).

**THAILAND: Radio Thailand** 9655 f/d "Stamps" cd. w/ schedule and sticker in 222 ds. after a f/up rpt. and 2 IRCs. (Durden-GA). f/d cd. in 36 ds. (Miller).

**TIMOR: RRI Dili** 3306 p/d ltr. in 1 mo. v/s Paul Analo. (Paszkievicz).

**TURKEY: Voice of Turkey** 9445 f/d "Ceramic Vases" cd. w/ schedule stickers and tourist brochures in 37 ds. (Poston).

**UKRAINE: Radio Kiev** 15180 f/d "Logo" cd. w/ stamps and postcards in 4 mo. for \$1.00. (Galgano-NY). **Radio Moscow** 9750 via **L'vov** f/d cd. in 59 ds. (Helm-KS).

**USA: KVOH** 9785 f/d "Voice of Hope Network" cd. w/ sticker in 47 ds. for ms. v/s Patrick C. Kowalski. (Galgano-NY). 17775 same f/d cd. w/ schedule and sticker in 12 ds. for \$1.00. (Gold-MT). **WJCR** 7490 f/d cd. in 15 ds. for ms. (Galgano-NY). f/d "Cross and World" cd. in 11 ds. (Miller). f/d "Call Letters" cd.

w/ ltr. and sticker in 10 ds. for ms. v/s Gerri Powell. (Anderson). **WMLR** 9465 f/d ltr. in 61 ds. (Galgano-NY).

**RGEI** 15280 f/d "San Francisco Scenes" cd. in 23 ds. for 2 IRCs. v/s Jesus C. Elizondo. (Anderson). **WCSN** 15665 f/d "Antenna Array" cd. in 16 ds. for ms. (Moore-KY). **KIBN** 15590 f/d "Antenna" cd. w/ schedule and rel. info. in 31 ds. for ms. (Anderson). f/d cd. in exactly 1 yr! (Nibecker-MEX). **WVWV** 15000 f/d cd. in 20 ds. (Nibecker-MEX). **WRNO** 15420 f/d "Certificate" w/ schedule and stickers in 22 ds. for ms. v/s Joseph Costello. (Anderson). **VOA** 5985 and 11580 f/d cds. in 35 ds. w/ key chain and a "George Bush" book. (Humenyk).

La Voz de la Selva







To Richard A. D'Angelo  
 We are pleased to verify your reception of our station.  
 Date 4 April 1992 Time 12:00 128 UTC  
 Frequency 1885 kHz 25 meters  
 Transmitter location Novosibirsk

AWR - Africa OS PO Box 1751 Abidjan 08 Ivory Coast	AWR - Asia PO Box 7500 Agat, Guam 96928	AWR - Europe PO Box 383 47100 Forth Italy	AWR-Latin America PO Box 1177 4050 Alajuela Costa Rica
---	--	--	---

North Church Road, Bensenville, IL 60106.(Frodge-MI).

**USA (Pirates):** Anarchy One 7415 f/d cd. in 17 ds. for 3 ms.(Martin-CA). WVOL Voice of the Loon 7418 f/d "Loon Sheet" in 55 ds. for 3 ms. via the Wellsville drop. v/s J.J. Loon.(Frodge-MI). Pirate Radio Boston 7413 via CSIC f/d "Greetings from Boston" cd. in 8 ds. Addr: P.O. Box 146, Stoneham, MA 02180.(Walker-MI). f/d cd. in 2 wks. v/s C.Q. Loudenboomer.(Lobdell-MA). f/d "Fenway Park" cd. #2 in 5 ds. for ms. Also rcvd. Red Sox BB card.(Clar-NY). f/d cd. in 6 ds. for ms.(Prisco-PA) f/d "Make Way for the Ducklings" cd. in 1 wk. for 1 ms.(Romeo-NY). 7415 f/d cd. in 11 ds. for 3 ms.(Comeau-MA). East Coast Beer Drinkers 7415 f/d "Coors QSL" ltr. in 36 ds. w/ info. sheet.(Kusalik). f/d "Calvin and Hobbs" cd. w/ pirate radio certificate in 6 wks. for ms.(Clar-NY). Vanguard Radio 7355 via WRNO (should of placed this under USA) f/d cd. in 1 wk.(Field-MI). KMCR Magic Carpet Radio 7415 f/d "Woman in Studio" cd. in 75 ds. for 3 ms. 35 watts. This was their last QSL. Station says they will no longer transmit or QSL.(Martin-CA). WCYC 7415 form ltr. w/ personal ltr. from Neal Stanley in 4 mo.(Lobdell-MA). Midnight Radio 7415 f/d cd. in 104 ds. for 3 ms. Use the BRS addr.(Comeau-MA). Voice of Bono 7415 via WSKY f/d cd. in 1 mo. Used the Wellsville addr.(Field-MI). Union City Radio 15050 f/d "Top 40 DJ" ltr. in 5 wks. for 3 ms. via Wellsville addr. Tnx to Kusalik for help on this one.(Lobdell-MA). Voice of Shakerag 7415 via Radio Bob p/d "Skull in Cowboy Hat" cd. #2 w/ personal note in 3 mo. for ms.(Clar-NY). Radio Caroline 7435 via Radio New York International on WVCR f/d ltr. in 10 ds. for 3 IRCs.(Franzen). Action Radio 7415.6 f/d "Republic of Nebraska" ltr. for 3 ms. via Wellsville addr.(Hardester-NC). WARI 7413 f/d cd. w/ personal ltr. in 1 mo. for 3 ms.(Clar-NY). WLIS 15055 f/d cd. in 32 ds. for ms. v/s Charles Poltz.(Leite-MA). 7413 f/d cd. in 40 ds. for 3 ms.(Comeau-MA). f/d "Ian McFarland" cd. in 3 mo. for \$1.00.(Kusalik-ALB). f/d cd. in 8 ds. for a rpt. to the BRS addr.(Frodge-MI). Radio Beaver 6260 p/d "Beaver" sheet in 31 ds. for 2 ms. via P.O. Box 293, Merlin, Ont. NOP IWO. v/s (What Else!) Bucky Beaver!(Frodge-MI)...Sorry, should be under Canada Pirate. WVOL 7420 f/d sheet in 31 ds. for 3 ms.(Comeau-MA). Voice of Laryngitis 13800 f/d cd. in 72 ds. v/s Stan Huxley.(D'Angelo-PA). Voice of Anarchy 7418 f/d form ltr. w/ station info. sheet in 3 mo. for \$1.00.(Kusalik). f/d ltr. via the BRS addr. in 1 mo. for 3 ms.(Hardester-NC).

**USA: Radio Miami International** 7355 via WRNO f/d "Map" cd. in 91 ds. This rpt. was for the La Voz de Alpha 66 and the Municipios en Exilio programs.(Schwartz). Radio Periodico Pan Americano via RMI and WRNO 7355 f/d "Caribbean Map" cd. in 190 ds. for SASE. Schedule was rcvd.(D'Angelo-PA).  
 \* WNW910 1620 via Bensenville, IL n/d appreciative QSL ltr. in 12 ds. for SASE (not used).  
 Addr: Emergency Services and Disaster Agency, 100

**RADIO HORIZONTE** OCX-11-770 KHz  
 Jr. Próceres 745 - Urb. Latina José L. Ortíz - Chiclayo

Chiclayo, 13 de Junio de 1992

Señor  
 Adis Durden  
 207 Nona Drive  
 Albany, Georgia 31705  
 Estados Unidos.

Apreciado amigo:

Nos es grato dirigirnos a Ud. dándole nuestro más sincero y cordial saludo, al mismo tiempo agradecerle por su atenta carta de fecha 05/04/92. Con respecto a esta carta le manifestamos que no fue recibida por nosotros; quizás se extravió en el correo.

Sin embargo, nos permitimos informarle, que su informe de recepción es la correcta. Asimismo, le manifestamos que nuestra radio se fundó el 1ero. de Marzo de 1992, por lo tanto, somos una emisora joven; con apenas 4 meses en el aire y la única escuchada en el extranjero. Así también tenemos informes de recepción de: Finlandia, Italia, Suecia y EE.UU.

Esperamos siga manteniendo nuestra sintonía, como también seguir comunicándonos por medio de alguna tarjeta o carta que será siempre la portadora de una amistad duradera y sincera.

Desde Chiclayo-Perú, reciba un cordial saludo de todos los que laboramos en esta estación.



**USA (Pirates): Radio Chaos International** 7415 f/d form ltr. in 2 mo. for ms. v/s Captain Chaos.(Walker-MI). **WRAR** 7417 f/d "We Rock and Rap" QSL #21 in 2½ mo. for ms. v/s Funky Chunk. (Walker-MI). f/d "Cartoon Paper" QSL #4 in 42 ds. for 3 ms. via P.O. Box 605, Huntsville, AL 35804.(Frodge-MI). f/d QSL #6 in 57 ds. for a rpt. via ACE. 50 watts!(Kusalik-ALB). **WIENY** 7416 f/d "Bunny" sheet in 32 ds. for 3 ms. via P.O. Box 40554, Washington DC. 20016.(Frodge-MI). **Radio Bob's Comet** 7415 f/d "Logo" cd. in 13 ds. for SASE to P.O. Box 17534, Atlanta, GA 30316.(Frodge-MI). **WSKY** 7415 f/d orange "Jack Daniels" cd. w/ station pennant and promo sheet in 45 ds. for 3 ms.(Clar-NY). f/d cd. w/ fact sheet and pennant in 31 ds. for ms.(Prisco-PA). **CSIC** 7413 f/d fact sheet w/ personal note in 60 ds. for ms.(Prisco-PA). **Radio Marabu International** 7421 via **WORK** f/d cd. w/ schedule & info. sheet in 9 wks. for ms. Use the Merlin drop.(Walker). 7420 f/d red cd. w/ station info sheet in 10 wks. Reported to Merlin. Reply came from Germany. (Berg-MA). **Voice of Anarchy** 7420 f/d fact sheet in 32 ds. for 3 ms. Also rcvd. form ltr. w/ station info. sheet.(Comeau-MA). **UZBEK: Radio Tashkent** 15470 f/d "Map" cd. in 79 ds. w/ personal note on a postcard noting my 1986 rpt. from China.v/s Zulfiya Ibragimova. **VANUATU: Radio Vanuatu** 3945 f/d "Slitgong" cd. (Frodge-MI). \* in 1 mo. after a f/up rpt. for 2 IRCs.(Grace-MA).

Belo Horizonte, 17 de agosto de 1990

Senhor Richard:  
Richard D'Angelo

Foi com muito prazer que recebemos seu relatório de recepção, pelo que agrada decemos imensamente.

Todos os dados informados estão corretos e esperamos que o Senhor continue nos honrando com a sua preciosa atenção, pois é para pessoas atenciosas e interessadas que fazemos do nosso trabalho um compromisso com a qualidade e procuramos melhorar cada vez mais as nossas transmissões.

Receba o nosso abraço e, mais uma vez, o nosso agradecimento pela gentileza.

Atenciosamente,

Isaias Lanaky

Diretor Superintendente

fo sheet in 10 wks. Reported to Merlin. Reply came from Germany. (Berg-MA). **Voice of Anarchy** 7420 f/d fact sheet in 32 ds. for 3 ms. Also rcvd. form ltr. w/ station info. sheet.(Comeau-MA).

**UZBEK: Radio Tashkent** 15470 f/d "Map" cd. in 79 ds. w/ personal note on a postcard noting my 1986 rpt. from China.v/s Zulfiya Ibragimova.

**VANUATU: Radio Vanuatu** 3945 f/d "Slitgong" cd. (Frodge-MI).

\* in 1 mo. after a f/up rpt. for 2 IRCs.(Grace-MA).

**VATICAN: Radio Vatican** 15090 f/d "Santa Maria di Galeria" cd. in 3 mo. (Humenyk). f/d "St. Peters Dome" cd. in 1 mo.(Loudell-DE). f/d cd. in 67 ds.(Miller). 9605 f/d "Pope John Paul" cd. w/ sticker-pennant in 1½ mo.(Millard-TX).

**VENEZUELA: Radio Nacional de Venezuela** 9540 f/d cd. in 1 yr. for a SP rpt. and 4 IRCs. QSL was mailed from Portland, OR (Carson). **Radio Mara** 3275 f/d cd. in 106 ds. for \$1.00. v/s Antonio Contin E., (Paszkievicz). **Ecos del Torbes** 4980 f/d cd. in 3 mo. for a SP rpt. and a cassette recording for 3 IRCs.(Franzen).

**VIETNAM: Voice of Vietnam** 15010 f/d "Logo" cd. via Japanese DXer T. Ashimori in 124 ds. w/ schedule and station pennant for \$1.00.(Millard-TX). f/d cd. w/ 30 Vietnamese stamps in 5 mo. for \$1.00 and 1 IRC. (Clar-NY). f/d cd. in 130 ds. for 1 IRC.(Martin-CA).

**YUGOSLAVIA: Radio Yugoslavia** 9580 via **Beograd** f/d "Zagreb" photo cd. w/ schedule in 65 ds.(Martin-CA). 11870 same f/d cd. w/o site in 22 ds.(Kusalik-ALB). 17740 f/d "Vinkovci" cd. w/ schedule in 58 ds.(Poston). f/d "Rovinj" cd. w/ schedule and station pennant in 46 ds. for \$1.00.(Gold-MI). 9505 via **Bjeljina** f/d cd. w/ site in 1 mo. for 1 IRC.(Forth).

**QSL - CARD**  
(YDR)

R.R.I. Regional 1 Ambon

Jalan Ahmad Yani No. 1 Ambon 81214



**CONFIRMING - QSB - RPT**

Date	Time	Freq	Mode	QRm	Other data
12-2	22,50	4835	-	-	
1994	23,01				
	23,01				

Mr. Steven Rabezo, Below must enter think  
dla-batikan el-4/4mdio opa yg anda pakat  
maktu rsmurkap rsmrn RRI Ambon, pmdang  
dibawa dan mbaralaya. dmasi surak anda  
matalak ditelak banyr anda mndmdukan  
RRI Ambon maku itu.  
Ambon, 17 Agustus 1990

R. R. I. Regional 1  
A. M. H. Amras

TO: STEVEN R. RABEZO

Call Sign: \_\_\_\_\_  
Address: 924 W. 25th St.  
Belmont, Michigan  
49710

M. S. S.

Well this about concludes yet another month of QSLing. I hope our information has assisted you in your search for that elusive reply.....Sam.

7313  
Sam

# NASWA Scoreboard

**Jerry Lineback**  
6361 Shore Drive  
Douglasville, GA 30135



Hello to everyone and welcome to the NASWA SCOREBOARD for September, 1992. This month the SPOTLIGHT is on North America. Remember that C/H = Countries Heard and C/V = Countries Verified. Country counts should be made using the official NASWA Radio Country List. You should update all totals each time you submit an update to the SCOREBOARD and you must update at least once a year to remain listed. The next deadline is November 15 for the December Journal when the SPOTLIGHT will be on Oceania. On to the statistics.

Name, State	Total		NA		Best NA QSL
	C/H	C/V	C/H	C/V	
James Young, CA	240	225			
Gordon Darling, P/NG	236	230	27	22	R. Swan
Marlin Field, MI	230	227	23	23	CFRX
William Flynn, OR	228	211	25	25	Groenlands R.
Jerry Berg, MA	225	224	24	24	ZNX32 Barbados
Gerald Bishop, FL	225	211	21	20	CKFX
Nobuaki Takahashi, Japan	223	194			
Mitch Sams, MO	223	174	19	18	CKFX Vancouver
Steven Lare, MI	222	190	20	19	Greenland
John Sgrulletta, NY	215	215	22	22	CKFX
Del Fye, FL	212	197	20	18	El Salvador
Donald Hosmer, MI	212	183	20	17	Swan Is.
Ron Howard, CA	211	194	21	21	Turks & Caicos
Sheryl Paszkiewicz, WI	210	202	19	19	Grenada
Kirk Allen, OK	209	200	19	19	Greenland
Rick Krzemien, CA	209	196	19	18	Greenland
Paul Buer, FL	208	197	22	21	CKFX
Christos Rigas, IL	206	186	19	18	Grenada
Frank Orcutt, NY	206	175	21	18	R. Universidad
Jerry Lineback, GA	205	108	20	12	Turks
Mike Hardester, NC	202	187	19	19	Turks
Robert Ross, Ont.	200	178	18	18	Greenland 3999
Tom Daly, NY	197	45	18	6	Windward Is. BS
Jerry Klinck, NY	193	165	20	18	R. Americas
Fred Kohlbrenner, PA	192	165	19	18	Greenland
Henry Michalenka, RI	184	153	21	20	Turks
Larry Kramer, CO	183	108			
Hadley Cress, VA	182	8			
Walter Kunz, PA	180	108			VoPyramids
Charlie Washburn, ME	178	143	23	19	HOLA Panama
Tom Laskowski, IN	177	141	18	15	CKFX 10W
Greg Hart, FL	173	124	18	15	LV de Atitlan
Rev. John Eckert, PA	172	156	16	15	LV Mosquitia
Ichiro Maruo, Japan	172	111	8	7	Sani Radio
Jim Renfrew, NY	171	136	18	17	V. Venceremos
Allan R. Loudell, DE	169	136	18	17	El Salvador
Andy Rugg, Que.	165	151	21	19	KNLS Alaska
Carl Mann, NB	157	140	20	20	R. Haiti
Daniel Prisco, PA	156	133	17	14	Grenada
Thomas Ross, IL	152	131	16	14	CKFX
Cris Hazzard, PA	151	122	15	12	Radio 4VEH
Nick Grau, MA	150	99			
David Morby, NY	149	42	16	7	R. Luz y Vida
Carl Radtke, WA	148	148	18	18	Grenada
Bill Taylor, PA	148	114	16	14	CKZN
Robert Landau, NJ	137	120	18	18	R. Juticalpa
Ross Comeau, MA	136	86	15	10	4VEH Haiti



Name, State	Total		NA		Best NA QSL
	C/H	C/V	C/H	C/V	
Richard Wallace, CT	136	82	10	5	LV Evangelica
Robert A. Wallace, CA	134	103	11	10	HRVC Hondura
Bill Kurrasch, NY	133	97	14	7	Faro del Caribe
Stephen Price, PA	132	107	11	9	HRVC Honduras
Joe Kremer, IN	131	85	16	12	R. Amanecer
Richard Hankison, KS	130	107			
David Turnick, PA	123	104	13	11	R. Clarin
Jerry Ervine, TX	115	65			
Randy Doyle, AR	114	64	15	9	Belize
Jason Moore, KY	113	62	11	7	TIFC
David Galletly, NY	110	88	10	9	HRVC
Mark Spat, NH	108	26			
Barry Schwartz, NY	104	73	11	6	R. Miskut, Nic.
Scott Helm, KS	99	70	10	7	KNLS
Lowell Pankake, MN	95	2	10	0	
Brian Boulden, CA	92	78	9	9	CKFX
Bruce Orenstein, NY	91	71	12	8	Radio Grenada
Kevin Murray, OR	87	73	9	8	Grenada
Royal Berglee, ND	81	51	12	7	HRVC Honduras
Rev. William Peake, IA	70	54	10	9	CFRX

Thanks to all who shared their DX totals with SCOREBOARD this month. Please send your DX totals to me by November 15 for the next SCOREBOARD. The SPOTLIGHT will be on Oceana. 73s. *162*

FOR SALE; Drake R-8 receiver in mint condition with matching speaker and dust cover. Price \$850.00 including shipping. Also Drake SPR-4 and matching MS-4 external speaker, manual, all SW crystals, and extra crystals and bulbs. In mint condition, not even a scratch on it. Price \$350.00 including shipping. Stephen Leite, 190 Healy Street, Fall River, MA 02723. Phone (508) 675-2830 from 2100 to 0030 UTC.

WANTED TO BUY; One of the following table-top receivers: Kenwood R-1000, Sony ICF-6800, or Sony ICF-6700. I am also looking for one of the following portable receivers: Sony ICF-SW1S, ICOM R-1, or Sony ICF-SW20. Dave McLaren, P.O. Box 665, Sheffield, IL 61361. (815) 454-2204 anytime.

FOR SALE; Factory service manual for the ICOM IC-R71A receiver, \$20.00. RDI White Papers for the following receivers: R71A, RB, and NRD 535, \$3.00 each. Rick Krzemien, 5398 Concerto Circle, Concord, CA 94521. Phone (510) 687-2719.

FOR SALE; Drake R-7 receiver. Tunes 10 kHz to 30 MHz with digital readout to 100 Hz. Also has passband tuning and notch filter, built-in calibrator, and preamp. Selectivity 4.0, 2.3, 1.8, 0.5, and 0.1. Comes with matching MS-4 speaker and technical manual. Price \$395.00. You pay shipping costs. Robert Zilmer, 210 Colorado Mtn. Road, Rio Rancho, NM 87124. Phone (505) 892-6461.

FOR SALE; ICOM R-71A. Gilfer customized with 4.0 kHz and preamp effective in AM band. A-1 shape. Price \$600.00 including shipping. Also Customized Beam Headings (from/to) and distances (MI/KM) to over 475 WRTH-92 transmitter sites including new Russian republics. ITU Country Codes included. Send your location or coordinates, \$6.95. WRTH-91, \$10.95. "Passport to World Band Radio" 1989 and 1990, \$8.95 each. NASWA Journal complete 1991, \$11.50. All items include shipping. Cashiers check or money order, please. Al Drehmann, Route 2, Box 3-B, Tryon, NC 28782. Phone (704) 894-3398. No collect calls, please.

FOR SALE; Local/regional or Voice of Harriat-i-Kashmir audio cassette tapes. US\$5.00 or 8 IRC's. Muhammed Munawar Naqem, Government Pilot High School, Wahdat Road, Lahore 54600, Pakistan.

# Contributors' Page

Vernon Hyson  
5410 Camp Stewart Road  
Charlotte, NC 28215  
CompuServe 76516,1531



## LOGGINGS CONTRIBUTORS - SEPTEMBER 1992 - DEADLINE 10th of MONTH

The following members contributed loggings:

Brian ALEXANDER, Mechanicsburg, PA	NRD525 various Longwires
Mark ANDERSON, Prescott, MI	DX440 60' Random
Jerry BERG, Lexington, MA	R8 HQ180A R390A 150' Longwire
Boston Area DXers, Boston, MA	
John CARSON, Norman, OK	NRD525 AD Sloper 500' Beverage Sony 2010
Jim CLAR, Rochester, NY	R8 FRG8800 ATS803A Eavesdropper 110' LW
David CLARK, Newmarket, ONT	R8 2-R7 HQ180C Many, many antenni
Richard D'ANGELO, Wyomissing, PA	R70 AD Sloper
Adie DURDEN, Albany, GA	NRD515 SE3 Inverted V
Shawn FAHRER, Howard Beach, NY	MT798A
William FLYNN, Cave Junction, OR	R2000 Sony 2010 R7A TUN3 140' LW
	360' Random
Harold FRODGE, Midland, MI	R71A AP4 DX302 Sony 2002 100' Random
Richard HANKISON, Prairie Village, KS	R5000 AD Sloper
Mark HUMENYK, Weston, ONT	D2935 AD Sloper AN60 Hot Wire
Rufus JORDAN, Pittsburgh, PA	DX302 Transoceanic 33' LW
W. KARCHESKI, Holden, MA	R5000 AD Sloper
Marie LAMB, Brewerton, NY	R600 MFJ16010 20m/90m LW
Harold LEVISON, Philadelphia, PA	R8 R70 D2999
E. NEWBURY, Gordon, NE	R8 R5000 66' Dipole 45' Segmented 70' Windom
Tony ORR, Reston, VA	Sony 2010 MFJ16010 75' LW
Lowell PANKAKE, St. Paul, MN	
Dale PARK, Honolulu, HI	R5000 ATS803A Rod Antenna
Sheryl PASZKIEWICZ, Manitowoc, WI	NRD515 NRD525 Eavesdropper Random Wire
Rev. Ed POSTON, St. Charles, IA	R8 Indoor Random
Karl RACENIS, Livonia, MI	R9000 Eavesdropper
Carl O. RADTKE, Vancouver, WA	NRD535D
Stephen REININGER, Barrington, RI	FRG7700 40' Random
Doug ROBERTSON, Oxnard, CA	DX302 FRG8800 FRA7700 Longwire
Robert TUCKER, Savannah, GA	ATS803A
Dan UNRUH, Ellensburg, WA	R71A S107 Random Wire
Juichi YAMADA, Nara, JAPAN	NRD525 10m long Dipole

ERRATTA:OOPS:BLOOPER - Richard Hankinson is in Prairie Village, Kansas, not Prairie Falls...Sorry Richard.

I had to send my receiver to the hospital for some repair work & modifications. That empty space on the desk seems bigger than what the unit took - another one of life's optical illusions? Now is the time to get yours aligned, modified, tuned, or altered along with maintenance on your antennas. Winter will be here soon (already pounding on the door in the Northern Climes).

Enjoyable listening & good DX -

# International Band Loggings

5901-30000 kHz

Wallace C. Treibel  
357 N.E. 149th Street  
Seattle, WA 98155



- 5955 COLOMBIA LV de los Centauros in SP 0857, slogans, ID's, TC, nx (Clar NY 7/6)  
5960 CANADA R Japan relay in EG 0100, ID, nx, "Sports Spotlight", mx (Poston IA 7/21)  
6015 CANADA R Austria relay in EG 0530, nx, ID, cmntry, exc (Poston IA 7/18)  
6040 ANTIGUA D Welle relay in EG 0127, historical & econ nx, g (Unruh WA 7/20)  
6055nf? SWEDEN RS in EG 2241, feature on Karoke, ID, address, p (Clar NY 6/30)  
6060 AUSTRALIA RA in EG \*0627, IS, ID, nx, sports, f (Lamb NY 8/6)  
6060 ARGENTINA R Nacional in SP 0604, ret to old fgy, ID, TC, tangos, f-g (Lamb 8/6)  
6070 CANADA CFRX Toronto in EG 0610, MW relay w/mx & jazz, vg (Boulden CA 8/3)  
6116 COLOMBIA LV del Llano in SP 0939, ads, promos, ID, slogans, g (Clar NY 7/6)  
6120 CANADA R Japan relay in EG 1146, travel pgm, nx brief, ID, IS (Tucker GA 8/6)  
6185nf? CHINA Hua Yi BC Stn Fuzhou(t) in CH 1339, pips, tlks, opera, f (Flynn OR 7/6)  
6210nf? CROATIA Hrvatski R in CR 0153, "Hotel California", nx, mx, f (D'Angelo PA 7/19)  
6560nf? IRAQ Rep of Iraq R in AR \*0126, weird chicken IS, ID, Koran, tlks (Orr VA 7/15)  
67547 PERU R La Merced in SP 0040, ID, fgy, mx, p (Berg MA 7/12)  
68032 PERU R Ondas del Rio Mayo in SP 1010, huaynos, tlks, TC's, ID's (Orr VA 7/9)  
7115nf? CHINA V of Pujiang Shanghai in CH 1344, ID, mx, fanfare, //4950 (Flynn OR 7/3)  
7125nf? GUINEA Radiodif Guineenne in FR 0646, ID, nx, feature, obits (Durdan GA 7/24)  
7130 TAIWAN VOFC Taipei in CH 0946, CH mx, ID, //9730, 11745 (Robertson CA 7/17)  
7150 AUSTRALIA RA in VT 1333, tlk, VT mx, ID, address, //9770, g (Robertson CA 7/12)  
7155nf? JORDAN RJ in AR 1527-1704, AR mx, ID, tlk, Koran, pips, //11810 (Yamada JP 7/10)  
71553 NIGER LV du Sahel in Vern/FR 0608, choral tribal mx, ID, tlks, //5020 (Orr 7/28)  
7185 TURKEY VOT in EG 2240, TK pop mx, f, //9445 (Orr VA 7/13)  
7200nf? SUDAN R Ondurman in AR/Vern 0249-0345+, IS 13 note xylophone, AR mx, 5+1 pips, ID 0300, anmts, Koran, nx, relig tlks, hrd nightly (Orr VA)  
7225 SRI LANKA D Welle relay in EG 1646, "Asian Pacific Journal", fgys, ID (Park HI)  
7265 BOTSWANA VOA relay in EG 0456-0500\*, "VOA Sunday Morning", g (Pankake MN 7/19)  
7280 RUSSIA R Nadezhda(t) in RS 2130, drama, concert mx, ID, //15340 (Berg MA 7/12)  
7290nf? ANGOLA R Nacional in PT 0505, polit speech, ID, nx, lcl mx, g (Durdan GA 7/25)  
7315 USA R Croatia via WHRI in EG 0000, nx, cmntry on war/body count (Newburg NE 7/4)  
7450nf? GREECE VOG in EG/GK 2342, nx, ID "This is Athens...." (Frodge MI 7/20)  
7460nf? USA WJCR in EG 0305, relig tlk/gospel mx, ID (Lamb NY) hrd 1936 (Carson OK 8/6)  
7600 ECUADOR HD 210A Time Stn in SP 0505, pips, anmt each min (Lamb NY, Boulden CA)  
9190nf? SUDAN R Ondurman in AR \*0255-0419, IS, 5+1 pips, ID, Koran, f (D'Angelo PA 8/1)  
9445 TURKEY V of Turkey in EG 2236, travel pgm, mx, p (Poston IA) in EG 0300, nx, mx, pgm on Hittites (Reininger RI) in TK 2316, mx, tlk (Tucker GA 7/31)  
9505 BRAZIL R Record Sao Paulo in PT 2338, futbol, TC's, ID, g (Orr VA 7/14)  
9505 PERU R Tacna in SP 2240, pop mx, ballads, EG lesson, tlks, ID, f-p (Orr 7/9)  
9510nf? USA KJES in EG \*1800-1900\*, ID, anmts by child, relig tlks/mx, p (Jordan 7/22)  
in SP \*2000-2100\*, ID, tlks by children, vocals, guitars, ID, p (Jordan PA 7/20)  
9510nf? NEW ZEALAND RNZ in EG 0950, rugby match coverage, Olympic update, f (Jordan 8/9)  
9535 ALGERIA RTV Algerienne in AR 2132, tlk, phone-ins, mx, pips, ID (Clar NY 7/12)  
9540nf? AUSTRALIA RA in EG 1740, "Communicator" pgm, //9580, p (Flynn OR 7/21) Spur?  
9570 PORTUGAL RPI in EG 0230, nx, PT mx, ID, g (Anderson MI 7/22)  
9590 CANADA BBC relay in EG 2145, sports, ID, TC, nx, jazz, //12095 (Poston IA 7/18)  
9615nf? ALASKA KNLS in RS \*1400, ID, IS "Chariots of Fire" (Hankison KS 7/19)  
9630 NETHERLAND ANILLES RNW relay in EG 0753, "Media Network", p (Park HI 7/16)  
9640 ANTIGUA BBC relay in EG 0647, Liturgical mx w/discus'n, exc (Robertson CA 7/26)  
9650 NORTH KOREA R Pyongyang in JP 2136, choral mx, ID, tlks, p-g (Orr VA 7/13)  
9675 FRENCH GUIANA R Japan relay in JP 0810, Grand Sumo tournament, p (Park HI 7/6)  
9700 INDIA AIR in Sinhala? 1305, lcl mx, nx, //to weaker 15020 (Durdan GA 7/9)  
9720 SRI LANKA SLBC in EG 1250, tlk show, mx, ID, p (Robertson CA 7/12)  
97202 ANGOLA R Nacional in PT 1027, nx on US Dem Conv, ID, het QRM (Robertson 7/17)  
9770nf? UNITED KINGDOM R Japan relay in EG \*0500, pips, ID, nx, fgys, //9695 also via Skelton xmtr, Ian McFarland, "This Week", f-g (D'Angelo PA 7/25)  
9800 FRANCE RFI in FR 2231, vocals/instrmls, into SP 2300 (Frodge MI 7/18)  
9830 JORDAN R Jordan in AR 1935, AR mx, ID, nx?, instrmls, f-p (Jordan PA 7/22)  
9840 VIETNAM V of Vietnam in IN 1042, Bach & folk mx, //12020, 15010, f (Lamb NY 7/9)  
in JP 1420, lots of mx, anmts by W in JP, s/off 1427 (Hankison KS 7/25)



9850 PHILIPPINES FEBC in CH 0955, IS, ID's, s/on ancmts, into CH pgmg, f-p (Clar 7/17)  
 9875 PHILIPPINES FEBC in EG 2225, IS, ID, into lang 2230, p (Pankake MN 7/13)  
 9875 AUSTRIA RAI in EG 0145, tlk on planned "monster" hwy-Lisbon to Kiev (Carson 7/25)  
 9885 SAUDI ARABIA BSKSA in AR 2217, AR mx, ID 2230, nx?, vg (Tucker GA 7/28)  
 9900 EGYPT R Cairo in EG 2212, feature on Egypt history, ID's, nx, f (Clar NY 7/12)  
 9980nf? IRAQ Rep of Iraq R in AR 2210, tlks, ID's, martial mx, jammer (Orr VA 7/17)  
 10059 VIETNAM V of Vietnam in VT 1230, domest svce, lcl mx, ID 1230 (Hankison KS 7/26)  
 11402 ICELAND ISBS in IC 1904-1930\*, nx, theme mx, ID, long tone, tlks (Orr VA 7/18)  
 11520nf? UKRAINE R Ukraine Intl in EG 0057\*, fqy ancmts, ID at s/off, p (Racenis MI 7/25)  
 11550 TUNISIA RTV Tunisia in AR 0607, nx?, ID(p), exc (Boulden CA 7/25)  
 11570 PAKISTAN RP in EG 1620, slo speed nx (Carter WA 8/15) in FR 1932, Koran (Orr 7/18)  
 11660 NETHERLAND ANTILLES RN relay in SP 1130, nx, ID, Latin mx (Robertson CA 7/12)  
 11685 FRENCH GUIANA R Beijing relay in EG 0422, mx, contest, mailbag (Poston IA 7/15)  
 11685nf? RUSSIA R Ala in RS 0200, IS, ID, non-stop folk mx, f-g (Lamb NY 7/27)  
 11710 ARGENTINA RAE Buenos Aires in EG 0200+, ID, mx, nx, address, DX pgm, mailbag, (Carter WA 8/14, Flynn OR 7/23, Carson OK 7/25, Anderson MI 7/16) in SP 1142, IA mx, ID, f (Robertson CA 7/12) in PT 0102, multi-ling ID's, pop mx (Clar NY 7/1)  
 11720 BULGARIA R Sofia in EG 2228, rpt on BG bagpipe mx, trade anx, ID (Poston IA 7/18)  
 11735 NORTH KOREA R Pyongyang in CH 1345, patriotic mx, ID at 1350 s/off (Hankison KS)  
 11745 TAIWAN VOFC Taipei in CH 1205, int'l nx, wx, ID, //11915, 15270 (Robertson 7/12)  
 11750 SINGAPORE BBC relay in EG 1203, nx, ID, "News About Britain", f (Pankake MI 7/18)  
 11765 CHINA R Beijing in SP 2123, tlks, ID, cmtry, f (Orr VA 7/9)  
 11765 HONG KONG BBC relay in EG/CH 0954, slo speed nx, ID, into CH 0959 (Robertson CA)  
 11780 LITHUANIA R Vilnius in EG 2301, nx, mx, features, ID (Poston IA, Racenis MI 7/13)  
 11795 ANTIGUA D Welle relay in PT 1004, nx re USA politics, lcl mx (Robertson 7/17)  
 11795 NORWAY RN in EG 2300, "Norway Now", nx, R Denmark relay 2330 (Anderson MI 7/19)  
 11805 BRAZIL R Globo in PT 0922, ID's, slogans, promos, lcl mx, ads, f (Clar NY 7/6)  
 11815 NETHERLAND ANTILLES TWR in EG 1133, tlk on various dipoles, g (Carson OK 7/4)  
 11815 JAPAN RJ Tokyo in EG/JP 0959, nx, pips, ID, into JP 1000, g (Robertson CA 8/1)  
 11820nf? ALASKA KNLS in EG/RS 0954, mx pgm, ID in EG, into RS 0959, g (Robertson 8/1)  
 11831v ALBANIA R Tirana in EG 0245, mailbag, still fqy hopping (Paszkiwicz WI 7/29)  
 11835 SRI LANKA SLBC in EG 1036, S Sea mx, ID's, pips, nx 1045, p (Clar NY 7/9)  
 11840 JAPAN RJ Tokyo in EG 1107, intl & SE Asia nx, ID, //11815 (Robertson CA 7/25)  
 11880 AUSTRALIA RA in EG 0704, world nx, ID's, //15240, 15365 (Orr VA 7/9)  
 11890 OMAN R Oman in AR 2131\*, Koran, full ID, s/off ancmts, NA, exc (Orr VA 7/9)  
 11905nf? PORTUGAL Deutschlandfunk via D Welle in CZ \*0428, DW IS, ID, nx, features, into pgm in PL 0500, g, //9650 (D'Angelo PA 7/12)  
 11910 HUNGARY R Budapest in EG 0200, FEATURES, ID (Carson OK, Lamb NY, Newburg NE)  
 11935nf? GABON R Japan relay in EG 2130, story re JP mtn climber, vg (Flynn OR 7/22)  
 11980 UKRAINE R Ukraine WS in UK 0232, ID's, UK choral mx, tlk, g (Lamb NY 7/29)  
 11980nf? RUSSIA R Aum Shinrikyo in EG 0420, RS parliamentary rpts, tlks on privatization, ID's 0430 & 0435, address, f //15210, 9470 (Jordan PA 7/25)  
 11980 GUAM KSDA AWR in CH 1017, EG lesson, ID, tlk, ancmts, f-p (Clar NY 7/9) ID in EG preceding nx in JP 1400 (Hankison KS 7/19)  
 11985 UNITED ARAB EMIRATES R Dubai in AR 2121\*, Koran, nx, ID, NA, exc (Orr VA 7/23)  
 11990 CZECHOSLOVAKIA R Prague in EG 0000, IS, ID, nx, cmtry, features, f (Poston IA) in CZ 0226, instrum mx, IS, multi-lingual ID, nx, g (Lamb NY 7/29)  
 11995 PHILIPPINES FEBC in lang 1030\*, rx, tlks, address, ID in EG, IS, f (Lamb NY 7/9)  
 12005 SWITZERLAND SRI in EG 0216, tlk on aluminum recycling, exc (Carson OK 7/7)  
 12050 EGYPT R Cairo in AR 0326, relay of Home Service, ID, Qu'ran, nx, g (Lamb NY 7/30)  
 12060 UKRAINE R Ukraine Int in EG 0025, "Ukrainian Diary", ID, //12040 (Tucker GA 7/23)  
 13605 UNITED ARAB EMIRATES Abu Dhabi in EG 2219, xmns of Capital Radio FM, ID (Tucker)  
 13620 KUWAIT R Kuwait in EG 2040, "Eyewitness" pgm, US pop mx, ID (Racenis MI 7/7)  
 13625 NO MARIANAS KHBI Saipan in EG 1400, Monitor nx, mailbag, f (Anderson MI 7/15)  
 13680nf? IRAQ R Iraq in AR 2052, AR mx, ID, tlks (Orr VA) in EG 2138, cmtry (Paszkiwicz)  
 13700 NETHERLANDS RN in EG 0029, IS, nx, "Happy Station" pgm, f (Carson OK 7/6)  
 13730 AUSTRIA RAI in EG 0140, travel feature, g (Levison PA 7/27) in EG 1150, SW Panorama, ID (Racenis MI 7/19) in EG 0337, classical mx, fgys, waltz (Poston IA 7/19)  
 13830nf? CROATIA Croatian R in CR/EG 2105-2200\*, nx, folk mx, NA, pips, ID (Jordan PA, Orr VA 7/14) in CR 2353, pop rx, ID (Frodge MI 7/20, Levison PA 7/27)  
 15030 COSTA RICA RFPI in EG 1200, "World of Radio" w/Glenn Hauser, g (Anderson MI 7/11)  
 15080 INDIA AIR in EG 1831, feature, subcont mx, ID, nx, f-p, //11620 (Clar NY 7/18)  
 15095 SYRIA R Damascus in EG 2030, mail, ID, AR mx (Tucker GA, Racenis MI, Carter WA)  
 15150 MADAGASCAR R Nederland relay in EG 1444, "Newsline", feature, f (Carson OK 7/9)  
 15155 NETHERLANDS RN in DT 2230, nx, sports, mx bridges, ID, f-g (Robertson CA 7/19)  
 15171 SOCIETY IS R Tahiti in TT/FR 0505, nx, S Sea mx, ID (Racenis MI, Durden GA 8/5)

15180nf IRAQ R Iraq in AR 2310, AR pop mx, ID, tlks by M&W ancrs, //17740 (Orr VA 7/9)  
 15205 MALTA D Welle relay in EG 0343, "European Journal", site ID, IS (Lamb NY 7/21)  
 15205 MOROCCO VOA relay Tangier in EG 1915, "Newsline", ID (Orr VA 7/14)  
 15215 PHILIPPINES R Veritas Asia in JP 2300, IS, ID/fqys/sked in EG, p (Clar NY 7/6)  
 15220 HUNGARY R Budapest in EG 0200, nx, contest, DX pgm, f-g (Fahrer NY 7/9)  
 15270 RWANDA D Welle relay in GM 2200, IS, site ID, nx re Yugoslavia (Carson OK 7/17)  
 15275 AUSTRIA R Canada relay in EG 0421, "Spectrum", fqys, ID, into AR 0430 (Lamb 7/30)  
 15310 OMAN BBC relay in EG 1820-1829\*, "News About Britain", sports (Hankison KS 7/26)  
 15330 BULGARIA R Sofia in EG 2145, ID, fqys, nx, f, //11660, 11720 (Tucker GA 7/28)  
 15340 SINGAPORE BBC relay in EG \*2000, w/ID at s/on, R Nadezhda? buried (Berg MA 7/24)  
 15345 MOROCCO RTV Marocaine in AR 2036, AR pop mx, ID 2043, tlks, //15335 (Orr VA 7/14)  
 15355 CZECHOSLOVAKIA RC in EG 0419, "Art This Week", ID, guitar mx, f (Lamb NY 8/4)  
 15360 GERMANY D Welle in EG 2128, sports nx, ID, tlk on Olympics, f (Tucker GA 8/6)  
 15365 AUSTRALIA RA in EG 0437, C&W mx, cmntry, ID/fqys, IS, g, //17795 (Poston IA 7/18)  
 15375 BOTSWANA VOA relay in FR/HA 0459, IS, EG ID, into Hausa 0500, g (Lamb NY 8/4)  
 15400 UNITED ARAB EMIRATES Dubai in EG 0345, drama on Arab customs (Reininger RI 7/17)  
 15410 AUSTRIA RAI in GM 0504, nx, wx, ID, "Bundeslande Magazin", g (Lamb NY 8/4)  
 15415 LIBYA R Jamahiriya in AR 2018, ID as in WRTH, nx, tlks, g (Orr VA 7/14)  
 15425 AUSTRALIA ABC Perth in EG 0704, mx, nx, ID... "sound of W Australia" (Carter WA)  
 15445nf? BRAZIL R Bras in EG 1226, ezl mx, PT pops, tlk re BR consumers, g (Carson OK)  
 15445 BOTSWANA VOA relay in EG 1646, "Nightline Africa", ID, TC, nx, f-p (Clar NY)  
 15575 CYPRUS BBC relay in EG 0538, "Newshour", press review, sports, ID, f (Lamb 7/10)  
 15580nf? ARMENIA R Yerevan in AR/EG \*0230-0300\*, IS, ID, mx, tlks, NA, //11675 (Jordan PA)  
 15580nf? LITHUANIA R Vilnius in EG 2323-2330\*, ID's, mx feature, //13645 (Clar NY 7/15)  
 15610 GUAM KSDA AWR in EG 2304, "Music Scrapbook", relig mx, ID, QRM Iraq? (Clar 7/15)  
 15770 ICELAND ISBS in IC 1942-2010\*, nx, econ rpts, s/off w/o ID, //13855 (Orr VA 7/14)  
 17515 GREECE VOG in EG 1237, nx bulletins, ID, mx, into GK 1244, f-g, //15650 (Clar NY)  
 17715 AUSTRALIA RA in EG 0105, tlk on native populations & diabetes, f (Levison PA 7/22)  
 17715 KAZAKHSTAN R Alma Ata in EG \*2030, IS, ID, fqys/sked, nx, lcl mx (Clar NY 7/10)  
 17770 CUBA RHC in SP 1818, Cuban mx, tlk, nx 1830, ID 1833 (Tucker GA 7/12)  
 17770 NEW ZEALAND RNZ in EG \*2138-0445, bellbird IS, ID, features, classical mx, DX nx, pop mx (Carter WA, Radtke WA, Poston IA, Racenis MI, Newburg NE, Karcheski MA)  
 17780 NO MARIANAS KHBI Saipan in EG \*0557, ID, sked, nx, //17555 (Lamb NY, Carter WA)  
 17780 ITALY RAI in IT \*1659, bird chirp IS, bells, ID, NA, nx, lite QRM (Lamb NY 7/30)  
 17795 NORWAY R Denmark relay in DN 1429, IS, ID, fqys, nx, fading (Carson OK 7/4)  
 17810 GREECE VOA relay Kavalla in EG 2324, "Newsline", ID, VOA Friday Morning (Orr 7/9)  
 17815 BRAZIL R Cultura Sao Paulo in PT 0035, sambas, ID, TC, f (Orr VA 7/10)  
 17815 MOROCCO RTV Marocaine in EG 1736, world nx, ID, C&W mx, EG pops, f (Clar NY 7/11)  
 17880nf? FINLAND RF in EG 1323, mx, "Roots in Finland", "Northern Report" (Poston IA 7/18)  
 17885 GERMANY VOA relay in EG 2212, pop mx, "VOA Sunday Morning" (Orr VA 7/18)  
 17895 MOROCCO VOA relay Tangier in EG 1905, ID's, pgm notes, "Newsline", f (Clar NY)  
 21490 ASCENSION IS VOA relay in SP 1330, rock mx, ID 1330 in SP (Hankison KS 7/12)  
 21515 NETHERLAND ANTILLES RN relay in EG 1813, "Media Network", g (Carson OK 7/9)  
 21560 ITALY RAI in IT \*1358, bird IS, bells, ID, nx, f/QRM (Lamb NY 7/26)  
 21580 PHILIPPINES R Pilipinas in EG 0249, classicals, ID, TC, promo, f-p (Clar NY 7/11)  
 21660 ASCENSION IS BBC relay in EG 1400, Wimbledon tennis coverage, g (Carson OK 7/4)  
 21730 PAKISTAN RP in EG 0241, econ cmntry, ID's, s/off ancmt 0245, p (Clar NY 7/11)  
 21810 BELGIUM BRT in EG 1309, press review, ID, features, f-g, //17555 (Clar NY 7/13)  
 26299nf ARGENTINA R Nacional in SP 2150, ID's on the hr, ARG mx, g (Newburg NE 7/16)

\*\*\*\*\*  
CLANDESTINE STATIONS

6348 R Echo of Hope Seoul in KR 1024, tlks, patriotic mx (Orr VA 7/9)  
 9940v LV del Cid Guatemala? in SP 0145, anti-Castro propaganda (Fahrer NY 7/4)  
 9965 R Caiman Guatemala in SP 1155, nx, cmntry, g (Reininger RI 7/9)

PIRATE STATIONS

6911 Community R Dublin Ireland in EG 0415, non-stop oldies, no ID (D'Angelo PA 7/19)  
 7413 Radio USA in EG 0244\*, rock mx, ID's, ads for T-shirts (D'Angelo 7/12)  
 7415 EBO Radio in EG 2138\*, test xmsn 100 watts, 480' antenna (D'Angelo 7/3)  
 7415 Down East Radio in EG 0204\*, rock, ID "Blue Ridge Summit" (D'Angelo 8/2)  
 114134 R Stella Int'l in EG 0015, pop mx, acknowledging rpts, //74463 (Berg MA 7/12)

\*\*\*\*\*  
 Another reminder (especially for the new members) to clip logging items into individual slips. This action greatly expedites the preparation of the monthly report. Thanks much.



# English Schedules

Tom Sundstrom

P.O. Box 2275

Vincentown, NJ 08088-2275

MCI Mail 244-6376

Fax 609-859-3226

Pinelands RBBS 609-859-1910

Genie T.SUNDSTROM



Prepared 8/28/92 at 4:02 AM.

Thanks to **David Alpert** (NY), **Ray Dahlin** (IL), **Mike Fern** (CA), **Bob German** (WEWN), **Chris Hembly** (Australia), **Kunitoshi Hishikawa** (NHK), **David Kenny** (BBC Monitoring Service), **Jon Klinedinst** (PA) and **Jonathan Marks** (R Nederland).

## Notes

September 6 changes **not** included in this month's listings include Moscow, Vilnius, Ukraine, Yerevan, Estonia and Israel. All of these shift one UT later. As new frequencies aren't known before we go to press, there's little point in listing stations this month and again next month. Thanks to **Kunitoshi Hishikawa** of **NHK/Radio Japan**, we do have a timely fax with Radio Japan's September 6 changes.

**Radio For Peace International** celebrates its fifth anniversary UTC September 17 at 00-04, with a live call-in show to 800-283-0991 (toll-free for USA/Canada). This is Wednesday evening in NA.

### 1992 WARC Meeting

The new treaty agreements for broadcast segments widened existing bands and added a new 15 m band: 5900-5950, 7300-7350, 9400-9500, 11600-11650, 12050-12100, 13570-13600, 13800-13870, 15600-15800, 17480-17550, and 18900-19020. While these do not become officially available until the year 2007, 15 m will be used later this year when WEWN starts up. Other broadcasters are already in some of these frequency ranges, such as the BBC on 12095 and 7325 and WWCR on 13815 kHz. Thanks to **Jonathan Marks** and **Dan Ferguson** for the information.

Effective September 27, **Radio Nederland** adds a third English language release to NA: 2330-0025 UT on 6165 (Bonaire) and 6020 (Flevo). We'll have the full RN schedule next month.

While the schedules and transmission times of **Radio Iraq Intl.** are erratic at best, it does seem that the 01-04 UT "Chicago" release in Arabic and English on 15340 has been among the mostly missing since early August. A better opportunity had been the news in English on 15180 at 2330, but co-channel interference—not jamming—surfaced August 20 onwards.

The official WEWN schedule for the Winter season commencing September 27 is summarized below (time, frequency, target, language). The actual start-up target remains set for December 25-31.

### Transmitter 1

01-08	7450	NA	EE
08-10	9870	NA	EE
10-13	off air		
16-24	13615	NA	EE

### Transmitter 2

00-04	9410	SA	SS
04-08	9350	CA	SS
08-10	9950	eSA	PP
10-13	off air		
13-20	21670	Africa	EE
20-21	11970	swEu	SS
21-22	11970	swEu	PP
22-24	17760	SA	SS

### Transmitter 3

00-01	17890	China	MM
01-02	9985	India	EE
02-03	9985	ME	EE
03-05	7520	Eu	*
05-10	7465	Eu	*
10-13	off air		
13-18	18930	Eu	*
18-20	13710	Eu	*
20-22	7540	Eu	*
22-24	5825	Eu	*

### Transmitter 4

00-02	11885	eSA	PP
02-10	5825	Eu	*
10-13	off air		
13-17	11735	Mex	SS
17-20	21735	cSA	SS
20-22	21735	eSA	PP
22-24	11885	eSA	PP

Tired of cutting and pasting the schedules in this column? Want to look up a schedule by country or by frequency? Have an IBM PC compatible computer with a fixed disk and a modem? The **English Language SWBC Schedules** program retrieves data by country or transmission start time, and loads frequencies into JRC or Kenwood receivers. A subscription to the data files through a telephone BBS keeps you updated, or you can keep up the data files yourself. A catalog is available for an business-size SASE to TRS Consultants, PO Box 2275-NA, Vincentown, NJ 08088-2275, or download the catalog from the Pinelands RBBS at 609-859-1910.



\* Various European languages. Tx3 EE 15-16, 18-20 and 23-24. Tx4 EE 07-10.

WEWN's transmitter 1 is beamed at 270 degrees. Hawaii is a secondary target 02-03, and Australia/New Zealand is a secondary target at 08-10 UT. I'll fold the English segments into these listings when we get closer to the start date.

**Radio Beijing** will be renamed **China**

**Radio International**

on October 1. The stated reason is to differentiate the SW service from the domestic radio system.



Thanks to a tape recording from **Ray Dahlin** (who describes himself as a "new/old 75 year old DXer"), we have information on **KNLS, Alaska**, as aired by **Chuck Roswell**, TWR Bonaire. KNLS operates a 100 kw transmitter at Anchor Point. Most broadcasts will move onto 7365, 7355 and 6150 after September 27. Programming is aired in four languages: English, Russian, Mandarin and Japanese. The two English language releases are aired 08-09 on 7365 to eRus/eChina and 13-14 on 11580 to the "Asian Pacific coast". The latter will change to 7355 after the 27th.

**R Pakistan** is difficult to hear in eNA as most of the frequencies are blocked. I find the best signal on 15555 or 17555 at 16 UT. The unusual frequency of 18827 kHz is announced at 1615 but I can't hear it.

**Radio Sofia's** continued presence on SW was suspect as the new regime's feelings toward the service suggested that it would not continue. **Chris Hemby** called August 2 to say he didn't hear Radio Sofia at 1945-2030 on the 1st. Earlier, we did hear the August 1 1730 release, and the entire schedule was announced at the opening of the transmission. The situation bears watching.

**Mike Fern** sends a timely fax with several items, e.g.: **HCJB** is planning an international phone-in at 0730 UT September 12 and 0230 UT Sunday September 13. Listen to **DXPL** for more information. And Dr. Gene



Scott's programming is now aired on the **Voice of Hope, Lebanon**: 03-07 Af and 07-11 Eu, all on 11530 kHz. Two items via **DXPL**: **RTM Morocco** is reported with a different weekday schedule than listed in the 1992 WRTH: M-F 14-15 on 17595, Sa 17-18 on 17815, Su 19-20 on

11920. The studio and transmitter clocks don't agree, and it often comes on late. And the **Voice of Lebanon** carries news in English 1700-1715 and in French 1715-1730, on 6550.

On **WWCR**, a *World of Radio* release was moved from Sunday at 10 to Tuesday at 0630 for the benefit of the Aus/NZ audience. **WJCR** moved its second transmitter up 5 kHz to 7465, but I haven't heard the reason why. **Mike Fern** says **WJCR** has been authorized 13595 kHz for daytime use.

**Jon Klinedinst** of York, PA, has been a regular contributor to the column these past months. He asks what kinds of contributions are appropriate for this column and wonders if his loggings are appropriate. Jon, the answer isn't a simple one. The primary purpose of this column are the schedules. As such, most loggings are probably best sent to Vern Hyson, NASWA's Distributing Editor. But loggings of new or changed schedules of stations broadcasting in the English language are additionally wanted here when that data represents a change to what I published. Examples of such loggings were your observations of the new frequencies for **WJCR-7465** and **HCJB-17490 USB**. If necessary I can check to see what impact such changes have on the other releases of the station's schedule. Printed schedules, particularly from eastern Europe, the Middle East, Africa, Asia (other than India and Japan), and the Pacific (other than Australia and New Zealand), are always welcome. You can always tell when a new schedule is useful: look at the "record last updated" column in the twice-a-year full listings. If the date is old, the listing is suspect. The secondary purpose of this column is to highlight what I perceive as interesting or significant noted in the previous month. While Dan Ferguson in *Listener's Notebook* and I wind up duplicating some material, Dan has access to the BBC Monitoring Service material and the space to go into greater details. As some of the *LN* material is second- and third-hand, when there are late-breaking changes I may have the more current frequencies in this column. The reason? Simply, this column is one of the last to go the printer each month.

On a follow-up to last month's request for station graphics, thanks to **Marianne Das** of Philadelphia for her contribution.

Many of us turned away from the SWBC bands during August 22-26 to follow Hurricane Andrew as it rampaged across the southern US. Those with black boxes to decode fax pictures watched the gray scale satellite pictures broadcast by the US Navy, Norfolk, on 3357 and 8080. Others tuned in the radio amateur nets on 40 and 20 meters. But some of the most fascinating listening comes from the Hurricane Hunters—those planes that fly into the eye of the hurricane. I found 13267, 10015 and 8876 to be most active, with NOAA42 and NOAA43 reporting to KJY74 in Miami every 30 minutes. Other listed frequencies include 21937, 17901, 13354, 11398, 9020, 6673, 5562 and 3407. All of these frequencies are USB.

English Language Schedules  
 By Start Time, Changes Entered Between  
 7/25/92 and 8/28/92  
 Compiled by Thomas R. Sundstrom, W2XQ

Start Time (UTC)	End Time (UTC)	Country	Station	Freq. #1	Freq. #2	Freq. #3	Freq. #4	Freq. #5	Freq. #6	Freq. #7	Freq. #8	Target Area	Notes	Record Last Updated
0000	0100	USA	VOA/Am	15205	15120	11695	11580	9775	9455	7405	6130	Americas/Caribbean	alt pgm #3,6,8	8/7/92
0000	2400	USA	WJCR	7490	7465							neNA/Eu/ME/CA/SA		8/14/92
0030	0430	Ecuador	HCJB	21455	17535	15155	15115	9745				NA/SA	#1&2 USB   #3 SA	8/5/92
0030	0125	Netherlands	R Netherlands	13700	11835	11655	9860	6165	6020			sAs/eNA	#2&5 Bon   #3&4 Mad	8/4/92
0100	0300	USA	VOA/S As	21550	17740	15250	15160	11705	7205	7115		sAs		8/7/92
0300	0400	USA	VOA/Al	15115	11940	11850	11835	9885	9575	7405	7280	Africa		8/7/92
0400	0430	USA	VOA/Al	15115	11940	11850	11835	11780	9885	9575		Africa		8/7/92
0400	0430	USA	VOA/ME	15205	11965	7200	7170	6140	6040	5995		ME/nAl/Eu		8/7/92
0430	0500	USA	VOA/Al	15115	11850	9575	7405	7280	7265	6035		Africa		8/7/92
0430	0500	USA	VOA/ME	15205	11965	7200	7170	6140	6040	5995	3980	ME/nAl/Eu		8/7/92
0500	0600	USA	VOA/Al	15115	11850	9885	9575	7405	6035			Africa		8/7/92
0500	0530	USA	VOA/ME	15205	11965	7200	7170	6040	5995	3980		ME/nAl/Eu		8/7/92
0530	0800	Italy	Italian Radio Relay Serv	7125								Eu/nAF/ME	M-F, Sa -09, Su -14	7/30/92
0530	0600	USA	VOA/ME	15205	11965	7200	7170	6140	6060	6040	5995	ME/nAl/Eu		8/7/92
0600	0700	South Africa	Radio RSA	15220	9695							Far wAl		8/12/92
0600	0700	USA	VOA/Al	15600	15115	11915	9885	9575	9530	7405	6035	Africa		8/7/92
0600	0700	USA	VOA/ME	11965	11805	7325	7170	6140	6095	6060	6040	ME/nAl/Eu		8/7/92
0700	0800	Japan	R Japan	21575	17860	17810	17765	15405	9770	9670		GOS/As/Oc/Eu/ME	#1 v Gabon #5&6 v UK	8/27/92
0800	1000	USA	VOA Europe	21570	21455	15195	15160	11740				Eu/ME		8/7/92
0800	1000	USA	VOA/ME	21570	21455	15195	15160	11740				ME/nAl/Eu		8/7/92
0900	1400	Italy	Italian Radio Relay Serv	7125								Eu/nAl/ME	M-F irregular	7/30/92
0900	1000	Japan	R Japan	21610	17860	15270	11840	11815				GOS/As/Oc/Eu		8/27/92
1000	1200	USA	VOA/Am	15120	11915	9590						Caribbean/Americas		8/7/92
1000	1100	USA	VOA/ME	21570	21455	15195	15160	11740				ME/nAl/Eu		8/7/92
1100	0200	USA	WWCR/2	13815										8/5/92
1300	1500	Italy	Italian Radio Relay Serv	7125								Eu/nAl/ME	Sa	7/30/92
1400	1700	Iraq	R Iraq Int'l	15240								sAs	Arabic/English	7/30/92
1400	1500	USA	VOA/E As	15425	15160	9760	6110					eAs/seAs/Pac		8/7/92
1500	1555	Seychelles	FEBA	11710								seAs	Sa&Su -1540	7/30/92
1500	1630	USA	VOA/ME	15255	15205	9700						ME/nAl/Eu		8/7/92
1530	1625	Netherlands	R Netherlands	17610	17580	15150	9890					sAs	#3&4 v Madagascar	7/29/92





English Language DX Shows  
 By Day of Week  
 Changes Entered between 6/25/92 and 7/25/92  
 Compiled by Thomas R. Sundstrom, W2XQ

Day	Program	Xmsn Start Time	Show Start Time	Country	Station	Freq. #1	Freq. #2	Freq. #3	Freq. #4	Freq. #5	Freq. #6	Freq. #7	Freq. #8	Freq. #9	Freq. #10	Program Notes	Record Last Updated
Sunday	World of Radio	0000	1000	Costa Rica	R for Peace Int'l	21465	15030	13630	7375								8/7/92
Sunday	Hello There	0530	1330	Italy	Italian Radio Relay Serv	7125										mailbag show	8/2/92
Tuesday	World of Radio	0000	0630	USA	WWCR/1	7435											8/21/92
Tuesday	DX Program	1930	1955	Poland	Polish Radio Warsaw	9525	7270	7145	6135	6095							8/18/92
Wednesday	World of Radio	0000	1100	Costa Rica	R for Peace Int'l	21465	15030	13630	7375								8/7/92
Wednesday	DX Special	1700	1710	Czechoslovakia	R Czechoslovakia	9605	7345	6055	5930								8/1/92
Wednesday	DX Special	1830	1740	Czechoslovakia	R Czechoslovakia	7345	6055										8/1/92
Wednesday	DX Special	2000	2010	Czechoslovakia	R Czechoslovakia	9605	7345	6055	5930								8/1/92
Saturday	World of Radio	0000	1200	Costa Rica	R for Peace Int'l	21465	15030	13630	7375								8/7/92
Saturday	Mailbag	0000	1230	Costa Rica	R for Peace Int'l	21465	15030	13630	7375								8/22/92
Saturday	DX Special	1700	1710	Czechoslovakia	R Czechoslovakia	9605	7345	6055	5930								8/1/92

# the CPRV page

COMMITTEE TO PRESERVE RADIO VERIFICATIONS

JERRY BERG, Chairperson • 38 Eastern Ave. • Lexington, MA 02173 • (617) 861-8481

**VERIFICATION CARD**  
FROM  
SHORT WAVE BROADCAST RELAY STATION

## CFCX

49.96 METRES 6005 KILOC  
**MONTREAL, CANADA**

OWNED AND OPERATED BY  
**CANADIAN MARCONI COMPANY**  
MONTREAL



The Maritime Broadcasting Company Limited

## VE9HX

on 4118 KC., 49.1 Meters, 300 Watts Power.  
Relays Programs of CHNS, which operates on 1666 Kilocycles,  
300-Meters, 500 Watts. 73a

222 Y


THE FOLLOWING IS OUR BROADCAST SCHEDULE—

- 10:30 A. M. — Operating Programs.
- 11:00 A. M. — Herald's Practical News.
- 11:30 A. M. — Women's Advisory Features.
- 12:30 P. M. — Popular Program.
- 1:30 P. M. — Herald's Market Review.
- 2:30 P. M. — Radio Program.
- 3:30 P. M. — Herald's Market Information, etc.
- 4:30 P. M. — Sign Off Program, English Re-Broadcast, etc.
- 5:30-6:00 P. M. — School Broadcast: American Department of Education.
- 6:00-12:00 P. M. — Musical Programs, News, Sports, Talks, Foreign Service, etc.
- 12:00-12:30 P. M. — Musical Programs, News, Church Services, Talks, etc.

We will be pleased to send verification stamp, on receipt of ten cents.  
CHNS and VE9HX are associated with "The Halifax Herald" and "The Halifax Mail," "Two of Canada's Great Newspapers."



**CJCB**  
1240 Kc  
241.9 M  
1000  
Watts



**CJCB**

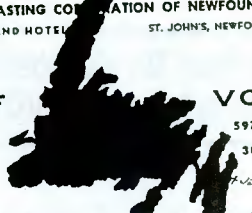
SYDNEY NOVA SCOTIA  
1000 WAITS

**CJCX**  
6010 Kc  
49.9 M  
1000  
Watts

Reception Verification Your report of reception from:—  
Station: CJCX  
nt. 8109-8117 A.M., AST., Feb. 18, 1939. is hereby verified.

THE BROADCASTING CORPORATION OF NEWFOUNDLAND  
NEWFOUNDLAND HOTEL ST. JOHN'S, NEWFOUNDLAND

**VONF**  
640 KC  
10KW



**VONH**  
5970 KC  
300W

We acknowledge with thanks your communication reporting reception of our programme on April 19, 1939.  
VONF and VONH broadcast daily 6.00 p.m. to 11.00 p.m. NFLD. time. VONH is replaced by VONG (9475 KC) 10.00 a.m. to 3.00 p.m. NFLD. time. Special transmissions other than these will be announced at sign-off periods.

Daytime  
9540 K.C.  
200 Watts

## VE9AI

**REGISTERED**  
4449-4642

EDMONTON ALBERTA CANADA

We acknowledge with thanks your communication of  
December 22, 1952  
and are pleased to learn that our  
9540 kc  
wave signal came through in your locality.

**CJCA Dial 930**  
Birks Bldg.

REMARKS:  
This will verify your report of reception of VE9AI dated December 22, 1952.  
We are always pleased to hear from our listeners & trust we may hear from you again.

Here we feature a group of Canadian stations that may look familiar (except perhaps for VE9AI). +++ At the top is a 1937 card from old standby CFCX, on 6005 even back then. +++ To the right is CHNX when it still sported its "experimental" SW call, VE9HX. This one is from 1935. +++ Under CFCX is a 1939 card from CJCX, a regular which many of us can remember on 6010 until its demise not too many years ago. +++ VONH from Newfoundland is an interesting one. The Broadcasting Corporation of Newfoundland eventually merged with the CBC, and VONH became CBNX, then today's CK2N-6160. +++ VE9AI relayed CJCA in Edmonton, Alberta, and its 200 watts was widely reported on 9540. +++ CPRV is always happy to hear from people who have, or know the whereabouts of, QSL's in need of a new home. If you are interested in the future of your QSL's, check out our Registered Collections program operated by John C. Herklimer, P.O. Box 54, Caledonia, NY 14423. We will supply stickers for your QSL albums, reflecting the wish that your veries be donated to CPRV when you are no longer able to enjoy them. Details from John Herklimer (business size SASE, please). +++ Till next time --

A Committee of the Association of North American Radio Clubs

# RADIO ST. HELENA DAY

Back in October 1990, the tiny and remote island of St. Helena in the South Atlantic Ocean became "hot stuff" in the DX-World. The local radio-station on the island was one of several in the world, participating in the Nordic DX-Championships organized by Stora Tuna DX-klubb of Borlänge, Sweden. Through kind assistance of Cable&Wireless PLC in St. Helena, the mediumwave station was relayed on shortwave. Although this transmission was exclusively intended for the contestants, information had been "leaked" to other shortwave-listeners.

The response to this unique broadcast was fantastic! The signal from Radio St. Helena was monitored worldwide. The station manager - Mr. Tony Leo was pleased that the broadcast put St. Helena on the map again. Most people know that St. Helena was the last resort of Napoleon, but what else? The promotional effect of the broadcast had such an impact, that it was agreed to introduce an annual "Radio St. Helena Day".

The island is remote and isolated in the South Atlantic Ocean. Every six weeks the ship "RMS St. Helena" makes its journey from Cardiff, UK to Capetown, South Africa calling at St. Helena. There is no airport, just this fragile link with the outside world. Because of this, there is no tourism, just visiting yachts and some calls by cruising ships. The Government of St. Helena is now developing more convenient access to the island. In this respect Radio St. Helena will be a vital instrument to promote tourism to this "best kept secret in the world" as one impressed yacht captain put it.

The transmission takes place on Friday 23rd of October between  
2000-2100 and 2220-2300 UTC on the frequency of 11.092 kHz SSB

Listeners worldwide are invited to call Tony Leo during the transmission and ask him about St. Helena. The telephone number is + 290 4654 - you can dial direct!

Listener's reception reports are invited and will be acknowledged by a QSL-card and an informative letter. Reply postage is highly appreciated! The address is: Radio St. Helena, Jamestown, ST. HELENA, South Atlantic Ocean.

For further information about St. Helena, please contact South Atlantic Travel&Trade (SATT), Box 6014, S-600 06 NORRKÖPING, Sweden.

SATT is set up to promote tourism on St. Helena - one of the few remaining touristic gems in the world. It is directed by dx oldtimers John Ekwall and Jan Tunér, who visited St. Helena earlier this year.



# Proceedings 1992: DXcellence from cover to cover.

There's no other annual publication for DXers quite like it. This fifth anniversary edition of *Proceedings 1992* contains over 200 pages of articles, in-depth reviews and features, written with expertise by some of the hobby's best.

Although clearly written, it is not a beginner's primer. Every article was thoroughly examined by a review panel of top-flight DXers and edited for clarity by Staff Member Fritz Mellberg, a DXer with extensive journalism experience. *Proceedings 1992* is a DXer's reference that will add to your knowledge and enjoyment of the radio listening hobby.

Highlights in this volume include:

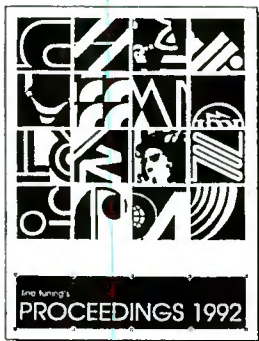
Results of a detailed, controlled test of eight of the best active antennas.

A useful and picturesque feature on the Ecuadorian shortwave scene, written by HCJB's Richard McVicar.

User reviews of the new Drake R8 and Japan Radio Co. NRD-535D, compiled from observations of experienced DXers and owners of these popular top-of-the-line receivers.

Detailed application notes for improving selectivity of solid-state and tube receivers with I.F. filter modules from KIWA Electronics.

A fascinating, illustrated history of the "roots of shortwave": CPRV's Jerry Berg skillfully traces the shortwave stations, clubs, publications and equipment of the 1930's.



A review of the Lowe Electronics HF-225 and HF-150, two of the most solidly built, best sounding receivers currently on the market.

An insightful article on DXing the Clandestine stations of Iran, Iraq and Kurdistan. Includes "key words" list and tips for language identification.

Reviews and history of vintage communication equipment, including the Hallicrafters SX-28, the National HRO series, the Hallicrafters S-38 series, and the Collins 51S-1 receiver.

A study of the mysterious subject of RF grounds, with practical tips for the DXer seeking to improve reception and minimize noise.

These and other articles make *Proceedings 1992* a valuable resource for the DXer. It will be mailing in mid-October. *Proceedings 1992* costs \$19.50 plus \$4.00 postage. Outside of North America, postal costs are \$5.00 surface book rate or \$17.00 airmail. (US funds on a US bank, please.) For surface book rate, allow 3 to 4 months typical delivery time. Make checks or money orders payable to Fine Tuning Special Publications. Mail to:

**Fine Tuning Special Publications**  
c/o John Bryant, RRT #5, Box 14  
Stillwater, OK 74074 USA

Limited quantities of previous *Proceedings* editions ('88 through '91) are available. Price and shipping costs are the same as listed above.

North American Shortwave Association  
45 Wildflower Road  
Levittown, Pennsylvania 19057

First Class Mail  
U.S. Postage  
PAID  
Levittown, PA  
Permit No. 319

## FIRST CLASS MAIL



ISSN 0160-1989

The Journal of the  
North American Shortwave Association

**Executive Director:** Bob Brown, KW3F  
238 Cricklewood Circle, Lansdale, PA 19446  
**Publisher:** Bill Oliver, 45 Wildflower Road,  
Levittown, PA 19057

**Executive Council:** Jerry Berg, Bob Brown,  
Dr. Harold Cones, Gerry Dexter, Glenn Hauser,  
Don Jensen, Bill Oliver

### EDITORIAL STAFF

**Managing Editor:** Bob Brown, KW3F  
238 Cricklewood Circle, Lansdale, PA 19446  
**DXer's Forum:** Send All Inputs to -238 Cricklewood  
Circle, Lansdale, PA 19446

**Easy Listening:** Richard Cuff, 213 Parkview Ave.,  
Allentown, PA 18104-5323

**NASWA Portraits:** Jerry Klinck, 43 Lein Road,  
West Seneca, NY 14224

**Listener's Notebook:** Dan Ferguson, P.O. Box 2604,  
Dale City, VA 22193

**Technical Topics:** Joe Buch, N2JB, 2008 Mozart  
Circle, Virginia Beach, VA 23454

**QSL Report:** Sam Barto, 47 Prospect Place, Bristol,  
CT 06010

**Distributing Editor:** Vernon Hyson, 5410 Camp  
Stewart Rd., Charlotte, NC 28215

**Tropical Band Loggings:** Sheryl Paszkiewicz, 1015  
Green Street, Manitowoc, WI 54220

**International Band Loggings:** Wallace C. Treibel,  
357 N.E. 149th St., Seattle, WA 98155

**Scoreboard:** Jerry Lineback, 6361 Shore Drive,  
Douglasville, GA 30135

**NASWA Awards:** Dr. Harold Cones, 2 Whits Court,  
Newport News, VA 23606

**English Schedules:** Tom Sundstrom, W2XQ  
P.O. Box 2275, Vincentown, NJ 08088-2275

**Listener's Library:** Jerry Ervine, P.O. Box 5204,  
Hidalgo, TX 78557

**Destinations:** Mitch Sams, 779 Galilea Court, Blue  
Springs, MO 64014; Don Moore, 11434 140th St.,  
Davenport, IA 52804; Bill Kurrasch, 5607 Lincoln  
Rd., Ontario, NY 14519

**Equipment Reviews:** Alan Johnson, N4LUS  
6001 Goldsboro Rd., Bethesda, MD 20817

**Radio Stamps:** Neil Carleton, P.O. Box 1644,  
Almonte, Ontario K0A 1A0, Canada

**The Company Store:** Fred Kohlbrenner, 2641 S.  
Shields St., Philadelphia, PA 19142

### MEMBERSHIP FEES:

North America (First Class Mail) ..... \$25.00  
Overseas (Air Mail):

*Central America, Caribbean, Venezuela  
& Columbia* ..... \$29.00  
*South America and Europe* ..... \$29.00  
*Asia, Africa and Pacific* ..... \$32.00

All remittances must be in U.S. funds and mailed to:

NASWA  
45 Wildflower Road  
Levittown, PA 19057  
U.S.A.

