

NOVEMBER — 1977

# frenDX

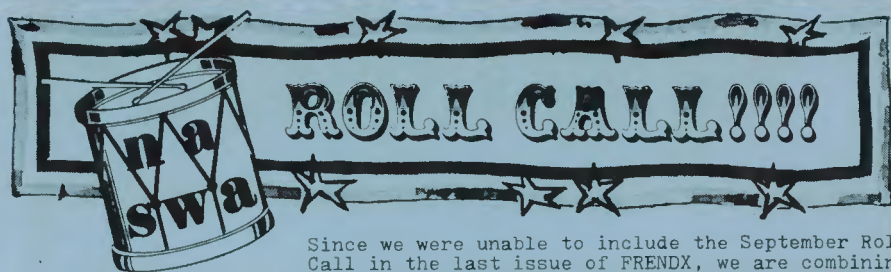


NORTH AMERICAN SHORT WAVE ASSOCIATION

POST OFFICE BOX 13

LIBERTY, INDIANA

47353 U.S.A.



Since we were unable to include the September Roll Call in the last issue of FRENEX, we are combining the list for September and October into the list for this month. Welcome to the 68 new NASWA members as follows:

- |   |   |
|---|---|
| AMBORD, Arthur C., Milwaukee, WI        | LUCAS, Richard D., Jr., Johnson City, N         |
| ARSENAULT, Robert, Summerside, P.E.I.   | McKINNEY, Larry, Adamstown, PA                  |
| BALDWIN, Mike, Asheville, NC            | MARTIN, Bob, Franklinton, LA                    |
| BLAIZE, Sandy, Metairie, LA             | MATTIS, David, Morton Grove, IL                 |
| BOHLKE, Dale, St. Louis Park, MN        | MAULDIN, William D., Boca Raton, FL             |
| BOONE, Douglas J., Winter Park, FL      | METZGER, Francis E., Lancaster, PA              |
| BOYLE, J. Pat, Chattanooga, TN          | MILNER, David W., Alvarado, TX                  |
| BRETON, Joseph A., Scotia, NY           | MOORE, Wade, W. Prestonburg, KY                 |
| BROUILLETTE, Paul, Sault Ste. Marie, MI | MURPHY, Robert J., Estes Park, CO               |
| BROWN, Les, Bronx, NY                   | NELSON, Renert, Brooklyn, NY                    |
| BURNS, Marjorie, Melrose Park, IL       | NICHOLAS, Roy E., Toronto, Ont.                 |
| CAMPBELL, David G., Midland, TX         | NINIO, S., Libertyville, IL                     |
| CASWELL, Ethel J., Tucson, AZ           | PONDER, Stephen H., Ft. Worth, TX               |
| COHEN, Alan R., Chelsea, MA             | POYSER, Thomas D., Brownsburg, IN               |
| DESAUTELES, Paul, Enfield, NH           | PRATH, John, Ft. Lauderdale, FL                 |
| DONNELLY, Theo, Vancouver, B.C.         | ROOME, Brien P.A., Dollard des<br>Ormeaux, Que. |
| EASTERLY, John, Sepulveda, CA           | ROSS, David, Hamilton, Ont.                     |
| FISK, Frank, Tulsa, OK                  | ROUTENBURG, Paul, Williamsford, Ont.            |
| FOSTER, Jeff, Greenfield, WI            | RUSSELL, David, Valley Stream, NY               |
| GADALETA, Michael, Willisyon Park, NY   | SATTA, Bruce, Marion, OH                        |
| GAGNON, Maurice, Quebec, P.Q.           | SEGALLAS, Richard, San Francisco, CA            |
| GOODMAN, Joel, Ottumwa, IA              | SEITZ, Thomas M., New York, NY                  |
| GORDON, James R., Bangor, ME            | SHATTUCK, Donald F., Morrisville, PA            |
| GREENE, Bruce D., Goshen, IN            | SHAW, Howard E., Lompoc, CA                     |
| GRIMES, Jim, Wichita, KS                | SIDMAN, Nelson, New York, NY                    |
| GRINNELL, Milo, Houston, TX             | SIGNES, Emil G., Bethlehem, PA                  |
| GUNNERSON, Sheldon, Clare, MI           | STARLING, Gary, Florissant, MO                  |
| HARANG, Bill, San Jose, CA              | STEEN, R.L., Seattle, WA                        |
| HUBER, J. Scott, Baltimore, MD          | STOLZ, Daniel, Secaucus, NJ                     |
| JESSON, John, Missoula, MT              | TAJIMA, Takayoshi, Chiba, Japan                 |
| KOZIATEK, Richard M., Elk Grove, IL     | WEINER, David B., Philadelphia, PA              |
| KROLL, Michael, Wheeling, IL            | YACONO, Dominick, Brooklyn, NY                  |
| LINDROTH, F.H., Clearwater, FL          | YAMADA, Koji, Tokyo, Japan                      |
| LOVSTROM, Rolf, New York, NY            | YOSHIDA, Akira, Iwate-gun, Japan                |

# NASWA

A REPORT FROM  
HEADQUARTERS

NORTH AMERICAN SHORT WAVE ASSOCIATION    POST OFFICE BOX 13    LIBERTY, INDIANA 47353 U.S.A.  
NOVEMBER, 1977

A NEW PUBLISHER IS NAMED: After almost two and a half years, our current publisher, Alan Mayer has ask to be relieved of his publishing duties so that he may be able to enjoy more free time. The last issue to be published in Park Forest will be the January, 1978 issue. Starting with the February, 1978 issue of FRENEX, the new publisher will be William E. Oliver who is our present QSL Report editor. Bill is now negotiating with some local printers in his area and making other advance plans to assure a smooth changeover.

Few people realize the amount of work it takes to get almost 1,600 copies of FRENEX and about 600 copies of the mid month DX Hotline in the mail each month, and Alan should be complimented on the fact that during his term as publisher not a single mailing date has been missed. Everyone should realize that the publisher is the most important job in an organization such as ours because if we have no one to put the final thing together, then there would be no need for any of the rest of us. We are fortunate in having Bill Oliver take over this tremendous task, and we feel the job will be in excellent hands.

NEW QSL REPORT EDITOR NEEDED: As mentioned in the preceding item, William E. Oliver will be taking over as publisher as of February, 1978. This being the case, we will be needing a replacement QSL Report editor since it would be impossible for Bill to handle both jobs. Anyone interested in taking over this important section in FRENEX should contact HQ as soon as possible.

The last QSL Report Bill will prepare will be the one for the January issue which he will prepare during December. The new editor would prepare his/her first section during January. We hope a qualified person will quickly step forward so that the QSL Report can be continued without interruption. Bill says he has some illustrations and other material he will turn over to the new editor to help him/her get started. We regret that Bill will no longer be doing his usual fine job with QSL report which he has handled for over two years, but he will be far more needed as our new publisher.

MORE ABOUT THE LANGUAGE ABBREVIATIONS: A few months ago, we announced that the Log Report Editors would be using a new list of language abbreviations in their sections on a trial basis. We ask for comment from the membership as to whether the new abbreviations would be more desirable than the traditional ones which have been used for many years. Like a lot of other club matters on which comment is requested, there have been just a few who have bothered to offer any comment whatsoever.

Each member of the Executive Council will have his own preference as to which set of abbreviations he personally prefers. Since this matter will have to be decided by the Executive Council soon, and unless there is a more representative feedback from the membership, the issue will most likely be decided by just a few based on his own preference. We urge anyone with definite ideas on the subject to communicate them to HQ just as soon as possible. We will see to it that all EC members receive Xerox copies of all comments received to help him to consider the matter.

IS LOUDENBOOMER BACK? Several have inquired about the return of the Loudeno-boomer Report in the October issue of FRENEX. It so happened that we had an extra page to fill last month, and since we are into the subject of language abbreviations, it seemed appropriate to use an old Loudeno-boomer Report on that subject that originally appeared a few years back. Sorry Loudeno-boomer fans but Charlie is not back.

73's

  
M. R. Leonhardt  
Executive Director

# shortwave CENTER

JERRY A. LINEBACK, Editor  
P. O. Box 325  
St. Joseph, IL 61873

NOVEMBER 1977

We thank all those who contributed to this month's Shortwave Center and we continue to request that you contribute articles on any subject relating to Shortwave Broadcasting. This is your chance to be an author. Shortwave Center is your opportunity to share your interests and expertise with other DXers. Keep the material coming.

\*\*\*\*\*

## NASWA-UK

OUR COVER STORY - THE WELSH CONNECTION

by Jerry A. Lineback

This month's FRENEX cover photo is of Alan and Audrey Thompson of Neath, West Glamorgan Wales. Alan has served as NASWA's United Kingdom Representative for several years. Your Shortwave Center editor had the great pleasure of spending a weekend with Alan and Audrey during my recent visit to Britain.

Alan and I talked about DXing in Britain and spent some time in the local evening working his Racal receiver for some typical UK 60 metre band DX. The Thompsons were also very kind in taking me to various scenic spots in the mountains of south Wales. I also taped a couple of programs for Alan's DX program on the English service of Deutschlandfunk (not on SW unfortunately).

The Thompsons live in Neath, a pleasant small city located near Swansea in south Wales. It is on the coast and like many British cities and towns, it has its complement of Roman and more recent ruins. Alan is a grandfather and works for the Inland Revenue (the British version of the IRS). They live at 16 Ena Avenue in Neath with a grown daughter and two very large and very friendly black dogs.

Alan's Racal is tucked away in an attic room, but he has a quite nice arrangement. Because of the necessity of using a short antenna, he uses several forms of preamplification and preselection before inputting a signal to the Racal. The Racal is a great receiver that uses the original Wadley Loop. It is a tube type military style receiver. The main difference between the Racal and other receivers that I have used are the extremely sharp skirts on the filtering system. It provided really sharp cutoff of interference outside of the bandwidth setting. This allows the receiver to provide a good gain of audio output above noise. The receiver is sensitive, but no better than my Barlow Wadley that was sitting on the desk next to the Racal. Every station heard on the Racal was also heard on the BW, the latter using only the whip antenna. However, the big advantage in the Racal was in the much greater intelligibility of the Racal audio output. I did note that the Racal dial needed to be calibrated every 100 kHz by the crystal calibrator in order to produce frequency readings more accurate than the nearest kilohertz.

I noticed many interesting differences in 60 metre band DXing from the UK. Early evening receptions come from several USSR Home Service stations and even from China. Africans seem also to be prominent in the early evening. Latin stations, of course, would not appear until the middle of the night.

I would like to publicly thank the Thompsons for their hospitality and a most interesting visit.

\*\*\*\*\*

As you probably have read in Report from Headquarters, I have been elected to fill one of the newly formed positions on the NASWA Council. I want to thank all those who voted for me. I will do my best to see that NASWA and FRENEX continue to provide the best service possible to the hobby. Please feel free to write to me with your suggestions for improvement of NASWA and FRENEX. I am receptive to all viewpoints and believe that we can serve every from beginner to master DXer.

Everyone should remember, however, that 95 percent of the material in each issue of FRENEX comes from you, not the editors or the NASWA Council. If you want interesting and informative material in FRENEX, you will have to prepare and submit it to the appropriate editor. NASWA is really your club and FRENEX is your bulletin.



# SPECIAL *feature*



THE DRAKE R-4 SERIES AND THE WADLEY TRIPLE-MIX LOOP REVEALED!

Part II of "Basic Concepts of Superheterodyne Receivers

by James B. Wilson, Jr., 836 West Rose, Lincoln, Nebraska 68522

In the October Shortwave Center we talked about the basic theory of both single and double conversion receivers. Right now we'll talk about the actual circuit operation of two receivers - the Drake SW-4A, similar to the R-4 series, and the Wadley Triple-mix Loop as used in the XCR-30, SSR-1, and FRG-7.

If you'll turn your attention to figure 1, you will see the basic block diagram of the SW-4A receiver. This one is very similar to the R-4 series with the exception of adjustable selectivity (changing crystal filters) and single sideband reception capabilities. It is actually very similar to our double conversion example in the last article. It is double conversion with the first IF being 5645 kHz, and the second IF of 455 kHz. The first IF gives us good image rejection and, in the case of this receiver, our desired selectivity. All the first IF stage is a crystal filter with a bandwidth of 6 kHz and a center frequency of 5645 kHz. No amplification goes on in the first IF at all. This means that the majority of receiver gain takes place in the second IF of 455 kHz.

The RF amplifier and VFO are both adjustable but not physically linked together. The RF amplifier tuning is brought out to the front panel as a separate control and labeled preselctor. The VFO control is the main tuning control. This eliminates any tracking errors between the RF amplifier and VFO.

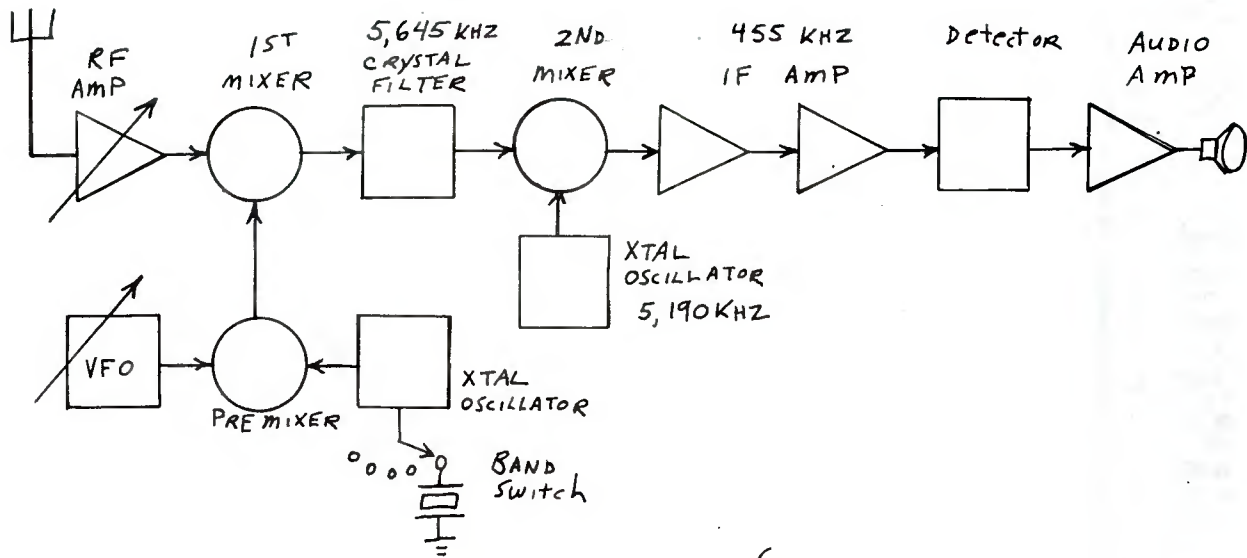
The VFO used in this receiver is a permeability tuned oscillator that tunes linearly so that the dial calibration can be linear. In the case of the SW-4A, the output of the linear VFO is mixed with the output of a crystal oscillator in the pre-mixer. The output of the pre-mixer is then used as the local oscillator signal. This means that the frequency range (and calibration) of the linear VFO remains the same all the time and we change bands by changing crystals in the crystal oscillator.

Let's follow a signal through the receiver to get a better understanding of it's operation. Let's say we want to receive BBC-Ascension on 17.84 MHz. We will first change the band switch to 17.5 - this will change the tuned circuits in the RF amplifier, pre-mixer, and the crystal in the crystal oscillator. The crystal oscillator will be at 28.59 MHz. The 28.59 MHz will be mixed with the linear VFO in the pre-mixer and we should be receiving signals in the 17.5-18.0 MHz band. To dial in BBC-Ascension on 17.84 MHz, the VFO will be dialed to the correct front panel reading, when it will be putting out a frequency of 5.105 MHz. When the 5.105 MHz of the VFO, and the 28.59 MHz from the crystal oscillator are mixed in the pre-mixer, both sum and difference signals will be produced. The difference signal will be 23.485 MHz (28.59 - 5.105 = 23.485). This signal will be coupled to the first mixer as the local oscillator signal. The VFO gives us our linear tuning while the crystal oscillator gets us to the right frequency band. When the local oscillator signal is mixed with the RF signal frequency of 17.84 MHz the difference will be 5.645 MHz (23.485 - 17.84 = 5.645), which is our first IF.

In the first IF the signal will be filtered down to a 6 kHz bandwidth by the crystal filter. So the first IF takes care of the selectivity and by virtue of its high frequency gives us good image rejection. The signal is then coupled to the second mixer where it is mixed with a frequency of 5190 kHz. The difference of these two signals will be 455 kHz (5645 - 5190 = 455), our second IF. It is in the second IF stages where most of the receiver gain is, so the second IF determines the sensitivity - along with the RF amplifier. The signal will then be detected and amplified by the audio stages.

The major advantages of this type of receiver are good image rejection (due to the high first IF), good selectivity (due to the crystal filter), good sensitivity, and linear frequency readout due to the use of the linear VFO and pre-mixing scheme. The disadvantages are that the frequency coverage is limited to your selection of crystals. The new frequency synthesizer offers hope here for the R-4 receivers, but it does seem rather expensive.

**Wadley Triple-Mix Loop.** The Wadley Triple-mix Loop was originally developed and used in Rascal receivers, found its way to South Africa where it is used in the Barlow-Wadley XCR-30,



6

Figure 1

and more recently it has appeared in the Drake SSR-1 and Yaesu FRG-7.

The basic block diagram is shown in figure 2. This is the block diagram for the SSR-1, the FRG-7 is very similar, but with a first IF of 54.5-55.5 MHz. The SSR-1 is basically a triple conversion receiver with a first IF of 44.5-45.5 MHz, second IF of 2-3 MHz, and third IF of 455 kHz. As you can imagine the first IF of 44.5-45.5 MHz gives us excellent image rejection.

With this type of receiver we use two VFOs. One is a high frequency oscillator, 45.5-75.5 MHz, and the other is a low frequency oscillator, 2.455-3.455 MHz. The high frequency oscillator is used to select the megahertz range of the incoming signal and the low frequency oscillator selects the kilohertz of the incoming signal.

Let's follow a signal through this very interesting receiver. First we will pick out a received signal of 1.5 MHz as our example. The megahertz dial would be turned to the 1 MHz band, and the MHz oscillator would be putting out a frequency of 46.5 MHz. This signal is applied to the first mixer and mixed with the incoming 1.5 MHz RF signal, the difference frequency will be 45 MHz. This will fall in the middle of the passband of the first IF bandpass amplifier. This amplifier will pass all signals within its 1 MHz bandwidth from 44.5 to 45.5 MHz. This means that so far in the receiver we have only selected the megahertz range.

Let's back track a little bit. The 46.5 MHz output from the MHz oscillator also goes to the mixer shown below the oscillator. Here it will be mixed with the output of an Harmonic Generator. The Harmonic Generator is no different from any crystal calibrator. This one puts out a spectrum of signals at 1 MHz intervals up to 33 MHz. The output of the MHz oscillator will mix with these producing a whole bunch of frequencies. One of these frequencies will be 42.5 MHz. In this case the 42.5 MHz will result from the MHz oscillator's 46.5 MHz signal mixing with the 4 MHz harmonic, the difference signal being 42.5 MHz. The 42.5 MHz signal and only that signal will pass through the bandpass filter on the mixer output. This signal will then be used as the local oscillator for the second mixer.

In the second mixer the signals applied will be the 45 MHz first IF signal (actually all signals in the 44.5 to 45.5 MHz bandwidth), and the 42.5 MHz signal from the bandpass amplifier. The difference of these two signals will be 2.5 MHz, the middle of the second IF of 2-3 MHz.

The second IF amplifier is a variable frequency amplifier over the range of 2-3 MHz. It is mechanically coupled to the VFO and will assist in selecting the correct signal from the 1 MHz spread of signals available. The signal from the second IF is coupled to the third mixer where it is heterodyned down to 455 kHz, the third IF. This is the point where we select the actual signal to be received. The third IF has the majority of gain in the receiver, and through the use of a ceramic filter gives us the desired selectivity.

The SSR-1 uses a switchable AM detector or product detector for single sideband or CW. The BFO is used in the reception of SSB and CW. When receiving SSB the BFO actually replaces the carrier which was suppressed during transmission. After the detectors we have the usual audio amplifiers.

Let's get back to our Triple-Mix Loop. The loop actually consists of the first and second mixers and the mixer below the MHz oscillator. The rest of the receiver is in essence a 2-3 MHz single conversion receiver. To examine the loop more closely, let's go back to our example - a 1.5 MHz received signal and the MHz oscillator putting out 46.5 MHz. This resulted in a first IF signal of 45 MHz ( $46.5 - 1.5 = 45$ ), and, through the use of our mixing scheme local oscillator signal of 42.5 MHz, a second IF signal of 2.5 MHz ( $45 - 42.5 = 2.5$ ). Let's say the MHz oscillator drifts to 46.6 MHz, a large drift I'll admit but remember this is only for illustration purposes. That means that the incoming signal of 1.5 MHz will mix with the MHz oscillator signal in the first mixer and the difference signal will now be 45.1 MHz ( $46.6 - 1.5 = 45.1$ ), still within our first IF passband. The MHz oscillator will also mix with the harmonic generator output. As before the closest signal to 42.5 MHz will be coupled to the second mixer. In this case 46.6 MHz will mix with the 4 MHz harmonic with a difference frequency of 42.6 MHz, the closest signal to 42.5 MHz that is being generated. This 42.6 MHz signal will then be coupled to the second mixer where it will mix with the 45.1 MHz first IF signal. The difference will be 2.5 MHz ( $45.1 - 42.6 = 2.5$ ). The 2.5 MHz signal is the same one we got at this point before the oscillator drifted off frequency! This is the magic of the Wadley Triple-Mix Loop - drift cancellation! Even though the MHz oscillator drifted off frequency, the kHz dial will not have to be readjusted, the drift will have been cancelled in the loop.

Some of the advantages of this type of receiver are drift cancellation (of course), excellent image rejection, and direct frequency readout.

Well, now you've seen the basic workings of the Wadley Triple-Mix Loop. As most of you already know it makes a very good general coverage communications receiver, and the price is

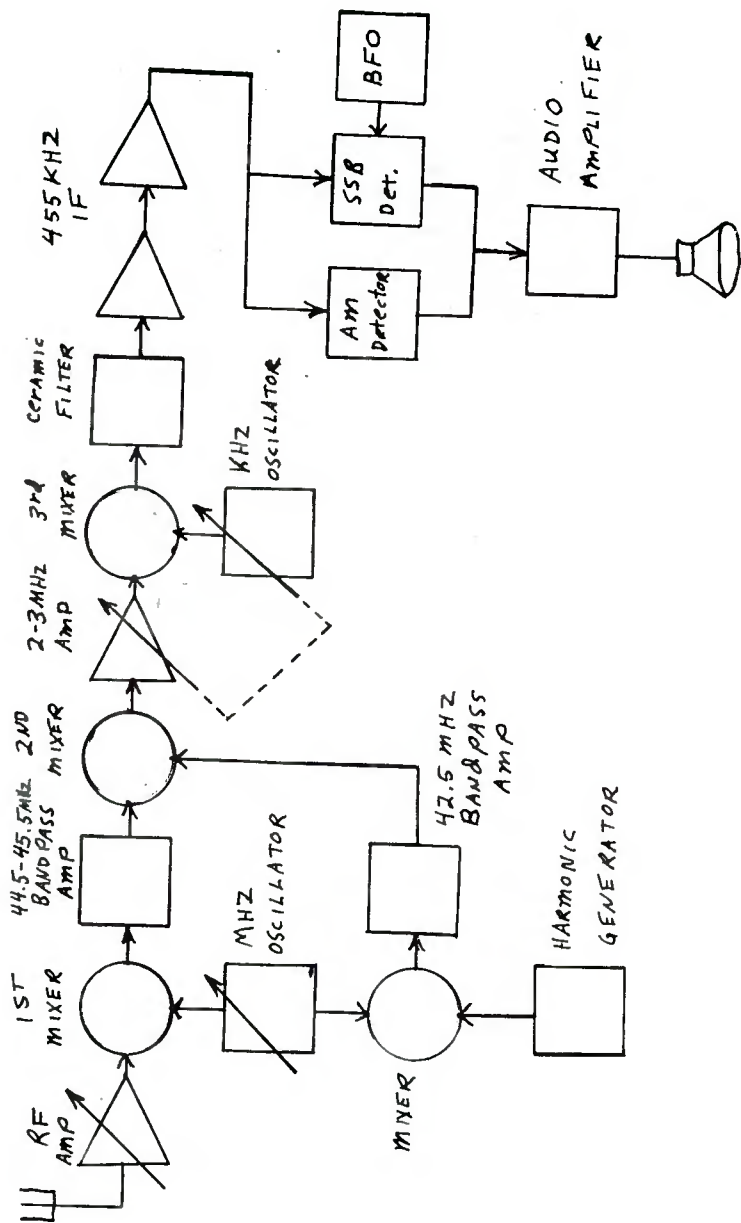


FIGURE 2



reasonable. The difference between the SSR-1 and FRG-7 are primarily in specific circuit details. The SSR-1 uses transistor amplifiers and diode mixers exclusively, whereas the FRG-7 uses a lot of FETs as mixers and amplifiers. The advantages of this are unknown as the receiver specifications are basically the same. One advantage the FRG-7 has is better packaging and extra details for operator convenience. Either one is an excellent receiver and a good value for the money.

\*\*\*\*\*

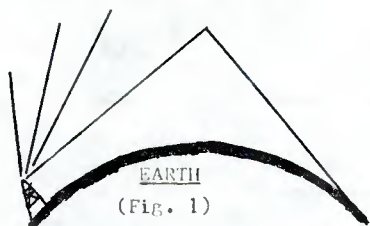
## Propagation

### RADIO WAVE PROPAGATION FORECASTING

By David Jacob Shyder, Brooklyn DX Club  
1137 E. 12th St., Brooklyn, NY 11230

When forecasting radio wave propagation one must concentrate his attention on the sun, since it influences all radio waves. A spectrum of radiation is emitted by the sun including ultra-violet and infra-red. The ultra-violet radiation increases the amount of free electrons in the ionosphere, a process called ionization. The infra-red radiation heats the ionosphere and causes it to expand, which reduces the density of the free electrons.

When a radio wave travels into one of the ionospheric layers (fig. 1) the direction of the wave changes. The extent of this change is proportional to the density of the free electrons in the layer. When the layer has enough of an electron density, the wave bends and eventually reverts back to the ground. If the electron density of the layer is not great enough, the radio wave will either be absorbed or travel out into space. 1



The density of the free electrons in each layer is influenced by the level of solar activity (as measured by the solar flux index), and the time of day. Whether or not a radio wave is bent back to earth will also depend on the location of the transmitter and the receiver, as well as the frequency transmitted on.

The solar flux index is a measure of the overall level of solar activity. It is closely associated with the well known daily sunspot number and may soon be preferred to the sunspot number as a measure of solar activity. While following the 11 year average cycle of solar activity, flux values also vary from one day to the next in association with the activity of the sun. This activity influences the density of the ionosphere which in turn influences the range of frequencies which will support ionospheric radio communications on specific circuits. 2

The solar flux index has been correlated with the temperature of the ionosphere in many studies. Some of these studies show that the temperature of the isothermal region above the thermopause and the exospheric temperature show a variation associated with changes in the density of the ionosphere and in the solar flux index. These variations are over long periods of time as well as from one day to the next. 3

The dependence of the variations of temperature on the intensity of solar ultraviolet radiation (as characterized by the solar flux index) apparently becomes more pronounced with increasing height (up to 300 km, which is the ionosphere). 4

The solar flux index measurements are gathered at the Algonquin Radio Observatory (ARO) of the National Research Council of Canada with a reflector of 1.8 metres diameter, using 2800 MHz. These radio emissions which originate from the solar disk and from any active regions are a continuation of observations which commenced in Ottawa in 1947. Historically the measurement taken at local noon (1700 universal time) has been considered the "official" value for the day. The solar flux index is measured in units of  $10^{-22}$  watts per square metre per cycle per second, ( $10^{-22} \text{ Wm}^{-2} \text{ Hz}^{-1}$ ) and in general has a range from about 60 to 400 units (fig. 2).

J. Virginia Lincoln, Director of the World Data Center A for Solar-Terrestrial Physics stated in a letter that "Solar flux indices correlate highly with sunspot number observations, which as you know, have an approximately 11 year cycle. Both of these indices can be used in HF (High Frequency) radio propagation predictions, but they are more reliably used for monthly median frequency predictions." 5

I have correlated the various solar flux indexes with the frequency, time in GMT, and the location of the transmitter and receiver, to predict high frequency propagation. These charts (example see fig. 3) are the result of a year of collecting and compiling the data available to me. I used the stations heard by DXers from North America for the data. With adequate data this could be accomplished for any area of the world.

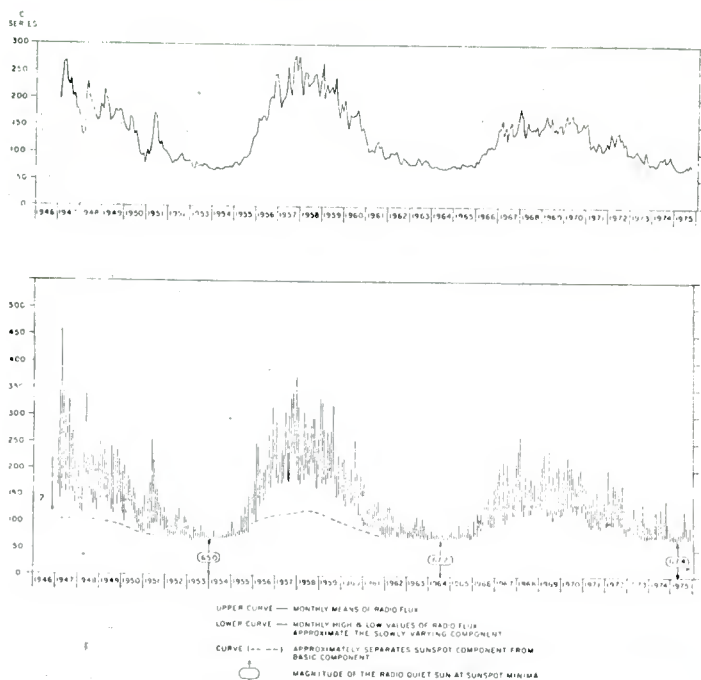
SOLAR RADIO FLUX, 10.7 CM  
ADJUSTED TO 1 A U

Figure 2

Here are some explanations of the charts themselves and how to use them. Yesterday's solar flux index may be found by listening to radio station WWV, which is on 2.5, 5, 10 and 15 MHz at 18 minutes past the hour. After listening for a few days you will usually notice a trend in the flux. Then taking the flux number as given you should listen to the frequencies at the times given under the appropriate flux number shown on the charts. If a trend is apparent, then use the flux numbers above or below yesterday's flux as appropriate.

After using the chart for a while you might realize that there is another method in which it can be used very effectively. Taking a certain solar flux index number, write down its portion of the chart in time order on a piece of paper. You can then take schedules of specific stations which should be audible according to the chart and write them next to the area, time, and frequency. This will enable you to search through an entire band which might be open and also search for specific countries you might wish to hear.

Here are a few examples of stations one can hear by following the chart:

- 1) The following stations were heard on 7/6/76; the solar flux index being 67;  
Guyana-GBS- 0635-0720 GMT on 3290 KHz; Liberia -ELWA- 0635-0711 on 4770; Papua/NG-NBC- 0705-0720 on 4890; Australia-ABC-Brisbane at 0700 on 4920; and Ghana-GBC- 0602-0700 on 4980 and 4915. All this in a matter of minutes and all in English.
- 2) On 8/22/76 the solar flux was 71 and the following stations were heard; Tahiti at 0300 GMT on 15170 and 11825 KHz in French; New Zealand-RNZ- 15130 at 0240 in English; Ethiopia-BTLF-4905 at 0300-0325 in Amharic; Mozambique-R. Beira-at 0430-0509 on 4896 in Arabic and French; and Zaire-R Lubumbashi-at 0510-0514 on 4750 in French.

Other rare countries heard by myself include Libya, Sri Lanka, Pakistan, Saudi Arabia, Taiwan, Andorra, Kuwait, Yemen, Grenada, Affairs & Issas, Guinea Bissau, and many others. I thank BDXC members Terrance Billan, Adam Gaffin, Neil Schulman, and Leon Tannenwald for their help in the loggings for the charts and the spark for my ideas.

Complete charts are available from the Brooklyn DX Club, 1137 E. 12th St., Brooklyn, NY 11230 for 55 cents per chart. Please ask for the "How to pick a band" chart for your area, they are available for ECNA, CENA, and WCNA (East Coast, Central, and West Coast of N. America)

Figure 3: Partial chart shown for example (complete charts available from BDXC)

"How to Pick a Band" Chart for Eastern North America listeners

SFI	Europe	S. America	Asia	Oceania	Africa	NA
125	6 MHz 0330-0400				4 MHz 0330-0530	
120	15 MHz 1600-1630			11 MHz 0400-0500		
113	15 MHz 2300-2330; 0000-0030	15 MHz 2230-2300	5 MHz 1130-1200	3 MHz 1100-1130; 5 MHz 0730-1100; 11 MHz 0600-0700		
105	6MHz 0000-0100 9 MHz 2200-2330 15MHz 1800-1830	9 MHz 0430-0500	9MHz 2200-2300			
102	11MHz 0100-0330				11 MHz 1900-1930	
95	9 MHz 1920-2030				15 MHz 1900-2130	
90			5 MHz 1130-1200	4 MHz 1230-1300		
86	11 MHz 1100-1200 15 MHz 1400-1430		7 MHz 1230-1300 9 MHz 0530-1800 10MHz 1100-1130 11MHz 1200-1300 17MHz 1530-1600	5 MHz 0530-0730; 7 MHz 0800-1100	3 MHz 2330-0000 5 MHz 2130-0000 7 MHz 0230-0300 & 0730-0800 11MHz 1500-1700 & 0200-0230 15MHz 1500-1700	9 MHz 1230-1300
80	5 MHz 0430-0500 6 MHz 0200-0230 & 0900-0930 9 MHz 0000-0030 11MHz 1630-1730 & 0100-0330 15MHz 1630-1800 17MHz 1230-1300 & 1530-1600	4 MHz 2330-0000, 0500-0530 15 MHz 2100-2200	4 MHz 0030-0130 & 0230-0330 7 MHz 0230-0330 9 MHz 1200-1300 & 1600-1730 & 2100-2130 15MHz 0100-0230	9 MHz 0630-0700, 11 MHz 0400-0430 & 0630-0700	3 MHz 0330-0400 4 MHz 0230-2100 & 2200-2230 & 0200-0430 6 MHz 2130-2230 7 MHz 2130-2200 & 0400-0430 9 MHz 1930-2200 & 2330-0300, & 0500-0530 11MHz 0530-0630 15MHz 1700-1730 & 2130-0030 17MHz 1700-1730	3 MHz 0400-0530 9 MHz 0400-0430 11 MHz 1230-1330, 0000-0030, 0100-0130
71	6 MHz 2300-2330 & 0430-0500 7 MHz 0300-0330 9 MHz 2300-0100 & 0130-0200 11MHz 0100-0300	3MHz 0400-0430 & 2300-2330 4MHz 0330-0430 & 0500-0530 6MHz 0530-0600 11 MHz 0200-0230, 15 MHz 1300-1330, 1400-1430, 2200-2300	4 MHz 1000-1200 5 MHz 1100-1200 & 2230-2300 6 MHz 2230-2300 7 MHz 0930-1000 & 1030-1130 9 MHz 0800-0830 & 0900-0930 & 1900-2100 11MHz 1130-1200 & 1730-1930 & 2000-2030 & 2100-2200 & 2330-0000 & 0400-0430 15MHz 1600-1700 & 2030-2100 & 0230-0300 & 0400-0430	3 MHz 1030-1130, 4 MHz 1030-1130 6 MHz 0800-0830, 9 MHz 0600-0630 11 MHz 1230-1230 11 MHz 0230-0300, 0330-0400, 15 MHz 0200-0230, 0500-0530	3 MHz 2230-0000 & 0400-0530 4 MHz 0400-0700 5 MHz 0530-0700 6 MHz 2200-2230 & 0330-0430 7 MHz 0230-0300 & 0530-0700 9 MHz 0600-0630 11 MHz 1300-1330 & 1730-2200 15 MHz 1400-1600 & 1800-2100 & 2130-2200	
67	6 MHz 0130-0200 9 MHz 0000-0030 & 0130-0200 11 MHz 1930-2100, 0130-0200 15 MHz 2100-2130	4MHz 0330-0500 & 0900-0930 5MHz 0330-0500 & 0630-0730 11 MHz 2300-2330, 15 MHz 1200-1230, & 2300-0000	4 MHz 1030-1100 6 MHz 1100-1200 & 2200-2230 9 MHz 1930-2230 11MHz 1330-1400 & 1700-2000 & 2100-2200 & 0000-0030 15MHz 0000-0130 0330-0400, 1600-1630, 1830-1900	3MHz 0630-0730, 0900-1030, 4 MHz 0700-1130 5 MHz 0600-0630, 9 MHz 0430-0500, 1200-1300 11 MHz 0330-0430, 0630-0700, 15 MHz 0230-0400	3 MHz 2300-0000 & 0430-0530 & 0600-0630 4 MHz 2030-2230 & 0400-0730 5 MHz 2230-2300 & 0430-0630 6 MHz 2130-2230 & 0300-0330 7 MHz 0300-0400 9 MHz 1630-2030 11MHz 1500-1700	3 MHz 0130-0200, 4 MHz 0300-0530 & 1000-1030 6 MHz 0530-0600, 1030-1100, 9 MHz 0700-0730 11 MHz 1130-1200, 1300-1330, 1500-1530

# English to NA

ENGLISH LANGUAGE BROADCASTS  
TO NORTH AMERICA - November 1977

Compiled by Roger Legge, McLean VA

To Eastern & Central North America

## Morning

EST	GMT	Country & Station	Frequencies (kHz)
6:00-7:50am	1100-1250	NORTH KOREA R. Pyongyang	9977, 11535
6:00-8:00am	1100-1300	AUSTRALIA R. Australia	9580
6:00-9:00am	1100-1400	*USA Voice of America	5955, 6185, 9565, 9730 (all Cal)
6:00-9:30am	1100-1430	GREAT BRITAIN BBC	5990c, 6195w, 11775w (1300-1330)
6:05-7:35am	1105-1235	BONAIRE Trans World Radio	11815
7:00-7:30am	1200-1230	ISRAEL Israel Radio	11655, 15415
7:00-7:55am	1200-1255	CHINA Radio Peking	11685
7:15-7:30am	1215-1230	GREECE Voice of Greece	15345, 17830
7:15-11:30am	1215-1630	ECUADOR HCJB	11745, 15115 (from 1230)
7:30-8:00am	1230-1300	SWEDEN Radio Sweden	15305
7:30-9:30am Sa/Su	1230-1430	BONAIRE Trans World Radio	15255
8:00-8:30am	1300-1330	FINLAND Radio Finland	15105 (Su: to 1455)
8:15-8:45am	1315-1345	SWITZERLAND Swiss Broadc. Corp.	15140
9:00-9:30am	1400-1430	SWEDEN Radio Sweden	15305
9:00-9:30am Su	1400-1430	NORWAY Radio Norway	15175, 17840
11:00am-12:15pm	1600-1715	GREAT BRITAIN BBC	9580c (Sa/Su: 1500-1745)

## Afternoon

12:00n-1:00pm	1700-1800	*FRANCE Radio France Int'l	11930, 15360, 15425
2:30-3:00pm	1930-2000	*CANADA Radio Canada Int'l	9635, 11865
3:00-3:30pm	2000-2030	ISRAEL Israel Radio	5900, 7412, 9815
4:15-6:00pm	2115-2300	GREAT BRITAIN BBC	5975, 15260a
4:30-5:00pm	2130-2200	*BULGARIA Radio Sofia	5915, 7115

## Evening

5:00-5:30pm Su	2200-2230	NORWAY Radio Norway	9550, 9645
5:00-5:50p exc Su	2200-2250	NETHERLANDS Radio Nederland	6020, 9715, 9895
5:00-6:15pm	2200-2315	*EGYPT Radio Cairo	9805
5:00-7:30pm	2200-0030	TURKEY Voice of Turkey	7175, 9515
5:30-6:00pm	2230-2300	ISRAEL Israel Radio	5900, 7412, 9435, 9815
5:30-6:20pm	2230-2320	SOUTH AFRICA Radio R-S-A	9585, 11800, 11900
5:30-8:30pm	2230-0130	USSR Radio Moscow	5940, 6125, 7105 (from 2300) 7115, 7205, 7355
6:00-6:30pm M-F	2300-2330	*ARGENTINA R.A.E.	11710
		SWEDEN Radio Sweden	6045, 6120, 9695
		LITHUANIAN S.S.R. Radio Vilnius	5980, 7150, 7245, 7400
6:00-7:50pm	2300-0050	NORTH KOREA Radio Pyongyang	9977, 11535
6:00-8:00pm	2300-0100	GREAT BRITAIN BBC	5975, 6120c, 6175w, 7320, 9510c, 9580a
6:00-8:00pm M-F	2300-0100	CANADA Radio Canada Int'l	5960 (relay CBC newsmagazine)
6:45-7:45pm	2345-0045	JAPAN Radio Japan NHK	11705, 15270
7:00-7:30pm	0000-0030	ALBANIA Radio Tirana	7065, 9750
7:00-7:30pm Su	0000-0030	NORWAY Radio Norway	6180
7:00-8:00pm	0000-0100	BULGARIA Radio Sofia	9705
		CHINA Radio Peking	9940, 11675, 11945
7:00-9:00pm	0000-0200	*USA Voice of America	6130, 9640, 11740, 15205
7:15-7:30pm	0015-0030	GREECE Voice of Greece	9760, 11730
7:15-8:00pm	0015-0100	BELGIUM Belgian Radio & TV	6080
7:30-8:00pm	0030-0100	*BONAIRE Trans World Radio	11925
		SWEDEN Radio Sweden	6045
		UKRAINE Radio Kiev	5980, 6020, 7150
7:40-10:00pm	0040-0300	ECUADOR HCJB	9560, 11915
8:00-8:15pm	0100-0015	VATICAN CITY Vatican Radio	5995, 6015, 9605
8:00-8:20pm	0100-0120	ITALY Radio Rome RAI	6010, 9575
8:00-8:30pm	0100-0130	CANADA Radio Canada Int'l	9535, 11940

English Language Broadcasts to Eastern and Central North America (continued)

8:00-8:45pm	0100-0145	EAST GERMANY Radio Berlin Int'l	9730
8:00-9:00pm	0100-0200	CHINA Radio Peking	7120t, 9780t, 9940, 11945
		CZECHOSLOVAKIA Radio Prague	5930, 7345, 9540
8:00-10:30pm	0100-0330	GREAT BRITAIN BBC	5975, 6120c, 6175w, 7320, 9510c, 9580a
8:00-11:00pmM-Sa	0100-0400	SPAIN Voice of Spain	6065, 11880
8:00-11:50pm	0100-0450	CUBA Radio Havana	9685 or 11930
8:10-8:30pm	0110-0130	CHILE Voice of Free Chile	9565, 15130
8:30-8:50pm	0130-0150	WEST GERMANY Deutsche Welle	6010, 6040w, 6075, 6100m, 9565, 9605
8:30-9:00pm	0130-0200	ALBANIA Radio Tirana	6200, 7300
		AUSTRIA Austrian Radio	6155, 9700
8:30-9:30pm	0130-0230	ROMANIA Radio Bucharest	5990, 9570
8:30-11:00pm	0130-0400	USSR Radio Moscow	5940, 6070, 6125, 7105(to 0300), 7115, 7205, 7355
8:45-9:15pm	0145-0215	SWITZERLAND Swiss Broadc. Corp.	5965, 6135, 9725
9:00-9:30pmM-Sa	0200-0230	HUNGARY Radio Budapest	6000, 9585
		CANADA Radio Canada Int'l	6000, 9605
		POLAND Radio Warsaw	6095, 7145, 7270, 9525
9:00-10:00pm	0200-0300	CHINA Radio Peking	9940, 12055
9:00-10:30pm	0200-0330	EGYPT Radio Cairo	7120, 9475
9:10-9:30pm	0210-0230	CHILE Voice of Free Chile	9565, 15130
9:30-10:00pm	0230-0300	ALBANIA Radio Tirana	6200, 7300
		SWEDEN Radio Sweden	6045, 9695
9:30-10:15pm	0230-0315	EAST GERMANY Radio Berlin Int'l	9730
9:30-10:20pm	0230-0320	NETHERLANDS Radio Nederland	6165b, 9590b
10:00-10:30pm	0300-0330	CANADA Radio Canada Int'l	5960, 6000, 9605, 9655
		HUNGARY Radio Budapest	6000, 9585
		POLAND Radio Warsaw	6095, 7145, 7270, 9525
		PORTUGAL Radio Portugal	6025, 11935
		UKRAINE Radio Kiev	5980, 6020, 7245, 7400
10:00-11:00pmM-F	0300-0400	ARGENTINA R.A.E.	9690
10:00-11:00pm	0300-0400	CHINA Radio Peking	7120t, 9780t
		CZECHOSLOVAKIA Radio Prague	5930, 7345, 9540
10:00-12:00m	0300-0500	ECUADOR HCJE	9560, 11915
10:30-11:00pm	0330-0400	ALBANIA Radio Tirana	6200, 7300
		AUSTRIA Austrian Radio	6155, 9700
		FINLAND Radio Finland	9550
11:00-11:30pm	0400-0430	CANADA Radio Canada Int'l	5960, 9655
		ROMANIA Radio Bucharest	5990, 9570
11:30-12:00m	0430-0500	BULGARIA Radio Sofia	7115
12:00-12:15am	0500-0515	ISRAEL Israel Radio	5900, 7412, 9820

To Western North AmericaMorning

## PST

6:00-9:30am	1400-1730	*AUSTRALIA Radio Australia	5995, 9540, 9670
7:15-7:30am	1515-1530	GREECE Voice of Greece	15345, 17830
8:00-8:30am	1600-1630	SOUTH KOREA Radio Korea	9640
8:00-8:30am Su	1600-1630	NORWAY Radio Norway	11895, 15175
10:00-10:30am	1800-1830	SOUTH KOREA Radio Korea	9720
10:00-10:30am Su	1800-1830	NORWAY Radio Norway	11895

Afternoon

1:40-2:40pm	2140-2240	TAIWAN Voice of Free China	9685, 17890
2:30-3:20pm	2230-2320	SOUTH AFRICA Radio R-S-A	9585, 11800, 11900
2:30-7:00pm	2230-0200	USSR Radio Moscow	12050f, 15140f, 15455f, 17720f
3:00-3:30pm	2300-2330	LITHUANIAN S.S.R. Radio Vilnius	12000f, 15180f, 17870f
		SWEDEN Radio Sweden	6045
3:00-4:50pm	2300-0050	NORTH KOREA Radio Pyongyang	9977, 11535
3:30-5:00pm	2330-0100	GREAT BRITAIN BBC	6120c, 6175w, 9580a
4:30-5:00pm	0030-0100	SWEDEN Radio Sweden	6045
		UKRAINE Radio Kiev	12000f, 15180f, 17870f

English Language Broadcasts to Western North America (continued)Evening

<u>PST</u>			
4:40-9:00pm	0040-0500	ECUADOR HCJB	9560, 11915
5:00-5:30pm	0100-0130	CANADA Radio Canada Int'l	9535, 11940
5:00-6:00pm	0100-0200	TAIWAN Voice of Free China	15345, 15425, 17890
5:00-7:00pm	0100-0300	AUSTRALIA Radio Australia	15320, 17795
		CHINA Radio Peking	9940, 11945, 15060
5:00-8:30pm	0100-0430	GREAT BRITAIN BBC	6120c, 6175w, 9580a(to 0330)
5:30-6:30pm	0130-0230	JAPAN Radio Japan NHK	15195, 15420, 17725, 17825
6:00-6:30pm	0200-0230	CANADA Radio Canada Int'l	6000, 9605
6:00-6:30pm Su	0200-0230	NORWAY Radio Norway	6180, 9550
6:00-7:00pm	0200-0300	USSR Radio Moscow	9735, 9780, 11860, 12050, 15140, 15455 (all f)
6:15-6:30pm	0215-0230	GREECE Voice of Greece	9760, 11730
6:30-7:00pm	0230-0300	SWEDEN Radio Sweden	6045, 9695
7:00-7:30pm	0300-0330	CANADA Radio Canada Int'l	5960, 6000, 9605, 9655
		HUNGARY Radio Budapest	6000, 9585
		PORTUGAL Radio Portugal	6025, 11935
		UKRAINE Radio Kiev	9580f, 9780f, 11860f
7:00-8:00pm M-F	0300-0400	ARGENTINA R.A.E.	9690
		CZECHOSLOVAKIA Radio Prague	5930, 7345, 9540
		SPAIN Voice of Spain	6065, 11880
		TAIWAN Voice of Free China	15345, 17890
		CHINA Radio Peking	9460, 11630, 12055
		CHILE Voice of Free Chile	9565, 15130
7:25-7:30pm TWFSa	0325-0330	ARMENIAN S.S.R. Radio Yerevan	9735f, 12000f, 15180f
7:30-8:15pm	0330-0415	EAST GERMANY Radio Berlin Int'l	5955, 6080, 9730
7:30-10:00pm	0330-0600	CUBA Radio Havana	11760
7:30-11:30pm	0330-0730	USSR Radio Moscow	6030, 6150, 6185, 7130, 9580, 9735, 9780, 11850 (all via Soviet Far East)
8:00-8:30pm	0400-0430	ROMANIA Radio Bucharest	5990, 9570
8:00-8:30pm Su	0400-0430	NORWAY Radio Norway	9645
8:30-9:00pm	0430-0500	AUSTRIA Austrian Radio	6015
		BULGARIA Radio Sofia	7115
		SWITZERLAND Swiss Broadc. Corp.	6045, 9725
8:30-11:30pm	0430-0730	GREAT BRITAIN BBC	6175w, 9510w
9:00-9:15pm	0500-0515	ISRAEL Israel Radio	5900, 7412, 9820
9:00-9:30pm	0500-0530	PORTUGAL Radio Portugal	6025, 11935
9:00-11:00pm	0500-0700	ECUADOR HCJB	6095, 9560, 11915
9:30-9:50pm	0530-0550	WEST GERMANY Deutsche Welle	5960w, 6100, 6185, 9545
9:30-10:20pm	0530-0620	NETHERLANDS Radio Nederland	6165b, 9715b
10:00-10:30pm	0600-0630	SOUTH KOREA Radio Korea	9640, 9675
10:00-11:00pm M-F	0600-0700	ARGENTINA R.A.E.	9690
10:30-12:00m	0630-0800	CUBA	9525

Twenty-four hour English from Radio Japan, 15 minutes on the hour, except 30 minutes at 1000, 1400, & 2300; 0800-1815 on 5990, 1900-2115 on 9505, 2200-0415 on 15105, 0500-0715 on 9505.

NOTES: \* = not beamed to North America but usually audible. Relay sites:  
a = Ascension, b = Bonaire, c = Canada (Sackville), f = Soviet Far East,  
t = Albania (Tirana), w = Antigua.

\*\*\*\*\*

Footnotes for David Snyder's article:

- 1 "Shortwave Transmission and the Ionosphere" - A Radio Canada International's SW Club publication, pp 3-4.
- 2 "Radio Propagation Forecast Information via Radio Station WWV". From the U.S. Dept. of Commerce, Office of Telecommunications, Institute of Telecommunication Sciences.
- 3 "Solar Terrestrial Physics - Ground based measurements of particle temperatures." By J.V. Evans, pp 306-309.
- 4 Ibid - K. I. Gringauz, p. 366
- 5 From a letter by J. V. Lincoln (28 Dec. 1976) Director of World Data Center for Solar-Terrestrial Physics, NOAA.

# Listeners NOTEBOOK

NOVEMBER 1977



• Editor: Glenn Hauser, WUOT, U-Tenn.,  
232 C&E Bldg., Knoxville, TN 37916

**RCI DX DIGEST** Hear the very latest DX news every Sunday on RCI. My reports are taped Fridays at 1500 GMT. If there's not time to mail me your hot tip, you may phone me at home, (615) 522-4497 (new), or weekdays at WUOT, (615) 974-5375. Please, no collect calls and no calls between 0500 and 1300 GMT, except Tue & Thu when you may call as early as 1100 GMT. Thanks for your cooperation! (gh)

**PROPER CREDIT** Other clubs and broadcasters may use material from LN provided due credit is rendered to the original reporter and the NASWA Listeners Notebook. This courtesy does not extend to closed organizations such as Fine Tuning, Numero Uno and the Ontario DX Association which do not allow reciprocal access to their publications. BBC Monitoring Service items are copyright and may not be further reproduced without BBCMS permission. All times, days and dates in LN are day/month GMT, u.o.s.

**ENGLISH SCHEDULES** ALGERIA R. of the Dem. People's Rep. of Algeria 1700-1800 on 11910 and announced-but-not-confirmed 15420 and 9610. Expected to move to an hour later as of 20/10 when summer time ends (BBCMS 8/77) It actually ended on 7/10 (BBCMS 13/10)

**AUSTRALIA** RA, Lyndhurst site, uses 11840 on Sats 0200-0800 for sporting service, experimental and unlisted in official skeds (Padula & Hanner, ADXN Oct) Several 21 MHz channels have been registered for D77 and M78. Current 21455 and 21570 are well heard in Europe via daylight path. Plans call for extension of 21 MHz usage, to establish occupancy of certain frequencies, and to prevent pirating of them now that sunspot activity is up (Bob Padula)

**BANGLADESH** RB's 1230-1300 is on 17720 ex-17890; //15520 (Gordon Weston, Caversham, BBC WRC 19/10) The 1815-1915 best ever here 9/10 on 11651.5 (Victor Jaar, PQ) **BELGIUM** LN-12

**BENIN** (Cf Oct LN-10) V. of the Revolution, 4870, has permanently changed the time of its English news from 2000, to 2020-2035 (Peter Bunn, Victoria, RA DXers Calling 2/10)

**BULGARIA** R. Sofia new sked as of 25/10: to Brit. Isles 1930-2000 6070/7270, 2130-2200 on 7115/5915. To NAm 0000-0100 on 6070, 0430-0500 on 7115 (as announced 22/10, via gh)

**CANADA** As of 25/9 RCI made some mid-season changes, which may have a bearing on D77 usage: AT 0100, 9640 ex-9535; at 0300 and 0400, 9535 ex-9655 (gh, RCI) **CHILE** LN-3 **CHINA** LN-11

**ETHIOPIA** R. Ethiopia said as from 10/10 it would resume EG at 1000-1030 on 9610/6185. News and press review at 1015-1023; EG in this domestic service had been discontinued 18/7 (BBC)

**HUNGARY** As of 30/10, R. Budapest to NAm was to drop 6000 kHz at 0200 and replace it with 6160 & 6080; at 0300 by 6105 & 6080, and 17710 ex-17720 (as announced 9/10 via gh) As from 29/10, the Mon-Fri 1200-1240 to Eur was to be shortened to 1200-1220; and the daily 2130-2200 to Eur changed to 2100-2130 (Budapest International, via gh) An English program called "Knowledge about the Homeland" will be broadcast Tue & Thu 1900-1930 (BBCMS 13/10)

**IRAN** VOI's use of 15084 for EG at 2000 was short-lived; no longer there by 3/10 (Hadley Cress, VA) 1900-1930 again, 9022 (Grimmig, Wilke & Schmidt, GFR, SCDX 4/10) **IRAQ, ISR.** LN12

**KENYA** VOK General Service, all-EG, 5 kW xmters from Nairobi: 7125 0900-1100 Mon-Fri, 0620-1330 Sat/Sun. On 4804: 0300(Sun 0330)-0620; 1300-2010(Sat 2110) (VOK via BBCMS 9/77)

**KOREA SOUTH** R. Korea sent me a 'temporary' sked dated 26/9. EG ½-hours: to America on 11860/9640/9675/9720 at 0600, 1800. Latin Am 9580/9525 at 1000; Eur 11860/9665/9720/9525/9640 at 2000, 1330. ME 11860/9720/9665/7550/7150 at 1130. SEAs 9640/7150/9525 at 0600, 1600, 2300 (Wilder A. Pickard II, IL) From sked format I suspect some freqs not used (gh)

**KUWAIT** Tho shortened for Ramadan, RK's EG is again from 1700 to 2000, on 12085/9650/9580. Also 0500-0800 on 15345/9650 (BBCMS 22/9 and 29/9)

**MONGOLIA** RUB at 1220-1250 (exc. Sun) to SEAs & FE, 11860/9575. 1715-1745 (exc. Sun) to same targets on 8890 (BBCMS 8/77)

**MONTSEERRAT** If xmters back on air, D77 BBC 15 kW 2000-2330 6175, 2330-0330 11750. (more)

(MONTERRAT, contd.) New freqs listed for DW, D77: 6040/9585 at 0530-0550, 9545 at 0130-0150 (Roger Legge, VA, 11/10) See also Other Schedules, LN-4

**NETHERLANDS (+ ANTILLES, MALAGASY)** Here is RN's controversial new 50-min (exc. at 0700) sked for D77:  
 1430-1520 S&EAs M17855/11740  
 0700-0720 WAF L11875/9770/7210 1830-1920 C&E&SAF M15375/6020, L11730  
 0730-0820 NZ/Au/Pac B9770/9715 2030-2130 W&CAF B21640/17810, M15220/11730, L11740  
 0830-0930 Au B9715 2130-2220 ENAM L9895/9715/6020  
 0930-1020 Eur L9895/9660/7240/6045/5955 0230-0320 ENAM B9590/6165 (RN slick sked, also  
 1330-1420 Eur L9895/7210/6045/6020/5955 0530-0620 WNAM B9715/6165 via Conrad, Hoffman)  
 The Happy Station (EG) will be on same sked Suns, minus 0700 and 2130. Reports of B26140 at 2030 result from a transposition typo in the RN sked (gh) NEW ZEALAND below, oops

**NIGERIA** On 31/8 VON modified its morning BCs at 0530-0900, to include FR half-hours at 0530 & 0700, and Hausa at 0830, instead of EG thruout, but within a week went back to the all-EG format. (BBCMS 8/9 & 15/9) So here is the VON sked: 0555-0835 to W&EAF, ME & Eur on 15120/7275. 1530-1700 E&C&W&SAF & ME, 11770/7275. 1800-1930 W&C&SAF, Eur & ME 15120/11770/7275 (VON via BBCMS 9/77)

**NEW ZEALAND** RNZ's proposed Oct-to-Mar sked: to Pac Is 1800-2215 11960, 2230-0250 17710, 0300-0530 11705, 0545-1030 11780. To Au 11780 ex-6105 0730-1030; 15130 1800-0715 (RA 10/10)

**NORWAY** NRK's D77 sked, EG on Sun only, into GMT Mon; half-hour duration; 100 kW exc. 250 kW  
 0800 ND Eur 5965 1400 275 N/CAM 15175 1800 185 Af 15345 0000 055 FE/Indo 9610  
 245 WEu/ANZ 9590 275 N/CAM 17840 2000 025 Pac 9590 0200 310 N/CAM 6180  
 055 FE/Indo 11850 130 ME/EAF 21730 185 Af 9645 090 India/Indo 9645  
 045 FE/Indo 15175 1600 330 NAM 11895 005 Pac 11850 330 NAM 9590  
 1200 150 Eur 6015 310 NAM 15175 185 Af 11935 0400 350 Pac 6180  
 070 Indo 9590 185 Af 17795 2200 290 N/CAM 9590 125 ME/EAF 9550  
 225 SAM 17800 225 SAM 21730 275 N/CAM 9610 330 NAM 9610  
 095 ME/India/Indo 1800 ND Eur 6015 250 C/SAM 11850 0600 160 Eur/EAF 9590  
 /Au 21730 310 NAM 11895 0000 290 N/CAM 6180 005 Pac 9645  
 1400 185 Eu/Af 9605 205 WAF 11935 045 FE 9550 150 ME/EAF 15175

**PAKISTAN** R. Pak mid-season changes, maybe bearing on D77: 15520 ex-15325 SAs 0830-1045; 11640 ex-11680 1330-1630 World Service, EG slow nx -1645, and for UK 1915-2145; 9465 ex-9790 to UK 1915-2145 (Weston, BBCWRC 19/10) Not all of these hours are in EG (gh)

**PHILIPPINES** FEBC S77 experimental new freqs, \*2330 15450 band-edge ex-15440; 2300-0100 on 11855 ex-11890 (Bob Padula, RA DXers Calling 25/9)

**SENEGAL** R. Sénégal International has a daily EG at 1845 on 11895 (Mohamed Lemine Saleh, Nouakchott, Mauritania, via SCDX 27/9)

**SINGAPORE** Recent official RS sked: on 11940/5052 at 2230-1530 (Y. Hayashi, FEDXR 27/9)

**SOMALI REP.** SBS External Service, Mogadishu has EG at 1100-1130 on 9585 (BBCMS 8/77)

**SPAIN** VOS to Eur at 2030-2230 on new 6100 ex-11840 //9505/7155 (RA DX 10/10; Charley Hoffman, PA) Pity; 11840 was well-heard in NAM; maybe back next summer (gh)

**SRI LANKA** SLBC's EG to Eur 1845-1940 is on 17850/15120/11955, news at 1900 (BBCMS 22/9) I hear it at 1900 on 15118 (Karl Tripp, NY) All on 312° beams; 17850 is 35 kW, others 100 kW. To SEAs 1030-1130 11835, 122°, 35 kW to Au; 15120, 36°, 100 kW to Japan; 17850, 80°, 35 kW, SEAs. EG exc. 1100-1115 Mon, 1030-1045 Fri Japanese; 1030-1045 Sun Sinhala (Oliver T. Goonawardena, S.L.; 3/10) Maybe some changes as of Nov (gh)

**SWAZILAND** New TWR sked dated Oct-Dec 77: 0430-0615 daily 41 & 60m, 0630-0905 daily 31 & 41 m, 1630-1815 daily 60m, 1830-2105 Sun & Mon (1830-2135 Tue-Sat) 90m. Freqs chosen from: 3200/3240/3275; 4760/4790/5055; 7215/7280; 9520/9590 (ADXN 10/77)

**SWEDEN** During D77, the 1400 xmsn will be concentrated on WNAM on 9665 ex-15305 (SCDX 11/10) At 0600 PNAT??! (gh)

**SWITZERLAND** SBC D77 & M78: 0700-0730 & 0900-0930 FE, SAs, AuAs 9560/11775/15305/17830; 1100-1130 Af 15230/15430/17830/21520; 1315-1345 EAs, FE, SAs, SEAs 11775/15305/15350/17830; 1315-1345 NAM 15140; 1530-1600 ME/Af 11870/15430/17830; 2100-2130 Af 9535/9685/11720/11850, and to SAM 11850. Preceding xmsns also to Eur on 3985/6165/9535. N&CAM 0145-0215 6135/9700/9725/11715; 0430-0500 WNAM 6045/9725 (SBC) Goodbye, 5965 (gh)

**SYRIA** It was very hard to ID, but the station on 6200 with EG at 2030-2200 was R. Damascus! (BBC WRC 19/10) I suppose Tirana being the obstacle (gh) TAHITI LN-4

**UGANDA** R. Uganda EG segments: Red Channel, 7½ kW Kampala 7195/4976/3340: 0400-0415, 0700-0715, 1000-1015, 1400-1415, 1700-1723, 1800-1830, 1900-1915, 2100-2105\*. Blue Channel, 7½ kW Kampala 7110/5026 relays Red at 0400, 0700, 1800, 1900, 2100 (VOU via BBCMS 8/77) Probably not complete; these primarily news the BBCMS finds of especial interest (gh)

**URUGUAY** A couple weeks ago I heard SODRE in EG at approx. 11895, 0311-0420: news and classical mx; poor reception (Jeff White, IL, 16/9) More on LN-12



SR R. Vilnius announced this sked on 15180 for 2300-2330: 5980/7150/12000/15180/15245 David Jerard Duke, TX, 4/10) R. Moscow NAM svc expected changes of 20/10; 2230-0400: 530 Moscow / 7100 Kaunas to 7115 Ivanofrankovsk; 7135 "Dushanbe" to 7105 Orsha; 7165 Kiev to 6125 Lvov; 7175 Starobelsk to 5940 Vinnitsa; 7250 Tula to 7205 Armavir; 7290/9685 Moscow to 7355 Moscow; 7355 "Moscow" (Novosibirsk) / 11960 Kenga to 7440 "Moscow" (Novosibirsk) (JH) Paul Kuznetsov, the RM "DX Editor" who doesn't know a GMT from a kHz, gave an almost incomprehensible summary of RM's Oct-Apr NAM svc sked. 17.72 MHz would be added at 2230-100; and 5.94 and 6.12 MHz were mentioned for same time thru 31/1 (R. Moscow DX 21/10, gh)

**OTHER SCHEDULES** **AFGHANISTAN** Kabul heard on 6000 at \*0130; also on 3388 at 1630-1730\* (Victor Goonetilleke, RN DX Jukebox 22/9)  
 Lifting between 5995 and 6005, on 5998 at 1324 3/9 (Robert Yeo, Vic., ADXN)

**MEROON** (Cf Oct LN-6) R. Bertoua, 4750 now on regular schedule, in FR 1100-2030\* (BBC IC 19/10) Fortunately, I knew this was Cameroon; BBC only put it in "West Africa"! (gh)

**INA** Some of the Chinese and dialect services for Chinese abroad of the CPBS have changed me to "R. Peking", at 2230-0055; other Chinese and dialect services in the foreign service are still called "CPBS". Std. Ch. 2230-2255 4200/5420/\*8660/9945/11720/11980. Cantonese 2300-2325 4200/5420/6825/\*8660/9945/11720/11980/12450. Amoy 2330-2355 6810/7660/8300/450/9365/9390/9945/11455/12055/15060. Hakka 0000-0025 6825/8240/\*8450/9290/9365/11455/015/15080/15270. Chaoshow 0030-0055 6825/8240/\*8450/9365/11445/11455/11515/12015/15080/270, checked 15/9. \*suppressed carrier DSB (Hiroyuki Nagase, FEDXR 27/9) R. Peking m. svc. in Std. Ch. revised sked effective 20/9: **First Pgm:** 15590 2333-1015; 15550 0103-45; 12420 2203-0430, 0733-1130; 11330 2303-1300; 10245 2303-0100, 1100-1735; 9080 2000-35; 7935 2000-2330, 1018-1735; 5320 2000-2400, 0848-1735; 4905 2000-2200, 1133-1735; 3450 00-2300; 3220 2000-2300, 1303-1735. **Second Pgm:** 15030 0000-1100; 12200 0133-1000; 11040 03-1200; 10260 2243-1400; 9745 0700-1200; 9670 0700-1030; 7770 2100-0220, 0800-1700; 7190 03-1115; 6345 2100-2400, 1203-1700; 5163 2100-2400, 1033-1700; 4850 2100-2400, 1203-1700; 50 2100-2430, 1118-1700; 3290 2100-2240, 1403-1700. The Minority lang pgm in Tibetan at 00-1155 is on 11840/8565, and relayed by Lhasa on 11965/9653/9490/4035. The 1200-1255 sn has been discontinued (BBCMS 22/9)

**ROMBIA** R. Nacional heard at 1000-0300, fair to good on 13867, noted //15333 at 0100 Richard Varron, NJ, 20/9) On 13872 (Varron, Oct. SPEEDXGRAM) I hear it on SSB 13867 (gh)

**CHECOSLOVAKIA** R. Prague on 6015 ex-6055 to Eu at 1700-2230 (BBCMS 8/9)

**ILE** La Voz de Chile Libre between 1950 & 0350 on 9566 observed on this lang schedule, E timings vary daily. AR 2110, 2330. EG 2030, 2250, 0110, 0210, 0310. FR 2010, 2230, 50, 0150, 0250. GM 2150, 0010. IT 1950, 2210, 0030. RS 2130, 2350. SP 2050, 2310, 30, 0330 (BBCMS 8/9) Believe they missed SP 0230. Also check 11704, 15129, 15149 (gh)

**PT** The Voice of Africa pgm in Dankal, sked on 15055 at 1615-1700 has never been cont'd and is missing from a recenter sked; maybe never inaugurated (BBCMS 25/8)

**IOPIA** On 16/9, following mobilisation amnt, A.A. radio said R. Voice of Rev. Eth. would continue to broadcast all night in various langs. (BBCMS 22/9) But as from 22/9, R. Eth. would operate 0400-0600, 1030-1200, 1700-2100, while RVORE would be on at 1200-2000 (BBCMS)

**TEMALA** R. Miramundo is active on SW 6160, at 1200-2300, mainly music, also announcing 1020 kHz (BBC WRC 19/10) Latter appearing on x 2 = 2040 last winter (gh)

**IA** AIR on new 15185, FS 0400-0415\*, AR \*0430-0500\*, ex-15080 maybe to avoid Tehran 85. FS ex-0345-0400, AR ex-0400-0430; as of 2/10 (Bob Padula, Victoria; direct) AIR-bay now 1740\* after Delhi EG nx relay, not 1700\* as in TBS-5; on 4840 (Wakisaka, Japan)

**DAN** Amman radio resumed tests of 100 kW xmtr to Arab Gulf and E of Jordan, relaying AR 11920 0330-1545; 9530 1545-2310 (BBCMS 29/9) **IRAQ; ISRAEL** LN-12

**YA** VOK National Service, all-Swahili, 10 kW Nairobi: 7240 0630-1330; 4885 0300 (Sun 0)-0630; 1330-2010 (Sat 2110). VOK Vernacular Services--not on Sun or public holidays--10 kW Nairobi, 7150 0900-1045, 4950 1500-1900; in Kikuyu, Kikamba, Kimeru, Masai, Hindi, tern & Mombasa Station: 7140 0800-1100; 4915 0330-0500, 1400-2005, in Somali, Turkana, dille, Boran, Swahili (VOK via BBCMS 9/77)

**AIT** Obs on 21685 to Arab Maghrib, 0940-1445. To Arab East, "Arab Gulf" & Peninsula on 0/6055 resp. 1605-1915 (BBCMS 15/9) Main Pgm in AR, 0400-1510 11940; 0400-0735, 1600-0 on 6055; 0815-1305 on 21605; 0815-1510, 1600-1800 on 9520; 0945-1510 on 21685; 1830-0 on 11990. Second Pgm in AR, 0900-1500 on 9650; Urdu 1500-1700 9650/9580 (BBCMS 29/9)

**HOA** Phan National Radio obs on new 4320 //6200, \*1255-1345\* in Lao; 4320 may be ex-5; not hrd on familiar 4665. Xieng Khouang National Radio, hrd on 6677 at +1045-1400\* weak signal //4602. In Lao exc. 1100-1130, 1330-1400 Meo. X.K. hrd last Dec. 6692v, BBCMS on 6615. (Isao Ugusa, FEDXR 27/9) Xieng Khouang on new 5543, 4245 (Nagase, FE) continue DS changes in Lao Soung lang sked: 2230-2300, 1100-1130, 1400-1430 on 7145 (BBCMS) Hoa Phan regional DS ops 2300-2415, 0330-0445 on 6202/4650; 1000-1115 6202/4320, in Lao and Lao Theong (BBCMS 13/10)

LEBANON Beirut DS, Main Pgm in AR, 0355-1045, 1700-2330 on 5980; 1045-1630 on 9550 (BBCMS 8/77)

MONGOLIA Ulan Bator external services: 0730-0800 Std Ch (Mon/Thu) to China 11855/7262/5055; 1100-1130 Std Ch to China, 1130-1200 Mong on 7262/7238. 1300-1330 Std Ch to China, 1330-1400 Mong, on 7262/7238. 1335-1400 Russian (Mon/Fri) to USSR 5055/4763/4082. 1400-1430 Std Ch to China, 1430-1500 Mong 7262/7238. 1945-2015 French (not Sun/Mon/Thu) unconfirmed, 17860/17788. 2100-2130 Std Ch to China, 2130-2200 Mong 7262/7238 (BBCMS 8/77) FR 1945-2015 is Tue & Fri on 17785/17865; as from Nov moves to 15120/15160 (Raymond Riso, Valence, France, SCDX 20/9)

MONTERRAT BBC relay D77 when xmtrs back on air, 0215-0415 on 6040, 50 kW (Legge, VA) Presumed in SP (gh). And for DW D77, 6135 0400-0520, 11785 2130-0105 (Legge)

NEPAL Kathmandu registered these for S77 and D77, 100 kW: 2200-1900 to Ind & Pak on 6100/7105/9590/11970/15200/17800 (IFRB via David Sapsford, ADXN) Not all at once! (gh)

NETHERLANDS R. Nederland, Spanish "Estación de la Alegría" Sun sked, from which may be assumed weekday SP sked in new system: 1230-1320 Spain/Eur/NAF L11955/11930/9895/6045/5955. 2030-2130 Spain/NAF L9895/6085/6020. 2230-2320 SAM L11845/9895/6020. 2330-2430 Sam/Carib B 15320/6020. 0130-0220 WSAM B15425/6165. 0330-0420 Mex/CAM B9590/6165 (RN slick sked) The only language being dropped is Afrikaans (gh)

PAKISTAN R. Pak WS on new 21730, very strong, 0500-0815, mostly Urdu, incl ex-EG 0800; seems ex-17755, //21590/17830/15520/15110/11672 (Harvey Sward, Tasmania, RA DX 9/10)

PARAGUAY On 20/9, R. Caritas; Asunción, on 6110 obs in Japanese 1110-1200 (BBCMS 29/9)

ROMANIA On 4/9, R. Bucharest ES obs in new Sun pgms in Rom. for fishermen: 0815-0910 on 15250; repeat 0915-1010 on 11940/9570; no targets or freqs anc'd (BBCMS 8/9)

SARAWAK R. Malaysia Sarawak, Miri, surveyed as follows: on 3385/6060, +1000-1200, 1300-1500\* Kuching relay //4895/7270; own pgm at 1200-1300. No sign of it on 5020 as list in WRTH 77. R. Malaysia Sarawak, Sibau, on 5005/6050, +1030-1200, 1300-1500\* Kuching relay //4895/7270. 1200-1300 own pgm (Satoshi Wakisaka, FEDXR 27/9)

SINGAPORE R. Sing Chinese Service, 2230-1530 on 9635/6000; 1330-1530 also on 7170. Malay Service, 2230-1530 on 7250/6155. Tamil 2230-1330 on 7170 (official sked, via FEDXR 27/9)

SOMALI REP. SBS, Mogadishu, external services: on 9585: 0700 Afar, 0800 Amharic, 0900 Galla, 1000 Arabic-1100, 1130 Italian, 1200 French, 1230 Afar, 1330 Amharic, 1430 Galla, 1530 Swahili, 1630-1930 Arabic; 1230-1530 also on 11645/7120; 1530-1630 also on 6095 (BBC)

SWEDEN (Cf Oct LN-2) R. Suecia as of 8/10 moved off 6175: at 0000, 0130 to 6090; and at 0300 to 5995 (STA & via Richard N. Allen)

TAHITI R. Tahiti - France Regions 3 sked on 15170/11825/9750/6135, 1600-0800, by langs: 1600-2045, 2200-0300, 0600-0800 French, including RFI nx relay 1615, 1645, 1730, 1800, 2230 0250. In Tahitian 2045-2200, 0300-0600. EG nx segment out of FR time (exc. Sun) at 1900-1915 (R. Tahiti, via BBCMS 9/77)

UGANDA R. Uganda, Red Channel on 7195/4976/3340, Mon-Fri 0300-0545, 0600-1130, 1300-2110; Sat 0300-1345, 1400-2110; Sun 0300-1415, 1430-2110, in Luo, EG, Ateso, Kiswahili, Madi, Alur, Lubgara, Karamajong, Kuman, Arabic. Blue Channel 7110/5026, same hours as Red; but in Bwakedde, Luganda, EG, Ruto-Rikaga, Omutume, Kyapa-Mbalasi, Salonpas, Tuyimbe, Kupsabiny, Lugwe, Lusoga, Ruto-Rikiga, Lumasaba, Kiswahili, Ssanyu, Ugil, Rwamba, Rujonko, Dhopadhola, French, Omukwenda, Matalisi (VOU via BBCMS 8/77)

UPPER VOLTA Revised Ouagadougou sked: Weekdays 0530-0900, 1200-1400, 1600-2400; Sat/Sun 0700-2400 (WRTVH Newsletter via Tannenwald, David Snyder)

USA WYFR D77 sked freqs for Eu/Afr are 21525/17665(sic)/15110/15440/11805/11775/9690/9645 (Richard Varron, NJ)

USSR R. Moscow Mon & Thu Russian to Western Sector of the Arctic and Antarctica, 1530-1600 obs on 12000/9590. 1000-1030 same days to Eastern Arctic is on First Pgm "A" fqs (BBCMS)

VIETNAM R. Ha Tuyen hrd on 4820 at \*1130-1345+, in Meo at 1130-1200, then Viet. -1430.

VOV--R. Tay Bac on new 6310 \*1130-1430\* Viet exc. 1230-1300 Meo, 1330-1400 local dialect? Maybe ex-6330. R. Viet Bac 6903x to 6880v in late Aug, but inaudible early Sept on 6880/4113 (Isao Ugusa, FEDXR 27/9)

WESTERN SAHARA R. Villa Cisneros, in Mauritanian-controlled area, has been renamed R. Dakhla, now on 9610; relays R. Mauritanie 1300-1355, 1930-2400 (Mohamed Lamine Saleh, Nouakchott, SCDX 20/9) Surprised this hasn't been a hot DX item so far (gh)

YEMEN NORTH A. San'a obs on new 6050 from apx 1700 to 2110\*; //9780/4853 (BBCMS 29/9)

ZAMBIA Lusaka DS said from 4/9 ZBS would close down later, Sun-Thu to 2115\*, Fri 2200\*; "ZBS will operate under the curfew requirement, while providing those vital services to the nation" (BBCMS 15/9)

**MISCELÁNEA RADIAL ALGERIA** Arabic station on 15772 as early as 1300, as late as 2100; no western mx; 4-pip TS automatic on the hour. Not SSB, not harmonic; can be quite strong; ute QRM varies widely, first noted 14/10 (gh) Is Algiers, measured 15773.1 (Dave Walcutt, IL)

**ANGOLA** R. Nacional anc'd 0900 15/9 a new freq, 6175, so far not confirmed, in addition to 9660/9535/7245 (BBCMS 22/9)

**AUSTRIA** ORF's FR to Nam 0100 9/10 was used for GM instead; EG 0130 as usual. The French pgm returned on the tenth. Might bear watching at 0100-0130 (Wilder A. Pickard II, IL)

**BOLIVIA** R. Cruz del Sur reported 25/8 the contents of a "National Information System" decree, Law No. 14,633, which is strongly questioned by the media. One article states that R. Illimanf will be supervised by the NIS and another mentions the need 'to project the image of the government and the country', etc. (BBCMS 1/9) R. San Miguel in Trinidad, Benf, obs on 4695, tho announcing 4775. R. Pío XII, in Siglo XX obs on 5955 (BBCMS 22/9)

**BRAZIL** Brasília radio reported 16/8 that Comms Minister, Euclides Quandt de Oliveira would inaugurate the new Amazonian SW service during the "Week of the Fatherland", 4-10 Sept. On 19/8, it announced the new 5-hr pgm would start 1/9, and would include two hours of pop mx, informative reports every 30 mins on health, agriculture, regional festivals, Amazonian material (BBCMS 25/8) The new "Radiobrás" service, daily 1900-2400, "is designed to meet the wish of the people of the Amazon region to counter the growing influence of foreign broadcasts." (BBCMS 8/9) Most possibly 9965 will be used (Finn Krone, WRTVH NL) Most possibly it was not, but 11780 (gh)

**CHINA** CPBS briefly off 4800 during Sept, but again heard in very late Sept. CPBS hrd on 18040, 2 x 9020 at 0850 1/10 (Satoshi Wakisaka, Japan) Xizang (Tibet) local station, Chinese pgm, noted irregularly on new 7085; 5935 is traced regularly. Zhejiang (Chekiang)'s Wenzhou (Wenchow) PBS outlet noted on 2415 25/9; this had been off since 1975. In Fujian (Fukien), first pgm Fujian PBS on 5040 extended to 1045\* ex-0930\*; And 2340, \*1045.

**Harmonics of the Chinese Stations**

4140 3x1380 FFBS-2/Fujian	15795 3x5265 FFBS-1/Fujian	19660 4x4915 Guangxi PBS-1/G.
4860 2x2430 FFBS-2/Fujian	15700 2x7850 FFBS-1/Fujian	19700 5x3940 Hubei PBS/Hubei
4980 2x2485v FFBS-1/Fujian	17550 3x5850 R. Peking	20490 2x10245 CPBS-1
6620 2x3310 Jilin PBS/Jilin	18104 4x4525 Bayannaer PBS	22200 2x11100 CPBS to Taiwan
7425 3x2475 Zhejiang PBS/Zhejiang	18128 2x9064 CPBS-1	22580 2x11290 CPBS-1
9930 3x3310 Jilin PBS/Jilin	18160 2x9080 CPBS-1	23260 2x11630 R. Peking
10530 2x5265 FFBS-1/Fujian	18340 2x9170 CPBS to Taiwan	23300 2x11650 R. Peking
12450 2x6225 CPBS-1	18980 2x9490 Xizang PBS/Tibet	23925 5x4785 Zhejiang PBS/Z.
13620 2x6810 R. Peking	19140 4x4785 Zhejiang PBS/Z.	23960 2x11980 R. Peking
13650 2x6825 R. Peking	19340 2x9670 CPBS-2	24150 5x4830 Liaoning PBS/L.
13990 2x6995 R. Peking	19490 2x9745 CPBS-2	24200 5x4840 Heilongjiang PBS
14400 2x7200 Nei Menggu Xilingol-meng relay station		24475 5x4895 Nei Menggu PBS
(FEDXR 27/9) Assume monitored in Japan by H. Nagase (gh)		24624 5x4924.8 Heilongjiang
		24704 4x6176 Shaanxi PBS

**CONGO** (Cf Oct LN-5) I too was missing 15190, but it's back as of 4/10 1920-2030 (Hadley Cress, VA) Again heard with political speeches 0000-0100 //4765 (Richard Wood, NH, 11/10)

**COOK ISLANDS** Rarotonga on new 9695 ex-5045, 4/9 with R. Australia nx relay 0800, C.I. rhythms to 0832\* (John Mainland, NZ, ADXN) Odd time, error? (Peter Bunn, ADXN ed.)

**CUBA** RHC noted on 17915.8 //17885; surprised to get a spur this far away (Dave Walcutt, HI) Spurs on 17915 and 17854 from 17885 hrd in FR 1900-2010; strong (Richard Wood, NH, 11/10)

**CHILE** R. Nacional de Chile HS on new 11925, SP 2100 (Bob Padula, Vic., RA DX 16/10) V. of Free Chile on new 11704 at 0310 7/10; somewhat irregular (gh) On 11705 apx 6/10 at 2350, 0115; not hrd since (SWNS, Ont) Another new high-powered xmtr besides 15130v, on 11704v, 0105-0125 EG (Richard Wood, 11/10) FR 0245 on 11705 (Bob Padula, RA DX 16/10) 11925 also carrying VOFc FS in IT, 2210 7/10 (BBCMS 13/10)

**EGYPT** During Ramadan, Cairo on 9475 QRMing itself: Arabic past 0000 to 0020\*, overlapping with French to 0045. Sigs from the two xmtrs almost equal strength. One would hope at least that two different sites were involved (SWNS)

**EQUATORIAL GUINEA** R. Bata, 4926, 6/9 final ID to 2130\* as "La Voz del Partido Comunista Nacional" ("FG", in PLAY-DX)

**GREENLAND** Godthåb hrd with fair signal 2150 on 5980, in spite of loud neighbors. 3999 hrd around 2230 in //. Religious pgm in guttural lang, 9/10 (Victor C. Jaar, PQ)

**GUAM** In KTWR's first three weeks of test pgming, mail response was unprecedented--400 letters, now risen to 100 per day. The formal BC sked will begin 22/10, and dedication by Dr. Paul Freed will be in late 1977 or early 1978 (TWR NJ release via KAIM via Walcutt) Began on new 15115 on 30/9. Eve pgms on 11705 and 9670 are clashing badly with co-channel R. Australia. RA have sent several urgent Telexes to KTWR attempting to sort out the mess. RA freqs had been registered many months ago; they don't know why the sudden moves to their established channels by Guam (Bob Padula, Victoria; direct)

HUNGARY R. Budapest IS heard on 23820 at 1259 8/10, day of excellent T-A propagation. Believe this is first Hungarian harmonic for me, 2 x 11910 (gh)

INDONESIA A South Central Timor District Official stated in a newspaper interview that the regional 600-watt xmtr on 2580, 2336 kHz had been BCing on trial since 29/7 and could be heard clearly even in Kupang, North Central Timor (BBCMS 13/10) RRI Jayapura now on 15300, \*2230, into local Indo nx; generally continues past 0300, as on 2/10 (Padula, Victoria) Per QSL from RRI Tanjung Pinang, Sumatera, they have 10 kW on 3225; also 1 kW on 4980, and 300 watts on 2360. Per QSL from RRI Ternate, Maluku, they have 10 kW, not 1 kW as in TBS-5, on 3345. RRI Sorong, Irian Jaya now relays Jayapura nx 1230; local nx 1100 (Satoshi Wakisaka, Japan, 2/10) The RRI Gorontalo 10 kW xmtr is USA-made by Harris, on since 10/76. At present, on 3205 (Toshiaki Takehara, IDXR-7, via Wakisaka)

INTERNATIONAL WATERS Voice of Peace is now on SW too, 6242 kHz, 10 kW (Offer Barth, IBA DX 25/9)

IRAQ R. Baghdad, new 11723, 1050 AR, het to Delhi 1100\* 11725 (Padula & Hanner, RA DX 25/9)

ISRAEL Finally heard only active 11m stn, IBA-25605, Yiddish at 1400 8/10. Was running OC as early as 1315, and that was jammed, but no jam audible by 1400. IBA was slightly SSB. Ironically, 25605 does not appear in the IBA S77 sked; 10m hamband not open (gh)

JAMAICA The govt has signed an agreement 3/9 to take over the British-operated-for-27-years R. Jamaica, 30 days after the signing, an MF station (BBCMS 8/9) JAPAN LN-12

KOREA SOUTH This summer something called the Korean SWL Association, obviously an arm of the S. Korean govt, began publicizing itself in DX circles, and we queried them as to whether R. Korea does in fact still carry R. Free Russia, as suggested in the 1977 WRTH. We have now received a package of material but none answers the question. There is a freq sked listing Russian at 0900-0930, 2100-2130 on 11860/9720/9665/9640/9525--but do they actually use all those? Also a picture of the Russian lang staff, all of whom are Koreans. The package contains a fully filled-in and endorsed membership certificate in the KSWLA--we are now HL3-1011--even tho we did not apply for membership. Most remarkable in light of the fact we did not send them a reception report, is a QSL card: signed, with 9640 and 11860 filled in, but no date and time. Finally, the package contains a quantity of report forms with this note: "CAUTION Would you please introduce to me your friend or SWL (BCL). If impossible, you must send me this report paper, at least two times for every month". (C.M. Stanbury II, SWNS Oct.)

LAOS LN-11

LIBERIA VOA heard at 1630 2/10 on 15470 OOB, Swahili (David Crawford, FL) Not in sked (gh)

LIBYA Arabic lesson: Jumhur = crowd; plural: Jamahir. Jumhuriya = Republic. Baghdad R. has a pgm called "Sawt el-Jamahir" (Voice of the Masses). Jamahiriya would be an adjective coined from the plural form. Now back to Libya's name. Jamahiriya appears not only in the EG name, but also in the FR one (as in FR-lang newspapers here). In fact, the Libyan radio does not even name the country; they only call it "the Jamahiriya" (Victor C. Jaar, PQ)

MALAYSIA 15295 noted with HS relay in Malay, local daytime, 0250-0300+ as on 2/10; apparently for overseas audiences. Still no acknowledgement from stn on use of VOM freqs for these undesk xmsns! (Bob Padula, Victoria; direct)

MALDIVES LN-11

PERU Ondas del Huallaga on new 3300 ex-3330 (Jan Tuner, R. Nederland DX Juke Box 13/10)

SOMALIA (?) 16/10 at 2045-2059\* I received an uID on 6185; music distinctively Somali to 2049 news, often mentioning Somalia; am almost certain was //9585. If so, must be a move from 6095, and maybe on when Ethiopia off? Needs checking; I wonder if anyone else had this (Terry L. Krueger, FL)

SOUTH AFRICA R. RSA heard testing on 7270, 0145-0215 30/9, with SABC All Night Service // 3980; 0207-0212 a test tone. SINPO 53543; testing new 500 kW xmtr already? R. RSA sked xmsns heard on 7270 after 0252, slightly lower signal level (Richard N. Allen, OK) SRI LN-12

USA MARCONI 75th ANNIVERSARY SPECIAL EVENT STATION -- ARRL says during 14-22 Jan 1978, the first two-way contact between US and Europe by Marconi in 1903 will be celebrated by the operation of KM1CC, from the original Marconi stn location in South Wellfleet MA. The Town of Barnstable Radio Club of Cape Cod is the sponsor; will be operating on 160 thru 10m ham bands, CW, SSB, RTTY, slow scan TV. Also planned, 2m FM, 6m SSB. FCC approved A2 on all bands, so the famous sound of the 240 Hz rotary spark gap Marconi stn will be reproduced for CW QSOs. British hams will be at Polchu, England operating another special station at their Marconi site. A message from Pres. Carter will be passed from KM1CC to England during this period. QSL Manager is Duncan Creamer, WIGAY, Main St., Vineyard Haven MA 02568. Special Marconi Anniversary envelopes are 10 for \$1.50 ppd. from R. J. Doherty, K1VW, RFD 1, 14 Pine St., Sandwich MA 02563 (Oct SPEEDX Utility Report)

The first xmtr is installed and is now being tested. Four antennas have been installed as of this writing. Lord willing, WYFR will begin its first phase of broadcasting at Okeechobee by the first week of November. (Family Radio News, via Dean Fick, OH)

(Cf Apr LN-7, Jun LN-6) Almost all 2 Mhz marine traffic with US coast stns uses SSB with 16db carrier suppression. However, many wx BCs employ only 6 db, easily readable in the standard AM mode. This explains Jacksonville-2566 relaying XEJN (SWNS)

**USSR** Yakutsk now using 2 channels in 4mb: 7345, which does not relay morning local programmes, and 7265 which does. Evening pgms are relayed on both (FEDXR 27/9) Between 1200 and 1300 8/10 and/or 9/10, I heard numerous 23 and 24 MHz harmonics during a 'pipeline' opening from EEU and USSR; most were not completely identified: 19440 EG at 1155, 23430 AR, 23470 Atlantika, 23740 RS choral, 23768+ grind jammer, 23790 ditto, 23860/23590 AR, 23940 jammer, 23970 too, 24140 RS, 24500 drama in RS. Mostly 2nd, maybe some 4th harmonics (gh)

**VENEZUELA** YVRL R. Litoral, 1130 has a SW freq now, 6060, and a new name: R. Ideal. YVITY R. Sucesos' 9700 outlet is inactive (Frank Lucena, Venezuela, PLAY-DX 1/10)

**VIETNAM** "Tay Nguyen" (which is not a place name, but means Western Highland) until 2 years ago had pgms for South Vietnam in some mountain langs, including Rhade, at 1100-1400, on 4860/7512/9840, and other Central Highland langs like the unID on 4772. Today these channels used exclusively for FS to neighbouring countries. Neither then nor now is the exact location of the station mentioned. VOV 1st pgm 3998 and 7374 both inaudible recently. (Isao Ugusa, FEDXR 27/9) unID on 4798 at\*1200-1300\* with local mx, light vocals, in Viet (Akabayashi, Tsukamoto, Ugusa, FEDXR) New station, Radio Son La on 4803, then moved to 4816, \*1130-1400\*: 1130 Meo, 1200 Viet, 1230 minority lang, 1300-1400 Viet (Tsukamoto & Ugusa, FEDXR 27/9)

**ZAIRE** New stn at Bunia, one of the new regional stations destined for Upper Zaire, is on 3390 and 5050 (Peter Laschan from Mondombe via Boende, Zaire, SCDX 4/10) VOZ-15350 putting out strong spurs at  $\pm$  450v kHz: 14900, 15800, best around 2200. If an IF is involved, it is at their end, not mine (gh)

## FUTURE PLANS

**ARGENTINA** RAE will soon have 4 x 250 kW xmters (Néstor ---, MAR-PLA DX Club, via R. Nederland Espacio DX-ista, 7/10)

**BRAZIL** Five more high power xmters are under construction, and as soon as they are ready, the International Service will resume broadcasting (WRTVH Newsletter, 8/77 via Snyder) RNB has announced cancellation of a contract with Brown Boveri for the installation of 7 more 250 kW HF xmters. Reason given was the escalating cost and a shift in official policy (Jim Whitehead, SPEEDX 10/77)

**DENMARK** The Danish Council decreed in 1969 that all broadcasts from R. Denmark should be in Danish and all efforts to get this decision altered have been unsuccessful. Nevertheless, RD is hopeful that it will be able to transmit at least one programme in EG in the near future as "it feels that such a programme would place us on an equal footing with other nations in search of international understanding." (BBCMS 25/8)

**DUBAI** Marconi Comms Systems has signed a series of contracts worth \$9.6 million to supply radio & TV stns to the Dubai Radio & TV Service: three Marconi 300 kW HF xmters, two quadrant antennas, 15 wideslew curtain arrays, and a range of ancillaries. The first equipment is sked to be operational within 14 months and the entire project in 21 months. Marconi will provide installation, training and commissioning services (Electronics News, 17/9 via SWNS; and via David Mackes, MD)

**FAULKLAND ISLANDS** These islands and the 1900 people living on them should be handed over to Argentina around the end of this century. Whitehall is actively considering this as a solution to a long-standing dispute. The Falklanders are receiving an inordinate amount of help from the Overseas Development Ministry; the existence of the colony hampers British trade with Argentina, and the territory is indefensible. The delay until the year 2000 would allow older Falklanders to live out their working lives under the British flag, while younger islanders would have time to decide whether to emigrate (Hugh O'Shaughnessy, The Observer, 25/9, via Richard E. Wood) Better hurry up and QSL FIBS!! (gh)

**HAITI** 4VRD R. Nationale, Port-au-Prince has already started on 1080 kHz and 102 MHz. Plans call for SW on 5975 and 9545. This is obviously former R. Commerce, later renamed Voix de la Revolution duvaliériste, which was silent for a long while, even on 1080. Power described as 10 kW, dropping to 8 kW (P-a-P relatives of, via Victor Jaar, PQ) I noticed that 4VEH no longer uses 3345 or 6120. I wonder if this is where R. Nationale is getting their transmitters from? (David Crawford, FL)

**HAWAII** Apparently, per KAIM (870) C.M. Cliff R. Scott, they have received approval for 100 kW SW xmttr on Maui, but want more so are applying for 1000 kW. Target area ambiguous. Meanwhile, they have applied for MW power increase from 5 to 50 kW, and a new site on Molokai, and a directional antenna 'protecting' WWL, which would actually beam KAIM into the South Pacific islands (David Walcutt, HI)

**ICELAND** Ríkisutvarpid has no plans to expand its SW service from the present daily 1200-1300 pgm for fishermen on 12175, except for extended sked around Christmas, and for July 78 elections (Finn Krone, Denmark, WRTVH Newsletter, via David Snyder, BDXC)

**JAPAN** FEN constructs new 72.5 m high aerial at Asaka US base, acc. to a press report. Now, US Forces plans the synthesis of the bases to Yokota base from Kanto area's. Accompany with this plan, FEN is also moves to Yokota from present Asaka. But aerial will remain at Asaka. SW outage in May seems to have a some relations with this (Y. Hayashi, FEDXR 27/9)

LIBERIA LBC has ordered 2 million pounds' worth of radio & TV equipment with Pye TVT, to be installed in a new BC centre. Included are four new production studios and a 50 kW HF xmt. (Electronics Weekly, 21/9, via BBCMS) Isaac P. Davis of ELWA says it's now difficult to hear ELBC once one leaves Monrovia. The improvements should make it audible elsewhere (Crawford)

NETHERLANDS Visiting RN, I learned that the new 500 kW xmt. are not anticipated to be in action for 6 years. There is also some controversy over the site to be used (Ravenhorst, MN)

NIGERIA WON says that in the Third National Development Plan (1975-1980), over 54 million naira is provided for the Radio Development Project. Plans are underway to make room for more studios and equipment, and for installation of four additional 500 kW xmt. (BBCMS 22/9 which adds: 3 of the projected 7 500 kW xmt. should have been commissioned by end of 1976)

PAKISTAN The Govt. has directed R. Pak to exercise complete freedom of expression and act as an independent medium of public info and entertainment. The organization has been asked to re-establish its neutrality and credibility, which had eroded over the years due to Govt interference and control. R. Pak will now be reporting and presenting pgms on everything of public interest within the framework of Islamic ideology, national integrity and cultural values. The general programme will be reshaped to suit the requirements of independent and unfettered organizations. (R. Pakistan news 19/8 via BBCMS)

PERU R. del Pacifico announced that R. Nacional, the official state radio stn, created exclusively for educational, cultural and news purposes, was now planning to carry commercial programmes (BBCMS 22/9) SPAIN; SURINAM LN-12

USA The Carter admn wants to reorganize the USIA and give VOA listeners a clear distinction between policy statements and news. VOA would be telling listeners, in effect, "the preceding announcement was brought to you by the State Department." The Dept. would have to request broadcast time, said Peter Szanton, of the OMB (Columbus Dispatch, 10/10 via Bill Matthews, OH) Pres. Carter has proposed a new Agency for International Communication, to take over USIA's international communications services, such as the VOA. "Under this Administration, VOA will be solely responsible for the content of news broadcasts--for there is no more valued coin than candor in the international marketplace of ideas," Carter said. (Reuters, via the Star-Ledger, 12/10 via Edward J. Insinger, NJ) More on LN-12

CLANDESTINE CRANNY Radio España Independiente continues with non-controversial material at 1235 and 2005 (not Sun) on 15365 and 15185 resp., xmt. believed in Sofia, Bulgaria; main broadcasts from xmt. believed in Bucharest, Romania, ceased 14/7 (BBCMS 22/9) REI was last IDed during its 1235-1250 xmsn on 5/10 at 15365 kHz. The 2005-2025 xmsn on 15185 was last heard 28/9. These xmsns are now thought to have been discontinued (BBCMS 13/10) REI heard 3/10 on 15365v, 1237-1255\*, toned-down pro-communist talks, Kabul het messy (Pitt McNeil, DX, TDXN) SPAIN, LN-12

Voice of Arab Syria, not heard since 0400 xmsn 27/9, while 0700 xmsn last heard 21/9. Xmsns from this 9510/6170 kHz station, material critical of the present Syrian regime, are believed to have been discontinued (BBCMS 13/10)

Voice of Lebanon, of Leb. Phalangist Party, is still active; ID in AR: "Huna Sawt Lebnan, Sawt al-Hurriyah wa al-Karamah"; EG: "This is the Voice of Lebanon, the Voice of Freedom and Dignity". On 6500 kHz at 0455-0930, 1100-2105. AR 0455-0930, 1100-1300, 1430-1745, 1900-2105. Western pgm, mostly music, 1300-1430; 1745-1830 includes EG nx 1745-1755, FR nx 1800-1810. Armenian 1830-1900 (BBCMS 15/9)

Turkish pirates A (locally) famous pirate, Azminin Radyosu was recently closed down--that is Azmi's Radio (Azmi was the name of the operator). It was in Kuzan-Adan and broadcast only music. According to Turkish law, even the better-known low-powered SW stations such as Ankara Polis and Meteorolojinin Sesi are illegal. So they may well have to close down in the near future. Hurry up and grab their QSLs. (Haluk Mesci, Istanbul, SCDX 27/9) Certain stations are transmitting in contravention of the law under which only the Turkish Radio & TV Organization, TRT, is authorized. The first of these, Ankara Police Radio, was established in 1954 to improve relations between police and public. Since then it has added xmt. some on VHF. At present it is on the air with music and features 1 1/2 hours per day. Other stations are Mamak Radio in Ankara, Istanbul Police Radio, Voice of Meteorology in Ankara, Izmir Police Radio, Voice of the Airman in Ahlatlbel in Ankara, Eregli Coal Works Radio in Zonhuldak, and Azmi's Radio in Kozan, Adana (Istanbul "Hurriyet" newspaper 29/8 via BBCMS)

Voice of Nigeria obs 10/9 0600-0610 with "Freedom Our Goal", a "10-min exhortation pgm for freedom fighters in southern Africa"; also announced a further edition 1645 11/9, but not confirmed due to poor reception (BBCMS 15/9)

R. Freedom, of the ANC heard ending 1653 6/10, sked given as Mon-Sat 1610-1650, Sun 1700-1800; and at 1715, lion roar, "Zimbabwe Peoples Revolutionary Voice", and at 1730 into tribal lang. Said was on 31 & 49 m Mon-Sat; and Sun on 49m only; all heard via R. Zambia on 9580 (David Walcutt, HI)

Voice of the People of Malaya, "Suara Rakyat Malaya", pro-Peking, anti-Malaysian govt clandestine, sked on variable 7020 kHz: 2130-2200 Cantonese, 2230-2315 Malay, 2315-2415 Std. Ch. 1130-1200 Cant, 1200-1230 Std Ch, 1230-1315 Malay, 1430-1500 Cant, 1500-1530 Std. Ch.; was first hrd on 4/5/76 (BBCMS 8/77) This stn is operated by MCP (ML)--Malayan Communist Party--Marxist-Leninist Faction, not pro-Peking. Operational area of MCP (ML) is, per FE Economic Review, west of the Sungai Patani (= river), in southern Thailand near the Malaysian border, and that is where the VOPM xmtr is considered to be. The 2/9 FE Economic Review explains the difference in ideology between MCP (ML) and the MCP proper. MCP proper, the original faction is still led, as always, by the world's most indefatigable guerilla, Chin Peng. His R. Suara Revolusi Malaya, in Mandarin, is in southern China at Hengyang, 200 mi S of Changsha and 1180 mi N of Kuala Lumpur. MCP (ML) split with MCP (P) in 1970, led by Chiu Jen, but this did not become known until 1974. The armed units are trying to push their influence further west towards the coast by claiming to be the most revolutionary and most communist of all factions. It is continually attacked by Chin Peng's radio (Ugusa, FE)

Voice of the People of Thailand (Cf Sept LN-6), re its location in the Sipsong Panna, "land of the 12000 rice-fields" is on the upper Mekong in Yunnan, China. Panna is a unit of measurement for ricefields, but it is generally interpreted as cantons. Today the area is inhabited, among others, by the T'ai Lu, residents of China who share some heritage and common linguistic origins with the Lao and Siamese (Henry L. DuRant, MD ex-Thailand)

## DX PROGRAMS

AUSTRALIA "DXers Calling", which had not missed a week since it began in 1946, was to come to an end after the program of 29-30 October 1977. R. Australia gave these reasons: financial constraints; RA's desire not to have a programme for a specialised audience. Letters of protest may be successful in gaining a return of the programme. Send them to: The Assistant Director of English Programmes, R. Australia, Box 428 G, GPO Melbourne 3001, Australia (Peter Bunn, ARDXC, 13/10) They have agreed to continue the Japanese version as before, and offer to allocate 4 minutes of the Sat "Club Forum" pgm to DX tips, plus two other 2-minute segments at unspecified times during the week. This seems to be final; however, the full 10-minute pgm is to continue on the domestic service only, Sat at 2200 on VLR/VLH (Rob Williams, phone call from Sydney, 20/10) The 2200 broadcast is on 11880/6150, and is at 2100 Nov-Feb due to DST (Padula) Let's insist they put "DXers Calling" back together again, and on R. Australia! (gh)

AUSTRIA ORF heard on 6015 at 0453-0458 with "Shortwave Panorama"; heavy QRM (Steven Dubin, NJ, NNRC Oct.) NNRC editor Bennett actively discourages reporters from giving days of week or dates, since he edits them out. Can it be that ORF has started carrying this pgm when NAM listeners can hear it--without telling us by putting it in the pgm sked? Or did Steven merely hear a plug for the pgm at its usual inaudible times, as I have heard them do (gh)

EGYPT R. Cairo heard with EG DX show "Cairo Calling", at 0205 10/8 on 9475 (Thomas Brennan, NJ, SPEEDX) Unless it's really changed, I'd question calling it a DX show. 10/8 was Wed(gh)

GERMANY WEST The DX pgm "Unser Kurzwellenbummel" will be heard 3 Dec. 1545-1600 over SDR-1 on 6030; and 4 Dec. at 0645-0700 on SFB 6190, plus more times on AM & FM (SCDX 4/10)

MEXICO R. México has "Hola DX-ista" in SP on Mon at 1410 on 5895/9705/15320 (Javier Castro, Can-Cun, Quintana Roo, SCDX 4/10) Two out of three is bad=5985/15385 (gh) Because of my class schedule, my pgm will soon change to Mon 0200 and Tue 1400 (Panamanian Ramón Barragán, producer, on RN Espacio DX-ista 15/10) I think he means GMT Tue 0200 and 1400. However, I listened on a Tue at 0200-0230 and didn't hear it (gh)

SWAZILAND TWR is considering dumping the "DX Special" due to lack of input and interest amongst Southern African listeners. Gerry Wood suggests you write to TWR Swaziland, Manzini, if this has a bearing on you (R. RSA DX Corner 1/10 via Richard Stoller, NY)

SWEDEN More WOOD to the DX-World! The name WOOD is well-known to DXers. Dr. Richard WOOD is an estimated language-expert and appreciated contributor to SCDX. The DX-Editor of R. RSA is Gerry WOOD. Several years ago Robin WOOD was director of R. Australia. Also, the name Skoog means WOOD in English. During my semi-retirement another WOOD will edit SCDX. His name is George WOOD, an American journalist and DXer, who has been a freelancer with R. Sweden since 1975. - I hope you will support him as well as you have supported me. MANY THANKS. (Arne Skoog, SCDX 4/10) Our best wishes to you both! (gh)

USSR Starting with the Spring 1978 sked, R. Moscow's DX pgm may be increased to 15 minutes. (R. Moscow DX pgm 7/10 via Charley Hoffman, PA, who adds: I guess they plan to steal more material from SCDX)

ALBANIA back to GMT +1 as of 2/10 (BBC)

## TIME JUMPS

ALGERIA R. Algiers reported clocks were put back one hour on 7/10, so local time is now GMT + 1 hour. Date advanced from 20/10 (BBCMS)

AUSTRALIA Summer time this year, from 30/10 to end of Feb, will apply only in Vic, NSW, Tas and SA--not in Qsld and WA (Keith Glover, RA Mailbag 16/10)

AUSTRIA & GERMANY will adopt summertime in 1978 from 2/4 to 30/9 (WRTVH Newsletter)

CUBA reverted to GMT - 5 as of 25/9 (BBCMS)

MORE....

IRAN Tehran radio reports the Iranian Cabinet decided to put clocks back by 30 min as of 2400 local on 20/10. So local time is now GMT + 4h (BBCMS) Apparently in this way Iran abandons ½-hour off-time; originally GMT + 3½, up to GMT + 4½ for summer (gh)

POLAND Warsaw radio reported a reversion to GMT + 1 as of 25/9 (BBCMS) More, LN-12

SPAIN Madrid radio announced that summer time would end on 24/9; back to GMT + 1 (BBCMS)

TURKEY Per Ankara radio, winter time begins 16/10, i.e. GMT + 2 (BBCMS)

**PROGRAM NEWS** BULGARIA R. Sofia broadcasts a preview of the following week's programs each Saturday around 0445, immediately preceding their DX program. Presumably the same goes for other EG xmsns (gh) ISRAEL, LN-12 CHINA LN-11

NETHERLANDS Although not appearing in the slick Nov-Apr sked, and it was previously announced that it was among the programs to be cut due to the 50-min limitation, or that it would be integrated into "His and Hers", Letterbox will continue, as a weekly program, hosted by Bruce Parsons, on Wednesdays (Letterbox 20/10 via gh) The slick sked gives this new lineup: Newline, 20 min, opens Mon-Sat; remaining half hour: Mon, The Monday Programme, art and culture magazine. Tue, His & Hers. Wed, Studio 6--alternating specialized music--jazz, pop, blues, rock, folk, and The World of Science, and Commitment, compiled by their Third World Desk. Thu, DX Juke Box, last half alternating with Dutch by Radio. Fri, The Work and People Programme--industry and business, and Focus, a documentary. Sat, Triple "S" (Saturday Sound Studio)--pop bands and performers, and Dialogue; alternate weeks, Stamp Corner. However, in xmsns to Africa, Afroszene instead on M/W/F. On Wed to Asia, Asia Special. The 800 kHz pgm Mon-Sat at 2335-2410 from PJB may have to be dropped for economy (gh)

NIGERIA Here is the VON pgm sked for 0555-0835, the best one audible in NAM, on 7270:  
 0555-0600 Stn anmts & Pgm Preview 0730-0740 World News  
 0600-0605 Nigerian News (this is 0740-0745 Commentary (exc. Sun)  
 0605-0610 Freedom Our Goal (Sat) not com- 0745-0800 Window on the World (Thu)  
 0605-0620 Africa This Week (Sun) plete Retrospect--weekly review (Fri)  
 0630-0640 World News --gh) 0755-0800 Programme Preview (Sat)  
 0640-0645 Commentary (exc. Sun) 0800-0805 Press Review (exc. Sun)  
 0655-0700 Programme Preview (exc. Sat) Freedom Our Goal (Sun)  
 0700-0705 Press Review (exc. Sun) 0805-0820 Nigerian Newsletter (Wed)  
 0700-0730 Weekend Magazine (Sun) 0830-0835 Nigerian News (VON via BBCMS 9/77)

SWITZERLAND SBC program changes come at the beginning of Nov and May. Dateline continues Mon-Fri. On Sat, 1st and 3rd weeks, a new listeners' forum, Talkback, alternating with Swiss SW Merry-Go-Round. Sundays: 1st week of month, Going Places--touring Switzerland; 2nd week, Men and Women of Merit; 3rd week, Sunday Supplement--expansion of Dateline topics. 4th week, Jazz Panorama; 5th week, Repeat Performance, based on listener requests (SBC, gh)

UKOGBANI Review of International Broadcasting continues to preview BBC highlights each month. Don't Miss, a monthly 15-min preview on the air, seems to have settled into the Letterbox slot: Fri Nov 25 at 1415, Sat Nov 26 at 2315, Sun Nov 27 at 0515, 2015 (gh)

UZBEK SSR R. Tashkent summer 1977 sked: Mon, "The Great October and Soviet East", 1200. Tue, Youth Pgm, 1200. Wed, Life in the Village, 1200. Thu & Sun, Concert Programmes, 1400. Fri, Moslems of the Soviet East, 1400. Sat, Mail Bag. However, on the first of the month, Women of the Soviet East; on the 15th of the month, Friendship, Cooperation and Contacts; 2nd Sunday of the month, DX Club; last Sunday of month, repeated following Sat, Salom Aleikum Listeners' Club (via David Jerard Duke, TX)

**PUBLICATIONS** CANEX is the new monthly mimeoed bulletin of the Canadian SWLs International, first issue Oct. 1977. The new club had 56 members at the outset, SWBC and utility covered in a variety of columns along the usual lines. Subscription rates \$10 in Canada/USA, \$12 elsewhere. CSWLI, Box 142, Thunder Bay, Ont., Canada P7C 4V5. No price given for samples (gh)

Far Eastern DX Review No. 13, was the largest issue, 38 pages of good-quality xerox. Includes outline map of Vietnam showing provinces, cities and frequencies. Conclusion of article "TV and Radio Broadcasts in 1977" in the USSR; the new words to the Soviet Hymn, and reproductions of the pgm sched of Central Broadcasting System, Taiwan (13p Chinese, 4p EG) For further info on FEDXR, contact NASWA member Isao Ugusa, 1-3-10 Mikage-yamate, Higashinada, Kobe 658, Japan (gh)

Buyers & Sellers (cf Oct LN-9), the equipment exchange, ceased business as of 16/9 (NRC)

World Radio and TV 1977, index of world's major stns and nets, published by Japan BC Corp, covers 156 countries by continent, surveys color TV, number of sets; name, management, financial resources of each domestic stn listed, program hours, standards used. Similar info for SW external BC. Produced by NHK Radio & TV Culture Research Institute, 1-10 Shiba Atago-cho, Minato-ku, Tokyo 105 (Broadcaster, 9/77 via Tony Clift, Ont.)



Review of International Broadcasting, monthly magazine available only directly from gh, continues to complement FRENDX, with extensive discussion on SW programs, by listener-contributors. Samples 50¢ in Nam, or 5 IRCs overseas air; 12-issue subscription, US\$6.00 in Nam, US\$11.00 international air. Please remit by check or money order in US funds, payable to Glenn Hauser. It is likely that prices will have to be raised in 1978 (gh)

CQ Magazine, Oct. has a clear and concise article by George Jacobs on Propagation Prediction. It deals with the specific conditions to be expected during the remainder of 1977 on all bands of interest to hams and SWL DXers. Also, a 'do it yourself' conversion chart on how to adapt the WWV :18 info to useable info, in other words, how to predict the conditions for the next several hours based on the A and/or K-indices and solar flux. I really consider this a 'must' for beginner and intermediate students of propagation, and everyone in the hobby would gain something from reading it. Also in this issue is a review of the SST T-1 160-10 m Random Wire Antenna Tuner. At \$29.95, this is the lowest priced assembled L-C tuner that the author (and I) know of. SST Electronics, PO Box 1, Lawndale CA 90260 backs the unit with a 1-year warranty and a 10-day money back guarantee if you don't like it. Sounds good to me. Was going to get the MFJ similar unit, but this one is \$10 cheaper. (Neal Perdue, AL)

Survey of African and Latin American Stations in the low frequency (SW) bands, has just been published by the Australian Radio DX Club. Includes list of all QSLs received by members over past year, and propagation discussion. 4 IRCs airmail, 2 IRCs seamount; or, one US dollar within USA, or 50¢ within Australia (preferably mint Au stamps), to: ARDXC, Box 215, Glenroy, Victoria 3046, Australia (RA DX 16/10) Note their new address (gh)

Anti-Matter, by C.M. Stanbury, was reviewed as follows by Leonard Brown in the 25/9 Los Angeles Times: "The bogging disorder of recent American history, the blight of intrigue and political assassinations might just be the effect of accidental intrusion by an alternate reality, or so C. M. Stanbury seems to be saying in this speculative collage. 'The whole thing is science fiction', he remarks, as if to shrug away his own philosophical incontinence and stylistic indulgence. Pynchon he's not." (Dustbooks: \$6.95 hardcover, \$2.95 paperback) (SWNS)

THE PULSER A new source of pulsed QRM has recently been noted on the air. It has a faster repetition rate than the well-known Russian and it is also noted at times when propagation conditions or frequency would tend to rule out a USSR source. We speculate that perhaps this is the American OTH radar facility in Maine. The signals are not particularly strong at Rochester NY, but this might be because Bob LaRose's listening post is within the 'dead spot' before first skip zone. Per the 17 Feb. ELECTRONICS, tests from Maine were not supposed to begin until fall 1978, however that could refer to xmsns from the 6 million watt xmtr presently under construction by Continental Electronics. The signals now being heard could be from an interim experimental unit (SWNS Oct.)

WATCH OUT. One of this country's newest early-warning systems is a six-story giant radar structure on the Aleutian island of Shemya. It has 15,000 electronic eyes that can detect and track a grapefruit-sized object from a distance of 2000 miles. The radar system is designed to keep an eye on Soviet missile tests, warn of surprise missile attacks, and track the growing number of satellites. (Parade, 16/10) Sounds like SW pulser to me (gh)

MAIL EMBARGO Overseas Surface Mail Embargoed, Postal Service Blames Dock Strike. Postal Service officials, citing a dock strike by 50,000 Atlantic and Gulf Coast longshoremen, imposed an embargo Oct. 1 on surface mail destined for Europe, Africa and South America. Also included are the USSR, Greenland, Iceland, Middle East and Caribbean Islands including Puerto Rico. Surface mail to Canada, Mexico, Cuba will not be affected, nor will military mail (AP, 2/10 via Knoxville News-Sentinel) Here are the only countries to which surface mail is accepted during the embargo: Afghanistan, Australia, Bangladesh, Canada, Cook Island, Cuba, India, Japan, Malaysia, Mexico, Nepal, New Caledonia, New Guinea, New Hebrides, New Zealand, Pakistan, Singapore, Sri Lanka. (USPS via UTK Mail Service, 6/10) Check with your PO to see if the embargo has ended (gh)

ABSOLUTELY LAST MINUTE ITEMS CHINA R. Peking EG sked beginning 25/10: To ENAM: 0000 on 15060/15520/17680; 0100 on 7120/9780 Tirana; 9940/11945/15060; 0200 9940/12055/15060; 0300 on 7120/9780 Tirana; 1200 on 9920. WNA: 0300, 0400 on 9460/11650/12055/15060. ANZ: 0830, 0930 on 9460/11600/11720/15060/17635. SEAS: 1200, 1300 on 9290/9470/11650/15270. SAS: 1400, 1500 on 7315/9860/11650. E&SAf: 1600, 1700 on 7620/9860. W&NAf: 1930, 2030 on 7080/7620/9470. Eur: 2030, 2130 on 6270/6860/7590. Pgms include: Sun, Listeners' Letterbox; Mon, Across the Land; Mon & Wed, Learn to Speak Chinese; Tue, China in Construction; Wed, The Third World Marches On; Thu, Culture in China; Fri, In the People's Commune; Sat, Music from China (via Wilder Pickard, IL) They don't list additional feeder frequencies (gh)

LAOS LNR's old 25 kW Philips xmtrs have been replaced by 2 x 10 kW Chinese-made ones (Arthur Cushen, NZ, via UADX) The international service is inactive (Goonetilleke, UADX 10/10)

MALDIVES (Cf Sept LN) No 4754 tests heard lately (Victor G., Union of Asian DXers, 10/10)

(Cross-referenced in previous pages at proper point; also even later ones, bottom of LN-11)

## LAST MINUTE ITEMS

BELGIUM BRT-4 announced on the 26/10 0015 pgn that it was on 9685 to SAM // 6080 NAM, and so it was (gh)

ISRAEL IBA D77 sked shows 25605 in use at 1000-1030 in RS Sat/Sun only; 1400-1430 Yiddish, 1430-1515 RS (daily) The Hebrew HS relay (underlined are higher-powered, for NAM/WEU); 0400-0610 12077/7465/5882; 0610-1740 15545/12077; 1740-2000 12077/7465; 2000-2300 12077/92355/7465; 2300-2315 11960/9815/9435/7412/5900/12077/92355/7465. English: 0500-0515 11960/11655/9740/7412/5900/5915; 1200-1230 17815/17710/15485/15415-or-15425/15105/11960/5915; 2000-2030 11960/9740/9425/9009/7412/5900; 2230-2300 11960/9815/9435/7412/5900. The schedule, including any changes, is broadcast at least in part on Thu 2025, and 2255. There will be special holiday programs on the eve of the holiday at 2000, 2230, and the following day at 1200; Dec. 4-11 for Hannukah; Dec. 24/25 including live transmission of Midnight Mass from Bethlehem (via gh)

IRAQ R. Baghdad's main DS in AR is on 11905 at 0228-2320; 9745 at 0228-1530. The DS "Voice of the Masses" pgn is at 0228-2320 on 11723/6030. The ES "Voice of the Masses" pgn (in AR) is on 9745 at 1530-1930, then 1930-2030 EG, 2030-2130 GM, 2130-2230 FR, to Eur (BBCMS 6/10)

JAPAN NHK hrd 1/10 at 2000 on 15095, poor but audible (Bob White, England?, WDXC). I rather doubt this; at least I still hear them subsequent hours on 15105 (gh)

POLAND Next year, DST will be observed 2/4 until 1/10/78, i.e. GMT plus 2 (BBCMS 6/10)

SPAIN New jamming transmitters are being installed here to counter La Voz de Canarias Libre broadcasts (Lawrence Eisenman, GFR, SCDX 25/10) As often happens, the original source of such info in SGDX is not given (gh)

SRI LANKA VOA-Colombo, can be heard, with difficulty, around 0115 on 11745 (Ed Ininger, NJ/18/10) But whether this circumstance survives into D77, I don't yet know (gh) A new QSL Certificate and QSL stamps will be issued by Adventist World Radio-Asia, during "AWR Week", 4-10 Dec. They will be available to all DXers who submit correct reception reports during the special pgn broadcast during AWR Week. The beautifully designed QSL Certificate contains marked spaces for 24 different QSL stamps. Each correct report for each specific AWR frequency will merit a QSL card, as well as the new QSL stamp. The stamps and Certificates will continue to be available after "AWR Week". It runs from 0001 GMT Sun 4/12 until 2359 GMT on Sat 10/12. QSLs issued for reception reports during this period will also be rubber-stamped with a special mark, "AWR Week." All DX Certificates awarded to listeners within the AWR target areas will be free of charge. Listeners in other areas may receive the Certificate by boat mail for 1 IRC, and by air mail for 3 IRCs. /NAM is not an AWR target area --gh/. Within the target areas, special prizes will be awarded to the listeners who log the most broadcasts on the most number of frequencies. Prizes consist of various editions of WRTVH and other books. The grand winner will also receive a special award medal. "AWR Week" is being conducted to commemorate the 30th Anniversary of the introduction of the first AWR Correspondence School in Southern Asia, in Poona, India. The address for reception reports for AWR Week is: AWR-Asia, Box 15, Poona 411001, India. All items as listed above are also available from AWR-Europe at: AWR-IFAP, Rua Braancamp 84, 6 Esq., Lisbon, Portugal (Adrian Peterson, Director, AWR-Asia) Adrian also included S77 AWR skeds, which presumably will be different by December. Those interested in participating in this contest should request the current schedule immediately from either or both addresses (gh).

SURINAM Info received from Radio SRS indicates the present mxtr on 4780 has a power of 1 kw but there are plans to increase it this year to 10 kw to cover a wider area of the Caribbean (BBCMS 6/10)

URUGUAY R. SODRE, Montevideo, has announced it broadcasts in the 19 and 25m bands, an "international service" in SP. It was first observed at 0100 29/9 on 9515, and again at 2200 1/10 on 11885. Both channels are normally used by R. Sarandí, Montevideo. The pgn consisted of national news, a commentary on Uruguayan arts, music and features on industry and exports (BBCMS 6/10)

USA TWR is searching for a new HQ location. The existing facility at Chatham NJ is no longer large enough to accommodate operations. Having been in this building, I can appreciate their wish to move to a larger administrative office (Ed Ininger, NJ) You mean somewhere else in Chatham, or somewhere else in the World? (gh)

## WARC REPORT

A summary of the BBC proposals: 1) The entire 150-285 kHz band to be allocated to broadcasting on an exclusive basis. 2) In order to accommodate a possible international motoring service a sub band of 10 kHz in the range 415-525 kHz to be allocated to the broadcasting service exclusively. 3) 4750-4995 and 5005-5060 kHz to be allocated to broadcasting on a worldwide basis (this is justified by saying that most of the tropical band countries negotiated numerous MF assignments at the recent Geneva conference. This is said to make the claim of unsuitability of MF bands to high levels of atmospheric noise invalid). 4) Each broadcasting band below 20 MHz needs to be doubled in size, and a new band between 11975 & 15100 is needed (Mike Barraclough, WDXC)

# naswa AWARDS reports

Dan Henderson, Chairman  
317 Brock Bridge Road  
Laurel, Maryland 20810

August, 1977

The following report gives all awards issued during the period 1 April 1977 through 30 June 1977. All awards are listed in chronological order of issue.

## EUROPEAN CONTINENTAL DXER

Charles E. Tucker  
Michael S. Hardester  
Tom J. Potiak  
M. W. Delmage  
Neal Weaser  
Graeme Roy Brown

John C. Herkimer--50 Kw  
Tom Overcamp--25 Kw

## SENIOR NIGERIAN DXER

John C. Herkimer

## SOVIET SPHERE DXER

## SOUTH AMERICAN CONTINENTAL DXER

Robert C. Wiles

Joe Deleo  
Ira Teitelbaum  
John C. Herkimer

## NORTH AMERICAN CONTINENTAL DXER

Martin Foltz  
Tom Overcamp

## SENIOR ECCLESIASTIC DXER

Gerry Dexter

## DXER DE PACIFICA

Michael S. Hardester

## MAPLE LEAF DXER

Ira Teitelbaum

## ASIAN CONTINENTAL DXER

Joe Deleo

## VOA DXER

Randolph Macris

## WORLD WIDE DXER

Charles S. Tucker  
Michael S. Hardester  
James T. McClure  
Roger N. Peterson  
Robert Ward  
M.W. Delmage  
Neal Weaser  
Robert McIntosh  
James B. Wilson, Jr.  
Craig W. Child

## ARAB WORLD DXER

Joe Deleo

## DX CENTURION

Michael S. Hardester  
Roger DeRoy  
Tom Overcamp

That takes care of the second three months of 1977. There seemed to be a dropping off of the awards applications, although I really do not know just why. Five new awards were announced in the July bulletin and some applications have already been received for them. Mr. Gerry Dexter has qualified for the Senior Ecclesiastic DXer award as No. 1, and Mr. Al Sizer reached the two hundred countries verified this quarter--the 5th Master DX Centurion award has been issued to him.

## MASTER DX CENTURION

Alvin Sizer(No. 5)

I want to re-emphasize the fact that--- UNLESS YOUR NAME AND ADDRESS IS ON EACH AWARDS APPLICATION SHEET, I WILL NOT PROCESS IT. This quarter, I received 2 or 3 applications that did not have the names and addresses on the sheets and it took a lot of time to determine just whose application they were. So please, put your name and address on the sheets. Also, please address all checks and money orders to me, not NASWA. It allows me to process the awards faster. Till next time, 73,  
Dan Henderson

## ALL CONTINENT QRP

Richard T. Pistek--10 Kw

# naswa AWARDS reports

Dan Henderson, Chairman  
317 Brock Bridge Road  
Laurel, Maryland, 20810

November, 1977

The following report gives all awards issued during the period 1 July 1977 through 30 September 1977. All awards are listed in chronological order of issue.

## AFRICAN CONTINENTAL DXER

John C. Herkimer

## EUROPEAN CONTINENTAL DXER

Dave Valko  
Jay Florian  
Kent Magill  
A. A. Jinkinson  
Tom Muszynski  
Kent Willis  
Albert E. Cannon Jr.  
Kurt J. Karpavich  
Greg Poole  
Jim Fedor  
Dave Twigg  
James Caruso  
Robert McIntosh  
Mike Glassy  
Aaron Hywarren  
Bill Reynolds  
John Fisher  
James T. McClure

## EUROPEAN CONTINENTAL DXPERT

Gerry Bishop  
Bill Whitacre

## SOUTH AMERICAN CONTINENTAL DXER

Martin Folts  
Gerry Bishop  
John Fisher

## NORTH AMERICAN CONTINENTAL DXER

Kent Willis  
Aaron Hywarren  
Eric Falkenhan  
John Fisher

## ASIAN CONTINENTAL DXER

Aaron Hywarren  
John Fisher  
John C. Herkimer

## WORLD WIDE DXER

Steve Bryant  
Kurt J. Karpavich  
A. A. Jinkinson  
Michael D. House

Albert E. Cannon, Jr.  
Kent Willis  
Greg Poole  
James Caruso  
Dave Valko  
Pete Grenier  
Jim Fedor  
John Sillings  
Charles George

## SR. BRITISH COMM. DXER

Aaron Hywarren

## ARAB WORLD DXER

John C. Herkimer  
Gerry Bishop  
Aaron Hywarren

## DX CENTURION

Jay Florian  
Jim Fedor

## SR. PAPUA/NEW GU. DXER

Bill Whitacre

## ALL CONTINENT QRP

Kent Willis--50 Kw  
Gerry Bishop--25 Kw  
Bob Underdown--25 Kw  
Martin Folts--50 Kw

## MSTR PAPUA/NG DXER

Gerry Dexter

## SR. TROP. BAND DXER

Richard T. Pistek

## MASTER NIGERIAN DXER

John Fisher

## MASTER SUBCONTINENTAL DXER

Gerry Dexter

## SOVIET SPHERE DXER

Peter J. Bowen  
Gerry Bishop  
Albert E. Cannon  
Aaron Hywarren  
John Fisher

## ECCLESIASTIC BEER

Jay Florian  
Albert E. Cannon Jr.  
Jim Fedor  
Aaron Hywarren

## VOA DXER

Albert E. Cannon Jr.  
Aaron Hywarren  
John C. Herkimer  
Bruce Barker  
Brandon Jordan

Well, that's all for this quarter. Congrats to Gerry D. for the Mstr. Papua/New Guinea Award--No. 1. Till February-----73, Dan Henderson

# QSL REPORT



BILL OLIVER, EDITOR  
45 Wildflower Road  
Levittown, PA 19057

NOVEMBER 1977

The big item this month is Surinam! Jim Fedor, Burlington, CT received a verie letter in 24 days! Two Canadian members, Onil Gionet, New Brunswick, and Brian Mooney, Ontario, got their veries in 25 and 35 days. Here's more...

**ALBANIA:** R. Peking Relay, 7120, "Train" cd w/o time in 12 days for 1 IRC.

(Duke-TX): 9780, cd w/o time in 20 days w/sked. No rp. (Baum-FL).

**ANTIGUA:** Deutsche Welle Relay, 6040, no-data cd in 3 1/2 months. No rp.

(Lobdell-MA); same w/blue pennant in 4 months for 1 IRC. (Howard-CA): 17800/15245/11810/9605, cds in 5 months. (Barto-CT).

BBC Relay, 11775, no-data cd w/site as requested in 15 days. No rp.

(Sillings-NY): 6175, no-data cd, sked and form letter explaining their QSL

policy and say the WRC would sponsor "proper QSL times each year during a stated period" received in 14 days for 1 IRC. (Blossom-CH).

**ARGENTINA:** R. El Mundo, 6120, cd w/o time in 4 1/2 weeks for EE rpt. (Cosier-AUST).

ICL, 15000, SS form letter w/o freq in 60 days by registered mail for EE rpt. (Herkimer-NY).

**ARMENIAN SSR:** R. Yerevan, 15180, f/d plain white paper cd in 120 days for EE

rpt. No rp. Letter came registered. (Cannon-NC): 4040, cd in 6 months for a

RR rpt on their Home Service prgm. (Barto-CT).

R. Moscow via Yerevan, 17700, f/d cd in 1 month for rpt on EE xmsn to Africa. No rp. (Herkimer-NY).

**ASCENSION IS:** BBC Relay, 9580, no-data cd, sked in 13 days. No rp. (Ward-AB)

same in 12 days for 1 IRC. (Wirsz-BC): 7105, no-data cd in 16 days. No rp.

(Ponder-TX): 6175, same in 46 days. No rp. (Valko-PA).

VCA Relay, 17830, f/d cd in 11 days. No rp. (Desrosiers-PA).

**ASIATIC-RSFSR:** R. Moscow via Chita, 9700. Via Kenga, 9665. Via Khabarovsk,

I2050. Via Yuzhno-Sakhalinsk, 11860. Cds in 1 to 2 months. No rp. (Field-MI,

Noonan-WI, Meehan-CT, Hermann-GMT, Cannon-NC).

**AUSTRALIA:** R. Australia, 5995, f/d cd in 175 days. (Ventura-IL): 9580, f/d

cd in 5 1/2 months. No rp. (Stanziale-CT); in 34 days for 1 IRC. (Fraser-MA); in

33 days for 2 IRC's. (Miller-MA): 11825/15410/11795/9560, f/d cds in 201

days. No rp. (Mayer-IL): 5995/15320, f/d cds in 16 and 25 days for 1 IRC

each. (Burns-IL). Cards were Strut Pea, Parakeet and Fringe Lily.

VLW6-Perth, 6140, f/d cd in 30 days. No rp. (Tiers-BC).

VLW9-Perth, 9610, f/d cd in 38 days. No rp. (Hoffman-PA); in 18

days after f/up. No rp. (Brooker-ONT); in 37 days w/sked, info and tourist

booklets. No rp. (Golkin-NY).

VLH9-Melbourne, 9680, f/d cd in 24 days for 1 IRC. (Wirsz-BC).

VLM4-Brisbane, 4920, f/d cd in 20 days for 1 IRC. (Bohlke-MN).

VNG, 7500, large "Melbourne" cd and sked in 2 weeks. (Verneti-

MARSHALL IS).

**AUSTRIA:** ORF, 15335, f/d "Snail with Castle" cd, sked and rpt forms in 28

days. No rp. (Golkin-NY): 9770, same in 10 weeks. No rp. (Lobdell-MA); same

in 62 days for 3 IRC's. (Miller-MA); f/d "Landscape" cd in 56 days for an air

mail stamp. (Burns-IL); same in 28 days for mint stamps. (Glazzy-CA).

**BELGIUM:** BRTV, 9730, f/d blue "Globe" cd, pennant, tourist info, peds and

"Mailbag" transcript in 35 days for 1 IRC. (Dawson-AB); same in 36 days for

1 IRC. (Desrosiers-MA).

**BENIN:** ORTB, 4870, f/d cd in 405 days for FF rpt on FF xmsn and 2 IRC's. It

took 5 rpts and 10 IRC's to get this one. (Rockwood-CH).

**BHUTAN:** NYAB, letter from v/s Brigitte Dorjii, no-data QSL cd, 3-D Bhutanese

stamps, all in 19 weeks for 3 IRC's and registered f/up on original rpt of

Nov. 1976. Letter says 300 Watts. I believe the date on this makes it a

"first" for Australia. Currently my best QSL and VIC #191. (Cosier-AUST).

**BRAZIL:** R. Clube da Conquista, 3335, f/d cd in 4 months on my 10<sup>th</sup> rpt for a

rpt on PP xmsn and SASE, not used. (Field-MI).

R. Timbira, 4976, EE letter and GG DX mag w/article on Timbira in 4 1/2

weeks for PP rpt and 1 IRC. (Cosier-AUST).

R. Bandeirantes, 11925, "Studio" cd, pod of São Paulo and orange pennant in 64 days for NASWA PP rpt and 1 IRC. (Pineault-QUE).

BRUNEI: RTV Brunei, 7215, "Map" cd w/o time, sked in 6 weeks for 1 IRC. (Howard-CA); in 90 days on 2nd try. No rp. (Glazzy-CA); in 2 months. No rp. (Muick-PA); in 30 days for 1 IRC and EE rpt on CC xmsn. (Cannon-NC).

CAMEROON: R. Buea, 3970, f/d cd and Buea stamp in 3 weeks. No rp. A fast one for Australia, I think. (Cosier-AUST).

CANADA: CBC Northern Svc, 11720, f/d "Horizon Suns" cd, technical info and sked in 14 days. No rp. Who said they stopped issuing QSL cds? (Brooker-ONT); same in 14 days for 1 IRC. (Duke-TX).

CFRX, 6070, cd w/o time in 10 days. No rp. (Brooker-ONT); same with "50 Year" button in 41 days. No rp. (Golkin-NY).

CHNX, 6130, cd w/o time and CHNX history in 14 days for 1 IRC. (Desrosiers-MA).

CFCX, 6005, cd w/o time in 1 month after 4 rpts, 1 phone call and \$3.00 in postage (Muick-PA).

CHU, 7335, freq-only "Sir Sanford Fleming" cd in 28 days. No rp. (Valko-PA).

BBC Relay, 6120, no-dat, no-site cd in 15 days. No rp. (Ponder-TX).

CHAD: Rdiff. Nationale Tchadienne, 4904.5, f/d "Three Scenes" cd in 18 days. No rp. A fast one! (Muick-PA).

CHINA: R. Peking, 15060, "Red Flag Canal" cd, sked and promise of mags in 22 days for newspaper clipping on review of book on China. (Desrosiers-MA):

15520, cd w/o time and wrong freq (15060), sked in 14 days. No rp. (Noonan-IL)

COLOMBIA: Ecos del Combeima, 4875, f/d letter, used stamps, Colombian money and personal note from v/s Alfonso Tovar in 13 days for SS rpt. No rp. (Ponder-TX).

La Voz de los Centauros, 5962, no-data "thank you" cd and sticker in 9 weeks for SS rpt and 1 IRC. (Cosier-AUST).

Ondas del Orteguzaza, 4975, EE letter from friend of station secretary in 16 weeks. Also send square pennant for joint rpt on DXpedition. (David Foster, Geoff Cosier, Mike Willis-AUST).

COSTA RICA: R. Reloj, 4832, "Irazu Volcano" cd in 29 days for rpt on "Aqui Costa Rica" prgm. No rp. (Mikell-IL).

CUBA: RHC, 11725, f/d cd, sked and Anniversary of the Revolution booklets in 61 days. No rp. A Cuban Communist newspaper and Castro speech came the same day under separate cover. (Golkin-NY).

CYPRUS: CBC, 9770, f/d "Scenes from Cyprus" cd in 1 month. No rp. (Muick-PA) same in 42 days. No rp. (Mayer-IL): 7195, f/d cd in 45 days for 1 IRC and a cassette tape rpt. (Pineault-QUE).

BBC Relay, 15420, cd in 22 days. No rp. (Valko-PA).

CZECHOSLOVAKIA: R. Prague, 7345, f/d "Castle" cd, club info, sked, letter from Otto Adrian in 115 days for 1 IRC and mint stamps. (Neff-IL); same cd in 100 days. No rp. (Hascall-IN); "Lake Macha" cd in 105 days. The end of an era! This is the first duplicate cd from them since I began sending monthly rpts in Jan. 1976! (Meehan-CT): 5930, f/d cd in 15 weeks. No rp. (Stanziale-CT): 7345/11990, f/d "Lake" cd in 115 days. No rp. (George-TX).

DENMARK: R. Denmark, 15165, f/d "Radiohouse Tower" cd and sked in 2 weeks for EE rpt and mint stamps. (Glazzy-CA).

DODECANESE IS: VOA-Rhodes, 5965, f/d cd in 1 week. No rp. (Desrosiers-MA).

DOMINICAN REP: R. Neyba, 4985, letter in 2 months from Rodolfo Z. Lama Daar for SS rpt. (Barto-CT).

La Voz de las Fuerzas Armadas, 4825, no-data cd and letter in 20 days for SS rpt and mint stamps. (Mikell-IL).

ECUADOR: La Voz del Rio Carrizal, 3260, personal SS letter in 5 months after 16<sup>th</sup> try for SASE. (Field-MI).

R. Centinela del Sur, 4890, letter, pennant and travel folder in 2 weeks for 1 IRC. Sr. Herman Coronel, collector of stamps on Flora and Fauna, is no longer there. He died tragically. (Field-MI).

R. El Mar, 3340, personal letter 1 year, 8 months after SS rpt and mint stamps and 1 month after 8<sup>th</sup> f/up. V/s Augusto Cedeno E., Administrador, says that the station has changed its name to Radio Tropical. (Lazarus-LA).

R. Zaracay, 3390, f/d letter in 60 days for SS rpt and mint stamps. (Pyatt-PA); letter w/only freq and pennant in 26 days for SS rpt and mint stamps. V/s Elsy Cun Castillo. (Mikell-IL).

HD210A (Navy Time Signal Station), 7600, QSL letter, sked, 2 folders on station in 2 months for SASE, not used. (Field-MI); SS letter w/date and verie statement and much station info in 3 weeks. No rp. (Bishop-PA); date-only SS letter in 5 weeks for NASWA SS aerogramme rpt on which I typed

"NEGOCIO OFICIAL". No rp. Also received literature on the Institute. Address: HD210A....Instituto Oceanografico de la Armada....Casilla 5940....Guyaquil, Ecuador....ATTN: Pedro Cabezas G., Capitan de Corbeta. (Muick-PA).

HCJB, 9560, f/d cd in 25 days for 1 IRC. (Wallace-JAPAN); f/d "Newsmen in Action" cd in 51 days w/sked and sticker for 2 IRC's. (Miller-MA) 11915, f/d cd in 20 days w/pennant for 2 IRC's. (Baum-FL); same in 30 days for 40¢ in US stamps. (Duke-TX).

EGYPT: R. Cairo, 9475, f/d "Queen Nefertiti" cd, sked in 44 days for 1 IRC. (Fonder-TX): 9805, same in 79 days for 1 IRC. (Colacarro-MA); same in 100 days. No rp. Rpt in 1976 was ignored. (Brooker-ONT): 21465, GG QSL cd in 4 weeks after f/up for rpt to Engineering Dept., Box 1186. (Cosier-AUST).

ENGLAND: VOA-Woofferton, 7200, cd in 29 days. No rp. (Mikell-IL): 9760/7205, f/d cds in 19 and 11 days. No rp. (Desrosiers-MA).

EUROPEAN RSFSR: R. Moscow, 9720, cd, letter and skeds in 28 days. No rp. I inquired about "RR by Radio" and was told it was sent only to Great Britain, but they did send 3 books associated with the prgm. (Reed-OH): 9710, f/d "Rocket Statue" cd in 35 days. No rp. (Tiers-BC). XNTR SITES: R. Moscow via Moscow, 9680/9600/7290/7185/9650/9520/9490. Via Kazan, 11850. Via Tula, 7250. Via Zhigulevsk, 15185. Via Serpukhov, 15505. Cards in 1 to 2 months. No rp. (Barto-CT, Neehan-CT, Cannon-NC, Wirsz-BC, Hermann-ONT).

## NATIONAL BROADCASTING COMMISSION

PAPUA NEW GUINEA



from  
DENNIS  
STREVELER  
and others.



P.O. Box 1359, Boroko.  
PAPUA NEW GUINEA.

FINLAND: R. Finland, 15110, cd, sked and letter from Eddy Hawkins in 38 days for pcd and 1 IRC. (Miller-WV): 11735, f/d "YLE" cd, sked in 34 days for 1 IRC. (Dawson-ALB); f/d "Flag" cd, letter and "Hear Finland" mag in 30 days. No rp. (Wirsz-BC).

FRANCE: RFI, 15135, f/d "Couleurs et Lumiere de France" cd, plastic pennant and sked in 58 days for 1 IRC. (Buchko-IN): 15210, f/d "St. Germain" cd, 4 skeds, pennant and bumper sticker in 12 weeks for used stamps on 3rd try. Total time was 78 weeks and a note from "P.C.A." apologized for the delay. (Sarrazin-CO).

FRENCH GUIANA: FR3, 3385, no-data cd w/freqs listed in 3 weeks for NASWA FF rpt and 1 IRC. (Cannon-NC).

GEORGIAN SSR: R. Moscow via Tbilisi, 9760, f/d "Kalinin Prospekt" cd in 31 days. No rp. (Site on cd. (Hoffman-PA); in 5 weeks. No rp. (Bishop-PA).

GERMANY (E): RBE, 11890, f/d cd, "REI Journal" and letter in 73 days. No rp. (Wirsz-BC); same with transcript of the prgm on which my letter was read in 63 days. No rp. (George-TX).

GERMANY (W): Deutsche Welle, 6040, no-data cd in 4 1/2 months. No rp.

(Stanziale-CT): 9690/15225, cds in 1 1/2 and 4 months. (Vernetti-MARSHALL IS). Sudwestfunk, 7265, "Ear" cd w/o time in 42 days for EE rpt and 1 IRC. (McCarthy-IN).

Suddeutscher Rundfunk, 6030, yellow QSL cd w/o time in 45 days for EE rpt on GG xmsn. No rp. (Cannon-NC).

VOA Relay, 3980, f/d cd in 33 days. No rp. (Hoffman-PA).

GHANA: GBC, 4980, f/d cd in 5 months. This cd really looks official! Too bad the Post Office practically demolished it! (Muick-PA): 4915, f/d cd, sked in 172 days for EE rpt and 3 IRC's sent registered mail. (Ward-NB).

GREECE: V. of Greece, 11730, f/d cd in 33 days. No rp. (Tiers-BC); same in 38 days. No rp. (Mikell-IL); in 32 days for 1 IRC. (Desrosiers-MA).

VCA-Kavala, 9770, f/d cd in 11 days. No rp. (Glazzy-CA).

GRENADA: R. Grenada, 15105, f/d "Schedule" cd in 107 days. No rp. (Valko-PA); same in 134 days. No rp. (Brooker-CNT); in 195 days for 3 IRC's. (Ward-NB); in 6 months for 1 IRC. (Hermann-CNT).

GUAM: TWR, 9640, f/d cd in 14 days for mint stamps. V/s Catherine Fetters. (Hoffman-PA); same in 2 weeks for 2 13¢ stamps. (Herkimier-NY); in 20 days. No rp. V/s Rose Marie Groft. VIC #180! (Mayer-IL); same w/sticker in 12 days. (Barto-CT): 11780, same w/stamp saying "KTWR First Day" and friendly letter in 14 days for a 13¢ stamp. (Mikell-IL).

GUATEMALA: R. Cultural, 3300, f/d "Quetzal" cd, sked and other literature in 44 days for 1 IRC. (Fonder-TX).

GUINEA-BISSAU: R. Nacional, 4780, f/d EE/PP cd in 21 days for FP rpt and mint stamps. (Pyatt-PA).

HAWAII: WWVH, 2500, "Aloha" cd, sked in 10 days. (Verneti-MARSHALL IS): 15000, same cd w/o time in 9 days. No rp. (Desrosiers-MA).

HUNGARY: R. Budapest, 6000, f/d cd, sked in 71 days for 1 IRC. (Colacarro-MA): 9585, f/d cd and pennant in 47 days for 3 IRC's. (Miller-MA): 11910, f/d cd in 87 days. No rp. (Duke-TX): 15220, f/d "Damjanich Museum" cd in 4 months. No rp. (Lobdell-MA).

ICELAND: Reykjavic Radio, 12175, f/d "Capitol" cd in 24 days for EE rpt and 1 IRC. (Desrosiers-MA).

INDONESIA: RRI Pak Pak, 4790, Indo letter in 4 months for rpt on Indo xmsn and SASE which was not used. (Field-MI).

RKPD Tingkat 2 Banyuwangi, 3510, Indo form letter from v/s Rundy Moeljono in 8 weeks. Station gives slogan as "Suara Blambangan" and freq as "3573 kHz". My Indonesian #47! (Cosier-AUST).

IRIAN JAYA, RRI Sorong, 4872, f/d plain white RRI cd in 1 year, 8 months for Indo rpt and mint stamps. (Mayer-IL); same in 25 days for EE rpt on Indo xmsn sent c/o Chief Engineer and 3 IRC's. (Poppin-CA).

IRAN: NIRT, 15084, f/d cd and pennant in 24 days for Gilfer rpt form. No rp. (Mann-CNT): 9022, f/d "Rezaieyh TV" cd in 30 days for 1 IRC. Wrong freq on this but I did mention "9022" in my rpt. (Desrosiers-MA): 9022/15084, 2 different cds in 6 weeks. No rp. (Field-MI).

IRAQ: R. Baghdad, 9745, f/d cd, paper emblem, sked, pamphlet on Iraqi dates and Anti-Zionist booklet in 92 days. No rp. (Brooker-CNT).

ISRAEL: IBA, 11655, f/d "Jerusalem Painting" cd in 63 days. No rp. (Mayer-IL): 9815, same in 47 days w/forms and pennant details for 2 IRC's. (Miller-MA): 9475, same in 40 days for 1 IRC. (Buchko-IN): 7412, same w/sked and IBA booklet in 85 days for 1 IRC. (Miller-WV).

ITALY: RAI, 11810, f/d "Il Pescatore" cd in 92 days for 1 IRC. (Fraser-MA); f/d "Ritratto di Bambino" cd in 3 months. No rp. (Lobdell-MA): 9575, f/d "Statue" cd in 79 days for 1 IRC. (Dawson-ALB).

JAPAN: R. Japan, 15105, "Bamboo Grove" cd, 3 skeds, "R. Japan News" and 2 identical copies of their shortwave booklet in 11 days for 1 IRC which they returned. (Neff-IL): 9505, "Hakata Dolls" cd w/o time in 21 days for 2 IRC's. (Duke-TX): 9585, cd in 5 weeks. (Barto-CT).

FEN, 3910, cd w/o time in 44 days. No rp. (Glazzy-CA); same in 7 weeks. No rp. (Howard-CA); same on a photocopy of a FEN cd in 35 days. No rp. Cd says "from HQ FEN, San Francisco", which is where I sent the rpt, but the cd came from Japan!?! (Wirsz-BC).

KENYA: V. of Kenya, 4915, f/d aerogramme QSL in 4 weeks for 2 IRC's. I'm pleased with this one. Just 2 more for the Commonwealth Award. (Overcamp-EC); same w/wrong date in 46 days for tape rpt and 1 IRC. (Gionet-NB); same in 27 days. No rp. I'm a bit disappointed. (Muick-PA). Why?

KOREA (N): R. Pyongyang, 11535, f/d cd, sked, pennant, pin, opera pcds and zoo booklet in 7 weeks for 3 IRC's. (Noonan-KI); cd, pennant and 2 Jananese IRC's in 70 days. No rp. (Mikell-IL): 9420, f/d "Schoolgirls in Memorial Groove" cd, badge, pennant, letter, sked, booklet and opera pcds in 33 days for EE rpt on SS xmsn. WOW! (Desrosiers-MA).

KOREA (S): KBS, 11860, f/d cd in 20 days. No rp. (Wallace-JAPAN): 9720, f/d "Staff" cd, rpt forms, sked and KBS pamphlet in 33 days. No rp. (Glazzy-CA).

LAOS: Lao National Radio, 6980-Luang Prabang/7385-Seno/7145-Vientienne, letter in 5 months from Chaleun Vongsam-Ang, Director-General. (Barto-CT).

LIBERIA: ELWA, 11945, f/d "Drummer" cd in 197 days. No rp. (Valko-PA): 4770, same w/sked, religious info in 7 months for 3 IRC's. (Glazzy-CA).

VOA-Monrovia, 15445, f/d cd in 13 days. No rp. (Wallace-JAPAN): 7280, f/d cd in 9 days. (Sillings-NY): 3990, in 13 days. No rp. (George-TX).

LIBYA: Peoples' Revolution Broadcasting/SPLAJB, 6185, personal EE letter from v/s B.O. Buzed in 5 months for 2 IRC's and a color print. This was my 3rd rpt with a total of 6 IRC's. They changed their name to the Socialist



Peoples' Libyan Arab Jamaheriya Broadcasting. (Wiles-WV). An improvement?

LITHUANIAN SSR: R. Vilnius, 15405, f/d cd in 96 days. No rp. (Wirsz-BC): 9745, f/d cd, sked and letter in 121 days. No rp. (Golkin-NY): 9720, f/d cd in 109 days. No rp. (Valko-PA).

LUXEMBOURG: R. Luxembourg, 6090, f/d 5 in 5 1/2 months. No rp. (Brooker-ONT).

MALAGASY REP: R. Nederland Relay, 11730, f/d "DX Staff" cd in 53 days. No rp. (Wirsz-BC); same in 17 days. No rp. (Brooker-ONT).

MALAWI: MBC, 3380, letter in 47 days for EE rpt, 1 IRC and used stamps. Also got a personal letter from Collins Chiwaya, an Engineering Assistant Trainee at MBC, who filled out my QSL. (McCarthy-IN).

MALAYSIA: R. Malaysia-Penang, 7295, f/d folder cd containing photo, skeds, info on country, people, foreign policy, exports, etc. in 64 days from Kuala Lumpur. V/s Teoh Chew Soo. Aminah Din, Engineer-in-Charge at Penang, replied by personal letter in 14 days. All for EE rpts, 3 IRC's. (Poppin-CA). BBC Relay, 15435, no-data cd and form letter on their QSL policy in 17 days. No rp. (Wirsz-BC)

MALTA: R. Mediterran, 6080, f/d form letter in 60 days for 1 IRC. (Pyatt-PA)

MEXICO: R. Universidad de Sonora-XEUDS, 6115, no-data cd in 26 days for SS rpt. No rp. (Glazzy-CA); freq-only cd in 15 days for EE rpt and 1 IRC. Power listed on card as 0.7 KW, per request. (Duke-TX).

MONACO: TWR, 7105, f/d cd and pennant in 42 days for 1 IRC. (Pyatt-PA).

MONTSERRAT: Deutsche Welle Relay, 11970, no-data cd in 6 months for rpt on GG xmsn and 2 IRC's. (Wiles-WV); cd in 5 months. (Barto-CT); no-data cd in 11 days. No rp. (Mayer-IL).

MOROCCO: VOA-Tangier, 6060, f/d cd in 12 days for 2 13¢ stamps which were returned. (Sillings-NY): 7190, cd in 1 week. No rp. (Desrosiers-MA).

NETHERLANDS: R. Nederland, 11730, f/d "DX Staff" cd in 9 days for 1 IRC. (Fraser-MA); same in 35 days for 1 IRC. (Colacarro-MA).

NETHERLANDS ANTILLES: R. Nederland Relay, 6165, f/d "DX Staff" cd in 15 days. No rp. (Yacono-NY); f/d "Antenna" cd, 2 stickers and a sorry note saying pennants go only to some winners of the Easter Egg Hunt. Received in 2 weeks. No rp. (Sillings-NY). TWR, 11925, f/d "Tower" cd and sked in 19 days for 1 IRC. (Colacarro-MA).

NEW CALEDONIA: R. Noumea-FR3, 7170, f/d orange map cd in 21 days for EE rpt and 1 IRC. (Onken-IL); same in 27 days for EE rpt and 1 IRC. (Dawson-ALB); same in 18 days for FF rpt and 2 IRC's. (Mikell-IL); same in 19 days for EE/FF rpt and 1 IRC. (Wirsz-BC).

NEW ZEALAND: RNZ, 6105, f/d "Red Cable Car" cd, sked, paper pennant and "Tiki" charm in 30 days for 1 IRC. (Blossom-OH); f/d "Pasture Scene" cd in 14 days w/pennant and sked for 2 IRC's. (Pyatt-PA): 11705, f/d cd w/wrong time, sked in 22 days. No rp. (Golkin-NY): 15130, f/d cd, sked, pennant and brochure in 31 days. No rp. (Sapoznikow-MAN).

NIGERIA: NBC-Sogunle, 4990, f/d letter, VON sked in 35 days. No rp. (Brooker-ONT); same in 69 days. No rp. (Valko-PA). NBC-Benin, 4932, f/d form letter in 44 days. No rp. (Gionet-NB). NBC-Ilorin, 7145/NBC-Maiduguri, 6100, one f/d form letter for both stations in 5 months. No rp. (Bishop-PA).

NORWAY: R. Norway, 11895, f/d "Fjord" cd, 2 NRK bulletins in 31 days. No rp. (Ponder-TX): 15175, f/d "Harbor Scene" cd, skeds in 41 days. No rp. (Meehan-CT); f/d "Mountain Road" cd in 27 days for 1 IRC. (Duke-TX); f/d cd in 1 month. No rp. (Rockwood-OH).

PAPUA NEW GUINEA: NBC, 4890, f/d cd, sked, paper pennant, travel brochure in 3 1/2 months for 1 IRC. (Sapoznikow-MAN); in 3 weeks for 1 IRC. (Howard-CA): 9520, f/d cd in 23 days for 2 IRC's. (George-TX); in 75 days. No rp. (Ponder-TX); f/d cd w/notation that "No pennants as yet made for our Radio Station", sked and tourist info in 5 months for ski map. (Sarrazin-CO).

PARAGUAY: R. Nacional, 6025, letter w/verie statement and other idle meanderings, tourist info in 7 weeks by registered mail. No rp. Letter says they'll be using 100 KW beginning Oct. 1. (Bishop-PA).

PERU: R. Nacional de Tacna, 9532, personal letter 2 years, 4 months after SS rpt, tape and mint stamps and 1 month after 10¢ f/up. V/s Jaime Mamani Gallegos. (Lazarus-LA). R. del Pacifico, 4975, f/d cd and nice letter about the station in 6 weeks for EE rpt and 1 IRC. V/s Miss Mary R. Antara. (Howard-CA). R. Tropical, 4935, SS QSL cd in 5 weeks for SS rpt. (Cosier-AUST).

PHILIPPINES: FEBC, 11920, f/d cd in 37 days. No rp. (Wallace-JAPAN): 11850, f/d cd in 51 days for 1 IRC. (Stauner-WI). R. Veritas, 11955, f/d cd in 15 days. No rp. (Wallace-JAPAN). VOA-Poro/Tinang, 9760, f/d cd in 12 days for 2 13¢ stamps

which were returned. If you send a stamp, you'll get your card in an envelope and usually your stamp back. (Sillings-NY): 15395, f/d cd in 1 month. rp. (Valco-PA): 15290, f/d cd in 10 days. No rp. (Meehan-CT); f/d cd in 5 days for 26¢ in stamps. (Onken-IL). I guess it depends on who gets the stamp. POLAND: Polish Radio, 11815, f/d "Heraldic Arms" cd in 46 days. No rp. (Mikell-IL): 7270, same cd, rpt forms, sked and letter promising mags in days. No rp. (Desrosiers-MA): 11815/9525, same cd, sked in 10 weeks. No rp. (Bishop-PA).

PORTUGAL: R. Portugal, 11925, f/d cd w/power as 50 KW, not 10 KW as list in BBCS, in 4 weeks. No rp. (Cosier-AUST).  
AWR, 9670, f/d "Globe" cd, pennant in 14 days for 1 IRC. (Fyat PA); f/d black "Red Flame" cd, sked and AWR Europe News in 30 days for 2 IRC's. (Mooney-CNT).

מדינת ישראל

K O L I S R A E L  
BROADCASTING STATION

Date November 23 1949.

5680 1/12/49

MR.

Sydney J. Osterman

450 Beach 124 St.

Rockaway Park

New York, U.S.A.

Dear Sir,

Thank you for your Reception report, dated 17.8.49 and for the interest in writing to us.

Your report was checked against the station's records and found to be correct / ~~w/xxxxxxx~~

You were tuned to a test transmission on 9000 kc/s.

We are regularly broadcasting on 6830kc/s. which can be heard in New York. Our english programmes are broadcast

at 1200hrs. and 2030 ~~xxxx~~ hrs.G.M.T. the letter also on 9000kc/s

With best wishes for further good reception, we remain,

Yours faithfully,

*O. Wilker*

O. WILKER

Engineer i/c Studios

OW/VH.

RHODESIA: RBC, 3396, cd w/o time in 16 days. No rp. (McCarthy-IN).  
ROMANIA: R. Bucharest, 11940, f/d "Pavillion" cd in 97 days for 1 IRC. (Colacarro-MA): 9570, f/d cd, stamps, sked, club info in 3½ months with mo to come for 1 IRC. (Rockwood-OH).  
SABAH: R. Malaysia-Sabah, 4970, no-data cd w/verie letter attached in 2 months on 4th try for 3 IRC's. (Field-MI).  
SARAWAK: R. Malaysia-Sarawak, 5005, f/d "Broadcasting House-Sibu" cd in 14 days for EE rpt on Lang xmsn and 3 IRC's. (Poppin-CA).  
SENEGAL: R. Senegal, 4890, f/d black/white "String Instrument" cd in 40 days for Gilfer EE/FF rpt and 1 IRC. (Hoffman-PA): 6045-St. Louis, cd w/o

freq from Dakar. FF rpt and 2 IRC's were sent directly to St. Louis in a try for a proper QSL with xmtr site. (Cosier-AUST).

SEYCHELLES: FEBA, 11755, f/d orange map cd w/"Special Announcement" in 41 days for 1 IRC. Announcement referred to my lucky catch of FEBA's statement that they were temporarily closing down for "security reasons". Because it was a revolutionary take-over, I didn't expect to get the card. (Osterman-ONT); f/d orange map cd in 10 days for 3 IRC's. (Muick-PA): 11800, same in 24 days for 3 IRC's. (Onken-IL): 11785, no-data acknowledgement cd in 36 days for 3 IRC's. (Pineault-QUE).

SIERRA LEONE: SLBS, 3316, letter in 60 days. No rp. (McCarthy-IN).

SINGAPORE: R. Singapore, 9635, f/d "Logo" cd in 35 days for 3 IRC's. Nice stamps! (Blossom-OH).

SOLOMON IS: SIBC, 5020, f/d black/white cd in 3 months for 2 IRC's. They're now SIB-Corporation. (Herkimer-NY): 9545, f/d new "SIBC Crest" cd in 60 days for 2 IRC's. Power = 5 KW. (Osterman-ONT).

SOMALI REP: R. Mogadishu, 9585, f/d "Antenna Towers" cd in 3 months for EE rpt on AA/Somali xmsn and 2 IRC's. (Cannon-NC).

SOUTH AFRICA: R. RSA, 7270, f/d "Lights at Night" cd in 20 days. No rp. (Tiers-BC): 11800, f/d "Giraffe at Sunset" cd in 22 days. No rp. (Poppin-CA): 11900, f/d cd, mag in 1 month. No rp. (Wallace-JAPAN).

SABC, 3980, cd in 1 month. No rp. About 6 weeks later I got their large green pennant and a letter commenting on "freak reception". Ha! (Overcamp-SC): 3965, f/d "Montage" cd w/wrong time in 22 days for 2 IRC's. (Duke-TX): 3388, verie letter w/o time in 20 days for 2 IRC's which were returned. (Mooney-ONT).

SPAIN: RTVE, 11880, f/d cd, sked, forms in 29 days. No rp. (Baum-FL); same in 48 days for 1 IRC. (Fraser-MA); same in 50 days. No rp. (Hascall-IN); same in 30 days. IRC's were returned! (Mann-ONT): 6065/11880, same in 48 days for a mint stamp. (Burns-IL); same in 17 days with a note thanking me for my "warm letter". No rp. (Pickard-IL).

SRI LANKA: SLBC, 15425, "Costumed Women" cd in 17 days for EE rpt and pcd. Three previous rpts with IRC's were apparently lost. (McCarthy-IN): 9720/11800, "Jeweled Maidens (head shot only!)" cds in 39 and 156 days for EE rpts and letter with 3 IRC's. (Poppin-CA).

AWR, 15425, f/d cd #181 in 82 days. No rp. (Gionet-NB).

VOA-Colombo, 11745, f/d cd in 9 days. No rp. (Sillings-NY).

SURINAM: Stichting Radio Omroep Suriname, 4780, f/d letter thanking me for my rpt in a surprising 24 days! Also got a "Mike & SRS Emblem" folder QSL with no data, but with country and station history. Power listed as 1000 Watts. I sent an EE rpt with about 15 used US stamps and a penny. On the envelope I used 4 different stamps to make 31¢ postage. Report was sent to: Stichting Radio Omroep Suriname....J. Van Eerstraat 20....Paramaribo, Suriname. (Jim Fedor-CT); f/d form letter and folder in 35 days for EE rpt on "The Morning Show" prgm reported by me in the Oct. FRENDX. Two previous rpts on Dutch prgms were ignored. No rp. (Gionet-NB). That should be "The Sunday Morning Show". My error. ed. Same in 25 days after 2nd rpt for EE rpt and used stamps. (Mooney-ONT).

SWAZILAND: Swazi Commercial Radio, 4980, date/freq letter from J.H. Lunn, Financial Controller, in 15 days. No rp. (Muick-PA).

TWR, 4760, f/d "Antenna/Warrior" folder cd in 19 days for 1 IRC. (Hoffman-PA).

SWEDEN: R. Sweden, 6120, f/d map cd, sked in 20 days for 2 IRC's. (Pickard-IL): 9695, f/d "Northern Lights" cd, sked in 55 days. No rp. (McCullough-NY): 15305, f/d cd in 22 days. No rp. (Yacono-NY): 17850, f/d cd in 1 month. No rp. (Wallace-JAPAN).

SWITZERLAND: SBC, 6135, f/d cd in 35 days for 2 IRC's. (Buchko-IN): 9725, f/d "Two Bobs" cd in 42 days for 1 IRC. (Colacarro-MA): 11715, same in 70 days. No rp. (Tiers-BC): 15430, in 50 days. No rp. (Wallace-JAPAN).

TAHITI: R. Tahiti, 11815, f/d FF "Nudie Cutie" cd in 14 days for 1 IRC. What a card! (Valko-PA): 15170, same in 60 days for 3 IRC's. (Mooney-ONT); in 43 days for 2 IRC's. (Duke-TX); in 45 days on 2nd try with Gilfer form and 3 IRC's. (Mann-ONT).

TAIWAN: VOFC, 17890, f/d "Geese in Snow" cd, pennant, sked in 33 days. No rp. (Osterman-ONT); same w/pamphlets on seals and calligraphy and brief Chinese history in 27 days. No rp. (Pickard-IL); f/d "Magpies" cd in 39 days for 3 IRC's. Sked came in 31 days. I thought I'd blown it. (Blossom-OH); f/d "The Garden Branch" cd, pennant, sked, info in 26 days for 2 IRC's. (Onken-IL)

TANZANIA: R. Tanzania, 15435/4785, cds w/o time in 63 days for EE rpt and used stamps. (McCarthy-IN).

TOGO: R. Togo, 5047, f/d "Map/Globe" cd w/sked on back in 37 days for EE

rpt and 1 IRC. (Brooker-ONT); same cd w/o freq in 33 days for FF rpt and mint stamps. (Glazzy-CA).

TUNESIA: RTV Tunisienne, 7275, f/d cd in 31 days for EE rpt. No rp. (Mann-ONT); "Pottery" cd in 24 days for EE rpt on AA xmsn, pcd and used stamps. (Meehan-CT); "Terrasse du Palais d'Orient" cd in 30 days for EE/AA rpt and pcd. No rp. (McCarthy-IN).

TURKEY: V. of Turkey, 11880, f/d "Mosque" cd, sked and mag in 35 days for 1 IRC. (Colacarro-MA).

UKRAINIAN SSR: R. Kiev, 7390, f/d cd, sked and contest info in 37 days. No rp. (Golkin-NY): 9500, same, "Ukraine News" in 21 days for pcd and 1 IRC. (Miller-WV): 7150/7245/9720/15405, 4 different cds, sked, pennant and quiz sheet in 37 days for 4 rpts. Five needed for pennant. (Sillings-NY).

R. Moscow via Kiev, 7160/9720. Via Starobelsk, 7170. Via Simferopol, 7130. Via Kharkov, 11970. F/d cards in 1 to 2 months. No rp. (Noonan-WI, Meehan-CT, Hermann-ONT).

UNITED STATES: VOA. Delano, 9700/6185. Bethany, 11830/17710. Dixon, 15365. Greenville, 15410/9670. Cards in 11 to 12 days. No rp. (Glazzy-CA, Sillings-NY, Desrosiers-MA, Wirsz-BC).

AFRTS, 11805, f/d cd in 15 days. No rp. (Wallace-JAPAN): 15530, f/d "Logo" cd in 7 days. No rp. (Duke-TX).

WWV, 15000, "Indian" cd in 18 days. No rp. (Desrosiers-MA). UN Radio, 6055, f/d blue/white cd, sked in 130 days after 2 f/ups and a 13¢ stamp which was returned. (Sillings-NY).

KGEE, 5980, f/d "San Francisco" cd, sked, paper pennant in 48 days for 26¢ postage. (Onken-IL): 9615, same w/religious material in 1 month for ocd and 26¢ in stamps. (Miller-WV): 9555, f/d cd in 25 days. No rp. (Wallace-JAPAN).

UPPER VOLTA: RTV Voltaique, 4815, f/d mimeo verie letter w/sked on it in 4 months for FF rpt and 2 IRC's on 2nd try. (Herkimer-NY); same in 27 days for NASWA FF rpt and 3 IRC's. (Mooney-ONT); same in 26 days for FF rpt, US stamps and a penny. They wrote about 4 lines at the bottom thanking me for the penny which got a fast response from Surinam and now Upper Volta. Tell you something? (Fedor-MA). QSL's are worth 1¢ apiece?

UZBEK SSR: R. Tashkent, 15460, f/d cd in 40 days. No rp. (Wallace-JAPAN). R. Moscow via Tashkent, 15505, f/d cd in 1 month for rpt on African Svc. I'd like to know the site others get on this freq. (Sarrazin-CO)

VATICAN: Vatican Radio, 17900, f/d cd in 14 days. No rp. (Noonan-WI): 11845, in 32 days for 1 IRC. (Colacarro-MA): 9605, in 10 days. No rp. (Stanziale-CT): 5995, in 17 days. No rp. (Baum-FL).

VENEZUELA: La Voz del Tigre, 3255, SS letter and large pennant in reply to a letter I sent dated June 15, 1968! V/s Graciela Cadenó. (Field-MI).

R. Juventud, 4900, date/freq "Dancers" cd in 19 days for SS rpt. No rp. (Ponder-TX).

R. Barquisimeto, 4990, date/freq "Globe/Tower" cd in 19 days for SS rpt. No rp. (Ponder-TX).

R. Universo, 4880, f/d green/white cd in 2 months. (Sillings-NY).

R. Nacional, 15390, f/d letter in 38 days. No rp. (Valko-PA).

R. Rumbos, 9660, f/d EE/SS cd in 115 days for SS rpt and 1 IRC. (Stauner-WI): 4970, f/d "Autopista del Este" cd in 187 days for NASWA SS rpt and 2 IRC's. (Ward-NB); f/d "Perla Margariteña" cd in 90 days for EE rpt and 1 IRC. (Brooker-ONT).

Ecos del Torbes, 4980, SS letter w/wrong date and "30th Anniversary" pennant in 212 days for SS rpt and mint stamps. (Stauner-WI); letter w/only wrong date in 260 days for SS rpt. No rp. (Gionet-NB); letter and pennant in 2 months on 2nd try for SASE which was not used. (Field-MI).

VIETNAM: V. of Vietnam, 15012, date/time cd, pennant, newsletter in 4 months for 1 IRC. (Howard-CA).

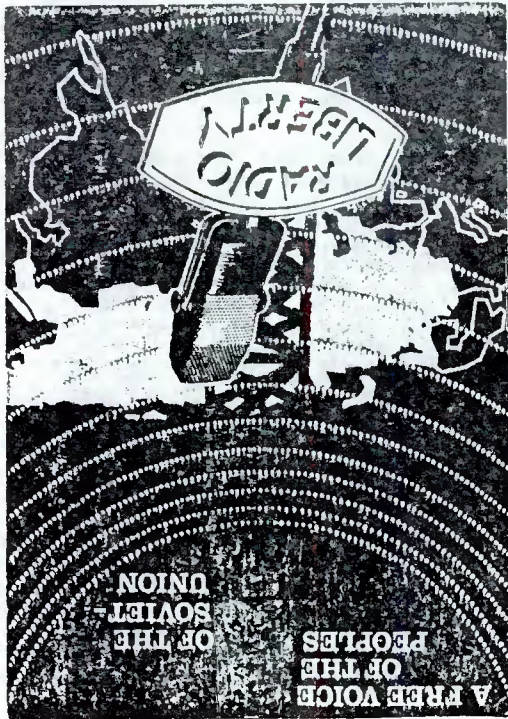
ZAIRE: Mouvement Populaire de la Revolution, 15245, very cordial FF letter w/o freq from Mangenda Suku Swa, le Directeur Technique, in 2½ months for FF rpt and 2 IRC's on my 3rd try. This was one of my most sought after holdouts. Now for Mali! (Herkimer-NY).

\*\*\*\*\*

A nice month. The reports of verifications from Surinam and Bhutan increased our total countries verified to 192. That's since September, 1975. Keep up the good work. Polish Radio awaits your report!  
Deadline for December issue: November 12.  
Deadline for January issue: December 17.

Bill

ROTTAB NALU • OHUAR



HELPING HAND: For Sale, Collins R390A/URR shortwave receiver. Very good condition. Purchased from Dames only 5 months ago. It has been rarely used. Also Gilfer M-1 Multi-Tuner, Heathkit Speaker and transformer for use with the Collins receiver, Telex 2E-7 Headphones, and Heathkit Q-Multiplier - plus assorted books worth about another \$20-\$25. All this for \$500. If far away, buyer will pay postage. Contact: Bob Ingoglia, 120 Merselis Ave., Clifton, NJ 07011, phone (after 2PM.) (201) 546-4754.

HELPING HAND: For Sale. Yaesu FRG-7, about 8 months old, used 30-40 hours. Gilfer filters. \$250. Jim Davis 101 Idaho St., Travis AFB., CA 94535 (707-437-3963, between 2300-0500GMT)

HELPING HAND: For Sale Mattis Digital Frequency Display, accurate to 1khz, good for single IF receivers like DX160, 5 digit LED display. Mint condition and checked out by Mattis Electronics. \$140. Also National NC173 Receiver, in good condition, hot on the low frequencies, with speaker and Heathkit Q-Multiplier. \$75. Contact: Al Mayer PO Box 321, Park Forest, IL 60466.

COMPUTERS: Anyone who has used a computer in connection with SWBC DXing? This could be a good basis for an article in SWC. With the Microprocessor explosion and the availability of low cost personal computers, this topic should be of interest to the membership. Possible applications could include record keeping, band surveys, noise filtering etc. I have been using a computer for years to keep track of outstanding QSL reports, not a home computer but an IBM computer at work. I would be interested in anyone who has been using a computer as a DXing aid. Al Mayer

HELPING HAND: For sale. Autek QF1 Shortwave Interference Filter with instructions. \$25.00 postpaid. Contact M.R. Leonhardt, P.O. Box 13, Liberty, IN 47353.

HELPING HAND: For Sale. Panasonic RF-2200 receiver. Used only once or twice. Complete with original carton, manual, and batteries. \$100.00. Contact Mike Light, 47 Green Lane, Levittown, NY 11756

HELPING HAND: For sale. Extra sharp DX-160 receiver, nine months old, speaker and head phones included. \$120.00 plus shipping or best offer. Contact Edward L. Underwood. 1717 W. Auburn Road, Rochester, MI 48063

HELPING HAND: Wanted. Pan adapter. In good working condition for use with modern digital communications receiver. Contact Larry Gutter, 1125 Oak Ridge Drive, Glencoe, IL 60022.

HELPING HAND: For sale. Mosley SWV-7 antenna system and other equipment. Write for details and price list. Contact Keith Heal, 976 E. Putnam, Porterville, CA 93257.

HELPING HAND: For sale. 36 issues of SPEEDX, January 1974 thru December, 1976 and 24 issues of ASWLC January, 1975 thru December, 1976. \$24.00 postpaid. Contact Andrew Pappas, 11421 S. Maplewood Ave., Chicago, IL 60655.

NEW YORK CITY METROPOLITAN DXERS TO MEET: The next meeting of the New York Metropolitan Area DXers will be held on November 6, 1977 at the home of Malcolm Kaufman in Bayside, Queens, NY. The address is 42-28 201st St., Apt. E-8, and the meeting is to start at 11:00 AM. For additional details call Malcolm Kaufman at 212/224-9469 or the coordinator of the MAD-men, Chris Hansen, St. Joseph's Seminary, Dunwoodie, Yonkers, NY 10704(914/968-6200).

HELPING HAND: Wanted. Am looking for a R390 and R220 in excellent condition. Contact Richard Orloff, 109 Village Path, Lakewood, NJ 08701

# update

November 1977

Number 6

Tom Alleman  
615 W. 43rd Terr., Apt. 6  
Kansas City, MO 64111  
(816) 931- 5943 0030-0500 GMT

UPCOMING DEADLINES: 12 Nov (Mid-Nov); 21 Nov (December); 12 Dec (Mid-Dec)

Reprinting permitted provided due credit is given the original reporter and NASWA UPDATE. Material from UPDATE may not be reprinted by organizations which do not give reciprocal access to their publications. BBC Monitoring Service (BBCMS) items are copyrighted and may not be reprinted without their permission. Dates, times and days are GMT; freqs are kHz.

*WHAT'S IN A NAME???* With this issue DX Hotline becomes UPDATE. In part, the change reflects the editor's tastes; it also reflects my desire to avoid conflict with the Benelux DX Club, which used the name DX Hotline long before NASWA did. Most importantly, the change mirrors my belief that our hobby stands or falls on the quick distribution of reliable news, be it a report of Nibi-nibi or schedule changes at the VOA. That's why a publication like DXH/UPDATE exists; the name change is intended to bring name and editorial philosophy into harmony. tba.

ALGERIA V of Palestine, V of Palestine Rev px on Algiers, 15773.2, closes at 1700 instead of 1800 as reported to RCI DX Digest. (Dave Walcutt, ILL)

ANGOLA R Nacional, Lobito, 4177.8, in PT 2232-2305\*; pop or local mx, mostly instrumentals, w/ calm PT DJ. S/off annmcs at 2301 w/ man yelling to crowd, crowd response and classical anthem to s/off. Fair to poor in UTE QRM; must be irregular. (Pitt McNeil, DC)

AUSTRALIA ABC, Perth, 6140, in EG at 0945 w/ shipping info, rock mx; unusually good signal. (Jack Jones, MISS)

BANGLADESH The Overseas Service, Dacca, b'casts in EG on 11651.5 at 1815. Also heard in presumed Bangla at 1720. Best ever here. (Victor Jaar, PQ)

BRAZIL UnID on 4955.2 several evenings at 2345-0030; usual format, lots of Dj talks, echo annmcs, ads, but no ID. (McNeil, DC) +++ R. Educ. de Para, 5045 in PT at 0225-0238 w/ "programa de musica popular," i.e., lots of muzak. (tba) +++R. Globo, 11805, TENTATIVE in PT at 0125 w/ ID and long string of ads. Very poor. (tba)

CANADA CFRX, Toronto, in EG from 0300-0330 on 6070 w/ nx, sports wrap up. (tba) +++ CHNX, 6130, in EG at 0850 w/ C&W mx, weather, nx at 0900. (Jones, MISS)

CHAD Rdif Nacional, noted 10 Oct only on 4995 w/ usual px from 2125-2200\*. Nothing on 4904 1/2 that day, but back on normal freq every day since. (McNeil, DC)

CHINA Nanning regularly on 4915 in CH from 1130-1200. Lanzhou 4865 often heard in CH at 1120. FFBS-1, 5040 now heard some mornings after R. Cinco moved to 5041.5. My UnID last time on 15198 was China w/ established service listed to 0025\*, though not on this freq. Still regular around 0015. (All from McNeil, DC)

CHILE R. Nac. de Chile, 6195, in SP at 0958 w/ ID, mx, and vocals. (Jones, MISS)

COLOMBIA LV del Norte, 4875, gave thickly accented EG ID at 0445, and asked for reports from NAM, CAM, and Eur. (McNeil, DC) +++ LV de Los Centauros, 5955.5, in SP from 2337-0045. (Greg Ravenhorst, MINN) +++ also noted at 1020 on 5955 w/ SP talk, campo mx, "Buenos Dias Colombia" px, many mentions of Villavicencio, but no IDs, in contrast to former policy. (Jones, MISS) +++ LV del Huila, 6150, in SP at 1053 w/ ads, guitar and vocal mx. (Jones, MISS) +++ LV de la Selva, 6170, in SP at 0315 w/ usual format: ID, TCs, many ads; very good. (tba)

COSTA RICA Faro del Caribe now on 6175 in SP at 1116 w/ LA vocals, ID. Former freq of 5055 not heard. (Jones, MISS) \*\*\* I noted an unreadable latin on 5055 last evening (23 Oct); wonder if they have moved again??? tba

CUBA RHC, 17915.8, in EG at 2049, //17885; quite loud, so hard to believe its a spur, but on the other hand . . . (Walcutt, temporarily in Honolulu)

DOM REP R. Norte, 4807, in SP at 0301 w/ typical Carib. mx, ID; +++ R. Mil, 4930, in SP at 0927 w/ ID, TCs, ads (one for Banco Metropolitana). Powerful. (both from Jones, MISS)

ECUADOR R. Zaracay, 3390, in SP at 1051 w/ Ecuadorian mx, TCs many IDs. (Jones, MISS) +++ LV de los Caras, in SP at 0338, on 4795 w/ ID, MoR latin mx, vocals. (Jones, MISS) +++ R. Popular has shifted to 4801v from 4799.5 w/ good sigs after 0400. (McNeil, DC) +++ R. Paz y Bien, 4820, in SP at \*0927 w/ IN, anthem, daily sked, tc and local mx. (Jones, MISS) +++ R. Federacion, 4960, is SP 0238-0258\*; non-stop old U.S. muzak to s/off w/ ID, calls, and anthem. (tba) +++ R. Splendit, 5025, in SP at 1100 w/ local mx, TCs talks. Big sig. (Jones)

EQUIPMENT NOTE Buyers and Sellers, the Boston area ARO equipment brokerage, closed its doors on 25 Sept. Now does business as Beacon Communications, buying and selling rather than brokering. (via letter from Bob King, W 1 CTO)

FRANCE Paris Calling Africa, 15200, 15210, booming in from 1700-1800. Shows what 100kW and clear channels can do. (Jim Conrad, IOWA) \*\*\* touche, Jim. tba

GALAPAGOS IS LV de los Galapagos, 4810, in SP at 0330, w/ "la hora en Galapagos", easy listening mx, including Godfather theme. R. Popular not on. (Jones, MISS)

GREENLAND Godthab can be heard w/ fair signal at 2150 on 5980 despite loud neighbors. 3999 heard in // around 2230 w/ religious px in guttural lang. (Jaar, PQ)

GUAM KTRW, 9640, in EG w/ "Our Daily Bread"; ID at 1123 and into Mandarin at 1130. (Tom Blossom, OHIO) +++ also noted on 15115 from 2115-2259\*, though s/ off may be as early as 2245 w/ various religious px and catchy ID jingles. (McNeil, DC, Ravenhorst, MINN. tba) \*\*\* tnx to Publisher Al Mayer for noting that 15115 and 15155 are //. Havent noted 15155 here despite numerous checks for it. tba

GUATEMALA R. Maya, 3325, in Indian at 1100 w/ ID and talk. (Jones, MISS) +++ R. Chortis, 3380, in SP at 0306 w/ ID, and latin pop mx. Fair to good. (Jones, MISS) +++ R. Nac., 6180, in SP at 0315-0325 w/ tourism px, and a list of Mexican stns. Music box ID theme. (tba)

HAITI 4VRD R. Nationale, Port-au-Prince has started MW and FM b'casts (1080 kHz and 102 MHz). Future plans call for SW on 5975 and 8545. This is obviously the former R. Commerce, renamed *Voix de la Revolution Duvalieriste*, which was silent for a long time even on MW. Power is 10 kw, dropping to 8 kw. (Jaar, PQ, thanking relatives in Haiti)

HOLLAND Jim Conrad sent the latest Happy Stn sked, which was too long to include in its entirety. Of special note, however, is the 2030-2120 tx to W/Cent. Africa on 26140. More grist for llm hounds. (Jim Conrad, IOWA) \*\*\* Latest RIB speculates that this is typo for 21640. Checks of both freqs seem to be in order. tba

HONDURAS R. Lux, 4890, in SP from 2345 17 Oct, w/ talks by M, taped IDs at 2359. then US soul and CentAm light mx to 0300\*. Good sigs w/ Senegal now on 4888v. (McNeil, DC)

INTERNATIONAL WATERS Mebo II merrily testing away on 6205 many evenings at 2300\*. Heard entire "Man of Action" theme when s/off delayed to 2309. Awaiting regular programming or change of freq w/ some curiosity; also awaiting QSL w/o much hope yet. (Ravenhorst, MINN)

ISRAEL IBA, 9815, in EG at 2248 w/ letters from listeners. Fair to good. (Jones, MISS)

KAZAKH SSR Alma Alta, 11950, in apparent RS w/ native mx, ID and semi-operatic vocals by M from 0225-0245. Fair to poor. (tba)

MEXICO R. Huaycocolta, 2390, in SP from 0045-0110 w/ numerous IDs and Mexican mx heavy on violins and guitars. Very good level, w/ occasional light QRM. (Neal Perdue, ALA w/ tnx to Jack Jones, MISS) +++ also noted at 0206\* w/ SP anncmt giving freq, "en Vera Cruz." Also noted at 0236, 16 Oct, w/ apparent live musical show. Many IDs, w giving calls at 0247. (Jones, MISS, w/ tnx to Neal Perdue, ALA). \*\*\* spectacular work, gentlemen!!! ++ Sp Pantera, 6105, in SP at 1139 w/ Mexican mx; many guitars mandolins. (Jones, MISS)

NEPAL Katmandu, 3425 at \*0021 on 17, 18 Oct w/ Nepali talks by M, choral anthem, then more talks and local string mx. Solid signals at first--better than ever heard in 1200 period--but fading fast by 0045. (McNeil, DC)

PAPUA NEW GUINEA 'Another sheaf of fine PNG logs, this time from Bill McMullen, MICH: Kimbe, 2340, in Pidgin (hereinafter PD) at 1158 w/ light MoR and Island mx, some C&W +++ Kavieng, 2428, at 1155 w/ positive ID similar to that of Pt. Moresby. +++ R. North. Dist., 2468, at 1157 w/ C&W mx and PD talk. +++ R. Gulf Dist., 3245, at 1145 in PD; very weak. +++ Madang, 3260, at 1202 w/ M DJ in PD and C&W mx. +++ R. Central (Boroko), 3290, at 1152. +++ R. West. Dist., 3305, in PD at 1205 w/ bad QRM from a UTE and Guatemala. +++ R. Bougainville, 3322, 1119-1139, in PD; easternmost of the PNGs and usually the first to be heard. +++ R. E. Sepik, Wewak, 3335, at 1103 in PD; QRM from CHU. +++ R. Milne Bay, 3360, sixties R&R mx w/ M DJ in PD at 1145. +++ R. E. New Britain, 3385, 1105-1205 in PD; good most days.

PERU R. Samaren, 4815, is SP at 0410 w/ Elton John song, DJ w. three mentions of Samaren and one of Iquitos, then into LA pops. (McNeil, DC) +++ R. Cuzco, 6195, in SP at 1001 w/ Peruvian mx, calls, freqs, IDs, TCs as "la hora exacta de R. Cuzco." Probable s/on. Bad het. (Jones, MISS)

PHILIPPINES FEBC, 17810.2, in EG at 0045 w/ Good Morning px. Anncd 11855, 15395, and 21515, in //. Antenna change at 0100, yielding weaker sigs. (Walcutt, Honolulu.)

SURINAM SRS, 4780, in Dutch at 0950 w/ talks, pop mx; good level. (Jones, MISS)

TANZANIA Dar es Salaam, 4785, TENTATIVE from 0350-0400 in apparent SH w/ drums and talks to tent. ID at 0400. (tba) +++ RT, 15434.6, in EG at 1755 w/ "Sing for Freedom" and ID. TC for E. Afr. Time at 1800. SH (???) at 1830. (Walcutt, Honolulu)

UNIDENTIFIED Lang talks on 4869v after Rio Amazonas s/off; light native mx to 0350 fade out. Not SP or PT; East African??? (McNeil, DC) +++ UnID lang on 9465 at 2000; apparently not AR or oriental; fairly good sigs. Help. (Conrad Richardson, VA)

URUGUAY Riff del Uruguay, 6045, in SP at 0948 w/ talks, mention of El Espectador; deep in mud. (Jones, MISS)

USSR Tbilisi II noted on 5040 \*0157 w/ bells IS, Soviet anthem, then possible Georgian anthem, RS ID more bells and into Georgian by M&W. Excellent level. +++4545 Alma Alta from 0007 w/ lang talks by M&W, then classical mx mixed w/ more talks by M&W. First time noted in the evening hours. Alma Alta 5035 good at same time. (McNeil, DC) +++ possible RS speaker on 9495 at 1137 w/ apparent RS songs. Unknown lang and fast fading. Do not believ this is UnID recently reported on 9497. (Jones, MISS)

UZBEKH SSR Tashkent, 11730, in EG and Urdu (???) 1210-1310. Talks on new constitution, IDs 1255, 1228; folk mx to 1253. (Blossom, OHIO)

VENEZUELA LV del Tigre, 3255, in SP at \*0955 w/ anthem, chorus, ID, calls, freqs, local mx. +++ R. Capital, 4850, in SP at 1025. (Jones, MISS)

73s to all, Tom



# log report section



Daniel A. Robinson, EDITOR  
5004 Fulton St., NW  
Washington, D.C. 20016

1601-4900

OCTOBER 1977

This seems to be the season for frequency hopping--care should be taken when IDing new or what sound like new stations. Many changes in the low-frequency bands are taking place, so without further delay. . . .

**DX SPOT**

4844.6v MALAYSIA Radio Malaysia: As noted tentatively in last months LR-A. . . From 2301 t/in w/Indian sitar mx, W vocalist, this at a respectable carrier level under/below Nouakchott on 4845. Quite a novelty at this hour! (This from yours truly w/thanks to McNeil. .)

**LIGHT**

4800 INDIA AIR-Hyerabad: 1220-1235 in EG and lang; lang tlk to 1230 then EG nx by W (From Jerry Lineback, 9/20)

- 2200 NICARAGUA La Lider: 0030 w/M in SP tlks, TC's, frequent ID's, **potent signals-as of late** (Robinson 10/17)
- 2340 NEW BRITAIN R.W.N.B.: 1050 in Pidgin, M w/tlk and into choral mx (Mayer 10/15) 1120 Pidgin, F (Sherman 9/10)
- 2360 GUATEMALA R Maya de Barillas: 0255-0330 w/lang tlk & mx and //3325.4, P (Sherman 9/10) 0310 SP tlk by M, guitar mx; 0340 recheck no trace of carrier or audio(Gavaras 9/10)
- 2376 PAPUA NEW GUINEA R Chimbu: 1123 in lang, poor with no ID but other PNG below 5mhz in (Sherman 9/10)
- 2390 GUATEMALA LV de Atitlan: 0145-0208 SP, guitar mx, ID, vocals, to 0208\* (Thompson 10/1) 0255 lang, should be this but no ID as very weak, QRN (Sherman)
- 2428 NEW IRELAND RNI: 1050 Pidgin, chorals-barely in there(Mayer) 1157 Pidgin tlks by M, F (Sherman 9/10)
- 2920 UNID: 0340 A weak SP stn hrd playing mx; ID 0351 by M as "Ecos" then long NA (Gavaras 9/10)Harmonic possibilities are endless, Tom--DR
- 3205a SULAWESI RRI-Gorontalo: 1410 IN, M w/nx and many mentions of Gorontalo (Uerlings 9/2)
- 3210 MOZAMBIQUE RM: 0340-0350 in PT, inst/lcl vocals(Lineback 9/25)
- 3213a (T) SULAWESI RRI-Ujung Pandang: 1413 IN, M w/tlk (Uerlings) Beware Menado hrd on 3215 between 1100-1200, sked to 1500--DR
- 3220 PAPUA NEW GUINEA R Morobe: 1128 F-G in Pidgin (Sherman 9/10) 1140 w/tlks and US style mx (Lineback 9/15)
- 3222 TOGO Lama-Kara: 2211-2230\* in FR, pop mx, M in tlks, some lcl mx, off 2230 (Osterman 10/4)
- 3240 SWAZILAND TWR: 0345-0350 Vernacular, ID, Battle Hymn of Republic, song in lang(Lineback) 0410-0425 w/rel. chorals (Mayer)
- 3245T PAPUA NEW GUINEA R Gulf District: 1130 lang, P (Sherman 9/10)
- 3250 SOUTH AFRICA SABC: 0312-0350 w/usual Springbok px (Luce, Bryan, Lineback)
- 3255 VENEZUELA LV de Tigre: 0100-0115 SP, mx (Valco 9/14) 0247-0255 string mx (Earhart)
- 3260 PAPUA NEW GUINEA R Madang: 1130 Pidgin, tlk by M (Sherman 9/10) 1145 Western mx, chorals (Lineback 9/15)
- 3275 PAPUA NEW GUINEA R So Highlands: 1131-1148 Pidgin, lang tlks and mx (Sherman, Lineback) Some other details? No? --DR
- 3275 VENEZUELA R Mara: 0150 SP, LA mx, ads and ID's (Tannenwald)

- 3279v GUYANA GBS: Varying in frequency here w/evening px fm 0000-ed  
 3285 BRAZIL R Olinda: 0058 SP, mx and tlks by M (Valko 9/24)  
 3285 BELIZE RB: 0410 EG, pops //834 (Lineback 9/25)  
 3290 PAPUA NEW GUINEA R Central Province: 1133 fair in lang w/HET (Sherman 9/10)  
 3295a BORNEO RRI-Samarinda: TENT 1420 w/W vocalist, pop type mx (Uerlings 9/18) Jim, for TENT loggings such as this could you send along some more details, just for my purposes? Thanks-DR  
 3300 GUATEMALA TGNA: 1056 SP, ID's by M (Valko 9/13) 0438-0500v\* w/mx and tlks (Earhart 9/25)  
 3316 SIERRA LEONE SLBC: 2320-2330 EG, DJ w/lcl mx and rock, ID (Smith 9/17)  
 3320 SOUTH AFRICA SABC: 0400 in Afrikaans tlk (Wood 9/20)  
 3322 PAPUA NEW GUINEA R Bougainville: 1150 Pidgin tlks (Lineback)  
 3335T BRAZIL Em. Educ Rural: 2340 w/M in PT tlks and mentions of "Natal" (Robinson 10/17)  
 3335 PAPUA NEW GUINEA R East Sepik: 1045-1055 Pidgin tlks(Wood) 1143 Pidgin tlk w/mx, Beach Boys(Gavaras 9/10)1150 Pidgin w/lcl choral mx, anmts by W(Lineback 9/15) 1135-1400\* W in Pidgin tlk, NA at s/off, E (Sherman 9/10)  
 3360 GUATEMALA LV de Nahuala: 1136 w/ID, strong w/PNG QRM(Sherman)  
 3360 PAPUA NEW GUINEA R Milne Bay: 1146-1400\* w/NA (Sherman, Lineback)  
 3366 GHANA GBC: 2250, M w/int'l nx in EG, ID 2300 (Cohen 10/3) 2250-2302\* EG, rel. mx, V of Revolution ID, NA (Smith 9/30)  
 3375T ANGOLA R Nacional: 0448-0505 w/tlk, lcl song, no ID hrd 0500 but snd like PT (Earhart 9/25)  
 3380 MALAWI MBO: On late 10/17 to 2330v\* w/EG nx 2322 by M, ID's and off (Robinson)  
 3380 ECUADOR R Iris: 0100 SP, two M w/live play-by-play sports covg, ID 0100 (Hoffman 9/5) 0230 LA pops, SP ads for Banco Popular del Ecuador (Cohen 9/23)  
 3380 GUATEMALA R Chortis: 1136 marimba mx (Sherman 9/10) TENT at 0127 and 1111 w/SP mx, typically vigorous DJ's (McMullen 9/9)  
 3385 SARAWAK R Malaysia-Miri: 1345 in lang tlks w/M and W(Uerlings) Listed for Iban, Kayan, Kenyah in TBS--DR  
 3385 PAPUA NEW GUINEA R East New Britain: 1000 EG, IS and ID; as daylight approached, the FR stn faded and up popped this(McMullen) 1050-1100 Pidgin tlks(Wood 10/5) 1155 Mw/anmt, EG pops and vocals(Lineback 9/15)  
 3385T FR GUYANA Cayenne: 0920-0940 FR, clearly but no ID hrd, HET QRM, LA mx to 0930-hrd 3 days in a row (McMullen 10/6)  
 3385 VENEZUELA R Barcelona: 0415 in SP, M w/sports event(Uerlings)  
 3388 SOUTH AFRICA Radio 5: 0300-0418 EG, pops, DJ, singing ID's--QRM Zaracay 3390 (Wood, Edelstein)  
 3390 ECUADOR R Zaracay: 0308 SP, Andean mx, M w/ID, gongs(Bryan 9/27)  
 3395 VENEZUELA R Universidad: 0135 SP, LA mx, ads, ID (Tannenwald) 0210-0245 M w/SP ID, mx, CW QRM (Cohen, Edelstein)  
 3396 NIGERIA NBC-Kaduna: 2200-2230 EG nx to 2205, then Hausa and lcl mx (Wood 9/30, Cannon 10/6)  
 3396 RHODESIA RBC: 0400-0410 EG tlk on war sacrifices(Wood 9/20) 0405 EG nx //3306 (Smith 9/13) 0417 EG nx, mx, ads(Desrosiers)  
 3400 CHINA PLA-2 Fuzhou: 1138 CH, G (Sherman 9/10)  
 3414 SUMATRA RRI-Medan: 1350 IN & South Pacific style mx(Uerlings)  
 3425 NEPAL R Nepal: 0025 t/in, noted with amazing strength and clarity, tlks, mx and ID's hrd on 10/14--definitely an example of out-of-the-ordinary propagation! (Robinson 10/14)  
 3482 BOLIVIA R Padilla: 0250-0305 SP, M w/tlk mentioned Padilla & Bolivia. . . no mx, 0305 f/out (Hoffman 9/26)  
 3495v UNID: Note the following two rpts-1110-1125 Radio Moscow in FR w/tlk(Ohtake-JAPAN 9/29) 0214-0222 UNID in FR, not BC, probably test-no ID hrd (Edelstein 9/22)  
 3550a TIMOR/LESSER SUNDAS RRI-Kupang: 1140-1150 IN, W in tlk, mentions Kupang, P (Mayer 8/31) 1140 IN, very weak (Sherman 9/10)  
 3560 N. KOREA R Pyongyang: 2100-2130 EG, tlk on Korean education //6575, 9420 (Ohtake-JAPAN 9/29)  
 3905 ADMIRALTY IS R Manus: 1050-1157 Pidgin tlk w/mx, C&W, U.S. top 40, chorals; NX at 1100 (Sherman, Cannon, Gavaras, Mayer)  
 3910 JAPAN FEN: 1143 w/mx, Fair in ARO QRM(Sherman 9/10)  
 3925 PAPUA NEW GUINEA NBC: 0948-1025 EG, US Top-40(Cannon)

- 3930T CAPE VERDE IS R Barlavento: 2350 in PT, pop mx, in ARO QRM (Pineault 8/24)
- 3945 NEW HEBRIDES NHBS: 0935-1003\* w/FR tlk by M, MOR mx, F-P in ARO QRM but same lvl as PNG-3385 (Sherman 10/6)
- 3965 SOUTH AFRICA RSA: 0416 Int'l Svc w/ID and TC for "Half past six; nx, prayer, choir, all in "Radio Today" px(Duke 9/6)
- 3970 CAMEROUN R Buer: 2149 EG, Local songs, nx bulletin in EG and s/off at 2200 (Pineault)
- 3930 SOUTH AFRICA SABC: Springbok Radio EG/AK nx, mx, ads(Desrosiers)
- 3985 ECUADOR Escuelas Radiofonicas: 105 -1105 SP, ID, nx, (Desrosiers)  
semi-classical mx(Mayer 9/27) 1150 SP and lang, ID's in SP, Ecuadorian folk mx--assume lang was Quschia (Underdown)
- 3995 ASIATIC SSR: 0905-0940 in RS, M&W hrd //4030 until 0930a, then into separate programming (Underdown) Bob notes that TBS lists Nikolayevsk na Amur for this frequency and time. . .
- 4000a INDONESIA RRI-Kendari(T): 0955 IN, tlk and string mx(Underdown)  
TBS lists Tanjungkarang //4000 to 1600--DR
- 4050 CHINA PLA-I: 1010 in CH w/comty and mx, mixing with USSR SSB; this is listed as 4045-PLA and was //5240, 5265(Underdown)
- 4073 UNID: 0110-0116 EG, M in tlk, US pops, Frampton, abrupt s/off 2345 (Edelstein 9/9) Undoubtedly a lcl hobby pirate...DR
- 4110 CHINA Urumchi: Noted 0000-0100 in CH; listed TBS as relay Beijing HS (Robinson 10/22)
- 4680 ECUADOR R Nac Espejo: 0339 SP, Ecuadorian mx, M w/ID 0342 (Bryan 9/27)
- 4698 JAVA RKIP-Surabaya: 1315+ IN, M DJ, pop mx sung in IN, Indon folk mx (Godfrey 10/4)
- 4700 UNID: 2350-0005\* C+ LR-A-3, sounded like AR chanting, M in tlk, short NA and c/off--can anyone shed some light?(Edelstein)  
Recent checks here show no stn this freq/time--DR
- 4719 SULAWESI RRI-Ujung Pandang: 2100 w/IS & ID in IN (McMullen)  
1115 IN, hrd daily w/tlks and light mx(Underdown), 1200 Song of Coconut Islands, F (Sherman)
- 4754 MALDIVES- No logging, just an announcement: Via DXH/TDXN comes word that BBCMS reports Radio Maldives will broadcast a test px here from 0500-0600, 1100-1200, 1730-1830 for a two-month period beginning Sept 10. This is already being hrd in Europe w/EG amts and mx.
- 4755 MOZAMBIQUE RM: 0354 in PT, lcl mx and pops, ID in EG/FR, PT and unid lang 0403 giving freqs (Pineault 8/24)
- 4755 BRAZIL Rdif Maranhao: 0203 PT w/soccer, ID & TC 0206, 0207:15 "Goal!" (Hywarren 9/28) 0230 PT w/Brazilian mx(Wood) 0320 M w/ads, mentions "transmision nacional..." and "Brazil"(Uerlings) 0830 w/mx, ads, tlk (Tannenwald 9/29)
- 4755 COLOMBIA En Nuevo Mundo: 0240 SP, lcl mx, M w/ID(Sarrazin 10-6)
- 4760 SWAZILAND TWR: 0400 in AK, IS, M w/ID, into rel. px(Bryan)
- 4763 PERU R Inca: 1028 SP amts by DJ, tlks, into popish LA tune, then extended tlks(McNeil 9/9 via TDXN)
- 4765 CONGO RTVC: 0401-0430 in FR/vern w/drums, vocals(Ponder) 0401 w/anthem, s/on, ID by M and nx headlines(Bryan 9/29) 2125-2140 w/EG nx, good accent, nice (Wood 9/30)
- 4770 LIBERIA ELWA: 2050-2200 w/religious px, EG nx 2200(Dunn, Wood, Hywarren, Gionet, Cannon) ELWA relays VOA nx...
- 4770 VENEZUELA R Bolivar: 2315 SP, LA mx(Alexander 9/9) 0055 w/ID, TC(Edelstein) 0154-0214 in SP w/mx, exact time, some pop records (Ponder) 0157 ballad followed by long series of ID's, each more dramatic than the one before (Meehan 9/9) 0357\* (Bryan 9/27)
- 4772a UNID: Poss R Cent 0355 in SP under Bolivar w/tlk, mx(Underdown 8/15) Em Rural, Santarem also here per McNeil in TDXN--DR
- 4777 GABON RTVG: 2305-2315 FR, nx, comty and ID--"...emetant de Libreville, RTV Gabonaise."(Sapoznikow) Was freq 4775 Garry??
- 4779a SURINAM SRS: 0137-0334\* and 0433\* varying with day; Pop mx, Dutch tlk, commercials(Alexander, Earhart, McMullen, Bryan, Lineback Uerlings, Ponder, Valko, Bogel) McMullen rpts at 0941 clear reception of Hindi/Dutch or HD/DT...
- 4780 HONDURAS R Juticalpa: 1115-1130 SP show "para todo el departamento"(Wood 10/6)
- 4785 TANZANIA RT: 2040-2051 in SH, tlks and lcl mx. (Cannon 10/6)
- 4785 DOM REP. Onda Musical: 0245-0327\* SP; rapid fire report of sports event- barnlike theme at s/off (Lineback 9/15)

- 4785 BRAZIL R Ribamar: 0115 PT, mx, ads, tlks, ID (Tannenwald 9/14)  
0145-0200 w/futebol, lcl ads (Wood 9/23) 0311 w/futebol(Bryan)
- 4790 PERU R Atlantida; 0320-0330 SP, LA pop mx, ID's & TCs, ads,  
futbol promos re: Peru-Argentina game(Roberts 9/28)
- 4795 ECUADOR LV de las Caras: 0257-0312 SP, vocals of HJ flavor,  
M w/ID & messages from 0301(Krueger 10/4) 0330 vocals, IDs, TCs,  
(Roberts 9/28)
- 4800 CHINA RP: 1110-1120 CH tlk on Mao (Wood 10/6)
- 4800 VENEZUELA R Lara: 1049-1101 SP w/Venez mx, IDs(Ponder 9/22)  
2345-0305 LA mx, ID's(Edelstein, Valko,Field)
- 4801 ECUADOR R Popular Independiente: Now lkhz up fm Lara creating  
HET, ex 4799.5--DR
- 4805 BRAZIL Rdf do Amazonas: 0158 PT w/M in tlk, vocals(Hywarren)
- 4805 DOM REP R Norte: 0245-0320\* SP, w/same sports event as on  
4785 and 4855 but different ancr--off after game wrap-up(Ling)
- 4807 SAO TOME E PRINCIPE R Nacional: 2200-2210 w/nx, drums, (B&K)  
ID(Wood 9/28) 2205 w/lcl and pop mx, W ancr(Gilonet 9/27)  
2245-2250 PT, M w/tlk, lcl tunes (Mayer) S/off anmt 2257 and  
into choral NA and off (Hywarren 9/28)
- 4810 GALAPAGOS IS(ECUADOR) LV de Galapagos: Light mx, ID's as  
"estan uds a la sintonia de Rdf la Voz de Galapagos" and TCs  
for CST (Roberts 9/25)
- 4810 VENEZUELA R Popular: 0143-0355\* SP, many ID's, mx and TC's  
(Ponder, Cannon, Sherman) 0905 LA mx, TCs, ID 0953 (Kerr)
- 4815 UPPER VOLTA RT Voltaique: 0559-0620; 0559 IS, 0600 ID, TC  
into nx by M until 0615 and into chants (Hywarren 8/22)
- 4815 COLOMBIA R Guatapuri: 0230-0245 SP, Todelar nx, "Banco de  
Bogota..." (Wood)
- 4815 PERU R Samaren: 0300-0335 mostly LA pops, only one lcl tune,  
DJ after every song w/either LV de la Revolucion or Radio  
Samaren, or both ID's; few if any ads. Booming signals, re-  
activated; hrd with Guatapuri off (McNeil 9/11 via TDXX-73)
- 4820 ANGOLA R Nacional: 0415-0430 PT political tlk (Wood 9/20).
- 4820 HONDURAS HRVC: 0255-0300 SP/EG w/ID, address, "The Hour of  
Decision" (Edelstein 9/12)
- 4823 BOLIVIA R Grigota: Watch for this one around 0100 as it is  
currently being hrd on the West coast--DR
- 4825 MALI RM: 2225-2240 //5995 in FR w/M in tlk, mx (Gionet 9/27,  
Mayer 10/4)
- 4825 DOM REP LV de las Fuerzas Armadas: 1017 SP ID by M, inst mx  
(Lobdell 10/3) 0230-0240 w/mx, ID, TC, ANMTS (Roberts 9/26)  
0257 LA mx, tlk (Sillings)
- 4825 GUATEMALA R Mam: 0200 w/fanfare mx, full ID by M in SP, into  
nx--good but poor modulation (Hywarren 9/28)
- 4825 UKRAINE SSR Starobelsk: Presumed one of two RS stns here at  
2140 w/excerpts fm speech by M (Robinson 10/9)
- 4831V ECUADOR R Luz y Vida: 0355-0420 SP, Andean melodies w/anmts,  
TC's, dedications by W ancr, few ID's, HET de UNID(Apurimac??);  
no sign of Reloj (Roberts 9/26)As of now, I am sure of only  
Luz y Vida on 4831--DR
- 4832 COSTA RICA R Reloj: 0816-0828 SP, quiet LA mx, ID @ 0828  
(Kerr 9/23) 1050-1100 M&W in tlks(Earhart) 1130-1145 SP IDs  
(Wood) 0301 IDs and mx (Valko)
- 4835T SARAWAK RM: 1303-1310 IN, US style pops, "Song Sung Blue"  
(Bogel 10/5)
- 4835 GUATEMALA R Tesulutlan: 0155 M&W vocals, 0157 ID, TC by M and  
back to more mx (Hywarren 9/28)
- 4835 BRAZIL Rdf Teresina: 0300-0315 PT, IDs, DJ show (Wood 9/23)
- 4838 BRAZIL Rdf Roraima: 0045+ PT, Indonesian type mx w/PT DJ,  
Latin mx after (Godfrey 9/25) Indonesian type mx????
- 4840 CHINA PLA-Fuzhou: 1115-1130 CH, attack on Koumintang //5900  
(Wood 10/6)
- 4840 VENEZUELA R Valera: 0350-0400\* w/"Desde Valera, Venezuela,  
transmite YVOI, Nueva Radio Valera..." into NA(Roberts, Cohen)
- 4845 MAURITANIA Nouakchott: 2131+ AR, M in tlk, inst mx(Edelstein)  
2200-2315 AR chants and mx (Cannon 10/6) 0605 (Godfrey)
- 4845 BOTSWANA RB: 0417-0433 EG, W giving tlk, some mx, ID 0423--  
Linda Ronstadt and others(Godfrey 9/21)No, Ronstadt did not ID-DR
- 4845 MALAYSIA Kuala Lumpur: 1315+ Indian px, pop songs played on  
organ, ID 1330 (Godfrey 9/21)
- 4845 MOLUCCAS RRI-Ambon: 1200 SCI, poor with HET (Sherman 9/10)

- 4850 CAMEROON Yaounde: 2230 FR, lcl tunes//4972.5, but this freq better(Mayer 10/4) This one has been better for some time--DR
- 4850 VENEZUELA R Capital: 2253-2304 SP, ads, ID by M, Fair in Clarin absence (Krueger 10/3)
- 4850 DOM REP R Clarin: 0828-0840 SP, LA mx w/M DJ, ID 0832(Kerr) Your handwriting is beautiful! Makes logs nice to look at... 1100+ machine gun tlk by M, IDs (Earhart 9/9)
- 4855T DOM REP: Clarin off freq? 0315-0330 //4785 w/coverage of sports event; continued in mx after 4785\*(Lineback 9/15)
- 4855 BRAZIL RC do Para: 0820 PT, tlks, mx, TCs(Tannenwald) 0327 PT, M w/tlk(Uerlings 9/20)
- 4860 PERU R Chinchaycocha: "Musica del campo" px of beautiful Andes mx, IDs, TCs; PSAs mentioned Lima, 0440-0500\*(Roberts) 0437-0502 SP, interesting mx, couldn't ID style, but perhaps Andean, little tlk (Bogel 10/3) 0405 blasting away till past 0605 w/guitar and flute mx, TCs and IDs (Jamison)
- 4860 VENEZUELA R Maracaibo: 2335 SP, ID, LA mx, ads (Alexander 9/9)
- 4865 BRAZIL R Feira de Santana: Mx px 0150, ID 0300 (Field)
- 4870 BENIN LVR: 2039 EG w/W in tlk on policies after Revolution (Dunn 10/9) 2307-2342 FR tlks, lcl mx, speeches and revolutionary tlks (Edelstein,Cannon,Onken,Alexander,Underdown)
- 4870 ECUADOR R Rio Amazonas: 0130 SP, light mx, tlks(Tannenwald) 0132 SP M vocals, 0146 Andean mx, 0201 ID & freq by M, on past 0330 (Riedesel 8/30)
- 4875 IRIAN JAYA RRI-Sorong: 0935-1000 IN tlk(Ohtake-JAPAN 9/30) 1225-1230 w/EG pop vocals, Fading (Lineback 9/20) 1310-1315 M in IN tlk, good(Bogel 10/5) 1344-1400\* IN folk mx, inst Hawaiian type mx; off in mid-song(Godfrey 9/24)
- 4875 COLOMBIA LV del Norte, Cucuta: 0220-0233 SP this new stn at strong lvl w/usual HJ format(Krueger 10/4) 0430-0500 SP mailbag, read SP letter from 18-year-old listener in Milan, greeted listeners in Europe, U.S., W. Indies; mentioned Eco's del Combeima was on same freq; friendly stn(Wood 10/6) ID's here included "La Voz del Norte, La Voz del mundo..." "HJBF 1340 khz, cinco mil watos de potencia, onda larga; HJBK 4875 khz, onda corta, banda internacional de 62 metros..." and FM--DR
- 4875 T BOLIVIA La Cruz del Sur: 0130-0200 SP/EG ID in SP at 0132 and into EG rel. px (Uerlings 10/2)
- 4880 VENEZUELA R Universo: 0130 SP, many ID's(Valko) 0220-0235 SP, M ancr EL LA mx, IDs(Edelstein 9/12) 0349 M w/ID, YV mx(Bryan)
- 4880 ZAIRE LV du Zaire: 0603-0631 in FR/vernacular, drums mx, chant and lcl mx (Ponder 8/22)
- 4885 COLOMBIA Ondas del Meta: 0445-0505 w/SP ID's, mx, TC(Ponder) 0500 SP ID, chimes, good (Sherman 9/10)
- 4885 PERU R Huancavelica: 0508 SP, rice Peruvian mx, then Peruvian military hymn(per Peruvian friend) (Pineault 8/24)
- 4890 PAPUA NEW GUINEA NBC: 1030 EG, Top-40(Cannon)1020 tlk, Led Zeppelin mx(Underdown)1054 ID-"You're listening to the NBC in PNG"(Sillings)0800-1100-Ir Michigan, 0900 consistently best hour for reception(McMullen 10/6)1102 M in nx(Earhart)1300-1400\* w/Sydney Stock Exchange;toothpaste ad;s/off anmt then "Nat'l Song" to 1400\*(Duke, Bogel, Dawson)
- 4890 SENEGAL Rdif du Senegal: 2345-0003\* FR,long tlk by M;clear ID 2357-No QRN!(McMullen 9/11) 0656 M ir. tlk, string rx and vocals to nx 0704 by M&W(Riedesel 9/3) Noted drifting to 4887--DR
- 4890 ECUADOR R Centinela del Sur: MX pgm in SP, SS ID's by M, anthem, ancr "R Nac de Republica del Ecuador" and 0505\*(Sherman, Field)
- 4895 MOZAMBIQUE RM: 0355-0410 EG/FR/PT/SH IDs, IS on indigenous inst, anthem 0400; lovely signal and fine lcl IDs(Wood 9/20) 0424-0500 PT, //4865, mx-guitar, hvy QRN(Edelstein 9/8)
- 4900 VENEZUELA R Juventud: 0047-0354 w/U.S. pop singles, many long IDs, TC's(Thompson,Ponder,Valko,Bryan,Sarrazin)

Two missorts: 2350 PERU R Independencia: 0322-0353 SP, Andean mx, ID's (Ponder 9/26)

4843 CONGO PT Noire: 0451-0509 FR, EL mx, xylophone type mx, soft vocals (Edelstein 9/2)

Watch for Bolivians on:  
 3255-R Paititi 3380-R Cumbre  
 3360-R Agricultura 4823-R Grigota via DSWCI

73 DAN

# log report *section*

4900kHz. - 6200kHz.



Sam Barto 245 Cherry Ave. Apt. J-11 Watertown, Conn. 06795 USA.

NASWA - FRENCH

LR - B - 1

NOVEMBER 1977

- 4904.5 CHAD RNT; 2045-2100 in FR w/ political tlks(Wood).2230-2300 in VR w/ Af. mx,religious type mx,ID(Onken,Cannon). 0445-0515 in FR w/ Af. pop & rock mx,folk mx, ID,soul mx,chanting,TC's,nx(Roberts,Godfrey).
- 4905 BRASIL R. Relogio; 0100 in PT w/ TC each minute,ID's(Tannenwald).
- 4908 KAMPUCHEA R. Phnom-Penh; 1115-1130 in KH w/ singing, mentions of Kampuchea which is the new name of the country(Wood 10/6).
- 4910 ECUADOR Emisora Gran Colombia; 0302-0505 in SP w/ many ID's,vocals, plugs for Radio Cadena Nacional(Jones,Uerlings).
- 4910 GUINEA RN; 2215-2304 in FR w/ tlks,Af. mx,(Cannon,Gionet).0145-0200 in FR w/ local mx,station seems to be active again(Wood).
- 4910.5 ECUADOR Emisora Gran Colombia; 0400 in SP w/ ID(Sherman).
- 4911 ZAMBIA RZ; 0400-0410 in EG w/ nx of Af.(Wood 9/20).
- 4914.5 KENYA VOK; 0300 in SH w/ ID,tlks(Sherman 9/10).
- 4915 BRASIL Rdf. Macapa; 0830 in PT w/ fast DJ type tunes(Tannenwald).
- 4915 GHANA GBC; 0537-0615 in EG w/ Af. chants,ID,nx at 0600,religious pgm,(Onken,Ponder).2115-2132 in VN w/ discussion tlks,ID(Earhart).
- 4920 AUSTRALIA ABC Brisbane; 0759-0942 in EG w/ financial nx,ID,TC,local nx items,tlks(Lobdell,McMullen).
- 4920 UKRAINE R. Kiev; 2115-2140 in CZ w/ R. Moscow IS,ID(Wood,Cannon). Some reports have Russian also at this same time...Sam.
- 4924 MOZAMBIQUE RM Maputo; 0400-0410 in Af. language w/ tlks(Wood).
- 4926 EQUATORIAL GUINEA R. Bata; 2125-2130 in SP w/ tlks on the visit of Kim II Sung(Wood 9/30).
- 4930rf DOMINICAN REPUBLIC R. Mil; 1015-1020 in SP w/ ID,nxTC(Lobdell,Tannenwald). 2100-2240 in SP w/ nx,ID,Latin rythems(Krueger,Cannon). 0040-0435 in SP w/ pop vocals,ID,TC,easy listening mx,commercial for Banco Metropolitano (Sapoznikow,Mayer,Lineback). Beautiful sigs.Sam.
- 4932 INDONESIA RRI Surakarta; 1330 in IN w/ local mx, K announcer. The 60 mb was very clear. WWV said that a geomagnetic storm in progress.
- 4932 NIGERIA NBC Benin City; 2108-2120 in EG w/ nx,wx, and the (Godfrey) pgm. "Great People of Nigeria"(Cannon).0435-0500 in EG w/ Af. songs, ID,TC,hymn and prayers, Koran readings(Lineback,Wood).
- 4935 BRASIL R. Capixaba; 2330-0000 in PT w/ clear ID,LA mx(Field 9/24).
- 4940 IVORY COAST RTVI; 2244-2310 in FR w/ Af. pop mx //7215,tlks,jazz mx, 41 mb frequency is showing improvement(Onken,Godfrey).
- 4940 VENEZUELA R. Yaracuy; 1005 in SP w/ LA mx,ID,tlks(Tannenwald).
- 4944 VIETNAM VOV; 1150 in VT w/ tlks by a M&W(Lineback).
- 4945 COLOMBIA R. Colosal; 0322-0340 in SP w/ TC,ID,LA mx(Ponder).0802 in SP w/ nx and an ad for "Alka-Seltzer-r-r"(Jones). 0521 in SP w/ ID, ads,chimes,LA mx and the same ads as above(Sillings).
- 4950 SARAWAK RMS; 1215-1300 in EG/CH w/ nx,ID,orchestral mx,piano mx,TC's, into CH at 1230 w/ guitar mx(Thompson). this site?..Sam.
- 4950 SENEGAL R. Senegal; 2215 in FR w/ nx by a M(Gionet).Anyone establish
- 4950 UNID; 0005\* believed to be an African(Field 9/4)...Senegal?...Sam.
- 4960 CHINA RP; 1110-1205 in JA w/ tlk on Mao(Wood,Lineback).
- 4965 COLOMBIA R. Santa Fe; 0350-0440 in SP w/ ID,pop mx,(Cohen,Bryan).
- 4970v VENEZUELA R. Rumbos; 0900-0918 in SP w/ chimes,LA mx,great level! (Kerr).0445-0553 in SP w/ ID,ads,TC,nx,vocals,gongs(Bryan,Ponder). 0500 in SP w/ many ID's,DJ type musical pgm. on 4971(Godfrey).
- 4980 GHANA GBC; 0540-0604 in EG w/ pop tunes,ID and nx at 0600 //4915
- 4980 ? PAPUA NEW GUINEA NBC; 1145-1200 in EG w/ ID(Hascall). (Godfrey).
- 4980 SWAZILAND Swazi Radio; 0400-0420 in EG w/ the Radio Truro pgm w/ ads and Indian mx.(Godfrey).
- 4980 VENEZUELA Ecos del Torbes; 0130-0300 in SP w/ vocals,ID's,orchestral mx,guitar mx,EG ID at 0130(Sillings,Thompson).
- 4985 ? PAPUA NEW GUINEA NBC; 1038 in EG w/ interviews and mx(Wallack)  
Is there a PNG station operating around 4980? If so its news to me. I doubt that two reporters would get 4890 and 4980 at the same time. I hope to get more data on this from more members...Sam.

- 4990 NIGERIA NBC; 2140-2305\* in EG w/ studio audience pgm., ID, nx, interviews, chants, NA at \*Hywarren, Osterman, Bohlke, Cohen, Onken). 0435-0605 in EG w/ drums, Af. mx, ID's, chants (Sillings, Ponder, Lineback). 2200 in EG w/ nx and ID (Dunn).
- 4990 VENEZUELA R. Barquisimeto; 0212 in SP w/ pcp LA mx (Hascall).
- 4994.8 UNID; believed to be an African. heard from 2028 plus w/ Af. choral mx by a group (Dunn 10/9).
- 4995 PERU R. Andina; 0350-0400 in SP w/ ID, tlks (Wood).
- 5000 HAWAII WWVH; 1147 in EG w/ ID over WWV (Hascall).
- 5010 CAMEROON R. Garoua; 0437-0535 in VN/EG w/ chants, ID's, readings (Ponder, Lineback). 2135-2159\* in FR w/ Af. chanting, vocals, tlks (Cannon). 0510-0534 in EG/FR w/ world nx in EG, local Af. mx, into FR at 0534 w/ tlks (Hoffman).
- 5010 COLOMBIA R. Surcolombiana; \*0850 in SP w/ ID, NA, freq's... Desde Neiva, Huila... into vocals (Jones, Tannenwald).
- 5010 ? SUDAN Omdurman; 2045-2100 in AR w/ Sudanese mx (Wood 9/25).. Garoua???
- 5015 USSR R. Vladivostok; 1055-1100 in RS (Wood).
- 5020 COLOMBIA Ecos del Atrato; 0304 SP w/ typical LA mx (Jones).
- 5020 NIGER ORTN; 0530-0606 in FR w/ nx, Af. drum mx, vocal mx, koran type chanting, ID in FR (Onken, Riedesel, Hoffman).
- 5020 SOLOMONS SIBS; 0756-1110 in EG w/ pop mx, island mx, rock type mx, 1134\*. R. Australia nx (Valko, Osterman, Wood, Riedesel).
- 5025 BRASIL R. Borborema; 0830 in PT w/ ballads, TC, ID (Tannenwald). 0250 in PT w/ male DJ, dull vocals (Krueger).
- 5025 BRASIL R. Vitoria; 2250-2300 in PT w/ ID, nx (Mayer).
- 5025v COLOMBIA Ecos del Atrato; 0340-0400 in SP w/ TC's, ID, LA mx, (Ponder).
- 5025 ECUADOR R. Splendit; 0320-0340 in SP w/ Andean type mx, TC, ID (Wood). \*1000-1014 in SP w/ female announcer, mentions of network stations
- 5030 VENEZUELA R. Continente; 2355 in SP w/ many ID's, TC's, (Krueger). mostly LA mx (Meehan). 0452-0941 in SP w/ LA pop mx, ID's, (Kerr). 0452\* in SP w/ ID, NA (Bryan).
- 5035v CENTRAL AFRICAN REP. Voix del Empire Centrafricaine; 2127-2150 in FR w/ tlks and popular Af. mx (Cannon).
- 5035v VENEZUELA R. Reloj Continente; 0105-0125 in SP w/ ID's, LA mx (Ponder)
- 5038 CENTRAL AFRICAN REP. Voix del Empire Centrafricaine; 2248-2320 in FR w/ local mx, tlks, ID's, pips (Edelstein). (Smith).
- 5039 SUDAN R. Omdurman; 0355-0410 in AR w/ AR mx, time pips, ID, chanting
- 5040v COLOMBIA R. Cinco; 0325-0340 in SP w/ ID, TC, ads (Ponder).
- 5040 VENEZUELA R. Maturin; 0130 in SP w/ ID (Tannenwald).
- 5041 GUINEA-BISSAU R. Nacional; 2150-2206 in PT w/ ID, local Af. mx (Wood, Cannon). 0545-0705 in PT w/ Af. mx, ID's, nx at 0700, local drum and flute mx (Hoffman, McMullen).
- 5045 BRASIL R. Educativa do Para; 0240-0301\* in PT w/ local mx, ID's.... \*Musica popular Brasileira, Radio Cultura do Para. (Sapoznikow, Wood)
- 5047 TOGO RT; 2154-2245 in FR w/ FR/EG mx, ID's, high noise levels (Earhart, 5055
- CCSTA RICA TIFC; 0330-0400\* in EG w/ religious pgm, ID, NA, Onken). 6175 and 9645 were announced but 5055 was not (Zilmer, Sapoznikow). 0210 in EG w/ religious pgm., ID and freq was announced. (Hywarren). This was reported as HRVC not TIFC by a reporter. Possible relay???
- 5057 ALBANIA R. Gjirokaster; 0400-0415 in AL w/ wake up type exercise program (Wood).
- 5060 ECUADOR R. Progreso; 0112-0140 in SP w/ Andean mx, ID's, vocals and nx. (Ponder, Wood)... Also reported as Emisoras Atalaya by a reporter. Not sure if they are active here... Sam.
- 5095 COLOMBIA R. Sutatenza; 0030-0045 in SP w/ nx, vocals (Ponder). 0942-1028 in SP w/ TC, ID, LA mx (Kerr).
- 5240 CHINA PLA-1; 1042 in CH w/ cmntry by a W, //5265 (Underdown).
- 5880 CHINA RP; 1100-1110 in CH w/ political tlks (Wood).
- 5900 CHINA PLA Fuzhou; 1115-1130 in CH w/ tlks & mx (Krueger, Wood).
- 5930 CZECHOSLOVAKIA RP; \*0300 in EG w/ ID (Desrosiers).
- 5945 NICARAGUA Rdf. Nacional; 0042-0230 in SP w/ marimba mx, ID, public service announcements, TC's, (Mayer, Roberts, Sapoznikow). 0230-0300 in SP w/ classical mx (Wood).
- 5950 CANADA RC; 2230 in EG w/ "As It Happens" (Pyatt).
- 5254 CCSTA RICA R. Casino; 1045 in SP w/ pgm. of request mx (Zilmer). 2330 to 2357 in EG w/ ID, pop mx (Gionet).
- 5960 ALBANIA RT; 2230-2256 in Polish //7290 (Wood).
- 5960 ANTIGUA DW; 0530-0550\* in EG w/ light mx, ID, nx and cmntry... EG ID was heard after the tone at 0550! (Ponder, Dawson).
- 5960 ASCENSION ISLAND BBC; 2145 in EG //6005 w/ tlk show (Zilmer).

- 5960 CANADA RCI; 2250-2306 in EG w/ "As It Happens"(Kerr).
- 5962 COLOMBIA La Voz de los Centauros; 1100 in SP w/ "Buenos Dias Colombia" program, ID(Zilmer).
- 5965 BRASIL R. Gauba; 0924 in PT w/ ID, TC, Brazilian pop mx (Jones). 11en).
- 5965 NIGERIA NBC; 0457-0505 in XX/EG w/ nx at 0500 //4900, local mx (McKul-
- 5965 USA (?) VOA; 0722-0735 in FR/HA w/ nx, ID, (McMullen).
- 5970 PERU R. El Sol; 1045-1102 in SP w/ ID, folklorico mx, "Sol En Los Andes" program, (Wood, Jones).
- 5975 CHINA RP; \*1100-1115 in Korean w/ nx (Wood).
- 5975 GREAT BRITAIN BBC; 2335-0000 in EG w/ classical mx pgm called "Composer and Interpreter"(Craig).
- 5980 LITHUANIA R. Vilnius; 2309 in XX, QRMing R. RSA (Hauser).
- 5980 PERU R. Panamerica; 0658\* w/ ID and "Musica Peruana" (Jones). 0635 in SP w/ nice ballads, guitar mx, ID (Hoffman).
- 5980 SOUTH AFRICA R. RSA; \*2230-0257 in EG w/ ID, nx, "DX Corner", (Swanson, Desrosiers).
- 5980 UKRANIAN SSR Kiev; 0030 in EG w/ ID, nx (Gionet).
- 5980 USSR Radiostansya Rodina; 0200 in RS w/ IS, ID, nx (Brown).
- 5990 BRASIL R. Mec; 2300-2315 in PT w/ ID (Wood).
- 5990 ROMANIA R. Bucharest; 0409 in EG w/ txs on atomic energy (Lobdell).
- 5995 AUSTRALIA RA; 1050-1200 in EG w/ ID's, nx, pop mx (Valke, Swanson).
- 5995 USA VOA; Greenville; \*0230 in EG/AR w/ ID, nx... frequencies were announced as 7651(1), 9575, 5995, 2715 and 7265. (Brown).
- 5995 VATICAN RV; \*0100-0115\* in EG w/ IS, ID, nx //9605 (Sillings, Smith).
- 6000 CHINA FPBS-2; 1132-1137 in CH w/ txs (Krueger)... See SINGAPORE
- 6000 HUNGARY RB; 0305 in EG w/ nx (Desrosiers).
- 6000 SINGAPORE RC; 1045-1100 in CH w/ traditional mx (Wood)... See CHINA
- 6001v COLOMBIA R. Super; 0300-0301 in SP w/ ID, local a/c (Wood).
- 6005 ASCENSION BBC; 0015-0105 in EG w/ IS, ID, cmntry (Valke, Bryan).
- 6006 COSTA RICA R. Reioj; 0743-1056 in SP w/ LA mx, txs, ID as "Radio Uno in Costa Rica" (Kerr).
- 6010 GERMAN DEMOCRATIC REP. RBI; 0111 in SP w/ ID, //0640 (Edelstein).
- 6010 ITALY RAI; 0105 in EG w/ ID, nx (Smith).
- 6015 AUSTRIA ORF; 0422-0430 in CH w/ mx, txs (Ponder). 0430 in EG w/ ID, nx, followed by tourist information (Gionet).
- 6015 RHODES VOA; 2059 in EG w/ IS, ID (Edelstein).
- 6020 PERU R. Victoria; 1050 in SP w/ local mx, ID, txs (Zilmer, Barte).
- 6020 UKRAINE R. Kiev; 0030-0100 in RS to NA, //5500 (Wood).
- 6020 USSR R. Moscow; 0000 in RS w/ IS, ID (Brown).
- 6025 STARBA NBC Enugu; 2259 in EG w/ nx summary in EG (Hywarren). 06all).
- 6025 PARAGUAY RN; 2233 in SP w/ vocals after Portugal closed down, (Ried-
- 6025 PORTUGAL RP; 0300-0330 in EG w/ nx on Portugal, ID, station seems to be back on after a period of weak signals (Conrad). 2032 in EG w/ IS, nx, txs (Edelstein). 0228-0250 in PT w/ mx, nx, ID's, (Ponder, Earhart).
- 6030 FEDERAL REP. OF GERMANY SDR; 2300-2310 in CH w/ ID for SW & LW (OCL).
- 6035 AUSTRALIA RA; 2200-2210 in EG w/ mx, ID, fine signal at a propagationally interesting time slot (Wood).
- 6035 BOLIVIA R. Panamerica; 2310-2332 in SP w/ flute mx, ID, first time this station has been heard in the evenings (Krueger).
- 6035 BRASIL R. Globo; 0024 in PT w/ singing, ID, ads, local mx (Bryan).
- 6035 LIBERIA VOA; 0355-0415 in EG w/ nx (Ponder).
- 6040 GERMAN DEMOCRATIC REP. RBI; \*0345 in SP w/ IS, ID, guitar mx (Brown).
- 6045 SWITZERLAND SBC; 0434-0500 in EG w/ musical pgm, ID, into Italian at 0500 (Ponder).
- 6045 USA UNR; 0030 in SP cmntry & nx on Cuba (Luce). (Kerr).
- 6045 URUGUAY Rf. del Uruguay; 2310-2332 in SP w/ semi-classical mx, txs
- 6050 ECUADOR HCJB; 0100 in SP w/ ID (Valke). 0430 in SP w/ mx, ID (Earhart).
- 6065 BELGIUM ORU; 0015-0045\* in EG w/ cmntry on events in Belgium, nx, ID, (Stanziale, Earhart). \*0015-0045\* in EG w/ "Brussels Calling", ID, nx, (Zilmer, Craig). 0015 in EG replacing 0730 (Hauser).
- 6065 BRASIL RNB; 0025 in PT w/ LA mx, ID (Edelstein).
- 6065v COLOMBIA R. Super; 0746-0830 in SP w/ nx, ID, LA mx (Kerr, Ponder).
- 6065 SPAIN RTVE; 0140 in EG w/ "Spanish Hit Parade", ID (Saum). 0307 in EG w/ ID, nx (Desrosiers).
- 6067.5 COLOMBIA R. Super; 0315-0330 in SP w/ ID, nx (Wood).
- 6070 CANADA CFRX; 2230 in EG w/ nx (Swanson). 0540 in EG w/ mx, ads (Godfrey). 1330 in EG w/ txs, mx, ads, ID, TC, (Craig). 1954 in EG w/ mx, ads (Valke).
- 6070 INDONESIAN RRI Jayapura; NASWA member Bob Hayes listened to my tape of last months UNID. and was able to ID it as this RRI station. 1120 w/ mx pgm in Indonesian, religious selections, IS at 1129 (Field).



- 6075 COLOMBIA R. Statenza; 1045 in SP w/ math lessons (Roberts).
- 6075 HONDURAS La Voz del Junco; \*1150-1210 in SP w/ tlns, ID, rel. pgm.,  
mx, ads for Coke (Krueger)...which I could hear this one...Dan.
- 6080nf BEIJING RTB; \*0015-0100\* in EG w/ ID, mx, // 2675...moved here via  
request of ANARC FRC (Wood, Zilmer, Earhart, Pickard).
- 6080 MALAYSIA BBC; 2330 in EG w/ "English By Radio" to Indochina (Zilmer).
- 6082 PERU RN; 2330 in SP w/ accordion mx, local mx, // 0562 (name?).
- 6085 BRASIL R. Nacional; 2245 in PT w/ musical pgm, frequent ID's (Brown).
- 6085 BRASIL R. Jornal do Comercio; 0030 in PT w/ network sports pgm //  
15145 (Zilmer)...Are both Brazilians here?
- 6090 LUXEMBOURG RL; 2205 in EG w/ religious pgm (Gionet). 0000-0155 in EG  
w/ mx, mx, ID's, ads, pop mx (Ponder, Stanziale, Luce, Fraser).
- 6090 NIGERIA RTV Kaduna; 2200-2310 in EG/Hausa w/ TC, ID, chanting, local  
mx, EG ID at close down (Hywarren, Zilmer, Wood).
- 6095 BRASIL Rdf. Sao Paulo; 0015 in PT w/ sports pgm. (Zilmer).
- 6095 COLOMBIA La Voz del Centro; 0230-0200 in SP w/ LA mx, ID (Wood).
- 6095 POLAND RP; 0159-0225 in EG w/ IS, ID, mx (Miller, Wood).
- 6095 SOMALI R. Mogadishu; 2030-2100 in Somali w/ songs // 2585.5 (Wood).
- 6100 MALTA DW; 0128-0150 in EG w/ IS, ID, mx, orchestral mx (Thompson).
- 6105 NEW ZEALAND RNZ; 0759 in EG w/ ID, time pips, mx at 0830 (Duke).
- 6105nf SWEDEN RS; 0230 in FR w/ ID, mx...station is announcing the frequency  
as 6115 but not so (Zilmer, Earhart). 0230 in FR apparently juggling  
their frequencies from the published schedule (Hauser).
- 6115 COLOMBIA Voz de Llano; 1030 in SP w/ ads, ID (Tannenwald).
- 6115 MEXICO R. Universidad de Sonora; 2200-2230 in SP w/ mostly classical  
mx, ID's, tlns (Thompson).
- 6115nf SWEDEN RS; 0230 in EG w/ mx, ID to NA...replaces 6105 in EG but FR is  
there (Zilmer).
- 6120 VENEZUELA R. Angostura; 1020 in SP w/ mx, ID (Field).
- 6121 COLOMBIA R. Super; 0601-0610 in SP w/ ID, mx (Valke).
- 6120 CANADA CHNX; 2030-2200 in EG w/ ID, mx, pop mx pgm. (Wood).
- 6130nf COLOMBIA R. Super; 1030 in SP w/ LA mx, ID's (Zilmer).
- 6130 ECUADOR HCJB; 1100 in EG w/ mx (Zilmer).
- 6130 URUGUAY; 1045 in SP w/ TC, LA mx...possibly R. Super de Cali (Field).
- 6130 GHANA RG; 2214-2259\* in EG w/ live pgm (?) in Ghana w/ mentions of  
Accra, ID, w gave the ID as "African Service of Radio Ghana - The  
Voice of the Revolution" (Csterman, Riedesel, Tannenwald).
- 6135 BRASIL R. Gaucha; 0835 in PT w/ LA mx, ID's, TC // 11915 (Zilmer, Tannen-  
wald).
- 6145 FEDERAL REP. OF GERMANY DW; 0211-0235 in GK w/ mx, ID, ads, tlns (McCants).
- 6150 COLOMBIA La Voz del Huila; 0249 in SP w/ ballads, ID, (Meehan). 1030 in  
SP w/ LA vocals, ID's (Tannenwald). 0032 in SP w/ ID, TC, vocals (Field).
- 6155 SINGAPORE RS; 1040 in MA w/ interviews (Wood).
- 6160 COLOMBIA Emisora Nueva Granada; 0216-0230 in SP w/ ads, ID (name?).  
1040 in SP w/ ads, TC, ID, promos...mixing w/ CKZU (Roberts).
- 6160 NEWFOUNDLAND CKZN; 0930 in EG w/ mx, wx...HCJE/QRK (Lobdell).
- 6165 ECUAIRE R. Nederlands; 0215-0310 in EG w/ "His and Hers" pgm, ID...  
(McCants, Baum)...also heard on 6185 and on 6265 - anyone else hear  
this (Desrosiers).
- 6165 SWITZERLAND SBC; 0615-0730 in IT, FR, EG w/ ID, mx, mx pgm. (Conrad).
- 6170 COLOMBIA La Voz de la Selva; 1035-1130 in SP w/ ads, ID, arnts, TC
- 6175 ASCENSION BRC; 2200-2245 in EG w/ ID, mx (Swanson). (Roberts, Field).
- 6175 SWEDEN RS; 0000 in SP w/ ID (Hauser).
- 6180 CYPRUS BBC; 0618-0630 in EG w/ WS pgm, mx (Ponder).
- 6180 GUATEMALA RN; \*1059 in SP w/ ID, TC (Wood).
- 6180 NORWAY RN; 0000 w/ EG ID as "NTN", QRK via BBC on 6175 (Lobdell).
- 6180 VENEZUELA R. Turismo; 1020-1040 in SP w/ LA mx, ID, TC, romantic mx
- 6185 BRASIL R. Bandeirantes; 0805-0825 in PT w/ ads, ID, TC. (Roberts, Field)  
LA mx (Zilmer, Tannenwald).
- 6190 MOROCCO RTM; 0245-0200\* in AR w/ ID, NA...over VOA (Wood).
- 6190 VENEZUELA Escs del Torber; 1028-1035 in SP w/ ID, TC, ads, guarapo mx (?)  
(McCants).
- 6195 ANGOLA BDC; 1100 in EG w/ ID, mx (Zilmer).
- 6195 CANADA CBC NS; 0115-0200\* in EG w/ C&W mx, ID (Clark).
- 6200 ADANIA RT; 0340 in EG w/ usual cuntry (Desrosiers).

That's it for this month gang. The season is here so go get em!

# log report section



Tom Gavaras - 16920 17th Avenue North, Wayzata, Minnesota 55391

.....  
 : ALL REPORTS TO THE LOG REPORT SECTIONS SHOULD BE SENT TO THE DISTRIBUTION EDITOR: GREG  
 : RAVENHORST, RURAL ROUTE, HOLLANDALE, MINNESOTA 560451 \*  
 .....

A lot of good stuff this month, so without further ado, on to this months loggings.....

- 6205 LIBYAN WATERS Mebo II Radio Ship; 2200-2305\* Continuous pop music (oldies: Monster Mash, Sun ain't gonna shine anymore, 98.6) with closing announcements at 2305 in English without really identifying itself or telling where it is. (Hauser 9/7, Hywarren 10/3, Osterman 10/1, Gavaras 10/9, Ravenhorst).
- 6290 CHINA R. Peking; \*2300 Cantonese w/sign on. (Wood 10/2).
- 6540 CHINA R. Peking; 2100-2125\* Mausa. Sign off with International (Wood 9/30).
- 6772 KOREA (NORTH) R. Pyongyang; 1145 Spanish talk & local music // 9420 (Zilmer 8/21).
- 6860 CHINA R. Peking; \*2030-2045 German anti-imperialism talk // 11660 (Wood).
- 6955 CHINA R. Peking; 1120-1130 Korean talk about Soviets in Africa (Wood 10/6).
- 7025 CHINA PLA; 1120 Chinese triditional music. Not // 4840 or 5900. (Wood 10/6).
- 7035 CHINA R. Peking; 2115-2225 Italian talk with ID // 9380 (Wood 9/30).
- 7060 CHINA R. Peking; 0135 Spanish talk by man & woman. QRM from Pulser. (Godfrey 9/9).
- 7065 ALBANIA R. Tirana; 0000 English news, cmntry about Capitalists oppression and Stalin Quotes (Stanziale 9/22).
- 7070 INDONESIA RRI (Jakarta); 1150 Indonesian talk & news with EG country-western music. (Underdown 8/15). 1340 Indonesian talk with Rock, Indonesian, Oriental mx. (Godfrey)
- 7100 BULGARIA R. Sofia; 0445 English program to N. America. Strong signal (Cohen 9/27).
- 7105v BULGARIA R. Moscow Relay; 0047-0120 English cmntry about Lance, Watergate, etc. // 7135, 7165, 7175, 7250 (Alexander 9/20, Valko 9/12).
- 7110 GREECE VOA (Rhodes); 0420 Arabic ID & tlk on Koreagate, U.S. Politics (Edelstein).
- 7120 ALBANIA R. Peking; 2354\* Spanish ID & s/off (McMullen). \*0100 EG News & Anti Soviet cmntry (Craig). 0302-0336 EG with Chinese language lesson (McCants, Duke).
- 7120 USSR R. Moscow; 2307 Spanish talk about the Neutron Bomb. HAM QRM! (Valko 9/27).
- 7125 POLAND Polish Radio; 2232-2259\* EG News & Interview with a British Lady (Gionet).
- 7140 CYPRUS BBC; 0315 EG with World Today & talk on Human Rights Conference (Cannon).
- 7140 INDONESIA RRI (Ambon); 1107 Indonesian talk with 40's type music (Uerlings 9/5).
- 7150 USSR R. Kiev; 0030-0100 EG talk about friendship and brotherhood in Socialism in Russia (Now I've heard everything! ed), Radio Kiev DX Club (Valko, Bryan, Fraser).
- 7155 JORDAN R. Jordan; 0700 Arabic announcements and vocal chants. (C. Hoffman 8/18).
- 7160 SARAWAK R. Malaysia; 1410 English news and music // 4950 (Godfrey 9/27)
- 7165 USSR R. Moscow; 0102 EG talk on U.S. Peace Conference & Arms Limitation (Bryan 9/26)
- 7165 USSR R. Kiev; 0335 English news and commentary by man & woman (Uerlings 9/4).
- 7165 PHILIPPINES VOA (Poror); 1205 English news & Jazz program (Underdown 8/17).
- 7170 GREECE VOA (Kavala); 0345 Russian talk by YL (Uerlings 9/4).
- 7170 NEW CALEDONIA R. Noumea; 0927-1101\* French news, pop mx, ID (Godfrey, Valko).
- 7175nf TURKEY VOT; VOT also masochistic, choosing a Radio Moscow N. American service frequency like 7175 to replace 11880 in EG programs at 2200-2430, noted with ID, etc // 9515 (Hauser, Zilmer, Ponder). 2135 French news, Review of Turkish Press (Gionet).
- 7175 SICILY RAI; 0510 Italian with lite music: "These Boots were made for walking" (Gione)
- 7175 USSR R. Moscow; 0058-0315 English w/ID, nx, Moscow Mailbag (Baum, Bryan).
- 7185 ENGLAND BBC; \*0257 English world service (Cannon 10/7).
- 7190 YEMEN (SOUTHERN) DYBS; 0300 Arabic talk and music mixing with VOA. V. Poor (Godfrey)
- 7205 CAMEROON R. Yaounde; 0450 French w/African music. // 4972.5. Both poor (Godfrey).
- 7210 GERMANY (WEST) DW; 0155-0220\* English talk about Mohammed Ali. (Cannon, Alexander).
- 7210 SWITZERLAND ICRC; \*2200 Spanish fanfares, rock music, etc. (Wood 9/30).
- 7215 BRUNEI RTV Brunei; 1200-1300 EG ID, news, music, etc. (Underdown, Godfrey).
- 7215 IVORY COAST RTVI; 0628 French program. 4940 & 11920 all heard. (McMullen 9/1).
- 7215nf USSR; First program 1200 Russian ID "Goverit Moscow", nx//7200 (Underdown 8/17).
- 7215 USSR R. Moscow; 2201 English news & cmntry. Very weak (Valko 9/13).
- 7225 PHILIPPINES FEBC; 1115 English religious pgm, ID into Japanese pgm (Underdown 8/20)
- 7235 GERMANY (WEST) DW; 0505 Arabic talk with music played on instrument that sounds like a hammered dulcimer & ID (McMullen).
- 7240 AUSTRALIA R. Australia (Carnarvon); 1130-1240 EG ID, nx, mx (Godfrey, Wood).
- 7240 YUGOSLAVIA R. Belgrade; 2200-2215 English news program (Wood 9/20).
- 7245 ANGOLA R. Nacional; 0624 Portugese talk with African Pop music (Godfrey 9/5).
- 7250 USSR R. Moscow; 0100-0351 English news, mx, cmntry, etc. (Uerlings, Cannon).

- 7255 PHILIPPINES VOA; 1045 Chinese(?) nx, cmntry, music. Fair-poor (Desrosiers 9/4).  
 7265 GERMANY (WEST) Sudwestfunk; 0135 German w/light GR music (Cannon 10/7).  
 7270 SOUTH AFRICA RSA; 0630 English news and commentary (Godfrey 9/5).  
 7275 ITALY RAI; 0435 EG News to Mediterranean (Uerlings, Cohen, Hywarren).  
 7275 NIGERIA VON; 0540 French pgm; 0600 English ID & News (McMullen, Cucura).  
 7275 TUNISIA RTVT; 0520 Arabic talking by a man (Godfrey 9/9).  
 7280 LIBERIA VOA; 0320 English w/African Safari, music, etc. (Cannon, Thompson).  
 7285 MADAGASCAR R. Nederland; 2312-0010 Indonesian tlk w/pop singles (Ponder, Wood).  
 7290 USSR R. Moscow; 0115 EG Moscow Mailbag (Baum). 0323 EG cmntry (Desrosiers).  
 7300 ALBANIA R. Tirana; \*0230-0257\* EG ID, nx, tlk (Cucura, Wood). Radio Tirana caused me to pause 9/5 at 0250 for a non-political travelog of the Albanian Alps--but within a couple minutes they were working in Marxism-Lennism, and on I went (Hauser).  
 7320 ENGLAND BBC; 2347-0230 English ID, World News, etc. (McMullen, Zilmer, Thompson, Bryan)  
 7345 CZECHOSLOVAKIA R. Prague; 0100 EG ID, Topic of the day, Folk music, DX Chat, etc. (Duke, Thompson). 0200 SP pgm, nx (Alexander). 0300 EG news & cmntry (Tiers, Desrosiers)  
 7412 ISRAEL IBA; 2000 EG talk about Palestine Representation (Miller). 2215-2230 French talk & Israeli folk music //11655, 9815, 9435 (all good) (Craig). \*2230-2300\* EG ID, Thank Goodness it's Friday pgm, etc. (Sillings, Craig, Golkin, Kerr).  
 7770 CHINA R. Peking HS; 1212 Chinese with Chinese opera music (Underdown 8/12).  
 7480 CHINA R. Peking; 2100-2125\* Hausa program. Sign-off with the International at 2125. (Wood 9/30)  
 7600 ECUADOR HD210A Time Station; 0022-0055 Time pips with time in Spanish every minute. (Sillings, Alexander). 0420 Time pips & SP Time & ID (Cucura);  
 8000 JAPAN JG2AE Time Station; 1148 Second pulses w/vocal announcements. (Underdown 8/11).  
 9022 IRAN VOI; \*2000-2030\* EG World and Home news, talk on USSR economy, etc. (Fraser, Edelstein, Cucura, Sillings). 2345 Farsi talk & Persian music //15084 (Underdown 8/12).  
 9210 USSR R. Moscow; 1935 Arabic talk, Mid-Eastern music, ID, IS (Edelstein 9/8).  
 9327 SPY NUMBERS; This one is unlike any I've heard before, 9/5 at 0307, on SSB, woman giving "Group 62" message of five-digit ciphers, split 3/2, such as "647-54". Gave each group twice; sounded 'live' rather than machine-generated. At 0315 "end of the information". All in English. (Hauser).  
 9355 ISRAEL IBA HS; 2006 Hebrew w/talk about Canada, Tel Aviv. Commercials. (Edelstein).  
 9360 SPAIN RTVE; 0430 Spanish ID, talk & music (Alexander 9/10).  
 9365 CHINA R. Peking; 1115-1130 Chinese political talking (Wood 9/30).  
 9390 CHINA R. Peking; 2100-2125\* Spanish pgm. S/off without International (Wood 9/30).  
 9410 ENGLAND BBC; 0003 English ID, talk about African-Rhodesia conflict (Edelstein).  
 9420 KOREA (NORTH) R. Pyongyang; 0900-0955 English talk on South Korea (Wood 10/4). 1024 Spanish ID, Chorus mx (Desrosiers). 1130 Spanish talk & local mx //6772 (Zilmer).  
 9425 ISRAEL IBA; \*2000 English news, cmntry, Thank Goodness It's Friday, etc. (Sillings).  
 9435 ISRAEL IBA; 2245-2300\* English w/Israel's Hit Parade by Alexander Diamond & News (Clark). 2230-2300 EG ID, nx, Calling All Listeners. My Mom's name was read on the DX Corner. She was one of the winners of the QSL contest. (Golkin) -Congratulations!  
 9460 CHINA R. Peking; 0900 English news, commentary and local music (Zilmer 9/27).  
 9465 PAKISTAN R. Pakistan; 2100 English speech by General Zia about Centennial Celebrations. //11640 (Osterman 10/4). 2115 Urdu with local music (Wood 9/30).  
 9470 CHINA R. Peking; \*2230-2255\* Quechua talk //15520 (Wood 9/30). -Why did you have this listed as an Albanian Relay? (editor)-  
 9475 EGYPT R. Cairo; 2345-0010 French pgm with Arabic music (Wood, Edelstein). 0140 SP pgm with Arabic music (Luce). 0200-0325\* EG news, mailbag, invitation for reports. (Hascall, Sillings, Miller, Dawson, Desrosiers).  
 9480v ALBANIA R. Tirana; \*0430-0455\* EG music & cmntry //7300 (Wood 10/6). 1951-1958\* EG cmntry by a woman on communist parties (Sillings 9/11).  
 9500 ALBANIA R. Tirana; \*0100 Portugese w/Interval Signal, NA, etc. (Luce 10/6).  
 9500 GERMANY (EAST) RBI; 2230 Interval Signal w/German pgm under Libya (Dunn, Gavarras).  
 9500 LIBYA PRB; 2210-0058\* Arabic tlk, mx, chants (Luce, Alexander, Pyatt, Lunn, Gavarras).  
 9505 DOMINICAN REPUBLIC R. TV Dominicana; 1403 Spanish talk, ID, Typewriter mx (Riedesel).  
 9510 CANADA BBC Relay; 2300 English news, cmntry & World Radio Club (Golkin 9/14).  
 9510 TAIWAN VOFG; 1100-1130 Japanese news, cmntry. Nice Signal (Wood 9/30).  
 9515 AUSTRALIA R. Australia (Shepparton); 0718-0910 English w/DX-ers Calling, Medical pgm on rheumatism, etc. (McMullen, Zilmer, Cohen, Wood, & report w/no name).  
 9515 PERU R. La Cronica; 1115 ID in Spanish w/music of Peru (Field 9/27).  
 9515 TURKEY VOT; 2200-0014\* English Press Review, mailbag, Turkish pop music, etc. Dunn, Fraser, Earhart, Edelstein, Clark).  
 9515 URUGUAY SODRE; 0200-0330 SP International Service, ID, Semi-classical piano mx, TC. (Roberts, Wood). SODRE, or whatever station is using this Uruguayan channel, noted 9/12 under XENW and with SAH, mentioning "Republica Oriental del Uruguay" at 0335. I've seen one report (from Pitt McNeil) that they have EG news at 0310-0325 on this frequency, in their new international service. (Hauser)  
 9520 PAPA NEW GUINEA NBC; 0800 IS, EG ID, ad for a radio program, etc. (Duke 9/7).  
 9525 CUBA RHC; 0700 English News, Land of Music, cmntry. (McMullen 9/30).

- 9525 INDIA AIR; 2000 English News (Dunn). 2225-2230 English with a program on Banana cultivating in India, ID, s/off (Golkin).
- 9525 KOREA (SOUTH) R. Korea; 1000 English talk on N. Korean relations//9580. Good. (Osterman 9/8, C. Sherman 10/4).
- 9525 POLAND Polish Radio; 2004 English news, ID over AIR. (Dunn 9/17).
- 9530 BULGARIA R. Sofia; 2130 English ID, News, sked.//9745 (Zilmer, Valko).
- 9530 CHILE R. Nacional Arica; 0321 Spanish with ballads, TC, ID at 0333. Fair. (Hywarren). -Are you positive about this? (editor)-
- 9530 SPAIN RTVE; 0915 Spanish ID, News by man and woman (McMullen 9/14).
- 9535v ANGOLA R. Nacional; 0457 National Anthem, 0458 Electronic Music IS, 0500 Clear ID in Portuguese by YL into African chanting and pop music. IS repeated between selections. News at 0600 after IS & ID (Hywarren, McMullen).
- 9535 CANADA RCI; 0100 English news, sports, etc. (Edelstein 8/31).
- 9540 CZECHOSLOVAKIA R. Prague; 0106 English news & Topic of the Day (Sillings). 0320 EG sports news, cmntry, mailbag (Cucura). 2200 IS into Czech pgm (Luce).
- 9545 GERMANY (WEST) DW; 2250 Portuguese talk, ID. SP at 2300 w/ID (Craig 9/7).
- 9550 AUSTRALIA R. Australia; 1150-1200 EG pgm with popular music (Earhart 9/16).
- 9560 ECUADOR HCJB; 0123-0410 EG w/Unshackled, Passport, DX Party Line, etc. (Sillings, Fraser, McCants, Thompson, Baum, Cucura).
- 9562 PERU R. Nacional; 2345 Spanish talk w/Accordian music, local mx//6082 (Zilmer).
- 9565 CHILE V. of Free Chile; 2240-2300 English talk, new ID. (Wood 9/27).
- 9570 AUSTRALIA R. Australia; 0800 English news to Pacific Isles//11740 (Zilmer 9/27).
- 9570 QATAR QBS; 1300-1315 Arabic news, chants. Fair signal (Mayer).
- 9570 ROMANIA R. Bucharest; 0215-0225\* English talk about Listeners Club (Clark 9/3).
- 9575 ITALY RAI; \*0100-0120\* EG News & cmntry (Stanziale, Cucura, Sillings, Miller).
- 9580 ASCENSION ISLANDS BBC; 0300 English w/News about Britain, etc. (McCants 9/27).
- 9580 CANADA BBS; 1500-1600 English News Reel, concert (Fraser, Swanson, Leffler).
- 9580 AUSTRALIA R. Australia (Melbourne); 1100-1250 EG News Bulletin, Editorial Opinion, Guitar music, etc. (Fraser, Craig, Desrosiers, Thompson).
- 9585 BRAZIL R. Excelsior; 0900-1015 Portuguese tlk w/hard rock, ads (Zilmer, Field).
- 9585 HUNGARY R. Budapest; 0130 Hungarian with the news (Luce 9/30).
- 9585 JAPAN R. Japan; 1300 EG News, cmntry//9505 (McMullen). 2200 EG news (Wood).
- 9585 SOMALIA R. Mogadishu; 1900-2005 Somali cmntry on Hitler, Drums, horns, vocals, etc. (C. Hoffman 9/22, McMullen 9/5).
- 9585 SOUTH AFRICA RSA; 2125 EG Spectrum (Swanson). 2230-2300 EG DX Corner, cmntry, Safari 77, etc. (Duke, Dunn, Swanson, Valko).
- 9590 SWEDEN R. Sweden; 0030 English Saturday Night Show, etc. (Hauser, Zilmer).
- 9590 SWITZERLAND SBC; 2120 English DX Show on African antenna sights (Miller 9/10).
- 9595 BRAZIL R. Cultura da Bahia; 0030 Portuguese talk, ID's, Lots of Yelling. (Zilmer).
- 9595 JAPAN NSB; 1045-1330 English with Lets Learn Japanese into Japanese program and music. (Wood, Zilmer, Hywarren, Underdown).
- 9600 ASCENSION ISLAND BBC; 0730 English News of African World (McMullen 9/30).
- 9600 SPAIN RTVE; 2110 Spanish program with pop hits and ID's (Miller 9/10).
- 9605 VATICAN STATE Vatican Radio; 0030 Spanish pgm (Luce). 0115 EG Interview (Miller).
- 9610 AUSTRALIA ABC (Perth); 1042-1530 EG Review of Smokie & the Bandit, Weather, nx, horseraces, etc. (Duke, Craig, Hauser, Cucura, Thompson).
- 9615 MOROCCO RTVM; 2100-2207 Arabic w/vocal music, ID, Short nx bulletin (Roberts 9/6).
- 9620 GERMANY EAST RBI; 0200-0300\* Spanish program//6010, 6040, 9500, 9645 (Wood 10/6).
- 9620 YUGOSLAVIA R. Belgrade; \*2200 English news & cmntry (Hywarren, Underdown).
- 9625 CANADA CBC NS; 1240 EG Beautiful 76 Olympic music (Dunn). 1545 EG talk on China, Morningside (Leffler, Swanson). 2301-0006 EG ID, nx, mx (Golkin, Valko).
- 9640 AUSTRALIA R. Australia (Carnarvon); \*1200 EG into Unid. language (Field 9/28).
- 9640 CANADA RCI; Likely responding to QRM complaints on 9535, RCI moved to 9640 for the 0100 cast, noted 9/25//11940; and the new frequency was even included in the closing announcements at 0126. However, I think that the QRM has lessened with seasonal changes, making the change less necessary. (Hauser).
- 9640 ENGLAND BBC; 0600 EG World Service. Clear reception 100%! (McMullen 9/4).
- 9640 GUAM KTWR; 1103-1130 English ID, Religious programs and music, etc. (Lobdell, Field, C. Hoffman, Wood, Krueger, Hauser, Mayer).
- 9640 USSR R. Moscow; 1950 French talk of new constitution (Pickard 10/9).
- 9645 COSTA RICA TIPC; 1455 Spanish religious programs, L. American mx, etc. (Riedesel).
- 9645 GERMANY (EAST) RBI; 0030 Spanish ID, talk and commentary (Edelstein).
- 9650 LIBYA PRB; 2136 Arabic talk, nx, music//11700 (Hywarren 8/4).
- 9655 COLOMBIA R. Nacional; 2230-0145 SP ID, Classical mx (Ponder, Wood, Alexander).
- 9660 VENEZUELA R. Rumbos; 0730-1016 SP ID and L. American mx (Kerr, McMillen).
- 9665 BRAZIL R. Nacional de Brasilia; 0915 Portuguese talk and music (Zilmer 9/27).
- 9665 CHINA R. Peking; 1130-1200 Japanese program (Wood 9/30).
- 9665 KOREA (SOUTH) R. Korea; 1130-1251 English nx, cmntry, etc//11860 (Zilmer, Sillings).
- 9670 AUSTRALIA R. Australia (Shepparton); 1200 EG pgm//9580, 9550, 9540, etc. (Zilmer, Wood).
- 9670 PORTUGAL AWR; 2048 English with the Voice of Hope program. ID's (Valko 9/24).

- 9675nf BELGIUM BRT; \*0015-0100\* EG 'Week that was' pgm //6080 (Pickard 10/9).
- 9675 JAPAN R. Japan; 1115-1125 English news program (Wood 9/30).
- 9675 POLAND Polish Radio; \*0630-0700\* English program with bags of QRMI (Pickard 10/3).
- 9680 AUSTRALIA R. Australia; 0648 EG music show (Tiers). 1120 EG ID, Radio Play, news. (Fraser 9/7, Wood 9/29, Craig 9/10).
- 9685 ALGERIA RTVA; 2100 Arabic ID with QRM from WYFR (Valko 9/23).
- 9685 BRAZIL R. Gazeta de Sao Paulo; 2345 Portuguese w/sports news, ID, TC (Roberts 9/13).
- 9685 CUBA RHC; 0145 English music and news (Clark 9/4).
- 9690 USA WYFR; 2250 English with consumer reports (Swanson 9/26).
- 9695 SWEDEN R. Sweden; 0030 EG Saturday Show (Baum, Stanziale). 0230 EG Interviews (Swanson)
- 9705 BULGARIA R. Sofia; 0000 English talk & folk music to N. America (Earhart, Wood).
- 9705 INDIA AIR; 1135-1140 English w/state & development news (Wood, Zilmer).
- 9705 MEXICO R. Mexico; 0000-0305 Spanish ID, Drama program (Fraser, Field, Miller).
- 9715 ECUADOR HCJB; 1228\* DX Party Line program in English to s/off (Hauser 9/19).
- 9715 URUGUAY R. Sarandi; 0115 SP tlc, ID, piano mx (C. Sherman)-Are you sure about this??
- 9715 FRANCE RFI; 1957 French rock music with many ID's (Valko 9/13).
- 9715 HOLLAND R. Nederland; 1958 IS, EG pgm (Valko). 2245 EG News Headlines 9/26).
- 9720 KOREA (SOUTH) R. Korea; 1802-1830 EG news & Sunday magazine (Dawson 9/18).
- 9720 SRI LANKA SIBC; \*0030-0135 EG Birthday Greetings, mx (Zilmer, Osterman, Bohlke).
- 9720 USSR R. Moscow; 2325 English w/Since & Engineering (Swanson 9/15).
- 9720 USSR R. Kiev; \*2300 English program on Lithuania, nx, cmntry (Desrosiers 8/29).
- 9725 MALAYSIA BBC; 1130 Vietnamese news (Wood 10/6).
- 9725 SWITZERLAND SBC; 0150 English Euro-news, Dateline, etc. (W. Smith 9/30).
- 9730 BELGIUM BRT; 0015 English w/Brussels Calling, Panorama, etc. (Edelstein 8/31).
- 9730 GERMANY (EAST) RBEI; \*0100 EG news & ID (Golkin). 1911 English ID (Dunn 9/17).
- 9740 EGYPT R. Cairo; 0100 Spanish with native and popular music//9475 & 11715 (S. Sherman).
- 9740 MALAYSIA BBC; 1130 English World Service w/Big Ben (Wood 10/6). (Meehan).
- 9740 USSR R. Moscow; 2048 English stated that USA's African policy is only to make \$
- 9745 BULGARIA R. Sofia; 2130 IS, EG ID, Letterbox//9530 (Wood, Luce).
- 9745 IRAQ R. Baghdad; 1930 EG ID, nx (Cucura, Luce, Fraser). 1750 Arabic tlc & ID (Edelstein). 2017 English news and Rock music (Dunn).
- 9750 CHILE R. Mineria; 1050 SP TC & ID (Mayer). 2326 SP ID, mx & tlc (Valko).
- 9750 GREENE WOG; \*0016 EG ID & nx (Cucura). 0220 EG news about Hijacking (Earhart).
- 9760 AUSTRALIA R. Australia (Shepparton); 0955 EG ID (McMullen). 1130 EG mx//7240 (Zilmer)
- 9760 USSR R. Moscow; 2218 English news & cmntry on Northern Ireland (Meehan 9/15).
- 9765 ASCENSION ISLANDS BBC; 0024 Spanish political talk (Edelstein 8/31).
- 9765 ECUADOR HCJB; Noted here instead of 9560 at 0345. At 0430 HCJB announced 9560 as usual (Hauser 9/12, Gionet 9/12).
- 9765 GERMANY (WEST) DW; 2150-2200\* English features & news to Asia (Alexander 9/17).
- 9770 AUSTRIA ORF; 0149-0155\* EG talk about Sports//6155 (Sillings 9/6).
- 9780 ALBANIA R. Peking; 0100 EG Anti Soviet cmntry (Craig). 0335 EG tlc (Baum).
- 815 ISRAEL IBA; 2000 EG nx (Dunn, Valko, Pyatt). 2230 EG cmntry (Dunn, Sillings).
- 880 CHINA R. Peking; 2010 French talk with revolutionary music. 2030 s/off (Edelstein)
- 912 INDIA AIR; 2150-2225 English nx & cmntry//11620, 9525 (Lobdell, Wood, Zilmer).
- 965 CHINA R. Peking; 1130 Japanese political talk (Wood 9/30).
- 976 KOREA (NORTH) R. Pyongyang; 0900 Russian ID (McMullen). \*1100-1249\* EG nx, etc. (Zilmer, Cohen, Hauser, Edelstein, Krueger, Riedesel, Dawson, Wood, Cannon, Pineault). 1617 English w/music (Tiers). 2050 Korean commentary (Underdown).
- 9040 VIETNAM VOV; 1020 EG cmntry (Underdown). 1129 Thai ID & tlc (Edelstein, Wood).
- 9060 VIETNAM Hanoi; 1130 Vietnamese talk. Not // 11040 (Wood 9/30).
- 1350 KOREA KCBS; 2030 Korean political talk (Wood 9/30)
- 1375 CHINA R. Peking; 1230 SC talks // 15045 (Wood 9/29).
- 445 CHINA R. Peking; 1230 Chinese talk about Mao (Wood 9/29).
- 504 CHINA R. Peking; 2030 Chinese talking (Wood 9/30).
- 515 CHINA R. Peking; 2000 Portuguese to Africa (Wood 9/30).
- 535 KOREA (NORTH) R. Pyongyang; \*1100 EG nx, cmntry//9977 (Zilmer). 2030 FR tlc (Wood).
- 600 CHINA R. Peking; 0830 English news and commentary (Zilmer 9/27).
- 620 INDIA AIR; 2040 English w/news & music (Osterman). 2200 EG nx & cmntry (Zilmer).
- 620 BANGLADESH R. Bangladesh; 1820 Cmnty in EG w/local mx (Altman) -Are you sure?
- 650 CHINA R. Peking; \*0100-0155\* Spanish program (Wood 10/4)
- 650 CHINA R. Peking; 1210 English talk with Chinese music (Cucura 9/4).
- 655 ISRAEL IBA; 2230 English news, editorial comment, mailbag (Stanziale 9/18)
- 700 VATICAN STATE Vatican Radio; 2330 Spanish with seeming recordings from a speech by the Pope. New for time period (Earhart 9/17).
- 700 LIBYA PRB; 2104-2154 Arabic ID, chanting, news//9650 (Cannon, Riedesel, Meehan).

Thank you to all who reported this month!

73, ✓  
53 Jan

# log report section



David L. Walcutt, Ed.

11701 & above

NOVEMBER, 1977

- \*11704.3 CHILE VOPC; 0220-0230 EG, talk on Chilean ballet (Mayer 10/6); 0310 EG, new freq for Voice of "Free" Chile, opening EG with usual wow on tape (Hauser 10/7). Also heard FR & SP, //15130 -ed.
- 11705 SWEDEN RS; 2317 EG, lbx (Dunn 10/9); 0235 EG, noted using this freq instead of scheduled 6105 (qv) which had FR; //9695 (Hauser 9/28).
- 11705 USA WYFR-Scituate; 2236 EG, rel. mx & rel. talk (Valko 9/18).
- 11709.7 ARGENTINA RAE; 2310 SP, "Musica del Buenos Aires" (Miller 9/24); 2315 EG, nx, cmnt, tango music; fair (Pyatt 9/30).
- 11715 ECUADOR HCJB; 2345-0000\* PT?, then at 0000 they move to 11720 where they were heard Sept. 26 at 0208 (Earhart 9/30); 0059 PT, freq ann'd in midst of pgm, was to have changed to 11725 on 9/15 (Hauser 9/14).
- 11715 EGYPT R. Cairo; 0200-0215 AR to Americas, way over SBC (Wood 10/6).
- 11715 SWITZERLAND SBC; \*0145-0215\* EG, "Dateline"; \*0215 SP (Sillings 9/6
- 11720NF ECUADOR HCJB; 0208-0231 FR, ID at 0230 & ann'd Russian (Earhart 9/26); 0215 FR, with DX pgm "A L'Ecoute du Monde" but freq ann'd as 11835 (Gionet 9/6); still seems to be on this channel -ed.
- 11725 AUSTRALIA RA; 2300-2310 EG, time signal, news (R.Wood-NH 9/19).
- 11725 ROMANIA R. Bucharest; 2230-2300 EG to Britain, mailbag (Wood 9/30).
- 11725 USSR R. Tashkent; 1215 EG, news (Wallace-JAPAN 9/6).
- 11725 VATICAN (extraterritorial enclave of Santa Maria di Galeria Vatican Radio; (time? -ed.) SP to L.A., mission talks (Wood 9/26).
- 11730 GREECE VOG; 0015-0030 EG, into GK at 0030, nx by W, "You are listening to the Voice of Greece" (Thompson 10/5, Fraser 9/7).
- 11735 YUGOSLAVIA R. Belgrade; \*0100-0110 SP, nx (Wood 10/4).
- 11740 AUSTRALIA RA; 0515-0530 EG, pop mx, poor (Earhart 9/11).
- 11745 TAIWAN VOPC; \*0855-0915 CH, IS w/ID's as "Taibei Taiwan", sign/on with Anthem, booming strength but jammed (R. Wood-NH 10/4).
- 11750 PAKISTAN RP; 0200 Urdu, IS, ID, into Pakistani music, chants, heard under BBC (Mayer 10/4).
- 11755 FINLAND RF; 2030-2045 EG, "Friday Magazine" (Wood 9/30); 2340 EG, mailbag program (C.Sherman 9/18).
- 11755NF SPAIN RNE; 1000-1100 SP, ID, nx (C. Sherman 9/30).
- 11765 GERMANY W. DW; 1115-1200 JP, talk on German railway (T.Ohtake-JAPAN 9/29). I hope you will continue to report from Japan! -ed.
- 11765 PHILIPPINES FEBC; 0830 EG, nx, cmnt, "Guidelines" pgm; fair (Zilmer 9/27); 0845-0900 EG, "Radio Today", coin show (R.Wood 10/4).
- 11770 INDIA AIR; 0050 EG, W with economic report, p, //11815 (Mayer 10/3).
- 11775 ANTIGUA/MONTS BBC W.S.; \*1300-1330\*, bells & ID, site, to N., C.Am., nx, "Letter from America" (Sillings 9/11, Buras 9/25).
- 11775 INDIA AIR; 1050 EG, cmnts from the Indian press (Mayer 9/28); 1037-1055 EG, tik abt dramatic production, non-alignment (Osterman 10/6).
- 11780 BRAZIL RNB; 2254-0009\* PT, "Radiobras", soccer game, mx, nx, ID, fair/good (Bryan 9/11, Noonan 10/2, Lobdell 9/24).
- 11780v KOREA N. R. Pyongyang; 0845-0855 FR, anti-imperialist talk, also; 0045-0058\* SP, "R. Central de Corea", s/off, //9420 (Wood 10/4).
- 11785 BRAZIL R. Guaiba; 2330-0030 PT, speeches & recorded talks, instrumental mx, good (Mann 10/2); 0238-0248 PT, talks (Earhart 9/10).
- 11790v INDONESIA VOI; 1420 EG, news (Wallace-JAPAN 9/6).
- \*11791a COLOMBIA RNC; 1230-1302 SP, "Musica de Theatre", ID'ing as "Rdf. de Colombia", classical mx, fair (Osterman 10/2); 1607-1622 SP, M ancor, class. mx, very good, //9655 (Krueger 10/4); 0150-0200 SP, talks, ID, in RGSSB (Wood 10/6); 0230 SP (or should I say SS, Al, hi! -ed.), ID into classical mx on this freq., good (Alan Mayer-IL 9/20).
- 11795 AUSTRALIA RA-Carnavon; 1115-1130 IN, with DJ show (R.Wood 9/28).
- 11800 ITALY RAI; 1916 EG to Britain, nx by W & s/off (Sillings 9/11).
- 11800 NETH. ANTILLES TWR; 0325-0330\* SP, rel. (Miller 9/25). Cf. 15445.
- 11800 SEYCHELLES FEBA; \*0359 EG, ID by M, "What a Friend" IS (Valko 9/16).
- 11800 SOUTH AFRICA R. RSA; 2310 EG, news in brief (Woltman 10/1).
- 11800 TURKEY TRT; \*1558 IS, time pips, ID GK into theme music, then news; poor with VOA QRM & het (Hywarren 10/1).

- 5 BRAZIL R. Globo; 0249-0302 PT, song w/orchestra; Brazilians coming in like gangbusters (Earhart 9/10); 0010-0030 PT, ads (Alexander 9/23).
- 0 INDIA AIR; 1355-1405 unid. lang/EG, barely audible (McMullen 9/10); 1418-1500\* EG, talk on Indian Energy & Health, nx (Godfrey 9/30).
- 5 INDIA AIR; 0050 EG, W w/economic report; //11770 better (Mayer 10/3).
- 5 SOVIET IS. R. Tahiti; \*1555-0510 FR/TT, Polynesian mx (5 reports).
- 10 AUSTRALIA RA-Shepparton; \*2300 IN, warta berita (Wood 9/28).
- 15 SRI LANKA SLBC; \*1027 EG, ID, into Sinhala until 1045, then EG until religious pgm from "Little Calvary Church"; f (Osterman 10/6).
- 35 URUGUAY R. El Espectador; 0210 SP, talk (Alexander 9/20).
- 50 PHILIPPINES FEBC; 0910 EG, rel. to 0930 nx, //11765 (Lobdell 10/4).
- 55 SAUDI ARABIA BSKSA-Riyadh; 1930 EG, sports report with US baseball scores (Greene 9/17); 1932 EG, sports scores, article on Third World, TC's (Miller 9/17); 2145-2200\* EG, off w/NA (Wood 9/23).
- 50 ASCENSION IS. BBC; \*0730 EG, Africa Alternative, nx (Wallace 9/6).
- 50 KOREA S. R. Korea; 1130-1200 EG to Europe & S.E.As. (Wood 9/26); 1133-1151 EG, "KBS News Commentary" by W, //9665 (Edelstein 10/3).
- 66.5 BRAZIL R. Clube Pernambuco; 0250-0309 PT, deep-throated braggadocio anor (Earhart 9/25); 0300-0310 PT, end Sunday magazine pgm, ID, TC, into news program, "Pernambuco Jornal", fair/good (Roberts-MAN 9/26).
- 75 PORTUGAL RP; 1115-1125 PT, talk in SSB (Wood 9/28).
- 85 URUGUAY SODRE (Servicio Oficial de Difusion, Radio Electrica); 2200-0200 EG, international svc., full ID, TC's, programs featuring classical, Uruguay, and international mx, //9515; fair/good on both frequencies (Hywarren 9/22); 2300-2305 EG, international svc., talks, QRM Radio Liberty (Wood 9/20).
- 90 TAIWAN VOFC; 2220-2235 EG, Chinese vocals, pops (Craig 9/7).
- 00 MALAYSIA RM; 1100-1135 Mandarin, talk & music (T.Ohtake 9/27).
- 05.0 IRAQ R. Baghdad; 2330-0005 AR, Mideastern mx w/talk about mx, mentioning parts e.g. alto, soprano etc. (Craig 9/8); 0028-0040 AR, singing, Arabic mx (Edelstein 9/12); 0400 AR, Arabic music, TC with clock striking 7:00, news by W (Bryan-CA 9/13).
- 115 BRAZIL R. Gaucho; 0830 PT, local mx w/conversation (Zilmer 9/27).
- 120 IVORY COAST R. Abidjan; 2000+ EG, African mx & US soul mx, ID as "Radio Ivory Coast International" -- every time I hear them they change their ID (Godfrey 9/26); 2118 FR, rock & W.Afr. mx (Bryan 9/11); 2345-0000\* FR, mx, nx at 2355, NA, strong signal (Gionet 9/12).
- 125 GERMANY W.? DW; 1930 EG, nx, mx (Woltman 10/3). Schedule shows EG on 11905 but quite probably they moved here to avoid Iraq -ed.
- 137.7 CAMBODIA Phnom Penh R.; 1136-1225 Cambodian; W tlc (echo quality), several mx intervals of piano with accompaniment, short NA? at 1159, tent. ID's by M&W, nx (Edelstein 10/5).
- 140 BELGIUM BRT; 1650 EG, dx pgm (Dunn 10/9). Sked has dx pgm at 1750!
- 150 BRAZIL R. Min. Ed. e Cult.; 2200-2230 PT, "A Voz do Brasil" (Wood 9/23).
- 155 USSR RM; 0120 EG, news, commentary, music (Woltman 10/1).
- 155 PHILIPPINES R. Veritas; 1330-1404 Tamil?, EG ID as "Asia Service, Radio Veritas, Sri Lanka Program", PO Box 969, Manila (Osterman 9/5).
- 155 SWAZILAND TWR-Manzini; 1919-2015\* FR, rel. pgm, hand bell IS, mx, M with very dramatic reading in French (Osterman 9/21).
- 190 CHINA RP; \*2300-2310 RS, s/on over Prague (Wood 9/30).
- 190 CZECHOSLOVAKIA R. Prague; 1804 EG, interviews, ID's, freq. anmt, request for reports, Czech mx, Afro-Asian Svc. (Sillings 9/11).
- 000 USSR RM; 0045-0100 EG to N.Am., dx pgm; 0100+ "R. Vilnius" pgm in LH (Lithuanian) (Wood 10/4); 1337 RS, "Mayak" pgm, mx including Braham's Hungarian Dance #5 to 1359:14, then ten-note "Midnight in Moscow" IS (Mayak) played 3 times; three time pips (D.Duke-TX 9/24).
- 010 LIBERIA VOA-Monrovia; 2211 EG, African news (Bryan 9/11).
- 020 USSR RM; 0200-0210 EG to N.Am., //6070 (Sofia), 7100, 7135, 7165, 7175, 7250, 7290, 12050 (Wood 10/6).
- 040 UK BBC; 1532 AR, nx, mx, ID, to North Africa (Leffler 10/2).
- 050 UNID 2315-2334; 23-note IS and about 10 IS's per minute; continuous to 2333, then anmt in unid. lang. for about 15 seconds (Noonan 10/2).
- 085 KUWAIT RK; 1750-1905 EG, pop mx, pharmacy list (7 reporters).
- 529.8 CHILE R. Colo Colo; (now they are using SSB, upper, and no detectable carrier; and power seems reduced -ed.); 2302-2324 SP, M DJ w/old Beatle songs, ID's as "Nacional de Chile" & ment. Argentine listeners; good (Krueger 10/4); 0200-0220 SP, wx in Santiago, local mx, heard on lower side band; got this great tip from Aaron Hywarren (Sapoznikow 9/25). 5 5

- 14898 ZAIRE 2219 FR, Kinshasha found here after 15802(q.v.)(Hauser 9/27)
- 15000 ARGENTINA IOL; time stn, SP, ID's every 5 min.(Riedesel 9/7).When?
- 15009 VIETNAM VOV; 1500 JP?, ID & piano mx (Dunn 10/9); 1800 with EG new by W, ID at 1808; fair (Lobdell 10/9).
- 15060 CHINA RP; \*0000-0140 EG to N.Am., class struggle etc.(7 reporters)
- 15084 IRAN NIRT; 1522 FS, mx w/singing by M (Leffler 10/2); \*0035-0050 FS Persian music, vocals & instrumental mx, Farsi tlks (Thompson 10/5)
- 15100 LIBYA PRBS; 1515-1530 AR, tlk, mx w/"wailing" (Craig 9/10, Leffler 10/2); 2158-2201 AR, mx, chants, fair (Valko 9/9).
- 15100 USSR RM; 0030-0100 EG, nx, lbx, //15425 (Thompson 10/7, Gionet 9/7)
- 15105 JAPAN RJ; 2315-2330 EG, Japan's ship building indus. (Bohlke 10/5)
- 15110 CZECHOSLOVAKIA RP; 1445 EG to As. & Pac., "Mx For You" (Gionet 9/18)
- 15110 PAKISTAN RP; 1105-1115\* EG, nx read slowly by M, g (Fraser 9/7).
- \*15115NF GUAM KTRW; 2200 EG, opening at 2200 & asking which was better, thi or 15155; 15115 was; however, fade out before 2245 closing; but, wh needs yet another stn carrying "Back to the Bible" (Hauser 10/7); 2210 EG, religious readings, hymns; chimes & ID by W at 2230, fair signal (Cress 10/9). Don't believe 15115 & 15155 ever parallel -ed.
- 15115 UZBEK SSR R. Tashkent; 1420 EG, political cmntry (Wallace-JAPAN 9/)
- 15120 SRI LANKA SLBC; 1107-1115 EG, nx & cmntry on the state of the SL economy, fair/good with slight fading (Roberts-MAN 9/7); 1945 EG, European Svc., info abt SL customs & currency, //17850 (Gionet 9/18)
- 15120 SWEDEN RS; 1130-1230 SW/EG to E.As., nx, //15305 (Wood & Zilmer 10/)
- 15120 VATICAN VR; 1700-1715 EG, rel. discussion (Greenes 9/25, Clark 9/1)
- 15130a CHILE VOFRC; \*0045-0352\* -- 0050-0110 FR, 0110-0130 EG, 0130-0150 S 0150-0210 FR, 0210-0230 EG, 0230-0250 SP, (0250-0310 FR)?, 0310-0330 EG, and 0330-0350 SP -- the above sked compiled from a record 20 reporters: Noonan, Edelstein, Brown, Craig, Wood, Duke, Fraser, Thompson, Gionet, Meehan, Dawson, Altman, Woltman, Smith, Cohen, Bryan, Godfrey, Hauser, Earhart, McKinney -- also on 9566, 15149.
- 15145a BRAZIL R. Jor. do Com.; 2225 PT, ads, sports pgm (Alexander 9/25); 1900 PT, M, sportscast, soccer game (Bryan-CA 9/25).
- 15148.8 CHILE VOFRC; 2340 AR, 2350-0010 RS, 0010-0030 GM, 0030-0050 IT, 0050 0010 FR, 0010 EG about visit of Pinochet to US for signing the treat; of the Panama Canal zone (Pineault 9/10); 0045-0050 IT, M talking, very good (Brown 9/27).
- 15167a BRAZIL Ceará R. Clube; 2045 mx (Field 9/26).
- 15170 SOCIETY IS. R. Tahiti; 1600-0315 FR/TT (6 reporters).
- 15175a MEXICO XEWW; 2300-2310 SP, nx, appears to switch here when VOA on 15160 is loud (Wood 10/3); 2300 SP, tlk, mx, ID many times, not heard on 15160 at this time; also, at 1300 (Zilmer 9/28); 2330 SP, drama (Field 9/26, 9/27). Still keeps going back & forth -ed.
- 15190 BRAZIL R. Inconfidencia; 2155-2207 PT, end nx bulletin at 2200, ID into "A Voz do Brasil" pgm, fair/good (Roberts-MAN 9/6); 2222 PT, M anc'r, soccer (Bryan 9/11); 0015 PT, accordian mx (Field 9/28).
- 15235 USSR R. Vilnius; 2325 EG, sked ann't, s/off (Wallace-JAPAN 9/10).
- 15260 FINLAND RF; 1305 EG, nx, good multipath echo (Lobdell 10/8).
- 15266.4 BRAZIL R. Excelsior; 2211-2215 PT, //15190 etc. with "A Voz do Brasil" pgm inc. talks on waterworks improvements in urban centers, covered by open carrier at 2215 (Roberts 9/6); 2345-2351\* PT, pop mx, off abruptly (Wood 9/21); 0045\* PT, ads, pops (Godfrey nd); 0045-0055 PT many ment. of S.P., fastest talking Brazilian hrd yet (Mayer 10/6).
- 15273 URUGUAY SODRE; 2345-0000 SP, tangos, ID's (Wood 9/21).
- 15290 ARGENTINA R. El Mundo; 2340-2348 SP, M tlk, ID, pop/el mx (Edelstein 9/21); 0050-0100 tangos, ID (Wood 9/21).
- 15290 SPAIN RNE; \*1730 AR, IS, ID, nx by M&W, some QRM (McMullen 9/17).
- 15310 JAPAN RJ; \*0100-0130\* EG/JP, nx, //15105 (Mann 9/30, Brown 10/1).
- 15310 ECUADOR HCJB; 1830 EG, ID, sked, into GM, rel. pgm (Bryan 9/25).
- 15315 FRANCE RFI; 1623-1655 EG, "Paris Calling Africa", mx, French ID, program on Russian dissident Alexander Gariche(?) (McCants 9/20).
- 15325 BRAZIL R. Gazeta; 2350-0000 PT, futebol (Wood 9/21); 0025-0230 PT, futebol (C.Sherman 10/6); 0045 PT, network sports px (Zilmer 10/6).
- 15325 CANADA RCI; 2131-2150 EG, nx, Afr. Svc., cmnt, dx pgm (McCants 9/25)
- 15325 UGANDA UBC; 1800-1833 EG, 1833+ FR, W.Afr. Svc., African & pop mx over RCI (Gionet 9/11, Edelstein 9/8, Dunn 9/17).
- 15330 MOROCCO RTM; 1130-1145 AR, Arabic mx, ID's, //15360 (R.Wood 10/3).
- 15335 AUSTRIA ORP; 1800-1855 EG, features (Conrad 10/5, Dunn 10/7).
- 15340 PORTUGAL RF; 1815-1840 EG, nx, Portuguese mx (Bohlke-MN 9/27).
- 15345 GREECE VOG; 1540 GK, nx in Greek, then Greek mx, fair (Mayer 10/2).



- 5360 FRANCE RFI; 1710-1720 EG, "Paris Calling Africa," mostly nx abt Africa, song by Aznavour, good (Bogel-CA 9/29).
- 5365 AFGHANISTAN RA; 1120 local mx to 1130-1200 EG, ID's by W repeated x 4: "This is R. Afghanistan coming to you on 15 point 365 kilohertz (sic) in the 19 meter band" (Cress 10/11); khy-lohertz is made by a bacterial fermentation of goats' milk... -ed; 1130-1201 EG, local mx into unid. lang at 1200, fair (Krueger 9/16); 1131 w/ID's in EG by W, instrumental folk mx, very poor (Lobdell 10/7).
- 5375 ECUADOR HCJB; 0030\* EG, amnt for pgm to N.Am. on 9560 & 11915, then 2 words in SP: "Buenos noches", and abruptly off (Gionet 9/15).
- 5385 ITALY RAI; 1505 IT, mx w/vocals (Leffler 10/2); \*1830 IT, IS, ID, to Canada, C.E. (?Central Europe?-ed), Caribbean (Noonan 9/18).
- 5400 VENEZUELA R. Nacional; \*2158 EG w/DJ Charles Nash w/mx & info about Venezuela, strong signal (Gionet 9/8); 0030-0035 SP, TC, ID, nx, signal was very weak at this time (Sapoznikow 9/13).
- 5405 USSR R. Station Peace & Progress; 1305 EG, "Roundup of Events", talk about US bases in Philippines (Gionet 9/18).
- 5410 AUSTRALIA RA; 0201 EG, nx by M (Edelstein 9/12).
- 5420 JAPAN RJ; \*0100-0130 JP to N.&L.Am., //15195, 17725, 17825 (Wood 10); 0130 EG, schedule, nx, Moscow QRM (Valko 9/23); 0200 EG, "Tokyo Calling", g (Brown 10/3); 0205-0230 EG into 0230 SP (Thompson 10/7).
- 5420 USSR RSP&P; 1300 EG, favorable listener comments on "the October Socialist Revolution", which is an "inspiration" (Stanziale 9/18).
- 5425 FRANCE RFI; 1830 FR, classical mx, //11930, 15200, 15210, 15300, 15360 (all heard) (Noonan 9/18).
- 5425 SRI LANKA SLBC; 1602-1625 EG, nx followed by religious pgm (Pickard 9/26); 1630-1645 EG, religious talk (C.Sherman 9/16).
- 5425 TAIWAN VOF; 0100 EG, s/on, NA, poor w/Moscow QRM (Lobdell 10/8).
- 5425 USSR R. Kiev; 0303-0329 EG, nx & cmntry (Dawson 9/9).
- 5430 SWITZERLAND SBC; 1115 EG, nx of Switzerland, some days this signal just isn't here; no QRM (McMullen 9/30). 1755-1800 AR, AR vocal mx and ID which I couldn't copy; mixed with co-channel AFRTS (Bogel 9/10). This is your UNID, Bill; I heard SBC theme mx at close -ed.
- 5435 CHINA RP; 0100 EG, nx by M (Gionet 9/6); 0200 EG, ID, music and talk; weak and fluttery (Brown 10/3).
- 5435 MALAYSIA BBC W.S.; 0005, nx, "R. Newsreel" at 0015 (Gionet 9/19).
- 5434.6 TANZANIA RT; 1755 EG, "Sing For Freedom" local mx pgm and ID; 1800 TC as 9:00 East Afr. Time, 1830+ SH? (DLW from HI 9/27); 1815-1840 EG, nx & cmntry, ID at 1846 (Dunn 9/17).
- 5455 LIBERIA VOA-Monrovia; 2125-2200 EG, top nx stories, comments, saxophone mx by Dale Underwood (Thompson 9/12).
- 5445 NETH. ANTILLES TWR; 0143 SP, "Radio Tres-Dieciseis" sounds like a separate station, but it's just the name of a R. Transmundial (TWR) pgm; to establish credibility it starts with secular music and several genuine news items from L.Am.; but before long they transition into a hard-sell sermon, ann'd as a daily 1/2-hour pgm by the Christian Reformed Church, with an address in San Juan PR, and, Casilla 316, La Plata, Argentina; //11800 announced (Hauser 9/22).
- 5455 USSR R. Rodina; 1500 RS, ID, freq, & times to USA, Canada; mxn goes into Mayak at 1500 (Leffler 10/2); 1830-1900 RS, tlk followed by orch. mx, great sigs (Conrad 10/9); 2000-2030 RS, ID's, nx, and typical Soviet music (Ponder 9/19). Skeds show 1830 as Mayak -ed.
- 15512 1/2 ISRAEL IBA; 1200 EG, nx, cmnt, features, ads, wx, p (Zilmer 9/18).
- 15521 1/2 BANGLADESH RB-Dacca; 1230-1300\* EG, pop mx, local mx, ID at s/off (Zilmer 10/8); 1228 s/on, IS, EG ID, cmnt, mx (Western & Bengali tunes); good; cf. 17720 (Lobdell 10/9).
- 15520 CHINA RP; \*2300-2355 SP to L.Am., //15305 (R. Wood 10/3); 0005 EG, nx by W (Gionet 9/18); 0010-0015 EG, talk on anniversary of communism in (?); good, //17675 (W.Smith-MA 9/30); 0015 EG, nx, mx, flut-ter (Noonan 9/18); 0015-0040 EG, talk on the revolution, orch mx., talk on Africa, ID's, Chinese mx, lang. lesson (Thompson 10/6); 0050 EG/CH language lessons (Cohen-NJ 9/29).
- 15520 PAKISTAN RP; 1630 EG, nx in special English, poor (Zilmer 10/9); 1630 EG, dictation-speed nx, abrupt off at 1645 (Lobdell 10/9).
- 15773.2 ALGERIA RA; 1600-1700 AR, "Sawt Filistiin, Sawt-Athawra al Filistinia" (Voice of Palestine, Voice of the Palestine Revolution) pgm opening & closing with the PLO's "NA", Bilaadi (My Country); on other days heard on a very variable sked from 1500-2230 w/Arabic mx, talks, and time pips on hour, usually on top of the programming;

- previously heard ID'ing w/"ithaa't jumhuria jaza'iriya" (a bc of the Algerian Rep.); erratic sked & lengthy breaks in xmsn (DLW 10/24).
- 15800v ZAIRE Voix du Z.; 2100-2200 FR, African mx, //15350 (McMullen 8/31); 2210 FR, this and 14898 are spurs radiated by the xmtr, not a receiver mixing product (Hauser 9/27); noted on 15798.7 10/21 -ed.
- 17650 CHINA RP; 0215-0230 SP, mostly talks, orch, mx (Thompson 10/4).
- 17665 PAKISTAN RP; 1432 Urdu, W singing beautiful song w/drum & xylophone accompaniment (Leffler 10/2); 1520-1630 Urdu, speech & ballad-type musical selections (Mann 10/1); 1526-1535 Urdu, Pak. mx (Mayer 10/2).
- 17680 CHINA RP; 0100-0215 EG, cmntry, etc. (5 reporters).
- 17685 ISRAEL IBA; 1200 EG, nx, cmnt, features, ads, mx, poor (Zilmer 9/18).
- 17695 UK BBC; 1435 AR, nx, mention of Israel (Leffler 10/2).
- 17700 HOLLAND RN-Lopik; 1830 EG, newsblock, fair (Zilmer 10/1).
- 17705 USSR RM; 1437 RS, singing w/BBC underneath (Leffler 10/2).
- 17720 BANGLADESH RB-Dacca; 1230 EG, nx, RFI QRM, //15520, p (Lobdell 10/6).
- 17720 TAIWAN VOFC; \*2300-2315 CH, mixed w/Mayak (Wood-NH 10/3).
- 17740 BELGIUM BRT; 1130-1140 DT to Africa, national nx (R.Wood 10/3); 1415 DT, mx with some English records, fair, //21475 (Zilmer 10/2); 1515-1530 FR, nx & stocks; 1530+ DT (Pickard 9/19).
- 17770 SWEDEN RS; 1300 SW, nx to L.Am., poor (Zilmer 10/5); 1405 EG, interviews, talks (Swanson 9/15).
- 17780 JAPAN RJ; 0215 EG into 0230 JP, "Current Topics" (Bryan-CA 9/13).
- 17810.2 PHILIPPINES FEBG; 2345-0100\* EG, "Good Morning from Manila", ann'd //11855, 15395, 17810, 21515; aerial switch at 0100 (6 reporters).
- 17815 BRAZIL R. Cultura; 0000-0040 PT, mx & vocals, good (Brown 9/27).
- 17850NF CHINA RP; 0107 EG, on 11th Congress, //17680 (Osterman 10/2).
- 17850 SRI LANKA SLBC; 1845-1900 European Svc., in EG, with Western pop mx; 1900 TC & nx, //15120, 11955 (Cohen 9/30); 1945 EG, info about currency & customs regulations in Sri Lanka (Gionet 9/18).
- 17890 TAIWAN VOFC; \*2140-2200 EG, nx, until VOA sign/on at 2200 on 17895 (Ponder 9/18; Dawson 9/18); \*0100-0302 EG/CH (8 reporters!).
- 17895 PORTUGAL RP; \*1400-1430 EG to India, political cmnt (Brown 9/28).
- 17900 VATICAN VR; 1700-1715 EG, tlk on clean water; pulser (Noonan 9/18).
- 18650 USSR Mayak; 1149 RS, on RCSSB (Hauser 10/8).
- 19440 USSR RM; 1155 EG, good signal despite being 2 x 9720 (Hauser 10/8).
- 19455 UK BBC W.S.; 1202, feeder on RCSSB; new? (Hauser-TN 10/8).
- 19465 EGYPT R. Cairo; 1300-1330 IN; mx (C.Sherman 10/1); 1345 AR, mx with chanting by M, ID, strong signal -- S9!!! (Leffler 10/2).
- 19470 UK BBC W.S.; 1300, world nx, //21610, 21710 (Zilmer 10/6).
- 19475 BELGIUM BRT; 1130-1145 DT, press review (R.Wood-NH 10/6); 1415 DT, mx with some English records, //17740 (Zilmer 10/2).
- 19485 VATICAN VR; 1130-1145 PT to Afr., talk on missions (Wood 10/6).
- 19490 USSR RM; 1348 EG, nx of Mideast talks, to Africa (Leffler 10/2); 1354 EG, African Svc., super day into eastern Europe (Hauser 10/8).
- 19495 PORTUGAL RP; 1350 PT, nx to Guinea, Cabo Verde (Leffler 10/2).
- 19540 GERMANY E. RBI; 1400 EG, IS, ID, nx in detail, fair (Zilmer 10/8).
- 19555 SWEDEN RS; 1300 SW, talk & mx in SSB, upper; fair (Zilmer 10/6); HS relay on SSB; despite strong signal, no reduced carrier at all; it would certainly help to have a reference carrier (Hauser 10/8).
- 1590 SWEDEN RS; 1730-1800\* SW, xmsn is SSB, upper; fair (Zilmer 10/6).
- 1600 LIBERIA VOA-Monrovia; 1645-1731 SH, unlisted for many months, not in S77 sked; EG s/off amnt at 1731 (Earhart 9/25, Noonan 10/2).
- 1615 USSR RM; 1226 tones into "Mayak" pgm at 1230 (Hauser 10/8).
- 1620 FRANCE RFI; 1407-1640 FR, sports, TC (Leffler 10/2, Noonan 10/2).
- 1625 ISRAEL IR; 1408-1643\* Yiddish, nx, IS (Leffler 10/2, Noonan 10/2).
- 1655 ITALY RAI; 1600-1630\* IT, tlk, mx, fair, //21510 (Zilmer 10/8).
- 1660 CYPRUS BBC-Limassol; 1140-1150 EG, on development (Wood 10/6).
- 1660NF FRANCE RFI; 1428 FR, ex-21670, escaping pileup there (Hauser 10/9).
- 1670 CZECHOSLOVAKIA R. Prague; \*1430 EG, features, //17830 (Zilmer 10/9).
- 1690 SWEDEN RS; 1230-1300 EG, lbx, echo, //15305 (Zilmer 10/9).
- 1710 UK BBC W.S.; 1300-1615 EG (Zilmer 10/6, Leffler 10/2, Thompson 10/6).
- 1720 PORTUGAL RFE/RL; 1400 CZ, nx, some EG, fair (Zilmer 10/5).
- 1730 NORWAY RN; 1427 EG, Norwegian regal history talk (Leffler 10/2).
- 17340 USSR RM; 1301 AR, w/that Soviet sound, 2 x 11715 prob. (Hauser 10/8).
- 25605 ISRAEL IR; 1400+ Yiddish, finally bagged the only active 11m band stn w/usual time signal, ID, and Yiddish pgm; the carrier was reduced slightly: RCSSB; does not appear in the S77 IBA sked, they often put extra xmtrs on unscheduled freqs; ten meters could not be used as a pilot for this fine opening, characteristic of October, as a check showed it was dead, above the MUF (Hauser-TN 10/9). ?



# FRENDX CREDITS

This month's log reports courtesy of the following 72 reporters. THANKS!!

Brian ALEXANDER, Mechanicsburg, PA (DX-160)...Richard ALTMAN, Knox, PA(DX160)  
 Ricky BAUM, Gainesville, FL (CRF-5100)...Bill BOGEL, Santa Barbara, CA(FRG7)  
 Dale BOHLKE, St. Louis Park, MN (Transoceanic)...W. Noel BROWN, Ann Arbor, MI  
 (SB-313)...Josephine BRYAN, Tracy, CA (FRG7)...W.C. BURAS, Metairie, LA(SSR1)  
 Albert CANNON, Jr, Wilmington, NC (HQ-100/AC)...W.D. CLARK, Cherry Hill, NJ  
 (FRG7)...Jon COHEN, Willingboro, NJ (FRG7)...James CONRAL, Waterloo, IA  
 (HQ-160)...Robert CRAIG, Danvers, MA (SX-190)...Vladimir CUCURA, Jr, Reading,  
 PA (FRG7)...G.D. DAWSON, Sherwood Park, Alta, Canada (FRG7)...Roland DESROS-  
 IERS, Chicopee, MA (R-388)...David DUKE, El Paso, TX (RF-2200)...Guy DUNN,  
 Paramus, NJ (SPR4)...Kenneth EARHART, Allentown, PA (FRG7)...Larry EDELSTEIN,  
 Centereach, NY (SPR4)...Marlin FIELD, Hillsdale, MI (SPR4)...Robert FRASER,  
 Cohasset, MA (XCR-30)...Tom GAVARAS, Wayzata, MN (HQ-180)...Onil GIONET,  
 St. John, NB, Canada (SX-190)...Mark GODFREY, Broomfield, CO (QR-666)...Jon  
 GOLKIN, Glen Head, NY (DX-160)...David GREENES, Lynnfield, MA (HA-600A)...  
 Dave HASCALL, Fortville, IN (S-53A)...Editor Glenn HAUSER, Knoxville, TN  
 (HQ-160/FRG7)...Charles HOFFMAN, Manheim, PA (FRG7)...Aaron HYWARREN, Winnipeg  
 Man, Canada (ICF-5900W)...KERR, Towson, MD...(I need a first name, Mr. Kerr!)  
 Terry KRUEGER, Casselberry, FL (QR-666)...Irving LEPLER, Brooklyn, NY (SPR4)  
 Editor Jerry LINEBACK, St. Joseph, IL (SPR4)...Chris LOBDELL, Malden, MA(FRG7)  
 Daniel LUCE, Austin, TX (BC-348)...Donald McCANTS, Trussville, AL (GE Port.)  
 Bill McMULLEN, Ann Arbor, MI (DR-22)...William MANN, Brantford, Ont, Canada  
 (SX-190)...Publisher Alan MAYER, Park Forest, IL (SPR4)...Jim MEEHAN, Hamden,  
 CT (SX-190)...Scott MILLER, Lynnfield, MA (DX-160)...Timothy NOONAN, Milwau-  
 kee, WI (SW4A)...Toshimichi OHTAKE, Kamakura, Japan (FRG7)...John ONKEN,  
 Metamora, IL...Sydney OSTERMAN, Toronto, Ont, Canada (FRG7)...Wildor  
 PICKARD II, Evanston, IL...Andre PINEAULT, Ancienne-Lorette, PQ, Canada(FRG7)  
 Alan PLOTNICK, Hamden, CT (XCR-30)...Stephen PONDER, Fort Worth, TX...Edward  
 PYATT, Conway, SC (XCR-30)...Wayne RIEDESEL, Dania, FL (DX-160)...Jim ROBERTS  
 Winnipeg, Man, Canada (Eddystone 940)...Garry SAPOZNIKOW, Winnipeg, Man,  
 Canada (FRG7)...David SARRAZIN, Denver, CO (Globe Patrol)...Clayton SHERMAN,  
 Hoosick Falls, NY (SPR4)...George SHERMAN, Minneapolis, MN (51J4)...John  
 SILLINGS, Cornwall, NY (SW-717)...Wade SMITH, Westport, MA (FRG7)...Thomas  
 STANZIALE, Bloomfield, CT...Richard SWANSON, Wellman, IA (DX-160)...Leon  
 TANNENWALD, New York, NY (SPR4)...Glenn THOMPSON, Deming, NM (HQ-145A)...Mike  
 TIERS, W. Vancouver, BC, Canada...Jim UERLINGS, Klamath Falls, OR (SX-130)...  
 Bob UNDERDOWN, Siloam Springs, AR (ICF-5900W)...Dave VALKO, Dunlo, PA (DX-160)  
 Robert WALLACE, Yokosura, Japan (CT-9505)...Frank WOLTMAN, Cambridge, WI  
 (DX-160)...Richard WOOD, Plymouth, NH (HQ-180A)...Robert ZILWER, Milwaukee,  
 WI (R390A)... Actually, 73 reporters. I even reported!

**HELPING HAND** New Panasonic RF-2200 portable direct-readout SW 3.9-28 MHz +  
 AM/FM/115vac and rotatable ECB antenna, especially aligned for improved SW  
 performance, \$145 + \$3 shipping/ins. RF-2200 used for backup in WRTH  
 receiver evaluation article. Also, a Barlow-Wadley XCR-30 Mark II w/high-  
 selectivity filters added in A-1 condition, \$245 + \$4 shipping/ins. Write:  
 Larry Magne, 15 N. Central Ave., Rockledge, PA 19111 or phone (not collect)  
 215-379-2574.

**HELPING HAND** Wanted: A used Gilfer M-1 antenna tuner and A-20 preselector in  
 good condition. Write: Garry Sapoznikow, 329 Bannerman Ave, Winnipeg, Man,  
 Canada R2W 0V1.

**HELPING HAND** For Sale: Lafayette model HE-10. 1961 series, general coverage  
 rx w/bandspread, BFO, S meter, etc. Want \$45 and buyer must pay shipping.  
 John Sillings, 348 Angola Rd, Cornwall, NY 12518.

**HELPING HAND** For Sale: FRG7 (from Sears) in mint condition, never used.  
 \$250 plus shipping or best offer. Terry Ward, 1408 S. 10th St. #21, Waco, TX

**HELPING HAND** For Sale: DX-160 w/manual & speaker, will ship in original  
 carton - \$100. Excellent cond, 1 yr old, w/only slight wear on front panel  
 lettering. Buyer pays shipping. Write: Adie Durden, 3304 Fulmer Drive, Albany  
 GA 31707 or call (not collect) 912-436-6668 between 2030 & 200 GMT.

I HAVE a mess of "Helping Hand" items, but will publish them in the order that  
 I receive them, whenever space allows. Time to check your antennas now, so  
 that they are ready for all that ice, snow & cold! Myself, I have no particu-  
 lar love for putting my antenna back up when it's -25!!! Here's 73, ~~215~~ R.

# NASWA

NORTH AMERICAN SHORT WAVE ASSOCIATION • POST OFFICE BOX 13 • LIBERTY, INDIANA 47353 U.S.A.

Publishing **FRENDX** Monthly

Unity and Friendship

NASWA'S dues are \$13.00 per year for members in North America, and for delivery via First Class Mail. Overseas dues are the same, but airmail is available for an additional cost. The following is the additional fee for overseas airmail: Central America, the Carribean, South America, and Europe \$7.00. Asia, Africa and the Pacific \$9.00.

NASWA'S UPDATE is compiled twice a month, giving the DXer the very latest DX news while it is hot. The UPDATE is edited by veteran DXer Tom Alleman. All reports for the UPDATE go directly to Tom at 615 W. 43rd Terrace, Apt. No. 6, Kansas City, MO 64111, USA. One issue of UPDATE is incorporated in each issue of FRENDX, the other issue, the Mid-Month UPDATE is available in a separate mailing to NASWA members for \$3.00 per year in North America. It is airmailed overseas for \$5.00 per year. These fees are, of course, in addition to the annual membership dues.

All inquiries, checks/money orders/dues/renewals/and or orders for the Mid-Month UPDATE should be sent to NASWA Headquarters:

P.O. Box 13, Liberty, Indiana 47353, USA

All remittances should be in U.S. funds. Sample FRENDX and DX HOTLINE are available for \$1.00.

-----  
EXECUTIVE DIRECTOR—Mac Leonhardt, P.O. Box 13, Liberty, IN. 47353  
PUBLISHER & MANAGING EDITOR—Alan Mayer, P.O. Box 321, Park Forest, IL. 60466  
SHORT WAVE CENTER—Jerry Lineback, P.O. Box 325, St. Joseph, IL. 61873  
QSL REPORT—William E. Oliver, 45 Wildflower Road, Levittown, PA. 19057  
SCOREBOARD—Myron Smith, 36 Ogden Center Rd., Spencerport, NY 14559  
DISTRIBUTING EDITOR—Greg Ravenhorst, Rural Route, Hollandale, MN 56045  
LOG REPORT (A)—Dan Robinson, 5004 Fulton Street, NW, Washington D.C. 20016  
LOG REPORT (B)—Sam Barto, 245 Cherry Ave., J-I, Watertown, CT 06795  
LOG REPORT (C)—Tom Gavaras, 16920-17th Ave., N. Wayzata, MN 55391  
LOG REPORT (D)—David Walcutt, P.O. Box 1051, Carbondale, IL 62901  
LISTENERS NOTEBOOK—Glenn Hauser, c/o WUOT, Univ. of Tenn., 232  
C&E Building Knoxville, TN 37916  
AWARDS CHAIRMAN—Dan Henderson, 317 Brock Bridge Rd., Laurel, MD 20810  
COUNTRY LIST CHAIRMAN—Don Jensen, 5204 70th Street Kenosha, WI 53140  
U.K. REP—Alan Thompson, 16 Ena Ave., Neath, W. Glamorgan, Great Britain SA11 3AD

NORTH AMERICAN SHORT WAVE ASSOCIATION  
POST OFFICE BOX 13  
LIBERTY, INDIANA 47353 U.S.A.

U.S. POSTAGE  
**PAID**  
First Class Mail  
Permit No. 10  
Park Forest, IL. 60466

**FIRST CLASS MAIL**