

one dollar

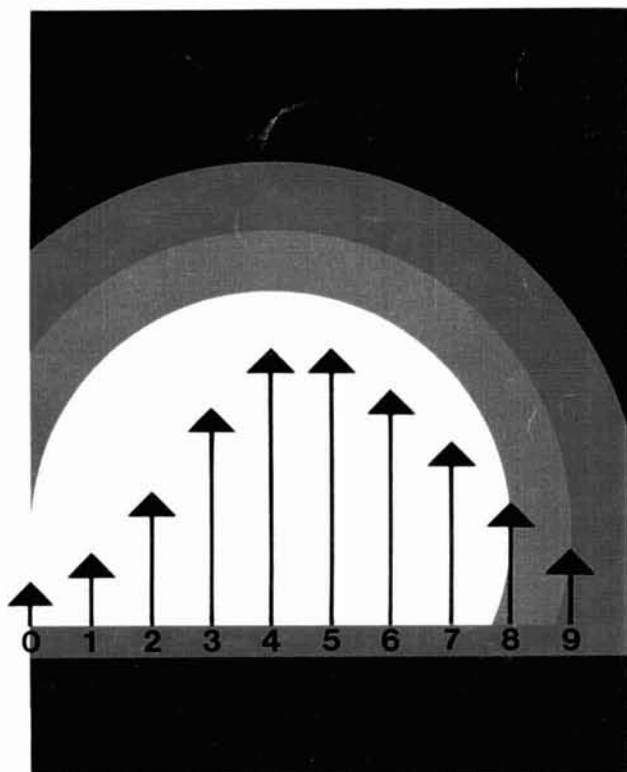
ham radio

magazine

hr 

JANUARY 1977

- direct-conversion receiver 16
- ground-plane antennas 26
- matching techniques for solid-state rf amplifiers 30
- five-band ssb transmitter 34
- computing vswr indicator 58
- and much more . . .



an introduction to
**single-sideband
fm**

INTRODUCING



- *Phase lock-loop (PLL) oscillator circuit minimizes unwanted spurious responses.
- *Hybrid Digital Frequency Presentation.
- *Advanced Solid-state design...only 3 tubes.
- *Built-in AC and 12 VDC power supplies.
- *CW filter standard equipment...not an accessory.
- *Rugged 6146-B final amplifier tubes.
- *Cooling fan standard equipment...not an accessory.
- *High performance noise-blanker is standard equipment ...not an accessory.
- *Built-in VOX and semi-break in CW keying.
- *Crystal Calibrator and WWV receiving capability.

The TEMPO 2020

A BRILLIANT NEW SSB TRANSCEIVER
PROVIDING AN UNBEATABLE COMBINATION
OF ADVANCED ENGINEERING AND UNIQUE
OPERATING FEATURES.

YOU MAY NEVER HAVE OWNED A
TRANSCEIVER THAT OFFERS SO MUCH.

Send for descriptive information on this fine new
transceiver, or on the time proven Tempo ONE
transceiver which continues to offer reliable, low cost
performance.

- *Microphone provided.
- *Dual RIT control allows both broad and narrow tuning.
- *All band 80 through 10 meter coverage.
- *Multi-mode USB, LSB, CW and AM operation.
- *Extraordinary receiver sensitivity (.3u S/N 10 db) and oscillator stability (100 Hz 30 min. after warm-up)
- *Fixed channel crystal control on two available positions.
- *RF Attenuator.
- *Adjustable ALC action.
- *Phone patch in and out jacks.
- *Separate PTT jack for foot switch.
- *Built-in speaker.
- *The TEMPO 2020 ...\$759.00.
Model 8120 external speaker...\$29.95.
Model 8010 remote VFO...\$139.00.

Henry Radio

11240 W. Olympic Blvd., Los Angeles, Calif. 90064 213/477-6701
931 N. Euclid, Anaheim, Calif. 92801 714/772-9200
Butler, Missouri 64730 816/679-3127

DenTron amateur radio products have always been strikingly individual. This is the result, not of compulsion to be different, but of a dedication to excellence in American craftsmanship. This dedication now extends to one of the worlds finest high performance Military amateur amplifiers.

Luxury styling, however, would not be fully appreciated without an exceptional power source. The heart of the MLA-2500 is a heavy duty, self-contained power supply.

Compare the MLA-2500. It has the lowest profile of any high performance amplifier in the world. It's modular construction makes it unique, and at \$799.50 it is an unprecedented value.

Very few things in life are absolutely uncompromising. We are proud to count the DenTron MLA-2500 among them. And so will you.

MLA-2500 FEATURES

- 160 thru 10 meters
- 2000+ watts PEP input on SSB
- 1000 watts DC input on CW, RTTY, or SSTV
- Variable forced air cooling system
- Self contained continuous duty power supply
- Two EIMAC 8875 external-anode ceramic/metal triodes operating in grounded grid.
- Covers MARS frequencies without modifications
- 50 ohm input and output impedance
- Built in RF watt meter
- 117 V or 234 V AC 50-60 hz
- Size: 5½" H x 14" W x 14" D.

All DenTron products are made in the U.S.A.

Introducing the new MLA-2500

The linear amplifier beyond compromise.



Amplifier in actual operation.

DenTron
Radio Co., Inc.

2100 Enterprise Parkway
Twinsburg, Ohio 44087
(216) 425-3173

Stay tuned for future programs.



ONLY \$595.00



**NEW LOW
PRICE
\$1195.00**

The HAL ST-6000 demodulator/keyer and the DS-3000 and DS-4000 KSR/RO series of communications terminals are designed to give you superlative TTY performance today—and in the future. DS series terminals, for example, are re-programmable, assuring you freedom from obsolescence. Sophisticated systems all, these HAL products are attractively priced—for industry, government and serious amateur radio operators.

The HAL ST-6000 operates at standard shifts of 850, 425, and 170 Hz. The tone keyer is crystal-controlled. Loop supply is internal. Active filters allow flexibility in estab-

lishing different tone pairs. You can select AM or hard-limiting FM modes of operation to accommodate different operating conditions. An internal monitor scope (shown on model above) allows fast, accurate tuning. The ST-6000 has an outstandingly high dynamic range of operation. Data I/O can be RS-232C, MIL-188C or current loop.

The DS-3000 and DS-4000 series of KSR and RO terminals provide silent, reliable, all-electronic TTY transmission and reception, or read-only (RO) operation of different combinations

of codes, including Baudot, ASCII and Morse. The powerful, programmable 8080A microprocessor is included in the circuitry to assure maximum flexibility for your present needs—and for the future. The KSR models offer you full editing capability. The video display is a convenient 16-line format, of 72 characters per line.

These are some of the highlights. The full range of features and specifications for the ST-6000 and the DS series of KSR and RO terminals is covered in comprehensive data sheets available on request. Write for them now—and tune in to the most sophisticated TTY operation you can have today... or in the future.



HAL Communications Corp., Box 365, 807 E. Green Street
Urbana, Illinois 61801 • Telephone: (217) 367-7373

ham radio

magazine

JANUARY 1977

volume 10, number 1

T. H. Tenney, Jr., W1NLB
publisher

James R. Fisk, W1DTY
editor-in-chief

editorial staff

Charles J. Carroll, W1GQO
Patricia A. Hawes, WA1WPM
Alfred Wilson, W6NIF
assistant editors

J. Jay O'Brien, W6GO
fm editor

James H. Gray, W2EUQ
Thomas F. McMullen, Jr., W1SL
associate editors

Wayne T. Pierce, K3SUK
cover

publishing staff

Harold P. Kent, WA1WPP
assistant publisher

Fred D. Moller, Jr., WA1USO
advertising manager

Cynthia M. Schlosser
assistant advertising manager

Therese R. Bourgault
circulation manager

ham radio magazine is published monthly by
Communications Technology, Inc.
Greenville, New Hampshire 03048
Telephone: 603-878-1441

subscription rates

U.S. and Canada: one year, \$10.00
three years, \$20.00
Worldwide: one year, \$15.00
three years, \$35.00

foreign subscription agents

Ham Radio Canada
Box 114, Goderich
Ontario, Canada, N7A 3Y5

Ham Radio Europe
Box 444
194 04 Upplands Vasby, Sweden

Ham Radio France
20 bis, Avenue des Clarions
89000 Auxerre, France

Ham Radio Holland
Postbus 3051
Delft 2200, Holland

Ham Radio Italy
STE, Via Maniago 15
I-20134 Milano, Italy

Ham Radio UK
Post Office Box 64, Harrow
Middlesex HA3 6HS, England

Holland Radio, 143 Greenway
Greenside, Johannesburg
Republic of South Africa

Copyright 1976 by
Communications Technology, Inc.
Title registered at U.S. Patent Office

Microfilm copies
are available from
University Microfilms
Ann Arbor, Michigan 48103

Second-class postage
paid at Greenville, N.H. 03048
and at additional mailing offices

contents

10 single-sideband fm

Richard R. Slater, W3EJD

16 direct-conversion receiver

Richard Silberstein, WØYBF

26 ground-plane antennas

Harold C. Vance, Sr., K2FF

**30 matching techniques for
solid-state rf power amplifiers**

Bill L. Leonard, WA7WHZ

34 five-band ssb transmitter

Harold J. Peters, Jr., WN3WTG

**40 automatic up/down
repeater-mode circuit**

Paul G. Quinn, WB4PHO

46 simple diode tester

Lloyd M. Jones, W6DOB

49 Q measurements

R. C. Marshall, G3SBA

54 solar power source

Edward M. Noll, W3FQJ

58 computing vswr indicator

Donald B. Lawson, WB9CYY

66 how to use the swr meter

Robert S. Stein, W6NBI

**74 microprocessors:
the vectored interrupt**

David G. Larsen, WB4HYJ

Peter R. Rony

Jonathan A. Titus

4 a second look
126 advertisers index

101 flea market

116 ham mart

78 ham notebook

74 microprocessors

82 new products

16 novice reading

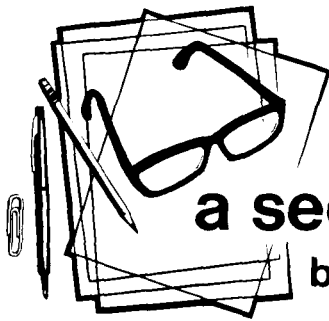
6 presstop

126 reader service

66 repair bench

58 weekender





a second look

by Jim Fisk

In the evening when I'm working down in the shop, I usually turn on the stereo and listen to some nice, easy music. When I get tired of that, I flick on the receiver and tune around the upper end of 75 meters for an interesting round table — I can invariably find an interesting conversation, whether it's about the sorry state of the economy, the high cost of fuel oil, the fine golfing weather in south Florida, or a technical discussion on the merits of quads vs Yagis. Whatever my mood, there's always something on 75 that piques my curiosity, and occasionally something that starts the old adrenalin flowing.

The other night, for instance, two characters with two-letter calls were holding forth on the low end of 75 phone just inside the Extra class segment. The technical topic of the evening was transmission lines, and to hear these guys talk, they were the *original* experts. In reality all they had to offer was a barge full of baloney. Now I'll readily admit that, of all the subjects in amateur radio, transmission lines are among the most difficult to understand, but that isn't a license to run off at the mouth. And to be perfectly blunt, some amateur publications suffer from the same foot-in-mouth disease when it comes to transmission lines and antennas.

I don't know where all the feedline myths started, but I suspect it had something to do with the do-it-yourself swr bridges which first became popular back in the early 1950s. Up until then most amateurs didn't even know about standing waves, and if they did, they didn't seem to care. However, swr bridges soon caught on, and it wasn't too long before being caught with your swr up was synonymous with getting caught with your pants down. At one time someone even suggested that the Q-signal QSW be used with a scale of 1 to 10 to report your latest swr reading as you moved around the band. Fortunately the idea never caught on.

Some amateurs got interested enough in the subject of standing-wave ratios to dig into the books, but when they discovered that swr is a result of power reflected from a mismatched antenna, it only served to reinforce the myth. If a mismatched antenna causes power to be reflected back down the line, they reasoned, this power *obviously* wasn't radiated by the antenna. Some even suggested that the reflected power got back into the transmitter tank circuit and was dissipated in heat; others apparently thought that reflected power was lost forever to some great swr heaven in the sky. A few well-informed amateurs tried to nip these absurdities in the bud, but it was hopeless — the disease spread faster than the cure.

The whole subject of transmission lines is much too complex to be covered in this short space, but it's time to bury some of the myths. First of all, reflected power is not lost nor does it heat up the tank circuit of your transmitter. Secondly, if your feedline has low loss as is the case on the hf bands, increased loss due to swr is so small you can forget about it. Since a 10:1 swr on 100 feet of RG-8/U at 4.0 MHz increases loss by *less than 1 dB*, don't worry about the fact that the swr rises above 2:1 at the band edges — the station at the other end won't be able to tell the difference. If your transmitter doesn't like to load into a mismatch greater than 2:1, buy or build an antenna tuner and save yourself a lot of grief by forgetting the swr on the line to the antenna if it's within reasonable limits, say 10:1. And finally, if you don't understand transmission lines, don't make wild statements before you have your facts straight.

Jim Fisk, W1DTY
editor-in-chief

LEADING THE
NEW WAVE...

IC-211



THE NEW ICOM 4 MEG, MULTI-MODE, 2 METER RADIO

ICOM introduces the first of a great new wave of amateur radios, with new styling, new versatility, new integration of functions. You've never before laid eyes on a radio like the **IC-211**, but you'll recognize what you've got when you first turn the single-knob frequency control on this compact new model. The **IC-211** is fully synthesized in 100 Hz or 5 KHz steps, with dual tracking, optically coupled VFO's displayed by seven-segment LED readouts, providing any split. The **IC-211** rolls through 4 megahertz as easily as a breaker through the surf. With its unique ICOM developed LSI synthesizer, the **IC-211** is now the best "do everything" radio for 2 meters, with FM, USB, LSB and CW operation.

The **IC-211** is so new that your local dealer is still playing with his demo. Just hang in there and you can grab this new leader for yourself. ICOM's new wave is rolling in.

Frequency Coverage: 144 to 148 Mhz
Synthesizer: LSI based 100 Hz or 5 KHz PLL,
using advanced techniques
Modes: SSB (A3J), FM (F3), CW (A1)

Selectivity: SSB \pm 2.4 KHz or less at -60db
FM \pm 16 KHz or less at -60db
Sensitivity: SSB 0.25 uv 10db SINAD
FM 0.4 uv for 20db Q.S.

Power Supply: Internal, 117V AC or 13.8V DC
Power Output: 10W PEP (SSB), 10W (CW, FM)
Size: 111mm H x 241mm W x 264mm D
Weight: 6.8 kg

VHF/UHF AMATEUR AND MARINE COMMUNICATION EQUIPMENT

Distributed by:



ICOM

ICOM WEST, INC.
Suite 3
13256 Northrup Way
Bellevue, Wash. 98005
(206) 747-9020

ICOM EAST, INC.
Suite 307
3331 Towerwood Drive
Dallas, Texas 75234
(214) 620-2780

ICOM CANADA
7087 Victoria Drive
Vancouver B.C. V5P 3Y9
Canada
(604) 321-1833



FCC CONSIDERS BAN ON LINEAR AMPLIFIERS for all services, including Amateur. FCC Chief Engineer Ray Spence dropped that bombshell in response to a question posed at the Radio Club of America annual banquet's "Round Table 1976 - Personal Communications" session. At the New York meeting, Ray said the continued circumvention of the FCC's ban on "CB" linears by half a dozen or so manufacturers is forcing the Commission to take a much stronger stance which could result in an across-the-board prohibition on amplifiers for everyone.

Alternatives To Be Considered in the proposed rule making include, in addition to the possible ban, putting all Amateur Radio equipment of commercial manufacture under the equipment approval program that presently applies to gear used by other services. Still another approach would be to forbid the sale of an amplifier to anyone not holding a license that authorizes his use of that amplifier, and make the dealer liable for any sales made in violation of that prohibition.

An Industry Group Dedicated to the well-being of linear amplifiers has been formed. Goals of the new group, being spear-headed by Dentron, are to establish "industry regulations" for the proper use of amplifiers, develop marketing techniques to keep them out of the hands of illegal users, and work closely with the FCC to assure enforcement of the Rules regarding linears.

1X2 CALLSIGN APPLICANTS newly eligible January 1 can be assisted by another ARRL prepared chart showing callsign availability. The chart will be available late in the month - send an SASE marked "1X2 Callsign Matrix" to the League for a copy.

1190 1X2 Callsigns have now been granted since July 2, with 227 applications still pending. No NX2s have yet been issued as the computer program is still being worked out, though applications for the new prefix have been received.

FCC REDUCED the number of copies it requires to be filed in Commission rulemaking procedures from 12 to 6 (an original and 5 copies) in an action announced November 9. Anyone wishing a copy of his comments to go to each Commissioner individually may still file an original and 11 copies as before, but the 6 copies specified in the new ruling assures that a filing is distributed to the appropriate FCC staff members.

The Relaxation, which amended Part 1 of the Rules, became effective November 22.

PORTABLE AND MOBILE DESIGNATION use ended officially on Friday, November 26, a Thanksgiving present from the FCC, but you'll still need to have an "active" mailing address so you can answer possible FCC citations or advisories within the required 10-day period. Also, portable and mobile designations will still be required of participants in ARRL-sponsored contests. Though portable and mobile designations are more important to some contests than others, it's likely the Rule will be across the board for League events.

NOVICE LICENSE TURNAROUND time can be sharply reduced, say several sources, by printing "AMATEUR RADIO NOVICE APPLICATION" in large letters on the envelope used to apply for a Novice exam, then returning the completed exam to Box 1120 in the envelope it came in marked "COMPLETED AMATEUR RADIO NOVICE EXAM ENCLOSED."

NOVICE CLASS INSTRUCTORS CAN REQUEST written examinations for their students before the students take the code test under a Rules waiver announced by the FCC. Under the terms of the waiver, which will be in effect until June 30, an instructor with a class of five or more students should request sufficient exams for his students at least 30 days before the date he plans to administer the exam. Present FCC requirements for examiners remain unchanged - 21 or more years old, a General or higher class license - and the examiner will be held responsible for returning unused exams unopened along with the exams that have been taken by the students.

Requests For Group Exams should include a photocopy of the examiner's license along with his name and address, the number of exams required, and the date the exams are to be given. To facilitate processing by the FCC, the ARRL recommends including two mailing labels which include the above information along with each request. Requests should go to the FCC, Box 1020, Gettysburg, Pennsylvania 17325.

15TH ANNIVERSARY OF AMATEUR RADIO IN SPACE occurred in December - OSCAR 1 was launched December 12, 1961. OSCAR 7 has now provided more operating time for users than all previous OSCARs combined, according to W3PK (K3JTE).

Tests Of JAMSAT's 145-435 MHz transponder have been going very well, and the Japanese-built unit has met specs nicely.

ITOS-1 Launch, which AMSAT had expected to provide this summer's OSCAR launch, has been scrubbed. LANDSAT C looks like the probable alternative.

NOW FROM Wilson:

AMATEUR: ANTENNAS • ROTORS • TOWERS

3 CRANK-UP TOWER MODELS AVAILABLE

TT-45 FREESTANDING CRANK-UP TOWER, 45 Ft.

The TT-45 will support 9 sq. ft. at a height of 39 ft. freestanding when properly bracketed to a house or wall at the 8 ft. level. The loads decrease as the tower extension Mast is lengthened. (Loads are based at 50 mph and load permitted on the tower decreases with increases in wind speed over 50 mph). The tower can be completely freestanding with our new concrete or tower rotating bases, which allow the use of our raising fixture. Using these accessories, the towers can be installed by one man easily.

List . . . \$310.00

FOR THE TOWERING SIGNAL - WILSON'S SST-64 GUYED CRANK-UP TOWER, 64 Ft.

All steel tubing is galvanized plated and conforms to ASTM specifications for years of maintenance free service. The SST-64 is made of 4 sections, being 4.5", 3.5", 2.5" and 2". These large diameters give unexcelled strength and virtually makes the thin push-up poles a thing of the past. The large loads of today's antennas make the Wilson SST-64 the best value on the market today.

List . . . \$375.00

THE WILSON GT-46 GUYED CRANK-UP TOWER, 46 Ft.

The GT-46 features quality construction and materials, with the stability of the Guyed System.

FEATURES OF THE GT-46:

- Low cost • High capacity • all steel. Conforms to ASTM (American Standard of Testing Materials)
- Fully galvanized • 800 lb. winch standard • Guy kits available for factory recommended installations • 2000 lb. raising cable standard (Aircraft Quality) • Can be roof mounted for extra height
- Great looking, slim flag pole design, for the ecology minded.

List . . . \$219.00



AMATEUR ANTENNAS

The Wilson 204 is the best and most economical antenna of its type on the market. Four elements on a 26' boom plus a Gamma Match (no balun required) make for high performance on CW & phone across the entire 20 meter band. The 204 Monobander is built rugged at the high stress points. Using taper swaged slotted tubing permits larger diameter tubing where it counts, for maximum strength with minimum wind loading.

The DB33 is the newest addition to the Wilson line of antennas. Designed for the amateur who wants a lightweight economical antenna package, the DB33 complements the M204 for an excellent DXers combination.

All Wilson Monoband and Duoband beams have the following common features:

- Taper Swaged Tubing
- Full Compression Clamps
- No Holes Drilled in Elements
- 2" or 3" Aluminum Booms
- Adjustable 52 Ω Gamma Match
- Quality Aluminum
- Handle 4kw
- Heavy Extruded Element to Boom Mount

WR 1000 ROTOR

The Rotor everyone has been waiting years for — capable of the largest arrays up to 25 sq. ft.—Superior to prop pitches — Full 4,000 inch lbs. of turning torque. Braking system requires 12,000 inch lbs. before over-riding — accepts 2" - 3" masts — Weighs 60 lbs. — Size: 11" diameter, 19" high.

The Finest Rotor in the Market Today
WR 1000 \$429.00 List

WR 500 ROTOR

The Wilson WR500 Rotor has 780 inch lbs. of turning torque before stalling.

In addition, a Special Braking System requires 1300 inch lbs. of torque before windmilling— This is more than twice the braking ability of the other comparable rotor being marketed.

Full 98 Steel Ball Bearing raceway assures elimination of side torque jamming when Rotor is mounted in line with the mast.

Recommended for antennas of 7.5 sq. ft. or less . . . weighs 20 lbs.

The
WR500 Rotor . . \$119.95 List

WILSON AMATEUR ANTENNA SPECIFICATIONS

| Model No. | Frequency | Forward Gain (dB) | Front-to-Back Ratio (dB) | Front-to-Side Ratio (dB) | Boom Length (ft.) | Number Elements | Longest Elements (ft.) | Turning Radius (ft.) | Surface Area (sq. ft.) | Wind Loading at 50 MPH (lbs.) | Assembled Weight (lbs.) | Shipping Weight (lbs.) | Price |
|-----------|-----------|-------------------|--------------------------|--------------------------|-------------------|-----------------|------------------------|----------------------|------------------------|-------------------------------|-------------------------|------------------------|----------|
| M340 | 40 | 8.5 | 20 | 30 | 40 | 3 | 70'0" | 39'0" | 15 | 300 | 180 | 220 | \$749.00 |
| M620 | 20 | 13.0 | 28 | 35 | 58 | 6 | 38'0" | 32'0" | 10.5 | 210 | 98 | 123 | 420.00 |
| M520 | 20 | 12.0 | 26 | 30 | 40 | 5 | 36'4" | 27'0" | 8.75 | 175 | 74 | 96 | 299.00 |
| M204 | 20 | 10.0 | 25 | 30 | 26 | 4 | 38'4" | 22'8" | 6.8 | 136 | 42 | 48 | 169.00 |
| M203 | 20 | 8.5 | 20 | 30 | 19 | 3 | 38'0" | 20'8" | 5.25 | 105 | 35 | 40 | 129.00 |
| M155 | 15 | 12.0 | 26 | 30 | 26 | 5 | 24'3" | 18'0" | 5.0 | 100 | 41 | 44 | 159.00 |
| M154 | 15 | 10.0 | 25 | 30 | 19 | 4 | 24'3" | 15'9" | 4.0 | 80 | 30 | 33 | 109.00 |
| M153 | 15 | 8.5 | 20 | 30 | 17 | 3 | 24'3" | 14'0" | 3.0 | 60 | 21 | 24 | 88.00 |
| M108 | 10 | 13.5 | 26 | 30 | 40 | 8 | 18'0" | 22'0" | 5.5 | 110 | 49 | 77 | 219.00 |
| M106 | 10 | 13.0 | 26 | 30 | 31 | 6 | 19'0" | 16'1" | 4.0 | 80 | 34 | 36 | 119.00 |
| M105 | 10 | 12.0 | 26 | 30 | 26 | 5 | 18'0" | 15'8" | 3.0 | 60 | 29 | 32 | 109.00 |
| M103 | 10 | 8.5 | 20 | 30 | 11½ | 3 | 18'0" | 10'0" | 2.0 | 40 | 10 | 12 | 39.00 |
| DB54 | 20 | 12.0 | 26 | 30 | 40 | 5 | 36'4" | 27'0" | 12.75 | 255 | 94 | 119 | 349.00 |
| | 15 | 10.0 | 25 | 30 | 4 | 4 | 24'3" | | | | | | |
| DB43 | 15 | 8.5 | 20 | 30 | 19 | 4 | 24'3" | 15'8" | 6.0 | 120 | 38 | 43 | 149.00 |
| | 10 | 10.0 | 25 | 30 | 3 | 3 | 18'0" | | | | | | |
| DB33 | 15 | 8.5 | 20 | 30 | 17 | 3 | 24'3" | 12'2" | 4.5 | 90 | 30 | 33 | 109.00 |
| | 10 | 8.5 | 20 | 30 | 3 | 3 | 18'0" | | | | | | |

AVAILABLE THRU YOUR LOCAL DEALER

FOR THE NAME OF YOUR
NEAREST AMATEUR DEALER



OR FOR A FREE CATALOG OF
THE ABOVE PRODUCTS, CONTACT:

Wilson Electronics Corp.

4288 SO. POLARIS AVENUE • LAS VEGAS, NEVADA 89103 • (702) 739-1931 • TELEX 684-522

KENWOOD...*the Pacesetter in*

TS-820
TS-520



The ultimate transceiver . . . Kenwood's TS-820. No matter what you own now, a move to the TS-820 is your best move. It offers a degree of quality and dependability second to none, and as the owner of this superb unit, you will have at your fingertips the combination of controls and features that, even under the toughest operating conditions, make the TS-820 the *Pacesetter* that it is.

Unprecedented demand plus the painstaking care Kenwood lavishes on each TS-820 has created a back-log of orders, but rest assured, it's well worth waiting for. Once you have operated the TS-820 you will not be satisfied with anything else.

Features

Following are a few of the TS-820's many exciting features
SPEECH PROCESSOR • An HF circuit provides quick time constant compression using a true RF compressor as opposed to an IF clipper. Amount of compression is

adjustable to the desired level by a convenient front panel control.

IF SHIFT • The IF SHIFT control varies the IF passband without changing the receive frequency. Enables the operator to eliminate unwanted signals by moving them out of the passband of the receiver. This feature alone makes the TS-820 the pacesetter that it is.

PLL • The TS-820 employs the latest phase lock loop circuitry. The single conversion receiver section performance offers superb protection against unwanted cross-modulation. And now, PLL allows the frequency to remain the same when switching sidebands (USB, LSB, CW) and eliminates having to recalibrate each time.

RECEIVER SELECTIVITY:
 SSB 2.4 kHz (-6 dB)
 4.4 kHz (-60 dB)
 CW* 0.5 kHz (-6 dB)
 1.8 kHz (-60 dB)
 *(with optional CW filter installed)
IMAGE RATIO: 160-15 meters: Better than 60 dB
 10 meters: Better than 50 dB
IF REJECTION: Better than 80 dB
POWER REQUIREMENTS: 120/220 VAC,
 50/60 Hz, 13.8 VDC (with optional DS-1A DC-DC converter)
POWER CONSUMPTION: Transmit: 280 Watts
 Receive: 26 Watts (heaters off)
DIMENSIONS: 13-1/8" W x 6" H
 x 13-3/16" D
WEIGHT: 35.2 lbs (16 kg)

Specifications

FREQUENCY RANGE: 1.8-29.7 MHz
 (160 - 10 meters)
MODES: USB, LSB, CW, FSK
INPUT POWER: 200W PEP on SSB
 160 W DC on CW
 100 W DC on FSK
ANTENNA IMPEDANCE: 50-75 ohms, unbalanced
CARRIER SUPPRESSION: Better than 40 dB
SIDE BAND SUPPRESSION: Better than 50 dB
SPURIOUS RADIATION: Greater than -60 dB
 (Harmonics more than -40 dB)
RECEIVER SENSITIVITY: Better than 0.25uV



VFO-820

Solid state remote VFO designed exclusively for use with the TS-820 "Pacesetter". Contains its own RIT circuit and control switch . . . is fully compatible with the optional digital display in the TS-820.



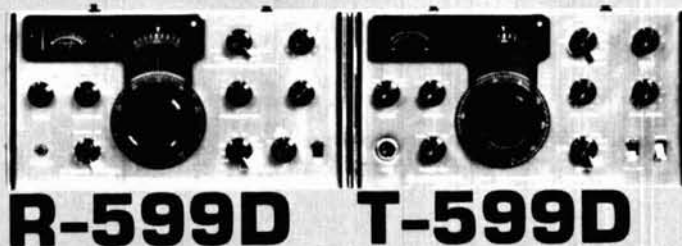
Subject to FCC certification

As a TS-520 owner, you go on the air with a sense of pride and confidence. Thousands of these precision-built beauties are in operation all over the world . . . in ham shacks, field day sites, in DX and contest stations and in countless mobile installations. No other rig has ever offered the performance, dependability, versatility and value that is built into every KENWOOD TS-520.

You have certainly heard the TS-520's clean signal on the air and have probably heard a lot of glowing praise by other hams. So if you don't already own a 520, maybe it's time you did.

MODES: USB, LSB, CW
POWER: 200 watts PEP input on SSB, 160 watts DC input on CW
ANTENNA IMPEDANCE: 50-75 Ohms, unbalanced
CARRIER SUPPRESSION: Better than -45 dB
UNWANTED SIDE BAND SUPPRESSION: Better than -40 dB
HARMONIC RADIATION: Better than -40 dB
AF RESPONSE: 400 to 2600 Hz (-6 dB)
AUDIO INPUT SENSITIVITY: 0.25uV for 10 dB (S+N)/N

SELECTIVITY: SSB 2.4 kHz (-6 dB), 4.4 kHz (-60 dB), CW 0.5 kHz (-6 dB), 1.5 kHz (-60 dB) (with accessory filter)
FREQUENCY STABILITY: 100 Hz per 30 minutes after warmup
IMAGE RATIO: Better than 50 dB
IF REJECTION: Better than 50 dB
TUBE & SEMICONDUCTOR COMPLEMENT: 3 tubes (2 x S-200L, 12BY7A), 1 IC, 18 FET, 44 transistors, 84 diodes
DIMENSIONS: 13.1" W x 5.9" H x 13.2" D
WEIGHT: 35.2 lbs.



The R-599D is the most complete receiver ever offered. It is entirely solid state and covers the full amateur band, 10 thru 160 meters, CW, LSB, USB, AM and FM. The T-599D transmits CW, LSB, USB and AM, has only 3 vacuum tubes, built-in power supply and full metering.

Because of the larger number of controls and dual VFOs, the combination offers flexibility impossible to duplicate with most transceivers . . . for example, transmitting and receiving on different frequencies, no matter how far apart.

an introduction to single-sideband fm

Single-sideband fm,
though still in its
early stages
of development,
may prove useful for
radio communications —
here are the basics
of the ssb fm system

During the past decade a new communications system was mathematically shown to be possible, was analyzed in depth, and finally several working systems were built in the laboratory. This system, which will be described in some detail in this article, has come to be known as *single-sideband fm* or (*or ssb fm*), a term which is also used to describe single-sideband phase modulation.

It is interesting to note that, even though laboratory ssb fm generators exhibit unwanted sideband suppression of 35 dB or more and are relatively straightforward to build, no one ever actually set out to use ssb fm in on-the-air trials. In fact, most professional interest in ssb fm seemed to disappear by 1971 or 1972, perhaps because it was being viewed primarily as a means of saving spectrum space in the commercial fm broadcast band.

Before discussing such details any further, it is necessary to describe the basic system, and to give some historical background as well. Considering the current interest in amateur vhf, fm, the subject of ssb fm should be of general interest, and it is hoped that the following discussion will lead to some amateur experimentation with this mode of communications.

It is not really clear who invented ssb fm, although many people credit it to K.H. Powers, whose work at RCA led to a patent application which was filed in March, 1958.¹ The patent was not granted until September, 1962 — a happenstance which muddied the waters a bit, because E. Bedrosian of the RAND Corporation almost simultaneously published similar results in the *Proceedings of the IRE*.² Since Powers' results were never published, Bedrosian was generally credited with the invention. Certainly, Bedrosian's impressive contributions to the theory of signal processing were extremely important (ssb fm was a "spin-off" of his theory, as was an analysis of clipped waveforms in ssb a-m) and it is probably safe to say that it was his work which most directly influenced the subsequent development of the system.

In 1964 Dubois and Aagaard published an article which further analyzed ssb fm and which also contained block and schematic diagrams of a working system, along with appropriate oscilloscope patterns.³ Although they were only operating at 500 kHz, a practical ssb fm generator had clearly been developed! Less than a year later, Glorioso and Brazeal of the University of Connecticut published further details and discussed the performance of an ssb fm generator they had built.⁴ They were among the first to point out the need for a properly designed ssb fm receiver.

The question of how best to receive ssb fm was also getting attention at Princeton University, and during 1966 Kahn and Thomas published an article in which the theoretically optimum ssb fm receiver was discussed.⁵ Although the theoretical receiver was impossible to build (as was pointed out in the article), it served as a guide and showed that a modified PLL detection system was the correct route to take.

Hence, by the end of 1966 most of the groundbreaking had been completed, and it seemed inevitable that ssb fm would become a topic of keen interest to professional and hobbyist alike. Paradoxically, by the end of 1971 the system had virtually faded from further discussion in the technical journals, and a search of the

By Richard R. Slater, W3EJD, RD 3, Cherry Lane, Export, Pennsylvania 15632

standard library reference indices shows that no general-interest electronics or amateur magazine ever published any material on ssb fm.

technical discussion

Throughout the remainder of this article, I am going to assume that you are at least partially familiar with the sideband representation of ordinary fm. (If you wish to brush-up on the properties of fm sidebands, see any recent *Radio Amateur's Handbook*). Also, I intend to avoid the use of any mathematics, even though that means some loss of accuracy in the discussion, and will use as examples only sinusoidally modulated signals with full carrier. The full mathematical details can be obtained by consulting the list of references.

the ssb fm signal

Although most people may be able to guess what the spectrum of an ssb fm signal ought to look like, a true starting point lies in defining the way in which it must behave. From the journal articles already mentioned, it turns out that a true ssb fm signal has two important properties:

1. It must be possible to detect the signal with a device which is sensitive only to frequency deviations (for example, an ideal ratio detector).
2. The transmitted signal must contain only upper or lower sidebands, but not both.

These requirements are not particularly surprising until some thought is given to the second one. If we can really find a way to eliminate one group of sidebands, then it

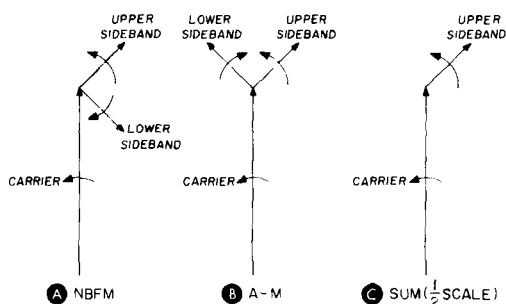


fig. 1. Rotating vector for narrow-band fm (nbfm) and amplitude modulated (a-m) wave at a modulation index of 0.4 and at 40% modulation, respectively. The same oscillator is assumed to produce both carriers, so that the carrier vectors remain in phase.

will no longer be true that, at each instant of time (as in conventional fm), all sidebands add together to give a constant-amplitude signal. Stated another way, a ssb fm signal must have both its amplitude and its frequency change with time. To most people this is the first surprise. The second surprise comes when the first requirement is then re-examined: It implies that, if we run the ssb fm signal through a limiter (and thereby remove the amplitude changes), the signal is converted to ordinary

fm. If this were not so, then the detector demanded by the first requirement wouldn't be capable of recovering the modulation.

The amplitude variations in ssb fm can perhaps be made a little more palatable by recalling that a ssb a-m signal also changes in frequency *and* amplitude. In other words, sideband signals of any type are pretty uncooperative waveforms: They simply refuse to retain the familiar characteristics of their parent signals, especially when viewed on an oscilloscope.

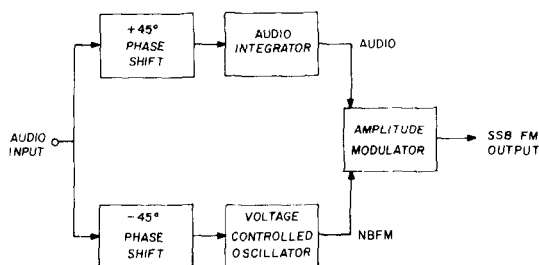


fig. 2. Block diagram of a suggested ssb fm generator (see text).

The ability of a limiter to convert ssb fm to ordinary fm will hopefully seem perfectly reasonable after the actual method of signal generation has been discussed.

generation of ssb fm

Most of us have, at one time or another, seen the rotating vector model for an a-m waveform. This was widely used in the past to explain the operation of the phasing method of ssb a-m generation; it also is a useful way of introducing ssb fm as well because the methods for generating ssb fm introduced to date are all based on phasing systems.* Since fm signals can contain several hundred sidebands when modulated with a single tone, it is necessary that we not consider the general case right away. Instead, to simplify the concept of rotating vectors, consider the problem of "sidebanding" a true nbfm signal. This, by mathematical definition, is an fm signal which has only one significant pair of sidebands present; the corresponding rotating vectors are shown in fig. 1A. These vectors are identical to those often used in descriptions of narrow-band phase modulation because they can represent either case.

Fig. 1B shows a diagram for an ordinary a-m wave simultaneously modulated by the same audio tone. The implication is obvious: If all of these vectors are added together, the lower sideband will cancel, leaving an ssb signal with carrier. The next problem is to decide which kind of ssb it is, since it is the result of both an nbfm and an a-m wave.

The question can be answered by asking ourselves what would happen if it were run through an imaginary limiter/fm detector. Clearly, the amplitude variations would be removed and only the frequency excursions would remain. The frequency excursions which are still

*For reasons too involved to be explained in this introductory article, filtering methods are not satisfactory.

present occur at the same rate as the original audio so we conclude it is ssb fm.

But what if the same signal is run through an a-m detector? The signal will have only its amplitude variations recovered, but these too, are present and occur at the audio rate. Thus, we must also have ssb a-m!

The point is not made to confuse (though that may be its present effect), but rather to show that, when only one sideband remains, the presence of a properly phased carrier can enable either an fm or an a-m detector to recover the audio.* We are therefore at a departure point and must introduce multiple sidebands if we are to obtain a sideband signal which is distinctively different from ssb a-m. However, the method is basically correct and, for the moment, we can use the vector diagram to investigate some of the problems of actually using simultaneous a-m and fm to produce a single-sideband signal.

The very first problem which arises lies in the non-linear nature of fm: If everything else is held constant, and only the frequency of the modulating tone is changed, the amplitude of the fm sidebands will still change (recall that, in nbfm, the sideband amplitude is inversely proportional to the modulating frequency). Thus, if the lower-sideband of fig. 1 has been carefully nulled out at a particular modulating frequency, it will reappear whenever that frequency is changed.

It is obvious that some means is needed to make the system frequency-independent. One method which can be used is to modify the a-m section so that the a-m

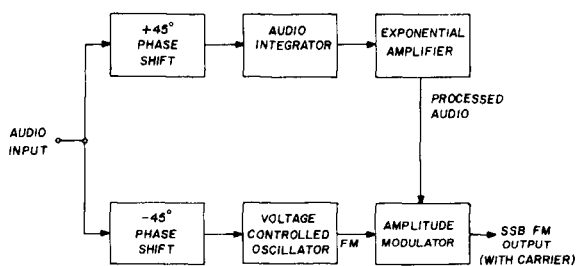


fig. 3. System block diagram of a working ssb fm generator (after Dubois and Aagaard, reference 3).

sidebands will also change in amplitude as the modulating frequency is changed. If this can be done in just the right way, the a-m lower-sideband will exactly cancel the fm lower-sideband at any audio frequency.

In the case of frequency modulation, it is known that the modulation index decreases by one-half each time the modulating frequency is doubled. In the narrow-band case, the sideband amplitudes are proportional to the modulation index if a constant deviation is maintained. Hence, the nbfm sidebands decrease in amplitude

*Lest an innocent reader attempt to detect *suppressed-carrier ssb a-m* on his fm receiver, let me hasten to add that an injected carrier is unable to maintain the proper absolute phase for fm detection and further, it must be injected before limiting takes place.

at 6 dB per octave as the modulating frequency is increased. If the a-m sidebands can be made to behave in the same way, then the desired result will be obtained. In principle, this is easily accomplished by inserting a simple R-C lowpass filter into the a-m audio section. However, there is a very real problem which arises whenever an R-C lowpass filter is used in this way — it will be a source of audio phase shift. This phase shift will rotate the a-m vectors of fig. 1 so that they no longer cancel the unwanted sideband. Furthermore, the audio phase shift may depend upon the modulating frequency.

In order to control phase shift, a particular kind of lowpass filter — known as an *integrator* — may be used. This introduces a constant phase shift of about 90 degrees at all audio frequencies of interest. The problem of phase matching can then be solved by the introduction of another 90-degree, all-pass network somewhere else in the system. An ordinary R-C filter can be used as an integrator provided that its time constant is at least 15 times the period of the lowest frequency component in the audio. However, the very high attenuation which results can be a disadvantage.

Unfortunately, the 90-degree all-pass network cannot be realized in practice, so commercially available audio phase-shift networks are used which produce two outputs of plus and minus 45 degrees with respect to the input audio. Fig. 2 is a block diagram of a suggested system.

a working system

Throughout the discussion to this point, it has been incorrectly assumed that only two sidebands have to be considered in the case of nbfm. While it is true that only two sidebands are present as long as the modulation index is smaller than about 0.4, it is *not* true that what an amateur calls nbfm always has such a small modulation index.

Recall again that, every time the modulating frequency is halved, the modulation index doubles. This means that speech — which contains many audio frequencies — will probably contain a few frequencies which are low enough that the modulation index will considerably exceed 0.4 and which will, in turn, produce multiple sideband pairs. In such a situation, the a-m section won't have a "matching" sideband pair available, and cancellation of all unwanted sidebands will be impossible. In fact, with the fm systems used by most amateurs, nearly every audio frequency produces more than one pair of sidebands. Clearly, the hypothetical system of fig. 2 will not do the job, and something additional is needed.

the exponential amplifier

It was at this point that Bedrosian's theory made one of its important contributions; If the audio applied to the a-m section is intentionally distorted, you can generate multiple a-m sidebands with frequencies which match those of their fm counterparts (the distortion generates audio harmonics, which in turn generate the required additional a-m sidebands). The distorting of the audio

signal has to be done very precisely, and the correct way of doing it is not very obvious. It is a direct result of Bedrosian's theory that the proper method of doing this is to use a so-called exponential amplifier in the audio chain of the a-m section. The exponential amplifier is not difficult to build, and it turns out to be a kind of inverse compression amplifier. It operates by increasing its gain as the audio input voltage increases. In fact, the gain should change as the mathematical exponent of its input (hence its name). Luckily, this rather exotic-

question which was never answered to everyone's satisfaction; namely, what is the bandwidth of a typical ssb fm signal?

The answer is not necessarily "one-half the bandwidth of an ordinary fm signal," and in fact depends upon the modulating waveform.⁷ This is because fm produces multiple sidebands for each modulating frequency, so the bandwidth can't be as easily defined as it is for a-m. Usually the bandwidth of an fm signal is considered to equal the spectrum space which contains

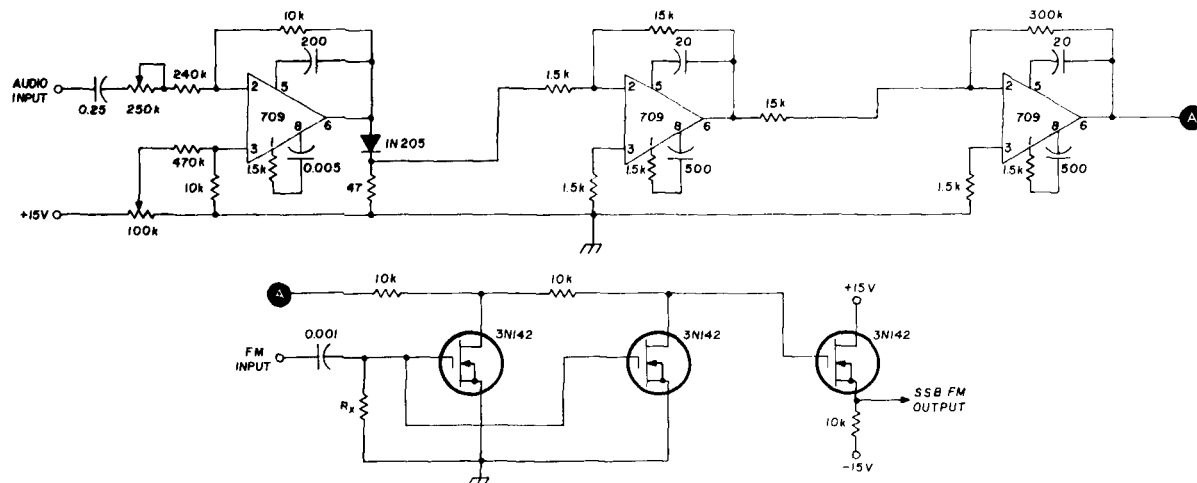


fig. 4. Snider and Schilling's experimental "exponentiator" and amplitude modulator. A dual ± 15 volt supply is used. Resistor R_x was not specified by reference 6. Note that this is an example only and is not intended for home construction.

sounding behavior is obtainable simply by inserting a properly-biased diode in a feedback loop.

Fig. 3 shows the corrected system, and this arrangement does produce ssb fm. It is basically the same arrangement used by Dubois and Aagaard in their pioneering experiments in the middle 1960s.³

Snider and Schilling⁶ have published an IC version of the exponential amplifier (which they called an *exponentiator*); a schematic diagram of their circuit is shown in fig. 4 to illustrate the ease of construction (the three transistors are an amplitude modulator). Note that the 1N205 diode must have a 150 millivolt drop across it to provide correct operation, and that the last IC must be dc-coupled to the amplitude modulator.

For those who are experimentally inclined, Snider and Schilling's article is recommended since it also contains schematic diagrams of a useful ssb fm amplifier, designed to produce 455-kHz ssb fm. Glorioso and Brazeal⁴ give schematics for a discrete exponentiator using four transistors and also for a frequency multiplier. In fact, these two articles contain 90 percent of the constructional material which has been published in the open literature.

bandwidth of ssb fm

Now that I have touched very lightly on the electronic details of ssb fm generation, I will turn to a

some fixed percentage (often 90) of the radiated power. When sideband enhancement takes place in an ssb fm generator, sidebands which didn't contain enough power to contribute to the bandwidth of the parent signal may become important. If they do, the resulting ssb fm signal will be wider than one-half of the original signal. Just how much wider, or if the signal is always wider, has never been settled because as shown in fig. 5, the redistribution of relative sideband power is quite uneven.

A practical rule-of-thumb would seem to be that, first, single-sideband signals derived from wideband fm (modulation index greater than 0.4) are about two-thirds as wide as ordinary fm and, secondly, single-sideband signals derived from narrow-band fm are one-half as wide as nbfm. However, as the later discussion will show, there are many who disagree with this evaluation.

effect of limiting

Recall that the act of amplitude-modulating the parent signal cancelled an unwanted group of sidebands; hence, the amplitude variations present in the ssb fm signal can be thought of as information about how the generator accomplished its goal. If that information is removed, it is equivalent to negating the influence of the amplitude-modulator at the generator so the original sidebands are all restored, and ordinary fm results. It follows that the act of subjecting ssb fm to hard limiting

restores it to ordinary fm, and it was this potential compatibility with standard fm broadcast receivers that first attracted the attention of the developers of the ssb fm technique.

As was mentioned earlier, if ssb fm were viewed as an end in itself, you would *not* use an ordinary fm receiver to detect it, but would go in the direction indicated by Kahn and Thomas⁵ — detecting both amplitude and frequency changes for later processing. Nevertheless, virtually everyone who worked with ssb fm considered only ordinary (consumer) fm receivers because they saw ssb fm as a possible way to squeeze more stations onto the commercial fm broadcast frequencies. This is an important point to keep in mind, because when you take

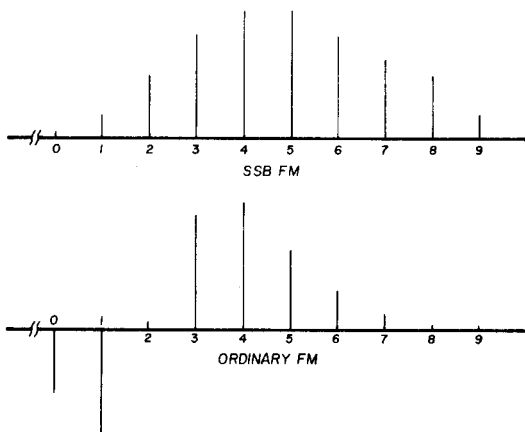


fig. 5. Relative upper sideband amplitudes for ssb fm (top) and ordinary fm (bottom) versus sideband number, where zero indicates the carrier component. Both plots are for a modulation index of 5, but are drawn to different vertical scales. Top: Carrier component equal to unmodulated signal amplitude. Bottom: Carrier component 18% of unmodulated signal amplitude.

only that viewpoint, you can easily “prove” that ssb fm is inferior to ordinary fm. The next section summarizes those arguments.

the case against ssb fm

The bandwidth (however you choose to define it) of an ssb fm signal can depend so strongly upon the modulating waveform that very great differences in its bandwidth were obtained by several workers. Mazo and Saltz,⁷ who assumed so-called Gaussian modulation, concluded that ssb fm was often wider than fm whenever the modulation index exceeded three. Hence, they declared that it was of little interest for such purposes as standard broadcasting. Kahn and Thomas⁵ reached the opposite conclusion for the case of sinusoidal modulation, declaring that wideband ssb fm is half as wide as ordinary fm but that narrow-band ssb fm is 1.4 times as wide! Both of these papers were entirely theoretical, and neither of them contained supporting laboratory experiments.

On the other hand, Glorioso and Brazeal built a working system and agreed with Bedrosian’s earlier conclusion that a narrower bandwidth is to be expected

for ssb fm. In fact, the bandwidth rules given earlier in this article are based upon these author’s findings, as well as those of Dubois and Aagaard; it is believed that they represent the current best choice among decidedly divided opinions. Nevertheless, it could still turn out that ssb fm is unattractive due to bandwidth limitations.

A more certain criticism of ssb fm arises when you consider the signal-to-noise ratio at a conventional discriminator: The amplitude variations inherent in the ssb fm signal make it more difficult to obtain full limiting, so that the threshold characteristics are poorer and the threshold signal-to-noise ratio is degraded. These problems become particularly troublesome at large modulation indexes, as does an accompanying problem of maintaining phase linearity in the receiver i-f strip.⁶ For all of these reasons, Snider and Schilling expressed the opinion that “. . . ssb fm will not find broad practical application, since it is both difficult to generate and does not perform as well as fm does.”⁶

the case in favor of ssb fm

It must be repeated that the usefulness of any communications method depends upon the way in which it is configured. Certainly, if you want to broadcast compatible, high-fidelity ssb fm into the home of an audiophile, you have chosen an impractical goal. On the other hand, if you are interested only in communicating information to a *matched* receiver, ssb fm may indeed be attractive. For example, Glorioso and Brazeal held that, even in the wideband case, “Envelope detection, additional nonlinear processing, and filtering . . . offers threshold characteristics similar to conventional fm. . .”⁴ Furthermore, they maintained that there is an accompanying saving in spectrum space.

In the narrowband case, ssb fm is readily detected with a conventional receiver and offers an improved signal-to-noise ratio over conventional fm once the detection threshold is exceeded.⁴ Even though the threshold signal-to-noise ratio is still slightly poorer than that of conventional nbfm, it is believed that the loss is a very slight one or two dB.⁴

The accusation that ssb fm is “difficult to generate” depends, of course, upon your own viewpoint. Since Glorioso and Brazeal have shown that ssb fm can be generated at low frequencies and then multiplied to a higher frequency (and a higher modulation index), it is slightly simpler than ssb a-m, which must always be moved by heterodyning (mixing) techniques. Ssb fm is very much like ssb a-m in its requirements for generation and linear amplification, but these are routine requirements and constitute no serious difficulty. In short, the arguments in favor of ssb fm roughly counterbalance the negative opinions, and there does not seem to be sufficient information as of yet to make a go/no-go decision.

Particularly intriguing is the question of suppressed-carrier operation — a possibility which has not been discussed in the literature. Unlike conventional fm, it turns out that ssb fm contains a constant-amplitude component at the carrier frequency, so that carrier re-

insertion at the receiver appears to be feasible. This is not immediately obvious from the information given in the references, because each author chose to normalize his calculated sideband amplitudes in such a way that the carrier amplitude appears to decrease as the modulation index is increased. Furthermore, Glorioso and Brazeal show a plot of "carrier level" versus modulation index which, at first inspection, seems to imply that the carrier amplitude does change. In reality, the plot is for the signal level, which is something quite different. Anyone who decides to consult the references should keep these facts in mind.

The main point to be made here is that carrier suppression, though apparently feasible, has not been attempted. When you consider where ssb a-m might be if no one ever thought to suppress the carrier, it is natural to wonder if this is not the next logical step to take in testing the usefulness of ssb fm.

It should be mentioned that ssb phase modulation (ssb pm) may be more attractive to amateurs than ssb fm. The reasons for this are twofold:

1. In the case of ssb fm, the peak envelope power (PEP) increases with decreasing modulating frequency, whereas with ssb pm the PEP is independent of modulating frequency (see expression four in the appendix). Hence, ssb pm is not as likely to overdrive any following linear amplifiers at low audio frequencies.

2. An ssb pm generator can be built from fig. 3 by eliminating the audio integrator and replacing the vco with a true phase modulator. Therefore the circuitry is simpler.

Unfortunately, an ssb pm generator has never been explicitly discussed in the open literature so a potential designer is entirely on his own. However, this is not a very serious drawback because any existing ssb fm circuitry can be easily modified as indicated above.

closing comments

During the preparation of this article, several amateurs were asked to review it and comment. It was an almost unanimous opinion that a complete schematic diagram of a working ssb fm transmitter, along with alignment instructions, ought to be included, and I assume that a number of readers will agree. However, it is my feeling that, in addition to being beyond the scope of a preliminary article on the subject, the actual hardware is probably illegal to use in the United States due to its use of simultaneous fm and a-m. If the FCC makes its proposed rule changes, then ssb fm may turn out to be legal without special permission. In that case, it would be useful to explore specific equipment after it has been given on-the-air tests, but so far, no one in the amateur community can do this and be sure that it is a lawful activity. Clearly, simultaneous fm and a-m has heretofore been thought of as a sign of sloppy hardware design, rather than a valid means of signal generation, and clarification is needed. By default, ssb fm is emission type F9 (there is no F3a or F3j classification for fm),

and F9 emissions are not allowed on any amateur frequency.

It is hoped that readers of this article who have access to a good technical library will be sufficiently attracted to ssb fm to pursue it to the point of designing appropriate equipment. Certainly there is more to be done in the area, and amateurs can make some genuine contributions to the art.

references

1. K. H. Powers, *United States Patent 3,054,073*.
2. E. Bedrosian, "The Analytical Signal Representation of Modulated Waveforms," *Proceedings of the IRE*, November, 1962, page 2071.
3. J. L. Dubois and J. S. Aagaard, "An Experimental SSB-FM System," *IEEE Transactions on Communications Systems*, CS-12, 1964, page 222.
4. R. M. Glorioso and E. H. Brazeal, Jr., "Experiments in 'SSB FM' Communications Systems," *IEEE Transactions on Communications Technology*, COM-13, 1965, page 109.
5. R. E. Kahn and J. B. Thomas, "Bandwidth Properties and Optimum Demodulation of Single-Sideband FM," *IEEE Transactions on Communications Technology*, COM-14, 1966, page 113.
6. A. J. Snider and D. L. Schilling, "The Response of a Quasi-SSB-FM System to Noise," *IEEE Transactions on Communications Technology*, COM-18, 1970, page 763.
7. J. E. Mazo and J. Salz, "Spectral Properties of Single-Sideband Angle Modulation," *IEEE Transactions on Communications Technology*, COM-16, 1968, page 52.

bibliography

- G.B. Lockhart, "A Special Theory for Hybrid Modulation," *IEEE Transactions on Communications Technology*, COM-21, 1973, page 790.
- J.W. Couch, "Signal-to-Noise Ratio Out of an Ideal FM Detector for SSB FM Plus Gaussian Noise at the Input," *IEEE Transactions on Communications Technology*, 1965, page 591.
- H. Voelker, "On the Origin and Characteristics of Single-Sided Angle Modulation," *IEEE Transactions on Communications Technology*, 1965, page 555 (see also the discussion following by Bedrosian, Glorioso, and Brazeal).

appendix

For those readers who wish more precise details, here are some mathematical relationships:

1. Single-tone ssb fm signal voltage $v(t)$: $v(t) = V_o \exp(\beta \cos \omega_m t) \cos(\omega_c t + \beta \sin \omega_m t)$

where:

- β = modulation index
- ω_m = modulating angular frequency
- ω_c = carrier angular frequency, and
- V_o = unmodulated carrier amplitude

2. Single-tone ssb fm sideband amplitude A_m

$$A_m = V_o \beta^m / m! \quad m = 0, 1, 2, \dots$$

where:

$m = 0$ yields the carrier amplitude A_o

3. Peak-to-valley ssb fm envelope voltage, V_{PV}

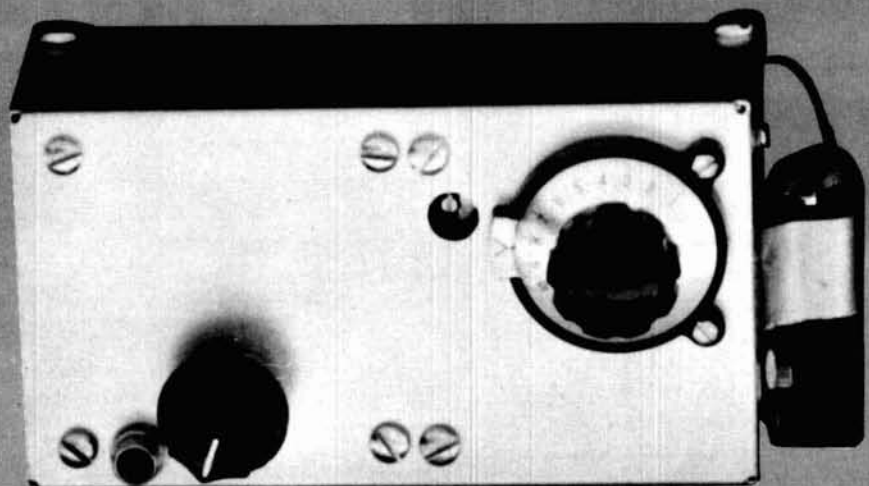
$$V_{PV} = 2V_o \sinh \beta$$

4. Peak-to-peak ssb fm envelope voltage, V_{PP}

$$V_{PP} = 2V_o \exp \beta$$

In all of the above relationships, the ssb pm case may be obtained by replacing β with ϕ , the maximum phase excursion in radians.

ham radio



direct-conversion receiver

for 40 meters

Complete construction
and alignment details
for a mini receiver
that can be built
by beginner or old timer

Here's a tiny solid-state receiver with some great characteristics for headphone reception on 40 meters. The receiver has low-noise properties and anti-overload characteristics as good as those found in some of the better vacuum-tube receivers. Idling-current drain is less than 15 mA using a 9-volt transistor battery. For identification, I call it the DCM-1. It uses an rf jfet, a vfo jfet, an audio jfet, and an op amp final audio stage. Reception is best on CW, but single sideband can be received satisfactorily when the band isn't too crowded. A miniature resonant whip antenna can be used for satisfactory reception from all over the United States.

This project was tailored with the beginner in mind. The receiver is ideal for monitoring 40-meter novice stations without requiring an outdoor antenna. The parts list is quite complete and includes many substitutions

that will perform equally as well as those given as a first choice. I've included technical explanations for completeness, but don't be alarmed if at first you don't understand this material when you attempt to build this receiver. After all, we all have to start somewhere, and most of us aren't going to make the big league anyway. I was once a beginner and still don't have all the answers.

If you follow the construction directions you'll have a piece of equipment any amateur would be proud to own. A block diagram of the receiver is shown in fig. 1.

product detector and rf circuit

Many references have been made to direct-conversion receivers in the amateur literature. The heart of this receiver is a combination of three jfets in a Y connection such as used in a differential amplifier. This combination is almost the fet equivalent of the well-known RCA bipolar IC, type CA3028A, which has been used in product-detector circuits¹ among its many other applications. One advantage of the fets is that a much lighter load is presented to the vfo than when using bipolar transistors, so no buffer-amplifier is needed. Another advantage is that a better noise figure seems to prevail. Still a third advantage is low current drain. In fig. 2 it's obvious that the total current drain is only that drawn by the third transistor in the Y-connection, Q3. In the case of the prototype receiver, this current was only 8 mA.

In fig. 2, Q1 and Q2 are the matched jfets and Q3 is the series-connected rf amplifier. The variable frequency oscillator (vfo), which functions as the local oscillator (lo), is fed to gates G1 and G2 of Q1, Q2 in push-pull

By Richard Silberstein, WØYBF, 3915 Pleasant Ridge Road, Boulder, Colorado 80301

through conventional trifilar-wound broadband ferrite transformer, T1, with a 4:1 impedance ratio.² Q1 and Q2 switch the rf drain current of Q3, producing a mixer output at a frequency difference between that of the vfo and the received signal, which is in the audio range. The audio output is obtained through push-pull transformer T2, whose secondary is resonated to approximately 750 Hz by capacitor C2. I found it essential to use zener diodes CR1 and CR2 across the Q1, Q2 output, otherwise high-voltage switching transients generated in T2 can burn out the twin fets.

The rf signal is fed from the antenna jack to Q3 through a double-tuned resonant circuit consisting of L1, L2. Each inductor of L1, L2 has an unloaded Q of about 220. The two resonant circuits are coupled through C7, a very small capacitor, whose value was found by experiment. Capacitor C7 is merely a twisted pair of plastic-covered solid no. 22 AWG (0.6mm) wires. Resistor R2 was set at 3300 ohms in the prototype, but should be adjusted as described below.

The original circuit was designed for use with the Siliconix E421 dual fet in the Q1, Q2 position and the E304 in the Q3 position. Both are marketed under a different number by Calctro (at least as of this writing). Using the dual fet, the circuit should be sufficiently well balanced in some applications not to require equalization of Q1, Q2 gains. For cases where equalization is desired, or where individual fets are used, the alternative connection at points X, Y, and Z in fig. 2 should be followed, requiring a slightly different circuit-board layout, which is discussed later.

vfo (local-oscillator) circuit

The circuit of fig. 3 is a straight-forward series-tuned Colpitts circuit,³ also known as the Clapp circuit. Biasing diode CR1 was chosen as a germanium diode,

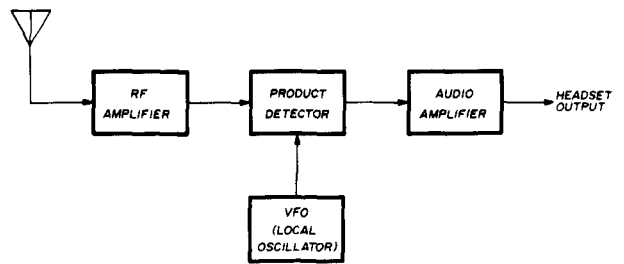


fig. 1. Block diagram of the direct-conversion 40-meter mini receiver.

because in past experiments I found that the oscillator had lower current drain than when using a silicon diode, but the choice is probably not critical. In the Clapp circuit, the impedance is low across feedback capacitors C5 and C6. Therefore it was possible to mount the tuning elements on a separate board from the transistor circuitry, locating the former conveniently close to the variable capacitor and connecting them to the latter through a 50-ohm miniature cable.

Rf chokes L3 and L4 are not critical. In my case they were wound on small ferrite cores as described in table 1. Small chokes, such as Millen subminiatures of 10-15 μ H would be satisfactory. L2 is a Radio Shack 2.5 mH choke, but a small choke of the order of 50 μ H would be satisfactory. Resistor R5 was 3900 ohms in the prototype, but might best be adjusted for the lo output that affords the highest detector audio output, as described later.

The vfo tuning inductor, L1, is a high-Q toroid. The tuning capacitor, C3, is a miniature 365 pF air-dielectric broadcast unit. Since this capacitor tunes through a large range, it was necessary to swamp its effect with fixed capacitor C4, which was 470 pF in the prototype. The

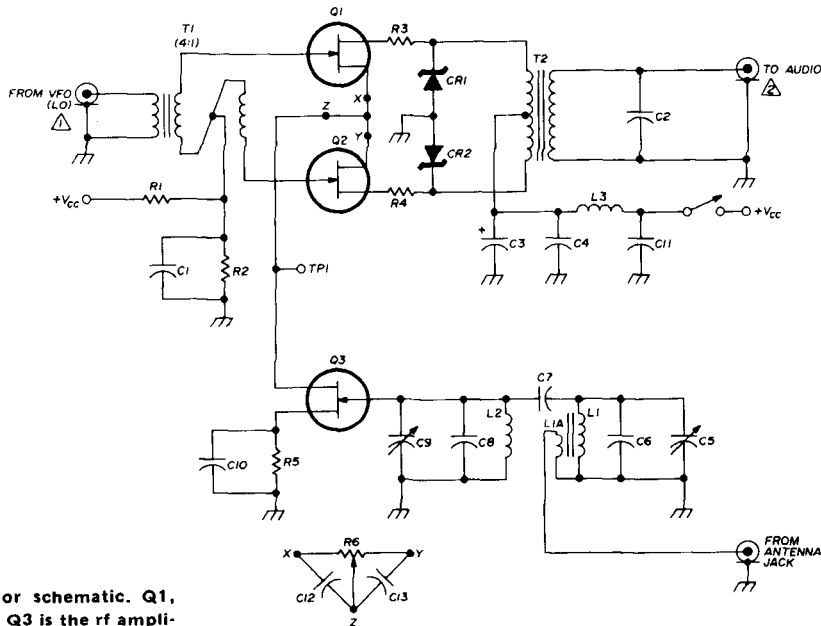


fig. 2. Product-detector schematic. Q1, Q2 are matched jfets; Q3 is the rf amplifier. Alternative connection is used when Q1, Q2 gain equalization is desired.

ALTERNATIVE CONNECTION AT X-Y-Z FOR Q1, Q2 SIMILAR BUT NOT IDENTICAL IN CHARACTERISTICS

table 1. Parts list for the DCM-1 40-meter receiver. All resistors are 1/2 W, 10% tolerance. Alternative parts choices are also given.

product detector:

| | |
|----------------------------|--|
| C1, C4; C10 through C13 | 0.02 μ F, 25 V disc ceramic |
| C2 | 0.05 μ F, 100 V mylar |
| C3 | 100 μ F, 15 V miniature electrolytic, radial leads |
| C5, C9 | 5-30 pF ceramic trimmer |
| C6, C8 | 100 pF polystyrene or silvered mica |
| C7 | coupling gimmick, twisted pair of solid no. 22 AWG (0.6mm) plastic-coated wire, 3 1/2 in. (89mm) long |
| L1 | 30 1/2 turns no. 24 AWG (0.5mm) on T50-6 toroid core |
| L1A | 2 1/2 turns no. 24 AWG (0.5mm) wound over ground end of L1 |
| L2 | 31 1/2 turns no. 24 AWG (0.5mm) on T50-6 toroid core |
| L3 | rf choke, 2.5 mH (Radio Shack 270-1713) smaller unit OK |
| Q1, Q2 | twin rf fet in one package (Siliconix E421 or Calectro Equivalent). Alternatively, any two hf-vhf n-channel jfets reasonably similar and used with alternate source-current balancing circuit. |
| Q3 | Siliconix E304 or Calectro equivalent. Alternatively, a third jfet similar to Q1, Q2 may be substituted. |
| R1 | 47k |
| R2 | Set for dc voltage source-to-drain across Q3. Use high-impedance voltmeter. Prototype receiver value was 33k |
| R3, R4 | 10-22 ohms; not critical |
| R5 | 47 ohms |
| R6 | source-current balance pot, 100 ohms (miniature Bourns type) |
| T1 | 13 turns no. 30 AWG (0.25mm) trifilar wound on Indiana General ferrite core CF102-Q1 or Amidon T25-6 core. Impedance ratio, 4:1 |
| T2 | Push-pull audio transformer, Calectro D1-722 or equivalent |
| CR1, CR2 | 18V, 1/2 W zener diodes |

vfo (local oscillator):

| | |
|----------------|--|
| C1 | small 180 pF polystyrene or silver mica (see text) |
| C2 | 5-30 pF ceramic trimmer |
| C3 | 365 pF broadcast-band capacitor |
| C4 | 470 pF polystyrene or silver mica (see text) |
| C5, C6 | 560 pF polystyrene or silver mica |
| C7 through C11 | 0.02 μ F, 25 V ceramic |
| CR1 | any germanium receiving diode |
| L1 | 49 turns no. 24 AWG (0.5mm) on Amidon T50-6 toroid core |
| L2 through L4 | choke, 18 1/2 turns no. 26 AWG (0.3mm) on CF102-Q1 ferrite core. Not critical. Alternative: fill T25-6 toroid with no. 32 AWG (0.2mm) wire |
| Q1 | any good hf-vhf n-channel jfet (Siliconix E304 or equivalent) |
| R1 | 47k |
| R2 | 330 ohms |
| R3 | 4.7k |
| R4 | 10 ohms |
| R5 | 3900 ohms in prototype; see text |

audio amplifier:

| | |
|--------|---|
| C1, C2 | 0.01 μ F, 50 V |
| C3, C5 | 25 or 30 μ F, 15 V miniature electrolytic, radial leads |
| C4, C8 | same as above, but 50 μ F |
| C7 | same as above, but 10 μ F |
| C6 | 0.1 μ F mylar |
| C9 | 0.005 μ F mylar |
| Q1 | n-channel jfet (2N3819, HEP801 or similar) |
| R1 | 100k miniature volume control with on-off switch |
| R2 | 43 ohms |
| R3 | 27k |
| R4 | 22ks, |
| R5 | 2.7k |
| R6 | 2.7 megohm |
| R7, R8 | 5.6k |
| R9 | 220 ohms |
| U1 | type 741 op amp |

miscellaneous:

- aluminum box, 5/4 x 3 x 2-1/8 (13x8x5.4cm). Bud CU3006A or Radio Shack 270-238
- phone jack (size depends on plug size)
- phono jack for antenna connection
- dial drive, Calectro E2-744, diameter 1 1/2 in. (38mm)
- battery and battery terminal. Use heavy-duty 9-volt unit
- 4 spacers, 3/4 in. (19mm) tapped for 6-32 (M3/5) to support product detector panel
- 2 spacers, 1/2 in. (12.5mm) tapped for 6-32 (M3/5) to support vfo tuner panel
- 4 spacers, 1/2 in. (12.5mm) to accommodate 6-32 (M3/5) screws to support rear panels
- 2 or 4 4-40 (M3) binder-head screws, 1/4 in. (6.5mm) long to mount variable capacitor
- 8 6-32 (M3/5) binder-head screws, 1/4 or 3/8 in. (6.5mm or 9.5mm) long
- 4 6-32 round-head screws to mount rear panels
- 2 no. 4 sheet-metal screws 3/8 in. (9.5mm) long to secure dial drive to front panel
- lockwashers: 12 6-32 (M3/5) and 4 4-40 (M3)
- 1 circuit board, fiberglass-epoxy, 2 1/2 x 2 1/2 in. (64 x 64mm), copper foil one side
- 3 circuit boards as above but 2 1/2 x 1-1/8 in. (64 x 29mm)
- 3 ft (1m) RF-174/U coax cable
- 10 ft (3m) hookup wire no. 22 AWG (0.6mm) solid
- 2 transistor sockets
- 1 14-pin dip IC socket

overall capacitance of the combination was too high, so C1 was inserted in series (180 pF in the prototype). Capacitor C2, a 5-30 pF ceramic trimmer, sets the tuning at a reference frequency and dial position using a wand applied through a hole in the front panel. The prototype oscillator current drain was about 3 mA.

audio circuit

This circuit, fig. 4, is simple yet is the fourth one tried. The small broadcast transistor radios of the pre-IC days employed transformer-couple push-pull Class B output stages to obtain reasonably undistorted speaker out-

put at only 200 mW. However, I noted that the overall drain of such a receiver was 7-8 mA, increasing to 16-17 mA on audio-modulation peaks. I found that even at comfortable headphone volume, a single output transistor produced intolerable distortion. An audio fet, Q1, is biased to draw only a few tenths of a milliampere. Its output feeds a type 741 operational amplifier, U1,

product detector where a balance control is desired, whether a twin fet or individual fets are used. Mounting holes for adjustable ceramic trimmers C5 and C9 may have to be changed, depending upon the style available.

Fig. 7 shows etching templates for the small panels: fig. 7A the vfo oscillator; fig. 7B the vfo tuner; and fig. 7C, the audio amplifier. Fig. 8 shows component and

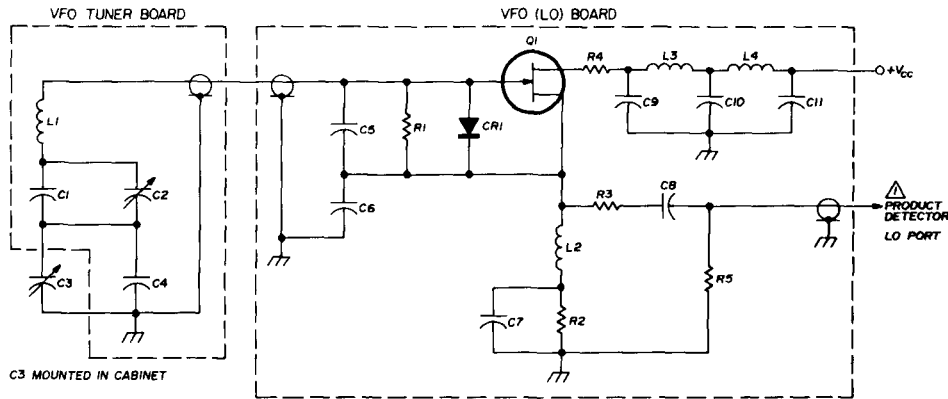


fig. 3. Vfo (local oscillator) schematic. A simple series-tuned Colpitts circuit is used for low current drain.

which works satisfactorily even on a 9-volt battery, drawing about 2.5 mA. The overall receiver current increases at most about 2 mA on loud signals with the volume turned up. The circuit is the same as that of reference 4, except that resistor R6 was increased to 2.7 megohms from 0.82 megohms, affording about 10 dB more signal gain.

construction

Circuit boards. Fig. 5 is a layout of the product-detector board for the twin-fet circuit without balancing adjustment. It shows component location and drilling points. Fig. 5 is an etching template. Figs. 6A and 6B are for the

drilling locations for these panels. Note that the audio-amplifier layout is for the 14-pin DIP package socket. For the TO-99 package, stretch the leads to the proper hole numbers, as indicated in fig. 7, and solder. A separate layout is needed for the mini-DIP package. Use care to identify leads from the top of the IC, if this is what the manufacturer's diagram specifies. All boards should be of fiberglass-epoxy resin, such as G-10, with fiberglass paper as a possible substitute, and should have copper foil on one side.

In the type of construction I favor, the conductors are placed like islands surrounded by insulating material, all in a grounded matrix of copper. If this language

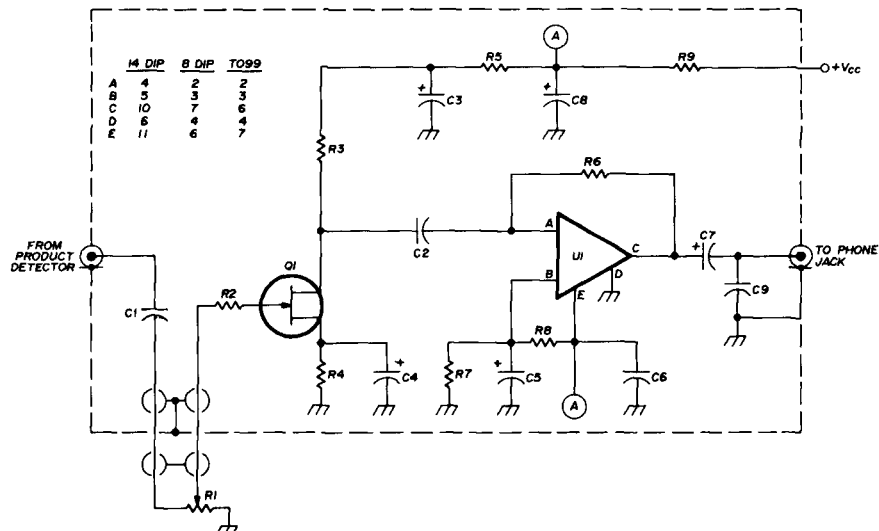


fig. 4. Audio-amplifier schematic. Circuit is similar to that in reference 4. R1 is mounted on front panel.

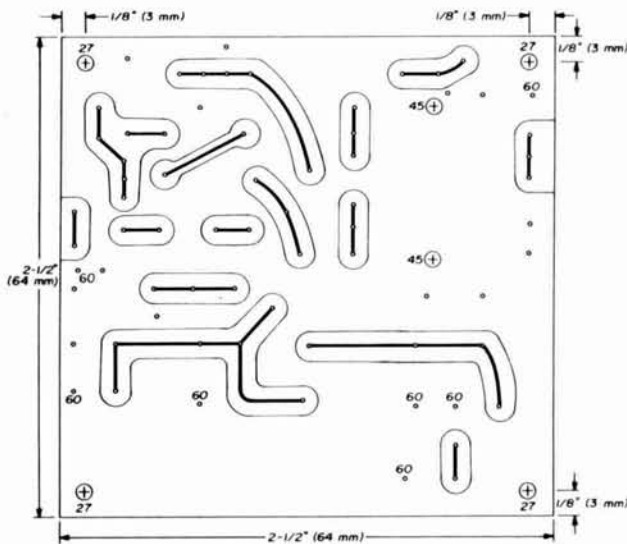
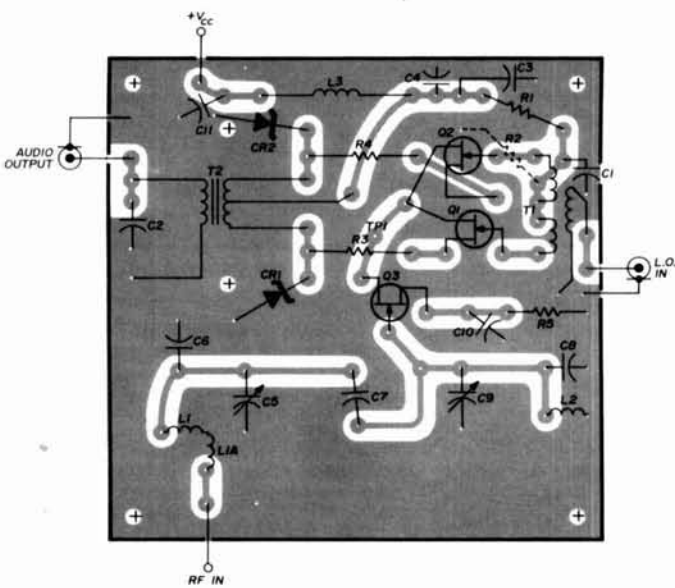


fig. 5. Product-detector layout using twin fet's, above, and its etching template, below.

seems complicated, you'll understand by looking at the etching figures. The method takes a little more artwork but actually consumes much less etching fluid than if conductors were laid down individually. Moreover, a surrounding ground plane affords optimum shielding.

Drilling and soldering. Drills should be of the hardest possible steel, since fiberglass is an abrasive material. At least one source of such drills in quantity at reasonable prices has been advertised.* All small holes not specified in the diagrams are to be drilled with a no. 65 (0.9mm). A stable floor- or table-mounted drill press will work satisfactorily. Some of the holes marked for no. 60 (1mm) are obviously (from inspection of the board diagrams) to be used for grounding the braid on cables

*Trumbull, 833 Balra Drive, El Cerrito, California 94530.

terminating adjacently, so that they may need to be still larger, perhaps no. 54 (1.4mm). Before mounting components, check all islands for shorts to ground and remove any with a knife or scratch awl.

Use care not to apply too much heat in soldering; conductors etched on the best boards can strip off! Boards made of fiberglass and paper, and others with more of a paper composition, tend to smoulder with excess heat. A pencil-type iron for circuit-board work is desirable. Use a quick, firm push with a clean iron tip into the joint, bringing the solder up simultaneously and withdrawing quickly. For best results, the copper should be cleaned immediately before soldering to inhibit corrosion. Plating the finished board with tin or silver will improve soldering effectivity. (A chemical tin-plating kit is sold by Burstein Applebee). The small battery-operated soldering irons are great for getting into small places, and there is an advantage in not dragging a cord around.

After a board has been completed care must be taken to clean off any rosin that bridges the insulating space between conductors and ground. This is important on high-impedance circuits and if the equipment is to be used in a humid climate.

A question arises as to whether to solder transistors and ICs in place or to use sockets. Space and cost are saved by not using sockets, but plugging semiconductors in and out makes it a lot easier to use cut-and-try procedures. In the product-detector board, I soldered the units in place, mainly because the E421 fet would have required an awkward socket wiring arrangement; the other boards are laid out so that sockets may be used if desired. Protect semiconductor leads from heat when soldering and desoldering.

Circuit changes and repairs are not too difficult if you remember not to apply too much heat and to heatsink semiconductors whenever necessary. If a removed component leaves a hole plugged with solder, the solder blob may be removed easily with rosin-coated copper braid sold under the name of *Solder Wick*.

testing and adjustment

Product detector and rf amplifier. The first test and adjustment procedure applied to the product detector is to determine the equality of dc voltages across the upper transistor pair and the lower transistor. Voltages should be measured using test point TP1 (fig. 2), which is a short tinned wire to which small clips may be attached. Measurements should be made with a high-impedance voltmeter. No vfo voltage should be applied to the lo port of fig. 2. Leads to a 10k pot can be temporarily attached in lieu of R2. The correct setting of the pot determines the value of R2 to the nearest fixed value available. Equalizing the dc voltages is desirable to avoid running Q1, Q2 at too-low voltage. Under these conditions, an fet will be driven into regions of the operating characteristics considerably below pinch-off, resulting in excessive distortion. This was especially true with the E421s and E304s tested, where the zero-bias saturation drain current, I_{dss} , was not reached until the drain voltage was close to 6 volts; i.e., V_p , the pinch-off

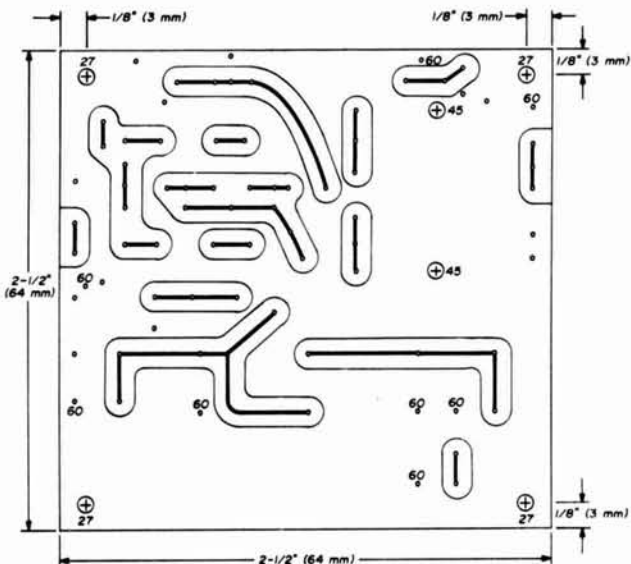
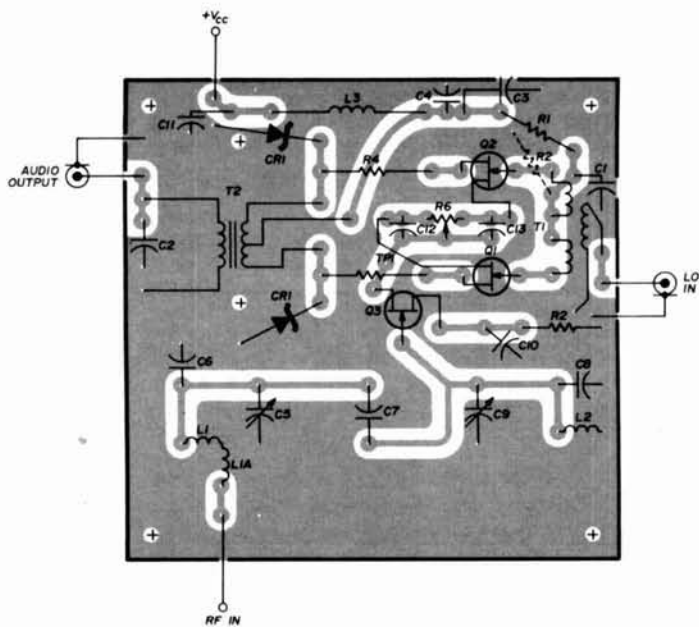


fig. 6. Product-detector layout using separate fets, above, and its etching template, below.

voltage, was close to 6 volts. The 2N4416s tested had much lower values of V_p .

Tuning the rf front end on the product-detector board is a necessary adjustment. In the prototype, the two tuned input circuits were slightly overcoupled, producing a broadband, double-humped output-voltage vs frequency response, covering 7.0-7.3 MHz. The mixer was operated again without vfo input. In my tests the output of Q3 was measured at TP1 with an rf probe attached to a vacuum-tube voltmeter. Q3 output can also be measured with an oscilloscope probe if the oscilloscope vertical amplifiers will pass 7 MHz. Yet another way is to fashion a probe with a piece of coaxial cable. A small capacitor is placed in series with the center conductor and touched to TP1. At the probing

end of the cable the shield should be grounded to the board with a short clip lead. The other end of the cable should go to a receiver, and the output is read on an S-meter.

Still another way to read Q3's relative output is to operate the mixer as a mixer and read the audio output at the beat-note frequency that gives maximum audio output. Many test voms have an ac response up to 1000 Hz. One could be used at the 741 output with the headset disconnected. This method requires a minimum of test equipment but is a little more critical in adjustment.

With the relative-output technique determined, the actual adjustment of the tuned circuits is best accomplished by the following method. Use a signal generator or other equivalent shielded source with a means of attenuation. Attach small clips to short leads of a capacitor of about 470 pF. Tune the signal generator to the center of the desired frequency range and feed its output into the antenna input. Short-circuit L2 and its capacitors with the test capacitor. Force a large signal through and adjust C5 for maximum Q3 output, making sure Q3 is not overloaded. Next, clip the capacitor across L1 and tune C9 for maximum. Always make sure that the maximum occurs in two places as the capacitor is rotated through 360 degrees, otherwise the circuit must be altered to produce resonance.

After both sides are resonated, the auxiliary shunting capacitor is discarded. Then it should be possible to measure output with a small-signal input, and it will be necessary to reduce the input to prevent overload. As frequency is changed the output should be a double-humped curve if C7 is large enough to cause overcoupling. If C7 is reduced to a value equal to or less than that needed for critical coupling, the curve will be single humped at the original frequency of tune up. A too-small value of C7 will make the front end resonance curve too narrow for some purposes, and as C7 is made still smaller, the signal-to-noise ratio will deteriorate.

At this point it's evident we're going to have to test several units in conjunction with one another. It should be observed from the diagrams that all rf and audio leads connecting the boards to each other and to the cabinet are coaxial cables, whereas dc leads are pairs of wires braided together. A ground wire braided with battery leads affords some shielding. In the final layout, the units using coaxial cables should be joined by miniature cable lengths just long enough to enable servicing the receiver with boards removed, and the same applies for the dc leads. Earlier, somewhat longer pieces of coax can be used for convenience in bench-testing the newly built units.⁵ Temporary dc leads are no problem. It's a good idea to use a current-limited power supply with a milliammeter in series with the line to any new unit to be tested. Gradually bringing up the voltage lets you know whether or not the current drain is reasonable.

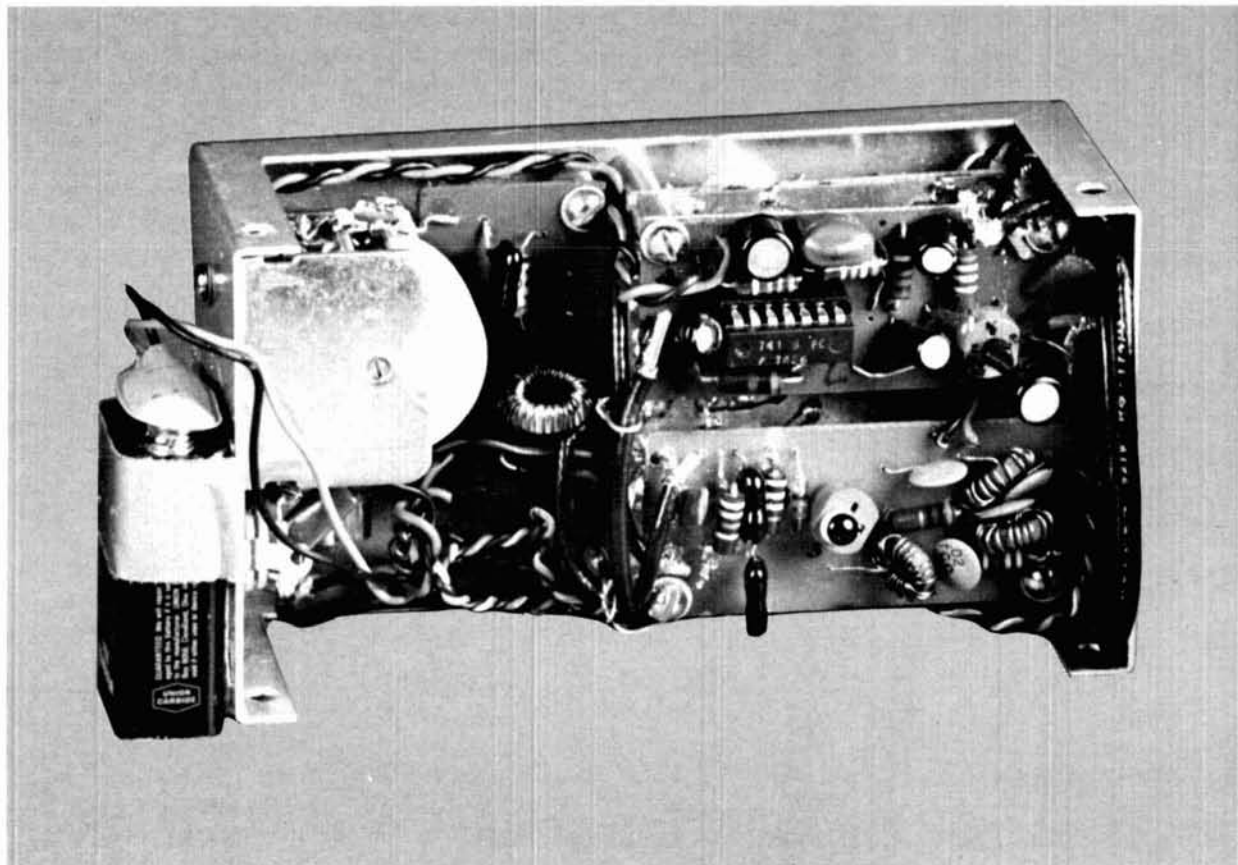
Vfo (local oscillator). Vfo alignment is fairly straightforward, although the variable capacitor presents some problems. Before aligning the vfo, it's necessary to have the variable capacitor and the vfo tuning board fastened

in position in the aluminum box, so this procedure is described with reference to **fig. 9**. (Drilling and removal of burrs should have been done before mounting was started).

The prototype receiver was designed to use a small, imported 1-1/2 in. (38mm) dial drive with an 8:1 gear ratio, turning a miniature 365-pF air-dielectric capacitor. Difficulties arise from the fact that sizes and mounting-hole positions may vary in different shipments of the

better form of dial drive seemed possible but could not be developed in time. Note that in rotational alignment, before drilling and tapping for set screws, the dial should read approximately 0 with the plates fully meshed.

The tuning-capacitor plates are quite close, so *great care* should be used to prevent metal chips from lodging between the plates and in the ball bearings. While drilling or filing, vulnerable places should be covered with masking tape. When drilling into a cabinet or chassis that



Interior view of the direct-conversion receiver. Audio board is at upper right, with vfo board mounted below. Printed-circuit layouts are shown in **fig. 7**.

same units. The worst problem, however, is in aligning the capacitor shaft with the dial-drive collar. Even if the shaft could be perfectly aligned, the hole in the collar would probably be a poor fit for the shaft. In the prototype I hack-sawed the capacitor shaft to the proper length and drilled and tapped the collar and the shaft at right angles for two 4-40 (M3) screws. The result was a capacitor that doesn't rotate quite all the way to the closed position (the shaft slipped while drilling). Worse, some drive eccentricity occurred. With the capacitor screwed tightly to the cabinet side, the lateral pressures on the shaft were enough to cause plates to short circuit. The solution was to loosen the capacitor mounting screws and ground the capacitor frame to the vfo tuner board with a short piece of braid. *Solder Wick* was used as the braid. Eccentricity was still present, causing some annoying backlash during frequency calibration. A

already contains boards and components, it's frequently beneficial to stuff areas to be drilled with small pieces of paper toweling or rag. Chips can be removed from odd corners in the same way that small hardware can be removed from tight places: wrap a piece of masking tape with the sticky side out at the end of a pencil and probe.

After mounting the capacitor and dial drive, the vfo tuner board should be mounted, foil side down, on two 1/2-inch (12.5mm) threaded spacers. A short piece of solid, tinned no. 18 or 20 AWG (1.0 or 0.8mm) wire should protrude from the top of the board, to be soldered to the stator section of C3. See **figs. 7B, 8B, and 9**.

Now let's resume the vfo test. One sure indication that the vfo is oscillating is that, as the dc voltage is raised, the current will increase until oscillation occurs. When this happens, the meter will jump to a lower value

of current. When the vfo is oscillating and voltage is reduced, the current will jump up when the oscillator quits oscillating, but at a lower voltage than where oscillation started as voltage was raised. Never plan on operating an oscillator at a supply voltage below that required to start oscillation, or even close to that upper point on the high-voltage side.

When the oscillator is working and feeding the product detector, the lower limit of the desired tuning range should be set by turning the dial to, say, 5 or 10, allowing some leeway for oscillator drift. Then frequency-set capacitor C2 should be adjusted for this frequency as received on a receiver. If it's not possible to hit the desired frequency and bandspread, remember that increasing C4 and decreasing C1 together increases the bandspread, but increasing C4 lowers the frequency and decreasing C1 raises it, so you have considerable leeway in setting the frequency and bandspread. For

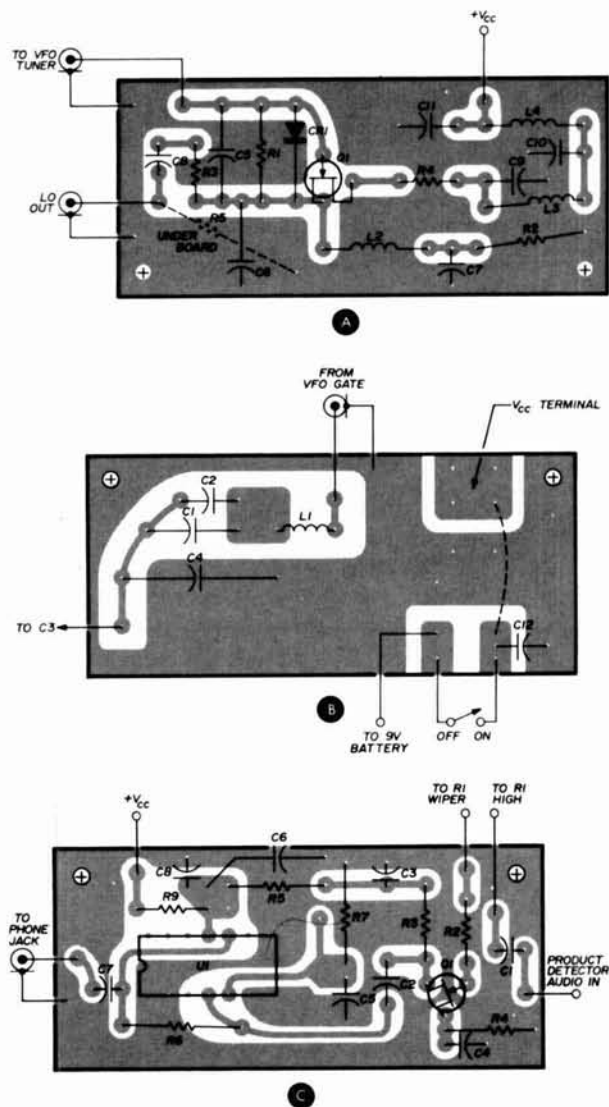


fig. 7. Component placement and etching templates for the small panels. Vfo oscillator board, vfo tuner board, and audio amplifier board are shown in A, B, and C respectively.

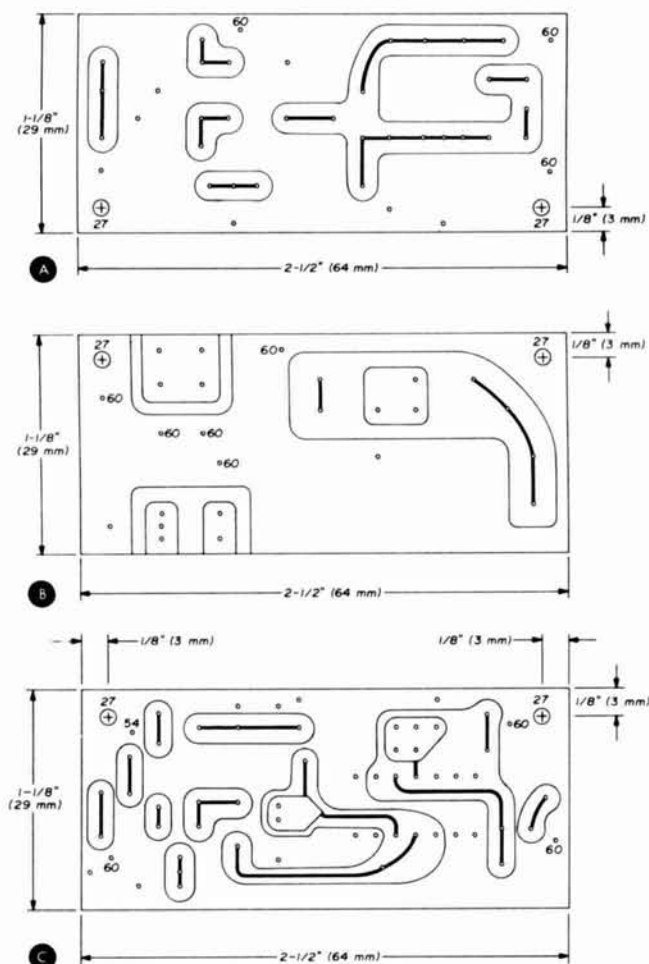


fig. 8. Circuit-board layout and drilling locations for the small panels. Vfo oscillator board is shown at A; vfo tuner and audio boards are shown in B and C.

instance, to cover a limited portion of the 40-meter band (like the novice band), you might first try reducing C1 to 120 or 150 pF and increasing C4 to 510 or 560 pF.

The vfo local oscillator output voltage can be adjusted by varying R5. The local oscillator drive voltage to the product detector is not especially critical, but values of R5 in fig. 3 can be chosen by experiment for maximizing audio output. In my case 3900 ohms was found to be the best, producing an input voltage of 0.9 volts rms to each gate of Q1, Q2.

Audio amplifier. Audio board construction is straightforward, although components are a little crowded. Initial tests can be made with the volume control, R1, hanging loose. Although the output of the product-detector audio transformer is at high impedance, the 50-ohm shielded cables to the 100k volume control can be used, because they contribute in part to the capacitance that resonates the audio transformer secondary (i.e., at audio frequencies, a short length of cable is merely a small capacitance). Using these cables is necessary to prevent the high-gain audio circuit from self oscillating under certain conditions.

Final assembly into the small cabinet should be done by reference to **fig. 9**, and is much easier than it looks; it is a gradual process of fitting panels and shortening leads and cables. The 365-pF variable capacitor and the vfo tuner board have been previously mounted. After the volume control and antenna jack are mounted, the four 3/4-inch (19mm) threaded spacers are mounted to the rear end of the front panel. The product detector panel

between the variable-capacitor frame and the cabinet cover, but the pressure caused the capacitor to short in some positions. The battery was finally mounted on the outside of the cabinet with wires passed through a notch on the cover plate.

a miniature antenna

The receiver was designed to work with a 50-ohm

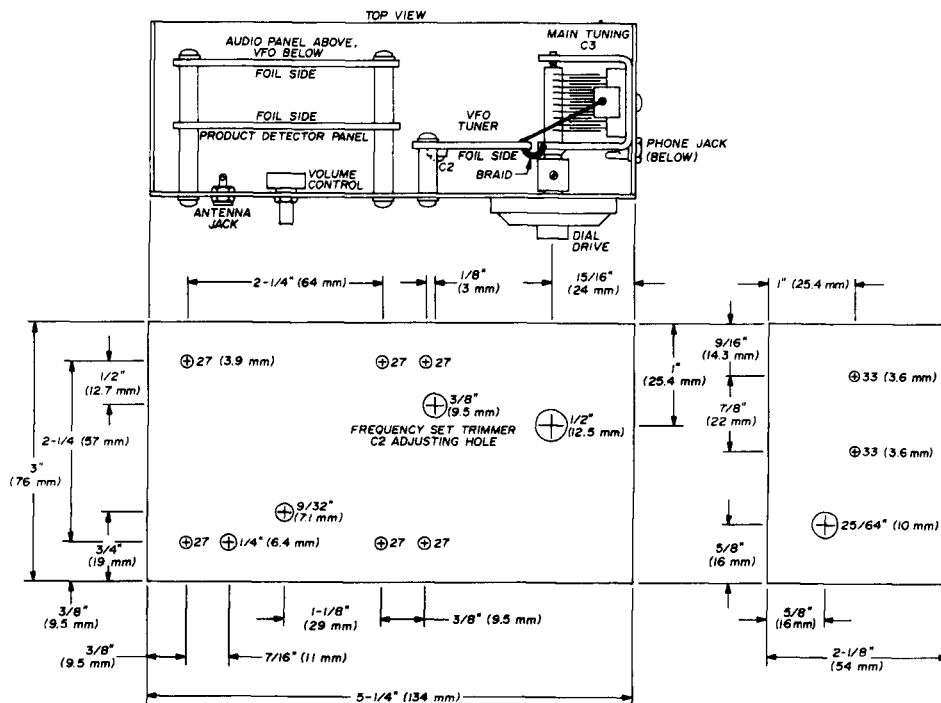


fig. 9. Cabinet layout showing drilling and component-mounting details.

is then laid in position against these spacers. The foil side must face the rear, the bulky components occupying the space between the epoxy side and the cabinet front.

The audio and vfo boards are positioned behind the detector. The audio board mounts on top and the vfo board below, with the foil sides facing inward. They are spaced from the product detector by four 1/2-inch (12.5mm) spacers that are not threaded but pass 6-32 (M3/5) screws. The whole assembly is then secured by four 3/4-inch (19mm) 6-32 (M3/5) screws, which go into the original four threaded spacers, as shown in **fig. 9**. Lockwashers are used at front and rear.

The cables and dc wire pairs can be tucked into the space between the spacers and the box at the edges. Dress the wires and cables away from tuning inductors and the high-voltage side of all rf circuits.

The V_{cc} wires should terminate at the V_{cc} terminal, located for convenience on the vfo tuner board, **fig. 8B**. The ground wires can be soldered in the appropriate adjacent holes on the ground-foil area. A twisted pair should go to the on-off switch on the volume control. The 9-volt battery connects to a standard snap-on terminal with red and black wires, which go to points indicated in **fig. 8B**. Originally, the battery was forced

outdoor antenna, but excellent results can be had with small antennas for indoor and outdoor use. Even a piece of wire strung up in the room and connected to the antenna jack will bring in many signals. A small, resonant loaded-whip antenna was designed that works very well for outdoor portable use and also indoors when not too near pipes, wires, heat ducts, and fluorescent lights.

Fig. 10 illustrates the antenna. A section of RG-58/U coaxial cable with a phono plug at the lower end is strapped to a 3-foot (1m) piece of dowel. The dowel can be mounted in a board as a strand or fastened to the receiver with cable clamps, but in the latter position, there may be some chance of the lightweight receiver overturning. A fiberglass rod could also be used.

A small insulating board of fiberglass or phenolic is mounted flat to the top of the dowel. On one side is mounted a slug-tuned coil form such as J.W. Miller no. 43A001CB1, with the winding space filled with no. 28 AWG (0.3mm) enamelled wire. The end nearest the mounting nut is fastened to the cable center conductor. The shield at this point is not connected anywhere. The hot end of the coil is connected to a pair of galvanized-wire "antlers" spread horizontally from a screw on the other side of the board. Sections of hard-drawn tinned

busbar would be even better. The antlers provide top loading. At resonance, the antenna has a resistive impedance near 50 ohms, but it would be difficult to determine what part of this resistance is due to losses.

Approximate resonance can be found with a grid dipper and final resonance determined on background noise or with a signal generator on a small antenna. Tuning, of course, is with a tuning wand, keeping your body, phone cord, and other wiring as far away as possible from the system. A lighter weight antenna could be made using a toroid core on a T50-6 form, adjusting the turns to something near desired resonance. The slug-tuned coil can be protected by a plastic pill bottle.

summary

One outstanding feature of this receiver is its large dynamic range. With a signal inserted directly at the gate of Q3 in the prototype, the output was linear with input up to a 1-dB saturation fall-off^{6,7} at 850 mV rms input, representing an output audio voltage of 8.5 volts rms at about 750 Hz into the 100k volume-control load. Since the audio transformer has a turns ratio of about 2.24, this represented a push-pull drain voltage of $8.5/2.24 = 3.8$. In the more linear portion of the characteristic, at lower inputs, the overall voltage gain was 13.3, or 22 dB (from the Q3 input to the transformer output). Of course, Q3 may have a gain of the order of 20 dB, leaving the conversion gain of switching pair Q1, Q2 small, but much better than if diodes had been used.

The double-tuned high-Q rf input has a voltage gain of 50, or 26 dB, so that the signal gain from the antenna jack to the audio-transformer output was 22+26, or 48 dB. Additionally the noise figure appeared to be very good. It was estimated that only about 0.2 mV input was needed for a 10-dB signal-to-noise plus noise ratio. Of course, you'd want to use the full resonant gain of the front end when using the small antenna. With a large antenna, you might be concerned that the saturation voltage is the original 850 divided by 50 (gain of the resonant circuits), or only 17 mV. Yet in practice, with an excellent outdoor antenna, I've failed to notice any great blocking of the receiver by strong signals — and here it must be remembered that the receiver has no agc circuit. When signals are too strong, merely turn down the audio volume. If blocking is a problem, an rf attenuator can be switched into the antenna input.⁸

The most obvious problem in this receiver is that the audio beat note appears on both sides of zero beat and selectivity is poor. DX can be received well when nearby stations are skipping over. Selectivity can be made comparable to that of an expensive receiver by using a good active audio filter, such as that made by MFJ Enterprises, if you can afford the extra 8 mA current required. However, the backlash in the present tuning system makes it easy to lose the signal. A high-Q resonant transformer might be a good compromise.⁹

One disappointment with the original design was finding more than 100 mV rms of I_o signal at TP1 in the product detector with the equipment running at 1.8 volts gate-to-gate I_o voltage on Q1, Q2. This represents an unbalance voltage of unknown origin, which could be

due either to unbalance in the transformers, phase unbalances, or even differing gains of each of the twin fets despite identical dc drain currents. Although back leakage through Q3 to the antenna must have been smaller than a few millivolts, such leakage could be detected as a signal comparable with low background noise, with the prototype receiver on the miniature antenna and a standard receiver on my big antenna. With two adjacent

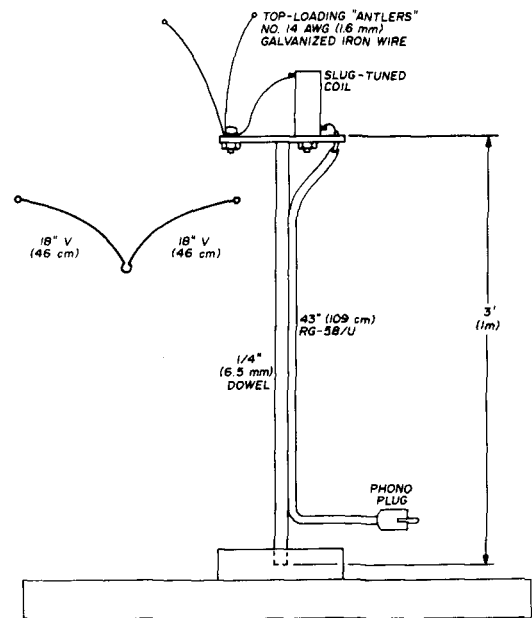


fig. 10. Miniature resonant antenna for indoor use or as a portable outdoor antenna. Tuned circuit has a voltage gain of about 50, or 26 dB. At resonance, the antenna has a resistive impedance near 50 ohms.

large antennas, the effect would be more serious, although the radiation would still be only microwatts. So I recommend, where amateur stations are close together, using the alternative product detector and adjusting R6 of fig. 2 for minimum antenna output, which should correspond to minimum I_o unbalance voltage at TP1.

references

1. *The Radio Amateur's Handbook*, ARRL, Newington, Connecticut, 1976 edition, page 338.
2. William Ress, WA6CNT, "Broadband Double-Balanced Modulator," *ham radio*, March, 1970.
3. *The Radio Amateur's Handbook*, ARRL, Newington, Connecticut, 1976 edition, page 139.
4. Loc. cit, page 417.
5. Bill Wildenhein, W8YFB, "Low-Cost Printed Circuit Board," *ham radio*, January, 1975.
6. Wes Haywood, W7ZOI, "Defining and Measuring Receiver Dynamic Range," *QST*, July, 1975.
7. James R. Fisk, "Receiver Noise Figure, Sensitivity and Dynamic Range — What the Numbers Mean," *ham radio*, October, 1975, pages 8-25.
8. *The Radio Amateur's Handbook*, ARRL, Newington, Connecticut, 1976 edition, pages 263-264.
9. D.K. Siemer, K0JYD, "The Mavti-40," Part I, *QST*, June, 1975.

ham radio

the ground-plane antenna: its history and development

Some useful information
for those interested
in the design
and adjustment
of this popular antenna

This article will be of value to those interested in designing and adjusting ground-plane antennas. The article describes the original invention of the ground-plane antenna, points out an error in assumptions regarding radiation resistance, and includes formulas for designing a simple matching network.

background

A study of 30 - 60 MHz antennas made in 1936 by Dr. George H. Brown and J. Epstein of RCA brought to light two principal defects in most types of such antennas used at that time: the transmission line was not terminated properly, and sizable standing waves occurred on the outside of the coaxial transmission line. The J-antenna and the sleeve or coaxial antenna (both popular at that time) were found to be particularly susceptible to such standing waves.

Brown and Epstein found that the use of horizontal quarter-wavelength ground rods extending from the base of the vertical antenna established a virtual ground plane and shielded the coaxial line from the rf field of the antenna. Two types of coaxial matching networks were developed. Both supported the antenna rod mechanically, insulated it from ground at rf but grounded it at lightning and dc frequencies, and at the same time provided a good impedance match between antenna and transmission line at the operating frequency. Two pat-

ents resulted from this work: the original¹ was issued in 1941, and another was issued on an improved design² in 1942.

The original design, fig. 1, was built and tested in 1938 in Camden, New Jersey. It was my privilege to witness some of these tests. The first design used a quarter-wavelength antenna rod, four quarter-wavelength ground rods, and a quarter-wavelength coaxial support stub shorted at the bottom end. The coaxial transmission line was matched to the antenna base resistance (the reactive component was negligible when the antenna was exactly one-quarter wavelength long) by a quarter-wavelength coaxial line connected between the antenna base and the antenna end of the transmission line.

This quarter-wavelength line had a characteristic impedance of

$$Z = \sqrt{R_a Z_l} \quad (1)$$

where

Z = characteristic impedance of the quarter-wavelength matching section (ohms)

R_a = antenna resistance (ohms)

Z_l = transmission-line characteristic impedance (ohms)

This coaxial matching section can be compared to the so-called Q-section used by many amateurs years ago as an impedance transformer between an open-wire transmission line and a center-fed antenna.

improved design

In the improved ground-plane design, fig. 2, the coaxial Q-section was eliminated, the transmission line was connected directly to the antenna base, the antenna was shortened to present an impedance of $19-j29.5$ ohms, and the previous quarter-wavelength support section was shortened to about one-sixth wavelength. This shorted stub then had an inductive reactance of about +42 ohms which, in parallel with the capacitive antenna impedance of $19-j29.5$ ohms, resulted in a parallel impedance of 65 ohms — the characteristic impedance of the coaxial transmission line used at that time. Each of the four horizontal ground rods remained a quarter wavelength long. Tests showed that their length was not too critical.

The values above were calculated as follows, as stated in Dr. Brown's article in *Electronics*:³

By Harold C. Vance, Sr., K2FF. (Mr. Vance became a silent key in August, 1976.)

The parallel inductive reactance of the matching stub required for parallel resonance with the capacitive reactance of the antenna is

$$X_s = \frac{R_a^2 + X_a^2}{X_a} \quad (2)$$

where

- X_s = stub reactance (ohms)
- R_a = antenna resistance (ohms)
- X_a = antenna reactance (ohms)

The parallel impedance of the antenna, a pure resistance at resonance, is

$$R_p = \frac{R_a^2 + X_a^2}{R_a} \quad (3)$$

where

- R_p = terminating resistance presented to the transmission line at the antenna base.

In his *Electronics* monograph³ Dr. Brown points out that, "...it is practically possible to present a resistance that will match a concentric transmission line of any characteristic impedance above 25 ohms. . .but the antenna length becomes extremely critical when resistances in excess of 100 ohms are desired."

The evolution of the ground-plane antenna design is described in detail in an article by Dr. Brown and J. Epstein in the July, 1940, issue of *Communications* magazine.⁴ This article also shows a ground-plane antenna with a close-spaced reflector. A gain of approximately 3 dB was obtained. The antenna and matching-stub lengths were changed slightly to maintain a match between antenna and transmission line when the reflector was added.

erroneous assumption

In an article on the ground-plane antenna, Stephens⁵

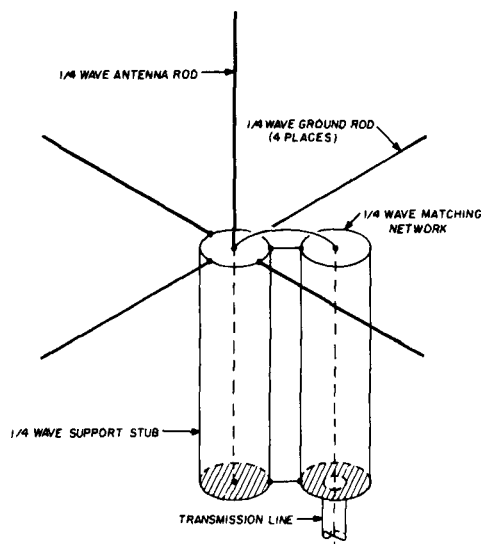


fig. 1. Original ground-plane antenna design, which was built and tested by RCA in Camden, New Jersey in 1938. The coax matching section may be compared to the familiar Q-section transformer used by amateurs years ago to match open-wire transmission lines to center-fed wire antennas.

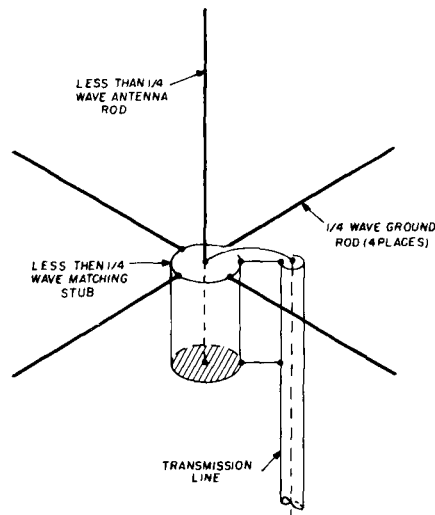


fig. 2. Improved ground-plane antenna. The coaxial Q-section was eliminated, and other innovations resulted in an antenna that was easier to match and adjust.

refers to an article by Hassenbeck⁶ giving formulas and curves that claim to be values of resistance and reactance of a vertical antenna supported above four one-quarter wavelength ground rods. Hassenbeck states that data given by King and Blake⁷ was used in establishing his curves.

Dr. Brown pointed out³ that, "the data given by King and Blake apply to a symmetrical antenna fed at its center or to a vertical antenna operating against an infinite metal sheet. . .there is a fundamental difference in the impedance of an antenna operating with four ground rods and an antenna operating over a semi-infinite sheet."

Actual measurements made by Dr. Brown showed that an antenna using four ground rods "has an appreciably lower radiation resistance than is generally assumed for the same antenna operating over a semi-infinite conducting plane." He stated that, "with an antenna exactly one-quarter wave in length, replacing the four ground rods by a metal disc one wavelength in diameter changed the actual measured radiation resistance from 25 ohms with the ground rods to 37 ohms with the one-wavelength-diameter disc."³ Measurements of an earlier experimental unit⁴ showed an antenna resistance of 21 ohms with ground rods.

The actual antenna resistance and reactance values shown in fig. 3 were measured at 60 MHz. The ground rods were one-quarter wavelength at 60 MHz. The antenna-rod diameter was 0.625 inch (16mm), and its length was varied to those shown in the curves.

In Hassenbeck's article⁶ the characteristic impedance of the support stub was assumed to be 70 ohms. In the RCA MI-7823-A antenna,³ Dr. Brown used a stub having a characteristic impedance of only 41 ohms "to lengthen the support section when low frequencies requiring long antenna sections were used, and to make the adjustment of the shorting plug less critical."

In the case of the MI-7823-A antenna the length, S , of the inductive matching and support stub in electrical

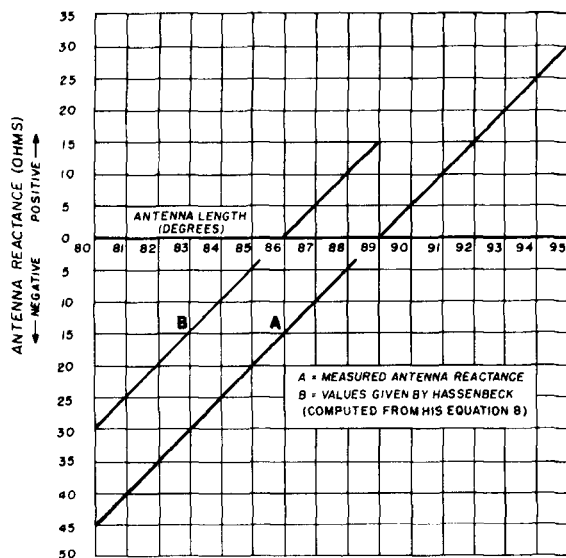


fig. 3. Actual resistance and reactance values of the ground-plane antenna measured at 60 MHz compared with values given by Hassenbeck in reference 6 (top two graphs). Bottom set of curves shows characteristics of the RCA MI-7823-A ground-plane antenna including parallel-resonance resistance, R_p ; shunt reactances, X_L and X_C , required for resonance; and matching-stub length, S° , required for the various values of reactance and resistance.

degrees ($360^\circ =$ one wavelength) is given as:

$$\tan S^\circ = \frac{X_{stub}}{41} \quad (4)$$

where X_{stub} is the reactance of the matching stub (ohms) and 41 is the characteristic impedance of the MI-7823-A matching stub (ohms).

In more general terms,

$$\tan S^\circ = \frac{X_{stub}}{Z_{stub}}, \quad \text{or } S^\circ = \arctan \frac{X_{stub}}{Z_{stub}} \quad (5)$$

where Z_{stub} is the characteristic impedance of the stub (ohms).

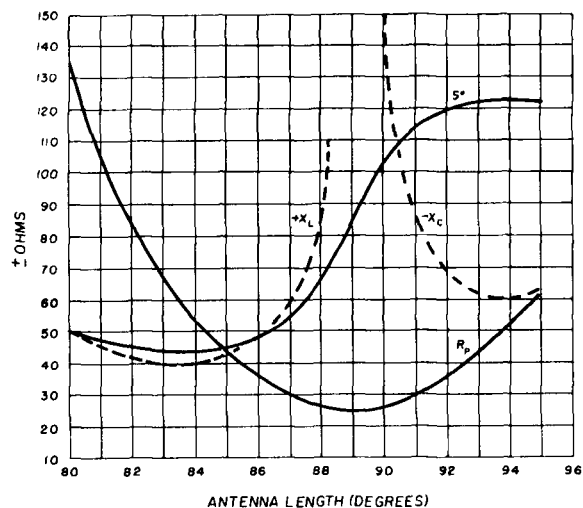
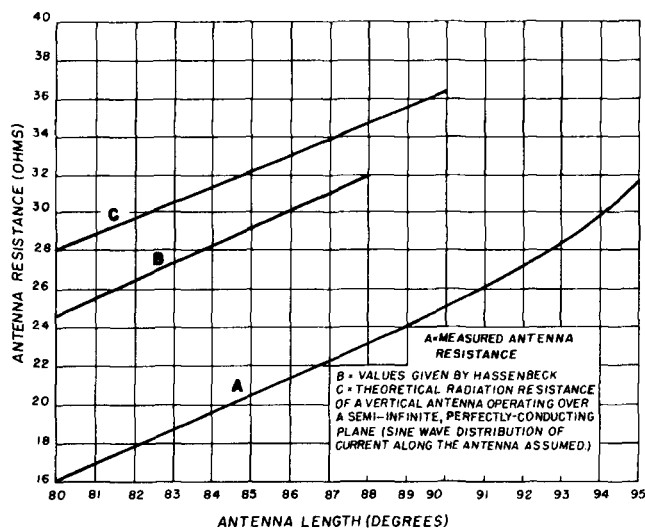
That is, the stub length, S , in electrical degrees equals the angle whose tangent corresponds to the value obtained when X_{stub} is divided by Z_{stub} .

conclusion

The need for actual experimental measurements is well illustrated by the error of Hassenbeck's assumption that the radiation resistance of the ground plane antenna would be the same as that of an antenna operating over a semi-infinite sheet. Many factors such as proximity of other objects, incorrect assumptions, and structural differences can cause actual values to vary widely from calculated values. An $R + jX$ bridge, such as those described in *QST*⁸ and *ham radio*^{9,10} will prove invaluable for this purpose.

acknowledgement

I wish to thank Dr. Brown for furnishing me with copies of the referenced articles by him and J. Epstein.



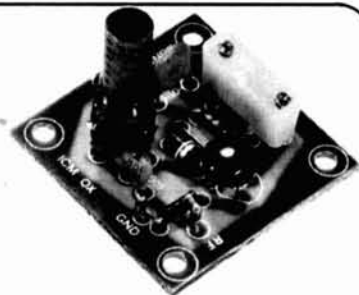
references

1. U.S. Patent 2,234,333, *Ground-Plane Antenna*, Issued March 11, 1941, to G.H. Brown, J. Epstein and R.F. Lewis, of RCA Laboratories.
2. U.S. Patent 2,275,342, *Improved Ground-Plane Antenna*, Issued March 3, 1942, to G.H. Brown.
3. George H. Brown, "Ground Plane Antennas," *Electronics*, December, 1943, page 338.
4. George H. Brown and J. Epstein, "An Ultra-High Frequency Antenna of Simple Design," *Communications*, July, 1940, page 3-5.
5. Robert E. Stephens, "Admittance Matching the Ground-Plane Antenna to Coaxial Transmission Line," *QST*, April, 1973, page 55.
6. H.W. Hassenbeck, "Design Data for Ground-Plane Antennas," *Electronics*, August, 1943, page 98.
7. R. King and F.G. Blake, Jr., "The Self Impedance of a Symmetrical Antenna," *Proceedings of the I. R. E.*, 30, 1942, page 335.
8. Jerry Hall, K1PLP, and John Kaufmann, WA1CQW, "The Macromatcher," *QST*, January, 1972, page 14.
9. William A. Wildenhein, W8YFB, "Low Cost Impedance Bridge," *ham radio*, May, 1973, page 6.
10. Henry S. Keen, W2CTK, "A Simple Bridge for Antenna Measurement," *ham radio*, September, 1970, page 34.

ham radio

for the experimenter!

INTERNATIONAL CRYSTALS & KITS
OSCILLATORS • RF MIXER • RF AMPLIFIER • POWER AMPLIFIER



OX OSCILLATOR

Crystal controlled transistor type. 3 to 20 MHz, OX-Lo, Cat. No. 035100. 20 to 60 MHz, OX-Hi, Cat. No. 035101
Specify when ordering.

\$3.95 ea.



MXX-1 TRANSISTOR RF MIXER

A single tuned circuit intended for signal conversion in the 30 to 170 MHz range. Harmonics of the OX or OF-1 oscillator are used for injection in the 60 to 179 MHz range. 3 to 20 MHz, Lo Kit, Cat. No. 035105. 20 to 170 MHz, Hi Kit, Cat. No. 035106
Specify when ordering.

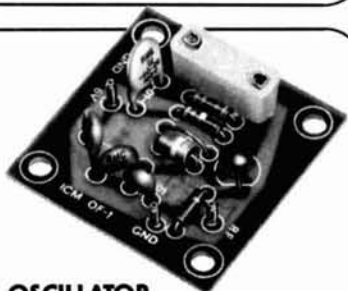
\$4.50 ea.



PAX-1 TRANSISTOR RF POWER AMP

A single tuned output amplifier designed to follow the OX or OF-1 oscillator. Outputs up to 200 mw, depending on frequency and voltage. Amplifier can be amplitude modulated. 3 to 30 MHz, Cat. No. 035104
Specify when ordering.

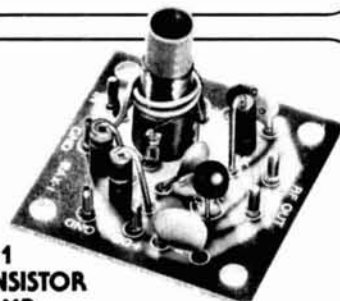
\$4.75 ea.



OF-1 OSCILLATOR

Resistor/capacitor circuit provides osc over a range of freq with the desired crystal. 2 to 22 MHz, OF-1 LO, Cat. No. 035108. 18 to 60 MHz, OF-1 HI, Cat. No. 035109
Specify when ordering.

\$3.25 ea.



SAX-1 TRANSISTOR RF AMP

A small signal amplifier to drive the MXX-1 Mixer. Single tuned input and link output. 3 to 20 MHz, Lo Kit, Cat. No. 035102. 20 to 170 MHz, Hi Kit, Cat. No. 035103.
Specify when ordering.

\$4.50 ea.



BAX-1 BROADBAND AMP

General purpose amplifier which may be used as a tuned or untuned unit in RF and audio applications. 20 Hz to 150 MHz with 6 to 30 db gain. Cat No. 035107
Specify when ordering

\$4.75 ea.



.02% Calibration Tolerance
EXPERIMENTER CRYSTALS
(HC 6/U Holder)

| Cat. No. | Specifications | |
|----------|-------------------------------------|------------|
| 031080 | 3 to 20 MHz — for use in OX OSC Lo | \$4.95 ea. |
| | <i>Specify when ordering</i> | |
| 031081 | 20 to 60 MHz — For use in OX OSC Hi | \$4.95 ea. |
| | <i>Specify when ordering</i> | |
| 031300 | 3 to 20 MHz — For use in OF-1L OSC | \$4.25 ea. |
| | <i>Specify when ordering</i> | |
| 031310 | 20 to 60 MHz — For use in OF-1H OSC | \$4.25 ea. |
| | <i>Specify when ordering.</i> | |

Shipping and postage (inside U.S., Canada and Mexico only) will be prepaid by International. Prices quoted for U.S., Canada and Mexico orders only. Orders for shipment to other countries will be quoted on request. Address orders to:
M/S Dept., P.O. Box 32497,
Oklahoma City, Oklahoma 73132.



International Crystal Mfg. Co., Inc.
10 North Lee
Oklahoma City, Oklahoma 73102

broadband matching techniques for transistor rf amplifiers

The ins and outs
of transistorized
rf amplifiers can be
effectively matched
by using broadband
matching techniques

Ever since the introduction of the transistor, there has been considerable interest in using the low-impedance characteristic of these devices to advantage in the design of broadband amplifiers. The most critical parts of a multi-octave amplifier are the input and output impedance transformation networks. In general, it is more difficult to accomplish large impedance transformation ratios, or to design networks which can transform low impedances. The latter because transmission-line transformers require a very low line impedance, which usually limits them to impedance ratios of less than 16:1 in 50-ohm systems; other types of transformers require tight coupling coefficients (or excessive leakage inductance will reduce the effective bandwidth).

Numerous methods have been successfully used in

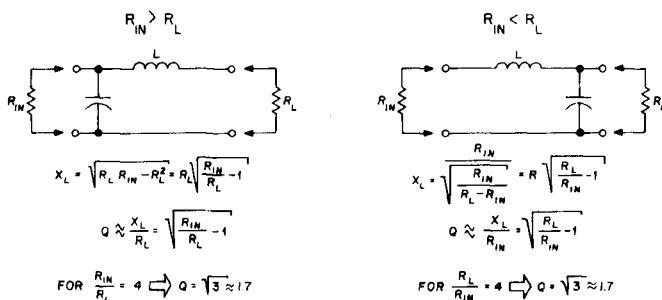


fig. 1. L network calculations of Q.

broadbanding vacuum-tube amplifiers. However, most of these methods yield relatively poor results when applied to low-impedance transistor circuits. Shunt-peaking, which works quite well with high-impedance tube circuits, becomes very difficult to use in transistor circuits because of the presence of $r_{bb'}$ and $r_{b'e}$ and the loading effect of C_i . In addition, the improvement obtained is significantly less than that realized for tube circuits.

The L-network (fig. 1) which is a very simple network, suffers from two serious drawbacks with regard to

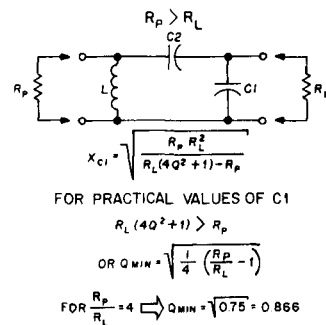


fig. 2. Tapped-tuned circuit calculations of Q.

broadband applications: first, the overall Q of the circuit is determined by the ratio of the impedances to be matched and *cannot* be set independently. Further, the higher the ratio of impedances to be matched, the higher the overall circuit Q. For a ratio of only 4:1, $Q = 1.7$, which is much too high for multi-octave use. The tapped-tuned circuit (fig. 2) allows the overall circuit Q to be set independently of the terminating impedances. However, there is a restriction on the minimum allowable value for Q which eliminates this circuit from consideration in multi-octave applications. The pi-network (fig. 3) suffers from essentially the same unacceptable restriction on minimum circuit Q as does the tapped-tuned circuit.

By Bill Leonard, WA7WHZ, Technical Staff, Hughes Aircraft Company, 6573 Debs Avenue, Canoga Park, California 91307

transmission-line transformers

The availability of high-frequency, high-permeability ferrites has prompted the development of wideband toroidal transformers which are ideally suited for multi-octave, low-impedance applications. There are numerous versions in use today, the more popular of which have been described in principle by Granberg.¹ Only the most popular of these, the transmission-line transformer, will be discussed here.

A wideband model of a toroidal 4:1 impedance-matching transformer was first investigated by Ruthroff,² and more recently by Pitzalis and Couse.³ Transmission-line transformers yield nearly the best performance in terms of bandwidth and power handling capability. Units with bandwidth ratios of 20,000:1 (i.e., a Q of 0.007) and power capabilities in excess of 300 watts have been built. Figs. 4 and 5 show 1:1 and 4:1 impedance transformers. It is customary to show both the conventional and the transmission-line equivalent

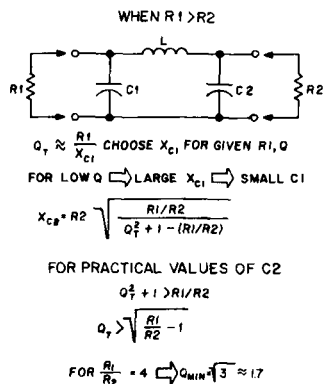


fig. 3. Pi-network calculations of Q.

circuits since the parameters which determine the lower cutoff frequency are very different from those which determine the upper cutoff frequency.

In conventional transformers, the interwinding capacitance resonates with the leakage inductance to produce a loss peak. This limits the high frequency response. In transmission-line transformers, the coils are arranged such that the interwinding capacitance is a distributed component of the characteristic impedance of the line. This characteristic makes the construction of low-impedance lines possible by use of close spacing (many twists per inch) of the wires which form the twisted pair. Although, in principle, any type of transmission line may be used, twisted pairs have the advantages of low cost and small size, while coaxial lines yield the best response due to their having relatively constant impedance as a function of length.

frequency response

Analyzing the frequency response of broadband transformers is not a trivial exercise. The upper frequency limitations are related to the length of the transmission line and to the ratio between the characteristic impedance of the line and the load impedance. Usually, the length of

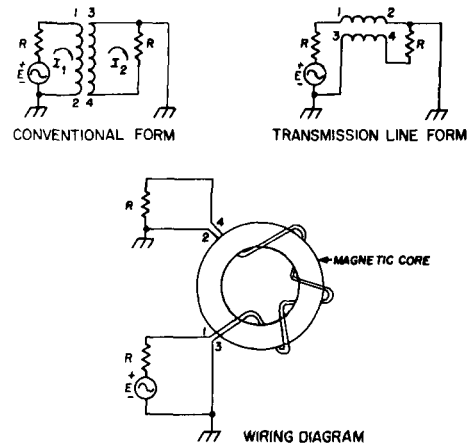


fig. 4. 1:1 impedance transformer shown in the conventional and transmission-line form along with the wiring diagram.

the transmission line is chosen to be $\lambda/8$ or less at the upper frequency desired. For a 4:1 impedance transformer, the characteristic line impedance (Z_0) should equal $\sqrt{R_L R_S}$. The shorter the physical length of the line, the less important exact matching becomes. The exact expression which describes the high-frequency behavior of the 4:1 impedance transformer can be found in references 2, 3, and 4. The result for matched impedances is

$$\frac{P_{in}}{P_{out}} = \frac{(1 + 3 \cos \beta \ell)^2 + 4 \sin^2 \beta \ell}{4(1 + \cos \beta \ell)^2} \quad (1)$$

where β = phase constant of the line $\left(\frac{2\pi}{\lambda}\right)$
 ℓ = line length (same units as λ)
 $\beta \ell$ measured in radians

Fig. 6 displays this expression as a function of line length. It can be seen that the upper cutoff (-3 dB) frequency occurs at a line length of 0.3λ for matched loads. However, in practice it is customary to keep $\ell < 0.125\lambda$ to minimize effects of mismatch.

For analysis of the lower cutoff frequency, the

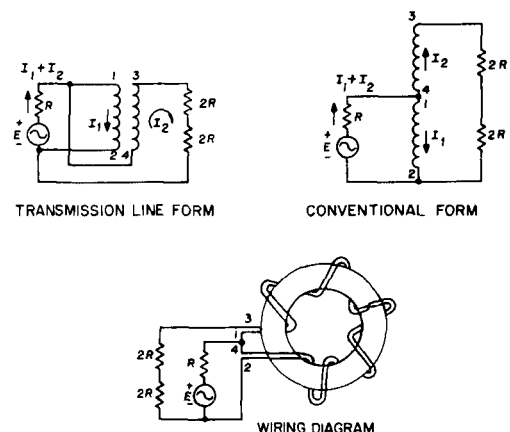


fig. 5. 4:1 impedance transformer shown in the same manner as the 1:1 transformer.

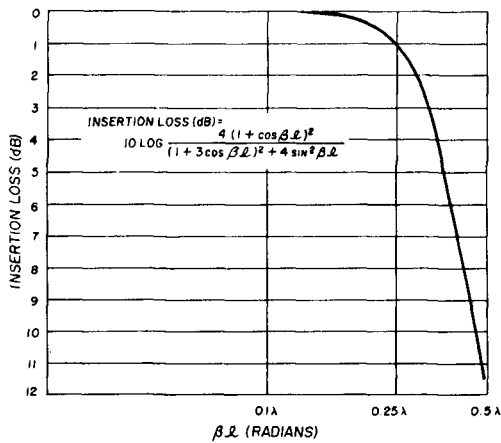


fig. 6. Insertion loss versus line length for a matched broadband transformer.

conventional form of the equivalent circuit (fig. 5) is used. The lower cutoff frequency is determined by the falloff of primary reactance as the frequency is decreased. This reactance is determined by the series inductance of the transmission-line conductors. Therefore, the longer the line length, the greater the series inductance, and the lower the cutoff frequency. This is in direct conflict with extending the upper cutoff frequency which, as previously noted, is enhanced by shortening the physical length of the transmission line. Minimizing the overall length, consistent with achieving the necessary reactance for the low-frequency requirements, can be accomplished with high permeability materials such as ferrites. The inductance of a conductor is directly proportional to the relative permeability of the surrounding medium. A high permeability material placed close to the transmission line acts on the external fringe field in such a way as to significantly increase the effective inductance, thereby greatly lowering the lower cutoff frequency. The key point is that there is no influence upon the characteristic impedance of the line. Therefore, there is no degradation of the high-frequency

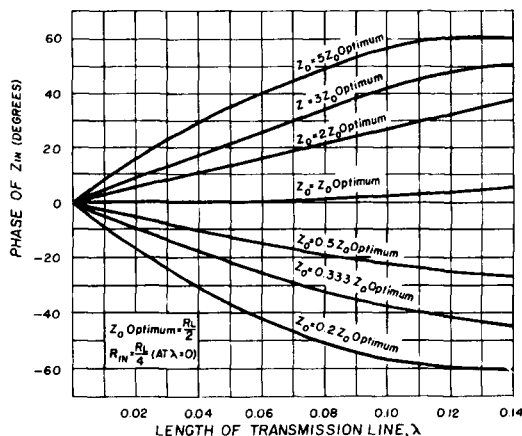


fig. 8. The phase of Input Impedance, Z_{in} , versus transmission-line length for mismatched conditions.

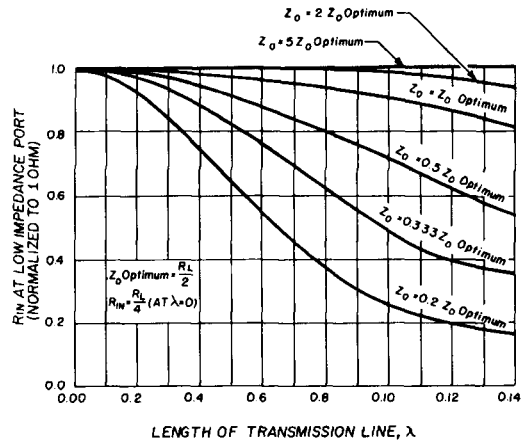


fig. 7. The effect of various mismatched conditions shown as input impedance versus transmission-line length.

cutoff characteristics. Also, power transferred from input to output is not coupled through the ferrite material, but rather through the dielectric medium separating the transmission-line conductors. This is an important characteristic since it allows for relatively small cross-section ferrite materials to be operated at very high power levels without danger of saturation. This is in contrast to the conventional transformer which couples power from primary to secondary entirely through the core which must be chosen to handle the total power without saturating.

In summary, the low-frequency cutoff requirements³ can be related in the following expression

$$l \geq \frac{20R_L}{(1 + \mu) f_L} \text{ inches} \quad (2)$$

Thus, the minimum allowable transmission line length can be specified in terms of the load resistance (R_L), the lower cutoff frequency (f_L in MHz) and the relative permeability (μ) of the core material.*

Impedance ratios in excess of 4:1 are easily obtained

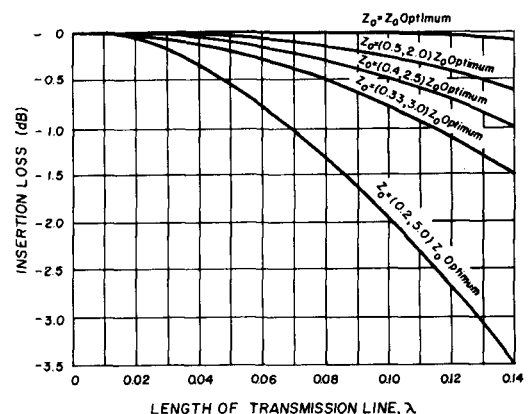


fig. 9. The insertion loss versus line lengths for mismatched conditions.

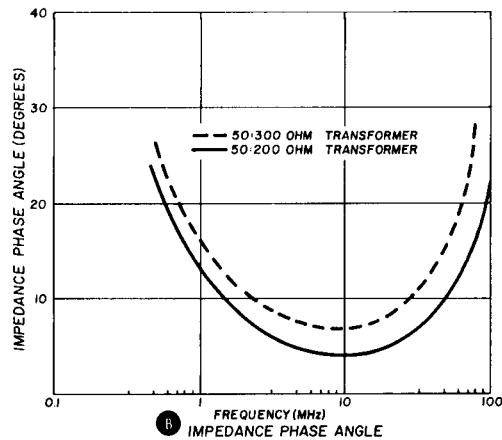
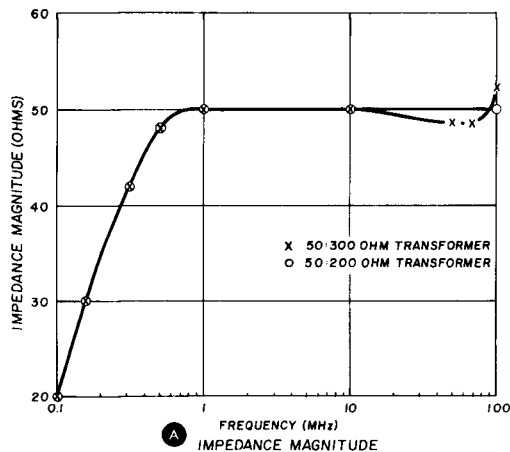
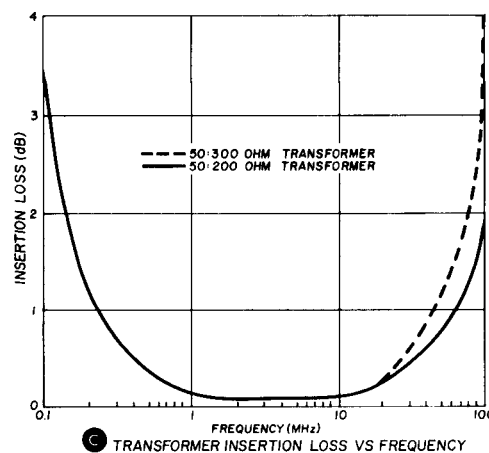


fig. 10. A comparison of two broadband matching transformers. Each transformer was wound on 2 Ferroxcube 266T125 3D3 cores. $A_T = 330 \pm 20\%$ mH per 1000 turns, $\mu = 750 \pm 20\%$, $A_C = 0.183$ cm². The winding for the 4:1 transformers is made from two no. 30 (0.25mm) vinyl-coated wires with 7 twists/inch. The length is 5.7" (14.5cm) and 10 turns. The winding for the 6:1 transformer has a third 2.5" no. 30 (6.5cm) wire added to form a three-wire transmission line. The transformers were designed for operation from 150 kHz to 100 MHz.



by using the methods described in references 1, 3 and 4 when integer ratios (1:1, 4:1, 9:1, . . . , $n^2:1$) are acceptable. In addition, Krauss⁴ discusses the construction of a three-wire transmission line for use in transformers which yields a nearly continuously variable (up to 6:1) ratio transformer. In general, characteristics such as bandwidth, passband ripple, and insertion loss began degrading as higher transformation ratios are required.

mismatching

One question that immediately arises is the effect of a mismatch. Doherty and Hatley⁵ have investigated this problem for a complex mismatch. Pitzalis and Couse³ have resolved the question for a 4:1 impedance transformer encountering a resistive mismatch. These results are presented graphically in figs. 7, 8 and 9. These curves are normalized to Z_o and ignore the low-frequency cut-off effects. They clearly demonstrate the relative insensitivity of the transformation with respect to a resistive mismatch for mismatches as high as 2:1. They also show that for $Z_o > Z_o$ (optimum), the input impedance is a series R-L circuit, while for the case where $Z_o < Z_o$ (optimum) the input impedance is that of a parallel R-C circuit. These facts can sometimes be used to advantage when compensation is necessary for stability or other reasons.

*To find the minimum line length in metric terms, use the following formula

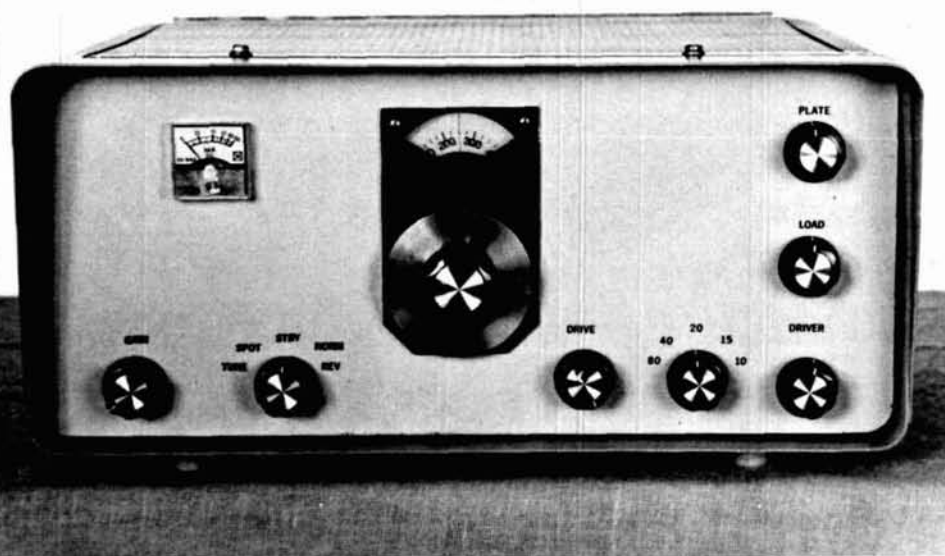
$$l \geq \frac{51R_L}{(1 + \mu)f_L} \text{ cm}$$

In conclusion, a comparison of two representative impedance transformers, as designed and tested by Krauss⁴ is presented in fig. 10. A conventional 4:1 impedance transformer is compared with a similar unit which uses a three-wire transmission line to obtain an impedance ratio of 6:1. It can be seen that, as was previously mentioned, the higher impedance ratio unit is slightly inferior in terms of overall performance.

references

1. H. Granberg, "Broadband Transformers and Power Combining Techniques for RF," *Motorola Applications Note AN-749*, Motorola Semiconductor Products, Inc., Phoenix, Arizona.
2. C. Ruthroff, "Some Broad Band Transformers," *Proceedings of the IRE*, August, 1959, page 1337.
3. O. Pitzalis, Jr., and T. Couse, "Broadband Transformer Design for Transistor Power Amplifiers," *USAECOM Technical Report 2989*, U.S. Army Electronics Command, Fort Monmouth, New Jersey, July, 1968.
4. H. Krauss and C. Allen, "Design Toroidal Transformers to Optimize Wideband Performance," *Electronics*, August, 1973, page 113.
5. W. Doherty and W. Hatley, "Broadband Transmitter Techniques," *USAECOM Technical Report 01829-M1022* U.S. Army Electronics Command, Fort Monmouth, New Jersey, April, 1967.

ham radio



100-watt PEP five-band transmitter for CW and ssb

Except for driver and final this rig features solid-state stages, low cost, and easy construction

With the prospect of obtaining my general class license in the future, the need for an ssb transmitter arose along with the question of whether to build or buy. Considering the fact that a lot of experience and pleasure can be derived from homebrewing, I decided to build and came up with the following objectives:

1. Solid-state devices where practical.
2. 100 watts PEP.
3. Five-band coverage with CW and upper and lower sideband.
4. Low cost.
5. Easy construction.

After searching through various publications and not being able to find an article that fit all my requirements, I decided to design each stage separately using standard circuits and/or circuits from other articles.

By Harold Peters, WN3WTG, P. O. Box 1264, Tipton, Pennsylvania 16684

description

A block diagram is shown in **fig. 1**. A 9-MHz dsb signal is generated with the speech amplifier and carrier oscillator, the carrier is removed by the balanced modulator, and the filter then removes one of the sidebands. The vfo and high-frequency oscillator (hfo) signals are

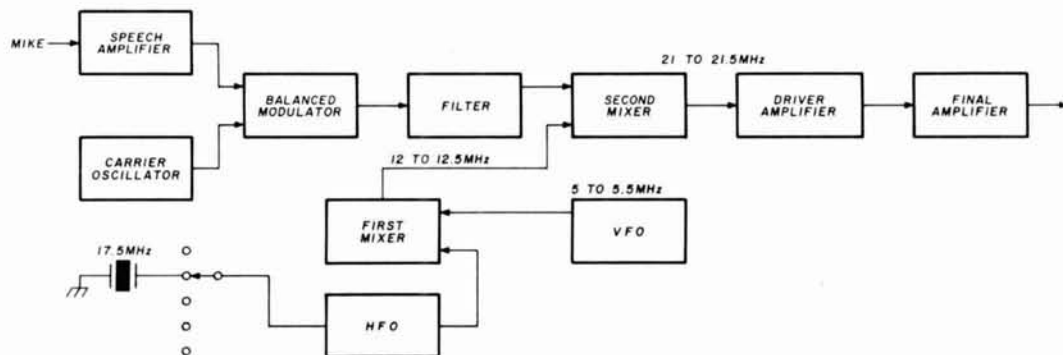
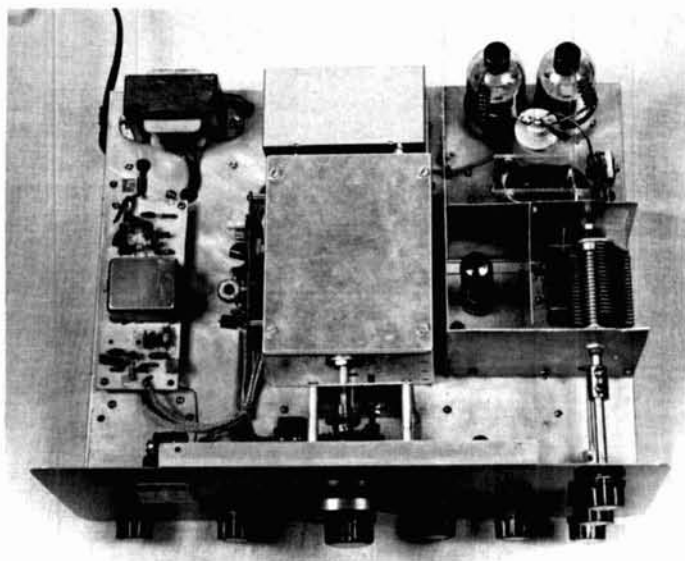


fig. 1. Block diagram showing the five-band transmitter in the 15-meter position.

mixed to produce the signal needed to heterodyne the 9-MHz ssb signal to the desired amateur band. This method results in less bandswitching than most other schemes.

The only disadvantage to this mixing scheme is that a sideband inversion occurs on 40 meters, and a tuning inversion occurs on 15 meters. On 40 meters the upper and lower sideband selection is reversed, and on 15 the low end of the band starts at the high end of the dial.

Top view of transmitter with cover removed to show component location. The PC board on the left shows the sideband filter.



But this isn't a major problem and one easily becomes accustomed to it.

The 9-MHz ssb signal and the output of the first mixer are mixed in the second mixer. The driver then amplifies this signal, and the Class AB final increases the signal level to 100 watts PEP output. Tubes are used in the driver and final to keep the cost down.

The entire transmitter was built a stage at a time and checked for proper operation before going on to the next stage. Each stage represented in the block diagram was built on a separate PC board or in the case of the vacuum-tube stages, in a separate compartment. Besides making construction and testing easier, this method allows for easy removal of a stage should it become defective.

speech amplifier and carrier oscillator

The speech amplifier (**fig. 2**) consists of Q1, U1, and Q2.^{1,2} The MPF102 provides a high-impedance input, and the 741 op amp and the 2N3053 provide ample audio power to drive the balanced modulator.

The speech amplifier as well as the carrier oscillator, high-frequency oscillator, and first and second mixer stages were constructed on double-sided glass epoxy PC board. The components were mounted on one side of the board, and the copper was left intact on the reverse side to act as a ground plane for added circuit stability.

The carrier oscillator (**fig. 2**) uses diode switching for selection of upper or lower sideband.^{1,3} The trimmers for the crystals vary the carrier frequency to the desired location on the 9-MHz crystal filter skirt.

The operation of the carrier oscillator was verified by listening for the signal in a general-coverage receiver. The speech amplifier was tested by applying an audio signal to the microphone input and listening for the output with headphones.

balanced modulator and filter

The outputs of the speech amplifier and carrier oscillator are mixed in the MC1496 balanced modulator² and

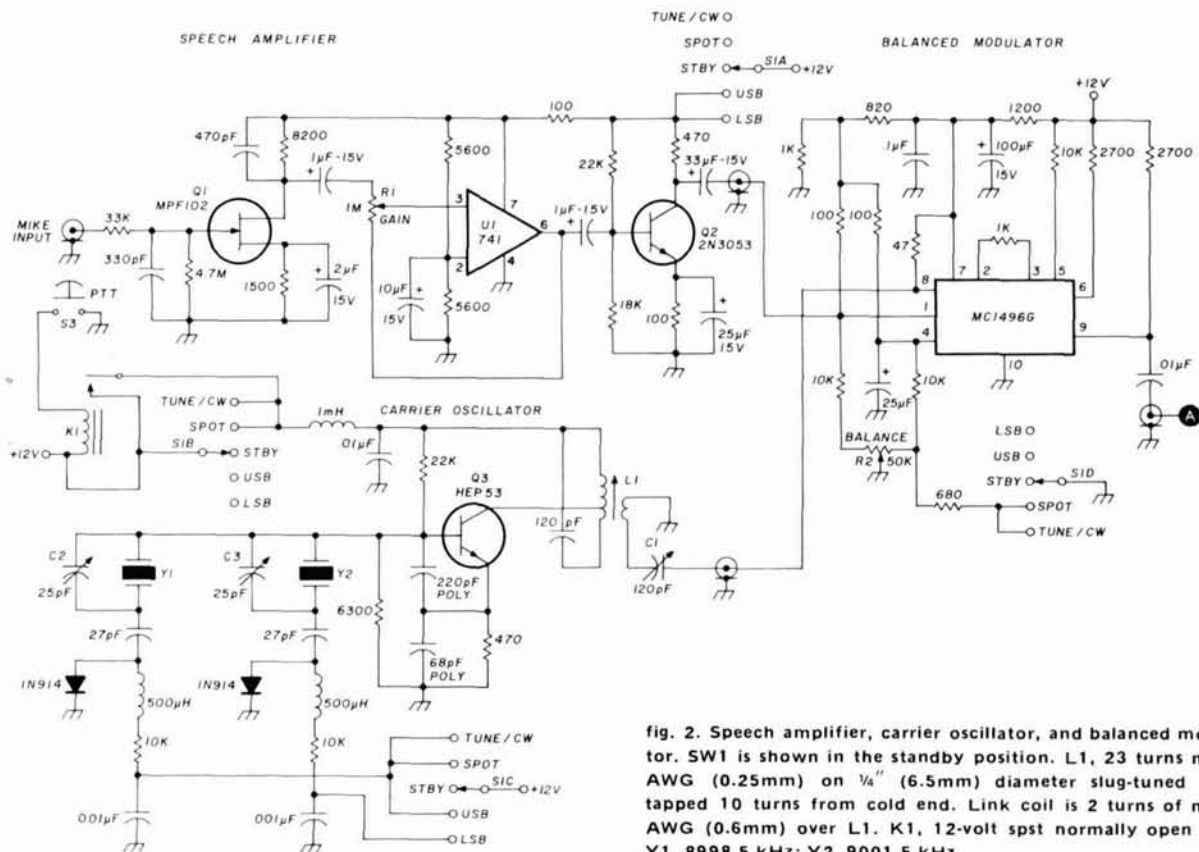


fig. 2. Speech amplifier, carrier oscillator, and balanced modulator. SW1 is shown in the standby position. L1, 23 turns no. 30 AWG (0.25mm) on $\frac{1}{4}$ " (6.5mm) diameter slug-tuned form, tapped 10 turns from cold end. Link coil is 2 turns of no. 22 AWG (0.6mm) over L1. K1, 12-volt spst normally open relay. Y1, 8998.5 kHz; Y2, 9001.5 kHz.

the carrier is suppressed (fig. 2). In the CW mode, balance is upset and the carrier is allowed to pass through.

The 2N2222 (Q5) of the filter stage (fig. 3) acts as a buffer and also serves as the keying point for CW by applying keyed +12 volts from Q6.^{4,5} Q7, a 40841 gate-protected dual-gate mosfet, makes up for filter signal loss and acts as the ALC control point.¹

These stages were constructed on single-sided glass epoxy PC board. Care was taken during construction to ensure that no signal leak through would occur to destroy the carrier and opposite sideband suppression.

With the previous stages operating properly, the output of Q7 is a 9-MHz ssb signal, which can be monitored on a receiver. L1, C1, and R2 (fig. 2) are adjusted for maximum carrier suppression and C2, C3, C4, and C5 are adjusted for best voice quality consistent with good carrier and opposite sideband suppression. L2 is adjusted for maximum output.

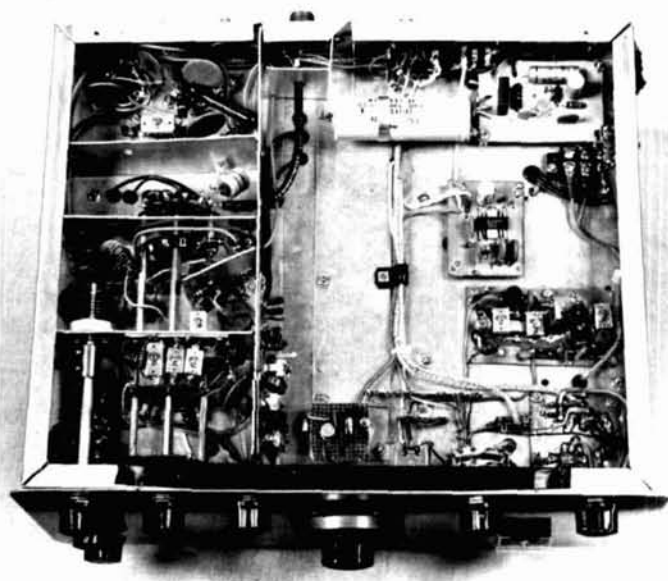
vfo and hfo

The schematic for these stages is shown in fig. 4. The vfo, Q8, is a series-tuned Clapp circuit and includes a two-stage buffer amplifier, Q9, Q10, and a lowpass filter for a very stable and clean output.^{1,6} Voltage to the MPF102 is regulated by a 9-volt zener.

The vfo PC board was mounted in its own enclosure with angle brackets, and the box was mounted in the

center of the chassis. Phono jacks couple power and vfo output to the enclosure to make for easy removal of the vfo for testing and temperature compensation. Using a receiver or frequency counter, the vfo was adjusted to

Bottom view of the transmitter. The audio and modulator stages are located in the lower-right corner. The power regulator is in the upper right.



tune from 5-5.5 MHz by adjusting the bandset trimmer and L9.

The hfo was also mounted in a separate enclosure. The crystals are diode switched so that the hfo could be mounted away from the bandswitch.³ This stage is not used on 80 or 20 meters, as the vfo 5-MHz output is mixed with the 9-MHz ssb signal for output on these bands.

placed on the bandswitch, and the mixer PC boards were placed close by to keep lead lengths short.

With the aid of the grid-dip meter, the toroid/trimmer assemblies were checked and adjusted for approximate frequencies before placing them in the circuit.

driver and final amplifier

The driver stage, shown in fig. 3, uses a 6GK6 power

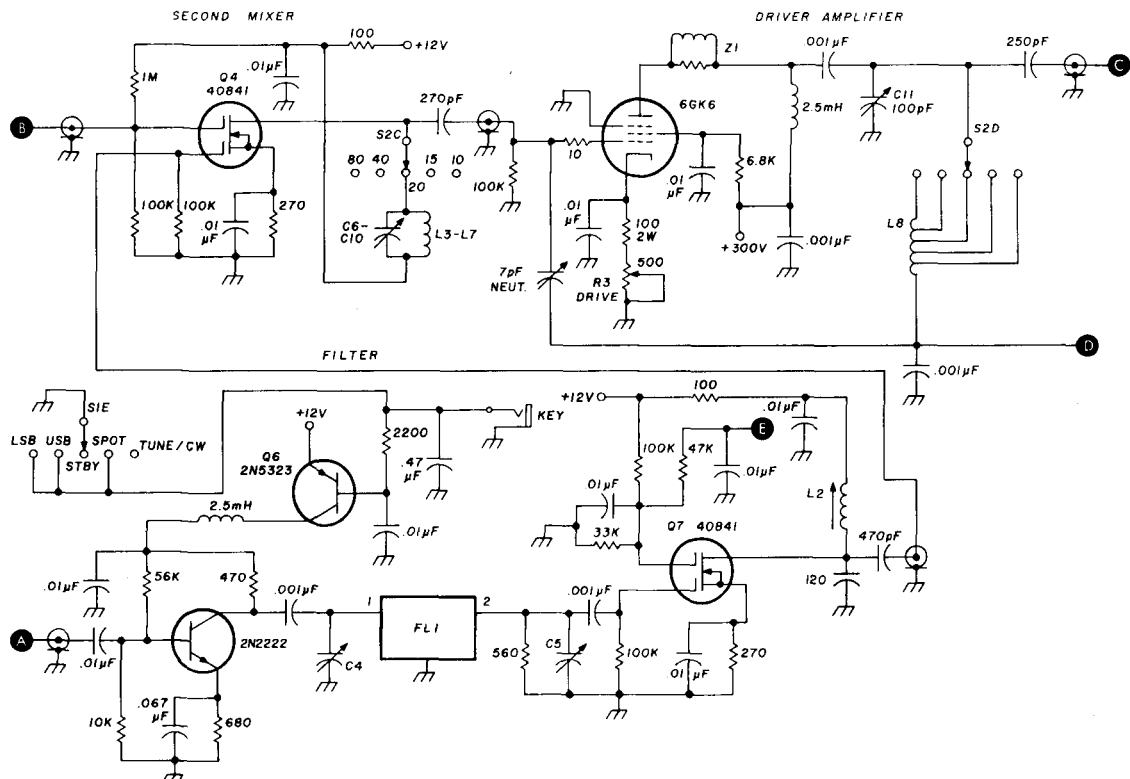


fig. 3. Second mixer, driver, and filter. FL1, 9-MHz crystal filter, KVG XF-9A. C4, C5, 35-pF trimmer. Z1, 4 turns no. 20 AWG (0.8mm) on 47-ohm, 1-watt resistor. L2, 20 turns no. 30 AWG (0.25mm) on T-50-6 form; C6, 250 pF. L4 (40 meters), 22 turns no. 28 AWG (0.3mm) on T-50-6 form; C7, 250 pF. L5 (20 meters), 14 turns no. 22 AWG (0.6mm) on T-50-2 form; C8, 120 pF. L6 (15 meters), 12 turns no. 22 AWG (0.6mm) on T-50-2 form; C9, 120 pF. L7 (10 meters), 9 turns no. 22 AWG (0.6mm) on T-50-2 form; C10, 120 pF. L8, 60 turns no. 28 AWG (0.3mm) on T-68-2 form, tapped at 30, 12, 6, and 3 turns for 40-10 meters respectively.

first and second mixers

The first mixer⁷ uses a 40841 to mix the vfo and hfo outputs. The proper tank circuit is switched by the bandswitch, with the same tank used for both 80 and 20 meters. The output frequencies of the first mixer are: 5-5.5 MHz for 80 meters, 16-16.5 MHz for 40 meters, 5-5.5 MHz for 20 meters, 12-12.5 MHz for 15 meters, and 19-19.5 MHz for 10 meters.

Q4, another 40841 (fig. 3), serves as the second mixer and uses a circuit similar to that of the first mixer. Second-mixer output is a low-power version of the ssb signal to be transmitted.

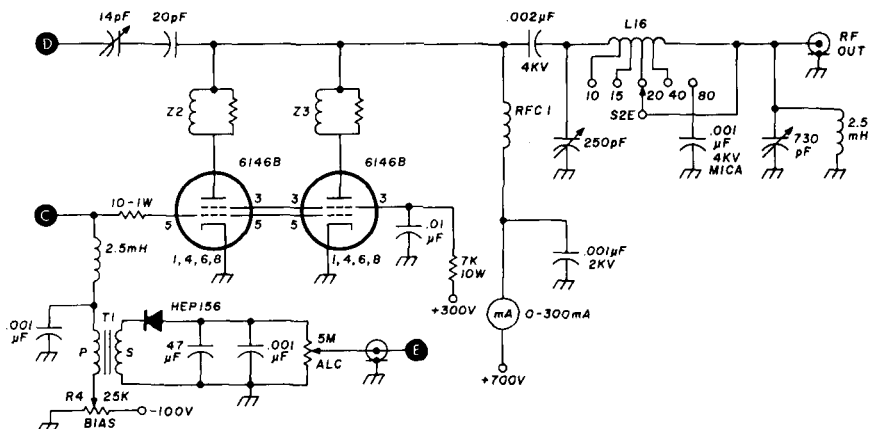
All coils in the mixer tanks are wound on toroids for compactness and self-shielding. The windings were spaced on the toroids to occupy the entire circumference of the core. Each toroid and its trimmer were

pentode tube.⁸ A drive control is included to vary the amount of drive to the final. The driver tank coil differs from the previous tank coils in that it is wound on a single toroid, tapped for each band, and tuned to resonance with C11 from the front panel of the transmitter.

The final stage (fig. 5) uses two 6146Bs in a class-AB parallel configuration. Plate voltage is supplied through RFC1, a Johnson 102-572 transmitting-type rf choke. Meter M1 measures plate current.

The ALC voltage is obtained from the grid bias. It is rectified and applied to the filter stage through R4, which controls the amount of ALC voltage. The ALC circuit was adjusted with the aid of an oscilloscope. A two-tone test signal was injected into the microphone input, and the transmitter rf output was monitored on

fig. 5. Final amplifier. T1, audio transformer; primary 600 ohms, secondary 2000 ohms. Z2, Z3, 5 turns no. 20 AWG (0.8mm) on a 47-ohm 1-watt resistor. L16, 38 turns no. 12 AWG (2.1mm) on T-200-2 form, tapped at 4, 6, 11, and 22 turns for 10-40 meters respectively.



the scope. Audio gain control R1 was advanced until flat-topping just started to occur; then R4 was adjusted to eliminate this distortion.

Conventional procedures were used in adjusting the neutralizing and the final plate and loading capacitors. Plate current at maximum output is about 220 mA.

12-volt power supply

Fig. 6 shows the regulated 12-volt power supply, which was included on the chassis so that during non operating periods the power to the vfo can be left on. A 723 IC regulator and a 2N3772 pass transistor provide about 3 amps at 12 volts.⁹ R3 sets the output voltage.

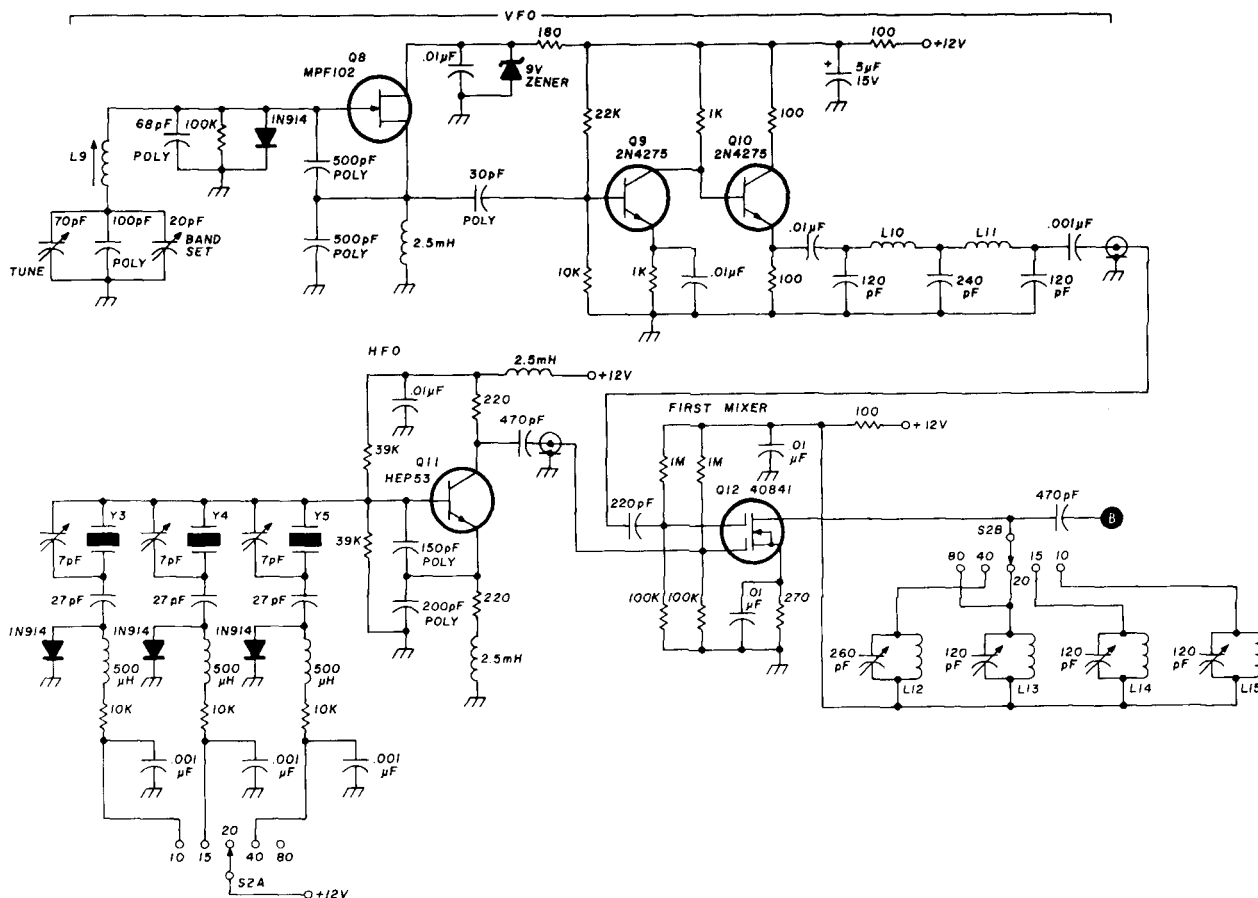


fig. 4. Vfo, hfo, and first mixer. S/2 is shown in the 20-meter position. L9, 35 turns no. 32 AWG (0.2mm) on 1/8" (6.5mm) slug-tuned form. L10, L11, 38 turns no. 32 AWG (0.2mm) on T-37-2 form. L12, 12 turns no. 22 AWG (0.6mm) on T-37-2 form. L13, 31 turns no. 28 AWG (0.3mm) on T-50-6 form. L14, 16 turns no. 22 AWG (0.6mm) on T-50-2 form. L15, 12 turns no. 22 AWG (0.6mm) on T-50-2 form. Y3, 14 MHz. Y4, 17.5 MHz. Y5, 11 MHz.

The 2N3772 was mounted on the back of the chassis, which acts as a heat sink.

closing remarks

A small change to be made in the future is to place the spot function on a separate front-panel switch. As it

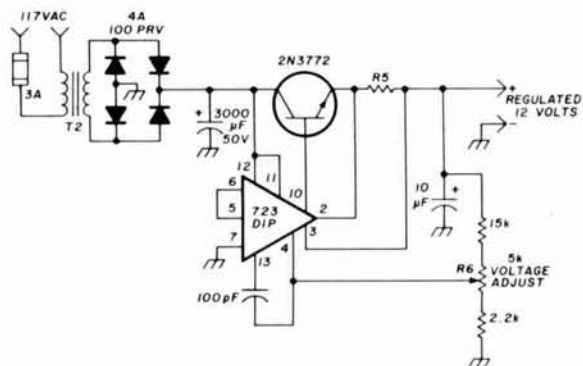


fig. 6. Regulated power supply for the solid-state stages of the transmitter. T2, 24-volt 2-amp power transformer. R5, 0.1-ohm resistor consisting of 8 feet (2.4m) of no. 22 AWG (0.6mm) wire wound on a wooden dowel.

is now, the spot function works only in the upper sideband position. But the opposite sideband can be heard in my receiver because of the close proximity, so it poses no real problem.

acknowledgements

I would like to thank all of the authors whose ideas and circuits I borrowed for my transmitter. Special thanks go to Howard Stark, WA4MTH, for his encouragement and assistance.

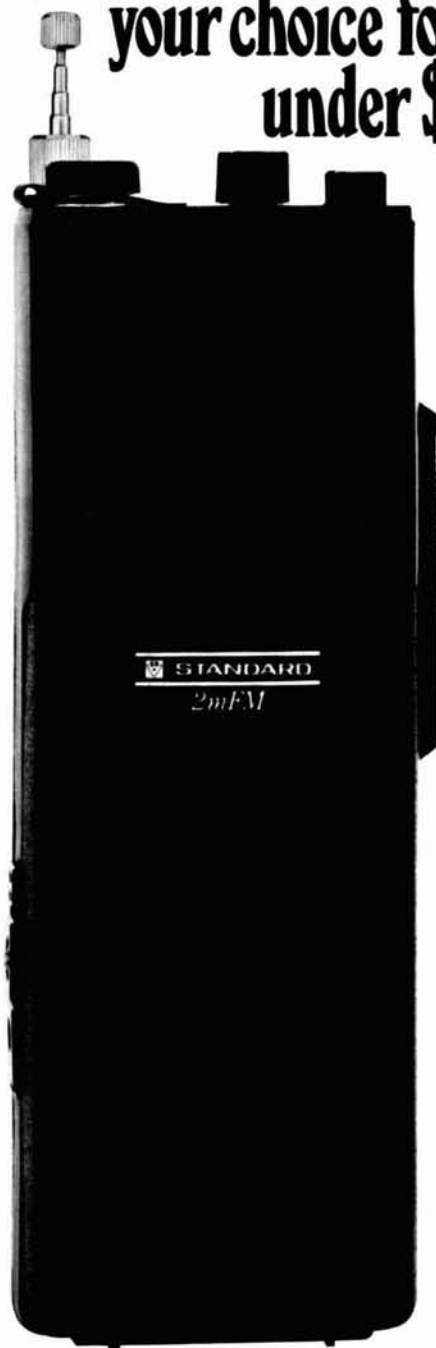
references

1. "A 20-Meter Sideband Transmitter," *The Radio Amateur's Handbook*, ARRL, Newington, Connecticut, 1973 Edition, page 416.
2. "A Solid-State Transceiver for 160 Meters," *The Radio Amateur's Handbook*, ARRL, Newington, Connecticut, 1975 Edition, page 418.
3. *Typical Transistorized Oscillator Circuit*, JAN Crystals Catalog, page 4.
4. "A Solid-State Transceiver for 160 Meters," *The Radio Amateur's Handbook*, ARRL, Newington, Connecticut, 1975 Edition, page 416.
5. "A Two-Band Transmitter," *The Radio Amateur's Handbook*, ARRL, Newington, Connecticut, 1975 Edition, page 169.
6. Doug DeMaw, W1CER, "More Basics on Solid-State Transmitter Design," *QST*, November, 1974, page 23.
7. Ed Noll, W3FQJ, "Mosfet Circuits," *ham radio*, February, 1975, pages 55 and 56.
8. "A 20-Meter Sideband Transmitter," *The Radio Amateur's Handbook*, ARRL, Newington, Connecticut, 1973 Edition, page 417.
9. Douglas A. Blakeslee, W1KLLK, "AC-Operated Regulated DC Power Supplies for Transistorized Rigs," *QST*, November, 1971, page 12.

ham radio

Performance...

your choice for under \$299*



Standard's 146-A Handheld outclasses them all! A deluxe 2 meter FM transceiver • Full 5 channel capability, 2 channels included • Compact size 1 x 3 x 9 inches • Separate internal mike • Built-in meter to monitor battery condition • Provision for Private Channel (CTCSS), external mike or speaker mike.

Since no two radio applications are exactly alike Standard makes the rugged HORIZON "2" 25 watt, 2 meter FM transceiver for HAM, CAP, and MARS. The HORIZON "2" is also available for under \$299. Both of these rugged radios offer you exceptional quality and outstanding performance at a price that's right.



**Standard
Communications**

P.O. Box 92151 • Los Angeles • Ca. • 90009

automatic 600-kHz

up/down repeater-mode circuit for two-meter synthesizers

Although designed for use with the GLB 400B Channelizer, this circuit may be used with other synthesizers using BCD coding to their divide-by- n counters

With the continuing increase in the number of repeaters appearing on two meters, most amateurs are finding that being "rock bound" leaves a lot to be desired, not to mention the cost of filling those crystal sockets in most two meter rigs. The trend seems to be that more amateurs are finding that synthesizers allow them to work the entire band, and, in most cases, that they can work it in 5-kHz increments.

Some synthesizers on the market today use a pair of ganged switches, one to set the repeater input, the other the output frequency. This arrangement doesn't pose a

problem except when it comes to mobile operation. Changing repeater frequencies while "threading the needle" in rush hour traffic can be exciting, if not downright hazardous.

This article deals with my answer to improving the ease of operation of the GLB 400B Channelizer, but the

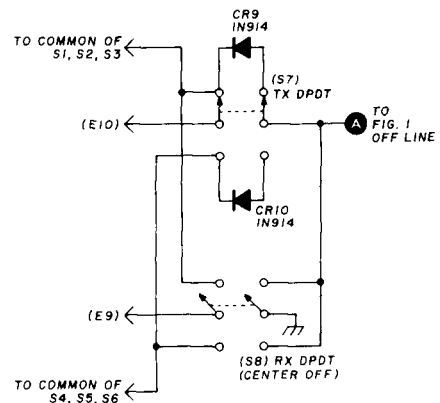


fig. 1. Wiring diagram of the replacement switches for S7 (transmit select) and S8 (receive select). Rear view is shown.

circuit may be used with other synthesizers using BCD coding to their divide-by- n counters.

features

The addition of the circuit of fig. 2 provides an automatic 600-kHz up or down shift of the receive frequency and the ability to work repeaters on just one

By Paul Quinn, WB4PHO, Route 2, Box 323D, Carrollton, Georgia 30117

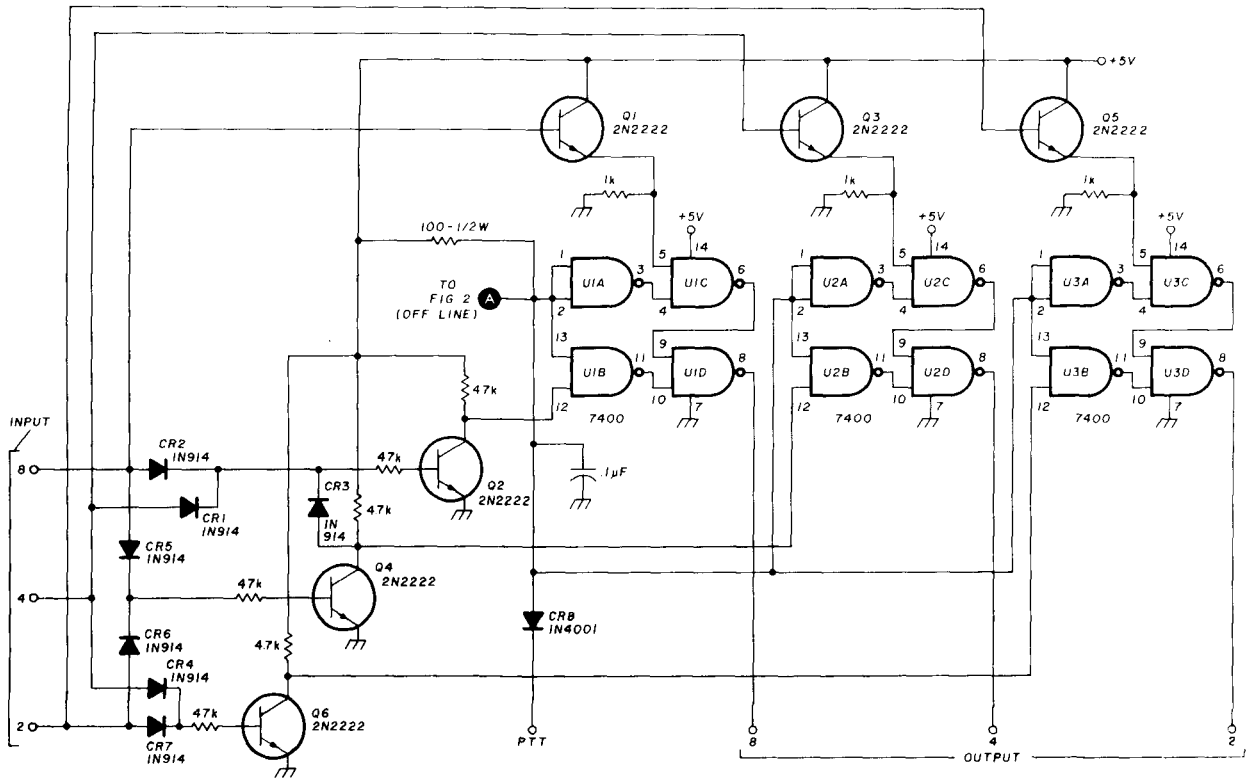


fig. 2. Schematic of the automatic 600-kHz up/down repeater-mode circuit. The 100-ohm resistor is 1/2 watt; all others are 1/4 watt.

control head. The other set of switches can be left on a favorite repeater or simplex frequency and monitored by a simple flick of the transmitter select switch.

This circuit will work with all standard repeater pairings of 146.01 to 146.37 MHz and 147.60 to 147.99 MHz input and will shift to the simplex mode when the control switches are set to the standard simplex frequencies of 146.40 to 146.59 MHz and 147.40 to 147.59 MHz.

Upon setting the repeater input in the control head, such as 146.28 MHz, the circuit changes the BCD input to the 100-kHz divide-by-*n* counter from a 2 to an 8, which offsets the receiver 600 kHz *up* and allows the receiver to operate at 146.88 MHz. Setting the repeater output frequency in the control head allows paralleling the repeater by offsetting the receiver 600 kHz *down*. In either case, the transmitter will always be on the frequency that appears on the control switches when the

microphone PTT switch is depressed. Repeaters in the 147.00-MHz segment, such as 147.63 MHz in and 147.03 MHz out, are working in the same manner.

The combination of transistors Q2, Q4 and Q6 and their associated diodes provides the logic to the circuit. ICs U1, U2 and U3 act as three separate spdt switches that place the logic function in or out and are controlled by the *center off* position of the receive select switch (S8). Q1, Q3 and Q5 act to interface the ICs.

construction

A full-size PC board layout for the automatic up/down repeater mode circuit is shown in fig. 3; fig. 4 shows component location. Price information on etched and drilled PC boards may be obtained by sending a self-addressed stamped envelope to the author; however, the circuit is not critical and can be built on Vector board if desired. I would advise against substituting

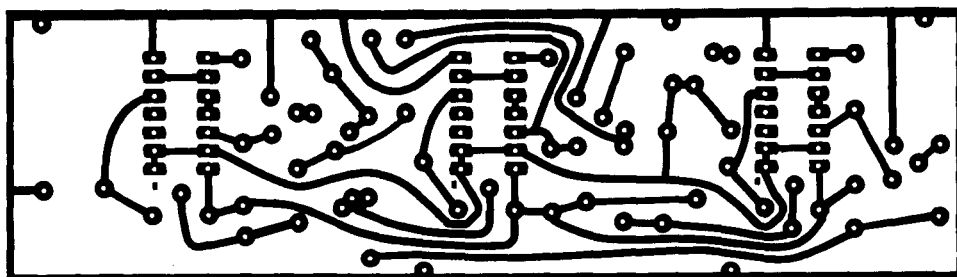
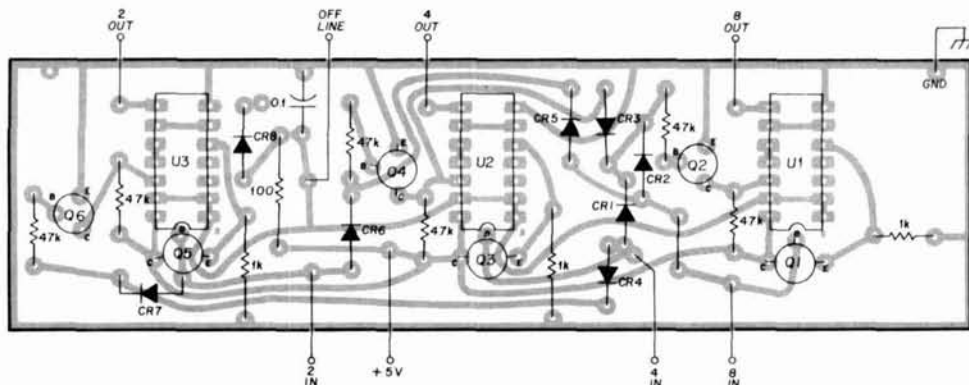


fig. 3. Full-size PC-board layout for the automatic 600-kHz up/down repeater-mode circuit. Send a self-addressed stamped envelope to the author for prices on etched and drilled boards.

fig. 4. Reverse side of PC board showing parts location. CR8 is a type 1N4001; all other diodes are 1N914s. Use a 1/2-watt resistor for the 100-ohm unit; all others may be 1/4 watt.



components or resistance values. The use of IC sockets is a must when using surplus ICs.

The Channelizer requires no outward change to its appearance, and only the transmit select switch (S7) need be changed from an spdt to a dpdt. The receive select switch (S8) is changed from an spdt to a dpdt (center off).

Rewire the new switches, S7 and S8, as shown in fig. 1. Diode CR9 and CR10 mount on S7. The ground shown on S8 and the 600 kHz offset should be connected to the ground of the Channelizer main board. The "off line" connects to the 600-kHz offset circuit board.

checkout

The circuit should be checked out before installation as follows. Connect 5 volts to the V_{CC} point and apply a ground to the circuit. With a voltmeter connected to pin 8 of U2, an indication of 4 or more volts should occur. U3 pin 8 should indicate the same positive voltage. U1 pin 8 should read less than 1 volt.

Now connect 5 volts through a 1k resistor to the BCD 2 input and note that pin 8 of U1 is now at 4 or more volts, while pin 8 of U2 and U3 are less than 1 volt. With this connection to the 2 input, place 5 volts through another 1k resistor to the BCD 4 input. Now pin 8 of all ICs should indicate less than 1 volt. Disconnect the resistors and touch one of them to the BCD 8 input. Pin 8 of U1 and U2 should be less than 1 volt, while U3 pin 8 should be 4 volts or more. Place a ground connection to the *off* line and note that when the voltage is again applied to the inputs (one at a time), the corresponding outputs will be high, while the others remain less than 1 volt.

installation

The board is connected to the synthesizer by grounding it to the main board of the Channelizer and applying 5 volts to the V_{CC} point from E5 or some other convenient source. Connect the PTT switch to E8 of the main board. Connect the *off* line to the switch as shown in fig. 1. Cut the wire from the junction of CR15 and CR16 to E20 and connect the end nearest the diodes to the BCD 8 input. Connect the other wire, nearest E20, to the BCD 8 output. Likewise, cut the wire going to E19 and connect to the BCD 4 input and output. Cut

the wire to E18 and connect to BCD 2 input and output (see fig. 5).

operation

Selecting the center position of the receive switch (S8) on the front of the Channelizer enables the 600-kHz repeater mode circuit. Changing the transmit switch (S7) to either up or down position selects the control head to be used, and, as mentioned earlier, two

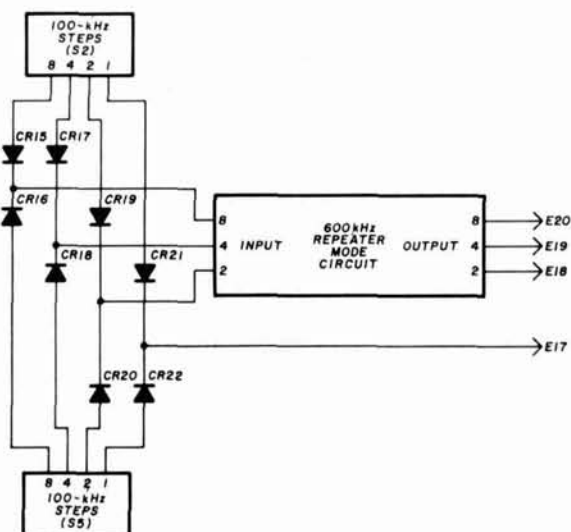
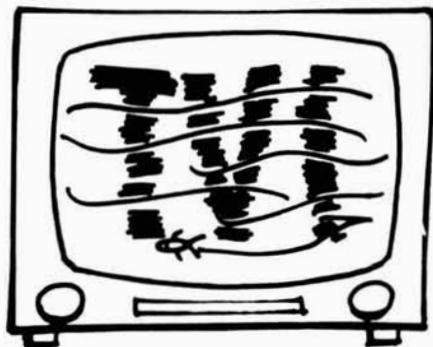


fig. 5. Diagram for connecting the 600-kHz repeater-mode circuit to the GLB 400B Channelizer 2-meter synthesizer (see text).

different repeater frequencies may be set up. But always remember that the repeater input frequency should be used for working *into* the repeater. Selection of the standard simplex frequencies will prevent the circuit from shifting the receiver, so simplex operation is provided, although the repeater mode is still selected by the center position of the receive switch (S8). Setting this switch to either of its extreme positions will disable the 600-kHz *up* or *down* circuit and return the synthesizer to its normal operation.

ham radio

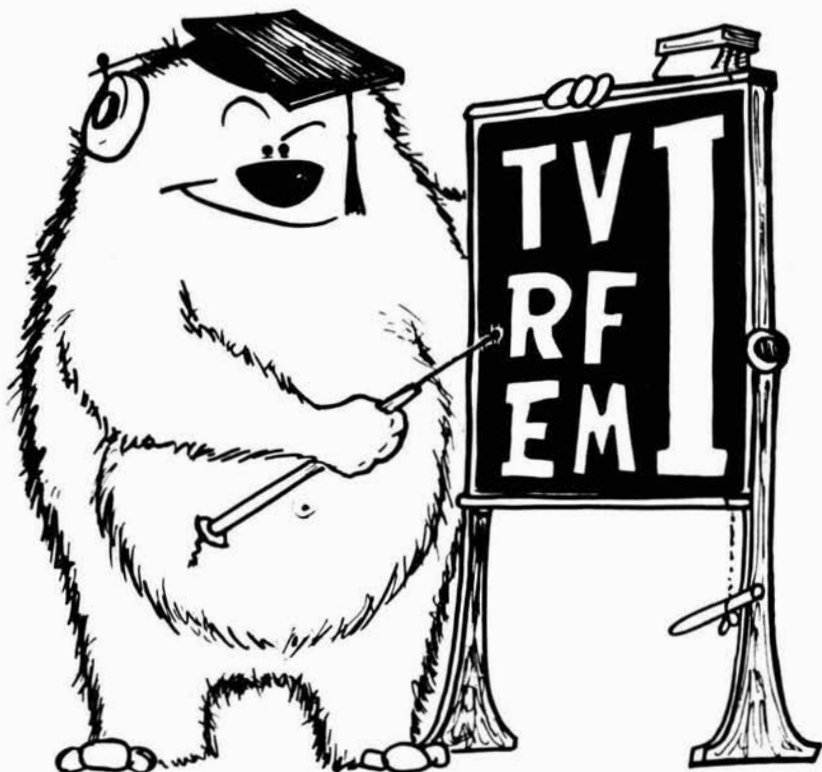


A properly designed filter can tame the beast...

Whatever you call it, the common denominator is "I" for Interference.

The study of interference to consumer products such as TV sets, hi-fis, and the like from radio transmitters is a complex subject. For a primer, see p. 11, "QST Magazine" for March, 1976. We do know that radiation interference can be greatly reduced and perhaps eliminated by the use of a well-engineered, quality-built TVI filter. The low-pass type for the transmitter is at times not enough...a high-pass type for the TV set may also be required. But, here's the rub! If a filter is not properly designed and engineered, it may not work like a filter at all. At the R. L. Drake Company, we've been designing and building filters for over 30 years...since before the days of "Uncle Miltie." And, these are real filters...not toys.

For your TVI answer, choose one or more of the following:



High Pass Filters for TV Sets...

provide more than 40 dB attenuation at 52 MC and lower. Protect the TV set from amateur transmitters 6-160 meters.



TV-300-HP

For 300 ohm twin lead



TV-75-HP

For 75 ohm coaxial cable

DRAKE

Low Pass Filters for Transmitters

have four pi sections for sharp cut off below channel 2, and to attenuate transmitter harmonics falling in any TV channel and FM band. 52 ohm. SO-239 connectors built in.



TV-3300-LP

1000 watts max. below 30 MHz. Attenuation better than 80 dB above 41 MHz. Helps TV i-f interference, as well as TV front-end problems.



TV-5200-LP

200 watts to 52 MHz. Ideal for six meters. For operation below six meters, use TV-3300-LP or TV-42-LP.



TV-42-LP

is a four section filter designed with 43.2 MC cut-off and extremely high attenuation in all TV channels for transmitters operating at 30 MHz and lower. Rated 100 watts input.

To receive a FREE Drake Full Line Catalog, please send name and date of this publication to:

R. L. DRAKE COMPANY



DRAKE

540 Richard St., Miamisburg, Ohio 45342
Phone: (513) 866-2421 • Telex: 288-017

Western Sales and Service Center, 2020 Western Street, Las Vegas, Nevada 89102 • 702/382-9470

PRESENTING THE
NEW
2-METER PORTABLE
INTERNAL NI-CAD BATTERY OPERATED
SYNTHESIZED RADIO

FROM
WILSON

WE-800

PORTABLE

\$389⁰⁰



Note: Not available for sale. FCC certification pending. Orders accepted as soon as certification granted.

WILSON'S NEW WE-800 2M RADIO

Wilson's New Portable 800 Channel 2 Meter Synthesized Radio that can go anywhere with you • 12 watts output in automobile • 2 watt output with internal Ni-Cad Battery Pack (10 "AA" Ni-Cads for Portable use) • Ni-Cads charge when used in auto • Cmos low current drain synthesizer Rx 45 Milliamps, 2 watt Tx 450 Milliamps.

- Uses Wilson's standard BP-1 Battery Pack (Batteries not included) and includes mounting bracket and microphone.
- Covers frequency range 144-148 MHz in 5 Hz steps • 600 KHz off-set up or down • 6 Channels sub-audible tones available as option • Size 8-1/4" x 6-3/4" x 1-7/8" • weight 1 lb. 15 ounces.

450 & 220 HAND HELDS

MODEL 4502 . . . \$299.95

FREQUENCY RANGE 420 - 450 MHz

- 6 Channel Operation
- Individual Trimmers on all TX/RX Crystals
- All Crystals Plug In
- 12 KHz Ceramic Filter
- 21.4 and 455 KC IF
- .3 Microvolt Sensitivity for 20 dB Quieting
- Weight: 1 lb. 4 oz. less Battery
- Battery Indicator
- Size: 8 7/8 x 1 3/4 x 2 7/8
- Switchable 1 & 1.8 Watts Output @ 12 VDC
- Current Drain: RX 15 MA, TX 500 MA
- Microswitch Mike Button
- Unbreakable Lexan® Case

EACH UNIT INCLUDES
FLEX ANTENNA AND
SIMPLEX XTAL FREQ.
INSTALLED DURING
SPECIAL. 446.00 or
223.50 MHz.

FREQUENCY RANGE 220 - 225 MHz

- 6 Channel Operation
- Individual Trimmers on all TX/RX Crystals
- All Crystals Plug In
- 12 KHz Ceramic Filter
- 10.7 and 455 KC IF
- .3 Microvolt Sensitivity for 20 dB Quieting
- Weight: 1 lb. 4 oz. less Battery
- Battery Indicator
- Size: 8 7/8 x 1 3/4 x 2 7/8
- Switchable 1 & 2.5 Watts Output @ 12 VDC
- Current Drain: RX 15 MA, TX 400 MA
- Microswitch Mike Button
- Unbreakable Lexan® Case

BOTH MODELS USE THE
SAME ACCESSORIES AS 1405.

MODEL 2202 . . . \$219.95



ACCESSORIES & OPTIONS

- ★ Battery Charger (BC-1)
- ★ 10 ea. AA Ni-Cad Battery Pack (BP-1)
- ★ Extra Battery Tray (BT-1)
- ★ Leather Case for 1402 (LC-1)
- ★ Leather Case for 1405, 2202, 4502 (LC-2)
- ★ Speaker Mike (SM-2) 6 pin connector
- ★ TE-1 Sub-Audible Tone Encoder, installed
- ★ TE-2 Sub-Audible Tone Encoder/Decoder, Installed
- ★ TTP - Touch-Tone Pad - installation free if ordered at time of purchase of radio
- ★ 10.7 KC Monolithic Xtal Filter (XF-1)

(Photo Shown with
Optional Touch-Tone Pad)



Wilson Electronics Corp.

4288 SO. POLARIS • LAS VEGAS • NEVADA • 89103 • (702) 739-1931 • TELEX 684-522

WHY WAIT???

BE ON THE AIR NOW WITH A Wilson Electronics Corp.

HAND HELD

Wilson 2 meter Hand Held radios . . . The dependable ones . . . proven performance for the discriminating Ham who insists on quality and value.

Two models are available: the 2.5 watt model 1402SM, and the switchable 1 watt or 5 watt model 1405SM . . . options include Touch-Tone Pad, Battery Charger, Battery Packs, Speaker Mike, Leather Case, and Tone options.

Join the thousands of amateurs now using Wilson . . . the radio that goes where you do.

FAST DELIVERY!!

1405 SM

- 6 Channel Operation
- Individual Trimmers on all TX/RX Crystals
- All Crystals Plug In
- 12 KHz Ceramic Filter
- 10.7 and 455 KC IF
- .3 Microvolt Sensitivity for 20 dB Quieting
- Weight: 1 lb. 4 oz. less Battery
- Battery Indicator
- Size: 8 7/8 x 1 3/4 x 2 7/8
- Switchable 1 & 5 Watts Minimum Output @ 12 VDC
- Current Drain: RX 14 MA TX 400 MA (tw) 900 MA (5W)
- Microswitch Mike Button
- Unbreakable Lexan® Case



\$249⁹⁵

**1405SM
HAND HELD
5 WATT
TRANSCIVER
144-148 MHz**

SPECIAL ON EACH RADIO INCLUDES:

- Flex Antenna
- 52/52 Xtal

Can be Modified
for
MARS or CAP

90
Day
Warranty

OVER 35,000
XTALS
IN STOCK

10 Day
Money Back
Guarantee

1402 SM

- 6 Channel Operation
- Individual Trimmers on all TX/RX Crystals
- All Crystals Plug In
- 12 KHz Ceramic Filter
- 10.7 IF and 455 KC IF
- .3 Microvolt Sensitivity for 20 dB Quieting
- Weight: 1 lb. 4 oz. less Battery
- 5-Meter/Battery Indicator
- Size: 8 7/8 x 1 7/8 x 2 7/8
- 2.5 Watts Minimum Output @ 12 VDC
- Current Drain RX 14 MA TX 500 MA
- Microswitch Mike Button
- High Impact Plastic Case



**1402SM
HAND HELD
2.5 WATT
TRANSCIVER
144-148 MHz**

\$179⁹⁵

Shown With
Optional
Touch-Tone Pad

Shown with
Optional
Leather Case



**BC-1 NI-CAD BATTERY CHARGER
WITH REGULAR AND
TRICKLE CHARGE FEATURE**

***** USE THIS HANDY CLIP-AND-MAIL ORDER FORM FOR JANUARY SPECIAL SALE *****

- * ___ 1402 SM @ \$179.95
- * ___ 1405 SM @ 249.95
- * ___ 2202 SM @ 219.95
- * ___ 4502 SM @ 299.95
- * ___ BC-1 @ 39.95
- * ___ BP-1 @ 16.95
- * ___ BT-1 @ 6.75
- * ___ LC-1 @ 14.95
- * ___ LC-2 @ 14.95
- * ___ SM-2 @ 26.95
- * ___ TE-1* @ 59.95
- * ___ TE-2* @ 100.00
- * ___ TT-P @ 59.95
- * ___ XF-1 @ 12.95

___ TX or RX XTALS
@ \$4.25 ea. (Common 2M
Frequencies only)
___ MARS or CAP
XTALS @ \$10.00 ea.
Shipping and Handling
Prepaid for January Sale

Nevada Residents
Add Sales Tax

Please Equip Transceivers as
As Follows

| | XTALS RX | XTALS RX |
|---|----------|----------|
| A | | |
| B | | |
| C | | |
| D | | |
| E | | |
| F | | |

* Amount Enclosed \$ _____ Check Money Order *

* BAC Master Charge *

* Card # _____ Exp. Date: _____ *

* Name _____ *

* Address _____ *

* City _____ *

* State _____ Zip _____ *

* Phone AC _____ *

* Signature _____ *

Valid January 1-31 only

* ___ Factory XTAL
Installation Netting
@ \$7.50/Radio
* Specify Frequency

**WILSON ELECTRONICS CORP.
4288 SO. POLARIS • LAS VEGAS • NEVADA • 89103**

simple diode tester

An autotransformer controls input voltage to this useful addition to your test equipment

When you have a diode with no numbers on it and no color bands to identify it, what do you do with it? Here's a simple tester to help identify whether the diode is silicon or germanium. The diode current rating can be approximated by the physical size. Refer to the size and ratings from catalogs or other diodes you may have that are of known ratings. Small-signal diodes such as 1N914s and 1N34s will have a PIV rating somewhat above 25 volts. This tester will indicate that some small-signal diodes will have a lot of leakage current compared to the forward current, which is usually detrimental. It will also indicate zener voltage ratings.

applications

Other uses for this tester include checking diacs, SCRs, triacs, LEDs, VR tubes, neon tubes, and pull-in and drop-out voltage of small relays, showing that many relays marked 24 volts will work nicely at 12-13 volts. (Multileaf relays may not be advisable at this lower voltage, however). You can form new or old electrolytic capacitors. After an electrolytic capacitor has been formed for a few minutes, the operating voltage for that

particular capacitor may be safely marked at about 20 percent less voltage than the maximum forming voltage. That is a voltage where the capacitor is drawing something less than about 5 mA.

This tester was first built and used in 1942 and has been indispensable all these years. An earlier article¹ described this tester, but it was primarily designed to test VR tubes. When 1000-volt PIV diodes became available, it was necessary to modify the tester.

Modifying the tester to accommodate 1000 volts, that is, getting rid of the vacuum-tube dual triode (grid-controlled rectifier in this case) was easy since I

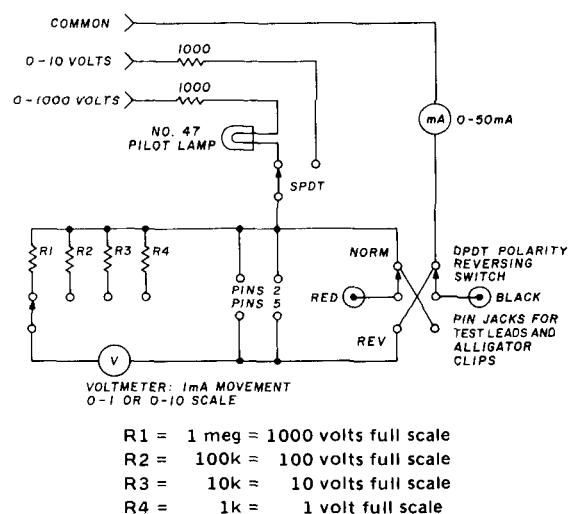


fig. 1. Metering and control section of the diode tester. Pins 2 and 5 are for a 7-pin miniature tube socket and an 8-pin octal socket for testing VR tubes. All resistors are 1 watt.

By Lloyd Jones, W6DOB, 17779 Vierra Canyon Road, Salinas, California 93901

happened to have a couple of small Variac controls. With a Variac to control the input to the transformer primary and a solid-state half-wave rectifier with a 2 μ F capacitor, it was easy to produce 1000 volts.

description

If you buy and use any of the diodes (new or surplus), you should build one of these testers. The basic requirement for such a tester is a dc voltage supply that's variable from 0 to at least 500 volts, preferably to 1000 volts. This supply should be "soft"; that is, one with very poor voltage regulation. At 50 mA, the voltage as shown on the voltmeter may drop to 60 or 70 percent of the no-load voltage. (Most of the testing I do on this tester is at less than 5 or 10 mA). When I test unknown surplus diodes it's not uncommon to zap a few of the bad ones, so a no. 47 pilot lamp is connected in series with the 0-50 mA meter to protect the meter movement.

A second meter is used as a voltmeter. An ideal meter for this purpose is a 0-1 mA meter with series resistors adjusted to read 10, 100 and 1000 volts. In my tester another voltmeter with a pushbutton is used to read voltages less than one volt. Ideally, diode rectifiers should be added to the unused filament winding (6.3 V) when using the 1-volt meter to determine whether a diode is germanium (around 0.45 volt) or a silicon (around 0.7 volt).

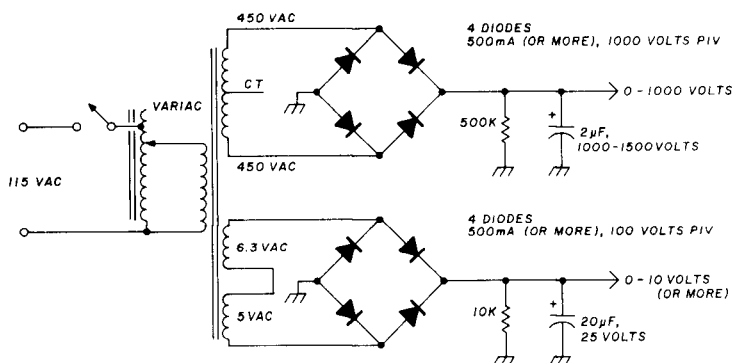


fig. 2. Diode-tester power supply. An autotransformer is a must for input voltage control; so-called "light dimmer" controls and motor-speed controls will not control the ac input voltage.

circuit

Consider the tester in two sections. The first is the system following the rectified voltage; the second is for controlling the voltage from zero to some higher value of voltage. Fig. 1 shows the schematic for the most versatile tester. This system uses a transformer and bridge-rectifier power supply (fig. 2) to supply 0-100 and 0-1000 Vdc. (By using the 6.3- and 5-volt windings in series and another bridge rectifier, you'll have more than ample voltage for 0-1 and 0-10 volts. Most small power transformers have these secondary windings).

A dpdt switch is used for quickly reversing the connections to the item under test, which eliminates changing clip leads. An spdt switch selects 0-1000 volts from the high-voltage supply or 1-10 volts from the

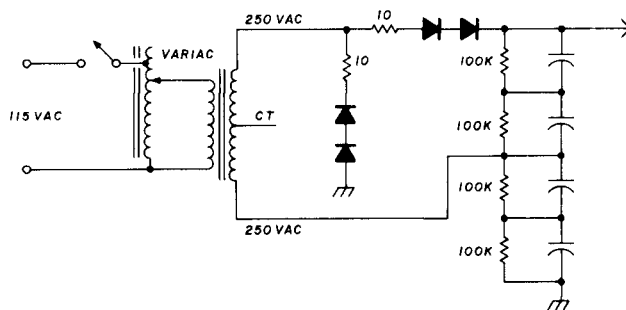


fig. 3. Alternative power supply using a smaller transformer in a voltage-doubler circuit. Diodes are 1000 PIV, 500 mA (or more); all electrolytic capacitors are 40 μ F, 450 volt; resistors are 1 watt. The 2 μ F capacitor must be oil filled.

low-voltage supply. A miniature 7-pin tube socket and an octal socket are used for testing VR tubes.

The power supply is shown in fig. 2. If you don't have a 450-volt center-tapped transformer, you can use the full-wave voltage-doubler in fig. 3.

Here's an important warning: while checking the PIV of a diode, *be sure to keep the current low*. Ten microamperes is fine; 100 microamperes is the maximum that can be used (for one or two seconds). One-hundred microamperes is just discernible on the 50-mA meter by the slightest movement of the pointer. The zener rating of any diode can be read directly on the voltmeter. My collection of zeners includes devices as low as 3 volts and as high as 175 volts. Some are soft; most are hard or stiff, meaning they produce good regulation.

closing remarks

By this time it may have occurred to you to keep all your old-fashioned parts. Some you can use; some you can give away to other experimenters. The days when you could walk into a radio parts house and buy amateur components are a thing of the past. However, you can find good bargains in surplus components by watching the ads in the amateur magazines. I bought a pound (half a kilogram) of diodes from M. Weinschenker (*ham radio*, May, 1973, page 60) for \$10.00 and found that nearly 85 percent were good. About 100 were 1 amp, 1000 PIV; perhaps 100 were small zeners; another 100 or so were small-signal diodes including some noise diodes.

reference

- Lloyd Jones, W6DOB, "Tester for Glow Tubes, Selenium Rectifiers, and Germanium Rectifiers," *CQ*, November, 1957, page 130.

ham radio

"As the designer of the very first frequency counter, I congratulate you on a very neat design at an excellent price. Performance of this counter is really impressive..."

Richard K. Dickey

R. K. Dickey
Professional Electrical Engineer
(Designer of the world's first frequency counter at Berkeley Scientific, 1949)

Thank-you, Mr. Dickey.

Thousands more who own Hufco frequency counters proudly agree. Since 1974, Hufco has made counters and "counter-offers" that satisfy people to no end. The Hufco combination — a rock-bottom price and sky-high quality — is proving a very popular duo. Here are three good examples why:

A 500 mHz (6-digit) frequency counter for under 40 cents per mHz!

Figure it out. It adds up to unheard-of savings. With guaranteed quality to match and exceed the overpriced brands. Let us prove it to you today.

169.95
(500 mHz kit)
\$199.95 assembled



No wonder people respect the Hufco name. Incidentally, you'll also find it on economically-priced digital display adapters, voice-operated transmits, power mike adapters, CB/Ham timers, and more. Interested? Rush us this coupon today.

A 30mHz or 250mHz (6-digit) frequency counter — proven best sellers!

69.95
(30mHz kit)
\$99.95 assembled

119.95
(250mHz kit)
\$139.95 assembled



Please send me:

- 500 mHz frequency counter - 169.95 kit/199.95 assembled (Enclose check or money order.)
- 250 mHz frequency counter - 119.95 kit/139.95 assembled (Enclose check or money order.)
- 30 mHz frequency counter - 69.95 kit/99.95 assembled (Enclose check or money order.)
- Information on other handy Hufco products.

Name _____

Address _____

City/State/Zip _____

Mail to: **Hufco** Box 357, Dept. P
Provo, Utah 84601 801/375-8566

Q measurement and more

With a
communications receiver,
this simple
noise generator
allows you to determine
the loaded Q
of tuned circuits

This article describes a simple piece of test equipment that can often replace a signal generator. When used with a communications receiver it can outperform the usual Q meter by measuring the Q of a tuned circuit while in place in the equipment. The principle, borrowed from the antenna noise bridge, is to energize the tuned circuit with noise, giving constant signal strength over a wide frequency band. The frequency response is then observed using a communications receiver. It is of course necessary that the receiver bandwidth be appreciably narrower than that of the circuit under test, but this is

generally true of most communications receivers. The receiver S-meter is used to find the -6 dB bandwidth of the circuit, and from this the Q is calculated.

the noise generator

The schematic is shown in **fig. 1**. Noise is generated by reverse breakdown of the base-emitter junction of Q1. Q1 output is then amplified by the remaining three transistors. The output, which is at low impedance, is S9+26 dB up to 7 MHz and S9 at 28 MHz, which allows very loose coupling to the circuit under test. Several transistors should be tried for Q1 and the noisiest one used. Note that, because the zener voltage is usually about 6 or 7 volts, the zener current and hence the noise output is very sensitive to battery voltage. A good battery is therefore necessary for stable output. Leads must be short to avoid resonance. The components are mounted, complete with a 9-volt transistor battery, in a metal enclosure measuring 3x4½x1 inch (77x108x25.5mm). A shield partition is installed across the enclosure (dashed line, **fig. 1**), and the electronic components are mounted on a terminal strip with ground connections soldered directly to the enclosure. This construction ensures good shielding, which is essential if the generator is to be used for receiver sensitivity measurements. Note the feedthrough capacitor in the power lead. The on/off switch is arranged to provide the alternatives of an external 12-Vdc supply through an "idiot diode" or 6.3-Vac operation. The 6.3 Vac modulates the noise output, making it easily distinguishable from other noise sources.

By **R. C. Marshall, G3SBA**, "The Dappled House," 30 Ox Lane, Harpenden, Hertfordshire, England

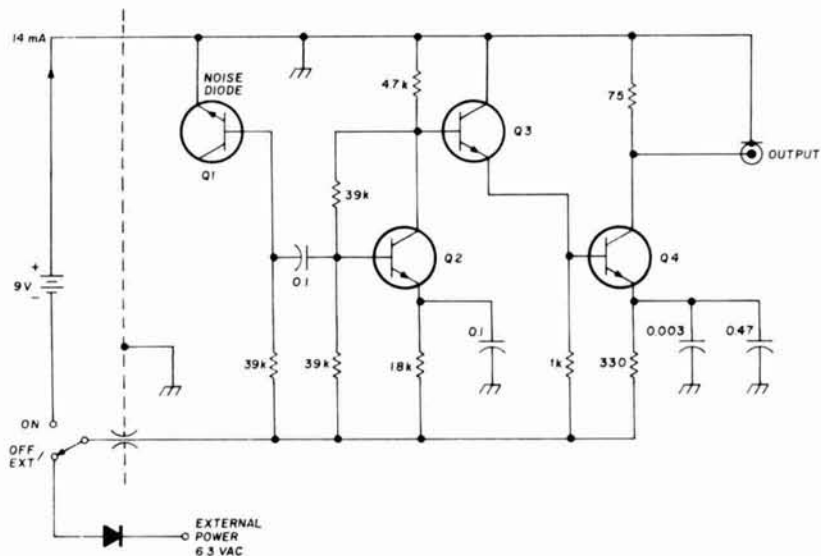


fig. 1. Noise generator schematic. Transistors are type 2N2368; resistors are 1/8 watt; capacitors are ceramic. Noise output is sensitive to battery voltage; therefore a good battery is necessary for stable output. An external ac power supply may also be used (see text).

Q measurement

Fig. 2 shows one test setup for Q measurement. Here, both generator and receiver are coupled by the smallest capacitors that give a usable signal at the receiver, which minimizes loading effects. Either or both couplings may

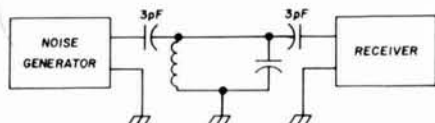


fig. 2. Example of a test arrangement for measuring Q. Minimum coupling between noise generator and receiver is required to minimize loading effects.

be inductive if convenient. The -6 dB point will be 1 or 2 units below maximum (there seem to be two rival standards; if in doubt, make a 6 dB attenuator and use it with the noise generator to check). Then, assuming sufficiently narrow receiver bandwidth, the formula to use is

$$Q = \frac{170 (f_1)}{\% \text{ bandwidth } (f_2 - f_3)} \quad (1)$$

where

- f_1 = peak response (MHz)
- f_2 = upper 6-dB point (MHz)
- f_3 = lower 6-dB point (MHz)

For example, if the peak response is at 14.27 MHz and the -6 dB points are 14.03 MHz and 14.50 MHz as in fig. 3, then

$$Q = \frac{170 \cdot 14.27}{100 \cdot 0.47} = 51.6$$

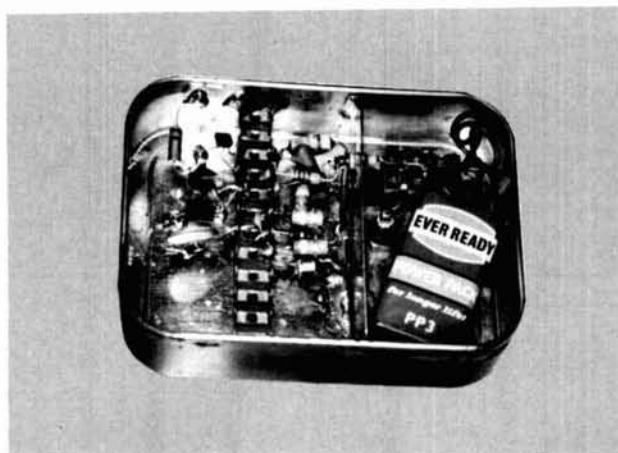
To measure loaded or in-circuit Q, it's possible to use the equipment's switching, coupling, and amplifying characteristics. For example, fig. 4 shows the input to a

hypothetical multiband preselector with a coupled-pair of tuned circuits. The noise generator can be connected to the hot end of the first coil with capacitor C1 removed. To check the first coil, the noise generator can be connected to the antenna socket and a test receiver capacitively coupled to the hot end.

response curves for simple filters

The shape of the frequency characteristic of the coupled pair in fig. 4 can be investigated with the noise generator connected to the antenna socket and the test receiver at the output (with C1 replaced). You then have the choice of a) plotting response in S-units using the receiver meter, or b) adjusting an attenuator inserted between the noise generator and the circuit under test to obtain a constant meter reading. This is an example of a simple filter easily checked with the noise generator, provided the receiver bandwidth is a few times narrower than the feature being investigated. A CW receiver will meet almost any needs; an ssb receiver will meet most.

The author's completed noise bridge. On the left is the actual noise generator circuitry.



SPECIAL INTRODUCTORY OFFER

..... at a price YOU can afford!

SCOTT COMMUNICATIONS SYSTEMS



TOUCH TONE ENCODER (Shown) Complete ... \$52.95

RF ACTUATED CW MONITOR -
for the best in CW operating \$24.95

CRYSTAL CALIBRATOR - 100, 50, 25 kHz \$19.95
range extended to 10, 5, 1 kHz \$24.95

RTTY OPERATORS

Digital Date-Time-Message Generator, UARTS.
Quick Brown Fox Generator, many others.

MICROPROCESSOR BUFFS

CPU, Backplane, I/O Memory, Timing,
many others - boards, kits and assemblies.

VHF-FM TRANSCEIVER

TT Pad Programmable, PROM selected Channels.
Hi/Lo Power, PLL-5 kHz resolution.

Above available early '77, write for details.

Send 13¢ Stamp for latest catalog.

SCOTT COMMUNICATIONS SYSTEMS

Box 2117, Dept. H, Stamford, Ct. 06906 or
Call (203) 357-1667

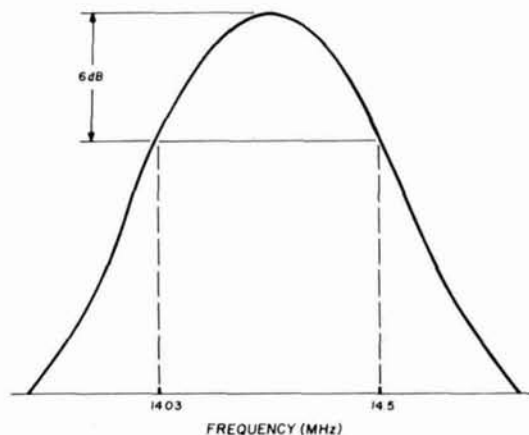


fig. 3. Typical response curve obtained during in-place measurements to determine Q of tuned circuits.

tuned-circuit alignment

The generator can be used to align any circuit whose wideband nature does not involve risks such as tuning an input circuit to the image frequency. Tuned circuits associated with crystal filters are particularly easy to align this way, as the need for accurate tuning of a stable generator is avoided - the crystal filter selects the frequency used.

checking sensitivity

The sensitivity of a receiver may be checked by connecting the noise generator to its input through a switched attenuator. The generator is powered by ac and the attenuation increased until the buzz in the receiver

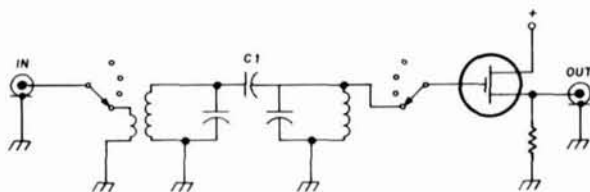


fig. 4. An hypothetical preselector with a coupled pair of tuned circuits. The frequency response of the tuned circuits is easily checked with the noise generator of fig. 1 and a communications receiver of narrower bandwidth than that of the circuit under test.

output is only just distinguishable from the noise. This is a useful way of comparing receivers or checking circuit improvements.

design improvement

The Q values of homemade coils may surprise you - I found values around 25, and the generator has taught me to follow the rules:

1. Use the largest diameter coil and the largest diameter wire possible.
2. Space the turns by one-half to one wire diameter.

ham radio

GLB PUTS THE ENTIRE 2M. FM. BAND

IN THE PALM OF YOUR HAND!



It had to happen. A tiny frequency synthesizer for your favorite two meter hand-held rig is finally here, and it had to come from GLB Electronics, the pioneer in Amateur Radio Channelizers.

The amazing GLB 200 gives your hand-held complete two-meter coverage from 146 to 147.995 Mhz. in 5 Khz. steps, with built in repeater offset, both plus and minus 600 Khz! The 200's the ultimate in operating convenience, with an incredibly low current drain of just 3.5 Ma. in receive mode. That's less than the current drain of most touch tone pads.

Your new GLB 200 will operate with any hand-held transceiver, with spurious outputs over 60 DB down! Space does not allow us to show complete specs. here, but we're proud of them. Write us for more information, or to order your GLB 200. You want unlimited flexibility with your hand-held two meter transceiver, and GLB wants to hand it to you.

The all new state of the art GLB 200. Completely wired and tested, no other options required, just \$259.95.
We welcome Master Charge or BankAmericard.

GLB ELECTRONICS

60 Autumnwood Dr., Buffalo, N.Y. 14227

A NEW ERA IN AMATEUR RADIO ARRIVES



With Exclusive
Selectivity Control
as Standard
Feature...



With Optional
Plug-in Auxiliary
VFO or Crystal
Oscillator.

ATLAS 350-XL

ALL SOLID STATE SSB TRANSCEIVER • 350 WATTS
• 10-160 METERS

The State of the Art in
Amateur Radio Transceivers for the Next Decade.

ATLAS 350-XL

- ALL SOLID STATE
- SSB TRANSCEIVER
- 350 WATTS P.E.P. OR CW INPUT
- 10 THROUGH 160 METER COVERAGE



Illustrated with optional AC supply, auxiliary VFO, and Digital Dial.

The all new Atlas 350-XL has all the exciting new features you want, plus superior performance and selectivity control never before possible.

10-160 METER

Full coverage of all six amateur bands in 500 kHz segments. Primary frequency control provides highly stable operation. Also included is provision for adding up to 10 additional 500 kHz segments between 2 to 22 mHz by plugging in auxiliary crystals.

350 WATTS

P.E.P. and CW input. Enough power to work the world barefoot!

SELECTIVITY CONTROL (Standard feature)



This amazing new breakthrough in filter design is truly the filter of the future. Selectivity control on the front panel provides control of bandwidth as well as selection of upper or lower sideband, or double sideband. Continuously variable from 300 to 2700 Hz bandwidth. Shape factor is better

than 1.7, with ultimate rejection better than 130 dB. Selectivity for SSB can be set for maximum voice fidelity at 2700 Hz bandwidth, providing transmission and reception of audio from 300 to 3000 Hz, or it can be narrowed down to 2400, 2100 or even 1500 Hz if necessary to reduce adjacent channel QRM. Selectivity can be narrowed gradually to as little as 300 Hz for CW reception.

This amazing new breakthrough in filter design is by Bob Crawford and Eckert Argo of Consulting Engineers. Atlas Radio is privileged to be first to offer this "programmable filter" in the radio communication field and for sometime to come will be the only one.

DIGITAL DIAL READOUT

The Atlas 350-XL has space provided for quick installation of this plug-in accessory. Provides precise frequency readout to 1/10 of a kHz. All L.E.D. Dot Matrix 6 digit display.

MODES OF OPERATION

Standard features: lower or upper sideband, push-to-talk or VOX operation, full break-in or semi-break-in CW operation.

RECEIVER INCREMENTAL TUNING

This standard feature enables you to receive up to 5 kHz above or below your transmitting frequency.

AUDIO FREQUENCY NOTCH FILTER (Standard feature)



PLUG-IN AUXILIARY VFO or CRYSTAL OSCILLATOR (Optional)

Auxiliary VFO is plugged into the space provided on the front panel of the 350-XL. You have a second tuneable VFO with same tuning ranges as primary VFO for tuning to a separate transmit or receive frequency. L.E.D.'s indicate which VFO, primary or secondary, will be used for receive and transmit.

Or instead of the auxiliary VFO a Crystal Oscillator may be plugged into the front panel. Eleven crystal sockets are available with a vernier control for exact frequency setting.

SAME PLUG-IN-AND-GO MOBILE FEATURE AS OUR FAMOUS 210x/215x

The 350-XL has its own optional Mobile Mounting Bracket for quick, easy plug-in or removal from your car. All connections are made automatically.

IDEAL FOR DESK TOP OR MOBILE OPERATION

Measuring just 5 in. high x 12 in. wide x 12½ in. deep, and weighing only 13 pounds, the Atlas 350-XL offers more features, performance and value than any other transceiver, regardless of size, on the market today!

MANY MORE SPECIAL FEATURES

See your dealer or write for the 350-XL brochure with complete list of features, capabilities, and specifications.

Base Price Model 350-XL\$995.

Digital Dial Frequency display and Auxiliary VFO, as illustrated, are optional accessories.

350-XL ACCESSORIES

• 350-PS MATCHING AC SUPPLY

Includes front facing speaker and phone jack. Provides 14 volts filtered and regulated D.C. for both low current and high current circuits of the 350-XL. Internal space provided for future installation of accessories such as CW Keyer, Speech Processor, Phone Patch, etc. Operates on 100-130 or 200-260 volts, 50-60 Hz. . \$195.

• DIGITAL DIAL

• PLUG-IN AUXILIARY VFO, MODEL 305

• PLUG-IN AUXILIARY OSCILLATOR, MODEL 311

• PLUG-IN MOBILE MOUNTING KIT

• AUXILIARY CRYSTALS

for providing additional 500 kHz tuning ranges between 2 to 22 mHz.

ATLAS 210x/215x SSB TRANSCEIVERS

Our famous little compact SSB Transceivers remain a very important part of our product line



**ATLAS
RADIO INC.**

417 Via Del Monte, Oceanside, Ca. 92054 Phone (714) 433-1983

Special Customer Service Direct Line (714) 433-9591

36-volt solar power source

A system of
jumpers and switches
to allow versatile
metering, maintenance,
and use of
solar-charged batteries

In my normal solid-state experimental activities and QRPP operations, several days pass before the 12-volt, 5.5 ampere-hour, sun-charged battery needs to be recharged (see the November, 1974, *Circuits and Techniques* column). Thus two additional motorcycle batteries have been included along with a new control panel, fig. 1. Power capacity has been increased and both 24 and 36 volts have been made available. These higher voltages are helpful for work with fets and higher-voltage bipolar transistors.

Each battery can be trickle-charged or charged at the 300-mA rate (in bright sun) each third day. Two or three batteries can be parallel-charged if desired, or other arrangements can be combined depending on your specific needs. Based on a 20-hour discharge rate the current available from each battery is

$$I = \frac{5.5}{20} = 275 \text{ mA}$$

Available power rates based on the 20-hour discharge time, using series-connected units, are

$$1 \text{ battery} = 12 \times 0.275 = 3.3 \text{ watts}$$

$$2 \text{ batteries} = 24 \times 0.275 = 6.6 \text{ watts}$$

$$3 \text{ batteries} = 36 \times 0.275 = 9.9 \text{ watts}$$

In parallel combinations of two and three batteries, power values are

$$2 \text{ batteries} = 12 \times (2 \times 0.275) = 6.6 \text{ watts}$$

$$3 \text{ batteries} = 12 \times (3 \times 0.275) = 9.9 \text{ watts}$$

The figures above are for conservative operation and are based on 20 hours of demand at 275 mA per battery.

How many hours per week do you operate QRP? Even more significantly, during those operating hours your maximum power demand would be intermittent, which will extend your operating-hour capability. The 12-volt, 300 mA solar panel can easily keep your batteries charged for these operating conditions. In my case, the solar power supply supports a considerable amount of solid-state experimentation in addition to on-the-air operation.

Let's look at power capability based on an 8-hour discharge rating

$$I = \frac{5.5}{8} \approx 700 \text{ mA}$$

Batteries in series

$$1 \text{ battery} = 12 \times 0.7 = 8.4 \text{ watts}$$

$$2 \text{ batteries} = 24 \times 0.7 = 16.8 \text{ watts}$$

$$3 \text{ batteries} = 36 \times 0.7 = 25.2 \text{ watts}$$

By Edward M. Noll, W3FQJ, P.O. Box 75, Chalfont, Pennsylvania 18914

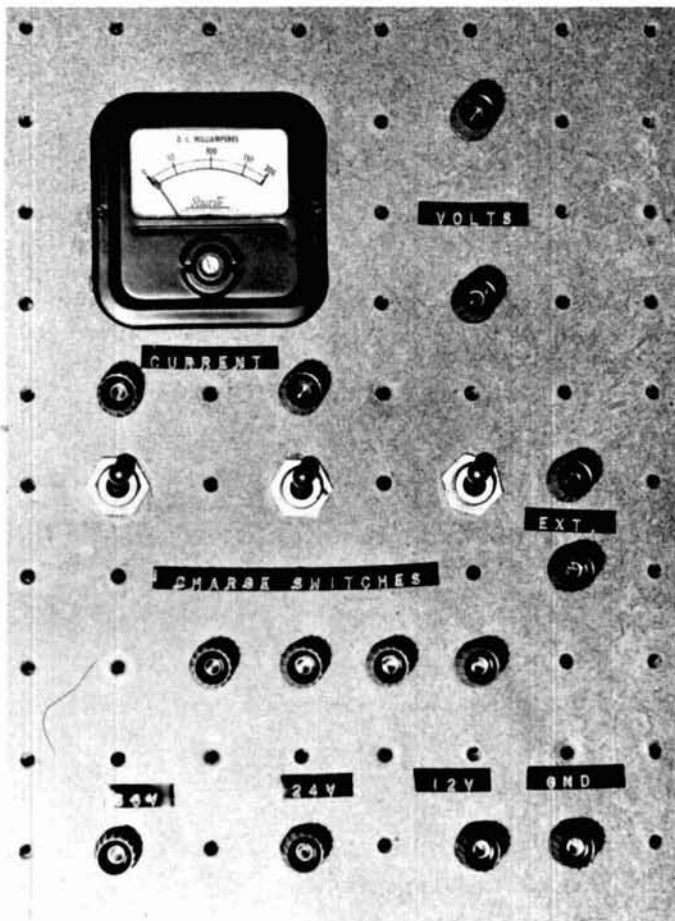


fig. 1. Solar control panel.

Batteries in parallel

2 batteries = $12 \times (2 \times 0.7) = 16.8$ watts

3 batteries = $12 \times (3 \times 0.7) = 25.2$ watts

The 8-hour figures indicate that you can draw considerable power from the 3-battery combination for extended periods of operation because of the very nature of the power demand during QRP activities. However, a much longer period is needed to restore the batteries to full charge, because the maximum charging rate is only 300 mA during maximum sunlight.

working with the sun

Assume 36 hours of weekly QRP operation at 5 watts. Based on a normal operating situation, a conservative figure for CW and ssb operating time at maximum demand would be one-third this value or 12 (36/3) hours. What would be the weekly watt-hour demand? Watt-hours are a measure of the *quantity* of electricity and are the product of watts and hours

$$\text{watt-hours} = Wh = 5 \times 12 = 60 \text{ Wh}$$

This amount of energy must be returned to the battery. In maximum sunlight the solar energy converter at W3FQJ supplies 3.6 watts (12×0.3). How many hours of a brightness level producing this amount of output

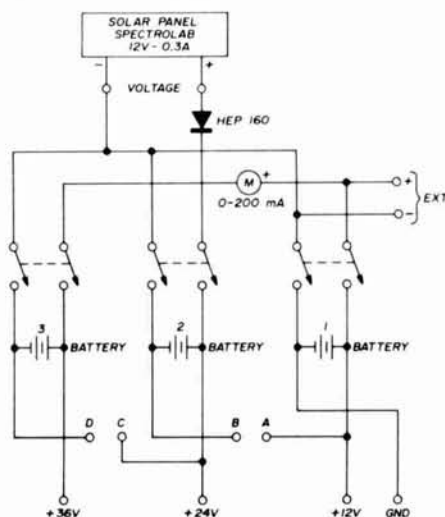
would be required to replace the weekly watt-hour demand on the battery according to the preceding operating schedule? Assuming 100% efficiency

$$h = \frac{Wh}{W} = 16 \frac{2}{3} \text{ hours}$$

This corresponds to approximately 2-1/3 hours of saturation-level brightness per day, averaged over a week's time. Indeed this amount allows very conservative operation of the solar power source. The one-third correction factor for normal operation is also conservative, compensating for the fact that the power demand on receive is substantially less than on transmit. Furthermore, even during transmit, no significant power demand is made during the spaces of code keying. For sideband transmission the peak demand is made only during the voice peaks; therefore the average power drawn is substantially lower. Consider also the fact that light energy can be converted to electrical watts at levels less than saturation brightness. Even during overcast and in the early morning and late afternoon hours, watt-hour replacement is being made. This extra charge time at lower levels more than compensates for the fact that you can't assume 100% efficiency in the battery-charging process. There is great emphasis today on the development of high-efficiency, lightweight and small-size batteries.

It is instructive to consider watt-hour capacity in terms of the solar panel itself. Again let's be conservative and assume the average brightness is such that saturation current is present something more than 3 hours per day. This average load figure more than compensates for days of dark overcast and rain. On this basis it is safe to assume approximately 25 hours per week of available saturation current, which corresponds to 90 watt-hours. If not maximum, at least significant power is being made available for 3 to 5 hours during the remainder of the day even during the winter months. Therefore the total weekly capability is at least 150 watt-hours. This is an average figure — some weeks more; other weeks less. The

fig. 2. Schematic of three-battery control panel.



actual figure also depends on geographical location. Consumption rates of this level, week after week, operate the system near limit at W3FQJ. This data indicates that 10 watts for 15 hours or 25 watts for 6 hours, averaged over the week, will not overburden the system. Using the one-third correction factor, this amounts to 30 operating hours at 10 watts or 18 operating hours at 25 watts.

The maximum power figures above are based on a weekly average. You must be careful not to demand too much power in any one day. For example, if you demand 25 watts for two hours in any one day (six hours of operation), your consumption would be 50 watt hours. *Recharge time at maximum sun would be nearly 14 hours (50/3.6)*. Also in the same time you'll have used a bit more than 4 ampere-hours (25/12 x 2). This is a significant discharge of a 5.5 ampere-hour battery. *Another hour of such continuous operation without recharge would discharge your battery completely.* Continuous and average demand are factors in solar power systems. Each must be considered individually when working a system near its limit.

new control panel

The new control panel has been designed for maximum operating convenience here. You may develop plans that better meet your specific needs. However, the description will give you an idea of how the panel can be arranged for versatile charging and use. Three charge switches permit the batteries to be charged one at a time or two or three simultaneously. This is an aid in dividing the charge current as a function of individual battery use. A 0-200 dc milliammeter is connected in the charge path to the first battery only. It reads the current delivered from the solar panel when battery 1 only is under charge. If the charge switches are closed to the other batteries, this reading will decrease and will give some idea of how current divides among the three batteries. Remember, too, that when parallel-connected, batteries charge each other. Furthermore, a bad battery in the combination can place a heavy load on a good battery.

Batteries can be connected in series or parallel depending on the operating voltages to be established. Another pair of binding posts is used for external battery charging directly from the solar panel. An additional pair of binding posts permits a measurement of the solar-panel voltage at the point where the incoming wires connect to the control panel. The schematic is shown in fig. 2. Note that the protective-diode cathode and common connect to the poles of the dpst switches. The batteries, using associated binding posts, are connected across the individual terminals of the three switches. Therefore 1, 2, or 3 batteries can be charged at the same time. Battery 1 has its negative side connected to ground. 12 volts can be obtained by connecting the load between +12 volts and ground. Whenever 24 or 36 volts is used all three charging switches are turned off. To obtain 24 volts a jumper is connected between binding

posts A and B, which makes +24 volts available at the output binding post labeled +24V. When output is to be obtained from the +36-volt binding post, jumpers must be connected between binding posts A and B and between C and D. *Never operate the charging circuit with any jumpers connected between A and B or C or D.* A battery short circuit will result if either the battery 2 or battery 3 charge switches are closed with either of these two jumpers in position.

Parallel operation of the three batteries can be obtained by joining the +12, +24, and +36 volt binding posts together. Additionally a ground is established by

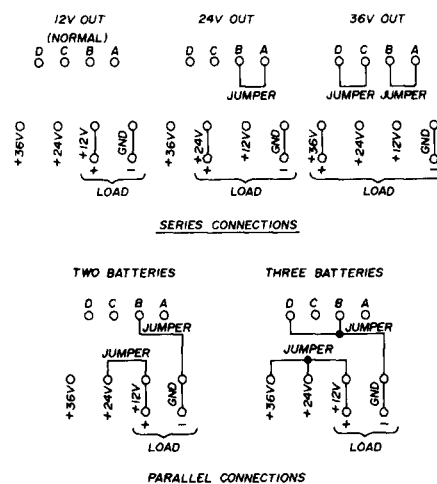


fig. 3. Use of jumpers in making series and parallel battery connections.

joining binding posts D and B with ground. The various binding post interconnections for various series and parallel groupings of the batteries is detailed in fig. 3. The 12-volt single-battery operation is inherent. The additional batteries in series or parallel require the use of appropriate jumpers. The charging of an external battery requires only that it be connected across the EXT binding posts. With all charge switches off, the meter will read charging current to the external battery.

expro I on forty meters

The Expro I fet transmitter in the August, 1975, column was adapted for 40-meter operation by winding a separate toroid coil. No other changes were required. The coil was wound on an Amidon T68-2 core and consists of 40 turns, number-24 enameled copper wire close-wound. It tuned up well on the antenna also described in the August column. The first contact I made on 40 meters was a special thrill. It was made with "Pop," W2ZTC, of Hancock, New York. Pop is an 88-year old gent with a hand-key CW rhythm better than my own. Thank you Pop for your patience with my rst 539 weak signal. You're the most! Your homebrew 100-watt rig sounded great. This is an example of amateur radio joining the generations.

ham radio

Introducing the 2-meter hand-held that gives you high performance. Without high cost.

It's the new Hy-Gain 3806 2-meter, 6-channel hand-held FM transceiver (144-148 MHz). The 2-meter hand-held that takes the high cost out of performance.

The Hy-Gain 3806 is built to out-perform. Out-last. And out-class every other 2-meter hand-held.

It's built tough. Water, dirt and corrosion are sealed out by the specially gasketed case. The speaker/microphone grill is engineered to prevent direct entrance by water. Even changing the power pack in the field won't diminish case integrity. The power section is separately sealed. So you never expose the circuitry.

The high-impact ABS case is extra tough. And ribbed for a sure, non-slip grip. The controls are up front. And easy to operate. There's volume. Squelch. 6-position channel selector. Transmit LED indicator. A meter that indicates battery condition on transmit, signal strength on receive. And a separate power switch for positive on-off.

There's a telescoping antenna that collapses completely into the case. Or you can use our 269 flexible antenna for extra convenience. And there are jacks for use with external antenna. Earphone. And external 12 VDC.

The 3806 has the kind of guts that have made Hy-Gain products famous throughout the world. Its receiver section is superior



to everything else for the money. It has sharply tuned, on-frequency selectivity in the RF amplifier circuit. Two MOS-FET RF amplifier stages. Plus MOS-FET's in the 1st and 2nd mixers. They make the 3806 virtually immune to out-of-band signals. Intermodulation distortion. And cross-modulation. So you get truly incredible

dynamic range. For superb adjacent channel rejection, the 1st mixer is followed by a monolithic crystal filter. And the 2nd mixer by an 8-pole ceramic filter.

A frequency multiplication factor of 12 allows you to use thicker, high stability crystals (one set of 146.52 simplex crystals supplied). Audio is enhanced through use of separate speaker and microphone elements. And there's an internally adjustable mic preamp. Something you won't find anywhere else.

The Hy-Gain 3806 hand-held is backed by a complete line of superb accessories. Including AC and DC chargers. Carrying case. External antenna adapter cable. And a Nicad power pack that's so over-engineered you won't over-extend it. Even in the most adverse conditions.

The pack is completely sealed in its own tough ABS case. Protected against over-charging. And contact shorting. It has 30-40% more in-use capacity than competitive units.

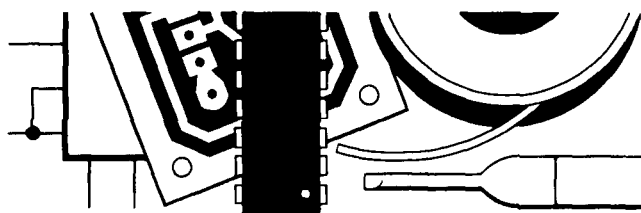
Soon we'll have a Touch-Tone** pad available for the 3806. It'll fit flush in the back panel. Because we designed it specifically for the 3806.

The Hy-Gain 3806 2-meter, 6-channel FM hand-held. It gives you the performance you want. Without costing a lot. Available locally through your Hy-Gain dealer. See it and our more than 300 other fine products soon.

hy-gain
We keep people talking.

Hy-Gain Electronics Corporation 8601 Northeast Highway Six; Lincoln, NE 68505

the weekender



a simple computing vswr indicator

The reasons for using a transmatch to match a random-length wire antenna to a typical 50-ohm transmitter output impedance are well known. However, practical experience shows that adjusting the transmatch for a good match can become a tedious affair. Since transmitter output changes with the load presented to it, you must constantly put the typical swr bridge on *forward*, adjust for a full-scale meter reading, then switch to *reflected* to read the swr. Otherwise, if you leave the bridge on *reflected* and tune for minimum meter indication, you usually find that, instead of being tuned for minimum swr, you've tuned for minimum transmitter output power instead.

The swr meter described here makes transmatch tuning incredibly simple, since it automatically uses the ratio of forward and reflected wave components to display the swr continuously regardless of transmitter output power. All you have to do is tune the transmatch to

*A complete parts kit for this computing vswr indicator is being made available in conjunction with this article. For ordering information and prices, write to G.R. Whitehouse & Co., 10 Newbury Drive, Amherst, New Hampshire 03031.

By Donald B. Lawson, WB9CYY, 1317 Randall Court, Madison, Wisconsin 53715

minimum meter deflection, thus avoiding the constant switch flicking and pot diddling usually required with swr meters. The circuit has some advantages over other types of computing swr meters^{1,2} including:

1. A minimum of parts, which means a minimum of time and money to put it together.
2. Conventional power requirements. The unit may be powered from a 12-volt battery or from a ± 9 or ± 12 -volt supply.
3. Accuracy over a 1000:1 range of transmitter power levels with no sensitivity adjustment needed. Actually a 100:1 or even a 20:1 range would be adequate for most situations.
4. Adaptation to existing swr bridges.
5. Only two adjustments needed for initial calibration.

operation

To understand how the circuit works, we should first think about how the typical swr meter operates. The usual swr indicator has a directional coupler inserted into the coax line. (The coupler could be of the Vari-match variety,³ or it could be a directional wattmeter⁴). The coupler outputs a pair of dc voltages proportional to the *forward* and *reflected* voltages in the coax. When you adjust the swr meter sensitivity so that the forward dc voltage produces full-scale deflection, you have essentially calibrated the meter; applying the reflected dc signal to the meter allows you to read the swr directly. What this computing swr meter circuit does is

adjust the meter sensitivity automatically as it applies the reflected signal to the meter.

Referring to the block diagram of fig. 1 and its timing diagram, you can see that the directional coupler output

voltages are applied to a pair of integrators. The integrator outputs are ramp waveforms for constant inputs; the higher the input voltages the steeper the ramps become. At any instant in time, the ratio of integrator outputs is

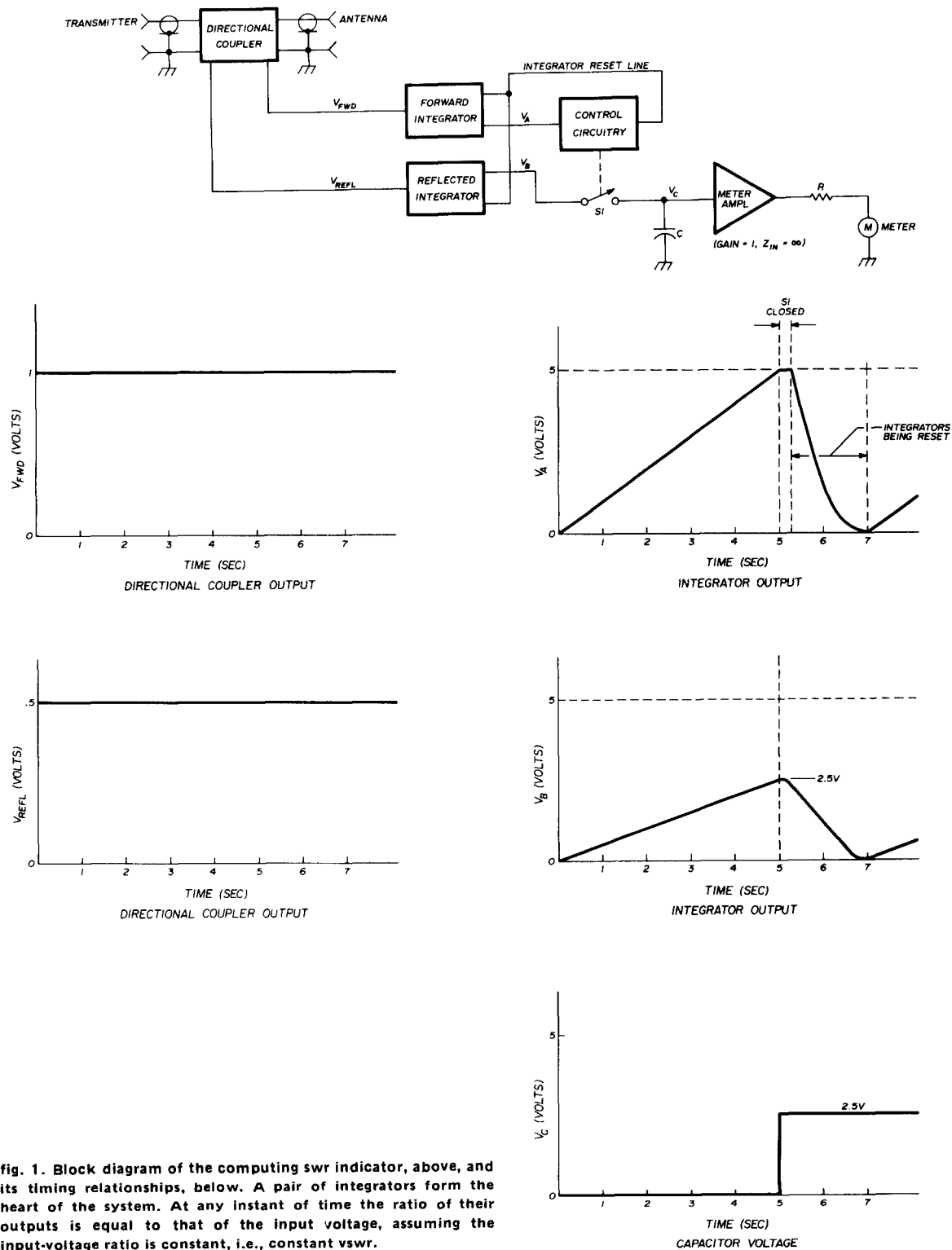


fig. 1. Block diagram of the computing swr indicator, above, and its timing relationships, below. A pair of integrators form the heart of the system. At any instant of time the ratio of their outputs is equal to that of the input voltage, assuming the input-voltage ratio is constant, i.e., constant vswr.

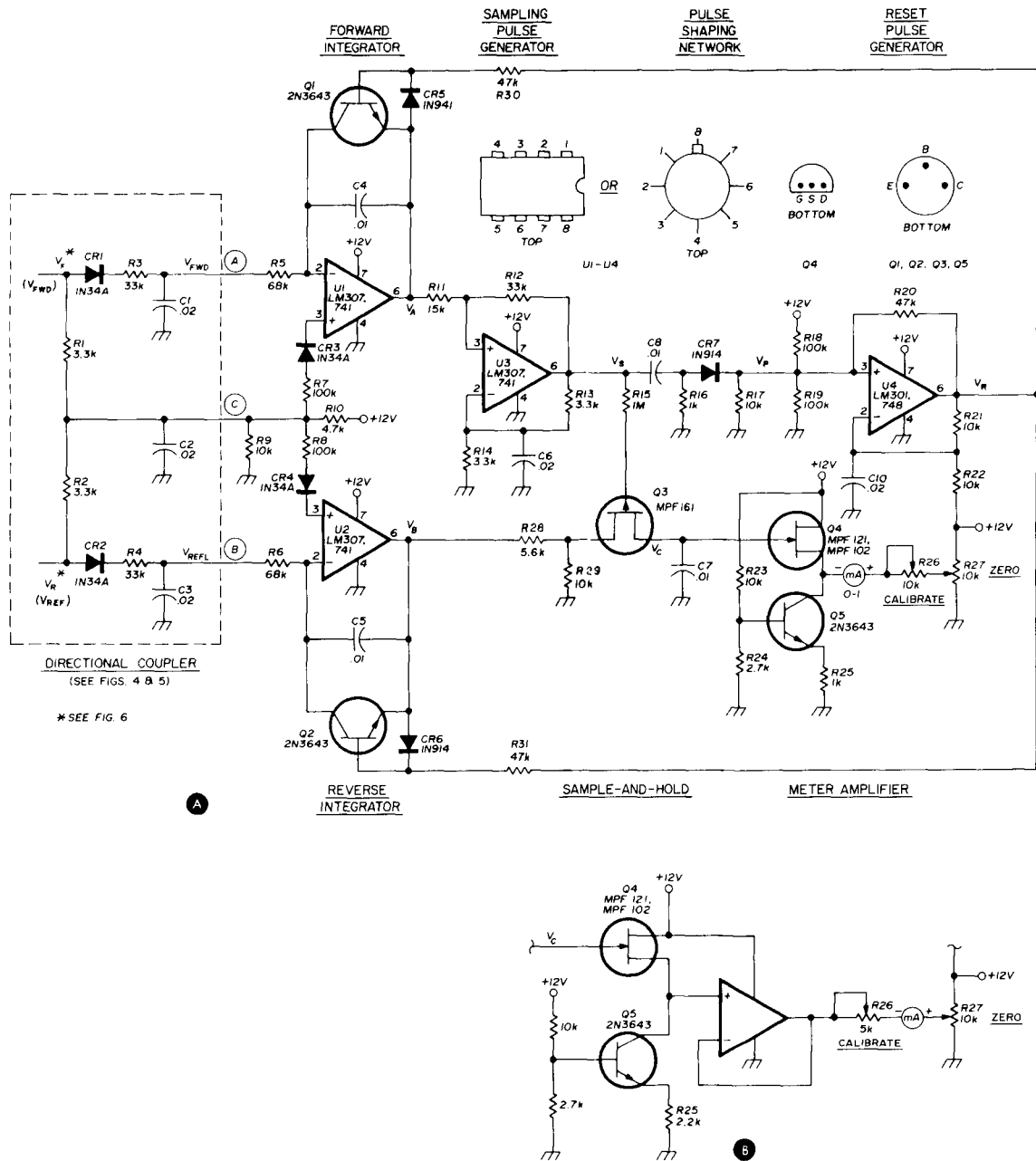


fig. 2. Computing swr indicator schematic, A, and an alternative meter-amplifier circuit, B. If a single 12-volt power supply is used, a special directional coupler is required (see fig. 4).

equal to the ratio of their input voltages (assuming the ratio of the input voltages remains constant; i.e., constant swr).

Now, let's say that R in fig. 1A is set so that 5 volts at V_C produces full-scale meter deflection. The integrators produce ramps V_A and V_B . When V_A reaches 5 volts the control circuit briefly closes S_1 so that the capacitor is charged to V_B . V_B is 2.5 volts at this time. The meter is now at half-scale deflection, indicating an swr of 3:1. After opening S_1 , the control circuit resets the integrator outputs to zero and the process starts all over again.

The capacitor will hold the 2.5 volts until S_1 is again closed, because the meter-amplifier input draws essentially no current.

In the circuit of fig. 2A (and the corresponding timing diagram of fig. 3), you can see that the integrators operate around +8 volts, instead of zero volts, when you use the single +12 volt supply shown; this requires that a special directional coupler circuit be used (see figs. 4 and 5). If a conventional directional coupler is desired, you must use a dual-polarity power supply as discussed later. When V_A drops to 3.5 volts, the positive input of

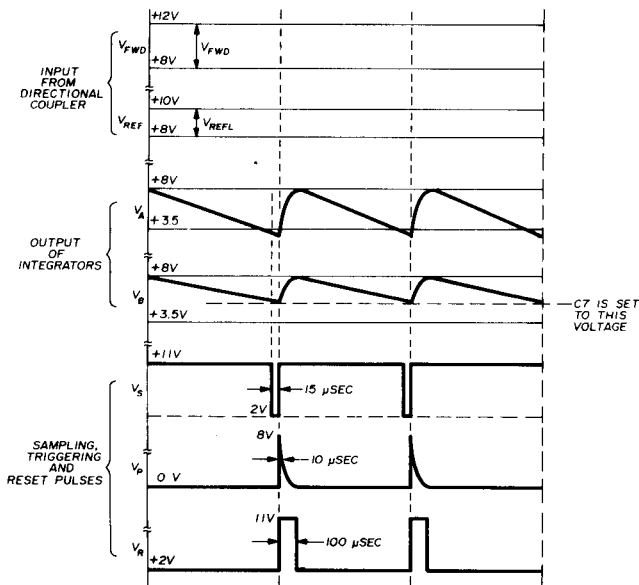


fig. 3. Timing diagram for the circuit of fig. 2A showing relationships between input signals, integrator outputs, and sampling, trigger, and reset pulses.

U3 is pulled below the voltage at the negative input, forcing the output low. It is held low until C6 discharges to where the negative input is closer to ground than the positive input, forcing the output high. When the output is low, Q3 is turned on, charging C7 to a new voltage.

The rising edge of U3 output is applied to U4, which generates a pulse in a similar manner, resetting the integrators to 8 volts by discharging C4 and C5 through Q1 and Q2. CR5 and CR6 prevent the transistor base-emitter junctions from accidentally breaking down and turning on the transistors when U4 output is low.

The meter amplifier, Q4 and Q5, can drive meters with sensitivities of 1 mA or better. If the meter you happen to have has lower sensitivity than this (or if you want *good* meter accuracy) then you should probably use the meter-amplifier circuit shown in fig. 2B. In the circuit of fig. 2A, Q5 acts as a constant 2-mA current source; more meter current means less current through Q4, which would mean a change in Q4 gate-source voltage, introducing some dc error. In fig. 2B, the change in Q4 current is negligible.

The meter is calibrated using the usual swr meter scale. You can calibrate a junk-box meter by:

$$swr = \frac{I_{fs} + 1}{I_{fs} - 1} \quad (1)$$

where I_{fs} is the meter full-scale deflection current.

construction hints

U1 and U2 should be good-quality op-amps requiring very small input bias currents. LM307s are a good compromise between cost and results. Type 741s could be used if you have some on hand, although they are slightly inferior to the less-expensive LM307. U3 and U4

should be uncompensated, since they are used as fast pulse generators. Internal compensation makes op amps such as the LM307 and the 741 too slow. Don't use 709s, because their differential input voltage ratings will be exceeded in this application.

Diodes CR3 and CR4 provide better sensitivity at low transmitter power levels by compensating for the forward drop across CR1 and CR2. Diode pairs CR1-CR3 and CR2-CR4 should be matched for forward-voltage drop at low currents. (Do this by matching their forward resistances on the x10k and x100k scales of a vtvm). Diodes CR1 and CR2 should have low reverse leakage current (high back resistance). Using silicon instead of germanium diodes decreases circuit accuracy at low rf power levels (10 watts and less).

Q1 and Q2 should have low leakage current through the collector-base junction; most silicon transistors will work fine here. Check the I_{dss} of Q4 if you wish; if it's 3 mA or more, decreasing R25 to 680 ohms will reduce the meter-amplifier error mentioned earlier, since Q4 will then supply 3 mA. Don't worry about this if your meter sensitivity is better than 500 μ A; however, be sure to increase R26 to a value that will protect the meter movement.

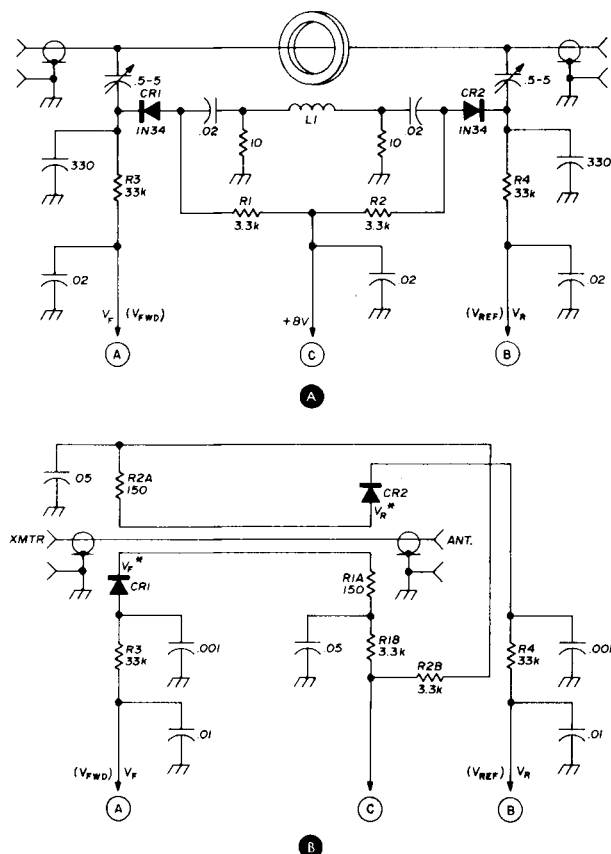


fig. 4. Circuits to be used in modifying existing swr bridges for use with the computing swr meter. A modified directional wattmeter is shown in A; a modified Monimatch in B. Inductor L1 consists of 30 turns of no. 22 AWG (0.6mm) wire on an Amidon T-50-2 form.

If you build this circuit into an existing swr meter, you can use figs. 4 and 5 as guides when wiring the directional coupler to the circuit of fig. 2A. In general, expect better results if you use a Varimatch coupler rather than a directional wattmeter. Directional wattmeters don't seem to work well at power levels below 5 or 10 watts because of their low sensitivity. If you build your circuit from scratch, the directional coupler shown in fig. 5 is easy to build and gives good results to at least 30 MHz.

If you have a dual-polarity power supply (± 9 or ± 12 volts), you'll probably want to use a conventional directional coupler circuit. If so, connect point C of fig. 2A to ground and connect all other ground to the negative supply line. Also, when using either single-polarity supplies of more than 15 volts, or dual-polarity supplies, you'll probably want to increase R23 and R26 (and

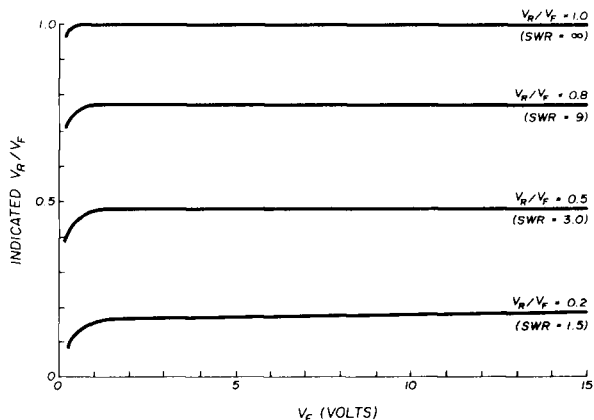
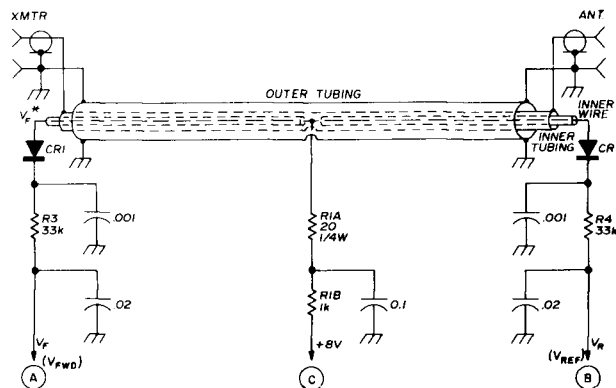


fig. 6. Actual vs indicated ratios of V_R/V_F as a function of V_F . V_F and V_R were dc voltages applied to points V_F^* and V_R^* of fig. 2A. CR1-CR4 were 1N914s; R5-R8 were 1 megohm. By using the components specified in fig. 2A the curves should extend in nearly straight lines to $V_F = 0.1$ volt or so.

possibly R27 as well). Except for these minor changes, the circuit will work as is on any voltage between 12-28 volts. At 12 volts the circuit draws approximately 20 mA, making a battery power supply practical. Since the meter calibration accuracy depends on the supply voltage, extreme accuracy will require the use of a regulated power supply. However, as long as the power-supply voltage doesn't vary by much more than $\pm 10\%$ or $\pm 15\%$, the resulting accuracy will be more than adequate for practical use. Be sure that no strong rf fields can get into the op amps. Install the circuit in an aluminum box. Filter all leads entering and leaving the box.

calibration and results

The first step in calibration is to check that the directional coupler is working properly. Connect a dummy load to the antenna jack and check for zero volts between points V_{refl} and C of fig. 4 or 5. After



- Inner conductor** inner part of RG-59/U coax with insulation, prepared as shown above
- Inner tubing** 1/4" (6.5mm) diameter copper tubing, 8" (20cm) long, with a small hole (1/8" or 3mm) filed at the midway point
- Outer tubing** 1/2" (13mm) copper tubing, 7" (18cm) long, with a small hole filed at the midway point

fig. 5. The Varimatch circuit modified for use with the computing swr meter of fig. 2A.

removing the dummy load, you should get nearly equal voltages at V_{fwd} and V_{refl} (they don't have to be exactly equal). These steps need not be taken if you use a dual-polarity power supply and an old but reliable swr bridge directional coupler.

Set the calibration pot (R26) for maximum resistance and apply power to the circuit. With the dummy load connected and the transmitter key down, adjust R27 for zero meter deflection. Next, disconnect the load from the antenna jack, briefly close the key and adjust R26 for full-scale meter deflection. You may want to touch up R27, but this probably won't be necessary. Your computing swr meter is now calibrated and ready for use.

If the circuit doesn't work properly, first check that the transmitter jack really is the transmitter jack. Then, by using very low transmitter power (a half watt or less),

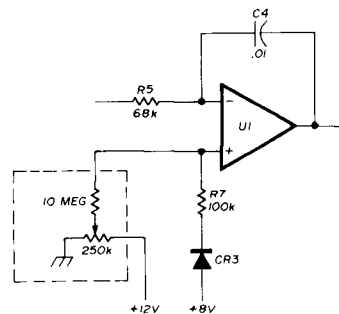


fig. 7. Optional circuit for adjusting U1 offset voltage if the swr meter indicates a random value during key-up conditions. So long as U1 output remains above 3.5 volts the meter needle will stay put with no transmitter output.

you should be able to see the integrators move with your vtvm. Pulses at U3 and U4 can be detected with the vtvm set to ac volts or with a vom set to *output*.

Typical performance using silicon diodes for CR1-CR4 is shown in fig. 6. The integrators are almost impossible to overload (an overload would correspond to

of antenna ideas appear appealing since the transmatch is now an easily used piece of equipment. Even so, many improvements could be made in this circuit. You could, for instance, try a circuit allowing the use of *both* a conventional directional coupler *and* a single-polarity 12-volt supply. This could be done by using CA3130

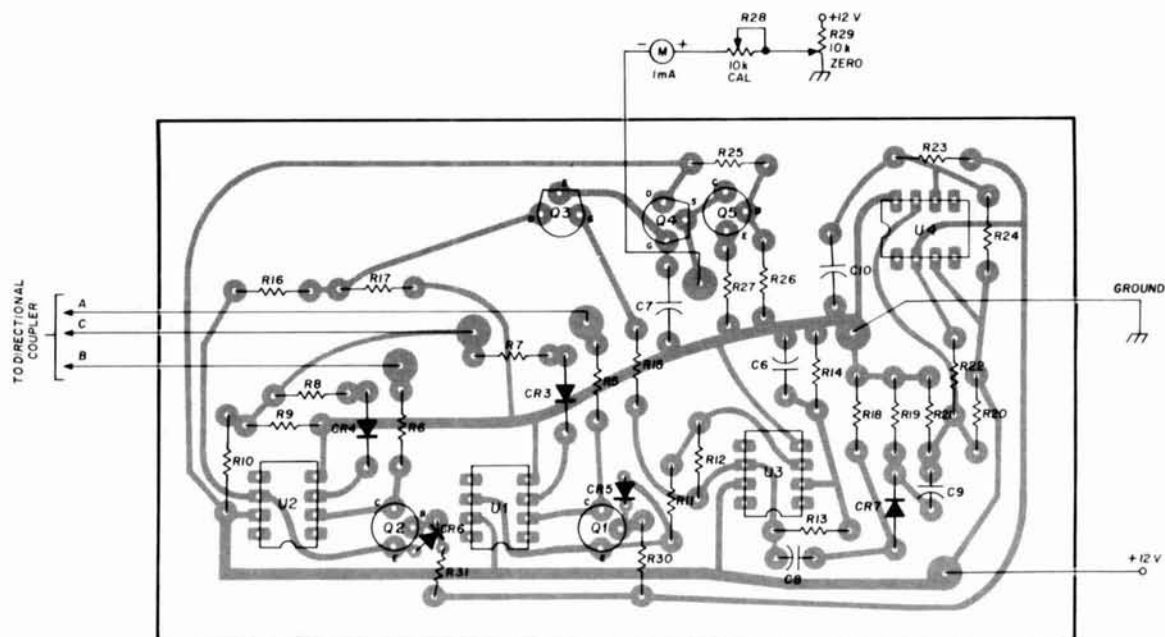


fig. 8. Printed-circuit component layout for the swr computer. A printed-circuit board for this project is available from G.R. Whitehouse (see footnote on page 58).

trying to make the outputs move faster than 0.5 volt per microsecond), so the upper limit to what power the circuit will handle is set by the PIV of CR1 and CR2 and by the width of the pulse fed to Q3. The lower limit for good meter accuracy is set by how well diodes CR1-CR4 are matched, plus whether the diodes are germanium or silicon. The constant offset between indicated and actual V_R/V_F ratio is due to error in the meter amplifier.

Fayman¹ noted that his swr meter had a tendency to sit at random values of swr during key-up conditions, requiring special circuitry to correct the problem. The circuit of fig. 2A can have the same problem, but it can be overcome by adjusting U1 offset voltage (see dashed box, fig. 7) so that its output drifts slowly toward the positive end of the supply line with no transmitter output. (Check your circuit before adding the pot and resistor of fig. 7; your particular U1 may already be doing this). As long as U1 output remains above 3.5 volts, Q3 will remain turned off, and the meter needle will stand still (it won't go to zero when the key is up, but it won't go off to some random value either).

concluding remarks

This computing swr meter has been a big help in transmatch tune up. It also has suddenly made all kinds

of antenna ideas appear appealing since the transmatch is now an easily used piece of equipment. Even so, many improvements could be made in this circuit. You could, for instance, try a circuit allowing the use of *both* a conventional directional coupler *and* a single-polarity 12-volt supply. This could be done by using CA3130

CMOS op amps for U1 and U2. Diodes CR1 and CR2 would have to be turned around, and CR3, CR4, R7 and R8 would have to be eliminated; also, an amplifier would have to be used between U1 and U3 to transform a signal exceeding +10 volts to a signal dropping below +3.5 volts.

You could also try reducing the cost (at a sacrifice of accuracy) by using an LM3900 quad amplifier. The problem here is that you'd have an swr of 1:1 every time V_{refl} dropped below 0.7 volt or so — not so neat if V_{fwd} is only 0.8 volt zero to peak. However, for higher voltage levels, this idea might be OK. Another idea would be to add a peak-reading circuit to the directional coupler V_{fwd} line to indicate transmitter PEP in side-band applications.

references

1. D. Fayman, W0GI, "A Simple Computing SWR Meter," *QST*, July, 1973, page 23.
2. T. Mayhugh, W6OTG, "A Digital SWR Computer," *73*, November, 1974, page 80; December, 1974, page 86.
3. D. DeMaw, W1CER, "The Varimatcher," *QST*, May, 1966, page 11.
4. D. DeMaw, W1CER, "In-line RF Power Metering," *QST*, December, 1969, page 11.

ham radio

here's how HEATHKIT transceivers stack up



Heath Company, Dept. 122-25
Benton Harbor, Michigan 49022

Whether you're working low-power CW, 2-meter FM, or going first-class with digital-design SSB, Heath has a transceiver for you! Every Heathkit transceiver gives you the features you need for operating convenience and reliability. They're designed by engineers who are Amateur radio operators themselves, so they know the kind of quality, features and performance you're looking for. And every Heathkit transceiver gives you that extra pride and satisfaction that comes with handcrafting a fine piece of Amateur radio equipment yourself — kit form savings, too! So check out our line now, you'll see that all the Heathkit transceivers are really performance engineered. And send for the FREE catalog, to read about all the other quality Amateur equipment we have. Mail the coupon below today. You'll be glad you did.

2-METER

Our hand-held HW-2021 is the one to have for portable operating. Full 1 watt output, 5 receive and 5 transmit channels plus offset, true FM circuitry and a separate microphone and speaker for excellent audio quality. Sensitivity is 0.5 μ V for 12 dB SINAD. Has provision for auto patch encoder (shown installed). Includes rechargeable NiCad battery pack and charger, flexible "rubber duckie" antenna for only \$169.95.

The HW-202 sets an industry standard for 2-meter VALUE! 6 crystal-controlled transmit and receive channels, solid 10-watt transmitter output into infinite VSWR, standard and narrow-band deviation up to 7.5 kHz with instant limiting. Receiver sensitivity is 0.5 μ V for 12 dB SINAD; audio output is 3 watts at less than 10% THD. Provision for optional tone burst encoder (shown installed). Super 2-meter performance for only \$179.95.

Our newest and best 2-meter transceiver is the HW-2036! Digital frequency synthesis for ALL 2-meter frequencies in the band, easy and convenient lever tuning, built-in continuous tone encoder for repeaters, complete offset capability, minimum 10 watts output. Receiver sensitivity is 0.35 μ V for 12 dB SINAD; audio output is 1.5 watts at 10% THD. Transmitter output is exceptionally clean, with spurs within 20 MHz of carrier down a full 70 dB! Available with standard PTT microphone for \$269.95 or with the Heathkit Micoder combination microphone/auto patch encoder for \$299.95.

QRP

The HW-8 low-cost CW transceiver gives you plenty of performance for its low price. Full CW 80-15 meter band coverage with pushbutton band selection; a direct-conversion receiver with outstanding 0.2 μ V sensitivity; break-in keying with adjustable T/R delay; lots more. Battery operation, too — great for vacations or emergencies. Only \$129.95.

SSB/CW

The HW-101 is a full power SSB/CW transceiver that sets the standard for price/performance levels. 180 watts input PEP, 170 watts CW, 0.35 μ V sensitivity, high stability FET VFO, PTT and VOX operation. Has crystal-controlled heterodyne oscillator with built-in crystal calibrator, triple action level control, dial-drive with 36:1 ratio and extra-large tuning knob for easy-backlash-free tuning. Offers complete coverage of the 80-10 meter Amateur bands. Only \$339.95.

The HW-104 is a broadband design transceiver that eliminates complicated tuneup. No preselector, load or tune controls — no fine-tune fuss —

just dial up the frequency you want, select USB, LSB or CW and go. Covers 3.5 MHz to 29.0 MHz Amateur bands and there's an optional accessory for the top end of 10 meters to 29.7 MHz. Has 100 watts or 1-watt power, sensitivity of 1 μ V for 10 dB S+N/N, built-in 100 kHz and 25 kHz calibrators, even a 15 MHz WWV position on the bandswitch. Deluxe in every way, and only \$489.95.

Our finest Amateur transceiver — the SB-104, is probably the best transceiver you can buy at any price! Totally broadbanded, true digital design, 6-digit frequency readout with resolution to 100 Hz on all bands — you don't even need a calibrator! Provides complete 3.5 MHz through 29.7 MHz amateur band coverage, 100 watt or 1-watt output, 1 μ V sensitivity. Everything for first-class operating, only \$669.95.

FREE

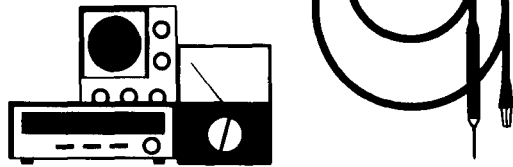


There's more for the Ham at Heath!

Read more about these transceivers and all the other superb Amateur radio equipment in the new Heathkit catalog. Send for yours today!

| | | | |
|--|-------------|--|-------------|
| HEATH Schlumberger | | Heath Company, Dept. 122-25 Benton Harbor, Michigan 49022 | |
| Please send me my FREE Heathkit catalog. I am not on your mailing list. | | Please send a catalog to my friend. | |
| Name _____ | | Name _____ | |
| Address _____ | | Address _____ | |
| City AM-341 | State _____ | City _____ | State _____ |
| | Zip _____ | | Zip _____ |

repair bench



Bob Stein, W6NBI

using the swr indicator

Ever since the end of World War II, the surplus market has been a major source of test equipment, transmitters and receivers, and parts. For the serious experimenter, the first category has been of paramount importance, enabling him to obtain equipment which would otherwise be out of the question because of cost. Surplus equipment continues to be in strong supply from both industrial and military sources. In fact, there is more available now than ever before, for several reasons.

First of all, the state of the electronics art has changed so rapidly in the past few years that much of the test equipment which was standard in industry is no longer economical to use, although it is perfectly adequate for amateur use. A typical example of this is the slotted line used with the swr indicator, a combination that has largely been replaced by the reflection bridge or the network analyzer. A second reason for the availability of good commercial test equipment is the fact that the military services have been using off-the-shelf commercial equipment, which they continue to surplus.

This article is the first of a series which will explain the uses and benefits of certain classes of test equipment which heretofore have been relatively uncommon in the ham shack. I hope to show how modest investments in such equipment will enable you to improve your testing capabilities as well as expand your knowledge of test methods.

the swr indicator

Although there are and have been several types of swr indicators available, the one which is most common and which seems to be the easiest to obtain is the Hewlett-Packard model 415B Standing Wave Indicator. Others which appear on the surplus market from time to time are the Sperry Microwave SWR Indicator model 29A1 and the Narda model 441 VSWR Amplifier. Current

By Robert S. Stein, W6NBI, 1849 Middleton Avenue, Los Altos, California 94022

instruments of the same type are the Hewlett-Packard model 415E SWR Meter and the GenRad (formerly General Radio) Standing-Wave Meter type 1234. Obviously there are differences among all of these, but basically they are similar.

Despite the similarity in names, the swr indicator to be discussed in this article is something completely different from the vswr bridge commonly found in most ham shacks. The bridge which you use in your transmission line is an rf power instrument which measures incident and reflected power or voltage (with varying degrees of accuracy). The vswr is then calculated from these readings, or is read directly from the meter provided that a reference level for the incident wave has been established.

The swr indicator, on the other hand, is an instrument which is exactly what its name says it is — an indicator. It is capable of indicating vswr only when used in conjunction with an rf detector and other equipment, such as a slotted line or a directional coupler. However, it can do this with no more power applied to the device under test than is produced by a signal generator. Thus, vswr readings can be obtained for virtually any type of equipment — converters, attenuators, filters, transmitters, coax relays and switches, antennas, transmission-line sections, and so on.

But that's only the beginning. The swr indicator can also be used with a detector to measure the attenuation and insertion loss of fixed and variable attenuators, insertion loss and response of filters, cross-talk in coaxial relays and switches, and antenna gain (when compared to a standard gain antenna on an antenna range). It can also serve as an extremely sensitive null indicator in ac bridge circuits. So you can see that we are talking about a very versatile instrument.

inside the swr indicator

Despite its versatility, the swr indicator is a relatively simple instrument; it is basically nothing more than a tuned electronic voltmeter which responds to a fixed frequency of 1000 Hz. (There are special cases where a frequency other than 1000 Hz is used, but these are rare, and the instrument model number generally will have been modified by the addition of an option or special number. Check the back of the instrument housing for a sticker which shows this modified model number.) The gain is extremely high, resulting in a sensitivity of typically 0.1 microvolt for full-scale meter deflection on the most sensitive range.

The swr indicator incorporates range attenuators, a gain control, and provisions for selecting and matching the type of detector used. The meter scales are marked in swr and dB. Note that the presence of a gain control indicates that the instrument is not a calibrated voltmeter, but is one which is designed to measure the ratio of two voltages. This capability is all that is required, since swr and dB are, by definition, both ratios.

outside the swr indicator

As mentioned earlier in this article, a detector must be used with the swr indicator for all rf measurements,

and obviously an rf signal source at the desired frequency is required. The signal source must be amplitude modulated with a 1000-Hz sine or square wave. An output of 0.2 milliwatt (100 millivolts across 50 ohms) is generally sufficient. Regardless of the actual output power, the signal source must supply a constant output and should have minimum harmonic distortion. The modulating voltage must also be stable to prevent measurement errors.

The detector must be a square-law device, that is, one whose *output voltage* is proportional to *rf input power*. Coaxial slotted lines usually have a detector built into them, but an external detector must be used for other applications of the swr indicator. Such a detector may be either a coaxially mounted bolometer* or semiconductor diode, operated at low signal levels.

Although the Hewlett-Packard 415B can supply either 4.3 or 8.7 milliamperes bolometer bias current, bolometer detectors are relatively rare so we will consider all operation using a diode detector. There are many types, made by many manufacturers, all of which will be more than satisfactory for use with the swr indicator. However, be sure that the detector which you use presents a termination which corresponds to the system impedance; both 50- and 75-ohm detectors are available. For the purpose of this article, all impedances are assumed to be 50 ohms.

The Hewlett-Packard model 415B Standing Wave Indicator. Although this instrument has been superseded by the model 415E, it will still provide years of useful service. (Photo courtesy of Hewlett-Packard Company)



A coaxial detector is also a simple and inexpensive device to construct; methods of construction are shown in previous articles by W6VSV² and W1JAA.³ Virtually all commercial detectors incorporate a resistive termination at the rf input connector, but those described in W6VSV's article do not. Therefore a 50-ohm feedthrough termination should be used at the input of such a detector. (Alternatively, a 50-ohm pad and coaxial short can be used, as shown by W6VSV.)

Some diode detectors incorporate a matched load resistor either at the *output* connector or in a separate coaxial load. These too are relatively rare, but bear mentioning. Their advantage is greater square-law range, although this is achieved at a cost of some sensitivity loss.

There are two precautions which must be observed when using a diode detector. The first of these entails staying within the square-law region of the diode. For amateur measurements, power levels up to a few microwatts may be applied to the detector input without causing serious measurement errors. In general, if the applied rf power is kept below the level which results in a full-scale reading on the 30-dB range of the swr indicator with the gain controls at maximum, the detector will be working within its square-law range.

Secondly, if a detector with a matched load is used, the input selector switch on the swr indicator must be set to the high-impedance (200 kilohm) *crystal* position in order not to shunt the detector load with a low impedance. As previously stated, however, detectors with matched loads are relatively uncommon. With an unloaded detector, the input selector is set to the *crystal* position which results in the highest sensitivity.

The attenuation of loss pads, cables, filters, etc., may be measured using the test set-up shown in fig. 1. Loss pads, preferably 10 dB or more, are used at the input and output of the device under test (DUT) to ensure a uniform 50-ohm system. If the detector presents a known 50-ohm impedance at the test frequency (as most commercial units do), the pad between the DUT and the detector may be omitted.

Connect the equipment as shown, except substitute a feedthrough coaxial fitting for the DUT. Adjust the signal-generator output and the range switch and gain controls of the swr indicator for a reference level of 0 dB on the lowest range (most counter clockwise range-switch setting) which will allow for a reduction of signal level equal to the expected attenuation of the DUT. This ensures operation of the detector in its square-law region. For example, if a 20-dB attenuator is to be checked, setting the swr indicator reference level to 0 dB on the 40-dB range setting will allow you to measure up to 30 dB of loss — two 10-dB ranges of the switch plus the 10-dB meter range.

*There are two types of bolometers: *barretters*, which are normal resistance elements with a positive temperature coefficient, and *thermistors*, which are manufactured from metallic oxide materials which exhibit a negative temperature coefficient. In its simplest form the barretter may be a short length of very fine wire, such as an instrument fuse, or a metallized film resistor.¹



The Hewlett-Packard models 420A and 423A Crystal Detectors are typical of the many detectors which can be used with the swr indicator. Both detectors are usable from 10 MHz to 12.4 GHz. The response of the 420A, on the top, is ± 3.5 dB with a maximum vswr of 3.0. The 423A is flat within ± 0.5 dB and has a maximum vswr of 1.5 (1.2 below 4.5 GHz). (Photo courtesy of Hewlett-Packard Company)

Insert the DUT into the test set-up, in place of the coax feedthrough, and note the swr indicator meter reading. *Do not touch the gain controls.* If the meter is still on scale, the attenuation of the DUT is equal to the meter reading on the dB scale. If the meter reads below the 10-dB mark, switch to the next lower (counterclockwise) range-switch setting which moves the meter on-scale. The attenuation of the DUT in dB then will be equal to the difference between the reference and final switch settings plus the meter reading.

Continuing with the example cited above, assume that when the 20-dB pad is inserted in the test set-up, the range switch has to be changed from the 40- to the 60-dB position, and the meter pointer rests at the 1-dB mark. The attenuation of the loss pad is thus actually 21 dB — two 10-dB switch positions plus 1 dB on the meter.

The Hewlett-Packard 415B has a *meter scale* switch which makes reading the meter more accurate under certain conditions. Since the dB scale is logarithmic, the meter scale between 5 and 10 dB is greatly compressed. If the meter reading is in this region, you can set the

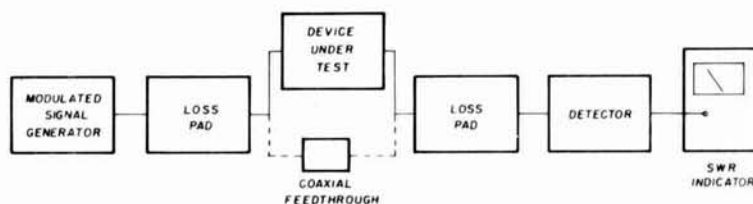
meter scale switch to the -5 dB position and turn the range switch to its next lower (counterclockwise) setting. The meter pointer will then fall between 0 and 5 dB, providing a more accurately read indication, but don't forget to subtract 5 dB from your final readings.

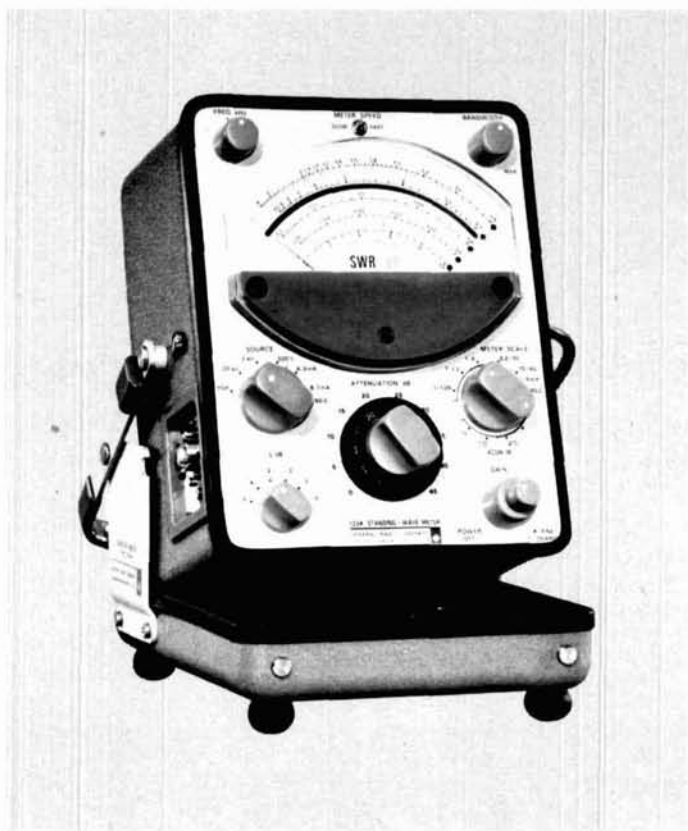
If a reading of less than 2 dB is involved, such as would hopefully be expected when measuring insertion loss, it can be read more accurately on the *expanded dB* scale of the meter. This requires setting the *meter scale* switch to *expand* and establishing the reference level with the *meter scale* switch in that position.

measuring filter response

The attenuation vs frequency response of a filter may be measured in a manner similar to that just described. However, certain additional precautions are involved. First and foremost, your signal source output must be kept constant over the frequency range of interest. Secondly, if you are interested in the response below -35 dB, the loss pad at the input to the filter must be adjustable or be changed, since 35 dB is about the limit of a typical diode detector's square-law range.

fig. 1. Equipment set-up for measuring attenuation, filter response, and gain. The coaxial feedthrough connector is used to establish a reference level on the swr indicator, and is replaced by the device under test (DUT) for the actual measurement. The signal generator may be replaced by any stable small-signal source which is modulated by 1000 Hz signal.





The type 1234 Standing-Wave Meter is the current swr indicator in the GenRad (formerly General Radio) product line. (Photo courtesy GenRad)

As an example, let's assume that you want to check the response of a 145-MHz bandpass filter. Connect it as shown in fig. 1, using a frequency counter at the output of the signal generator if the frequency calibration of the generator is in doubt. Instead of a fixed loss pad between the signal generator and the filter, use a step attenuator of known accuracy, set to provide 40 dB of attenuation. Tune the signal generator for maximum indication on the swr indicator, using the 30-dB range with the gain controls at or near maximum. Establish a 0-dB reference level by means of the signal generator output attenuator and the swr indicator fine-gain control.

As the generator frequency is varied, the attenuation of the filter can be read directly from the dB scale of the meter in conjunction with the range switch. As you get further away from the center (reference) frequency, you

will run out of swr indicator sensitivity. At this point, note the meter reading, reduce the sensitivity of the swr indicator by 20 dB, and lower the attenuation of the step attenuator by 20 dB, thus still keeping a 20-dB pad in the system for impedance matching. If your step attenuator is accurate, the meter indication should be the same as before; if it is not, it indicates an error in the step-attenuator calibration which must be accounted for in subsequent readings. Now continue to check the filter response, adding 20 dB (or the amount by which the step attenuator was changed) to the swr meter readings.

If you don't have a step attenuator, you can accomplish the same thing by using two fixed loss pads between the signal generator and the filter. When you reach the point of maximum swr indicator sensitivity, simply remove one of the pads and continue as described above. In this case, you must add to the swr indicator readings the attenuation of the pad which was removed.

An immediate reaction to these procedures may well be that the accuracy of the measurements at low levels depends on the calibration of the adjustable or additional fixed attenuator. This is true, but all you have to do is to *measure* the attenuator, using the same swr indicator and detector, if you are not sure of the calibration. What could be simpler than a self-checking system?

measuring gain

It should be obvious that if attenuation, or signal loss, can be measured with an swr indicator, signal gain can also be determined. This is accomplished by exactly the same procedure described for attenuation measurement, except that the reference level through the coax feedthrough should be established on the most sensitive (60-dB) range of the swr indicator.

For example, let's assume that you want to know the gain of your two-meter converter, and expect it to be between 25 and 30 dB. If you set the 0-dB reference level on the 60-dB range of the swr indicator, you will have to reduce the sensitivity when the converter is connected in place of the feedthrough connector. The amount by which sensitivity is reduced is equal to the change in the range-switch setting *minus* the meter reading, and represents the gain of the converter.

Conversely, gain can be measured by establishing a reference level using the device under test. Then substituting a coaxial feedthrough for the DUT will result in a loss equal to the gain of the active device.

measuring cross-talk or isolation

A coaxial antenna change-over relay or switch should

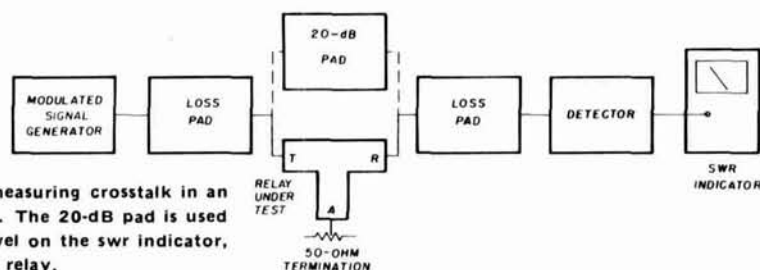


fig. 2. Arrangement for measuring crosstalk in an antenna change-over relay. The 20-dB pad is used to establish a reference level on the swr indicator, and is then replaced by the relay.

table 1. Reflection coefficient and VSWR vs return loss

| return loss (dB) | reflection coefficient | vswr | return loss (dB) | reflection coefficient | vswr |
|------------------|------------------------|---------|------------------|------------------------|--------|
| 1 | .8913 | 17.3910 | 31 | .0282 | 1.0580 |
| 2 | .7943 | 8.7242 | 32 | .0251 | 1.0515 |
| 3 | .7079 | 5.8480 | 33 | .0224 | 1.0458 |
| 4 | .6310 | 4.4194 | 34 | .0200 | 1.0407 |
| 5 | .5623 | 3.5698 | 35 | .0178 | 1.0362 |
| 6 | .5012 | 3.0095 | 36 | .0158 | 1.0322 |
| 7 | .4467 | 2.6146 | 37 | .0141 | 1.0287 |
| 8 | .3981 | 2.3229 | 38 | .0126 | 1.0255 |
| 9 | .3548 | 2.0999 | 39 | .0112 | 1.0227 |
| 10 | .3162 | 1.9250 | 40 | .0100 | 1.0202 |
| 11 | .2818 | 1.7849 | 41 | .0089 | 1.0180 |
| 12 | .2512 | 1.6709 | 42 | .0079 | 1.0160 |
| 13 | .2239 | 1.5769 | 43 | .0071 | 1.0143 |
| 14 | .1995 | 1.4985 | 44 | .0063 | 1.0127 |
| 15 | .1778 | 1.4326 | 45 | .0056 | 1.0113 |
| 16 | .1585 | 1.3767 | 46 | .0050 | 1.0101 |
| 17 | .1413 | 1.3290 | 47 | .0045 | 1.0090 |
| 18 | .1259 | 1.2880 | 48 | .0040 | 1.0080 |
| 19 | .1122 | 1.2528 | 49 | .0035 | 1.0071 |
| 20 | .1000 | 1.2222 | 50 | .0032 | 1.0063 |
| 21 | .0891 | 1.1957 | 51 | .0028 | 1.0057 |
| 22 | .0794 | 1.1726 | 52 | .0025 | 1.0050 |
| 23 | .0708 | 1.1524 | 53 | .0022 | 1.0045 |
| 24 | .0631 | 1.1347 | 54 | .0020 | 1.0040 |
| 25 | .0562 | 1.1192 | 55 | .0018 | 1.0036 |
| 26 | .0501 | 1.1055 | 56 | .0016 | 1.0032 |
| 27 | .0447 | 1.0935 | 57 | .0014 | 1.0028 |
| 28 | .0398 | 1.0829 | 58 | .0013 | 1.0025 |
| 29 | .0355 | 1.0736 | 59 | .0011 | 1.0022 |
| 30 | .0316 | 1.0653 | 60 | .0010 | 1.0020 |

provide at least 50 dB isolation between the transmit and receive connectors, but many do not, especially at uhf. Inadequate isolation can easily result in the destruction of transistors in the receiver when used in proximity to a high-power transmitter.

You can play it safe and measure the cross-talk, or isolation, of your change-over device by means of (you guessed it) the swr indicator. Since you hope to find the cross-talk down by 50-dB, which is well beyond the square-law region of the detector, a substitution method of measurement is employed.

Fig. 2 shows the test set-up for such measurements. Initially, a 20-dB pad is inserted as shown, and a 0-dB reference level established on the swr indicator. Since we hope to find the cross-talk between the transmit and receive ports down by well over 20 dB, the reference level should be set on the 40-dB range. Then remove the 20-dB pad and connect the relay as shown. The isolation will be equal to the change indicated by the swr indicator plus 20 dB.

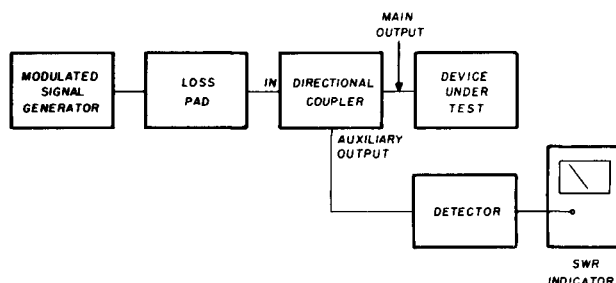
measuring vswr with a directional coupler

This one is for the vhf and uhf enthusiast, since directional couplers are usually used at frequencies of 200 MHz and higher. And although amateurs who are fortunate enough to have a directional coupler normally use it only for power measurements, it can be utilized to measure vswr by return loss.

The equipment set-up for this measurement is shown in fig. 3, and the procedure is as follows:

1. Establish a reference level of 0 dB on the least sensitive range (but not less than 30 dB) commensurate with the available signal-source power.
2. Reverse the input and output connections to the directional coupler, keeping the detector on the auxiliary-output port.
3. Determine the return loss (α) in dB from the reference level, as measured by the swr indicator.

fig. 3. Equipment configuration for measuring reflection coefficient and vswr by the return-loss method. Measurements are essentially independent of the coupling coefficient, but accuracy is severely limited by the directivity of the coupler, as explained in the text.



4. Determine the vswr from table 1, which shows the tabulated results of the following equations, where ρ is the reflection coefficient.

$$p = 10^{\frac{-\alpha}{20}}$$

and

$$VSWR = \frac{1 + \rho}{1 - \rho}$$

Theoretically, measuring vswr by the return-loss method is accurate and quite simple to perform. In practice, however, the directional coupler can introduce large errors if its directivity is not substantially greater than the measured return loss. A good rule of thumb is to use a coupler whose directivity is at least 15 dB greater than the return loss. Since commonly available directional couplers generally have a specified directivity of only 20 or 30 dB, this would appear to limit accurate measurements to return losses of 5 to 15 dB, with the lower of these two values corresponding to a vswr of 3.57 (see table 1). However, even though the difference between the measured return loss and the coupler directivity is less than 15 dB, the technique is still usable for adjusting the equipment under test for minimum vswr.

In addition to coupler directivity, there are other factors which affect measurement accuracy, but these are of lesser importance. A complete discussion of measurement errors using directional couplers is beyond the scope of this article, but appears in reference 4.

I hope that this article has demonstrated the versatility of the swr indicator in the ham shack. Although the various commercial models mentioned earlier are generally available in limited quantities, there is no sure way of knowing that the supply will continue to exist. Even if you cannot find an instrument on the surplus market, it is a relatively easy unit to build, and will be just as accurate as the commercial versions. An equivalent, though slightly less complicated, instrument is completely described in reference 2.

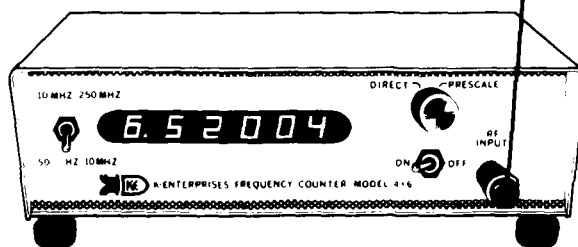
Despite the length of this article, the primary *raison d'être* of the swr indicator, that of use with the slotted line, has not been covered. This will be the subject of a future article.

references

1. Bruce Clark, K6JYO, "RF Power Detecting Devices," *ham radio*, June, 1970, page 28.
2. Bob Melvin, W6VSV, "The SWR Meter," *ham radio*, October, 1970, page 10.
3. Joe Reisert, W1JAA, "VHF/UHF Antenna Matching Techniques," *ham radio*, July, 1976, page 50.
4. Duane E. Dunwoodie and Peter Lacy, "Why Tolerate Unnecessary Measurement Errors," *Wiltron Technical Review*, Wiltron Company, Palo Alto, California 94303, March, 1975.
5. *Operating and Service Manual, 415B Standing Wave Indicator*, Hewlett-Packard Company, Palo Alto, California 94304.
6. *Operating and Service Manual, 415E SWR Meter*, Hewlett-Packard Company, Palo Alto, California 94304.

ham radio

K-ENTERPRISES



MODEL 4X6C
50 HZ—250 MHZ \$270.00

300 and 500 MHZ PRESCALERS
FREQUENCY STANDARDS
MARKER and PEAKING GENERATORS
POWER SUPPLIES AMPLIFIERS

WRITE FOR FREE CATALOG



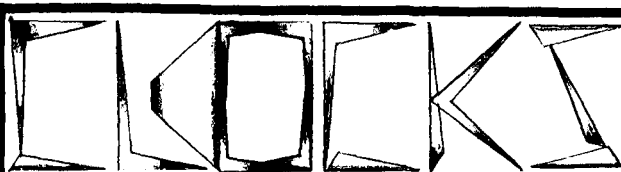
Phone:
918-676-3752



K-ENTERPRISES

Box 410 (N.W. of town)

FAIRLAND, OK 74343



6 digit AUTOMOTIVE CLOCK KIT complete with a CRYSTAL TIMEBASE accurate to .01 percent. 12 volts d.c. operation — built in noise suppression and voltage spike protection. Readouts blank when ignition is off — draws 25 mA in standby mode. Has .3 in. readouts. Use it in your car or for all applications where a battery-operated clock is needed. Approximate size 3" x 3.5" x 1.75"

| | |
|-------------------------|--------------|
| WITH BLACK PLASTIC CASE | \$34.95 ppd. |
| WITHOUT CASE | \$29.95 ppd. |
| ASSEMBLED AND TESTED | \$45.95 ppd. |

CMOS CRYSTAL TIMEBASE KITS with .01 percent accuracy. 5-15 v.d.c. operation. Draws only 3 mA at 12 volts. Single I.C. — very small size — the P.C. board is 7/8" x 1-5/8". Choose a main output of 50 or 100 Hz., 60 Hz., 500 or 1000 Hz., or 1 Hz. Several related frequencies are also available on each board, in addition to the main ones listed above. Be sure to specify the Frequency you want. All kits are \$10.95 ppd.

Flyer available —

NEXUS
TRADING CO.

Box 3357 San Leandro, Ca 94578

SPECIALS FROM

MHz electronics

Fairchild VHF Prescaler Chips

| | | |
|---------|--|--------|
| 11C01FC | High Speed Dual 5-4 Input no/nor | 15.40 |
| 11C05DC | 1 GHz Counter Divide by 4 | 74.35 |
| 11C05DM | 1 GHz Counter Divide by 4 | 110.50 |
| 11C06DC | UHF Prescaler 750 MHz D Type flip/flop | 12.30 |
| 11C24DC | Dual TTL VCM same as MC4024P | 2.60 |
| 11C44DC | Phase Freq. Detector same as MC4044P | 2.60 |
| 11C58DC | ECL VCM | 4.53 |
| 11C70DC | 600 MHz flip/flop with reset | 12.30 |
| 11C83DC | 1 GHz 248/256 Prescaler | 29.20 |
| 11C90DC | 650 MHz Prescaler Divide by 10/11 | 16.00 |
| 11C90DM | same as above except Mil. version | 24.00 |
| 11C91DC | 605 MHz Prescaler Divide by 5/6 | 16.00 |
| 11C91DM | same as above except Mil. version | 24.00 |
| 95H90DC | 350 MHz Prescaler Divide by 10/11 | 9.50 |
| 95H90DM | same as above except Mil. version | 16.50 |
| 95H91DC | 350 MHz Prescaler Divide by 5/6 | 9.50 |
| 95H91DM | same as above except Mil. version | 16.50 |

GIAY-3-8500 Game Chip 29.95
T.I. TMS4060/C2107, 4K RAM 19.01

Batteries

NI-CAD's AA cells 1.25 volts at 500 mahr. \$0.49
Gel-Cell 12 volts at 1.5 Amp Hr. #GC-1215 \$19.95

Crystals

1.000000 MHz 4.95
5.000000 MHz 4.95
10.000000 MHz 4.95
3579.545 KC 2.95

JUST ARRIVED! These radios have just been pulled out of service. Set up for approx. 150 MHz. Clean. All tubes included. No accessories. Prices FOB Phoenix.

Motorola U43 GGT \$49.95
GE TPL \$99.95
GE MT-33 \$39.95
G.E.L. FM Broadcast Exciter (Stereo) contains the following: 1 ea. Model FM100, FM200, FM400A, FM600, FM800A, and SC200 \$299.00

NEW

Motorola, Motorcycle Radio — Model T33BAT \$39.95 FOB Phoenix

Motorola MC14410CP CMOS tone Generator uses 1 MHz Crystal to produce standard dual frequency telephone dialing signal. Directly compatible with our 12 key Chomeric pads. Kit includes the following.

- 1 MC14410CP
 - 1 Touch Tone Pad
 - 1 1 MHz Crystal
 - 1 Printed Circuit Board (From Ham Radio Sept. 1975)
- And all other parts for assembly. **\$19.95**

Fairchild 95H90DC Prescaler divide by 10 to 350 MHz. Will take any 35 MHz Counter to 350 MHz. Kit includes the following.

- 1 95H90DC
 - 1 2N5179
 - 2 UG-88/u BNC's
 - 1 Printed Circuit Board
- And all other parts for assembly. **\$29.95**

Fairchild 11C90DC Prescaler divide by 10 to 650 MHz. Will take any 65 MHz Counter to 650 MHz or with a 82590 it will divide by 10/100 to 650 MHz. This will take a 6.5 MHz counter to 650 MHz. Kit includes the following.

- 1 11C90DC
- 1 2N5179
- 2 UG-88/U
- 1 MC7805CP
- 1 Bridge
- 1 Printed Circuit Board and all other parts for assembly. 82590 add \$5.70 to total. **\$59.95**

10.7 MHz Narrow Band Crystal Filter \$7.95
Bandwidth 13 kHz
Type 2194F
Input & Output Impedance 2700 ohms.
Two Filters in series gives steeper sides & a 30dB Bandwidth of ± 15 kHz.

| Johanson Trimmer Capacitors | | Ferrite Beads | |
|-----------------------------|--------|---------------|--------------|
| 6 to 6 pf. | \$1.95 | 12 for .99 or | 120 for 9.99 |
| 1 to 14 pf. | \$1.95 | | |
| 1 to 20 pf. | \$1.95 | | |

FET's

| | | | | | |
|--------|------|---------|------|---------|------|
| 2N3070 | 1.50 | 2N5460 | .90 | MFE3002 | 3.35 |
| 2N3436 | 2.25 | 2N5465 | 1.35 | MPP102 | .45 |
| 2N3458 | 1.30 | 2N5565 | 5.45 | MPP121 | 1.50 |
| 2N3821 | 1.60 | 3N126 | 3.00 | MPP4391 | .80 |
| 2N3822 | 1.50 | MFE2000 | .90 | U1282 | 2.50 |
| 2N4351 | 2.85 | MFE2001 | 1.00 | MMF5 | 5.00 |
| 2N4416 | 1.05 | MFE2008 | 4.20 | 40673 | 1.39 |
| 2N4875 | 1.75 | MFE2009 | 4.80 | 40674 | 1.49 |

TUBES

| | | | | | |
|--------------|-------|-------------|-------|--------|-------|
| 2E26 | 4.00 | 572B/T160L | 25.00 | 7984 | 4.95 |
| 3B28 | 4.00 | 811A | 7.95 | 8072 | 32.00 |
| 4X150A | 15.00 | 931A | 11.95 | 8156 | 3.95 |
| 4X150G | 18.00 | 5849 | 32.00 | 8908 | 9.95 |
| 4CX250B | 24.00 | 6146A | 4.75 | 8950 | 5.50 |
| 4X250F | 25.00 | 6146B/8298A | 5.75 | 4.400A | 29.95 |
| 4CX250K | 27.00 | 6360 | 7.95 | 4-250A | 24.95 |
| 4CX350A/8321 | 35.00 | 6907 | 35.00 | 4-125A | 20.95 |
| DX415 | 25.00 | 7377 | 40.00 | 4-65A | 15.95 |

RF TRANSISTORS

| | | | | | |
|---------------|-------|----------------|-------|---------------|-------|
| 2N1561 | 15.00 | 2N3866 JAN TX | 4.85 | 2N5590 | 6.30 |
| 2N1562 | 15.00 | 2N3924 | 3.20 | 2N5591 | 10.35 |
| 2N1692 | 15.00 | 2N3925 | 6.00 | 2N5635 | 4.95 |
| 2N1693 | 15.00 | 2N3927 | 11.50 | 2N5636 | 11.95 |
| 2N2631 | 4.20 | 2N3948 | 2.00 | 2N5637 | 20.70 |
| 2N2857 | 1.80 | 2N3950 | 26.25 | 2N5643 | 20.70 |
| 2N2876 | 12.35 | 2N3961 | 6.60 | 2N5641 | 4.90 |
| 2N2880 | 25.00 | 2N4072 | 1.70 | 2N5643 | 20.70 |
| 2N2927 | 7.00 | 2N4073 | 2.00 | 2N5764 | 27.00 |
| 2N2947 | 17.25 | 2N4135 | 2.00 | 2N5841 | 11.00 |
| 2N2948 | 15.50 | 2N4427 | 1.24 | 2N5842/MM1607 | 19.50 |
| 2N2949 | 3.90 | 2N4470 | 20.00 | 2N5849/MM1622 | 19.50 |
| 2N2950 | 5.00 | 2N4440 | 8.60 | 2N5852 | 50.00 |
| 2N3287 | 4.30 | 2N4957 | 6.30 | 2N5942 | 49.50 |
| 2N3300 | 1.05 | 2N5070 | 13.80 | 2N5922 | 10.00 |
| 2N3302 | 1.05 | 2N5090 | 6.90 | 2N6080 | 5.45 |
| 2N3307 | 10.50 | 2N5108 | 3.90 | 2N6081 | 8.60 |
| 2N3309 | 3.90 | 2N5109 | 1.55 | 2N6082 | 11.25 |
| 2N3375/MM3375 | 7.00 | 2N5177/MRF5177 | 20.00 | 2N6083 | 12.95 |
| 2N3553 | 1.80 | 2N5179 | .68 | 2N6084 | 14.95 |
| 2N3571 | 4.10 | 2N5180 | .83 | 2N6094 | 5.75 |
| 2N3818 | 6.00 | 2N5184 | | 2N6095 | 10.35 |
| 2N3824 | 3.20 | 2N5216 | 47.50 | 2N6096 | 19.35 |
| 2N3866 | 1.09 | 2N5583 | 5.60 | 2N6097 | 28.00 |
| 2N3866 JAN | 4.14 | 2N5589 | 4.60 | 2N6166 | 85.00 |

TRANSFORMERS

| | | |
|--------------|----------------------------|------|
| F-21A | 6.3vct at 10 amps | 5.77 |
| F-18X | 6.3vct at 6 amps | 3.56 |
| F-93X | 6.5v to 40v at 750 ma. | 3.53 |
| F-92A | 6.5v to 40v at 1 amp | 4.59 |
| F-91X | 6.5v to 40v at 300 ma. | 2.72 |
| N-51X | Isolation 115vac at 35va. | 2.80 |
| Model D-2 | 6.5v at 3.3 amps | 4.95 |
| | 6.5v at 3.3 amps | |
| C-912-034 | 22vct at 200 ma. | |
| | 11v at 250 ma. | 1.49 |
| BE-12433-001 | 30v at 15 ma. | .49 |
| C-404-024 | 18vct at 400 ma. | 1.49 |
| BGH-9 | 6.3vct at 10 amps | |
| | 115 vac at 100va Isolation | 6.95 |
| F-107Z | 12V @ 4A or 24 V @ 2A | 7.80 |

Erie High Voltage Power Supply

TSK-209-000
Input 24vac
output #1 100 vdc — 12.95
#2 400 vdc +
#3 15000 vdc
Size: 3 1/2" x 2" x 2 3/4"
This power supply was used in a CRT Terminals

DIODES

1N270 Germanium Diodes \$7.95/c
HEP170, 2.5A, 1000 PIV \$4.95/20
Semtech SFMS 20K, 20KV, 10 ma, fast recovery \$1.26 ea.

METERS

General Electric DC Volts 0-80 vdc Catalogue #50-152011 10.44

RF TRANSISTORS

| | | | | | |
|---------------|-------|------------------|-------|------------|-------|
| MRF207 | 2.00 | Kertron KB6008 | 5.50 | MM3002 | 1.65 |
| MRF208 | 10.20 | Amperex BLY90 | 22.50 | MM3009 | 1.80 |
| MRF209 | 12.35 | Amperex A209 | 8.60 | MM3375 | 7.00 |
| MRF237 | 1.85 | MSC 2001 | 20.00 | MM3904 | 1.50 |
| MRF238 | 8.55 | MSC 3000 | 20.00 | MM3906 | 1.43 |
| MRF450 | 16.55 | MSC 3001 | 20.00 | MM4000 | 1.24 |
| MRF453 | 19.55 | MSC 3005 | 20.00 | MM4001 | 1.39 |
| MRF504 | 6.75 | MSC 80205 | 20.00 | MM4003 | 1.85 |
| MRF509 | 5.50 | MSC 80206 | 20.00 | MM4036 | 1.60 |
| MRF511 | 8.60 | MSC 80255 | 20.00 | MM4044 | 3.00 |
| MRF620 | 27.00 | Fairchild SE7056 | 3.00 | MM4545 | 3.00 |
| MRF621 | 30.50 | MM1051 | 2.00 | MM8006 | 2.15 |
| MRF8004 | 1.90 | MM1500 | 32.20 | MM1552 | 50.00 |
| HEPS3013/75 | 2.95 | MM1550 | 10.00 | MM1553 | 56.50 |
| HEPS3014/76 | 4.95 | MM1601 | 5.50 | HEPS5026 | 2.48 |
| HEPS3002 | 11.03 | MM1602 | 7.50 | MSC 80256 | 20.00 |
| HEPS3003 | 29.88 | MM1607/2N5842 | 8.65 | CTC D1-28 | 20.00 |
| HEPS3005 | 9.55 | MM1614 | 2.75 | CTC D10-28 | 20.00 |
| HEPS3006 | 19.90 | MM1620 | 17.50 | CTC E1-28 | 20.00 |
| HEPS3007 | 24.95 | MM1622/2N5849 | 19.50 | | |
| HEPS3008 | 2.18 | MM1661 | 15.00 | | |
| HEPS3010 | 11.34 | MM1669 | 17.50 | | |
| RCA T47994 | 50.00 | MM1943 | 3.00 | | |
| RCA 40290 | 2.48 | MM2605 | 3.00 | | |
| Kertron K2126 | 5.50 | MM2608 | 5.00 | | |

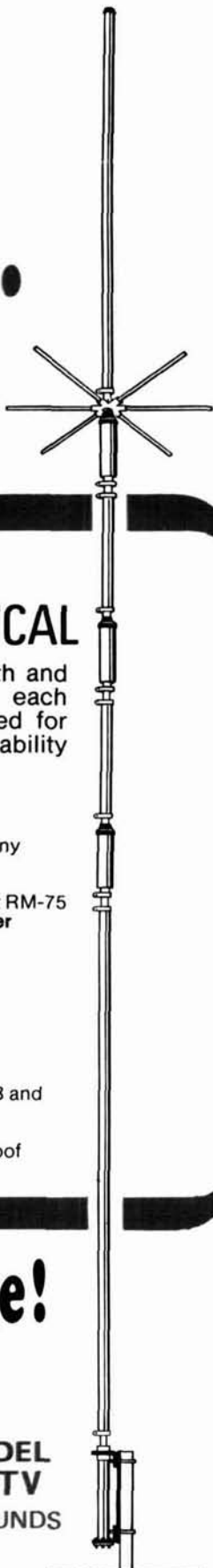
MHz electronics

2543 N. 32nd STREET
PHOENIX, ARIZONA 85008
PH. 602-957-0786

C.O.D.
OR



if the 4-BTV weighs 39% more... what do others leave out?



HUSTLER FIXED STATION FOUR BAND VERTICAL

The 4-BTV is longer for greater aperture, larger in diameter for strength and bandwidth, heavier traps for precision and safety factor. Individually, each subassembly weighs more to collectively give you an antenna designed for convenience of assembly and installation, a wide margin in mechanical stability and far superior electrical performance.

- **Lowest SWR**—PLUS!
 - Bandwidth at its **broadest!** SWR 1.6 to 1 or better at band edges.
 - Hustler exclusive trap covers "**Spritz**" extruded to otherwise unattainable close tolerances assuring accurate and permanent trap resonance.
 - Solid one inch **fiberglass trap forms** for optimum electrical and mechanical stability.
 - Extra heavy duty aluminum mounting bracket with **low loss—high strength** insulators.
 - All sections **1 1/4" heavy wall**, high strength aluminum. Length 21'5".
 - **Stainless steel clamps** permitting adjustment
- without damage to the aluminum tubing.
- Guaranteed to be **easiest assembly** of any multi-band vertical.
- Antenna has **3/8"-24 stud** at top to accept RM-75 or RM-75-S Hustler resonator for **75 meter operation** when desired.
- Top loading on 75 meters for broader bandwidth and **higher radiation efficiency!**
- Feed with **any length** 50 ohm coax.
- Power capability—**full legal limit** on SSB and CW.
- Ground mount with or without radials; roof mount with radials.

one setting for total band coverage! 40 THROUGH 10 METERS

HUSTLER ANTENNA PRODUCTS—for sixteen years—original designs—created and manufactured by American ingenuity, labor and materials—used by communicators throughout the world.

Hustler designs are patented under one or more of the following assigned to New-Tronics Corporation: 3287732, 3513472, 3419869, 3873985, 3327311, 3599214, 3582951

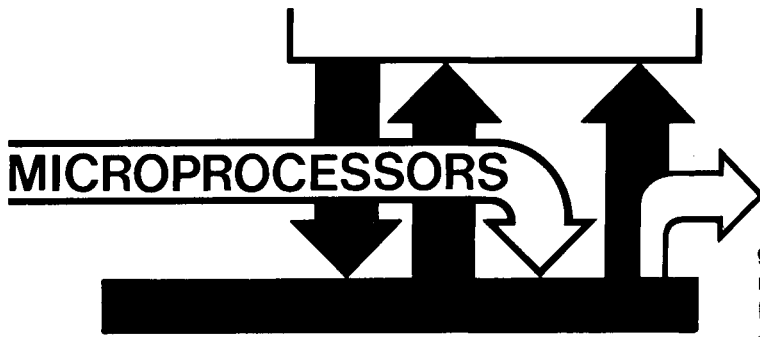
HUSTLER

Available from all distributors
who recognize the best!

**MODEL
4-BTV
15 POUNDS**

new-tronics corporation

15800 commerce park drive,
brook park, ohio 44142
Exporter: Roburn Agencies, Inc., New York, N. Y.

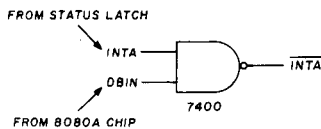


microcomputer interfacing: the vectored interrupt

This month we continue our discussion of computer interrupts, with emphasis upon the vector-interrupt hardware and software associated with the 8080A microprocessor chip. The three signals that are used in vector-interrupt circuits include INT (input pin 14 on the 8080A chip), INTE (output pin 16), and \overline{INTA} which is not available on the 8080A chip but derived with external logic.

A positive clock pulse, from an interrupting device, supplies a logic 1 to the INT (*interrupt request*) input. This pulse generates an interrupt request which the CPU recognizes either at the end of the current instruction being executed or while the CPU is in the halt state. The

fig. 1. The \overline{INTA} control signal is generated from the DBIN and INTA control signals, only one of which is available on the 8080A chip.



INTE, *interrupt enable*, output pin indicates the logic state of the interrupt-enable flip-flop within the 8080A chip. This internal flip-flop can be set (enabled) or cleared (disabled) with the aid of the 8080A microcomputer instructions:

- 363 DI Disable interrupt flip-flop
- 373 EI Enable interrupt flip-flop

When cleared, the interrupt-enable flip-flop inhibits interrupts from being accepted by the CPU. The flip-flop is automatically cleared when an interrupt is accepted, and also by the RESET input signal applied at pin 12 of the 8080A chip.

The \overline{INTA} or *interrupt acknowledge* control signal is

By David G. Larsen, WB4HYJ, Peter R. Rony, and Jonathan Titus

Mr. Larsen, Department of Chemistry, and Dr. Rony, Department of Chemical Engineering, are with the Virginia Polytechnic Institute and State University, Blacksburg, Virginia. Mr. Jonathan Titus is President of Tychon, Inc., Blacksburg, Virginia.

generated by applying the INTA and DBIN control signals to a two-input NAND gate (fig. 1). A logic 1 at DBIN, *data bus in*, (pin 17 on the 8080A chip) indicates to external devices that the data bus is in the input mode. INTA is a positive clock pulse that is generated as a status output with the aid of a latch connected to the 8080A microprocessor chip.^{1,2} We shall talk about the

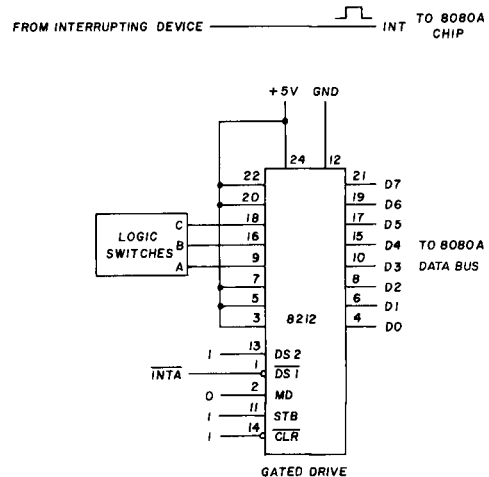


fig. 2. Interface circuit for the jamming of a single-byte instruction into the instruction register of an 8080A microprocessor chip.

status latch in a subsequent column. The interesting aspect of the \overline{INTA} control signal is that it permits you to "jam" an interrupt-vector instruction byte directly into the instruction register in the 8080A chip. This can only be done during an interrupt, but nevertheless it is a unique and highly interesting operation that is possible with the 8080A microprocessor.

A simple circuit that demonstrates how a single-byte instruction can be jammed into the instruction register is shown in fig. 2. Assuming that the interrupt-enable flip-flop has been previously enabled by the instruction, 373,

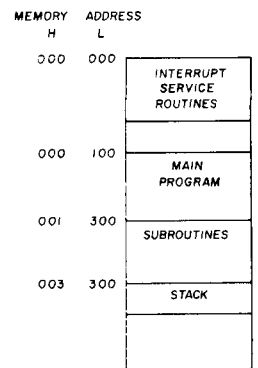
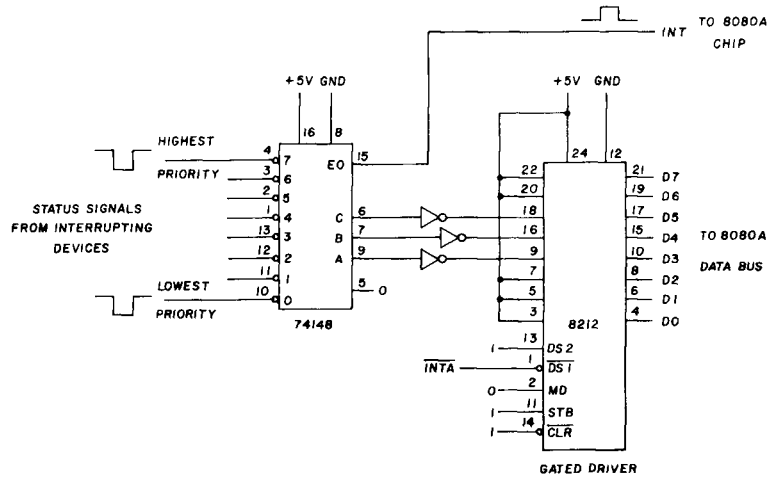


fig. 3. Possible memory map for 8080A microcomputers.

fig. 4. Priority interrupt encoding scheme for an 8080A microcomputer.



the interrupting device must supply a logic 1 input at INT in order to generate an interrupt request. The microcomputer finishes the current instruction and then generates the interrupt acknowledge signal, \overline{INTA} , which jams the desired vector instruction byte on the data bus and into the instruction register. Although any instruction byte can be jammed into the instruction register during an interrupt, usually the following eight instructions produce a useful result:

- 307 RST 0 Call the subroutine that starts at HI = 000 and LO = 000
- 317 RST 1 Call the subroutine that starts at HI = 000 and LO = 010
- 327 RST 2 Call the subroutine that starts at HI = 000 and LO = 020
- 337 RST 3 Call the subroutine that starts at HI = 000 and LO = 030
- 347 RST 4 Call the subroutine that starts at HI = 000 and LO = 040
- 357 RST 5 Call the subroutine that starts at HI = 000 and LO = 050
- 367 RST 6 Call the subroutine that starts at HI = 000 and LO = 060
- 377 RST 7 Call the subroutine that starts at HI = 000 and LO = 070

Thus, the first sixty-four memory locations are reserved for *interrupt service routines* or *pointers*, extremely short programs, often consisting of only a single jump instruction. They tell the microcomputer what to do or where to go for a specified interrupt condition. Such routines precede the main program and associated subroutines in memory (fig. 3). If interrupts or restart instructions are not used, this portion of memory does not have any special significance.

Fig. 4 is probably the simplest priority-encoder interrupt circuit that can be used with an 8080A microcomputer. The Intel 8212 chip is used as an 8-bit three-

state buffer that inputs the instruction byte into the instruction register. The 74148 8-line to 3-line priority-encoder chip has the following truth table:

| inputs | | | | | | | | outputs | | | |
|--------|---|---|---|---|---|---|---|---------|---|---|----|
| 0 | 1 | 2 | 3 | 4 | 5 | 6 | 7 | C | B | A | EO |
| X | X | X | X | X | X | X | 0 | 0 | 0 | 0 | 1 |
| X | X | X | X | X | X | 0 | 1 | 0 | 0 | 1 | 1 |
| X | X | X | X | X | 0 | 1 | 1 | 0 | 1 | 0 | 1 |
| X | X | X | X | 0 | 1 | 1 | 1 | 0 | 1 | 1 | 1 |
| X | X | X | 0 | 1 | 1 | 1 | 1 | 1 | 0 | 0 | 1 |
| X | X | 0 | 1 | 1 | 1 | 1 | 1 | 1 | 0 | 1 | 1 |
| X | 0 | 1 | 1 | 1 | 1 | 1 | 1 | 1 | 1 | 0 | 1 |
| 0 | 1 | 1 | 1 | 1 | 1 | 1 | 1 | 1 | 1 | 1 | 1 |
| 1 | 1 | 1 | 1 | 1 | 1 | 1 | 1 | 1 | 1 | 1 | 0 |

The letter X means that the logic state is irrelevant.

The purpose of the circuit of fig. 4 is to input the restart instruction, 3Y7, into the microcomputer. Five of the eight inputs to the 8212 chip are tied to a logic 1 state. The remaining three bits supply the encoded-vector address of the restart subroutine. By virtue of its truth table, the 74148 priority encoder chip provides eight priority levels. The inputs to this chip should be latched. The chip provides the three-bit binary output that corresponds to the highest valued priority input which is at logic 0 state. The inverters supply the three-bit Y component of the restart instruction. If there is a logic 0 at any of the inputs to the 74148 chip, a logic 1 output will be generated at the EO output (pin 15). This output serves as the input to the interrupt request pin, INT, on the 8080A chip. Upon receiving an interrupt request, the microcomputer responds with an interrupt acknowledge output, \overline{INTA} , that strobes the selected highest priority restart instruction into the instruction register.

references

1. Intel Corporation, *Intel 8080 Microcomputer Systems User's Manual*, Intel Corporation, Santa Clara, California, September 1975.
2. David Larsen, Peter Rony and Jonathan Titus, *Bugbook III, Microcomputer Interfacing Experiments Using the Mark 80^R Microcomputer, an 8080 System*, (E & L Instruments, Inc., Derby, Connecticut, 1975, \$14.95 from Ham Radio Books, Greenville, New Hampshire 03048).

ham radio

Reprinted with permission from *American Laboratory*, August, 1976, copyright © International Scientific Communications, Inc., Fairfield, Connecticut, 1976.

you've heard about it

you've read about it

now you can see it - because

it's here!

HAM RADIO's exciting new Amateur Radio Magazine that everyone has been waiting for. Dedicated to the Beginner and Novice, but written in such a way that it will be enjoyed by all Amateurs and would-be Amateurs, both old and new.

Ham Radio HORIZONS stresses the FUN of Amateur Radio — It also tells you how to get started in this most fascinating of all hobbies. Easy to read and understand. Easy to like. The magazine written with you in mind.



HAM RADIO HORIZONS

WHAT SHOULD MY FIRST STATION BE LIKE? HOW CAN I WIN AWARDS? WHAT IS DX ALL ABOUT? HOW CAN I UPGRADE MY LICENSE? YOU'LL FIND THE ANSWERS TO ALL THESE QUESTIONS AND MANY, MANY MORE.

January 15 is the last date that we can guarantee that you'll have a complete collection of Ham Radio HORIZONS. Don't be left out! Act today!

To: Ham Radio HORIZONS
Greenville, NH 03048

Please sign me up for a one year (12 issue) subscription to Ham Radio HORIZONS.

- Enclosed is check or money order for \$10.00.
- Please charge my BankAmericard.
- Please charge my MasterCharge Account.

Card No. _____

Expiration date _____

Bank No. (M/C only) _____

Use your card or pay now and get an extra issue free.

- Bill me later.

Name: _____

Address: _____

City: _____

State: _____ Zip: _____

Call toll-free 800-647-8660 for products by MFJ ENTERPRISES

400% MORE RF POWER PLUGS BETWEEN YOUR MICROPHONE AND TRANSMITTER



\$ 49⁹⁵



\$ 59⁹⁵

LSP-520BX. 30 db dynamic range IC log amp and 3 active filters give clean audio. RF protected. 9 V battery. 3 conductor, 1/4" phone jacks for input and output. 2-3/16 x 3-1/4 x 4 inches.

LSP-520BX II. Same as LSP-520BX but in a beautiful 2-1/8 x 3-5/8 x 5-9/16 inch Ten-Tec enclosure with uncommitted 4 pin Mic jack, output cable, rotary function switch.

SUPER LOGARITHMIC SPEECH PROCESSOR

Up To 400% More RF Power is yours with this plug-in unit. Simply plug the MFJ Super Logarithmic Speech Processor between your microphone and transmitter and your voice is suddenly transformed from a whisper to a **Dynamic Output.**

Your signal is full of punch with power to slice through QRM and you go from barely readable to "solid copy OM".



\$ 27⁹⁵

CWF-2BX Super CW Filter

By far the leader. Over 5000 in use. Razor sharp selectivity. 80 Hz bandwidth, extremely steep skirts. No ringing. Plugs between receiver and phones or connect between audio stage for speaker operation.

- Selectable BW: 80, 110, 180 Hz • 60 dB down one octave from center freq. of 750 Hz for 80 Hz BW
- Reduces noise 15 dB • 9 V battery
- 2-3/16 x 3-1/4 x 4 in. • CWF-2PC, wired PC board, \$18.95 • CWF-2PCK, kit PC board \$15.95



\$ 49⁹⁵

CMOS-8043 Electronic Keyer

State of the art design uses CURTIS-8043 Keyer-on-a-chip.

- Built-in Key • Dot memory • Iambic operation with external squeeze key • 8 to 50 WPM
- Sidetone and speaker • Speed, volume, tone, weight controls • Ultra reliable solid state keying +300 volts max. • 4 position switch for TUNE, OFF, ON, SIDETONE OFF
- Uses 4 penlight cells • 2-3/16 x 3-1/4 x 4 inches



\$ 39⁹⁵

NEW

MFJ-16010 Antenna Tuner

Now you can operate all band — 160 thru 10 Meters — with a single random wire and run your full transmitter power output — up to 200 watts RF power OUTPUT.

- Small enough to carry in your hip pocket, 2-3/16 x 3-1/4 x 4 inches • Matches low and high impedances by interchanging input and output
- SO-239 coaxial connectors • Unique wide range, high performance, 12 position tapped inductor. Uses two stacked toroid cores



\$ 29⁹⁵

SBF-2BX SSB Filter

Dramatically improves readability.

- Optimizes your audio to reduce sideband splatter, remove low and high pitched QRM, hiss, static crashes, background noise, 60 and 120 Hz hum
- Reduces fatigue during contest, DX, and ragchewing • Plugs between phones and receiver or connect between audio stage for speaker operation
- Selectable bandwidth IC active audio filter • Uses 9 volt battery • 2-3/16 x 3-1/4 x 4 inches



\$ 27⁹⁵

MFJ-200BX Frequency Standard

Provides strong, precise markers every 100, 50, or 25 KHz well into VHF region.

- Exclusive circuitry suppresses all unwanted markers • Markers are gated for positive identification. CMOS IC's with transistor output.
- No direct connection necessary • Uses 9 volt battery • Adjustable trimmer for zero beating to WWV • Switch selects 100, 50, 25 KHz or OFF
- 2-3/16 x 3-1/4 x 4 inches



\$ 49⁹⁵

MFJ-1030BX Receiver Preselector

Clearly copy weak unreadable signals (increases signal 3 to 5 "S" units).

- More than 20 dB low noise gain • Separate input and output tuning controls give maximum gain and RF selectivity to significantly reject out-of-band signals and reduce image responses
- Dual gate MOS FET for low noise, strong signal handling abilities • Completely stable • Optimized for 10 thru 30 MHz • 9 V battery
- 2-1/8 x 3-5/8 x 5-9/16 inches



\$ 27⁹⁵

MFJ-40T QRP Transmitter

Work the world with 5 watts on 40 Meter CW.

- No tuning • Matches 50 ohm load • Clean output with low harmonic content • Power amplifier transistor protected against burnout
- Switch selects 3 crystals or VFO input • 12 VDC • 2-3/16 x 3-1/4 x 4 inches

MFJ-40V, Companion VFO \$27.95

MFJ-12DC, IC Regulated Power Supply,

1 amp, 12 VDC \$27.95



\$ 15⁹⁵

NEW

CPO-555 Code Oscillator

For the Newcomer to learn the Morse code.

For the Old Timer to polish his fist.

For the Code Instructor to teach his classes.

- Send crisp clear code with plenty of volume for classroom use • Self contained speaker, volume, tone controls, aluminum cabinet • 9 V battery
- Top quality U.S. construction • Uses 555 IC timer • 2-3/16 x 3-1/4 x 4 inches

TK-555, Optional Telegraph Key \$1.95

OUR OFFER TO YOU

Dear Fellow Ham,

Try any MFJ products and if you are not completely satisfied, return it within 30 days for a full prompt refund (less shipping). Call us today toll free 800-647-8660 and charge your BankAmericard or Master Charge, or mail your order in today with your check or money order (or use your BAC or MC). Please add \$2.00 for shipping and handling.

rush.

73, Martin F. Jue, K5FLU

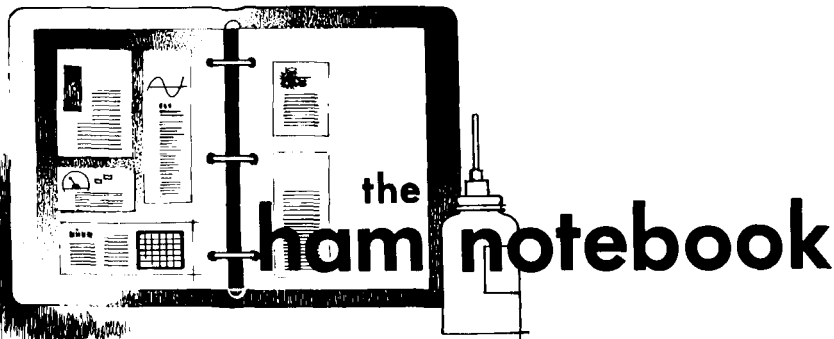
ORDER TODAY. MONEY BACK IF NOT DELIGHTED. ONE YEAR UNCONDITIONAL GUARANTEE.

Order By Mail or Call TOLL FREE 800-647-8660 and Charge It On



MFJ ENTERPRISES

P. O. BOX 494
MISSISSIPPI STATE, MISSISSIPPI 39762



WWV on the Heath SB-102

The SB-102 (and others of the Heath series) may be used to copy WWV on 5, 10, or 15 MHz by using the plug-in heterodyne crystal modification.¹ The bandswitch position and frequency of the heterodyne crystal depend upon the WWV frequency to be monitored. For instance, I use a junk-box crystal with a marked frequency of 8.001 MHz in conjunction with a homebrewed remote vfo operating above 5.6 MHz. This permits me to copy 15 MHz WWV while on the 14 MHz bandswitch position with the crystal tripling. Some crystals I tried would not oscillate properly on their third or fourth overtone in the SB-102 circuit (most did) and if a specific frequency is desired, a proper crystal should be purchased. However, the crystal available in your junk box should at least be given a trial.

Some combinations of crystal/LMO/-WWV frequencies in the 3.5 MHz bandswitch position are shown in table 1.

table 1. crystal frequency chart for copying WWV on the Heath SB-102.

| band | WWV frequency | injection frequency (upper/lower limits) (MHz) |
|------|---------------|--|
| 3.5 | 5.0 | 13.3936 to 13.8964 |
| 7.0 | 10.0 | 18.3936 to 18.8964 |
| 14.0 | 15.0 | 23.3936 to 23.8964 |
| 21.0 | 20.0 | 28.3964 to 28.8964 |

1. Injection frequency = LMO + WWV + 3.3964 (for compatible usb/CW)

2. Injection frequency = LMO + WWV + 3.3936 (for lsb)

This, in conjunction with the formulae, should be sufficient to calculate the needed/desired heterodyne crystal frequency. Remember, the LMO is at its lowest frequency (5.0 MHz) at the upper band edge and vice-versa; it

always tunes backwards. As shown in table 1, for WWV at 5 MHz any crystal between 13.3936 and 13.8964 MHz will permit copy at some point between 3.5 and 4.0 MHz. Since the LMO actually tunes a little above and below the 5.0-5.5 MHz range, some margin is provided in case of error or crystal tolerance.

HC-6/U or HC-17/U crystals should be used. FT-243 types won't work. Also, the frequency of the heterodyne crystal should be reasonably close to that of the heterodyne crystal normally in use on the band in question. Check the SB-102 manual for other crystal information.

Paul K. Pagel, K1KXA

TVI cure for the Kenwood TS-520

A couple of local amateurs were having TVI problems on channel 5 (New York) on two separate cable television systems. On other channels, with an outside antenna, there was also some TVI, but not as bad. I was asked to take a look at the problem and to recommend a solution. From the first, it looked like harmonic interference and not fundamental overload. Initially, I thought that rf from the Kenwood was getting into the ac line via the chassis and ac line cord, but after some filtering, additional bypassing and shielding on the chassis, I concluded that the problem was not there, since these measures did not help appreciably.

Next, I checked neutralization of the 2001A final amplifier tubes, but found them rock-solid from 80 through 10 meters.

Finally, I looked inside the final rf amplifier compartment and discovered the problem. I discovered that the final plate tuning capacitor had only one

supporting plate and that the stator and rotor plates are unsupported at the front end. The rotor is grounded to the chassis by a three-legged spring clip that helps to hold the rotor in line. The rotor shaft is attached to a fiber shaft by a flexible coupling, and the fiber shaft exits the final amplifier compartment through a metal sleeve or collar.

Harmonic rf energy is radiated through the sleeve, flows over the outside of the compartment, and thence to the ac line. I also noticed that the fiber shaft is attached to a metal shaft by a small pin, and that the metal shaft makes a dandy little antenna to radiate the unwanted harmonic.

To cure the problem in your TS-520, proceed in the following manner:

1. Remove the three screws that hold the plate tuning capacitor to the wall of the final amplifier compartment.

2. Make a cover of thin sheet aluminum large enough to cover the three screw holes so it can be fastened to the compartment wall.

3. Clean the area of contact so that it makes a good rf-tight joint and drill a hole in the aluminum plate just large enough to pass the shaft of the variable capacitor. File a small notch in the aluminum at the edge of the drilled hole to pass a grounding wire (this wire will be soldered to the above-mentioned sleeve).

4. Scrape the sleeve where the wire will be soldered to it, for a solid joint, and solder one end of a short length of wire to it.

5. Disconnect the flexible coupling from the shaft of the variable capacitor.

6. Immediately behind the front panel of the TS-520 where the variable tuning capacitor shaft passes through, locate a locking spring clip; loosen the bolt and pull the shaft out an inch or so, so that you can slip the aluminum plate over the shaft and the wire soldered to the sleeve.

7. Replace the screws in the capacitor mounting plate and place a solder lug at the upper right-hand screw (looking from the front of the rig back at the plate). Tighten the screws and solder the free end of the wire to the lug.

You will also notice a white wire passing through a rather large hole in one wall of the compartment. Try to fashion the aluminum cover plate in such a way as to cover this hole, leaving room only for the wire.

The "fix" described here will remove interference from the picture carrier, but will not solve the sound carrier interference. To get rid of the latter, proceed as follows:

1. Buy, beg or steal a sheet of perforated aluminum of the kind that has small holes and is available at most hardware stores. Do not get the slotted variety!

2. Cut a piece of this screening material large enough to cover the slots in the rf final amplifier compartment. A piece about 4½x5 inches (11.4x12.7cm) should do the trick. The slots are to permit the blower to pull cooling air through the compartment, and the screen cover you install will not appreciably alter this flow of cooling air. At the screw holes, brush the compartment, walls and the aluminum screening to make a good rf-tight contact.

3. Mount the "shield" made in this manner to the side of the rf amplifier compartment with sheet metal screws or other hardware.

4. On top of the rf amplifier compartment, fit a small piece of screening material just large enough to cover the two holes, and attach it by means of the screw that is close by.

5. The bottom of the TS-520 cabinet has a series of various-sized holes used to pass alignment tools for tuning the different circuits. These also pass rf and should be covered for a complete shielding job.

6. Remove the four feet and the center screw from the cabinet and cut a piece of aluminum screen large enough to cover all of the "tuning" holes and fasten it in place on the inside cabinet floor with the center screw and the four feet.

After completing these operations, the only way rf can escape the transmitter is through the center conductor of the coaxial cable — just where you want it!

I verified the TVI cure by running

the transmitter and an SB-220 at full rated output next to an old TV set that had a barely discernible picture and poor sound. Oh yes, by the way, I used an open-wire feed line to my antenna. No interference on any channel! Needless to say, my amateur buddies, the cable company and the subscribers are very happy; because when you get into the cable you get into the city!

Stacky Stackhouse, W3FUN

simple tune-up for Drake gear

I have found a very simple method of tuning my Drake T4XB, R4B transmitter-receiver combination that certainly will work with other models of the T4 and R4, and may even work with other equipment. The advantage of my tuning method is that it takes less time, it is easier on the final amplifier tubes and little or no carrier appears on the operating frequency during 95% of the procedure. Here's how it is done:

1. Set the receiver to the desired operating frequency.
2. Set the transmitter for CW mode operation, place the transceive switch in the "spot" position and tune the transmitter vfo until the spot signal is heard in the receiver. The transmitter "gain" control may have to be advanced slightly, perhaps even one-quarter turn, to obtain enough signal to be useful.
3. Now, using the receiver's S meter, tune both the transmitter and receiver preselectors for maximum S meter reading.
4. While watching the S meter, vary both the transmitter "plate" and "load" tuning controls for maximum signal,

and repeat this step until no further signal increase is possible.

5. Turn the transceive switch to "separate" (with either receiver or transmitter controlling the frequency, as desired) and finish the tune-up according to the instruction book.

J. L. Kofron, W7DIM

etch tank

If you etch printed circuit boards regularly, the professionally styled etch tank shown in fig. 1 works very well. It features an aerator that allows you to bubble air from a fish tank pump through the holes in aerator. This speeds up the etching process.

The basic material for the tank is 1/8 inch (13mm) plexiglass. Needless to say, the joints must be water tight.

Gary L. Tater, W3HUC

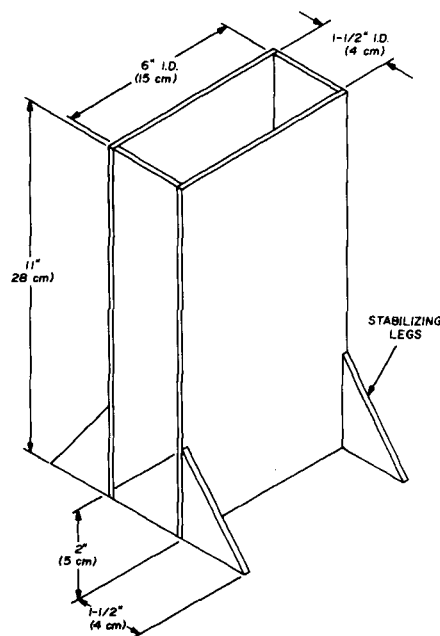
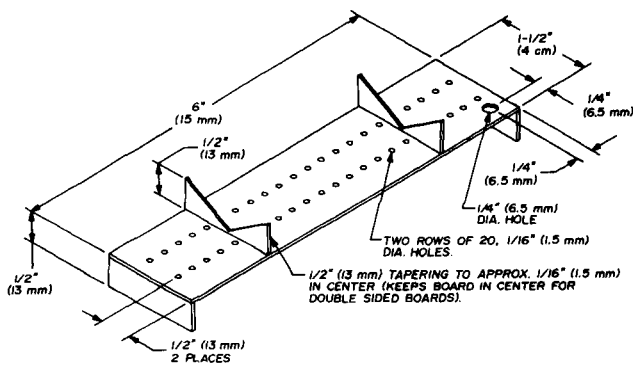
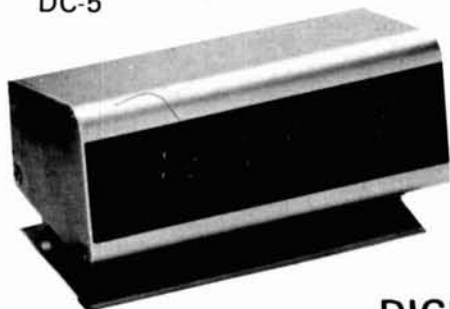


fig. 1. Professionally styled etch tank for printed-circuit boards uses aeration to speed up the etching process. Aerator sits on bottom of the tank; air is furnished by a fish tank type air pump. All material is 1/8" (13mm) plexiglass or lucite. All joints must be water tight.



NEW-NEW-NEW

DC-5



SIMPLIFIED VERSION

- easier assembly
- bigger digits
- 50% less soldering

6 DIGIT - 12/24 HOUR

DIGITAL CLOCK KIT \$22.95

The best looking clock on the market is now easier to build! New features too - push-buttons to set time, larger .4" high readouts and super detailed instructions. The DC-5 comes complete with extruded aluminum case available in 5 colors, line cord transformer, quality PC boards and Polaroid lens filter. Colors available: gold, bronze, blue, silver, black (specify).

Mobile Version, .01% accuracy, 12 V dc \$25.95
 Alarm Version, 12 hr. only \$24.95
 Time base kit, use with any 60 Hz clock \$4.95

LOW COST CLOCK \$10⁹⁵

12/24 HOUR 6 DIGIT
 LARGE .4" DIGITS

DC-4

DC-4 includes all parts and switches, does not include PC board, case or transformer. DC-4 will not fit in case as shown above. Case size required, 3" x 5" x 4".

PC Board, drilled and etched, 3" x 4" \$2.95
 Transformer, line cord type, 12 V ac 1.98
 Transformer, lug mount type, 12 V ac 1.49

30 WATT

2 Meter Power Amp

The famous RE class C power amp now available mail order! Four Watts in for 30 Watts out, 2 in for 15 out, 1 in for 8 out. Incredible value, complete with all parts, instructions and details on T-R relay. Fully stable, output short proof, infinite VSWR protected! Case not included.
Complete Kit \$22.95

600 MHz PRESCALER

\$44.95 KIT
 assembled .. \$59.95

Extend the range of your counter to 600 MHz. Works with most any counter. Available kit or assembled and tested. Specify $\div 10$ or $\div 100$ with order.



741 OP-AMP SPECIAL 10 for \$2.00

Take advantage of a special one time deal on factory prime mini-dip op-amps. These were house numbered for Xerox Corp., but also have the 741 number printed on them. This is the LOWEST price in the USA!

FERRITE BEADS with info and specs 15/\$1.00
 6 Hole Balun Beads 5/\$1.00

SLIDE-POT - 10k linear taper 4/\$1.00

1000uf 15V FILTER CAP 5/\$1.00

1000V, 2.5A DIODE 5/\$1.00

IC SOCKETS

| | |
|------------------|----------|
| 14 PIN25 | 50/10.00 |
| 16 PIN30 | 50/12.50 |
| 24 PIN50 | 10/ 4.50 |
| 40 PIN75 | 10/ 7.00 |

MINI-KITS



FM Wireless Mike Kit \$2.95

Transmit up to 300' to any FM broadcast radio. Sensitive mike input requires crystal ceramic or dynamic mike. Runs on 3 to 9 V.

LED BLINKY KIT

A great attention getter which alternately flashes 2 Jumbo LEDs. Use for name badges, buttons, or warning type panel lights. Runs on 3 to 9 volts.
Complete Kit \$2.95

SIREN KIT \$2.95

2 0 0 m W audio output. 3-6V operation. Uses 3-45 Ohm speaker.



TONE DECODER KIT

A complete tone decoder on a single pc board. Features - 400 to 5000 Hz adjustable frequency range, voltage regulation, 567 IC. Useful for Touchtone decoding, tone burst detection, FSK demod, signaling, etc. Use 7 units for 12 button touchtone decoding.

Complete Kit, TD-1 \$4.95

POWER SUPPLY KIT ± 15 V, +5 V

A complete bench supply! Dual tracking regulator provides adjustable ± 6 to 15 Volts at 100 mA, while a stable 3 terminal regulator produces 5 V at 1 Amp. Novel 2 transformer design permits 110/220 V operation. Complete with all parts except case and cord.
PS-3 Power Supply Kit \$14.95

DECADE COUNTER

PARTS KIT

INCLUDES ● 7490A decade counter
 ● 7475 latch
 ● 7447 LED driver
 ● LED readout
 ● Current limit resistors

\$3.50

Complete with instruction and details on how to build an easy, low cost freq. counter.

INTEGRATED CIRCUITS

| | |
|------------------|-------------------|
| LM567 1.75 | MC145875 |
| LM56575 | MC4024 1.95 |
| 55550 | 7410735 |
| 55685 | 74143 3.50 |
| 7490A59 | 780599 |
| 744785 | 309K 1.19 |

ramsey electronics

SEND 25¢ FOR CATALOGUE
 FREE WITH ORDER

Satisfaction guaranteed or money refunded, COD, add \$1.00. Orders under \$10.00 add \$.75. NY residents add 7% tax.



P.O. Box 4072A, Rochester NY 14610 (716) 271-6487



New! SOTA "STATE - OF - THE - ART" SSB TRANSCEIVERS

\$395⁰⁰

MADE IN U.S.A.
SIZE: 3½ x 7 x 8½

MOBILE MONOBANDERS

| | | |
|-----------|-------------------|-----|
| MODEL 160 | 1.8 – 2.0 MHz. | LSB |
| MODEL 80 | 3.5 – 4.0 MHz. | LSB |
| MODEL 40 | 7.0 – 7.3 MHz. | LSB |
| MODEL 20 | 14.0 – 14.35 MHz. | USB |

COMPLETELY SOLID STATE • Mosfet mixers for excellent I.M. and cross modulation performance. J-Fet oscillators for stability. I.C.'s used in digital frequency counter, balanced modulator, receiver I.F. amplifier, and audio output for functional simplicity. No relays.

DIGITAL DIAL • Frequency can be read at a glance. 0.3 inch L.E.D. displays are easily visible. Frequency counter offers 100 Hz. accuracy.

SPEECH COMPRESSOR • Increases average output power approximately 6 db. Level set by mic control.

NOISE BLANKER • Noise pulses are blanked ahead of the crystal filter for optimum reduction of interference.

100 WATTS INPUT • P.E.P. or C.W. 50 watts output (minimum).

BROADBAND OUTPUT • Infinite VSWR protection. Multiple pi-section low-pass filter for minimum spurious output.

RECEIVER FRONT END DESIGN • AGC controlled pin diode R.F. attenuator for low distortion large signal handling capabilities. Triple tuned preselector offers superior R.F. selectivity.

QUALITY CONSTRUCTION • Utilizing glass epoxy P.C. boards and commercial grade components. All electrical connections soldered for reliability. P.C. boards accessible for easy servicing.

STANDARD ACCESSORIES • Mobile mounting bracket and power connector with 8 foot battery cable are supplied with unit.

WARRANTY • Full one year warranty on all parts and workmanship with exception to damage incurred by abuse. Our customer service offers one week turnaround time on repairs.

SPECIFICATIONS

GENERAL

MODES: S.S.B. and C.W. with Sidetone
POWER REQUIREMENTS: 12-14 volts D.C. negative ground only. 12 amps maximum. Reverse polarity protection.
WEIGHT: 5.4 lbs.

RECEIVER

SENSITIVITY: Less than 0.5 microvolt for 15 db. signal-plus-noise/noise ratio.
SELECTIVITY: 2.1 KHz @ -6 db., 3.8 KHz @ -60 db.
IMAGE REJECTION: Better than 60 db.
AUDIO OUTPUT: 2 Watts at less than 5% distortion into 4 ohm load.

TRANSMITTER

POWER INPUT: 100 watts P.E.P. or C.W., nominal.
POWER OUTPUT: 50 Watts P.E.P. or C.W., minimum.
OUTPUT IMPEDANCE: 52 ohms, nominal.
UNWANTED SIDEBAND: -40 db or better.
CARRIER SUPPRESSION: -60 db or better.
THIRD ORDER DISTORTION: -30 db. or better.
SPURIOUS OUTPUTS: -30 db or better.
AUDIO RESPONSE: 400 to 2,500 Hz., ± 2 db.
MIC INPUT: High impedance dynamic or crystal microphone.

EXTERNAL AMPLIFIER CONTROL: Open collector to 100 volts @ 1 amp., maximum.

OPTIONAL ACCESSORIES:

MODEL MMB-1

Plug in mobile mounting bracket making all connections to the transceiver at once, providing quick and easy installation or removal from the car. Price \$45.00

MODEL PS-1

Matching A.C. power supply with built-in speaker. Supplies 13.8 VDC regulated at 12 amps, maximum. 110/220 VAC, 50-60 Hz. Price \$125.00

ORDERING INFORMATION:

All Prices F.O.B. factory plus shipping. California residents add 6% sales tax. To order now, send a deposit (\$25.00 minimum) to secure a delivery position. Fully refundable at any time. Payment in full required prior to shipment.

SOTA Industries

308 ENCINAL STREET
SANTA CRUZ, CA. 95060
TELEPHONE: (408) 426-8161



for an extra dollar. For additional information write Kungsimport, Post Office Box 257, S43401 Kungsbacka, Sweden, or use *check-off* on page 126.

Amphenol dummy load coaxial connector

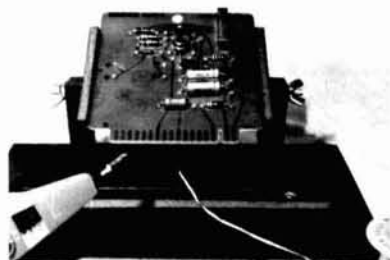
A new combined illuminated power output indicator and dummy load that provides a visual indication of low-power transmitter performance was recently introduced by Bunker Ramo RF Division.

The new device, designated Amphenol® Model 83-888, consists of a light-terminated coaxial load mounted in a modified uhf connector (PL 259-type) body. It can be used to tune your low-power transmitter for maximum output — the brighter the light, the greater the output.

Amplitude modulation can also be checked quickly, because the brilliance of the light increases and varies when someone talks into the microphone when the transmitter is functioning properly. The 83-888 can also be used to check ssb carrier balance: there will be no glow if the carrier is correctly nulled, but the light will glow with modulation.

The new power output indicator mates with standard uhf receptacles (5/8 - 24 thread). Its nominal impedance is 52 ohms, the frequency range is 0-30 MHz, power rating is 4 watts, maximum, and VSWR is 1.1:1 at 27 MHz. For additional information, contact Bunker Ramo RF Division, 33 East Franklin Street, Danbury, Connecticut 06810 or use *check-off* on page 126.

printed-circuit board holding fixture



The W.N. Wellman Company, has introduced a versatile holding fixture to facilitate PC board parts-mounting and soldering. The fixture is adjustable to

accommodate most PC board sizes and may be positioned to provide convenient and easy access to either surface of the board. The base of the holding fixture is provided with resilient feet to hold it firmly on a flat work table or bench.

The price is \$7.95 postpaid within the continental U.S. Missouri residents please add \$.25 tax. For additional information, write the W.N. Wellman Company, 451 Saline Road, Post Office Box 722, Fenton, Missouri 63026 or use *check-off* on page 126.

Larsen adds TLM trunk lid mount mobile antennas



An all-new mobile antenna mounting option has been added to the wide variety of mobile mounts available from Larsen Electronics. The TLM stands for Trunk Lid Mount, and it is available in seven different variations so that every antenna and mounting condition can be met.

This new Larsen trunk lid antenna mount follows the configuration of the popular Larsen magnetic mount, and results in a low-silhouette installation. It is finished in highly-polished chrome and is provided with a special molded gasket to protect the car finish. The mount clamps to the vehicle with stainless-steel, hollow-head screws that provide a positive ground and will not rust or "freeze" in place. The mount comes factory-assembled with 17 feet of RG58A/U coaxial cable and plug. The TLM is available with hardware to accommodate all standard antenna mounts including Motorola, ASP, GE, RCA and — of course — Larsen. It may



side swiper morse keyer



The Swedish firm, Kungsimport, has introduced its new Side Swiper, a keying lever designed by SM6CKU, for use by amateurs or commercial operators throughout the world. The Side Swiper may be used by itself to produce dots and dashes in an easy and natural manner or it may be used as a keying lever for an electronic keyer.

Easy and fun to handle, the Side Swiper requires only a few hours familiarization and provides a distinctive personal fist or the characteristic swing of an old-time operator. CW produced by the Side Swiper is easily recognizable and lacks the monotonous, mechanical-sounding CW of the electronic keyer or bug.

The Side Swiper is personally and individually hand crafted with a wood base and metal armature and contacts, and is priced at \$13.00, airmail shipment included. Your name or callsign may be engraved on the wooden base

be purchased complete with antenna, or without either antenna or mounting hardware.

For additional information, write Jim Larsen, Larsen Electronics, Box 1686, Vancouver, Washington 98663; telephone (206) 573-2722 or use *check-off* on page 126.

dual dc power supplies

Mid-Continent Communications Company recently introduced a new power supply package featuring two independent power supplies, having isolated outputs, contained within a single enclosure. The Mcc/103 power supply helps eliminate bench clutter when designing with ± 15 Vdc and is conveniently dimensioned to facilitate stacking with identical units or with other items of equipment. The wood-grained aluminum enclosure measures 2.25 inches high, 10 inches wide and 5.7 inches deep (5.7x25.4x14.5cm). A back-lighted and flush-mounted panel meter permits accurate monitoring of current and voltage for either supply with the desired functions selected by a meter mode switch.

Variable voltage and current limit controls allow easy setting of the voltage to typical values between zero and 25 volts, and the current to typical values between 10 and 250 milliamps. Since the two supplies are completely independent, it is possible to connect them in series or parallel to provide, typically, 50 volts at 250 milliamps or 25 volts at 500 milliamps. A unique feature of the Mcc103 is the provision of two LEDs (light-emitting diodes), one for each section, to indicate when the output current exceeds a preset limit point. This feature can help prevent confusion and false indications during circuit design and testing.

The Mcc103 employs two voltage regulator boards designed for excellent regulation and temperature stability. All components, including the rectifier and filter, are mounted on the printed-circuit board and the boards themselves can be lifted from the enclosure without unsoldering any wiring, permitting easy removal for maintenance and repair. Internally mounted *Thermatab* transistors are used, eliminating shock or shorting hazards. The current-limit system and the internally mounted ac

fuse provide total short circuit protection for both the power supply and the load.

Power requirements are 105 to 125 Vac at 25 watts, and the line regulation is ± 0.2 percent maximum. Load regulation is ± 0.05 volt, maximum, while ripple and noise are 1 millivolt rms,

maximum. The Mcc103 is priced at \$99.95 plus \$2.50 postage and handling. Missouri residents please add 3 percent sales tax. For additional information, write to Mid-Continent Communications Company, Box 4407, Kansas City, Missouri 64127, or use *check-off* on page 126.

TALK CLEAN

Get the most from your rig with Leader test equip't

Cleaner, sharper signals in transmit or receive. Maximum power output. The perfect impedance match for your antenna. And, radiation that can't be beat. These are just a few advantages that can be yours when you choose Leader Test Gear as your personal "performance test center". They are easy-to-use, moderately priced and absolutely basic to top flight operations. With everyone out for more and more air time you owe it to yourself to go with Leader. The results will be longer lasting contacts, better mileage and greater personal satisfaction . . . for you. Leader . . . your "performance test center".



LPM-885 SWR Watt Meter
A sensitive, in-line type power meter which measures SWR of x mission lines and power output from 1.8 to 54MHz. Facilitates adjustment of x'mitter and antenna systems for better results. May be left in circuit for continuous power output monitoring in the 1-1000W range. SWR Power Detector circuit assembly separates for remote measurements. Forward-to Reverse power ratio is used for accurate SWR readings. **\$99.95**



LAC-895 Antenna Coupler
Obtain cleaner signal reception and transmit at maximum power output with this dependable Antenna Coupler. Helps provide optimum antenna matching and virtually removes annoying TVI problems. The instrument features a built-in SWR and in-line power meter. Frequency range is: Amateur Band - 3.5, 7, 14, 21, 28MHz; input impedance - 50 Ω ; Load Impedance - 50 Ω , 75 Ω co-ax cable. **\$159.95**



LIM-870A Antenna Impedance Meter
Take your time. Adjust your antenna slowly for perfect matching. This self-contained, battery operated Impedance Meter lets you make adjustments on your roof or at the antenna by combining with the LDM-815 Dip Meter. The combination also measures linear amplifier and receiver input impedance. Compact, lightweight with 1.8 to 150MHz freq. range; 0.1K Ω direct-reading impedance range. **\$99.95**



LDM-815 Transistorized Dip Meter
Checks receiver, x'mitter and antenna in 1.5 to 250MHz range. Determines LC network resonance frequency. Helps align receivers and find parasitic oscillations. A handy instrument that combines with the LIM-870A for proper antenna matching. **\$99.95**

See your dealer or write direct.

LEADER
Instruments Corp.
Communications Division

LEADER INSTRUMENTS CORP. 151 Dupont Street Plainview, N.Y. 11803 (516) 822-9300

DuPage FM

WILL NOT BE UNDERSOLD!

SET YOUR OWN PRICE IN OUR AUCTION SPECIAL

In order to pass on the greatest possible savings we are running this unique AUCTION.

To be part of this AUCTION simply:

1. Choose the items you want from the list below.
2. SET YOUR OWN PRICE.
3. Send a check or money order for the items you want. No CODs.

If you are a high bidder we will ship the equipment. If you are not a successful bidder we will return your check.

While supplies last no reasonable bid will be refused, however, this is first come, first served.

PICK FROM THIS LIST

RCA Scanning Control Heads. Scans 4 channels. Priority channel selectable with switch.

RCA Supercarfone Model CMCA-3: 148-162 MHz, 30 w output. Transistorized rcvr & exciter, w/accessories.

RCA Supercarfone Model CMFA-7: 25-50 MHz 100 w output. Transistorized rcvr & exciter, w/accessories.

General Electric TPLs: 152-162 MHz, 30 w output. Transistorized rcvr & exciter, Split mount, w/accessories. Model RE 53JA6.

General Electric TPLs: Trunk Mount, 152-162 MHz, 30 w output. Model RE 53 JC 6, w/accessories.

RCA Low Drain Series: Model CMFT-50: 25-54 MHz, 50 w output, partly transistorized rcvr. Transistorized power supply, w/accessories.

RCA Low Drain Series: Model CMFL-50: 25-54 MHz, 50 w output. Transistor Power Supply, w/accessories.

RCA Low Drain Series: Model CMCT-30: 148-162 MHz, 30 w output, partly transistorized rcvr. Transistor power supply, w/accessories.

Motorola Model U41 GGT 1100: 30-50 MHz, 30 w output. Transistor power supplies. Less accessories.

Motorola Model U43 GGT 3100: 152-162 MHz, 30 w output. Transistor power supply. With Private Line. Less accessories.

Motorola Model T51GGV: 30-50 MHz, 50 w output. Less accessories.

Motorola Model T-43 GGV: 152-162 MHz, 30 w output. Less accessories.

Motorola Model U41HHT 1100: 30-50 MHz, 30 w output. Less accessories.

General Electric Pre Progress Line Base Station. 40-50 MHz, 50 w output. Cabinet stands about 40" high. Only 1 left.

General Electric Progress Line Receiver and AC Power Supply. Presently tuned to 47 MHz. Only 1 left.

Motorola Outdoor Cabinet. Stands about 5 ft. high with doors on front & rear. Only 1 left.

RCA E-Line Series: CMUE-15: 450-470 MHz, 15 w output. Transistor power supply, w/accessories.

These rigs need a good cleaning to make them physically attractive.

ALL BIDS MUST BE POSTMARKED NO LATER THAN FEBRUARY 28, 1977

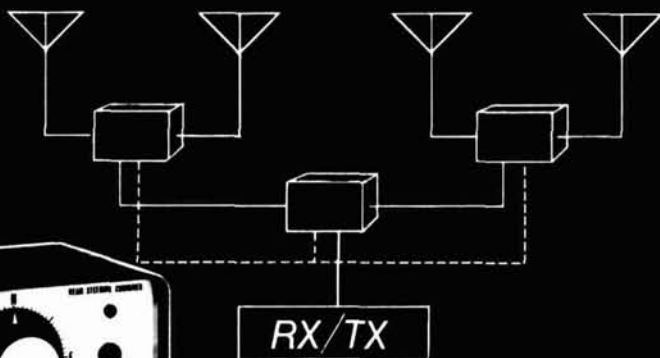
DUPAGE FM Inc.

P. O. Box 1, Lombard, IL 60148 • (312) 627-3540

TERMS: All items are sold as-is. All sales are final. Accessories do not include antennas, crystals, tone reeds, or relays. All items are shipped freight collect. Illinois residents must add 5% sales tax.

STEERABLE PHASED ARRAYS

2 ELEMENTS OR 4 ELEMENTS



NOW THEY ARE MADE PRACTICAL BY THE OMEGA-T 2000C BEAM STEERING COMBINER

Broadband, 1.8-30MHz. Can be used with any type antennas - verticals, dipoles, beams.

Write for details or see your dealer.

ELECTROSPACE SYSTEMS, INC.

P. O. BOX 1359, RICHARDSON, TEXAS 75080, (214) 231-9303

H-P offers digital multimeter with touch-hold reading probe

The Model 3435A, 3-1/2 digit multimeter from Hewlett-Packard has a unique "touch-hold" probe available as an accessory. It lets the user "freeze" the reading on the display — a convenience when probing closely-packed circuit boards. Accurate enough for both bench and field use, the new digital multimeter is autoranging on ac and dc volts and resistance. Ac and dc current ranges are selected manually. Lighted front panel annunciators display the function and its units.

The digital multimeter covers a dc measurement range from 200 mV full scale to 1200 V full scale with a mid-range accuracy of $\pm(0.1\%$ of reading + 1 digit). Ac measurement range is 200 mV full scale to 1200 volts rms full scale with a mid-range accuracy of $\pm(0.3\%$ of reading + 3 digits) over a 30 Hz to 100 kHz bandwidth. Ac and dc current measurement range is from 200 microamps to two amps. Dc current accuracy for the 200 μ A to 20 mA range is $\pm(0.3\%$ of reading + 2 digits). Ac current measurements are made over a frequency band of 30 Hz to 10 kHz with a mid-band accuracy of $\pm(1.7\%$ of reading + 4 digits). Resistance range is 10 milliohms to 20 megohms with a mid-range accuracy of $\pm(0.2\%$ of reading + 2 digits). Open circuit voltage on the ohms terminal when set to its lowest range does not exceed 5 volts, preventing damage to most solid-state devices.

Input protection is provided to 1.2 kV on any dc range, 1700 V (dc + peak ac) on any ac range, and 250 V rms on any resistance range. A front panel fuse protects the instrument from overload when measuring current.

A choice of two power supplies is offered: internal ac power supply and rechargeable lead acid batteries. The standard 3435A Digital Multimeter comes with an internal ac power supply and rechargeable lead acid batteries. Option 001 is a lightweight portable case, ac line power only. Option 002 is the ac line power only with a rack and stack case.

U.S. price of the standard Hewlett-Packard Model 3435A digital multimeter with rechargeable lead acid batteries is \$400. Option 001, ac only in custom plastic case is \$335; 002, ac

only, in a rack and stack case is \$365. Delivery is from stock. "Touch-Hold" reading probe U.S. price is \$40, RF Probe is \$87. High Voltage Probe is \$75.

For additional information, write Inquiries Manager, Hewlett-Packard Company, 1501 Page Mill Road, Palo Alto, California 94304; telephone (415) 493-1501, or use *check-off* on page 126.

six new calculators, video game and digital watches from National Semiconductor

National Semiconductor, Consumer Products Division, recently announced 6 new calculator products, including 3 advanced slide rules bearing the National Semiconductor brand name, an ideal family-type model, a teaching version of the QuizKid, a complete line of men's and ladies' LED digital watches and a video game series bearing the name Adversary.

The model 852 calculator offers scientific notation or floating decimal point system with reformatting capability from one system to the other. The 852 features algebraic logic, two level parentheses, trig and log functions, degree/radian conversion. It offers an 8-digit Mantissa in floating point system and 5-digit Mantissa plus 2-digit exponent in scientific notation, plus many other features. Suggested retail, \$29.95.

The model 4650 calculator offers algebraic logic, two level parentheses, full accumulating memory addressable in all 4 arithmetic functions, log and trig functions, degree/radian conversion, rectangular/polar coordinates, 8 Mantissa digits, 2-digit exponent display, plus many other features. Suggested retail, \$59.95.

The model 4660 calculator that displays 10-digit Mantissa in floating point system and 10-digit Mantissa plus 2-digit exponent in scientific notation, with algebraic logic, two level parentheses, three separate, addressable, accumulating memories, trig and log functions, decimal degrees and degrees, minutes and seconds conversions, polar and rectangular coordinate conversion and many other features. Suggested retail, \$79.95.

The QuizKid II allows the child to see a timed series of 10 problems which appear automatically in the display. The



THE FM LEADER



2 METER 

220 MHz 

6 METER 

440 MHz 

FEATURING THE...

HR-2B



12 Channels
15 Watts
\$229⁰⁰ Amateur Net

The Master in 2 Meter FM

Positive performance at a practical price makes our HR-2B tops on 2 meters. Individual trimmer capacitors give bull's-eye accuracy for working repeaters or point-to-point. The .35 μ V sensitivity and Hi/Lo power switch insure your hearing and being heard... clearly and reliably... the Regency way.

... AND THE

HR-440



12 Channels
10 Watts
\$349⁰⁰ Amateur Net

UHF—The Ultimate in FM

440 is fresh... it's new... and with our HR 440 you can use UHF without using-up your budget. So, pioneer some new ground! Put a compact HR 440 under your dash or at your desk. It's the best way to usher yourself into UHF.

© 1976  **Regency ELECTRONICS, INC.** 7707 Records Street
Indianapolis, Indiana 46226

R-X NOISE BRIDGE



- ✓ Learn the truth about your antenna.
- ✓ Find its resonant frequency.
- ✓ Adjust it to your operating frequency quickly and easily.

If there is one place in your station where you cannot risk uncertain results it is in your antenna.

The Palomar Engineers R-X Noise Bridge tells you if your antenna is resonant or not and, if it is not, whether it is too long or too short. All this in one measurement reading. And it works just as well with ham-band-only receivers as with general coverage equipment because it gives perfect null readings even when the antenna is not resonant. It gives resistance and reactance readings on dipoles, inverted Vees, quads, beams, multiband trap dipoles and verticals. No station is complete without this up-to-date instrument.

Why work in the dark? Your SWR meter or your resistance noise bridge tells only half the story. Get the instrument that really works, the Palomar Engineers R-X Noise Bridge. Use it to check your antennas from 1 to 100 MHz. And use it in your shack to adjust resonant frequencies of both series and parallel tuned circuits. Works better than a dip meter and costs a lot less. Send for our free brochure.

The price is \$39.95 and we deliver postpaid anywhere in U.S. and Canada. California residents add sales tax.

Italy write i2VTT, P.O. Box 37, 22063 Cantu. Elsewhere send \$42.00 (U.S.) for air parcel post delivery worldwide.

Fully guaranteed by the originator of the R-X Noise Bridge. ORDER YOURS NOW!

PALOMAR ENGINEERS

BOX 455, ESCONDIDO, CA 92025
Phone: (714) 747-3343

FREE NEW CATALOG



NOW'S THE TIME to request your **free new catalog** on many, many exciting Amateur products including:

- Data-Tone Keyboards
- Data-Tone Encoders
- Handheld Encoders
- Automatic Data-Tone Dialers
- CW Keyers
- CW Memories
- Auto Patches
- Receiver Preamps
- Single Tone Encoders
- Single Tone Decoders
- Tone to Pulse Converters



DATA SIGNAL, INC.

2403 COMMERCE WAY
ALBANY, GA. 31707
912-883-4703

child is required to key in the answer to the problem shown in the display. Over 1200 problems are automatically generated by the calculator, permits selection of the type of arithmetic function (i.e., addition, subtraction, etc.) which is displayed automatically in random sequence, and offers a slow/fast speed control key to adjust time allowed for child to enter answer. Suggested retail, \$24.95. Also available is an optional game adapter which connects two QuizKid II's for a contest.

The QuizKid III — retains all the abilities of QuizKid II plus games for over 6,500 additional problems. Contains amateur and pro keys for adjusting complexity of problems, and a complex key for problems to be automatically displayed with one of the factors missing but with the answer given. This model is being test marketed.

The video game — Adversary — features a choice of 3 games: tennis, played by two players on a green court; ice hockey, played by one or two players on blue ice; and handball, played by two players on a brown court. All games are in full color, have realistic sound effects when the ball or puck strikes a surface, and offers a choice of 3 individually selectable paddle sizes. Serves are controlled by players, not by random, and scoring is automatically displayed in large easy-to-read numbers after each point is scored. Individual controls enable players to sit in their favorite chairs to compete. The game offers 7 modes of operation: 3 modes of 2 players, 3 modes of a player against himself and one mode with a player against the machine. A special feature allows "time out" during play without changing the score. Suggested retail, \$99.95.

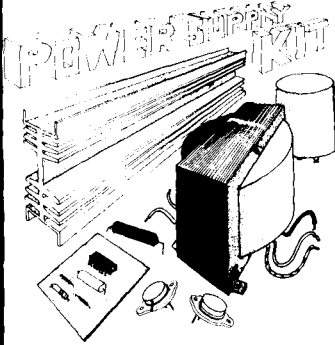
The model 830 Datachecker is an ideal calculator for shopping, taxes, family finances, and features an 8-digit LED display and floating decimal, and is designed to operate like the shopper thinks: add and subtract items, subtotal items, efficiently check grocery bills, balance checkbook. (Battery not included). Suggested retail, \$14.95.

For further information contact Georgene Berglund, Public Relations, National Semiconductor Corporation, 2900 Semiconductor Drive, Santa Clara, California 95051; telephone (408) 732-5000, or use *check-off* on page 126.

BULLET ELECTRONICS

P. O. BOX 19442
DALLAS, TEXAS 75219
(214) 823-3240

- NO COD's
- SEND CHECK or M.O.
- BANKAMERICARD OR M.C.#
- ADD 5% FOR FIRST CLASS
- ADD 60c FOR HANDLING ON ORDERS UNDER \$10.00
- FOREIGN ORDERS ADD 10% (20% FOR AIRMAIL)
- TEXAS RESIDENTS ADD 5% SALES TAX



•15A INT.

Not only is the PS-12 able to supply a continuous 10 AMPS² of low ripple, regulated DC Voltage, but it is also variable from 3 to 30 volts! Use it as a building block for a fantastic bench supply. The chassis work is up to you - go fancy with meters and lights; or plain with a metal plate. Either way we get you out with a quality kit at a super low price and we guarantee your satisfaction.

PS-12 \$49.95 INCLUDE 3.70 FOR SHIPPING

FEATURES:

- Output adjustable from 3 to 30 Volts DC
- Adjustable Current Limiting to 15 Amps
- Special Pre-Regulator Circuit eliminates need for massive heatsinks
- Better than 1% Load & Line Regulation from 0 to 15 Amps
- Low Ripple Output
- Heavy Duty 10 lb. transformer

KIT INCLUDES:

- Transformer
- Heatsink (drilled)
- Semiconductors (diodes, transistors, etc.)
- All Components (resistors, caps)
- Transistor mounting hardware and insulators
- Drilled & Plated P.C. Board
- Wire

BULLET SUPER STAR PS-01A

Our first power supply kit was introduced almost two years ago and is still the most popular. A compact, well regulated triple output power supply. Gives +5VDC @ 1.5A and +15 @ 150 MA and -15 @ 150MA. The PS-01A uses the superior 78L series of three terminal regulators. Complete with P.C.Board, all components, heatsinks and quality transformer. **\$14.95**

PS-01B: Same as above but with ± 12 output instead of ± 15 .

WARBLE ALARM KIT

Ten watts of dual tone screams that is impossible to ignore. Use it alone or with the Ultrasonic Sender Receiver Kit. Requires 6 to 15 volts. Speaker and switch not included. **\$2.50**

ULTRASONIC SENDER-RECEIVER KIT 19.95

A complete transmitter/receiver kit that will flood an average size room with 23HKZ sound and detect any movement in the area. The output is a DC level that can be used to trigger an SCR, relay, bell or other warning device. Uses two high quality matched transducers. Includes all the parts you need and P.C. Board.

Requires 6 - 15VDC @ 60ma (not supplied)
\$19.95

AUTOMATIC TIME-OUT CIRCUIT for ultrasonic or mechanical switch alarms. Provides a five second entry delay. Sounds alarm for one minute, then re-arms itself. Requires 6-15VDC. **\$3.95**

If you ever get one of these handy little **AUDIBLE CONTINUITY TESTERS** you will wonder how you ever lived without it! Super Kit for testing transistors, diodes, LED's, shorts, opens, etc. It lets you HEAR. Requires 3-9 VDC **\$1.95** Less speaker and batteries.

CATALOG INCLUDED WITH EACH ORDER, OR SEND A STAMP.

DON'T FORGET! Orders of \$50.00 and more take 10% discount.

ALL ITEMS 100% GUARANTEED

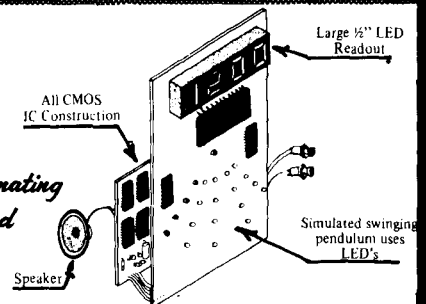
48 HOUR SERVICE

MINI GRANDFATHER CLOCK KIT

- 4 Digit LED Readout
- Simulated Swinging Pendulum
- Tick-Tock sound matches pendulum swing
- Electronic Tone Chimes the Hour (ie: 3 times for 3 o'clock)
- Quality Components & P.C. Boards
- Transformer for 115 VAC included.

The most novel and fascinating kit we have ever offered

\$44.00 POSTPAID



NO CASE INCLUDED, LET YOUR IMAGINATION RUN WILD AND DESIGN YOUR OWN. WE SUPPLY ALL THE ELECTRONICS.

NEW! IC KEYER

The World's Greatest
Sending Device



Adjustable to Any
Desired Speed

Now available from Palomar Engineers — the new Electronic IC KEYER. Highly prized by professional operators because it is EASIER, QUICKER, and MORE ACCURATE.

It transmits with amazing ease CLEAR, CLEAN-CUT signals at any desired speed. Saves the arm. Prevents cramp, and enables anyone to send with the skill of an expert.

SPECIAL
RADIO MODEL

Equipped with large specially constructed contact points. Keys any amateur transmitter with ease. Sends Manual, Semi-Automatic, Full Automatic, Dot Memory, Squeeze, and Iambic — MORE FEATURES than any other keyer. Has built-in sidetone, speaker, speed and volume controls, BATTERY OPERATED, heavy shielded die-cast metal case. FULLY ADJUSTABLE contact spacing and paddle tension. The perfect paddle touch will AMAZE you.

Every amateur and licensed operator should know how to send with the IC KEYER. EASY TO LEARN. Sent anywhere on receipt of price. Free brochure sent on request.

Send check or money order. IC KEYER \$97.50 postpaid in U.S. and Canada. IC KEYER LESS PADDLE and non-skid base \$67.50. Add 6% sales tax in California.

Italy write i2VTT, P.O. Box 37, 22063 Cantu.

Fully guaranteed by the world's oldest manufacturer of electronic keys. ORDER YOURS NOW!

PALOMAR ENGINEERS

BOX 455, ESCONDIDO, CA 92025
Phone: (714) 747-3343



Glade Valley School Radio Session

18th Year — July 30 thru August 12, 1977

Need someone to make you upgrade?
Let us do it before the QRM does!

It's more fun our way. Instruction in theory and four code practice sessions per day. Have a "Vacation with a Purpose". Two weeks in the Blue Ridge Mountains of North Carolina. Classes at all levels and FCC exam available at close of Session.

C. L. PETERS, K4DNJ, Director
P. O. Box 458, Glade Valley, N. C. 28627

Please send me the Booklet and Application Blank for the 1977 Glade Valley School Radio Session.

Name _____ Call _____

Address _____

City/State/Zip _____

ALDELCO SEMI-CONDUCTOR SUPERMARKET RF DEVICES

| | | | |
|-------------------------|-------|-------------------------|-------|
| 2N3375 3W 400 MHz..... | 5.50 | 2N6080 4W 175 MHz..... | 5.40 |
| 2N3866 1W 400 MHz..... | 99 | 2N6081 15W 175 MHz..... | 8.45 |
| 2N5589 3W 175 MHz..... | 4.75 | 2N6082 25W 175 MHz..... | 10.95 |
| 2N5590 10W 175 MHz..... | 7.80 | 2N6083 30W 175 MHz..... | 12.30 |
| 2N5591 25W 175 MHz..... | 10.95 | 2N6084 40W 175 MHz..... | 16.30 |

HEAVY DUTY RECTIFIERS

| | |
|--|------------|
| 200 Volt 100 Amp D08..... | 8.50 |
| 200 Volt 250 Amp D09..... | 12.50 |
| 1000 Volt 2 Amp Silicon Rectifier RCA..... | 10 for .99 |
| 10,000 Volt Silicon Rectifier Erie, 65 mA..... | 2.95 |

ALDELCO KITS

Digital Clock Kit: Hours, Minutes & Seconds, Large Half Inch LED readouts. Elapsed time indicator. 12 hour format with 24 hour alarm. Snooze feature, AM PM indicator, Power Supply, power failure indicator. Complete with wood grain cabinet. \$23.95

NOW OPEN — ALDELCO COMPUTER CENTER — books, magazines, kits, boards & support chips.

| | |
|--------------------------------------|---------|
| OK hand wire-wrap tool..... | \$5.95 |
| OK battery power wire-wrap tool..... | \$34.95 |

DISCRETE LEDs

| | |
|---|--------------|
| Jumbo Reds, Long or Short bulb..... | 6 for \$1.00 |
| Jumbo Orange, Green, Clear, Red or Green..... | 5 for \$1.00 |
| 209 Series, Green, Orange, Yellow or Red..... | 5 for \$1.00 |
| RL2 or Micro Red..... | 5 for \$1.00 |

ZENERS

| | | | |
|-----------------------------------|-----------|--|--------|
| 1N746 to 1N759 400 Mw ea. 25..... | 35 | 1N4728 to 1N4764 1 w..... | 35 |
| C106B..... | \$ 65 | CA 3028A Dif. Amp..... | \$1.50 |
| MPSA14..... | 90 | LM301 OP Amp..... | 55 |
| 2N3055..... | 99 | LM309K Volt. Reg..... | 1.10 |
| MPF 102 FET..... | 45 | LM380N Audio Amp..... | 1.75 |
| 2N3904 or 2N3906..... | 10/99 | NE540L Power Driver..... | 5.95 |
| 2N5496 or 2N6108..... | 40 | NE561B PLL..... | 4.95 |
| MJE 340 (2N5655)..... | \$1.10 | NE562B PLL..... | 4.95 |
| 40673 RCA FET..... | \$1.55 | NE565A PLL..... | 2.50 |
| 741 or 709 14 Pin DIP..... | 25 | LM709 Min. DIP OP Amp..... | 45 |
| 555 Timer..... | 75 | LM741CE TO5 OP Amp..... | 45 |
| 556 (Dual 555)..... | \$1.75 | 14 or 16 Pin IC Sockets..... | 30 |
| 200 Volt 25 Amp Bridge..... | \$1.50 | We have 7400 series IC's send stamp for catalog. | |
| 1N914 1N4148..... | 10 for 99 | | |
| 1N34 1N60 1N64..... | 10 for 99 | | |

We quote on any device at any quantity. Add 5% for shipping. Min. order \$6.00. Out of USA send Certified Check or Money Order. Include postage.

ALDELCO

2281H Babylon Tnpk., Merrick, NY 11566
(516) 378-4555

Cushcraft builds new research and production facility

Construction is underway on the first phase of Cush Craft Corporation's new 50,000 square foot antenna research and production facility.

All manufacturing operations, executive offices and research were moved to the new facility at Grenier Industrial Park in Manchester, New Hampshire at the end of November 1976.

Bob Cushman, Cush Craft treasurer, reports this all new plant is designed especially for antenna manufacturing. It will allow increased production of current amateur, citizen's band and commercial antennas, plus the introduction of several new antenna types.

The new production lines and equipment have been planned for several years and, when fully operational, will be a model for the industry, allowing Cush Craft to maintain its traditionally high value standards.

automotive ignition noise filter



Marine Technology recently announced its new EMI-15A filter designed to control ignition system generated noise in mobile two-way radios.

The introduction in 1975 of high-voltage, solid-state ignition systems in all American automobiles focused attention on the need for better suppression of ignition interference. Fully fifty per cent of engine noise problems in an automobile come from the ignition system.

The EMI-15A is a three-element low-pass LC filter designed to control igni-

tion system-generated noise. It prevents coupling of ignition impulses into the vehicle primary wiring system and supplements suppressor-type spark plugs and wiring. Installation is made at the battery connection to the coil or electronic ignition system.

Suggested retail price is \$6.95, and the units are available from stock. For additional information contact Morgan Cox, Marine Technology, 2780 Temple Avenue, Long Beach, California 90806; telephone (213) 427-6443, or use *check-off* on page 126.

mobile radio case



If you worry about leaving your mobile radio in your car unattended, and if it is not convenient to carry your radio when you leave your car, Platt Luggage may have the solution to your problem. Platt has introduced a new line of rugged, lightweight, molded cases for mobile radio equipment and accessories. Molded from high-density polyethylene with a double wall construction, the cases incorporate shock-absorbent poly-foam interiors that can be custom-cut to fit nearly any size and shape of mobile equipment.

A Platt case makes it convenient to carry your radio if you want to take it with you and it protects the radio if you want to leave it in the trunk of your car. The case is ruggedly handsome and is dent, shatter and scuff proof. Two sizes are available to fit nearly any requirement: CB-1 measures 12x8.5x4.25 inches (30.5x21.6x10.8cm) and CB-2 measures 13.5x10x4 inches (34.3x25.4x10.2cm). Finished in black, they make attractive companions for your equipment and are guaranteed for five years. The CB-1 sells for only \$14.95 and the CB-2 is priced at

No Other 2 Meter Transceiver Provides The Features Of The

Clegg FM-DX



• 143.5 - 148.5 MHz.

- 5KHz STEPS
- 35-45 WATTS
- LARGE LED FREQUENCY DISPLAY
- CHOICE OF 8 POLE OR SUPER SELECTIVE 16 POLE FILTER
- 100% DUTY CYCLE
- ACCOMMODATES MARS, CAP, ETC.
- CLEANEST TRANSMIT SPECTRUM
- INTERMOD IMMUNE RECEIVER
- MADE IN THE USA
- .25 uv RECEIVER

Direct from *Clegg* only
**Phone toll free for brochure
 or to order your FM-DX!**

FM-DX complete with mike and accessories - \$599.00
 or with 16 pole super filter - \$650.00
MASTERCHARGE & BANKAMERICA CARDS WELCOME

(Please add 2% on credit card purchases,
 we pay shipping on orders accompanied by check or money order.)

Clegg Communications Corp.

208 Centerville Road, Lancaster, PA 17603
 Toll free sales & services - Phone (800) 233-0250
 In Pa. call (717) 299-7221 (collect)

TOROID CORES



- ✓ All the popular sizes and mixes.
- ✓ Fast Service. Same day shipment via first class mail or air.
- ✓ No minimum order.

IRON POWDER TOROIDS:

| CORE SIZE | MIX 2 5-30 MHz u = 10 | MIX 6 10-90 MHz u = 8.5 | MIX 12 60-200 MHz u = 4 | SIZE OD (in.) | PRICE USA \$ |
|-----------|--------------------------------|----------------------------------|----------------------------------|---------------------|--------------------|
| T-200 | 120 | | | 2.00 | 3.25 |
| T-106 | 135 | | | 1.06 | 1.50 |
| T-80 | 55 | 45 | | .80 | .80 |
| T-68 | 57 | 47 | 21 | .68 | .65 |
| T-50 | 51 | 40 | 18 | .50 | .55 |
| T-25 | 34 | 27 | 12 | .25 | .40 |

RF FERRITE TOROIDS:

| CORE SIZE | MIX Q1 u=125 1-70 MHz | MIX Q2 u = 40 10-150 MHz | SIZE OD (in.) | PRICE USA \$ |
|-----------|--------------------------------|-----------------------------------|---------------------|--------------------|
| F-240 | 1300 | 400 | 2.40 | 6.00 |
| F-125 | 900 | 300 | 1.25 | 3.00 |
| F-87 | 600 | 190 | .87 | 2.05 |
| F-50 | 500 | 190 | .50 | 1.25 |
| F-37 | 400 | 140 | .37 | 1.25 |
| F-23 | 190 | 60 | .23 | 1.10 |

Chart shows uH per 100 turns.

FERRITE BEADS:



WIDE BAND CHOKES



TO ORDER: Specify both core size and mix for toroids. Packing and shipping 50 cents per order USA and Canada. Californians add 6% sales tax.

Fast service. Free brochure and winding chart on request.

PALOMAR ENGINEERS

BOX 455, ESCONDIDO, CA 92025
Phone: (714) 747-3343

Out of Band



Shortwave Listening

Our only business is supplying everything needed to tune outside the Amateur Radio bands and identify what you hear. Our mini-catalog details Barlow Wadley, Drake and Yaesu receivers, WORLD RADIO TV HANDBOOK, logs, antennas, calibrators, CONFIDENTIAL FREQUENCY LIST, receiving antenna tuners, FM or TV station guides, AM pattern maps, audio filters, special ITU lists, QSL albums and every book published on "listening."

GILFER ASSOCIATES, INC

P.O. Box 239, Park Ridge, NJ 07656



TONE ENCODER

FEATURES:

- Crystal Controlled - Digitally Synthesized Tones.
- Low Current Drain CMOS Logic.
- RFI Immune
- 16-Button Tactile Feedback Keyboard.
- Will Interface to Transceivers Using Dynamic Microphones with Only Two Wires.
- Provisions for Three Wire Interface Are Provided.
- Gold-Plated Keyboard Contacts Provided for Maximum Reliability.
- Operating Voltage Range 9-18VDC.
- Size: 2.1" x 2.1" x .250" Without Case. 2.1" x 2.1" x .312" With Case.
- 2" Square Velcro Available for Convenient Mounting - Dashboard - Sun Visor - Radio - etc.



Tone Encoder \$34.50

Case \$ 2.00

Velcro \$.50

• 12-Button Tone Encoder (Case and Velcro not Available) \$34.50

Ohio Residents Add 4.5% Sales Tax

Send Check or Money Order To:

The Barber Corporation
P. O. Box 635

Waynesville, Ohio 45068 • 513-897-2926

\$19.95. For additional information, write to Platt Luggage, Incorporated, 2301 South Prairie Avenue, Chicago, Illinois 60616, or use check-off on page 126.

oscilloscope and monitor adapter



I-f circuit waveform observations along with ssb and a-m transmitter signal monitoring has been made possible by Leader Instruments Corporation through the introduction of its new LBO-310 Ham Oscilloscope.

The new 3-inch (7.5cm) scope, which has a vertical sensitivity of 20 mV p-p division and a vertical bandwidth from dc through 4 MHz will also indicate tuned condition for RTTY operation as well as facilitate ssb signal observation through the use of an internal, two-tone test generator. The LBO-310, in combination with the LA-31 adapter will also provide continuous monitoring of rf output to 500 watts. Maximum input to the vertical amplifier is 600V, dc + ac peak-to-peak at a 1 megohm impedance. Transmitter monitoring is from 1.8 to 54 MHz at power levels from 2 to 500 watts with a deflection sensitivity of 1 watt per division into 50-ohm or 75-ohm impedances. The LBO-310 is priced at \$269.95.

The LA-31 adapter which makes it possible to monitor the output waveform and power of both ssb and a-m transmissions from 5 to 500 watts over the frequency range from 1.8 to 54 MHz. It sells for \$22.95.

For further details write Leader Instruments Corporation, 151 Dupont Street, Plainview, New York, 11803 or use check-off on page 126.



"Right on"
with
Jan
Crystals



for

- General Communication & Industry
- Citizen's Band (Standard & Synthesized)
- Two-Meter - Monitor - Scanners
- Marine VHF • Amateur Bands

Depend on Jan Crystals
made in U. S. A. for

- Frequency Control • Frequency Stability
- High Performance

Send 10¢ for our latest catalog
Write or phone for more details



2400 Crystal Drive
Ft. Myers, Florida 33901
all phones (813) 936-2397

you're carefree

when you
know you've
got the
very best!



Larsen Kūlrod® antennas

Repeater or simplex, home station or mobile, 1 watt or 50 . . . what really counts is the intelligence that gets radiated. Jim Larsen, W7DZL found that out years ago when he was both hamming and running a two-way commercial shop. That's when he started working with mobile antennas . . . gain antennas that didn't waste power in useless heat. Today, thousands and thousands of Larsen Antennas are being used. We call it the Larsen Kūlrod® Antenna. Amateurs using them on 2 meters, on 450 and six call them the antenna that lets you hear the difference.

Larsen Kūlrod Antennas are available for every popular type of

mount. For those using a 3/4" hole in their vehicle we suggest the LM mount for fastest, easiest and most efficient attachment.

For the 3/8" hole advocates there's the JM mount . . . fully patented and the first real improvement in antenna attaching in 25 years.

And for the "no holes" gang there's the unbeatable MM-LM . . . the magnetic mount that defies all road speeds.

Send today for data sheets that give the full story on Larsen Kūlrod Antennas that let you hear the difference and give you carefree communications.

Illustrated . . . Larsen JM-150-K Kūlrod Antenna and mount for 2 meter band. Comes complete with coax, plug and all mounting hardware. Easy to follow instructions. Handles full 200 watts.



Dealer Inquiries Invited

Larsen Antennas

11611 N.E. 50th Ave. • P.O. Box 1686 • Vancouver, WA 98663 • Phone: 206/573-2722
In Canada write to: Canadian Larsen Electronics, Ltd.
1340 Clark Drive • Vancouver, B.C. V5L 3K9 • Phone: 604/254-4936

* Kūlrod . . . a registered trademark of Larsen Electronics.



Radio
Amateurs
Reference
Library of
Maps
and Atlas

WORLD PREFIX MAP — Full color, 40" x 28", shows prefixes on each country . . . DX zones, time zones, cities, cross referenced tables. **\$1.25**

RADIO AMATEURS GREAT CIRCLE CHART OF THE WORLD — from the center of the United States! Full color, 30" x 25", listing Great Circle bearings in degrees for six major U.S. cities: Boston, Washington, D.C., Miami, Seattle, San Francisco & Los Angeles. **\$1.25**

RADIO AMATEURS MAP OF NORTH AMERICA! Full color, 30" x 25" — includes Central America and the Caribbean to the equator, showing call areas, zone boundaries, prefixes and time zones, FCC frequency chart, plus useful information on each of the 50 United States and other Countries. **\$1.25**

WORLD ATLAS — Only atlas compiled for radio amateurs. Packed with world-wide information — includes 11 maps, in 4 colors with zone boundaries and country prefixes on each map. Also includes a polar projection map of the world plus a map of the Antarctica — a complete set of maps of the world. 20 pages. Size 8 3/4" x 12" **\$2.50**

Complete reference library of maps — set of 4 as listed above **\$3.75**

See your favorite dealer or order direct.

Mail orders please include \$1.25 per order for shipping and handling.

RADIO AMATEUR
callbook INC.

WRITE FOR
FREE
BROCHURE!



Dept. E 925 Sherwood Drive
Lake Bluff, Ill. 60044

This MFJ Antenna Tuner...

lets you operate all bands — 160 thru 10 Meters — with a simple random wire. Use virtually any transceiver — up to 200 watts RF power OUTPUT.



\$ **39** 95

Imagine being able to operate all bands — anywhere, with virtually any transceiver — using a simple random wire and an antenna tuner small enough to carry in your hip pocket. Size is only 2-3/16 x 3-1/4 x 4 inches.

Operate from your apartment with a makeshift wall to wall antenna. Tune a simple vertical for low angle, DX operation. Operate from your motel room with a wire dropped from a window. Tune out the SWR on your mobile whip. Enjoy ham radio on a camping or backpack trip with a wire thrown over a tree. Prepare for an emergency. Take it on a DX expedition or use it for Field Day.

Match both high and low impedances by interchanging input and output. SO-239 coaxial connectors are used.

The secret of this tiny, powerful tuner is a 12 position variable inductor

made from two stacked toroid cores, and a quality capacitor manufactured especially for MFJ.

Try it — no obligation. If not delighted, return it within 30 days for a refund (less shipping). This tuner is unconditionally guaranteed for one year.

To order, simply call us toll free 800-647-8660 and charge it on your BankAmericard or Master Charge or mail us a check or money order for \$39.95 plus \$2.00 for shipping and handling.

Don't wait any longer to operate on all bands. Order today.

MFJ ENTERPRISES

P. O. Box 494
Mississippi State, MS 39762
Call Toll Free ... 800-647-8660

NOVICE OR OLD PRO ...

ALPHA POWER

IS YOUR KEY TO A

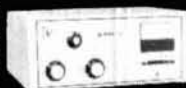
BIG SIGNAL



ALPHA/VOMAX can boost the "talk power" of any rig up to ten times or more. Its new split band speech processing technique is

the only system more effective than rf clipping — AND distortion is extremely low — and it's simple to install and use! \$179.50 [12V]; AC supply, \$10.

ALPHA 76 is a heavy-duty "rock crusher" ... a full kilowatt [2+ KW PEP], 10 thru 160 meter desk top linear amplifier ... a



no-compromise ALPHA at the price of ordinary linears. Unique design features permit efficient operation at legal 250 watt Novice input while you're working on the General! \$985 complete.

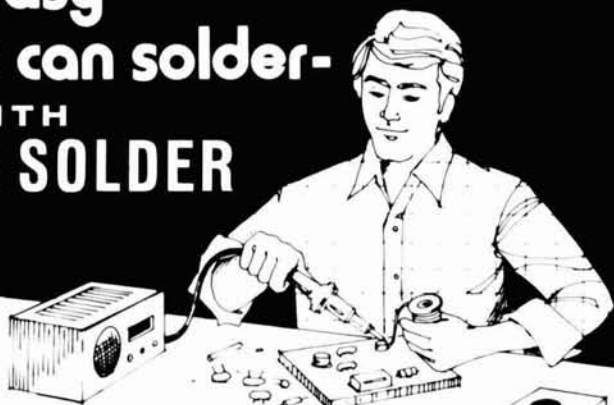
Other superb ALPHA's not shown include the exclusive "NO-TUNE-UP" ALPHA 374 [the most convenient of all maximum-legal-power linears, \$1395] and the fabulous ALPHA 77D "ULTIMATE LINEAR", \$2995. Call or write ETO for detailed literature on all ALPHA products.

ETO

EHRHORN TECHNOLOGICAL
OPERATIONS, INC.
BROOKSVILLE, FLORIDA 33512
(904) 796 1428

This is easy- anyone can solder- WITH KESTER SOLDER

KESTER
SOLDER



Handymen! Hobbyists! DO-IT-YOURSELFERS!

Let Kester Solder aid you in your home repairs or hobbies. For that household item that needs repairing — a radio, TV, model train, jewelry, appliances, minor electrical repairs, plumbing, etc. — Save money — repair it yourself. Soldering with Kester is a simple, inexpensive way to permanently join two metals.

When you Solder go "First Class" — use Kester Solder.

For valuable soldering information send self-addressed stamped envelope to Kester for a FREE Copy of "Soldering Simplified".



KESTER SOLDER
Litton 4201 WRIGHTWOOD AVENUE/CHICAGO, ILLINOIS 60639



Aha, the SECRET of PC Board success finally revealed. A perfectly balanced lighting tool combining magnification with cool fluorescence. Excellent for fine detail, component assembly, etc. Lens is precision ground and polished.

Regularly \$78.00. Now, over 30% discount (only \$54.00) to all licensed Hams, verified in Callbook. Uses T-9 bulb (not supplied).

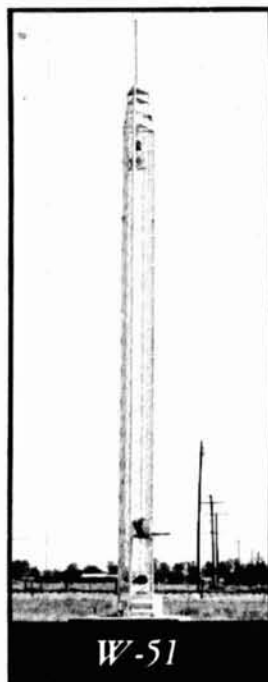
Include \$3.00 U.S. postage, or \$4.00 in Canada. \$5.00 elsewhere. California Residents include 6% sales tax. Or send stamped envelope for free brochure of other incandescent or fluorescent lamps suitable for all engineers, architects, students, etc.

Mastercharge and BankAmericard accepted

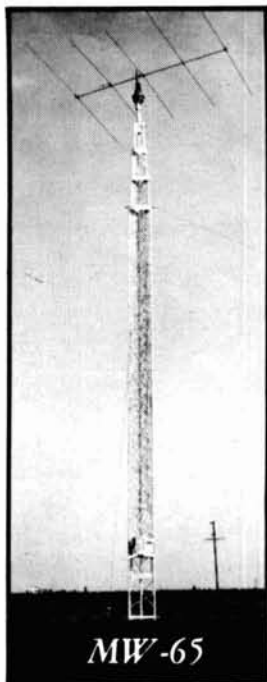
D-D ENTERPRISES

Dept. A, P. O. Box 7776
San Francisco, CA 94119

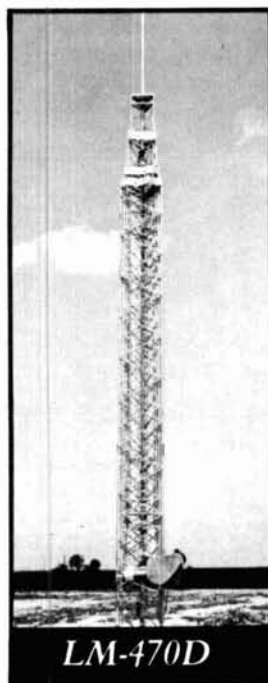
NOW.
Top-of-the-Line
Tri-Ex Towers
for HAM operators
at basic prices!



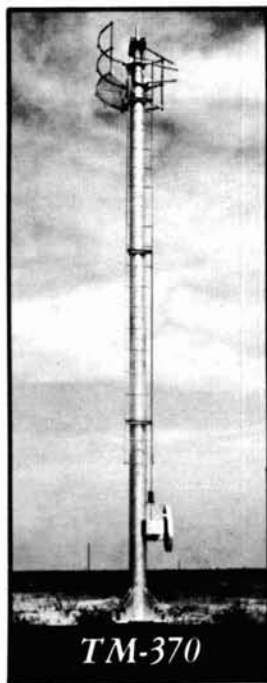
W-51



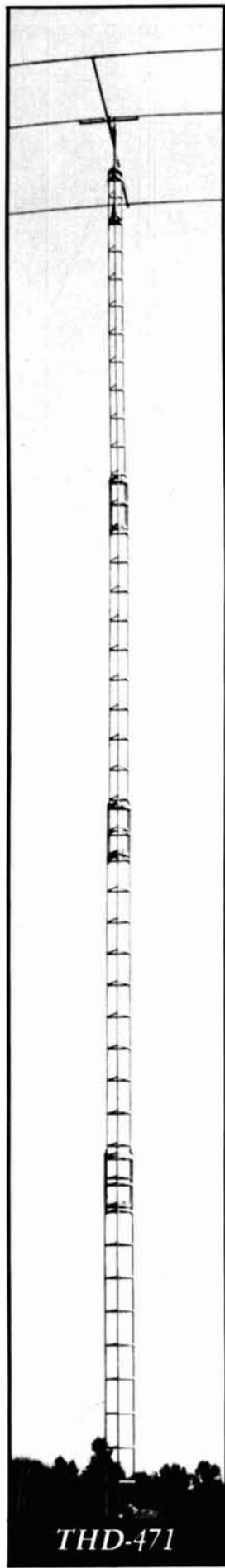
MW-65



LM-470D



TM-370



THD-471

Now you can afford the best! Free-standing or guyed, Tri-Ex Towers stress quality. All towers are hot dipped galvanized *after* fabrication for longer life. Each series is specifically engineered to HAM operator requirements.

W Series

An aerodynamic tower designed to hold 9 square feet in a 50 mph wind. Six models at different heights.

MW Series

Self-supporting when attached at first section — will hold normal Tri-Band beam. Six models.

LM Series

A 'W' brace motorized tower. Holds large antenna loads up to 70 feet high. Super buy.

TM Series

Features tubular construction for really big antenna loads. Up to 100 feet. Free-standing, with motors to raise and lower.

THD Series

Very popular. Low Cost. Holds Tri-Band antennas. Eight models — all support 7 square feet of antenna at full height in 70 mph winds. Guyed.

Start with Top-of-the-Line Tri-Ex Towers. At basic prices. Write today, for your best buy.



TOWER CORPORATION

7182 Rasmussen Ave.
 Visalia, Calif. 93277

PRESTO!

Your counter becomes a digital display!

Like magic, Hufco's Digi-Dial Adaptor turns any frequency counter into an absolutely accurate digital display! Inexpensively! With continual display of both transmit and receive frequencies — as fast as you turn your transceiver dial!

With the Digi-Dial Adaptor your counter easily adapts to Yaesu, Tempo, Drake C Line, Collins, Kenwood and other transceivers. (Tell us which other brand you have. We'll tell you if the adaptor fits.)

Operation requires only a connecting cable to the transceiver VFO plug. Translates VFO output to 2 through 2.5 MHz. No internal connection or modifications necessary! Complete instructions included.

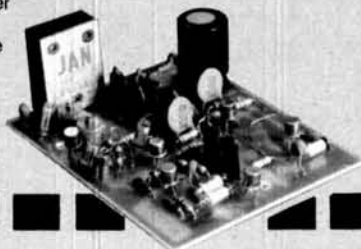
No frequency counter? Get both the Digi-Dial Adaptor and a frequency counter from Hufco. We have counters starting as low as \$45.95!

DIGI-DIAL ADAPTOR

39.95

kit form

\$49.95 assembled



Quick!
Order yours today!

Please rush me:

Digi-Dial Adaptor

\$39.95 kit form - \$49.95 assembled
Check or money order enclosed.

Complete data on Hufco frequency counters

Name _____

Address _____

City/State/Zip _____

Hufco

Box 357, Dept. 70,
Provo, Utah 84601 801/375-8566

COMPETITIVELY PRICED!

ALL PRODUCTS FULLY ASSEMBLED, TESTED AND WARRANTED. PRICES INCLUDE ALL POSTAGE FEES WITHIN THE USA. FOREIGN ORDERS, ADD \$3.00 TO COVER POSTAGE & HANDLING.

Arizona Residents Add 5% Sales Tax



\$49.95
EPC-300

300 MHz Prescaler

- o Built-In 117 vac 60 HZ power supply
- o Size 3 3/4" w x 2 1/4" h x 4" L
- o BNC input, output connectors
- o Input impedance = 50 ohms
- o Output TTL, Fan out of 1
- o Sensitivity 14 mv @ 150 MHZ, 150 mv @ 300 MHZ



\$32.95
EPC-144-B

2 Meter FM Transmitter

- o 2 Channels, 144-148 MHZ
- o Power Output 2 watts typical, 1 watt min @ 12.5 VDC
- o 50 ohm output impedance
- o Narrow band FM ± 5 KHZ
- o Rugged balanced emitter output transistor
- o Small size 1 7/8" w x 1" h x 3 3/4" L



\$39.95
LA-144

30 Watt 2 Meter Power Amplifier

- o Frequency range 144-148 MHZ
- o Maximum RF output power 30 watts
- o Maximum RF input power 5 watts
- o Supply voltage 13.6 VDC
- o Small size 1 7/8" w x 5/8" h x 3 3/4" L
- o Virtually burn-out proof balanced emitter output transistor.
- o Fully compatible with the EPC-144-B
- o 50 ohm input & output impedance
- o Sold as a fully tested & assembled circuit board less case, connectors and heat sink

| Input Watts | Output Watts | |
|-------------|--------------|---------|
| | Min | Typical |
| 1 | 15 | 20 |
| 2 | 20 | 25 |
| 4 | 30 | 30 |

Send Self-Addressed Stamped Envelope For More Information

Elprocon
ELECTRONIC PROTOTYPE CONSULTANTS
1907 W. Campbell / Phoenix, Arizona 85015

FEATURING COMPLETE YAESU LINE



FT-101E TRANSCEIVER

ORDER TODAY
WRITE OR CALL

Mail Orders accepted. N. Y. residents add sales tax. See us for all your Amateur Radio needs. SASE will get our list of used Amateur Equipment.

Store Hours
Tues. to Sat.
10-6 p.m.

Fri. & Sat. subject to Hamfest weekends
Closed Sun. & Mon.

Jim Beckett
WA2KJT

C F P COMMUNICATIONS

Bryant Hozempa
WB2LWV



211 NORTH MAIN STREET
HORSEHEADS, N. Y. 14845
PHONE: 607-739-0187



220 MHz RF POWER AMPLIFIERS



- 8-18 WATTS INPUT, 50-70 WATTS OUTPUT
- ALL SOLID-STATE BROADBAND DESIGN
- MICROSTRIP LINE CIRCUITRY
- VSWR & REVERSE VOLTAGE PROTECTED
- EXTRA LARGE HEAT SINK
- < 0.5 dB INSERTION LOSS IN RECEIVE
- > 40 dB HARMONIC & SPURIOUS REJECTION
- SIZE: 4.1" H x 4.0" W x 6.0" L
- 1 YEAR WARRANTY ON PARTS, 90 DAYS ON TRANSISTOR

Model No. 12-1060A-220

\$129.95

Please add \$2.00 shipping and handling — Continental U.S.A.

CALIF. residents add 6% sales tax.

DEALER INQUIRIES INVITED!

Glostronics

P. O. BOX 4032

TORRANCE, CALIF. 90503

Govt. SURPLUS ELECTRONIC EQUIPMENT CATALOG

New ITEMS . . . New BARGAINS!

FREE UPON REQUEST!

If you haven't received our new Catalog, write for free copy today. Address: Dept. HR

FAIR RADIO SALES

1016 E. EUREKA • Box 1105 • LIMA, OHIO • 45802



VFO MODULE KIT

for 160, 80, or 40 Meter Bands
Double Buffered and Zener Regulated.
20mw of filtered output.
Includes VFO Style Tuning Capacitor.
Operates from 9 to 15 VDC.

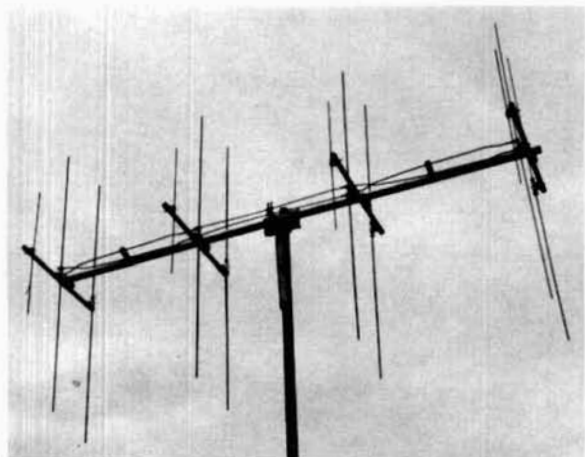
\$29.95 ppd USA
(specify band with order)

direct conversion catalog \$1.00 ppd

DIRECT CONVERSION TECHNIQUE

3132 NORTH LOWELL AVENUE
CHICAGO, ILLINOIS 60641

VHF DX

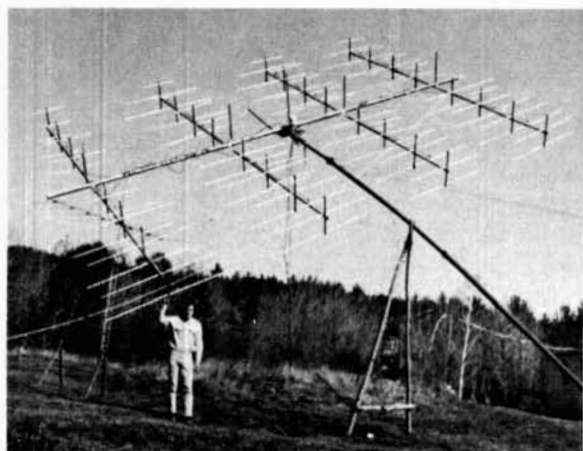
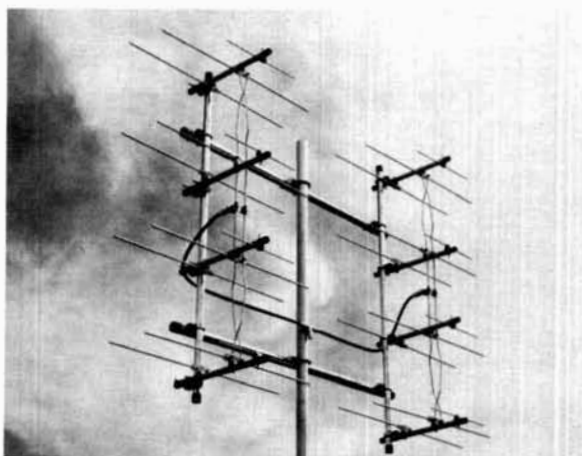


FM —

Enjoy the thrill of dependable long distance contacts on simplex or thru remote repeaters. The 20 element co-linear DX-Array offers a precise pattern with large capture area. This vertically polarized, horizontally stacked array provides a narrow beamwidth for the discriminating FM user. Wide impedance and gain bandwidths make the DX-Array a natural choice for the serious FM'er. A vertical polarization bracket, model DX-VPB, is required (support boom and mast not supplied). Seek out new horizons with DX-Array!

SSB/CW —

Discover reliability in long-haul communications with VHF SSB and CW. The Cush Craft DX-Array also gives low angle, high gain performance for many exotic propagation modes — tropo, aurora, sporadic-E, and meteor scatter. Horizontally polarized DX-Arrays may be used singly or combined in pairs (twice Effective Radiated Power) or quads (4 x ERP). Each DXK stacking kit is complete with stacking frame and phasing harness (vertical mast not supplied). This year has seen some spectacular VHF band openings — Don't miss the next one!



Dave Olean, K1WHS, with his 160 Element DX-Array and Polar Mount EME System

EME —

Many VHF experimenters have found excitement in conquering the formidable Earth-Moon-Earth (EME) path. 2-meter moonbouncers have achieved outstanding success using eight stacked DX-Arrays. Impedance and gain characteristics of this antenna permit stacking without the critical detuning problems inherent in large arrays of Yagis. Enlarging system size will yield a more uniform gain increase with DX-Arrays than with many other large antennas. The physical configuration alleviates mounting and phasing/tuning problems. EME enthusiasts are setting new records — So can you!

DX-ARRAY LEADS THE WAY!

| Description: | 144 MHz. | | 220 MHz. | | 432 MHz. | |
|----------------------------|----------|----------|----------|---------|----------|---------|
| | Model: | Price: | Model: | Price: | Model: | Price: |
| 20 Element DX-Array | DX-120 | \$39.50 | DX-220 | \$32.50 | DX-420 | \$29.50 |
| Frame & Harness (40 E.) | DXK-140 | \$52.50 | DXK-240 | \$49.50 | DXK-440 | \$36.50 |
| Frame & Harness (80 E.) | DXK-180 | \$100.00 | DXK-280 | \$85.00 | DXK-480 | \$70.00 |
| 1-1 52-ohm Balun | DX-1BN | \$10.95 | DX-2BN | \$10.95 | DX-4BN | \$10.95 |
| Vert. Pol. Bracket (20 E.) | DX-VPB | \$8.95 | DX-VPB | \$8.95 | DX-VPB | \$8.95 |

IN STOCK WITH
DISTRIBUTORS WORLDWIDE

cushcraft
CORPORATION
P.O. BOX 4680, MANCHESTER, N.H. 03108

| DIODES | | | | SOCKETS/PLUGS | | | | TRANSISTORS, LEDS, etc. | | | | |
|---------|-------|------|-----|---------------|---------|--------------|------|-------------------------|-----------------------|----------------------|---------|------|
| 1N914 | 100v | 10mA | .05 | 8-pin | pcb | .25 | ww | .45 | 2N2222 | NPN | | .10 |
| 1N4004 | 400v | 1A | .08 | 14-pin | pcb | .25 | ww | .40 | 2N2907 | PNP | | .15 |
| 1N4005 | 600v | 1A | .08 | 16-pin | pcb | .25 | ww | .40 | 2N3906 | PNP | | .10 |
| 1N4007 | 1000v | 1A | .15 | 18-pin | pcb | .25 | ww | .75 | 2N3055 | NPN | 15A 60v | .50 |
| 1N4148 | 75v | 10mA | .03 | 22-pin | pcb | .45 | ww | .75 | LED | Green, Red, Yellow | | .15 |
| 1N753A | 6.2v | z | .25 | 24-pin | pcb | .55 | ww | 1.25 | D.L. 747 | 7 seg 5/8" high | | 1.95 |
| 1N758A | 10v | z | .25 | 28-pin | pcb | .35 | ww | 1.45 | HP 276 | Com-cathode .3" high | | 1.00 |
| 1N759A | 12v | z | .25 | 40-pin | pcb | .50 | ww | 1.95 | XAN72 | 7 seg com-anode | | 1.50 |
| 1N4733 | 5.1v | z | .25 | Molex pins | .01 | To-3 Sockets | .25 | FND 359 | Red 7 seg com-cathode | | 1.00 | |
| 1N5243 | 13v | z | .25 | 2 Amp Bridge | 100-prv | | 1.20 | | | | | |
| 1N5244B | 14v | z | .25 | 25 Amp Bridge | 200-prv | | 2.50 | | | | | |
| 1N5245B | 15v | z | .25 | | | | | | | | | |

| C MOS | | - T T L - | | | | | | | | | |
|--------|------|-----------|------|-------|------|--------|------|---------|------|--|--|
| CD4000 | .25 | 7400 | .15 | 7451 | .25 | 74156 | 1.15 | 74S00 | .55 | | |
| CD4001 | .25 | 7401 | .15 | 7453 | .25 | 74157 | .95 | 74S02 | .55 | | |
| CD4002 | .25 | 7402 | .20 | 7454 | .25 | 74161 | 1.25 | 74S03 | .50 | | |
| CD4007 | .35 | 7403 | .25 | 7460 | .25 | 74163 | 1.25 | 74S10 | .25 | | |
| CD4009 | .25 | 7404 | .15 | 7470 | .45 | 74164 | .95 | 74S11 | .45 | | |
| CD4010 | .50 | 7405 | .25 | 7472 | .45 | 74165 | 1.50 | 74S20 | .50 | | |
| CD4011 | .25 | 7406 | .45 | 7473 | .35 | 74166 | 1.75 | 74S40 | .30 | | |
| CD4012 | .25 | 7407 | .55 | 7474 | .40 | 74175 | .95 | 74S51 | .45 | | |
| CD4013 | .40 | 7408 | .25 | 7475 | .45 | 74176 | 1.25 | 74S64 | .55 | | |
| CD4014 | 1.10 | 7409 | .15 | 7476 | .20 | 74180 | .85 | 74S74 | .50 | | |
| CD4015 | 1.10 | 7410 | .15 | 7480 | .65 | 74181 | 3.25 | 74S112 | 1.50 | | |
| CD4016 | .45 | 7411 | .25 | 7483 | 1.00 | 74182 | .95 | 74S133 | .45 | | |
| CD4017 | 1.10 | 7412 | .30 | 7485 | 1.05 | 74190 | 1.75 | 74S151A | 1.00 | | |
| CD4018 | 1.10 | 7413 | .65 | 7486 | .40 | 74192 | 1.65 | 74S158 | .65 | | |
| CD4019 | .70 | 7414 | 1.10 | 7489 | 2.75 | 74193 | .85 | 74S194 | 1.50 | | |
| CD4020 | .85 | 7416 | .25 | 7490 | .40 | 74195 | .95 | | | | |
| CD4023 | .25 | 7417 | .50 | 7491 | 1.15 | 74196 | 1.50 | 74LS00 | .45 | | |
| CD4024 | .95 | 7420 | .15 | 7492 | .95 | 74197 | 1.25 | 74LS01 | .45 | | |
| CD4025 | .35 | 7426 | .40 | 7493 | .60 | 74198 | 2.35 | 74LS02 | .45 | | |
| CD4026 | 1.95 | 7427 | .45 | 7494 | 1.25 | 74367 | .85 | 74LS04 | .55 | | |
| CD4027 | .75 | 7430 | .20 | 7495 | .85 | | | 74LS08 | .45 | | |
| CD4030 | .45 | 7432 | .45 | 7496 | .95 | 74H00 | .25 | 74LS09 | .45 | | |
| CD4033 | 1.95 | 7437 | .45 | 74100 | 1.85 | 74H04 | .25 | 74LS10 | .45 | | |
| CD4040 | 1.35 | 7438 | .20 | 74107 | .45 | 74H22 | .40 | 74LS11 | .45 | | |
| CD4044 | .95 | 7440 | .25 | 74121 | .40 | 74H52 | .15 | 74LS20 | .50 | | |
| CD4046 | 1.50 | 7441 | 1.15 | 74122 | .55 | 74H53J | .25 | 74LS32 | .55 | | |
| CD4049 | .80 | 7442 | .65 | 74123 | .55 | 74H72 | .55 | 74LS40 | .55 | | |
| CD4050 | .85 | 7443 | .95 | 74125 | .45 | 74H101 | .75 | 74LS42 | 1.75 | | |
| CD4066 | 1.35 | 7444 | .95 | 74132 | 1.35 | 74H103 | .75 | 74LS74 | .95 | | |
| CD4069 | .30 | 7445 | .95 | 74141 | 1.30 | 74H106 | .95 | 74LS90 | 1.30 | | |
| CD4071 | .35 | 7446 | 1.20 | 74150 | 1.00 | | | 74LS93 | 1.65 | | |
| CD4082 | .45 | 7447 | 1.20 | 74151 | .95 | 74L00 | .35 | 74LS107 | 1.50 | | |
| 75108A | .35 | 7448 | 1.20 | 74153 | .95 | 74L02 | .35 | 74LS164 | 1.90 | | |
| 75110 | .35 | 7450 | .25 | 74154 | .75 | 74L03 | .45 | | | | |
| 75491 | .50 | | | | | 74L10 | .35 | | | | |
| 75492 | .50 | | | | | 74L30 | .45 | | | | |

| MEMORY, CLOCKS | | LINEARS, REGULATORS, etc. | | | | | | | |
|----------------|-------|---------------------------|------|-----------|------|-----------|------|---------|------|
| 74S188(8223) | 3.00 | MCT2 | .95 | LM311 | 1.35 | LM340T-15 | 1.65 | LM723 | .45 |
| 8080 | 26.50 | 8038 | 3.95 | LM320K5 | 1.65 | LM340K-12 | 2.15 | LM725 | 1.95 |
| MM1702A | 10.50 | LM201AH | .75 | LM320K12 | 1.65 | LM340K-15 | 2.15 | LM739 | 1.50 |
| MM5314 | 3.95 | LM301AH | .55 | LM320T12 | 1.65 | LM340K-24 | 2.15 | LM741 | .25 |
| MM5316 | 4.95 | LM308AH | 1.00 | LM320T15 | 1.65 | LM373 | 1.95 | LM747 | 1.10 |
| 2102-1 | 1.95 | LM309H | .65 | LM339 | 1.65 | LM380 | 1.55 | LM1307 | 1.25 |
| 2102L1 | 2.25 | LM309K | .90 | 7805 | 1.00 | LM709 | .30 | LM1458 | .95 |
| TMS6011 | 9.95 | LM310 | 1.15 | LM340T-12 | 1.65 | LM711 | .45 | LM3900 | .65 |
| TR 1602A | 6.95 | | | | | | | LM75451 | .65 |
| | | | | | | | | NE555 | .50 |
| | | | | | | | | NE556 | 1.10 |
| | | | | | | | | NE565 | 1.15 |
| | | | | | | | | NE566 | 1.95 |
| | | | | | | | | NE567 | 1.35 |
| | | | | | | | | SN72720 | .35 |
| | | | | | | | | SN72820 | .35 |

INTEGRATED CIRCUITS UNLIMITED

7889 Clairemont Mesa Blvd. • San Diego, CA 92111 • (714) 278-4394

All orders shipped prepaid No minimum
Open accounts invited COD orders accepted

Discounts available at OEM Quantities
California Residents add 6% Sales Tax

24 Hour Phone (714) 278-4394 MasterCharge / BankAmericard

HERE'S A HOT NUMBER

800-325-3636

(Toll Free)

CALL
HAM RADIO CENTER
 ST. LOUIS

FOR NEW AND USED AMATEUR RADIO EQUIPMENT
 MASTER-CHARGE BANKAMERICARD
 TRADE ON NEW OR USED

Hours 9 A.M. - 5 P.M. (Central)

Closed Sun. & Mon.

THE HAM-KEY

NOW 5 MODELS

- Iambic circuit for squeeze keying.
- Self completing dots & dashes
- Dot memory.
- Battery operated with provision for external power.
- Built-in side-tone monitor.
- Speed, Volume, tone & weight controls.
- Grid-block or direct keying.
- Use with external paddle such as HK-1.



NEW
 MODEL HK-5
 ELECTRONIC KEYSER
\$69.95



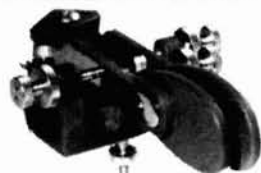
MODEL HK-1
\$29.95



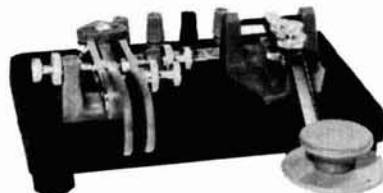
MODEL HK-3
\$16.95

- Dual lever squeeze paddle.
- Use with HK-5 or any electronic keyer.
- Heavy base with non-slip rubber feet.
- Paddles reversible for wide or close finger spacing.

- Deluxe straight key.
- Heavy base, no need to attach to desk.
- Velvet smooth action.



MODEL HK-2
\$19.95



MODEL HK-4
\$44.95

- Same as HK-1, less base for those who wish to incorporate in their own Keyer.

- Combination HK-1 & HK-3 on same base.

Available from your local dealer or order direct.

HAM RADIO CENTER, INC.

8340-42 OLIVE BLVD. • P. O. BOX 28271 • ST. LOUIS, MO. 63132

The proof of the pudding is in the eating.



The proof of Triton IV is in owner satisfaction.

Here's some of the proof . . .

K4EME — This is my second TRITON IV. They are excellent receivers! **W8ICK** — Luv it. Dynamite! **W9NXU** — I am very thrilled with this unit, it is great. I think you have scooped the field. **WA0AYA** — I like CW and full break-in. (Beautiful) **K3TFU** — I love the unit. **WA3VEZ** — Rig is just great. Combined with your service makes a super transceiver. **WN0SD** — Beautiful radio to use. Magnificent CW filter! Just a pure joy. **W8IIT** — I have had my TRITON IV for two months and am delighted with it. **YN1MBV** — It is a very nice rig. **W3GTX** — New features very welcome. **W0BYC** — Bought one of the first TRITON II, like it so well I updated it with a TRITON IV. **W2TBK** — It is absolutely fantastic. **W800PI** — I am pleased with the rig. **WA3GJA** — Very-very-very nice. Good audio quality. **W5ZBC** — The most outstanding rig I have ever used. **K8CJQ** — Excellent rig, Good filters. **W7BKK** — Very happy . . . getting excellent quality reports. **W2CET** — Power-signal reports good. **W82UEH** — I like the compactness and appearance. **VE3IBK** — An excellent rig with superior receiving quality. **K4IVM** — I think it is tops. **WA4LOG** — I've become so used to dip, peak and adjust, this TRITON is a beautiful new experience. **KL7IHW** — Easy to set up—works great. **K4JXD** — Seems to be very FB rig. **WA7KHE** — Fantastic performance. Thanks for a fine rig. **WB4BPG** — No problems—fine rig. **VE1BZ** — Good work. **W9HQT** — Receiver better than expected, CW break-in is super. **W0AP** — Tremendous transceiver. I appreciate your engineering. **WA2ZRO** — Wonderful. **K0SFV** — Real nice rig. You thought of almost every feature and built it in. **K9QDQ** — Beautiful. **W80JQ** — Beautiful radio; however, your ads do not do justice to the radio. **WN5SOH** — Very sophisticated—Easiest tuning rig ever. Very glad I bought it. **K30JV** — Very impressed. **W4LZP** — Very good results. Put out 100 watts as good as 300 watt rigs. **WA4DQY** — I think the TRITON IV is great. **W6QXN** — Appreciate full CW break-in. **W0INH** — Enjoy light weight. **VE3CYK** — I am extremely pleased with the clarity of receiver and after putting rig on the air, received unsolicited compliments on the audio quality of the transmitter. **K4PHY** — Was 3rd in USA, first in fourth district in WWCQ contest. **W8RYU** — Own Argonaut. Both fine rigs. **W4CDA** — Compact, light weight, good engineering. **WB2WZG** — TRITON IV is the most versatile CW/SSB radio I have ever used. **WB2FMV** — Outstanding. Highly pleased with performance. **W8BACZ** — A real nice rig. I have owned about every other make. **W5EGK** — Works nicely. **WB4ECO** — I tried this rig, a pleasure to operate. **WA4YRK** — Excellent reports on audio. **W88NKB** — Wonderful. **W9QPQ** — An excellent rig. Love it. **W8SOP** — Makes running SSB nets a real breeze. Also good on CW nets. **W7IRT** — Fantastic rig. **W4MDB** — Has rekindled my interest and enthusiasm in Amateur Radio to an extent I hadn't thought possible. It far out distances any competitive product at any price. **W6EYR** — Very nice. Been a ham for 45 years and now solid state perfection. **W2RPH** — Excellent rig. **WN0TDK** — TRITON IV is a fabulous piece of equipment. **W5VIW** — Very nice rig **WB2LQF** — Wow! **W9JCV** — Tnx for giving us a FB piece of equipment made in the USA. **W8GHO** — Very pleased. **K4KXB** — Seems to have everything desired. **W4SZ** — A pleasure to operate. **W2FKF** — Greatest rig I ever had. So far in a month 34 QSO's without one miss. Been a ham since 1922. **W4GVC** — Nothing but complements. **WB9EZE** — Well pleased with performance and simplicity of operation. **K4ETI** — Rig is great. **W8CNV** — Man—! what a rig. I've had this call since 1929. Never saw anything like it and I've seen them all! **WB2MZU** — Seems like everything the S----- O--- was supposed to be at one third the price. **WN0VHE** — I think it is a very good rig. **WB9FTD** — Break-in CW is very impressive. **K0CBA** — I believe it is one of the finest HF transceivers on the market. I can't tell you how pleased I am with the noise blanker. I can get on the air from my home station again for the first time in a few years. Other rigs with noise blankers just didn't hack it. **WA7YHW** — I am very pleased with this equipment. It is certainly of high quality. **W7JIA** — Excellent equipment. **WB0RWA** — Couldn't be more pleased with it. It certainly has performed beautifully and is all I expected and more. **WB4QJT** — Like it very much — keep up the good work. **WN1YX** — Really impressed with looks and performance. **W0NC** — Very FB rig. Performs up to specifications, an excellent design. **K8PBZ** — Already have TRITON II and IV. **W7KD** — This little "T-4" is smooth as silk . . . I've received some very flattering reports about transmitter voice quality and the CW operation is the greatest. **WN8TTO** — I found that the TRITON IV was the best rig on the market for around \$800. I love it! **W2JBK** — It is absolutely fantastic. **W8FEI** — Am amazed at receiver performance. I thought I had a top notch receiver with the H-----! **W1FYM** — Your guarantee is refreshingly proper. **W8MOK** — Sure makes a guy look twice at his old tube type gear. **W1TFS** — Finest CW ever, CW selectivity very good. **WB6IVR** — Very satisfied with TRITON IV. Just what I was looking for to use on my yacht. Thanks. **W80NP** — Also have a TRITON II. I am pleased that Al Kahn and the good guys at TEN-TEC thought of the CW operator! **W2EMX** — Excellent Amateur gear meets and exceeds advertised claims. **W0AMJ** — It looks like there is nothing left to be desired. It is beautiful. **W6SE** — The receive function is outstanding. It is superb in transmit. **W1BV** — In love with this fantastic gem. It's so easy and a pleasure to operate. **W6ASH** — Very happy with performance. Particularly impressed with full break-in and light weight. **W0IMS** — By far the best rig I have ever operated. I am glad I decided on the TRITON IV and not one of the other transceivers on the market. **W8HQO** — Thank you gentlemen.

Add your name to the growing list. See your TEN-TEC dealer or write for full details.



TEN-TEC, INC.
SEVIERVILLE, TENNESSEE 37862
EXPORT: 5715 LINCOLN AVE., CHICAGO, ILL. 60646

Poly Pak's EXCLUSIVE \$1.98

Every kit carries a money back guarantee!



100'S OF BARRELS PURCHASED!
For the first time anywhere, Poly Pak merchandisers introduce a new way in buying the economical way. Raw stock from the "barrel". Remember the "good ole days"? They're back again. The same way merchandisers

throughout the United States buy from various factories... their overruns in barrels. Poly Pak has done the same. Therefore you are getting the same type of material as the RE-TESTERS DO!
TEST 'EM YOURSELF 'N SAVE!

Buy 10 BARREL KITS AND CHOOSE THE 11th KIT Free

BARREL KIT #203 MINI BLOCK CAPACITORS 100 for \$1.98
Unbelievable! Worth \$50. High precision submini caps give-away. Wt. 12 ozs. Cat. No. 1H3529

BARREL KIT #204 9 DIGIT READOUT MODULES 5 for \$1.98
Test lamp manufacturer dumps inventory! Worth 69¢ ea. Like grain-o-wheat. Cat. No. 1H3526

BARREL KIT #195 CARBO-FILM RESISTORS 75 for \$1.98
Hard to find, but we've got millions. Lo & Hi values. 1/4 and 1/2 watt, 5%, 10% tol. All marked. Cat. No. 1H3534

BARREL KIT #196 V. REGULATORS 15 for \$1.98
LM300KC TO-8 V.R.'s barrelled. Hot by the pound. No. 1H3320

BARREL KIT #188 400 Parts \$1.98
Includes resistors, caps, transformers, rectifiers, diodes, etc. for p.c. work. Preformed, dumped into barrels by factories. 100%. Cat. No. 1H3315

BARREL KIT #189 MODULAR SWITCHES 25 for \$1.98
Great lab switches. TV-makers use. Dpdt. 6pdt. etc. Brand new. Cat. No. 1H3150

BARREL KIT #143 75-PC TRANSISTORS \$1.98
100% material, TO-92, factory discontinued lines. TAKE NOTE! CHECK Wt. 2N4400-1-2-3-4. 1H3290

BARREL KIT #144 RCA PHONO PLUGS 40 for \$1.98
1,000,000 RCA phono plugs for this one. You hi-fi-ers know what they are! 100% material. 1H3293

BARREL KIT #145 MINI TRANSFORMER 15 for \$1.98
Miniature transformer bag again. Ass't. outputs, inter-stage and audio. Only 1¢ ea. Wt. 2 lbs. 1H3248

BARREL KIT #146 MINI TRIM POTTS 30 for \$1.98
Ass't. values 100 to 1 meg 'em. What a buy. Single turn. 1/4 W. Wt. 6 ozs. Cat. No. 1H3348

BARREL KIT #147 JUMBO RED LEDS 15 for \$1.98
100% material, user calculation from factory dumps, 3V 10 mls. For 100% of projects, red lens. Cat. No. 1H3369

BARREL KIT #148 150 for \$1.98
100% metal film resistors. Long leads. 1H3413

BARREL KIT #149 MOLEX CONNECTORS 100 for \$1.98
Nylon, white cable connectors, ass't. factory over-run. NO PICKLE! Mixed in barrels. Cat. No. 1H3324

BARREL KIT #150 CLOCKS CHIPS 20 for \$1.98
We gathered an assortment of clock chip, alarm, calendar, beepers, who knows, all mixed. Cat. No. 1H3308

BARREL KIT #151 TANTALUM ELECTROS 30 for \$1.98
Mixed, marked price, top grade ass't. values, voltages. Cat. No. 1H3255

BARREL KIT #152 OPTICAL FIBERS 200-FT. for \$1.98
Fiber optic factory bankruptcy priced! High quality most commonly used size (20-mil). CLEAR. Cat. No. 1H3257

BARREL KIT #153 MINI SCRS 50 for \$1.98
UNBELIEVABLE! TO-92 plastic SCRS in barrels... Drv. from factory, includes all voltages up thru 200 mv. 1H3135

BARREL KIT #154 PHOTO ELECTRIC CELLS 10 for \$1.98
Ass't. GE types, CDS types. Mixed by factory. Big job for us to separate. 100% good. Cat. No. 1H3092

BARREL KIT #155 MIXED READOUTS 100 for \$1.98
Factory returns — such numbers as MAN-4's, MAN-7's, MAN-3's, 11 barrels & no time to separate. Cat. No. 1H2733

BARREL KIT #156 MIXED IC'S 100 for \$1.98
All shapes; 7400 Series, 8000, 9000, ROMS, RTL's, DTL's, linear of all kinds. Cat. No. 1H2730

BARREL KIT #157 POLYSTYRENE CAPS 100 for \$1.98
Fineat caps made. As a gamble we bought 10 barrels from factory, mixed values; all good. Cat. No. 1H2729

BARREL KIT #158 2N3055 HOBBY TRANSISTORS 15 for \$1.98
Popular germanium TO-3 case. 1H2618 100% good. Cat. No. 1H2618

BARREL KIT #159 PREFORMED DISCS 100 for \$1.98
Hi-Fi mfr's shelf inventory but he dumped 'em in barrels. Preformed for PC use. Mixed values too! 1H2608

BARREL KIT #160 LINEAR & 7400 DIPS 100 for \$1.98
Marked and unmarked, includes UHF transistors, factory stock. No. 1H2421

BARREL KIT #161 4000'S RECTIFIERS 100 for \$1.98
NPN Plastic TO220 type. Assorted 2N numbers. No. 1H2425

BARREL KIT #162 2N3055 HOBBY TRANSISTORS 15 for \$1.98
Popular germanium TO-3 case. 1H2618 100% good. Cat. No. 1H2618

BARREL KIT #163 PLASTIC HIGH-POWER TRANSISTORS 20 for \$1.98
Includes UHF transistors, factory stock. No. 1H2421

BARREL KIT #164 MOSFET TRANSISTORS 60 for \$1.98
All 4 leaders TO-18 case, includes UHF transistors, too! Cat. No. 1H2429

BARREL KIT #165 2N3055 HOBBY TRANSISTORS 15 for \$1.98
Popular germanium TO-3 case. 1H2618 100% good. Cat. No. 1H2618

BARREL KIT #166 4000'S RECTIFIERS 100 for \$1.98
NPN Plastic TO220 type. Assorted 2N numbers. No. 1H2425

BARREL KIT #167 LINEAR OP AMPS. DIPS 75 for \$1.98
Imagine famous switching diodes at these prices! Cat. No. 1H2418

BARREL KIT #168 2N3055 HOBBY TRANSISTORS 15 for \$1.98
Popular germanium TO-3 case. 1H2618 100% good. Cat. No. 1H2618

BARREL KIT #169 4000'S RECTIFIERS 100 for \$1.98
NPN Plastic TO220 type. Assorted 2N numbers. No. 1H2425

BARREL KIT #170 LINEAR OP AMPS. DIPS 75 for \$1.98
Imagine famous switching diodes at these prices! Cat. No. 1H2418

BARREL KIT #171 2N3055 HOBBY TRANSISTORS 15 for \$1.98
Popular germanium TO-3 case. 1H2618 100% good. Cat. No. 1H2618

BARREL KIT #172 4000'S RECTIFIERS 100 for \$1.98
NPN Plastic TO220 type. Assorted 2N numbers. No. 1H2425

BARREL KIT #173 2N3055 HOBBY TRANSISTORS 15 for \$1.98
Popular germanium TO-3 case. 1H2618 100% good. Cat. No. 1H2618

BARREL KIT #174 4000'S RECTIFIERS 100 for \$1.98
NPN Plastic TO220 type. Assorted 2N numbers. No. 1H2425

BARREL KIT #175 2N3055 HOBBY TRANSISTORS 15 for \$1.98
Popular germanium TO-3 case. 1H2618 100% good. Cat. No. 1H2618

BARREL KIT #186 KEYBOARD CHIPS 10 for \$1.98
Truthfully we can't test em, MM740's, keyboard sender chips. How good they are we don't know. Cat. No. 1H3414

BARREL KIT #184 150-WATT METAL FILM 150 for \$1.98
100% metal film resistors. Long leads. 1H3413

BARREL KIT #182 JUMBO RED LEDS 15 for \$1.98
100% material, user calculation from factory dumps, 3V 10 mls. For 100% of projects, red lens. Cat. No. 1H3369

BARREL KIT #169 MINI TRIM POTTS 30 for \$1.98
Ass't. values 100 to 1 meg 'em. What a buy. Single turn. 1/4 W. Wt. 6 ozs. Cat. No. 1H3348

BARREL KIT #161 4000'S RECTIFIERS 100 for \$1.98
NPN Plastic TO220 type. Assorted 2N numbers. No. 1H2425

BARREL KIT #160 V. REGULATORS 15 for \$1.98
LM300KC TO-8 V.R.'s barrelled. Hot by the pound. No. 1H3320

BARREL KIT #188 400 Parts \$1.98
Includes resistors, caps, transformers, rectifiers, diodes, etc. for p.c. work. Preformed, dumped into barrels by factories. 100%. Cat. No. 1H3315

BARREL KIT #189 MODULAR SWITCHES 25 for \$1.98
Great lab switches. TV-makers use. Dpdt. 6pdt. etc. Brand new. Cat. No. 1H3150

BARREL KIT #188 MAGNIFIED MAN-3'S 12 for \$1.98
Lens rejects MAN-3's. 7-seg readout, with built-on magnifier. Factory discontinued line, 100% material. Cat. No. 1H3229

BARREL KIT #187 MOLEX CONNECTORS 100 for \$1.98
Nylon, white cable connectors, ass't. factory over-run. NO PICKLE! Mixed in barrels. Cat. No. 1H3324

BARREL KIT #154 CLOCKS CHIPS 20 for \$1.98
We gathered an assortment of clock chip, alarm, calendar, beepers, who knows, all mixed. Cat. No. 1H3308

BARREL KIT #145 MINI TRANSFORMER 15 for \$1.98
Miniature transformer bag again. Ass't. outputs, inter-stage and audio. Only 1¢ ea. Wt. 2 lbs. 1H3248

BARREL KIT #144 RCA PHONO PLUGS 40 for \$1.98
1,000,000 RCA phono plugs for this one. You hi-fi-ers know what they are! 100% material. 1H3293

BARREL KIT #143 75-PC TRANSISTORS \$1.98
100% material, TO-92, factory discontinued lines. TAKE NOTE! CHECK Wt. 2N4400-1-2-3-4. 1H3290

BARREL KIT #142 10 WATT ZENERS 15 for \$1.98
Mfr dumps to prepare for new styling, voltages all over the place! Good yield. Cat. No. 1H3228

BARREL KIT #127 AXIAL ELECTROS 40 for \$1.98
Ass't. capacities and voltages. Cat. No. 1H3227

BARREL KIT #138 PANEL SWITCHES 30 for \$1.98
Did you hear of OAK? Another eqpt maker barrelled all types of rotary switches, slides, etc. 1H3248

BARREL KIT #134 CALCULATOR CHIPS 15 for \$1.98
National type. Cat. No. MM5736, 38, etc. Un-tested. Cat. No. 1H3258

BARREL KIT #133 CMOS IC'S 60 for \$1.98
Deliberately thrown in barrels, so we can't test 'em! The famous CD4000 series. How good? Who knows? Cat. No. 1H3257

BARREL KIT #131 TANTALUM ELECTROS 30 for \$1.98
Mixed, marked price, top grade ass't. values, voltages. Cat. No. 1H3255

BARREL KIT #130 CRYSTALS! 12 for \$1.98
Large U.S. maker dumped frequency marked 1H/6L crystals in barrels. Some 741s, LM-380-8, 703, 587, 656, 658 — but who knows? Cat. No. 1H2445

BARREL KIT #129 MINI DIP IC'S 75 for \$1.98
Large mfr dumped 100's of lots into barrels, includes 741s, LM-380-8, 703, 587, 656, 658 — but who knows? Cat. No. 1H2445

BARREL KIT #118 100'S SOCKETS 200 for \$1.98
Ass't. capacities and voltages. Cat. No. 1H3227

BARREL KIT #112 MICRO MINI LEDS 40 for \$1.98
All sizes, led's, axial, up-right of Monsanto, Litronix, variety of colors. Yield 50% or better. 1H2130

BARREL KIT #126 UPRIGHT ELECTROS 40 for \$1.98
1mft to 300mft in mixture of voltages. 100% marked 'n good. 1H3226

BARREL KIT #119 PRECISION RESISTORS 100 for \$1.98
PREFORMED! Designed for printed circuit work. 1/4, 1/2, 1 watt. Values 1-1,000. Cat. No. 1H3205

BARREL KIT #118 MINI SCRS 50 for \$1.98
UNBELIEVABLE! TO-92 plastic SCRS in barrels... Drv. from factory, includes all voltages up thru 200 mv. 1H3135

BARREL KIT #117 200-FT. OPTICAL FIBERS 200-FT. for \$1.98
Fiber optic factory bankruptcy priced! High quality most commonly used size (20-mil). CLEAR. Cat. No. 1H3257

BARREL KIT #116 BUTTONS 'N FEEDTHRU'S 100 for \$1.98
Wide ass't. of button-feedthru caps! JAMES TAKE NOTE! REF. UHF, etc. Wt. 1 lb. Cat. No. 1H3141

BARREL KIT #115 100'S SOCKETS 200 for \$1.98
Ass't. capacities and voltages. Cat. No. 1H3227

BARREL KIT #114 100'S SOCKETS 200 for \$1.98
Ass't. capacities and voltages. Cat. No. 1H3227

BARREL KIT #112 MICRO MINI LEDS 40 for \$1.98
All sizes, led's, axial, up-right of Monsanto, Litronix, variety of colors. Yield 50% or better. 1H2130

BARREL KIT #109 TERMINAL STRIPS 100 for \$1.98
Wide ass't. of terminal strip connectors, from 1/2" to 1" long. Strip manufacturer barrel dump is your gain. Wt. 1 lb. Cat. No. 1H3138

BARREL KIT #104 NATIONAL IC BONANZA 100 for \$1.98
Types 8000, 7400 series, DTL, ROM, registers, clks & calc. chips, linear, etc. Cat. No. 1H2860

BARREL KIT #101 RESISTOR SPECIAL 200 for \$1.98
Includes: 1/4, 1/2, 1, 2, 5, 10, 20, 50, 100, 200, 500, 1000. Cat. No. 1H3054

BARREL KIT #99 PHOTO ELECTRIC CELLS 10 for \$1.98
Ass't. GE types, CDS types. Mixed by factory. Big job for us to separate. 100% good. Cat. No. 1H3092

BARREL KIT #93 SUBMINI RESISTORS 15 for \$1.98
LM-340T VOLT REG. Factory priced them for length of leads. May include 6, 6.8, 12, 15, 18, 24 volts. Power tab. Cat. No. 1H2435

BARREL KIT #91 MIXED IC'S 100 for \$1.98
All shapes; 7400 Series, 8000, 9000, ROMS, RTL's, DTL's, linear of all kinds. Cat. No. 1H2730

BARREL KIT #82 POLYSTYRENE CAPS 100 for \$1.98
Fineat caps made. As a gamble we bought 10 barrels from factory, mixed values; all good. Cat. No. 1H2729

BARREL KIT #81 SILVER MICAS 100 for \$1.98
Axial, red case, variety of physical sizes & values. Cat. No. 1H3018

BARREL KIT #88 LITRONICS LED READOUTS 10 for \$1.98
741's, 727's, singles, triples, etc. 1/2" to 6". Not from factory. Buy direct, have fun! No. 1H2861

BARREL KIT #77 CAPACITOR SPECIAL 100 PCS. for \$1.98
micas, moideds, plastics, ceramics, diars, etc. Nifty 100% good. Cat. No. 1H2738

BARREL KIT #76 2 WATERS 100 for \$1.98
100% good. Cat. No. 1H2738

BARREL KIT #75 MIXED READOUTS 100 for \$1.98
Factory returns — such numbers as MAN-4's, MAN-7's, MAN-3's, 11 barrels & no time to separate. Cat. No. 1H2733

BARREL KIT #62 MIXED IC'S 100 for \$1.98
All shapes; 7400 Series, 8000, 9000, ROMS, RTL's, DTL's, linear of all kinds. Cat. No. 1H2730

BARREL KIT #61 POLYSTYRENE CAPS 100 for \$1.98
Fineat caps made. As a gamble we bought 10 barrels from factory, mixed values; all good. Cat. No. 1H2729

BARREL KIT #58 SLIDE SWITCHES 30 for \$1.98
All shapes, sizes, apat, apdt, momentaries, etc. Tremendous shop pak for 100's of switching projects. Cat. No. 1H2726

BARREL KIT #57 1 AMP 'BULLET' RECTIFIERS 100 for \$1.98
Famous style, ass't. voltages, silicon, axial includes all types of voltages to 1KV. Cat. No. 1H2615

BARREL KIT #73 TRANSISTOR ELECTROS 50 for \$1.98
We don't wish to separate wide ass't. voltages & values up to 300 mft. Cat. No. 1H2747

BARREL KIT #71 2 DIGIT READOUTS 10 for \$1.98
Bargain of a lifetime! All we got was 1 barrel — the "blidor digit" types. Multiplexed. Cat. No. 1H2722

BARREL KIT #68 2 WATERS 100 for \$1.98
100% good. Cat. No. 1H2738

BARREL KIT #66 MIXED READOUTS 100 for \$1.98
Factory returns — such numbers as MAN-4's, MAN-7's, MAN-3's, 11 barrels & no time to separate. Cat. No. 1H2733

BARREL KIT #62 MIXED IC'S 100 for \$1.98
All shapes; 7400 Series, 8000, 9000, ROMS, RTL's, DTL's, linear of all kinds. Cat. No. 1H2730

BARREL KIT #61 POLYSTYRENE CAPS 100 for \$1.98
Fineat caps made. As a gamble we bought 10 barrels from factory, mixed values; all good. Cat. No. 1H2729

BARREL KIT #58 SLIDE SWITCHES 30 for \$1.98
All shapes, sizes, apat, apdt, momentaries, etc. Tremendous shop pak for 100's of switching projects. Cat. No. 1H2726

BARREL KIT #57 1 AMP 'BULLET' RECTIFIERS 100 for \$1.98
Famous style, ass't. voltages, silicon, axial includes all types of voltages to 1KV. Cat. No. 1H2615

BARREL KIT #56 POWERS! POWERS! 100 for \$1.98
Large distributor cleaned house. Barrels of power resistors 3 to 7 watts. Cat. No. 1H2724

BARREL KIT #54 8 DIGIT READOUTS 10 for \$1.98
Bargain of a lifetime! All we got was 1 barrel — the "blidor digit" types. Multiplexed. Cat. No. 1H2722

BARREL KIT #48 2 WATERS 100 for \$1.98
100% good. Cat. No. 1H2738

BARREL KIT #46 PHOTO ELECTRIC CELLS 10 for \$1.98
Ass't. GE types, CDS types. Mixed by factory. Big job for us to separate. 100% good. Cat. No. 1H3092

BARREL KIT #40 2N3055 HOBBY TRANSISTORS 15 for \$1.98
Popular germanium TO-3 case. 1H2618 100% good. Cat. No. 1H2618

BARREL KIT #38 POLYSTYRENE CAPS 100 for \$1.98
Fineat caps made. As a gamble we bought 10 barrels from factory, mixed values; all good. Cat. No. 1H2729

BARREL KIT #37 1 AMP 'BULLET' RECTIFIERS 100 for \$1.98
Famous style, ass't. voltages, silicon, axial includes all types of voltages to 1KV. Cat. No. 1H2615

BARREL KIT #36 POWERS! POWERS! 100 for \$1.98
Large distributor cleaned house. Barrels of power resistors 3 to 7 watts. Cat. No. 1H2724

BARREL KIT #35 NEON LAMPS 30 for \$1.98
Famous NE-2's. All prime, but factory made millions and barrelled 'em. Your advantage. Cat. No. 1H2613

BARREL KIT #31 2N3055 HOBBY TRANSISTORS 15 for \$1.98
Popular germanium TO-3 case. 1H2618 100% good. Cat. No. 1H2618

BARREL KIT #30 PREFORMED RESISTORS 200 for \$1.98
We got barrels of 1/4 and 1/2 watters for pc use, 100, 1/4, 100 1/2 watters. No. 1H2608 100% good

BARREL KIT #27 PREFORMED DISCS 100 for \$1.98
Hi-Fi mfr's shelf inventory but he dumped 'em in barrels. Preformed for PC use. Mixed values too! 1H2608

BARREL KIT #26 PLASTIC HIGH-POWER TRANSISTORS 20 for \$1.98
Includes UHF transistors, factory stock. No. 1H2421

BARREL KIT #25 2N3055 HOBBY TRANSISTORS 15 for \$1.98
Popular germanium TO-3 case. 1H2618 100% good. Cat. No. 1H2618

BARREL KIT #24 4000'S RECTIFIERS 100 for \$1.98
NPN Plastic TO220 type. Assorted 2N numbers. No. 1H2425

BARREL KIT #23 2N3055 HOBBY TRANSISTORS 15 for \$1.98
Popular germanium TO-3 case. 1H2618 100% good. Cat. No. 1H2618

BARREL KIT #22 2N3055 HOBBY TRANSISTORS 15 for \$1.98
Popular germanium TO-3 case. 1H2618 100% good. Cat. No. 1H2618

BARREL KIT #21 2N3055 HOBBY TRANSISTORS 15 for \$1.98
Popular germanium TO-3 case. 1H2618 100% good. Cat. No. 1H2618

BARREL KIT #20 2N3055 HOBBY TRANSISTORS 15 for \$1.98
Popular germanium TO-3 case. 1H2618 100% good. Cat. No. 1H2618

BARREL KIT #19 2N3055 HOBBY TRANSISTORS 15 for \$1.98
Popular germanium TO-3 case. 1H2618 100% good. Cat. No. 1H2618

BARREL KIT #18 2N3055 HOBBY TRANSISTORS 15 for \$1.98
Popular germanium TO-3 case. 1H2618 100% good. Cat. No. 1H2618

BARREL KIT #17 2N3055 HOBBY TRANSISTORS 15 for \$1.98
Popular germanium TO-3 case. 1H2618 100% good. Cat. No. 1H2618

BARREL KIT #16 2N3055 HOBBY TRANSISTORS 15 for \$1.98

flea market



RATES Non-commercial ads 10¢ per word; commercial ads 40¢ per word both payable in advance. No cash discounts or agency commissions allowed.

HAMFESTS Sponsored by non-profit organizations receive one free Flea Market ad (subject to our editing). Repeat insertions of hamfest ads pay the non-commercial rate.

COPY No special layout or arrangements available. Material should be typewritten or clearly printed and must include full name and address. We reserve the right to reject unsuitable copy. **Ham Radio** can not check each advertiser and thus cannot be held responsible for claims made. Liability for correctness of material limited to corrected ad in next available issue.

DEADLINE 15th of second preceding month.

SEND MATERIAL TO: Flea Market, Ham Radio, Greenville, N. H. 03048.

CIRCUIT BOARDS. Artwork, negatives, etching. SASE for details. Karl Raup, WB4OXG, Box 8013, Orlando, Fla. 32806.

HAM RADIO HORIZONS, a super new magazine for the Beginner, the Novice and anyone interested in Amateur Radio... What it's all about, How to get started, The fun of ham radio. It's all here and just \$10.00 per year. **HURRY! HURRY!** Ham Radio HORIZONS, Greenville, NH 03048.

WANTED: Power transformer for a Pearce-Simpson Capri 30, part no. 1202-102. Call collect (312) 489-4161.

STOP don't junk that television set. ASE manufactures the world's most complete line of television picture tubes. Over 1700 types. Most types immediate delivery. Tubes for Old or New TV's, black & white and color. 2 year factory warranty. Lowest prices anywhere. Allied Sales & Engineering, Inc., Dept. 22, Pimento, IN 47866. Telephone 812-495-6555.

BUY — SELL — TRADE. Write for free mailer. Give name, address and call letters. Complete stock of major brands, new and reconditioned equipment. Call for best deal. We buy Collins, Drake, Swan, etc. SSB & FM. Associated Radio, 8012 Conser, Overland Park, Ks. 66204. 913-381-5901.

TELETYPE EQUIPMENT for beginners and experienced operators. RTTY machines, parts, supplies. Beginner's special: Model 15 Printer and demodulator \$139.00. Dozen black ribbons \$6.50; case 40 rolls 11/16 perf. tape \$17.50. FOB. Atlantic Surplus Sales, 3730 Nautilus Ave., Brooklyn, N. Y. 11224. Tel: (212) 372-0349

MULTI-BAND DIPOLE TRAPS. Pace-Traps are the key devices required to build the all-band dipole depicted in the ARRL handbook. Two models available. NG-series (novice gallon) — 14.95. FG-series (full gallon) — 16.95. Pace-Sulator (weather-proof no-solder center - insulator) — 4.95. Antenna instructions furnished. Shipped postpaid in USA. Check or M.O. to, Pace-Traps, Upland Rd., Middlebury, Conn. 06762.

VERY in-ter-est-ing! Next 4 big issues \$1. "The Ham Trader," Sycamore, IL 60178.

FIRST ISSUE OF HAM RADIO, March 1968 and all 1968 with exception of September. Complete 1969, 1970, 1971 except December and 1972, make offer. W1VRR, Edward W. Tellquist, 92 Morris Ave., New Haven, CT. 06512.

12 BUTTON TOUCH-TONE PAD, tested and guaranteed \$10.00. Module for pad, no wiring, just connect, with instructions \$6.00. M. Wahl, 2922 Sheridan Ave., Miami Beach, Fla. 33140.

SYNTHESIZER. See Ham Radio, July 76, pg. 20-23, figures 21 to 24. Kit for \$115, assembled and tested, \$140. Power supply to run from 117 volts additional \$15.00. CTD, P. O. Box 708, Cambridge, MA 02139.

CALL US OR WRITE for our special prices on Dentron, Cush-Craft, W2AU baluns, MFJ products and Ham Keys. Kryder Electronics, Dept. H, P. O. Box 652, Ft. Wayne, Indiana 46801. AC 219/484-4946. W9LWW.

SAVE! Bomar FM, xtals \$4.00 ppd. Dentron, Hustler, Cush-Craft, W. M. Nye, Ameco. Used gear. Complete catalog - write Ferris Radio, 308 E. Harry, Hazel Park, Mich. 48030.

HAM RADIO HORIZONS, a super new magazine for the Beginner, the Novice and anyone interested in Amateur Radio... What it's all about, How to get started, The fun of ham radio. It's all here and just \$10.00 per year. **HURRY! HURRY!** Ham Radio HORIZONS, Greenville, NH 03048.

RECONDITIONED TEST EQUIPMENT for sale. Catalog \$50. Walter, 2697 Nickel, San Pablo, Ca. 94806.

WANTED: Navy or McElroy Key. "Don't let yours go silent" (we will love it and use it). Also 1920s microphone. K4NBN, Del Popwell, 1946 Sweetbriar Ln., Jacksonville, Fla. 32217.

MOBILE IGNITION SHIELDING provides more range with no noise. Available most engines. Many other suppression accessories. Literature. Estes Engineering, 930 Marine Dr., Port Angeles, WA 93862.

DEMONSTRATOR SALE. All new and guaranteed in factory cartons. Icom IC21A and DV21 both \$500, IC21A \$275, UHF IC30A with five channels, \$300. IC202 SSB \$200, Atlas 210X \$500, Kenwood TS700A \$500. Used Swan Cygnat 260 \$225, Swan 350 with both power supplies \$300. Triton 2, perfect, \$400, 262 power supply for Triton \$75.00. Sorry, no trades at these prices. Master Charge and BankAmericard. Call (512) 883-5103, Douglas Electronics, 1118 South Staples Street, Corpus Christi, TX 78404.

TRAVEL-PAK QSL KIT — Send call and 25¢; receive your call sample kit in return. Samco, Box 203, Wyantskill, N. Y. 12198.

ELECTRONIC TELETYPE: Hal RVD-1005 video display and DKB-2010 keyboard; mint condition, \$625. K3WIK, 1098 Mountain Rd., Pasadena, Md. 21122. (301) 437-0171.

LOOKING FOR USED GEAR? Buyers & Sellers radio brokerage has the equipment you want at the right prices. Call our Ham Gear Hotline 617-536-8777 Monday-Friday, 9-9.

SIGNAL/ONE REPAIRS. High SWR protection. RIT. K6BE/5. 505-522-3705.

FREE Electronics Surplus Catalog. Electronic Specialties, 1659 Wetmore, Tucson, AZ 85705.

MOTOROLA HT220, 2 mtr. 6 freq., universal omni, 'E' series, PL, touch tone, speaker mike, ant., battery, charger, external antenna adapter, case. With 13/73, 28/88, 63/03, 04/64, 16/—, 52/52. Mint condition, \$650.00. Sam Gardali, WB6PBN, 319 1/2 McHenry, Modesto, Ca. (209) 529-2312.

MOBILE BONDING STRAPS under 50¢ each. Literature. Estes Engineering, 930 Marine Drive, Port Angeles, Wash. 98362.

FERRITE BEADS: w/specification and application sheet - 10/\$1.00. Assorted PC pots - 5/\$1.00. Miniature mica trimmers, 3-40 pf. - 5/\$1.00. Postpaid. Includes latest catalog. Stamp for catalog alone. CPO Surplus, Box 189, Braintree, MA 02184.

ETCH IT YOURSELF PRINTED CIRCUIT KIT, Photo-Positive Method — All the supplies for four P.C. boards, direct from magazine article in less than 2 hours. Only \$19.95. S.A.S.E. for details. Excel Circuits, P. O. Box 891, Troy, Michigan 48099, 313-549-0440.

DESK CONSOLE EQUIPMENT CABINET: Build from design drawings, photographs; \$4.75. Bill Morris, WA5RSC, P. O. Box 411, Lubbock, TX 79408.

MODERN CODE PRACTICE. 0-22 wpm on four 60 min. cassettes \$10. Royal, P. O. 2174, Sandusky, Ohio 44870.

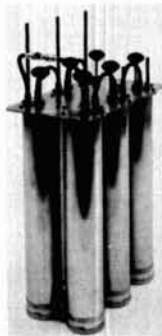
125-Hz CRYSTAL FILTER for Drake R-4C receivers. Ideal for DX and contest work, \$125.00. Sherwood Engineering, Inc., Dept. G, 1268 So. Ogden St., Denver, CO 80210.

TELL YOUR FRIENDS about Ham Radio Magazine!

NORTH SHORE

RF TECHNOLOGY

DUPLEXER & CAVITY KITS...



Now available for you fully assembled and tuned!

- UPGRADE YOUR REPEATER WITH A RF TECHNOLOGY DUPLEXER.
- ALL DUPLEXERS AND CAVITIES ARE TEMPERATURE COMPENSATED WITH INVAR® AND MEET ALL COMMERCIAL STANDARDS
- ONLY TOP QUALITY MATERIALS GO INTO OUR PRODUCTS.
- BOTH KITS & ASSEMBLED DUPLEXERS AND CAVITIES ARE AVAILABLE TO YOU AT A SAVINGS TO YOU.

Mod. 62-3...6 cav., 2 mtr., insertion loss 0.6 db with isolation 100 db typical; pwr. 350 w. Kit \$349 ea.-Assembled \$439.

Mod. 4220-3...4 cav. 220 MHz insertion loss 0.6 db with 80 db isolation typical; pwr. 350 w. Kit \$249 ea. - Assembled \$329.

Mod. 4440-3...4 cav. 440 MHz, insertion loss 0.6 db with 80 db isolation typical; pwr. 350 w. Kits \$249 ea. - Assembled \$329.

Mod. 30 Cavity Kits: 2 mtr. \$65 ea., 220 MHz \$65 ea., 440 MHz \$65 ea.; 6 mtr. \$115 ea. Add \$15 for Assembled Kit.

Also available: 6 mtr., 4 cav. Kit \$399-Assembled \$499, 2 mtr. 4 cav. Kit \$249-Assembled \$329, 440 MHz TV Repeater Duplexer

Only hand tools are necessary to assemble Kits!

Send your order to: Distributor: **TUFTS RADIO**, 386 Main St., Medford, Mass. 02155. Phone (617) 395-8280.


(Prices F.O.B. Medford, Mass. All units can be shipped U.P.S.-C.O.D. orders require \$50 deposit. —Mass. residents add 5% sales tax.)

SPEAKERS

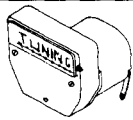
SQUARE — 3" - 4" - .3W, 4 mtg holes. \$1.45 ea. ppd., 2/\$2.75 or 4/\$4.80 ppd.

PIONEER — Round 2 3/4" x 7/8" - 16Ω - .3W, 4 hole mtg. \$1.55 ea., 2/\$2.85 or 4/\$5.20 ppd.

OVAL — 2" x 4" x 1 1/4" deep - 8Ω - .1W. 4 Hole Mtg. \$1.75 ea. ppd., 2/\$3.15 or 4/\$5.75 ppd.

 Round #5P585A 2" x 3/4" - 8Ω - .1W \$1.35 ea. ppd. 2/\$2.55 or 4/\$4.75 ppd.

NOBLE 100K Dual Slide Potentiometer, 2 7/8" x 3/4" x 3/4" with 1 1/8" lever. \$1.45 ea. or 10 for \$12.00 ppd.



TUNING METERS — Blue tinted plastic body, 0 to left, graduated scale, 200μA, 1 1/2"W x 1 1/4"H x 3/4"D. Scale can be rear lighted. Sylvania #18148-1 \$2.25 ea. or 4/\$6.95 ppd.



3000 MFD @ 30 Volt Capacitors.

1" Dia. x 3" — 90¢ ea. or 3/\$2.25 ppd.

3000 MFD @ 20V Capacitors. Same size as above. 80¢ ea. or 3 for \$2.00 ppd.

ALSO 3000 MFD @ 50V, 3" x 1 1/4" dia. 95¢ ea. or 3/\$2.65 ppd.

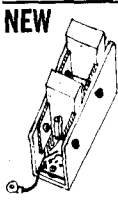
ELECTROLYTIC CAPACITOR — PHILCO QUAD SECTION 4" x 1 3/8" dia. TWISTAB MTG.

100x150 MFD @ 400V and at 350V D.C. and 20x50 MFD @ 250V — A nice unit for Xceiver, etc. \$1.10 ea. or 3/\$2.95 ppd.

DUAL Electrolytic 1000 & 500 MFD. 15V, long leads. 3/4" dia. x 2 1/4" long. 55¢ each 3/\$1.50 ppd.

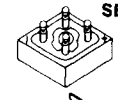
CRL Disc Capacitors. .1 MFD, 10V 3/8" dia., long leads. 10 for \$1.00 ppd. 100/\$8.40, 500/\$36.60 (U.P.S. Only)

UNPOTTED TOROIDS — center tapped 88MHY Limited Qty's 44 MHY 5/\$2.95 5/\$3.95 ppd.

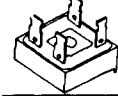


NEW Transistor and Relay Assembly — consists of (2) MJE3055 and (2) MJE2955 transistors (10 amp, 90W, 60V complementary pairs) mounted in "U" channel heat sink 2 1/2" x 1 1/8" x 1 1/2". (2) XTAL CAN RELAYS, DPDT, 28V, 8000Ω, 5.8 ma DC, 1 amp contacts mounted on PC board with resistors. \$2.95 ea. ppd.

400 PIV BRIDGES — 1.5A Gen. Instr. P.C. Bd type. 65¢ ea. or 3/\$1.80 ppd.



SEMTECH BRIDGES Heat sink w/center hole mtg. 10 Amp — Tested — 200V P.I.V. \$1.75 ea. ppd. 400V P.I.V. \$1.95 ea. ppd. 600V P.I.V. \$2.15 ea. ppd.



25 AMP — TESTED 200V P.I.V. \$2.25 ea. ppd. 400V P.I.V. \$2.55 ea. ppd. 600V P.I.V. \$2.85 ea. ppd.



CARBON TRIMMERS Miniature 1/4 watt units. PC type. Values: 200, 700, 1000, 1.5K, 250K, 700K 30¢ ea. or 5/\$1.35 ppd.

NEW MINI Imported vertical pots (1/2"H, 3/8"W, 1/16"D) Values: 1000, 2.5K, 5K, 50K ohms. Slot adj. Also 500Ω and 5K Horiz. Price: 5 for \$1.20 ppd.

NEW SIZES — VERTICAL MOUNT PC BOARD POTENTIOMETERS American made (CRL) Cermet sizes: 25K, 100K ohms. 5/\$1.30 ppd. CTS Blue wheel. Values: 750, 1K, 1.5K, 50K, 300K ohms. 5/\$1.25 ppd.

I.C. — Fairchild RTL. μL 900 or μL 914 Full leads, 3/\$1.35 ppd. μL923 Full Leads. 3/\$1.85 ppd.

SEND STAMP FOR BARGAIN LIST PENNSYLVANIA RESIDENTS - ADD 6% ALL ITEMS PPD. USA

Canadian orders for less than \$5.00 add \$1.00 to cover additional mailing costs. UPS requires your street address.

m. weinschenker
electronic specialties-BOX 353, IRWIN, PA 15642

flea market

2.30 MHz COUNTER pc boards \$8.25. Details. P. O. Box 6173, Anaheim, Ca. 92806.

FIGHT TVI with the RSO Low Pass Filter. For brochure write: Taylor Communications Manufacturing Company, Box 126, Agincourt, Ontario, Canada. MIS 3B4.

RTTY CLOSEOUT — NS-1A PLL TU while they last. Wired/tested \$24.95. Board \$3.00. All postpaid. SASE for info. Nat Stinnette Electronics, Tavares, FL 32778.

CANADIAN JUMBO SURPLUS and Parts Catalogs. Bargains Galore. Send \$1. ETCO-HR, Box 741, Montreal "A" H3c 2V2.

MOTOROLA HT220, HT200, and Pageboy service and modifications performed at reasonable rates. WA4FRV, (804) 320-4439 evenings.

RTTY — NS-1A PLL TU (HR 8/76). Wired/tested \$29.95 ppd. Board \$4.75 ppd. SASE for info. Nat Stinnette Electronics, Tavares, FL 32778.

NAMEBADGES — \$1.50 — Name and call sign \$2.00. Engraved plastic with pin, clutches or adhesive. Black, white, red, blue. Include payment with order. Special prices on club badges and hamfest plaques. Donan Engraving, P. O. Box 07155, Lakewood, Ohio 44107.

QSL'S — BROWNIE W3CJ1 — 3035B Lehigh. Allentown, Pa. 18103. Samples with cut catalog 50¢.

WIRE DIPOLE CUTTING CHART & NOTES on installation. Chart covers 2 meters through 160 meters. Helpful information. \$1.00 ppd. W. E. Schroedter, 6108 N. Sherman Blvd., Milwaukee, Wisc. 53209.

OSCAR 7, SSB-CW TRANSMIT CONVERTERS. For 28 or 50 MHz input at 20 mw. 432 MHz output at 1 watt. Solid state, for 12 volt supply. 35 watt solid state amplifier available for this converter. Units designed and built by WØENC. Write for information. UHF-VHF Communications, 53 St. Andrew, Rapid City, S. D. 57701.

TECH MANUALS for Govt. surplus gear — \$6.50 each: SP-600JX, URM- 25D, OS-8A/U, PR-8, 9, 10. Thousands more available. Send 50¢ (coin) for 22-page list. W3IHD, 7218 Roanne Drive, Washington, D. C. 20021.

VARIABLE AND TRIMMER CAPACITORS — Milen, Johnson, Hammarlund, Erie, Arco. In stock for immediate shipment, write for free price list "A". D & V Radio Parts, 12805 W. Sarle Rd., R#2, Freeland, Mich. 48623.

DON'T READ THIS AD unless you want a good deal and good service on your next ham radio or hi-fi purchase. Thousands of satisfied customers nation-wide have made us the largest volume communications and hi-fi dealer in the country. We are factory-authorized dealers for Kenwood, Drake, Collins, ICOM, Regency, and over 100 other brands of amateur radio and hi-fi gear. We have something for you! Call or write us today and become one of the many happy and satisfied customers of Hoosier Electronics, Inc., P. O. Box 2001, Terre Haute, Indiana 47802. (812) 238-1456.

RUBBER STAMP, name/call/QTH \$2.50 ppd. (CA residents add tax). LWM Press, Box 22161, San Diego, CA 92122.

SB-401 WITH CRYSTAL PACK \$245, SB-313 (80-15M + foreign BC) with all crystal filters \$245, Mosley SWV-7 \$40. Add shipping. WB5NSS, 104 Galahad, Victoria, TX 77901. 512-578-4495.

TELETYPEWRITER PARTS, gears, manuals, supplies, tape, toroids. SASE list. Typetronics, Box 8873, Ft. Lauderdale, FL 33310. Buy parts, late machines.

SELL — Touch tone pad, solid state, sub-miniature size, great for HT's, \$25. Regency HR2A, excellent condition, unmodified, \$125. Knight VOM KG-640, mint, \$20. Heath SWR bridge, AM-2, \$10. Heath 2M, 3/4 wave mobil antenna, never used, \$12. Drake low pass filter, TV-100, 100 watts, \$5. Slinky dipole, \$20. Motorola RF transistors, new, sealed, 2N5643, 2N5642, \$5 each. Prices include shipping. Send SASE for more information. WA9WDB/P5 John Teles, 10511 Tenneco, Houston, Texas 77099.

PORTA-PAK the accessory that makes your mobile really portable. \$67.50 and \$88.00. Dealer inquiries invited. P. O. Box 67, Somers, Wisc. 53171.

SPECIAL OFFER

— all in stock for delivery —

SAVE \$\$\$\$ SPECIAL ON ICOM IC-230. Call now for price too low to be published.

Icom, IC22S, IC230, IC22A, IC215, IC502, IC202, Collins KWM2a, 75S3C, 32S3C, 30L1, Yaesu FT101, Kenwood TS820, TS520, TS700A, Atlas 210X DD1, 220cs, 206, Drake T4XC, R4C, L4B, MN200, MN2000 SSR1 SPR4 FS4 TR22C TR33, TR4C, Tempo 2020, Tempo One, CL146A, VHF One, Standard 146A, Horizon Two, VHF Engineering Synthesizer II, EBC144AJR, all Hygain, Newtronics, Antenna Specialists, Savoy, Larsen, Mosley antennas. Also Turner, Astatic, Shure, Spectronics DD1, Sc250 Bird 43, Loads, elements, Swan, National Radio NCL2000, NCX1000, HRO-500, KLM Multi 2700A, Multi II, Multi 7 all linears in stock. Ten-Tec KR50A, KR20A, Triton II, Venus SS2, SS2K, C1. DX Engineering, CDE, Brimstone, Cush-Craft, TEN TO FIFTEEN, TO TWENTY PER CENT OFF on everything in the house. Top trades given on your used equipment, Barry Electronics World Wide amateur Radio Since 1920.

Barry Electronics
512 BROADWAY
NEW YORK, N. Y. 10012
212-925-7000

TEST EQUIPMENT

All equipment listed is operational and unconditionally guaranteed. Money back if not satisfied—equipment being returned must be shipped prepaid. Include check or money order with order. Prices include UPS or motor freight charges.

- BECKMAN 7570A Counter Freq conv 10-1000MHz 275
- BOONTON 190A Q-mtr 30-200MHz 425
- BOONTON 202E AM-FM sig gen 54-216MHz 395
- DEI TDU-2 30MHz video display 55
- GR546C Audio microvoltage 85
- HP100ER Freq stand .05 parts/mil Outputs 10,100Hz 1,100,1000MHz 155
- HP160B (USAM105) 15MHz scope with reg horiz, dual trace vert plugs 375
- HP166B (Mil) Delay sweep for above 130
- HP170A (USAM140) 30MHz scope with reg horiz, dual trace vert plugs 475
- HP185A Sampling scope 1 gHz 186B xstr rise time plug 585
- HP202B LF Osc .5Hz-50kHz 10v. out 75
- HP205AG Lab Audio Gen .02-20kHz, ... 195
- HP212A Pulse Gen .06-5kHz PRR 65
- HP430CR Microwave Pwr Mtr 45
- HP540B Transfer Osc to 12.4gHz for use with HP524 type counters 145
- HP571B-561B Digital clock/rcdr 325
- HP616 Sig gen 1.8-4gHz FM-CW 365
- HP686 Sweep Gen 8.2-12.4gHz Sweep range 4.4mHz-4.4gHz 495
- HP803A VHF Ant bridge 50-500MHz ... 135
- SINGER SSB4 Sideband spec anal 0-40mHz, res. to 10Hz 635
- TEK 181 Time-mark scope calib. 55
- TEK 190 Sig gen(const ampli) 50mHz .. 125
- TEK536 11MHz X-Y scope, accepts two letter-series plug-ins 295
- TEK 565 Dual beam 10mHz scope less plug-ins 625
- TS 505 Std VTVM (rf to 500mHz) 65

For complete list of all test equipment send stamped, self-addressed envelope
GRAY Electronics
P.O.Box 941, Monroe, Mich. 48161
Specializing in used test equipment.

2 METER FM

and HF too . . .

**Chicago
Area
Hams!**

Come in or call for the

ERICKSON COMMUNICATIONS

Cash or trade deal on:

- Ameco • ASP • Atlas
- Belden • Bird • CDE
- CES • Collins • Cushcraft
- Data Signal • Dentron
- Drake • ETO • HAL
- Hy-Gain • Icom • KLM
- Kenwood • Larsen • MFJ
- Midland • Mosley • NPC
- Newtronics • Nye
- Regency • Shure • Swan
- Standard • TPL • Tempo
- Ten-Tec • Yaesu . . .



Hours: 9:30-9 Mon. & Thurs,
9:30-5:30 Tues, Wed. & Fri.
9-3 Sat.



ERICKSON COMMUNICATIONS
5935 N. Milwaukee Ave.
Chicago, IL 60646
(312) 631-5181

flea market

LARSEN ANTENNAS (our specialty) 2,432 magnetic, trunk-lip 5/8 \$33.00, 5/8 ground plane \$45.00. BankAmericard and Mastercharge accepted. 201-962-4695. Narwid Electronics, 61 Bellot Road, Ringwood, NJ 07456.

WANTED: Complete Manual, schematics for Federal Telephone & Radio FT-125 - B25A2 2M 6V gear #473063, has transmitter 282B25A #474902, receiver 148AA #4703385. Also #26 tubes, manual schematics for Motorola K 7288 2M xcvr, has PA7265B receiver, PA 7279A pls, #6300, PA 7291C #16413 transmitter. Will buy or copy. Company records destroyed in natural disaster. Source for parts, test cables appreciated. Robert Clark, 714 W. 11th, Waynesboro, VA 22980.

QRP TRANSMATCH for HW7, Ten-Tec, and others. Send stamp for details to Peter Meacham Associates, 19 Loretta Road, Waltham, Mass. 02154.

SST-T-1 gets you on 160-10. See ad this issue. SST Electronics, Box 1, Lawndale, Calif. 90260.

SYNTHESIZER, see Ham Radio, July 76, pg. 20-23, figures 21-24. Kit for \$115. Assembled and tested, \$140. Power supply to run from 117V additional \$15. CTD, P. O. Box 708, Cambridge, MA 02139.

MOTOROLA: HT200 repeater complete with control circuits. Mounted in commercially milled block of alum. Size 5" x 7" x 1 1/2". Mil-standard construction throughout, \$250.00. More info contact: Ray Waldemar, WA7ZYR, 2025 W. Indian School Rd., Phoenix, Arizona 85015, Apt. 628.

WANTED: Car telephones and mobile telephone parts, heads, cables, etc. Greg Hyman, 87 Yonkers Ave., Yonkers, N. Y. 10701. 914-476-4330.

NEED. #12 enameled or old cotton covered copper wire. 25 or 30 lb. spool. W4NNT, 6913-29th Ave., Tampa, FL 33619.

MANUALS for most ham gear, 1939/70. List \$1.00. Send SASE (or 25¢) for one specific model quote. Hobby Industry, W0JJK, Box H864, Council Bluffs, Iowa 51501.

HT SCR-146A xtals, mike, standcharger, belt-clip case. Commercial grade fiberglass coilinear ASP-680A. Factory tuned for 2M. List \$105.00, 1 year old, \$50.00. WB9SZQ, T. Menzel, 1971 W. Mill, Milwaukee, WI 53209.

SIDSWIPER only \$13. Airmailed USA. Kungsimport, Box 257, Kungsbacka, Sweden.

FOR SALE: Lampkin 107c Generator, 1 year old, mint condition. Original cost \$3,000. Make an offer. Pete Hons, Portage, Pa. 15946. 814-736-3883.

RTTY DEMODULATORS — Immediate delivery. New ST-5's with auto-start and AK-1 AFSSK audio oscillator. \$185 or \$25 and balance UPS COD. David Tancig, 618 W. White St., Champaign, Ill. 61820.

1 KW. LINEAR (continuous duty amplifier) custom manufactured compact with heavy duty power supply used once, excellent like new - \$195 (ship UPS 50 lb.) OUNG, 210 Richardson Ave., San Francisco, CA 94123.

HAM RADIO HORIZONS, a super new magazine for the Beginner, the Novice and anyone interested in Amateur Radio . . . What it's all about, How to get started, The fun of ham radio. It's all here and just \$10.00 per year. HURRY! HURRY! Ham Radio HORIZONS, Greenville, NH 03048.

EXCLUSIVELY HAM TELETYPE 22nd year, RTTY Journal, articles, news, DX, VHF, classified ads. Sample 35¢. \$3.50 per year. Box 837, Royal Oak, Michigan 48068.

UHF 4 CHANNEL POCKET SCANNER (Tea-berry). Mint cond. \$60. WB8MRC, R. Koetsier, 959 Charlotte, Grand Rapids, MI 49504. 616-453-8434.

FREE CATALOG. Calculators, digital thermometers, ultrasonics, kits, strobes, ni-cads, LEDs, transistors, IC's, unique components. Chaney's, Box 27038, Denver, Colo. 80227.

SUPER CALCULATOR VALUE!



\$4⁹⁵ ea.

New Calculators made by one of the largest calculator manufacturers (their name has been removed so that we can offer these at this low, low price).

Check These Quality Features

- Full 8 digit capacity
- All 4 functions plus constant (K) switch
- Floating or 2, 3, 4 decimal pt. set switch
- Clear last entry key
- Automatic display time out to conserve battery
- Indicator for input greater than 8 digits
- Indicator for answer greater than 8 digits
- Indicator for low battery condition
- Quality aluminum keyboard with tactile feedback buttons
- Size approx. 6" x 3 1/2" x 1 3/4". White case with black trim.

These were originally designed to operate from six AA size nicad batteries, however, they were removed by the manufacturer before we purchased them. It's up to you to power the calculator — there is room in the battery compartment to wire penlight batteries in or use a small transformer and rectifier to make a handy desk calculator.

Please include \$1.00 for shipping.

AA size nicads (used - excellent condition) 59¢ ea.

CHANEY'S
electronics

P. O. Box 27038 • Denver, Colorado 80227
303-973-1052

Send for our free catalog listing hundreds of bargains on nicads, IC's, transistors, digital thermometers, clocks, ultrasonics, strobe lights, kits, crystals, resistors, capacitors, etc.

NEW STUFF

UHF SIGNAL GENERATOR microdot Model 412 FM Signal Generator, 400-550 MHz. Digital readout. Stability .0006%/hour, 1µV-1V, 50 ohm ±1dB. Absolutely Top Drawer. With manuals, complete. Write for complete specs. \$650.00. HP UHF Noise Source with modulator, Model H01-349A. \$85.00.

MIXED VALUES.

DISC CERAMIC CAPACITORS
\$5.00/LB. PPD. IN U.S.A.

If you don't like the pound you get — call or write and we'll send another pound FREE. (And you keep the first pound.)

- .7-9pF Glass Piston Trimmer, JFD, VC-1 \$2.25 ea
- 10 for \$1.75 ea
- 4.7 MFD/10V Sprague 158D \$7.50/Hundred
- COLLINS 635V-1 Bandpass filter, 2-29.999 MHz, tunes in 1 kc increments. Sharply selective filter w/integral linear RF amps \$175.00



Great Repeater Receiver. 215-265 MHz Plug in front-end & video unit with BW 1.5 KC — 1 MC built-in deviation meter. Defense Electronics Model TMR-5A. Only 1 in stock. SPECIAL \$215.00



RVC2 2 to 30 MHz depending on the plug-in front end. Provision for XTAL control. Makes a fine single-channel H.F. RCVR. \$125.00
100 kHz solid state standard frequency oscillator. Complete in oven. Size: 4 1/4" x 2" x 1 1/2". James Knight's part #JKTO-23. Octal plug-in. Hermetically sealed. \$25.00

WE ARE BUYERS as well as sellers. What have you? We don't have a catalog, by the time we'd publish it the merchandise would be gone.

DISC-CAP, 19075 BRAEMORE RD.
NORTHRIDGE, CA. 91326 213-360-3387

7400N TTL

| | | | | | |
|---------|----|----------|------|----------|------|
| SN7400N | 16 | SN7459A | 25 | SN74154N | 1.00 |
| SN7401N | 16 | SN7460N | 22 | SN74155N | 0.99 |
| SN7402N | 21 | SN7462N | 65 | SN74156N | 99 |
| SN7403N | 16 | SN7472N | 37 | SN74157N | 99 |
| SN7404N | 18 | SN7473N | 37 | SN74160N | 1.25 |
| SN7405N | 24 | SN7474N | 32 | SN74161N | 99 |
| SN7406N | 20 | SN7475N | 45 | SN74163N | 99 |
| SN7407N | 29 | SN7476N | 32 | SN74164N | 1.10 |
| SN7408N | 25 | SN7479N | 50 | SN74165N | 1.10 |
| SN7409N | 25 | SN7480N | 50 | SN74166N | 1.25 |
| SN7410N | 18 | SN7482N | 98 | SN74167N | 5.50 |
| SN7411N | 30 | SN7483N | 39 | SN74170N | 2.10 |
| SN7412N | 33 | SN7485N | 89 | SN74172N | 8.95 |
| SN7413N | 45 | SN7486N | 39 | SN74173N | 1.50 |
| SN7414N | 70 | SN7488N | 3.50 | SN74175N | 1.25 |
| SN7415N | 35 | SN7489N | 2.45 | SN74176N | 99 |
| SN7417N | 35 | SN7490N | 45 | SN74177N | 99 |
| SN7420N | 21 | SN7491N | 75 | SN74180N | 99 |
| SN7421N | 33 | SN7492N | 49 | SN74182N | 95 |
| SN7422N | 49 | SN7493N | 49 | SN74184N | 1.95 |
| SN7423N | 37 | SN7494N | 79 | SN74185N | 2.20 |
| SN7425N | 29 | SN7495N | 79 | SN74187N | 1.00 |
| SN7426N | 29 | SN7496N | 89 | SN74188N | 3.95 |
| SN7427N | 27 | SN7497N | 40 | SN74189N | 2.20 |
| SN7428N | 42 | SN7498N | 1.00 | SN74190N | 1.25 |
| SN7429N | 26 | SN74107N | 39 | SN74191N | 1.25 |
| SN7430N | 26 | SN74107N | 39 | SN74192N | 1.25 |
| SN7432N | 31 | SN74121N | 39 | SN74193N | 89 |
| SN7433N | 27 | SN74122N | 39 | SN74194N | 1.19 |
| SN7434N | 27 | SN74123N | 50 | SN74195N | 1.25 |
| SN7435N | 25 | SN74124N | 40 | SN74196N | 1.25 |
| SN7436N | 25 | SN74125N | 40 | SN74197N | 1.25 |
| SN7437N | 25 | SN74126N | 60 | SN74198N | 1.75 |
| SN7438N | 27 | SN74127N | 50 | SN74199N | 1.75 |
| SN7439N | 25 | SN74128N | 50 | SN74200N | 5.59 |
| SN7440N | 15 | SN74129N | 60 | SN74201N | 99 |
| SN7441N | 89 | SN74132N | 1.09 | SN74215N | 1.79 |
| SN7442N | 59 | SN74136N | 95 | SN74224N | 6.00 |
| SN7443N | 75 | SN74137N | 1.15 | SN74235N | 6.00 |
| SN7444N | 75 | SN74142N | 4.00 | SN74237N | 75 |
| SN7445N | 75 | SN74143N | 4.50 | SN74248N | 6.00 |
| SN7446N | 81 | SN74144N | 4.50 | SN74251N | 1.79 |
| SN7447N | 89 | SN74145N | 1.15 | SN74254N | 6.00 |
| SN7448N | 79 | SN74146N | 2.45 | SN74255N | 6.00 |
| SN7450N | 26 | SN74148N | 2.00 | SN74256N | 6.00 |
| SN7451N | 27 | SN74150N | 1.00 | SN74257N | 6.00 |
| SN7452N | 27 | SN74151N | 79 | SN74258N | 6.00 |
| SN7454N | 20 | SN74153N | 75 | | |

MANY OTHERS AVAILABLE ON REQUEST
20% Discount for 100 Combined 7400's

CMOS

| | | | |
|--------|------|--------|----|
| CD4000 | 25 | 74C04N | 75 |
| CD4001 | 25 | 74C05 | 75 |
| CD4002 | 25 | 74C06 | 75 |
| CD4003 | 2.50 | 74C07 | 65 |
| CD4004 | 25 | 74C08 | 65 |
| CD4005 | 25 | 74C09 | 65 |
| CD4006 | 2.50 | 74C10 | 65 |
| CD4007 | 25 | 74C11 | 65 |
| CD4008 | 50 | 74C12 | 65 |
| CD4010 | 59 | 74C13 | 65 |
| CD4011 | 25 | 74C14 | 65 |
| CD4012 | 25 | 74C15 | 65 |
| CD4013 | 47 | 74C16 | 65 |
| CD4016 | 56 | 74C17 | 65 |
| CD4017 | 1.35 | 74C18 | 65 |
| CD4019 | 55 | 74C19 | 65 |
| CD4020 | 1.49 | 74C20 | 65 |
| CD4022 | 1.25 | 74C21 | 65 |
| CD4023 | 25 | 74C22 | 65 |
| CD4024 | 1.50 | 74C23 | 65 |
| CD4025 | 25 | 74C24 | 65 |
| CD4027 | 69 | 74C25 | 65 |
| CD4028 | 1.65 | 74C26 | 65 |
| CD4029 | 2.90 | 74C27 | 65 |
| CD4030 | 65 | 74C28 | 65 |

LINEAR

| | | | |
|-----------|------|---------|------|
| LM300H | 80 | LM1310N | 2.95 |
| LM300H | 35 | LM1311N | 1.85 |
| LM300H | 35 | LM1414N | 1.75 |
| LM300H | 75 | LM1415N | 1.75 |
| LM300H | 1.00 | LM370N | 1.15 |
| LM300H | 95 | LM373N | 3.25 |
| LM300H | 35 | LM377N | 4.00 |
| LM300H | 1.00 | LM390N | 2.95 |
| LM300H | 1.00 | LM392N | 1.95 |
| LM300H | 1.10 | LM393N | 1.95 |
| LM300H | 99 | LM394N | 1.95 |
| LM310CN | 1.15 | NE501K | 8.00 |
| LM311H | 90 | NE502K | 8.00 |
| LM311N | 90 | NE503K | 8.00 |
| LM318CN | 1.50 | NE504K | 8.00 |
| LM319N | 1.30 | NE505K | 8.00 |
| LM320K-5 | 1.35 | NE506K | 8.00 |
| LM320K-2 | 1.35 | NE507K | 8.00 |
| LM320K-12 | 1.35 | NE508K | 8.00 |
| LM320K-15 | 1.35 | NE509K | 8.00 |
| LM320T-5 | 1.75 | NE510K | 8.00 |
| LM320T-2 | 1.75 | NE511K | 8.00 |
| LM320T-12 | 1.75 | NE512K | 8.00 |
| LM320T-15 | 1.75 | NE513K | 8.00 |
| LM320T-18 | 1.75 | NE514K | 8.00 |
| LM320T-24 | 1.75 | NE515K | 8.00 |
| LM323K-5 | 9.95 | LM709H | 2.95 |
| LM324N | 1.80 | LM709N | 2.95 |
| LM339N | 1.70 | LM710N | 2.95 |
| LM340K-5 | 1.95 | LM711N | 2.95 |
| LM340K-6 | 1.95 | LM712N | 2.95 |
| LM340K-8 | 1.95 | LM713N | 2.95 |
| LM340K-12 | 1.95 | LM714N | 2.95 |
| LM340K-15 | 1.95 | LM715N | 2.95 |
| LM340K-18 | 1.95 | LM716N | 2.95 |
| LM340K-24 | 1.95 | LM717N | 2.95 |
| LM340T-5 | 1.75 | LM718N | 2.95 |
| LM340T-8 | 1.75 | LM719N | 2.95 |
| LM340T-12 | 1.75 | LM720N | 2.95 |
| LM340T-15 | 1.75 | LM721N | 2.95 |
| LM340T-18 | 1.75 | LM722N | 2.95 |
| LM340T-24 | 1.75 | LM723N | 2.95 |
| LM350N | 1.00 | LM724N | 2.95 |
| LM351N | 65 | LM725N | 2.95 |


74LS00 TTL

| | | | |
|--------|----|---------|------|
| 74LS00 | 39 | 74LS129 | 1.55 |
| 74LS01 | 39 | 74LS131 | 1.55 |
| 74LS02 | 39 | 74LS132 | 1.55 |
| 74LS03 | 45 | 74LS133 | 1.89 |
| 74LS04 | 45 | 74LS134 | 1.89 |
| 74LS05 | 45 | 74LS135 | 1.89 |
| 74LS06 | 39 | 74LS136 | 2.25 |
| 74LS07 | 39 | 74LS137 | 2.25 |
| 74LS08 | 49 | 74LS138 | 1.95 |
| 74LS09 | 49 | 74LS139 | 1.95 |
| 74LS10 | 49 | 74LS140 | 3.89 |
| 74LS11 | 49 | 74LS141 | 2.85 |
| 74LS12 | 49 | 74LS142 | 2.85 |
| 74LS13 | 49 | 74LS143 | 2.85 |
| 74LS14 | 49 | 74LS144 | 2.85 |
| 74LS15 | 49 | 74LS145 | 2.85 |
| 74LS16 | 49 | 74LS146 | 2.85 |
| 74LS17 | 49 | 74LS147 | 2.85 |
| 74LS18 | 49 | 74LS148 | 2.85 |
| 74LS19 | 49 | 74LS149 | 2.85 |
| 74LS20 | 49 | 74LS150 | 2.85 |
| 74LS21 | 49 | 74LS151 | 2.85 |
| 74LS22 | 49 | 74LS152 | 2.85 |
| 74LS23 | 49 | 74LS153 | 2.85 |
| 74LS24 | 49 | 74LS154 | 2.85 |
| 74LS25 | 49 | 74LS155 | 2.85 |
| 74LS26 | 49 | 74LS156 | 2.85 |
| 74LS27 | 49 | 74LS157 | 2.85 |

CLOCK CHIPS

| | | | |
|--------|-----------------------|----------------------|--------|
| MM5309 | 6 Digit BCD Outputs | Reset Pin | \$9.95 |
| MM5311 | 6 Digit BCD Outputs | 12 or 24 Hour | 4.95 |
| MM5312 | 4 Digit BCD Outputs | 1 PPS Output | 4.95 |
| MM5314 | 6 Digit 12 or 24 Hour | 50 or 60 Hz | 4.95 |
| MM5316 | 4 Digit Alarm | 1 PPS Output | 6.95 |
| MM5318 | Video Clock Chip | For Use With MM5841 | 9.95 |
| CT7001 | 6 Digit Calendar | Alarm: 12 or 24 Hour | 9.95 |

FAIRCHILD TECHNOLOGY KITS FAIRCHILD



- Complete Specifications on back of each kit
- Packaged for WALL DISPLAY APPEARANCE
- Dealer's Inquires Invited — Price List Available

DIGITS

| | | |
|---------|--------------------------------|--------|
| FTK0001 | 0.5" High Common Cathode Digit | \$1.00 |
| FTK0002 | 0.5" High Common Anode Digit | 1.00 |
| FTK0003 | 3.5" High Common Cathode Digit | 75 |
| FTK0004 | 0.8" High Common Cathode Digit | 2.00 |
| FTK0005 | 0.8" High Common Anode Digit | 2.00 |

8" HIGHER DISPLAY ARRAYS

| | | |
|---------|------------------------------------|------|
| FTK0010 | 12 Hour, 3 1/2 Digit Clock Display | 7.00 |
| FTK0011 | 24 Hour, 4 Digit Clock Display | 8.00 |

LED LAMPS

| | | |
|---------|-------------------------------------|------|
| FTK0020 | 10 Red LED Lamps | 1.00 |
| FTK0021 | 5 Mixed Colored LED Lamps | 1.00 |
| FTK0022 | 10 LED Mounting Clips | 1.00 |
| FTK0023 | 5 Three Piece LED Mounting Adapters | 1.00 |

PHOTO TRANSISTORS

| | | |
|---------|--------------------------------|------|
| FTK0030 | 5 Flat Lens Photo Transistors | 1.00 |
| FTK0031 | 5 Round Lens Photo Transistors | 1.00 |
| FTK0032 | 3 Flat Lens Photo Darlington | 1.00 |
| FTK0033 | 3 Round Lens Photo Darlington | 1.00 |

PHOTO ARRAYS

| | | |
|---------|------------------------------|-------|
| FTK0040 | 9-Element Tape Reader Array | 16.00 |
| FTK0041 | 12-Element Card Reader Array | 24.00 |
| FTK0042 | Reflective Opto Coupler | 4.00 |

COUPLERS

| | | |
|---------|---------------------------------|------|
| FTK0050 | 3 General Purpose Opto Couplers | 1.00 |
| FTK0051 | Darlington Opto Coupler | 1.00 |

MOS CLOCK CIRCUITS

| | | |
|---------|--|------|
| FTK0400 | Digital Clock/Calendar Circuit | 7.00 |
| FTK0401 | Digital Clock/Calendar with BCD Outputs (FOM7002) | 7.00 |
| FTK0402 | Direct Drive Digital Clock Circuit with AC Output (FOM3817A) | 5.00 |
| FTK0403 | Direct Drive Digital Clock Circuit with DC Output (FOM3817D) | 5.00 |
| FTK0405 | Direct Drive Digital Clock/Calendar Circuit (FOM7015) | 6.00 |

KITS

| | | |
|---------|----------------------|-------|
| FTK1016 | Automobile Clock Kit | 40.00 |
|---------|----------------------|-------|

DISCRETE LEADS

| | | | |
|----------|-----------------|------------------|-------------------|
| 125" dia | XC209 Red 10.51 | XC209 Green 4.51 | XC209 Orange 4.51 |
| 200" dia | KC222 Red 10.51 | KC222 Green 4.51 | KC222 Yellow 4.51 |
| 185" dia | KC526 Red 10.51 | KC526 Green 4.51 | KC526 Orange 4.51 |
| 200" dia | KC556 Red 10.51 | KC556 Green 7.51 | KC556 Yellow 7.51 |
| 085" dia | MV500 Red 10.51 | MV500 Green 7.51 | MV500 Yellow 7.51 |

DISPLAY LEADS

| | | | | |
|-------|------------------------------|----------|--------------------------------|----------|
| DL707 | MAN 1 Common Anode | 270 2.95 | MAN 3620 Common Anode orange | 300 1.75 |
| | MAN 2 5 x 7 Dot Matrix | 300 4.95 | MAN 3640 Common Cathode orange | 300 3.75 |
| | MAN 3 Common Cathode | 125 39 | MAN 4710 Common Anode Red | 400 1.95 |
| | MAN 4 Common Cathode | 187 195 | DL701 Common Anode red | 300 99 |
| | MAN 7 Common Anode | 300 1.25 | DL704 Common Cathode | 300 99 |
| | MAN 7G Common Anode-green | 300 1.95 | DL707 Common Anode | 300 99 |
| | MAN 7Y Common Anode-yellow | 300 1.95 | DL 728 Common Cathode | 500 1.95 |
| | MAN 52 Common Anode-green | 300 1.75 | DL 747 Common Cathode | 600 2.25 |
| | MAN 64 Common Anode-red | 400 1.75 | DL 750 Common Cathode | 500 2.49 |
| | MAN 72 Common Anode | 300 1.25 | DL 338 Common Cathode | 110 50 |
| | MAN 74 Common Cathode | 300 1.50 | FA070 Common Cathode | 250 75 |
| | MAN 82 Common Anode-yellow | 300 1.75 | FM053 Common Cathode | 500 1.00 |
| | MAN 84 Common Cathode-yellow | 300 1.75 | FM057 Common Anode | 500 1.00 |

IC SOLDERTAIL — LOW PROFILE (TIN) SOCKETS

| | | | | | | | |
|--------|--------|--------|--------|--------|--------|--------|--------|
| 8 pin | \$1.18 | 16 pin | \$1.18 | 24 pin | \$1.18 | 30 pin | \$1.18 |
| 16 pin | \$2.21 | 20 pin | \$2.21 | 24 pin | \$2.21 | 30 pin | \$2.21 |
| 18 pin | \$2.21 | 22 pin | \$2.21 | 24 pin | \$2.21 | 30 pin | \$2.21 |
| 14 pin | \$2.27 | 25 pin | \$2.27 | 28 pin | \$2.27 | 30 pin | \$2.27 |
| 16 pin | \$3.00 | 27 pin | \$3.00 | 36 pin | \$3.00 | 39 pin | \$3.00 |
| 18 pin | \$3.32 | 40 pin | \$3.32 | 40 pin | \$3.32 | 40 pin | \$3.32 |
| 18 pin | \$4.41 | 47 pin | \$4.41 | 24 pin | \$1.05 | 95 85 | |
| 10 pin | \$3.45 | 41 37 | 37 | 28 pin | 1.40 | 1.25 | 1.10 |
| 14 pin | 4.32 | 42 41 | 41 | 36 pin | 1.59 | 1.45 | 1.30 |
| 18 pin | 75 68 | 62 | 62 | 40 pin | 1.75 | 1.55 | 1.40 |

WIRE WRAP TOOL

Part Number WWSU 30 \$5.95 ea.



1. INSERT WIRE INTO SMALL HOLE
2. BEND AND HOLD WIRE
3. PLACE OVER TERMINAL
4. CONNECTION FINISHED

1. STRIP INSULATION
2. INSERT WIRE APPROPRIATELY
3. PULL DOWN INTO SLOT
4. PULL WIRE

1. FLAT TOOL ON TERMINAL
2. TURN TOOL COUNTERCLOCKWISE

WIRE WRAP WIRE

| | | | | |
|--------|------------------------|-----------------|------------------|--------------------|
| 30 AWG | — 25 ft. min. — \$2.10 | 50 ft. — \$2.75 | 100 ft. — \$3.50 | 1000 ft. — \$24.00 |
|--------|------------------------|-----------------|------------------|--------------------|

SPECIFY COLOR — White — Yellow — Red — Green — Blue — Black

50 PCS. RESISTOR ASSORTMENTS \$1.75 PER ASS'T.

| | | | | | | |
|-----------|---------------|---------|---------|---------|---------|-----------------------|
| ASS'T. 1 | 5 ea. 27 0Hm | 12 0Hm | 15 0Hm | 18 0Hm | 22 0Hm | 1/4 WATT 5% — 50 PCS. |
| ASS'T. 2 | 5 ea. 68 0Hm | 82 0Hm | 100 0Hm | 120 0Hm | 150 0Hm | 1/4 WATT 5% — 50 PCS. |
| ASS'T. 3 | 5 ea. 180 0Hm | 220 0Hm | 270 0Hm | 330 0Hm | 390 0Hm | 1/4 WATT 5% — 50 PCS. |
| ASS'T. 4 | 5 ea. 470 0Hm | 560 0Hm | 680 0Hm | 820 0Hm | 1k | 1/4 WATT 5% — 50 PCS. |
| ASS'T. 5 | 5 ea. 1.2k | 1.5k | 1.8k | 2.2k | 2.7k | 1/4 WATT 5% — 50 PCS. |
| ASS'T. 6 | 5 ea. 3.3k | 3.9k | 4.7k | 5.6k | 6.8k | 1/4 WATT 5% — 50 PCS. |
| ASS'T. 7 | 5 ea. 8.2k | 10k | 12k | 15k | 18k | 1/4 WATT 5% — 50 PCS. |
| ASS'T. 8 | 5 ea. 22k | 27k | 33k | 39k | 47k | 1/4 WATT 5% — 50 PCS. |
| ASS'T. 9 | 5 ea. 56k | 68k | 82k | 100k | 120k | 1/4 WATT 5% — 50 PCS. |
| ASS'T. 10 | 5 ea. 150k | 180k | 220k | 270k | 330k | 1/4 WATT 5% — 50 PCS. |
| ASS'T. 11 | 5 ea. 390k | | | | | |

flea market

Coming Events

LAPORTE WINTER HAMFEST — The LaPorte, Indiana, ARC will hold its Winter Hamfest on the 27th of February, 1977, beginning at 8 a.m. (Chicago time) at the LaPorte Civic Auditorium. Good food, plenty of FREE tables, 50 miles East of Chicago. Talk-in on 01-61 and 94. Donation \$2.00 at the gate. Information from LPARC, P. O. Box 30, LaPorte, IN. 46350.

THE CHERRYLAND AMATEUR RADIO CLUB will hold its 4th Annual Swap 'n Shop, Saturday, February 12, from 9 a.m. to 4 p.m. at the Northwestern Michigan College in Traverse City. A donation of \$1 includes a chance on all prizes. Plenty of free display tables for whatever you may wish to bring in electronic equipment and parts. Everyone is welcome and a turnout of over 300 Hams and experimenters is expected. For more information contact Bill Mader, WABWWM, at (616) 326-6392 or Box 2, Empire AFS, Mich. 49630.

MANSFIELD MID-WINTER HAMFEST AUCTION, February 6, 1977, Richard County Fairgrounds, Mansfield, Ohio. Prizes, flea market, auction. Doors open 8 a.m., talk-in 146.34/94, S2/52. Tickets \$1.50 in advance, \$2.00 at the door. Contact Harry Frietschen, K8JPF, 120 Homewood, Mansfield, Ohio 44906. 419-529-2801 or 419-524-1441.

W6LS 12th Los Angeles Amateur Radio Convention. Saturday and Sunday, May 21 & 22. 2814 Empire Avenue, Burbank, CA 91605.

NEW HAMPSHIRE QSO PARTY, sponsored by the Concord Brasspounders, Inc., W1OC, to promote Worked New Hampshire Award. 2000Z Feb. 12 to 0500Z Feb. 13, and 1400Z Feb. 13 to 0200Z Feb. 14. Stations may be worked once per band mode. N. H. stations may work each other. N. H. stations send RS(T) and county. Out-of-state stations send RS(T), ARRL section or country. N. H. stations score 1 point per QSO, times the no. of ARRL sections plus countries plus N. H. counties. Others score 5 points per N. H. QSO, times the no. of N. H. counties. Suggested frequencies are: CW — 1810, 3555, 7055, 14055, 21055, 28130; Phone — 1820, 3935, 3975, 7235, 14280, 21380, 28575; Novice — 3730, 7130, 21130, 28130; VHF — 50.155, 145.015, FM Simplex (No. Repeaters). Awards: Top-scorer in each N. H. county, and top scorer in each state, province, and country (50 points minimum). Certificate available for confirmation of all 10 N. H. counties. Send logs, summary and check sheets to: Concord Brasspounders, Inc., C. Halloway, 9 Via Tranquilla, Concord, N. H. 03301 by March 14, 1977. Include business-size SASE for results and/or award.

THE 5TH ANNUAL MIDWINTER SWAPFEST of the West Allis Radio Amateur Club will be Saturday, January 22, 1977 starting at 8 a.m. at the Waukesha County Expo Center. Tickets: \$1.50 advanced, \$2.00 at door. Reserved tables by advanced reservation only \$1.50 per 4 ft. table. Non-reserved tables first come, first served. Talk-in on 146.52 MHz. Directions: I-94 to Waukesha Co. F, south to FT, west to Expo. For information and tickets write: WARAC, P. O. Box 1072, Milwaukee, WI 53201.

IOWA: Davenport Radio Amateur Club Hamfest is Sunday, Feb. 27, 1977 at the Masonic Temple in Davenport, Ia. Admission is \$1.50 advance, \$2.00 at door. Talk in on 28/88 and 52. Refreshments and tables available. For tickets send S.A.S.E. to Dick Lane, WAØGXC, 116 Park Ave., So. Eldridge, Ia. 52748.

Stolen Equipment

ICOM 22S, SN 0017: Has total of nineteen channels programmed in first 20 positions, no channel 19. All above 15 are 147 meg. Stolen from: Ken Keyte, WØTGL, 303-598-7097, 3812 Windsor Ave., Colo. Springs, Colo. 80907.

STOLEN from locked car in Chicago, IL October 19, 1976, one Motorola Metrum II 25W, Ser. #C 064, one Motorola HT 220 series H23 FFN, serial #TP1174C. Please contact Robert L. Scott, WB9BVT, 200 W. Chicago Ave., Oak Park, IL 60302.

STOLEN from Ross Distributing Co., 26 So. State, Preston, Idaho 83263 on 10-18-76 in unopened carton, one Kenwood TS-700A, Serial #41264.

DON & BOB'S SUPER BUYS

Check These Super Buys!
Call for Items Not Listed

\$100/100 FT SALE Hy Gain 18AVT/WB + 100 ft RG8U \$100 CDE Big Talk + 100 ft rotor cable \$100 KLM KR400 Rotor + 100 ft rotor cable \$100

WIRE, ETC. Premax heavy-duty 4 ft ground rod + clamp \$4.00 Consolidated antenna wire: #14 stranded \$5.00/100 ft. #12 stranded \$8.00/100 ft. #22 GA phosphor bronze longwire antenna wire \$2.50/1000 ft.

SEALED CARTONS Raytheon 811A \$15.00/pair 572B/TI60L \$21.95.

CALL US TS520, TS700A, Atlas 210X, ETO. All in sealed cartons.

EXTRAS 5 ea. 1/4" shaft knobs for panel. Very nice \$1.00/5. Rubber feet 30¢/5. Buss AGC3 fuse 5¢. CDE .001/10KV door-knob cap \$1.95. Mallory 2.5A/1000PIV epoxy diode 19¢ ea.

COAX Belden coax: RG8U 8237 19¢ ft. 8214 RG8 foam 23¢ ft. 9888 double shield 8214 foam (suitable for direct burying) 35¢ ft. 8214 white jacket 29¢ ft. 8210 72 ohm kw twinlead \$19.00/C. Amphenol PL259 59¢. UG175 19¢.

CDE Ham-2 \$129.00. CD44 \$104.00. AR-22XL \$50.00. Belden 8 wire rotor cable 14¢ ft.

ELECTRA Bearcat 101 UHF/VHF \$289.00 (sealed).

SUPER PRICES Multi 7, II. Call for quote on Tempo 2020, TS820.

All Prices FOB Houston. Quotes Good 30 Days. All Items Guaranteed. Call Us!

MADISON ELECTRONICS SUPPLY, INC.

1508 McKinney Houston, Texas 77002
713/658-0268 Nites 713/497-5683

The popular CUA 64-12 by Heights

Light,
permanently
beautiful
ALUMINUM
towers

**THE MOST IMPORTANT
FEATURE OF
YOUR ANTENNA
IS PUTTING
IT UP WHERE
IT CAN DO
WHAT YOU EXPECT.
RELIABLE DX —
SIGNALS EARLIEST IN
AND LAST OUT.**

ALUMINUM

Complete Telescoping
and Fold-Over
Series available
Self-Supporting
Easy to Assemble
and Erect
All towers mounted
on hinged bases

And now, with motorized options, you can crank it up or down, or fold it over, from the operating position in the house.

Write for 12 page brochure giving dozens of combinations of height, weight and wind load.

ALSO TOWERS FOR WINDMILLS

HEIGHTS MANUFACTURING CO.

In Almont Heights Industrial Park
Almont, Michigan 48003

Webster says:
radio, inc.

You can really "ham" it up with
our great line of transceivers!



The TS-520 **KENWOOD** \$629.
Transceiver. Solid state 80 thru 10 meters.



The FT-620B **YAESU** Transceiver
Solid state 6 meters SSB. \$449.

CTC: UHF/VHF
POWER TRANSISTORS FOR AMATEUR USE
J101 UNDERWOOD CAPACITORS

Order Direct 1. Check or M.O. with order.
3 E-Z Ways 2. Bank Americard or Mastercharge.
3. C.O.D. (20% deposit, please)

Write for FREE brochures and particulars on all models.

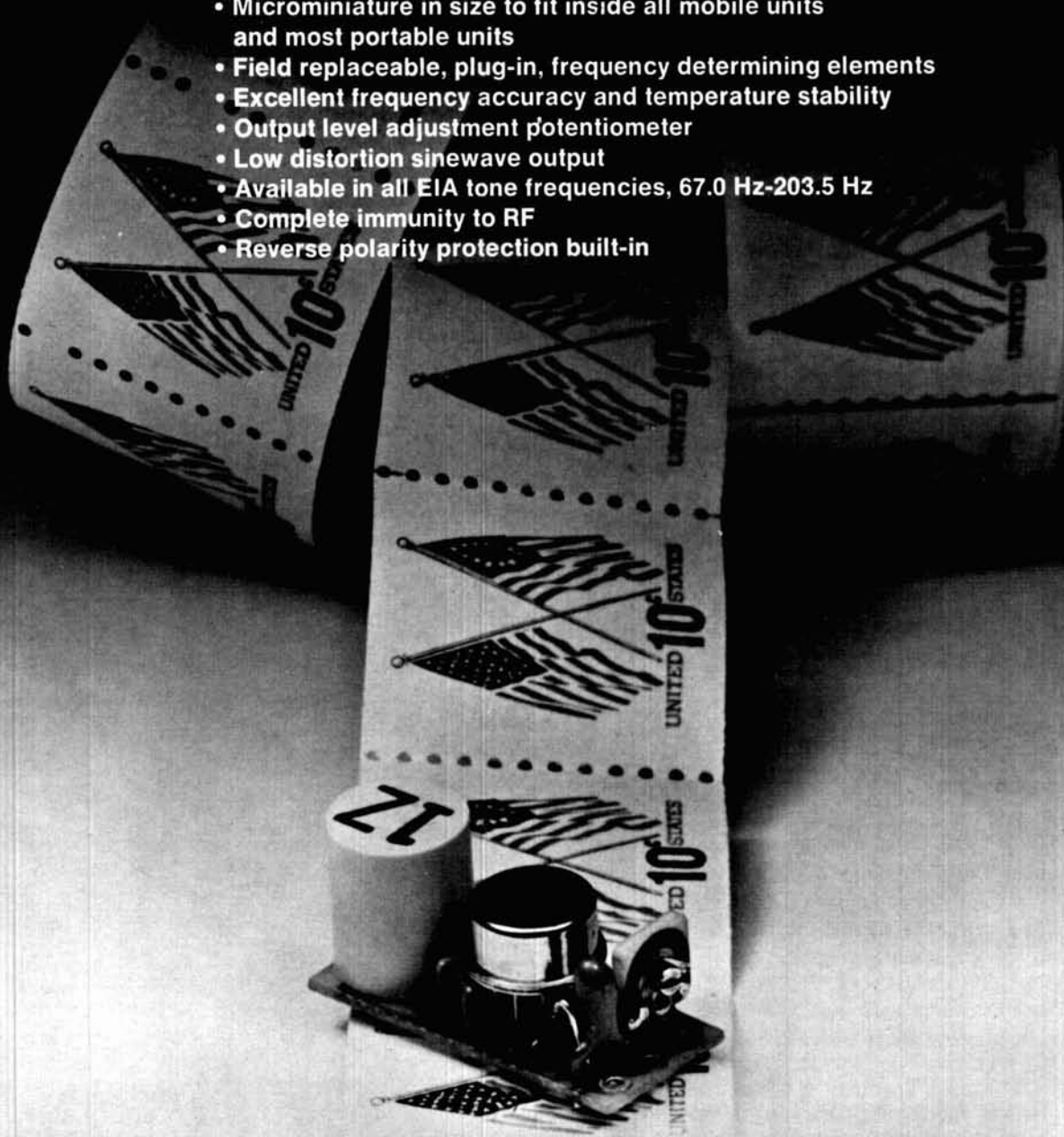
Webster
radio, inc.

2602 E. Ashlan
Fresno, CA 93726
Phone (209) 224-5111

ME-3 microminiature tone encoder

Compatible with all sub-audible tone systems such as: Private Line, Channel Guard, Quiet Channel, etc.

- Powered by 6-16vdc, unregulated
- Microminiature in size to fit inside all mobile units and most portable units
- Field replaceable, plug-in, frequency determining elements
- Excellent frequency accuracy and temperature stability
- Output level adjustment potentiometer
- Low distortion sinewave output
- Available in all EIA tone frequencies, 67.0 Hz-203.5 Hz
- Complete immunity to RF
- Reverse polarity protection built-in



\$29.95 each

Wired and tested, complete with K-1 element

communications specialists

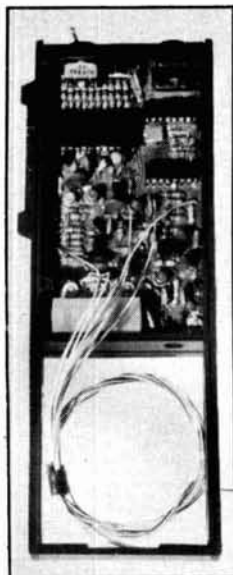
P. O. BOX 153
BREA, CALIFORNIA 92621
(714) 998-3021



K-1 FIELD REPLACEABLE,
PLUG-IN, FREQUENCY
DETERMINING ELEMENTS

\$3.00 each

MOTOROLA OWNERS



400 CHANNEL HT-220 SYNTHESIZER

If you had to purchase 400 transmit and 400 receive crystals from Motorola, you could spend \$14.00 each or \$11,200.00. But from Communications Electronics, you can get our CE2001, 2 meter synthesizer module and totally eliminate expensive crystals. Originally designed by WA4DSY and greatly improved by The Portable Clinic, the CE2001 frequency synthesizer module will give you complete 2 meter coverage from 146.000 MHz to 147.995 MHz in 5 KHz. steps including built in repeater offsets of plus or minus 600 KHz. and simplex operation. Spurious outputs over 45 DB down and frequency stability better than 0.002%. Not a kit, but a complete synthesizer module specifically designed for your Motorola omni PL length HT-220 transceiver. We offer you a

completely wired synthesizer mounted in an omni frame and a back cover with the frequency selection switches installed for only \$299.95. Extensive detailed installation instructions make our synthesizer module easy to install, but if you prefer, CE will install it on your working omni PL length 1.8 watt HT220 for \$149.95 more. We can modify any VHF HT220 for our synthesizer and give you a 30 day guarantee. To order your completely wired & tested synthesizer module, call our toll free U.S.A. 24 hour order & information line 800-521-4414. Outside U.S.A. & Michigan 24 hour phone (313) 994-4441. Money order or charge card on mail orders for immediate shipment. Dealer inquiries invited. Michigan residents add tax. Foreign orders invited. For engineering advice, call after 6:00 P.M. E.S.T.



Toll free U.S.A. 24 hour order & information line 800-521-4414. Outside U.S.A. & Michigan 24 hour phone 313-994-4441. Certified check or charge card on mail orders for immediate shipment. Dealer inquiries invited. Michigan residents add tax. Foreign orders invited. Call toll free or write for your free complete catalog & specifications. Satisfaction guaranteed or your money back. For engineering advice, call after 6:00 P.M. E.S.T.

COMMUNICATIONS ELECTRONICS
P.O. BOX 1002 DEPT. 2M
ANN ARBOR, MICHIGAN 48106

CALL TOLL FREE
800-521-4414
OR
313-994-4441

ORLANDOHAMCATION 77 ORLANDOHAMCATION 77 ORLANDOHAMCATION 77

OH!

The 1977 Hamcation Committee
proudly presents

The ARRL SOUTHEASTERN DIVISION CONVENTION and

The Greatest ORLANDO HAMFEST ever!!

Plus.. The Southern Region ANTIQUE WIRELESS ASSO. Conv.

AT THE SHERATON'S TWIN TOWERS HOTEL & CONVENTION
COMPLEX NEAR FLORIDA'S TURNPIKE & I-4 INTERSECTION

FEBRUARY 11*-12-13, 1977

SPECIAL ALERT!!!! To the first 25 who notifies us by mail of our goof in our full page ad in the December issue of QST, we will send to you a complimentary ticket to our Hamcation '77 Hamfest.

Advance registration \$3, At door \$4, Swapfest table \$5, per day.

For a complete Hamfest information package send a SASE to:

Georgia Denman K4ZXS, 405 Enka Way Orlando Fla. 32811.

Make all checks payable to **'The Orlando Amateur Radio Club'**

FOR HOTEL RESERVATIONS AND INFORMATION WRITE TO:
SHERATON TWIN TOWERS, HOTEL, 5780 MAJOR BLVD. ORLANDO
FLORIDA 32805. Rooms single \$28, double \$36 per day.

*SWAPFEST TABLES WILL BE AVAILABLE FRIDAY FEB. 11 AT 6PM
SWAP AREA WILL BE OPEN FRIDAY NIGHT, No additional charge for
Friday night required.

ORLANDO HAMCATION 77 ORLANDO HAMCATION 77 ORLANDO HAMCATION 77

— CLEAN SIGNAL —
— ALL CHANNELS —



ONLY RP GIVES YOU BOTH
PLUS

- SUPER ACCURACY (.0005%)
- FULL 2M FM COVERAGE

144-148 MHz

WORKS WITH MOST FINE AMATEUR
OR COMMERCIAL GRADE RADIOS

MFA-22 SYNTHESIZER

NOW SAVE 20%

| | |
|-------------------------------------|----------|
| MFA-22 | \$260.00 |
| with 5kHz Steps | \$300.00 |
| Shipping (UPS) | \$3.00 |
| Fully wired, tested, 1 yr. warranty | |

Factory direct
only

RP Electronics

SEND
FOR
FULL
DETAILS

BOX 1201H
CHAMPAIGN, ILL.
61820

SPECIAL OF THE MONTH



MADE FOR HOTEL ROOM SERVICE WAKE UP SERVICE

Here's a parts list- All new not used, just installed in the board.
 1-LM309K, heat sink, 2-2N5137, 5-2N3904, 2-7400, 7402, 1-7403, 3-7410, 1-7413, 2-7430, 9-7474, 1-7486, 1-74151, 1-74154, 1-4001, 2-741CT, 5-TIP29 & 30, 1-LM38C AN (14), 3-MDA942-1 Bridges, 1-555 Timer, 1-OnOff 10K Vol Con 1-Fuse Block with 1 A SloBio 1-4" Speaker 3, 2 Ohm 1 Watt, 1-Transformer 16V Pri 5V-12V 1-Thumbwheel Switch 2 Digit 12 Positions, 40 other Misc. Weight 4 lbs

USE FOR: 5V DC Power Supply P. A. or Music Outlet
 Price: \$12.95

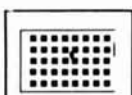
TTL IC'S

| | | | |
|----------|-----------|------------|------------|
| 7400 .18 | 7441 .75 | 7496 .65 | 74160 .86 |
| 7401 .20 | 7442 .44 | 7497 2.00 | 74161 .62 |
| 7402 .20 | 7443 1.20 | 74100 1.25 | 74162 1.35 |
| 7403 .20 | 7445 .89 | 74107 .26 | 74163 .76 |
| 7404 .20 | 7446 .87 | 74109 .35 | 74164 .80 |
| 7405 .20 | 7447 .69 | 74110 .50 | 74165 .90 |
| 7406 .39 | 7448 .81 | 74116 2.00 | 74166 1.00 |
| 7407 .39 | 7450 .20 | 74120 1.25 | 74167 3.00 |
| 7408 .20 | 7451 .20 | 74121 .34 | 74170 2.00 |
| 7409 .24 | 7453 .20 | 74122 .39 | 74172 9.72 |
| 7410 .20 | 7454 .20 | 74123 .50 | 74173 1.25 |
| 7411 .20 | 7460 .20 | 74125 .45 | 74174 .85 |
| 7412 .24 | 7470 .20 | 74126 .45 | 74175 .75 |
| 7413 .35 | 7472 .23 | 74128 .65 | 74176 .85 |
| 7414 .70 | 7473 .26 | 74132 .95 | 74177 .85 |
| 7416 .33 | 7474 .29 | 74136 .50 | 74180 .75 |
| 7417 .33 | 7475 .39 | 74141 .80 | 74181 2.00 |
| 7420 .20 | 7476 .31 | 74142 4.00 | 74182 .90 |
| 7422 .50 | 7479 2.40 | 74143 4.00 | 74184 1.65 |
| 7423 .28 | 7480 .69 | 74144 4.00 | 74185 1.30 |
| 7425 .24 | 7482 .72 | 74145 .70 | 74190 1.00 |
| 7426 .24 | 7483 .75 | 74147 2.50 | 74191 .65 |
| 7427 .24 | 7485 .90 | 74148 1.75 | 74192 .85 |
| 7428 .40 | 7486 .25 | 74150 1.00 | 74193 .85 |
| 7429 .40 | 7488 3.50 | 74151 .70 | 74194 1.20 |
| 7430 .20 | 7489 1.50 | 74153 .70 | 74195 .55 |
| 7432 .28 | 7490 .39 | 74154 .90 | 74196 .80 |
| 7433 .34 | 7491 .65 | 74155 .70 | 74197 .83 |
| 7437 .28 | 7492 .39 | 74156 .90 | 74198 1.50 |
| 7438 .28 | 7493 .39 | 74157 .70 | 74199 1.75 |
| 7439 .36 | 7494 .70 | 74158 1.75 | 74200 3.50 |
| 7440 .20 | 7495 .50 | 74159 2.25 | 74279 1.75 |

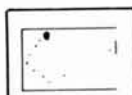
VIDEO GAME KIT NOW 6 GAMES TO PLAY

A CHALLENGE TO BUILD,

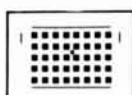
A CHALLENGE TO PLAY.



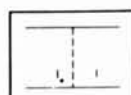
WIPE OUT I



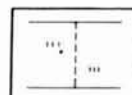
HANDBALL



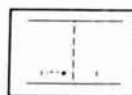
WIPE OUT II



GRAVITY MATCH



PRO MATCH



MATCH

WIPE OUT the squares — 7 serves from center — 40 squares — 10 pts each square hit by ball. On each serve square disappears when hit by ball. For 1 or 2 players.

HANDBALL — You may not win but you get alot of practice.

GRAVITY MATCH — You never know how high it will bounce when returning this one.

PRO-MATCH — You have 3 paddles to return a ball almost as fast as a hockey puck.

MATCH — The game that started the action.

Also a curve button while depressed sends the ball off at a new angle.

On screen scoring between automatic serves. 4 different sounds.

VK-2-A wt 4# 130.00
 P.C. Board with 78 IC's,
 PROMS's (programmed),
 resistors, capacitors to
 stuff board for game
 Requires 5V + DC 2 Amp

VK-3 wt 2# 17.50
 HARDWARE KIT
 Controls, switches,
 speaker, 22 pin edge
 connector

VK-4 wt 1# 22.50
 R.F. MODULATOR KIT
 To convert video signal
 to TV signal. Eliminates
 internal T.V. wire-in

VK-5-A wt 5# 17.50
 POWER SUPPLY KIT
 for P.C. board mounting
 transformer, high current
 Voltage Reg. capacitor
 heat sink

VK-4-A Antenna-Game Switch 9.50



CLOCK KIT \$12.95
 MM5316, pc bd., display tubes
 switches, etc., instructions.

FTK0106 Auto Clock Kit 40.00
 Jade Co will include case
 when you buy from us.



CLOCK CHIPS MM5375, CT7001, MM5369
 Your choice \$4.95

MICROPROCESSOR COMPONENTS

| | | |
|-----------------|-----------------------------|-------|
| 8008-1 | 8 Bit CPU | 18.95 |
| 8080 | Improved 8008 | 24.95 |
| 8080A | Super 8080 | 34.95 |
| DYNAMIC RAMS | | |
| 31L01 | 64 Bit low pow | 4.45 |
| 1103 | 1024xl | 2.50 |
| 2107B-4 | 4096xl | 8.00 |
| 8225B | 16x4 | 1.50 |
| 93407 | 16xl | 4.85 |
| STATIC RAMS | | |
| 1101 | 256xl | 1.75 |
| 2102 | 1024xl | 2.00 |
| 2501B | 256xl | 1.75 |
| 3107 | 256xl | 4.00 |
| 7489 | 64 Bit R/W | 2.00 |
| 74200 | 256 Bit R/W | 5.75 |
| PROMS | | |
| 1702A | 256x8 Eras | 12.00 |
| 1702AL | 256x8 low pow | 12.00 |
| 8223B | 32x8 | 3.50 |
| 74S 287N | 256x4 | 6.95 |
| SHIFT REGISTERS | | |
| MM5058 | 1024xl Static | 4.75 |
| TMS3002LR | Dual 50 | 4.00 |
| TMS3132NC | Dual 144 | 3.00 |
| COMPARES TO | | |
| 2107B4 | TMS4060 | |
| 2102 | AMD9102, ISL7552-1, TMS4033 | |
| MM5058 | AMD2533, FSC3355, TMS3133 | |
| TMS3002 | SIG2509 | |
| TMS3132 | MM4060, FSC3346 | |

FAIRCHILD TECHNOLOGY KITS

Jade Co offers all other Fairchild Technology Kits at published retail prices.

SOLAR CELLS

Build your own solar powered projects — Silicon photo voltaic cell wafers unmounted or encapsulated with output wires attached — Each cell has 0.45 volt output — Current varies with size and light intensity — Cells can be quartered for voltage build-up —

| | |
|---|--------|
| Single 3" dia Encapsulated with wire | |
| 0.45 volt 0.8 to 1.2 amp | 7.50 |
| 32 ea 3" dia Encapsulated in 1 unit | |
| 14 volt 0.8 to 1.2 amp | 195.00 |
| 32 ea halved 3" dia Encapsulated in 1 unit | |
| 14 volt 0.4 to 0.6 amp | 135.00 |
| 32 ea quartered 3" dia Encapsulated in 1 unit | |
| 14 volt 0.2 to 0.3 amp | 75.00 |
| Unmounted in multiples of 11 only | |
| 11 ea 3" dia wafer | |
| 0.45V 0.8 to 1.2 amp | 75.00 |
| 11 ea quartered 3" dia | |
| 0.45V 0.2 to 0.3 amp | 27.50 |
| 11 ea 2 cm x 2 cm | |
| 0.45V 0.1 to 0.12 amp | 22.50 |

SMOKE DETECTOR

PHOTO ELECTRIC TYPE



NOT A KIT
 But a complete unit ready
 to install. U. L. approved
 Listed by Cal. Fire Code
 \$29.95

NATIONAL MA1001A DIGITAL ALARM CLOCK MODULE



- FEATURES:
- Bright 4 Digit 0.5" LED Display
 - Assembled & Tested Module
 - You only need connect transformer & switches
 - 12 Hour Format with PM Indicator
 - 50 or 60 Hz Operation
 - Power Failure Indication
 - Brightness Control Capability
 - Alarm and Snooze Timers
 - Compact 3.0" x 1.75"

\$9.95



JADE Co

ELECTRONICS DISTRIBUTION

2007 W. CARSON (213) 320-1250
 P.O. BOX 4246 TORRANCE, CA. 90510

TERMS:

Add \$1.00 for shipping plus \$.85 if COD
 California Residents add 6% Sales Tax
 \$20 minimum on BoFA & M.C.
 Orders from Foreign countries add appropriate postage



KEYBOARD

wt 6# 35.00

EDGE CONNECTORS

22 Pin dual Read Out .156 Sld 2.25
 50 Pin dual Read Out .125 WW 5.00

LED'S

TIL302 0.27 ChHt 1.00
 MAN4 0.187 ChHt 2/1.00

State
of the art



by

K.V.G.

CRYSTAL FILTERS and DISCRIMINATORS

| 10.7 MHz FILTERS, 8 POLE | | | |
|--------------------------|-------|------|---------|
| XF107-A | 14kHz | NBFM | \$40.60 |
| XF107-B | 16kHz | NBFM | \$40.60 |
| XF107-C | 32kHz | WBFM | \$40.60 |
| XF107-D | 38kHz | WBFM | \$40.60 |
| XF107-E | 42kHz | WBFM | \$40.60 |

| 10.7 MHz FILTERS, 4 POLE | | | |
|--------------------------|-------|------|---------|
| XM107-SO4 | 14kHz | NBFM | \$18.95 |

| 10.7 MHz FILTERS, 2 POLE | | | |
|--------------------------|-------|------|--------|
| XF102 | 14kHz | NBFM | \$7.95 |

SOCKET (for XM107-SO4) type DG1 \$1.50

| 10.7 MHz DISCRIMINATORS | | | |
|-------------------------|-------|------|---------|
| XD107-01 | 30kHz | NBFM | \$24.10 |
| XD107-02 | 50kHz | WBFM | \$24.10 |

Export Inquiries Invited

Shipping \$1.25 per filter

VHF CONVERTERS UHF

| | MMc50 | MMc144 | MMc220 | MMc432 | MMc1296 |
|------------------|---------|---------|---------|---------|-----------|
| RF Freq. (MHz) † | 50-54 | 144-148 | 220-224 | 432-436 | 1296-1300 |
| IF Freq. † | 28-32 | 28-32 | 28-32 | 28-32 | 28-32 |
| N.F. (typical) | 2.5dB | 2.8dB | 3.4dB | 3.8dB | 9.0dB |
| Nom. Gain | 30dB | 30dB | 26dB | 28dB | 20dB |
| | \$44.95 | \$49.95 | \$54.95 | \$59.95 | \$69.95 |



†Other ranges, amateur, commercial & scientific to order. Power 12V DC Low N.F. units on special order. Size 1 1/4" x 2 1/2" x 4 1/2" plus connectors. L.O. output option — \$5.00 extra. Shipping: Converters \$2.50 each.

ANTENNAS

144-148 MHz

Model 8XY/2M \$39.95



Gain 9.5dB in each plane, 50Ω feed.

For OSCAR communications add Circular polarization harness, PMH/2C \$9.70

Also available for 2 meters:

8 over 8 J-Slot, Model DB/2M \$39.95

8 by 8 vertical pol. DB/2M-vert. \$48.70

(See our ad, October 1976, for details of DB/2M)

420-450 MHz

48 element J-Beam MULTIBEAM

Gain +15.7 dBd. Feed 50Ω coaxial.

Model 70/MBM48 \$49.95



Shipping: Antennas FOB Concord, Mass. via UPS.

Write direct for Polar plots, Gain & VSWR curves.

Send 26¢ (2 stamps) for full line catalogue of KVG crystal products and all your VHF & UHF equipment requirements.

Pre-Selector Filters Pre-Amplifiers Converters
Varactor Triplers Transverters Crystals
Decade Pre-Scalers Digital Counters

NEWS ITEM: All Microwave Modules, J-Beam prices reduced, due to the low exchange rate of the Pound!

si

Spectrum
International, Inc.
Post Office Box 1084
Concord, Mass. 01742, USA



GREGORY ELECTRONICS
The FM Used
Equipment People.

now available

New 1977 Catalog

FREE...

FM Used Equipment

- GENERAL-ELECTRIC
- MOTOROLA • R.C.A.

High Band . . . Low Band . . . UHF Equipment
Checked on Our Benches. HEADQUARTERS
FOR QUALITY-CERTIFIED USED 2-WAY
MOBILE COMMUNICATIONS EQUIPMENT



GREGORY ELECTRONICS CORP.

245 Rt. 46, Saddle Brook, N.J. 07662

Phone: (201) 489-9000



PORTA-PAK

2 BEAUTIFUL PACKAGES IN BASIC BLACK.
THE PORTA-PAK CAN BE YOURS FOR MANY
PLEASURABLE HOURS OF HANNING.
THE PORTA-PAK WILL PROVIDE YOU WITH A
TOTALLY PORTABLE FM PACKAGE WHEN
ATTACHED TO YOUR PRESENT MOBILE RADIO
PORTA-PAKS ARE ATTRACTIVELY FINISHED IN
BLACK WRINKLE AND ARE BAKED FOR
DURABILITY AND LASTING GOOD LOOKS.

BEAUTY IS NOT ONLY SKIN DEEP. YOU GET MUCH MORE THAN GOOD
LOOKS WITH A PORTA-PAK. THE PORTA-PAK IS A TOTALLY PORTA-
BLE PERFORMANCE PACKAGE THAT WILL KEEP YOU IN TOUCH WITH
WHAT IS HAPPENING WHETHER YOUR COMMUNICATIONS NEED IS BUS-
INESS OR PLEASURE. THE PORTA-PAK WILL SATISFY YOUR NEEDS.
DELUXE PORTA-PAK HAS 4.5 AMP HR. SUPER PORTA-PAK HAS 9 AMP
HR. PORTA-PAK INCLUDES THE CASE, BATTERY, AND CHARGER.
GEL-CELL IS THE POWER SOURCE. GC-1245 IN STOCK FOR SAME DAY
SHIPMENT. DELUXE \$67.50 + \$1.75 SHIPPING. THE SUPER, \$88.00 +
\$2.75. GEL-CELL BATTERY ONLY \$29.20 + \$1.75. RUBBER DUCKIE
ANTENNAS \$7.00. L.E.D. BATTERY CONDITION INDICATOR \$5.00.

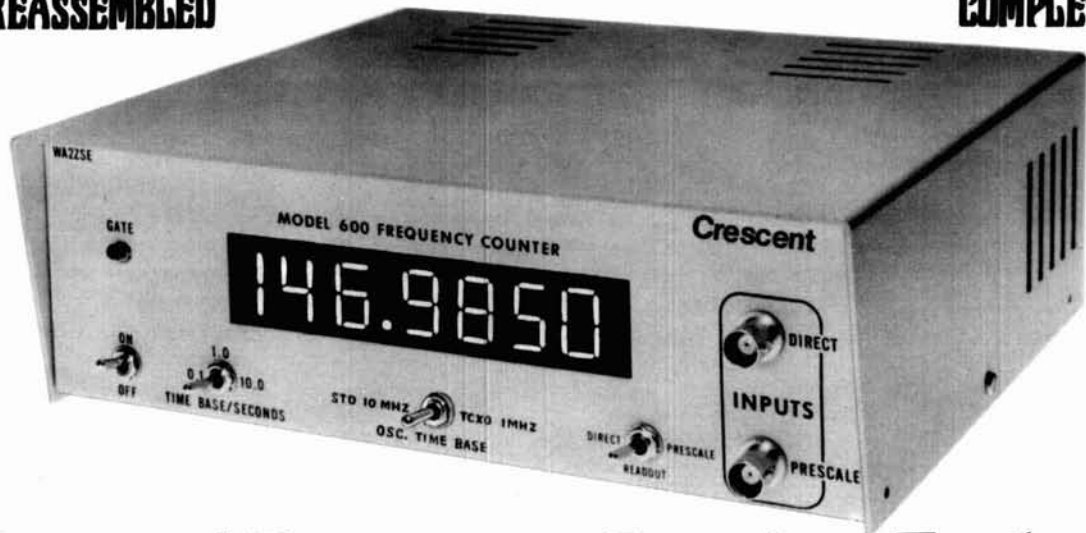
MODELS IN STOCK INCLUDE: REGENCY HR6 HR2B
BTL 8TH HT 26 HT16 MICRO-COM LINE
GENAVE: ALL MODELS HEATHKIT MW 202
ICON 238 AND 22A AND 22 S STANDARD SR-C026-WA

PORTA-PAK, INC. P.O. BOX 67

SOMERS, WI. 53171

PREASSEMBLED

COMPLETE KIT



Crescent Frequency Counters Features:

- 1** High Sensitivity VHF pre-scaler (built-in). 100mv RMS @ 50Ω @ 300MHZ. Frequency range DC through 600MHZ Model 600, DC through 300MHZ Model 300.
- 2** Excellent temperature compensation crystal controlled time base, yielding ± 1 part/ 10^6 stability per hour after 10 min warm-up, ± 10 PPM worst case, from 0° to + 55°C!, at 100Hz @ 450MHZ is attainable, typically if calibrated to WWVL. This is approximately 2 parts in 10^7 !
- 3** 7 digit display, resolution 100Hz with 10m Sec. gate interval, pre-scaled! 10Hz resolution with 1 Sec. pre-scaled, 1Hz resolution with 10 Sec. gate interval pre-scaled!
- 4** Built-in 5VDC regulator; input to 3-terminal regulator is accessible for use with 12VDC out-board PS. You can use this counter mobile.

5 Easy 6 hour assembly; all circuit board tracks are pre-tinned, have drilled holes and are plated through! All I.C. socks included -- Makes trouble shooting a breeze.

6 Cabinet, plexy window and all necessary components included for easy, trouble-free assembly.

7 90-Day full coverage warranty.

Optional accessories TCXO time base yielding 1/2 PPM stability. \$79.95

Optional 10 Sec. time gate resolution to 1Hz. \$15.00. (Free with purchase of above TCXO)

Optional 12VDC power receptacle and cord assembly \$15.00 (on preassembled counter only)

"HAVE IT YOUR WAY"

Complete kit or preassembled, burned in, and environmental chamber tested unit available for the commercial shop or modern ham shack.

| | | | | | |
|-----|------------|--------------|-----------------------|--------------|----------|
| KIT | Model 300K | \$139.00 ea. | PREASSEMBLED & TESTED | Model 300AT | \$199.00 |
| | Model 600K | 179.00 ea. | | Model 600 AT | 249.00 |

NAME _____

STREET _____

CITY _____ STATE _____ ZIP _____

CALL SIGN _____

SEND CHECK OR MONEY ORDER TO:

BANK AMERICARD & MASTER CHARGE accepted, please include card number and expiration date with order.

Crescent *... for all your wire & cable needs*
Wire & Cable Inc.

Bldg. 13 Euclid Ave., Newark N.J. 07105 (201) 589-4647

SPEC COMM 512A/560A — The Go Anywhere, *New!* Improved Models

Do Everything 2M FM Transceiver System

Now there's no need to buy a mobile rig, a base rig, and a HT/Portable unit. **The SPEC COMM 512A/560A does it all** with the help of its unique plug-in "Snap-Pack" Modules! The modules plug into the back of the radio in seconds and provide a **Super-Versatile System**.

• **In the car it's a 25 Wt. Mobile** — with the BA-1 Amp. Module. \$84.95. Small & Light enough to take with you to avoid theft. (Only 3 lbs!) 2 1/4 x 6 x 10" w/module.

• Later, snap-off the BA-1 and snap-on the BP-1 NICAD Battery Pack for **all day** operation as a **High Power 5 Wt. Portable!** (Not the usual 1 or 2 wts.) Actually **lighter** than most 1-2 wt. portables, even though our battery has **3X the capacity** of any competitor! BP-1 Pkg.: \$89.95.



• **In the Fixed Station** — use the BA-1 Amp. w/ the AC-7 Supply. Or, use the rig "barefoot" w/ the AC-1 Supply Module. \$49.95.

• **SM-10 Remote S Meter** available. (Illuminated.)

• **For the Ultimate in Versatility** — add our **SC1800 PLL Synthesizer**. Over 1800 channel combinations! Also useable w/ most other 2M rigs. \$225.00.

• **Super Hot/Super Sharp Receiver!** 0.3 μ V/20dB Qt. -90 dB @ \pm 30 kHz.

• **Made in USA** — finest quality throughout. **Outstanding audio quality on both xmit. & rcv.**

SC512A-12 CHAN..... \$249.95

SC560A- 6 CHAN..... \$224.95

DEALER INQUIRIES INVITED

SEND FOR DATA SHEET

Available through your Dealer.
(Or direct if no dir. in your area)



SEND FOR DATA SHEET

SCR1000 2M REPEATER —

SO ADVANCED, IT'S DESTINED TO BECOME AN INDUSTRY STANDARD!

• Full Metering • Front panel AF Level & Timer controls • Lighted Pushbuttons for control/test functions/status indicators • CMOS control logic & timers • Built-in IDer & AC Supply • Exclusive Hot Carrier Diode Receiver front end • 30 Wts. out • Provisions for Autopatch, Remote Control, etc. • Auto-switchover to emergency power, etc. • Repeat Audio Quality "that Sounds like direct."

For the group that demands the finest!

Sold Factory Direct only.

Introductory price **\$899.95**

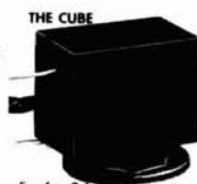
Inquire about our Repeater Boards: Rcvr., Xmtr., 25 Wt. Amp., COR/Control, and IDer.

SPECTRUM COMMUNICATIONS

Box 140 HR - WORCESTER, PA 19490 (215) 631-1710

SUB-AUDIBLE GENERATOR for FM

- Inexpensive multi tone encoder
- Compatible with PL-CG-QC
- Low distortion sinewave
- Input 8-18 VDC unregulated
- Rugged, plastic encased with leads
- Adjustable frequency (98-250 Hz), Lower available
- Excellent stability



THE CUBE

5 x 6 x 8 in.

Price **\$19.95**

Freq. set at factory **\$5.00 extra**

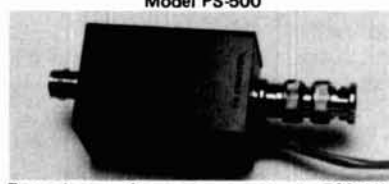
Calif. res. add 6%

lve Products

Send for more info

Dept. hr P.O. Box 2083 Santa Clara, CA 95051

New! Hi Sensitivity! 500 MHz PRESCALER Model PS-500



- Extend your frequency counter to 500 MHz.
- Switch Selectable division ratios of 10 or 100.
- 75 mV rms sensitivity @ 450 MHz.
- Requires 5 Vdc 160 mA (available from your counter).
- Plugs directly onto your counter input conn.
- Order APS-5 AC adapter for 110v, only \$12.95.

PS-500 only \$59.95 ppd.

send check or m.o. to

Mini Labs INDUSTRIES
P.O. Box 26276C
Phoenix, AZ 85068

WANTED FOR CASH



4CX150 4CX1000 4-65 4-250
4CX250 4CX1500 4-125A 4-400
4CX300A 4CX3000 4-1000
4CX350A 4CX5000 304TL
4CX10,000
5CX1500

Other tubes and Klystrons also wanted.

The Ted Dames Company

308 Hickory St. Arlington, N.J. 07032
(201) 998-4246 Evenings (201) 998-6475

59+

five nine plus
3402 Campus
Claremont, CA 91711
[714] 621-1658

Antenna Products for the Amateur

All Prices Postpaid in U.S.A.
[outside U.S.A. add shipping —
shipping weight — 1 lb.]
California Residents
add 6% sales tax

IMPEDANCE CONVERSION TRANSFORMERS

BALUNS

- 3-30 MHz Bandwidth
- 2 KW Rating
- Recessed Connector-Eliminates shorting problems
- Exclusive no soldering antenna wire fastening system
- High efficiency toroidal construction
- ABS Plastic Case



6:1 and 9:1
\$22.95 each

1:1 and 4:1
\$16.95 each

Other ratios quoted
on request

the BRIMSTONE 144



2 METER FM TRANSCEIVER

THE FIRST AND STILL THE ONLY 2 METER TRANSCEIVER THAT OFFERS IT ALL!

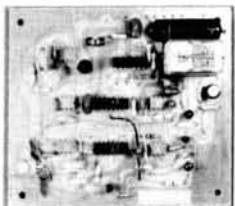


Size 9 1/2" x 10 1/2" x 3 1/4"

- No crystals to buy.
- Complete band average 143 to 149.99 MHz, 142 MHz optional.
- Independent transmit/receive frequency control, yet simplex with the flip of a switch.
- Autopatch, tone burst and sub-audible tone capability by simply plugging in the desired module.
- Very low transmitter spurious output. Some manufacturers have demonstrated their inability to eliminate unwanted spurious outputs. The Brimstone has demonstrated that non-harmonic spurious output at least - 70dB below the

- rated power output is possible when the radio is properly designed and constructed.
- The Brimstone 144 is designed for an unprecedented degree of component accessibility and plug-in modularity.
- The only amateur 2 meter FM transceiver with a TWO YEAR WARRANTY.

We have changed our company name to TEC-KAN, Inc. and at this time we are offering a special Fall Sale Price on the Brimstone 144. Check with your dealer on the Fall Special and ask for the 6 page full color brochure.



REPEATER AND AUTOPATCH CONTROL MODULE RPT CM-4

If you are planning a repeater and need a control circuit, we have just what you need! Complete control of repeater as well as the autopatch. Local or remote control. If you are using telephone line control for your repeater the RPT CM is ideal because it uses an opti-coupler for complete line isolation and low voltage, low current control.

If you are using the TKI SCAP-3D, you can call your autopatch line number and the RPT CM will automatically answer and connect you allowing you to send tones over the phone to turn the repeater on or off, or access the autopatch and communicate through the repeater over the autopatch phone line.

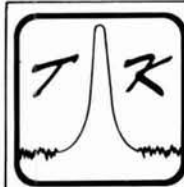
When calling the repeater on the autopatch line, you have 20 seconds to either access the autopatch or turn the repeater off or on. If the proper codes are not sent within 20 seconds the RPT CM automatically disconnects.

If you call the autopatch number, hang up, wait 30 seconds and call the number again, the repeater transmitter will be keyed and a tone sent each time the phone rings, thus signaling a mobile operator to access the autopatch. If there is no one available to access the patch, it will automatically disconnect after 30 seconds of ringing.

It also features a COR "Hold" circuit, which is adjustable from 1 to 5 seconds, and automatic "time out" timer, that resets each time the receiver COR drops. No need to wait for the repeater to drop out to reset the timer.

If you are planning a repeater, all you need is a good transmitter and receiver and the TKI RPT CM Control Module.

Price \$79.95



TEC-KAN, Inc.

2916 ARNOLD AVE.
BUILDING NO. 317
SALINA, KANSAS 67401
Tel. 913-823-2235

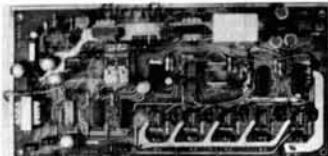
HANDI-TALKIE SCANNER KIT SK1402

Six Channel Cmos Scanner Kit has provisions to include Mostek Touch-Tone Encoder Chip. Features dwell and normal operation. "Dwell" mode monitors each channel that has a signal on it for 8 seconds. "Normal" monitors in conventional manner. Manual operation locks out the scanner.

Includes LED channel indicators, schematic and installation instructions. Designed for Wilson 1402SM Talkie.

Scanner Kit Model SK1402 \$49.95
Includes Touch-Tone Encoder Chip Model SK1402TE \$58.95

Digi-Tran Pad, when ordered with Scanner Kit \$7.50



Size 9 1/16 x 4 1/16

AUTOPATCH SCAP-3D FEATURES

- 3 Digit access, single digit disconnect.
- 4 sec. time limit on access.
- Anti-falsing tone decoders.
- AGC with 30 Db dynamic range on all inputs and outputs.
- 3 digit on-off control of repeater or other devices.
- Remote inhibit or disconnect of autopatch as well as remote "off" function.
- Monitor amplifier allows monitoring all signals going into and out of the repeater.
- Adjustable level controls on all inputs and outputs.
- Jumpers on circuit board and frequency control pots on tone decoders allow field programming of access codes.
- Adjustable time out function. Patch will automatically disconnect in 30 to 90 seconds after it is accessed if no carrier is received.
- 90 days warranty.
- High quality tantalum and polyester capacitors used in tone decoder circuits to provide reliable low drift performance.
- Rugged G10 glass epoxy circuit board.
- High output level allows transmitter to be modulated through a dedicated phone line.
- Provisions for connecting LEDs for status indication at the local control point.
- Reverse polarity protection on supply line.
- Easily connected and adjusted.

Price \$199.95

SWAN METERS HELP YOU GET IT ALL ON

Keep things in tune for a song.

Our SWR-3 SWR meter and FS-1 field strength meter help you make sure you've got it all on

the air and going in the right direction. Both are pocket sized with easy-on-the-pocket prices. Use your Swan credit card. Applications at your dealer or write to us.



SWR-3 SWR Meter. Why bother with big, bulky meters when this one does the job just as well? Measures 1:1 to 3:1 SWR from 1.7 MHz to 55 MHz with all the accuracy you need. \$10.95
(Prices FOB Oceanside, CA)

FS-1 Field Strength Meter. Get field strength readings just about anywhere with this fit-anywhere meter. Telescoping antenna, level adjust knob, 1.5 MHz to 200 MHz, 0-10 relative scale meter. \$9.95

SWAN ELECTRONICS
A subsidiary of Cubic Corporation
305 Airport Road, Oceanside, CA 92054
(714) 757-7525

MORSE TIME GENERATOR

 \$289

SENDS 24 HOUR TIME IN PERFECT MORSE CODE
VARIABLE SPEED AND MONITOR FREQUENCY
FULL REMOTE CONTROL AND TRANSMITTER HOLD
WRITE OR CALL FOR MODEL 2700B BULLETIN
EQUINOX CORPORATION

BOX 13292 ST. PETERSBURG, FLA. 33733 TEL 813/866-6211

MILITARY SURPLUS WANTED

Space buys more and pays more. Highest prices ever on U.S. Military surplus, especially on Collins equipment or parts. We pay freight. Call collect now for our high offer. 201 440-8787.

SPACE ELECTRONICS CO.
div. of Military Electronics Corp.
35 Ruta Court, S. Hackensack, N.J. 07606

CURTIS KEYSER CHIP \$24.95



8043: IC only, 50-up group rate \$ 7.95
8043-1: IC, PCB, Manual \$ 24.95
8043-2: Semi-kit \$ 49.95
Add for air postage and handling . . . \$ 1.50
(See Feb 75 CQ, Apr 75 HR, Feb 76 QST, Radio Handbook 75)
KB4200 Keyboard Keyer (Oct 74 QST) . . . \$549.95
EK420/KM420 Keyer/Memory (Oct 73 QST) \$439.90
EK430 CMOS Keyer (Feb 76 QST) . . . \$124.95
IK440 Instructokeyer (Mar 76 QST) . . . \$224.95

Curtis Electro Devices Inc.
(415) 964 3136
Box 4090, Mountain View, CA 94040



NEW! ATRONICS Visual Code Reader Kit \$149



Model KCR101
Ready Made Model CR101 \$225
USE YOUR BANKAMERICARD

Now you can have the famous Atronic Code Reader, that displays decoded Morse Code signals visually, in kit form. Assembly is simple, and can be completed in as little as 5 hours. Complete, step by step, illustrated instructions are included.

The Atronic Code Reader:

- Displays letters, numbers, and commonly used punctuation visually as Morse Code signal is received.
- Operating speed 5 to 50 WPM at selected speed.
- All Solid State
- Make code learning faster and easier
- One single connection to your speaker receiver or transceiver puts it into operation
- Hard copy read out of CW available with TU-102 TTY Interface Module accessory.

Buy Factory Direct & Save! Send for Free Literature Today.
ATRONICS P.O. Box 77, Escondido, CA 92025 Call (714) 745-1971

LEARN RADIO CODE



THE EASY WAY!

Based on modern psychological techniques — This course will take you beyond 13 w.p.m. in LESS THAN HALF THE TIME!

Album contains three 12" LP's
2½ hr. instruction

- No Books To Read
- No Visual Gimmicks To Distract You
- Just Listen And Learn

Available in Cassette also for only \$10.95.

EPSILON RECORDS

508 East Washington St., Arcola, IL 61910

THERE'S A SUPERMARKET OF
AMATEUR RADIO VALUES AT YOUR FINGERTIPS



**OUR NEW
1977
BUYER'S GUIDE
IS HERE!!**

OVER 36 PAGES DEVOTED EXCLUSIVELY TO AMATEUR RADIO IS
YOUR'S FOR THE ASKING

SHOP WITH CONFIDENCE FROM YOUR OWN HOME
FOR ALL YOUR AMATEUR NEEDS

SEND FOR YOUR FREE COPY TODAY

THERE WILL BE NO GENERAL MAILING

HOPE TO MEET YOU AT SAROC, LAS VEGAS, JANUARY 6-9



SPECTRONICS, INC.

1009 GARFIELD
OAK PARK, IL. 60304
312-848-6777
TELEX 72:8310

HOURS

STORE HOURS:
Mon-Thurs 9:30-6:00, Fri. 9:30-8:00
Sat. 9:30-3:00, Closed Sun. & Holidays.





Ham Radio's guide to help you find your local

Alabama

LONG'S ELECTRONICS
3521 TENTH AVE. NORTH
BIRMINGHAM, AL 35234
800-633-3410
Call us Toll Free to place your order

California

C & A ELECTRONICS
2529 EAST CARSON ST.
P. O. BOX 5232
CARSON, CA 90745
213-834-5868
Not the biggest, but the best —
since 1962.

CARSON ELECTRONICS
12010 EAST CARSON ST.
HAWAIIAN GARDENS, CA 90716
213-421-3786
Dealing exclusively in ICOM
communications equipment.

HAM RADIO OUTLET
999 HOWARD AVENUE
BURLINGAME, CA 94010
415-342-5757
Northern California's largest
new and used ham inventory.

M-TRON
2811 TELEGRAPH AVENUE
OAKLAND, CA 94609
415-763-6262
We service what we sell.

QUEMENT ELECTRONICS
1000 SO. BASCOM AVENUE
SAN JOSE, CA 95128
408-998-5900
Serving the world's Radio Amateurs
since 1933.

TOWER ELECTRONICS CORP.
24001 ALICIA PARKWAY
MISSION VIEJO, CA 92675
714-768-8900
Authorized Yaesu Sales & Service.
Mail orders welcome.

Colorado

C W ELECTRONIC SALES CO.
1401 BLAKE ST.
DENVER, CO 80202
303-573-1386
Rocky Mountain area's complete
ham radio distributor.

Florida

GRICE ELECTRONICS
320 EAST GREGORY
PENSACOLA, FL 32502
904-434-2481
Gulf Coast dealer for Atlas, Drake,
Icom, Kenwood.

Illinois

ERICKSON COMMUNICATIONS, INC.
5935 NORTH MILWAUKEE AVE.
CHICAGO, IL 60646
312-631-5181
Headquarters for all your Amateur
Radio needs.

KLAUS RADIO, INC.
8400 NORTH PIONEER PARKWAY
PEORIA, IL 61614
309-691-4840
Let us quote your Amateur needs.

SPECTRONICS, INC.
1009 GARFIELD STREET
OAK PARK, IL 60304
312-848-6777
Chicagoland's Amateur Radio
leader.

Indiana

HOOSIER ELECTRONICS
P. O. BOX 2001
TERRE HAUTE, IN 47802
812-238-1456
Ham Headquarters of the Midwest.
Store in Meadow Shopping Center.

Kansas

ASSOCIATED RADIO
8012 CONSER P.O.B. 4327
OVERLAND PARK, KS 66204
913-381-5901
Amateur Radio's Top Dealer.
Buy — Sell — Trade.

Kentucky

COHOON AMATEUR SUPPLY
HIGHWAY 475
TRENTON, KY 42286
502-886-4535
Ten-Tec dealer — Call 24 hours
for best deal

Maryland

COMM CENTER, INC.
9624 FT. MEADE ROAD
LAUREL PLAZA RT. 198
LAUREL, MD 20810
301-792-0600
New & Used Amateur Equipment.
All Inquiries Invited.

Massachusetts

TUFTS RADIO ELECTRONICS
386 MAIN STREET
MEDFORD, MA 02155
617-395-8280
New England's friendliest
ham store.

Michigan

PURCHASE RADIO SUPPLY
327 E. HOOVER
ANN ARBOR, MI 48104
313-668-8696 or 668-8262
We still sell Ham parts!

RADIO SUPPLY & ENGINEERING
1203 WEST 14 MILE ROAD
CLAWSON, MI 48017
313-435-5660
10001 Chalmers, Detroit, MI
48213, 313-371-9050.

Minnesota

ELECTRONIC CENTER, INC.
127 THIRD AVENUE NORTH
MINNEAPOLIS, MN 55401
612-371-5240
ECI is still your best buy.

Missouri

MIDCOM ELECTRONICS, INC.
2506 SO. BRENTWOOD BLVD.
ST. LOUIS, MO 63144
314-961-9990
At Midcom you can try before you
buy!

New Hampshire

EVANS RADIO, INC.
BOX 893, RT. 3A BOW JUNCTION
CONCORD, NH 03301
603-224-9961
Icom & Yaesu dealer.
We service what we sell.

Dealers - You should be here too! Contact Ham Radio today for complete details.

Amateur Radio Dealer

New Jersey

ATKINSON & SMITH, INC.
17 LEWIS ST.
EATONTOWN, NJ 07724
201-542-2447
Ham supplies since "55".

New York

ADIRONDACK RADIO SUPPLY, INC.
185 W. MAIN STREET
AMSTERDAM, NY 12010
518-842-8350
Yaesu dealer for the Northeast.

ALDELCO
2281 BABYLON TURNPIKE
MERRICK, NY 11566
516-378-4555
Computer center, books,
magazines, chips, semiconduc-
tors, electronic parts.

CFP COMMUNICATIONS
211 NORTH MAIN STREET
HORSEHEADS, NY 14845
607-739-0187
Jim Beckett, WA2KTJ, Manager
Bryant Hozempa, WB2LVW, Sales

GRAND CENTRAL RADIO
124 EAST 44 STREET
NEW YORK, NY 10017
212-682-3869
Drake, Atlas, Ten-Tec, Midland,
Hy-Gain, Mosley in stock

HARRISON
"HAM HEADQUARTERS, USA"
ROUTE 110 & SMITH STREET
FARMINGDALE, L. I., N. Y. 11735
516-293-7990
Since 1925 . . . Service, Satisfaction,
Savings. Try Us!

RADIO WORLD
ONEIDA COUNTY AIRPORT
TERMINAL BLDG.
ORISKANY, NY 13424
315-337-2622
New & used ham equipment.
See Warren Spindler, K2IXN.

Ohio

UNIVERSAL SERVICE
114 N. THIRD STREET
COLUMBUS, OH 43215
614-221-2335
Give U.S. a try when ready to buy.

Oklahoma

RADIO STORE, INC.
2102 SOUTHWEST 59th ST.
(AT 59th & S. PENNSYLVANIA)
OKLAHOMA CITY, OK 73119
405-682-2929
New and used equipment —
parts and supply.

Oregon

OREGON HAM SALES
409 WEST FIRST AVENUE
ALBANY, OR 97321
503-926-4591
Yaesu dealer for the Northwest.

Pennsylvania

ELECTRONIC EXCHANGE
136 N. MAIN STREET
SOUDERTON, PA 18964
215-723-1200
New & Used Amateur Radio
sales and service.

"HAM" BUERGER, INC.
68 N. YORK ROAD
WILLOW GROVE, PA 19090
215-659-5900
Communications specialists.
Sales and service.

HAMTRONICS, INC.
4033 BROWNSVILLE ROAD
TREVOSE, PA 19047
215-357-1400
Same location for 25 years.

South Dakota

BURGHARDT AMATEUR CENTER
124 FIRST AVE. N.W. P.O. BOX 73
WATERTOWN, SD 57201
605-886-7314
America's most reliable Amateur
Radio Dealer — Nationwide!

Texas

HARDIN ELECTRONICS
5635 E. ROSEDALE
FT. WORTH, TX 76112
817-461-9761
You bet Ft. Worth has a ham store!

TECO ELECTRONICS SUPER STORE
1717 S. JUPITER ROAD
GARLAND, TX 75040
800-527-4642
Call Toll Free for Service Today!

Virginia

ARCADE ELECTRONICS
7048 COLUMBIA PIKE
ANNANDALE, VA 22003
703-256-4610
Serving Maryland, D.C., and Virginia
area since 1962.

Wisconsin

**AMATEUR
ELECTRONIC SUPPLY, INC.**
4828 WEST FOND du LAC AVENUE
MILWAUKEE, WI 53216
414-442-4200
Open Mon & Fri 9-9, Tues, Wed,
Thurs, 9-5:30, Sat, 9-3.

SWAN METERS HELP YOU GIVE IT YOUR ALL

SWR Bridge for 21.95

Our little dual meter SWR bridge indicates relative forward power and SWR simultaneously.

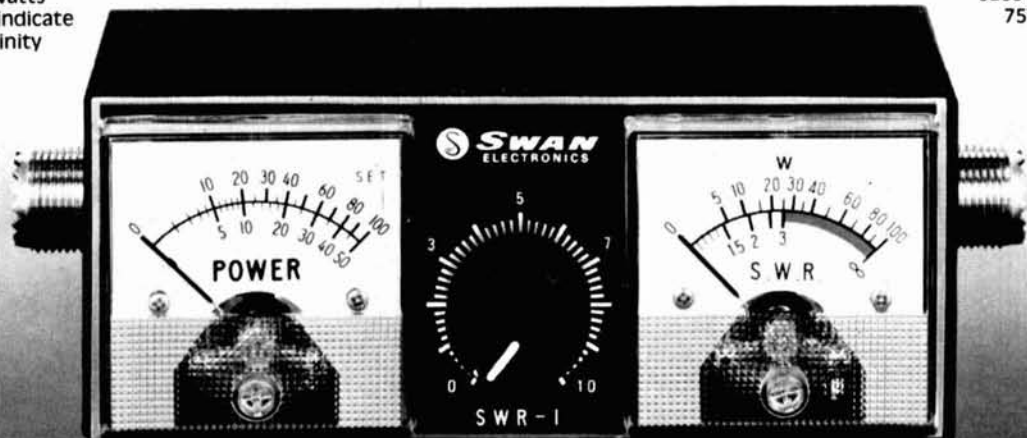
The unit is capable of handling up to 1000 watts and will indicate 1:1 to infinity

VSWR from 3.5 MHz to 150 MHz on 100 microampere meters. Ideal for mobile or home operation with low in-line insertion loss.

Use your Swan credit card. Applications at your dealer or write to Swan.

SWAN ELECTRONICS
A subsidiary of Cubic Corporation

305 Airport Rd. Oceanside, CA 92054 (714) 757-7525



(Prices FOB Oceanside, CA)

IF WE WERE YOU



MODEL 6154 TERMALINE®

I'D BUY FROM US

YOUR INQUIRY OR ORDER WILL GET OUR PROMPT ATTENTION

AUTHORIZED

BIRD DISTRIBUTOR

WEBSTER COMMUNICATIONS

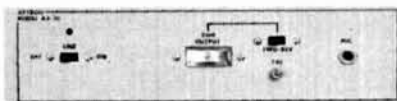
115 BELLARMINE

ROCHESTER, MI 48063

313-375-0420

FAST SCAN AMATEUR TELEVISION EQUIPMENT

- SOLID STATE
- BROADCAST QUALITY PERFORMANCE
- FOR TECHNICAL DATA AND PRICING, WRITE TO:



AX-10 TRANSMITTER



AM-1A RCVR MODEM

APTRON LABORATORIES BOX 323, BLOOMINGTON, IN 47401

The easy \$25 counter kit!

An easy-to-build 50MHz (6-digit) Frequency Counter for a measly \$25! Standard easy-to-find parts, too! (Unlike other kits.) Any Radio Shack has them.

Uses 7 segment LED readouts — no scarce Nixie® tubes! No tricky crystal ovens, either!

Kit includes a classy cabinet with front panel, PC boards, hardware, instructions, and diagrams. A proven design! An unbeatable offer!

6-DIGIT (50 mHz Kit)
FREQUENCY COUNTERS



Hufco

Write or call today!
P.O. Box 357, Dept. 56,
Provo, UT 84601 (801) 375-8566



DIGI-KEY CORPORATION
Quality Electronic Components
Double-Digit Discounts
Save You Even More

2102-1 \$1.99 8080A \$24.95 LM3909 69¢

NATIONAL SEMICONDUCTOR CLOCK MODULES

MA1010A 12 Hour (AM-PM) Version . . . \$13.00
MA1010C 24 Hour Version \$13.00



0.84" High LED Digits



Special transformer and 6 switches when ordered with module add \$3.45

MA1002A 12 Hour (AM-PM) Version \$10.50
MA1002C 24 Hour Version \$10.50

0.5" High LED Digits



Special transformer and 6 switches, when ordered with module add \$3.45.

Hobby-Wrap-30 \$5.95

Strips, Wraps and Unwraps 30 ga. wire on standard wire wrapping pins



MA1002 & MA1010 Series Electronic Clock Modules

The MA1002 & MA1010 Series Electronic Clock Modules are assembled and pretested modules which combine a monolithic MOS-LSI integrated clock circuit, 4-digit LED display, power supply and other associated discrete components on a single printed circuit board to form a complete electronic clock movement. The user need only a transformer and switches to construct a digital clock for application in clock-radios, alarm or instrument panel clocks. Time-keeping may be from 50 or 60 Hz inputs and 12 or 24 hour display formats may be chosen. Direct LED drive eliminates RF interference. Time setting is made easy through use of "Fast" and "Slow" scanning controls.

The MA1002A and MA1010A have a 12 hour display with an AM and PM indicator. The MA1002C and MA1010C have a 24 hour display.

Features include alarm "on" and "PM" indicators, "sleep" and "snooze" timers and variable brightness control capability. The modules are extremely compact, the MA1002 measuring 1.375" by 3.05", the MA1010 measuring 1.75" by 3.75". This small size is achieved by bonding the I.C. to the back of the circuit board.

It is highly recommended that the transformer be obtained with the clock module as it is a special dual secondary type not otherwise readily available.

Double Digit Discounts Save You Even More!

ACE201-K \$24.95

1,032 SOLDERLESS PLUG-IN THE POINTS
CAPACITY: (P TO) 12 14-PIN DIP'S
TWO Sway binding posts
Size: 4-9/16" by 7"
Kit form



WIRE WRAPPING WIRE

Red or Black Kynar multigrip pre-cut and stripped 30 ga. wire of insulation is removed from each end

| Insulation Length | No. in Pkg. | Price per Pkg. |
|-------------------|-------------|----------------|
| 1.0" | 100 | \$2.50 |
| 2.0" | 100 | \$2.60 |
| 2.5" | 100 | \$2.65 |
| 3.0" | 100 | \$2.70 |
| 3.5" | 100 | \$2.75 |
| 4.0" | 100 | \$2.80 |
| 4.5" | 100 | \$2.90 |
| 5.0" | 100 | \$3.00 |
| 6.0" | 50 | \$1.60 |
| 7.0" | 50 | \$1.70 |
| 8.0" | 50 | \$1.80 |
| 9.0" | 50 | \$1.90 |
| 10.0" | 50 | \$2.00 |
| 15.0" | 50 | \$2.50 |

SLIDE SWITCHES

Single Pole Single Throw

| 15 | 1.20/10 | 10.00/C |
|--------------------------|---------|-----------------|
| Double Pole Double Throw | 23 | 2.00/10 19.00/C |

BATTERY HOLDERS

| |
|--------------------|
| 1-AA 26c |
| 2-AA 42c |
| 1-C 35c |
| 1-D 42c |
| 2-C 35c |
| 2-D 42c |

BISHOP GRAPHICS Printed Circuit Drafting Aids are now available from Digi-Key

RADIAL ELECTROLYTICS

| | | | | | |
|----------------------|-------|-----------------------|---------|-----------------------|---------|
| 47.50V 08 | 65.10 | 22.50V 12 | 1.00/10 | 320.25V 23 | 1.86/10 |
| 1.50V 08 | 65.10 | 100/4.3V 09 | 75/10 | 470.10V 21 | 1.71/10 |
| 2.2/50V 08 | 65.10 | 100/10V 10 | 77/10 | 470.25V 23 | 1.81/10 |
| 3.3/50V 08 | 65.10 | 100/16V 11 | 85/10 | 470.25V 29 | 2.35/10 |
| 4.7/50V 08 | 65.10 | 100/25V 13 | 1.10/10 | 1000.10V 24 | 1.96/10 |
| 4.7/50V 08 | 60.10 | 100/50V 21 | 1.71/10 | 1000.16V 29 | 2.35/10 |
| 10.16V 08 | 65.10 | 220/10V 13 | 1.08/10 | 1000/25V 42 | 3.33/10 |
| 10.25V 08 | 65.10 | 220/16V 15 | 1.18/10 | 2200.10V 42 | 3.33/10 |
| 10.50V 12 | 75.10 | 220/25V 21 | 1.71/10 | 2200.16V 54 | 4.30/10 |
| 22.16V 08 | 67.10 | 220/50V 29 | 2.35/10 | 3300.16V 58 | 4.67/10 |
| 22/25V 09 | 70.10 | 330/10V 15 | 1.16/10 | 3300/16V 89 | 7.14/10 |
| | | 330/16V 21 | 1.66/10 | | |

AXIAL ELECTROLYTICS

| | | | | | |
|----------------------|---------|----------------------|---------|-------------------------|---------|
| 47.10V 11 | 90.10 | 33.25V 14 | 1.15/10 | 330.16V 29 | 2.35/10 |
| 1.30V 11 | 90.10 | 33.50V 19 | 1.52/10 | 330.25V 32 | 2.54/10 |
| 3.3/35V 12 | 95.10 | 47.16V 14 | 1.15/10 | 470.16V 32 | 2.55/10 |
| 3.3/50V 12 | 100.10 | 47.25V 17 | 1.30/10 | 470.25V 37 | 3.00/10 |
| 4.7/25V 11 | 90.10 | 47.50V 21 | 1.17/10 | 1000.10V 33 | 2.65/10 |
| 4.7/35V 12 | 95.10 | 100/10V 14 | 1.13/10 | 1000.16V 33 | 3.15/10 |
| 4.7/50V 12 | 100.10 | 100/16V 17 | 1.30/10 | 1000/25V 46 | 4.50/10 |
| 10.25V 12 | 100.10 | 100/25V 20 | 1.55/10 | 2200.10V 50 | 3.96/10 |
| 10.50V 14 | 1.15/10 | 100/50V 29 | 2.30/10 | 2200.16V 62 | 4.95/10 |
| 22.16V 12 | 100.10 | 220/10V 18 | 1.42/10 | 2200.25V 79 | 6.36/10 |
| 22/25V 13 | 1.05/10 | 220/16V 20 | 1.55/10 | 3300.16V 95 | 7.63/10 |
| 22/50V 17 | 1.32/10 | 220/50V 29 | 2.35/10 | 4700.16V 09 | 8.70/10 |
| 33/16V 12 | 1.00/10 | 330/10V 40 | 3.23/10 | 10000.10V 115 | 9.19/10 |
| | | 330/16V 14 | 1.16/10 | | |

INTEGRATED CIRCUITS - TTL, CMOS, LINEAR & MOS

| | | | | | | | | |
|------|-------|------|-------|------|------|------|-----------|-------|
| 7400 | 7476 | 32 | 74181 | 2.15 | 4012 | 23 | 4520 | 1.14 |
| 7401 | 7480 | 70 | 74182 | 7.9 | 4013 | 40 | 4527 | 1.68 |
| 7402 | 7482 | 70 | 74184 | 2.19 | 4014 | 96 | 4528 | 8.8 |
| 7403 | 7483 | 70 | 74185 | 2.19 | 4015 | 96 | 4585 | 1.23 |
| 7404 | 7485 | 89 | 74188 | 3.50 | 4016 | 40 | 7102.1 | 1.99 |
| 7405 | 7486 | 28 | 74189 | 3.50 | 4017 | 05 | 8080A | 24.95 |
| 7406 | 7489 | 2.19 | 74190 | 1.23 | 4018 | 05 | CA3046 | 75 |
| 7407 | 7490 | 44 | 74191 | 1.23 | 4019 | 23 | LM2111N | 1.25 |
| 7408 | 7491 | 70 | 74192 | 8.8 | 4020 | 1.14 | LM309K | 1.80 |
| 7409 | 7492 | 44 | 74193 | 8.8 | 4021 | 1.14 | LM324A | 1.28 |
| 7410 | 7493 | 44 | 74194 | 8.8 | 4022 | 96 | LM340T-5 | 1.25 |
| 7411 | 7494 | 70 | 74195 | 8.8 | 4023 | 23 | LM340T-6 | 1.25 |
| 7412 | 7495 | 70 | 74196 | 8.8 | 4024 | 84 | LM340T-8 | 1.25 |
| 7413 | 7496 | 70 | 74197 | 8.8 | 4025 | 23 | LM340T-12 | 1.25 |
| 7414 | 7498 | 1.28 | 74198 | 1.49 | 4026 | 1.68 | LM340T-15 | 1.25 |
| 7416 | 74107 | 30 | 74199 | 1.49 | 4027 | 40 | LM340T-18 | 1.25 |
| 7417 | 74109 | 33 | 74200 | 8.8 | 4028 | 89 | LM340T-24 | 1.25 |
| 7420 | 74121 | 35 | 74219 | 55 | 4029 | 1.14 | LM3900N | 8.8 |
| 7421 | 74122 | 44 | 74365 | 67 | 4030 | 23 | LM3909N | 6.9 |
| 7423 | 74123 | 61 | 74366 | 67 | 4033 | 11 | MC1456V | 1.00 |
| 7425 | 74125 | 40 | 74367 | 67 | 4034 | 3.50 | MC1458V | 5.3 |
| 7426 | 74126 | 40 | 74368 | 67 | 4035 | 1.14 | MC3302P | 1.15 |
| 7427 | 74132 | 70 | 8093 | 40 | 4040 | 1.14 | NE536T | 3.24 |
| 7428 | 74141 | 88 | 8094 | 40 | 4041 | 79 | NE540L | 2.64 |
| 7430 | 74145 | 70 | 8095 | 67 | 4042 | 70 | NE555V | 4.6 |
| 7432 | 74147 | 1.63 | 8096 | 67 | 4043 | 70 | NE556A | .88 |
| 7433 | 74148 | 1.30 | 8097 | 67 | 4044 | 70 | NE560B | 3.83 |
| 7437 | 74150 | 1.16 | 8098 | 67 | 4045 | 40 | NE561B | 3.83 |
| 7438 | 74151 | 70 | 75150 | 1.16 | 4046 | 40 | NE567B | 1.25 |
| 7440 | 74153 | 65 | 75450 | 8.8 | 4050 | 40 | NE565A | 1.25 |
| 7442 | 74154 | 1.03 | 75451 | 61 | 4051 | 1.26 | NE566V | 1.28 |
| 7443 | 74155 | 70 | 75452 | 61 | 4052 | 2.9 | NE567V | 1.36 |
| 7446 | 74156 | 70 | 75453 | 61 | 4053 | 2.6 | uA709CV | 44 |
| 7447 | 74157 | 70 | 75454 | 61 | 4060 | 1.58 | uA710CA | 44 |
| 7447 | 74160 | 88 | 75491 | 81 | 4066 | 79 | uA711CA | 53 |
| 7448 | 74161 | 88 | 75492 | 84 | 4071 | 1.05 | uA712CU | 60 |
| 7450 | 74162 | 88 | 75493 | 1.09 | 4072 | 23 | uA713CA | 75 |
| 7451 | 74163 | 88 | 75494 | 1.19 | 4073 | 23 | uA714CV | 44 |
| 7453 | 74164 | 96 | 82525 | 2.19 | 4075 | 23 | uA714CA | 70 |
| 7454 | 74165 | 1.15 | 4000 | 23 | 4081 | 23 | uA78CV | 49 |
| 7459 | 74166 | 1.26 | 4001 | 23 | 4082 | 23 | uA7805CU | 1.25 |
| 7460 | 74170 | 2.64 | 4002 | 23 | 4502 | 79 | uA7806CU | 1.25 |
| 7470 | 74173 | 1.42 | 4006 | 1.23 | 4510 | 1.14 | uA7808CU | 1.25 |
| 7472 | 74174 | 98 | 4007 | 23 | 4511 | 1.05 | uA7812CU | 1.25 |
| 7473 | 74175 | 93 | 4008 | 79 | 4514 | 2.80 | uA7815CU | 1.25 |
| 7474 | 74176 | 79 | 4009 | 44 | 4515 | 2.80 | uA7818CU | 1.25 |
| 7475 | 74177 | 79 | 4010 | 44 | 4516 | 1.23 | uA7824CU | 1.25 |
| | 74180 | 70 | 4011 | 23 | 4518 | 1.14 | | |

WIRE WRAPPING WIRE IN BULK

Red or Black 30 ga. Kynar

| | |
|-------|---------|
| 100' | \$2.00 |
| 500' | \$8.50 |
| 1000' | \$15.00 |

ENTIRE ROCKWELL CALCULATOR LINE ON DISCOUNT IN OUR LATEST CATALOG



MOLEX PINS

Make your own IC sockets on PC board

| | | | |
|------|--------|----------|------------|
| 85/C | 8.20/M | 38.20/5M | 275.00/50M |
|------|--------|----------|------------|

SILICON DIODES

| | | | |
|--------|-------|--------|--------|
| 1N4001 | 64.10 | 5.50/C | \$49/M |
| 1N4002 | 66.10 | 5.60/C | \$51/M |
| 1N4003 | 68.10 | 5.80/C | \$52/M |
| 1N4004 | 70.10 | 5.95/C | \$54/M |
| 1N4005 | 82.10 | 7.05/C | \$63/M |
| 1N4006 | 90.10 | 7.75/C | \$69/M |
| 1N4007 | 99.10 | 8.60/C | \$77/M |
| 1N4148 | 40.10 | 3.50/C | \$29/M |

Double Digit Discounts Save You Even More!

RESISTOR ASSORTMENTS

5 ohm all 10% 1/4 w. sel. 10 thru 1.0 meg (300 pcs) \$12.00

5 ohm all 10% 1/4 w. sel. 2.2 thru 10 meg (435 pcs) \$12.00

1/2 WATT ZENER DIODES

| | | | | | |
|---------|------|---------|---------|------|---------|
| 1N5226B | 3.3v | 15.11/C | 1N5236B | 7.5v | 15.11/C |
| 1N5227B | 3.6v | 15.11/C | 1N5237B | 8.2v | 15.11/C |
| 1N5228B | 3.9v | 15.11/C | 1N5238B | 8.7v | 15.11/C |
| 1N5229B | 4.3v | 15.11/C | 1N5239B | 9.1v | 15.11/C |
| 1N5230B | 4.7v | 15.11/C | 1N5240B | 10v | 15.11/C |
| 1N5231B | 5.1v | 15.11/C | 1N5241B | 11v | 15.11/C |
| 1N5232B | 5.6v | 15.11/C | 1N5242B | 12v | 15.11/C |
| 1N5233B | 6.0v | 15.11/C | 1N5243B | 13v | 15.11/C |
| 1N5234B | 6.2v | 15.11/C | 1N5244B | 14v | 15.11/C |
| 1N5235V | 6.8v | 15.11/C | 1N5245B | 15v | 15.11/C |

PERF BOARD

0.1" spacing between holes

| | |
|--------------|--------|
| 4 1/2" x 6" | \$1.71 |
| 4 1/2" x 17" | \$4.25 |

TERMINALS

for above perf board

| |
|----------|
| \$1.50/C |
|----------|

LED LAMPS

NSL5053 T-1 1/4 . . . 18 \$15/C

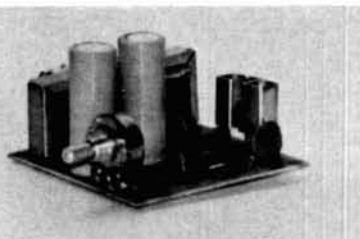
NSL5056 T-1 1/4 . . . 18 \$15/C

LED DISPLAYS

| | |
|----------------|--------|
| IND357 CC 375' | \$1.75 |
| FND500 CC 500' | \$1.75 |
| FND 507 CA 500 | \$1.75 |
| FND800 CC 800' | \$3.50 |
| IND807 CA 800' | \$3.50 |

DATA BOOKS

ADVA



KIT \$11⁹⁵

ASSEMBLED \$17.95
ADD \$1.25 FOR
POSTAGE/HANDLING

VARIABLE POWER SUPPLY

- Continuously Variable from 2V to over 15V
- Short-Circuit Proof
- Typical Regulation of 0.1%
- Electronic Current Limiting at 300mA
- Very Low Output Ripple
- Fiberglass PC Board Mounts All Components
- Assemble in about One Hour
- Makes a Great Bench or Lab Power Supply
- Includes All Components except Case and Meters

OTHER ADVA KITS:

LOGIC PROBE KIT—Use with CMOS, TTL, DTL, RTL, HTL, NMJL and most MOS IC's. Built in protection against polarity reversal and overvoltage. Draws only a few mA from circuit under test. Dual LED readout. Complete kit includes case and clip leads. **ONLY \$7.95**

FIXED REGULATED POWER SUPPLY KITS—Short-circuit proof with thermal current limiting. Compact size and typical regulation of 0.5% make these ideal for most electronic projects. Available for 5V @ 500mA, 6V @ 500mA, 9V @ 500mA, 12V @ 400mA, 15V @ 300mA. Specify voltage when ordering. **\$9.95 ea.**

These easy-to-assemble kits include all components, complete detailed instructions and plated fiberglass PC boards. Power supply kits do not include case or meters. Add \$1.25 per kit for postage and handling.

1MAIL NOW! FREE DATA SHEETS supplied with many items from this ad. **FREE ON REQUEST**—741 Op Amp with every order of \$5 or more—749 Dual Op Amp or two 100 FET's with every order of \$10 or more, postmarked prior to 3/31/77. One free item per order. **ORDER TODAY**—All items subject to prior sale and prices subject to change without notice. All items are new surplus parts—100% functionally tested.

WRITE FOR FREE CATALOG 476 offering over 350 semiconductors carried in stock. Send 13¢ stamp.

TERMS: Send check or money order (U.S. funds) with order. We pay 1st Class postage to U.S., Canada and Mexico (except on kits). \$1.00 handling charge on orders under \$10. Calif. residents add 6% sales tax. Foreign orders add postage. COD orders: add \$1.00 service charge.

MORE SPECIALS:

RC4195DN 15V @ 50mA VOLTAGE REGULATOR IC. Very easy to use. Makes a neat Highly Regulated 15V Supply for OP AMP's, etc. Requires only unregulated DC (18-30V) and 2 bypass capacitors. With Data Sheet and Schematics. 8 pin mDIP \$1.25

LM741 FRED COMPENSATED OP AMP. µA741, MC1741, etc. mDIP 5/S1

MC1458 DUAL 741 OP AMP mDIP 3/S1

RC4558 DUAL 741 OP AMP mDIP 3/S1

2N3904 NPN TRANSISTOR AMPLIFIER/SWITCH to 50 mA, µ100 6/S1

ZENERS—Specify Voltage 3.3, 3.9, 4.3, 5.1, 6.8, 8.2 400mW 4/S1 0.0

9.1, 10, 12, 15, 16, 18, 20, 22, 24, 27, or 33V (1-10%) 1 Watt 3/S1 0.0

- MONEY-BACK GUARANTEE
- ALL TESTED AND GUARANTEED

ADVA ELECTRONICS
BOX 4181 M, WOODSIDE, CA 94062
Tel. (415) 851-0455

FREE

IC or FET's WITH
\$5 & \$10 ORDERS.
DATA SHEETS
WITH MANY ITEMS.

| DIODES | TRANSISTORS | TRANSISTORS | TRANSISTORS | LINEAR IC's |
|---|--|--|---|---|
| ZENERS & RECTIFIERS | 2N706 50.24 2N4091 50.75 2N5638 2/51 LM3045 5 1/75 | 2N718 24 2N4092 50.75 2N5640 2/51 LM3047 5 1/75 | 1N456 1/51 2N720 48 2N4121 3/51 CP652 50.00 LM3048 12 1/75 | 1N483 1/51 2N718 3/51 2N4122 3/51 CP650 50.00 LM3049 12 1/75 |
| 1N488 6/51 2N713 29 2N4248 4/51 E100 4/51 LM3049 24 1/75 | 1N758 4/51 2N1505 38 2N4249 4/51 E101 3/51 LM3050 12 1/75 | 1N759 4/51 2N1503 38 2N4250 4/51 E102 3/51 LM3051 12 1/75 | 1N914 4/51 2N2219 24 2N4274 3/51 E175 3/51 LM3080 1/281 | 1N922 1/51 2N2222 8/51 2N4302 50.25 MPP 102 1/24 3/51 NE555* 2/51 |
| 1N3064 6/51 2N2308 5/51 2N4338 51 MPP 112 4/51 LM700CH 2/51 | 1N3068 6/51 2N2506 1/51 2N4398 2/51 MPP25115 3/51 LM709CH 2/51 | 1N4001 12/51 2N2509 50.24 2N4391 51 SE1001 4/51 LM723H 2/51 | 1N4002 12/51 2N2506A 24 2N4416 2/51 SE2001 4/51 LM739 1/80 | 1N4004 12/51 2N2907 5/51 2N4418A 50.80 SE2002 4/51 LM741CH 3/51 |
| 1N4005 10/51 2N3553 51.50 2N4895 1/51 SE5001 3/51 LM741CM* 4/51 | 1N4006 10/51 2N3563 6/51 2N4891 51 SE5002 3/51 LM741CN14 3/4 | 1N4007 10/51 2N3564 4/51 2N4895 2/51 SE5020 53.00 LM747CN 3/51 | 1N4148 15/51 2N3565 1/51 2N4898E 2/51 T1072 1/51 748CJ DIP 35 | 1N4154* 25/51 2N3568 6/51 2N4891 52.50 T1075 3/51 748CJ DIP 1.00 |
| 1N4370 1/51 2N3630 6/51 2N4888 51 DIGITAL IC's | 1N4372 2/51 2N3638A 5/51 2N4905 3/51 40MS738N 52.85 LM1304N 1/51 | 1N4454 15/51 2N3641 5/51 2N5087 4/51 5N7400N 16 LM1458N* 2/51 | 1N4456 15/51 2N3642 5/51 2N5087 4/51 5N7400N 16 LM1458N* 2/51 | 1N4513 3/51 2N3643 6/51 2N5120 1/51 5N7400N 16 KR258CP 1.55 |
| 1N5231 1/51 2N3644 4/51 2N5125 1/51 5N7400N 16 2740DE 1.95 | 1N5236 4/51 2N3646 4/51 2N5138 5/51 5N7451N 18 CA3028A 1/75 | 2N3690 3/51 2N5163 3/51 5N7473N 36 LM3075N1 1.45 | 2N3691 1/51 2N5167 55.00 5N7475N 48 CA3086* 5/51 | 1N5144 5/51 2N5168 50.80 2N5170N 36 LM3090N 5/51 |
| 05 144MHz 52 2N3827 70 2N5308 2/51 LINEAR IC's | F7 432MHz 51 2N3823 40 2N5307 51.50 LM100N 57.50 RC4195DN* 1.25 | 1N5178 1/51 2N3866 1/51 2N5432 1.90 LM3075N 27 RC4197K* 2.25 | 1N5179 1/51 2N3868 1/51 2N5457 3/51 LM3077N 27 LM4250CN 2.00 | 1N5180 1/51 2N3906 6/51 2N5458 30.38 LM3080 88 RC458DN 5/51 |
| 1N5184 5/51 2N3919 55.00 2N5484 3/51 LM3080 1.25 NS505V 5/51 | 1N5186 1/51 2N3922 1.90 2N5486 2/51 LM311N 80 NS505V 5/51 | 1N5187 5/51 2N3954 3.20 2N5543 53.00 LM320K 6 1.35 JA7805UC 1.25 | 1N5220 1/51 2N3958 1.15 2N5544 2.50 LM320K 12 1.35 8038 DIP* 3/75 | 2N3959 1/51 2N3970 1.00 2N5561 12.80 LM320K 15 1.35 DM75482 3/51 |

*SUPER SPECIALS:

| | | | |
|---|-----------------------|-------------------------|--------|
| 1N914 100V/10mA Diode | 20/51 | MPP 102 200MHz RF Amp | 3/51 |
| 1N4001 100V/1A Rect. | 15/51 | 40673 MOSFET RF Amp | \$1.75 |
| 1N4154 30V 1N914 | 25/51 | LM324 Quad 741 Op Amp | .94 |
| BR1 50V 1/4 Bridge Rect. | 4/51 | LM376 Pos Volt Reg mDIP | .56 |
| 2N2222A NPN Transistor | 6/51 | NE555 Timer mDIP | 2/81 |
| 2N2907 PNP Transistor | 6/51 | LM723 2.37V Reg DIP | 3/51 |
| 2N3055 Power NPN 10A | 6/51 | LM741 Comp Op Amp mDIP | 4/51 |
| 2N3904 NPN Amp/Sw 100 | 6/51 | LM1458 Dual 741 mDIP | 3/51 |
| 2N3906 PNP Amp/Sw 100 | 6/51 | CA3086 5 Trans Arry DIP | .56 |
| CP650 Power FET 1/2 Amp | 5/51 | RC4195DN 15V/50mA mDIP | 1.25 |
| RF391 RF Power Amp Transistor | 10 25W @ 3.30MHz to 3 | | 55.00 |
| 555X Timer 1/2-1hr Different pinout from 555 (w/data) | | | 3/81 |
| RC4194TK Dual Tracking Regulator 0.2 to 30V @ 200mA TO-66 | | | \$2.50 |
| RC4195TK Dual Tracking Regulator 15V @ 100mA (TO-66) | | | \$2.25 |
| 8038 Waveform Generator 1/2-1hr Wave With Circuits & Data | | | \$3.75 |

OSCAR users DX'ers

SATELLABE

A sophisticated multi-scale circular slide rule that gives the user all the data required to track and make contacts through the Amateur built OSCAR spacecraft. Using only the equatorial crossing point and time of one spacecraft orbit, the Satellabe will calculate azimuth and elevation information from the user's location for that entire orbit and predict all subsequent orbits as well. Designed by OSCAR user K2ZRO for AMSAT.

Just \$7.95

Don't miss these two operating aids available only from
HAM RADIO

W2AB's SECOND OP (formerly W910P)

7th EDITION Fully Computer Revised
This wonderful operating aid immediately tells prefix, continent, DX Zone, country name, local beam heading, time differential, QSL bureau and postal information for every recognized DX country. Don't go another day without this nifty tool!

only \$3.50

ham radio

Greenville, NH 03048

Iron Powder and Ferrite

TOROIDAL CORES

Wide selection - Large stock
Fast, one-day service
Technical data with each order
Write for free Tech-Data-Flyer

AMIDON Associates

12033 Otsego Street, North Hollywood, Calif. 91607

In Germany: Elektronikladen, Wilhelm - Mellies Str. 88
4930 Detmold 18, West Germany.



TRAGIC WASTE OF RF

could be your fate as precious watts zig-zag round the world to shower just a little — or little or none — on that hoped for DX station. BUT WE HAVE AN ALTERNATIVE — THE JOYSTICK VFA (Variable freq. ant.), which gives low angle, omnidirectional, harmonic free radiation on all BC & SW. Stalwarts W6TYP and G4DJY achieved notable results in contests — just to mention two of the many who have sent glowing reports of the VFA in use, often in poor QTH and/or under QRP.

SYSTEM 'A' \$69.90 250W P.E.P. &/or Receiving Only
SYSTEM 'J' \$91.33 500W P.E.P. &/or Improved Q Factor Receive

Air Mail cost included
(each system 3 sections easily assembled to make unit 7' 6" long. Matching ATU.) Not only will you save space but you will save \$\$\$ at present low exch. rate and by buying direct UK manufacturer. Rush your order — Mastercharge or check, or ask for brochure.

PARTRIDGE (HR) ELECTRONICS LTD.
BROADSTAIRS, KENT, ENGLAND
G3CED TEL. THANET 62525 G3VFA

We thought you might be interested in a 2-meter, synthesized, VHF-FM transceiver featuring 800 frequencies in 5KHz steps, variable RF output from 1 to 25 watts, 4 front panel selectable splits, a signal/power meter, and a price tag below five hundred dollars.

TRANSMITTER SPECIFICATIONS

Frequency Range: 144 to 148MHz. **Front Panel Frequency Splits:** Simplex, +0.6MHz, -0.6MHz, +1MHz, -1MHz. **Frequencies:** 800 (5KHz separation). **Modulation:** 16F3 \pm 5KHz for 100% at 1,000Hz. **RF Power Output:** 1-25 Watts, variable. **Frequency Stability:** Within \pm 0.001% from -20°C. to +60°C. **Hum & Noise:** Better than -30dB 2/3 rated system deviation at 1,000Hz. **Antenna Impedance:** 50 Ohms. **Switching:** Solid-state type. **Spurious & Harmonic:** At least 60dB below rated carrier power. **Microphone:** Turner, low impedance. **Audio Frequency Response:** 300Hz to 3,000Hz, referred to +1, -8dB of 6dB/Octave de-emphasis curve. **Audio Distortion:** Less than 7% at 1,000Hz, 2/3 system deviation. **Frequency Display:** 6 digit, 7 segment HP LED. **Optional Accessory:** Plug in touch-tone encoder \$50. Face plate also available in black.

RECEIVER SPECIFICATIONS

Frequencies: 143 to 148.995MHz. **Usable Sensitivity (12dB sinad):** 0.35uV @ 50% audio. **Quieting Sensitivity (20dB):** 0.5uV minimum. **Squelch Threshold Sensitivity:** 0.25uV minimum. **Squelch Limit Sensitivity:** 2.0uV or less. **Modulation Acceptance Bandwidth:** \pm 75KHz minimum. **Adjacent Channel Selectivity:** 70dB minimum. **Spurious Response Attenuation:** 70dB minimum. **Intermodulation Attenuation:** 60dB minimum. **Local Oscillator Frequency Stability:** \pm 10 parts per million. **Audio Output Power:** 4.0 Watts into a 4 Ohm load @ less than 10% distortion. **Audio Frequency Response:** +2dB to -8dB from the standard 6dB per Octave de-emphasis from 300Hz to 3,000Hz. **Hum & Noise:** -50dB squelched and -30dB unsquelched. **Chassis Size:** 7 $\frac{1}{2}$ "W x 2 $\frac{1}{2}$ "H x 10". Specifications and prices subject to change without notice.

SO, WE BUILT ONE FOR YOU.



AMCOMM
AN AMERICAN COMMUNICATIONS CORPORATION

TS-1 MICROMINIATURE ENCODER-DECODER

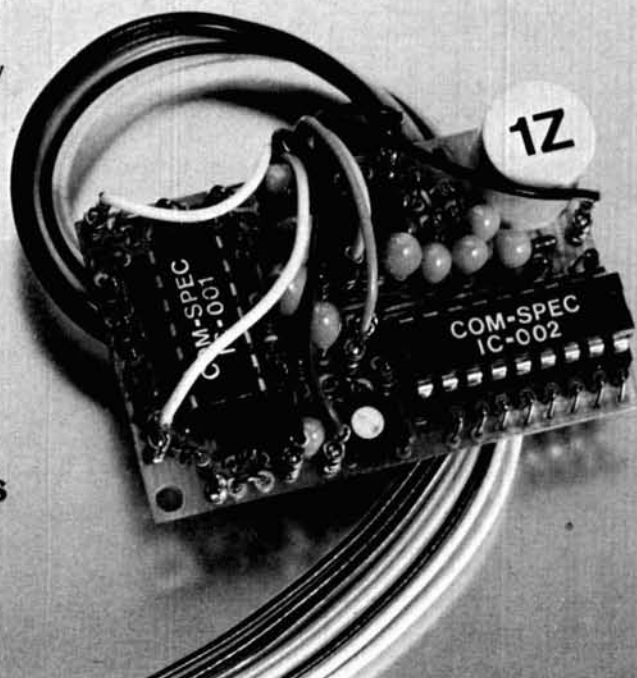
- Available in all EIA standard tones 67.0Hz-203.5Hz
- Microminiature in size, 1.25x2.0x.65" high
- Hi-pass tone rejection filter on board
- Powered by 6-16vdc, unregulated, at 3-9ma.
- Decode sensitivity better than 10mvRMS, bandwidth, ± 2 Hz max., limited
- Low distortion adjustable sinewave output
- Frequency accuracy, ± 25 Hz, frequency stability ± 1 Hz
- Encodes continuously and simultaneously during decode, independent of mike hang-up
- Totally immune to RF

Wired and tested, complete with K-1 element

\$59.95

K-1 field replaceable, plug-in, frequency determining elements

\$3.00 each



COMMUNICATIONS SPECIALISTS

P.O. BOX 153
BREA, CALIFORNIA 92621
(714) 998-3021



YOUR BEST BUY IN KITS



ANALOG-DIGI-LAB

Features 3 Regulated power Supplies. 3 Output wave forms. 8 digital level switches. 2 no bounce pulser switches.

8 LEDs with drivers. 1 AP Super strip. Easily constructed. Designed by RETS Electronic Schools.

Now only **\$139.00**

Clock Kit (complete less case) **\$12.95**

Clock Cabinet **\$6.50**

or **\$4.50** with purchase of clock kit.

Function Generator Kit **\$10.95**

Please add **\$1.00** Shipping/Handling on any order under **\$15.00**
Send SASE for flyer. Featuring Electronic components and kits available.

HAL-TRONIX

P. O. Box 1101 • Southgate, Mich. 48195 • (313) 285-1782

FREQUENCY COUNTER

7 Digit 0-300 MHz Freq. Counter **\$99.00**

7 Digit 0-500 MHz Freq. Counter **\$139.00**

8 Digit 0-30 MHz Counter with options **\$109.00**

0-300 MHz Prescaler for 8 Digit Counter **\$19.95**

0-300 MHz Prescaler with Preamp **\$29.95**

0-600 MHz Prescaler for 8 Digit Counter **\$39.95**

Cabinet accessory package available for all of the above **\$24.95**

Anyone of the above kits available pre-assembled for an additional **\$50.00**. Allow 3-4 weeks on assembled units.



FREE CATALOG

HARD-TO-FIND PRECISION TOOLS

Lists more than 2800 items - pliers, tweezers, wire strippers, vacuum systems, relay tools, optical equipment, tool kits and cases. Also includes ten pages of useful "Tool Tips" to aid in tool selection.

JENSEN TOOLS AND ALLOYS
4117 N. 44th Street, Phoenix, Ariz. 85018



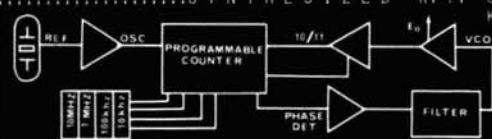
NEW ELECTRONIC PARTS

Resistors Meters LED Displays Fuses
Capacitors Switches Proto Boards IC sockets
Diodes Dozy Boxes Mod U Line Test Clips
Trim pots Transistors Hardware And much more
SASE brings our new parts catalog.

NuData Electronics

104 N. EMERSON ST. MOUNT PROSPECT, ILLINOIS 60056

SYNTHESIZED R. F. GENERATOR KIT



KIT TECHNOLOGY INCLUDES:

PROGRAMMABLE COUNTER
EMITTER COUPLED LOGIC PRESCALER
VOLTAGE CONTROLLED OSCILLATOR
PHASE LOCK LOOP FILTERING
PHASE COMPARATOR
VARIABLE CRYSTAL OSCILLATOR
R. F. AMPLIFIERS AND MIXER

TECHNOLOGY KIT FEATURES:

EMPIRICAL INTRODUCTION TO PHASE LOCK LOOP TECHNOLOGY.....
R.F. GENERATOR D.C. THRU 150 MHZ...
FREQUENCY READOUT AND SELECTION...
THUMB WHEEL SWITCHES...
FREQUENCY SPACING 10 KHZ STEPS...
PLUS + 20 KHZ CONTINUOUS...
CRYSTAL TUNING...
R.F. POWER 30-100 MHZ...+7 DBM
D.C.-50MHZ AND 100-150MHZ...+0 DBM
12 VOLT D.C. OPERATION, A.C. SUPPLY INCLUDED.....

TECHNOLOGY KIT I 3 LAYER P.C.B.
CONSTRUCTION DETAILS, PARTS LIST...\$75.00

TECHNOLOGY KIT II COMPLETE.....

PARTS KIT.....\$395.00

TECHNOLOGY KIT III WIRED AND TESTED

90 DAY UNCONDITIONAL GUARANTEE.\$565.00

R. F. MOSS CO., PO BOX 4477 IRVINE,

CALIFORNIA, 92716

PHONE (714) 631-3542

NAME.....

ADDRESS.....

CITY.....STATE.....ZIP.....

CERTIFIED CHECK/MONEY ORDER.....

C.O.D. WITH 20% DOWN.....

ORDER NOW AVAILABLE FEB 1, 1977....

LOW-NOISE RCVR PREAMPS

| Model | Freq. MHz | Size | Gain dB | Kit | W/T |
|-------|-----------|-------------|---------|---------|---------|
| P8 | 20-190 | 1/2x2 3/8 | 20-30 | \$ 7.95 | \$16.95 |
| P9 | 26-230 | 1 1/2x3 | 20-30 | 9.95 | 19.95** |
| P15 | 400-500 | 1 1/2x3 | 20 | 15.95 | 34.95 |
| P13* | 20-230 | 1 1/2x3 1/4 | 15-20 | 12.95 | 24.95** |

*Dual output — 2 RCVRs/ONE ANT!

**Also avail. in die cast box w/BNC's

• Specify freq w/order; add 50¢ shipping.

• Send SASE for cat., incl. fm rcvrs, xmtrs, conv., ant. for VHF & UHF.

FAST MAIL & PHONE SERVICE

716-663-9254

hamtronics, inc.

182 BELMONT RD., ROCHESTER, NY 14612

Everybody wants the ultimate ham station, but the only way most of us are going to get it is to start now and grow into it.

And the best way to start is with our 700CX.

Then you'll have an excellent transceiver with 700 solid watts P.E.P. input of SSB power at the lowest cost per watt—about a buck—of any comparable equipment.

And when you're ready to add capability and features, plug in or hook up Swan accessory equipment for easy expandability.

For instance, just plug in our 510-X crystal oscillator when you want extra frequency coverage. Want VOX? Plug in the Swan VX-2 and start talking. Or hook up our FP-1 telephone patch in minutes.

And when you're ready for that big jump to all-the-law-allows, our 2000 watt P.E.P.

input Mark II linear amp is waiting in the wings.

Add our complete selection of power supplies, microphones and other options and you've got everything you need for a full-house rig in matching specs and matching decor.

So your ham station will look and perform like it belongs together.

The 700CX is designed to handle problems like cross-modulation and front end overload. And you get all bands from 10 to 80 meters with selectable upper or lower sideband, AM, or CW with sidetone.

Get started on your dream rig today. See the 700CX and all of its accessories at your nearest Swan dealer. Use your Swan credit card. Applications at your dealer or write to us.

| | |
|---|----------|
| 700CX Champion Transceiver..... | \$649.95 |
| 117-XC 110V AC Power Supply..... | \$159.95 |
| <i>(Includes Speaker and Cabinet)</i> | |
| 117-X 110V AC Power Supply..... | \$114.95 |
| <i>(less Speaker and Cabinet)</i> | |
| 510-X Crystal Oscillator..... | \$ 67.95 |
| VX-2 Plug-In VOX..... | \$ 44.95 |
| FP-1 Telephone Patch..... | \$ 64.95 |
| Mark II Linear Amplifier..... | \$849.95 |
| <i>(complete with 110/220 VAC power supply and tubes)</i> | |
| <i>(prices FOB Oceanside, CA)</i> | |

Dealers throughout the world



SWAN
ELECTRONICS

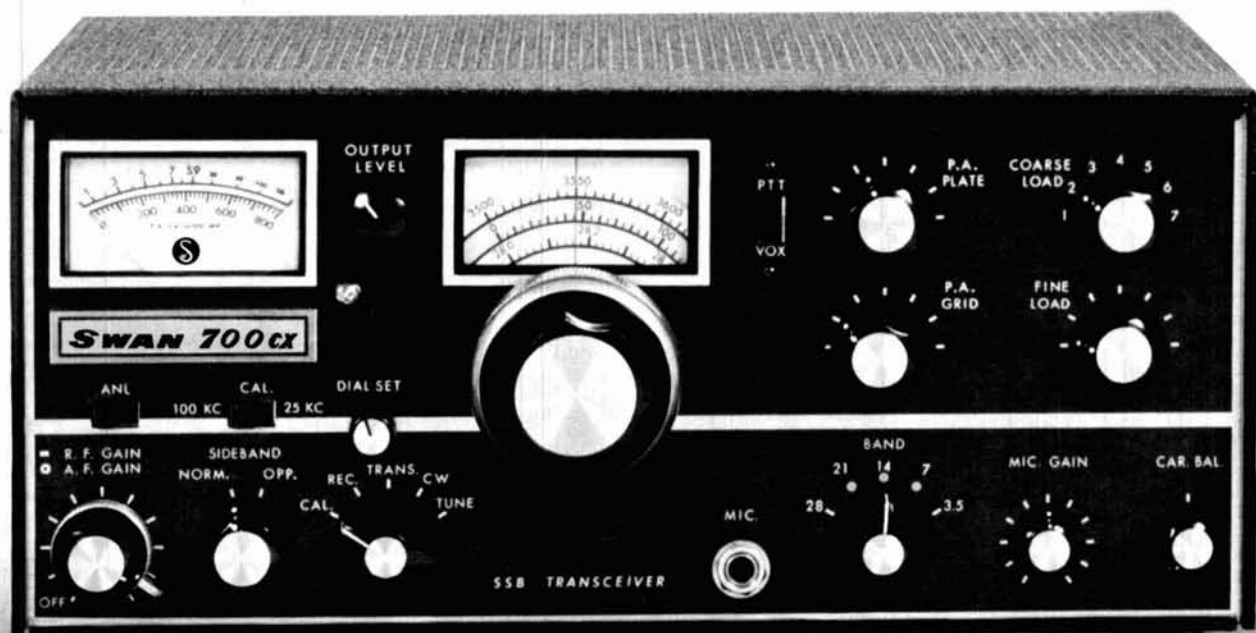
A subsidiary of Cubic Corporation

305 Airport Road, Oceanside, CA 92054

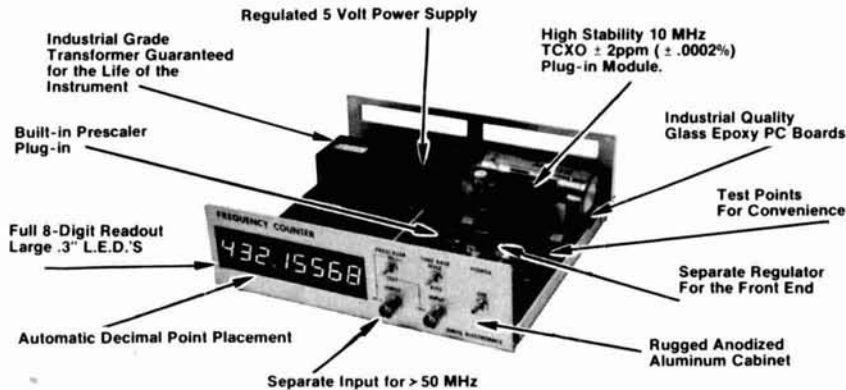
(714) 757-7525

SWAN 700CX TRANSCEIVER.

IT'S THE WAY TO GROW.



(the outside looks nice)
BUT
IT'S WHAT'S INSIDE THAT COUNTS



DAVIS FREQUENCY COUNTER

- 500 MHz • ±.0002% ACCURACY
- UNBEATABLE LOW COST

500 MHz Kit **\$249.95**
 Kits include all parts, drilled and plated PC boards, cabinet, switches; hardware and a complete instruction manual with calibrating instructions.
All parts are guaranteed for 90 days. Factory service available for \$25.

Instruction and Calibrating Manual . **\$3.00**
 (refundable with purchase)
 500 MHz Factory Assembled ... **\$349.95**

Factory assembled units are tested and calibrated to specifications, and are guaranteed for 1 year.

DAVIS ELECTRONICS

Dept. F, 636 Sheridan Drive, Tonawanda, New York 14150
 (716) 874-5848



TROPICAL HAMBOREE

JANUARY 22-23, 1977
 (MIAMI BAYFRONT AUDITORIUM)

MIAMI, FLORIDA

ADVANCE REGISTRATION
\$2.00

FOR SPECIAL HOTEL RATES
 AND MORE INFORMATION

WRITE:
DADE RADIO CLUB
 P. O. Box 73, B.A.
 Miami, Florida 33152

**2 METER CRYSTALS
 IN STOCK**

FOR THESE RADIOS ON
 STANDARD ARRL REPEATER
 FREQUENCIES

- Clegg HT-146
- Drake TR-22
- Drake TR-33 (rec only)
- Drake TR-72
- Genave
- Heathkit HW-201 (rec only)
- Heathkit HW-202
- Icom/VHF Eng
- Ken/Wilson
- Lafayette HA-146
- Midland 13-505
- Regency HR-2
- Regency HR-212
- Regency HR-2B
- Regency HR-312
- Regency HR-2MS S.B.E.
- Sonar 1802-3-4, 3601
- Standard 146/826
- Standard Horizon
- Swan FM 2X
- Tempo FMH
- Trio/Kenwood
- Trio/Kenwood TR2200
- Trio/Kenwood TR7200

KENSCO COMMUNICATIONS
 Dept. 10177
 Box 469
 Quincy, MA 02169
 (617) 471-6427

YOUR
KENWOOD HEADQUARTERS
 is
Electronic Distributors, Inc.
 1960 Peck St.
 Muskegon, Michigan
 49441

12 Button touch-tone pads calibrated and guaranteed 90 days (abuse excluded) with diagram **\$14.00**
 Attractive plastic mounting box with brackets **\$4.75**
 Complete working system ready to connect to your transmitter **\$24.95**



TELEPHONE EQUIPMENT COMPANY
 Post Office Box 596, Leesburg, Florida 32748
 (904) 728-2730

BUILD YOUR OWN TV CAMERA!
 Ideal for home & business

GREAT FOR AMATEUR TV, INDUSTRIAL SURVEILLANCE, HOME ENTERTAINMENT & MONITORING. PLUS HUNDREDS OF OTHER USES. MODEL XT 12, SERIES D - KIT \$185. FACTORY ASSEMBLED \$225. SOLID STATE. CONNECTS TO ANY TV SET. OPTIONAL SOUND KIT \$28.95. PHONE OR WRITE FOR FREE CATALOG. DIAL 402 987 3771.

1301 BROADWAY N.W. **ATV Research** DAKOTA CITY, NEBR 68731

SST T-1 RANDOM WIRE ANTENNA TUNER

All band operation (160-10 meters) with most any random length wire. 200 watt output power capability. Ideal for portable or home operation. Toroid inductor for small size. 3 x 4 1/4 x 2 3/8. Built-in neon tune-up indicator. SO-239 coax connector. Guaranteed for 1 yr., 10 day trial. Compact - easy to use... only \$29.95 postpaid. (Add Sales Tax in Calif.) (213) 376-5887

SST ELECTRONICS, P.O. BOX 1, LAWSDALE, CA. 90260

SYNTHESIZERS

We have the worlds largest selection of synthesizers for receivers, transmitters and transceivers. For complete details see our 1/3 page ad in the April 1976 issue of this magazine or call or write for additional information. Phone orders accepted between 9 AM and 4 PM EDT. (212) 468-2720

VANGUARD LABS
 196-23 JAMAICA AVENUE
 HOLLIS, N. Y. 11423



IN 2-METER & "220" MOBILE, MIDLAND MAKES IT

Midland makes four tough, top-performing mobile transceivers for serious amateurs. Reading from the top: There's Midland's newest—Model 13-510—with P.L.L. synthesizer, simplex and offsets to give it 4,000 frequency capability between 144 and 148 MHz. Combined with just about the most sensitive, selective dual conversion receiver you'll find, and a transmitter that puts out an honest 25 watts, you could hardly ask for more.

In the second row, there's Midland's deluxe, 30-watt 2-meter mobile—Model 13-505—featuring selective or simultaneous control for 12 crystal-controlled channels with "Channel A" priority switching, and such Midland standards as automatic VSWR protection and connection for tone burst.

The third row lines up Midland's basic 2-Meter mobile—Model 13-500. This popular 12-channel, 15-watt transceiver has a complete multiple FET front end couple with high-Q helical cavity resonators. Despite its small size (2¼" h. x 6¾" w. x 8¾" d.), it's designed for exceptional service and serviceability.

At the bottom is Model 13-509, Midland's "220" mobile. With 12-channel capacity, crystal controlled, it shares the compact size and receiver features of the 13-500 above, while delivering 10 watts output power (switchable to 1 watt when you want it).

All four are leading values from the leading name in personal communications: Midland.

MIDLAND
INTERNATIONAL®
Communications Division

Dept. H, P.O. Box 1903, Kansas City, MO 64141

Want to know more about
Midland Amateur Radio?
Write for our free
brochure today.



Advertisers check-off

... for literature, in a hurry — we'll rush your name to the companies whose names you "check-off"

Place your check mark in the space between name and number. Ex: Ham Radio 234

INDEX

| | |
|----------------------|---------------------|
| ATV * 265 | Inte. Circuits 518 |
| Adva 265 | Int'l Xtal 066 |
| Aldelco 347 | Jade 509 |
| Amcomm 500 | James 333 |
| Amidon 005 | Jan 067 |
| Apron 380 | Jensen 293 |
| Atlas 198 | K-Enterprises 071 |
| Atronics 382 | Kenwood 394 |
| Barber 383 | Kenwood * |
| Barry * | Kester Solder 492 |
| Budwig 233 | Larsen 078 |
| Bullet 328 | Leader 412 |
| Bunker Ramo 525 | Lyle 373 |
| CFP 022 | MFJ 082 |
| Cal-Com 282 | MHz 415 |
| Chaney's 488 | Madison * |
| Clegg 027 | Marine Tech. 527 |
| Communications | Mid Continent 453 |
| Electronics 489 | Midland 086 |
| Communications | Mini Labs 441 |
| Specialists 330 | Moss * |
| Crescent Wire 490 | National Semi 323 |
| Curtis 034 | New-Tronics 171 |
| Cush Craft 035 | Nexus 454 |
| D-D 269 | Northshore 296 |
| Dames 324 | NuData 455 |
| Data Signal 270 | Optoelectronics 352 |
| Davis 332 | Orlando Hamfest * |
| Dentron 259 | Pagel 092 |
| Direct Conv. Tech. * | Palomar 093 |
| Digi-Key 520 | Partridge 439 |
| Disc-Cap 449 | Platt 528 |
| Drake 039 | Poly Paks 096 |
| DuPage FM 287 | Porta Pak 274 |
| E. T. O. | RP 098 |
| Elect. Dist. 044 | Callbook 100 |
| Electrospace 407 | Ramsey 442 |
| ELPROCON 301 | Regency 102 |
| Epsilon 046 | SST 375 |
| Equinox 521 | Scott 519 |
| Erickson 047 | SOTA 506 |
| Fair 048 | Space 107 |
| 59+ 429 | Spectronics 191 |
| GLB 522 | Spec. Comm. 366 |
| Gilfer 207 | Spec. Inter. 108 |
| Glade Valley 213 | Standard 109 |
| Glostronics 523 | Swan 111 |
| Gray 055 | Tec-Kan 507 |
| Gregory 201 | Tele. Equip. 496 |
| Hal 057 | Telrex 377 |
| Hal-Tronix 254 | Ten-Tec * |
| HamLine 466 | Tri-Ex 116 |
| Ham Radio 150 | Hamboree * |
| Ham Center 491 | Tufts 321 |
| HR HORIZONS 150 | VHF |
| Hamtronics 246 | Engineering 121 |
| Heath 060 | Vanguard * |
| Heights 061 | Varian 043 |
| Henry 062 | Webster Comm. 423 |
| Hewlett | Webster Radio 255 |
| Packard 281 | Weinschenker 122 |
| Hufco 403 | Wellman * |
| Hy-Gain 064 | Wilson 123 |
| Icom 065 | Yaesu 127 |

*Please contact this advertiser directly.

Limit 15 inquiries per request.

January 1977

Please use before February 28, 1977

Tear off and mail to
HAM RADIO MAGAZINE — "check off"
Greenville, N. H. 03048

NAME.....

CALL.....

STREET.....

CITY.....

STATE..... ZIP.....



There's
nothing
like it

RADIO AMATEUR callbook

Respected worldwide as
the only complete authority
for radio amateur
QSL and QTH information.

The U. S. Callbook has nearly 300,000 W & K listings. It lists calls, license classes, names and addresses plus the many valuable back-up charts and references you come to expect from the Callbook.

Specialize in DX? Then you're looking for the Foreign Callbook with almost 235,000 calls, names and addresses of amateurs outside of the USA.

U.S. Callbook \$14.95

Foreign Callbook \$13.95

Order from your favorite electronics dealer or direct from the publisher. All direct orders add \$1.25 for shipping. Illinois residents add 5% Sales Tax.

RADIO AMATEUR
callbook INC.
Dept. E 925 Sherwood Drive
Lake Bluff, Ill. 60044

Advertisers iNdex

| | |
|--|---------------|
| ATV Research | 124 |
| Adva Electronics | 120 |
| Aldelco | 88 |
| Amcomm, Inc. | 121 |
| Amidon Associates | 120 |
| Apron | 118 |
| Atlas Radio | 52, 53 |
| Atronics | 114 |
| Barber Corp. | 90 |
| Barry | 102 |
| Budwig Mfg. Co. | 98 |
| Bullet | 87 |
| CFP Communications | 94 |
| Cal-Com Systems, Inc. | 98 |
| Chaney's Electronics | 104 |
| Clegg Communications Corp. | 89 |
| Communications Electronics | 108 |
| Communications Specialists | 107, 122 |
| Crescent Wire & Cable, Inc. | 111 |
| Curtis Electro Devices | 114 |
| Cush Craft | 95 |
| D-D Enterprises | 92 |
| Dames, Ted | 112 |
| Data Signal, Inc. | 86 |
| Davis Electronics | 124 |
| Dentron Radio Co. | 1 |
| Direct Conversion Technique | 94 |
| Digi-Key Corp. | 119 |
| Disc-Cap | 104 |
| Drake Co., R. L. | 43 |
| DuPage FM | 84 |
| Ehrhorn Technological Operations, Inc. | 92 |
| Electronic Distributors | 124 |
| Electrospace | 84 |
| ELPROCON | 94 |
| Epsilon Records | 114 |
| Equinox | 114 |
| Erickson Communications | 104 |
| Fair Radio Sales | 94 |
| Five Nine Plus | 112 |
| GLB Electronics | 51 |
| Gilfer Associates | 90 |
| Glade Valley Radio Sessions | 88 |
| Glostronics | 94 |
| Gray Electronics | 102 |
| Gregory Electronics | 110 |
| Hal Communications Corp. | 2 |
| Hal-Tronix | 122 |
| HamLine Electronics | 98 |
| Ham Radio | 120 |
| Ham Radio Center, Inc. | 97 |
| Ham Radio HORIZONS | 76 |
| Hamtronics, Inc. | 122 |
| Heath Company | 64, 65 |
| Heights Mfg. Co. | 106 |
| Henry Radio Stores | Cover II |
| Hufco | 48, 94, 118 |
| Hy-Gain Electronics Corp. | 57 |
| Icom | 5 |
| Integrated Circuits Unlimited | 96 |
| International Crystal | 29 |
| Jade Company | 109 |
| James Electronics | 105 |
| Jan Crystals | 91 |
| Jensen Tools | 122 |
| K-Enterprises | 124 |
| Kenaco Communications, Inc. | 124 |
| Trio-Kenwood Communications, Inc. | 8, 9 |
| Kester Solder | 92 |
| Larsen Electronics | 91 |
| Leader Instruments | 83 |
| Lyle Products | 112 |
| MFJ Enterprises | 77, 92 |
| MHz Electronics | 72 |
| Madison Electronics Supply | 106 |
| Midland International | 125 |
| Mini Labs Industries | 112 |
| Moss, R. F. Company | 122 |
| New-Tronics Corporation | 73 |
| Nexus Trading Company | 71 |
| Northshore RF Technology | 101 |
| NuData Electronics | 122 |
| Optoelectronics | 103 |
| Orlando Hamfest | 108 |
| Pagel Electronics | 98 |
| Palomar Engineers | 86, 88, 90 |
| Partridge (HR) Electronics | 120 |
| Poly Paks | 100 |
| Porta Pak | 110 |
| RP Electronics | 108 |
| Radio Amateur Callbook | 91, 126 |
| Ramsey Electronics | 80 |
| Regency Electronics | 85 |
| SST Electronics | 124 |
| Scott Communications | 51 |
| SOTA Industries | 81 |
| Space Electronics Corp. | 114 |
| Spectronics | 115 |
| Spectrum Communications | 112 |
| Spectrum International | 110 |
| Standard Communications | 39 |
| Swan Electronics | 114, 118, 123 |
| Tec-Kan Inc. | 113 |
| Telephone Equipment Co. | 124 |
| Telrex Labs | 98 |
| Ten-Tec | 99 |
| Tri-Ex Tower Corp. | 93 |
| Tropical Hamboree | 124 |
| Tufts Radio Electronics | 127 |
| VHF Engineering, Div. of Brownian | 128 |
| Vanguard Labs | 98, 124 |
| Varian, Eimac Division | Cover IV |
| Webster Communication | 118 |
| Webster Radio | 106 |
| Weinschenker | 102 |
| Wilson Electronics | 7, 44, 45 |
| Yaesu Electronics Corp. | Cover III |

YAESU



FT-101E TRANSCEIVER

- FT-101-E
- 160-10M XCVR W/Processor 749
- FT-101EE
- 160-10M XCVR W/O Processor 659
- FT-101EX
- 160-10M XCVR W/O Processor
- AC Only, Less Mike 599
- FL-2100B Linear Amplifier 399
- FTV-650B 6M Transverter 189
- FTV-250 2M Transverter 219
- FV-101B External VFO 99
- SP-101B Speaker 19
- SP-101PB Speaker/Patch 59
- YO-100 Monitor Scope 199
- YD-844 Dynamic Base Mike 29
- FA-9 Cooling Fan 19
- MMB-1 Mobile Mount 19
- RFP-102 RF Speech Processor 89
- XF-30C 600 Hz CW Filter 45
- XF-32A 8 Pole SSB Filter for FT-101 49
- VHF FM & SSB TRANSCEIVERS
- FT-620B 6M AM/CW/SSB 449
- FT-221 2M AM/FM/CW/SSB 629



The Atlas 210x/215x

- Solid state SSB/CW transceivers
 - 200 watts P.E.P. input
 - No transmitter tuning
 - The ultimate in sensitivity, selectivity, and overload immunity.
 - Plus extended frequency coverage for MARS operation when used with 10x crystal oscillator.
- 210x or 215x \$679.
 210x or 215x w/noise blanker ... \$719.
 AC Console 110/220 V \$149.
 Portable AC supply 110/220 V ... \$100.
 Plug-in Mobile kit \$48.
 Digital display unit \$229.
 Mobile ant. matcher \$27.

ICOM IC-22S



Zero crystals. Solid state engineering enables you to program 23 channels of your choice without waiting. The frequency synthesizer can be preset to any 15 kHz channel between 146 and 148 MHz by the diode matrix board. This frequency may be offset by 600 kHz higher or lower than the receiver frequency. IC-22s — \$289.00

Why Waste Watts?



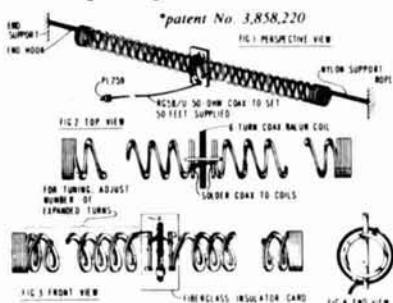
SWR-1 guards against power loss for \$21.95

If you're not pumping out all the power you're paying for, our little SWR-1 combination power meter and SWR bridge will tell you to. You read forward and reflected power simultaneously, up to 1000 watts RF and 1:1 to infinity VSWR at 3.5 to 150 MHz.



SLINKY! \$39.95 kit

A LOT of antenna in a LITTLE space
 New Slinky® dipole* with helical loading radiates a good signal at 1/10 wavelength long!



* Patent No. 3,858,220

• This electrically small 80/75, 40, & 20 meter antenna operates at any length from 24 to 70 feet • no extra balun or transmatch needed • portable—erects & stores in minutes • small enough to fit in attic or apartment • full legal power • low SWR over complete 80/75, 40, & 20 meter bands • much lower atmospheric noise pickup than a vertical and needs no radials • kit includes a pair of specially-made 4-inch dia. by 4-inch long coils, containing 335 feet of radiating conductor, balun, 50 ft. RG58/U coax, PL259 connector, nylon rope & instruction manual • now in use by US Dept of State, US Army, radio schools, plus thousands of hams the world over



DENTRON

160-10AT SUPERTUNERTM

Want an antenna tuner to match everything between 160 and 10 through balanced line, coax line and random line. Supertuner™ is the one for you at just \$129.50

160-10AT-3K SUPER SUPERTUNERTM

Designed and engineered to be compatible with the full-power highly efficient

modern amplifiers now available to the amateur. In our opinion the finest tuner on the market today. \$229.50

80-10AT SKYMATCHERTM

Here's an antenna tuner for 80 through 10 meters, handles full legal power and matches your 52 ohm transceiver to a random wire antenna. 80-10AT is yours for only \$59.50



Novice Crystals (Specify Band Only)

Crystal Company

- Standard • Icom • Heathkit • Ken • Clegg • Regency • Wilson • VHF Eng • Drake • And Others!

\$4.50 @ Lifetime Guarantee

NOW!
 Motorola HT 220 Crystals
 In Stock!

| Make/Model | Xmit Freq. | Rec. Freq. |
|------------|------------|------------|
| | | |
| | | |
| | | |
| | | |
| | | |
| | | |
| | | |
| | | |
| | | |
| | | |

TUFTS

209 Mystic Ave.
 Medford MA 02155
 (617) 395-8280

New England's
 Friendliest Ham Store

FREE Gift With Every Order!



ALL SALES FINAL!



Master Charge & BankAmericard accepted on most orders.

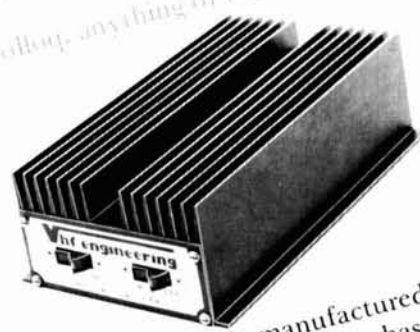
Name _____ Call _____
 Address _____
 City _____ State _____ Zip _____
 Order: _____

Open 9AM to 9PM
 Mon.-Fri.
 Sat. 9-6

Prices FOB Medford MA. All units can be shipped UPS. MA residents add 5% sales tax. Orders over \$1000 deduct 5%. Add \$3.50 for shipping & handling on all orders.

(blue), n. -
 r sky in daylight. -
 ing this color; blue coloring. -
 mpletely unexpected. 5. the blue; a ma-
 nes. -adj. 1. having the color of the clear sky in c-
 orthes. 3. livid; blue from cold. 4. sad; gloomy; discouraged.
 die. 2. use bluing on. | OF blue -[Gm.] -blue ly. adv. -blue ness.
 -Syn. adj. 4. depressed, despondent, dejected.
 Blue-beard (blu berd), a cruel man in an old legend who murdered six of
 his wives; blue
 blue bell (blu bel), n. any of various plants with flowers shaped
 like bells.
 blue berry (blu ber ri; blü ri), pl. ries. Am. 1. a small, sweet, edible berry
 that has smaller seeds than the huckleberry. 2. the shrub that it grows on.
 blue bird (blu berd), a small songbird of North America whose prevailing
 color is blue.
 blue blood, aristocratic descent. -blue -blood ed, adj.
 blue bonnet (blu bon it), n. plant with blue flowers resembling sweet peas.
 blue book, Am. book that lists socially prominent people.
 blue bot tie (blu bot ti), 1. a large blowfly that has a blue abdomen and a
 hairy body. 2. any similar fly. 3. cornflower.
 blue chip, 1. a poker chip of high value. 2. Colloq. anything of high value or
 quality. -blue -chip , adj.

blue line (blü'lin) n. 1. A line of high power RF Amplifiers manufactured by VHF Engineering, which are known for being of the very highest quality and the best value available. 2. Any high power RF Amplifier covering from 2-30 MHz, or 140-170 MHz, or 210-230 MHz or 430-480 MHz, which has a unique "thermal transfer blue" finish and is manufactured by VHF Engineering. 3. A high gain RF Power Amplifier which has the versatility of going from class C (FM) to linear (SSB) with the flip of a switch. 4. Call or write: VHF Engineering, 320 Water Street, Binghamton, N.Y. 13901, Phone 607-723-9574



BLUE LINE HIGH POWER AMPLIFIERS . . . AVAILABLE SOON

| MODEL | FREQUENCY | EMISSION | POWER INPUT | POWER OUTPUT |
|------------|------------|--------------|-------------|--------------|
| BLA 3/300 | 2-30MHz | CW/AM/SSB | 10W(PEP) | 300W(PEP) |
| BLC 10/70 | 140-160MHz | CW/AM/SSB/FM | 10W | 70W |
| BLC 2/70 | 140-160MHz | CW/AM/SSB/FM | 2W | 70W |
| BLC 10/150 | 140-170MHz | CW/AM/SSB/FM | 10W | 150W |
| BLC 30/150 | 140-170MHz | CW/AM/SSB/FM | 30W | 150W |
| BLD 2/60 | 220-230MHz | FM CW/FM | 2W | 60W |
| BLD 10/60 | 220-230MHz | CW/FM | 10W | 120W |
| BLD 10/120 | 220-230MHz | CW/FM | 10W | 40W |
| BLE 10/40 | 420-450MHz | CW/AM/SSB/FM | 10W | 40W |
| BLE 2/40 | 420-450MHz | CW/AM/SSB/FM | 2W | 80W |
| BLE 30/80 | 420-450 | CW/AM/SSB/FM | 30W | 80W |
| BLE 10/80 | 420-450 | CW/AM/SSB/FM | 10W | 80W |

blue (blu), n. -
 bluet (blu t), n. Am. -
 bluff¹ (bluf), n. Am. -
 straight, broad front. 2. ab-
 bluff broad flat face] -blu
 plainspoken, unceremoni-
 bluff² (bluf), n. 1. Am.
 mislead. 2. threat that c-
 cannot be carried out.
 bluing (blu ing), n.
 clothes to keep white
 bluish (blu ish), adj.
 blunder (blun d r),
 hungle. 3. more of
 mistake. -blun der
 slip.
 blue (blu), n., adj
 clear sky in dayli
 having this color
 completely unce-
 blues. -adj. 1.
 clothes. 3. livid
 blue. 2. use of
 -Syn. adj. 4.
 Blue-beard (f
 blue ribbon,
 Blue Ridge
 Pennsylvania
 blues (blu
 tuckacho
 blues-sky
 stocks a
 blue-sto
 in intel
 group
 blue's
 bluet
 bluff
 str
 blu
 pl.
 bl
 n

YAESU Deluxe "101" Series

The Ultimate Station Combination



FL-101 Transmitter

- 160 thru 10 Meter coverage with two auxiliary bands
- All mode operation: SSB, CW, AM, and FSK
- 240 Watts PEP
- Reliable, plug-in circuit boards
- Built-in AC supply
- Built-in, fully adjustable VOX
- Automatic break-in CW operation with sidetone
- Indicator light for internal VFO operation
- Provision for optional RF speech processor



FR-101 Digital Readout Receiver

- Total Coverage: 160 thru 2 Meters with optional 6 and 2 Meter converters
- Provision for all mode reception; SSB, CW, AM, RTTY, and FM with optional filters and FM detector
- Complete transceive capability with all 101 series equipment
- Reliable, plug-in circuit boards
- Selectable fast or slow AGC
- Built-in, threshold adjustable, noise blanker
- Better than 1 KHz readout on all bands
- Fixed channel, crystal-controlled operation
- ± 5 KHz clarifier
- Built-in calibrator 25 or 100 KHz (selectable)
- Indicator lights for internal VFO and clarifier
- Built-in AC and 12V DC power supply

And . . . For General Coverage - Our New FRG-7 !

- Synthesized all solid state hi-performance
- Triple conversion
- Continuous coverage: 500 KHz to 29.99 MHz
- AC or internal battery with automatic switching in case of power failure
- USB/LSB/AM/CW
- Drift canceling circuit
- Ceramic IF filters
- 5 KHz direct dial readout
- Many, many more super features found only in receivers at three times its price! See at your dealer, or write us for brochure



FRG-7 Receiver



YAESU
The radio.

Yaesu Electronics Corp., 15954 Downey Ave., Paramount, CA 90723 ● (213) 633-4007
Yaesu Electronics Corp., Eastern Service Ctr., 613 Redna Ter., Cincinnati, OH 45215 ● (513) 772-1500

