

75 cents

*hr*_m

focus
on
communications
technology . . .

ham **radio**

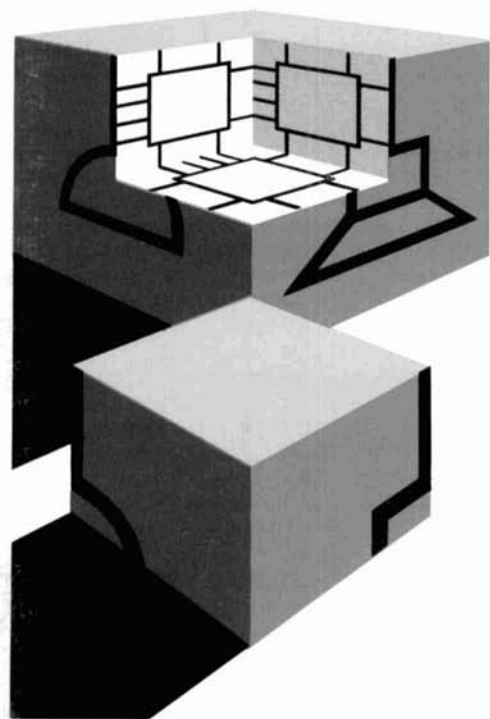
magazine

MARCH 1973

solid-state 80-meter SSB TRANSCEIVER

this month

- reciprocating-detector receiver 18
- AFSK generator 27
- electronic keyers 38
- mobile touch-tone 50



Savoy

HIGH EFFICIENCY ANTENNAS
FOR HF AND VHF

NEW!

- GETS RADIATOR ABOVE VEHICLE
- QUICK FOLDOVER FOR GARAGING
- COMPLETELY ADJUSTABLE
- 115 MHZ TO 175 MHZ CHOICE
- GAIN WITH LOW VERTICAL ANGLE
- EXTREMELY LIGHT IN WEIGHT
- SPARKLING WHITE FIBERGLASS
- POLISHED CHROME HARDWARE
- EASILY HANDLES 500 WATTS
- STANDARD $\frac{3}{8}$ - 24 BASE THREAD
- FOR BUMPER OR TRUNK LIP MOUNT

MODEL DGA-2F

\$39.50

Postpaid in U.S.A.

Increase your effective radiated power the inexpensive way with the new Bassett Wide Band VHF Collinear Antenna of sparkling white fiberglass and chrome plated brass.

NEW!

- GETS RADIATOR ABOVE VEHICLE
- FIXED — NON ADJUSTABLE
- SUPPLIED FOR DESIRED FREQUENCY
- 115 MHZ TO 175 MHZ CHOICE
- GAIN WITH LOW VERTICAL ANGLE
- EXTREMELY LIGHT IN WEIGHT
- SPARKLING WHITE FIBERGLASS
- POLISHED CHROME HARDWARE
- EASILY HANDLES 500 WATTS
- STANDARD $\frac{3}{8}$ - 24 BASE THREAD
- FOR BUMPER OR TRUNK LIP MOUNT

MODEL DGA-2M

\$29.50

Postpaid in U.S.A.

Antennas of similar appearance and efficiency are now available for Commercial, Public Service, CB, and for use in the Amateur 10-15-20-40 and 75 Meter Bands.

CONTACT YOUR DISTRIBUTOR OR WRITE FOR DATA

Savoy Electronics, Inc.

P.O. Box 7127 - Fort Lauderdale, Florida - 33301

Tel: 305-566-8416 or 305-947-1191



FOR THE MAN WHO ENJOYS OWNING THE VERY FINEST...



*THE NO-COMPROMISE **ALPHA 77** MAXIMUM LEGAL POWER LINEAR AMPLIFIER*

- LOAFS AT CONTINUOUS MAXIMUM LEGAL POWER IN ANY MODE
- DRIVES EASILY WITH ANY POPULAR EXCITER OR TRANSCEIVER
- KEEPS YOUR SIGNAL CLEAN, CRISP, AND OUTSTANDING
- CHANGES BANDS FAST – WITHOUT 'CUT-AND-TRY' TUNE-UP
- STAYS COOL AND WHISPER-QUIET UNDER THE HARDEST USE
- CARRIES THE INDUSTRY'S MOST EXTENSIVE WARRANTY, BACKED BY ETO'S RENOWNED *FAST* FACTORY SERVICE

• • • NOW FACTORY-DIRECT – JUST \$1495 COMPLETE! • • •

Why not move up to THE ULTIMATE? Call or write for the thoroughly illustrated ALPHA 77 brochure, answers to your questions, or an outstanding trade on your old gear.



EHRHORN TECHNOLOGICAL OPERATIONS, INC.
BROOKSVILLE, FLORIDA 33512
(904) 596-3711

Fully Solid-State

MONO

BANDERS from SWAN

You've asked for them and we've got 'em! Now . . . with the price down where you'll like it . . . you can work your favorite band with reliable simplicity. And why not? These single sideband transceivers are a naturally new follow-on development from SWAN's recent breakthrough to fully solid-state-of-the-art multi-band rigs.

Containing FET's, IC's, Operational Amplifiers, and *NO* tubes, these All-American transceivers were engineered especially for the mobile ham with the XYL in mind. The refreshingly new panel styling of these units blend handsomely with most car interiors.

- ✓ Operates directly from 12V DC
- ✓ SSB and CW modes
- ✓ Transmit ALC
- ✓ No tune-up time required
- ✓ 15 Watts P.E.P. Input
- ✓ S-Meter
- ✓ Smooth AGC
- ✓ No transmitter tuning

. . . Just flip on the power and you're on the air with . . . virtual elimination of front-end overload, distortion and cross-modulation . . . AND . . . infinite VSWR protection from an open to a short circuit!

Brighten up any day you're on the road by enjoying the "extra-pleasure" mileage a SWAN Mono-Bander can give. Whether you're on the way to or from the daily grind, travelling cross-country, or just cruising around . . . be sure your everyday companion is a Mono-Bander from SWAN ELECTRONICS.

These models available:

SWAN MB40 (7.0 to 7.3 MHz)	\$249.95
SWAN MB80 (3.5 to 4.0 MHz)	\$249.95

Accessories include:

SWAN MB100 (100 Watt P.E.P. solid-state Amplifier usable from 3 to 30 MHz with appropriate filter. Provided with one filter. Please specify band when ordering.)	\$139.95
SWAN MB200 (200 Watt P.E.P. solid-state Amplifier usable from 3 to 30 MHz with appropriate filter. Provided with one filter. Please specify band when ordering.)	\$209.95
Additional filters available.	
SWAN SS-1200 (1200 Watt P.E.P., tube type, Linear Amplifier)	\$299.00

Financing is available. \$25.00 down puts a SWAN Mono-Bander in your car if you take advantage of Swan's Credit Service. Write directly to us for details on how easily you can qualify for this service.



305 Airport Road • Oceanside, CA 92054 • Phone (714) 757-7525

March, 1973
volume 6, number 3

staff

James R. Fisk, W1DTY
editor

Patricia A. Hawes, WN1QJN
editorial assistant

Nicholas D. Skeer, K1PSR
vhf editor
J. Jay O'Brien, W6GDO
fm editor

Alfred Wilson, W6NIF
James A. Harvey, WA6IAK
associate editors

Wayne T. Pierce, K3SUK
cover

T.H. Tenney, Jr. W1NLB
publisher

Hilda M. Wetherbee
assistant publisher
advertising manager

offices

Greenville, New Hampshire 03048
Telephone: 603-878-1441

ham radio magazine is
published monthly by
Communications Technology, Inc
Greenville, New Hampshire 03048

Subscription rates, world wide
one year, \$7.00, three years, \$14.00
Second class postage
paid at Greenville, N.H. 03048
and at additional mailing offices

Foreign subscription agents
United Kingdom
Radio Society of Great Britain
35 Doughty Street, London WC1, England

All European countries
Eskil Persson, SM5CJP, Frotunagrand 1
19400 Upplands Vasby, Sweden

African continent
Holland Radio, 143 Greenway
Greenside, Johannesburg
Republic of South Africa

Copyright 1973 by
Communications Technology, Inc
Title registered at U.S. Patent Office
Printed by Wellesley Press, Inc
Framingham, Massachusetts 01701, USA

ham radio is available to the blind
and physically handicapped on magnetic tape
from Science for the Blind
221 Rock Hill Road, Bala Cynwyd
Pennsylvania 19440
Microfilm copies of current
and back issues are available
from University Microfilms
Ann Arbor, Michigan 48103

Postmaster: Please send form 3579 to
ham radio magazine, Greenville
New Hampshire 03048



contents

6 solid-state 80-meter ssb transceiver
David W. Hembling, VE6ABX

**18 reciprocating-detector
communications receiver**
Stirling M. Olberg, W1SNN

27 phased-locked loop AFSK generator
Daryl J. Duffin, K7ZOF

30 radio-frequency interference
Willard R. Moody, WA3NFW

34 how to use ferrite beads
M. A. Ellis, K1ORV

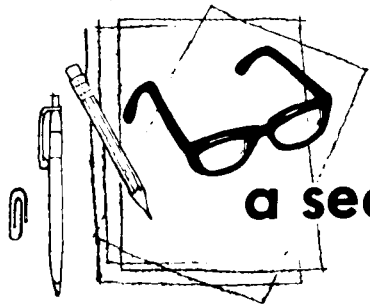
38 electronic keyers
Joseph G. Buswell, WA5TRS

**46 crystal test oscillator and
signal generator**
A. A. Kelley, K4EEU

50 mobile touch-tone circuit
Roy C. Hejhall, K7QWR

54 vfo operation for the Heath HW16
James T. Takashima, WB6MZN

4 a second look	58 ham notebook
94 advertisers index	60 new products
83 flea market	94 reader service



a second look

by jim
fisk

There are so many nooks and crannies to the hobby of amateur radio that it's difficult to say what facet is the most popular. Certainly, there is tremendous fm activity on two meters, and there's a host of operators up on the six-meter band, trying to add another state to their WAS list. Down on 75 meters there is a preponderance of rag chowers who gather on the same frequency, night after night. Then there is RTTY, slow-scan tv and traffic, brass pounders, county hunters and net nuts.

However, from listening on the air, I'd say that one amateur radio activity that is near the top of the list is certificate chasing and DXing. Actually, the two go together — what serious DXer do you know who doesn't have DXCC (as well as WAZ, WPX and at least a few others)?

With all the interest in certificates and awards, everybody and his brother is busy churning out another new one (with seals), for working continents, countries, counties, towns and club sites, all one mode and band seals, 25 cents extra. If you're looking for wallpaper, some of the certificates are worth applying for, but all too many times they are poorly printed on a lousy grade of paper and don't even warrant space in your round file.

It's been my experience, as a one-time certificate chaser, that operating awards offered by national amateur radio societies (ARRL, RSGB and NZART, for example) are well done; awards offered by national magazines are usually worthwhile as are the beautiful awards sponsored by the YL International SSBers. But, for every nice certificate available, there are a dozen others that would make passable toiletries.

You can usually predict the type of certificate you're going to get by return

mail by considering the sponsor, the difficulty of the award *and* the cost. If the award is for working three members of the Podunk Amateur Radio Club while on safari to Omallabug county, and they want 50 cents to cover postage and handling, don't expect too much! On the other hand, when the Organization of American States Association offers an award for working all member nations (WAAN) at no cost, you can look forward to a handsome certificate.

It is unfortunate that the biggest bulk of junk certificates seems to originate in the United States. The certificates from overseas are almost always very tastefully done and are a welcome addition to the hamshack wall. I think it's high time we brought some of our homegrown awards up to snuff.

If your club offers a certificate of any kind, get it out and take a good, close, unbiased look at it. First of all, is it printed on a good grade of paper? (It doesn't have to be on parchment, but the paper shouldn't look like it escaped from a newsprint factory, either.) How about the printing? Are the letters clear and sharp? Are there ink smudges and dirty fingerprints, deposited by a careless printer? Finally, was your name and callsign scribbled on the certificate by some refugee from the third grade, or is it carefully lettered or typewritten?

If your club award passes these three simple tests, congratulations! Put it back in its frame and hang it on the wall. If it doesn't pass, resolve to take it up with your fellow club members at the next meeting. Let's relegate all those junk certificates to the trash can.

Jim Fisk, W1DTY
editor



TOTAL

Get total 146-148 MHz coverage without buying a crystal!

The modified Clegg FM 27B transceiver now covers the entire range of 146-148 MHz . . . and needs NO additional crystals. It's the only 2 meter rig *available now* with built-in total coverage that also offers greater than 25 watts output power, uses 10 IC devices, and has Teflon* wiring throughout. Not a single bi-polar device is in the RF path in transmitter or receiver . . . ensuring greater reliability. Accessory power supply and sub-audible tone on transmit are available too. At home or in your car, the FM 27B gives you the ultimate in total 2 meter performance. See your Clegg Dealer NOW or write or phone us today for detailed data sheet on our 2 meter leader.

Amateur Net \$479.95



Clegg DIVISION

3050 Hempland Road, Lancaster, Pennsylvania 17601

Tel. (717) 299-3671

*DuPont trademark

Telex: 84-8438

CHECK THESE SPECIFICATIONS

GENERAL

POWER REQUIREMENTS: 12 to 14 VDC

Current Consumption at 13.5 VDC:

Receive: 4 amps squelched, 1.2 amps unsquelched.

Transmit: 6 amps max.

DIMENSIONS: 7 $\frac{1}{8}$ " x 3 $\frac{1}{2}$ " x 9 $\frac{1}{4}$ " deep; 4 lbs. net weight.

RECEIVER

TUNING RANGE: 146.00 to 148.00 MHz, continuously tuneable with reset capability of approx. 1 KHz to any frequency in range.

SENSITIVITY: .35 μ v max. for 20 db quieting; .1 μ v for reliable squelch action.

SELECTIVITY: 11 KHz at 3 db; Less than 30 KHz at 70 db. Adjacent (30 KHz spaced) channel rejection more than 70 db.

AUDIO OUTPUT: 2.0 watts (min.) at less than 10% THD into internal or external ohm speaker.

TRANSMITTER

TUNING RANGE AND CONTROLS: Same as RECEIVER.

POWER OUTPUT: 25 watts Min. into 50 ohm load. P/A transistor protected for infinite VSWR.

MODULATION: Internally adjustable up to 10 KHz deviation and up to 12 db peak clipping.



solid-state 80-meter ssb transceiver

Complete circuit details
for an all
solid-state
10-watt ssb transceiver —
building-block
construction
simplifies future
circuit revisions

Dave Hembling, VE6ABX, Box 728, Pincher Creek, Alberta, Canada

This single-band 80-meter ssb transceiver was built using a combination of solid-state building-blocks in crucial circuitry, as well as discrete components in subordinate circuits. No transmit-receive switch, as such, was used; instead, seven tiny surplus hermetically-sealed relays were used and located at the site of each associated building-block. Also, the number of tuned circuits was kept to an absolute minimum. For example, the only tuned circuits employed in the receive mode are in the front-end, the vfo and optionally in the i-f amplifier.

Plans for revision will eventually eliminate the tuned circuit in the i-f amplifier stage when the present MPF102 fet and single tuned circuit are replaced with a single broadband IC amplifier (for example, the MC1350P gives 60 dB gain at 60 MHz and is available for under two dollars).

In the transmit mode, the only tuned circuits are in the vfo and the buffer, and the driver/final. The only tuning needed on transmit is the vfo and the collector of the final. The three tuned circuits ahead of the final are staggered-tuned to give reasonably broadband performance across the 200 kHz I use most. There is plenty of drive, as the mike gain control is about

half open for the beginning of clipping.

One of the advantages of the building-block method of construction is that it allows for constant and unpredictable later modifications and changes in the circuit as various other ICs and discrete components become available. For my

pass of 400 Hz to 2500 Hz at 6 dB down. Filter insertion loss is only 1.5 dB and 50 dB suppression of the unwanted sideband is provided.

The other most significant block used in the design is the Motorola MC1496 integrated-circuit dual-differential ampli-

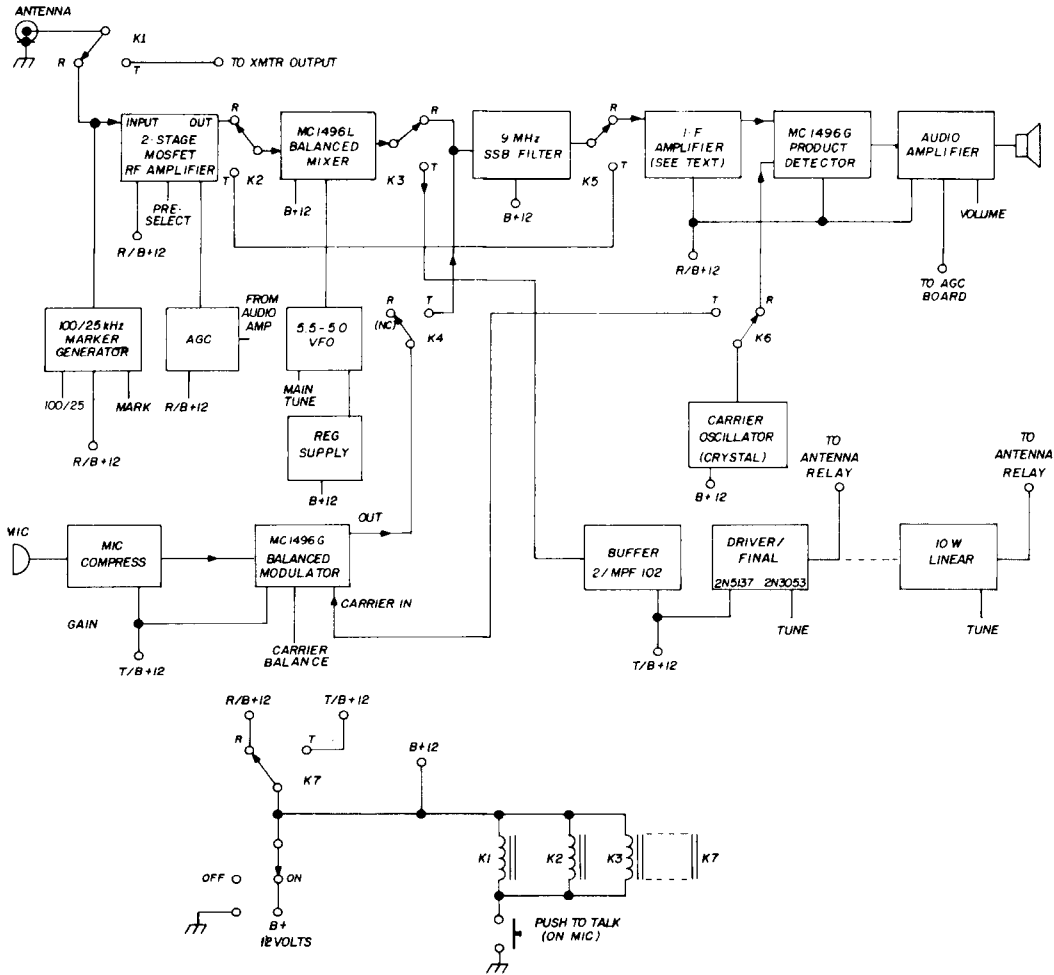


fig. 1. Block diagram of the 80-meter ssb transceiver. Relays are used for the bulk of the transmit-receive switching.

part, about 90% of the enjoyment of amateur radio is found at the workbench, and this little rig is built to provide for an almost never-ending series of re-engineering.

The heart of the rig is a Snelgrove* F9000-1 crystal lattice filter with a band-

fier which offers exceptionally attractive characteristics as a balanced modulator, double-balanced mixer and product detector. As a balanced modulator, when

*C.R. Snelgrove Company, Ltd., 141 Bond Avenue, Don Mills 404, Ontario, Canada.

supplied with the appropriate signal levels, the MC1496 easily provides 35 dB carrier suppression, 50 dB spurious sideband suppression and 20 dB suppression of the second carrier harmonic. These

The most significant difference between the MC1596 and MC1496 is in their respective operating temperature ranges. The 15-series meets exacting military requirements (-55 to +125 degrees C),

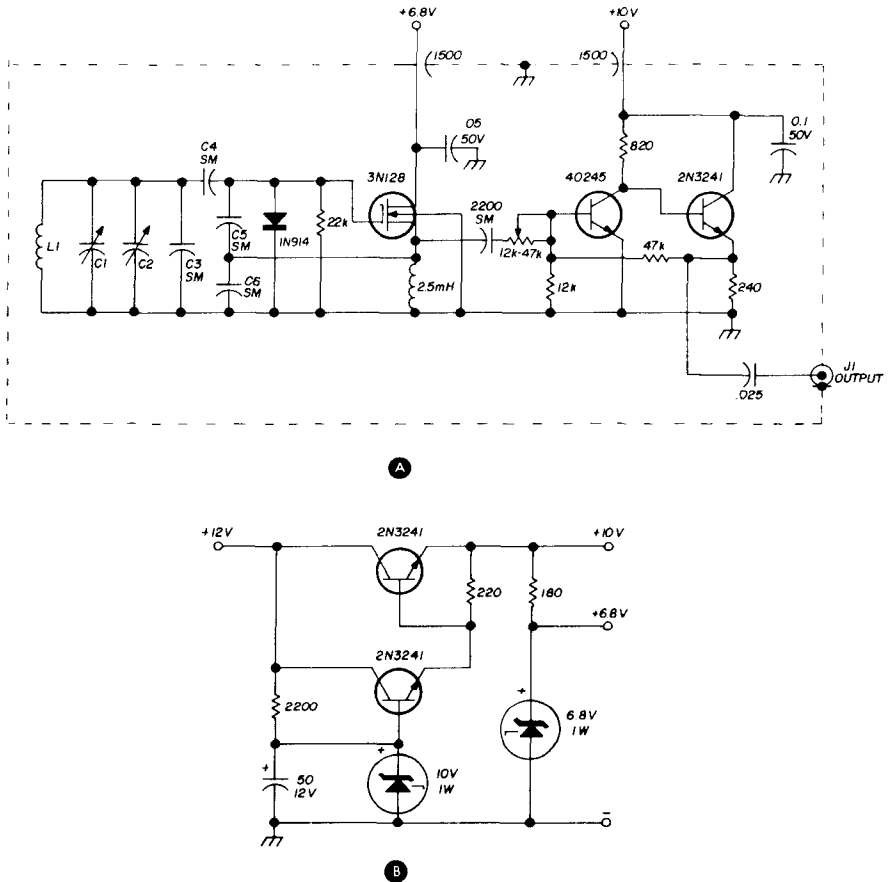


fig. 2. High-stability mosfet vfo tunes from 5.0 to 5.5 MHz. Regulated power supply is shown in (B).

figures, along with the 50 dB suppression of the crystal filter, add up to a very respectable single-sideband signal at the antenna. Also, the MC1496 provides for carrier balance adjustment through a dc potentiometer, and simplifies things considerably in this respect.

It should be noted that the MC1596, which was written up by K7QWR,¹ is almost the same as the MC1496, and this tremendous little IC is used to good advantage in this rig in three key circuits.

while the 14-series is designed for operation in the 0 to +70 degree C range.

The MC1496 offers only slightly less carrier suppression than the MC1596 (see the specification sheet for the MC1596/1496 as well as Motorola's very helpful Application Note AN-531). The MC1496, therefore, is entirely adequate for most amateur applications. Also, the 14-series is approximately half the cost of the 15-series device, another worthwhile consideration.

basic interconnections

The two blocks that make this rig such a good performer are the high quality filter, with its nice steep skirts, and the

must be carefully set to within prescribed limits. Recommended signal levels for the MC1496, under the three utilized functions, are given in **table 1**. For obvious reasons no figure is given for the ssb

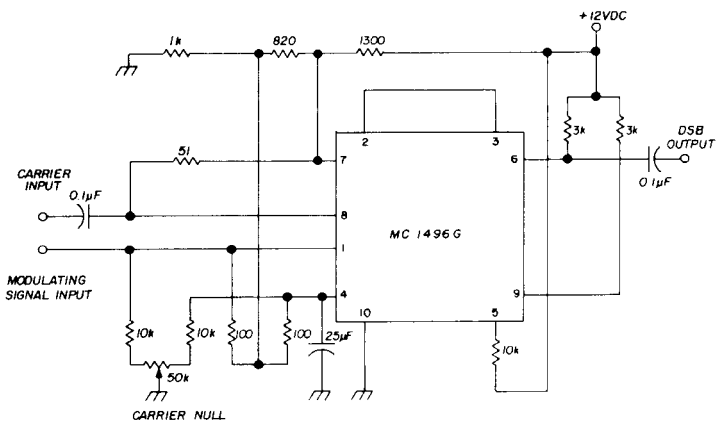


fig. 3. High-performance balanced modulator circuit uses Motorola MC1596 or MC1496 IC.

MC1496 ICs. In order to achieve maximum performance from the filter, it must be impedance matched at both input and output. The circuit shown in **fig. 7** meets the manufacturer's requirements, although the F9000-1 specifications were originally designed for use around vacuum-tube circuitry. The circuit in **fig. 7** uses two MPF102 field-effect transistors and provides a perfect match for the filter.

For maximum performance from the MC1496, however, the crucial variables rest in the voltage levels supplied to the

signal levels. Once the given voltages are obtained, however, it is a relatively straightforward matter to experimentally adjust coupling parameters to achieve the desired operating characteristics.

For example, I found that a small amount of i-f gain was needed to achieve good product detector operation. The original plan was to operate with an i-f gain of unity, but this resulted in inadequate ssb signal levels for good mixing in the MC1496. Very little additional signal was required to obtain the desired results from the product detector.

table 1. Recommended signal levels for the MC1496.

function	input at pin 8	input at pin 1
balanced modulator	carrier oscillator, 60 mV rms	audio, 3 - 300 mV rms
double balanced mixer	vfo 100 mV rms	ssb signal
product detector	carrier oscillator, 300 mV rms	ssb signal

differential inputs. The MC1496 has an excellent dynamic range, as demonstrated by the 90 dB figure which it provides when used as a product detector. However, to achieve maximum carrier suppression as a balanced modulator, the levels of carrier and audio supplied at the inputs

the vfo

The only change from W2YM's original plans, apart from greatly reduced enclosure size, was the coil/tuning capacitor combination. I used a ceramic, slug-tuned surplus coil form and have found it to offer very slight upward frequency drift

without temperature compensation. However, a few picofarads in parallel with a +650 temperature coefficient served to stabilize the drift. This determination is best done with a digital counter, over a

spread. (i.e., 9.0 MHz minus 5.0 MHz = 4.0 MHz; 9.0 MHz minus 5.5 = 3.5 MHz, and 9.0 MHz plus 5.0 MHz = 14.0 MHz; 9.0 MHz plus 5.5 MHz = 14.5 MHz.) To put the rig on 40 meters would require an extra converter stage.

balanced modulator

The Motorola MC1596G IC was used as the balanced modulator because the MC1496 was not commercially available at the time I built the circuit shown in fig. 3. The speech compressor and balanced modulator circuits were etched on a small printed-circuit board 2½-inches square. Care was taken to provide shielding between this module and all others, particularly the carrier oscillator.

Both the balanced modulator and carrier oscillator were shielded on all six sides. Rf chokes and feedthrough capacitors were placed in all B+ and relay leads in and out of the shielded compartment. Carrier balance and microphone gain controls were brought out to the front panel with leads no more than 0.75-inch long.

The speech compressor circuit, fig. 4, is built on the same PC board as the balanced modulator. This ingenious little circuit was designed by Basil Barnes, VE6BB, and works very well. The B+ supply to the speech compressor is isolated from the balanced modulator with a series-connected 280-ohm resistor and 0.1-μF bypass capacitor.

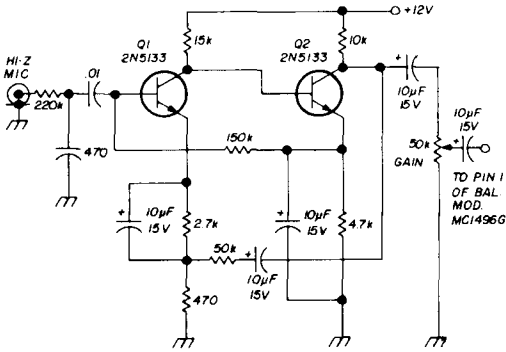


fig. 4. Simple speech compressor circuit designed by VE6BB.

period of several days. The value needed depends upon the physical characteristics of the inductor you use, but this is open to considerable latitude of design. My vfo was designed to give a 500-kHz tuning range, from 5.5 to 5.0 MHz, but the vfo could just as easily be designed to cover a smaller range if access to the whole band is not desired.

One of the later modifications I'm keeping in mind is the possibility of putting the rig on 20 meters, which would require the full 500-kHz vfo

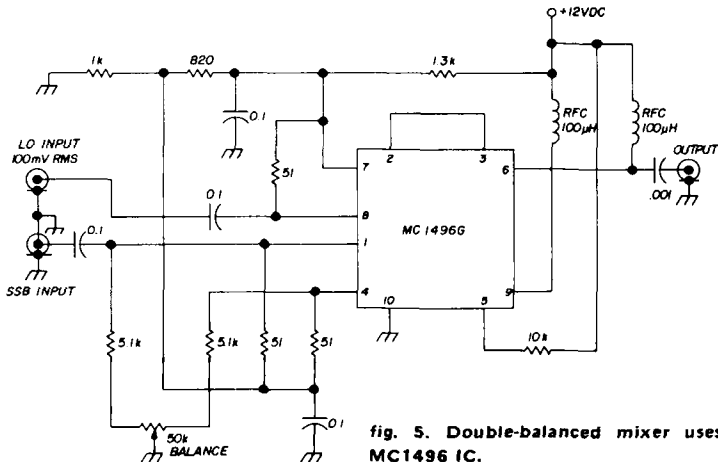


fig. 5. Double-balanced mixer uses MC1496 IC.

All parts for the double-balanced mixer shown in **fig. 5**, including the MC1496G IC were mounted on a small PC board. The board was mounted on the chassis so the 50k balance adjustment

up the 1.5 dB insertion loss to the filter and the overall circuit has approximately unity gain (see **fig. 7**). The only caution is that it is necessary for good suppression that the input electronics not be able to

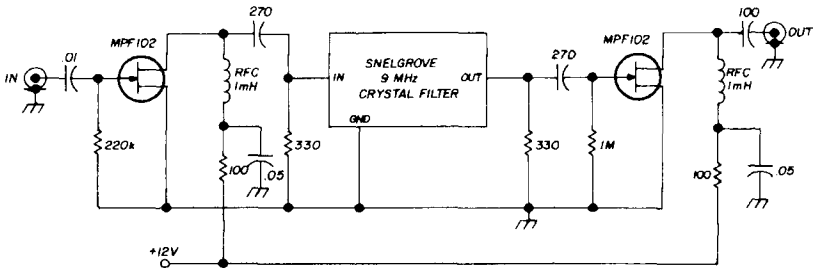


fig. 7. Field-effect transistors are used to match the input and output impedances of the Snelgrove 9-MHz crystal filter. The 1-mH rf chokes are Hammond miniature powdered iron core types; capacitors are 50-volt ceramic discs.

potentiometer could be reached through a ¼-inch access hole in the chassis.

The product detector (see **fig. 6**) needs no adjustment and was built on a small PC board which was mounted in a Mini-box installed on top of the main chassis. Carrier injection to the product detector is through a 52-pF capacitor. Signal output to the audio stage is through a 0.47-μF disc capacitor. (As with the other building blocks in the rig, the value of the coupling capacitor must be determined experimentally for best performance.)

“see” the output electronics, except through the window of the filter. Any stray coupling between the input and output circuitry will undermine the filter’s suppression capability. The filter itself should be mounted so that its metal can presents an rf barrier to the two MPF102s and their associated circuitry. The PC board was made extra large to assure good isolation between the input and the output of the 9-MHz filter.

crystal filter

Two MPF102 fet’s were used to make

The carrier oscillator circuit (**fig. 8**) uses the Snelgrove crystal, and the circuit should be provided to the Snelgrove company when the filter and crystals are ordered. Some carrier level adjustment is

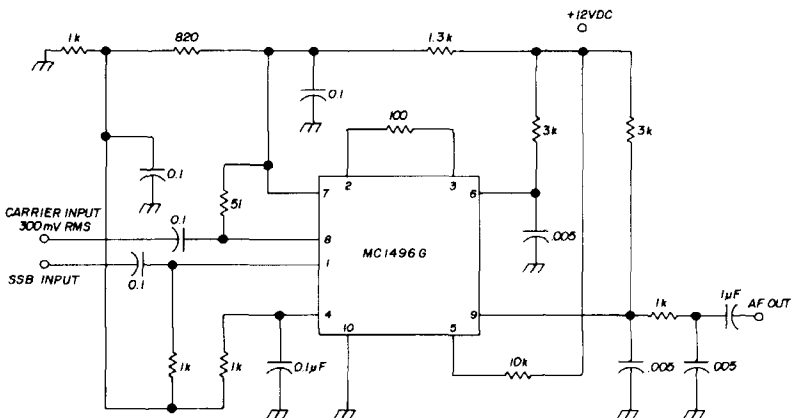
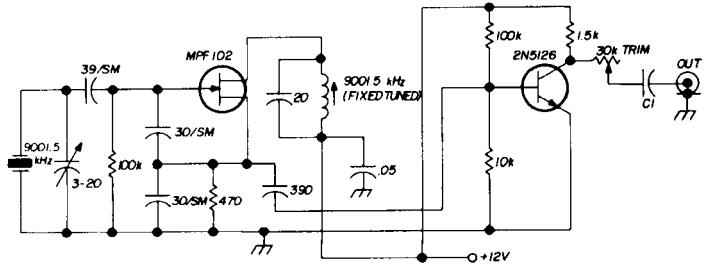


fig. 6. Product detector circuit.

available by adjusting the iron-core, slug-tuned coil, but better adjustment is facilitated by the 30k trim-pot. The trim-pot should be accessible through a hole in the chassis when the shielded

munications receiver I normally use, a Drake R4B. The noise figure of the homebrew receiver was not quite as good as the R4B, but sensitivity seems to be nearly similar. The agc operation of my

fig. 8. Circuit for the crystal-controlled carrier oscillator. The value of C1, 50 to 330 pF, is chosen for desired output range.



compartment is closed up. Rigidity of construction is just as important for this circuit as for the vfo if stable operation is to be obtained.

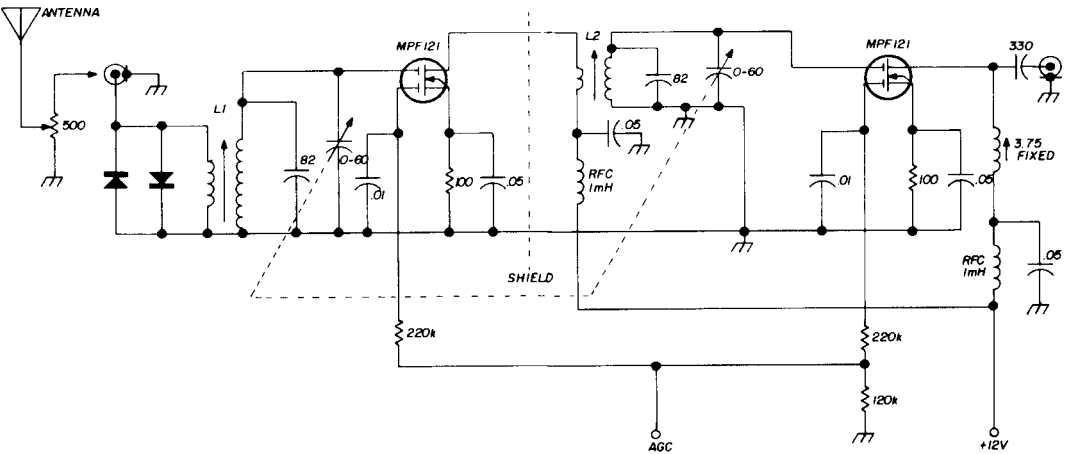
receiver

A two-stage mosfet rf amplifier was used in the receiver (see fig. 9). Receive sensitivity was determined only by comparing overall performance to the com-

receiver doesn't compare too well with the R4B, but this is probably the weakest point in the receiver's operating characteristics.

The mosfet front end shown in fig. 9 performs about twenty times better than the MPF102 fet I tried earlier. Also, better agc performance is available with the MPF121 mosfets.

The front end is tuned with a dual



L1 40 turns no. 30 on 1/4" slug-tuned coil form. Antenna winding is 10 turns no. 25 on ground end of same form. Windings are isolated by 3/8" length of plastic sleeving

L2 40 turns no. 30 on 1/4" slug-tuned coil form. Input link is 15 turns no. 30 on ground end of gate coil, two windings isolated as with L1

fig. 9. Receiver rf amplifier uses two MPF121 mosfets. The two back-to-back diodes across the antenna terminals are small-signal silicon switching types. Rf gain control is simple 500-ohm potentiometer voltage divider in the antenna lead.

365-pF broadcast variable (remove all but two plates per section). The preselector adjustment offers good selectivity, and the front end is very responsive to a resonant antenna. The simple rf gain control, a 500-ohm potentiometer voltage divider between the antenna and the input to the first stage, works well.

At the present time I am using the simple hang agc circuit shown in fig. 10. The audio input is picked up from the audio stage prior to the volume control. A 2-megohm trim-pot provides agc voltage control.

A superior agc system is illustrated in fig. 11. This agc system, originally described by DL6WD³ uses a single RCA CA3035 IC. With this agc system the input signal is taken from the unused differential output of the MC1496 product detector at pin 6 through an appropriate coupling capacitor. With this system, the discrete audio output stage can be replaced by an IC such as the Motorola MFC9020 2-watt audio IC for superior audio performance.

either 25- or 100 kHz markers. A momentary-contact pushbutton, S1, activates the circuit by completing the source circuit of the fet. Two inexpensive μL923 J-K flip-flops were used to divide the 100-kHz

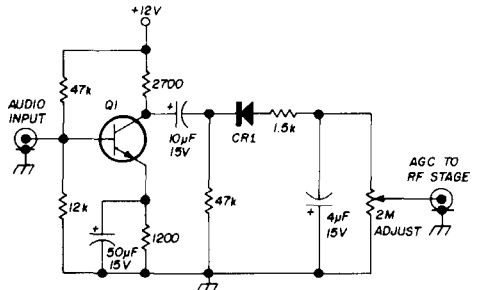


fig. 10. Simple hang agc circuit. Audio input must be picked up before the volume control (see fig. 15). Transistor Q1 is 2N5137, 2N2222, etc. CR1 is any small-signal silicon switching diode.

crystal frequency. The 20-pF trimmer is adjusted to zero beat the 100-kHz crystal signal against a receiver tuned to WWV.

i-f amplifier

As I mentioned earlier, the original

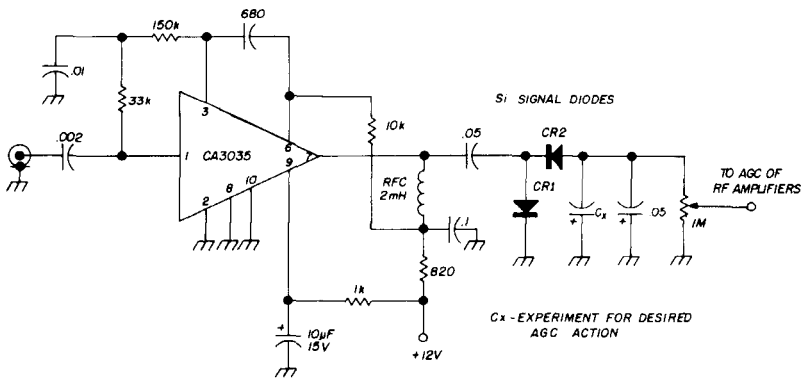


fig. 11. Integrated-circuit agc system. CR1 and CR2 are silicon signal diodes. The value of Cx is chosen for desired agc action.

marker generator

The circuit for a very useful crystal-controlled frequency marker is shown in fig. 12. This circuit, which is similar to the circuit used in the Drake R4B receiver, provides front-panel control of

plan was to use an effective i-f gain of unity. However, I found that product detector performance was enhanced tremendously by adding a small amount of i-f gain. A two-stage fet i-f stage with one 9-MHz tuned circuit in the input gate and 1-mH rf chokes in both drains gave better

performance than the circuit shown in fig. 13, which I used, but due to space considerations this postage-stamp sized circuit was installed until such time as an IC can be put in its place.

16. Depending on the frequency range which is used, these two stages, as well as the pre-driver buffer in the next circuit block, can be stagger tuned, leaving only the collector of the final power amplifier

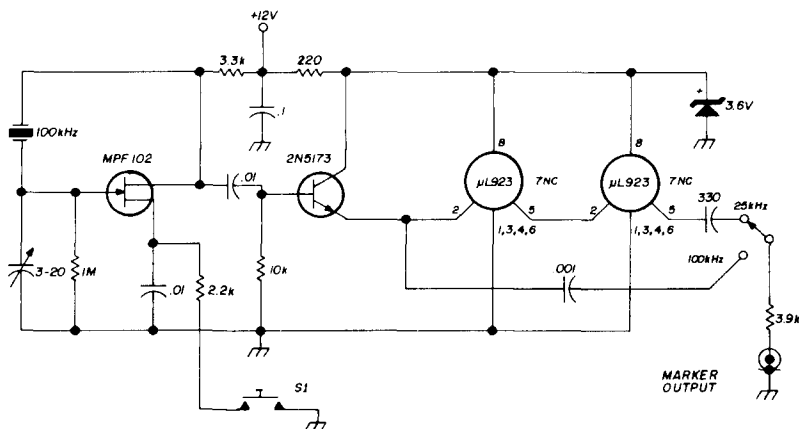


fig. 12. Crystal marker generator provides 25- and 100-kHz markers.

A good candidate for this job is the Motorola MC1350P, which, without any tuned circuits, can provide 35 dB gain. The MC1350P i-f circuit shown in fig. 14 was found to offer excellent performance with the presettable gain control connected to the agc input of the IC. It would be difficult to incorporate the device's agc input into the receiver agc system due to the low impedance of the IC. However, i-f stage agc would not offer any special merit anyway, because the MC1350P does not add seriously to receiver noise at the moderate gain level at which it is used.

It is hardly necessary to include data on the audio output amplifier (fig. 15) except to mention that it is handy to have one of the speaker leads at ground potential, not always a feature of IC amplifiers. With a grounded speaker system, a two-circuit headphone jack can be used to switch the output.

transmitter

A simple two-stage fixed tuned amplifier with two MPF102 fet's is used for the transmitter buffer circuit shown in fig.

which must be tuned from the front panel.

Alternately, if access to the entire 80-meter band is desired, the tuned circuit may be tuned with a ganged variable capacitor which is brought out through the front panel. Since the transmitter buffer has relatively high gain, care must be taken to isolate the input from the output.

There have been a number of solid-state transmitting circuits published in the past, but most have been designed for low-power CW, so they are not suitable for linear ssb operation. When working with the circuit shown in fig. 17 I gained

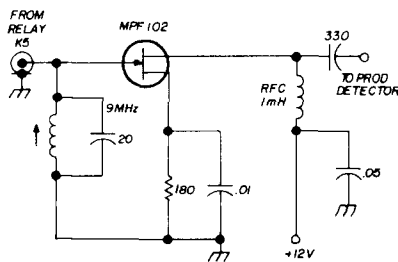


fig. 13. Simple one-stage, unity-gain 9-MHz i-f amplifier uses one fixed-tuned circuit.

considerable insight from W3TLN's experience with biasing QRP transistor finals to obtain linear operation.⁴ Other articles contributed to the circuit I eventually used, but since base bias current is

circuit uses a Fairchild SE9081 which has a power limitation of 42 watts and a frequency cutoff of 70 MHz. Cost of the SE9081 is less than \$2.00.

The 2-inch heatsink of the SE9081 is

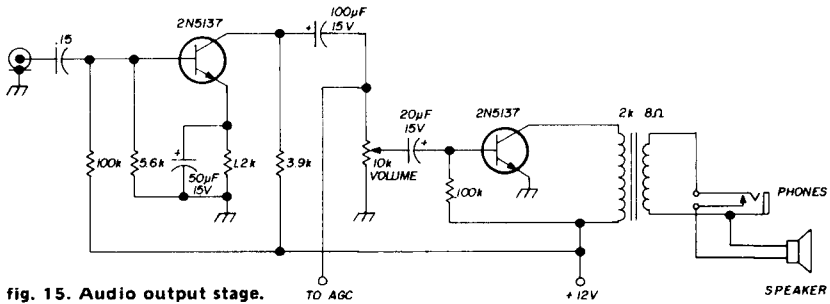


fig. 15. Audio output stage.

the crucial factor when using transistors in a linear amplifier, my own improvement was to add zener regulation to the bias voltage supply.

The 36-volt zener in the collector circuit clips any peaks beyond that voltage. The value of the capacitor, C1, is adjusted experimentally to resonate L1 at the desired center-band frequency, and falls in the range from 100 to 330 pF. The 20k trim-pot is adjusted for 5 to 8 mA of idling collector current.

Later, I added a 10-watt linear to the rig which is easily driven by the 1.5-watt stage. The circuit is shown in fig. 18. This

mounted on 1-inch ceramic standoffs with a small PC board mounted on the other end of the standoffs. The SE9081 could easily be driven to 2 to 2.5 amps of collector current (24 to 30 watts input), but running the device at a cool 10 watts input provides a good safety factor so the rig can be operated safely for a moment or two with a mismatched antenna load. The 20k trim-pot is adjusted for 8 mA of idling collector current.

power supply

For portable operation, I use a 7 amp/hour rechargeable lead-acid motorcycle battery. This provides a very stable supply voltage over extended operating conditions. For mobile operating I plug a cord into the car's cigarette lighter. The rig requires about 150 mA on receive, and 1.5 amps on transmit. The high transmit current drain is due, in part, to the number of 12-volt relays which are used for the transmit-receive switching.

construction techniques

From my point of view, the average experienced amateur homebrewer is not looking for Heathkit-style plans before undertaking a new project. Physical dimensions and chassis layouts are, in my view, quite unnecessary for the average home-brewer. The only crucial data are the details on the electronics, and those

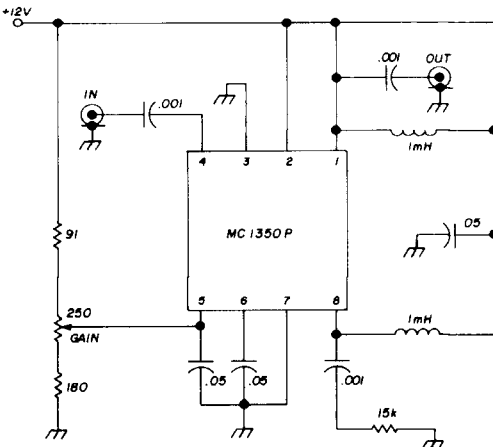


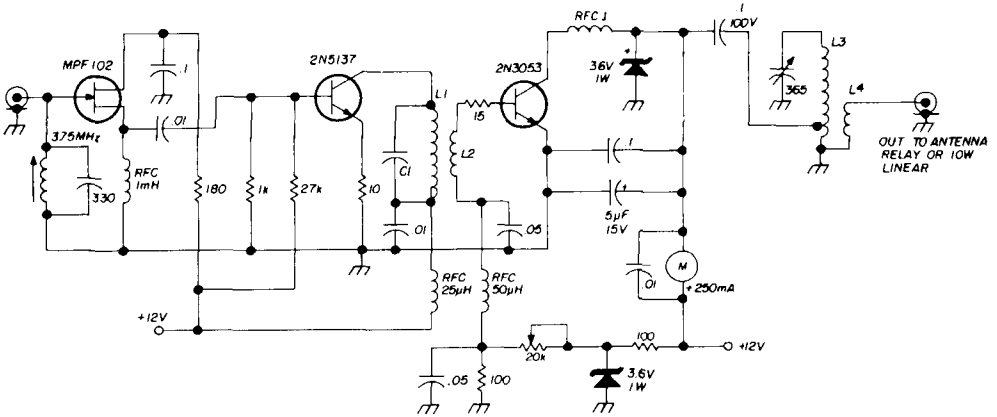
fig. 14. IC i-f amplifier which is suggested by the author for somewhat better performance.

physical matters which affect electronic functioning, such as shielding.

The circuits used for this rig were adapted and borrowed from a variety of sources. Usually, however, only the

cable and the blocks adjacent electronically may be located at opposite ends of the enclosure physically, provided adequate shielding is used.

Stability, of course, requires that the



- L1 25 turns no. 24 enamelled on Amidon T-68-2 toroid core. (Use entire core surface)
- L2 7 turns no. 24 enamelled, spaced evenly over L1
- L3 7 mH. 34 turns no. 24 wound on Amidon T-68-2 toroid core, tapped 4 turns from ground end

- L4 6 turns no. 22 insulated hookup wire wound over tapped portion of L3
- RFC1 3 Amidon ferrite beads on 3/8" length of no. 22 wire mounted as close as possible to the transistor
- RFC2 25 mH rf choke (James Millen J-300-25)

fig. 17. Circuit for the driver and 1.5 watt final (linear) amplifier. The 2N3053 power transistor requires a small heat sink for proper cooling. The 20k trim-pot sets collector idle current so the transistor operates as a linear amplifier.

schematic was utilized, and the physical form of construction was determined solely by electronic requirements and available materials. For example, the vfo, which is electronically almost exactly the one designed by W2YM,² was built in a small metal box and works perfectly. The original plan calls for a much larger enclosure with front panel measuring 7 by 10 inches.

The rig was built around a Hammond aluminum chassis (3 x 8 x 16 inches). The front panel is 16-inches wide by 6¼-inches high. Actually, the whole rig could be built in about 2/3 this space, and for the sub-miniature minded, this should be kept in mind. But then, layout is non-critical when using the modular building-blocks technique, as each block is interconnected by RG-174/U coaxial

vfo and carrier oscillator be constructed as rigidly as possible so that physical stress on the cabinet itself produces the minimum corresponding frequency change.

All circuits were built on single-sided

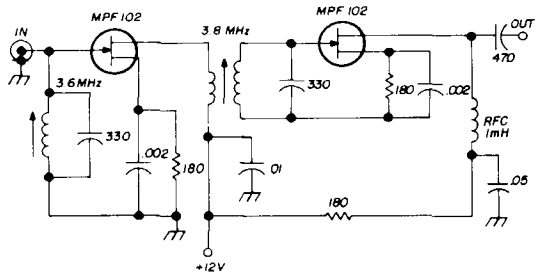
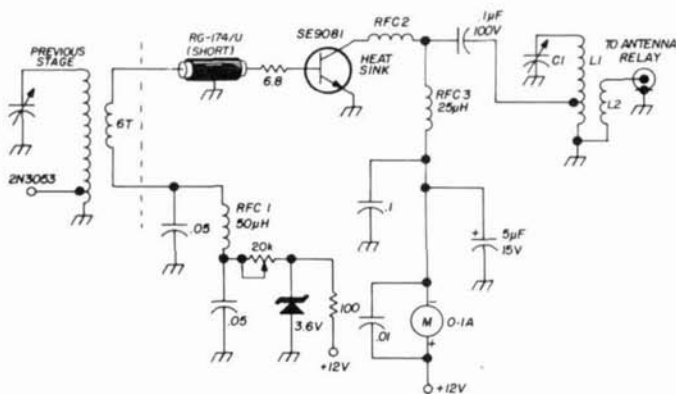


fig. 16. Two-stage transmitter buffer circuit is stagger tuned to cover the Canadian phone band (first stage tuned to 3.6 MHz, second stage to 3.8 MHz).

epoxy printed-circuit boards, and these are mounted by one or two threaded metal standoffs. It would be possible to build the entire rig on only several larger boards. However, the point of the build-

general-coverage receiver (ssb) capable of tuning the 5.5 to 5.0 MHz and 8998.5 to 9001.5 kHz range. The more accurate the receiver, the more precisely carrier suppression can be set, and desired filter

fig. 18. Ten-watt linear amplifier. Idle current is set by 20k trim-pot. RFC3 is home-made, to carry 1 amp; see text.



- C1 165-pF variable in parallel with 100- to 330-pF fixed ceramic
- L1 34 turns no. 19 on Amidon T-80-2 toroid core, tapped 4 turns from ground. Antenna link is 6 turns no. 22 insulated hookup wire, wound over 4-turn tapped section

- RFC1 94 turns no. 31 on Amidon T-50-2 toroid core
- RFC2 2 ferrite beads on no. 19 wire, close to SE9081 socket
- RFC3 67 turns no. 22 enamelled on Amidon T-50-2 toroid core

ing-block approach is to permit maximum flexibility for later changes and PC boards do not lend themselves to later modification, except in the sense of replacement of the board itself.

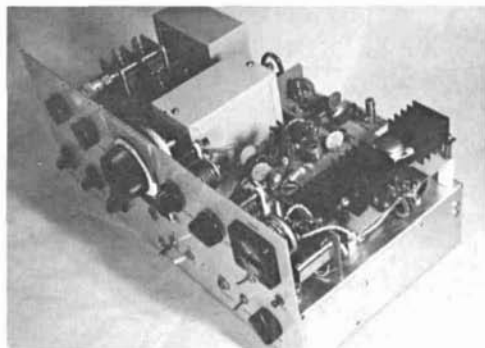
test equipment

A vtvm with rf probe is required to determine appropriate signal levels between the various blocks of the rig. The other necessary tool is a good quality

action obtained. Of course, the use of a digital frequency counter makes things a lot easier, especially when constructing the vfo. The vfo could be set up by the use of a general-coverage receiver, but there would be two drawbacks to this: first, the resultant vfo calibrations would be limited to the accuracy of the receiver, and secondly, it would be impossible to determine and correct drift problems.

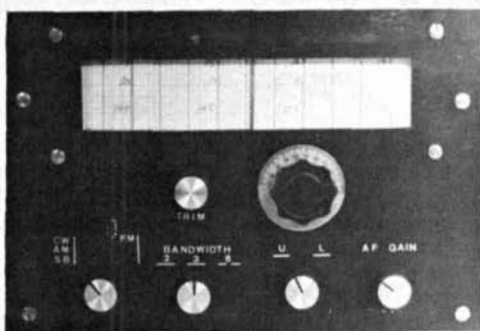
references

- Roy Hejhall, K7QWR, "Integrated-Circuit Balanced Modulator," *ham radio*, September, 1970, page 6.
- G.D. Hanchett, W2YM, "The Field-Effect Transistor as a Stable VFO Element," *QST*, December, 1966, page 11.
- Rudolf Fischer, DL6WD, "An Engineer's Ham-Band Receiver," *QST*, March, 1970, page 11.
- B.H. Vester, W3TLN, "A Solid-State SSB Transceiver," *Single Sideband for the Radio Amateur*, A.R.R.L., 1970, page 60.
- Melvin Leibowitz, W3KET, "A Complete Solid-State Portable for 40 Meters," *QST*, August, 1970, page 11.



Layout of the 80-meter ssb transceiver.

ham radio



all-mode companion receiver

The reciprocating detector
makes its debut
as an
fm discriminator
in this
receiver design

Stirling M. Olberg, W1SNN, Waltham, Massachusetts 02154

When I encouraged my wife and daughter to become hams, they took over my receiver and transmitter, which were equipped with outboard converters for six and two meters. This situation left me without means for chasing DX on 20 meters, so some changes were in order. The all-mode companion receiver described here was designed and built for use with vhf converters so I could retrieve my receiver, an R4A, for DX work.

features

The all-mode companion receiver uses solid-state devices available on the surplus market. Most are available from advertisers in the amateur magazines. Construction is not difficult for amateurs who like to build their own equipment. Substitution of ICs and diodes can be made easily. All transistors should be npn silicon devices that work up to 50 MHz. The fets, however, should be those shown, which are also available from surplus sources.

The receiver uses a reciprocating detector.¹ This circuit works extremely well as an fm discriminator and as a synchro-

nous detector for a-m and CW. In a nonsynchronous mode, it's an excellent detector for ssb. A narrow filter in the circuit helps provide impulse noise suppression.

design development

The two converters in use at my station require an input frequency of 14-18 MHz for their i-f strips, so the first mixer operates within this range (fig. 1). The second converter input is 1.5 MHz and output is 500 kHz. Why 500 kHz? That's easy. I had three mechanical filters designed for a 51J4 — 0.2 Hz, 2.8 kHz and

on 500 kHz and WCC, WSL, and many other coastal stations were heard very strongly. Not a trace of these signals was detected on any of the four receivers, which were operating simultaneously.

A comparison of the internal shielding of the three Collins receivers indicated almost identical construction. Lead dress and bottom plates were arranged to inhibit coupling of external signals. The all-mode set uses quite a bit of decoupling and extremely tight shielding, which accounts for its very good rejection of signals on 500 kHz. The first conversion i-f at 1.5 MHz performs just as well for

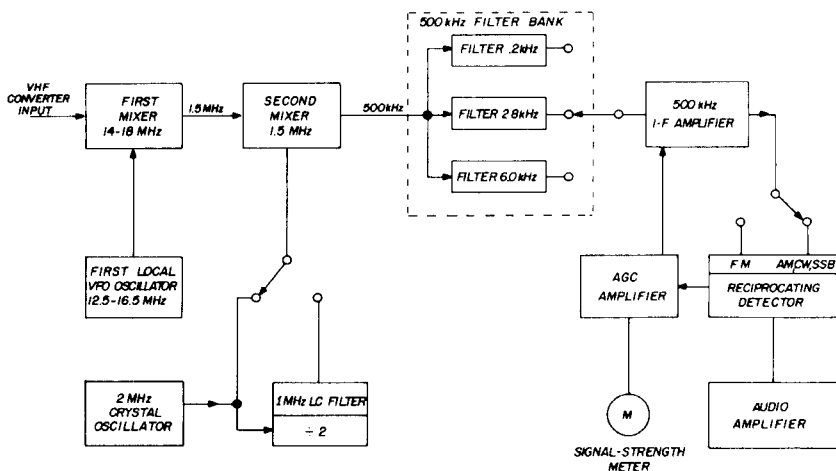


fig. 1. Receiver block diagram. Set is designed for use with 2- and 6-meter converters whose outputs are between 14-18 MHz.

6 kHz were the bandwidths — nice for CW/ssb and maybe a little sharp for fm, but okay for a-m, so these goodies were included in the design.

The question of signal leakage from coastal and maritime stations, which use 500 kHz as a calling frequency, was resolved by comparing the completed all-mode companion receiver with three other very fine receivers that use 500-kHz i-fs: a Collins 51J4, a 51S1, and a military version of the 51J4 known as an R-388/URR. The three Collins receivers were connected to a common antenna along with the all-mode job and tuned to 14 MHz. A BC453 receiver was tuned up

the same reasons. If the coax cables described are used to couple one unit to the other, and good shielding is used, no problem should be encountered with feed-through interference.

construction

This article was prepared with the serious builder in mind. I've tried to give construction tips and guidelines for those who enjoy constructing radio equipment. You are urged to consult the material listed in the references at the end of the article, which I've chosen to provide further information on working with PC boards and toroid inductors.

The receiver is built on a 6 x 6 x 2½-inch aluminum chassis, which was fitted with a panel and side brackets. The first conversion section (fig. 2) is constructed on a piece of epoxy copper-clad board, which was drilled and fitted with flea clips to support the mosfet RCA 40673 and its input circuits and the coil for the first local oscillator. An MPF102 fet, which serves as the transistor for the tunable oscillator, is also mounted on this board.

When winding the oscillator toroid, first wind the wire on a match stick, which serves as a bobbin and can be passed easily through the core center. Pull the wire as tight as possible. Anchor the wire endings with small pieces of tape, then dope the windings into place.

The tunable oscillator main capacitor is a surplus unit. It was used in a LM or BC221 frequency meter and bears the inscription Cardwell BC11-71-48. It has an excellent loaded gear train and an

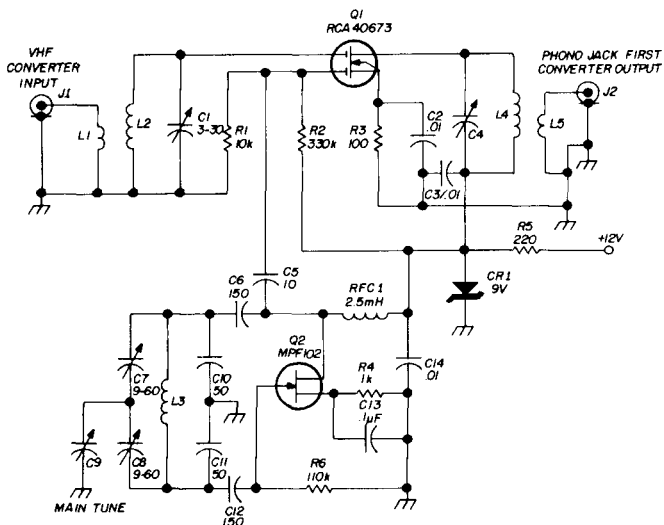


fig. 2. First converter schematic. L1: 2 turns no. 22E. L2: 12 turns no. 22E. Both coils wound on Amidon T-22-2 core. L3: 14 turns no. 26E wound on Amidon T-25-2 core. L4: Miller A123A coil with 6 turns added at bottom end of coil form for link L5.

first converter

The first conversion i-f transformer is located on the same board with the components described above. The input circuit to the first mixer, which allows either of the converters to be switched in, is a coupling link to allow low input impedances of the vhf converters to match this input. A shaft extends through the front panel so that the input circuit can be peaked across the 14-18 MHz band. The first mixer output coil is link coupled to the second mixer input through a short length of coax.

The possibility of coil interaction is remote, but care should be used in mounting each coil, particularly the oscillator coil, since movement of any parts will cause frequency instability.

extension on its main shaft, which allows a dial-cable pulley to be added. The dial-cable pulley assembly was fashioned on the front panel to accommodate a slide-rule dial with a large calibration area. A piece of graph paper provides the dial division marks, which are calibrated by pencilling in the main divisions.

The oscillator/mixer assembly is mounted in a Zero box.* The box cover is mounted to the main chassis. All component supports and the two tuning capacitors are mounted on stiff brackets; their shafts extend through slots cut into the box. Aluminum deep-drawn boxes are used as shields and compartments throughout the receiver. These boxes

*Zero Manufacturing Company, 288 Main Street, Monson, Massachusetts 01057.

provide rf-tight shielding, which is essential. Sheet-metal screws are used to secure box covers.

If you wish to use a different dial and main tuning capacitor, choose a variable capacitor with double bearings. A Miller 2101 capacitor can be used as a substitute for the unit used in this construction. A dial with a gear reduction may be used in place of the slide-rule dial described here.

second converter

The second converter (fig. 3) is almost a duplicate of the first.* It uses 1.5 MHz as its input frequency. The input to this circuit is fed through a phone jack, which connects to a low-impedance link to the mixer input coil. A short piece of coax connects the first and second converters through this jack.

The second mixer also uses an RCA 40673. The second oscillator is crystal controlled and uses the divider method to generate the local oscillator signal.^{2,3} The output of a 2-MHz crystal oscillator is fed into one-half of a 7473 flip-flop, which operates as a frequency divider to provide a 1-MHz signal. The output of the crystal oscillator at 2 MHz, or the 1-MHz output from the divider, is filtered through tuned circuits. Either of the two filtered outputs is presented to the mixer by a selector switch, which allows the lower or upper sideband to appear in the mixer output, which is 500 kHz. If a lower i-f, say 455 kHz is desired, a different crystal oscillator frequency must be chosen, which would be 1955 kHz for the upper sideband and 1045 kHz for the lower sideband. These outputs are the second converter local oscillator frequencies.

The second oscillator and divider are constructed on a piece of copper-clad epoxy board. The crystal oscillator, its tuned output circuit, and the frequency divider are also constructed on a piece of copper-clad epoxy board. Flea clips are used to mount all parts including the 7473 IC.

A Vector pad drill,[†] used in conjunc-

*A complete parts list is available from *ham radio* for \$1.00 and a self-addressed stamped envelope.

tion with a small drill that is used to cut a pilot hole for the pad drill, is a commercial version of a device described in an earlier *ham radio* article on the construction of instant printed circuits.⁴ These tools can be used to cut out copper pads in copper-clad board so that terminals can be fastened to them for easy mounting of components. This technique was employed throughout the entire construction of this project and is highly recommended.

The second LO board is mounted on 4¼-inch standoff bushings within the cover of a 2¼ x 1¼-inch Zero box cover. The cover is mounted on the chassis to the right of the first converter box. Clearance holes through the bottom of the box and the main chassis allow connection to the upper or lower sideband selector switch. The second conversion input transformer, the mixer fet, and the two oscillator filters are in the same shield box. The output of the mixer is fed to a Millen 61455 i-f transformer, which is retuned to 500 kHz by replacing the capacitors presently installed in parallel with the primary and secondary coil with two 100 pF mica capacitors. This transformer, located to one side of the second-conversion mixer shield, provides the signal for the mechanical filters mounted below the chassis directly under the first converter box. This construction allows short leads from the band-width selector switch, SW1, to the filters. A single-stage transistor amplifier is mounted on the back of SW1. This amplifier compensates for filter losses and transforms the filter output impedance to match the two-stage i-f amplifier.

i-f amplifier

The ICs for the i-f amplifier are Motorola 1550Gs. A Millen 61455 i-f transformer, retuned to 500 kHz, is used as an interstage transformer. The output i-f transformer is a toroid. All these components are mounted in a third Zero box in the same manner as the second converter. Amplifier output is by means of a small length of coax to the detector compart-

[†]Vector pad cutting tool no. 116.

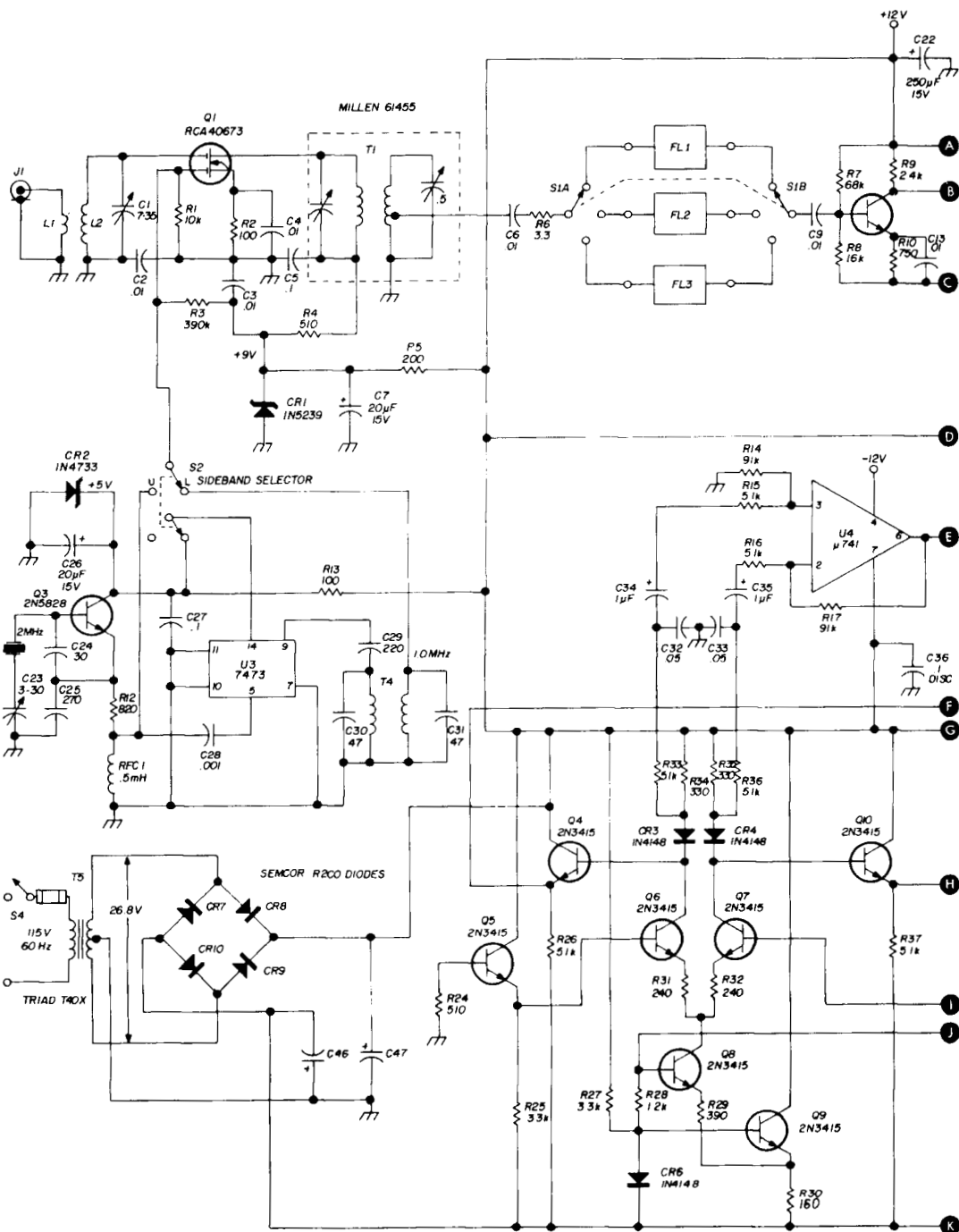
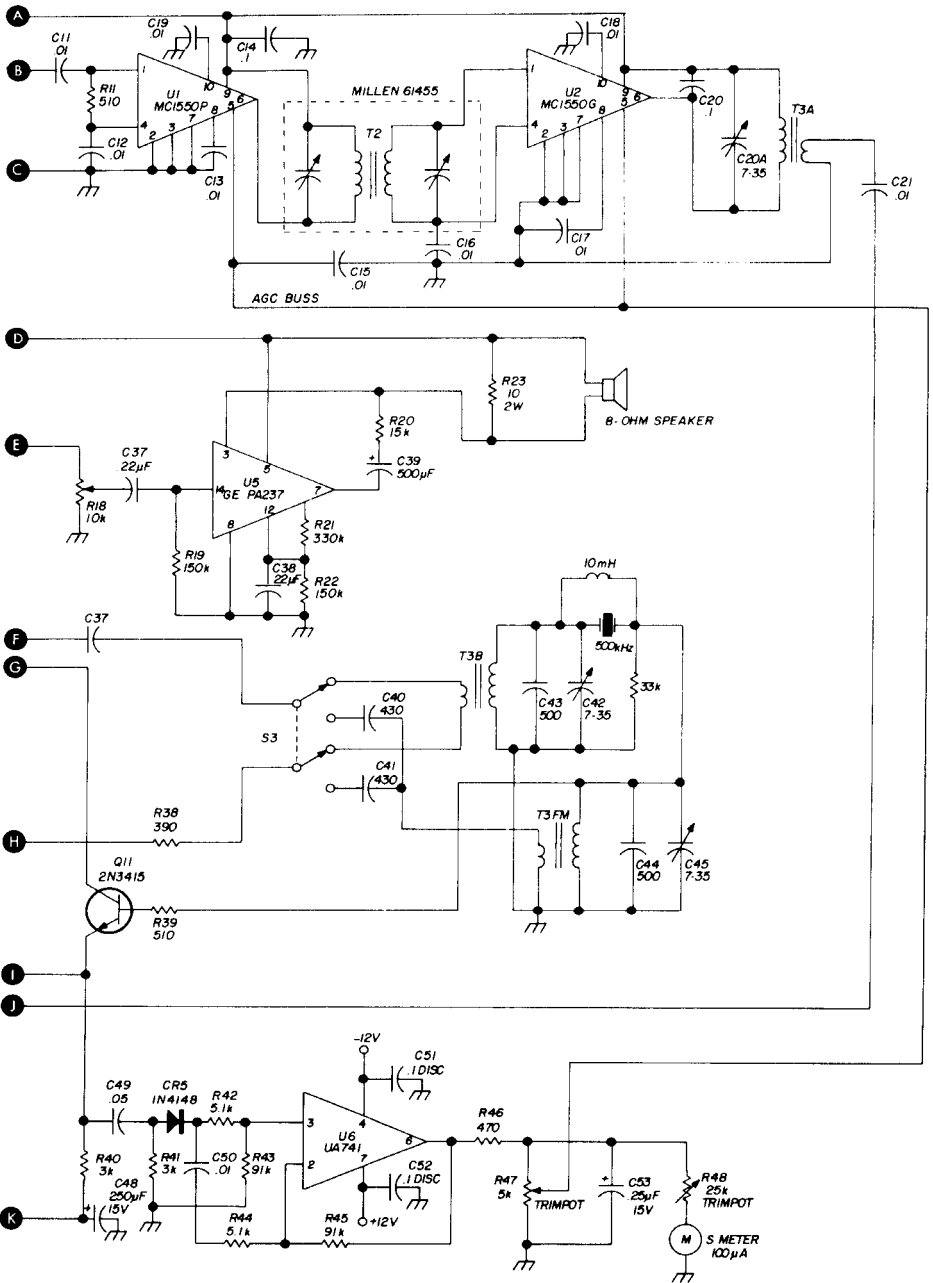


fig. 3. Schematic of 500-kHz i-f strip. L2: 74 turns no. 32E on Amidon T-144-15 core. L1: add 6 turns no. 32E over L2. T3A, T3B, T3FM: primary 14 turns no. 34E; secondary 92 turns no. 34E. All three coils wound on Amidon T-144-15 core. T4: Miller 12W1 i-f transformer.



ment on the bottom left front of the main chassis.

The second detector is a reciprocating detector. This circuit does not require a bfo. It synthesizes a reference signal from the received signal, which serves as a

beat-oscillator signal. The reference level is proportional to the average signal received. The circuit does not contain the background hiss prevalent in bfos used with conventional detectors. Further low-noise improvement is due to a nar-

rowband filter employed in the circuit that extracts the reference signal.

A recent investigation on fm, revealed that the reciprocating detector is a satisfactory fm discriminator. As a discriminator it makes its introduction in this unit, which makes possible an all-mode receiving system. By adding a tuned circuit to the components used in the reciprocating detector, it's possible by means of a switch to extract the sum instead of the difference frequency of the output. Suppression of any tendency toward positive feedback and a 90-degree phase shift produces essentially a conventional fm discriminator. In our unit (fig. 3) the tuned circuits are designated T3B for a-m, ssb, and CW and T3FM for fm.

All detector components are on a piece of epoxy board, which is mounted on ½-inch bushings fastened to the main chassis next to the mode selector switch. A shield for the detector circuits, made of a 1¼ x 2 x 3-inch box with a removable cover, is mounted over the epoxy board.

Agc voltage is extracted from the reference emitter-follower output in the reciprocating detector, rectified, and applied to an agc amplifier, which assures a wide range of control. An S-meter output is included, but no meter was mounted on the panel for lack of space. The audio amplifier has enough gain to drive a speaker. The power supply shown in the schematic is adequate for the entire receiver.

alignment and test

Alignment procedure is straightforward. A vtm, rf probe, and signal generator are required.

First determine that wiring is correct and that coil sense is proper. Begin by applying voltage to the first converter. To determine if the first LO is working, place the vtm rf probe on the drain and rf choke junction. The rf level will be around 3 volts at the low-frequency end of the oscillator range. It will drop off slightly at the high end. Next adjust range-setting capacitors C7, C8 to about 50% closed.

The main tuning capacitor, C9, should

be 95% closed. Tune in the oscillator on a receiver or frequency meter; its frequency should be very near 12.5 MHz. If not, carefully adjust the range setters until the signal is audible in the receiver. Now adjust the main tuning dial until the capacitor is about 75% open, where 16.5 MHz will be audible in the receiver or frequency meter.

With dc applied to the second converter and with the vtm rf probe connected to the arm of the sideband selector switch at the junction of the 15-pF capacitor, determine that the 2-MHz crystal is oscillating by placing the switch in the upper sideband position. Approximately 3 volts will be available here and nearly the same on lower sideband position if T4 is correctly resonated. If not, tune the primary side first, then the secondary for maximum output as indicated on the vtm.

Switching between U or L should indicate about the same voltage level. These two frequencies will be 2.0 MHz for U and 1 MHz for L. Place the rf probe on terminal 2 of T1, place the sideband selector switch on U, apply a weak 1.5-MHz signal input to J1, and adjust T1 primary for maximum on the voltmeter via the rf probe. Move the probe to the junction of the 3.3k resistor and the arm of SW1A, adjust T1 secondary for maximum and repeak the primary. The transformer coupling should be adjusted to mid position. Now move the rf probe to terminal 6 of U1 and place filter selector switch SW1A, SW1B to no. 3 position, which puts the 6 kHz mechanical filter into the circuit.

Move the probe to pin 6 of U2, adjust the primary coupling of T2 to midway, then adjust the primary and secondary of T2 to midway, then adjust the primary and secondary of T2 for maximum on the vtm. Adjust C20A of T3A for maximum. Move the probe to the high side of the output link of this transformer, and note that output exists at a 1½ times decrease in level.

With the rf probe still in the same position, move the bandwidth selector to the 0.2 kHz position and retune each

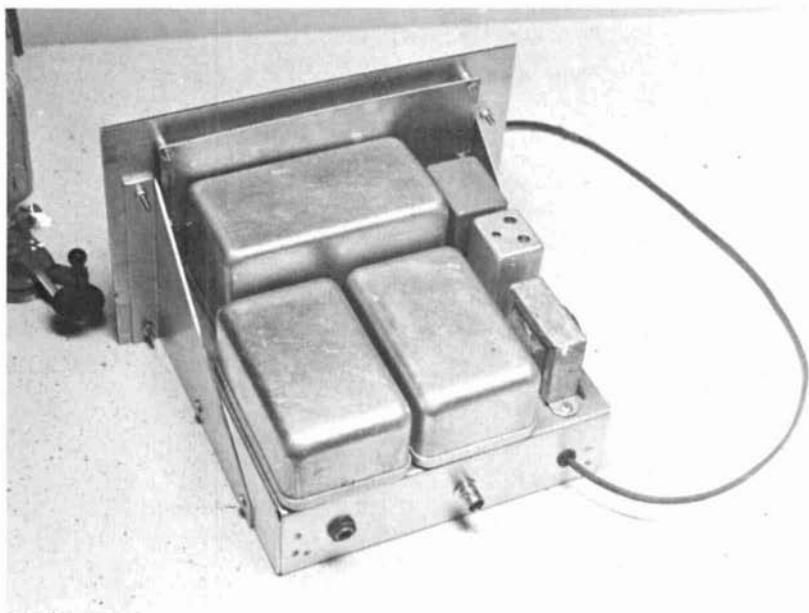
adjustment for T3A, T2, and T1 for maximum output in that order. At this point less input signal may be required. Decouple the signal generator to a level that ensures limiting has not occurred due to over driving. This signal will be approximately 10 microvolts.

Connect the first converter output to the 1.5-MHz input jack. Tune the main tuning dial to the point determined to be 12.5 MHz when the first converter was aligned. Remove the second converter

aligned, and we can proceed to the detector alignment. By now some indication of a signal must be evident from the speaker or phones.

detector alignment

With the sideband selector switch in the L position and the mode selector switch in a-m, CW, and ssb (which is the same switch position), connect a vtm, set to measure dc at a very low voltage, to the emitter of Q8. Disconnect C21 from



The companion receiver chassis. Battleship construction and shielding make for superior mechanical and electrical stability.

shield and connect a small piece of wire to the first converter input jack. Adjust the second converter input coil tuning capacitor, C3, for an increase in signal as indicated on the vtm. The rf probe should still be connected to pin 6 of U2. Now adjust the main trim control on the front panel for a further increase in signal. This signal is at 14 MHz. Each megahertz throughout the 14-18 MHz range can be determined by tuning in the beats with the main tuning control. Replace the Zero box cover and the signal should disappear.

The front-end and i-f stages are now

the i-f output. A voltage between 100 and 200 millivolts should appear across the R29, R30 combination.

Transistor Q8 functions as a half-wave rectifier as well as a current source; for maximum dynamic range it should draw a small amount of current even in the absence of a signal. The voltage described, therefore, is the result of the current flow across these two resistors. A too-low voltage will cause distortion or even complete silence at low signal levels; conversely, a too-high biasing current will cause a loss of impulse-noise rejection and synchronous bandwidth.

The narrowband filter used in the reciprocating detector is very simple to construct. A 500-kHz crystal is used. Since the bandwidth must be 500 Hz to the 3-dB points, an inductance could not provide sufficiently high Q, so a combination of inductance and the Q of a quartz crystal is used. The crystal is a surplus HC6. The inductance across the crystal tunes out the crystal capacitance so that a uniform band shape is achieved. The input transformer allows the filter to be driven balanced; its unbalanced output is taken from the top of a 33k termination, which drives an emitter follower to the input of the synchronous switch.

filter alignment

To adjust the filter, turn the receiver off as no power is required for this adjustment. Apply a 500-kHz signal to the emitter of Q4, connect a vtm rf probe to the output of the filter, which should be disconnected from R39, a 510-ohm resistor. Now adjust C42 for maximum signal and tune through the signal several times to determine that resonance has been achieved. Measure the signal generator rf level and compare it with the filter output level; the ratio of the generator output, E_g , divided by the filter output, E_o should be at least 3.5 with the 33k termination in place. The filter bandwidth will be approximately 500 kHz when R38 is 390 ohms.

Reconnect the filter to R39. Reconnect C21, turn on the power, and apply a 14-MHz signal to the converter input jack. A heterodyne will be heard, which will disappear when the main tuning is adjusted through zero beat on this signal. The zero-beat range will have a small area where nothing will be heard; this is the lock in range of the detector. If the beat is not present, reverse the secondary leads of T3A to put the transformer in the correct phase relationship.

final adjustments

To tune up the detector for fm, resonate transformer T3FM to 500 kHz in exactly the same way you adjusted T3A.

The exceptions are that the tuning will be a little broad and it is not necessary to plot the E_g/E_o level. The bandwidth will be about 15 kHz.

To adjust the agc and the S-meter amplifier, complete the following procedure: The 14-MHz signal at the converter input must be reduced in level so that it is hardly perceptible. Connect a 0-100 microamp meter to the point marked S-meter in the diagram. The meter should show some indication of noise impulses near its zero point. If such is not the case, adjust R47, a 5k trimpot, until the meter reads zero. Now increase the signal generator output until a 2.8-volt signal is measured at the output of U6, then adjust R48 until the meter is at full-scale deflection.

In my construction this meter was not put on the front panel but is a part of a console, which contains an antenna rotator control. The meter is used to peak signals with a beam, so an external connection is made through a jack at the rear of the receiver.

There's not much more to be said about this receiver except that it fulfills its requirement with vhf converters and will hold its own with my R4A, which I now happily operate on 20 and 15.

I hope this project will be a useful guide in construction if you too become a DX widower.

references

1. Stirling Olberg, W1SNN, "Reciprocating Detector," *ham radio*, March, 1972, pp. 32-35.
2. George K. Bigler, W6TEU, "A Sideband Package," *QST*, June, 1958, p. 22.
3. Ken Stone, W7BZ, "Frequency Dividers for SSB Generators," *ham radio*, December, 1971, p. 24.
4. Ted Swift, W6CMQ, "Low-Cost Instant Printed-Circuit Boards," *ham radio*, August, 1971, p. 44.
5. Hank Olson, W6GZN, "How to Use Ferrite and Powdered-Iron for Inductors," *ham radio*, April, 1971, p. 15.
6. Michael J. Gordon, Jr., "Calculating the Inductance of Toroids," *ham radio*, February, 1972, p. 50.
7. G.K. Shubert, WA0JYK, "Tuning Toroidal Inductors," *ham radio*, April, 1972, p. 24.

ham radio

phase-locked loop AFSK generator

This integrated-circuit
phase-locked loop
AFSK generator
provides excellent
long-term
frequency stability

Daryl J. Duffin, K7ZOF, 255 Iowa, Ogden, Utah 84404

After trying several circuits for a stable AFSK tone generator, and meeting with various forms of failure, I finally decided to do what I should have done in the first place — use a phase-locked loop function generator, the Signetics 566. This little device puts out both triangle and square waves up to about 1 MHz. The frequency of the 566 is programmable by a resistor (R8), capacitor (C1), and voltage or current at pin 5.

In this application, the AFSK frequency is set to 2125 Hz (*mark*) by R1-R5 and R10. Then the voltage at the modulation input is changed sufficiently to move the frequency up to *space* (2295 or 2975 Hz), or to 2225 Hz for narrow-shift CW identification. This is accomplished by feeding the FSK keying voltage from the RTTY terminal unit to a transistor inverter stage which keys the phase-locked loop.

The keying transistor, Q1, is cut off in *mark*, allowing R1-R5 and R10 to set the frequency. In *space*, the keying transistor is biased on, pulling current through either R2-R6 or R3, lowering the voltage at pin 5; this raises the output frequency to *space*. If the key is closed, the frequency is similarly raised through R4 and R7.

Since the ST-5 and ST-6 both have plus and minus power supplies, and the 566 IC is designed to operate that way, the pair are a natural for each other. Although the 566 will operate with up to

24 volts, this is its maximum rating, so 4.7-volt zeners were used to drop the voltage to the device. The circuit will also work with a single +12 volt supply by grounding the minus terminal, feeding +12 volts to the positive supply, and juggling the frequency-setting resistors.

input and CW key open, adjust R1 for 2125 Hz at the output.

2. With CW key closed, adjust R4 to provide 2225 Hz at the output.

3. With the terminal unit in *space*, or +10 volts or so at the keying input,

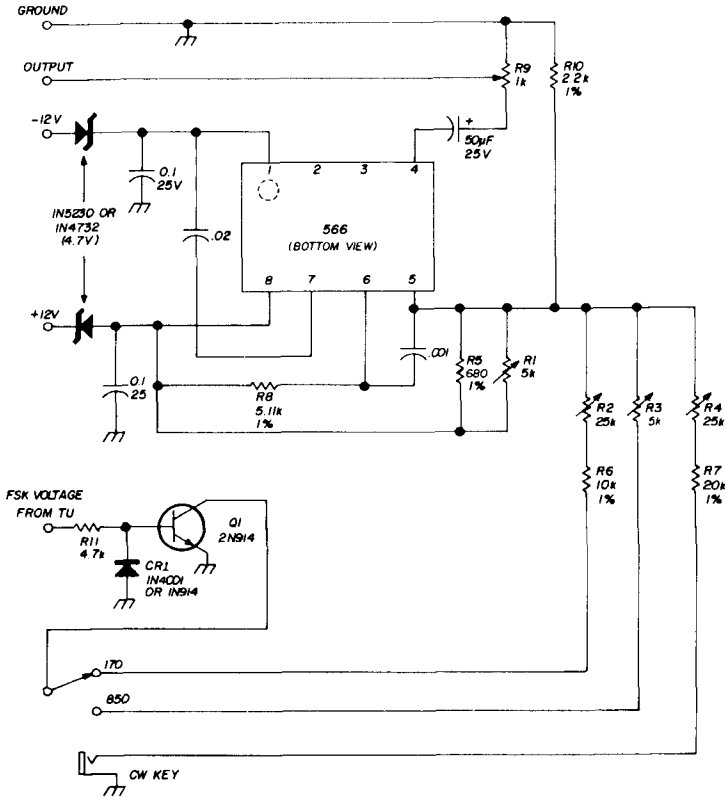


fig. 1. Circuit for the phase-locked loop AFSK generator. The IC is a Signetics 566. An alternate keying circuit is shown in fig. 2.

No problems were experienced with the triangular output voltage, since the bandpass circuits of any rig used with this AFSK generator will remove the high-frequency component of the oscillator.

alignment

To set up the generator, use a frequency counter or well-aligned terminal unit, and follow the following steps:

1. With the terminal unit in *mark*, or a negative or zero voltage at the keying

and the mode switch in the 170 shift position, adjust R2 for 2295 Hz at the output.

4. With the mode switch at 850 shift, adjust R3 for 2975 Hz at the output.

5. With the rig that will be used, adjust R9 to the proper operating level.

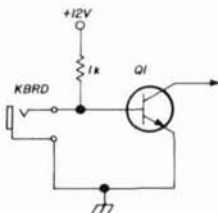
You will note the odd resistor values in the circuit; I used surplus precision resistors for thermal stability. However, carbon resistors would probably suffice. I used 10-turn wirewound pots for the

adjustable resistors (except level). It might pay to experiment with fixed resistors in parallel with the pots to narrow the adjustment range and alleviate the problem of the pot slider hitting two wires, each of which may be to either side of the desired frequency.

This AFSK generator was designed to use the FSK voltage output of the ST-5 and ST-6. This is -10 volts on *mark*, and +10 volts on *space*. I initially used the alternate keying circuit (fig. 2) with the RTTY keyboard itself keying the transistor, but this system didn't work too well due to the unstable keyboard resistance and the requirement for two separate loop circuits.

I built the generator on perfboard the

fig. 2. Alternate keying circuit for the phase-locked loop AFSK generator.



same size as the ST-6 boards, using copper-foil tape. The layout is not critical, but mount the pots so they can be easily adjusted. My copper-foil layout is very similar to the schematic diagram.

I have used this circuit for over a year and have not had to readjust it after it was set initially. I use this circuit on both vhf fm as AFSK, and on low bands by just feeding the output signal into the microphone jack.

My thanks to Al Crapo for doing the complex math needed to come up with the resistance values and circuitry required. Without that, I would still be diddling with resistor values!

references

1. Irvin M. Hoff, "The Mainline ST-5 RTTY Demodulator," *ham radio*, September, 1970, page 14.
2. Irvin M. Hoff, "The Mainline ST-6 RTTY Demodulator," *ham radio*, January, 1971, page 6.

ham radio

Reception

the moment of truth for all systems TRI-EX W-51 TOWER

W-51 by TRI-EX . . . free standing . . . self supporting. Gets the MOST from your antennae. Rigid, torque resistant, built of high strength tubular steel with solid rod "W" bracing. No guys or house brackets required. Extended height 51', nests down to 21'. Telescopic cable extends sections uniformly. Hot Dipped Galvanized After Fabrication. Available for immediate delivery.

\$454.50

Send for complete information to:



ri-Ex
TOWER CORP.
7182 Rasmussen Avenue
Visalia, California 93277



radio-frequency interference

A review
of RFI,
its causes,
and what
to do about it

Radio frequency interference (RFI) is often a problem in amateur radio communications. Getting into a neighbor's TV set or telephone line does little to improve your popularity and on occasion has resulted in fisticuffs. In such cases, diplomacy is the order of the day. Stray signals have even appeared in hi-fi sets having no rf circuits at all!

RFI sources

Let's say you have an ordinary a-m radio connected to an inverted L antenna. It works fine. Now, take a small diode such as a galena crystal used in a crystal set, or a solid-state diode such as the 1N34, and connect it in series with the antenna. The result will be a mishmash and cross-modulation, or RFI. If a signal source is connected to a pure resistive load, and the harmonic content of the source is very low, a signal at the frequen-

cy of the generator can be measured (fig. 1). Put a nonlinear impedance such as a diode in series and the result will be sum and difference frequencies. This action is useful in a detector, such as the first detector of a superheterodyne, but it is decidedly *not* useful in an antenna system. Suggestion: if you use an swr bridge with diodes in the antenna circuit, remove the bridge after making swr measurements. Otherwise, you may generate spurious radiation.

Any corroded joint may, in effect, form a diode and permit rectification and the generation of RFI. (The theoretical principles and mathematics are given in texts such as Everitt's *Communication Engineering*.) Even a coax relay can cause such troubles and, in some cases, it's best to eliminate the relay and connect the transmitter directly to the coaxial line and antenna. The reason for this is that a discontinuity in the relay/line combination can cause reflections and standing waves on the line. When you have standing waves, you have radiation. A sloppy job of fitting a coaxial connector on the line can cause troubles, such as high swr.*

In some older transmitters, the tank circuit LC ratio on the higher frequencies is not what it should be: too much L and not enough C — harmonics tend to be shunted by high C. On the 75-meter band things may be fine; on 10 meters troublesome harmonic radiation, due to an im-

*The braid on RG-8/U coax, for example, leaves much to be desired as an rf shield. Double-braided coax (e.g., RG-9/U) is preferable. editor.

W. R. Moody, WA3NFW, 5231 Kenilworth Avenue, Apartment 201, Hyattsville, Maryland 20781

proper LC ratio in the amplifier tank, may occur. In such cases, an antenna that attenuates harmonics is highly desirable. Usually, this will be a sharply tuned resonant antenna (fig. 2), and the addition of an antenna tuner will help. If the system is matched properly, a low-pass filter may help.

antenna installations

Coax cable can radiate like a bearcat. If the antenna mast is placed at the side of the house, is hollow, grounded, and the coaxial cable is run inside it, radiation will be reduced greatly. Radiation is then in the horizontal plane, assuming a dipole or beam is used. If a balun is used at the antenna feed point, a better balance and less trouble may be expected. Such an installation may give as much as 30 dB discrimination when referred to the vertical downlead of a TV receiver antenna installation using 300-ohm twin lead. A trap at the TV receiver or a high-pass filter at the TV set will help (fig. 2). It helps public relations if you pay for it, but let a TV serviceman install it. Otherwise, if anything goes wrong with the TV set, you will be the culprit and will be expected to fix it or foot the bill.

The troubles are usually bad on 6 and 10 meters, and sometimes on 15. It can

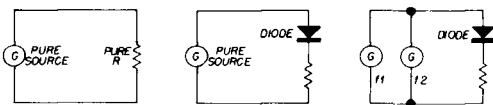


fig. 1. A signal source connected to a pure resistive load produces no harmonics. A diode connected in series with the load produces harmonics and harmonics plus cross modulation.

happen on any band, but I think sometimes the reason amateurs use 75 meters so much is because of the relative freedom from RFI on this band. With a-m, you are easily identified. With ssb or CW identification is more difficult, but a mast in your backyard is a dead giveaway. An inconspicuous antenna in crowded communities is highly desirable.

Running coaxial cable in the ground will help reduce stray radiation. The antenna should be sharply tuned and resonant at a single frequency rather than a multi-band type. With the coax shield

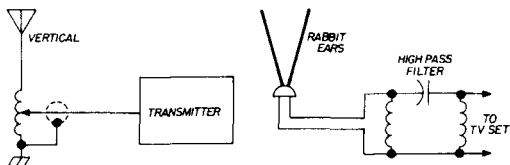


fig. 2. Selective circuits in the transmitter output reduce harmonics. A high-pass filter between a TV set and the tuner input is effective in attenuating strong amateur signals at the transmitter fundamental frequency.

grounded, the cable tends to act like a low-pass filter. Running the cable in a piece of galvanized pipe will also help reduce RFI (fig. 3).

power-circuit coupling

Inside the home, coupling between ordinary lampcords and power wiring

Editor's note:

Despite the vast improvement in electronic communications equipment design over the past few years, the problem of amateur transmitter interference with home-entertainment devices is still much in evidence. Thanks to the efforts of industry in this country and concerned amateur groups, TVI isn't nearly as serious as it was 20-25 years ago. Today, TVI has been replaced by a bugaboo known as TXI, which includes interference from ham transmitters with equipment such as f-m broadcast receivers, stereo record players, and even hearing aids. Amateur transmitter interference with public telephone equipment is very much a problem. These interference modes may be lumped under an all-inclusive category known as RFI — radio-frequency interference. This article presents some suggestions for handling the problem. WA3NFU doesn't pretend to provide solutions for every type of RFI. Rather, a compendium of basic RFI causes and cures is given; and the knowledgeable amateur, armed with this information, should be able to resolve his particular RFI problem.

should be minimized. Placing the transmitter near a window, and having a short direct run for the antenna cable to the outside of the building, will tend to minimize stray coupling to power circuits. Of course, if the wiring of the outside power system is open, on poles, and not buried, and you radiate toward it from the antenna, the rf will feed right

lighting fixtures to dim because of poor line-voltage regulation. If this problem occurs with low or medium power, rf may be in the power circuit. If the lamps, especially fluorescents, light without being switched on you'd better check for rf in the power system. If a neon lamp or fluorescent lamp glows when placed near an rf line, the presence of rf and standing waves on the line is assured. Often this means RFI.

transmitter problems

Let's now examine what is probably the most predominant cause of RFI — the transmitter. The sketches in **figs. 4 and 5** illustrate some of the more obvious problems, which are discussed below.

Some amateurs have a habit of not using all the screws when reinstalling a bottom plate or cover of a transmitter. This may reduce shielding effectiveness and cause stray radiation. The screws should be in and reasonably tight. A ground conductor should be run from the ground connection of the transmitter to a

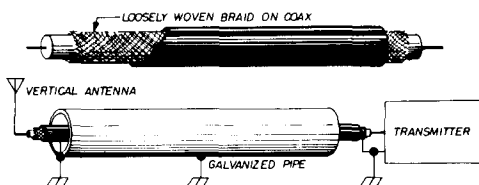


fig. 3. The braid in most coax cable does a poor job of RFI shielding. Burying the coax in the ground or installing it in a pipe provides effective shielding for RFI.

back into the house and may also get into telephone circuits. Installing the antenna on a high mast and using horizontally polarized radiation may help. Since the power wires are horizontal and may run for miles, a vertical antenna may actually be a better RFI solution because of reduced coupling. The base of the vertical can be at ground level, making adjustments and tuning more convenient. Each case is unique and experiments are necessary to find the best solution. Using a vertical ground plane on a mast is likely to be the worst case.

A neglected part of the transmitter installation is the power cord from the transmitter to the electric outlet. Preferably, this cord should have an rf filter and the wiring should be shielded and grounded. A ground may be made to the BX cable in the house wiring and also to a ground rod. A heavy, low-resistance conductor should be used. If the house wiring is old, connections and joints should be examined for corrosion. Corroded joints form diode rectifiers, and you know what that can cause, especially with strong rf currents.

If the transmitter runs high power, switching it on may cause the lamps in

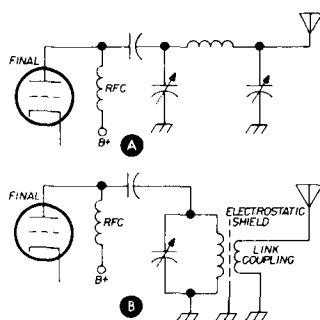


fig. 4. Typical pi network is effective in attenuating harmonic radiation only if reactance is low or zero. An electrostatic shield is useful with link-coupled output circuits but presents mechanical problems.

solid ground rod buried at least six feet deep, preferably in moist soil. This is important from a safety standpoint as well as for minimizing RFI.

If the antenna and ground system are all right and RFI troubles still persist, the fault may be due to a misadjustment of the transmitter or a defect in it. Over-

modulation, for example, can cause a host of troubles. Modulation can be checked on a scope or a simple carrier-shift indicator. If the final amplifier is a class-C stage and is not neutralized properly, RFI may result. How many amateurs check the neutralization? Techniques are covered in the ARRL Handbook and elsewhere. Usually this is the last thing to be done and might well be the first.

If the drive for the final stage is marginal due to poor transmitter design, misadjustment, or a fault in a preceding stage, the final may be struggling so hard that its output waveform is highly distorted. A class-C stage by its very nature is a harmonic generator. Many transmitters use a single-ended final, whereas a push-pull final would help to reduce harmonic output. With a single-ended stage it's especially important that the final be tuned properly. An antenna tuner is a definite advantage since it increases the output circuit selectivity.

Proper LC ratio is also important, not

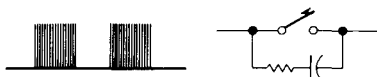


fig. 5. Pulses from CW modulation may be shaped by a simple RC filter.

only from the standpoint of tube efficiency, but from the standpoint of reducing harmonic output. With the transmitter output fed to a shielded dummy load, harmonic output can be checked on a receiver or other suitable device.

If you buy the transmitter or transceiver, you're stuck with the original design. However, if you build your own, you can design circuits that will minimize RFI. All the design data is in the ARRL Handbook and numerous other standard texts. At one time, for example, link coupling between rf circuits was widely used. Now the final amplifier is coupled to the antenna circuit through a pi network. This system is simple but not

too good from an RFI standpoint. An electrostatic shield placed between primary and secondary circuits eliminates capacitive coupling, but it is difficult to implement.

keying

When CW is used, the tendency to generate RFI is even worse than with a-m

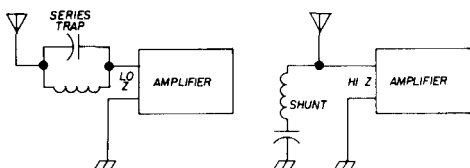


fig. 6. Application of filters for use with low- and high-impedance-input amplifiers.

or ssb. With CW you have a step-function signal, or transient, similar to a radar pulse. To minimize such interference, key-click filters are highly desirable as well as push-pull final stages.

Grid-block keying uses the keyed tube as a switch. Using a shielded keying relay is effective in RFI reduction. If a low-power keyed oscillator is used, followed by several stages of rf amplification, RFI will be less than if a high-power final is keyed. With the key up, in any case, there should be negligible radiated rf.

filters

In general, a series LC filter should be used where the load impedance is low, such as with a 50-75 ohm receiver input. The high-Z circuit should be used in series with low Z (fig. 6). If the receiver input Z is high, the shunt across it should be low Z. Passive filters may give poor attenuation because of mismatching. A shunt high-Z filter may consist of a small capacitor that bypasses rf at the input to a high-gain audio amplifier. Such a filter will eliminate rf rectification or greatly reduce it. A quarter-wave transmission line, which acts as a short circuit across the input of an rf or af amplifier, is often used.

ham radio

how to use ferrite beads

How to choose
ferrite beads
so they
do the job
you intend them to

This is dedicated to those home builders who may have gotten into trouble while using ferrite beads in an attempt to stabilize a troublesome circuit. Many times the problem was not resolved, and occasionally it even got worse when the bead was installed. This has led to a lot of head scratching by the hams involved.

Ferrite beads can be a great aid when they are understood and properly used. This seems to be the problem. Most of us merrily install them in the circuit without being certain of their effect or of what we really expect the bead to do for us. Thus, when the desired signal is greatly attenuated or the undesired one not nearly enough, we try another type bead, more beads (or less), until the circuit seems to be working right. If we can't make the

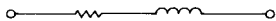


fig. 1. Equivalent circuit of a ferrite bead includes both series resistance and series inductance.

circuit work, we remove the beads and try other measures; or we live with the original problem.

What has happened? Did we use a bead with too much or too little attenuation, or one having incorrect characteristics for our circuit? All of these must be considered if we expect equipment performance to match our expectations.

bead characteristics

A ferrite bead is not a simple device but a rather complex one consisting of both resistive and reactive elements. In fact, the simple equivalent circuit of the bead shows a resistor in series with an inductance as shown in fig. 1. The impedance of the bead at any frequency is found by solving the equation

$$Z_b = \sqrt{R^2 + X^2} \quad (1)$$

Since you are dealing with reactive devices, they must be handled with care — otherwise you may get into real trouble.

Can a logical plan of action be established to determine how and where to use beads? I think so. Let's take a typical circuit problem and develop a method for selecting and using the proper bead to do the job. The circuit is shown in fig. 2A.

The source impedance, Z_s , is 50 ohms

$$*-6 \text{ dB} = 20 \log_{10} (50 + 50)/(50 + 50 + Z_b)$$

Dividing by 20 gives

$$-0.3 = \log_{10} (100)/(100 + Z_b)$$

Taking the antilog of -0.3, we have

$$0.5012 = 100/100 + Z_b, \text{ therefore}$$

$$50.12 + 0.5012Z_b = 100 \text{ so}$$

$$Z_b = (100 - 50.12)/0.5012 =$$

$$49.88/0.5012 = 100 \text{ ohms}$$

M. A. Ellis, K1ORV, 61 Marlboro Road, Sudbury, Massachusetts 01776

and the load impedance, Z_L , is also 50 ohms. You are experiencing a parasitic oscillation at 100 MHz that is reaching the load. However, it can do no harm if it is reduced by one-half (6 dB). Therefore, you need to add a bead to the circuit that will reduce the undesired signal by this amount. The new circuit is shown in **fig. 2B**.

choosing a ferrite bead

With a ferrite bead in the circuit, circuit losses are increased. Cowdell has shown how to determine this insertion loss by using the ratio of load voltage with (v_0) and without (v_1) the new impedance.¹

$$\text{Insertion Loss Ratio (ILR)} = (E/v_0)/(E/v_1) \\ = v_0/v_1 = (Z_s + Z_L)/(Z_s + Z_L + Z_b) \quad (2)$$

$$\text{ILR (dB)} = 20 \log_{10} (Z_s + Z_L)/Z_s + Z_L + Z_b \quad (3)$$

In **fig. 2** $Z_s = 50$ ohms, $Z_L = 50$ ohms and the desired loss ratio is 6 dB. You are looking for Z_b , the bead impedance to add to the circuit to attenuate the 100 MHz signal by 6 dB.

Solving for Z_b gives $-6 \text{ dB} = 20 \log_{10} (50 + 50)/(50 + 50 + Z_b) = 100$ ohms.*

The task now is to select one or more beads having a total impedance at 100 MHz of approximately 100 ohms.

If the bead characteristics are given in terms of impedance versus frequency, there is no problem. Look at the graph in **fig. 3** and see that four beads will present 100 ohms impedance at 100 MHz. Keep in mind that the desired signal will also be reduced somewhat unless it is at a very low frequency.

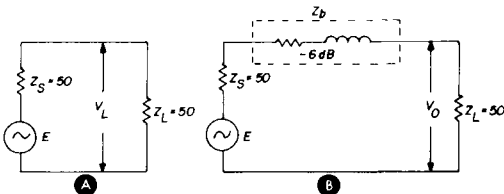


fig. 2. Typical circuit impedances without ferrite beads is shown in (A). When a ferrite bead is used (B), the normal circuit impedances, Z_s and Z_L , are increased by the impedances of the bead, Z_b .

For example, if the circuit is working at 7 MHz, the graph indicates that one bead has an impedance of 9.5 ohms at that frequency. Hence, the total impedance of four beads would equal 38 ohms. The object is to find a bead (or combination of beads) that will give the

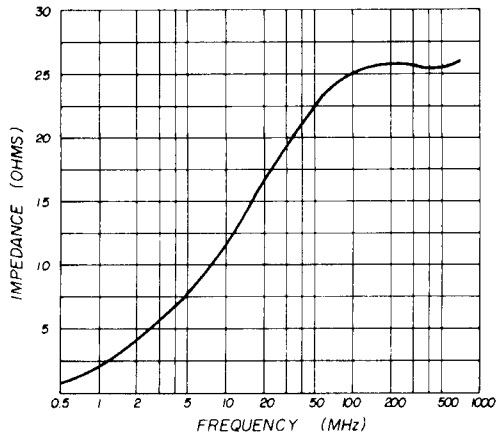


fig. 3. Characteristics of a Ceramag 7D ferrite bead plotted in terms of impedance vs frequency.

desired attenuation of the spurious signal while at the same time giving minimum attenuation to the desired signal.

If the bead characteristics are given in terms of resistance and inductance then you must resort to some elementary mathematics to convert these to impedance values. Looking at **fig. 4** you can see that the resistance is 24 ohms at 100 MHz and the inductance is 0.01 μH .

First, solve for X_L . This can be done by using a reactance chart² or you may elect to work the problem mathematically. In any case, $X_L = 6.28$ ohms; therefore, from **eq. 1**, $Z = 25$ ohms.

Fig. 5 gives the values of resistance and inductance for Ceramag 7D material* of a certain bead size. Impedance vs frequency for the same bead is shown in the graph of **fig. 3**.

For those of you who have come this far, the graph in **fig. 4** based on **eq. 3** may

*Ceramag Engineering Department, Stackpole Carbon Company, St. Marys, Pennsylvania 15857.

be useful. It allows you to quickly read the impedance required to get bead insertion losses from 1 to 40 dB.

In this graph the source impedance plus load impedance ($Z_S + Z_L$) was assumed to be 50 ohms. If $Z_S + Z_L$ equals another value, the bead impedance, Z_b , read along the horizontal axis may correctly be changed the same amount.

For example, if you want the impedance required for an insertion loss of 6 dB in a circuit having $Z_S + Z_L$ equal to 100 ohms, double the figure of Z_b at the 6 dB point (50 ohms to 100 ohms). This is because the value used for $Z_S + Z_L$ in this example (100 ohms) is twice that used for calculating the curve on the chart (50 ohms). If $Z_S + Z_L$ equals 200 ohms, multiply the Z_b value by 4.

Suppose you have a circuit with $Z_S + Z_L = 100$ ohms and want bead attenuation in the circuit of 10 dB. From fig. 4 $Z_b = 108$ ohms. Double that to 216 ohms which is the value to use for 10-dB signal reduction. Now you can select a bead or combination of beads that will provide 10 dB of rejection at the frequency of interest.

summary

To summarize, you must define the problem before deciding what measures to take. First of all, do you have a problem that a bead can solve? If the answer is yes, then how much attenuation is required, and at what frequencies?

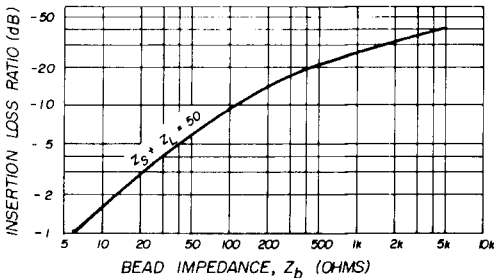


fig. 4. Graph of insertion loss ratio (ILR) vs bead impedance for 50-ohm systems ($Z_S + Z_L = 50$ ohms). Graph may be used for other system impedance values by use of a simple factor, see text.

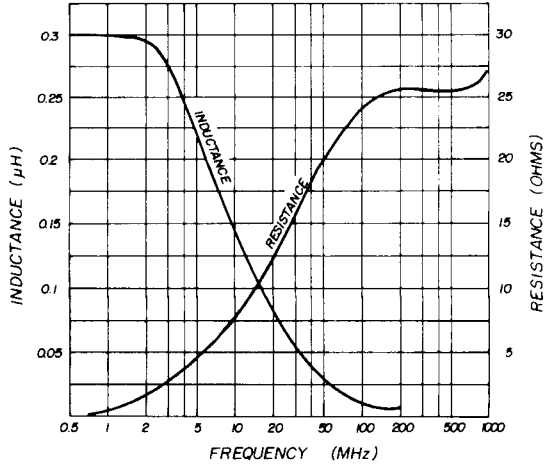


fig. 5. Bead characteristics plotted in terms of resistance and inductance vs frequency. This type of graph is very useful when choosing ferrite beads for your own circuits.

Bead characteristics are then reviewed to determine which ones will give the desired results. It is generally wise to use the smallest size and the fewest in number that will get the job done.

For those readers who may be interested in pursuing the subject of ferrites and ferrite beads, references 1 and 3 through 6 are suggested for additional reading.

references

1. Robert B. Cowdell, "Don't Experiment with Ferrite Beads," *Electronic Design* 12, June 7, 1969, page 100.
2. *The Radio Amateur's Handbook*, 48th edition, 1971, A. R. R. L., Inductive and Capacitive Reactance vs Frequency Chart, page 35.
3. V. P. Quirk, K. E. Sonney, "Ferrite Beads, Some New Information," Magnetic Powder Core Seminar, Boston, Massachusetts, December, 1969. Stackpole Carbon Company, Electronics Division, St. Marys, Pennsylvania 15857.
4. Bulletin 203, "Ferrite Beads," Ferronics, Inc., 66 N. Main Street, Fairport, New York 14450.
5. Stanley M. Adelman, "Ferrites as r-f Attenuators," *The Electronic Engineer*, March, 1967, page 107.
6. Richard Gundlach, "Ferrites Attraction is Magnetic and Growing," *Electronics*, October 14, 1968, page 104.

ham radio

Drake gear keeps getting better and better...

NOW, OUR FINEST...

THE NEW

Drake C-Line

NEW FEATURES:

- 1 kHz Dual Concentric Dial Readout
- Receiver and transmitter lock together in transceive operation
- No side controls
- Iridited cadmium-plated chassis
- Compatible with all previous Drake lines



R-4C Receiver

The receiver hams have dreamed of...



T-4XC Transmitter

The one worthy of the R-4C

NEW R-4C FEATURES:

- 8-pole crystal filter combined with passband tuning, SSB filter supplied
- Provision for 15 additional accessory 500 kHz ranges
- Transistorized audio
- Optional high-performance noise blanker
- AVC with 3 selectable time constants
- Optional 8 pole filters available for CW, AM, RTTY
- \$499.95

NEW T-4XC FEATURES:

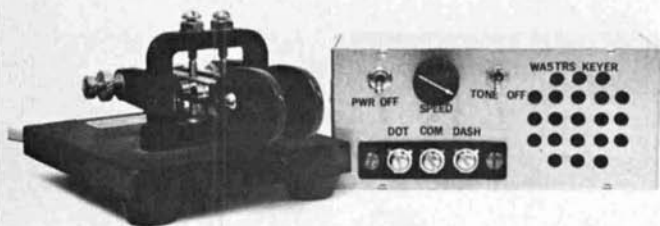
- Plug-in relay
- More flexible VOC operation; Including separate delay controls for phone and CW
- Crystal control from front panel for amateur, Mars, commercial uses
- Provision for AFSK RTTY operation
- \$529.95

See for yourself—at your dealer's.

R. L. DRAKE COMPANY



540 Richard Street, Miamisburg, Ohio 45342 • Phone (513) 866-2421 • Telex 288-017



simple integrated-circuit electronic keyers

Two simple
electronic keyer circuits
based on
the new
Signetic NE555
timer IC

For some time I have been intending to learn how digital integrated circuits are used and what their characteristics are. Rereading a series of articles in *ham radio*¹ aroused my curiosity and the discovery of a new device pushed me off dead center and got me started. The new device is the Signetics NE555 timer integrated circuit. The NE555 can be used

in numerous applications requiring high stability over time periods from microseconds to one hour.

The most interesting feature about the device is its price, currently about a buck. The NE555 consists of a flip-flop controlled by two comparators. The flip-flop drives two outputs. One is the output which is used to control external circuits; the other is used to control charging and discharging current on a timing capacitor. Fig. 1 shows the basic pin connections of the NE555 and external components used for astable multivibrator operation.

operation

Free-running oscillation of the NE555 occurs when pins 2 and 6 are connected and pin 4 voltage is higher than 0.7 V. If the voltage on the capacitor is less than $1/3 V_{cc}$, the comparator connected to the trigger toggles the flip-flop, causing the output, pin 3, to go to logic high, and causing discharge, pin 7, to go to a virtually open circuit. The capacitor now charges from V_{cc} through R_a and R_b . When the threshold voltage, pin 6, reaches $2/3 V_{cc}$, the second comparator toggles the flip-flop causing the output to go to logic low and discharge to go to

Joe Buswell, WA5TRS, Post Office Box 10674, Midwest City, Oklahoma

ground. The capacitor now discharges through R_b to pin 7 until the voltage at pin 2 drops to $1/3 V_{cc}$. At that time, the flip-flop retoggles and a new cycle begins: From the Signetics data sheet,² the time the output is high is described by

$$T_{high} = 0.685(R_a + R_b)C \text{ (seconds)}$$

The time the output is low is

$$T_{low} = 0.685(R_b)C \text{ (seconds)}$$

The total time period is

$$T_{high} + T_{low} = 0.685(R_a + 2R_b)C \text{ (seconds)}$$

morse code generation

If the circuit of **fig. 1** is constructed with R_a small compared to R_b , the output will be a square wave of 50% duty cycle. This is the requirement for dots. The only problem with keying the circuit up from quiescent with the available control ports is that the voltage on pin 6 must rise from nearly zero to $2/3 V_{cc}$ on the first dot and rise from $1/3 V_{cc}$ to $2/3 V_{cc}$ on the succeeding dots. Therefore, the first dot is 40 or 50 percent longer than its successors.

The bias arrangement of **fig. 2** is used to hold the voltage on pin 6 slightly higher than $1/3 V_{cc}$ during rest, allowing it to fall below the required threshold during key down and form an almost perfect first dot.

The control, R_2 , is used to adjust the threshold voltage slightly higher than the internal threshold voltage and allow for the voltage drop of the diode. R_2 should

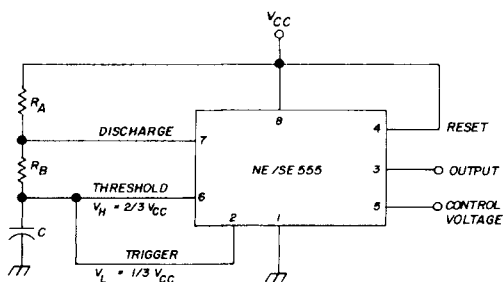


fig. 1. Astable multivibrator circuit using a Signetics NE555 IC.

be approximately equal to the value of R_1 to allow sufficient adjustment range. R_1 should be included to limit the current drain on the power supply when the key is closed and R_2 is inadvertently adjusted to maximum voltage. Diode CR_1 is included so that the bias circuitry

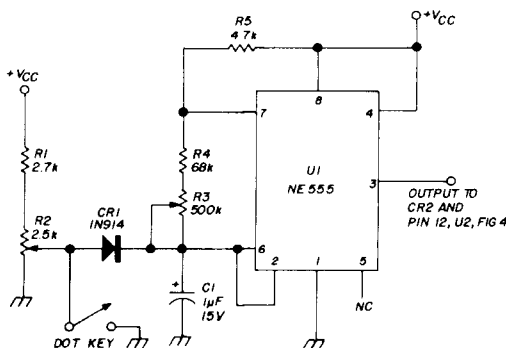


fig. 2. Dot generator using the NE555 IC. Potentiometers R_2 and R_3 should have linear taper (see text).

won't disturb operation of the timer during the charge-discharge cycle.

dash-dot ratio

The generation of dashes can be accomplished by various methods, of which two are described here. The first, which is generally used with digital logic circuits, is to frequency divide the dot pulse train by two and add the results to the dot pulse train as shown in **fig. 3**. The length of the dash formed by this technique is always equal to three times the length of one dot. The method also provides a dash space equal to one dot-length, which is correct.

This method is used in the solid-state keyer described in the ARRL Radio Amateur Handbook using RTL devices. With a little juggling of components, the more modern and less power-consuming TTL devices can be used.³ The circuit of **fig. 4** results from a desire to minimize parts. The JK flip-flop, a 7470 IC, was selected to perform the dividing because it has a built-in inverting amplifier on one of the J inputs (as well as on one of the K inputs) which allows grounding of, rather

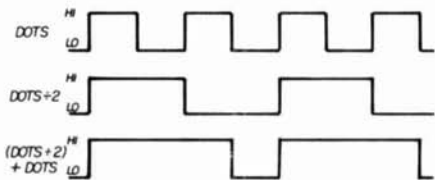


fig. 3. Timing diagram showing formation of dash length that is three times the length of one dot.

than supplying logic high to, the J input to activate the divider. Adding the flip-flop output and dot output is accomplished by diodes CR2 and CR3.

Closing the dash key grounds the timer control through CR4 and initiates a dot. At the same time the timer is initiated, the \bar{J} is brought to logic low which readies Q to go high on the rise of the clock pulse. It is important that \bar{J} be low *before* the clock pulse goes high. This is normally accomplished by the slight time lag caused by discharge of the timer capacitor, C1, fig. 2, down to the trigger voltage where the output toggles high.

If the bias voltage set by R2 is too close to the trigger voltage, there may be insufficient time between grounding of \bar{J} and the arrival of a clock pulse. The result is a dot followed by a dash. The remedy is to increase bias voltage by adjustment of R2 until reliable dash operation is

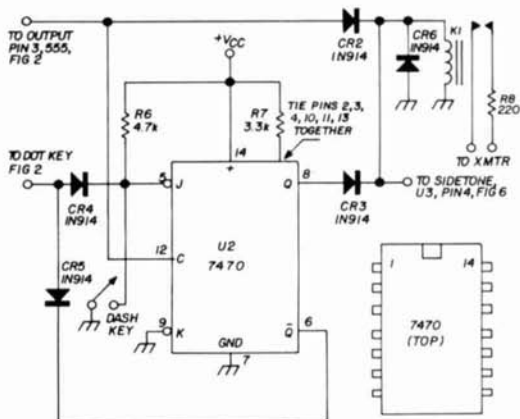


fig. 4. Dash generator circuit. Relay K1 is a 1A5AH, manufactured by the Electronics Application Company, 2213 Edwards Avenue, S. Elmonte, California 91733.

accomplished without excessive delay in initiation of characters after key closure.

After the dash starts the key can be opened because \bar{Q} , in the low state, will keep the timer running through the second dot initiation by virtue of CR5. At the end of the first dot the Q output of U2 is left high. The leading edge of the second dot resets Q low but the dash continues for the duration of the dot. The timer cannot start another dot (or dash) until the time lapse of a space has occurred. Also, a dot cannot be changed into a dash while the clock pulse on U2 is



Simple electronic keyer has speed range from 4 to 26 words per minute and has built-in sidetone monitor.

high. Therefore, the keyer is self completing.

keying speed control

The speed range of the keyer with the components shown is four to twenty-five words per minute. It may be preferable, to suit the builder, to use values of 250k and 33k for R3 and R4 respectively (fig. 2). This will give a speed range of 6 to 50 wpm. Use a reverse log taper control for R3 if it is available. If not, an audio taper control can be wired backwards (CCW rotation increases speed) to help linearize speed vs shaft rotation.

variable dot-dash length

A second keyer circuit which was built to explore the use of logic control circuits and exploit the capabilities of the NE555 timer is shown in fig. 5. In this circuit, when no character is being formed both inputs of gate A are high, forcing the output low. Gate B, wired as an inverter,



Variable dot- and dash-length keyer has built-in sidetone monitor. Variable controls in center of front panel control dot and dash length.

to go low. U2 triggers and the output goes high. C1 delays the high signal to the dash paddle for a sufficient length of time to allow gate C to switch low, latching the combination of gates C and D for the duration of the dash. The output of gate C, which is low, causes current flow through R2 and CR1 and a resulting low condition on CR2.

CR2 now charges through R3, R4, R5 and R6 until pin 6 of U2 reaches $2/3 V_{cc}$. At that time the flip-flop toggles, ending the dash and beginning the discharge of C2. C2 discharges through R3, R4 and pin 7 of U2, resulting in the length of the dash being a function of the values of R3, R4, R5 and R6, and the length of the space being a function of the values of R3 and R4.

If the dash key has been kept closed another dash will be initiated at the end of the space when the output goes high. It is impressed on one of the inputs of gate C, latching it for the duration of the second dash. If the dash key is opened after dash initiation, gates C and D will reset when the output of U2 goes low.

adjustment

The standard duration of a dash is three times the duration of a dot. Duration of a space equals that of one dot. Adjustment of the keyer is best accomplished by setting the dot speed first and then the dash length. Close the dot key and count the dots generated in $2\frac{1}{2}$ seconds (or 5 seconds, dividing by 2). This will be close to the words per minute rate. Set R3 to the desired speed. Now,

close the dash key and adjust R5 until the number of dashes generated in 5 seconds equals the number of dots generated in $2\frac{1}{2}$ seconds. (One dash plus one space equals 2 dots plus 2 spaces.) The keyer is now set correctly. If, at extremely low or high speeds, it is desired to vary the dot-dash length ratio from the standard to improve readability, controls R3 and R5 can be adjusted to suit the individual operator's taste.

sidetone generator

On either keyer it is desirable to include a tone generator to allow tune up without keying the transmitter sidetone to allow code practice with the keyer or to simply enable "show and tell" demonstrations. There is nothing exciting about a tone generator, but the one I used in these keyers is about as simple (and cheap) as one can be.

Fig. 6 shows the tone generator circuit using, you guessed it, another NE555 timer. In this circuit, the NE555 is wired as an astable multivibrator (which means oscillator) the same as the dot generator on the keyers. Refer to the operation of U1 on either keyer for description of why it oscillates. The only difference in hookup is pin 4 of U3. This is a reset pin. Grounding of this pin (less than 0.7 volt) forces pins 7 and 3 to logic low, regardless of what else is going on. When the keyer is making a dot or dash, the reset pin is high and the timer is allowed to cycle and generate a tone. Normally, the

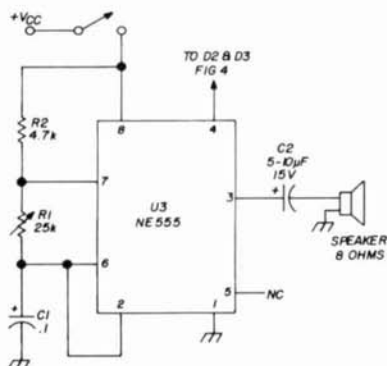


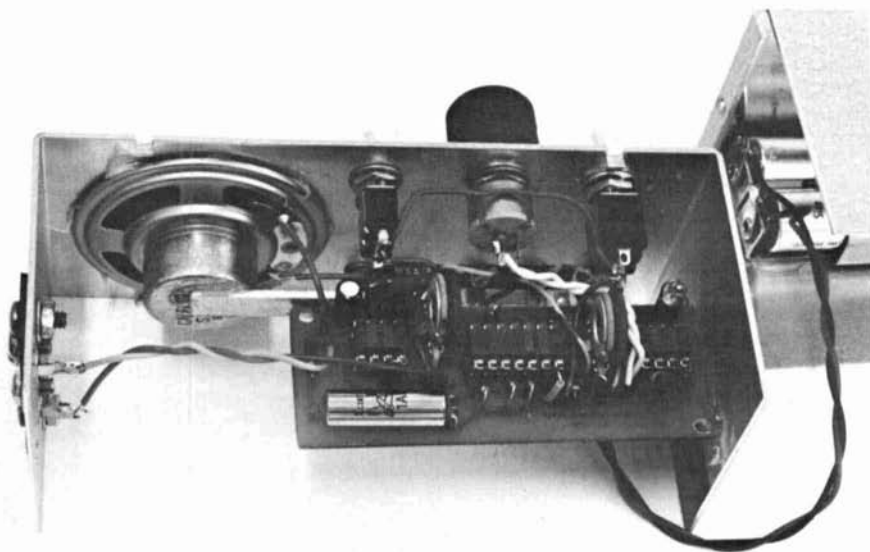
fig. 6. Sidetone generator circuit. Adjust value of C2 for suitable volume.

output of pin 3 would be a square wave but because of reactive loading by the 8-ohm speaker, the output looks like a sloppy sawtooth. However, the resulting tone is satisfactory.

Frequency is adjusted by R1 to suit the user. Since the timing calculations are upset by the speaker load the value of R1 was determined experimentally. R2 is only included to prevent pin 7 from

When using this method of construction, first decide on your layout, then stick on the conductors for the IC and other components. When this is done install the Molex connectors and solder them in place. Then break off the tie strip between connectors, install the ICs and start wiring.

The ICs are installed before wiring so the Molex connectors don't fall out of



Construction of the simple IC electronic keyer. A reed relay is used to key the transmitter.

drawing unnecessary current when it is grounded. C2 was included to limit the current which would flow each cycle after the initial voltage rise has thumped the speaker cone and done its job. The value of C2 can be varied to achieve the desired volume level.

construction

I chose to use prepunched, unclad circuit board with holes on 0.1-inch centers. Conductor paths and solder connections were made by combining adhesive backed conductors (Circuit-Stik or equivalent) and bus wire insulated with teflon spaghetti. The integrated circuits were plugged into Molex connectors.

the perf board when you're soldering nearby. The tie strip could be left intact until the wiring is finished, but to test for small solder bridges between pins the tie strip must be removed to check for short-circuits with an ohmmeter.

power supply

I prefer a power supply that doesn't have to be plugged into the wall, does not require recharging or battery replacement, and doesn't run down when it's accidentally left on — unfortunately, it hasn't been invented yet. Therefore, I ran one keyer with four penlight batteries and the other with a regulated power supply.

The fixed-ratio keyer was battery powered and ran satisfactorily between 4.5 and 7 volts, the range to be expected from batteries. The bias voltage on U1 was adjusted on the threshold of free running with the speed control set to maximum and supply voltage at the minimum which would operate the relay. This should be around 4.5 to 4.7 volts, depending on the relay and ICs obtained.

ground, respectively. Temporarily connect pins 6 and 3 together and measure the voltage from this connection to ground. This is the internal reference voltage. The supply voltage must be at least three volts above this for the circuit to function properly. In fact, the input voltage for five volts output should be at least eight volts. The maximum is limited by package dissipation of watt. (Volt-

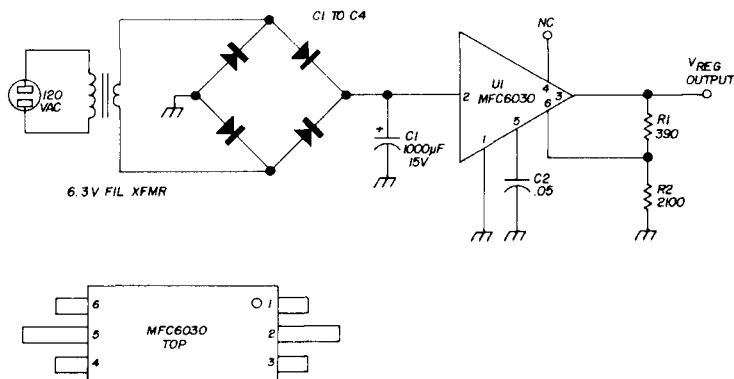


fig. 7. Regulated 5-volt power supply for the NE555 electronic keyers. Diodes CR1-CR4 are 500 mA, 50 PIV. See text for computing values of R1 and R2.

The keyer, thus adjusted, has a built-in warning that the battery is getting low. While making a character, current drain is 46 mA with sidetone on, 35 mA with it off. Quiescent current is 27 mA.

I tried a timer circuit which interrupted the power if the keyer was left idle for ten minutes, but it drew valuable battery power and added unnecessary complexity to the keyer. The regulated power supply in fig. 7 is good for up to 200 mA if the transformer and filter capacitor are stout enough. R1 and R2 establish regulated output voltage and the values may have to be determined experimentally. The reason for experimenting is the manufacturing tolerance of an internal voltage reference in the MFC6030. The published specifications state a range of 3.8 to 4.8 volts. Every one of several I have used measured 4.2 volts.

This can be measured by wiring the rectifier and filter circuits, installing C2, and connecting pins 2 and 5 to V+ and

ground (pin 1). Measure the voltage across R2 (age drop X load current). The formulas for computing R1 and R2 are

$$R1 = \frac{R2 (V_{reg} - V_{ref})}{V_{ref}}$$

$$R2 = \frac{V_{ref}}{I_{ref}}$$

Where V_{reg} is the desired regulated voltage, V_{ref} is the desired reference voltage on pin 6, and I_{ref} is the current flow through R1 and R2 (2 mA minimum).

For example, with a 5-volt regulated output and 4.2-volt reference

$$R2 = \frac{4.2 \text{ volts}}{2 \text{ mA}} = 2100 \text{ ohms}$$

$$R1 = \frac{2100 (5.0 - 4.2)}{4.2} = 400 \text{ ohms}$$

Since 400 ohms is not a standard value,

*Ei Instruments, Inc., 61 First Street, Derby, Connecticut 06418.

choose the next lower value, 390 ohms. Normal component tolerances should cause no problems. However, the output voltage should be checked to make sure it falls between 4.8 and 5.2 volts.

final comments

Within the pages of this magazine are the means to generate the thrill of discovery in anyone with a little curiosity and even less money. The cost of the parts is certainly nominal; the 7400 quad two input NAND gate cost me 26c, the 7470 JK flip-flop, 42c, and the NE555, 98c. At those prices I'm not afraid of blowing something up. The devices must be pretty sturdy because I make a lot of mistakes and haven't burned up an IC yet. I would recommend, for the sake of spontaneity, the use of a breadboard such as the one manufactured by El Instruments, Inc.* I have wasted a lot of perf board before I got smart. Now I can wire up any of the circuits described here in less than fifteen minutes (including mistake corrections).

I feared that rf would create many problems without shielding and bypassing these circuits. Actually, there was no problem around my equipment with the transmitter on but there was a problem with stray, power-line field-generated voltage, and transients carried by the power line to my home. A large metallic tool held in the hand and touched to the circuitry would trigger the timer. I could not duplicate the condition in the lab where a storage oscilloscope was to be used to track down the method of spurious triggering. The final solution, on my radio bench at least, is to refrain from touching the live circuitry with large metallic tools!

references

1. Ed Noll, W3FQJ, "Circuits and Techniques," *ham radio*, March, April, June and July, 1972.
2. Signetics Data Sheet, Timer NE555, Signetics, 811 East Arques Avenue, Sunnyvale, California 94086.
3. Don Aldridge, WA7RLL, "The Micro-TO Keyer with TTL ICS," technical correspondence, *QST*, September, 1972.

ham radio

**Proved in
Commercial 2-way
Now Available
To Amateurs!**

Larsen Mobile Gain Antenna 144-148 MHz



The result of over 25 years of two-way radio experience. Gives you . . .

- 3 db + gain over 1/4 wave whip
- 6 db + gain for complete system communications
- V.S.W.R. less than 1.3 to 1
- Low, low silhouette for better appearance

The fastest growing antenna in the commercial 2-way field is now available to Amateurs. It's the antenna that lets you HEAR THE DIFFERENCE. Easily and quickly adjusted to any frequency. Hi-impact epoxy base construction for rugged long life. Silver plated whip radiates better. Handles full 100 watts continuous. Models to fit any standard mount. Available as antenna only or complete with all hardware and coax.

Get the full facts on this amazing antenna that brings signals up out of the noise . . . provides better fringe area talk power. Write today for fact sheet and prices.

*Sold with a full money back guarantee.
You hear better or it costs nothing!*

also available . . .

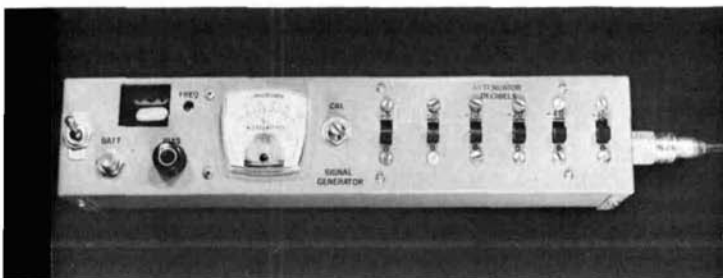
**5 db Gain Antenna for
420-440 MHz and 440-460 MHz**

Phased Collinear with same rugged construction as Larsen 2 meter antennas and 5 db gain over reference 1/4 wave whip. Models to fit all mounts. Comes with instructions. Write today for full fact sheet and price.



Larsen Antennas

11611 N.E. 50th Ave. ■ Vancouver, WA. 98665
Phone 206/695-5383



crystal test oscillator and signal generator

This stable crystal
test oscillator
uses one low-cost IC
to provide a
stable rf
test signal
from 1 to 10 MHz

This test oscillator was built to fill the need for a stable, resettable test signal source for aligning communications receivers. A handful of crystals gives several accurate marker frequencies with no tuning adjustments. The unit also serves as a handy crystal tester with a built-in meter to indicate relative activity.

The circuit uses a single Motorola MC799P integrated circuit that costs

A.A. Kelley, K4EEU, 2307 South Clark Avenue, Tampa, Florida 33609

about \$1.00, but will oscillate with any crystal from approximately 1 MHz to 10 MHz. The basic circuit is stable and has been used with a frequency counter,¹ but slightly smaller capacitor values have been used here to insure that less active crystals will oscillate. The circuit provides 32 pF crystal loading; a small E.F. Johnson variable trimmer capacitor may be used to adjust the crystal to the exact frequency. This capacitor may be omitted if you don't need this feature.

The circuit is not critical so use the parts you have on hand. It will even oscillate with 450-kHz crystals if the 22-pF series capacitor is increased in value. The variable bias pot is broadly adjustable to compensate for battery voltage.

construction

The oscillator is built inside a 2½ x 2¼ x 12-inch Minibox with crystal sockets submounted so that some shielding is provided by the surrounding box. If the generator were to be primarily used at low output levels, it might be advisable to provide a cover plate over the crystal socket area. Two sockets for HC6U and FT-243 will provide for most types in use today.

The six attenuator pads are constructed with standard resistor values and mounted on dpdt slide switches obtained from Weinschenker.* Shields fabricated from scrap aluminum are closely fitted between switch sections to control leak-

tester and gives instant indication of crystal activity. The output level may be set for half-scale on the meter to monitor the input to the attenuators.

After construction, my supply of surplus FT-243 crystals was checked and

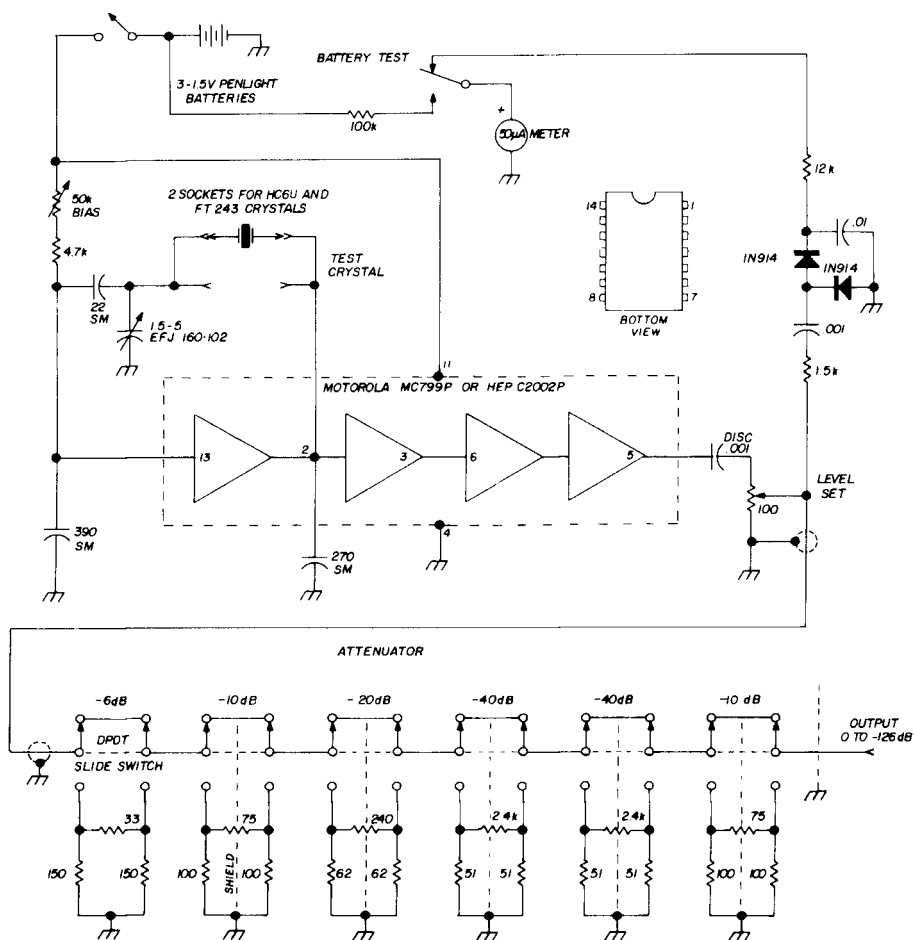


fig. 1. Circuit diagram for the crystal test oscillator and signal generator. MC799P IC will oscillate with any crystal from 1 to 10 MHz. Output attenuator uses standard resistor values to provide up to 126 dB of output signal control.

age across the pads, and the interior coax fitting is shielded to prevent leakage around the assembly.

The inexpensive Japanese 50-microampere meter serves as a battery

several were rejected. It was found that crystals defective in this checker would not oscillate in tube oscillators either. A few could be salvaged by careful cleaning.

reference

1. A.A. Kelley, K4EEU, "Compact Frequency Counter," *ham radio*, July, 1970, page 16.

ham radio

*M. Weinschenker, Box 353, Irwin, Pennsylvania 15642. Slide switches are priced at six for \$1.00, dpdt, red or black.



Up to

20% off mfg's List — Antennas & Towers

on package deals

Write for our catalog and quote

Up to

**20% off mfg's List — Transceivers, Transmitters
Receivers; with Power Supplies**

on package deals

Write for our catalog and quote

20% off mfg's List — Accessories: Mikes, SWR Bridges

Minimum Order: \$10.00

SPECIAL! Antenna King Wire
RG8 Low Pass Foam, 100'/\$10
Under 100'/.14¢ Ft.

Phone Patches, Coax Switches

Antenna Rotors, Coax cables

Books, Tools etc.

Most items in stock! All new merchandise is guaranteed by manufacturer for (90) days from date of purchase. All in-warranty repairs must be returned TO THE MANUFACTURER PREPAID BY CUSTOMER. Prior authorization is required by Antenna King for any exchange. Freight is collect, charges will be collected upon delivery. We reserve the right to choose method of shipment. Should an item reach you in damaged condition, notify the transportation company & us at once. DO NOT return the merchandise to us unless we instruct you to do so. Avoid delays — remit money order, cashiers check or bank certified personal check. Otherwise, orders are held for bank clearance of check. California orders add 5% sales tax. Sorry, no C.O.D.s or trade-ins. MASTERCHARGE & SWAN credit cards accepted. MASTERCHARGE: List Account #, expiration date, interbank # (4 digits) SWAN: Credit Account # & Call Numbers. Prices & specifications are subject to change without notice. Small price increases are put into effect immediately. Should there be a substantial price increase, we will notify you before shipping.

Increase Your Buying Power with "MASTER CHARGE" Bank Credit Card

ANTENNA KING
Box A
Lomita, Calif. 90717
Phone (213) 534-"KING"

KING

SIZED SPECIALS for MARCH

TRI EX HY GAIN ANTENNA TOWER PACKAGE

51 ft. Free Standing Tower W/Base, Hy Gain Super TH6DXX 10/15/20 Beam,
100 ft. ea. RG8 & Rotor Cable Prepaid, HAM-M Heavy Duty Rotor With Brake.

HAM M HEAVY DUTY ROTOR W/BRAKE	\$599.00
RG8-LOW LOSS FOAM COAXIAL CABLE	\$ 89.95
TR44 MEDIUM DUTY ROTOR NO BRAKE	\$ 59.95
HY GAIN TH6DXX 10/15/20 BEAM	\$144.95
SWAN 500CX 550WATTS 5 BAND	Write for our best price
STANDARD 826MA 10 WATT FM 12CH.	Write for our best price
STANDARD C146A 2 WATT HAND HELD 5CH.	Write for our best price
GALAXY GT550A 5BAND 550WATTS NEW	Write for our best price
COBRA MIC, PRE-AMP MODEL 301 NEW	\$ 14.95
REGENCY HR2A 15WATT FM 6CH, MOBILE	Write for our best price
HY GAIN 5/8 WAVE 2METER MOBILE ANT.	\$ 15.95
HY GAIN BN86 3-30 MG, 2KW BALUN	\$ 10.95

("KING-SIZE SPECIALS" ARE PRE-DISCOUNTED FOR YOUR CONVENIENCE)

*TAKE THE GAMBLE OUT OF SHOPPING!
Send Us Your Best Quote & We'll TOP It!*

ANTENNA KING
Box A
Lomita, Calif. 90717
Phone (213) 534-"KING"



solid-state mobile touch-tone circuit

This
all solid-state
Touch-Tone circuit
provides
automatic,
mobile fm
operation

Roy C. Hejhall, K7QWR, Motorola Semiconductor Products, Inc.

Since joining the growing crowd of two-meter fm repeater enthusiasts over a year ago, I have observed a variety of telephone Touch-Tone pad interface circuits for connecting the pad to the transmitter. Most have had various features which I felt could be improved upon by an all solid-state version. Thus, I launched the design effort which resulted in the circuit described in this article.

background

One of the better circuits to come to my attention is the one described in an excellent article by WØLPQ.¹ This circuit has several advantages over other Touch-Tone interface circuits commonly in use: automatic keying of transmitter with delayed drop-out, automatic connect-disconnect of Touch-Tone audio output to transmitter audio system, and no transformer or battery required.

It was decided that the new design would incorporate the above features while replacing the relay with an all solid-state circuit. This approach has the advantage of all electronic circuitry (no

moving parts). Total cost of all four transistors is only \$1.56.

I also decided to inject the audio signal someplace downstream in the transmitter speech amplifier, instead of at the super-sensitive, high-impedance microphone input. There is adequate signal level available to do this. Making connection to a higher signal level, lower impedance point in the speech amplifier minimizes hum worries and eliminates the

level control R1, unity gain amplifier Q2, and on to the transmitter.

Transistor Q3 is a dc switch and Q4 is both a dc and signal path switch. Q1, a Darlington-connected transistor pair in a single package, performs the function of the transmitter push-to-talk switch.

All four transistors are normally *off*. When any button on the 35A3 Touch-Tone pad is depressed, Q1, Q3 and Q4 become essentially short circuits while

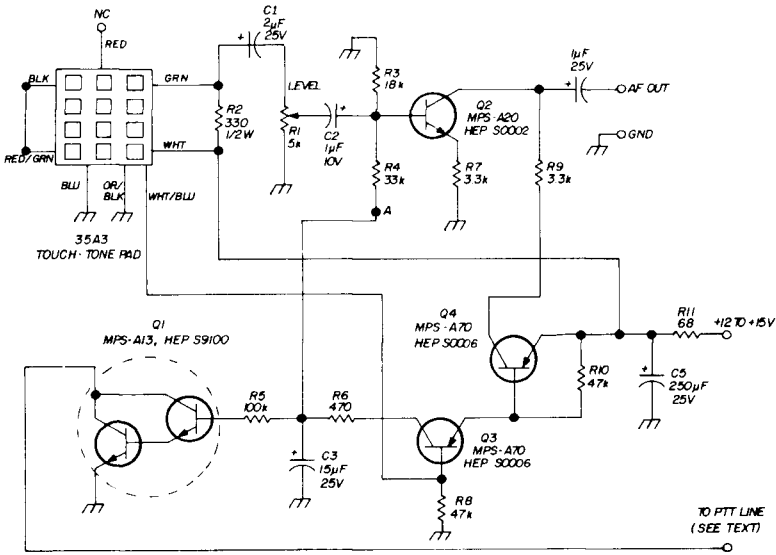


fig. 1. Schematic diagram of the mobile Touch-Tone circuit. The 5.1k resistor connected between the blue and white/blue leads inside the 35A3 must be removed.

need for shielded wire to carry the audio signal to the transmitter.

the circuit

Fig. 1 shows the schematic of the Touch-Tone interface. The Touch-Tone pad I used is a Western Electric Model 35A3. All wires on the 35A3 are color coded and the schematic indicates the connections by wire color.

One modification of the 35A3 is required. Remove the 5.1k resistor which is connected to the white and white-blue leads. This is easily located and snipped out.

The green wire is the audio output lead of the 35A3. The signal goes through

Q2 is biased *on* to perform its amplifier function.

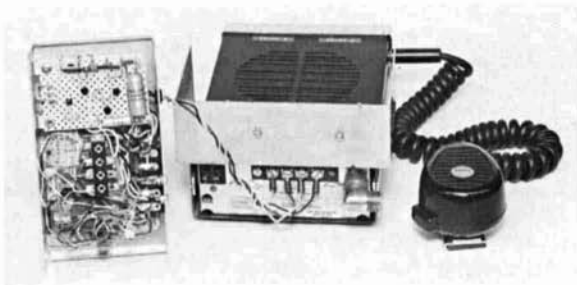
The automatic audio disconnect is accomplished by turning transistors Q2 and Q4 off. Under these conditions, essentially an open circuit is presented to the point of signal connection inside the transmitter. Transistor Q3 performs the function of turning Q1 and Q2 on and off. The dc input filter R11-C5 was added to reduce spikes (or ac ripple when operating from an ac supply).

I liked WØ LPQ's automatic keying and delayed drop-out features, and incorporated similar functions in this circuit. This results in the transmitter being keyed automatically when any 35A3 button is

depressed. It remains keyed until after the last digit of the phone number is dialed, instead of switching back to receive between each digit. This delay is accomplished by the gradual discharge of C3 through R3, R4, Q2, R5 and Q1 after Q3 is switched off. Resistor R6 limits the turn-on charging current through Q3 to a safe value.

There is nothing critical at all about the circuit, and layout is left to the constructor. In fact, as one who works with rf most of the time, building a noncritical audio circuit is a refreshing

Bottom view of the Touch-Tone circuit. At top is the circuit, mounted on a 2 x 3" piece of Vector perf-board. Touch-Tone pad is below. The four terminals on the back of the HR-2A were modified to permit connection to the solid-state Touch-Tone circuit.



change of pace. A printed-circuit is available to those who are interested.* Level control R1 should be a "set it and forget it" control, so it may be an internal screwdriver adjustment.

connection and checkout

The dc feedline is connected directly to the automobile electrical system with no voltage regulation or additional filtering beyond that shown in fig. 1. The circuit also functions very well when connected to an ac supply with 1.2 volts peak-to-peak ripple when the transmitter is keyed. If your car is noisy, the value of capacitor C5 may have to be increased.

The lion's share of total current drain is the 16 mA or so drawn by the 35A3 Touch-Tone pad. The remainder of the

*Printed-circuit boards are now available from Contact, Inc., 35 West Fairmont, Tempe, Arizona 85281, for \$3.00 for the board only, or \$11.50 fully wired and tested, plus 25 cents postage and handling. Please direct all correspondence regarding the board to this address and not to the author.

circuit draws less than 2 mA when on and less than 0.5 mA when off.

The automatic transmitter keying circuit is designed to be connected in parallel with the PTT mike switch in the Regency HR-2A. Before making connection to the PTT line of other rigs, the following must be determined:

1. The PTT circuit must be similar to that shown in fig. 2.
2. The PTT line current must be less than 300 mA with up to 16 Vdc input to the rig.

If your rig does not meet these requirements, the automatic keying portion of the interface circuit must be redesigned, not connected, or eliminated.

Not connecting this function simply means leaving the collector of Q1 open. To eliminate this portion of the circuit, delete Q1, R5, C3 and R6; connect the collector of Q3 to the lower end of R4 (point A). Neither of these options will have any effect on the operation of the remainder of the interface circuit.

Advantages of connecting the audio output someplace downstream in the transmitter speech amplifier were discussed earlier. However, for the builder who prefers making the connection to the microphone input, the circuit should function just as well that way with no modifications. In the HR-2A I connected the audio output of the circuit to the junction of C226 and R223 between the second and third stages of the speech amplifier.

Excessive rf from the transmitter can

cause the interface circuit to malfunction. To prevent this I bypassed the PTT and dc supply lines inside the HR-2A. This was accomplished by connecting 0.001- μ F disc ceramic capacitors between the lines and ground at the point where the lines leave the HR-2A cabinet to go to the Touch-Tone circuit.

The only adjustment is R1. If deviation measuring equipment is available, set it for the deviation specified for your local auto-patch system. Otherwise, set R1 for reliable operation of the patch.

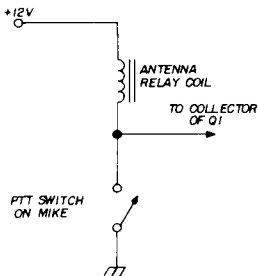


fig. 2. Push-to-talk circuit for the Regency HR-2A vhf fm transceiver.

circuit variations

The time that the transmitter remains keyed after release of the last button is determined by the capacitance value of C3. To shorten the time, decrease the capacitance; to lengthen it, increase the capacitance.

A temporary disabling mode for the automatic keying feature may be included by adding a switch from the base of Q1 to ground. Closing this switch will prevent automatic keying of the transmitter without affecting the operation of the remainder of the circuit.

acknowledgment

Special thanks are due to Dick Evans, W7BBW, who constructed and field tested the prototype unit.

reference

1. William P. Lambing, WØ LPO, "Mobile Operation with the Touch-Tone Pad," *ham radio*, August, 1972, page 58.

ham radio

CAPACITORS

ALL NEW FULL AXIAL LEADS

1 Mfd @ 25 Volts	5 for \$1.00
3 Mfd @ 6 Volts	5 for \$1.00
5 Mfd @ 15 Volts	5 for \$1.00
10 Mfd @ 6 Volts	5 for \$1.00
30 Mfd @ 15 Volts	5 for \$1.00
80 Mfd @ 2.5 Volts	5 for \$1.00
100 Mfd @ 15 Volts	5 for \$1.00
250 Mfd @ 30 Volts	5 for \$1.00
500 Mfd @ 25 Volts	3 for \$1.00
800 Mfd @ 20 Volts	3 for \$1.00
1000 Mfd @ 12 Volts	3 for \$1.00

NEW NEW NEW

Transformer — American made fully shielded 115 volt primary. Secondary #1, 18-0-18 volts @ 4 Amps; Secondary #2, 5 volts @ 2 Amps. A very useful unit for LV power supply use. Price — A low \$4.75 ppd.

BACK IN STOCK

Toroids-Unpotted-Centertapped. Your choice — 88 mhy or 44 mhy
5 for \$2.00 ppd. or 15 for \$5.00 ppd.

ITT 1N4002 DIODES	12¢ ea. ppd.
ITT 1N4004 DIODES	18¢ ea. ppd.
ITT 1N4007 DIODES	28¢ ea. ppd.
TI 1N914 DIODES	16 for \$1.00 ppd.
1N270 DIODES	20¢ ea. ppd.

MAJOR BRAND 1 WATT EPOXY ZENERS.

1N4728	1N4733	1N4738	1N4743
1N4729	1N4734	1N4739	1N4744
1N4730	1N4735	1N4740	1N4745
1N4731	1N4736	1N4741	1N4746
1N4732	1N4737	1N4742	1N4747

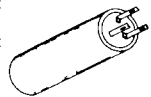
All New with full leads

Your Choice 4 For \$1.00 ppd

PLUG-IN OCTAL MOUNT 100 kc Xtal \$3.50 ppd.

DUAL SECTION ELECTROLYTIC CAPACITOR.

100 mfd x 100 mfd Both at 380 Volts. Common Ground. Ideal for Transceiver power supplies. \$1.00 ea. ppd.



250,000 American made disc ceramics. Almost all have full leads. All clearly marked with values. A bargain we may not repeat.

100 Assorted	\$2.00 ppd.
500 Assorted	\$7.50 ppd.
1000 Assorted	\$10.50 ppd.

NEW NEW NEW

BUY OF THE YEAR

Assorted untested diodes. All new with full leads. Spot check shows about 75% good useable units. Many, many Zeners, some 400mw, some 1 Watt, some 3 Watt. Also power diodes. Put those testers to work and save dollars. About 1200-1400 pieces per pound. PRICE is a low — \$6.00 for half pound ppd. or \$10.00 for a full pound ppd.

Power Transformer. 115 Volt AC Primary. Secondary #1: 32-0-32 Volt @ 1 Amp. Secondary #2: 6.3 Volts. Low Current For Pilot Lights. Size 2 1/2" x 2 1/2" x 3". Price: \$2.50 Each ppd.

6.3 Volt 1 Amp Transformer. Fully Shielded \$1.60 Each ppd.

 **m. weinschenker**
K 3DPJ BOX 353 · IRWIN, PA. 15642



HW16 modifications for vfo operation

Easily made mods
to enhance
the versatility
of this
popular rig

James T. Takashima, WB6MZN, 19104 Wadley Avenue, Carson, California

The Heath HW16 transceiver is very popular with many Novice-class hams. However, the HW16 transmitting frequency is crystal controlled, so the owner of this equipment will probably be buying a new rig or a vfo now that the FCC has lifted the crystal-control restriction for the Novice-class licensee.

The HW16 can be easily modified to incorporate vfo capability. This and other desirable features are described, which will enhance the versatility of the HW16. The vfo mod alone will cost about \$5, and the options will cost another \$9 or so, even if all parts must be bought new.

modifications

The modifications are indicated with heavy lines on the block diagram, **fig. 1**. I believe this is a simple and logical way to receive and transmit on frequencies controlled by the vfo built inside the rig.

The HW16 heterodynes the incoming signal with three oscillator frequencies to produce the audio output when receiving. So let's up-convert these oscillator frequencies when transmitting and answer that CQ right on frequency! This "reversed double conversion" is accomplish-

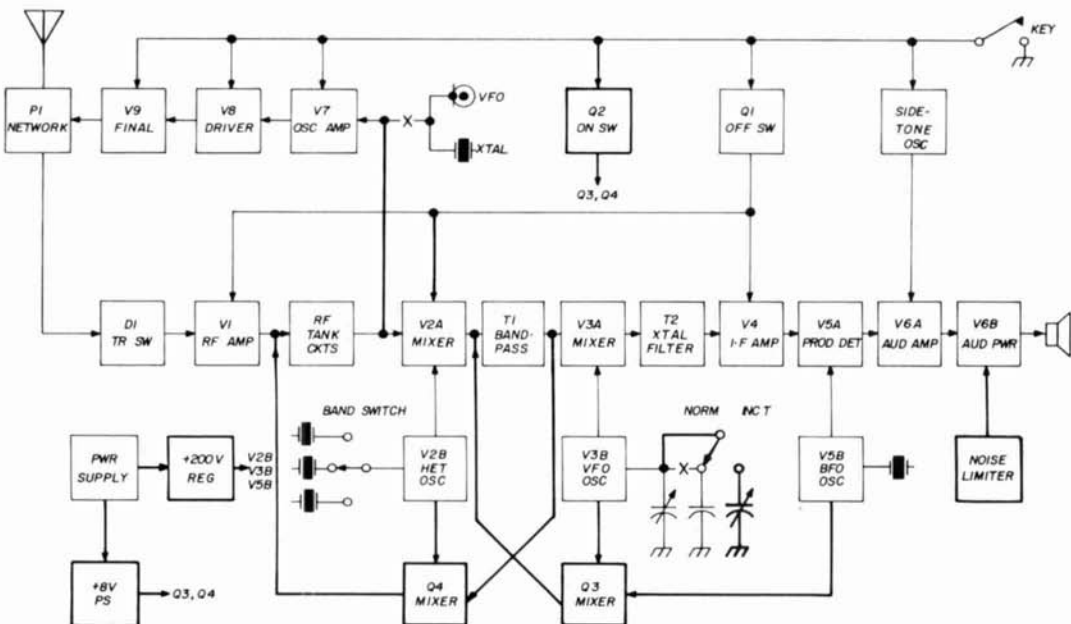


fig. 1. HW16 modifications for improved versatility. Modifications are shown in heavy lines in this diagram and in the schematic, fig. 2.

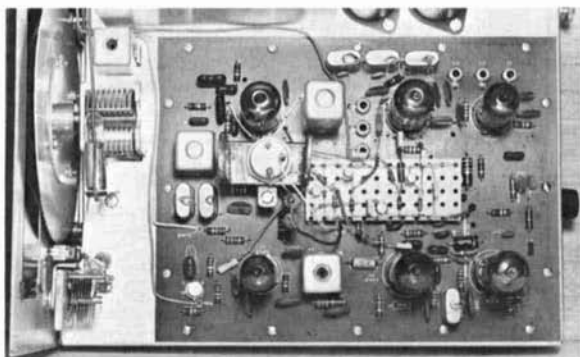
ed using the oscillators and tuned circuits already in the HW16 for all bands. The rf signal thus generated is at the frequency to which the receiver is tuned (minus the audio frequency, to be exact). It is then amplified through the three stages of the transmitter.

construction

Heavy lines and symbols in the sche-

matic, **fig. 2**, show all the additions and changes needed for the modification. The transistor mixers work well when their base-current limiting resistors are chosen for the collectors to operate at about +4 Vdc. Other type transistors with equivalent current gain and cutoff frequency should also make good mixers. Power and voltage requirements are extremely low. The mixers and ON switch are on a 1 x

New components are mounted on a Vector board located between V2 and V5. Existing Heath components have been mounted on the other side of the existing circuit board to provide clearance for modifications.



3-inch Vector board mounted between V2 and V5, where existing components have been mounted upside down on the other side of the printed circuit board to clear the area. The change of R24 resistance value is to increase the receiver sensitivity, and the R28 change is to improve oscillation stability of V2B. A

frequency change is about ± 10 kHz per ± 2 -pF change of the 6-pF variable capacitor. The switch is placed in NORM position when this mode is not used.

Other optional features are supply voltage regulation for the oscillator tubes to prevent possible chirping and the noise limiter to eliminate key clicks in the side

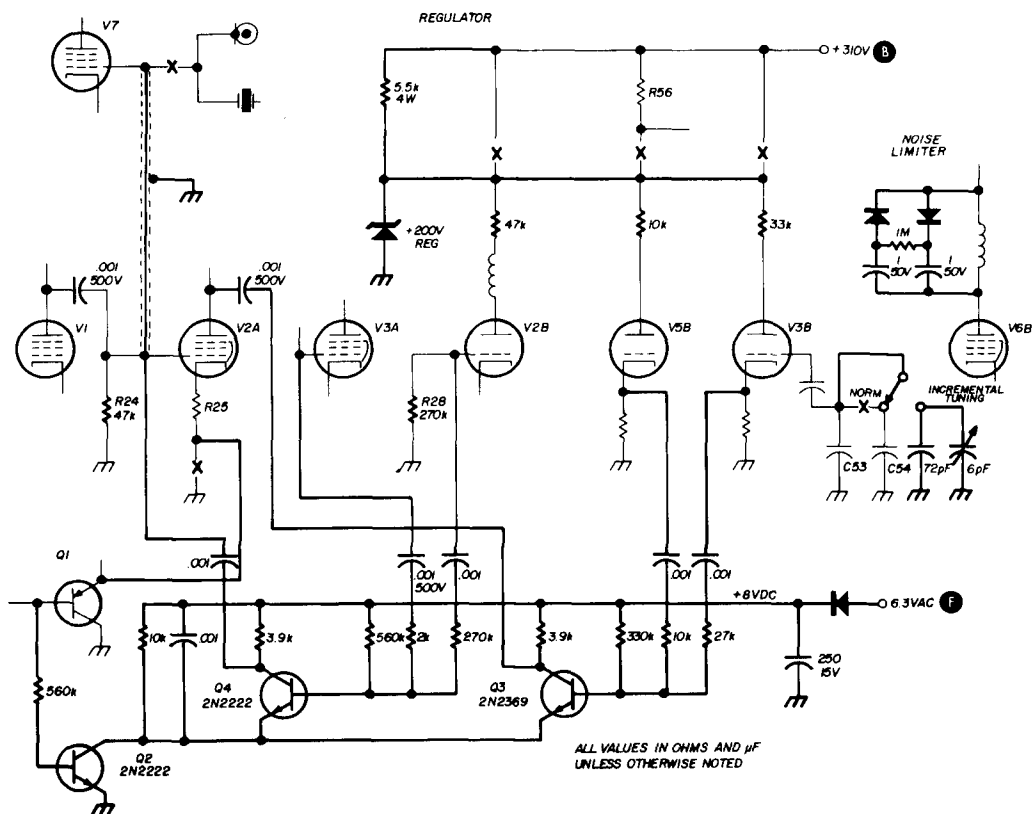


fig. 2. HW16 schematic showing modifications. Features include transmit vfo, incremental tuning, power-supply regulation for the oscillator tubes, and side-tone key click filter.

small amount of retuning of tank circuits may be necessary.

other improvements

Incremental tuning is an optional feature to provide an extra tunable receiving capability around a transmitting frequency, or vice versa. The switch and variable capacitor for incremental tuning are mounted on the front panel — the only externally visible modification. Fre-

tone. The zener diode shown in the schematic is actually the collector-base portion of a silicon power transistor on a good heat sink. Tube-type voltage regulators and different transistors can be used, but all the parts for the modification are from junk boxes in my case. Tubes (6CB6 for Q3 and 6U8 for Q4) were used initially and successfully except for much greater heat dissipation.

ham radio

NEW Instant access to 144 frequency pairings with 20 watts out on the new HR-212 twelve channel 2 Meter FM Transceiver by Regency

Specifications

Power Output: 20 watts (nom.) at 13.8 V DC

Frequency Range: 144-148 MHz

Channels: 12; crystal controlled

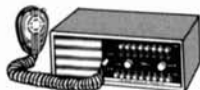
Sensitivity: 0.4 uv, 20 DB quieting

Spurious Rejection: 60 DB



Model HR-212 \$259 Amateur Net
Includes microphone, mounting bracket and factory installed transmit and receive crystals for 146.94 MHz.

for all your 2 Meter FM needs



Model HR-2MS 8 channel Transcan™ with signal search reception and 15 watts minimum output. \$319.00 Amateur Net



Model HR-2A 6 channel transmit, 12 receive 2 Meter FM Transceiver with 15 watts minimum output. \$229.00 Amateur Net



Model AR-2 Amplifier boosts 2 Meter FM output power 300%. \$119.00 Amateur Net



Electronics, Inc.
7900 Pendleton Pike • Indianapolis, Indiana 46226

See you at the
*World's Largest
Hamvention!*

28 APRIL 1973

22nd
ANNUAL

DAYTON HAMVENTION

WAMPLER'S HARA ARENA

Dept. H — Box 44

Dayton, Ohio 45401

TECHNICAL SESSIONS • EXHIBITS
LADIES PROGRAM • AWARDS
FLEA MARKET • TRANSMITTER HUNT
BANQUETS



NEW 450MHz
MOS FET PRE-AMP

HF 450
WIRED
29⁹⁵



15DB GAIN WITH 4.5DB NOISE FIG.
SILVER PLATED G11 APOXY GLASS
P.C. BOARD HAS LOW RF LEAKAGE
OPERATING RANGE 406 TO 470 MHz
SIZE 3 5/8 BY 1 1/8 INCHES
WILL OPERATE FROM 10 TO 15 VDC

6T-HR2
6 freq.
crystal
deck



ADDS 6 TRANSMIT FREQ. TO THE
HR-2, HR-2A AND TRANSCAN RADIOS.
NO MAJOR CHANGES TO RADIO.
KIT- - - - - \$9.95
WIRED- - - - - \$13.95

SCAN-2
with
search
back



MOUNTS IN HR-2 WITH OUT ANY
MODIFICATION TO THE RADIO.
CAN BE MOUNTED IN THE HR-212.
GIVES USER SCANNING TYPE RADIO
AT A FRACTION OF THE COST.

WIRED ONLY- - - - - \$19.95

NEW for HR-2
SCAN-2 with search back

SCAN-2
WIRED
19⁹⁵



SCANS TWO CHANNELS TWENTY
TIMES A SECOND PLUGS INTO
HR-2 and NEEDS ONLY THREE
SOLDERING CONNECTIONS
SEARCH BACK WORKS ONLY WHEN
SCANNER IS STOPPED SO YOU
CAN HEAR TRAFFIC ON OTHER
CHANNEL (EVERY 5 SECONDS)

HF144 MOS FET PREAMP

FAMOUS 2-METER PRE-AMP
17db GAIN ONLY 3db OF
NOISE INSERTION
KIT- - - - - \$11.95
WIRED- - - - - \$17.95

SPECIAL OF THE MONTH

WAHL SOLDERING
IRON:
GREATEST THING
SENCE ELECTRICITY



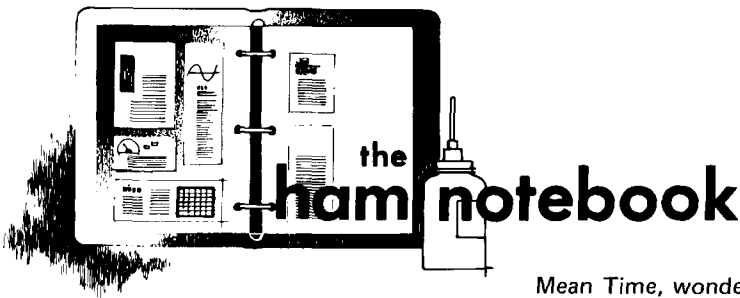
FINE TIP \$2.25
GENERAL \$1.75
This is a saving
of \$2.00 over
regular price.

WRITE FOR FREE 1973 CATALOGUE

special
17⁹⁵



Topeka FM Communications and Electronics
1313 E. 18 Terr. Topeka, Kansas 66607



tone-burst generator

The tone-burst generator circuit shown in **fig. 1** uses a new, low-cost Signetics IC, the NE555. Although this circuit was designed specifically for the HR2 vhf fm transmitter, the circuit could be easily adapted to other vhf fm equipment. The 5-megohm audio pot in the U1 circuit provides a nice scale expansion of burst length in the 0.3- to 1-second range. Tone frequency is controlled by the 25k linear pot in the circuit of U2; output fre-

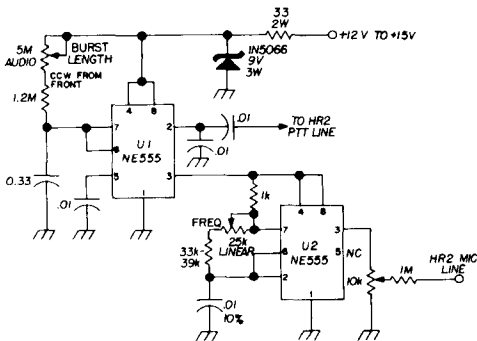


fig. 1. Circuit for the IC tone-burst generator.

quency is from approximately 1300 Hz to 2500 Hz.

There are many other circuit possibilities for the new Signetic NE555 IC, including tone generators, timers, repeater control, AFSK modulators, code oscillators, pulse detectors, clock generators and electronic keyers.

Phil Elrod, K4COF

zulu time

Frequently, someone makes a remark over the air when using Z after Greenwich

Mean Time, wondering why that letter is used. For many years, the Military services have used letters, except for the letter J (nobody seemed to want Jig Time), to designate time zones. Eastward from Greenwich, the zones are lettered A through M (except J). Westward, the letters N through Y apply.

Thus, within the United States, the following apply for 0000Z (GMT):

EDST	2000Q
EST and CDST	1900R
CST and MDST	1800S
MST and PDST	1700T
PST	1600U

Note that M and Y both apply to the zone across the International Date Line; the time is the same, but the date is different. M applies to the west side of the date line whereas Y applies to the east side.

Bill Conklin, K6KA

simple timer

The article in the September, 1972, issue of *ham radio*, on simple repeater-control timers prompts me to point out a useful integrated circuit which I have used in several construction projects — the Signetics NE555V timer module.

The NE555V is an 8-pin, half DIP package selling for about \$1.00 that can be used as a monostable or a stable multivibrator with a timing period from 2 microseconds to an hour. Further applications include missing pulse detection, pulse-width modulation, pulse-position modulation or voltage-controlled multivibrator.

A chief advantage of the NE555V over other IC one-shots is the ease in obtaining long time delays. The 74 series IC one-

shots provide time delays given by $T = 0.32 RD$, where R is restricted to 30 to 50 Kiloohms. The NE555V provides time delays given by $T = 1.1 RC$, where R can be as high as 10 megohms. Thus, with the same RC values, the NE555V gives a

supply approximately 9 volts dc. This is connected to an NPN emitter-follower voltage-regulator circuit. A 4-volt zener in the base of this transistor provides a regulated 3.3 volts at the emitter.

The 120-volt loop supply is added by

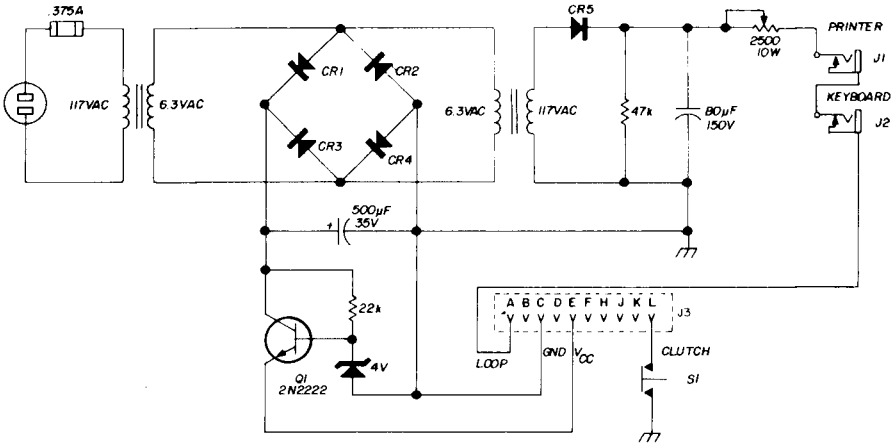


fig. 2. Circuit for the RTTY test generator. Diodes CR1-CR5 are 50 PIV, 100-mA diodes. S1 is a normally closed, momentary contact switch. Phone jacks J1 and J2 must be insulated from the chassis.

factor of three advantage in delay time, while the large allowable resistance provides delays up to an hour.

A word of caution is in order when using large capacitor values. If poor quality capacitors are used, the leakage current should be considered in computing the time delay since it acts as a parallel resistance. I have used 1-meg resistors and 150-microfarad tantalums for 3-minute delays with no problems.

Elmer Mooring, W3CIX

RTTY test generator

The RTTY RY generator described in the March, 1971, issue of *ham radio* can be made into a compact test unit, including a 120-volt loop supply and 3.3 volt Vcc for the generator board, and housed in a 2-1/8 x 3 x 5-1/4-inch Minibox. The supply for the generator board is obtained by using a 6.3-volt transformer (Radio Shack 273-050) and bridge to

connecting another 6.3-volt transformer back-to-back with the one used in the 3.3-Vdc supply. This provides 110 Vac, isolated from the power line, which is rectified to provide the 120-Vdc loop voltage. A 2500-ohm adjustable resistor permits setting loop current to 60 mA. Two closed-circuit phone jacks are connected in series with the loop supply. With the printer plug in one jack, loop current can be monitored with a milliammeter plugged into the other jack. Local copy can be generated by plugging the keyboard into the second jack and, of course, when the RY generator is active the loop is keyed to give local RY copy.

The clutch circuit is wired in this unit to a normally-closed momentary-contact switch. This provides a steady 60 mA of magnet current which may be keyed by the keyboard for local copy. Depressing the momentary contact switch will cause the loop to be keyed with a stream of RYs until the switch is released.

Tom Gibson, W3EAG

new products

vhf fm transceiver



The introduction of a new 10-channel 2-meter fm transceiver has been announced by General Aviation Electronics (Genave). The advanced GTX-2 is a lightweight, all-solid-state unit manufactured by a leader in the field of navigation and communications electronics equipment for the aircraft and marine industries. It comes complete with quick disconnect power cable, plug-in microphone, SO-239 antenna connector and mobile mounting bracket, and retails for \$249.95.

Push-button frequency selection is a major feature of the innovative GTX-2. It comes equipped with a 146.94 MHz communications channel. The remaining nine channels are available for installation at the factory or by the owner. Crystals are available for \$6.50 each.

The high performance capability of the compact and lightweight instrument (5 lbs) is made possible through fully transistorized and integrated circuitry. The extensive use of integrated circuits results in decreased size and weight, and significantly reduced power consumption, while providing maximal power output and reliability. The use of ICs also results

in more economical manufacturing processes, which contribute to the extraordinarily low cost of the unit.

The new unit features characteristics usually found only in more expensive radios, including a surprising 30 watts of output power. It is readily adaptable for fixed or mobile operation. A multi-position switch allows setting for long-time low power drain operation. Thus, the radio can be operated for extended periods of time with minimal current usage.

In the receive mode sensitivity is less than 0.5 microvolts for 12 dB SINAD. Images are suppressed more than 45 dB and spurious responses are down more than 50 dB. Selectivity is ± 8 kHz. Squelch threshold is 0.5 μ V maximum.

The transmitter covers the frequency range from 144 to 148 MHz, and features nominal output power of 30 watts. The output matches standard 50-ohm amateur antennas. Frequency deviation is adjustable to 10 kHz maximum. For more information, write to General Aviation Electronics, Inc., 4141 Kingman Drive, Indianapolis, Indiana 46226, or use *check-off* on page 94.

microtransmitter

Lithic Systems has announced a milestone in monolithic integrated circuits — the world's first radio transmitter on a chip.

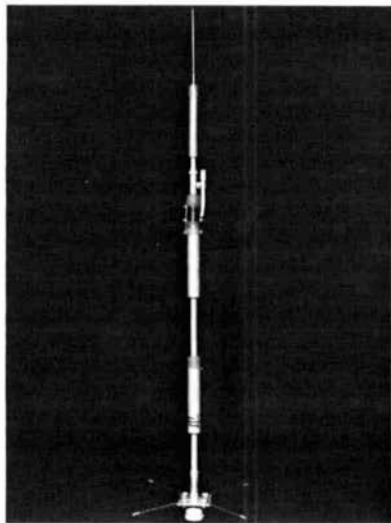
Designated the LP2000 *Microtransmitter*, the device produces 100 mW pulse modulated, or 50 mW amplitude modulated at 27 MHz from a high stability, regulated monolithic oscillator using external crystal control. A unique transformerless modulating circuit has been created, with buffering between oscillator and modulated output stages. Rf output power and power drain are externally controlled. The IC also includes a low-level modulation preamplifier/tone-coding generator, internal power supply regulation, and a latching power supply switch which draws zero power from batteries in the "off" condition.

The circuit operates from +15- down to +3-volt supplies.

Intended applications include hand-held, mobile, airborne and marine two-way radio; remote controls, and short-range telemetry. Small size, low weight and high reliability make it attractive for biomedical monitoring and security alarms.

The LP2000 is available in a 10-pin hermetic TO-100 package. Small quantity distribution to amateurs and experimenters is through Circuit Specialists, P.O. Box 3047, Scottsdale, Arizona 85257. For more information use *check-off* on page 94.

base-station colinear antenna



The Antenna Engineering B-series base-station colinear antenna is a triple-skirted design operating with a decoupling ground plane. The antenna consists of seven quarter-wavelengths, and is available for all amateur and commercial frequencies in the 140-175 MHz, 220-225 MHz and 420-470 MHz bands. Unlike many antennas of this type, the B-series antenna is at dc ground for positive lightning protection, and the gamma-type feed is located on the radiating structure for symmetrical current distribution. The feed system will match 25 to 100 ohms for use with various transmission lines

INCREASE YOUR TALK POWER!

PROVEN ON-THE-AIR PERFORMANCE



MODEL ACA-1

\$49.95 KIT

ASSEMBLED

\$69.95

MODEL ACA-1 AUDIO COMPRESSOR features 45 DB compression range ■ Flat 20-20,000 Hz response ■ Extremely low distortion ■ Front panel compression meter and in/out switch ■ Accepts both high and low-impedance mikes ■ Easily installed in mike line ■ 110-volt a.c. or 12-volt d.c. operation ■ Only 5" W x 2¼" H x 4½" D.

MODEL ACP-1

\$24.95 KIT

ASSEMBLED

\$34.95



MODEL ACP-1 COMPRESSOR-PREAMP has 30 DB compression range ■ Flat 20-20,000 Hz response and low distortion ■ Designed for high-impedance mikes ■ Easily installed in mike line ■ 9-volt battery operation ■ Only 4" W x 2½" H x 3½" D.

IDEAL FOR TAPE RECORDERS!

Try one of these compressors as an automatic recording-level control. Used by recording studios, schools, and radio-tv stations. Great for p.a. systems, too!

3-CHANNEL WWV RECEIVER

(5, 10, and 15 MHz)



\$74.95 KIT

ASSEMBLED

\$99.95

0.25 microvolt sensitivity ■ Crystal controlled ■ 110-volt a.c. or 12-volt d.c. operation ■ Compact size only 4½" W x 2½" H x 5½" D.

Send check or money order, plus \$1.50 for shipping anywhere in U.S.A. California residents add 5% sales tax.

DEALER INQUIRIES INVITED



CARINGELLA ELECTRONICS, INC.

P.O. Box 327 □ Upland, California 91786

Phone 714-985-1540

Hi Hobby Industry

YOU CAN BE
WEARING THE GREEN
" in your pocket "



if you'll contact me ---- ask
about the HI-SAVINGS PLAN.
When you need "ham" gear &
accessories..... call H. I. !



73 Alan McMillan WØJJK

CALL: Tues./Sat.-Noon/5PM
Al McMillan WØJJK
(712) 323-0142

WRITE: HOBBY INDUSTRY
Box 864
Council Bluffs, Iowa - 51501

and in phased-arrays.

The supporting mast is heavy-wall aluminum alloy, and the radials are spring-tempered stainless steel. A mounting receptacle is provided for 1-inch NPT pipe. The unit is quite rugged for its light weight. Prices range from \$39.95 for the 140-175 MHz version to \$29.95 for the 420-470 MHz version.

For more information on the B-series base-station colinear, write to Antenna Engineering Company, Inc., Box 19449, Indianapolis, Indiana 46219, or use *check-off* on page 94.

high-power balun



The new Ultra-Bal 2000 balun from K.E. Electronics is available in either 1:1 or 1:4 ratio models, covers the frequency range from 3 to 30 MHz and features a 2000-watt average power rating. The Ultra-Bal 2000 is weatherproofed by encapsulation in low-loss resin. Unlike other baluns the Ultra-Bal 2000 is totally sealed; there are no drain holes to let moisture enter and cause problems with rf arc-over. The Ultra-Bal 2000 is wound with heavy silver-plated wire for low insertion loss and Teflon-insulated wire provides superior resistance to voltage damage under high swr conditions. The use of Delrin plastic for the center-of-dipole insulator eliminates hardware corrosion, and solid brass output terminals remove dissimilar metal contacts in the amateur antenna system.

The Ultra-Bal 2000 is priced at \$8.95 postpaid in the U.S.A., and is supplied complete with instructions, including detailed examples of the various impedance-matching techniques which may be used with the unit. Specify 1:1 or 1:4 impedance ratio. For more information, write to K.E. Electronics, Box 1279, Tustin, California 92680, or use *check-off* on page 94.

know this sign



To most people this is a symbol from Greek mythology. But to hundreds of thousands of active amateurs, Pegasus is the symbol of the Radio Amateur CALLBOOK the single most useful operating reference for active amateur stations. The U.S. Edition lists over 285,000 Calls, Names and Addresses in the 50 States and U.S. possessions while nearly 200,000 amateur stations in the rest of the World are listed in the DX edition.

Both editions contain much other invaluable data such as World Maps, Great Circle Maps, QSL Managers around the World, ARRL Countries list and Amateur Prefixes around the World, Time information, Postal Information and much, much more. You can't contest efficiently, you can't DX efficiently, you can't even operate efficiently without an up to date CALLBOOK.

To make the CALLBOOK even more valuable, three supplements are issued each year which bring your copy completely up to date every three months. These are available at a modest extra cost. Full details in every CALLBOOK.

Get your copies of the big new 1973 CALLBOOKS today.

US CALLBOOK
(less service editions)
Just \$8.95

DX CALLBOOK
(less service editions)
Just \$6.95

US CALLBOOK
(with service editions)
\$14.95

DX CALLBOOK
(with service editions)
\$11.45

Mail orders add 50¢ per CALLBOOK postage and handling.

See your favorite dealer or send today to:

WRITE FOR
FREE
BROCHURE

RADIO AMATEUR



callbook INC.

Dept. E 925 Sherwood Drive
Lake Bluff, Ill. 60044

The Satisfiers . . .



IC20 12 ch./10 watts
\$289.50 - 5 ch. supplied



IC21 24 ch./10 w.
AC & DC \$389.00
7 ch. spld base mobile

Inoue FM . . . The difference is in the Performance

Enjoy the difference in a really hot receiver that means results with the INOUE MOS/FET front end producing BETTER than .4uv/20db sensitivity.

You'll be able to forget about intermod and cross channel interference with INOUE'S unique combination of 5 helical resonators coupled with 2 I.F. filters.

Uniquely Inoue . . . Features that mean satisfaction to you

- **VERSATILITY** — Pick your power out with the High/Low power option, variable on the low position from .1 to 10 watts.
- **RUGGED DEPENDABILITY** — with exclusive modular construction. You can put your INOUE rig through rugged mobile-portable use, and count on it to keep on working. INOUE'S exclusive plug-in metal module construction frees you of the worry and frustrations of fragile single board construction.
- **ON-FREQUENCY ASSURANCE** — You can be sure you are on frequency with trimmer caps on both RX & TX for all channels, plus a built-in discriminator meter on the IC-21.
- **UNIQUE WARRANTY & SERVICING** — You'll keep your down time & service costs to a bare minimum with our 90 day warranty & module exchange program.

GET ON 2 FM NOW . . . AND DO IT RIGHT THE FIRST TIME . . . JOIN THE INOUE TEAM AND GET THE SATISFACTION YOU DESERVE FROM YOUR GEAR.

Drop us a line for more info. and the name of your nearest dealer. Dealers — Get in on the winning INOUE team, drop us a line or give us a call.

ICOM-EAST — a division of ACS

Box 331, Richardson, Texas 75080
Phone 214-235-0479

ICOM-WEST

1251 170th N.E., Bellevue, Wa. 98008
Phone 206-641-0554

TEST EQUIPMENT

New-used Tektronic, 502, 543A, 551, 545, 453, 555 etc. \$275/upt
Lease-Purchase

Plug-ins: CA, 53/54, z, N, etc.
Spectrum analyzers: Polorad, Neely Ross \$100/upt
VTVM's: HP 412, Ballantine, etc.
Sig Gens. Meas. Mod. 80-80R, HP 608's \$75/upt
Fantastic savings on all equipment. Overhauled and Calibrated. Wholesale direct to you! 213-997-0300
SDX, 7929 Hayvenhurst Ave., Van Nuys, Ca. 91406

NEW FROM BARKER & WILLIAMSON Model 333 Dummy Load / Wattmeter

Impedance 52 ohms
VSWR Less than 1.3:1 to 300 MHz
Power Range up to 250 watts intermittent duty
25 watts continuous
4-Calibrated 0 - 10 watts 0 - 125 watts
Ranges 0 - 50 watts 0 - 250 watts



PRICE ONLY \$79.95

See your dealer or write:
Barker & Williamson, Inc.



Canal Street, Bristol, Pa. 19007

NEW DRAKE TR-72

2-Meter FM Transceiver



- 23 Channels
- Superior Selectivity
- Completely Solid State

\$299⁹⁵

Including dynamic microphone, DC power cord, mobile mount and desk mount brackets, microphone hanger, auxiliary connector, and external speaker plug

GENERAL: • Frequency coverage: 144-148 MHz • 23 channels, 2 supplied (.52/.52 and .34/.94) • Completely solid state • Current drain: Rcv 0.4 A, Xmit 2.7 A (Hi power) or 1.2 A (Lo power) • Voltage required: 13.8 VDC • Antenna impedance: 50 ohms • Frequency adjusting trimmers on every crystal • Size: 7¹/₁₆"W x 2³/₈"H x 9⁷/₁₆"D (18 x 6 x 24 cm) • Weight: 5¹/₂ lbs. (2.5 kg).

TRANSMITTER: • RF output power: 10 W min. (Hi power) or 1 W (Lo power) at 13.8 VDC • Frequency deviation: adjustable to ±15 kHz max., factory set to ±6.5 kHz • Automatic VSWR protection

RECEIVER: • Crystal-controlled, double conversion superhet • Sensitivity: Less than .35 μ V for 20 dB quieting • Selectivity: 20 kHz at -6 dB (\pm 30 kHz and adjacent channel rejection at least 80 dB down) • Audio output: 1 W • Audio output impedance: 8 ohms • Modulation acceptance: \pm 7 kHz • Image rejection: -65 dB • Intermodulation and other spurious responses: at least 70 dB down.



DRAKE

AC-10 POWER SUPPLY
for 115 VAC operation
\$39.95

For complete details contact:

R. L. DRAKE COMPANY

540 Richard St., Miamisburg, Ohio 45342
Phone: (513) 866-2421 Telex: 288-017

for the EXPERIMENTER!

INTERNATIONAL EX CRYSTAL & EX KITS
 OSCILLATOR • RF MIXER • RF AMPLIFIER • POWER AMPLIFIER



1. MXX-1 TRANSISTOR RF MIXER

A single tuned circuit intended for signal conversion in the 3 to 170 MHz range. Harmonics of the OX oscillator are used for injection in the 60 to 170 MHz range. Lo Kit 3 to 20 MHz, Hi Kit 20 to 170 MHz (Specify when ordering).....**\$3.50**



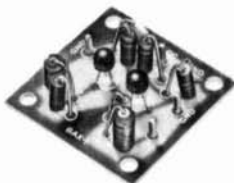
2. SAX-1 TRANSISTOR RF AMP

A small signal amplifier to drive MXX-1 mixer. Single tuned input and link output. Lo Kit 3 to 20 MHz, Hi Kit 20 to 170 MHz (Specify when ordering).....**\$3.50**



3. PAX-1 TRANSISTOR RF POWER AMP

A single tuned output amplifier designed to follow the OX oscillator. Outputs up to 200 mw, depending on the frequency and voltage. Amplifier can be amplitude modulated. Frequency 3,000 to 30,000 KHz.....**\$3.75**



4. BAX-1 BROADBAND AMP

General purpose unit which may be used as a tuned or untuned amplifier in RF and audio applications 20 Hz to 150 MHz. Provides 6 to 30 db gain. Ideal for SWL, Experimenter or Amateur**\$3.75**



5. OX OSCILLATOR

Crystal controlled transistor type. Lo Kit 3,000 to 19,999 KHz, Hi Kit 20,000 to 60,000 KHz. (Specify when ordering).....**\$2.95**



6. TYPE EX CRYSTAL

Available from 3,000 to 60,000 KHz. Supplied only in HC 6/U holder. Calibration is $\pm .02\%$ when operated in International OX circuit or its equivalent. (Specify frequency)**\$3.95**

for the COMMERCIAL user...

**INTERNATIONAL
PRECISION RADIO CRYSTALS**

International Crystals are available from 70 KHz to 160 MHz in a wide variety of holders. Crystals for use in military equipment can be supplied to meet specifications MIL-C-3098E.

CRYSTAL TYPES: (GP) for "General Purpose" applications
 (CS) for "Commercial Standard"
 (HA) for "High Accuracy" close temperature tolerance requirements.



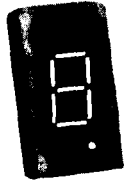
**write for
CATALOG**



CRYSTAL MFG. CO., INC.
 10 NO. LEE • OKLA. CITY, OKLA. 73102

Semiconductor Supermart

• MOTOROLA • RCA • FAIRCHILD • NATIONAL • HEP • PLESSEY •



Actual Size

DIGITAL READOUT

At a price everyone can afford **\$3.20**

- Operates from 5 VDC
- Same as TTL and DTL
- Will last 250,000 hours.

The MiniTRON readout is a miniature direct viewed incandescent filament (7-

Segment) display in a 16-pin DIP with a hermetically sealed front lens. Size, and appearance are very similar to LED readouts. The big difference is in the price. Any color filter can be used.

INTRODUCING NEW DEVICES AT NEW LOW PRICES

LA3018 (replaces CA3018)	\$1.60
LA3046 (replaces CA3046)	\$1.60
LS370 (replaces LM370)	\$4.00
LS1496 (Improved MC1496)	\$2.00
LS3028A (replaces CA3028)	\$1.60
LP1000 (a new fun-type device to make LED flashers, audio osc, timer, etc.)	\$1.60

Coming soon the LP2000 Micro-transmitter in a 10-pin IC package.

NATIONAL DEVICES

LM370 AGC/Squelch amp	\$4.85
LM373 AM/FM/SSB IF strip/Det	\$4.85
LM309K 5V 1A regulator. If you are using TTL you need this one.	\$3.00

POPULAR IC's

MC1550	Motorola RF amp	\$1.80
CA3020	RCA 1/2 W audio	\$3.07
CA3020A	RCA 1 audio	\$3.92
CA3028A	RCA RF amp	\$1.77
CA3001	RCA	\$6.66
MC1306P	Motorola 1/2 W audio	\$1.10
MC1350P	High gain RF amp/IF amp	\$1.15
MC1357P	FM IF amp Quadrature det	\$2.25
MC1496	Hard to find Bal. Mod.	\$3.25
MFC9020	Motorola 2-Watt audio	\$2.50
MFC4010	Multi-purpose wide-band amp	\$1.25
MFC8040	Low noise preamp	\$1.50
MC1303P	Dual Stereo preamp	\$2.75
MC1304P	FM multiplexer stereo demod	\$4.95

FET's

MPP102	JFET	\$0.60
MPP105/2N5459	JFET	.96
MPP107/2N5486	JFET VHF/UHF	\$1.26
MPP121	Low-cost dual gate VHF RF	.85
MFE3007	Dual-gate	\$1.98
40673		\$1.75
3N140	Dual-gate	\$1.95
3N141	Dual-gate	\$1.86

MOTOROLA DIGITAL

MC724	Quad 2-input RTL Gate	\$1.00
MC788P	Dual Buffer RTL	\$1.00
MC789P	Hex Inverter RTL	\$1.00
MC790P	Dual J-K Flip-flop	\$2.00
MC799P	Dual Buffer RTL	\$1.00
MC780/880	RTL decade counter	\$3.00
MC1013P	85 MHz Flip-flop MECL	\$3.25

MOTOROLA TUNING DIODES

Silicon voltage variable capacitance diodes in TO-92 plastic case like plastic transistors. Both standard Motorola and HEP numbers are listed: devices are same. Capacitance value is typical at -4Vdc. Tuning ratio is approx. 3:1.

MV2101/R2500	6.8 pF	\$1.10
MV2103/R2501	10 pF	\$1.10
MV2105/R2502	15 pF	\$1.10
MV2109/R2503	33 pF	\$1.10
MV2112/R2504	56 pF	\$1.10
MV2115/R2505	100 pF	\$1.10

MORE RCA IC's

CA3088E	AM rcvr subsystem	\$2.50
CA3089E	FM IF system with circuits for IF amp., Det., AF preamp., AFC, Squelch, & tuning meter	\$3.90
CA3018	Transistor array	\$1.55

NEW FAIRCHILD ECL HIGH SPEED DIGITAL IC's

9528	Dual "D" FF toggles beyond 160MHz	\$4.65
9582	Multi-function gate & amplifier	\$3.15
95H90	300 MHz decade counter	\$16.00

A 95H90 & 9582 makes an excellent prescaler to extend low frequency counters to VHF — or use two 9528s for a 160 MHz prescaler.

Box 3047H, Scottsdale, AZ 85257

CIRCUIT SPECIALISTS CO.

Please add 35¢ for shipping

FACTORY AUTHORIZED
HEP-CIRCUIT-STIK
DISTRIBUTOR



TRANSMIT THE CLEANEST SIGNAL ON THE AIR

... with a New SWAN Fully Solid-State Transceiver!

You'll appreciate the comments about your signal. You'll get outstanding reports on your readability, strength and tone. Be a proud owner of a truly reliable all solid-state rig . . . at a price you can afford!

SWAN ELECTRONICS offers you superb craftsmanship you can see, feel, and hear. Inside, these units are uniquely designed. Progressive, proven engineering state-of-the-art techniques are enriched by the most practical advanced components available. Externally, Swan has designed these new transceivers to be appreciated by every ham, and the XYL, because it was hams who told us what they wanted. It's all here . . . up-to-the-minute in styling and convenience . . . easy to operate.

ENJOY CLEAR, CLEAN TRANSMISSIONS — The finest quality on the air. Signals are strong, stable and easy to read. Select from your choice of 3 models:

**80-10 Meters, SSB, CW,
VOX, NOISE BLANKER and
a whole lot more!!**

SWAN SS-15 (15 Watts P.E.P.) \$579.00
 SWAN SS-100 (100 Watts P.E.P.) \$699.00
 SWAN SS-200 (200 Watts P.E.P.) \$779.00

ACCESSORIES INCLUDE:

SWAN PS-10 (115V AC power supply for SS-15/SS-100) \$ 89.00
 SWAN PS-20 (115V AC power supply for SS-200/SS-100/SS-15) \$139.00
 SWAN SS-1200 (1200 Watt P.E.P., tube type, Linear Amplifier) \$299.00
 SWAN SS-208 (External VFO) \$159.00
 SWAN SS-16B (Super Selective Filter) \$ 79.95
 SWAN 610X (Crystal Controlled Oscillator) \$ 53.95

Just 10% down is all that is needed, if you use your Swan Credit Service account, to put an all-solid-state rig in your ham shack. Why wait? Order yours now!!



305 Airport Road • Oceanside, CA 92054 • Phone (714) 757-7525



Go all the way into the **REPEATER**

There's nothing half-way about the new Hy-Gain *REPEATER LINE*. Designed for the man who demands professional standards in 2 meter mobile equipment, the REPEATER LINE is the 2 meter HAM's dream come true. It's got everything you need for top performance... toughness, efficiency and the muscle to gain access to distant repeaters with ease. Reaches more stations, fixed or mobile, direct, without a repeater.

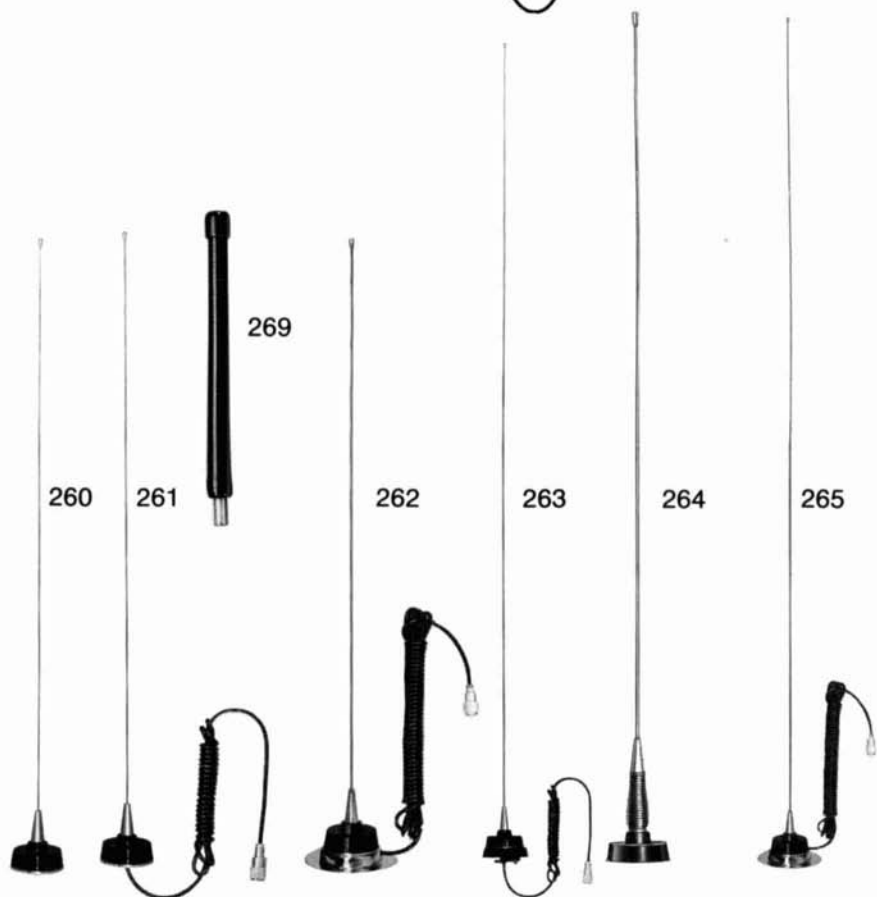
The right antennas for the new FM transceivers...or any 2 meter mobile rig.

Rugged, high riding mobiles. Ready to go where you go, take what you dish out...and deliver every bit of performance your rig is capable of.

- 261 Commercial duty 1/4 wave, claw mounted roof top whip. Precision tunable to any discrete frequency 108 thru 470 MHz. Complete with 18' of coax and connector. 17-7 ph stainless steel whip.
- 260 Same as above. Furnished without coax.
- 262 Rugged, magnetic mount whip. 108 thru 470 MHz. Great for temporary or semi-permanent no-hole installation. Holds secure to 100 mph. Complete with coax and connector. Base matching coil for 52 ohm match. 17-7 ph stainless steel whip.
- 263 Special no-hole trunk lip mount. 3 db gain. 130 thru 174 MHz. 5/8 wave. Complete with 16' coax. Operates at DC ground. Base matching coil for 52 ohm match. 17-7 ph stainless steel whip.
- 264 High efficiency, vertically polarized omnidirectional roof top whip. 3 db gain. Perfect 52 ohm match provided by base matching coil with DC ground. Coax and connector furnished.
- 265 Special magnetic mount. 3 db gain. Performance equal to permanent mounts. Holds at 90 mph plus. 12' of coax and connector. Base matching coil for 52 ohm match. 17-7 ph stainless steel whip. DC ground.
- 269 Rugged, durable, continuously loaded flexible VHF antenna for portables and walkie talkies. Completely insulated with special vinyl coating. Bends at all angles without breaking or cracking finish. Cannot be accidentally shorted out. Furnished with 5/16-32 base. Fits Motorola HT; Johnson; RCA Personalphone; Federal Sign & Signal; and certain KAAR, Aerotron, Comco and Repco units.

2 meter mobile! with

LINE from **HY-GAIN**



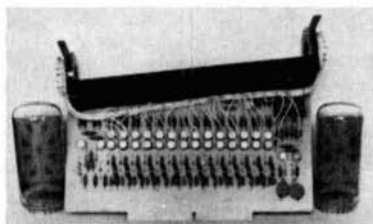
Top performance for 2 meter mobiles
THE REPEATER LINE
from

HY-GAIN ELECTRONICS CORPORATION

BOX 5407-WC LINCOLN, NEBRASKA 68505

WRITE FOR DETAILS

GIANT B-7971 NIXIES (2) with 2 sockets and driver board containing hi voltage transistors. Complete plug-in board as removed from operational equipment. Schematics included. Unbelievable but true . . . just \$2.50 for the complete package. #72S-10 \$2.50



- Mod. 28-LPR Typing Reperf, 5 level 100 wpm w/motor \$35.00
 Mod. 28-LARP non-typing reperf, 5 level less motor \$10.00
 Mod. 28-LBX-D1 Trans/Dist, with motor, 5 level \$25.00
COMBO DEAL — 1 ea. of above 3 units; \$60.00

Please add postage for above.

JOHN MESHNA JR. ELECTRONICS P. O. Box 62 E. Lynn, Mass. 01904

15¢ IC BONANZA

Brand new DTL dual inline (DIP) package, factory marked ceramic type. The price is too good to be true. Fully guaranteed and with specs.

- 930 Dual 4 input NAND gate similar to 7420
 931 Clocked flip flop similar to 74110
 932 Dual 4 input Expand Buff similar to 7440
 933 Dual 4 input expander similar to 7460
 936 Hex Inverter similar to 7405
 945 JK Flip Flop similar to 74110
 946 Quad 2 input gate similar to 7400
 962 Triple 3 input gate similar to 7410
 15¢ each

Buy \$100 worth and deduct 10%
 24 hour delivery guaranteed

RCA MEMORY CORE STACK \$50.00
 32x32x9 9 frames with 1024 cores/frame and diode matrix attached. **1024 Memory Area** measures only 2x2 inches. Full stack of 9 planes only \$50.00
1024 Core Memory Frames cut from above core stack 6.00 ea. postpaid.

CRYSTAL BARGAINS

Depend on . . .

We supply crystals from 16kHz to 100MHz. Over 6 million crystals in stock.

SPECIAL

Crystals for most amateur 2-Meter F.M. Transceivers:

\$3.75 Each

Inquire about quantity prices. Order direct. Send check or money order.

For first class mail add 15¢ per crystal...for airmail add 20¢ ea.



DIVISION OF BOB WHAN & SON ELECTRONICS, INC.

2400 Crystal Dr.
 Fort Myers
 Florida 33901
 (813) 936-2397

Send 10¢ for new catalog with oscillator circuits and lists of thousands of frequencies in stock.

SPECIALS! CRYSTALS FOR:

Frequency Standards	
100 KHz. (HC13/U)	4.50
1000 KHz. (HC6/U)	4.50
Almost All CB Sets, Trans. or Rec. (CB Synthesizer Crystal on request)	2.50
Any Amateur Band in FT-243 (Except 80 meters)	4 for 5.00
80 Meter Range in FT-243	2.50
Color TV 3579.545 KHz. (wire leads)	1.60
	4 for 5.00



Radio Amateurs Reference Library of Maps and Atlas

WORLD PREFIX MAP — Full color, 40" x 28", shows prefixes on each country . . . DX zones, time zones, cities, cross referenced tables — postpaid \$1.25

RADIO AMATEURS GREAT CIRCLE CHART OF THE WORLD — from the center of the United States! Full color, 30" x 25", listing Great Circle bearings in degrees for six major U.S. cities; Boston, Washington, D. C., Miami, Seattle, San Francisco & Los Angeles. postpaid \$1.25

RADIO AMATEURS MAP OF NORTH AMERICA! Full color, 30" x 25" — includes Central America and the Caribbean to the equator, showing call areas, zone boundaries, prefixes and time zones, FCC frequency chart, plus informative information on each of the 50 United States and other Countries — postpaid \$1.25

WORLD ATLAS — Only atlas compiled for radio amateurs. Packed with world-wide information — includes 11 maps, in 4 colors with zone boundaries and country prefixes on each map. Also includes a polar projection map of the world plus a map of the Antarctica — a complete set of maps of the world. 20 pages. size 8 1/4" x 12" postpaid \$2.50

Complete reference library of maps — set of 4 as listed above — postpaid \$3.75

See your favorite dealer or order direct.

WRITE FOR FREE BROCHURE!

RADIO AMATEUR **callbook** INC.
 Dept. E 925 Sherwood Drive
 Lake Bluff, Ill. 60044

The BEST CW in the world!

comes from Keyers by



MEMORY-MATIC 8000 Deluxe Keyer

The unquestioned leader in the keyer field. Up to 8000 bit easy-to-use memory capacity allows storage of up to eight complete message sequences. More features than you've ever imagined. The contesters' and traffic handler's dream keyer.

Complete details in our exciting free catalog.

MEMORY-MATIC 500B Keyer

Easy-to-use 500 or 800 bit read/write memory offers complete flexibility to automate your CW station the modern Data Eng. way. Keep up with the winners with this exciting keyer. Send for full details.

Sh. wt. 4 lbs. with 500 bit memory \$198.50
with 800 bit memory \$219.50

SPACE-MATIC 21-B

The Switchable Keyer. It's up to eight-keyers-in-one. Use the switches to make this your very own personal keyer, both today and tomorrow. Add such features as dot dash memory or adjust spacing with the turn of a switch. Completely versatile, completely perfect with everything you will ever want. Full details in our catalog.

Sh. wt. 4 lbs. \$89.50

CRICKET 1

At last — a popularly priced IC keyer with more features for your dollar than all others in its price range. Fatigue-free sending with clean, crisp CW at all speeds.

Sh. wt. 3 lbs. \$49.95

FEATHER TOUCH KEY

Replace that mechanical key with our new electronic key. Go modern with Feather Touch the electronic key that detects the mere touch of your finger. Develop a truly professional fist.

Sh. wt. 2 lbs. \$22.95
adapted to MM-8000 & MM-500B \$27.95

MST-60

Synchronize your Meteor, Tropo, or Moon Bounce communications with WWV for transmission at 15, 20, 30 and 60 second intervals with this precision Meteoric Scatter Timer.

Sh. wt. 2 lbs. \$49.50

Send for FREE Catalog ● 5 Year Guarantees

Send today or use "Check-Off" to get our exciting new catalog describing the most complete line of electronic keying equipment available plus many other exciting accessories for your station.

DATA ENGINEERING INC.



Ravenworth Industrial Park, Springfield, Va. 22151

5554 Port Royal Road • 703-321-7171



FMS-3

The frequency marker that gives you more. Just right for band edge markers for 160 to 10 meter bands.

Sh. wt. 2 lbs. \$32.95
(less batteries)

FMS-5

Designed specifically for the FMer. This deluxe frequency standard allows precise calibration of all receive and transmit crystals in the 10, 6, 2 and 1 1/2 meter FM bands. No more off frequency operation with the FMS-5.

Sh. wt. 2 lbs. \$44.50
(less batteries)

2-METER PREAMP

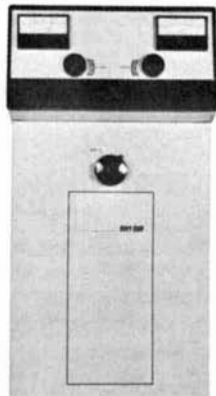
Specially made for both OLD and NEW receivers. The smallest and most powerful preamp available. Provides 20dB gain to bring in the weakest signals.

Sh. wt. 4 oz. \$9.50 kit
\$12.50 wired

BROADBAND PREAMP

Unable to hear those weak signals? Been missing that rare DX "getter"? Give your receiver a boost. 1-30 MHz. 36dB gain 160-40 meters, dropping to 19dB on 10 meters.

Sh. wt. 6 oz. \$17.95



THE HENRY 3K-A

COOL AND EASY MAX. LEGAL POWER • SSB CW, RTTY or SSTV THROUGH COMMERCIAL RATINGS • 3.5 TO 30MHz • CONTINUOUS DUTY • SILVER PLATED Pi-L PLATE TANK • DC

RELAYS • ALC • BUILT IN SWR BRIDGE • OUTPUT POWER 2 KW MIN. IN COMMERCIAL SERVICE • **THE FINEST COMMERCIAL GRADE AMATEUR LINEAR AMPLIFIER AVAILABLE ANYWHERE IN THE WORLD AT ANY PRICE FOR ONLY \$995 • THE HENRY 3K-A • THE LINEAR FOR THE CX-7A**

YOU will never know how little it costs to own **THE** incomparable CX-7A or Henry 3KA until **YOU** write or phone us and let us know the trade in deal **YOU WANT**. We usually say yes! **NO ONE ANYWHERE BEATS OUR DEAL.**

*Credit terms available on export orders to qualified firms.

signal/one
CX-7A

*
exclusive
export
agent
for
signal/one



signal/one

- 160-10 Meters — 300 Watts
- Transceiver or split frequency with two built in VFOs — CW keyer built in
- IF shift — new superior QRM remover
- IF noise blanker — digital nixie frequency readout — superb computer grade construction
- FSK keyer — adjustable output power — broadband tuning — output wattmeter and reflected power meter **\$2395**

AMATEUR-WHOLESALE ELECTRONICS
8817 S. W. 129 Terrace-Miami, FL 33156

Telephone — days (305) 233-3631

— nights and weekends (305) 666-1347



CAMP ALBERT BUTLER RADIO SESSION

14th year - July 28th - Aug. 10th

Courses Taught: General Theory and Code
Advanced Theory and Code
Amateur Extra Theory and Code
Golf privileges at New River Country Club; also fishing
TRULY A VACATION WITH A PURPOSE!!!

People attended from the following states and areas:
North Carolina, South Carolina, Missouri, Tennessee, Utah, Florida, Oklahoma, West Virginia, Alabama, New Hampshire, Iowa, District of Columbia, Vermont, Arizona, Indiana, Ohio, New Jersey, New York, Massachusetts, Maryland, Virginia, Illinois, Michigan, Georgia, Kansas, Mississippi, Nebraska, Maine, Kentucky, California, New Mexico, Arkansas, Texas, Wisconsin, Louisiana, Oregon, Connecticut, Minnesota, Pennsylvania.

OUT OF STATE:
Puerto Rico; Saskatchewan, Canada; Ontario, Canada; Quebec, Canada; Granada, Spain; London, England; Geneva, Switzerland; Netherland, Antilles; St. Croix, Virgin Islands.

C. L. Peters, K4DNJ, Executive Director
Gilvin Roth Y.M.C.A., Elkin, North Carolina 28621
Please send me the Booklet and Application Blank for the Camp Albert Butler Radio Session.

Name _____ Call _____
Address _____
City/State/Zip _____

SUPER CRYSTAL THE NEW DELUXE DIGITAL SYNTHESIZER!! FROM Rp



MFA-22 DUAL VERSION

Also Available MFA-2 SINGLE VERSION

- Transmit and Receive Operation: All units have both Simplex and Repeater Modes
- Accurate Frequency Control: .0005% accuracy
- Stable Low Drift Outputs: 20 Hz per degree C typical
- Full 2 Meter Band Coverage: 144.00 to 147.99 MHz. in 10KC steps
- Fast Acting Circuit: 0.15 second typical settling time
- Low Impedance (50 ohm) Outputs: Allow long cable runs for mobiles
- Low Spurious Output Level: similar to crystal output

SEND FOR
FREE DETAILS

Rp Electronics

ALSO: PARTS, ETC., BOX 1201H
COMPLETE STATIONS — CHAMPAIGN, ILL.
ALL CHANNELS SYNTH. 61820

BRAND NEW LOWEST PRICES

GENERAL ELECTRIC \$2.95
3 FOR \$6.00

3-WATT AUDIO AMP

Delivers 3 watts continuous, 10 watts peak. With heat sinks; micro-mini size: $3\frac{1}{2} \times 2\frac{1}{2} \times \frac{1}{2}$ ". 9 to 30V supply. High sensitivity: 8 to 16 ohms. For mono and stereo phones, tape, FM, AM, TV, servo.

DIGITAL CLOCK KIT

By Scientific Devices

\$44.00 WITH CASE

- * Smaller & more compact
- * $8" \times 5\frac{1}{2}" \times 3"$ case

The lowest price digital clock kit (with cabinet) as far as we can see in U.S.A. Scientific Devices' engineering dept. took extra patience in designing to give you the finest digital clock kit using the latest techniques in an easy-to-understand booklet. The cabinet-making section gives the "finer" decorating touch so that it may fit into any room at home, shop or office. Walnut laminated tapered front cabinet, with gold-line front. Tapered legs for easy viewing. Large G.E. 7-segment fluorescent "blue-green" polaroid glow for the latest easy-viewing. FEATURES: 6 display tubes, completely etched and thru plated circuit board, all IC's, includes BCD outputs for use with timer options, may be wired for 12 or 24 hour display. Indicates HOURS, MINUTES, SECONDS, 115 VAC 60 cy. Gift packed. Wt. 3 lbs.

"How's Your MEMORIES For 1973"

- 1101 256 Bit RAM MOS . . . \$3.95
- 1103 1024 Bit RAM MOS . . . 7.95
- 2513 Character Gen. ROM . . . 12.50
- 7489 64 Bit RAM TTL . . . 3.50
- 8223 Programmable ROM . . . 7.95
- MM5260 1024 Bit RAM . . . 8.88

11 TRANSISTOR PHILCO AM RADIO CHASSIS

BUY 2 FOR

Use as:

- Mike amplifier
- Phone amplifier
- Tape amplifier
- Covers 555 Kcs to 5500 c/s Broadcast band
- AC or DC

Only \$5.95

Originally design for portable phono systems, and tape cassette!

One of the most versatile AM Radio and multi-purpose amplifiers we have seen at Poly Paks famous "Economy" price. Measures on $2\frac{1}{2} \times 3\frac{1}{2} \times 1\frac{1}{2}$ " high. With tuning capacitor, IF circuitry, loopstick, ant. volume control with switch, AC and phono-mike jacks. Separate switch for changing from AM radio to amplifier. Uses either 110V plug-in adapter (not with unit) and a 9-volt battery power. Exceptional sensitivity and power. Feeds into 16 ohm speaker. Complete with spec sheets, diagrams, and hookup ideas. ● Mike, Tape, Phono Inputs ● With Built-in Preamp

NEW! 8-Digit MUX (Multiplex) BURROUGHS 8-DIGIT "UNIVERSAL" NEON READOUTS

PC Board Included!
Only \$19.95
WORTH \$50.00

- Designed for use with LSI, digital clocks, calculators, frequency counters, DVM's, & precision chronometers, tool
- Eight individual Burroughs B5750's Nixie tubes mounted on a universal $4\frac{1}{2} \times 1\frac{1}{2}$ " MUX board with pin outs for digit drivers & segment.

Use all 8 readouts or any number of readouts from 1 to 8 SIMPLY, EASILY. Electrical characteristics: 170 VDC, 2 decimal points, 2 anode pins. We include schematics & instructions. • Characters $9/16"$ high!
● **POWER TRANSFORMER FOR ABOVE**
110 to 170 VAC with 6.3V tap on secondary
Only \$19.95 for TTL's.

Terms: add postage, cod's 25%. Rated: net 30
Phone Orders: Wakefield, Mass. (617) 245-3829
Retail: 16-18 Del Carmine St., Wakefield, Mass.
(off Water Street) C.O.D.'S MAY BE PHONED

POLY PAKS
P.O. BOX 942H, LYNNFIELD, MASS. 01940

"DIGITAL CLOCK ON A CHIP"
Only **\$14.95**

SD-5314 direct substitute to famous U.S. maker, 24-Pin DIP — IMAGINE ONE CHIP ELIMINATING 15 and other parts. Space Saver! Money saver! Latest in clock design. Features 12 or 24-hr. operation, 4 or 6 digits, 40 or 60 Hz operation. Internal digit multiplex oscillator, leading zero blanking, high output current for simple readout interface. Single power supply operation. Digit blanking for reduced current drain, 11 thru 19 volt range. Full MOS LSI. Spec sheets included.

NEW
Buy 3
\$10%

12-DIGIT "CALCULATOR ON A CHIP"
Similar to Mostek 5001. Outperforms Texas 8-digit TMS1802. A 40-pin DIP. Adds, multiplies, subtracts, and divides. Use with 7-segment readouts, Nixies, and LED's. We include schematics, instructions from factory to build calculator.

Only **\$12.95**
3 for \$35

1 WATT "FLANGELESS" TOP HAT ZENERS 5 for **\$1**
Type TK, Metal Case

Volts 4.7	Volts 10.	Volts 15.
5.2	11.	30.
8.2	12.	33.
9.1		

NIXIE COUNTING SYSTEM
Includes SN7490, decade counter, SN7475 latch, SN7441 BCD decoder driver, 0-to-9 Nixie tube, instructions.

Only **\$4.50**
3 for \$12.00

LED READOUTS 4.50
0-9 plus letters, for SN7446 or SN7447. Snaps in 14-pin DIP socket. $3 \times 3 \times 3\frac{1}{4}$ " characters: $\frac{1}{4} \times \frac{3}{4}$ ". 5V, 20-mils per sec. characters: $\frac{1}{2} \times 3/16"$. Famous MAN-type. ● Sockets .50 ea.

\$2.95
3 for \$12.
Buy 3 — Take 10%

This display is excellent for small portable electronics, such as DVM's, calculators, etc. Equivalent to Monsanto MAN 3A. Operates from 5V, 20 milliamperes, with 47 ohm dropping resistor.

GIANT SALE ON NATIONAL "IC'S"

Type	Description	Sale
<input type="checkbox"/> DM8091	Tri-State Quad Buffer	1.00
<input type="checkbox"/> DM8093	Tri-State Quad Buffer	1.00
<input type="checkbox"/> DM8094	Tri-State Quad Buffer	1.00
<input type="checkbox"/> DM8200	4-Bit Comparator	1.50
<input type="checkbox"/> DM8210	8 Channel Switch	1.00
<input type="checkbox"/> DM8220	Parity Generator Checker	1.00
<input type="checkbox"/> DM8223	Programmable ROM	8.88
<input type="checkbox"/> DM8250	Binary to Octal Decoder	1.00
<input type="checkbox"/> DM8281	Preset Binary Counter	1.19
<input type="checkbox"/> DM8288	Preset Divide by 12	1.18
<input type="checkbox"/> DM8502	Same as 74107	.41
<input type="checkbox"/> DM8520	Modulo Divide by 2-16	1.50
<input type="checkbox"/> DM8555	Tri-State Preset Counter	1.95
<input type="checkbox"/> DM8680	Binary Counter	1.00
<input type="checkbox"/> DM8681	Dual In-Line Counter	1.00
<input type="checkbox"/> DM8830	Dual Diff. Line Driver	1.00
<input type="checkbox"/> DM8845	Same as SN7445	1.45
<input type="checkbox"/> DM8846	Same as SN7445	1.45
<input type="checkbox"/> DM8880	Hi Amp, 7-Seg. Dec. Driver	1.95

Buy 100 Take 20%
Buy 3 — Take 10%
Discount

5VDC 6AMP/HR MOTORCYCLE BATTERY
Only **\$5.95** • Worth \$10-\$15

Use as power pak for mobile rigs & many "Ham" components, other electronic projects. Size: $5\frac{1}{2} \times 2\frac{1}{2} \times 1\frac{1}{2}$ ". wide overall $\times 2\frac{1}{2}$ ". Shipped dry, must be filled before use.

- Compact
- Needs only Electrolytic

PLASTIC RTL'S By Fairchild
Choose Any
2 for \$1.00

- 900 Buffer
- 914 Quad 2 Input Gate
- 923 J-K Flip Flop

12VDC POWER PAC
110 VAC to 12 VDC @ 1.6 Amp
\$3.33 5 x $2\frac{1}{2}$ x $3\frac{3}{4}$ "

"SOUND TRIGGER" \$1.98

Unique Scientific Device. "hand claps", sensitizes crystal mike amplifier, triggers SCR. Needs only 3 to 6 vdc. Use as burglar alarm intrusion device. Use with photo cell, triggers SCR's, relays, LED's. Even fiber optic light pipe may be used. With hand booklet.

EPOXY SILICON RECTIFIERS *micromini

PIV	2AMP	2AMP	3AMP
50	\$0.05	\$0.05	\$0.08
100	.06	.06	.12
200	.07	.07	.15
400	.09	.09	.22
600	.12	.12	.29
800	.15	.15	.39
1000	.18	.18	.45

EPOXY RECTIFIER SPECIAL
10 for \$1
 1 AMP
 1000 PIV

LINEAR * FACTORY GUARANTEED
Op Amps * FACTORY MARKED
 Buy Any 3 PAKS Take 10% Discount

Type	FACTORY TESTED	Price
531	Hi slew rate op-amp TO-5	\$2.50
532	Micro power 741 TO-5	2.50
533	Micro power 709 TO-5	2.50
536	FET input op amp TO-5	3.95
537	Precision 741 TO-5	2.50
540	7PW pwr driver amp TO-5	2.04
550	Precision comp. reg.	1.00
555	Timer 2 seconds to 1-hour	1.00
556	5 Times faster than 741C	2.50
558	Dual 741 (mini DIP)	.88
560	Phase lock loops DIP	3.25
561	Phase lock loop DIP	3.25
562	Phase lock loop DIP	3.25
565	Phase lock loops (A)	3.25
566	Phase lock loops (A)	3.25
567	Tone decoder (Mini DIP)	3.25
595	Four quadrant multiplier	3.10
702C	Hi-gain, DC amp, TO-5	.44
703C	RF-IF, amp, 14 ckt, TO-5	.69
709C	Operational amp (A)	.39
709CY	Operational amp (Mini DIP)	.49
710C	Differential amp (A)	.39
711C	Dual diff. comp (A)	.39
723C	Voltage regulator (A)	.95
741C	Frequency compensator 709 (A)	.41
741CV	Frequency comp 709 (mini DIP)	.49
747C	Dual 741C (A)	1.00
748C	Freq. adj. 741C (A)	.45
748CV	Freq. adj. 741C (Mini DIP)	.49
709-709	Dual 709C (DIP)	1.00
739-739	Dual stereo preamp	1.98
741-741	Dual 741 (A)	1.00
75450	Dual peripheral driver DIP	.69

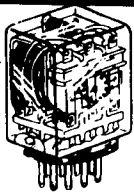
100 or more, 25% discount

Lowest Prices
Largest Selection
 Brand New
TTL IC's * Money Back Guarantee * Factory Marked!
 Buy 100 — Take 20% * Factory Guaranteed!

Order by type number! Spec sheets on request "ONLY"

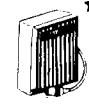
Type	Price	Type	Price	Type	Price
SN7400	.25	SN7437	.50	SN7476	.44
SN7401	.25	SN7438	.51	SN7480	.65
SN7402	.25	SN7440	.35	SN7481	1.10
SN7403	.25	SN7441	1.30	SN7482	.88
SN7404	.25	SN7442	1.12	SN7483	1.25
SN7405	.25	SN7443	1.21	SN7486	.49
SN7408	.27	SN7444	1.21	SN7489	3.50
SN7408	.45	SN7445	1.50	SN7490	1.00
SN7407	.45	SN7446	1.50	SN7491	1.25
SN7408	.29	SN7447	1.50	SN7492	.75
SN7409	.29	SN7448	1.25	SN7493	1.10
SN7410	.25	SN7450	.25	SN7494	.75
SN7411	.25	SN7451	.25	SN7495	.95
SN7412	.25	SN7452	.25	SN7496	1.10
SN7413	.25	SN7454	.25	SN7499	1.41
SN7416	.48	SN7455	.25	SN7497	.49
SN7417	.48	SN7456	.25	SN74101	1.10
SN7420	.25	SN7460	.29	SN74121	.49
SN7421	.25	SN7470	.39	SN74122	.65
SN7422	.25	SN7471	.39	SN74123	.99
SN7426	.25	SN7472	.46	SN74124	1.45
SN7430	.25	SN7474	.39	SN74145	1.95
SN7432	.25	SN7475	1.00	SN74150	1.25

TO-5 or DIP design in line pak



HI-POWER VARACTOR DIODES \$4.95

Stud mount. Similar to 1N-4886. 60GHZ. 20 watts, capacity 2N-32 mmf. Nifty freq. multiplier.



PHILCO-FORD DYNAMIC MIKE

Replacement for tape recorders, PA systems, audio amps. 200 ohms, 6-ft. cord and mini mike plug. 200-5000 Hz. Wt. 6 oz. Fits in "palm of hand." 2 3/8" x 1 3/8" x 7/8". Impact plastic

\$1.98

Any 4 for \$1

SILICON TUBES

504	\$1.49
584	3.95
866	7.95

NIXIE TUBE SALE \$2.50

Burroughs B7971, 0-9, A-Z. 2 1/2" high characters, 170V.

ALLEN BRADLEY'S 'MICRO-POTS'

Type G, 1 1/2" dia. x 1 1/2" high. Mounts 1 1/4" hole, with shaft, linear, immersion-proof lug.

2 for \$1

Ohms	2.5K
75	5.0K
100	7.5K
200	10.0K
500	15.0K
1000	20.0K

We stock Locknut Bushing & Screwdriver types at same low prices.

INTEGRATED CIRCUIT SOCKETS

Buy Any 3 - Take 10%

14-Pin, dual in line	\$.45
16-Pin, dual in line	.50
TO-5, 8 or 10 pins	.29

'HAM' UHF 400 MC HIGH POWER TRANSISTORS

Only \$3.95 3 for \$10.

By RCA or equal 2N3632. NPN, 23 watts, 3 amps, TO-18 case, with stud mtg. VCEV max 65V.

Potter & Brumfield KAP RELAYS

Your choice 3 for \$7.50 \$2.98

Excellent for "HAM" use as antenna switching, latching, transmit, receive, etc., and 100's of commercial or industrial uses. Includes plastic dust-cover with diagram and hookup info. 11-pin plug-in base. Contacts made of gold flashed silver, stationary overlay, with silver cadmium oxide movables. All contacts 10 amp 3PDT. Coil data, 115VAC 2260 ohms, 17.5 ma. 12 VDC 21 mils 168 ohms. Size: 2 3/4" x 1 5/16". Wt. 4 ozs. Center pin missing. Comar Mfg. type equal too.

ALLEN BRADLEY'S 'TRANSISTOR' POTS

Type F. Screwdriver adjust.

Ohms	75	250	1.0K	7.5K	25K	100K
	100	500	2.5K	10.0K	50.0K	250K
	200	750	5.0K	20.0K	75.0K	5 Meg

35 WATT AUDIO AMPLIFIER BASIC 2 FOR \$3.33

For Class AB use. Basic includes: Signetec 540 30 transistor high power driver TO-5 and hookup info. 11-pin plug-in base. With complimentary 35-watt plastic transistors, i.e. 2N5296 npn and 2N5109 pnp. With schematics, printed circuit and parts board layouts.

BURROUGHS 5755R

\$2.95 0-9, with right and left decimals. Neon red. Requires 1.75 volts 17 mils. 1 1/2" x 0.75", character size: 5/16"

HI POWER EPOXY RECT'S

PIV SALE	5000	2.25
2000	1.00	2.96
3000	1.35	3.50
4000	1.65	3.95

STUD TRIACS

PRV 15 amp	25 amp
50 \$0.65	\$0.85
100 .85	1.05
200 1.25	1.45
300 1.45	1.85
400 1.85	2.25
500 2.25	2.65
600 —	2.85

Lowest prices on
LED 7-SEGMENT READOUTS Only \$3.95 3 for \$10.

MAN-4 EQUAL READOUT

0-9 plus letters, for SN-7448. Snaps in 14-pin DIP socket. 3/8" x 2 1/2" x 3/8". 5V 10ma, with decimal point. Like MAN-1.
 Socket for above, 50c

0-9 numerals, decimals and letters 3 for
ALPHA-NUMERIC 7-SEG. READOUTS \$5.00

Fluorescent Blue-Green Socket — 50c
 H. x W. Characters. Filament V.
 1.75 x 1.7" .360 x .570" 1.5V AC/DC 42 mils
 Compatible to 7-segment driver IC's.

3 "LED'S", visible, micro-miniature, axial leads	\$1
2 "LED'S", infrared, jumbo, TO-18	\$1
1 "LED", visible, jumbo, red TO-18	\$1
1 "LED", invisible, aluminum reflector, RCA	\$1
1 PHOTO TRANSISTOR, with darlington amp filter, lens	\$1
2 PHOTO TRANSISTORS, with darlington amp, 2N5777, GP#1	\$1
4 PHOTO CELLS, Clairex, pancake, 30K-70 ohms	\$1
5 SOLAR CELLS, round, sq. rect., sun power-circuits	\$1
2 SILICON SENSORS, TEXAS, HI-38 Matchstick, visible	\$1

HOT MOS FETS

2-MOS FETS, N channel 10k omos 3N128, TO-18, RCA \$1
 2-MOS FETS, DUAL GATE, N chan., 3N187-1, TO-18, RCA \$1
 2-MOS FETS, DUAL GATE, N chan., 3N140-1, TO-18, RCA \$1

NATIONAL "OP" AMPS Buy any 3 Take 10% TOS \$1.49

Type	Description	Price
LM-300	Super 723 V. regulator	.49
LM-301	Hi-performance amp	.88
LM-302	Voltage follower TOS	1.49
LM-304	Neg. voltage regulator TOS	1.49
LM-305	Super 741	.59
LM-307	Super 741	1.98
LM-308	Super gain op amp TOS	1.98
LM-309H	5V 200ma V. regulator TOS	2.25
LM-309K	5V 1 amp V. regulator TOS	1.49
LM-370	ACC peripheral amp TOS	3.75
LM-373	AM-FM SSB IF strip TOS	1.98
LM-370	2 Watt amplifier	

KIDDE "DORANICK" REED RELAYS



Only \$1.49
 Hermetically sealed 6 to 12 VDC. SPDT. Good for 1,000,000's of switching cycle. 350 DC ohms. 1.0A 250V contacts. 15 watts. 2 3/4" x 1" x 3/8". Wt. 1/4 oz.

EPOXY FULL WAVE SILICON BRIDGE RECTIFIERS

PIV 2 Amp	6 Amp
50 \$0.69	\$0.88
100 .79	.99
200 .95	1.25
400 1.19	1.50
600 1.49	1.75
800 1.59	1.95
1000 1.79	2.25

Code: 2 amp TO-5 case 6 Amp 1/2 x 1/2 x 3/16 sq

Terms: add postage, ord's 25%. Rated: net 30
 Phone Orders: Wakefield, Mass. (617) 245-3829
 Retail: 16-18 Del Carmine St., Wakefield, Mass. (off Water Street) C.O.D.'S MAY BE PHONED
 15c CATALOG on Fiber Optics, IC's, Semi's, Parts
POLY PAKS
 P.O. BOX 942H, LYNNFIELD, MASS. 01940



CRYSTAL FILTERS and DISCRIMINATORS

1 27/64" x 1 3/64" x 3/4"



by
K.V.G.

9.0 MHz FILTERS

XF9-A	2.5 kHz	SSB TX	\$25.40
XF9-B	2.4 kHz	SSB RX	\$36.15
XF9-C	3.75 kHz	AM	\$38.95
XF9-D	5.0 kHz	AM	\$38.95
XF9-E	12.0 kHz	NBFM	\$38.95
XF9-M	0.5 kHz	CW	\$27.30
XL10-M*	0.5 kHz	CW	\$69.50

*10 Pole Gaussian

9.0 MHz DISCRIMINATORS

XD9-01	± 5 kHz	RTTY	\$19.20
XD9-02	± 10 kHz	NBFM	\$19.95
XD9-03	± 12 kHz	NBFM	\$19.20

9 MHz CRYSTALS (Hc25/u)

XF900	9000.0 kHz	Carrier	\$3.05
XF901	8998.5 kHz	USB	\$3.05
XF902	9001.5 kHz	LSB	\$3.05
XF903	8999.0 kHz	BFO	\$3.05
F-05	Hc25/u Socket		.50

VHF CONVERTERS UHF

	MM 50	MM 144	MM 220	MM 432	MM 1296
RF Freq. (MHz) †	50-54	144-148	220-224	432-436	
N.F. (typical)	2.5dB	2.8dB	3.4dB	3.8dB	COMING
Nom. Gain	30dB	30dB	26dB	28dB	SOON
	\$49.95	\$49.95	\$59.95	\$59.95	

Power 12V D. C.

Standard I.F. 28-32 MHz †

1 1/4" x 2 3/8" x 4 3/8" † connectors

Very low N. F. units on special order.

†Other ranges, amateur & commercial, to order.



SPECTRUM
INTERNATIONAL

BOX 1084 CONCORD
MASSACHUSETTS 01742

USED TEST EQUIPMENT

All checked and operating unless otherwise noted, FOB Monroe. Money back (less shipping) if not satisfied.

Borg 1526B-Freq. stand..1/1/5MHz out-acc. of 1x10-9 per day	395
AIL-124C Power Osc. 200-2500 MHz	365
Boonton 190A Q-MTR 20-260 MHz	375
HP100D-Freq. stand. w/scope-Acc. 1ppm	165
HP150A - 10 MHz Scope w/152B	185
HP160B(USM105)-14MHz dual trace scope	385
HP185B-DC-1GHz samp. scope w/186B	335
HP202B-Audio Gen.-5Hz-50kHz-1-10v	75
HP212A-Pulse Gen. var. width and rate	65
HP330C-Dist. Anal. 20Hz-20kHz	225
HP522B-Freq. Counter-10Hz-120kHz-digital	45
HP540-B-Trans. Osc. for counter-to 12GHz	185
HP610B-Sig.Gen.-450-1200MHz, calib. attn.	365
HP686A-Sweep Gen.-8.2-12.4GHz	625
HP803A VHF Imp. bridge 50-500MHz	195
HP2590B-Precision Trans. osc-synchronizer	975
Kintei 301-DC standard-null voltmeter	220
NE 14-20C-Freq-counter (sim. HP524C)	209
Nems Clark 1671-FM rcvr. 175-260MHz	210
Polarad TSA-spectrum analyzer 10MHz-44GHz (plug-ins available)	325
Polarad SA84W-spectrum analyzer, band switch- ing 10MHz-41GHz	965
Rollin 30-Stand.sig.gen.40-400MHz-hi-pwr	585
Stoddart NM52A-RF1 mtr. 375-1GHz, w/acc.	985
Tek RM15-DC-15MHz GP scope	295
ME26D/U-(HP410B) VTVM-to 700 MHz	85
SG24/TRM3 Sweep Gen. 15-400 MHz, CW, AM, FM Xtal markers, scope-Dev. to 20%	395
TS-403A-Sig. Gen. (HP616) 1.8-4GHz	385
URM-26 Stand. Sig. Gen. 3-400MHz	225
USM-16-Stand. Sig. Gen.10-440MHz AM-CW-FM- Pulse-Sweep, Phase-locked osc.	625

(Send SASE for complete list)

GRAY Electronics
P. O. Box 941, Monroe, MI 48161
Specializing in used test equipment



ELECTRONICS

P.O. BOX 1672
VISTA, CA. 92083
714-726-1313



This New Frequency Counter has the following Specifications to recommend it:

Direct Counting: 10Hz to 80MHz guaranteed (1Hz to over 100MHz typical)

10MHz xtal time base

Readout: 5 digit LED plus over-range

Input Sensitivity: 100 millivolts max. on any freq.

Input Impedance: 1MΩ paralleled with 15pf.

Power Requirement: 120VAC or 12VDC

SMALL SIZE 2 1/8" H, 5 1/4" W, 6 3/4" D.

Guarantee 1 year all parts, 90 days labor

PRICE \$250.00

FOB Vista, Ca. 92083

Y & C ELECTRONICS

P. O. Box 1672, Vista, CA. 92083, 714-726-1313

CW or RTTY, whichever way you go,
**HAL HAS TOP QUALITY
 YOU CAN AFFORD!**



TOP QUALITY RTTY... WITH THE HAL MAINLINE ST-6 TU. Only 7 HAL circuit boards (drilled G10 glass) for all features, plug-in IC sockets, and custom Thordarson transformer for both supplies, 115/230 V, 50-60 Hz. Kit without cabinet, only \$135.00; screened, punched cabinet with pre-drilled connector rails, \$35.00; boards and complete manual, \$19.50; wired and tested units, only \$280.00 (with AK-1, \$320.00).*

OTHER HAL PRODUCTS INCLUDE:

- ID-1 Repeater Identifier (wired circuit board) . . . \$ 75.00*
- ID-1 (completely assembled in 1 1/2" rack cabinet) . . . \$115.00*
- HAL ARRL FM Transmitter Kit . . . \$ 50.00*
- W3FFG SSTV Converter Kit . . . \$ 55.00*
- Mainline ST-5 TU Kit . . . \$ 50.00*
- Mainline AK-1 AFSK Kit . . . \$ 27.50*



TOP QUALITY... WITH THE HAL 1550 ELECTRONIC KEYSER. Designed for easy operation; perfectly timed CW with optional automatic ID for sending call letters, great for DX and RTTY; TTL circuitry, transistor switching for grid block, cathode keying. Handsome rugged crackle cabinet with brushed aluminum panel. With ID, only \$90.00; without ID, \$65.00.*



TOP QUALITY... WITH THE HAL MKB-1 MORSE KEYBOARD.

As easy as typing a letter—you get automatic CW with variable speed and weight, internal audio oscillator with volume and tone controls, internal speaker, and audio output jack. Smooth operation; completely solid-state, TTL circuitry using G10 glass boards, regulated power supplies, and high voltage transistor switch. Optional automatic ID available. Assembled MKB-1, \$275.00. In kit form, \$175.00.*



NEW FROM HAL—TOP QUALITY RVD-1002 RTTY VIDEO DISPLAY UNIT.

Revolutionary approach to amateur RTTY... provides visual display of received RTTY signal from any TU, at four speeds (60, 66, 75, and 100 WPM), using a TV receiver modified for video monitoring. Panasonic solid-state TV receiver/monitor, or monitor only, available. RVD-1002, \$525.00; Panasonic TV receiver/monitor, \$160.00; monitor only, \$140.00.*

TOP QUALITY... WITH THE HAL RKB-1 TTY KEYBOARD.

Gives you typewriter-easy operation with automatic letter/number shift at four speeds (60, 66, 75, and 100 WPM). Use with RVD-1002 video display system, or insert in loop of any teleprinter, for fast and easy RTTY. Completely solid state, TTL circuitry using G10 glass boards, regulated power supplies, and transistor loop switch. RKB-1 assembled, only \$275.00.*

HAL provides a complete line of components, semi-conductors, and IC's to fill practically any construction need. Send 24¢ to cover postage for catalog with info and photos on all HAL products available.

*Above prices do not include shipping costs. Please add 75¢ on parts orders, \$2.00 on larger kits. Shipping via UPS whenever possible; therefore, street address required.

HAL COMMUNICATIONS CORP., Box 365 H, Urbana, Illinois 61801

G&G CATALOG MILITARY ELECTRONICS

24 PAGES, crammed with Gov't Surplus Electronic Gear - the Biggest Bargain Buys in America! It will pay you to **SEND 25¢** for your copy - Refunded with your first order.

BRAND NEW BC-645 TRANSCEIVER

EASILY CONVERTED FOR 420MC OPERATION

This equipment originally cost over \$1000. You get it all in original factory carton.



Dependable Two Way Communication more than 15 miles.

- FREQUENCY RANGE: About 435 to 500 Megacycles.
- TRANSMITTER has 4 tubes: WE-316A, 2-6F6, 7F7.
- RECEIVER has 11 tubes: 2-955, 4-7H7, 2-7E6, 3-7F7.
- RECEIVER I. F.: 40 Megacycles.
- SIZE: 10 1/2" x 13 1/2" x 4 1/2".

Makes wonderful mobile or fixed rig for 420 to 500 Mc. Easily converted for phone or CW operation

"SPECIAL PACKAGE OFFER"

BC-645 Transceiver, Dynamotor and all accessories below, including conversion instructions for Citizens Band. **last. \$26.95**

F.O.B. NY City or Ogden, UT for Savings on Freight Charges.

Accessories for BC-645
Mounting for BC-645 transceiver
PE-101C Dynamotor, 12-24 V (easily converted to 6 volts).
Mounting for PE-101C Dyna-

motor
UHF Antenna assemblies (set of 2)
Complete set of 11 connectors
Control Box BC-646
Mounting for BC-646 ctr. box.

TRANSCEIVER ONLY \$16.95

BC-1206-C RECEIVER Aircraft Beacon Receiver 200 to 400 Kc. Operates from 24V DC 1.5A. Continuous tuning, vol control, on-off switch and phone jack. Very sensitive. Compact. Complete with tubes, NEW..... **\$12.50**



HANDMIKE

Rugged, heavy-duty carbon handmike with press-to-talk switch. Equipped with 4-ft cord & phone plug.



NEW, boxed..... Each **\$1.88** SPECIAL

HEADSET Low impedance. With large chamois ear cushions.

4-ft cord and plug. Reg. \$12.50. Our Special Price **\$2.95**

Less ear cushions..... \$1.95

High impedance adaptor for above... \$.69



AN/APR-4Y FM & AM RECEIVER

"FB" for Satellite Tracking! High precision lab instrument, for monitoring and measuring frequency and relative signal strength, 38 to 4000 Mc. In 5 tuning ranges. For 110v 60 cycle AC. Built-in power supply. Original circuit diagram included. Checked out, Perfect.



LIKE NEW \$88.50

All tuning units available for above. Price upon request.

TG-34A CODE KEYSER, self-contained, automatic, reproduces code practice signals from paper tapes. 5 to 12 WPM Built-in speaker. Brand new with tech manual, takeup reel and AC line cord. ... **\$24.50**



Code practice tapes for above P.U.R.

CATHODE RAY TUBES All New in Original Carton

STANDARD MAKE

3AP1*	2.95	5MP1	2.75
3FP7*	1.45 ea.	9GP7	4.95
3CP1	1.98 ea.	*Sold in Lots of 3 Only	
3" Shield	\$1.49	5" Shield	\$3.25
3" and 5" Sockets	69¢ ea.		
3" and 5" tubes sold with shields and sockets only.			



TERMS: F.O.B. NYC. 25% deposit with order, balance COD or remittance in full. MINIMUM ORDER \$5.00. Subject to prior sale and price change

G&G RADIO ELECTRONICS COMPANY

45-47 Warren St. (2nd Fl.) New York, N.Y. 10007 Ph. 212-267-4605

WE PAY **HIGHEST**
PRICES FOR ELECTRON
TUBES AND SEMICONDUCTORS

H & L ASSOCIATES

ELIZABETHPORT INDUSTRIAL PARK

ELIZABETH, NEW JERSEY 07206

(201) 351-4200

FREE Catalog

OF THE WORLD'S FINEST
GOVERNMENT SURPLUS
ELECTRONIC EQUIPMENT

And **BETTER Than Ever!**



Name _____

Address _____

City _____

State _____

Zip _____

Mail Coupon for Your FREE Copy, Dept. HR

FAIR RADIO SALES

1016 E. EUREKA • Box 1105 • LIMA, OHIO • 45802

Many thousands of you have become very familiar with the various Radio Society of Great Britain books and handbooks, but very few of you are familiar with their excellent magazine, **Radio Communication**.

It includes numerous technical and construction articles in addition to a complete rundown on the month's events in amateur radio. Surely a most interesting addition to your amateur radio activities.

We can now offer this fine magazine to you along with the other advantages of membership in the RSGB (such as use of their outgoing QSL Bureau) for \$9.95 a year.

comtec

Greenville, New Hampshire 03048

Galaxy R-530

The General Coverage Leader



The R-530 is still the 0.5 to 30 MHz general coverage leader. Whether your application is monitoring specific frequencies, commercial communications, military communications or just plain ordinary listening, the R-530 is for you.

Write for our new R-530 brochure and compare it to the competition... *if you can find any.*

HY-GAIN ELECTRONICS CORPORATION

8601 Northeast Highway 6 • Lincoln, Nebraska 68507 402-434-9151 Telex 48-6424

HAMFEST

WESTERN N. Y.
HAMFEST and
VHF CONFERENCE

MAY 12, 1973

Monroe County
Fairgrounds
Rt. 15A
Rochester, N. Y.
(Near Thruway Exit 46)

- Huge Flea Market
- Top Programs
- Award Presentations
- Banquet
- Friday Night Cocktails

WRITE:
WNY HAMFEST
BOX 1388
ROCHESTER, N. Y.
14603



MK-420 CW MESSAGE MEMORY
100 OR 200 CHARACTERS ... \$299.95

EK-420 CMOS DELUXE KEYS
FOR QRP OR KW ... \$139.95

CURTIS
ELECTRO
DEVICES

Write
for
Brochures

TEL: (415) 964-3130
INC. BOX 4090, MOUNTAIN VIEW, CA. 94040

NEW FOR 1973

SPACE-AGE TV CAMERA KITS & PLANS



BE A PIONEER IN HOME TELECASTING! Build your own TV CAMERA. Model XT-1A, Series D, \$114.95 pp. Solid-State. Step-by-step construction manual. High quality. Connects to any TV without modification. Ideal for home, experimenters, education, industry, etc.

PHONE or WRITE for CATALOG.
DIAL 402-987-3771

Many other kits, parts and plans available including starter kits, focus/drift, coils, vidicon tubes, const. plans, etc.

1301 BROADWAY, N.W. **ATV Research** DAKOTA CITY, NEBR. 68731

ICOM 2 MTR FM

12 chan. IC-20 mob. unit with 34/94 and 76/76 \$239.50
24 chan. IC-21 built-in AC supply, RIT, DISC, mtr, SWR ind. with 34/94, 94/94 and 76/76 ... \$339.50
Extra crystals w/purchase \$3.50, without \$4.00

All Prices are FOB Renton, Wash. You pay shipping costs. Write to Woody W7RC, Racom Electronics, Inc., 15051 SE 128 Street, Renton, Wash. 98055. Tel. 206 AL5-6656

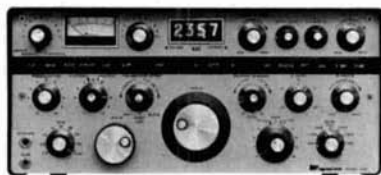


READOUTS \$3.00

7-SEGMENT 5 VDC

Long life incandescent tube 1/2 inch high character. Drive with 7447 IC. Write for complete list including polarizing filters, complete counter modules, many more items.

Display Electronics P.O. BOX 1044
LITTLETON, CO 80120



LATEST *signal/one* CX7A

In stock for immediate shipment.

Write for 4 page brochure.

See Barry for the Best Deal.

- Reliability better than ever
- All modes 10-160 meters
- Broad-band tuning, instant band change
- True break-in CW
- IF shift
- Noise blanker & RF speech clipping
- 2 VFO's
- Much, much more

The incomparable *ALPHA 77* by ETO



The finest amplifier ever offered for Amateur, Commercial & Military service. 3000 watts PEP continuous-duty. Perfect companion to the CX7A.

Write for information & Barry's Best Deal

DRAKE

SPR-4new, Write	W4new, \$ 61.95
TR4/Cnew, \$599.95	TR22new, \$199.95
R4C Rec. \$499.95	T-4XC Trans. \$530.00

TEN TEC

All below is new merchandise

ARGONAUT MODEL 505	\$288.00
ARGONAUT 405 LINEAR AMP. 50w. out	\$149.00
210 POWER SUPPLY for Argonaut 505 only	\$ 24.95
250 POWER SUPPLY, powers 505 & 405	\$ 49.00
315 RECEIVER 10-80 meters SSB, AM, CW	\$229.00
CW FILTER FOR 315	\$ 14.95

All above in stock

AC4 SWR Bridge	KR20	\$ 59.95
\$ 14.95	KR40	\$ 89.95
KR1	Microphone	\$ 17.00
\$ 18.95	PM2B	\$ 64.95
KR2	PM3A	\$ 79.95
\$ 12.95		
KR5		
\$ 34.95		
AC5 Tuner		\$ 8.95

CLEGG FM-27B NO XTALS

25w out Synthesized

Write for fantastic
trade in or real deal

CLEGG FM-27A \$325.00

COLLINS

MP1 mobile supplygood, \$ 95.00
30L1 spare parts kit less chassis/cab. etc.	\$ 99.00

HALLICRAFTERS

FPM-300new, \$595.00
SX-130 RECEIVER, Ham bands only, 10-80 meters, SSB, AM, CWexcellent, \$195.00

LINEAR SYSTEMS

SB-36 5 Band 500W SSB/CW Digital readout transceiver complete with AC power supply and speakerBrand new in stock, Write

DYCOMM

2 Meter Amplifiers (Power ratings approx.)

BRICK BOOSTER, 2w in 35w out \$ 79.95
SUPER BRICK, 2 in 45w out \$ 99.95
BLOCK BOOSTER, 10 in 50w out, new, \$ 99.95 demos, \$ 79.95

INSTRUMENTS

GR 1001A SIGNAL GENexcellent, \$425.00
DIGIPET 60 digital freq. counter, with 160 scaler. Range 1 kHz - 160 MHz \$349.00
FR-114U 6 digit E-put meter, frequency .1 - 10k, .0001 to 10 sec.like new, \$195.00
SIMPSON 260-6 VOM with probes, new, \$ 68.50	
SIMPSON 270 VOM with probes & leather case	new, \$ 81.00
SIMPSON 2701 Digital Multimeter	reg. approx. \$895 Special, \$505.00

12 VOLT DC POWER SUPPLIES: 110 AC INPUT

MODEL 102, is a 4 amp overload protected power supply that automatically resets itself when the overload is removednew, \$24.95
 MODEL 104R, is a regulated power supply with the same electronic overload protection as the model 102. MODEL 104Rnew, \$34.95
 MODEL 107M is a heavier duty supply with the same features as the Model 102 but puts out 6 amps, useful for Clegg 27 series, etc.new, \$27.95

INVERTER/CONVERTER:

MODEL 612 is a special purpose unit to provide 12 VDC negative ground power in automobiles with either 6 volt negative ground or 12 volt positive ground. 10 amp surge, 3 amp continuousnew, \$22.95
 INVERTER, 12 volt DC input, 115 volt AC output. Model 12-115 solid state power supply, 200 watts continuousnew, \$ 59.95

CASH PAID . . . FAST! For your unused TUBES, Semiconductors, RECEIVERS, VAC. VARIABLES, Test Equipment, ETC. Write or call Now! Barry, W2LN1. We Buy!

We ship all over the World.

Send for Green Sheet Supplement 23.

BARRY ELECTRONICS CORP.

DEPT. H-3 — PHONE A/C 212-925-7000
512 BROADWAY, NEW YORK, N. Y. 10012

MISC.

2 METER VHF DUMMY LOAD/WATTMETER
Good up to 15 watts — w/SO-239 CONNECTOR \$19.95

LAFAYETTE HA-460 6 meter transceiver with VFO, 20 watt, AC & DC pow. sup., new, \$95.00
NC-400 540 kHz - 31 MHz 7 bands USB, LSB CW fair to good, \$150.00
HEATH DX-100, 10, 11, 15, 20, 40, 80, 160M 100 watts AM & CW

checked out w/manual, \$95.00
like new, \$45.00
HEATH SHAWNEE, 6 meter transceiver, Model HW-10, 10 watts RF out, built-in 117 AC & 6 or 12 volt DC power supply, built-in VFO \$95.00
TEMPO FMH 2 Meter Transceiver, 2 watt, 6 channel, handheld new, \$189.00
SWR BRIDGE COUPLER, DC-500 MHz (no indicator) full amateur power

With N fittings \$9.95

With BNC fittings \$10.95

MODEL 70 ROBOT SSTV Monitor in stock

Write

ANTENNAS

MOSLEY LANCER "1000" mobile antenna, all coils 10, 11, 15, 20, 40, 80 good, used, complete, \$50.00

MOSLEY TA-36 write
2M MAGNETIC MOUNT w/RG58 & PL259 with 10 ft. RG 58 ready to go \$9.95

14AVQ/WB VERTICAL \$47.95

18AVT/WB VERTICAL \$69.95

HY GAIN 2 METER, 15 element beam write

A144-7 2 METER BEAM \$13.95

A144-11 2 METER BEAM \$17.95

NEW ULTRA BALUN 1:1 \$9.95

C.D HAM "M" ROTATORS, new, complete \$99.95

HAM "M" CABLE @ 12¢/ft.

C.D. TR-44 ROTATORS, new, complete \$63.95

CABLE FOR TR-44 6¢/ft.

RG-8A/U 100 ft. rolls. VHF connector PL-259 one end Type "N" (UG-21E/U) other end \$12.50

RG8A/U — 65 feet with PL-259 connectors on each end \$9.50

Authorized factory dealers for Antenna Specialists, CushCraft, Gam, Heights Towers, Hy Gain, Mor-Gain Antenna, Mosley, Newtronics, Tri-Ex, Rohn, E-Z Way

DX ENGINEERING SPEECH COMPRESSORS

DIRECT PLUG-IN FOR COLLINS 32S \$79.50

DIRECT PLUG-IN FOR KWM — 2 \$79.50

DIRECT PLUG-IN FOR DRAKE TR3 OR DRAKE TR4 \$98.50

BIRD

4350 80-10M 2KW Ham Mate \$79.00

4351 80-10M 1KW Ham Mate \$79.00

4352 6-2M 400W Ham Mate \$79.00

43 Wattmeter \$100.00

BIRD 43 SLUGS, spec. freq./power \$35.00

BARKER & WILLIAMSON

Dummy Load - Wattmeters - 52Ω 334A DC - 300 MHz, 1000 watts int. \$139.95

374 DC - 230 MHz, 1500 watt \$169.95

333 DC - 300 MHz, 250 watt int. \$79.95

Transistorized Little Dipper, battery operated, 2 MHz-230 MHz continuous ±3% accuracy with modulation \$94.50

850A, 852 Inductors \$59.95

851 Inductor \$29.95

B & W MODEL 800 HiPower RF Choke \$5.49

425 Low Pass Filter, 10-80 meters \$24.95

210 Audio Osc., ideal for lab & broadcast \$329.95

410 Distortion Meter, ideal for lab & broadcast \$369.95

E. F. JOHNSON

275 watt Matchbox complete with directional coupler and indicator, 10-80 meters, new \$94.95
Same as above but 2KW PEP, 1 KWAM new, \$154.50

EF JOHNSON VALIANT II, 10, 11, 15, 20, 40, 80, 160M, 300 watts with Johnson SSB adapter \$300.00

Write for free Deluxe B & W Catalog

BUILDERS!

Barry has lots of James Millen and National Radio parts in stock.

Write for Barry's latest Green Sheet, No. 23.

400% MORE AVERAGE SSB POWER OUTPUT

USE A **MAGNUM SIX**
THE QUALITY R F SPEECH PROCESSOR



Collins-Heath.....\$139.95

Drake T4X/T4XB.....\$154.95

Drake TR3/TR4.....\$159.95

Yaesu.....\$139.95

Kenwood.....\$139.95

Add 5% Tax in Washington

- 4 TIMES THE SSB POWER ON ALL BANDS
- ADDED PUNCH FOR PILE-UPS
- EXCELLENT VOICE QUALITY
- SPLATTER FREE, NARROW BAND OUTPUT SIGNAL
- SOLID STATE DESIGN
- PUT YOUR TRANSMITTER TO WORK FOR THE FIRST TIME IN ITS LIFE. POWER UP WITH A MAGNUM SIX FOR MORE ADDED POWER PER \$ THAN ANY OTHER METHOD!

Send for FREE Brochure

Communication Technology Group

31218 Pacific Highway South

Federal Way, Washington 98002



A Division of Bristol Systems Inc.

WATERBAGS* TOROIDS • TELETYPE • FAX

**Toroids**

88 millihenry. Never potted.
Center tapped. 5/\$2.50 ppd.
30/\$10 ppd US.

Ribbons

For all model 14-15-28-32-33-Lorenz-Mite. FRESH Black nylon, 12 per box. 1 box/\$3.50 postpaid US.

Deskfax

Transceiver Model 6500A
Checked and ready to operate on the landline-or on the air. Contains receiving and transmitting AFSK units.

SPECIAL \$15 each, 2/\$25, 7/\$50

**Fax Paper**

12" x 19" sheets. For RD-92 or TXC1 FAX. Or cut 'em up for use on the Deskfax 6500A. 250 sheets per package. 1 pkg/\$3, 5 pkg/\$12.

Teletype Paper

Single copy roll teletype paper. Standard 8-1/2" width, 5" diameter fits all machines. 12 rolls/\$13.

Perforator Tape

11/16" wide. FRESH. 40 rolls only \$8.

February Special!

NEW 3GP1 SCOPE TUBES (Similar to 3AP1) \$3.00 ppd US.

Van's W2DLT Electronics

STAMP FOR CATALOG
* LIMITED QUANTITY - New 1-gallon waterbags for camping or trips. A steal at only \$2.95 ppd US.

302H Passaic Avenue

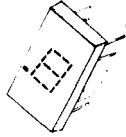
Striving, NJ 07880

201-647-3639



MAN 1 LED

- high brightness--350ft-L @20ma
- single plane, wide angle-viewing---150°
- standard 14 DIP
- long life---solid state
- operates with IC voltage requirements
- displays all digits and 9 distinct letters



\$4.25 EACH

7400 series DIP

7400 .25	74H11 .50	7451 .25	74H74 .85
74L00 .35	7413 1.75	74L51 .35	7475 1.15
74H00 .35	7420 .25	74H51 .35	7476 .55
7401 .25	74L20 .35	74H52 .40	74L78 1.00
74H01 .35	74H20 .35	7453 .25	7480 .50
7402 .25	74H22 .50	74H53 .40	7483 1.15
7403 .25	7430 .25	7454 .30	7486 .65
7404 .25	74L30 .35	74L54 .35	7489 3.00
74L04 .35	7440 .25	74L55 .35	7490 1.00
74H04 .35	74H40 .40	7460 .25	7491 1.15
7405 .25	7441 1.30	74L71 .50	7492 .90
74H05 .35	7442 1.00	7472 .40	7493 .9C
7406 1.00	7446 1.50	74L72 .50	7495 1.15
7408 .40	7447 1.50	7473 .55	74L95 2.00
74H08 .50	7448 1.25	74L73 .80	74107 .55
7410 .25	7450 .25	7474 .40	74153 1.75
74L10 .35	74H50 .40	74L74 .80	74192 2.25

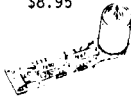
all IC's shipped within 24hrs. 74193 2.00 74195 1.00

Schottky TTL \$3.00 EACH

- 82S30 8 input multiplexer
- 82S33 2 input 4 bit multiplexer
- 82S41 quad EX/OR element
- 82S42 4 bit comparator
- 82S62 9 bit parity gen./checker
- 82S67 2 input 4 bit multiplexer

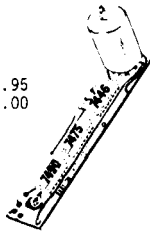
CD-3 universal counter

Can be programmed to count to any modulus 2-9 for one kit, 2-99 for two kits, etc. Includes board, 7490, 7447, RCA DR2010 Numitron display tube and five programming components. Full instructions included - perfect for displaying second, minutes and hours, etc. KIT \$8.95



CD-2 digital counter

Unit includes board, 7490, 7475 quad latch, 7447 seven segment driver, and RCA DR2010 ASSEMBLED \$9.95 \$12.00



8000 series TTL DIP

8200 4 bit comparator	1.60
8210 8 line to 1 line selector	1.40
8220 parity gen/checker	1.00
8223 256 bit programmable ROM	7.50
8230 8 input multiplexer	2.00
8233 2 input 4 bit multiplexer	1.75
8242 4 bit comparator	1.00
8251 BCD to decimal decoder	1.00
8261 fast carry extender	2.00
8266 2 input 4 bit multiplexer	1.50
8270 4 bit PI, SI, PO, SO	2.00
8271 4 bit shift register	2.00
8273 10 bit SI,PO register	3.00
8274 10 bit PI,SO register	3.00
8280 45MC presetable decade counter	1.15
8281 45MC presetable binary counter	1.15
8290 presetable dec. counter 75MC	3.50
8292 presetable dec. counter 10MC	.90
8520 25MC divide by "N" 2 to 15	2.00
8551 tri state quad latch	2.00
8570 8 bit SI, PO	2.50
8590 8 bit PI, SO	1.50
8275 quad bistable latch	.90

748 op amp T05	1.50	CA3065 TV/FM sound system DIP	.75
NE555 prec. timer MINI	1.25		

All IC's are new and fully tested - leads are plated with gold or solder. Orders for \$5 or more will be shipped prepaid. Add 35¢ handling and postage for smaller orders. California residents add sales tax. IC orders are shipped within two workdays of receipt of order - kits are shipped within ten days of receipt of order. MONEY BACK GUARANTEE ON ALL GOODS SOLD..... COD's may be phoned in.....

BABYLON ELECTRONICS

P.O. BOX J CARMICHAEL, CALIF. 95603 (961) 966-2111

linears

LM100 positive DC regulator T0-5	.80
NE526 high speed comparator DIP	1.00
NE560 phase lock loop DIP	3.25
NE561 phase lock loop DIP	3.25
NE565 phase lock loop T0-5 or MINI	3.25
NE566 function generator T0-5 or MINI	3.50
NE567 tone decoder T0-5 or MINI	3.50
709 popular op amp DIP	.35
710 voltage comparator DIP	.50
711 dual comparator DIP	.75
723 precision voltage reg. DIP	1.00
5558 dual 741 op amp MINI	1.00
810 dual op amp DIP	.80
747 dual 741 op amp DIP	1.00
LM302 op amp voltage follower T0-5	1.25
LM308 op amp T0-5	2.00
LM311 comparator T0-5	1.50
LM380 2W audio amp DIP	1.50
LM703 RF-IF amp epoxy T0-5	.80
LM309K 5V-1A power supply module T0-3	2.50
LM309H 5V-200ma power supply T0-5	1.00

calculator on a chip 40pin DIP

Add, subtract, multiply, and divide 12 digit display and calculate Chain calculations True credit balance sign output Automatic overflow indication Fixed decimal point at 0, 2, 3, or 4 Leading zero suppression Complete data supplied with chip



SILICON signal diodes 100 PIV - 80 ma 60 for \$2.50

RCA 2010 NUMITRON

- digital display tube
 - incandescent 5V
 - 7 segment
 - .6" high numeral
 - visible at 30 feet
 - left hand decimal
 - 9 pin base (solderable)
- EACH \$ 5.00
5 FOR 20.00



flea market



■ **RATES** Commercial Ads 25¢ per word; non-commercial ads 10¢ per word payable in advance. No cash discounts or agency commissions allowed.

■ **COPY** No special layout or arrangements available. Material should be typewritten or clearly printed and must include full name and address. We reserve the right to reject unsuitable copy. **Ham Radio** can not check out each advertiser and thus cannot be held responsible for claims made. Liability for correctness of material limited to corrected ad in next available issue. Deadline is 15th of second preceding month.

■ **SEND MATERIAL TO:** Flea Market, Ham Radio, Greenville, N. H. 03048.

QSLs. Second to none. Same day service. Samples 25¢. Ray, K7HLR, Box 331, Clearfield, Utah 84015.

FOR YOUR FUTURE ROBYN RADIOS send your order to, Two Way Radio Sales, 1501 Monroe Street, Bogalusa, La. 70427 or 202 Farrell Street, Picayune, Miss. 39466.

DISCOUNTS! Standard Sonar, Clegg, Gladding, Genave, Mosley, Rohn, Tri-Ex, others. Also marine and CB. Lowest prices. State needs. Arena Communications, Dept. H, 1169 N. Military Highway, Norfolk, Virginia 23502.

STELMAN #TA-1 Telephone Adapter \$125; Heavy Duty Equipment Slides \$15 ea.; Components, Equipment, etc. Inquiries Invited, Catalog available. B. F. Williams Co., P. O. #7057, Norfolk, Va. 23509.

WANT: Impedance bridge GR 916A, 1601, 1602, 1603, or equal. Nagle, 12330 Lawyers, Herndon, Va. 22070.

SAVE \$100.00. Brand new Hallicrafters FPM 300 solid state transceiver in original packaging. James T. Thompson, W5KRD, New Hebron, Miss. 39140.

WANTED: tubes, transistors, equipment what have you? Bernard Goldstein, W2MNP, Box 257, Canal Station, New York, N. Y. 10013.

22nd ANNUAL DAYTON HAMVENTION will be held on April 28, 1973 at Wampler's Dayton Hara Arena. Technical sessions, exhibits, hidden transmitter hunt, flea market, and special program for the XYL. For info write Dayton Hamvention, Dept. H, Box 44, Dayton, Ohio 45401.

WORLD QSL — See ad page 92

MOBILE IGNITION SHIELDING provides more range with no noise. Available most engines in assembled or kit forms, plus many other suppression accessories. Free literature. Estes Engineering, 543-H West 184th, Gardena, California 90248.

HEATH 2er complete \$32; Heath CB lunchbox \$15; Heath HW16, like new \$95. Need paddle SWR key power meter. List available. W2FNT, 18 Hillcrest Ter., Linden, N. J. 07036.

EXPERIMENTERS BUILDERS: At last pre-etched, pre-drilled, glass epoxy solder plated, printed circuit board 1" x 5.4". Mounts six 14 pin or five 16 pin IC's, transistors, has extra pads for components. Power and ground bus mounting and stacking holes. A few jumpers completes your circuit. Save time and money with Q boards, \$3.20. California residents add 5%. Chronometric Products, Dept. H, 16530 Ardita Drive, Whittier, CA 90603.

HEY LOOK! The Charleston Hamfest II is going to be held again this year on the third Sunday in March. March 18, 1973 in Charleston, S. C.

TUBES save \$\$\$\$ send RFQ: Tubes International, Wainright, Ak. 99782.

TOROIDs, iron "E" powder 80-10 meters. .500" — 8/\$1.00, .940" — 4/\$1.00, 1.437" — 75¢ each or 3/\$2.00, 2.310" — \$1.50 or 3/\$4.00. Please include 50¢ postage, slightly more on large orders. Fred Barken, WA2BLE, 274 E. Mt. Pleasant Ave., Livingston, N. J. 07039.

ROCHESTER, N. Y. is the place to go for the largest Hamfest, VHF meet and flea market in the northeast, May 12th. Write WNY Hamfest, Box 1388, Rochester, N. Y. 14603.

FANTASTIC GAIN, low distortion transistorized pre-amplifier for use with low-output microphones. Stamp for specifications. USAT Box 3051B, Trenton, New Jersey 08619.

SELLING OUT. Send address for list. Cline WA7TMR, Box 216, Logan, Utah 84321.

W8BTMR DECEASED. Wife must sell Swan 500XC single sideband transceiver and power supply 117XC. Excellent condition. Mrs. John Scrcia, Box 144, Brookfield, Ohio 44403.

"P.C'S" I can supply boards for any construction article that includes the full size artwork. Many in stock. Write: D. L. McClaren, W8URX, 19721 Maplewood Avenue, Cleveland, Ohio 44135.

REPAIR TV TUNERS — High earnings, complete course details, 12 repair tricks, many plans, two lessons, all for \$1. Refundable. Frank Bocsek, Box 3236 (Enterprise Branch), Redding, Ca. 96001.

USED MYLAR TAPES — 1800 foot. Ten for \$8.50 postpaid. Fremerman, 4041 Central, Kansas City, Mo. 64111.

WANTED: JULY 1969, Ham Radio magazine. Andy Kalayta, 7645 N. Crawford, Skokie, Illinois 60076.

SELL: PP-987U pwr sply, I-193-C test set, AM-103B/U line ampl., COQ-23403-A line cont unit, model 14 typing unit on stand, \$100.00; BC-453 \$17.00; T-19/ARC-5 \$12.00; T-21/ARC \$9.00. FOB Dick Stansbury W5SCS, 5704 Alta Monte N.E., Albuquerque, New Mexico 87110.

LINEAR BUILDERS — Model DS-12 2.5A/12.000 PIV diode rectifier, replaces 866, 3B28, and 872. R-C suppressors, \$9.95. At your dealer or order direct ppd. HEP-170 2.5A/1000 PIV diodes 30¢ each, direct only. K. E. Electronics, Box 1279, Tustin, California 92680. Send SASE for information on plate chokes, filament chokes, and pin-networks.

TELL YOUR FRIENDS about Ham Radio Magazine.

AT LAST — THE LONG AWAITED TECC SSTV SYSTEM!

TECC HCV-1B SSTV Camera



Features

- 1/4 — 1/2 — 3/4 Frame Selector
- Faster scan RF or video output for viewing picture on standard TV set — channels 2-8.
- Black and white reversal switch.
- Normal-Reverse yoke switch.
- All IC's and Transistors plug into sockets on 1 plug-in glass-epoxy circuit board.
- Built-in power supply for 115 or 220 v., 50/60 Hz.
- Meets all SSTV regulations as well as those of foreign countries.
- F 1.9 Soligor or Cosmicon lens.
- Size: 5 3/4" x 7 3/4" x 12 1/2" — 10 lbs.
- 48 transistors, 14 IC's, 16 diodes, 7735A Vidicon.

\$325.00 FOB Hendersonville, Tenn.



TECC HCV-2A Monitor

Features

- 5.75" diagonal screen.
- Removable picture tube filter for added viewing flexibility.
- Tuning meter aids tuning in of SSTV signal.
- Manual vertical trigger pushbutton allows re-start of scan at any time.
- Noise immunity circuits allow viewing under high noise conditions.
- All IC's and Transistors plug into sockets on 1 plug-in glass-epoxy circuit board.
- 115 or 220v 50/60 Hz Power Supply.
- 30 Transistors, 11 IC's, 28 diodes, P7 phosphor CRT.
- Size: 15" x 14" x 18 1/4" — 26 lbs.

\$325.00 FOB Hendersonville, Tenn.

PHOTO & FULL SPECIFICATIONS AVAILABLE FOR \$1.00 (REFUNDED WITH ORDER) FROM:

THOMAS ELECTRONICS & ENG. CO.

P. O. BOX 572, HENDERSONVILLE, TENN. 37075

THE FOLLOWING TERMS ARE AVAILABLE TO THOSE WHO QUALIFY:
BANKAMERICARD; MASTERCHARGE.

STAR-TRONICS

INDUSTRIAL AND GOVERNMENT ELECTRONIC SURPLUS

PARTS & PIECES FOR SCHOOLS, SHOPS, HAMS & HOBBYISTS

SEND FOR OUR LATEST ALL DIFFERENT
MONTHLY PICTURE CATALOG. NOW!

Box 17127, Portland, Ore. 97217

ULTRA-BAL 2000

- Advanced design BALUN
- No radiation from coax, more power to antenna
- Less noise on receive
- Full 2Kw — 3 to 30 Mcs., 1:1 or 1:4 ratios.
- Encapsulated ultra weather-proof
- MII type 2KV Teflon insulation over silver plated wire for ultra low loss.



Specify ratio desired \$ 8.95 ppd.

K.E. Electronics

Box 1279, Tustin Calif. 92680



VHF UHF

Crystal Controlled CONVERTERS for DX, FM, ATV, Space and other uses. Extremely Sensitive and free from spurious responses. With AC power supply. Choice of i-f, many in stock. Upgrade your station to JANEL.

50 MHz	2.0db NF	\$74.95
144 MHz	2.5db NF	\$74.95
220 MHz	3.0db NF	\$79.95
432 MHz	5.5db NF	\$74.95

All postpaid. Write for full details. Also preamps. Ask about our OSCAR special 435 MHz converters.

JANEL

LABORATORIES

P.O. BOX 112
SUCCASUNNA, N. J. 07876
201-584-6521

F.C.C. EXAM MANUAL

The Original Test-Answers exam manual that prepares you at home for FCC First and Second class licenses. Includes Updated multiple choice tests and key Schematic diagrams. PLUS — "Self-Study Ability Test." — ONLY: \$9.95 Postpaid.



COMMAND PRODUCTIONS P.O. BOX 26348-K
RADIO ENGINEERING DIVISION SAN FRANCISCO, CALIF. 94126

DIGITAL AID

Learn by doing. Draw your own digital logic diagrams. Logic drawing template with instructions for reading and drawing standard gate and flip flop symbols. Timing diagrams introduced. Send \$1.98 plus 20¢ post.

STELCOMP SCIENTIFIC
4600 Duke St.
Alexandria, Va. 22304

FM Schematic Digest

A COLLECTION OF
MOTOROLA SCHEMATICS

Alignment, Crystal, and Technical Notes
covering 1947-1960

136 pages 11 1/2" x 17" ppd \$6.50

S. Wolf

P. O. Box 535

Lexington, Massachusetts 02173

CANADIAN QSL CARDS. Write for free samples. Hon Rae Specialty, Dept. B, P. O. Box 601, Saint John, N. B.

TO SELL YOUR HAM GEAR or to purchase new or used or to receive our monthly mailer of reconditioned equipment contact, Associated Radio, 8012 Conser, Overland Park, Kansas 66204. 913-381-5900.

INSULATED STANDOFF TERMINALS: Teflon, 15 @ \$1.00; Ceramic, 20 @ \$1.00; Phenolic, 25 @ \$1.00. Teflon pressfit terminals - standoffs - feed-thrus - testjacks - your choice, 50 @ \$1.00. 1-10 pf. glass piston trimmers, 4 @ \$1.00. 1N914 diodes 20 @ \$1.00. Germanium diodes (1N34 specs) 50 @ \$1.00. Postpaid. S.A.S.E. brings component list. CPO Surplus, Box 189, Braintree, Mass. 02184.

THE MIDLAND AMATEUR RADIO CLUB, Midland, Texas, will hold their Saint Patricks Day Swapfest on Sunday, March 18, 1973. The Swapfest will be preceded by the usual social events the afternoon and evening of March 17th. For details contact WASHOI.

SELL Motorola Portable Test set TU546. Excellent condition, complete \$150.00. WA6EDQ, 19823 Ave. 300, Exeter, Ca. 93221.

WANTED: Used Vibroplex mechanical key in good condition. Robert Cox, 215 River Court, Jensen Beach, Fla. 33457.

SELL: E. E. and other technical books. SASE for list. Roger A. Baim, WB9BDP, 2753 W. Coyle, Chicago, Illinois 60645.

SELL: Kenwood (Trio) R-599 w/50Mc & 144Mc preamps, T-599, MC-50 dynamic mike, SP-599 spkr, all only two months old, original cartons, complete \$650. Yaesu FT-200 w/AC supply/spkr, DC supply, excellent condition \$375. W7UR, tel.: 503 643-1460.

CIRCUIT BOARDS for Ham radio projects. Plated G-10 epoxy with large picture. RTTY monitor receiver, December '72, \$10 ppd.; automatic line feed, January '73, \$7; TTL AFSS generator, Sept. '72 RTTY Journal, \$8. Bert Kelley, K4EEU, 2307 S. Clark Ave., Tampa, Florida 33609.

TECH MANUALS for Govt. surplus gear — only \$6.50 each: R-220/URR, R-388/URR, R-389/URR, R-390/URR, R-274-FRR, URM-25D, TT-63A/FGC, RCK, CV-591A/URR, ALR-5, TS-34A/AP, TS-497B/URR, BC-779B, TS-403/U, TS-418/U, BC-639A. Hundreds more. Send 50¢ (coin) for large list. W3IHD, 4905 Roanoke Drive, Washington, D. C. 20021.

REGENCY HR2-A. Like new. Three channels .94-.94, .88-.88, .34-.76. \$150.00. Larry D. Sikes, WA8SLB, 8084 Bray Road, Mount Morris, Mich. 48458.

QSL'S — BROWNIE W3CJI — 3111B Lehigh, Allentown, Pa. 18103. Samples 10¢. Cut catalogue 25¢.

30 PIECES OF EXCELLENT - Used commercial ham equipment. Priced to sell. Send self addressed, stamped envelope for list. S. Bernard Kamp, 329 Edwards Dr., Fayetteville, N. Y. 13066. 315-446-6332.

CW TIME IDENTIFIER: A drilled fiberglass 4 1/2" x 8 1/2" printed circuit board now available for W8BEB CW time identifier in the Nov. 72 issue of QST. \$12.50 ppd. WA6JYJ RTTY Speed Converter. A 4 1/2" x 5 1/2" drilled fiberglass board for \$5.00 ppd. Also many others. C. R. Sempirek, K8WDC, Rt. 3, Box 1, Bellaire, Ohio 43006.

ENGINEERS, RADIO MEN — Tired of humdrum city life? For Sale — A successful radio business, 5 acres, home, towers, three buildings, antennas, income property. Be the highest ham in New Jersey. \$70,000. Principals only. Call 201-697-4246.

FOR SALE: HW100 w. AC/DC supplies \$225. Collins 312B-4 \$45. West German 500W two-meter linear 4CX250B (new) \$350. Same for 432 MHz \$375. Andrews 4' dish \$25. Semco transistor VFO (48 MHz new) \$17.50. Hemco two-meter TX mod (6330, new) \$25. Ingwersen, 352 Stillwater Ave., Spring Hill, Fla. 33512, (904) 683-2389.

YOUR AD belongs here too. Commercial ads 25¢ per word. Non-commercial ads 10¢ per word. Commercial advertisers write for special discounts for standing ads not changed each month.

SSB CONVERTER CV-591A: Get upper or lower sidebands from any recr. OK gatd. w/book \$137.50
SP-600(+) RECEIVER 0.54-54 MHz continuous, overhauled, aligned, grtd, w/book 250.00

BRAND NEW FREQ-SHIFT TTY MONITOR

NAVY OCT 3: FM Receiver type, freq. range 1 to 26 MHz in 4 bands, cont. tuning. Crystal calib. Reads up to 1500 Hz deviation on built-in VTVM. Cost \$1100.00 each! In original box, with instruct. book & cord. fob Mariposa, Cal. Min. signal needed: 15 mv. Shpg wt 110 lbs 49.50

HIGH-SENSITIVITY WIDE-BAND RECEIVER

COMMUNICATIONS • BUG DETECTION
 • SPECTRUM STUDIES

38-1000 MHz AN/ALR-5: Consists of brand new tuner/ converter CV-253/ALR in original factory pack and an exc. used, checked OK & grtd main receiver R-444 modified for 120 v. 50/60 hz. The tuner covers the range in 4 bands: each band has its own Type N Ant. input. Packed with each tuner is the factory inspector's checkout sheet. The one we opened showed SENSITIVITY: 1.1 uv at 38.4 mhz. 0.9 at 133 mhz. 5 at 538 mhz. 4 1/2 at 778 mhz. 7 at 1 ghz. The receiver is actually a 30 mhz IF amp. with all that follows, including a diode meter for relative signal strengths: an atten. calibrated in 6 db steps to -74 db, followed by an AVC position; Pan., Video & AF outputs; switch select pass of ±200khz or ±2 mhz; and SELECT AM or FM! With Handbook & pwr. input plug, all only 375.00
 CV-253 Converter only, good used w/book 89.50

30 MHz PANADAPTER OK grtd \$137.50

Meas. Corp. #59 Grid Dipper 2.2-420 MHz, 75.00

NEMS-CLARKE #1670 FM Rcvr 55-260 MHz like new 275.00

WVW Rcvr/Comparator 2 1/2-20 MHz, w/scope 250.00

RECEIVER/COMPARATOR FOR 60 KHz WVWL standardizes to 1 part in 10 billion with inexpensive oscillators 495.00

Attention!

Buyers, Engineers, advanced Technicians:

We have the best test-equipment & oscilloscope inventory in the country so ask for your needs . . . don't ask for an overall catalog . . . we also buy, so tell us what you have. Price it.

R. E. GOODHEART CO. INC.

Box 1220-HR, Beverly Hills, Calif. 90213

Phone: Area Code 213, Office 272-5707

DIGIPET-60

SEE NOV. '72 "CQ" REVIEW

Digipet-60

Frequency Counter

1 KHz-60 MHz

(130-160 MHz with optional converter)

Reg. \$299



A frequency counter with a range of 1 KHz to 60 MHz (or 130-160 MHz when used with our Digipet-160 Converter). With a resolution of 1 KHz or 1 Hz (at 1 ms. or 1 s. gate times). It can be operated on either AC or DC, with complete overload protection. Plus a stability aging rate of 1 part in 10⁶/week. And the whole unit is a mere 7 1/2" deep by 2 1/2" high!

Superb precision quality at LESS THAN KIT PRICES. Call or write for literature and trade in or our LOW INTRODUCTORY PRICE 1 YEAR WARRANTY. NO ONE ANYWHERE BEATS OUR DEAL!



AMATEUR-WHOLESALE ELECTRONICS
 8817 S.W. 129 Terrace • Miami, FL 33156
 Days (305) 233-3631
 Nights-Weekends (305) 666-1347

Portable Radio Phone Model FLP-2/CBFL, 31.5 MHz, AM. Made by Morrow Radio. Easy to convert. Approx. 1w input pwr/squelch. Mic. included. AI CONDITION \$14.95
 Headset-Microphone H-63/U 600Ω earphones 100 ohm chm mkt suspended on headband. NEW \$4.95
 Chest Set AN/GSA6 adapts above to GRC-VRC equipment NEW \$2.95

Potter & Brumfield industrial control relay New KU-4129-2 SPDT, SPST 115 VAC 60 cps .50¢

March Sales Sheet now available. Send SASE for copy. FRANK ELECTRONICS, 407 Ritter Rd., Harrisburg, PA 17109

ECHO II



ALL
SOLID
STATE

STOCK
FREQS:
16/76
22/82
28/88
34/94

2 METER
AMATEUR REPEATER — ONLY \$600.00

PROVEN STATE OF THE ART DESIGN
INSTALLATIONS WORKING GREAT IN U.S., EUROPE AND ASIA
STOCK FREQS DELIVERED IMMEDIATELY, OTHERS 3-4 WEEKS
WRITE FOR FREE DATA SHEET — FULL MANUAL \$5.00

DYCOMM

948 AVENUE E P.O. BOX 10116
RIVIERA BEACH, FLA. 33404

— PCB KITS —

RTTY SPEED CONVERTER Drilled PCB	5 & 11 VDC	\$40.00
DRILLED PCB ONLY		\$ 6.00
RTTY AFSK Gen. All Shifts & CW I.C.	9 VDC @ 2ma	\$6.60
100 KHz XTAL CALIBRATOR Less Xtal	9 VDC @ 2ma	\$4.75
100 KHz XTAL (Limited Supply)		\$2.50
PREAMP MICROPHONE, 26 DB Gain	9 VDC @ 1ma	\$3.50
LIMITER PREAMP For High Z Mike	9 VDC @ 1ma	\$4.80
PRODUCT DETECTOR For Your Receiver	9 VDC @ 1ma	\$3.60
"S" METER KIT Less 1ma Meter	6.3VAC	\$4.75
SWR METER, Stripline, Less 200ma Meter		\$2.95
WWV CONVERTER 3.5-4.0 MHz Output	9 VDC @ 5ma	\$5.25
Requires 6-6.5MHz Crystal		
6 METER CONVERTER FET Front End	9 VDC @ 5ma	\$5.95
7-11 MHz Output. Less 43 MHz Xtal		
CW KEYING MONITOR, RF Keyed, Less Spkr.	9 VDC @ 9ma	\$4.70
POWER SUPPLY - 9 VDC @ 50ma Output	115VAC	\$4.85
6 OR 2 METER CASCADE PREAMP	80 VDC @ 4.5ma	\$4.95
Wired & Tested Less 2 ea 6CW4		
Novistors. Specify 6 or 2 Meter Model		
DRILLS, #54, 56, 58 or 60	(each)	\$ 4.00
Finest Quality for PCB'S, Made in USA	Three For	\$1.00

EXCEPT AS NOTED ABOVE, ALL KITS ARE NEW, 100% SOLID STATE. AND COME COMPLETE WITH AN UNDRILLED G-10 PCB (PRINTED CIRCUIT BOARD) AND ALL PCB MOUNTED COMPONENTS. KITS ARE LESS POWER SUPPLIES, CHASSIS, AND ENCLOSURE HARDWARE. SEND SELF-ADDRESSED, STAMPED ENVELOPE FOR COMPLETE DATA SHEET AND SCHEMATIC.

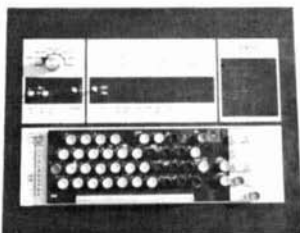
SATISFACTION GUARANTEED. RETURN IN 30 DAYS FOR REFUND. ALL KITS POSTPAID. INCLUDE 25¢ HANDLING CHARGE. WASHINGTON RESIDENTS ADD 5% SALES TAX.

P. M. ELECTRONICS INC.

519 SOUTH AUSTIN, SEATTLE, WASH. 98108

GATEWAY ELECTRONICS

8123 PAGE AVENUE
ST. LOUIS, MISSOURI 63130
314-427-6116



KEY-BOARD — 48 key keyboard in modern sloping desk cabinet; overall size of case 15½ x 12½ - 1¼ high in front; 3¾ high in rear. Each key is SPST switch; included are 12 volt lamps in a lighted number field. — ship wt. 21 lb. \$25.00

L.E.D. 7 SEGMENT READOUT — MAN 1 TYPE — NEW \$2.75

THUMBWHEEL SWITCHES
— 0.5 x 2.125 x 1.78 — 10 position decimal \$2.75
— 10 position BCD & Complement \$3.75
— End Plates (per pair) \$1.00

MINIATURE SIZE
— 0.312 x 1.3 x 1.3 — 10 position decimal \$2.00
— 10 position BCD & Complement \$2.75
— End Plates (per pair) \$.50

TEKTRONIC 545A mainframe; B, CA, S plugins, manuals, \$1100. Heathkit Q meter, \$50; 10-10 DC XY scope, \$60. Lafayette CR Analyzer, \$25. Sears #2140N lathe & accessories, \$225. All like new condition. Jim Ashe, P. O. Box 6, Cambridge, Mass. 02138. (617) 926-4189.

SIGNAL/ONE CX7A — Little use and operates beautifully. \$1380 plus shipping. Perry Wheless, Georgia Tech Box 33057, Atlanta, Georgia 30332.

SELL, Johnson 6N2 transmitter, 6N2 VFO, Tape-tone XC50 6mtr receive converter, XC144 2mtr receive converter, PSR150 power supply, manuals included. Ameco 2mtr receive converter, PS1 power supply. Converters all 14 MHz IF. Best offer, any or all items. Will ship. Bob Eide, 53 St. Andrew, Rapid City, S. D. 57701.

VHF-UHF construction articles and available low cost parts kits described in VHF Communications Magazine. Let us know your needs so we can quote prices and send other information. Special offer to new subscribers, 1969 through 1972 with binders, includes subscription for 1973, all for \$20.25. Same offer with 1973 by air mail for \$21.50. 1973 only, \$4.50, by air \$5.75. Sample copy, 50¢. VHF Communications, Bob Eide, WOENC, 53 St. Andrew, Rapid City, S. D. 57701.

RECIPROCATING DETECTOR KIT. Send SASE to, Peter Meacham Associates, 19 Loretta Road, Waltham, Mass. 02154.

RTTY SPEED CONVERTER. A drilled 4" x 6 1/2" PCB and all components except input output jacks, power supply and chassis. See Dec. '71 and Oct. '72 issue of Ham Radio, \$40.00 postpaid. PCB only \$6.00. P & M Electronics, Inc., 519 South Austin, Seattle, Washington 98108.

FREQUENCY COUNTER 60 MHz. — Minus power supply and cabinet. Tested — reads to the last cycle from 10 Hz to over 60 MHz. 7 segment type readout (supplied) \$125.00 tested — postage paid. Jim Page, WA7ARI, 422 18th N.E., Salem, Oregon 97301 (503) 585-1641.

SAFETY BELTS tower climbing, nylon (new), Lanyard/snap (used). \$23.50, LINK, RT111, Monroe, Ct. 06468.

EVANSVILLE, INDIANA TARS HAMFEST, Sunday May 6, 1973. 4-H grounds, Hwy 41, north 3 miles. Auction, overnight camping, ladies bingo, reserved flea market booths, air conditioned. Advanced registration. For flyer contact Robby, W9MKZ, 502 S. Lincoln Park Drive, Evansville, Indiana 47714.

SOLID ALUMINUM MAST 1 1/2" x 12 ft. (33 lbs. approx.) 16.00; 1 3/8" x 12 ft. (50 lbs.) 24.00. Price FOB Houston, Motor frt., Mastercharge, BAC. Madison Electronics, 1508 McKinney, Houston, Texas 77002. (713) 224-2668.

"DON AND BOB" GUARANTEED GOODIES. SBE450 MHzFM (399L) 339.00; Standard 826MA — Write; Midland 2MFM-write: HyGain TH6DX 139.00; Hyquad 109.00; TH3MK3 114.00; 204BA 129.00; 400 rotor 179.00; Mosley CL33 124.00; CL36 149.00; TA33 114.00; Ham-M 99.00; TR44 59.95; Belden rotor cable 10¢/ft; CDE parts stock; 8214 RG8/U foam coax 16¢/ft; Cetrion 572B/TI60L 13.95; Mallory 2.5A/1000PIV epoxy diode 29¢; MOT MC1709CG (709) T05 39¢; Turner 350C, 360 9.95 ea.; Triex MW50 250.75; MW65 331.50; W51 386.00; Write quote Drake, Triex, Eimac, Leader; Clegg FM27B; Shipping collect. Warranty guaranteed. Mastercharge, BAC. Madison Electronics, 1508 McKinney, Houston, Texas 77002. (713) 224-2668.

BROWARD AUCTIONFEST, March 10, 1973 at Broward Community College, 3501 S.W. Davie Road, Ft. Lauderdale, Fla. Hours 9:00 a.m. to 5:00 p.m. Refreshments and unlimited parking. Donation \$1.50. Free coffee. XYL's admitted free. No sales commissions. Convert your used equipment into cash. Public welcome.



FM RINGO 3.75 db GAIN AR-2 — \$12.50

WORLD'S BEST VHF
FM ANTENNA, IN
STOCK AT YOUR LOCAL
DISTRIBUTOR.

Cush
craft
CORPORATION

621 HAYWARD STREET
MANCHESTER, N. H. 03103

FREQUENCY STANDARD



Only
\$32.50
(less batteries)
POSTPAID USA

- Precision crystal
- Fully guaranteed
- Markers at 100, 50, 25, 10 or 5 kHz selected by front panel switch.
- Zero adjust sets to WWV. Exclusive circuit suppresses unwanted markers.
- Compact rugged design. Attractive, completely self contained.
- Send for free brochure.

**PALOMAR
ENGINEERS**
BOX 455, ESCONDIDO, CA 92025

FREQUENCY SYNTHESIZERS

IMMEDIATE "OFF THE SHELF" DELIVERY

**YOU'LL NEVER
HAVE TO BUY
CRYSTALS
AGAIN**



MODEL: ST-140

Price: \$129.95 ppd.

Tested, guaranteed and complete with mobile mounting bracket, tilt stand and transmitter matching kit.

Note: NY state residents add sales tax.

CHECK THE ADVANTAGES OF A VANGUARD SYNTHESIZER OVER OTHER BRANDS.

- No microphonics. Can be used mobile over bumpy roads.
- Reference frequency and spurious output down 70 dB. (excluding harmonics of output frequency which are used in the transmitter anyway.)
- All output frequencies are generated directly from the VCO without the use of multipliers and are therefore free of sub-harmonics.
- Now available with outputs in the 6, 8, 12 and 18 MHz bands (corresponding to 144 MHz dial reading) for direct substitution of transmitting crystals. More output frequencies are being made available. Call us if you don't see what you need.
- Entire frequency appears in-line in clear digits. No guesswork or mental additions. Thumbwheel switches provide fast, accurate selection of 1000 channels in 10 KHz. steps from 140.00 to 149.99 MHz.
- 50 ohm output and impedance transformer kit allows use at any distance from transmitter.
- Maintains an accuracy of .0005% (5 parts per million) over the entire range of -10° to $+60^{\circ}$ C. with a precision temperature compensated crystal that requires no oven. Operates at 5 MHz. for easy checking with WWV and includes a zero trimmer for correcting long term aging drift.
- Fast response time of only 3 milliseconds for a 10 KHz. step change in frequency and a remote control, gated output amplifier for push-to-talk operation.
- No hunting or false locks as with some other synthesizers.
- Operates from 10 to 15 VDC. 3 precision regulators eliminate input voltage fluctuations. Can also be used on 110 volts AC with a small 12 volt $\frac{1}{2}$ amp power supply.
- Smallest size of any commercial synthesizer. Only $1\frac{3}{8}$ " high, $3\frac{3}{8}$ " wide, 8" long.
- All IC's are mounted in high quality insulated sockets and all parts are marked.
- Manufactured by VANGUARD LABS renowned for quality since 1952.

NOTE: Our 45 MHz. receive synthesizers may be ready by the time you read this. Call us for details.

IMPORTANT: When ordering be sure to state the output frequency you want.

VANGUARD LABS

Call 212 468-2720 for fast C.O.D. shipment.
For mail orders with personal checks allow 3 weeks.
196-23 JAMAICA AVE. HOLLIS, N. Y. 11423

NEW! FROM MATRIC

QUALITY GEAR LOADED WITH FEATURES!



MODEL 10 • KEYSER MODEL 11 • PADDLE

No bulky batteries or awkward power cords with the Model 10 Keyer. Internal penlight cells and reed relay output produce a compact, portable, and versatile unit. Also available as a circuit board kit without case for custom installation.

Keyer Kit	\$21.90
Keyer Assembled	\$26.50
P. C. Board Kit	\$12.95
Sidetone Kit	\$ 4.95
Sidetone Assembled	\$ 6.95
Paddle Assembled	\$ 9.95

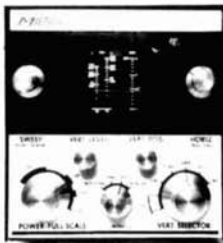


MODEL 20 DIGITAL DIAL

Tune your fixed or mobile transmitter, receiver, or transceiver with 100 Hz accuracy and no last digit jitter. The Model 20 Digital Dial connects to rigs with 5-5.5 MHz VFO's with a single wire. It can also be used as a general purpose frequency counter.

Matching accessories coming soon.

Assembled and Tested	\$169.95
Crystal Time Base	\$ 29.95



MODEL 31 MONITORSCOPE

Monitor RF output, read power output to 1500 watts, measure SWR to 3:1, and observe RTTY and trapezoid patterns all in a single instrument! The Model 31 also includes an RF actuated CW monitor, two-tone generator, and AC and DC vertical and horizontal inputs for general purpose use.

Assembled and Tested

\$169.95

MATRIC

**SEE YOUR DEALER
OR ORDER DIRECT. PRICES F.O.B. SENECA, PA.**

RD 1, PHONE LANE, BOX 185A • FRANKLIN, PA. 16323 • 814-432-3647

6939'S 5 WATTS, 500 MHz. Guaranteed good, \$2.50 each. Jack, W6TNR, 15718 Mayall, Sepulveda, Calif. 91340.

3RD ANNUAL NORTH FLORIDA SWAFFEST. March 25, 1973, Fort Walton Beach, Florida at the Community Center on Highway 98 from 8 a.m. to 4 p.m. Tickets and details are available from the Playground Amateur Radio Club, P. O. Box 873, Fort Walton Beach, Florida 32548.

G.E. POCKETMATE, NICADS, leather case \$140. W4GBB, 801 Duckview, Winston Salem, N.C. 27106.

HAMFEST — Wabash County ARC Fifth Annual Hamfest, Sunday May 20, rain or shine. Admission is still only \$1. Flea market, food, tech talks and much more. For information write Bob Mitting, 663 Spring, Wabash, In. 46992.

MODERNIZE FOR PEANUTS! Frame & Display QSL's with 20 pocket plastic holders. Two for \$1.00, seven for \$3.00. Prepaid, guaranteed. Universally used and approved. Order now. TEPABCO, Box 198H, Gallatin, Tennessee 37066.

PRINTED CIRCUIT DRILL BITS. Trumbull, 833 Balra Drive, El Cerrito, California 94530.

WANTED: GOOD MODEL 19 RTTY. Quote price delivered to my QTH. Cline, Box 216, Logan, Utah 84321.

FIGHT TVI with the RSO Low Pass Filter — p115 March 73 — write for brochure — Taylor Communications Manufacturing Company, Box 126, Agincourt, Ontario, Canada.

WANTED: Lafayette HA46, Bob, K6GEV, 11 Wool, San Francisco 94110.

R390/URR COLLINS digital tuning receiver, .5 to 32 MHz. Operating condition, sacrifice for best offer over \$475. Fleming, 1327 Prairie Road, Colorado Springs, Colo. 80909.

HAVE 4-PAGE LISTING of Ham items — can't list all here — bargain prices, big variety, some GR, H-P, etc. SASE appreciated. WA9DYE, 114 Lakeview, Milwaukee, Wis. 53217.

DX'ERS — Dig Them Out of the Mud. New low noise Dual Gate MOSFET preamplifier. Nominal 20db gain. 10-30 MHz. Complete in cabinet \$29.96. Dynacomm, 1183 Wall Road, Webster, NY 14580.

SURPLUS MILITARY RADIOS, Electronics, Radar Parts, tons of material for the ham, free catalogue available. Sabre Industries, 1370 Sargent Avenue, Winnipeg 21, Manitoba, Canada.

TELETYPEWRITERS — Kleinschmidt — portable, fixed, sets, punches, parts, reconditioned, reasonable. Mark/Space Systems, 3563 Conquista, Long Beach, Calif. 90808. 213-429-5821.

CANADA'S MOST UNUSUAL Surplus and Parts Catalog. Jam packed with bargains and unusual items. Send \$1. ETCO-HR, Box 741, Montreal, Canada.

THE GREATER BALTIMORE HAMBOREE will be held at Calvert Hall College, Putty Hill and Goucher Boulevard, Towson, Maryland (one mile south of Exit 28 of Beltway-Interstate 695), on Sunday, April 8, 1973 at 10 a.m. Food service, Flea market, prizes. Registration: \$2.00. No table or percentage charges. Info.: Joe Lochte, 5400 Roland Avenue, Baltimore, Maryland 21210.

75A4 FOR SALE, 2 filters, manual, like new condition, serial 5153, \$350. Bayard Rowan, W2GKF, 55 Runnymede Road, Berkeley Heights, N. J.

VHF NOISE BLANKER — See Westcom ad in Dec. '70 and Mar. '71 Ham Radio.

KW107

SUPERMatch *is beautiful!*

- * E-Z Match Tuner
- * SWR Meter
- * Power Meter
- * Dummy Load
- * Antenna Switch
- * 350 watts PEP

\$134.95

Ppd in USA & Canada

Moneyback Guarantee

Clean up the unsightly tangle of wires around the shack and your wife will think it's beautiful



Send for FREE Literature



KW Electronics

10 Peru St., Plattsburgh, New York 12901
In Canada: 4544 Dufferin St.
Downsview, Ont. M3H 5S1

VHF-FM

HEADQUARTERS FOR

SOUTH FLORIDA

OFFERS YOU CRYSTALS AT A PRICE YOU CAN AFFORD!

for

DRAKE

SWAN

REGENCY

SBE

INOUE

STANDARD

ALL \$3.25 ea. TRANSMIT OR RECEIVE
prepaid USA

EMPORIUM SOUNDS OF POMPANO

51 North Federal Highway

Pompano Beach, Florida 33060

305-782-3464



NEW REPEATER 2 Meter Fixed Station

Designed for the man who demands professional standards in 2 meter equipment. *REPEATER LINE* fixed station antennas are the 2 meter HAM's dream come true. With everything you need for top fixed station performance...toughness, efficiency and the gain to gain access to distant repeaters with ease. Work many stations, fixed or mobile, without access to a repeater.

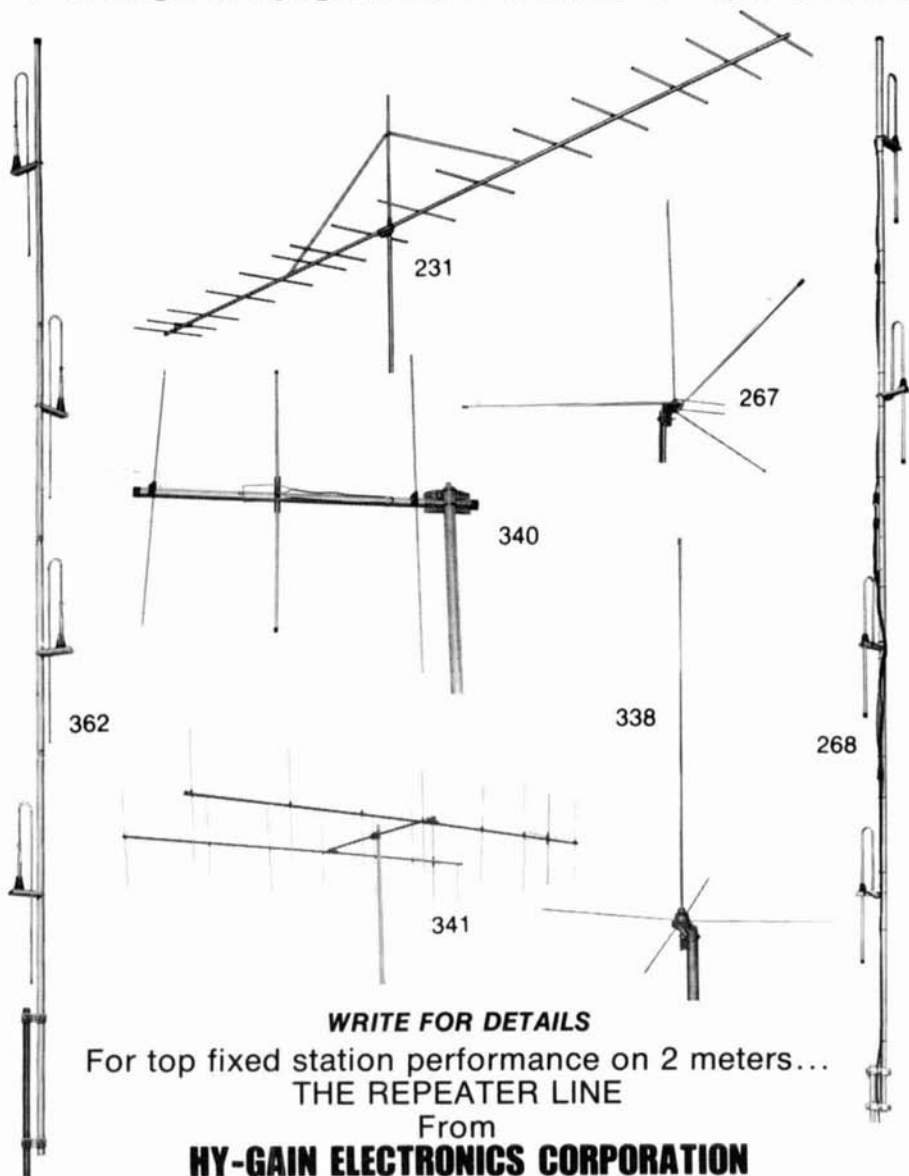
The right antennas for the new FM transceivers...or any 2 meter fixed station.

REPEATER LINE Fixed Station Antennas

Tough, high efficiency antennas with a long, low radiation. For the top signal and reception you want...and the top performance your transceiver's ready to deliver.

- 267 Standard 1/4 wave ground plane. May be precision tuned to any discrete frequency between 108 and 450 MHz. Takes maximum legal power. Accepts PL-259. Constructed of heavy gauge seamless aluminum tubing.
- 268 For repeater use. Special stacked 4 dipole configuration. 9.5 db offset gain. 6.1 db omnidirectional gain. Heavy wall commercial type construction. 144 thru 174 MHz. 1.5:1 VSWR over 15 MHz bandwidth eliminates field tuning. Extreme bandwidth great for repeater use. Center fed for best low angle radiation. DC ground. Complete with plated steel mounting clamps.
- 338 Colinear ground plane. 3.4 db gain omnidirectionally. Vertically polarized. 52 ohm match. Radiator of seamless aluminum tubing; radials of solid aluminum rod. VSWR less than 1.5:1. All steel parts iridite treated. Accepts PL-259.
- 362 SJ2S4 high performance all-driven stacked array. 4 vertically polarized dipoles. 6.2 omnidirectional gain. 52 ohm. May be mounted on mast or roof saddle. Unique phasing and matching harness for perfect parallel phase relationship. Center fed. Broad band response. DC ground.
- 340 3 element high performance beam. 9 db gain. Coaxial balun. Special VHF Beta Match configuration. Unidirectional pattern. VSWR 1.5:1. 52 ohm impedance. Heavy gauge aluminum tubing and tough aluminum rod construction.
- 341 8 element high performance beam. 14.5 db gain. Coaxial balun. VHF Beta Match. Unidirectional. Boom length 14'. VSWR 1.5:1. 52 ohm feedpoint. Heavy gauge commercial type aluminum construction.
- 231 15 element high performance beam. 17.8 db gain. Coaxial balun. Beta Match. Unidirectional. Boom length 28'. VSWR 1.5:1. 52 ohm feedpoint. Extra-strength heavy wall commercial aluminum tubing.

LINE from **Hy-gain** Antennas with real PUNCH!



WRITE FOR DETAILS

For top fixed station performance on 2 meters...
THE REPEATER LINE

From
HY-GAIN ELECTRONICS CORPORATION

P. O. Box 5407-WC Lincoln, Nebraska 68505

signal/one



THE INCOMPARABLE CX7A
DELUXE INTEGRATED
STATION \$2395

*State-of-the-Art
equipment of the Seventies*

Phone/write DON PAYNE, K4ID, for a brochure, personalized service, and a KING-SIZE trade-in on any gear you have — one piece — or the whole station.

PAYNE RADIO

Box 525 • Springfield, Tenn. 37172

Phone
Six Days (615) 384-5573

Phone
Nites-Sundays (615) 384-5643

ALPHA 77 by ETO



Featuring the new Giant from Eimac the 8877 with 1500 watts of plate dissipation.

NEW LOW PRICE \$1495

New Warranty: Parts, labor
12 months — Power transformer
Filter Capacitor — 24 months

WORLD QSL BUREAU

THE ONLY QSL BUREAU to handle all of your QSLs to anywhere; next door, the next state, the next country, the whole world. Just bundle them up (please arrange alphabetically) and send them to us with payment of 5¢ each.

5200 Panama Ave., Richmond, CA USA 94804

NEW MINIATURE CRYSTAL FILTERS — Made U.S.A.

Write us about your crystal filter needs
Model WF-4 Model WF-8



WHEATLAND ELECTRONICS
P. O. BOX 343
ARKANSAS CITY
KANSAS 67005

No. Crystals	4	8
Center Freq.	9.0 MHz	9.0 MHz
Band Width at 6db	2.5kHz	2.5 kHz
60db/6db Shape	2.0 (45/6)	1.8 max.
Ultimate Rejection	45 db	100 db min.
In/Out Termination	120 Ω	140 Ω
PRICE	\$18.95	\$26.95

Matching Crystals USB (8998.5 kHz)
or LSB (9001.5 kHz) \$2.75 each
Include .75 for postage and handling.

OMEGA-T

ANTENNA NOISE BRIDGES



Precision bridges with a broadband signal source permits you to measure both antenna resonant frequency and antenna impedance at the resonant frequency when used with your receiver.

- A must for the serious antenna enthusiast.
- Replace VSWR bridges or other antenna test equipment.
- Get optimum performance from all types of mobile and fixed antennas.

MPQ INDUSTRIES Model TE 7-01 1-100 MHz
P. O. Box 217 \$29.95 ppd
Hernando, MS. Model TE 7-02 1-300 MHz
38632 \$39.95 ppd

KITS



**Encoder \$8.95
Wired \$13.95**

Sub-Audible Tone
Decoder \$9.95
Wired \$14.95



- Compatible with all sub-audible tone systems such as Private Line, Channel Guard, Quiet Channel, etc.
- Glass epoxy PCB's & Silicon xstrs throughout
- Any reeds, except special dual coil types may be used: Motorola, G.E., RCA, S.D.L., Bramco, etc.
- All are powered by 12 vdc
- Use on any tone frequency 67 Hz to 250 Hz
- Small size 1.5 x 4 x .75"
- All parts included except reed and reed socket

Postpaid — Calif. residents add 5% sales tax
COMMUNICATIONS SPECIALISTS
P. O. Box 153, Brea, CA 92621

WANTS TO BUY

All types of military electronics equipment and parts. Call collect for cash offer.

**SPACE ELECTRONICS division of
MILITARY ELECTRONICS CORP.**

76 Brookside Drive, Upper Saddle River
New Jersey 07458 • (201) 327-7640

CUMULATIVE INDEX

Save those endless hours looking up those old articles in your Ham Radio collection. This Wonderful booklet will lead you directly to what you're looking for. Covers from our first issue through December '72.

\$1.00 postpaid

HAM RADIO, Greenville, NH 03048

Catalog Number	Qty Quantity Per Item (Mix)			Multiples of 10 Per Item (Mix)	Catalog Number	Qty Quantity Per Item (Mix)			Multiples of 10 Per Item (Mix)
	1	100	1000			1	100	1000	
7400	26	25	23	22	74176	1.62	1.53	1.45	1.36
7401	26	25	23	22	74177	1.62	1.53	1.45	1.36
7402	26	25	23	22	74180	1.20	1.13	1.07	1.01
7403	26	25	23	22	74181	1.20	1.13	1.07	1.01
7404	26	25	23	22	74182	1.20	1.13	1.07	1.01
7405	28	27	25	24	74192	1.98	1.87	1.76	1.65
7406	52	50	47	44	74193	1.98	1.87	1.76	1.65
7407	52	50	47	44	74198	2.81	2.65	2.50	2.34
7408	32	30	29	27	74199	2.81	2.65	2.50	2.34
7409	32	30	29	27					
7410	26	25	23	22	SCHOTTKY TTL				
7411	28	27	25	24	74800	.88	.84	.79	.75
7413	58	55	52	49	74801	.88	.84	.79	.75
7416	52	50	47	44	74803	.88	.84	.79	.75
7417	52	50	47	44	74804	1.00	.95	.90	.85
7418	26	25	23	22	74805	1.00	.95	.90	.85
7420	26	25	23	22	74806	.88	.84	.79	.75
7421	26	25	23	22	74809	.88	.84	.79	.75
7423	80	76	72	68	74810	.88	.84	.79	.75
7425	50	48	45	43	74815	.88	.84	.79	.75
7426	34	32	31	29	74820	.88	.84	.79	.75
7430	26	25	23	22	74821	.88	.84	.79	.75
7437	56	53	50	48	74822	.88	.84	.79	.75
7438	56	53	50	48	74840	1.00	.95	.90	.85
7440	26	25	23	22	74850	.88	.84	.79	.75
7441	1.73	1.64	1.55	1.46	74851	.88	.84	.79	.75
7442	1.27	1.21	1.14	1.07	74860	.88	.84	.79	.75
7443	1.27	1.21	1.14	1.07	74861	.88	.84	.79	.75
7444	1.27	1.21	1.14	1.07	74865	.88	.84	.79	.75
7445	1.71	1.62	1.53	1.44	74873	1.82	1.73	1.63	1.54
7446	1.24	1.17	1.11	1.04	74874	1.82	1.73	1.63	1.54
7447	1.16	1.10	1.04	.98	74807	1.82	1.73	1.63	1.54
7448	1.14	1.07	1.01	.95	71812	1.82	1.73	1.63	1.54
7449	26	25	23	22	71811	1.82	1.73	1.63	1.54
7451	26	25	23	22	71810	1.00	.95	.90	.85
7453	26	25	23	22					
7454	26	25	23	22	LINEAR IC'S				
7459	26	25	23	22	NE501A	2.99	2.82	2.66	2.49
7460	26	25	23	22	NE526A	3.59	3.38	3.17	2.95
7470	12	10	38	36	NE531A	3.81	3.58	3.36	3.14
7472	38	36	34	32	NE533T	3.81	3.58	3.36	3.14
7473	50	48	45	43	NE536T	7.31	6.88	6.45	6.02
7474	50	48	45	43	NE540T	2.16	2.01	1.92	1.80
7475	80	76	72	68	NE540T	4.18	4.20	3.92	3.64
7476	56	53	50	48	NE550A	1.21	1.17	1.11	1.04
7480	76	72	68	65	NE560B	3.57	3.36	3.15	2.94
7482	99	94	88	83	NE561B	3.57	3.36	3.15	2.94
7483	1.63	1.55	1.46	1.38	NE562B	3.57	3.36	3.15	2.94
7485	1.43	1.35	1.28	1.20	NE565A	3.57	3.36	3.15	2.94
7486	58	55	52	49	NE566V	3.57	3.36	3.15	2.94
7490	80	76	72	68	N5111A	.90	.86	.81	.77
7491	1.43	1.35	1.28	1.20	N5595A	3.40	3.20	3.00	2.80
7492	80	76	72	68	N596A	1.87	1.77	1.66	1.56
7493	80	76	72	68	709A	.42	.40	.38	.36
7494	1.18	1.12	1.05	.99	710A	.42	.40	.38	.36
7495	1.18	1.12	1.05	.99	711A	.44	.42	.40	.37
7496	1.18	1.12	1.05	.99	723A	1.00	.95	.90	.85
7499	1.52	1.44	1.36	1.28					
74107	52	49	47	44	733A	1.90	1.80	1.70	1.60
74122	56	53	50	48	741T	.44	.42	.40	.37
74123	70	67	63	60	747A	1.05	.99	.94	.88
74124	1.21	1.06	1.00	.94	748V	.38	.46	.43	.41
74141	1.63	1.55	1.46	1.38	LM335	2.85	2.72	2.64	2.55
74145	1.41	1.33	1.26	1.18	LM336	3.85	3.66	3.46	3.27
74150	1.63	1.55	1.46	1.38	LM337	4.05	3.79	3.51	3.31
74151	1.20	1.13	1.07	1.01	TRANSISTORS AND DIODES				
74153	1.63	1.55	1.46	1.38	1N270	.15	.14	.13	.12
74154	2.43	2.30	2.16	2.03	1N914	.10	.09	.08	.07
74155	1.46	1.39	1.31	1.23	1N4001	.10	.09	.08	.07
74156	1.46	1.39	1.31	1.23	1N4002	.11	.10	.09	.08
74157	1.56	1.48	1.39	1.31	1N4003	.13	.12	.11	.10
74158	1.56	1.48	1.39	1.31	1N4006	.15	.14	.13	.12
74160	1.89	1.79	1.68	1.58	1N747A thru				
74162	1.89	1.79	1.68	1.58	1N758A	.25	.22	.19	.16
74166	1.98	1.87	1.76	1.65	2N3860	.25	.23	.21	.19

WHILE THEY LAST

LM101A	5.00	4.50	4.00	3.50	LM306	2.30	2.10	1.90	1.70
LM201	2.50	2.25	2.00	1.75	LM207	2.25	2.05	1.85	1.65
LM301	1.15	1.00	.85	.70	LM307	1.10	1.00	.90	.80
LM206	4.60	4.20	3.80	3.40	LM105	5.90	5.50	5.00	4.50

All IC's are supplied in .14-, .16-, or .21-pin DIP (Dual-in-line) plastic or ceramic package except for NE536, NE540, SE540, LM101A, LM201, LM301, LM206, LM306, LM207 and LM105 which come in TO-5 package. Voltage Regulators LM335, LM336 and LM337 are supplied in TO-3 (Diamond) package.

We give FREE data sheets upon request, so ask for those data sheets that you NEED, even for those listed IC's that you are not buying. On orders over \$25.00 we'll send you a new 270-page COMPLETE TTL IC data book FREE. Or, you may obtain a new 240-page LINEAR data book instead. Orders over \$50.00 will receive both books. Orders over \$100.00 will receive a complete LIBRARY OF DIGITAL & LINEAR data & application books totaling 1,000 pages FREE. The above mentioned books are shipped upon request only to avoid duplication. PLEASE NOTE: Data books are shipped separate from your order. Please allow two weeks for delivery.

LED 7-SEGMENT DISPLAY:

Litronic DL-10A 7-segment LED readout with 32' character height, improved brightness, built-in decimal point and an expected life of over 100,000 hours. These are brand new with full data sheet and 4-page multiplexing application note.

Now also available is the larger OPGOA SLA-1 with 1/32" character height and the same 32' character height, improved brightness, built-in decimal point and an expected life of over 100,000 hours. These are brand new with full data sheet and 4-page multiplexing application note.

DL-10A and DL-10A, both fit in DIP sockets and are available in 1-overflow digit at the same price (Litronic DL-10A or OPGOA SLA-2). Mixing of regular and overflow digit allowed. NOTE: Needs a 7447 for driver and one current limiting resistor per segment.

INCANDESCENT 7-SEGMENT DISPLAY: With right hand decimal point, Rated Box A per segment at TTL supply of 5V. Design life of 50,000 hours. Needs a 7447 as a driver. In DIP package.

	1-19	50-99	100-199	500-999	1000 up
DL-10A	4.95	4.75	4.50	4.25	4.00
DL-10A	4.95	4.75	4.50	4.25	4.00
SLA-1	4.95	4.75	4.50	4.25	4.00
SLA-2	4.95	4.75	4.50	4.25	4.00
Incandescent	3.25	3.00	2.75	2.50	2.25

Package of 8, 1/4 watt current limiting resistors.....\$0.30

MOLEX IC SOCKET PINS: Use these economical pins instead of soldering your IC's to PC boards. Sold in continuous strips in multiples of 100 pins only.

100 for \$1.00	200 for \$1.80	300 for \$2.60	400 for \$3.40
500 for \$4.20	600 for \$5.00	700 for \$5.80	800 for \$6.60
900 for \$7.40	1000 for \$8.20	each additional 1,000 \$7.50	

Dual-in-line WIRE WRAP IC SOCKETS from SAE, Brand new with gold plated pins.

	1-19	50-99	100-199	500-999	1000 up
14 Pins	.65	.60	.55	.50	.45
16 Pins	.75	.70	.65	.60	.55

STANCO TRANSFORMERS: Ideal for use with LM series.

P-8180, 25 VCT, 1 amp\$3.00
P-6134, 6.3 VCT, 1.2 amp\$2.75

HEAT SINKS: Waterfield series 680 circuit board coolers, 1 1/2" high with a dissipation up to 20 watts. Designed to use with TO-3 package.

	1-19	50-99	100-199	500-999	1000 up
Type 680-4	1.20	1.10	1.00	.90	.80

ALLEN-BRADLEY MIL-GRADE (54and) RESISTORS: Any of the 84 STANDARD 10% values from 2.70 to 22MΩ 1/4 or 1/2 WATT, E.A.M.I.\$0.05.

CERAMIC DISC CAPACITORS, Type 3GA-1000WVDC:

5, 7.5, 10, 12, 15, 20, 22, 25, 27, 30, 33, 39, 50, 56, 68, 75, 82, 100, 120, 150, 180, 200, 220, 250, 270, 300, 330, 360, 390, 470, 500, 560, 680, 750, 820, 1000, 1200, 1500, 1800, 2000, 2200, 2500, 2700, 3000, 3300, 3900, 4700, 5000μF.	\$.10
0.01μF, EACH	\$.11
0.02μF, EACH	\$.12

LOW VOLTAGE DISCS, Type 1K:

1.0μF, 3V	\$.25	2.2μF, 3V	\$.30
1μF, 10V	\$.12	0.2μF, 10V	\$.20
0.12μF, 3V	\$.25	0.01μF, 16V	\$.10

ELECTROLYTIC CAPACITORS: All values are available in both axial or upright (PC Board) mount. Please indicate your choice.

10μF, 15V	\$.10	1000μF, 35V	\$.50
30μF, 15V	\$.10	1μF, 50V	\$.10
50μF, 15V	\$.10	2μF, 50V	\$.10
100μF, 15V	\$.10	3μF, 50V	\$.10
220μF, 15V	\$.15	50μF, 50V	\$.10
500μF, 15V	\$.20	100μF, 50V	\$.15
1000μF, 15V	\$.30	20μF, 50V	\$.20
20μF, 25V	\$.15	30μF, 50V	\$.20
30μF, 25V	\$.20	100μF, 50V	\$.20
50μF, 35V	\$.20	200μF, 50V	\$.40
100μF, 35V	\$.20	500μF, 50V	\$.55
500μF, 35V	\$.40			

TERMS: Rated from NET 30 days. Others check or money order with order. BankAmericard and Mastercard are welcome. All invoicing is now done by computer therefore, the following standard charges will automatically be added to your order.

If your merchandise total is between:

\$ 0.00 - \$ 4.99	add	\$1.00
\$ 5.00 - \$24.99	add	\$0.75
\$ 25.00 - \$49.99	add	\$0.50
\$ 50.00 - \$99.99	add	\$0.25
\$100.00 and up	add	\$0.00

POSTAL CHARGES

COB	\$1.00	additional to above
Air Mail	\$0.50	additional to above
Postal Insurance	\$0.25	additional to above
Special Delivery	\$0.75	additional to above

With this new system all shipments will be F.O.B. destination, via First Class or UPS (your choice). These charges include shipping, handling and insurance.

MISSOURI RESIDENTS: Please add 1% sales tax.



SOLID STATE SYSTEMS, INC.

P. O. BOX 773 • COLUMBIA, MISSOURI 65201

TXW 910-760-1453 • PHONE 314-443-3673

Your
BANKAMERICARD

welcome here

ORDER DESK
(TOLL FREE)
1-800-325-2595



Advertisers check-off

... for literature, in a hurry —
we'll rush your name to the companies
whose names you "check-off"

INDEX

- | | |
|-----------------------------|-------------------------|
| —Amateur-Wholesale | —Jan |
| —Amidon | —Janel |
| —Antenna Eng. | —K. E. |
| —Antenna King | —KW |
| —Babylon | —L. A. |
| —B. & W. | —Larsen |
| —Barry | —MFJ |
| —CTG Bitcil | —MPQ |
| —Camp Butler | —Matric |
| —Caringella | —Meshna |
| —Circuit Specialists | —Nurmi |
| —Clegg | —PM |
| —Command | —Palomar |
| —Communications Specialists | —Poly Paks |
| —Comtec | —RP |
| —Curtis | —Callbook |
| —Cushcraft | —Racom |
| —Data | —Regency |
| —Dayton | —Robot |
| —Display | —Rochester |
| —Drake | —SDX |
| —Dycomm | —Savoy |
| —Ehrhorn | —Solid State |
| —Eimac | —Space-Military |
| —E S P | —Spectrum International |
| —Fair | —Star-Tronics |
| —Frank | —Stelcomp |
| —Gateway | —Swan |
| —General Aviation | —Thomas |
| —Gray | —Topeka |
| —H & L | —Tri-Ex |
| —HAL | —VHF Engineering |
| —Ham Radio | —Van's |
| —Henry | —Vanguard |
| —Hobby Industry | —Weinschenker |
| —Hy-Gain | —Wheatlands |
| —Icom | —Wolf |
| —International Crystal | —World QSL |
| | —Y & C |

Limit 15 inquiries per request.

March 1973

Please use before April 30, 1973

Tear off and mail to
HAM RADIO MAGAZINE — "check off"
Greenville, N. H. 03048

NAME.....
CALL.....
STREET.....
CITY.....
STATE..... ZIP.....

Advertisers iNdex

ATV Research	79
Amateur-Wholesale Electronics	73, 85
Amidon Associates	72
Antenna King	48, 49
Babylon Electronics	82
Barker & Williamson, Inc.	63
Barry	80, 81
Bell & Howell Schools	Insert 16a, 16b
CTG Bitcil	81
Camp Albert Butler	73
Caringella Electronics	61
Circuit Specialists Co.	66
Clegg Division of ISC	5
Command Productions	84
Communications Specialists	92
Comtec	78
Curtis	79
Cushcraft	87
Data Engineering, Inc.	71
Dayton Hamvention	57
Display Electronics	79
Drake, Co., R. L.	37, 64, 66
Dycomm	86
Ehrhorn Technological Operations, Inc.	1
Eimac, Div. of Varian Assoc.	Cov. IV
Emporium Sounds of Pompano	89
Fair Radio Sales	78
Frank Electronics	85
G & G Radio Supply Co.	78
Gateway Electronics	86
Goodheart Co., Inc. R. E.	85
Gray Electronics	76
H & L Associates	78
HAL Communications Corp.	77
Ham Radio	92
Henry Radio Stores	Cov. III
Hobby Industry	62
Hy-Gain Electronics Corp.	68, 69, 79, 90, 91
Icom	63
International Crystal Mfg. Co. Inc.	65
Jan Crystals	70
Janel Labs	84
K. E. Electronics	84
K W Electronics	89
L. A. Electronics Sales	95
Larsen Electronics, Inc.	45
MFJ Enterprises	72
MPQ	92
Matric	88
Meshna, John, Jr.	70
Nurmi Electronic Supply	72
PM Electronics Inc.	86
Palomar Engineers	87
Payne Radio	92
Poly Paks	74, 75
RP Electronics	73
Radio Amateur Callbook	63, 70
Racom Electronics, Inc.	79
Regency Electronics, Inc.	57
Robot Research	96
Rochester Hamfest	79
SDX	63
Savoy Electronics	Cov. II
Solid State Systems, Inc.	93
Space-Military Electronics	92
Spectrum International	76
Star-Tronics	84
Stelcomp Scientific	84
Swan Electronics	2, 67
Thomas Electronics & Eng. Co. Inc.	84
Topeka FM Engineering	57
Tri-Ex Tower Corp.	29
VHF Engineering	72
Van's W2DLT	81
Vanguard Labs	88
Weinschenker, M.	53
Wheatlands Electronics	92
Wolf, S.	84
World QSL Bureau	92
Y & C Electronics	76

**INTRODUCTORY SPECIAL
BONUS FOR MARCH
THE ONLY 2M FM TRANSCEIVER**

- WITH TOTAL COVERAGE OF 146-148 AND NOT A SINGLE CRYSTAL NEEDED
- THAT USES TEFLON WIRE THROUGHOUT
- WITH MORE THAN 25 WATTS OF OUTPUT POWER
- THAT IS EQUIPPED WITH "ANTITHEFT MOBILE MTG. BRACKET"
- THAT USES 10 INTEGRATED CIRCUITS

FM 27-B



479.95

- NOW! WITH IMPROVED STABILITY**
- NOW! ACCESSORY POWER SUPPLY AVAILABLE**
- NOW! SUB-AUDIBLE TONE AVAILABLE ON TRANSMIT**
- NOW! AVAILABLE**

**WE'LL PREPAY
ANYWHERE U.S.A.**



Electronics Sales

23044 S. CRENSHAW BLVD., TORRANCE, CALIF. 90505

Phone: (213) 534-4456 or (213) 534-4402

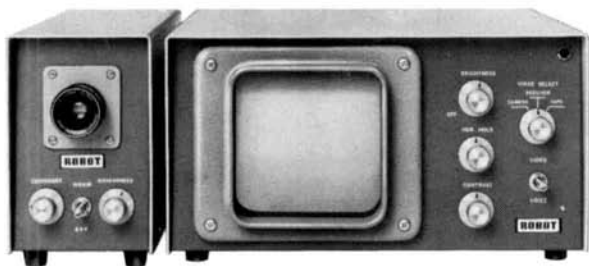
CLOSED SUNDAY & MONDAY

BONUS COUPON

AC POWER SUPPLY FOR 27B — GOOD FOR 6 AMPS.

INCLUDED FREE WITH EVERY FM 27-B

A 79.95 VALUE



Operating SSTV is easy.

True or False

How much do you really know about the newest activity in amateur radio? Take this 3 minute TRUE-FALSE quiz and see.

- | | | | | | |
|---|--------------------------|--------------------------|---|--------------------------|--------------------------|
| | T | F | | T | F |
| 1 | <input type="checkbox"/> | <input type="checkbox"/> | A slow scan television picture is similar to that projected on TV. | <input type="checkbox"/> | <input type="checkbox"/> |
| 2 | <input type="checkbox"/> | <input type="checkbox"/> | Motion can be portrayed on slow scan television. | <input type="checkbox"/> | <input type="checkbox"/> |
| 3 | <input type="checkbox"/> | <input type="checkbox"/> | To broadcast slow scan television just add a Robot monitor and camera to your present station. No other equipment is necessary. | <input type="checkbox"/> | <input type="checkbox"/> |
| 4 | <input type="checkbox"/> | <input type="checkbox"/> | Slow scan occupies no more space on the band than an audio signal. | <input type="checkbox"/> | <input type="checkbox"/> |
| 5 | <input type="checkbox"/> | <input type="checkbox"/> | Any licensed amateur radio operator, except Novice, may operate SSTV. | <input type="checkbox"/> | <input type="checkbox"/> |
| 6 | <input type="checkbox"/> | <input type="checkbox"/> | \$295 each for a Robot SSTV monitor and camera is the lowest price in the world for SSTV equipment. | <input type="checkbox"/> | <input type="checkbox"/> |
| 7 | <input type="checkbox"/> | <input type="checkbox"/> | Robot guarantees your satisfaction with all Robot equipment, or your money will be refunded. | <input type="checkbox"/> | <input type="checkbox"/> |
| 8 | <input type="checkbox"/> | <input type="checkbox"/> | New SSTV operators all suffer from lack of sleep. | <input type="checkbox"/> | <input type="checkbox"/> |

ANSWERS:

1. **False.** The slow scan television picture is a greenish-yellow color which takes 8 seconds to transmit. Like radar, the image should be viewed in a darkened room for best results. Also like radar, as the picture progresses it has the appearance of being painted onto the screen by a bright writing line except that the line moves from top to bottom. 2. **False.** Motion results in a blurred picture. 3. **True.** Robot equipment is compatible with all brands of amateur radio equipment and antenna systems. 4. **True.** The SSTV signal contains frequencies ranging from 1200 Hz to 2300 Hz. Therefore, it

is comparable to an audio signal. 5. **True** 6. **True**, as far as we can determine. 7. **True** 8. **True.** New SSTV operators are so enthusiastic about the fun of operating slow scan television, they hate to quit.

Please send your new factory direct price list.

Enclosed \$_____ Please send the following equipment via AIR or SURFACE

Instruction Books \$2

Model 70 Monitor \$295

Model 80 Camera \$295

25mm F1.4 Macro Lens \$54

Name _____ Call _____

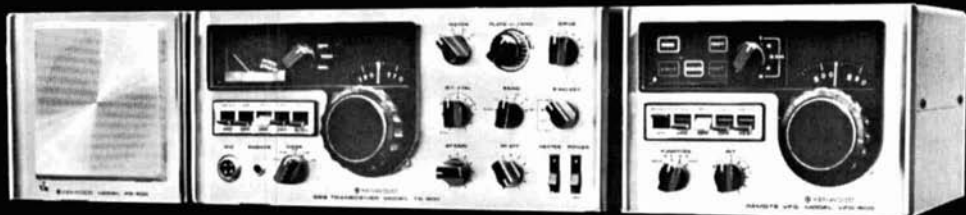
Address _____

City _____ State _____ Zip _____

California residents add 5% sales tax. Prices do not include shipping.

ROBOT

a new standard of comparison



KENWOOD'S SUPERB NEW SOLID STATE SSB TRANSCEIVER

TS-900

FEATURES: • Break - in CW with sidetone • Built - in 100 KHz and 25 KHz crystal oscillator • Built - in RIT and RIT indicator light • Built - in RTTY frequency shift for FSK • Built - in noise blanker • Built - in VOX • Modular construction — repair in or out of equipment • RF AGC to prevent front end overload to strong signals • Completely solid state except final section • 1 KHz readout

GENERAL SPECIFICATIONS: • Frequency Range: 2-30 MHz Amateur Bands and WWV • Mode: SSB, CW, or FSK • Power Output: 150 watts PEP nominal into 50 ohms for SSB, 100 watts nominal into 50 ohms for CW, 50 watts nominal into 50 ohms for FSK • Frequency Stability: Within 100 Hz during any 15 minute period after warmup. Within ± 2 KHz during the first hour after 1 minute of warmup • Receiver Sensitivity: 0.5 microvolts for a 10 db (signal + noise)/noise ratio • Receiver Selectivity: SSB and FSK — 2.2 KHz bandwidth (6 db down), 4.4 KHz bandwidth (60 db down), CW — 0.5 KHz bandwidth (6db down), 1.5 KHz bandwidth (60 db down), (with optional CW filter installed) • Dimensions: 12.6" wide \times 5.5" high \times 12.6" deep • Weight: 26.5 pounds (32.5 pounds shipping weight) • Price: TS - 900 \$745.00, PS - 900 (AC Supply) \$110.00, DS - 900 (DC Supply) \$130.00, VFO - 900 (Remote VFO) \$195.00.

THE KENWOOD R-599 RECEIVER... 1.8 to 29.7 MHz (Amateur Bands) • Dial readout to $\frac{1}{2}$ KHz • Special detectors for SSB, AM, and FM • Transceiver operation with T-599 • Built-in 100 KHz and 25 KHz calibrators • Built-in 500 cycle CW filter • Provision for 2 meter and 6 meter coverage with accessory self-contained converters • 120/240 VAC or 12 VDC operation • All solid state • R-599 — \$345.00 Converters — \$31.00 S-599 — \$16.00.

THE KENWOOD T-599 TRANSMITTER... Clear, stable, selectable sideband, AM and CW • 4-way VFO flexibility plus RIT when used with the R-599 • Amplified ALC • Built-in VOX • Full metering • Built-in CW sidetone monitor and semi-automatic break-in CW • Built-in power supply for 120/240 VAC operation • Only 3 vacuum tubes • 200 watts PEP input nominal • Full amateur band coverage (3.5 to 30 MHz). T-599 — \$395.00

THE KENWOOD TS-511S TRANSCEIVER... a powerful five band transceiver (3.5 to 30 MHz, amateur bands) for operation on SSB and CW • Built-in VOX • Built-in crystal calibrator • Built-in noise blanker • Receiver Incremental Tuning (RIT) • 1 KHz frequency readout • Eight pole filter • Exceptional stability • Provisions for installation of an accessory high selectivity CW filter • 500 watts PEP input for SSB • .5 μ v sensitivity nominal • Full metering — Cathode current (IP), plate voltage (HV), ALC, and relative power output (RF) as well as an S-meter • Amplified ALC • Heavy duty 120/240 VAC external power supply. TS-511S — \$415.00 PS-511S — \$105.00 VFO-5SS — \$105.00 CW-1 — \$39.00

You can see the Kenwood line at the following Kenwood dealers: **CALIFORNIA** Ham Radio Outlet, Burlingame • Henry Radio, Anaheim • Henry Radio, Los Angeles • Webster Radio, Fresno • **COLORADO** Radio Communication Co., Arvada • **FLORIDA** Amateur - Wholesale Electronics, Miami • Slep Electronics Co., Ellenton • **ILLINOIS** Erickson Communications, Chicago • Klaus Radio Inc., Peoria • Spectronics Inc., Chicago • **INDIANA** Graham Electronics, Indianapolis • Radio Distributing Co., South Bend • **IOWA** Hobby Industry, Council Bluffs • **KANSAS** Associated Radio Communications, Overland Park • **LOUISIANA** Electronic Exchange Co., Metairie • Trionics Inc., New Orleans • **MAINE** Down East Ham Shack, Lewiston • **MICHIGAN** Electronic Distributors, Muskegon • Radio Supply & Engineering Co., Detroit • **MINNESOTA** Electronic Center, Minneapolis • **MISSOURI** Ham Radio Center, St. Louis • Henry Radio, Butler • **MONTANA** Conley Radio Supply, Billings • **NEW YORK** Adirondack Radio Supply, Amsterdam • Harrison Radio, Farmingdale • Harrison Radio, New York City • **NORTH CAROLINA** Freck Radio & Supply, Asheville • Vickers Electronics, Durham • **OHIO** Amateur Electronic Supply, Cleveland • Communications World, Cleveland • Queen City Electronics, Cincinnati • **OKLAHOMA** Derrick Electronics, Broken Arrow • Radio Inc., Tulsa • **OREGON** Portland Radio Supply, Portland • **PENNSYLVANIA** JRS Distributors, York • Kass Electronics, Drexel Hill • **SOUTH DAKOTA** Burghardt Supply Inc., Watertown • **TEXAS** Douglas Electronics, Corpus Christi • Industrial Distributors, Dallas • Ed Juge Electronics Inc., Fort Worth • Ed Juge Electronics Inc., Dallas • Madison Electronics, Houston • **UTAH** Manwill Supply Co., Salt Lake City • **WASHINGTON** Amateur Radio Supply, Seattle • **WISCONSIN** Amateur Electronic Supply, Milwaukee •

Prices subject to change without notice



This is the world's most powerful shortwave transmitter.

This compact, single tube amplifier, located in the EIMAC facility, develops over 1300 kilowatts of 100% modulated carrier. It is quickly and easily tunable over the range of 15 to 30 MHz. Drive power at the grid of the tube is less than 5 kilowatts.

Using a single EIMAC X-2159 super-power tetrode in a Continental Electronics transmission line-cavity configuration, this amplifier combines high power gain with excellent operating stability and complete freedom from circuit parasitics.

A single amplifier stage using two EIMAC X-2159 tubes is capable of over 2.5 megawatts of 100% modulated

carrier. Two amplifiers combined would make a 5 megawatt transmitter a practical reality.

The EIMAC X-2159 super-power tetrode is designed for MF and HF broadcast service, VLF communications, SSB linear service and extremely high power pulse modulator applications.

The X-2159 is another example of tomorrow's tube that's ready today at EIMAC. For complete information, contact EIMAC Division of Varian, 301 Industrial Way, San Carlos, California 94070. Or any of the more than 30 Varian/EIMAC Electron Tube and Device Group Sales Offices throughout the world.

