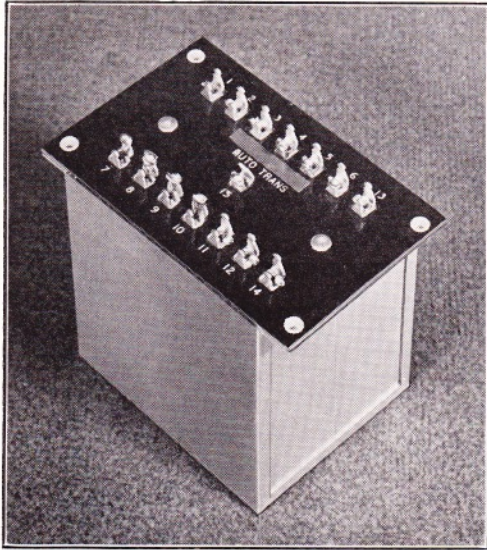


AUTO TRANSFORMERS

AUTO TRANSFORMERS

18A - 19A

Western Electric

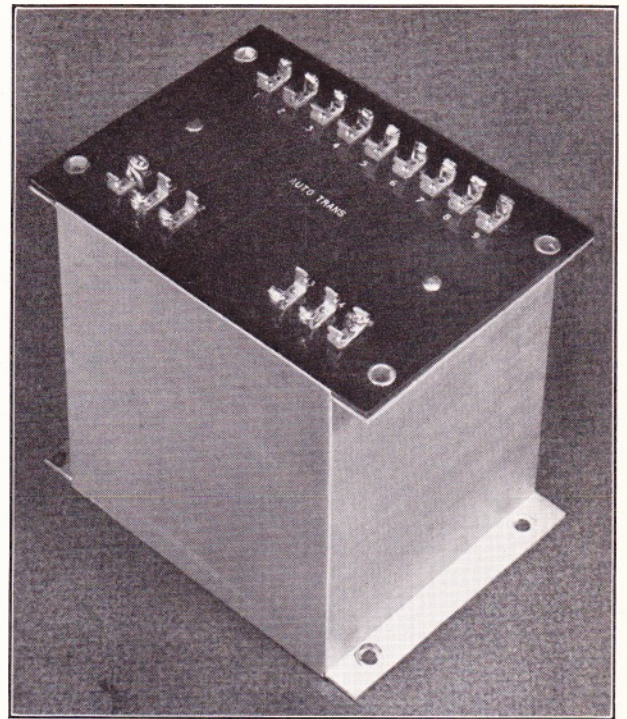


18A Transformer

for use in

SOUND
SYSTEMS

THE WESTERN ELECTRIC 18A and 19A Auto Transformers are intended to provide the proper impedance relations between amplifiers and loud speakers. These two transformers have the same impedance ratios and cover the same frequency range, but differ in size and power handling capacity.



19A Transformer

Western Electric

The impedance ratios and other electrical and mechanical characteristics follow:

Frequency Range — 50 - 15,000 cycles

Average Loss — 18A 0.35 db
 19A 0.1 db

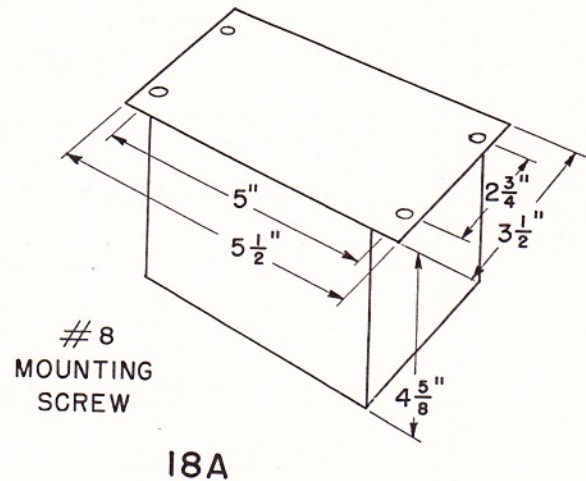
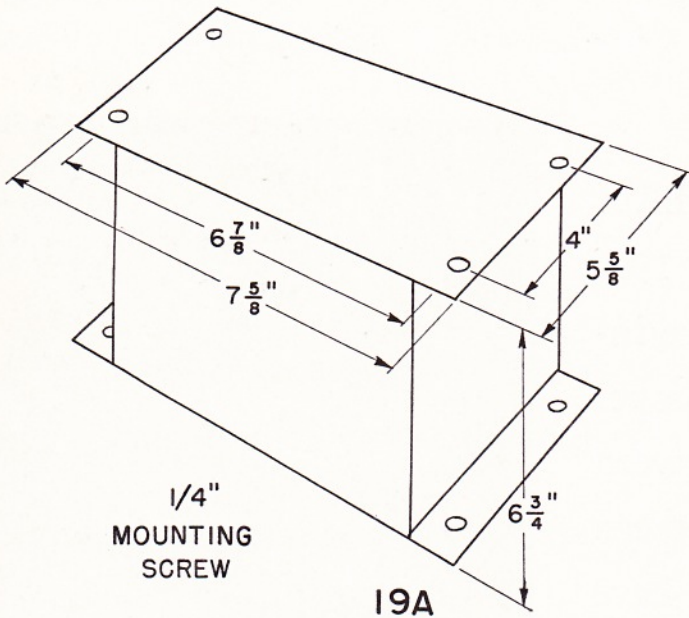
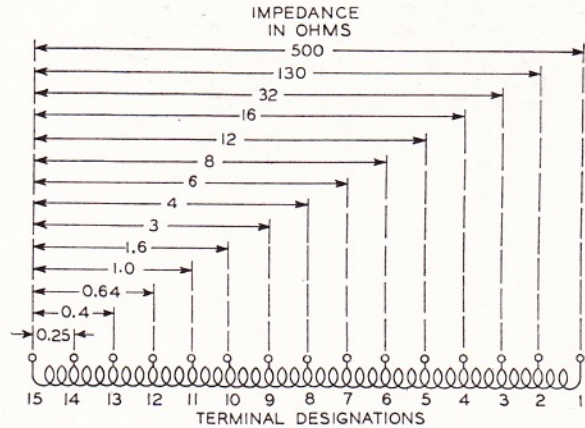
Power Capacity — 18A 50 watts continuous
 19A 200 watts continuous
 500 watts on speech or music from 100 - 15,000 cycles

} These power ratings hold only to tap 10. For lower taps reduce ratings 2 db or 0.631% per tap.

Insulation —
 18A 2000 volts AC
 19A 3000 volts AC

Weight —
 18A 9 lbs., 3 oz.
 19A 27 lbs.

Size —
 See dimensional drawings below.



DISTRIBUTOR IN THE UNITED STATES

Graybar
 ELECTRIC COMPANY

General Offices: 420 Lexington Avenue, New York, N. Y.
 A NATIONAL ELECTRIC SERVICE

GENERAL DISTRIBUTOR FOR CANADA AND NEWFOUNDLAND

Northern Electric Company
 LIMITED

General Offices and Plant: 1261 Shearer Street, Montreal, P. Q.
 TWENTY-ONE BRANCHES FROM COAST TO COAST

DISTRIBUTOR IN OTHER COUNTRIES

International Standard Electric Corporation

67 Broad Street New York, U. S. A.
 Offices in all principal cities