

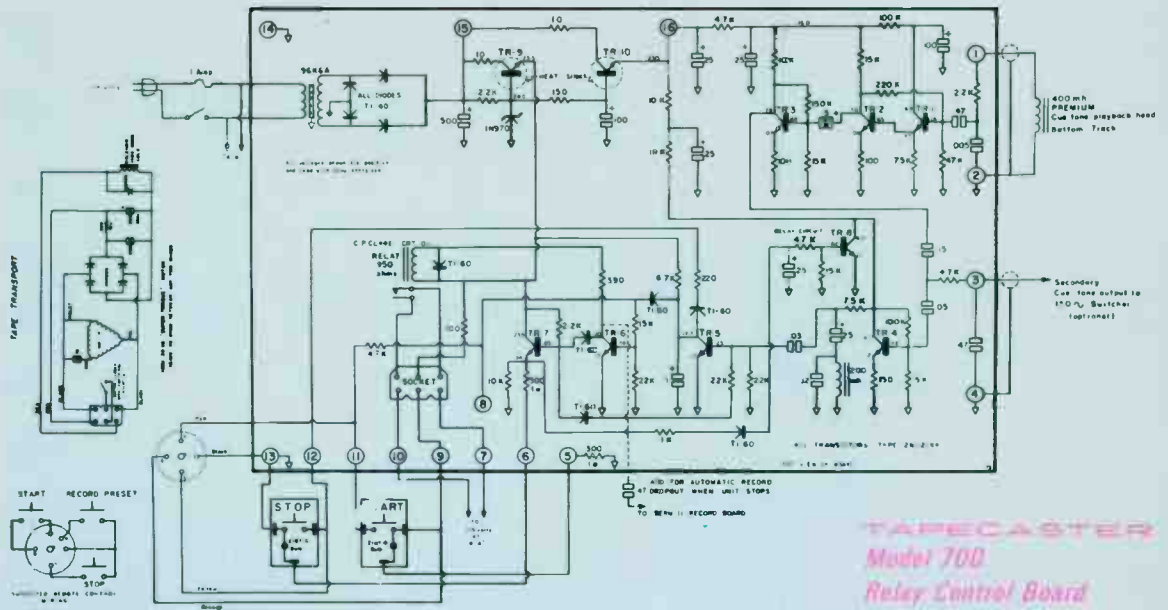


*TAPE CARTRIDGE MACHINE

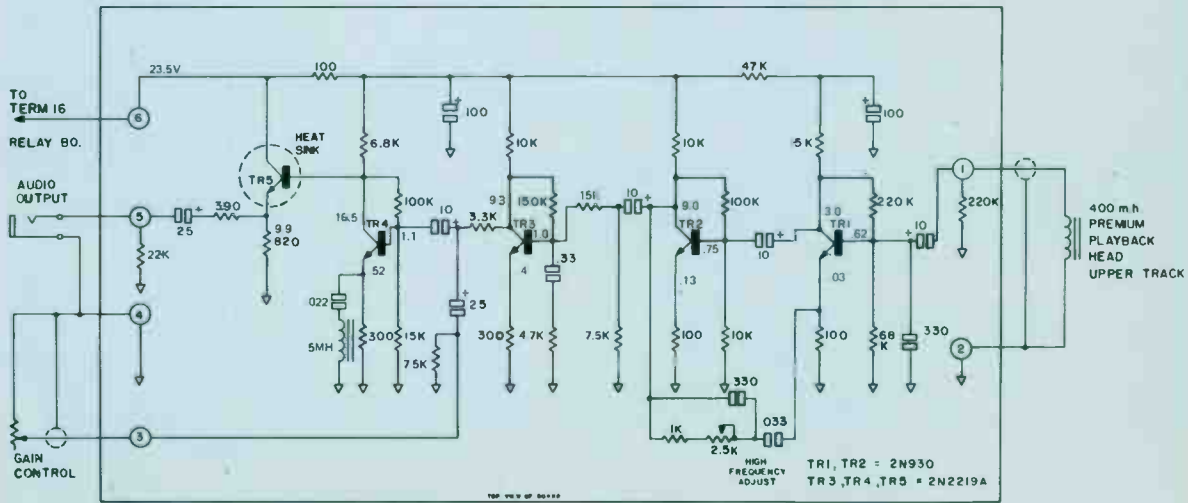
Series X-7000

TAPECASTER

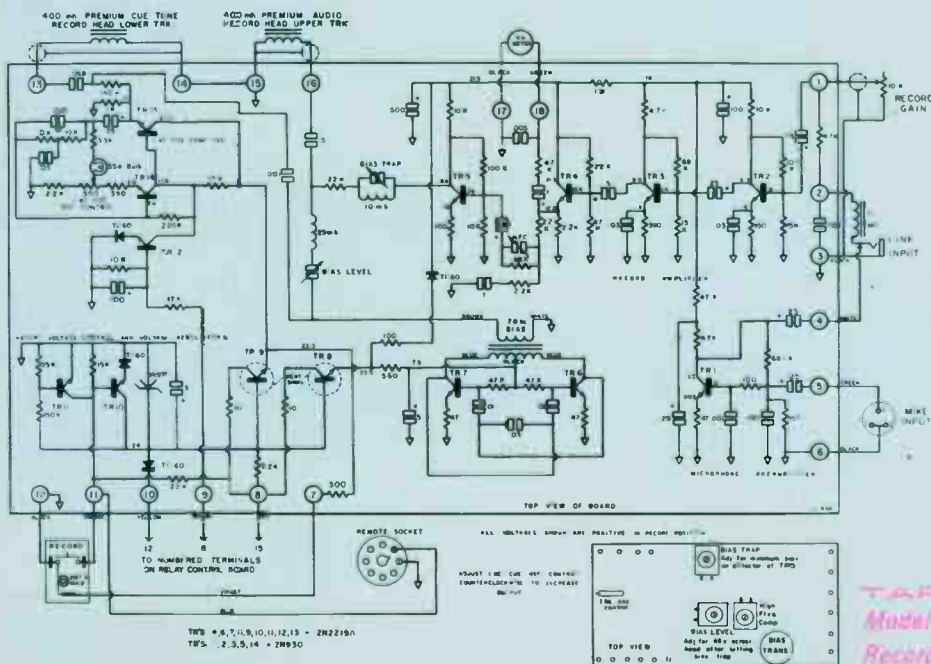
Series X-700



TAPECASTER
Model 700
Relay Control Board



TAPECASTER
Model 700AX 7-72
Audio Playback Amplifier



TAPECASTER
Model 700
Record Board

**Model X700-RP
Combination
Record-Playback
Unit**



Specifications

Equalization: NAB Standard
Frequency Response: $\pm 2\text{db}$ 50-12,000 cps @ 7.5 IPS.
 $\pm 3\text{db}$ 40-15,000 cps @ 7.5 IPS.
Distortion: 2% or less.
Signal to Noise Ratio: 55 db or better.
Wow and Flutter: 0.2% or less @ 7.5 IPS.
Tape Speed: 7.5 IPS.
Input (Line): 0.1 Volt (Bridging)
Input (Microphone, 150 ohms): 1.5 mv.
Output: 0 dbm @ 600 ohms.
Cue-Tones: Primary-1,000 cps (stop)
Secondary-150 cps (optional)
Cueing Accuracy: 0.1 second.
Starting Time: 0.05 second.
Playing Time: 1 second to 31 minutes @ 7.5 IPS.
Power Requirement: 105-125 V ac, 60 cps, 50 watts
(115/220 ac, 50 cps optional extra).
Power Supply: Regulated, Solid State.
Motor: Hysteresis Synchronous
Size: 13 W, 12 L, 7 H.
Weight: 24 lbs.

Precision Adjustable Head Bracket
SUPER-TORQUE hysteresis synchronous motor
Heavy Duty Air Damped Solenoid

Exceeds NAB specifications
Remote control of all functions
100% solid state
All silicon transistors

Vinyl clad steel case for optimum electrostatic & electromagnetic shielding
Premium core, laminated metal faced heads

Hysteresis synchronous motor
Electronic tone cueing
Auxiliary cue tone option for automation — exhibits — lights — slide projectors

**Model X700-P
Playback Unit**



Specifications

Equalization: NAB Standard.
Frequency Response: $\pm 2\text{db}$ 50-12,000 cps @ 7.5 IPS.
 $\pm 3\text{db}$ 40-15,000 cps @ 7.5 IPS.
Distortion: 2% or less.
Signal to Noise Ratio: 55 db or better.
Wow and Flutter: 0.2% or less @ 7.5 IPS.
Tape Speed: 7.5 IPS.
Output: 0 dbm @ 600 ohms.
Cue-Tones: Primary-1,000 cps (stop)
Secondary-150 cps (optional)
Cueing Accuracy: 0.1 second.
Starting Time: 0.05 second.
Playing Time: 1 second to 31 minutes @ 7.5 IPS.
Power Requirement: 105-125 V ac, 60 cps, 50 watts
(115/220 ac, 50 cps optional extra).
Power Supply: Regulated, Solid State.
Motor: Hysteresis Synchronous.
Size: 10½ W x 12 L x 7 H.
Weight: 21 lbs.

Precision Adjustable Head Bracket
SUPER-TORQUE hysteresis synchronous motor
Heavy Duty Air Damped Solenoid

Model X700-RPD

Solid state combination record playback unit for delayed programming



Delay-normal control switch on front panel. Delay time from two seconds to one hour determined by length of tape in cartridge. Same specifications as Model 700-RP

- Precision Adjustable Head Bracket
- SUPER-TORQUE hysteresis synchronous motor
- Heavy Duty Air Damped Solenoid

Model X700-RPS

Solid state stereo combination record-playback unit



Three-channel NAB head, same specifications as Model 700-RP. Crosstalk 45 DB. Line inputs only.

- Precision Adjustable Head Bracket
- SUPER-TORQUE hysteresis synchronous motor
- Heavy Duty Air Damped Solenoid

Model X700-PS

Solid state stereo playback unit

Same specifications as Model 700-P-Crosstalk 45 DB

- Precision Adjustable Head Bracket
- SUPER-TORQUE hysteresis synchronous motor
- Heavy Duty Air Damped Solenoid

150 CYCLE AUXILIARY GENERATOR	ADD \$35.00
150 CYCLE AUXILIARY SENSOR	ADD \$40.00

Emergency Air Freight Dennis Thompson 889 6371

TOLL FREE ORDER NUMBER 800 638-0977

Please use our regular number for service and technical information

TAPECASTER TCM, INC.

TAPECASTER

SERIES 700

BROADCAST QUALITY TAPE CARTRIDGE EQUIPMENT

- EXCEEDS NAB SPECIFICATIONS
 - REMOTE CONTROL OF ALL FUNCTIONS
 - 100% SOLID STATE
 - ALL SILICON TRANSISTORS
 - VINYL CLAD STEEL CASE FOR OPTIMUM ELECTROSTATIC & ELECTROMAGNETIC SHIELDING
 - PREMIUM CORE, LAMINATED METAL FACED HEADS
 - HYSTERESIS SYNCHRONOUS MOTOR
 - ELECTRONIC TONE CUEING
 - AUXILIARY CUE TONE OPTION FOR AUTOMATION - EXHIBITS - LIGHTS - SLIDE PROJECTORS

FEDERAL GOVERNMENT CLASSIFICATION
FSC GROUP 58, PART III
COMMUNICATION EQUIPMENT
SPECIAL ITEM NUMBERS
136-9, 136-11, 136-13

NEW PHONE
NUMBER

AREA CODE 301
942-6666

TAPECASTER ELECTRONICS

BOX 662, 12326 WILKINS AVENUE, ROCKVILLE, MARYLAND 20851

World Radio History

SPECIFICATIONS



MODEL 700-RP
COMBINATION RECORD-PLAYBACK UNIT

BROADCASTER NET PRICE \$450.00

Equalization: NAB Standard.

Frequency Response: ± 2 db 50-12,000 cps @ 7.5 IPS.
 ± 3 db 40-15,000 cps @ 7.5 IPS.

Distortion: 2% or less.

Signal to Noise Ratio: 50 db or better.

Wow and Flutter: 0.2% or less @ 7.5 IPS.

Tape Speed: 7.5 IPS.

Input (Line): 0.1 Volt (Bridging)

Input (Microphone, 150 ohms): 1.5 mv.

Output: 0 dbm @ 600 ohms.

Cue-Tones: Primary-1,000 cps (stop)
Secondary-150 cps (optional)

Cueing Accuracy: 0.1 second.

Starting Time: 0.05 second.

Playing Time: 1 second to 31 minutes @ 7.5 IPS.

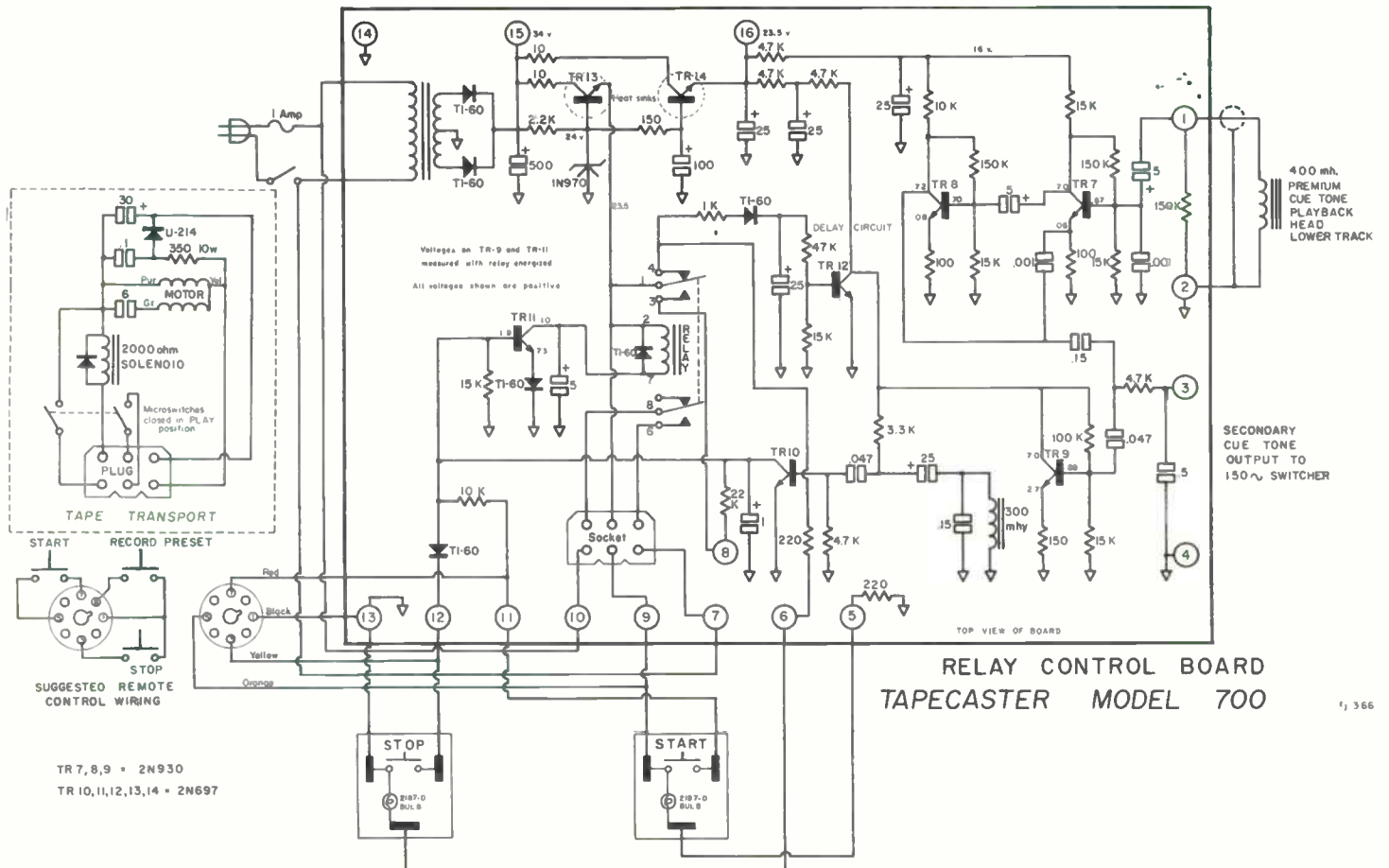
Power Requirement: 105-125 V ac, 60 cps, 50 watts
(115/220 ac, 50 cps optional extra).

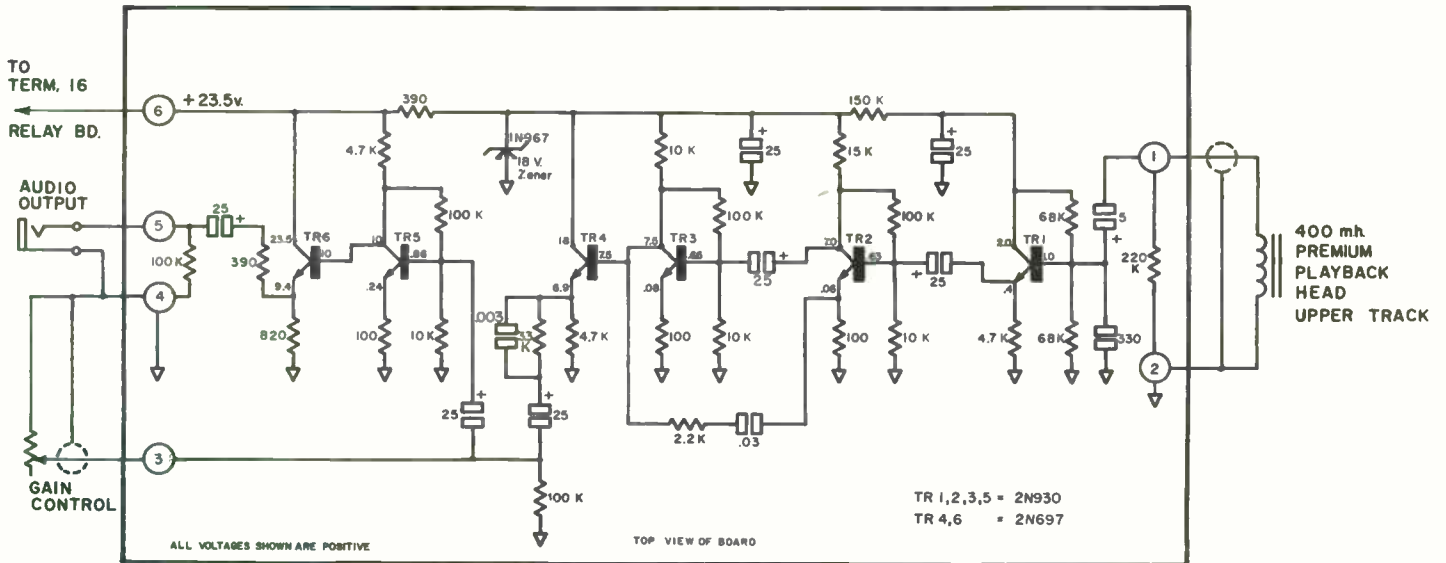
Power Supply: Regulated. Solid State.

Motor: Hysteresis Synchronous

Size: 13 W, 12 L, 7 H.

Weight: 21 lbs.





AUDIO PLAYBACK AMPLIFIER TAPECASTER MODEL 700

3-66



MODEL 700-P *PLAYBACK UNIT*

BROADCASTER NET PRICE \$300.00

SPECIFICATIONS

- Equalization: NAB Standard.
- Frequency Response: ± 2 db 50-12,000 cps @ 7.5 IPS.
 ± 3 db 40-15,000 cps @ 7.5 IPS.
- Distortion: 2% or less.
- Signal to Noise Ratio: 50 db or better.
- Wow and Flutter: 0.2% or less @ 7.5 IPS.
- Tape Speed: 7.5 IPS.
- Output: 0 dbm @ 600 ohms.
- Cue-Tones: Primary-1,000 cps (stop)
Secondary-150 cps (optional)
- Cueing Accuracy: 0.1 second.
- Starting Time: 0.05 second.
- Playing Time: 1 second to 31 minutes @ 7.5 IPS.
- Power Requirement: 105-125 V ac, 60 cps, 50 watts
(115/220 ac, 50 cps optional extra).
- Power Supply: Regulated, Solid State.
- Motor: Hysteresis Synchronous
- Size: 10½ W x 12 L x 7 H.
- Weight: 18 lbs.



Model 700 RPD

**SOLID STATE COMBINATION
RECORD-PLAYBACK UNIT
FOR DELAYED PROGRAMMING.**

Delay-normal control switch on front panel.
Delay time from two seconds to one hour
determined by length of tape in cartridge.
Same specifications as Model 700 RP

BROADCASTER NET PRICE \$500.00



Model 700 RPS

**SOLID STATE STEREO COMBINATION
RECORD-PLAYBACK UNIT.**

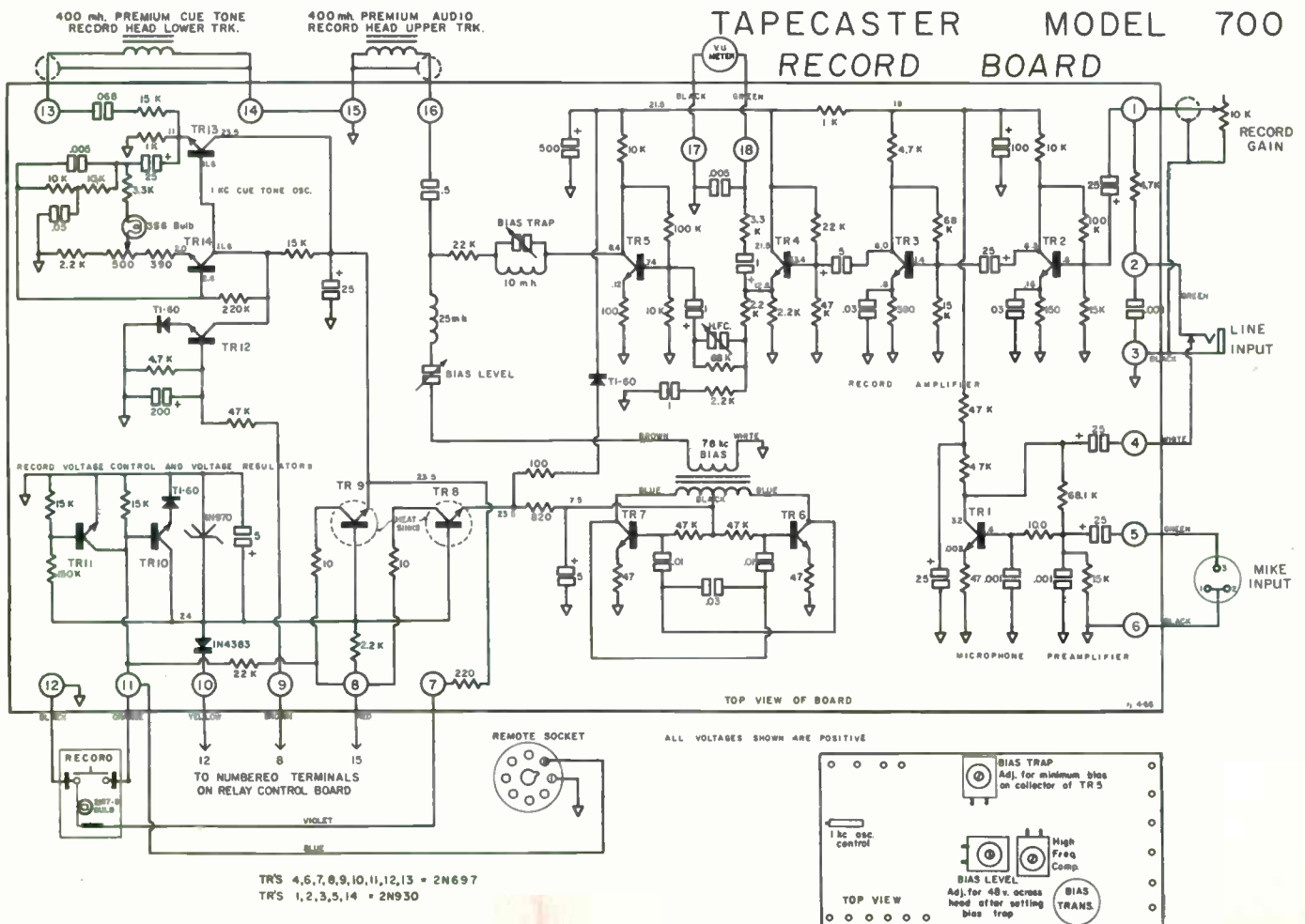
New three channel NAB head
same specifications as Model 700 RP
Crosstalk 45 DB
Line inputs only

BROADCASTER NET PRICE \$700.00

Model 700 PS

Solid state stereo playback unit
Same specifications as Model 700 P
Crosstalk 45 DB

BROADCASTER NET PRICE
\$450.00



TAPECASTER SERIES 700

Spare parts price list, effective September 1, 1974

\$5.00 service charge to orders under \$10.00

	Price Each
700-1 Motor (SUPER-TORQUE) complete kit with capacitor and pulley	\$100.00
700-1A Motor only (SUPER-TORQUE)	80.00
700-2 Flywheel assembly and lower thrust bearing	20.00
700-3 Belt	1.50
700-4 Swing arm	3.00
700-5 Swing arm spring50
700-6 Solenoid (coil) Manual Deck	15.00
X700-6 Solenoid Automatic Deck	20.00
700-7 Roller shaft	8.00
700-8 Roller shaft spring75
700-9 Pressure roller	3.00
700-10 Linkage arm	1.00
700-11 Micro-switch (set of 2)	10.00
700-12 Fiber stop	1.00
700-13 Play-release knob	1.50
700-14 Load lever	3.50
700-15 2 Track (audio and cue) playback head	30.00
700-16 2 Track (audio and cue) record head	30.00
700-17 Combination erase-record head for 700-RPD	40.00
700-18 3 Track head for stereo models	100.00
700-19 Start switch	5.00
700-20 Stop switch	5.00
700-21 Record switch	5.00
700-22 Aux-cue switch	5.00
700-23 2187D bulb for switch75
700-24 3S6 bulb for cue oscillators	1.00
700-25 VU meter	25.00
700-26 2.5K pot (screwdriver adjust) output control on record units	4.00
700-27 10K pot gain control 700-P and record gain control 700-RP	4.00
700-28 500 ohm pot (1KC oscillator control)	4.00
700-29 Relay octal plug in type (older units)	12.00
700-30 Relay reed type	6.00
700-31 Power transformer (96K6A)	10.00
700-32 TI-60 diode	1.00
700-33 1N967 diode	1.00
700-34 1N970 diode	1.00
700-35 2N930 transistor	1.50
700-36 2N2219A transistor (replaces 2N697)	2.00
700-37 150 Hz auxiliary generator board	35.00
700-38 150 Hz auxiliary sensor board	40.00
700-39 Adjustable head bracket with heads for 700P	50.00
700-40 Adjustable head bracket with heads for 700RP	80.00
700-41 Adjustable head bracket with heads for 700RPD	90.00
700-42 Adjustable head bracket with heads for 700PS	120.00
700-43 Adjustable head bracket with heads for 700RPS	150.00

Terms net, FOB Rockville, Maryland

TOLL FREE ORDER NUMBER 800 638-0977

Please use our regular number for service and technical information

TAPECASTER TCM, INC. Box 662, Rockville, Maryland 20851

Area Code 301 881-8888

TAPECASTER SERIES 700

PRICE LIST EFFECTIVE SEPTEMBER 1, 1974
(Subject to change without notice)



X700-RP

MODEL X700-RP

Solid State Combination Record-Playback Unit Net Price \$635.00
With Option 150 Hz Auxiliary Generator and Sensor . . Net Price \$710.00



X700-P

MODEL X700-P

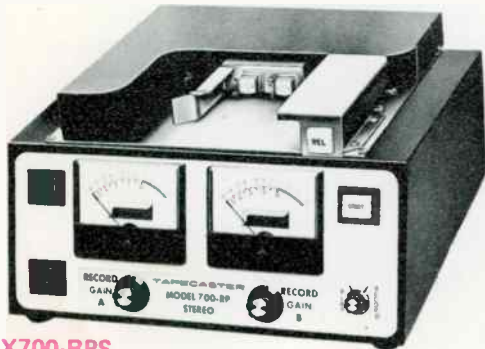
Solid State Playback Unit Net Price \$450.00
With Option 150 Hz Auxiliary Sensor Net Price \$490.00



X700-RPD

MODEL X700-RPD DELAY

Solid State Combination Record-Playback Unit with Delay
Feature for Telephone Talk Shows Net Price \$715.00



X700-RPS

MODEL X700-RPS STEREO

Stereo Solid State Combination Record-Playback Unit. Net Price \$900.00
With Option 150 Hz Auxiliary Generator and Sensor . . Net Price \$975.00

MODEL X700-PS STEREO (same case size as 700-P)

Stereo Solid State Playback Unit Net Price \$600.00
With Option 150 Hz Auxiliary Sensor Net Price \$640.00

Terms Net Check with Order or COD, FOB Rockville, Maryland

All Tapecaster equipment is sold under a 30 day unconditional money back guarantee.

TOLL FREE ORDER NUMBER 800 638-0977

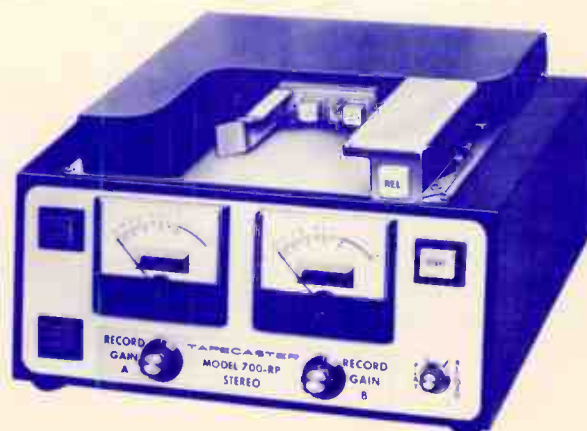
ELECTRONIC PARTS USED IN ALL 700 SERIES CARTRIDGE MACHINES

700-15	2 TRACK PLAYBACK HEAD	35.00
700-16	2 TRACK RECORD HEAD	35.00
700-17	2 TRACK COMBO ERASE-RECORD HEAD (FOR DELAY MACHINE)	70.00
700-18	3 TRACK RECORD-PLAYBACK HEAD (FOR STEREO MACHINES)	100.00
700-18A	1 TRACK CUE PLAYBACK HEAD (FOR STEREO R-P MACHINE)	25.00
700-19	START SWITCH	7.00
700-20	STOP SWITCH	7.00
700-21	RECORD SWITCH	7.00
700-22	AUX-CUE SWITCH	7.00
700-23	2187-D BULB (FOR ABOVE SWITCHES)	1.00
700-24	3S6 BULB (USED IN EARLY CUE OSCILLATORS)	1.00
700-25	VU METER	35.00
700-26	2.5K POT (USED IN EARLY 700-RP)	5.00
700-27	10K POT (LEVEL CONTROL 700-P & 700-RP, record gain 700-RP)	8.00
700-28	500 OHM POT (USED IN CUE OSCILLATORS)	6.00
700-29	RELAY OCTAL PLUG IN TYPE (USED IN EARLY 700 SERIES)	30.00
700-30	RELAY REED TYPE	10.00
700-31	POWER TRANSFORMER 96K6A	15.00
700-32	TI-60 DIODE	1.50
700-33	18 VOLT ZENER DIODE	1.50
700-34	24 VOLT ZENER DIODE	1.50
700-35	2N2484 LOW NOISE TRANSISTOR (REPLACES TN 930)	1.50
700-36	2N 2219A TRANSISTOR (REPLACES 2N697)	2.00
700-37	150Hz AUXILIARY GENERATOR BOARD	60.00
700-38	150Hz AUXILIARY SENSOR BOARD	60.00

☆☆☆☆☆☆☆☆

700-39	ADJUSTABLE HEAD ASSEMBLY WITH HEADS FOR 700-P	60.00
700-40	ADJUSTABLE HEAD ASSEMBLY WITH HEADS FOR 700-RP	95.00
700-41	ADJUSTABLE HEAD ASSEMBLY WITH HEADS FOR 700-RPD	130.00
700-42	ADJUSTABLE HEAD ASSEMBLY WITH HEADS FOR 700-PS	125.00
700-43	ADJUSTABLE HEAD ASSEMBLY WITH HEADS FOR 700-RPS	150.00
700-44	HEIGHT GAUGE (FOR CHECKING TAPE GUIDES ANY CART MACHINE)	5.00
700-45	1KHz MONO LEVEL TEST CARTRIDGE	20.00
700-46	12KHz MONO ALIGNMENT TEST CARTRIDGE	20.00
700-49	BIAS TRANSFORMER	25.00
700-50	IN 4005G DIODE	2.00

☆☆☆☆☆☆☆☆



MODEL X-700RP **\$750.00**
AUXTONE OPTION **ADD \$120.00**
DELAY OPTION **ADD \$100.00**

PRICE LIST
 9-1-80

MODEL X-700RPS **\$950.00**
AUXTONE OPTION **ADD \$120.00**

TAPECASTER

PARTS PRICE LIST EFFECTIVE

SEPT. 1, 1980

☆☆☆☆☆☆☆☆

FOR SERIES X-700, AUTOMATIC DECK WITH RELEASE BUTTON

X-700-1A	SUPER-TORQUE 20.65 MOTOR ONLY	110.00
X-700-2	FLYWHEEL ASSEMBLY	25.00
X-700-3	BELT	3.00
X-700-4	8 MFD MOTOR CAPACITOR (FOR 20.65 MOTOR)	10.00
X-700-5	COIL SPRING	1.00
X-700-6	SOLENOID COIL	25.00
X-700-7	ROLLER SHAFT (FOR PRESSURE ROLLER)	15.00
X-700-8	ACTUATOR (FOR ROLLER SHAFT)	10.00
X-700-9	PRESSURE ROLLER (SOFT TYPE FOR X DECK ONLY)	5.00
X-700-10	AIR DASHPOT ASSEMBLY	30.00
X-700-11	MICRO-SWITCH ASSEMBLY (GOLD CONTACTS)	12.00
X-700-12	MICRO-SWITCH ONLY (GOLD CONTACTS)	6.00
X-700-13	BLACK CAM (END OF ROLLER SHAFT)	8.00
X-700-14	L WIRE (CONNECTS ACTUATOR TO ROLLER SHAFT)	1.00

☆☆☆☆☆☆☆☆

FOR SERIES 700, MANUAL DECK WITH PLAY-RELEASE KNOB

700-1	SUPER-TORQUE 20.65 MOTOR AND MOUNTING KIT	130.00
700-1A	SUPER-TORQUE 20.65 MOTOR ONLY	110.00
700-1B	HSZ 20.50-4-470D MOTOR ONLY	80.00
700-2	FLYWHEEL ASSEMBLY	25.00
700-3	BELT	3.00
700-4	SWING ARM	4.50
700-5	SPRING FOR SWING ARM	1.00
700-6	SOLENOID COIL	25.00
700-7	ROLLER SHAFT (FOR PRESSURE ROLLER)	12.00
700-7A	NYLON BUSHING (FOR END OF ROLLER SHAFT)	1.50
700-8	SPRING (FOR ROLLER SHAFT)	2.00
700-9	PRESSURE ROLLER	5.00
700-10	LINKAGE ARM	2.50
700-11	DOUBLE MICRO-SWITCH	15.00
700-12	FIBER STOP	2.00
700-13	PLAY-RELEASE KNOB	3.00
700-14	LOAD LEVER	5.00

☆☆☆☆☆☆☆☆

MINIMUM ORDER \$15.00

TERMS NET, FOB ROCKVILLE, MARYLAND

We ship VIA UPS, please include your street address and phone number.

MINIMUM SHIPPING CHARGE \$2.00

TAPECASTER TCM, INC.

BOX 662, ROCKVILLE, MARYLAND 20851

TOLL FREE ORDER NUMBER PHONE 800 638-0977

Maryland, Hawaii & Alaska PHONE 301 881-8888

Series 700

NEW PRICES

*NEW SUPER-TORQUE
HYSTERESIS SYNCHRONOUS MOTOR*

TAPECASTER



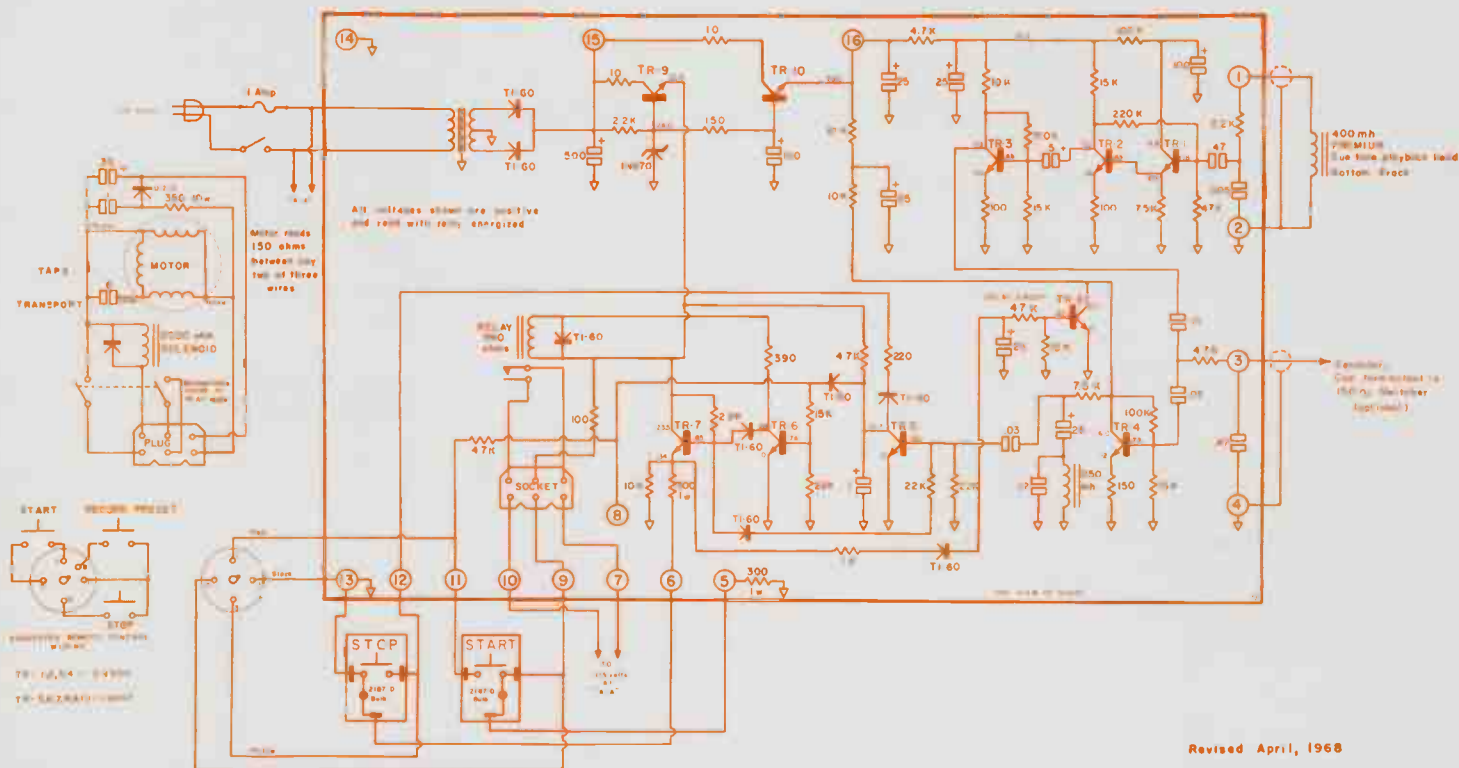
** TAPE CARTRIDGE MACHINE*

- Exceeds NAB specifications
- Remote control of all functions
- 100% solid state
- All silicon transistors
- Vinyl clad steel case for optimum electrostatic & electromagnetic shielding
- Premium core, laminated metal faced heads
- Hysteresis synchronous motor
- Electronic tone cueing
- Auxiliary cue tone option for automation — exhibits — lights — slide projectors

FEDERAL GOVERNMENT CLASSIFICATION — FSC GROUP 58, PART III COMMUNICATION EQUIPMENT SPECIAL ITEM NUMBERS 136-9, 136-11, 136-13

Box 662 — 12326 Wilkins Ave., Rockville, Maryland 20851 — Area Code 301 — 942-6666

World Radio History



TAPECASTER
Model 700
Relay Control Board

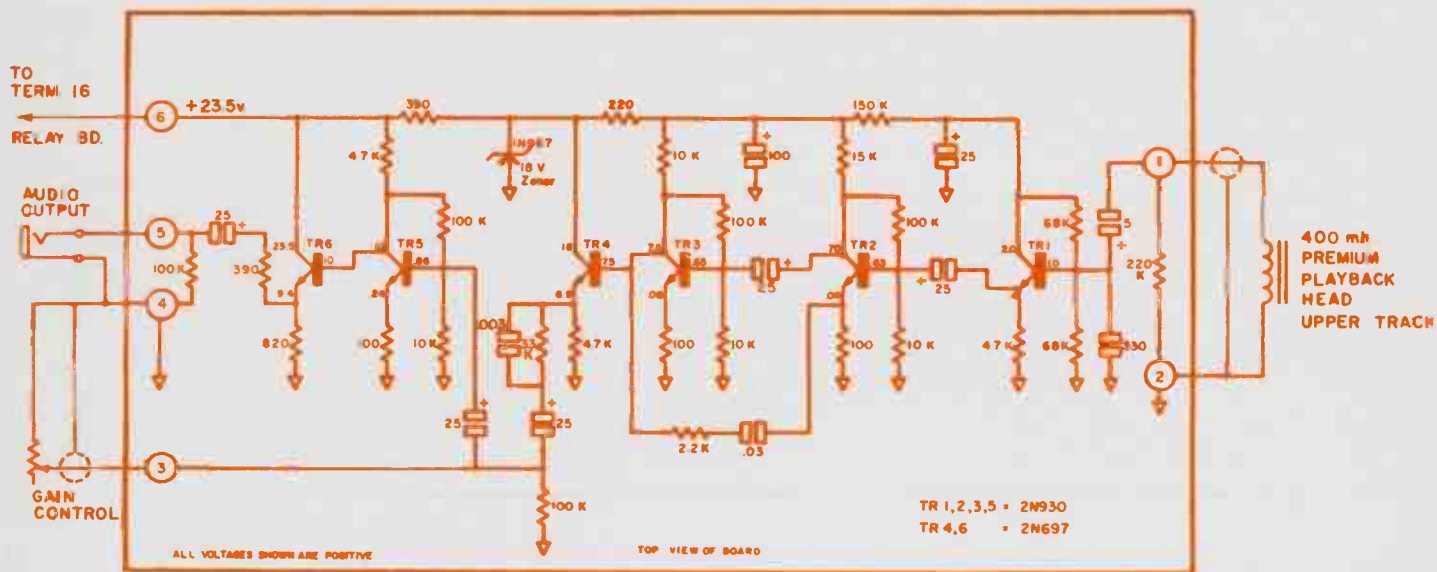
Model 700-RP Combination Record-Playback Unit



Specifications

- Equalization:** NAB Standard
- Frequency Response:** $\pm 2\text{db}$ 50-12,000 cps @ 7.5 IPS.
 $\pm 3\text{db}$ 40-15,000 cps @ 7.5 IPS.
- Distortion:** 2% or less.
- Signal to Noise Ratio:** 50 db or better.
- Wow and Flutter:** 0.2% or less @ 7.5 IPS.
- Tape Speed:** 7.5 IPS.
- Input (Line):** 0.1 Volt (Bridging)
- Input (Microphone, 150 ohms):** 1.5 mv.
- Output:** 0 dbm @ 600 ohms.
- Cue-Tones:** Primary-1,000 cps (stop)
 Secondary-150 cps (optional)
- Cueing Accuracy:** 0.1 second.
- Starting Time:** 0.05 second.
- Playing Time:** 1 second to 31 minutes @ 7.5 IPS.
- Power Requirement:** 105-125 V ac, 60 cps, 50 watts
 (115/220 ac, 50 cps optional extra).
- Power Supply:** Regulated, Solid State.
- Motor:** Hysteresis Synchronous
- Size:** 13 W, 12 L, 7 H.
- Weight:** 21 lbs.

Net Price \$500 with new SUPER-TORQUE hysteresis synchronous motor



TAPECASTER

Model 700

Audio Playback Amplifier

Model 700-P Playback Unit

Specifications

Equalization: NAB Standard.

Frequency Response: $\pm 2\text{db}$ 50-12,000 cps @ 7.5 IPS.
 $\pm 3\text{db}$ 40-15,000 cps @ 7.5 IPS.

Distortion: 2% or less.

Signal to Noise Ratio: 50 db or better.

Wow and Flutter: 0.2% or less @ 7.5 IPS.

Tape Speed: 7.5 IPS.

Output: 0 dbm @ 600 ohms.

Cue-Tones: Primary-1,000 cps (stop)
 Secondary-150 cps (optional)

Cueing Accuracy: 0.1 second.

Starting Time: 0.05 second.

Playing Time: 1 second to 31 minutes @ 7.5 IPS.

Power Requirement: 105-125 V ac, 60 cps, 50 watts
 (115/220 ac, 50 cps optional extra).

Power Supply: Regulated, Solid State.

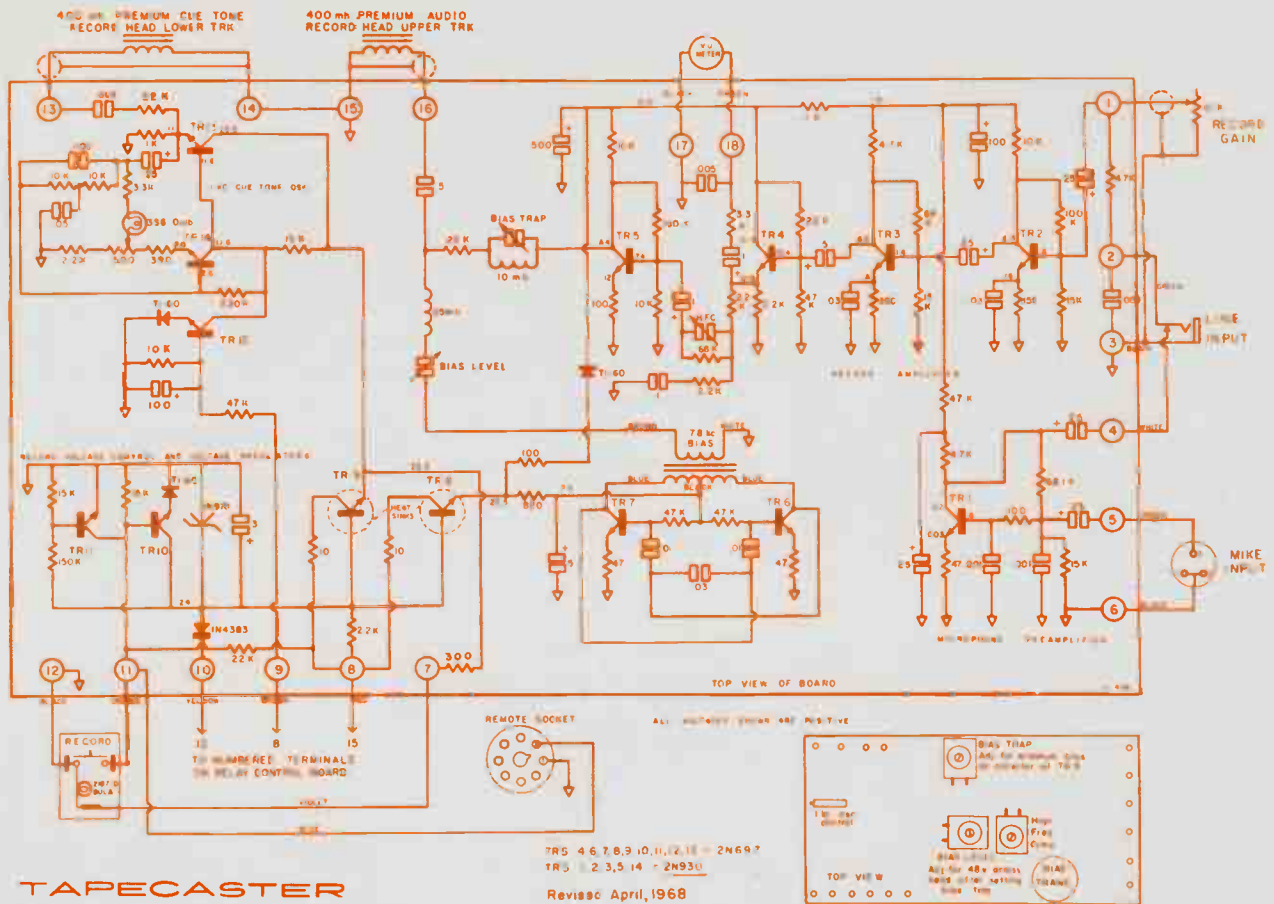
Motor: Hysteresis Synchronous.

Size: 10½ W x 12 L x 7 H.

Weight: 18 lbs.



Net Price \$350 with new SUPER-TORQUE hysteresis synchronous motor



TAPECASTER
Model 700
Record Board



Model 700-RPD
Solid state combination record playback unit for delayed programming

Delay-normal control switch on front panel. Delay time from two seconds to one hour determined by length of tape in cartridge. Same specifications as Model 700-RP

Net Price \$550 with new SUPER-TORQUE hysteresis synchronous motor



Model 700-RPS
Solid state stereo combination record-playback unit

New three-channel NAB head, same specifications as Model 700-RP Crosstalk 45 DB-line inputs only.

Net Price \$750 with new SUPER-TORQUE hysteresis synchronous motor

Model 700-PS
Solid state stereo playback unit
 Same specifications as Model 700-P-Crosstalk 45 DB

Net Price \$500 with new SUPER-TORQUE hysteresis synchronous motor

TAPECASTER

Box 662 - 12326 Wilkins Ave., Rockville, Maryland 20851 - Area Code 301 - 942-6666

TAPECASTER

SERIES 700

BROADCAST QUALITY TAPE CARTRIDGE EQUIPMENT

- EXCEEDS NAB SPECIFICATIONS
 - REMOTE CONTROL OF ALL FUNCTIONS
 - 100% SOLID STATE
 - ALL SILICON TRANSISTORS
 - VINYL CLAD STEEL CASE FOR OPTIMUM ELECTROSTATIC & ELECTROMAGNETIC SHIELDING
 - PREMIUM CORE, LAMINATED METAL FACED HEADS
 - HYSTERESIS SYNCHRONOUS MOTOR
 - ELECTRONIC TONE CUEING
 - AUXILIARY CUE TONE OPTION FOR AUTOMATION - EXHIBITS - LIGHTS - SLIDE PROJECTORS

FEDERAL GOVERNMENT CLASSIFICATION
FSC GROUP 58, PART III
COMMUNICATION EQUIPMENT
SPECIAL ITEM NUMBERS
136-9, 136-11, 136-13

**NEW PHONE
NUMBER**

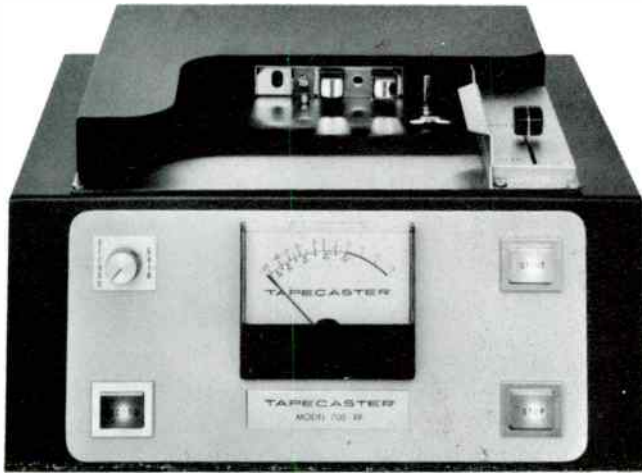
**AREA CODE 301
942-6666**

TAPECASTER ELECTRONICS

BOX 662, 12326 WILKINS AVENUE, ROCKVILLE, MARYLAND 20851

World Radio History

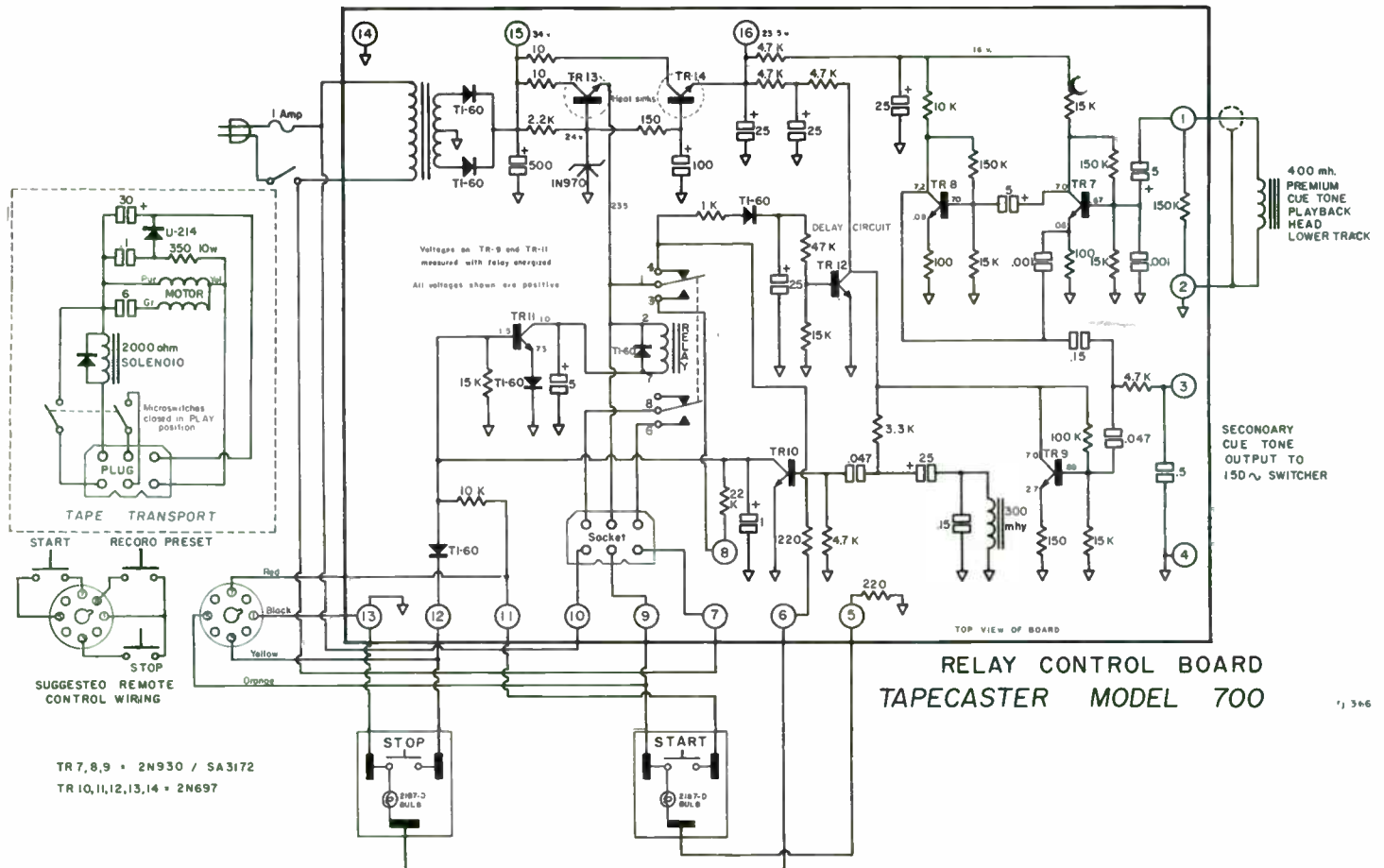
SPECIFICATIONS

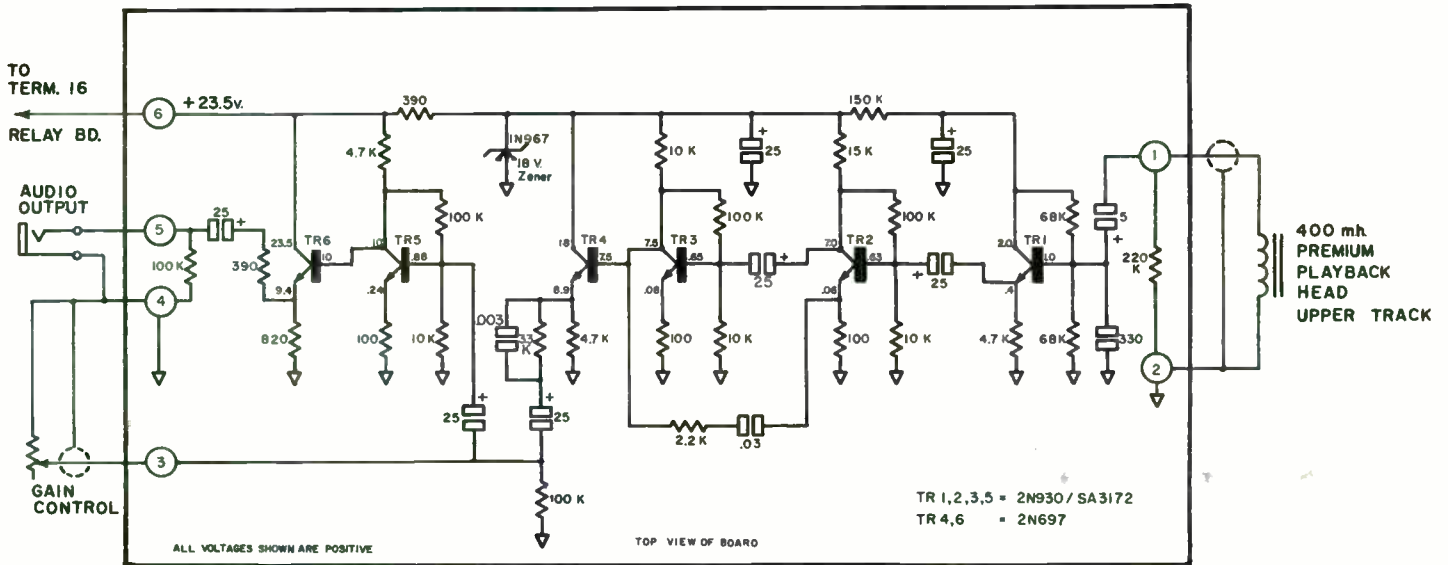


**MODEL 700-RP
COMBINATION RECORD-PLAYBACK UNIT**

BROADCASTER NET PRICE \$450.00

- Equalization:** NAB Standard.
- Frequency Response:** ± 2db 50-12,000 cps @ 7.5 IPS.
± 3db 40-15,000 cps @ 7.5 IPS.
- Distortion:** 2% or less.
- Signal to Noise Ratio:** 50 db or better.
- Wow and Flutter:** 0.2% or less @ 7.5 IPS.
- Tape Speed:** 7.5 IPS.
- Input (Line):** 0.1 Volt (Bridging)
- Input (Microphone, 150 ohms):** 0.5 mv.
- Output:** 0 dbm @ 600 ohms.
- Cue-Tones:** Primary-1,000 cps (stop)
Secondary-150 cps (optional)
- Cueing Accuracy:** 0.1 second.
- Starting Time:** 0.05 second.
- Playing Time:** 1 second to 31 minutes @ 7.5 IPS.
- Power Requirement:** 105-125 V ac, 60 cps, 50 watts
(115/220 ac, 50 cps optional extra).
- Power Supply:** Regulated, Solid State.
- Motor:** Hysteresis Synchronous
- Size:** 13 W, 12 L, 7 H.
- Weight:** 21 lbs.





AUDIO PLAYBACK AMPLIFIER TAPECASTER MODEL 700

3-66



MODEL 700-P PLAYBACK UNIT

BROADCASTER NET PRICE \$300.00

SPECIFICATIONS

- Equalization:** NAB Standard.
- Frequency Response:** ± 2db 50-12,000 cps @ 7.5 IPS.
± 3db 40-15,000 cps @ 7.5 IPS.
- Distortion:** 2% or less.
- Signal to Noise Ratio:** 50 db or better.
- Wow and Flutter:** 0.2% or less @ 7.5 IPS.
- Tape Speed:** 7.5 IPS.
- Output:** 0 dbm @ 600 ohms.
- Cue-Tones:** Primary-1,000 cps (stop)
Secondary-150 cps (optional)
- Cueing Accuracy:** 0.1 second.
- Starting Time:** 0.05 second.
- Playing Time:** 1 second to 31 minutes @ 7.5 IPS.
- Power Requirement:** 105-125 V ac, 60 cps, 50 watts
(115/220 ac, 50 cps optional extra).
- Power Supply:** Regulated, Solid State.
- Motor:** Hysteresis Synchronous
- Size:** 10½ W x 12 L x 7 H.
- Weight:** 18 lbs.



Model 700 RPD

SOLID STATE COMBINATION RECORD-PLAYBACK UNIT FOR DELAYED PROGRAMMING.

Delay-normal control switch on front panel.
 Delay time from two seconds to one hour determined by length of tape in cartridge.
 Same specifications as Model 700 RP

BROADCASTER NET PRICE \$500.00



Model 700 RPS

SOLID STATE STEREO COMBINATION RECORD-PLAYBACK UNIT.

New three channel NAB head same specifications as Model 700 RP
 Crosstalk 45 DB

BROADCASTER NET PRICE \$700.00

Model 700 PS

Solid state stereo playback unit
 Same specifications as Model 700 P
 Crosstalk 45 DB

BROADCASTER NET PRICE \$450.00

