

ATWATER KENT RADIO

SERVICE DATA

WITH

PARTS AND PRICE LISTS

FOR

MODELS 155 (3rd TYPE), 165, 424, and 555 (2nd TYPE)

INTERMEDIATE FREQUENCIES

Models 155, 165, 555.....262½ kilocycles
 Model 424.....264 kilocycles
 *Model 534.....450 kilocycles
 Models 708, 808.....472½ kilocycles

GENERAL NOTE

In this supplement the tube voltages are printed on the diagram of each set. Readings are made with the 250-volt scale of a 1000-ohm-per-volt D.C. voltmeter, and a line supply of 110-volts. The plate, screen and grid voltages are taken from the cathode of each tube.

TABULATED DATA

TUBES

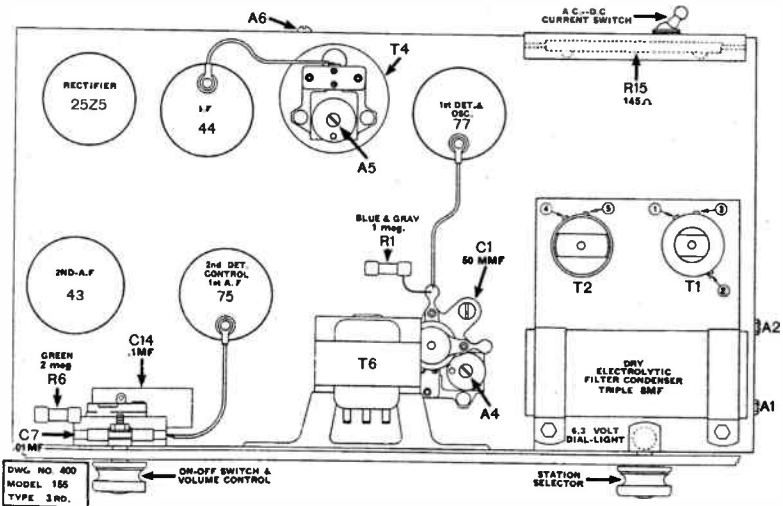
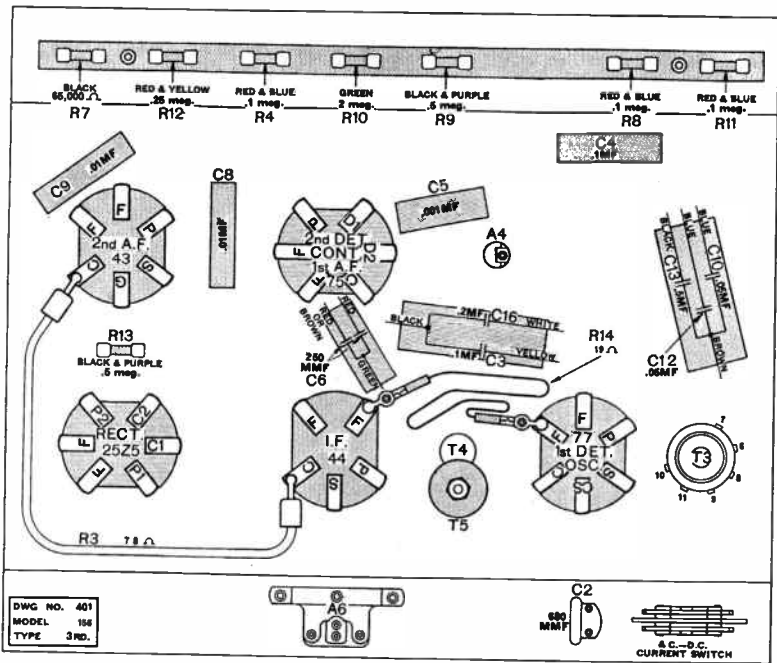
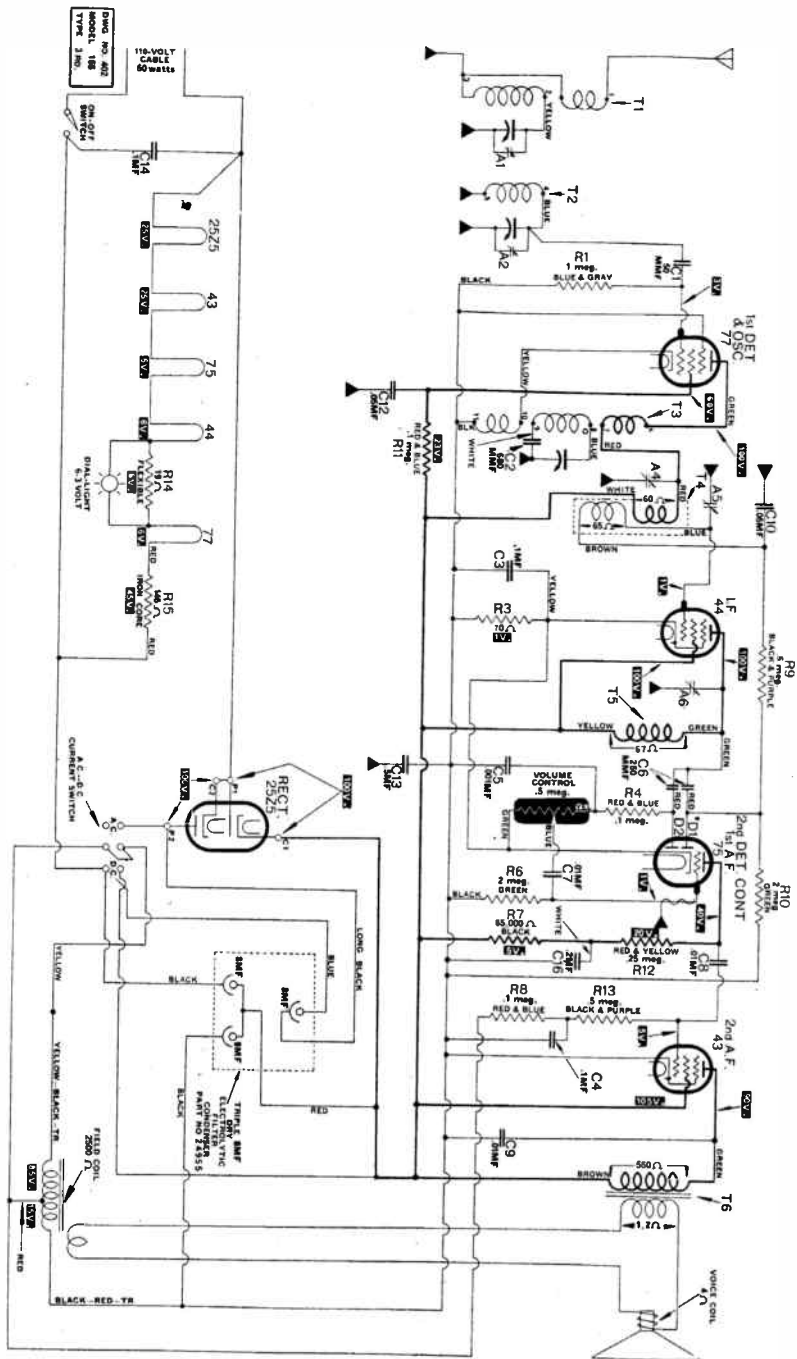
MODEL NUMBER	POWER SUPPLY	PART NO. COMPLETE	PART NO. SPEAKER	R.F.	1ST DET.	OSC.	2ND-DET., A.V.C. AND 1ST A.F.		2ND A.F.	RECT.
							I.F.	A.F.		
155	110-V, 25-60-C. 110-V, D.C.	32800	24568*	—	77*		44	75*	43	25Z5
165	110-V, 60-C.	34000	34100	—	57		58	2A6	2A5	80
424	6-V.	35000	25386	—	77		44	75	41	—
534	6-V.	35100	25534	—	77		44	75	41	—
555	110-V, 60-C.	32900	24408	—	57		58	55	47	80
708	110-V, 60-C.	34200	34300	58	58	58**	58(2)	2A6	2A5	80
808	110-V, 60-C.	34600	34500	58	58	58	58(2)	2A6	2A5	80

*In early Model 155, the 1st-detector tube is a type 36, and the 2nd-detector is type 85.
 In late Model 155, the speaker is No. 24942.

**In a few early Model 708, the oscillator is type 56.

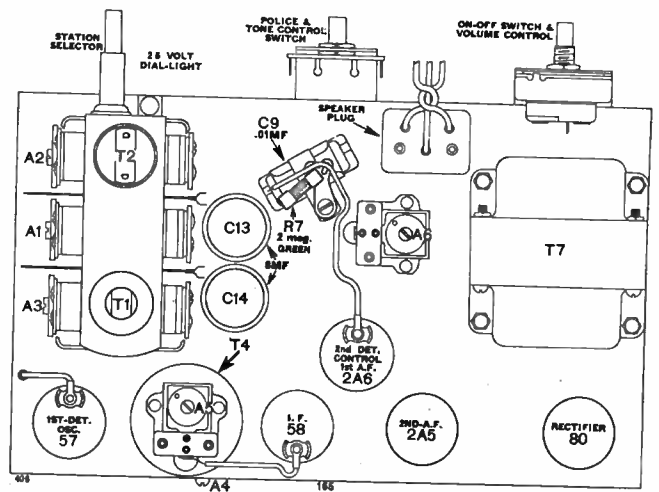
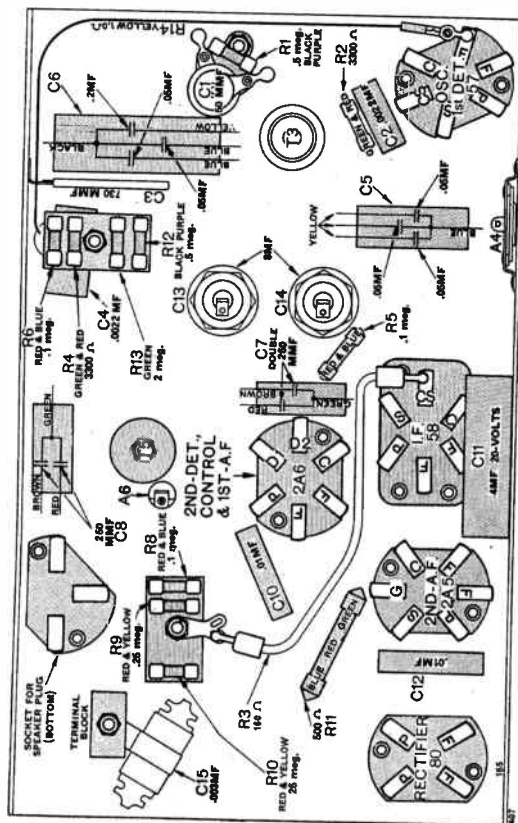
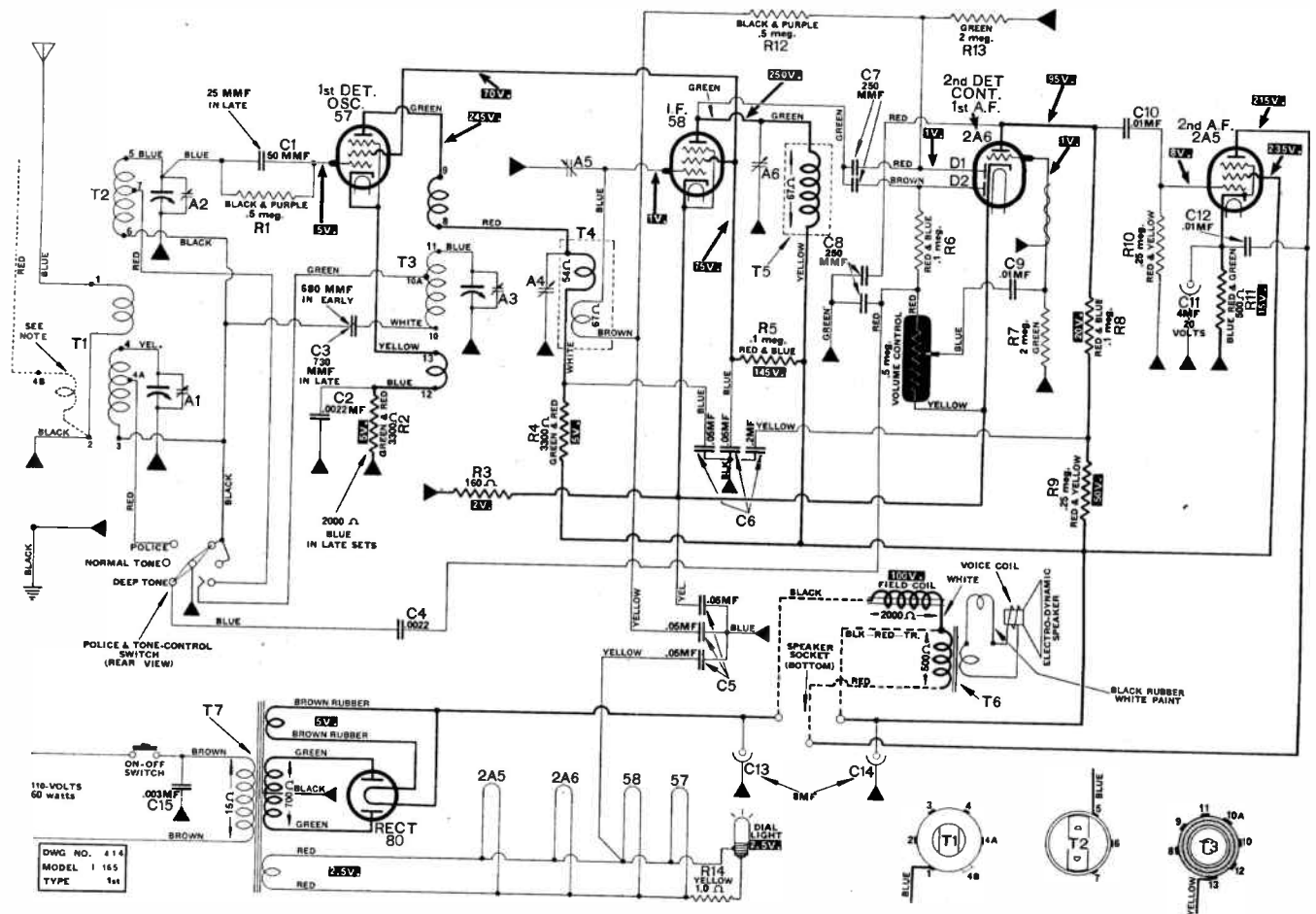
ATWATER KENT RADIO

MODEL 155, 3rd Type, ABOVE SERIAL No. 7088700
(PARTS LIST ON PAGE 7)



MODEL 165 DIAGRAM, TOP VIEW, and CHART

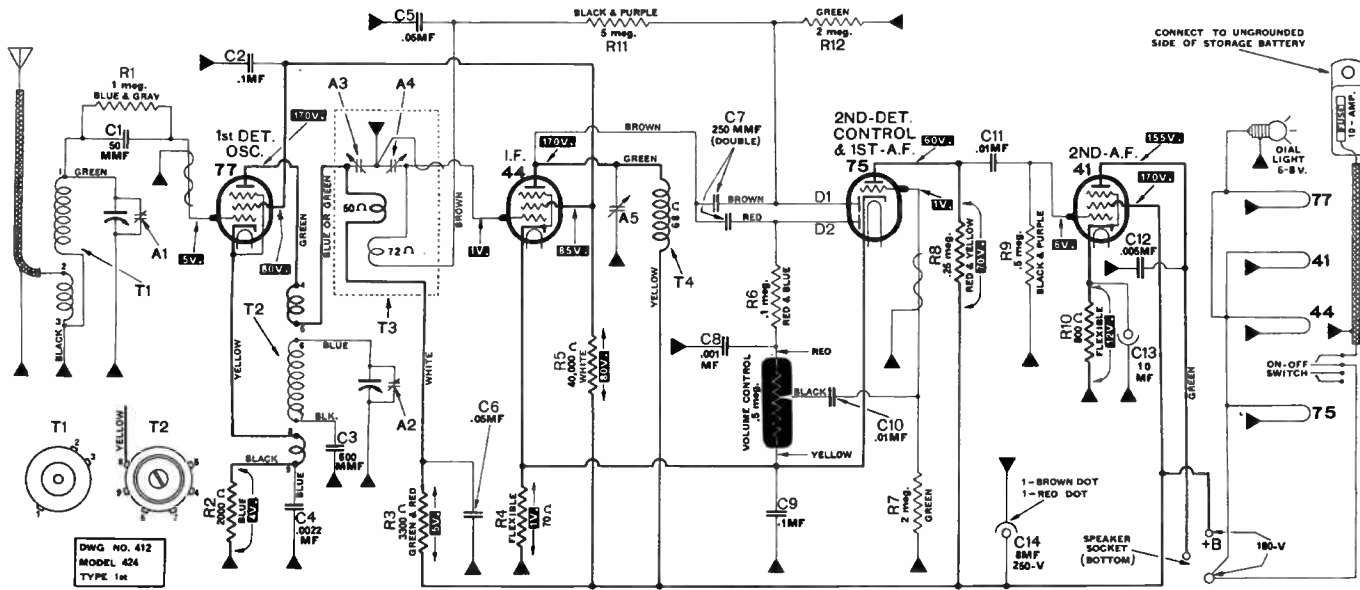
(PARTS LIST ON PAGE 8)



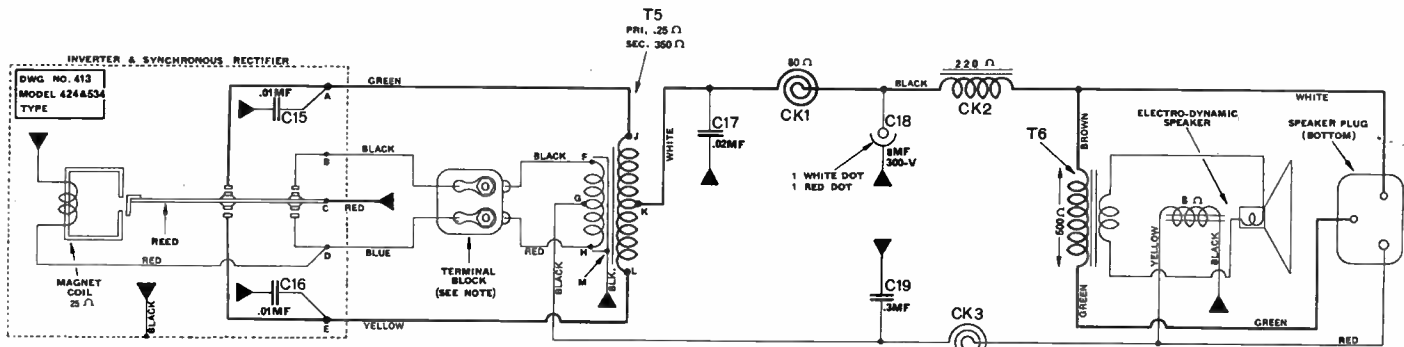
In late type 165, the 1st-detector bias resistor R2 is 2000 ohms, 1/2 watt (blue).
 In a few early 165 sets, the tracking condenser C3 is 680MMF.
 In late sets, C1 is 25MMF instead of 50MMF.
 The additional primary, shown in dotted lines on No. 1 R.F.T., is used in some 165 sets.

ATWATER KENT RADIO

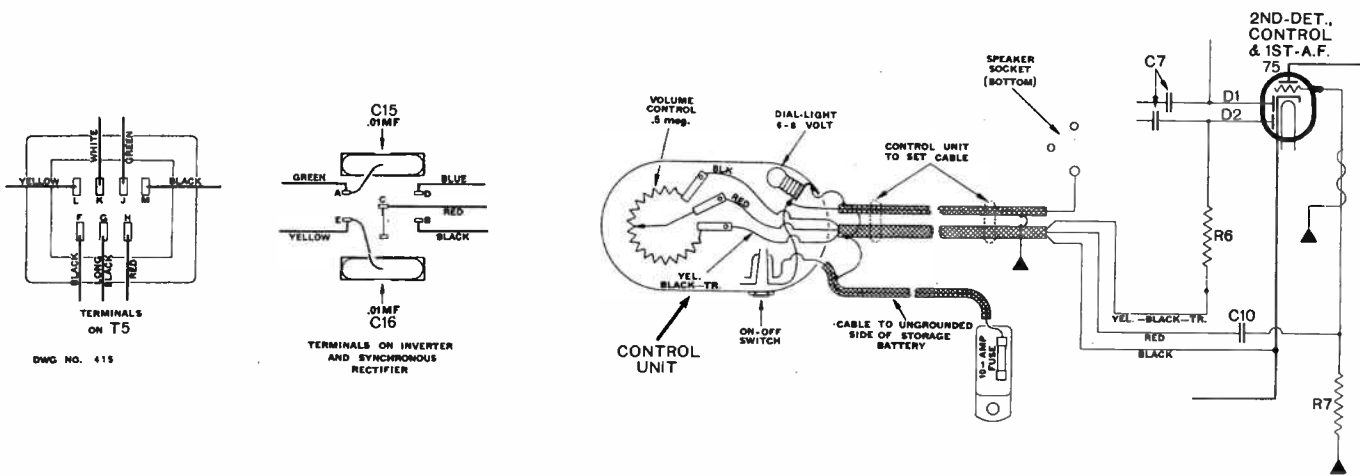
MODEL 424 MOTOR CAR RADIO



In late sets, T 1 is shielded, and there is no shield on the grid lead of the 77 tube.



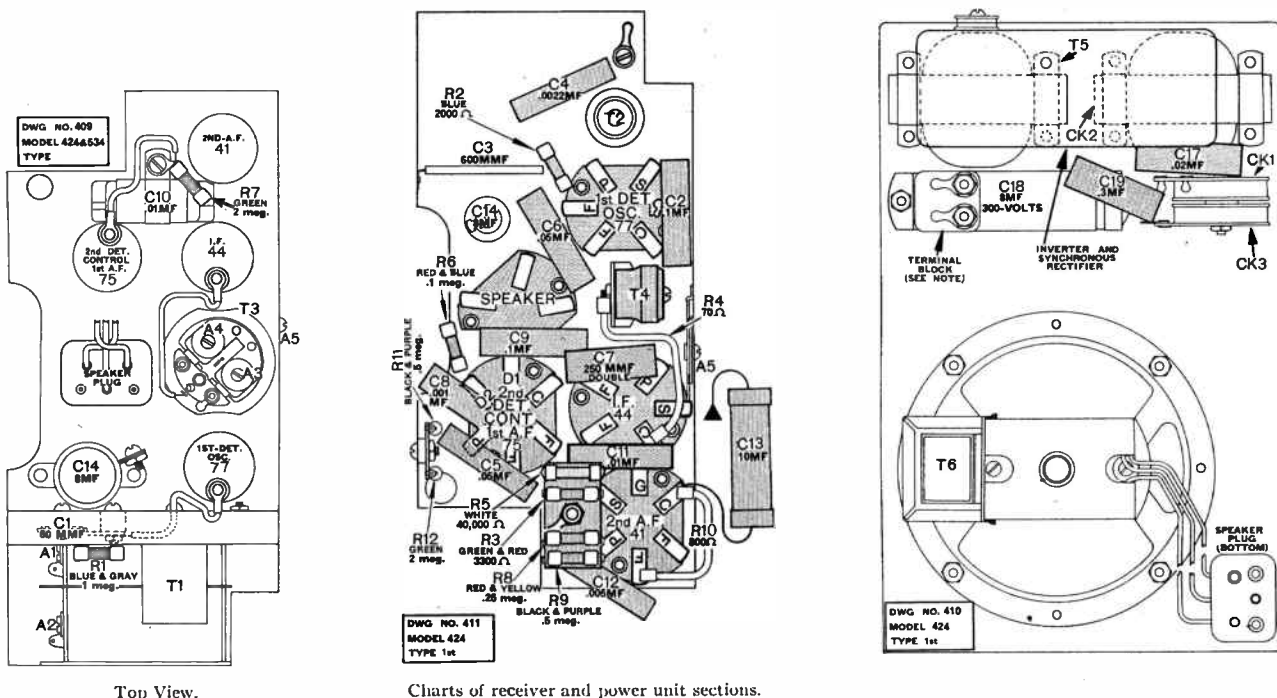
Condensers C15 and C16 are .05MF in late sets. A fixed condenser (not shown above) is connected across the primary of T5. This condenser is listed as C20, .01MF, 200 volts.



Control Unit in Model 534.

NOTE:—Model 424 and 534 are arranged for use, without change, in any car in which the positive of storage battery is grounded. If negative of battery is grounded, it is necessary, before installing set, to open the radio set container, remove the two nuts on the terminal block shown above, turn the block up-side-down, and replace the nuts securely.

MODEL 424 MOTOR CAR RADIO



PARTS AND PRICE LIST FOR MODEL 424, No. 35000

Part No.	Name of Part	List Price
23482A	Volume control, complete less leads, .5 meg.	.55
25287	Variable condenser rotor, stator, and frame.	1.25
25279	On-off lockswitch.	.40
25595	Inverter and synchronous rectifier complete.	5.95

TRANSFORMERS			
Dia. Code	Part No.	Description	List Price
*T1	33140	No. 1 R. F. T.	.50
T2	33150	No. 2 R. F. T. and oscillator trans.	.60
T3	25505	No. 1 I. F. T. less trimmers.	.55
T4	33360	No. 2 I. F. T.	.35
T5	25371	Power transformer	2.60
T6	25608	Output transformer	.85

*In late sets, T1 is shielded, and the part number is 33750, \$.50.

RESISTORS		
Part No.	Description	List Price
R1	30360 Blue-gray 1,000,000 ohms, 1/4 watt	.10
R2	33250 Blue 2,000 ohms, 1/4 watt	.10
R3	30380 Red-green 3,300 ohms, 1/4 watt	.10
R4	18520 Flexible70 ohms	.18
R5	26160 White 40,000 ohms, 1/2 watt	.10
R6	30340 Red-blue 100,000 ohms, 1/4 watt	.10
R7	30370 Green 2,000,000 ohms, 1/4 watt	.10
R8	31070 Red-yellow 250,000 ohms, 1/4 watt	.10
R9	30350 Black-purple 500,000 ohms, 1/4 watt	.10
R10	20120 Flexible800 ohms	.15
R11	30350 Black-purple 500,000 ohms, 1/4 watt	.10
R12	30370 Green 2,000,000 ohms, 1/4 watt	.10

CONDENSERS		
Part No.	Description	List Price
C1	30260 50MMF Letter E stamped on washer	.15
C2	31530 .1MF, 100 volts, N. I.	.22
C3	33280 600MMF, 100 volts, mica	.30
C4	33660 .0022MF, 450 volts, inductive	.22
C5	31160 .05MF, 100 volts, N. I.	.25
C6	26820 .05MF, 200 volts, N. I.	.20
C7	33630 250MMF (double) 450 volts, inductive	.25
C8	33640 .01MF, 450 volts, N. I.	.22
C9	31530 .1MF, 100 volts, N. I.	.22
C10	23250 .01MF (metal case) 450 volts	.31
C11	27630 .01MF, 200 volts, inductive	.20

Diam. Code	Part No.	Description	List Price
C12	28040	.005MF, 200 volts, inductive	.20
C13	24379	10MF, 25 volt, dry electrolytic	.40
C14	25385	8MF, 250 volts, dry electrolytic	.65
C15	33070	.05MF, 450 volts	.35
C16	33070	.05MF, 450 volts	.35
C17	29030	.02MF, 450 volts, N. I.	.20
C18	25384	8MF, 300 volts, dry electrolytic	.75
C19	31150	.3MF, 100 volts, N. I.	.25
C20	27630	.01MF, 200 volts, inductive	.20

CHOKES		
Part No.	Description	List Price
CK1	17015 R. F. "B" filter choke	.25
CK2	33450 A. F. "B" filter choke	1.20
CK3	23530 R. F. "A" filter choke	.40

TRIMMERS		
Part No.	Description	List Price
A3, A4	32880 Double I. F. trimmer	.30
A5	24495 Single I. F. trimmer	.25

SUPPRESSOR PARTS		
Part No.	Name of Parts	List Price
21143	Plug suppressor	.30
21144	Distributor suppressor	.30
23260	Generator condenser, 1MF, 200 volts	1.05
23520	Ignition filter	2.00

SPEAKER		
Part No.	Description	List Price
25386	Speaker complete	3.25
25604	Cone assembly	1.65
25607	Field coil (8 ohms approximately)	.85
25608	Output transformer (T6)	.85

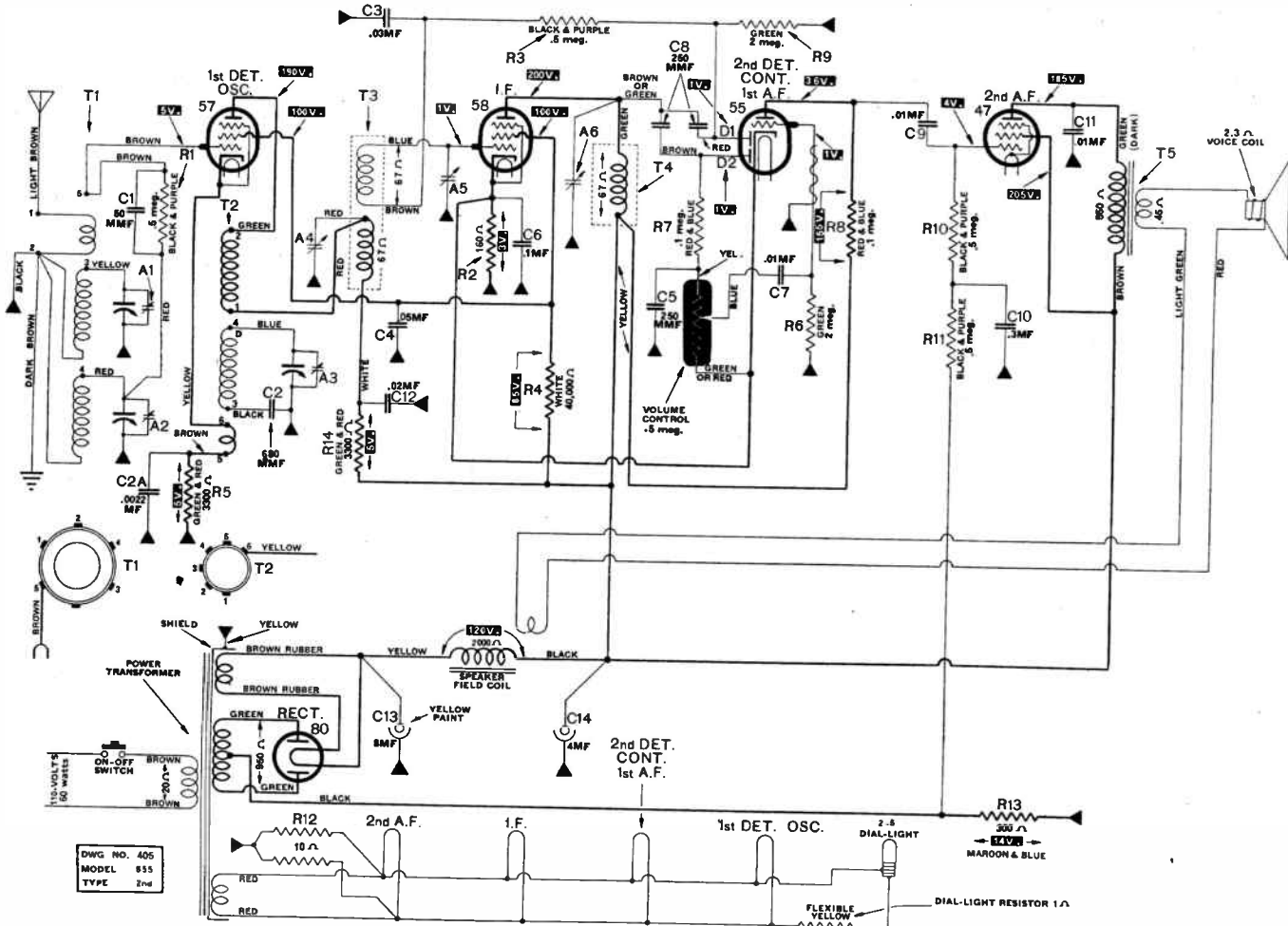
MISCELLANEOUS PARTS		
Part No.	Description	List Price
24169	Dial or volume control knob	.20
21407	Dial lamp 6-8 volts	.20
21406	Fuse (10 amps.)	.05
20976	Lockswitch key	.05
25378	Instruction sheet (F-1071)	.02

THESE PRICES SUPERSEDE ALL PREVIOUS PRICES AND ARE SUBJECT TO CHANGE WITHOUT NOTICE.

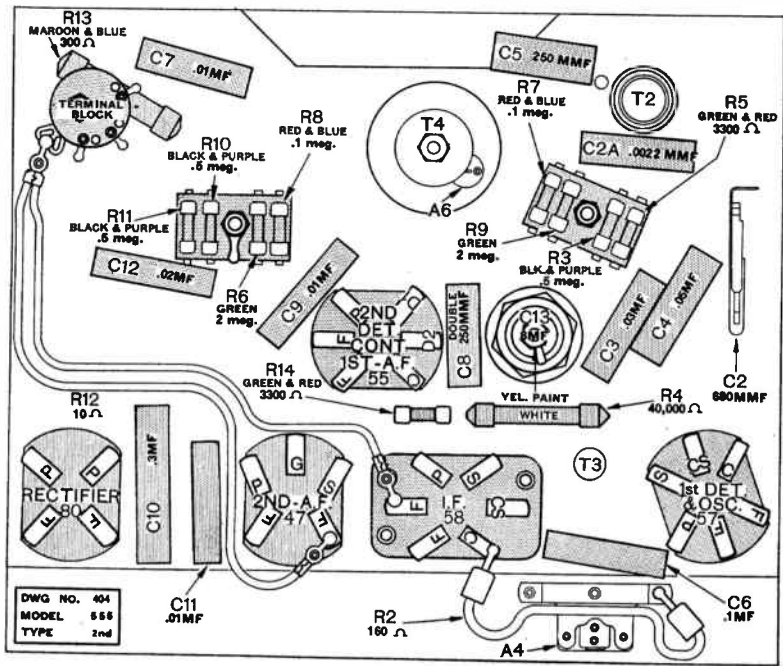
ATWATER KENT RADIO

MODEL 555, 2nd TYPE, ABOVE SERIAL No. 5063260

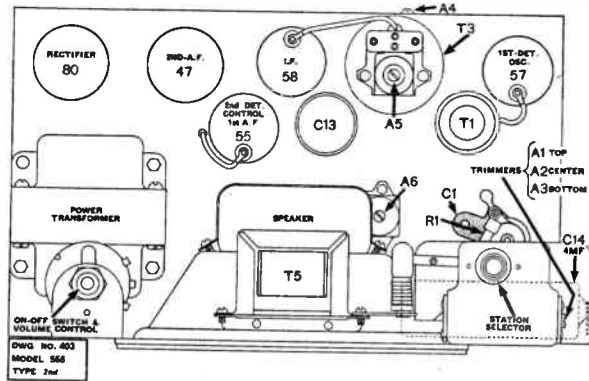
(PARTS LIST ON PAGE 7)



DWG NO. 405
MODEL 555
TYPE 2nd



DWG NO. 404
MODEL 555
TYPE 2nd



DWG NO. 403
MODEL 555
TYPE 2nd

PARTS AND PRICE LIST FOR 3rd TYPE MODEL 155, No. 32800

ABOVE SERIAL No. 7088700

For parts not listed below, please order by description or name of part and model number of set.

Part No.	Name of Part	List Price
24293	Volume control, complete, less leads, .5 meg.	\$.75
24722	Cabinet complete.	3.50
24955	Triple dry electrolytic condenser 8, 8, 8MF, 150 volts.	1.50
*25317	Variable condenser rotor stator and frame (23 plates).	2.00

* In 1st and 2nd type Model 155, the variable condenser is No. 24561, list price \$2.00 (21 plates).

Dia. Code No.	Part No.	Name of Part	List Price
T-1	32210	No. 1 R. F. transformer.	\$1.00
T-2	32220	No. 2 R. F. transformer.	1.00
T-3	32190	Oscillator transformer.	.70
T-4	31790	No. 1 I. F. transformer.	.65
T-5	31780	No. 2 I. F. transformer.	.35
T-6	24897	Output transformer.	.85

TRANSFORMERS

RESISTORS

R-1	30360	Blue-gray	1,000,000 ohms, 1/3 watt.	\$.10
R-3	18520	Flexible	70 ohms.	.18
R-4	30340	Red-blue	100,000 ohms, 1/3 watt.	.10
R-6	30370	Green	2,000,000 ohms, 1/3 watt.	.10
R-7	31980	Black	65,000 ohms, 1/3 watt.	.10
R-8	30340	Red-blue	100,000 ohms, 1/3 watt.	.10
R-9	30350	Black-purple	500,000 ohms, 1/3 watt.	.10
R-10	30370	Green	2,000,000 ohms, 1/3 watt.	.10
R-11	30340	Red-blue	100,000 ohms, 1/3 watt.	.10
R-12	31970	Red-yellow	250,000 ohms, 1/3 watt.	.10
R-13	30350	Black-purple	500,000 ohms, 1/3 watt.	.10
R-14	16610	Flexible	19 ohms.	.15
R-15	31690	Iron core	145 ohms.	.30

Dia. Code No.	Part No.	Description	List Price
C-1	30260	50MMF, letter E stamped on washer.	\$.15
C-2	31180	680MMF, 100 volts.	.35
C-3	32760	.1MF, and .2MF, 100 volts.	.30
C-16			
C-4	31530	.1MF, 100 volts.	.22
C-5	33640	.001MF, 450 volts.	.22
C-6	33630	250MMF (double) 450 volts.	.25
C-7	23250	.01MF, 450 volts.	.31
C-8	27630	.01MF, 200 volts.	.20
C-9	27630	.01MF, 200 volts.	.20
C-10	31890	.05MF, .05MF, and .5MF, 100 volts.	.45
C-12			
C-13			
C-14	26660	.1MF, 200 volts.	.25

No. 24942 SPEAKER

Part No.	Name of Part	List Price
24942	Speaker, complete.	\$ 3.25
24897	Output transformer (T-6).	.85
25053	Field coil (2500 ohms).	1.25
24895	Cone assembly.	1.65

MISCELLANEOUS PARTS

Part No.	Name of Part	List Price
24908	Instruction and log card (F-1056).	net \$.01
24733	110-volt cable and plug.	.60
24727	Antenna lead (30 feet).	.75
24278	Knob for volume control or station selector.	.10
24892	A. C.—D. C. current switch.	.60

PARTS AND PRICE LIST FOR 2nd TYPE MODEL 555, No. 32900

ABOVE SERIAL No. 5063260

For parts not listed below, please order by description or name of part and model number of set.

Part No.	Name of Part	List Price
24293	Volume control, complete, less leads, .5 meg.	\$.75
*25456	Variable condenser rotor, stator and frame (23 plates).	2.00
24558	Cabinet, complete.	6.50

* In 1st type 555, the variable condenser is No. 24559, list price \$2.00 (21 plates).

Dia. Code No.	Part No.	Description	List Price
—	24438	Power transformer.	\$ 2.95
T-1	33470	R. F. transformer.	1.00
T-2	33480	Oscillator transformer.	1.00
T-3	31390	No. 1 I. F. transformer.	.75
T-4	31380	No. 2 I. F. transformer.	.45
T-5	24901	Output transformer.	1.00

TRANSFORMERS

RESISTORS

R-1	30350	Black and purple, .5 meg., 1/3 watt.	\$.10
R-2	28950	Flexible, 160 ohms.	.17
R-3	30350	Black and purple, .5 meg., 1/3 watt.	.10
R-4	16724	White, 40,000 ohms, 1 watt.	.15
R-5	30380	Red and green, 3300 ohms, 1/3 watt.	.10
R-6	30370	Green, 2 meg., 1/3 watt.	.10
R-7	30340	Red and blue, .1 meg., 1/3 watt.	.10
R-8	30340	Red and blue, .1 meg., 1/3 watt.	.10
R-9	30370	Green, 2 meg., 1/3 watt.	.10
R-10	30350	Black and purple, .5 meg., 1/3 watt.	.10
R-11	30350	Black and purple, .5 meg., 1/3 watt.	.10
R-12	17077	Flexible, 10 ohms.	.12
R-13	31490	Maroon and blue, 300 ohms, 1/2 watts.	.20
R-14	30380	Red and green, 3300 ohms, 1/3 watt.	.10

Dia. Code No.	Part No.	Description	List Price
C-1	30260	50 MMF, 450-volts.	\$.15
C-2	31180	680 MMF, 100-volts.	.35
C-2A	33660	.0022 MF, 450-volts.	.22
C-3	29530	.03 MF, 200-volts.	.20
C-4	26820	.05 MF, 200-volts.	.20
C-5	30240	250 MMF, 200-volts.	.20
C-6	31530	.1 MF, 100-volts.	.22
C-7	27630	.01 MF, 200-volts.	.20
C-8	31140	250 MMF (double), 200-volts.	.20
C-9	27630	.01 MF, 200-volts.	.20
C-10	31150	.3 MF, 100-volts.	.25
C-11	27630	.01 MF, 200-volts.	.20
C-12	29030	.02 MF, 450-volts.	.20
C-13	22538	Electrolytic, 8 MF, 475-volts.	1.00
C-14	25184	Electrolytic, 4 MF, 475-volts.	.70

MISCELLANEOUS PARTS

Part No.	Description	List Price
24457	Instruction and log card (F-1045).	net \$.01
24656	Antenna lead (20 feet).	.60
24651	Ground lead (8 feet).	.15
24649	110-volt cable.	.60
24278	Knob for volume control or station selector.	.10

No. 24408 SPEAKER USED IN MODEL 555

24408	Speaker, complete, less dial light assembly.	\$ 4.25
24901	Output transformer (T-5).	1.00
24899	Field coil.	1.00
24898	Cone assembly.	2.35

THESE PRICES SUPERSEDE ALL PREVIOUS PRICES AND ARE SUBJECT TO CHANGE WITHOUT NOTICE.

PARTS AND PRICE LIST FOR MODEL 165, No. 34,000

For parts not listed below, please order by description or name of part and model number of set.

Part No.	Name of Part	List Price
25309	Cabinet, complete.	\$ 4.50
24293	Volume control and on-off switch (.5 meg.)	.75
25022	Variable condenser	2.25
25312	Police and tone control switch, complete	.40
25311	Switch base, complete	.25
25226	Switch shaft and blade	.05

Dia. Code No.	Part No.	Description	List Price
TRANSFORMERS			
T-1	32430*	No. 1 R. F. T.	\$ 1.00
T-2	32440	No. 2 R. F. T.	1.00
T-3	32450	Oscillator transformer	1.00
T-4	32620	No. 1. F. transformer	.75
T-5	32630	No. 2 I. F. transformer	.35
T-6	21672	A. F. output transformer	1.25
T-7	25191**	Power transformer	3.15

*In some sets, T1 has an extra winding as shown in dotted lines on page 3. The part number of this transformer is 33820, list price \$1.00.
 **Some early Model 165 sets use a 75 tube instead of 2A6. These sets require a No. 25307 power transformer which has an extra winding to provide 6 volts for the 75 filament. The list price of No. 25307 is \$3.50.

RESISTORS

R-1	30350	Black and purple, .5 meg., 1/3 watt	.10
*R-2	33250	Blue, 2000 ohms, 1/3 watt	.10
R-3	28950	Flexible, 160 ohms	.17
R-4	30380	Red and green, 3300 ohms, 1/3 watt	.10
R-5	20980	Red and blue, .1 meg., 1/2 watt	.10
R-6	30340	Red and blue, .1 meg., 1/3 watt	.10
R-7	30370	Green, 2 meg., 1/3 watt	.10
R-8	30340	Red and blue, .1 meg., 1/3 watt	.10
R-9	31970	Red and yellow, .25 meg., 1/3 watt	.10
R-10	31970	Red and yellow, .25 meg., 1/3 watt	.10
R-11	32010	Blue, red and green, 500 ohms, 1 watt	.15
R-12	30350	Black and purple, .5 meg., 1/3 watt	.10
R-13	30370	Green, 2 meg., 1/3 watt	.10
R-14	31860	Flexible, 1 ohm, yellow covered	.17

* In early 165, R-2 is No. 30380 red and green, 3300 ohms, 1/3 watt, \$.10.

CONDENSERS

*C-1	30260	50MMF. Letter E stamped on washer	\$.15
C-2	33660	.0022MF, 400-volts	.22

* In late sets C1 is 25MMF, No. 33650 list price \$.15.

Dia. Code No.	Part No.	Description	List Price
CONDENSERS			
**C-3	25638	730MMF, 100-volts	.25
C-4	33660	.0022MF, 450-volts	.22
C-5	32360	.05, .05 and .05MF, 100-volts	.40
C-6	32350	.05, .05 and .2MF, 200-volts	.50
C-7	33630	250MMF (double), 450-volts	.25
C-8	33630	250MMF (double), 450-volts	.25
C-9	23250	.01MF, 450-volts	.31
C-10	27630	.01MF, 200-volts	.20
C-11	25167	4MF, 20-volts dry electrolytic	.40
C-12	27630	.01MF, 200-volts	.20
C-13	25168	8MF, 475-volts, electrolytic	.85
C-14	25168	8MF, 475-volts, electrolytic	.85
C-15	32740	.003MF, 500-volts	.40

** In early 165, C-3 is No. 31180, 680MMF, 100 volts \$.35.

MISCELLANEOUS PARTS

Part No.	Description	List Price
25194	Cloth screen	\$.40
25213	Cabinet foot	.02
24278	Station selector and volume control knob	.10
25145	Police and tone control switch knob	.15
24323	Power transformer cover (2 used)	.15
24554	I.F.T. shield and trimmer (A5)	.55
19566	110-volt cable and plug	.45
24732	110-volt plug	.06
15404	2.5-volt dial lamp	.15
22683	Tube shield	.10
24549	Dial assembly	.25
31870	Trimmer A6	.20
24495	Trimmer A4	.25
25196	Speaker socket	.10
24492	Rectifier socket	.10
24494	Small 6-prong socket (3 used)	.10
22733	Large 6-prong socket (1 used)	.10
25049	Instruction and log card (F-1059)	net .01
25186	Switch instruction tag	net .01
25189	Shipping container	net .25

No. 34100 SPEAKER FOR MODEL 165

18870	Field coil (2000 ohms)	\$ 1.25
21672	Output transformer (T6)	1.25
21161	Diaphragm	1.05
25179	Cable and plug	.40
25308	Speaker plug (3-prong)	.08

CHANGES IN LATE MODEL 246

- The gray-yellow screen resistor (15000 ohms) is replaced by two 1 1/2-watt No. 28030 black-red resistors (each 20000 ohms) connected in parallel. This increases the screen voltages slightly.
- The electrolytic filter condensers are reversed, the 8MF condenser being connected to the rectifier end of the field coil.
- In late sets, the 1st-detector bias resistor is changed from 2000 ohms (flexible) to 5000 ohms (No. 28050 blue-yellow, 1/2-watt). When replacing this resistor, use the same value as the one you remove. In a few sets that use the 2000-ohm resistor, a No. 19820 flexible 48-ohm resistor is connected in series with the oscillator plate.

THESE PRICES SUPERSEDE ALL PREVIOUS PRICES AND ARE SUBJECT TO CHANGE WITHOUT NOTICE.