

March-April, 1949

Vol. XI - No. 3

O. A. Sandoz, VE1QZ
76 Quinpool Rd.,
Halifax, N. S.

7/48

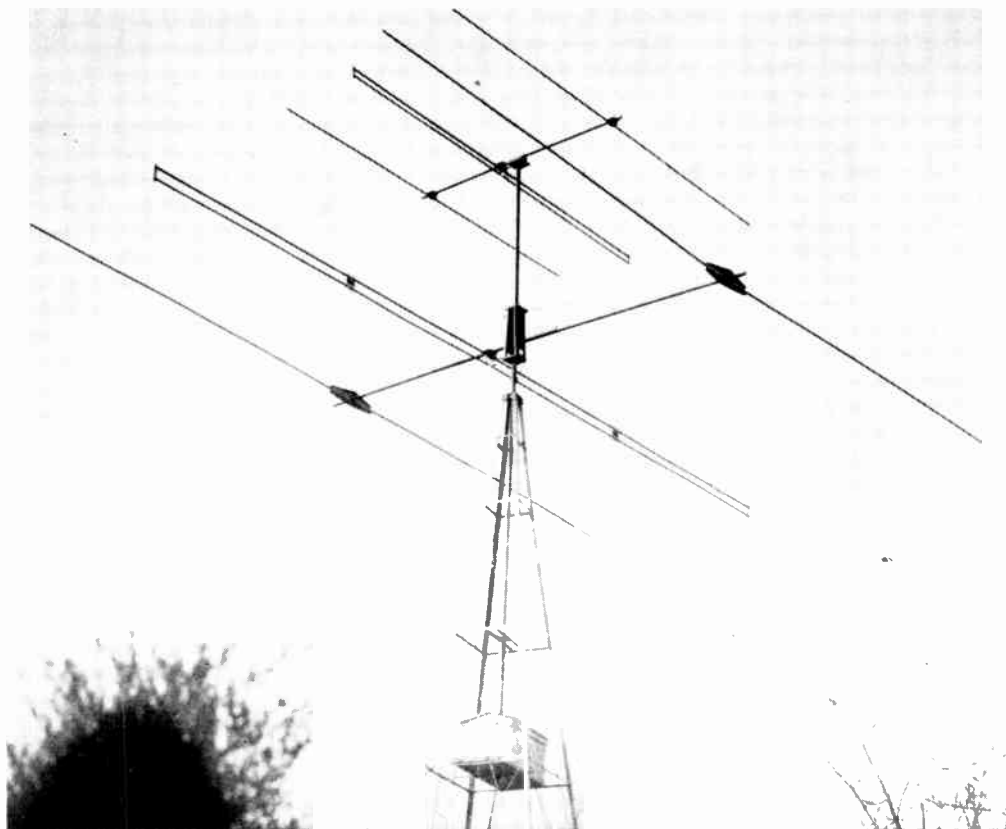
XTAL

for the
radio
amateur



OFFICIAL JOURNAL
THE CANADIAN AMATEUR RADIO OPERATORS' ASSOCIATION
TORONTO, ONTARIO





HAMMOND TEN-OVER-TWENTY

Typical Installation on Windmill Tower of VE3EI,
Dwight Field, Forest, Ont.

THE ULTIMATE COMBINATION FOR CONSISTENT DX!

A Hammond Ten-Over-Twenty array is the most economical method of providing a power increase and places your signal where you want it. Provides improved signal to noise ratio and reduced QRM when used for receiving.

Write for Descriptive Literature

DISTRIBUTED THROUGH LEADING JOBBERS FROM COAST TO COAST

HAMMOND MANUFACTURING COMPANY

Limited

GUELPH · ONTARIO · CANADA

There IS a DIFFERENCE



When you buy radio tubes, you can be sure that the name of Westinghouse on each tube means uniformity . . . dependability and long operating life. That's why it will pay you to specify and use



CANADIAN WESTINGHOUSE COMPANY — HAMILTON, CANADA

FAST DELIVERY
ANYWHERE IN CANADA



STOCKS OF
**TRANSMITTING
 INDUSTRIAL
 RECEIVING TYPE
 TUBES**

Maintained in every
 Marketing Area

for
**BETTER DELIVERY
 BETTER SALES
 MORE PROFITS**

CANADIAN GENERAL ELECTRIC CO LTD 48-T-12-B

SALES OFFICES MAINTAINED AT:—

SYDNEY	HALIFAX	ST. JOHN	QUEBEC	CHICOUTIMI	TROIS RIVIERES	SHERBROOKE	MONTREAL
OTTAWA	TORONTO	HAMILTON	ST. CATHARINES	LONDON	WINDSOR	NORANDA	
NEW LISKEARD	SUDBURY	TIMMINS	FORT WILLIAM	WINNIPEG	BRANDON	REGINA	SASKATOON
LETHBRIDGE	EDMONTON	CALGARY	TRAIL	KELOWNA	VANCOUVER	VICTORIA	



XTAL

[C R Y S T A L]

Published by
THE CANADIAN AMATEUR RADIO OPERATORS' ASSOCIATION

46 ST. GEORGE ST., TORONTO 5, ONTARIO
 TEL. Midway 8235

Authorized as second class mail, Post Office Department, Ottawa.

MARCH-APRIL, 1949

Vol. XI

No. 3

CONTENTS

	Page
Editorial	3
New Regulations	4
VE/W Contest	6
Ontario Picnic	6
Technical Dept.	7
DX News	8
Traffic Dept.	9
Club Activities	10
S.W.L. Column	11
National Report	12



Nets and Individuals

Amateur radio frequencies are assigned to us for our use in any manner we choose, provided always that our operating in all its details is in accordance with the laws and regulations which are a part of frequency assignments. If we comply with technical and operating requirements, the bands are ours to enjoy.

Our participation in the hobby may take the form of dx-chasing, circuit testing and getting reports thereon, rag-chewing or traffic handling. It matters not, in the eyes of the law, just so long as there is no violation of the authority governing and controlling us in our capacity of amateur radio operators.

However, it is quite possible to comply with the law and still violate an obligation we have, one to the other, among ourselves. This is noticeable in the case of nets and their respective frequencies. The law does not assign frequencies to nets, nor does the law say we must not QRM or QNM net. No, the law does not say that. Nevertheless, we should not do so. The fundamental principle of brotherhood is that all things shall be done for the general betterment of the whole rather than for the benefit of the individual. Conversely expressed, the individual should not reap his benefit at the expense of the whole.

There is an obligation imposed upon the individual, and there is an obligation imposed upon a net. Our observations lead us to the conviction that there is a violation of the obligation on both side. It is our immediate purpose to bring the matter to the attention of our readers in the hope that something in the way of general improvement may be

accomplished. Knowing the co-operative spirit of the genuine amateur, we have no doubt about our suggestions being accepted with a sympathetic understanding that will result in enhanced enjoyment for all concerned.

Nets occupy an important place in the scheme of things, inasmuch as a net represents an organized group ready to render public service under certain conditions. Nets also reduce QRM to the extent that a number of stations are congregated on approximately the same frequency.

The individual who attempts to buck a net while it is in session by trying to carry on a private QSO on the net frequency, or close to it, accomplishes nothing of a constructive or enjoyable nature. He has a nuisance value to the net, and the net is the same to him. The man at the other end of his QSO receives him with difficulty and is subjected to a degree of laborious effort from which he should be spared. No one gains, but all suffer, yet it is quite legal. The democracy included within the four corners of our license permits us to park ourselves right down on a net frequency to call CQ frantically to our hearts content. Notwithstanding the right, should we do so?

But nets have an obligation, too. It may be that the individual is badly rock bound. If we ask him to withhold from operating on the net frequency during the session of the net, then the net has a full-size obligation sitting squarely on its shoulders.

The net should proceed to the efficient dispatch of its business. It should continue in session only for such time as is necessary to the proper performance of the function for

which it was organized. It should vacate the frequency as quickly as the efficient disposal of its business will permit. Then — and this is important — the net having closed, the members thereof should not rag-chew on the frequency for an unreasonable period after QNF. This will give the individual who has been standing to one side the opportunity to engage in a bit of operating. Co-operation will be repaid by co-operation to the general pleasure and satisfaction of all.

This writer is of the opinion that nets cannot in equity ask co-operation from individuals in order that the net may proceed with a minimum of QRM if the members of the net insist upon staying on the frequency immediately following the close of the net. That is what happens, though. If you don't think so, listen on a net frequency before and following QNF.

We have heard NCS request an interfering station to kindly QSY or to stand by for a few minutes to permit clearance of traffic. The writer does not recall an instance where there was any reaction other than the utmost degree of co-operation, coupled with an expression of regret for any QRM the station may have caused. The net has gone ahead with its business and eventually NCS has closed the net, only to have net members jump on to the frequency to the detriment of the station which has been standing by.

Interference to a net comes from a simple cause. Its solution is just as simple but, simple though it may be, it calls for co-operation on both sides. We cannot take all and give nothing in return. In this life, nothing succeeds quite so well — in the long run — as that which is founded on a recognition of the rights of and effect upon the other fellow.

There is no merit to the argument that, after the net, all are equal, and all must fight for existence. If we feel that it is proper to request a non-member to maintain co-operative silence during the session of the net then his co-operation is entitled to recognition. There is perhaps no more appropriate form of recognition than to allow him to use the net frequency following QNF, free from interference from net members for a period which is at least equal to the time the net was in session. Operating details would be simple to evolve, and need not be indicated here other than one thought.

NCS in giving QNF (CW or its phone equivalent) could give a new net Q signal followed by a time which would indicate to net members the hour until which they are requested to keep off the net frequency.

Some may say that the problem is purely academic, and its proposed solution likewise. Perhaps. Nevertheless, it must be admitted that everything we can do to improve operat-

ing pleasure is worthy of our consideration. We feel confident that the individual operator who is not a member of a net will be only too happy to co-operate, particularly when he realizes that his co-operation is to be rewarded in a like manner.

Understanding and co-operation, coupled with publicizing net frequencies and schedules, can and will do much. XTAL and other publications of the hobby are ready to offer the publicity medium. Understanding is something of which we are all capable. There remains only the need for the will to co-operate.

Co-operation is the solution — co-operation on both sides.

—R. M.

CHANGE IN REGULATIONS

Effective April 1, 1949, frequency modulation by stations licensed for phone transmission is permitted within the phone limits on all bands.

The eleven meter band is changed to frequencies between 26,958 and 27,282 Kc.

It is required that operators of amateur stations changing their fixed permanent location inform their radio inspector before transmitting from their new addresses.

Ye olde editor regrets that much copy sent in for this issue is in the overmatter. It will appear next month. The old man always has a problem: (a) What to write to fill XTAL, or (b) What to hold for next month. The 25-year club membership is now 15, and they will be introduced in next issue. A preselector is described by 3AZH, with drawing done by 3AFI, our volunteer draftsman. Thanks to all contributors for their help in providing news for all Ve's.

Effective 3 p.m. E.S.T., April 7. Amateur stations B.C., Alberta, Saskatchewan, Manitoba, District of Mackenzie, authorized use of A1, A3 emission on non interference basis in bands 1900 to 1925 Kc., 1975 to 2000 Kc. Ontario, Quebec, Maritime Provinces, Newfoundland, Keewatin and Franklin, 1800 to 1825 Kc., and 1875 to 1900 Kc. No operation Yukon. Power limited, 250 watts daytime, 100 watts night. A3 emission limited to stations authorized to operate on restricted bands.

We record with regret the passing of Bob Hawke, Ve3BRU, after a brief illness. He was on the staff of the biological section of McLennan Laboratory and had been nominated for the executive committee of CAROA just before his untimely death.

THE CANADIAN AMATEUR RADIO OPERATORS' ASSOCIATION

Operating Statement

For the Year Ended December 31st, 1948

Advertising Sales	\$7,067.50	
Less: Advertising Agencies Commission.....	754.12	
		\$6,313.38
Membership Dues	1,512.25	
Less: Dealers' Commission.....	7.75	
		1,504.50
Sales — Lapel Pins.....	31.50	
Less: Cost of Goods Sold.....	21.00	
		10.50
Miscellaneous Income		19.30
Income for the year		\$7,847.68
Expenses		8,203.68
Discount Allowed		66.96
		8,270.64
Deficit for the year.....		422.96

THE CANADIAN AMATEUR RADIO OPERATORS' ASSOCIATION

Balance Sheet

December 31st, 1948

ASSETS

Cash in Bank.....		\$ 366.97
Accounts Receivable:		
Trade	\$ 879.09	
Less: Reserve for Doubtful Accounts.....	295.19	
		\$ 583.90
J. V. Perdue (Overdrawn).....		58.73
		642.63
Unemployment Insurance Fund.....		.12
Inventory, Lapel Pins (at cost).....		114.50
Post Office Deposit (re XTAL mailing).....		25.00
Prepaid Expense		1.17
Furniture and Fixtures.....	104.50	
Less: Reserve for Depreciation.....	60.00	
		44.50
Total Assets		\$1,194.89

LIABILITIES

Accounts Payable		\$1,096.11
Commission Payable		10.98
Cash in Suspense.....		41.40
Surplus:		
Surplus at December 31st, 1947.....	570.63	
Less: Adjustments in 1948.....	101.27	
Surplus at December 31st, 1947 (adjusted).....	469.36	
Less: Deficit for the year 1948.....	422.96	
		46.40
Total Liabilities		\$1,194.89

The correctness of the foregoing statements has been verified by reference to the books and other records of the association.

R. MACDONALD, Controller.

VE/W CONTEST

**Begins Friday, April 29, 8 p.m., E.S.T.
Ends Midnight E.S.T., Sunday, May 1**

Object: Each Ve will work as many W stations as possible in as many United States A.R.R.L. sections (see page 6, QST) as possible. Each W will work as many Ve stations as possible in as many Canadian A.R.R.L. sections as possible (also page 6, QST).

Time limit: Operation must not exceed a total of 20 hours (list times ON and OFF).

Note starting date is Friday, April 29, not April 28 as incorrectly given last issue.

General call: Phone—"Calling any phone station in Ve/W contest." C.W.—"CQ Ve/W, CQ Ve/W, CQ Ve/W de (your call)."

Scoring: Preambles such as the following must be exchanged:

1. Number on contact.
2. Your call.
3. Check (report given, RST).
4. A.R.R.L. section.
5. Time.
6. Date.

e.g. HR NR 1 Ve1KS 589 Maritimes 1012 pm April 29.

Each preamble sent will count one point. Each preamble received will count one point. It is not necessary for preamble to be exchanged both ways before a contact may count, but one must be sent or received before credit is claimed.

Mark each new section as it is worked.

Frequency Bands: Any or all amateur bands may be used.

Power Multipliers (final score): Under 30 watts, multiply by 2; between 30 and 100 watts, multiply by 1.5.

Operator handicap: If more than one operator participates at one station, the total score must be divided by the number of operators participating.

Awards: A Certificate of Merit will be awarded to the leader in each of the A.R.R.L. sections.

Attestation: The following certificate is requested with each log submitted: "I hereby state that in this contest I have not operated my transmitter outside the frequency bands as specified on my station license, and also that the log as submitted is correct and true."

Logs must be received at CAROA HQ, 46 St. George St., Toronto, Ontario, not later than May 31, 1949.

The Calgary A.R.A. is sponsoring a "Get Acquainted Contest" for ham newcomers in Calgary. At their February meeting F. Clements gave a talk on FM adaptors.

ONTARIO PICNIC

On July 10 next an Ontario-wide amateur radio picnic will be held at Puslinch Lake (Lakeview Resort).

The site chosen was selected because of its central location and ease of accessibility from all directions. It will be found on the map quite close to Galt or Hespeler.

An energetic committee is working furiously to make this picnic an affair that will be well worth travelling many miles to attend. Early indications point to a large attendance of Ve's from many parts of the province being joined by some W's and SWL's to make the event the greatest outdoor affair of its kind in the history of Ontario amateur radio.

It will be an all-band, phone-CW picnic at which will be present enthusiastic adherents of all branches of the hobby with their xyl's, yl's and junior ops. Regardless of the branch of the hobby in which you find the greatest pleasure, you will find doings and people of interest to you. All will be welcome. Be you a dyed-in-the-wool brass-pounder, a phone addict, a hot dx-er, an exponent of VHF or an assiduous SWL, there will be pleasure and sure-fire enjoyment for you at this picnic, for it is primarily a Ham-do.

There will be prizes and all the other things that are synonymous with picnics. There will be events for the young, for the old and for those in between. There will be rag-chews, renewing of friendships, and there will be the first meeting of those who, to that moment, have been merely dots and dashes or a voice. There will be just about everything that is considered likely to add to the enjoyment of the day — and the kiddies will not be overlooked.

Picnics do not just happen. They must be sponsored, and there must be a group of workers who will diligently apply themselves to arranging the scads of details that must receive constant attention if the picnic is to be a success. This event is under the sponsorship of the Ontario Phone Club, from whose members has been selected a committee that will perform the rather big job of arranging every last detail to ensure that the day will be such that it will find a place in QSO's for many months after the last dish is packed and the last member has departed happy though tired.

Plans are developing nicely. As details are worked out they shall be communicated to you. In the meantime, put July 10 in your book as a day you, your family and friends are going to enjoy a drive to Puslinch Lake for a great day together.

Watch the pages of XTAL for further details.

Here's How . . .

To meet the Ve2XR challenge in the February issue please be informed about the following:

2XR transmitter is built in a box 8" x 9" x 10" including the power supply. As there is nothing said about the modulator, it is felt that the transmitter is a CW rig only. It is believed that Ve2CU's transmitter is the champ since it is in a Hammond cabinet 8½" x 12¾" x 8", including the power supply, oscillator, 807 power amplifier and modulator delivering an honest 35 watts output in phone.

Anybody else to step up to beat this?

Riviere du Loup Ve2's.

Having obtained some lengths of RG8U coaxial cable complete with connectors, I looked around for some inexpensive receptacles to screw these into. I found that by cutting off the unthreaded portion of the barrel and part of the inner conductor projecting out of the connector, it was possible to use a standard single contact microphone receptacle as a termination. With a little ingenuity the fibre insulation of the receptacle could be replaced, if desired, with some thin amphenol or mica insulation. These receptacles are very inexpensive and make a neat, compact job.

—Ve3AGX.

SHORT CIRCUITS

In last issue an article on the use of an extra lanyard for antenna masts was not credited to its author, Reub Lautenslager, 3ATR. Sorry, Reub.

LEARN CODE this easy way

• This automatic INSTRUCTOR machine will teach you quickly to send and receive code (Morse or Continental).



It comes complete with code tapes and instruction book, gives clear signals as fast or slow as you wish. Low Rental plans, clockwork models, for 1, 3 or 5 months. New machines for sale, Electric Models included. Write for folder giving full details.

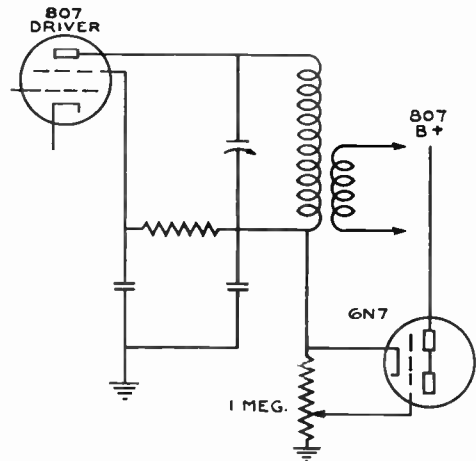
Day, Night, and Home Study Courses in Radio and Television; and in Radio Communications.

RADIO COLLEGE OF CANADA
54 Bloor St. W. - Toronto
Canadian Rental Hdqtrs. far over 10 Years

DRIVE CONTROL FOR 807'S

There have been many ways tried and experimented with, to obtain satisfactory drive control for the final amplifier. The best of these that I have as yet found to work is the link method, but unfortunately, this requires a complicated mechanical apparatus, and being a little ham-fisted with tools, but handier with a soldering iron, I have set about to find an easier way.

So, came the day that I found a little tube called the 6N7. This little bottle is capable of carrying as much as 70 mils with the plates tied together, and as the maximum plate screen current of the tube in use as a driver



in the new rig was to be about 65 mils (807) I figured that I would try the electronic gate principle.

Now the electronic gate is by no means original, and it has been used and abused almost to death during the war on a good many gadgets, but I decided that it could be used on the new rig. So-o-o-o — here was the theory behind the idea. If I could control the flow of current through the tube, and thus control the flow through the driver tube, the control tube would handle the high current, and the control for the control tube could be a small potentiometer. The more I thought about it the more I liked the idea. Think of it — a small half-watt pot controlling the plate and screen current of an 807. Well, it could, can and is being done.

There it is. All that you require is a small 1 meg potentiometer, a 6N7, a socket, and your drive control problem is a thing of the past.

—Ve8AG, Whitehorse, Y.T.

Articles describing a good home-made Q5-er are solicited. Anyone developed a good layout, inexpensive and of obtainable parts?

DX NEWS OF THE MONTH

By R. D. Carter, Ve3QD

Is my face red? I stick my neck out for the first time predicting a poor dx session and what happens — just about the hottest week end of dx that I've ever sat through. All bands from 80 up to 10 meters were wide open and that prevailed for the whole 48 hours. There wasn't a moment of the time that dx wasn't coming in on some band. From reports received this same situation was experienced all across Canada. I'm cured, and even though my prediction was based on personal experiences over a number of years, it just shows how easy it is to err. From now on we'll leave this to Oliver Ferrell. He at least knows what he's talking about.

Ve5QZ adds TA3AA, UQ2AE, TF3AR, GD3UB and UN1AB, and also sends in a long list of other good ones worked. Ve1EA raised KP6AB, VQ4CUR, and JA2AA and on 80 ZC8PM, ZS1M, VP2LA and a whole flock of Europeans. I forgot to congratulate Ve7HC on finally making his 80 meter WAC. FA8BG did it for Africa, the last one Gord needed. Ve2BV had troubles with the recent windstorm

and if it helps any, Don, you weren't alone. The lucky stiff is just back from a 6,000-mile swing through the Caribbean Islands and wanders with the other attractions down there how the boys ever get the urge to go on the bands. Sometimes we wonder if they do. Ve3IJ is another who has been hitting the ball with daylight dx and he adds FO8AC, EA9MS, FF8GP, KH6VP/VR4 and ZS9D to really boost the total. Ve2WW is back in the groove and in January worked VQ4CUR, VQ1CUR, HR1CE, AG2AG (Trieste), ZB1AU, ZD4AU, FE8AB, VS6AE, VS6BA, ZC8PZ, HZ1AB and KH6VP/VR4. FB, Don, and your new beam sure works well. That old HF man, Gord Coleman, has finally seen the light and is busy on 10M fone the past two months and works around 50 countries in that time. He says it's only temporary, but we will see.

Now for the highlights of the first session. Eighty meters was an eyeopener and Ve1EA worked 20 countries, 7HC 12, 4RO 10, 3KE 10, 3AGX 11 for the few I've heard from so far. Forty was also excellent and the only catch was that the W signals never faded down at all. Despite this, however, 1PQ raised 25 countries, 3AGX 6, 4RO 24, 3QD 18, 7HC 19, 3KE 25, and that's only part of the story, as the QRM prevented lots of countries heard from being worked. Those long on frequency calls can really become irksome. Twenty was good, with lots of choice ones heard, but for some reason we all found it hard to raise. 7HC got 55 countries, 3QD 44, 4QR 43, and that shows that some of it was workable. Eleven meters wasn't so good, as there weren't many on, but what were came through well. This next session will likely see this band used more for the multipliers. Ten was excellent and all continents came through well. 3QD raised 34, 4RO 30, 7HC 23, so get down there and have yourself some fun. Two of the boys went over the 200-QSO mark and several other over the 150 mark, so if the same sort of conditions prevail next session all Canadian records will be broken for the second straight year. The B.E.R.U. started off with a bang, and this is being written right in the middle of activity. Will have to report on the results next month, but it looks like a banner year for the British contest. It's great fun being hunted for a change, and really a thrill to have them line up for a chance to QSO.

Got a letter from Herb Becker listing about

Station	PW Total	Zones
Ve7HC	180	40
Ve4RO	172	40
Ve3QD	181	38
Ve2WW	146	38
VO6EP	154	38
Ve1EA	94	38
Ve3IJ	152	38
Ve3LJ	86	36
Ve1PQ	115	36
Ve3AGC	129	35
Ve3ACS	103	35
Ve3BNQ	91	35
Ve3AVA	103	32
Ve3TB	92	32
Ve1NE	91	32
Ve5JV	89	31
Ve5QZ	70	31
Ve3AGX	76	29
Ve3PI	83	28
Ve1OM	79	27
Ve8AS	59	26
Ve2BV	63	26
Ve3QE	62	24

3AAZ 118, 4XO 118, 3AAX 102, 6FK 93, 3BWX 97, 3LZ 90, 7EH 77, 3BBN 70. How about your zone totals so we can have one listing?

50 pirates, so if some of you see your lists altered it's on the strength of this list. It's too long to copy here, so will be writing direct to those of you who are concerned.

KC6EA is in the Carolines and providing many with a new country. He doesn't answer on frequency, so save your breath. VK4FE and VK3VU will be on Heard Island in the Antarctic till March 1, 1950, as VK1FE and VK1VU (no calls on frequency as they won't answer) and plan on using 40, 20, 10 for QSO's. QSL via W.I.A. 80S has PP813's fired up and just waiting for warmer weather to get up some decent antennas. With a Triplex ten feet above the ground he added five new ones to his total, so should do o.k. when the antenna is up at a decent height. We are sorry to report that 3TB has been quite ill but is using the convalescence to catch up on his dx and adds VS2CH, IS1AYN, C4RK, C1JH, CR9AG, FF8GP, ZS9D, KG6FA and a lot of others to the log. Doug says it's a lot easier during the week days than over the week-end. 5QZ, due to a series of unfortunate events, missed out on the first session of the contest, but is eagerly waiting for the B.E.R.U. and the second period to catch up. 1PQ did alright in the contest and gathered in SP8XA and IS1AHK for new ones. He nailed 25 countries on 40 meters, and that's real dx. He reports 1OK as being really busy with good totals. Doug's new xtal filter and Q5'r helped a lot. We welcome and add to the lists 7GI, who says his three-element up to 80 feet in the air helps a lot. Some of his latest are VP8AJ, AI, AP, ZC1CL, CE7AA, UF6AA, VU2CR, UO5AC, UA9KSB, FO8AC and KC6EA, who can be reached via Navy 3410 F.P.O., San Francisco. Zone 23 is all Frank needs for WAZ. FB, OM, and glad to see you. 3AGX got FA8, VK, HC, TG, HP, CM, KV4, HB9, XE and KP4 on 80. 4RO added LX1JW and FE8AB to his list and on 80 got ZL, VK, KP6, HC and KG and heard JA. Not bad, George. Ve1EA went to town on 80 with FA, HC, KH6 as the best and is now WAC on that band. FB, Clarry and congrats. 7HC is going great guns and has now taken over all top spots. The latest are VK9NR, W9MCF/C3, KC6EA, LX1JW and SV5UN. Well, that's all for now and must get back to the B.E.R.U. test. CUL, gang, and don't forget that contributions still come to Roy Carter, 304 Brookdale Ave., Toronto 12.

Ve2XR reports that he is in receipt of a published list of members of **The Radio Club of Quebec**. It indicates that their total roster boasts seventy-three active members and two honorary members. It was also revealed, via the club's secretary, Ve2WH, that the club will soon publish a monthly club newspaper for distribution to its members.

TRAFFIC HANDLERS' DEPARTMENT

Province of Quebec Net (PQN)

The PQN found on 3525 Kc at 7 p.m., Monday to Friday, has been steadily increasing its membership and coverage. Those responsible for its growth are the Net Manager Ve2GM, his assistant VE2XB, who also edits the net bulletin, and Ve2XR, who has been handling the publicity through the facilities of CAROA. In January QNI regulars were GM, XO, AB, XR, LO, AEH, VA and VT. Newcomers were QR, AFV, AV and IG. Several Ve3s and Ws were also QNI during the month. Most QNIs for the month, however, went to XB, XR and GM in that order. Net control for January was handled by GM and XR with VA filling in on occasion. The gang is anxious to expand their coverage of the province and therefore want more stations to join their net. So start thinking about it fellows. If you are hesitant about joining PQN because you feel you know nothing about net operations; then read on! To introduce all newcomers, the Net Manager has prepared a "Resumé" on net operation that will give you a word picture on net preliminaries. In addition he has copies of the special "QN" signals used by the traffic nets. He'll be glad to send all this dope to you if you'll send him either a radio-gram or a letter requesting this literature. Just address your requests to Bert Altherr, Ve2GM, Net Manager, PQN, 268 Guilbault Ave., Longueuil. See you then, in PQN!

JANUARY TRAFFIC TOTALS

3CY	14	3BGD	3
3BNC	3	3BWL	3
3QW	2	3AOH	2
3BUR	99	3AIL	42
3ATR	169	3APS	116
2AEH	20	2LO	59
2XO	38	2XB	103
2XR	150	2GM	155
2VA	34	2QR	5

FEBRUARY TRAFFIC

2XB	98	2BB	56
2GM	130	2QR	13
2XR	101	2LO	80
3BUR	125	3IA	111
3WK	37	3APS	102
3DU	70	3ATR	106
3AIL	75	3BBM	20

C A R O A

CLUB ACTIVITIES

The Montreal Amateur Radio Club

The January meeting of the MARC saw the '49 executive take official office under the leadership of their new president, Rupert Grant, 2QQ. Standing by as vice-president was Harold Coram, 2NB. Then Colin Dumbille, 2BK, as treasurer. Outwardly there didn't seem to be much change from the '48 Executive for they all looked like any other hams! However, one noticeable change was quite evident! A lady was on the executive! None other than Ethel Pick, 2HI, as secretary. To assist those officers were the executive committee consisting of TY, KG, XP, KH and HG. Proceedings got under way when last year's treasurer, NB, gave his final report. Then Fred Looker, 2TY, took over and presented his talk on "Yagi Antennas," complete with an all-dural section of a said Yagi on display. Next the gang heard from Mr. George H. Picard of the local R.I. office, who spoke on the topic of unlicensed persons using war surplus gear as "Ham Radio Bootleggers." Then the usual prize draw was staged and five nice milliameters and two subscriptions to Shortwave Magazine went to lucky winners. Later it was announced that the annual MARC picnic would be held this year on July 16 at the usual spot—Lachine Park. Then a considerable discussion took place concerning the interference problem as it effects the ham and the BCL. During the course of the proceedings it was expressed that a revival of the "Interference Committee", which never did get going before, be started. (DR's note: Interference is a national problem. See Ve2XR's suggestions June '48 XTAL page 18 and Oct. '48 XTAL page 18.) The usual seventh-inning stretch and the period after the meeting closed found many new and old friends gabbing their heads off. (Ve2XR, DR-Quebec.)

London A.R.C.

Prof. R. L. Allen was the speaker for the February meeting of the London Amateur Radio Club held on the tenth. He spoke on "Wave Propagation" in a language that all the hams understood. The goal of the club this year is to have their own club rooms open to all members, with transmitter and club call. Code classes are to be held on two meters for those not able to leave home. The budget for 1949 was read to the members for inspection.

Amateur Radio Association of the Saguenay

The month of January brought the beginning of Quebec's newest amateur organization. To those in the Chicoutimi district who formed Ve2's newest club, the new-born organization is known as "L'Association des Amateurs de Radio du Saguenay." The formation of this club in this area had always been a continual dream of Pierre Joran, 2DV, who no doubt is termed the father of the association. Eugene Lajoie, 2RA, was elected as the first president, and because 2KO was considered as one of the original hams in the area, he was given the office of honorary president. The initial meeting consisted of around twenty amateurs from Chicoutimi and surrounding district. CAROA takes this opportunity to wish you all a most successful club season. (Ve2XR, DR-Quebec.)

West Side Radio Club, Toronto

The W.S.R.C. gang had a busy time of it making their new 1949 club room shipshape after having vacated their former spot in the Swansea Fire Hall during January. Now they have to content themselves with much smaller quarters but at last they have a location that is handier to the carline. You'll find them at the rear of an apartment building on Roncesvalles Ave. near Fern Ave. in Toronto's west-end High Park district. Those of you who are interested in Field Day activities will no doubt be interested, as well as being aware, that these fellows are the Canadian National champions when it comes to contests in the country! Being a fairly small club group makes this achievement all the more worthy of much praise. The club's last membership list, which was distributed to all members, indicated that they now have twenty-seven active members, three honorary members and five associate members. For 1949: the executive of the WSRC was stated to be as follows. Les Weir, 3AIB, president; Harold Benson, 3HB, vice-president; Al West, Ve3UT, secretary. Art Fraser, 3ANO, treasurer. Al Porter, Ve3IZ took over the job of keeping the club station in working order by being elected club engineer. Jack Foxall, 3APN, and Phil Balmer, 3BAL, were appointed to look after activities. CAROA wishes the entire WSRC organization a successful club season and hopes that you win the Field Day Cup once again, come June 18-19. (F. G. Gribben, Ve2XR, Honorary Member.)

Westham Amateur Radio Club

This Montreal organization started off the new year by increasing its membership as well as its treasury. So far the entire membership have favoured the very informal get-together type of meetings that have been encouraged from the very first day the club was formed. Outside of the eats, kindly provided by the efforts of WY and his mother, the highlighting event of the Feb. 2 meeting was the taking of the floor by Cec Balchin, Ve2FV. He gave a most humorous unrehearsed talk on how he tracked down his local man-made QRN on ten meters with the aid of a tiny battery portable BC set. With the deft of an artist, Cec followed through with hilarious animated enactments as well as his own self-expressed sord effect. A most laughable time was had by all. Plans for the future doings of the club include technical movies, talks and "problem sessions." At the last meeting several were heard discussing the Field Day, so the WARC may be in that too. The secretary says he would like to thank all the Ve clubs who sent congratulatory radiograms and letters on the occasion of the club's inauguration and in particular to the Hamilton ARC for sending along a copy of their very fine club paper.

Nelson and District A.R.C. is a new club and is going to town, so just watch the dust around Nelson. President, Jim Hill, Ve7UT; vice-president, Vic Howard, Ve7TN; secretary, Conn Rutherglen; treasurer, Hugh Worsfold; publicity, Ralph Scott.

At the first meeting of the 1949 executive committee of the Wireless Association of Ontario the following officers were elected: President, Fred Reynolds, 3TC; vice-president, Jim Montagnes, 3BIF; secretary-treasurer, R. Brennan, 3KA; assistant, W. McCullagh, 3DAN; papers committee, D. Parks, 3SX; P. Sparkes, 3AEX, Al Porter, 3IZ; membership, H. Benson, 3HB; W. Hainge, 3IB; publicity, A. Andrews, 3AKC. Meetings are held on the third Thursday every month at 50 Gould St., Toronto.

The St. Johns Radio Club of St. Johns, Quebec, held their first 1949 meeting on Jan. 20 and a well attended and most enjoyable get-together was had. Outside of the usual eats, the highlight of the evening was the election of new officers for the new year. RF was chosen president. SG followed as vice-president and WB retained the title of treasurer and will look after the club's bank book for another Year. JN topped things off by being elected secretary once more. CAROA congratulates you all and wishes the entire membership a most successful club year and thanks all its CAROA members for their support. (Ve2JN & Ve2XR).

Vancouver Amateur Radio Club is sponsoring many open house meetings. The last one was Collingwood and Vancouver Lecture on Television by Ed Mullins. The March 3 meeting will feature a talk on communication with the equipment in operation by the Canadian Pacific Telegraphs. There will follow many more. Then there is the annual dance on April 14 in the White Rose Ballroom. We tried always to give you all a good time, and this time we are going to try just that much harder.

At the annual election of the Fraser Valley A.R.C., the following executive was elected: President, G. R. Stenson, Ve7DQ; vice-president, R. Easingwood, 7ADZ; sec.-treasurer, D. V. Clarkson, 7FQ. Club emergency operations continue in charge of W. Wicks, 7WI, and training is being handled by J. Fraser, 7AFB. The Club has secured a $\frac{3}{4}$ KW emergency generator which for the time being will be set up at Ve7WI. A training programme for prospective hams is expected to be in full swing very shortly.

C. & U.S.R.S. COLUMN

By Sid Prior

Who could ask for a more pleasant evening when it's blowing, snowing, and 20 below, than to sit in the shack and listen for dx or local ragchews, then jot them down and send them an SWL card, and what satisfaction when the cards start to roll in.

Believe me, gang, this old troubled world and its leaders could look to a quotation from the biography of Dr. Mahlon Loomis, the man before Marconi (see QST Aug./48), and part of the quotation goes like this:

"He wanted mankind to enjoy the fruits of his discoveries, maintaining that it would be the means of establishing a brotherhood among the nations and races that nothing else could accomplish."

How true that is when you realize that whoever you talk or listen to via ham radio, in any country, be it SM's, Ve's, W's, VP's, VS's, XE's, J's, XU's, ZL's, VK's, F's, EI's, G's, GM's or U's, it is a conversation of good fellowship, never of hate, jealousy, or arrogance. Yes, my friends, the United Nations, great as they are, could look to ham radio for an answer in many ways.

What a peace of mind it would be to know that this world was to have lasting peace, but will it?

So, my hamshackled buddies, I am just as near as your telephone. If you have any QRM to dish out for our column, give me a call or write.

C A R O A

NATIONAL REPORT

Ve2

Floyd G. Gribben, Ve2XR, D.R.

5120 Westbury Ave., Montreal. Phone EL 5387

March is known for the Ides, the winds and the beginning of spring, but to hame it's that break in the wx that brings us antenna fixin' time. However, like any other months, it's time for you guys to take time out and come along with your scribe for a gander over the Ve2 transom. AHK of Sorel hammers the hardware on 80. Gabriel does it all with 30 watts. BW also pounds the platinum on 80. AFI of Lennoxville uses PP 807's on 80 CW. XM of Montreal has 807's that modulate 812's on 20 fone with a folded dipole taking care of the R.F. Bill sucks in the sigs with a U.S. Navy type HRO. AEH of Boloel Station works 80 CW with the sweetest sounding 19 set this side of heaven! Pierre is a member of the PQN on 3525 Kc and also a member of the QEN on 3570 Kc on Sunday mornings. He says his 4½ years in the R.C.A.F. Sigs makes him appreciate the snappy operating found in any traffic net. Pierre wants to thank GN and AEO for their assistance in getting ASH going on 2 meters. AHI of Sutton has been dxing on 40 with a 19 set and hopes to blast forth with something new on ten fone. George, by the way, is another new CAROA member. Welcome, OM! ASH wants to know how come the silence over at SL's place in Otterburn Park. Your skywire down, Herb? ABS of Val d'Or is going great guns on ten phone these days. FL of Bourlammaque is pleased with his Harvey-Wells TBS-50 job on ten fone. SC of Perron Mines finally cleared up his bootlegger trouble! Chuck was getting seeds of QSL's that should have gone to SE in (Greenfield Park, P.Q.! See what happens when you get calls that sound alike! (Hey, Chuck! Boys of PQN have been looking for you.) WY of Westmount plans giving local BCL's a break by moving to Dorval area soon. Ross will no doubt plant a crop of antennas to go with his roomful of ham stuff. AFV of Westmount with his command set and HRO joins with the boys on PQN when he's not QRL Dawson College. QR of Chambly Basin is also a newcomer to PQN, as is IG of Montreal. XB of Verdun plans new half-wave antenna and PP 811 rig so's the traffic gang can hear him! Tom is in charge of net traffic routing for PQN and also does a very FB job of editing and publishing the PQN-QEN net news bulletin. GM of Longueuil, net manager of PQN, added an RM appointment to his ORS and hopes to get an EC too! Bert planning new VFO rig a la Jan. QST. GE of Pointe Claire now has his 20 fone WAC. RM of Quebec City is new CAROA for his area. Welcome, Rene. LO of Drummondville had the postman deliver the usual welcome letter for this column. John keeps busy on 80 CW on Mon., Wed. and Fri. nites by joining in with the boys on PQN, which is in addition to his long-standing traffic sked with W1LM and Ve3WK on 40. Being a school trustee keeps him QRL too. John says that AAG also of Drummondville works 40 to 30 and finds his 300 watts bringing in dx cards. KT of Yamachiche made a most unwelcome "contact" with a truck while gunning a light motorbike and put himself in the hospital. Johnnie is back home recuperating. Rapid recovery, OM! The silent pair of Drummondville are AA and JJ. (Thanks for news, John.) TM of Quebec, who was the original CAROA OBS station in his area, wrote to say he wished to relinquish his appointment due to a prolonged QRT. Lots of luck, Leon, and many thanks. Guy Charette of Boloel, with the call ADT and a 19 set, takes time out to join CAROA. Welcome to the gang, OM. New members also joined from down St. Johns way. Now reading XTAL are future hams Alfred Dore and Richard McQuillen. Those with licenses joining CAROA were RF, AEE and SG. Then over in nearby Iberville we find future brass pounder Daniel Racicot and none other than the lad with the FB gear, HE! Welcome to CAROA, fellas! CY and FW of Montreal, who originally came out to Ve2 with the B.O.A.C., have made a big QSY back to G-land. Sorry to see you go, fellows. Hope you work lots of us over here when you get your new calls. From Chicoutimi comes an FB letter with FB news and in particular from ACI, our YL reporter!

Here's what Francoise had to say. WV of Jonquiere uses a 19 set on 40 and hooks G, GI and KZ. That is when the wind leaves Walt's antenna alone! ACC's pride and joy doubled took to the winds and Gerard finds his skywire floating around in a nearby pond! DV had always dreamed of a club in Chicoutimi. Pierre's dream came true in January when about 20 hams met to form the Radio Amateurs Association of the Saguenay. RA of Chicoutimi was elected president, and you can often hear his 250-TL with the 300 watts giving forth on 80 fone. Gene hears on an HQ-129X. On 20 he got an S-8 from SM:ABA! The Chicoutimi gang were sorry to hear that DV was rushed to the hospital with a heart seizure. The gang wish you a rapid recovery, Pierre, OM. KO of Chicoutimi, a real OT of that area, was elected honorary president of the new club. He's been QRT a long time but it is reported that a recent taste of 80 fone will soon see him back on again in QSO with his old pal AB in Quebec. YM is heard from time to time and it appears that Ernie is QRL chasing young monkeys in BCL sets. HL, a CW hound extra-ordinary, got back on in Feb. Wilf is one of the district originals. (Hey, Wilf! A Chicoutimi station is needed by the gang in PQN on 3525 Kc.) TV of Chicoutimi is congratulated on FB results he's been getting from his 1154 rig. Montreal and Quebec hams are warned to put shunts on their "S" meters before "Jose" opens up with new rig. Saguenay gang are all shortin out their meters entirely to save 'em! YH of Arvida is rebuilding and it is reported that Andre will be on soon. It is with deep regret that the Chicoutimi gang and CAROA report the death of Charles Thibault, Ve2QD, who was killed in the crash of a single-engined plane during a take-off from nearby St. Honore airport. ADF, Rev. Bro. Julien of Port Alfred, is planning more power and is on the hop for a good QTH to take advantage of more RF. Chicoutimi boasts another new CAROA member who will soon be a ham. Welcome to J. L. H. Dubé. (Thanks, Francoise, for your first report from Chicoutimi.) WK of Montreal working on new VFO rig in Jan. QST. UC of Point St. Charles has 813's on 20 and listens to an SX-16. Les put both to work recently during a QSO with Ve3XR who wanted to conlab with his brother-in-law Ve2XR in Montreal. Les got the latter on the phone and worked out a QSO for the two of them by holding the phone to his mike or speaker to provide the boys with a two-way hookup. ASH of Boloel Station is another new CAROA member. Welcome, Pierre. Welcome to the air waves goes to new ham HX of Rosemount (Montreal). Bill uses AEO of Valois moved back to Verun to give the BCL's a 6L6-807 job on 40 and 20 CW and listens on an R-1155, a treat by putting his 19 set back on 2 meters. AHJ of AEO of Valois moved back to Verdun to give the BCL's Greenfield Park is QRT 2 meters until his March exams are over. FO of Montreal doing FB with 75 watts to an 829-B mod. with a Sonar XE-10 on 2 meters, to say nothing of his 5L beam that he hangs out the window! He hears the stuff on a National HFS receiver. AFL of Montreal, another new CAROA member, has a 832 on 2 mod. with 6AQ5's. A "J" antenna with reflector takes care of the other fellow's "S" meters and John hears their side of the gab on a McMurdo-Silver 700 series peeewe super. KG of Longueuil of "Town and Country" (column) fame in M.A.R.C.'s "Skywire" bulletin, runs an E-1148 on 2 connected to a 3L beam and receives on an SCR-522 and hopes to get the transmitter section of the 522 on later. LP of St. Lambert plans SCR-522 on 144 Mcs too. CI of Montreal, usually a CW hound, takes to ten and 20 fone by phase mod. his 815 final with 75 watts on it. Charlie's last real phone experience was away back in the 160 meter days. AEL of Montreal and AFV of Westmount are two more new CAROA members. Welcome to the gang, fellas. LV of Montreal made the final step towards the fone band. He sold his bug-key to KW, who just recently got his ticket. AAK is a new ham in Point St. Charles. Emil uses a 2-tube receiver from which he takes 100 volts to run his 6F6 rig on 80 CW. What's more, he's only 15 years old! Welcome, OM! From St. Johns, via JN, we hear that SG has soup to spare with 814's on ten. Good thing there's no TV in St. Athanase, eh, Bill? HE is QRL big construction job in Montreal

so there's no time for hamming. John sure must be busy! AEE put together final amplifier excited by his 19 set. Omer also did FB job on cabinet for all his stuff plus an S-40. LQ burning midnight oil on-airport radio projects. Sid's been without a rig for some time, but his mind is working on something new in the meantime and lots of dx cards are still coming in as a result of the old rig. RF using indoor folded dipole on ten. If only you'd get up before 11 a.m. you'd work more, J.P.! Jean-Paul breaking in new car and house and a soundproof basement shack. Also new in the RF house is a new baby dotter as of Feb. 1! Congrats, folks! Other noise is daughter as of Feb. 1! Congrats, folks! Other noise is provided by his HQ-129X and his new micro-groove LP recordings. His revamped 72-ohm fed antenna gets him S-9 plus in Texas on 80 fone. JN, your St. Johns reporter, says handbook is all wrong as his bandpass converter for 6 and 10 won't perk. Paul is now looking for whys! VA handling traffic in big way on PQN and chews on 2 with Dawson College gang between net sessions. The gang wonder how Bill gets out so well, as no 80-meter antenna can be seen over his all-dural roof! Close looks will reveal a 2 meter dipole stuck on the corner of the house. You've developed underground antenna to a "T" Bill. (Hey, Bill! Get up an 80-meter wire so's we can hear you better in PQN!) (Thanks for news, Paul.) Well, gang, that cleans up the news for this month. If you were not mentioned blame yourself. I can't dream up news, you know, nor can HQ dream up contributions that should be sent in by members. Remember this when you feel something is lacking. Your mag, is as good as YOU make it for it's yours! See you next month. In the meantime 73 and read on. Cheerio, Floyd.

Notre chroniqueur français: Marc Cimon, Ve2WH
2156 Blvd. Laurier, Québec—Tél. 7-1168

Durant la première partie de l'hiver, les conditions de propagation ont été bien des fervents du dx et des communications sur 10 et 20 mètres. Cela n'empêche cependant pas de très nombreux nouveaux amateurs de faire leur apparition sur l'air, si on en juge par le nombre de nouvelles lettres d'appel que l'on entend sur les différentes bandes. ARQ habite le même qth que XC et opère sa station; son nom est Paul Marmet et il nous dit qu'il correspond surtout avec des OM's de langue française car il ne se sent pas assez solide en anglais! RG, de Longueuil, semble regretter que nouveau qth de RA (Chicoutimi) soit plus éloigné que Hull. PC a mis son système super modulation sur l'air dernièrement et il obtient de bons résultats mais il déclare qu'il lui reste encore quelques ajustements à faire. QN est à coupler son antenne à sa paire de 810; c'est donc dire qu'on pourra bientôt lui donner des rapports sur le signal de ce poste dont la construction a été menée avec tant de sollicitudes. En effet, depuis le début de l'automne dernier, QN se rend presque chaque soir chez OF qui lui aide dans le montage de son transmetteur. YD est aussi un des habitués de l'endroit et dans les phases les plus difficiles de la construction, sa plaisanterie favorite était de dire à QN que les événements mondiaux laissaient prévoir une guerre prochaine et que les licences seraient suspendues et que son transmetteur ne pourrait donc jamais aller à l'air! Nous ne pouvons pas reproduire ici les réponses de QN. NK a eu la malchance de voir une tempête abattre son beam de 32 éléments pour la bande de 2 mètres. Victor ne s'est cependant pas découragé et il opère maintenant sur 10, 20 et 80 avec un HT-9 en attendant de pouvoir recommencer d'autres expériences en vhf. A l'instar de ce qui existe dans les autres provinces et aux Etats-Unis un réseau a été organisé pour la relai du trafic dans la Province de Québec. Ce réseau s'appelle le PQN et opère tous les soirs à 7.00 p.m. à 3525 Kc. Pour son fonctionnement efficace, il devra évidemment grouper des stations de toutes les parties de la province. Vous êtes donc invités à entrer dans ce réseau et, pour plus de précisions, écrivez au gérant, Bert Alther, Ve2GM, 268 ave Guilbault, Longueuil, Qué. Bert parle très bien français et il sera heureux de vous donner tous les renseignements désirés.—73, Marc.

Ve3

W. Bert Knowles, Ve3QB, D.R., Lanark

3AOU is getting ready to fire up a pair of 304TL's. The Kingston Club went on the air over CKWS for a half-hour broadcast—GT, AOU, ASM, BTH, BBY and Stan did the talking. We believe that ATL has a new National NC240D receiver and is getting on 10. QD is working 80 CW dx. The wind pushed over the pole carrying Roy's beam, but did no damage to the beam itself. BCL's antenna came down with the ice. BSJ reports for the first time and sends some QSL's for forwarding. The Ar-

prior Radio Club has 23 members with eight hams and a club station under the call Ve3ARRH. Your DR was in Ottawa a couple of times but unable to see many of the gang. AIU heard a loud noise from his xmtr and saw some smoke coming from the big power supply. Fred had visions of a filter condenser gone west, but upon investigation found a dead mouse, said mouse having come in contact with the HV filter condensers: a new kind of mouse trap. BBM attended the Scarborough banquet and reports a good time was had by all. BIK, GE and BNQ are WAC holders in Hamilton. AND, BKM, KM, ANY, ATB, BYZ and AVW are on six meters on Wednesday nights. CP, APM, HR, AQB, RM and QB are active on AFARS and 4290 Kc. We are sorry to report that BCJ is ill with "YLitis"—can someone suggest a cure, we do not want to see Paul pass out of hamdom. WSDKT is brother-in-law of BUR. TM and BLR got their pictures in A.R.R.L. CD bulletin. SG visited W2RSR and W8CKU and says he almost lost his CW standing by working 10 fone at CKU; Fred is on 40 CW and hopes to get back on 80 again. RM has WAVE certificate—congratulations, Don. Our sympathies go out to Bill, AUJ, on the loss of his father. TW is visiting W6-land; let's have a report on the California kilowatts. BWL, BLT and AOH are giving CW lessons. CY worked XE1TA on 75 fone. BIQ received a new Astatic mike at Xmas. BQB is running 450 watts on 10 CW. BNC has a new Colpitts VFO. QW is QRMEd on 75 fone by a VP3. AQW is on 75 fone. GI is moving to Ottawa. BVC worked his first African a ZS3 on 10 fone. A folded dipole accounts for the dx being worked by AAW. RU and BWK are vacationing in W4-land. A BC4E8 is working fb on 7 Mc for DBU. BSW made his first G contact on 10 fone with a two-element beam. NZ eliminated his BCI by installing NBFM. BIJ has gone mobile running 20 watts to an 807. MP is back on 75 fone with NBFM. AWA is moving to Ve2. BAX has received his fone license. BWI is experimenting with TV. Ve6GK visited in the Niagara district. LO and AGB are operating 75 mobile fone and have had some good QSO's. HM is getting ready to use 700 watts in final. Will the BCL's like it? QBV is lighting the house lights with his RF. AWG and NV have been transferred to Waterloo. AHG and BIS have finished their shacks and reports say that they are FB. BPH and BCO are new members of the Deep River Radio Club. BPV has

SURPLUS STOCK

FREQUENCY INDICATORS, TYPE C1
—Range from 0-10 megacycles. These units are complete in every detail including tubes, crystal and telescopic aerial. Contained in transit case.
Each\$25.00
TYPE C2, each.....\$29.50

We have for immediate sale a large quantity of ham radio needs. Write us your requirements.

SELSYN GENERATORS—Remote position indicators, per pair.....\$2.50

MAGSLIP TRANSMITTERS — Used in pairs as remote power controls. Develops 2½ inch pounds of torque.
Per pair\$7.00

Aircraft Parts & Accessories Co.

695 Bay St., Toronto AD. 7784

31 Charles St., Hamilton
All Orders F.O.B. Toronto

both Millen exciter and final. AAG is settling down to married life. BBM and your D.R. spent a week-end in Ottawa, visiting AF, RM and the Rockcliffe airport; on Sunday afternoon AF motored BBM, RM and QB to QB's shack. RM just about fainted when he saw some of the unclaimed QSL's in the district ASL filed. ANH has his WAC. APC, back on 75 fone, after a year's absence, did not know that the VE fone band had been extended to 3750 Kc. HXP is on 20, and BDI and BBA on six. BDI hopes to have a new QTH in the spring. AMP, ART and AQZ are on 20. AYP is heard on 80 in the wee small hours. AUP is spending his holidays in W4-land. SF has a 75-meter mobile rig. Toronto has over 30 hams on two meters. 6TA and 6KU visited some of the hams in the Hamilton district. Around Hamilton the six-meter band is a little quieter—most of the gang having gone to two meters. A number of the AFARS members are having a good time on 4290 Kc, and need some more tlc. BMG is squadron controller in Hamilton. BY was heard on 75 fone with a No. 19. 3AID and 3ZE have established two-way contact on 420 for 1 3/4 miles, and now are trying for 3AVJ eight miles away. Come on, gang, get your reports in earlier, mail them on the 25th of the month. 73, de Bert.

Ve4

G. J. Walsh, Ve4GW, c/o Union Stockyards Restaurant, St. Boniface, Man.

GG, at Sanford, has a three-element beam for 20 fone. George is quite happy with his setup, for he has plenty of room for antennas and freedom from local QRM and HCl. NX is still experimenting with his 10-meter cubical quad. Currently a pair of 6L6's supply the RF and another pair give forth with the audio. When TM and KZ give each other S9 plus reports, they're not kidding—they live in the same house! TM, by the way, is trying to work all Ve's with the same suffix to their calls. AM is giving 80 a partial rest with his new band-switching, 80-40-20, fone-CW rig. XO reports greatly improved receiving conditions at his new QTH in Elmwood. HP is running 150 watts on 40; however, it will eventually be boosted to 350. IS is using a command set as a VFO. AB had the misfortune of being laid up for several weeks due to a back injury. To make matters worse, he couldn't operate his newly-constructed QRM factory, which was located in the basement. However, everything turned out ok, for Tex is now up and around, and the rig, complete with a fb cabinet (a provision laid down by the xyl), is now in the living room. NBFM will be added shortly. GK has a wire recorder at his station. Late one evening GK and RT kept the relays flying trying to see whose "push-to-talk" worked the better. No decision was arrived at. DN at Shilo is experiencing trouble with low line voltage. It has, on occasion, gone as low as 80 volts. EA makes an occasional appearance on two with an 815 in the final. AR at Pine Falls and QD at Brandon spend many an evening chewing the rag on 75. 5MW works for CKX in Brandon, occasionally dashing back to his Ve5 QTH to operate the rig. Before moving to Manitoba, Bill was Ve5 D.R. AX at Rivers is on 75. MD5OV, a British army officer, was a visitor at SR's. ML now has an 813 to shoot the stuff out on 10. TB is selling his rig and beam due to lack of room. TX is going to wind up the new rig with a pair of 813's. While Fred is a "CW forever" man, he did drop a hint that fone will be added to the new setup. OU is cathode modulating his 810 with a string of 6L6's. By this time Frank will have his new skywire up. CX is going to add double conversion to his NC44 by means of a 7 Mc IF. Frank discovered that Dutch Cleanser was excellent for grinding crystals. BB is going to incorporate an 811 in his new rig. HE is inactive these days due to pressure of high school studies. The problems presented to ham radio by living in an apartment block proved a little too great for RS and he is also inactive. WP is on 40 with 45 watts to a rock crushing 6L6 oscillating transmitter. CC is back on 20 fone with his new rig. By the sound of things the project was entirely successful. WK is on 20 with 200 watts and NBFM. WB is cathode modulating his 813's with 807's. Ed is boosting up his average level of modulation with a newly-constructed clipper. MC is now located in Norwood. GI has a pair of VT104's at 300 watts input, and the noise is picked up by an HQ129X. VE6PY, in Calgary, is Sid's brother. A sure sign of spring is the fact that DL's thoughts are once again turned to antennas. This time it's going to be a three-element rotary. Reg found that super-modulation performed excellently, however, changeover to CW was difficult, therefore it was back to grid modulation for the powerhouse. CR has a nice-sounding rig on 20 fone which really gets around with 75 watts input. NI is on 10 fone with a pair of VT127A's pouring the stuff into a folded dipole. Bill hears your side of a QSO with

an HRO. A speech clipper and possibly SSSC are on the agenda. LC, our hard-working QSL manager, made a brief appearance on 20 fone recently. AF is coming back on soon with a 304TL straining in the final. IW, with MR's help, worked into Cuba on 20 fone with but eight watts input. WG has added a VFO to his rig. EN is on 75 and 10. Verticals for 6 and 10 are under construction. When not flying over Canada's northland, ZM may be heard on 10 fone. KW and DE are constructing a VFO-NBFM unit upon which they will base their electrical engineering graduation thesis. DD is laying out the plans for a new rig. DO has his new ether buster working fb. A pair of 813's does the dirty work while the bedlam is pulled in on a BC348. NBFM is used, but Robby prefers CW. MR received an SWL card from Bulgaria with a request for a number of electrolytics. I guess things are tough all over. MR is constructing a scope and a rig; the latter will use 814's with supermodulation. PW is Mike's brother. EL has completed his new "shack." Located in the basement, it is a real posh affair with built-in lights, panels, etc. XL is working some nice stuff on 20 CW. In conclusion, I might remind you that EA and GW have been appointed CAROA OB stations. The bulletins are broadcast every Thursday night at nine, EA on 3805 Kc and GW on 14158 Kc. Well that's all for this month, gang. 73—Jerry.

Ve5

Gus Cox, Ve5BF, D.R., 237 5th Ave. N., Saskatoon

Well, boys and girls, the air waves are full of signals of all kinds, some of the most extraordinary at times being emitted by your correspondent. Once 6NA at Medicine Hat called frantically asking what the so and so I was doing to the band. He was considerably more courteous than that, actually, but I could visualize him tearing his hair out in large chunks, so we promptly did something about it. My apologies to others who also lost some hair. The Prince Albert Radio Club was heard having a get together on their. 5PA was handling the net with 5IC at the controls. 5AW is on NBFM with varying results, as haven't we all. 5HI is on from P.A. with what appears to be low power. 5DW is on the net. 5IC, located out at CKBI station, is cutting large chunks out of the ether with a powerful signal. 5BJ at Lac Laronge is now sporting a more potent signal with his own rig. 5GC is using his VFO to advantage dodging the QRM and also on the net. Mehoff at Swift Current had the misfortune to lose some cars in 5PG's garage fire. We surely hope these two came out of it o.k. Our condolences. Along that same line 5VA at Morse keeps that town on the map with a good signal on 75 and also using NBFM on 10. This narrow-minded FM is gaining converts daily, some not very willing converts, but as an escape from the British Columbia Indians. However, we are finding that there are ways of getting very good results out of it, and one of the real solutions appears to be the peak clipper on the audio end, and yours truly is getting some promising results by putting the NBFM modulators through a VFO beat noted to crystal frequency. Why or what is the action heaven alone knows. 5BU, my namesake, and 5AQ at Rosetown have good sigs on 75. 5BZ at Sovereign is on the net and 5MZ at Zealandia is heard occasionally. 5WC at North Battleford takes time out to get on the net, but we don't hear anything from 5AS at Lloydminster, and we haven't heard 5RV at Laird lately. 5CE is building a new rig using 24G's to about 150 watts. 5CA at Kinistino and 5CX at Gravelbourg are heard. 5GI at Lipton, 5LY and 5HS are net workers. 5AT at Govan is on with stronger sig, and 5QP at Elstow skeds 5RJ at noon. 5AB at Star City is on Northern Radio Club meetings and another Star City station is on the air with a strong signal; cannot think of the call, but believe it is 5AD. 5RB, the powerful five-watter at Windthorst, always puts in a good signal, and 5AE is heard occasionally but usually buried in QRM. 5CM at Regina is back on occasionally after recovering from illness. Hope you are getting along well. Art. 5LM is using NBFM with resistance variation modulator. 5GD is heard occasionally on 75 but is mostly on the higher frequencies. He and 5JH had their pictures in the paper with a good article on amateur activities. Good work, Johnny and Gordon. 5JV sticks on 10 meters and works dx. 5FS is on the net. 5GA is going strong and keeping skeds with Vancouver. 5EP at Moose Jaw is using a 250TH and NBFM which sounds very good, but is not heard very often. 5LU is doing good work on the net. 5LV is also going strong on the net and visited Regina hams Jan. 10. Wonder when 5WG is going to get going again. They miss you on the net. 5HB had a chimney fire at home. Guess that's where RF was going, eh, Ken? 5OM had Jimmy Jink's dad in at Christmas to speak to Jimmy Ve7C Vancouver at Ve7VP's home. 5OP lost his beam in a

heavy wind on Jan. 17. Last time it came down was Jan. 14/48. Look for a big wind Jan. 20/50. 50M is going on 75 fone with small surplus rig. 5JD burns the midnite oil pounding brass.

The Regina hams are recording the passing of C. S. Kitney, who was associated with their club and the Army Signals. His death occurred in a Winnipeg hospital. 5EN is on the net once in a while. 5QT and 5FA are still going strong. 5HU is having receiver troubles. 5RD is working all over on the higher frequencies. 5JF and 5BF are still functioning on six and 5FG has just lately got on 10 fone with NBFM. 5AN has rebuilt and is now pushing out a good phone signal on 20 with his 807. 5OJ found that he was only modulating 40%, so hang on to your hat and plug your ears. What has happened to 5BW? Have not heard him lately. 5BF has now got much better NBFM signal on 75 meters and using a half gallon manages to here and there. The secret seems to be in passing the Sonar through a 457 command transmitter, dropping to 7600 Kc and back again to 3800. You tell me why. 5LM has also nice FM sig with 10 watts input. 5CJ now has nice sig on 10 fone and working CW on 20. He got a gallon of popcorn from W4MCO as a QSL. 5CR is working on the conversion of an AR2 receiver. 5DO is reported all o.k. again and back at work. 5DR spent two weeks' holiday working 10 fone, hooked HB9 and ZL with his NBFM. 5EE is working on 10 and 20 fone and sometimes on 75 net. Also trying out NBFM. 5EW is off the air through lack of consideration on part of his antenna, which folded up. 5FD is also working with NBFM for 75 but sticks to AM on 20. 5FG has got rig on air on 10-meter NBFM and CW. 5FL is working all bands and on 75 net. 5FY has VFO finished and planning improvements to his portable mobile. 5GG works 40 CW. 5GR is building a portable. 5JF is building a 28-tube receiver with everything, including a faucet on the side. 5KO on 20 CW with 400 watts and sports a new HQ129X receiver. 5MQ must be on CW exclusively, as have not heard him on fone for some time. 5MX got new Meissner sig shifter, is on 20 CW and NBFM fone. 5OB still knocking 'em over on 10 and 75 fone with CBS 150. 5MC tried out 75-meter NBFM but is currently rebuilding. 5RJ skeds Elstow every noon on 75-meter fone. 5UC works Mexico on 75 fone, and 5GU also works Mexico. In fact that Mex had a field day with Ve5s that night. 5UZ not on very much due to studies. 5YF on 10-20-75 fone with wonderful results. 5RL is on 40 CW with an AR2 receiver. Several new stations appearing on 75 fone and hope to have more dope on them next month.

Number one question now seems to be, where is 1949 Hamfest going to be? 1947 was in the north at Saskatoon, 1948 was at Regina in the south. Maybe it should come up north again to Princes Albert. What do the Northern Saskatchewan Radio Club think of that idea?

Just received Prince Albert news from Jack Ve5DW. 5VB handled traffic on 20 concerning recent air crash at Yellowknife. 5AW is on occasionally while rebuilding—maybe he will have the rig completed by this spring. 5SD is on with a Meissner signal shifter. 5EY is building a rig after many years of silence and should be active when this appears in print. 5HI QSO's the locals with his indoor antenna while waiting for spring to put up antenna poles. Since returning to the air early January 5IC can be heard daily on 75 phone.

Amateurs in Prince Albert and surrounding district formed the Northern Saskatchewan Amateur Radio Club. The club now has 32 members. The club meets the first Wednesday each month in Prince Albert with a members' round table on 75 phone the Sunday prior to the meeting. The officers of the club are: President, S. T. Smith, 5AW; first vice-president, J. Bowden, 5CA; second vice-president, M. Allbright, 5PA; and Sec.-Treas., J. H. Goodridge, 5DW.

5AB of Star City now has his rig working on 10 and is enjoying QSO's on that band. 5CE has his audio equipment rebuilt and spending considerable time on design and layout of his new RF section with 826's in final bandswitching 80 to 6. 5CA is struggling hard to get back on the air in the meantime using 5HG's rig. 5PD is the new Mayor of Melfort.

Also we have some new phone stations with the calls 5MS Rabbit Lake, 5LC Naicam, 5AI Connell Creek, 5GL not far from Connell Creek, 5KB Naicam, and we will no doubt get more information on them soon. One of them is a school teacher, so mind you watch your grammar, boys and girls.

5CD, xyl of 5AQ, has recently presented AQ with their fifth harmonic. No interruption in schedules is anticipated however.

About a month ago a unique stunt was pulled off, which was engineered by Ve6KN ex-4ACR-AC, Bob Brown at Edmonton. Arrangements were made for a get together

of the Y's Men's Clubs, and Ve6KN Edmonton, Ve6OD Calgary, Ve5LV Moose Jaw, Ve5LM Regina, and Ve5BF Saskatoon, participated. Members of the clubs at each centre were on hand at the various stations, and wonderful to relate, 75-meter conditions were very good, and the Y's Men had a very enjoyable party for about two hours. 5LV was irked more than somewhat because we selected 3845 Kc, and even with his condenser plates all out he could not reach it, and so was bothered with QRM which made it difficult for us to copy him. The other four stations pounded in in good style. The Regina club wound up by singing their club song, and the Edmonton club followed suit, and Bob Brown was heard to remark, "There goes my license." Have no fear, Bob, for only by the wildest stretch of the imagination could that Edmonton dirge be classed as music. We believe that this is the first time that a service club has held an inter-city meeting over amateur stations, so we probably made history.

The Saskatchewan Phone Net are doing a good job, and maybe they would allow me to suggest that they perform the signal service of originating station reports to your correspondent. It would also have the effect of increasing traffic totals for report to SCM Jack Goodridge Ve5DW. By the way may we jump in here and congratulate Jack on his appointment.

After the first week-end of the dx contest 5BF received a letter signed Philco 57 congratulating him on his 27 contacts, but said that he had gone one better in that Philco 57 had received all 27 of BF's transmissions, plus CFQC overlapping to make 28. Hi, Hi, Hi.

The Saskatoon Radio Club met this month at the university, where Professor Michelenko gave a talk and demonstration of trigger circuits, and their uses.

Ve6

W. R. Savage, Ve6EO, Lethbridge

KI is heard on 75 fone doing a nice job and is still located in Cardston. YN is heard trying to get 5PD and 7US in contact. JD has been working some choice stuff. HV has only one crystal and really gets snowed under in QRM at times. FN is either busy on 20 CW or he is out in his car. NA is heard on 75 fone with the Official Broadcast and doing a nice job. Sid. NW seems to be bothered with QRM from fluorescent lights. DR is busy figuring out the wx reports. NF is in Banff. Wonder if he took skis with him. OK pays his official visit to the Northern Alberta Radio Club and is preparing a speech to give at the meeting. LG is on the executive committee of the N.A.R.C. and is getting things wound up for the hamfest this summer. It was a fb hamfest in 1947 and I am quite sure this year it will be a real doings. The N.A.R.C. seems to be doing well. They now have a Micro match for the members to use. MJ has a new junior operator by the name of Allen Earl. MP has been very busy keeping the furnace going during the absence of Glen while the cold wx was on. MZ has really been going to town with dx. TA and KU are taking a holiday and went through Toronto down the eastern states to Florida. Have a real good time, you two, and I am sure you will. VJ seems to be a busy gal as secretary for N.A.R.C., and if she can shoot out a signal as accurate with radio as she can with a rifle, you fellows better duck for shelter (hi). HK seems to be doing business on 10 meter fone. VN is very busy figuring out a 10 meter beam. EO receives his KZ5 certificate. MA, KO and VN are busy instructing a class of budding hams. EW is very pleased with the QSL's he received so sends another envelope for more. BC takes your truly for a ride in his car to show how the heater works. I don't think I will be warm until July (hi). OG is elected president of the Legion for the third term in a row. If Bob can ever shake this job he may get on the air.

KH is on 20 CW doing business. UP is putting out a very nice signal on 75 fone, running 200 watts to a pair of 811's in the final. EX-6JF is now 7LB out in Vancouver. FK is on 75 fone now and using one 810. What's up, Don, did you roast one of the pair you had? On Feb. 21 the official opening of the Alberta fone net was made, with OD as the control station and the following stations calling in: YD, NA, MA, MJ, LZ, EL, YN. The net was very well handled by OD. WZ says he has his 150-watt rig going now. MP writes in a nice letter and says she has trouble contacting dx, but always gets a good report when she does catch them. Maud only has 60 watts and at times wishes it was 600. Yes, we will keep the cards coming. KS also sends in some news, thanks a lot. Harry. RX will have a rig going very soon at Cowley. Also another operator at the Radio Range is getting a rig set up and will have a license before very long. Harry says the boys are trying out some VHF 50 Megs, so the local rag chewing will be on this band, I suppose.

BC, who has been our reporter for the local gossip column, and is leaving us, made such a nice write-up this time that yours truly thought it only fitting to enclose the works in this month's report, so here it is:

There are two ways to write a gossip column . . . this way and the right way. Hope it suits you because you're stuck with it. It's too bad but our readers seem to ignore the gossip editor, so we have to gather our news as best we can. Consequently it boils down to the same thing—you know what happened when the boarding house blew up—roomers were flying. Rumor would have it that 6VN had such a big Xmas and New Year that he was going around with a lovely shiner and his arm in a cast. How about the real story Len? He claims he fell while working on his new house. This ten-meter ground wave has got all the boys going. Contacts between local ten-meter fone gang and the gang in Barons and in Glenwood and other surrounding towns are becoming commonplace. In the past week, 6KO, 6HK, 6VN, 6ZI, 6RH, 6EV, 6SR and others involved in these round tables. It just goes to show you that beams are not required. 6OF had a serious accident at work. Seems he fell off a DC4M and broke his foot. Can't see how Ted would break his foot in the fall, seeing as how it was an entirely different part of the anatomy he landed on. He told us himself. The only trouble is that with the cast on his foot and the crutches, he can't get down the basement to work on his rig. Rumor would have it that 6RH is going to take that slow boat that we hear so much about, only he is going in the opposite direction to Limey land and Scotland. Roy is working some very nice stuff on ten fone with his new rotary beam and has been working ZL regularly at noon. 6EV and 6RH are building flea-power fone jobs for ten, just to see what can be done with a quarter-watt and a rotary beam. 6OG lost his antenna tower in the 90-mile wind last month. Bob's not worried, as he has a new wartime house lined up and he had to take the thing down anyway. OG keeps so busy with CJOC and the plans for their new studio that he has not time for ham radio. By the way, whatever happened to that joker Card? Guess the hame game was too tough for him. Start ducking. EO is still gunning for BC who breaks into his shack in the middle of a QSO with a TI and hauls Bill out into the 20 below to borrow a punch. Bill almost gave him one . . . on the kisser. Medicine Hat beware, 6BC ye olde and weary editor, is coming your way to live. Hope we can get ourselves a QTH where we can do a little hamming. Any of you boys down there know of a small bachelor apartment, let me know. Herb Pratt keeps busy working on his new house. Herb is building a radio console cabinet around the fireplace. It will contain receiver, phono amplifier, record changer and recorder and be built right in the wall. One of our up and comers in the club, Ev Horlacher, is now nursing a twisted neck, result of installing defrosters in your editor's car. They sure work too. Another new face (complete with \$2 membership) is Frank Ward's, who, along with Mac MacDonald, chases bad cowboys and naughty Indians for the R.C.M.P. 6IP is doing a lot of ten-meter hamming when it is warm enough in his shack. We sure like the interest displayed by Abe Neufeldt, Don Rasmussen, Al Metcalfe and the others turning out regularly for the meetings. New Blood . . . Rumor has it that 6MV, Murray MacLeod, our secretary, may join the ranks of

the Alberta Government Telephones. This is not for the record yet, and Murray may decide to scalp us for printing it. However, what we hear we print . . . this is a gossip column, you know. You boys from Barons should turn up now and then; we would like to see you. And whatever happened to Parley? Guess that's it for this issue. New editor next month, but I will say that it has really been fun editing RF and I've enjoyed it immensely. Just remember, fellows, that we may rib you now and then, but it's all in fun and no harm meant. Thanks to everyone who has helped, and lots of luck to our successor. Incidentally, to the two Bumpy fans who write in now and then, yours truly will send along a cartoon every month if possible and if the boys can find room for it, it'll be there. (The rest of you guys like it too but you are too afraid to say so in front of the xyl. Thanks, gang, and 73—Ve6BC.

I might say it would please me very much if all the radio clubs would put my QTH on their mailing list. It would be a great help in getting news. Also everyone would get honorable mention. I like to keep this column on an even keel and mention all points. It's rather tough sometimes fellows, so loosen up and let's hear from you. 73—Bill.

Ve7

E. Savage, Ve7FB, 4553 12th Ave. W., Vancouver

May we first pay our respects to two great amateurs whose keys are silent. "Judge" Richard Elgood Plewman of Rossland in the Kootenays (one of his calls was Ve7AA) and Dr. K. N. G. Bailey (remember Handlebar Hank?). Ve7AAZ Knobby has so much power to spare he uses a four-foot fluorescent bar for antenna insulators. Knobby was almost mobile marine the other night his creek overran its banks. There are many amateurs who have water in their basements and many expect it when the thaw comes. Ve7SW Allan been bitten by the meteorology bug. Victoria amateurs are also bitten with the TV bug—7 GB, AEA, MJ, EB, IE and many others in hiding. Amazing the different kinds we have tangled with yet. No? Ve7ZR Doug congrats on the junior operator. Ve7AOB Don has a 30-foot house plus 29-foot pole, all-band exciter, PP 807. Ve7ANM Arnold has moved into a 25-cycle area. That is why we no hear in four months, but he does say that they may get 60-cycle soon.

From Nelson comes word of the new club, Nelson and District A.R.C. Ve7TC Fred is on the sick list, and must be this time, as we hear no word from him. Sincere regards from us all. Ve7WJ Walls has been heard testing their 110-volt gas emergency generator. Ve7YI Wes has been heard on more often now from Aldergrove. Ve7AIDL Percy reported into 7CB Chris's shack and sure sounds good to hear Percy; 'tis said that he has a rig almost ready. Ve7DW Keith is all TV and not much getting on the air, just walks next door and gets on with Ve7IT Laurie. Ve7UW Roy has the honor of being a TVI station complaint laid by a BCL. Ve7FB Ernie was awarded the B.C.A.R.A. trophy.

May I thank all the gang and all who should have been awarded the cup for their sincerity in seeing that communication was kept open when the commercial lines were out, or some person needed their help.

7AKI Sid sure does make his power get out, K6's and J2's are all in the log, power one watt from a 1G5 and two 45's for the plate. From Port Hardy—7ANJ has been at Sandspit for some time, now returned and should be on again shortly on 40 CW with 1154 and 1155. 7LX Bill, the most active amateur here on 80 phone, just completed construction of Clapp VFO and works FB and planning now to rebuild the final. 7PM not on for some time; moving into a suite, so will be when settled. 7AHO Si setting up a BC458 and will break the silence on 40 CW. 7KZ is off the air no antenna but will be coaxed on real soon. 7AIK and 7ALZ both haven't been on lately but soon.

From White Rock covered in white snow, the doldrums seem to be there also 7AIZ being active on 40 and 80 CW and hopes to be on ten fone. 7DZ Maxie being on 75 fone and having fun with the BCL versus BCI. Ve7YV is building for 20 on a somewhat peculiar basis as he has three young fellows who are interested in amateur radio doing the building. Ve7AOP has departed for points north somewhere about Kamloops and is pounding brass for C.N.R., where Jim is going there is no AC so we don't expect to hear from him for awhile.

7PH Doug, operates at Fernridge; he runs a grocery store there and he runs in and out of QSO to weigh out a pound of this or that and back into the QSO, sure pushes a lovely single around here. 7KH reports dx is

"UV SEEN EM—VE (6AV) PRINT EM"

Ve6AV PRINT,
601 - 20 Ave. N.W., Calgary, Alta.,
Canada.

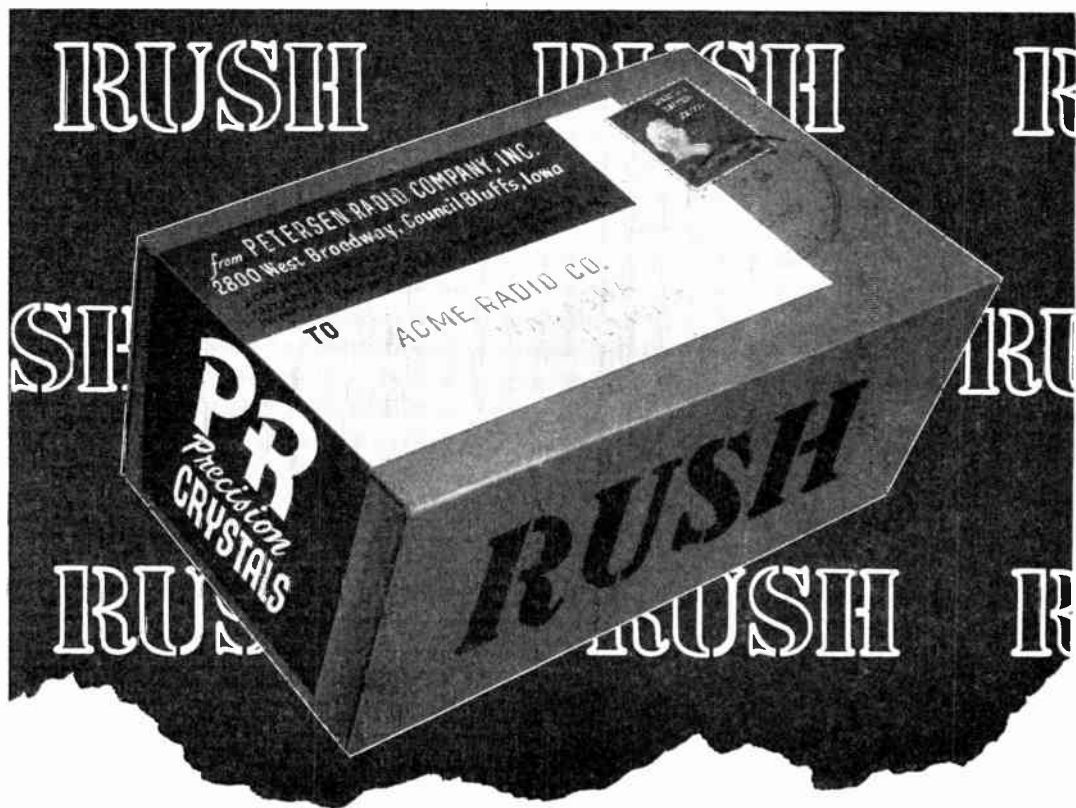
Pse. send samples and price list of your distinctive and original QSL's. Enclosed is 10c in coin to cover handling charges.

Name

Address

City

Prov. or State.....



EVERY ORDER IS RUSH AT PR!

Jobbers and quantity buyers of crystals are enthusiastic about prompt PR delivery. By most standards our regular service will meet or beat so-called "Rush" orders. Actually EVERY order is "Rush" at PR. We know your problems. We know you want your crystal supplies as quickly as possible . . . and we are in business to meet your needs . . . not weeks from now . . . but NOW!

10 METERS, Type Z-5,

• 20 METERS, Type Z-3,

• 40 & 80 METERS, Type Z-2,



PETERSEN RADIO COMPANY, INC., 2800 W. BROADWAY, COUNCIL BLUFFS, IOWA

TWIN-LEAD Folded Dipole AMATEUR ANTENNAS

For 3.5 mc, 7.0 mc, 14.0 mc, 28.0 mc BANDS

READY cut to your choice of four bands—a real inexpensive and rugged DX Antenna. The folded dipole antenna section is Amphenol Twin-Lead No. 14-022. Conductors are "copper-clad" steel for strength to withstand wind, ice-loading, etc. The 75 foot lead-in is Amphenol 300 ohm Twin-Lead No. 14-056. It affords a perfect match, and is joined to the antenna with a weatherproof molded polyethylene jacket.



AMPHENOL

AMERICAN PHENOLIC CORPORATION
1830 SO. 54TH AVENUE • CHICAGO 50, ILLINOIS

Represented in Canada by

J. R. LONGSTAFFE LTD. • 349 CARLAW AVE., TORONTO, ONT.
CHAS. L. THOMPSON LTD. • 744 W. HASTINGS ST., VANCOUVER, B. C.

very fine on 10 at Crescent. Collingwood A.R.C. has gone hog-wild on TV. 7AIG has his receiver going fine. 7BE has only enough surplus radar gear to make a choice whether he wants to see the video or just to hear the sound, so he's stalled for the present. 7UU has acquired two radar units and a couple of CR tubes (this, after just buying a new car! It proves it's much more economical to stay single blissfully.) 7AME is also suffering from very severe TV-itis. 7ADV has bought a new car, so now has much radio gear to sell (at his usual highway-robbery prices—that'll teach him to call me a cheap-skate!) (7AIH)—7AZ has finished his new rock crusher, using 810—he actually went out and bought some new parts for this one, so we know his heart is really in it. Hope to work his home town in good old Blighy. 7UU fed up with tetrode finals after his 4D32 took off by itself—so now he's back to an 809. Maybe he should try it 7AZ breadboard style. Alf, you should wander over for ideas. 7KC now back on ten fone using three element beam, and snubbing locals. 7WH also heard on ten using an 803 final and Gerber modulation. 7XT also came away from 20 CW to try ten phone, but promptly got disgusted and went back. What can you expect with NBFM and dipole, George? 7LF still in the throes of rebuilding his rig, and if he intends to put same quality signal on ten fone that he did on 20 CW, we hope he never gets it going. 7ABP doing lots of listening on the bands, but we're still waiting to hear him on fone. 7AKW can't get his rig going—and him living so close to man who practically invented radio. 7MH back on 20 CW where he is master. Ever hear of 7HC, Gordie? 7AIH back on ten fone after rebuilding rig and building double conversion receiver, feeling mighty proud. 7OJ now using cathode modulation—and fixing lots of AC-DC receivers. The Upper Main gang are just about ready to murder one another for splattering and overmodulation. Well, there isn't just the Main Street gang on the warpath over these guys that insist on pouring all the modulation soup they have, and most know dern well that they are doing it and are the first to denounce anyone after the innocent one has requested them to lower the power, and if a dx station breaks through, up goes all the gain and gosh help the poor fellow having a nice QSO many kilos away. From Oliver George Oster has completed his recvr—all his own design and real FB job. No, he won't sell it. 7YU Ralph has joined our ranks. He is a commercial op. You should hear his bug rattle the 19 set running from batteries. 7MC Milt has gone back to 46's. Don't ask him about 807's. 7ZT Tommy using "Black Box" VFO from January QST, about 10 watts input, works FB from six volts generator. The Sunrise net is going again with 7LC, 7MC, 7ZF, 7ZT and any other early birds on 3755 Kc. 7DB Bill is under the weather and isn't heard very often, plus modulation troubles. 7MC Milt for his birthday received 100 watt mod. transformer.

Albarni District A.R.C.—7ACW Cy active on five o'clock net and his new modulation setup is very much better and can hear Connie telling the OM what to say. 7CX Stan, 7PY Dave and 7VG George break in quite often. 7HJ Charlie the old Scot is back from his visit to Victoria and had a fine time. 7AMY is on 80 CW. If you hear a big noise that's our Ivan. All the amateurs in Greater Vancouver, are they are all for themselves, except for a very few? How about it, gang, and let's get operators for Ve7NI and not leave it to the few. The plans are laid, the wheels are rolling, the date is the one to put in red on your calendar—Aug. 5, 6, 7. What is it? The B.C. Convention. Let Reg, 7AC know what you want or would like to see or have. 73 Ernie.

Ve8

Jack Spall, VeAS, D.R., Whitehorse

Ve8CD, using four watts and a V beam on ten meters, has been going to town and only needs West Virginia for WAS. Snag, Y.T., is the coldest spot in the world. 83 below zero. Ve8GH is outside on a spot of leave. Ve8BP working mostly on ten meters. Ve8BW is a newcomer and has a 19 set on 40 meters. Ve8FW also sticking to 40 meters.

Lake LeBarge—Ve8AO has unusual short skip round table on 20 fone with Ve8AW, Ve8AM, Ve8RA, Ve8NQ and Ve8CD. Ed is busy rebuilding the rig and is working on plans for another V beam at right angles to his present one for 20 meters. Thanks to AO for this splendid report on the Ve's. Ed is now WAS, WAC and only needs a card from P.E.I. for WAVE, so how about that, you VeI?

Hear Creek, Y.T.—Ve8BC works a ZS on 20 fone and to the other extreme works solid QSO with Ve8AW on short skip 20 fone.

Elsa Camp, Y.T.—Ve8CI sticks to 75 fone for local ragchews. Ve8AR taking a short holiday at Duncan, B.C.

Dawson City—VeSCG and Ve8AH also likes 75 fone. See elsewhere in this issue for splendid work done by the Dawson gang.

Mayo, Y.T.—Ve8AM gets flock of cards from Russia. Ve8CH is on with two watts and gets out. Wish I could. I can't get out with a mere 7:0 sometimes.

Watson Lake, Y.T.—Ve8CL pays visit to yours truly, while visiting Whitehorse and gave me all the latest dope on the gang down that way. Ve8CL is using an Air Force rig about once a week (when the xyl relents) on 20 CW and has been working a few Europeans. Ve8AB, another newcomer to Ves land, also is doing fine work on 20 CW. Our friend Ve8BG recently moved to Watson Lake from Whitehorse and keeps skeds with his xyl who is still at Whitehorse. Ve8AI finally forsook the north and we hear he is now at or near Calgary with D.O.T.

Selkirk, Y.T.—Ve8AT and his xyl are at present in Ottawa on leave. Hope you folks enjoy yourselves, Cam.

Eishihik, Y.T.—Ve8CA is working all bands and has no complaints about ends. Must be a good location.

Pt. Smith, N.W.T.—Ve8MK is new addition to the gang, which brings the ham population up to five. Ve8MZ is busy trying to make 813 behave itself for a final amp. Ve8NM is now member of the AFARS net and uses an 813 for 80 net work. Ve8PJ and Ve8JH of Yellowknife complain of poor condx. Ve8BX, who is the xyl of Ve8CD, likes to chew the rag on ten. Ve8BZ is using a small gas engine for AC supply and is on all bands. Ve8NH participated in search for lost flyers by keeping in touch by ham radio and passed many messages. Ve8MF keeps busy handling traffic to his home town. Also hear Dave working the dx on 20 CW. Ve8NQ get out so good on 75 fone that he QRM's Ve5GA at Regina Beach.

Whitehorse, Y.T.—Ve8AW sticks to phase modulation on 20 fone but sez condx are very poor. Ve8CR and Ve8CO, R.C.A.F. men are using an AT3 on 20 and 40 meters. That's all this month. 73, Jack.

HAM-ADS

Copy for Ham-Ads must be received before the tenth of the month preceding issue. Rate is 25 cents per line.

WANT TO TRADE several 805's, 845's or both for 500 or 600 volt 200 mill 25 cycle transformer. T. Watson, Centre Road North, Cooksville General Delivery, Ont.

SELL OR TRADE motorcycle, Royal Enfield 125 c.c. model 1946. Only 2200 miles. Like new. Cost \$300. Will consider radio equipment of equal value. M. J. Caveney, 29 Byng Ave., Wil-lawdale, Ont. Phone 774.

FOR SALE—200 watt xmitter, 813 final, Hammond high quality design. Compact 8"x12"x8" cabinet. Complete with meter, tubes, crystal and coils for 40 meters. Needs 1000v, at 200 ma. \$75. Keith McCrea, 2037 Deleware St., Niogara Falls, Ont.

QSL's for discriminating hams. Distinctive! Colorful. Highest quality! \$1.50 per 100. Samples 1c cents. Ve3QS Print, 344 Gape Ave., Toronto.

SWAP—Have a pair of Ziess binoculars, 7 x 50, coated lens, like new, value about \$200. Want a communications receiver. H. S. Barber, 279 Princess St. W., North Bay, Ont.

SELL —SCR-274N Commond Set—Transmitters, \$14 each; H.F. Receivers, \$9 each. Also Madulator, Dynamotors, etc. Raymond Hitchcock, 161 Stuart St., Kingston.

JUST PLUG IN THE LINK
THAT MATCHES YOUR LINE

W3GC

W3DGP

AVAILABLE IN 1-3-6-10 TURNS

B & W New!
PLUG-IN LINKS
FOR IMPEDANCE MATCHING!

◀ **TYPE 3550** For TVH, TVL, BVL and other small inductors

TYPE 3750 For HDV and ▶ other large inductors

Adaptable To All B & W Swinging Link Assemblies

These handy plug-in links save you money—save time—and make your rig adaptable to practically any impedance, in no more time than it takes to pull out one coil and plug in a new one, having the proper number of turns. They can be easily installed on your present B & W variable link inductor models.

On present swinging link assemblies, it is only necessary to replace the swinging link arm with a new one, into which the link coils are plugged. This is easily accomplished by removing the pin that forms the arm hinge and inserting the new arm. Featured by leading jobbers. See them today.

CATALOG NUMBERS FOR B & W PLUG-IN LINKS

For Types TVH, TVL, BVL swinging link assemblies Catalog No.	For Type HDV swinging link assemblies Catalog No.
Arm Only 3550	Arm Only 3750
Arm and Hinge 3565	Arm and Hinge 3765

PLUG-IN LINK COILS

1 turn 3551	1 turn 3751
3 turns 3553	3 turns 3753
6 turns 3556	6 turns 3756
10 turns 3560	10 turns 3760



GET OUR HANDY CATALOG!

Keep it at your fingertips for full details on inductors, variable capacitors and accessories for almost any ham need.

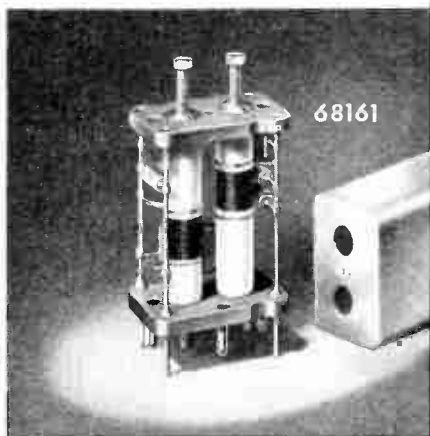
BARKER & WILLIAMSON, INC.

Dept. XL-19, 237 Fairfield Ave.—Upper Darby, Pa.
Canadian Representative: Wm. F. Kelly Co.,
1207 Bay St., Toronto

Designed for



Application



I. F. TRANSFORMERS

The Millen "Designed for Application" line of I. F. Transformers includes both variable air dielectric condenser and permeability tuned types for 5000 KC, 1600 KC, and 455 KC, as well as permeability tuned units for 50 KC;-BFO, Interstage, Diode, Discriminator;-Standard as well DeLuxe Mechanical Design.

**JAMES MILLEN
MFG. CO., INC.**

MAIN OFFICE AND FACTORY
**MALDEN
MASSACHUSETTS**



FOR SALE—1 Transmitter, 6C5 Pierce Osc, 807 1st dblr, pair 6L6's push-push dblr-buffers, push-pull 812's final, 175 watts input; mod. 57-57-57, pair 45's drivers, push-pull 809's Class B, all Hammond xfms; 2 75 xtals, 2 40-meter xtals, all coils for 75, 20 and 10 meter phone or CW; 1 CX Turner mike and cord. 1 C2 Freq. Meter with AC power supply. 1 Bach-Simpson Mod. Meter. 1 AR88 RCA receiver with RCA speaker and DB S-meter. Transmitter is built in rack and panel, steel with black crackle finish; 6 Triplett meters, Hammond transformers, switches and Cts. Will work anyone on the air with this rig if sked arranged. The complete station price, \$500. Will not sell separately. Apply J. H. Hunter, Ve6XX, 506-11th Ave. N.E., Calgary, Alta.

FOR SALE—BC-375-E Transmitter, never used, complete with Tuning Units, Dynamotor, Tubes and Meters; will sell parts or complete set. Have one Xmitter, slightly used, 807 OSC Driving pr. 807's PP, with power supply, 25 cycle, output 1000v. Few other parts for sale. Berns Sansom, Ve3AGQ, Glencoe, Ont.

HAMS—Do you want the best QSL cards? Attractively designed, \$2.00 per 100. Al Pearsall, Ve3BCB, 204 Ranleigh Ave., Toronto.

FOR SALE—Panadaptor \$100, 25 or 60 cycle, BC-221 Frequency Meter, \$50; IF crystal transformers, \$2 pair.; Cardwell split stator transmitting condenser, \$5; 20-meter beam (needs repair). Ve3GU, HY 5153.

FOR SALE—Hallicrafter S20-R (last model), excellent condition, \$100. Ve3PE, Box 219, St. Marys.

WANTED—Receiver 80 to 10 meters bandspread, pwr. can pay \$60.00 and wire 22 D.S.C. Send details to Ve2ACY, 1293/2 Ave., Quebec City, Que.

FOR SALE—Regenerative S.S. superhet receiver with power supply and coils for 20, 40 and 80. 6AQ5,805 transmitter with heavy duty regulated power supply and coils for 20, 40 and 80. Finest quality parts. Prepaid \$80. Write Ve1AN, Rothesay R.R. 1, N.B.

QSL CARDS PRINTED—1 colour per 1,000, \$8.00; 2 colours per 1,000, \$10.00. (We do not send out samples of cards. Send in the one you want printed. It will save postage and time). W. J. Wiskin and Co., 105 Princess St., Kingston, Ont.

**JAMES MILLEN MFG. CO.
INC.,** Products are represented in Canada by

**ASTRAL ELECTRIC CO.
56 Wellington E., Toronto, Ont.**

MARCH, APRIL XTAL

1949

TOOLS

Type No.					
33	— $\frac{1}{8}$ " to $1\frac{1}{4}$ " reamer bit brace shank				\$2.70
333	— $\frac{1}{8}$ " to $1\frac{1}{4}$ " reamer, $\frac{1}{2}$ " round shank				2.70
7777	—3" blade wooden handle screwdriver				.19
7777	—4" blade wooden handle screwdriver				.21
7777	—5" blade wooden handle screwdriver				.25
7777	—6" blade wooden handle screwdriver				.25

MEISNER

17-3486	—Narrow band discriminator coil, 455 Kc.	2.60
---------	--	------

BOOKS

Television Simplified by Kiver	7.50
Radio Amateur Call Book (Spring)	2.00
ARRL Handbook, 1949 edition	2.00
Photofact Television Course	3.45
ARRL Handbook, 1947 edition (to clear)	1.25
Postwar Communications Receiver Manual	3.45
Television Antennas	1.50

RF POWER TRANSFORMERS

HT 4000 Farley, 4000 volt for TV tubes	6.30
--	------

HAMMOND

1321—10 meter 3 element rotary beam	34.50
1322—20 meter 3 element rotary beam	91.50
1326—Beam position indicator, AC foundation kit	9.94
22955—Power transformer, Pri 115V, 25 cycle, sec. 5V 3A, 12.6V 4.5A, 300-0-300V, 110 MA, supplies 265V DC for No. 19 MK 111, tank set	6.10
22956—Power transformer, Pri 115V, 25 cycle, sec. 5V 3A, 675-0-675V, 100 MA, supplies 550V DC for No. 19 MK 111, tank set	6.10

A large stock of Regular Hammond Items is carried in stock.

OHMITE RF CHOKES

Stock No.	Operating Range Megacycles	Micro-henries	Core Dimensions	Price
Z-7	3 to 20 Mc.	84.0	6" x $\frac{3}{8}$ "	\$1.25
Z-14	8 to 35 Mc.	44.0	2" x $\frac{1}{8}$ "	.55
Z-28	20 to 60 Mc.	21.0	1 $\frac{3}{4}$ " x $\frac{1}{8}$ "	.36
Z-70	35 to 110 Mc.	7.0	1 $\frac{1}{2}$ " x $\frac{9}{32}$ "	.27
Z-144	80 to 200 Mc.	1.8	$\frac{3}{4}$ " x $\frac{3}{8}$ "	.27
Z-235	160 to 350 Mc.	0.84	$\frac{3}{4}$ " x $\frac{1}{8}$ "	.27
Z-460	320 to 520 Mc.	0.20	1 $\frac{1}{2}$ " x $\frac{3}{32}$ "	.27

Non-magnetic Brackets Furnished with Z-7. All chokes 1000 ma. rating except Z-14 and Z-28. These are rated at 600 ma.

CERAMIC CONDENSERS

CENTRALAB BC-HI-KAPS

For by-pass and coupling ckts.

500 Volt			
.00001 Mfd.	.20	.00025	.20
.000025	.20	.0005	.20
.00005	.20	.001	.20
.0001	.20	.002	.20
.00015	.20	.005	.24
.0002	.20	.01	.24

B & W MINIDUCTORS

SPECIFICATIONS

Catalog No.	Diameter	Turns		Your Cost
		per Inch	Length	
3001	1"	4	2"	.43
3002	1"	8	2"	.43
3003	1"	16	2"	.43
3004	1"	32	2"	.43
3005	1"	4	2"	.48
3006	1"	8	2"	.48
3007	1"	16	2"	.48
3008	1"	32	2"	.48
3009	1"	4	2"	.57
3010	1"	8	2"	.57
3011	1"	16	2"	.57
3012	1"	32	2"	.57
3013	1"	4	3"	.67
3014	1"	8	3"	.67
3015	1"	16	3"	.67
3016	1"	32	3"	.67

MALLORY INDUCTUNER

TYPE 8301

A three gang infinitely variable inductance tuning device designed to provide continuous frequency coverage over a range of approximately 50 to 240 Mcs. Price \$40.00

Write for Technical Bulletin

FREE LOG BOOK WITH EACH \$5.00 ORDER

Be Sure to Ask for Yours — Supply Limited

LEADING WHOLESALE DISTRIBUTORS OF AMATEUR SUPPLIES IN CANADA

CANADIAN ELECTRICAL

MONTREAL
275 Craig St. W. PL. 3421

SUPPLY CO. LTD.

MI. 2481 TORONTO
543 Yonge St.

EVEREADY
TRADE MARK
RADIO BATTERIES

**FOR
MORE
HOURS**

EVEREADY
TRADE MARK
RADIO BATTERIES

**FOR
BETTER
LISTENING**

EVEREADY
TRADE MARK
RADIO BATTERIES

**FOR
LOWER
OPERATING
COSTS**

"Eveready" is a registered trade-mark of
CANADIAN NATIONAL CARBON COMPANY LIMITED
 805 Davenport Road, Toronto 4, Canada

EVEREADY
 TRADE-MARK
RADIO BATTERIES