

ELECTRONICS WORLD

+ WIRELESS WORLD

Denmark DKr. 70.00
Germany DM 15.00
Greece Dra.760
Holland Dfl. 14
Italy L. 7300
IR £3.30
Spain Pts. 780
Singapore S\$ 12.60
USA \$6.70

SOR DISTRIBUTION

A REED BUSINESS PUBLICATION

JANUARY 1993 £1.95

SYSTEMS

GPS radio
architecture

APPLICATIONS

100W, 1MHz
switch-mode
power supply

AUDIO DESIGN

New punch to
speech processing

PC ENGINEERING

Windows
shopping for
electronics

CONSUMER

Audio on a
postage stamp

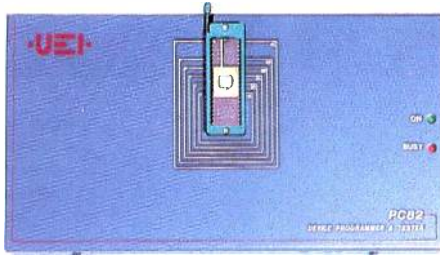


FREE* Nat Semi LM2574 Simple
Switcher™ SMPS chip

*First 500 replies, Europe only

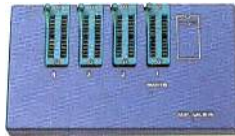
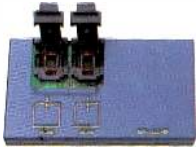


TOTAL PROGRAMMING SOLUTIONS FROM CITADEL



PC82 UNIVERSAL PROGRAMMER £449.00

- Universal programmer – the complete designers kit.
- Over 1,500 devices – call for list on FREE disk.
- EPROM, EEPROM, Flash, BPROM, GAL, PAL, MPU etc.
- Serial EEPROM, EPLD, MACH, MAX, MAPL, CMOS EPAL.
- Device testing – 74XX, 40XX, 45XX, DRAM, SRAM.
- PAL vector test.
- Clear menu driven software
- Text mode only, suits any video card.
- 40 pin Zero insertion force socket.
- Device testing – 74XX, 40XX, 45XX, DRAM, SRAM.
- Small half card to install in PC may be left in place.
- Secure round cable and locking D connectors.
- Proven reliability – over 100,000 units sold.
- Programmer pod size – 260×140×38mm.



ADAPTERS FOR THE PC82 From £85.00

- Extend programming facility for special devices.
- Allows alternative socket types eg PLCC.
- Multi-gang adapters for fast programming of EPROMS, GAL, PAL and popular CPU types.

FEATURES ALL PROGRAMMERS

For the IBM PC, install the interface card and programming socket, load the menu-driven software and you have a complete design system at your fingertips. The programmers will run on any compatible IBM machines such as XT, AT, '286, '386 or '486. Whether it be an Amstrad or Compaq the system will work. All features are software-driven and supplied on 5¼" disks, these may be copied onto your hard disk using the DOS copy command. All control of the programmer, programme voltages etc are menu-driven by selecting manufacture, type number, and selection of a suitable speed algorithm. Blank check, read & modify, verify, programme, auto programme, security blow etc.

FREE SOFTWARE UPDATES as new devices become available.

FILE CONVERSION FACILITIES

- HEX to BIN File conversions for Intel, Motorola and Tektronics.
- 2 way/4 way Bin file splitter for 16/32 bit data.
- Dump file to Console, modify and re-programme.



E2000 BULK FAST ERASER £199.00

- Same advanced UV source as the M1 but 4 lamps.
- Very large capacity 64×32 pin chips or one double Eurocard.
- All other features as M1.
- Low profile steel case finished in powder coat.
- Size 365×240×65mm high.

M1 FAST ERASER £99.00

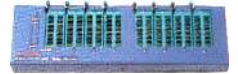
- Advanced UV source.
- Typical erase time three minutes.
- LED display of set time and countdown.
- End of time indicated by beep and display.
- Large capacity 13×28 pin devices.
- Sturdy construction, plated steel & aluminium
- Small footprint only 65×225×100mm high.



PC86 HANDY POCKET DEVICE TESTER £99.00



- Tests and identifies virtually all TTL & CMOS.
- Test many DRAM and SRAM memory chips.
- LCD display of type number and results.
- Battery operated (PP3) and completely self-contained.
- Zero insertion force test socket.
- Dimensions 90×140×30mm.



PC84-1 to -8 ROM PROGRAMMERS From £139.00

- Low cost EPROM programmer – devices up to 1Mb CMOS and NMOS.
- One to eight gang versions.
- To program 2716 to 271000.
- 32 pin Zero insertion force sockets.



ORDER INFORMATION

Please include £7 for carriage by overnight courier (£20 for exports) and VAT on all UK orders. ACCESS, VISA or CWO. Official orders welcome from Government bodies and local authorities.

For further information and your **FREE PC82** Simulation and device disk



PHONE SAMANTHA NOW ON:
081 951 1848
081 951 1849



CITADEL PRODUCTS LTD
DEPT WW
50 HIGH STREET, EDGWARE
MIDDLESEX HA8 7EP

CONTENTS

FEATURES



Cover: Jamel Akib

PUTTING PUNCH INTO COMMUNICATIONS14

Conventional speech processing enhances talk power at the expense of intelligibility. Louis Thon as presents an alternative system which operates without waveform clipping.

PROTEL'S NEW PRODUCT MAKES WINDOW SHOPPING WORTHWHILE.....22
After Easytrax and Autotrax comes Protel's new PCB layout, placement and autorouting package for *Windows*. Reluctant *Windows*-user John Anderson likes what he sees.

WINDOWS-CAE: MORE THAN JUST THE EASY OPTION?.....26
Future promise of true multi-tasking, plus growing numbers of suppliers moving into *Windows* products means engineers are taking a new look at *Windows-cae*. Shaz Horner reports.

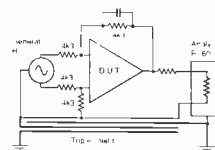
GPS: RECEIVER ARCHITECTURE29
GPS signals are a curious mix of narrowband information imposed on wideband signals showing varying degrees of Doppler shift. Philip Mattos shows why reception requires a radical approach to receiver design.

DIY LSI: TOOLS OF THE TRADE.....34

Dave Nicklin and Nick Sawyer examine the role of software in design of programmable devices, and the shift toward VHDL and logic synthesis together with the concept of high level graphical design.

HOW CLEAN IS YOUR AUDIO OP-AMP?.....42

Ben Duncan bench-tests op-amps for audio quality by measuring distortion down to 140dB below the signal.



PALMED OFF WITH A NEW FORMAT51
Where will Sony's NT tiniest-yet cassette format fit into the market? George Cole wonders if Sony is asking the same question.

PROFESSIONAL SERVICES OFFER

MAKING SWITCHED DC/DC CONVERSION EASIER - AND CHEAPER54

The newest switched mode power supply chips are so undemanding to work with, they make design of a linear supply look difficult, says Sectt Brown.

BBC PUTS DIGITAL TV INTO PRACTICE83
Tom Ivall went along to the BBC to assess its progress on the path to the digital European dream.

REGULARS

COMMENT3
Unacceptable standards

UPDATE4
Lithium rechargeables to replace NiCds?, Britain vetoes MAC subsidy, LCD with integrated drivers, GPS breakthrough, Digital HDTV success spells end for MAC

RESEARCH NOTES10
Diamonds make chips sparkle, Chaotic communications, X-rays to throw light on black holes, Antennas that tune themselves.

APPLICATIONS.....58
Switched-mode PSU technology runs at 1MHz, Decoding RDS, Digital audio, Gunn Diodes.

NEW PRODUCTS.....63
EW + *WW*'s round up of all that's new in electronics and engineering software.

LETTERS67
Art attack, Speakers corner, Be-low frequency, Read shift.

CIRCUITS, SYSTEMS & DESIGNS.....70
Two-way amplifier uses few parts, Is it Gaussian?

CIRCUIT IDEAS.....75
VHF frequency divider, Zero-voltage switch, Notch and high-pass filter, Active filter, Remote keyboard for your PC.

DESIGN BRIEF78
Can CFBOs deliver speed at any gain? Ian Hickman sees how hard he can push the *LM6181*.

WHITE NOISE85
Hot Carrier generates some heat inside the structured world of electronics.

In next month's issue: Low power radio links

Since the DTI removed the licencing requirement for low power radio equipment working on certain spot frequencies, some interesting type-approved modules have emerged. Ian Hickman provides a number of practical application examples using an RX/TX pair operating at 418MHz. You also have the opportunity to purchase modules for development purposes at half price. See next month's issue for full details.

FEBRUARY ISSUE IS ON SALE JANUARY 28

Micro AMPS

£125 8051 'C' COMPILER £125

- Preprocessor, compiler, optimiser
- Integer implementation
- Inline assembler
- Single chip to fully expanded memory
- Micro-C is not a re-worked small C
- Other code generators available: 68HC11, 6809, 8085/8086/8096
- Low cost cross assembler available: 8031/8051, 6800/01/03/05/09/11, 8085/8096/8086

£99 8051 BASIC COMPILER £99

- Integer BASIC compiler
- Supports single chip mode
- 8051 cross assembler included
- High level debugger runs on PC
- Standard Basic commands supported
- Specific functions to access 8051 SFRs and internal memory
- Line editor included, accepts text files
- Generates INTEL hex format output
- Output suitable for 87C751

8051 ICE (ICE51™)

- Low cost 8051 In-Circuit Emulator
- Low power, 5 volt operation
- Plugs directly into the 8051 processor socket on target hardware
- 32K Bytes of battery-backed RAM for program/data
- Single stepping and break points
- Assign memory and SFRs
- Upload/download INTEL hex files
- PC host software communicates via serial port
- Monitor file supplied in assembly form
- On-screen disassembly of code
- I²C drivers available
- Real time clock version available

™ ICE51 is a trademark of Intel Corp.

87C751 ICE (ICE751)

- Low cost 87C751 In-Circuit Emulator
- Emulation cable plugs into the 87C751 processor socket on target hardware
- On-board programmer for DIL devices
- PLCC adaptor available for 87C751
- Programs 87C752 DIL and PLCC devices through optional adaptors
- Monitor uses only 48 bytes of program memory
- Upload/download INTEL hex files
- Assign memory and SFRs
- Set break points
- I²C drivers available
- On-screen disassembly of code
- PC host software communicates via serial port

8051 BOOK

Architecture, Programming and Applications (£49.95). This book includes a free assembler and simulator for personal or educational use

PEB552

The Philips evaluation board for the 80C552 processor variant, a monitor and programming adaptor are available for this product

I²C

Quick Basic development tools available which includes I²C monitor program, I²C connector/cable assembly and parallel I/O demo board

MACH 1

An RTX2000/1 PC based evaluation board featuring the RTX2001 RISC Forth processor capable of sustaining up to 12 MIPS

ICC2000

An 8 channel intelligent communications card using the RTX2001 RISC Forth processor capable of sustaining up to 12 MIPS

FORTH++

A low cost RTX200/1 compiler optimised for use on the IBM PC based MACH1 development board but can be interfaced to other boards

The 8051: An Introductory Course

This is a one day course aimed at customers who need to become familiar with the MCS51 (8051) microcontroller family, and designed to give a detailed look at the generic 8051 processor facilities.



66 Smithbrook Kilns, Cranleigh, Surrey, GU6 8JJ, UK
Tel: +44(0)483 268999, Fax: +44(0)483 268397



Unacceptable standards

EDITOR

Frank Ogden
081-652 3128

DEPUTY EDITOR

Jonathan Campbell
081-652 8638

CONSULTANT

Derek Rowe

DESIGN & PRODUCTION

Alan Kerr

EDITORIAL ADMINISTRATION

Lorraine Spindler
081-652 3614

SALES MANAGER

Patrick Irwin
081-652 3732

SALES EXECUTIVES

Pat Bunce
081-652 8339

ADVERTISING PRODUCTION

Shirley Lawrence
081-652 8659

PUBLISHER

Robert Marcus

EDITORIAL FACSIMILE

081-652 8956

CLASSIFIED FACSIMILE

081-652 8931

SUBSCRIPTION HOTLINE

0622721666
Quote ref INJ

SUBSCRIPTION QUERIES

0444 445566

NEWSTRADE ENQUIRIES

Darelle Whitehead
071 261 5451

Why should the UK have just passed a law which states that, from January 1, 1994, the selling and renting of a widescreen television without a D2MAC decoder is an offence?

And why should anyone want to insist on the fitment of decoders for which there are presently no programmes and virtually no prospect of there ever being any?

The answer to the first question is that the European Commission told the UK Government to pass the legislation in accordance with a Brussels directive. The answer to the second is simply that euro-electronics giants Philips and Thomson think it would be good for business if EC consumers stumped up for their microchips regardless of the fact that there is presently no call for them. Nor is there likely to be.

This odd and costly state of affairs has its origins in the early Eighties when broadcasters researched replacements for the ageing PAL and SECAM transmission standards. The result was MAC, an ingenious mix of analogue and digital electronics which matched available technology. Rightly anxious to maintain a European initiative in the development of a new television standard, the European Commission launched the Eureka 95 HDTV development programme with millions of ECUs steered towards European broadcasters and setmakers.

There was of course no public demand for a new TV standard so Brussels, bureaucratic as ever, issued one of its Directives to create one. The resulting edict, now UK law, will force setmakers to include a MAC decoder in all widescreen sets, and new satellite operators to broadcast future services using the MAC standard. Fine, except

that broadcasters think further and faster than Brussels: they realise that MAC, nearly ten years in evolving, is already past its sell-by date, eclipsed by digital HDTV.

Almost as one, existing satellite service broadcasters applied for – and gained – exemptions from the MAC broadcast rule. They can continue to transmit PAL/SECAM indefinitely to European audiences not conspicuously unhappy with current picture quality. And should there be a few viewers who would like a better picture, existing broadcasters will be able to transmit in backwards compatible PAL Plus.

To be fair to all parties involved in HDTV decisions, development of a viable digital system occurred quickly: it went from scepticism to reality in just two years. It has already reached the point where HDTV can be broadcast in the same sized frequency slot as standard 625 line PAL. Even more remarkable, it appears immune to the ghosting and co-channel interference which bedevil existing terrestrial TV services. A report about the latest BBC trial appears on page six of this issue.

Meanwhile, the European Commission is insisting that we use and pay for a system which is obsolescent before it even starts. It intends to hand out £750 million from the European budget despite objections from the UK Government about this expenditure.

It goes without saying that the main beneficiaries will be the MAC component suppliers, Philips and Thomson. These companies are spending millions of guilders and francs pushing the Commission for a place at the ECU money trough.

It will demonstrate a corrupt system if the MAC lobby is allowed to succeed.

Frank Ogden

Electronics World + Wireless World is published monthly by post, current issue £2.25, back issues (if available) £2.50. Orders, payments and general correspondence to L333, **Electronics World + Wireless World, Quadrant House, The Quadrant, Sutton, Surrey SM2 5AS.** Telex: 892984 REED BP G Cheques should be made payable to Reed Business Publishing Group

Newstrade: IPC Marketforce, 071 261-6745.

Subscriptions: Quadrant Subscription Services, Oakfield House, Perrymount Road, Haywards Heath, Sussex RH16 3DH. Telephone 0444 441212. Please notify a change of address. Subscription rates 1 year (normal rate) £30 UK and £35 outside UK.

USA: \$116.00 airmail. Reed Business Publishing (USA), Subscriptions office, 205 E. 42nd Street, NY 10117.

Overseas advertising agents: France and Belgium: Pierre Mussard, 18-20 Place de la Madeleine, Paris 75008. United States of America: Ray Barnes, Reed Business Publishing Ltd, 205 E. 42nd Street, NY 10117. Telephone (212) 867-2080. Telex 23827.

USA mailing agents: Mercury Airfreight International Ltd Inc, 10(b) Englenard Ave. Avenel NJ 07001. 2nd class postage paid at Rahway NJ Postmaster. Send address changes to above.

Printed by BPCC Magazines (Carlisle) Ltd, Newtown Trading Estate, Carlisle, Cumbria, CA2 7NR

Typeset by Marlin Graphics 2-4 Powerscroft Road, Sidcup, Kent DA14 5LT

©Reed Business Publishing Ltd 1992 ISSN 0959 8330



UPDATE

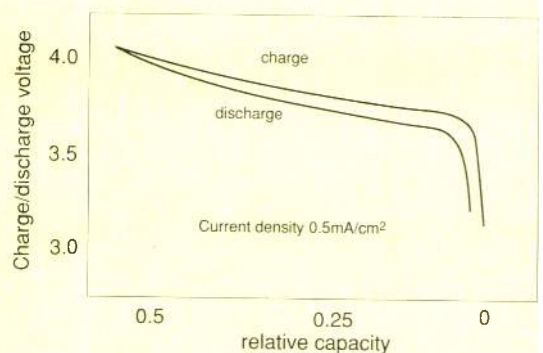
Lithium rechargeables to replace NiCds?

A new rechargeable battery system developed by the Sony subsidiary company Energytec outperforms conventional NiCd battery systems in virtually all aspects.

The battery, known as *Lithium Ion*, delivers 3.6 volts per cell compared to 1.2V of a NiCd while being able to support the heavy peak discharge currents of motorised applications such as camcorders and portable phones. Energy storage density, the stored electrical power compared to weight and volume of the battery, is said to be at least three times that of a NiCd.

Sony claims that its new batteries can be charged and discharged 1200 times, with only 12% self-discharge after one month of storage compared to 25% for NiCds. After six months NiCds have lost 60% of their charge but the lithium battery has lost only 30%. It may be used with similar charging rates. Unlike NiCd systems, Sony's lithium rechargeables do not exhibit a memory

Sony's lithium rechargeable battery system behaves more like lead acid than NiCd in its characteristics. In particular, it doesn't exhibit the memory effect which reduces effective cell capacity.



effect, a factor of great significance to the electronics industry.

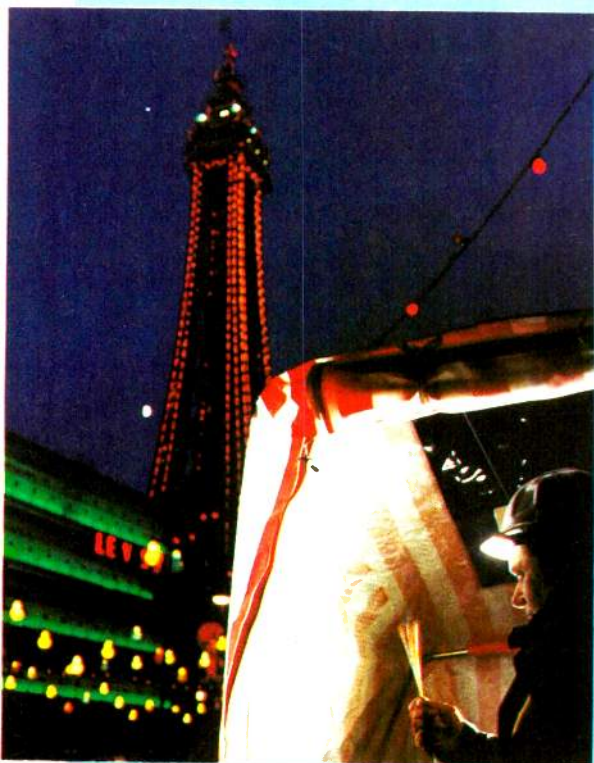
The news about the lithium rechargeable system was buried in the text of a Sony camcorder announcement. The *CCD-TR8* machine uses a rechargeable lithium battery,

the first to be offered with a consumer product. The company says that it is cheap enough to incorporate in consumer equipment, and safe enough for consumers to use, abuse and mishandle.

Until now portable electronics has relied on nickel-cadmium batteries. These work well when new, able to deliver bursts of heavy current while maintaining a relatively flat discharge curve. Although NiCds are sold with the promise that they may be recharged up to a thousand times, this is only true if used in a completely unnatural way. A NiCd must be drained of all charge before recharging. If it is topped up with charge, it develops a "memory", delivering back little more than the amount of charge used to top it up. Sony's lithium rechargeable system exhibits no such drawbacks.

The memory effect leaves users with a flat battery when they most need one. Even if warned of the danger, few can resist the temptation to top up their battery before leaving home to make video movies or work on a journey with a portable computer. Owners need to do this because a NiCd loses half its charge if left unused for a few months. A battery that should hold an hour's charge may only drive a camcorder for ten minutes. Lead-acid batteries can be topped up but are too heavy and only survive a few hundred charge cycles.

Sony's rechargeable lithium cell uses a

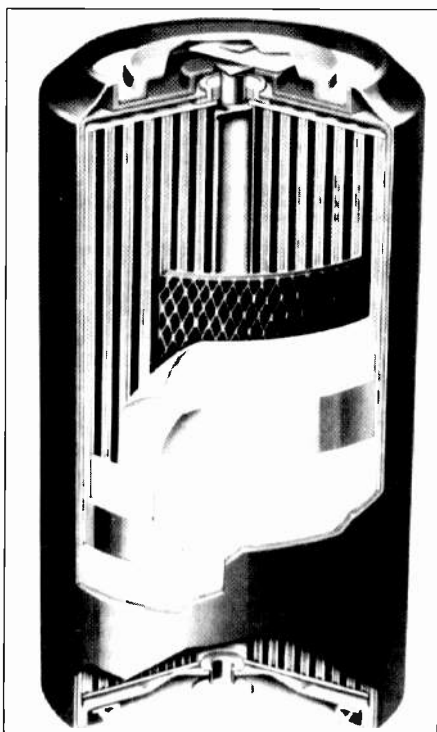


Blackpool optical illuminations: communication systems for the Radio Wave radio station operating from the Blackpool Tower use optical fibre cable. The installation by British Telecom involved running a 2000ft continuous length of cable under the street, down into the basement, and up through a 90 degree angle to the top of the Tower, 500 feet up. Because Blackpool Tower is a listed building with restrictions on drilling and structural interference, the cable was installed using a technique which "blows" it through a tube on a cushion of compressed air. The outer tube, carrying the cable, was lashed to the structure. BT has now installed more than two million kilometres of optical fibre in Britain.

carbon anode electrochemically doped with lithium. The cathode is made from a compound of lithium, cobalt, nickel and manganese. The anode carbon is doped with lithium during a first charging cycle. Some of the lithium moves from the cathode to the anode through non-aqueous electrolyte, a mix of propylene carbonate and diethyl carbonate. The anode carbon is derived from polyfurfuryl alcohol, with heat treatment at 1100°C after adding phosphorus-bearing compounds, such as phosphoric acid and phosphorus pentoxide.

Sony is committing heavily to the technology. Energytec's factory in Japan has installed a production line which can make 100,000 lithium ion batteries a month. The initial price will be 30% higher than a NiCd, but is expected to fall as production expands.

Sony believes that Lithium Ion batteries may finally make electric vehicles viable. **Barry Fox.**



Development work carried out by the University of St. Andrews and Dowty Batteries has also resulted in a rechargeable lithium manganese dioxide battery system which is claimed to have around 50 per cent more storage capacity of equivalent nickel cadmium cells. The St Andrews cell is said to have achieved almost 50W-hours/kg although commercial cells are still more than a year away.

Britain vetoes MAC subsidy

Europe's policy on high definition television (HDTV) has fallen apart after the UK blocked attempts to give a subsidy of up to 850m ECUs (£650m) to build a broadcasting infrastructure around MAC technology. At an EC telecoms ministers' meeting, both Britain and Denmark vetoed a French compromise proposal to agree on the principle of a MAC subsidy, leaving the

amount to be decided later.

Britain stood alone in rejecting a further meeting to discuss HDTV funding. A DTI spokesman said the government believed that if public money is to be spent on HDTV development it should go on technology with a long-term future, such as digital HDTV, rather than on a stop-gap analogue system like MAC.

LCD with integrated drivers

Researchers at GEC's Hirst Research Centre have developed an active matrix liquid crystal display (LCD) with driver circuits integrated on the glass substrate. The display is built using a low cost, low-temperature glass-compatible polysilicon process. Similar technologies use quartz substrates for the integrated driver circuitry. In a paper to be delivered at *Japan Display 1992*, researchers describe a 2.8in. diagonal display comprising 200 x 200 pixels, each driven by a dual gate nmos transistor. In the

architecture used, the row and column drivers are on opposite plates of the display. This maximises the yield of the matrix because there are no row/column crossovers.

The transistors' polysilicon active layer was built using a Rytrak low-power chemical vapour deposition machine to deposit silicon on to a glass substrate. GEC has already built 6.2in. 240 x 960 pixel LCDs using external drivers and claims that displays of this size are possible using the integrated driver technology.

Student aid for industry

USITT (the University of Southampton Institute of Transducer Technology) is co-ordinating a Student Project Scheme offering member companies the chance to submit science and engineering based projects for investigation by University undergraduates.

As part of their degree course, all science and engineering students are currently required to devote one day per week (for two terms) to a project. The Institute, having recognised that the students' time, labour and expertise could be successfully used to address latent ideas and problems faced by

industry, recently invited member companies to submit project ideas.

A number of assignments of interest have already been received. Companies who have not already suggested projects are welcome to do so. The projects may cover a variety of topics, ranging from the completely theoretical to the largely practical.

Although projects may be submitted at any time of the year, they will only be distributed to the relevant University Departments during the Autumn or Spring terms.

Britain loses to EC lobbyists

French electronics companies are increasing their influence with the European Commission, causing their British counterparts to lose out. Companies such as Bull, Alcatel, Thomson and France Telecom now have permanent lobbyists in Brussels.

For instance, French promoters of MAC-format TV for European HDTV were instrumental in persuading the Commission to spend 850m ECUs of European taxpayers' money on subsidies to promote

D2MAC (see story "Britain vetoes MAC subsidy").

The number of offices that represent French interests has risen from eight in 1988 to 72. Lobbying is left to trade associations by British companies. French companies, whose day to day operations involve support for European standards, are also quick to inform the Commission of possible transgression by Far Eastern companies, whether this involves local content or tariff infringements.

GPS breakthrough

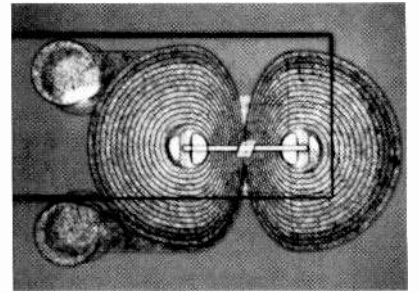
The cost of GPS (global positioning by satellite) RF circuitry is likely to fall as a result of GEC Plessey Semiconductors' launch of a highly integrated RF circuit.

Current GPS front-ends use a mixture of discrete components and GaAs ICs. The GP1010 is fabricated on a bipolar process with an f_T of 1.5GHz, the result of co-operation with the Canadian Marconi Company for application in their GPS avionics. It requires few external passive components to convert GPS L1-band spread-spectrum signal at 1575.42MHz to digital data.

The availability of low cost circuitry will help drive Global Positioning products into the commercial domain, so GPS receiver prices are certain to fall. This will encourage new markets to develop, such as vehicle Location, and handheld personal navigators for hikers and bikers.

Disk drive head integrated directly onto silicon. This revolutionary design by the French company Silmag also puts the head slider mechanics onto the same piece of silicon rather than a conventional thick film hybrid ceramic substrate.

Using silicon as the substrate material also allows the use of photolithography rather than micromachining in manufacture. The new heads will be made at Lincoln, England by GEC-Plessey Semiconductors.



Bulletin on electronics

Up-to-date information on microcontrollers and development tools can be had through a bulletin board set up by in-circuit emulation equipment manufacturer, Hitex.

The board is host to a wide range of information on popular microcontrollers and programming languages. It also houses the

C51 and C166 user groups for the 8051 and Siemens SAB80C166 devices.

It includes real applications and demonstration software can be downloaded free-of-charge. The board is open from 8.00am to 9.30pm Monday to Saturday. Membership is free and there is no charge for time spent on the system. Call 0203-690026

EMC test threat

Thousands of small electronics design houses could be driven out of business by the cost of getting prototype equipment and one-off units tested to conform with the EC's EMC Directive when it becomes effective after 1st January, 1996.

Small companies will be expected to conform to the Directive, even for single pieces of equipment. Testing costs could be as high as £10,000 for a troublesome piece of equipment.

Skills initiative welcomed

The Engineering Council has praised the Government's intention to produce greater numbers of young people with technical skills. Denis Filer, Director General of The Engineering Council, said that the Council welcomes the announcement by Education Secretary John Patten that he wishes "to see young people emerging from education with skills that are relevant to the needs of industry, skills which will make

them the Brunels and the Stephensons of the future".

Mr Filer said: "Mr Patten's pledge to provide funds to improve the quality and quantity of engineers and technicians is good news for the engineering profession, for industry and for the nation. It will not only help to rebuild our manufacturing sector but it will also help the United Kingdom to be more competitive in the international field".

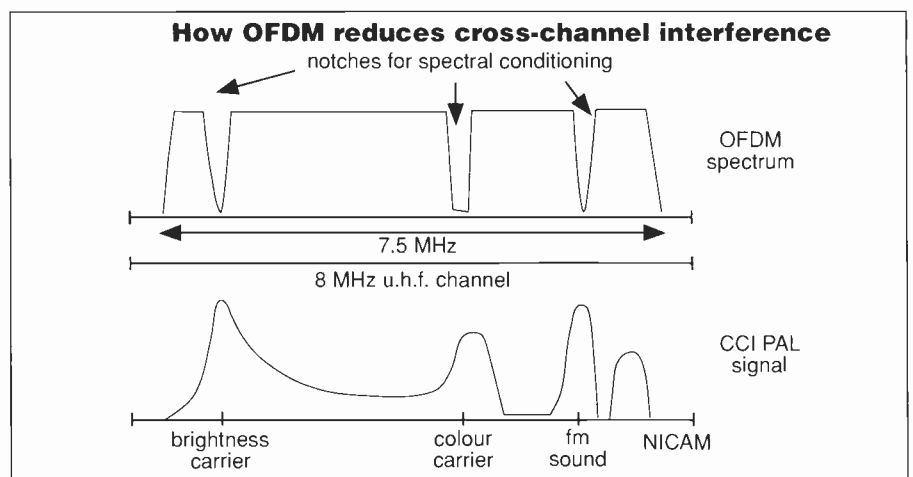
Digital HDTV success spells end for MAC

Just a year or so ago experts in digital signal processing, image compression and broadcasting were still arguing about the possibility of squeezing a digital high-definition television signal into a standard European terrestrial TV channel, just 8MHz wide.

Last week the BBC and French electronics giant Thomson CSF announced successful tests of a system which can squash not one but two full HDTV programmes into such a channel. Asked to fit a quart into a pint pot, Thomson and the BBC have managed to pour in a full gallon without spilling a drop.

The secret is a modulation technique that can achieve a data rate of 7.5bit/s for each Hertz of bandwidth. This enables the system to deliver a total data rate of 60Mbit/s in an 8MHz channel, more than enough to carry two HDTV signals after they have been squashed using the latest digital image compression techniques.

The system, developed by Thomson CSF and Laboratories Electroniques de Rennes (LER), is similar to the digital HDTV setup produced by the Swedish HD-Divine consortium which stole the show at the International Broadcasting Convention in Amsterdam in July. But by using a different



modulation technique Thomson and LER have increased the channel capacity.

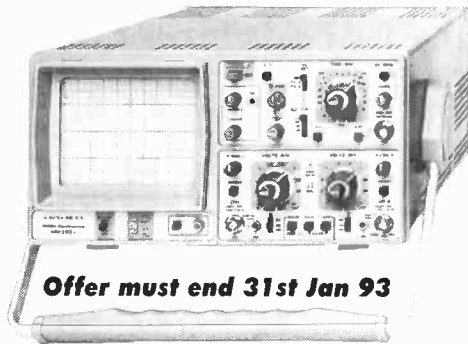
To send a raw digital HDTV signal (1250 lines, 25 frames per second), with the brightness information sampled at 72MHz and the colour at 36MHz, requires a data rate of around 1Gbit/s. But by using a combination of compression techniques this can be cut by a factor of 40 or so to 25Mbit/s.

First, a discrete cosine transform (DCT) is applied to blocks of 8x8 pixels in each frame. This converts the blocks into two-dimensional spatial frequency arrays, where each value in the array represents the magnitude of a particular spatial frequency component in the original block. The fact that the human eye finds it harder to detect

Continued over page

£30 off Europe's best selling oscilloscopes!

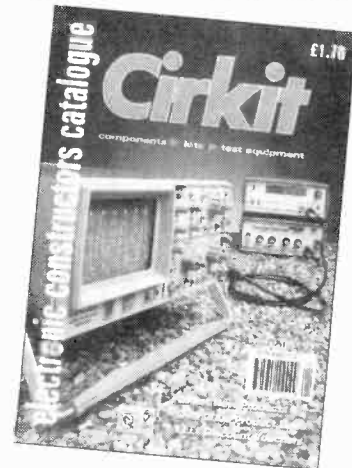
- Excellent quality, built to last a life time
- 2 year warranty
- Each 'scope supplied with 2 sets x10 probes, manual and mains lead.



Offer must end 31st Jan 93

PART NO.	DESCRIPTION	USUAL PRICE	OFFER PRICE
HM203-7	20MHz, dual channel, 1mV/cm, component tester	£338.00	£312.54
HM205-3	20MHz, digital storage/analogue 'scope	£610.00	£583.83
HM604	60MHz, dual channel, 1mV/cm, delay time base	£610.00	£583.83
HM1005	100MHz, 3 channel, 6 trace, delay time base	£792.00	£765.11

OUT NOW!



The Brand New Cirket Electronic Constructors Catalogue Winter 92/93

- 192 pages
- £££'s worth discount vouchers
- 100s new products.....

Books - the latest titles.

Capacitors - new range ceramic discs, extended ranges electrolytic and polyester types.

Computers - new CAD PCB layout software.

Connectors - extended ranges of BNC, Jacks, XLR and PCB types.

Filters - new narrow band ceramic and low pass TV filters.

Hardware - additions include new range control knobs, cabinet hardware and heatsinks.

Inductors - more additions to our already extensive range.

Kits - new additions to the Velleman range.

Rigs - handheld 'CB' transceiver, wavemeters, scanning receiver accessories.

Semis - new linear ICs, transistors and a complete new range of LEDs including blue types.

Speakers - new radio mic systems.

Test Equipment - new hand-held frequency meter and satellite TV dish alignment system.

And much more besides.....

- Available at larger newsagents or directly from Cirket.

£1.70
+ 30p p&p

Please mention this ad to ensure these prices.

Prices exclude VAT, which should be added at 17.5%.

Postage and packing; standard £1.19, next day delivery £3.92.

Prices correct at time of going to press, but may change in line with exchange rate fluctuations.



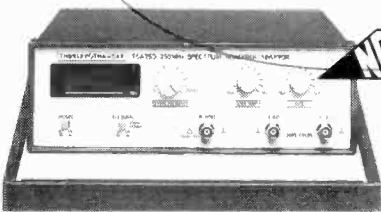
MULTIMETERS

The D-MM good value meters are now even D-MMer good value!!

The TM series of low cost meters, with 3 1/2 digit LCDs, full overload protection, strong ABS cases and packed with features. Supplied with test leads, battery and manual.

Offer must end 31st Jan 93

PART NO.	DESCRIPTION	USUAL PRICE	OFFER PRICE
TM 5315	DC current (10A) continuity and diode test	£17.01	£16.38
TM 5365	Capacitance and frequency (200kHz) ranges	£31.06	£25.52
TM 5375	Frequency range (20MHz) and HFE test	£31.45	£26.80
TM 115	AC & DC current (10A), HFE and continuity test	£27.66	£26.37
TM 135	Capacitance ranges, temp. (inc probes), HF, diode and continuity test	£39.11	£35.32
TM 175	Freq. (15MHz), capacitance ranges with HFE, diode, continuity & LED test	£45.62	£38.30
TM 8020	3 3/4 digit display, freq. (4MHz), capacitance (40uF), AC+DC current to 20A	£46.60	£42.51
TM 8030	3 3/4 digit display, freq. (4MHz), temp. (inc probe), AC+DC current to 20A	£51.03	£47.23
7705	Capacitance meter, 1pF to 20,000uF	£33.89	£30.55



SPECTRUM ANALYSER ADAPTOR

The new TSA250 will adapt any conventional 'scope into a highly cost effective spectrum analyser. With numerous applications in RF design and development work, EMC investigations, and education.

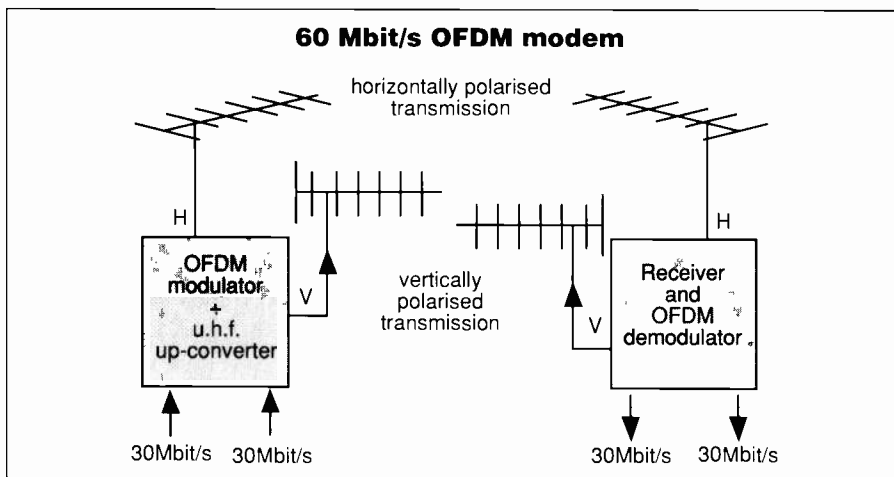
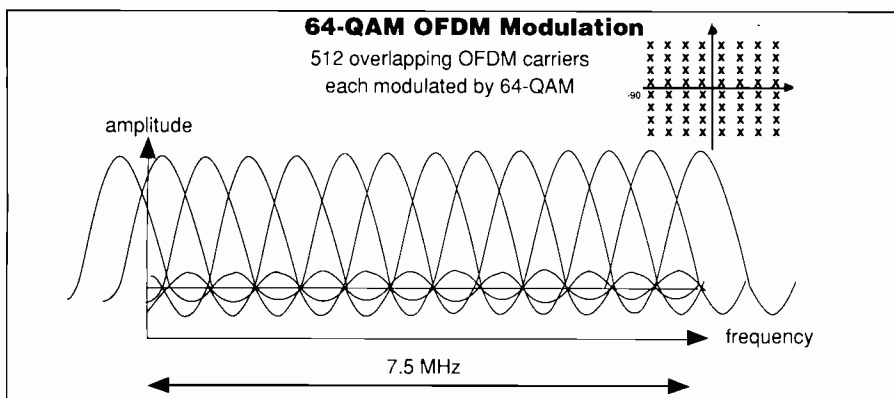
TSA250 **£341.00**

- 400kHz to 250MHz frequency range
- LC display of centre frequency
- Calibration marker

Cirket

CIRKIT DISTRIBUTION LTD

Park Lane · Broxbourne · Hertfordshire · EN10 7NQ Telephone (0992) 444111 · Fax (0992) 464457



errors in images with higher spatial frequencies means that it is possible to get away with using fewer bits to code the high frequency components.

Other techniques take advantage of the relationships between adjoining pixels, either next to each other in the same frame or in the same place in adjacent frames. Coding the differences between these pixels rather than the raw colour and brightness information produces a big data rate saving.

Finally, a variable length coding system is used to minimise the number of bits required to code the compressed difference signal. The codings are chosen so that the most common values (ie the values of difference information most likely to occur) are given the shortest code numbers. The same technique is used in Morse Code, where the most common letters are given codes with just one or two pulses.

Impressive though these compression techniques are, they are now well established. The really clever part is the way Thomson and LER have managed to achieve a spectral data density of 7.5 bits per second per Hertz.

At the heart of the modulation system is a technique known as orthogonal frequency division multiplexing (OFDM). This spreads the signal across the entire 8MHz bandwidth in a very efficient way, at the same time allowing some freedom to avoid parts of the channel where interference is most likely to occur.

Instead of a single carrier frequency, the

picture information is divided between a large number (in this case 512) of closely-spaced but independent carriers (see diagram). Although the frequency bands associated with these carriers overlap the signal do not interfere because the carriers are orthogonal to each other.

The technique is analogous to replacing a single signal cable carrying data at a high rate with lots of smaller wires in parallel, each carrying a much lower data rate.

Because the data rate on each carrier is relatively low, around 60kbit/s, problems such as ghosting caused by reflections from buildings can be virtually eliminated. The delay between the original and reflected signal is generally much shorter than the gap between pulses in the original signal, so the two cannot be confused.

Another advantage of OFDM is that the orthogonal carriers can be spaced across the frequency band in a way that minimises interference with PAL TV signals from nearby transmitters. Carriers close to the peaks of the PAL luminance, colour and sound carrier frequencies are not used, leaving notches in the OFDM spectrum. In the BBC tests the system was able to tolerate a PAL signal in the same channel with a power 12dB lower than the digital signal, ie about a sixteenth as strong, without any affect on the picture quality. A PAL signal would show considerable picture interference with a second signal this strong. The compressed TV signal is coded using 64-state quadrature amplitude modulation (64-QAM) on each of the 512 orthogonal carriers. Each cycle is coded into one of 64 states, created by combining eight possible values of amplitude and eight values of phase angle. This means each cycle on each carrier can send a 6-bit number (since $2^6 = 64$).

Using these modulation methods an 8MHz channel can carry up to 30Mbit/s. The final trick is to double this by sending two separate signals in the same channel, one polarised vertically and the other horizontally.

In successful tests last month the BBC showed that the modulation technique can work at the data rates proposed, using standard definition TV signals. The next step is to repeat the tests for full HDTV pictures, using prototype compression hardware.

Karl Schneider, *Electronics Weekly*

Superconductors wired for action

US government researchers profess to be close to developing a way of forming high temperature superconductor materials into usable wires. This has previously posed a problem: the materials are very fragile; wires formed from them are brittle and cannot handle large current loads.

Ames researchers have teamed up with researchers from Babcock and Wilcox, a firm that specialises in manufacturing

furnace insulation fibres. They have adapted a B&W technique that produces superconductor wires five times more flexible than types previously manufactured.

The wires are formed by forcing molten superconductor material through a supersonic nozzle. The material cools quickly when it emerges and solidifies into long fibres.

Physics degree "best in Europe"

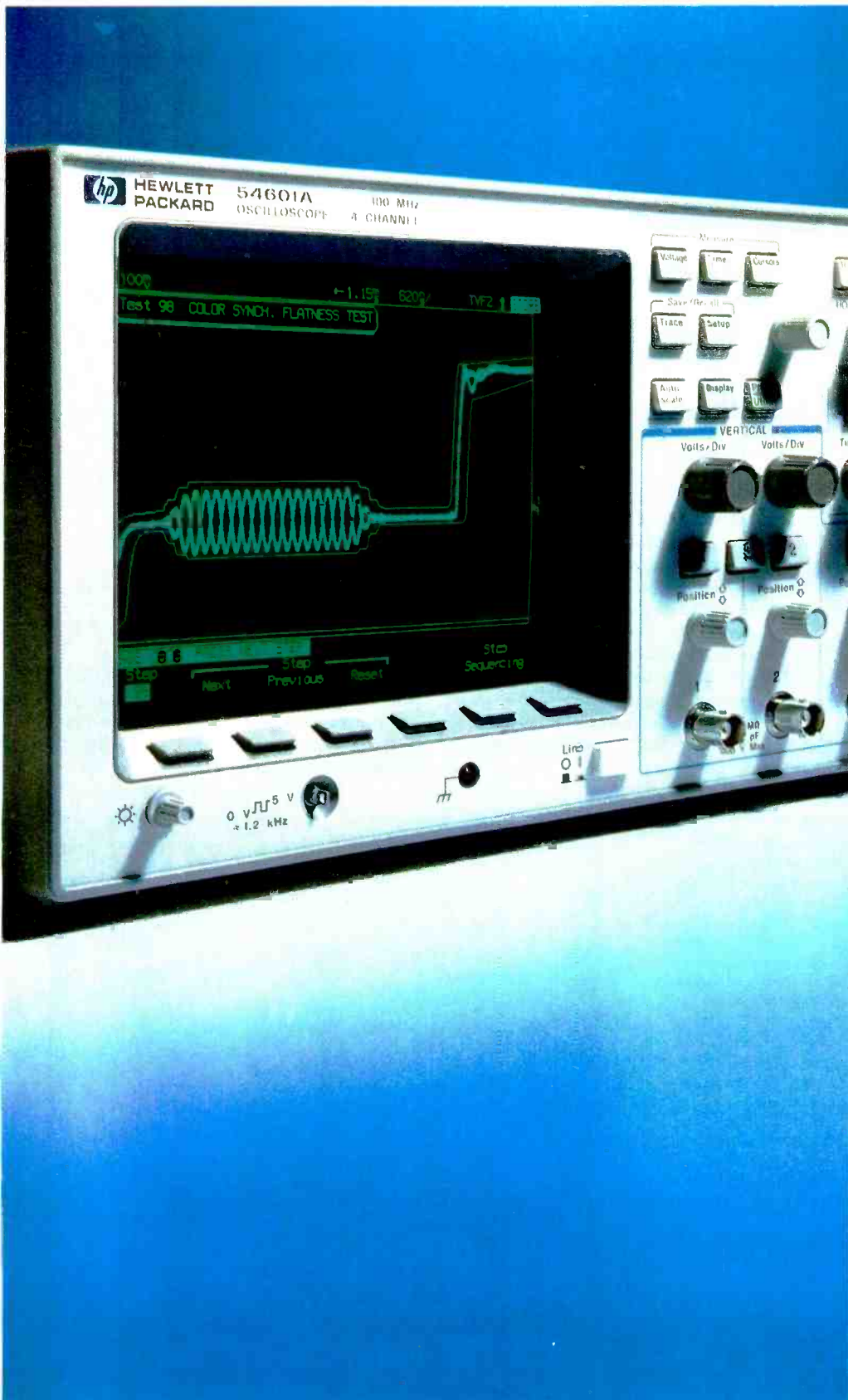
The Institute of Physics has singled out Sheffield Hallam University's Engineering Physics degree course as "inspirational and unique in Europe".

The lead editorial in the institute's journal *Physics World* claimed that the erstwhile polytechnic had put together a course which could deliver skills not only in physics, but

in applied engineering. Graduates will be able to take a direct route to either chartered engineering or physics.

Course content includes instrumentation and measurement, modern materials and maths/computer modelling of physical systems. The course includes a year long industrial placement.

Within budget. Without compromise.



The value of this 100 MHz digital scope is easy to see.

Take a close look at the HP 54600 oscilloscope, and you can't help but notice certain things.

It looks and feels like an analogue scope, with dedicated knobs and a display that responds instantly to your control changes. Yet it has all the digital power that analogue can't give you – high accuracy, automatic measurements, hard copy output and programmability. And superior viewing of virtually any waveform, even at low rep rates and slow sweep speeds.

But what really stands out is that the HP 54600 gives you this performance for just £1860 (4-channel) and £2160 (2-channel version)* And that's a value worth looking into.

For more information, or same-day shipment, call HP DIRECT, 0344 362867. And we'll send you a data sheet.

HP 54600 Digital Oscilloscope	
No. of channels	2 or 4
Bandwidth	100 MHz
Timebase accuracy	±0.01%
Vertical accuracy	±1.5%

There is a better way.

 **HEWLETT
PACKARD**

*As at 1 September 1992
CIRCLE NO. 107 ON REPLY CARD

RESEARCH NOTES

Diamonds make chips sparkle

A breakthrough in the manufacture of synthetic diamonds is set to open up the possibility of faster, denser and more powerful chips. Researchers at AT & T Bell Labs in Murray Hill, NJ, and Crystallume Inc of California, have come up with what looks like a practical answer to the seemingly insurmountable problem of heat dissipation.

Removing heat from a semiconductor junction depends on creating good thermal contact between the junction and the outside world. But good conductors of heat are also usually good conductors of electricity, so they cannot be used as the first link in the "heat chain". Instead, insulators – often silica or ceramics – are used to transport heat for those critical first few microns of its journey to a metal heat-sink. In general electrical insulators are many times poorer than metals at conducting heat. Unless they happen to be one of the world's most remarkable... diamond.

John Graebner who heads the team from Bell Labs says that diamond is about five times better as a heat conductor than copper, largely because of the very stiff carbon-carbon bonds in diamond and also because of the highly rigid nature of the crystal lattice.

Unfortunately, slicing up the *Koh-i-Noor* to make substrates for chips is not altogether

practical, which is why Graebner and others have been eagerly pursuing the idea of making synthetic diamonds. For nearly 15 years, a whole variety of approaches has been adopted in the search for a practical method of making useful synthetic diamond. Chemical vapour deposition (CVD) is now one of the most successful methods, producing diamond deposits of up to a millimetre in thickness and covering a substrate 100mm in diameter. These are films of tiny interlocked crystals rather than single crystal diamonds. But Graebner says that they have improved so much in recent years that their thermal properties are becoming as good as single crystal gemstones. "As little as a year ago the films were generally black because of impurities and defects, but now you can buy films that are optically transparent."

Latest research (*Nature*, Vol 359 No 6394), has led to diamond films that conduct heat as well as copper on their bottom surface, but five to six times *better* near the top.

This remarkable result shows that some synthetic diamond is as good as the best natural gemstones. Graebner says that the achievement will open the way to the widespread use of diamond films as heat spreaders under many high-powered electronic devices.

Glimpsing the limits (and potential) of magnetic storage

For the first time the quantum effect that may limit the amount of information storable on magnetic media such as tapes and disks has been observed. The effect – macroscopic quantum tunnelling – becomes significant at sizes about an order of magnitude smaller than those used by present magnetic recording technology and represents an ultimate barrier to how much data can be stored. Its occurrence in magnetic materials has been predicted for about 20 years, though until now it has not been seen.

But macroscopic quantum tunnelling, causing groups of magnetic atoms to act as single magnetic units, has now been reported by scientists from the University of California Santa Barbara and the IBM Thomas J Watson Research Center, Yorktown Heights, in a naturally-occurring iron-containing protein called ferritin (*Science*, Vol. 258 p.414).

Ultra-sensitive magnetic measurement techniques allowed researchers to record the behaviour of magnets one hundredth the size of those previously studied. They found that when the 4500 iron atoms making up a ferritin core were cooled to liquid helium tem-

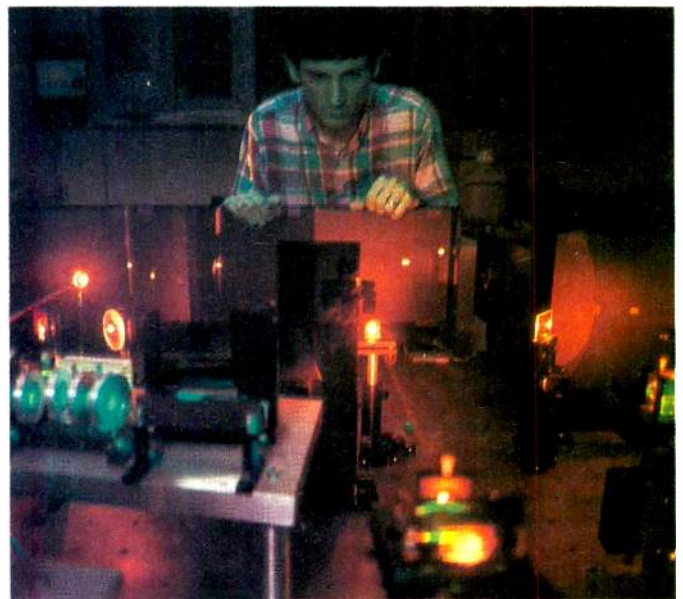
Chaotic communications: Research into the behaviour of laser systems at the US's Georgia Tech has revealed a new aspect of chaos and highlighted possible problems for fibre optics communications.

Work at the institute, sponsored by the National Science Foundation and Department of Energy's Chemical Science's Division – has shown that at certain placements, light travelling through the lasing crystal moves at slightly different velocities depending on its polarisation. When these velocities interact with similar variations in the laser's frequency doubling crystal, chaotic fluctuations result in the amplitude of the light beam.

Georgia scientists are using the effect to investigate chaos, applying their results to such areas as data encryption and even the mathematics of Josephson junctions which behave as a similar type of oscillator to the laser system.

But the research also reveals a potential problem for fibre-optic telecomms. In the drive to carry more information, fibre-optic engineers are adding more signals on ever closer frequencies. At the same time, signals are being increased in intensity to reduce the number of repeater stations needed to convey telecomms over long distances.

Georgia's programme is showing that if the frequency separation between pulses is small and the intensity of the pulses is high then they start interacting with each other through the non-linear susceptibility of the fibre optic media. Under certain conditions the effect could be to make cable systems unstable because signals will become chaotic, leading to scrambling of communications.



Picture: Joe Schwartz

MICROWAVE CONTROL PANEL. Mains operated, with touch switches. Complete with 4 digit display, digital clock, and 2 relay outputs one for power and one for pulsed power (programmable) ideal for all sorts of precision timer applications etc. Now only £4.00 ref 4P151. Good experimenters board

FIBRE OPTIC CABLE. Stranded optical fibres sheathed in black PVC. Five metre length £7.00 ref 7P29R or £2 a metre

12V SOLAR CELL. 200mA output ideal for trickle charging etc. 300 mm square. Our price £15.00 ref 15P42R. Gives up to 15v.

PASSIVE INFRA-RED MOTION SENSOR. Complete with daylight sensor, adjustable lights on timer (8 secs -15 mins), 50' range with a 90 deg coverage. Manual override facility. Complete with wall brackets, bulb holders etc. Brand new and guaranteed. Now only £19.00 ref 19P29

Pack of two PAR38 bulbs for above unit £12.00 ref 12P43R

VIDEO SENDER UNIT. Transmits both audio and video signals from either a video camera, video recorder or computer to any standard TV set within a 100' range (tune TV to a spare channel), 12v DC op. £15.00 ref 15P39R. Suitable mains adaptor £9.00 ref 5P191R. Turn your camcorder into a cordless camera!

FM TRANSMITTER. Housed in a standard working 13A adapter (bug is mains driven). £26.00 ref 26P2R. Good range device.

MINIATURE RADIO TRANSCEIVERS. A pair of walkie talkies with a range of up to 2 kilometres. Units measure 22x52x155mm. Complete with cases and earpieces. £30.00 ref 30P12R

FM CORDESS MICROPHONE. Small hand held unit with a 500' range! 2 transmit power levels. Reqs PP3 battery. Tuneable to any FM receiver. Our price £15 ref 15P42AR

12 BAND COMMUNICATIONS RECEIVER. 9 short bands, FM, AM and LW/DX/local switch, tuning 'eye' mains or battery. Complete with shoulder strap and mains lead. £19 ref 19P14R. Ideal for listening all over the world.

CAR STEREO AND FM RADIO. Low cost stereo system giving 5 watts per channel. Signal to noise ratio better than 45db, wow and flutter less than .35%. Neg earth. £19.00 ref 19P30

LOW COST WALKIE TALKIES. Pair of battery operated units with a range of about 200'. Our price £8.00 a pair ref 8P50R. Ideal for garden use or as an educational toy.

7 CHANNEL GRAPHIC EQUALIZER. plus a 60 watt power amp! 20-21kHz 4-8R 12-14v DC negative earth. Cased. £25 ref 25P14R

NICAD BATTERIES. Brand new top quality. 4 x AA's £4.00 ref 4P44R. 2 x C's £4.00 ref 4P73R. 4 x D's £9.00 ref 9P12R. 1 x PP3 £6.00 ref 6P35R. Pack of 10 AAA's £4.00 ref 4P92R

TOWERS INTERNATIONAL TRANSISTOR SELECTOR GUIDE. The ultimate equivalents book. New ed. £20.00 ref 20P32R

GEIGER COUNTER KIT. Complete with tube, PCB and all components to build a battery operated geiger counter. £39.00 ref 39P1R

FM BUG KIT. New design with PCB embedded coil. Transmits to any FM radio. 9v battery req'd. £5.00 ref 5P158R. 35mm square.

FM BUG. Built and tested superior 9v operation. £14.00 ref 14P3R

COMPOSITE VIDEO KITS. These convert composite video into separate H sync, V sync and video. 12v DC. £6.00 ref 6P39R

SINCLAIR C5 MOTORS. 12v 29A (full load) 3300 rpm 6" x 4" 1/4" O/P shaft. New. £20.00 ref 20P22R. Limited stocks.

As above but with fitted 4 to 1 inline reduction box (800rpm) and toothed nylon belt drive cog £40.00 ref 40P8R. 800 rpm.

ELECTRONIC SPEED CONTROL KIT for c5 motor. PCB and all components to build a speed controller (0-95% of speed). Uses pulse width modulation. £17.00 ref 17P3R. Potentiometer control.

SOLAR POWERED NICAD CHARGER. Charges 4 AA nicads in 8 hours. Brand new and cased. £6.00 ref 6P39R. 2x cell model £6.00

ACORN DATA RECORDER ALF503. Made for BBC computer but suitable for others. Includes mains adapter, leads and book. £15.00 ref 15P43R

VIDEO TAPES. Three hour superior quality tapes made under licence from the famous JVC company. Pack of 10 tapes. New low price £15.00 ref J15P4

PHILIPS LASER. 2MW HELIUM NEON LASER TUBE. BRAND NEW FULL SPEC £40.00 REF 40P10R. MAINS POWER SUPPLY KIT £20.00 REF 20P33R. READY BUILT AND TESTED LASER IN ONE CASE £75.00 REF 75P4R.

12 TO 220V INVERTER KITS. As supplied it will handle up to about 15w at 220v but with a larger transformer it will handle 80 watts. Basic kit £12.00 ref 12P17R. Larger transformer £12.00 ref 12P41R

VERO EASY WIRE PROTOTYPING SYSTEM. Ideal for designing projects on etc. Complete with tools, wire and reusable board. New low bargain price only £2.00 ref B2P1

25 WATT STEREO AMPLIFIER IC. STK043. With the addition of a handful of components you can build a 25 watt amplifier. £4.00 ref 4P68R (Circuit dia included)

BARGAIN NICADS AAA SIZE 200MAH 1.2V PACK OF 10. £4.00 REF 4P92R. PACK OF 100 £30.00 REF 30P16R

FRESNEL MAGNIFYING LENS. 83 x 52mm £1.00 ref BD827R

12V 19A TRANSFORMER. Ex equipment £20 but OK.

ULTRASONIC ALARM SYSTEM. Once again in stock these units consist of a detector that plugs into a 13A socket in the area to protect. The receiver plugs into a 13A socket anywhere else on the same supply. Ideal for protecting garages, sheds etc. Complete system now only £19!!!

286 MOTHER BOARDS. Brand new and tested complete with technical manual. £34.00 ref L34P1

UNIVERSAL BATTERY CHARGER. Takes AA's, C's, D's and PP3 nicads. Holds up to 5 batteries at once. New and cased, mains operated. £6.00 ref 6P36R

IN CAR POWER SUPPLY. Plugs into cigar socket and gives 3.4, 5, 6, 7, 5, 9, and 12v outputs at 800mA. Complete with universal spider plug. £5.00 ref 5P167R

RESISTOR PACK. 10 x 50 values (500 resistors) all 1/4 watt 2% metal film. £5.00 ref 5P170R.

QUICK CUPPA? 12v immersion heater with lead and cigar lighter plug. £3.00 ref 3P92R. Ideal for tea on the move!

LED PACK. .50 red, .50 green, .50 yellow all 5mm. £8.00 ref 8P52

IBM PRINTER LEAD. (D25 to centronics plug) 2 metre parallel. £5.00 ref 5P186R. 3 metre version £6.00 ref 6P50

COPPER CLAD STRIP BOARD. 17" x 4" of 1" pitch 'vero' board. £4.00 a sheet ref 4P62R or 2 sheets for £7.00 ref 7P22R

STRIP BOARD CUTTING TOOL. £2.00 ref 2P352R

WINDUP SOLAR POWERED RADIO! FM/AM radio takes rechargeable batteries. Complete with hand charger & solar panel 14P200R. Set of 2 AA nicads £2 ref L2P9

PC STYLE POWER SUPPLY. Made by AZTEC 110v or 240v input +5 @ 15A +12 @ 5A -12 @ 5A -5 @ 3A. Fully cased with fan, on/off switch, IEC inlet and standard PC fly-leads. £15.00 ref F15P4



AMSTRAD MP3
UHF/VHF TV RECEIVER/CONVERTER
CONVERTS COLOUR MONITOR INTO A TV!
£9.00

TELEPHONE HANDSETS
10 brand new handsets with mic and speaker only £3.00 ref 3P146R

BENCH POWER SUPPLIES
Superbly made fully cased (metal) giving 12v at 2A plus a 6V supply. Fused and short circuit protected. For sale at less than the cost of the case! Our price is £4.00 ref 4P103R

SPEAKER WIRE
Brown twin core insulated cable 100 feet for £2.00 REF 2P79R

DISC DRIVES
Customer returned units mixed capacities (up to 1.44M) We have not sorted these so you just get the next one on the shelf. Price is only £7.00 ref 7P1R (worth it even as a stripper)

MICROSCOPE 1200X MAGNIFICATION
Brand new complete with shrimp hatchery, shrimps, prepared slides, light etc. £29.00 ref J29P4

LIGHT ALARM SYSTEM
Small cased alarms that monitor a narrow beam area for sudden changes in light level. Complete with siren that sounds for a preset time when unit is triggered. £7.00 ref J7P1

JOYBALLS
Back in stock popular Commodore/Atari equiv (replace standard joystick) £5.00 ref J5P8

AMSTRAD 1640DD BASE UNITS
BRAND NEW AND CASED
TWO BUILT IN 5 1/4" DRIVES
MOTHER BOARD WITH 640K MEMORY
KEYBOARD, MOUSE & MANUAL
OUR PRICE JUST
£79!!!!

CAR BATTERY CHARGER
Brand new units complete with panel meter and leads. 6 or 12v output. £7.00 ref J7P2

CUSTOMER RETURNED SPECTRUM +2
Complete but sold as seen so may need attention. £25.00 ref J25P1 or 2 for £40.00 ref J40P4

CUSTOMER RETURNED SPECTRUM +3
Complete but sold as seen so may need attention. £25.00 ref J25P2 or 2 for £40.00 ref J40P5

SCART TO D TYPE LEADS
Standard Scart on one end, Hi density D type (standard VGA connector) on the other. Pack of ten leads only £7.00 ref 7P2R

OZONE FRIENDLY LATEX
250ml bottle of liquid rubber sets in 2 hours. Ideal for mounting PCB's. Fixing wires etc. £2.00 each ref 2P379R

VIEWDATA SYSTEMS
Brand new units made by TANDATA complete with 1200/75 built in modem infra red remote controlled qwerty keyboard BT approved Prestel compatible, Centronics printer port RGB colour and composite output (works with ordinary television) complete with power supply and fully cased. Our price is only £20.00 ref 20P1R

AC STEPDOWN CONVERTER
Cased units that convert 240v to 110v 3" x 2" with mains input lead & 2 pin American output socket (suitable for resistive loads only). Our price £2.00 ref 2P381R

CURLY CABLE
Extends from 8" to 6 feet! D connector on one end, spade connectors on the other ideal for joysticks etc (6 core). £1.00 each ref CD44R

COMPUTER JOYSTICK BARGAIN
Pack of 2 joysticks only £2.00 ref 2P382R

BUGGING TAPE RECORDER
Small hand held cassette recorders that only operate when there is sound then turn off 6 seconds after so you could leave in a room all day and just record anything that was said. Price is £20.00 ref 20P3R

NEW SOLAR ENERGY KIT
Contains 8 solar cells, motor, tools, fan etc plus educational booklet. Ideal for the budding enthusiast! Price is £12.00 ref 12P2R

286 AT PC
286 MOTHER BOARD WITH 640K RAM FULL SIZE METAL CASE, TECHNICAL MANUAL, KEYBOARD AND POWER SUPPLY. £139 REF 139P1 (no i/o cards or drives included) Some metal work req'd phone for details.

286 MOTHER BOARD WITH 640K RAM FULL SIZE METAL CASE, TECHNICAL MANUAL, KEYBOARD AND POWER SUPPLY. £139 REF 139P1 (no i/o cards or drives included) Some metal work req'd phone for details.

286 MOTHER BOARD WITH 640K RAM FULL SIZE METAL CASE, TECHNICAL MANUAL, KEYBOARD AND POWER SUPPLY. £139 REF 139P1 (no i/o cards or drives included) Some metal work req'd phone for details.

286 MOTHER BOARD WITH 640K RAM FULL SIZE METAL CASE, TECHNICAL MANUAL, KEYBOARD AND POWER SUPPLY. £139 REF 139P1 (no i/o cards or drives included) Some metal work req'd phone for details.

286 MOTHER BOARD WITH 640K RAM FULL SIZE METAL CASE, TECHNICAL MANUAL, KEYBOARD AND POWER SUPPLY. £139 REF 139P1 (no i/o cards or drives included) Some metal work req'd phone for details.

286 MOTHER BOARD WITH 640K RAM FULL SIZE METAL CASE, TECHNICAL MANUAL, KEYBOARD AND POWER SUPPLY. £139 REF 139P1 (no i/o cards or drives included) Some metal work req'd phone for details.

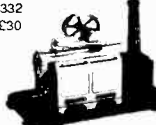
286 MOTHER BOARD WITH 640K RAM FULL SIZE METAL CASE, TECHNICAL MANUAL, KEYBOARD AND POWER SUPPLY. £139 REF 139P1 (no i/o cards or drives included) Some metal work req'd phone for details.

286 MOTHER BOARD WITH 640K RAM FULL SIZE METAL CASE, TECHNICAL MANUAL, KEYBOARD AND POWER SUPPLY. £139 REF 139P1 (no i/o cards or drives included) Some metal work req'd phone for details.

286 MOTHER BOARD WITH 640K RAM FULL SIZE METAL CASE, TECHNICAL MANUAL, KEYBOARD AND POWER SUPPLY. £139 REF 139P1 (no i/o cards or drives included) Some metal work req'd phone for details.

CAMERAS. Customer returned units. 3 for £10 ref L10P2

STEAM ENGINE. Standard Mamod 1332 engine complete with boiler piston etc. £30 ref 30P200



TALKING CLOCK
LCD display, alarm, battery operated. Clock will announce the time at the push of a button and when the alarm is due. The alarm is switchable from voice to a cock crowing! £14.00 ref 14P200 R

HANDHELD TONE DIALERS
Small units that are designed to hold over the mouth piece of a telephone to send MF dialling tones. Ideal for the remote control of answer machines. £5.00 ref 5P209R

AMAZING TALKING COINBOX!
Fully programmable talking, lockable coinbox BT approved, retail price is £73 ours is just £29! ref J29P2

ANSWER PHONES £15
Customer returned units with 2 faults one we tell you how to fix the other you do your self! £18 ref J18P2 or 4 for £60 ref J60P3 BT approved. retail price £79 95! each)

COMMODORE 64 MICRODRIVE SYSTEM
Complete cased brand new drives with cartridge and software 10 times faster than tape machines works with any Commodore 64 setup. The original price for these was £49.00 but we can offer them to you at only £25.00! Ref 25P1R

90 WATT MAINS MOTORS. Ex equipment but ok. Good general purpose unit. £9.00 ref F9P1

HI FI SPEAKER BARGAIN. Originally made for TV sets they consist of a 4" 10 watt 4R speaker and a 2" 140R tweeter. If you want two of each plus 2 of our crossovers you can have the lot for £5.00 ref F5P2

EMERGENCY LIGHTING SYSTEM
Fully cased complete with 2 adjustable flood lights. All you need is a standard 5v lead acid battery. Our price is just £10 ref J10P29

AMSTRAD 464 COMPUTERS
Customer returned units complete with a monitor for just £35! These units are sold as faulty and are not returnable.

WOLSEY DMAC DECODERS
Made for installation in hotels etc as the main sat receiver no data but fully cased quality unit. £20 ref K20P1. Suitable psu £8 ref K8P3

SWITCHED MODE PSU
Fully cased unit 215mmx145mmx55mm supply +5, +12 and +20v well made case complete with mains lead. £8 ref K8P3

REMOTE CONTROLS
Brand new infra red CONTROLS originally made for controlling WOLSEY satellite receivers. £2 ea ref K2P1 or 20 for £19 ref K19P1

TELEPHONES
Modem 1 piece phones BT approved. Last no retail. £8 ref K8P1

386 TOWER SYSTEMS
Tower case 52cmx40cmx20cm. 2 fans, speaker, 275w psu. IEC I/L and O/L, 386 m/board with onboard disc controller, ethernet, display driver, parallel and serial ports. There are several IC's missing from the m/board plus no data! £79 ref K79P1.

DOS PACKS
Complete set of PC discs with MS DOS 3.2, Locomotive basic, gemdesktop and gemprint. No manuals, 5 1/4" discs. £10 ref K10P2

CORDESS THE CLIP MICROPHONE
Transmits between 88-108MHz FM. 5.2cm x 2cm, uses LR44 watch battery. Complete with wire aerial & battery. £16 ref K16P1

CHASSIS MOUNT TRANSFORMERS
240v primary, 12v secondary 20VA £2 ref K2P2
240v primary, 16v secondary 10A (split winding) £10 ref L10P1
100 RED LED PACK (5MM) £5 REF K5P2
12V STEPPER MOTOR. Ideal for models etc. 3" dia. £2 ref J2P14

INFRA RED BEAM SWITCH. 24v DC 5m range source & sensor housed in plastic case. £12 ref J12P1

CAPACITOR BARGAIN PACK. 100 CERAMICS £2 REF J2P2.
SPECTRUM JOYSTICKS. TWO FOR £5 REF J5P2.

AMSTRAD PC CASE, POWER SUPPLY AND 1.44MEG FLOPPY DRIVE. ALL THIS FOR £44 REF L44P1

BUMPER PACK NO 1. 10 of our popular £1 packs for just £5 our choice of contents

BUMPER PACK NO 2. 25 of our popular £1 packs for just £12. Our choice of contents

LCD 1 X 32 DISPLAY. Bargain price of just £3 complete with loads of data for a similar display. £3 ref L3P1

USEFUL POWER SUPPLIES. 18v 900mA dc output (regulated) fully cased with mains cable and DC output cable. £6 ref K6P1

UNCASD PC POWER SUPPLIES. Standard PC psu without case, fan etc. Good for spare or low cost PC! £4 ref L4P6

RADAR DETECTORS. Detects X and K bands (ie speed traps). Not legal in the UK so only available if you intend to 'export' it. £59 ref J59P1

100 WATT MOSFET PAIR. Same spec as 25K343 and 25J413 (8A, 140v, 100w) 1 N channel and 1 P channel. £3 a pair ref J3P9

LOW COST CAPS. 1,000 capacitors £3 (33uf, 25v) ref J3P10

VELCRO. 1 metre length 20mm wide, blue. £2 ref J2P16

JUG KETTLE ELEMENTS. Good general purpose heating element just £3 ea ref J3P8 or 5 for £10 ref J10P3

VERY BIG MOTOR. 200v induction 1.1kw 1410 rpm 10"x7" GEC 1" keyed shaft. Brand new. £95 ref J95P1

BIG MOTOR. 220-240v 1425rpm 2.8A 5/8th" keyed shaft GEC 6.5" x 8" complete with mounting plate. £38 ref J38P1

SMALL MOTOR. Electrolux 160 watt 3,000 rpm, 220-240v 5/8" shaft, precision built £18 ref J18P1

EPROMS 27C64 PACK OF 10. £7 REF M7P1.
EPROMS 27C256 PACK OF 10. £9 REF M9P1.
EPROMS 27C512 PACK OF 10. £10 REF M10P1.
MODEMS FOR L1.257. These modems are suitable for stripping only hence they are only 4 for £5 ref J5P3

SOLAR POWERED WOODEN MODELS. Complete with solar panel, motor and full instructions. £9 ref J9P2. 3 diff £20 ref J20P3

TV SOUND RECEIVER. Fully cased, mains powered that need a speaker for stand alone use or could be wired into hi fi. £12 ref J12P2

SOUND OPERATED LIGHT. Clap your hands and light comes on. Turns after preset (4 AA's req'd). £2 ref J2P3

FERGUSON SRB1 REMOTE CONTROLS. Brand new units. Ideal for a spare or have two remotes! £4 each.

IN SUSSEX? CALL IN AND SEE US!

BULL ELECTRICAL
250 PORTLAND ROAD HOVE SUSSEX
BN3 5QT TELEPHONE 0273 203500
MAIL ORDER TERMS: CASH PO OR CHEQUE
WITH ORDER PLUS £3.00 POST PLUS VAT.
PLEASE ALLOW 7 - 10 DAYS FOR DELIVERY

FAX 0273 323077

SOME OF OUR PRODUCTS MAY BE UNLICENSABLE IN THE UK

CIRCLE NO. 108 ON REPLY CARD

peratures, their magnetic fields began to fluctuate in unison rather than freezing in place. Such behaviour is not consistent with classical theories of magnetic behaviour, but fits that predicted by quantum mechanics.

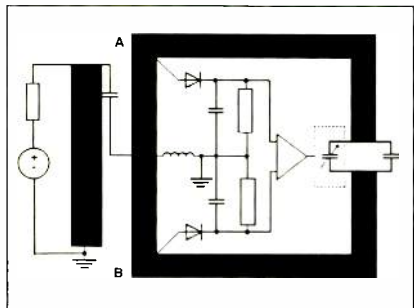
This form of quantum tunnelling appears at a scale of about 7nm, a size which therefore defines the upper limit for the amount of information that can be packed in a given space on a magnetic surface.

Commenting on the discovery, Dr Philip Stamp of the University of British Columbia says (*Nature*, Vol 359 No 6394) that the advance is important for a number of reasons, not least because it offers the opportunity to test the predictions of quantum mechanics. He goes further and suggests that the use of biological molecules (like ferritin) to do fundamental physics may lead to a new kind of applied physics using biologically-manufactured components. Stamp recollects the late Richard Feynman's advocacy of "quantum computers" – devices that could store 10^{20} bit/s in a volume of 1cm^3 . He adds that such a computer would dissipate less than 1mW at 0.25K and would easily exceed the total of all existing world computing power.

Antennas that tune themselves

A novel self-tuning loop antenna has been developed by two researchers from the University of Stellenbosch in South Africa (*Electronics Letters*, Vol 28, No. 22). It is a miniature etched loop, designed for portable VHF and UHF equipment and is capable of remaining resonant at the transmit frequency, even when the latter is altered, for example by changing channels.

Loop antennas have extremely desirable directional properties and are also compact. Their major disadvantage when used with hand-held equipment is that their



Self-tuning loop antenna, developed in South Africa, designed for portable VHF and UHF equipment.

X-rays to throw light on black holes

Scientists at Columbia University, along with those at the Lawrence Livermore National Laboratory, the Marshall Spaceflight Center and two Italian research institutes are preparing an X-ray astrophysical experiment to fly on a Russian satellite which will explore some of the most exotic objects in the Universe.

The experiment, made possible under an agreement announced by Nasa and the Russian Institute for Space Research, is based on an instrument designed to measure the polarisation of X-rays from space. The X-ray polarimeter, it is claimed, will be the most sensitive instrument of its type ever flown in space.

Polarisation measurements will help astrophysicists understand whether an X-ray emitting region of space contains a black hole – X-ray emission is thought to be one of the signs of the highly energetic processes going on in the vicinity of black holes. The polarimeter is also expected to reveal how rotating neutron stars – pulsars – emit X-rays.

The polarimeter package is designed to be placed on the Spectrum-Roentgen-Gamma satellite, scheduled to be launched by the Russians in mid-1995 with a 2t scientific

payload. Scientists will participate in experiments to be placed on the satellite, which will carry the most powerful X-ray and gamma ray detectors ever orbited.

The satellite's orbit will be highly elliptical, with an apogee of about 200,000km, ie about half the distance to the moon. A single orbit will last four days, creating the opportunity for unusually long uninterrupted observation of specific X-ray sources.

The polarimeters will be placed at the focus of one of two 8m focal length grazing incidence X-ray telescopes built for the project by Russia and Denmark. Unlike light or radio waves, X-rays cannot easily be focused to a point by means of lenses or conventional mirrors. Reflection is only possible when the beam hits a plate at a very small angle – like a stone skimming a pond.

The X-ray polarisers will be developed and calibrated at the Lawrence Livermore Laboratory, and the detectors will be supplied and tested by Columbia University and by research institutes in Frascati and Palermo, Italy. Marshall Spaceflight Center will be responsible for developing software to simulate the experiment and verify the overall design.

bandwidth is extremely narrow and the resonant frequency is affected by changes of temperature and by the proximity of conductive objects. So even if the tuning could be switched along with the transmitter's channel selector, it would not necessarily hold for long.

Step forward the self-adjusting antenna.

The South African loop is designed to monitor the transmit frequency, compare it with the actual resonant frequency of the antenna itself and then use a feedback loop to bring the antenna into tune. The loop is fed from the signal source in two distinct ways: magnetically using a short line and electrically through a capacitor.

The electrically coupled signal, injected at the centre of the loop, excites voltages that are symmetrical with respect to earth, so magnitude and phase of the voltages are therefore identical at points A and B, regardless of whether the antenna is resonant. The magnetically coupled signal, which forms the radiating component, induces voltages at A and B which are 180° out of phase with respect to each other and 90° out of phase with the electrically coupled signal. But only when the antenna is resonant. If the antenna drifts off resonance or the transmitter frequency

is changed, this 90° relationship no longer holds. Phase difference between the electric and magnetic components of the signal at points A and B changes in an opposite and equal way; one goes greater than 90° , the other less. The circuit shown in Fig. 1 is designed to rectify and subtract the signals, producing an error voltage proportional to the difference between the signal frequency and the antenna resonant frequency. Bringing the antenna into tune automatically is then a simple matter of using this error voltage to drive a voltage-controlled tuning capacitor.

The authors say that for a small milliwatt-sized transmitter a variable capacitance diode will do the job admirably. Their experiments with a system working at 402-406 MHz shows that it is possible in practice to increase the effective bandwidth of a small loop antenna by an order of magnitude compared with that of an uncompensated loop.

Research Notes is written by John Wilson of the BBC World Service

BARGAINS – Many New Ones This Month

THIS MONTH'S SNIP is a 250 Watt Toroidal Transformer which has tapped/ mains input and 3 secondaries: 230v 1 amp 20v and 6v but if these voltages are not quite what you want it is very easy to add an extra winding. 4 turns adds or subtracts 1 volt. You can also use this as a 250 watt isolation. Price only £10 but it's heavy so please add £2 carriage ~~if not collecting~~. Order Ref. 1CP97.

ANOTHER SNIP—Extra lightweight stereo headphones. Adjustable headband. Suitable for use with all types of cassette players and radios, only £1 per pair, Order Ref. 878.

6-12V AXIAL FAN is a Japanese-made 12v DC brushless axial fan, 93mm square. Its optimum is 12 but it performs equally well at only 6v and its current then is only 100mA.

FM CORDLESS RADIO MIKE, hand-held battery-operated professional model, has usual shaped body and head and is tuneable to transmit and be picked up on the FM band of any radio. Yours for only £8.50, Order Ref. 8.5P1.

4 MORE SPEAKERS:

Order Ref. 1.5P11 is Japanese-made 6½", 8ohm, rated at 12W max. This is a very fine reproducer. The makers are SANYO. Yours for £1.50

Order Ref. 900 is another Far East-made 6½", 4ohm, 12W max speaker. Very nicely made, using Japanese Hitachi tools and technique, only £1.

Order Ref. 896 is 6½", 6ohm, 10W, exceptionally good sounder and yours for only £1.

Order Ref. 897 is another 8ohm speaker rated at 5W but its unusual feature is that it has a built-in tweeter. Still only £1.

MULTI-CORE CABLES all with 8A 230V cores so suitable for disco and other special lighting effects. With earthable woven screen and thick pvc outer. 3-core, 30p per metre, 16-core, 50p per metre, 18-core, 80p per metre, 25-core, £1 metre and 36-core, £1.50 per metre.

YOU CAN STAND ON IT! Made to house GPO telephone equipment, this box is extremely tough and would be ideal for keeping your small tools. Internal size approx. 10½" x 4½" x 6" high. These are complete with snap closure lip and shoulder-length carrying strap. Taken from used equipment but in good condition, price £2, Order Ref. 2P283B.

BUILD YOUR OWN NIGHT LIGHT, battery charger or any other gadget that you want to enclose in a plastic case and be able to plug into a 13A socket. We have two cases, one 3½" x 2¼" x 1¾" deep, £1 each, Order Ref. 845. The other one is 2½" x 2¼" x 1¾" deep, 2 for £1, Order Ref. 565.

SAFETY LEADS curly coil so they contract but don't hang down. Could easily save a child from being scalded. 2-core, 5A, extends to 3m, £1, Order Ref. 846, 2-core, 13A, extends to 1m, £1 each, Order Ref. 847, 3-core, 13A, extends to 3m, £2 each, Order Ref. 2P290.

POWER SUPPLY WITH EXTRAS mains input is fused and filtered and the 12V dc output is voltage regulated. Intended for high-class equipment, this is mounted on a PCB and, also mounted on the board but easily removed, are 2 12V relays and a Piezo sounder. £3, Order Ref. 3P80B.

ULTRASONIC TRANSDUCERS 2 metal cased units, one transmits, one receives. Built to operate around 40kHz. Price £1.50 the pair, Order Ref. 1.5P/4.

100W MAINS TRANSFORMER normal primary 20–0–20 at 2.5A, £4, Order Ref. 4P24. 40V at 2.5A, £4, Order Ref. 4P59. 50V at 2A, £4, Order Ref. 4P60.

PHILIPS 9" HIGH RESOLUTION MONITOR black & white in metal frame for easy mounting, brand new, still in maker's packing, offered at less than price of tube alone, only £15, Order Ref. 15P/1.

16-CHARACTER 2-LINE DISPLAY screen size 85mm x 36mm. Alpha-numeric LCD dot matrix module with integral microprocessor made by Epson, their Ref. 16027AR, £8, Order Ref. 8P48.

INSULATION TESTER WITH MULTIMETER internally generates voltages which enable you to read insulation directly in megohms. The multimeter has four ranges. AC/DC volts, 3 ranges DC milliamps, 3 ranges resistance and 5 amp range. These instruments are ex British Telecom, but in very good condition, tested and guaranteed OK, probably cost at least £50 each, yours for only £7.50, with leads, carrying case £2 extra, Order Ref. 7.5P/4.

MAINS 230V FAN best make "PAPST" 4½" square, metal blades, £8, Order Ref. 8P8.

2MW LASER Helium Neon by PHILIPS, full spec. £30, Order Ref. 30P1. Power supply for this in kit form with case is £15 Order Ref. 15P16, or in larger case to house tube as well £18, Order Ref. 18P2. The larger unit, made up, tested and ready to use, complete with laser tube £69, Order Ref. 69P1.

½ HP 12V MOTOR – THE FAMOUS SINCLAIR C5 brand new, £15, Order Ref. 15P8.

SOLAR CHARGER holds 4 AA nicads and recharges these in 8 hours, in very neat plastic case, £6, Order Ref. 6P3.

FERRITE AERIAL ROD 8" Long x ¾" diameter, made by Mullard. Complete with 2 coil formers. 2 for £1, Order Ref. 832B.

AIR SPACED TRIMMER CAPS 2–20 pf ideal for precision tuning UHF circuits, 4 for £1, Order Ref. 818B.

FIELD TELEPHONES just right for building sites, rallies, horse shows, etc., just join two by twin wire and you have two-way calling and talking and you can join into regular phone lines if you want to. Ex British Telecom in very good condition, powered by batteries (not included) complete with shoulder-slung carrying case, £9.50, Order Ref. 9.5P/2.

MAINS ISOLATION TRANSFORMER stops you getting "to earth" shocks. 230V in and 230V out. 150watt upright mounting, £7.50, Order Ref. 7.5P/5 and a 250W version is £10, Order Ref. 10P79.

MINI MONO AMP on PCB. Size 4" x 2" with front panel holding volume control and with spare hole for switch or tone control. Output is 4 watts into 4-ohm speaker using 12V or 1 watt into 8-ohm using 9V. Brand new and perfect, only £1 each, Order Ref. 495.

AMSTRAD POWER UNIT 13.5V at 1.9A encased and with leads and output plug, normal mains input £6, Order Ref. 6P23.

ATARI 64XE COMPUTER at 65K this is quite powerful, so suitable for home or business, unused and in perfect order but less PSU, only £19.50, Order Ref. 19.5P/5B.

80W MAINS TRANSFORMERS two available, good quality, both with normal primaries and upright mounting, one is 20V 4A, Order Ref. 3P106, the other 40V 2A, Order Ref. 3P107, only £3 each.

PROJECT BOX size approx 8" x 4" x 4½" metal, sprayed grey, louvred ends for ventilation otherwise undrilled. Made for GPO so best quality, only £3 each, Order Ref. 3P74.

12V SOLENOID has good ½" pull or could push if modified, size approx 1½" long by 1" square, £1, Order Ref. 232.

15W 8-OHM 8" SPEAKER & 3" TWEETER made for a discontinued high-quality music centre, gives real hi-fi, and only £4 per pair, Order Ref. 4P57.

3V SOLAR PANEL price £3, Order Ref. 5P189.

SOLAR ENERGY EDUCATIONAL KIT an ideal present for electronics students. It shows how to make solar circuits and electrical circuits, how to increase the voltage current, how to use solar power to work a radio, calculator, cassette player and to charge nicad batteries. The kit comprises 8 solar cells, one solar motor, fan blades to fit motor and metal frame to hold it to complete a free-standing electric fan. A really well written instruction manual makes this a lovely little present. Price £8, Order Ref. 8P12B.

0–1MA FULL VISION PANEL METER 2¾" square, scaled 0100 but scale easily removed for re-writing. £1 each, Order Ref. 756.

PROJECT BOX a first-class, Japanese two-part moulding size 95 x 86 x 23mm.

This is nicely finished and very substantial. You get 2 for £1, Order Ref. 876.

12V 2A MAINS TRANSFORMER upright mounting with mounting clamp. Price £1.50, Order Ref. 1.5P8.

AM/FM RADIO CHASSIS with separate LCD module to display time and set off alarm. This is complete with loudspeaker but is not cased. Price £3.50, Order Ref. 3.5P5.

2, 3 AND 4-WAY TERMINAL BLOCKS the usual grid screw types. Parcel containing a mixture of the 3 types, giving you 100 ways for £1, Order Ref. 875.

12/24V DC SOLENOID constructed so that it will push or pull, plunger is a combined rod and piston. With 24V is terrifically powerful but is still very good at 12V and, of course, with any intermediate voltage with increasing or decreasing power. It has all the normal uses of a solenoid and an extra one, if wired in series with a make and break, this could be a scribing tool for marking plastics and soft metals. We welcome other ideas and will give a £25 credit voucher for any used. Price £1, Order Ref. 877.

2M 3-CORE LEAD terminating with flat pin instrument socket, £1, Order Ref. 879. Ditto but with plug on the other end so that you could use this to extend an instrument lead. £1.50, Order Ref. 1.5P10.

INFRA RED RECEIVER CONTROLLER, made by Thorn to channel switch their T.V. receivers. Mounted on panel with luminous channel indicator, mains on/off switch, leads and plugs all yours for £2, Order Ref. 2P304.

HIGH QUALITY KEY SWITCH, single pole on/off or change-over through panel mounted by hexagonal nut. Complete with 2 keys. Regular price £3, our price £1.50, Order Ref. 1.5P12.

DIGITAL MULTI TESTER M3800, single switching covers 32 ranges including 20A ac and dc. 10 meg input impedance, 3½ LCD display. Complete with carrying case and lead. Currently advertised by many dealers at nearly £40, our price only £25, Order Ref. 25P14.

ANALOGUE TESTER, input impedance 2K ohms per volt. It has 14 ranges, ac volts 0–500, dc volts 0–500, dc current 500 micro amps at 250 milliamp, resistance 0–1 meg-ohm, decibels 20 ±56dB. Fitted diode protection, overall size 90x60x30mm. Complete with test prod's, price £7.50, Order Ref. 7.5P8.

2" 50 OHM LOUDSPEAKER, replacement for pocket radio, baby alarm, etc. Also makes good pillow phone 2 for £1, Order Ref. 905.

13A SWITCHED SOCKETS, on standard switch plates but coloured. Ideal in workshop, cellar, etc. British made. Twin switched, £1.50, Order Ref. 1.5P13, single switched, 75p, Order Ref. 75P1.

LCD CLOCK MODULE, 1.5v battery-operated, fits nicely into our 50p project box. Order Ref. 876. Only £2, Order Ref. 2P307.

AMSTRAD KEYBOARD MODEL KB5, very comprehensive, has over 100 keys, £5, Order Ref. 5P202

SENTINEL COMPONENT BOARD, amongst hundreds of other parts, this has 15 ICs, all plug in so don't need desoldering. Cost well over £100, yours for £4, Order Ref. 4P67.

9V 2.1A POWER SUPPLY, made for Sinclair to operate their 128K Spectrum Plus 2. £3, Order Ref. 3P151.

LINEAR HEATING TUBES, Quartz glass. 360W 110v so you need 2in series which would give you 720W. 2 for £1, Order Ref. 907.

12V 250 MILLIAMPER SOLAR PANEL, could keep that 12v battery charged where there is no access to the mains. £15, Order Ref. 15P47.

LIMITED SUPPLY ITEMS

are only described in our newsletter. Many appear in our current issue. If you order something this month you will receive this and the next issue posted to you.

ASTEC

135-WATT PSU

230v or 115v input with outputs of +12v at 4A – +5v at 16A and –12v at ½A completely enclosed in plated steel case. Brand New and yours for £9.50.

JUST ARRIVED

Dimmer switch suitable for lamps or non-inductive loads of up to 750W. Fitted on a standard electrical plate so would replace normal wall switch. Price only £2, Order Ref. 2P309.

Prices include VAT. Send cheque/postal order or ring and quote credit card number.

Add £3 post and packing. Orders over £50 post free.

You can order up to 9pm Monday to Friday on 0273 430380.

M & B ELECTRICAL SUPPLIES LTD

12 Boundary Road, Hove, Sussex BN3 4EH

Telephone (0273) 430380

Fax or phone (0273) 410142

Telephone Order Hotline Monday to Friday until 9.00pm on 0273-430380

CIRCLE NO. 109 ON REPLY CARD

PUTTING PUNCH INTO VOICE COMMUNICATIONS



ILLUSTRATION JAMEL AKIB

Conventional speech processing enhances talk power at the expense of intelligibility. Louis Thomas presents an alternative system which operates without waveform clipping.

Simitar is a mean-loudness controller and waveshape compressor that in essence controls loudness and raises the level of the lower amplitude elements of a complex waveform. But unlike traditional compressors and clippers, Simitar preserves audio fidelity and controls loudness without degrading the signal-to-background noise ratio.

In communications and broadcast systems from PA to FM radio, Simitar improves speech intelligibility – whether conditions are ideal or poor. Equally importantly, by enhancing voice and audio-frequency signals in general, the system offers the potential to make much better use of RF spectrum. Preliminary tests with speech enhancement for the hard of hearing are encouraging too.

Loudness is controlled over a 30dB range while obtaining, typically, an increase of 6dB on mean power level and 15dB on consonant speech levels. Frequency modulated radio systems benefit from an overall increase of 6dB in audio power while in AM systems, an increase of 6dB in mean carrier power leads to lower background noise. On AM, a similar improvement in intelligibility without Simitar would mean an increase of 10 to 15dB in mean power.

Whether at the sending or receiving end of a communications system, Simitar can restore signal levels and improve noise performance. Modulation levels are improved since maximum output can be precisely controlled under all conditions.

Simultaneous processing

Simitar (SIMultaneous near Instantaneous and Time Averaged Response) represents the first major step forward in crest factor reduction since Licklider's work in 1948. Two elements make up the system – a waveshape compressor and a loudness controller – with the compressor operating almost instantaneously on the waveform and the loudness controller affecting the mean level. Either mode can be used independently but the greatest benefits are obtained with the two combined.

Being implemented digitally, Simitar allows programmable levels of waveshape compres-

sion to be added to any mean loudness control characteristic. Distortion caused by gain switching is minimal since gain only changes at the waveform's zero-crossings.

In effect, the system reduces the ratio of peak-to-mean power through sampling the peak of the input's half cycles, detecting zero-crossing points and adjusting gain accordingly. Gain applied by the mean loudness controller and/or waveshape compressor is determined by the amplitude transfer characteristic needed. Numerous functions can be carried out including, limiting with background noise reduction, compression, expansion and noise gating.

In the mean loudness controller, the rate of gain change is determined by a digital filter whose response is synchronised to the waveform's frequency content. Gain is allowed to decrease by the maximum amount over a single half cycle, or increase over 256 half cycles, thereby retaining envelope characteristics. The waveshape compressor has an instantaneous response and may increase or decrease gain every half cycle.

While all work on the process has been aimed at improving the performance of professional communications systems, there is no reason why the principles cannot be applied to studio and broadcast applications.

Waveshape compression

Three parameters define the operation of any loudness controller:

- the quantity in the waveform that represents its loudness;
- level of gain or loss needed to bring the measured level to that required, and
- way in which gain is applied.

In this method, the quantity representing loudness is the peak amplitude of individual waveform half cycles. **Fig. 1.** between consecutive zero crossings. Only magnitude information is needed, the sign being ignored.

The peak determines the amount of gain applied to the waveform to adjust its level according to the amplitude transfer characteristic.

Gain changes are applied as a step function

only at the zero-crossing instants, Fig. 2, and so the input and output half cycles have the same shape, differing only in their peak amplitudes.

Several reasons justify choosing the waveform's peak value, which is relatively easy to measure. Controlling peak amplitude avoids peak limitation distortion, and the peaks are least affected by noise. Measurement and control of peak amplitude provides better speech quality than options based on the mean or RMS area under the half cycle. Finally, since peaks occur twice per cycle, amplitude information is available at a higher rate than with methods based on averaging.

To allow gain to be applied at the zero crossing point of the start of the waveform just measured, delay is needed. This delay must be at least as long as the longest zero-crossing period expected. For a lower limit of 300Hz, a delay of 8ms is suitable – assuming that a sixth-order Butterworth high-pass filter is applied to the input. Higher-order filters reduce the delay to 4ms or less. The process is shown in Fig. 3.

The amplitude transfer characteristic defines the relationship between input peak amplitude and the output peak. The gain needed to implement the characteristic is defined by the gain function, Fig. 4. Any function that can be drawn within the axes of the amplitude transfer diagram can be implemented, but in practice, incremental slope must be limited to avoid subjective degradations. Peak voltages referred to on the diagram are of individual waveform half cycles.

For a given mean input level, an increase in the limiting range causes an increase in the compression level as more and more of the smaller half cycles are raised. As a result, the

Fig. 1. Input and output waveforms show how the compressor lifts lower amplitude half cycles while maintaining waveform characteristics.

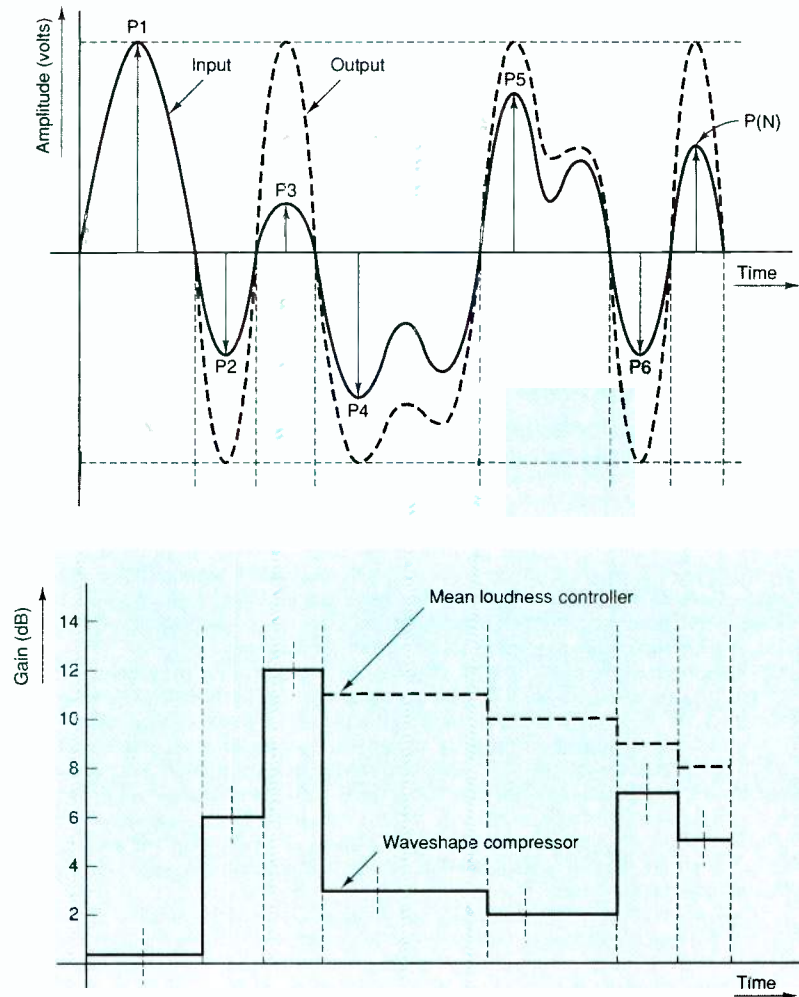


Fig. 3. The author's system combines a mean loudness controller and waveshape compressor have been available in a single digital process.

Fig. 2. Gain variation for the waveshape compressor is near instantaneous while that of the loudness controller varies over a longer period.

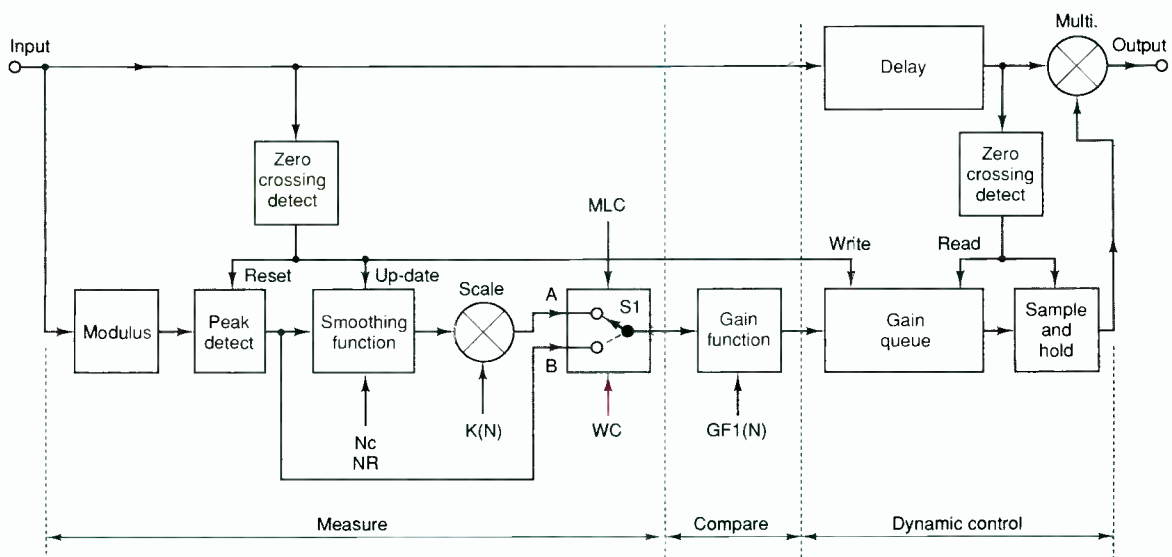


Table 1. Filter time constant as a function of filter constant (m).

Filter constant (m)	2 ^m	Capture or recovery No (N)	Time constant (t=CR=2 ^m T _z)ms		
			Sinewave (T _z =0.5ms)	Speech (T _z =1.5ms)	Noise (T _z =0.27ms)
0	1	0.5	0.5	1.5	0.27
1	2	1	1	3	0.54
2	4	2	2	6	1.08
3	8	4	4	12	2.2
4	16	8	8	24	4.3
5	32	16	16	48	8.6
6	64	32	32	96	17
7	128	64	64	192	34
8	256	128	128	384	69
9	512	256	256	768	138
10	1024	512	512	1536	276
11	2048	1024	1024	3072	552
12	4096	2048	2048	6144	1105

Clipping drawbacks

An ideal waveshape compressor would raise the level of quieter speech sounds without the listener being aware of a change in quality. This requires a process that amplifies spectral components of the waveform without introducing any unnecessary distortion.

Clipping is simple and effective at making speech more intelligible under poor listening conditions. But since it relies on simply chopping off the tops of large-amplitude waves until they are at a similar level to the quieter sounds, intelligibility is severely degraded when listening conditions are good. Clipping introduces harmonic and intermodulation distortion, increases background noise, attenuates low-level tones and produces a non-zero waveform mean value. All these factors degrade speech intelligibility when listening conditions are good. As a result, clipping has few applications outside HF SSB radio.

Attempts have been made to stabilise the clipping ratio by preceding the clipper with a mean loudness controller. Background noise becomes a greater problem and impulse noise can effectively switch off the channel for the duration of the compressor's recovery time.

Attempting to reduce background noise by adding a supersonic tone has also been tried. But as the tone needs to be typically 10dB greater than the noise and 10dB less than the signal, the allowable signal-to-noise ratio is constrained, as is the absolute level of the source.

Companding is sometimes used to enhance radio communication but it only serves to limit channel noise. Fast-acting compressors are more complex and more effective but since they continually adjust gain, they may also introduce significant amounts of subjective distortion and increase background noise.

Current loudness compressors are always a compromise between the need to respond rapidly to transients and the need to vary gain slowly enough to minimise intermodulation distortion. The main difficulty in providing a practical alternative to clipping is in raising the quieter portions of a waveform with a minimum of spectral impurity. To do this, gain adjustment should preferably be carried out at the waveform's zero-crossing instant to minimise distortion. Secondly, for the method to be generally useful in communications, any compressor should introduce a minimum of delay.

limiting range determines the compression level. Conversely, for a given range of limiting, a variation in mean talker loudness causes a change in compression level.

The limiting characteristic of Fig. 4 is shaped so that low level background noise is not increased. Section AB of the curve needs to incorporate an incremental expansion to reduce the gain at low levels. To avoid subjective effects, the expansion rate is set no greater than 1.4dB/dB.

A look-up table holds the transfer characteristic but it may be calculated in real time if need be. Other useful curves are "soft knee" and noise-gate functions and a constant expansion rate to allow a further reduction in background noise. The soft knee, that is point B on the diagram if rounded, provides slightly better speech quality at higher compression ratios but reduces the maximum modulation range. With a noise gate function, background noise is reduced without affecting speech levels. Implemented in this way, a noise gate is instantaneous, involving neither capture nor recovery time constants.

Mean loudness controller

Apart from the addition of a digital filter, the loudness controller configuration is the same as that of the waveshape compressor, Fig. 3. The measured quantity of interest, namely the half-cycle peak, is also the same.

To provide a slower variation in gain, the digital filter smooths the series of peak values, Fig. 2.

Gain applied to the waveform depends on a gain function whose input is derived from the digital filter output. The gain function defines the gain inserted to implement the relationship between input peak amplitude and output peak amplitude – the amplitude transfer function.

Functions implemented include:

- a conventional limiter with thresholds of -9.

Continued over page

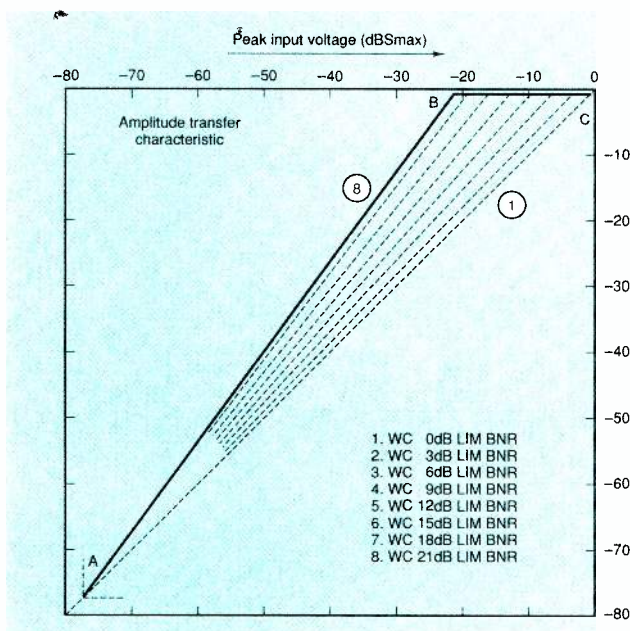
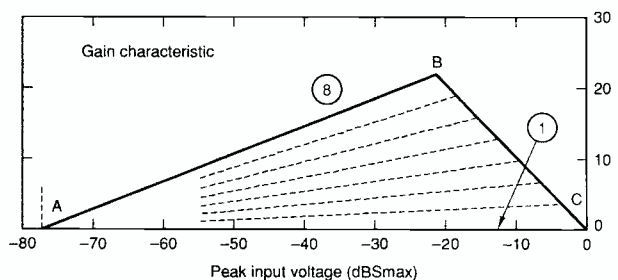


Fig. 4. Waveshape compressor limiter characteristics, shaped to avoid increasing low-level background noise.



Surplus always wanted for cash!

THE ORIGINAL SURPLUS WONDERLAND!

Surplus always wanted for cash!

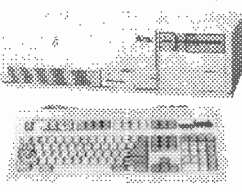
COMPUTER SCOOPS

PC-AT 386 20-DX FULLY LOADED FOR £449!

- 20 Mhz DX processor
- 2 megs RAM. Exp 10 meg
- 40 meg hard drive
- 1.2 meg 5-1/4" floppy
- 32K cache exp. 64K
- Installed VGA card
- Enhanced 102 key k/board
- Complete with MS-DOS 4.01
- 2 serial 1 parallel ports
- 8 free slots- 6 off 16 bit!

The MP386 quality made by Mitsubishi to last a lifetime! Brand new with all manuals and software plus Super PC-Quick Disk Accelerator for lightning disk access

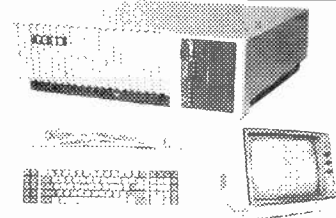
£449 (F) Only.....



A COMPLETE IBM PC COMPAT SYSTEM FOR ONLY £99!!

Just plug in and go fully expandable - the Display PC-99! System supplied complete with 12" mono monitor, 84 key keyboard, 360k 5-1/4" floppy disk drive, 256K RAM, 2 serial and 1 parallel port plus DOS with manual. Many other features include 7 slot backplane, all metal case, 150 watt PSU and IJS made motherboard. In very good used condition with 90 day guarantee. At the unique price of:

Optional FITTED extras: 640K RAM £99. 12" CGA colour monitor with card £89. 2nd 5-1/4" 360K floppy £29.95. 20 mbyte MFM hard drive £99. 31mbyte RLL hard drive £125. **£99 (E)**



FLOPPY DISK DRIVES

5 1/4" from £22.95 - 3 1/2" from £21.95!

Massive purchases of standard 5 1/4" and 3 1/2" drives enables us to present prime product at industry beating low prices! All units (unless stated) are removed from often brand new equipment and are fully tested, aligned and shipped to you with a 90 day guarantee and operate from standard voltages and are of standard size. All are IBM-PC compatible (if 3 1/2" supported).

- 3.5" Panasonic JU363 4 720K* £21.95(B)
 - 3.5" Mitsubishi MF355C-L 1.4 Meg Laptops only £29.95(B)
 - 3.5" Mitsubishi MF355C-D 1.4 Meg. Non laptop £29.95(B)
 - 5.25" EXTRA SPECIAL BRAND NEW Mitsubishi MF501B 360K Absolutely standard fits most computers £22.95(B)
- * Data cable included in price.
- Shugart 800/801 SS refurbished & tested £175.00(E)
 - Shugart 851 double sided refurbished & tested £275.00(E)
 - Mitsubishi M2894-63 double sided switchable hard or soft sectors- BRAND NEW £250.00(E)

Dual 8" drives with 2 mbyte capacity housed in a smart case with built in power supply! Ideal as exterior drives! £499.00(F)

End of line purchase scoop! Brand new NEC D2246 8" 85 megabyte of hard disk storage! Full CPU control and industry standard SMD interface. Ultra hi speed transfer and access time leaves the good old ST506 interface standing in mint condition and comes complete with manual. Only..... £299(E)

THE AMAZING TELEBOX!

Converts your colour monitor into a QUALITY COLOUR TV!!



TV SOUND & VIDEO TUNER!

The TELEBOX consists of an attractive fully cased mains powered unit, containing all electronics ready to plug into a host of video monitors made by manufacturers such as MICROVITEC, ATARI, SANYO, SONY, COMMODORE, PHILIPS, TATUNG, AMSTRAD and many more. The composite video output will also plug directly into most video recorders, allowing reception of TV channels not normally receivable on most television receivers (TELEBOX MB). Push button controls on the front panel allow reception of 8 fully tuneable 'off air' UHF colour television or video channels. TELEBOX MB covers virtually all television frequencies VHF and UHF including the HYPERBAND as used by most cable TV operators. Composite and RGB video outputs are located on the rear panel for direct connection to most makes of monitor. For complete compatibility - even for monitors without sound - an integral 4 watt audio amplifier and low level Hi Fi audio output are provided as standard.

Telexbox ST for composite video input monitors £32.95

Telexbox STL as ST but with integral speaker £36.50

Telexbox MB as ST with Multiband tuner VHF-UHF-Cable, & hyperband For overseas PAL versions state 5.5 or 6mhz sound specification. £69.95

Telexbox RGB for analogue RGB monitors (15khz) £69.95

Shipping code on all Teleboxes is (B)

RGB Telexbox also suitable for IBM multisync monitors with RGB analog and composite sync. Overseas versions VHF & UHF call SECAM. NTSC not available.

No Break Uninterruptable PSU's

Brand new and boxed 230 volts uninterruptable power supplies from Densel. Model MUK 0565-AUAF is 0.5 kva and MUD 1085-AHBH is 1 kva. Both have sealed lead acid batteries. MUK are internal, MUD has them in a matching case. Times from interrupt are 5 and 15 minutes respectively. Complete with full operation manuals. MUK.....£249 (F) MUD.....£525 (G)

POWER SUPPLIES

Power One SPL200-5200P 200 watt (250 w peak). Semi open frame giving +5v 35a. -5v 1.5a. +12v 4a (8a peak). -12v 1.5a. +24v 4a (6a peak). All outputs fully regulated with over voltage protection on the +5v output. AC input selectable for 110/240 vac. Dims 13" x 5" x 2.5". Fully guaranteed RFE £85.00 (B)

- Power One SPL130. 130 watts. Selectable for 12v (4A) or 24v (2A). 5v @ 20A ± 12v @ 1.5A. Switch mode. New. £95.95(B)
- Astec AC-8151 40 watts. Switch mode +5v @ 2.5a +12v @ 2a. -12v @ 0.1a 6-1/4" x 4" x 1-3/4" New £22.95(B)
- Greendale 19AB0E 60 watts switch mode. -5v @ 6a. ±12v @ 1a. -15v @ 1a. RFE and fully tested. 11 x 20 x 5 cms. £24.95(C)
- Conver AC130. 130 watt hi-grade VDE spec. Switch mode. +5v @ 15a. -5v @ 1a. ±12v @ 6a. 27 x 12.5 x 6 cms. New. £49.95(C)
- Boshert 13090. Switch mode. Ideal for drives & system +5v @ 6a. +12v @ 2.5a. -12v @ 0.5a. -5v @ 0.5a. £29.95(B)
- Farnell G6/40A. Switch mode. 5v @ 40a. Encased £95.00(C)
- Farnell G24/5S. As above but 24v @ 5a. £65.00(C)

BBC Model B APM Board



£100 CASH FOR THE MOST NOVEL DEMONSTRATABLE APPLICATION!

BBC Model B type computer on a board. A major purchase allows us to offer you the PROFESSIONAL version of the BBC computer at a parts only price. Used as a front end graphics system on large networked systems the architecture of the BBC board has so many similarities to the regular BBC model B that we are sure that with a bit of experimentation and ingenuity many useful applications will be found for this board! It is supplied complete with a connector panel which brings all the I/O to 'D' and BNC type connectors - all you have to do is provide +5 and -12v DC. The APM consists of a single PCB with most major IC's socketed. The IC's are too numerous to list but include a 6502, RAM and an SAA5050 teletext chip. Three 27126 EPROMS contain the custom operating system on which we have no data. An application of DC power the system boots and provides diagnostic information on the video output. On board DIP switches and jumpers select the ECOCENT address and enable the four extra EPROM sockets for user software. Appx dims: main board 13" x 10". I/O board 14" x 3". Supplied tested with circuit diagram, data and competition entry form.

Only £29.95 or 2 for £53 (B)

SPECIAL INTEREST

- Trio 0-18 vdc bench PSU. 30 amps. New £ 470
- Fujitsu M3041 600 LPM band printer £2950
- DEC LS/02 CPU board £ 150
- Rhode & Schwarz SBUF TV test transmitter 25-1000mhz. Complete with SBT F2 Modulator £6500
- Calcomp 1036 large drum 3 pen plotter £ 350
- Thurly LA 160B logic analyser £ 375
- 1.5kw 115v 60hz power source £ 950
- Newton Pillar 400 Hz 3 phase frequency converter 75Kw POA
- Newton Derby 400 Hz 70 Kw converter POA
- Haefely Impulse Testers P6T and P6M 12; good cond. £2000
- Sekonic SD 150H 18 channel Hybrid recorder £1850
- HP 7580A A1 8 pen high speed drum plotter £ 350
- Kenwood DA-3501 CD tester, laser pickup simulator £ 350

BRAND NEW PRINTERS

- Microline 183. NLQ 17x17 dot matrix. Full width £139 (D)
- Hyundai HDP-920. NLQ 24x18 dot matrix full width. £149 (D)
- Qume LetterPro 20 daisy. Qume QS-3 interface £39.95 (D)
- Centronics 152-2 9 x 7 dot matrix. Full width £149 (D)
- Centronics 159-4 9 x 7 dot matrix. Serial 9-1/2" width £ 99 (D)

MONITORS

MONOCHROME MONITORS

THIS MONTH'S SPECIAL!

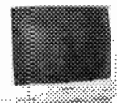


There has never been a deal like this one! Brand spanking new & boxed monitors from NEC, normally selling at about £140! These are over-engineered for ultra reliability. 9" green screen composite input with etched non-glare screen plus switchable high/low impedance input and output for daisy-chaining. 3 front controls and 6 at rear. Standard BNC sockets. Beautiful high contrast screen and attractive case with carrying ledge. Perfect as a main or backup monitor and for quantity users!

£39.95 each (D) or 5 for £185 (G)

COLOUR MONITORS

HI-DEFINITION COLOUR MONITORS



14" Philips Model CM8873 VGA multisync all the way up to 34Khz with 640 x 480 resolution. This one has everything! Two switches enable you to select CGA, EGA or VGA and digital/analog. Unusual for a professional monitor, sound is also provided, with a volume control. There is also a special "Text" switch for word processing, spreadsheets and the like. Compatible with virtually all computers including IBM PC's, Amiga, Atari, BBC, Archimedes etc. Good used condition (possible minor screen burns) 90 day guarantee. 15" x 14" x 12". Only..... £139(E)

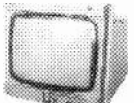
Philips 9CM073 similar (not identical) to above for EGA/CGA PC and compats. 650 x 350 resolution. With Text switch with amber or green screen selection. 14"W x 12"H x 13-1/2"D £99(E)

KME 10" high definition colour monitors. Nice tight 0.38" dot pitch for superb clarity and modern styling. Operates from any 15.625 khz sync RGB video source, with RGB analog and composite sync such as Atari, Commodore Amiga, Acorn Archimedes & BBC. Measures only 13.5" x 12" x 11". Also functions as quality TV with our RGB Telebox. Excellent used condition with 90 day guarantee. case. Only..... £145 (E)

Brand new Centronic 14" monitor for IBM PC and compatibles at a lower than ever price! Completely CGA equivalent. Hi-res Mitsubishi 0.42 dot pitch giving 669 x 507 pixels. Big 28 Mhz bandwidth. A super monitor in attractive style moulded case. Full 90 day guarantee. Only..... £129 (E)



NEC CGA 12" IBM-PC compatible. High quality ex-equipment fully tested with a 90 day guarantee. In an attractive two tone ribbed grey plastic case measuring 15"L x 13"W x 12"H. The front cosmetic bezel has been removed for contractual reasons. Only..... £69 (E)



20", 22" and 26" AV SPECIALS

Superbly made UK manufacture. PIL all solid state colour monitors, complete with composite video & sound inputs. Attractive teak style case. Perfect for Schools, Shops, Disco, Clubs. In EXCELLENT little used condition with full 90 day guarantee.

20".....£135 22".....£155 26".....£185 (F)

CALL FOR PRICING ON NTSC VERSIONS!

Superb Quality 6 foot 40u

19" Rack Cabinets

Massive Reductions

Virtually New, Ultra Smart!

Less Than Half Price!

Top quality 19" rack cabinets made in UK by Optima Enclosures Ltd. Units feature designer, smoked acrylic lockable front door, full height lockable half louvered back door and removable side panels. Fully adjustable internal fixing struts, ready

punched for any configuration of equipment mounting plus ready mounted integral 12 way 13 amp socket switched mains distribution strip make these racks some of the most versatile we have ever sold. Racks may be stacked side by side and therefore require only two side panels or stand singly. Overall dimensions are 77 1/2"H x 32-1/2"D x 22"W. Order as:

£ 650 Rack 1 Complete with removable side panels... £275.00 (G)

£ 375 Rack 2 Less side panels..... £145.00 (G)

COOLING FANS

- 3 inch AC, 112" thick £ 8.50(B)
- 92 mm AC 230 v. 18mm thick £12.95(B)
- AC ETRI slimline. Only 1" thick £ 9.95(B)
- 3 1/2 inch AC 230 v 8 watts. Only 3/4" thick £12.95(A)
- 3 1/2 inch AC 110/240v 112" thick. £10.95(B)
- AC round, 3 1/2" thick. Rotron 110v £12.95(B)
- DC 1" thick. No. 812 for 6/12v. 814 24v. £15.95(A)
- DC 5 v. Papst 8105G 4w. 38mm. RFE. £19.95(A)
- DC 12v. 18 mm thick. Denstiron £ 9.95(A)
- AC 230 v. Denstiron as previous £10.25(A)
- DC 12v. 12w 1 1/2" thick £12.50(B)
- DC 24v 8w 1" thick. £14.50(B)

1992 Winter Issue of Display News now available - send large SAE - PACKED with bargains!

DISPLAY

-ELECTRONICS-

MAIL ORDER & OFFICES
Open Mon-Fri 9.00-5.30
Dept WW, 32 Biggin Way,
Upper Norwood,
London SE19 3XF.

LONDON SHOP
Open Mon-Sat 9.5-5.30
215 Whitehouse Lane,
South Norwood,
London, SE25.

DISTEL © The Original
Free dial-up database!
1000's of items On Line
V21, V22 & V22 bis
081-679-1888

ALL ENQUIRIES
081-679-4414
Fax- 081-679-1927

ACCEPT

Visa

All prices for UK Mainland UK customers add 17.5% VAT to TOTAL order amount. Minimum order £10. PO orders from Government, Universities, Schools & Local Authorities welcome - minimum account order £30. Carnage charges (A)=£2.00 (A1)=£3.75 (B)=£5.50 (C)=£8.50 (D)=£11.50 (E)=£14.00 (F)=£18.00 (G)=Call. Scotland surcharge: call. All goods supplied subject to our standard Conditions of Sale and unless otherwise stated guaranteed for 30 days. All guarantees on a return to base basis. Rights reserved to change prices & specifications without prior notice. Orders subject to stock. Quotations willingly given for higher quantities than those stated. Bulk surplus always wanted for cash.

CIRCLE NO. 110 ON REPLY CARD

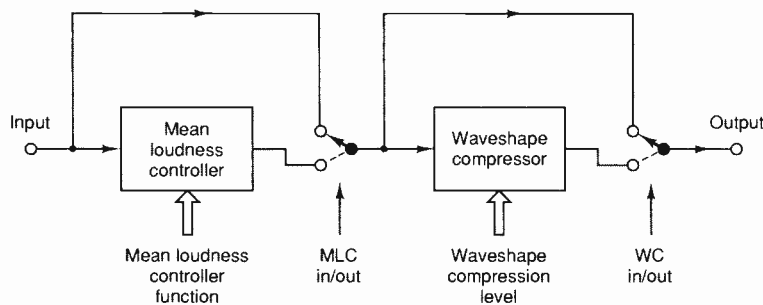
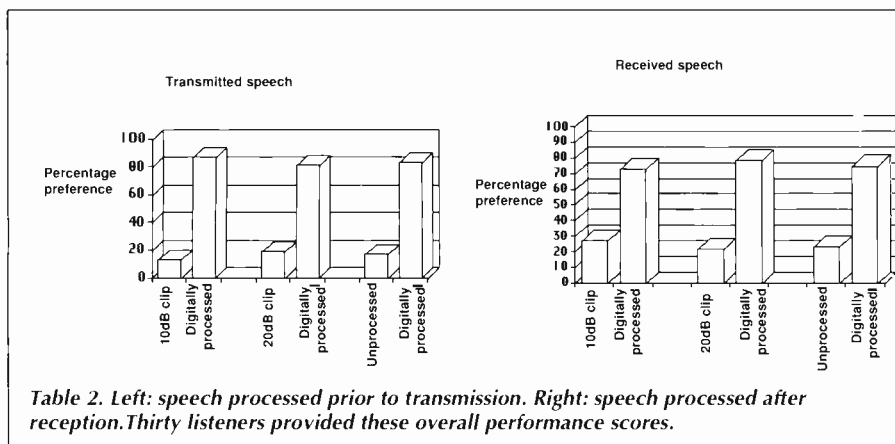


Fig. 5. Mean loudness controller with waveshape compressor in tandem causes no degradation or alteration to either process.

-15, -21 or -27dB relative to peak system voltage, S_{max} ;

- background noise limiter with the same selectable thresholds;
- 2:1 compressor with and without background noise reduction from -40dB and 1:2 expander, and
- noise gate with -30, -40 or -50dB thresholds relative to S_{max} .

Within certain subjective limits, any function that can be drawn within the input/output space is permissible, including the soft knee type.

The digital filter responsible for smoothing the peak values approximates to a first-order linear low-pass filter with unequal rise and fall times. Apart from when it is updated at zero-crossing instants its output remains constant. In this way, the compressor responds in a given number of half cycles of the input waveform and is synchronous with the input frequency content. Filter constant m_1 defines the filter rise time or capture time and m_2 the fall, or recovery time. Filter constants are set at $m_1=0$ and $m_2=8$, and with $m_1=0$, the compressor has no transient overshoot and the filter is effectively a so-called leaky-peak detector.

In the digital filter, it is better to use the terms capture and recovery cycles instead of half cycles since the defined time constant depends on the particular input waveform.

For telephony-bandwidth speech and noise, the mean zero-crossing periods are typically 1.5 and 0.27ms respectively. Filter performance as a function of filter constant m for speech, noise and a 1kHz sinewave is given in

Table 1. The term cycles is used rather than hertz since it is an integer rather than a unit of frequency.

With the recovery number set at 256 cycles the fall times for speech and noise are on average 384 and 69ms respectively. Transient undershoot is thus short and determined in amplitude by the gain function. A smaller recovery number modifies the short-term spectrum of speech and begins to cause waveshape compression and intermodulation distortion.

Filter constants in the waveshape compressor are $m_1=m_2=0$. Setting fall time at zero provides satisfactory waveshape compression while setting it between unity and about seven does not. This is because these intermediate values cause rapid gain changes that are applied to parts of the waveform with low correlation with the measured peak. With fall time ≥ 8 , gain changes slowly enough to avoid intermodulation distortion.

Applying the theory

The Simitar process is formed from configuration of the mean loudness controller and waveshape compressor in tandem, Fig. 5. Because the two processes are almost identical, they can be superimposed, Fig. 6, with the bonus of avoiding duplication of signal path delay.

The process is implemented using a TMS320C17 digital signal processor with 356byte of ram and 4K rom built in. Most of the processor's instructions only require one 200ns cycle. It interfaces to a pair of A- or μ -law PCM codecs each operating at 8kHz to

provide the 16kHz sampling needed for peaks measurement.

Additional stop-band filtering is needed since that built into the codecs is insufficient. A sixth-order Butterworth filter with 300Hz cut-off provides high-pass filtering while a third-order Butterworth circuit with 3kHz cut-off performs low-pass.

Output samples from the codecs are added and, having noise components of the same amplitude but uncorrelated, provide a theoretical 3dB noise reduction from signal averaging. The whole process is interrupt driven at 16kHz.

Waveshape compressor performance

Performance curves for a limiter with a 21dB limiting range and background noise reduction are shown in Fig. 7 (see also Fig. 4). For the DC output, peak amplitude is controlled within ± 1 dB which represents the combined errors from quantisation and peak measurement.

For AC, the non-zero mean-value resulting from the compression process appears as gain-induced ripple in the overall peak output. At high compression levels, amplitude ripple is ± 2 dB about peak system voltage, S_{max} .

During gross compressor overload, from inputs of +20dB S_{max} or above, ripple is ± 4.4 dB maximum. Gross overload is normally accommodated in transmission system specifications and the compressor is no exception.

The peak-to-RMS voltage ratio for speech is reduced from 15dB to a minimum of 6dB at maximum compression. Except under gross overload, the crest factor cannot be reduced

How Simitar differs

In 1948, Licklider showed that speech intelligibility could be increased by raising its mean power level using clipping. Since then various methods of clipping have been applied, differing only in the way in which they minimise the distortion produced.

Dr Thomas's digital waveshape compressor is the first step forward in crest-factor reduction since Licklider's work. It was specifically designed for radio systems with the objective of providing better speech quality than was obtainable from clipping alternatives.

With the technology available at the time they were invented, 1976, the waveshape compressor and mean loudness controller described here were very difficult to implement, requiring an inordinate number of discrete components and ICs. This ruled out the processes for practical applications on both cost and physical size grounds.

But digital signal processors have now allowed the two processes to be combined cost-effectively on a PCB measuring only 110 by 116mm. This is probably the first time ever that a waveshape compressor and mean loudness controller have been combined into a single digital process.

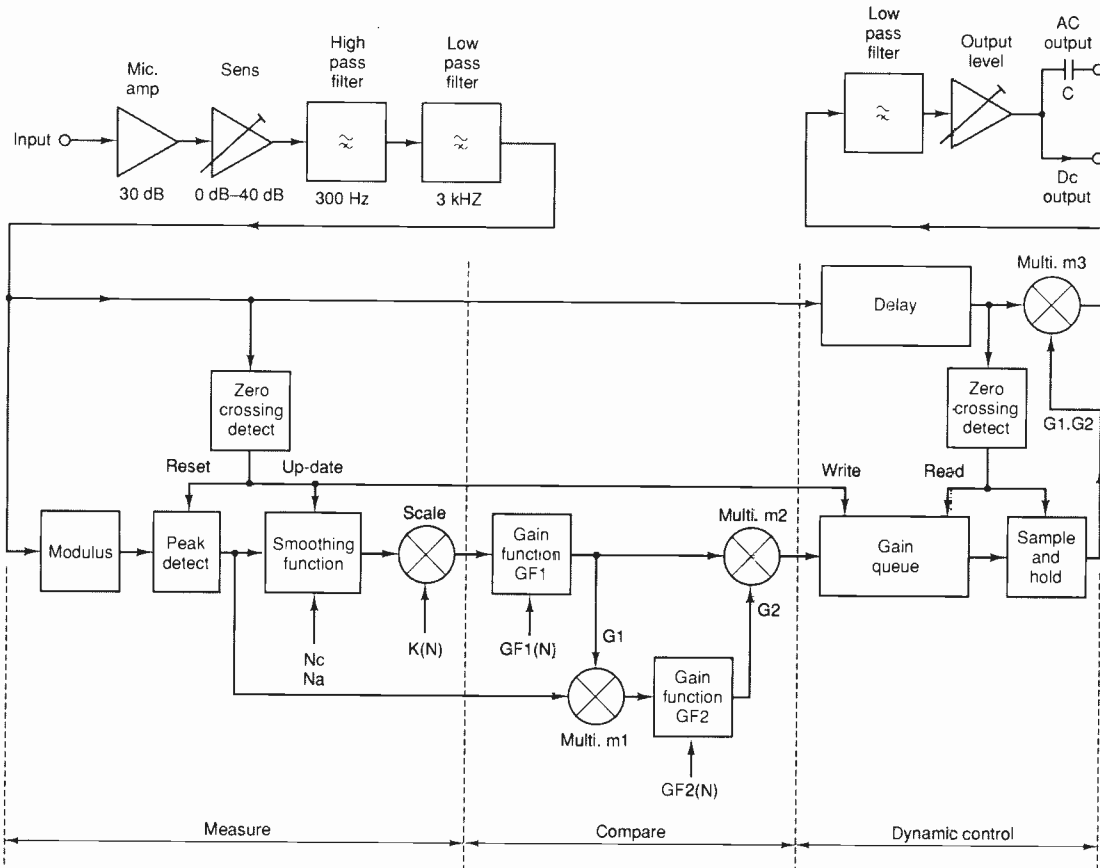


Fig. 6. Being almost identical, the loudness control and waveshape compression processes can be superimposed, avoiding duplication of the signal path delay.

below 6dB so the maximum attainable compression is 9dB. Compression for the average talker is 5dB and gain applied to the overall peak amplitude is 10dB.

Background noise reducing limiter-characteristics generally increase signal levels to a greater extent than noise levels. If input SBNR is low and talker loudness high, the SBNR will be degraded.

Subjective view

Subjective listening tests involve comparing compressed speech with speech that was either uncompressed or subjected to a side-band clipper.

The first test involved speech transmitted over a 7.5MHz SSB carrier connection to a receiver 160km away. Peak envelope power was 200W resulting in a mostly 100% readable signal at S9. Compressed speech in this case had noise-reducing limiter characteristics with a -20dB threshold and was compared with:

- uncompressed speech;
- SSB speech clipper with 10dB clipping ratio, and
- SSB clipper with 20dB clipping ratio.

Three levels of speech were tried, namely 0, -6 and -12dB S_{max} , each conditioned with background acoustic noise from a Gaussian noise source to provide SBNRs which were either noise free or with 10 or 15dB of SBNR.

Source material was a five-second sentence in male voice. Listeners comprised 13 "normal" males, 13 males familiar with degraded

SSB radio speech and seven females.

Each test was statistically designed using three-by-three superimposed orthogonal squares to eliminate bias due to material presentation order.

Results (Table 2) indicate an unconditional selection of the digital speech processor and a clear preference for processed speech over unprocessed, under optimum conditions.

Mean loudness controller

Performance curves for a 21dB limiter with background noise reduction show that overall peak amplitude is controlled to within ± 1 dB, the sum of quantisation and peak measurement error. RMS output for speech follows the peak output curve but is 15dB below it since expansion and compression effects are absent. Intermodulation and harmonic distortions, contributed by the codecs not the process, are shown as RMS levels relative to system peak voltage S_{max} .

Crest factors of the single and dual-tone test signals are 3 and 6dB respectively.

Overshoot is non-existent but undershoot is present in an amount depending on the magnitude of the step decrease in amplitude. Due to the shaping of the gain function, undershoot is reduced or eliminated if the step decrease is placed symmetrically about the knee.

In this situation, gain before and after the step remains unchanged. But a temporal effect as the gain tracks back through the knee causes transitory gain elevation though, subjectively, this is not detectable since it occurs

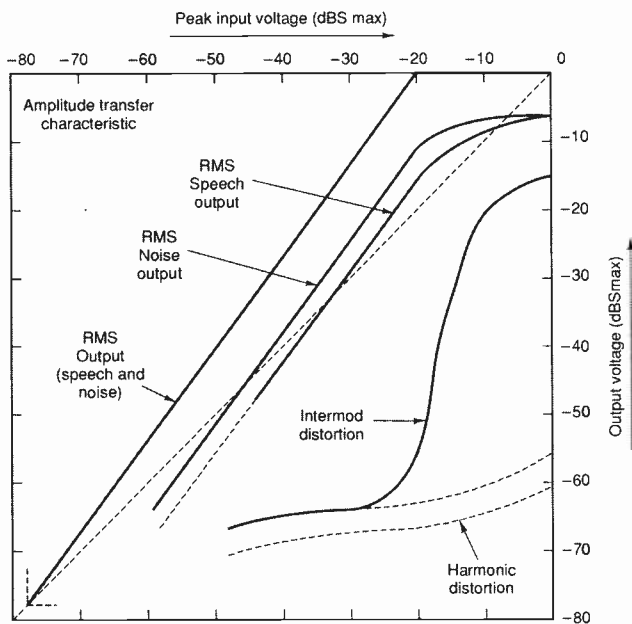
Good news for the deaf

Tests were carried out on fifteen people with impaired hearing, made up of three groups of five people. One group contained people who normally use a hearing aid; one group, people who were not profoundly deaf; the third group of people had been diagnosed as profoundly deaf.

All the groups listened to compressed speech through headphones both from recorded material and from live speech via a microphone. Listeners with moderately impaired hearing preferred compressed speech from the new system to that from their hearing aid - without exception. Those who were more severely impaired, and could not benefit from a hearing aid, all said that they benefited from compressed speech while of the five profoundly deaf people, two said that they were "able to hear sound for the first time".

Under laboratory conditions, improvements could have been expected, so the results can only be taken as an indication of possible usefulness. But the technique offers freedom from the fatigue of background noise enhancement and has higher immunity to the onset of feedback instability due to reduced gain at low levels.

(The above results refer to the waveshape compressor acting alone.)



within the tail end of sounds. The background noise pumping effect common to analogue controllers is also absent.

The amplitude transfer characteristic provides an improvement in SBNR for all but the loudest talkers at low input SBNR. An SBNR of 30dB or less represents an unusually high level of background noise and is probably fatiguing for the talker. If it is unavoidable then the controller loading may be set at, say, $-15\text{dB}_{\text{Smax}}$ for the medium talker. The lower quartile of talkers may not provide a limited output but the improved SBNR may give an overall advantage. It is probable that talkers would in any case raise their voice in the presence of high background noise.

The SBNR improvement should be compared with that from a more familiar limiter characteristic.

For these characteristics, background noise is always raised by an amount equal to the limiting range selected.

Any effects due to the response rate being synchronised with the waveform zero crossings are inaudible.

Simitar performance

Configuring the mean loudness controller with the waveshape compressor following in tandem – Simitar – causes no degradation or alteration to either process.

Acting with a limiting amplitude transfer characteristic, the mean loudness controller stabilises the waveshape compression level. There is no detectable change in speech quality for input loudness variations of $\pm 10\text{dB}$ about the medium talker with a 21dB limiter characteristic.

Speech clarity and “brightness” are increased with the addition of quite small amounts of compression with a limiting range of 3 to 6dB. Clarity and loudness are greater with the Simitar process than can be obtained with either the loudness controller or compressor acting independently.

Applications

Performance improvements allow a greater range of applications for level controllers. Other methods which raise background noise are usually sited at the sending end where the benefits are greatest and background noise low.

In a communications environment, an increase in background noise is at least a distraction, and at worst a source of misinformation. The digital compressor may be used at the sending end, the receiving end or in between to re-establish levels while usually providing an SBNR improvement.

Modulation levels are improved since maximum output is controlled and without overshoot, but a modulation overhead is still required to accommodate gross overloads.

Compared with simple analogue controllers and clippers, the digital compressor is more complex and more expensive, making it mainly applicable to high-performance systems such as base stations and common apparatus locations. Incorporating it into an existing digital system however brings the cost down significantly.

There is little benefit in adding the digital compressor to a system with an existing analogue compressor since overall performance is determined by the weakest link.

The method shows that speech levels may be maintained and enhanced with improved clarity and lower background noise without compromising naturalness. An option now exists for enhancing transmission performance without incurring the familiar sound of compressed speech.

Fabrication of the process as a monolithic device is possible as the implementation uses readily available technology and devices. ■

Organisations wishing to use the technology should contact DR Easson, The British Technology Group, 101 Newington Causeway, London SE1 6BU (Tel: 071 403 6666 or Fax: 071 403 7586).

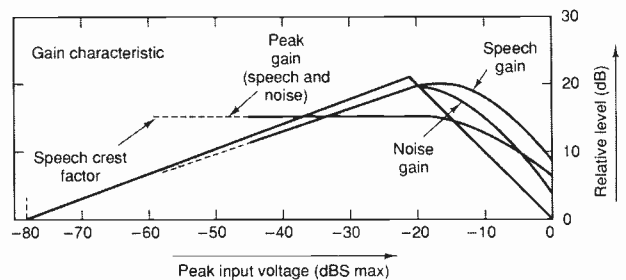
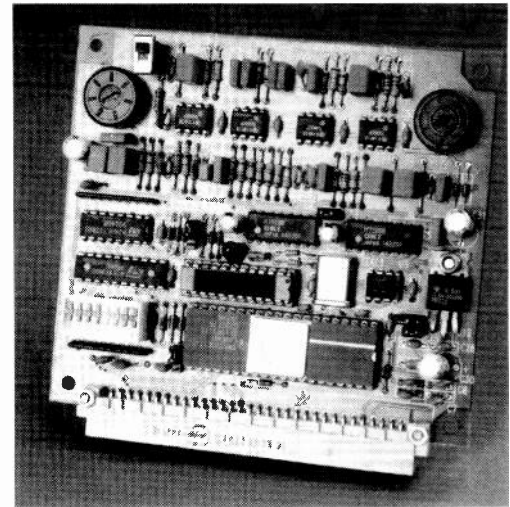


Fig. 7. Performance curves for the waveshape compressor with a limiter having a 21dB limiting range and background noise reduction.

Simitar UdB100 board



Acknowledgements

Thanks to current and former staff of University College Swansea for generous help in developing the waveshape compressor, in particular Dr VJ Phillips, Prof JV Oldfield, Dr M Barton and Dr M Towers. Also to Racal Communications Systems, AB Electronic Products Group and Serc.

For patent provision and development funding for Simitar, thanks are given to The British Technology Group and to Aculab for provision of a demonstrator.

Further reading

Licklider, JCR and Pollack, T. Effects of Differentiation, Integration and Infinite Peak Clipping upon the Intelligibility of Speech, *J Acoust. Soc Am*, 1948 vol 20, No 1, pp. 42-51.

Richards, DL, Statistical Properties of Speech Signals, *Proc IEE*, 1964, Vol 11, No 5, pp. 941-949.

Richards, DI, Telecommunication by speech, Butterworth, London, ISBN 0 408 70344X. Thomas, LD, MSc thesis, An Investigation into a Non-linear Method of Automatic Level Control for Speech Channel Signals, October 1976, University College of Swansea, Singleton Park, SA2 8PP. Thomas, LD, British Patent Spec No 1599401, Input Signal Level Control, 22 Jan 1977.

Thomas, LD, British Patent Spec No GB2201310B, Signal Level Control, 18 Jan 1988 (continuation patent USA 4947133, FRG application P3801849).

SMALL SELECTION ONLY LISTED - EXPORT TRADE AND QUANTITY DISCOUNTS - RING US FOR YOUR REQUIREMENTS WHICH MAY BE IN STOCK

Marconi TF2008 - AM-FM signal generator - Also sweeper - 10Kc/s - 510Mc/s - from £350 tested to £500 as new with manual - probe kit in wooden carrying box.
 HP Frequency comb generator type 8406A - £400
 HP Sampling Voltmeter (Broadband) type 3406A - £200
 HP Vector Voltmeter type 8405A - £400 to £600 - old or new colour.
 HP Synthesizer/signal generator type 8672A - 2 to 18GHz £4000.
 HP Oscillographic recorder type 7404A - 4 track - £350
 HP Plotter type 9872B - 4 pen - £300.
 HP Sweep Oscillators type 8690 A & B + plug-ins from 10Mc/s to 18GHz also 18-40GHz P.O.R.
 HP Network Analyser type 8407A + 8412A + 8601A - 100Kc/s - 110Mc/s - £500-£1000
 HP Down Converter type 11710B - 0.1-11Mc/s - £450
 HP Pulse Modulator type 11720A - 2-18GHz - £1000
 HP Modulator type 8403A - £100-£200
 HP Pin Modulators for above-many different frequencies - £150.
 HP Counter type 5342A - 18GHz - LED readout - £1500.
 HP Signal Generator type 8640B - Opt001 + 003 - 5-512Mc/s AM/FM - £1000
 HP Amplifier type 8447A - 1-400Mc/s £200 - HP8447F 1-1300Mc/s £400.
 HP Frequency Counter type 5340A - 18GHz £1000 - rear output £800.
 HP 8410 - A - B - C Network Analyser 110Mc/s to 12GHz or 18GHz - plus most other units and displays used in this set-up - 8411A - 8412 - 8413 - 8414 - 8418 - 8740 - 8741 - 8742 - 8743 - 8746 - 8650 From £1000.
 HP Signal Generator type 8660C - 1-2600Mc/s AM/FM - £3000. 1300Mc/s £2000.
 HP Signal Generator type 8656A - 0.1-990Mc/s AM/FM - £2000.
 HP 8699B Sweep PI - 0.1-4GHz £750 - HP8690B Mainframe £250.
 Racal/Dana 9301A-9302 RF Millivoltmeter - 1.5-2GHz - £250-£400.
 Racal/Dana Counters 9915M - 9916 - 9917 - 9921 - £150 to £450. Fitted FX standards.
 Racal/Dana Modulation Meter type 9009 - 8Mc/s - 1.5GHz - £250.
 Racal - SG Brown Comprehensive Headset Tester (with artificial head) Z1A200/T - £350.
 Marconi AF Power Meter type 893B - £200
 Marconi RCL Bridge type TF2700 - £150
 Marconi/Saunders Signal Sources type - 6058B - 6070A - 6055B - 6059A - 6057B - 6056 - £250-£350 400Mc/s to 18GHz.
 Marconi TF1245 Circuit magnification meter + 1246 & 1247 Oscillators - £100-£300.
 Marconi microwave 6600A sweep osc. mainframe with 6650 PI - 18-26.5GHz or 6651 PI - 26.5-40GHz - £1000 or PI only £600.
 Marconi distortion meter type TF2331 - £150 TF2331A - £200.
 Microwave Systems MOS/3600 Microwave frequency stabilizer - 1GHz to 40GHz £1k.
 Tektronix Plug-ins 7A13 - 7A14 - 7A18 - 7A24 - 7A26 - 7A11 - 7M11 - 7S11 - 7D10 - 7S12 - S1 - S2 - S6 - S52 - PG506 - SC504 - SG502 - SG503 - SG504 - DC503 - DC509 - DD501 - WR501 - DM501A - FG501A - TG501 - PG502 - DC505A - FG504 - P.O.R.
 Alltech Stoddart receiver type 17/27A - 0.1-32Mc/s - £2500.
 Alltech Stoddart receiver type 37/57 - 30-1000Mc/s - £2500.
 Alltech Stoddart receiver type NM65T - 1 to 10GHz - £1500
 Gould J3B Test oscillator + manual - £200.
 Infra-red Binoculars in fibre-glass carrying case - tested - £100. Infra-red AFV sights £100.
 ACL Field Intensity meter receiver type SR - 209 - 6. Plug-ins from 5Mc/s to 4GHz - P.O.R.
 Tektronix 491 spectrum analyser - 1.5GHz-40GHz - as new - £1000 or 10Mc/s 40GHz
 Tektronix Mainframes - 7603 - 7623A - 7633 - 7704A - 7844 - 7904 - TM501 - TM503 - TM506 - 7904 - 7834 - 7104.
 Knott Polyskanner WM1001 + WM5001 + WM3002 + WM4001 - £500.
 Alltech 136 Precision test RX + 13505 head 2 - 4GHz - £350.
 SE Lab Eight Four - FM 4 Channel recorder - £200.
 Alltech 757 Spectrum Analyser - 0.01-22GHz - Digital Storage + Readout - £3000.
 Dranetz 606 Power line disturbance analyser - £250.
 Precision Aneroid barometers - 900-1050Mb - mechanical digit readout with electronic indicator - battery powered. Housed in polished wood carrying box - tested - £100-£200-£250. 1, 2 or 3.
 HP141T SPECTRUM ANALYSERS - ALL NEW COLOURS TESTED WITH OPERATING MANUAL
 HP141T + 8552A or B IF-8553B RF - 1kHz-110Mc/s A-IF - £1300 or B IF - £1400.
 HP141T - 8552A or B IF-8554B RF - 100kHz-1250Mc/s A-IF - £1400 or B IF - £1500.
 HP141T + 8552A or B IF-8555A RF - 10Mc/s-18GHz-A IF - £2400 or B IF - £2500.
 HP141T + 8552A or B IF-8556A RF - 20Hz-300kHz-A IF-A IF - £1200 or B IF - £1300.
 HP8443A tracking generator/counter - 100kHz-110Mc/s - £500.
 HP8445B tracking pre-selector DC-18GHz - £750.
 HP ANZ UNITS AVAILABLE SEPARATELY - NEW COLOURS - TESTED.
 HP141T mainframe - £550 - 8552A IF - £450 - 8552B IF - £550 - 8553B RF - 1kHz-110Mc/s - £550 - 8554B RF - 100kHz-1250Mc/s - £650 - 8555A RF - 10Mc/s-18GHz - £1550
 HP 3580A LF-spectrum analyser - 5kHz to 50kHz - LED readout - digital storage - £1600 with instruction manual - internal rechargeable battery.
 Tektronix 7020 plug-in 2-channel programmable digitizer - 70 Mc/s - for 7000 mainframes - £500 - manual - £50.
 Datron 1065 Auto Cal digital multimeter with instruction manual - £500.
 Racal MA 259 FX standard. Output 100k/s-1Mc/s-5Mc/s - internal NiCad battery - £150.
 Aerial array on metal plate 9'x9' containing 4 aeriels plus Narda detector - 100-11GHz. Using N type and SMA plugs & sockets - ex eqpt - £100.
 EIP 451 microwave pulse counter 18GHz - £1000.
 Marconi RF Power Amplifier TF2175 - 1.5Mc/s to 520Mc/s with book - £100.
 Marconi 6155A Signal Source - 1 to 2 GHz - LED readout - £600.
 Schlumberger 2741 Programmable Microwave Counter - 10Hz to 7.1GHz - £750.
 Schlumberger 2720 Programmable Universal Counter 0 to 1250Mc/s - £600.
 HP 2225CR Thinkjet Printer - £100.
 TEK 576 Calibration Fixture - 067-0597-99 - £250.
 HP 8006A Word Generator - £150.
 HP 1645A Data Error Analyser - £150.
 Texscan Rotary Attenuators - BNC/SMA 0.10-60-100DBS - £50-£150.
 HP 809C Slotted Line Carriages - various frequencies to 18GHz - £100 to £300
 HP 532-536-537 Frequency Meters - various frequencies - £150-£250.
 Barr & Stroud variable filter EF3 0.1Hz-100kc/s + high pass + low pass - £150.
 S.E. Lab SM215 Mk11 transfer standard voltmeter - 1000 volts.
 Alltech Stoddart P7 programmer - £200.
 H.P. 6941B multiprogrammer extender. £100.
 Fluke Y2000 RTD selector + Fluke 1120A IEEE-488-translator + Fluke 2180 RTD digital thermometer + 9 probes. £350 all three items.
 H.P. 6181 DC current source. £150.
 H.P. 59501A - HP-IB isolated D/A/power supply programmer.
 H.P. 3438A digital multimeter.
 H.P. 6177C DC current source. £150.
 H.P. 6207B DC power supply.
 H.P. 741B AC/DC differential voltmeter standard (old colour) £100.
 H.P. 6209B DC power unit.
 Fluke 80 high voltage divider.
 Fluke 431C high voltage DC supply.
 Tektronix M2 gated delay calibration fixture. 067-0712-00.
 Tektronix precision DC divider calibration fixture. 067-0503-00.
 Tektronix overdrive recovery calibration fixture. 067-0608-00.
 Avo VCM163 valve tester - book £300.
 H.P. 5011T logic trouble shooting kit. £150.
 Marconi TF2163S attenuator - 1GHz £200.
 PPM 8000 programmable scanner.
 Fluke 730A DC transfer standard.
 B&K 4815 calibrator head.

B&K 4812 calibrator head.
 Farnell power unit H60/50 - £400 tested.
 H.P. FX doubler 938A or 940A - £300
 Racal/Dana 9300 RMS voltmeter - £250.
 H.P. sweeper plug-ins - 86240A - 2-8.4GHz - 86260A - 12.4-18GHz - 86260AH03 - 10-15GHz - 86290B - 2-18.6GHz. 86245A 5.5-12.4GHz
 Tequipment CT71 curve tracer - £200
 H.P. 461A amplifier - 1kc-150Mc/s - old colour - £100
 H.P. 8750A storage normalizer.
 Tektronix oscilloscopes type 2215A - 60Mc/s - c/w book & probe - £400.
 Tektronix monitor type 604 - £100.
 Marconi TF2330 or TF2330A wave analysers - £100-£150
 HP5006A Signature Analyser £250 + book.
 HP10783A numeric display. £150.
 HP 3763A error detector. £250.
 Racal/Dana signal generator 9082 - 1.5-520Mc/s - £800.
 Racal/Dana signal generator 9082H - 1.5-520Mc/s - £900.
 Claude Lyons Compuline - line condition monitor - in case - LMP1+LCM1 £500.
 Efratom Atomic FX standard FRT - FRK - 1-1-5-10Mc/s. £3K tested.
 Racal 4D recorder - £350 - £450 in carrying bag as new.
 HP8350A sweep oscillator mainframe + HP11869A RF PI adaptor - £1500
 Alltech - precision automatic noise figure indicator type 75 - £250.
 Adret FX synthesizer 2230A - 1Mc/s. £250.
 Tektronix - 7S12-7S14-7T11-7S11-S1-352-S53.
 Rotek 610 AC/DC calibrator. £2K + book.
 Marconi TF2512 RF power meter - 10 or 30 watts - 50 ohms - £80.
 Marconi multiplex tester type 2830.
 Marconi digital simulator type 2828A.
 Marconi channel access switch type 2831.
 Marconi automatic distortion meter type TF2337A - £150.
 Marconi mod meters type TF2304 - £250.
 HP 5240A counter - 10Hz to 12.4GHz - £430.
 HP 3763A error detector.
 HP 8016A word generator.
 HP 489A micro-wave amp - 1-2GHz.
 HP 8565A spectrum analyser - 0.1-22GHz - £4k.
 HP 5065A rubidium vapour FX standard - £5k.
 Fluke 893A differential meters - £100 ea.
 Systron Donner counter type 6054B - 20Mc/s-24GHz - LED readout - £1k.
 Takeda Riken TR4120 tracking scope + TR1604P digital memory
 EG&G Parc model 4001 indicator + 4203 signal averager PI.
 Systron Donner 6120 counter/timer A+B+C inputs - 18GHz - £1k.
 Racal/Dana 9083 signal source - two tone - £250.
 Systron Donner signal generator 1702 - synthesized to 1GHz - AM-FM.
 Systron Donner microwave counter 6057 - 18GHz - Nixey tube - £600.
 Racal/Dana synthesized signal generator 9081 - 520Mc/s - AM-FM. £600.
 Farnell SSG520 synthesized signal generator - 520Mc/s - £500.
 Farnell TTS520 test set - £500 - both £900.
 Tektronix plug-ins - AM503 - PG501 - PG508 - PS503A.
 Tektronix TM515 mainframe + TM5006 mainframe.
 Cole power line monitor T1085 - £250.
 Claude Lyons LCM1P line condition monitor - £250.
 Rhodes & Schwarz power signal generator SLRD-280 - 2750Mc/s. £250-£600.
 Rhodes & Schwarz vector analyser - ZPV + E1 + E3 tuners - 3-2000Mc/s.
 Bell & Howell TMA3000 tape motion analyser - £250.
 Ball Efratom PTB-100 rubidium standard mounted in Tek PI.
 Ball Efratom rubidium standard PT2568-FRKL.
 Trend Data tester type 100 - £150.
 Farnell electronic load type RB1030-35.
 Fairchild interference analyser model EMC-25 - 14kc/s-1GHz.
 Fluke 1720A instrument controller+keyboard.
 Marconi 2442 - microwave counter - 26.5GHz - £1500.
 Racal/Dana counters - 9904 - 9905 - 9906 - 9915 - 9916 - 9917 - 9921 - 50Mc/s - 3GHz - £100-£450 - all fitted with FX standards
 B&K 7003 tape recorder - £300.
 B&K 2425 voltmeter - £150.
 B&K 4921 + 4149 outdoor microphone.
 Wiltron sweeper mainframe 610D - £500.
 HP3200B VHF oscillator - 10-500Mc/s - £200.
 HP3747A selective level measuring set.
 HP3586A selective level meter.
 HP5345A electronic counter.
 HP4815A RF vector impedance meter c/w probe. £500-£600.
 Marconi TF2092 noise receiver. A, B or C plus filters.
 Marconi TF2091 noise generator. A, B or C plus filters.
 Tektronix oscilloscope 485 - 350Mc/s - £500.
 HP180TR, HP182T mainframes £300-£500.
 Bell & Howell CSM2000B recorders
 HP5345A automatic frequency converter - 0.15-4GHz.
 Fluke 8506A thermal RMS digital multimeter.
 HP3581A wave analyser.
 Phillips panoramic receiver type PM7800 - 1 to 20GHz.
 Marconi 6700A sweep oscillator + 6730A - 1 to 2GHz.
 Wiltron scaler network analyser 560+3 heads. £1k.
 R&S signal generator SMS - 0.4-1040Mc/s - £1500.
 HP8558B spectrum ANZ PI - 1-1500Mc/s - o/c - £1000. N/C - £1500 - To fit HP180 series mainframe available - £100 to £500.
 HP8505A network ANZ + 8503A S parameter test set + 8501A normalizer - £4k.
 HP8505A network ANZ + 8502A test set - £3k.
 Racal/Dana 9087 signal generator - 1300Mc/s - £2k.
 Racal/Dana VLF frequency standard equipment. Tracor receiver type 900A - difference meter type 527E + rubidium standard type 9475 - £2750.
 Marconi 6960-6960A power meters with 6910 heads - 10Mc/s - 20GHz or 6912 - 30kHz - 4.2GHz - £800-£1000.
 HP8444A-HP8444A opt 59 tracking generator £1k-£2k.
 B&K dual recorder type 2308.
 HP8755A scaler ANZ with heads £1k.
 Tektronix 475 - 200Mc/s oscilloscopes - £350 less attachments to £500 c/w manual. probes etc.
 HP signal generators type 626 - 628 - frequency 10GHz - 21GHz.
 HP 432A-435A or B-436A - power meters + powerheads - 10Mc/s-40GHz - £200-£280
 HP3730B down converter - £200.
 Bradley oscilloscope calibrator type 192 - £600.
 Spectrascope SD330A LF realtime ANZ - 20Hz-50kHz - LED readout - tested - £500.
 HP8620A or 8620C sweep generators - £250 to £1k with IEEE.
 Barr & Stroud variable filter EF3 0.1Hz-100kc/s+high pass+low pass - £150.
 Tektronix 7L12 analyser - 1Mc/s-1.8GHz - £1500 - 7L14 ANZ - £2k.
 Marconi TF2370 spectrum ANZ - 110Mc/s - £1200-£2k.
 Marconi TF2370 spectrum ANZ + TK2373 FX extender 1250Mc/s+trk gen - £2.5k-£3k.
 Racal receivers - RA17L-RA1217-RA1218-RA1772-RA1792 - P.O.R.
 Systron Donner microwave counter 6057 - 18GHz - Nixey tube - £600
 HP8614A signal gen 800Mc/s - 2.4GHz old colour £200, new colour £400
 HP8616A signal gen 1.8GHz-4.5GHz old colour £200, new colour £400

ITEMS BOUGHT FROM HM GOVERNMENT BEING SURPLUS. PRICE IS EX WORKS. S.A.E. FOR ENQUIRIES. PHONE FOR APPOINTMENT OR FOR DEMONSTRATION OF ANY ITEMS. AVAILABILITY OR PRICE CHANGE. VAT AND CARR. EXTRA. ITEMS MARKED TESTED HAVE 30-DAY WARRANTY. WANTED: TEST EQPT - VALVES - PLUGS & SOCKETS - SYNCROS - TRANSMITTING & RECEIVING EQPT. ETC.

Johns Radio, Whitehall Works, 84 Whitehall Road East, Birkenshaw, Bradford BD11 2ER. Tel. No. (0274) 684007. Fax 651160.

CIRCLE NO. 111 ON REPLY CARD

Protel's new product makes window shopping worthwhile

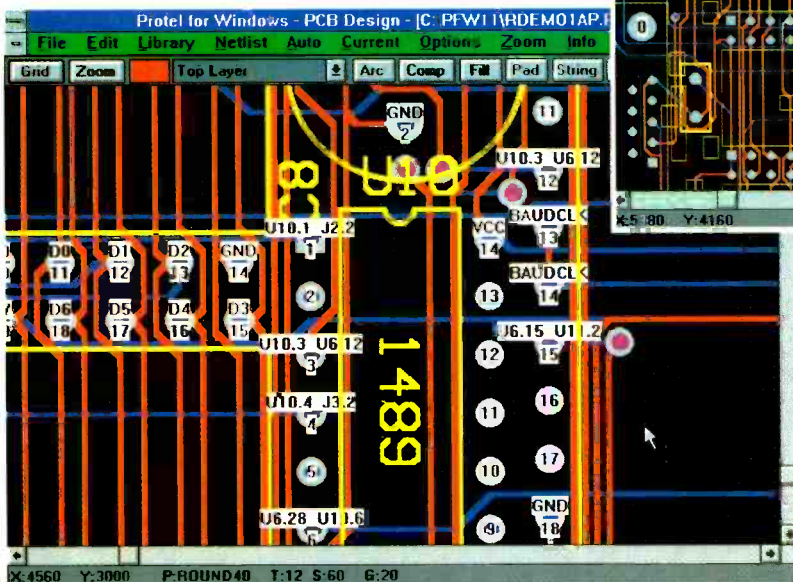
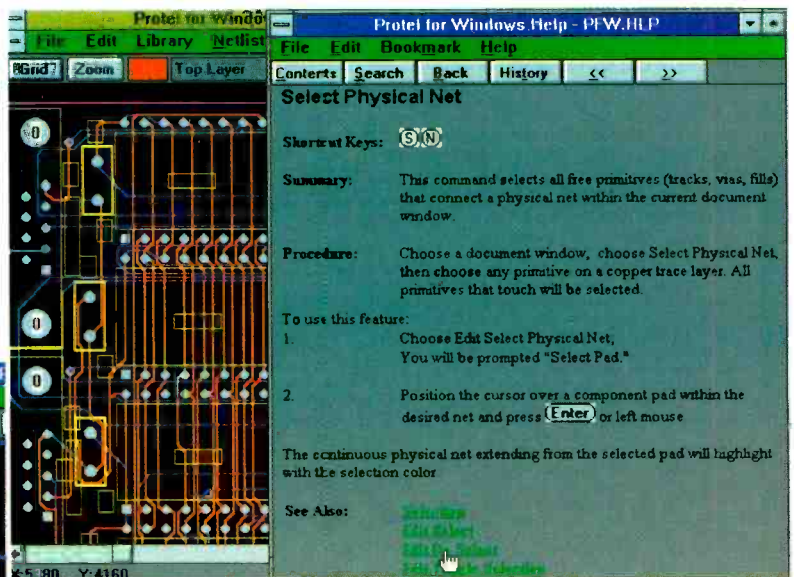
Anyone who has used the earlier non-*Windows* products, will be immediately at home with *Protel for Windows*. The look and feel of the software is similar, and the short-cut key strokes needed to obtain particular results are unchanged. Strangely the package has been launched without schematic capture and requires nets to be input from elsewhere, eg *Protel Schematic*, or typed in directly (supplier JAV says a schematic capture package for *Windows* is scheduled for imminent release).

But the basic graphical user interface offered by *Windows* is ideally suited to a PCB design product, and the common user interface between various *Windows* applications means new users should barely need the reference manual – well that's the theory.

34 layers

PCBs up to 32 x 32in can be handled, with a position resolution of 1mil (1/1000in). In total, 34 layers are supported: up

After *Easytrax* and *Autotrax* comes Protel's new PCB layout, placement and autorouting package for *Windows*. Reluctant *Windows*-user John Anderson likes what he sees.



On-line help screens are available for what is already an easy to use package.

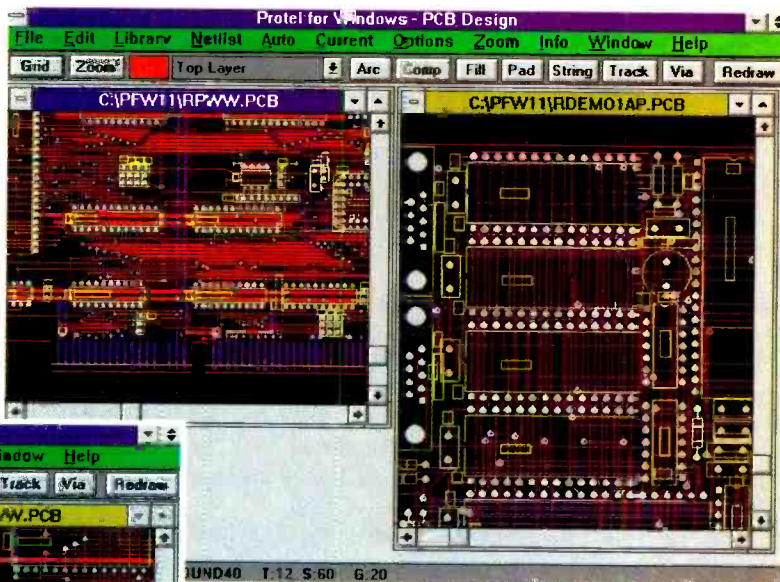
Net identifiers shown on a zoomed screen – very effective.

to 16 signal layers, four internal power planes, four mechanical assembly layers, two silkscreen overlays, two resist masks, two paste masks, drill guide, drill drawing, multilayer and DRC errors layers.

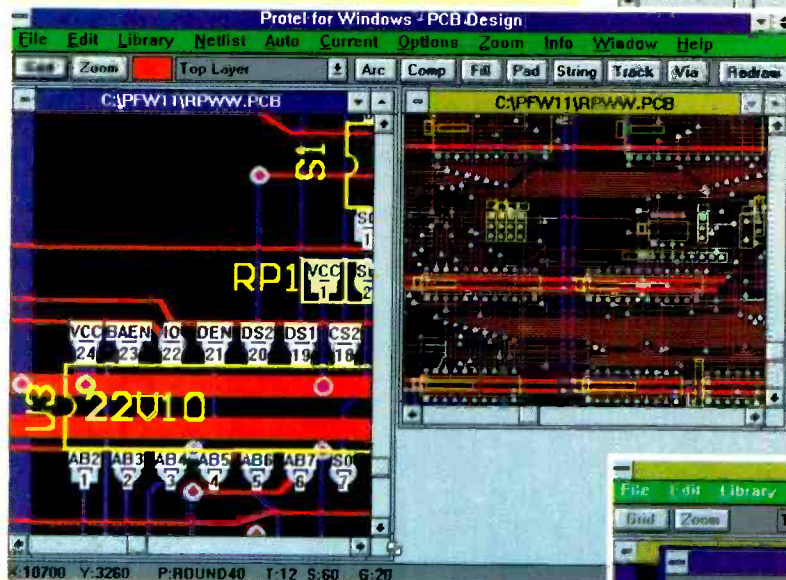
The working screen looks similar to any other *Windows* application, with an additional tool bar which allows shortcuts to some of the more commonly used features.

System Requirements

Windows V3.0 or later
 Windows standard mode: 80286 processor with 1Mbyte ram
 Windows 386 enhanced mode: provides access to Windows virtual memory and multi tasking. Output to a Windows supported pen plotter or printer.
 Gerber format photoplotter.
 Review machine was a 33MHz 486 machine with 8Mbytes ram



Working on two or more different windows with two different designs is possible.



Showing two different views of the same PCB. There need be no particular linkage between displayed windows.

Setting the autorouter options



Mouse, cursor keys or scroll bars can all be used for moving around the PCB, and zoom level is controlled by page up/page down keys, the zoom toolbar (which is a window zoom function), or the zoom menu from which any zoom can be set.

Unlike most Windows applications, Protel clears the keyboard buffer after each command, preventing queuing of the short cut key strokes. As a result the user has to wait for the program rather than typing in commands while others are being processed. Frustration is heightened by the fact that keyboard macros – a very useful feature – have been dropped for Protel for Windows.

Ground planes can be generated in two ways: the simplistic area-fill scheme, where a ground plane can be built up from a series of rectangles. Or the much better polygon-fill command, where a complex polygon is defined, optionally assigned to a net, and Protel for Windows then fills the area with a cross hatch avoiding tracks and pads. The result is neat. But it does take a few tens of seconds to run and produce a large number of tracks. These in turn slow down the redraw time, so it is sensible to use this function only when the main layout is complete.

Manipulating components

Data on pad size and placement for over 300 component footprints are stored in the library, and users can also generate custom components, or indeed modify those provided. Following creation or modification with the program library editor, a "component" may then be loaded to the PCB in the same way as any other.

Prior to routing, components must be placed, either manually, or automatically using an interesting example of topo-

logical optimisation. In automatic mode, after the settings for the auto-placement have been arranged, the program moves components around to exclude them from the keep-out regions, and to minimise total net length. The method requires the testing of many possible arrangements, so that, in about an hour, 56000 arrangements were tried on a board of 10 ICs. But the final result seemed to be very good.

Import of the net list allows display of the rat's nest of connectivity data, a simple point-to-point net, and these nets can then be routed manually or automatically.

There is a choice of autorouting options, and of particular interest are hugging (placing tracks close to existing tracks to preserve board space) and spreading to equalise the distance between tracks to improve manufacturing yield.

Starting up and trading up

Protel for Windows comes as a professionally published spiral bound manual, disk files totalling about 3Mbytes and a parallel port dongle.

The manual is well produced and includes a command reference and a general design topics section covering all aspects of the program. The package is so straightforward to pick up and use that the manual is only of importance when you get stuck. There is also a lot of useful information in the reference supplement that adds up to a manual in its own right. A nice touch is that the exact format of the PCB files (when stored in ascii) is described, allowing alteration with any ascii word processor.

Executing SETUP from the *Windows* file manager installs the package and all unpacking and transfers are accomplished without user intervention. Being *Windows* there is no systems installation to worry about and no tampering with dos system files. The package does however fiddle with the *Windows* installation, introducing its own icon bitmap into the applications group.

For those using the previous Protel products, *Protel for Windows* can import and export *Autotrax* files, although, by default, files are saved in a compressed form. So investment in files and user training in the dos product is not lost with the *Windows* package.

Other options include "SMD stringer" (a scheme to route SMD pads to power planes), a heuristic memory router, and a so called "line probe" which produces "L, C or Z" 1/2 via tracks.

On the subject of surface mount components, these can be handled perfectly well – even in a mix with pin lead devices on both sides of the board. All necessary reverses of the surface mount component patterns are effected and outline data are transferred to the appropriate silk screen.

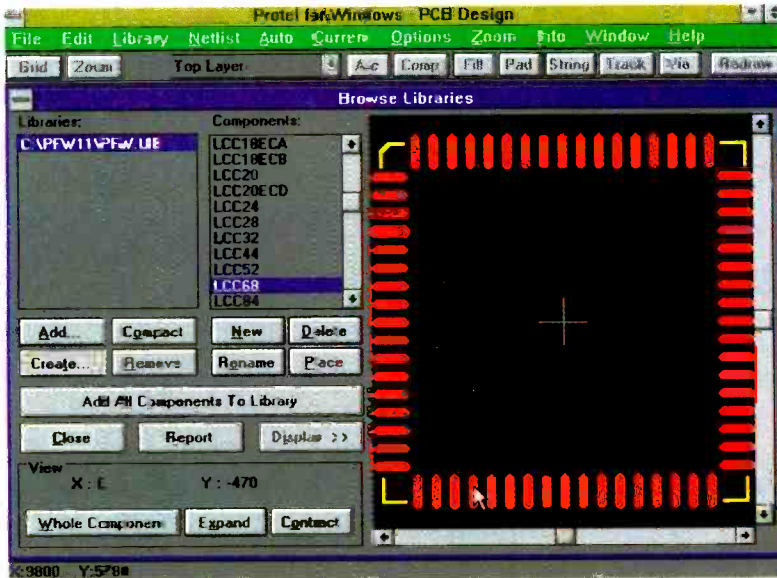
The advanced router offers a maze router with rip-up and retry capability and smoothing – a review scheme to minimise the number of track segments and vias.

Text strings can be placed on any layer and can be set to be one of a variety of sizes and stroke widths, and one of three vector fonts. Special strings such as date, time and layer can be used to identify the PCB automatically.

After manual routing, the program will check that the PCB is routed to the set of design rules, such as track spacing and via-to-track clearance. Although again rather slow this is useful to help keep errors to a minimum.

The dos product had a serious problem in that there was no direct way of highlighting unrouted nets for manual intervention. (For our *Autotrax* system we had to write a utility to map the DRC file to an unused internal layer). Now Protel has copied this approach and allotted a specific layer to DRC error highlights.

Data on pad size and placement for over 300 component footprints are stored in the library.



Layer set-up and colours



Hard copy and reporting

Plotting is handled by the *Windows* resource interface. The result is a simpler program, but means there is a tedious rigmarole if you wish to do anything other than output to the default printer.

For example, plotting to a file requires switching to Program Manager then Control Panel then Driver Menu, defining the default port to be a file – then finally plot.

Similarly, outputting to a Gerber photoplotter requires a suitable *Windows* driver.

For reporting, the file pull-down menu has options to produce reports on bills of materials, board specifications and netlists. Bills of materials – and incidentally back annotation – should be handled through the link with schematic capture. But

as this was not available at review time, this more logical route could not be followed.

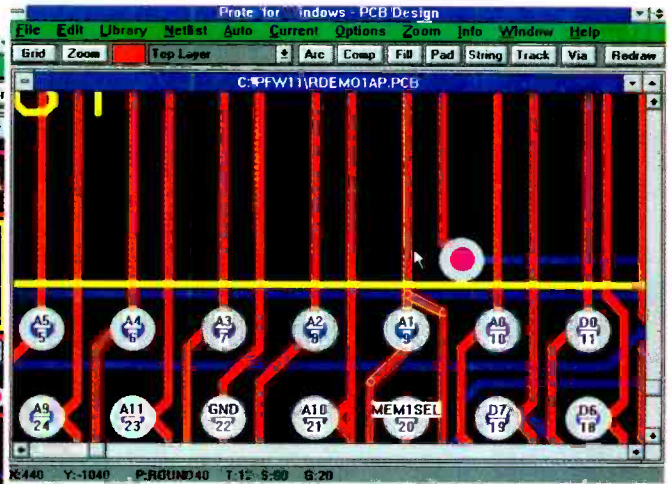
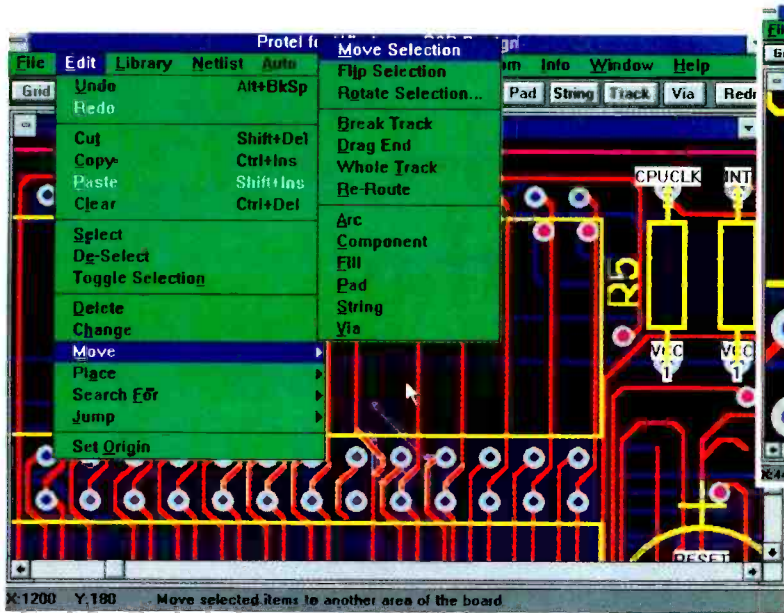
DXF format files can be exported to 2-D drafting packages so that detailed manufacturing drawings can be generated.

Quality package

Protel for Windows is similar in use to *Autotrax* and remains simple to learn and operate. Unfortunately the lack of a companion schematic capture program to generate the circuit diagram and netlist is a real drawback. A schematic capture package is promised, but until it is the system is seriously flawed. As a result integration between the capture and layout processes could not be assessed, and gate swap or back annotation issues have not been reviewed.

But all the basic facilities are there, though some need to be used with care, particularly the auto placement and autorouting. However once the ground rules have been set for these facilities, they perform well, and the autorouting is significantly better than the earlier *Autotrax* offering.

On-line help is extensive and using *Windows* is easy. It is a simple matter to access the report files (eg the DRC report)



using Windows notepad. So the user manual is little needed except for help with formats and the tricks and tips not covered by the help system.

I am no fan of Windows and its terrible slowness and hunger for memory. But as packages of this quality are produced, the Windows band wagon will become unstoppable. A truly excellent product.

Protel for Windows' design rule check requires the testing of thousands of possible arrangements.

Highlighting DRC violations.

Supplier details

Protel professional manual router £650; Protel advanced auto route/place £1300; Protel rip up/retry router £650; Protel auto component placement £650 Protel professional schematic £650. Digital simulation £1300. 15% discount for cash with order.

JAV Electronics Ltd, Gallery House, 677 Manchester Road, Denton, Manchester M34

WE HAVE THE WIDEST CHOICE OF USED OSCILLOSCOPES IN THE COUNTRY

TEKTRONIX 2336 Dual-Trace 100MHz Delay Sweep Ruggedised	£1000
WATSON S55111 Four-Channel 100MHz Delay Sweep	£700
HITACHI VD50F Dual-Trace 100MHz Dual TB with 4-Channel Mode	£450
SCHLUMBERGER S218 Dual-Trace 200 MHz Delay Sweep with Trig View	£375
PHILIPS PM2264 Four-Channel 100MHz Delay Sweep with Trig View	£500
TEKTRONIX 415 Dual-Trace 20MHz Delay Sweep	£350
TEKTRONIX 465 Dual-Trace 100MHz Delay Sweep	£450
TEKTRONIX 2215 Dual-Trace 60MHz Delay Sweep	£400
TEKTRONIX 2225 Dual-Trace 50MHz Alternate TB Magnification	£450
PHILIPS PM2217 Dual-Trace 20MHz Delay Sweep	£400
GOULD 051100 Dual-Trace 30MHz	£160
GOULD 05300 Dual-Trace 20MHz	£200
GOULD 052508 Dual-Trace 15MHz	£125
HITACHI V20F Dual-Trace 20MHz	£225
KIKUSUI 5530 Dual-Trace 30MHz	£200
TRIO CS1720 Programmable 20MHz Dual-Trace	£300
TELEQUIPMENT V3 Differential Amplifier for D83/075	£40
TELEQUIPMENT S1A Single Sweep Amplifier for D83/075	£40
HAMEG 2053 Dual-Trace 20MHz Digital Storage	£450
GOULD 1421 Dual-Trace 20MHz Digital Storage	£350
GOULD 1420 Dual-Trace 20MHz Digital Storage	£275

THIS IS JUST A SAMPLE - MANY OTHERS AVAILABLE

PHILIPS PMS193 PROGRAMMABLE SYNTHESIZER/FUNCTION GENERATOR 0.1mHZ-50MHz, IEEE-488. As new..... £1500

MARCONI 2610 True RMS Voltmeter £300
FARNELL Synthesized Oscillator D351 0-2000Hz-99.99Hz £275
MARCONI TF2015 AM/FM (0-520MHz Sig Gen with TF217) £300
MARCONI TF2015 without Synchroniser TF217 £150
MARCONI TF2016 AM/FM (10kHz-120MHz with TF217) £300
MARCONI TF2016 without Synchroniser TF217 £150
MARCONI SANDERS Sig Sources Various models Covering 400MHz-8.5GHz from £200
RACAL Instrumentation Recorders Store 4D and Store 7D from £300
KEYTILEX 224 Programmable Current Source £1000
FERRGRAPH RTS2 Recorder Test Set from £200
GOULD Biomation K500D Logic Analyser £500
H.P. Pulse Generator type 214B £750
RACAL/DANA 1991 Nanosecond Universal Counter £800

FARNELL SSG520 Synthesized Sig Gen 10-520MHz £400
FARNELL TTS520 Transmitter Test Set Consisting of RF AF Counter, RF Mod Meter, RF Power Meter, AF Voltmeter, AF Distortion Meter, AF Synthesiser £400
SOLD as a pair for ONLY £750

SPECTRUM ANALYSERS

TEKTRONIX 494AP 10MHz-21GHz (325GHz with add musers)	£15,000
HP 1411 with 8555A & IF Plug-in 10MHz-18GHz	£2000
HP 1411 with 8554B & 8552B 500kHz-1250MHz	£1300
HP 1401 with 8554L & 8552A 500kHz-1250MHz	£1000
HP 1411 with 8555A & 8552B 20Hz-300kHz	£1000
HP 1401 with 8553L & 8552A 1kHz-110MHz	£800
MARCONI TF2370 30Hz-110MHz	£1500
HP 1822 with 8558B 100kHz-1500MHz	£1500

PHILIPS PM2534 Multi-Function DMM 3 1/2-6 1/2-digit GPIB/IEEE Only £450
THURLBY PL320T-GP Bench PSU 0-30V 2-Amp I twice with GPIB £350
HAND-HELD MULTIMETERS - 3 1/2-digit DM105 - 14 Ranges DC-2Amp, M2355 - 32 ranges AC/DC 10 Amps, Diode/Transistor Tester, Freq counter etc. Only £18
RACAL/DANA Sig Sig Gen 9084 0.01-104MHz £500
RACAL/DANA RF Power Meter 9104 £800
RACAL/DANA 9341 Databridge Automatic measurements of LCR & Q £500
WAYNE KERR B424 RCL Meter LCD Display £125
WAYNE KERR 4210 LCR Meter Accuracy 0.1% £600
AVD AC/DC Breakdown Leakage & Ionisation Tester RM215L/2 £600

MARCONI DIGITAL FREQUENCY METERS
 Type 2430A 10MHz-80MHz £125
 Type 2431A 10MHz-200MHz £150

MARCONI UNIVERSAL COUNTER TIMERS
 Type 2437 DC-100MHz £175
 Type 2438 DC-520MHz £225

FARNELL PSU TV570 MAZ 70V 5A 30V 10A £300
TRORN PSU 0-40V 0-50Amps Metered £300
FARNELL PSU H60/25 0-60V 0-25Amps Metered £400
FARNELL PSU L30E 0-30V 0-5Amps Metered £80
TELEQUIPMENT C71 Curve Tracer £250
MARCONI TF2700 Universal LCR Bridge Battery from £125
MARCONI TF237A Auto Distort Meter 400Hz/1kHz 0.01% £175
RACAL 9915 Freq Counter 10Hz-520MHz (Crystal Oven) £150
AVO Valve Characteristic Meter VCM163 £300

AVO MULTIMETERS
 MODEL 8 or 9 (what's available) £40 each
 Test Set No. 1 8A 95A from £50
 8 Mh 5 with Carrying Case £90
 8 Mh 6 with Carrying Case £120
 All Meters Supplied with Batteries & Leads

NEW EQUIPMENT

NAMEC OSCILLOSCOPE HM1005 Triple Trace 100MHz Delay Timebase	£847
NAMEC OSCILLOSCOPE HM604 Dual Trace 60MHz Delay Sweep	£653
NAMEC OSCILLOSCOPE HM203 7 Dual Trace 20MHz Component Tester	£362
NAMEC OSCILLOSCOPE HM205 3 Dual Trace 20MHz Digital Storage	£653

All other models available - all oscilloscopes supplied with 2 probes

BLACK STAR EQUIPMENT (P&P all units £5)

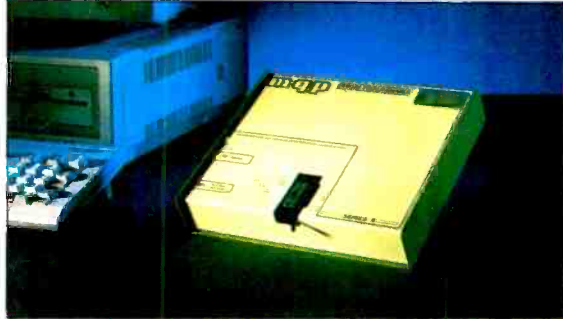
APOLLO 10 - 100MHz Counter Timer Ratio/Period/Time Intervals etc.	£222
APOLLO 100 - 100MHz (As above with more functions)	£325
METOR 100 FREQUENCY COUNTER 100MHz	£109
METOR 600 FREQUENCY COUNTER 600MHz	£135
METOR 1000 FREQUENCY COUNTER 1GHz	£178
MUPTOR 500 FUNCTION GEN 0.1Hz-500Hz Sine/Sqr/Tri	£110
ORION COLOUR BAR GENERATOR PAUTYPVides	£229

All other Black Star Equipment available
 OSCILLOSCOPE PROBES Switchable x1 x10 (P&P £3) £11

Used Equipment - GUARANTEED. Manuals supplied if possible.
 This is a VERY SMALL SAMPLE OF STOCK. SAE or Telephone for lists. Please check availability before ordering.
 CARRIAGE all units £16. VAT to be added to Total of Goods and Carriage.

STEWART of READING
 110 WYKHAM ROAD, READING, BERKS RG6 1PL
 Telephone: (0734) 268041. Fax: (0734) 351696. Callers Welcome 9am-5.30pm Mon-Fri (until 8pm Thurs)

SYSTEM 200 DEVICE PROGRAMMER



SYSTEM: Programs 24,28,32 pin EPROMS, EEPROMS, FLASH and Emulators as standard, quickly, reliably and at low cost.

Expandable to cover virtually any programmable part including serial E², PALS, GALS, EPLD's and microcontrollers from all manufacturers.

DESIGN: Not a plug in card but connecting to the PC serial or parallel port; it comes complete with powerful yet easy to control software, cable and manual.

SUPPORT: UK design, manufacture and support. Same day dispatch, 12 month warranty. 10 day money back guarantee.



ASK FOR FREE INFORMATION PACK

MQP ELECTRONICS Ltd.
 Park Road Centre
 Malmesbury, Wiltshire, SN16 0BX. UK
 TEL. 0666 825146 FAX. 0666 825141

GERMANY 089 / 4602071
 NORWAY 071-17890
 ITALY 02 92 10 35 54
 FRANCE (1)69 41 28 01
 Also from VEROSPEED UK

CIRCLE NO. 112 ON REPLY CARD

CIRCLE NO. 113 ON REPLY CARD

WINDOWS-CAE: more than just the easy option?

Future promise of true multi-tasking, plus growing numbers of suppliers moving into Windows products means engineers are taking a new look at Windows-cae. Shaz Horner reports on packages and facilities.

Microsoft *Windows*, introduced to make the PC easier to use, is set to become a familiar sight to engineers as PC cae suppliers rush to redevelop their products to run on *Windows*.

For engineers new to cae, working with the *Windows* graphical user interface is a painless route to rapid learning. But even seasoned cae users can gain something from *Windows* – hopping around between applications for example, or moving files without having to exit the cae package.

True multi-tasking is not possible with *Windows*. Several windows can open at the same time, but this is different to Unix-based cae systems which allow several applications to be run and viewed within *X-Windows*: However, release of Microsoft's *Windows NT* promises to provide a multi-tasking

operating system in the same league as Unix. *NT* should run dos/*Windows* applications as well, so current *Windows* users will be able to upgrade their dos to *NT* and run existing applications on the new operating system.

Easy integration of software

As well as ease of use, there are other more fundamental benefits that can be gained by running cae applications under an object oriented user interface like *Windows*. One of the major advantages is that applications can be more tightly integrated through the *Windows* dynamic data exchange (DDE) – a mechanism allowing related or linked data existing in separate files to be updated simultaneously. This would allow, for example, back annotation from PCB layout to schematic to be carried out in real time.

DDE also makes possible close integration of applications from separate vendors, probably benefitting vendors as much as users. This allows cae to be linked with ease into DTP or wordprocessing for writing documentation and technical manuals. In addition, object linking and embedding enables such links to be established over a network of PCs, with obvious advantages for teams of engineers working in a networked PC environment.

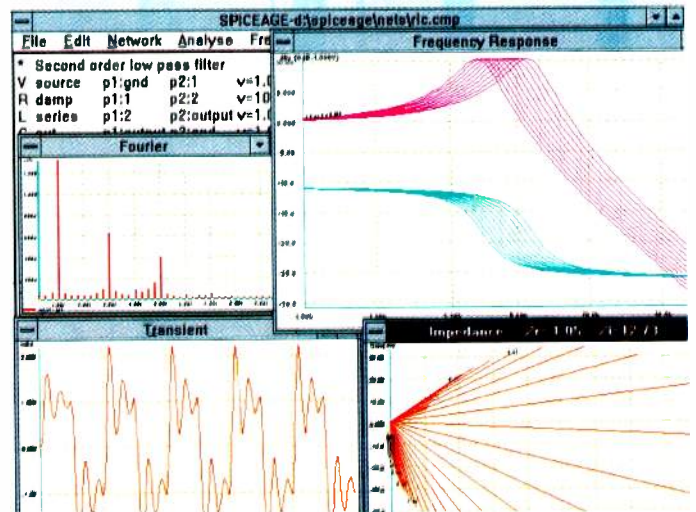
Cae suppliers moving their products onto *Windows* have taken the opportunity to tweak their products.

Charles Clarke of Those Engineers, points out that *Windows* memory management makes it impossible to run out of memory. *SpiceAge for Windows* simulation has been built from 25,000 lines of object oriented code. But being able to use larger programs has, for example, allowed more

Spice Age for Windows (simulation) includes enhanced AC, non linear DC, non linear transient and Fourier analysis with tolerancing, component value sweeping, temp. distribution, noise generation and a scope mode for viewing results as they are being calculated. Output functions include, gain, phase, group delay, complex plane, real and imaginary impedances, DC quiescent voltages, time dependent voltages. Auto-scaleable and selectable units, reference levels. Frequency zooming in Fourier analysis with a Hanning window option. Models can be created or changed and op-amps, transistors, fets, thyristors, triacs, diodes, etc are supplied. An intelligent circuit editor is provided for tidying syntax including that generated by other programmes.

Requires *Windows* 3.0 or 3.1 running in standard or 386 mode. Maths coprocessor is optional. £395 for single user.

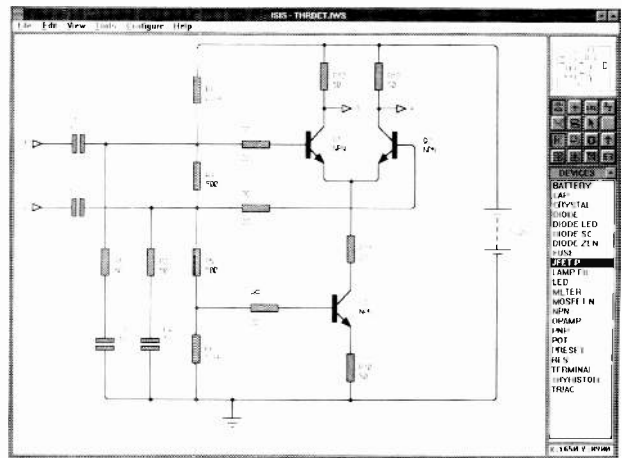
Those Engineers Ltd 31 Birkbeck Road, Mill Hill, London NW7 4BP.
Tel: 081 906 0155.



Intelligent Schematic Input System (Isis) is a schematic drawing package giving full control of line width, fill style and colour of all elements of the schematic, curved or angular wire corners, round, square or diamond junction dots, access to all *Windows* fonts, automatic wire routing and dot placement. 2-D drawing capability with symbol library. A comprehensive device library is standard and new devices can be created directly on the drawing. Display uses high resolution *Windows* display drivers. Output is to any bitmapped *Windows* printer device or to the clipboard. The package loads Isis Supersketch and designer files directly.

Requires compatible PC with 286 upwards, 2Mbyte ram, 2Mbyte hard disk space, mouse with *Windows* driver, and *Windows* 3.X £179.

Labcenter Electronics, 14 Marriner Drive, Bradford, BD9 4JT, Tel: 0274 542868.



flexible plotting to be provided. So users can now plot in the complex plane and graph real and imaginary components of impedance. Phasor diagrams can be plotted with some of the dependent variables swapped around to the X axis to produce a graph of residue figures. Bigger libraries can be developed too. *SpiceAge for Windows* includes new facilities such as bipolar junction transistor models, jfet models and diodes.

Falling resistance

Despite all the benefits, some users are still reluctant to use *Windows*, assuming *Windows*-based cae is only for trainees. But ease of use, and improved features - closer to those offered by the more powerful Unix-based cae systems at maybe half the price - are making the interface harder to resist.

Suppliers believe the main reason stopping users upgrading to *Windows* based cae is that many are still using 286 PCs. 286s can run *Windows* but performance suffers. For example screen refresh can be frustratingly slow.

But cae suppliers say demand for *Windows* products is growing, to such an extent that *Windows* packages are becoming their best sellers. Once the graphical interface has been tasted it is difficult to return to the not-so-friendly dos environment, and the lowering cost of 386 machines means more users can be expected to upgrade their hardware and move to *Windows*-based cae. What is more, as *NT* becomes available with its true multitasking - depending on how competitively it is priced - the dividing gap between Unix-based cae and the *Windows* cae look set to disappear.

Design Cad 2D for schematic has a curve capability and tangent/perpendicular functions. *BasicCad* programming language with its *Basic*-type syntax for writing commands or complete programmes is included. Icons menus can be customised.

Requires: Compatible PC, *Windows* 3.0. £275.
PMS Instruments Ltd, Waldeck House, Reform Road, Maidenhead, Berks SL6 8BR. Tel: 0628 38036.

Protel for Windows for PCB design is modular in construction so that it can be purchased either as a full package (Advance Pack) or by different functions: maze routing, and global placement can be purchased separately. Features include 32x32 inch workspace, 20 layer capacity with blind/buried vias, complete Gerber tool set. 1mil placement resolution. Netlists can be loaded from popular schematic capture formats.

Requires *Windows* 3.0 or 3.1 running in standard- or 386-enhanced mode. Min 2Mbyte ram. 3Mbyte of hard disk is required for installation. £2,200 for (top of the range) Advance Pack.
JAV, Electronics Ltd, The Gallery House, 677 Manchester Road, Denton, Manchester M34 2NA Tel: 061 320 7210.

Design Centre 3 for integrated simulation and schematic capture. Schematic capture provides graphical circuit editing, complete symbol library, and a fully integrated means of simulating and graphically analysing circuit behaviour.

Mixed mode circuit simulation with *Pspice* includes analogue behavioural modelling (non-linear and frequency-domain transfer functions require no programming); Monte Carlo and sensitivity/worst-case statistical analysis; fully integrated event-driven digital simulation supporting state, strength, and timing modelling, as well worst timing simulation; extensive analogue and digital libraries. Device equations can be customised to tailor a device's behaviour by supplying partial code which can be modified. Graphical waveform analysis allows simultaneous viewing of analogue waveforms and digital signals

produced by *Pspice* simulations.

Requires 386/486 or compatibles, 640K memory, 3Mbyte of extended memory, 387 floating point processor, *Windows* 3.0, 386 enhanced mode or standard. £59.95.
ARS Microsystems, Herriard Business Centre, Alton Road, Basingstoke Hants RG25 2PN. Tel: 0256 381400.

Quickroute 2.0 for Windows is a schematic design package that allows point and pick editing, curved tracks and filled polygons. Schematic capture has *Spice*-compatible net-list generation. Imperial or metric units - resolution 1mil. Seven preset and one custom zoom. Turbo draw speeds up redraw times by drawing objects as outlines. Up to eight PCB schematic layers plus two silk screen layers, a solder mask and rats-nest layer handled. Five different types of object can be placed: pads, tracks, ICs, symbols and graphic primitives.

Requires *Windows* 3/3.1. £59.
Powerware, 14 Ley Lane, Marple Bridge, Stockport SK6 5DD. Tel: (6-9pm only) 0860 602486.

LabWindows data acquisition and processing package is a powerful aid for the development engineer producing code to load up a microprocessor. The product has been designed to generate code for processing data derived from instruments via the IEEE488, RS232 or PC expansion cards. *QuickBasic* and *C* are both available as programming languages. When creating code in *LabWindows* the designer, in effect, assembles a list of library subroutines to perform the required task. Users can single-step through code while watching the effect on variables in another window.

Requires 386/486 PC and 4Mbyte extended ram. An 80387 coprocessor takes advantage of routines contained in the *Advanced Analysis* version.
LabWindows 2.2 £783, *Advanced Analysis* £1685.
National Instruments UK Ltd, 21 Kingfisher Court, Hambridge Road, Newbury, Berkshire RG14 5SL. Tel: 0635 523545.

PRODUCTION/A.T.E. SECOND USER EQUIPMENT HUGE SAVINGS ON NEW PRICES

PCB ASSEMBLY

SYSTEM 1000	ROYONIC 410 2 Assembly
Hot Air Rework Station	Workstations with programmer
CONTACT SYSTEMS 400 A/B/C Cut and Clinch Light Guided Assembly Workstations. Call for details.	Also 401 Workstation
From £3,550	UNIVERSAL High speed VCD. Re-engineered to very high specification. Carbide tooling new wiring harness. B.E.C. Rotary Table, high speed pneumatics. Call for colour brochure
BLAKELL LS210	DEK 250
Assembly Station	Manual Screen Printer
OMNITAC	UNIVERSAL ACI PACKAGE
Socket Inserter	40 Station Sequencer 2596R. Single Head VCD 6285. Multimod DIP Inserter 6772A. Program Generator & Satellite Controller
Pin Inserter	£35,000
SIEMENS HS180 Line	
High Speed Surface Mount Assembly Line with Screen Printer and IR Oven.	
Many spares and Feeders. Call for details.	

TEST EQUIPMENT

MARCONI 2019 Signal Generator	£1,650	MARCONI 893B Audio Power Meter	£350
H.P. 3325A Function Generator	£1,750	HP 8753A/010 Network Analyser	£9,950
TEK 2445 Oscilloscope	£1,350	HP 3325B/1/2 Function Generator	£2,950
TEK 2465 Oscilloscope	£1,995	HP 3585B Spectrum Analyser	£11,950
H.P. 8640B. Signal Gen from H.P. 8447D. 1.3 GHz amp	£235	HP 8903B Audio Analyser	£3,650
Marconi 893B. Audio power meter	£250	HP 8566B 22GHz Spectrum Analyser	£24,950
Fluke 8520A. D.M.M. (GPiB)	£495	HP 8568B 1.5GHz Spectrum Analyser	£12,495
TEK 222 10MHZ D.S.O. Battery Portable "Hand held"	£995	TEK 2465A 350MHz Oscilloscope	£2,495
TEK AM5035 Current Probe system	£1,500	Many other Makes/Models available. Call for full listing. Calibration to BS5750 also available.	
MARCONI 2380/82 400MHz Spectrum Analyser	£4,950		
MARCONI 2955 Radio Test Set	£3,775		

ATE SYSTEMS

MARCONI 540 256 Digital/768 Universal Points	£28,500	MARCONI 80R 512 Test Points	£21,900
MARCONI 515 Call for details. Only used 200 hrs.	£Call	GENRAD 2272 1024 Driver Sensor/224 Speed Plus	£28,500
MARCONI 510 Two systems available. Configured to suit.	£Call	GENRAD 2276XP 1088 Test Points	£offers

SPECIAL OFFERS

All ex-stock. Callers welcome.	FISCHER 870C Betascope	£1,350
ALTITUDE TEST CHAMBER	CEMCO Pull-Peel Test Set	£125
Temperature - Humidity - Vacuum. Can be configured to your requirements. Call for details.	CUSTOM CR1 Router	£125
£Call	CUSTOM CR2 Router	£198
ELITE "FORMAT" Axial Lead Form	EG + G 560B Lite-Mike	£56
£495	PLANAR GB7 Gas Bonder	£135
HUGHES 2460-II	CEMCO Solderability Tester	£475
Single Point TAB. Bonding Head with Pulse Tip. Solderite Re-Flow System. Pattern Recognition. CCD Close Circuit TV. Auto Focus. Dual 80 Track. Floppy Disk Drives. New 1990.	ICI I214 Vapour Phase Reflow Tank	£675
Excellent condition.	SOLBRAZE RD3 and RD6 "Rotadip" Solder Pots from	£425
DEK 1200 Screen Printer	SOLDERMATIC 800 Wave solder machine 240v single phase	£1,750
£495	ICI AO Screen Cleaner	£675
EDWARDS E12E3 Coater	ICI 6502AR Ultrasonic Cleaner	£875
£198	GRIFFIN Bench Oven. AMB to +200°C	£199
K+S 1419-3 Automatic Gold Wire Bonder	PERN 360 litre Burn-in Oven	£395

DO YOU HAVE SURPLUS PRODUCTION/A.T.E. EQUIPMENT?

Bring your surplus assets to the expanding European marketplace through Buyers News - read by 20,000 key buyers in High Tech industries.

Subscribe Now for Your FREE Copy

See latest issue of Buyers News for full listing and Terms & Conditions. Prices exclude VAT. Buyers Premium not included.

BUYERS NEWS Tel: 071-284 4074 (UK)

Fax: 071-267 7363 (UK)

146 Camden Street, London NW1 9PF

CIRCLE NO. 114 ON REPLY CARD

HENRY'S

NEW STOCKS AND SPECIAL OFFERS

ASTECS SW mode power supply

Three pin mains socket input, on/off switch. Output +5 volt 3.75 amp, +12 volt 1.5 amp, -12 volt 0.4 amp. 115/230 V A/C Input. Size 7.0 x 5.3 x 2.5 ins with circuit. £12.95 incl VAT



'POCKET' TEST INSTRUMENTS

*(with case) Prices Incl VAT

* 135 Satellite Signal Finder, PS + Compass	£29.95
* 1065 Digital Lux Meter - 3 Ranges	£61.00
* 120N Sound Level Meter - 2 Ranges	£45.00
200A 20HZ to 200 MHZ. 2 Range Freq. Counter	£104.58
55B Sine/Sq. 20 HZ to 150 KHZ. Audio Gen. Switch Freqs	£47.95
*50 Digital Capacitance Meter upto 2000 mfd	£51.00
KDM6 TR Grid Dip 6 Ranges 1.5 to 250 MHZ	£62.00
* Y225V VHS Video Head Tester	£38.95
* S1300 AC Clamp Meter. 0/300A. 0/600V 0/1 Kohm	£41.00
SPECIAL PURCHASE	£25.95
265 0/2000 amp AC Clamp. Add to Dmm	£15.95
202. 0/200/2000 Amp AC/DC. Version	£53.95
*320P. Wallet Type Digital Multimeter	£21.95
SPECIAL PURCHASE	

LCR DIGITAL METER

Pocket size instrument

- 3 1/2 digit LCD, 20 ranges
 - 7 Capacitance, 0/200 mfd
 - 6 Inductance, 0/200H
 - 7 Resistance 0/200 M ohm
- £69.95 incl VAT with leads and battery



TL34
33 Range 3 1/2 digit mm
24mm Large Display
FEATURES: 5 Capacitance ranges 6 - resistance ranges to 20M ohm Diode and transistor test AC/DC volts ranges, 5 ranges AC/DC current to 20 amps With leads, battery and instructions



£25.95 incl VAT
TL3400
31 range 3 1/2 digit mm with 25mm Large Display
FEATURES: 4 Capacitance ranges, AC/DC volts, AC/DC current to 20 amps, 6 resistance ranges to 40M ohm Diode test Continuity test. Logic checker with buzzer. Auto range frequency counter. Peak hold button. Temperature test.
£39.95 incl VAT

IN STOCK AUDIO-ELECTRONICS

(Details in colour catalogue and supplements)

- FULL RANGE OF TEST INSTRUMENTS -
- Scopes ■ Counters ■ Power Supplies
 - Generators ■ Meters ■ Hameg ■ Metex
 - Blackstar ■ Testlab ■ Thurlby ■ Thandar
- SECURITY AND COMMUNICATIONS -
- Alarms ■ Lighting ■ Detectors ■ Intercomms
 - Doorphones ■ CCTV and CB Radio
- AUDIO EQUIPMENT - ■ For Public Address
- Hi-Power Car Systems ■ Disco and Hi-Fi
 - Speakers ■ Amplifiers ■ Mics ■ Effects etc
- COMPONENTS AND TOOLS - Large Range inc
- Fans ■ Large Value Caps ■ Relays
 - Transistors
- ACCESSORIES - ■ For TV ■ Video ■ Hi-Fi
- Telephones CB etc etc.

Open 6 days a week for callers and telephone orders
UK Carr/Pack/Ins £2.05 - Post Free any two items

COLOUR CATALOGUE with supplements Send £4 (UK) \$6 (export) £2 for callers FREE updates for your 91/92 catalogue send large SAE (34p stamp) FREE catalogues with trade prices for trade and education write or fax.

HENRY'S 404 Edgware Rd, London W2 1ED

Instruments, Audio, Equipment 071-724 3564

Security, CCTV, Communications 071-724 0323

Components, Service Aids 071-723 4008

QUANTITY, EXPORT AND EDUCATION DISCOUNTS, OFFICIAL ORDER SALES Tel: 071-258 1831 Fax: 071-724 0322

CIRCLE NO. 115 ON REPLY CARD

HALCYON ELECTRONICS

Test equipment, video monitors, amateur radio gear, printers, power supplies, communications, disk drives, multimeters, oscilloscopes, scientific instruments, connectors, component bridges, frequency counters, signal generators, computers.

BELL & HOWELL 658 16mm SOUND PROJECTOR	£95	BERTAN 205A-05A 0-5KV 5mA	£59
HAMEG H265 COMPONENT TESTER	£29	BRANDENBURG 470 0-2.5KV 5mA	£29
TEKTRONIX 520 521A PAL V SCOPES	From £475	H.P. 6521A 0-1KV 200mA	£95
TELEQUIPMENT D67A 25MHZ, 2T. DEL T/B	£215	FERRANTI 26 LASER PSU 600v-1.6KV 15mA	£39
H.P. 1700A 35MHZ DUAL TRACE	£249	KINGSHILL CF9162 TWIN 0-150v 200mA	£49
GOULD OS3300B 50MHZ 2 TRACE DEL T/B	£269	FARNELL E350 0-350v 100mA 2x 6.3V	£49 to £69
TEK 453 50MHZ DUAL TRACE DEL T/B	£249	DEFIBRILATOR 50-400 JOULES BATT/MAINS	£49
SCOPEX 4D25 25MHZ DUAL TRACE	£169	FARNELL FG1 FUNC GEN 2-2.2MHZ	£129
BECKMAN 9020 20MHZ DUAL TRACE	£249	COMMUNICATIONS RECEIVERS. VARIOUS	POA
DATA PRECISION 6000 WITH 611 PLUG-IN AND		200W U.V. SOURCE WITH TIMER.	£85
681 DISK DRIVE UNIT	£395	REED & HORN SPEAKERS	£20 & £75
GOULD OS3000A 40MHZ 2 TRACE, DEL T/B	£249	PERISCOPES MILITARY No. 43 Mk.3	£19
HAMEG 203-5 20MHZ, 2 TRACE, COMP TESTER	£225	LOR MARCONI TF1313A 0.1%	£95
HITACHI VC 6015 10MHZ DIGITAL STORAGE	£345	LOR MARCONI TF2701 IN SITU	£125
H.P. 1340A X-Y DISPLAYS	£99	LOR MARCONI TF668B	£69
LEADER LBO-9C ALIGNMENT SCOPE	£195	LOR COMPONENT COMPARATOR AVO CZ457S	£75
TEK 5L4N 100KHZ SPECT ANAL WITH 5110 M/F.		WAYNE KERR B321 LOW IND. BRIDGE	£39
2x 5A18N, 5B10N TIME BASE	£750	HP1901A -05A -08A -17A 25MHZ PULSE GEN	£125
TELEQUIPMENT D75 50MHZ 2 TRACE DEL T/B	£225	SCR578N GIBSON GIRL EMERGENCY XMITTER	£75
TEKTRONIX 7403N. DF1, 7D01 LOGIC ANAL	£495	LEVELL TM6B MICRO V-METER 450MHZ	£95
TEK 545B, 585, 585A, 535A, 541A, 515A	From £49	LEVELL TM3B MICRO V-METER 3MHZ	£85
TEK 545/585 SERIES PLUG-INS	From £10	U8B/TU9B TUNER UNITS BRAND NEW	£29 £39
WANDEL GOLTERMANN SPM-2 LEVEL METER	£189	ORTELING V20 SINGLE PAN BALANCES 200GM	£95
WANDEL GOLTERMANN SP-3 LEVEL METER	£189	ANALYTICAL BALANCES WITH WEIGHTS	£69
WANDEL GOLTERMANN PS-3 SIGNAL GEN	£169	UDI 2026 SONAR SCANNER, SURFACE UNIT	£895
MARCONI TF2304 AM/FM MOD METER PRTBLE	£249	UPA CAVIDERM CD6 P.T.H. TESTER	£750
RACAL 9059 FICTR 560MHZ MAINS-BATT	£145	MARCONI MARINE KESTREL 3	£49
19' RACKS, 20U, 31' DEEP	£125	DECADE R/C V BOXES	FROM £15
HP 3490A DMM AC/DC/V OHMS 6-DIGIT	£125	KAYE DEE, PNEUMO UV EXP UNIT 390x260mm	£175
XFORMERS SEC 30-0-30V 20A, UNIV PRI'S C-Core	£20	VACUUM PUMPS TYP 100 MBAR (28L/MIN)	£95
W/HOUSE 1/4HP REVBLE MOTORS 220V 1KRPM	£225	CALIBRATION STANDARDS C/V/LR	POA
CONSTANT VOLTAGE TRANSF'S 150VA-2KV	POA	COSSOR CRM533A VHF NAV/COM RF SIG GEN	£750
MARCONI TF2331 DIST'N FACTOR METER	£275	COSSOR CRM511 ILS/VOR AUDIO SIG GEN	£175
BBC-B & MASTER COMPUTERS	From £99	TOPAZ 91007-11 7.5KVA 120240-120240 ISOL	£175
MARCONI TF2300 FM/AM MODULATION METER	£195	KINGSHILL NS1540 15V 40A PSU CASED. AS NEW	£195
TEKTRONIX 834 PROG DATA/COMMS TESTER	£395	HP 626A, 628A SIG GENS. LAST FEW	£35 ea

LIST AVAILABLE, BUT 1000'S OF UNLISTED BARGAINS FOR CALLERS ALL PRICES EXC. OF P&P AND VAT

QUALITY ELECTRONIC EQUIPMENT ALWAYS WANTED

423, KINGSTON ROAD, WIMBLEDON CHASE, LONDON SW20 8JR
SHOP HOURS 9-5.30 MON-SAT. TEL 081-542 6383.

CIRCLE NO. 116 ON REPLY CARD

GPS

2: receiver architecture

The signal available to the commercial GPS receiver is -160dBW , or -130dBm total, spread over about 2MHz bandwidth by the spread spectrum coding, though most of the power can be found in the central 1MHz section. The thermal noise power in 1MHz , derived from Boltzman's constant KTB , is -114dBm using a perfect receiver, or -112dBm if the radio front end achieves a 2dB noise figure.

Thus the receiver starts with a theoretical signal to noise ratio of about -18dB . In practice the antenna may have a few dB of gain, but the required hemispherical response limits aerial gain. Losses in connectors and coax before the LNA may actually nullify aerial gain. The satellites also transmit a few dB above spec, but the equipment must be designed to operate at minimum signal strength.

To give an idea of received power, -160dBW into 50Ω is equivalent, as a single CW carrier, to about 70nV . A good VHF communications receiver expects almost a microvolt. But the GPS receiver must take in 1MHz of bandwidth – compared with 25kHz for the VHF comms receiver – so gets 40 times the noise power.

Thus the GPS receiver has to separate a 70nV signal equivalent from under about 600nV of equivalent noise – an interesting challenge.

Note that these voltage equivalents barely illustrate the problem – they relate to single sinewave power. In real GPS both the noise and the signal are spread over a wide bandwidth.

GPS antennae

The GPS antenna must receive from the satellites wherever they are in the sky, and because it must accommodate several satellites at the same time, it must cover the entire sky. (The exception is certain military arrays, which can have multiple lobes electronically steered to satellites and nulls to interferers.)

GPS systems use two classic aerial types,

*GPS signals are a curious mix of narrowband information imposed on wideband signals showing varying degrees of doppler shift. Reception requires a radical approach to receiver design. By Philip Mattos**

the quadrifilar helix and the patch. The first resembles a vertical cylinder, and inside has four helical wires with a phased feed network. (Fig. 1)

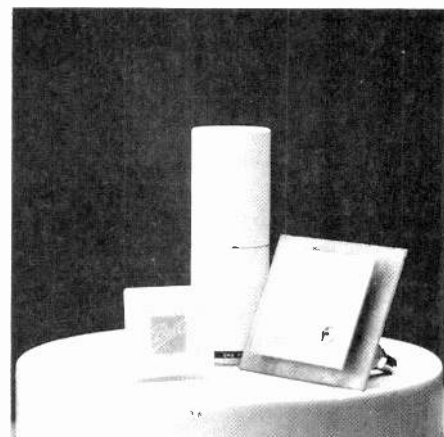
The second is simply an area of copper, of electrical halfwave tuned size, on a high quality dielectric such as PTFE or ceramic. The phased feeds are often printed onto the same substrate. (Fig. 2)

The purpose of the feed network is to optimise the response to right hand circularly polarised signals from the satellite, while minimising the response to reflections which tend to be left hand polarised from metallic surfaces.

The quad helix can be designed to give a true hemispherical response, but for sailing vessels is usually designed to cover an even greater solid angle, so that when the vessel is heeling by say 30° , the windward horizon is still covered. (Fig. 3)

For surveying applications, it is usually optimised for 25° and higher as using satellites below this angle increases the position error due to ionospheric diffraction.

The patch antenna naturally has a very good response overhead, getting progressively worse nearer the horizon. Many alternative



Aerials for GPS: The signal modulation represents less than 1% of carrier frequency but the element bandwidths must be made much wider to allow for manufacturing tolerances.

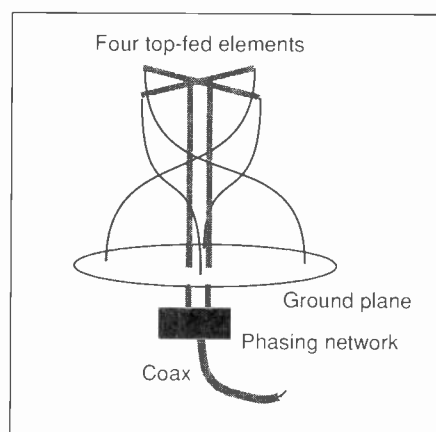


Fig. 1. The Quad-helix antenna achieves hemispherical coverage. Four correctly phased elements provide horizontal coverage, while the twist in the helix allows some endfire response. The proportion between the two can be adjusted by altering the spacing between the active elements and the integral groundplane. It maintains a good ellipticity performance at all angles.

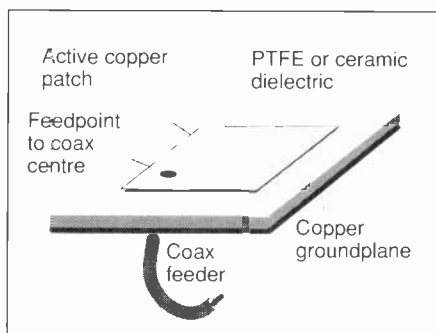


Fig. 2. The patch antenna, an electrical halfwave per side set against a reflector backplane, costs far less to produce, and is more easily faired into streamlined structures such as cars and aeroplanes. It has better gain at the zenith, dropping off towards the horizon, and also losing circular polarisation and becoming linear near the horizon.

**Consultant engineer, Inmos Ltd*

designs exist to improve this, and the best offer about 0dBic on the horizon and about +7dBic overhead. Clearly the average over the entire hemisphere cannot exceed +3dBic, and the 0 to +7dB figures are compatible because the solid angle around the zenith is so much smaller than that around the horizon. (Fig. 4)

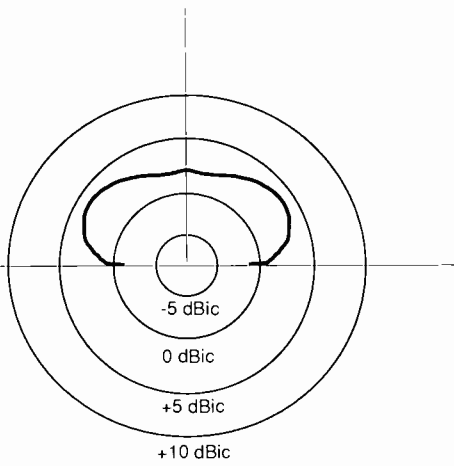


Fig. 3. The quad-helix comes close to the ideal gain of 3dBic over the entire hemisphere.

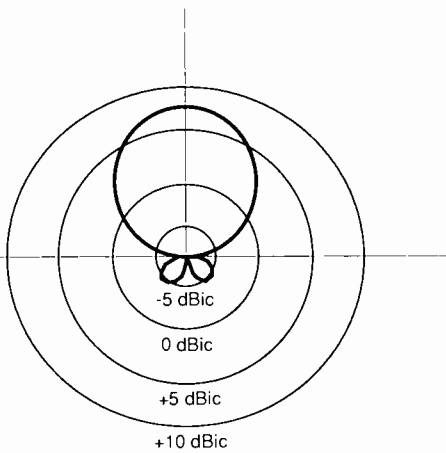


Fig. 4. With up to +7dBic overhead, the patch antenna is very useful on land, where low angle satellites are usually blocked by trees/buildings anyway.

For land mobile use the patch is very suitable, as at low angles, trees mountains and buildings obstruct the satellites anyway. The military GPS specification assumes that the antenna can receive from satellites down to 5° above the horizon. This is only practical when the physical horizon allows, such as at sea or in the air.

Because the limiting signal strength is greater for acquisition than tracking, most receivers can track satellites right down to the physical horizon, but do not attempt to acquire them below a predefined mask angle.

Radio requirements

The very low power levels of the received signal described above put considerable restrictions on the radio design, and translating a signal from 1.5GHz to baseband requires minimal phase noise and great stability on the local oscillators. On the other hand, being a wideband signal, tight IF filters are not required, but their phase response is critical.

The intrinsic bandwidth of the signal, before spreading in the satellite, and after despreading in the receiver, is only 100Hz, twice the data rate of 50 bits per second. While it is passing through the analogue sections of the radio, it is 1MHz wide. Any distortion that changes the relative phases of the components of the signal, or spreads a spectral line, will prevent the despreading operation from bringing the energy back together to the 100Hz wide original, and thus reduce the peak energy that can be recovered.

If the reference oscillator for the system is a 50ppm crystal over temperature, the carrier will appear to drift by 75kHz. This dwarfs the errors caused by the Doppler shift of the satellite, and that of the user. When the final processed signal is fed through a 100Hz wide filter, it can be seen that even 0.1 ppm (150 Hz) would lose the signal. Thus measures must be taken to either control, measure or accommodate drift in the reference oscillator.

Traditional radio architectures use double down conversion superhet circuitry with a TCXO reference, and I and Q outputs. (For abbreviations see glossary). They also tend to be designed traditionally, by skilled designers experienced with narrowband radios. A clean sheet approach can yield a much lower cost

design of equivalent performance specifically for spread spectrum use, and will be covered in a future article.

The choice of intermediate frequencies is up to the designer, but with two policy decisions made first: is the second IF, the handover to the signal processing, done at baseband, or at some higher frequency, and are the frequencies to be code synchronous or not? If the handover frequency is baseband, amplifiers must pass DC, if not in the radio, certainly after despreading in hardware. However DC does remove the need for image filters, removes a spurious response, and using I+Q the phase/frequency of the signal can be recovered. The classic double conversion architecture is shown in Fig. 5.

Early radio architectures from the 1970s and early 80s always used a code-synchronous frequency plan. All the frequencies in the satellite are generated from a single source, at 1.023 MHz, known as f_c . The C/A code chipping rate is this and the P-code rate (military) ten times it, and the carrier at 1575.42MHz is 1540 times it. Thus 10.23MHz is a very useful reference frequency, as is any multiple thereof.

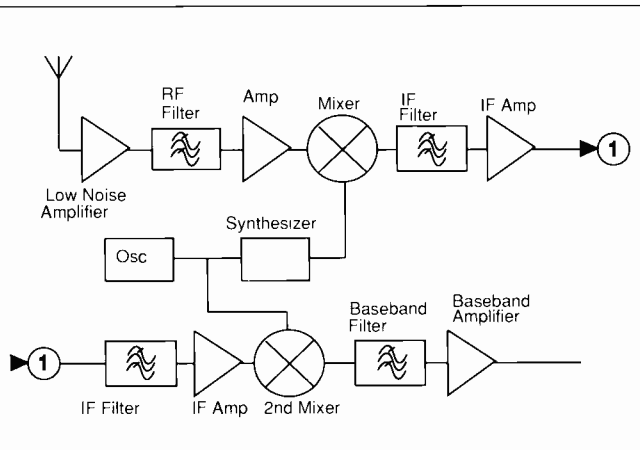
While excellent for hardware code tracking (discussed later) synchronous designs suffer from the fact that 20.46, 10.23 and any sub multiples thereof generate harmonics at the GPS carrier frequency, and due to the extreme sensitivity of the radio, these are picked up by the antenna and swamp the set. This was not a major problem on naval/aircraft sets, as the antenna was well away from the main radio, but once portable sets were developed, it became serious. Modern sets use a 40.92MHz reference if they wish to operate synchronously, as the 38th and 39th harmonics span the GPS carrier cleanly. Few synthesisers will operate with such a high reference, so it is divided down defeating the object. As a result, most sets operate asynchronously to the satellites.

Note the difference between synchronous and coherent. Synchronous means at a multiple of the satellite's code-chipping rate. Coherent means that all the frequencies in the set are derived from the same source, eg first LO, second LO, code generator reference, sampler clock, CPU clock, etc. Coherence is a definite advantage, as it minimises the unknowns in the equations, and also the inter-modulation products in the receiver.

The first IF must be chosen to allow the front end filters to remove the spurious response adequately at the image frequency, twice the IF away from the carrier. Thus anything below about 40MHz is unreasonable, as the image response at 80MHz away, or 5% away, would demand excessive Q from the RF filters. The RF filters are usually ceramic resonators, and can be bought off the shelf for a reasonable cost, such is the demand for GPS. They are available with two to four poles, and skirts 30-40dB down, so at least two are usually used.

The two major interfering sources for GPS are terrestrial microwave links, and radar,

Fig. 5. A full traditional dual conversion radio resembles communication radios except in the nature of the IF filters, which do not need to select a channel, rather just reject an image. Only the baseband filter deliberately controls the channel bandwidth, as the phase response is critical.



while a co-located mobile satcomms uplink at 1620MHz can burnout the low noise amplifier if badly sited!

If the final handover IF is not DC, the percentage bandwidth of the filters before the second mixer must be considered. If a 5MHz final output was required, the image would be 10MHz away. On a first IF of 500MHz this would not be appropriate, but at 70MHz, a satcomms standard, there would be no problem. However if the final frequency were to be 2MHz, then even 70MHz would be too high: 71-73MHz is required, without phase distortion. But the image at 67-69MHz must be rejected, albeit only for noise purposes. There will not be any transmitters at 1571MHz, its equivalent at RF, as it is in the reserved GPS band. Remembering that the passband must be 1-2MHz wide, phase characteristics dictate an IF considerably higher than the bandwidth.

If the final handover is to be DC, the second image problem disappears, but a different problem arises. The second local oscillator frequency will be the same as the first IF, and if there is any leakage into the signal path, it can saturate and thus block the IF strip.

Thus the conventional double downconversion design has some problems, and must make the best compromise between them.

Signal path

The first stage of the radio is a low noise amplifier, though it is often sited at the antenna, rather than in the radio itself. While semiconductor technology permits the construction of 1dB noise figure amplifiers, 2 or 3dB is more usual, for cost, reproducibility and protection reasons.

For protection reasons, it is convenient to put a filter before the first transistor, and this necessarily adds the loss of that filter, about 2dB, to the noise figure of the amplifier. This rather defeats the benefit of using a Gallium Arsenide first stage. A solution is to use a robust silicon bipolar first stage with the filter after it.

The LNA must have enough gain such that the signal is boosted to a level where the noise from the second and subsequent stages is negligible by comparison. 15dB is the usual minimum, though up to 45dB is available commercially. Clearly if a long download is used, the gain must also cover the coax losses.

At the front end of the radio proper there is normally further gain, and another filter before the first mixer, then a low pass filter to remove RF and LO components before the IF strip. This is necessary because inductors and capacitors used in the IF strip do not retain their values at gigahertz frequencies, so the effect of such frequencies is very ill-defined, both in input impedance and in spurious responses from the IF amplifiers.

The IF strip is usually conventional except for the need to pass a wideband signal with linear phase dictating a fairly low Q for the filters. This is the cheapest place to provide gain, and as some 120dB is needed overall, more than a third of it is provided here.

Equipment with I and Q outputs requires

Fig. 6. While most synthesisers are complex designs making use of chips designed for multi-channel communication radios, once an asic is included in the radio, a more simple fixed frequency version can be used, benefiting in phase noise from a higher comparison frequency.

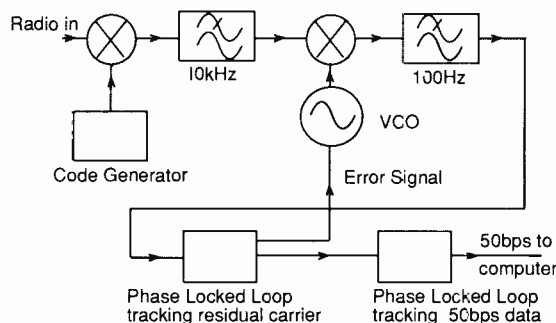
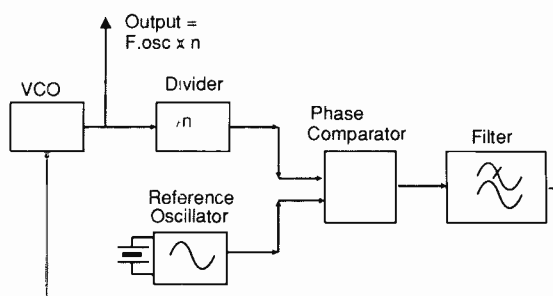


Fig. 7. Tracking loops implemented entirely in hardware were the norm before the day of the micro. They consist of two interlocked loops, one tracking the spreading code, the other the carrier frequency. Initial acquisition is difficult as if either loop is misadjusted, no signal is seen.

two second mixers, fed with local oscillator signals 90° apart in phase. These are followed by the baseband gain, be it DC or a few MHz, and filtering, producing the signal to be fed to the sampling stage.

The sampling stage consists of a primitive A-D converter, normally 2-bits, sampling at video rates. This is fairly recent. Earlier systems would have fed a local satellite code into the radio stage, which would have been narrow band filtered with further gain before digitisation.

The local oscillators of the radio are normally derived from a reference crystal using a synthesiser. Thus the critical first LO is actually a VCO running at either L-band or half that with a passive doubler, the output of the VCO being divided down to a few hundred kilohertz and phase locked to the reference crystal, itself divided down. (Fig. 6)

While such synthesisers are readily available, derived from multichannel communications products, it is inevitably a compromise. Since GPS is fixed frequency, a programmable synthesiser is overkill. Specifically, the available chips expect 25 or 50kHz channel spacing, so the reference frequency is designed to be around there. This is much too low for acceptable phase noise at L-band, even if the synthesiser chips are pushed to their limits of a few hundred kilohertz.

If an asic or custom silicon is allowed in the radio, a simple fixed frequency synthesiser with a comparison frequency of a few megahertz is sensible. The cheapest and most effective solution, however, is a high frequency crystal and harmonic multiplier stages.

Hardware tracking loops

The original receivers processed the signal in analogue hardware right through the tracking

loops, and only digitised the final output to assess the signal strength and polarity, both to control the loops and to extract data. (Fig. 7)

By the late 80s, the phase locked loop that removed the last of the carrier had migrated into the CPU through software together with narrowband filters (Fig. 8). This meant that a much faster sampling rate was needed, to handle the frequency errors and Doppler even if the handover frequency was set at DC.

By 1990, with asic hardware progressing, some carrier handling went back to the hardware as it allowed coherent receivers to guide their code trackers from the carrier tracker.

My own design continued to move more and more to software, putting the entire code tracker and carrier tracker in software. The original 1970s designs most clearly illustrate the work that must be done on the signal. (Fig. 7)

A pair of fed back shift registers generates a mimic of the satellite spreading code. (Fig. 9) Initially this code generator is run a few parts per million fast or slow, to ensure that it drifts past the correct synchronisation point. The drifting must be slow, so that the integrators have time to build the signal.

When this correct sync point is reached, the output from the code mixer becomes a narrow band carrier at a low frequency, that being simply oscillator error and Doppler shift. The filter following the mixer then realises the correlation gain, as it reduces the bandwidth to a few hundred hertz, and here lies the problem. The oscillator error and Doppler error may be a few tens of kilohertz, so the signal misses the filter. Thus in addition to sweeping the code generator in the time domain, one of the downconverting local oscillators must be swept in frequency.

A magnitude detector is used, with a wider filter, about a kilohertz, during acquisition.

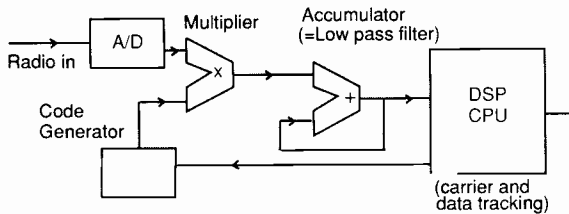
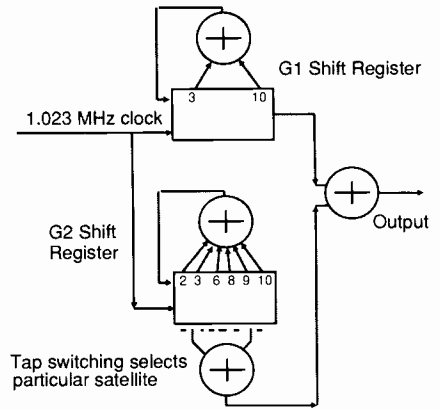


Fig. 8. Most modern tracking loops are digital, be they hardware or software. Few processors can handle the civil code in software, and none the military code, so a hardware code generator, multiplier and accumulator/integrator are used, but their control algorithms, and the carrier loop, are all in software.

Fig. 9. A hardware code generator is very simple, being two fed-back shift registers generating maximal length sequences that are XORed together. Tap selection generates different codes for each satellite. This circuit is used in both satellite and receiver, but the receiver is complicated by the need to search in the time domain, so the 1.023MHz clock must be adjustable first to search, and then to track, the timing of the incoming signal.



Once a likely cell is found, the code tracker is run at the correct, not the offset, rate, and the frequency sweep locked. This allows the phase locked loop to lock to the residual frequency. A final mixing operation can then yield the data waveform to be sampled by the processor.

It is the slow drift rate of the code through its 1023 possibilities, times say 10,000 frequency bins to search, plus the PLL lockup time on each likely candidate, that makes signal acquisition by the fully hardware route such a time consuming process, sometimes as much as five to 10 minutes. Modern sets with greater processor involvement can do a much faster job.

The next generation of sets still used a hardware code generator and correlator, but allowed the processor to sample directly the resultant output, and pin down the frequency of the carrier with an FFT. This is equivalent to using many simultaneous filters.

Note that in a coherent set, once the exact carrier frequency is pinned down, the rate at which the code must be run is known as all oscillator error and Doppler effects have the same percentage effect. Doppler affects both carrier and code.

Carrier tracking and data extraction

Once the code tracker is locked, its output is a narrow band carrier, ie CW modulated with 50 baud data BPSK. However, in the shared part of the radio, the frequency cannot be brought to zero exactly, as the satellite frequencies differ due to Doppler shift.

Thus the final residual frequency error must be removed in the processing channel. This is done using either a phase locked loop, originally in hardware, but more recently in software, or alternatively a direct measurement of phase using an arctangent calculation on the I and Q components of the signal.

Either method yields two outputs: a very tightly filtered copy of the residual carrier signal and a very oversampled datastream.

The cycles of the carrier are counted, and the phase noted. The cycle count can be used both for velocity calculations and for millimetre accuracy in post processed surveying applications.

The main output is the datastream. Extracting the data requires further processing

in a filter matched to the databit length of 20ms, and the data sampled once per bit at the peak. This is achieved by a very simple loop that rectifies the signal and monitors it early, punctually and late. By adjusting the sample point until the early and late levels match, the loop rapidly stabilises at the correct point. While this is an exact mimic of the loop in the code tracker, it runs at just 50 bits per second against over a million for raw code. It requires almost no CPU time to implement in software.

Multiple satellites

The story so far relates how a signal from a single satellite is demodulated. A real GPS receiver must receive from four satellites simultaneously to generate a position fix; the received data must be interpreted to derive the orbit parameters which allow the position of the satellite to be calculated.

The method used in dealing with multiple satellites used to have a serious effect on the cost of the receiver. The design became a cost/performance trade off. With reducing cost of asics, receivers now provide five copies of the processing functions in hardware, with only control and data extraction done in software. But there are many variations available to the designer.

The lowest cost solution provides a single hardware channel performing the satellite tracking which it shares over the four satellites. If this timesharing is done slowly, the system is known as a sequencing receiver. A

multiplex receiver downloads data from all satellites using short time slots.

Both these types behave adequately in marine and land environments, where the acceleration environment and dynamics are low. However they are not suitable for missiles or fighter aircraft. The sequencing receiver also has the problem that it must stop sharing while downloading the orbit data. This means that for half a minute or so, positioning is not available. It must also download the data from all four satellites at startup sequentially which takes several minutes.

An effective compromise between single channel and the fully parallel set is to provide two channels. At startup, both may be used for downloads. After acquisition, one is used for positioning while the other becomes the housekeeping channel: it acquires new satellites and downloads from them without interrupting positioning. When all in the sky have been downloaded, the second channel can also be timeshared, thus tracking all in view, so that if one or more are obstructed, there are still sufficient for a fix.

The fully parallel set usually provides five channels using four to track the optimum satellites while the fifth downloads data from the rest. There are some sets that provide eight or twelve channels so that all in view can be tracked continuously, rather than multiplexing on the spare satellites.

Software Correlation

My own contribution to the GPS field, developed in 1988 and reported in *Wireless World* in February 1989, is real-time processing of the GPS signals entirely in software. My approach has been not multiple hardware channels, but feeding the signals through an A-D converter directly into a computer for processing in software.

The method has two major benefits. It can be implemented without resorting to special asics and, perhaps more importantly, software may be remodelled as the market changes without added chip development costs.

The software can emulate a single channel or parallel set, using code tracking, squaring or composite codes, and mixing these as appropriate through the phases of handling the satellite. The operation of the receiver in software will be covered later.

GLOSSARY

- BPSK** Binary Phase Shift Keying, inverting the signal for '1' data
- I + Q** In phase and quadrature components of a signal
- LNA** Low noise amplifier
- PLL** Phase locked loop
- PTFE** Polytetrafluoroethylene, a strong, inert plastic
- ppm** parts per million, usually a tolerance, here on frequency
- Q** Quality factor of a tuned circuit
- TCXO** Temperature compensated crystal oscillator
- VCO** Voltage controlled oscillator



DIY LSI

3:tools of the trade

In the third and final part of their series on programmable logic families, Dave Nicklin and Nick Sawyer* examine the role played by software in designing programmable devices. In particular, it considers the shift toward VHDL and logic synthesis together with the concept of high level graphical design.*

Most FPGA designs are currently completed using normal gate and macro level schematic entry tools. The FPGA vendor supplies a library of macros and generic symbols which are connected together using either proprietary or standard schematic entry tools. The netlist produced by this software is then translated into a vendor specific format for partitioning, placement and routing within the target device.

While schematic entry is the normal route to FPGA design, the majority of EPLD designers employ text based forms of entry. These tools vary in complexity, and there are a number of products and standards currently available which allow the engineer to design using complex Boolean equation and state-machine description syntax. This form of entry naturally allies itself with the types of design that fit most suitably into an EPLD style architecture. That is not to say that schematic entry isn't used for EPLD design, nor equation entry for FPGAs. They are both used to some degree. However, both have adopted the design practices of their roots: EPLDs use the entry tools familiar to PAL designers, while FPGAs follow ASIC design practices.

Deadline timing

In contrast to EPLD design, it is hard to predict the performance of an FPGA circuit before it has been placed and routed. The FPGA architecture trades predictable timing against flexibility and efficient silicon usage. However, as a result of automatic placement and routing software development, it becomes possible to incorporate some predictability in FPGA design.

Deadline timing is the ability to control the partitioning and routing of a design in terms of critical paths and overall circuit performance. Xilinx calls its version of the software *XACT-Performance*. With this system a designer can assign (in his schematic) various timing attributes, termed TSPEC attributes. Each attribute can define a path in terms that the designer is familiar with, such as clock-to-setup, pad-to-pad, clock-to-pad and pad-to-setup. Placing the attributes on the design schematic eases update of timing parameters.

While the use of deadline timing does not guarantee the design will work at the specified rate, the software does detect impossible timing constraints, i.e. those due to block delays which will cause the path timing to fall outside specification. It allows the designer to ensure that logic paths are prioritised by the software in terms of true system requirements. Even so, EPLD implementation will always remain the only way to achieve 100% predictable timing.

Towards logic synthesis

The last couple of years has seen efforts to use hardware description languages, such as

Continued over page

*Xilinx UK

DEADLINE TIMING - AN EXAMPLE

Figure 1 shows an example of an LCA design with XACT-Performance specifications. Figure 2 is the same schematic highlighted to illustrate the effects of deadline timing. The XACT-Performance specifications in this design result in the following (numbered items in this list refer to the appropriate numbers in the schematic).

Terminology

DP2P = Default Pad-to-Pad specification, i.e. the default delay for any path in a design sourced by an input pin leading to an output pin.

DP2S = Default Pad-to-Setup specification, i.e. the default delay for any path in a design which starts at an input pin and finishes at the input of a flip-flop.

DC2S = Default Clock-to-Setup specification, i.e. the default delay for any path sourced from a flip-flop output which finishes at the input of another flip-flop.

DC2P = Default Clock-to-Pad specification, i.e. the default delay for any path sourced from a flip-flop which finishes at an output pin.

P2P = Specific Pad-to-Pad timing constraint, i.e. a specific path delay value which overrides the default pad-to-pad timing. This delay can be either shorter or longer than the default value.

P2S = Specific Pad-to-Setup timing constraint, i.e. a specific path delay value which overrides the default pad-to-setup timing. The value may be either shorter or longer than the default value.

C2S = Specific Clock-to-Setup timing constraint, i.e. a specific path delay which overrides the default clock-to-setup value. The value may be either shorter or longer than the default value.

C2P = Specific Clock-to-Pad timing constraint, i.e. a specific path delay value which overrides the default clock-to-pad value. The value may be either shorter or longer than the default value.

TSnn = Time Spec attribute (*nn* can be any integer value). An attribute can be attached to a net which is part of the path to be constrained, thereby assigning the timing information to that specific path.

Referring to the paths of Fig. 2:

- (1). DP2S of TS02 is overridden by P2S of TS10, resulting in a pad-to-setup specification on this path of 45ns, compared to the 30ns default.
- (2). DP2S of TS02 is not overridden by P2S of TS10, as TS10 specifically refers to the input CTL in the timespec table. Therefore the pad-to-setup for this path is the default 30ns.
- (3). DP2S of TS02 is overridden by P2S of TS09 for all flip-flops clocked by the net SLOW_CLK, resulting in a pad-to-setup of 110ns.

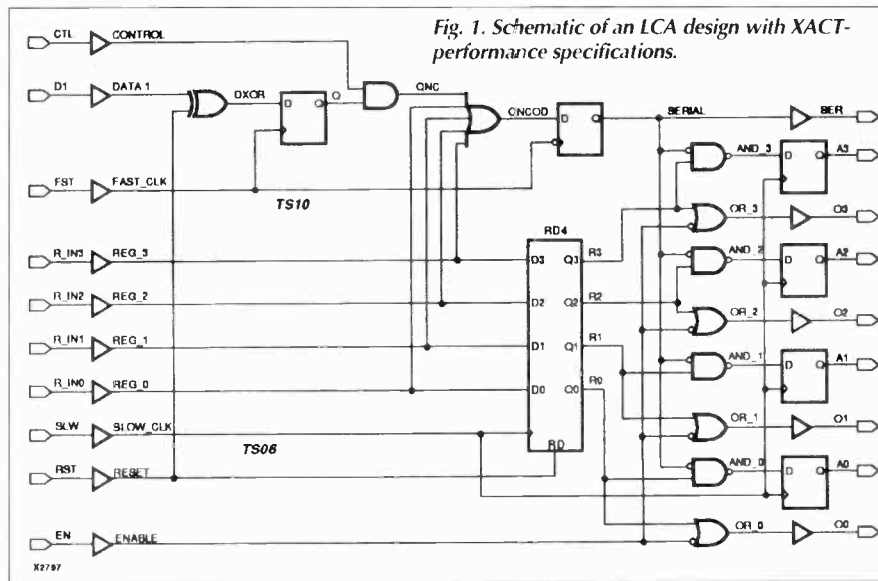
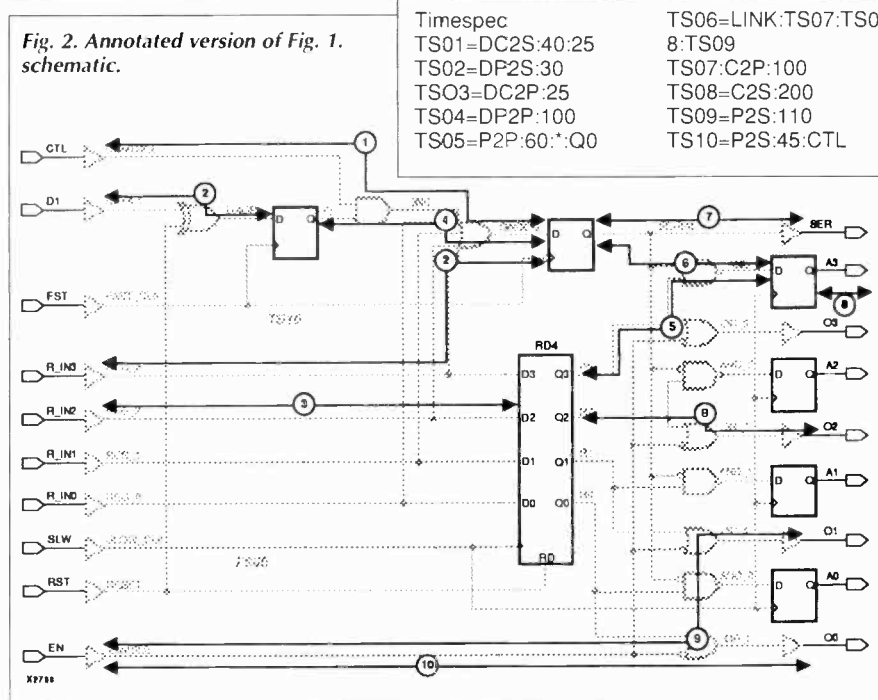


Fig. 1. Schematic of an LCA design with XACT-performance specifications.



- (4). DC2S of TS01 specifies a high time of 25ns. As the timing for this path is from the rising-to-falling clock edge, it takes this specification as the clock-to-setup. If no high time had been specified then the software would calculate the parameter based on a 50-50 duty cycle clock.
- (5). DC2S of TS01 is overridden by C2S of TS08 for all flip-flops clocked by the net SLOW_CLK, resulting a clock-to-setup specification of 200ns.
- (6). This path is a clock-to-setup type. However, the source and destination flip-flops are already governed by different timing specifications. The source flip-flop is governed by the default clock-to-setup of

- 40ns given by TS01, whereas the destination flip-flop has a much looser specification, of 200ns given by TS08. In this case the tightest specification always takes precedence, and this results in a clock-to-setup of 40ns.
- (7). DC2P of TS03 is 25ns, therefore the clock-to-pad of this path is 25ns.
- (8). DC2P of TS03 is overridden by C2P of TS07, resulting in a clock-to-pad specification of 100ns.
- (9). DP2P of TS04 results in a pad-to-pad specification of 100ns.
- (10). DP2P of TS04 is overridden by P2P of TS05 for the path to O0. This results in a pad-to-pad specification of 60ns.

VHDL, and logic synthesis tools more effectively for both EPLD and FPGA design. This has led to design entry developments which include high-level schematic based synthesis tools.

As FPGAs increase in size and performance, designs increase in size and complexity. By using a synthesis tool rather than designing at

the gate level, the designer enjoys a higher level of abstraction. This enhances creativity and should provide faster design cycles. Being largely architecture and manufacturer independent, it avoids becoming too tied to proprietary library or design tools.

The growth of VHDL and logic synthesis is analogous to the development of high-level

language compilers for software development. The writing of assembly language programs and early generations of interpreted software languages were time consuming. Although the end result was often a highly efficient technical solution, it took little account of development time.

Today the use of assembly code has been

SCHEMATICS AND SYNTHESIS

To illustrate the advantages which high level synthesis can bring to the designer, we will compare a simple circuit implemented in both a classical schematic method, and using the new high level libraries and *x-blox* software.

The design (Fig. 3) is for a pulse generator which produces a variable frequency with programmable mark/space ratio. The circuit is simply two loadable counters that trigger each other when they reach terminal count. The TC outputs also control a toggle flip-flop that then produces the desired output waveform. The concept of the design is extensible, more counter modules would be added so that more complex waveforms could be generated.

In this first figure we can see that the data to be loaded into

the counters (DA or DB) is latched into the registers contained in the macro block INREG8 whose schematic is shown in Fig. 4. It is important to note that we had to decide the length of each counter before we started on the design; four bits were chosen for clarity. We had to decide, because we needed to draw an i/o pad for each data bit to be input.

Having latched in the data, it is then presented to the count macros C16BCRD. These are loadable up-counter macros with clock enable, reset direct and parallel enable, and are part of the standard Xilinx library for the XC4000 devices. The schematic of the macro is shown in Fig. 5. The length of count of the top counter (COUNT1) determines the low time (TL) of the output waveform, and the

bottom counter (COUNT2) determines the high time (TH).

Consider now the circuit shown in Fig. 6, which performs an identical function, but has been drawn using the parameterisable *x-blox* modules. Each of the circuit inputs is drawn using the generic INPUTS symbol which can represent either a single input or an *n*-bit bus. The width of the input bus (where applicable) is specified by means of the attached BOUNDS attribute. Thus the two four bit buses are given by the BOUNDS=3:0 expression. The other nets are simply bit inputs, so no BOUNDS are required. The inputs are fed to a generic DATA_REC symbol. This represents *n* registers, and the symbol has inputs for all possible register scenarios, i.e. clock, clock enable, async reset,

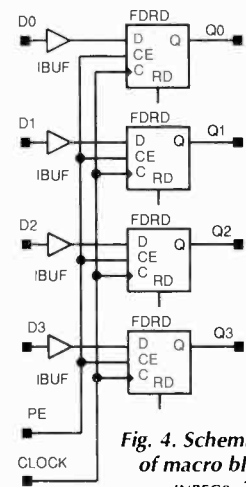


Fig. 4. Schematic of macro block INREG8. This contains the registers into which counter data is latched.

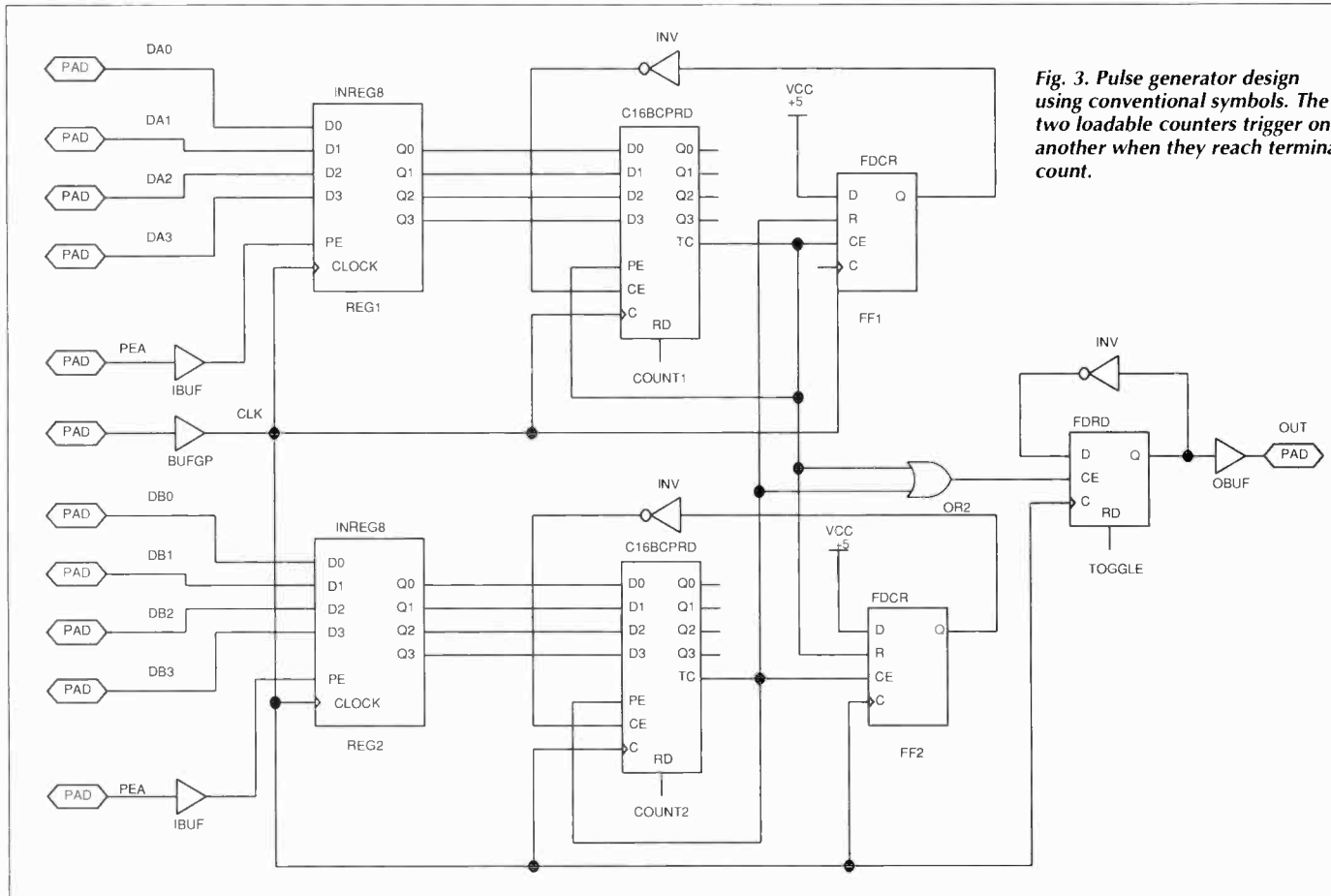


Fig. 3. Pulse generator design using conventional symbols. The two loadable counters trigger one another when they reach terminal count.

reduced to those parts of a program, such as interrupt handlers, which must be as fast as possible. In fact as compiler technology has progressed, the code generated by compilers has very nearly approached the efficiency of hand coding.

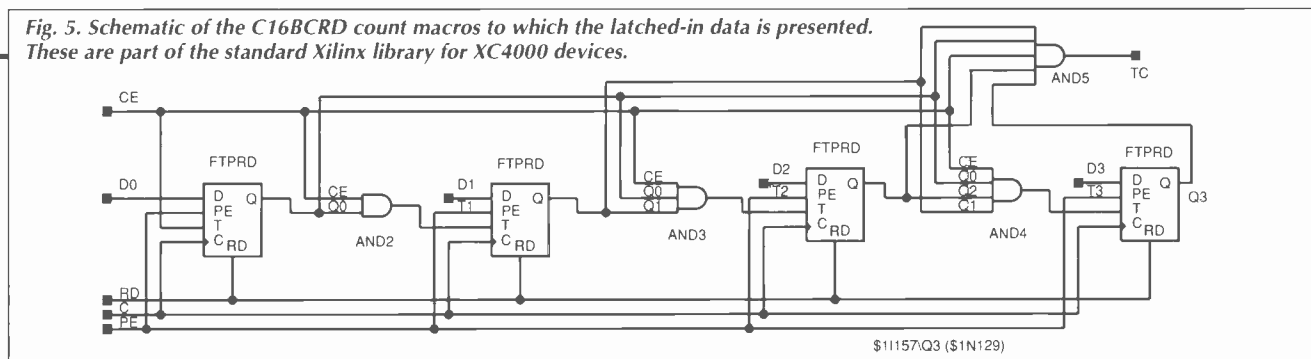
Why are synthesis tools not used more

widely? An obvious reason is cost. The software is not cheap and it requires a long learning-curve. It is also intended primarily for the gate-array market and that granular architecture. As a consequence it has always been less efficient at synthesising logic for devices with complex logic block structures such as EPLDs

and FPGAs.

A typical asic vendor library consists of anything from a few dozen to a few hundred gate level elements. The synthesis tool will map the most efficient available element for a given function. The Xilinx FPGA architecture consists of look-up tables rather than gates, and

Fig. 5. Schematic of the C16BCRD count macros to which the latched-in data is presented. These are part of the standard Xilinx library for XC4000 devices.



etc. Notice that we do not specify a size (in bits wide) for the symbol. The register outputs feed the generic COUNTER module, which again has no size information. Once more the symbol contains all the inputs and outputs that could potentially be needed for a counter (though obviously not all have to be used). The type of

counter, e.g. binary, Johnson, can be specified via attribute, but the optimisation software should make this decision for the designer.

The x-blox based circuit therefore is very similar to the classic implementation, but has been drawn in the same manner as a designer thinks, i.e. an input then a register, then a counter,

rather than having to worry about the exact sizes of registers and counters.

The first task the software undertakes is to size the design. It sees that there are four inputs to the data registers, therefore it will synthesise four registers. As there are four registers the counter must be a four-bit counter, and that is therefore synthesised.

Having synthesised the logic, x-blox will then optimise this logic for the requested Xilinx device. For example global buffers, and hard macros will be created. The output of the program is a netlist in standard format. It also generates a report shown here for interest as it demonstrates each phase of the process.

Continued over page

```
X-BLOX(tm) - Blocks of Logic Optimized for Xilinx (Version: 1.04)
  supports the Xilinx XC4000 Family of Field Programmable Gate
  Arrays
(c) 1990, 1991, 1992 by Xilinx, Inc. All Rights Reserved. U.S. and
  Foreign Patents Pending.
```

```
READING 'art3_1.xnf' as the design file ...
CREATING THE X-BLOX internal database ...

DEDUCING THE BUS WIDTHS ...
=> Signal DA given Data Type unsigned binary indexed from 3 to 0
(Bus of
=> BIT indexed from 3 to 0).
=> Signal QA given Data Type unsigned binary indexed from 3 to 0
(Bus of
=> BIT indexed from 3 to 0).
=> Signal PHQ2 given Data Type BIT.
=> Signal $1N34 given Data Type BIT.
-> Signal DB given Data Type unsigned binary indexed from 3 to 0
(Bus of
=> BIT indexed from 3 to 0).
=> Signal QB given Data Type unsigned binary indexed from 3 to 0
(Bus of
=> BIT indexed from 3 to 0).
=> Signal FBQ1 given Data Type BIT.
=> Signal $1N23 given Data Type BIT.
=> Signal QOUT given Data Type BIT.
=> Signal $1N51 given Data Type BIT.
=> Signal OUT given Data Type BIT.
=> Signal FC2 given Data Type BIT.
=> Signal TC1 given Data Type BIT.
=> Signal TG given Data Type BIT.
=> Signal CLK given Data Type BIT.
=> Signal FF1/A1 given Data Type BIT.
=> Signal FF1/A0 given Data Type BIT.
=> Signal FF1/D1 given Data Type BIT.=> Signal FF2/A1 given Data
Type BIT.
=> Signal FF2/A0 given Data Type BIT.
=> Signal FF2/D1 given Data Type BIT.
=> Signal PEA given Data Type BIT.
=> Signal PEB given Data Type BIT.
```

```
IMPROVING YOUR DESIGN by using the special features of the Xilinx
device
=====
CHECKING IF GLOBAL BUFFERS can be used ...
* INFO: Signal 'CLK' now connected to a 'GLOBAL PRIMARY BUFFER
(BUFGP)'
* INFO: symbol..

EXPANDING THE X-BLOX modules into optimised logic functions
=====
CHECKING IF FAST CARRY LOGIC can be used ...
* INFO: The symbol called 'COUNT2' has been mapped into an
arithmetic hard
```

```
* INFO: macro AND HAS BEEN RENAMED COUNT2_1 to utilise the fast-
carry
* INFO: logic.
* INFO: The symbol called 'CUNTI1' has been mapped into an
arithmetic hard
* INFO: macro AND HAS BEEN RENAMED COUNT1_1 to utilise the fast-
carry
* INFO: logic.
=> The COUNTER 'COUNT1_1' has been expanded into a hard macro.The
hard
=> macro has been written to the file xblox5.hm
=> The COUNTER 'COUNT2_1' has been expanded into a hard macro.The
hard
=> macro has been written to the file xblox6.hm
=> Register 'REG2' driven by net 'QB' expanded into 4 elements,
which
=> includes flip-flops and logic symbols ...
=> Register 'REG1' driven by net 'QA' expanded into 4 elements,
which
=> includes flip-flops and logic symbols ...
=> INPUTS '$111' driving net 'DA' expanded into 4 groups of IPAD
and IBUF
=> symbols ...
=> INPUTS '$1133' driving net: 'PEB' expanded into 1 group of IPAD
and IBUF
=> symbols ...
=> INPUTS '$1141' driving net: 'DB' expanded into 4 groups of IPAD
and IBUF
=> symbols ...
=> INPUTS '$1170' driving net: 'PEA' expanded into 1 group of IPAD
and IBUF
=> symbols ...
=> INPUTS '$1171' driving net: 'CLK' expanded into 1 group of IPAD
and IBUF
=> symbols ...
```

```
MODULE EXPANSION IS COMPLETE, merging modules into a single design.
This
process can take a few minutes on a large design ...
=====
```

```
WRITING THE IMPROVED AND EXPANDED DESIGN to a Xilinx Netlist Format
file
=====
* INFO: WRITING NEW X-BLOX Netlist File to 'art3_1.ng' ...

X-BLOX EXPANSION AND OPTIMISATION IS COMPLETE
=====
Your expanded and optimised design can now be Partitioned, Placed
and
routed using the Xilinx PPR program. See the file
'd:/nick 4k/art3_1.blx'
for a log of X-BLOX outputs.
```

this makes these potential libraries much too large. As an example, a four input function generator has the potential of generating 65,536 different logic functions. This number can be minimised using input pin-swapping, and 'inverter absorption' to a library of only 223 separate elements. However, a five input function generator can be configured to produce any one of 4,294,967,296 logic functions and can be minimised down to a figure of roughly one million separate functions. This library is obviously impractical and therefore, a subset of the most commonly used functions is used instead. This means that functions that could be performed in one function generator and are not in this library, need to be constructed out of the available library elements by the synthesis tool. As a consequence, a function which could be produced in only one function generator, may have to be implemented in two or three function generators by the synthesis software. Very inefficient.

As the number of FPGA and EPLD designs increases, so the demand for synthesis support rises. Some manufacturers are looking to synthesise directly from look-up table function generators, thereby greatly increasing the efficiency of the logic implementation. This will require comprehensive software development to meet FPGA/EPLD market requirements.

Graphical design and synthesis

Until recently, virtually all high-level logic design was text based, with VHDL and Verilog-HDL being the two main standards. However, there have recently been attempts to produce graphical synthesis products. These are still very new, and will be formalised under a new standard called the "Library of Parameterised Modules" (LPM).

The first implementation of graphically based high-level design and synthesis for

FPGAs, was *x-blox* from Xilinx. The product partitions into two separate entities. The front end of the package comprises a graphical library, which may be used with the schematic tools familiar to the designer. These modules are non-specific drawing blocks, i.e. adders, counters, multiplexers etc., but none of these specify gates as with older libraries. For example, the same counter module may be used to specify a 32-bit binary counter or a 128-bit Johnson Counter. Size, and design style, is defined on the schematic by giving the module specific attributes. Very large and complex circuits can be designed by connecting these modules together, as well as by combining them with regular schematic macros to perform small and compact functions – analogous to software development where assembly code routines are compiled into C.

Once completed the schematic is processed to a high level Xilinx Netlist Format (XNF). This is a text description of the schematic design and is read by the second part of the package, the *x-blox* program. This software generates the optimum design for each module, depending on the size, style and target device. As the program was written in the artificial intelligence language, prolog, it uses rule based decision trees and models of the Xilinx FPGA look-up table structure to produce the design. It can also use the system features on each type of device.

For example, in the *XC4000* family it can implement logic to make use of the dedicated carry-logic circuitry, and also the wide decoder logic. It can also ensure the best performance and device usage for the design by choosing the correct global low-skew resources for clocks and high fan-out nets. It will even move flip-flops from the internal logic blocks into the i/o blocks wherever possible to improve system speed and design effi-

ciency. Overall, the intention is to reduce development time for complex circuits.

As the modules include programmable parameters it is relatively easy to scale a design. For example, if a chip were originally programmed for an 8-bit wide address bus, it only requires one or two amendments to the attributes of a module to create a 16-bit wide address bus.

The future

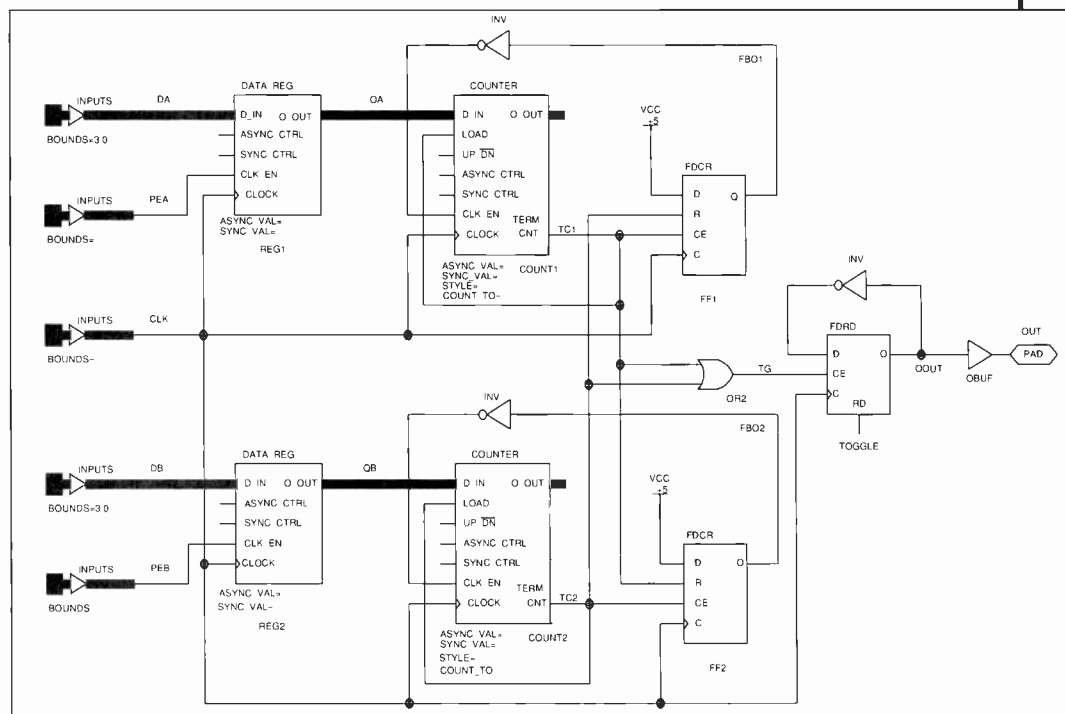
While the market value of asics is still larger than the FPGA and EPLD markets, the latter are growing at a much greater rate than that of asics. In fact, many asic manufacturers have pulled out of the 1k-10k gate area, because of customer preference for programmable logic. Many of the larger semiconductor companies view the complex programmable logic markets with an eye to developing their own products. But they face many barriers to entry, not least of which are the formidable array of patents taken out by the American pioneers.

Both the FPGA and EPLD markets are arguably the most dynamic semiconductor markets around today.

Hardware development will be directed to speed, density, cost reduction and system features. For example, maximum clock rates have increased from 33MHz to 230MHz in just six years, while device density has increased from around 1000 to 10,000 usable gates. This has been followed by consistent price reductions and increasing numbers of system enhancing features, such as boundary scan test logic.

It will not be long before FPGAs provide up to 20,000 usable gates combined with 100MHz system level performance. This will cause second thoughts over vast majority of new asic design starts. It remains to be seen what the consequences will be. ■

Entering the design in this way has the major advantage of being able to change it quickly. Consider the case where the designer realises that he actually should have used a higher definition, for example the requirement is now for five bit counters. In the classic schematic, he will have to edit the top-level drawing to add more input pads, edit the register macro to add another register, and change the clock macro to a five-bit counter. This will also mean adding a lot more nets (and naming them). With the *x-blox* approach, all that is required is to change the BOUNDS attributes to indicate a 5-bit data path (i.e. BOUNDS=4:0), and then re-process. The software runs in about two minutes on a 486 PC for this design.



M & B RADIO (LEEDS)

Dealers in Surplus Electronic Equipment, Test Equipment, Amateur Radio

OSCILLOSCOPES			
TEKTRONIX 2445A 150MHZ FOUR TRACE	£1500	WAVETEK 193 20MHZ SWEEP FUNCTION GENERATOR	£295
TEKTRONIX 475 200MHZ OSCILLOSCOPES WITH PROBES/MANUAL	£400	FARNELL ESG520 520MHZ SYNTHESIZED PORTABLE GENERATOR	£295
TEKTRONIX 465B 100 MHZ WITH DIGITAL MULTIMETER (AS NEW)	£475	PHILIPS 5324 100KHZ TO 110MHZ AM/FM SWEEP	£200
TEKTRONIX 465B 100MHZ DUAL TRACE	£375	EATON 3552B BROADBAND RF AMPLIFIER	£1000
TEKTRONIX 465 100MHZ DUAL TRACE	£300	KALAMUS WIDEBAND RF POWER AMPLIFIER 5 TO 1000MHZ	£750
TEKTRONIX 466 100MHZ STORAGE WITH DVM OPTION	£450	FARNELL LA520 RF AMPLIFIER 1.5 TO 520MHZ	£175
KIKUSUI COS6100 100MHZ 5 CHANNEL	£550	FARNELL LFM2 SINE SQUARE WAVE OSCILLATOR	£85
IWATSU 556122 100MHZ 4 TRACE + CURSORS	£900	FARNELL LFM4 OSCILLATOR	£200
TEKTRONIX 5103/SB10N T.B.2 - 5A20N DIFFERENTIAL PLUGINS	£195	FARNELL TMB TRUE RMS SAMPLING RF MILLIVOLTMETER 1GHZ	£350
PHILIPS PM3217 50MHZ DUAL TRACE WITH PROBES/MANUAL	£375	RACAL DANA 9301A TRUE RMS VOLTMETER	£450
PHILIPS 3200 15MHZ MAINS/BATT PORTABLE	£90	HP 3400A TRUE RMS VOLTMETER	£145
TEKTRONIX T935A 35MHZ DUAL TRACE PORTABLE	£175	HP 3403C TRUE RMS VOLTMETER	£150
BALLANTINE 1002B 15MHZ DUAL TRACE BATT PORTABLE	£195	RACAL DANA 1998 FREQUENCY COUNTER	£750
TELEQUIPMENT D32 DUAL TRACE BATT PORTABLE	£135	RACAL 9921 3GHZ FREQUENCY COUNTER	£375
HITACHI V450F 60MHZ 3 TRACE	£275	RACAL 9841 3GHZ FREQUENCY COUNTER	£225
HITACHI V222 20MHZ DUAL TRACE	£225	MARCONI 2431A 560MHZ FREQUENCY COUNTER	£200
GOULD OS3600 100MHZ DUAL TRACE WITH DVM OPT	£275	NARDA 3002A 31 DIRECTIONAL COUPLER 50 TO 1GHZ	£250
GOULD OS4000 10MHZ DUAL TRACE DIGITAL STORAGE SCOPE	£195	NARDA 3001-30 DIRECTIONAL COUPLER 460 TO 960 MHZ	£85
GOULD OS250B 15MHZ DUAL TRACE COMPLETE WITH PROBE/MANUAL	£125	NARDA 3022 B DIRECTIONAL COUPLER 1 TO 4GHZ	£250
GOULD OS1420 20MHZ DIGITAL STORAGE OSCILLOSCOPE	£325	NARDA 76916 150W 6DB HIGH POWER ATT (NEW)	£100
FARNELL DTC12 12MHZ DUAL TRACE/COMPONENT TESTER	£195	BIRD TENULIME 8343 100W 6DB ATT	£100
FARNELL DT12-5 12MHZ DUAL TRACE	£150	BIRD TERMAL NE 8201 50 OHM 500W	£100
TELEQUIPMENT D67A 35MHZ DUAL BEAM	£195	HP 9133 COMPUTER 150 TOUCH SCREEN/PRINTER	£500
TELEQUIPMENT DM64 20MHZ STORAGE OSCILLOSCOPE	£135	RACAL DANA 1002 THERMAL PRINTER	£150
HP 1727A 275MHZ STORAGE OSCILLOSCOPE	£450	HP 3455A HIGH STABILITY VOLTMETER GP/B	£1200
SIGNAL GENERATORS		HP 3478A DIGI DIGITAL MULTIMETER	£400
MARCONI 2019A 1040MHZ AM/FM	£1950	HP 3468B DIGI MULTIMETER 5 1/2 DIGIT	£225
MARCONI 2018 520MHZ AM/FM	£850	HP 5306 GP/B MULTIMETER/COUNTER	£225
MARCONI 2017 10KHZ TO 1024MHZ	£2250	HP 8750A STORAGE NORMALIZER	£200
HP 8640B 1024MHZ COMPLETE WITH OPT 001/002/003	£1550	HP 53482A 225-MHZ FREQUENCY COUNTER	£195
WAVETEK 2520 200KHZ TO 2.7GHZ SYNTHESIZED	£1950	HP 461A AMPLIFIER 1KHZ 150MHZ	£100
MARCONI 2015/2171 SYNCHRONIZER 10MHZ TO 520MHZ AM/FM/CW SIGNAL GENERATOR	£325	HP 6294 PSU 0-70 60 VOLTS 1 AMP	£85
(as new condition)	£325	HP 3556A POSHPOMETER	£50
MARCONI 2016A 10KHZ TO 120KHZ (RF TRIP)	£195	HP 4271B 1MHZ DIGITAL LCR METER	£950
MARCONI 2016 10KHZ TO 120MHZ AM/FM	£145	TEKTRONIX 521A PAL VECTORSCOPE	£1000
FARNELL 55G2000 10KHZ TO 2GHZ SYNTHESIZED	£2250	TEKTRONIX 1481R WAVEFORM MONITOR	£500
FARNELL 55G1000 10KHZ TO 1GHZ SYNTHESIZED	£1500	TEKTRONIX 141A PAL TEST SIGNAL GENERATOR	£750
FARNELL 55G520 520MHZ SYNTHESIZED	£500	RACAL DANA 5002 WIDEBAND LEVELL METER	£750
FARNELL 55G520 + TT5520 MOBILE RADIO TEST STATION (PAIR)	£900	RACAL DANA 9303 TRUE RMS RF LEVELL METER	£750
ADRET 740A 10KHZ TO 2.7GHZ SYNTHESIZED GENERATOR	£1950	SPECTRUM ANALYSERS	
ADRET 20230A 1MHZ SYNTHESIZED SOURCE	£195	TEKTRONIX 496P 1.8GHZ PROGRAMMABLE	£3500
POLRAD 1106ET 1.8 TO 4.6GHZ COMPLETE WITH MODULATOR	£550	H/P 8558B 1.5GHZ 1827 MAIN FRAME	£1800
		H/P 141T 8552B IF 8554B 1250MHZ + 8553B 1101MHZ COMPLETE AUDIO TO RF SYSTEM	£2250
		H/P 8555B 18GHZ PLUGIN (NEW BOXED)	£2350
		ROHDE/SCHWARZ ZAM 52 20GHZ SCALAR NETWORK ANALYSER	£2850
		ANRITSU MS2401A 10KHZ TO 30MHZ NETWORK ANALYSER	£2000
		WAYNE KERR RA200/ADS1/ALM2 FREQUENCY RESPONSE ANALYSER (AS NEW)	£650
		H/P 3580A 5HZ TO 50KHZ SPECTRUM ANALYSER (new)	£2000
		H/P 8566B 22GHZ SPECTRUM ANALYSER	£17000
		TEST EQUIPMENT	
		MARCONI 2955 COMMUNICATIONS TEST SET	£1300
		MARCONI 1950 MOBILE RADIO TEST SET	£250
		DYMAR 2085 AF POWER METER	£225
		MARCONI TF2331 DISTORTION FACTOR METER	£295
		HP 41 B TEST OSCILLATOR	£200
		HP 313A DISTORTION METER	£225
		MARCONI 2305 MODULATION METER	£2000
		EPFR/TOM FRT ATOMIC FREQUENCY STANDARD	£2500
		FLUKE 540B THERMAL TRANSFER STANDARD	£850
		BRADLEY 232 AC CALIBRATION SOURCE	£1000
		BRADLEY 156 OSCILLOSCOPE CALIBRATOR	£200
		WAYNE KERR 44C AUDIO MEASURING SET	£150
		HP 745A AC CALIBRATOR	£750
		HP 8405A VECTOR VOLTMETER + ACCESSORIES	£1000
		FLUKE 103A FREQUENCY COMPARATOR	£500
		BIC TEST 743 IM CABLE TEST SET	£250
		COSCOR 437 CABLE LOGGER	£250
		HP 45B POWER METER 8482 + 30DB ATT (as new)	£975
		HP 45A POWER METER 8482H HEAD	£650
		MARCONI 6960 RF POWER METER 6912 HEAD 30KHZ TO 4.2GHZ 690 HEAD 10MHZ TO 20GHZ	£1000
		HP 304A VARIABLE ATTENUATOR 1GHZ TO 2GHZ	£125
		POWERSENSE LINE ANALYSER	£450
		LEADER LCT910A CRT TESTER/REJUVENATOR	£195
		AMBER 4400A MULTIPURPOSE AUDIO TEST SET	£550
		FEROGRAPH RTSZ/ATU1 TAPE RECORDER TEST SET	£300
		RACAL DANA 6000 MICROPROCESSING DVM	£350
		RACAL DANA 9000 MICROPROCESSING TIMER COUNTER	£295
		PHILIPS PM2434 DC MICROVOLTMETER	£75
		RACAL DANA 488 IEEE STD 488 BUS ANALYSER	£250
		SINADDER 3 METER	£145
		BULK PURCHASE SPECIALS	
		HP 180 50MHZ OSCILLOSCOPES TESTED	£145
		MARCONI 1101 RC OSCILLATOR 20CS TO 20KCS	£45
		AVO 8 MULTIMETERS CASE + BATTERY LEADS	£25
		UNAOHM EP594 TV FIELD STRENGTH METER 48 TO 860MHZ	£55
		ADCOLA 777 DESOLDERING STATION	£150
		FLUKE 8000A HIGH GRADE DIGITAL MULTIMETER	£100
		RADIO EQUIPMENT	
		RACAL RA1792 HF RECEIVERS	£1800
		RACAL RA2309B + RA2295 90 TO 400MHZ	£950
		EDDYSTONE 770U 150 TO 500MHZ	£185
		EDDYSTONE 9905 250 TO 850MHZ	£195
		PHILIPS 88MHZ TO 108MHZ BROADCAST TX	£4000

86 Bishopgate Street, Leeds LS1 4BB

Tel: (0532) 435649 Fax: (0532) 426881 Mobile (0836) 288580

CIRCLE NO. 120 ON REPLY CARD

STEREO STABILIZER 5



- Rack mounting frequency shifter for howl reduction in public address and sound reinforcement.
- Mono version, box types and 5Hz fixed shift boards also available.



- ★ Broadcast Monitor Receiver 150kHz-30MHz.
- ★ Advanced Active Aerial 4kHz-30MHz.
- ★ Stereo Variable Emphasis Limiter 3.
- ★ 10-Outlet Distribution Amplifier 4.
- ★ PPM10 In-vision PPM and chart recorder.
- ★ Twin Twin PPM Rack and Box Units.
- ★ PPM5 hybrid, PPM9 microprocessor and PPM8 IEC/DIN -50/+6dB drives and movements.
- ★ Broadcast Stereo Coders.
- ★ Stereo Disc Amplifiers.
- ★ Philips DC777 short wave car combination: discount £215+VAT. Also quick-release mount.

SURREY ELECTRONICS LTD

The Forge, Lucks Green, Cranleigh, GU6 7BG
Telephone: 0483 275997. Fax: 276477.

COMMERCIAL QUALITY VHF/UHF RECEIVER



The IC-R7000, advanced technology, continuous coverage communications receiver has 99 programmable memories covering aircraft, marine, FM broadcast, Amateur radio, television and weather satellite bands. For simplified operation and quick tuning the IC-R7000 features direct keyboard entry. Precise frequencies can be selected by pushing the digit keys in sequence of the frequency or by tuning the main tuning knob FM wide/FM narrow/AM upper and lower SSB modes with 6 tuning speeds: 0.1, 1.0, 5, 10, 12.5 and 25kHz. A sophisticated scanning system provides instant access to the most used frequencies. By depressing the Auto-M switch the IC-R7000 automatically memorises frequencies in use whilst it is in the scan mode, this allows you to recall frequencies that were in use. Readout is clearly shown on a dual-colour fluorescent display. Options include the RC-12 infra-red remote controller, voice synthesizer and HP-2 headphones.

ICOM

Post to: Icom (UK) Ltd. Dept WW
Sea Street Herne Bay Kent CT6 8LD
Tel: 0227 741741 (24hr). Fax: 0227 360155

Name/address/postcode 10

Call sign: Tel: Dept: WW

CIRCLE NO. 122 ON REPLY CARD

INSTRUMENTS TO BUY

FREQUENCY COUNTERS

MX1010F and MX1100F are 8-digit frequency counters offering a broad range of features.

MX1010F: 1Hz to 100MHz, sensitivity of 15mV and resolution to 0.1Hz, data auto set, 10:1 attenuator, high impedance input – £129.00 plus VAT (£151.58).

MX1100F: 1Hz to 1GHz, features as MX1010F except ranges 70MHz to 1GHz and 50Ω impedance. £160.00 plus VAT (£188.00).

SC-130 and SC-40 are full featured, microprocessor-based, hand held frequency counters providing portability and high performance. Both instruments provide measurement of frequency, period, count and RPM plus a view facility enabling min, max, av and difference readings.

SC-130: 5Hz to 1.3GHz, 8 digit readout, sensitivity typically 10mV, high impedance input, battery condition indicator. £109.00 plus VAT (£128.08).

SC-40: As SC-130 except 5Hz to 400MHz. £89.00 plus VAT (£104.58).

MULTIMETERS

The **180 series** of high performance multimeters provide advanced features and are supplied complete with probes, battery and rubber holster. The case is dust and splash proof making it ideal in most environments. Designed to meet IEC348 Class II safety standard.

183: 3½ digit large LCD display, ACV, DCV, ACA, DCA, resistance, continuity buzzer, diode test, hold, basic accuracy 0.5%. £39.50 plus VAT (£46.41).

185: 3½ digit LCD, bar graph, ACV, DCV, ACA, DCA, resistance, continuity buzzer, diode test, hold, temperature (–40°C to 1370°C), capacitance (1pF to 40µF), frequency (1Hz to 200kHz), max, min, edit, %, compare, basic accuracy 0.3%. £74.50 plus VAT (£87.54)

187: As 185 except auto ranging. £99.50 plus VAT (£116.91).

285: As 185 except 4½ digit true rms, basic accuracy 0.05%. £109.50 plus VAT (£128.66).

MULTIMETERS (2)

The **MX170B** and **MIC-6E** offer low cost measurement yet retain a large number of features. Supplied complete with probes.

MX170B: 3½ digit LCD, compact size, ACV, DCV, DCA, resistance, diode test, low voltage battery test. £24.00 plus VAT (£28.20).

MIC-6E: 3½ digit LCD, ACV, DCV, ACA, DCA, resistance, diode test, buzzer. £33.50 plus VAT (£39.36).

20MHz 2-CH OSCILLOSCOPE

The CS4025 20MHz dual trace oscilloscope offers a comprehensive range of facilities including a high sensitivity vertical amplifier providing from 1mV to 5V/div in CH1, ALT, CHOP, ADD, CH2 modes with inverse polarity on CH2. The horizontal timebase offers a sweep range of 0.5s/div to 0.5µs/div plus x10 sweep expansion and X-Y mode. Triggering can be auto or normal from vert, CH1, CH2, line or external sources with coupling provided for AC, TV-F and TV-L. The CS4025 is supplied complete with matching probes for £295.00 plus VAT (£346.62).

PROGRAMMABLE POWER SUPPLIES

The PPS series of GP B programmable DC power supplies offer high performance yet are extremely competitively priced using a 16 x 2 backlit LCD and 14 button keypad. All functions and conditions are easily selected and displayed. Overvoltage and overcurrent are selectable as is output enable/disable. Terminals for output and sense are provided on the front and rear to allow easy rack mounting.

PPS-1322: 0-32V 2A (GPB) £375.00 plus VAT (£440.63)

PPS-2322: Dual 0-32V 2A (GPB) £555.00 plus VAT (£652.13)



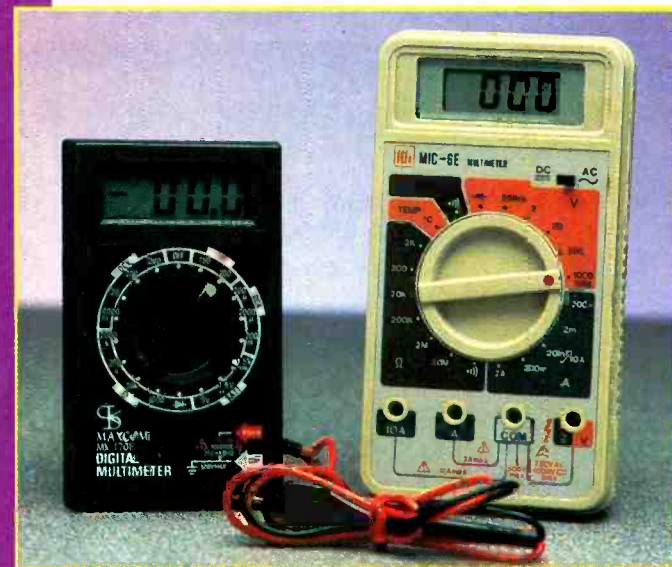
MX1010F MX1100F



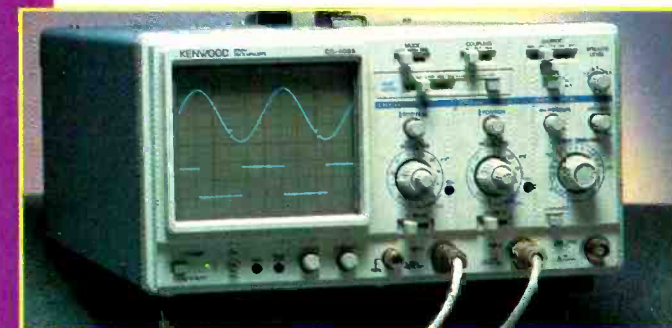
FG 506 FG 513



THE 180 SERIES



MX170B MIC-6E



20MHz 2-CH OSCILLOSCOPE



PROGRAMMABLE POWER SUPPLIES



MX2020



MX 9000

MIC-4070D



SC 130



FUNCTION GENERATOR

The **MX2020** 0.02Hz – 2MHz sweep function generator with LED digital display offers a broad range of features. Output waveforms include sine, square, triangle, skewed sine, pulse and TTL. Lin and log sweeps are standard as is symmetry, DC offset and switchable output impedance from 50Ω to 600Ω. The digital display provides readout of the generators' frequency or can operate as separate 10MHz frequency counter. £199.00 plus VAT (£233.83).

LCR METER

The **MIC-4070D** LCD digital LCR meter provides capacitance, inductance, resistance and dissipation measurement. Capacitance ranges are from 0.1pF to 20,000µF plus dissipation. Inductance ranges from 0.1µH to 200H plus a digital readout of dissipation. Resistance ranges from 1mΩ to 20MΩ. Housed in a rugged ABS case with integral stand it is supplied complete with battery and probes at £85.00 plus VAT (£99.88)

FOUR INSTRUMENTS IN ONE

The **MX9000** combines four instruments to suit a broad range of applications in both education and industrial markets including development work stations where space is at a premium.

The instruments include:

1. A triple output power supply with LCD display offering 0-50V 0.5A, 15V 1A, 5V 2A with full overcurrent protection;
2. An 8-digit LED display 1Hz - 100MHz frequency counter with gating rates of 0.1Hz, 1Hz, 10Hz and 100Hz providing resolution to 0.1Hz plus attenuation inputs and data hold;
3. A 0.02Hz to 2MHz full featured sweep/function generator producing sine, square, triangle, skewed sine, pulse and a TTL output and linear or logarithmic sweep. Outputs of 50Ω and 600Ω impedance are standard features;
4. An auto/manual 3 1/2 digit LCD multimeter reading DCV, DCA, ACV, ACA, resistance, and relative measurement with data hold functions.

The MX9000 represents exceptionally good value at only £399.00 plus VAT (£468.83).

FG SERIES FUNCTION GENERATORS

The **FG500 series** sweep/function generators provide two powerful instruments in one package, a 6MHz or 13MHz sweep/function generator and an intelligent 100MHz frequency counter. The micro-processor based instruments offer sophisticated facilities yet remain extremely competitively priced. A menu driven display allows easy set up and operation. A 16 character by 2-line LCD display provides clear and unambiguous readout of generator output and frequency measurement.

FG-506: 2Hz to 6MHz sweep/function with 100MHz counter
£325.00 plus VAT (£381.88)

FG-513: 2Hz to 13MHz sweep/function with 100MHz counter
£482.00 plus VAT (£566.35)

Credit card orders accepted by phone 081 652 3614

Please send me the following instruments.....

I enclose a cheque/postal order/eurocheque to the value of £.....made payable to Reed Business Publishing Ltd or Please debit my Access/Visa/American Express/Diners Club with £.....Card Number.....

Card expiry date Signature..... Date.....

Name.....Address.....

.....Postcode.....Phone.....

Return to: Lorraine Spindler, Rm L333, Quadrant House, The Quadrant, Sutton, Surrey SM2 5AS. Please allow 21 days for delivery.

Buy top quality instruments direct from **Electronics World + Wireless World** and avoid disappointment. If you are not satisfied, return the goods and we will refund the purchase price*.

*Goods must be returned within seven days of receipt; must be returned in their original packing; must not be tampered with in any way, and must be returned in the condition in which they were received.



HOW CLEAN is your audio op-amp?

Most op amps – particularly when configured to employ high feedback ratios – produce small to vanishingly small amounts of harmonic distortion at mid frequencies in the audio band. Manufacturers often claim reductions in %THD in modern devices. But makers are not audio engineers so data provided is sparse, incompatible, and measurement technique is rarely documented.

Collective distortion data covering common and esoteric op-amps was originally published by Walt Jung¹ 15 years ago (which I recently revisited²).

But a great deal of op-amp “distortion” – whether harmonic or intermod – is really noise, and while this overrides the test equipment’s reading, it is not necessarily masked to the ear.

In the past decade, the capability of test sets like Audio Precision’s *System One* to plot %THD + N against frequency and level has aided designers’ understanding of how to analyse mechanisms, to reduce or tweak THD residues. But they have not directly indicated how to make a circuit sound acceptable to critical listeners.

In fact, many listeners hold a fear of op-amps, knowing

that most rely nearly completely on high (almost brute force) feedback for linearity.

As high order products are hard to eradicate, they perhaps have a point. The ear is acutely – and increasingly – sensitive to the higher harmonics, particularly odd orders, produced by high NFB ratios. To use an old analogy, it’s like beating a large dent out of a car’s wing: feedback replaces the dent with many smaller ones. No amount of beating will completely eradicate the damage – if you look closely enough.

An op-amp’s harmonic structure can help steer audio quality, but conventional wave analysers are beset with the same noise masking problem as %THD measurements.

Improved testing

Following earlier testing (see box) the Audio Precision *System One* test set’s DSP facility has been employed to record harmonics below the noise floor of conventional wave

The golden ears brigade has always claimed that some distortion artefacts remain audible at levels approaching those of system thermal noise. Ben Duncan's objective op-amp distortion test programme quantifies harmonics down to 140dB below the signal.

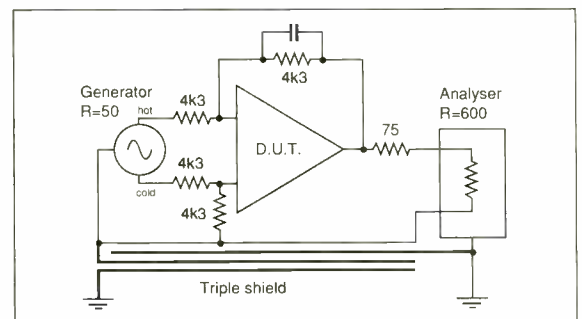
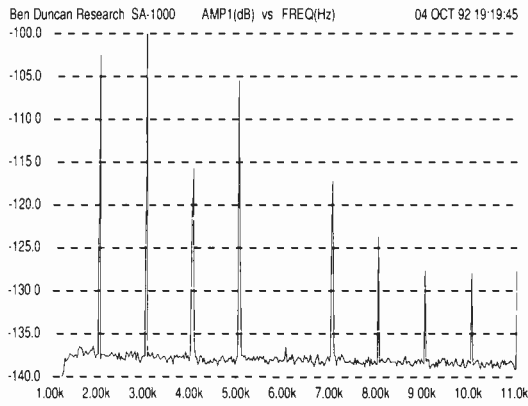
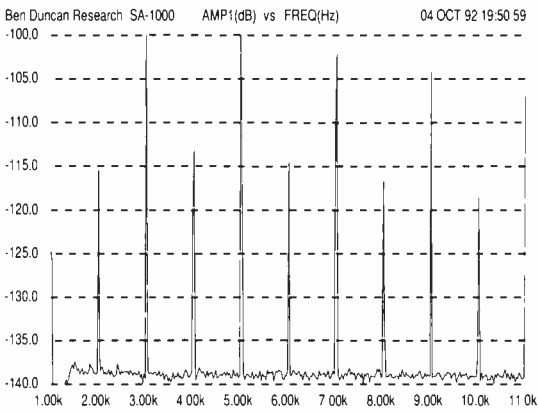


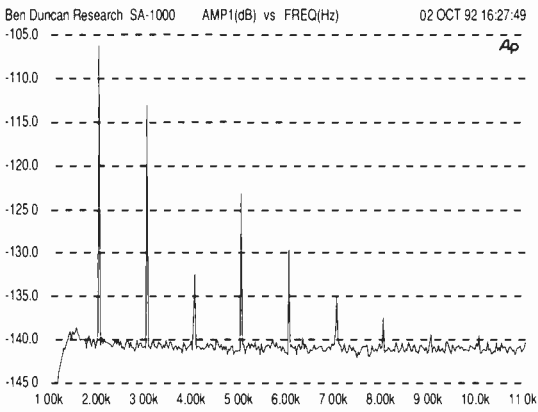
Fig. 1. Test circuit. A balanced input with the minimum parts count was chosen for the highest test resolution.



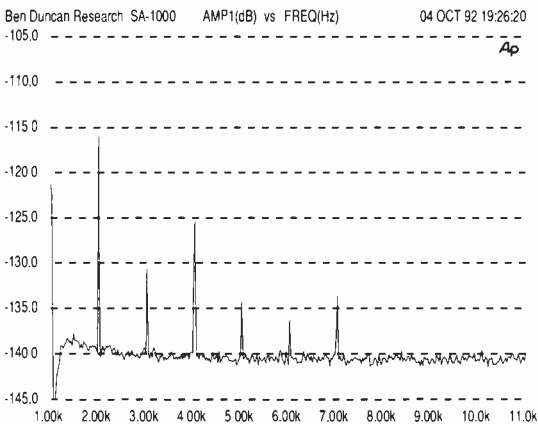
Texas TL071



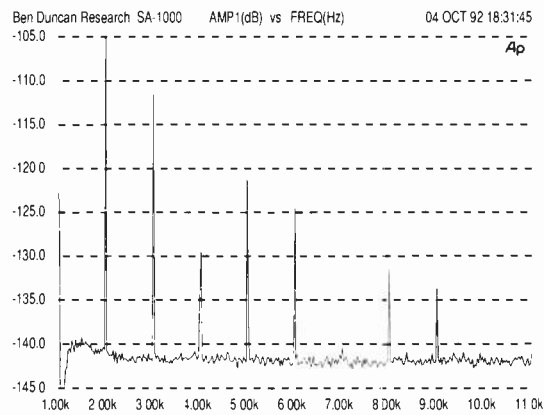
Motorola L351



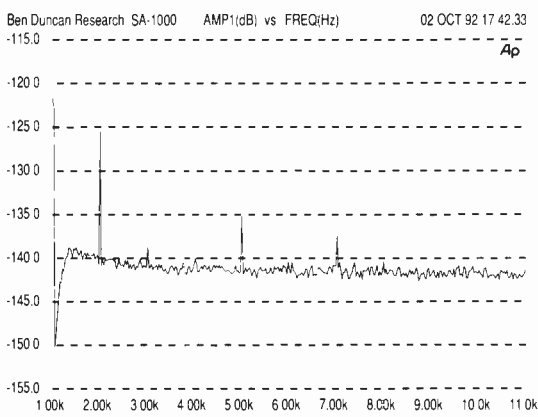
Linear Tech LT1056



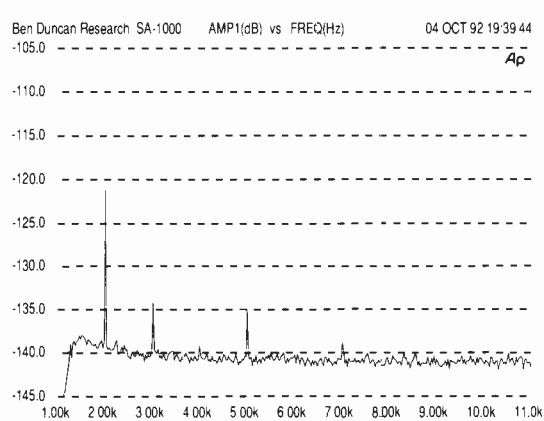
Analog Devices AD744



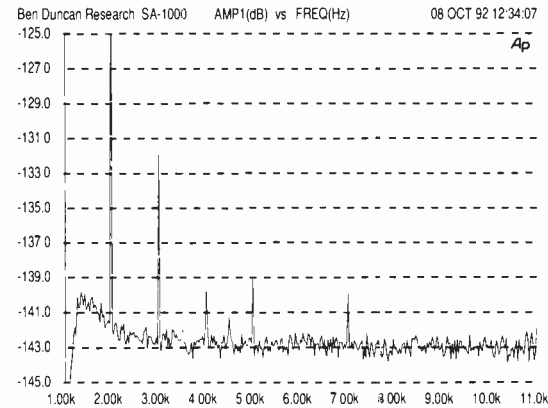
PMI (AD) OP42



PMI (AD) AD845

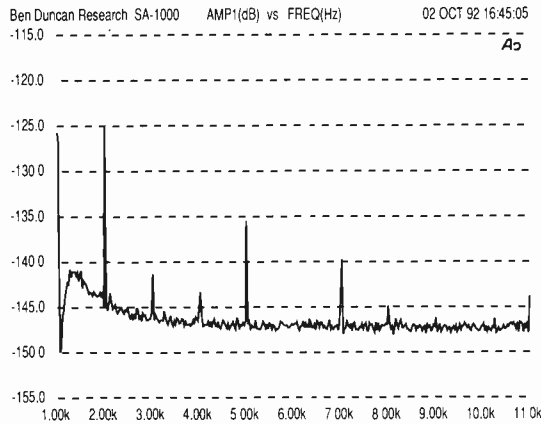


Linear Tech LT1122

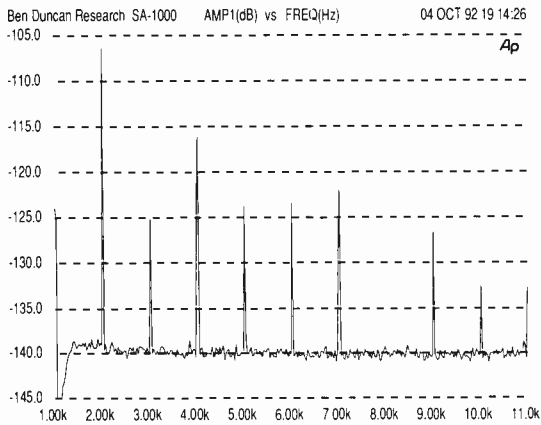


Burr Brown OPA604

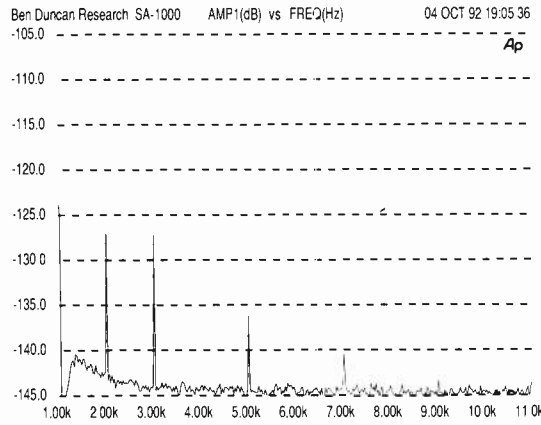
Figs. 2-16: Graph scaling maintains a 20dB window, but the base-line has been adjusted according to each op-amp's noise floor. Note how the test also yields smooth spectral data on the op-amp's noise. Amplitudes of harmonics with off-scale peaks are enumerated at the graph tops.



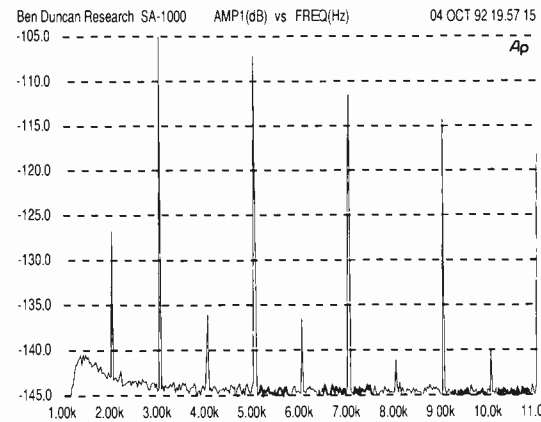
Signetics NE5534



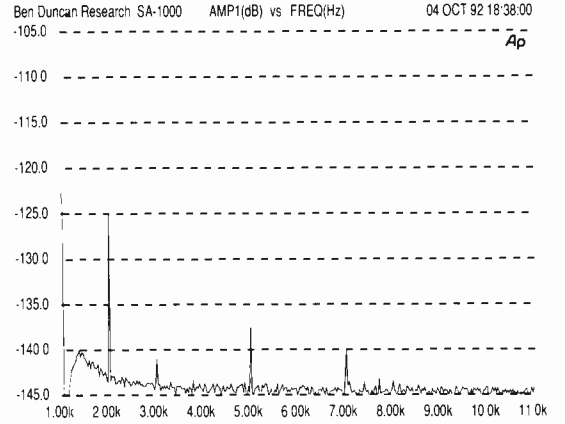
Harris HA2525



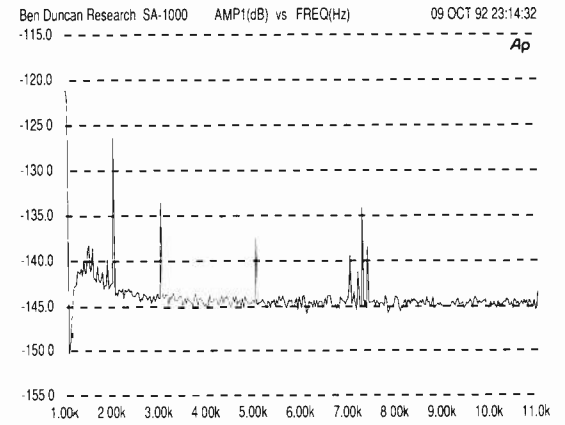
PMI (AD) OP27



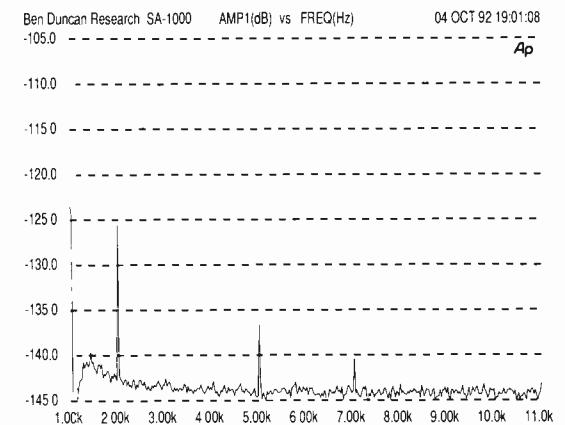
Linear Tech LT1007



Harris HA5221



Texas TLE2027



Analog Devices AD797

Strong signatures

Devices listed in ascending order of magnitude, ie. most polluted first, are:

Op-amps with highest sum of even harmonics (2, 4, 6th): LF351, TL071, HA2525, LT1056, OP42.

Op-amps with highest sum of odd harmonics (3, 5, 7th): LF351, TL071, LT1007, OP42, HA2525.

Harmonic Ranking

Numeric ranking of spectra in figs 2-16, dBs referred to Audio Precision test set residue. Grouped by ascending even, then odd harmonics. The lowest, cleanest op-amps appear at bottom of table. The most euphonic sounding will emphasise low and even order over high and odd order. But see text for caveats regarding interpretation.

Even					Odd				
2nd	4th	6th	8th	10th	3rd	5th	7th	9th	11th
>30dB above system residue:					351	351	351	351	351
					071	071		1007	1007
					1007	1007			
+21 to 30dB:									
OP42	351	351	351	351	OP42		1007	2525	1007
071	071	2525	071				071	2525	OP42
	744								
+11 to 20dB:									
2525	1056	1056	OP42	071 1056	OP42	2525	071	071	
1056				2525	-	1056		OP42 2525	
604					-	2525			
+6 to 10dB:									
351	1007	1007	1056	1056	797	1122		1056	
744	1122	071	1007	1007	2525	744			
		744			5534	845			
					5221	OP27			
					OP27	5534			
< +6dB – not ranked:									
1007	-	-	2525	-	-	-	1056	-	1056
-	-	-	744	744	744	-	744	744	744
-	OP42	-	-	OP42	-	-	OP42	-	OP42
845	845	845	845	845	845	-	845	845	845
1122		1122	1122	1122	1122	-	1122	1122	1122
797	797	797	797	797	-	797	797	797	797
-	604	604	604	604	604	604	604	604	604
5534	5534	5534	5534	5534	-	-	5534	5534	5534
OP27	OP27	OP27	OP27	OP27	-	-	-	OP27	OP27
5221	5221	5221	5221	5221	-	5221	5221	5221	5221
2027	2027	2027	2027	2027	2027	2027	2027	2027	2027

analysers. Clarity and repeatability of testing has been greatly improved by tightening the resolution through taking the average of 64 samples – though time needed for testing has risen to about 3h for 14 devices. But the noise floor is lowered and a clearer plot is produced, less “spiked” by noise. A 48kHz sample rate allows the AP’s ultra-narrow 3Hz measurement bandwidth to be applied.

Repeatability is evaluated by making random retests of spectra, after several hours &/or days have elapsed, sometimes after repowering all the equipment. A peak uncertainty of ±5dB appears on the third harmonic only, with a peak divergence of ±2dB on the remaining harmonics. Variables may include the test set’s relay contact resistance, 1/f noise components, and the period allowed for op-amp warm-up.

To make any harmonics align perfectly with gridlines, a 1kHz “prodding” tone, subject to a tolerance of a few Hz, is used. Non-integer frequencies place harmonics between grid lines – a situation the AP’s presently limited cursor facility finds difficult to handle. Instead, grid lines are locally erased, taking care to reduce, below the test set’s residue, pick up of AC mains harmonics in the test band.

Resolving the cleaner devices demands the highest resolution, and the test set has to drive the device under test in balanced mode at 1V RMS. This requirement (Fig. 1) subjects the device to a common mode voltage. So distortion arising is included, and usefully, as common mode distortion is prevalent and the dominant distortion mechanism in many bipolar input types.

The device under test’s in/out gain must be unity, as noise gain is the last requirement. Fortunately – and despite working with maximum loop gain – op-amps are no more subjectively-perfect at unity gain than at any other setting, though their ranking may change.

Surrounding resistor values were originally set to load the

output stage lightly; 4k3 is about the lower working limit for “weedy” devices such as the *TLO71*. But at the 1V test level, a 600Ω load helps most harmonics of the cleaner devices stand clear of the test set’s residue. At 1V RMS, 600Ω draws under 3mA peak current which is easily within the current sourcing capabilities of all the op-amps tested. The 600Ω simultaneously simulates a noise-free gain condition in the low tens of dB, by causing a droop in open loop gain. Amount of loop gain “loading” depends on output stage gain, and will be higher for op-amps not rated to drive 600Ω. The 75Ω output resistor causes a small yet constant attenuation that is insignificant on a scale of 145dB.

Test results

Figures 2 to 16 show large differences in harmonic amplitudes and, more importantly, structures. But this is only the starting point. Any designer seeking corroboration with subjective results faces a exhausting obstacle course:

- Some op-amps’ noise floors may be hiding harmonics. This is significant with many of the jfet input types having a noise floor that is well above the test set’s residue.
- Phase of each harmonic residue is indeterminate. For devices having harmonics close to the residue, at any frequencies where the test sets’ harmonic is similar or larger, cancellation (down to -∞ dB) or addition (up to +6dB) results. In these instances, the true magnitude of each harmonic is uncertain. For harmonic magnitudes less than 6dB above the AP’s residue, the 4th, 6th and 8th to 11th harmonics – where the test set has no visible residue – are the most certain.
- Analog Devices has noted that in a similar test set-up a steel shielding plate located a few mm under the device under test (as in this test) increases 3rd harmonic content in its

Earlier testing

In a recent article⁵ the Audio Precision test set's DSP-based enhanced harmonic analysis was used in a lesser mode to examine the spectrum of the residue when an amplifier was driven with a 1kHz tone, before and after changing the mode of DC blocking capacitor in the feedback's lower arm. While differences were clear-cut, more than one reader commented that the harmonics are multiples of the UK's 50Hz mains frequency. The extra parasitic inductance (including a length of exposed conductor) arising from the back-to-back capacitor configuration may well have increased 50Hz harmonic pickup, as the amplifier has an unshielded (albeit toroidal) mains transformer close to both channel's circuit boards.

But any attempt to shield the transformer or move the driver PCB to "improve" the test would detract from the validity of the measurement, ie the patient was a working sample with only one explicit variable.

Whether or not audiophiles prefer back-to-back electrolytics only because 50Hz AC mains pollution is added or changed, the measurable difference stands. Cause of the difference is interesting, but relatively unimportant.

Responding to further points made in the *EW + WW* Letters column, the harmonic magnitudes are quite distinct from grid lines on screen, and measures have been taken to clarify them on the page.

V-I non-linearity in the elcap should not be an issue, as the DC voltage across the capacitor is well below 500mV, and capacitive impedance is low enough to keep even the worst case AC swing (at 20Hz) below 10mV in the audio band. It is also worth noting that the sonic aberrations introduced by tone controls are of a vastly greater nature than the harmonic changes discussed here.

AD797. Other types with similarly low harmonic distortion may be similarly affected. Several op-amps operate in this condition, but many others are spaced well away from high- μ metalwork. An ideal test must embrace both conditions.

● Loop gain loss caused by the 600 Ω loading will be more severe in some op-amps than others, notably the *TL071*, *LF351* and *OP27*. Also harmonic structure may differ from high gain, low load condition. But a higher load will reduce the amount of certain data above the noise floor that can be captured for the op-amps with low residues. The residues apply solely to the simple circuit shown, at the 1V level. Harmonic patterns may be very different at lower and particularly higher levels, and if common-mode distortion is dominant, results will also differ with a purely inverting topology.

● Finally, the residues have to be related to psychoacoustics. High harmonics require strong weighting, but the formula may depend on whether least audibility, or least objectionableness is the target. The magnitudes also require relating to sound pressure levels in the room, to provide an overlay for aural sensitivity at the harmonics' frequencies^{3,4}.

The device list and harmonic ranking Table (see boxes) skip these reservations and make fair use of the available data, ranking the devices in different ways for each even, then odd harmonic. In the harmonics Table, devices occupying a high

position on the left, descending to the lowest boxes on the right, should sound euphonic. Transparent devices can be expected to occupy only the lower boxes, not more than 20dB above the test residue, which broadly indicates a sound pressure level below the threshold of perception.

Path through the chaos

Recognising the view-in-isolation mistake made by many equipment designers and academics clears up the chaos-like complexity of audio design based on pure objectivity. Even after data have been extended and fully processed (as dictated above) and we feel we have reached a full and fair judgement as to what is audible, harmonic preferences will then depend on the product of the harmonics of all the cascaded stages.

In effect, an op-amp with a nominally poor harmonic structure may cancel or harmonise with products created by a subsequent mosfet output stage.

So far, little or no data has been published showing the harmonics generated by resistors (some interim tests with the Audio Precision failed to resolve any at 1V and 230 μ A RMS). Time taken to model these factors and the increasing matrix of possibilities, plus the decreasing certainty, explains why the bottom line – listening – remains the central tool of development by companies who make their living not by theorising, but by designing and making equipment to satisfy critical listeners.

Measurement is never more than a map, ever finite in its bounds, and is often no more than a pencil beam, rather limited in audio's dark spaces. ■

Acknowledgements The author is indebted to Walt Jung, Analog Devices, Audio Synthesis, Burr-Brown, Linear Technology, Harris Semiconductor UK, SSE Marketing and TI.

References

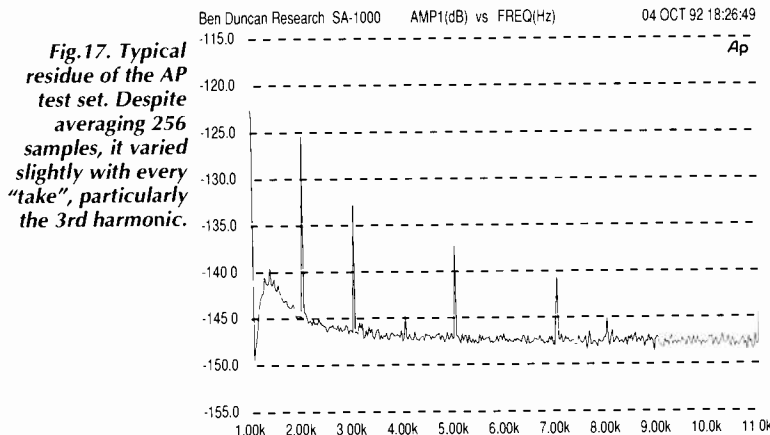
1. Walt Jung, *Audio Op-Amp Cookbook*, Sams, 1st ed. 1975.
2. Ben Duncan, "Evaluating Audio Op- Amps", Pts.1-3, *Studio Sound*, July-Oct '90.
3. Ben Duncan, "Harmonic Convergence", *Stereophile (USA)*, Oct '92.
4. JR Stuart, "Predicting the audibility, detectability and loudness of errors in audio systems", AES 91st Convention, Oct.91.
5. Ben Duncan, "Proof of the Golden Ears Hypothesis", *EW + WW*, June '92.

Test group

How were the fifteen op-amps tested arrived at? They had to be types previously or presently used for audio – or recently introduced with audio in mind – and they had to work in an existing test circuit, without adding compensation and/or adjusting the test circuit values. In general, excluded devices are those not rated for use at unity gain, and current-mode types.

Grouped in two categories and approximately listed in historic order, oldest first:

Model & grade (all jfet inputs)	Type	Company or manufacturer
TL071	CP	Texas
LF351	-	Motorola
LT1056	CN8	Linear Tech
AD744	AQ	Analog Devices
OP42	FZ	PMI (AD)
AD845	JN	PMI (AD)
LT1122	CCN8	Linear Tech
OPA604		Burr Brown
 (all bipolar low noise)		
NE5534	AN	Signetics
HA2525	-5	Harris
OP27	GP	PMI (AD)
LT1007	ACN8	Linear Tech
HA5221	-5	Harris
TLE2027	P	Texas
AD797	XN	Analog Devices



If you've never bought a dodgy copier, telephone, answering machine, PC, printer or fax, you're lucky.

(Or you already get
What to Buy for Business.)

What to Buy for Business magazine is the UK's *only* independent guide to business equipment and services. Because we carry no advertising at all, we can afford to be entirely impartial.

So, whether you're leasing a photocopier or buying a computer system, we'll give you professional, unbiased advice. Every issue of this monthly magazine saves you weeks of time spent on desk research, visits to dealers and conversations with reps.

Thanks to our meticulous comparisons of manufacturers, brands and product features – with clear summaries and recommendations – you'll never buy a dodgy anything again.



£30 off, when you subscribe before November 30th, 1992.

Subscribe before 30th November 1992 and benefit from our special introductory offer to new subscribers. The next 10 issues will only cost you £69, which is £30 less than our usual rate of £99.

Just return this coupon to What to Buy for Business, Subscriptions Department, FREEPOST, Central House, 27 Park Street, Croydon, Surrey CR9 1WZ.

1. I enclose a cheque for £69 made payable to What To Buy for Business.

2. Please debit my credit card with £69

Access Barclaycard Visa Diners Amex

Account number..... Expiry date.....

3. Please invoice my company for £69 Signature.....

Name..... Job Title.....

Company.....

Address ACC30S

Postcode.....Tel.....

Or call our subscription hotline: 081 680 2828

**What to Buy
for business**

CIRCLE NO. 123 ON REPLY CARD

Credit card orders accepted by phone 081 652 3614

BOOKS TO BUY

Analog Electronics Ian Hickman

Good all-round electronics designers are hard to find, according to the recruitment specialists. There are either bad all-rounders or good specialist (for example, microwave, power supply, microprocessors specialists). Many young designers have been lured away from the fundamentals of electronic design to more 'glamorous' digital work. yet there are many simple pieces of electronic equipment for which a purely analogue realisation is still cheaper, more reliable and more appropriate than a microprocessor-based solution. Analogue staff are in desperately short supply, and in many fields - telecommunications for example - analogue skills are very much in demand. Ian Hickman's latest book includes many examples from his large collection of circuits (built up over thirty years in commercial, professional and defence electronics), selected for their usefulness in a wide range of applications. Hardback 300pages. Price £32-40

Circuit Designers Companion Tim Williams

This compendium of practical wisdom concerning the real-world aspects of electronic circuit design will be invaluable for linear and digital designers alike. The subjects covered include grounding, printed circuit design and layout, linear ICs, logic circuits and their interfaces, power supplies, electromagnetic compatibility, safety and thermal management. How to design to production and to cost restraints is stressed throughout. The style is direct, lucid and non-academic, aimed at the practising designer who needs straightforward, easy-to-follow advice. Hardback 320pages. Price £26-50

Electronic Alarm Circuits Manual R M Marston

One hundred and forty useful alarm circuits, of a variety of types, are shown in this volume. The operating principle of each one is explained in concise but comprehensive terms, and brief construction notes are given where necessary. Aimed at the practical design engineer, technician and experimenter, as well as the electronics student and amateur. Paperback 144pages. Price £13-95

Filter Handbook

Stephan Niewiadomski

A guide to electronic filter design and implementation, clearly written and without the enormous amount of mathematics usually found in books on this subject. Especially of interest for electronics engineers and technicians, students, enthusiasts and also radio amateurs. Hardback 208pages. Price £26-50

Modern Electronic Test Equipment

Keith Brindley

Describes in a down-to-earth manner how the main categories of test equipment work, allowing the reader to compare available instruments, make an informed choice and then to use the equipment to the best advantage. Any engineer, technician, scientist, student or teacher who reads the book will have a better understanding of the equipment and get better service from his instruments. Paperback 224pages. Price £15-95

Servicing Personal Computers

Michael Tooley

This book sets out the principles and practice of personal computer servicing in a handy reference manual. It contains a wealth of information, including a large number of circuit and block diagrams. Various software diagnostic routines have been included together with listings and, where appropriate, actual screen dumps. Numerous photographs show typical adjustments and alignment points. It is for anyone concerned with the maintenance of personal computer equipment or peripherals, whether professional service technician, student or enthusiast. Hardback 256pages. Price £27-00

Newnes Radio and Electronics Engineer's Pocket Book

Keith Brindley

A compendium of facts, figures and formulae for the designer, student, service engineer and all those interested in radio and electronics. Paperback 328pages. Price £10.95

Newnes Electronic Assembly Book

Keith Brindley

Hardback 304pages. Price £11.95

Newnes Z80 Pocket Book

Chris Roberts

Aimed at practising electronic and software engineers and technicians involved with the design, manufacture, testing of maintenance of Z80 type microprocessors based equipment. It is also aimed at students following courses in microprocessor related subjects. Contents include packages, pinouts and specifications; processor operation and signal timing; internal architecture; the flags; instruction address modes; instruction set; interrupt response; programming techniques and support chips. Hardback 185pages. Price £13-95

MICROPROCESSOR SYSTEM DESIGN

A Practical Introduction

COMMUNICATIONS SERVICES VIA SATELLITE

Newnes 68000 Pocket Book

Mike Tooley. Hardback 257pages. Price £13-95

Newnes 8086 Pocket Book

Ian Sinclair. Hardback 342pages. Price £11-95

Newnes Electrical Pocket Book 21st Edition

E A Parr. Paperback 526pages. Price £13-95

Diode, Transistor and FET Circuits Manual R M Marston

Specifically aimed at the practical design engineer, technician and experimenter but will also be of interest to the electronics student and the amateur. Subjects covered include basic diode circuits; Special diode circuits; Transistor principles; Transistor amplifier circuits; Transistor oscillators and astables; Transistor audio amplifiers; Transistor circuit miscellany; FET Principles; JFET circuits; MOSFET circuits; VMOS circuits; Unijunction transistor circuits. Over 340 carefully selected and outstandingly useful practical circuits, diagrams, graphs and tables. Paperback 240pages. Price £13-95

Digital Audio and Compact Disc Technology L Baert, L Theuissen and G Vergult

Essential reading for audio engineers, students and hi-fi enthusiasts. A clear and easy-to-follow introduction and includes a technical description of DAT (digital audio tape). Contents includes principles of digital signal processing, sampling, quantization, A/D conversion systems, codes for digital magnetic recording, principles of error correction, the compact disc, CD encoding, optoelectronics and the optical block, servo circuits in CD players, signal processing, digital audio recording systems, PCM, Video 8, R-DAT and S-DAT. Hardback 240pages. Price £18-45

The Scanner Handbook: A Complete Guide to the Use and Applications of Desktop Scanners

Stephen Beale and James Cavuoto
Desktop scanners are quickly becoming standard components in personal computer systems. With these electronic reading devices, you can incorporate photographs and illustrations into a desktop publishing program, convert printed documents into text files, and perform advance-capability facsimile transmission. The book is an informative guide to selecting, installing and using a scanner. Paperback 254pages. Price £20-95

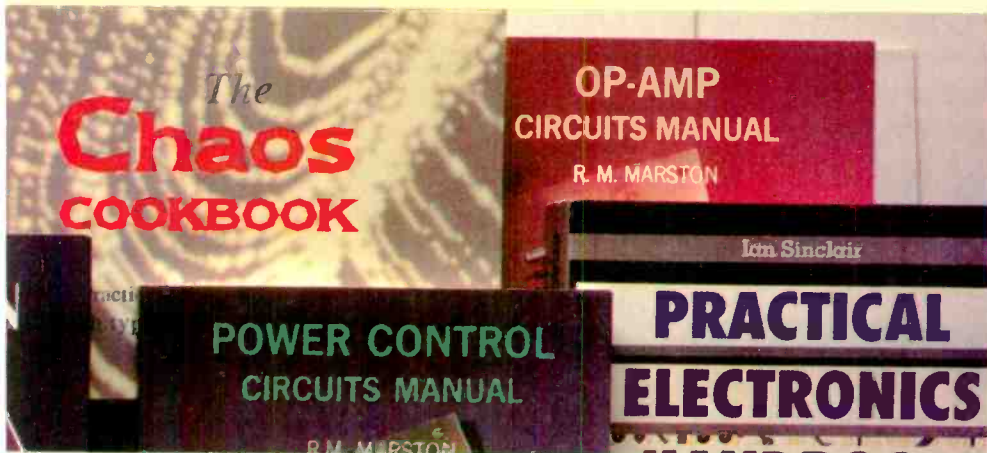
Open Systems: The Basic Guide to OSI and its implementation Peter Judge

A concise, clear guide to this complex area of computer standards, untrammelled by jargon and with appropriate analogies to simplify this difficult topic. This book is essential for users and suppliers and is required reading for all in the computer industry.

"It is the best introduction to the subject I have

Please send me the following books.....
.....
.....
I enclose a cheque/postal order/eurocheque to the value of £.....made payable to Reed Business Publishing Ltd or Please debit my Access/Visa/American Express/Diners Club with £.....Card Number.....Card
.....expiry date.....Signature.....Date.....
Name.....Address.....
.....Postcode.....Phone.....

Return to: Lorraine Spindler, Rm L333, Quadrant House, The Quadrant, Sutton, Surrey SM2 5AS. PRICES INCLUDE POSTAGE AND PACKAGING. Please allow 21 days for delivery.



The
Chaos
COOKBOOK

OP-AMP
CIRCUITS MANUAL
R. M. MARSTON

POWER CONTROL
CIRCUITS MANUAL

Ian Sinclair
PRACTICAL
ELECTRONICS

seen" - John Spackman, former Director, Computing and Information Services, British Telecom. Paperback 184pages. Price £13-95

Audio IC Circuits Manual
R M Marston

Contents include: audio and pre-amp circuits, dual audio pre-amp circuits, audio power amplifier circuits, high-power audio circuits, LED bar-graph displays and CCD audio delay-line circuits. Paperback 176pages. Price £13-95

Analog Circuit Design
Art, science and personalities
Edited by Jim Williams

Thirty well known contributors share some of their insights, knowledge, and perspectives on analogue design. Taken as a whole, these authors demonstrate that analogue design is less a set of techniques and methods to be rigorously followed than a way of thinking about things. This book isn't a text book, nor is it really a "tutorial" in conventional sense of the term. Instead, its primary goal is to help the reader think in an analogue way. It is the latest title in the 'EDN series for Design Engineers'. Hardback 390pages. Price £32-00

Troubleshooting Analog Circuits
Robert A Pease

Troubleshooting Analog Circuits is based on a series of articles that became one of EDN's most successful and well-read, and found an enthusiastic audience among electronic engineers and technicians.

Contents: Introduction; Troubleshooting linear circuits - the beginning; Choosing the right equipment; Getting down to the component level; Solving capacitor-based troubles; Preventing material and assembly problems; Solving active-component problems; Identifying transistor troubles; Operational amplifiers - the supreme activators; Quashing spurious oscillations; The analogue-digital boundary; Dealing with power components; Round-up of loose ends; Floobydust; Letters to Bob; Troubleshooting charts; Appendices. Hardback 220pages. Price £21-45

Newnes Electric Circuits Pocket Book
Linear IC
Ray Marston

Newnes Electronic Circuits Pocket book is aimed directly at those engineers, technicians, students and competent experimenters who can build a design directly from a circuit diagram, and if necessary modify it to suit individual needs. Hardback 336pages. Price £13-95

Microprocessor System Design
A Practical Introduction
Michael Spinks

An introduction to essential concepts and techniques underlying the design of useful electronic circuits especially microprocessor boards and their peripherals.

No previous knowledge of electronics is assumed; new terms and ideas are explained as they arise,

maths and jargon are kept to a minimum. After an introduction to the groundwork of electronic circuits - digital and analog components, op amps and PALS - the reader goes on to discover how microprocessors work and how they are used in bus-based systems. Michael Spinks uses real industrial circuits as examples - including some with specialized applications - and includes a chapter on practical problems such as debugging, and a comprehensive glossary. Paperback 247 pages. Price £21-95

Communication Services Via Satellite
G.E. Lewis

Satellite communication systems are capable of carrying not only all existing telecommunications services to reach previously inaccessible areas, but also new services which were not feasible before the advent of satellites. Satellite communications systems create a series of new technical problems, requiring new solutions, for the engineers involved in communications and television services equipment. Such engineers will find this book an invaluable guide to how the system signal is coded, modulated, demodulated and processed, and they will obtain a good understanding of the way in which the system functions. Several actual systems are described and a number of analyses and design rules are included. This book is aimed at systems design engineers involved in the commissioning, design and installation of communications and television services equipment. Service engineers and technicians will also find it valuable reading. Paperback 386 pages. Price £27-00

The Chaos Cookbook
A Practical Programming Guide with type-In-and-go Listings
Joe Pritchard

It is rare for mathematics to capture popular imagination but chaos has done so. Chaos sets ultimate limits on what science can predict. It is mathematics theory about prediction, a model that describes the relationship between past and future, explaining how natural and man-made systems behave. Equations defining chaotic systems are often very simple but give rise to exceedingly complex and, if the behaviour is conveyed into a computer graphics display, beautiful results. The Chaos Cookbook examines chaos theory in a much

more practical way than other books. Chaos is not just a way of generating computer graphics, or a mathematical curiosity. It has relevance to the real world and the easiest way to explore and visualize chaos is through the computer screen. The book uses the computer as a tool and provides programs to run that demonstrate the concepts, including type in and go listings, which even the initiated will appreciate as they are absent from other books. Paperback 366 pages. Price £19-95

OP-AMP Circuits Manual
R. M. Marston

The operational amplifier (op-amp) is a direct-coupled high-gain differential amplifier that can readily be used as the basis of a variety of ac or dc amplifiers, instrumentation circuits, oscillators, tone generators and sensing circuits etc. It is one of the most popular and versatile 'building blocks' used in modern electronic circuit design and is available in three basic forms: the 'standard' (741, etc.) type, the 'Norton' (LM3900, etc.) type and the OTA (CA3080 and LM13600, etc.) types. This manual explains how each of these devices works and shows how to use them in practical applications. The manual presents a total of over 300 practical circuits, diagrams and tables, and is specifically aimed at the practical design engineer, technician and experimenter. Easy-to-read, down-to-earth, non-mathematical but a very comprehensive manual. Paperback 211 pages. Price £13-95

Power Control Circuits Manual
R. M. Marston

Electronic power control circuits can be used to control (either manually or automatically) the brilliance of lamps, the speed of motors, the temperature of heating devices such as electric fires or radiators, or the loudness of audio signals, etc. This control can be achieved using electromechanical switches or relays, or electronic components such as transistors, SRCs, TRIACs, or power ICs, etc. This book takes an in-depth look at the whole subject of electronic power control, and presents the reader with a vast range of useful circuits and diagrams. Contents: Basic principles, Switch and relay circuits; CMOS switches/selectors; AC power control circuits; DC power control circuits; DC motor control circuits; Audio power control circuits; DC power supply circuits. Paperback 198 pages. Price £13-95

Practical Electronics Handbook
Ian Sinclair

Ian Sinclair has completely update and revised this popular title. It still contains a carefully selected collection of standard circuits, rules-of-thumb, and design data for professional engineers, students and enthusiasts involved in radio and electronics, but is now over one hundred pages bigger. The book covers many areas not available elsewhere in such a handy volume, and this new edition now includes chapters on microprocessors and microprocessor systems, digital-analogue conversions, computer aids in electronics plus hardware components and practical work. Paperback 338 pages. Price £15-95

Books published by Butterworth-Heinemann

SPECIAL OFFER

Microprocessor Architectures and Systems
RISC, CISC & DSP
Steve Heath

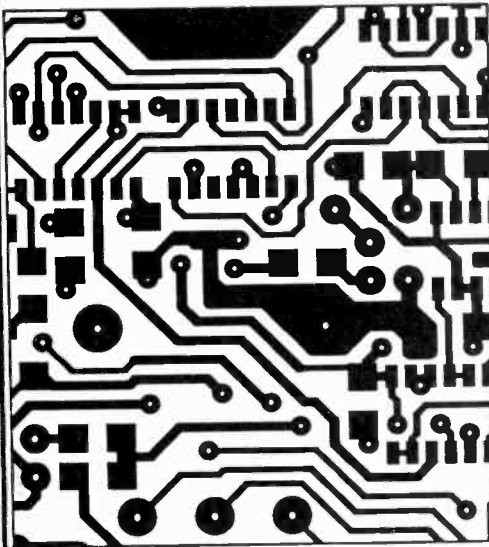
A guide to microprocessor architectures explaining the differences, advantages and disadvantages, and design implications. With most semiconductor manufacturers supplying only one type of architecture, processors becoming more complex than mainframe computers, and design cycles shortening from two years to six months, it is vital for designers to choose the right processor. Steve Heath is processor technology specialist for Motorola. Hardback 300pages.



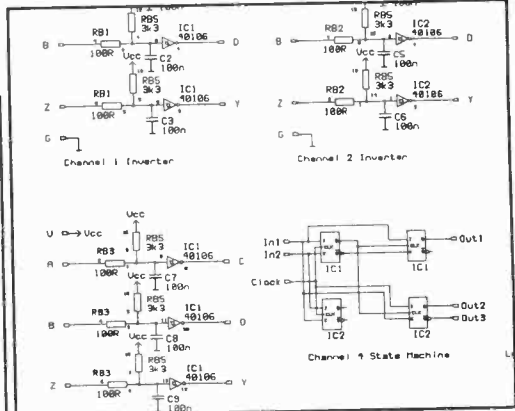
Normal Price £36-50 Now only £19.95 to EW + WW Readers

EASY-PC PCB and Circuit Diagram CAD

Forget using tapes and lightbox! Create your Circuit Boards using CAD - like the professionals.



- Runs on PC/XT/AT etc. with Hercules, CGA, EGA or VGA display and many DOS emulations.
- Design Schematics Single and Double sided and Multilayer boards including Surface Mount.
- Standard output includes Dot Matrix / Laser / Inkjet Printer, Pen Plotter, Photo-plotter and N.C. Drill.
- Extremely powerful.
- Very easy to use.



EASY-PC

Technical support is free, for life!

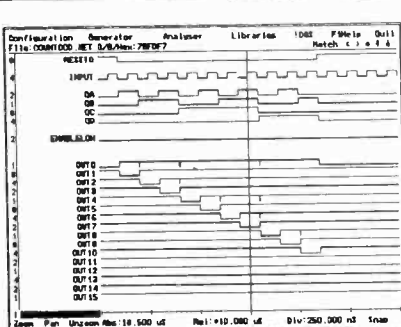
Only £98.00!

Plus P&P+VAT

Over 13,000 Installations in 70 Countries Worldwide!

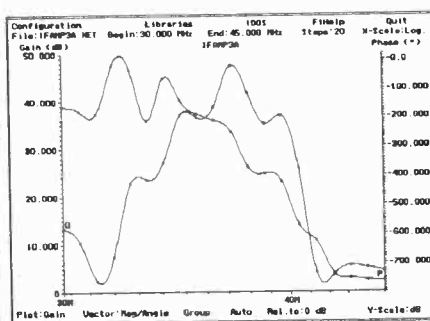
Options:-500 piece Surface Mount Symbol Library £48, 1000 piece Symbol Library £38, Gerber Import facility £98.

DIGITAL SIMULATION £195



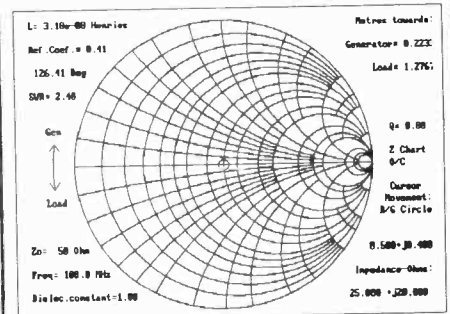
- At last! A full featured Digital Circuit Simulator for less than £1000!
- PULSAR allows you to test your designs without the need for expensive test equipment.
- Catch glitches down to a pico second per week!
- Includes 4000 Series CMOS and 74LS Libraries. 74HC/HCT libraries only £48.00 each.
- Runs on PC/XT/AT/286/386/486 with EGA or VGA.

ANALOGUE SIMULATION £195



- NEW powerful ANALYSER III has full graphical output.
- Handles R's, L's, C's, Bipolar Transistors, FET's, OP-amp's, Tapped and Untapped Transformers, and Microstrip and Co-axial Transmission Lines.
- Plots Input / Output Impedance, Gain, Phase & Group Delay.
- Covers 0.001 Hz to > 10GHz
- For PC/XT/AT/286/386/486 with EGA or VGA.
- Very fast computation.

SMITH CHART CAD £195



- Z-MATCH II simplifies RF matching and includes many more features than the standard Smith Chart.
- Handles transmission line transformers, stubs, discrete components, S Parameters etc.
- Supplied with many worked examples.
- Superbly easy to learn and use.
- Runs on IBM PC/XT/AT/386/486, CGA, EGA, VGA.
- Ideal for Education and Industry.

For full info Phone, Fax, or use enquiry card!

Number One Systems Ltd.

REF: WW, HARDING WAY, ST.IVES, HUNTINGDON, CAMBS, ENGLAND, PE17 4WR.

Telephone: 0480 61778 (7 lines) Fax: 0480 494042

International: +44 -480-61778, Fax: +44-480-494042

ACCESS, AMEX, MASTERCARD, VISA Welcome.

- TECHNICAL SUPPORT FREE FOR LIFE!
- PROGRAMS NOT COPY PROTECTED.
- SPECIAL PRICES FOR EDUCATION.

CIRCLE NO. 124 ON REPLY CARD

Sony's NT system stores 2h of stereo on a tiny cassette. But who wants it?

PALMED OFF with a new format

Where will Sony's NT cassette format fit into the market? George Cole wonders if Sony is asking the same question.

Just when you thought you had seen enough new audio formats to last a lifetime, along comes Sony with its NT (non-tracking) tape system, storing up to 2h of audio stereo sound on a cassette tape the size of a postage stamp.

The NT player dispenses with advanced tracking systems. But it is size that is its most striking factor. Sony's player is powered by one small alkaline battery and the cassette is around 25 times smaller than a compact cassette – one quarter the size of a microcassette. Cassette weight is only 2.8g and a small lid, rather like those found on video and dat cassettes, protects the tape from dust and dirt.

NT is bi-directional, so the tape is turned over after the completion of one side, with two write-protect slots – one for each side.

Recording is by helical scan. But unlike VCR and dat, the tape is not drawn from the cassette and threaded around the head drum. NT cassettes have built-in tape transport handled by two pinch rollers and two moulded tape guides located just inside the cassette. The head drum slots inside for recording and playback. As a result loading is simpler and cassettes can be manually inserted.

The tape itself is metal evaporated (ME), a mixture of cobalt and nickel where the metals are boiled in a vacuum chamber and condense on to a chilled base film to form ultra-thin tape. Total tape thickness is around 5µm, with the magnetic layer just 0.2µm thick (compared to 3µm in metal powder tape) and width is 2.5mm. A 2h NT cassette holds around 20m of tape and has a data capacity of 690Mbytes.

ME tape has many advantages. Its thinness means the recording magnetic field can easily penetrate down to the bottom and over-write any existing data, so no erase head is required. It also has a lower coercivity than MP tape (around 1050 oersted compared to 1500 oersted) so that a lower recording current can be used. Remanence is higher than that of MP tape too (around 4000 gauss compared to 2600 gauss) and there is a higher output level and carrier-to-noise ratio.

Main disadvantage of ME tape is its cost, because the tapes are made by a batch rather than continuous process.

Recording and playback

The NT player's head drum is 14.8mm in diameter and rotates at 3000/min. Tape wrap angle is 100°, speed is 6.35mm/s, and each track is around 9.8µm wide at an angle of 4.4°. Two-channel stereo sound is recorded and the sampling frequency is 32kHz, with 12-bit non-linear quantisation – Sony claims this is equivalent to 17 bits. Error detection and correction is by cyclic redundancy check code and cross interleave Reed Solomon code. Recording of the tracks is almost haphazard: no attempt is made to minimise the risk of tracks over-lapping or them being recorded at the wrong angle. This is because there is a repeat area at the top and bottom of each track

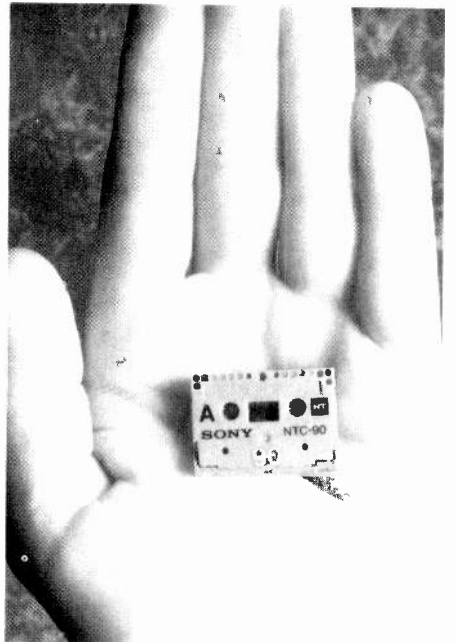
and the non-tracking system deals with any misaligned tracks.

Non-tracking

Video 8 and dat formats use complex pilot tone tracking systems to ensure that the tape and heads are properly aligned: VHS uses a control track. But NT has no tracking system. Instead, it uses a double density scan.

One way of achieving double density would be to double the drum rotation speed, but NT uses an alternative system. The head drum has two head units composed of three heads: A, A' and B. Head A is used only for recording and its azimuth is +27°. Head A' is for playback only (+27°), and head B for recording and playback (-27°). During recording, only one head unit is in operation, but during playback, both head units work to double the amount of data read off-tape.

A track contains 116 data blocks, including eight unused data blocks – three at one end and five at the other – occurring at the head switch-over points. So 108 blocks are actually usable. Two sets of repeat blocks, copies of the first blocks at the edge of the tracks, act as a back up system in case there is edge damage to the tracks or track over-lap during recording. The remaining 92 blocks are divided into two blocks of 40 separated by four control blocks, one inter block gap (IBG) two auxiliary blocks, another IBG and another four



NT format is 25 times smaller than a compact cassette. But can it compete with disc-based systems?

A single AA-sized battery provides 7h recording or 6h playback.



Cassette tape systems

Cassette systems for open reel tapes were developed in the 1950s and 60s by Grundig and others, and in 1963 Philips introduced the compact cassette – originally designed as a dictation medium. Six years later Olympus launched the microcassette. Olympus' system was promoted as a rival to the compact cassette, but its slow tape speed and limited frequency response (plus a lack of software support) resulted in the format being pitched at the dictation recording market (the reverse of Philips' experience with compact cassette).

The early 1980s saw the rise of audio VHS recorders, offering audio-only recording, and in 1985, the Video 8 format was launched. Some Video 8 machines have an optional PCM audio-only recording system so that a 90 minute pal cassette played at half speed can store up to 18h of digital stereo sound.

Digital audio tape or dat, reached the European consumer market in 1990 and stores several hours of high quality PCM sound on a credit card-sized cassette. Philip's digital compact cassette (DCC) holds around two hours of high quality, digitally compressed audio on a standard-sized cassette.

Now we have NT. In fact NT development

work began at the end of 1980 – two years before CD was launched in Japan and around six years before dat reached the market. The design goals were to produce a very small cassette and player which used little power and gave 90min of stereo music.

Various events have since over taken these original goals, not least the launch of DCC and Sony's Mini Disc. Interestingly, Sony now says that future audio formats will be disc-based and that tape technology is old technology. For this reason, NT is being promoted as a high-tech replacement for the microcassette.

Comparison of tape formats.

	Micro cassette	Compact cassette	Video 8 (PCM)	Dat	DCC	NT
Cassette size	73x52x 20mm	102x64x12mm	95x62.5x15mm	73x54x10.5mm	100x64x9.6mm	30x21.5x5mm
Tape width	3.81mm	3.81mm	8mm	3.81mm	3.78mm	2.5mm
Tape speed	24.0mm/s	47.6mm/s	20.1mm/s	8.15mm/s	47.6mm/s	6.35mm/s
Sampling freq	–	–	31.25kHz	48kHz	48kHz	32kHz
Quantisation	–	–	8bit	16bit	16bit	12bit
Frequency Resp	400-4kHz	40-18kHz	20-15kHz	4-22kHz	5-22kHz	10-14.5kHz
Max rec time (SP)	60min	120min	540min*	120min	120min	120min
Standard tape type	Ferric oxide	Ferric oxide	Metal powder	Metal powder	Chrome	Metal evaporated

* With 90 minute cassette. Note that dat and DCC have variable sampling rates.

control blocks. The control block contains time code, play back level and emphasis information and the serial copy management system (SCMS) prevents multiple digital dubbing. IBGs keep the auxiliary and control blocks separate and make it possible to re-record the auxiliary block. The auxiliary block is currently unused (Japanese designers always like to keep their options open!). Sony says they could be used for recording sub-codes for a track-search system.

Each block contains 288 bits, the first 11 of which are used for synchronisation. The address area is composed of 13 bits: six are for track address and seven for block address. The next part contains four parity words (odd and even), each composed of 12 bits. These are followed by 16 12-bit words which contain left and right channel audio data. At the end of the block are 24 bits for the cyclic redundancy check system and its back-up overwrite protection coding.

During playback, the head skims across a series of tracks. For any particular track during the first sweep, data blocks 1 to 5 are read, during the second sweep, blocks 4 to 13 and so on. Only data which is "safe" (ie. error free) is read into a buffer memory. Each block has a unique address and the memory buffer has an area reserved for it. Sony says that the memory buffer is like a jigsaw with many slots and that the data blocks are like pieces with their number written on the back.

Incidentally, the data blocks are not built up in sequence, but the end result is a complete set of blocks for each track.

No servo control is required for the non-tracking system. But a servo is needed to correct tape speed fluctuations, because there is a delicate balance between the rates at which the data is read off-tape, fed into the buffer mem-

ory and read out of memory. In the NT's servo system, the address is separated from the playback data and compared to a reference address produced by the quartz generator. Any difference between the two addresses means the speed at which the data is being fed into the memory buffer is faster or slower than the rate at which it is being read out. The offset value is subtracted to produce the phase error.

Phase error is averaged out by a digital low pass filter and the gain adjusted and mixed with the speed error component derived from the motor tacho generator. A pulse width modulator (PWM) converts the servo signal into a PWM signal and at the second low pass filter the signal is demodulated to produce the motor drive voltage. A micro-controller LSI performs the servo arithmetic processing.

The NT-1 Player

The chocolate-bar-sized NT-1 player uses a single AA-sized battery to give 7h recording time or 6h playback. Of the ultra-compact drum, just 14.8mm wide, the section that slots into the cassette is less than 4mm in length. The drum is mounted horizontally and only the middle section rotates – a fine technical achievement. But the price is that the motor cannot be serviced. If any fault occurs, replacement is the only option.

The NT-1's circuit board, tightly packed and folding up like a concertina, contains nine LSI and IC components, six of which have been specially developed for the NT system:

- DSP LSI: tasks include A-to-D and D-to-A conversion, non-tracking processing, error correction and detection. The non-tracking buffer and servo buffer are loaded into 1Mbit dram.
- ADA LSI: contains the A-to-D/D-to-A converter, audio circuits, cmos op-amp and digital circuits.

- DET LSI: includes the RF equaliser and PLL.

- Micro-CTL LSI: one-chip servo micro-computer includes servo control software and LCD drive.

- DRV LSI: uses DC-DC converters and regulators to extract voltage from the AA battery.
- R/P IC: recording and playback amplifier.

Connection of the LSIs by a high speed simple serial bus allows large data exchange and real time control between the microcomputer and the LSIs. It also reduces the number of LSI pins and wires. A non-volatile ram serves as a back-up for the control data.

Scooping the market?

Tapes for the £545 NT-1 or Scoopman (because the non-tracking system "scoops" up the data) cost around £10 each. The player itself measures 115 x 50 x 21mm and weighs around 138g, including battery and tape. Power consumption is around 27mW.

Scoopman is easy to use, great for carrying around in a pocket or bag and sound quality is also good – Sony says the dynamic range and signal-to-noise ratio are both over 80dB, and total distortion is below 0.05%.

But here lies the problem. The NT-1 is too good – and expensive – to be used simply as dictation system and yet it is hard to see it succeeding as an audio product, especially as Sony is busily promoting Mini Disc. So who will buy the system?

The Non-Tracking system shows that Sony undoubtedly has the technology, but whether it has a market remains to be seen.

Acknowledgment

Thanks to Sony's Eric Kingdon and Chris Baker for their help during the preparation of the article.

RF MODULAR EQUIPMENT

LOW NOISE GASFET PREAMPLIFIERS

Two-stage Gasfet preamplifiers. High Q filters. Masthead or local use

- TYPE 9006** Tuned to your specified frequency in the range 5–250MHz NF 0.6dB Gain 10–40dB variable 50 ohms £99
- TYPE 9006FM** As above Band II 88–108MHz 75 ohms £99
- TYPE 9002** Tuned to your specified channels in bands IV or V NF 0.7dB Gain 25dB adjustable 75 ohms £128
- TYPE 9004** Aligned to your specified frequency in the range 250–1000MHz NF 0.7dB Gain 25dB adjustable 50 ohms £128
- TYPE 9035** Mains power supply for above amplifiers £58
- TYPE 9010** Masthead weatherproof unit for above amplifiers £16

WIDEBAND AMPLIFIERS

Monoolithic microwave integrated circuits in a fully packaged microstrip format. Full-wave shottky diode protected inputs. Temperature compensated bias circuitry. Internal voltage regulation

- TYPE 9301** 100kHz–500MHz NF 2dB at 500MHz Gain 30dB Power output +12.5dBm 18mW £165
- TYPE 9302** 10MHz–1GHz NF 2dB at 500MHz Gain 30dB Power output +12.5dBm 18mW £165
- TYPE 9008** Gasfet 10MHz–2GHz NF 2.5dB at 1GHz Gain 10dB Power output +18dBm 65mW £165
- TYPE 9009** Gasfet 10MHz–2GHz NF 3.8dB at 1GHz Gain 20dB Power output +20dBm 100mW £185

PHASE LOCKED LOOP FREQUENCY CONVERTER

TYPE 9115 Converts your specified input channels in the range 20–1000MHz to your specified output channels in the range 20–1000MHz. Minimum input to output separation 10 channels. 1mV input. 10mW output (+10dBm). Low-noise Gasfet front end. NF 0.7dB. AGC controlled. Gain 60dB adjustable –30dB. Will drive transmitting amplifiers directly £550

PHASE LOCKED SIGNAL SOURCES

- TYPE 8034** Frequency as specified in the range 20–250MHz Output 10mW £195
- TYPE 9036** Frequency as specified in the range 250–1500MHz Output 10mW £291

FM/FSK EXCITERS

TYPE 9282 Frequency as specified in the range 20–1500MHz Output 10mW Deviation up to ±75kHz £348

TELEVISION TRANSMITTER

TYPE 9550 Single channel Bands I, III, IV or V PAL B, G or I. 50W output. 1V composite video input. Output protection. Power meter. Integral cooling and power supply £4950

RF LINEAR POWER AMPLIFIERS

Tuned to your specified frequency in the range 20–250MHz or your specified channels in bands I or III. 28V + DC supply

- TYPE 9105** 10mW input, 3 watts output £275
- TYPE 9106** 500mW input, 10 watts output £341
- TYPE 9155** 3 watts input, 30 watts output £460
- TYPE 9458** 5 watts input, 50 watts output. Integral forced air cooling and output transistor protection £750

UHF LINEAR POWER AMPLIFIERS

Tuned to your specified frequency in the range 250–470MHz 28V + DC supply

- TYPE 9213** 300mW input, 3 watts output £350
- TYPE 9124** 2–3 watts input, 25 watts output £484

TELEVISION EXCITER

TYPE 9269 Phase locked loop vestigial sideband miniaturised television modulator with sound channel RF output. 10mW on your specified frequency in the range 40–1000MHz or channels in bands I, III, IV or V £650

TELEVISION LINEAR POWER AMPLIFIERS

Tuned to your specified channels in bands IV or V. 28V + DC supply

- TYPE 9252** 10mW input, 500mW output £308
- TYPE 9259** 500mW input, 3 watts output £352
- TYPE 9262** 500mW input, 10 watts output £638
- TYPE 9263** 2–3 watts input, 15 watts output £584
- TYPE 9266** 10 watts input, 50 watts output. Integral forced air cooling and output transistor protection £1919

LINEAR POWER AMPLIFIERS 800–1000MHz

Tuned to your specified frequency in the range 800–1000MHz

- TYPE 9265** 500mW input, 10 watts output £584
- TYPE 9264** 2 watts input, 25 watts output £840

WIDEBAND LINEAR POWER AMPLIFIERS

- TYPE 9306** 10MHz–1GHz Gain 15dB Output +30dBm 1 watt £438
- TYPE 9246** 1 watt output 100kHz–175MHz 13dB gain £182
- TYPE 9247** 4 watts output 1–50MHz 13dB gain £204
- TYPE 9051** 4 watts output 20–200MHz 13dB gain £204
- TYPE 9176** 4 watts output 1–50MHz 25dB gain £314
- TYPE 9177** 4 watts output 20–200MHz 26dB gain £314
- TYPE 9173** 20 watts output 1–50MHz 17dB gain £374
- TYPE 9174** 20 watts output 10–160MHz 10dB gain £374
- TYPE 9271** 40 watts output 1–50MHz 16dB gain £748
- TYPE 9172** 40 watts output 10–160MHz 10dB gain £748

Prices exclude p&p and VAT

RESEARCH COMMUNICATIONS LTD

Unit 1, Aerodrome Industrial Complex, Aerodrome Road, Hawkinge, Folkestone, Kent CT18 7AG

Tel: 0303 893631 Fax: 0303 893838

CIRCLE NO. 125 ON REPLY CARD



Chelmer Valve Company

Worldwide supplier
with 30 year's experience

- **Electron tubes: Transmitting, Industrial, Microwave, Audio, Receiving, Display, etc, etc.**
- **For Maintenance, Spares or Production.**
- **Semiconductors: Transistors, Thyristors, Diodes, RF, Power I/C's, etc.**
- **We have one of the largest stocks in the U.K.**

★ TRY US! ★

FAX, PHONE, POST OR TELEX YOUR REQUIREMENTS
130 NEW LONDON ROAD, CHELMSFORD,
ESSEX CM2 0RG, ENGLAND

Telephone: (0245) 355296/265865
Telex: 995398 SEEVEE G Fax: (0245) 490064

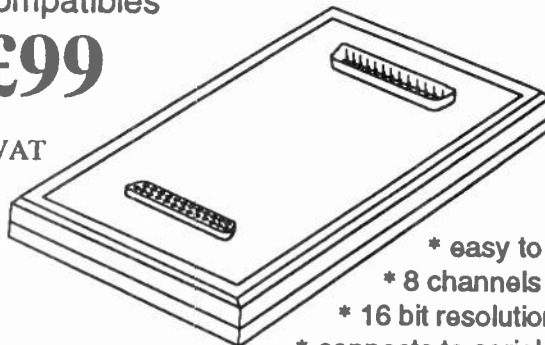
CIRCLE NO. 126 ON REPLY CARD

PICO ADC-16

ADC-16 high resolution data acquisition system with data logger software for IBM compatibles

£99

+VAT



- * easy to use
- * 8 channels
- * 16 bit resolution
- * connects to serial port

ADC-10, 1 channel 8 bit with scope and voltmeter software £49 + VAT

ADC-11, 11-channel 10-bit with data logger software £75 + VAT

Pico Technology Limited
Broadway House, 149-151 St Neots Rd,
Hardwick, Cambs CB3 7QJ
Tel. 0954 211716 Fax. 0954 211880

CIRCLE NO. 127 ON REPLY CARD

Making switched DC/DC conversion easier – and cheaper

The newest switched mode power supply chips are so undemanding to work with, they make design of a linear supply look difficult. Scott Brown shows how.

Linear regulators are a simple way to convert from the relatively high bus voltage down to the logic levels of 5V and 3.3V required for distributed power supplies. But large voltages across the regulator cause high power dissipation, requiring costly heatsinks and possibly a cooling fan.

Switching regulators can drop large voltages with efficiencies in excess of 80%. Silicon costs are higher than with linear regulators, but less heatsinking is required and power losses are reduced so a smaller power bus and a lower-power transformer can be used. The main drawback is that lots of components are needed along with a good understanding of switching techniques. DC/DC modules offer high efficiencies and guaranteed performance but they also come with a high price tag.

The switched mode supply combines high efficiency and off-the-shelf performance of modules at the cost of a switching regulator. In addition, National Semiconductor's *Simple Switcher* family has been designed to need fewer components than conventional switch-

ing regulators so that less board space is needed and building is easier.

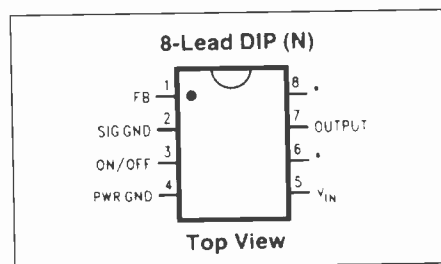
Two examples demonstrating how SMPSs can be used for stepping down and stepping up are the *LM2574* and *LM2577*.

DC/DC conversion

A typical application for a DC/DC converter using the *LM2574* is a 24V bussed power supply feeding a board packed with 3.3V logic (the same design procedure would apply for a 5V system).

There are four external components to select and essentially three design steps: determine $V_{in(max)}$ and $I_{out(max)}$ and select inductor from chart; choose output capacitor; and select catch diode according to $V_{in(max)}$. The *LM2574* datasheet takes the designer through the selection process step-by-step, providing values for the four components along with recommended manufacturers and part numbers of the products.

But design software *Switchers Made Simple* considerably simplifies the task. In this example the user starts by selecting a step-down design (referred to as BUCK in the software),



LM2574 PINOUT – 8-PIN DIP

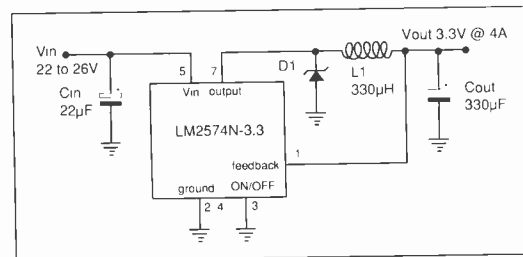


Fig. 2. *LM2574* schematic diagram is generated by the software.

then enters the input parameters, maximum and minimum input voltage range, followed by the operating temperature range, the output voltage and current. Calculations are executed once all the parameters have been entered by hitting the END key.

Component limits and suggested components values are displayed (Fig. 1) – values can be altered and performance re-calculated – and once component values have been selected, the cross-over frequency and phase margin are calculated and displayed. Thermal analysis can now be performed for a particular package type with the software calculating junction temperature and determining the need for a heatsink.

Finally the design can be saved, and the schematic diagram (Fig. 2) displayed and printed along with a complete parts list.

A printout of the schematic, a complete parts list and a design – guaranteed to work

Simple Switcher™ is a trademark of National Semiconductor Corporation.

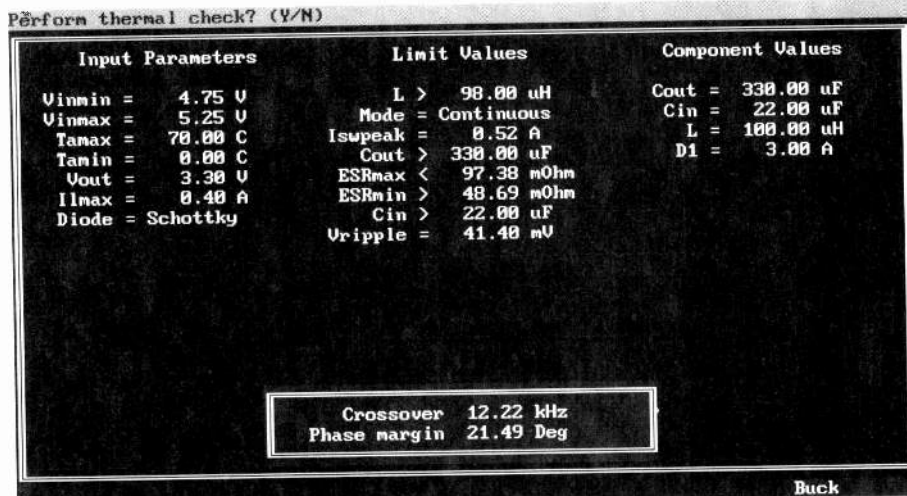


Fig. 1. Software considerably simplifies the design process.

a). $I_{LOAD(max)} < \frac{2.1A \times V_{IN(min)}}{V_{OUT}} \Rightarrow 1.17 A$

b). $D(max) = \frac{V_{OUT} + V_F - V_{IN(min)}}{V_{OUT} + V_F - 0.6V} \Rightarrow 0.506$

c). $E \cdot T = \frac{D(max) (V_{IN(min)} - 0.6V) 10^6}{52kHz} \Rightarrow 40.38 V \cdot \mu s$

d). $I_{IND,DC} = \frac{1.05 \times I_{LOAD(max)}}{1 - D(max)} \Rightarrow 2.13A$

e). $C_{OUT} > \frac{0.19 \times L \times R_C \times I_{LOAD(max)}}{V_{IN(min)} \times V_{OUT}} \Rightarrow 1200\mu F$

f). $C_{OUT} > \frac{V_{IN(min)} \times R_C \times (V_{IN(min)} + (3.74 \times 10^5 \times L))}{487,800 \times V_{OUT}^3}$

g). $I_{RIPPLE(P-P)} = \frac{1.15 \times I_{LOAD(max)}}{1 - D(max)} \Rightarrow 2.33A$

h). $ESR < \frac{0.01 \times 8.5V}{I_{RIPPLE(P-P)}} \Rightarrow 25m \text{ Ohms}$

i). $ESR < \frac{8.7 \times 10^{-3} \times V_{IN}}{I_{LOAD(max)}}$

j). $R_C < \frac{750 \times I_{LOAD(max)} \times V_{OUT}^2}{V_{IN(min)}^2} \Rightarrow 2.4K \text{ Ohms}$

k). $C_C > \frac{58.5 \times V_{OUT}^2 \times C_{OUT}}{R_C^2 \times V_{IN}}$

l). $V_{OUT} = 1.23V(1 + R1/R2) \Rightarrow R1 = 11.8K\text{Ohms}$
 $R2 = 2K\text{Ohms}$

Fig. 3. Datasheet calculations for the LM2577

- V_{IN} = Input Voltage
- $V_{IN(min)}$ = 4.75V
- V_{OUT} = Output Voltage = 8.5V
- V_F = Diode Forward Voltage = 0.5V (Schottky Diode)
- D(max) = Duty Cycle
- $I_{IND,DC}$ = Average Inductor Current
- C_{OUT} = Output Capacitance
- I_{RIPPLE} = Ripple Current
- C_C = Compensation Capacitance
- R_C = Compensation Capacitance

first time – are all produced within minutes.

Generating new voltages

Linear regulators can only take an input voltage and produce an output voltage of the same polarity with smaller magnitude. But switching regulators are equally well suited to stepping-up or inverting.

For example the LM2577 can be used to step-up, or generate multiple outputs (flyback mode). As before, software can be used to do the hard work. But datasheets and calculation will still reach the same solution.

To demonstrate the datasheet route take the example of a DC/DC converter with an output

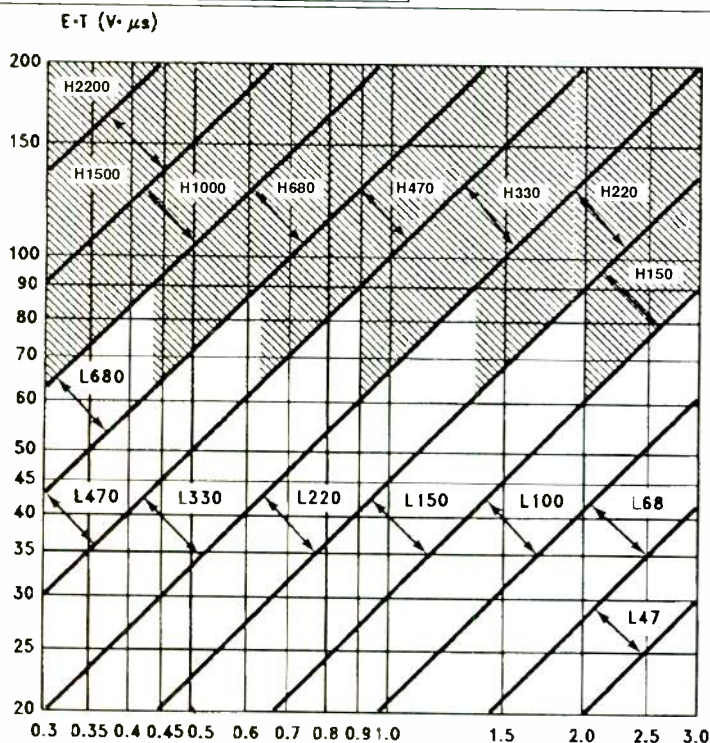


Fig. 4. LM2577 inductor selection graph.

Distributed Power Supplies

Distributed power supplies are not a new idea but they are becoming increasingly popular because they offer better regulation at the load, isolation between boards and greater design flexibility.

Traditional centralised power supplies gave a range of supply buses at the various voltages required and each board within the system would take its supply from one or more of the buses. Unfortunately loads at the bus extremities receive a degraded voltage, and the faster switching speeds of today's logic devices make current demands that corrupt the bus voltage. Centralised buses also offer no isolation between loads.

In a distributed power supply, one intermediate DC voltage generated in the main supply is bussed around the system. The chosen bus voltage varies from system to system but is typically in the region of 20 to 40V. In theory, higher bus voltages mean lower bus currents and so cheaper, smaller buses. This of course assumes ideal power conversion at the load – a critical factor! But ideally, the bus is efficiently converted at the load to the required voltage. Regulation is improved and isolation between loads can be achieved.

Perhaps the largest distributed power supply is found in the telecommunications industry. British Telecom (like other telecommunications operators) buses out an intermediate voltage – in this case 48V – converted at the load, the telephone.

At the other extreme, the "bus voltage" in a modern hand-portable phone unit comes from five nicad cells, equating to a nominal supply of 6V. Every phone will have three or more regulators situated at the load, and a distributed approach is taken to achieve isolation of the loads.

Mobile phones are perhaps an exception as in most cases distributed power supplies rely on DC/DC converters that are capable of dropping large voltages both efficiently and cost effectively.

Table 1. Standardised inductors and manufacturer's part numbers

Inductor Code	Manufacturer's Part Number		
	AIE	Pulse	Renco
L47	415-0932	PE-53112	RL2442
L68	415-0931	PE-92114	RL2443
L100	415-0930	PE-92108	RL2444
L150	415-0953	PE-53113	RL1954
L220	415-0922	PE-52626	RL1953
L330	415-0926	PE-52627	RL1952
L470	415-0927	PE-53114	RL1951
L680	415-0928	PE-52629	RL1950
H150	415-0936	PE-53115	RL2445
H220	430-0636	PE-53116	RL2446
H330	430-0635	PE-53117	RL2447
H470	430-0634	PE-53118	RL1961
H680	415-0935	PE-53119	FL1960
H1000	415-0934	PE-53120	RL1959
H1500	415-0933	PE-53121	RL1958
H2200	415-0945	PE-53122	RL2448

Table 2. Diode selection chart.

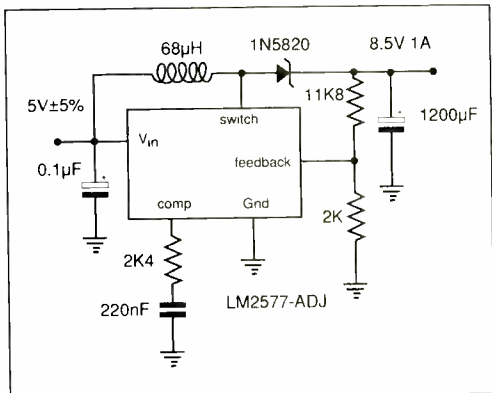
V _{out} (max)	Schottky		Fast Recovery	
	1A	3A	1A	3A
20V	1N5817 MBR120P	1N5820 MBR320P		
30V	1N5818 MBR130P 11DQ03	1N5821 MBR330P 31DQ03		
40V	1N5819 MBR140P 11DQ04	1N5822 MBR340P 31DQ04		
50V	MBR150 11DQ05	MBR350 31DQ05	1N4933 MUR105	
100V			1N4934 HER102 MUR110 10DL1	MR851 30DL1 MR831 HER302

of 1.0A at 8.5V from an input of 5V ($\pm 5\%$). Input range of the LM2577 is 3.5V to 40V, so a 5V input is no problem, and the output voltage of 8.5V is also well within the specified 65V maximum. Care must be taken with the load current. The LM2577 has an output switch current maximum of 3.0A, but maximum load current has to be calculated (Eq a). In this case maximum load current is 1.1A so again the target of 1.0A is within specification.

Inductor selection is based on two parameters, $E \cdot T$ (the product of voltage and inductor charge time) and $I_{IND,DC}$ (the average inductor current under full load). To obtain the value of $E \cdot T$, first check the duty cycle (Eq b) is less than 90%. Then $I_{IND,DC}$ and $E \cdot T$ are calculated (Eq c and Eq d) and used with inductor selection graph in Fig. 4 to obtain an inductor value of L68.

The last step is to select an inductor (Table 1). L68 corresponds to an inductor value of 68 μ H and the table provides part numbers for three manufacturers. AIE inductors use ferrite, pot-core construction, and benefit from low electro-magnetic interference (EMI), small physical size and low power dissipation. The inductors from Pulse use powdered iron toroidal cores and also offer low EMI. They are also capable of withstanding

Fig. 5. DC/DC conversion using the LM2577.



Switching regulator basics

Switching regulators employ a switching transistor to achieve DC/DC conversion, with duty cycle of the switch proportional to the input-output voltage differential.

For step-down applications, output voltage is fed-back to a voltage reference and the error determines the duty cycle of the switching transistor. The output filter, comprising the inductor and capacitor smooth the waveform to DC.

In an ideal system, output voltage is equal to the input voltage multiplied by the duty cycle. But there are losses associated with the diode and the saturation voltage of the transistor. To maximise efficiency Schottky diodes are commonly chosen in preference to fast recovery diodes for their low forward voltage drop.

Output ripple voltage is inevitable when using switching regulators and the magnitude of the ripple is set by the output capacitor. Surprisingly, ripple voltage is primarily a function of equivalent series resistance (ESR) of the capacitor, and is equal to the product of the amplitude of the inductor current and the ESR.

The step-up converter operates in much the same way. The inductor stores energy during the switch on-time and releases it to the load when the switch turns off. The LM2577 actually operates in current mode so that a voltage is fed-back from the output and compared with the voltage reference. The error signal is then compared with a voltage proportional to the switch current, to determine the switching of the output transistor. Current mode operation provides excellent transient response, good loop stability and is inherently self limiting.

ET and peak currents above their rated value. Renco's inductors use ferrite bobbin-cores and are low cost though they tend to generate more EMI.

The next stage is to select the values of the output capacitor and compensation network. C_{out} is calculated using two equations (Eqs e and f) with the larger value being the minimum that ensures stability, in this case 1200 μ F. Equivalent series resistance (ESR) is the primary cause of output ripple voltage so the ESR of the output capacitor is critical. Calculate the ripple current (Eq g) and from this two more equations (Eq h and i) give an ESR of 25m Ω . It is important to ensure that the ESR is less than 25m Ω at the switching frequency of 52kHz.

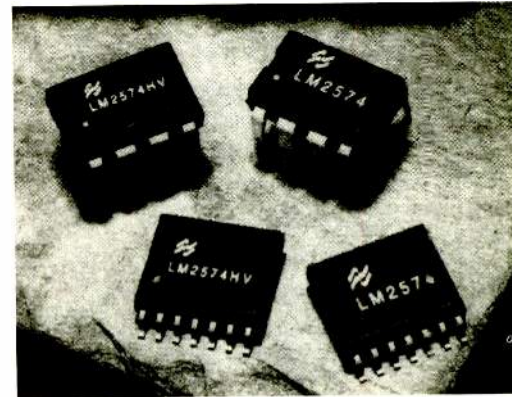
The compensation network (values calculated using Eqs j and k) also serves as a part of the soft start circuitry. On power-up it causes the switch duty cycle to rise gently. Without it the duty cycle would immediately rise to 90% drawing huge currents from the input power supply.

Output voltage is set using two resistors in much the same way that an adjustable linear regulator is set (Eq l). For an output of 12V or 15V these resistors would not be necessary as there are fixed voltage versions available.

An input capacitor with low ESR prevents the triangular switching current corrupting the supply current – a 0.1 μ F capacitor is normally sufficient.

The diode must be able to withstand a reverse voltage equal to the output voltage and handle the average and peak currents to the load. Schottky diodes are usually favoured as their low forward voltage results in higher efficiency (Table 2).

Figure 5 shows the completed circuit incorporating all the component values. ■



Switched mode power supplies combine high efficiency and off-the-shelf performance with switching regulator pricing.

Not just cheaper – but FREE

Fill in the reply card between pages 56 and 57 to receive a free copy of *Switchers Made Simple*, a set of datasheets and a sample of the LM2574. The software operates on MS-dos 2.0 or later and needs 512K of ram. Offer is restricted to first 500 replies, Europe only.

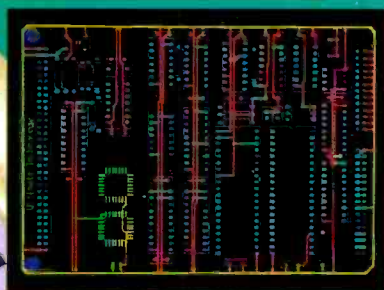
FROM CONCEPT TO ARTWORK IN 1 DAY



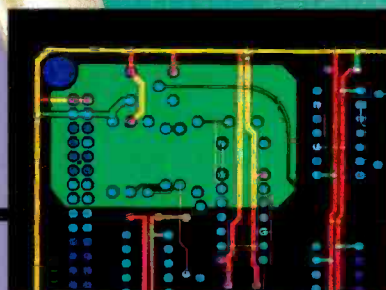
Your design ideas are quickly captured using the ULTIcap schematic design Tool. ULTIcap uses REAL-TIME checks to prevent logic errors. Schematic editing is painless; simply click your start and end points and ULTIcap automatically wires them for you. ULTIcap's auto snap to pin and auto junction features ensure your netlist is complete, thereby relieving you of tedious netlist checking.



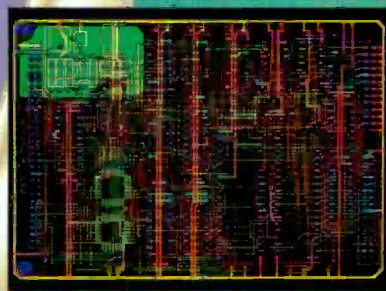
ULTIshell, the integrated user interface, makes sure all your design information is transferred correctly from ULTIcap to ULTIboard. Good manual placement tools are vital to the progress of your design, therefore ULTIboard gives you a powerful suite of REAL-TIME functions such as, FORCE VECTORS, RATS NEST RECONNECT and DENSITY HISTOGRAMS. Pin and gate swapping allows you to further optimise your layout.



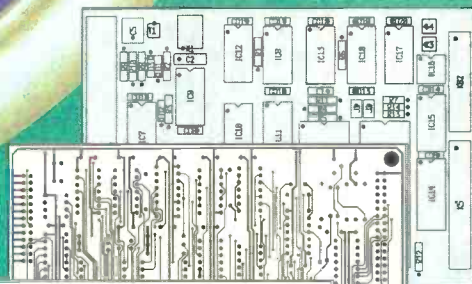
Now you can quickly route your critical tracks. ULTIboard's REAL-TIME DESIGN RULE CHECK will not allow you to make illegal connections or violate your design rules. ULTIboard's powerful TRACE SHOVE, and REROUTE-WHILE-MOVE algorithms guarantee that any manual track editing is flawless. Blind and buried vias and surface mount designs are fully supported.



If you need partial ground planes, then with the Dos extended board systems you can automatically create copper polygons simply by drawing the outline. The polygon is then filled with copper of the desired net, all correct pins are connected to the polygon with thermal relief connections and user defined gaps are respected around all other pads and tracks.



ULTIboard's autorouter allows you to control which parts of your board are autorouted, either selected nets, or a component, or a window of the board, or the whole board. ULTIboard's intelligent router uses copper sharing techniques to minimise route lengths. Automatic via minimisation reduces the number of vias to decrease production costs. The autorouter will handle up to 32 layers, as well as single sided routing.



ULTIboard's backannotation automatically updates your ULTIcap schematic with any pin and gate swaps or component renumbering. Finally, your design is post processed to generate pen / photo plots, dot matrix/laser or postscript prints and custom drill files.

CIRCLE NO. 128 ON REPLY CARD

NEW

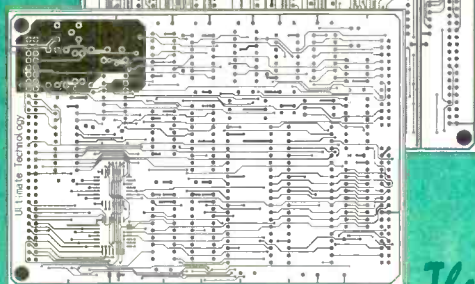
ULTIboard/ULTIcap evaluation system:

- all features of the bigger versions
- full set of manuals
- design capacity 350 pins

Price incl. S & H excl. VAT:

£ 75

Purchase price is 100% credited when upgrading to a bigger version. • Also suitable for study & hobby



ULTIboard PCB Design/ULTIcap Schematic Design Systems are available in low-cost DOS versions, fully compatible with and upgradable to the 16 and 32 bit DOS-extended and UNIX versions, featuring unlimited design capacity.

The European quality alternative

ULTICAP + ULTIBOARD = MAXIMUM PRODUCTIVITY

ULTimate Technology UK Ltd. • 2 Bacchus House, Calleva Park, Aldermaston Berkshire RG7 4QW • Fax: 0734 - 815323 • Phone: 0734 - 812030

APPLICATIONS

Switch-mode PSU technology runs at 1MHz

Working in conjunction with IBM, Harris Semiconductor has produced a series of switch-mode PSU chips needing very few external components to form compact power modules suitable for both centralised and distributed power architectures. The new *HIP506x* ICs are capable of up to 100W output with just 6W switching loss – an efficiency of 94% – and are said to permit the design of DC-to-DC converters with power densities greater than 50W/in³.

Two important features characterise the new devices. First, they permit operation in current-mode PWM at the relatively high switching frequency of 1MHz. Compact and efficient DC-to-DC converter modules capable of similar switching speeds have been in existence for some time, from Vicor for example, but they mainly operate in

resonant or quasi-resonant mode. They provide softer switching than PWM alternatives, but resonant-mode converters often vary widely in operating frequency and require components capable of handling high peak voltages. Conduction losses are higher too. Fixed-frequency PWM architectures are preferable since they are easier to filter and more reliable but until now, resonant-mode converters have had the edge due to their low switching losses.

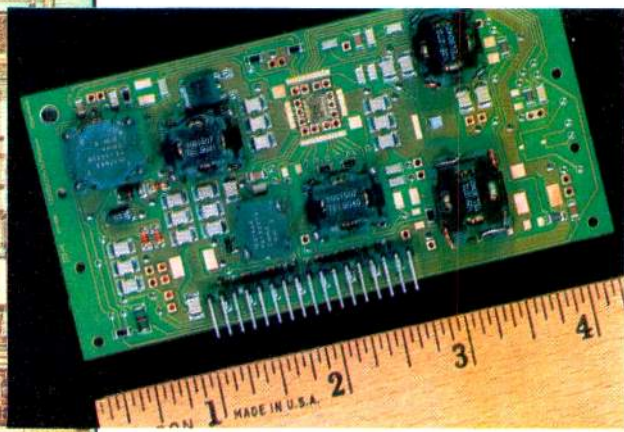
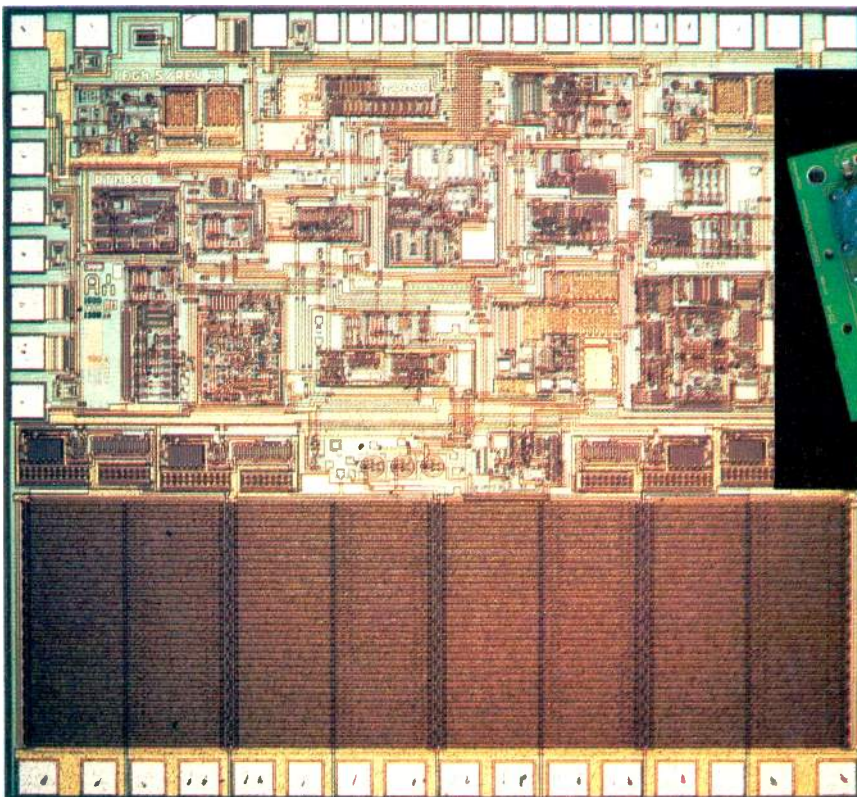
High integration is the second key feature, so that the main power device – a mosfet capable of switching up to 10A at 60V in less than 3ns – forms part of the IC. The only additional silicon needed to form a complete power supply is a diode or two. Special non-dissipative current-sensing circuits for the power-transistor are incorporated to minimise losses, while

integral detectors shut down the power section if output voltage chip temperature becomes excessive, protecting both the IC and its load.

Operating at a frequency claimed to be twice that of their nearest rival – the *SGSL4970* – the *HIP506x* series ICs are configurable for almost all topologies, including single-ended primary inductance converters (sepics) and can offer performance better than discrete components, says Harris.

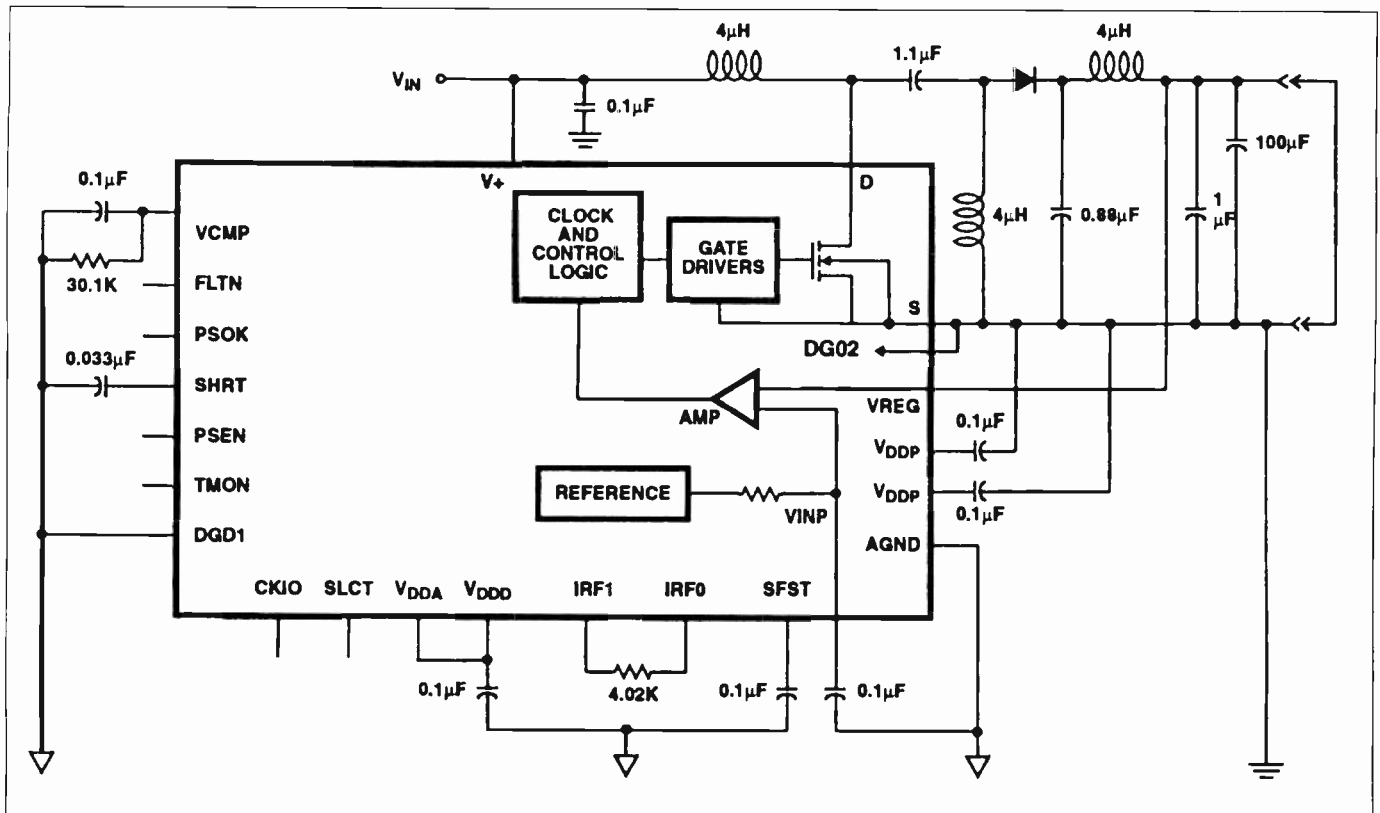
In linear supplies, PCB tracks and power-device wiring form simple resistors. But with nanosecond timings, ampere switching and 60V levels, these same tracks and wires become significant and complex impedances, stopping practical discrete PWM circuits operating above a few hundred kilohertz.

Increased efficiency leads to lower dissipation which in turn leads to higher reliability, as evidenced by a triple-rail DC-



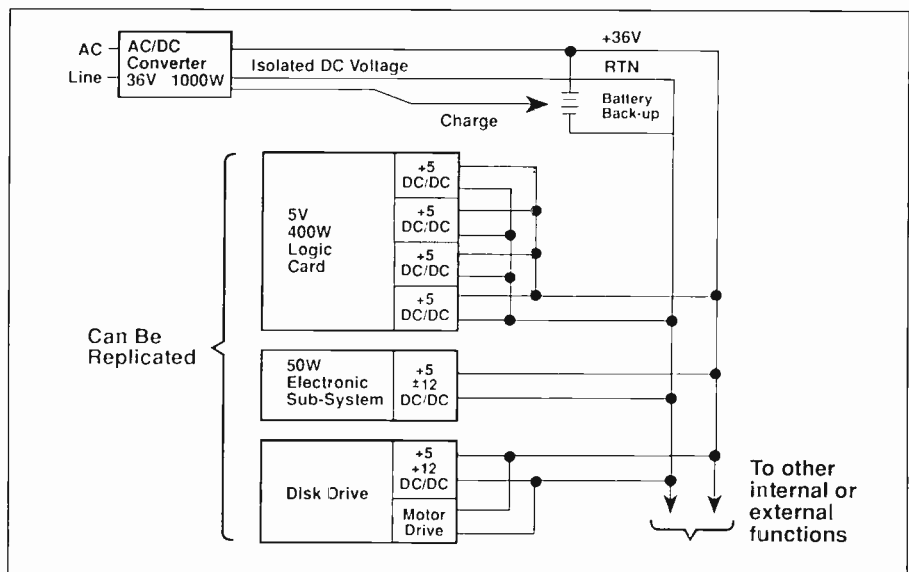
*DC-to-DC converter incorporating the *HIP506x* power asic from Harris is capable of 88W power output, exhibits an efficiency of 82% yet measures only 110 by 55 by 9mm. Operating at a switching frequency of 1MHz, the IBM-manufactured module is particularly suited to distributed power architectures.*

Apart from a diode or two, this is all the silicon needed to make a switchmode power supply capable of up to 100W. A significant part of the chip is a mosfet capable of switching up to 10A at 60V in less than 3ns.



The single-ended primary inductance converter, or *sepic*, is not widely known. But since it seems the best configuration for use with what are possibly the world's best commercial switchmode power ICs, all that could change.

Distributed power systems offer significant advantages in reliability and cost and are now increasing in popularity in the computing field.



to-DC converter module that allows a claimed 5 million hour system MTBF figure - nearly 600 years. This module, produced by IBM, has an efficiency of 82% and its power output is 88W yet it measures only 110 by 55 by 9mm.

Distributed power increases reliability

All the attributes needed for distributed power architectures are incorporated in the *HIP506x*. Distributed power still involves a central AC-to-DC converter but this converter needs no regulation and is easily supported by battery backup. Uninterruptible power supplies are inherently unreliable and, ironically,

unsuitable for critical applications. This is due to the need for the additional DC-to-AC converter following the battery for stepping battery voltage back up to AC mains level. Since the final electronic circuitry to be powered by the uninterruptible supply needs DC, this extra circuitry is a waste of money and significantly decreases reliability.

Distributing power via, say, a 36V unregulated rail as opposed to a 5V line also means less cable loss for a given copper cross section. In a distributed power architecture, regulation is carried out remotely by numerous DC-to-DC converters situated at the points where power is needed.

In telecoms, each PCB in a racking

system might have its own local card-mounting DC-to-DC converter. This distributes any heat dissipation due to regulator losses and minimises the effects of cable voltage drop. Having a number of converters also means that a failure can only cause a partial system loss, which need not be catastrophic, and the cost of replacement of a smaller distributed regulator is much less than the cost of a large central supply.

Originally, the new switchmode ICs were designed for IBM applications using Harnis's Power asic technology, launched mid 1990, which was also jointly co-developed with IBM. Following successful implementations of the chips in distributed-

APPLICATIONS

power applications, IBM has granted Harris rights to offer them as standard parts. Dice are available now for hybrid applications and surface-mount packaged devices are expected to be available during the first half of 1993.

Three chips are currently on offer. Two are single-output types and one a dual-rail option incorporating two 60V 5A output devices instead of the 60V 10A transistor featured in the other two. One of the single-output devices has facilities for an external clock and loop-closure amplifier to allow extra design flexibility – a flexibility extending to potential applications of the device to wideband power amplifiers for

motor control. All three devices operate up to 1MHz and exhibit 3ns typical switching times.

Applications

Although it contains no fully detailed practical circuits, application note 9208 from Harris is a comprehensive guide to designing high-frequency power converters. It summarises the various switchmode topologies, including Cuk, buck, boost, buck-boost, flyback and forward. But the sepic configuration is discussed in considerable detail. Implicit in the note is the fact that the IBM power module is implemented using this topology, and that

sepic is the best solution for high-frequency switchmode converters using the new ICs.

The note points out that Cuk, flyback and forward converters are well known to power supply designers but sepic circuits have not had the airing they deserve.

Now over 20 years old, sepic was devised by AT&T Bell Laboratories who were looking for a configuration with the ability to buck or boost the input voltage without reversing voltage polarity.

Some 17 references are quoted in the note, which spans nine A4 pages.

Harris Semiconductor, Riverside Way, Camberley, Surrey GU15 3YQ. Tel: 0276 686886.

Decoding RDS

Application note AN460 from Motorola describes the use of an *MC68HC05E0* microprocessor to decode the demodulated radio data system signal and to display the result on either LC or vacuum fluorescent displays. Suggested demodulators are *SAA7579T*, *TDA7330*, *LA2231* or RDS hybrids. An alarm-clock function is included which, assuming the unit is permanently powered, could be used to switch on the RDS receiver at the appointed time. RDS

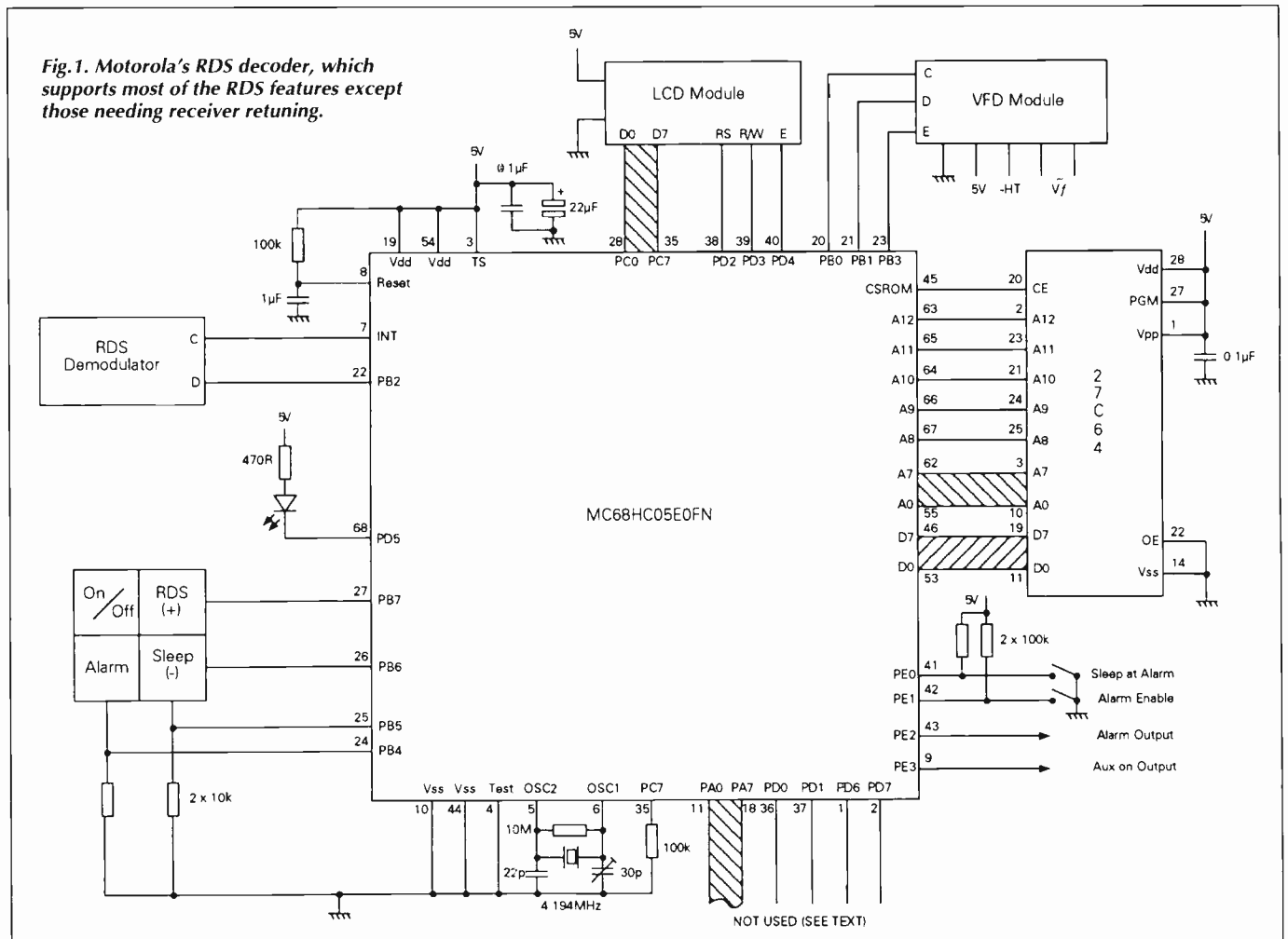
data can either be updated when the audio is muted or simply be switched on and off manually. Most of the RDS features can be used, but alternative frequencies (AF) and enhanced other networks (EON) would need some way of retuning the radio. Since the radio forms no part of the design, these features are not supported. Radiotext is displayed on request by scrolling the 16-digit dot-matrix displays.

Figure 1 shows the hardware to be simple

— the microprocessor, a *27C64* 8Kword/8bit rom and one or two externals, including a four-button keypad.

AN460 provides a full software listing. EBU Technical Document 3244 gives specifications of RDS.

Motorola Ltd, European Literature Centre, 88 Tanners Drive, Blakelands, Milton Keynes MK14 5BP.



Digital audio

Two chips from Burr-Brown, the *DF1700* digital filter and the *PCM67* D-to-A converter are characterised for use in consumer digital audio playback systems, such as compact disc and tape equipment.

DF1700 is an eight-times oversampling cmos filter, accepting 16-bit input and selectable 16, 18 or 20-bit output. Since the oversampling multiplies the input frequency by eight, the following D-to-A converter accepts a lower-order filter at its output to give a better phase response and simpler design. The application note gives connection details from receivers by Yamaha,

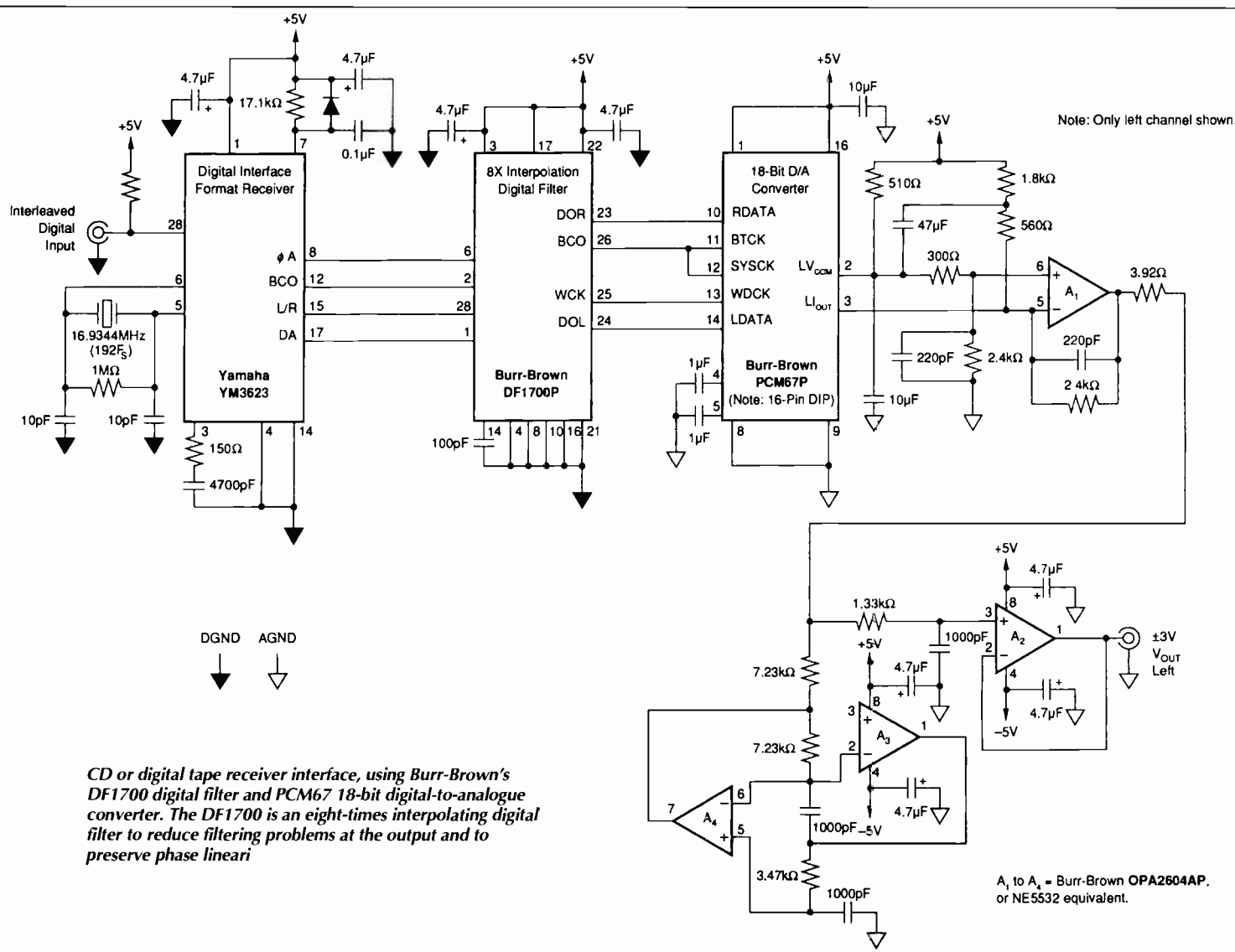
Matsushita, Sony, Mitsubishi and Toshiba to the *DF1700*.

PCM67, the D-to-A converter, is a dual 18-bit bimos type, which combines a thin-film R-2R ladder D-to-A, a digital offset technique with analogue correction and a one-bit D-to-A to achieve good low-level performance by combining both one-bit bit-stream and conventional 10-bit D-to-A, which is trimmed to 18-bit linearity. This approach minimises the problems inherent in both bitstream and conventional circuits, mainly by reducing the size of major carry error and confining it to higher-amplitude

signals.

The diagram is of a circuit combining both the chips in a stereo (one channel shown) audio playback chain, in this case using the Yamaha *YM3623* digital interface format receiver chip. The circuitry at the output is a generalised immittance converter (GIC) filter to filter out the shaped noise of the one-bit D-to-A converter.

Burr-Brown International Ltd, 1 Millfield House, Woodshots Meadow, Watford, Hertfordshire WD1 8YX. Telephone 0923 33837.



Gunn diodes

Although not in our usual style of Application notes, the introduction to Gunn diodes in GEC Plessey's 1992 Microwave Products handbook deserves mention; since it is a more lucid explanation of device operation than is seen

in most introductory texts.

A brief look at basic Gunn action is followed by a description of both transit-time and delayed domain modes of operation; other modes are mentioned but not described. In the second part of the piece, the operating parameters of Gunn diodes are described in detail and the note is

rounded off by a section on graded-gap diodes, which give much greater high-frequency power, reduced turn-on voltage and improved temperature stability.

The handbook is obtainable from: **GEC Plessey Semiconductors Ltd**, Cheney Manor, Swindon, Wiltshire SN2 2QW. Telephone 0793 518000.

50MHz Arbitrary & Function Generator with built-in Digitizer



under £3,000 !

- 50 MegaSample/sec arbitrary generator
- 32K word memory, 12 bit resolution
- 50MHz analogue function generator
- Built-in 12 bit waveform digitizer
- WaveCAD software allows complex waveform generation using a PC

The new Tabor 8553 arbitrary/function generator provides everything that you need from a high frequency function generator and a high speed arbitrary generator within one instrument.

As a conventional function generator it offers a full range of standard waveforms from 0.01Hz up to 50MHz. As an arbitrary generator it can provide any desired waveform with 12 bit vertical and 32K word horizontal resolution at up to 50MS/s.

Waveforms can be loaded via the built-in digitizer, from RS-232 or GPIB, or derived from look-up tables. Optional software for waveform generation on a PC is available.

For full details or to arrange to see the 8553 contact:



Thurlby Thandar Instruments
Glebe Road, Huntingdon, Cambs. PE18 7DX
Tel: (0480) 412451 Fax: (0480) 450409

CIRCLE NO. 129 ON REPLY CARD

Custom metalwork — good & quick!

Plus a wide range of rack-mounting cases etc. from stock.
Send for our new **Product Catalogue.**



ipk
BROADCAST SYSTEMS

IPK Broadcast Systems
3 Darwin Close Reading Berks RG2 0TB
Tel: (0734) 311030 Fax: (0734) 313836

CIRCLE NO. 130 ON REPLY CARD

Field Electric Ltd. Tel: 081-953 6009. 3 Shenley Rd, Borehamwood, Herts. WD6 1AA. 081-953 6009; Fax: 081-207 6375

- 3 5" floppy disk drive Chiron BBC compatible, new £35 c/p £4 00
- 3 5" floppy disk drive NEC IBM compatible Full height unit £39.95 new & boxed 1 6Mb. c/p £3 00.
- Switch mode power supplies 240V AC input 5V DC 40amp £29. 12V DC 10amp £46 5V DC 40amp - 12V DC 4amp + 15V DC 11amp £48
- Western Digital 3 5" hard disk drive new 40Mb RLL ST506 £85 c/p £6 00
- NEC new & boxed 5.25" floppy disk drive model FD1055-311 BBC compat. height £48 c/p £6.00
- Plantronics (Auralite) type headsets very lightweight new BT approved ideal for comms. £19.95 c/p £3 00
- Farnell fan-cooled PSU 240V AC input + 12V DC 4amp 12V DC 1amp 5V DC 10A 5V DC 5amp £16 c/p £7 00
- All flight case for computers 510 x 480 x 175 £45 c/p £10
- Auto data switch 401 Up to 4 PC to 1 modem or printer New & boxed £46 c/p £5 50
- Auto data switch 801 Up to 8 PC to 1 modem or printer New & boxed £56 c/p £5 50
- Wyse compatible terminals by Falco c. with keyboards. Swivelled tilt monitor £135.
- Wyse 50 terminal new & boxed c. with keyboard. Swivelled tilt monitor (115vac) £200.
- Monitor Mover Rotates 360° Hold up to 25kgs. Weight space for keyboard Clamps to desk £39 c/p £8 75.
- 16 bit serial card with 8 serial outlets, inc leads £100 c/p £5 00

- Farnell stabilised B30/20 power supply 0-30V 20A linear £295
- Farnell DT12/5 12MHz o scope £175
- Farnell D30/4 power supply £250.
- Hewlett Packard 3490A multimeter £275
- Hewlett Packard 180C o scope m/frame c. with 1804A 4chn. vert amp 50MHz 1821A time base delay gen. £375.
- Hewlett Packard 221A square wave gen. 1Hz/10MHz £55
- Hewlett Packard 3400A RMS voltmeter £250
- Hewlett Packard 7015A X-Y recorder £225.
- AVO universal bridge B150 £125.
- Black Star Jupiter 500 function gen. new & boxed £105
- Thandar TG105 5Hz-5MHz pulse gen. new & boxed £115.
- Wavetec waveform gen. 159 £250
- Trend data distortion gen. £165.
- Schlumberger 4900 RF-AF measuring unit £290.
- Tektronix 7623A o scope m/frame £395
- Tektronix 454 o scope £325.
- Tektronix 191 constant amplitude sig. gen. £150.
- Dolch Atlas 9600 logic analyser c. with software P.O.A
- Datel tester 10A. Data link tester (modems etc) £175.
- Schlumberger 4000 precision signal gen. £350.
- Wandel Gollermann, measuring set for group delay & attenuation: receiver LDE-2 £350

All above prices + 17½% VAT. Please ring for c/p rates.



We would like the opportunity to tender for surplus equipment
Official orders credit card telephone orders accepted with
Access, Amex, Diners, Visa cards. Overseas enquiries welcome
c/p rates U.K. mainland only.
Please ring for c/p rates not shown.
All prices inc. V.A.T. unless stated. Stock list available.

CIRCLE NO. 131 ON REPLY CARD

NEW PRODUCTS CLASSIFIED

ACTIVE

Asics

0.6µm asic. Claimed to be the first production-ready and qualified 0.6µm asic technology, the new package from AT&T has two new device libraries and upgraded design software and offers a 30% better performance over existing devices even in 3V systems. Cells using 5V and 3V can be mixed in one device for power saving at 3V over 70MHz and better performance for 5V elements at over 100MHz. AT&T Microelectronics, 0344 865927.

A-to-D & D-to-A converters

Digital video encoder. The TRC22090 converts computer graphics into television signals in a digital process, accepting a wide range of formats between 10 and 15 Mpixels/s and producing outputs with separate luminance and chrominance and RGB in NTSC or pal. It will also take a composite digital video stream and soft-key it into the encoded video. Ambar Components Ltd, 0844 261144.

4ns comparator. Maxim's MAX910/1 are high-speed voltage comparators that accept a digital setting of threshold voltage via a built-in D-to-A converter to a 10mV resolution. Propagation delay is 8ns for the TTL-compatible 910 and down to 4ns in the ECL-compatible 911. Maxim Integrated Products UK, 0734 845255.

24-bit A-to-D. Since they dissipate only 100mW maximum, the CS5322/23 24-bit variable-bandwidth A-to-D converter combination from Sequoia are suited to low-power logging applications, being principally meant for seismic and low-frequency passive sonar. CS5322 is a digital finite impulse-response filter with programmable decimation and CS5323 is the A-to-D chip for high resolution between zero and 2kHz. At a clock frequency of 512kHz, dynamic range is 123dB and distortion is -120dB. Sequoia Technology Ltd, 0734 311822.

Discrete active devices

SM active mixer. A version of H-P's double-balanced active mixers is now available in an SO-8 surface-mounting package. IAM-820008 covers the cellular, cordless, GPS, microwave distribution spread-spectrum at 900MHz and 2.4GHz and optical-fibre system requirements. Conversion gain is up to 15dB up to 5GHz. The devices contain mixer, IF amplifier and local-oscillator buffer in the one package. Hewlett-Packard Ltd, 0344 362277.

Transistors for portables. Low-current, low-voltage transistors intended for use in battery-powered equipment, the AT60111 and AT60211 work up to 2GHz and to 4GHz as oscillators. The 111 has a maximum stable gain of 11.5dB biased to 3V, 400µA at 1GHz and the 211 14.5dB at 3V, 800µA. Noise figure is 1.4 (111) and 1.5dB(211). Hewlett-Packard Ltd, 0344 362277.

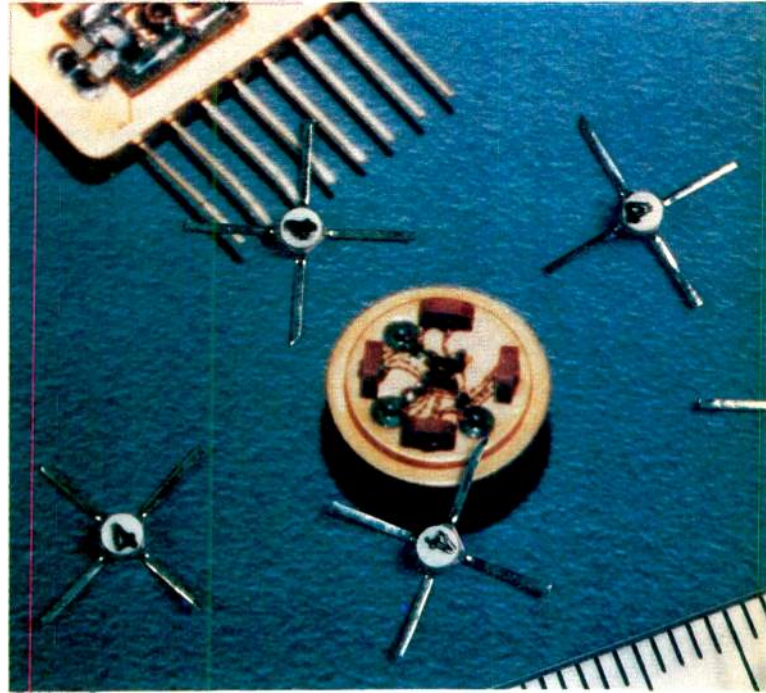
Schottky diodes. Two new series of schottky diodes from Siemens are usable up to 15GHz without large matching losses. BAT 14-XXX are medium barrier types and BAT 15-XXX low barrier devices, both offering a diode capacitance of 0.35pF throughout the cut-off region and a 5.5Ω forward resistance. Siemens plc, 0932 752631.

Little mosfets. Two new members of Siliconix's Little Foot family of mosfets are rated at 200V and 30V.7A. Si9420DY. The 200V type, is meant for low-power DC-to-DC converters, and the 30V Si9410DY is for disk drives and portable computers, in which it can be driven by 5V logic supplies. Siliconix Ltd, 0635 30905.

Linear integrated circuits

Tunable Butterworth filter. A 5th-order switched-capacitor Butterworth filter from Linear, the LTC1053 allows full clock tunability with no degradation of the filter's 1mV offset and provides 12-bit DC and AC gain linearity with no clock feedthrough. Low-frequency gain accuracy is ±0.01dB. Cut-off frequency is 50Hz, THD 0.01% and wide-band noise 95µV RMS. Linear Technology (UK) Ltd, 0276 677676.

SM op-amp. LT1128 is an ultra-low-noise op-amp giving 0.85nV per root hertz at 1kHz and is stable at a gain of +1. Maximum offset voltage is 40µV and minimum voltage gain 7,000,000. To achieve the unity-gain



Low-noise transistor. B12V114 from Bipolarics has a noise figure of less than 1.4dB at 900MHz, a transition frequency of 10GHz at 25mA and power gain of 16dB. Current range is 1mA - 60mA. Tekelec UK, 0753 548585.

stability, gain/bandwidth product is reduced from the LT1028's figure to 13MHz and slew rate is 5V/µs. Linear Technology (UK) Ltd, 0276 677675.

Fast comparators. LM6635 and LM6687 are 2.6ns propagation-delay comparators in single and dual form respectively. Analogue input is differential and the outputs are ECL-compatible, with enough output current to drive 50Ω lines. Input offset voltage is typically 0.6mV. The LM6687 dual type has separate latches so that each comparator can be used independently in sample-and-hold mode. National Semiconductor, 0793 614141.

Memory chips
10ns ram. Three new versions of Hitachi's 256Kbit TTL srams offer a 10ns address access time. HM6708SH and HM6709SH are 64K by 4-bit devices and the HM67832SH is a 32K by 8-bit type, all having

minimum write-pulse widths of 8-9ns, the 6708 and 67832 offering output enable access times of 5-6ns. The 6709 has an extra output enable pin to avoid data competition when i/o pins are taken to a data bus. Hitachi Europe Ltd, 0628 585000.

Microprocessors and controllers

Risc microcontroller. AMD's Am29205 is a lower-cost version of its Am29200 risc microcontroller for 16-bit embedded application. The device incorporates a complete set of common system peripherals and glueless interfacing to external ram and rom. It has a 29k core processor, memory controller for rom, ram or sram, a two-channel DMA controller and a video interface. Advanced Micro Devices (UK), 0483 740440.

Microcontroller. From Microchip, the PIC16C71 is a low-cost, 8-bit controller with an on-board A-to-D converter. It is intended for use as an embedded unit and has an enhanced CPU with internal and external interrupt, 1024 by 14 eprom and 38 by 8 sram, and 14-bit-wide instructions. Four analogue inputs use one sample-and-hold, the A-to-D having a conversion time of 20µs/channel. Operating speed is 20MHz and current consumption is 1515µA at 32kHz from a 3V supply.

Please quote "Electronics World + Wireless World" when seeking further information

Arizona Microchip Technology 0628 850303.

4-bit microcontrollers. With 4K and 2Kword by 10bit of rom respectively, Hitachi's *HD404814S* and *HD404812S* microcontrollers cost less than but retain the performance of 8-bit types. They have LCD driving capability for up to 16 digits and possess 30 i/o pins, 10 of them high-current outputs. Versions with a 4MHz clock give cycle times of 1µs and lower power 800kHz types cycle at 5µs. Hitachi Europe Ltd, 0628 585000.

PC speech recognition. Two chipsets from Sierra, when built into add-on sound boards, confer speech recognition powers on a PC. Two Aria Listener chipsets, *ST8003* and *ST8004*, include the Aria synthesiser, a sound library, ADPCM, a joystick port, digital audio and playback and a Midi interface. *T8003* has a 512Kbyte sound library, while that of the *8004* is a 1Mbyte one. There is the facility to make the device recognise either one speaker's voice or any voice, the system "training" itself to cope with accents or impediments. Sierra Semiconductor Ltd, 0793 618492.

Mixed-signal ICs.

Telephone synthesisers. New PLL frequency synthesisers by Fujitsu are intended for the cordless and cellular telephone sector. For CT2, there is the *MB1509*, with two PLLs on the chip for transmit and receive and two dual-modulus prescalers. *MB1505/7* are for cellular use, at 600MHz and 2GHz respectively. Hawke Components Ltd, 0256 880800.

Switch array for video. *MT88V32AP* is video crosspoint switching up to 32 bidirectional cmos T switches in an 8 by 4 non-blocking array. Mitel's device is digitally programmable to route signals between 0 and 50MHz at 3dB. Feedthrough and crosstalk

are less than -60dB at 15MHz, handling 12Vpk-pk bipolar signals with a 75Ω on resistance. Mitel Semiconductor, 0291 430000.

Motor controller. Philips's *TDA5145* is an integrated driver for three-phase brushless DC motors, giving 1.8A drive and needing no Hall-effect sensor, since rotor position is determined from the motor's back EMF. It generates full-wave output for forward and reverse drive and has motor braking, output protection and start-up circuitry. No-load current is 6.8mA. A square-wave output at half the commutation frequency is usable by a microprocessor for speed control. Philips Semiconductors Ltd, 071 436 4144.

Optical devices

Higher CCD sensitivity. *ICX039BNA-6* is a 0.5in interline transfer CCD image scanner by Sony for use in pal cameras and has twice the sensitivity of the earlier *ICX039AKA-6*. It offers built-in yellow, cyan, magenta and green complementary mosaic filters, a variable-speed shutter and the hole-accumulation diode for low smear and blooming. Sony Components Ltd, 0784 466660.

Fast IGBTs. Six new high-voltage insulated-gate bipolar transistors from Harris have built-in ultra-fast recovery diodes to improve switching. Breakdown voltages range from 400V to 600V and collector currents from 6A to 24A. Reverse recovery time at the device's rated current is 60ns. A sample and data pack is available for evaluation Harris Semiconductor UK, 0276 686886.

Red laser diodes. Three types of red-light visible laser diodes by Toshiba are meant for use in optical recording, bar-code readers and measuring sensors. *TOLD9150(S)* puts out 30mW at 690nm, *TOLD9412(S)* operates at 650nm at up to 50°C and *TOLD9111(S)* at up to 60°C at 680nm. Toshiba Electronics (UK) Ltd, 0276 694600.

Power semiconductors

Power opto-isolator. New from Motorola is the *MOC2A40-10* opto-isolator, which is a 2A 140V RMS, zero-crossing triac that is drivable by TTL logic levels and needs no heat sink. Input/output isolation is 3750V RMS and it will withstand a 60A single-cycle surge. Motorola Semiconductor Ltd, 0296 395252.

12A mosfet. Zetex has the *ZVN4310A*, a 12A buffer to interface logic levels to loads such as lamps or inductive components, its on resistance being 0.36Ω on a 10V gate drive. Breakdown is 100V, maximum dissipation 850mW and continuously conducts 0.9A (1.13W and 1A on a 1sq.in heat sink. It turns on and off after 8 and 30ns delays at 25V and 3A with rise and fall times of 25 and 16ns. Zetex plc, 061 627 4963.

Low-noise HEMT. 2SK1977 is a new member of Hitachi's range of high-electron-mobility transistor low-noise amplifiers for use in broadcast satellite converters. Noise level is 0.55dB and power gain 11.5dB at 12GHz. Hitachi Europe Ltd, 0628 585000.

SM electrolytics. This is a range of surface-mounted aluminium electrolytic capacitors capable of working at temperatures between -55°C and 105°C. The WT capacitors have a range of 0.1µF to 100µF ±20%, at 4V to 50V and with 3µA leakage current. Nichicon (Europe) Ltd, 0276 685393.

SM trimmer capacitors. Philips's SMD811 surface-mounting dielectric-film trimmer is intended for impedance matching and tuning, having low energy loss and a resonant frequency between 400MHz and 1GHz. It comes in four versions with maximum C of 5, 10, 15 and 18pF, with a tan δ of 0.001 at maximum capacitance and 1MHz. Philips Semiconductors, 071 436 4144.

Displays

Bright led. Belling Lee Dialight has the Series 557 panel lamp which is said to combine the brightness of an incandescent lamp with the reliability of a led. It uses a multiple led construction and a lens to give a luminance of up to 1000 foot-lambert and a lifetime greater than 100,000h. It comes in red, green or yellow and in a red/green bicolour. BLP Components Ltd, 0638 665161.

Hardware

SM prototyping. Prototype boards that allow the use of both surface-mounted and through-hole components are available from BICC-Vero. SMD adaptors cater for 28, 44, 68 and 84-pin gull-wing or J-lead quad packages on the upper surface. Or, the VSM pins press fit into 1mm dia holes in the PCB, suitable for both gull-wing and J-lead packages. BICC-Vero Electronics Ltd, 0489 780078.

Instrumentation

Radio test set. Marconi's new radio test set includes a full-span, high dynamic range spectrum analyser, an accurate power meter, a storage oscilloscope, a fast-switching RF generator, an audio analyser and three independent audio generators. There is also a built-in multimeter. A typical test of transmitter frequency, power and deviation and a measurement of receiver audio level and SINAD takes less than three seconds. Control is by IEEE 488.2 and RS-232 and the instrument's own Basic interpreter. Marconi Instruments Ltd, 0727 59292

VSWR power meter. For use with GSM phones, the *NAS-Z6* insertion unit is coupled to the NAS directional power meter, made by Rohde & Schwarz. Since the signal bursts encountered on GSM systems render conventional methods of power measurement up to 100% inaccurate, the *NAS-Z6* has a signal-controlled



Passive components

SM inductors. Cambion's 0.1-1000µH range of surface-mounting inductors now has *BS9752-F0001* approval. These are fixed RF inductors in the E12 series to BS2488 1966 (IEC63). Dimensions are 3.2mm by 4mm and either 2.4mm or 3.4mm in height. Interconnection Products Ltd, 0433 21555.

Surge protection. Murata's *DVZ0710* surge protectors handle 140V or 275V AC and 180V or 350V DC, depending on the model. Maximum clamp voltage is 710V at 25A and maximum withstand current 1250A. Capacitance values lie between 200pF and 700pF. Murata Electronics (UK) Ltd, 0252 811666.



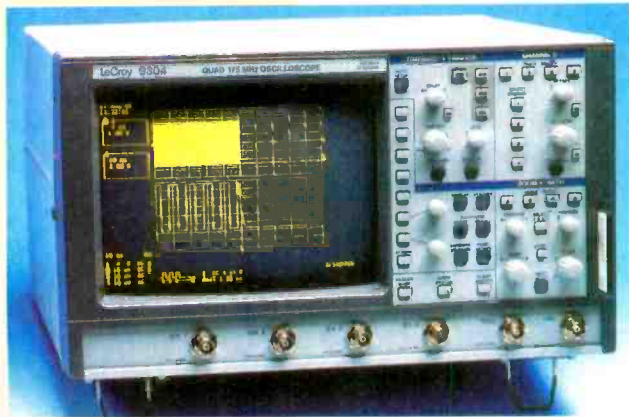
circuit to remove transients so that forward and reflected power and VSWR can be correctly measured. PEP is measured, rather than one of a number of average measurements, as is usually the case. Five models are produced, for 1-1000MHz working and handling up to 1200W. Rohde & Schwarz UK Ltd, 0252 811377.

RS-232 instrument control. ARC is a system enabling a number of measuring instruments to be controlled via RS-232 from a PC. It needs no special cabling, software or hardware — not even an extension card. The system allocates a unique address to each of up to 32 instruments. Thurlby-Thandar already produces several instruments incorporating the ARC interface, which is effectively a lower-cost alternative to GPIB control at a lower data rate. Thurlby-Thandar Ltd, 0480 412451.

Interfaces

Data logger. Orion's Tinytalk is a little self-contained data logger which is to be made for a number of functions, the first one, Tinytalk-Temp, being for temperature logging. Several ranges are available, the widest being -39°C to 123°C, with a resolution of 0.35°C. Non-volatile memory stores 1800 readings at intervals from 0.5s to 4.8h. Setup and down-loading is by PC, the output being a plot or spreadsheet data in Excel and Lotus 1-2-3. Orion Components Ltd, 0243 778088.

Digital oscilloscope. LeCroy's Model 9304 digital storage oscilloscope has four flash A-to-D converters, one for each channel, which digitise one-shot signals at 100Msamples or repetitive waveforms at 4Gsamples. It also has 10k of memory. Each channel is also provided with its own FFT display. LeCroy Ltd, 0235 533114.



Literature

DSP handbook. In a 286-page book, GEC Plessey describes its large range of digital signal-processing ICs, including arithmetic and logic units, algorithm-specific ICs, image processing, filtering and frequency-domain processing. Gothic Crellon Ltd, 0734 788878.

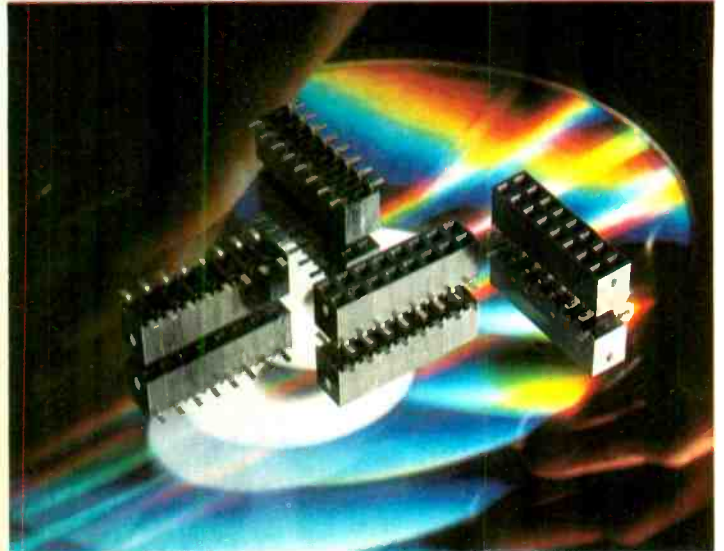
Maplin 1993. Maplin's enormous 1993 catalogue is now with us, containing in over 700 pages many new arrivals, including 10 pages of computer equipment and accessories and expanded tools, protection and test gear sections. £50 worth of vouchers are included. The catalogue is available from Maplin shops, W H Smith or by mail-order at £3.45. Maplin Electronics plc, 0702 554161.

Microwave components. Krytar microwave components cover the 0-50GHz range and are described in the new catalogue, freely available. Included are directional detectors and couplers, 3dB 90° hybrids, power dividers, zero bias Schottky detectors and coax. terminations. Tony Chapman Electronics Ltd, 0392 578231.

Power supplies

Switched-mode power supply. An open-frame power supply from BICC-Vero exceeds the requirements of IEC601, with regard to ground leakage current in medical and dental equipment, maximum being 100µA at 233V AC, 50Hz. Modules in the *BVS/BVM40* range also meet RFI requirements and give a number of output voltage combinations from 5V to 24V. BICC-Vero Electronics Ltd, 0489 780078.

High-current power supply. Trio-Kenwood's *PD18-20* bench power supply provides 0-18V at 0.20A, with a ten-turn pot. for control. A phase control circuit with a built-in preregulator gives a fast response. A choke-input filter providing good regulation and low ripple and noise. Remote sensing is used and the



PCB connector. A dual-row inverse connector from Methode with an off-board height of 7.1mm is designed for surface-mounting and is available with vertical holes or horizontal holes, both types having between 2 and 40 positions spaced at 0.1in. Contacts are either in/lead or selectively gold plated and handle up to 3A. Methode Electronics Europe, 0535 603282.

output can be set remotely. The output is protected. Trio-Kenwood UK Ltd, 0923 816444.

Radio communications products

RF mixer. Atlantic claims its *MT45* double-balanced RF mixer to be the smallest eleven-octave, discrete device available. RF and local-oscillator range is 0.5MHz to 1000MHz, IF being from zero to 1000MHz. Local-oscillator drive range is 3-13dB, conversion loss 6dB at mid range and oscillator/input isolation 35dB. It is packaged in a TO-5 can and can handle temperatures from -54deg. C to 100deg. C. Atlantic Microwave Ltd, 0376 553220.

Switches and relays

High-frequency relay. RG relays by Matsushita offer an isolation of 65dB and an insertion loss of 1dB maximum at 900MHz. They are available in monostable or latching form with a characteristic impedance of 50Ω or 75Ω and the gold-plated contacts are rated at 24W at up to 24V, with an initial contact resistance

of 100mΩ. Matsushita Automation Ltd, 0908 231555.

Transducers and sensors

Displacement sensors. Fast linear displacement transducers from Control Transducers now come with ranges from 304mm to 609mm, with maximum errors of 0.15% or 0.1% as an option. Temperature range is

Magnetic sensor. Intended for position sensing in printers, motors, RPM measurement and other devices, the *SS400* series by Honeywell are temperature-compensated, Hall-effect devices measuring 4 by 3 by 1.6mm. Operating conditions are 3.8-24DC supply voltage and 10mA and bipolar, unipolar and latching operation is available. Honeywell Ltd, 0344 424555.



NEW PRODUCTS CLASSIFIED

Please quote "Electronics World + Wireless World" when seeking further information

improved to -50°C to 125°C. Signal processing is carried out by the SP50 board, which allows measurement to 4kHz, the SP100 going up to 15kHz. Control Transducers, 0234 217704.

Hall-effect sensors. Optek Hallogic range of sensors include on-chip logic functions and are chiefly intended for use in encoding and speed monitoring in tachometers and DC motor control. Temperature range is -55°C to 150°C. Highland Electronics Ltd, 0444 236000.

COMPUTER

Computer board level products

Thermocouple board. Amplicon's PC73A board amplifies and digitises thermocouple signals for the logging and display of eight temperatures per board. Boards are linked by cable so that thermocouples can be easily

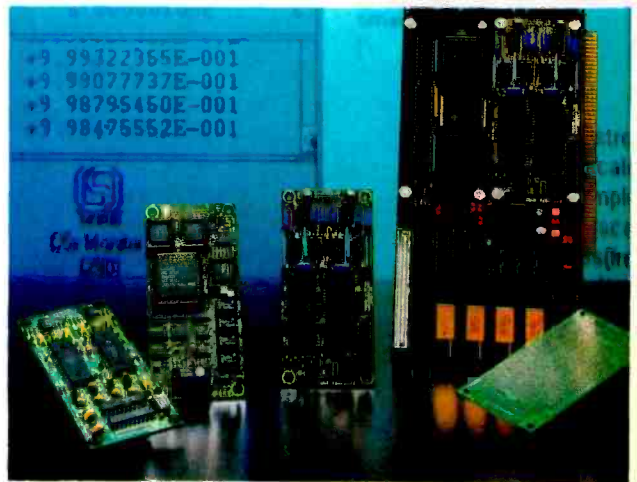
changed. Gain is set to 1, 100, 200 or 500. Supplied software requires only basic knowledge of the board's operation, C source code being provided. Amplicon Liveline Ltd, (Free)0800 525 335.

Development and evaluation

Neural net development. *SigNet*, claimed to be the world's first development system for real-time neural networks, is introduced by Data Beta. *SigNet* is a combination of neural software and DSP boards for PC and VME buses and will carry out processor-intensive tasks not feasible for traditional algorithmic processes, the user not needing any knowledge of computer programming. Expansion cards for the PC have a processing power of up to 200Mflops and include 16-bit A-to-D-to-A for capture and output of analogue data. Data Beta, 0734 758222.

Software

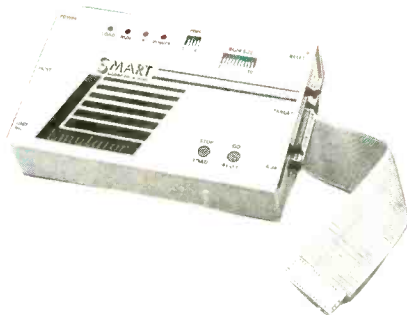
PC frequency management. Harris's



RF-7790 is a program to select optimum frequencies for HF communications. It analyses HF propagation conditions using an ionospheric prediction model, a ground-wave prediction model, real-time oblique sounding and real-time channel occupancy measurement. It can be adapted for use in fixed and mobile land-based systems or in marine work. Harris Corporation, 0101 (716) 244 5830.

Applications board: PC/C31 combines the 32bit real-time processing power of TI's TMS320C31 with flexible i/o options and high development support. The $\frac{2}{3}$ length PC AT card is accompanied by a package of development and integrations software. Loughborough Sound Images Ltd. 0509 231843.

Microprocessor Development Tools



ROM/RAM EMULATOR

ROM sizes from 2716 to 64 Mbit !
Full bi-directional communications
Emulates all 24, 28, 32 & 40 pin devices
Fast download - loads 4Meg in 10 seconds
Split and shuffle and paged ROM capability

UNIVERSAL ASSEMBLER

Relocatable - fast assembly
Caters for ALL microprocessors and controllers
Iterative macros
Intelligent jump facilities
Linker and MAKE facility

8051 DEVELOPMENT

Pascal, C and Modula2 Compilers
Simulator, Cross-Assembler, Linker and Editor
Source level Debugger
Multitasking support
Supports ALL 8051 variants

PROGRAMMERS

Universal programmer
Low Cost E(E)PROM Programmer

EMULATORS - SIMULATORS - COMPILERS - ASSEMBLERS - PROGRAMMERS

8051 8085 Z8 68020 77C82 80C552 320C25 68HC11 6301 6502 87C751 65816 Z80 6809 8096 7720 MIPS etc. .

2 Field End, Arkley, Barnet, Herts EN5 3EZ Telephone: 081-441 3890

SMART
COMMUNICATIONS

CIRCLE NO. 132 ON REPLY CARD

Art attack

It is true that other countries are making products that we in the UK seem to have forgotten how to make, and making money, which we also seem to have forgotten how to do ("Paying for the Arts", November *EW + WW*). But to blame "unproductive" disciplines such as art, English and history is short-sighted.

Science and Engineering came about because people learned to look at the world around them, separate and categorise the phenomena, construct theories, experiment, and build useful things. The fact that these useful things are often weapons of destruction, either directly or indirectly, just shows the minute difference in evolutionary terms between the human mind and that of a shark. Art, story, history all have a role in forming an engineer's ability to *see* the world, both in form and function. These are skills which no design package I have come across has dared to claim: it is called being creative.

Education is for training minds to interpret the world. It should not be a sizing up for a set of blinkers or rosy spectacles.

Malcolm Bloor
Stafford

Your comment that government under-investment in education and scientific research is a contributor to the present state of the UK economy is certainly valid, and is of concern to all educationalists and industrialists alike.

But your suggestion that the present malaise might be cured by the reallocation of research and education funds away from the arts and into scientific studies is nothing short of scandalous.

Certainly it is true that German and Japanese economies are powerful and have enjoyed more or less continuous expansion since the end of World War II. It is also true that the manufacturing industries of these two nations produce desirable consumer products. But reasons for this are historic and certainly not as a result of German or Japanese students being forced to study engineering subjects in their universities at the expense of the arts.

Following the war, Germany and

Japan were forbidden to manufacture military hardware in mass quantities or to engage in any kind of military expansionism. The long term result has been that their economies have flourished and now produce useful well-designed consumer products, unlike the economies of the UK and US where some 40% of all graduate physicists, mathematicians, computer scientists and engineers still work exclusively in the weapons industry.

At a time when 85% of German teenagers go into further education to study the subject of their choice in well funded FE colleges and universities, the government in this country is continuing to decrease investment in industry and education to such an extent that a large proportion of our top graduates are being forced to emigrate to find work.

A decline in the manufacturing requirement of the defence sector coupled with a government which believes that market forces are all-powerful has directly contributed to the depth and duration of the current recession.

An alternative strategy to that suggested in your comment, to aid recovery, is that as a nation we must attach more value to education and insist on government investment in education – especially at FE and university level – while allowing our students to choose whatever subjects they wish to study.

The wealth of the nation cannot be measured simply in economic terms but is embodied by a balanced education in the humanities as well as the sciences.

Mathew Steinberg
New Cross
London

Two questions dominate the debate over the importance of manufacturing to the UK: why don't people believe that the ability to make widgets is the ability to generate wealth?; and, how are we to convert Britain's lethargic and moribund manufacturing organisations into the pro-active and empowered organisations of our Continental Europeans and Far Eastern competitors?

I am not suggesting that all UK companies are moribund. Far from it. The UK has some of the best

factories in the world. A Japanese manufacturing system professor told me just a few months ago that he was sending some of his students to the UK to learn what "best practice manufacture" means! It seems that Sony's most productive factory is in fact in the United Kingdom! So it can be done. Buy why don't more of us achieve it?"

I too would like to see copies of "Paying for the Arts" sent to MPs.

But I would also like to see our professional institutions taking a look sideways. Not only must engineers have multidisciplinary skills, we must also foster interdisciplinary skills.

Other *EW + WW* readers who have views on this matter should make their opinions known. Do not feel as though "I can do nothing about it" because we can. Every little helps. Manufacturing is the cornerstone of our economy and we must work to ensure its survival.

Andrew Ainger
Human Centred Systems
Hertfordshire

You are correct in assuming that this country needs to invest in its infrastructure: ie more investment in science and technology in education, industry and business. But you are incorrect in assuming that because the sciences are beleaguered, the arts receive great piles of cash and an unfair leg-up concerning job prospects compared with the training and research grants available to science subjects at universities. What is your evidence for this view?

It is an outdated notion that art and science should be forever consigned to opposite sides of the debate on issues concerning economic growth, culture and the future of the global village. To provide for ourselves and create stability in Europe in the next century, shouldn't we really be thinking in terms of the world rather than just Britain in this context?

At a time when new developments in IT and spin-offs from the more esoteric sciences (eg "anti-chaos theory") appear to present fantastic new options and opportunities for learning, it is hard to understand why anyone should advocate such a narrow view of our collective future. We are amazed that in your editorial

you resort to art-bashing and advocate some sort of "Thatcherite style assessment" of the situation (your words). Can you really be suggesting that the corridors of power are patrolled exclusively by hands of ex art history students?

Yes, it is vital that the UK government develops a longer term strategy for British industry, but surely we must also work as hard as we can to bring about a longer term strategy or greater understanding between everyone working in both the arts and sciences. Production, exploration, conservation, education, development and cultural awareness – all these qualities have their place in both art and science and we should be working towards their equal balance and endeavouring to identify the real enemy of our present difficulties. In this context, would it not be more helpful if arts and sciences were encouraged to interact *more* rather than *less* at every level?

A great number of inventions would be unmarketable, were it not for their artistic design content – and quite rightly so. The main reason we are surrounded by such ugliness is because too many people don't care how things look. A more balanced arts and sciences education might also assist those readers tempted to send your letter to their MPs to write their own.

Please spare us any more "Comments" similar to the one we have just read. Next time, couldn't we have something a little more constructive and more worthy of your record of interesting debate and open-mindedness?

Clifford Williams (for the Sciences)

Linda Williams (for the Arts)
- happily coexisting despite a mixed marriage.
Lancashire

The UK grossly undervalues science and its industrial application. The Whitehall villagers and their visitors prize a classics education more highly than a science based one. Until the UK changes its priorities and perceptions, we shall remain well and truly dans la merde. I make no apologies for my comment.

Frank Ogden
Editor.

Speakers corner

PC Meunier (Letters, EW + WW, November) appears to be unaware that there are several types of DC motor which differ according to how the magnetic field, in which the armature revolves, is produced.

These fall into three main categories:

- Permanent magnet motor: the field is produced by a permanent magnet and is the type to which the normal permanent magnet loudspeaker is closely related.
- Series motor: the field is produced by an electromagnet whose winding is connected in series with the armature winding.
- Shunt motor: the field is produced by an electromagnet whose winding is placed in shunt with the armature winding.

There are also combinations of these, such as the compound motor where the field is produced by an electromagnet with two windings, one connected in series and one in shunt with the armature winding.

If we consider just the three main types, we note that for the permanent magnet motor, the magnetic flux is quite independent of either the current flowing through the motor or the voltage applied across it. For the series motor, the magnetic flux depends on the current through the motor. If it were not for the non-linear characteristics of iron, the flux would be proportional to the current, and quite independent of the voltage across the armature winding. In the shunt motor, the flux depends on the voltage applied across the motor. Again, if it were not for the non-

linear characteristics of iron, the flux in this case, would be proportional to the applied voltage and be independent of the current through the armature winding.

Connecting two motors of the same type in series gives two different results according to the type of motor. Note that when two motors (or two loudspeakers) are connected in series, the currents through each are identical, whereas the voltages across the two may differ.

In the permanent magnet motor, or permanent magnet loudspeaker, since the magnetic fields are produced by permanent magnets and the same current flows through each device, the torques of the two motors and the forces on the voice coils of the two loudspeakers will be very nearly equal – assuming the corresponding devices are nominally of the same design. The torques and forces will differ only due to manufacturing tolerances so that in the case of the two loudspeakers, their acoustical outputs will be very nearly equal. There will be no untoward effects, as suggested by Meunier. Assuming that the two motors or two loudspeakers fed into equal linear loads, half the applied voltage will be developed across each device and the current will be half of what would flow if the same voltage were applied to but one device. Each motor would revolve at approximately half the speed that would result if all the supply voltage were applied across it.

The case of the series motor is somewhat similar. Since the same

current flows through each motor and also flows through each field winding, the magnetic fluxes in each motor must be the same, within the limits of manufacturing tolerances, and so the torques must be very nearly equal. With equal mechanical loads, the speeds will then also be equal, which, in turn makes the back EMF in each motor the same, and each motor will have half the supply voltage across it. Magnetic flux depends on the current through the motor, so there is, in this case, a non-linear relationship between the speed of the motor and the applied voltage and the speeds are found to be faster than half those obtained if all the voltage were applied to one motor only.

The case of the shunt motor is very different, and is that discussed by Meunier. Suppose we have managed to start the two motors running at equal speeds with half the supply voltage dropped across each. If we increase the mechanical load on one, as Meunier suggests, it will slow down. The back EMF produced in this motor, being proportional to its speed and magnetic flux, will fall and so the voltage across the machine likewise falls. But this voltage is also that across the field winding, so that, as the voltage falls, so must the current through the winding. Magnetic flux depends on this current, so it, too, must fall, in turn reducing the back EMF still further – and so on. The result is a positive feedback system, and stability will only be reached when the motor with the additional load stops rotating, with essentially no voltage across it.

At the same time, the voltage across the other motor will increase, since it must be the difference between the supply voltage and that across the first motor. This will both make it revolve faster and also increase its magnetic flux. Stability will be reached when nearly all the supply voltage is across this second motor, and we have in effect an electro-mechanical flip-flop, as Mr. Meunier describes.

The important point is that loudspeakers are not equivalent to shunt motors and do not behave like them. As explained above, for loudspeakers in series, the voltages across them will be equal, within manufacturing tolerances, if the loudspeakers are of the same design.

But the general question which Meunier has raised, regarding the desirability of placing loudspeakers in series, requires further consideration of a rather different nature.

If the two loudspeakers are exactly equal in all respects, then the applied voltage would divide equally between them and their

acoustic outputs would be the same. They would be equivalent to a single loudspeaker of the same type wound with more turns on the voice coil, so as to double the impedance. (There might be some small difference due to the acoustic loads on the two loudspeakers mutually affecting each other. If the two loudspeakers were placed very close together then they would be equivalent to a larger loudspeaker with twice the radiating area, which would have a different value of acoustic load, particularly at low frequencies.) In practice, the two loudspeakers are bound to differ slightly and we need to consider what happens under these circumstances.

It is well known that to obtain the best reproduction through loudspeakers, they must be fed from amplifiers of very low output impedance so as to damp, as far as possible, any of the resonances in the loudspeaker system. The main one of these is the bass resonance of the loudspeaker, which may be split into two or more other resonances if the loudspeaker is mounted in a bass reflex cabinet, or similar acoustic device. At low frequencies, away from the bass resonance, the loudspeaker impedance is very nearly equal to the resistance of its voice coil. Thus, when two loudspeakers with different bass resonant frequencies are connected in series, at the bass resonance of one, it will be fed effectively from a low output resistance amplifier in series with the resistance of the other loudspeaker. It will no longer be damped.

As the bass resonant frequencies of the two loudspeakers get closer together, their (complex) impedances will react with each other so as gradually to merge into a single resonance. The two loudspeakers will then appear as a single one with twice the impedance of either, and good damping will occur when fed from a low output impedance amplifier. So, if the two loudspeakers are closely matched, the damping will be very nearly the same as for a single one. But if they are badly matched, the damping will be considerably less, with noticeable deterioration in the acoustic reproduction. We see then, as Meunier asserts, that it is desirable to connect loudspeakers in parallel, rather than in series, so that, whether they are matched or not, the low output impedance of the driving amplifier is always effectively in parallel with each, giving good damping.

But a word of caution: if transformers are used to adjust the combined load presented by the speakers to that required by the amplifier, there is little point in

Be-low frequency

ELF and VLF radio bands have been largely neglected by amateur radio and electronic enthusiasts. This is surprising in view of the fascinating properties of this portion of the electromagnetic spectrum.

Practical uses of frequencies below 150kHz include broadcasting standard frequency and standard time services, hyperbolic navigation, and communication through sea water or solid rock to submarines, miners and pot-holers.

With negotiations between the RSGB and the licensing authorities for an amateur VLF allocation well underway, the neglect of the bottom end of the radio spectrum could be coming to an end.

One British group, the Cave Radio and Electronics Group of the British Cave Research Association, is intent on improving techniques of VLF radio communication with a particular emphasis on its use in cave surveying and cave rescue.

Anyone wanting more information can send for a copy of our journal that contains a broad mix of practical and theoretical articles. Recent articles have covered the principles of inductive communication, antenna design, modulation methods, a design for an ultra-sensitive flash trigger, cave-proofing equipment, NiCd battery charging, surveying software and cave detection using geophysical techniques.

David Gibson

12 Well House Drive
Leeds LS8 4BX
Tel 0532 481218

using this type of connection if the transformer introduces more degradation in performance than the reduction of damping due to a series connection. If the performance is not to be materially degraded, the transformer must have a very good frequency response; must not introduce non-linearity distortion, and it must be very efficient.

Transformers meeting these requirements are inevitably bulky and expensive. If cheap, poor quality transformers are used, the results would probably be much worse than if the loudspeakers were connected in series. It should be noted that since the transformer is connected to the output of the amplifier, it will not be within the negative feedback loop of the latter, and so will not have its performance significantly improved by the feedback.

Roger Chapman.
Bexley
Kent

P.C. Meunier (Letters, *EW* + *WW*, November) correctly warns that errors can arise from wiring two or more loudspeakers in series. But his proposed experiment does not prove his point.

He attempts to extrapolate from the observed behaviour of two unloaded motors wired in series to the speculative behaviour of two or more loaded loudspeakers wired in series. A speaker without a load might exist in a vacuum, but in practical speaker designs where speakers are wired in series, or in complex series and parallel networks, the loading on each speaker driver includes the air pressure on the surfaces of the cone, and the mechanical resistances of the cone's suspension. These loads are virtually identical for each speaker in the system, and are not analogous to unloaded motors.

A speaker designer will attempt to obtain equal efficiency from each driver in the network, and in so doing will be distributing the air-load equally amongst the drivers by coupling each driver to a similar load on both the front and rear surfaces of its cone. The internal surface includes the path to the enclosure's port, so the designer will try to position the port equidistantly from each cone's effective centre.

If Meunier repeats his experiment with identical loads on each of the two motors wired in series, or even just approximately similar loads, he will find that both motors turn. The electrical impedance of each device (whether it be a motor or speaker) is much more than the unloaded resistances and inertia of the driven coil or magnet: it is the electrical impedance presented to that driven element, which in turn is the

Read shift

I was delighted to read the letter from AJ Quinton of Australia (Letters, August) which raised the incompatibility of a constant speed of light and the Doppler effect. This is something I have questioned myself and though I have asked some quite bright people to explain how the two ideas can be made compatible, none has been able to answer me.

Quinton goes on to say that he still thinks in terms of particles rather than waves and I sympathise with him. No one seems to be able (or even willing) to try to answer the question - Waves of what?

After all, waves must be composed of something - a "wave" merely describes the motion of the particles which make up the body which exhibits wave motion.

Perhaps some of your more learned readers will enlighten us. After all, the expanding universe is so described because of the red shift, which is the Doppler effect; is this really inconsistent with a constant speed of light?

Martin W Berner
Trinidad
The West Indies

mechanical impedance presented to the moving parts. The air resistance "seen" by both speaker drivers, wired in series in an enclosure, will tend to ensure that one cone moving further will do so against the greatest mechanical impedance, and therefore the greatest electrical impedance, consequently enabling the other driver to move further. The upshot is a stable mechanism in which speaker drivers are self regulating in their ability to share the load. Even ill-matched speakers and enclosures will share their load to a considerable extent.

There are other problems in wiring speakers in series. Quite simply, the amplifier, for all its negative feedback, is only able to ensure that the voltage output is as accurate as its makers demanded, and as long as that output is connected directly to a single cone driver, or parallel cone drivers, then we can reasonably expect that the driver will perform as designed. But if any additional impedance is placed in series with the amplifier's output, whether it be a passive crossover network, excessive cable resistance, the light bulb as found in Bose 802 speakers, or simply another speaker placed in series, then the amplifier can no longer be expected to be in control of the voltage and current reaching the speaker coil.

This is where Meunier's concern for unequal damping is valid.

Any resonance produced by the combination of the amplifier's Zobel network (placed outside the feedback loop); the highly reactive components in the passive crossover; all of the speaker cable's impedance and currents induced from adjacent wiring; and the natural resonance of the speaker's cone, will allow the cone to resonate at a high impedance frequency. The

electrical "error" signal thus generated by that resonating cone will not be detected by the amplifier's feedback input, but will be presented to the other driver (wired in series) as part of its input signal.

It is possible in asymmetrical designs that one driver will resonate in one phase, and another driver in the opposite phase. But the air impedance would have to be quite dissimilar for each driver, and I guess that this is only going to arise if the speakers are placed in separate enclosures, possibly at opposing ends of a room facing each other!

Bigger problems occur in such speakers as the Bose unit mentioned, not because of the fact that its eight drivers are connected in a parallel/series arrangement, but because of the light bulb wired in series to the whole lot. This deliberately increases the resistance between the output from the amplifier's feedback loop, and the chain of drivers so that any resonance can, and will, develop within the cabinet and remain poorly corrected by the amplifier. The error is not a result of the series wiring of the drivers. Similar errors of course arise with passive crossover networks. Poor component selection is common, with disregard for the often horrendously wide tolerances admitted by manufacturers of high voltage non-polarised capacitors, such that an amplifier may drive impedance peaks of double the nominal value at certain frequencies. The crossover point at the lower end of a driver's designed frequency range is close to the frequency where its moving mass is most resonant.

Meunier advocates the use of transformers to distribute the loads across the network. Problems occur in all non-resistive loads where the

voltage at the amplifier's output is not in direct proportion to the current being delivered. The amplifier's negative feedback input, its inverting input, is unable to compensate for any errors in the output current. This is particularly true of that popular method of connecting many speakers using "100V line" transformers. The method is often employed in announcement systems in large buildings, in which the speakers are sharing dissimilar loads, sometimes in series parallel networks, and driven by amplifiers which have to provide maximum current when the output voltage is near zero. While such set-ups have surely disappeared from most music systems of any power and quality, it is astonishing that they behave as well as they do, thanks to the virtually constant air pressure on each cone.

Finally, it may be worth examining the reason for connecting speakers in series. If they are in the same enclosure as discussed, then it will be to create an approximation of a speaker with a piston diameter much greater than that of the drivers available, with the high frequency performance of small low-mass cones. Such systems overcome the need for different drivers for different parts of the frequency range, and therefore should not need passive crossovers in series with the drivers. The theory works well in practice, even with the addition of a light bulb between the amplifier and the drivers.

Some of the problems I have mentioned are eliminated by complex systems, in which the actual movement of the driver is monitored by the control electronics, or at least the actual output of the amplifier is monitored, notably systems by Meyer Sound of California and Nexo of Paris. Otherwise, it is quite acceptable to connect identical speakers in series as long as they are in the same or adjacent enclosure, and there is no significant impedance between amplifier and series driver.

It remains an anachronism of the electronic industry that audio reproduction involves the use of such crude devices as paper loudspeaker cones glued onto bent coil formers which are suspended by cloth in a large magnet - all of which are outside any servo control or other feedback loop. In any other device today, we would expect position detection to control the amplifier's output (as once produced in a Philips active loudspeaker), if not a transducer actually monitoring the sound near the surface of the transducer.

Dave Cross
Newcastle

Circuits, Systems & Standards

First published in the US magazine EDN and edited here by Ian Hickman

Two-way amplifier uses few parts

Two-way amplifier for two-wire line

A conventional amplifier for a two-wire line uses two-wire to four-wire conversions using hybrids, with a separate amplifier for each path direction. In applications where the return loss of the ends is large, a simpler arrangement is possible, shown here implemented for unbalanced two-wire lines. It can be extended to balanced lines if required, by duplicating the whole circuit for the other wire.

IH

A conventional two-way amplifier used with two-wire telephone lines (Fig. 1) requires separate amplifiers for each direction, hybrid two- to four-line transformers, and carefully designed complex-impedance terminations to match the capacitive reactance normally associated with telephone lines.

For two-wire signal lines whose impedance is mostly resistive (telecommunications test equipment, for example), the simpler, resistively terminated circuit of Fig. 2 can be used. The boxes labelled "termination" are two telecomm devices (such as modems, modem test equipment, short-haul two-wire communication lines, or minimum-loss impedance-matching pads) that are communicating with each other.

Like all two-way amplifiers, both of these circuits may oscillate unless terminated with the proper impedance.

Moreover, higher audio gain imposes greater accuracy constraints on the terminating impedance values. Because resistors R_A , R_B , R_C , and R_D have a fixed relationship with one another, the circuit's "resistance level" can be set by choosing a value for one of them – R_D – for example. Given the desired termination resistance R_L and amplifier gain A , values can then be calculated for the remaining resistors R_A , R_B and R_C .

First, note that R_A contributes the only significant resistance between each amplifier and its load. Source impedance should equal the load impedance, so

$$R_A = R_L \quad (1)$$

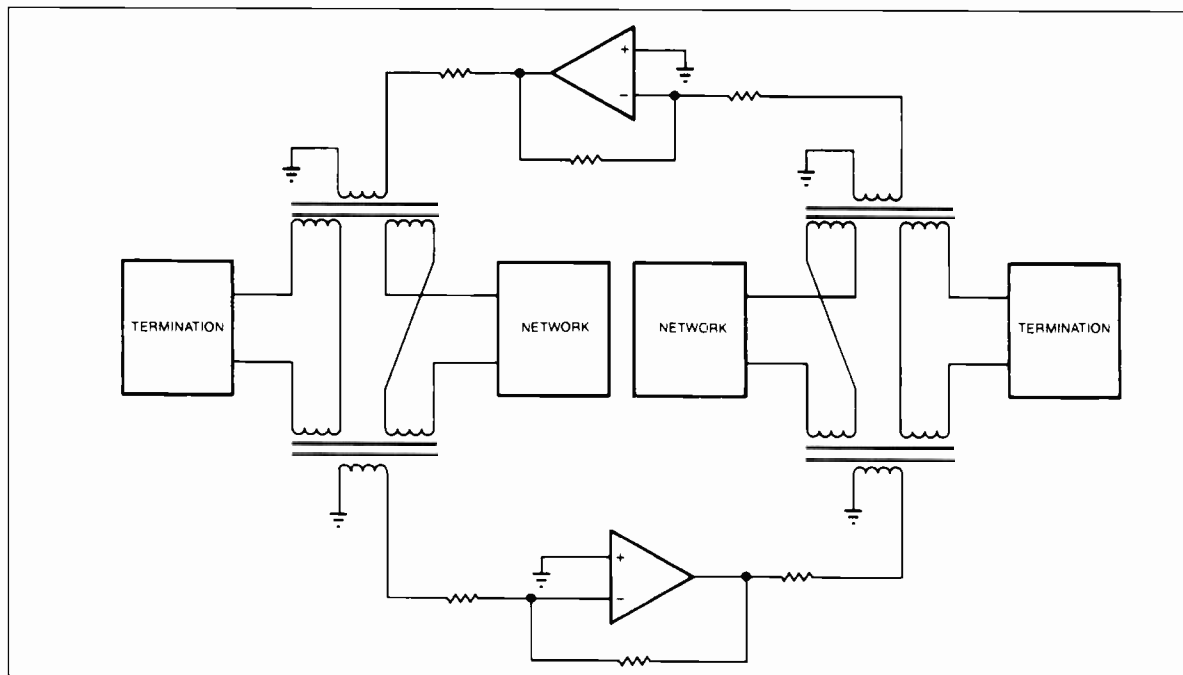
is the first of three design equations. Because IC_2 must not contribute a signal while IC_1 is operating (and vice versa), IC_2 's output must remain at virtual ground during that time. Therefore, R_A is also the input impedance for each amplifier.

Next, the gain from IC_1 's non-inverting input to its output is

$$\frac{R_D + \frac{R_C R_B}{R_C + R_B}}{\frac{R_C R_B}{R_C + R_B}}$$

and the gain from IC_1 's output to R_L is $1/2$ because $R_A = R_L$

Fig. 1. Schematic showing a typical two-way amplifier used with telephone lines.



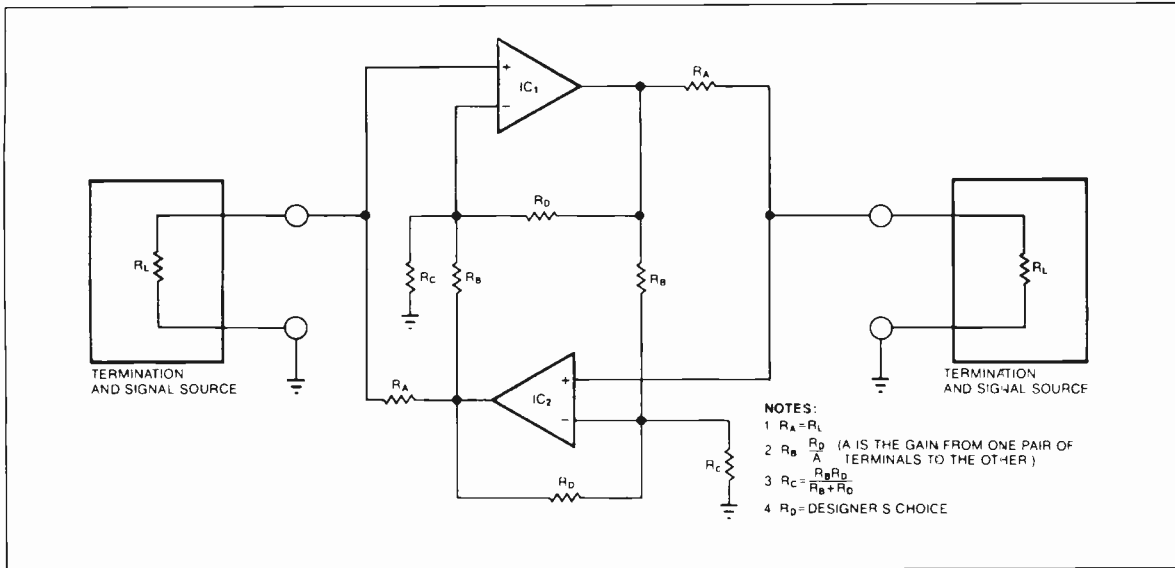


Fig. 2. Simpler two-way amplifier suitable for lines whose impedance is primarily resistive.

(Eq 1). The product of these gains must equal the given gain A:

$$A = \frac{1}{2} \left(\frac{R_D R_C + R_D R_B + R_C R_B}{R_C R_B} \right) \quad (4)$$

$$A = \frac{1}{2} \left[\frac{R_D + \frac{R_C R_B}{R_C + R_B}}{\frac{R_C R_B}{R_C + R_B}} \right] \quad (2)$$

Next rearrange Eq 3 as

$$R_B R_C + R_B R_D = R_C R_D \quad (5)$$

and substitute in Eq 4:

$$A = \frac{1}{2} \left(\frac{R_D R_C + R_C R_D}{R_C R_B} \right)$$

To ensure that no signal is emitted from IC₂ when only the left hand signal source is active, IC₂'s differential input must be zero. This is so if IC₂'s inputs are equal, which implies equal voltage dividers:

Therefore

$$R_B = \frac{R_D}{A}$$

$$\frac{\frac{R_C R_D}{R_C + R_D}}{R_B + \frac{R_C R_D}{R_C + R_D}} = \frac{R_L}{R_A + R_L} = \frac{1}{2}$$

is the second equation. For the last equation solve Eq 5 for R_C

$$R_C = \frac{R_B R_D}{R_D - R_B}$$

Simplifying this equation:

$$\frac{R_C R_D}{R_B R_C + R_B R_D + R_C R_D} = \frac{1}{2} \quad (3)$$

Figure 3 shows an example of a circuit using 600Ω resistive loads and a gain of 2. The signal at IC_{1B}'s output measures only 2 to 3% of the signal-generator output.

Eqs 2 and 3 can be solved simultaneously for the remaining unknowns R_B and R_C. First, simplify Eq 2:

Rudy Stefanel, Luma Telecom, Santa Clara, CA

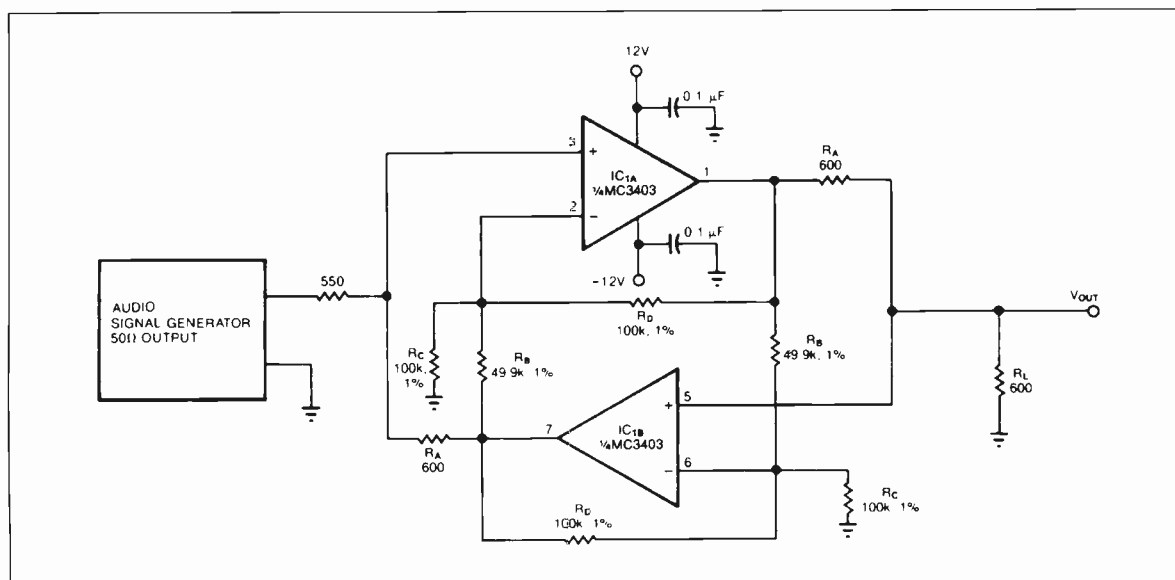


Fig. 3. Based on the circuit of Fig. 2, this two-way amplifier provides a gain of 2 between 600Ω terminations.

Is it Gaussian?

A spectrum analyser will measure the bandwidth of a noise source, but different equipment is needed to determine whether or not the noise amplitudes have a Gaussian probability distribution. One approach is to use a simple circuit (Fig. 1) and a DC voltmeter to measure the circuit's output.

Going back to basics, Gaussian noise voltage (or current) with RMS value S and instantaneous value V has a probability-density $p(V)$ distribution defined by the equation

$$p(V) = \frac{e^{-V^2/2S^2}}{S\sqrt{2\pi}}$$

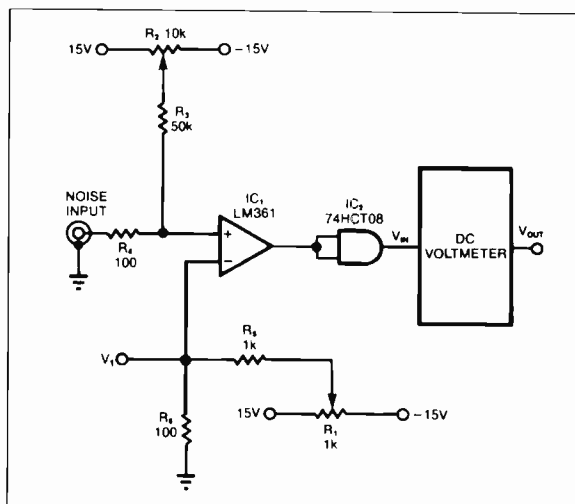
For given values of S , the equation produces curves such as those in Fig. 2. The probability that the instantaneous value of V will occur between any particular two levels is the area under the curve between those levels. And the area under each curve from $-\infty$ to $+\infty$ is unity because the chance that V will occur between those limits is 100%.

The probability that V will occur between the arbitrary levels V_1 and V_2 can be calculated by integrating $p(V)$ between those levels. Or the cumulative probability that V will occur between a level V_1 and $+\infty$ can be calculated: integrate $p(V)$ from V_1 to $+\infty$ for V_1 values between 0V and 10 times the RMS value S (Fig. 3). The cumulative probability falls off sharply as V_1 increases, so V_1 values to 10x the RMS level only need to be considered. The probability that noise will exceed 10S is less than 1ppm. Note also that the noise voltage near 0V has a near-equal chance of being positive or negative. So the cumulative probability for Gaussian noise near 0V is 0.5, regardless of the RMS level.

The cumulative-probability circuit of Fig. 1 can be used to generate the curves of Fig. 3. First connect the noise source and DC voltmeter as shown and then adjust R_1 for the desired V_1 value at the comparator's inverting input. The And-gate output V_{IN} will be high when the input noise is above V_1 and low otherwise, producing a duty cycle corresponding to the cumulative probability that V will exceed V_1 .

The DC voltmeter's output divided by 5V equals the cumulative probability if the voltmeter input swings between 0 and 5V. The CMOS gate IC_2 provides such an

Fig. 1. Circuit to measure the cumulative probability (V0/5V) of the input noise-voltage excursions exceeding the V_1 threshold.



Test whether a noise source is Gaussian

The frequency distribution of a noise source's output may (or may not) be white, up to a given frequency. This can easily be checked by a spectrum analyser. Likewise, its output amplitude distribution may not have the normal distribution of true random noise. Founded upon basic theory, this article describes how to assess whether a noise source's amplitude distribution is, in practical terms, Gaussian, following the normal distribution.

IH

output swing when lightly loaded, provided the power supply is adjusted to obtain an accurate 5V output level.

Then, with the noise source connected and $V_1=0V$, the effect of comparator-offset voltage can be removed by adjusting R_2 for a voltmeter reading of 2.5V. Under these conditions, V_{IN} will spend 50% of the time at 0V and 60% at 5V, yielding a cumulative probability of $2.6V/5V=0.5$.

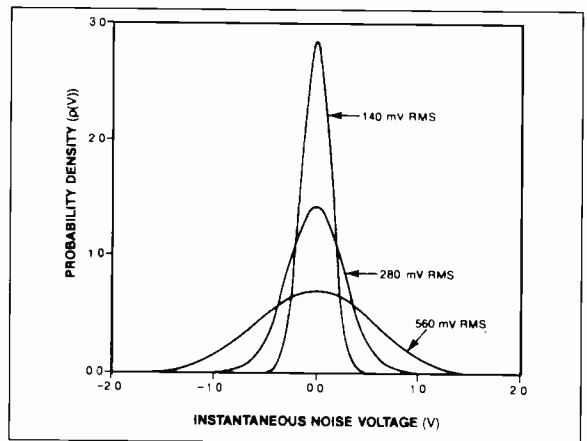


Fig. 2. Classical Gaussian distribution for noise change shape with the RMS level, but the area under all such curves is unity.

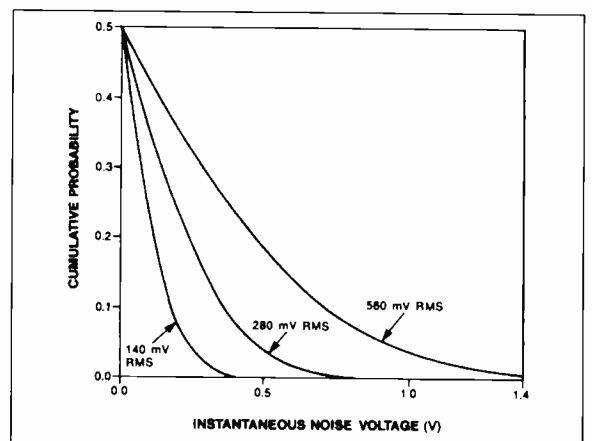


Fig. 3. Circuit in Fig. 1 yields these cumulative-probability curves, which correspond to the Gaussian distributions in Fig. 2.

A non-zero, positive V_j will cause V_{jN} to spend less time at 6V, resulting in a lower value of cumulative probability.

For accurate measurements, the comparator's bandwidth should exceed that of the input noise by a minimum factor of 10. Otherwise, it will cause error in the comparison of measured and theoretical cumulative probabilities - that is, by reducing the measured RMS voltage. To avoid this problem, certain factors should be taken into account. For $V_j=S$, the theoretical cumulative probability for Gaussian noise is 0.1589. If V_j is adjusted to $V_0=794.3mV$ (which corresponds to a cumulative probability of 0.1589), V_j will equal the RMS noise voltage S . Further, the noise source is Gaussian if the same value of V_0 is obtained for various multiples and sub-multiples of V_j .

Figure 4 illustrates the result obtained when using the circuit in Fig. 1 to test a Gaussian source that is part of a commercial noise tester. The congruence of the curves for measured and theoretical data indicates the source is "very" Gaussian.

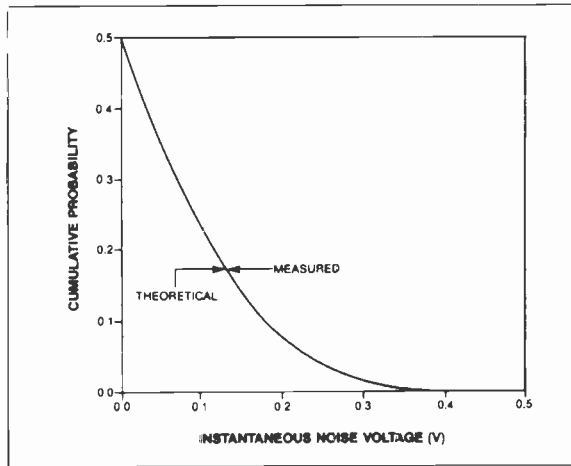
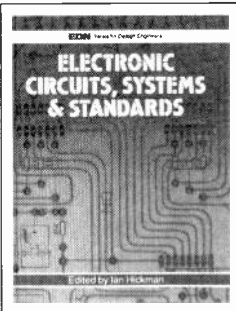


Fig. 4. Curve showing the result of using the test circuit of Fig. 1 and illustrates near-ideal Gaussian characteristics for the noise source in a commercial noise-tester.

Stuart R Michaels, ILC Data Device Corp, Bohemia, NY



Electronics Circuits, Systems & Standards

Since its appearance in 1956 the US-based EDN has established itself as a leader in controlled circulation electronics magazines. Now this "best" of EDN - with useful information on components, equipment, circuits, systems and standards - is available in a 216 page hardback publication.

Available direct by postal application to EW + WW, Quadrant House, The Quadrant, Sutton, Surrey, SM2 5AS. Cost £20 plus £1.50 post and packing. Cheques payable to Reed Business Publishing Group. Edited by Ian Hickman, published by Butterworth Heinemann Newnes. ISBN 07506 0068 3.

R.S.T. LANGREX R.S.T. SUPPLIES LTD

One of the largest stockists and distributors of electronic valves, tubes and semiconductors in this country.

Over 5 million items in stock covering more than 6,000 different types, including CRT's, camera tubes, diodes, ignitrons, image intensifiers, IC's, klystrons, magnetrons, microwave devices, opto electronics, photomultipliers, receiving tubes, rectifiers, tetrodes, thyratons, transistors, transmitting tubes, triodes, vidicons.

All from major UK & USA manufacturers.

Where still available.

Obsolete items a speciality. Quotations by return. Telephone/telex or fax despatch within 24 hours on stock items. Accounts to approved customers. Mail order service available.

LANGREX SUPPLIES LTD

1 Mayo Road, Croydon, Surrey CR0 2QP.

Tel: 081-684 1166
Telex: 946708
Fax: 081-684 3056

CIRCLE NO. 133 ON REPLY CARD

TELNET

LIST OF TEST EQUIPMENT AVAILABLE

OSCILLOSCOPES		FOR ABOVE SCOPES - CHEAP	
HEWLETT PACKARD 1741A-100MHz DUAL TRACE	£325	PHILIPS 3240-50MHz DUAL TRACE	£225
ANALOGUE STORAGE SCOPE		PHILIPS 3261-120MHz DUAL TRACE	£275
HEWLETT PACKARD 1744A-100MHz DUAL TRACE	£325	GOULD 054200 DIGITAL STORAGE SCOPE DUAL TRACE	£250
ANALOGUE STORAGE SCOPE		TELEQUIPMENT DM64-50MHz DUAL TRACE	£125
HEWLETT PACKARD 182C-100MHz 4 CHANNEL FITTED WITH 1809A 4 CHANNEL VERTICAL AMPLIFIER AND 1825A TIME BASE & DELAY GENERATOR	£300	TELEQUIPMENT D75-50MHz DUAL TRACE	£150
PHILIPS 4211-15MHz DUAL TRACE	£150	TEKTRONIX 7603-100MHz 4 CHANNEL STORAGE SCOPE	£250
PHILIPS 4217-50MHz DUAL TRACE	£200	TEKTRONIX 7313-100MHz 4 CHANNEL ANALOGUE STORAGE SCOPE	£275
PHILIPS 4226-15MHz DUAL TRACE	£150		
SOME TROLLEYS AVAILABLE			
HEWLETT PACKARD 182T WITH 8758B SWEEP AMPLITUDE ANALYSER	£250	HATTFIELD TYPE 1000 P50PHOMETER	Almost New £100
HEWLETT PACKARD 180TR WITH 8758B SWEEP AMPLITUDE ANALYSER	£250	HATTFIELD TYPE 1015 LEVEL MEASURING SET	£100
PHILIPS PM 8226 SIX LINE PEN RECORDERS	£399	RADIO SPARES MAINS FILTERS (ISOLATING TRANSFORMERS) EPMS 207481	From £30
HEWLETT PACKARD RMS VOLTMETER - MODELS 400E 400FI 400F	From £125	POWER SUPPLIES BY SOLARTRON WAYNE KERR WEIR/COUNTANT AND FARNELL SUCH AS L301, L7301, L305, E350, L30F, L1210C etc	From £25 to £120
HEWLETT PACKARD TEST OSCILLATOR 6818 10Hz TO 10MHz	£150	DIGITAL MULTIMETERS FLUKE 8010A 8050A 8800A 9600A	£100.125-8075
LYONS PULSE GENERATORS TYPE PC2B 0 10MHz	£250	AVO'S MODEL 8 AND SELECTESTS	£10 to £40
MARCONI ELECTRONIC VOLTMETER TF 2804	£50	FREQUENCY COUNTERS RACAL 98201 99033 99065	From £75 to £125
TECHTEST MODEL 2801 5GHz LINEAR UP CONVERTOR INPUT 240MHz 350MHz OUTPUT 1440-1550MHz	£399	ADVANCE TC17A	£75
HEWLETT PACKARD 3730A DOWN CONVERTOR WITH 3738A OSCILLATOR - 8.3GHz-8.5GHz DOWN TO 70MHz	£1K	METROHM POLARECORD (POLAROGRAPH) - 626	£1K
WANDEL & GOLTERMANN DISPLAY UNIT SC3 200Hz 20MHz	£300	METROHM VA-TIMER 621	£100
HEWLETT PACKARD 8745A S' PARAMETER TEST SET (0.1GHz-2GHz)	£495	METROHM VA STAND (FOR PLARGRAPHIC AND VOLTAMMETRIC ANALYSES)	£250
ADRETT CODASYN 301 SYNTHESIZER 0-1MHz	£150	OERTLING R40 SCALES	£100
WANDEL & GOLTERMANN PS 60 LEVEL GENERATOR 6Hz-18 6MHz	£900	ORTELING 040 SCALES	£100
WANDEL & GOLTERMANN SPM 60 LEVEL METER 6Hz-18 6MHz	£500	METROHM NON DESTRUCTIVE THICKNESS TESTER PROJECTINA CH9435 PHOTOMICROSCOPE (SWISS MADE)	£1K
WANDEL & GOLTERMANN PS 12 LEVEL GENERATOR 200Hz-4.5MHz AND 200Hz-6MHz	£500	CI ELECTRONICS MICROFORCE BALANCE MK2 ANALOGUE CONTROL UNIT	£200
WANDEL & GOLTERMANN SPM 12 LEVEL METER 200Hz-4.5MHz AND 200Hz-6MHz	£500	BRYANS SOUTHERN SERIES 4000 ULTRA VIOLET OSCILLOGRAPH	£350
SIEMENS D8008 LEVEL METER 200Hz-18 6MHz	£400	CAN ELECTRICAL TYPE 7800 SERIES 3 COORDINATE MARKING OUT TABLE (XY MOVING MICROSCOPE)	£250
HEWLETT PACKARD 8620C SWEEP OSCILLATOR MAINFRAMES	£499	METROHM PATS TESTERS	£70
HEWLETT PACKARD RMS VOLTMETERS - 406A - BROADBAND SAMPLING VOLTMETERS	£150	WPA LONG SCALE GALVONOMETER	£50
HEWLETT PACKARD LOGIC ANALYSERS WITH PODS 815A	£200	PFE SCALAMP FLUX METER	£50
MARCONI FM AM MODULATION METER TI 2300 5.5-100MHz	£150	CORNING EEL DING LFO	£50
AVO CZ176 COMPONENT COMPARATORS	£50	MECO INSTRUMENTS ELECTROLYTIC WATER ANALYSER	£150
MARCONI TYPE 8057B 1 SIGNAL SOURCE 4-8GHz	£495	BRYANS 2500 AS XY RECORDER	£250
FISCHERSCOPE BETA 2060 (NON DESTRUCTIVE COATING THICKNESS MEASURING INSTRUMENTS BASED ON THE BETA BACKSCATTER PRINCIPLE)		METROHM SOLDERABILITY TEST MACHINE MK III	£300
FISCHER PRINTER F3050		BENTHAM 223 AND 217 LOCK IN AMPLIFIER AND CURRENT AMPLIFIER	£200
FISCHER POROPRINT SD		FISCHER THROUGH-HOLE PLATING MEASUREMENT DEVICE	
FISCHER POROPRINT S (ELECTROGRAPHIC POROSITY TESTER)		FISCHERSCOPE BETA 2040 COATING THICKNESS COMPUTER	
		FISCHER W94DH - HAND PRESS	
		FISCHER F1 12 PRESS	

ALL ABOVE CAN BE PURCHASED AS JOB LOT

ALL EQUIPMENT IS USED, WITH 30 DAYS GUARANTEE

PLEASE CHECK AVAILABILITY BEFORE ORDERING. CARRIAGE CAN BE ARRANGED - VAT TO BE ADDED TO TOTAL PRICE OF ALL GOODS AND CARRIAGE.

TELNET

UNIT 8, CAVANS WAY,
BINLEY INDUSTRIAL ESTATE,
COVENTRY CV3 2SF

(Premises situated close to Eastern Bypass in Coventry with easy access to M1, M6, M40, M69)

Telephone: 0203-650702 Fax: 0203-650773

CIRCLE NO. 134 ON REPLY CARD

ECA:PARTS.I

File Edit View Tools Analysis

CHAS1.S 0.511X

NEW2!.S 1.033X

File Edit View Tools Analysis

Geseca

schematic editor
from Those Engineers

ANALCCT1.S 1.109X

File Edit View Tools Analysis

```

ece=g c n
ece=g p ctt
ece=g tr .1
ece=tr 0 100 .1

```

QUADOSC.S 1.115X

File Edit View Tools Analysis

GYRATOR.S 0.617X

File Edit View Tools Analysis

Geseca (pronounced Jessica, Graphics Entry System for ECA) provides an exceptionally easy-to-use front end to the powerful ECA-2 and SpiceAge for Windows circuit simulators. Producing also Tango, Rascal and Intergraph compatible netlists. GESECA is excellent value at £195+VAT

Those Engineers LTD

31 Birkbeck Road, Mill Hill,
 London NW7 4BP
 Tel: 081 906 0155 Fax: 081 906 0969

CIRCLE NO. 135 ON REPLY CARD

FREE TO SUBSCRIBERS

Electronics World offers you the chance to advertise ABSOLUTELY FREE OF CHARGE!

Simply write your ad in the form below, using one word per box, up to a maximum of twenty words (remember to include your telephone number as one word). You must include your latest mailing label with your form, as this **free** offer applies to private subscribers only. Your ad will be placed in the first available issue.

This offer applies to private sales of electrical and electronic equipment only.

Trade advertisers should call **Pat Bunce on 081 652 8339**

All adverts will be placed as soon as possible. However, we are unable to guarantee insertion dates. We regret that we are unable to enter into correspondence with readers using this service, we also reserve the right to reject adverts which do not fulfil the terms of this offer.

Please send your completed forms to:
 Free Classified Offer: Electronics World, 11th Floor, Quadrant House, The Quadrant, Sutton, Surrey SM2 5AS

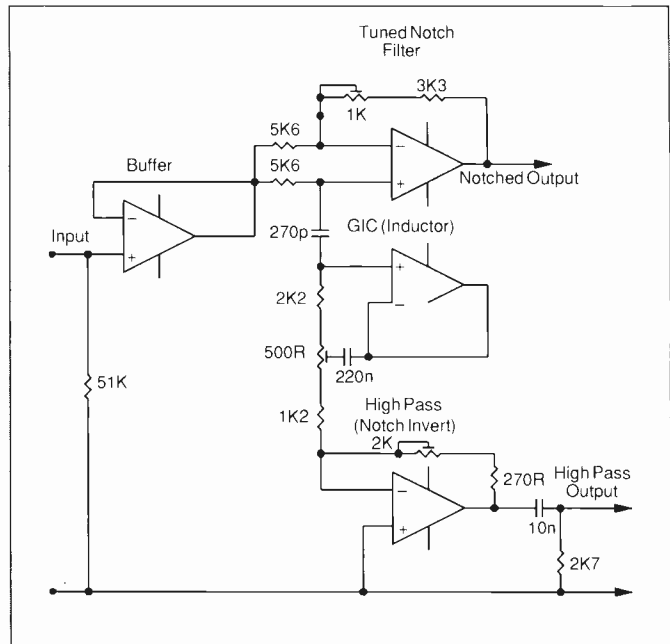
Notch and high-pass filter

This somewhat unusual filter was intended to extract the 11kHz pilot tone from the Russian Gorizont (Horizon) satellite television and sound channels with a view to using it to control an NE571 compander in its expanding mode.

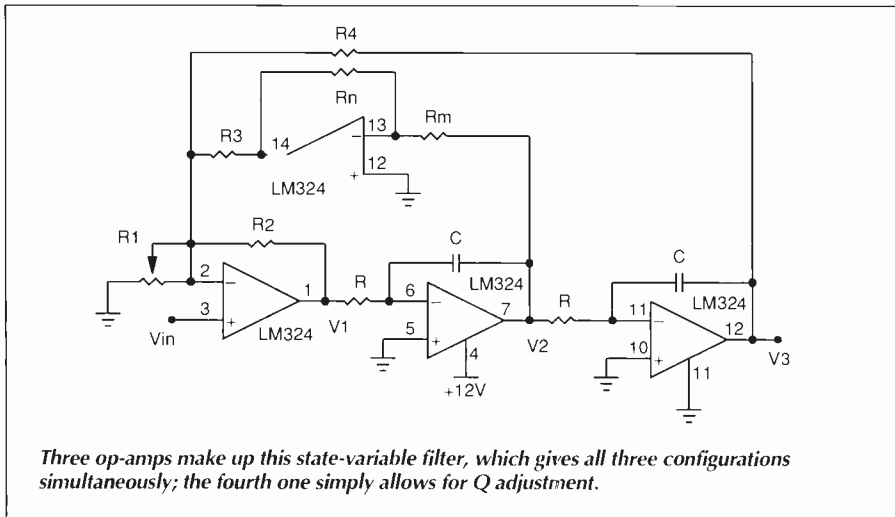
At the top is a balanced bridge, with one arm taken to signal ground of a series-tuned circuit using the impedance converter, which is tunable by the 500kΩ pot to allow for circuit tolerances; for the same reason, the bridge balance is also adjustable by the 1kΩ pot. This arrangement gives a notch with a very high Q – about 40dB rejection.

The earthy end of all this goes to the virtual earth of the bottom op-amp; a high-pass filter with its maximum output at 11kHz and a steep slope. This is also adjustable because of uncertainties about the level of the 11kHz pilot tone.

Reg Williamson
Kidsgrove
Staffordshire



Combined notch and high-pass filter, designed to extract the 11kHz pilot signal from the Russian Horizon satellite transmissions



Three op-amps make up this state-variable filter, which gives all three configurations simultaneously; the fourth one simply allows for Q adjustment.

Active filter

Compared to other filter designs of this broad type, this one offers the advantages of higher input impedance, adjustable gain and adjustable Q.

High-pass, low-pass and band-pass configurations are available simultaneously, the outputs coming from V_1 , V_2 and V_3 respectively.

Since $Q = R_n/R_m$ and $\omega_0 = 1/RC$, Q is variable simply by changing R_n and C by either R or C. Similarly, as the gain A of the filter is $A = (3 + R_2/R_1)$, it is also adjustable by R_1 only.

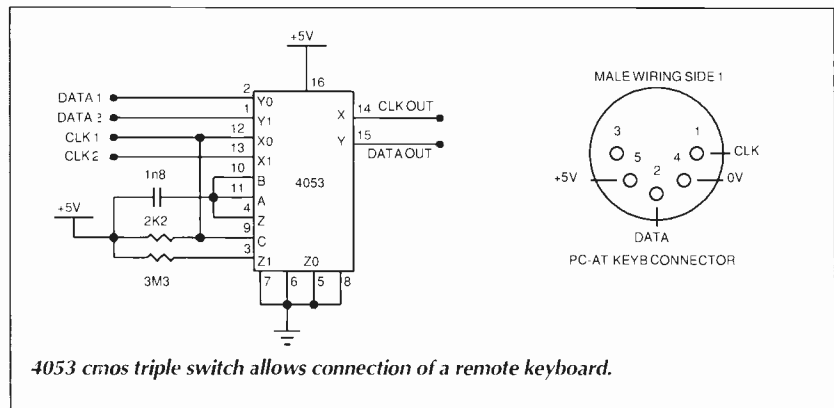
Kamil Kraus
Rokycany
Czechoslovakia

Remote keyboard for your PC

With one IC, you can add another, remote keyboard to a computer or control remote peripherals.

The 4053B is a triple CMOS single-pole, double-throw switch with very low on impedance and off leakage current. In the connection shown, the keyboard giving CLK2 and DATA2 is the default, a 0 from the remote unit's clock on CLK1 making the switch and connecting the remote keyboard for a few milliseconds. Zero and 5V keyboard supplies are common.

Ron Weinstein
Centralab Tel Aviv
Israel



4053 CMOS triple switch allows connection of a remote keyboard.

Many Radio Amateurs and SWL's are puzzled. Just what are all those strange signals you can hear but not identify on the Short Wave Bands? A few of them such as CW, RTTY, Packet and Amtor you'll know – but what about the many other signals?

Hoka Electronics have the answer! There are some well known CW/RTTY decoders with limited facilities and high prices, complete with expensive PROMS for upgrading etc., but then there is CODE3 from Hoka Electronics! It's up to you to make the choice – but it will be easy once you know more about Code3. Code3 works on any IBM-compatible computer with MS-DOS 2.0 or later and having at least 640k of RAM. The Code3 hardware includes a digital FSK Converter unit with built-in 230V ac power supply and RS232 cable, ready to use. You'll also get the best software ever made to decode all kinds of data transmissions. Code3 is the most sophisticated decoder available and the best news of all is that it only costs £299!

- Morse – Manual/Auto speed follow. On screen WPM indicator
- RTTY/Baudot/Murray/ITA2/CCITT2 plus all bit inversions
- Sitor – CCIR 625/476-4, ARQ, SBRS/CBRS FEC, NAVTEX etc
- AX25 Packet with selective call sign monitoring, 300 Baud
- Facsimile, all RPM/IOC (up to 16 shades at 1024x768 pixels)
- Autospec – Mk's I and II with all known interleaves
- DUP-ARQ Artrac – 125 Baud Simplex ARQ
- Twinplex – 100 Baud F7BC Simplex ARQ
- ASCII – CCITT 6, variable character lengths/parity

- ARQ6-90/98 – 200 Baud Simplex ARQ
- SI-ARQ/ARQ-S – ARQ 1000 simplex
- SWED-ARQ/ARQ-SWE – CCIR 518 variant
- ARQ-E/ARQ1000 Duplex
- ARQ-N – ARQ1000 Duplex variant
- ARQ-E3 – CCIR 519 variant
- ARQ6-70 – 200 Baud Simplex ARQ
- POL-ARQ – 100 baud Duplex ARQ
- TDM242/ARQ-M2/M4-242 – CCIR 242 with 1/2/4 channels

- TDM342/ARQ-M2/M4 – CCIR 342-2 with 1/2/4 channels
- FEC-A – FEC 100A/FEC101
- FEC-S – FEC1000 Simplex
- Sports info. – 300 Baud ASCII F7BC
- Hells-reiber – Synch./Asynch
- Sitor RAW – (Normal Sitor but without synchronisation)
- F7 B&N – 2-channel FDM RTTY

COMING SOON: Packtor

All the above modes are preset with the most commonly seen baudrate setting and number of channels which can be easily changed at will whilst decoding. Multi-channel systems display ALL channels on screen *at the same time*. Split screen with one window continually displaying channel control signal status e.g. Idle Alphas/Beta/RQ's etc., along with all system parameter settings e.g. Unshift on space, *Shift on Space*, multiple carriage returns inhibit, auto receiver drift compensation, printer on, system sub-mode. Any transmitted error correction information is used to minimise received errors. Baudot and Sitor both react correctly to third shift signals (e.g. Cyrillic) to generate ungarbled text unlike some other decoders which get 'stuck' in figures mode!

Six Options are currently available extra to the above standard specification as follows: 1) Oscilloscope. Displays frequency against time. Split screen storage/real time. Great for tuning and analysis. £29. 2) Piccolo Mk 6. British multi-tone system that only we can decode with a PCI £59. 3) Ascii Storage. Save to disc any decoded ascii text for later processing. £29. 4) Coquelet – French multi-tone system, again only on offer from Hoka! £59. 5) 4 Special ARQ and FEC systems i.e. TORG-10/11, ROU-FEC/RUM-FEC, HC-ARQ (ICRC) and HNG-FEC. £69. 6) Auto-classification. Why not let the PC tell YOU what the keying system is? £59.

NEW VERSION 4.00 JUST RELEASED – Now with improved user interface and even more features!

Please add £5 to the above prices for Carriage by fully insured First Class postal delivery (default mode).

Call or write for our comprehensive information leaflet – there is just not enough room here to tell you everything about Code3!

Professional users – please ask about our new CODE30 DSP unit available soon! (Piccolo down to – 12dB S/N!!!). Prices start from £1250.

HOKA ELECTRONICS (UK)

26 Bury Road, Shillington, Hitchin, Herts., SG5 3NY
Phone (0462) 711600 or Fax (0462) 711769

CIRCLE NO. 136 ON REPLY CARD

BoardMaker

Finally... an upgradeable PCB CAD system to suit any budget

BoardMaker1 - Entry level

- PCB and schematic drafting
- Easy and intuitive to use
- Surface mount support
- 90°, 45° and curved track corners
- Ground plane fill
- Copper highlight and clearance checking

£95

BoardMaker2 - Advanced level

- All the features of BoardMaker1 plus
- Full netlist support - OrCad, Schema, Tango, CadStar
- Full Design Rule Checking - mechanical & electrical
- Top down modification from the schematic
- Component renumber with back annotation
- Report generator - Database ASCII, BOM
- Thermal power plane support with full DRC

£295

NEW

BoardRouter - Gridless autorouter

- Simultaneous multi-layer routing
- SMD and analogue support
- Full interrupt, resume, pan and zoom while routing

£200

Output drivers - Included as standard

- Printers - 9 & 24 pin Dot matrix, HPLaserjet and PostScript
- Penplotters - HP, Roland, Houston & Graphtec
- Photoplotters - All Gerber 3X00 and 4X00
- NC Drill plus annotated drill drawings to HPGL, Gerber and DXF (BM2)

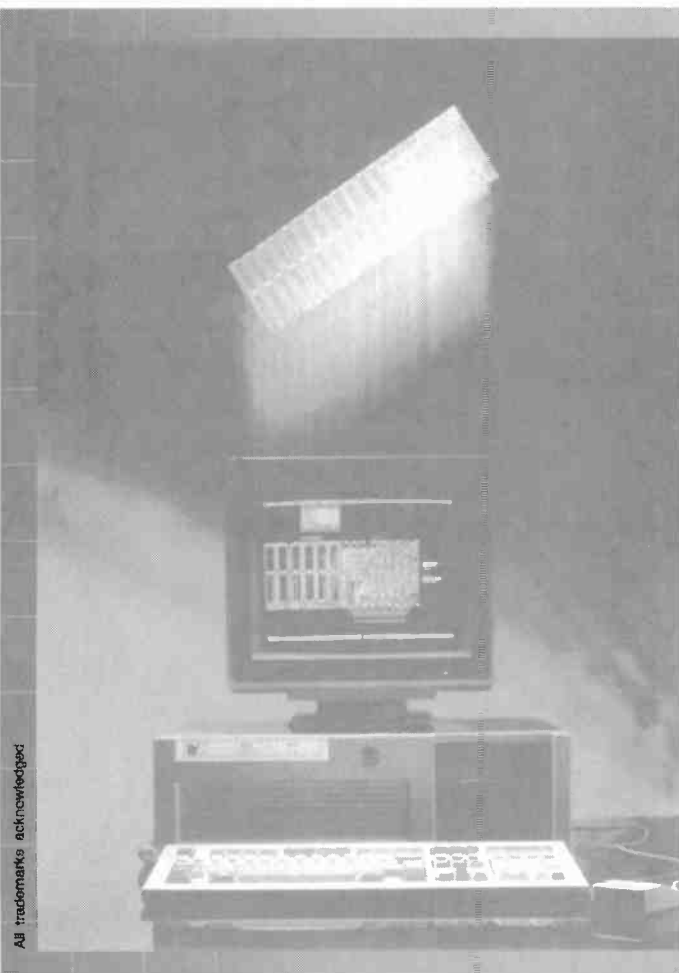


Call for info or FREE evaluation kit:
Tsien (UK) Limited
Phone : (0223) 277 777
Fax : (0223) 277 747



Tsien (UK) Ltd, Cambridge Research Labs, 181A Huntingdon Road, Cambridge CB3 0DU

CIRCLE NO. 137 ON REPLY CARD



All trademarks acknowledged

DESIGN BRIEF

CFBOs: delivering speed at any gain?

How hard can you push the LM6181 CFBO? Ian Hickman reports.

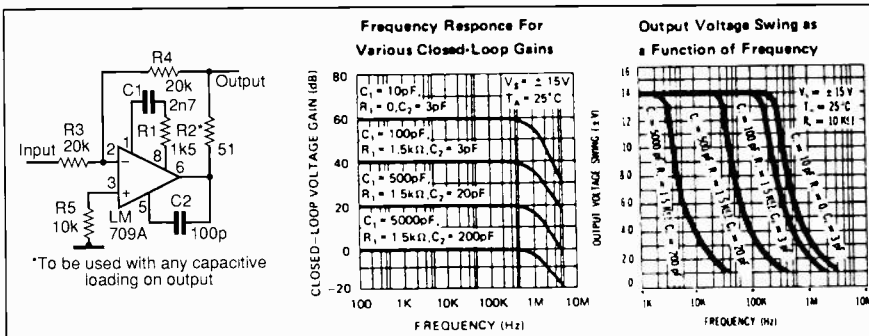
Current feedback op-amps have now achieved a ready acceptance by semiconductor manufacturers and design engineers. At first, it was the specialist analogue IC manufacturers such as Comlinear and Elantec that pioneered their introduction. But since then, mainstream semiconductor manufacturers – Analog Devices and Harris Semiconductor – have all come forward with products.

National Semiconductor also produces the *LM6181* CFBO, mounted in an evaluation board with accompanying data sheet, applications leaflet and *Spice* model on floppy disk. The device itself is packaged in an 8-pin DIP outline, with the usual pin-out. Specified typical -3dB bandwidth at a closed loop gain A_v of $+2$ and a $1\text{k}\Omega$ load, is 100MHz . It is still well over 50MHz when driving a 100Ω load such as a back-terminated 50Ω cable.

High speed CFBOs

CFBOs (current feedback op-amps) are noted for their high speed and wide bandwidth – qualities that do not deteriorate too markedly as the demanded gain rises from unity to times ten or even more. Their performance is in marked contrast to conventional VFBOs (voltage feedback op-amps) with internal compensation for gains down to unity, such as the 741. Even using a VFBO, the band-width reduction with increasing gain is largely avoided when an

Fig. 1. The venerable 709 externally compensated op-amp provides a wider (small signal) bandwidth at high gains than even a modern voltage feedback op-amp internally compensated for gains down to unity, although the large signal bandwidth suffers at low gains.



op-amp with external compensation is used.

Fig. 1 shows the closed loop bandwidth achieved by the earliest popular monolithic op-amp, the 709, when the compensation is correctly selected, according to the set gain. But though bandwidth is remarkably well maintained with increasing gain, it still amounts to only a few percent of the bandwidth of a CFBO. Further, like a VFBO internally compensated for gains down to unity, a CFBO does not need any external compensation components selected according to the required gain (except perhaps when seeking to wring the last ounce of performance from the circuit). There is only one internal node at which there is any significant voltage swing – the point immediately preceding the unity gain output buffer, Fig. 2. As a non-inverting

Testing the LM6181

The evaluation board circuit diagram (Fig. 3) shows positions of the links and optional components exactly as found on the board as supplied.

Absence of a spectrum analyser but having an oscilloscope with a 300MHz bandwidth dictated domain testing had to be my approach. Rise and fall times of the 10MHz square-wave output of my 10Hz – 10MHz video oscillator are a leisurely 20ns – scarcely enough to exercise the *LM6181*'s capabilities. So I built the test circuit of Fig. 4, using ground-plane construction and a strip-line connection between pin 11 of the Harris *CD74AC00* quad two-input Nand gate and the BNC output socket. Output was connected to a 50Ω three-way resistive splitter, with one output applied to channel 1 of the oscilloscope by a coaxial lead with a 10dB pad at the split-

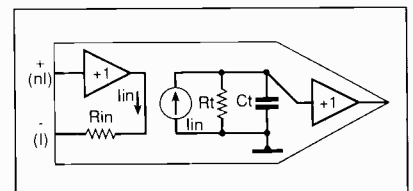
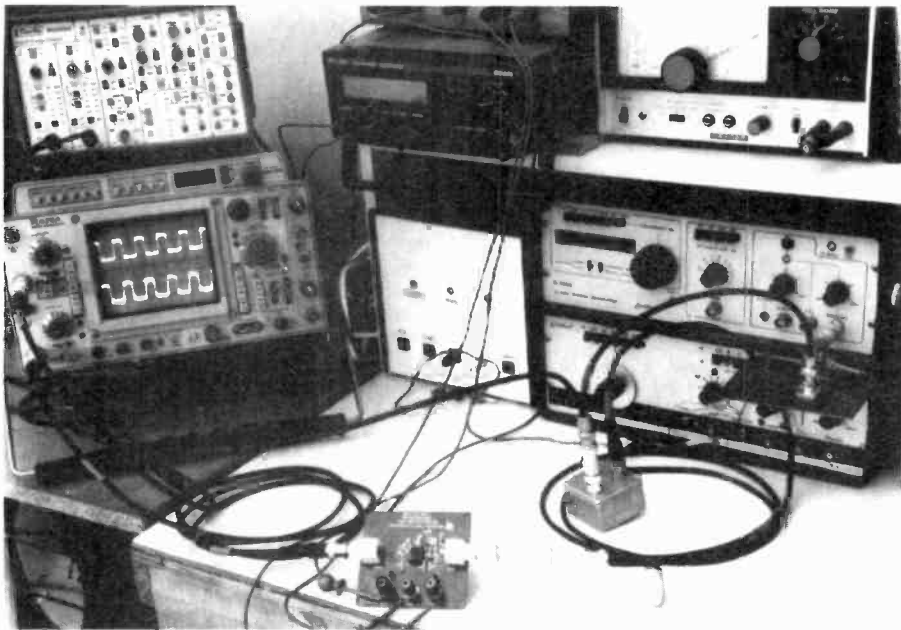
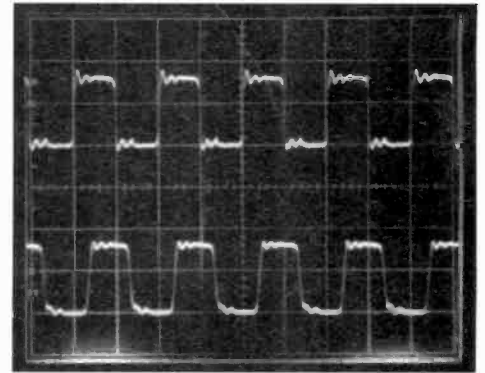


Fig. 2. In a CFBO, all gain is raised as current gain, except for the node immediately preceding the unity gain output buffer. So there is only one significant lag $R_t C_t$, rather than two or more as in a VFBO. (Courtesy Analog Devices.)

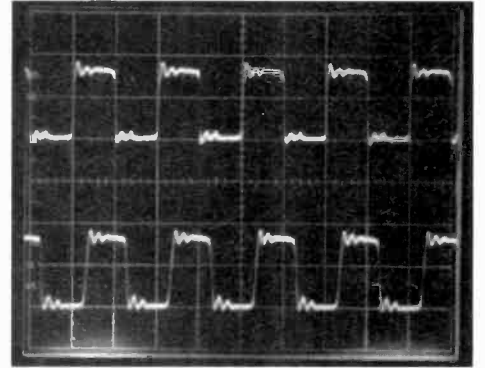
amplifier, the I terminal is connected to ground through resistor R_s and to the output through resistor R_f . The input is applied to the high impedance N_I terminal and the gain is $(R_f + R_s)/R_s$. Due to the unity gain of the input buffer and the very low value of the amplifier's I -terminal internal resistance R_{in} (tens of ohms), input voltage at the N_I terminal is closely reproduced at the I terminal, the small difference being equal to I_{in} times R_{in} . Current mirrors cause I_{in} to flow in R_b , the input impedance (typically several megohms) of the output buffer, giving the device a low-frequency open loop voltage gain of R_f/R_{in} . The open loop current gain is simply equal to the current gain of the output buffer. I_{in} is the difference between the current in R_s and that in R_f , a CFBO working as a transimpedance amplifier.



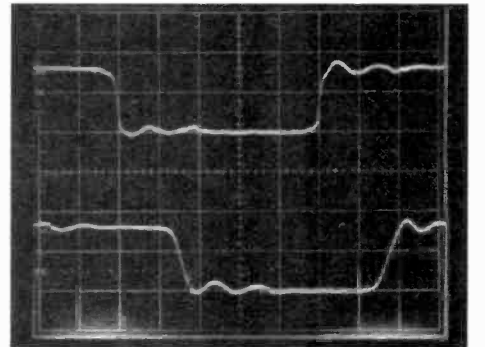
Equipment set-up that produced the test results.



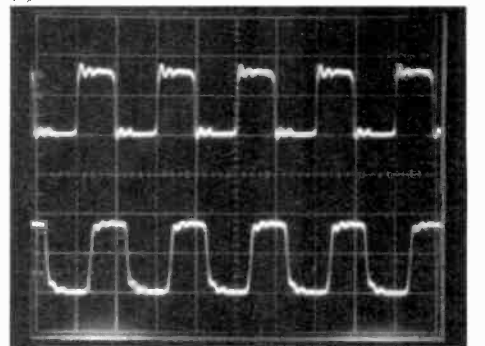
(a)



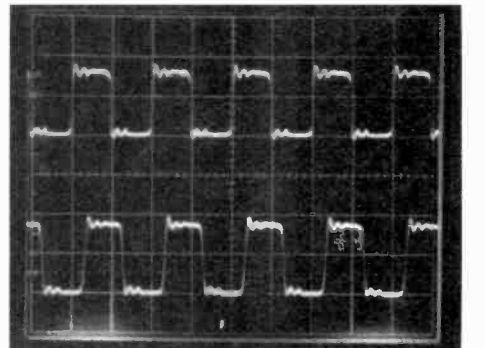
(b)



(c)



(d)



(e)

Fig. 3. LM6181 evaluation board, as supplied.

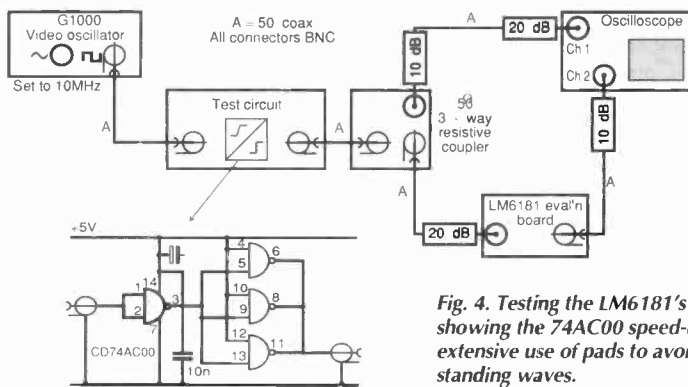
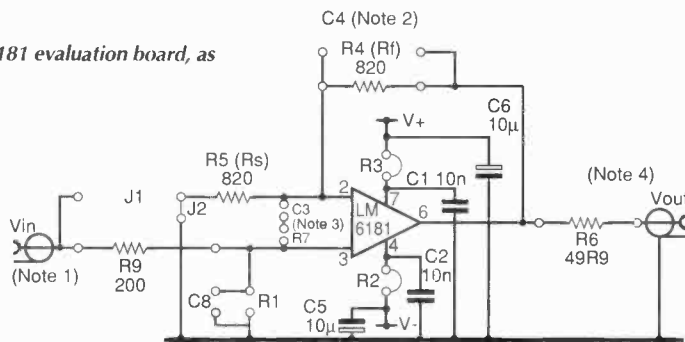


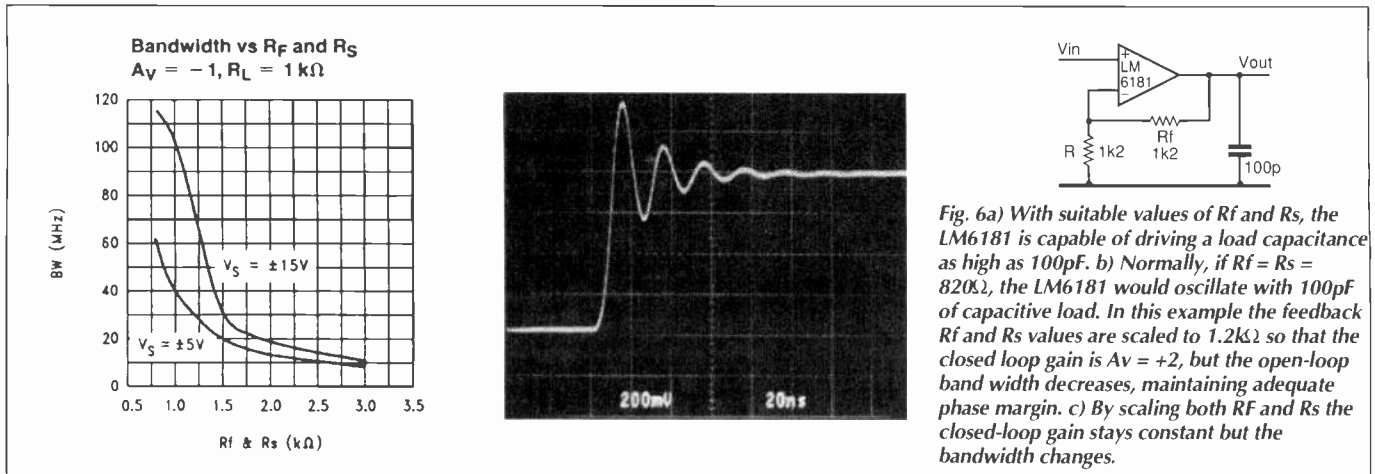
Fig. 4. Testing the LM6181's performance, showing the 74AC00 speed-up circuit and extensive use of pads to avoid reflections and standing waves.

ter end and a 20dB pad at the oscilloscope end. With 30dB of pads and 6dB loss in the splitter, the (almost) 5Vpk-pk amplitude out of the Nand gate board might be expected to be 75mV pk-pk. But the scope presents a high input impedance, leaving the 20dB pad unterminated. So the channel 1 input is in fact 0.15V pk-pk (Fig. 5a upper trace), 100mV/division.

As a test signal, it is not as clean as is ideal. But at a little over 2ns, the rise and fall times are good and fast. Decoupling includes a

ceramic chip capacitor connected directly from pin 14 of the Nand gate to ground-plane, but the device is socketed, resulting in longer

Fig. 5a) Performance of the LM6181 on its evaluation board, at unity gain; upper trace, input waveform (channel 1, 100mV/div); lower trace, output waveform (channel 2, 200mV/div); b) with R9 shorted; c) timebase speed increased from 50ns/div to 10ns/div d) demanded-gain increased by 10dB; and e) a peaking network of 10pF in series with 180Ω connected in parallel with R5 (Rs).



leg lengths and the consequent ringing shown.

Channel 2 at 200mV/div (lower trace of Fig. 5a) shows the LM6181 output. As in channel 1 there is a total of 30dB of pads in circuit, the scope end again being unterminated. The LM6181 drives the output coax through a 49.9Ω source resistor and in conjunction with the x2 voltage gain set by R_4 and R_5 this should result in unity overall gain. Apparent gain of x2 is due to the fact that the 20dB pad at the amplifier's input port is also unterminated, and the amplifier presents a high input impedance due to operating in the non-inverting mode (unterminated pads do not result in any significant mismatches, since the input of an unterminated 10dB pad presents a 20dB return loss to the source.) The output waveform is a fair copy of the original – though the rise time is clearly degraded because of the pole created by R_6 and the board and device capacitance at the op-amps's NI input, pin three. Figure 5b lower trace shows the result of shorting R_6 ; the output rise-time is improved, while the ringing is slightly increased compared with the input (upper trace) - a value for R_6 somewhere between zero and 200Ω would seem to be optimal. Figure 5c is the same as 5b except that the timebase speed has been increased from 50ns/div to 10ns/div.

Output rise and fall times (lower trace) are about 5ns. Given that the amplifier's bandwidth when driving a 100Ω load is about 55MHz, this is a very creditable performance bearing in mind the rule of thumb for a single pole response which says that risetime (ns) is approximately equal to 350/bandwidth (MHz). Incidentally, the 16ns mid-swing delay evident between the two traces indicates the length of

the extra coaxial cable in the path via the amplifier. Assuming the wave velocity in the cable is 2×10^8 m/s (2/3 of that in free space), the length is indicated as 3.2m, whereas it actually measured only an extra 2.2m (11ns). The remainder is due to the tracking on the evaluation board and the 5ns propagation delay in the device itself.

Demanding more gain

Obtaining a higher gain with a CFBO means increasing ratio R_f to R_s , just as with a VFBO. But this is achieved by lowering R_s , not increasing R_f (which would have a deleterious effect upon bandwidth). The increased gain is thus obtained by increasing the drive current to the input buffer portion of the CFBO (Fig. 2). Figure 5d shows the result of increasing the gain by 10dB (from x2 to x6 approx), by connecting a 180Ω resistor in parallel with R_s ; an additional 10dB pad has been inserted between the splitter and the evaluation board so channel 2 deflection factor is unchanged.

Some deterioration in performance is evident, but not nearly as much as would be the case with a VFBO internally compensated for gains down to unity. The question is: will the sort of compensation techniques used for decades by designers of video amplifiers and oscilloscope deflection stages work with the LM6181? The answer, obtained after only a very little experimentation is yes, as Fig. 5e shows. Apart from the slower rise and fall times, the output trace is a faithful copy of the upper input trace. Indeed it is a more faithful copy than either Fig. 5a or 5b. As indicated above, when changing the gain of the stage, normally R_f is left at 820Ω and R_s adjusted as required. But sometimes changing the value of

R_f can be beneficial – such as when driving capacitive loads. Load capacitance in conjunction with the CFBO's output resistance adds another pole in the loop, reducing the phase margin and, at the extreme, causing oscillation. At a gain of +2 and with a 100pF load capacitance (Fig. 6a) the LM6181 would oscillate if $R_f = R_s = 820\Omega$. Scaling both to 1200Ω keeps the closed loop gain at +2 but decreases the open loop bandwidth, restoring an adequate phase margin (Fig. 6b). The way that bandwidth changes with R_f scaling, for the case where $A_v = -1$, is illustrated in Fig. 6c. As so often in electronics there is more than one way to achieve the desired result. Thus with $R_f = R_s = 820\Omega$, even a 48pF load will result in excessive ringing (Fig. 7a) but buffering it from the LM6181's output with a 47Ω resistor (Fig. 7b) gives a much more satisfactory result (Fig. 7c).

References

1. "The current alternative to operational amplifiers", F Ogden, EW + WW, August 1992 p. 643.

Acknowledgments

Figures 1, 3, 4, 6 and 7 courtesy National Semiconductors.

Inverting illustrations

Illustrations all relate to the non-inverting circuit. But the LM6181 and other CFBOs can also be used in the inverting connection. Indeed some CFBOs from one manufacturer are stated to be designed primarily for use as inverting amplifiers, although they are "also suitable for use in many non-inverting applications".

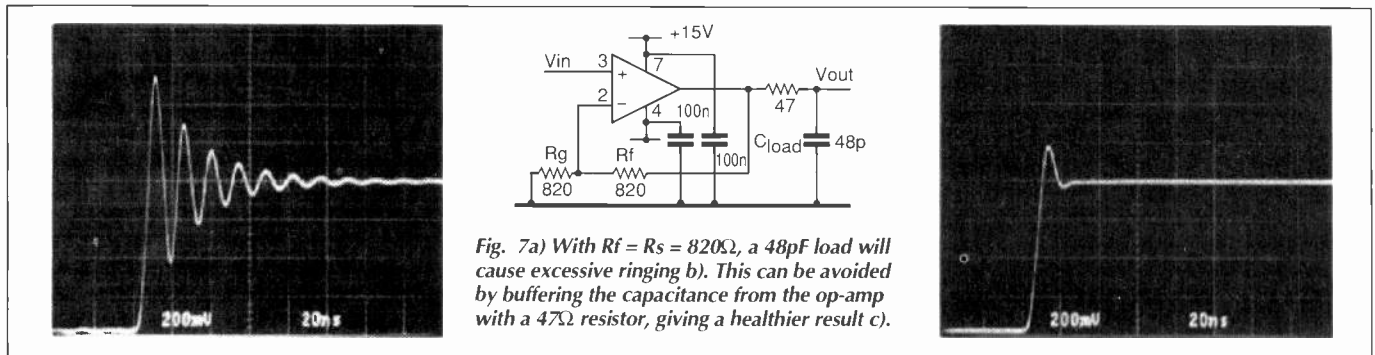


Fig. 7a) With $R_f = R_s = 820\Omega$, a 48pF load will cause excessive ringing b). This can be avoided by buffering the capacitance from the op-amp with a 47Ω resistor, giving a healthier result c).

REPRINTS

a ready made sales aid

If you are interested in a particular article or advertisement, you should take advantage of our reprint service. We offer an excellent, reasonably priced service. For further details and a quotation (minimum no. 250), contact:

Jan Crowther

**Room 1006, Quadrant House, The Quadrant
Sutton, Surrey SM2 5AS, UK**

Telephone: 081-652 8229 Fax: 081-652 4728

CIRCLE NO. 138 ON REPLY CARD

EUROASIC-EDAC 93 - 22 to 25 FEBRUARY 1993 CNIT PARIS - LA DEFENSE

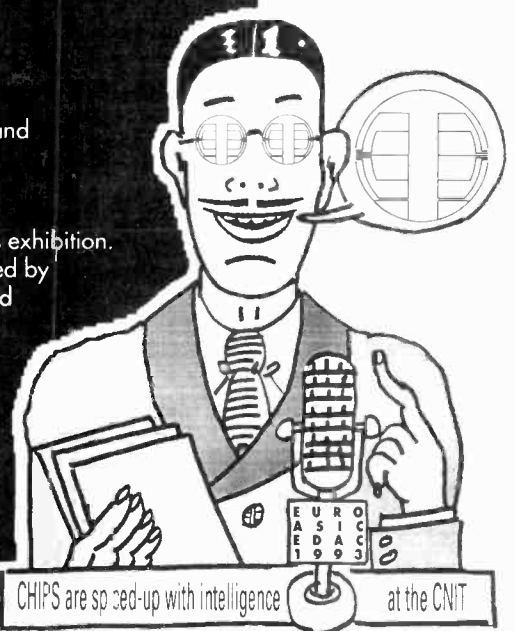
When ASICs can be seen, intelligence can be felt.

The 6th EUROASIC in 1993 will bring together all of the specific circuit designers and manufacturers, CAD tool suppliers, service companies, integrators, and designers/manufacturers of cards.

The 4th EDAC (European Design Automation Conference) is joining forces with this exhibition. More than 500 participants from 25 countries will be coming to this event organized by European ASIC professionals in co-operation with the IEEE (Institute of Electrical and Electronic Engineers) and other European scientific institutions.

In the current climate of European mergers, the association of a leading exhibition with an internationally-renowned conference will make EUROASIC-EDAC 93 the top European exhibition-conference for ASICs.

For all information, contact
SEPIC EUROASIC-EDAC 93, Communications Department,
1, rue du Parc F-92593 Levallois-Perret Cedex
Tel. 33 (1) 49 68 54 65 - Fax 33 (1) 49 68 54 66



**EURO
ASIC 93**

Exhibition
23-25 February 1993



Conference
22-25 February 1993

Mr/Ms _____ Position _____
Company _____ Department _____
Address _____
Post Code _____ Town _____ Country _____
Tel. _____ Fax _____

Please send me an exhibitor kit an invitation card

CIRCLE NO. 145 ON REPLY CARD



INTERFACING WITH C

by
HOWARD HUTCHINGS

Interfacing with C can be obtained from Lorraine Spindler, Room L333, Quadrant House, The Quadrant, Sutton, Surrey SM5 2AS.

Please make cheques for £14.95 (which includes postage and packing) payable to Reed Business Publishing Group.

Alternatively, you can telephone your order, quoting a credit card number. Telephone 081-652 3614.

A disk containing all the example listings used in this book is available at £25.50 + VAT. Please specify size required.

C HERE!

If you have followed our series on the use of the C programming language, then you will recognise its value to the practising engineer.

But, rather than turning up old issues of the journal to check your design for a digital filter, why not have all the articles collected together in one book, *Interfacing with C*?

The book is a storehouse of information that will be of lasting value to anyone involved in the design of filters, A-to-D conversion, convolution, Fourier and many other applications, with not a soldering iron in sight.

To complement the published series, Howard Hutchings has written additional chapters on D-to-A and A-to-D conversion, waveform synthesis and audio special effects, including echo and reverberation. An appendix provides a "getting started" introduction to the running of the many programs scattered throughout the book.

This is a practical guide to real-time programming, the programs provided having been tested and proved. It is a distillation of the teaching of computer-assisted engineering at Humberside Polytechnic, at which Dr Hutchings is a senior lecturer.

Source code listings for the programs described in the book are available on disk.

BBC puts digital TV into practice

As the man crossed the road he left a bit of his leg behind – at least for a split second. But this was no circus trick, rather one of the characteristic problems of digital television.

The picture was a busy street scene, shown on a 16:9 monitor, and we were viewing results of the latest work on digital compression for bit-rate reduction at the BBC's research department, one of the many collaborators in the major international effort on digital TV.

One demo showed an HDTV picture after being compressed to give a bit-rate of 25Mbit/s. The system, using a new algorithm, was based on a coding method currently being considered by the Motion Picture Experts Group (MPEG) of the International Standards Organization. But the MPEG project is for compressing ordinary definition TV signals to give bit-rates up to about 10Mbit/s.

25Mbit/s may still sound high but it is in fact a considerable compression. To retain sufficient resolution in a digitised HDTV picture, the signal must be sampled at a rate above 70MHz in the A-to-D converter and the resulting raw data rate is over 1000Mbit/s. A compressed rate of 25Mbit/s for digital HDTV is about four times the mid-range rate which the MPEG algorithm is aiming at for conventional television (where the raw video data rate is 216Mbit/s).

Compression factors of about 30 to 40 are now being seen – though the MPEG has conducted tests on algorithms from a variety of organisations with compression factors ranging from about 20 up to 54.

International collaboration

The current international work, which includes a substantial European input from the Eureka 625 project, exploits the psycho-physical limitations of human vision, the spatial and temporal redundancy of TV pictures and the statistical characteristics of the picture information. To do so, it uses a combination of techniques such as discrete cosine transform coding, motion-compensated inter-frame prediction and variable-length coding. (Aubrey Harris outlined the main benefits of digital signalling in *EW + WW*, June 1992)

Ultimately the digital signals have to be transmitted in television channels of limited bandwidth, and for HDTV particularly the spectral efficiency of the modulation system is all-important. At the demonstration, along with its own work, the BBC showed a recording of digital TV pictures broadcast in the UK with the extremely high spectral efficiency of 7.5bits/s/Hz.

In fact this was an experimental transmis-

A lot of European effort is being expended on digital television and HDTV. Tom Ivall went along to the BBC to see how the UK's contribution was progressing.

sion of 60Mbit/s in a standard 8MHz television channel. The modulation technique giving this remarkable performance, developed by France's Thomson-CSF/Laboratoires Electroniques de Rennes, uses orthogonal frequency division multiplexing (OFDM) and quadrature amplitude modulation (qam).

One contribution to the spectrum space efficiency comes from use of both horizontal and vertical polarisation. A 30Mbit/s signal is transmitted on each, made up of an OFDM ensemble of about 500 closely spaced carriers, all digitally modulated with 64 qam.

UK tests

The BBC's involvement was to provide the conditions for a realistic broadcasting test of the French system in the UK. The digital signal was radiated in UHF channel 28 (a standard 8MHz TV channel) from a low-power transmitter at the Crystal Palace station in London. Signals were received about 10 miles away at the research department in Kingswood, Surrey, and at other places in South London and Surrey.

To an outsider, the system looks complex and vulnerable. But engineers involved claim that it is rugged in performance. It certainly seems to offer the prospect of transmitting at least one digital HDTV service in a standard terrestrial broadcasting channel – without digital compression being applied.

For contribution links (eg from outside broadcasts back to studios) the BBC has developed, in a collaborative project, a codec for sending HDTV signals at high quality over a standard 140Mbit/s telecommunications circuit.

The BBC has now demonstrated how this codec can also be operated at the lower bit-rate of 70Mbit/s, to save cost, when the programme material is less demanding. ■

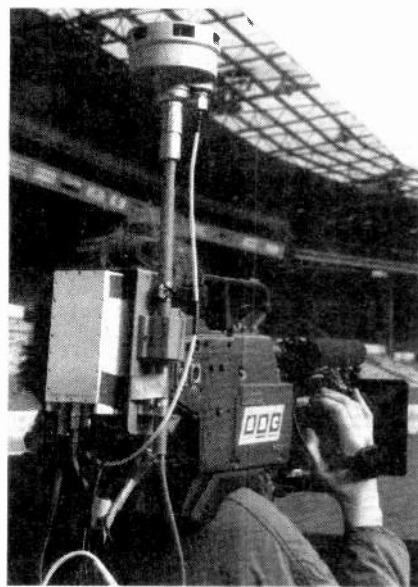
Camera with adaptive approach

Digital processing is bringing benefits in a new design of radio-camera for TV outside broadcasts. Instead of trailing cables behind, these portable cameras carry a small microwave transmitter and antenna, allowing the camera operator considerable freedom and flexibility. A nearby receiving dish picks up the signals.

Currently the BBC is using circularly polarised omni-directional antennas to combat multi-path propagation problems. But the omni-directional radiation pattern still causes some reflections and the signal between camera and receiving dish can be blocked by obstructions.

To overcome these difficulties the research engineers have developed a radio-camera with a cluster of six directional horn antennas, all pointing in different directions. These are automatically selected by a switching system so that at all times during an OB the best signal path between camera and receiving dish is brought into play.

The system works by repeatedly transmitting video test lines through the horns in turn. Decisions on which horn gives the highest signal strength at any instant are made in the receiving equipment, which sends back corresponding data signals to the camera. The test lines and switching decisions occur during field blanking intervals, and because the whole system is updated at frame rate 25 times/s it adapts immediately to all camera movements.



BBC engineers have developed a radio-camera with a cluster of six directional horn antennas selected by a switching system to ensure the best signal path between camera and receiving dish.

KESTREL ELECTRONIC COMPONENTS LTD

- ☆ All items guaranteed to manufacturers' spec.
- ☆ Many other items available.

'Exclusive of V.A.T. and post and package'

	1+	100+		1+	100+
EPROMS			STATIC RAMS		
2764A-25	1.48	1.15	62256LP-100	3.50	2.50
27C64-150	1.48	1.15	62256LP-70	3.30	2.45
27C128-150	1.85	1.55	6264LP-100	1.50	1.38
27128A-200	1.45	1.20	6116LP-100	0.85	0.78
27256-250	1.45	1.28	628128LP-80	11.60	10.80
27C256-200	1.75	1.35			
27C512-150	2.50	1.85			
27C010-150	2.90	2.35			
			DRAM		
MM58274CN	4.40	3.60	64k x 1	1.00	0.81
HD6321	1.60	1.20	256k x 1	1.05	0.85
HD63B21	1.80	1.60	1M x 1	3.40	2.65
HD6350	1.40	1.10	256k x 4	3.30	2.65

74LS, 74HC, 74HCT Series available
Phone for full price list

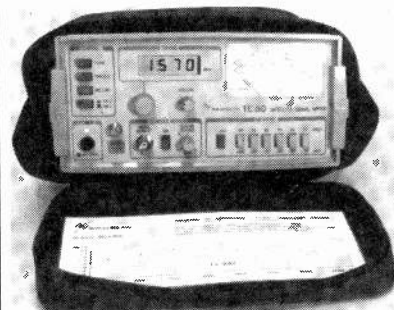
All memory prices are fluctuating daily, please phone to confirm prices

**178 Brighton Road,
Purley, Surrey CR8 4HA**
Tel: 081-668 7522. Fax: 081-668 4190.

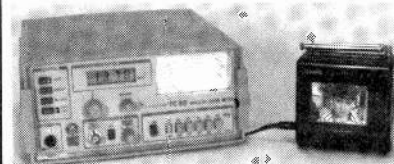
CIRCLE NO. 139 ON REPLY CARD

SADELTA SIGNAL STRENGTH METERS FROM B.K. ELECTRONICS

The new Sadelta Signal Strength Meter, the TC-80, has been designed to facilitate the dish alignment of satellite TV systems. Signal levels can be accurately measured on the TC-80, allowing the evaluation of signal conditions for satisfactory operation and picture quality. The TC-80 has a clear LCD direct frequency readout, coupled to a multiturn tuning control enabling precise channel identification. The TC-80 also incorporates two unique features: video composite and audio outputs.



TC-80 IN ITS STURDY CARRY CASE



TC-80, USING A LCD TV AS A MONITOR

- ★ 4 digit LCD freq. display
- ★ Freq. range 950 to 1750MHz
- ★ Sweep mode sweeps entire freq. band for rapid satellite location
- ★ Tone select switch for audible tone proportional to signal strength
- ★ Measurement from 40 to 100dBuV
- ★ Audio demodulation with internal loudspeaker
- ★ Video demodulation
- ★ Rear SCART connector for A/V connection
- ★ Sound tuning 5 to 8MHz
- ★ LNC PSU 14V or 18V
- ★ LNC current measurement
- ★ Internal rechargeable battery with charger

PRICE: £490.00
+ **£85.75 V.A.T.**
FREE DELIVERY



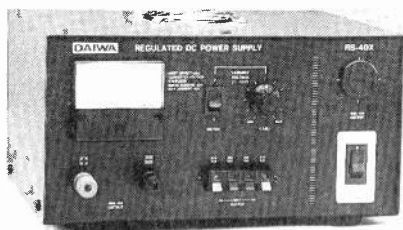
U.K. POST PAID, export enquiries welcome. Visa/Access or cheque with order, payable B. K. Electronics. Official Orders welcome from Govt. Depts., colleges, P.L.C.s etc. Large (A5) S.A.E. for technical leaflets of complete range. Credit card orders are accepted by 'phone, fax or post.



B.K. ELECTRONICS
UNITS 1 & 5 COMET WAY, SOUTHOEND-ON-SEA
ESSEX SS26TR
Tel.: 0702-527572 Fax.: 0702-420243

CIRCLE NO. 140 ON REPLY CARD

BENCH POWER SUPPLIES from DIAWA INDUSTRY CO



	PS120	PS140	PS304	RS40X
I/P VOLTAGE	230/117	230/117	230/117	230/117
O/P VOLTAGE	3-15	13.8	1-15	1-15
O/P CURRENT	12	14	30	40
MAX RATED	9.2	12	24	32
RIPPLE	3MV	3MV	3MV	3MV
SIZE (WHD)	128x104x225	128x104x225	175x150x225	280x140x225
WEIGHT	5KG	5KG	8KG	10KG
PRICE INC VAT*	69.96	65.00	129.95	189.00

*Carriage extra

- Compact and lightweight
- Cost efficient
- Rapid delivery



SOUTH MIDLANDS COMMUNICATIONS LIMITED
S M House, School Close, Chandlers Ford Ind Est.
Eastleigh, Hampshire, SO5 3BY
Tel: (0703) 255111 Fax: (0703) 263507

CIRCLE NO. 141 ON REPLY CARD

ALL VALVES AND TRANSISTORS

We are one of the largest stockists
of valves etc in the U.K.

CALL OR PHONE

for a most courteous quotation.

081 743 0899

COLOMOR ELECTRONICS LTD

170, Goldhawk Road, London, W12 8HJ

FAX 081-749 3934

CIRCLE NO. 142 ON REPLY CARD



WHITE NOISE *by Hot Carrier*

Return of the filament?

In the days of the valve, hot carriers were just that – electrons boiled off from a red hot cathode or glowing filament. Now students at the University of California have developed “micro-filaments” using IC fabrication techniques. The 200µm long devices, grown on a silicon chip with a tungsten filament 5µm wide and 0.7µm thick, emit almost half a lumen at less than 100mW of input power, and operate as a micro-sized triode. Performance is comparable with the 35mW drawn by the 1.4V 25mA filaments of the DK96 range of B7G battery valves. Presumably if the filament could be coated with the usual mixture of rare earths to reduce the work function, the same electron

emission could be obtained at a much lower filament temperature, drawing less heater power. This opens up the prospect of a renaissance of thermionic devices. After all mobility of electrons *in vacuo* is much greater than in silicon, gallium arsenide or even diamond, currently being researched as the next super solid state technology. Nor should the presence of a filament be regarded as necessarily a source of fragile unreliability. Special purpose valves were successfully used in artillery fuses where the peak shock due to acceleration reached 50000g. The side-slap forces in an end-of-life barrel were estimated to reach a quarter of a million g.

Words of complaint

Recycling as an aid to economy in the use of the world's limited resources is a laudable aim. Not so attractive is the re-use of technical terms with an entirely different meaning. For example a “phantom” used to be an additional telephone circuit carried over a pair, effected by using the centre taps of the line-side windings of two other pairs or “side circuits”. The latter were physical circuits whereas the additional circuit operated (apparently) without its own pair; hence it was known as a phantom.

But in the modern world of communications, where we worry about the effects on our brains and eyes of a handheld phone unit transmitting maybe a couple of watts of RF at 900MHz or more, the word

has an altogether different meaning.

The NRPB (National Radiological Protection Board) has laid down limits on the permissible absorption of radiated power in human tissues. But are the limits being met? Volunteers ready to have thermocouples poked into their brains are unsurprisingly hard to find. So we must produce jellies with the same density, thermal conductivity and RF absorptivity as a real brain – the necessary target data presumably having been measured on the organs of a (recent?) cadaver. Sadly, the packet of goo representing a brain or whatever is now referred to as a “phantom”, a new and grisly twist to an old term.

Logic not language leads to clarity

British engineers are inaccurate and slipshod in their use of language, and unable to express themselves clearly and unambiguously. Not my words, but a summary of a tetchier than usual *IEE News* editorial.

It seems that disconnected relevant clauses, verbalised nouns and split infinitives are solecisms indicating a slipshod and untrained mind.

But sometimes only a split infinitive will do: “Add water to just cover the crystals” is perfectly clear while neither “– just to cover –” nor “– to cover just –” expresses quite the same thing. Of course, we could recast the

sentence: “Add water until the crystals are just covered”. But to be forced so to do is the kind of pedantry up with which a famous British statesman said he would not put.

Some educationalists still advocate the teaching of Latin as a way of inculcating a logical turn of mind. What a farce! The French, whose electronics industry and economy in general, has arguably outperformed our own in recent years, have a much more logical approach.

To help their schoolchildren to think and express themselves logically, they teach them a subject which never features in a UK curriculum. They teach not Latin but *Logic*.

Cynical manipulation

Is it better to be pessimistic and have the occasional pleasant surprise or optimistic and be doomed to repeated disappointment?

Pessimistic optimism: Only blinkered isolationists believe the UK can thrive without active trading links with the rest of the world – and Europe in particular. This especially applies to electronics goods and manufacturers. So the move by the seven member EFTA group and the EC to form a 19 nation free trade common market of 380 million people with effect from January 1 1993 must be hailed as good news: *if it goes ahead*.

Optimistic pessimism: We all puffed our chests out with pride in November 1991 when scientists on the Joint European Torus added tritium to the reactor fuel and produced a significant amount of power from the resulting controlled fusion. The achievement thrust the project ahead of others in the USA, Japan and Russia, and perhaps laid the foundations for a golden age of abundant pollutionless virtually free energy for all. *Or then again perhaps it did not.* Maybe the latter would be the best outcome for mankind in the long run. Who knows what the effect of a vastly increased release of energy (which mostly all finishes up as heat) will have on the environment?

Put an engineer on top

At an “innovation” seminar organised by the DTI and attended by many of Britain's manufacturing bosses, Akio Morito (founder and chairman of Sony) lectured on the disastrous results for industry of the low esteem in which engineering is held in the UK. He wanted to see more engineers in top management – as is common in Japan (and in Germany too!). According to Morito, too many people running British industry are simply illiterate in technical matters, no matter how many business and economics qualifications they might have. Amen to that.

CLASSIFIED

TEL 081 652 8339

FAX 081 652 8931

ARTICLES FOR SALE

VALVES AND C.R.T.s (also Magnetrons, Klystrons, 4CX250/350)

Minimum order charge of £50 + VAT

One million valves in stock. Obsolete types a speciality! Fax or phone for quote.

Special prices for wholesale quantities.

Orders from government departments, overseas etc. most welcome.

Many other types in stock. Please enquire re any type not listed.

CATHODE RAY TUBES 400 different types in stock.

Please enquire if your requirements are not listed below.

3JP1	POA	D10.230GM	£45.00	E723 (EEV)	POA	M31.182GV	£45.00
12CSP4	£35.00	D13.611GH	£59.00	F28-130LDS	POA	M31.184W	£55.00
1074H	£45.00	D13.630GH	£59.00	F31.12LD	£75.00	M31.190GR	£45.00
1396P	POA	D14.200GM	£75.00	LD708	£75.00	M31.191W	£55.00
8931 (W.H)	POA	D16.100GH97	£65.00	M7.120W	£19.50	M31.325GH	£35.00
CME822W	£7.00	DG7-5	£45.00	M14.100GM	£35.00	M38.100W	POA
CME1523W	£9.50	DG7-6	£45.00	M17.151GVR	£45.00	M40.120W	POA
CRE1400	£29.50	DG7-32	£55.00	M23.112GV	£45.00	MV6-5 (Mul)	£50.00
D9.110GH	£45.00	DG7-36	£55.00	M24.121GH	£55.00	SE5FP31	£45.00
CME1431W	POA	DH3-91	£50.00	M24.122WA	£55.00	VLS429AG	POA
4CX250B ITT, used but fully tested					£20+VAT	Discounts for 10 or more pos	£50+VAT
4CX350A Eimac, used but fully tested							

VALVES Prices on application. Please enquire re any type not listed below.

A2426	EC158	M8162 Mul	Z803U	6F33
A2521	ECC81	M513B	Y644	6L6GC
C1149-1	ECC81 Spec Q	Magnetrons	1B35A	6SL7GT
C1166	ECC82	PC900	2K25	6SN7GT
CCS1	ECC82 Spec Q	PC989	3B28	12BH7
CV TYPES: Many in stock. Not all listed below.	ECC83	PD500	3J-160E	12E1
Please enquire	ECC83 Spec Q	PL509	4-65A	13E1
CV488	ECC88	QQV03-10	4-125A Eimac	19AQ5
CV1881	ECC88 Spec Q	QQV03-10 Mul	4-400A	211
CV2355	EF39	QQV03-20A	4C28	805
CV4014	EF73	QQV03-20A EEV	4CX250B	807
CV4024	EF91	QQV06-40A	4CX250BC	811A
CV6087	EF92	QQV06-40A Mul	4CX350A	813
CV7180	EF93	QY3-125	4CX1000A	4635
CX1140	EF95	QY4-250	4CX5000A	5763
DA42	EL34	QV04-7	5B-254M	6336A
DET22	EL38	R10	5B-255M	6973
DET23	EL81	SU2150	5B-257M	8056
DF91	EL81 Mul	TT21	5B-258M	8122
E80L	EL84	S11E12	5U4G	Sockets:
E83F	EL5070	TD03-10E	6AK5W	B9A PCB
E98CC	GY501	U19	6A56	B9A chassis
E180F	Klystrons	UBC41	6BH6	Octal chassis
E810F	K161	UCLB2	6BJ6	Many others
	K781	UY85	6BM6	
	KT88/6550	VLS631	6CH6	
	M8136 Mul	Z759	6CJ6	

Testing to special quality - Military/CV, low microphony etc available on request

BILLINGTON EXPORT Ltd

Unit 1E, Gillmans Industrial Estate, Billingshurst, Sussex RH14 9EZ.
Callers by appointment only.

Telephone: 0403 784961 Fax: 0403 783519

Min. UK order £50 + VAT. Min. Export order £50 + Carriage.

PHILLIPS PM3217 Dual trace 50MHz Delay sweep	£320
FARNELL DT12-5 12MHz Dual channel scope	£120
FARNELL DT12-14 12MHz Dual channel scope	£120
TEKTRONIX 2215 60MHz Dual channel scope	£375
TEKTRONIX 475 200MHz Dual channel scope	£425
TEKTRONIX 434 50MHz Dual channel scope	£250
TELEQUIPMENT D755 50MHz Dual channel scope	£180
TELEQUIPMENT D1010 10MHz Dual channel scope	£95
TELEQUIPMENT D1010R 10MHz Dual channel scope	£95
TELEQUIPMENT D1011R 10MHz Dual channel scope	£95
TELEQUIPMENT D1016A 20MHz Dual channel scope	£125
SCOPEX 4D10 10MHz Dual channel scope	£95
SCOPEX 4D10A 10MHz Dual channel scope	£95
SCOPEX 4D25 25MHz Dual channel scope	£125
DM64 10MHz Dual channel scope	£95
D67A 25MHz Dual channel scope	£130
REDIFON 1kW Linear amplifier 1.5MHz-30MHz c/w aerial filter unit - mains power unit and drive unit GK203N	£1250
MARCONI Universal Bridge TF2700	£120
MARCONI UHF Attenuator DC-1GHz TF21635	£150
MARCONI 2GHz Digital frequency meter 2435	£495
GOULD Signal generator J3B	£120
KEMO 1.0Hz-100kHz Phasemeter Type DP1 (new)	£120
FLUKE 845AB High impedance voltmeter - null detector (new)	£500
SIEMENS Level meter 200Hz-620kHz Type D2155 c/w tracking osc. Type W3155	£1250
HP 3770B Telephone line analyzer	£950

All our equipment is sold with a 30-day guarantee.

SAE for enquiries. Phone for appointment or for demo. of any item.

P&P included UK only. VAT excluded.

For more details please contact:

TELFORD ELECTRONICS, Old Officers Mess, Hoo Farm, Humbers Lane, Horton, Telford, Shropshire TF6 6DJ. Phone: 0952 605451. Fax: 0952 677978.

TURN YOUR SURPLUS TRANSISTORS, ICs ETC, INTO CASH

Immediate settlement.

We also welcome the opportunity to quote for complete factory clearance.

Contact:

COLES-HARDING & CO, 103 South Brink

Wisbech, Cambs PE14 0RJ.

ESTABLISHED OVER 15 YEARS

Buyers of Surplus Inventory

Tel: 0945 584188 Fax: 0945 475216

GOLLEDGE

ELECTRONICS

CRYSTALS OSCILLATORS FILTERS

Comprehensive stocks of standard items. Over 650 stock lines. Specials made to order.

OEM support, design advice, prototype quantities, production schedules.

Personal and export orders welcome.

SAE for our latest product information sheets.

GOLLEDGE ELECTRONICS LTD

Merriott, Somerset, TA16 5NS

Tel: 0460 73718 Fax: 0460 76340

SPECIAL OFFER

SATELLITE RECEIVER New Ferguson BSB

(Chassis only)£10

35cm DISH With LNB 11.7 to 12.7 GHz BSB/2D-MAC ...£15

HAND SET Remote Control for above Receiver£150

D2 MAC EPROM£10

PAL/ASTRA Upgrade Board.....£20

All prices exclude VAT & Carriage

Also Large Quantities of
Electronic Components For Disposal

TELEPHONE 081 445 0749/445 2713

FAX 081-445 5702

R. HENSON LTD

21 Lodge Lane, North Finchley,
London N12 8JG

(5 minutes from Tally Ho Corner)

COURSES

UNIVERSITY OF

essex

Department of Electronic Systems Engineering

RADIO FREQUENCY ENGINEERING

18-22 January 1993

A 5-day Short Course that provides a solid foundation in Radio Frequency design and an introduction to the latest advances, this year highlighting 1.8 GHz technology and systems.

The course is one of a series of eight in Telecommunication and Information Systems. For bookings and further information, including a detailed course syllabus, contact:

The Short Course Office,

Department of ESE,

University of Essex, Colchester CO4 3SQ.

Phone: 0206 872414 Fax: 0206 872900



FASTEST MATMOS IBM COMPATIBLE AVAILABLE 66 MHz VESA 32 BIT LOCAL BUS 486 DX

Spec: 486-44 DX2 Intel CPU, 8 Meg Ram (up to 64 MB on board max), 32 bit cache controller with 4 MB (16 MB max), 212 Meg hard drive, VESA 32 bit VGA card using Tseng Labs. Accelerator up to 1280 by 1024, Desktop case and 102 keyboard, 2 serial, 1 game and 1 parallel ports, 1.44 3.5 inch drive and mouse

Performance: Landmarks well in excess of 200 Core tests; Access 0.1 msec Transfer 17.5 MB/sec 3D benchmark: 45.6 £1995

486 CAD/DTP SYSTEM WITH 1280 x 1024 MONITOR

486 33 MHz DX cache system with 91 Mbyte Seagate hard drive, 3.5-inch 1.44 floppy, 4 megs RAM (upgradable to 32 Mgs), full tower case, 102 keyboard, 2 serial, 1 parallel ports, AMI bios, Microfield Graphics T8 colour graphics controller with 2 Mbytes video RAM and 8 MIPS processor, Hitachi 15-inch ultra high resolution monitor to display 1280 x 1024 non-interlaced.

LOCAL BUS WINDOWS GRAPHICS WORKSTATION

Matmos 486-40 VESA combines the high speed of 32 bit VESA with the 1280 by 1024 resolution of Microfield graphics card ideal for DTP/Graphics work. 4 Meg Ram (up to 64 MB on board max), 32 bit cache controller with 2 MB (16 MB max), 212 Meg hard drive, Desktop case and 102 keyboard, 2 serial, 1 game and 1 parallel ports, 1.44 3.5 inch drive and mouse Microfield Graphics T8 colour graphics controller with 2 Mbytes video RAM and 8 MIPS processor. Hitachi 15 inch ultra high resolution monitor to display 1280 x 1024 non interlaced. £1299 with 20 inch monitor £1799.

486 NOVELL FILE SERVER

486 40MHz cache system with 640 Mbyte Seagate hard drive, 3.5 inch 1.44 floppy, 4 megs RAM (upgradable to 32 Mgs), full tower case, 102 keyboard, 2 serial, 1 parallel ports, AMI bios, Mono Monitor, 16 bit NE2000 Ethernet card, £1199 or with 68 MHz 486 £1599

TOP SPEC. 486 SYSTEMS

40 MHz 486 SX cache system, 1 Mbyte RAM, 1.44 Mbyte floppy drive, I/O card etc. £369
33 MHz DX 486 cache system, with 1 Mbyte RAM £499. **40 MHz DX 486** cache system £639. **66 MHz DX2** 486 cache system £849
EISA 66 MHz 486 DX2 system £999 VESA local bus 40/50 or 66 MHz POA.
 Phone for lowest price quote on a complete system to your requirements.
 Carriage on systems £10. See below for add-on and other stock items

MATMOS 25/33 MHz 386 SYSTEMS

Latest style high quality 386 computer with AMI Bios, 2 serial, 1 parallel ports, 1 Mbyte RAM, eight slots, Hard and Floppy controller (state SCSI, ESDI, MFM or IDE), 1.2 or 1.44 Mbyte floppy drive and small footprint luxury desktop case 25 MHz DX £239 33 MHz SX £239

PRINTERS

LASER: Konica LP3110 10 page per minute high quality laser printer. Fully Laserjet II compatible. With free on site maintenance £695 (carr £15) stocks limited
INKJET: Hewlett Packard Deskjet 500 industry standard with three year guarantee £299 (carr £10)
DOT MATRIX: Samsung 300 CPS 9 pin with full Epson compatibility. Very fast and beautifully made £199 (carr £75/0)

FLOPPY DISK DRIVES

360K 5.25-inch IBM standard half-height drive £295 (carr £30).
 1.44 Mbyte 5.25-inch Citizen OSDA39C third-height drive for ATs, grey bezel £395 (carr £4).
 1.2 Mbyte 5.25-inch Panasonic half height £39.95 (carr £4).
 Kit to fit 3.5 inch drive in 5.25 inch space suitable all Citizen drives inc. cable adaptors £499 (carr. free with drives)
 IBM standard floppy disk drive cable £3.

HARD DISK DRIVES

MFM: 10 Mbyte NEC S124 5.25-inch £25. 71 Mbyte Micropolis 1355 28 msec. full height £99
SCSI: 91 Mbyte Seagate/Imprimus ST2106N 5.25 inch £169. Seagate 330 Meg ST4376 £459 (£399 in machines)
IDE: 105 Meg Fujitsu 3.5 inch £189, 220 Meg Western Digital 12 msec, ultra fast 2 year warranty £299
ESDI: All with free cache controller 141 Mbyte Toshiba ex-equipment full height £189. 330 Mbyte Micropolis 1574 full height £459 (£399 in machines) 640 Mbyte Seagate ST4766E 15 msec 5.25 inch full height. Reliable Wren 6 drive £699 (£645 in machines)
FUJITSU PROFESSIONAL HARD DRIVES Top build quality results in drives of outstanding reliability and performance. Recommended for critical data, high speed applications all drives are 3.5 inch and come with 5 year warranty. Carrier delivery £850.
 300 Mbyte SCSI £599 330 Meg IDE £579
 500 Mbyte SCSI £699 500 Meg IDE £679

DISK DRIVE CONTROLLER CARDS (carr. £250)

XT MF, £24.95; XT RL £37.00; XT SCSI £29.50; AT RL £37.50; AT MFM £19.95; AT IDE £9.95; AT SCSI £37.50; AT ESDI (Cache) £49
 Multi SCSI card for hard drive, CD, WORM, tape etc. Future Domain firmwar £49 High transfer rate Intelligent SCSI/IDE card, supports all devices under MSDOS, Unix, OS/2 and Netware with SCSI and IDE interfaces on one card £129
 SCSI Cache accepts up to 16 Mbyte RAM Ultimate high speed EISA or ISA £299. IDE Cache 16 bit up to 16 meg on board £109

IBM COMPATIBLE AT MOTHERBOARDS, CARDS etc.

66 MHz 486 DX2 baby size motherboard with 256K cache. Co-processor built in Fan cooled CPU. £649 Landmark 220MHz, 33 MHz 486 DX baby size motherboard with extra 64K cache Floating point co-processor built into CPU. Eight expansion slots OPTI WB chipset £399 (carr. £5) 50 MHz and 66 MHz P.O.A. 20 MHz 486 SX motherboard. The 486 SX is the same as the DX but without the Maths Co-Processor £199 (carr. £35) 40 MHz SX motherboard as above but twice the speed! Fan cooled CPU £249. 25 MHz, 386 DX motherboard, accepts up to 8 Mbytes SIMMS RAM £89 (carr. £35) 33 MHz SX £79 EISA 486 top spec EISA systems now in stock please ring for a quote for a system 75 MHz 486 expected soon - please ring VESA local bus is proving to be the new standard and is simply the fastest; we have many different options so please give us a call 486 FAN KIT heatsink and fan assembly for all 486 chips £25 1 Mbyte SIMM RAM for 386/486 (70ns) £24

I/O CARDS

AT MULTI I/O card with 1 parallel, 2 serial, 1 game, 2 floppy, IDE hard drive £129.50 AT I/O card, parallel, 2 serial, game £995
 Mouse Microsoft compatible, serial with all software £9.95 (carr. £4) Keyboard 102 key UK, top quality click action £24.95 (carr. £4)

386 to 486 UPGRADE KITS

CYRIX Special 486 upgrade kit plug into 386DX CPU sockets to give full 486 performance Co-processor works as normal Internal Cache 25 MHz £117, 33 MHz £129

NETWORK PRODUCTS

Ethernet card Novell NE-2000 compatible 16-bit £75 (carr £2) All network cables and connectors in stock

AT/X CASES WITH PSU

Desktop with 3x5.25-inch and 1x3.5-inch bays, latest styling, £34.95. With 200W psu £59 (carr. £6.50)
Luxury desktop as above, with psu, but to accept full size motherboard, small footprint, £89. **Mini tower** £69 (carr. £6.50)
Full size tower with 6x5.25-inch bays, 230W psu, digital speed display, suits all motherboards inc. 486 £10

INTEL 386 PROCESSOR AND 387 CO-PROCESSOR

(386 and 387 processors extracted from new systems and guaranteed 1 year)
 26 MHz 387-25 DX co-processor £29.20 Mhz £19 (carr £1)

MONITORS

MONO HERCULES 14-inch paper white screen, high res. display, £49 (carr. £6.50)
MONO VGA 12-inch paper white high resolution £59 (carr. £6.50).
COLOUR VGA 14 inch 640 by 480, with tilt and swivel stand £169 (carr. £6.50)
COLOUR SUPER VGA 14-inch up to 1024 by 768 multisync, 0.28 dot pitch Very high quality display £189 (interlaced), £249 (non interlaced) (carr. £10)

CAD COLOUR

15-inch fixed frequency 64KHz Hitachi HM1115 with Microfield Graphics T8 driver card for Autocad and Windows 3/3.1 at 1280 by 1024 non interlaced (new) £299 (p.o.a. for carriage for above)

VGA CARDS AND WINDOWS ACCELERATORS

Mono graphics card £9.95 (all carr. £2)
16-bit VGA card, 256K, all emulations, up to 800x600, with software to run all major packages. Oak chip set. Switchable for use in XT's. £29.95.
16-bit 1024x768 super VGA card. Very high resolution with 1Mbyte and drivers for Windows, Acad, VP etc. Full manuals and disks Latest version of the industry standard Trident chip set. £49, (carr on cards £2.00)
50 MHz S3 Windows Accelerator Latest high speed accelerator card using the full 50 MHz S3 chipset £179 (carr. £2)
Cirrus Hi-Colour Video Accelerator 64K colours high speed latest design, 1 Mbyte £89 (carr. £2). Tseng Labs version £79
EISA S3 Windows Accelerator the best high speed graphics card available. Full 32 bit operation £189. Please ring for other video cards

MODEM CARDS

Hayes Compatible 2400BPS internal modem fully compatible with MNP 5 error correction. Auto dial/answer and speed sensing Works with Windows 3, Procom, Crosstalk etc. £69 (carr. £4)
Modem Fax card 9600 BPS fax card with 2400 BPS Hayes compat modem with all software £109 (new model)

POWER SUPPLY

Astec **BM140** IBM XT/AT compatible 150W; +5V at 15A, +12V at 5A, -5V at 0.3A, -12V at 0.5A, fan cooled, rear panel switch, good value at £19.50 (carr. £4).

SOFTWARE AND DISKS

DR DOS 6 £32.95. **MS DOS 5** £39.95 (carr. £4). **WINDOWS 3.1/MSDOS 5** Latest version from Microsoft, on 3.5 inch disks £74.95 (carr. £4). **MICROSOFT WORKS** latest version for Windows WP, Spreadsheet, Database and graphics. £99 (carr. £4). **3.5 INCH DISKS** Box of ten 1.44 Mbyte Preformatted £9.95 (carr. £2).

NB * VAT and carriage must be added to all items (quotes for carriage overseas) * Everything new, and guaranteed one year unless stated; ex-dem. products guaranteed 6 months. * Access and Visa telephone service.

MATMOS LTD., UNIT 11, THE ENTERPRISE PARK, LEWES ROAD, LINDFIELD, WEST SUSSEX RH16 2LX. 0444 482091 and 0444 483830 (Fax: 0444 484258).

Matmos Ltd. has been trading successfully since 1976.

CIRCLE NO. 143 ON REPLY CARD

INDEX TO ADVERTISERS

PAGE	PAGE	PAGE
Audio Electronics..... 28	ICE Technology Ltd 33	Research Communications Ltd 53
BK Electronics..... 84	ICOM (UK) Display 39	Seetrax Ltd 33
Bull Electrical..... 11	IPK Broadcast Systems 62	Sherwood Data 33
Buyers News 28	Johns Radio 21	Smart Communications.... 66
Chelmer Valve Company 53	Kestral Electronic	SMC Ltd..... 84
Cirkit Distribution 7	Components Ltd..... 84	Stewart of Reading 25
Citadel Products Ltd IFC	Langrex Supplies Ltd 73	Surrey Electronics Ltd 39
Colomore Electronics..... 84	M & B Electrical 13	Telnet 73
Dataman Designs IBC	M & B Radio (Leeds)..... 39	Those Engineers Ltd 74
Display Electronics Ltd.... 17	MQP Electronics 25	Thurlby Thandar Ltd..... 62
Field Electric Ltd..... 62	Maplin Electronics..... OBC	Tsien Ltd 77
Gerp Communications 81	Matmos Ltd 88	ULTimate Technology 57
Halcyon Electronics Ltd... 28	Micro Amps Ltd..... 2	
Hewlett Packard..... 9	Number One Systems Ltd 50	
Hoka Electronics (UK).... 77	Pico Technology..... 53	

OVERSEAS ADVERTISEMENT AGENTS

France and Belgium: Pierre Mussard, 18-20 Place de la Madeleine, Paris 75008.

United States of America: Jay Fenman, Reed Business Ltd., 205 East 42nd Street, New York, NY 10017 - Telephone (212) 867 2080 - Telex 23827.

Printed in Great Britain by BPPC Magazines (Carlisle) Ltd, and typeset by Marlin Graphics, Sidcup, Kent DA14 5DT, for the proprietors, Reed Business Publishing Ltd, Quadrant House, The Quadrant, Sutton, Surrey SM2 5AS. © Reed Publishing Ltd 1992. *Electronics and Wireless World* can be obtained from the following: AUSTRALIA and NEW ZEALAND: Gordon & Gotch Ltd, INDIA: A.H. Wheeler & Co, CANADA: The Wm Dawson Subscription Service Ltd; Gordon & Gotch Ltd, SOUTH AFRICA: Central News Agency Ltd; William Dawson & Sons (S.A.) Ltd; UNITED STATES: Worldwide Media Services Inc., 115 East 23rd Street, NEW YORK, N.Y. 10010. USA. *Electronics & Wireless World* \$5.95 (74513).

Dataman's new S4 programmer costs £495 You could have one tomorrow on approval*

If you've been waiting for S4 we have some good news. It's available now. S4 is the 1992 successor to Dataman's S3 programmer, which was launched in 1987. The range goes back through S2, in 1982, to the original Softy created in 1978. Like its predecessors, Softy4 is a practical and versatile tool with emulation and product development features. S4 is portable, powerful and self-contained. Design and manufacture are State of the Art. S4 holds a huge library of EPROMS, EEPROMS, FLASH and One Time Programmables. Software upgrades to the Library are free for the life of the product, and may be installed from a PROM by pressing a key. *S4 makes other programmers seem oversized, slow and outdated.* S4 is now the preferred tool for engineers working on microsystem development.

Battery Powered

S4 has a rechargeable NICAD battery. On average, you can do a week's work without recharging. On a single charge, up to a thousand PROMS can be programmed – and charging is fast: it only takes an hour. Normal operation can continue during the charging process.

Continuous Memory

Continuous Memory means never losing your Data, Configuration or Device Library. You can pick up S4 and carry on where you left off, even after a year on the shelf. If the NICAD battery loses all of its charge, RAM contents are preserved by the LITHIUM backup battery.

Remote Control

S4 can be operated via its RS232 Serial Port. The standard D25 socket connects to your computer. Using batch files or a terminal program, all functions are available from your PC keyboard and screen.

Free Terminal Program

You could use any communications software to talk to S4. But the Terminal Driver program, which we include free, is the best choice. It has Help Screens to explain S4's functions and it sends and receives at up to 115200 baud – that's twelve times as fast as 9600 baud. At this speed a 64 kilobyte file downloads in 9 seconds. There is a memory resident (TSR) option too, which uses only 6k of your precious memory, and lets you "hot key" a file to S4. Standard *upload* and



download formats include: ASCII, BINARY, INTELHEX, MOTOROLA and TEKHEX.

S4 loads its Library of programmables from a PROM in its socket, like a computer loads data from disk. Software upgrades are available free. Download the latest Device Library from our Bulletin Board.

Microsystem Development

With S4 you can develop and debug microsystems using Memory Emulation. This is an extension of ROM emulation, used for prototype development, especially useful for single-chip "piggy back" micros. When you unpack your S4 you will find an Emulator Lead with a 24/28/32 pin DIL plug and a Write Lead with a microhook. Plug the EMULead in place of your ROM. Hook the Write-Lead to your microprocessor's write-line. Download your assembled code into S4. Press the EMULate key and your prototype runs the program. S4 can look like ROM or RAM, up to 512K bytes, to your target system. Access-time depends on S4's RAM. We are currently shipping 85ns parts.

CIRCLE NO. 101 ON REPLY CARD

Your microprocessor can *write* to S4 as well as *read*. If you put your *variables* and *stack* in S4's memory space, you can inspect and edit them. You can write a short monitor program to show your *internal registers*.

S4's memory emulation is an inexpensive alternative to a full MDS and it works with any microprocessor. Many engineers prefer it because their prototype runs the same code that their product will run in the real world.

Dimensions & Options

S4 measures 18 x 11 x 4 cm and weighs 520 grams. 128k x 8 (1MB) of user memory is standard, but upgrading to 512k x 8 is as easy as plugging in a 4MB low-power static CMOS RAM. The stated price includes Charger, EMULead, Write Lead, Library ROM, Terminal Driver Software with Utilities and carriage in U.K. but not VAT.

*Money-back Guarantee

We want you to buy an S4 and use it for up to 30 days. If it doesn't meet with your complete approval you will get your money back, immediately, no questions asked.



Call us with your credit card details. Stock permitting, we are willing send goods on 30 days sale-or-return to established U.K. companies on sight of a legitimate order.

Customer Support

Dataman's customer list reads like Who's Who In Electronics. Dataman provides support, information interchange, utilities and latest software for S4, S3, Omni-Pro and SDE Editor-Assembler on our Bulletin Board which can be reached at any time, day or night.



Station Road MAIDEN NEWTON
Dorset DT2 0AE United Kingdom
Phone 0300-20719
Fax 0300-21012
Telex 418442
BBS 0300-21095
Modem 12/24/96 V32 HST N,8,1

BUYER'S GUIDE TO ELECTRONIC COMPONENTS 1993

Maplin



BS 5750
Part 2 1987

Level B:
Quality Assurance
RC12750

Over 700 product packed pages with
hundreds of brand new products.
On sale now, only £2.95

Available from all branches of WHSMITH and
Maplin shops nationwide. Hundreds of new
products at super low prices!
CIRCLE NO. 102 ON REPLY CARD

Order your copy of the New MAPLIN Catalogue on sale NOW!
Pick up a copy from any branch of WHSMITH or from our chain of shops for just £2.95 or
post this coupon now to receive your copy for just £3.45 inc. p&p. If you live outside the
U.K. send £5.50 or 14 IRC's for Airmail in Europe/surface mail outside Europe,
or £10.65 or 27 IRC's for Airmail outside Europe,
I enclose £3.45/£5.50/£10.65 (delete as applicable).

Name
Address
Post Code
Send to Maplin Electronics,
P.O. Box 3, Rayleigh,
Essex, England,
SS6 8LR.
ww93

