

ELECTRONICS WORLD

+ WIRELESS WORLD

Denmark DKr. 70.00
Germany DM 15.00
Greece Dra.760
Holland Dfl. 14
Italy L. 7300
IR £3.30
Spain Pts. 780
Singapore S\$ 12.60
USA \$6.70

SOE DISTRIBUTION

A REED BUSINESS PUBLICATION

OCTOBER 1992 £1.95

AUDIO DESIGN

Professional
microphone
amplifier

CIRCUIT DESIGN

Build a better
bootstrap

ENGINEERING

The RF design revolution

SOFTWARE DESIGN

Analogue
behavioural
modelling

SYSTEM DESIGN

Goodbye to
aliases

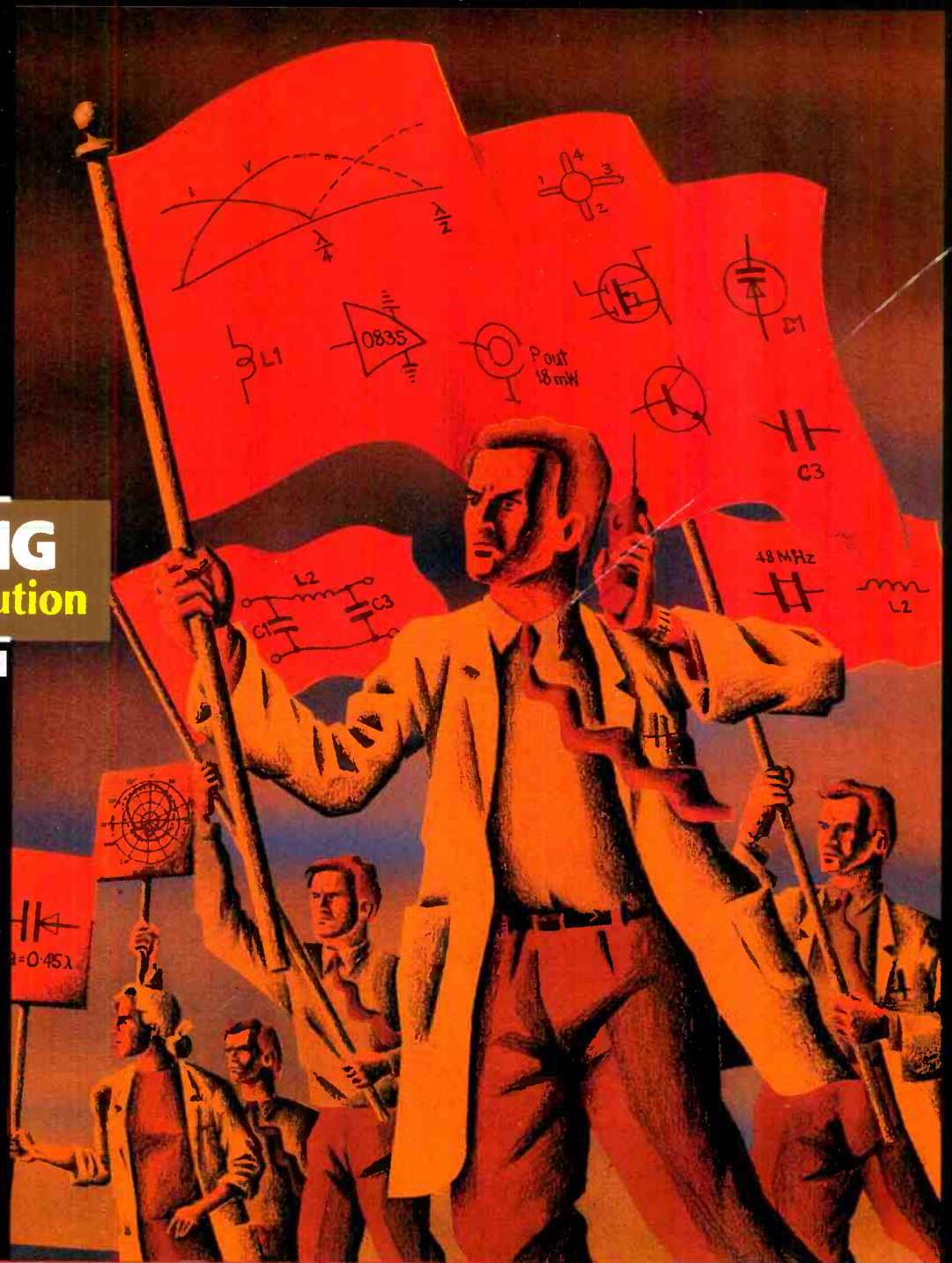
APPLICATIONS

Radio data
on a chip

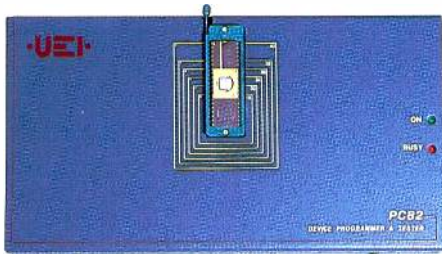
SPECIAL OFFER

Our definitive ECSS design
manual for just £15*

*UK readers only

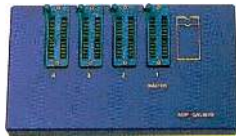
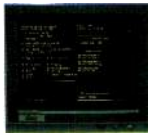


TOTAL PROGRAMMING SOLUTIONS FROM CITADEL



PC82 UNIVERSAL PROGRAMMER £449.00

- Universal programmer – the complete designers kit.
- Over 1,500 devices – call for list on FREE disk.
- EPROM, EEPROM, Flash, BROM, GAL, PAL, MPU etc.
- Serial EEPROM, EPLD, MACH, MAX, MAPL, CMOS EPAL.
- Device testing – 74XX, 40XX, 45XX, DRAM, SRAM.
- PAL vector test.
- Clear menu driven software
- Text mode only, suits any video card.
- 40 pin Zero insertion force socket.
- Device testing – 74XX, 40XX, 45XX, DRAM, SRAM.
- Small half card to install in PC may be left in place.
- Secure round cable and locking D connectors.
- Proven reliability – over 100,000 units sold.
- Programmer pod size – 260×140×38mm.



ADAPTERS FOR THE PC82 From £85.00

- Extend programming facility for special devices.
- Allows alternative socket types eg PLCC.
- Multi-gang adapters for fast programming of EPROMS, GAL, PAL and popular CPU types.

FEATURES ALL PROGRAMMERS

For the IBM PC, install the interface card and programming socket, load the menu-driven software and you have a complete design system at your fingertips. The programmers will run on any compatible IBM machines such as XT, AT, '286, '386 or '486. Whether it be an Amstrad or Compaq the system will work. All features are software-driven and supplied on 5¼" disks, these may be copied onto your hard disk using the DOS copy command. All control of the programmer, programme voltages etc are menu-driven by selecting manufacture, type number, and selection of a suitable speed algorithm. Blank check, read & modify, verify, programme, auto programme, security blow etc.

FREE SOFTWARE UPDATES as new devices become available.

FILE CONVERSION FACILITIES

- HEX to BIN File conversions for Intel, Motorola and Tektronics.
- 2 way/4 way Bin file splitter for 16/32 bit data.
- Dump file to Console, modify and re-programme.



E2000 BULK FAST ERASER £199.00

- Same advanced UV source as the M1 but 4 lamps.
- Very large capacity 64×32 pin chips or one double Eurocard.
- All other features as M1.
- Low profile steel case finished in powder coat.
- Size 365×240×65mm high.

M1 FAST ERASER £99.00

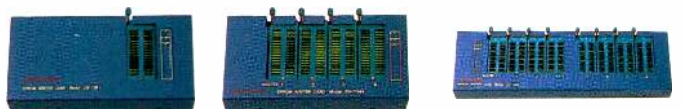
- Advanced UV source.
- Typical erase time three minutes.
- LED display of set time and countdown.
- End of time indicated by beep and display.
- Large capacity 13×28 pin devices.
- Sturdy construction, plated steel & aluminium
- Small footprint only 65×225×100mm high.



PC86 HANDY POCKET DEVICE TESTER £99.00

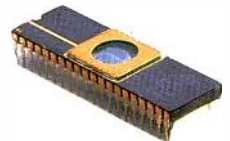


- Tests and identifies virtually all TTL & CMOS.
- Test many DRAM and SRAM memory chips.
- LCD display of type number and results.
- Battery operated (PP3) and completely self-contained.
- Zero insertion force test socket.
- Dimensions 90×140×30mm.



PC84-1 to -8 ROM PROGRAMMERS From £139.00

- Low cost EPROM programmer – devices up to 1Mb CMOS and NMOS.
- One to eight gang versions.
- To program 2716 to 271000.
- 32 pin Zero insertion force sockets.



ORDER INFORMATION

Please include £7 for carriage by overnight courier (£20 for exports) and VAT on all UK orders. ACCESS, VISA or CWO. Official orders welcome from Government bodies and local authorities.

For further information and your **FREE PC82** Simulation and device disk



PHONE SAMANTHA
NOW ON:
081 951 1848
081 951 1849



CITADEL PRODUCTS LTD
DEPT WW
50 HIGH STREET, EDGWARE
MIDDLESEX HA8 7EP

CONTENTS

FEATURES



Cover illustration: Dave Bell

COVER: THE DESIGN REVOLUTION 806

Ten years ago technologists predicting the information explosion realised that communication would be impossible without innovative RF technology, operating in untried parts of the spectrum. In a new series, Tim Stanley looks inside the latest generation of semiconductor devices behind the RF revolution.

IMPROVED PREAMPS PUT DAT BACK ON THE ROAD.....811

New dat recording machines combine portability with high quality recording. But inferior microphones may be degrading the result, warns Adrian Pickering and Max Hadley.

PSU REGULATION BOOSTS AUDIO PERFORMANCE.....818

Ben Duncan explains why audio power regulation is the sensible way to a better listening experience.

ALL POWERFUL – OR ALL TOO MUCH825

For PCB cad, P-Cad does everything. But John Anderson wonders if you can have too much of a good thing.

BEHAVIOURAL MODELLING WRAPPED UP IN A BLACK BOX829

Bashir Al-Hashimi shows how behavioural models of analogue circuits are developed and uses an AM mod/demod system to illustrate some of the models available.

GENUINE SOLUTIONS TO SPURIOUS ARGUMENTS842

In the third part of his series of articles on DDS, Ian Hickman puts spurious signals under the microscope.

WHY CAVENDISH KEPT "COULOMB'S" LAW A SECRET847

Henry Cavendish experimentally proved "Coulomb's" law before Coulomb. Leonid Kryzhanovsky suggests why he kept the work to himself.

FILTERING OUT A-TO-D ALIASING872

Filtering can cut out the input components which cause A-to-D aliasing errors. David Mawdesly demonstrates why choice is a matter of compromise.

REGULARS

COMMENT793

A degree in hair-styling and other cultural studies

UPDATE796

Engineers shift their footing, Shades of Dan Dare and the Mekon, US opens up space for telephones, Single chip GPS?, Optical radar provides night picture, Dianagate raises questions of technology and law.

RESEARCH NOTES800

Taking a cold look at gravity measurement, Op amp that tests itself, Stable photo-conductive polymers, Soldering techniques all in a flux, Wink that opens a window.

CIRCUITS, SYSTEMS & DESIGNS.....832

Understand capacitor soakage to optimise analogue systems.

LETTERS837

Mic lines, Engineers of the world unite! Visually challenging, Misguided CFA, RC modification, Cruel science – bad science, PSR PS, America's Marconi, Valve advice, Interface information, Distorted logic, Sudden infant death.

CIRCUIT IDEAS.....852

Flat-top band-pass filter, Pulse generator, Pulse generator with independent F and M:S setting, Product detector for AM.

CIRCUITS SYSTEMS & DESIGN SPECIAL OFFER
The very best in design ideas for just £15 – available with this issue only.
See page 798 for details

APPLICATIONS.....859

Temperature transducer, Inexpensive radio data receiver.

NEW PRODUCTS.....863

EW + WW's round-up of all that's new in electronics and engineering software.

DESIGN BRIEF868

High impedances are required for bridge detector circuits used in measuring small capacitances. Ian Hickman bootstraps his way to a solution.

RF CONNECTIONS.....876

Pat Hawker reports on the eye hazards of handhelds and the RF exposure puzzles that still remain.

In next month's issue: Field programmable gate arrays will become as important to design engineers as TTL logic did 20 years before. FPGA provides a flexible and reprogrammable alternative to TTL. Learn about it here.

NOVEMBER ISSUE IS ON SALE OCTOBER 29

GoldStar PC SYSTEMS

WITH S-VGA COLOUR MONITOR + HARD DRIVE



If you want a low cost, quality PC system then look no further. Silica have the answer, with the range of GoldStar computers that are featured on this page. Each model comes with a range of features as standard (see panel to the right), including a 14" S-VGA .39mm dot pitch colour monitor and a 40Mb hard disk drive.

All GoldStar models are expandable and are fully supported by Silica's own Technical Helpline and also by GoldStar's 1 year on-site warranty. Contact Silica now for your low cost, quality PC system solution.

SYSTEM SHOWN HERE WITH OPTIONAL WINDOWS 3.1 & PS/2 MOUSE

PRICES FROM

£499 + VAT

ALL SYSTEMS INCLUDE:

- **S-VGA COLOUR MONITOR**
14" GS1453 1024x768 S-VGA .39mm Dot Pitch
- **40Mb HARD DISK DRIVE**
- **3 1/2" FLOPPY DISK DRIVE**
- **VGA GRAPHICS**
- **SERIAL, PARALLEL + PS/2 MOUSE PORT**
- **DOS v5.0**
- **1 YEAR ON-SITE MAINTENANCE**

CORPORATE SALES TEAM
Tel: 081-308 0888 Fax: 081-308 0608

OPTIONAL EXTRAS	
2Mb RAM UPGRADE - £25+VAT Memory upgrade from 1Mb to 2Mb - Ref: MEM 3709	
4Mb RAM UPGRADE - £50+VAT Memory upgrade from 2Mb to 4Mb - Ref: MEM 3709 (x2)	
2nd FLOPPY DRIVE - £45+VAT Second 5 1/4" floppy disk drive - Ref: DRI 9752	
WINDOWS 3.1 + MOUSE - £45+VAT Windows 3.1 + PS/2 mouse - Ref: KIT 4426	
130Mb HARD DISK - £100+VAT 130Mb hard disk upgrade (instead of 40Mb) - Ref: HAR 2905	
CD-ROM DRIVE - £200+VAT CD-ROM drive + free illustrated encyclopedia disc - Ref: CDR 2120	
MONITOR UPGRADE - £40+VAT Colour monitor upgrade from .39mm GS1453 to .28mm GS1460 MPR II 1024x768 with low radiation - Ref: MON 6784	

THESE PRICES ONLY APPLY IF PURCHASED WITH YOUR GOLDSTAR PC SYSTEM.

	EXPANSION SLOTS	LANDMARK PERFORMANCE SPEEDCOM 2.0	RAM		VIDEO RAM	VGA COLOURS			PRICE INCLUDES
			INCL	MAX		640 X 480	800 X 600	1024 X 768	
212	3	16MHz	1Mb	4Mb	256K	16	16	-	<ul style="list-style-type: none"> ● S-VGA COLOUR MONITOR ● 40Mb HARD DRIVE ● 3 1/2" FLOPPY DRIVE ● VGA GRAPHICS ● DOS v5.0 ● SERIAL + PARALLEL PORT ● MOUSE PORT ● 1 YEAR ON-SITE MAINTENANCE £499 GPC 2123 + MON 6753
316	5	15MHz	2Mb	8Mb	256K	16	16	-	£599 GPC 3163 + MON 6753
318E	5	19MHz	2Mb	8Mb	512K	256	256	16	£649 GPC 3183 + MON 6753
325	5	32MHz	2Mb	8Mb	512K	256	256	16	£699 GPC 3253 + MON 6753
486SLC	5	78MHz	4Mb	16Mb	512K	256	256	16	£799 GPC 4804 + MON 6753

ALL PRICES EXCLUDE VAT - FREE OVERNIGHT COURIER DELIVERY IN THE UK MAINLAND

SILICA SYSTEMS OFFER YOU

- **FREE OVERNIGHT DELIVERY:** On all hardware orders shipped in the UK mainland.
- **TECHNICAL SUPPORT HELPLINE:** Team of technical experts at your service.
- **PRICE MATCH:** We normally match competitors on a "Same product - Same price" basis.
- **ESTABLISHED 14 YEARS:** Proven track record in professional computer sales.
- **£12 MILLION TURNOVER (with 60 staff):** Solid, reliable and profitable.
- **BUSINESS + EDUCATION + GOVERNMENT:** Volume discounts available 081-308 0888.
- **SHOWROOMS:** Demonstration and training facilities at our London & Sidcup branches.
- **THE FULL STOCK RANGE:** All of your requirements from one supplier.
- **FREE CATALOGUES:** Will be mailed to you with offers + software and peripheral details.
- **PAYMENT:** Major credit cards, cash, cheque or monthly terms.

Before you decide when to buy your new computer, we suggest you think very carefully about WHERE you buy it. Consider what it will be like a few months after you have made your purchase, when you may require additional peripherals and software, or help and advice with your new purchase. And, will the company you buy from contact you with details of new products? At Silica Systems, we ensure that you will have nothing to worry about. We have been established for almost 14 years and, with our unrivalled experience and expertise, we can now claim to meet our customers' requirements with an understanding which is second to none. But don't just take our word for it. Complete and return the coupon now for our latest FREE literature and begin to experience the "Silica Systems Service".

MAIL ORDER HOTLINE
081-309 1111



MAIL ORDER: Order Lines Open: Mon-Sat 9.00am-6.00pm No Late Night Opening	1-4 The Mews, Hatherley Rd, Sidcup, Kent, DA14 4DX No Late Night Opening	Tel: 081-309 1111 Fax No: 081-308 0608
LONDON SHOP: Opening Hours: Mon-Sat 9.30am-6.00pm	52 Tottenham Court Road, London, W1P 0BA No Late Night Opening	Tel: 071-580 4000 Fax No: 071-323 4737
LONDON SHOP: Opening Hours: Mon-Sat 9.30am-6.00pm	Selfridges (1st Floor), Oxford Street, London, W1A 1AB Late Night: Thursday until 9pm	Tel: 071-629 1234 Extension: 3914
SIDCUP SHOP: Opening Hours: Mon-Sa: 9.00am-5.30pm	1-4 The Mews, Hatherley Rd, Sidcup, Kent, DA14 4DX Late Night: Friday until 7pm	Tel: 081-302 8811 Fax No: 081-309 0017

To: Silica Systems, EWWO-1092-94, 1-4 The Mews, Hatherley Rd, Sidcup, Kent, DA14 4DX

PLEASE SEND INFORMATION ON GOLDSTAR PC SYSTEMS

Mr/Mrs/Miss/Ms: In tials: Surname:

Company Name (if applicable):

Address:

Postcode:

Tel (Home): Tel (Work):

Which computer(s), if any, do you own?

E&OE - Advertised prices and specifications may change - Please return the coupon for the latest information.

EDITOR

Frank Ogden
081-652 3128

DEPUTY EDITOR

Jonathan Campbell
081-652 8638

CONSULTANT

Derek Rowe

DESIGN & PRODUCTION

Alan Kerr

EDITORIAL ADMINISTRATION

Lorraine Spindler
081-652 3614

SALES MANAGER

Patrick Irwin
081-652 3732

SALES EXECUTIVES

Pat Bunce
081-652 8339
Jennifer Gresty
081-652 3734

ADVERTISING PRODUCTION

Shirley Lawrence
081-652 8659

PUBLISHER

Robert Marcus

EDITORIAL FACSIMILE

081-652 8956

CLASSIFIED FACSIMILE

081-652 8931

ARE WE HARD TO GET?

Just one phone call to our Circulation Actionline brings instant assistance.

Some readers have experienced problems in finding copies of *EW+WW* on newsstand shelves - so we've decided to do something about it.. If you have any difficulty purchasing your copy, call our Circulation Actionline. We will follow up your complaint and, more importantly, make sure you can obtain your copy.

Call Karen Baines on 081-652 8469 and let us tackle your supply problems



A degree in hair styling and other cultural studies

Did you watch the science documentary series *Life on Earth*? Of course you did. Make the most of it because no science based documentaries are likely to be made on this scale again.

Not my warning but that of Sir David Attenborough, delivering the presidential address at this year's meeting of the British Association for the Advancement of Science. Sir David warned that ITV early evening schedules are to be regeared for mass audience with a single bottom line of viewing figures: "No programme will be shown in the evening before 10.30 pm unless it can command a minimum guaranteed audience of at least 8 million.

"That means that from next year onwards, no serious science programmes will be shown on independent television at times that most people are able to see them" said Sir David.

While I would be the first to agree that television (and electronics magazines) should, in general, be entertaining rather than overtly educational, the demotion of science from peak viewing times will do nothing to help the cultural role that science and technology should fulfil in an advanced society.

And it is not just ITV which denies science a place in the living room. BBC current affairs output is highly regarded. But does it deserve this regard? If the Pound loses half a Pfennig against the Deutschemerk, programme producers will wheel in an industrial editor to comment on the effects of a possible interest rate rise on 'industry', a financial editor to comment on stock market reaction, a political editor to comment on the (usually) predictable mutterings from government and opposition benches, a foreign affairs editor to comment on the EC perspective and, finally, a home affairs editor interviewing the chairman of a

building society.

Compare this with media coverage of IBM's announcement that it had developed a scanning, tunnelling electron microscope, at its Zurich research facility. Consider the manner in which the BBC reported news of an instrument that gives us direct 3-D sight of atoms in a lattice, a development so important that it will permanently change our view of materials for solid-state physics and biochemistry.

I don't think that there was any.

We now live in a country built from, and surrounded by, science and with little culture of its understanding. Indeed, there is almost an anti-culture. How many times have you heard the Great and the Good publicly boasting of their incompetence with household technology?

But there are worse things than being governed by terminally stupid people. Ask sixth form pupils about their career ambitions. Top of the list will be law, medicine, media, public relations and accountancy. Middle ranking interests include business and financial services. Chemistry, physics and maths are seldom the preferred choice.

There is a real possibility that physics will disappear from the UK entirely. University science places, particularly those in physics, are available with bargain basement A-level grades; funding rules are now strictly tied to capitation which means that university science departments are having to maintain their facilities on a shrinking budget while arts departments prosper.

The importance of science to society must be recognised. It seems unlikely that we shall be able to maintain our living standards based on an education system which produces only lawyers and hairdressers.

Frank Ogden.

Electronics World + Wireless World is published monthly By post, current issue £2.25, back issues (if available) £2.50. Orders, payments and general correspondence to L333, **Electronics World + Wireless World, Quadrant House, The Quadrant, Sutton, Surrey SM2 5AS.** Telex: 892984 REED BP G Cheques should be made payable to Reed Business Publishing Group.

Newstrade: IPC Marketforce, 071 261-6745.

Subscriptions: Quadrant Subscription Services, Oakfield House, Perrymount Road, Haywards Heath, Sussex RH13 3DH. Telephone 0444 441212. Please notify a change of address. Subscription rates 1 year (normal rate) £30 UK and £35 outside UK.

USA: \$116.00 airmail. Reed Business Publishing (USA), Subscriptions office, 205 E. 42nd Street, NY 10117.

Overseas advertising agents: France and Belgium: Pierre Mussard, 18-20 Place de la Madeleine, Paris 75008. United States of America: Ray Barnes, Reed Business Publishing Ltd, 205 E. 42nd Street, NY 10117. Telephone (212) 867-2080. Telex 23827.

USA mailing agents: Mercury Airfreight International Ltd Inc, 10(b) Englehard Ave, Avenel NJ 07001. 2nd class postage paid at Rahway NJ Postmaster. Send address changes to above.

©Reed Business Publishing Ltd 1992 ISSN 0959 8330

REGULARS

UPDATE

Engineers shift their footing

A fundamental restructuring of the engineering profession has been proposed. It represents the latest thinking of the Steering Group set up at the beginning of this year under the chairmanship of Sir John Fairclough, Chairman of the Engineering Council. Its thoughts were circulated this week to the engineering institutions. The Engineering Council and the Royal Academy of Engineering in a consultation paper.

The document considers the formation, role and organisation of a new single body to act as a focal point for the engineering profession, including Chartered Engineers, Incorporated Engineers and Engineering Technicians. The steering group has considered the relationship between a new single body and the institutions, selection of members for the new body, the registration of engineers and the relative merits of a statutory or non-statutory system.

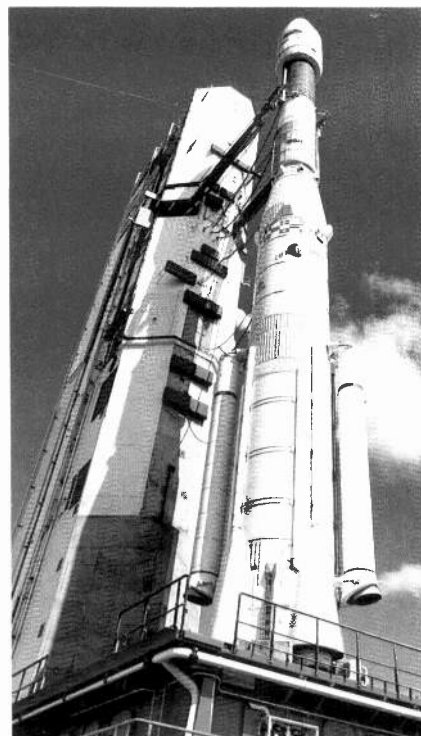
The new single body will subsume The

Engineering Council either by reforming it or replacing it, so forming a new relationship with the engineering institutions.

An alternative to one single body would be formation of a collegiate structure in which groups of institutions form intermediate bodies between the individual institutions and the central organisation. While this would support effective decision-making by focusing responsibility for sectoral issues directly onto the appropriate organisations it would introduce an extra layer of bureaucracy into the current two-tier system of Council and institutions.

Responses to the consultation document are now being sought and must be submitted by November 10, 1992. They will help the Steering Group prepare an interim report due to be submitted to the Council of Presidents of the Institutions early next year.

Julia King.



The hopes of Surrey University riding high: Ariane 52 carried two 50kg microsats built by SSTL and intended for mobile radio comms experiments. The £1 million programme took just 12 months to complete.

Shades of Dan Dare and the Mekon.



A talking head that appears out of a desk is just one of the futuristic ideas in telecommunications being researched at BT Laboratories, Martlesham near Ipswich, for business life in the 21st century.

The head is part of the Future Desk which may replace the familiar constructions of wood and metal with screens and surfaces capable of achieving 3D videoconferencing through holographic projections of a human being.

The Future Desk is just one of the concepts being pioneered by a group of technical and scientific experts in the systems research division who are working as a think tank for combinations of telecommunications technology that can be applied to the future.

Transistors to replace magnetrons?

Philips Semiconductors has developed a microwave power transistor capable of producing a 750W output pulse for radar transmitters. Designed for class-C operation, the MX1011BY700Y runs from a 50V collector rail and is characterised for a duty cycle of one per cent. It should reduce the output transistor count in airborne and vehicle radar systems operating between 1030 and 1090MHz. The associated gain is 6.3dB.

IBM to end PC manufacture?

US computer giant IBM is expected to announce plans to turn its \$7bn PC and workstation systems manufacturing business into a separate subsidiary. Industry analysts say this will allow the computer maker to cut costs in its PC operation dramatically

US opens up for space telephones

US plans for satellite-based mobile telephone systems cleared a regulatory hurdle last month but there is still a lot of work to be done to demonstrate the technical feasibility of the low earth orbit satellite systems.

The US regulatory authority, the FCC, has granted licences to three companies for trials using the 1610-1626.5MHz and 2483.5-2500MHz bands agreed at WARC this year.

But one of the licence holders Motorola-backed Iridium, which plans to launch its first five satellites in 1996, has modified its system to reduce the total number of satellites needed for global coverage from 77 to 66. The other licence holders are Constellation and Ellinsat.

● Mobile telephone makers could face the

prospect of conflicting standards for the next generation of pocket telephones if the US Government is forced to abandon plans for personal communications systems (PCS) in the 1.9GHz band.

A powerful microwave user group is currently lobbying Congress to argue the unsuitability of the 1850-1990MHz band for the new mass market PCS services. This band has been the front runner for the US system, in part due to its similarity to the DCS1800 system being proposed in Europe. Despite plans by the authorities to accommodate existing users of the band, pressure is growing to look to higher frequencies for the PCS services which will be introduced by 1995.

Richard Wilson, *Electronics Weekly*

Single chip GPS?

Single chip microwave receivers are about to slash the cost of high accuracy satellite based global positioning system technology.

Motorola has plans for a single chip GPS receiver next year.

According to a spokesman in the company's RF group the design of the downconverter chip will need at least two more iterations before it can be combined with an LNA into a single device.

The chip will take unidirectional or bidirectional signals from the GPS antenna and deliver a demodulated signal at baseband which can be processed to extract the positioning information. The accuracy of the system is defined by the signal generated by the GPS satellites. This is better than 100m for civil applications.

GEC Plessey Semiconductors is also expected to announce a GPS chipset two or three ICs before end of the year. Engineering samples of a two-chip GPS design are already being evaluated by UK companies. The two chips are a 1.575GHz low noise amplifier (LNA) and a dedicated GPS downconverter.

Current GPS receivers use discrete components and custom hybrids. They are about the size of a personal stereo and cost around \$500. Single chip designs could drive prices below \$100 which open up mass market applications in car navigation and electronic security systems. More than one European cellular telephone maker is investigating the incorporation of a GPS receiver in its handsets.

BiCMOS boost

IBM is developing a bicmos process which, it hopes, will double the performance of its current bicmos lines. The bipolar transistors in IBM's current lines have a cut-off frequency of less than 20GHz whereas the new process will allow frequencies up to 60GHz. Furthermore, the cmos section will be built on a 0.25µm process, instead of the current 0.5µm geometry.

An IBM spokesman said that this should double the switching speed of the cmos. He claimed that the new technology would be superior to gallium arsenide in all aspects including speed and density. First production will appear by the middle of the decade.

Optical radar provides night picture

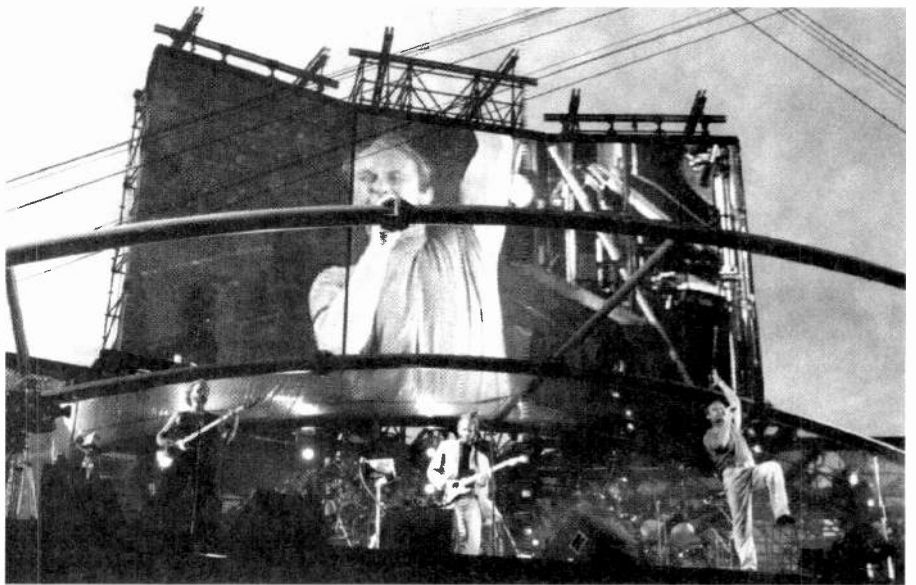
A laser radar that can spot power lines in the way of low-flying military helicopters is being developed as part of an Anglo-French research project.

British radar maker GEC-Ferranti Defence Systems and French firm Dassault Electronique are believed to be collaborating on the project, reportedly called Clara, to demonstrate a helicopter based optical-wavelength scanning radar.

Optical lasers have several advantages over infra red and millimetric systems. The most important is that laser light is easier to steer using conventional mirror optics which are also highly compact. A rapidly scanning pencil-beam laser radar system can provide television quality night vision systems for helicopter pilots; computerised image processing highlights hazards.

Laser radars use little power and allow fine beam, precision measurement at short ranges. Atmospheric absorption – basically clouds and fog – makes them of little use for long range air-to-air detection. But radar makers can exploit this to provide stealthy protection and prevent the enemy detecting the laser beam from afar.

The project will build on technology previously test flown by GEC Avionics.



A question of image: Rock Band Genesis on its latest US tour using three Sony Jumbotron screens, each measuring 5.6m high by 3m wide and weighing six tonnes, to ensure fans can both see and hear.

Dianagate raises questions of technology and law

The widely publicised telephone conversation alleged to have taken place between Princess Diana and an admirer has alerted the general public to the risks of saying anything private, personal or secret on any phone which relies on a radio link. It may also prompt the police and government to use existing laws to protect privacy.

Cellular phones are inherently insecure, as are most cordless phones that are used around the home and garden. For less than £200, anyone can buy scanners which allow them to listen to and record conversations. Eavesdropping on radio phone calls has now become a hobby.

None of the companies or government bodies involved – British Telecom (owner of Cellnet), Vodafone, OfTel, Scotland Yard, the Department of Trade and Industry, and Home Office – has taken responsibility for the problem. They argue that users of radio phones should always be aware of the inherent lack of security.

Both Cellnet and Vodafone now

acknowledge that it is possible to eavesdrop on calls. "It is not illegal to buy or sell the equipment," says Cellnet, "and the law on use is unclear."

Under the Telecommunications Act, the Wireless Telegraphy Act and the Interception of Communications Act, electronic eavesdroppers can be jailed for up to two years. But the acts have seldom been used to curb such eavesdropping. The papers which have published transcripts of the "Diana" tapes, and made them available by telephone to inquisitive readers, have now pushed the law to new limits.

Britain's two cellular phone networks currently work with analogue frequency modulated speech signals at frequencies of around 900MHz. The inherently more secure digital GSM standard systems are not yet available, and neither are they likely to be for a couple of years.

The cellular network companies have played down the risk of eavesdropping with scanners, arguing that the two halves of a

cellphone conversation, to and from the mobile phone, are carried on different radio frequencies. Also, these frequencies change as the caller moves between cells served by different transmitters.

In 1989 there was a spate of newspaper articles on eavesdropping, revealing what equipment is needed and how much it costs. An eavesdropper with a single-frequency receiver can hear both halves of a conversation because the cellphone call passes through the public telephone network, which provides a sidetone so that both callers, on a conventional or a cellular phone, can hear in their earpiece what they say into their mouthpiece.

The radio cells in an urban area may be only a few kilometres wide, so the frequency of a moving cellphone will switch every few minutes. Cells in rural areas are much larger because they need to cater for fewer simultaneous calls. So when a scanner locks onto a conversation it will hold it for much longer. **Barry Fox**, *New Scientist*.



Students at MIT's Media Lab are using a machine vision system to develop interactive interfaces between humans and computers. For example, the machine vision systems are used to track the position of a person's head in order to implement virtual holography – in which the computer can create a 3D view on the monitor based on the position of the person looking at it. The vision system will also be used to develop low bit-rate teleconferencing, and to replace the computer mouse by tracking a user's hand positions.

Intel processor gets speed boost

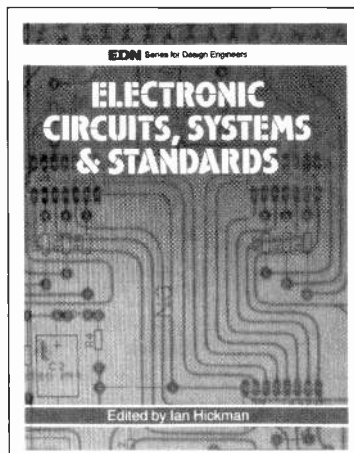
Intel is now delivering a 66 MHz 486 DX2 processor chip. Systems using it with a 33 MHz system clock can execute their applications, on average up to 70 percent faster than systems using a 33 MHz 486 DX CPU.

The 486 DX2 family operate at an internal frequency that is double the rest of the system. The company has already shipped some 300,000 50MHz DX2 chips.

The technology operates by doubling the external system clock signal it receives through the system bus and providing the internal 2x clock signal to on-chip sub units. As a result, blocks such as the CPU and

cache can run at a 2x internal clock rate to execute instructions.

The CPU operates at maximum efficiency when incorporated with fast design elements such as second-level cache, burst memory controllers and write buffers. For example, second-level cache helps eliminate wait states by providing the CPU's on-chip cache with a high-speed pool of data. If an application or operating system causes the microprocessor to access off-chip data, the second-level cache can supply the data immediately rather than forcing the chip to wait for slower system memory to provide the data.



SPECIAL OFFER

For this month only, you have the opportunity to buy the best of EDN's design ideas for just £15 (£20 overseas), £6.50 off our normal price. This 216 page large hardback edition is crammed with useful design hints and circuit ideas.

To get your copy fill out the READER OFFER REPLY COUPON located between pages 848 and 849 of this issue.

Micro AMPS

£99 8051 'C' COMPILER £99

- Preprocessor, compiler, optimiser
- Integer implementation
- Inline assembler
- Assembler level simulator and monitor
- Single chip to fully expanded memory
- Micro C is not a re-worked small C
- Other code generators available: 68HC11, 6809, 8085
- Low cost cross assembler available: 8031/8051, 6800/01/03/05/09/11, 8085/8096

£99 8051 BASIC COMPILER £99

- Integer BASIC compiler
- Supports single chip mode
- 8051 cross assembler included
- High level debugger runs on PC
- Standard Basic commands supported
- Specific functions to access 8051 SFRs and internal memory
- Line editor included, accepts text files
- Generates INTEL hex format output
- Output suitable for 87C751

8051 ICE (ICE51™)

- Low cost 8051 In-Circuit Emulator
- Low power, 5 volt operation
- Plugs directly into the 8051 processor socket on target hardware
- 32K Bytes of battery-backed RAM for program/data
- Single stepping and break points
- Assign memory and SFRs
- Upload/download INTEL hex files
- PC host software communicates via serial port
- Monitor file supplied in assembly form
- On-screen disassembly of code
- I²C drivers available
- Real time clock version available

™ ICE51 is a trademark of Intel Corp.

87C751 ICE (ICE751)

- Low cost 87C751 In-Circuit Emulator
- Emulation cable plugs into the 87C751 processor socket on target hardware
- On-board programmer for DIL devices
- PLCC adaptor available for 87C751
- Programs 87C752 DIL and PLCC devices through optional adaptors
- Monitor uses only 48 bytes of program memory
- Upload/download INTEL hex files
- Assign memory and SFRs
- Set break points
- I²C drivers available
- On-screen disassembly of code
- PC host software communicates via serial port

8051 BOOK

Architecture, Programming and Applications (£49.95). This book includes a free assembler and simulator for personal or educational use

PEB552

The Philips evaluation board for the 80C552 processor variant, a monitor and programming adaptor are available for this product

I²C

Quick Basic development tools available which includes I²C monitor program, I²C connector/cable assembly and parallel I/O demo board

MACH 1

An RTX2000/1 PC based evaluation board featuring the RTX2001 RISC Forth processor capable of sustaining up to 12 MIPS

ICC2000

An 8 channel intelligent communications card using the RTX2001 RISC Forth processor capable of sustaining up to 12 MIPS

FORTH++

A low cost RTX200/1 compiler optimised for use on the IBM PC based MACH1 development board but can be interfaced to other boards

The 8051: An Introductory Course

This is a one day course aimed at customers who need to become familiar with the MCS51 (8051) microcontroller family, and designed to give a detailed look at the generic 8051 processor facilities.



66 Smithbrook Kilns, Cranleigh, Surrey, GU6 8JJ, UK

Tel: +44(0)483 268999, Fax: +44(0)483 268397



REGULARS

RESEARCH NOTES

Taking a cold look at gravity measurement

Physicists at Stanford University in California claim to have measured the gravitational constant with unprecedented accuracy using "fountains" of atoms chilled to within a few millionths of a degree absolute. The procedure is complex, but the principle is simple: if you cool an atom, then by definition you reduce its random motion. That in turn allows more time to observe its

critical parameters and make accurate measurements of its behaviour. Since almost all fundamental physical quantities, such as frequency and time, are based on atomic measurements, a cool atom is an accurate atom.

Most of us, when we want to cool something down, immediately think in terms of extracting energy using a freezer or some

other sort of heat pump. But when physicists want to cool something to within a fraction of a degree above absolute zero, different techniques are called for. They mostly now make use of intersecting laser beams to create what is irreverently called "optical molasses" or "optical goo" – a state where

Continued over page

Op amp that tests itself

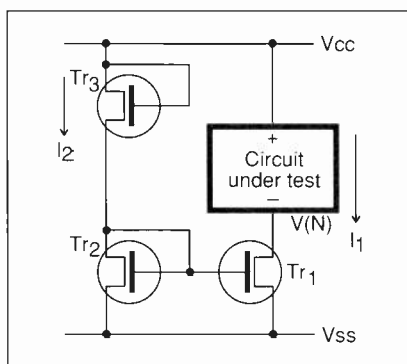
A novel method, just revealed, of testing CMOS op-amps could eventually lead to completely self-testing chips.

The testing of all-digital circuits, although complex, is now a well established art. But a lot of research activity is now turning to the testing of mixed analogue and digital systems in which a simple go/no-go approach is inadequate or misleading.

In a paper recently published, M Roca and A Rubio [*Electronics Letters*, Vol. 28 No. 15] describe a testing technique based on the fact that the majority of open circuit or bridge faults in these chips result in some change of current consumption, I_{DD} . This is true even if the circuit continues to maintain some semblance of normal functionality.

Using computer simulation on a relatively simple CMOS op-amp, Roca and Rubio modelled the effects of every likely open or short-circuit fault that would occur during manufacture. They used notional 10Ω resistors to model a fault involving bridged conductors and treated open-circuits in terms of transistors with a break in the drain-source circuit.

From this simulation it was found that bridged circuits nearly always produce a significant increase in total current consumption, while open-circuit elements



This self-testing op amp uses a current comparator to provide a sensitive check on the consumption of the circuit under test. If the chip consumes more than its rated current, the voltage at $V(N)$ rises sharply, indicating a fault.

nearly always lead to a decrease. Interestingly enough, Roca and Rubio found that a number of bridges, while increasing the power consumption of the chip, did not affect its functionality when working as a linear voltage follower. Such defects would not therefore be spotted with standard functional tests though they might well lead to subsequent breakdown through overheating.

No claim is made that I_{DD} testing will

spot every fault; it would not, for example, spot an open-circuit input or output! But it is much simpler to implement than full function testing. The Spanish researchers suggest that it would not cost much and add very little to the overall consumption to build I_{DD} sensors directly into chips at the design stage, thus creating a sort of self-test capability.

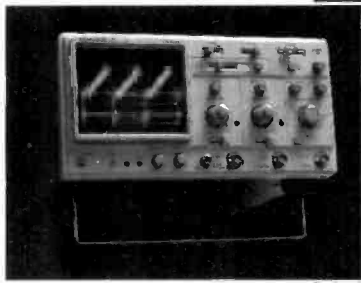
The circuit they present uses a current comparator to provide a sensitive check on the consumption of the chip proper. Under normal operating conditions, transistor T_1 is near saturation, so the voltage drop between the circuit –ve and $V(N)$ is negligible. Should the chip consume more than its rated current, the voltage at $V(N)$ rises sharply, thus indicating a fault. A reduction would also be indicated, though with less sensitivity.

Roca and Rubio say that their standard CMOS op-amp incorporating this self-test facility would reliably reject itself with any one of ten open circuits or 22 bridges.

Taking this strategy a stage further, why not build in an analyser that measures the precise I_{DD} , compares it with a look-up table of likely faults and then triggers a speech synthesizer? Just imagine switching on some piece of equipment with a faulty mixed-signal LSI chip only to hear it announce: "We apologise for the late arrival of your pulses. This is due to operating difficulties at the gate of $Tr99$ ".

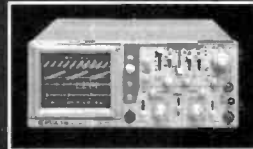
OSCILLOSCOPES

**TO BE ACCURATE,
QUALITY IS NOW
AFFORDABLE**



CS-4000 Series

Accuracy is a function of quality. So it's reassuring to know that all Kenwood products represent the highest standards of quality design and manufacture. Just as important, is the excellent value for money they offer. Now you can have the very best quality at a very affordable price. Here's a few examples from the extensive Kenwood range.



CS-5000 Series

The CS-4000 Series is a range of low cost 20/35 MHz dual trace oscilloscopes with comprehensive triggering features, and like all Kenwood 'scopes, comes complete with probes. Here excellent value starts at £295.

The CS-5000 Series offers bandwidths from 40 MHz to 150 MHz in high performance, real time units that feature cursor readout, B sweeps, and multi-channel or standard wide range models. Easily affordable, at prices starting at £570.

The DCS-9300 Series of multi-channel, digital storage oscilloscopes have real-time capability, cursor readout, large memories and full GP-IB control.



DCS-9300 Series

Excellent value from £2,355.

Kenwood's affordable quality also extends beyond oscilloscopes to power supplies, audio and video instruments, multimeters, counters, RF generators and millivolt meters.

For further information, please contact: Trio-Kenwood UK Ltd, Kenwood House, Dwight Road, Watford WD1 8EB
Tel: 0923 816444. Fax: 0923 819131

KENWOOD
TEST & MEASURING INSTRUMENTS

CIRCLE NO. 107 ON REPLY CARD

KESTREL ELECTRONIC COMPONENTS LTD

- ☆ All items guaranteed to manufacturers' spec.
- ☆ Many other items available.

'Exclusive of V.A.T. and post and package'

	1+	100+		1+	100+
EPROMS			STATIC RAMS		
2764A-250	1.48	1.15	62256LP-100	2.80	2.15
27C64-150	1.48	1.15	62256LP-70	3.30	2.45
27C128-150	1.85	1.55	6264LP-100	1.50	1.15
27128A-200	1.45	1.20	6116LP-100	0.75	0.65
27256-250	1.45	1.28	628128LP-80	11.60	10.80
27C256-200	1.75	1.35			
27C512-150	2.50	1.85			
27C010-150	2.90	2.35			
			DRAM		
			64k x 1	1.00	0.81
Z80A CPU	1.10	0.75	256k x 1	1.05	0.85
6522	2.10	1.70	1M x 1	3.40	2.65
6551A	2.10	1.70	256k x 4	3.30	2.65

74LS, 74HC, 74HCT Series available
Phone for full price list

All memory prices are fluctuating daily, please phone to confirm prices

**178 Brighton Road,
Purley, Surrey CR8 4HA
Tel: 081-668 7522. Fax: 081-668 4190.**

CIRCLE NO. 108 ON REPLY CARD

HALCYON ELECTRONICS

Test equipment, video monitors, amateur radio gear, printers, power supplies, communications, disk drives, multimeters, oscilloscopes, scientific instruments, connectors, component bridges, frequency counters, signal generators, computers.

GOULD OS3300B 50MHZ 2 TRACE DEL T/B	£269	LCR MARCONI TF1313A 0.1%	£95
TELEQUIPMENT DM64 STGE 10MHz 2 TRACE	£195	LCR MARCONI TF2701 IN SITU	£125
TEK 453 50MHZ DUAL TRACE DEL T/B	£249	LCR MARCONI TF868B	£69
TEK 465 100MHZ DUAL TRACE DEL T/B	£450	LCR COMPONENT COMPARATOR AVO CZ457/S	£75
SCOPEX 4D25 25MHZ DUAL TRACE	£169	HP1901A -05A -08A -17A 25MHZ PULSE GEN	£125
BECKMAN 9020 20MHZ DUAL TRACE	£249	EKCO MARINER U834 L M & 7S BCAST REC'R	£85
DATA PRECISION 6000 WITH 611 PLUG-IN AND 681 DISK DRIVE UNIT	£3995	SCRS78N GIBSON GIRL EMERGENCY XMITTER	£75
GOULD OS3000A 40MHZ 2 TRACE, DEL T/B	£249	AMF/VENNER 625/2 SIG GEN 1HZ-1MHZ S/N/SQ	£89
HAMEG 203-5 20MHZ 2 TRACE, COMP TESTER	£249	LEVELL TG152 3HZ-300KHZ OSC S/N/SQ	£85
HAMEG 203 20MHZ DUAL TRACE	£199	LEVELL TM68 MICRO V-METER 450MHZ	£95
HITACHI VC 6015 10MHZ DIGITAL STORAGE	£395	LEVELL TM38 MICRO V-METER 3MHZ	£85
H.P. 1340A X-Y DISPLAYS	£99	TUBB/TU8B TUNER UNITS BRAND NEW	£29/£39
LEADER LBO-9C ALIGNMENT SCOPE	£99	OERTLING V20 SINGLE PAN BALANCES 200GM	£95
TEK 5L4N 100KHZ SPECT ANAL WITH 5110 M.F.	£195	SAGE 2-WAY CO-AX SWITCH SAN 2120 N CONNS	£95
2x 5A18N, 5B10N TIME BASE	£750	UDI 2026 SONAR SCANNER, SURFACE UNIT	£895
TELEQUIPMENT D75. 50MHZ 2 TRACE DEL T/B	£225	B&K 1013 BFO & 2305 LEVEL RECORDER	£195
		UPA CAVIDERM CD6 P.T.H. TESTER	£750

SUMMER CLEARANCE

**MANY UNLISTED ITEMS AT
GREATLY REDUCED PRICES
FOR CALLERS ONLY**

TEKTRONIX 7403N, DF1, 7D01 LOGIC ANAL	£495	MARCONI MARINE KESTREL 3	POA
TEK 545B, 585, 535A, 541A etc	From £49	LOGIC ANALYSERS, VARIOUS	From £45 to £95
TEK 545/585 SERIES PLUG-INS	From £10	ANALYTICAL BALANCES WITH WEIGHTS	£69
HP 3490A DMM AC/DC/V OHMS 6-DIGIT	£125	DECADE R/C/V BOXES	FROM £15
XFORMERS SEC 30-0-30V 20A U/VIV PRI'S	£20	KAYE DEE, PNEUMO UV EXP UNIT 390x260mm	£175
W/HOUSE 1/4HP REV'BLE MOTORS 220V 1K/3PM	£25	VACUUM PUMPS TYP 100 MBAR (80L/MIN)	£95
CONSTANT VOLTAGE TRANSFS 150VA-2KV	POA	CALIBRATION STANDARDS C/V/L/R	POA
WANDAL/GOLTERMAN SPM-2 SEL LEVEL METER	£169	COSSOR CRM533A VHF NAV/COM HF SIG GEN	£750
MARCONI TF2331 DIST'N FACTOR METER	£175	COSSOR CRM511 ILS/VOR AUDIO SIG GEN	£295
BBC-B & MASTER COMPUTERS	From £99	TOPAZ 91007-11 7.5KVA 120/240-120/240 ISOL	£249
MARCONI TF2300 FM/AM MODULATION METER	£195	KINGSHILL NS1540 15V 40A PSU CASED	£295
TEKTRONIX 834 PROG DATA/COMMS TESTER	£395	MARCONI TF2330 WAVE ANALYSER	£150
VARIABLE OUTPUT PSU'S HV & LV	From £29	HP 618C, 626A, 628A SIG GEN'S	£35 ea
TEKTRONIX 520 521A PAL VSCOPES	From £475	SIGNAL-GENERATORS AF TO 21GHZ	From £15

LIST AVAILABLE, BUT 1000'S OF UNLISTED BARGAINS FOR CALLERS
QUALITY ELECTRONIC EQUIPMENT BOUGHT ALL PRICES EXC OF P&P AND VAT

**423, KINGSTON ROAD, WIMBLEDON CHASE, LONDON SW20 8JR
SHOP HOURS 9-5.30 MON-SAT. TEL 081-542 6383.**

CIRCLE NO. 109 ON REPLY CARD

photons can absorb energy from atoms and trap them in what amounts to suspended animation.

Optical goo takes advantage of the fact that atoms absorb certain frequencies of light much better than other frequencies. A laser beam tuned to a frequency either side of those critical frequencies will not disturb the majority of atoms. But if an atom happens to be moving towards the laser source the Doppler shift raises the laser frequency slightly, making the atom more likely to absorb a photon of energy, which then slows down the atom. By directing six lasers into a small space, the Stanford group can slow down the random movement of atoms in any direction, thus cooling all the atoms present.

Stephen Chu, one of the team, says that if

you drop an atom into the optical goo, within a few milliseconds it comes into thermal equilibrium and for all practical purposes stands still. When he first did that in 1985, the effective temperature of the atoms was a few hundred milliKelvin. Later experiments showed that it is possible to cool atoms to within a few microKelvin, that is as near to absolute zero as makes no difference.

The Stanford group have not only trapped sodium atoms at almost zero K, they have also manipulated them in space by adjusting the frequency of some of the laser beams. In one experiment Mark Kasevich lifted the atoms upward and was able to observe them in free fall, a sort of atomic fountain that lasted a whole second. Atoms at room temperature normally move at supersonic

speeds, so to be able to watch them drifting around at about 2m/s is what Kasevich describes as a "new regime in atomic physics".

An atom chilled to near absolute zero accelerates under the influence of gravity and so the frequency of its energy levels gradually changes. By measuring this change for a whole second, Kasevich has been able to measure the force of gravity to within three parts in 10^8 . He and Chu expect to improve that precision to around one part in 10^{10} in the near future.

A portable gravity meter with the latter accuracy could measure changes in distance from the centre of the Earth to within a third of a millimetre: it could also detect underground anomalies such as water or mineral deposits with unprecedented ease.

Stable photo-conductive polymers

Materials developed at the University of Rochester, NY, and by a team at the Xerox Corporation could have implications for imaging technology. The new materials have formed the basis of the first patent application filed from the US National Science Foundation's Center for Photoinduced Charge Transfer at the university.

Scientist Martin Abkowitz at Xerox has evaluated thin films of polymer, only a fraction of the thickness of a human hair, fabricated by Samson Jenekhe, associate professor of chemical engineering at the University of Rochester. The materials were found to be sensitive to the red light

emitted by the solid-state lasers widely used in printers and in some electronic copiers. Any material that responds efficiently to light from such lasers is of particular interest for these imaging applications.

Experiments have shown that the polymers are robust and remain intact and stable up to hundreds of degrees, much higher than most photosensitive materials used in copiers and printers. Previously fabricated high-temperature materials have been very difficult to process into useful devices or thick films, but the latest ones are much easier to work with while still retaining their robustness.

The new polymers are example of photoconductors, materials that act as electrical insulators when kept in darkness, but which become conductors when they are exposed to light. Photocopiers, laser printers, solar cells and even the human eye are based on such photoresponsive materials. In the field of imaging, photoconductors are used to create latent images in the form of electrical charge patterns.

Such a latent image is made by applying an electrical charge across the surface of a photoconductive material and then selectively discharging it with light focused by a lens or from a laser. The latent image is made visible when particles of toner – dry ink – are applied to the surface of the photoconductive material and then adhere to the charge pattern. This now-developed image is then transferred to paper and fused into the paper to make a permanent copy.

The polymers the University of Rochester and Xerox scientists are working on are double-stranded with molecular links between the strands. They are known as ladder polymers and include polybenzimidazolebenzophenanthrolines and polyquinolines.



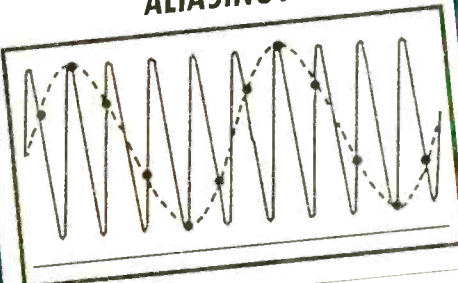
James Montanus/University of Rochester

Xerox (Martin Abkowitz, left) and University of Rochester (Samson Jenekhe, right) laying the ground-work for new imaging technology.

USING SIGNAL ACQUISITION CARDS IN YOUR PC?

THIS CARD WILL SOLVE YOUR ALIASING WORRIES...

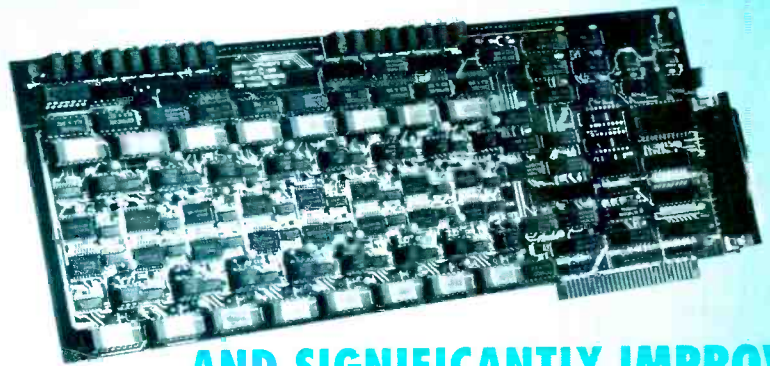
ALIASING?



Insufficient sampling of high frequency components leads to low frequency aliasing.

- Aliasing occurs as an inevitable result of digital sampling.
- It can occur regardless of sampling rate or type of ADC.
- Its effect is to completely change certain frequency components in your signal.
- This can distort a signal and, if using frequency analysis techniques (FFT...etc) will lead to gross errors.
- The only means of completely eliminating aliases is to use a properly specified Anti-Alias filter.

DON'T RISK IT – FILTER IT!



...AND SIGNIFICANTLY IMPROVE YOUR SYSTEM PERFORMANCE

- Up to 16 channels
- 1 Hz to 25 KHz cutoff at 72 dB/oct
- 1, 10, 100, 1000 gain
- Differential to single ended mode
- Compatible with all standard A/D cards
- Fully software programmable
- Very easy to use



LAPLACE INSTRUMENTS LIMITED PHONE 0692 500777 FAX 0692 406177

CIRCLE NO. 110 ON REPLY CARD

ALL VALVES AND TRANSISTORS

We are one of the largest stockists of valves etc in the U.K.

CALL OR PHONE

for a most courteous quotation.

081 743 0899

COLOMOR ELECTRONICS LTD

170, Goldhawk Road, London, W12 8HJ

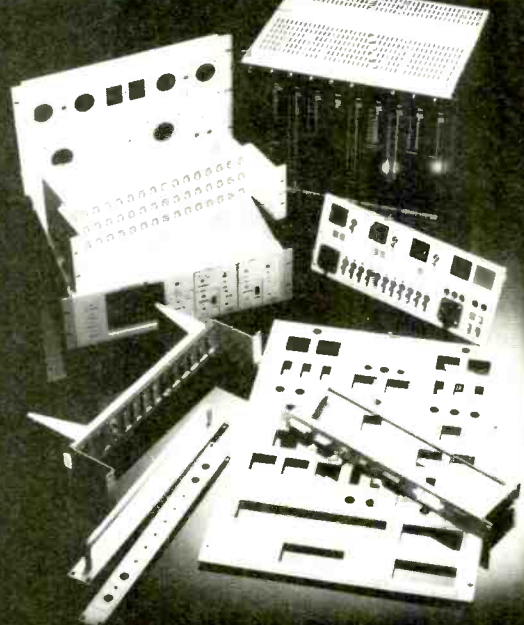
FAX 081-749 3934

CIRCLE NO. 111 ON REPLY CARD

Custom metalwork — good & quick!

Plus a wide range of rack-mounting cases etc. from stock.

Send for our new Product Catalogue.



ipk
BROADCAST SYSTEMS

IPK Broadcast Systems
3 Darwin Close Reading Berks RG2 0TB
Tel: (0734) 31103C Fax: (0734) 213836

CIRCLE NO. 112 ON REPLY CARD

Soldering techniques all in a flux

Scientists at Sandia National Laboratories in Albuquerque, NM are developing environmentally-friendly soldering techniques for producing electronic products without using ozone-destroying chemicals, principally CFC (chlorofluorocarbon) solvents. One of the main uses of CFCs at present is the cleaning of fluxes from printed circuit boards.

Today's fluxes, usually rosin-based, are necessary to promote wetting of the base metal by the solder alloy. For solder to be drawn into the gap of the soldered joint and to make an effective bond, the metal surface and the solder must be free from oxide or other obstructing films. But fluxes have to be removed after they have done their job; otherwise there is a risk of corrosion or circuit losses or possible fouling of moving parts.

Figures from 1989, the most recently available, indicate that globally more than 100,000t of the chlorofluorocarbon CFC-

113 were used to clean fluxes from soldered printed circuit boards. That figure was approximately half the world's annual consumption of CFC-113.

Researchers at Sandia's Center for Solder Science and Technology are developing CFC-free, fluxless soldering methods that do not require the use of any CFC solvents. These methods involve the development of a number of different techniques including the use of controlled atmospheres, thermo-mechanical surface activation and protective coatings.

Controlled atmosphere soldering makes use of various "clean" or chemically-reducing atmospheres to maintain solderable surfaces. As well as the use of a vacuum these atmospheres include inert or reducing gases, reactive plasmas or dilute acid vapour/inert gas mixtures. In controlled atmosphere soldering, researchers have demonstrated that hydrogen plasma cleaning of heavily oxidized copper can produce

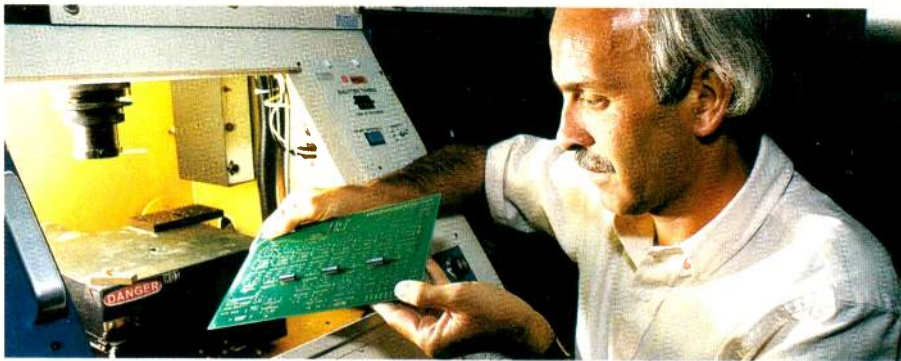
oxide-free, solderable surfaces at temperatures below 250°C.

Thermo-mechanical surface activation soldering uses different forms of energy to break up the surface oxide and to facilitate wetting of the underlying metal. The use of lasers, solid-state diffusion and ultrasonics are typical ways in which this can be achieved. These thermo-mechanical processes can be done either in air or in a controlled atmosphere.

Using a laser, for example, Sandia researchers have developed a soldering process for making closure joints on radar modules. This fluxless soldering involves the melting of a pre-placed solder preform with a directed laser beam under a protective gas cover. Rapid heating and cooling of the soldered joint produces a very fine microstructure with improved mechanical properties.

The Center for Solder Science is also working with the University of California at Berkeley and the State University of New York at Stony Brook to develop protective coatings that enhance fluxless solder wettability. This involves studying the microstructure and fluxless wettability of nickel-gold platings and also the bonding behaviour of organic inhibitors on metallic surfaces and their effect on subsequent solder wetting.

A Sandia scientist inspects a printed circuit board produced through fluxless laser soldering. A laser soldering station is in the background.



Staring winkers open windows?

Scientists at Leicester University and De Montford University (formerly Leicester Poly) have developed a way of enabling severely disabled people to operate Windows programmes without the need for a mouse or a keyboard. Ergonomist Howell Istance has made use of existing technologies that make a cursor move wherever the operator's eyes are pointing.

Together with optometrist Peter Howarth, Istance has developed the art far beyond that of existing systems. These are mostly limited to distinguishing into which of four screen quadrants the eyes are looking. Such systems, as well as being relatively crude, also require specialised software. This has excluded a lot of disabled users from using much available computer software.

The Leicester equipment uses a Micromasurements system 7000 binocular eye tracker, employing a pair of infra-red cameras that sample eye positions 60 times a second. As the eyes

move up, down, right or left, the system records each eye position and sends the appropriate commands to the computer. The eye tracker can thus emulate a mouse and the cursor or pointer moves around the screen as the operator's eyes move.

Emulating the movement of a mouse is one thing; the more difficult task has been to provide an eye-driven equivalent of the operate button. Peter Howarth says that he is currently working on two different approaches, one based on staring at the required icon for an unnaturally long time and the other based on winking at it.

Normally when selecting items on screen, the eyes flick about continuously, and rarely settle anywhere for long. Howarth says that it is easy to simulate a command function by arranging the equipment to recognise an unnatural stare (it also sounds a wonderful way of prompting operators who daydream).

The second approach is even more interesting. Since the eye tracker is a binocular system, it can be programmed to

recognize differences between the movement of one eye and the other. Howarth says that, normally, we do not move our eyes independently. The system can therefore ignore a blinking (or sleeping) operator, but instantly recognises some unnatural eye movement such as a wink. (The mind boggles at what complications this could lead to in the average office.)

The accuracy of the system at present is such that a person can play a game called "Windows Solitaire" with little difficulty. For screen targets of 20 pixels high by 50 pixels wide, the system performance is comparable to that of a mouse. For larger targets it can be superior. The only snag, says Howarth, is that you have to keep your head reasonably still. That may be enough of a restriction to prevent the system coming into widespread use among able-bodied operators, but for those who are currently unable to operate any sort of machine, it could prove a godsend. The researchers are keen to hear from anyone interested in discussing potential applications. ■

PCB DESIGN SOFTWARE IN TODAY'S ENVIRONMENT PROTEL FOR WINDOWS

Protel For Windows provides advanced capabilities within the user preferred graphically based Windows 3 environment. The products modular approach allows selection of packages suited to your needs.

The Full Range of the world re-known *Protel* Software Available at unbeatable prices.

Protel for Windows PCB + Schematic layout running under Microsoft Windows 3.1, *Protel Autotrax* and Schematic DOS based plus Entry Level Easytrax 2 (freeware).

Contact us **NOW** on 061 320 7210 for your **EVALUATION PACK**

J.A.V. ELECTRONICS LIMITED

Gallery House, 677 Manchester Road Denton,
Manchester M34 2NA.

Tel : 061 320 7210 Fax: 061 335 0119

ROLAND PLOTTERS Flatbed and Drum A4 - A0

Full Range of Roland Plotters
available at **DISCOUNT** Prices

Sample Prices

DXY1200 A3 Plotter	£647.50 + VAT
DPX 2600 A2 Plotter	£3160.00 + VAT
DPX 4600 A0 Plotter	£5960.00 + VAT
GRX 300AG Plotter	£2485.00 + VAT

Contact us **NOW** on 061 320 7210 for further information All prices quoted exclude Delivery and VAT. Ex Demos available.

J.A.V. ELECTRONICS LIMITED

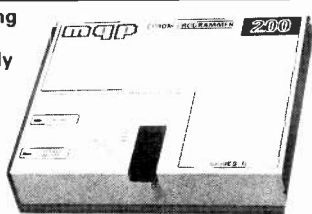
Gallery House, 677 Manchester Road, Denton,
Manchester, M34 2NA

Tel: 061 320 7210 Fax: 061 335 0119

CIRCLE NO. 113 ON REPLY CARD

MQP ELECTRONICS SYSTEM 200 UNIVERSAL DEVICE PROGRAMMING SYSTEM

- Fast and reliable programming
- Low cost
- Expandable system - buy only what you need
- Virtually all programmable devices covered
- Easy to upgrade
- Manufacturer approved algorithms
- Efficient and attractive software interface
- Special batch mode for production
- Not a plug-in card



System 200 is one of the most versatile programming systems available. At the heart of the system is the award-winning Model 200A programmer. Designed to quickly connect to the serial or parallel port of any PC compatible, the Model 200A is controlled by PROMDRIVER, widely acclaimed as the best driver software available for any programmer.

- EPROMs, EEPROMs and FLASH memories up to 8Mbit and beyond
- Microcontrollers from most manufacturers including
 - 8748 Family
 - 8751 Family (including 87C751/2 and 87C552)
 - Z8 Family
 - PIC16C5X Family
- Emulators
- 8-pin Serial EEPROMs
- PALs, GALs, EPLDs etc
- Bipolar PROMs

Write or phone today for Free Information Pack:
Phone: (0666) 825146 Fax: (0666) 825141



MQP ELECTRONICS LTD,
PARK ROAD CENTRE,
MALMESBURY,
WILTSHIRE SN16 0BX UK

European Distributors: Digitron, Norway Tel 071-17 890;
Synatron, Germany Tel 089/4602071; Elxind, Italy Tel 02 92 10 35 54

CIRCLE NO. 114 ON REPLY CARD

COMMERCIAL QUALITY VHF/UHF RECEIVER



The IC-R7000, advanced technology, continuous coverage communications receiver has 99 programmable memories covering aircraft, marine, FM broadcast, Amateur radio, television and weather satellite bands. For simplified operation and quick tuning the IC-R7000 features direct keyboard entry. Precise frequencies can be selected by pushing the digit keys in sequence of the frequency or by tuning the main tuning knob FM wide/FM narrow/AM upper and lower SSB modes with 6 tuning speeds: 0.1, 1.0, 5, 10, 12.5 and 25kHz. A sophisticated scanning system provides instant access to the most used frequencies. By depressing the Auto-M switch the IC-R7000 automatically memorises frequencies in use whilst it is in the scan mode, this allows you to recall frequencies that were in use. Readout is clearly shown on a dual-colour fluorescent display. Options include the RC-12 infra-red remote controller, voice synthesizer and HP-2 headphones

ICOM Post to: Icom (UK) Ltd. Dept WW
Sea Street Herne Bay Kent CT6 8LD
Tel: 0227 741741 (24hr). Fax: 0227 360155

Name/address/postcode 10
.....
Call sign: Tel: Dept: WW

CIRCLE NO. 115 ON REPLY CARD

THE RF DESIGN REVOLUTION



Ten years ago, technologists were predicting an information explosion – not only an increase in information, but, equally, the means to communicate it. They envisaged that user freedom would require radio frequency technology operating in untried parts of the spectrum. But they needed a new generation of semiconductors to drive an RF revolution. A new design series by Tim Stanley.

Modfets, GaAsfets, tegfets, beam lead diodes, planar doped diodes, mmics and asics are keywords in the revolution's lexicon. Some of these device types are effective at hundreds of GHz; millimetre-wave devices return noise figures measured as fractions of a dB. Multiple functions on a single chip have, in many applications, obviated much circuit design effort. For example, a complete, digital paging receiver will soon be offered using only two ICs.

This series will consider devices from the application viewpoint. It will include low-noise discrete radio devices; radio systems ICs and building blocks including digital signal processing; RF power devices; passive devices; asics, and other devices for special applications, such as animal tagging and some non-communication RF applications in medicine.

We start at the front end, with discrete devices for low-noise receiver applications.

Modulation-doped field-effect transistors – modfets

The modfet is the fastest three-terminal semiconductor device in the world. Also known as the high electron mobility transistor (hemt),

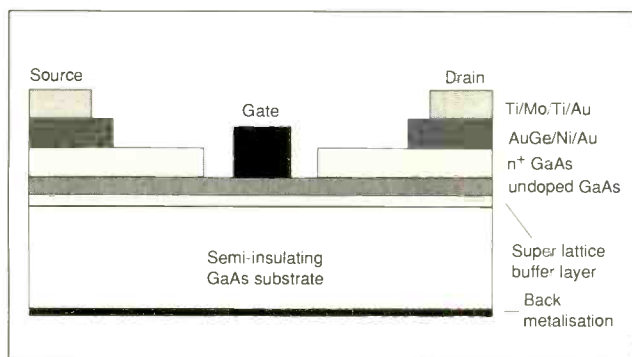


Fig. 1. GaAs mesfet structure.

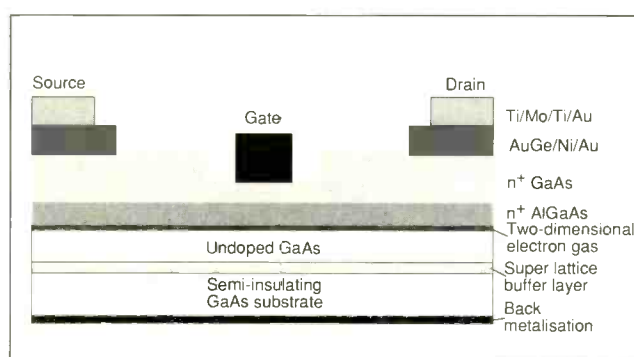


Fig 2 Modfet structure, showing the critically-narrow electron gas layer. This development of the GaAsfet yields a transistor operating at over 200GHz.

This Harris microwave gallium arsenide fet is the first in a series of standard fets optimised for Ku to Ka performance. At 18GHz, the n-channel HMF03400 offers 8.5dB typical maximum available gain (mag), 11dBm typical output power at mag tuning, 15dBm typical output power at 1dB gain compression and a typical 1dB compressed gain of 5.0dB. At 26GHz, a typical mag of 5.0dB is obtained

selectively-doped heterostructure transistor (SDHT) or the two-dimensional gas field-effect transistor (tegfet) the modfet currently leads technology for lowest-noise microwave applications. Present-day performance delivers noise of 0.6dB at 60GHz; transition frequencies exceed 250GHz with 400GHz devices under development. But how is it done?

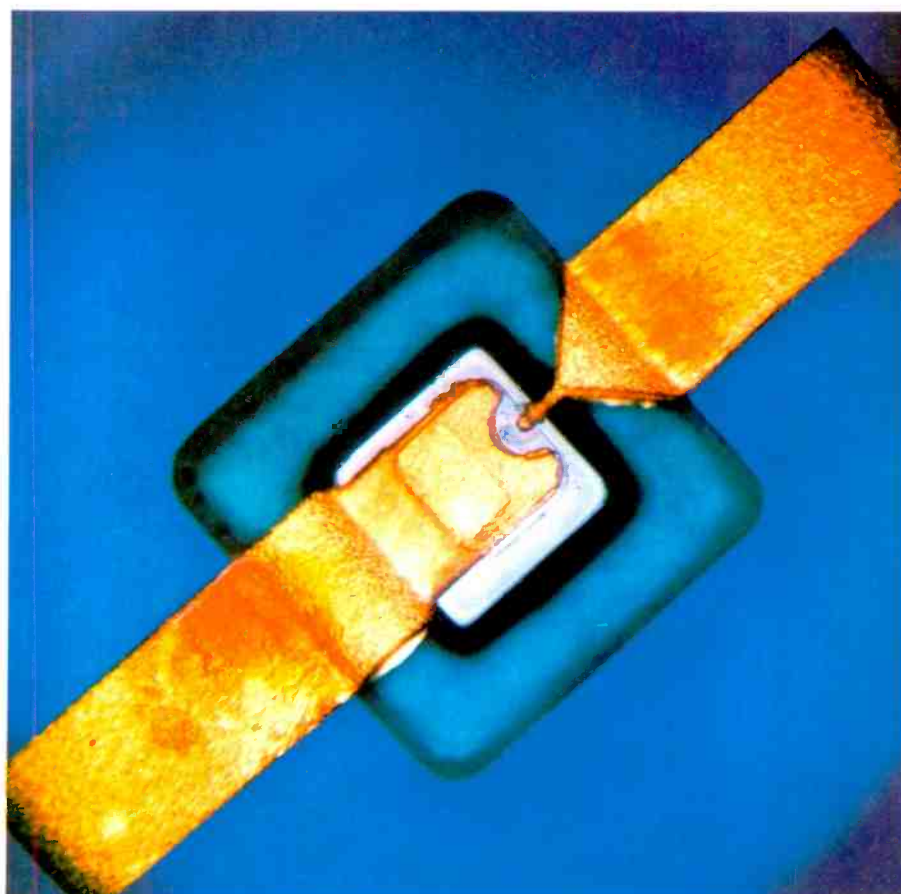
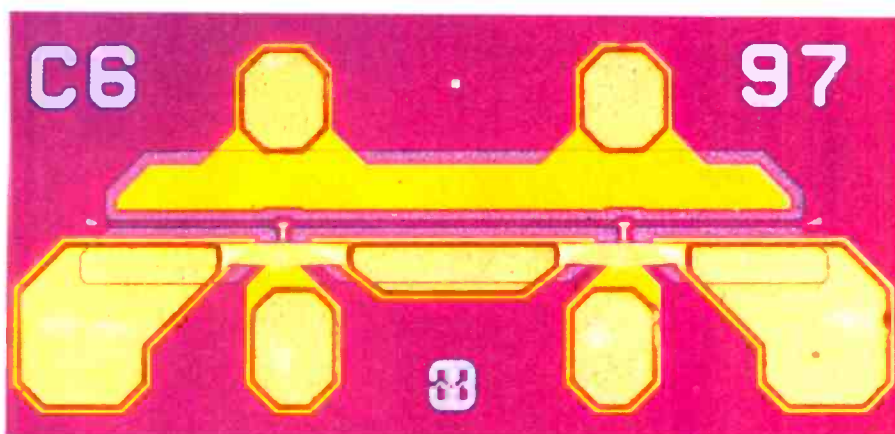
Gallium Arsenide fets have been with us for many years, a variant being the metal-on-semiconductor fet (mesfet) shown in Fig 1. This has been refined by reducing the gate length, using photo-lithography, to a practical limit of about 0.35 μ m. A noise figure of about 1.2dB at 12GHz is about the limit with this device. Electron beam lithography can further reduce gate geometry, but requires serially exposing each gate rather than a complete wafer, and therefore is not suitable for cost-effective mass production.

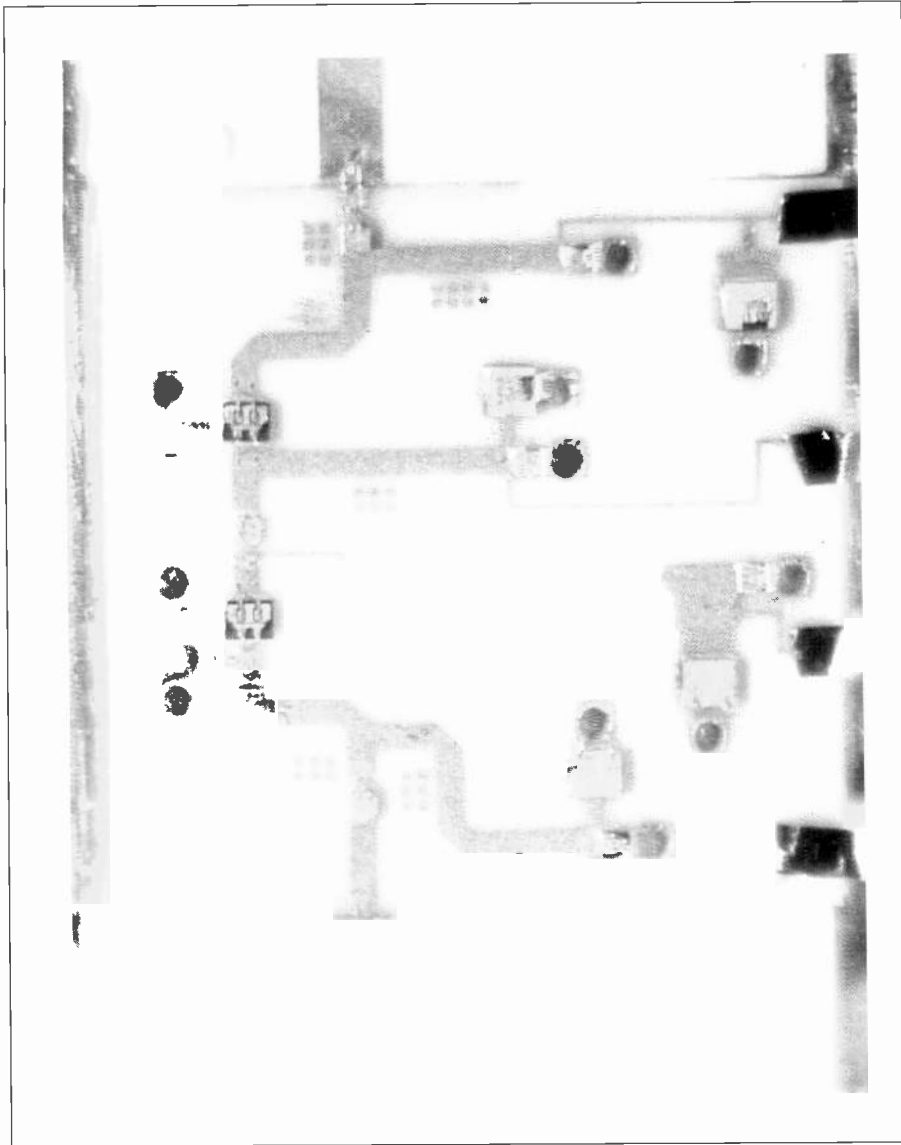
The modfet is a mesfet but with a very thin layer of electron gas between the AlGaAs and GaAs layers. This is achieved by constraining i.e. "modulating" the electrons in the gas by applying an external voltage across the heterojunction interface to constitute a "two-dimensional" electron gas, Fig 2. Hence the term modfet. This technique is more appropriate for high volume, low cost production.

Figure 3 shows noise performances for two variants of modfet compared with the mesfet demonstrating the former's superiority, particularly at millimetre-wave frequencies.

Beam epitaxy allows single crystals to be produced one layer at a time. This results in a barrier that is a single, high quality crystal rather than a relatively crude metal-semiconductor interface, eliminating many undesirable properties of Schottky diodes.

This beam lead diode from GEC Plessey Semiconductors. requires just 280 μ W of LO power for maximum conversion efficiency.





Modfets as used in a front end radar system amplifier for use on the proposed Polar Platform satellite POEM 1. Produced by Matra Marconi Space, it achieves a noise figure of 0.7 dB with 21 dB gain at 5GHz. The modfet is described by them as having demonstrated "excellent reliability for space-borne, low-orbit applications."

Applications

DBS manufacturers have used the resultant improvement in receiver sensitivity to shrink dish size. The additional cost is about \$2 to \$5 for a packaged, 0.25 μ m gate length device. A low-noise down-converter by Matsushita, comprising a modfet followed by three GaAs I.C.s, achieves a system noise figure of less than 1.3 dB with an associated gain of at least 60 dB from 11.7 to 12.2 GHz.

Mitsubishi's recommended line-up of its discrete devices for the same application is shown in Fig. 4, giving overall converter block noise figures from 0.8 to 1dB depending on the choice of the first-stage device.

The modfet is also a unique device for operation at low temperatures, where high electron mobility is achieved. During the Neptune fly-past by Voyager II, workers at the National Radio Astronomy Observatory (NRAO) replaced the first stage of a three-stage 8.4GHz GaAs mesfet low-noise amplifier, operating at 15°K, with an AlGaAs/GaAs modfet, thus reducing the noise temperature of the LNA by a factor of two from 22°K to 11°K. This improvement allowed NRAO to accomplish the mission without the conventional helium-cooled maser technology.

Low-noise mixers – exit the Schottky?

The Schottky diode has a chequered history in two respects – the behaviour of practical devices has often been too variable for sustained agreement to be reached in understanding between theory and experimentation, and on the technological side, the sensitivity of the current voltage characteristics to the detailed fabrication conditions has been a persistent problem. A technique known as molecular beam epitaxy (MBE) can now produce single crystals an atomic layer at a time. This means that the active barrier is a single, high-quality crystal, rather than a relatively crude metal-semiconductor interface, with the result that many of the undesirable properties of Schottky diodes can be eliminated. Immediate advantages to the front end designer are lower noise and much lower oscillator drive level requirements.

An MBE structure of particular interest here is the planar-doped barrier diode (PDB), comprising a doping sequence of n-i-p-i-n layers. The p- layer is highly doped, but typically only about 30 layers thick. It attracts electrons to its acceptor sites, setting up a barrier to the motion of other electrons. An important char-

An engineer from Continental Microwave tests LNBS used in broadcast satellites. The popularity of the application has resulted in a mass market for GaAsfets, which has been instrumental in radically reducing production costs.



acteristic of a mixer diode is the tightness of the knee of the I-V characteristic around forward turn-on, which determines the mixing (and detecting) ability of the device.

Marconi Electronic Devices claims to be a world leader in this field, and a comparison of one of its PDB diodes with conventional Schottky is shown in Fig. 5. Of particular note is the low level of oscillator drive requirement – as low as 280µW for the minimum noise figure of 6dB as compared with about 1.3mW for a GaAs Schottky device. This reduction in LO drive has obvious advantages, not only in simplified oscillator stages but in reducing LO radiation. It appears that these PDB devices maintain the advantages over the more conventional types to about 100GHz.

Lowering the noise floor

Noise figure is usually the most critical parameter of a microwave receiver front end. It may be described as the ratio, in dB, of the degradation of signal/noise caused by the device:

$$\text{Noise figure (dB)} = \frac{\text{signal at input}}{\text{noise at input}} - \frac{\text{signal at output}}{\text{noise at output}}$$

All units measured in dB

Looking at Fig. 3, we see that for, say, 20GHz, the noise figure of a GaAs mesfet is about 1.5dB, and for a modfet is about 0.5 dB. Hence, we might expect that the modfet device would give an advantage over the mesfet of about 1dB in noise figure, and hence of 1dB in signal/noise ratio at the receiver output (assuming the devices are similar in other respects).

However, this assumes that the input noise reference is that generated by a resistor at room temperature, i.e. 21°C which is 294°K. In practice, the actual source in a working system comes from the aerial and whatever noise it is picking up. The source noise from the sky is much less than 294°K at 20GHz for an aerial pointing skywards but not at the sun. It probably averages about 3°K. However, the aerial system itself is a noise generator, owing to the thermal movement of electrons in the aerial and feeder, etc. Some noise may also be picked up by side-lobes of the aerial (which is typically a dish at these wavelengths) from relatively warm objects such as the earth and buildings. It is difficult to predict what the equivalent noise temperature of an aerial system might be, but 100°K is a reasonable assumption.

We may recalculate the noise performance of the devices with reference to 100°K which gives new "noise figures" of 3.3dB and 1.3dB for the mesfet and modfet respectively. Hence, the advantage in this system would be 2dB (i.e. 58% as a power ratio) not 1dB (26%) as might have been assumed by simple comparison of conventional noise figures. The striving of the device designer for fractions of a dB in noise performance is more significant than initially meets the eye.

Even so, an advantage of 2dB may seem trifling. Perhaps so, if the circuit or system designer is concerned with a "one-off" radio link or small network. Consider, though, the

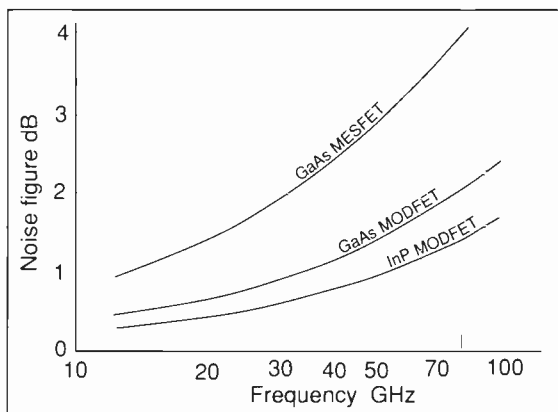


Fig 3 Exceptionally-low noise figures are attained by the modfet, here compared with its predecessor.

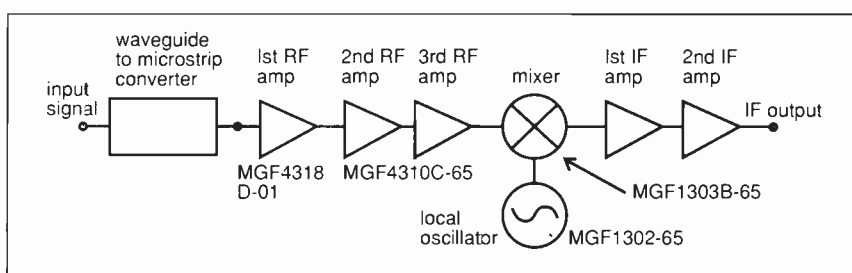


Fig. 4 Recommended line-up of Mitsubishi's modfet and mesfet devices for a Direct Broadcast Satellite receiver head. The super-low-noise first stage is achieved with devices of sufficiently low-cost to be ideal for consumer electronics.

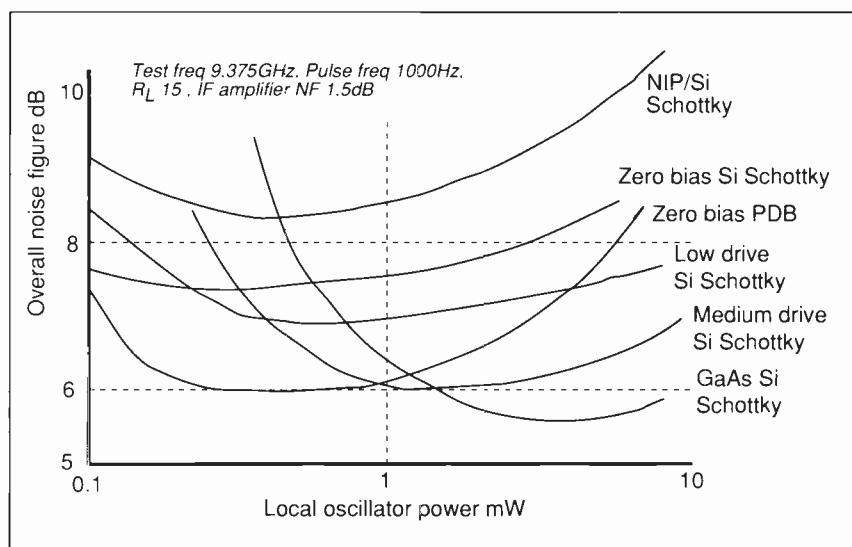


Fig. 5. The planar barrier diode gives low-noise performance for receiver mixers with oscillator drive as low as 0.2 mW.

cost savings in a large communications network such as a cellular telephone system, where a 2dB advantage in receiver sensitivity means that the transmitter output power rating can be 60% less (assuming no extraneous off-air interference) giving capital and running-costs savings. Multiply these by the hundreds of transmitters required for national coverage, and the cost effectiveness of these modern receiver devices can be appreciated.

Consider, also, a radar system, where the

high, and expensive, transmitter power requirement can be reduced by improved receiver sensitivity. Again, the cost advantage is obvious, particularly where supply power and aerial size may significantly be limited, such as in a satellite, or an airborne radar system. As Fig. 3 shows, the advantage of the modfet increases significantly with frequency.

Next month ICs at the front end.

SMALL SELECTION ONLY LISTED - EXPORT TRADE AND QUANTITY DISCOUNTS - RING US FOR YOUR REQUIREMENTS WHICH MAY BE IN STOCK

- Tektronix 475 - 200Mc/s oscilloscopes - £400 less attachments to £500 C/W manual probes etc.
 Marconi TF2008 - AM-FM signal generator - Also sweeper - 10Kc/s - 510Mc/s - from £350 tested to £500 as new with manual - probe kit in wooden carrying box.
 HP DC Current source type 6177C - £200.
 HP Frequency comb generator type 8406A - £400.
 HP Sampling Voltmeter (Broadband) type 3406A - £200.
 HP Vector Voltmeter type 8405A - £400 to £600 - old or new colour.
 HP Synthesiser/signal generator type 8672A - 2 to 18GHz £4000.
 HP Oscillographic recorder type 7404A - 4 track - £350.
 HP Plotter type 9872B - 4 pen - £300.
 HP Sweep Oscillators type 8690 A & B + plug-ins from 10Mc/s to 18GHz also 18-40GHz. P.O.R.
 HP Signal Generators type 626 - 628 - frequency from 450Mc/s to 21GHz.
 HP Network Analyser type 8407A + 8412A + 8601A - 100Kc/s - 110Mc/s - £500 - £1000.
 HP 432A-435A or B Power Meters + Powerheads - 10Mc/s-40GHz - £200-£650.
 HP Down Converter type 11710B - 0.1-11Mc/s - £450.
 HP Pulse Modulator type 11720A - 2-18GHz - £1000.
 HP Modulator type 8403A - £100-£200.
 HP Pin Modulators for above-many different frequencies - £150.
 HP Counter type 5342A - 18GHz - LED readout - £1500.
 HP Signal Generator type 8640B - Op1001 + 003 - 5-512Mc/s AM/FM - £1000.
 HP Spectrum Display type 3720A £200 - HP Correlator type 3721A £150.
 HP 37555 + 3756A - 90Mc/s Switch - £500.
 HP Amplifier type 8447A - 1-400Mc/s £200 - HP8447F 1-1300Mc/s £400.
 HP Frequency Counter type 5340A - 18GHz £1000 - rear output £800.
 HP 8410 - A - B - C Network Analyser 110Mc/s to 12GHz or 18GHz - plus most other units and displays used in this set-up - 8411A - 8412 - 8413 - 8414 - 8418 - 8740 - 8741 - 8742 - 8743 - 8746 - 8650. From £1000.
 HP Signal Generator type 8660C - 1-2600Mc/s. AM/FM - £3000. 1300Mc/s £2000.
 HP Signal Generator type 8656A - 0.1-990Mc/s. AM/FM - £2000.
 HP 3730B Mainframe £200.
 HP 8699B Sweep PI - 0.1-4GHz £750 - HP8690B Mainframe £250.
 Racal/Dana Interface type 9932 - £150.
 Racal/Dana GPIB Interface type 9934A - £100.
 Racal/Dana 9301A-9302 RF Millivoltmeter - 1.5-2GHz - £250-£400.
 Racal/Dana Counters 9915M - 9916 - 9917 - 9921 - £150 to £450. Fitted FX standards.
 Racal/Dana Modulation Meter type 9009 - 8Mc/s - 1.5GHz - £250.
 Racal - SG Brown Comprehensive Headset Tester (with artificial head) Z1A200/1 - £350.
 EIN 310L RF Power Amp - 250KHz - 110Mc/s - 50Dbs - £250.
 Marconi AF Power Meter type 893B - £200.
 Marconi Bridge type TF2700 - £150.
 Marconi/Saunders Signal Sources type - 6058B - 6070A - 6055B - 6059A - 6057B - 6056 - £250-£350. 400Mc/s to 18GHz.
 Marconi TF1245 Circuit magnification meter + 1246 & 1247 Oscillators - £100-£300.
 Marconi microwave 6600A sweep osc., mainframe with 6650 PI - 18-26.5GHz or 6651 PI - 26.5-40GHz - £1000 or PI only £600.
 Marconi distortion meter type TF2331 - £150. TF2331A - £200.
 Thurlby convertor 19 - GP - IEEE - 488 - £150.
 Microwave Systems MOS/3600 Microwave frequency stabilizer - 1GHz to 40GHz £1k.
 Bradley Oscilloscope calibrator type 156 - £150.
 Tektronix Plug-ins 7A13 - 7A14 - 7A18 - 7A24 - 7A26 - 7A11 - 7M11 - 7S11 - 7D10 - 7S12 - S1 - S2 - S6 - S52 - PG506 - SC504 - SG502 - SG503 - SG504 - DC503 - DC508 - DD501 - WR501 - DM501A - FG501A - TG501 - PG502 - DC505A - FG504 - P.O.R.
 Alitech Stoddart receiver type 17/27A - 0.1-32Mc/s - £2500.
 Alitech Stoddart receiver type 37/57 - 30-1000Mc/s - £2500.
 Alitech Stoddart receiver type NM65T - 1 to 10GHz - £1500.
 Gould J3B Test oscillator + manual - £200.
 Image Intensifiers - ex MOD - tripod fitting for long range night viewing - as new - £1500-£2000.
 Infra-red Binoculars in fibre-glass carrying case - tested - £100. Infra-red AFV sights £100.
 ACL Field intensity meter receiver type SR - 209 - 6. Plug-ins from 5Mc/s to 4GHz - P.O.R.
 Systron Donner Counter Model 6057 - 18GHz - £800.
 Tektronix 491 spectrum analyser - 1.5GHz-40GHz - as new - £1000 or 10Mc/s 40GHz.
 Tektronix Mainframes - 7603 - 7623A - 7633 - 7704A - 7844 - 7904 - TM501 - TM503 - TM506 - 7904 - 7834 - 7104.
 Knott Polyskanner WM1001 + WM5001 + WM3002 + WM4001 - £500.
 Alitech 136 Precision test RX + 13505 head 2 - 4GHz - £350.
 SE Lab Eight Four - FM 4 Channel recorder - £200.
 Alitech 757 Spectrum Analyser - 0.01-22GHz - Digital Storage + Readout - £3000.
 Dranzet 606 Power line disturbance analyser - £250.
 Precision Anroid barometers - 900-1050Mb - mechanical digit readout with electronic indicator - battery powered. Housed in polished wood carrying box - tested - £100-£200-£250. 1, 2 or 3.
 B & K Sound Level Meter type 2206 - small - lightweight - precision - 1/2" microphone - in foam protected filled brief type carrying case with windshield & battery + books + pistol grip handle - tested - £170. Carr. £8. B & K 2206 Meter + Mike + Book - less carrying case etc. - £145. Carr. £8. DISCOUNT ON QUANTITY.
 HP141T SPECTRUM ANALYSERS - ALL NEW COLOURS
 TESTED WITH OPERATING MANUAL
 HP141T + 8552A or B IF - 8553B RF - 1kHz - 110Mc/s - A IF - £1300 or B IF - £1400.
 HP141T + 8552A or B IF - 8554B RF - 100kHz - 1250Mc/s - A IF - £1400 or B IF - £1500.
 HP141T + 8552A or B IF - 8555A RF - 10Mc/s - 18GHz - A IF - £2400 or B IF - £2500.
 HP141T + 8552A or B IF - 8556A RF - 20Hz - 300kHz - A IF - A IF - £1200 or B IF - £1300.
 HP8443A tracking generator/counter - 100kHz - 110Mc/s - £500.
 HP8445B tracking pre-selector DC - 18GHz - £750.
 HP ANZ UNITS AVAILABLE SEPARATELY - NEW COLOURS - TESTED.
 HP141T mainframe - £550 - 8552A IF - £450 - 8552B IF - £550 - 8553B RF - 1kHz - 110Mc/s - £550 - 8554B-RF - 100kHz - 1250Mc/s - £650 - 8555A-RF - 10Mc/s - 18GHz - £1550.
 HP 3580A LF-spectrum analyser - 5kHz to 50kHz - LED readout - digital storage - £1600 with instruction manual - internal rechargeable battery.
 Spectrascope 11 SD335 (S.A.) realtime LF analyser - 20Hz to 50kHz - LED readout with manual - £500 tested.
 Tektronix 7D20 plug-in 2-channel programmable digitizer - 70 Mc/s - for 7000 mainframes - £500 - manual - £50.
 Datron 1065 Auto Cal digital multimeter with instruction manual - £500.
 Racal MA 259 FX standard. Output 100Kc/s - 1Mc/s - 5Mc/s - internal NiCad battery - £150.
 Aerial array on metal plate 9" x 9" containing 4 aerials plus Narda detector - 100-11GHz. Using N type and SMA plugs & sockets - ex eqpt - £100.
 EIP 451 microwave pulse counter 18GHz - £1000.
 Marconi RF Power Amplifier TF2175 - 1.5Mc/s to 520Mc/s with book - £100.
 HP 8614A Signal Generator 800Mc/s to 2.4GHz - old colour - £300. New colour - £600.
 HP 8616A Signal Generator 1.8GHz to 4.5GHz - old colour - £200. New colour - £400.
 HP 8620A or 8620C Sweep Generators - £400 to £1000 with IEEE.
 Marconi 6155A Signal Source - 1 to 2 GHz - LED readout - £600.
 Schlumberger 2741 Programmable Microwave Counter - 10Hz to 7.1GHz - £750.
 Schlumberger 2720 Programmable Universal Counter 0 to 1250Mc/s - £690.
 HP 37203A HP-IB Extender - £150.
 PPM 411F Current Reference - £150.
 HP 5363B Time Interval Probes - £150.
 HP 8900B Peak Power Calibrator - £100.
 HP 59313A A/D Converter - £150.
 HP 59306A Relay Actuator - £150.
 HP 2225CR Thinkjet Printer - £100.
 TEK 576 Calibration Fixture - 067-0597-99 - £250.
 HP 4437A 600 Ohm Attenuator - £100.
 HP 8006A Word Generator - £150.
 HP 1645A Data Error Analyser - £150.
 Texscan Rotary Attenuators - BNC/SMA 0-10-60-100DBS - £50-£150.
 HP 809C Slotted Line Carriages - various frequencies to 18GHz - £100 to £300.
 HP 532-536-537 Frequency Meters - various frequencies - £150-£250.
 Barr & Stroud variable filter EF3 0.1Hz-100Kc/s + high pass + low pass - £150.
 S.E. Lab SM215 Mk11 transfer standard voltmeter - 1000 volts.
 Alitech Stoddart P7 programmer - £200.
 H.P. 6941B multiprogrammer extender. £100.
 Fluke Y2000 RTD selector + Fluke 1120A IEEE-488-translator + Fluke 2180 RTD digital thermometer + 9 probes. £350 all three items.
 H.P. 6181 DC current source. £150.
 H.P. 59501A - HP-IB isolated D/A power supply programmer.
 H.P. 3438A digital multimeter.
 H.P. 61775 DC current source.
 H.P. 6207B DC power supply.
 H.P. 741B AC/DC differential voltmeter standard (old colour) £100.
 H.P. 6209B DC power unit.
 Fluke 80 high voltage divider.
 Fluke 431C high voltage DC supply.
 Tektronix M2 gated delay calibration fixture. 067-0712-00.
 Tektronix precision DC divider calibration fixture. 067-0503-00.
 Tektronix overdrive recovery calibration fixture. 067-0608-00.
 Avo VCM163 valve tester + book £300.
 H.P. 5011T logic trouble shooting kit. £150.
 Marconi TF2163S attenuator - 1GHz. £200.
 PPM 8000 programmable scanner.
 H.P. 9133 disk drive + 7907A + 9121 twin disk.
 Fluke 730A DC transfer standard.
 B&K 4815 calibrator head.
 B&K 4812 calibrator head.
 Farnell power unit H60/50 - £400 tested.
 H.P. FX doubler 938A or 940A - £300.
 Racal/Dana 9300 RMS voltmeter - £250.
 H.P. sweeper plug-ins - 86240A - 2-8.4GHz - 86260A - 12.4-18GHz - 86260AH03 - 10-15GHz - 86290B - 2-18.6GHz - 86245A 5.9-12.4GHz.
 Tequipment CT71 curve tracer - £200.
 H.P. 461A amplifier - 1kc-150Mc/s - old colour - £100.
 H.P. 8750A storage normalizer.
 Tektronix oscilloscopes type 2215A - 60Mc/s - c/w book & probe - £400.
 Tektronix monitor type 604 - £100.
 Marconi TF2330 or TF2330A wave analysers - £100 - £150.
 HP5006A Signature Analyser £250 + book.
 HP10783A numeric display. £150.
 HP 3763A error detector. £250.
 Racal/Dana signal generator 9082 - 1.5-520Mc/s - £800.
 Racal/Dana signal generator 9082H - 1.5-520Mc/s - £900.
 Claude Lyons Compuline - line condition monitor - in case - LMP1 + LCM1 £500.
 Efratom Atomic FX standard FRT - FRK - 1-1.5-10Mc/s. £3K tested.
 Murrhead fax receivers K649 - TR4 - solid state - speed - 60-90-120-240-auto - IC 288-576 - auto - £250 with book. Weather maps - paper rolls available. £2 each.
 Racal 4D recorder - £350 - £450 in carrying bag as new.
 HP8350A sweep oscillator mainframe + HP11869A RF PI adaptor - £1500.
 Alitech - precision automatic noise figure indicator type 75 - £250.
 Adret FX synthesizer 2230A - 1Mc/s. £250.
 Tektronix - 7S12 - 7S14 - 7T11 - 7S11 - S1 - S52 - S53.
 Rotek 610 AC/DC calibrator. £2K + book.
 Tektronix 7L12 analyser - 1Mc/s - 1.8GHz. £1500.
 Clark Scam Heavy Duty 40 Telescopic Pneumatic Masts - retracted 7'8" - head load 40lbs - with or with J1 supporting legs & erection kit - in bag + handbook - £200-£500.
 Clark Scam Heavy Duty 70 Telescopic Pneumatic Masts - retracted 13'5" - head load 90lbs - with or without legs + erection kit + handbook - £500-£800.
 Marconi TF2950 test set - £200.
 Marconi TF2016 signal generator - £150.
 Marconi TF2173 synthesizer - £150.
 Marconi TF2015 signal generator - £150.
 Marconi TF2171 synthesiser - £150.
 Marconi TF2370 spectrum analyser - 110Mc/s - £1500-£2k.
 Marconi TF2512 RF power meter - 10 or 30 watts - 50 ohms - £80.
 Marconi multiplex tester type 2830.
 Marconi digital simulator type 2828A.
 Marconi channel access switch type 2831.
 Marconi automatic distortion meter type TF2337A - £150.
 Marconi TF2370 spectrum analyser + TK2373 FX extender 1250Mc/s + tracking generator - £3k.
 Marconi mod meters type TF2304 - £250.
 HP 746A high voltage amp - HP 745A AC calibrator - both - £250.
 HP 5240A counter - 10Hz to 12.4GHz - £400.
 HP 3763A error detector.
 HP 8016A word generator.
 HP 489A micro-wave amp - 1-2GHz.
 HP 3582A analyser LF - 25kc/s - £2.5k.
 HP 8565A spectrum analyser - .01-22GHz - £4k.
 HP 5065A rubidium vapour FX standard - £5k.
 Fluke 893A differential meters - £100 ea.
 Systron Donner counter type 6054B - 20Mc/s-24GHz - LED readout - £1k.
 Racal receivers - RA17L - RA1772 - RA1779 - RA1792. P.O.R.
 Takeda Riken TR4120 tracking scope + TR1604P digital memory.
 EG&G Parc model 4001 indicator + 4203 signal averager PI.
 Systron Donner 6120 counter/timer A+B+C inputs - 18GHz - £1k.
 Racal/Dana 9083 signal source - two tone - £250.
 Systron Donner signal generator 1702 - synthesized to 1GHz - AM/FM.
 Systron Donner microwave counter 6057 - 18GHz - Nixey tube - £700.
 Datron 1065 Autocal multimeter - £500.
 Racal/Dana synthesized signal generator 9081 - 520Mc/s - AM-FM.
 Farnell SSG520 synthesized signal generator - 10Mc/s - £500.
 Farnell TTS520 test set - £500 - both £900.
 Tektronix plug-ins - AM503 - PG501 - PG508 - PS503A.
 Tektronix TM515 mainframe + TM5006 mainframe.
 Tektronix CG5001 programmable calibration generator - £1k.
 Cole power line monitor T1085 - £250.
 Claude Lyons LCM1P line condition monitor - £250.
 Rhodes & Schwarz power signal generator SLRD 280 - 2750Mc/s.
 Rhodes & Schwarz S parameter test adaptor - 5-5200Mc/s ZPV-Z5.
 Rhodes & Schwarz vector analyser - ZPV+E3 tuner - 3-2000Mc/s.
 Rhodes & Schwarz Polyskop IV SWOB 4-1000Mc/s - 50 ohms.
 Bell & Howell TMA3000 tape motion analyser - £250.
 Ball Efratom PTB-100 rubidium standard mounted in Tek PI.
 Ball Efratom rubidium standard PT2568-FRKL.
 Trend Data tester type 100 - £150.
 Farnell electronic load type RB1030-35.
 Fairchild interference analyser model EMC-25 - 14kc/s-1GHz.
 Fluke 1720A instrument controller + keyboard.

ITEMS BOUGHT FROM HM GOVERNMENT BEING SURPLUS. PRICE IS EX WORKS. S.A.E. FOR ENQUIRIES. PHONE FOR APPOINTMENT OR FOR DEMONSTRATION OF ANY ITEMS. AVAILABILITY OR PRICE CHANGE. VAT AND CARR., EXTRA. ITEMS MARKED TESTED HAVE 30-DAY WARRANTY.

Johns Radio, Whitehall Works, 84 Whitehall Road East, Birkenshaw, Bradford BD11 2ER. Tel. No. (0274) 684007. Fax 651160.

CIRCLE NO. 116 ON REPLY CARD

Improved preamps put dat back on the road

The new dat recording machines combine portability with high quality recording. But microphones used may be degrading the result. Adrian Pickering and Max Hadley investigate.

Digital audio personal-stereo-type machines can now offer high recording quality while on the move, with performances hitherto only achievable with professional quarter-inch recorders such as a Uher or Nagra. The dat recording format is stereo, 16-bit linear sampling at 48kHz, of comparable quality to CD. But, since almost all recordings made with a portable dat machine are likely to be from a microphone, the performance of the microphone preamplifier becomes critical. Unfortunately, manufacturers have not paid as much attention to this as perhaps they should – the result is often a dat machine with recording quality degraded by microphone preamplifiers more suited to a good cassette recorder!

The solution is to substitute a better-quality microphone preamplifier. This is relatively straightforward if there are no constraints on power consumption or size. Clearly, the whole purpose of using a portable dat machine is its convenience, so any ancillary equipment must not cause compromises here. The requirement is for a compact dat-quality microphone preamplifier with a low power consumption.

Preamp requirements

The low-noise preamplifiers traditionally employed in microphone input transformers have many advantages, and provide a balanced input and excellent common-mode rejection. But they can be very susceptible to stray magnetic fields which are often encountered in "out-and-about" recording locations.

Compact transformers with a good AF response and immunity to external fields are expensive and so a transformerless design is to

be preferred. A balanced input would be desirable, though not absolutely essential since the microphone lead is typically only 1-2m long.

Microphone type does affect preamplifier design. Professional moving-coil microphones have low output levels. Commonly-available electrets give a higher output, but this is accompanied by their internal preamplifier noise.

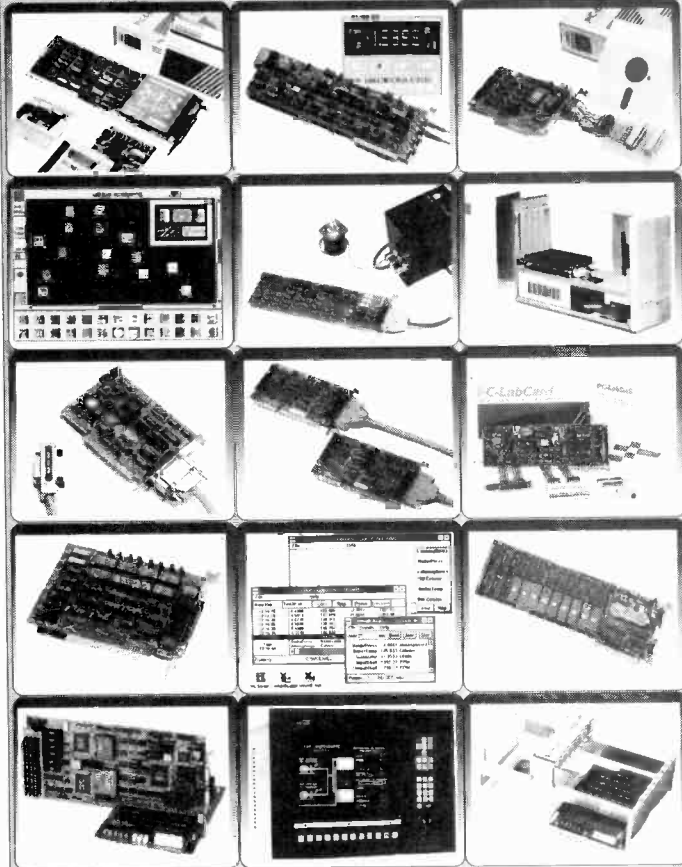
Studio-quality capacitor microphones have high output levels and low noise, but are expensive and usually phantom-powered.

For portable use, powered microphones of any type are a nuisance as they need constant feeding with fresh batteries to assure an uninterrupted "take". So the moving-coil microphone still has much to commend it and the basic performance specification for the preamplifier thus emerges:

Low noise. The preamplifier should have the best noise and distortion performance attainable with the available power supply (see below). Resulting recordings should be at least as good as those made on portable quarter-inch recorders (typically, 60dB signal to noise ratio).

Gain. A typical professional 200 Ω moving-coil microphone in face-to-face interviews generates a signal level of about -65dBu, 0dBu (0.775Vrms, 1mW in 600 Ω) is the standard line level for professional equipment. Taking into account the extra gain available from the dat line inputs, the preamplifier gain needs to be about 45dB. Any higher gain would reduce headroom and generate excess noise.

Output. The dat with its unbalanced line inputs is used right next to the preamplifier so



The most comprehensive range of PC based add-on products for Engineering and Scientific Applications. Data Acquisition, Measurement & Control Plug-in Cards, Software Packages, Industrial Rack Mounting PCs/Monitors/Keyboards, CPU Cards, Passive Backplanes, PC Enclosures & Subsystems, Solid State RAM/ROM Discs, plus much more...

*Please CALL for your FREE copy of our Catalogue
OEM, Dealer & Educational Enquiries Welcome*



Integrated Measurement Systems Ltd.
305-308 Solent Business Centre,
Millbrook Rd West
Southampton SO1 0HW, HAMPSHIRE

ADVANTECH, UK Distributor

Tel: (0703) 771143 Fax: (0703) 704301

Designers & Suppliers of Measurement, Test & Control Systems & Software

CIRCLE NO. 117 ON REPLY CARD

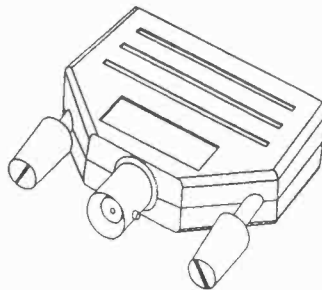
PICO ADC-10

8-bit Analog to Digital Converter
for IBM PCs & compatibles

- 10-25 kHz typical sampling speed
- 0-5 v input range

£49

+ VAT
(including p+p)



- Plugs directly into parallel printer port
- Requires no external power or expansion slots
 - BNC input connector
- Supplied with software to use as a voltmeter & oscilloscope, plus Turbo C and Pascal drivers

Pico Technology Limited
Broadway House, 149-151 St. Neots Road,
Hardwick, Cambridge CB3 7QJ
Tel. 0954 211716 Fax. 0954 211880

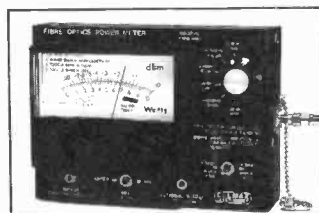
CIRCLE NO. 118 ON REPLY CARD

FIBRE-OPTICS EDUCATOR

Versatile training equipment for education and industry.



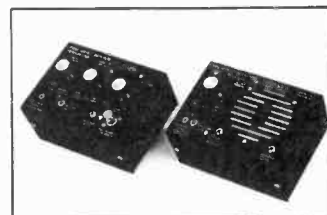
FIBRE-OPTICS POWER METER



dBm and μ W scale; battery life 500 hours.

FIBRE-OPTICS MONITOR

For continuity testing and voice comms.



For further details contact:
ELLMAX ELECTRONICS LTD.,
Unit 29, Leyton Business Centre,
Etloe Road, Leyton, London, E10 7BT.
Telephone: (081) 539 0136
Fax: (081) 539 7746



CIRCLE NO. 119 ON REPLY CARD

that the output from the preamplifier can be unbalanced too.

Power supply. Difficult access to the dat power supply makes batteries necessary. There should be a single battery of a type commonly available from local shops and it should be replaced as rarely as possible. Equipment performance should gently degrade as the battery reaches the end of its life.

Users – radio journalists or electronic engineers – must have confidence in the equipment: conducting an interview can be stressful enough without having to worry about the equipment. Any doubts over reliability will lead to the machine rapidly being rejected in favour of equipment that worked before. Equipment must be robust and idiot-proof – and useable. However good the electronics, if equipment is difficult to use it will surely be discarded.

Rotary switches. Rotary switch types – least likely to be misoperated by something rubbing against the equipment – should show a clear indication of the position of the switch. If switches of any other type are used they should be guarded or stiff to operate.

Minimise the number of connectors. As the enclosure must be compact, small connectors and fragile, thin, cables are undesirable. Instead, robust leads should be wired direct from the enclosure and be long enough so that, during normal use, they plug straight into the microphone(s) via a locking XLR.

Positive on/off indication. A constantly-illuminated light should indicate that equipment is on and functional, and also helps to remind the user to switch the equipment off after use. The light should serve as a battery health indicator.

Mono mode. Most radio journalism is still carried out in mono, though dat provides stereo. The otherwise-redundant right channel could be used to record the mono signal at a 6dB lower level in case clipping occurs on the left; but the option switch will rarely be used and should be hidden. A stereo preamplifier must work in stereo or mono, saving battery power when mono mode is used.

Reverse battery protection. A battery replaced in a hurry may be inserted the wrong way round with equipment switched on. But the circuit must not be damaged or degraded.

Input and output open- and short-circuit behaviour. Leaving a microphone input open-circuit or shorting the input should not generate clicks or noise. The output should survive being shorted indefinitely.

Spatial consistency and simplicity. Common-sense rules should govern layout – eg the left microphone lead should be on the left side. Equipment status should be obvious from a quick glance at one face of the enclosure.

Minimum interacting controls. The wide dynamic range of the dat and preamplifier results in the recording level being uncritical. As the dat already has a level control, the preamplifier does not need one. In practice the gain is usually adjusted by moving the microphone.

Design and op-amp selection

A professional moving-coil microphone has a typical impedance of 200Ω. Since a microphone transformer is to be avoided, an amplifier with a very low equivalent noise input voltage is required. For common mode interference rejection, a good input configuration is a well-matched differential pair of transistors¹. Low input voltage noise requires the input transistors to be bipolar types with a high current gain, h_{FE} , run with a comparatively high collector current and with a low base spreading resistance².

A suitable IC low-noise operational amplifier is a convenient solution. Among the best

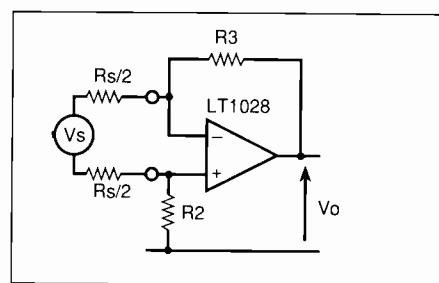
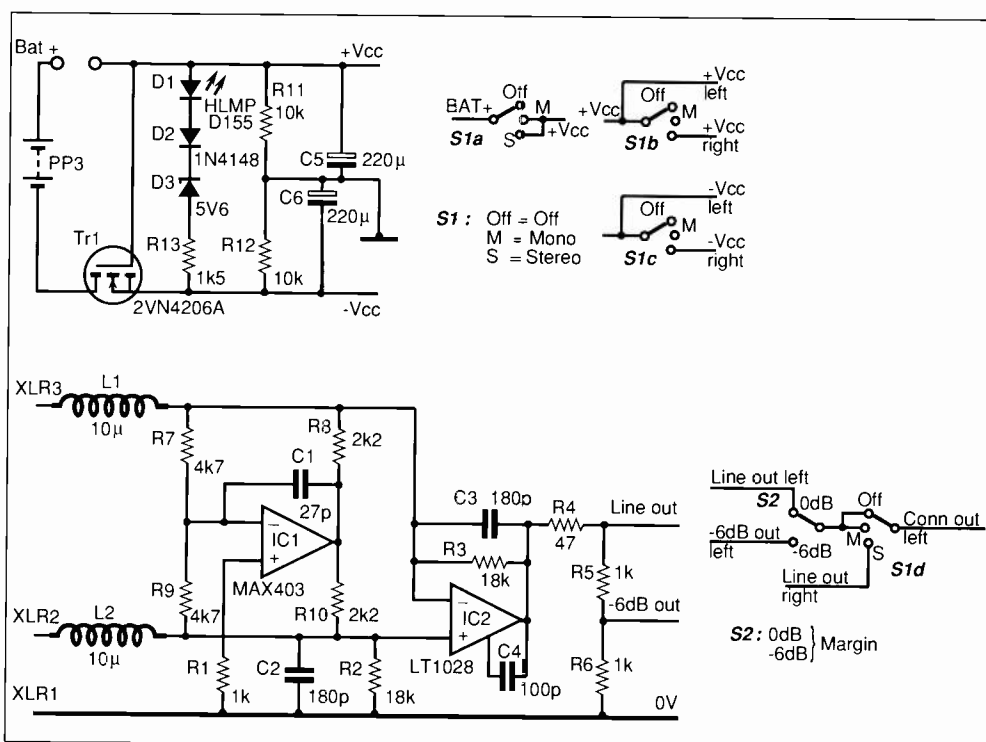


Fig. 1. Modified differential amplifier. The LT1028 is used as a classic differential amplifier with the input resistors omitted and their function performed by the microphone source resistance, R_s .



is the Linear Technology³ LT1028 which has an equivalent input voltage noise density, e_n , of 0.9nV/√Hz at 1kHz and an input current noise density, i_n , of 1pA/√Hz. Input transistors operate with 0.9mA collector current and the total supply current is typically 7mA.

The LT1028 will operate at ±4.5V, which means it is possible to power it from a 9V battery. The specialised Analogue Devices SSM2017 microphone preamplifier performs no better but has significantly higher power consumption (10mA) and requires split supplies of ±6V – difficult to use with a single 9V battery.

In the circuit (Fig. 1), the LT1028 is used as a classic differential amplifier with the input resistors omitted and their function performed by the microphone source resistance, R_s . Gain is inversely proportional to R_s . Any resistances in the input generate their own thermal noise and should be avoided; only R_s is clearly unavoidable. The topology requires that the microphone be able to work into an (active) short-circuit.

It is a popular myth that all microphones must drive into a 1kΩ load. Although most

Fig. 2. Low noise, low power microphone preamplifier. Power supply (top left) to left and right channels. Switch SW1 state controls the battery and power distribution to each channel. Power distribution (top right). Rotary switch SW1 has three states: off, battery disconnected; on, mono mode, left channel only powered; on, stereo mode, both channels powered. Preamplifier single channel (bottom left). Left and right channels are identical. Power supplies and decoupling (100nF) are not shown. R_8 and R_{10} should be matched to better than 0.1%. Mono mode signal routing (bottom right). In Mono mode the right channel output is derived from the left channel. Option switch SW2 selects: right equals left, or right is -6dB left. The latter gives further peak overload protection during recording

manufacturers characterise their microphones with such a load, their actual behaviour changes little – and possibly even for the better – if they drive a lower impedance. So using an LT1028 in the circuit, the largest single noise source is the resistance of the microphone itself (1.8nV/√Hz for 200Ω).

Modifying the configuration

On its own, the configuration is not wholly satisfactory, as both inputs are driven, via the feedback resistors, at half output voltage. There is a considerable risk that the *LT1028* input could be driven outside its common mode input voltage range when powered from the 9V battery. Also, the operation of some single-point stereo microphones may be affected if both channels share a common earth. Hence the circuitry around *IC1* (Fig. 2) is added to force the inputs to lie symmetrically about ground by making their sum zero.

A low power operational amplifier, the Maxim *Max403*, is used to minimise the overall power consumption. Up to the frequency at which the *Max403* runs out of gain (10kHz), *IC2* sees almost no CM signal so its CMRR is unimportant and its distortion is minimised⁴. Note that although *R2* plays no part in controlling differential mode gain up to this frequency since *IC1* provides the microphone current (see box), the common mode rejection ratio (CMRR) at higher frequencies is still dependent on *R2* and *C2* matching *R3* and *C3*.

The *Max403* output drives each input of the *LT1028* via a pair of closely matched resistors, *R8* and *R10*. Its output drive current is split precisely between them. When the *Max403* counters a CM signal, any mismatch between *R8* and *R10* generates a differential mode signal which will degrade the total CMRR. A match

of better than 0.1% assures a CMRR of 54dB at 1kHz.

It is easy to find matched pairs better than this by running a digital multimeter down a short bandolier strip of 1% 50ppm/°C resistors. These are the only two components in the circuit with critical matching requirements. Actual value is not important though larger values will reduce the CM swing that the *Max403* can suppress.

The CM cancelling circuit will also affect the preamplifier noise level. Noise of the *Max403* is injected via *R8* and *R10* and, being CM, is rejected by the *LT1028*. Also the resistors *R7-R10* contribute thermal noise. Because of the low impedance at the output of the *Max403*, *R8* and *R10* each add uncorrelated noise as if they were in parallel across the input. *R7* and *R9* appear in series across the input. All these resistances are shunted by *R5* which, at 200Ω, dominates. Usefully, they limit the effective *R5* when the microphone is unplugged, preventing the gain falling below the *LT1028* stability limit (6dB). Output noise remains small because of the reduction in gain due to the larger effective *R5*.

L1 and *L2* provide RF rejection and, since the components also have a small resistance, they limit the gain if the input is shorted. The noise is noticeable in this case as the gain is very high due to a very low effective *R5*.

The power supply circuit generates a signal

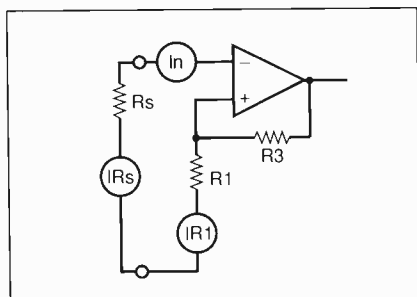
Operational amplifiers and noise

In the figure is an operational amplifier in a high gain configuration together with its equivalent noise voltage source. High gain means that *R3* >> *R1*. The equivalent noise current sources of each input have been omitted as their contribution is negligible with bipolar operational amplifiers and low source impedances.

Calculations show the addition of the amplifier and resistor input noise densities to find the total equivalent input noise voltage density (*e_{neff}*) for a number of circuit choices. As the noise sources are uncorrelated, the noise powers add, therefore noise voltages are given by an RMS sum:

$$e_{neff} = \sqrt{e_n^2 + 4kT(R_1 + R_2)} \quad V / \sqrt{Hz}$$

Case 1. *R_s* = 200Ω, *R₁* = 470Ω and a *RC4560* with *e_n* = 7nV/Hz:



$$e_{neff} = \sqrt{49 + 11.32} \\ = 7.77 \text{ nV} / \sqrt{Hz}$$

The noise from the operational amplifier is dominant; try another type.

Case 2. *R_s* = 200Ω, *R₁* = 470Ω and an *NE5534* with *e_n* = 4nV/Hz:

$$e_{neff} = \sqrt{16 + 11.32} \\ = 5.23 \text{ nV} / \sqrt{Hz}$$

The contribution from the operational amplifier is comparable to the noise from *R_s* and *R₁* and this is about the best that can be done without changing component values significantly.

Case 3. The inverting configuration can reduce the value of *R₁* or even omit it, making a lower noise amplifier worthwhile. With *R_s* = 200Ω, no *R₁* and an *LT1028* with *e_n* = 0.9nV/Hz:

$$e_{neff} = \sqrt{0.81 + 3.38} \\ = 2.05 \text{ nV} / \sqrt{Hz}$$

The noise from *R_s* is dominant but irreducible. Choosing an operational amplifier with a low *e_n* means higher equivalent current noise, *i_n*. Fortunately, this is still insignificant in this configuration. This is the basis of the microphone preamplifier circuit presented here.

Interview technique

Following a stint as a "Media Fellow" in 1990, an academic working in the mass media to promote science, I have been a freelance radio journalist for local FM radio, reporting on science and technology.

Shortly after I started, it became obvious that every radio journalist needs his or her own tape recorder. The quarter-inch tape machine is still the standard in radio programme production, its format allowing manual editing to the highest broadcast standards with the simplest of tools: chinagraph pencil and razor blade. But the low recording density that permits this is also a fundamental weakness. Portable quarter-inch tape recorders have to be physically large and are tape and power hungry. Nevertheless the StellaVox, Uher and Nagra portables are in wide use, the resultant material being immediately editable.

All other options involve dubbing to quarter-inch for subsequent editing. If this overhead is acceptable then the possibilities extend to high-quality, professional compact cassette or proprietary miniature formats, such as mini-Nagra, and dat.

Dat has become an accepted studio format. To a limited extent, professional portable dats are in use in radio journalism. But the newer consumer portable-stereo-type models, promise the same quality for significantly less money.

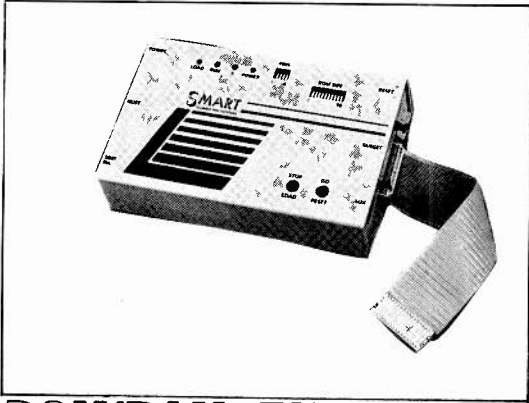
The Aiwa *HD-S1* and Sony *TCD-D3* have been tried and both were found to have noisy microphone preamplifiers. I currently use the Sony with a Beyer *M58* moving-coil, omnidirectional microphone making mono recordings via the preamplifier described here. The result is dubbed to quarter-inch on a Studer *A807* for editing and subsequent broadcast.

Adrian Pickering

earth from the PP3 battery supply. It also provides a pilot indicator using a high-efficiency Hewlett Packard led. The device is very bright with a power consumption of only 1.5mA when the battery is fresh, dropping to <1mA during battery discharge, dimming completely when the supply is about 7V. N-channel power mosfet, *T₁*, provides the reverse polarity protection as the voltage drop of conventional protection methods could not be afforded. When power is first applied to the "backwards" device, the inherent substrate-drain diode conducts and a gate-source voltage is generated across the load. *T₁* thus bootstraps itself into its resistive operating region with a typical channel resistance of <2Ω.

The stereo preamplifier is housed in a plastic enclosure measuring 25mm x 70mm x 120mm with its interior screened using conductive nickel paint. On the front fascia are the rotary off/mono/stereo switch, the pilot led and the hard-wired left and right microphone leads. The left lead is long enough (1.5m) to be sufficient for mono interviews with the microphone directly connected. The mono margin option switch is accessible via the battery compartment. The output is connected via a short, hard-wired 3.5mm jack-terminated

Microprocessor Development Tools



ROM/RAM EMULATOR

- ROM sizes from 2716 to 64 Mbit !
- Full bi-directional communications
- Emulates all 24, 28, 32 & 40 pin devices
- Fast download - loads 4Meg in 10 seconds
- Split and shuffle and paged ROM capability

UNIVERSAL ASSEMBLER

- Relocatable - fast assembly
- Caters for ALL microprocessors and controllers
- Iterative macros
- Intelligent jump facilities
- Linker and MAKE facility

8051 DEVELOPMENT

- Pascal, C and Modula2 Compilers
- Simulator, Cross-Assembler, Linker and Editor
- Source level Debugger
- Multitasking support
- Supports ALL 8051 variants

PROGRAMMERS

- Universal programmer
- Low Cost E(E)PROM Programmer

EMULATORS - SIMULATORS - COMPILERS - ASSEMBLERS - PROGRAMMERS

8051 8085 Z8 68020 77C82 80C552 320C25 68HC11 6301 6502 87C751 65816 Z80 6809 8096 7720 MIPS etc.

2 Field End, Arkley, Barnet, Herts EN5 3EZ Telephone: 081-441 3890

SMART
COMMUNICATIONS

CIRCLE NO. 120 ON REPLY CARD

LOW COST RANGER1 PCB DESIGN FROM SEETRAX

- Circuit Schematic
 - Circuit Capture
 - PCB Design
 - Host Of Outputs
- All-In-One Design System**

£100

Fully Integrated Auto Router

£50

Ask Us About Trade-In Deals

Call Now For Demo Disk on 0705 591037

Seetrax CAE • Hinton Daubnay House
Broadway Lane • Lovedean • Hants • PO8 0SG
Tel: 0705 591037 • Fax: 0705 599036

**REDUCED
PRICE!**

What The Press Said About RANGER1

For most small users, Seetrax Ranger1 provides a sophisticated system at an affordable price. It is better than EasyPC or Tsien's Boardmaker since it provides a lot more automation and takes the design all the way from schematic to PCB - other packages separate designs for both, that is, no schematic capture. It is more expensive but the ability to draw in the circuit diagram and quickly turn it into a board design easily makes up for this.

**Source JUNE 1991
Practical Electronics**

Pay by Visa or Access



CIRCLE NO. 121 ON REPLY CARD

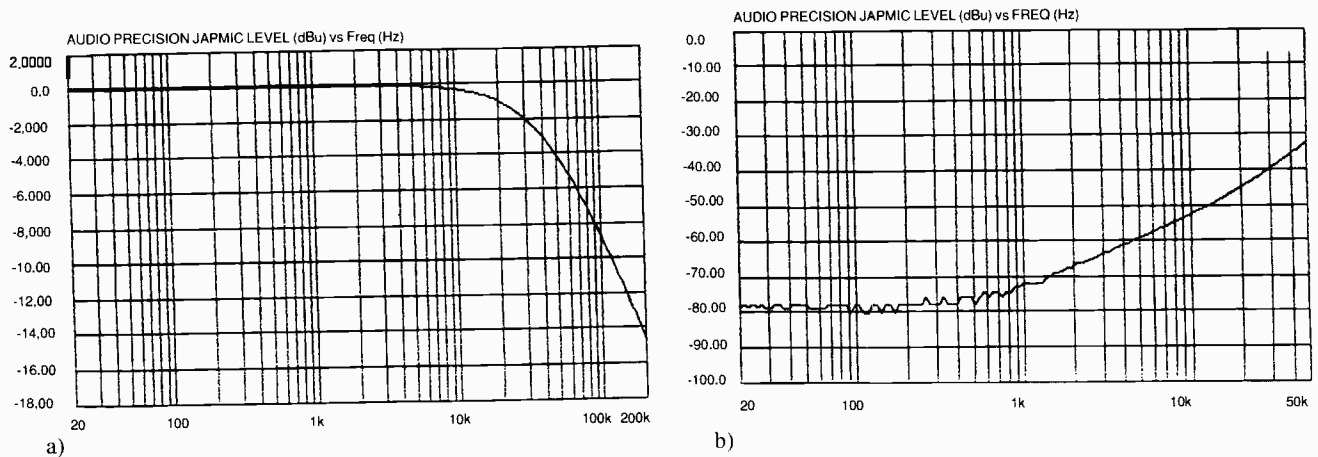


Fig. 3. Performance measurements (a) Differential mode gain vs frequency. ($R_s = 150\Omega$, input level -47.4dBu, analyser bandwidth 10Hz 500kHz.) Plot ref: 18 JUN 92 19:51:41 (b) Common mode gain vs frequency. ($R_s = 150\Omega$, common mode input (-47.4+40)dBu, analyser bandwidth 80kHz.) Plot ref: 18 JUN 92 20:00:40

lead. The unit is used fastened to the base of the dat using a couple of self-adhesive Velcro strips.

Performance

The preamplifier prototypes work well (subjectively) and are in active service. They have also been used successfully with stereo electret microphones, despite the somewhat unorthodox load they present. Figure 3 shows some objective performance measurements made using an Audio Precision System One analyser.

Figure 3(a) shows the gain with $R_s=150\Omega$; 47.3dB at audio frequencies and 1dB down at 20kHz. The amplifier is DC coupled and there is no low frequency roll-off.

To measure the CMRR the input level was increased by 40dB and applied CM. Fig. 3(b) shows the output with this input. At low frequencies the output is below the apparent -77dBu noise floor, and so the CMRR is better than 117dB. Even at 20kHz the CMRR is 85dB.

THD measurements show that, with a 1kHz 0dBu output, the only measurable distortion is -112dB (0.00025%) of second harmonic. Once again, this is beneath the broadband noise floor.

Noise measurements with $R_s = 200\Omega$, using a 20kHz brickwall filter and precision millivoltmeter show that the equivalent input noise (EIN) in this bandwidth is -128.2dBu (2.1nV/Hz equivalent input noise voltage density). The figure compares well with the calculated value using the typical e_n and i_n figures for the LT1028. As the thermal noise of a 200Ω resistor at 25°C in a 20kHz bandwidth is -129.6dBu, the noise figure is 1.4dB at this input impedance.

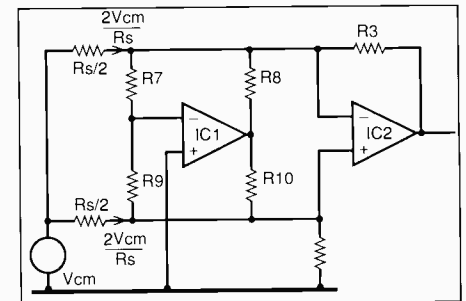
Power consumption is about 8mA per channel and an alkaline PP3 gives more than 40h use in mono mode. Output clip level is over +8dBu with a fresh battery, dropping to +5dBu just before battery failure (7V). At this point the dynamic range still exceeds 88dB, comparing well with the 90dB of the dat. For performance per milliwatt this throws down a strong challenge to any other design. ■

Common mode gain

Input current into the positive input to IC1 is $2V_{cm}/R_s$. Once again, the only source for this current is via R_{10} and the same current will flow through R_8 . Now, instead of adding, this current cancels the input current into the inverting input. No current flows through R_3 and so the output, and hence the gain, is zero. This is only true if $R_8 = R_{10}$. If $R_8 = R - \delta R$ and $R_{10} = R + \delta R$, then the common mode gain is:

$$A_{cm} = 2 \frac{R_3}{R_s} \left(\frac{R + \delta R}{R - \delta R} - 1 \right)$$

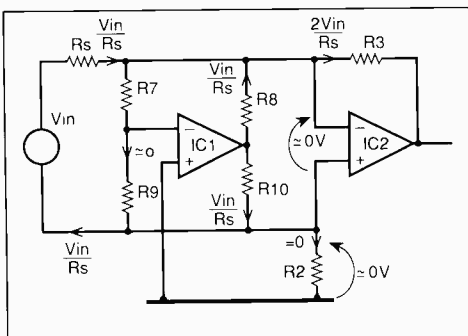
For $R = 2k\Omega$, $\delta R = 2.2\Omega$ (0.1%) this gives $A_{cm} = -10dB$, giving about 54dB CMRR. Using a 3 1/2 digit DVM it is feasible to match R_8 and R_{10} to within $\pm 0.5\Omega$ giving $A_{cm} = 23dB$ (better than 67dB CMRR).



Differential mode gain

A signal source being "shorted" means there is no input voltage to define a voltage gain. But for the purposes of comparison with other designs the voltage gain here is defined as the output signal divided by the unloaded input voltage.

The feedback around IC2, the LT1028, keeps both inputs at the same voltage. Hence the current flowing through the microphone is V_{in}/R_s and R_7 and R_9 have no volts across them. The feedback around IC1 ensures that there are no volts across R_2 either. The only remaining route for the microphone current is from the output of IC1 via R_{10} . IC1's output voltage will be $V_{in}R_{10}/R_s$. The same voltage appears across R_8 so the same current will flow. Total current into the inverting input of IC2 is thus $2V_{in}/R_s$ and this will flow through R_3 , generating the output voltage $2V_{in}R_3/R_s$. The gain is therefore $2R_3/R_s$, which is the same as the unmodified differential circuit of Figure 1.



References

1. McCormick, T., 'Putting Mic Amplifiers on the Line', Electronics World and Wireless World, May 1992, pp 402-405.
2. Motchenbacher, C.D., and Fitchen, F.C., 'Low Noise Electronic Design', Wiley, 1973.
3. Linear Technology, 'LT1028 Ultra-Low Noise Precision High Speed Op Amp', 1990 data, Linear Technology Inc, Milpitas, CA.
4. Williams, J., 'Max Wien, Mr. Hewlett and a Rainy Sunday Afternoon', in Analog Circuit Design, ed. J. Williams, Butterworth-Heinemann, 1991.

Acknowledgement

Thanks to Richard Dudley for making the Audio Precision analyser measurements.

Beginner or advanced hobbyist EBBO[®] is the right system for you



Once hobbyists had to buy "professional" Solderless Breadboards paying "professional" prices, but now there is EBBO, a total Breadboarding System at a hobbyist's price. EBBO can be as simple or as ambitious as you want it to be, the only limit is your own imagination or skill.



Send for detailed colour catalogue and price list—
AP Products Ltd
28 Gold Street,
Saffron Walden, Essex CB10 1EJ
Tel: 0799 26602 Fax: 0799 21408

CIRCLE NO. 122 ON REPLY CARD

SPECTRUM ANALYSERS



ADVANTEST R4131B portable 10kHz–3.5GHz analyser	£4000
B&K 2031 narrow band audio analyser	£2000
HP1411T/8552B/8554B 1250MHz system	£1750
HP3562A systems analyser 64µHz–100kHz	£1750
HP35660A dynamic analyser 244µHz–102kHz	£2000
HP3580A 5Hz–50kHz opt 01. Digital readout model	£1500
As above but without option, mechanical readout	£4000
HP3582A dual-channel 25kHz analyser	£7000
HP3569B 22GHz spectrum analyser	£2000
MARCONI TF2370 110MHz analyser	£2000
ANRITSU MS62B 10kHz–1700MHz	£4000
ANRITSU MS68B 10kHz–4.4GHz	£5000
MARCONI 2380/2382 400MHz system	£5000

MARCONI INSTRUMENTS

2019 synthesized signal generator 10kHz–1040MHz	£2000
2091C/2092C white noise receiver/transmitter, pair	£500
2356/2357 level oscillator/level meter	£500
2380/82 400MHz spectrum analyser	£5000
2388 1GHz active probe	£400
2347 100MHz timer/counter	£175
2501 RF power meter 0.3W DC–1GHz	£100
2503 RF power meter to 100W DC–1GHz	£200
2825A/2829 digital simulator/analyser	£1000
2830 multiplex tester	£1500
2833 digital in-line monitor	£250
2970 data communications tester	£500
2955 mobile radio test set	5 IN STOCK. REDUCED... £3250
2956 NMT cellular adaptor, latest issue software	£1250
6460 microwave power meter with head 6421	£300
6700B sweep oscillator 8–12.4 GHz	£750
0A2805A PCM regenerator test set	£750
TF1245A Q-Meter with 1246 and 47 oscillators	£400
TF2006 FM signal generator 10–1000MHz	£350
TF2015/2171 signal generator AM/FM 10–520MHz	£400
TF2162 audio frequency attenuator	£100
TF2304 automatic modulation meter	£350
TF2370 110MHz spectrum analyser	£2000
TF2908 blanking & sync mixer	£50
TF2910/4 non-linear distortion (video) analyser	£1000
TF2914A TV insertion signal analyser	£1250
TF2910 TV interval timer	£500

URGENTLY REQUIRED — 'HIGH-END' test Equipment by brand names. TOP prices paid for HP, TEK, MARCONI etc. PLEASE CALL.

RALFE · ELECTRONICS

36 EASTCOTE LANE, S. HARROW, MIDDLESEX HA2 8DB
TEL: 081-422 3593. FAX: 081-423 4009



EST
35
YEARS

TEST EQUIPMENT

ADRET 7100B AM/FM signal generators 10kHz–1.3GHz	£2000
AIM 501 low distortion oscillator GP1B/RS232	£500
ANRITSU MW98A/MH925A optical TDR	£1500
AVO CB154/5 electrolytic & tant' cap bridge	£450
BRUEL & KJAER 4230 sound level calibrator	£200
BRUEL & KJAER 2307 level recorder	£1000
DATRON 1071 digital voltmeter (R & IEEE options)	£1250
GOULD J33 audio oscillator	£200
HAMEG HM605 60MHz dual-trace oscilloscope	£295
HITACHI V1050F 100MHz dual-trace oscilloscope	£500
KIKUSUI CO5504TM 40MHz dual-trace oscilloscope	£150
LING DYNAMICS LA500 (500W vibrator amplifier)	£275
MAURY MICROWAVE 8650E TNC-calibration kit	£1750
MOTOROLA R 2010D mobile radio test set	£2950
PHILIPS PM9355 current probe	£350
PHILIPS PM5134 function generator 1mHz–20MHz	£750
PHILIPS PM5534 standard pattern generator NTSC	£2500
PHILIPS PM5545 colour encoder PAL	£500
PHILIPS PM5597 VHF modulators £250 PM5598 UHF	£1500
PHILIPS PM5580 1F modulator	£250
PHILIPS PM6652 1.5GHz timer/counter GPIB	£850
PHILIPS PM8202 recorder with 9874/01 temp' unit	£250
RACAL DANA 9003A automatic modulation meter	£400
RACAL 9082 signal generator 1.5–520MHz synthesized	£850
RACAL 9105 RF micro-wattmeter 0.02µW–200mW	£250
RACAL 9300 RMS voltmeter –80dB to +50	£325
RACAL Store 4 4-channel tape recorder	£1000
RACAL 9341 LCR databridge component tester	£350
ROHDE & SCHWARZ SMFP mobile radio test set	£1500
SCHLUMBERGER 1250 frequency response analyser	£3250
SCHLUMBERGER 4010A mobile radio test set	£1250
TEKTRONIX TM503/SG503/TC506/TM501/PG506 calibrator	£2250
TEKTRONIX J16 digital photometer	£275
TEKTRONIX 1485R full spec' TV waveform monitor	£1500
TEKTRONIX 1503/03/04 TDR cable tester	£1750
TEKTRONIX 1503C/03/04 TDR cable tester	£3500
TEKTRONIX 465 100MHz dual-trace scope	£400
TEKTRONIX 465B as above	£450
TEKTRONIX 475 200MHz dual-trace oscilloscope	£550
TEKTRONIX 7623A 100MHz storage main-frame	£750
TEKTRONIX 7613/7A18/7B10 storage scope system	£500
TEKTRONIX 7A13, 7B53A, 7A18, 7B85, 7B87, 7C11N	£241
TEKTRONIX AF65110 arbitrary function generator	£1750
THURLBY PL320T-GP 0–30V 2A twice psu: GPIB	£350
WAYNE KERR B905 automatic precision bridge	£1150

HEWLETT PACKARD



11602B transistor fixture for S-parameter test	£250
11710 frequency down-converter for 8640B	£500
1741A 100MHz storage (analogue) oscilloscope	£450
214B pulse generator high-power	£650
333A distortion meter	£400
3456A digital voltmeter	£850
3478A multi-meter	£550
35660A dynamic signal analyser 244µHz–102kHz	£3500
3580A audio spectrum analyser 15 Hz–50kHz LED version	£2000
3582A audio frequency spectrum analyser	£3500
3585A 40MHz spectrum analyser	£6000
400FL mV-Meter 100µV–300V fs 20Hz–4MHz	£325
4276A/001 LCZ meter	£1750
436A/8481A RF power meter	£1000
5005B signal multi-meter, programmable	£750
5328A 100MHz counter with DVM and HPIB options	£350
5334A frequency counter 100MHz HPIB	£1000
5334B frequency counter 100MHz HPIB	£1000
6825A bipolar power supply/amp –20 to +20Vdc 0–1A	£350
7030CA tracking generator plug-in unit	£3000
70907A external mixer	£2750
7470A HPIB plotter	£295
8405A vector voltmeter, voltage & phase to 1000MHz	£1250
8406A comb generator	£1000
8505A network analyser system including 8503A S-parameter test set and 8501A storage normaliser	£5000
8554B/141T/8552B spectrum analyser system to 1250MHz	£1750
8558B/182C 1500MHz spectrum analyser system	£2000
8600A digital marker generator for 8601A	£325
8614A signal generator 800MHz–2.4GHz	£1250
8620C/8622A 10MHz–2.4GHz sweep generator	£2000
86290B 2–18GHz sweep generator plug-in	£2000
8640A signal generator 5–520MHz AM/FM	£750
8640B signal generator option 001/003	£1250
8656A AM/FM synthesized signal generator 0.1–990MHz	£1500
8683B 2.3–6.5GHz signal generator	£5000
8683D 2.3–13GHz signal generator	£6500
8684D 5.4–18GHz signal generator	£6500
8901A modulation analyser	£2500
8901B modulation analyser options 01/02/04	£4000
8903B audio analyser options 001/010/051	£2750
8954A transceiver interface	£500

PLEASE NOTE. ALL OUR EQUIPMENT IS NOW OPERATION VERIFICATION TESTED BEFORE DESPATCH BY INDEPENDENT BS5750 REGISTERED LABORATORY. We would be pleased to handle Certificates of Calibration or NAMAS Certification by same laboratory at 'cost price'. All items covered by our 90-day parts and labour guarantee and 7-day 'Right to Refuse' warranty URGENTLY REQUIRED FOR STOCK 'HIGH-END' TEST EQUIPMENT. Top prices paid

CIRCLE NO. 123 ON REPLY CARD

PSU regulation boosts audio performance

Power rails in most electronics are assumed to be stiff enough to hang any amount of circuitry off them without worrying – provided current capability is observed. In reality, stiffness is finite, with finite impedance causing spurious signal-related voltages to be developed along supply buses, commensurate with any change in signal current and/or voltage.

Most signal processing topologies exhibit power supply rejection (PSR), indicating that a change in rail voltage is only partially reflected at the output port. But the PSR ratio (PSRR) of any individual stage is finite too. The upshot is that communal supply rails always induce some interactions between stages. Power rail feed-through makes no distinction between logical sequence, so later stages can interfere with earlier ones, and vice-versa.

In general, with the predisposition to couple wholly unrelated stages and sections, the feed-through may be regarded as complex, even chaotic.

Devolving small signals

How big is this feed-through? Sensible, economically justifiable PCB conductor cross-sections and lengths realise baseline source impedances (Z_s) in the realms of low $m\Omega$. This, combined with typical current fluctuations of tens of milliamps in moderately complex small signal circuits, produces power rail voltage fluctuations in the order of 1-300 μ V, or -120 to -70dBV.

The PSRR of any half-way-decent signal process-

Ben Duncan explains why audio power regulation is the sensible way to a better listening experience.

Fig. 1. Audio power regulation scheme. V_{ref} is external and independent. The active device's inductive Z_D is compensated for, and heavily damped up to RF, with an ultra-low impedance reservoir array, tightly noded. Audio output current is drawn directly from across the array.

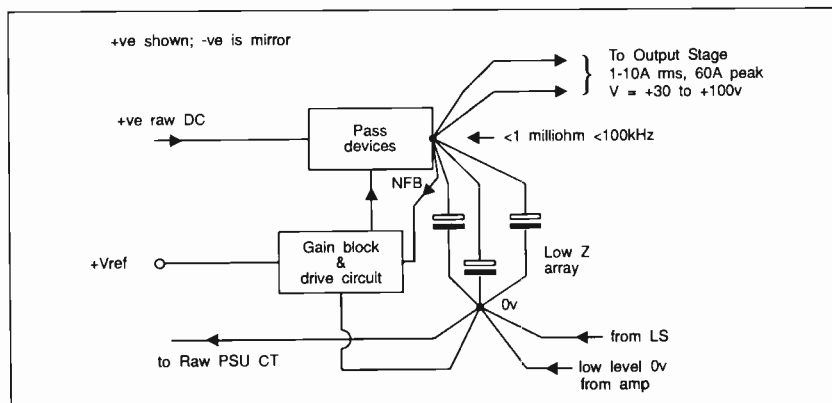
ing block will be at least -10dB at 20kHz and below, ranging up to -100dB with good circuits at 100Hz. So error voltages entering the signal path will be in the region of -80 to a hypothetical -220dBV.

For the bulk of electronics, pollution on this scale is of no concern. But if greater than -120dBR (ie -146 to -160dBV; (see terminology explanation box), it can be a problem in music reproduction – arguably the most critical class of processing. Here an error-to-noise ratio (ENR) better than -120dBR is needed.

Real requirements of regulation

To be positively inaudible, the output stage's supply should be suppressed so its contribution at the output results in SPLs below the hearing threshold. Assuming a maximum capability of 125dB SPL, then supply artefacts must be at a signal level that creates <-125dB SPL, or -125dBR relative to the system's electrical output.

If the PSR in the audio band can fall to 25dB worst case, but no lower, we need <-100dBR on the rails. To achieve this, with a modest maximum peak current of 20A, a PSU impedance below 25 $\mu\Omega$ is required. If attained by capacitive decoupling alone, a hypothetical 250 pure Farads would be required to



TERMINOLOGY

High sonic resolution: A subjective description indicating relative absence of intermodulation, adverse harmonic and other error signals occurring simultaneous with music program.
dBR: dB referred to a given reference voltage, in this case a power amplifier's maximum rms output, typically ranging 20V to 100V, or +26 to +40dBV.
dBV: dB referred to 1 volt rms, any impedance.
PSRR: Power Supply Rejection Ratio, normally expressed in decibels.

Time-population space: The sum of the operating hours of all the population of a given artefact.

History

The error voltage problem has been considered obliquely by many in reference to capacitive supply decoupling^{1,2}. But the role of active regulators in increasing supply stiffness is sparsely documented. In 1980, Sulzer³ published a "super regulator" for small signal audio (eg preamplifiers), aimed at markedly reducing supply impedance through liberal use of NFB. While developing a commendably low Z_s at the output node of well below $1\text{m}\Omega$ at 1kHz , Z_s is non-flat throughout the audio band, and increases to around $12\text{m}\Omega$ at 100kHz . The obvious drawback is that beyond powering a single, abruptly adjacent stage, the regulator's low Z_s will be swamped by the power rail's resistance and inductance, unless supply lines to all additional stages are extremely short and stout.

Since 1983, I have pioneered the principle of powering every stage in my reference standard audio designs⁴ from individual regulators. The regulator acts to increase PSR while inter-stage isolation means Z_s is less critical than it might otherwise be. Subsequently, many critical listeners have reported that this scheme makes a lasting improvement to sonic quality. Objective evidence is available in the form of spectral measurements. It sounds extravagant, but this localised application is precisely what the originators of the monolithic regulator foresaw⁵. The question then arises, why not regulate a power output stage?

Two decades of unregulated power

The first transistor amplifiers ran from single supplies. They had mostly local feedback and poor PSR. For today's more critical and better-equipped listeners, regulated supplies would be needed, if only to reduce 100Hz (+ harmonics) ripple feed-through to acceptable bounds. By the late 60s, use of the long-tailed input pair and high NFB provided enough 100Hz rejection.

But a few quality amplifiers, (eg Quad's 303 and later models by Radford and Naim) employed a stabilised supply, ostensibly because it offers a tightly defined power output, irrespective of loading or mains voltage. This is valuable to avoid unexpected clipping if the system is sufficiently underpowered to need to be routinely used within 3dB of maximum output voltage swing. Another advantage is improved isolation between stereo channels if they must share a single supply⁶.

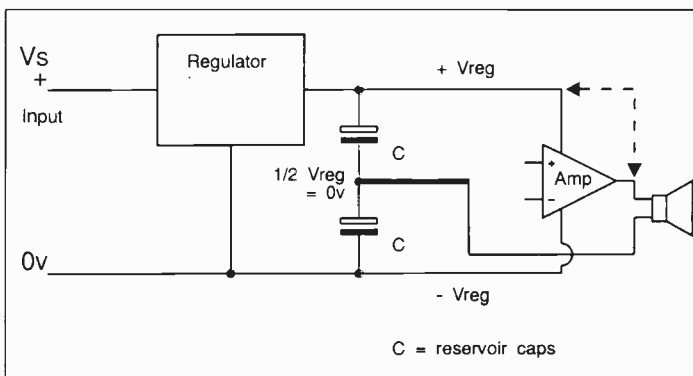
In the early 70s, Robert Carver⁷ argued that "saggy" unregulated supplies gave better music performance. They could satisfy the high transient excursions, without the cost penalties of a transformer and heat-sink rated to sustain full power continuously. The argument was relevant to steady-state testing, lab and industrial use, but not the majority of music. At the same time, amplifier power began to spiral above 100W , and split rail designs became the norm, requiring either two suitably high current regulators, or else a single regulator combined with rather dubious capacitive divider schemes (Fig. 1). Designers were meanwhile becoming increasingly aware, not just of speakers' tendency to dip to a fraction of their nominal impedance

maintain this specification down to 20Hz . Clearly, some kind of active regulation is needed.

Beyond a very low and preferably invariant flat Z_0 vs frequency, and low noise, regulator requirements specific to audio have not been widely documented. Stability needs to be verified over a wide range of supply currents and waveforms. Loudspeaker peak current-demand (in worst case conditions up to 60A with some studio monitors¹⁰) must be sourceable for musically significant periods, up to hundreds of milliseconds. With music and speech, the long term RMS draw from a class A-B amplifier will be around 1-10% of peak capability. But the regulator will need to be able to source 10-25% of peak current demand on a near continuous basis to pass steady-state sine-wave tests performed (solely) by makers, repairers and reviewers. A high-power audio regulator demands the best possible load regulation, though line regulation is no more important than usual. Output voltage stability is not an issue, so long as any change is below audio frequencies and stochastic, ie true drift.

Short-circuit protection is also not so essential as in a bare lab or industrial supply. With abusive output loading, the amplifier's output devices will likely expire before the regulator's. To some extent, it was the misguided use of foldback current limiting to hide inadequate current/power capability that sealed the fate of audio power regulators in the early 70s. With modern, high SOA devices and supplies below $\pm 50\text{V}$, thermal protection on the pass device's heat-sink can be

Fig. 1. Capacitive divider schemes overcame the need to have two regulators when split rails became the norm circa 1972. But, the capacitors need to be rated at rail-to-rail voltage, in the case of a DC fault (shown dashed). They must also be capable of passing above 60 peak amperes of output current. Single, large reservoir electrolytics do not meet modern audio quality requirements.



at spot frequencies, but also the ability of more adventurous passive cross-overs to phase shift the drive units' back-EMFs, increasing dynamic current demand by 200% or more.

Altogether, these factors indicated that an amplifier's ability to source high peak currents – around ten times but up to twenty times the maximum steady state – is important if sound quality is not to be compromised in some passages, when driving difficult speaker models. It followed that a regulator would need current capabilities and transient response commensurate with the amplifier itself. The conclusion is a doubling in complexity of amplifier circuitry and cost. Even in an up-market design, it appeared an inelegant route. Benefits were seen at the time solely in terms of steady state specifications at spot frequencies – and these could have been obtained simply by increasing NFB.

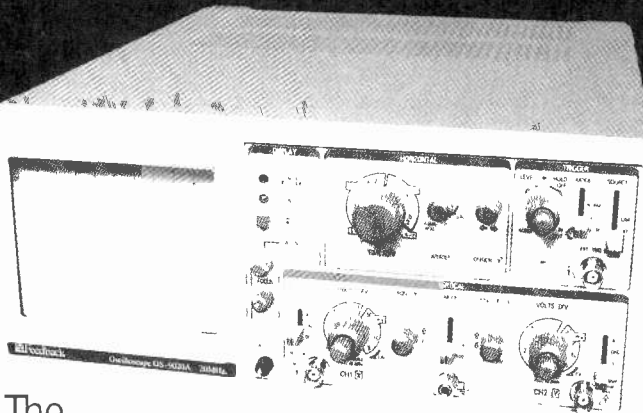
The regulator's disadvantage, other than budgetary, was to reduce the amplifier's short-term power or IHF rating, the "big number" beloved of unscrupulous makers. From the mid 70s, unregulated supplies based on increasingly large reservoir capacitors became the norm, and regulated supplies for output stages became a dim memory for most.

The easy way to build a good-sound power amplifier is in class A. Commercial examples above 50W are ecological disasters, both through their electricity consumption, and through employing hugely over-rated PSUs. Overrating is partly to deal with almost any loudspeaker's worst case demand, and partly to yield higher sonic resolution. But class A's sonic benefits have little to do with the guaranteed absence of cross-over artefacts, and much more to do with the lack of thermal and power rail intermodulation⁸.

Greg Ball's recent article *Distorting Power Supplies*⁹ brings the picture up to date and explains with rigour why this should be so, with a cogent survey of the mechanisms at work in the unregulated supplies of today's class A-B audio power amplifiers.

The outcome is that energy saving class A-B can approach or meet class A standards, provided either the supply's or the amplifier's PSR is vastly improved. To tackle the problem at its heart, we must deal with the former, alias PSU regulation.

All you need to do the job



The Feedback OS9020A

A **BASIC** 'no frills' 20MHz scope that provides all the facilities you need at a price that won't strain your budget.

£255 plus VAT

Just one of **The Feedback Selection** of Down-to-Earth laboratory test equipment at Down-to-Earth prices.

For further information on the OS9020A or other equipment in the Feedback

BASIC selection phone **0892 653322**

or write to:-

Feedback
Feedback Instruments Limited

Park Road, Crowborough, East Sussex, TN6 2QR, England.
Tel: 0892 653322. Fax: 0892 663719. Telex: 95255 FEEDBK G.

CIRCLE NO. 124 ON REPLY CARD

TELNET

LIST OF TEST EQUIPMENT AVAILABLE

OSCILLOSCOPES

HEWLETT PACKARD 1740A-100MHz DUAL TRACE	£280
HEWLETT PACKARD 1741A-100MHz DUAL TRACE ANALOGUE STORAGE SCOPE	£300
HEWLETT PACKARD 1744A-100MHz DUAL TRACE ANALOGUE STORAGE SCOPE	£300
HEWLETT PACKARD 1820-100MHz 4 CHANNEL FITTED WITH 1800A 4 CHANNEL VERTICAL AMPLIFIER AND 1825A TIME BASE & DELAY GENERATOR.	£350
PHILIPS 3211-15MHz DUAL TRACE	£150/£125
PHILIPS 3217-50MHz DUAL TRACE	£200
PHILIPS 3226-15MHz DUAL TRACE	£150/£125
PHILIPS 3240-100MHz DUAL TRACE	£250
PHILIPS 3261-100MHz DUAL TRACE	£250

SOME TROLLEYS AVAILABLE FOR ABOVE SCOPES - CHEAP

HEWLETT PACKARD 1827 WITH 8755B SWEPT AMPLITUDE ANALYSER	OFFERS
HEWLETT PACKARD 1807R WITH 8755B SWEPT AMPLITUDE ANALYSER	OFFERS
PHILIPS PM 8226 SIX LINE PEN RECORDERS	£499
HEWLETT PACKARD RMS VOLTMETER MODELS 3400A, 4001, 4001L, 4001P	From £125
HEWLETT PACKARD TEST OSCILLATOR 6518 10Hz TO 10MHz	£150
LYONS PULSE GENERATORS TYPE PG2B 0-10MHz	£250
MARCONI POWER METER ER 6560	£150
MARCONI ELECTRONIC VOLTMETER TF 2604	£50
TECIBEST MODEL 260 1.5GHz LINEAR UP CONVERTOR INPUT 240MHz 350MHz OUTPUT 1440-1850MHz	£499
HEWLETT PACKARD 3730A DOWN CONVERTOR WITH 3738A OSCILLATOR - 6.3GHz-8.8GHz DOWN TO 70MHz	£1K
WANDL & GOLTERMANN DISPLAY UNIT SG3 200Hz 20MHz	£300
ADRET CODASYN 301 SYNTHESISER 0-1MHz	£150
WANDL & GOLTERMANN PS 6 LEVEL GENERATOR 6kHz-18.6MHz	£400
WANDL & GOLTERMANN PS 60 LEVEL GENERATOR 6kHz-18.6MHz	£500 each
WANDL & GOLTERMANN SPM 60 LEVEL METER 6kHz-18.6MHz	£1K Per Pair

DIGITAL MULTIMETERS FLUKE 8010A, 8050A, 8800A, 8600A SOLARTRON 7045 LM14202	From £50
AVO'S MODEL 8 AND SELECTESTS	£25
FREQUENCY COUNTERS RACAL 9520, 9903, 9905 SA520 ADVANCE TC17A	From £10
MARCONI ELECTRONIC VOLTMETER TF 2604 CAPACITANCE INDUCTANCE RESISTANCE BRIDGES MANY TYPES	£100 to £150
PRINTERS NEWBURY 8510RM, 8300SRM CENTRONICS (LINE PRINTERS) 781, 702/382	£5 to £15
VDU MONITORS 721 (ASH ROW - BURNTHILL)	Offers

ALL EQUIPMENT IS USED, WITH 3 MONTHS GUARANTEE

PLEASE CHECK AVAILABILITY BEFORE ORDERING. CARRIAGE CAN BE ARRANGED - VAT TO BE ADDED TO TOTAL PRICE OF ALL GOODS AND CARRIAGE.

TELNET UNIT 8, CAVANS WAY, BINLEY INDUSTRIAL ESTATE, COVENTRY CV3 2SF

(Premises situated close to Eastern Bypass in Coventry with easy access to M1, M6, M40, M69)

Telephone: 0203-650702 Fax: 0203-650773

CIRCLE NO. 125 ON REPLY CARD

WE HAVE THE WIDEST CHOICE OF USED OSCILLOSCOPES IN THE COUNTRY

TEKTRONIX 7000 range Plug-In Oscilloscopes	
7603 with 7A26 & 7B53A Dual Trace 100MHz Delay Sweep with Cursors	£450
7403N with 7A18 & 7B50 Dual Trace 60MHz	£300
7504 with 7A12 & 7B50 Dual Trace 90MHz Delay Sweep	£250
7503 with 7A12 & 7B50 Dual Trace 90MHz	£200
7A13 Differential Comparator Amplifier DC-105MHz Other Plug-In options are available i.e. 4-Trace etc	£125
TEKTRONIX 2445B Four Channel 150MHz Delay Sweep with Cursors	£1750
WATSU SS5711 Four Channel 100MHz Delay Sweep	£700
TRID CS1100 Four Channel 100MHz Delay Sweep	£500
TEKTRONIX 2336 Dual Trace 100MHz Delay Sweep Ruggedised	£1000
HITACHI V1050F Dual-Trace 100MHz Dual TB with 4-Channel Mode	£550
SCHULMBERGER 5218 Dual-Trace 200MHz Delay Sweep with Trig View	£500
TEKTRONIX 475 Dual-Trace 200MHz Delay Sweep	£550
TEKTRONIX 465 Dual-Trace 100MHz Delay Sweep	£450
TEKTRONIX 2215A Dual-Trace 60MHz Delay Sweep	£500
TEKTRONIX 2213 Dual-Trace 60MHz	£350
TEKTRONIX 2225 Dual-Trace 50MHz Alternate TB Magnification	£500
PHILIPS PM3217 Dual-Trace 50MHz Delay Sweep	£400
GOULD OS3000A Dual-Trace 40MHz Delay Sweep	£250
GOULD OS1100 Dual-Trace 30MHz	£180
GOULD OS300 Dual-Trace 20MHz	£200
WATSU CS5702 Dual-Trace 20MHz	£225
TELEQUIPMENT D66 Dual-Trace 25MHz	£150
TRID CS1720 Programmable 20MHz Dual-Trace	£300
HITACHI F205 Dual-Trace 20MHz Portable (AC-DC Operation)	£400
HAMEG 605 3 Dual-Trace 20MHz Digital Storage with 2 probes	£450

ELECTRON MICROSCOPES

LSI Super 111A - Scanning	
MARCONI 2440 20GHz Microwave Counter	£1500
MARCONI 2610 True RMS Voltmeter	£800
FARNELL SSG1000 Sig Gen 10MHz-1GHz Synthesised	£1750
FARNELL Synthesised Oscillator (SSG) - 0.0001Hz-99.99MHz	£275
MARCONI TF2015 AM/FM 10kHz-120MHz Sig Gen with TF2171	£400
MARCONI TF2015 without Synchroniser TF2171	£250
MARCONI TF2016 AM/FM 10kHz-120MHz with TF2173	£350
MARCONI TF2016 without Synchroniser TF2173	£175
MARCONI SAMBERS Sig Sources Various models Covering 400MHz-8.5GHz	from £300
RACAL Instrumentation Recorders Store 4D and Store 7D	from £500
KETLEY K224 Programmable Current Source	£1000
FERRROGRAPH R132 Recorder Test Set	from £150
FARNELL SSG520 Synthesised Sig Gen 10-520MHz	£600
FARNELL TTS90 Transmitter Test Set Consisting of RF AF Counter, RF Mod Meter, RF Power Meter, AF Voltmeter, AF Distortion Meter, AF Synthesiser	£600
SOLD as a pair for ONLY	£1000

SPECTRUM ANALYSERS

TEKTRONIX 494AP 10kHz-3250Hz	P.O.A.
ANRITSU MS68B 10kHz-4GHz	£4000
ANRITSU MS62B 10kHz-1700MHz	£2000
HP 1411 with 8555A & 8556 10MHz-18GHz	£2500
HP 1411 with 8554B & 8552B 500kHz-1250MHz	£1500
HP 1401 with 8554A & 8552B 500kHz-1250MHz	£1200
HP 1411 with 8555A & 8552B 20Hz-300kHz	£1250
TEKTRONIX 491 0.1Hz to 10MHz to 20Hz	£1000
MARCONI TF2370 30Hz-110MHz	£1750

PHILIPS PM2525 Multi Function DMM 4 5-5 5-digit with GPIB/IEEE-488	Only £300
THURLEY PL3201-GP Bench PSU 0-30V 2-Amp Twice with GPIB	£350
HAND-HELD MULTIMETERS - 3 1/2-digit DM105 - 14 Ranges DC-2amp	Only £18
NT355 - 32 ranges AC/DC 10 Amps Diode/Transistor Tester	Only £12.50

RACAL DANA Syn Sig Gen 9084 0.01-100MHz	£500
RACAL DANA RF Power Meter 9104	£800
RACAL DANA 9341 Databridge Automatic measurements of LCR & R	£350
WAYNE KERR B424 RCL Meter LCD Display	£125
WAYNE KERR 4710 LCR Meter Accuracy 0.1%	£600
AVO AC/DC Breakdown Leakage & Ionisation Tester RM215/2	£800

MARCONI DIGITAL FREQUENCY METERS	
Type 2430A 10MHz-80MHz	£125
Type 2431A 10MHz-200MHz	£130

MARCONI UNIVERSAL COUNTER TIMERS	
Type 2437 DC-100MHz	£175
Type 2438 DC-520MHz	£125
FARNELL PSU TV570 MA2 70V 5A 30V 10A	£300
THORN PSU 0-40V 0-50Amps Metered	£300
FARNELL PSU H60 25-0-60V 0-25Amps Metered	£400
FARNELL PSU L30E 0-30V 0-5Amps Metered	£80
TELEQUIPMENT C171 Curve Tracer	£250
MARCONI TF2700 Universal LCR Bridge Battery	from £125
MARCONI TF237A Auto Distort Meter 400Hz/1kHz 0.01%	£175
RACAL 9915 Free Counter (1MHz-520MHz Crystal Oven)	£150
HANNESSMAN Tally Phx 3 XY Plotter RS232	£100

AVO MULTIMETERS	
MODEL 8 or 9 (what's available)	£40 each
Test Set No 1 BX, 95X	from £45
8 Mk 5 with Carrying Case	£90
8 Mk 6 with Carrying Case	£120
All Meters Supplied with Batteries & Leads	

NEW EQUIPMENT

HAMEG OSCILLOSCOPE HM1005 Triple Trace 100MHz Delay Timebase	£792
HAMEG OSCILLOSCOPE HM604 Dual Trace 60MHz Delay Sweep	£610
HAMEG OSCILLOSCOPE HM205 3 Dual Trace 20MHz Component Tester	£338
HAMEG OSCILLOSCOPE HM205 3 Dual Trace 20MHz Digital Storage	£610
All other models available - all oscilloscopes supplied with 2 probes	
BLACK STAR EQUIPMENT (P&P all units £5)	
APOLLO 10 - 100MHz Counter/Timer Rate/Period/Time Interval etc.	£222
APOLLO 100 - 100MHz (As above with more functions)	£325
METOR 100 FREQUENCY COUNTER 100MHz	£108
METOR 600 FREQUENCY COUNTER 600MHz	£135
METOR 1000 FREQUENCY COUNTER 1kHz	£118
ORION 500 FUNCTION GEN 0.1Hz-500kHz Sine/Sqr/Tri	£110
ORION COLOUR BAR GENERATOR Pal/TV/Video	£229
All other Black Star Equipment available	
OSCILLOSCOPE PROBES Switchable x 1, x10 (P&P £3)	£11

Used Equipment - With 30 days guarantee. Manuals supplied if possible. This is a VERY SMALL SAMPLE OF STOCK. SAE or Telephone for lists. Please check availability before ordering. CARRIAGE all units £16 VAT to be added to Total of Goods and Carriage

STEWART of BERKING
110 WYKEHAM ROAD, READING, BERKS RG6 1PL
Telephone: (0734) 268041 Fax: (0734) 351696. Callers Welcome 9am-5.30pm Mon-Fri (until 8pm Thurs)

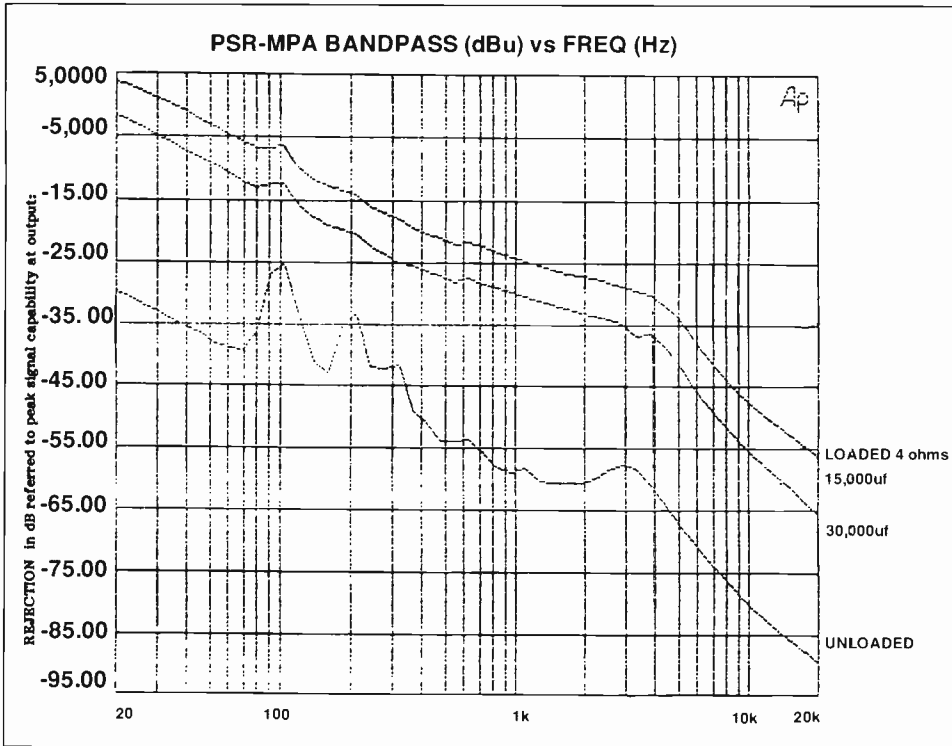


Fig. 2 Audio precision plot of unregulated PSU residue vs frequency, measured in 1/3rd octave bands. The PSU is powering an amplifier driving 4Ω at 8.75A peak (upper pair), and unloaded (lower). Upper pair shows punitive improvement after doubling reservoir from 15,000μF low impedance array to one of 30,000μF. At high frequencies, the residue of a single 15,000μF capacitor would be 10 to 20dB higher. Supply impedance can be inferred from the load impedance and residue's magnitude in dB. For the 4Ω plots, -25dB at 300Hz represents some 200mΩ.

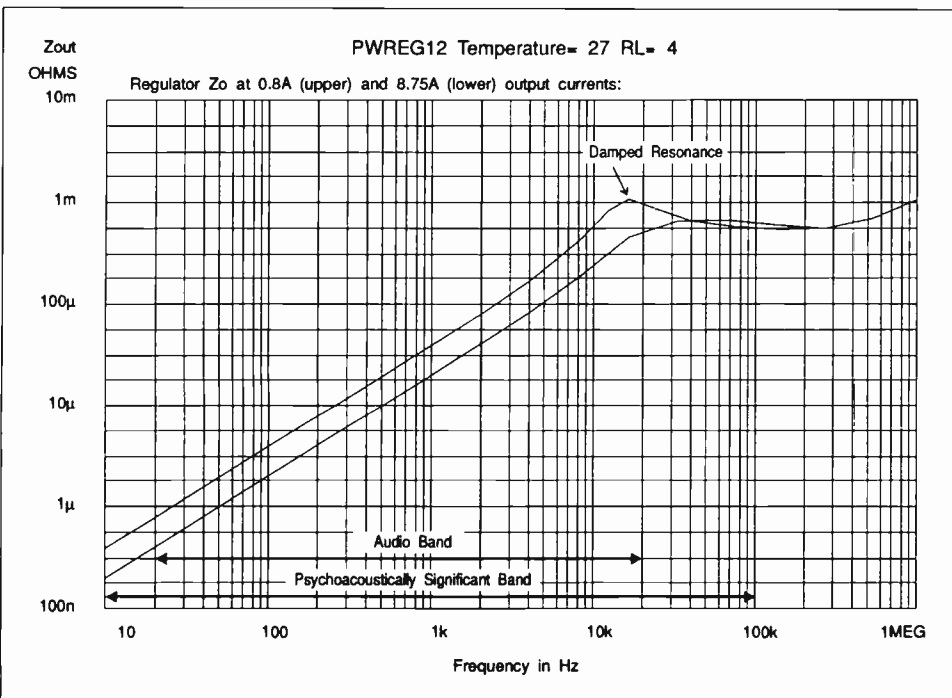


Fig. 3. A MicroCap III model predicts the output impedance of the regulator, using level II op-amp and BJT and lumped capacitor models for speed. Note the disparity in the resonant peak, which MC3 predicts at 17kHz. Further modelling reveals that the peak occurring at about 4kHz in Fig. 4 will shift up to this frequency when the prototype layout is tidied up for production.

enough to protect both the regulator and mains transformer from prolonged over-dissipation.

Design features and results

A design employing series pass devices, controlled by a drive circuit, which uses NFB to sample the output voltage (Fig. 1) differs from previous designs in subtle but crucial ways. Feedback ratio in this circuit is exceedingly high, on the order of 10⁷ at 10Hz – and still

1000 at 100kHz – and a moderately large but extremely low impedance output decoupling array is part of the regulator and intimately coupled to it. A large capacitance is needed to source transient currents up to 60A or more (short of paying for added pass devices, larger heat-sinks and a mains transformer) – all for a requirement, albeit vital, that persists for just a few monents in any percentage of music played flat out.. Also the Z₀ of any regulator

employing NFB looks inductive, as Z₀ rises with increasing frequency, commensurate with reducing open-loop gain. Using an output capacitor to compensate, flattening the Z₀ curve risks resonance. But a very low impedance array intimately connected through heavy bus bars with micro-ohms of series resistance damps the resonance, yielding an almost flat Z₀ across several decades of frequency. The method counteracts the trend for high order harmonics to be emphasised, as in conventional NFB regulators.

Critically, output current is drawn directly across the array, and all grounds are noded to it. Ultra-low inductance needed for RF stability is achieved by paralleling a large number of modern low-inductance units. These are connected in the prototype by multiple braids with resistances under 2μΩ/mm; by their proximity (within 100mm) to the pass devices, and by connecting the NFB sensing wire nodally. Array parasitics should be diminished as far as is practical by analysing the micro-impedance of interconnection geometry. Then conventional compensation capacitors in the order of a few pF can be connected around and within the control loop to tidy up any residue in the 10s and 100s of MHz. The compensation will degrade output impedance and rejection, but at frequencies where it will not bother audio.

No attempt is made to derive the reference voltage (+V_{ref}) from the input or output of the supply, as in conventional regulators. Instead, it is taken from the driver circuit's separate supply which is already provided by a conventional, small signal regulator. The key benefit is that regulator output is governed by a low-noise voltage that is inherently isolated from the main supply's large and highly complex ripple and signal-dependent voltage perturbations. Using only three modestly priced bipolar power transistors as pass devices gives a potential 45A capability. So the regulator is easily able to sustain any prolonged (but essentially short-term) audio demand that exhausts the output reservoir; current availability is then limited by the raw reservoir and mains transformer.

Turning to results, Fig. 2 and 4 show the rejection and Z_s of the unregulated and regulated conditions when used to power a class A-B amplifier, driven at maximum with and without a resistive load. Z_s is estimated by dividing the residue voltage by the output current. The simulation model's predictions (Fig. 3) make an interesting comparison. Overall,

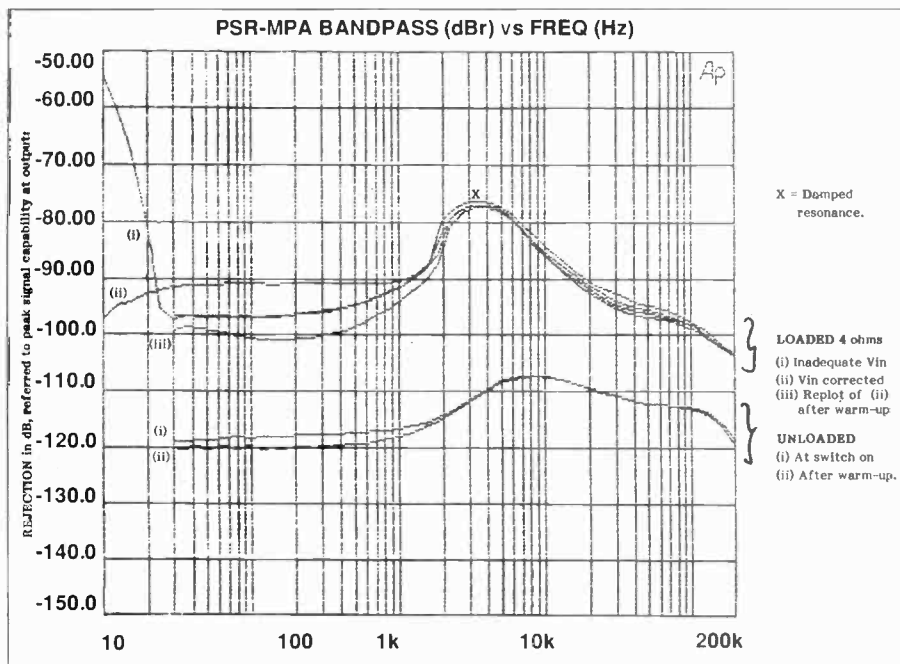


Fig. 4. PSRR of the completed regulator, driving 8.75A peak into 4Ω (upper plots) and open circuit (lower). Damped resonance centred at 4kHz shows effect of imperfect nodding and layout in prototype. Rise below 30Hz shows dropout due to inadequate V_{in} , fixed by increasing transformer voltage. All plots include stochastic noise, explaining in part how they differ from simulations in Fig. 3.

the improvement in listening, static THD and driven SNR numbers, and the implied spectra is real and vast (Tables 1 and 2). Most of all, the regulator is not expensive – especially tak-

ing into account the savings made by being able to reduce the primary supply's component ratings by up to ten-fold.

Table 1. PSR in dB with full drive into 4Ω at 10Hz, 1kHz and 20kHz.

Condition	10Hz	1kHz	20kHz
Unregulated supply of 15,000μF	nil	-24	-57
+ regulated supply with 15,000μF output array	-92	-90	-92
PSR improvement	+92dB	+66dB	+35dB

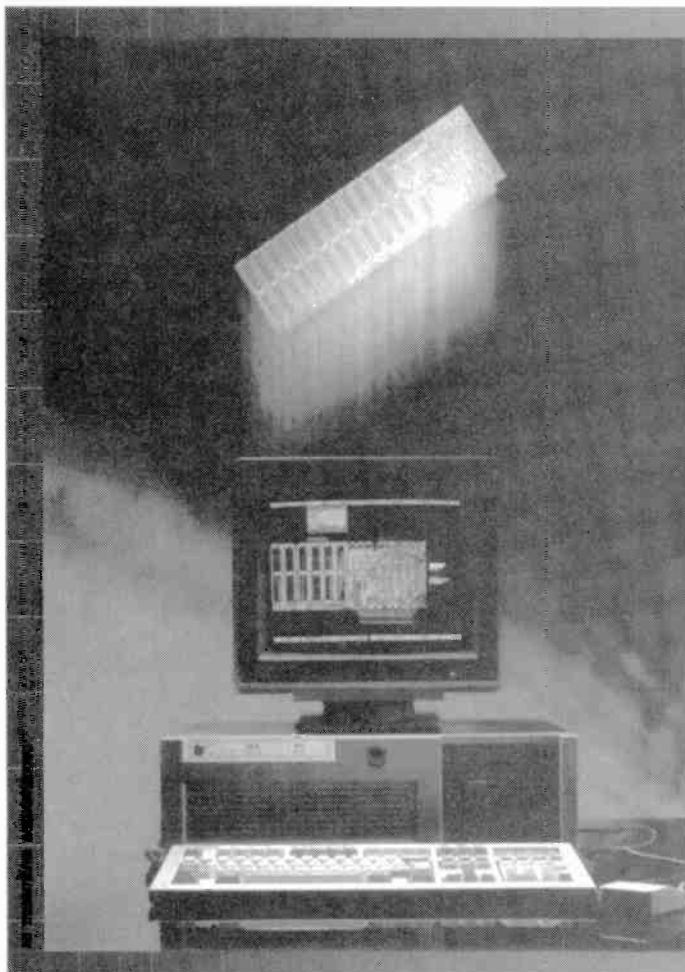
Table 2. %THD+N reduction.

A given amplifier driven at 0.5dB < clip into 4Ω resistive

Without regulator:	0.002% < 100Hz rising to 0.04% at 20kHz
With regulator:	<0.006%, 20Hz - 20kHz (flat)

References

- Henry Ott, Noise Reduction Techniques in Electronic Systems, Ch 4, Wiley, 1976.
- Dennis Feucht, Handbook of Analog Design, P.287, Academic Press, 1990.
- Michael Sulzer, A high quality power supply regulator for op-amp preamplifiers, *Audio Amateur* (USA), Vol. 2, Feb 80.
- Ben Duncan, AMP-01, May to Nov '84; CDU Dec, Jan 87/88; AMP-02/DSM Sept 89 to Sept 90; Hi-Fi News.
- Robert Widlar, a versatile monolithic voltage regulator, National Semiconductor AN-1 (USA), Nov '67.
- Gordon J King, The Audio Handbook, P.96-99, Newnes-Butterworths, 1975.
- Robert Carver, Designing a 700 watt amplifier, *Electronics Today*, Nov '72.
- Ben Duncan, Analogue equipment design for Rock'n'Roll, Pts 1 -5, Dec to May 85/86, Home & Studio Recording; reprinted by Rauch Precision, 1986.
- Greg Ball, Distorting power supplies, *EW + WW*, Dec 90.
- Philip Newell, Monitor systems - Pt 9, *Studio Sound*, Jan '91.



BoardMaker

Finally... an upgradeable PCB CAD system to suit any budget

BoardMaker1 - Entry level

- PCB and schematic drafting
- Easy and intuitive to use
- Surface mount support
- 90°, 45° and curved track corners
- Ground plane fill
- Copper highlight and clearance checking

£95

BoardMaker2 - Advanced level

- All the features of BoardMaker1 plus
- Full netlist support - OrCad, Schema, Tango, CadStar
- Full Design Rule Checking - mechanical & electrical
- Top down modification from the schematic
- Component renumber with back annotation
- Report generator - Database ASCII, BOM
- Thermal power plane support with full DRC

£295

NEW

BoardRouter - Gridless autorouter

- Simultaneous multi-layer routing
- SMD and analogue support
- Full interrupt, resume, pan and zoom while routing

£200

Output drivers - Included as standard

- Printers - 9 & 24 pin Dot matrix, HPLaserjet and PostScript
- Penplotters - HP, Roland, Houston & Graphtec
- Photoplotters - All Gerber 3X00 and 4X00
- NC Drill plus annotated drill drawings to HPGL, Gerber and DXF (BM2)



Call for info or FREE evaluation kit:
Tsien (UK) Limited
Phone : (0223) 277 777
Fax : (0223) 277 747



tsien

Tsien (UK) Ltd, Cambridge Research Labs, 181A Huntingdon Road, Cambridge CB3 0DJ

CIRCLE NO. 127 ON REPLY CARD

BROADCAST MONITOR RECEIVER 2 150kHz-30MHz



We have taken the synthesised all mode FRG8800 communications receiver and made over 30 modifications to provide a receiver for rebroadcast purposes or checking transmitter performance as well as being suited to communications use and news gathering from international short wave stations.

The modifications include four additional circuit boards providing:
*Rechargeable memory and clock back-up *Balanced Audio line output *Reduced AM distortion *Buffered IF output for monitoring transmitted modulation envelope on an oscilloscope *Mains safety improvements

The receiver is available in free standing or rack mounting form and all the original microprocessor features are retained. The new AM system achieves exceptionally low distortion: THD, 200Hz-6kHz at 90% modulation -44dB, 0.6% (originally -20dB, 10%).

* Advanced Active Aerial 4kHz-30MHz *PPM10 In-vision PPM and chart recorder *Twin Twin PPM Rack and Box Units *Stabilizers and Fixed Shift Circuit Boards for howl reduction *10 Outlet Distribution Amplifier 4 *Stereo Variable Emphasis Limiter 3 *Stereo Disc Amplifier *Peak Deviation Meter *PPM5 hybrid, PPM9 microprocessor and PPM8 IEC/DIN -50/+6dB drives and movements *Broadcast Stereo Coders *Philips DC777 Short Wave Car Combination: discount £215 + VAT.

SURREY ELECTRONICS LTD

The Forge, Lucks Green, Cranleigh,
Surrey GU6 7BG. Tel: 0483 275997. Fax: 276477

RADIO REMOTE CONTROL . . .



. . . wherever and whenever
it's needed

Radio linking is the 1990's answer to the question of data transference and remote control . . . cutting out the need for fixed cables and direct connections. At Wood & Douglas we've developed this technology to a fine art with a range of compact, radio link modules capable of simple, highly efficient application across a wide spectrum of commercial and industrial uses. Where standard modules are not applicable we custom-build to precise requirements.

Over the past ten years we've successfully applied radio linking over such diverse areas as water leak detection, remote control of cranes and other industrial equipment, medical and veterinary monitoring, data logging, fuel and power control, automated warehousing . . . the list is endless.

In short, give us the problem . . . and we'll give you wireless control, wherever and whenever it's needed.



ELECTRONICS WORLD

+ WIRELESS WORLD

SIX PAGES
OF ELECTRONIC
CIRCUIT DESIGN
EVERY MONTH

Subscribe today and save £10

Simply phone our credit card
hotline on 0789 200 255 for a
special subscription price of £20
for 12 issues*.



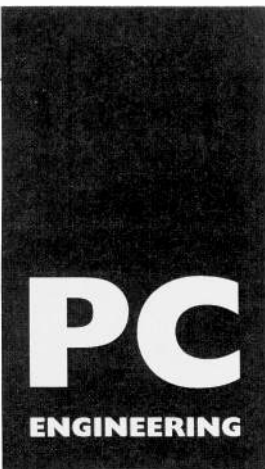
WOOD & DOUGLAS

VHF UHF COMMUNICATIONS PRODUCTS

Lattice House, Bauthurst, Basingstoke, Hampshire RG26 5LL England
Telephone: 0734 811444. Fax: 0734 811567



CIRCLE NO. 128 ON REPLY CARD



ALL-POWERFUL – or all too much?

P-Cad does everything you will ever need from PCB cad. But John Anderson wonders if you can have too much of a good thing.

Few PCB design packages can claim to have *all* aspects of the process covered. But compared with the rest, *P-Cad* has everything, taking the design from a hierarchical schematic capture to the control programs for manufacture pick and place. Complexity is one of the penalties that has to be paid for this level of functionality. So a little formal software training could prove a worthwhile investment to get the most out of the package.

P-Cad itself is a mature PCB layout product, with a somewhat chequered commercial history. P-Cad Inc was acquired by Cadcam specialists Cadam in 1989, and Cadam was in turn acquired by IBM. So the software is actually the *de facto* IBM PCB cad program, with over 19,000 systems installed worldwide.

The user interface is based around a series of two-pane text screens, with options in the left hand pane selected using the cursor keys.

As each option is selected, the right hand pane changes to show either the structure of the program and database at that level, or details of the operational syntax. So the somewhat

archaic text interface is actually quite a good route map for using the system.

An alternative is that each program in the system can be executed from the dos command line.

Schematic entry

The schematic entry graphics screen is well organised with all controls normally mouse operated. There is a menu of commands on the right of the screen, with some commands being two layer, bringing up a different selection menu. Drawing, redrawing and utility of the schematic entry is generally very good.

But one area which can cause confusion is in informing *P-Cad* about the directory structure of the data and library files – even though *P-Cad* installation put the files there in the first place.

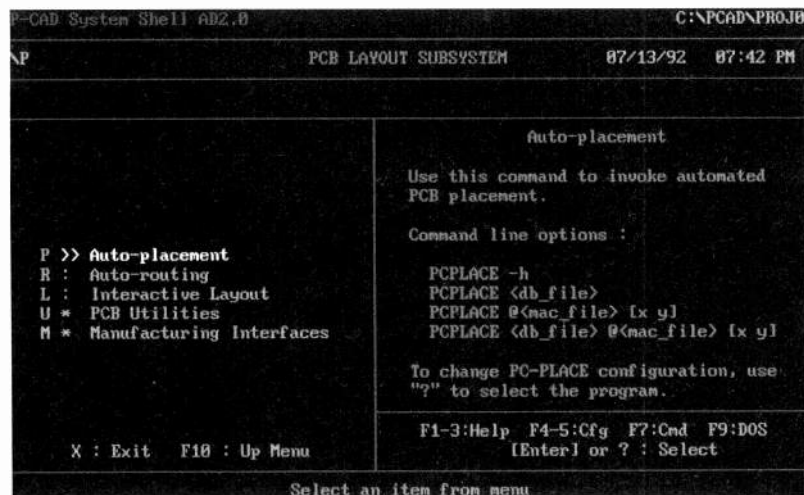
The reason is that entering schematic capture from the command line results in a small menu from which default set-ups, including directories, can be set. Inside the schematic editor there is no way to access information about the current directory or move to another, and to edit a file in a directory that is not configured requires typing in the whole path – tedious. One way to solve this problem is through the dos shell facility, the only way to view a file directory.

Placement

Placement is achieved by its own program, run either from the *P-Cad* shell or from the dos command line. The system works in the graphics editor environment, and with component footprints loaded, the user can move and fix the position of specific (or all) components. A grid is defined for the devices, the intersection of the grid lines being referred to as lattice points. Placement barriers can be defined to stop components being placed in particular areas.

During placement, horizontal vertical histograms can be displayed indicating the degree of congestion of tracks with that particular placement. Placement is aided through a complete series of commands, such as component alignment, gate swap to reduce track length and a suite of component move and rotate commands.

Auto-placement menu. The system works in the graphics editor environment, and with component footprints loaded, the user can move and fix the position of specific (or all) components.



Track editing

The schematic editor for PCB layout has the same user interface as the schematic and placement editors and operates with similar layered menus.

Full forward and back annotating transcribes schematic data to the PCB and PCB data back to the schematic so that consistency is ensured between circuit diagram and PCB.

Autoroute

P-Cad autorouter provides the usual memory and maze routing strategies, and includes a rip-up router suitable for more difficult routing tasks. Related facilities include via minimisation, and blind and buried vias (in multi-layer PCBs). Everything takes place on all layers on a 0.001in grid.

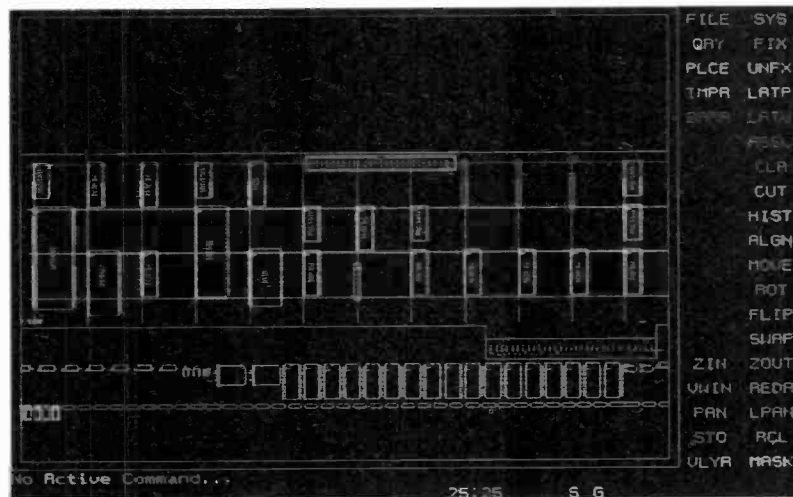
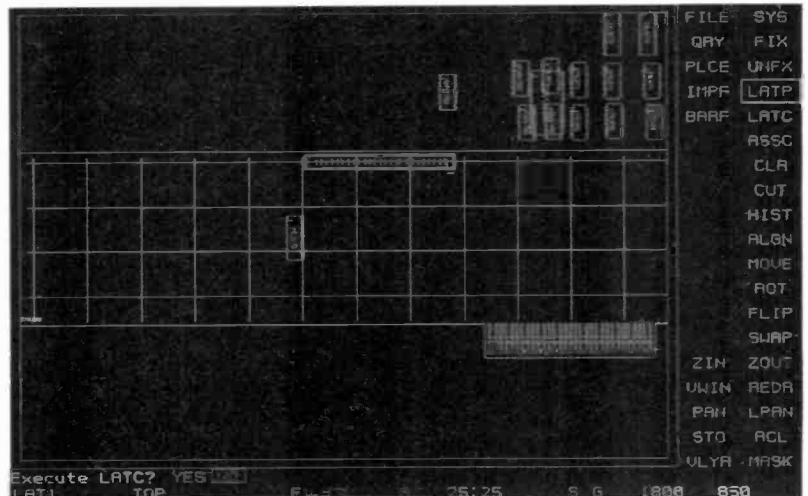
To neaten the final result and to help ensure that design rules are not broken, the router can work with a separate grid for the vias.

Libraries

Comprehensive libraries cover most common components. For going beyond these, other libraries span the dominant technologies (TTL, CMOS, ECL, linear etc) and major suppliers (National, Intel, Motorola etc). The package also reveals its insular US roots here, as libraries cover only the products of US corporations – an annoying weakness with more and more of the leading-edge electronic components coming from Japan.

But a nice touch is the library of standard PCB outlines that includes PC, Pent, Apple, Multibus and several others.

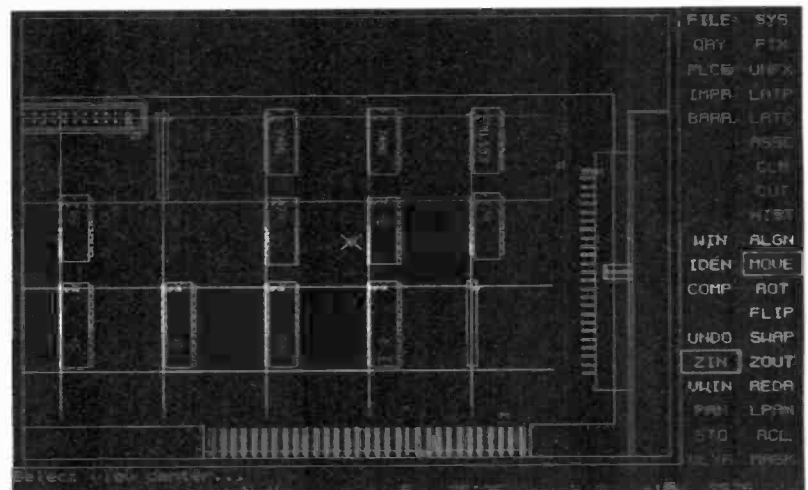
Schematic library items can be added to the library, using the same graphics editor as for normal schematics.



Components loaded and lattice defined in *P-Cad*.

Part-placed individual outlines can be interactively selected.

Final result of auto-placement with *P-Cad*



Installation and documentation

Installing *P-Cad* is not a good introduction to the package. The software uses a novel serial dongle system comprising a 250 x 80 x 40 box containing small plug-in keys for each section of the program. The box itself – which buzzes annoyingly – plugs into a separate mains outlet.

But the problem is that the dongle uses a 25-way D-shell for the serial interface without adapters for the 15-way serial connectors (introduced with the IBM AT). So two adapters are required.

Installation itself is fast and slick, the distribution discs being accepted in any order, and in about 15 minutes all was completed – all 20Mbytes of it! The promotional material suggests a 30Mbyte disc is required. But with this amount of software I would suggest 100Mbytes to avoid having DOS struggle with fragmented clusters. Installation includes a fiddle with AUTOEXEC and CONFIG files, but the software tells you exactly what it is doing.

Documentation makes *War and Peace* look like a short story. No less than eleven 18 x 9in paperback books, with probably over 5000 pages, stack up to make a thickness of nearly 8in – more than a little daunting. But the software turns out to be surprisingly easy to use, and the great stack of books is actually very useful for learning and reference (and filling up your book shelves impressively).

The manuals are professionally published and well organised so that even with so much data, references can be found without too much difficulty.

SUPPLIER DETAILS

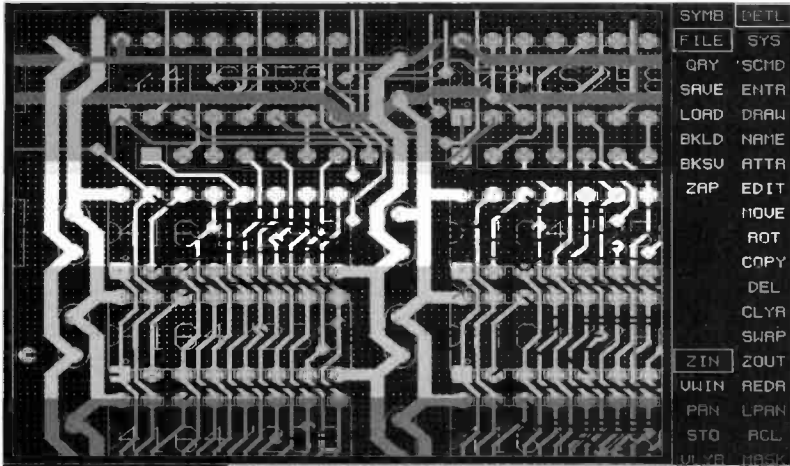
P-Cad Associate designer AD-4 £2000 is written by Cadam Inc, Burbeck, California. It is available in the UK from KGB Micros Ltd, 162 Bestobell Road, Slough, Berks SL1 4SZ. Tel: (0753) 696669

Other products in the range:

AD-1 entry level similar to the *AD-4* but excluding auto-place and route £1500.

Master Designer MD-1 similar to *AD-4*, but with more features and larger databases £6500.

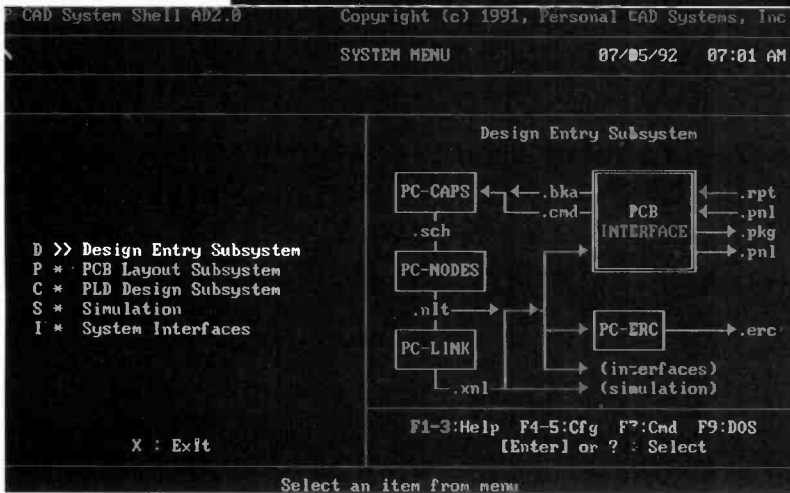
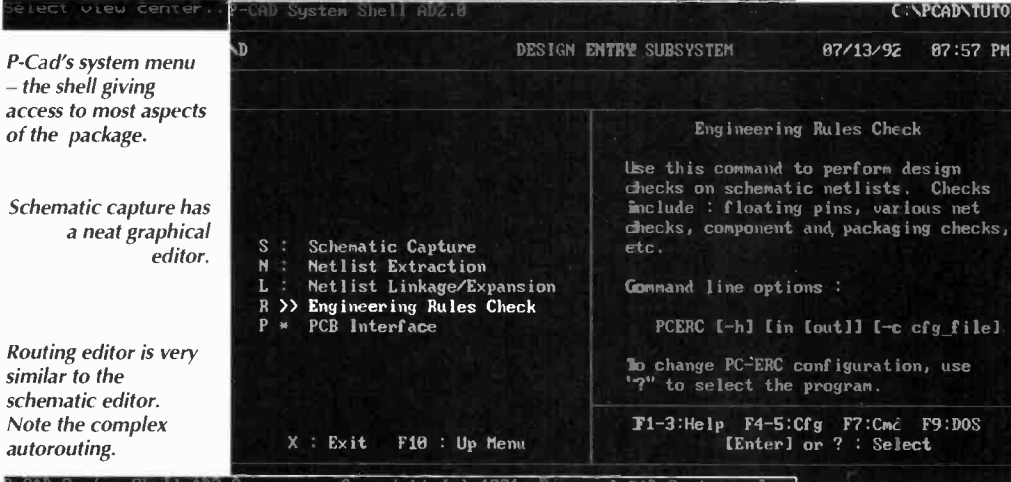
Professional PCB for Unix on Sun Spark or IBM 6500 £9980.



P-Cad's system menu – the shell giving access to most aspects of the package.

Schematic capture has a neat graphical editor.

Routing editor is very similar to the schematic editor. Note the complex autorouting.



SYSTEM REQUIREMENTS
 XT or AT
 640K
 Additional 1m memory recommended
 Dos 3.3
 30Mbyte hard disc
 25-way RS 232 port for dongle
 Colour display and adapter (EGA, VGA, 8514 and superVGA)
 Mouse or digitiser tablet

Little bits extra

Several export facilities are available – indeed one of the manuals is dedicated to export. Amongst the formats are DXF and IGES as well as the usual plotter, photoplotter and NC drill. But P-Cad always seems to offer that much more, and included in the exports are panelisation (grouping PCBs into panelled sets), and control output for pick and place and auto insertion manufacturing machines.

At first it looked as though the package was going to be especially interesting, with menu features detailing data capture and compilation for programmable logic devices (PLDs). But on closer inspection, this part of the menu system was inoperative, and the package needed to be upgraded for those functions.

There is also a simulation menu option – again this

proved to be inoperative on my review software – and the sales literature indicates there is a logic simulator and a file export to Spice analogue simulation.

Importance of training

As expected, the product from an IBM company is good – though the price compared with the competition is certainly a premium.

In terms of facilities P-Cad seems to have the lot. Not surprisingly the wide range of basic commands, option settings and configurations can make this one of the most daunting software products to learn and use: the 11 reference manuals are evidence of the enormous volume of material.

No one can be expected to memorise this amount of data and put it together in a structured way to make the system work first time. As a result, to obtain full value from the product software training has to be a serious consideration.

KGB, the UK distributors, offer training for schematic capture (two days), interactive layout (two days) and auto-placement and routing (three days); each day costs £350 and should be costed into the price of the final product.

So P-Cad is undeniably a powerful product, taking the design from a hierarchical schematic capture to the control programs for manufacture pick and place. But potential users should think very carefully about whether they are up to using a package having this level of complexity and no on-line help.

SPECIFICATIONS

- Schematic and PCB editors:
- 100 layers
- Cut and paste editor
- On-line connectivity checking
- User defined macros
- 600C standard symbol and footprint library
- 130C component, 2500 net and 32000 pin capability
- Up to 300 schematic sheets in one design

Schematic capture:
 Back annotation
 Real time component drag with orthogonal rubber-banding

PCB layout:
 0.001 in or 10µm resolution
 PCBs to 60 x 60 in
 SMD support includes both sides of PCB

Autorouter:
 Four routing algorithms
 Up to 32 routing layers
 Routes by window via minimisation

With 50 years' experience in the design and manufacture of several hundred thousand transformers we can supply

AUDIO FREQUENCY TRANSFORMERS OF EVERY TYPE

YOU NAME IT! WE MAKE IT!

OUR RANGE INCLUDES:

Microphone transformers (all types). Microphone Splitter/Combiner transformers. Input and Output transformers. Direct Injection transformers for Guitars. Multi-Secondary output transformers. Bridging transformers. Line transformers. Line transformers to BT Isolating Test Specification. Tapped impedance matching transformers. Gramophone Pickup transformers. Audio Mixing Desk transformers (all types). Miniature transformers. Microminiature transformers for PCB mounting. Experimental transformers. Ultra low frequency transformers. Ultra linear and other transformers for Valve Amplifiers up to 500 watts. Inductive Loop transformers. Smoothing Chokes. Filter. Inductors. Amplifiers to 100volt line transformers (from a few watts up to 1,000 watts). 100volt line transformers to speakers. Speaker matching transformers (all powers). Column Loudspeaker transformers up to 300 watts or more.

We can design for RECORDING QUALITY, STUDIO QUALITY, HI-FI QUALITY or P.A. QUALITY. OUR PRICES ARE HIGHLY COMPETITIVE AND WE SUPPLY LARGE OR SMALL QUANTITIES AND EVEN SINGLE TRANSFORMERS. Many standard types are in stock and normal dispatch times are short and sensible.

OUR CLIENTS COVER A LARGE NUMBER OF BROADCASTING AUTHORITIES, MIXING DESK MANUFACTURERS, RECORDING STUDIOS, HI-FI ENTHUSIASTS, BAND GROUPS AND PUBLIC ADDRESS FIRMS. Export is a speciality and we have overseas clients in the COMMONWEALTH, EEC, USA, MIDDLE EAST, etc.

Send for our questionnaire which, when completed, enables us to post quotations by return.



PO Box 36, Ipswich IP1 2EL, England

Phone: 0473 252794 & 0473 219390 —
Telex: 987703G Fax: 0473 236188

CIRCLE NO. 129 ON REPLY CARD

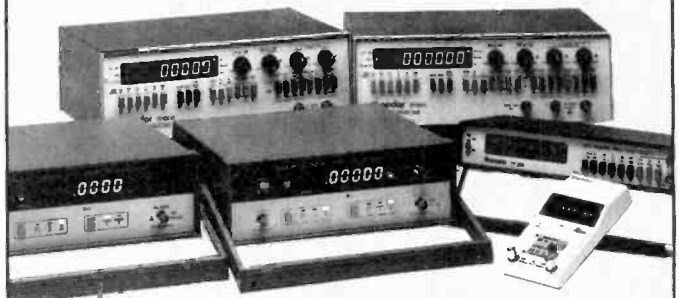
1.3 GHz Universal Counter using "Reciprocal Counting" £199



- New TF830 LCD Universal Counter
- 5Hz to 1300MHz frequency range
- Uses reciprocal counting technique
- High resolution at all signal frequencies
- Period, event and pulse width modes
- Fully portable, battery/mains operation
- Optional addressable RS232 interface

The TF830 is part of a full range of counter products from Thurlby Thandar. These range from low-cost hand held frequency meters up to sophisticated dual channel timer counters.

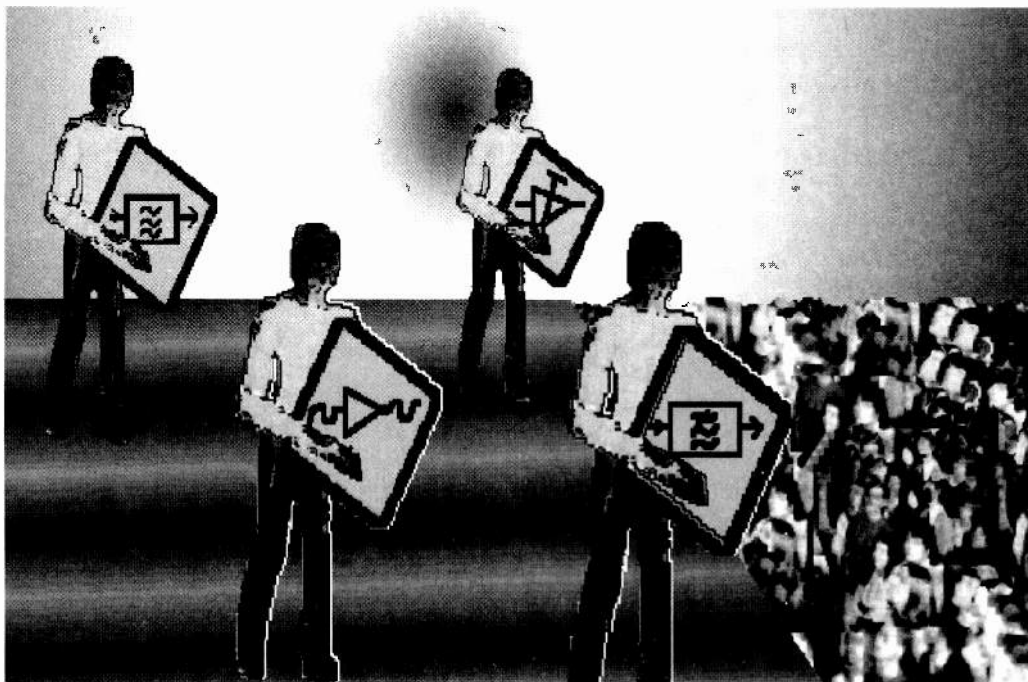
Ask for full details of the new TF830 and our other frequency counters.



THURLBY THANDAR

Glebe Road, Huntingdon, Cambs. PE18 7DX
Tel: (0480) 412451 Fax: (0480) 450409

CIRCLE NO. 130 ON REPLY CARD



TRACY MARTIN

Behavioural modelling wrapped up in a black-box

Bashir Al-Hashimi explains how behavioural models of analogue circuits are developed and uses an AM modulator/demodulator system to illustrate some of the models available.

One of the advantages of analogue behavioural modelling (ABM) is the ability to model analogue circuit functions using equations, tables and transfer functions. Designers can use the technique to simulate complex systems as a combination of "black-boxes" each of which performs a specific function.

In this way performance can be predicted before circuits are built, a detailed component design of a system being described to the simulator using a basic set of components such as resistors, transistors and various voltage and current sources. Component connections are then expressed in terms of nodes – a type of simulation often called the *structure* or *primitive level* simulation.

In a simple example, take as a system under simulation a 2nd-order lowpass filter. To optimise performance, the effect of changing the filter type (Butterworth, Bessel,...) on system response needs to be examined.

Until recently, this meant a number of different type filters would have to be designed and simulated – a time consuming task. A more effective way to tackle the problem is to simulate the filter as a "black-box", where the input/output relationship can be expressed in terms of an equation. As a result filter component design is unnecessary at this stage, since the filter function has been modelled using a mathematical expression. At a later

stage the model can be replaced by actual circuitry.

In this "behavioural level" simulation, a functional block can be described by its behaviour without worrying about its physical structure. The description can be an equation or data table, and a user has the ability to check and optimise a system without needing to perform circuit design. Complex systems can also be simulated quickly and more efficiently than at the primitive simulation level. Several simulators offer analogue behavioural modelling (ABM)¹, but here we will look in detail at *Pspice*². (For a good introduction to *Pspice* see "Adding Spice To Technology"³.)

Pspice ABM

ABM comes as an extra option to the basic *Pspice* simulator, allowing the user to describe analogue component or circuit operations using equations and tables. Descriptions are implemented using four functions: Laplace, frequency, table and value.

Laplace is usually used to describe the frequency response of circuits in terms of a transfer function in the Laplace transform variable. Frequency response of a circuit can also be written as a table using the frequency function, where each entry in the table consists of a frequency and the magnitude and phase of the response at that frequency. The table function allows circuit operation to be described by a

look-up table, with the table consisting of input-output data pairs.

Value handles voltage or current sources whose output is any arithmetic function of voltages and currents elsewhere in the circuit.

Pspice performs ABM using two controlled sources: VCVS (voltage controlled voltage source) and VCCS (voltage controlled current source), identified by *Pspice* as a component starting with the letter E or G respectively. The E component will be used when an output voltage is required, the G component when output current is needed

Circuit modelling

In this section, a number of commonly used analogue circuits will be modelled as "black-boxes". These include filters, amplifiers and rectifiers. As indicated earlier, a 2nd-order lowpass filter provides a simple example to illustrate the development of a behavioural model.

The voltage transfer function of this filter is:

$$(V_{out}/V_{in}) = A_1/(s^2 + sA_2 + A_1) \quad (1)$$

where s is the Laplace transform variable, A_1 and A_2 are expressions describing the filter characteristics and are given by:

$$A_1 = 4\pi^2\omega_o^2 C; \\ A_2 = (2\pi\omega_o F_c)/Q \quad (2)$$

ω_o is the normalised frequency (rad/s), Q is the quality factor and F_c is the denormalised cut-off frequency of the filter (see box, "Laplace transform and s domain"). The filter transfer function has been written in terms of s , therefore, the Laplace function will be used to model the filter. Also, since the output of the filter is a voltage, the E component will be used.

So Eq (1) is described in *Pspice* as:

$$E20 \text{ Laplace } (V(1)) = \{A_1/(s^2 + A_2s + A_1)\} \quad (3)$$

where the input to the filter is a voltage at node 1, and the output is a voltage at node 2. Nodes have been chosen arbitrarily to show how the "black-box" filter model would be

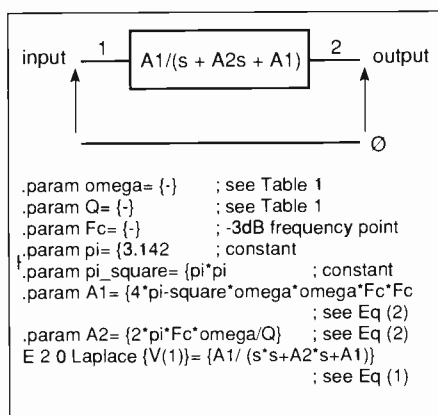


Fig. 1. Black-box filter notation for a behavioural model and its equivalent *Pspice* code.

Laplace transform and s domain

The relationship between the input and output of linear systems can be expressed by a series of differential equations. Obtaining the system response usually means solving the differential equations – which can be tedious. A mathematical method, the Laplace transform provides an easier way of solving these equations.

For example, the Laplace transfer function of the RLC circuit shown in the figure is derived as follows. Input and output voltages of this circuit are related by the differential equation,

$$V_{in} = RI + L \frac{dI}{dt} + V_{out}$$

using Kirchoff's voltage law. Using the Laplace transform method, $d/dt = s$, where s is the Laplace transform variable. The equation can then be expressed as

$$V_{in} = I(R + sL) + V_{out} \quad (i)$$

Current through the capacitor is given by

$$I = C \frac{dV_{out}}{dt} = sCV_{out} \quad (ii)$$

Substituting Eq (ii) into Eq (i) and simplifying yields

$$(V_{out}/V_{in}) = (1/LC)/(s^2 + s(R/L) + 1/LC) \quad (iii)$$

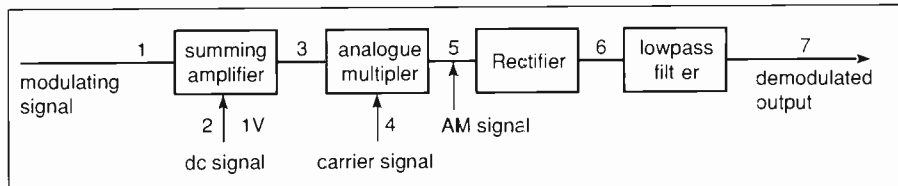
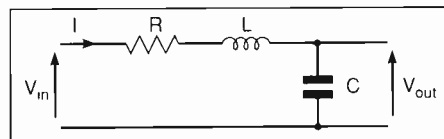
describing the Laplace voltage transfer function of the 2nd-order lowpass filter given in the figure. It is of the form of Eq (1) in the text.

Usually, ABM requires that ideal 2nd-order systems are described in terms of ω_o and Q . To relate these parameters to the circuit components, Eq (iii) will be compared with the general lowpass Laplace transfer function,

$$T(s) = \omega_o^2 / (s^2 + s(\omega_o/Q) + \omega_o^2)$$

giving

$$\omega_o^2 = 1/(LC) \text{ and} \\ Q = \omega_o(L/R)$$



connected within a system.

The 2nd-order lowpass behavioural filter *Pspice* model is (black-box notation, shown in Fig. 1):

The simple nature of the transfer function allows changes in the model to be made easily. For example, changing the filter type simply involves entering the appropriate values of the parameters ω_o and Q selected from Table 1 into Eq. (3). *Pspice* allows parameters to be declared and used in expressions within an input file, giving a great deal of flexibility when developing and modifying circuit models. In the model, note how the filter parameters are defined using the .PARAM command. This illustration demonstrates how only the transfer function in s , allows a model to be developed for a lowpass filter. Generalised models for filters are possible such as lowpass, highpass or bandpass⁴, further simplifying the operation. The technique can be extended to other circuit functions where only the Laplace transfer function needs to be specified. Frequency response of our lowpass filter could have also been modelled using the "frequency" function (see box, "Examples of ABM circuit models", which also considers the modelling of amplifiers and rectifiers).

Fig. 2. Behavioural model example using an AM transmission system. The summing amplifier and analogue multiplier represent an amplitude modulated full carrier transmitter while the rectifier and lowpass blocks represent the receiving system.

Table 1. ω_o Q of the various filter responses.

	ω_o	Q
Butterworth	1	0.707
Chebyshev (0.5dB)	1.231	0.864
1dB	1.05	0.957
2dB	0.907	1.129
3dB	0.841	1.307
Bessel	1.73	0.577

Behavioural level

Some of the behavioural circuit models developed earlier (and shown in "Examples of ABM Circuit Models") can be used to simulate an AM modulator and demodulator. These circuits have been selected because *Pspice* does not provide AM modulation directly – they also strike a reasonable balance of complexity to illustrate the usefulness of ABM while still allowing a comparison with the primitive simulation level.

The AM system (Fig. 2) consists of a sum-

SIMULATION

ming amplifier and analogue multiplier – describing the modulator – and a rectifier and lowpass filter which represents the demodulator.

An AM modulated signal is described by:

$$V_{am} = A \sin \omega_c t (1 + m \cos \omega_m t) \quad (4)$$

where ω_m and ω_c are the angular frequency of the modulating and carrier signals respectively, A is the amplitude of the carrier and m is the modulation index. Examination of the equation suggests that an AM signal can be modelled in two stages using ABM.

In stage one, the modulating signal ($m \cos \omega_m t$) is added to a fixed DC voltage of 1V to obtain $(1 + m \cos \omega_m t)$. In the 2nd stage, the result of this addition will be multiplied by the carrier ($A \sin \omega_c t$). Both of these operations are easily achieved using the value function of the ABM.

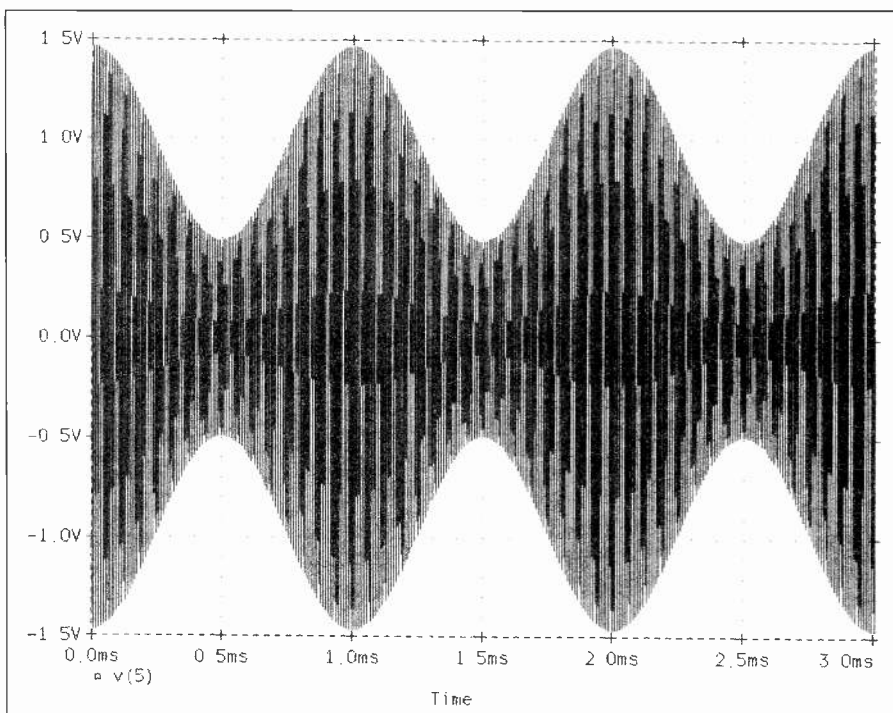
The Pspice input file of the AM system is:

```
*This file simulates an AM system ; comment
Vmod 1 0 sin (0 0.5v 1K 0 0 90) ; modulating
signal
Vdc 2 0 dc 1v ; dc input Vcar 4 0 sin (0 1v 100K)
; carrier signal
Esum 3 0 Value= (V(1)+V(2)) ; summing amp
Emult 5 0 Value= (V(3)*V(4)) ; AM signal
Erect 6 0 Table (V(5))=
(-1.5,0) (0,0) (1.5,1.5) ; rectified signal
*2nd-order filter parameters
.param omega= {1} ; Butterworth filter
.param Q= {0.707} ; Butterworth filter
.param Fc= {1K} ; F3dB point
.param pi= {3.142} ; Constant
.param pi_square= -pi*pi ; Constant
.param A1= {4*pi_square*omega*omega*Fc*Fc} ; see Eq (2)
.param A2= {2*pi*Fc*omega/Q} ; see Eq (2)
Elow 7 0 Laplace (V(6))= {(A1)/(s*s+ A2*s+A1)} ; filter model
*
* These resistors all needed to satisfy Pspice require-
ment for a minimum of 2 nodes to every component.
R1 1 0 1G
R2 2 0 1G
R3 3 0 1G
R4 4 0 1G
RS 5 0 1G
R6 6 0 1G
R7 7 0 1G
* TRANSIENT ANALYSIS
.tran 0.2m 4m 0m 0.2m; time analysis range
.options itl5=10000 ; number of analysis points
.probe
.end
```

The modulating signal, DC voltage and carrier signal have been defined using various independent voltage sources as shown at the start of the above Pspice input file.

Simulating the demodulator involves modelling the operations of the rectifier and the lowpass filter. Both of these circuits have already been modelled.

In the case of the lowpass filter, the Laplace transfer function model will be chosen in preference to the frequency response table model (see box, "Examples of ABM circuit models"), because it offers greater flexibility. The filter has been assumed to be of the Butterworth type with -3dB frequency point at 1kHz. In the Pspice simulation of the AM signal and its frequency spectrum (Figs. 4 and



5), Pspice correctly models the carrier at 100kHz and the two sidebands at 99kHz and 101kHz respectively. Figure 6 shows the demodulated signal at the filter output which corresponds to the input signal.

Fig. 4. Simulated AM signal provided by the first two behavioural blocks of Fig. 2.

ABM circuit models

This box includes the modelling of filters, amplifiers and rectifiers, which form the basis of an AM modulator/demodulator system shown in Fig. 2. Here the 2nd-order lowpass filter will be modelled using an alternative function to the "Laplace" function illustrated in the main text. Frequency response of the circuit is written as a table using the "Frequency" function. Each entry in the table consists of a frequency, magnitude (dB), and phase (°).

For example, a normalised 2nd-order Butterworth filter is modelled as:

```
E 2 0 Frequency {v(1)}=(0.1,0,-16)(0.5,0,-44)(0.75,-0.5,-68)
```

```
(1,-3,-90) (1.25,-5,-108)(2,-12,-137)
```

```
(3,-19,-151)(4,-24,-160)
```

To scale this filter to a specific cut-off frequency, all the frequencies in this table must be multiplied by the required cut-off frequency.

Also, if a different filter type is required, all the magnitude values need to be changed according to the chosen filter type. So the functions "Laplace" and "Frequency" can both be used to model frequency response, but clearly as can be seen from the filter example, the "Laplace" function offers more flexibility with respect to circuit modifications through at the expense of developing a transfer function.

In many applications, circuit operations must be modelled by arithmetic equations,

for example a summing amplifier. Using the VALUE function, the amplifier is simply modelled as:

```
E 3 0 Value= [V(1)+ V(2)]
```

describing a summing amplifier with an output voltage at node three. The value of this voltage is equal to the summation of the voltages at nodes one and two. Some analogue circuit operations are best described by a look-up table. In this case, the function TABLE offers the best option for modelling, because it allows unrestricted pairings of parameters (unlike FREQUENCY which is always frequency, magnitude, and phase). An example is the half-wave rectifier modelled as:

```
E 2 0 Table {v(1)}= (-1,0) (0,0) (1,1)
```

The table has three entries, describing the full operation of the rectifier. The first value of each bracket is the input; the second value is the corresponding output. So in this example, the amplitude of the input signal at node one varies from -1V to +1V. Output at node two is 0V for inputs ≤0V, 1V for inputs ≥1V and input=output in between.

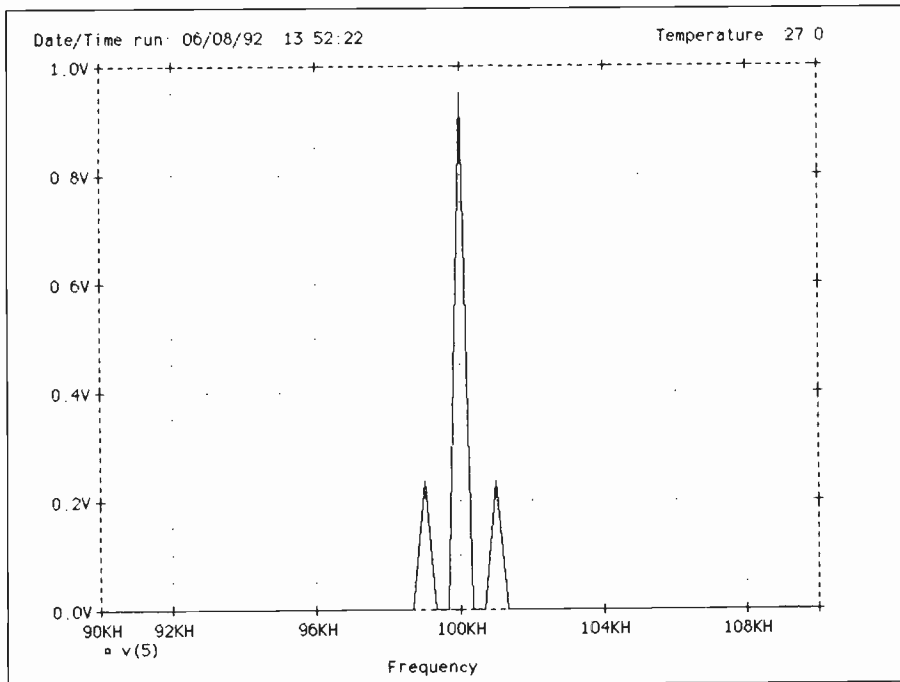


Fig. 5. Simulated AM frequency spectrum. Pspice correctly models the carrier at 100kHz and the two sidebands at 99kHz and 101kHz respectively

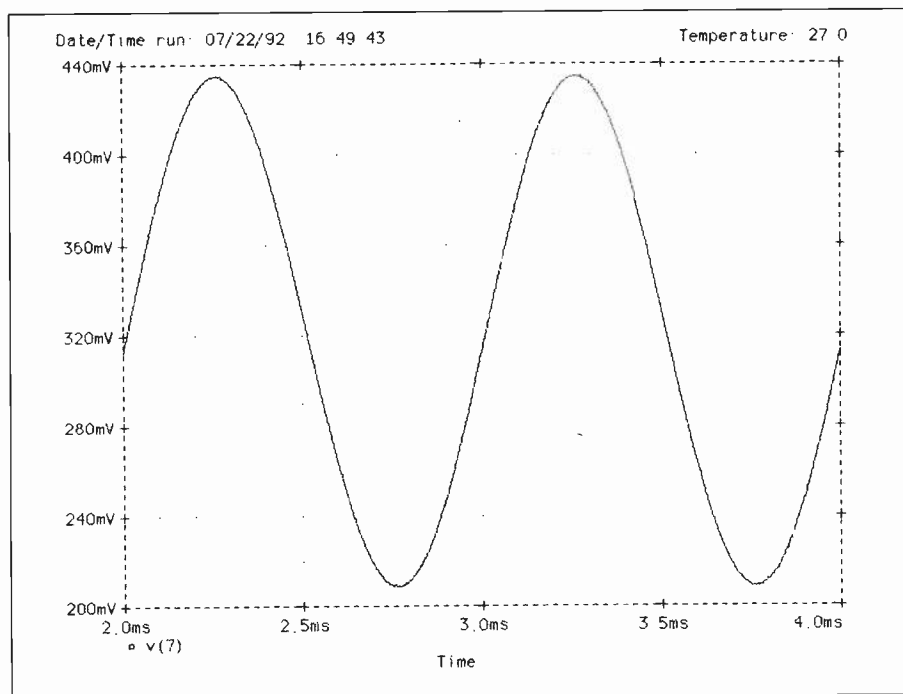


Fig. 6. Simulated demodulated signal, corresponding to the input signal.

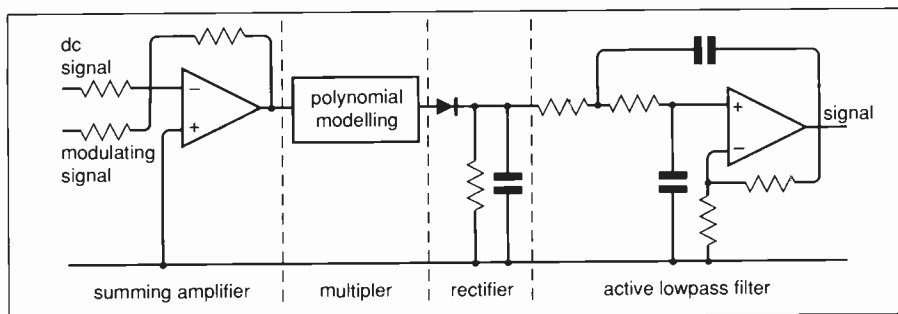


Fig. 7. Primitive level circuit of the AM system shown in Fig. 2.

Table 2. Comparison of the two simulation approaches.

	Behavioural Primitive	
Development	0.5day	1 day
Simulation	175s	220s

Simulation times were measured on PC 386SX.

Behavioural vs primitive

As a comparison, the same AM system was simulated using primitive level components, Fig. 7. The amplifier was simulated using a VCVS, in other words modelled using an equivalent circuit. There is no equivalent circuit available for an analogue multiplier. An ideal analogue multiplier could be modelled by a discrete transistor circuit⁵ or by using polynomial sources. Polynomial sources are an accepted technique for use in the basic Pspice without ABM and offer a more convenient method for simulation of ideal circuits than actual circuit design (see Pspice manual for more information).

The rectifier was simulated using a combination of a diode, a resistor and a capacitor, and the filter was modelled using a VCVS, four resistors and two capacitors. The filter was assumed to be implemented using an active Sallen-Key circuit.

Both behavioural and primitive approaches have been shown to yield similar and satisfactory results. But there is a saving in development and simulation time associated with the behavioural approach (Table 2). Clearly optimisation of system performance is most effectively achieved by the use of ABM.

Finally, though this article has mainly dealt with modelling ideal circuits, ABM can be used to model practical components and circuits. Examples of these are given in the Pspice manual and MicroSim newsletter magazines: for instance, April 1991 issue dealt with modelling of a lossy transmission line.

Acknowledgment

Thanks to Alan Holden for his help in preparation of this article.

References

1. Swager, A., "Behavioural Models Expedite Simulation", EDN, Nov 21, 1991.
2. Pspice, Microsim Corporation, 20 Fairbanks, Irvine, California 92718.
3. Stewart, P., "Adding Spice To Technology", EW + EE, Jan 1992.
4. Al-Hashimi, B., "Pspice Behavioural Model of a Universal Filter", submitted for publication in EDN.
5. Gilbert, B., "A high Performance Monolithic Multiplier Using Active Feedback", IEEE Journal of Solid-states, Vol. SC-9, No.6, pp364-370, Dec 1974.

Circuits, Systems & Standards

First published in the US magazine EDN and edited here by Ian Hickman

Understand capacitor soakage to optimise analogue systems

Dark secrets of capacitors

This item from Bob Pease is essential reading for anyone designing low level analogue circuits where low frequency/DC performance is important. The big surprise for me was how poorly silver mica capacitors – considered by many to be one of the most stable and reliable types – performed in the soakage tests.

IH

Veteran circuit designers often had a shocking introduction to dielectric absorption when supposedly-discharged high-voltage oil-filled paper capacitors reached out and bit them. Indeed, the old oil-filled paper capacitors were notorious for what was once called soakage – a capacitor's propensity to regain some charge after removal of a momentary short. Today, few of these capacitors are still in use, but soakage is still a problem. How do you deal with it?

Nowadays, effects of dielectric absorption are likely to be noticed in more subtle ways: perhaps in the performance of an integrator that can not be reset to zero; or a sample/hold that refuses to work correctly. But whether effects are (literally) felt or merely observed in a

circuit's behavior, dielectric absorption is a characteristic that every capacitor possesses. It is inherent in the dielectric material itself – though poor manufacturing or inferior foil electrodes can contribute to the problem.

Apt description

Soakage seems an apt term for dielectric absorption – considering what the capacitor seems to be doing. In a typical example a capacitor charges to 10V for a long time T and then discharges through a small-value resistor for a short time. If the short circuit is removed and the capacitor terminals monitored with a high-impedance voltmeter, the capacitor will be seen to charge back to 0.1%, 1% or as much as 10% of the original voltage. For example, a $1\mu\text{F}$ Mylar capacitor charged to 10V for 60s (T_{CHARGE}) and discharged for 6s ($t_{\text{DISCHARGE}}$) charges to 20 or 30mV after 1 min (T_{HOLD}). Figure 1 shows a simple evaluation circuit for measuring the characteristic.

A capacitor exhibiting dielectric absorption acts as if during its long precharge time the dielectric material has soaked up some charge that remains in the dielectric during the brief discharge period. Charge then bleeds back out of the dielectric during the relaxation period and causes a voltage to appear at the capacitor terminals.

Fig. 1. A simple test fixture allows evaluation of dielectric absorption at low speeds. To use, start with all switches off and throw S1 and S2 on for 1min; then throw S1 and S2 off and wait 6s, throwing S3 on during the wait period. Next turn S2 on and watch V_{OUT} for 1min. To compensate for leakage leave all switches off for 1min and then throw S2 and S3 on. Monitor V_{OUT} for 1min and subtract this value from the V_{OUT} value obtained earlier.

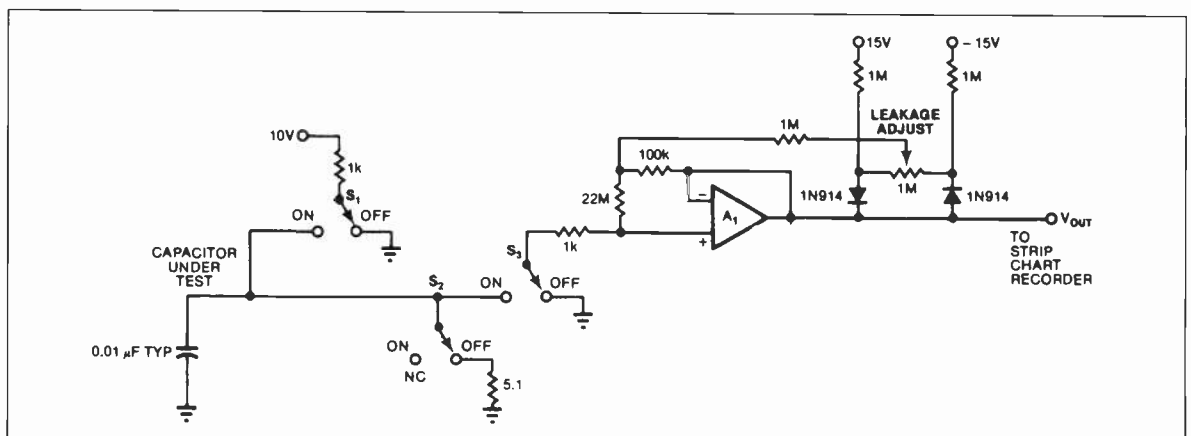
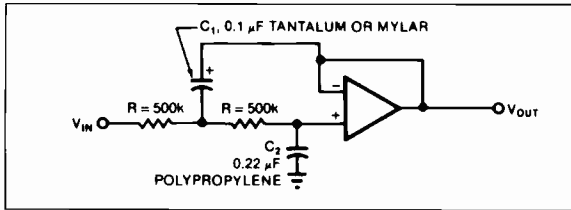


Fig. 6. Soakage can present problems when designing a fast-settling amplifier or filter. C₁ can be a Mylar or tantalum unit, but making C₂ a polypropylene device improves performance.



But dielectric-absorption characteristics are most obviously detrimental in applications involving sample/holds. Manufacturers guarantee how fast these devices can charge a capacitor in SAMPLE mode and how much their circuits' leakages causes capacitor-voltage droop during the HOLD mode. But they do not give any warning about how much the capacitor voltage changes because of soakage – a factor especially important in a data-acquisition system, where some channels might handle small voltages while others operate near full scale. Even with a good dielectric, a sample/hold can hurt accuracy, especially if the sample time is a small fraction of T_{HOLD} .

For example, although a good polypropylene device can have only 1mV hysteresis per 10V step if $T/t=100ms/10ms$, this figure increases to mV if the T/t ratio equals 100ms/0.6ms. Because most sample/hold data sheets do not warn of such factors, capacitors should be evaluated in a circuit (such as in Fig. 5) using time scaling suited to the application.

Other applications in which soakage can degrade performance are those involving fast-settling AC active filters or AC-coupled amplifiers. In the circuit shown in Fig. 6, C₁ can be a Mylar or tantalum unit because it always has 0V DC on it. But making C₂ polypropylene instead of Mylar noticeably improves settling. For example, settling to within $\pm 0.2mV$ for a 10V step improves from 10 to 1.6s with the elimination of Mylar's dielectric absorption. Similarly, voltage-to-frequency converters benefit from low-soakage timing capacitors, which improve V/F linearity.

Dielectrics good at all speeds

Fortunately, good capacitors such as those employing polystyrene, polypropylene, NP0 ceramic and Teflon

dielectrics perform well at all speeds. Figure 7 shows the characteristics of capacitors using these dielectrics and others such as silver mica and Mylar. In general, polystyrene, polypropylene or NP0 ceramic capacitors furnish good performance, although polystyrene can not be used at temperatures greater than 80°C. Although NP0 ceramic capacitors are expensive and hard to find in values much larger than 0.01μF, they do achieve a low

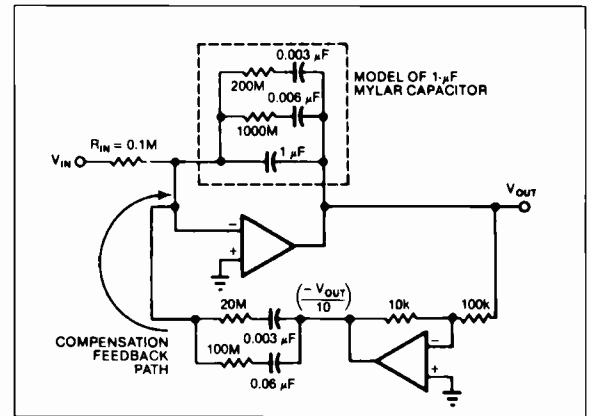


Fig. 8. An integrator can be compensated for dielectric absorption by feeding its inverted output back to the input through one or more experimentally chosen RC networks; they cancel the equivalent network inherent in the capacitor's dielectric material.

Fig. 7. Soakage-measurement results for a variety of capacitors illustrate the effects of $t_{DISCHARGE}$ values on dielectric-absorption-caused errors. Note that the curves for two different samples of NP0 ceramic capacitors intersect.

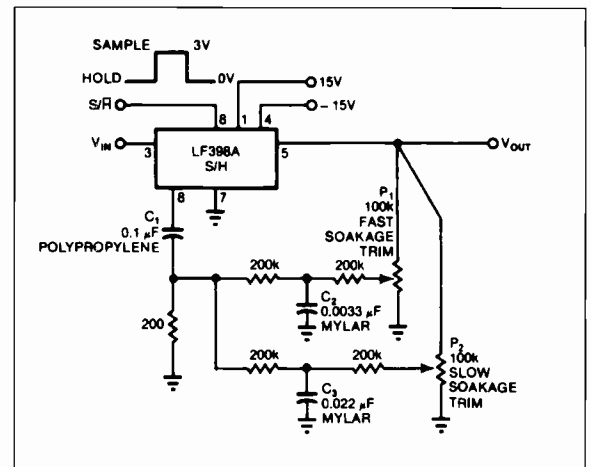
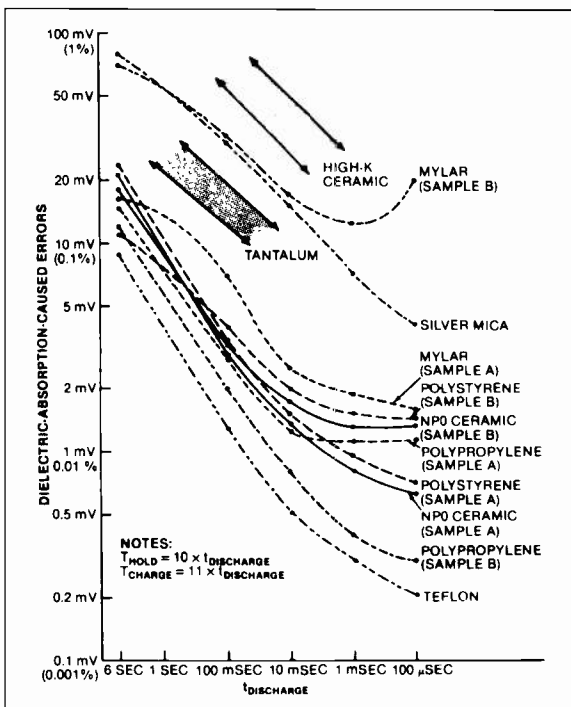


Fig. 9. Adding compensation circuitry to a sample/hold yields better-than-Teflon performance with a polypropylene capacitor. Using Teflon capacitors in such circuits can yield a 15-17 bit dynamic range.

temperature coefficient (a spec not usually significant for a S/H but one that might prove advantageous for precision integrators or voltage-to-frequency converters). Teflon is rather expensive but definitely the best material to use when high performance is important. Furthermore, only Teflon and NP0 ceramic capacitors suit use at 125°C.

If dielectric-absorption values in Fig 7 are studied, wide differences in performance for a given dielectric material can be seen.

For example, polypropylene sample A is about as good as B at $t=6s$, but B is four times better at high speeds.

Similarly, NP0-ceramic sample A is slightly worse than NP0-ceramic sample B at low speeds, but A is definitely better at high speeds.

Some Mylar capacitors (sample A) get better as speed increases from 1000 to 100μs, but others (sample B) get

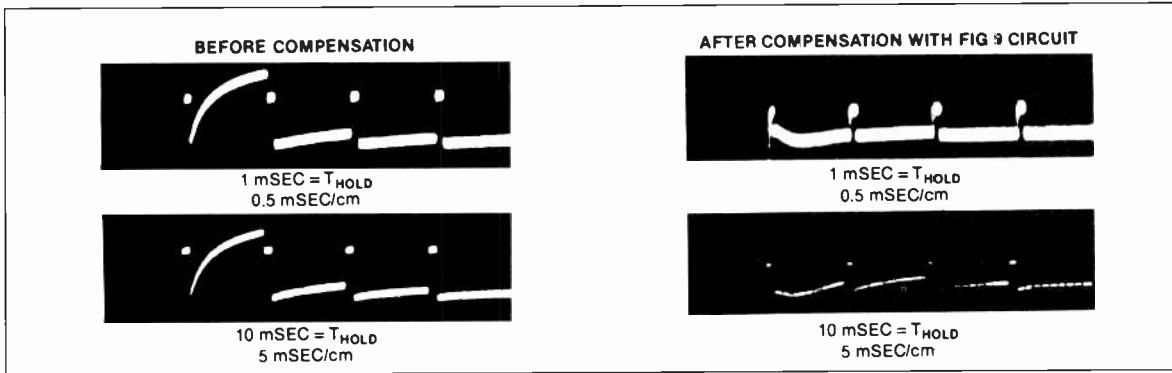


Fig. 10. Adding Fig. 9's compensation network to a sample hold circuit yields a ten-fold performance improvement for sample times of 50-2000 μ s; additional RC networks and trimming pots can extend the time range. The short pulses represent normal S/H jumps and occur during the sample time. The exponentially rising waveform during the hold time results from soakage. Note that soakage effects are still visible during the second hold period.

worse. So if consistently good performance from capacitors is required, they should be evaluated and specified for the speed at which they will be used in a particular application.

Keep in mind that because most sample/holds are used at much faster speeds than those corresponding to the 1min or 5min ratings usually given in data sheets, a published specification for dielectric absorption has limited value.

In addition, other dielectrics furnish various levels of performance. The following questions and answers reveal the differences.

● Any long word that starts with poly seems to have good dielectric properties. So how about polycarbonate or polysulfone?

No - they are about as bad as Mylar.

● Does an air or vacuum capacitor have low soakage? *It might, but many standard capacitors of this type are old designs with ceramic spacers, and they might give poor results because of the ceramic's hysteresis.*

● If a ceramic capacitor is not an NP0 device, is it any good?

Most of the conventional high-K ceramics are just terrible—20 to 1000 times worse than NP0—and even worse than tantalum.

● Is silicon dioxide suitable for small capacitances? *Although Fig. 5 test setup, used in preparing Fig. 7 chart, only measures moderate capacitances (500 to 200,000*

pF), silicon dioxide appears suitable for the small capacitances needed for fast S/Hs or deglitchers.

Cancellation improves accuracy

A practical method of getting good performance with less-than-perfect capacitors is to use a soakage cancellation circuit such as one of the form shown in Fig. 8, in which a capacitor of the type modelled in Fig. 4 serves as an integrator. (Only the first two soakage elements are shown.) The integrator's output is inverted with a scale factor of -0.1 , and this voltage is then fed through one or more experimentally chosen RC networks to cancel the equivalent network inherent in the capacitor's dielectric material.

Figure 9 shows a practical sample/hold circuit with an easily trimmed compensator. The network provides about a ten-fold improvement for sample times in the 50 to 2000 μ s range (Fig. 10). Although the compensation is subject to limitations at very fast or slow speeds, the number of RC sections and trimming pots employed can be extended.

Simple circuits similar to Fig. 9 or Fig. 8 have been used in production to let inexpensive polypropylene capacitors provide better-than-Teflon performance. In turn, using these compensator circuits with a good Teflon capacitor furnishes a dynamic range of 16 to 17 bits.

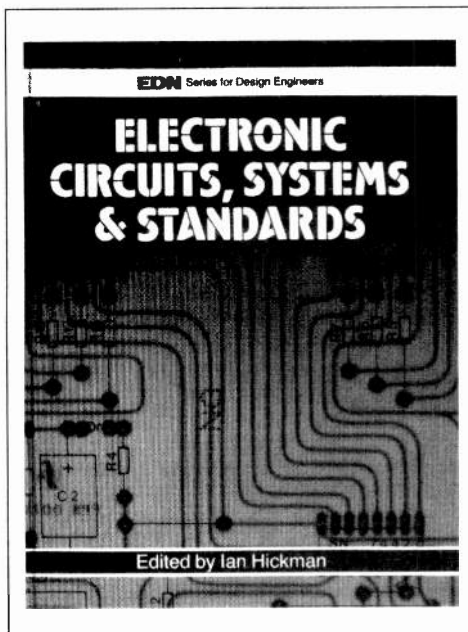
Robert A Pease, National Semiconductor Corp.

Electronics Circuits, Systems & Standards

Since its appearance in 1956 the US-based EDN has established itself as a leader in controlled circulation electronics magazines. Now this "best" of EDN - with useful information on components, equipment, circuits, systems and standards - is available in a 216 page hardback publication.

Available direct by postal application to EW + WW, Quadrant House, The Quadrant, Sutton, Surrey, SM2 5AS. Cost £20 plus £1.50 post and packing. Cheques payable to Reed Business Publishing Group.

Edited by Ian Hickman, published by Butterworth Heinemann Newnes. ISBN 07506 0068 3. price £20.



BARGAINS – 10 New Ones This Month

THIS MONTH'S SNIP is a Japanese-made 12v DC or battery-operated, brushless axial fan. 93mm square, its optimum is 12 but it performs equally well at only 6v and its current then is only 100mA so it could be made into a hand-held dry battery-operated cooler. Or, on your desk operated by a psu or in the car using the lighter socket. Snip price only £4, Order Ref. 4P65. Mains power unit to operate this at variable speeds £2, Order Ref. 2P3.

ANOTHER SNIP Extra lightweight stereo headphones. Superior sound quality as these were made for a world-famous airline. Adjustable headband makes these extra comfortable and they come complete with washable foam earpieces. Suitable for use with all types of cassette players and radios, good long lead terminating with 3.5mm jack plug. Yours for only £1 per pair, Order Ref. 878.

FM CORDLESS RADIO MIKE, hand-held battery-operated professional model, has usual shaped body and head and is tuneable to transmit and be picked up on the FM band of any radio. Yours for only £8.50, Order Ref. 8.5P1.

4 MORE SPEAKERS:

Order Ref. 1.5P11 is Japanese-made 6½", 8ohm, rated at 12W max. This is a very fine reproducer. The makers are SANYO. Yours for £1.50

Order Ref. 879 is another Far East-made 6½", 4ohm, 12W max speaker. Very nicely made, using Japanese Hitachi tools and technique, only £1.

Order Ref. 896 is 6½", 6ohm, 10W, exceptionally good sounder and yours for only £1.

Order Ref. 897 is another 8ohm speaker rated at 5W but its unusual feature is that it has a built-in tweeter. Still only £1.

MULTI-CORE CABLES all with 8A 230V cores so suitable for disco and other special lighting effects. With earthable woven screen and thick pvc outer. 3-core, 30p per metre, 16-core, 50p per metre, 18-core, 80p per metre, 25-core, £1 metre and 36-core, £1.50 per metre.

ULTRA THIN DRILLS Actually 0.3mm. To buy these regular costs a fortune. However, these are packed in half dozens and the price to you is £1 per pack, Order Ref. 797B.

YOU CAN STAND ON IT! Made to house GPO telephone equipment, this box is extremely tough and would be ideal for keeping your small tools. Internal size approx. 10½" x 4½" x 6" high. These are complete with snap closure lip and shoulder-length carrying strap. Taken from used equipment but in good condition, price £2, Order Ref. 2P283B.

BUILD YOUR OWN NIGHT LIGHT, battery charger or any other gadget that you want to enclose in a plastic case and be able to plug into a 13A socket. We have two cases, one 3½" x 2¼" x 1¾" deep, £1 each, Order Ref. 845. The other one is 2½" x 2¼" x 1¾" deep, 2 for £1, Order Ref. 565.

SAFETY LEADS curly coil so they contract but don't hang down. Could easily save a child from being scalded. 2-core, 5A, extends to 3m, £1, Order Ref. 846, 2-core, 13A, extends to 1m, £1 each, Order Ref. 847, 3-core, 13A, extends to 3m, £2 each, Order Ref. 2P290.

POWER SUPPLY WITH EXTRAS mains input is fused and filtered and the 12V dc output is voltage regulated. Intended for high-class equipment, this is mounted on a PCB and, also mounted on the board but easily removed, are 2 12V relays and a Piezo sounder. £3, Order Ref. 3P80B.

ULTRASONIC TRANSDUCERS 2 metal cased units, one transmits, one receives. Built to operate around 40kHz. Price £1.50 the pair, Order Ref. 1.5P4.

100W MAINS TRANSFORMER normal primary 20-0-20 at 2.5A, £4, Order Ref. 4P24, 40V at 2.5A, £4, Order Ref. 4P59, 50V at 2A, £4, Order Ref. 4P60.

PHILIPS 9" HIGH RESOLUTION MONITOR black & white in metal frame for easy mounting, brand new, still in maker's packing, offered at less than price of tube alone, only £15, Order Ref. 15P1.

16-CHARACTER 2-LINE DISPLAY screen size 85mm x 36mm, Alpha-numeric LCD dot matrix module with integral microprocessor made by Epson, their Ref. 16027AR, £8, Order Ref. 8P48.

INSULATION TESTER WITH MULTIMETER internally generates voltages which enable you to read insulation directly in megohms. The multimeter has four ranges. AC/DC volts, 3 ranges DC milliamperes, 3 ranges resistance and 5 amp range. These instruments are ex British Telecom, but in very good condition, tested and guaranteed OK, probably cost at least £50 each, yours for only £7.50, with leads, carrying case £2 extra, Order Ref. 7.5P4.

MAINS 230V FAN best make "PAPST" 4½" square, metal blades, £8, Order Ref. 8P8.

2MW LASER Helium Neon by PHILIPS, full spec. £30, Order Ref. 30P1. Power supply for this in kit form with case is £15 Order Ref. 15P16, or in larger case to house tube as well £18, Order Ref. 18P2. The larger unit, made up, tested and ready to use, complete with laser tube £69, Order Ref. 69P1.

½ HP 12V MOTOR – THE FAMOUS SINCLAIR C5 brand new, £15, Order Ref. 15P8.

SOLAR CHARGER holds 4 AA nicads and recharges these in 8 hours, in very neat plastic case, £6, Order Ref. 6P3.

FERRITE AERIAL ROD 8" Long x ⅜" diameter, made by Mullard. Complete with 2 coil formers. 2 for £1, Order Ref. 832B.

AIR SPACED TRIMMER CAPS 2–20 pf ideal for precision tuning UHF circuits, 4 for £1, Order Ref. 818B.

FIELD TELEPHONES just right for building sites, rallies, horse shows, etc., just join two by twin wire and you have two-way calling and talking and you can join into regular phone lines if you want to. Ex British Telecom in very good condition, powered by batteries (not included) complete with shoulder-slung carrying case, £9.50, Order Ref. 9.5P2.

MAINS ISOLATION TRANSFORMER stops you getting "to earth" shocks. 230V in and 230V out. 150watt upright mounting, £7.50, Order Ref. 7.5P5 and a 250W version is £10, Order Ref. 10P79.

MINI MONO AMP on PCB. Size 4" x 2" with front panel holding volume control and with spare hole for switch or tone control. Output is 4 watts into 4-ohm speaker using 12V or 1 watt into 8-ohm using 9V. Brand new and perfect, only £1 each, Order Ref. 495.

AMSTRAD POWER UNIT 13.5V at 1.9A encased and with leads and output plug, normal mains input £6, Order Ref. 6P23.

ATARI 64XE COMPUTER at 65K this is quite powerful, so suitable for home or

business, unused and in perfect order but less PSU, only £19.50, Order Ref. 19.5P5B.

80W MAINS TRANSFORMERS two available, good quality, both with normal primaries and upright mounting, one is 20V 4A, Order Ref. 3P106, the other 40V 2A, Order Ref. 3P107, only £3 each.

PROJECT BOX size approx 8" x 4" x 4½" metal, sprayed grey, louvred ends for ventilation otherwise undrilled. Made for GPO so best quality, only £3 each, Order Ref. 3P74.

12V SOLENOID has good ½" pull or could push if modified, size approx 1½" long by 1" square, £1, Order Ref. 232.

500V BRIDGE MEGGER developed for GPO technicians the Ohmter 18B is the modern equivalent of the bridge megger. 9V battery operated, it incorporates a 500V generator for insulation testing and a null balance bridge for very accurate resistance measurement. Ex B.T. in quite good condition with data & tested. Yours for a fraction of original cost, £45, Order Ref. 5P167.

15W 8-OHM 8" SPEAKER & 3" TWEETER made for a discontinued high-quality music centre, gives real hi-fi, and only £4 per pair, Order Ref. 4P57.

3V SOLAR PANEL price £3, Order Ref. 5P189.

3-GANG .0005 MFD TUNING CONDENSER with slow-motion drive. Beautifully made by Jackson Brothers and current list price is probably around £20. Yours for £5, Order Ref. 5P189.

BT TELEPHONE LEAD 3m long and with B.T. flat plug ideal to make extension for phone, fax, etc. 2 for £1, Order Ref. 552.

WATER PUMP very powerful with twin outlets, an ideal shower controller, mains operated, £10, Order Ref. 10P74. Ditto but with a single outlet, same price & order ref. Please specify which one you require.

0-1MA FULL VISION PANEL METER 2¾" square, scaled 0–100 but scale easily removed for re-writing. £1 each, Order Ref. 756.

PROJECT BOX a first-class, Japanese two-part moulding size 95 x 66 x 23mm. Held together by 2 screws, takes a battery and a PCB and is ideal for many projects. To name just a few, the washer bottle monitor, the Quickest and the model railway auto signal, described in September's issue of *Everyday Electronics*. This is nicely finished and very substantial. You get 2 for £1, Order Ref. 876.

HOLD IT MAGNETIC BASE embedded in a circular metal shallow disc, diameter approx. 65mm (2½"), is the most powerful magnet. We have yet to find anyone who can remove this with his fingers. Ideal for adding extra shelves inside a metal case or to glass without drilling. Its uses, in fact, are innumerable. Price £2 each, Order Ref. 2P296.

AMSTRAD EXPANSION BUS BOARD – their part no. Z70901. Brand new. Just one IC is missing from its socket, contains a terrific quantity of very useful parts. There are 4x32-way edge connector sockets with gold-plated contacts, 7 crystals, over 40 ICs many of which are plug-in types. There are 5 microprocessors Japanese-made, 8 socket connectors with gold-plated pins and hundreds of other small parts. Yours for £10, Order Ref. 10P94.

WANT A SPARE 3" DISC DRIVE FOR YOUR AMSTRAD? We have, unused and believed OK, Amstrad 3" disc drives that are all complete except for front bezel. It shouldn't be too difficult to

take the bezel off your old one and fit it to this. Price £15 each, Order Ref. 15P45.

OPD DUAL MICRO DRIVE UNIT This is a twin unit, each unit having its own motor, record/playback head and PCB with all electronics. In addition to being a direct replacement in the OPD, this can also be used with the Spectrum or the QL. We have a copy of the procedure necessary and will gladly supply a photostat of this if you require it when you purchase the unit. The price is £5, Order Ref. 5P194.

12V 2A MAINS TRANSFORMER upright mounting with mounting clamp. Price £1.50, Order Ref. 1.5P8.

AM/FM RADIO CHASSIS with separate LCD module to display date and time. This is complete with loudspeaker and is mains-powered but is not cased. The price of the AM/FM radio chassis with LCD module is £3.50. Order Ref. 3.5P5.

2, 3 AND 4-WAY TERMINAL BLOCKS the usual grub screw types. Parcel containing a mixture of the 3 types, giving you 100 ways for £1, Order Ref. 875.

12/24V DC SOLENOID constructed so that it will push or pull, plunger is a combined rod and piston. With 24V is terrifically powerful but is still very good at 12V and, of course, with any intermediate voltage with increasing or decreasing power. It has all the normal uses of a solenoid and an extra one, if wired in series with a make and break, this could be a scribing tool for marking plastics and soft metals. We welcome other ideas and will give a £25 credit voucher for any used. Price £1, Order Ref. 877.

2M 3-CORE LEAD terminating with flat pin instrument socket, £1, Order Ref. 879. Ditto but with plug on the other end so that you could use this to extend an instrument lead. £1.50, Order Ref. 1.5P10.

LIMITED SUPPLY ITEMS

are only described in our newsletter. Many appear in our current issue. If you order something this month you will receive this and the next three issues posted to you free of charge.

ASTECS

135-WATT PSU

230v or 115v input with outputs of +12v at 4A – +5v at 16A and –12v at ½A completely enclosed in plated steel case. Brand New and yours for £9.50.

JUST ARRIVED

a 5" 20W 4ohm, mid-range speaker, £3, Order Ref. 3P145 and a matching 4ohm 20W tweeter, £1.50, Order Ref. 1.5P9, also FM radio mike hand-held £8.50, Order Ref. 8.5P.

Prices include VAT. Send cheque/postal order or ring and quote credit card number.

Add £3 post and packing. Orders over £25 post free.

You can order up to 9pm Monday to Friday on 0273 430380.

M & B ELECTRICAL SUPPLIES LTD

12 Boundary Road, Hove, Sussex BN3 4EH

Telephone (0273) 430380

Fax or phone (0273) 410142

Telephone Order Hotline Monday to Friday until 9.00pm on 0273-430380

CIRCLE NO. 131 ON REPLY CARD

Mic lines

Tim McCormick's article "Putting Mic Amplifiers on the Line", (*EW + WW*, May 1992), targets lack of operating point stability in discrete input transistor pair at high gain settings in conventional mic preamps (his Fig. 3), as a starting point for development of his incredibly complex – and hence impractical – final design. But existence of excellent low noise PNP transistors such as the Rohm 2SB737 (quoted $r_{p/h}$ of 2Ω and typ E_n of $0.4 \text{ nV}/\sqrt{\text{Hz}}$), permits allowable emitter degeneration of typically 20Ω per transistor to balance currents, linearise the stage and set maximum gain, without resorting to unbiased capacitors. The following IC differential amplifier can then be capacitor coupled, as is indeed his second stage, to provide remaining required gain: done, with a minimum of low cost components and few matched resistors, to achieve adequate CMR.

But the whole argument fades into insignificance with advent of the Bowers topology *SSM2017*, an eight pin minidip $750 \text{ pV}/\sqrt{\text{Hz}}$ device. This requires only one external gain setting resistor, for $\pm 1 \text{ dB}$ to $\pm 60 \text{ dB}$ at low cost, permitting reduced assembly time, PCB real estate and well defined performance. A manufacturer would be hard pressed to ignore such a device in favour of a complex "roll your own" approach, unless some definite sonic virtues could be demonstrated.

Greg Ball
Coolangatta
Australia

Engineers of the world unite!

Congratulations on a splendid analysis of current industrial problems (*EW + WW*, Comment, August 1992). Unfortunately, such views hardly ever reach those in charge of events or general public.

UK electronic related industries, have had little rational planning of development (as evidenced by the Brema book "The Setmakers", a sorry tale indeed).

UK engineers are themselves much to blame, for quietly enjoying their work so much they allow, without effective comment, really important decisions to be taken by those in charge who sometimes have no up to date understanding of technology – or even no understanding at all.

Now the engineering community needs to inform the general public, government and especially their own employers of useful developments which *could* be provided if appropriate decisions were to be taken. If those who make or approve investments are unaware of skills and ideas being wasted, they can hardly be blamed for ignoring them.

Financial matters are discussed at interminable length in several media but engineering related matters almost never.

R H Pearson
Lincs

Visually challenging

I am writing on behalf of the Joint Working Group of the Institute of Food Science & Technology, Royal National Institute for the Blind, Guide Dogs for the Blind Association and British Computer Association of the Blind.

We aim to seek a viable method enabling blind and partially-sighted people to read information on food labels. Our major objective has been print on food packages, but now we are seeking a system which would benefit visually-impaired people, far beyond reading food labels, assisting shopping independence and providing them with greater access to information of all kinds.

Such a system needs to be operated by an individual, involving scanning text on any food package and converting it to a synthesised speech output. Ideally it should be light, portable and compact and needs to recognise as many character fonts and sizes as possible while being as inexpensive as possible (many potential users are elderly and on low incomes).

There are at least 1,000,000 visually-impaired people in the UK

alone, and an even larger number throughout the English-speaking world. There are also those who need software appropriate to other languages. There must be someone among your readers who would see a threefold opportunity; a substantial new market waiting for a product, an exciting technical challenge and a chance to help blind people. What a wonderful combination!

J R Blanchfield
5 Cambridge Court
210 Shepherd's Bush Road
London
W6 7NL

Misguided CFA

Textbook writers on electromagnetic radiation, who carry out proper retarded-function mathematics, seem to concentrate on the distant magnetic effect of current flowing in transmitting aerial wire¹, or on effects of current in wire plus distant electric effect of charges collecting at wire ends^{2,3}. Moullin², for example, considers a vertical wire, supposed to carry a uniform current,

joining two conducting spheres. He shows, at distances sufficiently great, that induction fields become negligible; the radiation magnetic field vector due to current, and electric field vector due to charges on spheres, are in phase and in the fixed ratio $(\mu/\epsilon)^{0.5}$ – the generally accepted result.

There seems to be a whiff of sleight-of-hand in these analyses. In low-frequency electromagnetic problems, magnetic effects of *all* parts of the circuit carrying current are considered. Yet in dealing with electromagnetic radiation, the contribution to radiation of current in the aerial wire is taken into account. But, mysteriously, the contribution to radiation of the return, displacement current flowing back outside the aerial wire is not considered. Why not? Displacement current certainly gets considered, but as an *effect* (of the inductive electric field), not as a *cause*. But it seems to have as much right to be considered as contributing to radiation as does current in the wire.

Could there be a lacuna here, in

RC modification

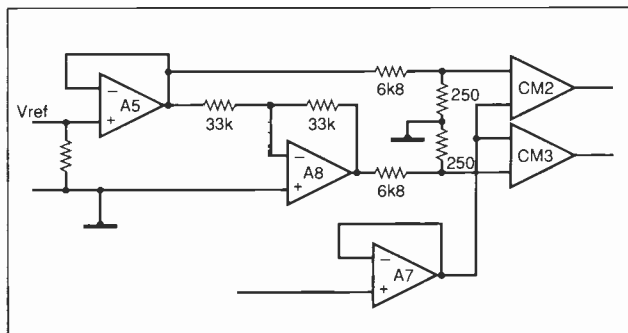
I would like to suggest a simple circuit modification to the RC oscillator in Dan Sturca's article "Staying in control in an all-pass filter RC oscillator", (*EW + WW*, July 1992).

It produces constant control pulse widths regardless of V_{REF} and solves low amplitude harmonic distortion problems.

Offset nulling of $A_{5,7,8}$ is just one way of eliminating phase-shifting effects of op-amp/comparator offsets.

A R Pleasance
Bradford

Circuit modification where $A_{5,7,8}$ must have offset nulling capabilities



standard treatment of electromagnetic radiation, accounting for continued rumblings, in these columns, on a crossed-field aerial?

Here, inventors⁴ do the opposite of other writers by considering the magnetic effect of displacement current between their *D*-plates, but ignoring magnetic effects of current in the short piece of conductor exciting the upper *D*-plate. Whatever the knee jerk response to the CFA it is difficult to criticise inventor accounts of it as incomplete, when standard texts show similar failings.

K Donaldson
Sevenoaks

References

1. CP Steinmetz. *Transient Electrical Phenomena & Oscillations*. McGraw, New York, 1909.
2. EB Moullin. *Principles of*

- Electromagnetism*. Oxford, 1950.
3. S Ramo, J Whinnery & T van Duzer. *Fields & Waves in Communication Electronics*. John Wiley, New York, 1965.
 4. FM Kabbary, MC Hatelt & BG Stewart. *Maxwell's equations and the Crossed-field Antenna*. *EW + WW* Vol 95 216 (1989).

Cruel science – bad science

I find it increasingly incredible that the scientific world still uses, let alone places any value on, experiments conducted on live animals in an attempt to extrapolate the results to humans. Messrs Silyvio De Flora and Francesca D'Agostini (*EW + WW*, Research Notes, July 1992) themselves admit difficulty doing exactly that.

Effects of UV radiation on human skin are already well known. Spectra

produced by quartz-halogen lamps is not only well established, but is easily and painlessly measured.

As your report pointed out, Colin Driscoll of the Radiological Protection Board made public three years ago the risks of UV over-exposure from these lamps, so what is the point of such research? Are lives of poor creatures expended merely to enable De Flora and D'Agostini to write a career-enhancing paper? It is precisely such blatant disregard for non-human life which makes animal-based research a controversial issue.

I am involved with audio electronic field research, and would not dream of measuring distortion produced in an op-amp circuit in an attempt to determine distortion exhibited by a power amplifier, even though the two might be related. It would simply be bad science.

Bad science surrounds and permeates animal based research,

degrading and defiling science in general. It should be shunned by those remotely connected with science or who care about creatures who share our precious planet. Surely it is time the scientific community stood up against a relic of barbaric times which has nothing to do with science.

P Williams
Hertfordshire

PSR PS

A M Wilkes, (*EW + WW*, Letter, August 1992), may wish to know amplifiers using his proposals concerning power supply and PSR – including a 20kHz pulse width regulating power supply in an internal diecast box – were produced some twelve years ago by Masaru Nagami of Sony. A pair of these 200W monoblocks, *TAN900* Esprit, have done daily duty in my home without fail. At a mere 10.5kg each, they have shrugged off challenges from quite a few goliaths with "vastly over-built power supplies" of a "naive, resource-wasteful band-aid" variety to quote Greg Ball (*EW + WW*, May 1992). Nothing sampled so far has persuaded me to change and a number of revered four man lift, room heater, models have proved, long term, to be noticeably less involving.

Recently I read that a design by John Franks, Chord Electronics' *SPM 1200*, has taken up the SMPS cause at 80kHz. Praise be, it has achieved at least one rave review – tempered by sheer incredulity at something so small and light which could deliver the goods. I have not tested it myself but am quite prepared to accept its authenticity.

Why are audibly superior and technologically advanced designs never commonplace? Several competent designers tell me they would love to use SMPS but their marketing people forbid it. In many countries weight and size are major consumer criteria. Hence 4mm steel chassis, 1cm thick panels, OTT toroids and generally wasteful specifying of major components. If he can think of some way to tilt the see-saw back from macho to music there might be some room for Mr Wilkes and others to advance the cause.

Geoffrey Horn
Oxford

America's Marconi

Echoing the title of KA Ioffe's article, "Popov: Russia's Marconi" (*EW + WW*, July 1992), Telsa could be considered as America's Marconi. Indeed, there were a few innovations in early radio Telsa had not pioneered.

Telsa tolerated Marconi using devices which he patented until 1915 when he applied for an injunction against Marconi. But the injunction was denied because very few people understood the significance of Telsa's work. In 1943, a review board decided Marconi's patents were invalid because they had been anticipated by Telsa.

A remarkable feature of the Branly coherer is that it remains in its high resistance state while energised by steady current from the relay battery, typically a volt or so. But it "coheres" in response to a single pulse with a potential in order of mV and a duration in order of a ms.

Early spark transmitters radiated energy virtually as a single electromagnetic pulse, as shown in the figure, and while well suited to coherer type receivers, waves were too few to be tuneable. At close range, pulses simply "shocked" receiver tuners into oscillation, making it impossible to eliminate interference.

Telsa, like Popov, employed a coherer to study electromagnetic pulses generated by lightning. But, Telsa employed a Branly type coherer modified to rotate axially by means of a clockwork motor, thus constantly restoring it to a high resistance state and used in conjunction with a paper-tape register.

Telsa's "Colorado Springs Notes", 4 July 1899, state thirty minutes after the storm had passed over, discharges were too feeble to operate the register. But, after another 30min, the register began to operate

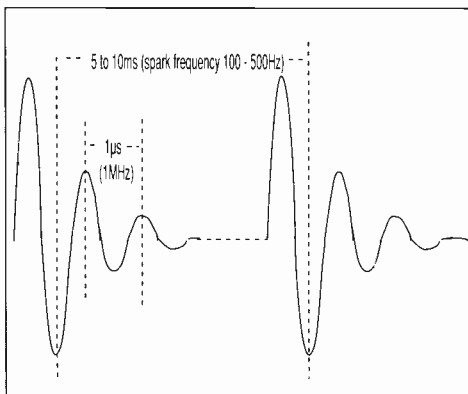
again for some time until once again signals became too weak.

Continuing periodically for some hours, the signals finally ceased when it was estimated that the storm was more than 200miles away. Telsa believed this phenomenon was caused by "earth standing waves".

Unfortunately, I have been unable to repeat Telsa's observations, but, with a replica of his rotating coherer, in conjunction with an earth probe antenna, I have detected pulses. Presumably these are the same mysterious pulses which shocked my original LC very long wave tuner into oscillation (*EW + WW*, Letters, February 1991).

George Pickworth
Kettering

Wavetrains produced by replica of a typical 1901 spark transmitter.



Valve advice...

How can I read valve markings (eg. 6H6, 35Z5) that have been rubbed off?

I have already tried breathing on the glass, hoping condensation formed will show up the markings – it works sometimes. It does not work with metal-bodied valves.

I do not know whether putting valves under a UV lamp will show up marking remains and do not want to try in case I damage the valve.

Stephen Shaw
South Africa

...interface information

Does anyone know of any software/interface available for use with an IBM compatible PC which can decode audible morse code or digital transmission and can tune

into on my SW radio on dozens of different frequencies?

Michael Lec
Gt Yarmouth

If

Many scientists since Dingle (*EW + WW*, Letters, August 1992) have shown Special and General Theories of Relativity are self contradictory, inconsistent, riddled with anomalies and, as formulated, cannot be correct. But Relativity continues to be taught in universities as an undisputed fact. Some maintain there is an academic "mafiosi" which suppresses, prevents, and discourages publication of criticisms of invalidations of Relativity. see *Il Grande Grido - Ethical Probe on Einstein's followers in the USA*, RM Santilli 1984.

Of course if the Special Theory is incorrect, then consistent zero-velocity results of all famous

Sudden infant death

Effects of electromagnetic pollution on various aspects of the human condition have been reviewed in Roger Coghill's article "Killing fields-biophysical evidence", (*EW + WW*, February 1990). Increase in incidence of sudden infant death, reported by Coghill, among babies living near high high voltage power lines and electric railways can be explained in terms of effects caused by electrical discharges on levels of condensation nuclei and oxides of nitrogen in the atmosphere. Condensation nuclei are small particles of matter, which may or may not be charged, that are present in the air. They are of relevance in cloud formation, fog, smog and other atmospheric processes.

If the baby is sleeping in an environment with a significant level of condensation nuclei, then the exhaled air on cooling may not remain supersaturated but may condense onto the nuclei.

Sudden infant death can now be explained in terms of pooling of excess exhaled air, high in carbon dioxide, at the infant's face.

J A Corbyn
Fremantle
Western Australia

The alternative killing fields

I read with interest Alasdair Philips' article "Power Politics: Playing with Lives" (*EW + WW*, April 1992). I have read similar articles before and I remain unconvinced because, in any study concerning people's health, there is always one factor which researchers fail to consider; the physical position of the subject upon the earth.

The earth is not neutral in its effect upon us as downdrafts have repeatedly shown. Serious illnesses frequently occur where noxious earth energies exist.

Michael J Cooney
London

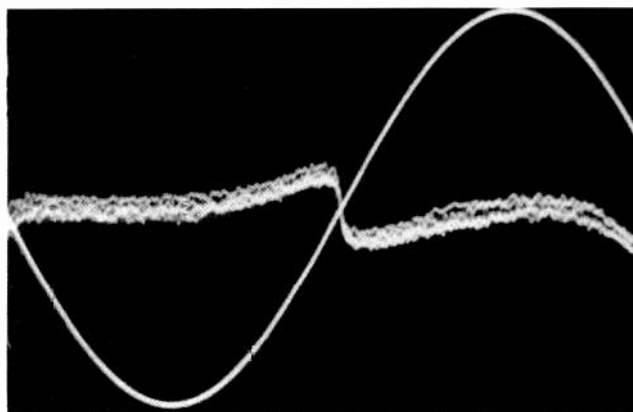
Distorted Logic

We are often told it takes a very good engineer to design a bad amplifier these days. Now with Doug Self's very apposite riposte (*EW + WW*, Letters, August 1992), I have had my confidence shaken.

I was turning over some old papers and came across a photo taken for a commissioned article on Audio Amplifier design, published in *Wireless World* as long ago as June 1969. It is a screen shot of a 'scope, showing clear hiatus in transfer characteristics at 1 watt "crossover distortion", also appeared in full colour on your front cover. It was, of course, taken from output of a DF meter, after sampling voltage across a dummy resistive load connected across speaker output terminals of a much favoured hifi amplifier. If my faded notes can be relied upon, it was a little less than 8mV p-p but because of meter inertia, would not read on a waveform analyser. Yet, it was clearly audible and uncomfortably so. And what, I hear you say, did it sound like? I can use a comparison I could not have used then - rather like quantization distortion!

Ironically I recall commenting we had a new, younger generation of audio engineers who appeared to be unaware of this type of distortion. Oh, dear. *Plus ça change.....*

Reg Williamson
University of Keele



Michelson-Morley type experiments are real, not apparent: the earth really is located at the centre of the universe. Geocentrist scientists, including the Tychonian Society, bring much recently discovered evidence from astronomy and quantum physics to support their cosmology. In addition, if Relativity is wrong, then weight has to be lent to claims of top anti-relativists such as Stefan Marinov, Howard Hayden, Peter Beckmann and Carl Zapffe, who state the electromagnetic doctrines of Maxwell and Hertz, as well as Newton's Third Law and the First Law of Thermodynamics are all suspect. This could put all of physics on to a new track, and lead to development of some new and revolutionary electrical devices, see

Deutsche Physik - International Glasnost Journal on Fundamental Physics, Volumes 1-3 1992.
A Goldberg
London

OOOOOOps!

I don't suppose I will be first to point this out, but in my article "Squeezing into the Picture" (*EW + WW*, August 1992), superscripts seem to have gone astray under the sub-heading "Improving on 1000 years". 1.023 should read 10²³! Improving on 100,000,000,000,000,000,000,000 years!!

Andy Wright
Buckinghamshire

Credit card orders accepted by phone 081 652 3514

BOOKS TO BUY

Analog Electronics

Ian Hickman

Good all-round electronics designers are hard to find, according to the recruitment specialists. There are either bad all-rounders or good specialist (for example, microwave, power supply, microprocessors specialists). Many young designers have been lured away from the fundamentals of electronic design to more 'glamorous' digital work, yet there are many simple pieces of electronic equipment for which a purely analogue realisation is still cheaper, more reliable and more appropriate than a microprocessor-based solution. Analogue staff are in desperately short supply, and in many fields - telecommunications for example - analogue skills are very much in demand. Ian Hickman's latest book includes many examples from his large collection of circuits (built up over thirty years in commercial, professional and defence electronics), selected for their usefulness in a wide range of applications. Hardback 300pages. Price £32-40

Circuit Designers Companion

Tim Williams

This compendium of practical wisdom concerning the real-world aspects of electronic circuit design will be invaluable for

linear and digital designers alike. The subjects covered include grounding, printed circuit design and layout, linear ICs, logic circuits and their interfaces, power supplies, electromagnetic compatibility, safety and thermal management. How to design to production and to cost restraints is stressed throughout. The style is direct, lucid and non-academic, aimed at the practising designer who needs straightforward, easy-to-follow advice. Hardback 320pages. Price £26-50

Electronic Alarm Circuits Manual

R M Marston

One hundred and forty useful alarm circuits, of a variety of types, are shown in this volume. The operating principle of each one is explained in concise but comprehensive terms, and brief construction notes are given where necessary. Aimed at the practical design engineer, technician and experimenter, as well as the electronics student and amateur. Paperback 144pages. Price £13-95

Filter Handbook

Stephan Niewladomski

A guide to electronic filter design and implementation, clearly written and without the enormous amount of mathematics usually found in books on this subject. Especially of interest for electronics engineers and technicians, students, enthusiasts and also radio amateurs. Hardback 208pages. Price £26-50

Microprocessor Architectures and Systems

RISC, CISC & DSP

Steve Heath

A guide to microprocessor architectures explaining the differences, advantages and disadvantages, and design implications. With most semiconductor manufacturers supplying only one type of architecture, processors becoming more complex than mainframe computers, and design cycles shortening from two years to six months, it is vital for designers to choose the right processor. Steve Heath is processor technology specialist for Motorola. Hardback 300pages. Price £31-50

Modern Electronic Test Equipment

Keith Brindley

Describes in a down-to-earth manner how the main categories of test equipment work,

allowing the reader to compare available instruments, make an informed choice and then to use the equipment to the best advantage. Any engineer, technician, scientist, student or teacher who reads the book will have a better understanding of the equipment and get better service from his instruments. Paperback 224pages. Price £15-95

Servicing Personal Computers

Michael Tooley

This book sets out the principles and practice of personal computer servicing in a handy reference manual. It contains a wealth of information, including a large number of circuit and block diagrams. Various software diagnostic routines have been included together with listings and, where appropriate, actual screen dumps. Numerous photographs show typical adjustments and alignment points. It is for anyone concerned with the maintenance of personal computer equipment or peripherals, whether professional service technician, student or enthusiast. Hardback 256pages. Price £27-00

Newnes Radio and Electronics Engineer's Pocket Book

Keith Brindley

A compendium of facts, figures and formulae for the designer, student, service engineer and all those interested in radio and electronics. Paperback 328pages. Price £10-95

Newnes Electronic Assembly Book

Keith Brindley. Hardback 304pages.

Price £11-95

Newnes Z80 Pocket Book

Chris Roberts

Aimed at practising electronic and software engineers and technicians involved with the design, manufacture, testing of maintenance of Z80 type microprocessors based equipment. It is also aimed at students following courses in microprocessor related subjects. Contents include packages, pinouts and specifications; processor operation and signal timing; internal architecture; the flags; instruction address modes; instruction set; interrupt response; programming techniques and support chips. Hardback 185pages. Price £13-95

Newnes 68000 Pocket Book

Mike Tooley. Hardback 257pages.

Price £13-95

Newnes 8086 Pocket Book

Ian Sinclair. Hardback 342pages.

Price £11-95

Newnes Electrical Pocket Book

21st Edition

E A Parr. Paperback 526pages.

Price £13-95

Diode, Transistor and FET Circuits Manual

R M Marston

Specifically aimed at the practical design engineer, technician and experimenter but will also be of interest to the electronics

Please send me the following books.....

I enclose a cheque/postal order/eurocheque to the value of £.....made payable to

Reed Business Publishing Ltd or Please debit my Access/Visa/American Express/Diners Club

with £.....Card Number.....

Card expiry date..... Signature..... Date.....

Name..... Address.....

.....Postcode..... Phone.....

Return to: Lorraine Spindler, Rm L333, Quadrant House, The Quadrant, Sutton, Surrey SM2 5AS. PRICES INCLUDE POSTAGE AND PACKAGING. Please allow 21 days for delivery.

student and the amateur. Subjects covered include basic diode circuits; Special diode circuits; Transistor principles; Transistor amplifier circuits; Transistor oscillators and astables; Transistor audio amplifiers; Transistor circuit miscellany; FET Principles; JFET circuits; MOSFET circuits; VMOS circuits; Unijunction transistor circuits. Over 340 carefully selected and outstandingly useful practical circuits, diagrams, graphs and tables. Paperback 240pages. Price £13-95

Digital Audio and Compact Disc Technology

L Baert, L Theuissen and G Vergult

Essential reading for audio engineers, students and hi-fi enthusiasts. A clear and easy-to-follow introduction and includes a technical description of DAT (digital audio tape). Contents includes principles of digital signal processing, sampling, quantization, A/D conversion systems, codes for digital magnetic recording, principles of error correction, the compact disc, CD encoding, opto-electronics and the optical block, servo circuits in CD players, signal processing, digital audio recording systems, PCM, Video 8, R-DAT and S-DAT. Hardback 240pages. Price £18-45

*The Scanner Handbook:

A Complete Guide to the Use and Applications of Desktop Scanners

Stephen Beale and James Cavuoto
Desktop scanners are quickly becoming standard components in personal computer systems. With these electronic reading devices, you can incorporate photographs and illustrations into a desktop publishing program, convert printed documents into text files, and perform advance-capability facsimile transmission. The book is an informative guide to selecting, installing and using a scanner. Paperback 254pages. Price £20-95

*Computer Jargon Explained

Nicholas Enticknap

This 176 page book provides the context to and discusses 68 of the most commonly used computer jargon terms. Extensively cross-indexed, it is essential for all computer professionals, and will be useful to many business people too. Paperback 172pages. Price £10-95

*Aliens' Guide to the Computer Industry

John Kavanagh

Former Computer Weekly editor, John Kavanagh, discusses how the various parts of the computer industry inter-relate and what makes it tick. A short cut to separating the computer industry wood from the trees. "Good value... an excellent snapshot" - *The Financial Times*. Paperback 186pages. Price £10-95

**Hitchhikers' Guide to Electronics in the '90s

David Manners

This book by David Manners, a Senior Editor on Electronics Weekly, will help DP and IT professionals identify the trends which will affect our jobs in the 1990s.

The author describes the work of pioneers such as Faraday and Edison, explains the microchip's role, and looks at the markets for electronic, business trends, and social implications for the industry. Paperback 218pages. Price £13-95

*Open Systems:

The Basic Guide to OSI and its implementation

Peter Judge

A concise, clear guide to this complex area of computer standards, untrammelled by jargon and with appropriate analogies to simplify this difficult topic. This book is essential for users and suppliers and is required reading for all in the computer industry.

"It is the best introduction to the subject I have seen" - *John Spackman, former Director, Computing and Information Services, British Telecom*. Paperback 184pages. Price £13-95

Audio IC Circuits Manual

R M Marston

Contents include: audio and pre-amp circuits, dual audio pre-amp circuits, audio power amplifier circuits, high-power audio circuits, LED bar-graph displays and CCD audio delay-line circuits. Paperback 176pages. Price £13-95

Analog Circuit Design

Art, science and personalities

Edited by Jim Williams

Thirty well known contributors share some of their insights, knowledge, and perspectives on analogue design. Taken as a whole, these authors demonstrate that analogue design is less a set of techniques and methods to be rigorously followed than a way of thinking about things. This book isn't a text book,

nor is it really a 'tutorial' in conventional sense of the term. Instead, its primary goal is to help the reader think in an analogue way. It is the latest title in the 'EDN series for Design Engineers'. Hardback 390pages. Price £32-00

Troubleshooting Analog Circuits

Robert A Pease

Troubleshooting Analog Circuits is based on a series of articles that became one of EDN's most successful and well-read, and found an enthusiastic audience among electronic engineers and technicians.

Contents: Introduction; Troubleshooting linear circuits - the beginning; Choosing the right equipment; Getting down to the component level; Solving capacitor-based troubles; Preventing material and assembly problems; Solving active-component problems; Identifying transistor troubles; Operational amplifiers - the supreme activators; Quashing spurious oscillations; The analogue-digital boundary; Dealing with power components; Round-up of loose ends; Floobydust; Letters to Bob; Troubleshooting charts; Appendices. Hardback 220pages. Price £21-45

Newnes Electric Circuits Pocket Book Linear IC

Ray Marston

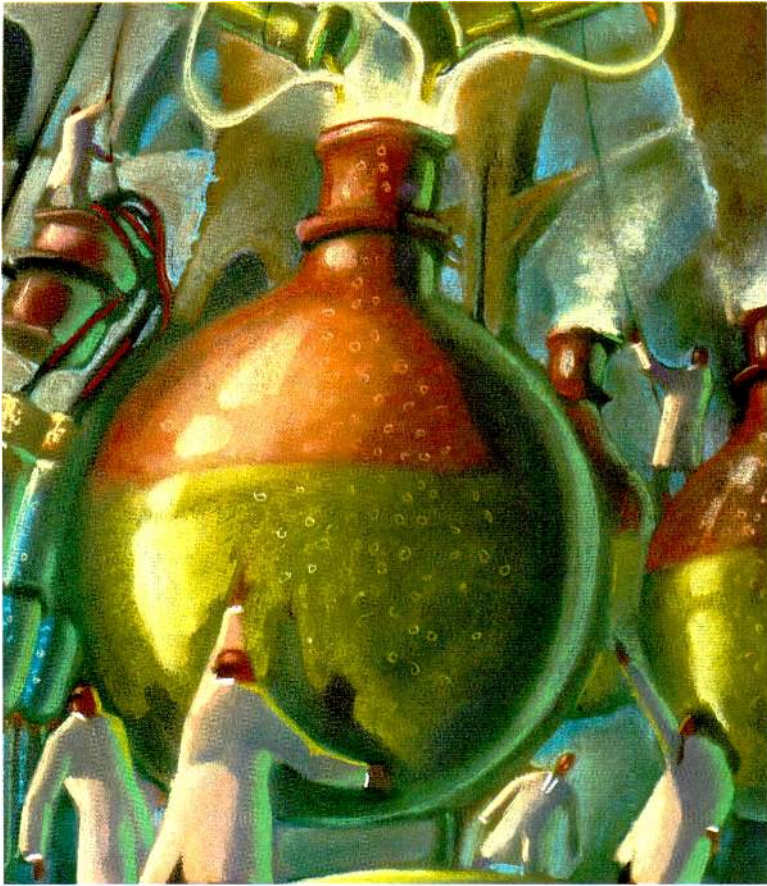
Newnes Electronic Circuits Pocket book is aimed directly at those engineers, technicians, students and competent experimenters who can build a design directly from a circuit diagram, and if necessary modify it to suit individual needs. Hardback 336pages. Price £13-95

Books published by Butterworth-Heinemann except

* published by *Computer Weekly*, and

** published by *Computer Weekly* and *Electronics Weekly*.





Genuine solutions to spurious arguments

Several methods can be used to reduce the spurious signals which can appear in the output spectrum of a DDS. Some spurious signals are due to amplitude modulation. Where the output of a DDS is not actually used directly for transmitting but is offset to another frequency in a mixer, choose the DDS signal as the high level LO drive to the mixer and the other translating signal as the lower level 'signal' input to the mixer – assuming the lower level signal is itself spur-free.

This is spur avoidance rather than reduction, but the result is the same. Another spur avoidance scheme is the hybrid synthesiser (Fig. 1). Here, a DDS operating at around 10MHz (say 10.7MHz) is used as the reference oscillator of a PLL synthesiser. Using a reference divider ratio m in the range 4 to 6, the system operates with a comparison frequency of around 2 to 3MHz. A variable reference frequency permits a simple single loop design, while the high comparison frequency enables the loop gain to be maintained up to a higher frequency than usual, keeping the VCO noise sidebands in check and permitting frequen-

In the third part of his series of articles on direct digital synthesis Ian Hickman turns his attention to spurious signals and looks at how to cope with them.

cy changes that are very rapid for a PLL type synthesiser. Frequency settling between PLL steps is achieved by adjusting the reference frequency.

With this scheme, the range over which the reference frequency must be varied to provide continuous interpolation between the steps of the main loop varies inversely with the main loop divisor. Power available in modern microcontrollers means the additional control overhead presents no problem. It is true that the arrangement means that 10Hz steps will in general not be exactly 10Hz. But the 32-bit frequency resolution typical of a DDS will provide more than adequate resolution to ensure that any frequency can be set to well within the frequency accuracy of a typical equipment, even at an output frequency of 1GHz.

The range of reference frequency adjustment required is only a few tens of kHz, enabling an inexpensive but highly selective 10.7MHz crystal filter designed for the VHF PMR bands to be used. Tests on one of the DDS chips already mentioned showed that with a 40MHz clock, all spurious outputs were greater than 80dB down everywhere within the bandwidth of the crystal filter (though not elsewhere), over the required range of reference frequency adjustment. The result is a synthesiser system with frequency agility and low close-to-carrier noise levels approaching that of a DDS, combined with the freedom from spurious outputs typical of a PLL system.

Reducing rather than avoiding

Various approaches are also possible for reducing rather than merely avoiding spurious output. In those applications where the DDS uses an off-chip D-to-A, spurious signals can be minimised by careful choice of D-to-A unit. For example, the *Q2334* provides a 12-bit output to the D-to-A. But as a result of extensive testing Qualcomm currently recommend the 10-bit Sony *CX20202A* D-to-A in applications using outputs up to the DDS's maximum output frequency.

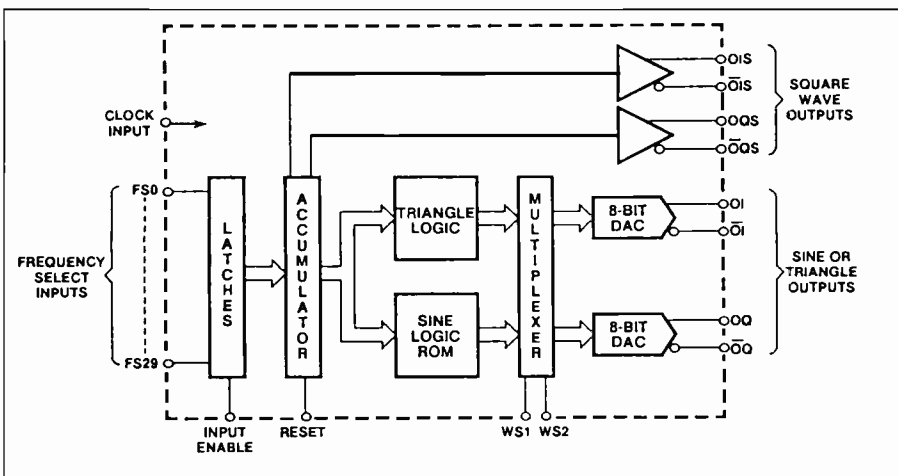
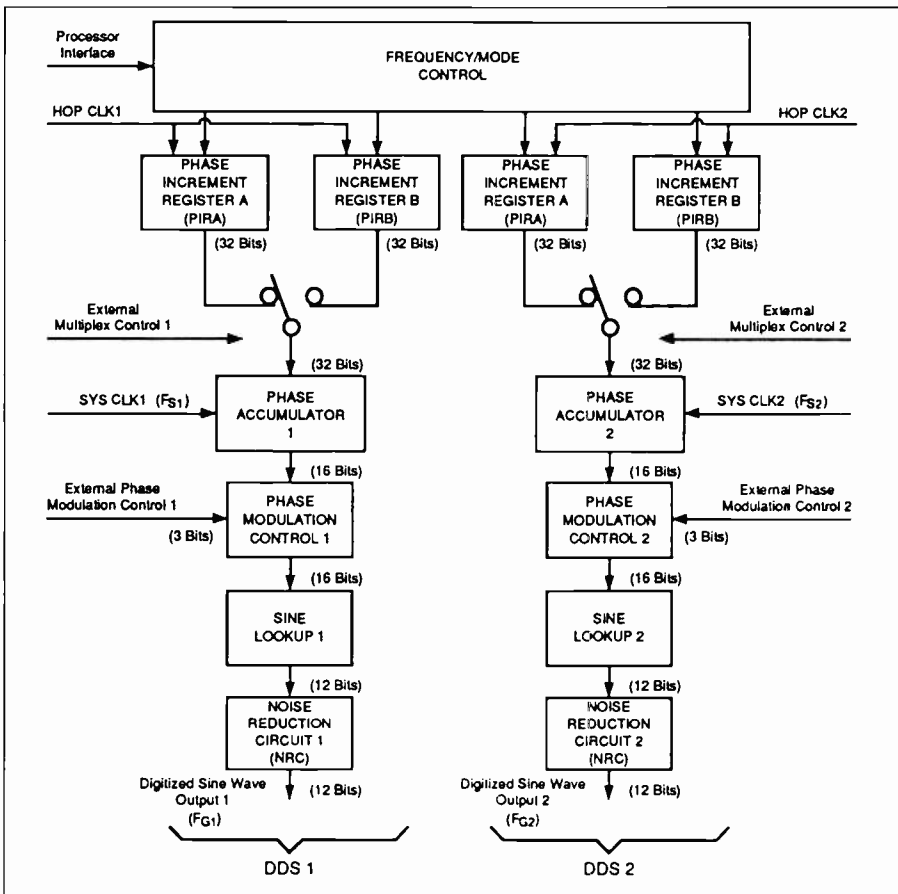
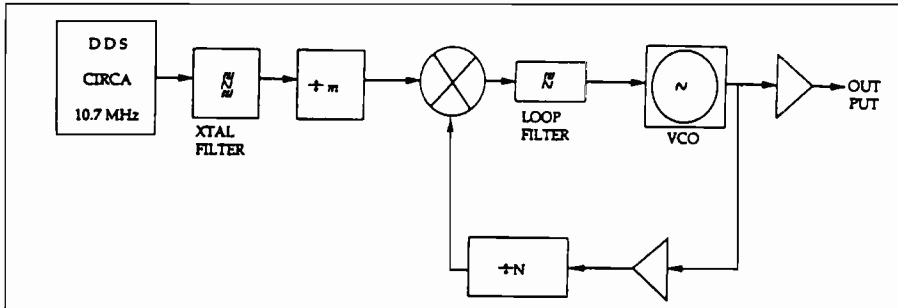
The recommendation highlights that in a DDS application, published D-to-A parameters such as glitch energy, integral linearity and settling time tell only part of the story. (At lower frequencies, more D-to-A bits is naturally a better choice – the TRW *TDC1012* 12-bit D-to-A is recommended for use with the *Q2334* at output frequencies lower than 20MHz. Another high performance D-to-A which should be considered for DDS applications is the Tektronix 12-bit *TKDA30*, which features a 100MHz update rate and 65dB spurious free dynamic range.)

Several workers have described schemes for modifying the mechanism which results in the generation of discrete line spurs. Thus M Bozic³ reported an arrangement (for use in a hybrid DDS/PLL synthesiser) for applying AM to the output of the DDS. This was done by modifying the look-up values within a conventional 8-bit low frequency TTL DDS. By adjusting the phase of the AM, the amplitude of the unwanted sidebands closest to carrier can be reduced at the expense of increasing the amplitude of other spurs further out where they are outside the PLL loop bandwidth.

In the same forum, M P Wilson and T C Tozer proposed a potentially more versatile scheme⁴. Here, a pseudo random number is added to the rom output before it is passed to the D-to-A, breaking up the repetitive nature of the error process when there is a fairly simple ratio relating output and clock frequencies. Errors introduced into the D-to-A output are cancelled by the output of a second D-to-A which produces the complement of the pseudo random values.

NRC (noise reduction circuitry) is incorporated in the DDS of Fig. 2 and may be enabled or not as required. It has the effect of reducing the amplitude of discrete line

Fig. 1. In this hybrid synthesiser, a DDS operating over a narrow frequency range (where all spurious signals are greater than, say, 80dB down) is used as the reference oscillator. If the DDS operates at around 10.7MHz, then an inexpensive but highly selective crystal filter such as is used in PMR (private mobile radio) can be used. (Institution of Electrical Engineers¹)



spurs at the expense of raising the general noise floor – as was mentioned earlier, the total spur energy tends to be independent of whether it is concentrated in one or a few lines, or in a continuous sea of low level spurs (Fig. 4).

While NRC reduces AM spurs, it cannot suppress them completely and its effect may not always be apparent; eg if operating at a frequency where there is no large spur. One use for the NRC is to permit the use of a cheaper 8-bit D-to-A. The resultant performance then approaches that of a 10-bit D-to-A without NRC.

Handling PM spurs

The spur reduction techniques mentioned so far are aimed at reducing AM spurs, although as mentioned previously (Direct Digital Synthesis, *EW + WW*, August pp. 630-634), PM spurs are potentially more troublesome, as they cannot be suppressed by limiting. Both AM and PM sidebands appear in pairs equally spaced about the carrier and it is by no means uncommon to find both AM and PM at the same modulating frequency.

Low level AM and PM are orthogonal, with the result that on one side of the carrier the AM and PM sidebands are in phase whereas

Fig. 2. The Q2334 contains two totally independent DDSs of the external D-to-A variety, and is capable of accepting a different clock frequency for each, or of generating different frequencies (with common resolution) using a common clock, or of generating two outputs at the same frequency in quadrature phase or any other relative phase. The two DDSs are controlled by a common microprocessor interface and each supports both phase modulation and phase coherent frequency hopping. Versions of the chip operating at clock frequencies up to 50MHz are available, and by combining the two outputs it is possible to operate at up to 80% of the clock frequency². (Qualcomm Inc. and Chronos Technology Ltd.)

Fig. 3a) The SP2002/A accepts clock frequencies up to 1600MHz (1400MHz for the military temperature range /B version) and provides RF outputs up to $F_{clock}/4$, with a choice of sine, triangle and square outputs, each available as an in-phase and quadrature pair with its inverses. This ECL chip runs on -4.5V and includes very fast on-board D-to-As to provide the I and Q sine or triangle outputs. 3b) To achieve its very high speed operation in silicon, the device stores only a part of a sinewave in rom. It clocks up and then down again over half a sinewave and then the MSB inverts the data for the other half cycle. The upper trace shows the device clocked at 10MHz and outputting the corresponding maximum frequency of 2.5MHz, at one of the 256 possible phases (FS29 set to 1, all others zero). In the lower trace, bits 28, 27 and 26 are also set, demanding an illegal output above $F_{clock}/4$; this results in the MSB inversion being out of phase with the half sinewave count. (GEC Plessey Semiconductors Ltd)

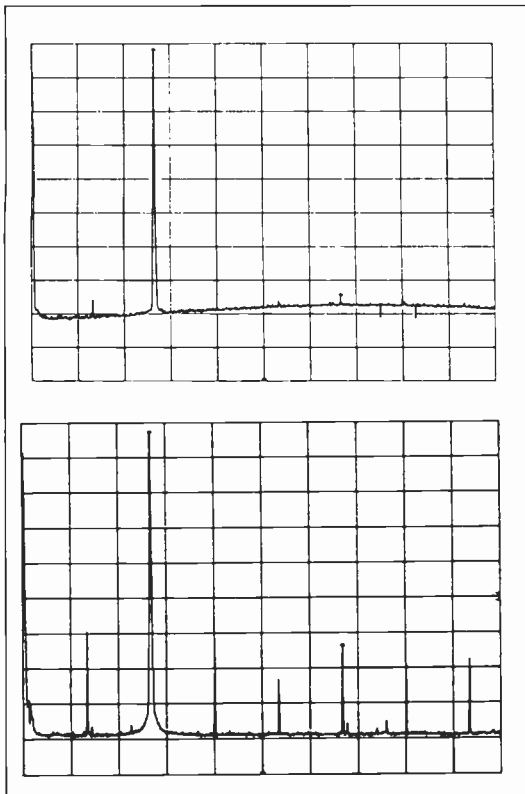


Fig. 4 . Noise reduction circuitry in the Q2334 can reduce the levels of discrete line spurs at the expense of raising the general noise floor. (Reproduced by courtesy of Qualcomm Inc and Chronos Technology Ltd)

Types of DDS

Some manufacturers produce DDS chips which provide a sinewave output direct – though it is of course a stepwise approximation rather than a smooth waveform. Such DDSs only need the addition of a frequency setting word input, a clock source and a lowpass filter at the output to provide a complete digital-frequency-command to RF-output synthesiser system. A good example is the GEC Plessey Semiconductors SP2002 (Fig. 3).

Other manufacturers' DDS chips provide the step values representing an output sinewave in P bit binary notation, for application to a separate off-chip D-to-A converter. In these instances, P is usually in the range 8 to 16 bits. A good example of this approach is the Qualcomm Q2334, Fig. 2, which outputs two sinewaves in 12bit binary form. There are advantages and disadvantages to using an internal D-to-A, but it is largely a matter of horses for courses.

For a DDS generating outputs at up to a few tens of MHz, an external D-to-A provides the user with greater flexibility (like choosing a lower resolution or slower but cheaper D-to-A where appropriate): for a DDS accepting clock frequencies up into the microwave region, an external D-to-A is not feasible, due to the delay and skew which would be produced in the longer data lines associated with an off-chip D-to-A converter.

on the other they are in anti-phase. This results in a pair of sidebands of unequal amplitude; for example the closest-in pair in Fig. 5 differs by 6dB.

After converting from log to linear (dB to volts), simple arithmetic shows that in this case, one sideband pair has three times the amplitude of the other. It is not obvious whether the sidebands are mainly due to PM, with smaller AM sidebands responsible for the difference in amplitude, or the other way round. Hard limiting would suppress the AM sidebands, leaving the two PM sidebands equal and at an intermediate level between those shown, or both 10dB lower than the intermediate level, respectively. If the AM and PM sideband amplitudes are equal, they will cancel out completely on one side of the wanted output, leaving an isolated spur on the other side.

An isolated spur is indeed often encountered, but it is more likely to be due to an image or alias. It results in both AM and PM, thus hard limiting will convert the single spur into a pair of PM sidebands, each 6dB lower than the original spur.

AM can be suppressed by limiting, but the only way to reduce PM is by frequency division. Dividing the output frequency of a DDS by a factor of two will reduce the PM sideband amplitudes by 6dB, by halving the modulation index – this assumes that the modulation index is small in the first place (Fig. 6).

Of course, the technique buys PM spur reduction at the price of a reduced frequency coverage (but finer resolution) from the DDS, but with GaAs DDS chips such as those from Sciteq (see picture) providing output frequencies up to 300MHz or more, this may not represent a limitation in many applications.

Where it is, the range covered can be restored by up-conversion in a DDS plus mix/filter arrangement. Both upper and lower sideband outputs can be used, selected by appropriate filters. But limitations of practical filters mean that there will be a band just above and below the up-conversion carrier that cannot be used.

The difficulty can be avoided, and the output frequency coverage extended to about three times the available range of the divided DDS output, by using one or other of two up-conversion carriers (Fig. 7). Here, (assuming LO_2 is higher in frequency than LO_1) the LSB of the former can fill in the gap between the sidebands of the latter and vice versa, providing continuous frequency coverage of $3N$, where N is the basic range of the DDS (or the range after division, if this is employed for PM spur reduction).

In another application describing PM spur reduction by division⁵, the division process involves squaring up the input sinewave for input to the digital dividers (Fig. 6), thereby suppressing any AM spurs as well as reducing the PM ones. "Division" can be carried out in the DDS itself, simply by limiting the maximum commanded frequency to one half, one quarter or whatever of the rated maximum output frequency.

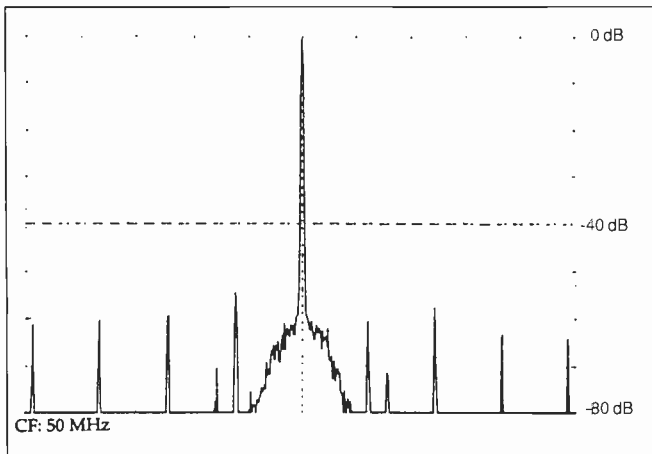
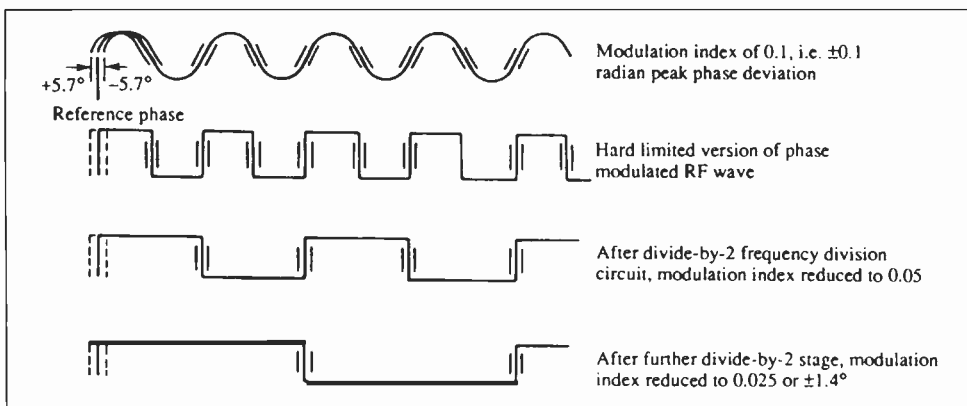
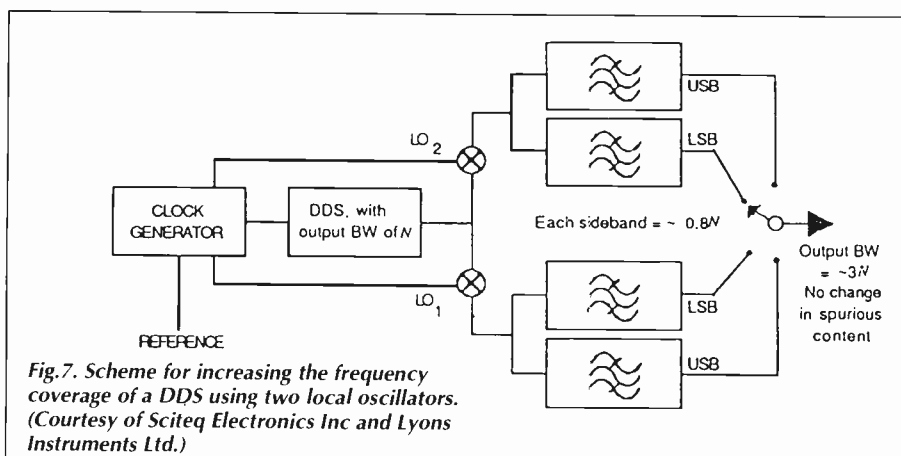


Fig. 5 . Output of an SP2002 clocked at 400MHz with bits 28 and 13 set, giving a demanded frequency of 50.001526MHz (display centre frequency 50MHz, span 100kHz). (Institution of Electrical Engineers¹)

Fig. 6 . Illustrating the reduction of phase deviation when a phase modulated signal passes through a frequency divider chain, showing for example how division by four reduces the modulation index by a factor of 4, corresponding to a 12dB reduction in PM sideband level. (Analog Electronics, Ian Hickman, Heinemann-Newnes).





At least one manufacturer states that this is more effective in minimising PM spurs than using the whole range of the DDS followed by division, especially if the post-DDS reconstruction lowpass filter's cutoff frequency is reduced appropriately. But the approach does not give the finer frequency resolution provided by dividing the DDS output frequency.

Another scheme for spur reduction (or possibly it might be better described as spur avoidance) might be worth further investigation. The method uses two different clock frequencies, and relies on the fact that when the relation between the output frequency and the clock is a fairly complicated ratio, the spurious energy is dispersed among many lower level spurs rather than concentrated in just one or a few large ones.

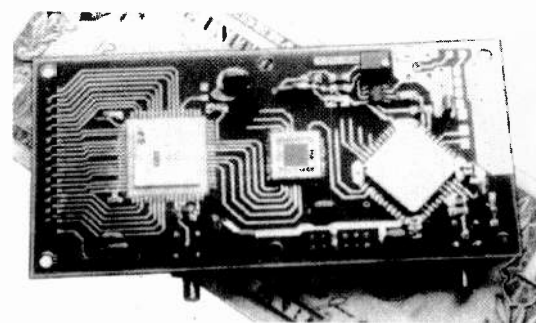
Figure 5 shows the output of an SP2002 DDS clocked at 400MHz with FSW bits 28 and 13 set, giving a demanded frequency of 50.001526MHz; several spurious signals are visible. If bit 14 or 15 or 16 ... is set instead of bit 13, the signals all move further and further away from the wanted output frequency, until with bits 28 and 21 set, the closest spur is about 800kHz away (Fig. 8, centre frequency 50.384MHz, span 4MHz).

If bit 13 is now set again (together with both bits 28 and 21) close-in spurs reappear, but

only at a lower level, Fig. 9 (span 50kHz). This is in line with the observation that the more complicated the output to clock frequency ratio, the more lines the spur energy is distributed over, and the lower their general level.

Thus if the 400MHz clock were used when generating frequencies in the region of 53.125, 59.375, 65.625 ... 96.875MHz and an offset clock of 425MHz when generating frequencies close to 50, 56.26, 62.5 ... 100MHz, a reduced level of spurious outputs (especially close-in spurs) might be obtained. A closer clock offset than 25MHz might be better and the reduction of close-in spurs would be particularly beneficial in a hybrid DDS/PLL application.

DDS sources can perform virtually all of the usual forms of modulation, thus implementing almost a complete transmitter exciter on a single chip. In addition to AM, FM and PM, FSK is simply achieved, with the added advantage over the FEK form that it is phase coherent and constant envelope. Thus FFSK (fast FSK, also known as MSK - minimum shift keying) is also easily produced. The more complex forms of modulation such as 16-PSK or 64-APK, etc are also relatively straightforward in a DDS system. ■



The ADS332-101 is a complete GaAs DDS module on a PCB. It provides outputs up to 300MHz or more with sub-1Hz resolution from a 640MHz clock, with spurious outputs from a 640MHz clock, with spurious outputs at -40dB or less, harmonics -35dB or less. Output power is -15dBm ± 2dB. (Sciteq Electronics Inc and Lyons Instruments Ltd.)

Next month: Details on modulation methods; other manufacturers of DDS chips and their products; more considerations relating to DDS operation and applications.

References

1. "Direct Digital Synthesis - Aspects of Operation and Application". D May IEE Colloquium on Direct Digital Frequency Synthesis, University of Bradford Nov. 1991, IEE Digest No. 1991/1722. Qualcomm Application Note. 'Paralleling The Q2334 DDS For Higher Output Frequency Generation'.
2. "Spurious Redistributing Direct Digital Synthesiser". M Bozic IEE, Colloquium on Direct Digital Frequency Synthesis, University of Bradford Nov. 1991, IEE Digest No. 1991/172
3. "Spurious Reduction Techniques For Direct Digital Synthesiser". M P Wilson and T C Tozer, IEE Colloquium on Direct Digital Frequency Synthesis, University of Bradford Nov. 1991, IEE Digest No. 1991/172
4. "Spur reduction in direct digital synthesis". Ian Fobbeister, Electronic Product Design p 23, June 1992

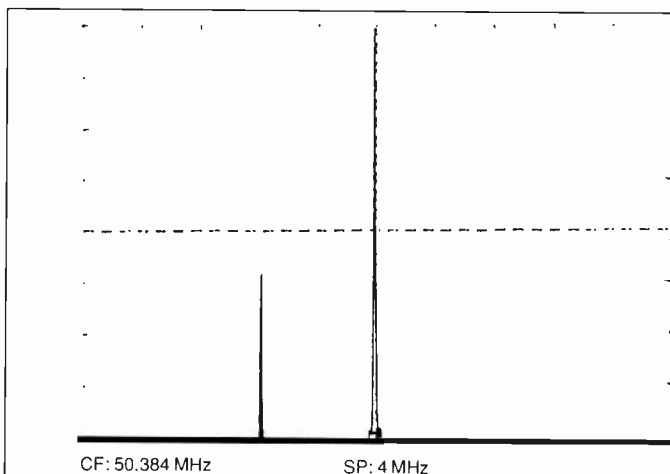


Fig. 8. As Figure 5 but bits 28 and 21 set, centre frequency 50.384MHz, span 4MHz. Nearest spur now about 800kHz away from the wanted output. (Institution of Electrical Engineers¹)

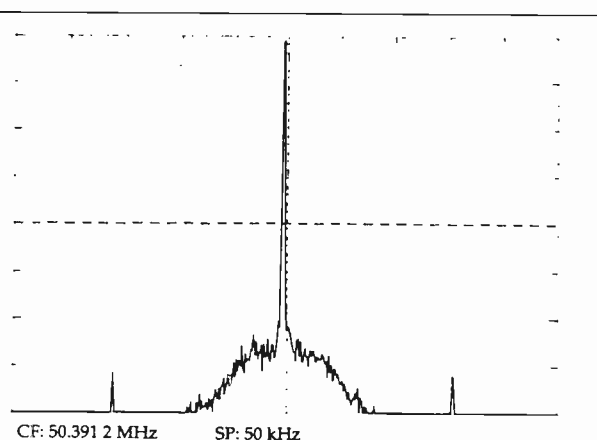
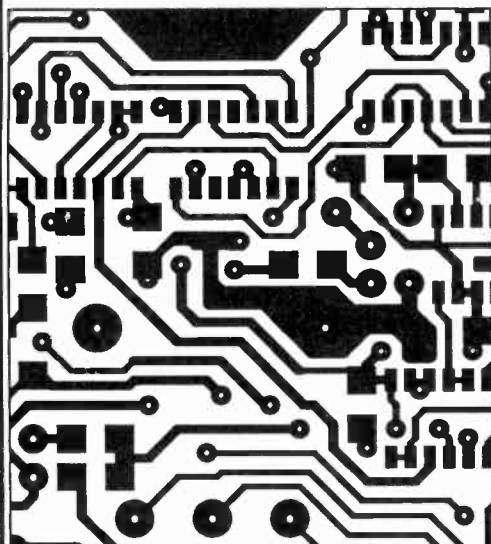


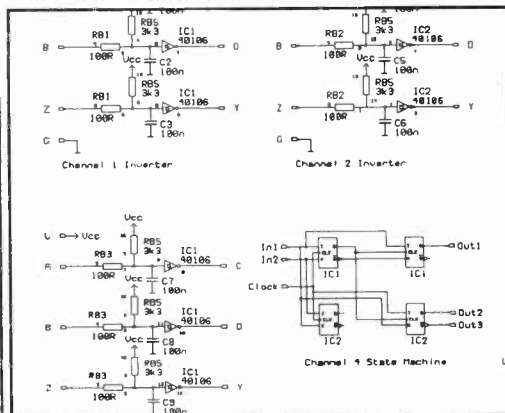
Fig. 9. As Fig. 5 but bits 28, 21 and 13 set, centre frequency 50.391MHz, span 50kHz. Close-in spurs now reappear, but only at a lower level. (Institution of Electrical Engineers¹)

EASY-PC PCB and Circuit Diagram CAD

Forget using tapes and lightbox! Create your Circuit Boards using CAD - like the professionals.



- Runs on PC/XT/AT etc. with Hercules, CGA, EGA or VGA display and many DOS emulations.
- Design Schematics Single and Double sided and Multilayer boards including Surface Mount.
- Standard output includes Dot Matrix / Laser / Inkjet Printer, Pen Plotter, Photo-plotter and N.C. Drill.
- Extremely powerful.
- Very easy to use.



EASY-PC

Technical support is free, for life!

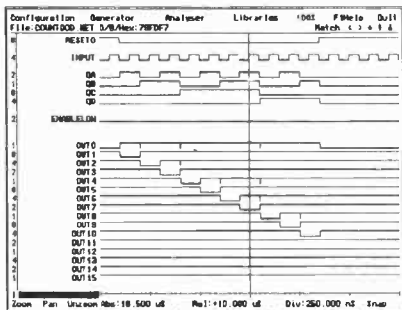
**Only
£98.00!**

Plus P&P+VAT

Over 13,000 Installations in 70 Countries Worldwide!

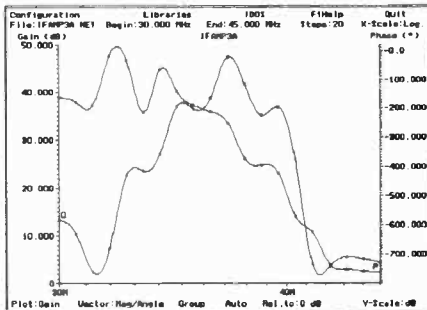
Options:-500 piece Surface Mount Symbol Library £48, 1000 piece Symbol Library £38, Gerber Import facility £98.

DIGITAL SIMULATION £195



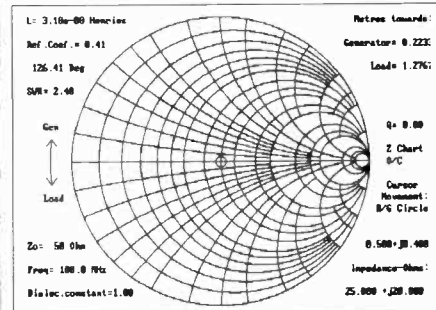
- At last! A full featured Digital Circuit Simulator for less than £1000!
- PULSAR allows you to test your designs without the need for expensive test equipment.
- Catch glitches down to a pico second per week!
- Includes 4000 Series CMOS and 74LS Libraries. 74HC/HCT libraries only £48.00 each.
- Runs on PC/XT/AT/286/386/486 with EGA or VGA.

ANALOGUE SIMULATION £195



- NEW powerful ANALYSER III has full graphical output.
- Handles R's, L's, C's, Bipolar Transistors, FET's, OP-amp's, Tapped and Untapped Transformers, and Microstrip and Co-axial Transmission Lines.
- Plots Input / Output Impedance, Gain, Phase & Group Delay.
- Covers 0.001 Hz to > 10GHz
- For PC/XT/AT/286/386/486 with EGA or VGA.
- Very fast computation.

SMITH CHART CAD £195



- Z-MATCH II simplifies RF matching and includes many more features than the standard Smith Chart.
- Handles transmission line transformers, stubs, discrete components, S Parameters etc.
- Supplied with many worked examples.
- Superbly easy to learn and use.
- Runs on IBM PC/XT/AT/386/486, CGA, EGA, VGA.
- Ideal for Education and Industry.

For full info Phone, Fax, or use enquiry card!

Number One Systems Ltd.

REF: WW, HARDING WAY, ST.IVES, HUNTINGDON, CAMBS, ENGLAND, PE17 4WR.

Telephone: 0480 61778 (7 lines) Fax: 0480 494042

International: +44 -480-61778, Fax: +44-480-494042 ACCESS, AMEX, MASTERCARD, VISA Welcome.

- TECHNICAL SUPPORT FREE FOR LIFE!
- PROGRAMS NOT COPY PROTECTED.
- SPECIAL PRICES FOR EDUCATION.

CIRCLE NO. 132 ON REPLY CARD

Why Cavendish kept "Coulomb's" law a secret

Henry Cavendish experimentally proved "Coulomb's" law – before Coulomb. Leonid Kryzhanovsky suggests reasons why Cavendish might have preferred to keep his work to himself.

Most readers probably know that Henry Cavendish (1731-1810) was the first to prove experimentally what we call "Coulomb's law" in the early 1770s. This was long before the French scientist himself announced his work, but Cavendish never published an account of his own researches². The story has intrigued historians of science since 1879 when Maxwell published Cavendish's electrical researches, some of which had never been disclosed before.

Many hypotheses have been framed as to why Cavendish would not publish his proof of the law of electrostatic force – mostly bearing on Cavendish's personality. For example, contemporaries speak of his haughtiness and neglect of others' opinions. But this cannot really be supported.

True, he led a secluded life by devoting himself completely to science. But he did publish about twenty articles. He also invited colleagues to his house to demonstrate his experiments, amusing his guests with an "electric fish" made of wood and leather and placed in a bath with hidden Leyden jars to produce an electric shock.

He let people use his library – and he could cooperate with others as witnessed by his heading a committee on lightning protection.

Professor J L Heilbron suggests that Cavendish did not publish his results simply because of the incomplete state of his research, the want of an occasion and a growing interest in chemistry³.

The first of these arguments seems to me especially convincing and I believe there might have been purely scientific reasons which kept Cavendish from making public his proof of "Coulomb's law".

Coulomb or Cavendish

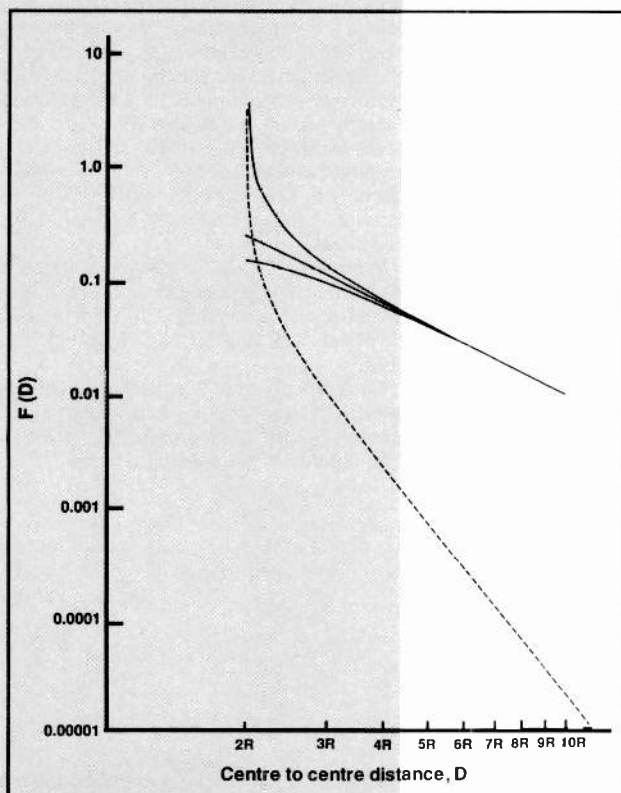
Charles Augustin de Coulomb (1736-1806) formulated the "fundamental law of electricity" as follows: "The repulsive force of two small [conducting] globes charged with the same kind of electricity varies as the inverse square of the distance between the centres of the globes"⁴.

He stated the same law for unlike charges (the attraction case), experiments with a torsion balance providing support for the law in both cases. Thus, electrostatic force is given by

$$F \propto 1/d^2 \quad (1)$$

where d is the centre-to-centre distance. Coulomb's memoirs appeared in 1788.

On the basis of a single null experiment with an uncharged conducting sphere



Forces of attraction between a charged conducting sphere and an uncharged conducting sphere of the same diameter (dashed line) obey the law $1/D$ (the monopole-dipole interaction). Spheres of varying charge state – solid line – did not seem to follow the simple inverse relationships of attraction. Was Cavendish unable to resolve the effect of induced charge?

"Cavendish cared more for investigation than for publication" – Maxwell¹.

Force of interaction between two spheres

D	F q ₁ = -q ₂	F = 1/D ² q ₁ = q ₂	F q ₁ = q ₂	F q ₁ ≠ 0, q ₂ = 0
2.0	∞	0.25	0.154	3.357908
2.05	1.22538	0.237954	0.15012	0.3043072
2.1	0.759739	0.226757	0.146583	0.1625742
2.2	0.470269	0.206612	0.139794	0.0842546
2.3	0.352514	0.189036	0.133313	0.0552683
2.4	0.285277	0.1736	0.127089	0.0397156
2.5	0.240647	0.16	0.121091	0.0299590
3	0.134819	0.111111	0.094437	0.0100980
4	0.067097	0.0625	0.058457	0.0021602
5	0.041404	0.04	0.036680	0.0006811
6	0.028324	0.027778	0.027250	0.0002684
7	0.020656	0.020408	0.020165	0.0001228
8	0.015751	0.015625	0.015501	0.0000625
9	0.012415	0.012346	0.012277	0.0000345
10	0.010041	0.01	0.00996	0.0000203

embraced by two charged conducting hemispheres of a somewhat greater diameter, Cavendish arrived about 1773 at the law

$$F \propto q_1 q_2 / d^2 \quad (2)$$

where q_{1,2} are the values of charges of infinitesimal geometric size. It is Eq (2) rather than Eq (1) which is known as Coulomb's law.

Assume q₁ ≠ 0 and q₂ = 0. Then it formally follows from Eq (2) that F = 0, ie there is no interaction between balls. Cavendish naturally knew this was not so, an uncharged ball being always attracted by a charged one. It is this evidence that might have kept him from publishing Eq (2).

Difficulties which Cavendish might have found with q₁ ≠ 0 and q₂ = 0 are easily countered by making recourse to electrostatic induction (Faraday's term) – a phenomenon well known in the 18th century for long rods⁵. But to transfer the phenomenon onto small balls involved overcoming a psychological barrier.

Reasoning presented in the foregoing paragraph has been recently suggested by Boris Khasapov in a private communication. When I was a student, I also thought of the particular case where q₁ ≠ 0 and q₂ = 0 and resolved mentally the paradox. But I knew nothing of Cavendish's story and I did not think of how to tackle the case quantitatively (an aspect I shall turn to later).

Electrostatic induction

Results of Robison⁶ and Coulomb⁷ are distorted since researchers have not accounted for electrostatic induction. But, as far as Eq (1) is concerned, there is not the paradox yielded by Eq (2) for q₁ ≠ 0 and q₂ = 0, only a discrepancy between Eq (1) and experimental results.

Coulomb published the law named after him without the numerator although he had made experiments to verify the relation:

$$F \propto q_1 q_2 \quad (3)$$

These experiments – simple in principle and clever – involved touching a charged conducting ball with an uncharged conducting ball of the same size, and assuming the initial

charge will be divided in half between balls. Accordingly, force F should be reduced by one half upon each touch, which he observed⁸.

But Coulomb could not help thinking of the case when q₁ ≠ 0 and q₂ = 0, which is why he did not combine Eqs (1) and (3) established by him into Eq (2) to obtain a real "Coulomb law". He could afford to publish Eq (1) since it followed from a separate series of experiments (without charge division). At the same time, Cavendish could not afford to publish Eq (1) alone since his experiment yielded at once Eq (2) with its paradox which he probably could not resolve.

In connection with the paradox, it is interesting to evaluate the force of interaction between like conducting balls for q₁ ≠ 0 and q₂ = 0. A comparison can be made by plotting the force of interaction F (in relative units) as a function of centre-to-centre distance D expressed as a multiple of radius R of a sphere (see figure). A straight line represents an idealised Coulomb law where charges q₁ = ±q₂ of spheres are concentrated at their centres (dependence F = 1/D² assumed). The upper solid line represents an attraction for q₁ = -q₂, and the lower solid line represents the repulsion for q₁ = q₂. The dashed line relates to the case of particular interest: q₁ ≠ 0 and q₂ = 0. The latter three dependencies include electrostatic induction. Data used for construction of the curves are shown in the Table.

The dashed line shows that forces of attraction between a charged conducting sphere and an uncharged conducting sphere of the same diameter obey the law 1/D (the monopole-dipole interaction) quite precisely from D = 10R to D = 3R, at which point it begins to increase rapidly with decreasing D. The force remains finite even for D = 2R.

Both the graph and table are due to Professor JA Soules of Cleveland State University who obtained them by a numerical method⁷. He has treated q₁ ≠ 0 and q₂ = 0 upon my request, for which I am especially grateful.

Correct conclusion

In conclusion, I would like to remind readers of Benjamin Franklin's (1706-1790) experiment and a correct conclusion incorrectly drawn from it by Joseph Priestly (1733-1804).

In 1755 Franklin discovered that a cork ball on a silk thread dipped into a charged metal can was not attracted by its walls and, when brought into contact with them, acquired no charge. From a vague analogy with Newton's work on the force of gravity within a hollow sphere, Priestley suggested, in 1767, Eq (1) for the electrostatic force⁹.

Professor Soules writes in the cited paper that a theoretical approach is more satisfactory in establishing Eq (1) than any experiment – but, from a modern standpoint only. Indeed, Franklin's experiment confirms Maxwell's equation: div D = ρ – a generalised form of Coulomb's law (take a closed surface passing inside walls of can). But in the 18th century, neither Maxwell's equations nor Gauss's theorem had been formulated.

So Cavendish could have rightfully claimed to be the first discoverer of what we call Coulomb's law.

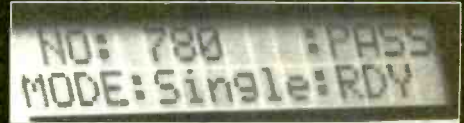
References

1. *The Electrical Researches of the Honourable Henry Cavendish, FRS written between 1771 and 1781*, ed. J. Clerk Maxwell, Cambridge, University Press, 1879, p.XIV
2. *Ibid.*, pp.104-113.
3. *Electricity in the 17th and 18th Centuries: A Study of Early Modern Physics*, John Louis Heilbron, Berkeley and Los Angeles, University of California Press, 1979, p.489.
4. Ch-A de Coulomb. *Premier memoire sur l'electricité et le magnétisme*. Histoire de l'Académie Royale des Sciences. (Paris), 1785, pp.569-577. La force répulsive de deux petits globes électrisés de la même nature d'electricité, est en raison inverse du carré de la distance du centre des deux globes (p.572).
5. *Benjamin Franklin's Experiments: A New Edition of Franklin's Experiments and Observations on Electricity*, ed. I. Bernard Cohen, Cambridge (Mass.), Harvard University Press, 1941, 00.302-306.
6. LN Kryzhanovskiy. *John Robison: the First Discoverer of 'Coulomb's Law'*. Elektrichestvo (Moscow), 1990, No.8, pp.92-94. See also Heilbron, *op cit*, pp.465-468. Robison confirmed experimentally the inverse square law probably in 1769 but did not publish an account of his work until 1801, which is also a nice puzzle.
7. JA Soules. *Precise Calculation of the Electrostatic Force between Charged Spheres including Induction Effects*. American Journal of Physics 1990, Vol 58, No 12, pp.1195-1199.
8. Ch-A de Coulomb. *Quatrième mémoire sur l'electricité*. Histoire de l'Académie des Sciences (Paris), 1786, pp.67-77.
9. Heilbron, *op. cit.*, p.464

The author is with Popov Central Museum of Communications St. Petersburg.

ABI
E · L · E · C · T · R · O · N · I · C · S

THE **£**LOGICAL**£** WAY TO TEST LOGIC



ABI CHIPMASTER COMPACT DIGITAL IC TESTER will identify and functionally test more than 4000 generic digital logic devices including memories, state variable functions, processors and multiplexers.

Functional testing – which operates on both bipolar and CMOS devices – employs fully dynamic algorithms including truth table examination for state machine components. It also undertakes parametric logic threshold tests.

ChipMaster Compact diagnoses faulty devices breaking function/non-function down to individual pin level providing insight into chips which fail in service.

Developed and manufactured by ABI Electronics, the UK's leading board repair and diagnostic systems company.

The ChipMaster Compact is available through EW+WW at a special reader offer price of £245 + VAT (£287.88).

We know that you will be impressed by this diagnostic tester. And in the unlikely event that you aren't, we will refund the purchase price provided that the instrument is returned in good condition within seven days of receipt.

To order simply call our editorial administration line on 081-652 3614 with your credit card details. Alternatively, fill in the coupon below:

- More than 4000 generic devices in library
- Regular library updates available
- Eight to 40 pin capability
- Identifies unmarked devices
- Alpha-numeric display
- Detects intermittent faults
- Displays diagnostic data for individual pins
- Handheld, battery operated
- No pre-programming required
- Easy to use

ABI ChipMaster Compact

Debit my Access/Visa/Amex/Diners credit card

Expiry date.....

or enclose cheque/PO made out to Reed Business Publishing Ltd for £287.88.

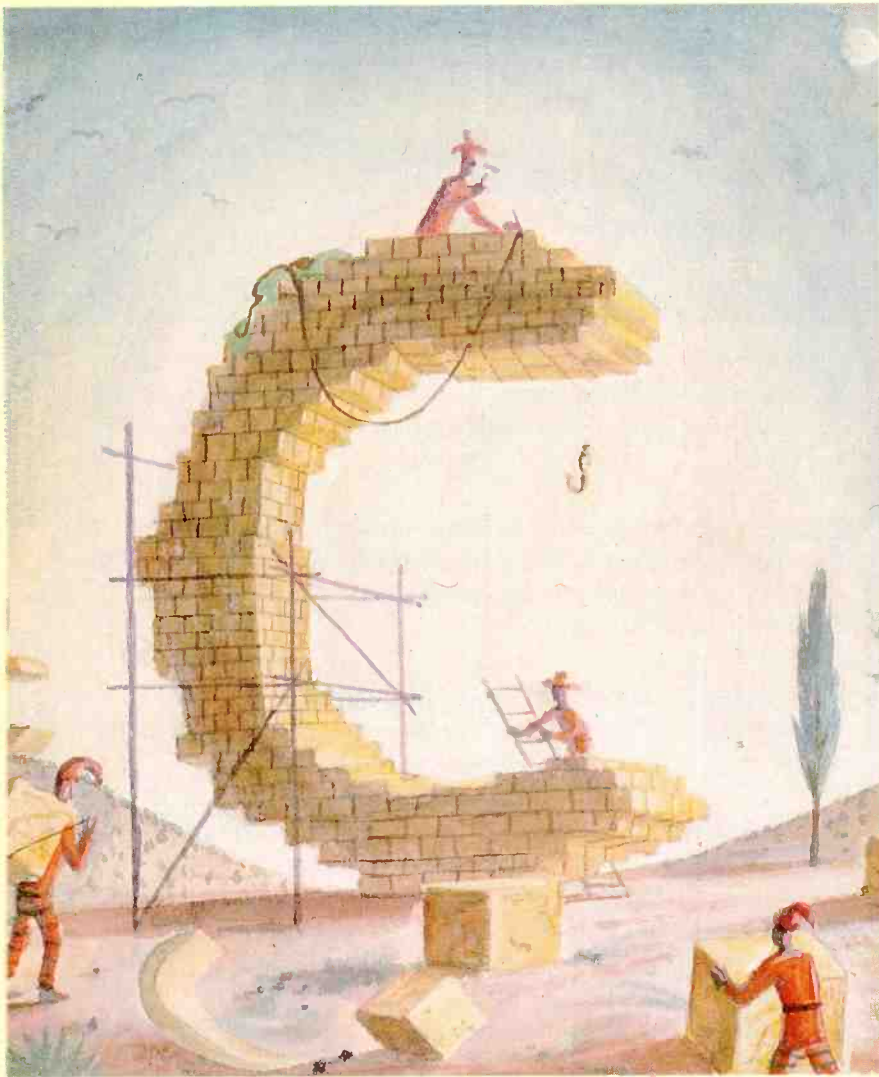
Name.....

Address.....

Signature.....

Contact phone number (if possible).....

Send coupon to: Lorraine Spindler, Electronics World + Wireless World, Room L333, Quadrant House, The Quadrant, Sutton SM2 5AS. Phone 081-652 3614.



INTERFACING WITH C

by
HOWARD HUTCHINGS

Interfacing with C can be obtained from Lorraine Spindler, Room L333, Quadrant House, The Quadrant, Sutton, Surrey SM5 2AS.

Please make cheques for £14.95 (which includes postage and packing) payable to Reed Business Publishing Group.

Alternatively, you can telephone your order, quoting a credit card number. Telephone 081-652 3614.

A disk containing all the example listings used in this book is available at £25.50 + VAT. Please specify size required.

C HERE!

If you have followed our series on the use of the C programming language, then you will recognise its value to the practising engineer.

But, rather than turning up old issues of the journal to check your design for a digital filter, why not have all the articles collected together in one book, *Interfacing with C*?

The book is a storehouse of information that will be of lasting value to anyone involved in the design of filters, A-to-D conversion, convolution, Fourier and many other applications, with not a soldering iron in sight.

To complement the published series, Howard Hutchings has written additional chapters on D-to-A and A-to-D conversion, waveform synthesis and audio special effects, including echo and reverberation. An appendix provides a "getting started" introduction to the running of the many programs scattered throughout the book.

This is a practical guide to real-time programming, the programs provided having been tested and proved. It is a distillation of the teaching of computer-assisted engineering at Humberside Polytechnic, at which Dr Hutchings is a senior lecturer.

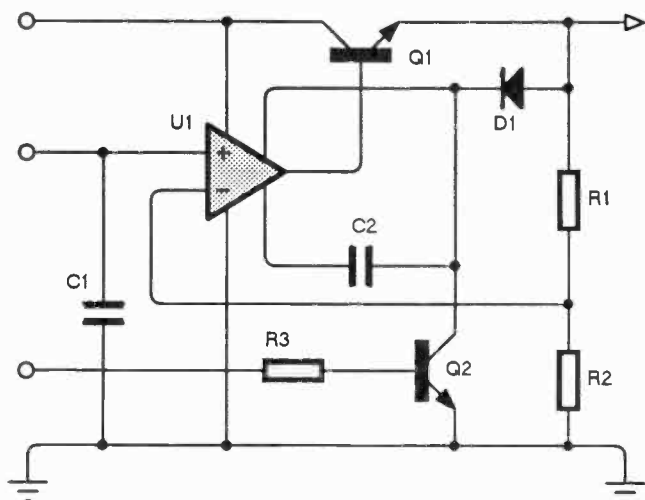
Source code listings for the programs described in the book are available on disk.

INTRODUCTORY
PRICE JUST £179

SCHEMATIC DRAWING FOR WINDOWS

NEW

ISIS ILLUSTRATOR combines the high functionality of our DOS based ISIS products with the graphics capabilities of Windows 3. The result is the ability to create presentation quality schematics like you see in the magazines. ILLUSTRATOR gives you full control of line widths, fill styles, fonts, colours and much more. When the drawing is complete, transferring it your WP or DTP program is simply a matter of cutting and pasting through the Windows Clipboard.



Features

- Runs under Windows 3.0 or 3.1.
- Full control of drawing appearance including line widths, fill styles, fonts, colours and more.
- Curved or angular wire corners.
- Automatic wire routing and dot placement.
- Fully automatic annotator
- Comes complete with component libraries; edit your own parts directly on the drawing.
- Full set of 2D drawing primitives + symbol library for logos etc.
- Output to Windows printer devices including POSTSCRIPT and colour printers.
- Loads ISIS SUPERSKETCH and DESIGNER files directly.

ISIS - Intelligent Schematics

ISIS SUPERSKETCH (from £69)

A superb entry level schematic drawing package offering all the editing features of ISIS DESIGNER but without the netlisting, bill of materials and electrical rules check features.

Extended device library available for an additional £30.

ISIS DESIGNER (£275)

Provides all you need to create and edit schematics prior to further processing with ARES or other EDA software. Through the provision of user definable menu options and a special script language, ISIS acts as a 'framework' from which you can control all your CAD software.

ISIS DESIGNER+ (£475)

This top of the range schematics package adds hierarchical design, automatic annotation/packaging, ASCII data import and Design Global Annotation to make it one of the most advanced schematics packages available for DOS.

ARES - Advanced Routing

PCB II (£69)

Our Graphical User Interface makes this PCB drafting package exceptionally easy to learn and use. Advanced features include Auto Track Necking, Gerber viewing, curved tracks, and DXF export.

ARES (£275)

This package offers multi-layer, netlist based PCB design together with Power Plane Generation, EMS memory support and back-annotation to ISIS DESIGNER+.

ARES AUTOROUTE (£475)

Adds a multi-strategy auto-router to ARES to provide the ultimate in design automation. Special strategy management features allow all design rules to be defined in ISIS so there is very little setting up to do.

Also available as **ARES 386** - a 32 bit version offering up to 400% faster operation, virtually unlimited design capacity and 1024x768 graphics support.

Labcenter
E l e c t r o n i c s



Call us today on 0274 542868 or
fax 0274 481078 for a demo pack.
Combination, multi-copy and educational
discounts available. Prices exc P&P and VAT.

14 Marriner's Drive, Bradford, BD9 4JT.

CIRCLE NO. 133 ON REPLY CARD

REGULARS

CIRCUIT IDEAS

Flat-top band-pass filter.

A requirement for a band-pass filter with a sensibly linear pass-band occasioned this filter which, although having a complicated appearance, is in fact a pair of combined, equal-value Sallen and Key high and low-pass types, each section using the same active element.

Easily accessible formulae allow calculation of values, but there is one important additional requirement: to preserve the symmetry of the pass-band, time constants of the series and parallel elements must be as close as is practicable.

No awkward values are needed. The Q of each stage should be 1.306 and 0.541 respectively for an overall Q of 0.707. But, to reduce the number of components and to maintain less than 0.5dB of ripple in the

pass-band, the second-stage Q is made 0.5 and the first stage Q is raised empirically to compensate. Attenuation is 24dB/octave outside the band.

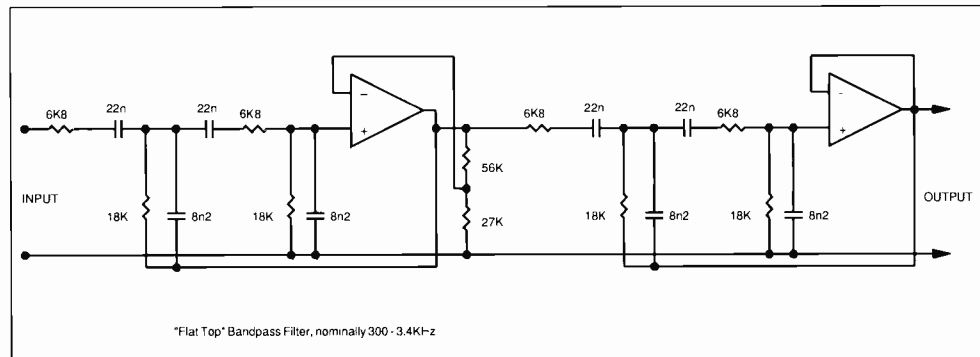
Any standard op-amp, such as 5534 or 072, is suitable.

Reg Williamson
Kidsgrove
Staffordshire

FRESH IDEAS

While we are not short of Circuit Ideas to publish, it would be agreeable to see some fresh input from the vast, untapped bank of talent that our readers represent. We pay a useful fee for all ideas published. So send them to Circuit Ideas, Room L333, Electronics World, Quadrant House, The Quadrant, Sutton, Surrey, SM2 5AS

Exotic-looking band-pass filter for speech frequencies is a pair of combined equal-value Sallen and Key high and low-pass circuits, each section using the same op-amp.

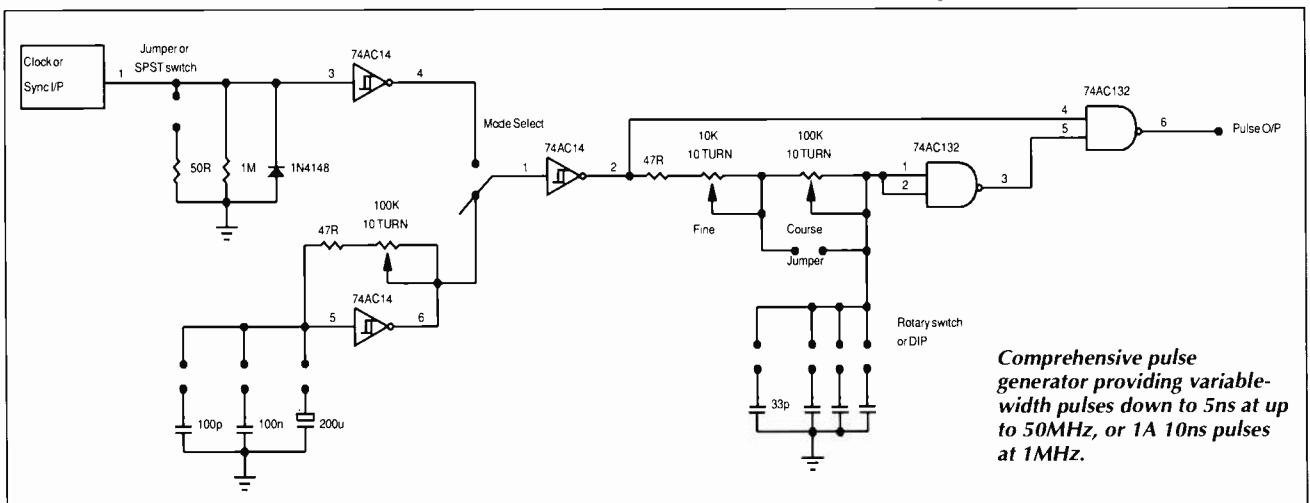


Pulse generator

The pulse generator shown was designed for use in the testing of cable drivers and gives a pulse output of 5ns at up to 50MHz, or 10ns and 1MHz.

Clocking is by an external clock or sync. input, or by the internal clock oscillator. The two Nands and variable delay after the clock selector form the pulse generator,

Richard Payne
Wimbledon
London SW19



Comprehensive pulse generator providing variable-width pulses down to 5ns at up to 50MHz, or 1A 10ns pulses at 1MHz.

Surplus always wanted for cash!

THE ORIGINAL SURPLUS WONDERLAND!

Surplus always wanted for cash!

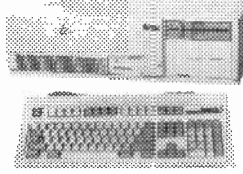
COMPUTER SCOOPS

PC-AT 386 20-DX FULLY LOADED FOR £499!

- 20 Mhz DX processor
- 2 megs RAM. Exp 10 meg
- 40 meg hard drive
- 1.2 meg 5-1/4" floppy
- 32K cache exp. 64K
- Installed VGA card
- Enhanced 102 key k/board
- Complete with MS-DOS 3.3
- 2 serial 1 parallel ports
- 8 free slots-6 off 16 bit!

The MP386 quality made by Mitsubishi to last a lifetime! Brand new with all manuals and software plus Super PC-Quick Disk Accelerator for lightning disk access.

£499 (F)

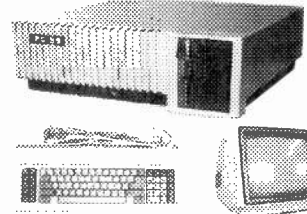


A COMPLETE IBM PC COMPAT SYSTEM FOR ONLY £99!!

Just plug in and go - fully expandable - the Display PC-99! System supplied complete with 12" mono monitor, 84 key keyboard, 360k 5-1/4" floppy disk drive, 128K RAM, 2 serial and 1 parallel port plus DOS with manual. Many other features include 7 slot backplane, all metal case, 150 watt PSU and US made motherboard. In very good used condition with 90 day guarantee. At the unique price of:

Optional FITTED extras: 256K RAM £15, 640K RAM £39, 12" CGA colour monitor with card £89, 2nd 5-1/4" 720K floppy (or 360K if preferred) £29.95, 20 mbyte hard drive £99.

£99 (E)



FLOPPY DISK DRIVES

5 1/4" from £22.95 - 3 1/2" from £21.95!

Massive purchases of standard 5 1/4" and 3 1/2" drives enables us to present prime product at industry beating low prices! All units (unless stated) are removed from often brand new equipment and are fully tested, aligned and shipped to you with a 90 day guarantee and operate from standard voltages and are of standard size. All are IBM-PC compatible (if 3 1/2" supported).

- 3.5" Panasonic JU364 720K* £21.95(B)
- 3.5" Mitsubishi MF353C-L, 1.4 Meg. Laptops only* £29.95(B)
- 3.5" Mitsubishi MF353C-D, 1.4 Meg. Non laptop* £29.95(B)
- 5.25" Teac FD-55(36), 360K half height. £22.95(B)
- 5.25" Teac FD-55(72), 720K half height. £24.95(B)

* Data cable included in price.

- Shugart 800/801 SS refurbished & tested £175.00(E)
- Shugart 851 double sided refurbished & tested £275.00(E)
- Mitsubishi M2894-63 double sided switchable hard or soft sectors- BRAND NEW £250.00(E)

Dual 8" drives with 2 mbyte capacity housed in a smart case with built in power supply! Ideal as exterior drives! £499.00(F)

End of line purchase scoop! Brand new NEC D2246 8" 85 megabyte of hard disk storage! Full CPU control and industry standard SMD interface. Ultra hi speed transfer and access time leaves the good old ST506 interface standing. In mint condition and comes complete with manual. Only.....£299(E)

THE AMAZING TELEBOX!

Converts your colour monitor into a QUALITY COLOUR TV!!



TV SOUND & VIDEO TUNER!

The TELEBOX consists of an attractive fully cased mains powered unit, containing all electronics ready to plug into a host of video monitors made by manufacturers such as MICROVITEC, ATARI, SANYO, SONY, COMMODORE, PHILIPS, TAIYUNG, AMSTRAD and many more. The composite video output will also plug directly into most video recorders, allowing reception of TV channels not normally receivable on most television receivers (TELEBOX MB). Push button controls on the front panel allow reception of 8 fully tuneable 'off air' UHF colour television or video channels. TELEBOX MB covers virtually all television frequencies VHF and UHF including the HYPERBAND as used by most cable TV operators. Composite and RGB video outputs are located on the rear panel for direct connection to most makes of monitor. For complete compatibility - even for monitors without sound - an integral 4 watt audio amplifier and low level Hi Fi audio output are provided as standard.

- Telebox ST for composite video input monitors £32.95
- Telebox STL as ST but with integral speaker £36.50
- Telebox MB as ST with Multiband tuner VHF-UHF-Cable, & hyperband For overseas PAL versions state 5.5 or 6mhz sound specification. £69.95
- Telebox RGB for analogue RGB monitors (15khz) £69.95

Shipping code on all Teleboxes is (B)
RGB Telebox also suitable for IBM multisync monitors with RGB analog and composite sync. Overseas versions VHF & UHF call. SECAM / NTSC not available.

No Break Uninterruptable PSU's

Brand new and boxed 230 volts uninterruptable power supplies from Densel. Model MUK 0565-AUAF is 0.5 kva and MUD 1085-AHBH is 1 kva. Both have sealed lead acid batteries. MUK are internal, MUD has them in a matching case. Times from interrupt are 5 and 15 minutes respectively. Complete with full operation manuals.....MUK.....£249 (F) MUD.....£525 (G)

POWER SUPPLIES

Power One SPL200-5200P 200 watt (250 w peak). Semi open frame giving +5v 35a, -5v 1.5a, +12v 4a (8a peak), -12v 1.5a, +24v 4a (8a peak). All outputs fully regulated with over voltage protection on the +5v output. AC input selectable for 110/240 vac. Dims 13" x 5" x 2.5". Fully guaranteed RFE. £85.00 (B)

Power One SPL130. 130 watts. Selectable for 12v (4A) or 24 v (2A). 5v @ 20A, ±12v @ 1.5A. Switch mode. New. £59.95(B)

Astec AC-8151 40 watts. Switch mode. +5v @ 2.5a, -12v @ 2a, -12v @ 1.1a. 6-14" x 4" x 1-3/4". New £22.95(B)

Greendale 19AB0E 60 watts switch mode. +5v @ 6a, ±12v @ 1a, +15v @ 1a. RFE and fully tested. 11 x 20 x 5.5cms. £24.95(C)

Conver AC130. 130 watt hi-grade VDE spec. Switch mode. +5v @ 15a, -5v @ 1a, ±12v @ 6a, 27 x 12.5 x 6.5cms. New. £49.95(C)

Boshert 13090. Switch mode. Ideal for drives & system. +5v @ 6a, +12v @ 2.5a, -12v @ 0.5a, -5v @ 0.5a. £29.95(B)

Farnell G6/40A. Switch mode. 5v @ 40a. Encased £95.00(C)

Farnell G24/5S. As above but 24v @ 5a. £65.00(C)

BBC Model B APM Board

WIN £100 CASH!

£100 CASH FOR THE MOST NOVEL DEMONSTRATABLE APPLICATION!

BBC Model B type computer on a board. A major purchase allows us to offer you the PROFESSIONAL version of the BBC computer at a parts only price. Used as a front end graphics system on large networked systems the architecture of the BBC board has so many similarities to the regular BBC model B that we are sure that with a bit of experimentation and ingenuity many useful applications will be found for this board!! It is supplied complete with a connector panel which brings all the I/O to 'D' and BNC type connectors - all you have to do is provide +5 and ±12 v DC. The APM consists of a single PCB with most major ic's socketed. The ic's are too numerous to list but include a 6502, RAM and an SAA5050 teletext chip. Three 27128 EPROMS contain the custom operating system on which we have no data. On application of DC power the system boots and provides diagnostic information on the video output. On board DIP switches and jumpers select the ECONET address and enable the four extra EPROM sockets for user software. Appx. dims: main board 13" x 10", I/O board 14" x 3". Supplied tested with circuit diagram, data and competition entry form.

Only £29.95 or 2 for £53 (B)

SPECIAL INTEREST

- Trio 0-18 vdc bench PSU, 30 amps. New £ 470
- Fujitsu M3041 600 LPM band printer £295.00
- DEC LS/02 CPU board £ 150
- Rhode & Schwarz SBUF TV test transmitter 25-1000mhz. Complete with SBF72 Modulator £6500
- Calcomp 1036 large drum 3 pen plotter £ 650
- Thurby LA 160B logic analyser £ 375
- 1.5kw 115v 60hz power source £ 950
- Anton Pillar 400 Hz 3 phase frequency converter 75Kw POA £ 225
- Newton Derby 400 - Hz 70 Kw converter £2000
- ADDS 2020 VDU terminals - brand new £1850
- Sekonic SD 150M 18 channel Hybrid recorder £ 350
- HP 7580A A1 8 pen high speed drum plotter
- Kenwood BA-3501 CD tester, laser pickup simulator

BRAND NEW PRINTERS

- Microline 183, NLQ 17x17 dot matrix. Full width. £139 (D)
- Hyundai HDP-920, NLQ 24x18 dot matrix full width. £149 (D)
- Qume LetterPro 20 daisy. Qume QS-3 interface. £39.95 (D)
- Centronics 152-2 9 x 7 dot matrix. Full width. £149 (D)
- Centronics 159-4 9 x 7 dot matrix. Serial. 9-1/2" width £ 99 (D)

MONITORS

MONOCHROME MONITORS

THIS MONTH'S SPECIAL!

There has never been a deal like this one! Brand spanking new & boxed monitors from NEC, normally selling at about £140! These are over-engineered for ultra reliability. 9" green screen composite input with etched non-glare screen plus switchable high/low impedance input and output for daisy-chaining. 3 front controls and 6 at rear. Standard BNC sockets. Beautiful high contrast screen and attractive case with carrying ledge. Perfect as a main or backup monitor and for quantity users!

£39.95 each (D) or 5 for £185 (G)

COLOUR MONITORS

HI-DEFINITION COLOUR MONITORS

SAVE £59 - ONLY £100 WHEN BOUGHT WITH THE 386 ABOVE!

14" Philips Model CM8873 VGA multisync all the way up to 34KHz with 640 x 480 resolution. This one has everything! Two switches enable you to select CGA, EGA or VGA and digital/analog. Unusual for a professional monitor, sound is also provided, with a volume control. There is also a special "Text" switch for word processing, spreadsheets and the like. Compatible with virtually all computers including IBM PC's, Amiga, Atari, BBC, Archimedes etc. Good used condition (possible minor screen burns) 90 day guarantee. 15" x 14" x 12". Only.....£159(E)

KME 12" high definition colour monitors. Nice tight 0.28" dot pitch for superb clarity and modern two tone plastic styling. Operates from any 15.625 khz sync RGB video source, with RGB analog and composite sync such as Atari, Commodore Amiga, Acorn Archimedes & BBC. Measures only 13.5" x 12" x 11". Also functions as quality TV with our RGB Telebox. Excellent used condition with 90 day guarantee. In nice two tone beige and brown case. Only.....£149 (E)

Brand new Centronic 14" monitor for IBM PC and compatibles at a lower than ever price! Completely CGA equivalent. Hi-res Mitsubishi 0.42 dot pitch giving 669 x 507 pixels. Big 28 Mhz bandwidth. A super monitor in attractive style moulded case! Full 90 day guarantee. Only.....£129 (E)

NEC CGA 12" IBM-PC compatible. High quality ex-equipment fully tested with a 90 day guarantee. In an attractive two tone ribbed grey plastic case measuring 15" L x 13" W x 12" H. The front cosmetic bezel has been removed for contractual reasons. Only.....£79 (E)

20", 22" and 26" AV SPECIALS

Superbly made UK manufacture. PIL all solid state colour monitors, complete with composite video & sound inputs. Attractive teak style case. Perfect for Schools, Shops, Disco, Clubs. In EXCELLENT little used condition with full 90 day guarantee.

20".....£135 22".....£155 26".....£185

CALL FOR PRICING ON NTSC VERSIONS! (F)

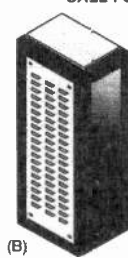
Superb Quality 6 foot 40u

19" Rack Cabinets

Massive Reductions

Warily New, Ultra Smart!

Less Than Half Price!



Top quality 19" rack cabinets made in UK by Optima Enclosures Ltd. Units feature designer, smoked acrylic lockable front door, full height lockable half louvered back door and removable side panels. Fully adjustable internal fixing struts, ready punched for any configuration of equipment mounting plus ready mounted integral 12 way 13 amp socket switched mains distribution strip make these racks some of the most versatile we have ever sold. Racks may be stacked side by side and therefore require only two side panels or stand singly. Overall dimensions are 77-1/2"H x 32-1/2"D x 22"W. Order as:

Only £29.95 or 2 for £53 (B)

- Rack 1 Complete with removable side panels.....£275.00 (G)
- Rack 2 Less side panels.....£145.00 (G)

COOLING FANS

- 3 inch AC 1 1/2" thick £ 8.50 (B)
- 92 mm AC 230 v, 18mm thick £12.95(B)
- 3 1/2 inch AC ETRI slimline. Only 1" thick. £ 9.95 (B)
- 3 1/2 inch AC 230 v 8 watts. Only 3/4" thick £12.95(A)
- 4 inch AC 110/240v 1 1/2" thick. £10.95(B)
- 10 inch AC round. 3 1/2" thick. Rotron 110v £24.95(B)
- 10 inch AC as above but 230 volts £24.95(B)
- 60 mm DC 1" thick. No. 812 for 6/12v 814 24v. £15.95(A)
- 80 mm DC 5 v. Papst 8105G 4w. 38mm. RFE. £19.95(A)
- 92 mm DC 12v 18 mm thick. £14.95(A)
- 4 inch DC 12v. 12w 1 1/2" thick £12.50(B)
- 4 inch DC 24v 8w. 1" thick. £14.50(B)

1992 Summer Issue of Display News now available - send large SAE - PACKED with bargains!

DISPLAY

MAIL ORDER & OFFICES
Open Mon-Fri 9.00-5.30
Dept EL, 32 Biggin Way,
Upper Norwood,
London SE19 3XF.

LONDON SHOP
Open Mon-Sat 9-5.30
Thursday till 9.00pm
215 Whitehorse Lane,
South Norwood,
London, SE25.

DISTEL © The Original
Free dial-up database!
1000's of items+Info On Line
V21, V22 & V22 bis
081-679-1888

ALL ENQUIRIES
081-679-4414
Fax- 081-679-1927



-ELECTRONICS-

All prices for UK Mainland. UK customers add 17.5% VAT to TOTAL order amount. Minimum order £10 PO orders from Government, Universities, Schools & Local Authorities welcome-minimum account order £30. Carriage charges (A)=£2.00 (A1)=£3.75 (B)=£5.50 (C)=£8.50 (D)=£11.50 (E)=£14.00 (F)=£18.00 (G)=Call Scotland reserved call. All goods supplied subject to our standard Conditions of Sale and unless otherwise stated guaranteed for 90 days. All guarantees on a return to base basis. Rights reserved to change prices & specifications without prior notice. Orders subject to stock. Quotations willingly given for higher quantities than those stated. Bulk surplus always wanted for cash.

CIRCLE NO. 134 ON REPLY CARD

Fig.1. This pulse generator offers independent control of frequency and duty cycle over the range 20Hz-200kHz and 0-100%.

Pulse generator with independent F and M:S setting

Using a CD4046 phase-locked loop, this pulse generator accepts independent settings of frequency and duty cycle.

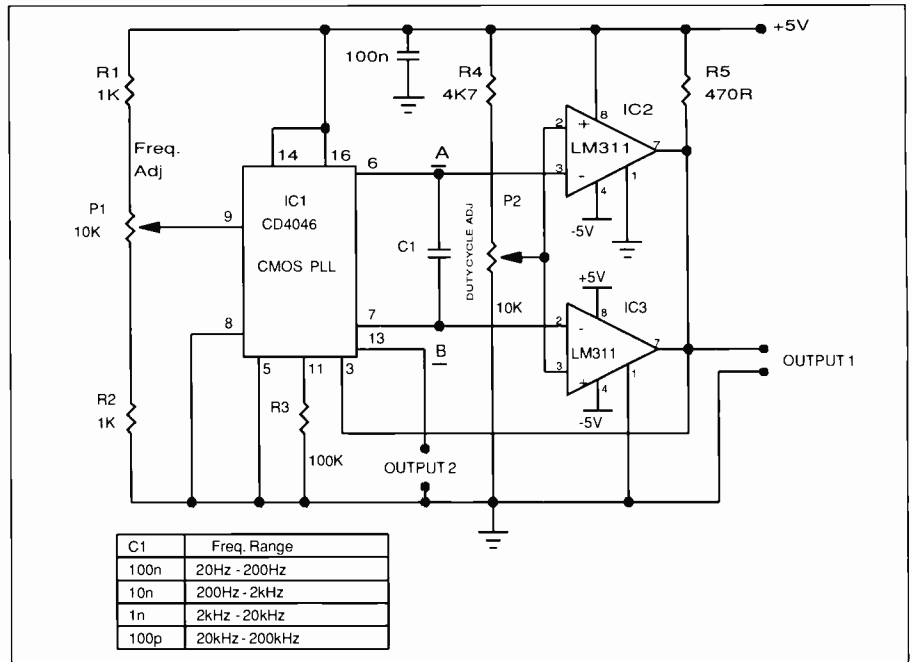
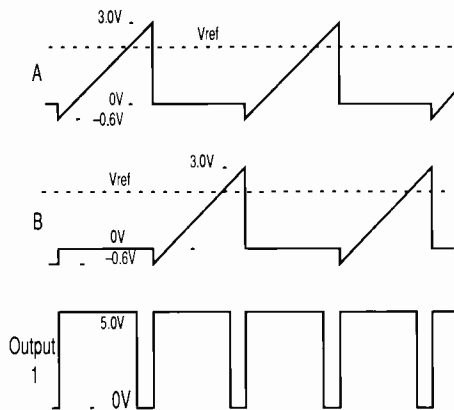
Initially, the VCO in the loop holds pin six, one side of C_1 in Fig.1, to ground, C_1 being charged by a constant current whose value depends on R_3 and the frequency-setting voltage at pin nine. When the resulting ramp at point B reaches the threshold of an internal inverter, an internal flip-flop changes state, whereupon point B is grounded and point A starts to ramp upwards. When this too reaches the threshold of an identical inverter, the flip-flop again changes state and the cycle repeats.

Since the internal inverters are identical, the ramps at points A and B are also identical. Figure 2 shows the circuit action.

Comparison of the two ramps with a variable reference voltage in the two LM311s produces output 1; mark:space variation is by means of adjustment of V_{ref} and frequency setting by way of the control voltage on pin nine of the PLL. Output 2 is obtained by inverting output 1 in the PLL's phase comparator. Frequency is variable from 20Hz to 200kHz and duty cycle from 15% to 100% for output 1 and 0-85% in output 2 with a range of C_1 values from 0.1 μ F to 100pF.

M S Nagaraj
ISRO Satellite Centre
Bangalore
India

Fig.2. Waveforms in the pulse generator. Note that the ramp starts from -0.6V, not zero volts, giving a duty cycle range of 15%-100% in output 1 and 0-85% in output 2.

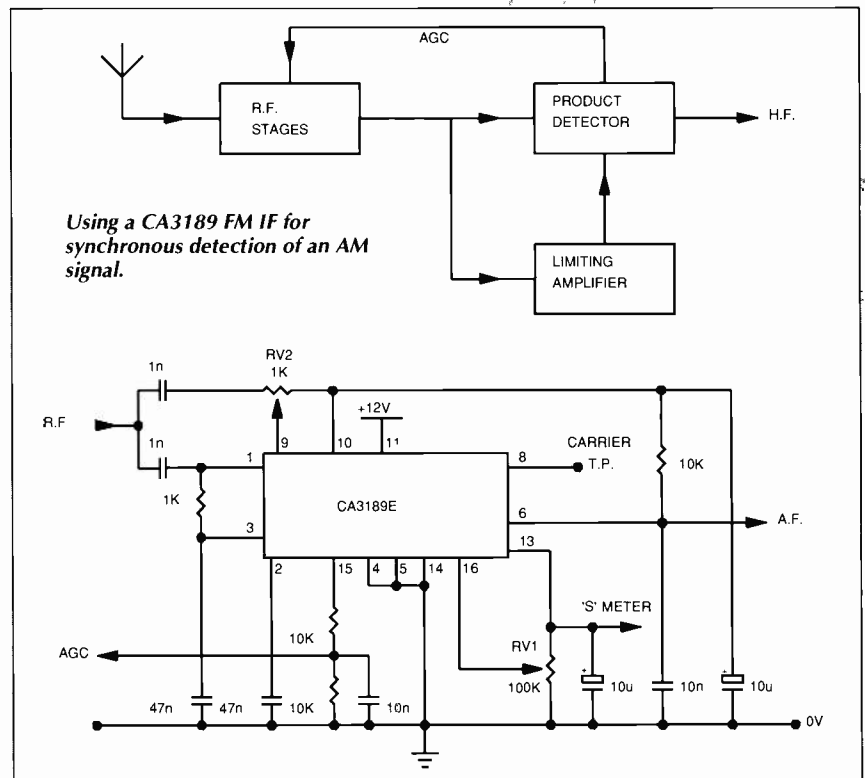


Product detector for AM

A CA3189 FM IF chip makes a good AM synchronous demodulator. The circuit shown provides AGC, an S-meter output and synchronous detection and only needs the RF input. Alternate half cycles of the input to pin nine are inverted by the switching waveform generated in the chip, so that unidirectional half cycles of the modulated carrier appear at pin six

and simply need a filter to remove the high frequencies to leave the demodulated AM. Potentiometer RV_1 sets AGC to suit the RF stages used and RV_2 adjusts the input to avoid overload. To start with, adjust the DC at pin six to 3V on the strongest signal.

R Gough
Shenstone Staffordshire



Using a CA3189 FM IF for synchronous detection of an AM signal.

UNIVERSAL PROGRAMMERS WITH BUILT-IN EMULATORS

Designed, Manufactured and Supported in the UK

The Speedmaster range programmes Eeproms, EEproms, Serial EEproms, Flash, NVRamS, Micros, Pals, Gols, Pæls, EPLDs, MAPLs, MACHs etc. Emulates ROM/RAM up to 1Mbit.

FROM
£525



APPROVED BY
NATIONAL
SEMICONDUCTOR

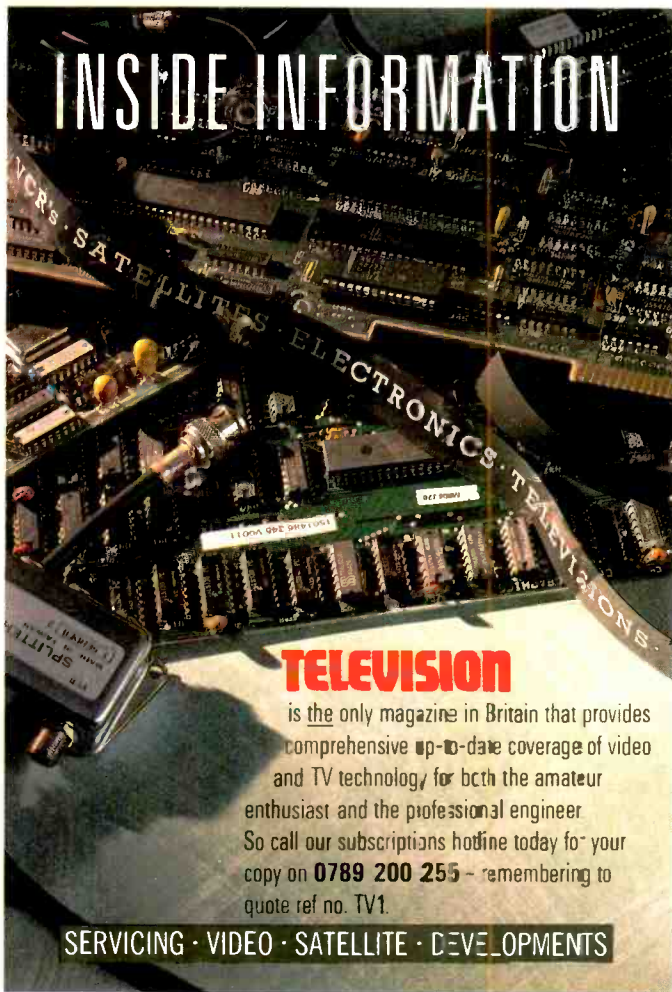


For full details, device list and a demo disk,
call Ice Technology Ltd on
TEL +44 (0)226 767404 FAX +44 (0)226 370434
Ice Technology Ltd., Unit 4, Penistone Court,
Station Buildings, Penistone, South Yorks, S30 6HG, UK.



CIRCLE NO. 135 ON REPLY CARD

INSIDE INFORMATION



TELEVISION

is the only magazine in Britain that provides comprehensive up-to-date coverage of video and TV technology for both the amateur enthusiast and the professional engineer. So call our subscriptions hotline today for your copy on 0789 200 255 - remembering to quote ref no. TV1.

SERVICING · VIDEO · SATELLITE · DEVELOPMENTS

CIRCLE NO. 136 ON REPLY CARD

PRODUCTION/A.T.E. SECOND USER EQUIPMENT

HUGE SAVINGS ON NEW PRICES

PCB ASSEMBLY

SYSTEM 1000 Hot Air Rework Station	£495	DYNAPERT MPS318 and MPS318HR Pick and Place Machine. Options and Feeder package to suit. From £16,950
DYNAPERT MPS 118		DYNAPERT Spares and Feeders. Call or Fax for listing. £Call
Pick + Place c/w Feeders	£5,950	TRESCOMP PA-60
CONTACT SYSTEMS 400 A/B/C Cut and Clinch Light Guided Assembly Workstations. Call for details.	From £3,550	Paternoster
AMBOTECH Robin Axial/DIP Radial Inserter	£12,000	ROYONIC 410 2 Assembly Workstations with programmer
BLAKELL LS210		Also 401 Workstation
Assembly Station	£375	UNIVERSAL 6348A Radial II Inserter. 40 Stations. New 1/290 only 630,000 insertions. Excellent condition.
MPM ASP-24		
Screen Printer Make offer	£call	
OMNITAC		
Socket Inserter	£375	
Pin Inserter	£375	

TEST EQUIPMENT

MARCONI 2019 Signal Generator	£1,650	MARCONI 2380/82 400MHz	£7,650
MARCONI 2371 Spectrum Analyser	£1,975	MARCONI 2955 Radiocommunications Test Set	£4,495
MARCONI 2019 Signal Generator	£1,650	MARCONI 2958 Radio Test Set/ETACS	£5,495
MARCONI 2371 Spectrum Analyser	£1,975	TEK 465B Oscilloscope, 100MHz	£495
H.P. 3325A Function Generator	£1,750	TEK 475 Oscilloscope, 300MHz	£595
TEK 2445 Oscilloscope	£1,350	WAYNE KERR B905 Precision Automatic Component Bridge	£1,425
TEK 2465 Oscilloscope	£1,995	Many other Makes/Models available. Call for full listing. Calibration to BS5750 also available.	

ATE SYSTEMS

MARCONI 540 256 Digital/768 Universal Points	£28,500	MARCONI 80R 512 Test Points	£21,900
MARCONI 515 Call for details. Only used 200 hrs.	£22,000	GENRAD 2272 1024 Driver Sensor/224 Speed Plus	£28,500
MARCONI 510 Two systems available. Configured to suit.	£Call	GENRAD 2276XP 1088 Test Points	£offers
		ZEHNTel 875 410 Nodes	£offers

SPECIAL OFFERS

All ex-stock. Callers welcome.		CUSTOM CR1 Router	£125
ALTITUDE TEST CHAMBER		CUSTOM CR2 Router	£198
Temperature - Humidity - Vacuum. Can be configured to your requirements. Call for details.	£Call	EG + G 560B Lite-Mike	£56
ELITE "FORMETT" Axial Lead Form	£495	PLANAR GB7 Gas Bonder	£135
HELLER 715 Auto Axial Lead Form*	£2,955	CEMCO Solderability Tester	£475
HELLER D277-36 Auto DIP Lead Processor*	£1,495	ICI 1214 Vapour Phase Reflow Tank	£675
DEK 1200 Screen Printer	£495	SOLBRAZE RD3 and RD6 "Rotadip" Solder Pots from	£425
EDWARDS E12E3 Coater	£198	SOLDERMATIC 800 Wave solder machine 240v single phase	£1,750
K+S 1419-3 Automatic Gold Wire Bonder	£4,950	ICI AO Screen Cleaner	£675
FISCHER 870C Betascope	£1,350	ICI 6502AR Ultrasonic Cleaner	£875
CEMCO Pull-Peel Test Set	£125	GRIFFIN Bench Oven. AMB to +200°C	£199
		PERN 360 litre Burn-in Oven	£395
		RINGWAY 250/640/48 Cold Chamber. AMB to -40°C	£295

JOB OPPORTUNITY

Telemarketing Trader; Aggressive, self-motivated individual with background in Purchasing and Sales of Electronic Manufacturing Equipment, T&M, ATE etc. Send resumé to us in confidence.

DO YOU HAVE SURPLUS PRODUCTION/A.T.E. EQUIPMENT?

Bring your surplus assets to the expanding European marketplace through Buyers News - read by 20,000 key buyers in High Tech industries.

Subscribe Now for
Your FREE Copy



See latest issue of Buyers News for full listing and Terms & Conditions. Prices exclude VAT. Buyers Premium not included.

BUYERS NEWS Tel: 071-284 4074 (UK)
Fax: 071-267 7363 (UK)
146 Camden Street, London NW1 9PF

CIRCLE NO. 137 ON REPLY CARD

INSTRUMENTS TO BUY

FREQUENCY COUNTERS

MX1010F and **MX1100F** are 8-digit frequency counters offering a broad range of features.

MX1010F: 1Hz to 100MHz, sensitivity of 15mV and resolution to 0.1Hz, data auto set, 10:1 attenuator, high impedance input – £129.00 plus VAT (£151.58).

MX1100F: 1Hz to 1GHz, features as MX1010F except ranges 70MHz to 1GHz and 50Ω impedance. £160.00 plus VAT (£188.00).

MULTIMETERS

The **180 series** of high performance multimeters provide advanced features and are supplied complete with probes, battery and rubber holster. The case is dust and splash proof making it ideal in most environments. Designed to meet IEC348 Class II safety standard.

183: 3½ digit large LCD display, ACV, DCV, ACA, DCA, resistance, continuity buzzer, diode test, hold, basic accuracy 0.5%. £33.50 plus VAT (£39.36).

185: 3½ digit LCD, bar graph, ACV, DCV, ACA, DCA, resistance, continuity buzzer, diode test, hold, temperature (–40°C to 1370°C), capacitance (1pF to 40µF), frequency (1Hz to 200kHz), max min, edit, %, compare, basic accuracy 0.3%. £68.50 plus VAT (£80.49)

185: 3½ digit LCD, bar graph, ACV, DCV, ACA, DCA, resistance, continuity buzzer, diode test, hold, temperature (–40°C to 1370°C), capacitance (1pF to 40µF), frequency (1Hz to 200kHz), max min, edit, %, compare, basic accuracy 0.3%. £68.50 plus VAT (£80.49)

187: As 185 except auto ranging. £75.00 plus VAT (£88.13).

285: As 185 except 4½ digit true rms, basic accuracy 0.05%. £89.50 plus VAT (£105.16).

MULTIMETERS (2)

The **MX170B** and **MIC-6E** offer low cost measurement yet retain a large number of features. Supplied complete with probes.

MX170B: 3½ digit LCD, compact size, ACV, DCV, DCA, resistance, diode test, low voltage battery test. £18.50 plus VAT (£21.74).

MIC-6E: 3½ digit LCD, ACV, DCV, ACA, DCA, resistance, diode test, buzzer. £33.50 plus VAT (£39.36).

20MHz 2-CH OSCILLOSCOPE

The CS4025 20MHz dual trace oscilloscope offers a comprehensive range of facilities including a high sensitivity vertical amplifier providing from 1mV to 5V/div in CH1, ALT, CHOP, ADD, CH2 modes with inverse polarity on CH2. The horizontal timebase offers a sweep range of 0.5s/div to 0.5µs/div plus x10 sweep expansion and X-Y mode. Triggering can be auto or normal from vert, CH1, CH2, line or external sources with coupling provided for AC, TV-F and TV-L. The CS4025 is supplied complete with matching probes for £295.00 plus VAT (£346.62).

PROGRAMMABLE POWER SUPPLIES

The PPS series of GPIB programmable DC power supplies offer high performance yet are extremely competitively priced using a 16 x 2 backlit LCD and 14 button keypad. All functions and conditions are easily selected and displayed. Overvoltage and overcurrent are selectable as is output enable/disable. Terminals for output and sense are provided on the front and rear to allow easy rack mounting.

PPS-1322: 0-32V 2A (GPIB) £375.00 plus VAT (£440.63)

PPS-2322: Dual 0-32V 2A (GPIB) £555.00 plus VAT (£652.13)

Buy top quality instruments direct from **Electronics World + Wireless World** and avoid disappointment. If you are not satisfied, return the goods and we will refund the purchase price*.

*Goods must be returned within seven days of receipt; must be returned in their original packing; must not be tampered with in any way, and must be returned in the condition in which they were received.



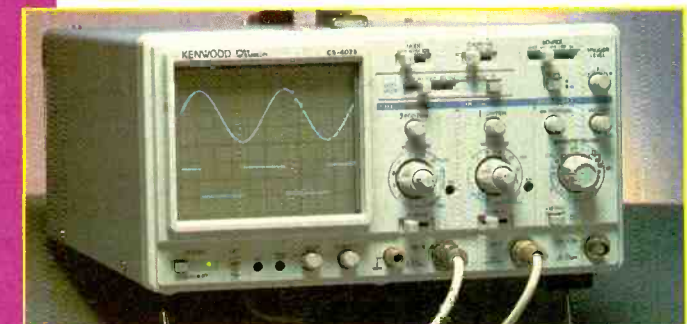
MX1010F MX1100F



THE 180 SERIES



MX170B MIC-6E



20MHz 2-CH OSCILLOSCOPE



PROGRAMMABLE POWER SUPPLIES



MX2020



MX 9000



MIC-4070D

FUNCTION GENERATOR

The **MX2020** 0.02Hz – 2MHz sweep function generator with LED digital display offers a broad range of features. Output waveforms include sine, square, triangle, skewed sine, pulse and TTL. Lin and log sweeps are standard as is symmetry, DC offset and switchable output impedance from 50Ω to 600Ω. The digital display provides readout of the generators' frequency or can operate as separate 10MHz frequency counter. £175.00 plus VAT (£205.63).

LCR METER

The **MIC-4070D** LCD digital LCR meter provides capacitance, inductance, resistance and dissipation measurement. Capacitance ranges are from 0.1pF to 20,000μF plus dissipation. Inductance ranges from 0.1μH to 200H plus a digital readout of dissipation. Resistance ranges from 1mΩ to 20MΩ. Housed in a rugged ABS case with integral stand it is supplied complete with battery and probes at £85.00 plus VAT (£99.88)

FOUR INSTRUMENTS IN ONE

The **MX9000** combines four instruments to suit a broad range of applications in both education and industrial markets including development work stations where space is at a premium. The instruments include:

1. A triple output power supply with LCD display offering 0-50V 0.5A, 15V 1A, 5V 2A with full overcurrent protection;
2. An 8-digit LED display 1Hz - 100MHz frequency counter with gating rates of 0.1Hz, 1Hz, 10Hz and 100Hz providing resolution to 0.1Hz plus attenuation inputs and data hold;
3. A 0.02Hz to 2MHz full featured sweep/function generator producing sine, square, triangle, skewed sine, pulse and a TTL output and linear or logarithmic sweep. Outputs of 50Ω and 600Ω impedance are standard features;
4. An auto/manual 3½ digit LCD multimeter reacting DCV, DCA, ACV, ACA, resistance, and relative measurement with data hold functions.

The MX9000 represents exceptionally good value at only £360.00 plus VAT (£423.00).

FG SERIES FUNCTION GENERATORS

The **FG500 series** sweep/function generators provide two powerful instruments in one package, a 6MHz or 13MHz sweep/function generator and an intelligent 100MHz frequency counter. The micro-processor based instruments offer sophisticated facilities yet remain extremely competitively priced. A menu driven display allows easy set up and operation. A 16 character by 2-line LCD display provides clear and unambiguous readout of generator output and frequency measurement.

- FG-506:** 2Hz to 6MHz sweep/function with 100MHz counter £325.00 plus VAT (£381.88)
- FG-513:** 2Hz to 13MHz sweep/function with 100MHz counter £482.00 plus VAT (£566.35)

Please send me the following instruments.....

I enclose a cheque/postal order/eurocheque to the value of £.....made payable to Reed Business Publishing Ltd or Please debit my Access/Visa/American Express/Diners Club with £.....Card Number.....

Card expiry date..... Signature..... Date.....

Name..... Address.....

Postcode..... Phone.....

Return to: Lorraine Spindler, Rm L333, Quadrant House, The Quadrant, Sutton, Surrey SM2 5AS. Please allow 21 days for delivery.

If you've never bought a dodgy copier, telephone, answering machine, PC, printer or fax, you're lucky.

(Or you already get
What to Buy for Business.)

What to Buy for Business magazine is the UK's *only* independent guide to business equipment and services. Because we carry no advertising at all, we can afford to be entirely impartial.

So, whether you're leasing a photocopier or buying a computer system, we'll give you professional, unbiased advice. Every issue of this monthly magazine saves you weeks of time spent on desk research, visits to dealers and conversations with reps.

Thanks to our meticulous comparisons of manufacturers, brands and product features – with clear summaries and recommendations – you'll never buy a dodgy anything again.



£30 off, when you subscribe before November 30th, 1992.

Subscribe before 30th November 1992 and benefit from our special introductory offer to new subscribers. The next 10 issues will only cost you £69, which is £30 less than our usual rate of £99.

Just return this coupon to What to Buy for Business, Subscriptions Department, FREEPOST, Central House, 27 Park Street, Croydon, Surrey CR9 1WZ.

1. I enclose a cheque for £69 made payable to What To Buy for Business.
2. Please debit my credit card with £69

Access Barclaycard Visa Diners Amex

Account number..... Expiry date.....

3. Please invoice my company for £69 Signature.....

Name..... Job Title.....

Company.....

Address..... ACC30S

Postcode..... Tel.....

Or call our subscription hotline: 081 680 2828



CIRCLE NO. 138 ON REPLY CARD

Temperature transducer

Analog Devices's AD592 is a two-terminal IC that puts out a current proportional to absolute temperature, at high impedance and with $1\mu\text{A}/\text{K}$ sensitivity. It needs no linearisation circuitry, voltage reference, bridge components or cold junction compensation and can be used over the same temperature range (-25°C to 105°C) as other kinds of transducer. Its high-impedance current output makes it invulnerable to the voltage drops and noise encountered on long lines and non-linearity is guaranteed less than $\pm 0.1\%$ over the whole range.

As an example of a very simple application, Fig. 1 shows two circuits for measuring average and minimum temperatures of separated transducers. On the left, currents are added to give the average and on the right the current is proportional to the lowest temperature, since the coldest device limits current through the chain.

Figure 2 converts temperature to a 4-20mA current for use with 40V, $1\text{k}\Omega$ systems. The AD592 output is amplified to $1\text{mA}/^\circ\text{C}$ and offset to give $4\text{mA}/20\text{mA}$ equivalent to $17^\circ\text{C}/33^\circ\text{C}$. R_T is trimmed for correct reading at an intermediate temperature. The AD581 is a 10V reference.

Using an AD670 8-bit A-to-D converter, a digital output for a microprocessor is

Fig. 1. Analog Devices AD592 temperature transducers used to measure average (left) and minimum temperatures of a number of remote devices.

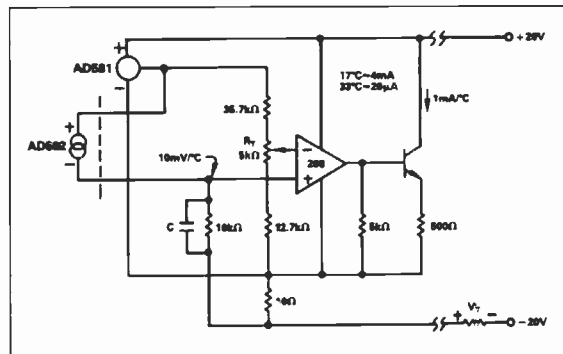
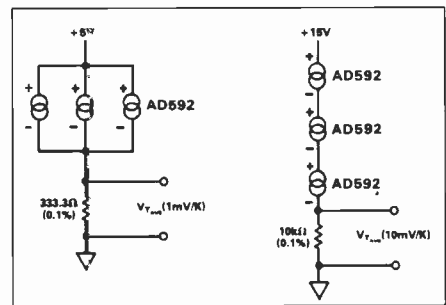


Fig. 2. Temperature measurement for a 4-20mA current-loop system, in this case between 17°C and 33°C , although the circuit will measure over the whole 130°C range of the AD592 if the $35.7\text{k}\Omega$ and $12.7\text{k}\Omega$ resistors are varied.

obtained. Figure 3 shows a circuit to resolve 1°C over the whole 130°C span for which the device is rated.

Figure 4 is a temperature controller to operate over the entire 130°C range; R_{high}

and R_{low} determine the limits settable by R_{set} . The AD581 keeps the set point constant and maintains 7V across the AD592. Resistor R_{hyst} and C introduce a measure of hysteresis to reduce the effects of noise.

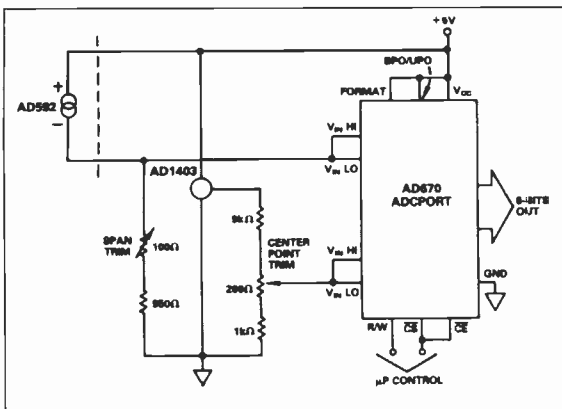
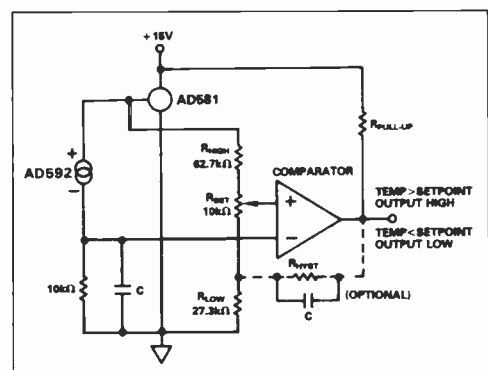


Fig. 3. If output to a microprocessor is needed, use this circuit, which resolves 1°C .

Fig. 4. A thermostat. The 10V AD581 reference keeps the bridge voltage constant. Resistor shown dotted may be needed to guard against noise.



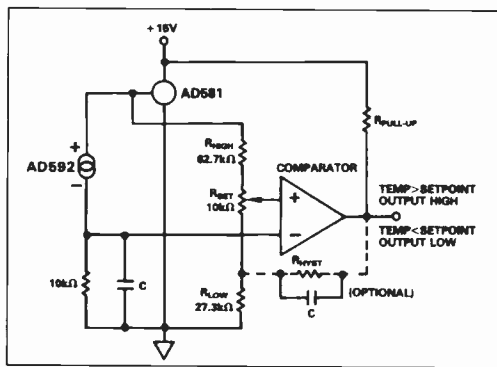


Fig. 5. For remote, multiple transducers, either a multiplexer or logic gates are usable, since the AD592's high output impedance tolerates their on resistance or output impedance.

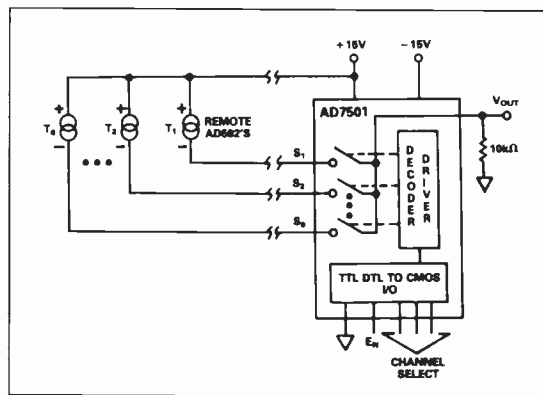


Fig. 6. When even more AD592s are to be read, this matrix will handle them and turns them off for idling.

If multiple, remote temperatures are needed, then the circuit in Fig. 5 will do the job. The on resistance of a gate or a fet switch are not important, because of the high impedance of the AD592; the only important consideration is to keep 4V across it. Accordingly, an AD7501 cmos multiplexer

or a number of 5V logic gates can be used, but leakage currents in multiplexers and logic drives should be low. If a large number of transducers are needed, the matrix shown in Fig. 6 is the answer. A decoder switches the supply to a column of transducers and a multiplexer looks at the rows; a 7-bit word

determines which AD592 is to be read. The multiplexer's enable input turns all transducers off.

Analog Devices Ltd, Station Avenue, Walton-on-Thames, Surrey KT12 1PF. Telephone 932 252320.

Inexpensive radio data receiver

When the BBC's Radio 4 long-wave service moved from 200kHz to 198kHz, it was made to carry additional data in the form of phase modulation, to be used for remote time switching for lighting, for example, advertising display updates, radio clocks and even full-blown data transmission. Plessey, in its application note AN86, described a circuit to demodulate received data that can be built at a much lower cost than some available equipment.

Plessey's SL6653 is a low-power (2.5mA at 2.5V-7.5V) IF/AF circuit for FM demodulation, containing mixer/oscillator, limiting IF amplifier and detector and was originally meant for cellular radio, cordless telephones and low-power radio. This and TAB1043 quad op-amp, a fet and a bipolar transistor are the only active devices used.

Data rate is restricted to 25bit/s to avoid interference with the AM broadcast, and is

therefore kept within a 0-50Hz band. Thirty blocks per minute are transmitted, each containing a cyclic redundancy check (CRC) error-checking code. Block 29 contains information on time, day, month, year, leap year and local offset. The BBC Research Department at Kingswood Warren, Surrey KT20 6NP has a publication on LF data.

Figure 1 shows the form of the $\pm 22.5^\circ$ data modulation on Radio 4, from which a 1.8V pk-pk phase signal is to be obtained and Fig. 2 is the radio part of the circuit.

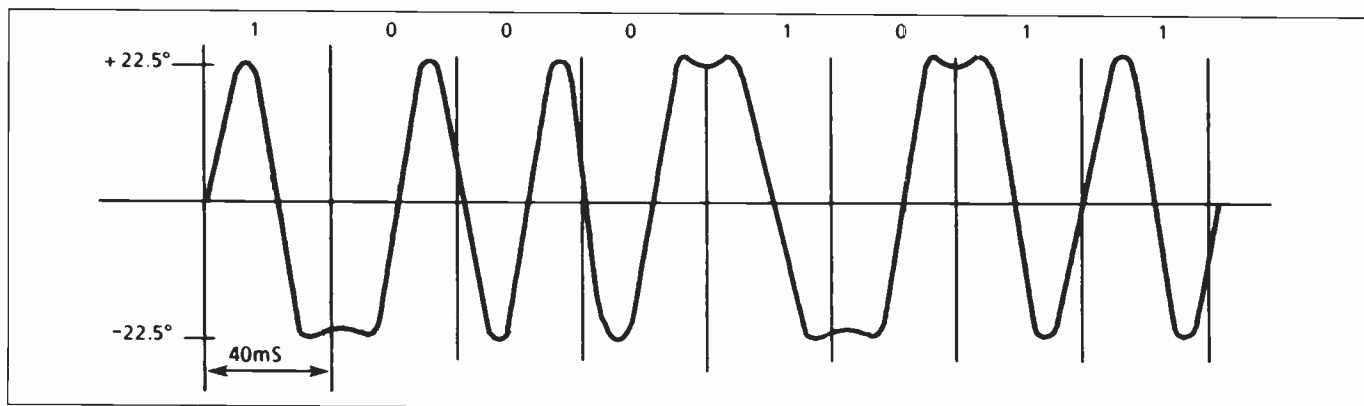
Aerial signal goes to a fet buffer, which provides matching between the aerial and the following crystal filter, a special unit by AEL Crystals Ltd of Horley to reduce the level of interference from switched-mode

power supplies in computer terminals and television receivers. Filtered input at 198kHz now goes to the SL6653 limiter, from which it emerges as a square wave at pin 1, is phase-shifted by the quad circuit and goes back to the FM demodulator. Transistor T₃ buffers the demodulator output to drive the filter in Fig. 3 and its test point TP2 is also useful in adjusting the tuning of the quadrature circuit.

The first op-amp in Fig. 3 acts as a Sallen and Key low-pass filter to prevent trouble with AM or spikes affecting the phase output. This is followed by an amplifier with a gain of 45 to give a 1.3V-2V pk-pk phase signal at TP4.

Since frequency is a rate of phase change and the data signal is a phase shift, the output from the demodulator is differentiated and an integrator is needed to make a phase demodulator. The third quarter

Fig. 1. Long-wave radio data signal on BBC Radio 4 is $\pm 22.5^\circ$ phase modulation at 25bit/s.



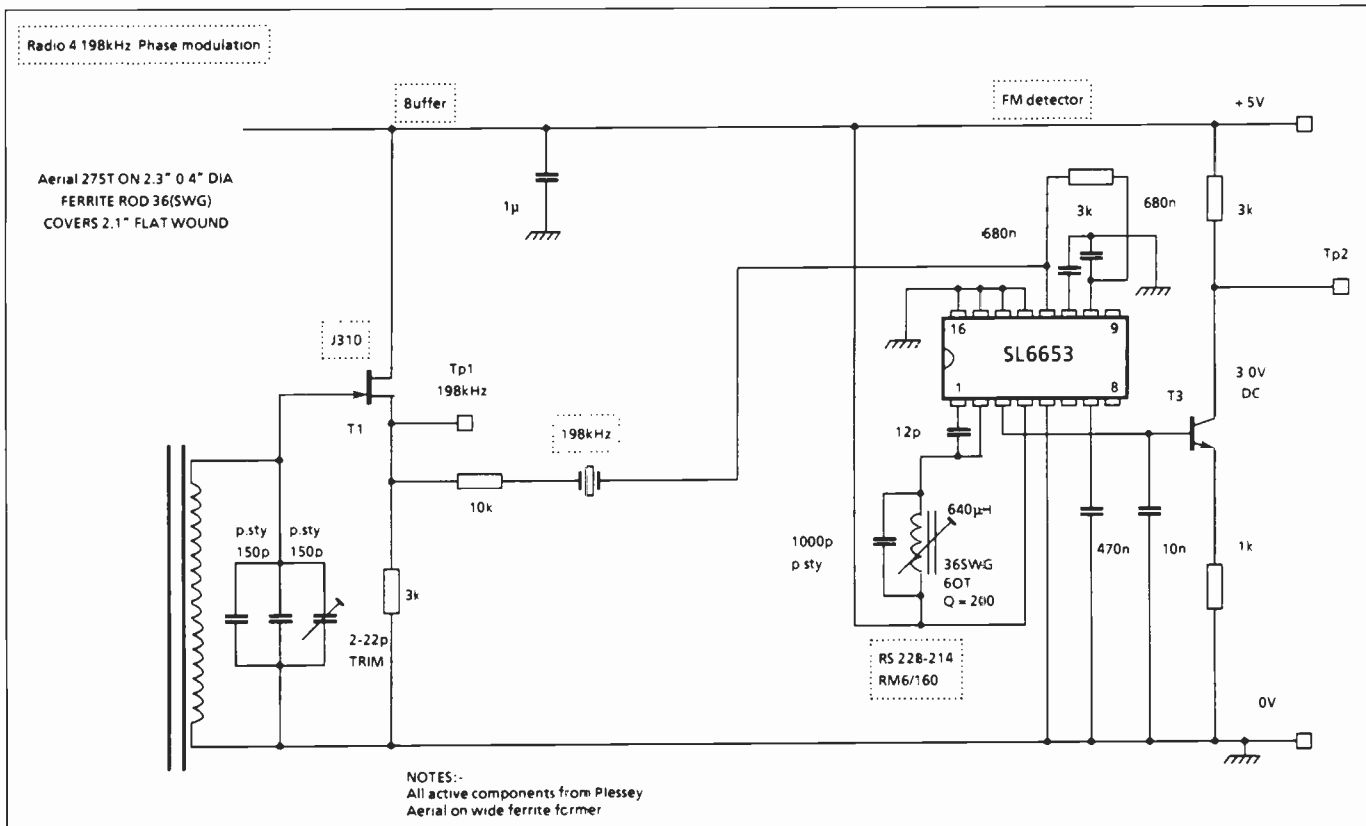


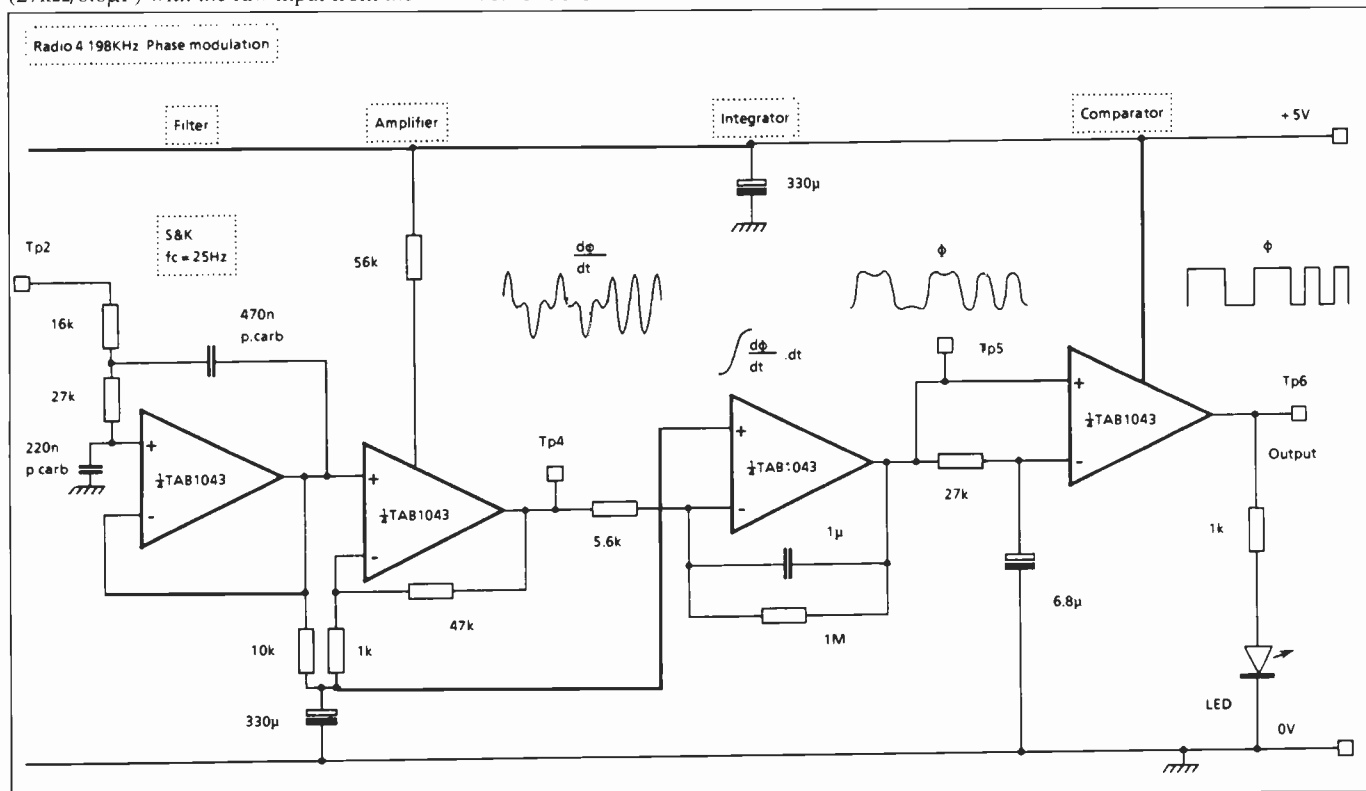
Fig. 2. Receiver section of data demodulator. Testpoint 1 is for aerial tuning and Tp2 for quad coil tuning.

of the TAB1043 is therefore a simple integrator, its DC reference still being referred back to the quad detector and drift in tuning tracked by the integrator. From this op-amp, the output is the original signal seen in Fig. 1.

A comparator now removes the varying DC component from the signal by comparing a smoothed version of it (27kΩ/6.8µF) with the raw input from the

integrator. Output signals consist of two frequencies of 12.5Hz and 25Hz, from which clock and data are recoverable, preferably by using a microprocessor to sample the data to find an edge in the middle of each 40ms clock interval. A rising edge denotes a 1 and a falling edge a 0. Plessey Semiconductors Ltd, Cheney Manor, Swindon, Wiltshire SN2 2QW. Tel: 0793 518000.

Fig. 3. Demodulator section. TAB1043 has adjustable open-loop gain and requires the 56Ω resistor. Adjust the amplifier's 47kΩ feedback resistor to allow for varying Q in the quadrature circuit.



HEAVY DUTY "ALCAD" NICKEL-CADMIUM 6 VOLT BATTERIES 6 VOLT 54 A/Hrs. PLASTIC CASED IN WOODEN CRATES 16" X 9.5" HIGH X 5.5" WIDE EXCELLENT CONDITION, EX HOME OFFICE. WEIGHT 15KG/CRATE, LIFE EXPECTANCY 20 YEARS, 500 CRATES AVAILABLE. 50A/Hr. NIFE (NICKEL-IRON) 6V BATTERIES ALSO AVAILABLE £20/CRATE

COMPUTER ICs

2817A-20 (2K x 8) EPROM ex eqpt.	£2
AM7910 Modem chip ex. eqpt £5 new	£10
80C88A-2 used	£1.25
27C64-25 used/wiped	£1.50 100+
27S191 PROM	£2
IMS1400P-45	£2
80C31 MICRO	£2
PT879H MICRO	£2
D8751H USED	£6
NEW 4164-15	£1
USED 41256-15	£1
USED 4164-15	60p
BBC VIDEO ULA	£10
6845 CRT	£5
6522 PIA	£3
AY3-1015D UART	£2.50
9 x 41256-15 SIMM	£10
8 x 4164 SIP MODULE NEW	£8
HD 146818 CLOCK IC	£2
2864 EPROM	£3
27128A 250ns EPROM USED	£2 NEW £2.30
27C1001-20Z NEW 1M EPROM	£6
FLOPPY DISC CONTROLLER CHIPS 1771	£10
FLOPPY DISC CONTROLLER CHIPS 1772	£17.50
68000-8 PROCESSOR NEW	£6
HD6384-8	£5
ALL USED EPROMS ERASED AND BLANK CHECKED CAN BE PROGRAMMED IF DESIRED	
2716-45 USED	£2 100/£1
2732-45 USED	£2 100/£1
2764-30 USED	£2 100/£1.60
27C256-30 USED	£2
27C512 USED	£3.50
1702 EPROM EX EQPT	£5
2114 EX EQPT 50p 4116 EX EQPT	70p
6264-15 8k STATIC RAM	£2
GR281 NON VOLATILE RAM EQUIV 6116	£5
Z80A SIO-C	£1.25
TMS27C256-25 ONE SHOT 27C256	£1 ea 100 £70
P80367-16 CO-PROCESSOR	£80
M27C1024-12XF1 (40-pin 1 MEG EPROM)	£4.50
NMC9306EN EPROM 256 bits	£1
7126 3 1/2 DIGIT LCD DRIVER CHIP	£2 ea
2816A-30 HOUSE MARKED	

£2 each QUANTITY AVAILABLE

REGULATORS

SANKEN STR451 USED IN AMSTRAD MONITORS	£5
78H12AS 12V 5A	£5
78M05 5V 0.5A	7/£1
LM317T T05 CAN	£1
LM317T PLASTIC T0220 variable	£1
LM317 METAL	£2.20
7812 METAL 12V 1A	£1
7805/12/15/24V plastic	25p 100+ 20p 1000+ 15p
7905/12/15/24 plastic	25p 100+ 20p 1000+ 15p
CA3085 TO99 variable reg	2/£1
LM338 5A VARIABLE 1.2-30V	£8
1387 5V 1/2A WITH RESET OUTPUT	£1 ea £50/100

CRYSTAL OSCILLATORS

1M000 1M8432 1M000 4M000 10M000 16M000 18M432000	
20M500 56M6992	£1.50 each

CRYSTALS

1M0 1M8432 2M000 2M304 2M77 3M000 3M2768 3M400	
3M57545 3M58564 3M93216 4M000 4M194304 4M194304	
4M4336 4M9152 5M000 5M0688 6M000 6M400 8M000 8M448	
9M8304 10M240 10M245 11M000 12M000 13M000 13M270	
14M000 14M31818 16M000 15M000 16M000 16M5888 17M000	
20M00 21M300 21M855 22M1184 24M000 34M368 36M36875	
36M5625 36M78125 36M79375 36M80625 36M81875	
36M83125 36M84375 38M900 49M50 54M19166 57M7416	
57M7583 69M545 69M550	£1 each

TRANSISTORS

BC107 BCY70 PREFORMED LEADS	
full spec	£1 £4/100 £30/1000
BC557, BC546B, BC238C, BC308B	£1/30 £3.50/100
2N3619 PETS short leads	4/£1

POWER TRANSISTORS

P POWER FET IRF9531 8A 60V	3/£1
N POWER FET IRF531 8A 60V	2/£1
29C1520 sim BE259	3/£1 100/£22
TIP 141/2 £1 ea TIP 112/125/42B	2/£1
TIP35B/TIP35C	£1.50
SE9301 100V 1DA DARL SIM TIP121	2/£1
PLASTIC 3055 OR 2955 equiv 50p	100/£35
2N3773 NPN 25A 160V £1.60	10/£14
2N3055H	4 for £2

TEXTLOO ZIF SOCKETS

28 WAY ZIF EX NEW EQUIPMENT	£2.50
40 WAY NEW	£5
SINGLE IN LINE 32 WAY CAN BE GANGED FOR USE WITH ANY DUAL IN LINE DEVICES... COUPLING SUPPLIED	
	2/£1.50

CAPACITORS COMPUTER GRADE

2200µF 160V SIC SAFCO FELSIC C038	£4 (£1.20)
1000µF 50V	£1 (£1.30)
10,000µF 100V SPRAGUE/PHILIPS	£6 (£2.00)

QUARTZ HALOGEN LAMPS

12V 50WATT LAMP TYPE M312	£1 ea HOLDERS 60p ea
24V 150 WATTS LAMP TYPE A1/215	£2.50 each

NEW BITS

"SAFEBLOCKS" MADE BY RENDAR... MAINS 'RAT TRAP' USED	£4 ea
7126 3 1/2-DIGIT LCD DRIVER CHIP	£2 ea
74N16 MOTOROLA CELLULAR CAR PHONE O/P MODULE	£5 ea
CMOS 555 TIMERS 20k available	2/£1 £30/100

MISCELLANEOUS

36 CORE 7/0.2mm OVERALL SCREENED	£50/100m
LITHIUM CELL 1/2 AA SIZE	2 FOR £1
PASSIVE INFRARED SENSOR CHIP + MIRROR - CIRCUIT £2 each	
EUROCARD 21-SLOT BACK PLANE 96/96-WAY	£25 ea
"PROTONIC 24 VARIBUS" 16.7" x 5" FIBREGLASS MULTILAYER PTH PCB	
EUROCARD 96-WAY EXTENDER BOARD 290x100mm	£10 ea
"PROTONIC 24" c/w 2 SUPPORT ARMS/EJECTORS	
DIN 41612 96-WAY A/B SOCKET PCB RIGHT ANGLE	£1.30
DIN 41612 96-WAY A/B SOCKET WIRE WRAP PINS	£1.30
DIN 41612 64-WAY A/C SOCKET WIRE WRAP PINS	£1
DIN 41612 64-WAY A/C PLUG PCB RIGHT ANGLE	£1
DIN 41612 64-WAY A/B SOCKET WIRE WRAP (2-ROW BODY)	£1
BT PLUG + LEAD	3/£1
PC PARALLEL PRINTER CABLE	£5.90
13A MOULDED PLUG + 2m lead	£1
MIN. TOGGLE SWITCH 1 POLE c/o PCB type	£1
LCD MODULE sim. LM018 but needs 150 to 250V AC for display 40 x 2 characters 182x35x13mm	£10
TL431 2.5 to 36V TO92 ADJ. SHUNT REG	2/£1
6-32 UNC 5/16 POZI PAN SCREWS	£1/100
NUTS	£1.25/100
PUSH SWITCH CHANGEOVER	2/£1
RS232 SERIAL CABLE D25 WAY MALE CONNECTORS	£5.90 ea (£1.30)
25 FEET LONG, 15 PINS WIRED BRAID + FOIL SCREENS	
	INMAC LIST PRICE £30
STICK ON CABINET FEET RS NO 543-327	30/£1
LEMAG EARTH LEAKAGE TRIP 35A 35mA TRIP	£9
FANS 240V 120MM	£6 (£1.50)
(OTHER VOLTAGES/SIZES USUALLY AVAILABLE)	
AMERICAN 2/3 PIN CHASSIS SOCKET	2/£1
HUMIDITY SWITCH ADJUSTABLE	£2
WIRE ENDED FUSES 0.25A	30/£1
NEW ULTRASONIC TRANSDUCERS 32kHz	£2 pr
12-CORE CABLE 7/0.2mm OVERALL SCREEN	70p/metre
POWERFUL SMALL CYLINDRICAL MAGNETS	3/£1
BNC 50OHM SCREENED CHASSIS SOCKET	2/£1
SMALL MICROWAVE DIODES AE1 OC1026A	2/£1
D.I.L. SWITCHES 10-WAY 1/1 8-WAY 80p 4/5/6-WAY	80p
180VOLT 1WATT ZENERS also 12V & 75V	20/£1
VN 10LM 60V 1/2A 5 Ohm TO-92 mosfet	4/£1 100/£20
MIN GLASS NEONS	10/£1
RELAY 5V 2-pole changeover looks like RS 355-741 marked	£1 ea
STC 47WBot	£1 ea
MINIATURE CO-AX FREE PLUG RS 456-071	2/£1
MINIATURE CO-AX FREE SKT RS 456-071	2/£1.50
DIL REED RELAY 2 POLE n/c CONTACTS	£1
PCB WITH 2N2646 UNIJUNCTION WITH 12V 4-POLE RELAY	£1
400m 0.5W thick film resistors (yes four hundred megohms)	4/£1
STRAIN GAUGES 40 ohm Foil type polyester backed balco grid alloy	£1.50 ea 10+ £1
ELECTRET MICROPHONE INSERT	£0.90
Linear Hall effect IC Micro Switch no 613 SS4 sim RS 304-267	£2.50 100+ £1.50
HALL EFFECT IC UGS3040 magnet	£1
OSCILLOSCOPE PROBE SWITCHED X1 X10	£12
1 pole 12 way rotary switch	4/£1
AUDIO ICS LM380 LM388 TDA 2003	£1 ea
555 TIMERS £1 741 OP AMP	6/£1
ZN414 AM RADIO CHIP	80p
ODAX PLUGS nice ones	4/£1
COAX BACK TO BACK JOINERS	3/£1
4x4 MEMBRANE KEYBOARD	£1.50
INDUCTOR 20µH 1.5A	5/£1
1 1/2" PANEL FUSEHOLDERS	3/£1
CHROME/STEEL HINGES 14.5x1" OPEN	£1 each
12V 1/2W small w/e lamps fit most modern cars	100/£1
STEREO CASSETTE HEAD	£2
MONO CASS. HEAD £1 ERASE HEAD	50p
THERMAL CUT OUTS 50 77 95 120°C	£1 ea
THERMAL FUSES 220°C/121°C 240V 15A	5/£1
TRANSISTOR MOUNTING PADS TO-5/TO-18	£3/100
TO-3 TRANSISTOR COVERS	10/£1
PCB PINS FIT 0.1" VERO	200/£1
TO-220 micas + bushes	10/50p 100/£2
TO-3 micas + bushes	
PTFE min screened cable	10m/£1
Large heat shrink sleeving pack	£2
IEC chassis plug filter 10A	£3
POTS SHORT SPINDLES 2K5 10K 25K 1M 2M5	4/£1
40k U/S TRANSDUCERS EX-EQPT NO DATA	£1/pr
LM335Z 10MV/degree C	£1
LM234Z CONST. CURRENT I.C.	£1
PAPST 18-24V FAN 120mm WORKS OK ON 12V	£5
BNC TO 4MM BINDING POST SIM RS 455-961	£1
BUTTON CELLS SIM. AG10/AG12	4/£1
MIN PCB POWER RELAY 12V COIL 8V CONTACTS 2 P C/O	£1.25
AVEL-LINDBERG MOULDED TRANSFORMER TYPE OB10 15+15V 10VA QTY. AVAILABLE	£2 ea
BANDOLIRED COMPONENTS ASSORTED RS, CS, ZENERS	£5/1000
LCD MODULE 16 CHAR. X 1 LINE (SIMILAR TO HITACHI LM10)	£5
KYVAR WIRE WRAP WIRE	£1 REEL
OPH126A4 10KV OPTO ISOLATOR	£1.35 ea 100+ £1 ea
"LOVE STORY" CLOCKWORK MUSICAL BOX MECHANISM MADE BY SANKYO	£1 ea

BA158 1A 400V fast recovery	100/£3
BY127 1200V 1.2A	10/£1
BY254 800V 3A	8/£1
BY255 1300V 3A	6/£1
6A 100V SIMILAR MRR751	4/£1
1A 600V BRIDGE RECTIFIER	4/£1
4A 100V BRIDGE	3/£1
6A 100V BRIDGE	2/£1.35
8A 200V BRIDGE	2/£1.50
10A 200V BRIDGE	£1.50
25A 200 V BRIDGE £2	10/£18
25A 400V BRIDGE £2.50	10/£22

SCRS

PULSE TRANSFORMERS 1:1 + 1	£1.25
2F4M EQUIV C106D	3/£1
TICV106D 800mA 400C SCR 3/£1	100/£15
MEU21 PROG. UNIJUNCTION	3/£1

TRIACS

NEC TRIAC AC08F 8A 600V TO220	5/£2 100/£30
TXAL225 8A 500V 5mA GATE	2/£1 100/£35
BTA 08-400 ISO TAB 400V 5mA GATE	90p
TRAL2230D 30A 400V ISOLATED STUD	£5 ea
TRIAC 1A 800V TLR381T 16k AVAILABLE	
	5 FOR £1 £15/100

CONNECTORS

D25 IDC SOCKET FUJITSU	£2
34-way card edge IDC CONNECTOR (disk drive type)	£1.25
CENTRONICS 36 WAY IDC PLUG	£2.50
CENTRONICS 36 WAY IDC SKT	£4.00
BBC TO CENTRONICS PRINTER LEAD 1.5M	£3
CENTRONICS 36 WAY PLUG SOLDER TYPE	£4
USED CENTRONICS 36W PLUG + SKT	£3

PHOTO DEVICES

HI BRIGHTNESS LEDs COX24 RED	5/£1
SLOTTED OPTO-SWITCH OPCOA OPB815	£1.30
2N5777	50p
TIL81 PHOTO TRANSISTOR	£1
TIL38 INFRA RED LED	5/£1
AN25, OP1252 OPTO ISOLATOR	50p
PHOTO DIODE 510P	6/£2
MEL12 (PHOTO DARLINGTON BASE n/c)	50p
LED's RED 3 or 5mm 12/£1	100/£6
LED's GREEN OR YELLOW 10/£1	100/£6
FLASHING RED OR GREEN LED 5mm 50p	100/£40
HIGH SPEED MEDIUM AREA PHOTODIODE RS651-995	£10 ea

STC NTC BEAD THERMISTORS

G22 220R, G13 1K, G23 2K, G24 20K, G54 50K, G25 200K, RES 20°C DIRECTLY HEATED TYPE	£1 ea
FS22BW NTC BEAD INSIDE END OF 1" GLASS PROBE RES 20°C 200R	£1 ea
A13 DIRECTLY HEATED BEAD THERMISTOR 1k res. ideal for audio Wien Bridge Oscillator	£2 ea

CERMET MULTI TURN PRESETS 3/4"

10R 20R 100R 200R 250R 500R 2K 2K2 2K5 5K 10K 47K 50K 100K 200K 500K 2M	50p ea
---	--------

IC SOCKETS

14/18/18/24/28/40-WAY DIL SKTS	£1 per TUBE
8-WAY DIL SKTS	£2 per TUBE
32-WAY TURNED PIN SKTS. 7k available	3 for £1
SIMM SOCKET FOR 2x30-way SIMMS	£1

SOLID STATE RELAYS

40A 250V AC SOLID STATE RELAYS	£10
--------------------------------	-----

POLYESTER/POLYCARB CAPS

100n, 220n 63V 5mm	20/£1 100/£3
1n/3n/5n/6n/2/10n 1% 63V 10mm	100/£5
10n/45n/22n/33n/47n/66n/100n rad	100/£3.50
100n 250V radial 10mm	100/£3
100n 600V Sprague axial 10/£1	100/£6 (£1)
2u2 160V rad 22mm; 2u2 100V rad 15mm	100/£10
10µ/33µ/47n 250V AC x rated 15mm	100/£1
1µ 600V MIXED DIELECTRIC	50p ea
1µ 100V rad 15mm, 1µ 22mm rad	100/£6

RF BITS

XTAL FILTERS 21M4 55M0	£2 ea
CONHE X 50nH PCB RIGHT ANGLE PLUG	
ITT/SEALCTRO 051 053 9029 22-0 4K AVAILABLE	2/£1
ALL TRIMMERS	3 for 50p
TRIMMERS larger type GREY 2-25pF	YELLOW 5-65pF
VIOL ET	5-105pF
SMALL 5uF 2 pin mounting 5mm centres	
SMALL MULLARD 2 to 22pF	3 FOR 50p £10/100
TRANSISTORS 2N4427	70p
CERAMIC FILTERS 4M5/6M/9M/10M7	60p ea
FEED THRU CERAMIC CAPS 1000pF	10/£1
SL610	£5
74N16 MOTOROLA CELLULAR CAR PHONE O/P MODULE	
6 VOLT TELEDYNE RELAYS 2 POLE CHANGEOVER	£2
(BFY51 TRANSISTOR CAN SIZE)	
2N2222 METAL	5/£1
P2N2222A PLASTIC	10/£1
2N2369A	5/£1

PLESSEY ICS EX-STOCK

SL350G SL360G SL362C SL403D SL423A	
SL521B SL523C SL541B SL630C SL850C SL1021A	
SP8655 SP8719DG	

MONOLITHIC CERAMIC CAPACITORS

10n 50V 2.5mm	100/£4.50
100n 50V 2.5mm or 5mm	100/£6
100n ax short leads	100/£3
100n ax long leads	100/£5
100n 50V dil package 0.3" rad	100/£8
1µF 50v 5mm	£6/100

SEND £1 STAMPS FOR CURRENT IC + SEMI STOCK LIST - ALSO AVAILABLE ON 3 1/2" FLOPPY DISK

MAIL ORDER ONLY

MIN. CASH ORDER £5.00. OFFICIAL ORDERS WELCOME
UNIVERSITIES/COLLEGES/SCHOOLS/GOVT. DEPARTMENTS
MIN. ACCOUNT ORDER £10.00
P&P AS SHOWN IN BRACKETS (HEAVY ITEMS) OTHERWISE 95p

ADD 17 1/2% VAT TO TOTAL

ELECTRONIC COMPONENTS BOUGHT FOR CASH



KEYTRONICS

TEL. 0279-505543

FAX. 0279-757656

P O BOX 634

BISHOPS STORTFORD

HERTFORDSHIRE CM23 2RX

ACTIVE

A-to-D & D-to-A converters

12-bit multiplying D-to-A. In one 24-pin narrow dip, Maxim's *Max514* holds four independent multiplying serial 12-bit converters and dissipates 10mW maximum. The converters have 1.5LSB gain accuracy, 1LSB relative accuracy, are monotonic and exhibit a settling time to 0.5LSB of less than 1µs. Each converter has its own reference input and a common 5V supply. Maxim Integrated Products, 0734 845255.

Quad D-to-A. Maxim's new *Max527* quad multiplying 12-bit voltage-output D-to-A converter for 5V systems replaces four single converters and four output amplifiers; it has guaranteed monotonic 12-bit performance with ±0.5LSB relative accuracy over the commercial, industrial or military temperature ranges for all outputs. With 50mW power consumption, the device offers a 5µs settling time and THD+N is less than 0.024% with 850mV reference signal up to 100kHz. Bandwidth to -3dB is 700kHz. Maxim Integrated Products UK, 0734 845255.

Discrete active devices

Micropower high-side driver. Linear's *LTC1156* quad high-side n-channel mosfet driver draws only 95µA from 5V (16µA when all four outputs are off). It has short-circuit protection and needs no extra components to drive four n-channel mosfet gates to 12V from the 5V supply. Each gate is independently controlled and ramped to eliminate interaction and to reduce RFI and EMI. The short protection comes on in 10µs, but can be delayed to handle difficult loads. Linear Technology (UK) Ltd, 0276 677676.

Small 1A mosfet. Zetex's *ZVN4306A* mosfet passes 1.3A continuous current but measures 4mm by 2.4mm by 4.7mm and is believed to be the world's smallest. On resistance is 0.22Ω at 3A and 10V gate drive. Peak current is 20A, breakdown 60V and dissipation around 1W. With turn-on

and turn-off times of 8ns and 30ns, rise and fall times of 25ns and 16ns, the device is suitable for use in HF DC-to-DC converters. Zetex plc, 061 627 4963.

Transient suppression.

Zener/avalanche diode fast-acting voltage clamps from Zetex, the *1.5KE* and *P6KE*, handle large pulse currents and up to 1.5kW and 600W respectively. Voltages available in the *1.5KE* series are 6.8-400V, while in the *P6KE* types the range is 6.8-200V. Both come in unidirectional or bidirectional form with 5% tolerance. *P6KE* devices operate in less than 1ps. Zetex plc, 061 627 4963.

Linear integrated circuits

Dual comparator. Common-mode range of -4V to 8V and propagation delay of 3ns are features of the Signal Processing Technologies *SPT9691* dual jfet-input comparators. Tracking bandwidth is 300MHz at -3dB, open-loop gain 60dB, input C 1pF, differential input voltage range ±10V and differential input R 2GΩ. No external buffering is needed. Ambar Cascom Ltd, 0296 434141.

Dual op-amp. Input circuitry of Analog's *OP275* dual op-amp combines Jfet and bipolar techniques to obtain the advantages of both: low distortion and voltage noise from the bipolar circuitry; and fast slewing, low power and wide dynamic range from the jfet. THD plus noise is 0.0006%, with 6nV/Hz voltage noise density. Current noise density is 1.5pA/Hz and input offset voltage less than 200µV; slew rate is 22V/µs. Analog Devices, 0932 253320.

700MHz buffer amplifier. Harris's *HFA1110* uses the company's *UHF1* 8GHz bipolar process to produce a closed-loop buffer amplifier with a 700MHz bandwidth and selectable gain of +1, -1 or +2 with no extra components. Slew rate is 2500V/µs and settling time to 0.02% is 7ns. A gain error of 0.01V/V and gain flatness with frequency of 0.04dB up to 50MHz make the device very suitable for handling video. Harris Semiconductor (UK), 0276 686886.

Voltage reference. *LM4431* is claimed by National Semiconductor to be the smallest ever voltage reference and is contained in an SOT-23 transistor package. No external capacitor is needed. Intended for high-volume manufacturing in areas such as disk drives and personal

computers, it has a 2.5V fixed reverse voltage breakdown with ±2% accuracy, 0-70deg.C temperature range, 35µV RMS output noise and 100µA-15mA operating current. National Semiconductor, 0793-697466.

Logic building blocks

Elapsed-time counter. Dallas's *DS1603* elapsed-time counter module counts and records the time during which power is applied to it and the system in which it works. It also functions as a real-time clock and can be reset and used to measure equipment use during a set time. Accuracy is within ±2min/month and, since it has a 1Hz output, is usable as a clock for other functions. Its three-wire serial link comprises data line, clock and reset. Dallas Semiconductor Corp, 021 782 2156.

PC i/o. *Super I/O II* by National Semiconductor is XT/AT-compatible and is meant for use in i/o-intensive applications. The low-power device offers floppy-disk control for four 2.88Mbyte drives, two uarts, a bidirectional parallel port, an IDE interface for two hard drives, XT/AT address decoding and configuration

Disk-drive chipset. Three chips from AT&T have the performance and low enough power consumption to put hard drives in 2.5in formats or smaller. No glue logic and few other components are needed. *REACH2* is the read-

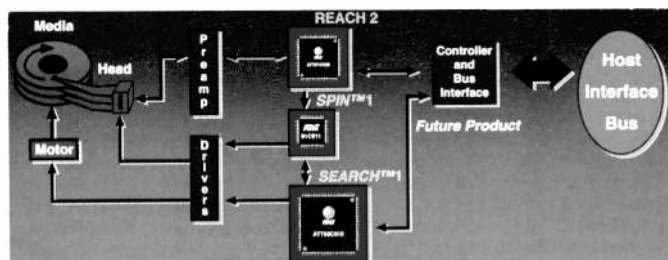
registers to select addresses, enable, disable or power-down. Super I/O III is a pin-compatible unit, but with more powerful uarts. National Semiconductor, 0793-697466.

Memory chips

Fastest 1Mbit eprom. Atmel claims its *AT27HC1024* 1Mbit erasable rom, with a read-access time of 45ns, to be the fastest available. Zero-wait-state operation is possible and the device offers the Atmel rapid-programming algorithm for accurate programming in 100µs/byte. Current consumption is 80mA at 10MHz (active) and 8mA (standby). It is organised as 64K by 16bit. Atmel (UK) Ltd, 0276 686677.

Microprocessors and controllers

High-speed correlator. Harris's *HSP45256* is a 33MHz, multiple configuration binary correlator, a device which compares a reference signal with an input and assigns a score based on the level of agreement between the two. Such a device is needed to detect, recognize or synchronize data among other data or noise in, for example, error detection and pattern recognition. There are 256 taps, which can be arranged in many different ways, from a single 256 tap to two independent 4 by 32 tap correlators, up to 16 devices being cascaded. Double registers allow new data input while correlation is taking place. Harris Semiconductor (UK), 0276 686886.



channel device, using dedicated data and servo paths to support data rates of up to 30Mbit/s. It integrates read channel, synthesiser and servo demodulator. *Search1* is the positioning and spindle servo controller, including clock control and power down; and *Spin1* is the servo data converter, interfacing to either an 8-bit or 16-bit microcontroller. AT&T Microelectronics, 0732 460424.

F-p risc microcontroller. LSI Logic has, it says, the first risc microcontroller with on-chip floating-point capability. *LR33050* MIPS IFX, the integer and floating-point accelerator, adds a MIPS *R3010*-compatible f-p accelerator to the *LR33000* self-embedding processor. It incorporates the glue logic of a true risc device and the f-p acceleration needed by embedded systems on one chip. Clock speeds available are 25, 33 and 40MHz and 5K caches are on-chip. LSI Logic Ltd, 0344 426544.

NEW PRODUCTS CLASSIFIED

Please quote "Electronics World + Wireless World" when seeking further information



Upgradeable chipset. Computer system in which graphics and systems logic are merged, the *WinCHIPSet* from Chips & Technologies, allows users to see some sort of visible result from expensive upgrading exercises. When faster microprocessors or cache memories are added, this chipset keeps the graphics system in step with the increased power. It incorporates the Wingine Windows accelerator and the *CS4021* systems logic, which supports 386DX, Super 386, 486SX, 486DX and 486DX2 systems running at up to 50MHz. Thame Components Ltd, 0844 261188.

Risc microprocessor. *ARM610*, a new member of VLSI's 32-bit risc micro family, gives 29K Drystones at 25MHz while dissipating less than 600mW. It consists of the 32bit *ARM6* risc macrocell, memory management, 4K cache, a write buffer and full boundary scan. Power consumption is quoted at 4.5mA/MHz, low enough for inexpensive battery-powered equipment. Its development software runs on Sun, dos and Mac systems. VLSI Technology Ltd, 0908 667595.

Mixed-signal ICs.

DC motor drive. A driver for the three-phase brushless motors in 5V Winchesters, the *A8902SLB* IC from Allegro is a 3-phase dmos back-EMF sensing circuit giving 1A, 1 Ω outputs. Ground clamp and flyback diodes are included and there is thermal shutdown. No Hall-effect position sensors are needed, since internal circuitry provides start and run sequencing and internal linear current control used with external components allows frequency-locked speed control. A serial port enables a user to program reference frequency count number. Allegro Microsystems, 0932 253355.

Teletext processor. In addition to its capability of processing all teletext standards worldwide, ITT's *TPU2740* displays graphics from other sources. Its 3-bit RGB graphics enables display of 540 by 260 pixels and the

Opto sensor. An alternative CCD image sensors and photodiode arrays, TI's *TSL214* integrated opto sensor needs only a 5V supply and a pair of timing pulses. Output video reference and S/H circuitry are incorporated and the devices can be combined in parallel or serially. Data rate is from 10kHz to 500kHz. The imager consists of an addressed line of 64 charge-mode pixels, analogue and digital elements. There is also the *PC404* evaluation kit containing a sensor, drive board, lens and all clock and interface logic. Texas Instruments, 0234 223252.

high resolution enhances all screen functions and makes it suitable for multi-media use. Formats supported include WST, Caption and NABTS on pal, mac, NTSC and Secam and there is an optional 4Mbit storage capacity to store 200 pages, a 72Mips risc processor allowing real-time display. ITT Semiconductors, 0932 336116.

Speech chip. In addition to using the Oki ADPCM algorithm, the Oki *MSM6650* speech synthesiser accepts a linear 8-bit format, sampling at 4-32kHz. Filters are automatically adjusted and a total of 127 phrases are addressable. An internal 12-bit A-to-D converter and low-pass filter produce a good-quality output. In different versions, rom size varies from 288kbit to 2Mbit. Complete sentences can be coded in an "edit rom" to contain up to eight phrases, so that one address byte and one common byte give the position of the data in rom. Depending on rom size, a maximum of 130 seconds of speech can be generated, or up to 70 minutes with a rom-less version and 64Mbit of external memory. Oki Semiconductor (UK) Ltd, 0753 516577

Fast synthesisers. SSS has two new fast synthesisers: *SSSB138/139*, which work from 500MHz to 3.6GHz (138) and 2-4GHz (139). Each has a high frequency comparison frequency up to 50MHz for fast look-up and spectral purity from the VCO. All

synthesiser functions are present, with the exception of charge pump, VCO and crystal oscillator. Division is controlled by cmos levels from 12 to 64. The devices are intended for multi-loop, fast-hopping synthesisers. Swindon Silicon Systems Ltd, 0793 614039.

Optical devices

High-power IR. Gallium aluminium arsenide infrared emitters from Opto Diode will put out up to 6.5mW. Three, six or nine chips in each package, working at 880nm, are on TO66 gold headers and beryllium oxide substrates for best heat dissipation. Hero offers a designers' data book. Hero Electronics Ltd, 0525 405015.

Transmissive sensors.

TCYS5201/6201 transmissive optical sensors from Telefunken Electronic have an aperture of 0.5mm for high resolution in paper positioning or as the sensors in shaft encoders. They work at a wavelength of 950nm and have TTL-compatible Schmitt open-collector outputs, which rise and fall in 50ns and 20ns at a maximum of 3kHz. The 5201 is a snap-fitting type, while 6201 is screw mounted. Transmitter and receiver are available separately as the TCZS 8100. Siliconix Ltd, 0635 30905.

Colour CCD. Sony's *ICX045BKA-6* is an interline transfer CCD image sensor for use in pal 1/3in colour video cameras. Separate yellow, cyan, magenta and green complementary colour mosaic filters give 6dB sensitivity improvement over the earlier unit and the use of Sony's hole accumulation diode (HAD) gives low smearing and high anti-blooming. Effective image area is 500 by 582 pixels. Field-integration read-out and a variable-speed electronic shutter. Sony Components, 0793 618492.

Programmable logic arrays

Fast, sub-micron gate array. *ATL80* gate arrays from Atmel are fabricated in 0.8micron cmos; 11 arrays in the family provide gate counts up to 180,000 and up to 490 pins. Delay is 200ps and supplies from 3V to 5.5V, the devices still operating at 2.4V. Popular cad software is relevant and the current cell libraries for 1micron ATL designs are compatible. Atmel (UK) Ltd, 0276 686677.

2000-gate FPGA. QuickLogic claims that its *QL12*16* high-speed, 2000-usable-gate field-programmable gate array is the only such device available that will provide zero-wait-state support for 33-50MHz microprocessors. It can be used instead of masked arrays or to integrate high-speed pals. It is organised as a 12 by 16 array, each

cell containing a flip-flop and enough logic to form two latches, resulting in 576 storage cells. QuickLogic, (USA) +1 408 987-2000

Power semiconductors

Power mosfet. Philips's *BUK101-50GL* is meant for use in car electronics and is a logic-level power mosfet, protected against overload and high temperature. Salient virtues are 50V off-state drain/source volts, continuous 20V/26A working, 75W dissipation, continuous 150deg.C junction temperature and a 60m Ω on resistance. Control and logic supplies are derived from the input. Gothic Crellon Ltd, 0734 788878.

Linear regulators. Three units in the Semtech range of 2A linear regulators produce outputs of 5V, 12V and 15V, the fourth device having an adjustable output from 4V to 30V; all the models have a grounded case. Temperature stability comes from the use of a band-gap reference and the power management circuitry limits internal dissipation up to the rated input voltage maximum of 40V and 20W dissipation. Semtech Ltd, 0592 773520.

PASSIVE

Passive components

SMT pots. A true surface-mounted potentiometer from Murata, the *POT0102W*, is a multi-turn type capable of withstanding wave soldering and cleaning. It measures 6.35 by 6.35 by 4.3mm and has a resistance range of 10 Ω to 1M Ω \pm 10%. Units are rated at 0.25W and have a maximum wiper current of 100mA, working at 200V. Murata Electronics (UK) Ltd, 0252 811666.

Filters

Wide-range filter. Two-channel programmable filter from Kemo, the *VBF10*, offers a million-to-one range of cut-off frequencies: 0.1Hz-102.3kHz. Each channel is gain-programmable from -11dB to 70dB, can be connected in series or parallel and can be controlled by RS232 or GPIB. Additional units will expand the system to give up to eight pairs of channels and can be internally connected to provide bandpass, bandstop, lowpass and highpass characteristics. All functions are controlled from the front panel. Kemo Ltd, 081 658 3838.

Saw filters. Murata's first surface-mounted saw filters are known as the *SAFC* series, which measure 9.1 by 7.1 and 13.3 by 6.5mm. Centre frequencies are from 278 to 283MHz for use in pagers, and 71-183MHz for mobile telephones. They are suitable for reflow soldering and organic washing. Murata Electronics (UK) Ltd, 0252 811666.

RFI suppression. Corcom Q filters are meant to reduce RFI in equipment working at 10kHz and above; in particular, switching power supplies. Filters can be mounted on chassis or back panel, with or without IEC connectors. Maximum current rating is up to 6A, depending on the type. The list of approvals includes VDE, CSA, UL and Semco. Sterling Components Ltd, 0753 820753.

Hardware

Heat-sink attachment. A self-locking, solderable stand-off tag from Aavid gives a positive snap-in heat-sink attachment that retains heat sinks in position during flow soldering and allows the routing of PCB tracks under the heat sink. Its bifurcated tip snaps into a 0.093in plated-through hole, where it protrudes less than 0.06in beyond a 0.0625in board. Aavid Engineering Ltd, 0279 520022.

Instrumentation

Digital wattmeter. Yokogawa's *2534* is a single-phase instrument for measurements at DC and in the range 10Hz-20kHz. Its sampling process renders it immune to waveform distortion, so that it can be used in circuitry such as switched-mode supplies to an accuracy within 0.5% of full scale. Three displays indicate voltage, current and power simultaneously, with the ability to integrate the displays to give active power, reactive power and energy consumption. Frequency measurement is available from 4Hz to 22kHz and the instrument has optional GPIB or RS-232C interfaces. Martron Instruments Ltd, 0494 459200.

Four-in-one. *MX9000* from Saje contains four of the most frequently used instruments in one case: a power supply, a frequency meter, a function generator and a multimeter. The PSU provides 0-50V at 0.5A, 15V 1A and 5V 2A, with an LCD. An eight-digit counter measures 1Hz-100MHz with data hold. Sine, square, triangular, skewed sine, pulse and TTL outputs and a log/linear sweep into 50 Ω or 600 Ω from 0.02Hz to 2MHz are available and the multimeter measures direct and alternating voltage and current, resistance and relative measurements. Saje Electronics, 0223 425440.

12in oscilloscope. Dual-trace oscilloscope from Thurlby-Thandar has a 310mm, medium-persistence tube and is meant for use with a sweeper to display frequency response. Model *12F* displays four traces on the 8kV tube, including two from the sweeper, and the medium trace persistence takes care of any flicker; a clamp holds the baseline stable. Sensitivity is 1mV/div. and -3dB bandwidth 10kHz. Thurlby-Thandar Ltd, 0480 412451.

Power supplies

High-voltage converters. Brandenburg 3.5kV DC-to-DC converters in the *390* series now have an output ripple less than 300mV pk-pk; 12V versions have been added to the original 24V types. Output is from 10V to 3.5kV, either positive or negative, 5W being available at the maximum voltage setting. Temperature coefficient is 100pp/ $^{\circ}$ C and the units measure 95 by 50 by

20MHz oscilloscope.

Mains/battery oscilloscope from Thurlby-Thandar measures only 8.5 by 3.5 by 11.7in, but provides 20MHz bandwidth, 1mV/division (6.35mm) sensitivity and a 0.2 μ s/div. sweep speed, expandable to 40ns/div. Vision-signal sync. is provided. Thurlby-Thandar Ltd, 0480 412451.



SM audio transducer. Saje Micronics's *MUT-01A* transducer is claimed to be the world's first intended for automatic handling and surface mounting using IR reflow soldering. It is an electromagnetic device, measures 14 by 11 by 3mm and has its sound port on one end. From a 1.5V square wave, it produces an 85dB 3.2kHz tone. Roxburgh Electronics Ltd, 0274 281770.

19mm. Output is adjustable by potentiometer or by an external 0-10V potential. Astec High Voltage, 0384 440044.

Computer batteries. Designed for use in Compaq Deskpro 286/386 and 386 portables, Tadiran *T15280* and *T15283/C* user-replaceable batteries are fitted with 4A connectors and 200mm leads. Type *T15242/W* meets real-time clock requirements and is usable with Toshiba, Tandy, Tatung, Wyse and Mitac computers. ESD Electronic Services, 0279 626777

DC-to-DC converters. A range of converters from FR starts with 1W single and dual output types working from 5V or 12V input and extends to 30W versions with single, dual and triple outputs and 4:1 input voltage ranges from 9V to 72V, each being fitted with an internal filter to reduce conducted noise. A number of cases are offered that can be supplied in black-coated copper to cut down on radiation. FR Electronics, 0202 897969.

DC-to-DC converters. Fixed-frequency converters in the *NFC10* series from XP give a 10W output in the ranges 9-18V, 18-36V and 36-72V DC, with single and dual outputs from \pm 5V to \pm 15V. The series meets EN60950 safety regulations and its MTBF is better than 1,000,000 hours. XP plc, 0734 845515.

Radio communications products

Stable microwave oscillator. Anglia's *KDO-150* 8-18GHz oscillator is meant for circuits needing great

frequency stability and the facility of digital frequency control as well as the manual variety. Mechanical tuning gives \pm 25MHz adjustment. Anglia Microwaves Ltd, 0277 630000.

Transducers and sensors

Air-flow sensors. Sensor modules in the *TRMF* series by Murata use the change in resistance of a platinum element caused by air cooling to measure the flow velocity from 0 to 10m/s, a second sensor compensating for ambient temperature. Operating temperature range is 0-60 $^{\circ}$ C in relative humidity up to 95%. Signal processing is incorporated. Murata Electronics (UK) Ltd, 0252 811666.

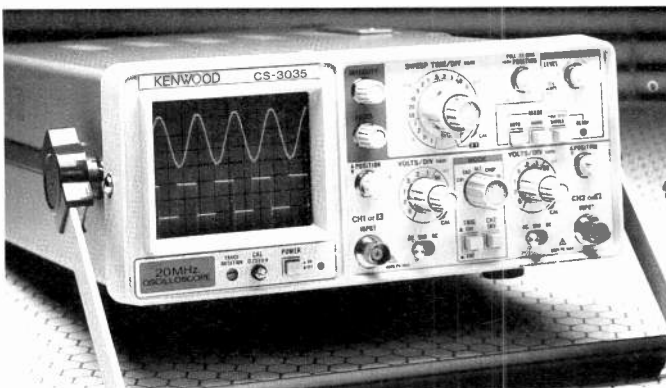
COMPUTER

Computer board level products

Transputer graphics. *IMS B437* is a credit-card sized transputer module giving graphical output, configurable to provide a variety of formats, from television standards with sync. and interlacing, to 1024 by 1024 displays. Machine vision and image-processing systems use the *B437* with the *B429* video image-processing module. The internal colour video controller is programmed by the transputer to generate the required timing and display resolution to make it compatible with any monitor. Support software is in Ansi C and Occam. Immos, 0454 616616.

Computer systems Smallest PC.

MicroBox is an industrial PC chassis measuring 8.5in by 6in by 3.5in and is



NEW PRODUCTS CLASSIFIED

Please quote "Electronics World + Wireless World" when seeking further information

On and off-line DSP. For both real-time processing and off-line data reduction, Signalysys's *ACP-store* sends digitised signals direct to hard disks or tape and in parallel to a PC. Inmos standard modules provide up to eight channels of anti-aliased 16-bit data acquisition at 100ksample/s, synchronously sampled, *T800* transputers give real-time processing and the data reduction; the PC's keyboard and display being the only components in use. The whole system is contained inside the PC or in an expansion chassis. Signalysys Ltd, 0296 631306.

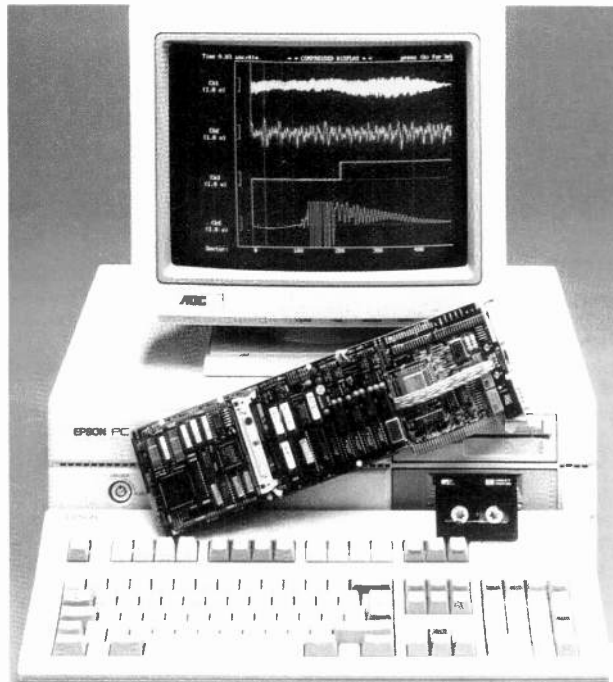
designed to accept three half-length cards in a passive AT backplane. 286 or 386SX cards are on offer, as is a range of silicon disk choices. External floppies or hard disks are connected via chassis sockets. Processors include serial and parallel ports, disk controllers, a watchdog timer and memory, two expansion slots being available. Fairchild Ltd, 0703 559090.

Development and evaluation

PIC16C5X programmer. Low-cost programming for the Arizona *PIC16C5X* range of microcontrollers is made possible by the ASL programmer, which costs £99. It consists of a free-standing PCB and needs an 18V-30V PSU, connecting to a PC via RS232. PC software generates pull-down menus for all the usual functions. Farnell Electronics Ltd, 0532 636311.

PC image compression. C-Cube's *CL550* JPEG processor forms the

H8/330 emulator. Emulation for Hitachi's *H8/330* microcontroller is provided by the *EM8330*, which allows software and hardware debugging at up to 10MHz without using the microcontroller's internal resources. An unlimited number of breakpoints can be set in any memory location and four hardware event comparators look for combinations of address, data and user probes. There is 8K by 1024bit of trace memory to capture execution information in real time. Hitachi Europe Ltd, 0628 585000.



core of a still-image board development kit which allows the production of low-cost JPEG image-compression boards for PCs. Such boards provide up to 10 times the compression/decompression performance of software solutions at about three times the cost. The JPEG still-image board runs at 10MHz, supporting data compression rates of over 1Mbyte/s, handling a 24-bit, 640 by 480 image in around 0.7s when used on a 386SX PC. Kudos Thame Ltd, 0734 351010.

Graphics editor. For use in ASIC design, the *Iced-32* PC-based graphics editor from SMS reduces the cost of layout design by placing a polygon editor on the PC; there is also a design-rule check. CALMA and CIF *i/o* and up to 100 layers of cell nesting are provided, with wire and polygon editing, cut and merge

commands and the use of text and lines for annotation. *Iced* is XT/AT-compatible and outputs to most of the standard laser, jet and dot printers. Silicon Microsystems Ltd, 0666 824844.

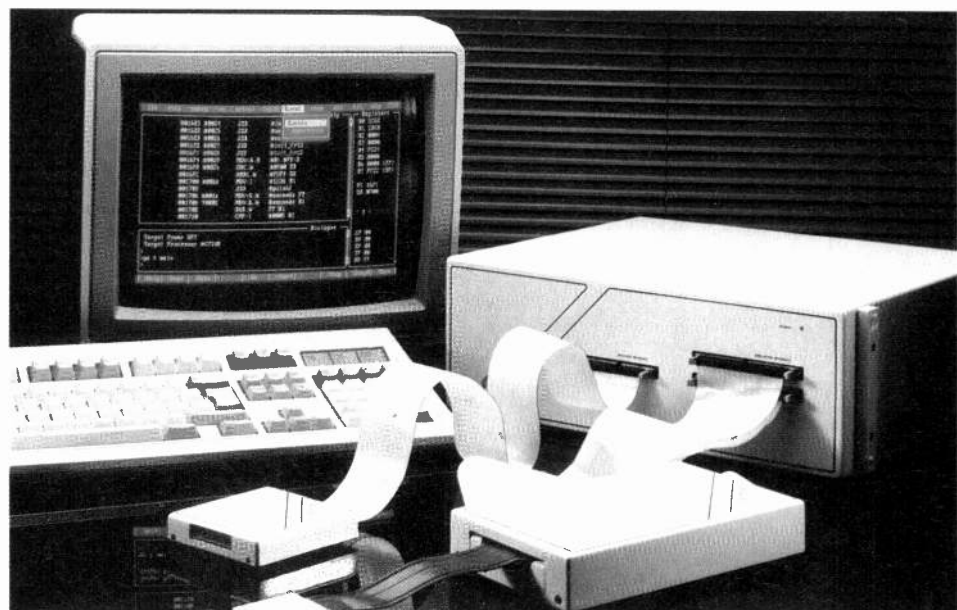
Software

Virtual instruments. *Amps* from Bores is a combined hardware and software package that provides a Windows-based approach to instrumentation and DSP hardware for analogue *i/o* and real-time processing such as filtering or spectral analysis. "Instruments" include two kinds of oscilloscope ("knobs" or "push-buttons"), a data recorder to disk and a spectrum analyser. Filter design incorporated allows one to make digital filters as required and to insert them into the application in use. Bores Signal Processing, 0483 740138.

Image compression. Fractal Transform image compression software from Iterated Systems can be integrated into users' dos or Windows applications by means of the SDK v.1.0 Software Compressor with a single function call. Decompression is integrated by way of an existing software development kit. The company also offers SDK v.1.0 Resolution Enhancement, which is also integrated into dos and Windows to enhance image resolution without compression, images being enlarged and endlessly zoomed without pixelation. Iterated Systems Ltd, 0734 880261.

Spox 1.4. Spox, the operating system for signal processors, has been upgraded to version 1.4 for *TMS320C30/31* processors; other processors are not affected. Improvements include support for Texas Instruments's latest compiler, which provides for code inlining of seldom-used functions and several *i/o* enhancements. Spox will run on PCs or Sun workstations, the versions being Spox/dos and Spox/Sun. Loughborough Sound Images Ltd, 0509 231843.

DSP development. Based on Free Software Foundation's GNU C compiler, Motorola's new software development toolkit for *DSP56000/1* digital signal processors enables high-level language access to DSP development, by-passing assembly-level programming. The GNU C compiler increases program execution speed by a factor of nearly two and supports floating-point emulation, eliminating the need to scale results. A C source-level debugger and documentation are included in the kit. Motorola Ltd, 0908 614614.



AMSTRAD PORTABLE PC'S FROM £149 (PPC1512SD), £179 (PPC1512DD), £179 (PPC1640SD), £209 (PPC1640DD), MODEMS £30 EXTRA, NO MANUALS OR PSU.

HIGH POWER CAR SPEAKERS. Stereo pair output 100w each 4ohm impedance and consisting of 6 1/2" woofer, 2" mid range and 1" tweeter. Ideal to work with the amplifier described above. Price per pair £30.00 Order ref 30P7R

MICROWAVE CONTROL PANEL. Mains operated, with touch switches. Complete with 4 digit display, digital clock, and 2 relay outputs one for power and one for pulsed power (programmable). Ideal for all sorts of precision timer applications etc. Now only £4.00 ref 4P151.

FIBRE OPTIC CABLE. Stranded optical fibres sheathed in black PVC. Five metre length £7.00 ref 7P29R
12V SOLAR CELL. 200mA output ideal for trickle charging etc. 300 mm square. Our price £15.00 ref 15P42R

PASSIVE INFRA-RED MOTION SENSOR. Complete with daylight sensor, adjustable lights on timer (8 secs - 15 mins), 50' range with a 90 deg coverage. Manual override facility. Complete with wall brackets, both holders etc. Brand new and guaranteed. Now only £19.00 ref 19P29

Pack of two PAR38 bulbs for above unit £12.00 ref 12P43R
VIDEO SENDER UNIT. Transmits both audio and video signals from either a video camera, video recorder or computer to any standard TV set within a 100' range (tune TV to a spare channel). 12V DC op. £15.00 ref 15P39R Suitable mains adaptor £5.00 ref 5P19R

FM TRANSMITTER housed in a standard working 13A adapter (bug is mains driven). £26.00 ref 26P2R

MINIATURE RADIO TRANSCEIVERS. A pair of walkie talkies with a range of up to 2 kilometres. Units measure 22x52x155mm. Complete with cases. £30.00 ref 30P12R

FM CORDLESS MICROPHONE. Small hand held unit with a 500' range! 2 transmit power levels reqs PP3 battery. Tuneable to any FM receiver. Our price £15.00 ref 15P42AR

12 BAND COMMUNICATIONS RECEIVER. 9 short bands, FM, AM and LW DX/local switch, tuning 'eye' mains or battery. Complete with shoulder strap and mains lead. **NOW ONLY £19.00!! REF 19P14R.**

CAR STEREO AND FM RADIO. Low cost stereo system giving 5 watts per channel. Signal to noise ratio better than 45db, wow and flutter less than 35%. Neg earth. £19.00 ref 19P30

LOW COST WALKIE TALKIES. Pair of battery operated units with a range of about 200'. Our price £8.00 a pair ref 8P50R

7 CHANNEL GRAPHIC EQUALIZER. plus a 60 watt power amp! 20-21KHZ 4-8R 12-14V DC negative earth. Cased £25 ref 25P14R

NICAD BATTERIES. Brand new top quality 4 x AA's £4.00 ref 4P44R 2 x C's £4.00 ref 4P73R, 4 x D's £9.00 ref 9P12R, 1 x PP3 £6.00 ref 6P35R

TOWERS INTERNATIONAL TRANSISTOR SELECTOR GUIDE. The ultimate equivalents book. Latest edition £20.00 ref 20P32R

CABLE TIES. 142mm x 3.2mm white nylon pack of 100 £3.00 ref 3P104R. Bumper pack of 1 000 ties £14.00 ref 14P6R
GOT A CARAVAN OR BOAT?

NEW 80 PAGE FULL COLOUR LEISURE CATALOGUE
2,500 NEW LINES FREE WITH ORDER ON REQUEST

OR SEND £1.00

GEIGER COUNTER KIT. Complete with tube, PCB and all components to build a battery operated geiger counter. £39.00 ref 39P1R

FM BUG KIT. New design with PCB embedded coil. Transmits to any FM radio. 9v battery req'd £5.00 ref 5P158R

FM BUG. Built and tested superior 9v operation. £14.00 ref 14P3R

COMPOSITE VIDEO KITS. These convert composite video into separate H sync, V sync and video. 12v DC. £8.00 ref 8P39R

SINCLAIR C5 MOTORS. 12v 29A (full load) 3300 rpm 6"x4" 1/4" O/P shaft. New. £20.00 ref 20P22R

As above but with fitted 4 to 1 inline reduction box (800rpm) and toothed nylon belt drive cog £40.00 ref 40P8R

ELECTRONIC SPEED CONTROL KIT for c5 motor. PCB and all components to build a speed controller (0-95% of speed). Uses pulse width modulation. £17.00 ref 17P3R

SOLAR POWERED NICAD CHARGER. Charges 4 AA nicads in 8 hours. Brand new and cased £6.00 ref 6P3R

ACORN DATA RECORDER ALF503. Made for BBC computer but suitable for others. Includes mains adaptor, leads and book. £15.00 ref 15P43R

VIDEO TAPES. Three hour superior quality tapes made under licence from the famous JVC company. Pack of 5 tapes. New low price £8.00 ref 8P161

PHILIPS LASER. 2MW HELIUM NEON LASER TUBE. BRAND NEW FULL SPEC £40.00 REF 40P10R. MAINS POWER SUPPLY KIT £20.00 REF 20P33R READY BUILT AND TESTED LASER IN ONE CASE £75.00 REF 75P4R.

12 TO 220V INVERTER KITS as supplied it will handle up to about 15w at 220v but with a larger transformer it will handle 80watts. Basic kit £12.00 ref 12P17R. Larger transformer £12.00 ref 12P41R

VERO EASI WIRE PROTOTYPING SYSTEM ideal for designing projects on etc. Complete with tools, wire and reusable board. New low bargain price only £2.00 ref 82P1

HIGH RESOLUTION 12" AMBER MONITOR 1.5A Hercules compatible (TTL input) new and cased £22.00 ref 22P2R

VGA PAPER WHITE MONO monitors new and cased 240v AC. £59.00 ref 59P4R

25 WATT STEREO AMPLIFIER c. STK043 With the addition of a handful of components you can build a 25 watt amplifier. £4.00 ref 4P69R (Circuit dia included)

BARGAIN NICADS AAA SIZE 200MAH 1.2V PACK OF 10 £4.00 REF 4P92R, PACK OF 100 £30.00 REF 30P16R

FRESNEL MAGNIFYING LENS 83 x 52mm £1.00 ref BD827R
12V 19A TRANSFORMER. Ex equipment but otherwise ok. Our price £20.00

ULTRASONIC ALARM SYSTEM. Once again in stock these units consist of a detector that plugs into a 13A socket in the area to protect. The receiver plugs into a 13A socket anywhere else on the same supply. Ideal for protecting garages, sheds etc. Complete system £25.00 ref B25P1 additional detectors £11.00 ref B11P1
IBM AT KEYBOARDS Brand new 86 key keyboards £15.00 ref 15P612

AMSTRAD MP3
UHF/VHF TV RECEIVER/CONVERTER
CONVERTS COLOUR MONITOR INTO A TV!
£9.00

286 MOTHER BOARDS. Brand new and tested complete with technical manual. £49.00 ref A49P1

UNIVERSAL BATTERY CHARGER. Takes AA's, C's, D's and PP3 nicads. Holds up to 5 batteries at once. New and cased, mains operated. £6.00 ref 6P36R

IN CAR POWER SUPPLY. Plugs into cigar socket and gives 3,4,5,6,7,5,9, and 12v outputs at 800mA. Complete with universal spider plug. £5.00 ref 5P167R

RESISTOR PACK. 10 x 50 values (500 resistors) all 1/4 watt 2% metal film. £5.00 ref 5P170R

CAPACITOR PACK 1. 100 assorted non electrolytic capacitors £2.00 ref 2P286R

CAPACITOR PACK 2. 40 assorted electrolytic capacitors £2.00 ref 2P287R

QUICK CUPPA? 12v immersion heater with lead and cigar lighter plug £3.00 ref 3P92R

LED PACK. 50 red leds, 50 green leds and 50 yellow leds all 5mm £6.00 ref 6P52R

AMSTRAD 1640DD BASE UNITS
BRAND NEW AND CASD
TWO BUILT IN 5 1/4" DRIVES
MOTHER BOARD WITH 640K MEMORY
KEYBOARD AND MOUSE
MANUAL
OUR PRICE JUST

£79!!!!

IBM PRINTER LEAD. (D25 to centronics plug) 2 metre parallel. £5.00 ref 5P186R

COPPER CLAD STRIP BOARD. 17" x 4" of 1" pitch "vero" board £4.00 a sheet ref 4P62R or 2 sheets for £7.00 ref 7P22R

STRIP BOARD CUTTING TOOL. £2.00 ref 2P352R

50 METRES OF MAINS CABLE. £3.00 2 core black precut in convenient 2 m lengths. Ideal for repairs and projects. ref 3P91R

4 CORE SCREENED AUDIO CABLE 24 METRES £2.00 Precut into convenient 1.2 m lengths. Ref 2P365R

6 1/2" 20 WATT SPEAKER Built in tweeter 4 ohm £5.00 ref 5P205R

WINDUP SOLAR POWERED RADIO! FM/AM radio takes rechargeable batteries complete with hand charger and solar panel 14P200R



PC STYLE POWER SUPPLY Made by AZTEC 110v or 240v input +5 @ 15A, +12 @ 5A, -12 @ 5A, -5 @ 3A Fully cased with fan, on/off switch, IEC inlet and standard PC flyleads. £15.00 ref F15P4

ALARM PIR SENSORS Standard 12v alarm type sensor will interface to most alarm panels. £16.00 ref 16P200

MODEMS FOR THREE POUNDS!! Fully cased UK modems designed for dial up system (PSTN) no data or info but only £3.00 ref 3P145R

TELEPHONE HANDSETS Bargain pack of 10 brand new handsets with mic and speaker only £3.00 ref 3P146R

DATA RECORDERS Customer returned mains battery units built in mic ideal for Computer or general purpose audio use. Price is £4.00 ref 4P100R

SPECTRUM JOYSTICK INTERFACE Plugs into 48K Spectrum to provide a standard Atan type joystick port. Our price £4.00 ref 4P101R

ATARI JOYSTICKS Ok for use with the above interface, our price £4.00 ref 4P102R

BENCH POWER SUPPLIES Superbly made fully cased (metal) giving 12v at 2A plus a 6V supply Fused and short circuit protected. For sale at less than the cost of the case! Our price is £4.00 ref 4P103R

BULL ELECTRICAL
250 PORTLAND ROAD HOVE SUSSEX
BN3 5QT TELEPHONE 0273 203500
MAIL ORDER TERMS: CASH PO OR CHEQUE
WITH ORDER PLUS £3.00 POST PLUS VAT.

PLEASE ALLOW 7 - 10 DAYS FOR DELIVERY



FAX 0273 23077



SPEAKER WIRE

Brown twin core insulated cable 100 feet for £2.00 REF 2P79R

DISC DRIVES

Customer returned units mixed capacities (up to 1.44M) We have not sorted these so you just get the next one on the shelf. Price is only £7.00 ref 7P1R (worth it even as a stepper)

MICROSCOPE 1200X MAGNIFICATION

Brand new complete with shrimp hatchery, shrimps, prepared slides, light etc. £29.00 ref J29P4

LIGHT ALARM SYSTEM

Small cased alarms that monitor a narrow beam area for sudden changes in light level. Complete with siren that sounds for a preset time when unit is triggered. £7.00 ref J7P1

JOYBALLS

Back in stock popular Commodore/Atan equiv (replace standard joystick) £5.00 ref J5P8

720K 3 1/2" DISC DRIVE

Brand new units made by JVC complete with tech info just £19.00!! ref J19P2

CAR BATTERY CHARGER

Brand new units complete with panel meter and leads. 6 or 12v output £7.00 ref J7P2

CUSTOMER RETURNED SPECTRUM +2

Complete but sold as seen so may need attention £25.00 ref J25P1 or 2 for £40.00 ref J40P4

CUSTOMER RETURNED SPECTRUM +3

Complete but sold as seen so may need attention £25.00 ref J25P2 or 2 for £40.00 ref J40P5

HEX KEYBOARDS

Brand new units approx 5" x 3" only £1.00 each ref CD42R

PROJECT BOX

5 1/2" x 3 1/2" x 1" black ABS with screw on lid. £1.00 ref CD43R

SCART TO SCART LEADS

Bargain price leads at 2 for £3.00 ref 3P147R

SCART TO D TYPE LEADS

Standard Scart on one end, H density D type on the other. Pack of ten leads only £7.00 ref 7P2R

OZONE FRIENDLY LATEX

250ml bottle of liquid rubber sets in 2 hours. Ideal for mounting PCB's fixing wires etc. £2.00 each ref 2P379R

QUICK SHOTS

Standard Atan compatible hand controller (same as joysticks) our price is 2 for £2.00 ref 2P380R

VIEWDATA SYSTEMS

Brand new units made by TANDATA complete with 1200/75 built in modem infra red remote controlled qwerty keyboard BT approved Prestel compatible, Centronics printer port RGB colour and composite output (works with ordinary television) complete with power supply and fully cased. Our price is only £20.00 ref 20P1R

AC STEPDOWN CONVERTOR

Cased units that convert 240v to 110v 3" x 2" with mains input lead and 2 pin American output socket (suitable for resistive loads only) our price £2.00 ref 2P381R

CURLY CABLE

Extends from 8" to 6 feet! D connector on one end, spade connectors on the other ideal for joysticks etc (6 core) £1.00 each ref CD44R

COMPUTER JOYSTICK BARGAIN

Pack of 2 joysticks only £2.00 ref 2P382R

BUGGING TAPE RECORDER

Small hand held cassette recorders that only operate when there is sound then turn off 6 seconds after so you could leave it in a room all day and just record anything that was said. Prices £20.00 ref 20P3R

NEW SOLAR ENERGY KIT

Contains 9 solar cells, motor, tools, fan etc plus educational booklet ideal for the budding enthusiast! Price is £12.00 ref 12P2R

286 AT PC

286 MOTHER BOARD WITH 640K RAM FULL SIZE METAL CASE, TECHNICAL MANUAL, KEYBOARD AND POWER SUPPLY £136 REF 139P1 (no i/o cards or drives included) Some metal work req'd phone for details.

35MM CAMERAS

Customer returned units with built in flash and 28mm lens 2 for £8.00 ref 8P200

STEAM ENGINE Standard Marmod 1332 engine complete with boiler piston etc £30 ref 30P200

TALKING CLOCK

LCD display, alarm, battery operated. Clock will announce the time at the push of a button and when the alarm is due. The alarm is switchable from voice to a cock crowing! £14.00 ref 14P200 R

HANDHELD TONE DIALERS

Small units that are designed to hold over the mouth piece of a telephone to send MF dialing tones. Ideal for the remote control of answer machines. £5.00 ref 5P209R

AMAZING TALKING COINBOX!

Fully programmable talking, lockable coinbox BT approved, retail price is £79 ours is just £29! ref J29P2

ANSWER PHONES 15

Customer returned units with 2 faults one we tell you how to fix the other you do your self! £18 ref J18P2 or 4 for £60 ref J60P3 BT approved (retail price £79.95! each)

COMMODORE 64 MICRODRIVE SYSTEM

Complete cased brand new drives with cartridge and software 10 times faster than tape machines works with any Commodore 64 setup. The original price for these was £49.00 but we can offer them to you at only £25.00! Ref 25P1R

90 WATT MAINS MOTORS

Ex equipment but ok. Good general purpose unit £9.00 ref F9P1

HI FI SPEAKER BARGAIN Originally made for TV sets they consist of a 4" 10 watt 4R speaker and a 2" 140R tweeter. If you want two of each plus 2 of our crossovers you can have the lot for £5.00 ref F5P2

VIDEO TAPES E180 FIFTY TAPES FOR £70.00 REF F70P1 360K 5 1/4" Brand new drives white front. £20.00 Ref F20P1

EMERGENCY LIGHTING SYSTEM

Fully cased complete with 2 adjustable flood lights. All you need is a standard 5v lead acid battery. Our price is just £10 ref J10P29

AMSTRAD 464 COMPUTERS

Customer returned units complete with a monitor for just £35! These units are sold as faulty and are not returnable.

IN SUSSEX? CALL IN AND SEE US!



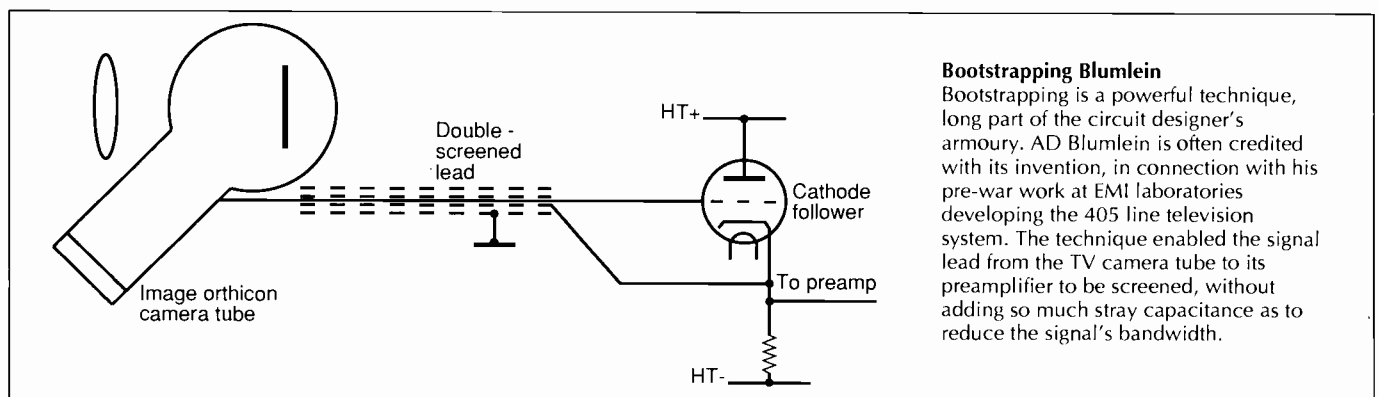
SOME OF OUR PRODUCTS MAY BE UNLICENSEABLE IN THE UK

CIRCLE NO. 140 ON REPLY CARD

Bootstrap base to bridge building

High input impedances are required for bridge detector circuits used in measuring small capacitances. Ian Hickman bootstraps his way to a solution.

Fig. 1. An early application of bootstrapping. The camera signal is connected to its preamplifier via a double screened cable, the inner screen of which is driven by the output of the cathode follower buffer stage. Since the gain of the latter is very nearly unity, there is no ac voltage difference between the inner conductor and the inner of the two screens, so the signal does not 'see' any cable capacitance to ground.



In a bridge detector both inputs of the detector amplifier should have such a high input impedance that even on extreme bridge ratios, for example when measuring very small capacitances, they do not load the bridge arms.

The detector amplifier should also have a very high CMRR (common mode rejection ratio). This is particularly important when the impedances of the lower arms of the bridge are much higher than those of the upper arms, since the difference signal that has to be detected rides on a much larger common mode component.

Bootstrapping is a good way to achieve the necessary high input impedance for such applications – given a suitable circuit design. Simply view a square-wave source via a high series resistance to obtain a quick guide as to whether the bootstrapping is effective over a range of frequencies.

A very high input impedance at 0Hz – a high input resistance – is provided by any jfet input or cmos op amp. For instance the RCA bimos CA3130 op amp which has been around since the 1970s features a typical input resistance of $1.5T\Omega$ or $1.5 \cdot 10^{12}\Omega$. Input characteristics of some of the wide range of Texas Instruments op amps are as shown in Table 1.

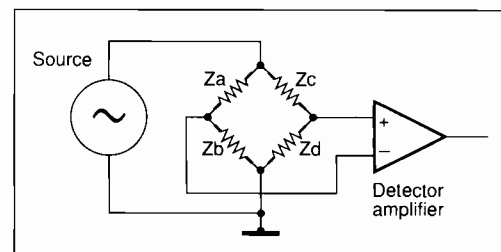


Fig. 2. Bridge null detector is a testing application for a differential input amplifier. Both inputs must be very high impedance and additionally, the amplifier requires a high CMRR of around 60dB for a 1% bridge accuracy.

TLE2061 attraction

Low input capacitance and high input impedance makes the TLE2061 an attractive choice. This jfet input micropower precision op amp offers a high output drive capability of $\pm 2.5V$ (min) into 100Ω on $\pm 5V$ rails and $\pm 12.5V$ (min) into 600Ω on ± 15 volt rails, while drawing a quiescent current of only $290\mu A$.

The device operates from V_{cc} supplies of $\pm 3.5V$ to $\pm 20V$, with an input offset voltage as low as $500\mu V$ (/BC version), while its decom-

Bootstrapping Blumlein

Bootstrapping is a powerful technique, long part of the circuit designer's armoury. AD Blumlein is often credited with its invention, in connection with his pre-war work at EMI laboratories developing the 405 line television system. The technique enabled the signal lead from the TV camera tube to its preamplifier to be screened, without adding so much stray capacitance as to reduce the signal's bandwidth.

Table 1. Input characteristics of TI op amps.

Device	C_{in} pF	I_{bias} (typ at 25K)	R_{in} typ
TLC27L9, TLC277	not quoted	0.6pA	1T Ω
TLC2201	not quoted	1pA	not quoted
TLE2021 (bipolar)	not quoted	25nA	not quoted
TLE2027, TLE2037 (*)	8pF	15nA	not quoted
TLE2061, TLE2161	4pF	3pA	1T Ω

the input capacitance is far more significant than that of the input resistance. Use of guard rings, as recommended in the data sheet, will maintain the high input resistance and will minimise stray capacitance external to the op amp, (see Fig. 5; the similarity to Figure 1 is clear).

Bootstrapping cannot reduce the effect of the device's internal input capacitance, however. So precede the op amp with a discrete bipolar buffer stage, using a BC108 (Fig. 6). The inadequate input resistance and lower than unity gain with this arrangement is evident on comparing the lower trace with the upper. But the high frequency response is better than in Fig. 4 – which is to be expected as the input capacitance is now only that of the transistor, mainly C_{cb} or C_{obo} approximately. The data sheets give this as 6pF max, although the *Transistor DATA Book* (Vol. 1, 1977) gives C_{cb} typical as 2.5pF. The input time constant is about half that in the circuit of Figure 4.

Bootstrapping boon

On the face of it, the result is hardly an improvement; slightly lower input capacitance has simply been traded for a much lower input resistance. This is where bootstrapping really comes into its own, hauling the input up by its own bootstraps.

Stage 1 involves bootstrapping the BC108's collector (Fig. 7), which is seen to be very effective in shortening the input time constant, though there is still a shortfall in low frequency gain.

The all-important point to note is that the bootstrapping of the collector only works because there is a separate stage following the emitter follower, providing current gain. The collector cannot be bootstrapped from the input emitter follower's own emitter, even though such an arrangement has previously been proposed in EW + WW.

Stage 2 extends the bootstrapping to the input emitter follower's emitter circuit (Fig. 8). Now the output (lower trace) is indistinguishable from the input. The improvement does not extend down to DC – the input resistance at 0Hz being unchanged – but only

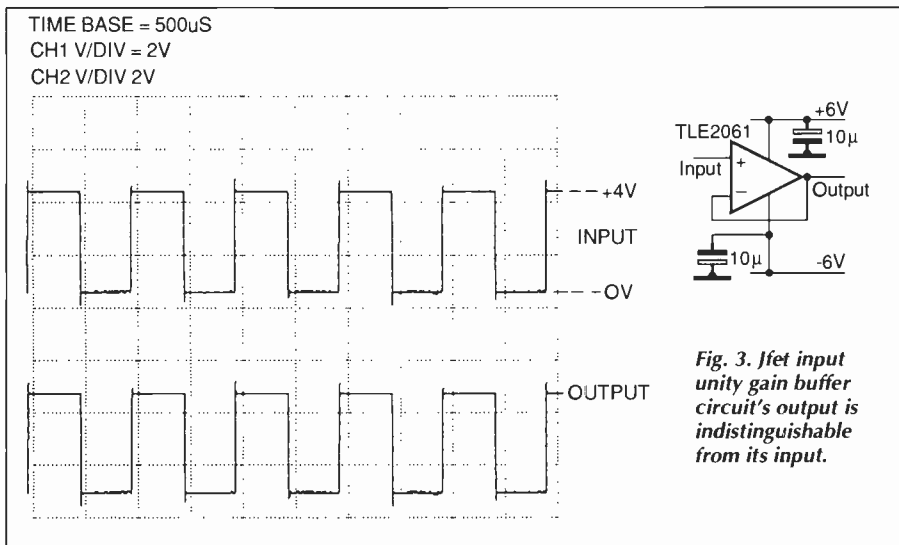


Fig. 3. Jfet input unity gain buffer circuit's output is indistinguishable from its input.

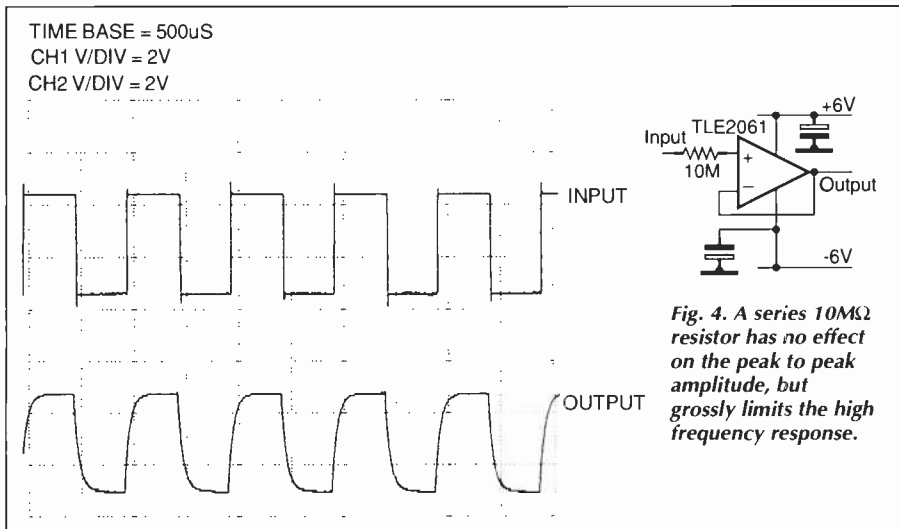


Fig. 4. A series 10M Ω resistor has no effect on the peak amplitude, but grossly limits the high frequency response.

compensated cousin, the TLE2161, features an enhanced slew rate of 10V/ μ s for applications where the closed loop gain is x 5 or more.

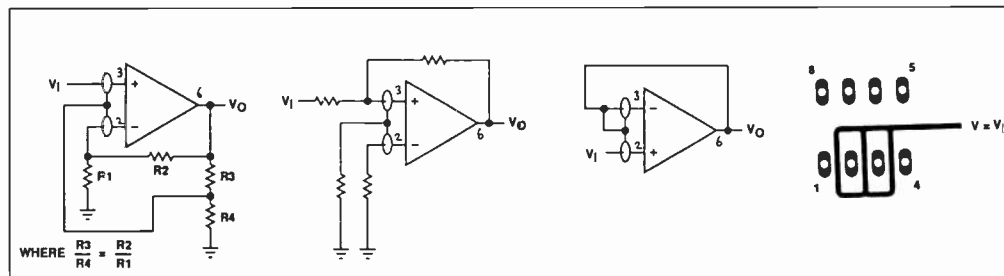
Connect the TLE2061 as a unity gain non-inverting buffer (Fig. 3) and apply a 1kHz 0V to +4V square-wave input (upper trace). Spikes on the leading edges appear to be an artefact of the digital storage adapter's screen dump software, there being no trace of them on the oscilloscope trace. Allowing for that, the op amp's output (lower trace) is pretty well a perfect replica, as would be expected.

Next, place a 10M Ω resistor in series with the op amp's input (Fig. 4). The input and output then appear as in the upper and lower traces respectively. With the op amp's 4pF input capacitance and allowing 1pF for strays,

the input circuit time constant comes to 50 μ s, and viewing the lower trace at a faster time-base speed shows that the time to 63% response was indeed just 50 μ s.

Clearly in this application, the influence of

Fig. 5. Guard rings around the input terminals minimise the effect of board leakage and capacitance by surrounding the input pins with copper track at the same potential as the input. There is thus no potential difference to force current through any leakage paths or through stray capacitance.



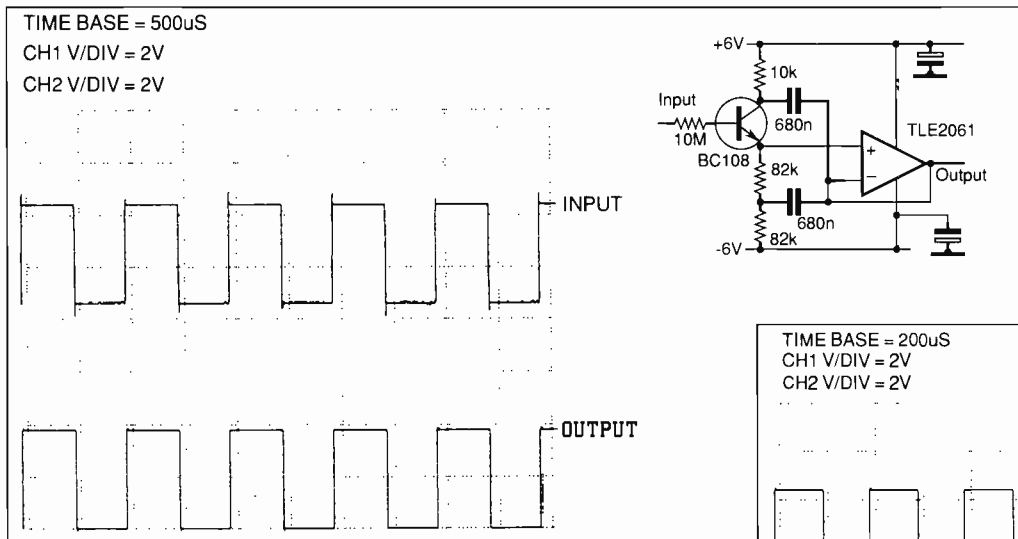
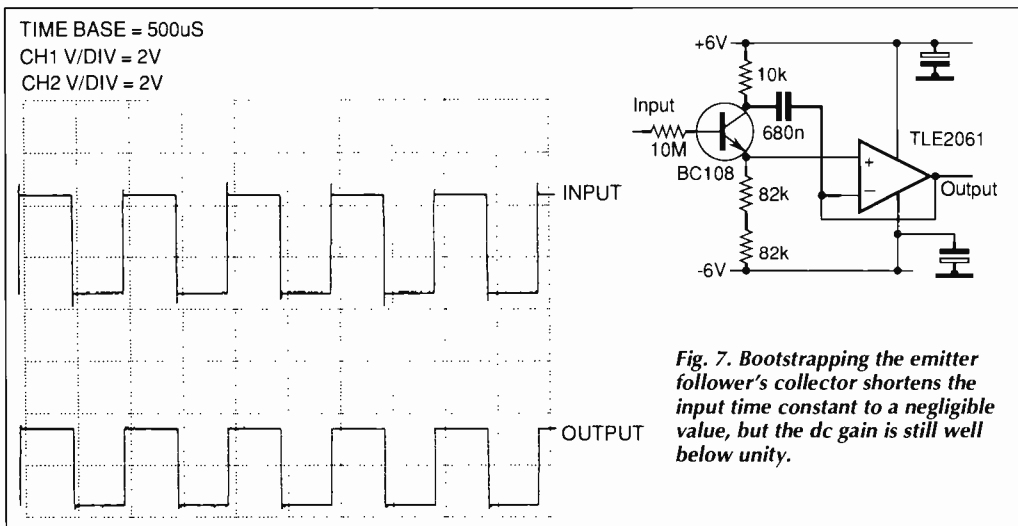
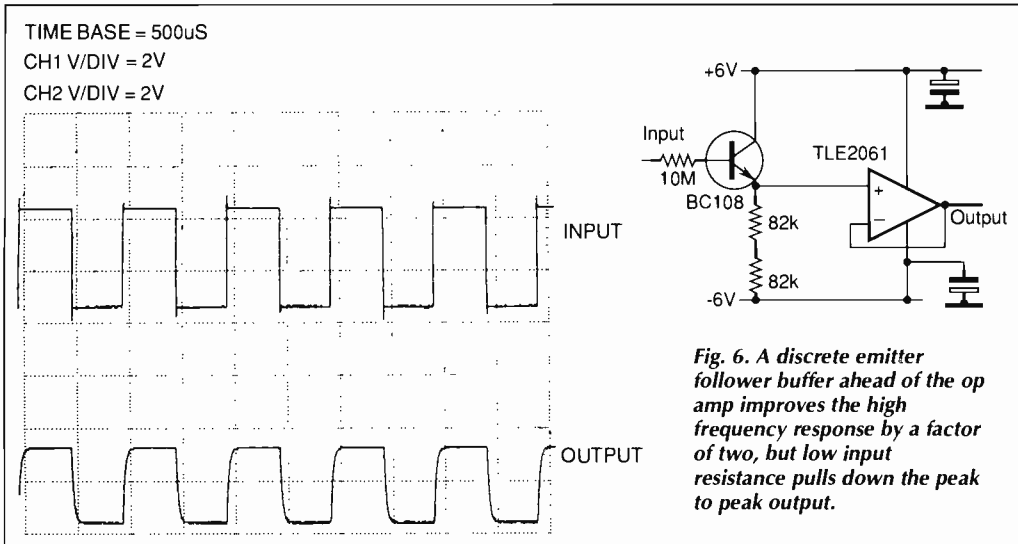
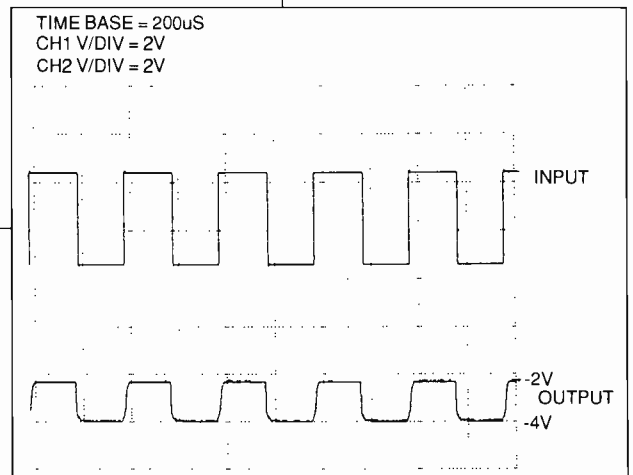


Fig. 8. Bootstrapping the emitter circuit as well results in an output indistinguishable

down to a frequency at which the time constant of the emitter bootstrapping circuit starts to be significant.

To extend the bootstrapping down to DC, the emitter circuit bootstrap capacitor would need to be replaced by a zener diode. To see how

Fig. 9. As in Figure 8 but with the input resistor raised to 50MΩ. The poor performance is the fault of the designer, not the circuit.



far it is now possible to push the circuit, replace the 10MΩ input resistor by a string of five 10MΩ resistors in series. The result is a substantially reduced output shown in Fig. 9 – an unduly rapid collapse, bearing in mind how good the performance had been with 10MΩ series resistance.

Probing around the circuit shows that the emitter swings between -2V and -4V, due to the volt drop caused by the transistor's base current flowing through the 50MΩ resistor. So the emitter current is totally inadequate. Checking the DC conditions (the first recourse when a circuit is not behaving it ought) and raising the op amp supply rails to ±15V resulted in an output virtually as good as in Fig. 8.

Clearly, properly applied, bootstrapping can raise the input impedance at DC and up to a frequency determined by the op amp's performance, to such a high level that a 100MΩ source resistance results in no loss in amplitude – ie to an input impedance of 10GΩ or more.

As a matter of interest, the circuit of Fig. 9 (with ±15V rails) can be modified by substituting a BF244 N channel small signal jfet for the BC108. Of course there is no volt drop across the 50MΩ input resistance, and the op amp output voltage sits at a positive level set by the fet's gate source reverse bias voltage at the source current defined by the two 82K resistors.

The fet's drain gate capacitance is the best part of 2pF, so the collector bootstrapping is still necessary. But the input resistance is so high that a source circuit bootstrapping capacitor is not needed.

Layo 1 Version 4.9

PCB CAD/CAM

The ideal solution for the creative Electronics Designer.
Just ask thousands of satisfied users!

- ★ Netlist import via Project Manager from Layo 1 schematics, Orcad, Schema, Tango etc.
- ★ Forward annotation
- ★ Graphical netlist entry
- ★ Routing – manual, interactive, auto
- ★ Design rule checking
- ★ SMD support
- ★ Extensive component library
- ★ User defineable macro's
- ★ Output drivers for Gerber photoplotters, Excellon and Sieb & Meyer drilling programs
- ★ Output drivers for HPGL/DMPL penplotters and Adobe PostScript with open pads
- ★ Output for dot matrix, laser and Deskjet printers

FROM £99

PENTAGRAM ELECTRONIC DESIGNS

Tel. 0274 882609 Fax 0274 882295

Discount for Educational Establishments

CIRCLE NO. 141 ON REPLY CARD

AC125	30p	BC477	18p	BD317	150p	BF362	30p	BU526	75p	TIP54	140p	2N3773	100p	LM324	30p	6116	80p	Z80BPIO	150p
AC126	30p	BC478	18p	BD331	40p	BF367	13p	BU536	100p	TIP105	65p			LM335Z	120p	6264-15	160p	Z80ACTC	140p
AC127	30p	BC516	22p	BD332	40p	BF371	17p	BU546	140p	TIP106	65p			LM339	35p	6264-12	200p	Z80BCTC	200p
AC128	35p	BC537	25p	BD361	60p	BF420	16p	BU608	150p	TIP107	65p			LM348	50p	6264-10	210p	Z80ASIO	210p
AC128K	40p	BC546	8p	BD362	60p	BF421	18p	BU626	150p	TIP110	40p			LM358	45p	62256-12	300p	Z80ASIO-1	210p
AC141K	45p	BC547	8p	BD370	30p	BF422	21p	BU636	150p	TIP111	50p			LM380	80p	6502	300p	Z80ASIO-2	210p
AC142K	45p	BC548	8p	BD371	30p	BF423	25p	BU637	150p	TIP112	40p			LM381	150p	6502A	360p	Z80ADART	260p
AC176	22p	BC549	8p	BD410	50p	BF450	20p	BU806	75p	TIP115	45p			LM382	130p	6502C	930p		
AC176K	28p	BC550	8p	BD433	28p	BF455	12p	BU807	75p	TIP116	45p			LM386	60p	6522	280p	SIMMS	
AC187	25p	BC556	8p	BD434	30p	BF458	19p	BU902	130p	TIP117	50p			LM387	100p	6551	380p	256K x 9-80	1000p
AC187K	40p	BC557	7p	BD435	31p	BF459	19p	BU903	130p	TIP120	31p			LM383	78p	6800	210p	256K x 9-70	1100p
AC188	25p	BC558	8p	BD436	30p	BF462	50p	BU920	130p	TIP121	46p			LM709DIL	30p	6802	220p	1MB x 9-80	3000p
AC188K	40p	BC559	8p	BD437	28p	BF469	30p	BU922	130p	TIP122	47p			LM723	40p	6803	500p	1MB x 9-70	3200p
AC198K	40p	BC560	8p	BD438	36p	BF490	52p	BU930	130p	TIP125	47p			LM741DIL	18p	6808	500p		
ACY19	48p	BC637	20p	BD439	40p	BF491	99p	BU931	130p	TIP126	56p			LM741MET	45p	6809	500p	SIPS	
AD149	60p	BC658	20p	BD440	40p	BF493	30p	BU932	130p	TIP127	80p			LM747	55p	6810	150p	256K x 9-80	1100p
AF125	50p	BC639	20p	BD441	40p	BF499	20p	BU933	130p	TIP130	150p			LM748	30p	6818	380p	256K x 9-70	1200p
AF127	50p	BC640	20p	BD442	50p	BF499	20p	BU934	130p	TIP131	30p			LM1458	30p	6821	130p	1MB x 9-80	3100p
AF139	30p	BC641	20p	BD443	50p	BF499	20p	BU935	130p	TIP132	30p			LM1889	300p	6840	230p	1MB x 9-70	3200p
AF239	30p	BC642	20p	BD444	50p	BF499	20p	BU936	130p	TIP141	96p			LM3900	40p	6845	200p		
		BC734	200p	BD535	38p	BF887	15p	BU985	50p	TIP142	96p			LM3909	80p	6850	90p	IC SOCKETS	
		BCY70	16p	BD536	38p	BF888	15p	BU989	200p	TIP145	65p			LM3911	160p	8080A	380p	8 pin	5p
		BCY71	16p	BD537	40p	BF889	60p	BU991	300p	TIP146	75p			LM3914	160p	8085A	300p	14 pin	8p
BA157	12p	BCY72	16p	BD538	40p	BF890	14p	BU992	300p	TIP147	106p			LM3915	160p	8086	500p	16 pin	7p
BB105B	18p	BCY73	16p	BD539	40p	BF891	14p	BU993	300p	TIP150	96p			LM3516	270p	8088	480p	18 pin	10p
BB205B	24p	BD115	30p	BD643	50p	BF951	14p	MJ10012	300p	TIP151	96p					8156	300p	20 pin	12p
BC107	8p	BD124P	50p	BD645	50p	BF952	14p	MJ15001	325p	TIP2955	42p					8224	240p	22 pin	13p
BC108	8p	BD131	25p	BD647	50p	BF956	25p	MJ15002	325p	TIP2954	42p					8226	240p	24 pin	14p
BC109	8p	BD132	25p	BD649	50p	BF964	25p	MJ15003	325p	TIP3054	42p					8243	250p	28 pin	16p
BC109C	8p	BD133	25p	BD649	50p	BF964	25p	MJ15004	370p	TIP3055	42p					8250	750p	40 pin	18p
BC140	20p	BD135	20p	BD676	40p	BL48	85p	MJ2501	110p	2N3053	18p					8251	200p		
BC141	20p	BD136	20p	BD677	38p	BR100	14p	MJ2502	110p	2N3054	40p					8253	160p	ZENERS	
BC142	20p	BD137	20p	BD678	40p	BR103	37p	MJ2503	55p	2N3055	115p					8255	160p	400mW	
BC143	20p	BD138	20p	BD679	40p	BR303	85p	MJ3000	115p	2N3055	115p					8256	700p	BZY88 range	
BC147	8p	BD139	20p	BD680	40p	BSX20	15p	MJ3001	15p	2N3055H	50p					8257	220p	2V7 to 39V	5p
BC148	8p	BD140	20p	BD681	45p	BSX28	18p	MJE39A	30p	2N3442	85p					8271	3400p		
BC149	8p	BD144	90p	BD682	45p	BT106	180p	MJE39A	30p	2N3585	120p					8279	270p	BZX61 range	
BC157	8p	BD157	38p	BD705	50p	BT109	90p	MJE340	25p	2N3702	30p					8283	400p	2V7 to 39V	9p
BC159	8p	BD166	30p	BD707	50p	BU104	80p	MJE529	80p	2N3703	9p					8284	440p		
BC160	30p	BD175	30p	BD709	50p	BU105	80p	OC28	350p	2N3705	9p					8287	260p	LED's	
BC171	10p	BD177	30p	BD711	50p	BU108	100p	OC29	250p	2N3706	9p					8748	650p	3mm	
BC172	10p	BD179	32p	BD736	50p	BU109	90p	OC35	350p	2N3707	9p					8788	700p	Red	5p
BC177	14p	BD181	45p	BD826	50p	BU110	110p	OC36	250p	2N3708	9p					8755	800p	Yellow	8p
BC178	14p	BD182	60p	BD828	50p	BU111	140p	OC45	50p	2N3708	9p							Green	8p
BC179	14p	BD184	60p	BD857	50p	BU124	60p	OC45	50p	2N3710	12p							5mm	
BC182	7p	BD187	30p	BD899	50p	BU126	65p	TIP29	15p	2N3711	12p							Z80BCPU	100p
BC182L	7p	BD201	33p	BD901	50p	BU180	150p	TIP29A	25p	2N3712	12p							Z80BCPU	160p
BC183	7p	BD202	38p	BD977	50p	BU184	100p	TIP29C	25p	2N3713	12p							Z80ADMA	200p
BC183L	7p	BD203	42p	BDX32	100p	BU204	75p	TIP29C	25p	2N3714	12p							Z80APIO	150p
BC184	7p	BD204	42p	BDX33	60p	BU205	70p	TIP30	25p	2N3715	12p								
BC184L	7p	BD222	31p	BDX65	80p	BU206	100p	TIP30C	30p	2N3716	12p								
BC212	7p	BD225	31p	BDW23	55p	BU208	70p	TIP30C	30p	2N3717	12p								
BC212L	7p	BD232	31p	BDW24	55p	BU208A	60p	TIP31A	22p	2N3718	12p								
BC213	7p	BD233	30p	BDW93	50p	BU208D	80p	TIP31C	30p	2N3719	12p								
BC213L	7p	BD234	32p	BDW94	50p	BU209	140p	TIP32	21p	2N3720	12p								
BC214	7p	BD235	28p	BDY92	100p	BU225	190p	TIP32A	24p	2N3721	12p								
BC214L	7p	BD236	30p	BF225	30p	BU226	190p	TIP32C	28p	2N3722	12p								
BC237	7p	BD237	21p	BF240	16p	BU212	120p	TIP33	50p	2N3723	12p								
BC238	7p	BD238	24p	BF245	25p	BU325	55p	TIP33C	60p	2N3724	12p								
BC239	7p	BD239	30p	BF254	15p	BU326	75p	TIP34	50p	2N3725	12p								
BC300	20p	BD240	30p	BF255	12p	BU406	70p	TIP34C	60p	2N3726	12p								
BC301	20p	BD241A	40p	BF256	18p	BU406D	85p	TIP35C	65p	2N3727	12p								
BC302	20p	BD243A	50p	BF257	18p	BU407	55p	TIP36C	65p	2N3728	12p								
BC303	20p	BD244	50p	BF258	18p	BU407D	80p	TIP41A	20p	2N3729	12p								
BC304	25p	BD245	50p	BF259	18p	BU408	75p	TIP41C	22p	2N3730	12p								
BC327	7p	BD246A	50p	BF262	25p	BU408D	85p	TIP42A	20p	2N3731	12p								
BC328	7p	BD265	45p	BF263	25p	BU409	95p	TIP42C	22p	2N3732	12p								
BC337	7p	BD267	45p	BF270	18p	BU426A	70p	TIP47	20p	2N3733	12p								
BC338	7p	BD269	45p	BF273	15p	BU500	100p	TIP48	40p	2N3734	12p								
BC441	28p	BD278	50p	BF311	21p	BU508A	70p	TIP50	60p	2N3735	12p								
BC446	8p	BD311	100p	BF336	20p	BU508AF	95p	TIP51	120p	2N3736	12p								
BC449	15p	BD314	100p	BF337	20p	BU508D	80p	TIP52	120p	2N3737	12p								
BC461	28p	BD315	150p	BF338	20p	BU508DF	115p	TIP53	120p										

We also stock crystals, valves, Japanese IC's, Japanese transistors, CMOS IC's, 74 Series, 74LS Series, bridge rectifiers, triacs, thyristors, video heads & parts, & soldering aids. Please ring for more information.

GRANDATA LTD

DEPT

Filtering out the origins of A-to-D aliasing

Filtering will remove the input components which cause A-to-D aliasing errors. David Mawdesley explains why choice is a matter of compromise.*

Presenting signals containing frequencies above a certain limit to an A-to-D converter is going to result in aliasing errors in its output. Avoiding components in the input likely to cause aliases is vital – but even if a measured signal is known to have only frequency components below a certain value, spurious effects from the system might appear as higher frequency noise in the signal presented to the A-to-D. Sharp transitions in the measured signal can excite resonances, which may cause aliases, and general system noise and electrical pick-up all contribute to uncertainty.

One common misconception is that the problem can be eliminated with a fast sampling A-to-D card, but in practice this is not a viable option. Increasing the sampling rate causes severe problems due to memory limitations and the lower resolution converters needed to run at the higher speeds. PCs are limited in their data throughput capacity too, and many data acquisition packages are unable to handle data at higher sampling rates.

Filtering after A-to-D conversion is also not possible, and filtering must be carried out before digitising, in the analogue domain.

Sampling rate

What is the appropriate sampling rate of an A-to-D converter for measuring signals in the frequency range from 0Hz to a chosen maximum frequency $f_{(max)}$? Theory indicates that

this sampling frequency must be at least twice the highest frequency component in the analogue signal. This sampling rate is generally referred to as the Nyquist rate. In turn, the frequency at half the sampling rate is called the Nyquist frequency, and any component above this frequency may appear as an alias. To avoid the possibility of aliases corrupting results of the measurements, an anti-alias filter must be used. A suitable low-pass analogue filter placed immediately before the A-to-D converter can block all frequency components capable of causing aliases from reaching the converter. Cut-off frequency $f_{(c)}$ of the filter is set to the highest frequency of interest so $f_{(c)} = f_{(max)}$. Then, in principle, the converter should have a sampling rate of at least twice the cut-off frequency of the filter. In practice, the sampling rate needs to be somewhat higher than twice $f_{(c)}$.

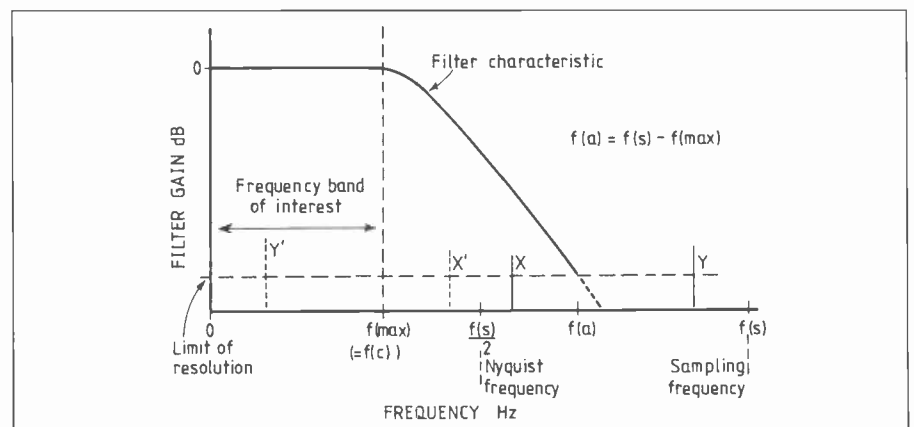
Anti alias filters

An anti-alias filter reduces out-of-band alias-producing signals to less than the quantisation threshold of the A-to-D converter – without introducing distortion of the signal's in-band components and without affecting overall measurement accuracy. The high frequency rejection requirements are determined by:

- Highest frequency of interest $f_{(max)}$;
- Sampling rate, and
- A-to-D converter resolution.

The highest frequency of interest sets the cut-

Fig. 1. Highest frequency of interest sets the cut-off frequency.



*Laplace Instruments

off frequency f_c (Fig. 1). Potentially, any frequencies above the Nyquist frequency, $f_{cs}/2$, could cause aliases. But only frequencies above $f_{(a)} = -f_{(max)}$ will be a problem because frequencies between the Nyquist frequency and $f_{(a)}$, although aliased, do not appear as an image in the frequency range of interest.

For instance, frequency component X appears as an alias at X' , not within the range of interest. But component Y does require blocking because its alias appears at Y' where it will look like a real component.

There is a frequency band, $f_{(max)}$ to $f_{(a)}$, in which the filter must roll off the response so that at $f_{(a)}$ its attenuation at least equals the dynamic range of the A-to-D convertor (Table 1). If a 10-bit convertor is used, the dynamic range is 60dB calling for a minimum of 60dB attenuation above $f_{(a)}$.

A typical case might have a maximum frequency of interest of 5kHz, a sampling rate of 20kHz and an A-to-D convertor resolution of 14bit. Most filters quote their 3dB points as the cut-off frequency. Choosing 6kHz as the cut-off point gives $f_{(c)}$ as 6kHz and $f_{(s)}$ as 20kHz; $f_{(a)} = 14$ kHz.

The frequency band for roll off is 6-14kHz – ie slightly over one octave – and the required attenuation (= dynamic range of the A-to-D) = 85dB (from Table 1). So the filter is required to have a roll off of better than 80dB per octave.

Although standard anti-alias filters will deliver (and substantially exceed) the required attenuation performance, there is a price to pay in terms of signal accuracy and distortion.

The sharper the roll-off, the greater pass-band ripple and phase distortion introduced and so a compromise must be reached. For some applications, phase is not important and 1dB pass-band ripple may be acceptable. Where a problem remains, software compensation can sometimes be applied to correct the results in fixed installations.

Table 1. A-to-D characteristics

Dynamic range resolution for dB	A-to-D	ratio
0	1	2V full scale
6	2	1V
9.5	3	—
12	4	500mV
15.6	6	—
18	8	250mV
20	10	200mV
24	16	125mV
30	32	63mV
36	64	31mV
42	128	15mV
48	256	8mV
54	512	4mV
60	1024	2mV
72	4096	0.5mV
84	16384	125µV
96	65536	30µV
108	262144	8µV
120	1048576	2µV
132	4194304	0.5µV

Implementation

Even the most esoteric of anti-alias filters will probably consist of standard Sallen-Key or state variable filter stages cascaded to form the required number of poles; switched capacitor types are only a version of the state variable circuit implemented on an IC substrate.

Filter characteristics are determined by the value of the various R and C combinations. Estimation of these values can be most tedious. But fortunately tables (written in hardcopy and software) are now available for obtaining the values. Switched capacitor filters offering high performance, repeatability without tuning and the ability to move the cut-off frequency at will over several decades (typically 1Hz to 50kHz) are used for most applications. To design and produce an analogue equivalent is virtually impossible other than at very high cost. But these digital filters do have their drawbacks:

- As an input sampling circuit they introduce their own aliasing effects;
- Output is similar to that produced by a D-to-A convertor with a clock frequency typically $100 \times f_{(c)}$. The clock frequency component imposed on the output – known as clock breakthrough – may be quite substantial.

Filter characteristics

Filters can be grouped into four basic types of frequency characteristics, though all are compromises, tweaked to idealise one or other parameter.

Main parameters are pass band gain accuracy, phase response, stop band attenuation and steepness of roll-off (Fig. 2).

Phase response is a function of group delay (the time taken for a signal at a given frequency to pass through the filter), with the ideal being when all frequencies take the same time – a linear phase characteristic. When achieved, a signal whose components all lie within the pass band will remain undistorted (as viewed by a scope) after passing through the filter. If the phase response is non-linear then we get all the right frequencies, but they may be in the wrong order!

At first consideration, the tendency is to select (Table 2) the characteristic giving the maximum roll-off rate, simply because that is the main characteristic needed from a filter.

But Cauer (elliptic) filters which maximise attenuation steepness also have significant stop-band ripple and a very non-linear group delay curve.

For a constant group delay, to give results that are undistorted in the time domain, the Bessel characteristic is the one to choose. Unfortunately, Bessel offers the slowest roll-off rate. If constant gain in the pass band (no pass-band ripple) is the target, the Butterworth

Filter Considerations

- Roll off rate
- Minimum attenuation in the stop band
- Maximum allowable ripple in the pass band
- Range of cut-off frequencies
- Resolution of cut-off frequency adjustment
- Phase linearity
- Filter characteristics
- Noise performance
- Clock breakthrough
- Stand-alone or plug-in card
- Programmability
- Cost
- Compatibility with A/D convertor (system/card)

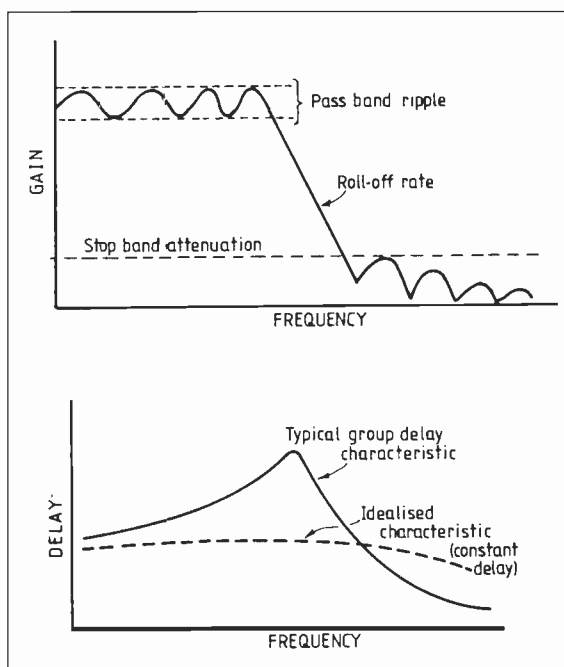


Fig. 2. Inter-relation of the main filter parameters. Selection of a filter always involves compromise.

characteristic offers just that, at the expense of indifferent performance in other respects.

Chebyshev characteristics offer a reasonable compromise, and can be set to give relatively low pass-band ripple and high cut-off rate.

Switched capacitor filters

Two fundamental types of filters are available – continuous (or conventional) and switched capacitor types – though both are basically

Table 2. Filter characteristics.

Characteristic	Best parameter	Worst parameter
Butterworth	constant pass band gain	slow roll-off
Chebyshev	compromise	pass band ripple
Cauer (elliptic)	roll-off rate	stop band attenuation
Bessel	phase response	very slow roll-off

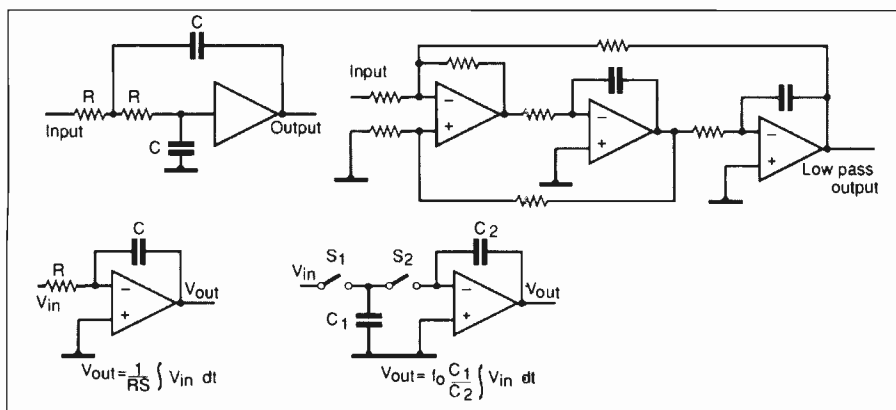


Fig. 3. Sallen and Key circuit (left) and biquad filter that can be configured to give a low-pass response of the type required for anti-alias requirements.

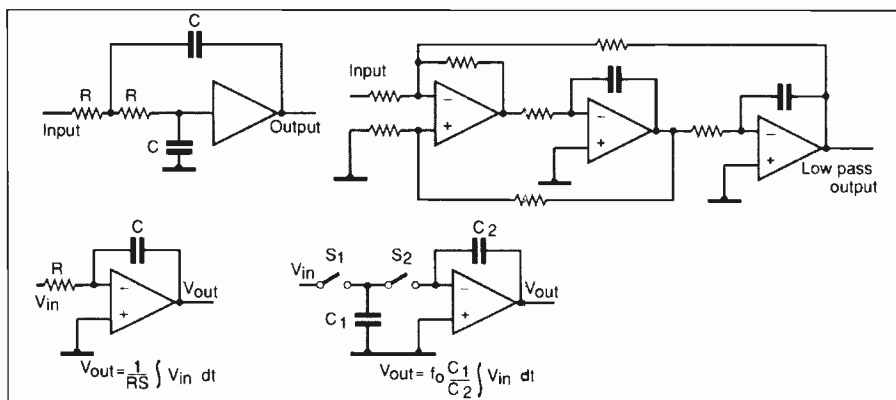


Fig. 4. Biquad design comprises several integrator stages (left) replaced by the circuit shown (right).

implementations of the same type of circuit.

"Continuous" is a fancy name for a standard circuit using op-amps, capacitors and resistors.

Figure 3 shows the well known Sallen and Key circuit (a) and a biquad filter (b) which can be configured to give a low-pass response of the type needed for anti-alias requirements. The problem with these, as many will know, is that the values of capacitors and resistors to be fitted are critical, especially for high performance implementations. Slight variations, either at assembly stage, or due to aging or temperature drift, can significantly affect and

degrade performance. Also, once made, cut-off frequency is fixed.

Switched capacitor filters are an implementation of state variable, or biquad, circuits on an IC substrate using analogue switches to produce, in effect, components which can be varied in value. Note that the biquad design comprises several integrator stages as shown in Fig. 4(a), replaced by the circuit shown in Fig. 4(b).

The clock signal alternately closes S_1 and S_2 , and while S_1 is closed, the capacitor C_1 charges to V_{in} , holding charge $Q=V_{in}C_1$. When

the switches reverse, C_1 discharges to virtual earth, transferring the charge to C_2 , causing the output voltage to change by an amount proportional to the input signal.

$$\Delta V_{out} = \Delta Q/C_2 = (C_1/C_2)V_{in}$$

If the clock frequency is fast relative to the input signal, then

$$V_{out} = \int_0^{C_1/C_2} V_{in} dt$$

In other words, the integrator's gain is a function of the clock frequency. Because the characteristic frequency (cut-off frequency) of the biquad filter depends only on the integrator gain, a variable clock frequency can be used to produce a filter with a variable cut-off frequency. In addition, rather than discrete values of capacitors, the circuit uses capacitor ratios which are infinitely better in terms of stability and tracking – especially when integrated onto an IC substrate. As a result really high performance filters can be produced, in an IC outline, which can be programmed to any desired cut-off frequency within the range of operation of the device.

Unfortunately, the drawback to this approach is that the signal is now being clocked through the filter.

In effect we have inherited some of the negative aspects of sampled data systems. First, the clock will inevitably break through to the output signal, with the breakthrough typically of the order of 15mV, regardless of output signal level and corresponding to the clock frequency.

Normally, the clock frequency is 100 times the cut-off frequency, so that a relatively simple analogue (continuous) filter applied to the output signal will eliminate the effect. The problem is that this simplistic solution fails if the cut-off frequency is to be varied over a wide range. Secondly, aliasing can become a problem – precisely what we are trying to eliminate.

If cut-off frequency is 1kHz and the clock is 100kHz, simple aliasing theory shows that

Plug-in card filters

Various filter types are available as plug-in cards for PC computers. The following are available from Laplace Instruments*.

Cauer: The most commonly used filter type on the PC-based filter cards is the elliptic Cauer ("brick-wall") filter. This is a 7th or 8th order low-pass switched capacitor filter. Maximum cut-off frequency is 50kHz with an input clock frequency of 100 times the cut-off frequency. This filter provides a sharp cut-off, but maintains low wideband noise (typically 150µV RMS) and low harmonic distortion (0.03% or better). Pass-band ripple is typically +0.15% and stop-band attenuation at 1.5 times the cut-off frequency is 68dB minimum. Attenuation per octave is 120-150dB.

Butterworth: The Butterworth 8th order low-pass filter provides a maximally flat pass-band and is an alternative for high speed applications and for where ripple in the passband is unacceptable. Attenuation slope is 48dB/octave and stop-band attenuation over 80dB. Total wideband noise is typically better than 80µV RMS. With a THD of 0.03% it is suited to 16bit A-to-D cards. Maximum cut-off frequencies are 125kHz with a high speed version offering up to

250kHz.

Bessel: The 8th order monolithic lowpass Bessel filter provides a linear phase response over the whole pass-band. Wideband noise level is 60µV RMS. Maximum cut-off frequency is 95kHz and attenuation is 1.5 times the cut-off frequency of approx 10dB.

Optional Cauer: A second Cauer filter type, with cut-off frequencies up to 100 kHz, is an 8th order low pass type with a lower pass-band ripple (0.1dB) than standard, but with a slower roll-off. Stop band attenuation is 80dB/octave and attenuation at 2.5 times the cut-off frequency is 92dB. Total wideband noise is 135µV RMS.

High speed Butterworth: For high speed applications a 6th order Butterworth has a clock to cut-off frequency ratio of either 25:1 or 50:1 giving maximum cut-off frequencies of 250kHz and 125kHz respectively. It maintains linear phase response and group delay in the passband. This filter exhibits steeper roll-off than the equivalent 8th order Bessel and the amplitude response approximates maximal flat passband.

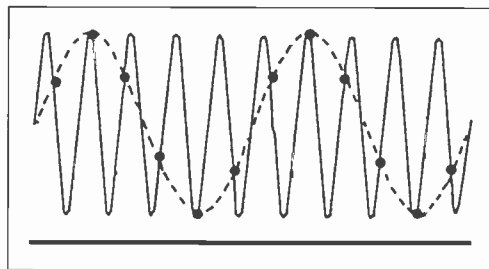
aliases will be apparent if the input signal contains frequencies between 99 and 101kHz (and multiples thereof). To overcome this requires an anti-aliasing filter. Fortunately, this does not mean an ever-increasing spiral of problems. The pre-filtering requirement needs to reduce input signal frequencies around the clock frequency to below the dynamic range of the sampling system. As with the clock breakthrough problem, the solution is simple provided that the cut-off frequency is not to be varied over too wide a range.

Finally, because switched capacitor filters have clocks running through them, overall signal to noise ratio can never match that of quiet, well designed continuous filters. An effective limit is imposed on the dynamic range of any signal acquisition system using these filters and 90dB is normally considered to be the limit for well designed filters of this type. ■

*Laplace Instruments Ltd, Tudor House, Grammar School Road, North Walsham, Norfolk NR28 9JH. Tel: 0692 500777 Fax: 0692 406177.

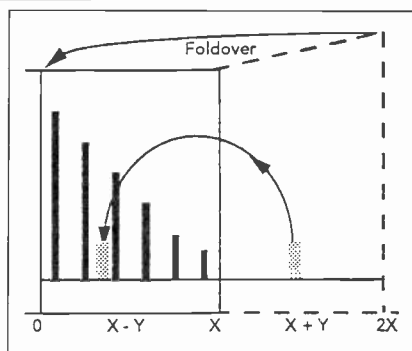
What is aliasing?

Aliasing is where a high frequency component takes on the identity of a lower frequency. Once created by the A-to-D process, the false signal component cannot be distinguished from a true signal. In some applications, FFT analysis for example, even the threat of aliasing can completely destroy the integrity of results.

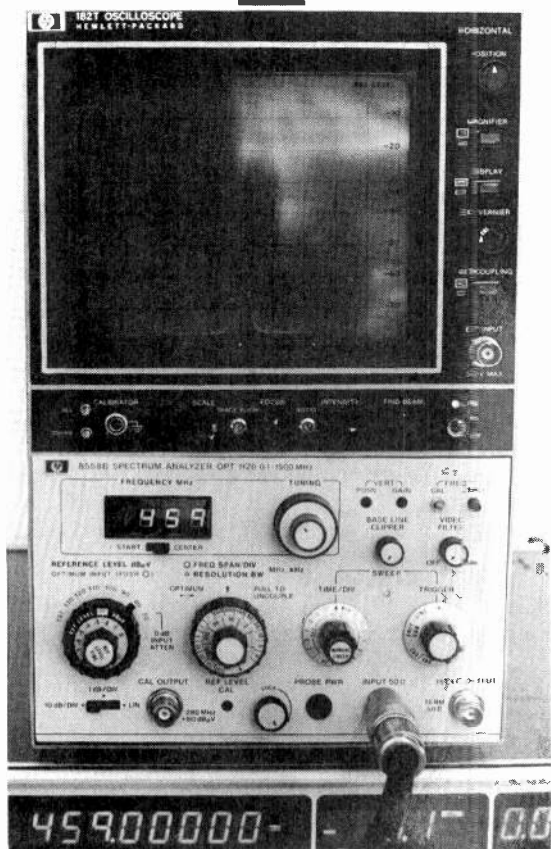


Insufficient sampling of high-frequency sine-wave (solid line) leads to low-frequency aliasing (dashed line). To avoid it, sampling rate must be at least twice highest signal frequency.

Relation to foldover. Aliasing occurs systematically as a result of foldover. If sampling rate is $2X$, then foldover frequency is X , the limit set by the sampling theorem. Frequency components below X in the waveform being sampled will appear as they should. A component $X+Y$ Hz will actually appear as the alias $X-Y$ Hz below it. Hence the spectrum display is said to fold over at X .



HP 8558B



SPECTRUM ANALYZERS

100 kHz TO 1500 MHz

simple 3 knob operation

182T mainframe

£1800

1 kHz TO 3 MHz

+VAT P/P

Resolution bandwidths

Recent release in good

clean tested condition

M&B RADIO

86 BISHOPGATE STREET

LEEDS LS1 4BB

TEL (0532) 435649

FAX (0532) 426881

CIRCLE NO. 143 ON REPLY CARD

The handhelds that endanger eyes

Possible health hazards resulting from long-term exposure to low levels of non-ionising RF radiation remains a controversial and unproven subject. As pointed out last year by Professor E H Grant (King's College, London and a member of the National Radiological Protection Board: "The evidence for the induction of malignant or other disease requiring a non-thermal mechanism for its explanation is, despite various reports, not hard enough to be taken account of when formulating a Guidance Document"¹.

On the other hand, there appears to be increasing recognition that the future widespread use of hand-held VHF/UHF transceivers – with their small antennas usu-

ally held within a few inches of users' eyes – requires more stringent guidelines than found, for example, in the widely-accepted Ansi recommendation that RF output of 7W or less is not hazardous. Although most handheld transceivers have significantly lower power than 7W, several amateur-radio transceivers are marketed with outputs of around 5W.

Vulnerable eyes

Eyes are particularly vulnerable to the thermal effects of RF radiation. As pointed out by Prof Grant: "A living organism is accustomed to receiving thermal stimuli and, provided these are not too large, the body can deal with them by the normal thermoregulatory mechanisms... More serious than these reversible effects are the irreversible thermal phenomena such as the induction of cataracts due to the irreversible denaturation of the (eye) lens proteins. This is a well known and well documented effect of non-ionising electromagnetic radiation, having been observed for furnace workers and glassblowers before the introduction of protective goggles. To produce it, the temperature of the lens needs to be elevated from the normal 37°C to around 42°C.

One reason why the lens is particularly vulnerable is because it has no blood supply and hence only poor thermal conduction paths. The other reason is the high content of water, both free and bound... Any protection guide must therefore recommend exposure levels which eliminate completely the possibility of irreversible effects and which limit the reversible effects to levels which are generally acceptable"¹.

Recent work, supported by the Swiss National Science Foundation, by Niels Kuster (Swiss Federal Institute of Technology) and Quirino Balzano (Motorola), underlines the need for a revision of

part of Ansi C951-1982. This American standard (widely used in many parts of the globe) excludes all transceivers operating below 1.5GHz and radiating less than 7W from having to be assessed for compliance with basic safety limits based on spatial peak specific absorption rate (SAR). The SAR is the power (in watts) absorbed per kilogram of tissue.

Kuster and Balzano note that portable hand-held communication transceivers are becoming widely used consumer products, with cellular telephones and new digital systems (GSM, DECT etc) expected in the near future.

Revised regulations wanted

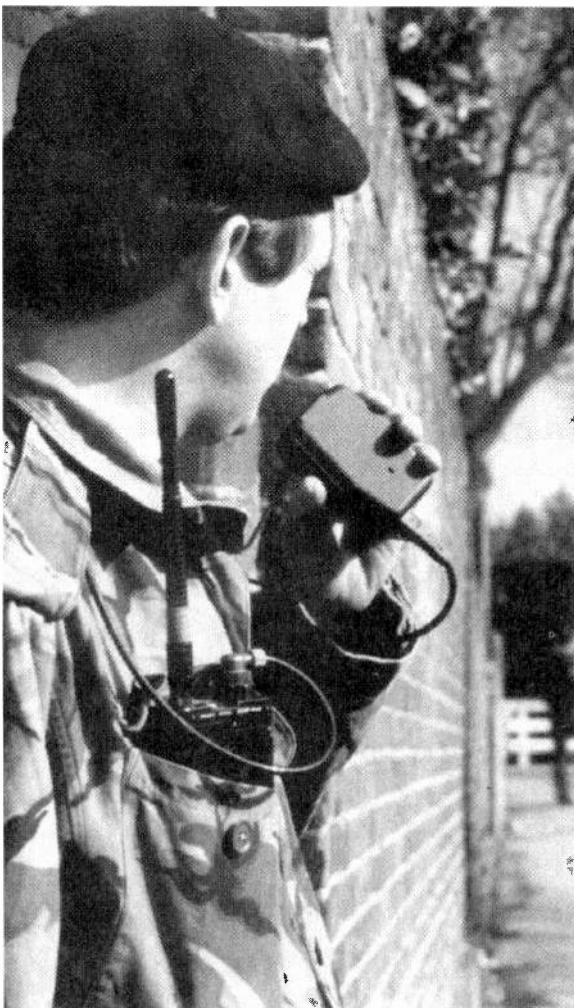
Their studies on the SAR of layered plane phantom in the near-field of antennas at frequencies above 300MHz have shown that the spatial peak SAR is related to the antenna current and not to input power. They conclude a detailed appraisal as follows:

"A consequence of this study is that the health safety regulations for hand-held communication equipment must be revised, because the 7W exclusion clause is not always consistent with the Ansi safety limits for the spatial local peak SAR recommended for the controlled environment (8mW/g). For the uncontrolled environment (1.6mW/g), the exclusion is in direct contradiction with the peak SAR limits, shown by the following example. Assume that the feedpoint current of a 7W 1.5GHz transceiver in 2.5cm distance from the eye tissue is increased to about 350mA due to feedpoint changes. The result is a spatial peak SAR, averaged over 1g of tissue, of over 40mW/g.

"Further, in the close near field, the SAR is not directly related to the input power but to the antenna current distribution."²

References

1. E.H Grant, "Guidelines and standards for exposure in the frequency range 100kHz - 300GHz" *ERA Conference Volume*, "Electromagnetic Fields and Human Health", 1991, pages 3.2.1-3.2.6.
2. N Kuster and Q Balzano, "Energy absorption mechanism by biological bodies in the near field of dipole antennas above 300MHz", *IEEE Trans on Vehicular Technology*, Vol 41, No 1, February 1992.



RF exposure puzzles remain

For more than a decade, the extent of potential hazards arising from exposure to electromagnetic fields has been heatedly debated by those concerned with radio communications, broadcasting, radar and medical electronics. A fresh impetus was given to this subject in the 1980s with publication of epidemiological studies that appeared to reverse earlier work clearing RF radiation from any link with cancers. In turn, more recent studies have highlighted other, possibly more significant, correlations of the same rare cancers with the proximity of traffic and with concentrations of radon gas. Other studies have also shown odd and inexplicable correlations between childhood leukaemias and watching black-and-white (but not colour) television and with the use of hairdriers but not other domestic appliances!

A BBC research report by S Wakeling (RD1990/4), *Electromagnetic field exposure in broadcast environments*, underlines the renewed concern. The areas around broadcast antennas to which a person can safely gain access are being increasingly restricted. Broadcasters face a variety of problems when trying to ensure safe operational practices... The exposure guidelines have

become more stringent each time they have been updated... International authorities are tending towards an "as low as reasonably achievable" principle in the light of inconclusive biological evidence which will create more problems in future...

Safety factors are being compounded by incorrect assumptions regarding exposure conditions. The derived field strengths of exposure standards are calculated assuming optimum coupling conditions and far-field, plane wave exposure whereas, in broadcasting, the potential for hazard is generally confined to the near field around the transmitting antennas. Hence the derived field-strength values are inappropriate for determining the SAR (specific absorption rate) levels and thus the actual level of potential hazard.

At an ERA Technology conference, *Electromagnetic Fields and Human Health*, Dr RD Saunders (NRPB) stressed that while acute exposure to sufficiently intense RF and microwave radiation will induce heating, resulting in detectable rises in tissue or body temperature, the vast majority of people are exposed to much lower field strengths.

There are several possible areas of biolog-

ical interaction at low levels of exposure which may have important health implications and about which knowledge is limited. Mechanisms of interaction have been proposed but are not established. If there are such effects, then the evidence suggests that they are subtle and may well be masked by normal biological variation, claims Dr Saunders.

Reviewing human studies (including the auditory perception of pulse-modulated microwave radiation – an established phenomenon) and animal and cell studies including embryo and foetal development, Saunders stressed that: "the evidence from biological experiments that exposure will affect carcinogenesis in humans is far from convincing".

He concluded that: "There is some evidence from several research groups that responses to low level ELF fields or to pulse or amplitude-modulated RF or microwave fields only occur within specific frequency and amplitude windows. Some of these responses have been difficult to confirm, and their physiological consequences are not clear at present. In addition, mechanisms of interaction have not been convincingly established. It is important that these studies be continued and that the health implications, if any, for exposed people are determined".

PAT HAWKER

CLASSIFIED

TEL 081 652 8339

FAX 081 652 8931

ARTICLES FOR SALE

PHILLIPS PM3217 Dual trace 50MHz Delay sweep	£320
FARNELL DT12-5 12MHz Dual channel scope	£120
FARNELL DT12-14 12MHz Dual channel scope	£120
TEKTRONIX 2215 60MHz Dual channel scope	£375
TEKTRONIX 475 200MHz Dual channel scope	£425
TEKTRONIX 434 50MHz Dual channel scope	£250
TELEQUIPMENT D755 50MHz Dual channel scope	£180
TELEQUIPMENT D1010 10MHz Dual channel scope	£95
TELEQUIPMENT D1010R 10MHz Dual channel scope	£95
TELEQUIPMENT D1011R 10MHz Dual channel scope	£95
TELEQUIPMENT D1016A 20MHz Dual channel scope	£125
SCOPEX 4D10 10MHz Dual channel scope	£95
SCOPEX 4D10A 10MHz Dual channel scope	£95
SCOPEX 4D25 25MHz Dual channel scope	£125
DM64 10MHz Dual channel scope	£95
D67A 25MHz Dual channel scope	£130
REDIFON 1kW Linear amplifier 1.5MHz-30MHz c/w aerial filter unit - mains power unit and drive unit GK203N	£1250
MARCONI Universal Bridge TF2700	£120
MARCONI UHF Attenuator DC-1GHz TF2163S	£150
MARCONI 2GHz Digital frequency meter 2435	£495
GOULD Signal generator J3B	£120
KEMO 1.0Hz-100kHz Phasemeter Type DP1 (new)	£120
FLUKE 845AB High impedance voltmeter - null detector (new)	£500
SIEMENS Level meter 200Hz-620kHz Type D2155 c/w tracking osc. Type W3155	£1250
HP 3770B Telephone line analyzer	£950

All our equipment is sold with a 30-day guarantee.

SAE for enquiries. Phone for appointment or for demo. of any item.

P&P included UK only. VAT excluded.

For more details please contact:

TELFORD ELECTRONICS, Old Officers Mess, Hoo Farm, Humbers Lane, Horton, Telford, Shropshire TF6 6DJ. Phone: 0952 605451. Fax: 0952 677978.

SPECIAL OFFER

SATELLITE RECEIVER New Ferguson BSB (Chassis only) with Tuner and Modulator etc. £10
35cm DISH With LNB 11.7 to 12.7GHz £15
HAND SET Remote Control for above Receiver £1.50
SINCLAIR POWER SUPPLY For Spectrum +2. 9Volt 2.1Amp £3

All prices exclude VAT and Carriage
 ALSO LARGE QUANTITIES OF ELECTRONIC COMPONENTS
 FOR DISPOSAL

TELEPHONE 081 445 0749/445 2713

R. HENSON LTD.

21 Lodge Lane, North Finchley, London N12 8JG
 (5 minutes from Tally Ho Corner)



Cooke International TEST INSTRUMENTS

SUPPLIERS OF BACK-UP AND SUPPORT EQUIPMENT FOR 1980's TECHNOLOGY

Also stock a varied range of good used modern equipment and workshop manuals.

Send for lists.

Cooke International, Units 4/5, Fordingbridge Site, Main Road, Barnham, Bognor Regis, West Sussex PO22 0EB
 Tel. 0243 545111 Fax: 0243 542457

Wide range of items available. Send SAE for lists.

TURN YOUR SURPLUS TRANSISTORS, ICs ETC. INTO CASH
 Immediate settlement.
 We also welcome the opportunity to quote for complete factory clearance.

Contact:

COLES-HARDING & CO.
 103 South Brink

Wisbech, Cambs PE14 0RJ.
 ESTABLISHED OVER 15 YEARS
 Buyers of Surplus Inventory
 Tel: 0945 584188 Fax 0945 475216

GOLLEDGE

ELECTRONICS

CRYSTALS OSCILLATORS FILTERS

Comprehensive stocks of standard items. Over 650 stock lines. Specials made to order.

OEM support: design advice, prototype quantities, production schedules.

Personal and export orders welcome.

SAE for our latest product information sheets.

GOLLEDGE ELECTRONICS LTD Tel: 0460 73718
 Merriott, Somerset, TA16 5NS Fax: 0460 76340

ELECTRONIC UPDATE

Contact Pat Bunce on
081-652 8339

A regular advertising feature enabling
readers to obtain more information
on companies' products or services.



Microlease
Hire Catalogue 1991/92

Test & Measurement
Characterisation
General Purpose Test Equipment
RF and Microwave Test Equipment
Temperature/Humidity/Flex Data and TV Test Equipment
Data Acquisition and Recording Equipment
Power Analysis Equipment
Environmental and Physical Measuring Equipment
Logic Analyzers
Computers & Development
Microprocessor Development and Programming Equipment
PC Driven
Technical Computers
Digital Computers & Workstations
Computer Peripherals
Audio Video & Communications
Cellular Phones and Mobile Talkers
Audio and Video Equipment

Setting Standards in Electronics Hire

081-427 8822

MICROLEASE ARE SETTING STANDARDS IN ELECTRONICS HIRE!

THE CATALOGUE:

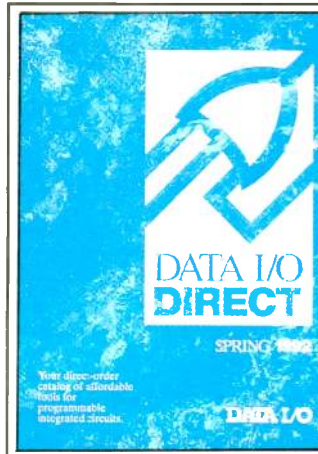
- ★ Easy to use
- ★ Detailed data on all equipment
- ★ Over 2000 product types

THE EQUIPMENT:

- ★ Test & Measurement
- ★ Computers & Development
- ★ Audio/Video & Communications

available for immediate rental with flexible discounts, technical support and BS 5750 quality assurance.

FOR YOUR FREE COPY CALL 081 427 8822.
CIRCLE NO. 150 ON REPLY CARD



DATA I/O DIRECT
SPRING 1992

Your direct-order catalog of affordable tools for programmable integrated circuits.

DATA I/O

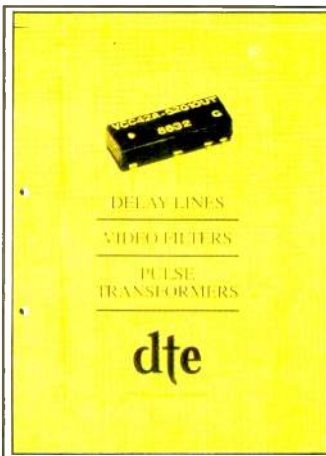
FREE Data I/O Direct Catalogue

Data I/O's direct-order catalogue of affordable tools for users of programmable devices is now available.

From design software to universal device programmers and accessories, this is your one-stop source for unbeatable prices on the high quality products that you need. Included in the catalogue are sections on Design Software, Schematic Software, Device Programmers and Interfaces, Accessories, Design and Programming Tools and a full price list.

For your free copy call 0734 440011 now.

CIRCLE NO. 151 ON REPLY CARD



DELAY LINES
VIDEO FILTERS
PULSE TRANSFORMERS

dte


One of the most comprehensive ranges of delay lines available from one source is shown in the latest catalogue from DTE.

The range includes: passive, digital, video and glass delay lines from the major manufacturers in the UK, States and Far East.

Also included in the catalogue are video filters and pulse transformers.

For free catalogue contact:

DT ELECTRONICS LTD
TEL: 0203 525466
FAX: 0203 525468
CIRCLE NO. 152 ON REPLY CARD

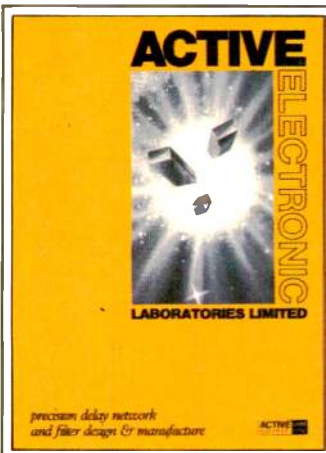


LEMO
Connectors - Connecteurs
AUDIO VIDEO

An abridged catalogue outlining some of the connectors developed by LEMO for audio/video applications. LEMO are a Swiss company manufacturing precision high quality reliable self-latching electrical connectors, which are only intermatable with each other.

LEMO (UK) LTD 12 North Street WORTHING West Sussex BN11 1DU Tel 0903 234543 Fax 0903 206231

CIRCLE NO. 153 ON REPLY CARD



ACTIVE ELECTRONIC LABORATORIES LIMITED

precision delay networks and filter design & manufacture

Filters, Filters, Filters

New catalogue shows greatly expanded range of video filters now available from Active Labs. Designers should take advantage of our dedicated design and manufacturing capability to realise specific requirements with particular emphasis on miniaturisation.

Contact Jim Pledger by phone on (0926) 484050 or Fax on (0926) 484052.

Active Electronic Laboratories Limited

CIRCLE NO. 154 ON REPLY CARD



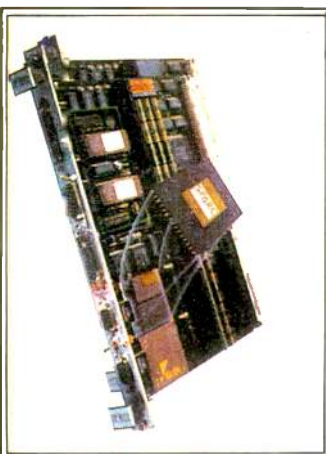
OLSON
The Rack Mounter makes distribution panels for 19" rack mounting

The New Olson catalogue contains EXTENDED 19" rack range with individually fused socket outlets. Up to 10 sockets on 1U high front panel.

Olson Electronics, a leading manufacturer in the field of mains distribution panels of every shape and size to suit a variety of needs. In the workshop, laboratory or office, or at home.

Olson Electronics Limited,
Tel: 081 885 2884,
Fax: 081 885 2496.

CIRCLE NO. 155 ON REPLY CARD



VME/68000 TRAINER

TEACH YOURSELF VME/68000

Ideal starter kit for education on hardware/assembler design includes:

- * Simple 68000-based 6U VME module with:
512 KByte DRAM dual port memory
2 serial ports
50% prototyping area
- * Monitor program in EPROM allows down-loading of code plus on-line debugging.
- * Cross-assembler/simulator for producing/running code on PC.
- * VME Handbook.
- * Full documentation.

£350 inclusive VAT, delivery
EMSYS LTD 0455 554731
CIRCLE NO. 156 ON REPLY CARD



VMEbus BOARDS and SYSTEMS

INDUSTRIAL COMPUTER PRODUCTS

OPTI 486 DX

WORDSWORTH TECHNOLOGY

Industrial PC and VMEbus Boards and Systems

Updated catalogues from Wordsworth Technology cover an extensive range of industrial computer board and system products from leading manufacturers, including Motorola and GreenSpring.

The VMEbus boards and systems catalogue includes 6U and 3U VMEbus format boards and IndustryPacks including Motorola MC68000/10/20/30/40 based processors, graphics and I/O interfaces with Microware OS-9 operating system and drivers.

The Industrial PC catalogue covers a comprehensive range of low cost passive backplane PC products, including 80286/386SX/386DX/486DX based processor boards, disks, I/O interfaces, enclosures and workstations with supporting DOS and OS-9000 operating system software
Wordsworth Technology 0732 866988
CIRCLE NO. 157 ON REPLY CARD



TATUNG TCS8000 386 COMPUTER SYSTEM last few at £249

386DX with 102 keyboard manuals, 210 watt PSU, I/O card, hard and floppy controller (please state MFM, ESDI, IDE or SCSI), 1.2 or 1.4 Mbyte floppy drive, 1 Mbyte RAM upgradable to 16 Mbyte, eight slots, MS-DOS, 16 MHz clock £249, with 2 Mbytes RAM £269.

MATMOS 25 MHz 386 SYSTEMS

Latest style high quality 386 DX computer with AMI Bios, 2 serial, 1 parallel ports, 1 Mbyte RAM, eight slots, Hard and Floppy controller (state SCSI, ESDI, MFM or IDE), 1.2 or 1.44 Mbyte floppy drive and small footprint luxury desktop case £319

TOP SPEC. 486 SYSTEMS

20 MHz 486 SX system, 64K 1 Mbyte RAM, 1.44 Mbyte floppy drive, I/O card etc £449
33 MHz DX 486 cache system, with 1 Mbyte RAM £599, 50 MHz DX 486 cache system £849.

Phone for details and a quote for complete system to your requirements.
Carriage on systems £15. See below for add-ons and other stock items.

486 CAD/DTP SYSTEM WITH 1280 x 1024 MONITOR

486 33 MHz cache system with 91 Mbyte Seagate hard drive, 3.5-inch 1.44 floppy, 4 megs RAM (upgradable to 32 Megs), tower case, 102 keyboard, 2 serial, 1 parallel ports, OPTI chipset, AMI bios, Microfield Graphics TB colour graphics controller with 2 Mbytes video RAM and 8 MBPS processor, Hitachi 15-inch ultra high resolution monitor to display 1280 x 1024 non-interlaced. Will drive Windows 3/3.1, ACAD etc. Cancelled defence order limited stocks £1399. Ask for colour leaflet or quote for machine to your spec.

LASER PRINTERS

Konica LP3110 10 page per minute high-quality laser printer. Fully Laserjet II compatible. With free on-site maintenance £695 (carr £15) stocks limited

FLOPPY DISK DRIVES

360K 5.25-inch IBM standard half-height drive £29.95 (carr £3.50).
720K 3.5-inch Citizen OSD third-height drive for XT or AT (NOT Amstrad 1512/1640) £24.50 (carr £3).
1.44 Mbyte 3.5-inch Citizen OSDA39C third-height drive for ATs, grey bezel £39.95 (carr £3).
1.2 Mbyte 5.25-inch Panasonic half height £39.95 (carr £4).
Kit to fit 3.5-inch drive in 5.25-inch space suitable all Citizen drives inc cable adaptors £4.99 (carr. free with drives)
IBM standard floppy disk drive cable £3.

HARD DISK DRIVES

MFM: 10 Mbyte NEC 5124 5.25-inch £25. SCSI: 91 Mbyte Seagate/Imprimus ST2106N 5.25-inch £189, 330 Mbyte Seagate ST4376N 5.25-inch full height £399.
ESDI: all with 16-bit high speed controllers - 115 Mbyte NEC D3661 3.5-inch £239, 141 Mbyte Micropolis 1355 5.25-inch full height £229, 160 Mbyte Micropolis 5.25-inch half-height £279. Access time on ESDI drives 17 msec. or better (carr on hard drives £5). HDD cable set £5

DISK DRIVE CONTROLLER CARDS (carr £2.50)

XT MFM £24.95, XT RLL £37.50, XT SCSI £29.50, AT MFM £19.95, AT IDE £12.95, AT SCSI £37.50, AT ESDI (Cache) £49
Multi: SCSI card for hard drive, CD, WORM, tape etc. Future Domain firmware £49.
High transfer rate intelligent SCSI card; supports all devices under MS-DOS, Unix, OS/2 and Netware £139. As above with SCSI and IDE interfaces on one card £149. New Ultra-fast (33 msec) SCSI cache cards expected soon. Also EISA cache controllers

IBM COMPATIBLE AT MOTHERBOARDS, CARDS etc

66 MHz 486 DX2 baby size motherboard with 256K cache. Co-processor built in. Fan cooled CPU. £649. Landmark 220 MHz.
33 MHz 486 DX baby size motherboard with extra 64K cache. Floating point co-processor built into CPU. Eight expansion slots. OPTI WB chipset £449 (carr £5). 50 MHz DX or DX2 P.O.A.
20 MHz 486 SX motherboard. The 486 SX is the same as the DX but without the Maths Co-Processor £199 (carr £3.50).
40 MHz 486 SX motherboard as above but twice the speed! Fan cooled CPU £249.
20 MHz 386 DX motherboard, accepts up to 8 Mbytes SIMMS RAM, £89, 25 MHz 386 DX £109 (carr £3.50) 1 Mbyte SIMM RAM for 386/486 (70ns) £24.
EISA 486 top spec EISA systems now in stock, please ring for quote for a system 75 MHz 486 expected soon - please ring.
AT MULTI I/O card with 1 parallel, 2 serial, 1 game, 2 floppy, IDE hard drive £19.95
AT I/O card, parallel, 2 serial, game £14.95.
Mono graphics card £12.95 (all carr £2).
Mouse Microsoft compatible, serial with all software £14.95 (carr £4)
Keyboard 102-key UK, top quality click action, £29.95 (carr £4)

NETWORK PRODUCTS

Ethernet card Novell NE-2000 compatible 16-bit £89 (carr £2). Novell Lite network software £65. All network cables and connectors in stock.

AT/XT CASES WITH PSU

Desktop with 3x 5.25-inch and 1x 3.5-inch bays. Latest styling, £34.95 With 200W psu £59 (carr £6.50).
Luxury desktop as above, with psu but to accept full size motherboard, small footprint, £89 Mini tower £69 (carr £6.50).
Full size tower with 6x 5.25-inch bays, 230W psu, digital speed display, suits all motherboards inc 486 £109 (carr £10)

INTEL 386 PROCESSOR AND 387 CO-PROCESSOR

386 and 387 processors extracted from new systems and guaranteed 1 year)
20 MHz 386-20 DX cpu £49 (carr £1).
25 MHz 387-25 co-processor £59 (carr £1)

MONITORS

MONO HERCULES: 14-inch paper white screen, high res. display, £49 (carr £6.50).
MONO VGA: 12-inch paper white high resolution £59 (carr £6.50).
COLOUR VGA: 14-inch 940 by 480, with tilt and swivel stand £169 (carr £6.50).
COLOUR SUPER VGA: 14-inch up to 1024 by 768 multisync, 0.28 dot pitch. Very high quality display £219 (interlaced), £249 (non-interlaced) (carr £10)

CAD COLOUR

15-inch fixed frequency 64kHz Hitachi HM4115 with Microfield Graphics TB driver card for Autocad and Windows 3/3.1 at 1280 by 1024 non interlaced (new) £399.
(p.o.a. for carriage for above)

VGA CARDS AND WINDOWS ACCELERATORS

16-bit VGA card, 256K, all emulations, up to 800x600, with software to run all major packages. Oak chip set. Switchable for use in XT's. £29.95
16-bit 1024x768 super VGA card. Very high resolution with 512K and drivers for Windows, Acad, VP etc Full manuals and disks. Latest version of the industry standard Trident chip set. £49, 1 Mbyte version £59 (carr on cards £2.00)
50 MHz S3 WINDOWS ACCELERATOR Latest high speed accelerator card using the full 50 MHz S3 chipset. £195 (carr £2).
NCR WINDOWS ACCELERATOR with 2 Mbyte video RAM £149 (carr £2).

DIGITISERS

Hitachi Puma Series Digitisers - end of stock! 24 by 36 inches and 36 by 48 inches only; new, no psu's. £150 to clear (carr on application)

MODEM CARDS

Hayes Compatible 2400BPS internal modern fully compatible with MNP 5 error correction. Auto dial/answer and speed sensing. Works with Windows 3, Procom, Crosstalk etc. £69 (carr £4).

POWER SUPPLY

Astec BM140 IBM XT/AT compatible 150W, +5V at 15A, +12V at 5A, -5V at 0.3A, -12V at 0.5A, fan cooled, rear panel switch, good value at £19.50 (carr £4)

SOFTWARE AND DISKS

DR DOS 6 Latest operating system from Digital Research with many extra features including file compression and good memory handling. £39.95, MS DOS 5 £49.95 (carr £4).
WINDOWS 3.1 Latest version from Microsoft on 3.5-inch disks £69.95 (carr £4)
3.5-INCH DISKS Box of ten 1.44 Mbyte preformatted £9.95 (carr £2).

Stop Press! 386-16 motherboards not working but with guarantee good 386DX cpu £29 (carr £4) Few only, no guarantee on motherboard.

NB * VAT and carriage must be added to all items (quotes for carriage overseas).
* Everything new, and guaranteed one year unless stated; ex-dem. products guaranteed 6 months.
* Access and Visa telephone service.

**MATMOS LTD., UNIT 11, THE ENTERPRISE PARK,
LEWES ROAD, LINDFIELD,
WEST SUSSEX RH16 2LX.**

0444 482091 and 0444 483830 (Fax: 0444 484258).

Matmos Ltd has been trading successfully since 1976.

CIRCLE NO. 144 ON REPLY CARD

INDEX TO ADVERTISERS

	PAGE		PAGE		PAGE
A P Products	817	IPK Broadcast Systems	803	Pentagram Electronic	
Bull Electrical	867	J A V Electronics	805	Design	871
Buyers News	855	Johns Radio	810	Pico Technology	815
Citadel Products Ltd....	IFC	Kestral Electronic		Ralfe Electronics	817
Colomere Electronics		Components Ltd	801	Seetrax Ltd	815
Ltd	803	Keytronics	862	Silica Systems	794
Dataman	IBC	Labcenter Electronics	851	Smart Communications	815
Display Electronics Ltd	853	Laplace Instruments	803	Sowter Transformers	
Ellmax Electronics Ltd	812	M & B Electrical	836	Ltd	827
Feedback Test &		M & B Radio (Leeds) ...	875	Stewart of Reading	817
Measurement	820	M Q P Electronics	805	Surrey Electronics Ltd ..	823
Grandata Ltd	871	Maplin Electronics	OBC	TELEVISION	855
Halcyon Electronics	801	Matmos Ltd	880	TELNET	820
ICE Technology Ltd	855	Micro Amps Ltd	799	Thurlby Thandar Ltd	827
ICOM (UK) Limited	805	Number One Systems		Trio-Kenwood UK Ltd	801
Integrated Measurement		Ltd	846	Tsien Ltd	822
Systems Ltd	812			Wood & Douglas	823

OVERSEAS ADVERTISEMENT AGENTS

France and Belgium: Pierre Mussard, 18-20 Place de la Madeleine, Paris 75008.

United States of America: Jay Fenman, Reed Business Ltd., 205 East 42nd Street, New York, NY 10017 - Telephone (212) 867 2080 - Telex 23827.

Printed in Great Britain by BPPC Magazines (Carlisle) Ltd, and typeset by Marlin Graphics, Sidcup, Kent DA14 5DT, for the proprietors, Reed Business Publishing Ltd, Quadrant House, The Quadrant, Sutton, Surrey SM2 5AS. © Reed Publishing Ltd 1992. Electronics and Wireless World can be obtained from the following: AUSTRALIA and NEW ZEALAND: Gordon & Gotch Ltd, INDIA: A.H. Wheeler & Co, CANADA: The Wm Dawson Subscription Service Ltd; Gordon & Gotch Ltd, SOUTH AFRICA: Central News Agency Ltd; William Dawson & Sons (S.A.) Ltd; UNITED STATES: Worldwide Media Services Inc., 115 East 23rd Street, NEW YORK, N.Y. 10010. USA. Electronics & Wireless World \$5.95 (74513).

Dataman's new S4 programmer costs £495 You could have one tomorrow on approval*

If you've been waiting for S4 we have some good news. It's available now. S4 is the 1992 successor to Dataman's S3 programmer, which was launched in 1987. The range goes back through S2, in 1982, to the original Softy created in 1978. Like its predecessors, Softy4 is a practical and versatile tool with emulation and product development features. S4 is portable, powerful and self-contained. Design and manufacture are State of the Art. S4 holds a huge library of EPROMS, EEPROMS, FLASH and One Time Programmables. Software upgrades to the Library are free for the life of the product, and may be installed from a PROM by pressing a key. *S4 makes other programmers seem oversized, slow and outdated.* S4 is now the preferred tool for engineers working on microsystem development.

Battery Powered

S4 has a rechargeable NICAD battery. On average, you can do a week's work without recharging. On a single charge, up to a thousand PROMS can be programmed – and charging is fast: it only takes an hour. Normal operation can continue during the charging process.

Continuous Memory

Continuous Memory means never losing your Data, Configuration or Device Library. You can pick up S4 and carry on where you left off, even after a year on the shelf. If the NICAD battery loses all of its charge, RAM contents are preserved by the LITHIUM backup battery.

Remote Control

S4 can be operated via its RS232 Serial Port. The standard D25 socket connects to your computer. Using batch files or a terminal program, all functions are available from your PC keyboard and screen.

Free Terminal Program

You could use any communications software to talk to S4. But the Terminal Driver program, which we include free, is the best choice. It has Help Screens to explain S4's functions and it sends and receives at up to 115200 baud – that's twelve times as fast as 9600 baud. At this speed a 64 kilobyte file downloads in 9 seconds. There is a memory resident (TSR) option too, which uses only 6k of your precious memory, and lets you "hot key" a file to S4. Standard *upload* and



download formats include: ASCII, BINARY, INTELHEX, MOTOROLA and TEKHEX.

**S4 loads its Library of
programmables from a PROM
in its socket,
like a computer
loads data from disk.
Software upgrades are
available free. Download the
latest Device Library from our
Bulletin Board.**

Microsystem Development

With S4 you can develop and debug microsystems using Memory Emulation. This is an extension of ROM emulation, used for prototype development, especially useful for single-chip "piggy back" micros. When you unpack your S4 you will find an Emulator Lead with a 24/28/32 pin DIL plug and a Write Lead with a microhook. Plug the EMULead in place of your ROM. Hook the Write-Lead to your microprocessor's write-line. Download your assembled code into S4. Press the EMULate key and your prototype runs the program. S4 can look like ROM or RAM, up to 512K bytes, to your target system. Access-time depends on S4's RAM. We are currently shipping 85ns parts.

CIRCLE NO. 101 ON REPLY CARD

Your microprocessor can *write* to S4 as well as *read*. If you put your *variables* and *stack* in S4's memory space, you can inspect and edit them. You can write a short monitor program to show your *internal registers*.

S4's memory emulation is an inexpensive alternative to a full MDS and it works with any microprocessor. Many engineers prefer it because their prototype runs the same code that their product will run in the real world.

Dimensions & Options

S4 measures 18 x 11 x 4 cm and weighs 520 grams.

128k x 8 (1MB) of user memory is standard, but upgrading to 512k x 8 is as easy as plugging in a 4MB low-power static CMOS RAM.

The stated price includes Charger, EMULead, Write Lead, Library ROM,

Terminal Driver Software with Utilities and carriage in U.K. but not VAT.

*Money-back Guarantee

We want you to buy an S4 and use it for up to 30 days. If it doesn't meet with your complete approval you will get your money back, immediately, no questions asked.



Call us with your credit card details. Stock permitting, we are willing send goods on 30 days sale-or-return to established U.K. companies on sight of a legitimate order.

Customer Support

Dataman's customer list reads like Who's Who In Electronics. Dataman provides support, information interchange, utilities and latest software for S4, S3, Omni-Pro and SDE Editor-Assembler on our Bulletin Board which can be reached at any time, day or night.



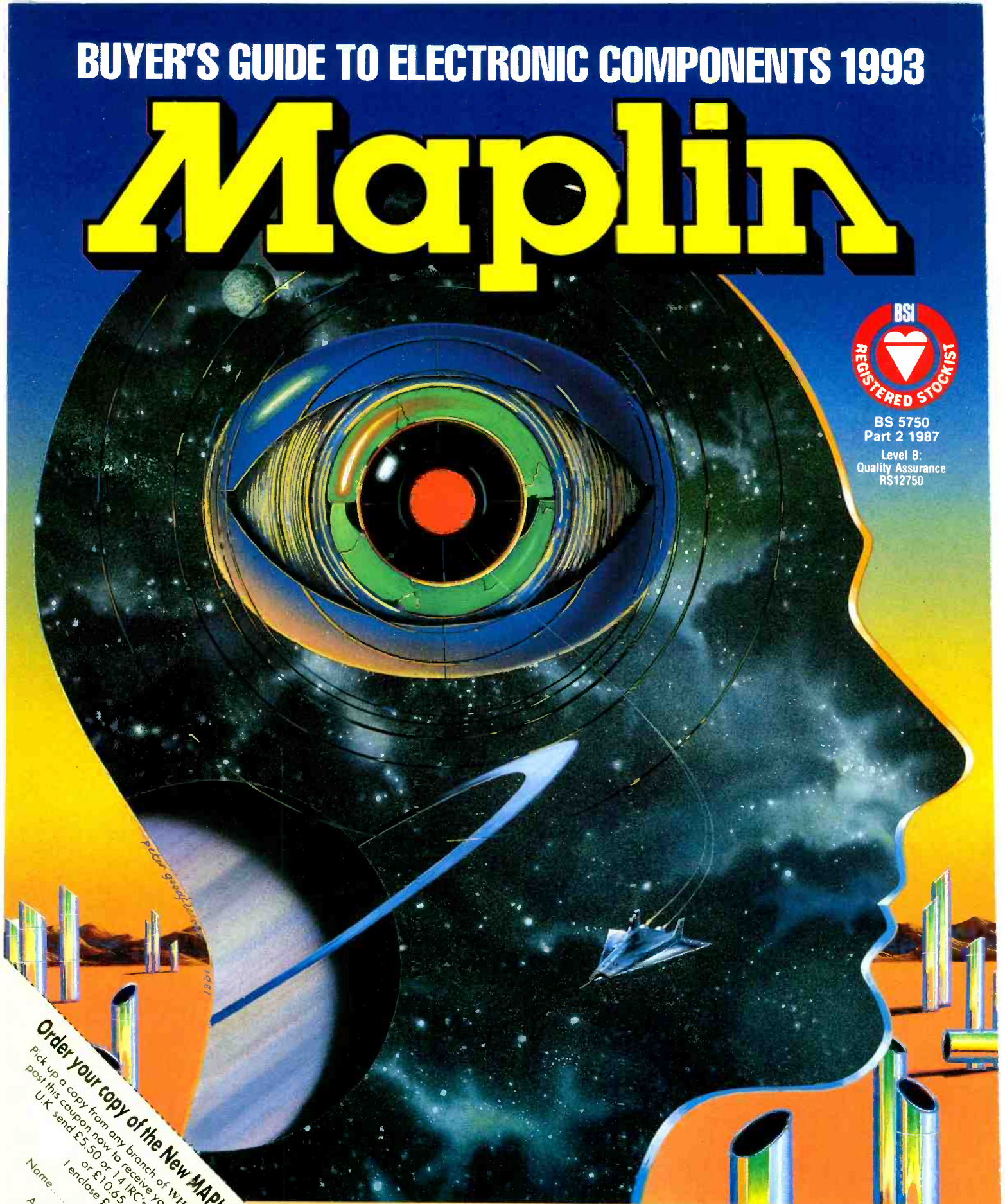
**Station Road MAIDEN NEWTON
Dorset DT2 0AE United Kingdom
Phone 0300-20719
Fax 0300-21012
Telex 418442
BBS 0300-21095
Modem 12/24/96 V32 HST N,8,1**

BUYER'S GUIDE TO ELECTRONIC COMPONENTS 1993

Maplin



BS 5750
Part 2 1987
Level B:
Quality Assurance
RS12750



Order your copy of the New MAPLIN Catalogue on sale NOW!
Pick up a copy from any branch of WHSMITH or from our chain of shops for just £2.95 or
post this coupon now to receive your copy for just £3.45 inc. p&p. If you live outside the
U.K. send £5.50 or 14 IRC's for Airmail in Europe/surface mail outside Europe.
or £10.65 or 27 IRC's for Airmail outside Europe.
I enclose £3.45/£5.50/£10.65 (delete as applicable).

Name
Address
Post Code

Send to Maplin Electronics,
P.O. Box 3, Royleigh,
Essex, England,
SS6 6LR.
www3

**Over 700 product packed pages with
hundreds of brand new products.
On sale now, only £2.95**

Available from all branches of WHSMITH and
Maplin shops nationwide. Hundreds of new
products at super low prices!
CIRCLE NO. 102 ON REPLY CARD