

Interested in recruitment? See page 979...

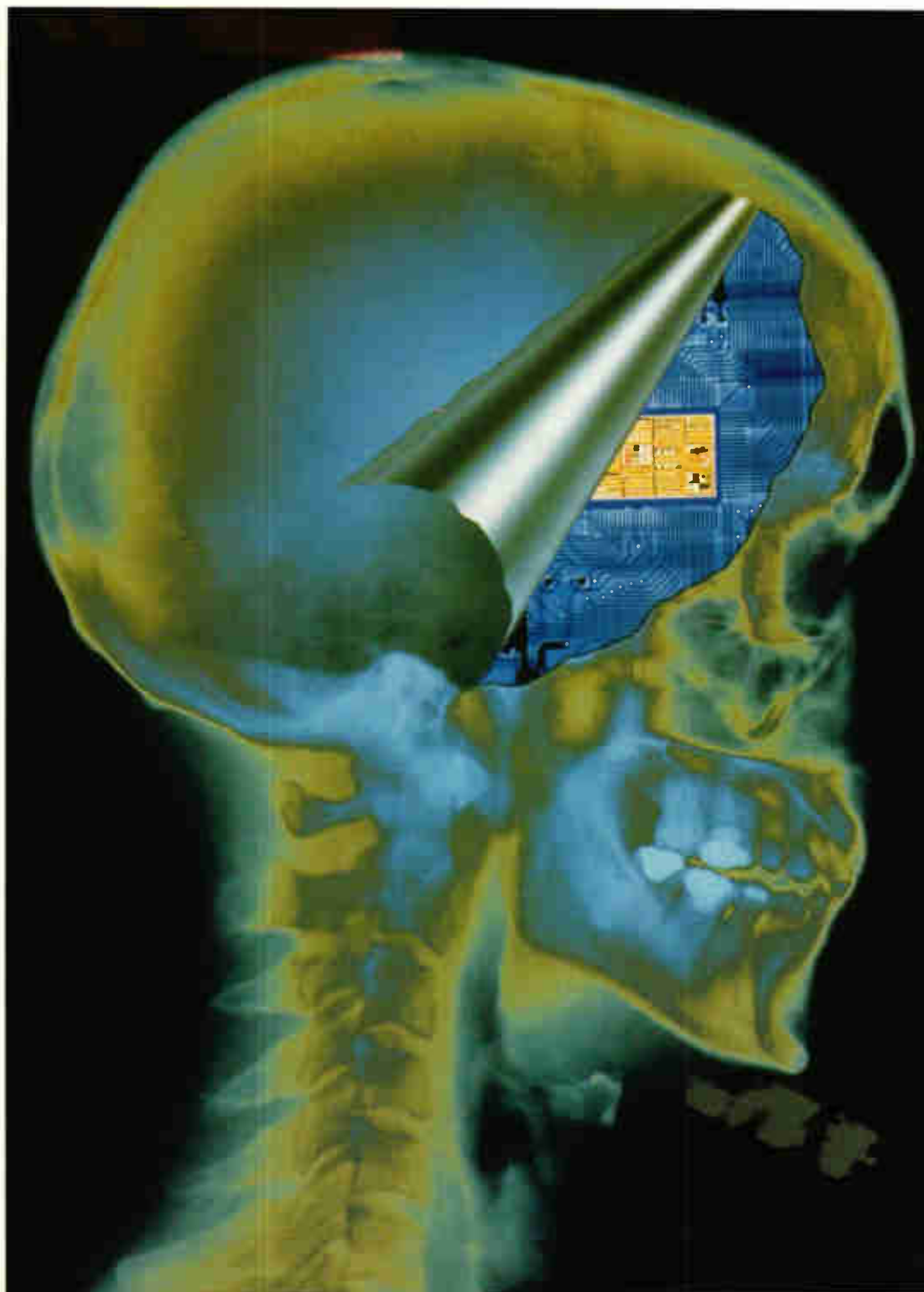
# ELECTRONICS WORLD

INCORPORATING WIRELESS WORLD

NOVEMBER 1998 £2.45

Austria Asch. 68.00  
Denmark DKr. 69.00  
Germany DM 18.00  
Greece Dra. 1300.00  
Holland Dfl. 12.50  
Italy L. 9000.00  
Malta Lm. 1.65  
IR £3.30  
Singapore S\$7.50  
Spain Pts. 900  
USA \$6.50

A REED BUSINESS PUBLICATION  
SOR DISTRIBUTION



**Brains – and  
how to grow  
them**

**Field-strength  
meter**

**Improved  
watchdog**

**Homodyne &  
synchrodyne  
receiver**

**History  
rewritten**

**Running  
Fourier  
transforms**

**Better bass**

**Road tolling**

**More exclusive tv dawn pictures**



9 770959 833042

# WiNRADiO



**More choice:  
external WiNRADiO arrives!**

WiNRADiO now brings you a complete choice in computer controlled radio scanning and reception.

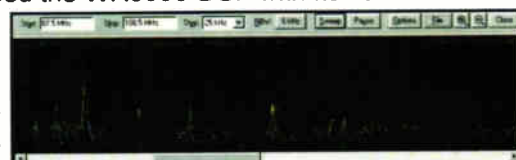
With either the internal or external versions, you can couple all the power of the latest Windows PCs (not just the fraction that you can squeeze down an RS232 connection) to the latest synthesised receiver design techniques, and you'll get the ultimate in wide range, all mode programmable radio reception.

**New external WiNRADiO™ (WR1000e and WR1500e)** provide complete comms systems connecting either via the basic RS232 - or with an optional PCMCIA adapter, for high speed control. Power from existing 12v supplies, or our optional NiMH rechargeable 12v battery pack.

**Use WiNRADiO scanning PC comms receiver systems for...**

Broadcast · Media monitoring · Professional & amateur radio communications · Scanning · Spot frequency & whole spectrum monitoring · Instrumentation Surveillance (and recording)

If you still want the ultimate receiver-in-a-PC with full DSP, then you need the WR3000-DSP with its hardware for real-time recording, signal conditioning and decoding applications. (This is available as an ISA card only).



**VisiTune™ spectrum tuning display**



**Your choice of virtual front panel**



**The DSP applet provided with the WR3000 spectrum monitor ISA card (£995+VAT) allows continuous control of audio bandwidth and other signal conditioning functions**

Model No	WR-1000	WR-1500
<b>Construction</b>	WR-1000i/WR-1500i - Internal full length ISA cards WR-1000e/WR-1500e - external RS232/PCMCIA (optional)	
<b>Frequency range</b>	0.5-1300 MHz	0.15-1500 MHz
<b>Modes</b>	AM,SSB/CW,FM-N,FM-W	AM,LSB,USB,CW,FM-N,FM-W
<b>Tuning step size</b>	100 Hz (5 Hz BFO)	100 Hz (10 Hz for SSB and CW)
<b>IF bandwidths</b>	6 kHz (AM/SSB), 17 kHz (FM-N) 270 kHz (FM-W)	2.5 kHz(SSB/CW), 9 kHz (AM) 17 kHz (FM-N) 270 kHz (FM-W)
<b>Receiver type</b>	PLL-based triple-conv. superhet	
<b>Scanning speed</b>	10 ch/sec (AM), 50 ch/sec (FM)	
<b>Audio output on card</b>	200mW	200mW
<b>Max on one motherboard</b>	8 cards	8 cards
<b>Dynamic range</b>	65 dB	70 dB
<b>IF shift (passband tuning)</b>	no	±2 kHz
<b>DSP in hardware</b>	no - use optional DS software	
<b>IRQ required</b>	no	no
<b>Spectrum Scope</b>	yes	yes
<b>Visitune</b>	yes	yes
<b>Published software API</b>	yes	yes
<b>Internal ISA cards</b>	£299 inc vat	£399 inc vat
<b>External units</b>	£389 inc vat	£449 inc vat
<b>PCMCIA adapter (external)</b>	£30 with 'e' series unit, otherwise: £69 inc.	
<b>PPS NiMH 12v battery pack &amp; charger:</b>	£79 with 'e' series unit, otherwise: £139	

**Digital Suite Software**

1. WEFAX / HF Fax
  2. Packet Radio for HF and VHF
  3. Aircraft Addressing and Reporting System (ACARS)
  4. Audio Oscilloscope, real time Spectrum Analyzer with calibration cursors
  5. Squelch-controlled AF Recorder
  6. DTMF, CTSS decode and analyse
- £81.05 inc VAT**

(requires SoundBlaster 16 compatible sound card)

For your free info pack and software emulation demo disk contact Broadercasting Communication Systems

<http://www.broadercasting.com>  
email: [info@broadercasting.co.uk](mailto:info@broadercasting.co.uk)

**FREEPHONE: 0800 0746 263**  
**Fax: 01245 287057**

Widford Old Rectory, London Road, Chelmsford, Essex CM2 8TE

E&O WiNRADiO and VisiTune are trademarks of WiNRADiO Communications



**CIRCLE NO. 101 ON REPLY CARD**

# Contents

## 899 COMMENT

Enhanced-functionality flexible system technology

## 901 NEWS

- Face-print held in 50 bytes
- Modem chip for 56k and adsl
- GPS tracks mobile phones
- PC developments
- Meter reading trials

## 911 GREENER ROADS

Melanie Reynolds looks at how electronics is being used in road-tolling experiments.



Road tolling is coming – whether we like it or not. Melanie Reynolds looks at options for implementing it on page 911.

## 915 CIRCUIT IDEAS

- Programmer adaptor for s-m chips
- Car speed alarm
- Variable pulse-width generator
- Audio sweep generator
- One mains switch for all
- Programmable voltage divider
- 3-terminal regulator works to 0V
- Dual channel dvm

## 925 REWRITING HISTORY

Did RCA invent the Iconoscope? Was magnetic tape recording a war secret? Andrew Emmerson's investigates.

## 929 HOW STRONG IS YOUR FIELD?

Ian Hickman describes a simple yet high performance field-strength meter suitable for evaluating antenna radiation patterns.



Obtain 20% reader discount on Newnes' Factfinder databases for electronics and radio engineers – or better still, win one of 10 sets worth £40 each. See page 908.

## 937 BRAINS AND HOW TO GROW THEM

How close are we to real artificial intelligence? Chris Macleod and Grant Maxwell attempt to provide an answer.

## 943 FIRST FRAMES

Donald McLean reveals how a home-recorded videodisc made in 1933 challenges established views on the quality of Britain's first television service.

## 947 SYNCHRODYNE AND HOMODYNE RECEIVER

Michael Slifkin and Noam Dori describe a complete and affordable receiver incorporating both synchrodyne and homodyne techniques.

## 955 GOING LOWER

Motional feed back is a useful loudspeaker design tool. Russel Breeden looks at its uses and limitations.

## 959 RUNNING FOURIER TRANSFORMS

Running Fourier transforms take the bind out of examining spectra in a run of digital samples. Allen Brown explains.

## 963 LETTERS

Cold junction comments,  
Microsoft monopoly solution  
Rechargeable discharge problems  
Harmonic discussions  
EMC regulations  
Light gates.

## 967 NEW PRODUCTS

Over forty new product outlines, presented by Phil Darrington.

## 972 WATCHDOG HAS EXTRA TEETH

Ted Crowley's general-purpose watchdog for microcontroller systems reacts fast, monitoring the supply on the ac side.



Rare disk recording of a live tv broadcast transmission from the thirties, played back using computer enhancement. Find out what was involved on page 943.

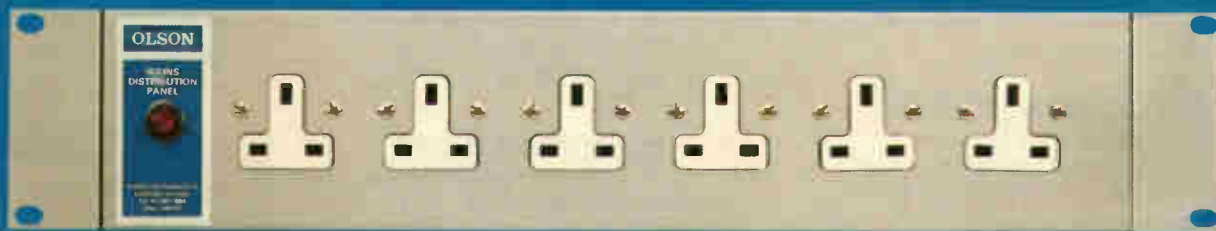


What's on the cover CD? See page 908

December  
ISSUE ON SALE  
5 November



**'THE RACK RANGE'**  
MAINS DISTRIBUTION PANELS FOR  
19" RACK MOUNTING  
HORIZONTAL



**EDITOR**

Martin Eccles  
0181 652 3128

**CONSULTANTS**

Ian Hickman  
Philip Darrington  
Frank Ogden

**EDITORIAL ADMINISTRATION**

Jackie Lowe  
0181-652 3614

**E-MAIL ORDERS**

jackie.lowe@rbi.co.uk

**ADVERTISEMENT MANAGER**

Richard Napier  
0181-652 3620

**DISPLAY SALES EXECUTIVE**

Joannah Cox  
0181-652 3620

**ADVERTISING PRODUCTION**

0181-652 3620

**PUBLISHER**

Mick Elliott

**EDITORIAL FAX**

0181-652 8111

**CLASSIFIED FAX**

0181-652 8938

**NEWSTRADE ENQUIRIES**

0171 261 7704

**ISSN 0959-8332****SUBSCRIPTION HOTLINE**

01622 778000

**SUBSCRIPTION QUERIES**

rbp.subscriptions@rbi.co.uk  
Tel 01444 445566  
Fax 01444 445447

For a full listing of  
RBI magazines:

http://www.reedbusiness.com



REED  
BUSINESS  
INFORMATION

## Enhanced-functionality flexible system technology

There can't be many occupations in which practitioners are expected to make real words take on obscure meanings or to learn nonsense words aside, perhaps, from the darker corners of particle physics. Even electronics could, at one time, be vaguely understood by those of a non-electronic persuasion.

English has always been in a state of change: there have been influxes of European tongues since prehistory and then bits of language brought back by adventurers overseas, and the last great modification from the USA. Whenever a word or expression has seemed to be imaginative or more useful and expressive than the one in use, it has been adopted. There has rarely been any feeling of "not invented here" about the assimilation of new expressions. How could there have been, since the language came from such a mixture of sources? Danish; Greek; old, young and middle-aged French; Old High German, whoever he was; Latin and any number of bits and pieces from other languages have all been delightedly taken in. And so it went, each acquisition enriching our language.

Until recently. What we have now is Press Relations. What we do not appear to have is much respect for readable and understandable English, at least not amongst our PR brethren, whose job it is to send out on behalf of the makers information on new products, among other things, to magazines like this one in the hope that we can find space in the new products pages to mention them. Some even suggest that the handouts should simply be printed as they are. Well, that would certainly cut down on editorial time, but anyone reading the result would probably need to work fairly hard to get the message.

A former editor of this august organ would often, very often, remark that "Easy writing makes for hard reading", frequently adding "young man!" to make the relationship clear. And he was absolutely right; it does. It does pay to spend a moment finding the best word rather than using an inapposite one or perverting the meaning of a perfectly good word when a better choice already exists.

For example, we don't have oscilloscopes, resistors, power supplies or microprocessors now. Instead, we are inundated with *solutions*. Everything is a solution. To what, it is sometimes hard to fathom. It seems to be hopelessly old-fashioned to use the real noun because 'solution' is the easy way out; it is almost as though the writer has forgotten what he is writing about. And anyway, 'solution' sounds sophisticated (one of whose meanings is "deprived of natural simplicity"). *Interface* is another good word to use when (a) you are in a

hurry or (b) you can't think of a better one or (c) you want it to sound up-market. Looking at a handout before me, I see a relay described as a power interface. Plugs and sockets have been known to take on new lives as interfaces, which is on a par with calling a soldering iron in a stand a solder workstation.

I do not want to turn this into a list of such examples, but one or two more will better illustrate the point. *Functionality* is one. If you want to say that a new oscilloscope does more things than usual, what you say now is that it has enhanced functionality. Another is the back-formation *configure*. Things get configured. It isn't just that the verb does not exist; it never has and, let us pray, never will unless the electronics PR industry succeeds in persuading us all that it is a better word than "arrange" or "order" or "organise" or "dispose". There are masses of others: *technology* instead of technique; *flexibility* rather than versatility; *system* to mean just about anything; all used constantly as fluff words when more appropriate ones are there for the taking. (I realise that dictionaries equate flexibility with versatility, for example, but dictionaries reflect usage. It would be unnecessarily confusing to say "flexible shielding material", meaning that it could be used for many tasks.)

I am unsure of the reasons for PR people's adopting this approach to promoting goods for sale; it seems perverse to camouflage what you want people to understand and consequently buy your products

Of course the language changes all the time. If it stopped changing, it would be dead. But there has to be framework of reason behind the changes, if only to ensure that people know what they are talking about. There is a school of thought that says it doesn't matter how you speak or write so long as people understand what you have to say, but the language of PR fails even that pathetic test.

All this doesn't matter too much, of course, because it gets filtered through people who work on the magazines; not that we are all-knowing, but most of us like to try and get the message across, if at all possible. We do try to keep up with the argot when it makes sense, but when it doesn't, we feel justified in changing it. The trouble is that, exposed to it most of the time as we are, it begins to rub off on us and we find ourselves typing the most awful gibberish without turning a hair until we read the finished piece and promptly click on "Cut". Our hope is that we succeed in being efficient filters and that readers don't even notice.

Phillip Darrington

*Electronics World* is published monthly. By post, current issue £2.45, back issues (if available) £3.00. Orders, payments and general correspondence to **L333, Electronics World, Quadrant House, The Quadrant, Sutton, Surrey SM2 SAS**. Tlx: 892984 REED BP G. Cheques should be made payable to Reed Business Information Ltd

**Newstrade**: Distributed by Marketforce (UK) Ltd, 247 Tottenham Court Road London W1P 0AU 0171 261-5108.

**Subscriptions**: Quadrant Subscription Services, Oakfield House Perrymount Road, Haywards Heath, Sussex RH16 3DH. Telephone 01444 445566. Please notify change of address.

Subscription rates 1 year UK £34.00 2 years £54.00 3 years £68.00. Europe/Eu 1 year £49.00 2 years £78.00 3 years £98.00 ROW 1 year £59.00 2 years £94.00 3 years £119

**Overseas advertising agents**: France and Belgium: Pierre Mussard, 18-20 Place de la Madeleine, Paris 75008. United States of America: Ray Barnes, Reed Business Publishing Ltd, 475 Park Avenue South, 2nd Fl New York, NY 10016 Tel: (212) 679 8888 Fax: (212) 679 9455

**USA mailing agents**: Mercury Airfreight International Ltd Inc, 10(b) Englehard Ave, Avenel NJ 07001. Periodicals Postage Paid at Rahway NJ Postmaster. Send address changes to above.

**Printed by** BPPC Magazines (Carlisle) Ltd, Newtown Trading Estate Carlisle. Cumbria, CA2 7NR

**Filmsetting by** JJ Typographics Ltd, Unit 4 Baron Court, Chandlers Way, Southend-on-Sea, Essex SS2 5SE.

© Reed Business Information Ltd 1997 ISSN 0959 8332

## Power distribution system combines aesthetics and versatility

The DB2000 modular power distribution system offers a stylish and flexible mains-power solution for office-based applications such as computer workstations, dealing desks, high-technology office furniture and LAN racking.

Modules are available with up to 15 standard BS1363 sockets and can be specified in horizontal or vertical configurations, with a single switch and/or fuse for each module or for each individual socket. In addition, there is a wide range of support modules to protect against earth leakage, overcurrents and mains transients.

Power may be fed from other modules or direct from the mains supply through re-wireable or pre-wired ST18 connectors.

Designed for safe and easy installation, the DB2000 modules incorporate a sliding shutter/locking mechanism which



serves as a lock when the Wieland connector is inserted and as a safety shutter when the connector is removed.

The DB2000 system enables users to quickly configure a customised power distribution system, which can easily be altered at a later date to accommodate changing requirements.

**CIRCLE NO. 139 ON REPLY CARD**

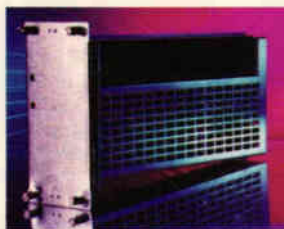
## 200W switch-mode PSU for datacomms

Byfleet-based Safety Power Group has introduced a switch-mode power supply specifically designed for use in modular data-communications systems.

Known as the 48FS200-121, this high-reliability 200W PSU accepts input voltages in the range 42-72VDC and provides a single output of +5V at 40A. Its high MTBF figure of 100,000 hours is backed by a 2-year guarantee as standard.

Key features of the 48FS200-121 include convection cooling, reverse protection and undervoltage protection on the inputs, POWER OK and OUTPUT OK signals on the outputs, and a power-sharing facility that makes the PSU suitable for n+1 redundancy designs and 'hot' insertion/removal applications.

Mounted on a 4U x 9TE panel, the power supply carries a CE mark and complies with all relevant European standards for safety and EMC, including EN60950,



EN55022, EN61000 and IEC801-5. In addition, it is designed to meet the BTNR 2511 in-rush specification.

Equipped with H15 DIN connectors as standard, the 48FS200-121 can also be fitted with additional accessories such as handles, mains switches, LEDs and test points. Operating temperature range is specified as 0 to 70°C, derating by 2.5%/°C above 55°C.

**CIRCLE NO. 140 ON REPLY CARD**

## New 250W power supply features compact design

The new FL250 switch-mode power supply, available exclusively from the Safety Power Group, uses double-sided plated-through-hole PCB technology to achieve a low profile of just 43mm, thereby providing equipment designers with a valuable space-saving opportunity.

Manufactured in the UK by Ferrus Power, the FL250 is CE marked and carries all the necessary international safety approvals, including EN60950 and UL1950, as well as meeting the requirements of the EN55022 Class B, FCC Class B and CISPR 22 Class B standards for electromagnetic interference.

This new 250W power supply is available with single outputs of 5V @ 50A, 12-15V @ 17A, 24-28V @ 9A or 48V @ 5.2A or a choice of four multiple-output configurations.



The single-output models feature remote-sense capability and power-fail signals, and all versions offer overcurrent protection and 24/48V DC input facilities.

The FL250 has a typical full-load efficiency of 75% at 240Vrms and its operating temperature range is specified as 0-50°C, derating by 2.5%/°C up to 70°C.

**CIRCLE NO. 141 ON REPLY CARD**



## 150W PSU features universal input

Available from the Safety Power Group is a versatile 150W switch-mode power supply that offers a universal input and a wide choice of single or multiple outputs, making it suitable for use in applications.

Manufactured in the UK by Ferrus Power the FW150 is designed to comply with the EN55022-B, EN61000-4 and IEC801-5 electromagnetic interference standards, as well as the EN60950, UL1950 and CSA22.2 No. 950 safety standards.

The power supply can be specified with single outputs of 5V @ 30A, 12-15V @ 13A, 24-28V @ 6.5A or 48V @ 3.2A, all of which feature remote-sense capability and power-fail signals. Alternatively, four multiple-output configurations are available.

All versions feature a 90-264V universal input, together with 24/48V DC input and overcurrent protection facilities.

The FW150 comes complete with a 2-year guarantee as standard.

**CIRCLE NO. 142 ON REPLY CARD**

## 750W SMPSU for telecoms applications



Now available exclusively from Safety Power Group is the FR750 switch-mode power supply - a 750W unit that offers a wide range of single or multiple outputs and an array of advanced features that make it ideal for use in telecommunications applications.

The FR750 can be specified with single outputs of 5V @ 120A, 12-15V @ 56A, 24-28V @ 28A or 48V @ 16A or any one of six multiple-output configurations. Multiple-output versions achieve an MTBF of 80,000 hours, and for single outputs this figure rises to 120,000 hours.

Providing facilities such as current sharing, remote sensing, adjustable 'Power OK' signals, programming outputs and 24/48V DC input capability, the new power supply can be tailored to meet the requirements of most telecommunications systems.

The FR750 carries a CE mark and complies with all relevant European standards for EMC and safety, including EN55022, EN61000, IEC801 and EN60950.

Housed in a chassis-mounting enclosure, the PSU is equipped with screw and stud terminals and is supplied with a 2-year guarantee.

**CIRCLE NO. 143 ON REPLY CARD**

## Special Offers From DELTA $\delta$



- The smallest and lightest bench power supplies available
- Only 1.8kgms model ES 030-5
- Programming and monitoring (standard), RS 232 (optional)
- 19" rack mounting (optional)
- EN 60950 IEC 61010 EN 500B11/EN50082 & CE Approved.

ES 030-5 0-30V 0-5A £324.00\*

ES 030-10 0-30V 0-10A £599.00\*

SM 7020D 0-35V 0-20A £895.00\*  
Auto Ranging 35-70V 0-10A

SM 30-45 0-30V 0-45A £1,199.00\*

Prices subject to VAT and Carriage \*

- Master/Slave Operation
- Battery Charging
- 19" rack mounting
- MTBF 500,000 hours
- To 18kWatts Power Systems.

Choose from over 50 different models



Ring today for your 36 page catalogue.

**CIRCLE NO. 144 ON REPLY CARD**

**SAFETY POWER**

'your partners in power'

Safety Power Group Ltd,  
15 Wintersells Business Park,  
Byfleet, Surrey KT14 7LF,  
Tel 01932 336025 Fax 01932 336550  
www.safetypower.co.uk/delta

## £1m campaign for more 'proper' MPs

A £1m campaign to persuade more engineers, and other workers with so-called 'proper jobs' to become Labour MPs has been launched by a major trade union.

The Amalgamated Engineering and Electrical Union is switching half its £2m a year annual contribution to the party to stop its parliamentary representation being dominated by lecturers, lawyers and career political advisers.

Leaders of the 730 000 strong union fear that the working class

roots of the party and its knowledge of real life are being swamped by career politicians from the professional classes who know nothing about industry.

General Secretary Ken Jackson said: "If Parliament is to be truly representative, it needs electricians, truck drivers, engineers and nurses."

The cash will be used to back such candidates in bruising selection battles for seats in the Westminster, Scottish and Welsh Parliaments.

A spokesman for the Union said it was not a direct challenge to lawyer Tony Blair's remodelling of New Labour but was, "a shot across the bows of the future direction of the party".

The campaign mirrors the views of former Labour Chief Whip Michael, now Lord, Cocks who believes too many political hacks, lawyers and lecturers now get into Parliament and too few workers, businessmen, engineers and others with real industrial expertise.

## NRPB comment sought in mobile-phone health label action

A court action to force mobile phones to carry health warning labels has been adjourned following defence requests that the National Radiological Protection Board (NRPB) comments on the evidence.

The private action by Roger Coghill of Coghill Research Labs, a bio-electromagnetics laboratory, is seeking to have labels fitted which warn that prolonged use of a mobile phone, in excess of 20 minutes, may endanger health (See *EW*, October).

The action is at pre-trial stage when the start date and length of the trial is determined. The next stage will be in October. A decision, based on the report, will then be made on whether to call the NRPB to the stand, and a trial date will be set.

The trial is already attracting much attention. "It is something of interest to the public," said Coghill. "We don't have any rules for mobile phones and I'm worried we might find out the hard way."

## FEI: "don't over-react to recession rumours"

The Federation of Electronics Industry (FEI) has warned against over-reacting to the current so-called world economic crisis and its effects on the electronics industry.

"It's not that the whole of the electronics world is falling apart, it's just the semiconductor business," said Richard Hinds, director of components at the FEI. "We shouldn't talk ourselves into a recession," he said.

Shares in electronics companies have not been affected any more or less than other businesses following the recent fall in stock market prices around the world, pointed out Hinds.

He admitted that the semiconductor industry has suffered much with memory prices continuing to fall, but said the markets that semiconductors

are being used in are still buoyant.

The telecoms industry remains strong for the moment in the face of the Asian situation, said Adrian May, an analyst with Ovum. However, he warned of a lack of consumer confidence that talk of a world economic crisis creates.

"I have spent a long time tracking the Asian crisis. It can affect confidence in the mobile phone business," said May. People thinking about buying a mobile phone may now decide not to, he said.

One continuing problem that is affecting UK businesses is the strength of the pound working against the UK electronics industry, said Hinds. "It means that importing into the UK has become cheaper and exporting from it is more expensive."

## Remote meter reading trials

The biggest UK trial of an automatic meter reading (AMR) system involving 2500 homes started recently.

If successful, the trial by Yorkshire Electricity will result in a rollout of the technology to all two million of its customers.

"It's a substantial investment and when it comes to rollout it will be quite an undertaking," said a spokeswoman for Yorkshire Electricity.

The AMR system on trial is supplied by Ramar Technology, a UK specialist in AMR. The system uses signals in the government's recently allocated 184MHz radio band over a fixed network.

"This will allow the deregulated industry to work as it should," said Marcus Lovell-Smith, Ramar's chief operating officer.

The equipment allows readings to be made every half hour so tariffs can be altered whenever required and charged accordingly. It will also automatically tell the supplier if there is a power cut or if the meter has been tampered with.

## Copper-interconnect firsts

IBM shipped the industry's first copper interconnect chips with a pair of fast PowerPC microprocessors. The copper-based 740 and 750 PowerPC microprocessors, running at 400MHz, are likely to be used by Apple Computer in a future line of Power Macintosh systems.

IBM also said that copper based chips will be included in a range of server families, and will be aimed at embedded systems markets.

"By combining leading process technology like copper with a powerful, flexible architecture, we're able to offer electronics designers a new range of options, such as single-function processors for embedded applications," said IBM Microelectronics general manager John Gleason.

## New contender producing Intel x86 clones?

Another x86 clone company called Transmeta Corporation is said to be preparing a product in the shadow of Intel's HQ in Santa Clara.

Transmeta is backed by one of the world's richest men - Paul Allen who co-founded Microsoft with Bill Gates. It is headed by David Ditzel from Sun Microsystems.

Transmeta describes its primary business as, "alternative vlsi engines for multimedia pcs".

However, the company is being extremely secretive about its plans and is not prepared to comment on prospective products.

"I have people calling and stopping by all the time but we've made no

announcement and no statements," said Brian Hurst, Transmeta's director of worldwide sales.

Hurst declined to either confirm or deny that the company is working on an x86 clone.

The word on the street in Silicon Valley is that Transmeta is taking a particularly drastic approach to x86 cloning - an approach which could challenge Intel's entire pc strategy.

That's because the Transmeta chip is said to be aimed at working outside the existing infrastructure surrounding Intel's chips - i.e it will have its own surrounding chip sets and will not work with Intel's chip sets.

This is a high risk strategy and a

huge task. It is easy to see why the company is being secretive. Intel will be keen to stifle such a direct assault on its hegemony.

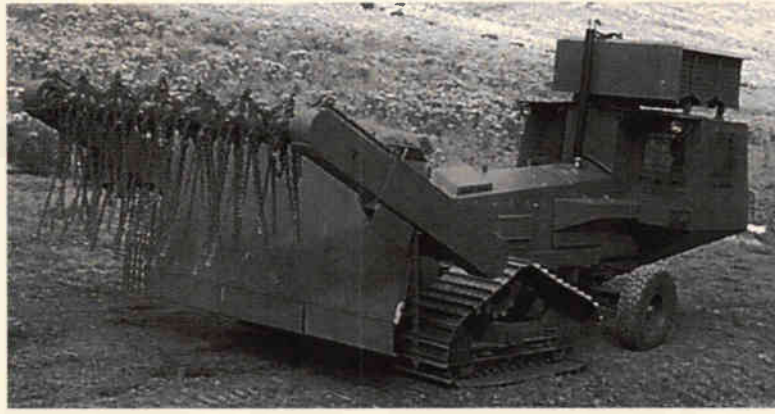
There is a suggestion, however, that the Transmeta chip will only target the portable PC market.

Paul Allen, still a director of Microsoft, has invested in several companies in what he calls his 'Wired World' strategy to produce the technologies that can seamlessly link personal computers.

Like Rise Technology - another new x86 cloner - Transmeta is located in Mission College Boulevard - the same street that Intel inhabits.

David Manners, *Electronics Weekly*

Wireless telemetry modules from Baurhurst-based Wood & Douglas have been incorporated in the Aardvark mine clearer. The modules have been used by the company AHC for remote control of the vehicle. The Aardvark is capable of removing tons of top soil, and uses metal chains to detonate buried landmines.



## UK researchers find a way to store facial images in just 50 bytes

Researchers at the University of Kent in Canterbury have developed a way to store a facial image in 50 bytes of memory - small enough to fit on the magnetic stripe of a credit card.

"There is enough spare capacity on credit and bank cards to store the card-holders image," said Jamie Booker, a PhD student working on the project.

Each byte is a coefficient for a template stored in the reading equipment. The final image is the

sum of 50 templates multiplied by their coefficients.

The templates are generated once only, from 300 facial images of real people chosen to cover the population concerned, using the Karhunen-Loeve expansion.

The templates are ordered in significance. The first is a general human face. Adding template two makes it more masculine, subtracting template two makes it more feminine. The image is honed as each successive template is included.

## Single chip modem for 56k V90 and 1.5Mbit ADSL

Fabless Cambridge chip company Virata is aiming to introduce the first single chip modem for the 1.5Mbit/s ADSL derivative G.Lite.

"The chip will include everything except the d-to-a and a-to-d converters. It will be called Beryllium and will implement both G.Lite and

V.90 [56kbit/s] protocols," said Charles Cotton, CEO of Virata. "This means that a modem using it will always be able to make best use of the bandwidth of any connection available to it."

The chip is aimed at internal and external G.Lite modems for pcs and

includes, says company spokesman Chris Williams, level two (bridging) and level three (routing) ATM protocol processing. This reduces processing demands on the host processor compared with a dumb 'data pump' modem.

In addition to G.Lite, the chip will also operate with standard ADSL up to 1.5Mbit/s.

## New flash memory fast enough for 80MIPs signal processors

Lucent Technologies claims its high speed flash memory product line can keep up with digital signal processors (dsps) running at 80MIPS, or twice the speed of other flash memory dsp products.

"Lucent is ahead of the pack with this new fast-flash offering," said US analyst, Alan Niebel at Semico Research. "Having fast flash is very much of a market differentiator and will be in the future. It's important for the speed of the flash to keep up with the dsp as demand for fast cycling continues to grow."

Using flash memory instead of rom chips will let manufacturers reprogram the dsps in their products.

Sample chips are available now with volume production starting by the second quarter of 1999.

The flash dsp technology is for applications in wireless communications devices such as cellular and cordless phones, modems and other electronics products.





# PLUG IN AND MEASURE

8-12 bit  
200kHz-50MHz  
100mVolt-1200Volt

STORAGE OSCILLOSCOPE  
SPECTRUM ANALYZER  
VOLTMETER  
TRANSIENT RECORDER



## TiePie introduces the HANDYSCOPE 2 A powerful 12 bit virtual measuring instrument for the PC

The HANDYSCOPE 2, connected to the parallel printer port of the PC and controlled by very user friendly software under Windows or DOS, gives everybody the possibility to measure within a few minutes. The philosophy of the HANDYSCOPE 2 is:

"PLUG IN AND MEASURE".

Because of the good hardware specs (two channels, 12 bit, 200 kHz sampling on both channels simultaneously, 32 KWord memory, 0.1 to 80 volt full scale, 0.2% absolute accuracy, software controlled AC/DC switch) and the very complete software (oscilloscope, voltmeter, transient recorder and spectrum analyzer) the HANDYSCOPE 2 is the best PC controlled measuring instrument in its category.

The four integrated virtual instruments give lots of possibilities for performing good measurements and making clear documentation. The software for the HANDYSCOPE 2 is suitable for Windows 3.1 and Windows 95. There is also software available for DOS 3.1 and higher.

A key point of the Windows software is the quick and easy control of the instruments. This is done by using:

- the speed button bar. Gives direct access to most settings.
- the mouse. Place the cursor on an object and press the right mouse button for the corresponding settings menu.

- menus. All settings can be changed using the menus.

Some quick examples:  
The voltage axis can be set using a drag and drop principle. Both the gain and the position can be changed in an easy way. The time axis is controlled using a scalable scroll bar. With this scroll bar the measured signal (10 to 32K samples) can be zoomed live in and out.

The pre and post trigger moment is displayed graphically and can be adjusted by means of the mouse. For triggering a graphical WYSIWYG trigger symbol is available. This symbol indicates the trigger mode, slope and level. These can be adjusted with the mouse.

The oscilloscope has an AUTO DISK function with which unexpected disturbances can be captured. When the instrument is set up for the disturbance, the AUTO DISK function can be started. Each time the disturbance occurs, it is measured and the measured data is stored on disk. When pre samples are selected, both samples before and after the moment of disturbance are stored.

The spectrum analyzer is capable to calculate an 8K spectrum and disposes of 6 window functions. Because of this higher harmonics can be measured well (e.g. for power line analysis and audio analysis).

The voltmeter has 6 fully configurable displays. 11 different values can be measured and these values can be displayed in 16 different ways. This results in an easy way of reading the requested values. Besides this, for each display a bar graph is available.

When slowly changing events (like temperature or pressure) have to be measured, the transient recorder is the solution. The time between two samples can be set from 0.01 sec to 500 sec, so it is easy to measure events that last up to almost 200 days.

The extensive possibilities of the cursors in the oscilloscope, the transient recorder and the spectrum analyzer can be used to analyze the measured signal. Besides the standard measurements, also True RMS, Peak-Peak, Mean, Max and Min values of the measured signal are available.

To document the measured signal three features is provided for. For common documentation three lines of text are available. These lines are printed on every print out. They can be used e.g. for the company name and address. For measurement specific documentation 240 characters text can be added to the measurement. Also "text balloons" are available, which can be placed within the measurement. These balloons can be configured to your own demands.

For printing both black and white printers and color printers are supported. Exporting data can be done in ASCII (SCV) so the data can be read in a

spreadsheet program. All instrument settings are stored in a SET file. By reading a SET file, the instrument is configured completely and measuring can start at once. Each data file is accompanied by a settings file. The data file contains the measured values (ASCII or binary) and the settings file contains the settings of the instrument. The settings file is in ASCII and can be read easily by other programs.

Other TiePie measuring instruments are: HS508 (50MHz-8bit), TP112 (1MHz-12bit), TP208 (20MHz-8bit) and TP508 (50MHz-8bit).

Convince yourself and download the demo software from our web page: <http://www.tiepie.nl>. When you have questions and / or remarks, contact us via e-mail: [support@tiepie.nl](mailto:support@tiepie.nl)

Total Package:  
The HANDYSCOPE 2 is delivered with two 1:1/1:10 switchable oscilloscope probe's, a user manual, Windows and DOS software. The price of the HANDYSCOPE 2 is £ 299.00 excl. VAT.

TiePie engineering (UK), 28 Stephenson Road, Industrial Estate, St. Ives, Cambridgeshire, PE17 4WJ, UK  
Tel: 01480-460028; Fax: 01480-460340

TiePie engineering (NL)  
Koperslagersstraat 37  
8601 WL SNEEK  
The Netherlands  
Tel: +31 515 415 416  
Fax +31 515 418 819

## GPS is favourite for tracking mobile phones

Global positioning system technology (GPS) will be the main approach for locating mobile phone handset users. So claims Kanwar Chadha, founder and v-p marketing of US firm SiRF Technology after his company announced agreements with leading handset makers Ericsson and Nokia.

Ericsson has licensed SiRF's GPS technology – which includes GPS chip sets, a core and software – for use in a range of wireless handheld devices. It expects to have first GPS enabled mobile products by the year 2000.

The other adopter, Nokia, has also invested \$3m in the privately held company, gaining an observer seat on the board.

"While it is not 100 per cent

resolved, the market is clearly converging towards GPS," said Chadha. "But that doesn't mean other technologies won't be there – GPS won't solve all the problems."

GPS is competing against network based solutions which use the cellular infrastructure rather than just the handset to locate the user.

Cambridge Positioning Systems' *Cursor* system, which calculates the handset location using time of arrival differences, is one example; the network based GPS system *SnapTrack* is another.

ERA Technology has also demonstrated a location scheme based on an adaptive antenna whose primary purpose is to increase user numbers in a radio cell.

Cambridge Positioning Systems'

CEO, Geoff Morris, disagrees that the technological argument has been won by GPS. "We are addressing the GSM market worldwide," said Morris. "Cursor is something that can be added to the existing network – it does seem a very attractive formula."

The company is in discussion with several UK mobile phone operators and expects to have a nationwide roll out of *Cursor* by July 1999.

The main instigator for handset location schemes is the Emergency 911 directive from the US Federal Communications Commission which stipulates that from October 2001, the location of emergency callers in the US must be identified to an accuracy of 125 metres.

Roy Rubenstein, *Electronics Weekly*

## Audio and modem functions on the pc diverge

Intel is preparing to separate audio and modem functions from the PC motherboard as it promotes its latest PC architecture.

Intel's plans will be revealed later this month at its Intel Developer Forum in California. The goal is to encourage the use of the audio/modem riser (AMR) card and the mobile daughter card (MDC) which will hold audio and modem ICs.

The full AMR specifications will be announced at the Developer Forum and Intel will try to convince developers to use the specifications for AMR and MDC in future powerful PC systems. AMR is part of Intel's AC '97 specifications and coincides with efforts to rid the pc of the ISA bus.

With audio and modem functions on a separate sub-system,

motherboard makers will be able to produce a generic design leaving the audio and modem functions up to pc builders and customer requested options.

Intel will also announce a list of approved AMR products among which is the RipTide chip set from Rockwell Semiconductor Systems. The first PCs with AMR sub-systems are expected in mid-1999.

### Processor clocks head for 1.5GHz

Sun's microprocessors will reach clock speeds of 1.5GHz by the year 2002, the company says.

The information comes from Sun's publication of its road map for the UltraSPARC series of 64-bit Risc microprocessors. While clock speed will quadruple over the next four years, performance will increase eight-fold with the move from today's UltraSPARC II to UltraSPARC V.

For the gigahertz processors and beyond, Sun will use a 0.10µm manufacturing process under development at Texas Instruments.

"Because we're fabless, we partner with the very best," said Nigel Ross, Sun Microelectronics' business development manager. "We focus our R&D expenditure on the processor design."

The UltraSPARC product family includes three variants on the basic processor; a scalable version (s) for multi-processor servers and workstations, an integrated chip (i) adding system functions, and embedded devices (e) for products such as high speed network cards.

The next generation UltraSPARC III, expected later this year, is slated to run at 600MHz.

### Digital seal marks time and keeps an eye out for tampering

An electronic seal, which shows whether a lock has been tampered with, has been developed by Encrypta Electronics, a UK firm.

Developed in partnership with the Rifkin Company of the US, the Arcolock seal is being fixed to bags used for transporting confidential documents, money or other sensitive material.

Whenever the lock is closed, it

randomly generates a four digit number. If the bag is opened in transit, the number will be different upon arrival at its destination.

A timer also shows the period since the bag was locked, important in certain applications, says Encrypta.

The company claims that because of its reusability, the Arcolock is up to 50 per cent cheaper than disposable seals.

### Cameras set to boom

Lower prices for image sensor chips will dramatically boost sales of digital cameras, a US study predicts.

International Data Corporation (IDC) says that the digital camera market will be worth \$5.4bn by 2002. Cheaper cmos-based image sensors are a key market driver, helping to reduce the price of digital cameras.

"Simplified conversion of dynamic ram manufacturing plants to cmos manufacturing sites in Ireland, Korea, and Taiwan will drive pricepoints well below \$500 in 1998," said IDC analyst Ron Glaz.

Glaz added that the production of highly integrated chips that combine image capture with image processing functions, such as LSI Logic's *DCAM-101*, are another factor in reducing manufacturing costs. ■

# Welcome to our **Hi-Speed World!**



**Components by Alcatel  
at electronica 98  
in Munich.**

When it comes to Hi-Speed and reliability, our components set the standard.

Whatever your task might be, we have the right solution for the job.

- ▼ Optoelectronics for fiberoptic communications
- ▼ Custom switch mode converters and power supplies
- ▼ Inductive Components
- ▼ Printed Circuit Boards
- ▼ Equipped Casing Systems
- ▼ Microsystems
- ▼ Switches
- ▼ Dunkermotoren
- ▼ Cable Harnesses
- ▼ Wires and Components
- ▼ Vehicle electrical systems
- ▼ ASICs and communication standard ICs

Feel free to compare component performance – we're looking forward to your visit.

**Alcatel Components**

**electronica 98 Munich, Nov. 10. – 13.**

**Hall A2, Stand 536**

**[www.alcatel.com](http://www.alcatel.com)**



**ALCATEL**

**The Hi-Speed Company**

E-Mail: [www.components@alcatel.de](mailto:www.components@alcatel.de) Fax: (+49) 911/4230 455

**CIRCLE NO. 105 ON REPLY CARD**

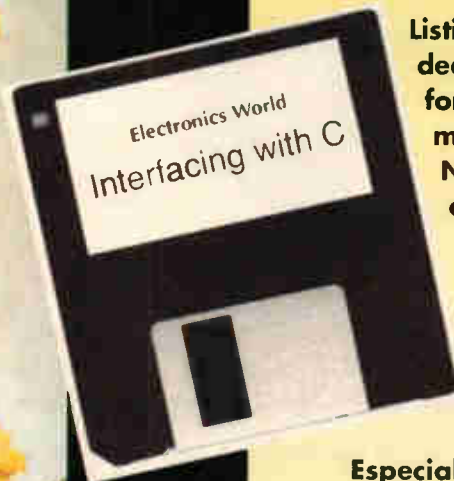
# Interfacing with C

**ELECTRONICS  
WORLD**  
- WIRELESS WORLD

## Interfacing



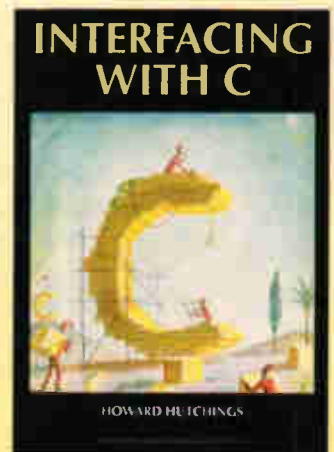
**Howard Hutchings**



Without an engineering degree, a pile of money, or an infinite amount of time, the revised 289-page **Interfacing With C** is worth serious consideration by anyone interested in controlling equipment via the PC. Featuring extra chapters on Z transforms, audio processing and standard programming structures, the new **Interfacing with C** will be especially useful to students and engineers interested in ports, transducer interfacing, analogue-to-digital conversion, convolution, digital filters, Fourier transforms and Kalman filtering. Full of tried and tested interfacing routines.  
**Price £14.99.**

**Listings on disk - over 50k of C source code dedicated to interfacing. This 3.5in PC format disk includes all the listings mentioned in the book Interfacing with C. Note that this is an upgraded disk containing the original Interfacing With C routines rewritten for Turbo C++ Ver. 3. Price £15, or £7.50 when purchased with the above book.**

**Especially useful for students, the original Interfacing with C, written for Microsoft C Version 5.1, is still available at the special price of £7.50. Phone 0181 652 3614 for bulk purchase price.**



### Use this coupon to order

Please send me:

Title	Price	Qty	Total
Enhanced Interfacing with C book @	£14.99	.....	£.....
Enh. Interfacing with C book + disk @	£22.49	.....	£.....
Interfacing with C disk @	£15	.....	£.....
Original Interfacing with C book @	£7.50	.....	£.....
Postage + packing per order UK	£3.50	.....	£.....
Postage + packing per order Eur	£7	.....	£.....
Postage + packing per order ROW	£12	.....	£.....
<b>Total</b>			£.....

Name

Address

Phone number/fax

Make cheques payable to Reed Business Publishing Group Ltd  
Or, please debit my Master, Visa or Access card.

Card type (Access/Visa)

Card No

Expiry date

Mail this coupon to Electronics World Editorial, Quadrant House, The Quadrant, Sutton, Surrey, SM2 5AS, together with payment. Alternatively fax full credit card details with order on 0181 652 8956 or e-mail them to jackie.lowe@rbp.co.uk. Orders will be dispatched as quickly as possible, but please allow 28 days for delivery.

**17000 NEW products**  
with our semiconductor supplement

**MAPLIN**  
ELECTRONICS

the  
**key** to

**better selection and service**

Telephone 01702 554000 with your enquiry PLEASE QUOTE PRIORITY CODE MA079

CIRCLE NO. 108 ON REPLY CARD



# Electronics World **Info CD**

This month's cover mount CD\* contains fully-working demonstrations of EDWin NC and Pico Technology's virtual instrumentation software featured on the adjacent page. There's also a demonstration of Newnes Factfinder software tools, copies of which you may win by entering our prize draw.

When installing any software, it is advisable to quit any applications that are currently running.

## How to use the CD

### ● EDWin NC

On the CD is a fully working demonstration of EDWin – the professional CAD/CAE tool. File saving has been inhibited, there are no output facilities and the libraries are limited, but otherwise, all features of the full package are available for you to use and evaluate. There is also a guided tour on the CD, which is loaded via the same start menu.

You will need Windows 95 or 3.1 to run the package on a pc with 8Mbyte of memory or more. If you are running Windows 98/NT, call Swift on 01992 570 006 for details. From File Manager or Windows Explorer, double click the folder called 'edwincd' then double click the file Start.exe. Alternatively, select Run on the start menu (or file manager under Windows 3.1) and type 'D:\edwincd\Start.exe' followed by carriage return. The letter D represents the letter of your CD rom drive.

At this point, you can select whether you want to see the EDWin tour or load the program to experiment with.

### ● Pico's virtual instruments

There's a suite of programs in the Pico folder, as described on the adjacent page. Once the demonstration is loaded, you can select each one of the six items individually via their icons or via File Manager.

You will need Windows 3.1, 95 or NT to run the package on a pc with 8Mbyte of memory or more. From File Manager or Windows Explorer, double click the folder called 'Pico' then double click the file Setup.exe. Alternatively, select Run on the start menu (or file manager under Windows 3.1) and type 'D:\Pico\Setup.exe' followed by carriage return. The letter D represents the letter of your CD rom drive.

### ● Newnes Factfinders

This is a demonstration version of the Newnes Factfinder library, the new technical library on a pc, giving access to a wealth of engineering information from the leading publisher, Newnes. From the Bookshelf, you can choose a title, or search all five for a particular topic. The contents list shows the complete contents of the full versions. Grey page icons and folders with a cross through them show sections not available in the demonstration. The Search function shows you the sections you can access and take you straight to them.

This demonstration runs under Windows 3.1 or 95. From File Manager or Windows Explorer, double click the folder called 'Newnes' then double click the file Factfind.exe. Alternatively, select Run on the start menu (or file manager under Windows 3.1) and type 'D:\Newnes\Factfind.exe' followed by carriage return. The letter D represents the letter of your cd rom drive.

## Newnes engineering factfinders for Windows

Engineering Factfinders are the first technical electronic library providing access to a wealth of data published by the leading source of engineering information, Newnes.

This concept provides convenient, cheap, low memory access to engineering data via a standard pc.

Each Factfinder builds up into a coherent data library, and the user has the option of searching for a topic or item of data across other Factfinders.

The software data base is easy to use, and can be searched by keyword, chapter heading, or by pages sequentially, or even bookmarked and annotated for future use.

At only £20 including VAT, the Factfinders are an affordable and useful pc reference tool that load simply from two 3.5in disks onto any Windows-based PC.

Each Factfinder is:

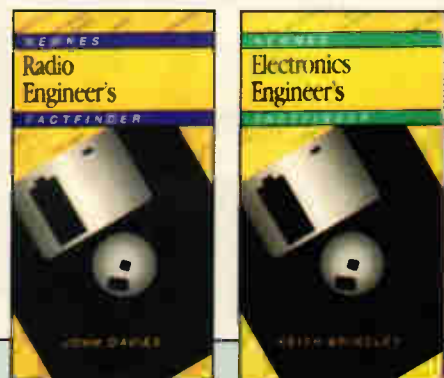
- Fully illustrated
- Essential reference tool
- Keyword search facility
- Master search across a bookshelf of titles
- Based on the best-selling Newnes Pocket Books
- Runs under Windows 3.1 or Windows 95

The Radio Engineer's and Electronics Engineer's Factfinders can be ordered from Electronics World Editorial, Quadrant House, The Quadrant, Sutton, Surrey SM2 5AS for £23 including UK postage. Fax 0181 652 8111 for overseas postage costs and credit card ordering details, e-mail jackie.lowe@rbi.co.uk.

## Win a pair of Factfinders

*Electronics World* has ten sets of two Newnes Factfinders that anyone could win. Entries will be accepted until 31 December 1998 and the winners will be drawn from a hat as soon as possible after that date. Simply send us your name and address in, or on, an envelope marked 'Factfinders'.

All entrants will be eligible for **20% discount** on either the Radio Engineer's or Electronics Engineer's Factfinders, or both. Simply request your 20% discount voucher on your entry. Only one entry per person is allowed. Send your entry to, Factfinders, Electronics World Editorial, Quadrant House, The Quadrant, Sutton, Surrey SM2 5AS.

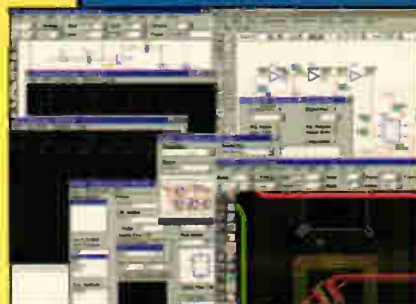
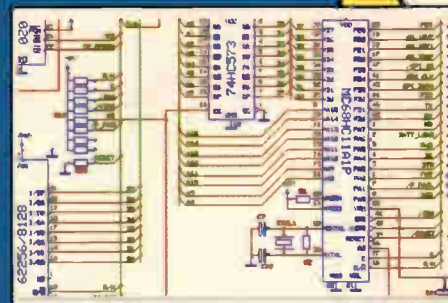


# EDWIN NC

## Schematic capture, pcb layout and mixed-mode simulation

EDWin NC is a comprehensive CAD/CAE package designed to provide electronics engineers with the tools to turn ideas into circuits and circuits into PCBs. Its four modules – Schematic Capture, Layout design, Postprocessing and Simulation – run seamlessly to provide a complete end-to-end CAD/CAE system via a fully-integrated database.

EDWin NC is an industrial-strength integrated CAD tool whose price has been dramatically reduced to bring it within the reach of the enthusiast. Its only limitation is that it is not for use in commercial applications.



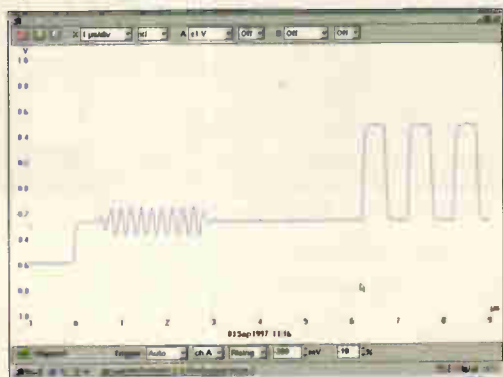
**True top-end CAD/CAE performance at a high-street price...**

**Now available: add-on thermal and electromagnetic analysis modules**

Swift Eurotech Ltd, Twankhams Alley, 160 High Street, Epping, Essex CM16 4AQ  
Tel 01992 570 006, fax 01992 570 220  
e-mail: swift.eu@dial.pipex.com

# Pico Technology Demonstrations

These sample screen shots are all taken from the software on the demonstration CD. In addition to the examples shown, there is a full Pico catalogue on the CD plus a list of distributors.

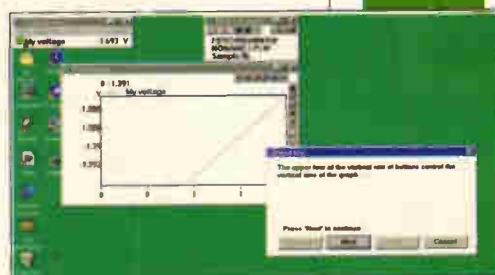


*Picoscope demonstration waveform from oscilloscope mode. This is a PAL colour burst taken via one of the top-end 50MHz Picoscopes. There's a variety of units, some very low cost, all running under the same powerful windows software. Primary virtual instruments provided are oscilloscope and spectrum analyser, but you can also measure voltage and frequency directly.*



*Pico's range of environmental monitoring products gives a precise handle on temperature, humidity and light levels versus time, and allows convenient storage and manipulation of data on the host pc.*

*Oszifox – a low-cost oscilloscope that you can carry in your pocket for general use or connect to your pc for enhanced features, storage and waveform display.*



*Picolog for Windows lets you log with the precision of a data-logger then manipulate, display and store the data with all the facilities of a pc.*

Pico Technology Ltd, Broadway House, 149-151 St Neots Road, Hardwick, Cambridge CB3 7OJ. Tel. 01954 211 716, Fax. 01954 211 880, email: post@picotech.co.uk. Visit Pico's web site at <http://www.picotech.com>

# Cover CD and reader offer

Test Equipment has come a long way over the last few years, traditional 'benchtop' instruments such as oscilloscopes are giving way both to smaller hand held units and more recently to PC based instruments. Pico Technology are at the forefront of these developments and are giving you the chance to save 15% off the purchase price of some of the highest quality test equipment available today. You can order either the ADC200 or osziFOX oscilloscopes using the order form below. This offer is valid until the 15 Dec 1998. See how good the software is for yourself by installing the demo versions on this months cover CD.

## Transform your PC.... Into an oscilloscope, spectrum analyser and multimeter



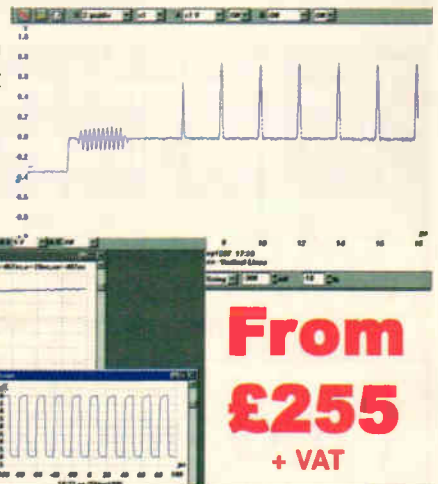
The ADC200 range of PC based oscilloscopes offer performance only previously available on the most expensive 'benchtop' scopes. By intergrating several instruments into one unit, the ADC200 is both flexible and cost effective.

Connection to a PC gives the ADC200 the edge over traditional oscilloscopes: the ability to print and save waveforms is just one example. Advanced trigger modes, such as save to disk on trigger, make tracking down those elusive intermittent faults much easier. The ADC200 is supplied with

PicoScope software (DOS & Win 3.1, 95/98 and NT) which is powerful, yet simple to use, especially with its comprehensive online help. Installation is easy and no configuration is required; simply plug into the parallel port and it is ready to go.

There are three models in the ADC200 range: the ADC200/20, 200/50 and 200/100 offering a 20, 50 and 100 MS/s scope and a 10, 25 and 50 MHz spectrum analyser respectively. The ADC200 is the ideal solution for applications such as video and automotive testing, electronics design and fault finding.

The ADC200 is also supplied with Picolog software, which enables it to function as an advanced data logger and chart recorder.



## A scope at your fingertips.....

Once oscilloscopes were heavy and clumsy to handle, but over the years they have got smaller and smaller. The latest development in this field has just arrived: a digital storage oscilloscope in a handy slim housing, scarcely longer than a pencil and about as thick as your thumb.

Despite its small size, its performance can match that of a service oscilloscope. With a sampling rate of up to 20MS/s even signals in microprocessor circuits can be recorded. Using its voltmeter function, numeric AC and DC voltages can be easily measured. The low cost of the osziFOX, together with the units small size makes it ideal for any electronics engineer who needs the ultimate in portability.

**Only £68 + VAT**

**Order form** Broadway House, 149-151 St Neots road, Hardwick, Cambridge CB3 7QJ

Tel: 01954 211716 Fax: 01954 211880 E:mail post@picotech.co.uk

**pico**  
Technology Limited

www.picotech.com

Please fax or post to us at the given address

### Delivery details

Name: \_\_\_\_\_

Address: \_\_\_\_\_

Post code \_\_\_\_\_

Please send me:

Free information on the whole Pico range

osziFOX Qty: \_\_ @ £68 +P&P+VAT = **£84**

ADC 200/ 20 Qty: \_\_ @ £255 +P&P+VAT = **£302**

ADC 200/ 50 Qty: \_\_ @ £340 +P&P+VAT = **£406**

ADC 200/ 100 Qty: \_\_ @ £425 +P&P+VAT = **£506**

Credit card  Cheque  Total: £ \_\_\_\_\_

Card Number

--	--	--	--	--	--	--	--	--	--

Expiry date

--	--	--	--

Signature: \_\_\_\_\_

To qualify for this offer quote ref: EW998



**Melanie Reynolds** looks at how electronics is being used to make drivers pay directly for each mile they travel as part of the government's efforts to reduce traffic congestion and pollution.



## Driving home greener roads

Everyone seems to be in agreement about at least one thing: something must be done to curb the ever increasing traffic on the roads.

The problem is so obvious that even the Government is starting to act. In its white paper 'New Deal for Transport', it says it is going to deliver a transport system that does not continue to damage the environment and people's health.

Much to the joy of ITS Focus, the UK's industrial and institutional voice on transport telematics, the white paper dedicates two whole paragraphs to telematics – otherwise known as intelligent transport systems or ITS. "This is the first time I've seen a government actually spell out the advantages and importance of ITS," said Viscount Chelmsford, president of ITS Focus.

ITS involves the application of IT and telecoms in all forms of transport to try and improve the efficiency, safety, economics and greenness of surface, maritime and air transportation, both public and private.

One part of this is road tolling which is one of the measures proposed in the white paper to reduce traffic congestion. Tolling will allow local authorities to dissuade traffic – and generate income –

by charging people to drive into town centres.

The infrastructure required to operate a road tolling system is complex and there are many problems to be ironed out. To find some of the answers, there have been various trials worldwide. The UK's Department of the Environment, Transport and the Regions (DETR) carried out its own trials between November 1996 and June 1997. Its purpose was to assess the suitability of certain technologies for use on motorways.

The programme was not well conceived. After a lot of uncertainty, the tests finally happened with only two out of the original eight consortia taking part: Bosch Telecom and GEC-Marconi communications.

Among those that pulled out before the tests was Siemens Traffic Control (STC). It does not believe anything tangible will be in place much before 2004. "The white paper says it's going to be experimented with in the next few years," said John Turner, business development manager.

For now the company has backed off development in this area. "We're not going to sink money into something where there's no market for six years,"



said Turner. "We put a lot into infra-red and the market really hasn't taken off. The company around the world has the technology it needs so if and when the market starts to move we're going to be doing things."

Although the infrastructure is complex, the technology needed to implement the road-side communication part is already available.

The DETR trials involved systems that used 5.8GHz microwave communication for the transaction process. The

*In-car entertainment? This Bosch on-vehicle smartcard unit was used in DETR trials of road tolling.*

*DETR trials involved tolling and enforcement systems mounted on gantries over the road. Wake-up beacons fitted on the gantry or at the roadside activated the in-vehicle unit before it passed the tolling equipment.*



*The GEC on-vehicle smartcard unit, also used in DETR trials, operates on similar principles to the Bosch unit.*

tolling and enforcement systems were mounted on gantries over the road. Wake-up beacons fitted on the gantry or at the roadside were used to activate the in-vehicle unit before it passed the tolling equipment. This enabled the transaction process to occur even in vehicles that were exceeding 70mile/h. A mechanism for communicating the vehicle class was also part of the transaction process. In fact, the GEC system

could measure vehicle width and length to determine the class and inhibit potential fraud.

The enforcement systems used digital video cameras. In the GEC system an image of every detected vehicle was captured and then discarded if the transaction was satisfactory. Otherwise the image was retained for enforcement purposes.

This included when a detected vehicle did not conform to the class it was expected to belong to, in these trials a car with a motorcycle onboard unit fitted.

Over 74 000 tolling transactions took place during the trials. The conclusion drawn was that the technologies were evolving and could form the basis for multi-lane tolling systems within the foreseeable future. But, "although a great deal has been learnt, no unequivocal statement of technical feasibility could be made based upon the test track trials alone."

Part of the reason for this reticence was the lack of an "off-the-shelf" solution for the trial. The report said that further trials in a live environment would

be needed before a recommendation to commit to a national system could be given.

A road tolling trial with a different purpose was completed recently. The eight month trial by Leicester City Council was designed not to test the technology but to see what people's reactions were to the charges.

The equipment used was again based on 5.8GHz microwave technology, this time supplied by the Norwegian firm Micro Design.

The trial started with a toll of £1.50 to drive into town during the morning peak. It was varied in four week stages until there was a charge all the time, £5 peak and £2 off-peak. A simulated pollution incident doubled these prices. A park-and-ride transport system priced at £1.30 return was offered as an alternative.

The final report has yet to be compiled but first indications are that people are prepared to pay around £4 to £6 before they will transfer to the park-and-ride. "If you work it out, £5 a day, for a year, is a lot of money," said David Wright, project team leader. "If I had the alternative of a bus I'd probably use it."

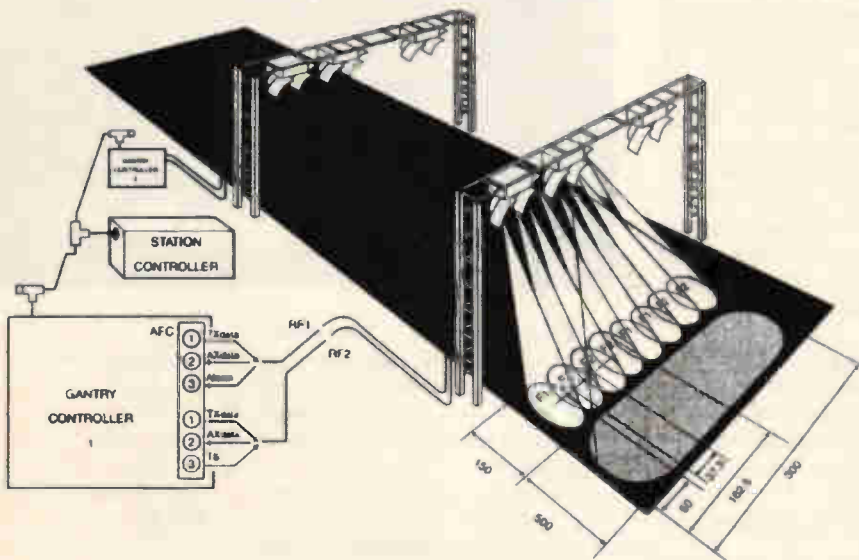
The Council realises it is a delicate balance between reducing congestion and driving people away from the city centre. "We're trying to aim at the people who drive into town in the morning, park the car all day and then drive back out again. The main problems are during the morning peak," said Wright. "What we don't want to do is stop people coming in and doing all their shopping."

Although these trials are finished more are envisaged. "There's nothing definite in terms of what we're going to do, but we're not taking the equipment down yet," said Wright.

**Road to car communication**

There are two basic methods of communication available: long and short range.

Long range communication systems are being developed based on GSM and



*Full coverage of all of the lanes is provided by beacons fitted on the over head gantry. The "footprint" transmitted by the beacons for detection is kept small so that only one vehicle can be in it at any time. Each gantry has a separate controller which in turn communicates with the station controller.*

RDS These use extra bits hooked into the radio or telephone in the car to provide whichever service is required.

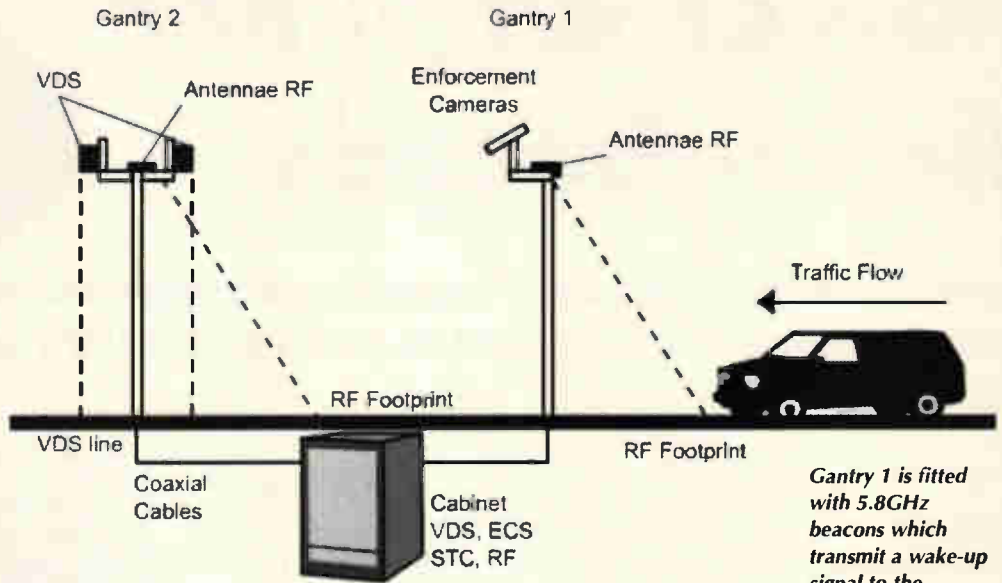
The short range communication method has tended to concentrate on either infra-red or microwave.

Tolling requires each vehicle to be fitted with a unit which can be interrogated by a beacon at payment points. The simplest and cheapest on-vehicle unit is a tag fitted to the windscreen or an under-vehicle electronic number plate.

This operates from an internal battery for up to ten years and needs no other power connections from the vehicle. The tag has a unique identity which is transmitted every time it is interrogated and the information is sent to a centralised billing system.

More sophisticated on-vehicle units can involve a smartcard and may have a display. The smartcard is used as a charge-card and money or travel credits are stored on it. Every time a payment point is passed the card is interrogated and money or credits are deducted. The display gives information on what has been paid and how much is left.

The beacons, which are generally fitted on gantries over the road, are able to transmit and receive signals. Information from the beacons is connected back to a



central office, generally through a cable network. The network needs to be secure for tolling systems because the data exchange becomes a financial transaction. Overhead cameras are used for enforcement purposes.

Once a communication system exists, other features like navigation can be added. Information can be transmitted

from beacons to an on-board car computer to allow it to work out route information, display maps and direction signs. These systems use 'probe' vehicles which are equipped to send information to the roadside beacons after collating such data as speed assessments, journey times and delays which can be passed to users of the system. ■

*Gantry 1 is fitted with 5.8GHz beacons which transmit a wake-up signal to the on-vehicle unit and activate the smartcard. Gantry 2 has the Vehicle Detection System which detects and classifies the vehicle at the time of transaction.*

## Simulation Circuit Capture PCB Autorouting CAD/CAM

Imagine an electronics design system that lets you draw schematics onto the screen and then simulate them at the touch of a button. Now imagine pressing another button and seeing the schematic replaced with a PCB rats-nest. Pressing another button starts the autorouter, and finally you can click on File then Save As to create a complete set of CAD/CAM files.

Too easy? We hope so. Quickroute has always been designed first and foremost to be easy to use. That's why simulation, circuit capture, PCB autorouting and CAD/CAM support are all integrated into **one** package, so that you only have to learn **one** package.

If you would like to find out more about Quickroute, why not call us on FREEphone 0800 731 28 24, or visit our web site on [www.quickroute.co.uk](http://www.quickroute.co.uk). Prices start at under £100 including UK P&P and VAT for a complete system.



**"modern, powerful  
and easy to use"**

*Elektronik 97*

FREEphone

**0800 731 28 24**

Int +44 161 476 0202 Fax 0161 476 0505

Copyright © 1998 Quickroute Systems Ltd Regent House Heaton Lane Stockport SK4 1BS UK



CIRCLE NO. 110 ON REPLY CARD

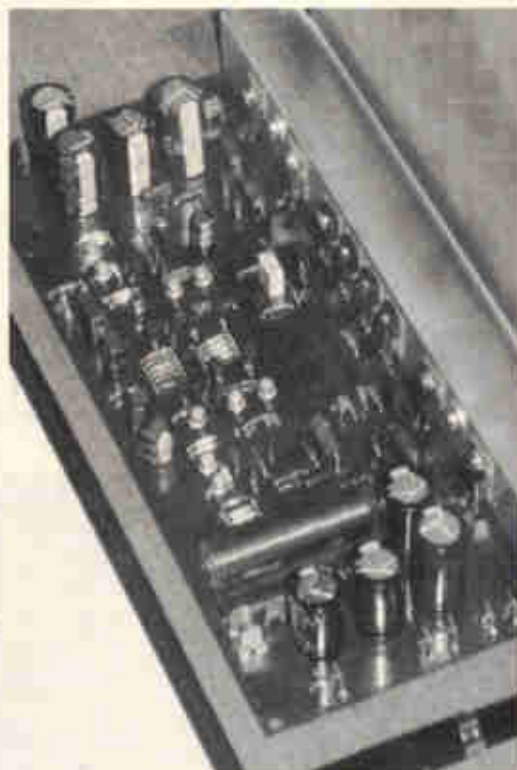
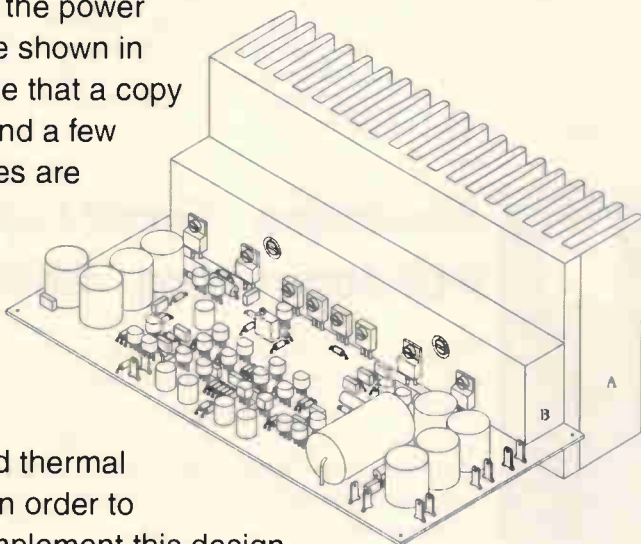
# Power amplifier circuit boards

**£42 per pair  
fully inclusive  
or £25 each**

Professionally designed and manufactured printed circuit boards for Giovanni Stochino's no compromise 100W power amp are available to buy.

These high-quality fibre-glass reinforced circuit boards are designed for Giovanni Stochino's fast, low-distortion 100W power amplifier described in the August 1998 issue. Layout of the double-sided, silk screened and solder masked boards has been verified and approved by Giovanni.

**This offer is for the pcbs only.** The layout does not accommodate the power supply scheme shown in the article. Note that a copy of the article and a few designers' notes are included with each purchase, but you will need some knowledge of electronics and thermal management in order to successfully implement this design.



**Giovanni's high-performance power amplifier mounted on its heat sink.**

Please send me \_\_\_ pcbs @ £25 each or £42 a pair.

I enclose my cheque for £ \_\_\_\_\_

Please debit my credit card for £ \_\_\_\_\_

Card type MasterCard/Visa.

Card number \_\_\_\_\_

Expiry date \_\_\_\_\_ / \_\_\_\_\_

Signature \_\_\_\_\_

Name \_\_\_\_\_

Address \_\_\_\_\_

Tel \_\_\_\_\_

Cheques made payable to Reed Business Information.

Post to: PCB Offer, Electronics World, Quadrant House, The Quadrant, Sutton, Surrey, SM2 5AS. Please allow 28 days for delivery.

## Specifications

Power into 8Ω load	100W
Small-signal bandwidth before the output filter	20Hz (-0.1dB), 1.3MHz (-3dB)
Unity gain frequency before the output filter	22MHz
Output noise (BW=80kHz, input terminated with 50Ω)	42μV rms
Measured output offset voltage	+32mV

### Distortion performance

$V_{out}$ , pk-pk	1kHz	20kHz
5	0.0030%	0.0043%
10	0.0028%	0.0047%
20	0.0023%	0.0061%
40	0.0028%	0.0110%
80	0.0026%	0.0170%

### Slew rate

Positive slew-rate	+320V/μs
Negative slew-rate	-300V/μs

# CIRCUIT IDEAS

## Over £600 for a circuit idea?

### New awards scheme for circuit ideas

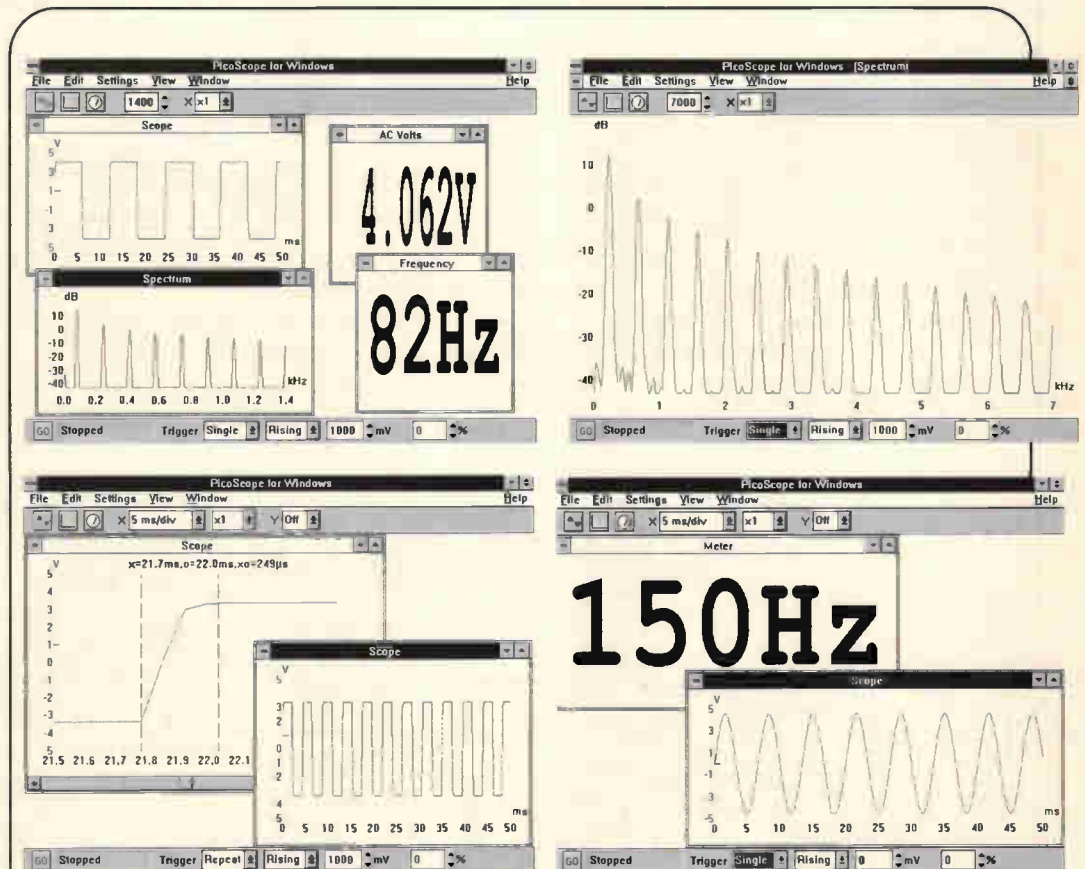
- Every circuit idea published in *Electronics World* receives £35.
- The pick of the month circuit idea receives a Pico Technology ADC42 – worth over £90 – in addition to £35.
- Once every six months, Pico Technology and *Electronics World* will select the best circuit idea published during the period and award the winner a Pico Technology ADC200-50 – worth £586.

### How to submit your ideas

The best ideas are the ones that save readers time or money, or that solve a problem in a better or more elegant way than existing circuits. We will also consider the odd solution looking for a problem – if it has a degree of ingenuity.

Your submission will be judged on its originality. This means that the idea should certainly not have been published before. Useful modifications to existing circuits will be considered though – provided that they are original.

Don't forget to say why you think your idea is worthy. We can accept anything from clear hand writing and hand-drawn circuits on the back of an envelope. Type written text is better. But it helps us if the idea is on disk in a popular pc or Mac format. Include an ascii file and hard-copy drawing as a safety net and please label the disk with as much information as you can.

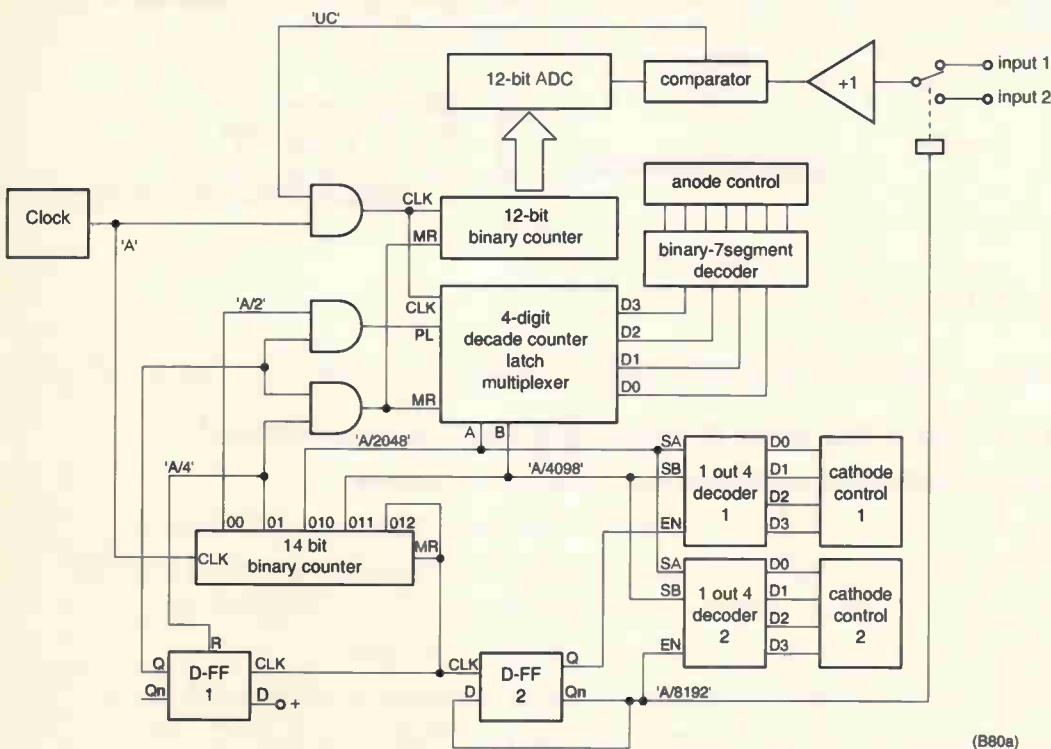
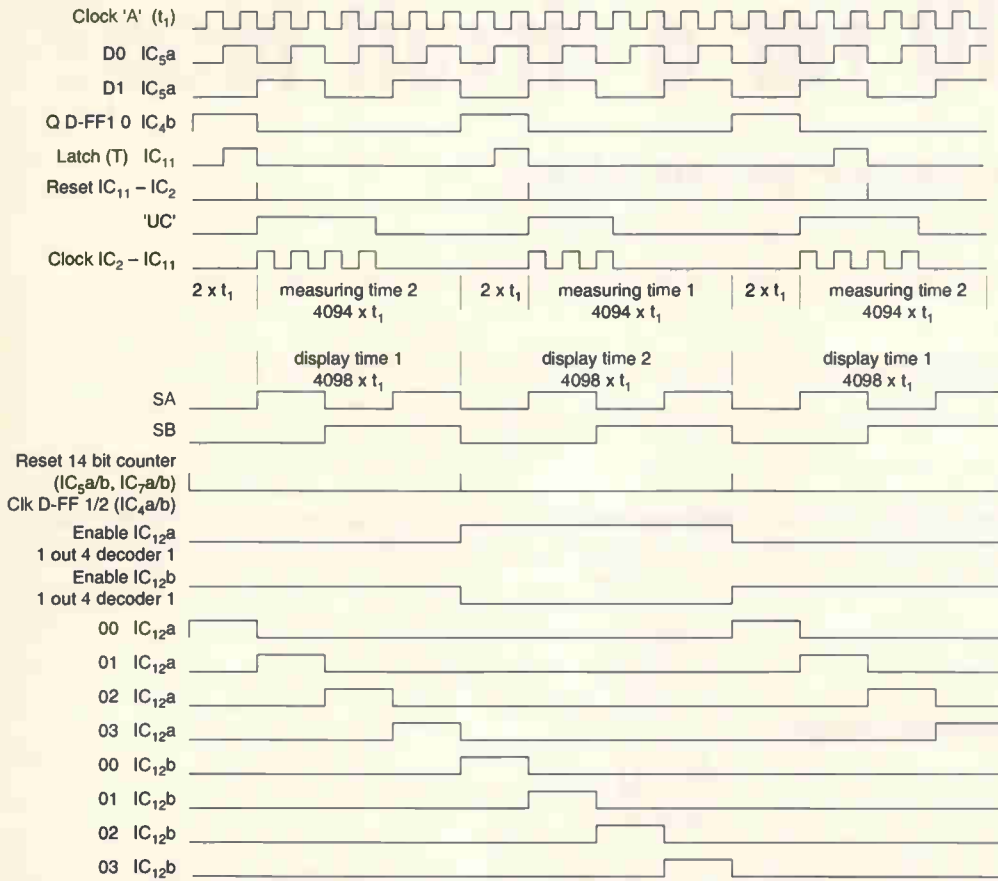


### Turn your PC into a high-performance virtual instrument in return for a circuit idea.

The ADC200-50 is a dual-channel 50MHz digital storage oscilloscope, a 25MHz spectrum analyser and a multimeter. Interfacing to a pc via its parallel port, ADC200-50 also offers non-volatile storage and hard-copy facilities. Windows and DOS virtual instrument software is included.

ADC42 is a low-cost, high-resolution a-to-d converter sampling to 12 bits at 20ksample/s. This single-channel converter benefits from all the instrumentation features of the ADC200-50.

# Dual dvm



(B80a)

You often have only one meter to monitor two parameters. Working with a power supply for example, it is useful to be able to look at output voltage and output current simultaneously. Two voltmeters can be expensive so I designed this solution.

Figures 1-3 show the block diagram, circuit diagram and pulse sequence chart respectively. Assume for the moment that decoder inputs SA and SB are null. First comes the display-time for cathode control 1 ( $4096 \times \text{clock time } t_i$ ). Next, two clock periods occur during which the state of the decade counter is latched into the built-in memory of the counters. There follows a reset of the 12-bit and decade counters after which the measuring time of input 2 starts. This can be a maximum of 4094 clock pulses.

The 12-bit d-to-a converter, 12-bit binary counter and comparator form a 12-bit a-to-d converter. After a reset to the 12-bit counter, the output of the comparator goes high provided that the input-voltage is higher than 0V, so count pulses are fed to the counters.

If the output voltage of the d-to-a converter is equal to the input voltage, the output of the comparator goes low, stopping the feedthrough of count pulses. As a result, the output of the binary counter holds the binary value of the input voltage.

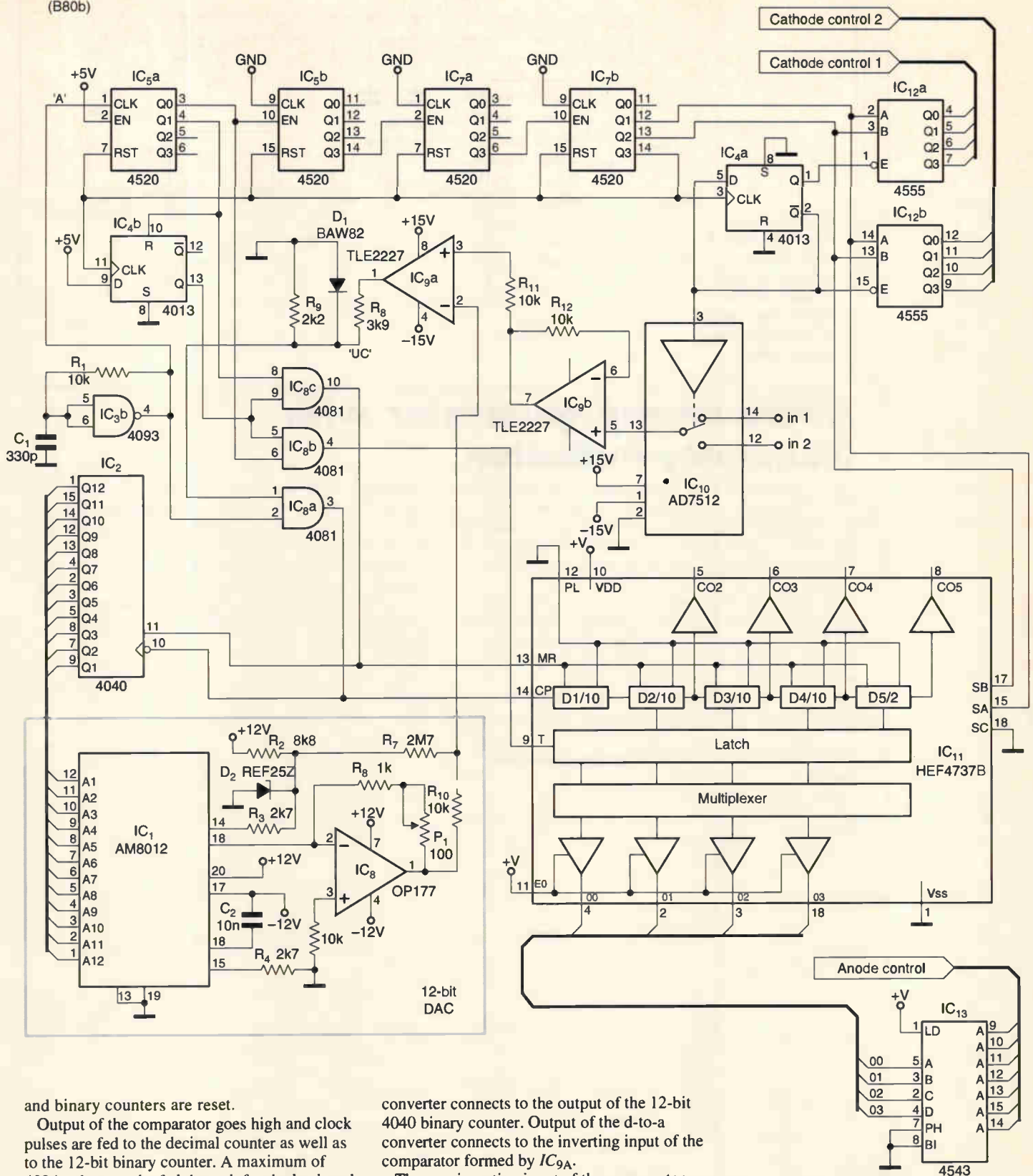
A four-digit binary counter runs simultaneously with the binary counter providing binary to decimal conversion. A 14-bit binary counter together with three AND gates and two D-type bistable devices form the control of the counters and display, Fig. 3.

After a fixed display time of 4096 clock pulses the 14-bit counter is reset and a pulse is fed to both of the D-type bistables through which output Q of flip-flop 1 goes high. Output of flip-flop 2 changes state, activating one of the 1-of-4 decoders and switches over the inputs.

Two clock pulses follow during which the first state of the decimal counters is latched in the built-in multiplexer. It is then fed via the built-in multiplexer to outputs 01 to 03 and can be read out by means of SA and SB; immediately after the latch pulse, the decimal

**Figs 1-3. Digital voltmeter with 12bit resolution and dual independent displays.**

(B80b)



and binary counters are reset.

Output of the comparator goes high and clock pulses are fed to the decimal counter as well as to the 12-bit binary counter. A maximum of 4094 pulses can be fed through for the latch and reset takes up two clock pulses. So when the value of input 1 is measured, the value of input 2 is displayed and *vice versa*. This process cycles so fast that no flickering of the display occurs. Clock frequency is then about 380kHz, which is low enough to allow functioning the input switch and the a-to-d converter.

Looking at Fig. 2, you can see the 12-bit a-to-d converter within the dotted line in the lower left corner. The digital input of this

converter connects to the output of the 12-bit 4040 binary counter. Output of the d-to-a converter connects to the inverting input of the comparator formed by IC<sub>9A</sub>.

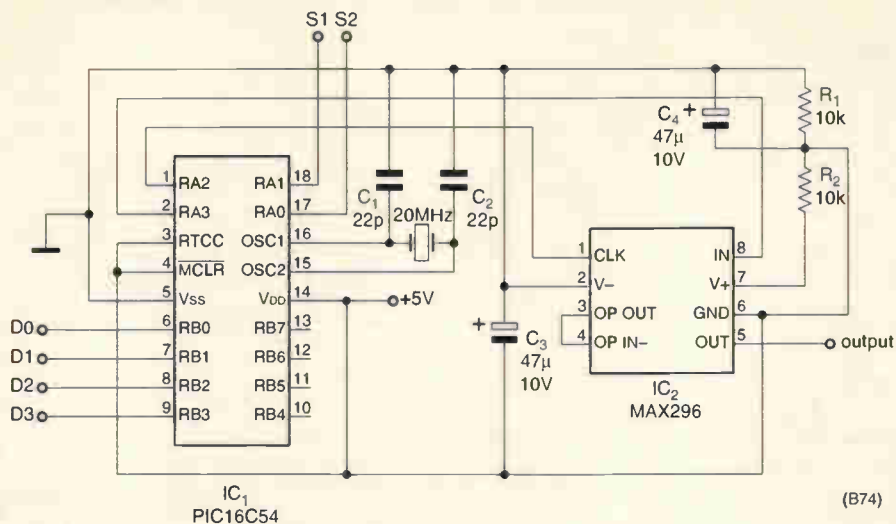
The non-inverting input of the comparator connects to the output of the AD7512 electronic commutating switch, IC<sub>10</sub>, via buffer IC<sub>9B</sub>. The comparator's output feeds one input of IC<sub>6A</sub> which gates through pulses from clock generator IC<sub>3B</sub> to the counters.

The 14-bit counter is formed by IC<sub>5A/B</sub> and IC<sub>7A/B</sub>. It supplies pulses to two D-type bistables, two 1-of-4 decoders and gates IC<sub>6B,C</sub>. Output of IC<sub>6C</sub> resets the counters in IC<sub>11</sub> and 12-bit counter IC<sub>2</sub>; the output of IC<sub>6B</sub> is a pulse

to latch the state of counters in IC<sub>11</sub> in the chip's memory for reading out via SA and SB.

**W. Dijkstra**  
Waalre  
The Netherlands  
B80

Microprocessor-controlled stepped audio sweeper generates a 1-2-5 sequence of sine outputs from 20Hz to 20kHz at constant output voltage.



## Audio sweep generator with frequency indicator

At constant output voltage regardless of frequency, this microprocessor circuit generates pure sinewaves at frequencies of 20Hz-20kHz in a 1-2-5 sequence. Output is about 0.5Vpk-pk at less than -70dB thd and there are a 4-bit frequency indicator and output pulses to synchronise other equipment.

The MAX296 is a low-pass, switched-capacitor filter whose -3dB corner frequency is determined by that of the clock, its response above that falling off rapidly. If the clock-to-corner frequency ratio is less than 40, the output is a good sinewave even with a square input.

PIC16C54 is an 8-bit controller with an independent, free-running watchdog timer having a 2.5s timeout, which

sweeps the output frequency at 2.5s intervals, stepping from low to high frequency and continuing from low frequency to maintain a continual sweep. At each change from maximum frequency back to the lowest, a pulse appears on S<sub>1</sub> and at each frequency change another pulse appears on S<sub>2</sub>, both with 150µs width; these may be used as synchronisation signals. Outputs D<sub>3.0</sub> indicate output frequency - 0001 meaning 20kHz.

**Yongping Xia**  
 Torrance  
 California  
 USA  
 B74

### List. PIC16C54 listing for controlling the programmable oscillator.

```

STATUS equ 3
PORTA equ 5
PORTB equ 6
i equ 7
cnt1 equ 8
cnt2 equ 9
cnt3 equ 10
cnt4 equ 11
cnt13 equ 12
cnt14 equ 13
freq equ 14

org 0x1fff
goto main
org 0x0
main movlw 0x00 ;
movwf PORTA ;
movwf PORTB ;
tris PORTA ; set ports direction
tris PORTB ;
bsf PORTA, 0 ; send sync 2 signal
movwf cnt1
dly00 decfsz cnt1, 1 ;
goto dly00 ;
bcf PORTA, 0 ;
movlw 0x0f ;
option ; set watch dog timer to
2.5 seconds
movlw 0xf5 ;
addwf i, 0 ;
btfss STATUS, 0 ; if i out of range, set
i=0x0a
goto tp1 ;
movlw 0x0a ;
movwf i ;
tp1 decfsz i, 1 ; if i=0; set i=0x0a
goto tp2 ;
bsf PORTA, 1 ; send sync 1 signal
    
```

```

movlw 0x00 ;
movwf cnt1 ;
dly01 decfsz cnt1, 1 ;
goto dly01 ;
bcf PORTA, 1 ;
movlw 0x0a ;
movwf i ;
tp2 movf i, 0 ; if 9>i>1
movwf PORTB ; send out though RB0-RB3
movwf freq ; move i to freq
decfsz freq, 1 ;
goto t1 ;
goto s1 ; if freq=1, set output
20KHz
t1 decfsz freq, 1 ;
goto t2 ;
goto s2 ; if freq=2, set
output=10KHz
t2 decfsz freq, 1 ;
goto t3 ;
goto s3 ; if freq=3, set
output=5KHz
t3 decfsz freq, 1 ;
goto t4 ;
goto s4 ; if freq=4, set
output=2KHz
t4 decfsz freq, 1 ;
goto t5 ;
goto s5 ; if freq=5, set
output=1KHz
t5 decfsz freq, 1 ;
goto t6 ;
goto s6 ; if freq=6, set
output=500Hz
t6 decfsz freq, 1 ;
goto t7 ;
goto s7 ; if freq=7, set
output=200Hz
t7 decfsz freq, 1 ;
goto t8 ;
    
```



```

t8      goto      s8          ; if freq=8, set output=100Hz
        decfsz   freq, 1    ;
        goto      s10       ; if freq=10, set output=20Hz
        goto      s9        ; if freq=9, set output=50Hz
        ;

s1      movlw    0x0f       ; output is 20KHz
        movwf    cnt1      ;
lp1     bsf     PORTA, 2    ; set clock high
        bcf     PORTA, 2    ; set clock low
        decfsz  cnt1, 1    ;
        goto      dly1     ;
        bsf     PORTA, 3    ; set signal high
        nop     ;
        nop     ;
        nop     ;

lp2     bsf     PORTA, 2    ; set clock high
        bcf     PORTA, 2    ; set clock low
        decfsz  cnt2, 1    ;
        goto      dly2     ;
        bcf     PORTA, 3    ; set signal low
        nop     ;
        goto      lp1      ;

dly1    movwf    cnt2      ;
        goto      lp1      ;

dly2    movwf    cnt1      ;
        goto      lp2      ;

s2      movlw    0x01       ; output is 10KHz
        movwf    cnt3      ;
        movwf    cnt4      ;
        goto      s11      ;

s3      movlw    0x02       ; output is 5KHz
        movwf    cnt3      ;
        movlw    0x01      ;
        movwf    cnt4      ;
        goto      s11      ;

s4      movlw    0x05       ; output is 2KHz
        movwf    cnt3      ;
        movlw    0x01      ;
        movwf    cnt4      ;
        goto      s11      ;

s5      movlw    0x0a       ; output is 1KHz
        movwf    cnt3      ;
        movlw    0x01      ;
        movwf    cnt4      ;
        goto      s11      ;

s6      movlw    0x14       ; output is 500Hz
        movwf    cnt3      ;
        movlw    0x01      ;
        movwf    cnt4      ;
        goto      s11      ;

s7      movlw    0x32       ; output is 200Hz
        movwf    cnt3      ;
        movlw    0x01      ;
        movwf    cnt4      ;
        goto      s11      ;

s8      movlw    0x64       ; output is 100Hz
        movwf    cnt3      ;
        movlw    0x01      ;
        movwf    cnt4      ;
        goto      s11      ;

s9      movlw    0xc8       ; output is 50Hz
        movwf    cnt3      ;
        movlw    0x01      ;
        movwf    cnt4      ;
        goto      s11      ;

s10     movlw    0xf4       ; output is 20KHz
        movwf    cnt3      ;
        movlw    0x02      ;
        movwf    cnt4      ;
        goto      s11      ;

s11     movlw    0x0f       ;
        movwf    cnt1      ;

lp11    bsf     PORTA, 2    ; set clock high
        bcf     PORTA, 2    ; set clock low
        decfsz  cnt1, 1    ;
        goto      dly11    ;
        bsf     PORTA, 3    ; set signal high
        movf    cnt3, 0    ;
        movwf   cnt13     ;
        movf    cnt4, 0    ;
        movwf   cnt14     ;
        movlw   0x0f      ;
        movwf   cnt2      ;

dly31   decfsz  cnt13, 1   ;
        goto      dly51   ;
        decfsz  cnt14, 1   ;
        goto      dly52   ;
        movwf   cnt1      ;

lp12    bsf     PORTA, 2    ; set clock high

dly32   nop     ;
        movf    cnt3, 0    ;
        movwf   cnt13     ;
        movf    cnt4, 0    ;
        movwf   cnt14     ;
        decfsz  cnt13, 1   ;
        goto      dly61   ;
        decfsz  cnt14, 1   ;
        goto      dly62   ;
        goto      lp11    ;

dly51   nop     ;
        nop     ;

dly52   nop     ;
        nop     ;
        nop     ;
        nop     ;
        nop     ;
        nop     ;
        nop     ;
        nop     ;
        nop     ;
        goto    dly31     ;

dly61   nop     ;
        nop     ;

dly62   nop     ;
        nop     ;
        nop     ;
        nop     ;
        nop     ;
        nop     ;
        nop     ;
        nop     ;
        goto    dly32     ;

dly11   nop     ;
        movf    cnt3, 0    ;
        movwf   cnt13     ;
        movf    cnt4, 0    ;
        movwf   cnt14     ;
        decfsz  cnt13, 1   ;
        goto      dly41   ;
        decfsz  cnt14, 1   ;
        goto      dly42   ;
        goto      lp11    ;

dly41   nop     ;
        nop     ;

dly42   nop     ;
        nop     ;
        nop     ;
        nop     ;
        nop     ;
        nop     ;
        nop     ;
        goto    dly21     ;

dly21   nop     ;
        movf    cnt3, 0    ;
        movwf   cnt13     ;
        movf    cnt4, 0    ;
        movwf   cnt14     ;
        decfsz  cnt13, 1   ;
        goto      dly43   ;
        decfsz  cnt14, 1   ;
        goto      dly44   ;
        goto      lp12    ;

dly43   nop     ;
        nop     ;

dly44   nop     ;
        nop     ;
        nop     ;
        nop     ;
        nop     ;
        nop     ;
        nop     ;
        goto    dly22     ;

dly22   nop     ;
        movf    cnt3, 0    ;
        movwf   cnt13     ;
        movf    cnt4, 0    ;
        movwf   cnt14     ;
        decfsz  cnt13, 1   ;
        goto      dly43   ;
        decfsz  cnt14, 1   ;
        goto      dly44   ;
        goto      lp12    ;

dly21   nop     ;
        movf    cnt3, 0    ;
        movwf   cnt13     ;
        movf    cnt4, 0    ;
        movwf   cnt14     ;
        decfsz  cnt13, 1   ;
        goto      dly43   ;
        decfsz  cnt14, 1   ;
        goto      dly44   ;
        goto      lp12    ;

dly22   nop     ;
        movf    cnt3, 0    ;
        movwf   cnt13     ;
        movf    cnt4, 0    ;
        movwf   cnt14     ;
        decfsz  cnt13, 1   ;
        goto      dly43   ;
        decfsz  cnt14, 1   ;
        goto      dly44   ;
        goto      lp12    ;

dly31   decfsz  cnt13, 1   ;
        goto      dly51   ;
        decfsz  cnt14, 1   ;
        goto      dly52   ;
        movwf   cnt1      ;

lp12    bsf     PORTA, 2    ; set clock high
end

```

# cool solutions



IN THE WHITE HOT LEADING EDGE OF TECHNOLOGY THINK WARTH

If your technology is heating up, or you need a cost effective cooling solution for your critical components, Warth will provide you with innovative solutions to all your thermal management problems. From sophisticated heatsinks to state of the art thermal interface pads we have the answer. Manufactured by Warth in the UK to ISO9002. **Warth Commitment to excellence is just the beginning**



**warth** 

Warth International Ltd, Birches Industrial Estate, East Grinstead, West Sussex RH19 1XH  
tel 01342 315044, fax 01342 312969, <http://www.warth.co.uk>

CIRCLE NO.111 ON REPLY CARD

## FM Embedded Controllers at a ground breaking price!

WEB SITE  
<http://www.cms.uk.com>

**£95** each  
PER 100 UNITS

The range of 'FM-Controllers' provide most of the features required for embedded control at a very low cost

### FEATURES FM-200 Controller

- ◆ 68K Micro-Controller 14 MHz clock
- ◆ 512 Kbytes Flash EEPROM
- ◆ 512 Kbytes SRAM Battery Backed
- ◆ 2 RS232 Serial Ports
- ◆ 1 RS232/RS485 Serial Port
- ◆ Real Time Calendar Clock (Y2K Compliant)
- ◆ Watchdog & Power fail detect
- ◆ 10 Digital I/O Lines
- ◆ 2-16 bit Counter/Timers
- ◆ I<sup>2</sup>C Bus or M-Bus
- ◆ Expansion Bus
- ◆ Size 100 x 80 mm

### OTHER FEATURES

- ◆ Up/Download removable card for data logging and or re-programming
- ◆ STE I/O Bus, 68000 and PC Interface
- ◆ Designed, Manufactured and supported in the UK



### OPTIONAL EXTRAS

#### Additional extra features to the FM 200

- ◆ LCD Port Graphics or Alphanumeric
- ◆ Key Pad Port 64 Keys 8 x 8
- ◆ 8 Channels 8 bit analogue in
- ◆ 2 Channels 8 bit analogue out
- ◆ 8 Channels 13 bit analogue in
- ◆ Up to 32 Digital I/O Channels
- ◆ Up to 8 Mbytes of SRAM Battery Backed
- ◆ Up to 512 Kbytes of Flash EEPROM
- ◆ 1 Mbyte EPROM Space

### DEVELOPMENT

The PC Starter Pack provides the quickest method to get your application up and running

### Operating System

- ◆ Real Time Multi Tasking
- ◆ Unlimited copy licence

### Languages

- ◆ 'C', Modula-2 and Assembler
- ◆ Full libraries & device drivers provided

### Expansion

- ◆ Easy to expand to a wide range of peripheral and I/O cards

### Support

- ◆ Free unlimited telephone, FAX, email and Internet support

### Custom Design

- ◆ CMS will design and manufacture to customers requirements



**CAMBRIDGE  
MICROPROCESSOR  
SYSTEMS LIMITED**

Units 17-18, Zone D Chelmsford Road Industrial Estate, Great Dunmow,  
Essex UK CM6 1XG Tel +44 (0) 1371 875644 Fax +44 (0) 1371 876077

CIRCLE NO.112 ON REPLY CARD

For more information about any of the products or services in this issue of **ELECTRONICS WORLD**, simply ring the relevant enquiry number. Enquiry numbers may be found at the bottom of each individual advertisement.

101 102 103 104 105 106 107 108 109 110 111  
112 113 114 115 116 117 118 119 120 121 122  
123 124 125 126 127 128 129 130 131 132 133  
134 135 136 137 138 139 140 141 142 143 144  
145 146 147 148 149 150

500 501 502 503 504  
505 506 507 508 509 510 511 512 513 514 515  
516 517 518 519 520 521 522 523 524 525 526  
527 528 529 530 531 532 533 534 535 536 537  
538 539 540 541 542 543 544 545 546 547 548  
549 550 551 552 553 554 555 556 557 558 559  
560 561 562 563 564 565 566 567 568 569 570  
571 572 573 574 575 576 577 578 579 580 581  
582 583 584 585 586 587 588 589 590 591 592  
593 594 595 596 597 598 599 600

Name	_____
Job title	_____
Company Address	_____ _____ _____
Telephone	_____
NOV1998	
Only tick here if you do not wish to receive direct marketing promotions from other companies. <input type="checkbox"/>	

## Newsagent order form

Pass this order form to your newsagent to ensure you don't miss the next issue of *EW*.

To .....  
(name of Newsagent)

Please reserve me the December issue of *Electronics World* and continue to order every month's issue until further notice

Name.....

Address.....

.....  
.....  
.....

Thank you

# Subscribe today!

Guarantee your own personal copy each month

## Save on a 2 year subscription

# Subscribe today!

Guarantee your own personal copy each month

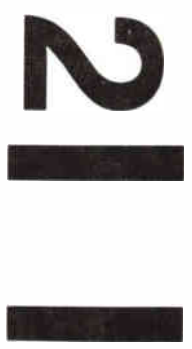
## Save on a 2 year subscription

Postage will  
be paid by  
licensee

Do not affix postage stamps if posted in  
Gt. Britain, Channel Islands, N. Ireland  
or the Isle of Man.

Business Reply Service  
Licence No. CY711

**ELECTRONICS WORLD**  
Reader Information Service  
Reed Business Information  
Oakfield House  
Perrymount Road  
Haywards Heath  
Sussex RH16 3BR



SEE OVER!

# ELECTRONICS WORLD

INCORPORATING WIRELESS WORLD

## SUBSCRIPTION CARD

Please enter my subscription to ELECTRONICS WORLD. I enclose Cheque/Eurocheque  
to the value of £ \_\_\_\_\_ made payable to **Reed Business Information**  
Please charge my  
Mastercard/Visa/  
Amex account

--	--	--	--	--	--	--	--	--	--	--	--	--	--	--	--	--	--	--

With £ \_\_\_\_\_ Expiry Date \_\_\_\_\_

Signature \_\_\_\_\_

Name \_\_\_\_\_

Job Title \_\_\_\_\_

Address \_\_\_\_\_

\_\_\_\_\_

Postcode \_\_\_\_\_

Tel: \_\_\_\_\_ Country \_\_\_\_\_

SUBSCRIPTION RATES	
UK 1 year	£34
UK 2 years	£54
Student rate(proof required)	£21.30
<b>Airmail</b>	
Europe 1 year	£49
Europe 2 years	£78
Rest of the world 1 year	£59
Rest of the world 2 years	£94
Surface mail 1 year	£39

Post to:  
**ELECTRONICS WORLD**  
P.O. Box 302  
Haywards Heath,  
West Sussex RH16 3DH UK.

**CREDIT CARD HOTLINE**  
Tel: **+44 01444 445566**  
Fax: **+44 01444 445447**

Please tick here if you do not wish to receive direct marketing-promotion from other companies

# ELECTRONICS WORLD

INCORPORATING WIRELESS WORLD

## SUBSCRIPTION CARD

Please enter my subscription to ELECTRONICS WORLD. I enclose Cheque/Eurocheque  
to the value of £ \_\_\_\_\_ made payable to **Reed Business Information**  
Please charge my  
Mastercard/Visa/  
Amex account

--	--	--	--	--	--	--	--	--	--	--	--	--	--	--	--	--	--	--

With £ \_\_\_\_\_ Expiry Date \_\_\_\_\_

Signature \_\_\_\_\_

Name \_\_\_\_\_

Job Title \_\_\_\_\_

Address \_\_\_\_\_

\_\_\_\_\_

Postcode \_\_\_\_\_

Tel: \_\_\_\_\_ Country \_\_\_\_\_

SUBSCRIPTION RATES	
UK 1 year	£34
UK 2 years	£54
Student rate(proof required)	£21.30
<b>Airmail</b>	
Europe 1 year	£49
Europe 2 years	£78
Rest of the world 1 year	£59
Rest of the world 2 years	£94
Surface mail 1 year	£39

Post to:  
**ELECTRONICS WORLD**  
P.O. Box 302  
Haywards Heath,  
West Sussex RH16 3DH UK.

**CREDIT CARD HOTLINE**  
Tel: **+44 01444 445566**  
Fax: **+44 01444 445447**

Please tick here if you do not wish to receive direct marketing-promotion from other companies

Three-terminal, adjustable, linear voltage regulator ICs have a host of virtues to recommend them and one drawback: you cannot adjust the output to zero volts because there is a 1.25V reference voltage between the adjustment pin and the output. Applying  $-1.25\text{V}$  to the adjust pin will do the trick, but that normally requires a dual supply voltage.

At the cost of reducing the output range by about 1.8V, this circuit avoids that requirement. Raising the 0V output rail to 1.8V above the input negative rail by means of the three diodes and regulating the 1.8V by the two diodes to around 1.25V gives the effect of a negative rail.

Potentiometer 1 adjusts the new 0V level, with potentiometer 2, the output voltage adjustment, set at zero. Resistor  $R_2$  maintains a minimum current through the three diodes. Diodes  $D_{6,7}$  prevent damage to the ic by discharge of  $C_{3,4}$  during input short-circuit conditions.

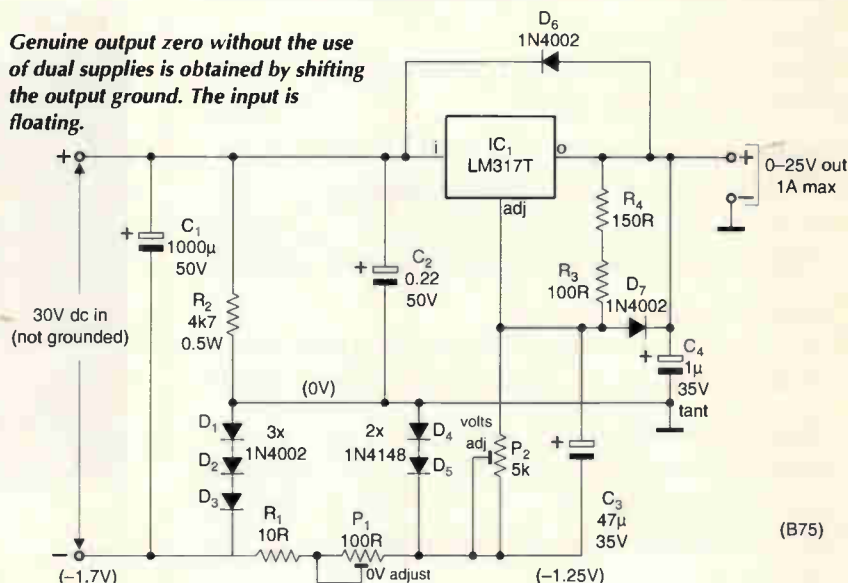
A good-sized heat sink may be needed, in particular at low voltages and high currents.

**Steve Carroll**

Timmsvale  
New South Wales  
Australia  
B75

## 3-terminal regulator works down to 0V without a negative rail

*Genuine output zero without the use of dual supplies is obtained by shifting the output ground. The input is floating.*



## Nine year index - new update

### Hard copies and floppy-disk databases both available

Whether as a PC data base or as hard copy, SoftCopy can supply a complete index of *Electronics World* articles going back over the past nine years.

The computerised index of *Electronics World* magazine covers the nine years from 1988 to 1996, volumes 94 to 102 inclusive is available now. It contains almost 2000 references to articles, circuit ideas and applications - including a synopsis for each.

The EW index data base is easy to use and very fast. It runs on any IBM or compatible PC with 512k ram and a hard disk.

The disk-based index price is still only £20 inclusive. Please specify whether you need 5.25in, 3.5in DD or 3.5in HD format. Existing users can obtain an upgrade for £15 by quoting their

**Photo copies of *Electronics World* articles from back issues are available at a flat rate of £3.50 per article, £1 per circuit idea, excluding postage.**

**Hard copy *Electronics World* index**  
Indexes on paper for volumes 100, 101, and 102 are available at £2 each, excluding postage.

### TABLE OF CONTENTS

Applications  
Applications by description  
Applications by part numbers  
Company addresses

Books  
Circuit Ideas  
Information  
Subject Index  
Analogue Design  
Audio  
Avionics  
Broadcast  
Communications  
Components  
Computing  
Consumer Electronics  
Control Electronics  
Digital & DSP Design  
History

The *Electronics World* SoftIndex runs from January 1988 to May 1998 and contains references to 1300 articles and 800 circuit ideas. There is a separate author index with full cross references. Reprints can be obtained for all the articles in this index - see the information section for more details. For up to date information about *Electronics World* see our website at <http://www.softcopy.co.uk>.

Search [ ] Note [ ] About [ ] Exit [ ]

### Ordering details

The EW index data base price of £20 includes UK postage and VAT. Add an extra £1 for overseas EC orders or £5 for non-EC overseas orders

Postal charges on hard copy indexes and on photocopies are 50p UK, £1 for the rest of the EC or £2 worldwide.

For enquires about photocopies etc please send a sae to SoftCopy Ltd at the address below.

**Send your orders to SoftCopy Ltd, 1 Vineries Close, Cheltenham GL53 0NU**

Cheques payable to SoftCopy Ltd  
Allow 28 days for delivery

**e-mail at [SoftCopy@compuserve.com](mailto:SoftCopy@compuserve.com).  
tel 01242 241455**

# Telnet

Tel: 01203 650702

**Hewlett Packard**  
 8920A R/F Comms Test (various options) £4995  
 8922 BGH G.S.M. Test £POA

**Rohde & Schwartz**  
 CM5 54 Radio Comms service monitor  
 (0.4 to 1000MHz) £6250  
 CMTA94 GSM Radio Comms Analyser £7500

**Schlumberger - Stabilock**  
 4031 Radio comms test (0.4 to 10.00MHz) £4995  
 4040 'High accuracy' Radio comms test £2995

**Wandel & Goltermann**  
 PFJ-8 Error & jitter test set £12500  
 (All options fitted)  
 PCM4 PCM Channel measurement set £POA

**Marconi**  
 2305 Modulation Meter £1995  
 2041 Low noise signal generator  
 (10KHz - 2.7GHz) £7500

**Racal**  
 6111 GSM test sets £POA  
**Rohde & Schwartz CMD55 Digital Radiocomms Test set** £12000

## OSCILLOSCOPES

Beckman 9020 - 20MHz - Dual channel	£150
Gould 4074 - 100MHz - 4 channel D.S.O. with Printer	£2400
Hewlett Packard 54100D - 1GHz Digitizing	£1500
Hewlett Packard 54200A - 50MHz Digitizing	£500
Hewlett Packard 54201A - 300MHz Digitizing	£1250
Hitachi V152/V212/V222/V302B/V302F/V353F/V550B/V650F	from £125
Hitachi VI 100A - 100MHz - 4 channel	£1000
Intron 2020 - 20MHz. Dual channel D.S.O. (new)	£450
Iwatsu SS 5710/SS 5702 -	from £125
Kikusui COS 5100 - 100MHz - Dual channel	£350
Lecroy 9450A - 300MHz/400 MS/s D.S.O. 2 channel	£2250
Meguro MSO 1270A - 20MHz - D.S.O. (new)	£450
Philips 3055 - 50MHz. Dual channel	£450
Philips PM 3335 - 50MHz - D.S.O. Dual channel	£1200
Philips 3295A - 400MHz - Dual channel	£1750
Panasonic VP574 I A - 100MHz D.S.O. Dual channel	£1750
Tektronix 455 - 50MHz - Dual channel	£275
Tektronix 465 - 100MHz - Dual channel	£350
Tektronix 464/466 - 100MHz - (with AN. storage)	£350
Tektronix 475/475A - 200MHz/250MHz -	from £450
Tektronix 468 - 100MHz - D.S.O.	£650
Tektronix 2213/2215 - 60MHz - Dual channel	£350
Tektronix 2220 - 60MHz - Dual channel D.S.O.	£1250
Tektronix 2225 - 50MHz - Dual channel	£395
Tektronix 2235 - 100MHz - Dual channel	£600
Tektronix 2221 - 60MHz - Dual channel D.S.O.	£1250
Tektronix 2245A - 100MHz - 4 channel	£900
Tektronix 2440 - 300MHz/500 MS/s D.S.O.	£3750
Tektronix 2445A - 150MHz - 4 channel	£1250
Tektronix 2445 - 150MHz - 4 channel + DMM	£1200
Tektronix TAS 475 - 100MHz - 4 channel	£995
Tektronix 7000 Series (100MHz to 500MHz)	from £200

## SPECTRUM ANALYSERS

Ando AC 821 1 - 1.7GHz	£2250
Avcom PSA-65A - 2 to 1000MHz	£850
Anritsu MS 62B - 50Hz to 1700MHz	£2500
Anritsu MS 610B 10KHz - 2GHz	£4750
Advantest/TAKEDA RIKEN - 4132 - 100KHz - 1000MHz	£2500

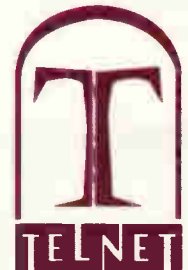
# Quality second-user test & measurement equipment

## Marconi

### Radio Communications Test Sets



2955	£2250
2955A	£2500
2958 (TACS)	£2750
2960 (TACS + Band III)	£2750
2960A (TACS)	£2950
2955B	£4000
with 2960B added	£4250



**Fax 01203 650 773**

Hewlett Packard 3561A - Dynamic Signal Analyser	£4750
Hewlett Packard 3562A Dual channel dynamic signal analyser	
64µHz - 100KHz	£6250
Hewlett Packard 3585A - 20Hz to 40MHz	£4500
Hewlett Packard 8591A - 9KHz - 1.8GHz with tracking generator, option 10	£6500
Hewlett Packard 8505A - 1.3GHz - Network Analyser	£1995
Hewlett Packard 8753A - 3GHz - Network Analyser	£6000
Hewlett Packard 8753B + 85047A - 6GHz - Network Analyser 6GHz 5 parameter test set	£12000
Hewlett Packard 8756A/8757A Scaler Network Analyser	from £1000
IFR A7550 - 10KHz-1GHz - Portable	£2950
Meguro - MSA 4901 - 30MHz - Spec. Analyser	£850
Meguro - MSA 4912 - 1 MHz - 1GHz Spec. Analyser	£1250
Tektronix 495P Spec analyser prog. - 1.8GHz	£5000
Tektronix 469P - 1KHz to 1.8GHz	£4500
Wiltron 6409 - 10-2000MHz R/F Analyser	£2000

## MISCELLANEOUS

IFR 1200S - Radio comms test set	£2995
GN ELMI EPR31 - PCM Signalling Recorder	£3000
HP 339A Distortion measuring set	£1500
HP 3488A - Switch/Control unit	£650
HP4279A - 1MHz - C-V meter	£4500
HP 436A Power meter + lead + sensor various available	from £995
HP 435A + 435B Power meters	from £200
HP 8656A Synthesised signal generator	£1500
HP 8656B Synthesised signal generator	£2750
HP 8657A - Signal generator 100KHz - 1040MHz	£3250
HP 37900D - Signalling test set	£5000
HP 5385A - 1 GHz Frequency counter	£750
HP 8901B - Modulation Analyser	£4000
HP 8903E - Distortion Analyser	£2000
Marconi 2610 True RMS Voltmeter	£700
Philips PM 5193 Synthesised Function Gen 50MHz	£1500
Philips 5515 - TN - Colour TV pattern generator	£1500
Leader 3216 Signal generator 100KHz - 140MHz - AM/FM/CW with built in FM stereo modulator (as new) a snip at	£995
Tektronix 1502 - TDR cable tester	£POA
Tektronix 1751 PAL Waveform/Vector Monitor	£2200
Wiltron 6747A-20 - 10MHz-20GHz - Swept Frequency Synthesiser	£6000

All equipment is used - with 30 days guarantee.

Add carriage and VAT to all goods.

Telnet, 8 Cavans Way, Binley Industrial Estate,

Coventry CV3 2SF.

**Tel: 01203 650702**

**Fax: 01203 650 773**

## Adaptor from dip zif programmer sockets to s-m devices

Adaptors to connect dip zif surface-mounted microcontrollers or memories to programmer in SOIC form cost more than £100. Wiring a surface-mount test clip to a dip wire-wrap socket to plug into the zif socket was inadequate, at least for one particular programmer, since a programmed chip showed anomalies on test.

This circuit provides proper logic levels on data lines, using an octal transceiver, whose DIR input goes to the /OE line from the programmer to the programme – aZ80 in this case. When the /OE line is low, data goes from the programmed chip to the programmer and data through the transceiver from port B to port A. Otherwise, the programmer sends programming data to the programmed chip through port A to port B. The transceiver derives its power from the programmer.

No other lines needed buffering, but, depending on the programmer in use, more or less circuitry may be required. I found it a good idea to use strain relief wherever possible to reduce bending of the wires and also to mark pin 1 of the test clip to reduce the chances of putting a chip in back to front.

**Dana Romero**

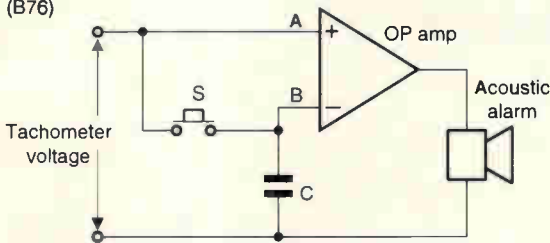
Utah  
USA  
B77

## Car speed alarm

Because of my tendency to watch the speedometer more than the road ahead, I am at present without a car; I mention this to point out that this idea is, as yet, untested.

The circuit removes the need to worry about speeding, since it

(B76)



Speed alarm avoids the need to watch the speedo.

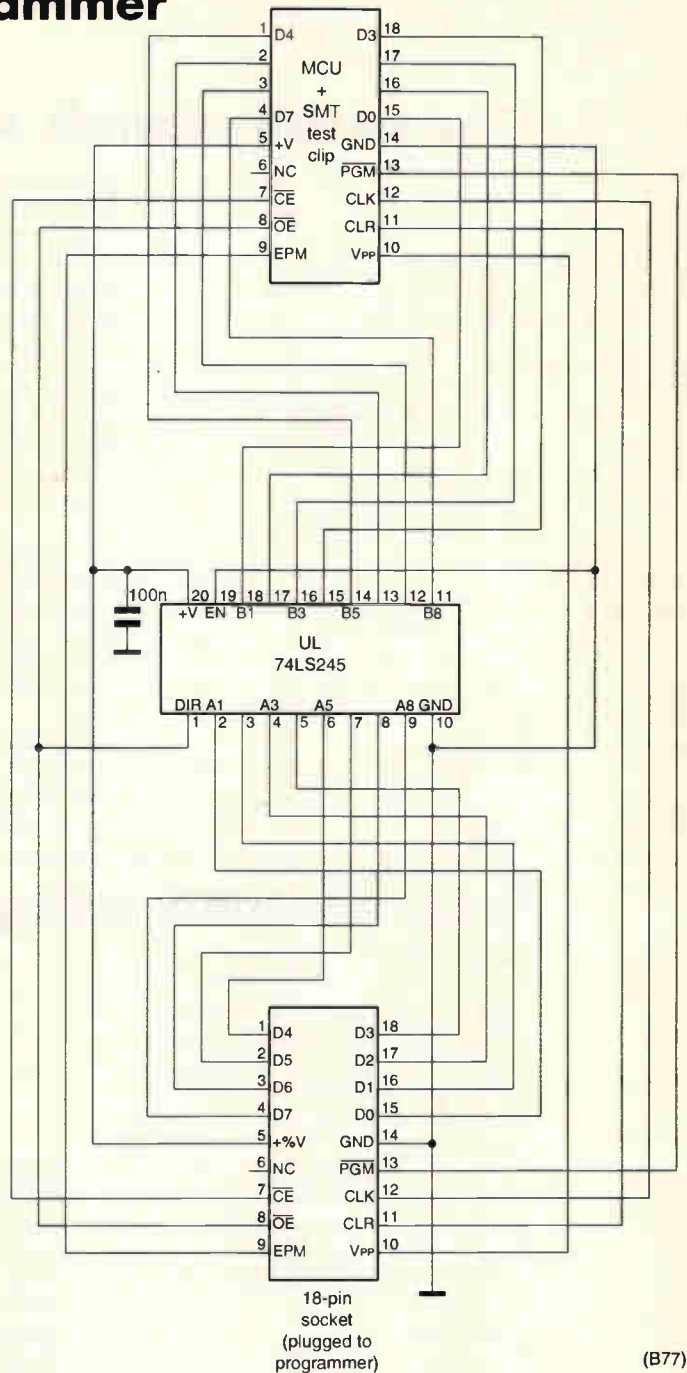
sounds an alarm if you go faster than a speed you set. If you drive at the selected speed, pressing the switch for a second equalises the voltage on the amplifier inputs, which corresponds to the speed.

When the switch is again open,  $V_B$  stays constant, while  $V_A$  varies with the speed. As a result, if speed exceeds that at which the switch was closed, the alarm sounds.

You need to operate the switch after changing gear and also every hour or so, or  $V_B$  will decay and the alarm will sound at lower and lower speeds.

**Scott Arnesen**

Oslo Norway



(B77)

Adaptor allows microprocessors to use programmers with incompatible pins.

## Variable-frequency, variable pulse-width generator

Varying this oscillator's frequency by means of  $R_1$  has no effect on the pulse width: varying the pulse width does affect the frequency. The ic may be a CD4011AN or CD4001AN.

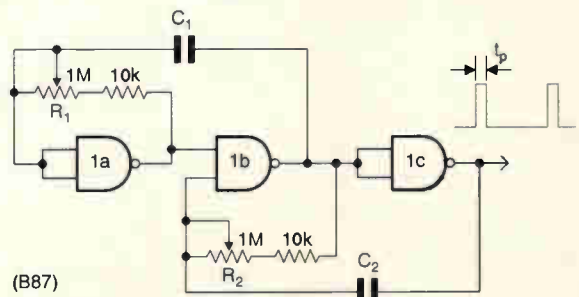
Using a 560pF capacitor in the  $C_2$  position gives the results shown in the Table.

**Vasily Borodai**

Zaporozhje Ukraine B87

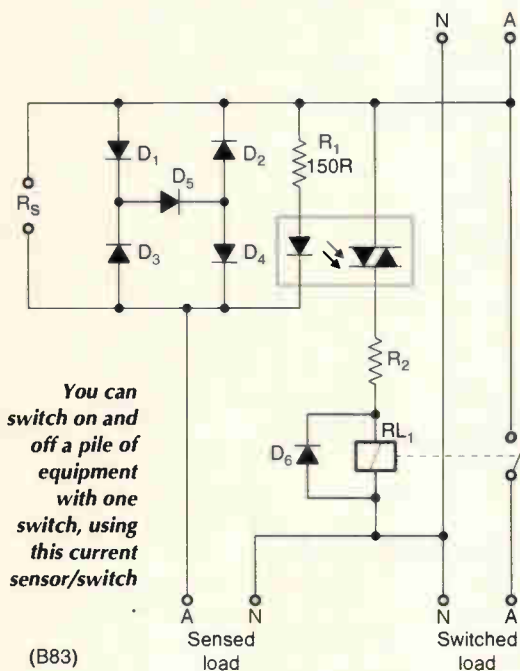
Table. Frequency ranges for three different values of  $C_1$ .

$C_1$	$t_p$ (ms)	$f_{min}$ (Hz)	$f_{max}$ (Hz)
33nF	0.01	140	10k
33nF	0.4	70	1k
0.1µF	0.01	100	500
0.1µF	0.4	20	500
1µF	0.01	20	5k
1µF	0.4	2	2k



(B87)

# One switch controls several pieces of equipment



You can switch on and off a pile of equipment with one switch, using this current sensor/switch

(B83)

If your computer, or any other collection of equipment, has only one front-panel switch and all the rest must be switched on and off by other means. This circuit controls them all by the one switch.

When the main switch applies the supply, the first 10mA or so flows through the optoisolator led, the rest being shunted by the power diodes. With no shunt resistor at  $R_s$ , the scr/triac starts to conduct at 4mA over only 90°, going up to 20mA over 170°.

A 1Ω shunt these figures are 1.14A over 90° and 3.63A at 170°, which means that it is impracticable to use a further scr/triac to switch the load without more circuitry to prevent partial switching; a relay is therefore used.

Since the triac switches on alternate half-cycles, a shunt diode across the relay coil allows the stored energy in the coil field to increase its release

time and prevent chatter. Resistor  $R_2$  should be selected to make the relay pull in at about 90% of mains voltage; a 12V dc, 120Ω coil needed 5kΩ and a 230V ac, 6kΩ type required 15kΩ.

Diodes  $D_{1-5}$  must carry the maximum load current (13A on the UK domestic supply) unless protection is used in the sense feed. The relay diode is a 1N4007 and the optoisolator a MOC3021. A shunt resistor of 0.47-1Ω gives cleaner switching.

The case can be a plastic type big enough to handle the heat generated, with outlets for the equipment, or a diecast box is may be used with the diodes thermally connected to the box.

Care must be taken to observe the safety regulations.

**Rodger Bean**  
Watson  
Australia  
B83

# Programmable voltage divider

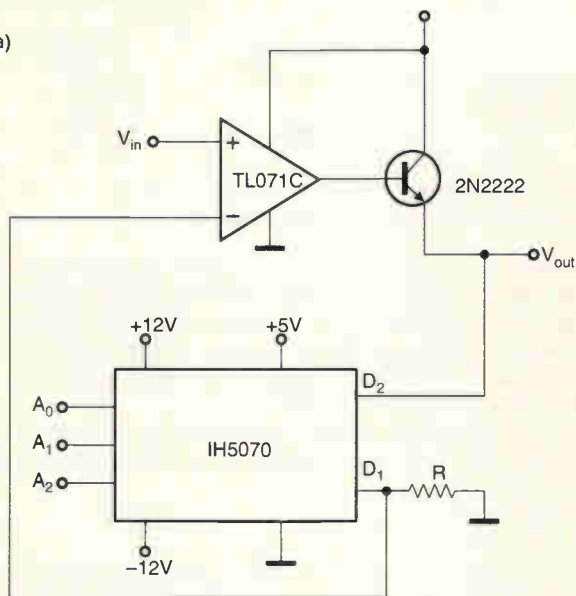
Intersil's IH5070 is a two-from-sixteen analogue multiplexer. In this case, it is used to connect a number of external resistors of various values.  $R_{1-8}$ , in the feedback loop of a voltage regulator, the value selected being controlled by three binary inputs  $A_{0,1,2}$ , as shown in the table.

Since the amplifier gain is  $1+nR/R$ , where  $n$  is the ratio of the selected resistor to  $R$ , output voltage is  $1+n$  times the input reference. In the internal switching diagram shown,  $R_1$  is selected.

**Kamil Kraus**  
Rokycany  
Czech Republic  
B72a

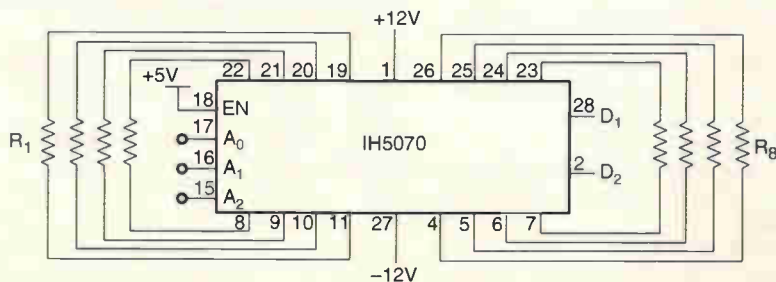
(B72a)

Output of this voltage regulator is programmed by the resistor selected by the three logic inputs.



These addresses are used to select one from the eight divider resistors.

Address line				Resistor connected
A <sub>0</sub>	A <sub>1</sub>	A <sub>2</sub>	EN	
x	x	x	0	none
0	0	0	1	$R_1$
0	0	1	1	$R_2$
0	1	0	1	$R_3$
0	1	1	1	$R_4$
1	0	0	1	$R_5$
1	0	1	1	$R_{16}$
1	1	0	1	$R_7$
1	1	1	1	$R_8$





**Did RCA invent the Iconoscope? Was magnetic tape recording a war secret? Is it true that Baird worked on Colossus? Andrew Emmerson's version of history might not match up with what you have learned.**

# Rewriting history

**D**iscovering the unsuspected truth can be a shocking experience, whether it's learning for the first time that Father Christmas does not really exist or else that concentration camps were an all-British invention of the Boer War period.

It comes as no less of a shock when you hear that the established history you learned many years ago as a fact is a sham, indeed a fiction created to enhance the reputation of an individual or of a large manufacturing corporation.

Perhaps we should not be surprised after all. It would be delightful to imagine that all historians record nothing but fully corroborated facts in a completely objective and unbiased fashion.

In fact most history is written for a purpose and frequently for money and as they say, he who pays the piper calls the tune. As the American author Eric Barbour wrote recently when discussing the true inventors of the digital computer, every age tries to re-write history to suit its leading personalities. People with power and money manage to uncreate the past, even while they feed upon its very foundations, while the populace at large accepts the official version as fact.

## First, RCA

One organisation that falsified history for its own ends is the late lamented Radio Corporation of America. This company is now reduced to a mere brand name or trading title of General Electric in America and assigned in the consumer electronics field to Thomson of France and in sound recordings to the German Bertelsmann Music Group.

Once an organisation of far greater status, RCA was created by American anti-trust legislation out of the US subsidiary of Marconi's Wireless Telegraph Company. The RCA corporation had much to be proud of.

Sadly, RCA had plenty to be ashamed of too. One example is the way it harassed worthy inventors such as television pioneer Farnsworth, and Armstrong, the inventor of the frequency modulation technique for broadcasting.

But what is now coming to light, thanks to the efforts of a number of investigative historians, is the fact that RCA deliberately distorted history in order to portray the company in a more favourable light. Loyal and decent American citizens brought up on the gospel according to RCA may wish to skip the rest of this article; everyone else should read on.

The world's first successful all-electronic television system has long been ascribed to Vladimir Zworykin. From 1911-12 Vladimir was a pupil of television pioneer Boris Rosing in St Petersburg and from 1930-1932 leader of RCA's television development laboratory. It was he who in 1935 turned the Iconoscope image pickup tube into a working product suitable for series production.

## Tihanyi in his true light

It is now clear, however, that the Iconoscope was not RCA's unaided work. In fact it fell to a Hungarian, Kálmán (Coloman) Tihanyi, to first patent the concept of a light-sensitive image storage tube in 1928. This was at a time when Zworykin had already abandoned electronic pickup tubes and returned to mechanical scanning.

Thanks to diligent work lasting two decades by Tihanyi's daughter, Katalin Tihanyi Glass and publicity by German researcher Antje Grabenhorst, Tihanyi is now belatedly acknowledged as the forgotten inventor of the Iconoscope. Records indicate that RCA dealt with him over the period 1930-1935 in connection with the purchase of his patents. But the company never acknowledged that Zworykin was unable to make his camera work without external assistance.

## Tainted hero

Another commonplace of RCA history is that the powerhouse behind the company – David Sarnoff, another Russian émigré – had begun his career as a wireless operator at the time of the sinking of the Titanic and received its final trans-

## Kálmán Tihanyi, 1897-1947

The Hungarian Kálmán Tihanyi was a prolific inventor, who following studies in electrical engineering and physics sold several designs to RCA and the German companies Loewe and Fernseh AG. His fully electronic television system was patented in 1926 and though superficially similar to other proposals, it represented a radical departure. Like the final, improved version he patented two years later in 1928, it embodied a new concept in design and operation, building upon a phenomenon that would become known as the "storage principle".

The invention was received with enthusiasm by Telefunken and Siemens, but in the end they opted for continued development of mechanical television.

RCA approached Tihanyi in 1930, after the publication of his patents in England and France. Negotiations continued until 1934, when RCA, ready to unveil its new television system based on Tihanyi's design, purchased his patents. These covered key design features that caused the U.S. patent examiners, citing Tihanyi's prior publications, to deny Zworykin's 1930-31 applications. US patents assigned to RCA were issued to Tihanyi in 1938-39 with 1928 priority. Now it is becoming increasingly obvious that the originator of this pivotal invention was Kalman Tihanyi.

● A detailed article in English setting out Tihanyi's contribution to television as well as the various patent documents can be found on the Hungarian website,

<http://www.mtesz.hu/scitech/history/tihanyi/index.html>

missions. Safely located on dry land throughout the disaster, he relayed the information to the press and became something of a hero at the time.

Or so the story goes. But not if you listen to Michael Biel, Ph.D, professor of radio and television at Morehead State University, Kentucky in the USA. Michael is quite emphatic...

*"There is no contemporary evidence that David Sarnoff ever had anything to do with the Titanic story. It was a myth that he promoted and his name is not mentioned in any of the news accounts at the time. Accordingly it is highly doubtful that he was 'something of a hero at the time'. He was a Marconi operator of a low-powered station at the New York branch of the John Wanamaker store which only had the duty to communicate with the home office in Philadelphia. The station was operating only during the hours the store was open. Therefore, he was not on duty when the ship sank in the middle of the night, therefore he did not 'receive the transmissions from the Titanic'. It is probable that he listened in on the relays of the reports from other stations once he got to work the next morning. He might have put up bulletins inside the Wannamaker store but that is probably as far as his influence was."*

Biel continues:

*"The fairy-tale some books report that the President ordered all other stations off the air so that Sarnoff's station could be in the clear is pure egotistical fabrication. So is just about all of the story. He probably told someone that he had stayed up 72 hours to hear the Titanic reports, and the story just grew from there - and he loved it and never corrected it. The story that has been reported all these years makes just about as much sense as the story above that he had jumped ship and became a hero."*

### War secret that never was

Yet another historical myth accepted as fact is that that the Allies had no knowledge of the magnetic tape recorder until American troops over-ran Radio Luxembourg and found German Magnetophon machines playing out propaganda tapes.

Apparently the development of tape had been a war secret, developed by the Germans so they could play Hitler speeches at all odd hours to deceive the Allies from finding out his true whereabouts. A charming story but without any basis in fact!

In reality, the Magnetophon had already been on public display at the 1935 Radio Show in Germany and an improved version of the machine was sent to the American General Electric organisation in Schenectady in 1938. A report describing the same machine was published in this magazine – then called *Wireless World* – on 1 June 1939 concerning broadcasting arrangements for the forthcoming Olympic Games in Finland. These were subsequently cancelled.

*As it is estimated that at least 25 simultaneous commentaries will have to be radiated each day, it has been necessary to resort to recording on a large scale. An order has therefore been placed for 40 AEG Magnetophon iron-powder film recorders. It has also been decided to provide a fleet of seven vans, several of which will be equipped for handling two different recordings at once.*

Admittedly the expression 'iron-powder film recorders' as applied to recording tape looks strange. But how else would you describe a technology too new to have a handy name?

This report would have been taken from a Finnish or German press release using such strange language that it's obvious that the editorial staff at *Wireless World* had no idea what it was about and just printed it verbatim. Consequently, no-one took much notice!

### Yet more revisionism

In each of these examples of corrected history, the fictionalised 'fact' has finally been replaced by an authenticated version. Unfortunately there are also revisionists at work trying to achieve the converse, embroidering existing and long-established fact with new, unsubstantiated speculation.

One such 'victim' of this reassessment is television pioneer John Logie Baird, whose memory is sufficiently notable that no false embellishments are needed. Nonetheless one writer is now alleging all manner of secret achievement during World War II by John Logie Baird,

Among other things, the protagonist cites that BBC television transmissions before the war were in fact a cover for radar research, aerial reconnaissance and secret signalling systems. He also alleges that Baird developed components for the Colossus computer which helped break enemy codes at Bletchley Park during the second world war. This is all based on supposition. So far, the writer has not offered any demonstrable evidence to support these claims.

In fact Baird's own autobiography states unequivocally that he sent his name to the authorities and expected to be approached with some kind of government work, but no such offer materialised. Likewise, in her own book, his wife Margaret writes: "John expected to be called on, but as in World War I but with less excuse, his country passed him over. This hurt him deeply."

Sydney Moseley, a close friend of Baird who was much involved in the wartime Ministry of Information, has written: "To this day I am baffled as to why the British authorities did not seek him out and harness his magnificent inventive genius to the war effort." If people are to contradict this irrefutable evidence 50 years later, they must produce cast-iron proof capable of independent verification.

It has been said that Baird's refusal to move to the USA at the outbreak of World War II may well have been due to his involvement in secret work. During the war he received a fee of £1000 a year from the crown corporation Cable and Wireless. According to Baird's son, Dr Malcolm Baird, the services performed for this fee are still not known exactly, but his work is believed to have been on the use of television methods for high-speed coded signalling.

On the other hand, Cable & Wireless has copies of Baird's letters and reports of wartime meetings but there is no evidence at all that Baird produced anything other than a laboratory demonstration of high-speed signalling using intermediate film techniques. Minutes of a meeting held at the company during the summer of 1944 indicate that Baird had produced nothing of technical advantage to the company.

As Malcolm Baird says, research is continuing on this aspect of Baird's life but until something more substantial turns up, the secret life of John Logie Baird must remain no more than unsubstantiated supposition.

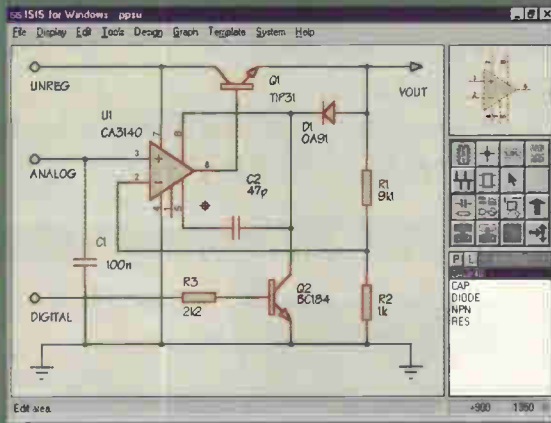
The irony, as one of the surviving employees of the Baird company points out, is that Baird's real life was so singular and his achievement quite sufficient that it should not now require adornment; authors who allege information which cannot be corroborated detract not only from the credibility of their own research but that of others.

He declares: "When some people are endeavouring to ensure that the history of television is being accurately recorded for posterity, it is absolutely deplorable that a few others deliberately distort information given to them in good faith in order to support some fanciful theory of their own." ■

# PROTEUS

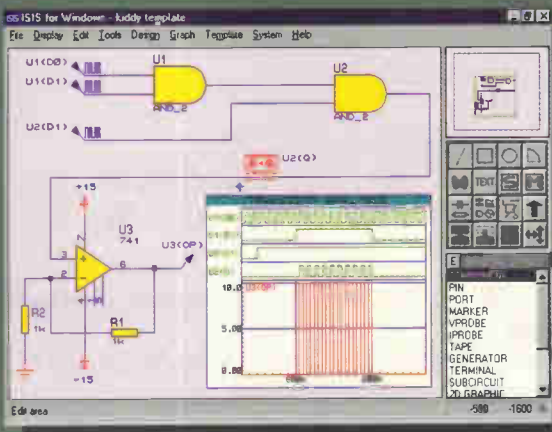
## Schematic Capture

NEW Version IV



- Produces attractive schematics like you see in the magazines.
- Netlist, Parts List & ERC reports.
- Hierarchical Design.
- Full support for buses including bus pins.
- Extensive component/model libraries.
- Advanced Property Management.
- Seamless integration with simulation and PCB design.

## Simulation



- Non-Linear & Linear Analogue Simulation.
- Event driven Digital Simulation with modelling language.
- Partitioned simulation of large designs with multiple analogue & digital sections.
- Graphs displayed directly on the schematic.

# The IV<sup>th</sup> Generation

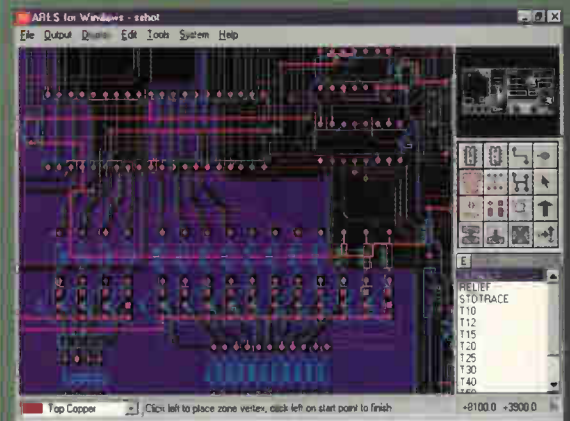
## New Features

- Component Auto-Placer
- Pinswap/Gateswap Optimizer
- Background Regeneration of Power Planes
- Enhanced Autorouting with Tidy Pass
- Full Control of Schematic Appearance
- Extensive New Component Libraries

Available in 5 levels - prices from £295 to £1875 + VAT.  
Call now for further information & upgrade prices.

## PCB Design

NEW Version IV



- Automatic Component Placement.
- Rip-Up & Retry Autorouter with tidy pass.
- Pinswap/Gateswap Optimizer & Backannotation.
- 32 bit high resolution database.
- Full DRC and Connectivity Checking.
- Shape based gridless power planes.
- Gerber and DXF Import capability.

**"PROTEUS**  
is particularly **good**

with its rip-up-and-retry **autorouter"**

EWV January 1997

labcenter  
Electronics

Write, phone or fax for your free demo disk, or ask about our full evaluation kit.  
Tel: 01756 753440. Fax: 01756 752857. EMAIL: [info@labcenter.co.uk](mailto:info@labcenter.co.uk)  
53-55 Main St, Grassington. BD23 5AA. WWW: <http://www.labcenter.co.uk>

Fully interactive demo versions available for download from our WWW site.  
Call for educational, multi-user and dealer pricing - new dealers always wanted.  
Prices exclude VAT and delivery. All manufacturer's trademarks acknowledged.

**90%  
Discount**

Professional Electronics Design

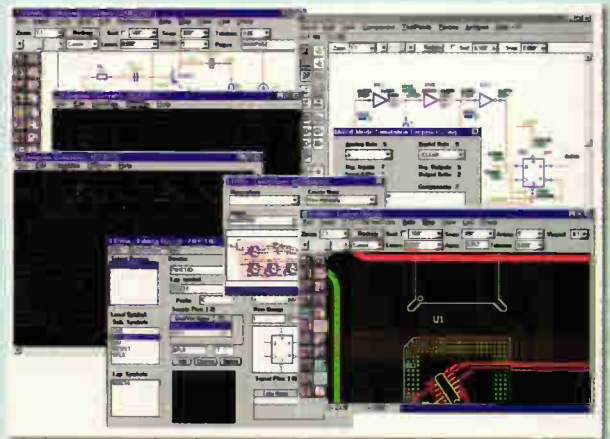
**EDWIN NC**

**90%  
Discount**

- Genuine, professional EDA software *with no limitations!* - and **YOU can afford it!**
- EDWin NC comes from Visionics: one of the *longest established, most experienced* producers of professional EDA systems, so it's fully proven in professional work.
- Now you can have this best-selling non-commercial version of the software at just **10% of the normal price**, with no limits in its capabilities.
- *It does just about everything you could want!*

Schematics, simulation, PCB layout, autorouting, manufacturing outputs, EMC and Thermal Analysis. Many more advanced features are available and it runs in Windows 3.x, 95 or NT.

- **Where's the catch?** It's for non-commercial use, but companies may order for evaluation purposes. Prices start from just £49.00 for the basic system, up to only £235.00 for the full system including all available modules!



**Don't forget - Phone Today for Your 90% Discount!**

- **EDWin NC BASIC:** Schematics, PCB Layout Basic Autorouter, manufacture outputs, Max. 100 component database, 500 device Library **£ 49.00**
- **EDWin NC De Luxe 1:** BASIC + Professional Libraries and unlimited database **£ 79.00**
- **EDWin NC De Luxe 2:** BASIC + Professional Libraries and Mix-mode simulation **£ 79.00**
- **EDWin NC De Luxe 3:** BASIC + Professional Libraries, unlimited database, Mix-mode Simulation and Arizona Autorouter **£115.00**
- **EDWin NC De Luxe 4:** De Luxe 3 + Thermal Analyser, EDSpice Simulation, EDCoMX Spice model kit **£199.00**
- **EDWin NC De Luxe 5:** De Luxe 4 + ED-EMA (EMC Analyser) **ALL FOR ONLY £235.00**

Plus Post & Packing UK £5.00; Rest of World £10.00 (only one charge per order)

**Order hotline: +44 (0)1992 570006 Fax +44 (0)1992 570220 E-mail: swift.eu@dial.pipex.com**

**CIRCLE NO. 115 ON REPLY CARD**

**Swift Eurotech Ltd., Twankhams Alley, 160 High Street, Epping, Essex, CM16 9AQ, UK**

I enclose: £.....total.

We aim to dispatch as soon as we receive payment, but please allow 28 days for delivery. Subject Unsold.

Cheque/PO/Credit Card:

Visa/Mastercard/Eurocard/Amex: No.

Issue Date:    Expiry Date:

Date ..... Signature .....

Name: .....

Address: .....

..... Postcode .....

Tel.: ..... Evenings .....

*I wish to order:*

- **EDWin NC BASIC:** £49.00
- **EDWin NC De Luxe 1:** £79.00
- **EDWin NC De Luxe 2:** £79.00
- **EDWin NC De Luxe 3:** £115.00
- **EDWin NC De Luxe 4:** £199.00
- **EDWin NC De Luxe 5:** £235.00

**Post & Packing UK £5.00**

**Rest of World £10.00**

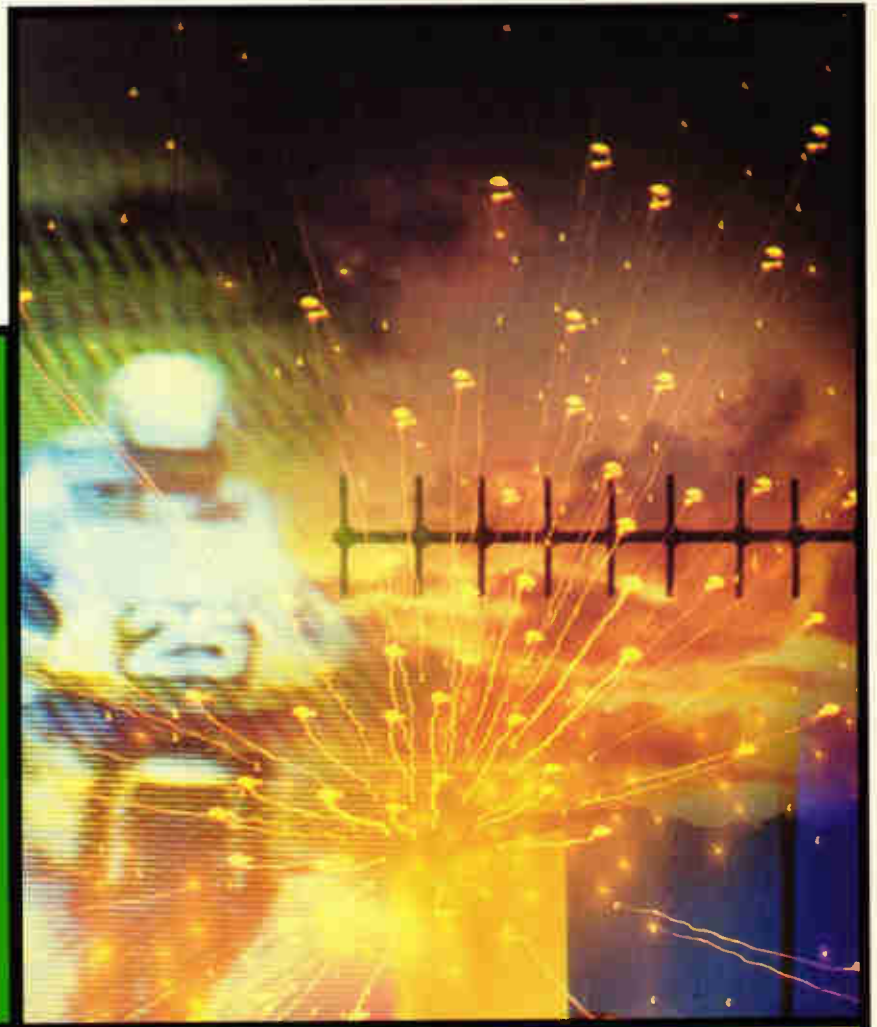
**(only one P&P charge per order)**

Qty. Total (£)

Qty.	Total (£)
<input type="text"/>	<input type="text"/>
<input type="text"/>	<input type="text"/>
<input type="text"/>	<input type="text"/>
<input type="text"/>	<input type="text"/>
<input type="text"/>	<input type="text"/>
<input type="text"/>	<input type="text"/>
<input type="text"/>	<input type="text"/>
<input type="text"/>	<input type="text"/>

**Total £**

**Ian Hickman**  
describes a  
simple yet high  
performance  
field strength  
meter suitable  
for evaluating  
antenna  
radiation  
patterns.



# How strong is your field?

**F**ield strength measurements, such as those for establishing the radiation pattern of an antenna, are tricky at the best of times. And these are only relative measurements. Absolute field strength measurements are fraught with difficulty, and repeatable results accurate to within a modest-sounding 3dB in fact represent good going.

It is frequently rewarding to keep an eye out for the best of the latest crop of new components. While new and improved passive components are appearing all the time, it is often among the actives – especially ICs – that the really exciting innovations are found.

Such a newcomer is the *AD8307* logarithmic amplifier from Analog Devices, with its exceptional 92dB range. The earlier *AD606*, with its 80dB log range, was described in reference 1. I have used it in the past in a number of designs, including a simple spectrum analyser that has also appeared in these pages.<sup>2</sup>

The *AD8307* not only possesses 12dB more dynamic range, but wins hands down on bandwidth too. While the earlier device operates to 50MHz, and is thus suited to logarithmic IF amplifier stages, the newer device offers a staggering 500MHz bandwidth. It can be used connected directly to a test antenna, to indicate relative field strengths at frequencies right up to uhf.

## Solution in search of a problem

The problem in this case was a project I had had in mind for some time – a simple general purpose field strength monitor.

A superheterodyne monitor with a logarithmic IF is a versatile solution. Its front-end tuning permits measurement of the field strength at any given tuned frequency, without interference from other signals at different frequencies. And, operating at IF, an *AD606* logarithmic amplifier is entirely suitable. But such a superheterodyne receiver is hardly simple, and is not likely to be either small or suitable for battery powered operation.

For some applications, these are not important considerations, but for one application in particular, they can be a distinct drawback. This is antenna radiation pattern testing. The problem is the coaxial feeder from the test antenna to the field strength monitor, Fig. 1.

If the lead can be carried away indefinitely along a line joining the antenna under test and the test antenna, there is no problem. Clearly, the distance does not need to be infinite, just large compared to a wavelength.

## Antenna tests

The solution just mentioned is manageable for measurements at an elevation angle of zero, as in Fig. 1, but becomes impracticable for other elevations.

Fig. 1. Simple set-up for relative field strength measurements.

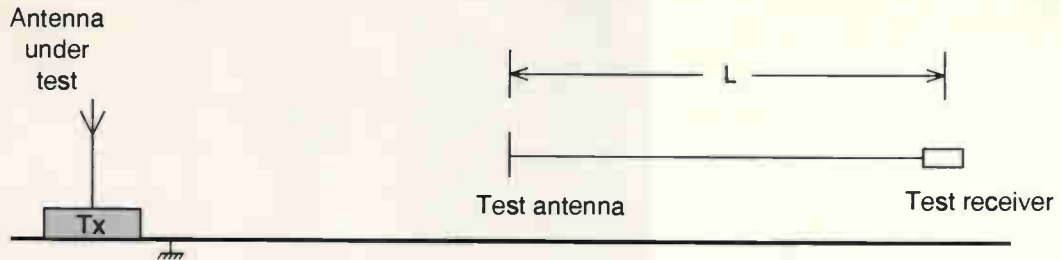


Fig. 2. Antenna field measurements are not so simple for elevation angles other than 0°.

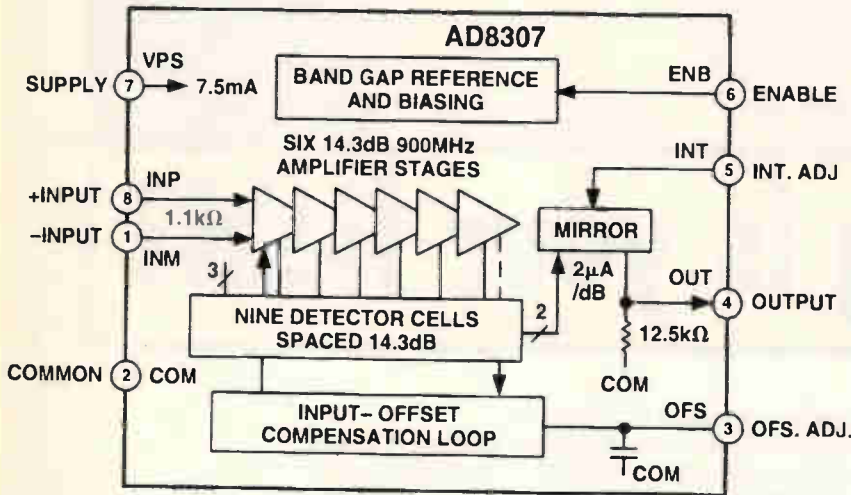
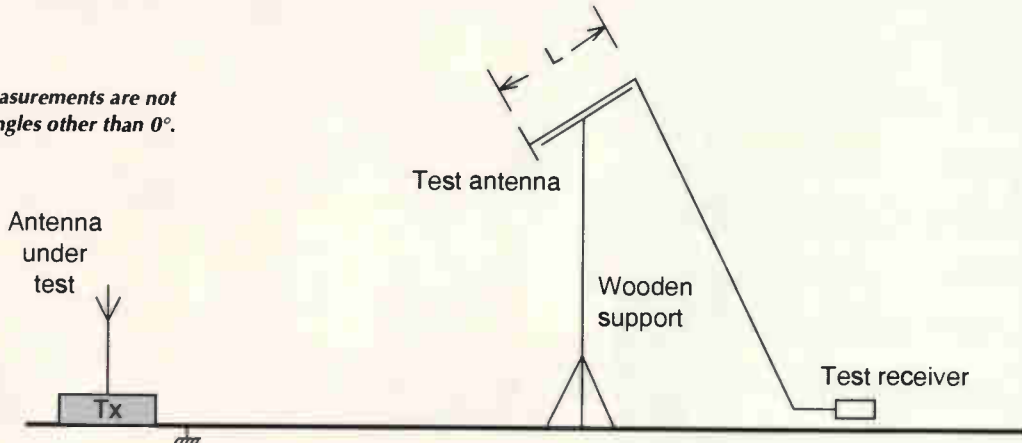
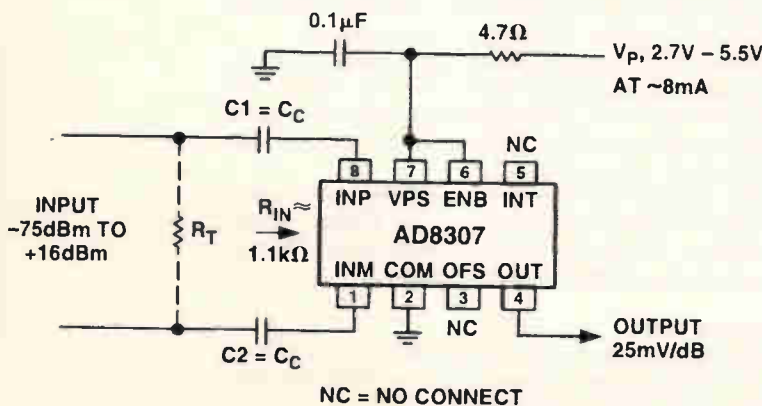


Fig. 3a) Block diagram of the internal arrangements of the AD8307 logarithmic amplifier.

b) Basic connections for using the AD8307.



There is then no option but to bring the lead from the test antenna down to the field strength monitor, Fig. 2. The result is that the lead is irradiated by the transmitted field from the antenna under test, since a large value for  $L$  is not practicable. The feeder then reradiates energy. This energy is picked up by the test antenna, giving an incorrect figure for the true field due to the antenna under test alone.

Various palliatives are possible, such as ferrite rings used as "braid breaks", but it is difficult to be certain as to the effectiveness of such measures. Indeed, I had trenchant proof that such attempts were frequently ineffective, during extensive trials on an experimental hf direction finding system, funded by RSRE (as it was then).

However, a method used by some test houses avoids the possibility of reradiation from the feeder entirely. The field strength monitor is small, self-contained, battery powered and located just behind the centre of the test antenna. The output of the logarithmic amplifier is fed to an a-to-d converter and transmitted as digital data down a fibre optic link to remote recording equipment on the ground.

The advent of the AD8307 opens up the possibility of an extremely simple field strength monitor, readily designed in a small plastic case and powered by a dry battery. Such an instrument is eminently convenient for antenna testing.

With a dc voltage proportional to the logarithm of the field strength, available right there near the centre of the test antenna, the only remaining problem was how to get the information down to ground level. An elegant solution – and simpler than an a-to-d converter – is a voltage-to-frequency converter driving an LED coupled to an optical fibre.

At the ground-based recording end, an opto transistor provides a pulse train feeding frequency-to-voltage converter to recover the logarithmic amplifier output voltage from the light pulses.

**Lateral thinking**

In the event, I adopted an even simpler solution. For some years I have had in stock, left over from an earlier design, some miniature digital panel meters. These meters have an LED readout and are readily powered by a 9V PP3 (IEC style 6F22) battery.<sup>3</sup>

I used one of these meters, housed in a plastic hand-held case<sup>4</sup> complete with panel cutout for a display and a battery compartment with cover. The dc output of the logarithmic amplifier appears on a display within a centimetre or two of the antenna.

The antenna consisted of two six-section telescopic aeri-als<sup>5</sup> projecting through holes in the side of the case, at the end remote from the battery compartment. In retrospect, the longer seven-section aeri-als would probably have been more generally useful.

Output from the logarithmic amplifier, representing the field strength is thus available for reading at the ground-based recording station – provided your eyesight is good enough.

### The AD8307 logarithmic amplifier

As the whole instrument revolves around the remarkable performance of the AD8307, a word or two about how it works may be of interest.

Figure 3a) shows a simplified block diagram of the device's internal workings. A cascade of six logarithmic stages covers the lower two thirds of the device's dynamic range, while three "top-end detectors", tapped down a passive attenuator, account for the top third. This extends the log range up to +15dBm.

Pins 1 and 8 are the inputs while pins 2 and 7 the supplies. Of the remaining pins, offset adjust on pin 3 is only required under special circumstances. Such a circumstance might be using the device at audio frequencies.

Pin 6 carries the enable signal, and is usually strapped to +5V on pin 7. If grounded instead, invoking sleep mode, the current drawn by the device is reduced to a fraction of a milliampere. The output at pin 4 is scaled to a nominal 25mV per decibel,  $\pm 2\text{mV}$ .

The logarithmic response cannot continue down indefinitely, and so the output voltage never falls to zero, but levels out at some point. This point is set, among other things, by the device's noise floor, which – with a bandwidth in excess of 500MHz – is certainly not negligible. In fact, thermal noise in  $50\Omega$  in a 500MHz bandwidth is  $-84\text{dBm}$ , which actually makes the device quite a quiet performer.

Pin 5 enables the 'intercept' to be adjusted. The intercept is the input level in dBm at which the linear part of the characteristic, projected on down, would correspond to zero output voltage. Knowing this, the output voltage indicates not merely the relative, but also the absolute value of the input signal.

Figure 3b) shows the basic connections for using the AD8307, while the excellent performance of the device is illustrated in Fig. 4a), which shows the logarithmic response of output voltage versus input signal level.

Figure 4b) shows the very low departure from exact logarithmic conformance, over a wide range of input levels and frequencies. Note that although the data sheet frequently refers the output voltage to an input expressed in dBm referred to  $50\Omega$ , this is purely by convention. The device responds to the input signal voltage, not to signal power. So – assuming a sine wave input – for 0dBm, simply read 0.225V rms and so on.

### Field strength monitoring circuitry

The AD8307 is housed in an 8-pin plastic case, available as either N-8 DIP or R-8 SOIC. Both are characterised for operation at either 3V or 5V supply – the absolute maximum rating being 7.5V

I obtained a sample of the DIP version, and this was powered via a 79L05 5V negative regulator. As noted in reference 6, some digital panel meters have a very restricted common mode input range. As a result, they are awkward to implement unless powered from a floating supply such as a PP3 battery.

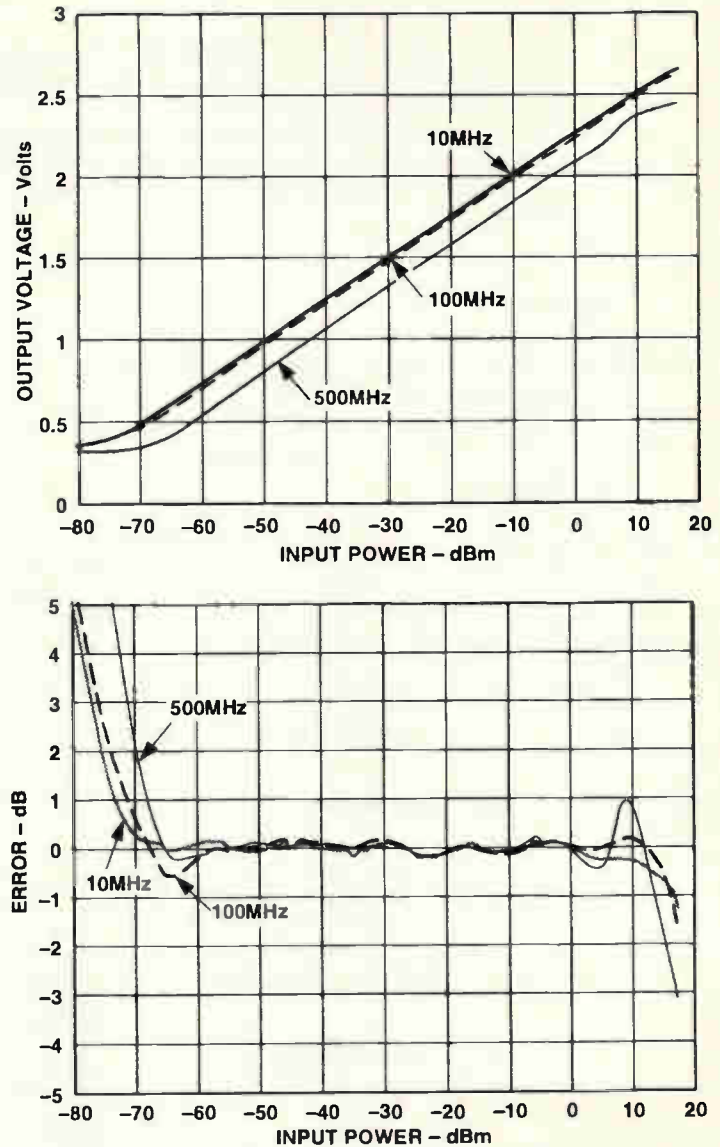


Fig. 4a) Response shows a logarithmic characteristic over a wide range of levels, regardless of frequency...  
b) ...with very low departure from the ideal.

The digital panel meter I used has a very wide common mode input capability, extending from 1V above the negative rail to 0.5V below the positive. This made it possible to power both the logarithmic amplifier and the panel meter from the same battery, as shown in the circuit diagram of the field strength monitor, Fig. 5.

The basic range of the meter is 0-200mV, so a 10:1 attenuator comprising  $910\text{k}\Omega$  and  $100\text{k}\Omega$  resistors was used to interface the output of the logarithmic amplifier. The amplifier was scaled down from its nominal  $25\text{mV/dB}$  to  $20\text{mV/dB}$  by a  $50\text{k}\Omega$  potentiometer and  $33\text{k}\Omega$  resistor shunting the output.

Figure 6 shows the internal circuit diagram of the panel meter module. Split pad DP3 was bridged with solder, activating the appropriate decimal point to display a full scale reading as 1.999V.

Given the  $20\text{mV/dB}$  scaling, this provides a potential reading range of 100dB – more than adequate to cover the expected range of outputs. Both the input terminal and reference terminal pairs are floating, and the unit can be used for ratiometric measurements with split pad 1 open circuited, isolating the reference.

For this application, split pad 3 was solder-bridged, connecting the REF LO pin to COMMON, while IN LO was connected to the logarithmic amplifier's ground rail.

**Implementing the design**

A piece of single sided copper-clad SRBP 105 by 55mm was cut, and drilled with holes to pick up on the three mounting bosses moulded into the case bottom.

The copper was scored and peeled off in various areas as indicated in Fig. 7. This is quite easy in the case of SRBP, if the copper just ahead of the peel point is heated with a soldering iron.

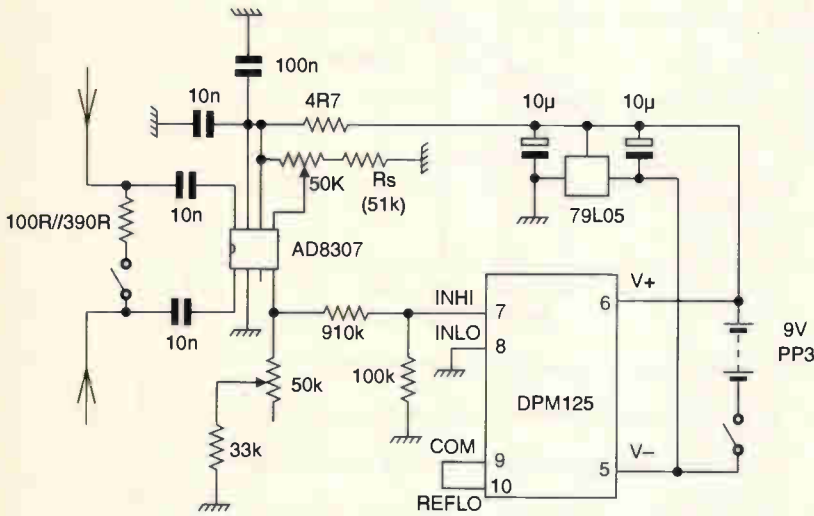


Fig. 5. Circuit diagram of the field strength monitor.

Pads were thus created for the two aerial connections, and one for pin 7 of the AD8307. The construction was perhaps a little cavalier, but I think that it can be justified. The amount of sophistication it is sensible to invest in a prototype should be related to its ultimate purpose.

If I was designing an instrument for production and sale, a proper pcb would of course be mandatory. But for what was only ever intended as a one-off for my own use, a little ingenuity can save a lot of time, without sacrificing fitness for purpose.

Following this philosophy, the pins of the logarithmic amplifier were bent out sideways, with the exception of pin 2. Just the tip of this was bent out, and soldered to the groundplane as indicated in Fig. 7.

A 10n chip capacitor was mounted between pin 7 and the groundplane, pins 2 and 7 thus supporting the device. Pins 1 and 8 were connected via 10n capacitors with short stiff leads to the two pads forming the antenna connections, providing further support for the logarithmic amplifier DIP.

The six section telescopic aerials each had a solder tag secured to the base by the tapped hole provided, the tag being bent up and soldered to its associated pad. One of these pads also supported a subminiature single-pole changeover slide switch, the other a chip resistor connected to it. In fact, 100Ω and 390Ω chip resistors in parallel were used. When switched into circuit, they provided – in conjunction with the 1100Ω input impedance of the logarithmic amplifier – a termination of 74Ω. This is just about right for a half wave dipole.

The panel meter was mounted in the meter cut-out in the

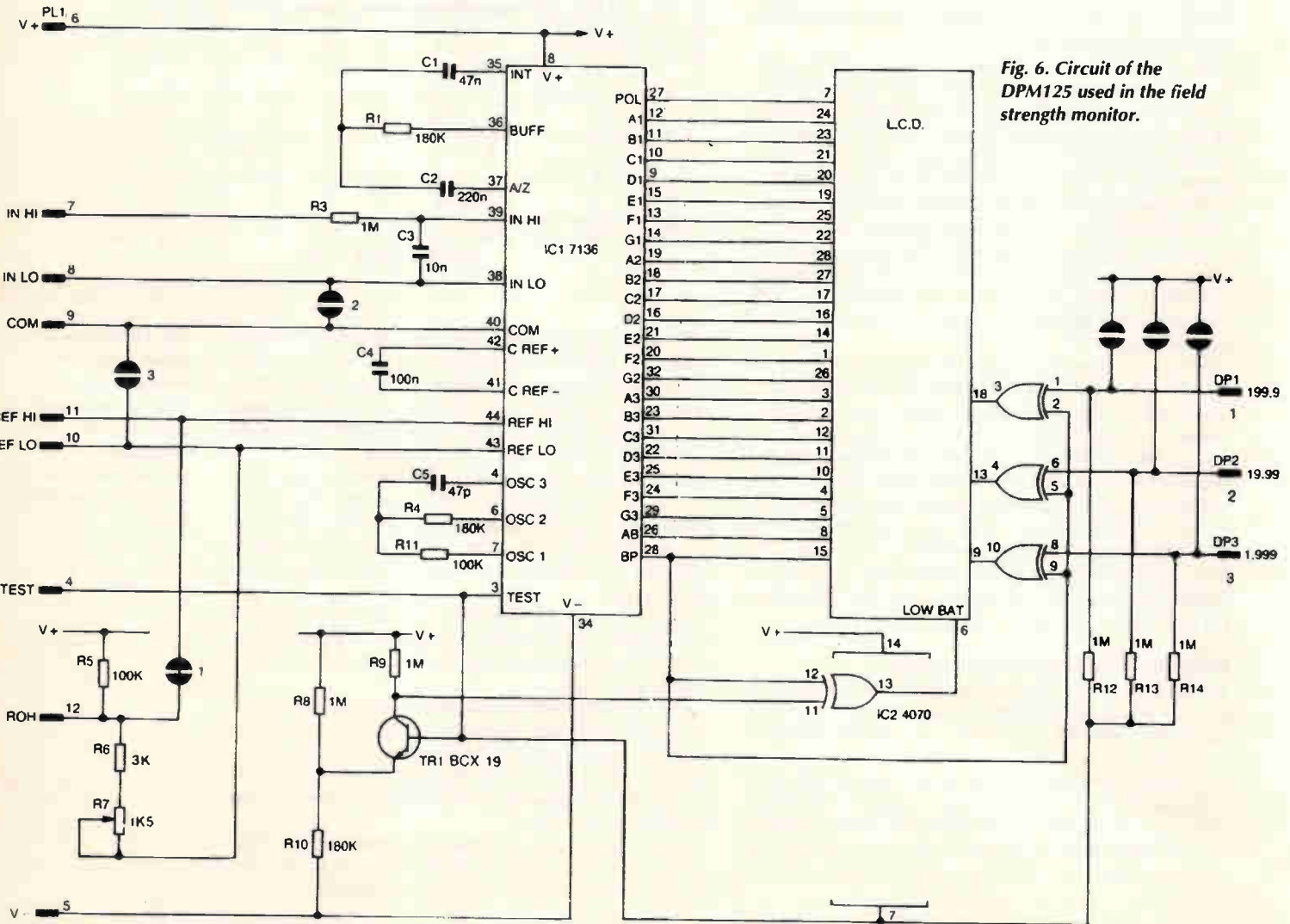


Fig. 6. Circuit of the DPM125 used in the field strength monitor.



top half of the case. Another subminiature slide switch, mounted on the right-hand side of the lower half case, formed the on/off switch.

**Calibrating for field measurements**

I carried out the calibration at 400MHz, using an appropriate length of stout copper wire, connected to the output socket of a signal generator, as a quarter wave vertical monopole. The field strength monitor was placed about 300mm away, with the antenna rods adjusted to full length, a little short of an exact 400MHz vertical dipole.

The monitor was placed on its side, so that the aerial rods were vertical. The signal generator output was set to +10dBm and the reading on the panel meter noted. The output was then reduced to -20dBm and the reading again noted. The difference was close to 600mV, and the 50kΩ potentiometer was adjusted to make it exact, and the change rechecked.

Between readings, the signal generator was set to 'Carrier off', to make sure the field strength monitor was not 'hearing' any other stray signals floating around what was a busy laboratory.

Although the 50kΩ potentiometer and resistors were fitted at pin 5, no attempt was made at this stage to set the intercept to any particular value. This will differ depending on the conditions of use.

**Using the field strength monitor**

The unit is of course untuned, and as such more or less completely broadband. A useful degree of selectivity is provided by the antenna, at frequencies where it can be adjusted to act as a half wave dipole. At lower frequencies, the antenna will represent an electrically short dipole, and sensitivity will be improved if the internal termination is switched out of circuit.

Given the comparatively high input impedance of the AD8307, the antenna then acts almost like an ideal E-field probe. If the dipole is short compared to a half wavelength, then the voltage induced by the incident field is simply  $E$  times  $l$ , where  $l$  is the length of the short dipole, and  $E$  is the field strength in volts per metre.

In such an application, it may be useful to adjust the intercept, as described in the AD8307 data sheet, so that the reading on the panel meter indicates dBV. Then, from the reading and the antenna length, the actual field strength can be estimated.

I designed this meter for examining the radiation patterns of antennas. For this purpose, the antenna of the monitor should preferably be several wavelengths away for the antenna being tested. However, a much smaller separation than this is enough to ensure that the monitor is in the plane-wave  $Z_0=377\Omega$  'far-field' region.

In the case of a transmitter, measurements are relatively straightforward. But in the case of a receiving antenna, a signal generator followed by an amplifier may be needed to raise sufficient radiated field to make measurements. In any case, the radiation from the amplifier under test should be turned off from time to time, to ensure that the readings are not due to some other signal.

A large open outdoor test site is ideal. I am fortunate in living not a thousand miles away from just such a place, called Stoney Cross in the New Forest. Used as an airfield in the Second World War, it is a large clear flat area, unobstructed by trees, well removed from any high power transmitters and ideal for such measurements.

Doubtless many other such sites, with public access, exist.

**And for my next trick...**

Being such a versatile device, the AD8307 can be used for many other purposes. It can be used to monitor rf pulses over

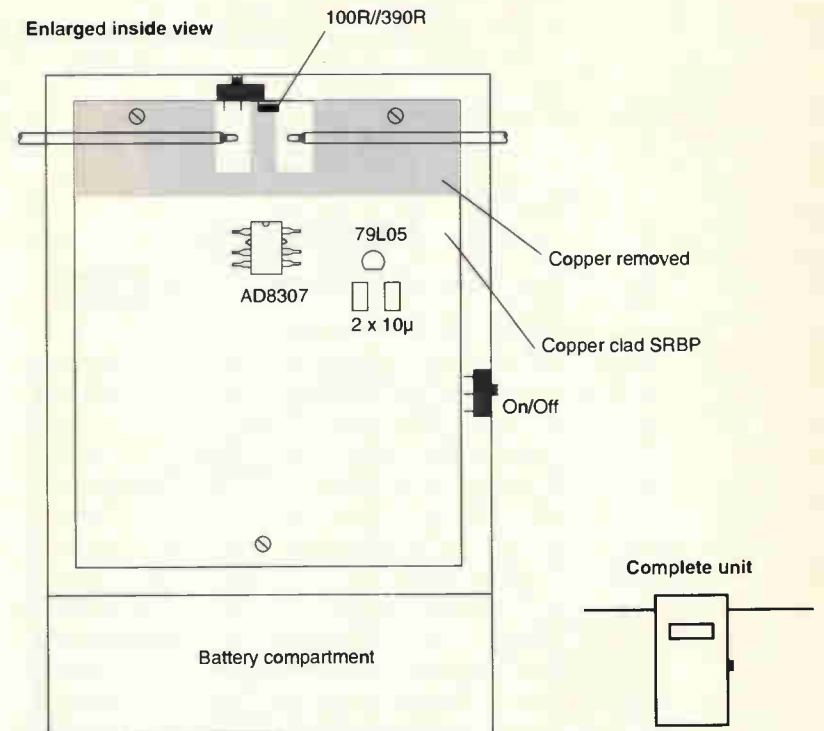


Fig. 7. Sketch of the layout used.

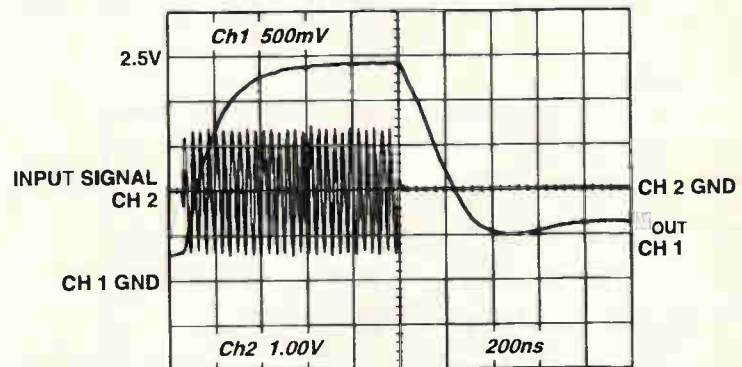


Fig. 8. Fast response of the AD8307 to changes in signal level permits monitoring of rf pulses over a wide dynamic range.

a very wide dynamic range, thanks to its rapid response to changes in signal level, Fig. 8. At the other end of the frequency spectrum entirely, the data sheet also gives application details for using the device at audio frequencies – right down to 20Hz.

But to return to antenna measurements, Fig. 9a) shows how the input can be tuned, providing greater sensitivity at a given wanted frequency, and further discrimination against other frequencies. Figure 9b) shows the results at a tuned frequency of 100MHz. Figure 9c) gives the component values for various frequencies, for two different values of input impedance.

Typically, 10dB or more of extra sensitivity is achieved, while the values given incidentally also match an unbalanced input to the balanced input of the device.

For use with a dipole,  $C_1$  and  $C_2$  should both be equal to the average of the two values of capacitance in the table in Fig. 9c). And taking the geometric mean of figures for 50Ω input and 100Ω input will provide an indication of the required values for use with the 75Ω impedance of a resonant half wave dipole.

If a lot of testing is to be carried out at a given frequency, it is worth making up such a tuned version of the field strength monitor as a permanent equipment. This is not an

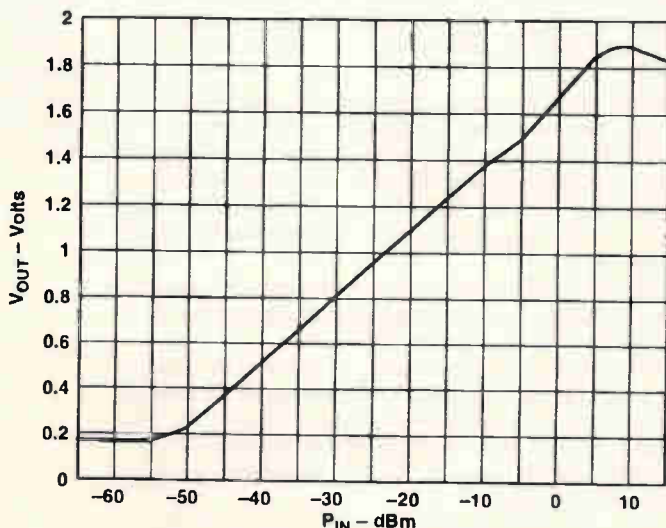
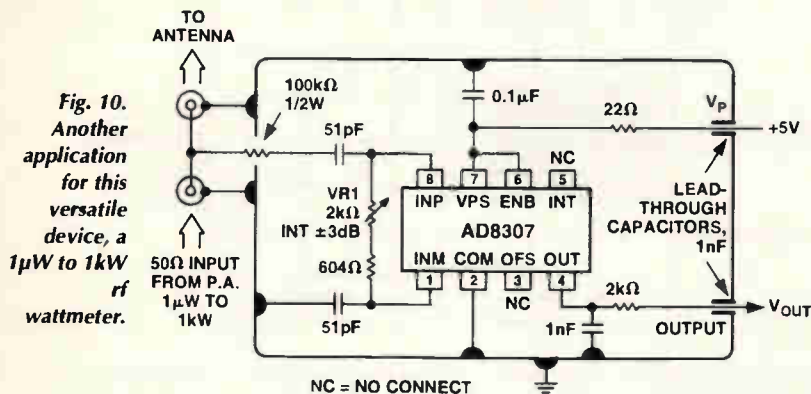
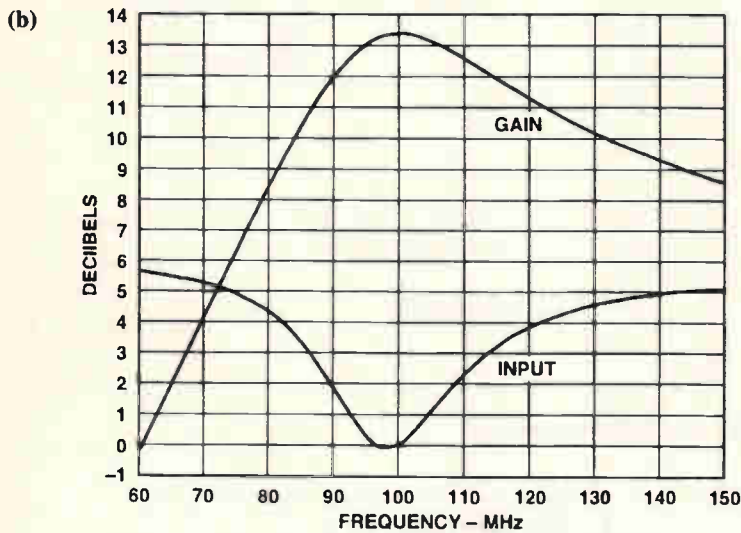
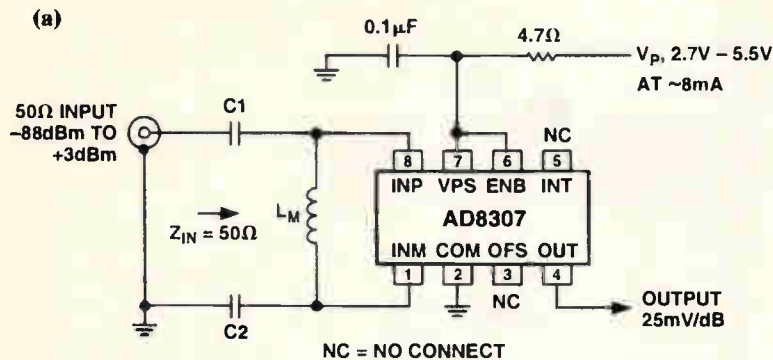


Fig. 11. Although only listed as suitable for use up to 500MHz, the device is usable over a 60dB range at up to 900MHz.

I. Narrow-Band Matching Values

F <sub>C</sub> MHz	Z <sub>IN</sub> Ω	C1 pF	C2 pF	L <sub>M</sub> nH	Voltage Gain (dB)
10	45	160	150	3300	13.3
20	44	82	75	1600	13.4
50	46	30	27	680	13.4
100	50	15	13	330	13.4
150	57	10	8.2	220	13.2
200	57	7.5	6.8	150	12.8
250	50	6.2	5.6	100	12.3
500	54	3.9	3.3	39	10.9
10	103	100	91	5600	10.4
20	102	51	43	2700	10.4
50	99	22	18	1000	10.6
100	98	11	9.1	430	10.5
150	101	7.5	6.2	260	10.3
200	95	5.6	4.7	180	10.3
250	92	4.3	3.9	130	9.9
500	114	2.2	2.0	47	6.8

Fig. 9a) Addition of simple single pole front end tuning. b) This increases sensitivity to a wanted signal, and provides selectivity to reject off tune signals. c) Listing of component values for various frequencies, for two different input impedances.

unduly expensive exercise, given the very modest cost of all the component parts.

Alternatively, with a little ingenuity it should be possible to make up the tuning components for any given frequency as a little exchangeable plug-in unit, permitting the field strength monitor to be used at a variety of different spot frequencies, while still retaining the advantages of tuning.

Figure 10 shows yet another use for the AD8307, as an rf wattmeter covering the range 1μW to 1kW. The arrangement simply measures the voltage on the feeder, and thus is not capable of distinguishing between forward and reverse power. To do this, a 20dB or 30dB directional coupler would be required, and the 100kΩ resistor at the input would of course be omitted.

As if a 90dB dynamic range were not enough, the data sheet gives an application circuit using an AD8307 in conjunction with a variable gain amp type AD603, for a 120dB range measurement system.

The six internal logarithmic amplifier stages of the AD8307, shown in Fig. 3a). each have a 900MHz bandwidth. However, due to the accumulated effects of the frequency roll-off of each, the device is only specified for the full 90dB dynamic range up to 500MHz.

Nevertheless, over a somewhat smaller 60dB dynamic range, the device provides useful performance right up to 900MHz. This is illustrated in Fig. 11, which shows excellent log linearity over the range -50 to -510dBm, and on up to +10dBm if a bit of a bump at -5dBm can be excused.

Some of the illustrations in this article are reproduced by kind permission of Analog Devices (AD8307) and Lascar Electronics Ltd (DPM125).

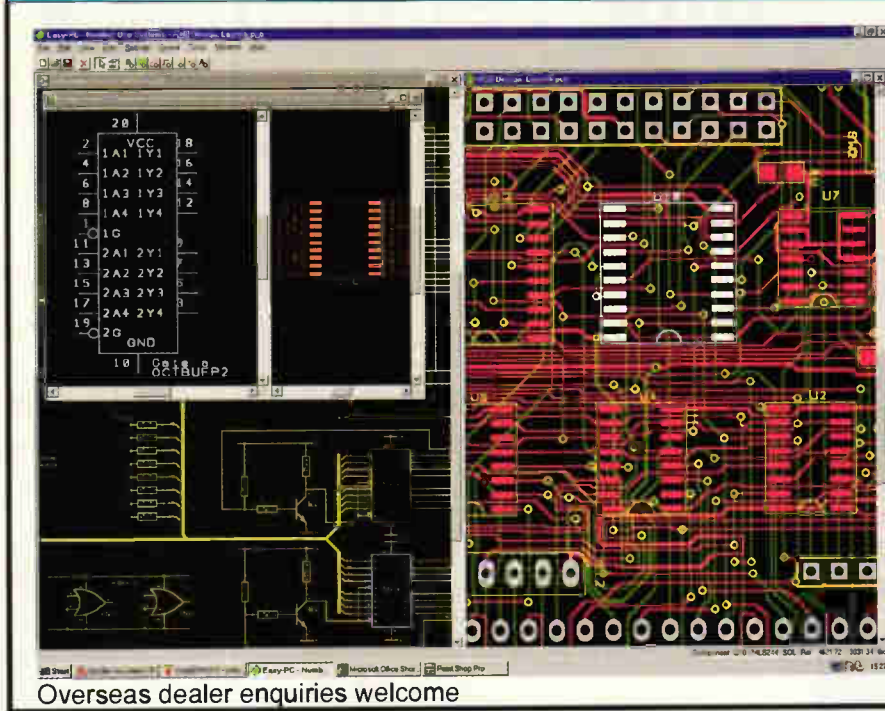
References

- Hickman, I, 'Logamps for radar - and much more,' *Electronics World* April 1993, pp. 314-317.
- Hickman, I, 'Add on a spectrum analyser,' *Electronics World* December 1993, pp. 982-989
- Style LCD DPM125, Lascar Electronics Ltd, Module House, Whiteparish, Salisbury, Wiltshire SP5 2SJ. Tel. 01794 884567.
- Style WS1, Electrovalue, Egham. Tel. 01784 433604.
- Maplin style JM10L.
- Hickman, I, 'Designer's Power Supply,' *Electronics World* January 1997, pp. 26-32.

# Easy-PC

## New Version 2!

# Electronics CAD for Windows 95, 98 and NT



- True Windows graphical user interface
- Multi-sheet Schematics - Projects.
- New, Sub-circuit re-use facility allows copying of sections of designs from proven projects.
- Now with Multiple level Undo / Re-do.
- Full links to our Analogue, Digital and Electromagnetic Simulators.
- Impressive, high speed, gridless, shape-based autorouter options.
- Full Design rule and connectivity checks.
- Full Windows outputs.
- Gerber, Excellon and DXF outputs.
- Free technical support! No dongles or maintenance contracts.
- Trade up allowance from other products.
- Entry level version available.
- New Demo! available - please call.

## Number One Systems

Ref: WW, Harding Way, St. Ives,  
Cambridgeshire, PE17 4WR,  
United Kingdom

Tel: 01480 461778 Fax: 01480 494042  
International: +44 1480 461778/494042  
email: sales@numberone.com  
http://www.numberone.com

Overseas dealer enquiries welcome

CIRCLE NO. 116 ON REPLY CARD

# M & B RADIO (LEEDS)

## THE NORTH'S LEADING USED TEST EQUIPMENT DEALER

<b>OSCILLOSCOPES</b>	HP 3310B 0.0005 Hz-5 MHz function generator	£300	HP 3741A error detector	£200
HP 5420ID 100 MHz 2 channel digitising (27 channels logic state triggering)	HP 3320B 10 MHz-500 MHz oscillator	£200	HP 3754A selective level meter	£300
HP 1740A 100 MHz 2 channel	ADRETE 742A 100 KHz-2.4 GHz Opt 01	£1,800	HP 3701B/3705 IF/BW Receiver +3710A/3716A IF/BW transmitter	£400
HP 1715A 200 MHz 2 channel	ADRET 2230A 200 Hz-1 MHz synthesised source	£195	HP 3584C 50 MHz selective level meter	£1,500
TEKTRONIX 7103/7126 x2/7190 100 MHz 4 channel	THURLBY TG 210 programmable 10 MHz DDS function generator	£500	HP 3581A 15 Hz-50 KHz selective voltmeters as new	£500
TEKTRONIX 7403/7416A x2/7455A 4 channel	THURLBY TG210 1 MHz sweep function generator	£200	HP 3468A 5.5 digit multimeter/auto cal (L.C.O)	£400
TEKTRONIX 7A7A 200 MHz 2 channel unit (boxed new + manual)	TEKTRONIX 2901 time mark generator	£200	HP 3468A 4.5 digit autorangeing multimeter	£200
TEKTRONIX 2445A 150 MHz 4 channel GPIB	MARCONI TF2022 10 MHz-1000 MHz signal generator	£1,800	HP 3455A 6.5 digit bench multimeter	£495
TEKTRONIX 2246A 100 MHz 4 channel autocal	MARCONI 2019 80 KHz-1 GHz	£1,600	HP 3437A 3.5 digit high speed signal voltmeter	£200
TEKTRONIX 2245 100 MHz 4 channel (NEW)	MARCONI TF2017 10 KHz-1024 MHz signal generator	£1,000	HP 1845 data rate analyser	£195
TEKTRONIX 2235 100 MHz 2 channel	MARCONI TF2016 10 KHz-120 MHz (200) TF2016A	£250	HP 436A RF power analyser	£650
TEKTRONIX 2230 100 MHz 2 channel digital storage	MARCONI TF2015 10 Hz-520 MHz	£400	HP 4358/8461A/846AA/11708A 10 MHz-18 GHz (new/HP case/manuals)	£1,000
TEKTRONIX 2225 50 MHz 2 channel	MARCONI TF2015 10 Hz-520 MHz	£250	HP 1058 square oscillator	£500
TEKTRONIX 2220 50 MHz 2 channel digital storage	FARNELL 55G520 10 MHz-520 MHz synthesised	£325	HP 400 E 10 Hz-10 MHz AC voltmeter	£95
TEKTRONIX 2215 60 MHz 2 channel	FLUKE 6011A 10 Hz-11 MHz synthesised signal generator	£1,000	HP 333A distortion analyser	£295
TEKTRONIX T1504 4 slot mainframe	RHODES & SCHWARTZ APN42 0.1 Hz-240 kHz LF gen (new)	£2,000	HP R33 32 series R controller	£1,000
TEKTRONIX 475A 250 MHz 2 channel	GIGA GR1101A 12 GHz-18 GHz pulse generator	£600	HP 1058B square oscillator	£200
TEKTRONIX 475 200 MHz 2 channel	PHILIPS PMS190 1 MHz-2 MHz LF synthesiser (new)	£400	MARCONI 6593A VSWR indicator	£250
TEKTRONIX 468 100 MHz 2 channel digital storage	WAVETEK 193 20 MHz sweep modulation generator	£1,800	MARCONI TF2958B RF communications test set	£4,000
TEKTRONIX 468 100 MHz 2 channel opt 05	WAVETEK 182 0.002 Hz-2 MHz function generator	£175	MARCONI TF2871 data communications test set	£750
TEKTRONIX 465 100 MHz 2 channel	SAYROSA MA 30 10 Hz-100 KHz	£175	MARCONI TF2410 true RMS voltmeter	£600
TEKTRONIX 434 25 MHz 2 channel storage	<b>TEST EQUIPMENT</b>		MARCONI TF2306 programmable interface unit	£250
PHILIPS PM 3310 60 MHz digital storage	ANRITSU MS65A 2 GHz error detector	£950	MARCONI TF2305 mod meter 50 KHz-2.3 GHz	£2,000
PHILIPS PM 3263X 100 MHz delay/evens	AVO CT160 vabs tester + info	£150	MARCONI TF893B audio power meter	£150
PHILIPS PM 3217 50 MHz 2 channel	BALL EFRATRD M RMT-1 rubidium frequency standard	£4,000	NARDA 3044B-20 3 GHz-8 GHz 20dB directional coupler (new)	£150
PHILIPS PM 3057 50 MHz 2 channel	BIRD 8925 500V 50 GHz coaxial resistor	£1,000	NARDA 3004-10 4 GHz-10 GHz 10dB directional coupler	£100
PHILIPS PM 3055 50 MHz 2 channel	BIRD 3321 100V 30dB attenuator	£500	RACAL RA1772 30 MHz receivers	£750
IWATSU SS 6122 100 MHz 4 channel wash cursors	BIRD 3311 100V 30dB attenuator	£200	RACAL RA1717 30 MHz valve receivers	£150
IWATSU SS 5710 60 MHz 4 channel	BIRD 3303 100V 30dB attenuator	£200	RACAL DANA 9912 10 Hz-3000 MHz frequency counter	£200
NIDCLET 4094/4527/43 digital scope	BROOKDEAL 9121A phase sensitive detector	£100	RACAL DANA 9919 10 Hz-1100 MHz frequency counter	£295
HITACHI V110 100 Hz-4 channel with cursors	BUEL & KJAEER 2515 vibration analyser (AS NEW)	£3,000	RACAL DANA 9916 10 Hz-520 MHz frequency counter	£150
GOULD 4035 30 MHz digital storage + remote keypad	BUEL & KJAEER 1023 sine generator	£1,250	RACAL DANA 9914 10 Hz-200 MHz frequency counter	£85
GOULD DS4000 10 MHz digital storage 2 channel	BUEL & KJAEER 2636 measuring amplifier	£2,000	RACAL DANA 9908 10 Hz-1100 MHz universal counter timer	£400
GOULD 1401 30 MHz digital storage 2 channel	BUEL & KJAEER 2971 phase meter	£300	RACAL DANA 9904M 50 MHz universal counter timer	£75
GOULD 1421 20 MHz digital storage 2 channel	DATRON 100 auto digital multimeter	£400	RACAL DANA 9301A true RMS RF millivoltmeter	£400
GOULD OS300 20 MHz 2 channel	EIP 548A 10 Hz-26.5 GHz microwave counter	£2,000	RACAL DANA 9308B RMS voltmeter (New Instrument)	£250
GOULD OS 1100A 30 MHz 2 channel DIL erasebase	EIP 311 12.5 GHz autohot microwave counter	£350	RACAL DANA 9300 RMS voltmeter	£200
GOULD OS250B 15 MHz 2 channel	FARNELL PDA3502A dual power supply 0-35V 2 amp	£175	RACAL 9343M LCR disturbance	£395
<b>SPECTRUM ANALYSERS</b>	FARNELL RB103035 electronic load	£400	RACAL 9008 1.5 MHz-2000 MHz automatic modulation meter	£300
TEKTRONIX 4949 10 KHz-100 MHz	FARNELL SCG50 synthesised clock generator	£250	RACAL DANA 1993 10 Hz-300 MHz nanosecond counter	£595
TEKTRONIX 4919 10 KHz-21 GHz (1 year Cal & warranty)	FARNELL T5V70 power supply 0-70V 0-10 amp	£250	RACAL DANA 1991 10 Hz-160 MHz universal counter timer 9 digit	£395
TEKTRONIX 4919 10 KHz-21 GHz OPT 001/002/003	FARNELL LT30-2 2x 0-30V 2 amp	£195	RACAL DANA 6000 microprocessor digital voltmeter	£250
TAKEEDA RIKENTRA172 400 Hz-1800 MHz spectrum/network analyser	FARNELL LT30-5 0-30V 5 amp	£145	REDIFON RA450 100 Hz-30 MHz receivers	£450
ANRITSU MS610A 10 KHz-2 GHz spectrum analyser	FARNELL D1100 1-10 amp	£100	RF MICROSYSTEMS INC ANTRC-176 VHF/UHF K&L Exters	£400
HP CALAN 3010R sweep/ingress analyser	FLUKE 8505A digital multimeter	£750	RHODES & SCHWARTZ GA082 FSK analyser	£300
HP 8903A audio analyser	FLUKE 8506A thermal RMS millimeter	£1,000	TEKTRONIX AA902A isolator	£400
HP 8590A 10 MHz-1.5 GHz spectrum analyser	FLUKE 5440B direct volt calibrator	£4,950	RYCON 6040 selective level meter	£250
HP 8559B 10 MHz-1.5 GHz spectrum analyser	FLUKE 5205A precision power amp	£2,750	SAYROSA AMH 1.5 MHz-2 GHz automatic modulation meters	£175
HP 8558B 100 KHz-1.500 MHz analyser + mainframe	FLUKE 3200A AC calibrator	£2,000	SIEMENS D108 200 KHz-30 MHz level meter	£350
HP 8557A 100 KHz-350 MHz analyser + mainframe	FLUKE 446A DC power supply 0-60V0-1.5 amp	£450	SIEMENS D108 200 KHz-30 MHz level meter	£350
HP 8407A/8411B network analyser 0.1-110 MHz	FLUKE 6283A DC power supply 0-20V0-10 amp	£185	TEKTRONIX A4902A isolator	£450
HP 3581A 0.02 Hz-25 MHz dual channel signal analyser	HP 59403A HP (Common carrier) interface	£125	TEKTRONIX 1141 SPG1/TSG11 pal video generator	£1,500
HP 141T/8552B/8555A 10 MHz-18 GHz	HP 59401A bus system analyser	£350	TEKTRONIX 521A vector scopes	£300
HP 141T/8552B/8554B 100 KHz-1250 MHz	HP 11716A down converter	£250	TEKTRONIX 145 pal gen lock test signal generator	£1,500
HP 140T/8552B/8553B 10 KHz-110 MHz	HP 11665B 150 MHz-18 GHz modulator	£500	THURLBY 1503 1.5 GHz frequency counter	£145
MARCONI 2380/2381 100 Hz-400 MHz	HP 11582A attenuator set DC-18 GHz	£3,500	WAVETEK 1018A log in RF peak power meter DC-26 GHz	£1,000
MARCONI TF2370 30 Hz-110 MHz digital storage	HP 8750A noise figure meter	£3,000	WALLIS T100 100 kV insulation tester	£750
<b>SIGNAL GENERATORS</b>	HP 8750A storage normaliser	£2,000	W & G DLAS data line analyser	EPOA
HP B904A DC-600 kHz multifunction synthesiser	HP 8908A vector voltmeter	£3,250	W & G SPM11 300 Hz-25 MHz level measuring set	£500
HP 8683D 1.3 GHz-13 GHz OPT 001/000 solid state generator (as new)	HP 8477A RF power meter calibrator	£2,250	W & G SPM11 300 Hz-620 KHz level meter	£750
HP 8656A 100 KHz-900 MHz signal generator	HP 8446A DC power supply 0-60V0-1.5 amp	£750	<b>SPECIAL OFFERS</b>	
HP 8640A 20 Hz-512 MHz signal generator	HP 6291A DC power supply 0-40V0-0.5 amp	£185	BIRD 43 RF wattmeters	£95
HP 8620C/8624D 5.9-9 GHz sweep	HP 6283A DC power supply 0-20V0-10 amp	£250	FLUKE 25 high spec digital multimeters with manual & probes (as new)	£70
HP 8620C/8621A 3.1-4.5 GHz sweep	HP 5370B universal time interval counter	£750	FLUKE 77 digital multimeters with manual, probes + case	£65
HP 8620C/86210B 1.8 GHz-4.2 GHz sweep	HP 5345A 1.5 MHz-26.5 GHz counter 5355A/5356A B sensors	£400	MARCONI TF2371 digital synthesizers for MARCONI 2015	£75
HP 8620C/86220A 10-1300 MHz sweep	HP 5342A 100 MHz-18 GHz microwave frequency meter	£2,000	RACAL RA1717 30 MHz receiver	£40
HP 8620C sweepers/mainframes (as new)	HP 5180A waveform recorder	£2,750	SIMPSON 487 True RMS digital multimeters with case & probes	£80
HP 8005B 0.3 Hz-20 MHz pulse generator	HP 5087A distribution analyser (new)	£500		
HP 8620C/86220A 10-1300 MHz sweep	HP 5004A signature analyser £150 HP 5005A signature multimeter	£2,200		
HP 8620C multi parameter (as new)	HP 4954A protocol analyser + HP 18135A pod	£2,000		
HP 8005B 0.3 Hz-20 MHz pulse generator				
HP 3334B 10 Hz-21 MHz synthesiser/level meter				
HP 1330A frequency synthesiser 0.1 Hz-13 MHz				
HP 3314A 0.001 Hz-19.99 MHz function/waveform monitor				
HP 3312A 0.1 Hz-13 MHz function generator				

ALL PRICES PLUS VAT AND CARRIAGE • ALL EQUIPMENT SUPPLIED WITH 30 DAYS WARRANTY

**86 Bishopgate Street, Leeds LS1 4BB**  
Tel: (0113) 2435649 Fax: (0113) 2426881

CIRCLE NO. 117 ON REPLY CARD

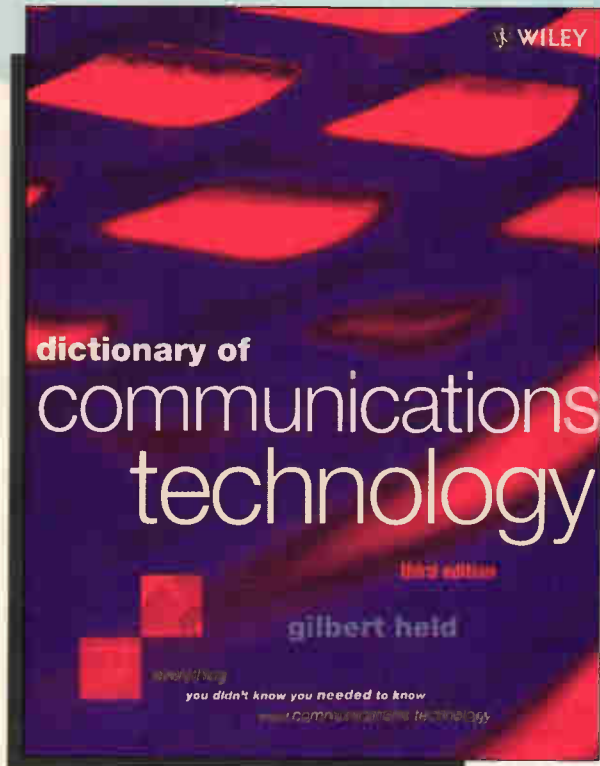
Visit our Web site

<http://www.mb-radio.co.uk>

e-mail [info@mb-radio.co.uk](mailto:info@mb-radio.co.uk)

# Dictionary of Communications Technology

**new edition**



With over 9000 entries and 250 illustrations, this book is an invaluable reference work for anyone involved with electronics and communications. Dictionary of Communications Technology provides comprehensive coverage of data and communications and has entries on PC lans, the Internet, communications testing and client-server applications - in 500 pages.

Over 20 major companies helped prepare the Dictionary of Communications Technology, including AT&T, IBM and Digital Equipment Corporation.

Gilbert Held, author of Dictionary of Communications Technology, is an internationally author who has used his enormous expertise to make this work one of the most comprehensive sources of telecommunications information.

**UK Price: £38.95 Europe £42.95 ROW £46.95**

**\*\* Price includes delivery and package \*\***

**Fax your order to 0181 6528111 or post to Room L333, Quadrant House, The Quadrant, Sutton, Surrey, SM2 5AS**

Please supply the following title:

**Dictionary of Communications Technology**

Total \_\_\_\_\_

Name \_\_\_\_\_

Address \_\_\_\_\_  
 \_\_\_\_\_  
 \_\_\_\_\_

Postcode \_\_\_\_\_

Telephone \_\_\_\_\_

Method of payment (*please circle*)

Access/Mastercard/Visa/Cheque/PO

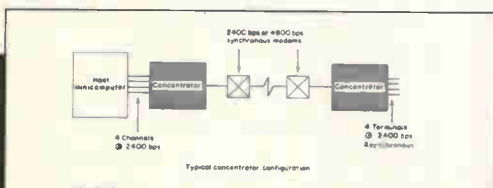
**Cheques should be made payable to Reed Business Information**

Credit card no. \_\_\_\_\_

Card expiry date \_\_\_\_\_

Signed \_\_\_\_\_

**Please allow up to 28 days for delivery**



**ComWatch** An off-base network monitoring service marketed by Timesplex, Inc., of Woodcliff Lake, NJ.

**concatenation** 1. The linking of transmission channels or subnets end to end. 2. The linking of blocks of user data or protocol transmissions. 3. In fiber optic technology, the interconnection of two or more fibers into one continuous length.

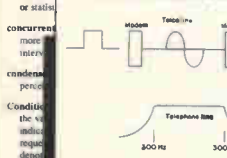
**concentration** Collection of data at an intermediate point from several low- and medium-speed lines for transmission across one high-speed line.

**concentrator** A device used to divide a data channel into two or more channels of average lower speed, dynamically allocating space according to the demand in order to maximize data throughput at all times.

**conditioned circuit** A circuit that has been electrically altered to obtain the desired characteristics for voice and data transmission. The reader is referred to the entries C-1 through C-5 and D-1 and D-2 for specific information on C-level and D-level conditioning.

**conditioned loop** A loop that has conditioning equipment, usually equalizers, attached to obtain a desired line characteristic, to facilitate voice or data transmission.

**conditioning** The "tuning" or addition of equipment to improve the transmission characteristics or quality of a leased voice grade line so that it meets specifications for data transmission. (See figure below.)



**modem pooling** A feature of a PBX and other communications products that permits subscribers to be automatically or manually connected to a group of shared or "pooled" modems.

**modem sharing unit** A device that splits a signal among a cluster of terminals and allows them to share one modem.

**modem substitution switch** An external option that allows you to route your data through a "hot" spare (a modem that is already powered up) in the event the original modem fails.

**moderator** A participant who is in charge of a conference. A moderator is responsible for keeping the discussion on track, for alleviating fights, and for similar functions.

**MODES** Discrete optical waves that can propagate in optical waveguides. Whereas, in a single-mode fiber, only one mode, the fundamental mode, can propagate, there are several hundred modes in a multimode fiber which differ in field pattern and propagation velocity (multimode dispersion). The upper limit to the number of modes is determined by the core diameter and numerical aperture of the waveguide.

**Modified Chemical Vapor Deposition** An AT&T Bell Laboratories patented process that uses high temperatures to speed the manufacture of large quantities of fiber lightguide. The glass is made by allowing hot vapors to form a coating inside a tube of heated silica, which is later drawn into fiber. Temperatures reach 4000 degrees F. (The melting point of steel is 2800 degrees F.)

**Modified Final Judgment (MFJ)** The 1982 Federal Court ruling that determined the rules governing the divestiture of the Bell Operating Companies from AT&T and other antitrust and deregulation issues. Presided over by Judge Harold Greener, as was the AT&T Antitrust settlement which the MFJ modified. Judge Greener continues his involvement in enforcing and interpreting the provisions of this settlement.

**modular distribution accessories** A term used to reference splitters, modular adapters and modular

**modem, multipoint** A device that combines a multiplexer and a modem allowing two or more DTEs to be connected to the same line. Also split stream modem.

**modem, quick turnaround** A modem with minimal turnaround time when the line is used in a half-duplex mode. Also Quick Poll (QP), Fast Poll (FP).

**modem, short haul** Description of both line drivers and limited distance modems.

**modem, wideband** A modem designed to operate at speeds greater than those used with high speed modems, such as 19.2 or 56 Kbps. Wideband modems will not operate over voice-grade circuits but require a wideband circuit.

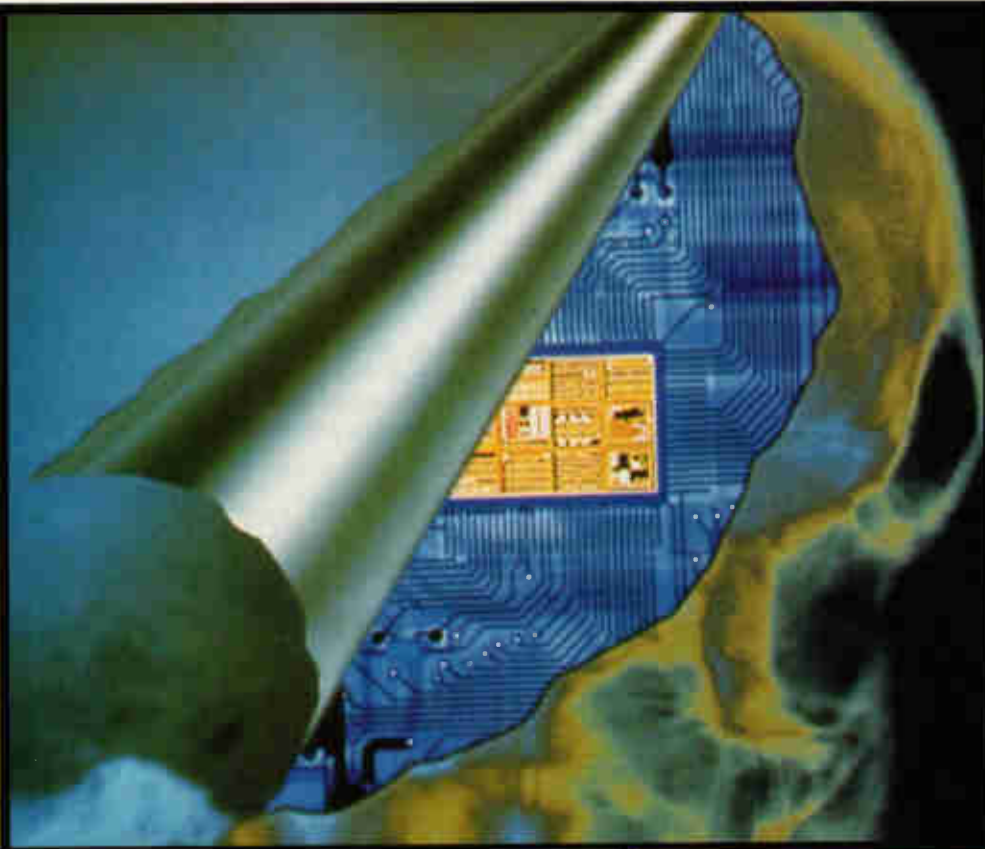
**Modem-7** Communications software program supporting the public-domain, X-modem, error-correcting file transfer protocol. This version of the X-modem has multiple transfer capability.

**modem connect** The name used in DNA for that class of communications links governed by industry standards for modem connection.

**modem eliminator** A device used to connect a local terminal and a computer port in lieu of the pair of modems that they would expect to connect to; allows DTE-to-DTE data and control signal connections otherwise not easily achieved by standard cables or connectors. Modified cables (crossover cables) or connectors (adapters) can also perform this function.

**modem operation characteristics** See page 270.

Genetic algorithms, digital electronics and the road to intelligent systems



# BRAINS

## and how to grow them

**S**uppose we want to create a complex circuit but we don't know how. No design rules have been laid down or the circuit has never before been made. Perhaps we're not even quite sure what the circuit is to do.

Are there methods for synthesising solutions to problems like this? The answer is yes; they are called 'genetic' or 'evolutionary' methods – and the most important of these is the genetic algorithm.<sup>1,2</sup>

Think of it this way. An animal is infinitely more complex than any system man has developed. How did these complex natural systems arise without a designer? The answer of course is evolution.

So why not use a computer model of evolution to 'evolve' complex circuits? Well, researchers have done just that. And they have produced working circuits so complex that no one understands them.

### Natural evolution

Take a population of animals of the same species. Let's say a tortoise living on a desert island.

Many of the individual animals within the group will have different characteristics. For example, some will have longer necks than the others. Now, let's say the climate on the island dries up and the trees lose most of their foliage near the ground.

The animals born with longer necks will be more successful. They will be able to reach the higher leaves, be in better condition and therefore will have a better chance of mating. They will pass the genes for longer necks onto the next generation and so more of the population will have longer necks.

Over eons of time a new species of long necked animals will come into being. All this is possible because all living things use the

How close are we to the Holy Grail of intelligent electronics – real artificial intelligence? Here, **Chris MacLeod** and **Grant Maxwell** attempt to answer that question, and they present a new breed of techniques that appear to be leading us closer to real AI.

same code, i.e. DNA, to build their bodies.

Another factor, which also changes the population, is that the DNA code occasionally changes by accident – it mutates. Most of these mutations are bad. They cause the animal to develop characteristics that put it at a disadvantage. But occasionally they cause a change which gives the animal an advantage in the wild and so are passed onto the next generation.

**Simulating evolution**

The computer simulation of this is known as the genetic algorithm. To illustrate how it works, we'll use a much simplified genetic algorithm. For more details and examples of 'real' genetic algorithms, have a look at references 1 and 2.

In the genetic algorithm, we encode the sys-

tem as a row of ones and zeros – i.e. a simple binary string. Each string represents a different system. In the case of a digital circuit, the string is a code which corresponds to the wiring of the circuit: I'll show you how this is done shortly.

At the start of the genetic algorithm, we generate lots of random strings; of course, each of these therefore corresponds to a randomly generated circuit. In real genetic algorithms there are often about 50 strings, but for the sake of this example, let's say we generate four random strings as shown below.

```
10001010
01010100
11100101
00111001
```

Now we make a circuit that corresponds to

each of these strings. In practice we do this with a simulator or via an fpga or complex pld. On testing the circuits, we find that some perform better than others. We can assign each of the strings a fitness grading, which corresponds to how well the string or circuit performed.

```
10001010    10
01010100    34
11100101    18
00111001    22
```

So, string two performed the best and string one the worst. What we do now is form a new population of strings. To do this, we delete the really poor strings and copy the really good ones several times.

```
01010100
00111001
01010100
11100101
```

Here, the best string, i.e. string number two, has been copied twice and the next best two strings have been copied once. String one, which was the worst, has been deleted.

We now move to a stage known as crossover. Here we pair the strings up and swap the ones and zeros between the strings. This is difficult to explain, but Table 1 should make it clear.

This might seem a very strange thing to do. In fact, it's exactly what happens in sexual reproduction. Half the chromosomes come from the mother and half from the father. A new individual is formed that has some of the traits from both.

In genetic algorithms, the idea is that some of the strings may be good for one reason and some for another. When they cross over some of the new individuals will have good traits from both.

In the final stage of the process, some of the bits are chosen at random and inverted – ones become zero and *vice versa*. Usually about 4% of the bits are changed in this way. This part of the algorithm is known as mutation. This adds a random element to the algorithm and helps it to explore circuits which were not in the original population.

Once this has been done, the algorithm repeats itself and the circuits get better until we have evolved into a working circuit. That

**Table 1. Crossover – i.e. pairing the strings and swapping the ones and zeros between the strings.**

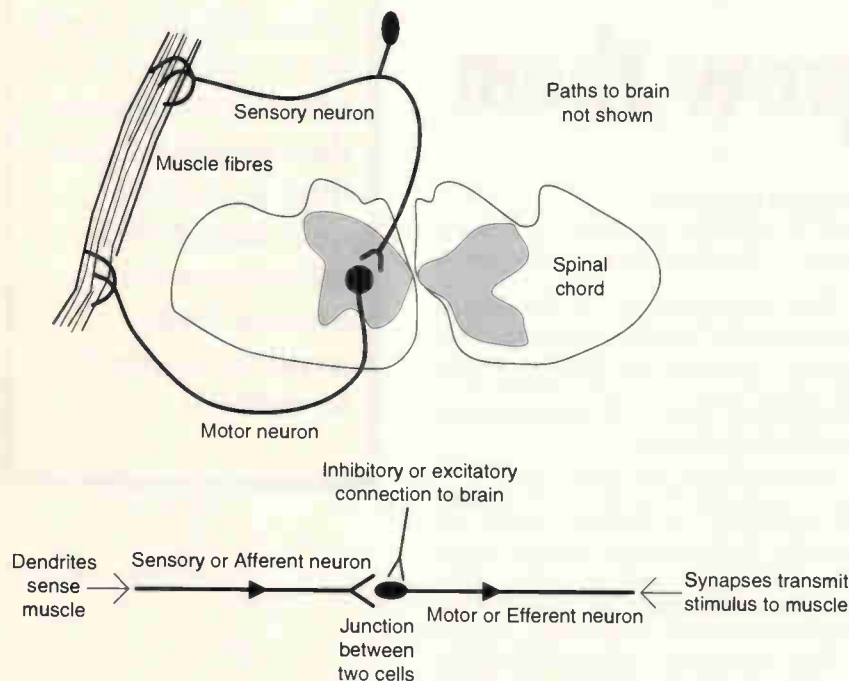
Before cross over,

```
01010100 } pair 1
00111001 }
01010100 } pair 2
11100101 }
```

This line represents a randomly selected crossover point.

After cross over,

```
00110100 } In this pair, the first three bits, which were originally part of string
01011001 } number 1, are now the first three bits of string 2 and vice-versa.
11100100 } Here, the first five bits of string 1 are now the first five of string 2.
01010101 } Likewise, the first five of string 2 now belong to string 1.
```



**Fig. 1. At the lowest level, the nervous system is built up of simple reflexes like this.**

**Table 2. Coding the circuit for use in a genetic algorithm, after Thompson, but simplified.**

Bits	Function
0-4	Not Used
5-7	Node function, NAND, OR, NOT, etc
8-15	Connection to Input 1
16-23	Connection to Input 2

This code represents the function at one node, 100 of these 23 bit codes joined together make up one string in the Genetic Algorithm.

is how the algorithm works: taking systems with good traits and 'breeding' them with one another while deleting others with poor traits.

Note that there are several other algorithms which can perform a semi-random search like this. Examples are: simulated annealing, evolutionary programming and evolutionary strategies. But none is as easy to code and configure as the genetic algorithm.

**Digital designs and neural networks**

If we can figure out how to encode a circuit in the string of our genetic algorithm, then we could leave the algorithm to figure out the circuit topology for us. This is exactly what Adrian Thompson at the University of Surrey has done<sup>3</sup>. He has taken one hundred fixed gates and encoded information about them in the following way, Table 2.

He then let a genetic algorithm loose on the circuit. His experiment is quite subtle. The circuit runs asynchronously. As a result, the gate delays interact with the circuit timing and affect its operation. These delays add another dimension to the circuit's behaviour, rather like configuring an analogue circuit using digital gates.

Thompson has used the idea to evolve a 4kHz clock and suggested how the technique might be used to evolve a robot controller. One fascinating aspect to Thompson's work is that *why* the circuits work is not obvious. Such is the subtle interplay in the timing of the system.

The interesting thing about the system is that you don't have to understand the detail as long as you can specify the fitness for the result. That is what makes these techniques so interesting for artificial intelligence.

For designing normal electronics, this method cannot compete with Heuristic techniques<sup>4</sup>. For more insight into Thompson's experiments, visit his web page <http://www.cogs.susx.ac.uk/users/adrianth/ade.html>.

Other researchers have applied the technique to analogue circuits<sup>5</sup> and artificial neural networks<sup>6</sup>. For a discussion on these other technologies, see our previous article in the June 1998 issue.

**And now, to the holy grail...**

So, given that we can evolve a circuit to do anything we want, what is stopping us from making intelligent machines or, for that matter, an artificial brain?

The answer is this: when we evolve a circuit, it will usually perform well for some particular task. As soon as we let it loose in the real world – where it has to solve many tasks at once – it breaks down completely, often unable to do any of the tasks satisfactorily.

Why does this happen? Well, look at the real biological brain. It is structured in individual modules. Each part of it has a particular task.<sup>7</sup> For example, one small area is specialised in recognising vertical lines in vision:

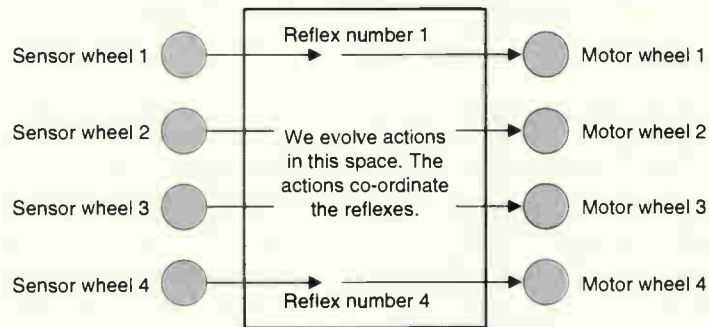
another horizontal lines.

Each of these modules consists of a small group of neurons, performing just that task, but communicating the result to the next level of a hierarchy of networks.

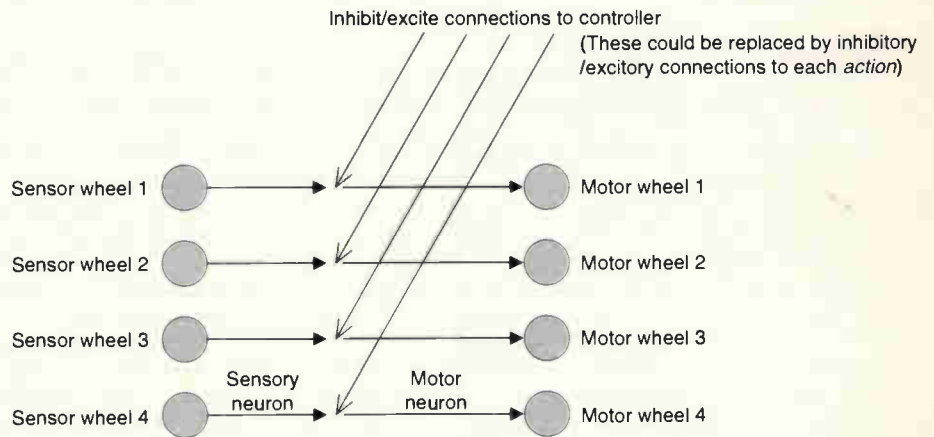
How did this come about? Very simple animals, such as sea anemones, have a homogeneous network – i.e. circuit – of neurons covering their whole body.<sup>8</sup> A neuron is the biological equivalent of an electronic processing unit, for example a gate.

The function of these neurons is to monitor the outside world and cause the body of the animal to react to a stimulus – ultimately the function of all nervous systems.

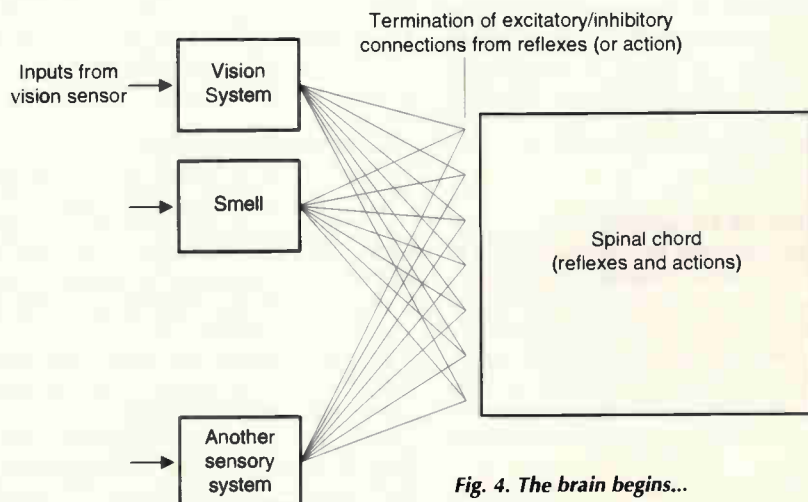
This type of homogeneous network shows no modularity. The partitioning of the network probably occurred with the development of limbs. These would have started off simply as immobile appendages, sticking out of the side of the animal which allowed it to grip a surface and lever itself along. This would have



**Fig. 2. We can evolve actions around reflexes.**



**Fig. 3. Actions are excited or inhibited by the brain.**



**Fig. 4. The brain begins...**

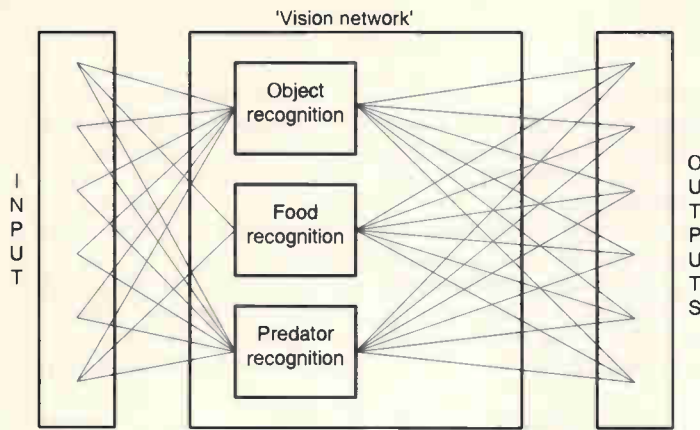


Fig. 5. Smarter and smarter.

caused the network in these areas to become a more complex subsystem and eventually a subnetwork optimised for controlling that particular appendage.

Much can be learned about this process by studying simple animals. These have no brain as such, but rather, groups of cells controlling individual functions, known as ganglions. So, if we know a little about how modular networks formed in nature, can we apply this to our artificial circuits?

### Realising modular networks

Most workers in this field recognise that developing modular circuits or networks is the key to the next generation of intelligent systems. Therefore, much effort has been directed towards this aim.

There have been successes too. But an examination of these successes shows that they are not always what they seem.

Many researchers set up wholly artificial schemes to create modularity in their networks. A common example is having fixed networks which are placed in a grid formation so as to produce a modular structure.

Some others have variable sizes of networks, but only within fixed limits. These schemes are artificially constrained, and are quite at odds with the flexibility of the biological circuitry.

In the next section we will examine the situation more closely. Natural evolution affects not just the nervous system of an animal but every physical part of its structure. Therefore the answer to this problem may not lie in the intelligent electronics, but in the evolution of the whole system.

### A framework for intelligence

The basic function of the nervous system is to connect a sensor to an actuator. If you doubt this, read the section on sea anemones again.

In very simple animals the stimulus may be light or touch and the reaction a strong muscle contraction which causes the animal to speed off to safety. Either way though, the purpose is to connect the sensory structures with the reactionary ones – i.e. the muscles.

Even in today's humans, we can still see these structures. The basic building block of

the nervous system is a *neural reflex*,<sup>9</sup> Fig. 1.

The sensory neuron monitors the muscle and the motor or stimulating neuron excites it. This represents a closed loop control system controlling a simple limb movement.

The example in Fig. 1 is very simple. In the body there are more complex examples; however, they are also made up of a small number of neurons. In an artificial animal, each reflex may be designed directly – they are usually very simple – or, alternatively, evolved from an homogeneous network.

Evolving the network requires us to also evolve the limbs they actuate. This is an example of the systems approach we described earlier; after all, how could we expect to grow reflexes without knowing to what they would be attached.

Once we have our reflexes – designed or evolved – next in the network hierarchy come the coordinating actions. These are circuits which coordinate reflexes together to provide actions such as walking or swimming.<sup>10</sup>

Researchers are a good way down the road in investigating these. Each action – walking as opposed to swimming – has a separate coordinating network.<sup>11</sup> These networks have no point of contact with each other.

This is where the 'evolutionary' techniques described at the beginning come into play. We can use them to design these action networks, the fitness being how well the system walks, for example. Figure 2 shows how actions might be evolved in an artificial animal – a wheeled robot in this case.

### The controlling network

Finally we come to the highest level: the controlling network. Examination of the biological nervous system shows that the lower networks – either the actions or the reflexes directly – are controlled by inhibitory and excitatory connections from the brain, Fig. 3.

Very simple animals have only the facility to recognise the difference between light and dark. They don't have eyes as such, but rather simple, light sensitive, patches of skin.

If a predator leans over the animal, everything will suddenly go dark and this triggers a flight response from the animal. This would be controlled by a very simple network of the

type shown in Fig. 4.

As the sense organ develops<sup>12</sup> – back to evolving systems again – more visual information becomes available to the animal. Further networks will develop in parallel, Fig. 5. Ultimately, a multilayered hierarchy of modular circuits or networks will form.<sup>13</sup>

### Pieces and puzzles

We are at a turning point in the science of artificial intelligence. The tools now exist to develop truly intelligent systems. What we don't know is how to configure these tools properly and how to develop a working system from the individual components available to us.

Our view is that this will take a systems approach to the subject, evolving not just the control mechanism but also the sensors, actuators and 'body' of the system in parallel.

Many researchers are looking at the human brain and trying to figure out how it works; the approach above is bottom up, looking at the simplest aspects of the system before evolving the most complex. After all, how can we evolve a Man if we can't evolve a flat-worm? ■

For more information and further discussion on the subject visit the authors' home page at <http://www.eee.rgu.ac.uk/staff/cmhome.htm>

### References

1. Goldberg, D, 'Genetic algorithms in search, optimization & machine learning', pub. Addison-Wesley, 1989.
2. Haupt, R, 'Practical Genetic Algorithms', pub. Wiley Inter-Science, 1998.
3. Thompson, A, 'Silicon Evolution', Genetic Programming 1996 (conference), 1996.
4. Millar, J, 'Combinational and Sequential Logic Optimization using Genetic Algorithms', GALEZIA (conference) 95, 1995.
5. Grimbleby, J, 'Automatic Analogue Network synthesis using Genetic Algorithms', GALEZIA (conference) 95, 1995.
6. Schaffer *et al.*, 'Combinations of Genetic Algorithms and Neural Networks: A survey of the state of the art', COGANN-92 (conference), pub. IEEE, 1992, pp. 1-37.
7. Restak R, 'The brain: The last frontier', pub. Warner Books, 1979.
8. Buchsbaum R, 'Animals without backbones: 1', pub. Pelican 1951, p. 93.
9. Chalmers *et al.* (editor), 'The biological bases of behaviour', pub. Open University Press, 1971, p. 35.
10. Gray J, 'Animal Locomotion', pub. Weidenfield and Nicolson, 1968, pp. 42-43, pp. 151-155.
11. Barnes, R, *et al.*, 'The invertebrates: a new synthesis', pub. Blackwell Scientific, 1988, pp. 502 - 503.
12. Strickberger M, 'Evolution', pub. Jones and Bartlett, 1996, p. 37.
13. MacLeod C, Maxwell G, 'A framework for evolution of an animal nervous system, EUREL 98 (conference). Pub. IEEE.



Amiga genlock pcb (untested) for titling videos it has a 23pin D lead to plug into the computer and pcb pins for composite video in and out. When no video input is connected the normal computer display is shown on the composite video out when the video input is added the white areas on the screen are replaced by the video image. The pcb is powered from the computer £19.98	AA 950mAh..... £1.75
WATCH SLIDES ON TV "Liesegang diat" automatic slide viewer with built in high quality colour tv camera, composite video output with a BNC plug in very good condition with few signs of use £108.00	CRH111 1.2AH..... £2.20
Board cameras all with 512x582 pixels 4.4x3.3mm sensor with composite video out. All need to be housed in your own enclosure and have fragile exposed surface mount parts and require 10 to 12vdc power supply 47MR size 60x36x27mm with 6 infra red leds (gives the same illumination as a small torch would) £50.00+vst = £58.75	C 2AH with solder tags..... £3.60
40MP size 39x38x23mm spy camera with a fixed focus pin hole lens for hiding behind a very small hole. £57+vst = £66.98	D (HP2) 1.2AH..... £2.60
40MC size 39x38x28mm camera for 'C' mount lens this gives a much clearer picture than with the small lenses..... £68.79	D 4AH with solder tags..... £4.95
standard 'C' mount lens F1.6 16mm for 40MC £26.43+vst = £31.06	PP3 8.4V 110mAh..... £4.95
waterproof camera with stylish tilt & swivel case £92.76+vst = £109.00	1/2AA with solder tags..... £1.55
or 10+ £89.32 + vst = £104.95	Sub C with solder tags..... £2.50
DTA30 Hand held transistor analyser it tells you which lead is the base, the collector and emitter and if it is NPN or PNP or faulty. HMA20 hand held MOSFET analyser identifies gate drain and source and if P or N channel DTA30 & HMA20 £38.34 each DCA50 component analyser with lcd readout identifies transistors mosfets diodes & LEDs lead connections £69.95	AAA (HP16) 180mAh..... £1.75
Speaker cabinets 2 way speaker systems with motorola tweeters speaker dia 15" 12" 8"	1/3 AA with tabs (phibs)CTV..... £1.95
power rating 250WRMS 175WRMS 100WRMS	Nickel Metal Hydride AA cells high capacity with no memory. If charged at 100ma and discharged at 250ma or less 1300mAh capacity (lower capacity for high discharge rates) £2.95
impedance 8ohm 8ohm 8ohm	Special offers please check for availability stock of 4 42 x 16mm nicad batteries 171mmx16mm dia with red & black leads 4.8v £5.95
frequency range 40hz-20khz 45hz-20khz 60hz-20khz	5 button cell 6V 280mAh battery with wires (Varta 5x250DR) £2.45
sensitivity(1W/1M) 97dB 94dB 92dB	Orbital 866 battery pack 12v 1.60AH contains 10 sub C cells with solder tags the size most commonly used in cordless screwdrivers and drills 22 dia x 42mm tall it is easy to crack open and was manufactured in 1994. £8.77 each or £110.50 per box of 14 BCI box 190x106x50mm with slots to house a pcb the lid contains an edge connector (12 way 8mm pitch) and screw terminals to attach in wires and 5 slide in cable blanks £2.95
size in mm 500x720x340 450x400x345 315x460x230	7segment common anode led display 12mm..... £0.45
weight 21.1kg 16.8kg 7.4kg	Gar's FET low leakage current S8873 £12.95 each or £9.95 10+ £7.95 100+ BC547A transistor 20 for £1.00
price each for black vinyl coating £139.95 £99.99 £54.94	SL952 UHF Limiting amplifier LC 16 surface mounting package with data sheet..... £1.95
grey felt coating £159.97** £119.97** £64.99	DC-DC converter Reliability model V12P5 12v in 5v 200ma out 300v input to output isolation with data £4.95 each or pack of 10 £39.50 Airpax AS2903-C large stepping motor 14v 7.5 step 27ohm 68mm dia body 6.3mm shaft £8.95 or £200.00 for a box of 30
(** = not normally in stock allow 1 week for delivery)	Polyester capacitors box type 22.5mm lead pitch 0.9uf 250vdc 18p each 14p 100+ 9p 1000+ 1uf 250vdc 20p each. 15p 100+ 10p 1000+ Polypropylene 1uf 400vdc (Wima MKP10) 27.5mm pitch 32x29x17mm case 75p each 60p 100+ Philips 123 series solid aluminium axial leads 33uf 10v & 2.2uf 40v 40p each. 25p 100+ Solid carbon resistors very low inductance ideal for RF circuits 27ohm 2W, 68ohm 2W 25p each 15p each 100+ we have a range of 0.25w 0.5w 1w and 2w solid carbon resistors please send SAE for list MX180 Digital multimeter 17 ranges 1000vdc 750vac 2Mohm 200mA transistor Hle 9v and 1.5v battery test..... £9.95
Power amplifiers 19" rack mount with gain controls	Hand held ultrasonic remote control..... £3.95
STA150 2x160Wrms (4ohm load) 14kg..... £202.11	CV2486 gas relay 30 x 10mm dia with 3 wire terminals will also work as a neon light 20p each or £8.50 per 100 Varbatim R300NH Streamer tape commonly used on nc machines and printing presses etc. it looks like a normal cassette with a slot cut out of the top £4.95 each (E3.75 100+) Heatsink compound tube E0.95 HV3-2405-E5 5.24v 50mA regulator ic 18-264vac input 8 pin DLL package £3.49 each (100+ 2.25)
STA300 2x190Wrms (4ohm load) 11kg..... £339.00	
STA900 2x490Wrms (4ohm load) 15kg..... £585.00	
LEDs 3mm or 5mm red or green 7p each yellow 11p each cable ties 1p each..... £49.50 per 10,000	
Rechargeable Batteries	
AA(HP7) 500mAh..... £0.99	
AA 500mAh with solder tags..... £1.55	

All products advertised are new and unused unless otherwise stated. Wide range of CMOS TTL 74HC 74F Linear Transistors kits rechargeable batteries, capacitors, tools etc always in stock. Please add £1.95 towards P&P (orders from the Scottish Highlands, Northern Ireland, Isle of Man, Isle of Wight and overseas may be subject to higher P&P for heavy items). VAT included in all prices.

**JPG Electronics 276-278 Chatsworth Road Chesterfield S40 2BH**  
 Mastercard/Visa Orders **(01246) 211202 Fax 550959**  
 Callers welcome 9-30am to 5-30pm Monday to Sa., tuesday

**CIRCLE NO. 118 ON REPLY CARD**

## CROWN HILL ASSOCIATES LIMITED

The Old Bakery, New Barns Road,  
 Ely Camb. CB4 7PW

Tel: +44 (0)1353 666709 Fax: +44 (0) 1353 666710

### Low cost professional quality Smart Card Systems

#### CHIPDRIVE EXTERN

Intelligent programmer for Smart Cards using the International Standard T=0 or T=1 protocols also Memory and Secure Memory using I<sup>2</sup>C, 2-wire & 3-wire interfaces

Supplied with software to read and write to most popular secure smart cards, inc GSM, PAY PHONE and ACCESS CONTROL cards.

T=0 or T=1 @ 3.579MHz  
 RS232 @ 9600 - 11500 bps  
 Internal Supply/Ni-MH

**£69+VAT**

**P&P £7.50**

Size: 100x70x80 mm Weight 660 Gram  
 Supplied with CardServer API for easy development of SmartCard Applications using Visual Basic, Delphi or C++  
 Supplied with Sample Memory cards & Secure Smart cards  
**CE compliant**



#### Chip Drive Intern

3.5" floppy bay version of the CHIPDRIVE.

Applications are available to provide SmartCard controlled access of data on Hard drives or "PC-LOCK", to control access to the whole PC Fully Compatible TOOLBOX for systems development.

**£85.00 + £5 P&P + VAT**



Most popular smart cards are plastic, the size of a credit card, with an embedded microprocessor containing an operating system and erasable non-volatile memory. Physical protection against unauthorized tampering with the card is provided through the following scheme: The microprocessor and memory are created as a single chip. This insures there are no data paths that

can be monitored or probed. This chip is connected to a thin circuit board and encapsulated with an epoxy. The "module" is then glued within a well milled into the plastic card. This prohibits physical access to the microprocessor and provides a more durable medium than magnetic stripe cards.

#### NEW CHIPDRIVE -micro

Fully Compatible with TOOLBOX for application development. Featuring the same functionality as Chip Drive Extern but in a small neat low cost package, similar in size to a smart card.

**£65 + £5 P&P + VAT**



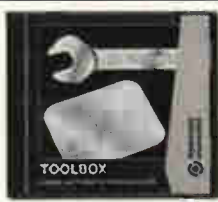
**Chipdrive Developer Kit**  
 micro, sample cards and Toolbox  
**£99.95 + P&P + VAT**

<http://www.towitoko.co.uk>

<http://www.crownhill.co.uk>

<http://edsim.camb.net>

**T  
O  
O  
L  
B  
O  
X**



Driver and application software is available for the CHIPDRIVE family of terminals including the command set DLL for Windows 3.11/95NT, easy to use 16 and 32 Bit DLLs with just one function call to the "CardServer", a powerful Background task which relieves the application programmer from device and card administration. Featuring automatic protocol and card type detection. Allowing several applications to access one terminal dependent on the type of card inserted.

**£29.95 + £5 P&P + VAT**

The microprocessor operates under control of a "built in" program called an operating system. A serial interface - which make it impossible to access the memory directly - is employed to communicate with the card. An ISO (International Standards Organisation) protocol is used to exchange commands and data with the card. Finally, Holograms, signature stripes, photos, etc can be applied to card for additional security. And the card can be custom printed with your artwork. Crownhill can supply OPEN ARCHITECTURE cards, that will allow you the end user to create your own operating system, to control access to the EEPROM memory of up to 64Kbits (8Kbytes) in size. Crownhill have off the shelf operating systems for Control Access, Electronic purse and Portable Document applications. Others can be written to your specification.

#### SMARTCARDS Available from Stock:

GemPlus, Atmel, Xicor, Siemens, SGS Crownhill and more...  
 SLE4442, 4432, 4418, 4428, 4404. AT88SCxxx, AT24c01-16.  
 GPM103, GFM1K, 2K, 4K, GPM416 Phone Cards, Loyalty Cards

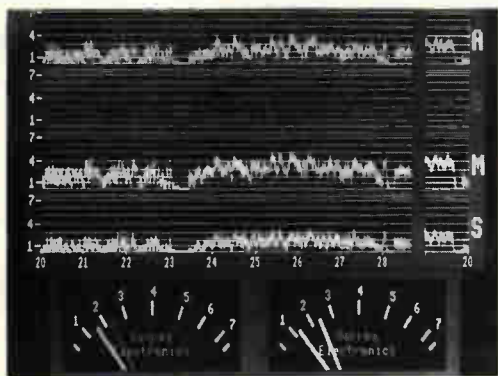
#### THE SMARTEST SOLUTION

Crownhill can offer a broad range of smart cards from just £1.00 and Smart Card sockets for just £1.45 each. PIC Microchip based Smart Cards now available at just £3.50 each... DEVELOP YOUR OWN SMART CARD! Crownhill can supply over 150 different types of IC from more than 12 silicon suppliers, which can all be incorporated into smart card format. Some cards are available from stock, most are manufactured to the customers' specification

**CIRCLE NO. 120 ON REPLY CARD**

## CHART AUDIO LEVELS

In-vision colour display or hard copy printout



PPM10 In-Vision PPM and Chart Recorder generates a display emulating the well known coaxial TWIN movements for monitoring stereo audio levels and mono compatibility. Also: STEREO TWIN METER BOX comprising two PPM9 boards, featuring inherent stability with law under microprocessor control. A free standing mains powered box frequently used for the final stereo monitoring when working to broadcast standards. Manufactured under licence from the BBC.

★ Advanced Active Aerial 4kHz-30MHz ★ Stabilizer frequency shift units for howl reduction ★ 10 Outlet Distribution Amplifier ★ Stereo Variable Emphasis Limiter ★ PPM9, PPM5 hybrid and PPM8 IEC/DIN -50/+6dB drives and movements ★ Broadcast Stereo Coders ★ Broadcast Monitor Receiver 150kHz-30MHz ★

### SURREY ELECTRONICS LTD

The Forge, Lucks Green, Cranleigh  
 Surrey GU6 7BG

Telephone: 01483 275997 Fax: 276477

# TELFORD ELECTRONICS

Old Officers Mess, Hoo Farm, Humbers Lane  
Horton, Telford, Shropshire TF6 6DJ, UK  
Phone: (00 44) 01952 605451 Fax: (00 44) 01952 677978  
e-mail: telfordelectronics@telford2.demon.co.uk  
Web: <http://www.telford-electronics.com>  
Carriage: £10+VAT @ 17.5% to be added to all UK orders  
Overseas orders welcome - Please call

**ALL OUR EQUIPMENT HAS A 30 DAY GUARANTEE  
(EXCEPT CLEARANCE ITEMS WHICH ARE SOLD AS-IS)**

## MICROWAVE

JFW Stepped Attenuators 0-9.8dB in 2dB steps DC-2GHz/650.00	
JFW Stepped Attenuators 0-10dB in 1dB Steps 0C-2GHz/655.00	
HP5342A 18GHz Frequency Counter.....	£800.00
HP8405 Vector Voltmeter.....	£250.00
HP8502A Transmission/Reflection Test Set 500kHz-1.3GHz.....	£750.00
HP8743B Reflection Transmission Test Unit 2-12.4GHz/5600.00	
Maury Microwave Sliding Termination up to 20GHz.....	£600.00
HP11720A Pulse Modulator 2-18GHz.....	£720.00
HP11722A Sensor Module.....	£600.00
HP11691D Directional Coupler.....	£600.00
HP11692D Directional Coupler.....	£700.00
HP335D 120dB Attenuator DC-1GHz.....	£300.00
HP3488A Switch Control Unit.....	£800.00
Wiltron 560 Scaler Analyzer c/w Detectors & SWR Bridge.....	£1500.00

Semi Rigid Co-Axial Cable Type: UT141/A 0-20GHz.....	
3 Metre Lengths Discount qty: 100pcs-£500.00.....	
PRICE EACH LENGTH.....	£10.00
Continental Microwave Transmitter Control VML-TR240 1/1.....	£750.00
Digital Microwave 12GHz TX/RX (NEW).....	£1200.00
HP W752A Directional Coupler 3dB.....	£150.00
HP X382A Variable Attenuator 0-50dB 8.2-12.4GHz.....	£120.00
HP11720A Pulse Modulator 2-18GHz.....	£720.00
HP11722A Sensor Module.....	£600.00
HP33304A Programmable Attenuator 18GHz 0-11dB.....	£175.00
HP33305A Programmable Attenuator 18GHz 0-11dB.....	£175.00
HP33320A Attenuator 11dB.....	£250.00
HP33320B Attenuator 21dB.....	£250.00
HP33322A Attenuator 120dB.....	£250.00
HP5328 Frequency Meter.....	£200.00
HP536A Frequency Meter 3.7-12.4GHz.....	£200.00
HP54111A 2GHz S/S Test Set.....	£500.00
HP8405A Vector Voltmeter.....	£250.00
HP8410B.....	£200.00
HP8414A.....	£175.00

## DATA/TELECOMS

Anritsu MS334A PCM Error Detector.....	£120.00
BT (Fulcrum) T1020 Network Transmission Performance Analyzer.....	£500.00
Cushman CE24 FX Selection Level Meter.....	£400.00
Datslab DL1000 Programmable Transient Recorder.....	£250.00
GM Elm EPR31 PCM Signalling Recorder.....	£500.00
HP1350A Graphics Translator.....	£200.00
HP1651D Logic Analyzer.....	£650.00
HP3336A Synthesised/Level Generator.....	£1300.00

HP3497A Data/Acquisition Control Unit.....	£400.00
HP3586B Selective Meter.....	from £850.00
HP3717A 70MHz Modulator/Demodulator.....	£300.00
HP37201A HP-1B Extender.....	£300.00
HP37204A HP-1B Extender.....	£300.00
HP3762A Data Generator.....	£350.00
HP3763A Error Detector.....	£800.00
HP3764A Digital Transmission Analyzer.....	£3200.00
HP3770B Telephone Line Analyzer.....	£200.00
H3780A Pattern Generator/Error Detector.....	£1100.00
HP3781A Pattern Generator.....	£500.00
HP3782A Error Detector.....	£500.00
HP4935A Transmission Tester.....	£1100.00
HP4984A In-service Transmission Impairment Measuring Set.....	
HP5005B Signature Tester.....	£950.00
HP5006A Signature Analyzer.....	£50.00
HP6942A Multiprogrammer.....	£200.00
HP8170A Logic Pattern Generator.....	£600.00
HP8954A Transceiver Interface.....	£600.00
Iwatsu DM2350 Digital Memory 10 bit/20ns.....	£400.00
Marconi 2828A Digital Simulator.....	£200.00
Marconi 2829 Digital Analyzer.....	£200.00
Marconi 2831 Channel Access Switch.....	£200.00
Marconi QA2805 PCM Regenerator Test Set.....	£250.00
Marconi TF2019C Noise Generator - many filters available.....	£250.00
Marconi TF2092C Noise Receiver.....	£250.00
Marconi TF2808/2 Pattern Generator and SLMS.....	£120.00
Marconi TF2807A PCM Multiplex Tester.....	£200.00
Marconi TF2830 Multiplex Tester.....	£200.00

## OSCILLOSCOPES

Tektronix TAS455 60MHz Dual Channel Oscilloscope.....	£600.00
Gould 1602 Digital Storage Oscilloscope 20MHz.....	£1250.00
Gould DS300 20MHz Oscilloscope.....	£120.00
Hitachi VC6015 Digital Storage Oscilloscope.....	£300.00
Hitachi VC222 20MHz Oscilloscope.....	£225.00
Iso-Tech ISR640 40MHz.....	£200.00
Philips PM4340 20Hz Digital.....	£300.00
Philips PM3305 35MHz.....	£250.00
Philips PM3325A 60MHz OSD.....	£1000.00
Philips PM3262 100MHz.....	£250.00
Philips PM3352A 50MHz Storage.....	£900.00
Tek 2215 60MHz.....	£300.00
Tek 2225 50MHz.....	£350.00
Tek 2235 60MHz.....	£500.00
Tek 2236 100MHz.....	£500.00
Tek 465 100MHz.....	£250.00
Tek 475 200MHz.....	£350.00
Tek SC502 15MHz.....	£300.00

Tek 468 100MHz OSD.....	£500.00
HP1741A 100MHz.....	£300.00
HP1742 100MHz.....	£275.00
Fluke 92B Oscilloscope Meter 60MHz.....	£450.00

## POWER SUPPLIES

Farnell PDA3502A 0-35V 0-2A.....	£160.00
HP6634A Systems DC Power Supply 0-100V 0-1A 100W.....	£650.00
HP6653A Systems DC Power Supply 0-35V 0-15A.....	£200.00
HP6264B 0-20V 0-20A.....	£250.00
HP6181C DC Current Source 0-100V 0-250mA.....	£300.00
Powertline Electronics 0-70V 0-10A.....	£175.00
Farnell Type: 60/25-0-60V 0-25A Metered - Brand New.....	£400.00
General Radio 1265A DC Power Supply 0-400V 0-5A.....	£475.00
Farnell TSV70 MK2 Stabilised Power Supply.....	£180.00
Farnell 30/100 30V 100A.....	£700.00
Power Ten Systems Power Supply 0-30V 0-60A.....	£300.00
Powertline Type: LAB5110 0-30V 0-10A.....	£175.00
Powertline Type: LAB532 5V-5A + 15V-0.5A -15V-0.5A 0-30V-2A.....	£200.00

## SIGNAL ANALYZERS

HP8903B Audio Analyzer.....	£2500.00
HP8903A Noise & Interface Test Set.....	£700.00
HP3556A Dynamics Signal Analyzer.....	£650.00
HP8980A Vector Analyzer.....	£5000.00
Takeda Riken TR4172 Spectrum/Network Analyzer 1.8GHz.....	£6500.00
HP8901A Modulation Analyzer.....	£1500.00
HP3700A Universal Counter/Timer.....	£850.00
Philips PM6680 High Resolution Programmable Timer/Counter option C fitted.....	£1350.00
Philips PM6666 Timer/Counter.....	£300.00
Philips PM6666 Option C fitted Timer/Counter.....	£650.00
Marconi 2955 Test Set.....	£1850.00
Advantest TR4132 Spectrum Analyzer 1GHz.....	£1500.00
B&K 2635 Spectrum Analyzer.....	£2000.00
B&K 2635 Measuring Amplifier.....	£4000.00
B&K 5935 Dual Microphone Supply.....	£650.00
HP182T + HP8558B Spectrum Analyzer 100kHz-1.5GHz.....	£1200.00
HP334A Distortion Analyzer.....	£250.00
HP333A Distortion Measuring Set.....	£1200.00
HP3580A 25kHz Spectrum Analyzer.....	£600.00
Marconi 2305 Modulation Meter.....	£2000.00
Marconi 2382 + 2380 400MHz Spectrum Analyzer.....	£3500.00
Marconi 2801 True RMS Voltmeter.....	£500.00
Marconi TF2370 110MHz Spectrum Analyzer.....	£3000.00
R&S URE RMS Voltmeter.....	£300.00
R&S ZPV + E3 Plug-in 3-2GHz.....	£1800.00
R&S CMS52 Comms. Service Monitor.....	£5000.00
Tektronix DA4084 Programmable Distortion Analyzer.....	£700.00

## SIGNAL GENERATORS

Adret 7100B 300kHz-650MHz.....	£700
Cushman CE12 Two Tone Generator.....	£150.00
Farnell DSG2 Synthesised 0.1MHz-110kHz.....	£185.00
Linan 4311A 12-18GHz.....	£50.00
Fluke 6101A 10Hz-11MHz Synthesised.....	£175.00
HP11710B Down Converter (HP8640B).....	£275.00
HP214B Pulse Generator 100V 2A.....	£1200.00
HP3325A Synthesised Generator 1Hz-21MHz.....	£125.00
HP4204A Oscillator 10Hz-11MHz.....	£125.00
HP654A Test Oscillator 10MHz.....	£225.00
HP8005B 0.3Hz-10MHz.....	£300.00

HP8008A 10Hz-200MHz.....	£450.00
HP8015A 1Hz-50MHz Pulse.....	£450.00
HP8155A Programmable Signal Source.....	£1200.00
HP8620C + HP8622B 0.1-2.4GHz Sweeper.....	£1200.00
HP8642M 0.1-2100MHz.....	£1250.00
HP8657A 0.1-1040MHz.....	£3500.00
HP8684B 5.4-12.5GHz.....	£1950.00
Marconi 2019A 80kHz-1040MHz.....	£1450.00
Marconi 2022 10kHz-1GHz.....	£900.00
Marconi 6057 Signal Source 5.5-8.5GHz.....	£200.00
Marconi 6059A 12-18GHz Signal Source.....	£200.00
Racal 9053 Two Tone.....	£120.00
Systron Donner 1702 Audio-1GHz.....	£600.00
Tektronix 504 0.001-240MHz.....	£350.00
Tektronix FG501A 2MHz Function.....	£250.00
Wavetek 1050 1-1000MHz Sweeper.....	£800.00
Wavetek 157 Programmable Waveform.....	£150.00
Wavetek 159 Waveform Generator 1Hz-3MHz.....	£300.00
Wavetek 171 Synthesizer/Function.....	£400.00
Wavetek 185 Sweeper/Function 0-5MHz.....	£350.00
Wavetek 2001 1-1400MHz.....	£600.00
Wavetek 907A 7-12.4GHz.....	£900.00
Wiltron 6100 + 6223B Sweeper 4-12.4GHz.....	£500.00
Systron Donner 1720 Signal Source 50MHz-18GHz.....	£2000.00
HP8091A + 8092A + 8093A (x2) 1GHz Pulse Generator System.....	£650.00
Marconi TF2015 + TF2017 10-520MHz.....	£200.00

## MISCELLANEOUS

I. L. X. LIGHTWAVE EQUIPMENT.....	
LD7501B Temperature Controller.....	
PD6A424 Photo Diode Amplifier.....	
LDX327 Laser Diode Controller.....	
LDX3207B Precision Current Source.....	
Anritsu MW920A DTDOR + MH951A 850nm Plug-in + MH952A 1300nm Plug-in.....	
3M Fibre Splice Preparation Kit.....	
Cosor Optical Cable Fault Locator Type: OFL108L.....	
Laser Precision Type: DB2900 Single Mode Variable Attenuator Schlamper Type: S17780 DTDOR + S17782 Plug-in.....	
Soilmat MH4000 Matrix Processor c/w Software. Portable multichannel, datalogger, alarm monitor. Battery/Mains Operated Kane-May KM4003 Air Velocity 0-30 in metres/seconds Air Temperature (C) -30 to +200C. Battery Operated.....	
Portland MK11: Portable diagonal beam flowmeter. Made by Micronics.....	
Bacharach: Combustion Analyzer/Environmental monitor Type: 300NSX Kane-May Combustion Analyzer Type: 9004 Kane-May Temperature Sensor Type: 1204 c/w 8004 Temperature & humidity sensor. GGA-26 Thermo-Anemometer + KM801 Infratec.....	
Casella Aerosol Monitoring System Type: AMS950 Ranges: 0-20mg/m <sup>3</sup> 0-200mg/m <sup>3</sup> .....	
CEL Instruments. Precision Integrating Impulse Meter Type: CEL 493 c/w CEL 296 Octave & third octave scan filter set + CEL 284/2 Calibrator.....	
Hoffmann SWM3 Flow Meter.....	
CEL 281 + 281 Keypad + Programmable Noise Dosimeter.....	
Neutronics Exotok 75 Amblong + Charger. Portable atmosphere monitor.....	

## PRINTERS

HP2225A/D Thinkjet Printer HPiB.....	£95.00
HP7550A Plotter.....	£250.00
HP Draft Master RX.....	£500.00

**CIRCLE NO.121 ON REPLY CARD**

## Win95 PIC PROGRAMMER

- Uses standard printer port.
  - Requires 15 to 18v AC or DC
  - Versions for Dos, Linux, Acorn RiscOS, AmigaOS
- Call for details.

### Chips Supported

PIC16C84, 16F84 ,12C508,12C509,14000  
PIC16C61. 62, 62A, 63, 64, 64A ,65, 65A  
PIC16C620,621,622,PIC16C71,72,73,74

## EVALUATION BOARDS

- Evaluation boards available for many types of Microprocessor / DSP chips.

## LCD Display and Controllers

- RS232 interface or I2C Serial interface
- Displays from 1 x 16 to 4 x 40 Character Displays.
- High contrast super-twist display.
- Software controlled backlight.

From £19.95 Inc Vat, P&P



## R/C SERVO CONTROLLER

Control R/C servos using the RS232 port of any computer.

- Each board can control up to 8 R/C servos.
- Up to 256 servo motors using multiple controller boards.
- Computers supported PC, Sun Solaris, Linux , Acorn RiscOS, AmigaOS, Etc.

£25.95 Inc Vat, P&P



## CD-ROMS

Red Hat 5.1 Box set ( 3 CDs & Book ).....	£ 29.95	Walnut Creek Slackware 3.5 ( 4 CDs ).....	£ 19.95
Red Hat Power Tools v5.1.....	£ 19.95	Complete FreeBSD 2.2.8 (4 CDs & book ).....	£44.95
Red Hat Linux Complete Command Ref.....	£ 46.95	Aquila Budget Linux CD's.....	from £ 2.00
Red Hat Motif.....	£129.95	Sintrel for MSDOS ( 2 CDs ).....	£ 19.95
S.U.S.E. 5.3 Box Set ( 3 CDs & Book ).....	£ 29.95	CICA 32 for Windows 95/98/NT ( 4 CDs ).....	£ 19.95
S.U.S.E. Decathlon (13 CDs).....	£ 31.95	Electronics 2000 £ 11.06.....	£ 12.99
Linux Developer's Resource.....	£ 21.95	Hardware Technician 2000 £ 11.06.....	£ 12.99

This is just a small selection of titles from our extensive catalogue covering Windows, Dos, Linux, FreeBSD, Unix, etc.

These products are a small selection of the products available  
visit our web site or phone for a catalogue :-



## Aquila Vision (Dept EW)

46 Gaisby Lane, Shipley, Bradford, BD18 1AX.  
Tel 01274 775117 (24 Hour Order line) Fax 01274 775116



[www.aquila-vision.co.uk](http://www.aquila-vision.co.uk)

All prices include VAT and P&P. All trademarks acknowledged. E&OE.

**CIRCLE NO.122 ON REPLY CARD**



## HATELY ANTENNA TECHNOLOGY

1 Kenfield Place, ABERDEEN AB15 7UW Scotland, U.K.  
Tel/Fax: +44 (0) 1224 316 004

## CROSSED FIELD ANTENNA AUDIBLE IN UK ON MW

Following a recent technical survey in Egypt it is now evident that the signals provided by the 22kW Tanta CFA are the strongest and clearest programme audible in the Cairo area on Medium Wave. In fact the Ground Plane CFA in the centre of the Nile Delta is audible both day and night in Cyprus (480km to the north) and at Khartoum (600km overland to the south). The quality is remarkable, many listeners reporting "sounds like an FM station". Why this is so is not yet understood but may be due to the source being so small.

As technical comparisons between the CFA and conventional mast antennas six or ten times taller are still on-going, on some days the 22kW from Tanta is put to another antenna as a check, thus the signal heard at every distance may be weaker. At night time one can easily hear it on 864kHz in the UK, if on the CFA. It is distinguishable as a male Arabic speaker reciting. The other two stations on the channel are on masts and said to be 200kW at Sofia Bulgaria, and 500kW at Moscow and are completely overwhelmed on the nights when the CFA is in use. We at this address will welcome reports and endeavour to confirm with a colour photograph of the Tanta GP Crossed Field Antenna. Please comment on fading and sound quality.

We are marketing new Variants of the CFA for transmitting and reception, and are applying for a new patent on the most remarkable development found. Viz: a double loop antenna. These aerials are only 1% of a wavelength in diameter and when mounted horizontally, emit and capture omnidirectional waves with horizontal polarisation. Signals are of course 3 to 6dB down on a dipole since there is 2.6dB gain over an isotrope and 3dB gain by ground reflection for all dipoles.

### AMATEUR BAND ANTENNAS OF THE NEW MONOBAND VARIANT:-

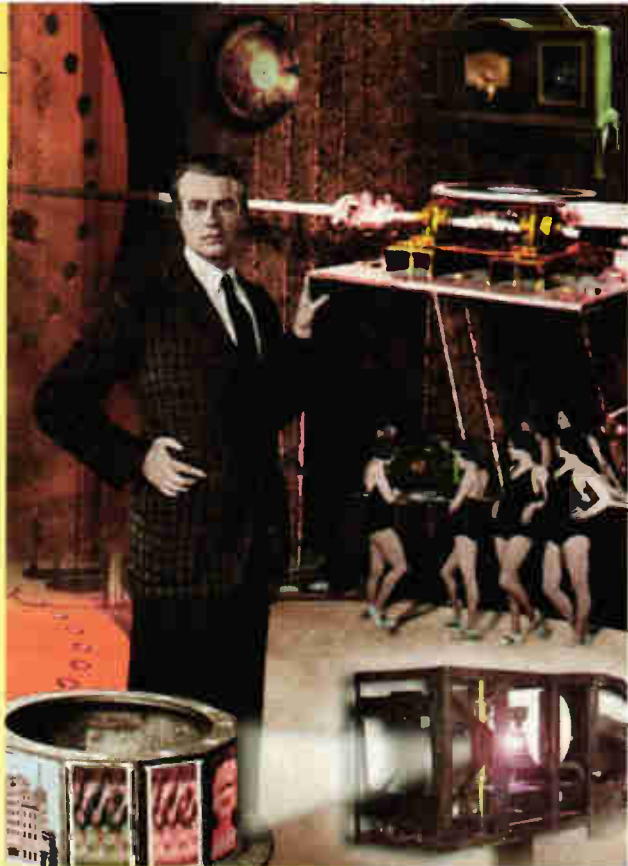
CFL 3.6 diam 67cm (2ft 6in) £75 inc VAT and postage,  
CFL 7 £60 inc. CFL 14 £44 inc. CFL 50 diam 10cm (4in) £40 inc.

Test antenna can be made for any freq. for agreed deposit.

Telephone or fax.

Proprietor: Maurice C Hately, M Sc FIEE Chartered Electrical Engineer (GM3HAT)

**CIRCLE NO.123 ON REPLY CARD**



**Don McLean** reveals how a home-recorded videodisc made in 1933 challenges established views on the quality of Britain's first Television Service.

# First frames

**F**ew people today realise that the BBC Television Service started broadcasting in 1932. Programmes were at that time transmitted on the early Baird standard of 30 lines per picture. Today, this first BBC Television Service is largely forgotten, overshadowed by the tremendous technological achievement of electronic television.

As far as most people are concerned, BBC Television started in 1936. The perceived wisdom is that any earlier transmissions were so poor as to be not 'television' as we know it today. The BBC, partly through long-forgotten prejudice and partly through ignorance, has over the years reinforced<sup>1</sup> a vision of poor quality in both content and technology.

Today, it continues to dismiss its heritage of making excellent programmes. While the 30-line system did indeed give a crude image, the mistake is in assuming that the programmes were just as crude. The image we have been handed down over the years is of amateurish production, stilted performances and stiff presentations.

A home-recorded aluminium 78rev/min audio disc, Fig. 1, with "Television 1933" hand-written on the label, has recently been restored using computer-based image processing. The recovered pictures give us our first-ever view of what people watched on tele-

vision. In doing so, the disc challenges the half-century-old myth of poor quality. BBC 30-line television programmes were professional, slick, full of movement and packed with entertainment.

**Before TV, there was... television**  
In the years after his string of 'firsts' in television, John Logie Baird's attempt to promote television and encourage broadcasting failed to impress the BBC.

Elsewhere, notably in the USA and Germany, similar systems to Baird's received national commitment. Such support allowed those countries to advance their capability in the new medium. This challenged – and occasionally beat – Britain's hard-won head start.

After much lobbying, the Baird Company started and funded its own experimental television service in 1929 using the BBC's existing radio transmitters. This was the world's first television broadcasting service with regular scheduled programmes.

Eventually, the BBC came round to support the idea of its own television service. In August 1932, with equipment leased from the Baird Company, the BBC Television Service began regular broadcasting, Fig. 2.

Developed in the twenties when there were no practical alternatives, Baird's mechanically scanned 30-line television



*Fig. 1. An enthusiast made the earliest known 'home video' recording in 1933 onto an aluminium disc intended for audio. The extensive damage caused by corrosion shows up as light patches on the disc surface.*



*Fig. 2. News-clippings show that the BBC Television Service started first in 1932 (above) then again in 1936 (below). Today, the BBC dismisses its first television service – a case of modifying history?*

Donald F McLean  
BSc(Hons) CEng FIEE

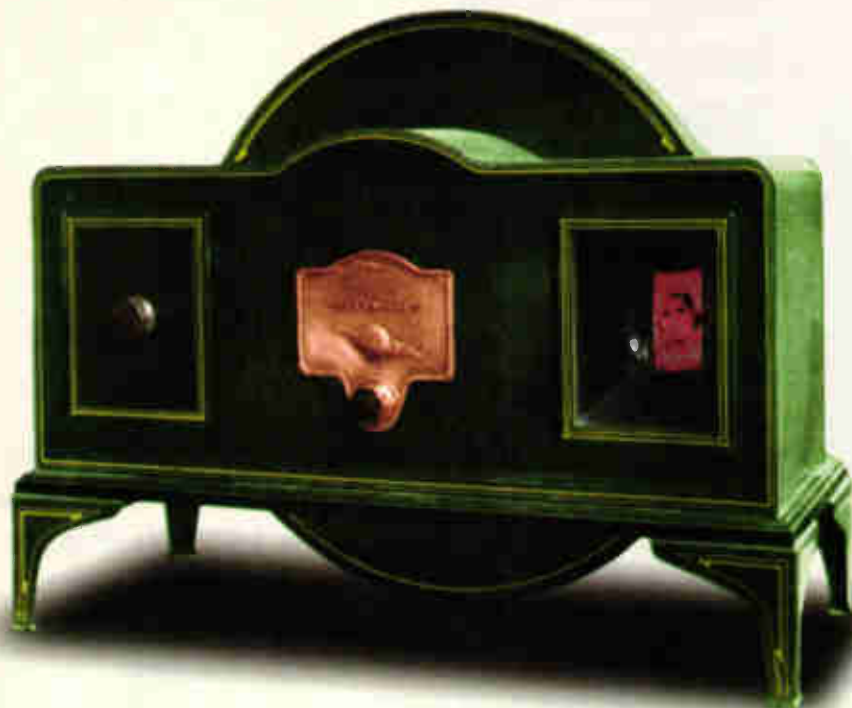


Fig. 3. The Baird 'Televisor' was a display device driven by the 30-line video signal from a dedicated radio receiver. Despite the maturity of 30-lines, 'Televisors' such as this one were expensive – equivalent to nearly £500 at today's prices – and only 1000 were sold. As a result almost 90% of all viewers in the UK built their displays from kits.

system was, in 1932, mature. Fig. 3, rather than experimental. Long gone were the bits of plywood, 'bulls-eye' lenses and bicycle chain – the "pile of junk"<sup>2</sup> image that TV journalists still love to promote for that whole pre-1936 period.

The engineering was now of the best quality, limited only by the 30-line format. And thirty was the maximum number of lines that could fit the permissible bandwidth on the medium wave band – the only available band for television broadcasting.

Despite its age, Baird's 30-line system was the only 'off-the-shelf' system available. High definition television and

ultra-short-wave transmitting hardware were still under development.

The BBC called its service 'experimental', despite the term being incorrect.<sup>3</sup> The service was 'experimental' only in the sense that new programme-making techniques were being explored. Also, with major developments underway, this was going to be a temporary service.

#### The 'lost' television service

After two years of broadcasting, the BBC in 1934 strengthened its commitment to the 30-line service due mostly to public support voiced through the press. Throughout the industry, major new television developments were being made.

The Baird Company's interest in 30-line television was collapsing. Even though it had the option of stopping the service, the BBC surprisingly continued its programming output, moved to a larger studio, Fig. 4, and enhanced the system's quality and performance.

Coverage from the BBC's medium wave transmitters meant that reception was possible – but not intended – across most of Northern Europe. Under special atmospheric conditions, viewers watched BBC television as far away as Iceland and North Africa with excellent clarity.<sup>4</sup> Enthusiasts built dual standard mechanical television sets at least in Scandinavia, Fig. 5, and the Netherlands for transmissions from different countries – notably

Germany and Britain.

Our knowledge of how good the programmes were in this period is very limited and subjective. Prior to this and the 'Phonovision' restorations,<sup>5</sup> the only material available was from first-hand descriptions and from press reviews of programmes.

The dimness of the tv display meant photography was difficult. Off-screen stills of transmissions never satisfactorily showed the perceived quality of the moving image. Fig. 6.<sup>6</sup>

At the other extreme, the public's expectations were raised rather too high by fabrications of exceptional quality. Fig. 7.

#### The earliest recording of broadcast tv

True video-recording technology was decades away.<sup>7</sup> The narrow bandwidth of Baird's 30-line vision signal meant that most of the signal would be preserved if it were recorded onto a conventional audio disc. Baird had attempted this in the late twenties.<sup>8</sup>

In all these years of broadcasting, neither the BBC<sup>9</sup> nor Baird had tried to record their broadcast tv programmes. The engineers were probably put off by their knowledge of the distortion caused by recording – unstable synchronisation and phase errors.

Fortunately, at least one enthusiastic viewer thought otherwise and set about recording a video transmission. Although he was probably disappointed with the result, he fortunately held on to it.

Recently a private collector<sup>10</sup> discovered this recording. One of a collection of privately recorded discs he bought at a stall had "Television 1933" written on the label. The aluminium disc had been recorded using the consumer 'Silvatone' process, Fig. 8 – one of many domestic recording systems available in the early thirties.

The disc was physically unplayable, being highly corroded and badly recorded. Eliot Levin of Symposium Records professionally and painstakingly transcribed the disc.<sup>11</sup>

I was able to confirm that this was a 78rev/min recording of Baird standard video at 30-lines per frame, 12.5 frames per second. It had no audio. Unlike Baird's 'Phonovision' recordings of the late twenties, this recording had no arc-scan distortion. This meant that a mirror-drum camera was used, dating this disc later than about 1931.

#### Vision restored

The massive and complex phase errors, high surface noise and occasional gaps were all a major challenge to restoration. All processing was done in software, custom-designed for the disc's

Fig. 4. After two years of broadcasting programmes from the basement of BBC Broadcasting House, The Television Service moved to a larger studio in facilities nearby in Portland Place.



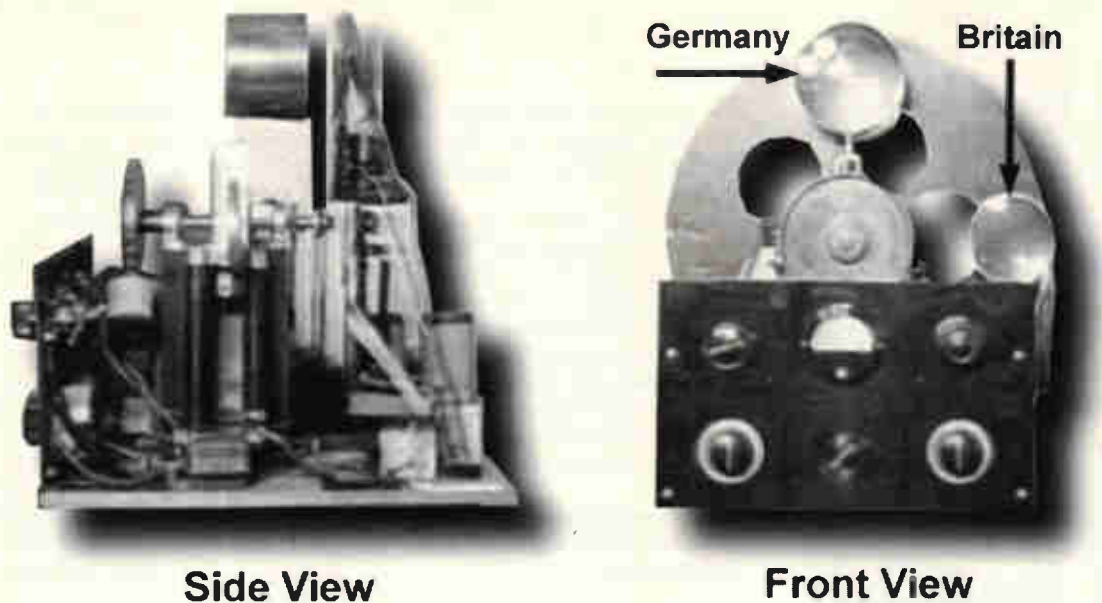


Fig. 5. Side and front views of a kit television display designed for dual-standard reception for continental viewers. This one was used in Sweden for watching television from Germany and from the BBC in London.



Fig. 6. One of the very few existing off-screen photographs from the thirties of a live received transmission. This high contrast picture of Betty Bolton was a long exposure directly from the mirror-drum display onto a photographic plate. The picture on the right shows Betty to be more attractive than the photo indicates.

features. Exploiting the relationship of imagery across lines and across frames improved the performance of noise suppression and timebase correction, Fig. 10.

The timebase errors were different from those of 'Phonovision', relating purely to the domestic-quality recording equipment. The errors were partly corrected by a custom algorithm<sup>12</sup> based on a technique developed for military target tracking. This approach corrected for gross fluctuations in play-back speed at up to the frame rate.

Higher speed changes proved difficult with the high surface noise, dropouts and clicks confusing the line-to-line correlation. However, the noise suppression software required the timebase to be corrected first.

Without synchronising pulses to peg the picture in place, small speed changes had a large effect on the displayed image. Simply making the disc play-back slightly off-centre by, say

0.5mm, caused the image near the end of the disc to roll roughly three times one way, then three the other way on every revolution of the disc.

Fortunately, the heavily corroded disc had been professionally transcribed with great care, minimising such effects. Even so, fast speed changes during recording, caused pos-



Fig. 8. With the hand-written message "Television 1933" on the disc label as the only clue, the restored material yields the world's first television revue.

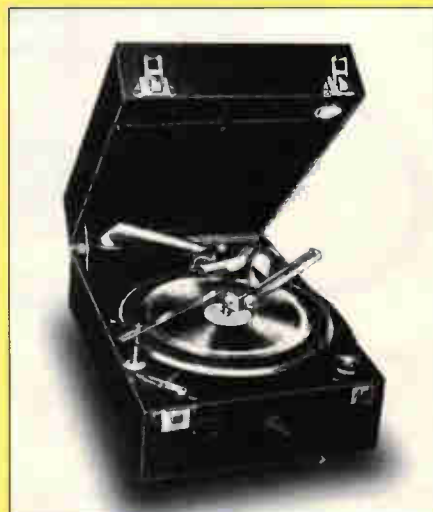


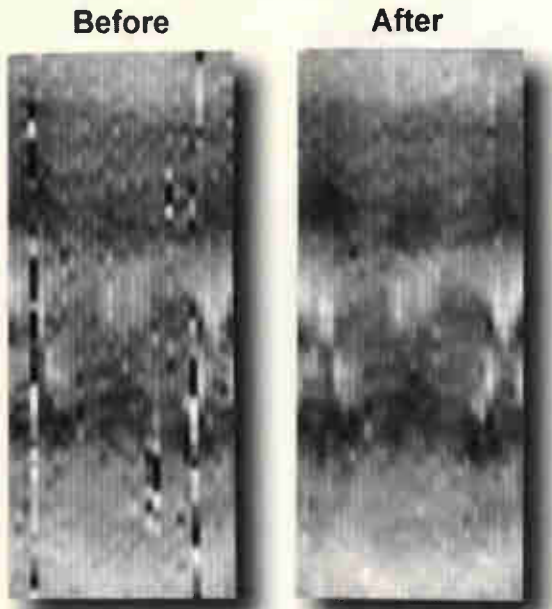
Fig. 7. Pictures such as this are misleading. It is a fabrication – a long-exposure photograph looking through the apertures of a scanning disc at the scene beyond. 30-line television was designed for movement though – not stills.

### The Silvatone recorder

In the early thirties, there were several competing brands of home-audio disc recorders. In 1930, £4 12s – roughly £100 at today's prices – would buy you a 'CairnMor' for 'Silvatone' discs. Made by Cairns and Morrison Ltd of London, the machine, Fig. 9, recorded sounds from a microphone onto a seven-inch aluminium blank disc at 78rev/min using your existing gramophone.

The price included six blanks, which could be recorded only once. When the recording was played back, you had to use a special soft stylus (fibre) to allow the disc to be replayed more than once. The quality of the recordings was worse than that of a 'dictaphone' today.





## Drop-out & Noise Reduction

Fig. 10. Digital image processing suppressed the damage of over sixty years on soft aluminium. The sophisticated noise filter tracked movement and adapted to how 'busy' the scene was. The domestic recording technology was exceptionally crude, in itself causing a major part of the distortion.

sibly by uneven drag on the cutter ploughing through the aluminium blank, still created problems that needed correcting.

With over 2700 tv frames, the restored disc dwarfed the 700-odd tv frames of each of the five earlier 'Phonovision' discs.<sup>13</sup> The restoration required a new software suite geared to the unique distortion of this disc. Some errors remain and affect the cosmetic appearance of the images. However, it is unlikely that further processing will reveal more information. ■

**Donald's next article details the earliest known recording of broadcast television**

### References

1. BBC, 'The Discovery of Television', 1961 & 'Here's Looking at You', 1976, prod. Bruce Norman.
2. Mills, V. Interviewed for Granada TV, 'Television', 1985, describing Baird in Hastings in the early twenties.
3. Bridgewater, T H, 'Just a Few Lines'.

- pub. BVWS, August 1992, p. 10.
4. Television, November 1932. Viewer from Funchal, Madeira described reception "as good as the cinema".
5. McLean D F, 'Restoring Baird's Image'. *Electronics World*, October 1998
6. *Television*, 'Correspondence', June 1934, p. 257.
7. McLean D F, "Dawn of Television", *Electronics World*, September 1998.
8. McLean D F. *ibid. Electronics World*, October 1998.
9. The only 30-line vision recording in the BBC archives is disc 12PH/69197 which is merely a poor transcription of the Major Radiovision disc of 1935.
10. Mason, D, owner of the 'Looking In' recording.
11. Levin, E B, Symposium Records, Barnet, London.
12. McLean D F, 'Using a micro to process 30 line Baird television recordings', *Wireless World*, October 1983.
13. McLean D F. *ibid Electronics World*, October 1998.

Those  
Engineers Ltd



**Spicycle™**

## The World is getting onto Spicycles!

Jump onto the future today – tomorrow's electronic engineering CAD from the UK's leading simulation author.

- Schematic editing – publication quality images
- Analogue + mixed mode digital simulation with extended SPICE-like functions
- Upgrade path to extensive range of drawing tools each with high definition visuals
- TrueType fonts
- Back annotation of components from simulator
- Simulate directly from your drawings for the ultimate in design checking
- Import & reverse engineer SPICE net lists
- Library includes electronic + mechanical engineering behavioural devices
- Upgrade path from Geswin (existing customers)
- 12 months maintenance included (limited introductory offer)

Please contact Charles Clarke at  
Those Engineers Ltd,  
31 Birkbeck Road, LONDON NW7 4BP.  
Tel +44 (0) 181 906 0155  
Fax +44 (0) 181 906 0960  
e-mail Those\_Engineers@compuserve.com  
web <http://www.spiceage.com>

CIRCLE NO.124 ON REPLY CARD

# Synchrodyne/homodyne receiver

Michael Slifkin and Noam Dori describe the benefits of synchrodyne and homodyne reception for medium wave, rounding off with a complete design incorporating both receiver techniques.

Since the beginning of World War II, all commercial radio receivers have been superheterodyne receivers. In the future we will see digital receivers, but it is unlikely that they will be completely out the much cheaper superheterodyne.

The superheterodyne works by beating a local oscillator with the incoming signal so that the signal is converted to a fixed intermediate frequency – normally 455kHz for the medium wave. This system replaced the original tuned radio frequency receiver which suffered from many drawbacks.

Selectivity and sensitivity were both a function of the frequency. As you tuned through a waveband, the properties of the receiver varied considerably. The superheterodyne overcame this problem as the gain and selectivity was carried out at the one intermediate frequency.

But the superheterodyne also has its drawbacks. It is more complex and expensive than the earlier tuned radio frequency receiver. The most obvious drawback of the superheterodyne is image rejection. Strong stations can be heard at twice and even four times the intermediate frequency away from the true frequency.

Furthermore, the presence of a local oscillator means that you can hear harmonics of this oscillator which gives rise to *spurii* – i.e. squeals and birdies – as you tune the radio. There are more esoteric drawbacks too such as reciprocal mixing and phase noise.

## Why synchrodyne?

In the mid-forties, Tucker in Australia introduced the synchrodyne direct-conversion radio receiver.<sup>1</sup> This worked by beating or mixing the incoming signal with a local oscillator of the same frequency so that the carrier wave was converted down to zero frequency leaving only the audio frequencies. Thus the incoming wave was converted directly to audio frequency by a simple mechanism.

Another advantage of this system is that synchronous detection of this type is linear right down to zero. In theory, the signal from a synchrodyne receiver is of better quality than that from a superheterodyne using a diode detector. Diode detectors are not linear and the weaker the signal the more the distortion.

Distortion can also occur on very strong signals. Even with moderate strength signals there will be some distortion because of the non-linear characteristics of the diode. Indeed

top of the range modern superheterodyne receivers use synchronous detectors working at the intermediate frequencies.<sup>2</sup>

The major drawback of Tucker's synchrodyne receiver was that while tuning between stations there was a piercing whistle due to the local oscillator beating with off frequency

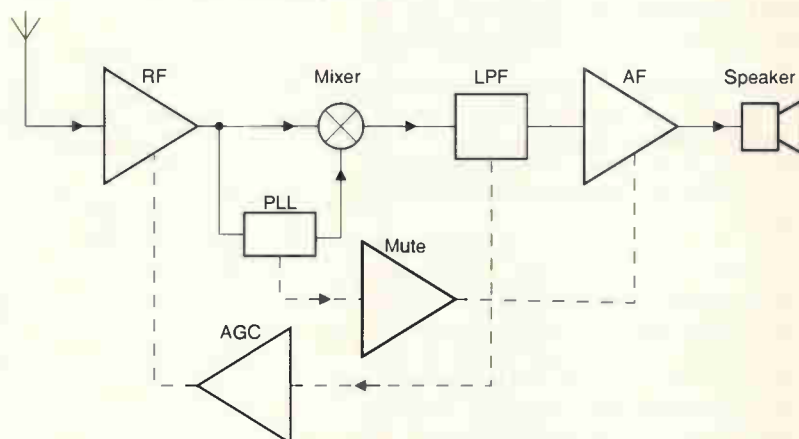


Fig. 1. Synchrodyne receivers work by mixing the incoming signal with a local oscillator of the same frequency, making conversion to audio frequencies simple.

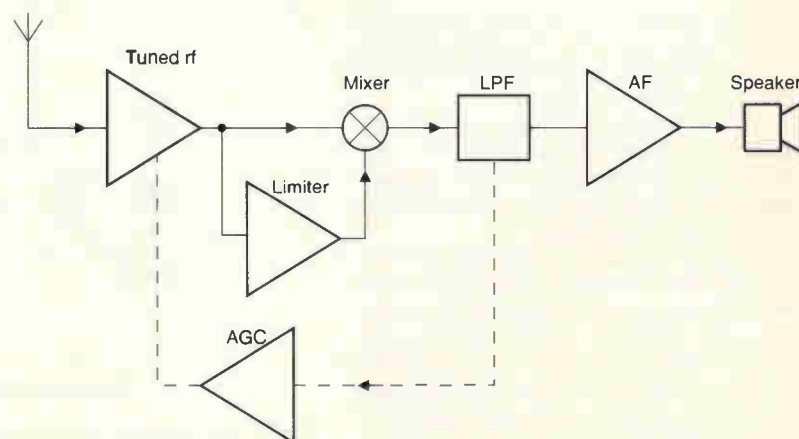


Fig. 2. Unlike the synchrodyne, the homodyne receiver does not suffer from heterodyne whistles while tuning between stations, eliminating the need for muting.

stations. Another problem is that the local oscillator needs to be in phase with the signal.

Nowadays these problems can be solved by using a phase-locked loop, or pll, with a lock detector operating a mute circuit. A description of the pll is given in a separate panel.

The pll not only gives a local oscillator locked to the signal frequency but it also allows the radio to be muted when the pll is out of lock. This gets rid of the heterodyne whistle while tuning between stations.

In spite of Tucker's valiant efforts to popularise his system, it never was accepted commercially. But it did catch on to a limited extent in radio amateur circles. Several manufacturers have sold relatively cheap amateur single side band transceivers incorporating a synchronyne.

### One LO for Tx and Rx

The big advantage for this equipment is that one local oscillator can operate both the receiver and the transmitter, as they operate at the same frequency. In contrast, with the superheterodyne, the local oscillator is offset from the transmission frequency by the intermediate frequency.

I must point out here that a direct-conversion receiver for ssb and Morse code reception has to be considerably more complicated than one intended for simple amplitude-modulation. This is because you can only allow one of the sidebands to be detected which means some form of phasing circuit to remove the unwanted sideband. When the incoming carrier is down-converted to zero frequency, the lower side band, which is now at a negative frequency, folds over and lies on top of the upper sideband. In amplitude-modulated signals both sidebands are identical.

In frequency-modulated signals however, the upper and lower sidebands are not identical so that this technique cannot be used without modification. This means that signals appearing in both sidebands are copied simultaneously. For wavebands intended for ssb and continuous-wave traffic, this is a disadvantage as the channels above and below the carrier frequency might be carrying different signals.

Figure 1 is a schematic diagram of the synchronyne. The two additions in dotted lines are the mute and the automatic gain control needed to make the synchronyne a more useful device.

The very earliest version of the synchronyne contained no radio-frequency amplification. This could cause problems with microphonics due to all the amplification being at audio frequencies. It was not possible to provide automatic gain control either. But by distributing the gain to both radio and audio frequency stages though, you can avoid microphonics and provide automatic gain control.

### The homodyne

Another variation of the direct conversion receiver is the homodyne. A description of this was given by J.W. Herbert in the September 1973 issue of *Wireless World*.

With the homodyne, incoming signal is filtered at rf and split into two halves. One half beats against the other to down convert to zero frequency. In theory this sounds simple, but in practice there are problems.

The signal that takes the place of the local oscillator does not have a sufficiently well-defined carrier because of the sidebands from the audio. However by putting this half through a limiting amplifier, i.e. an amplifier working at very high gain so that the signal saturates the amplifier produces a square wave at the signal frequency. The limiting effect removes the amplitude information that is the cause of the sidebands.

Furthermore, it is normally necessary to inject the local oscillator – in this case the signal itself – at a fairly high level into the mixer. Again, this is taken care of by the limiting amplifier. Moreover the detection is synchronous which should give this system an advantage over diode detector receivers.

Figure 2 is the homodyne's schematic. The addition of the automatic gain control shown in dotted lines makes this a more useful device. Unlike the synchronyne this does not suffer from heterodyne whistles while tuning between stations, and the mute is not required.

John Linsley Hood described an AM synchronyne receiver in the January 1986 issue of *Wireless World* but it was complex and expensive. The parts alone came to over £75.

About 11 years ago, one of us with a collaborator (Slifkin and Abbott, *Radio and Wireless World* Dec. 1987) presented some circuits for both homodyne and synchronyne techniques. These were based on Plessey 600 series ICs which were meant for the professional market and carried a commensurate price tag.

Either radio could have been built for less than £30 sterling. The replacement of the 600 series ICs by the now available cheaper 1600 series would have further lowered the price.

At that time, the pll ICs available had no built-in 90° phase shift. As a result, we had to construct a 90° phase shifter to bring the two signals back into phase and at all frequencies covered by the radio. This added to the complexity and cost of the receiver. Nowadays, pll ICs are available including a 90° phase shifter which greatly simplifies the design.

There are clearly several ICs which can be shared between the two

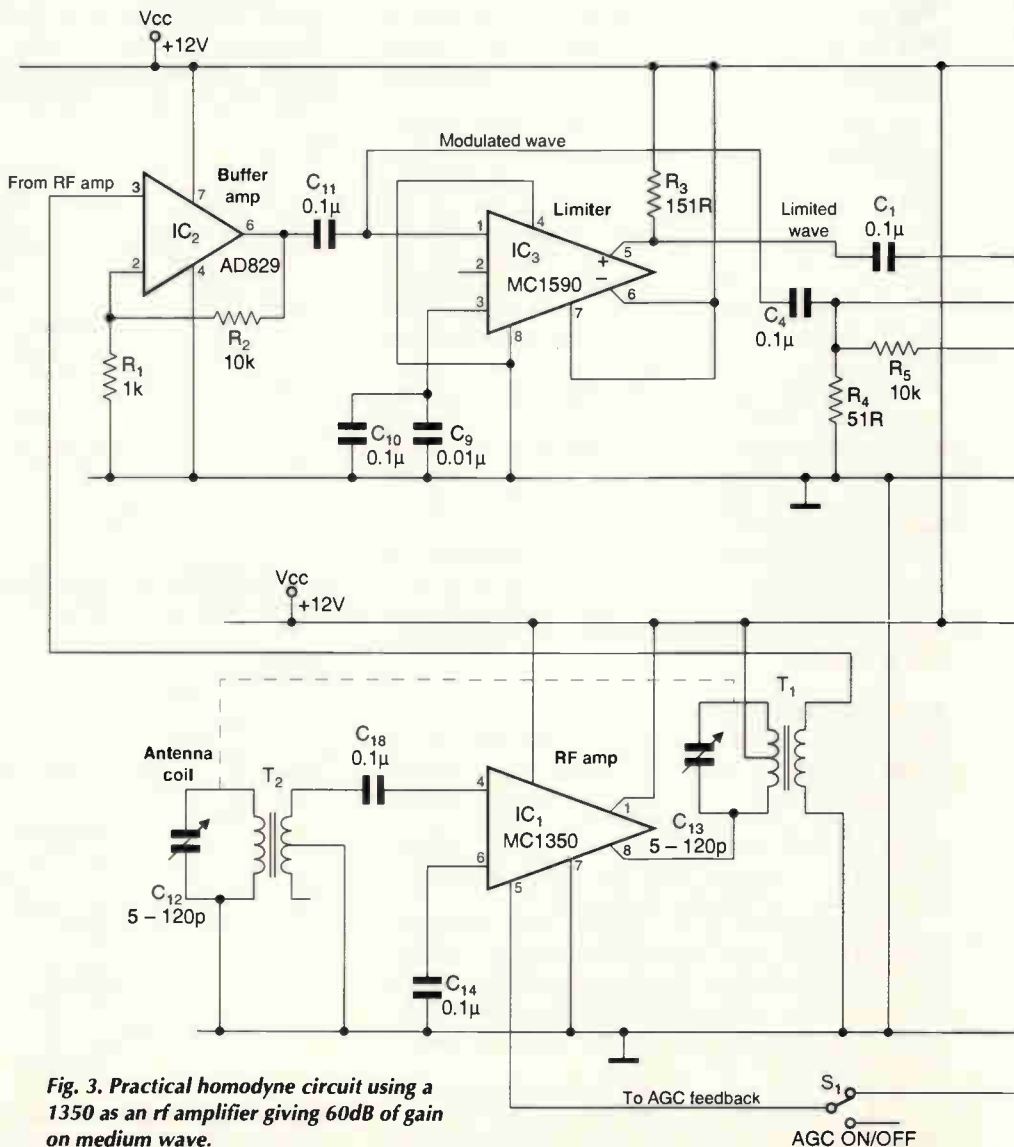


Fig. 3. Practical homodyne circuit using a 1350 as an rf amplifier giving 60dB of gain on medium wave.



designs. Our ambition at the time we published our first circuits was to build a joint homodyne/synchrodyne radio on one baseboard which could be switched from one to the other and using mainly the same components.

We were defeated though by being unable to tune the local oscillator for the synchrodyne by the same elements that were used to tune the homodyne. This problem is solved in the design presented here.

### Locking on

The heart of the phase-locked loop device is a free running voltage controlled oscillator, or vco.

Output from the vco is mixed with the incoming signal. The output from this mixer is amplified by the error amplifier and sent through a low-pass filter to produce a dc signal voltage. This direct voltage feeds back to the vco in such a sense as to move the vco closer in frequency to the incoming signal. There is no output from the mixer when the two signals are exactly at the same frequency and 90° out of phase.

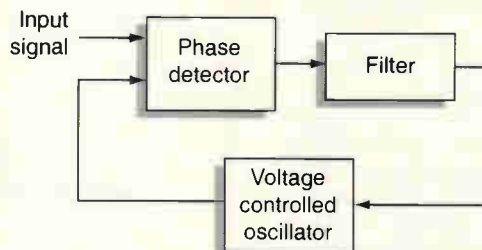
Two important parameters need to be considered, namely the lock range and the capture range. The capture range is that frequency range over which the incoming signal can be captured and locked onto by the vco. The lock range is that frequency range which once locked the signal stays locked to the vco.

A narrow capture range can cause the system to miss the lock completely if tuning is too rapid. In addition the signal is more easily thrown out of lock by a noise pulse. Too wide a capture

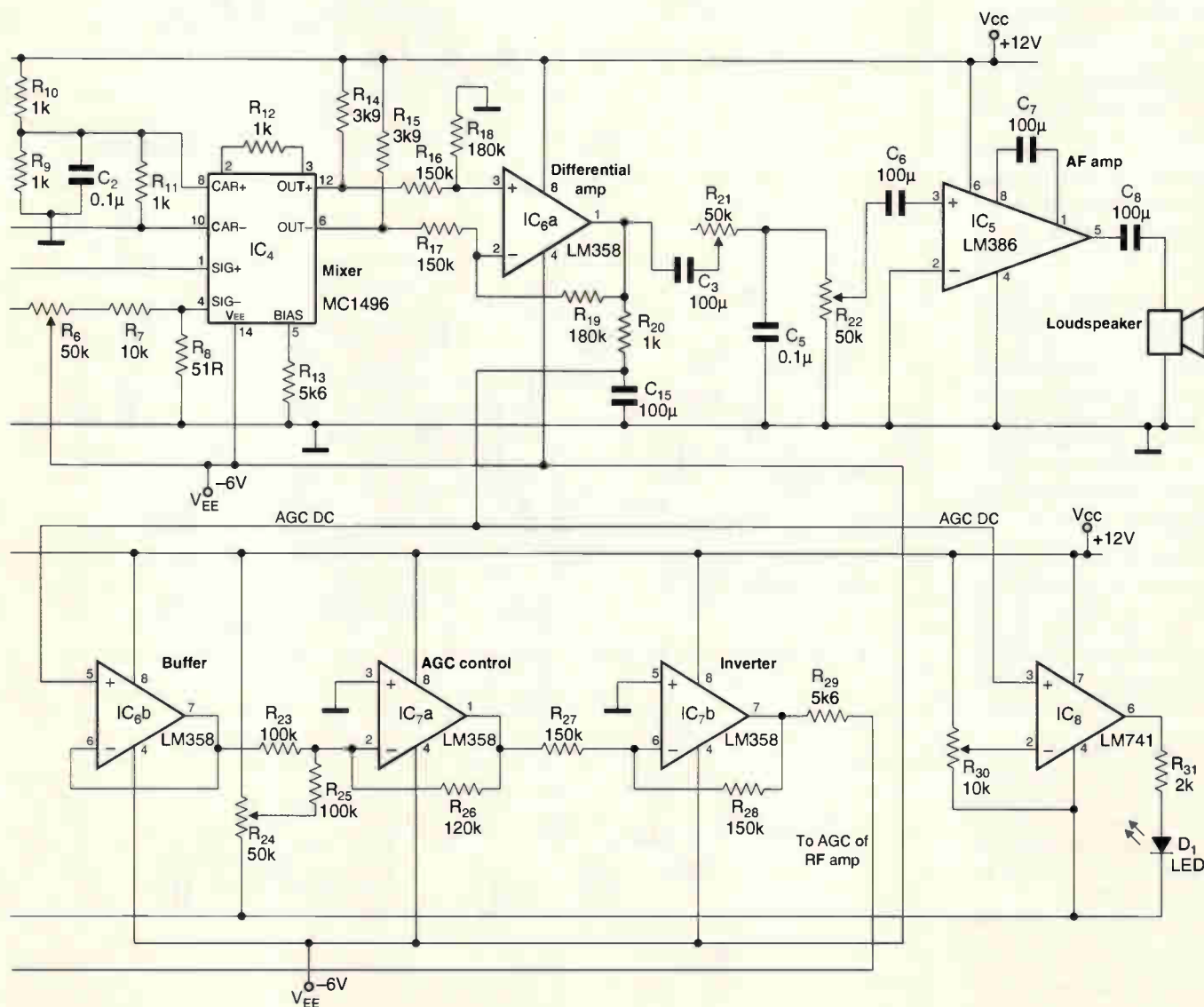
range means that one very strong signal in a frequency range locks on to the exclusion of all the other weaker signals.

Another parameter is the time – usually expressed as the number of cycles – that the pll requires to go to lock. This is determined by the low-pass filter in the feedback loop between the error amplifier and the vco.

All of these factors are important when designing a synchrodyne radio receiver.



Elements of the phase-locked loop.



## RF DESIGN

In one small box we have combined the homodyne and synchrodyne using shared components. Both are tuned by the same tuning element. You can switch from one to the other with a simple toggle switch and find yourself on the same frequency.

In designing the circuits described here, we have used cheap readily available components. The layouts of the receivers are not crucial since the frequency range is only 540 to 1600kHz.

### A practical homodyne design

A practical homodyne circuit is shown in Figure 3. A ferrite-rod antenna forms the input.

The rf amplifier is an easily obtainable MC1350 device. This is in fact a tuned-frequency amplifier meant for video purpose but it is highly suitable as an AM radio-frequency amplifier as it has a built-in automatic gain controller. At medium wave, its gain is 60dB.

In this circuit, the radio-frequency stage of the homodyne is tuned with a conventional air spaced variable capacitor. Note the use of two tuned circuits with ganged capacitors; one tuned circuit would not provide us with the selectivity we needed.

The tuned circuits and ferrite rod were stripped from an old Pilot radio. We would imagine than any ferrite rod antenna and tuning circuit designed for the medium wave band could be used.

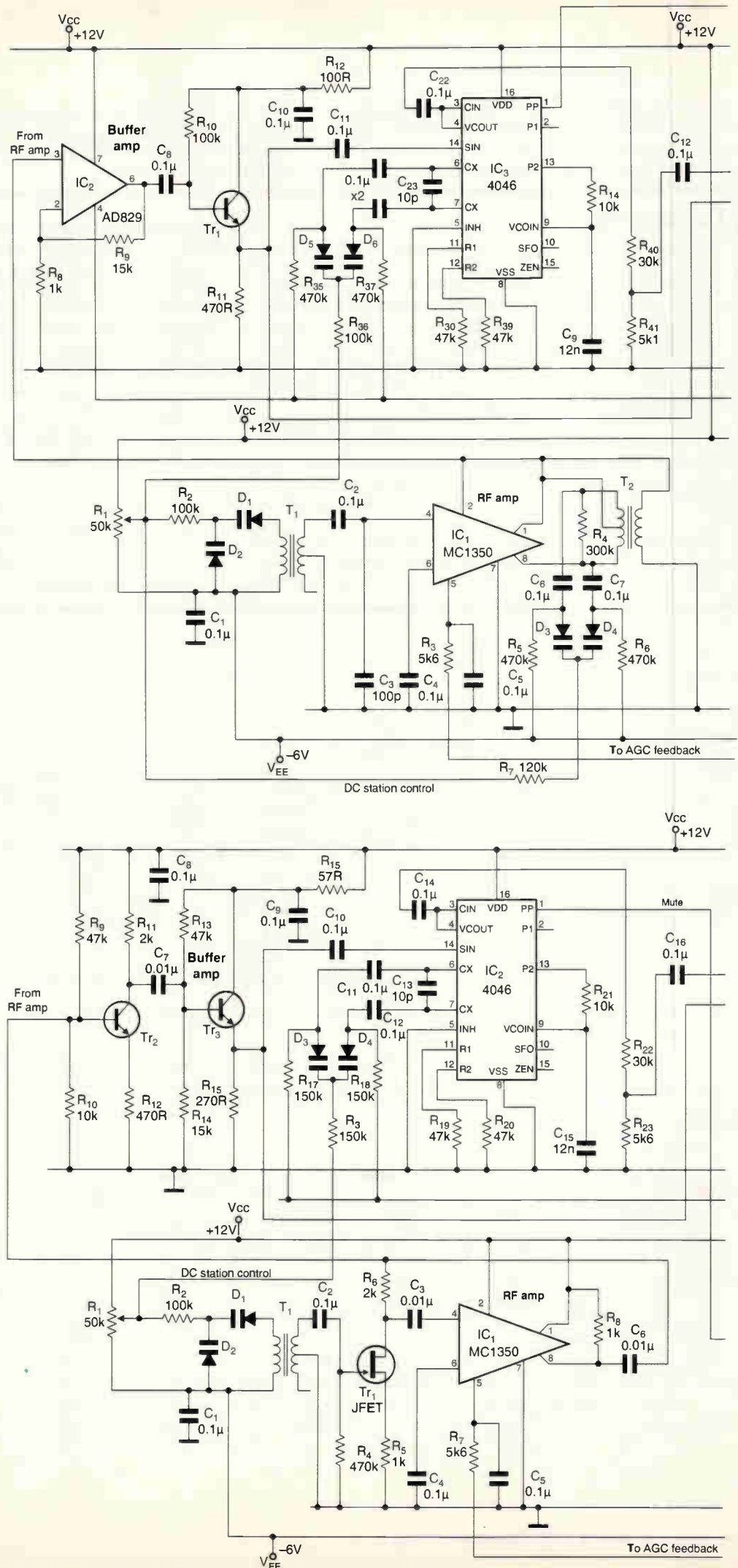
The limiter consists of an AD829 low noise video operational amplifier used as a buffer, followed by an MC1590 amplifier which performs the actual limiting. Mixing is performed by an MC1496 balanced modulator. This has a differential output so an LM358 configured as a differential amplifier is used to process the signal. Maximum input for this device is 200mV.

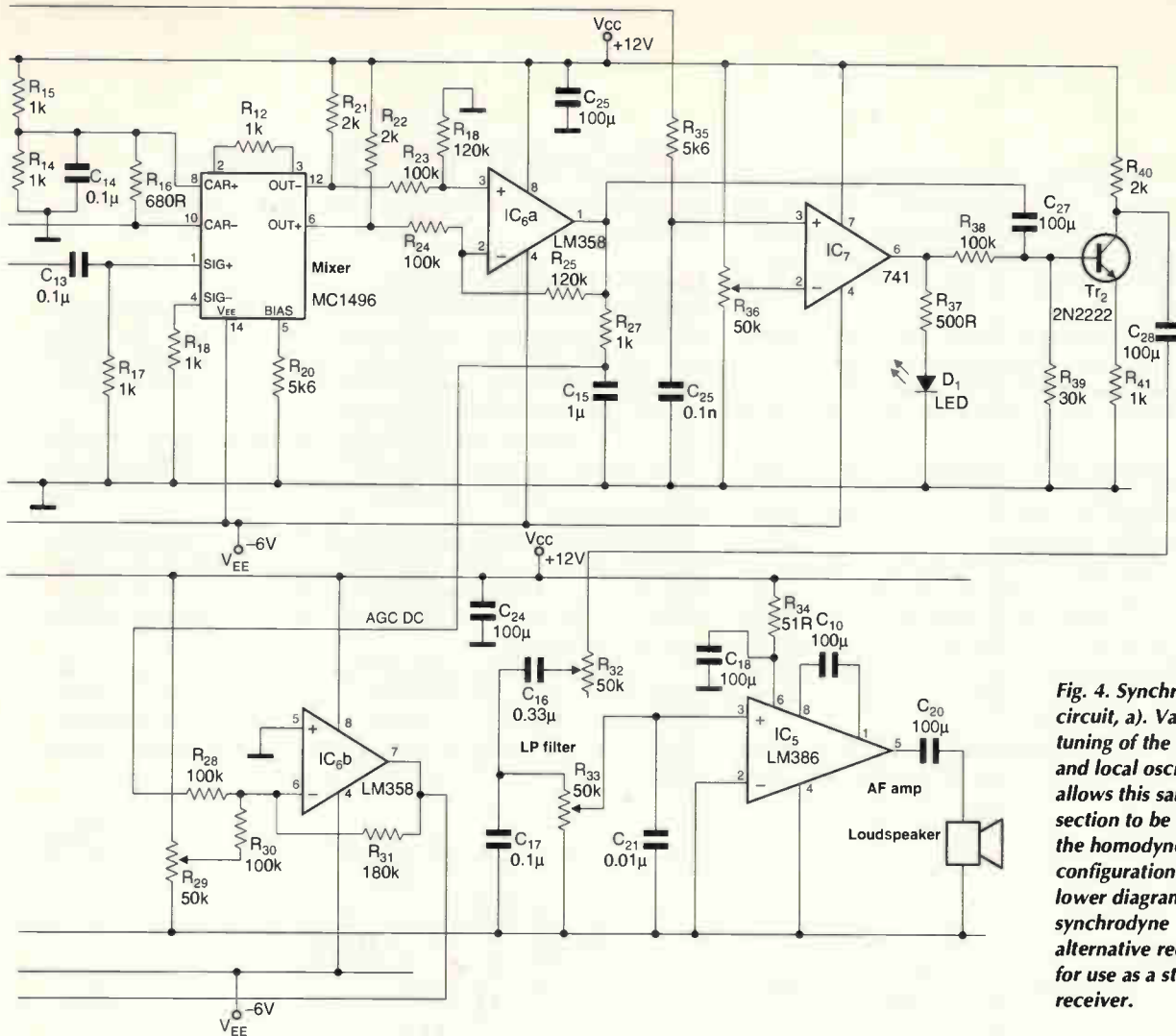
The low-pass filter at the output of the limiter determines its bandwidth, that is, selectivity. This is set for 9kHz. At the output of the mixer, there is also filter with a time constant of 200ms. This produces the rf amplifier's automatic gain-control signal.

### Automatic gain control

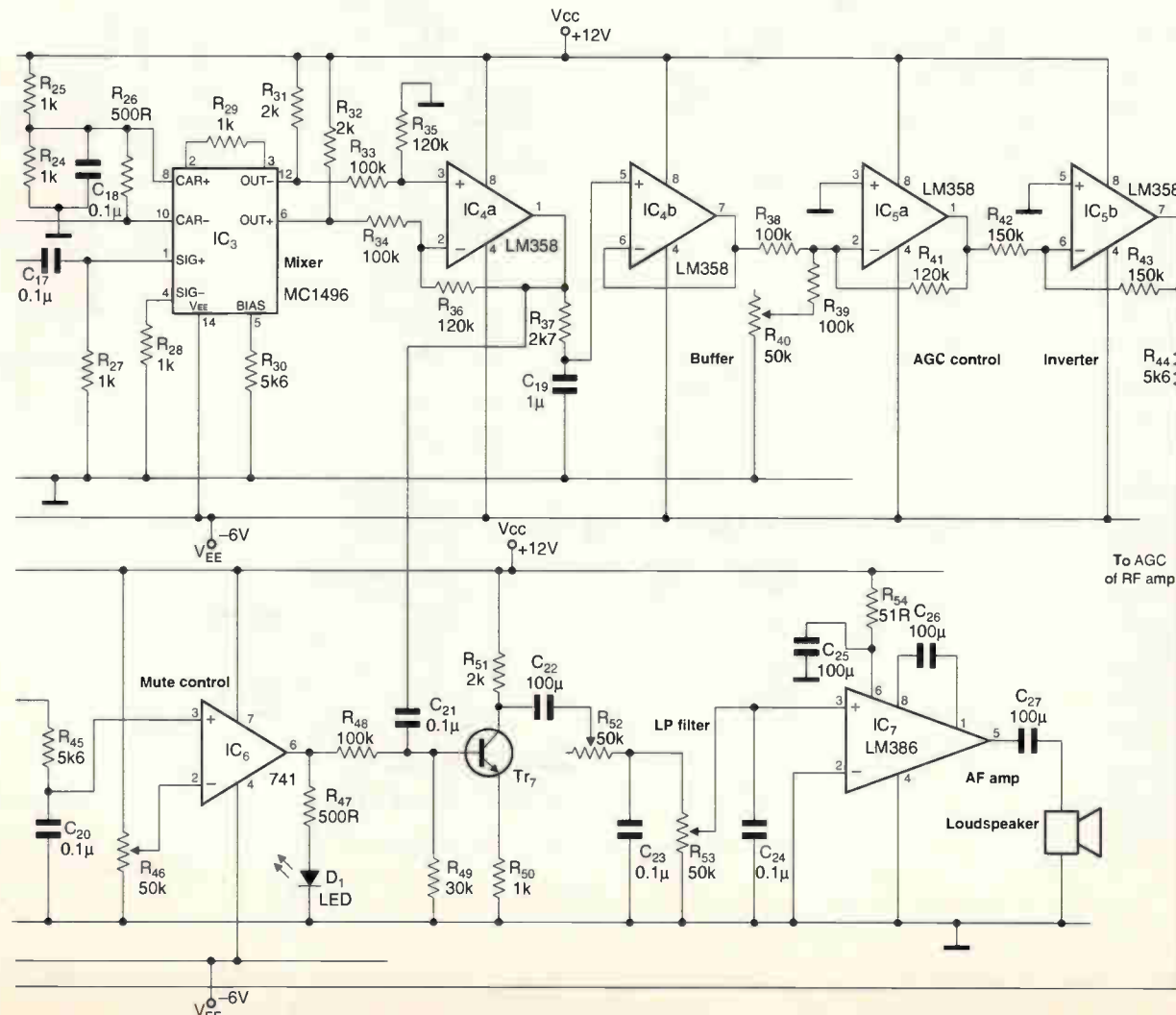
Conditioning of the automatic gain-control line to obtain the correct amplitude with correct polarity is done by three operational amplifiers. These act respectively as a buffer, an amplifier and an inverter.

Overall gain of the gain control is around 70dB. This gives a rather restricted dynamic range, but it is sufficient if you are only interested in local signals, which is usually the





**Fig. 4. Synchrodyne circuit, a). Varicap tuning of the rf stage and local oscillator allows this same tuning section to be used with the homodyne configuration. In the lower diagram, b), is a synchrodyne alternative redesigned for use as a stand-alone receiver.**



case with the medium-wave band.

Good quality receivers normally have an automatic gain-control range of about 100dB. If you want to receive weak distant signals then you should add a second rf stage and take the gain control line to both rf amplifiers. Gain of the amplifier may need to be adjusted accordingly. If you want to, you can switch off the automatic gain control to increase the gain for very weak signals.

The audio stage uses a conventional LM386, with volume control. Performance of the homodyne was as expected. The audio quality is certainly superior to that of a superheterodyne with diode detection. However, particularly at night, we could hear other stations in the background.

Figure 4a) shows the circuit of our synchrodyne. Because we wanted to use the same tuning element for the homodyne as for the synchrodyne, we have tuned both the rf stage and the pll local oscillator using variable-capacitance diodes from the MVAM family.

The MVAM109 has a capacitance ratio of about 15 to 1, or about 500 to 30pF as the reverse voltage is varied from 1 to 9 volts. The synchrodyne does not normally need a tuned rf stage as the selectivity is obtained after the mixer stage from the low-pass filter. However as our intention was to make a switchable homodyne/synchrodyne combination, this was our test rig to see if we could combine a tuned rf stage with a tuned local oscillator using the same control knob.

This section worked well and formed the basis of our final design. For those of you wanting to make a stand alone synchrodyne, the second tuned stage is not required. The first stage also does not need to be tuned, except in the presence of very strong local stations to prevent the front end being overloaded.

**Simpler front end**

In Fig. 4b) we show the circuit diagram of a synchrodyne with only one stage of rf tuning for those of you who want to build a stand-alone receiver. We are unfortunate to be located very close to a high power AM transmitter, so we need rf selectivity.

Output from the rf stage is fed via an LF358 buffer amplifier to the pll. The pll obtains the local oscillator locked to the incoming signal. A description of how a pll works is given in a separate panel.

We used the 4046 cmos digital phase-locked loop. There are several analogue plls available but this one has a built-in 90° phase shifter. The built-in lock detector is also useful. We use this to operate the mute.

The lock range has been set at 20kHz with the two resistors at pins 11 and 12. This is the range over which the local oscillator will lock with the incoming signal. If this range is too small, then it is not only possible to tune through the correct frequency without acquiring lock but in addition noise pulses can more easily throw the pll out of lock.

The best lock range is difficult to predict as it depends on the strength and nearness in frequency of the received stations. You should certainly experiment with these values to obtain the best combination for a given location.

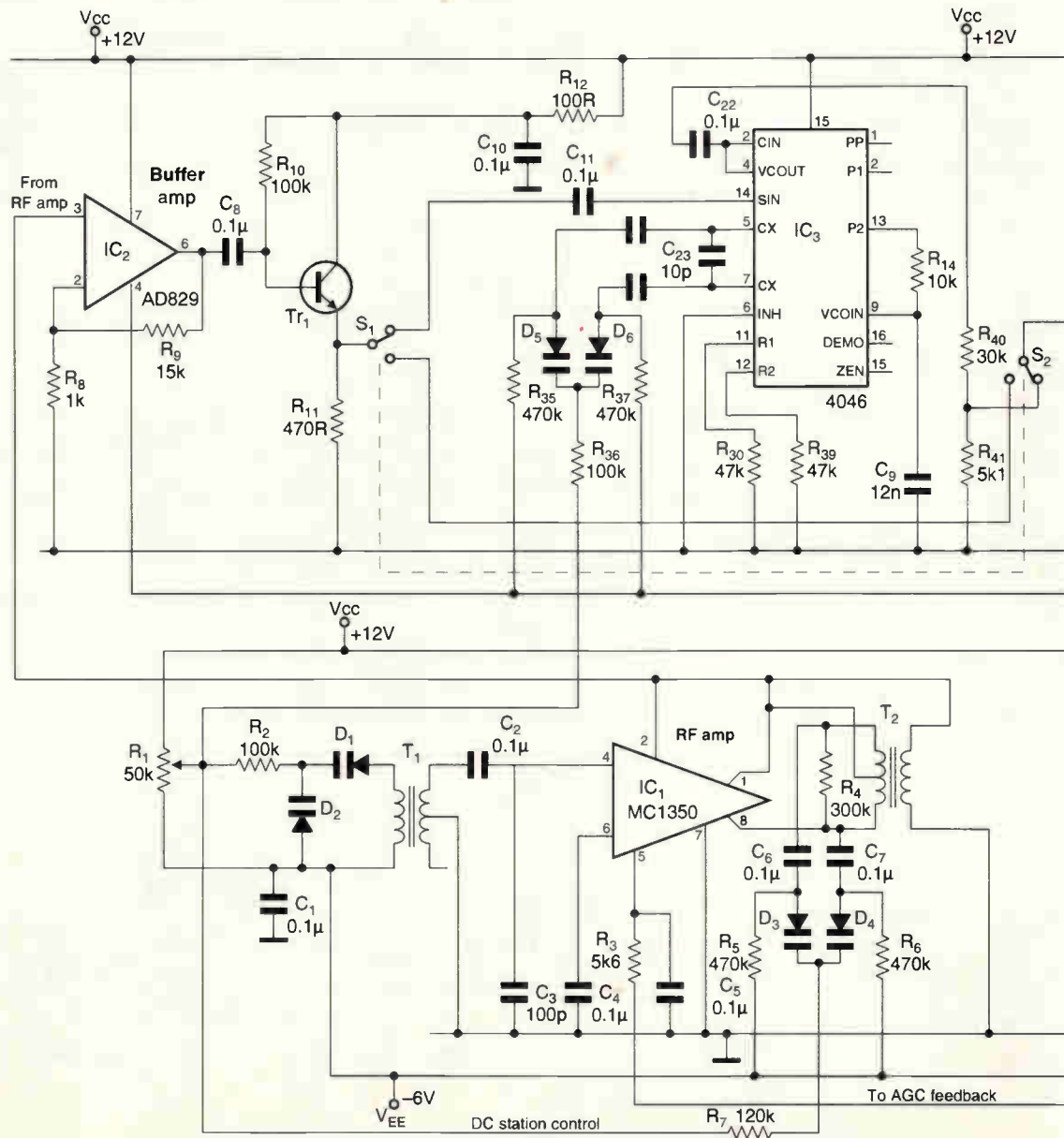
**Low-pass filtering for the pll**

Components R<sub>14</sub> and C<sub>9</sub> form the low-pass filter in the feedback of the pll. They determines how fast the pll locks into the signal. The values were appropriate for our needs but they may be altered to suit different circumstances. There is a trade off between speed of lock-in and noise. A faster speed is accompanied by greater noise.

Pin 1 of the pll goes high when lock is obtained and mutes the audio circuit via the 741 op-amp. This removes the severe drawback of the original Tucker design – the heterodyne whistle heard when tuning between stations.

The mixer and audio circuits the same as those for the homodyne. But in order to have a common tuning element for the two receivers, we had to design a new circuit using variable-capacitance diodes. In this way, as you can see from the circuit diagram, it is possible to tune both versions with one tuning control.

Varying the capacitance in this way has an additional advantage. As the diodes are tuned by a variable voltage, there are no capacitance effects from the hand. These can be annoying with capacitance tuned receivers. Diode tuning also eliminate the need for air-spaced ganged variable capacitors which are both heavy and expensive.



Have you got  
the **capacity**  
to **resist** this  
**inducement?**

12  
ISSUES  
*free*

**ELECTRONICS  
WORLD**

INCORPORATING WIRELESS WORLD

# Subscribe to **Electronics World** for 3 years but pay for just 2!

Please enter my subscription for:  
(tick one of the following)

- |         | UK                           | Europe                       | Rest of World                 |                     |
|---------|------------------------------|------------------------------|-------------------------------|---------------------|
| 1 year  | <input type="checkbox"/> £34 | <input type="checkbox"/> £49 | <input type="checkbox"/> £59  |                     |
| 2 years | <input type="checkbox"/> £54 | <input type="checkbox"/> £78 | <input type="checkbox"/> £94  | <b>SAVE 20%</b>     |
| 3 years | <input type="checkbox"/> £68 | <input type="checkbox"/> £98 | <input type="checkbox"/> £119 | <b>1 year FREE!</b> |

## In every monthly issue

- Detailed circuit diagrams
- New product reviews
- Informative design-oriented explanations
- CAE software
- and more .....!

## Full money back guarantee

If you're not completely satisfied with **Electronics World** within the first 60 days we'll refund your money in full - no questions asked.

Please allow 28 days for delivery of your first issue.

Please tick here if you do not wish to receive direct marketing promotions from other relevant companies.

## Three ways to pay

**1** I enclose a cheque for £ \_\_\_\_\_ made payable to **Electronics World**.

**2** Please charge my Visa/Mastercard/American Express/Diners Club  
(please delete as appropriate)

Card Number

Expiry date  /

Signed \_\_\_\_\_

Date \_\_\_\_\_

**3** Please invoice me/my company. Purchase Order No. \_\_\_\_\_

Name \_\_\_\_\_

Job Title \_\_\_\_\_

Company \_\_\_\_\_

Address \_\_\_\_\_

Tel. No. \_\_\_\_\_

Company VAT registration number \_\_\_\_\_

Return your completed form to:

Electronics World Subscriptions, FREEPOST RCC 2619,  
PO Box 302, HAYWARDS HEATH, UK, RH16 3BR

087

## Credit Card Orders

Tel: +44 (0) 1444 445566 (quoting code 087)

Performance of the synchrodyne is impressive. The audio quality is similar to that of frequency modulation. In addition, because of the lock-in ability of the pll, you only hear one station – even at night when the range of distant stations is greatly increased.

The tuning properties of the radio are quite different from those of a standard AM receiver. Too fast a tuning rate results in stations being skipped over. In addition, you do not have the ‘out-of-tune’ sound of a station that you get from a superheterodyne that is slightly off frequency.

**Homodyne and synchrodyne in one**

Finally we present in Fig. 5 the circuit of the combined homodyne/synchrodyne. This was built on a base board measuring 10 by 10cm.

We included an LED to indicate when the synchrodyne is in lock. The tuning dial was calibrated against our local stations.

A simple toggle switch takes you from homodyne to synchrodyne mode. It is possible to hear more stations with the homodyne than with the synchrodyne. This is because with the synchrodyne, weak stations near in frequency to strong ones are never heard as the strong station always locks in preference to the adjacent weak station.

It is possible that lowering the lock/capture range might improve the situation. This obviously lends itself to some experimentation. The homodyne, on the other hand, while having the same audio quality as the synchrodyne, cannot exclude stations on the same or nearby wavelengths. This means that you can hear more than one station simultaneously – especially at night.

For anyone interested in these types of receivers, these combined circuits can be used as an experimental rig to test out the different parameters, and to compare the homodyne directly with the synchrodyne.

Using readily available integrated circuits has enabled homodyne and synchrodyne receivers for the medium wave to be built cheaply and easily. If you had to build these devices using only discrete components, it would be a major undertaking.

However the use of these ICs is not without disadvantages. They often have a restricted range of input voltages and require, as in our case, a rather unusual negative voltage supply.

We would advise anyone building such devices to study the manufacturers’ data sheets rather than just relying on the circuit values given here.

Although we have limited our design to the medium wave, there is no reason why an AM synchrodyne couldn’t be built for the short wave. Analogue pll’s and mixers are available that operate up to at least 150MHz. Remember that you would need to use a long wire or rod antenna though, as ferrite rods are not efficient above about 2MHz. ■

**References**

1. Tucker, DG, ‘The History of the Homodyne and the Synchrodyne’ *J. Brit. IRE* April 1954.
2. Hawker, Ps., *Wireless World*, September 1972. (An account of synchronous detection).
3. Herbert, JW, *Wireless World*, September 1973. (Description of the homodyne).

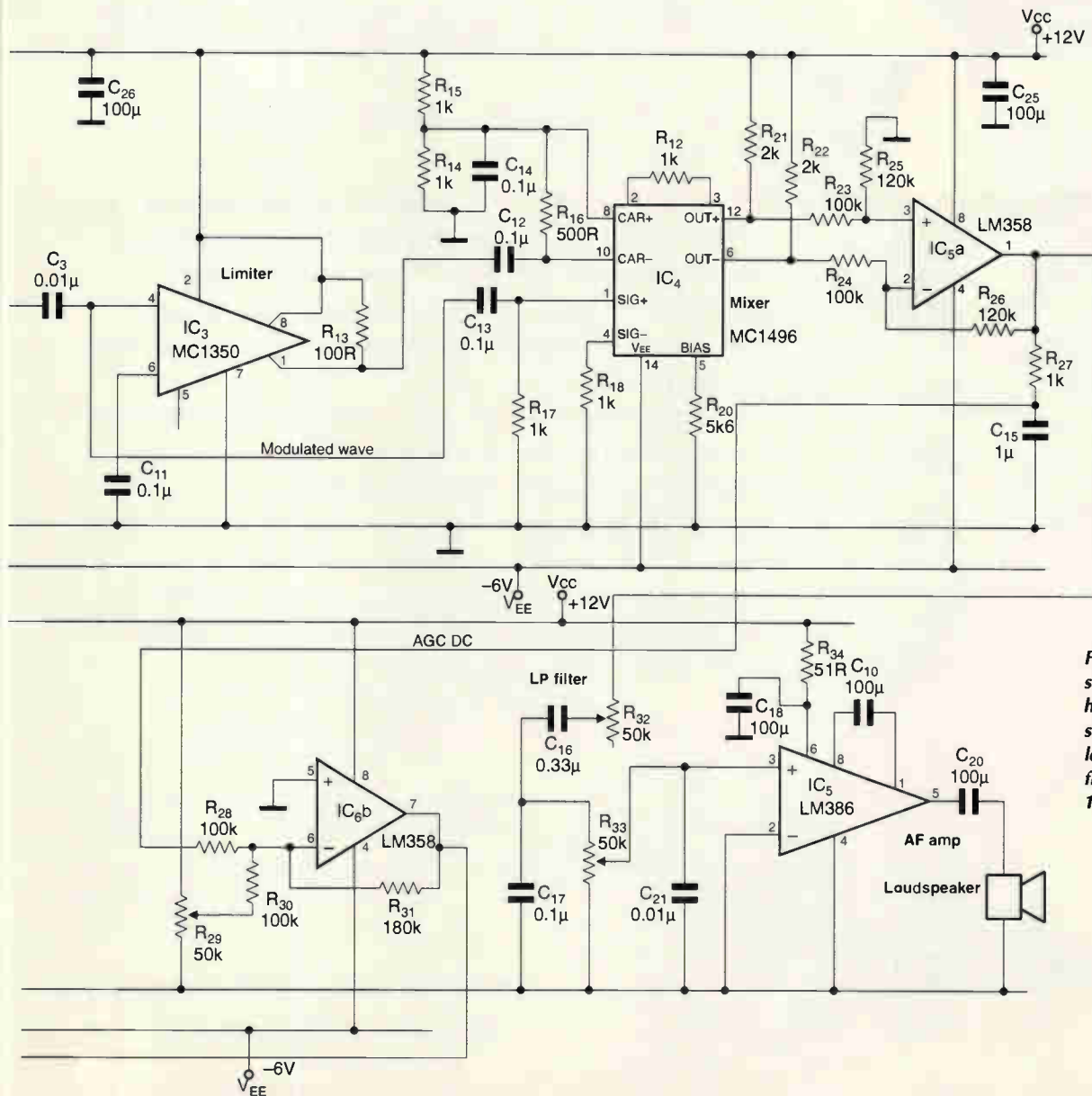


Fig. 5. Combined switch-selectable synchrodyne and homodyne receiver is kept simple by using a phase-locked loop IC. This complete design fits on a pcb measuring 10 by 10cm.

Featuring Jobs available  
**ONLY** on  
<http://www.electronicswweekly.co.uk>

electronicsWEEKLY  
**HyperACTIVE**

new and Exciting  
**Contract  
Job Vacancies**  
are now showing...

**HyperACTIVE** Jobs and Careers Centre is proud to bring you the industry's **FIRST EVER** recruitment service dedicated entirely to **YOU**, the **ELECTRONICS CONTRACTOR**. This new service allows recruiters to post their **LATEST VACANCIES** on to HyperActive, as soon as they receive them.

This all means that **YOU**, the **ELECTRONICS CONTRACTOR** (or potential first timer) has instant access to the latest and most exciting **CONTRACTS** available!

It couldn't be easier! Simply enter the HyperActive Jobs and Careers Centre and perform a 'Job Search', or alternatively create your own personalised 'Job File' and our e-mail alert service will instantly deliver to you the latest Jobs meeting your criteria!

**HyperACTIVE...the  
contact for  
YOUR Contract**

 **electronicsWEEKLY**  
Smart Recruitment Solutions

REED  
BUSINESS  
INFORMATION

Recruiter information: **0181 652 4894**  
or e-mail: [maggie.songer@rbi.co.uk](mailto:maggie.songer@rbi.co.uk)

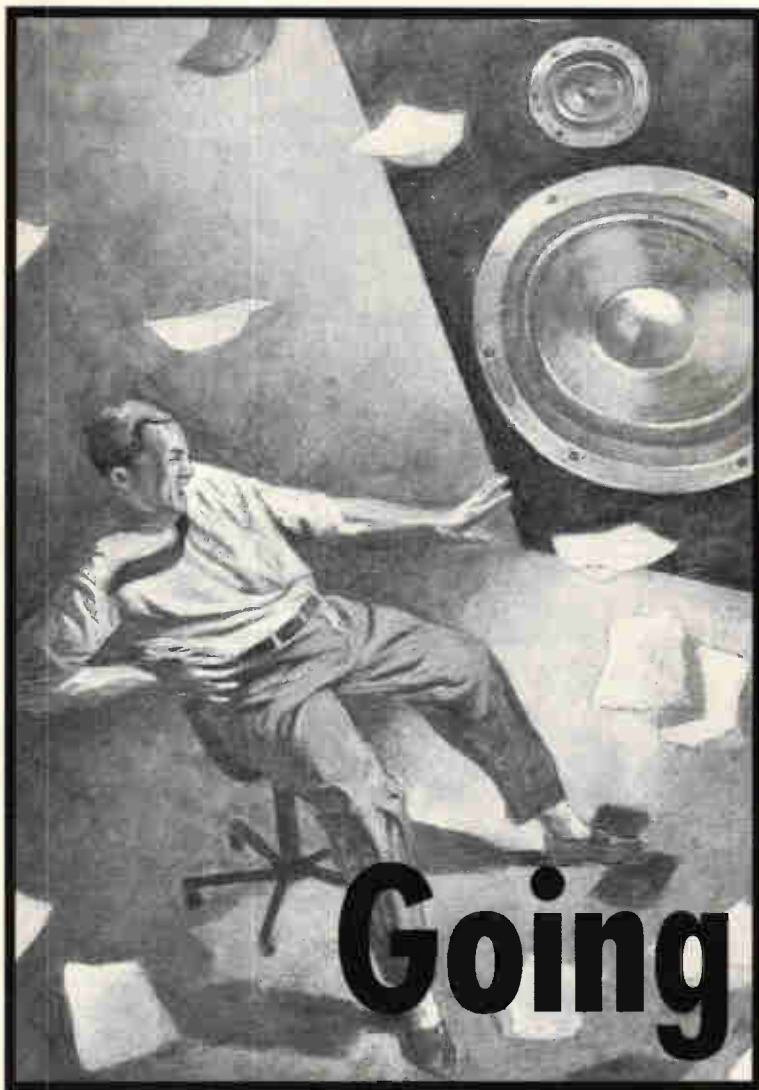
BROUGHT TO YOU IN CONJUNCTION WITH

**Hamilton Parker**  
— associates —

CIRCLE NO. 125 ON REPLY CARD

  
**Jones**  
resourcing





**In loudspeaker design, motional feedback is a useful tool, whether the motion feedback signal is derived from a separate sensor of from the voice coil itself. Russel Breeden looks at its uses and limitations in relation to extending bass response.**

# Going lower

**O**pen any tome on speaker design and you will be forgiven for thinking that obtaining deep bass from a small enclosure is impossible. It's not that the mathematics used are at fault, but rather that as far as bass extension is concerned they miss the point.

The root problem behind designing any kind of speaker enclosure is what to do with the rear wave. Unfortunately a speaker diaphragm radiates equally well from both front and back. The sound waves emanating from either side are in antiphase.

Due to the long wavelength of sounds in the bass register, the driver is too small to prevent both sets of sound waves cancelling out. In effect an acoustic short circuit occurs.

## Removing rear radiation

One obvious solution is to make the distance between the cone sides as long as possible. One option is simply to mount the driver on a large baffle. But in practice a baffle big enough to work down to 30Hz would need a shortest dimension of over 5m. Such a

dimension is impractical in most domestic environments – especially where stereo is concerned.

A more practical solution is to mount the driver in a sealed enclosure, trapping the rear wave within the cabinet. This has the advantage of simplicity, but unfortunately the enclosed air's stiffness raises the driver's bass resonant frequency. Usually, it does so to a value that is too high for true deep bass response.

Of course other solutions have been proposed. By and large they operate by phase inverting the rear radiation from the cone and adding it to that from the front. With reflex enclosures electronic response contouring has a long history.

However with conventional designs the response cannot be extended much below the vent resonance because of the phase shift between cone and vent. One way of tackling this is to use the microflex technique described in this journal.<sup>1</sup>

Again such procedures have drawbacks. The bass reflex enclosure for example has a deeper bass extension

than a closed box but a poorer transient response. The transmission line achieves bass extension by delaying the rear wave and adding it to the driver's, somewhat out of phase. Its operating principle is still only approximately understood despite being around for over thirty years.

Along with these techniques a large body of theory has evolved. Mainly due to the work of Thiele and Small, the bass response of both closed box and reflex systems can be accurately modelled with a few equations. These equations completely describe the behaviour of a speaker system in the bass and appear, at first sight, to rule out small speakers with extended bass response.

## Bass resonance influences

Totally dominating the response of any speaker system is the bass resonance. This resonance is due to the mass of the speaker cone reacting with the compliance of the surround.

With only two reactive elements you would expect that the response curve of a speaker would look like that of a

simple tuned circuit. That is to say it would look like a single peak with a response that drops off at 6dB/octave either side.

The reason that the response looks the way it does – i.e. like a second-order filter – is because of the reactive

nature of the air load into which it works. This effectively tilts the tuned circuit response upward at 6dB/octave.

For a driver to maintain a level output with descending frequency, the driver excursion would have to increase fourfold for every octave

extension. In a conventional cabinet, below the resonant frequency the cone excursion levels out with constant drive.

If you take your driver and place it in a sealed box, commonly misdescribed as an infinite baffle, the resonant fre-

### Manipulating Q

This circuit diagram shows how, in practical terms the output impedance, and hence  $Q_{TC}$ , of a speaker system can be altered. Being able to do this is useful if you need to alter the response of a speaker in an enclosure that cannot be altered, among other things.

In an ordinary power amplifier, the output impedance is kept low by the large amount of negative voltage feedback employed.

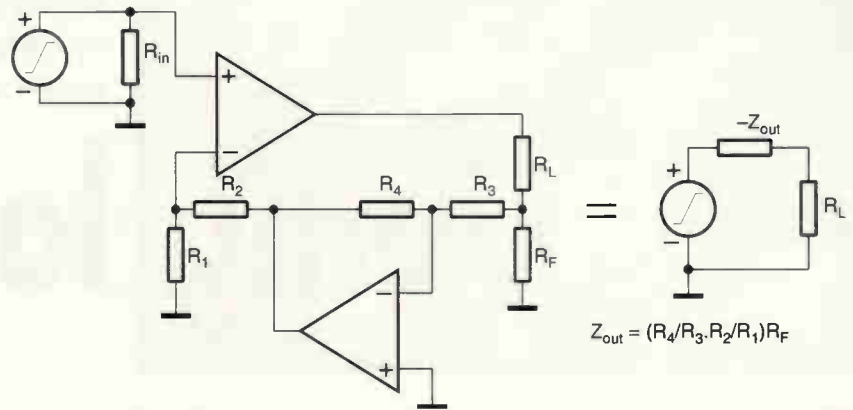
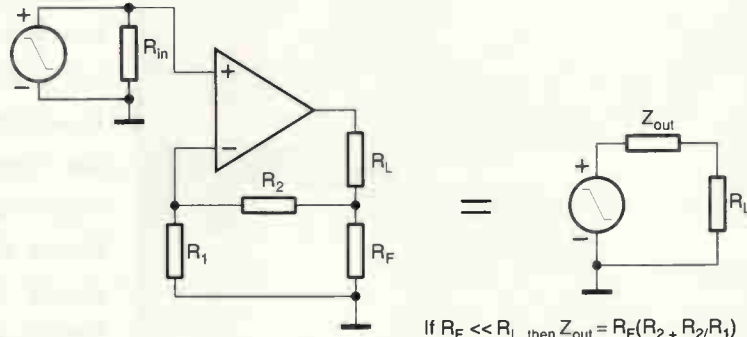
In the upper part of the circuit diagram, introducing a small resistor  $R_f$  in series with the load and taking negative feedback from the junction changes the feedback to current mode. Output impedance  $Z_{out}$  increases by  $A \times R_f$  where  $A$  is the voltage gain defined by  $R_2 + R_1/R_2$ . This is of limited use since it tends to reduce the damping on the speaker.

Looking at the bottom circuit diagram, an inverting buffer has been added between  $R_f$  and the feedback loop  $R_2$  and  $R_1$ . This has the effect of inverting the sense of the signal across  $R_f$  providing positive feedback. In this way  $Z_{out}$  decreases by  $A \times R_f$  and can be made negative.

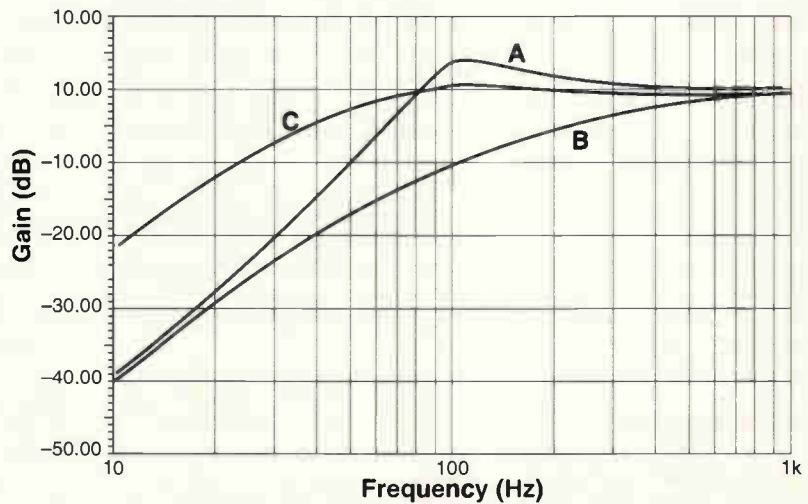
The positive feedback damps the speaker's resonant peak. The curves show the response of a hypothetical speaker system. Curve A shows the unmodified response with a turnover frequency of 100Hz and a Q of 1.5. Curve B shows the response when sufficient positive feedback has been applied to reduce the response q to approximately 0.3.

Response curves of sub 0.5 Q have the property of rolling off very slowly and possessing excellent transient response. The speaker system can now be equalised for a -3db point at 40Hz with a simple 6dB/octave bass boost filter. This requires a maximum bass boost, in this example, of 12dB.

If the speaker drive voltage is plotted, it follows the difference voltage between the initial and final response curve.



Two power amp configurations. Introducing a small resistance  $R_f$  as in the top diagram and taking negative feedback from the junction changes the feedback to current mode. This can be useful but it reduces speaker damping. In the bottom diagram, adding the inverting buffer causes positive feedback that damps the speaker's resonant peak.



Curve A is unmodified speaker response while Curve B is the same speaker subjected to Q lowering via the second circuit diagram above. Using a 6dB/octave electronic equalisation on curve B results in Curve C.

quency rises due to the stiffness of the enclosed air. The smaller the box, the greater the rise. From basic Thiele/Small theory you can show that speaker efficiency is proportional to the cube of the free air resonant frequency. This means for example that reducing the free air resonance – and hence the system resonance – merely results in an impossibly inefficient system.

### Small, but bass-friendly...

How then can a small bass-friendly system be built? There are several possibilities. You can use equalisation to flatten the response. This procedure is well documented and several designs have appeared in this journal over the years.

Unfortunately, second-order equalisers are a little thin on the ground. Perhaps the best known is the Linkwitz filter described back in 1978. The Linkwitz system used a pair of Kef B139s in a small sealed cabinet. The network that he designed is capable of being modified to suit almost any small box system. In the original article the  $-3\text{dB}$  response of this subwoofer system was extended from 54Hz to 30Hz.

Going back a bit further in time to the early fifties, positive feedback was employed to increase damping on speaker systems. To explain further, the valve amplifiers of the day nearly all exhibited a high output impedance. This led to a peak in the bass response of the speaker systems that they drove. In order to reduce this peak, zero output impedance was desired.

By using positive feedback the output impedance can be reduced beyond zero to negative values.

### Perfect damping

Modern power amplifiers, except perhaps those which still employ valves, have a zero output impedance as a matter of course. However the resonant peak of a sealed enclosure could be completely damped out if the voice coil resistance could be removed. By making the output impedance of the amplifier negative and equal to the voice coil resistance, a theoretically perfect damping of the bass resonance can be achieved.

With nearly fifty years of progress behind us, we can relate these ideas to Thiele-Small analysis. The total  $Q$  of a sealed enclosure,  $Q_{tc}$  is the parallel sum of both the mechanical and electrodynamic damping. The electrodynamic damping  $Q_{ec}$  is imposed by the

size of magnet used.

In practice  $Q_{ec}$  is usually an order of magnitude greater than the mechanical  $Q$ , i.e.  $Q_{mc}$ . It can be defined as  $k(R_e + R_g)$  where  $k$  is a constant,  $R_e$  is the voice coil resistance and  $R_g$  is the output impedance of the drive source.

By inspection, it is obvious that  $Q_{ec}$  and hence  $Q_{tc}$  can be varied over a large range. In fact they can be varied from zero to  $Q_{mc}$  just by manipulating  $R_g$ .

As  $Q_{ec}$  approaches zero the response of the speaker system approaches a straight line rising at 6dB/octave. In fact, within the piston range of the driver it operates as a differentiator. Simple 6dB/octave bass boost will produce a straight line response.

In practice such a system can be made to work well in the bass range, but it is instructive to look closer at what's really going on. Drivers are two way devices. Move the cone and you generate a voltage, apply a voltage and you get a movement.

The voltage generated by moving the cone is due to the voice coil cutting the magnetic flux lines. This voltage is generated every time the speaker moves. Its output is proportional to the cone velocity. In consequence the impedance of the driver varies.

### Negative output impedance

The rise in impedance at resonance is entirely due to this effect. In a positive feedback system this rise in impedance translates into a drop in the positive feedback applied. This reduces the amplifier gain, damping the cone's bass resonance. Hence using negative output impedance is a form of velocity feedback, or in other words, motional feedback.

Negative output impedance has also been successfully employed with reflex systems by tailoring  $Q_t$  to a suitable value or, in the case of Stahl's<sup>2</sup> work, removing the voice coil's impedance and substituting electronically generated speaker parameters using gyrator techniques.

Another way of cheating mother nature is motional feedback. Here, a transducer is fitted to the speaker cone and a signal proportional to either the cone velocity, excursion or acceleration obtained.

After some signal processing – equalisation again – this signal is used to control cone motion and extend the bass response. In fact the amplitude response of a speaker system is proportional to the cone acceleration and the feedback signal derived is used in classic servo mode.

Apart from pure equalisation, all

these systems derive their control from sampling cone motion. They are all dependent for their success on a knowledge and application of Thiele-Small theory.

No laws of physics are broken by these systems. The same Thiele-Small theory allows the selection of box size so that the speaker cannot exceed its excursion limits even when equalised to sub sonic frequencies.<sup>3</sup>

### And what about performance?

No discussion of these systems would be complete without considering their performance relative to conventional speakers. Provided that a reasonably efficient driver is used, domestic listening levels can be obtained with the application of a few watts. Bass equalisation, however obtained, will require extra power.

A 90dB efficient driver will only require 4W of input power to reach the standard 96dB sound-pressure level. This is a deafeningly large sound in a small lounge. A 40W amplifier would allow an extra octave of bass equalisation to be applied. A 160W amplifier would be needed to carry the equalisation down yet another octave. However due to the distribution of sound intensity versus frequency, an extra 6dB of headroom is available at very low frequencies.

This agrees with empirical results obtained from a pair of experimental speakers that I recently designed. These had a bass resonance of 70Hz with a  $Q$  of 1. After careful equalisation the  $-3\text{dB}$  point was lowered to 25Hz – almost two octaves. These are capable of producing powerful bass at high levels without audible distress.

Since the cabinets have a volume of only 29 litres and employed a pair of 250mm diameter drivers this result never fails to impress unwary visitors.

### In summary

We live in an age where the audio industry is reduced to selling the same old tired amplifier/speaker combinations whose response is virtually non-existent below 70Hz. With the sound sources now available, this state of affairs is becoming untenable to both audiophiles and the general public at large.

I hope that this article will make a small contribution to the realisation that this problem is not only solvable but that the solutions are soundly based on Thiele-Small theory. Indeed they are not possible without it. ■

# NOW AVAILABLE

## RANGER 2

for Windows 95™

Demo Software - available from our Web Address

### The Complete, Integrated Schematic & PCB Layout Package

#### Windows Ranger 2

For Windows 95 & NT

- New Hierarchical Circuit
- Split Devices • Gate & Pin Swap
- New Edit Devices in Circuit
- Copper Fill • Power Planes
- Autorouter • Back Annotation

£250

#### Ranger 2 Outputs:

- Full Windows Outputs  
Plus - HP-GL  
Gerber  
NC Drill  
AutoCad DXF

#### Windows Ranger 2 with Spectra SP2

Ranger & Spectra Autorouter provide the most cost effective PCB Design system available. A powerful, intuitive system at an outstanding price!

£600

#### Windows Ranger 2 Upgrade

Upgrade your existing PCB Package to Windows Ranger 2.

£150

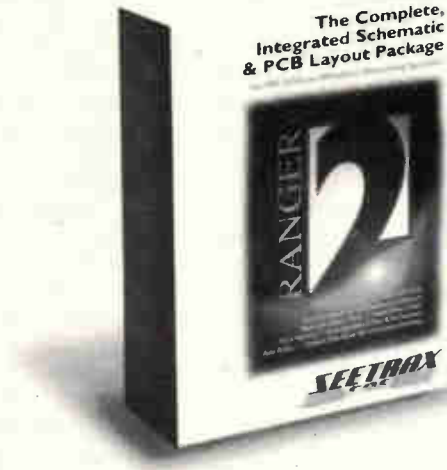
#### SPECIAL OFFER Ranger 2 Lite £35 (Prices exc VAT/P&P)

Demo Software - download from <http://biz.ukonline.co.uk/seetrax>

## Call 01730 260062

Fax 01730 267273

Old Burion Limeworks, Kiln Lane, Burion, Petersfield, Hants. GU31 5SJ



Advanced Systems & Technology for PCB Manufacture

CIRCLE NO.126 ON REPLY CARD

## CVC CHELMER VALVE COMPANY

### for High Quality Audio Tubes

The CVC Premium range offers continuity of supply of high grade audio valves. Based on the best from world-wide sources, processed by us to suit audio applications. Pre-amp types tested/selected for LOW NOISE, HUM and MICROPHONY. Power valves are given controlled BURN-IN to improve stability and to select-out those with weaknesses. MAJOR BRANDS also supplied as available.

#### A selection of CVC PREMIUM Audio Tubes

PRE-AMP TUBES	POWER TUBES	POWER TUBES	POWER TUBES	SOCKETS ETC.
ECC81 5.00	EL34G 7.50	(Continued)	B9A (Glass or PCB) 1.60	
ECC82 5.00	EL34 (TESLA) 8.00	6336A 46.00	B9A (Ch. or PCB Gold Plated) 3.00	
ECC83 5.00	EL34 (Large Dia.) 8.50	6550A 11.00	Octal (Ch. or PCB) 1.80	
ECC85 6.00	EL84/6B05 4.70	6550WA or WB 13.50	Octal (Ch. or PCB) Gold Plated 4.20	
ECC88 5.00	EL509/519 13.00	7581A 11.00	4 Pin (for 2A3, 300B etc.) 3.30	
ECF82 5.00	E94L/71199A 6.50	807 9.00	4 Pin (for 2A3, 300B etc.) (Plated) 5.00	
ECL82 5.00	KT66 9.50	811A 11.00	4 Pin Jumbo (for 211 etc.) 11.00	
ECL86 5.00	KT77 12.00	812A 34.00	4 Pin Jumbo (for 211 etc.) Gold Plated 15.00	
EF86 5.50	KT88 (Standard) 12.50	845 30.00	5 Pin (for 807) 3.00	
EF86 10.00	KT88 (Gold Special) 21.00		7 Pin (for 6X300B) 4.50	
E80F Gold Pin 6.80	KT88 (Gold Lion/Plum) 60.00	<b>RECTIFIER TUBES</b>	9 Pin (for EL 1500, Ch. or PCB) 5.00	
E81CC Gold Pin 8.00	PL509/519 9.00	E280 4.00	Screening Can (for ECC83 etc.) 2.00	
E83CC Gold Pin 7.50	2A3 (4 or 8 Pin) 14.50	EZ81 4.50	Anode Connector (for 807 etc.) 1.50	
E88CC Gold Pin 8.00	211 22.00	GZ32 9.50	Anode Connector (for 6550A etc.) 1.70	
6EU7 6.00	300B 50.00	GZ33 9.50	Retainer (for 6550A etc.) 2.00	
6SL7GT 4.50	6C33C-B 27.00	GZ34 6.50		
6SN7GT 4.50	6L6GC 6.50	GZ37 6.50		
6922 5.20	6L6WGC/5881 8.00	5U4G 5.00		
7025 6.50	6V8GT 5.00	5V4GT 5.00		
	6080 11.50	5Y3GT 4.00		
	6146B 10.50	5Z4GT 4.50		

#### ...and a few "Other Brands" (inc. Scarce types).

5AR4/GZ34 MULLARD 20.00	6B4G RAYTHEON 27.00	6SN7GT BRIMAR 5.50	13E1 STC 110.00
5R4GY RCA STC 7.00	6BW6 BRIMAR 5.00	12AT7WA MULLARD 5.00	805 CETRON 50.00
5R4WGY CHATHAM USA 10.00	6BX7 GT SYLVANIA 8.50	12AY7 GE SYLVANIA 7.75	5842A GEC 15.00
5U4GB RCA or GE 12.00	6CG7/6F07 SYLVANIA 7.50	12AZ7 GE 7.50	6080W TUNGSOE 12.50
5Y3WGT SYLVANIA 5.00	6CL6 RCA or GE 5.00	12BH7A GE or RCA 13.00	6550A GE 22.00
6AS7G RCA or SEMENS 12.00	6CW4 RCA 11.00	12BY7A GE 9.50	6146B GE 17.00
6AU6WC SYLVANIA 3.50	6SL7GT STC 5.50	12E1 STC 12.00	

ASK ABOUT ANY TYPES NOT ON THIS LIST

ALL PRICES IN U.K. POUNDS £

Please note carriage extra + VAT (EEC only) - When ordering state if matching required (add £1.00 per tube). Payment by CREDIT CARD (ACCESS, VISA, MASTERCARD) or BANKERS DRAFT, TRANSFER or CHEQUE (UK ONLY). FAX or POST your ORDER - We shall send PROFORMA INVOICE if necessary.

Valve Amplifiers sound better still fitted with CVC PREMIUM Valves!

Chelmer Valve Company, 130 New London Road, Chelmsford, Essex CM2 0RG, England.

☎ 44 (0)1245 355296/265865 Fax: 44 (0)1245 490064

CIRCLE NO.127 ON REPLY CARD

## CONTROL & ROBOTICS from Milford Instruments

#### BASIC Stamps-

- Re-Programmable
- BASIC language
- RS232 Serial ports
- 8 or 16 I/O lines
- SPI/DTMF
- Fast development

#### Scenix

- Fastest 8-bit micro
- 50MIPS
- Flash Eprom
- 18/28 pins
- PIC16C5x pin replacement

#### Serial LCDs

- RS232 Serial interface
- 2x16 to 4x40
- Simple 3-pin connection
- Integral Keypad option
- Large Numerics option
- Driver chips available for OEM use

#### Robotics

- Humanoid
- 5-Axis Arm
- Walking Insect

#### 3-Axis Machine

- Stamp 2 based
- Drills PCBs
- 3-Axis movement
- Stepper drive
- 4 thou resolution
- Win 3.1 software

#### Servo Controller

- Control up to 8 servos
- RS232 Commands

#### IR Decoder

- Uses any remote
- 7 digital outputs
- Toggle/momentary
- Re-Programmable

Milford Instruments 01977 683665 [www.milinst.demon.co.uk](http://www.milinst.demon.co.uk)

CIRCLE NO.128 ON REPLY CARD

Running Fourier transforms take the bind out of examining spectra in a run of digital samples. This makes the technique particularly useful for designing digital filters, as **Allen Brown** explains.



# Running Fourier transforms

The Fourier transform has become a well established method for determining the frequency content of signals. There are several variations of the Fourier transform and its implementation, the most common of which is the fast Fourier transform, or FFT.

One particular variation is the running Fourier transform. It has a number of interesting applications, including real-time multi-bandpass digital filtering.

When provided with a batch of digital samples, applying the FFT gives the complex spectral set. If there are  $N$  data samples in the original data set, you are required to perform of the order of,  $N \log_2(N)$  calculations when using the FFT. Given a second set of  $N$  data samples you would be expected to perform another  $N \log_2(N)$  calculations.

What if you had a continual stream of data samples and you wanted to calculate a new spectrum every time a new sample arrives? Would you have to perform  $N \log_2(N)$  calculations each time?

Using the running Fourier transform makes this unnecessary. In fact the number of calculations is greatly reduced. If you have calculated the  $m^{\text{th}}$  spectra, the  $(m+1)^{\text{th}}$  spectra, after the arrival of the new sample  $x(N+m)$ , using the running Fourier transform is given by,

$$X_{m+1}(k) = e^{j2\pi \frac{k}{N}} \left\{ X_m(k) + \frac{x(N+m) - x(m)}{N} \right\} \quad 1$$

where  $k$  is the frequency index, ( $k=0,1, 2, \dots, N/2-1$ ). The derivation of this expression is given in the panel entitled 'Deriving...'

As you can see from this expression, once you have calculated the first spectrum  $\{X_0(k)\}$  successive spectra are calculated recursively. The spectrum  $\{X_m(k)\}$  has  $N/2$  complex values. But in your application you may only be interested in the behaviour of the spectrum at particular frequencies. As a result, you only need to calculate the spectral values of interest.

You can see from equation 1 that you need to remove the oldest data point  $x(m)$  and add the newest data point  $x(N+m)$ . This means that you have to store all the data points  $N$  in the current batch. This is best achieved by using a *circular buffer*, which I discuss later.

## Monitoring discrete spectral values

To illustrate how the running Fourier transform operates, consider this example.

**List 1. Example of how the counter is implemented in C. The percentage sign represents modulus.**

```
x[(0+7)%7]=x[0], x[(1+7)%7]=x[1], ...
x[(6+7)%7]=x[6], x[(7+7)%7]=x[0], x[(8+7)%7]=x[1], ...
```

**List 2. Implementing the running Fourier transform counter example in C. Two-dimensional arrays X[0][k] and X[1][k] represent the real and imaginary spectral values.**

```
NEW_X[0][k] = OLD_X[0][k]*cos(ak)
              -OLD_X[1][k]*sin(ak)-recipN*(x[newest]-x[oldest])*cos(ak);

NEW_X[1][k] = OLD_X[0][k]*sin(ak)
              +OLD_X[1][k]*cos(ak) + recipN*(x[newest]-x[oldest])*sin(ak);

MAG_X[k]=sqrt(NEW_X[0][k]*NEW_X[0][k]
              +NEW_X[1][k]*NEW_X[1][k]);
```

A signal is being sampled at 20kHz – i.e. with a sample period of 50µs. New spectral values are required for every new sample produced. But let's say that we are only interested in the frequency components at 3.35kHz, 4.050kHz and 6.650kHz.

If there are 200 real data samples in a batch, so that *N* becomes 200, the spectrum will comprise 100 unique complex values. The time over which the samples are collected will be 200×50µs=10ms. The spectral resolution for each *k* value will be 1/10ms, or 100Hz.

This makes the integer values of the index *k* for the above frequencies 3.350/100=33, 4000/100=40 and 6600/100=66. Out of the 100 values in the spectral set we would only calculate.

$$\{X_m(33), X_m(40), X_m(66)\}.$$

Since 1/200=0.005, by using equation 1, these become.

$$X_{m+1}(33) = e^{j1.036} \{X_m(33) + 0.005[x_{\text{newest}} - x_{\text{oldest}}]\} \quad 2$$

$$X_{m+1}(40) = e^{j1.256} \{X_m(40) + 0.005[x_{\text{newest}} - x_{\text{oldest}}]\} \quad 3$$

$$X_{m+1}(66) = e^{j2.073} \{X_m(66) + 0.005[x_{\text{newest}} - x_{\text{oldest}}]\} \quad 4$$

To start the calculation it's necessary to calculate  $\{X_0(33), X_0(40), X_0(66)\}$ . This can be achieved by performing a discrete Fourier transform for the three values. The 200 data samples collected, labelled  $x(0)$  through to  $x(199)$ , are subjected to the discrete Fourier transform, which is defined as,

$$X_0(k) = \frac{1}{N} \sum_{n=0}^{n=N-1} x(n)e^{-j2\pi nk/N} \quad 5$$

but out of the spectrum, in this example, we only want three spectral values so,

$$X_0(33) = 0.005 \sum_{n=0}^{n=199} x(n)e^{-j1.036n} \quad 6$$

$$X_0(40) = 0.005 \sum_{n=0}^{n=199} x(n)e^{-j1.256n} \quad 7$$

$$X_0(66) = 0.005 \sum_{n=0}^{n=199} x(n)e^{-j2.073n} \quad 8$$

Incidentally, you can extend this argument for as many frequency components as you like. It's also worth noting that since the spectral values are complex they carry magnitude and phase information.

Alternatively, each  $X_m(k)$  may carry two channels of information since each is a quadrature pair – i.e. a sine and a cosine. The running Fourier transform is in effect filtering the required frequencies. In this example it is operating like a bandpass filter where the three spectral components are fed into separate channels.

To demonstrate this working, the panel entitled 'A Mathcad model...' shows the running Fourier transform operating on a white noise signal and producing the outputs at the three frequencies. White noise contains components at all frequencies and the effect of the running transform is to isolate the real and imaginary components for the three frequencies cited in this example.

**Circular buffering**

As mentioned above, the best way of storing *N* data values is to use a

**Deriving the expression for calculating the arrival of a new running Fourier transform sample**

The discrete Fourier transform of a batch of *N* samples, labelled with the index *m* is,

$$X_m(k) = \frac{1}{N} \left\{ \sum_{n=m}^{n=N+m-1} x(n)e^{-j2\pi(n-m)k/N} \right\} \quad A1$$

As a new sample arrives we want to recalculate the DFT for the batch labelled *m+1*,

$$X_{m+1}(k) = \frac{1}{N} \left\{ \sum_{n=m+1}^{n=N+m} x(n)e^{-j2\pi(n-m-1)k/N} \right\} \quad A2$$

Extending the sum to include the sample for *n=m* in the previous equation gives,

$$X_{m+1}(k) = \frac{1}{N} \left\{ \sum_{n=m}^{n=N+m} x(n)e^{-j2\pi(n-m-1)k/N} - x(m)e^{j2\pi k/N} \right\} \quad A3$$

Removing the last term from the sum which involves  $x(N+m)$  gives,

$$X_{m+1}(k) = \frac{1}{N} \left\{ \sum_{n=m}^{n=N+m-1} x(n)e^{-j2\pi(n-m-1)k/N} + x(N+m)e^{-j2\pi k/N} - x(m)e^{j2\pi k/N} \right\} \quad A4$$

Since  $e^{-j2\pi k} = 1$  for integer values of *k*, equation A4 reduces to,

$$X_{m+1}(k) = e^{j2\pi k/N} \left\{ \frac{1}{N} \sum_{n=m}^{n=N+m-1} x(n)e^{-j2\pi(n-m)k/N} + \frac{x(N+m) - x(m)}{N} \right\} \quad A5$$

By substituting A1 into A5 we obtain,

$$X_{m+1}(k) = e^{j2\pi k/N} \left\{ X_m(k) + \frac{x(N+m) - x(m)}{N} \right\} \quad A6$$

which is the required result.

**Digital frequency tracking**

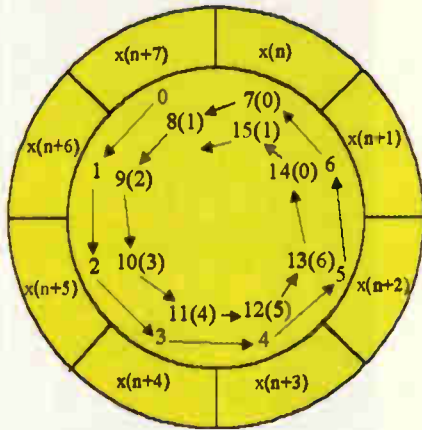
One possible application for the running Fourier transform is the design of a digital frequency tracker. Output from such a device would be a value – or voltage – proportional to the fundamental frequency of the input signal. By calculating the spectral values  $X_{m+1}(k)$  for all the *k* values, the fundamental frequency will correspond to the maximum spectral value.

Finding the maximum spectral value can be achieved by using a for-loop in your C program:

```
float max;
int freq_of_max;
max=0;
freq_of_max=0;
...
for (k=0; k<=N/2; k++)
{
    if (max<MAG_X[k])
    {
        max=MAG_X[k];
        freq_of_max=k;
    }
}
```

On completion of this 'for' loop, variable *max* will be the magnitude of the maximum spectral point and *freq.of.max* will be its frequency. These can be used to feed a graphical display or even in some designs as part of a feed-back mechanism to stabilise a frequency at source, such as that of a rotating machine.

**Fig. 1. The best way of storing N data values is to use a circular buffer where the newest data value replaces the oldest data value.**



circular buffer where the newest data value replaces the oldest data value. **Figure 1** illustrates how a circular buffer operates,  $x(n)$  is the oldest sample and  $x(n+6)$  is the most recent.

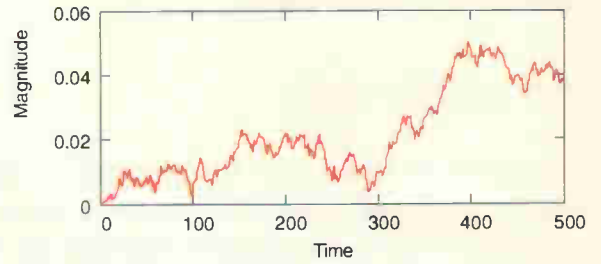
The key aspect of a circular buffer is the address mechanism which is derived from a prime number. In this example, the counter counts from 0 to 6 and repeats. When there are seven addresses and the counter expires, it automatically points to the oldest address where the newest data sample  $x(n+7)$  will be stored, assuming that the address counter is zero.

In this example the counter is generated by using,

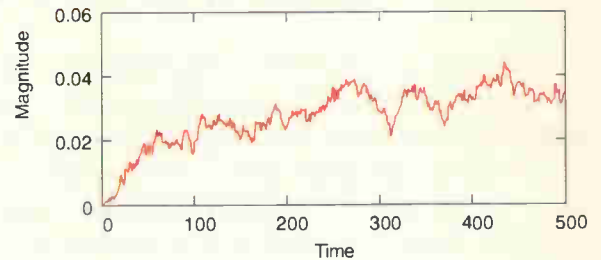
$$(n+7) \bmod 7$$

which is defined as the remainder integer after  $(n+7)$  has been divided by 7 which gives 7 different address numbers before the repeat begins. In order for this to work the divisor must be a prime number. To pro-

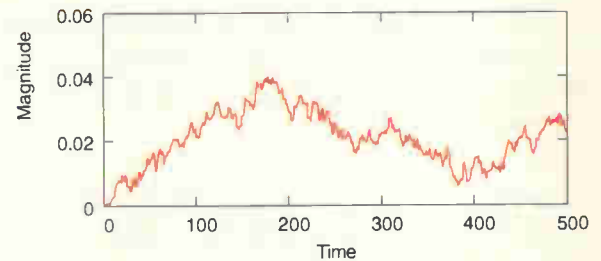
Plot of the growth of  $|X_{m+1}(33)|$  vs time.



Plot of the growth of  $|X_{m+1}(40)|$  vs time,



Plot of the growth of  $|X_{m+1}(66)|$  vs time.



These plots demonstrate how the three spectral values vary as every new data point enters the batch and the new spectrum is calculated.

### Mathcad model of the running Fourier transform

Define the indices used in the modelling.

Total number of data points  $n = 0 \dots 800$

The number of data points in a batch,  $N = 200$

Number of batches  $M := 500$

Batch index  $m := 1 \dots M$

Number of spectral values in spectrum  $k := 0 \dots \frac{N}{2}$

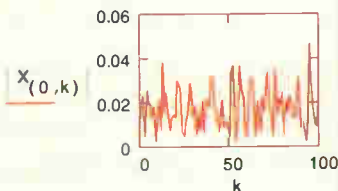
Generate 800 data points of random noise.

$$x_n = (\text{rnd}(1) - 0.5)$$

Derive the spectrum, using the DFT, from the first batch of N data points,

$$X_{(0,k)} = \frac{1}{N} \sum_{s=0}^{N-1} x_s e^{-\frac{2j\pi k s}{N}}$$

The spectrum of the first batch.



Having calculated  $X_0(k)$ , we go on to calculate the r-FT,  $X_{m+1}(k)$  for  $m=0..M$  and  $k=33, 40$  and  $66$  as examples.

$X_{m+1}(33)$ , Eq:2

$$X_{(m+1,33)} = e^{1.36j} \{ X_{m,33} + 0.005 (x_{N+m} - x_m) \}$$

$X_{m+1}(40)$ , Eq:3

$$X_{(m+1,40)} = e^{1.256j} \{ X_{m,40} + 0.005 (x_{N+m} - x_m) \}$$

$X_{m+1}(66)$ , Eq:4

$$X_{(m+1,66)} = e^{2.073j} \{ X_{m,66} + 0.005 (x_{N+m} - x_m) \}$$

gram this in C, you would use the percentage symbol to indicate modulo operation. **List 1** is an example that would effect a circular counter.

### Implementing running transforms

The running Fourier transform is a very effective means for isolating frequency components from a signal. It is relatively straightforward to implement and code in C.

Since the spectral values are complex, you can use a two-dimensional array to define them.  $X[0][k]$  for the real values and  $X[1][k]$  for the imaginary values.

Taking equation 1 and equating real and imaginary components you can arrive at **List 2**. Here,  $\alpha=2\pi/N$  and  $\text{recipN}=1/N$  (performing multiplications is quicker than divisions).

These two expressions can be coded directly within a loop and will perform a running Fourier transform operation. If the input data  $\{x\}$  is complex, the expressions can be modified to account for this.

Another attractive feature of the running Fourier transform is its ability to be implemented in real-time on a digital signal processor. You will be faced with the usual problems of having to evaluate the trigonometric functions sine and cosine, but you can use a look-up table or a reduced series expansion.

In the analysis presented here, no mention has been made of rounding effects. Equation 1 is recursive – involving new values derived from old ones. When implemented on a fixed-point processor it would probably show signs of accumulated rounding off.

A means of minimising this would be to perform a discrete Fourier transform for every few hundred thousand data samples or use a floating point processor. Several such processors have sine look-up tables and a circular addressing mode: examples are the Motorola *DSP96001* and the Texas Instruments *TMS320C30*. ■

# Radio Designer's Handbook – Classic Edition

Fritz Langford-Smith

Considered to be one of the most important electronics reference books ever published, Newnes' Radio Designer's Handbook contains 1000 densely packed pages of design information, and is illustrated by 920 diagrams.

Last revised in 1967, this comprehensive reference handbook is invaluable not only for anyone working with valves but also for designers involved with audio, rf and instrumentation. Most of the wealth of design information held in the Radio Designer's Handbook remains valid, and much of it is unobtainable elsewhere.

It deals with basic principles and the practical design of all types of classic radio receivers, audio amplifiers and record-producing equipment up to the invention of the transistor.

"There are two books in my electronics library that I will never part with – and this is one of them," says the editor of *Electronics World*.

## Among its 38 chapter headings are:

- Valve characteristics
- Volume expansion, compression and limiting
- Microphones, preamplifiers
- Attenuators and mixers
- Loudspeakers
- Aerials and transmission lines
- RF amplifiers
- IF amplifiers
- Limiters and AFC
- Current and voltage regulators
- Design of superheterodyne receivers
- Design of fm receivers
- Tables, charts and sundry data

This book is the work of 10 authors and 23 collaborating engineers, under the editorship of Fritz Langford-Smith. Over 100 000 copies have been sold since the first edition.

ISBN 0 7506 3635 1 : 1000pp : 216 x 138 mm : 920 line illustrations : Paperback :

£35.00 in hardback only, excluding postage

CLASSIC EDITION

# Radio Designer's Handbook

FOURTH EDITION 1967, REVISED 1967

F Langford-Smith

**Return to Jackie Lowe, Room L333, Quadrant House, The Quadrant, Sutton, Surrey, SM2 5AS**

Please supply me the Radio Designers Handbook at £35 – **in hardback** – plus £4, £8 or £12 postage for UK, Europe, rest of world respectively. (Contact Jackie on 0181 652 3614 or jackie.lowe@rbi.co.uk for discount on multiple copies, fax 0181 652 8111)

Price	Postage (£4, £8 or £12)	Total
£35	_____	_____

Name \_\_\_\_\_

Address \_\_\_\_\_  
\_\_\_\_\_  
\_\_\_\_\_

Postcode \_\_\_\_\_ Telephone \_\_\_\_\_

Method of payment (please circle)

Access/Mastercard/Visa/Cheque/PO

**Cheques should be made payable to  
Reed Business Information**

Credit card no \_\_\_\_\_

Card expiry date \_\_\_\_\_

Signed \_\_\_\_\_

**Please allow up to 28 days for delivery**



# LETTERS

Letters to "Electronics World" Quadrant House, The Quadrant, Sutton, Surrey, SM2 5AS

## Cold junction comments

I have been following with great interest the series of articles by Richard Lines on sensing temperature.

In his article in the February 1998 issue the topic of cold junction compensation is discussed, but it seems to me that the main point has been missed. The need for cjc stems from the fact that emf generated by a thermocouple depends not only on the temperature.

The approximate relationship – up to quadratic terms – is,

$$emf = K(T_1 - T_2) \left[ \frac{T_1 - T_2}{2} \right] - T_n$$

where  $T_1$  and  $T_2$  are denote the absolute temperatures of the two junctions and  $K$  and  $T_n$  are constants depending only on the material composition of the thermocouple pair.

The consequence of this is that the tabulated values of emf have to be produced for a specific reference temperature. Typically the so called standard reference of 0°C is used. Cold junction compensation is then a mathematical algorithm which allows you to amend the standard emf table, with the reference junction at 0°C, to a table of emf

with respect to an arbitrary reference temperature.

It is a very simple calculation. One uses the standard reference table to determine the emf of the new reference junction and subtracts this value from the measured emf.

As pointed out in the article, this compensation can be done electronically, albeit not as shown in Fig. 6. You need to simulate the emf that would be produced by the reference junction with respect to the standard reference temperature.

Provided that the temperature variation of the reference junction is not great – kept at ambient temperature for example – one can use a linear temperature sensor, such as a silicon diode. Its voltage output has to be scaled down to give an emf slope identical to the thermocouple used.

**Paul Klimo**  
School of Electrical, Electronic  
and Information Engineering  
South Bank University  
London

## Simpler 400Hz

With reference to pages 516-517 of the June 1998 Issue, I would like to congratulate the *Trac* Competition Winner for the novel technique employed for synchronisation in

## Recycle that Christmas card

We have all seen greetings card that sing to you when you open them. I once left one open, and it played continually for more than one week on one very small SR59 cell.

Opening the card closes a switch. I cut away all the paper, made the test terminals a lead with an alligator clip, and a bendable, pointed metal pin. I put it all into a small plastic screw cork, 22mm high and 36mm diameter. The piezoelectric sounder formed a lid.

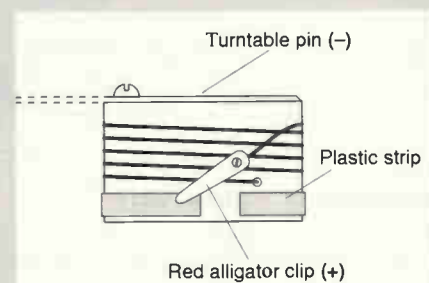
I now have an ideal continuity tester. Its cheap, durable, small and handy. The piezoelectric lid is glued to the screw cork with a few drops of glue. It should be possible to force the lid open should you ever need to replace the battery.

With this tester I can check the continuity of resistances up to 20kΩ, verify the conductance one way and not the other of germanium and silicone rectifiers, find out if a capacitor of 10μF or more is short-circuited, ok, or open, and very roughly estimate capacity.

Unfortunately the sound is not very strong. In a very noisy room, I had to form the

test lead like a coil close to the ferrite rod of a small radio. I then could hear the radio playing "Happy Christmas to you" just at the sound level needed.

**Scott Arnesen**  
Oslo  
Norway



**An almost free continuity tester can be made from a musical greeting card – assuming you can bear the announcement.**

## Microsoft monopoly? Maybe 100% tax is the solution

I get a bit nervous when an electronics magazine delves into computing and politics but I enjoyed the timely editorial in the July 1998 issue.

But I have several problems with the details of Simon's proposal. I think he spent a little too much space describing the problem and left not enough room to discuss possible solutions, including the one he favours. I suspect that almost everyone except Bill Gates recognises that it is not healthy for any one company to dominate any industry.

It is us as buyers of computing products who must admit much of the blame for the predicament we are in. It is unfair of you to blame software developers – or even to be using words like "blame". In a modern economy, every business must be competitive.

For a strategy to work, I think it needs to include at least one carrot, as well as a jolly big stick.

I think we do need to re-examine at least some of the basic assumptions of our political ideas and systems. A common belief nowadays is that most of our political theory is right and

that there are just a few annoying anomalies that need specific attention to repair. That belief encourages politicians to attempt narrowly focussed specific but *ad hoc* solutions for each perceived problem.

The action to split Bell that Simon mentions is just one example. In general, the solution is, "Company B is too monopolistic. Let's do something about company B". Currently, it is "Company M" that is the worry. I think we – the world – will have a healthier economy if we try harder to think of a general solution to the problem.

The legislation Simon proposes, implemented exactly proposed, would be just another expense the Government can't afford. Instead, why not apply a tax?

For software destined for just one operating system, the tax might be substantial – 100% might not be unreasonable. For software able to work on three or more operating systems, it might be zero.

Yes, I know this won't be easy to introduce in a country wedded to a flat or flattish VAT, but I always suspected that VAT was sold by

the same merchants that sold the King his new clothes.

But that is still tackling a symptom of the problem, rather than the problem. I think it is necessary to tackle the source. The world needs a tax that will apply to Microsoft software. But it shouldn't be a tax on Microsoft software specifically, or even on software specifically. What the world needs is a progressive tax based on market share.

Curiously, I think that if the tax is exactly the percentage of each company's market share, it would work rather well. A company struggling with a 1% market share would pay 1% tax.

True, I am leaving out some details, like "1% of what?" and the definition of 'market share'. But in the interests of brevity, let me stick to general principles for now.

A company with 30% market share would pay 30%. There would be no need to legislate specifically for any monopoly. Any business selling something so wonderful it could stay in business paying 100% tax probably does deserve to enjoy a monopoly.

**Keith Anderson**  
Kingston  
Australia

"400 Hz in three phases".

I am writing to draw your attention to a simpler technique for generating a 400Hz supply used in commercial flight simulator instrumentation designs over 30 years ago. These instruments were produced by a well known manufacturer of aircraft simulators in Crawley, Sussex where I once worked.

Two class D audio amplifiers were fed with 400Hz digitally generated sine waves from a digital process controller via a suitable interface. The two signals were in phase quadrature.

The resultant sine/cosine outputs were fed to a Scott T-connected transformer as found in any power engineer's reference handbook. The three phase outputs were used to drive aircraft instrumentation as appropriate.

**R. Thanky, FIEIE, I.Eng CEI**  
Broadcast Unit,  
Spectrum Services Executive  
Radiocommunications Agency

### One flat, one not

I use two AAA rechargeable batteries in my little radio. When they give up and I take them out and check them I am always surprised to find one of them is flat and the other in quite state of charge.

I have tried various pairs and the same thing always happens. I have even taken 'good' ones from each pair and paired those but the same thing happens.

Can anyone suggest a solution to this problem? Is it possible to match a pair of cells resistance to obtain even performance? How could one go about this? Should manufacturers help here?

**Frank Eliason**  
Plymouth

### Rechargeables discharge

If you have equipment incorporating nickel-cadmium cells, you may have wondered why they seem to fail before 500-1000 recharges – or a decade or more of use. My advice is to check the charging current.

I have found over the years that even on top quality items, the supplied charger often runs at many times more than the recommended maximum. This maximum is normally a tenth of the capacity of the cell.

Items such as camcorders deliberately use a very high charging rate to shorten charge times. This eventually affects the cells' charge retention.

Many items have charging holders. These are useful, but I have often found that unless they are left on continuously, the charged equipment does not seem to work properly. This is due to leakage through the charger.

To avoid this problem, remove the unit from the holder/charger after charge, or fit a simple switch in the charger unit's output circuit.

Hot batteries during charging are a warning sign.

**Reg Moores**  
Brighton  
West Sussex

### Hearing harmonics?

A friend of mine and I carried out some – admittedly rather crude – experiments in the late seventies to try to determine the relative audibility of different harmonic components in a composite waveform. Our initial set-up consisted simply of an audio amplifier and loudspeaker, a mixer, and two good quality sine-wave oscillators.

Our initial intention was simply to feed the loudspeaker with, say, a 1V signal at 1kHz, and then to add a 1mV signal at 3kHz, 5kHz or 7kHz,

to determine the audible effect.

The problem lay mainly in achieving frequency synchronisation between oscillators. These were less stable in frequency than we expected. Our later refinements were aimed, amongst other things, at avoiding relative frequency drift.

However, this was irrelevant to the experimental results. These results were the same with both our simple and our more accurate and elaborate later arrangements. The added frequency 'harmonic' component was quite inaudible in the presence of the louder low-frequency tone, until it came into frequency synchronisation with a multiple of this low-frequency signal.

At this point, a 'harmonic', down to an equivalent of – at least – 0.1% became audible as a change in the timbre of the low-frequency tone – an effect lost with a very small shift in relative frequency.

This is a simple experiment, and one which would be easy to repeat to confirm our findings. In the world of digital compact cassettes, mini discs and digital audio broadcasting, where data compression is used to get a gallon into a pint pot, the relevance of this work is that all of these systems rely on the concept of 'audio-masking' to justify the deletion of all low level audio

## Harmonic work out

While frequency multipliers using pulse-excited tuned circuits are probably a thing of the past, harmonic content of pulse trains remains interesting.

A simple diagram can be used to determine the harmonic content of any continuous rectangular waveform. While both theory and practice are probably obvious and elementary to university tutors, I had to discover the device for myself. As I have never met anyone else who has come across it, or found reference to it in print, your readers might be interested.

My figure shows a cycle from an arbitrary rectangular waveform aligned with sections of sinewaves of increasing frequency and decreasing amplitude. The first is  $\pi$  radians with unit amplitude, the second  $2\pi$  with amplitude  $1/2$ , the third  $3\pi$  with amplitude  $1/3$  and so on. For clarity I've drawn the sinewaves the same size and varied the y-axis scaling.

Projecting the rectangular wave transition through this set of sinewaves gives the required analysis immediately. Each harmonic amplitude is that at the intercept of this line and the sine curve for that harmonic. This can be read directly from a well drawn diagram.

But calculation is also easy. For example, the **Table** shows equations for a rectangular waveform of unit amplitude where,

$$\text{mark}/(\text{mark} + \text{space}) = 1/6.$$

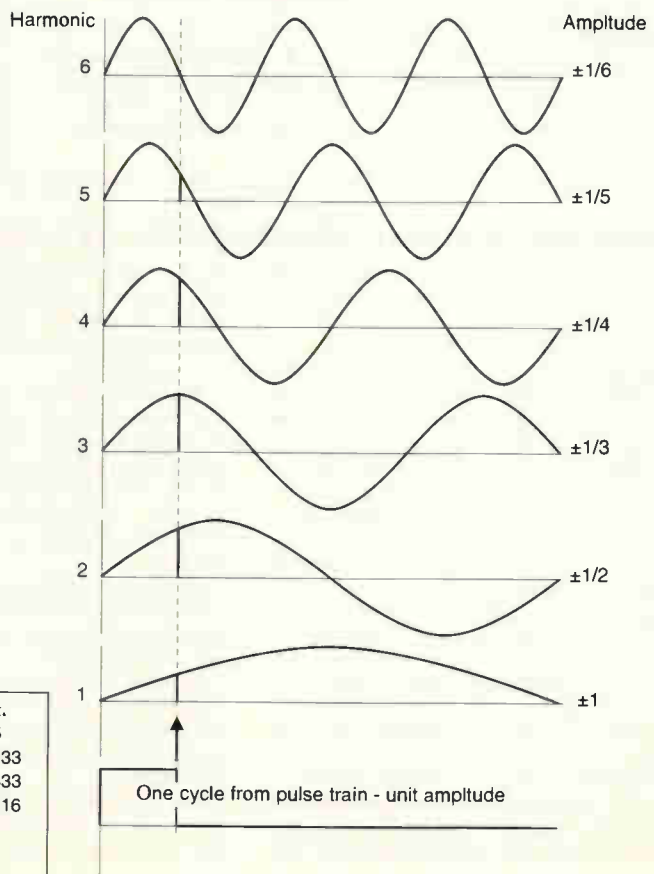
Inspection of a diagram often reveals – to me at least – information more readily than if it were presented mathematically. Here for example the optimum mark-to-space ratios to maximise a given harmonic can be immediately seen.

It is clear that the pulse width required to near maximise a particular harmonic is far less critical than the pulse width needed to eliminate it.

The analysis of a square wave is self evident.

**DC Simpson**  
Feltham  
Middlesex

fundamental	$(\sin(1/6\pi)) \times 1$	=0.5
2nd harmonic	$(\sin(1/6 \times 2\pi)) \times 1/2$	=0.433
3rd harmonic	$(\sin(1/6 \times 3\pi)) \times 1/3$	=0.333
4th harmonic	$(\sin(1/6 \times 4\pi)) \times 1/4$	=0.216
5th harmonic	$(\sin(1/6 \times 5\pi)) \times 1/5$	=0.1
6th harmonic	$(\sin(1/6 \times 6\pi)) \times 1/6$	=0



signals whose amplitude and frequency would suggest that they would not be audible. But this would surely include a wealth of harmonics or 'partials', whose presence would normally add depth and richness to the recorded signal.

I have had little experience in listening to, or comparing, audio signals compressed in this manner, for economy in transmission or recording, but a number of critics have commented on the blandness and lack of life of such signals. Could this loss of harmonics be the reason why?

**John Linsley Hood**  
Taunton  
Somerset

## Tick here please

I have a problem that I am sure one of your readers will have the answer to, bearing in mind that anything electronic is a total mystery to me.

I am a volunteer driver and number one fan of The National Rehabilitation Centre for the Paralyzed, currently based in the grounds of Standish Hospital Gloucestershire. The Centre is researching the action of walking in aid of those who have had their 'walking mechanism' damaged in some way.

How can I obtain a metronome at low or no cost that could be adjusted from say, 12 beats minute to say 35? The ideal instrument would be hand held, with flashing lamps, indication of the rate and perhaps a volume control for the tone generator.

The metronome is to be used in conjunction with a treadmill where the client is supported by a harness similar to a parachute harness and parallel bars. The speed of the treadmill can be varied from very slow to quite fast. The metronome will assist the client to make even strides and improve co-ordination.

I have seen people walking who have been told that they will never walk again, but it could not be called functional walking. The research project is about developing this movement into something a lot more substantial.

**Stanley Dicker**  
Stonehouse  
Gloucestershire

## EMC regulations versus the real world

The EMC regulations were introduced with the laudable aim of ensuring that potential noise sources were not aggressive enough to cause problems in potential victims. It was also intended to ensure that potential victims were hardened enough to withstand incoming noise.

I looked forward to the first of January 1990 expecting all my noise

## Light gates

Semiconductor logic is fast, but nonetheless limited by capacitance and resistance and the structure of semiconductor materials.

Light on the other hand does not have the same problems, and is very fast.

When light of different wavelengths is mixed together it produces different colours of light, as for example on a television screen. Using this effect together with light filters it might be possible to make gates for data processing.

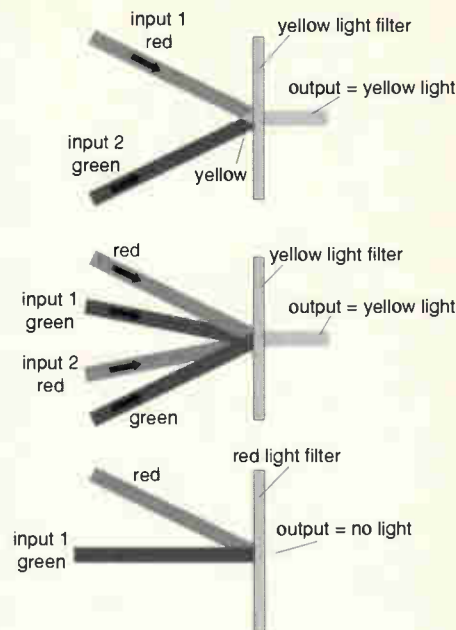
● For an And gate, only when the red and green light are on there is an output.

● With the Or gate, the inputs are mixed so the output is always yellow. If this didn't happen then the output could be yellow, red or green when on, causing problems if feeding to another gate.

● For the Not function, there is only an output when there is no input.

These are the main gates, which all others can be built from. Would any of this work?

**Bryce Smith**  
Hexham



**Logic at the speed of light. But will it work?**

troubles to disappear. Nothing changed in my world; indeed it seems to be getting worse.

My own experience of noise problems is in industrial control systems using both programmable logic controllers and and pulse-width modulated motor drives involving 600V slew in 200ns typically. The controllers are potential victims and the drives are certainly an EMI source.

Both come with EMC certification yet we see malfunctions due to noise.

It appears to me that there is a basic problem in that the EMC emission testing is aimed at continuous waveforms, while immunity testing covers bursts and impulses. We typically have problems obtaining a pass because of a microprocessor clock radiating harmonics yet the pwm signal is hard to detect.

The typical pwm motor drive noise consists of 1 to 5MHz ringing at each transition of the 5kHz, 600V pk-pk waveform and can easily reach several volts peak conducted. Nevertheless, the spectrum analyser indicates only millivolts.

Emission testing seems to depend almost exclusively on spectrum analysis. These are inherently averaging instruments, but it is the peak voltage developed in a victim circuit – largely by capacitive coupling – which causes malfunctions in associated digital equipment within our systems. The effect is even more pronounced with single noise events such as the switching of inductive loads in 24V dc circuits.

My contention is that we need an extension of the existing

measurement techniques to cover transient events. A simple peak limit would be a great advance for me.

Can anyone with a deeper knowledge of, or involvement in, EMC testing shed any light? Is there any move to address this aspect?

**Graham Elvis**  
Cannock  
Staffordshire

## Updates

### Motor speed controller

In the September 1998 issue, page 739, we published Andrew Little's motor speed controller. There is an error in the circuit for the motor pwm drive. The 339 comparator input connections in the direction-sense module in Fig. 3 on page 740 should be reversed from those shown.

### Wow and flutter meter

The September 1998 issue contained David Lane's wow and flutter meter design. A number of small errors crept into the circuit diagrams and some of these will prevent the meter from functioning as intended. In Fig. 3, the lower  $R_2$  should be  $R_3$ . Resistor  $R_7$  should be 10k $\Omega$ . In addition,  $R_8$  (100k $\Omega$ ) which connects IC<sub>4</sub> pin 3 to ground was omitted. The -15V rails connect to IC<sub>4</sub> pin 4. This IC should have been labelled 'unipolar-to-bipolar pulse converter.' The second  $R_{13}$  should be marked  $R_{14}$ . In Fig. 4, the  $R_{31}$  connecting to C<sub>25</sub> should be  $R_{30}$ . The correct value for  $R_{31}$  is 620k $\Omega$ . Output from IC<sub>8</sub> is pin 6, not pin 1. In Fig. 6, output from IC<sub>12</sub> is at pin 3. In Fig. 7., the -15V regulator is of course a 337T and pins 2 and 3 have been transposed. Apologies for any difficulties this may have caused.

### Windows 98 review

At the top of page 685 in Rod Cooper's August 1998 Windows 98 review, two sentences read, "For example, you can launch programs with a single click and the forwards and backwards buttons. This can make life easier". It should have read, "...you can launch programs with a single click, and the forward and back buttons shown in Fig. 2 can make life easier."

### Simple linear thermoregulator

Giorgio Delfino's circuit idea in the August issue had the following misprints. The formula " $P=V_{CC}R_8$ " should be replaced by " $P=V_{CC}I_C$ ", the temperature measured by the sensor is  $T=DT+T_a$  where  $T_a$  is ambient temperature, and  $DT=PR_9$ . In Fig. 2 " $I_s$ " should be replaced by " $I_C$ " between the blocks  $h_{FE1}, h_{FE2}$  and  $V_{CC}$ . This is the collector current of the darlington  $Tr_2$ .

**SMALL SELECTION ONLY LISTED - EXPORT TRADE AND QUANTITY DISCOUNTS - RING US FOR YOUR REQUIREMENTS WHICH MAY BE IN STOCK**

**HP New Colour Spectrum Analysers**

HP1411T- 8552B IF + 8553B RF -1KHz -110Mc/s - £700.  
 HP1411T- 8552B IF + 8554B RF -100KHz -1250M - £900.  
 HP1411T- 8552B IF + 8556A RF -20Hz-300KHz - £700.  
 HP1411T- 8552B IF + 8555A 10 MC/S-18GHz - £1200.  
 HP8443A Tracking Gen Counter 100KHz-110Mc/s - £200  
 HP8445B Tracking Prefector DC to 18GHz - £250.  
 HP8444A Tracking Generator • 5-1300Mc/s - £450.  
 HP8444A OPT 059 Tracking Gen • 5-1500Mc/s - £650.  
 HP35601A Spectrum Anz Interface - £500.  
 HP4953A Protocol Anz - £400.  
 HP8970A Noise Figure Meter + 346B Noise Head - £3k.  
 HP8755A Scalar Network Anz Pl - £250 + MF 180C - Heads  
 11664 Extra - £150 each.  
 HP8903A Audio Anz - £1000.  
 HP8656A 100KHz - 990 Mc/s, S/G AM-FM - £1000.  
 HP3709B Constellation Anz £1.5k.  
 HP11715A AM-FM Test Source - £500.  
 FARNELL TVS70MKII PU 0-70V 10 amps - £150.  
 FARNELL PSG 520 S/G 10 Mc/s AM-FM - £150.  
 TEK 475 Oscilloscopes 200Mc/s - £300.  
 TEK 475A Oscilloscopes 250Mc/s - £350.  
 MARCONI 6500 Network Scaler Anz - £500. Heads available  
 to 40GHz many types in stock.  
 HP3580A 5Hz-50KHz Spectrum ANZ £750 - £1000.  
 HP3582A .02Hz to 25.6KHz Spectrum ANZ £1.5k.  
 TEK 7L5 + L3 - Opt 25 Tracking Gen - £900.  
 TEK 7L12 - 100KHz-1800Mc/s - £1000.  
 TEK 7L18 - 1.5-60GHz - £1000.  
 Mixers are available for the above ANZs to 60GHz.  
 HP8673D Signal Generator .05-26.5GHz - £15k.  
 Systron Donner 1618B Microwave AM FM Synthesizer  
 50Mc/s - 18GHz £2k.  
 ADRETT 3310A FX Synthesizer 300Hz - 60Mc/s - £600.  
 HP Plotters 7470A - 7475A. Up to £250.  
 HP3730A + 3737A Down Converter Oscillator 3.5 - 6.5GHz.  
 HP Microwave Amps 491-492-493-494-495-1GHz -12.4GHz-  
 £250 each.  
 HP6034A System Power Supply 0-60V 0-10A - £500.  
 HP6131C Digital Voltage Source + -100V/5 Amp.  
 HP3779A Primary Multiplex Analyser - £200 qty.  
 HP3779C Primary Multiplex Analyser - £300 qty.  
 HP5316A Universal Counter A+B.  
 HP8901A Modulation Meter AM-FM - £1000.  
 Marconi TF2374 Zero Loss Probe - £200.  
 Marconi TF2305 Modulation Meter - £1000.  
 Racal/Dana 2101 Microwave Counter - 10Hz-20GHz - with  
 book as new £2k.  
 Racal/Dana 1250-1261 Universal Switch Controller + 200Mc/s  
 Pl Cards.  
 Racal/Dana 9303 True RMS Levelmeter + Head - £450.  
 IEEE Interface - £500.  
 TEKA6902A also A6902B Isolator - £300-£400.  
 TEK65010 Programmable Function Genr 20Mc/s - £600.  
 TEK2465 300 Mc/s Oscilloscope - £2k + Probe- £150.  
 TEK CT-5 High Current Transformer Probe - £250.  
 TEK J16 Digital Photometer + J6523-2 Luminance Probe -  
 £300.  
 HP745A+746A AC Calibrator - £600.  
 Marconi TF2008 - AM-FM signal generator - also sweeper -  
 10Kc/s - 510Mc/s - from £250 - tested to £400 as new with  
 manual - probe kit in wooden carrying box.  
 HP Frequency comb generator type 8406 - £400.  
 HP Sweep Oscillators type 8690 A+B + plug-ins from 20Mc/s  
 to 18GHz also 18-40GHz.  
 HP Network Analyser type 8407A + 8412A + 8601A - 100Kc/s  
 - 110Mc/s - £500 - £1000.  
 HP Amplifier type 8447A - 1-400Mc/s £200 - HP8447A Dual -  
 £300.  
 HP Frequency Counter type 5340A - 18GHz £800.  
 HP 8410-A-B-C Network Analyser 110Mc/s to 12 GHz or 18  
 GHz - plus most other units and displays used in this set-up -  
 8411a-8412-8413-8414-8418-8740-8741-8742-8743-8746-8650.  
 From £1000.  
 Racal/Dana 9301A-9302 RF millivoltmeter - 1.5-2GHz - qty in  
 stock £250-£400.  
 Racal/Dana Modulation Meter Type 9009-9008 - 8Mc/s -  
 1.5GHz - £150/£250.  
 Marconi RCL Bridge type TF2700 - £150.  
 Marconi/Saunders Signal Sources type - 605B-6070A-6055A-  
 6059A-6057A-  
 6056- £250-£350. 400Mc/s to 18GHz.  
 Marconi Microwave 6600A 1 sweep osc., mainframe with  
 6650PI - 18-26.5 GHz or 6651 PI - 26.5-40GHz-£750 or PI only  
 £600. MF only £250.  
 Tektronix Plug-ins 7A13-7A14-7A18-7A24-7A26-7A11-7M11-  
 7S11-7D10-7S12-S1-S2-S6-S52-PG506-SC504-SG502-SG503-  
 SG504-DC503-DC508-DD501-WR501-DM501A-FG501A-  
 TG501-PG502-DC505A-FG504-7B80 + 85 - 7B92A.  
 Gould J3B test oscillator + manual - £150.  
 Tektronix Mainframes - 7603-7623A-7613-7704A-7844-7904-  
 TM501-TM503-TM506-7904A-7834-7623-7633-7844-7854-  
 7104.  
 Marconi 6155A Signal Source-1 to 2GHz - LED - £400.  
 Barr & Stroud Variable filter EF3 0.1Hz-100Kc/s + high pass +  
 low pass - £150.  
 Racal/Dana 9300 RMS voltmeter - £250.  
 HP 8750A storage normalizer - £400 with lead + S.A. or N, A  
 Interface. Board fitted.  
 TEKTRONIX - 7S14-7T11-7S11-7S12-S1-S2-S39-S47-S51-S52-  
 S53-7M11.  
 Marconi mod meters type TF2304 - £250.  
 Systron Donner counter type 6054B - 20Mc/s - 24GHz - LED  
 readout - £1k.

Farnell electronic load type RB1030-35 - £350.  
 Racal/Dana counters-9904-9905-9906-9915-9916-9917-9921-  
 50Mc/s-3GHz - £100 - £450 - all fitted with FX standards.  
 HP180TR. HP181T, HP182T mainframes £300 - £500.  
 Marconi 6700A sweep oscillator - 18GHz Pls available.  
 Racal/Dana VLF frequency standard equipment. Tracer  
 receiver type 900A + difference meter type 527E + rubidium  
 standard type 9475 - £2750.  
 HP432A-435A or B-436A-power meters + powerheads to  
 60GHz - £150 - £1750 - spare heads.  
 HP8614A signal gen 800Mc/s - 2.4GHz, new colour - £400.  
 HP8616A signal gen 1.8GHz - 4.5GHz, new colour £400.  
 HP3336A or B syn level generator - £500 - £600.  
 HP3586A or C selective level meter - £500.  
 HP8683D S/G microwave 2.3-13GHz-opt 001 - 003 - £1k.  
 HP8640B S/G AM-FM 512Mc/s or 1024Mc/s. Opt 001 or 002  
 or 003 - £800-£1250.  
 HP86222B Sweep Pl-01-2.4GHz + ATT £1000-£1250.  
 HP86290A Sweep Pl-2 - 18GHz - £1000 - £1250.  
 HP86 Series Pls in stock - splitban from 10Mc/s - 18.6GHz -  
 £250 - £1k.  
 HP8620C Mainframe - £250. IEEE.  
 HP8615A Programmable signal source - 1MHZ - 50Mc/s - opt  
 002-£1k.  
 HP8601A Sweep generator. 1-110Mc/s £300.  
 HP8349A Microwave Amp 2 - 20GHz Solid state - £1500.  
 HP1980B Oscilloscope measurement system - £300.  
 HP3455/3456A Digital voltmeter - £400.  
 HP5370A Universal time interval counter - £1k.  
 HP5335A Universal counter - 200Mc/s-£500.  
 HP5328A Universal counter - 500Mc/s - £250.  
 HP6034A Power supply -0-60V-0-10 amps - £500.  
 HP3710A 3715A-3716A-3702B-3703B-3705A-3711A-3791B-  
 3712A-3793B microwave link analyser.  
 HP3552A Transmission test set - £350.  
 HP3763A Error detector - £500.  
 HP3764A Digital transmission analyser - £600.  
 HP3770A Amp delay distortion analyser - £400.  
 HP3770B - £450.  
 HP3780A Pattern generator detector - £400.  
 HP3781A Pattern generator - £400.  
 HP3782A Error detector - £400.  
 TEKTRONIX 577 Curve tracer + adaptors - £900.  
 TEKTRONIX 1502/1503 TDR cable test set - £400.  
 Racal 1991-1992-1998 - 1300Mc/s counters - £400-£900.  
 Fluke 80K-40 high voltage probe in case - BN - £50-£75.  
 EIP545 microwave 18GHz counter - £1200.  
 Fluke 510A AC ref standard - 400Hz-£200.  
 Fluke 355A DC voltage standard - £300.  
 Wiltron 610D Sweep Gen + 6124C PI-4-8GHz-£400.  
 Wiltron 610D Sweep Generator +61084D PI - 1Mc/s -  
 1500Mc/s £500 - 10 Mc/s - 18GHz - £1000.  
 HP8699B Sweep Pl YIG oscillator .01 - 4GHz - £300. 8690B  
 MF-£250. Both £500.  
 Dummy Loads & Power att up to 2.5 kilowatts FX up to  
 18GHz - microwave parts new and ex equip - relays -  
 attenuators - switches - waveguides - Yigs - SMA - APC7  
 plugs - adaptors etc. qty. in stock.  
 B&K items in stock - ask for list.  
 Power Supplies Heavy duty + bench in stock - Farnell - HP -  
 Weir - Thurlby - Racal etc. Ask for list. Large quantity in  
 stock, all types to 400 amp - 100kV.  
 Marconi 2955 Radio Test set - £1800.  
 Marconi 2955 + 2958 Tacs radio test set - £2000.  
 Marconi 2955R Radio test set - £2000.  
 Marconi TF2015 S/G 10Mc/s - 520Mc/s AM/FM - £100.  
 Marconi TF2016A S/G 10Kc/s-120Mc/s. AM/FM - £100.  
 Marconi TF2171 Digital synchronizer for 2015/2016 - £50.  
 Marconi TF2017 S/G .01-1024Mc/s. AM/FM. High grade - low  
 noise - LED readout. - £1k.  
 Marconi TF2018 S/G 80Kc/s-520Mc/s. AM/FM - £600.  
 Marconi TF2018A S/G 80Kc/s-520Mc/s. AM/FM - £800.  
 Marconi TF2019 S/G 80Kc/s-1040Mc/s. AM/FM - £1000.  
 Marconi TF2019A S/G 80Kc/s-1040Mc/s. AM/FM - £1250.  
 Marconi TF2022E S/G 10Kc/s-1.01GHz. AM/FM - £1250.  
 Marconi TF2022E As above but as new + Cal cert - £1500.  
 Marconi TF6311 Microwave Sweep S/G 10Mc/s - 20GHz c/w  
 TF6501 amplitude Anz. plus heads 10Kc/s-20GHz. Heads  
 available to 40GHz - £4000.  
 Farnell S/G ESG1000 10Hz-1000Mc/s. AM/FM - £800.  
 IFR 1200S Communications radio test set - £2500.  
 TF2370 Spectrum Anz's 30Hz-110Mc/s. Large qty to clear as  
 received from Gov - all sold as is from pile complete or add  
 £100 for basic testing and adjustment. Callers preferred -  
 Pick your own from over sixty units.  
 A. Early Model - Grey - Rear horizontal alloy cooling fins - qty  
 of 5 - £750 lot - singly - £200.  
 B. Late Model - Grey-Vertical alloy cooling fins - £300.  
 Marconi TK2373 Extender to 1.25GHz - £300 - £400.  
 HP3325A Synthesized function generator - £1000 - £1500.  
 HP3325B Synthesized function generator - £2500.  
 HP8405A Vector voltmeter - late colour - £400.  
 HP8508A Vector voltmeter - £2500.  
 HP8505A Network Anz 500KHz-1.3GHz - £1000.  
 HP8505A + 8502A or 8503A test sets- £1200 - £1500.  
 HP8505A + 8502A or 8503A + 8501A normalizer - £1750-  
 £2000.  
 HP8557A .01Mc/s-350Mc/s - 8558B 0.1-1500Mc/s - 8559A .01-  
 21GHz 180T or 180C-D-T £500 - £2000.  
 TEK492 Spectrum Anz-OPT 2-50Kc/s-21GHz - £2.5k.  
 TEK492P S.A. opt 1-2-3-50 Kc/s - 21GHz £4k.  
 TEK495 S.A. 100Hz - 1.8GHz - £3k.  
 TEKTRONIX - HP Oscilloscopes - 100Mc/s-465-465B-1740-  
 1741 etc - £300 - qty in stock.  
 Phillips 3217 50Mc/s oscilloscopes - £150-£250.  
 Phillips 3296 350Mc/s IR remote oscilloscope - £750.

Hitachi VC6041 Dig storage oscilloscope - 40Mc/s - £500.  
 TEK2430A Dig storage oscilloscope 100Mc/s - £2000.  
 TEK2440 Dig storage oscilloscope 400Mc/s - £2200.  
 TEKTRONIX 2245A Oscilloscope 100Mc/s - £500.  
 TEKTRONIX 2445 + DMM - 250Mc/s - £800.  
**TEKTRONIX 2445A - 150Mc/s  
 - 4 CH - £800.**

Schaffner NSG 200E Mainframe - NSG203A low volt var  
 simulator - NSG22A. Interface simulator - NSG226 Data line  
 simulator - all six items at £1500.  
 Schaffner NSG200E - NSG203E low volt var simulator -  
 NSG222A Interface simulator - all three - £1000.  
**LIGHT AND OPTICAL EQUIPMENT**  
 Anritsu ML93A & Optical Lead Power Meter.  
 Anritsu ML93B & Optical Lead Power Meter.  
 Power Sensors for above MA96A - MA98A - MA913A -  
 Battery Pack MZ95A.  
 Anritsu MW97A Pulse Echo Tester.  
 Pl available - MH914C 1.3 - MH915B 1.3 - MH913B 0.85 -  
 MH925A 1.3 - MH929A 1.55 - MH925A 1.3GI - MH914C  
 1.3SM.  
 Anritsu MW98A Time Domain Reflector.  
 Pl available - MH914C 1.3 - MH915B 1.3 - MH913B 0.85 -  
 MH925A 1.3 - MH929A 1.55 - MH925A 1.3GI - MH914C  
 1.3SM.  
 Anritsu MZ100A E/O Converter.  
 + MG912B (LD 1.35) Light Source + MG92B (LD 0.85)  
 Light Source  
 Anritsu MZ118A O/E Converter.  
 +MH922A 0.8 O/E unit + MH923 A1.3 O/E unit.  
 Anritsu ML96B Power Meter & Charger.  
 Anritsu MN95B Variable Att. 1300.  
 Barr & Stroud LS10 Light Source.  
 BT Power Unit 850 - 1300 - 1500.  
 Photo Dyne 1950 XR Continuous Att. 1300 - 1500.  
 Photo Dyne 1800 FA. Att.  
 NKT Electronic QAM30 Att Meter (MN3032TX) 1300 out.  
 Electro Optic Developments FO-500 TX Laser.  
 Cossor-Raytheon 108L Optical Cable Fault Locator  
 0-1000M 0-10kM.  
 Intelco 220 Single Mode Att 1532.  
 TEK P6701 Optical Converter 700 MC/S-850.  
 TEK Orionics 7000 Type PI OTDR-103A.  
 HP81512A Head 150MC/S 950-1700.  
 HP84801A Fibre Power Sensor 600-1200.  
 HP8158B ATT OPT 002-011 1300-1550.  
 HP81519A RX DC-400MC/S 550-950.  
 STC OFX-3 Laser source.  
 STC OFX-3.  
 STC OFR10 Reflectometer.  
 STC OFSK15 Machine jointing + eye magnifier.  
 Anritsu ME453L RX Microwave ANZ.  
 Anritsu ME453L TX Microwave ANZ.  
 Anritsu MS420B Network Spectrum ANZ.  
 Anritsu MH370A Jitter Mod Oscillator.  
 Anritsu MG642A Pulse Patt Gen.  
 Complete MS65A Error Detector.  
 System MS02A Timer & Digital Printer.  
 Anritsu ML612A Sel Level Meter.  
 Anritsu MS2802A Spectrum ANZ 100Hz-32GHz.  
 Anritsu ML244A Sel Level Meter.  
 Advantest TR98201 Signal Gen.  
 Advantest TR9402 Digital Spectrum ANZ.  
 Siemens D210E Level Meter.  
 Siemens D2150 Bit Error Meter.  
 W&G PCM3 Auto Measuring Set.  
 W&G SPM14 Sel Level Meter.  
 W&G SPM15 Sel Level Meter.  
 W&G SPM16 Sel Level Meter.  
 W&G PS19 Level Gen - £1k.  
 W&G DA20-DA1 Data ANZ.  
 W&G PMG3 Transmission Measuring Set.  
 W&G PSS16 Generator.  
 W&G PS14 Level Generator.  
 W&G EPM-1 Plus Head Milliwatt Power Meter - £450.  
 W&G DLM3 Phase Jitter & Noise - £500  
 W&G DLM4 Data Line Test Set - £750.  
 W&G PS10 & PM10 Level Gen.  
 HP8660C S/G AM/FM - Phase • 01-110MC/S - 1300MC/S -  
 2600 MC/S £1-£2k.  
 HP4274A LCR Meter + Adaptor.  
 HP8566A High Performance S.A. - 100Hz - 2.5GHz - 2GHz -  
 22GHz - 300 GHz with mixers.  
 HP8754A Network ANZ 4-1300MC/s + 8502A + cables.  
 HP8754A Network ANZ H26 - 2600MC/s + 8502A + cables.  
 HP8116A Pulse function Gen £2200.  
 HP3588A S.A. 10Hz - 150Mc/s opt 001-003.  
 HP54100A DIG Oscilloscope 1GHz - P.O.R.  
 HP54200A DIG Oscilloscope 1GHz - P.O.R.  
 HP54501A DIG Oscilloscope 100Mc/s - P.O.R.  
 R&S CMTA 54 Radio Comms ANZ - 0.1 - 1000Mc/s - £4k.  
 R&S PSA 5 Process Controller 1006-3008. 02.  
 TEK TDS360 200 MC/s Oscilloscope. £1750.  
 TEK OF150 Fibre Optic TDR.  
 MAR S/G 2022D 10Kc/s - 1GHz - White - £1650.  
 MAR S/G 2022C 10Kc/s - 1GHz - £1400.  
 HP1630-1631-1650 Logic ANZs.  
 BELLING LEE rayproof screened rooms.  
 Size: 16ft x 10ft x 8ft, 12ft x 8ft x 8ft - all inc lighting plus  
 fans.

**NEW REVISED LOW PRICES FOR OLDER EQUIPMENT**

ITEMS BOUGHT FROM HM GOVERNMENT BEING SURPLUS. PRICE IS EX WORKS. SAE FOR ENQUIRIES. PHONE FOR APPOINTMENT OR FOR DEMONSTRATION OF ANY ITEMS, AVAILABILITY OR PRICE CHANGE.  
 VAT AND CARRIAGE EXTRA. ITEMS MARKED TESTED HAVE 30 DAY WARRANTY. WANTED: TEST EQUIPMENT-VALVES-PLUGS AND SOCKETS-SYNCRON-TRANSMITTING AND RECEIVING EQUIPMENT ETC.

**Johns Radio, Whitehall Works, 84 Whitehall Road East, Birkenshaw, Bradford BD11 2ER. Tel: (01274) 684007. Fax: 651160**

**CIRCLE NO. 129 ON REPLY CARD**

# NEW PRODUCTS CLASSIFIED

Please quote "Electronics World" when seeking further information

## PASSIVE AND ACTIVE COMPONENTS

### Connectors and cabling

#### Rf/microwave connectors.

Connectors for a very wide range of rf and microwave applications are announced by Lynics Corporation, the range including all the standard types of connector and also a range of adaptors for use between SMA and BNC or N-type units; terminations and dummy loads for BNC, TNC, N and F connectors are also available, as are surge suppressors and assemblies. Products can be made to specification.

Frequency Products Ltd. Tel., 01460 57166; fax, 01460 57777; e-mail, sales@frequencyproducts.com  
**Enq no 501**

### Data converters

**13-bit d-to-a converter.** Signal Processing Technologies has a 13-bit octal converter having eight voltage-output converters in a single 44-lead plastic package. The SPT5400 also has a parallel interface with four reference voltage inputs and four analogue output grounds. It is ttl-compatible, needs no external components and works on supplies of  $\pm 5V$ , giving a  $\pm 4.5V$  output swing.

### Discrete active devices

#### SO-8 power transistor.

In overall dimensions of 4 by 5mm, Ericsson's PTF10027 n-channel fet puts out 18W and is for use in GSM applications to 1GHz. Since cellular traffic is so dense, purity of output is essential and the linearity of this device is improved by the use of the Idmos technique, which also increases gain. Operating supply is 28V, minimum power gain 13.5dB at 960MHz and response over the 960-1000MHz band flat to within  $\pm 0.1$ dB. Class AB two-tone, third-order intermodulation is  $-35$ dBc at 12W peak emitted power.

Richardson Electronics (Europe) Ltd. Tel., 01753 733010; fax, 01753 733012.  
**Enq no 503**

Each of the converters may be asynchronously loaded via a common 13-bit bus into double-buffered latches. Linearity is such that monotonicity is guaranteed at 13bits; settling time is 5 $\mu$ s to  $\pm 1/2$ lsb.

Signal Processing Technology. Tel., 01932 254904; fax, 01932 254903; web, www.spt.com.

**Enq no 502**

### Displays

**Lcd interface controller.** Digital View has a new 8-bit version of its vga/svgx lcd panel controller card, which works with most of the leading colour panels and plug/play connection. AC-9511 v.3 provides quick direct analogue connection to 3.3V and 5V tft colour panels at up to 800 by 600 resolution and to plasma displays. It conforms to VESA DDC-2B, having dip switch setting for the relevant panel, enables sync-on-green and automatic selection of graphics mode. A 12V supply is needed.

Digital View Ltd. Tel., 0181 2361112; fax, 0181 2361116; web, www.digitalview.com.

**Enq no 504**

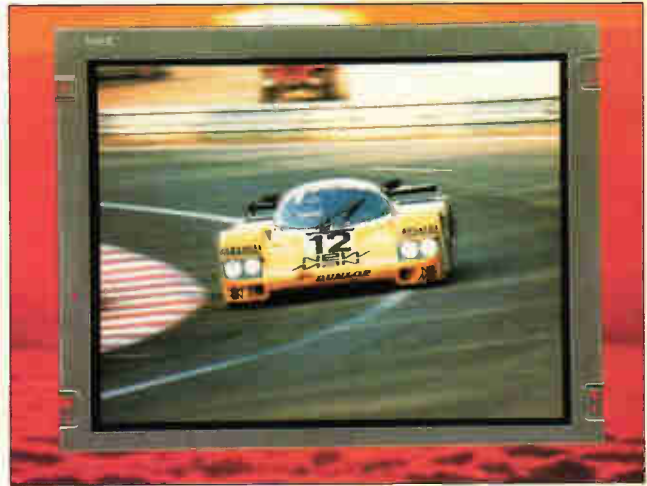
### Filters

**5th-order elliptic filters.** Maxim's MAX7411/5 filters are switched-capacitor, low-pass types in 8-pin  $\mu$ MAX or dip packages, the  $\mu$ MAX module being around 80% smaller than a dip type to give the industry's smallest 5th-order s-c filters. Current drawn from 5V or 3V (7415) is 1.2mA and 0.2 $\mu$ A quiescent. Roll-off is sharp, stop-band attenuation is 37dB and thd + noise 81dB. Corner frequencies may be clock-tuned from 1Hz to 15kHz and the nullable output offset is 4mV.

Maxim Integrated Products UK Ltd. Tel., 0118 9303388; fax, 0118 9305577; web, www.maxim-ic.com.  
**Enq no 506**

**Analogue video filters.** A range of active filters by Microelectronic Modules Corp. provides optimum filtering in video processing equipment before and after analogue stages, handling analogue buffering, filtering and dc control in sil packages. There are single and multi-channel types designed for use in digital video encoding and video a-to-d converters, having integral selectable-gain op-amps for input and output impedance matching. In the range are single-channel versions for luminance, chrominance, RGB, NTSC and PAL signals and the multi-channel types are for the filtering of S-video, composite and RGB signals. There are also front-end digitisers with full filtering, a-to-d conversion and digital filtering.

Microelectronic Modules Corporation.



Tel., 001 414 7856506; fax, 001 414 7856516; web, www.mmcorp.com  
**Enq no 507**

### Hardware

**Cable tidy.** A cable tidy, the Richco Cableater, is said to resemble a centipede without legs (nihilipede?), being composed of a circular-section plastic tube with cross slits in it, cut along the length of the tube. These not only make it flexible but allow the rapid insertion of a great bunch of wires with the aid of a tool. Tube is made in black or white and in diameters of 8, 15, 20 and 25mm and in lengths of up to 100m.

Richco International Co., Ltd. Tel., 01474 327527; fax, 01474 327455.  
**Enq no 508**

**Outdoor cabinets.** Kinetic is Vero's name for its thermally managed outdoor equipment cabinet for wireless local loop stations, paging and microwave links dissipating up to 1kW. Aluminium, mild steel or stainless steel may be specified, its double skin simplifying emc and weather screening and allowing a heat exchanger to be integrated into the cabinet. Cooling is by forced draught or by the heat exchanger, dc fans being on all the time or managed by a control and monitoring system that provides local and remote warning of fan failure and high temperature. Kinetic can go on a pole or on the wall.

Vero Electronics Ltd. Tel., 01703 266300; fax, 01703 265126; e-mail, verocf@vero-uk.com  
**Enq no 509**

### Linear integrated circuits

**Current-feedback amplifier.** A single-supply, current-feedback amplifier from Maxim, the MAX4190,

**15-In colour lcd.** NEC's NL10276AC30-03 15-in (diagonal) display provides 1024 by 768 pixels, which is equivalent to PC XGA, and full colour. It takes in RGB analogue signal and its multi-scan capability makes it suitable for use with pcs, Macs or other, special formats. Response time is 15ms typical from white to black, rendering the display usable with animation, and brightness is nearly three times that of a typical panel at 200cd/m<sup>2</sup>; contrast is between 200:1 and 350:1, depending on viewing angle (55° horizontal and 50° vertical). Backlighting is supplied by two cold-cathode tubes.

Sunrise Electronics Ltd. Tel., 01908 263999; fax, 01908 263003; web, www.sunrise.co.uk  
**Enq no 505**

provides gain flatness of 0.1dB up to 85MHz and differential gain/phase error of 0.03%/0.06%, together with 120ns/35ns enable/disable times and 45mVpk-pk switching transients. It is optimised for a 6dB closed-loop gain or more, giving a  $-3$ dB bandwidth of 185MHz. Supply may be either single 4.5-5V or dual  $\pm 2.25$ - $\pm 5.5V$ , from which it draws 1.5mA while supplying  $\pm 55$ mA at the output. Settling time is 22ns to 0.1% and slew rate 340V/ $\mu$ s. A triple version, the 4188, is available. Maxim Integrated Products UK Ltd. Tel., 0118 9303388; fax, 0118 9305577; web, www.maxim-ic.com.  
**Enq no 510**

### Logic

**100MHz bus drivers.** Hitachi presents two 18-bit universal bus drivers in its HD74ALVC Series, the 16835 and 162835, the ALVC meaning "advanced low-voltage

Please quote "Electronics World" when seeking further information

cmos". These are designed as three-state drivers for sdram memory on a 100MHz memory bus, with a view to reducing reflected noise and ensuring dependable output current at high frequencies. A 0.5µm cmos process is used, supply voltage is 2.3-3.6V, propagation time 2ns at 3.3V and output current 24mA. The 162835 has built-in damping resistors of 26Ω, the 16835 being resistorless.  
Hitachi Europe Ltd. Tel., 01628 585163; fax, 01628 585160.  
Enq no 511

### Materials

**Small magnetic cores.** Philips Planar cores and sample kits are now available from BFI IbeXsa. The cores are for use when a low profile is needed, coils being built up of printed or stamped copper separated by insulant, the windings then going into low-profile E/E or E/PLT cores. Benefits, apart from the size, are about 50% less thermal resistance than with wire-wound types, low leakage inductance, good

repeatability and lower cost.  
BFI IBEKSA Electronics Ltd. Tel., 01622 882467; fax, 01622 882469; web, www.bfi.avnet.com.  
Enq no 512

**Thermally conductive tape.** Chomerics' Thermattach T410 is conductive, double-sided adhesive tape to fix heat sinks onto plastic ics dissipating between 1W and 5W. The tape itself is aluminium foil, with two types of adhesive: a silicone-based pressure-sensitive type to bond to the ics, which sometimes carry traces of silicone release agent; and acrylic PSA to bond to the metal heat sink.  
Parker Hannifin plc, Chomerics Division. Tel., 01628 486030; fax, 01628 476303.  
Enq no 513

### Memory

**8Mbyte PCMCIA card.** Premier announces a type 2 PCMCIA card with 8Mbyte of sram and a rechargeable data backup battery. Its charging circuit maintains battery power and the static ram will hold data for many years. The card has a write-protection switch.  
Premier Electronics Ltd. Tel., 01992 634652; fax, 01992 634616; e-mail, premier@dircon.co.uk  
Enq no 514

### Microprocessors and controllers

**Processor for neural networks.** NC3001 from Neuricam is a digital parallel processor for learning and recognition in artificial neural networks and designed to implement the Reactive Tabu Search learning algorithm, which is an alternative to back propagation giving lower cost and a more compact chip. The design is suitable for use in embedded neural, fuzzy and general filtering uses. Features include 32 fixed-point, fully parallel, digital multiply-and-accumulate processors in parallel with three-stage pipeline and weight memory, a simple chip interface for coprocessor use and 1000Mops performance with a 30MHz clock. Power consumption is 1W at 30MHz.  
Neuricam srl. Tel., 0039 0461 260 552; fax, 0039 0461 260 617; web, www.neuricam.com  
Enq no 515

### Motors and drivers

**Motion control.** Arcom's AIM-104-MOTION-1 PC/104 interface module provides motion control and drive for brushed dc servo motors and steppers, which is compatible with pcs to allow the use of pc programming languages such as Visual C++ or C++; Arcom supplies samples in C free. A maximum of 1A per winding is allowed in closed-loop working and the boards may be stacked for synchronised multi-axis control. Encoder input to the boards comes from single-ended or differential quadrature encoders and there are two opto-isolated limit inputs, an isolated emergency stop and a home input for reference. There

are also a 24-position counter and a programmable filter.  
Arcom Control Systems Ltd. Tel., 01223 411200; fax, 01223 410457.  
Enq no 516

**Microstep drive.** Digiplan has a microstepping drive that operates from any single-phase ac in the 95-264V range with no adjustment. The unit measures 224 by 180 by 70mm and produces shaft power of up to 800W. Innovative control techniques give higher acceleration, more power and lower settling time than found in conventional designs. Active damping is provided to prevent oscillation and stalling of stepper motors. There is also a range of CE-marked 34 and 42 frame size steppers for use with the drive.  
Parker Hannifin plc, Digiplan Division. Tel., 01202 699000; fax, 01202 695750; e-mail, sales@digiplan.com.  
Enq no 517

### Optical devices

**Fresnel lenses for ir sensors.** A range of precision infrared fresnel lenses from Anglia is designed for use in motion detection and security systems. The lenses are made in domed or flat form to give beam patterns for particular applications, enhancing sensitivity and reducing the incidence of false triggers. White or translucent polypropylene is used. A custom design service is offered by Anglia.  
Anglia. Tel., 01945 474747; fax, 01945 474849. E-mail, anglia.co.uk  
Enq no 518

**Modulated laser diode.** NEC's NDL7910P multiple-quantum-well, distributed-feedback laser diodes has an electroabsorption modulator in the same package and is expected to reduce the size and cost of future wavelength-division multiplexing equipment for telecommunications use. The device works at speeds up to STM-16, which is 2.5Gb/s, and will eventually reach 10Gb/s. Peak emission wavelength is 1545nm, output 3mW, return loss -10dB at 2GHz and there is 30dB of internal optical isolation.  
NEC Electronics (UK) Ltd. Tel., 01908 691133; fax, 01908 670290.  
Enq no 519

### Oscillators

**Ovened crystal oscillators.** C-MAC offers more crystal oscillators by Cepe, this time for GSM and other cellular base stations as well as SDH/Sonet switching. The surface-mounted devices consist of an SC-cut crystal and an asic in the one can within an outer package. CPO-10H devices are stable to within ±2 and ±5 parts per billion with temperature, ±1ppb with loading, ±0.07ppb ageing per day and ±0.02ppb in the first year. Frequencies available are 8-13MHz in this range, the slightly less stable CPO-10 series covering 2-40MHz at ±0.05ppm. Oven power is 5W during a five-minute warm-up and under 1W thereafter.  
C-MAC Quartz Crystals Ltd. Tel.,

01279 626626; fax, 01279 454825.  
Enq no 520

### Passive components

**Low-value chip resistors.** From Koa's SR73 series of chip resistors, E96 values from 0.2Ω to 10Ω to ±1% can be supplied, the five standard sizes having ratings of 0.125W to 1W. E24 values to ±2% or ±5% are available in the 0.1-10Ω range. Operating temperature is -55°C to 150°C.  
Mercator. Tel., 01493 334000; fax, 01493 334050.  
Enq no 521

### Power semiconductors

**Power darlington.** Zetex's new darlington, the FMMT734, has a voltage rating of 100V and will cope with the transients found in vehicles and motor-drive applications. At a current of 1A, V<sub>CE(sat)</sub> is 0.9V, so that this SOT23 device is rather more efficient than bigger types. Gain is 15k at 2A and the device is rated to handle 800mA collector current continuously, calculated power dissipation being 625mW.  
Zetex plc. Tel., 0161 622 4422; fax, 0161 622 4420; web, www.zetex.com.  
Enq no 522

### Protection devices

**Protective circuit breakers.** TA45 rocker and push-button circuit breakers from Schurter also provide power on/off switching to protect motors, transformers and wiring from overcurrent and consequent overheating. Additionally, they prevent an unwanted restart after a power failure and prevent starting unless safety guards are in place. The overload protection works with single-phase, three-phase and dc motor drives and loads, ratings being 0.1-20A at 230Vac/60Vdc and 8A at 400V ac. The devices are fully approved by the relevant authorities.  
Schurter AG. Tel., 0041 413693111; fax, 0041 413693333; e-mail, contact@schurter.ch; web, www.schurter.ch.  
Enq no 523

### Switches and relays

**Miniature power relays.** IMO's new range of small power relays includes the SRC series, 10.2mm high types switching 10A and having Class B insulation, flux-tight or full sealing and recognition to UL/CSA/TUV; SRF types are similar, but a little bigger, both types having 1A spno contacts. SRF relays have a 200mW coil and switch 3A with spdt contacts. Finally, the ET1 type is only 5mm thick, has 5A no contacts and a 120mW coil, 2.35kV isolation and is in a sil form.  
IMO Precision Controls Ltd. Tel., 0181 4526444; fax, 0181 4502274; e-mail, imo@imopc.com; web, www.imopc.com.  
Enq no 524

**Miniature relay.** Having a power consumption of 225mW, the JS relay by Fujitsu Takamisawa is suitable for continuous energisation and is fitted with silver tin oxide contacts giving a

### Television components

**Wireless cctv viewer.** VideoWave Viewer by Radio Data Technology is an extension to the existing VideoWave VRX1394 cctv transmitter, whereby the 1394MHz transmissions may now be monitored on a 2.9in lcd fitted with a light shield for daylight viewing. CCIR Pal transmissions can therefore be relayed over a distance of up to 750m using a quarter-wave whip, the transmissions being scrambled. Current consumption is 600mA from 12V.  
Low Power Radio Solutions Ltd. Tel., 01993 709418; fax, 01993 708575.  
Enq no 526



Please quote "Electronics World" when seeking further information

rating of 8A at 250V ac and a life expectancy of over 100 000 operations. There are changeover or spst types and, on the normally open version, a 5mm pitch to allow enough space on the board between open contact pins. There is also a spdt type with pins on a 3.2mm pitch. Surge protection on all is up to 10kV and dielectric strength is 5kV ac for a minute. The relays are fully sealed and certified to EN60950 and EN60063 and conform to various other standards.

Young-ECC Electronics. Tel., 01628 810727; fax, 01628 810807. e-mail, youngecc@compuserve.com.  
Enq no 525

### Transducers and sensors

**Slot sensors.** UZJ slot-type proximity sensors by Matsushita are general-purpose devices that appear to be able to cope with most situations, being made with a number of mounting facilities and offering the choice of a fixed cable or a connector. Output may be 'on' for light or dark, operating time is about 20µs and the sensors can detect even translucent targets of 0.8 by 1.8mm.

Matsushita Automation Controls Ltd. Tel., 01908 231555; fax, 01908 231599; e-mail, info@macuk.co.uk; web, www.mac-europe.com.  
Enq no 527

**Small buzzers – loud noise.** Sonitron, a Belgian company, believes that its SMA-23L piezoelectric buzzer creates the loudest racket yet achieved from a 1.5-15V, 23mm diameter device. It has a height of 11mm, weighs 4.3g and, upon the application of 12V, puts out 95dB(A) at 30cm. The device draws under 6mA and comes in various forms, with leaded and surface types in several pin formations. It is said to be able to run continuously for an unimaginable 2000 hours.

Radiatron Components Ltd. Tel., 01784 439393; fax, 01784 477333.  
Enq no 530



**Two-wire Hall-effect switches.** From Allegro comes the A3161 two-wire, unipolar, Hall-effect switch ic, which operates over a -40°C to 85°C range and contains in the one package a voltage regulator, reverse-battery diode, a quadratic Hall sensor, temperature compensation circuitry, amplifier, Schmitt and a constant-current generator. The unit works from 3.5V to 24V, noise radiation being limited by slew-rate control of the current source. Four package styles are available, including the SOT-89 type and through-hole versions. Allegro MicroSystems Inc. Tel., 01932 253355; fax, 01932 246622; web, www.allegromicro.com  
Enq no 528

**Ntc thermistors.** KTP-41-B1 by Shibaura is an ntc thermistor assembly with a resistance of 10kΩ ±5% at 25°C and 4100k ±3% B value in the 25 to 50°C range. Operating temperature is -30°C to 100°C. BFI IBEXSA Electronics Ltd. Tel., 01622 882467; fax, 01622 882469; web, www.bfi.avnet.com.  
Enq no 529

## EQUIPMENT

### Communications equipment

**Modem modules.** SocketModems by Rockwell enable a single module to handle multiple data, fax and voice, including error correction and data compression, cellular protocols, simultaneous voice and data and speakerphone. The modules are 25.4 by 63.5mm. The modules may be easily up-graded in production or in use and have a separate line interface to allow different configurations worldwide.

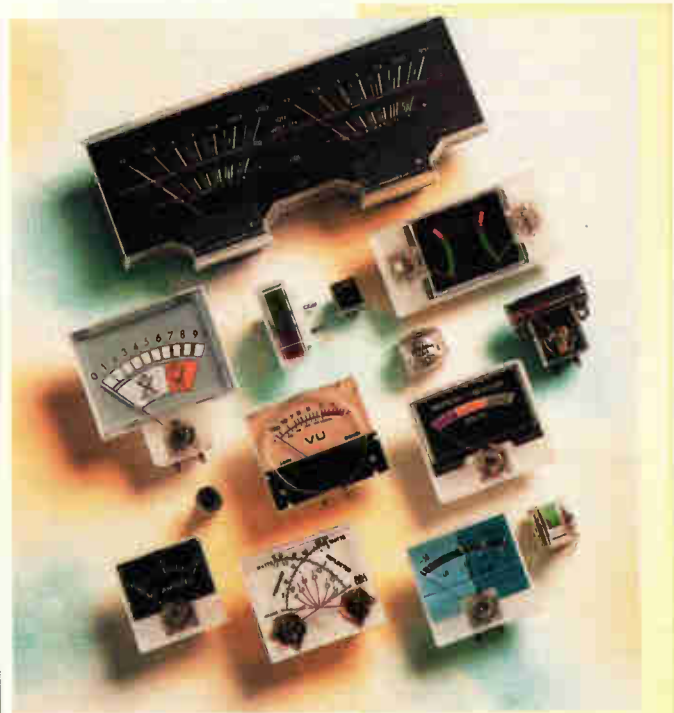
Silicon Concepts Ltd. Tel., 01428 751617; fax, 01428 751603.  
Enq no 531

### Power supplies

**Clever battery charger.** For use with large batteries, Vicor presents its new 600W compact charger that combines the company's FlatPAC and BatMod units in one unit. The result is a processor-controlled charger having characteristics that are easily adapted for use with batteries of various types and to provide varying monitoring facilities. Float voltage and charge current are adjusted independently as charging proceeds and status data is relayed to a control point.

Vicor UK. Tel., 01276 678222; fax, 01276 681269, e-mail vicor@vicr.com; web, www.vicr.com.  
Enq no 532

**Programmable power supplies.** TTI's PL-P Series is a range of supplies having both RS-232 and GPIB interfaces as standard, with overriding rotary controls for bench use, and provides the choice of single, dual and triple output versions. Each main output, working in constant-



current or constant-voltage mode, puts out between 0V and 30V to a resolution of 10mV or 1mA. The triple-output model has a 4-6V, 7A output to power logic systems which has variable overvoltage protection. Regulation of outputs is better than 0.01% and noise under 1mV; transient recovery occurs within 20µs. In addition to the RS-232 interface, there is the Addressable RS-232 Chain (ARC) for control of up to 30 instruments, from a single pc serial port.

Thurlby Thandar Instruments Ltd. Tel., 01480 412451; fax, 01480 450409.  
Enq no 533

**3W, board-mounted supply.** Eight models in Start Spellman's MS Series of pcb-mounted power supplies cover the 300V-3kV output range at 3W. Input voltage is 12Vdc ±1V and outputs are adjustable from zero to the maximum for each model. Ripple: less than 0.01% pk-pk; line stabilisation better than 0.005% for a 1V input variation; and load regulation better than 0.05% for 100µA-V<sub>out(max)</sub>. Start Spellman Ltd. Tel., 01798 873986; fax, 01798 872479; e-mail, hvsales@start-spellman.co.uk.  
Enq no 534

### Production test equipment

**Protective burn-in sockets.** IC51 test and burn-in sockets by Yamaichi are made in clam-shell and open-top forms and there are versions for sops, pliccs and the various types of qfp. To avoid damage to leads, the clam-shell type uses the company's parallel clamp mechanism, which provides for easy insertion and uniform pressure on the package top; it is also faster to use than other designs.

**Analogue meters.** A range of more than 50 compact moving-coil meters is available from Anders. Componex Mini-Meters come in various shapes, including round, rectangular and edgewise and, for volume users, any style can be made quickly; standard types being stocked by distributors.

Anders Electronics plc. Tel., 0171 3887171; fax, 0171 3872951; web, www.anders-electronics.co.uk  
Enq no 538

Radiatron Components Ltd. Tel., 01784 439393; fax, 01784 477333.  
Enq no 535

### Radio systems

**GPS module.** SIGEM's SGM5600S GPS module comes with a claim to be the smallest available receive module at 89 by 33 by 8mm in simm form and is thrifty enough with current from a 3.3V or 5V supply to comply with the needs of hand-held equipment. Warm start time is 7s and differential accuracy is to within 1m. No external parts are needed and the simm interface gives plug-and-play connection to remote active patch antennas. A design kit assists with evaluation.

Broadband Technology 2000Ltd. Tel., 01494 474800; fax, 01494 443100; e-mail, 100616.3040@compuserve.com.  
Enq no 536

**Test and measurement**  
**Digital delay generator.** DG535 from Stanford Research provides four precise delays or two independent pulses with 5ps resolution and trigger-

Please quote "Electronics World" when seeking further information

to-output jitter of under 50ps. Delays may be set at from 0 to 1000s after the trigger and the pulses are defined by the delay output pairs to determine leading and trailing edges. Triggering frequency is 0.001Hz-1MHz to 4-digit resolution and the instrument may be synchronised to the line voltage. Outputs are independently adjustable from -3V to 4V to within 10mV, rear-panel outputs providing  $\pm 35V$  replicas of the front-panel waveforms. GPIB interface allows pc control. Timebase is internal or external, the internal one being either a 25 in  $10^6$  crystal or an optional 1 in  $10^6$  compensated type.  
 Thurby Thandar Instruments Ltd.  
 Tel., 01480 412451; fax, 01480 450409; e-mail, sales@ttinst.co.uk.  
**Enq no 537**

**Thermal array recorder.** Gould offers the TA-10 thermal array recorder to measure four or eight channels of direct and rms voltage and current and temperature and four or eight event channels. Delays during recording are avoided by the use of an lcd monitor to display signals under the array head, so that adjustments may be made before recording. Internal memory is 1Msample for the four-channel type and 4Msample for the eight-channel version, a built-in 3.5in floppy drive storing set-up and data. 270mm chart paper is used and sampling rate is 50kHz to a 14-bit resolution.  
 Nicolet Technologies Ltd. Tel., 01908 225630; fax, 01908 225633; e-mail, Nicolet\_Technologies\_Ltd@msn.com  
**Enq no 539**

**COMPUTER AND DATA HANDLING**

**Data acquisition**  
**PCI card.** Blue Chip announces the PCI-ADC, which is a 44-channel,

multifunction data acquisition card based on PCI and running under Windows. Inputs and outputs are analogue or digital; eight differential or 16 single-ended analogue inputs give gains of 1, 10, 100 or 1000 and give readings to within 0.1% at varying levels, with auto calibration on high gains to remove offsets. Inputs down to  $\pm 5mV$  may be applied. The four 12-bit analogue outputs produce voltage or current and there are 24 programmable digital i/o channels arranged as three 8-bit ports into ttl. The board is PCI-compatible and it may be plugged and played.  
 Blue Chip Technology. Tel., 01829 772000; fax, 01829 772001; e-mail, sales@bluechiptechnology.co.uk; web, www.bluechiptechnology.co.uk.  
**Enq no 541**

**Data communications**  
**Data baluns.** Baluns by Cambridge Connectors allow 150 $\Omega$  data connectors to interface with 100 $\Omega$  RJ45 connectors and IBM cabling to be used when extending networks with Cat 5 twisted-pair cabling. The baluns are small and have a 90° entry to make for vertical insertion into the panel; they use both shielded and unshielded twisted pair cables and are available in Token Ring, 10Base T and 100Base Tx form.  
 Cambridge Connectors Ltd. Tel., 01223 860041; fax, 01223 863625; e-mail, Cambridge\_Connectors@msn.com  
**Enq no 542**

**Development and evaluation**  
**MACH pld development.** Vantis has produced a starter kit to allow the evaluation of in-system programming of MACH programmable logic devices. Synario Starter software comes with MACHPRO on a cd-rom and the kit includes MACH devices to allow design, simulation and programming and a 44-pin board,

manual and data sheets for all available devices.  
 Farnell Components Ltd. Tel., 0113 263 6311; fax, 0113 263 3411, web www.farnell.com.  
**Enq no 543**

**Software**  
**Thermal analysis.** New thermal

analysis software from Flomerics, the FLO/MCAD package has reduced design time by simplification. FLO/MCAD takes a model created by the Mechanical Computer-Aided Design (MCAD) package, with much detail that is irrelevant to thermal analysis and insufficient data on thermal properties and boundary

**BACK ISSUES**

Back issues of Electronics World are available, priced at £3.00 UK and £3.50 elsewhere, including postage. Please send your order to Electronics World, Quadrant House, The Quadrant, Sutton, Surrey, SM2 5AS



**Free copy of Electronics Engineer's pocket book with every order while stocks last**

**Available issues**

1994	1996	1998
January	January	January
March	February	February
April	March	March
May	May	April
July	June	May
August	July/August	June
September	September	July
November	October	August
December	November	September
		October
		November
1995	1997	
February	January	
April	June	
May	August	
June	September	
September	December	
October		
December		

Note that stocks of some of the above issues are low and will soon sell out. Please allow 21 days for delivery.

**Computer board-level products**

**Dual Pentium II board.** ICP's Rocky-P228 is a dual, Pentium II single-board computer based on the Intel 440LX ISA/PCI chipset and takes dual Pentium II 233/333MHz MMX processors, up to 384Mb of sdram and 72Mb of disc flash. It has the Ultra DMA/33 and ATA-E-IDE dual-channel interface, a floppy interface, two serial 16C550 RS-232C ports, an EPP/ECP parallel port and serves a PS/2 mouse and keyboard. Sideways mounting reduces size and heat dissipation and there is a system to monitor power supply status and fan speed.  
 Wordsworth Technology. Tel., 01732 861000; fax, 01732 863747; e-mail, sales@wordsworth.co.uk; web, www.wordsworth.co.uk  
**Enq no 540**





Please quote "Electronics World" when seeking further information

conditions, and simplifies it for analysis, whereas simply using the whole model could take weeks. **Flomerics Ltd.** Tel., 0181 9418810; fax, 0181 9418730; e-mail [flomerics@flomerics.co.uk](mailto:flomerics@flomerics.co.uk); web, [www.flomerics.com](http://www.flomerics.com). **Enq no 544**

**Tailoring data acquisition.** *DIAdem v.3* by Gfs mbH of Aachen is now improved with increased speed and versatility for the origination of data acquisition, analysis and graphical software. No programming is needed to produce extensive applications with dialogues for data entry, displays and help files, all with no requirement to know anything about DIAdem. Users' own software, such as hardware drivers and calculation, may be added, the whole resultant package running with DIAdem. Modification is simple because no programming knowledge is needed. **Strategic Test and Measurement Systems Ltd.** Tel., 01203 323160; fax, 01203 323161; e-mail, [info@strategic-test.com](mailto:info@strategic-test.com); web, [www.strategic-test.com](http://www.strategic-test.com) **Enq no 545**

**PUBLICATIONS**

**Catalogues**

**Molex connectors.** **Hawnt Electronics** has produced a CD-rom that works with the Internet to provide a complete reference to Molex connectors, Hawnt being the largest UK distributor. Apart from technical data, there is also video and a high-speed search engine for cross-reference with other manufacturers. If the rom is used while the Internet is connected, a link ensures that the latest information on the page in use is provided. **Hawnt Electronics Ltd.** Tel., 0121 7843355; fax, 0121 7831657; web, [sales@hawnt.co.uk](mailto:sales@hawnt.co.uk). **Enq no 546**

**Farnell.** Farnell's June 1998 CD-rom set is available and contains more than 15,000 data sheets and application notes. It comes with the Semiconductor Applications

Directory, which contains help on the use of devices from Siemens, Burr-Brown, Philips, Dallas, Zetex and Motorola. In addition, the Semiconductor New Products Supplement has more than 850 new devices from the major companies. All are free of charge. **Farnell Components Ltd.** Tel., 0113 263 6311; fax, 0113 263 3411, web, [www.farnell.com](http://www.farnell.com). **Enq no 547**

**4000 catalogues.** For those whose shelves groan with the weight of catalogues, **Technical Indexes** has produced the *CD-rom Engineering Product Library*, which is not only extremely comprehensive but also much lighter and a lot faster to use. It covers other fields, but the electronic section, available on its own, holds more than half a million catalogue pages from 4000-plus companies. It runs in Windows and includes information on components, hardware, instruments and power sources, being capable of stand-alone working or networked over lans or wans.

**Technical Indexes Ltd.** Tel., 01344 426311; fax, 01344 424971; web, [www.techindex.co.uk](http://www.techindex.co.uk) **Enq no 548**

**Application notes**

**Power supplies.** **Artesyn Technologies** has produced the *1998 Power Supply Handbook*, containing performance specifications and design data for the company's full range of ac/dc supplies, dc-to-dc converters and dc/ac ring generators. Artesyn was formed by the merger of Computer Products and Zytec and the free handbook contains the products of both companies, detailing more than 1200 products. **Artesyn Technologies.** Tel., 00353 2425272; fax, 00353 2493510; e-mail, [jackie.day@artesy.com](mailto:jackie.day@artesy.com). **Enq no 549**

**HOW DOES YOUR EQUIPMENT MEASURE UP? AT STEWART OF READING THERE'S ALWAYS SCOPE FOR IMPROVEMENT!**

**AUTUMN SPECIALS**

**PHILIPS PM3217 -** Dual Trace 50MHz Delay  
This is really a very good oscilloscope including 2 probes, Pouch & Front cover  
Only **£300**

**THIS IS THE BEST CHEAP SCOPE YOU WILL EVER BUY!!!**

**GOULD OS1100** Dual trace, 30MHz delay, very bright. Supplied with manual and 2 probes.  
**£200**

**TEKTRONIX 2215 -** Dual Trace 60 MHz Sweep Delay, Includes 2 probes, Only **£350**

**TEKTRONIX 400 SERIES**

- 468 Digital Storage Dual Trace 100MHz Delay.....£550
- 466 Analogue Storage Dual Trace 100MHz Delay...£250
- 485 Dual Trace 350MHz Delay Sweep.....£750
- 475 Dual Trace 200MHz Delay Sweep.....£450
- 465 Dual Trace 100MHz Delay Sweep.....£350

**HC 3502** 5mV/20Div; 0.2u secs-0.5 Sec/Div; X-Y; X5 Magnifier; TVsync etc.  
Dual Trace 20MHz  
Un-Used **£180**

- PHILIPS PM3296A Dual Trace 400MHz Dual TB Delay Cursors IEEE £2250
- FLUKE PM3092 2xCh 100MHz Delay TB Cursors £950
- TEKTRONIX 2465 4 Ch 300MHz Delay Sweep Cursors etc. £2000
- TEKTRONIX 2445/245A 4Ch 150MHz Delay Sweep Cursors etc. from £1000
- TEKTRONIX TAS 465 Dual Trace 100MHz Delay Cursors £900
- TEKTRONIX 2235 Dual Trace 100MHz Delay Cursors £700
- TWATUS S55711 4Ch 100MHz Delay Sweep £350
- PHILIPS 3065 2x1 Ch 50MHz Dual TB £475
- GOULD OS300 Dual Trace 20MHz £160

- MARCONI 2019 Syn AM/FM Signal Gen 60KHz-1040MHz £1200
- MARCONI 2017 Phased Lock AM/FM Sig Gen 10KHz-1024MHz £1500

**Can You Believe It -**  
**A 1GHz Generator for only £450**

- H.P. 8640A AM/FM Signal Gen 500KHz-1024MHz - Audio Option £250
- H.P. 8640A AM/FM Signal Gen 500KHz-512MHz £250
- FARNELL PSG520 Syn AM/FM Signal Gen 10KHz-520MHz £325
- FARNELL PSG520 Syn AM/FM Sig Gen 10KHz-520MHz Portable £450
- MARCONI 6311 Prog Sweep Gen 10MHz-20GHz £4500
- PHILIPS PM5193 Prog Syn Func Gen 0.1MHz-50MHz £1500
- PHILIPS PM5192 Prog Syn Func Gen 0.1MHz-20MHz £1000
- H.P. 3325A S.m. Function Gen 21MHz £950
- PHILIPS PM5134 Sweep Func Gen 0.001Hz-20MHz £300
- PHILIPS PM5132 Sweep Func Gen 0.1Hz-2MHz £200

**Classic AVO Meter -**  
A Digital AVO DA 116 3.5 digit Complete with Batteries & Leads.  
Only **£30**

**METROHM 9A - 500V**  
Battery Meggar (a useful back-up for fault finding) Complete with Batteries & Leads. Only **£35**

**Solatron 7045 - 4.5 Dig. Bench**  
Multimeter with leads **£45**

- SOLARTRON 7151 DMM 6.5 digit IEEE £450
- SOLARTRON 7150 DMM 6.5 digit IEEE £300
- True RMS

**LOOK**  
BRAND NEW OSCILLOSCOPES - NEVER USED - LIMITED STOCK

**DMS 3850A Digital Storage/DMM**  
Handheld LCD display. 2 Channels 50ms/s. Auto range 4 Digit DMM/Capacity/frequency counter. Battery operation or external 7.5-9.5V DC ie. AC adaptor (not supplied). RS232 comes in black carrying pouch complete with 2 scope probes; DMM leads; Manual. **For only £400**

**DTS 40 Digital Storage**  
Dual Trace 40MHz 20 MS/s Storage. Cursors + On screen readout. Sweep Delay; interface etc etc. Supplied unused in original box complete with 2 probes and manual. **Amazing Value £400**

**DTA 20 Dual Trace 20MHz**  
Alt Mag TV Trig etc unused and boxed with 2 probes and manual **£225**

**FARNELL PSG1000 10KHz-1GHz**  
AM/FM Synthesised Signal Generator Portable  
Unused **£1500** Used **£995**

**FARNELL AMM2000**  
Sophisticated Automatic Modulation Meter 10Hz-2.4GHz (looks similar to above PSG1000)  
Unused **£1250**

**WAYNE KERR AMM255**  
Automatic Modulation Meter AM/FM 1.5MHz-2GHz 3.5 digit  
Unused **£500**

**Dummy Load 'N' Type 50 Ohm 75 watts**  
Unused **£30**

**New & Hardly Used**

**100KHz-100MHz FM 0-100KHz; Output -19dB-99dB AM 0-60%; 32 preset memory; Digital display frequency and output**  
Used **£450** Unused **£750**

**KENWOOD FL180A WOW/FLUTTER METER 0.003%-10%; Freq 3KHz/3.15KHz RMS/AVERAGE/PEAK. Weighted filters; Digital display of rpm; 4 digit Freq counter 0.01KHz-9.999KHz/0.01KHz-55KHz**  
Used **£400** Unused **£500**

**POWER SUPPLY Model HSP3010**  
0-30 volts; 0-10 amps current limiting; 2 meters  
Used **£160** Unused **£200**

**GOODWILL GVT427 DUAL CHANNEL AC MILLIVOLTMETER**  
10uV 300V In 12 ranges Frequency 10Hz-1MHz  
Used **£100** Unused **£125**

**GOODWILL GFC 8010G FREQUENCY COUNTER Range 1Hz-120MHz 8 digit display 15mV RMS sensitivity**  
Unused **£75**

**ANALOGUE MULTIMETER Model HC260TR AC/DC volts DC current 10 amps; 17 ranges; Continuity Buzzer; Transistor Tester** Unused **£15**  
**STEREO AUDIO BALANCE TO UNBALANCED CONVERTER** ie for car radio servicing Unused **£10**

**FARNELL LF1 Sine/Sq Oscilla 10Hz-1MHz**  
Unused **£75**

- Power Supplies**
- Farnell AP100/00 0-100 volts; 0-30 amps; Autoringing.....£1000
  - Farnell H60/25 0-60 volts; 0-25 amps.....£400
  - Farnell TS70/0M2 70 volts; 5 amps/35 volts, 10 amps.....£200
  - Farnell LT12-10C 0-12 volts; 0-10 amps.....£175
  - Farnell LT30-2 0-30 volts; 0-2 amps twice.....£160
  - Farnell LT30-1 0-30 volts; 0-1 amp twice.....£130
  - Thurley-Thander TSK1820 Precision PSU 18V; 20 amps.....£275
  - Thurley PL320 0-30 volts; 0-2 amps GFI/B digital.....£150
  - Thurley PL310 0-30 volts; 0-1 amp digital.....£110
  - Mains Isolating transformer 3kVA. cased. 13 amp plug and socket, as new.....£100

Many more power supplies available

**USED EQUIPMENT - GUARANTEED. Manuals supplied**  
This is VERY SMALL SAMPLE OF STOCK. SAE or telephone for lists. Please check availability before ordering. CARRIAGE all units £16. VAT to be added to total of goods and carriage.

**STEWART of READING**  
110 WYKEHAM ROAD, READING, BERKS RG6 1PL  
Telephone: (0118) 9268041 Fax: (0118) 9351696  
Callers welcome 9am-5.30pm Monday to Friday (other times by arrangement)

CIRCLE NO. 130 ON REPLY CARD

# WATCHDOG

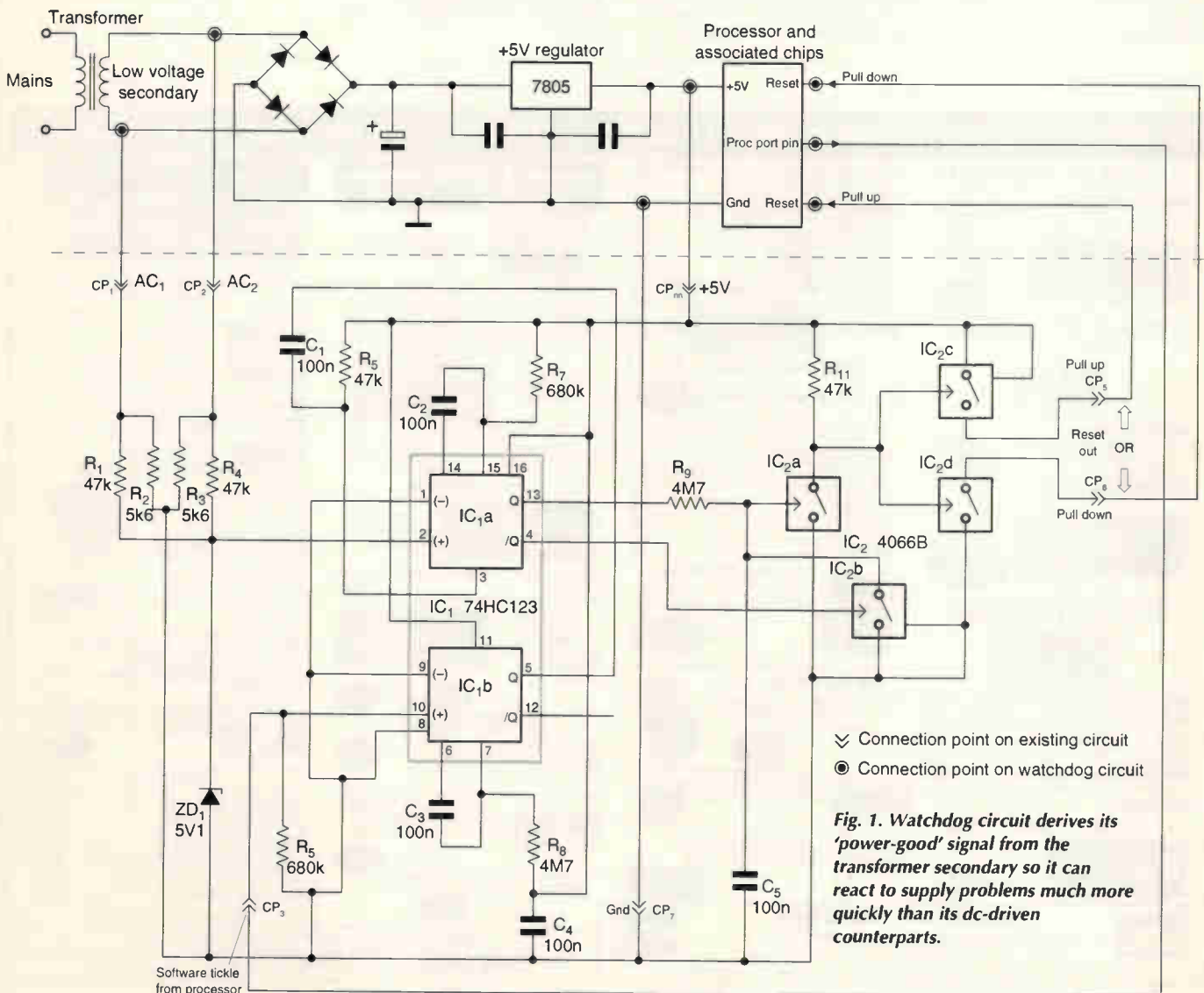
## has extra teeth

Watchdog timers shut down a microcontroller system in a controlled manner in the event of a software bug or pending mains failure. Most watchdogs derive their 'power ok' signal from the rectified dc power supply. Ted Crowley's general-purpose design reacts faster, monitoring the power supply on the ac side.

Unlike dc monitoring watchdog supervisory chips, this circuit monitors the incoming ac supply. It is capable of generating a reset after the loss of a

half-cycle of the incoming 50/60Hz supply, provided the values of  $C_2$  and/or  $R_7$  on pins 14 and 15 of  $IC_1$ , are carefully selected.

If capacitor  $C_2$  is 0.1 $\mu$ F and  $R_7$  is 680k $\Omega$  the circuit will ignore a single half-cycle loss, but will normally generate a reset after the loss of one cycle, assuming 50Hz.



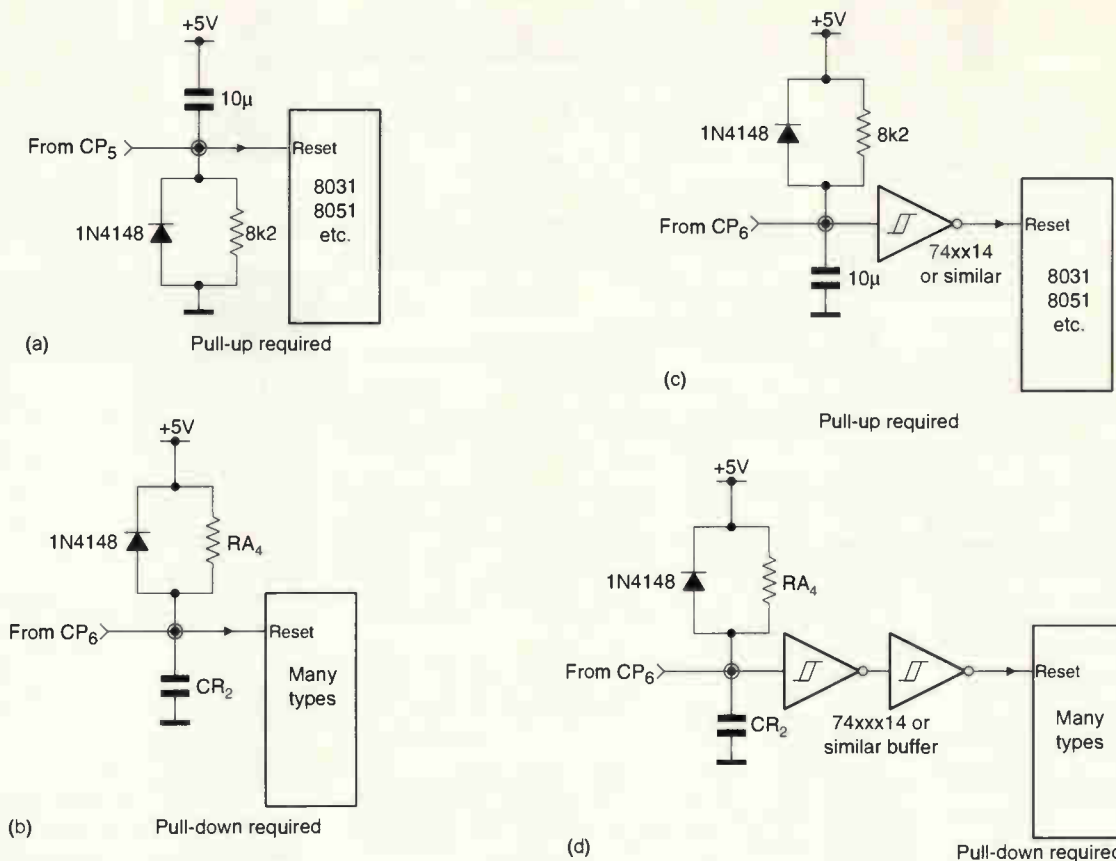


Fig. 2. The general-purpose reset output signals from the watchdog timer need modifying to suit the type of microcontroller involved. These four arrangements should cover most applications.

### Connection points

Seven connection points,  $CP_{1-7}$ , are provided in the design, Fig. 1. They have the following functions:

**$CP_1$  – AC input 1.** Connects directly to one terminal of the secondary of the isolated mains transformer, which generates the +5V supply for the processor.

**$CP_2$  – AC input 2.** Similar to  $CP_1$ . This point connects to the other terminal of the transformer secondary. The waveforms on  $CP_1$  and  $CP_2$  are combined at pin 2 of  $IC_1$ , to produce a full-wave rectified waveform. This waveform comprises two positive-going clipped half sine-waves per input 50/60Hz cycle.

**$CP_3$  – Software tickle.** This signal comes from the processor. The card accepts a pulse waveform from the processor directly, or from an associated chip, such as a port expander. These pulses indicate to the watchdog circuit that the processor has not crashed.

Should the waveform from the processor at  $CP_3$  fail for a period longer than set by  $C_3$  and  $R_8$ , on pins 6 and 7 of  $IC_1$ , that part of  $IC_1$  sends a reset pulse to the processor. It does this by resetting the other monostable in  $IC_1$ , via  $C_1$ .

If the duration determined by  $C_3$  and  $R_8$

does not match the software,  $C_3$  and/or  $R_8$  may be changed in value. If no software tickle waveform is available, or that feature is not required,  $CP_3$  may be left unconnected.

**$CP_4$  – 5V in.** Accepts the +5V supply to the watchdog circuit. Normally, the +5V supply will be taken from the same supply as the processor being guarded by the watchdog.

**$CP_5$  – Reset output, pull-up.** This connection point is for use with processors that need their reset pin pulled up to +5V to cause a reset. Fig. 2. This connection point is intended for processors, mostly from the 8051 family, including the 8031, 87C51, etc.

**$CP_6$  – Reset output, pull-down.** Find out whether there are any reset waveform active shapers or buffers between the watchdog and the processor reset input and use  $CP_5$  or  $CP_6$  as appropriate.

In all cases, connect  $CP_5$  or  $CP_6$  to the point in the passive components where the reset waveform is first generated. Figure 2 shows typical arrangements found on processor cards.

**$CP_7$  – Supply ground.** This point connects to the same ground, or common, as used on the processor card, Fig. 1.

Circuitry in the top area of Fig. 1 shows a typical connection to the isolated secondary of a power supply transformer.

In all cases, the positive-going peaks of the pulses at pin 2 of  $IC_1$  should exceed 3.5V, above ground. The negative-going crests should reach ground potential, or within 0.2V or so of ground.

### Keeping it awake

If a controller output pin is available, a simple software loop called at regular intervals will suffice to toggle the pin driving the  $CP_3$  watchdog input.

It may not be necessary to modify the software at all to obtain a watchdog output for driving  $CP_3$ . Examine the controller system to find out whether its software polls an external device at regular intervals. This polling waveform may well be suitable for energising  $IC_1$  at pin 10, via  $CP_3$ .

Alternatively, if the software drives a led indicator, and no other processor pin is available, it may be possible to perform a complement – i.e. 'CPL' in the 8051 command set – on the signal driving the led. Alternating the signal in this way produces the tickle necessary to tell the watchdog that the processor software is operating correctly. ■

Surplus always wanted for cash!

# THE ORIGINAL SURPLUS WONDERLAND!

THIS MONTH'S SELECTION FROM OUR VAST EVER CHANGING STOCKS

Surplus always wanted for cash!

## THE AMAZING TELEBOX

Converts your colour monitor into a QUALITY COLOUR TV!!



TV SOUND & VIDEO TUNER  
CABLE COMPATIBLE

The TELEBOX is an attractive fully cased mains powered unit, containing all electronics ready to plug into a host of video monitors made by makers such as MICROVITEC, ATARI, SANYO, SONY, COMMODORE, PHILIPS, TATUNG, AMSTRAD etc. The composite video output will also plug directly into most video recorders, allowing reception of TV channels not normally receivable on most television receivers\* (TELEBOX MB). Push button controls on the front panel allow reception of 8 fully tuneable 'off air' UHF colour television channels. TELEBOX MB covers virtually all television frequencies VHF and UHF including the HYPERBAND as used by most cable TV operators. A composite video output is located on the rear panel for direct connection to most makes of monitor or desktop computer video systems. For complete compatibility - even for monitors without sound - an integral 4 watt audio amplifier and low level Hi Fi audio output are provided as standard.

TELEBOX ST for composite video input type monitors £36.95  
TELEBOX STL as ST but fitted with integral speaker £39.50  
TELEBOX MB Multiband VHF/UHF/Cable/Hyperband tuner £69.95  
For overseas PAL versions state 5.5 or 6 MHz sound specification.  
\*For cable / hyperband signal reception Telebox MB should be connected to a cable type service. Shipping on all Teleboxes\*, code (B)

**NEW** State of the art PAL (UK spec) UHF TV tuner module with composite 1V pp video & NICAM hi fi stereo sound outputs. Micro electronics all on one small PCB only 73 x 160 x 52 mm enable full software control via a simple 2 wire link to any IBM type computer. Supplied complete with simple working program and documentation. Requires +12V & +5V DC to operate.  
**BRAND NEW - Order as MY00. Only £49.95 code (B)**

## FLOPPY DISK DRIVES 2 1/2" - 14"

Massive purchases of standard 5 1/4" and 3 1/2" drives enables us to present prime product at industry beating low prices! All units (unless stated) are BRAND NEW or removed from often brand new equipment and are fully tested, aligned and shipped to you with a full 90 day guarantee. Call for over 2000 unlisted drives for spares or repair.

- 3 1/2" Panasonic JU363/4 720K or equivalent RFE £24.95 (B)
- 3 1/2" Mitsubishi MF355C-L 1.4 Meg. Laptops only £25.95 (B)
- 3 1/2" Mitsubishi MF355C-D 1.4 Meg. Non laptop £18.95 (B)
- 5 1/4" Teac FD-55GRF 1.2 Meg (for IBM pc's) RFE £18.95 (B)
- 5 1/4" Teac FD-55F-03-U 720K 40/80 (for BBC's etc) RFE £29.95 (B)
- 5 1/4" BRAND NEW Mitsubishi MF501B 360K £29.95 (B)
- Table top case with integral PSU for HH 5 1/4" Floppy or HD £29.95 (B)
- 8" Shugart 800/801 8" SS refurbished & tested £210.00 (E)
- 8" Shugart 810 8" SS HH Brand New £195.00 (E)
- 8" Shugart 851 8" double sided refurbished & tested £260.00 (E)
- 8" Mitsubishi M2894-63 double sided NEW £295.00 (E)
- 8" Mitsubishi M2896-63-02U DS slimline NEW £295.00 (E)
- Dual 8" cased drives with integral power supply 2 Mb £499.00 (E)

## HARD DISK DRIVES

- 2 1/2" TOSHIBA (19 mm H) MK2101MAN 2.16 Gb. New £199.00
  - 2 1/2" TOSH. (12.5 mm H) MK1002MAV 1.1 Gb laptop. New £115.00
  - 2 1/2" to 3 1/2" conversion kit for PC's, complete with connectors £12.95
  - 3 1/2" FUJI FK-309-26 20mb MFM I/F RFE £59.95
  - 3 1/2" CONNER CP3024 20 Mb IDE I/F (or equiv.) RFE £59.95
  - 3 1/2" CONNER CP3044 40mb IDE I/F (or equiv.) RFE £69.00
  - 3 1/2" RODIME RO3057S 45mb SCSI I/F (Mac & Acorn) £69.00
  - 3 1/2" QUANTUM 40S Prodrive 42mb SCSI I/F, New RFE £49.00
  - 3 1/2" WESTERN DIGITAL 850mb IDE I/F New £185.00
  - 5 1/4" MINISCRIBE 3425 20mb MFM I/F (or equiv.) RFE £49.95
  - 5 1/4" SEAGATE ST-238R 30 mb RLL I/F Refurb £69.95
  - 5 1/4" CDC 94205-51 40mb HH MFH I/F RFE tested £69.95
  - 5 1/4" HP 97548 850 Mb SCSI RFE tested £99.00
  - 5 1/4" HP C3010 2 Gbyte SCSI differential RFE tested £195.00
  - 8" NEC D2246 85 Mb SMD interface. New £199.00
  - 8" FUJITSU M2322K 160Mb SMD I/F RFE tested £195.00
  - 8" FUJITSU M2392K 2 Gb SMD I/F RFE tested £345.00
- Many other drives in stock - Shipping on all drives is code (D)

## TEST EQUIPMENT & SPECIAL INTEREST ITEMS

- MITS. FA3445ETKL 14" Industrial spec SVGA monitors £245
- 1kW to 400 kW - 400 Hz 3 phase power sources - ex stock EPOA
- IBM 8230 Type 1, Token ring base unit driver £760
- Wayne Kerr RA200 Audio frequency response analyser £2500
- IBM 53F501 Token Ring ICS 20 port lobe modules £750
- IBM MAU Token ring distribution panel 8228-23-5050N £95
- AIM 501 Low distortion Oscillator 9Hz to 330KHz, IEEE £550
- ALLGON 8360.11805-1880 MHz hybrid power combiners £250
- Trend DSA 274 Data Analyser with G703(2M) 64 Vo Marconi £6500
- Marconi 2022C 10KHz-1GHz RF signal generator £1550
- Marconi 2030 opt 03 10KHz-1.3 GHz sigal generator, New HP1650B Logic Analyser £3750
- HP3781A Pattern generator & HP3782A Error Detector EPOA
- HP6621A Dual Programmable GPIB PSU 0-7 V 160 watts £1800
- HP6264 Rack mount variable 0-20V @ 20A metered PSU £675
- HP54121A DC to 22 GHz four channel test set EPOA
- HP8130A opt 020 300 MHz pulse generator, GPIB etc £8500
- HP AI, A0 8 pen HPGL high speed drum plotters - from £950
- EG+G Brookdeal 95035C Precision lock in amp £650
- View Eng. Mod 1200 computerised inspection system EPOA
- Sony DXC-3000A High quality CCD colour TV camera £1100
- Kelthley 590 CV capacitor / voltage analyser EPOA
- Royal IC840 dual 40 channel voice recorder system £3750
- Flakers 45KVA 3 ph On Line UPS - New batteries £9500
- ICI FE030UV34 Cleanline ultrasonic cleaning system EPOA
- Mann Tally MT645 High speed line printer £2200
- Intel SBC 486/133SE Multibus 486 system, 8Mb Ram £945
- Siemens K4400 64Kb to 140Mb demux analyser £2950

## IC's - TRANSISTORS - DIODES

OBSOLETE - SHORT SUPPLY - BULK

6,000,000 items EX STOCK

For MAJOR SAVINGS - CALL OR SEE OUR WEBSITE

## VIDEO MONITOR SPECIALS

One of the highest specification monitors you will ever see - At this price - Don't miss it!!

Mitsubishi FA3415ETKL 14" SVGA Multisync colour monitor with fine 0.28 dot pitch tube and resolution of 1024 x 768. A variety of inputs allows connection to a host of computers including IBM PC's in CGA, EGA, VGA & SVGA modes, BBC, COMMODORE (including Amiga 1200), ARCHIMEDES and APPLE. Many features: Etched faceplate, text switching and LOW RADIATION MPR specification. Fully guaranteed, supplied in EXCEL-

LENT little used condition. Order as MITS-SVGA  
Tilt & Swivel Base £475  
VGA cable for IBM PC included.  
Only £119 (E)  
External cables for other types of computers CALL

As New - Ex Demo  
17" 0.28 SVGA Mitsubishi Diamond Pro monitors  
Full multisync etc. Full 90 day guarantee. £325.00 (E)

Just In - Microvitec 20" VGA (800 x 600 res.) colour monitors.  
Good SH condition - from £299 - CALL for Info

PHILIPS HCS35 (same style as CM8833) attractively styled 14" colour monitor with both RGB and standard composite 15.625 KHz video inputs via SCART socket and separate phono jacks. Integral audio power amp and speaker for all audio visual uses. Will connect direct to Amiga and Atari BBC computers. Ideal for all video monitoring / security applications with direct connection to most colour cameras. High quality with many features such as front concealed flap controls, VCR correction button etc. Good used condition - fully tested - guaranteed  
Dimensions: W14" x H12 3/4" x 15 1/2" D.  
Only £99 (E)

PHILIPS HCS31 Ultra compact 9" colour video monitor with standard composite 15.625 KHz video input via SCART socket. Ideal for all monitoring / security applications. High quality, ex-equipment fully tested & guaranteed (possible minor screen bums). In attractive square black plastic case measuring W10" x H10" x 13 1/2" D. 240 V AC mains powered.  
Only £79.00 (D)

KME 10" 15M10009 high definition colour monitors with 0.28" dot pitch. Superb clarity and modern styling.  
Operates from any 15.625 khz sync RGB video source, with RGB analog and composite sync such as Atari, Commodore Amiga, Acorn Archimedes & BBC. Measures only 13 1/2" x 12" x 11". Good used condition.  
Only £125 (E)

## 20" 22" and 26" AV SPECIALS

Superbly made UK manufacture. PIL all solid state colour monitors, complete with composite video & optional sound input. Attractive teak style case. Perfect for Schools, Shops, Disco, Clubs, etc. In EXCELLENT little used condition with full 90 day guarantee.

20"....£135 22"....£155 26"....£185 (F)

## DC POWER SUPPLIES

Virtually every type of power supply you can imagine. Over 10,000 Power Supplies Ex Stock Call or see our web site.

## LOW COST PC'S

Always over 1000 PC's from stock. 1000's of spares and accessories. Call or see our web site for info.

- Intel SBC 486/125C08 Enhanced Multibus (MSA) NEW £1450
- Zeta 3220-05 A0 4 pen HPGL fast drum plotters £1150
- Nikon HFX-11 (Ephiphot) exposure control unit £1450
- Motrolora VME Bus Boards & Components List. SAE / CALL EPOA
- Trio 0-18 vdc linear, metered 30 amp bench PSU. New £550
- Fujitsu M3041R 600 LPM band printer £1950
- Fujitsu M3041O 600 LPM printer with network interface £1250
- Perkin Elmer 299B Infrared spectrophotometer A £500
- Perkin Elmer 597 Infrared spectrophotometer £3500
- VG Electronics 1035 TELETEXT Decoding Margin Meter £3750
- LightBand 60 output high spec 2u rack mount Video VDA's £495
- Sekonic SD 150H 18 channel digital Hybrid track recorder £1995
- Taylor Hobson Tallysurf amplifier / recorder £750
- ADC SB200 Carbon dioxide gas detector / monitor £1450
- System Video 1152 PAL waveform monitor £485
- ANRITSU 9654A Optical DC-2.5Gb/w waveform monitor £5,650
- ANRITSU MS9001B1 0.6-1.7 uM optical spectrum analyser EPOA
- ANRITSU ML93A optical power meter £990
- ANRITSU Fibre optic characteristic test set EPOA
- VISION ENGINEERING T33 Dynascopic microscope £1850
- R&S FTDZ Dual sound unit £650
- R&S SBU-E1 Vision modulator £775
- WILTRON 6630B 12.4 20GHz RF sweep generator £5750
- TEK 2445 150 MHz 4 trace oscilloscope £1250
- TEK 2465 300 MHz 300 MHz oscilloscope rack mount £1950
- TEK 1502 Portable TDR (time domain reflectometer) £600
- PHILIPS PW1730/10 66KV XRAY generator & accessories EPOA
- CLAUDE LYONS 12A 240V single phase auto. volt. regs £325
- CLAUDE LYONS 100A 240/415V 3 phase auto. volt. regs £2900



## 19" RACK CABINETS

Superb quality 6 foot 40U  
Virtually New, Ultra Smart  
Less than Half Price!

Top quality 19" rack cabinets made in UK by Optima Enclosures Ltd. Units feature designer, smoked acrylic lockable front door, full height lockable half louvered back door and louvered removable side panels. Fully adjustable internal fixing struts, ready punched for any configuration of equipment mounting plus ready mounted integral 12 way 13 pin socket switched mains distribution strip make these racks some of the most versatile we require only two side panels to stand singly or in multiple bays. Overall dimensions are: 77 1/2" H x 32 1/2" D x 22" W. Order as:

OPT Rack 1 Complete with removable side panels. £345.00 (G)  
OPT Rack 2 Rack Less side panels £245.00 (G)

Over 1000 racks, shelves, accessories  
19" 22" & 24" wide 3 to 46 U high.  
Available from stock !!

## 32U - High Quality - All steel RakCab

Made by Eurocraft Enclosures Ltd to the highest possible spec, rack features all steel construction with removable side, front and back doors. Front and back doors are hinged for easy access and all are lockable with five secure 5 lever barrel locks. The front door is constructed of double walled steel with a 'designer style' smoked acrylic front panel to enable status indicators to be seen through the panel, yet remain unobtrusive. Internally the rack features fully slotted reinforced vertical fixing members to take the heaviest of 19" rack equipment. The two movable vertical fixing struts (extras available) are pre punched for standard 'cage nuts'. A mains distribution panel internally mounted to the bottom rear, provides 8 x IEC 3 pin Euro sockets and 1 x 13 amp 3 pin switched utility socket. Overall ventilation is provided by fully louvered back door and double skinned top section with top and side louvers. The top panel may be removed for fitting of Integral fans to the sub plate etc. Other features include: fitted castors and floor levelers, pre-punched utility panel at lower rear for cable / connector access etc. Supplied in excellent, slightly used condition with keys. Colour Royal blue. External dimensions mm=1625H x 635D x 603 W. (64" H x 25" D x 23 1/2" W)  
Sold at LESS than a third of makers price !!



A superb buy at only £245.00 (G)  
42U version of the above only £345 - CALL

## BATTERY SCOOP - 50% off !!

A special bulk purchase from a cancelled export order brings you the most amazing savings on these ultra high spec 12v DC 14 Ah rechargeable batteries. Made by Hawker Energy Ltd, type SBS15 featuring pure lead plates which offer a far superior shelf & guaranteed 15 year service life. Fully BT & BS6290 approved. Supplied BRAND NEW and boxed. Dimensions 200 wide, 137 high, 77 deep. M6 bolt terminals. Fully guaranteed. Current market price over £70 each! Our Price £35 each (C) or 4 for £99 (D)

## RELAYS - 200,000 FROM STOCK

Save £££'s by choosing your next relay from our massive stocks covering types such as - Military, Octal, Cradle, Hermetically Sealed, Contactors, Time Delay, Reed, Mercury Wetted, Solid State, Printed Circuit Mounting, CALL US WITH YOUR NEEDS. Many obsolete types from stock. Save £££'s

## LOW COST RAM & CPU'S

INTEL 'ABOVE' Memory Expansion Board. Full length PC-XT and PC-AT compatible card with 2 Mbytes of memory on board. Card is fully selectable for Expanded or Extended (286 processor and above) memory. Full data and driver disks supplied. RFE. Fully tested and guaranteed. Windows compatible. £59.95  
Half length 8 bit memory upgrade cards for PC AT XT expands memory either 256k or 512k in 64k steps. May also be used to fill in RAM above 640K DOS limit. Complete with data.  
Order as: XT RAM UG. 256K. £34.95 or 512K £39.95

## SIMM SPECIALS

- 1 MB x 9 SIMM 9 chip 120ns Only £8.50
  - 1 MB x 9 SIMM 3 chip 80 ns £10.50 or 70ns £11.95
  - 1 MB x 9 SIMM 9 chip 80 ns £10.50 or 70ns £11.75
  - 4 MB 70 ns 72 pin SIMM - with parity- Only £35.00
  - INTEL 486-DX33 CPU £19.95 INTEL 486-DX66 CPU £59.00
  - FULL RANGE OF CO-PROCESSOR'S EX STOCK - CALL FOR LIST
  - MOTOROLA 25 Mhz 68040 (XC68040RC25M) CPU'S £59.00
- shipping charges for RAM / CPU upgrades is code B

## SOFTWARE SPECIALS

NT4 WorkStation, complete with service pack 3 and licence - OEM packaged.

Special Price ONLY £99.00

Microsoft - Windows for Workgroups 3.11 & DOS 6.22. Supplied on 3 1/2" disks with licence & concise documentation. £39.95  
DOS 5.0 on 3 1/2" disks with concise books c/w QBasic. £14.95  
Wordperfect 6 for DOS supplied on 3 1/2" disks with manual £24.95  
shipping charges for software is code B

## DISTEL on the web !! - Over 16,000,000 items from stock - www.distel.co.uk



ALL MAIL & OFFICES  
Open Mon - Fri 9.00 - 5.30  
Dept WW, 32 Blggin Way  
Upper Norwood  
LONDON SE19 3XF

LONDON SHOP  
Open Mon - Sat 9:00 - 5:30  
215 Whitehorse Lane  
South Norwood  
On 68A Bus Route  
N. Thornton Heath & Selshurst Park SR Rail Stations

NEW DISTEL  
Visit our web site  
www.distel.co.uk  
email admin@distel.co.uk

ALL ENQUIRIES  
0181 679 4414  
FAX 0181 679 1927

All prices for UK Mainland. UK customers add 17.5% VAT to TOTAL order amount. Minimum order £10. Bona Fide account orders accepted from Government, Schools, Universities and Local Authorities - minimum account order £50. Cheques over £100 are subject to 10 working days clearance. Carriage charges (A)=£3.00, (A1)=£4.00, (B)=£5.00, (C)=£8.50, (D)=£12.00, (E)=£15.00, (F)=£18.00, (G)=CALL. Allow approx 6 days for shipping - faster CALL. All goods supplied to our Standard Conditions of Sale and unless stated guaranteed for 90 days. All items guaranteed on a return to base basis. All rights reserved to change prices / specifications without prior notice. Orders subject to stock. Discounts for volume. Top CASH prices paid for surplus goods. All trademarks, tradenames etc acknowledged. © Display Electronics 1998. E & O E 06/98

CIRCLE NO. 131 ON REPLY CARD

# Antenna Toolkit

by Joe Carr

Combined with antenna design software on CD-rom, Newnes' new book *Antenna Toolkit* provides a complete design solution. Prepared by antenna expert Joe Carr, this package is written for beginners and advanced users alike.

On the CD-rom is a suite of powerful software running on the pc. The software calculates the critical lengths and other parameters of the antennas in the book by having the user select the antenna type and set the frequency.

The main menu screen is in the form of tabs, one for each chapter of the book plus other topics.

This 220 page work includes 185 illustrations and 23 photographs.

## \*\* HF propagation predictor included \*\*

Also included is a Windows freeware package, from the Voice of America organization, called VOACAP. This is an hf propagation predictor which some commercial sources have offered unmodified for hundreds of dollars.

**UK Price: £27.50 Europe £30.00 ROW £32.50**

\*\* Price includes delivery and package \*\*

**Return to Jackie Lowe, Room L333, Quadrant House, The Quadrant, Sutton, Surrey, SM2 5AS**

Please supply the following title:

**Newnes Antenna Toolkit**

Total \_\_\_\_\_

Name \_\_\_\_\_

Address \_\_\_\_\_  
\_\_\_\_\_  
\_\_\_\_\_

Postcode \_\_\_\_\_ Telephone \_\_\_\_\_

Method of payment (please circle)

Access/Mastercard/Visa/Cheque/PO

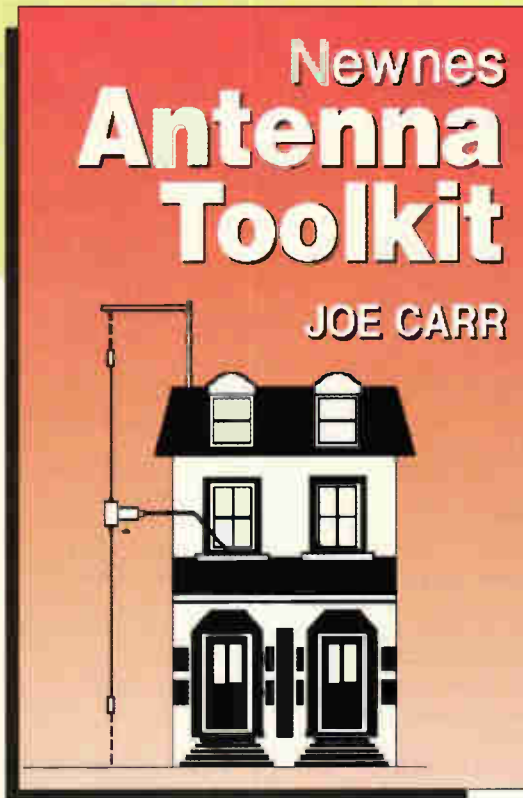
**Cheques should be made payable to Reed Business Information**

Credit card no \_\_\_\_\_

Card expiry date \_\_\_\_\_

Signed \_\_\_\_\_

**Please allow up to 28 days for delivery**

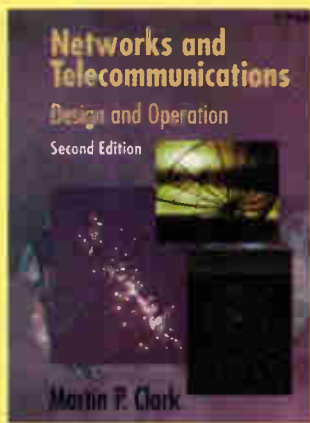


## What's in the book?

Radio Signals On The Move; Antenna Basics; Wire, Connections, Grounds And All That; Marconi and Other Unbalanced Antennas; Doublets, Dipoles And Other Hertzian Antennas; Limited Space Antennas; Large Loop Antennas; Wire Array Antennas; Impedance Matching; Simple Antenna Instrumentation & Measurements

**Includes free CD with antenna design software**





## Networks and Telecommunications Design and Operation

*Second Edition*  
Martin P. Clark,  
Telecommunications  
Consultant, Frankfurt,  
Germany

Telecommunications network design and operation is now widely regarded as an issue of business management as well as electrical engineering. In this updated edition, Martin Clark, a pioneer of this perspective, applies it to the increasing complex and diverse realm of voice, and data and multimedia networks.

Written in an accessible style and clearly illustrated throughout, this is a basic, practical and intuitive insight into modern network engineering and sections including:

- Technical accounts of modern voice, data and multimedia networks
- Coverage of ATM, B-ISDN, SDH, mobile radio and satellite networks, Internet and TCP/IP
- Practical aspects of running and setting-up networks
- Running a business based on telecommunications

A text specifically for readers new to the whole subject of telecommunications, and professional telecommunications managers who need an introduction and reference work on all aspects of technology, operational techniques and regulation.

ISBN 0 471 973 46 7

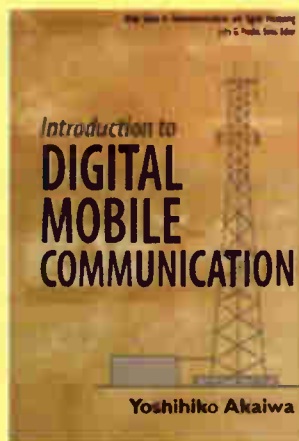
UK £80.50 Europe £86 ROW £105

## Introduction to Digital Mobile Communication

Yoshihiko Akaiwa

A comprehensive treatment of the digital technologies that make personal mobile communication a reality

Although today's mobile communication engineers and designers can build upon the advances in digital telecommunications, specific technical requirements - robustness against fast fading,



spectrum and power efficiency, and the demand for low-priced equipment- post new technological challenges that demand creative solutions.

Introduction to Digital Mobile Communications is a comprehensive treatment of the digital technologies that are rapidly spawning new advances and applications. Written by a pioneer in the field, this book covers all the important concepts, from the fundamentals of signal analyses and digital communication to descriptions of the latest transmission systems. Rich in detail and broad in its coverage, this remarkable book:

- Describes equipment and circuit implementation methods and their performance characteristics
- Discusses elements of and methods for digital modulation and demodulation schemes
- Provides practical designs and circuits for spectrum-efficient modulations
- Covers mobile radio channels and digital mobile radio systems
- Includes extensive

- mathematical treatments and mathematical models
- Presents the latest research results with detailed references

This valuable resource provides a solid introduction to mobile radio communication for the students or professional in related fields. Most important, for design engineers and equipment manufacturers, its up-to-date findings will stimulate new research and creative design and system development efforts.

Yoshihiko Akaiwa is a leading researcher in the digital mobile communication field. Currently a professor at Kyushu University, he worked as a researcher for over twenty years at the NEC Corporation

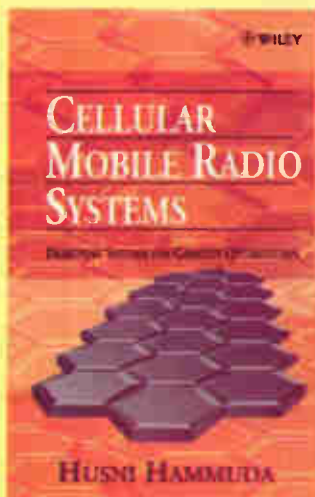
ISBN 0 471 17545 5  
UK £57.50 Europe £60.50 ROW £73

## Cellular Mobile Radio Systems

*Designing Systems for Capacity Optimization*  
Husni Hammuda, Ericsson  
(UK) Ltd

Rapidly increasing demand for mobile radio frequency subscription is already pushing cellular networks to the point of overload. Of the various methods which are being explored to tackle this problem one of the most notable is the integration of advance modulation and multiple access techniques. In this book, Husni Hammuda, a pioneer of this hybrid, shows how it can be applied in practice to optimise the efficiency of mobile radio cells.

- Provides detailed criteria for



the evaluation of combinations of modulation and multiple access techniques

- Includes primary performance data as well as predictive models
- Theoretical material is explained using examples from first and second generation transmission systems
- Covers recent innovations in personal communications

For the practising cellular communications engineer this is a systematic set of solutions for improving traffic flow in cellular networks. It also includes complete theoretical and case material ideal for post-graduate network engineering researchers.

ISBN 0 471 95641 4  
UK £37.50 Europe £39.95 ROW £46.95

## Network-Based Images

*A Practical Guide to Acquisition, Storage, Conversion, Compression and Transmission*  
Gilbert Held, 4-Degree  
Consulting, Macon, Georgia,  
USA

Network-Based Images offers a fresh approach to the acquisition and manipulation of visual images on computer by focusing on the network application side.

This practical Guide explains the methods used to store images electronically and discusses the popular image-based applications, such as storage, conversion and compression. Gilbert Held reviews the procedures used to minimize the effects of other image-based applications to increase efficiency.

This network oriented book provides detailed information on the transmission of images to other systems and includes an overview of the associated problems.

Features include:

- Use of images on LANs includes LAN-based World Wide Web Servers
- Use of HTML image related statements
- Techniques to avoid costly network upgrades
- How to segment LANs
- Network modifications to

counter the bandwidth effect of images upon LAN transmission

Essential reading for network managers and administrators as well as Web server administrators and personal computer users. This book will provide unique coverage of images oriented to efficient use on networks: storage, acquisition, and use in applications  
 ISBN 0 471 97357 2  
 UK £37.50 Europe £39.95 ROW £46.95

### Stereophonic Sound Recording

*Theory and Practice*  
 Christian Hugonnet and Pierre Walder

Recent advances in digital audio have heralded substantial innovations in sound recording techniques and increased the importance of applying the latest microphone techniques. The authors of this book focus on these innovations, giving numerous examples of their use within the framework of an analysis-based recording

provide an authoritative analysis of the subject that offers valuable, practical guidance that will aid the development of new recording methods. Their inside knowledge of the requirements of the phonographic, broadcasting, film and other media industries ensures expert coverage of new products and approaches including:

- recording techniques for all types of microphones
- in-depth analysis of the principles and use of stereophonics
- influence and role of the venue acoustics on the sound recording
- guidelines for mastering and mixing different levels of sound from different sources

For professional audio engineers, this manual provides systematic advice for getting optimal performance from studio equipment. For students of audio engineering it will form a comprehensive introduction to the area of stereophonic recording, backed up by real-world case studies and a wealth of practical experience.  
 ISBN 0 471 97487 0  
 UK £32.45 Europe £34.95 ROW £41.95

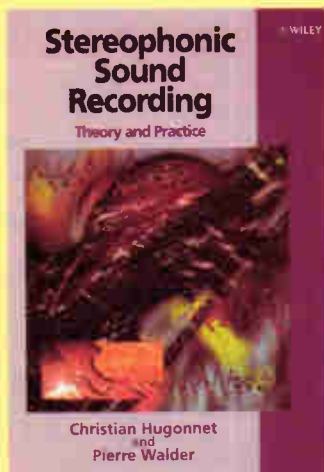
### Protect Your Privacy on the Internet

*Privacy defense tools and techniques you can use right now*  
 Bryan Pfaffenberger

CD-ROM includes a complete collection of Windows privacy software.

Is your complete life story available to anyone with Internet access? It's really not all that hard to snoop in

*Continued over page*



engineering theory. The book provides a complete overview of well-known sound recording procedures practised world-wide, whilst also presenting a methodology that will provide the reader with an efficient approach to sound recording of classical music, rock and pop music, drama and speech. The widely illustrated theoretical knowledge is presented in clear and simple language.

Building on their considerable experience of creating innovative recording techniques, the authors

## All prices are fully inclusive of packaging and delivery

Return to Jackie Lowe, Room L333, Quadrant House, The Quadrant, Sutton, Surrey, SM2 5AS

Please supply the following titles:

Qty	Title or ISBN	Price

Total \_\_\_\_\_

Name \_\_\_\_\_

Address \_\_\_\_\_

Postcode \_\_\_\_\_

Telephone \_\_\_\_\_

Method of payment (please circle)

Access/Mastercard/Visa/Cheque/PO

Cheques should be made payable to Reed Business Information

Credit card no \_\_\_\_\_

Card expiry \_\_\_\_\_

Signed \_\_\_\_\_

Please allow up to 28 days for delivery

cyberspace. As more and more business is conducted over the Internet, it has become increasingly difficult for both businesses and individual users to protect private information. Your reputation, Your finances, and your basic right to privacy are on the line every day. What can you do about it?

You can fight back. Protect Your Privacy on the Internet tells you everything you need to know to ensure your privacy and use the same technology that's being used against you to protect yourself. You'll get industrial-strength encryption tools to keep your affairs secret, the way they ought to be.

Bryan Pfaffenberger arms you with privacy defense strategies such as:

- Creating a bullet-proof password
- Getting your name out of the databases
- Cleaning up your browser's trails

Protect Your Privacy on the Internet gives you proven privacy defense strategies and techniques to help you make the Net a safer place to work and play. You'll get the names of Internet privacy organizations that are working to protect your privacy rights and find out what you can do to help. On the accompanying CD-ROM you'll find a collection of Windows Privacy freeware and shareware, including:

Pronto96 - an e-mail program that works in conjunction with encryption software to protect your e-mail

Mutilate - software that thoroughly erases files beyond recovery, even by expert snoopers

Win-Secure-It® - a utility preventing unauthorised access to files on your computer

AMSD Ariadna™ - a full-featured browser that reads tables and Java but ignores "cookies", text files that transparently save where you've been

Random Password Generator - a program enabling you to generate up to 1,000,000 passwords to protect you against unauthorized access to your Internet account

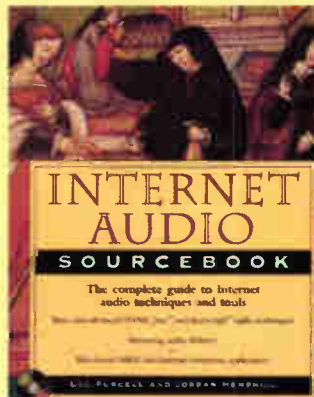
Cyber Patrol™ - parental

control software that prevents kids from uploading personal and demographic information to commercial sites

ISBN 0 471 18143 9

UK £27.45 Europe £29.95 ROW £36.95

## Internet Audio Sourcebook



*The complete guide to Internet audio techniques and tools*  
Lee Purcell and Jordan Hemphill

"The World Wide Web has spouted vocal cords, gained a voice, and begun to sing." - Lee Purcell and Jordan Hemphill

Internet Audio Sourcebook offers you a quick, easy way to acquire the knowledge, skills, and some of the tools you need to build cutting-edge audio capabilities into your Web pages, including:

- Music, narration, and sound effects
- Streaming audio for real-time broadcasts
- Automated, spoken-voice instruction
- Audio conferencing and Internet telephony
- MIDI techniques for musical training and analysis

Taking a step-by-step approach, the authors get you up to speed on the latest audio tools and techniques. First they school you in the basics of creating, processing, and storing audio data.

You learn the various methods of working with digital sound and how to use available tools to shape audio content for the Internet. Then they show you how to deliver your digital sound over the Web. They explain the HTML coding used to access audio files and teach you techniques for integrating Java applets,

JavaScript code, and VBScript code into your HTML documents.

Finally, the authors show you how to get the most out of new audio technologies, including streaming audio, MIDI applications, voice synthesis and recognition, and Internet telephony, as well as covering hot new products like the Headspace Beatnik audio engine and Liquid Audio.

### The CD-ROM

You get fully functional demos of top-of-the-line sound processing applications, including Sonic Foundry's Sound Forge and Hohner Midia's Samplitude Studio. Authoring tools such as Symantec's Visual Café, Aimtech's Jamba, and Acadia Software's Infuse JavaScript editor are also included.

ISBN 0 471 19150 7

UK £28.45 Europe £31.95 ROW £39.95

## Web Security Sourcebook

**A Complete Guide to Web Security Threats and Solutions**  
Aviel D. Rubin, Daniel Geer, and Marcus J. Ranum

The front door is unlocked and wide open. The alarm's not working and no one's home. All of your valuable, money, and intimate details of your life are just sitting inside, waiting to be taken. No, it's not your house, it's your computer.

The Web now penetrates every aspect of our lives, from the home PC to the Business office. But with each advance in convenience comes a geometric increase in vulnerability to the integrity of data and software as well as to the confidentiality of information. Although the flaws inherent in the Web are real, solutions are available. Let Aviel Rubin, Daniel Geer, and Marcus Ranum give you the answers.

Here's a book that's valuable today and indispensable for the future. It includes basic and advanced techniques for client-side and server-side security, browser security, writing secure CGI scripts, firewalls, and secure e-commerce. There's a special appendix that demystifies the complex world of cryptography. And the book comes with access to a dedicated Web site containing

up-to-the minute information on the latest security threats and solutions.

So whether you're a Webmaster trying to close the door on sites and applications, or an everyday user hoping to keep your desktop safe, this is your essential source of:

- Protecting and securing Web pages, search engines, servers, and browsers
  - Writing impregnable applets and scripts, and avoiding the dangers inherent in every language
  - Using (and abusing) firewalls and cryptographic controls
  - Securing commerce and payment transactions
- ISBN 0 471 18148 X  
UK £27.45 Europe £29.95 ROW £36.95

## Encyclopaedia of Acoustics

Edited by Dr Malcolm J Crocker, Auburn University

Sound Information in 167 detailed Chapters. Now there's a new four-volume reference that covers every imaginable area of acoustics, sound and vibration - from the design of a concert hall to the intricacies of the human ear. It's the Encyclopaedia of Acoustics.

In this on-of-a-kind set, edited by well-known acoustical expert Dr Malcolm J. Crocker, you'll get:

- Extensive cross-referencing and indexing
- 2000+ plus pages of insights from more than 200 international expert contributors
- An exhaustive examination of the fundamentals of acoustics and vibration in the first two volumes
- A revealing exploration of acoustic applications in Volumes Three and Four
- General Introductions at the start of every section

This up-to-date work is the definitive acoustics resource for students, engineers, scientists, and researchers in the field.

Casebound © 1997, four-volume set  
approx. 2,000pp.  
(750pps./volume)  
ISBN 0471 80465 7

UK £372.45 Europe £384.97 ROW £390



# ELECTRONICSAPPOINTMENTS

Electronics World November 1998

Tel:0181 652 3620

**£45K**

**&**

**CONTRACT**

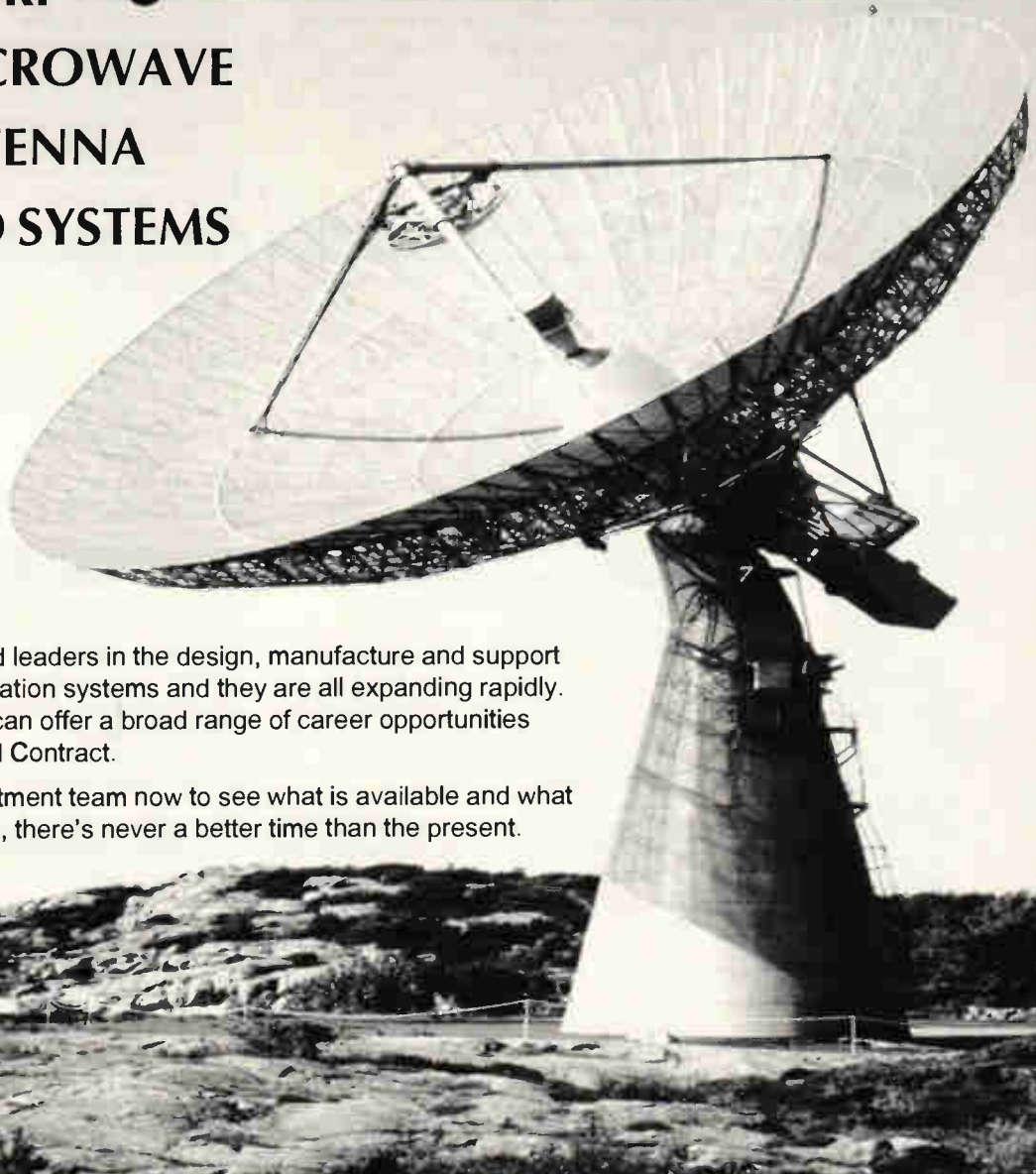
Superb opportunities for  
**ENGINEERS**

\* RF

\* MICROWAVE

\* ANTENNA

\* RADIO SYSTEMS



Our clients are world leaders in the design, manufacture and support of mobile communication systems and they are all expanding rapidly. Consequently they can offer a broad range of career opportunities both Permanent and Contract.

Call the STS Recruitment team now to see what is available and what it could mean to you, there's never a better time than the present.

For latest vacancies:



<http://www.stsrecruit.com>



Ref:WW/9829



**Precisely the right people**

**STS Recruitment**

Radley House  
8 St Cross Road  
Winchester  
Hampshire  
SO23 9HX

**Telephone: 01962 869478**

Home: 01962 715530

Fax: 01962 841982

Email: [sts@tcp.co.uk](mailto:sts@tcp.co.uk)



## Project ~ Design ~ Support

### SOFTWARE TEAM LEADER - Surrey to £40k

Our client requires a seasoned Team Leader to work on a new mobile comms joint venture project. You will be responsible for co-ordinating the development of all embedded software and should therefore have a strong background in software development in 'C' and asm. Quote WW9808-79  
Contact Rachel Evans on 0117 905 5028 or  
Email: rachele@mdm.co.uk

### TYPE APPROVALS ENGINEERS - Surrey £16k - £25k

Get your head around something different!...join a world leader in obtaining GSM type approvals, regulatory testing and confidence work for mobile cellular radio products. Qualified to degree/HND standard you should have a minimum of 2 years hands on experience of cellular radio GSM/PCN type approval and testing. Quote WW9808-39  
Contact Rachel Evans on 0117 905 5028 or  
Email: rachele@mdm.co.uk

### RF DESIGN ENGINEER - London to £40k

This position offers the opportunity for an experienced designer of RF instrumentation for mobile communications applications, to lead a team of multi-disciplined engineers on several new development projects. You will need several years experience of RF design to 2GHz and the determination to drive a project through to completion. Quote WW9804-31  
Contact Rachel Evans on 0117 905 5028 or  
Email: rachele@mdm.co.uk

### QA ENGINEER - South West to £25k

One of the world's leading suppliers of communications test systems is looking for a QA person to join a team of multi-disciplined engineers working on remote test systems on clients sites. You should have excellent qualifications and several years experience in QA, ideally in telecoms and a knowledge of installation and commissioning of systems. Quote WW9808-02  
Contact Deana Lawrence on 0117 905 5028 or  
Email: deana@mdm.co.uk

### APPLICATIONS ENGINEER - N. Wilts to £38k

This company is a leading provider of software solutions to the telecoms industry world-wide. They are looking for a specialist with strong software skills in RT embedded design, C++, OO development, UML or OMT to provide support to the sales department. The role will include product support, presentations, consultancy and customer training. If you are looking for a more customer orientated role....this is it! Quote WW9807-56  
Contact Deana Lawrence on 0117 905 5028 or  
Email: deana@mdm.co.uk

### ELECTRONICS ENGINEER - Newport to £24k

This role will involve you in the development of advanced scientific and industrial instrumentation, designing analogue and digital electronics for video products. It will also encompass documentation, cct layouts, supplier and sub-contractor liaison and test verification. Degree qualified, you should have good CAD design skills and a knowledge of principles of engineering and mathematics. Quote WW9808-70  
Contact Deana Lawrence on 0117 905 5028 or  
Email: deana@mdm.co.uk

### PRINCIPAL DESIGN ENGINEER - Gwent to £35k+

This role will involve the design of analogue and digital circuits for military telecommunications projects. Our client is seeking a Senior Engineer with a strong background in a similar environment to lead a team of Junior Engineers on some of the most advanced projects being undertaken. Quote WW9807-15  
Contact Rachel Evans on 0117 905 5028 or  
Email: rachele@mdm.co.uk

### BUSINESS DEVELOPMENT ENGINEER - South West to £24k

Our client has an excellent opportunity for an individual to move into a marketing orientated role. This position would suit either a raw graduate with an out-going nature or a Telecoms Design Engineer who has a few years experience and enjoys the customer contact. Quote WW9808-03  
Contact Deana Lawrence on 0117 905 5028 or  
Email: deana@mdm.co.uk

### DEVELOPMENT & INSTALLATION ENGINEER - Cams to £30k

This role will involve you in all aspects of a project from the development work to installation of antenna control products for world class satcoms applications. You will be involved in the planning and management of retrofit projects world-wide, writing specs and documentation and providing support to engineers and customers. Quote WW9805-154  
Contact Deana Lawrence on 0117 905 5028 or  
Email: deana@mdm.co.uk

### PROJECT ENGINEER - Newport to £28k

Our client is seeking an exceptional individual to take responsibility for project management and design of highly complex scientific and industrial instrumentation. A flexible engineer, you should have a broad based electronics background, ideally use to working on projects employing embedded processors, FPGAs and high performance A to D interfaces. Quote WW9806-69  
Contact Deana Lawrence on 0117 905 5028 or  
Email: deana@mdm.co.uk

### RF TEST ENGINEER - Hants to £18k

A young dynamic individual is required by this leading research company to undertake systems and sub-systems tests on radio communications projects. Qualified to HNC standard you will need several years experience of network/spectrum analysers and an understanding of calibration procedures for RF measurements. Quote WW9808-59  
Contact Rachel Evans on 0117 905 5028 or  
Email: rachele@mdm.co.uk

### PROJECT MANAGER - Cams to £30k

Our client is looking for a hands-on Project Manager to take control of an antenna control project for a major client. Ideally you will have experience of managing development and installation projects with overall responsibility for planning, budgets and milestones. As this will be a small team, you should expect to be involved in test documentation and commissioning of the systems. Quote WW9808-76  
Contact Deana Lawrence on 0117 905 5028 or  
Email: deana@mdm.co.uk

mdm recruitment  
Kings House, 14 Orchard Street, Bristol BS1 5EH  
Tel: 0117 905 5028 Fax: 0117 905 5108  
Email: mdm@dircon.co.uk

**mdm**

## Systems ~ Design ~ Support

### **RADIO SYSTEMS ENGINEERS - UK/WORLD to £35k**

If radio networks are where you're at, these are without doubt some of the finest opportunities around. You'll be liaising at all levels, internally and externally, devising radio communications solutions. A relevant mix of skills is required with experience in dealing with utilities/emergency services etc. an advantage.

Quote WW9708-92

Contact Mark Wheeler on 01666 511311 or

Email: [markw@mdm.co.uk](mailto:markw@mdm.co.uk)

### **SNR BUYER - Wilts**

**to £27k**

Our Client is a world leader in the design and manufacture of innovative products for domestic applications. They have several requirements for specialist buyers to cover electronics components, R&D, production and commodities procurement. You will need a strong track record and a proven ability to negotiate with suppliers and undertake long term contracts. Quote WW9806-50

Contact Malcolm Masters on 01666 511311 or

Email: [malcolm@mdm.co.uk](mailto:malcolm@mdm.co.uk)

### **RF DESIGN ENGINEERS - Bristol to £40k**

Involved in projects that seem to go on forever? Stuck in a corner working on the bit the boss says you have to do? Yes? Then your salvation is at hand with this fast growing Radio Systems Design House where your talents can be truly realised. Accomplished design skills up to 2GHz in receivers, mixers and PA's ideal. Quote WW9707-56

Contact Mark Wheeler on 01666 511311 or

Email: [markw@mdm.co.uk](mailto:markw@mdm.co.uk)

### **COMMISSIONING ENGINEER - West Country to £20k**

Working on the installation of highly complex handling systems, you will be involved in the site installation and commissioning of brand new, innovative systems utilising the very latest technological advances.....that means lots of troubleshooting and plenty of overtime!!! If you enjoy a challenge, call today! Quote WW9808-78

Contact Malcolm Masters on 01666 511311 or

Email: [malcolm@mdm.co.uk](mailto:malcolm@mdm.co.uk)

### **RF IC DESIGN ENGINEERS - Bristol to £45k**

Make a mark for yourself and be the first IC Designer in this established and fast growing Radio Systems Design House. You'll be working alongside a very fine multidisciplinary team of Engineers involved in some of the most stimulating projects around. Good hands on skills are required including experience up to 2GHz together with some good ideas. Quote WW9712-17

Contact Mark Wheeler on 01666 511311 or

Email: [markw@mdm.co.uk](mailto:markw@mdm.co.uk)

### **TEST ENGINEER - Bristol**

**to £20k**

As one of the country's leading suppliers of microwave components and sub-systems, our client has a reputation for providing quality products. To help maintain this, they are seeking an Engineer to work on high and low power GaAs fet amps from DC to 40 GHz. It is essential that you have excellent problem solving skills and experience in amplifier/stub tuning. Quote WW9807-12

Contact Malcolm Masters on 01666 511311 or

Email: [malcolm@mdm.co.uk](mailto:malcolm@mdm.co.uk)

### **RF/MICROWAVE DESIGN ENGINEERS - Beds to £38k**

No such thing as the boredom factor with this company since they work in areas as diverse as cellular radio, mobile data, satellite communications and navigation to name but a few. Your design experience probably lies somewhere in the 100MHz to 100GHz region, either in solid state design or more plumbing related areas!! Be the best you can be. Quote WW9808-77

Contact Mark Wheeler on 01666 511311 or

Email: [markw@mdm.co.uk](mailto:markw@mdm.co.uk)

### **EMC ENGINEER - Surrey**

**to £20k**

A great opportunity to join one of the world's leading specialists in EMC carrying out RF and non ionising radiation hazard surveys on clients' sites and applied EMC research. You should be qualified to HNC standard and have experience of RF measurements, ideally gained on site surveys. Mobility and a clean driving licence essential. Quote WW9808-38

Contact Malcolm Masters on 01666 511311 or

Email: [malcolm@mdm.co.uk](mailto:malcolm@mdm.co.uk)

### **RF DESIGN ENGINEER - Hereford to £35k**

Fancy the chance to get in on the ground floor of a small growing business? Not only will your role be to design parts of IF infrastructure for microwave applications to 2GHz, but also the opportunity to liaise with clients to define their requirements. Hence, this is a good chance to broaden your horizons and build your business skills. Genesis CAD useful. Quote WW9808-17

Contact Mark Wheeler on 01666 511311 or

Email: [markw@mdm.co.uk](mailto:markw@mdm.co.uk)

### **BENCH TECHNICIANS - Notts**

**£10-£22k**

Component level expertise? Board level diagnosis? Shiny new technical qualification? This leading cellular maintenance organisation wants you!! You don't have to have communications product experience (although it would help), but you'll be keen to keep abreast of the latest technology. All this in a positive, friendly environment too! Quote WW9703-37

Contact Mark Wheeler on 01666 511311 or

Email: [markw@mdm.co.uk](mailto:markw@mdm.co.uk)

### **SOFTWARE ENGINEER - Hampshire to £45k**

The first thing that you need is C/C++ experience. Add in some Yourdon or other structured methodology and preferably some radio or telecommunications work environment and you're likely to have the right ingredients for these challenging roles. This Software House offers some fine challenges in mobile communications and T&M - and they'll pay you for your worth. Quote WW9805-157

Contact Mark Wheeler on 01666 511311 or

Email: [markw@mdm.co.uk](mailto:markw@mdm.co.uk)

### **BENCH/FIELD ENGINEER - Manchester to £17k**

A nice service job working in a vibrant city is on offer here. This established company offers a broad spread of work encompassing everything from cellular phones to complex PMR systems. Your component level skills should be radio related and you will have a relevant technical qualification. Coronation Street fans will be given preference (only joking). Quote WW9710-03

Contact Mark Wheeler on 01666 511311 or

Email: [markw@mdm.co.uk](mailto:markw@mdm.co.uk)

mdm recruitment  
Brinkworth House, Brinkworth, Nr Swindon SN15 5DF  
Tel: 01666 511311 Fax: 01666 511308  
Email: [recruitment@mdm.co.uk](mailto:recruitment@mdm.co.uk)



## SUPPLIER OF QUALITY USED TEST INSTRUMENTS



### CONTACT

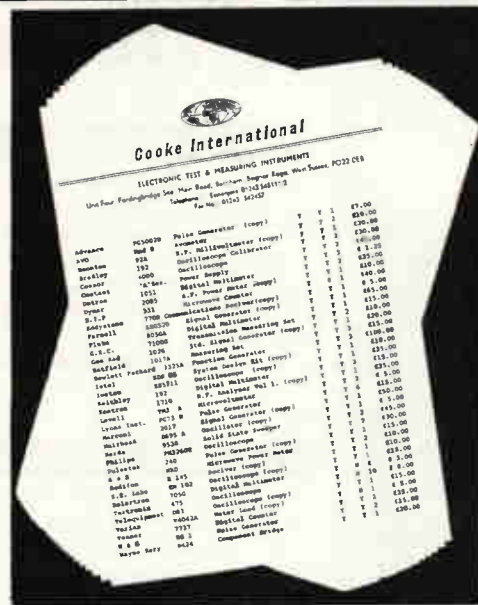
## Cooke International

Unit Four, Fordingbridge Site, Barnham,  
Bognor Regis, West Sussex, PO22 0HD, U.K.  
Tel: (+44)01243 545111/2 Fax: (+44)01243 542457  
Web: <http://www.cooke-int.com>  
E-mail: [info@cooke-int.com](mailto:info@cooke-int.com)

CIRCLE NO.132 ON REPLY CARD



## OPERATING & SERVICE MANUALS



### CONTACT

## Cooke International

Unit Four, Fordingbridge Site, Barnham,  
Bognor Regis, West Sussex, PO22 0HD, U.K.  
Tel: (+44)01243 545111/2 Fax: (+44)01243 542457  
Web: <http://www.cooke-int.com>  
E-mail: [info@cooke-int.com](mailto:info@cooke-int.com)

CIRCLE NO.133 ON REPLY CARD

# ADVERTISERS' INDEX

ALCATEL .....	905	PICO .....	910
CMS .....	920	PS CONSULTANTS .....	IFC
CROWNHILL .....	941	QUICKROUTE .....	913
CHELMER VALVE COMPANY .....	958	RALFE ELECTRONICS .....	984
DISPLAY ELECTRONICS .....	974	SAFETY POWER .....	900
EQUINOX TECHNOLOGY .....	IBC	SEETRAX .....	958
ICE TECHNOLOGY .....	OBC	STEWART OF READING .....	971
JOHNS RADIO .....	966	SURREY ELECTRONICS.....	941
JPG ELECTRONICS .....	941	SWIFT EUROTECH.....	928
LABCENTER ELECTRONICS .....	927	TELFORD ELECTRONICS.....	942
M & B RADIO .....	935	TELNET .....	922
MAPLIN .....	907	THOSE ENGINEERS .....	946
MILFORD INSTRUMENTS .....	958	TIE PIE .....	903
NUMBER ONE SYSTEMS .....	935	WADDICOR .....	942
OLSON ELECTRONICS .....	898	WARTH.....	920

**ARTICLES FOR SALE**

**19" Rack Enclosures**  
New and Used most sizes  
16U to 50U side and rear panels  
mains distribution 19" Panel mounts  
optima eurocraft. Prices from £45 +vat  
**M&B Radio**  
86 Bishopsgate Street Leeds LS1 4BB  
Tel. 0113 2702114 Fax. 0113 2426881

**PICO ADC10** data acquisition module with  
compaq SLT286 laptop PC. £100. Portsmouth  
(01705) 818034.

**SERVICES**

**Helping  
your business  
get connected**  
**0800 22 66 00**

THE FACE OF BUSINESS INTERNET  
<http://www.menet.net>

**4CX 15000J Power Tetrodes** - By National  
Electronics, 2 Pieces New and Boxed offer to  
JML. Fax: 0171 798 5532.

**APPOINTMENTS****ELECTRONICS  
ENGINEER**

Aber Instruments Ltd is a small  
company involved in specialist  
instrumentation for the brewing and  
bio-tech industries.

The company is situated on the  
Science Park in the beautiful Mid-  
Wales university town of  
Aberystwyth.

We require a graduate electronics  
design engineer to join a small team  
with the task of developing our new  
generation of measuring equipment.

Like to know more? Reply asap.

To: John Williams  
01970 615284 fax 615455  
e-mail [jw@aber-instruments.co.uk](mailto:jw@aber-instruments.co.uk)  
<http://www.aber-instruments.co.uk>

**ARTICLES FOR SALE****RF DESIGN  
SERVICES**

All aspects of RF  
hardware development  
considered from  
concept to production.

**WATERBEACH ELECTRONICS**

**TEL: 01223 862550**  
**FAX: 01223 440853**

**ARTICLES WANTED****TOP PRICES PAID**

For all your valves,  
tubes, semi conductors  
and IC's.

**Langrex  
Supplies  
Limited**

**1 Mayo Road, Croydon**  
**Surrey CR0 2QP**  
**TEL: 0181 684 1166**  
**FAX: 0181 684 3056**

**ARTICLES WANTED****VALVES, etc, WANTED**

Most types considered but especially KT88, PX4/PX25, KT66, KT77, EL34,  
EL37, ECC83. Valves must be UK manufacture to achieve top prices. £220  
paid for working quad stereo system (II + II + 22).

**COURTEOUS, PROFESSIONAL SERVICE**

Ask for a free copy of our wanted List.

**BILLINGTON EXPORT LTD., Billingshurst, Sussex RH14 9EZ**  
**Tel: 01403 784961 Fax: 01403 783519**

Email: [billingtonexportltd@btinternet.com](mailto:billingtonexportltd@btinternet.com)  
VISITORS PLEASE PHONE FOR APPOINTMENT

**APPOINTMENTS****When it comes to faults we know our strengths  
Technicians**

Our small teams of technicians provide design, installation, maintenance  
and repair services for a variety of communications systems networks  
and equipment.

We are looking for flexible and energetic Telecomms and Radio/CCTV  
technicians to join these teams and take advantage of our career  
development and study BTEC/HNC opportunities.

You should have served an apprenticeship or attended a recognised  
training course in electronics or telecommunications and be qualified to  
at least BTEC/ONC level, or the equivalent City and Guilds. Exceptionally, if  
you have passes at GCSE, "O" level or the equivalent in Maths, English, a  
science (physics - for the radio/CCTV position) and one other academic  
subject, you could join us - at a lower starting salary.

**Telecommunications Technicians**

Central London

Salary £15k - £22k

Working with networking and terminal equipment - hubs, bridges,  
routers, multiplexers and modems on LANs and WANs - you should have  
a good knowledge of the techniques of fault diagnosis and repair of

electrical equipment to module level. Additionally, you'll need a basic  
knowledge of the principles and techniques of data communications, an  
understanding of their application, and knowledge of SPC telephone  
systems and techniques or Email. Ref: RHS/191.

**Radio/CCTV Technicians**

London-based

Salary from £15,000

As you'll occasionally be handling repairs at component level, you'll need  
a good knowledge of basic workshop practice, incorporating audio/radio  
(UHF/VHF/Microwave) and visual (video, imaging/digital) techniques.  
Ideally, you'll also have some IT knowledge and experience. And you  
must hold a current, full, clean driving licence. Ref: RHS/192.

For both posts, there will be some extended and unscheduled hours  
for which you'll be paid overtime.

Please send a full CV to: Recruitment Manager, 178-202 Great  
Portland Street, London W1N 6JJ, quoting the appropriate reference.  
Fax: 0171 637 5293, email: [bgunning@msl.co.uk](mailto:bgunning@msl.co.uk)

 **TMP Worldwide...**

**T & M EQUIPMENT**



ADVANTEST TR9407 ft spectrum analyser to 1MHz PRICED TO CLEAR\* £1500  
 ANRITSU ME518A pcm error-rate test set 1kbit/sec-150 Mbit/sec \*PTC\* £500  
 ANRITSU ML93A optical power meter with MA96A power sensor (0.75-1.8uM) £1000  
 ANRITSU MN95D fibre-optic attenuator 0.65db £250  
 BRADLEY 192 oscilloscope calibrator \*PTC\* £250  
 CHASE LFR1000 interference measuring receiver 9kHz-150kHz \*PTC\* £200  
 DATRON 1061 voltmeter, \*PTC\* £250  
 DRANETZ 626-PA-6006 ac neutral monitor, c/w TR2018 clamp £250  
 EIP 575 source locking frequency counter 18GHz GPIB option £1500  
 FLANN MICROWAVE 27072 frequency meter 73.113GHz £275  
 FLANN precision rotary waveguide attenuator 20110 0-60db 18-26GHz £750  
 FLANN precision rotary waveguide attenuator 22110 0-70db 26-40GHz £750  
 IFR A-7550 1GHz portable spectrum analyser with receiver options AM/FM/SSB £2500  
 IFR A-7550 spectrum analyser 1GHz with tracking generator option \*PTC\* £2000  
 KEITHLEY 192 programmable digital multimeter £400  
 MAURA MICROWAVE 8650E TNC calibration kit £1500  
 NARDA dual directional coupler 1-4GHz £200  
 PHILIPS PM5193 synthesized function generator 0.1mHz-50MHz £2000  
 PHILIPS PM5518 video pattern generator £1500  
 PHILIPS PM5580 I.F. modulator (PAL 1) \*PTC\* £100  
 PHILIPS PM5580 I.F. modulator (PAL 1) \*PTC\* £100  
 RACAL-DANA 1995 option 01, 200MHz universal counter/timer \*PTC\* call  
 RACAL-DANA 1995 option 01, 200MHz universal counter/timer \*PTC\* call  
 RHOODE & SCHWARZ UDS 5, 5.5-digit multimeter IEE £500  
 RHOODE & SCHWARZ URE rms digit voltmeter IEE £750

**• ralf electronics •** exclusively professional T&M ©

• 36 Eastcote Lane • South Harrow • Middx HA2 8DB • England •  
 TEL (+44) 0181-422 3593 • FAX (+44) 0181-423 4009

EST 45 YRS



DISTRIBUZIONE E ASSISTENZA, ITALY: TLC RADIO, ROMA (06) 871 90254

SCHLUMBERGER 1254 4-channel frequency response analyser £3500  
 SCHLUMBERGER 4922 radio code analyser \*PTC\* £250  
 SCHLUMBERGER SRTG-GA62 selective call test set £250  
 SYSTRON DONNER 6041A 100MHz 8-digit frequency counter IEE £250  
 TAU-TRON MN302/MB302N bert transmitter/receiver \*PTC\* £250  
 TEXSCAN 1503 sweep generator 450-950MHz \*PTC\* £100  
 WANDEL & GOLTERMANN PCM4 test sets... call for details & options call £400  
 WANDEL & GOLTERMANN PF2 error ratio measuring set £250  
 WANDEL & GOLTERMANN DLM-20 data circuit test set £500  
 WANDEL & GOLTERMANN PCM3 telephone channel test set £500  
 WANDEL & GOLTERMANN SPM31 level meter \*PTC\* £500  
 WANDEL & GOLTERMANN VM30 level tracer £500  
 WANDEL & GOLTERMANN PF4 bit error rate tester (BN911/01, Opt 00.01) £2000  
 WAVETEK 23 synthesized function generator 0.01Hz-12MHz £500  
 WAVETEK 1080 sweep generator 1-1000MHz £750  
 WAYNE KERR 3220 20A bias unit (for 3245 inductance analyser) £1000  
 WAYNE KERR SR268 source and detector £250  
 WILTRON 560A scalar analyser \*PTC\* £350  
 WILTRON 6637 sweeper generator 2-18GHz (option 03) £2000  
 WILTRON 6659A sweep generator 10MHz-26.5GHz (options 01/10/13) £3000  
 WILTRON 6640B sweep generator 26.5-40GHz (option 03) £3500

NB items marked \*PTC\* are "priced to clear" and have been significantly reduced in price as we need the space. Working, no accessories, no guarantees but 7-day right to refuse.

**HEWLETT PACKARD**



1640B serial data generator £500  
 346A noise source £350  
 10715A digital interferometer £1000  
 3336A synthesizer/level generator £2000  
 3235A switch/test unit £1000  
 11857D 7mm test port cables £500  
 33320G/33322G programmable attenuators 4GHz, with driver 11713A £650  
 As above but 18GHz set £1000  
 3552A transmission test set £500  
 3561A dynamics signal analyser £5000  
 3586A selective level meter £1250  
 37717B/A11T/UKJ/LCW/USS communications, performance analyser, SDH/PDH options £9500  
 4948A (J04) in-service TIM set £500  
 4093B protocol tester base (PT300) £3000  
 436A digital power meter £650  
 437B digital power meter £750  
 54100A 1GHz digitizing o'scope, 40MSa/s c/w Hi-Z probes £1000  
 8018A serial data generator £1000  
 5334B frequency counter, option 060 £1000  
 83411C lightwave receiver 100/1550nm £1750  
 83440C lightwave detector 20GHz 1300nm/1550nm £2000  
 8350A sweeper mainframe / 86290B 2-18GHz plug-in £3000  
 83572B sweeper plug-in unit (for 8350B) 26.5-40GHz £7500  
 8562A portable spectrum analyser 22GHz £10000  
 8561B portable spectrum analyser 6.5GHz £7500  
 8590A 1.8GHz spectrum analyser £2500  
 8622A/8620C 10MHz-2.4GHz sweep generator system £1500  
 8672A synthesized signal generator 2-18GHz £6500  
 8903B audio analyser £2500 - (specify your own filter requirements - add £200 for each filter)  
 J2215A FDDI portable multimode test set £1500

All equipment sold calibration-checked by independent laboratories and carries un-conditional refund and 90-day guarantees.  
**FOR EXCLUSIVE ACCESS TO OUR COMPLETE STOCK INVENTORY AND SPECIAL BARGAIN DISPOSAL PLEASE CHECK OUR WEBSITE**  
[www.ralf-electronics.co.uk](http://www.ralf-electronics.co.uk)



CIRCLE NO.134 ON REPLY CARD

**ELECTRONICUPDATE**

Contact Joannah Cox on  
 0181 652 3620

A regular advertising feature enabling readers to obtain more information on companies' products or services.

**National Instruments New Data Acquisition Product Guide**



The 20-page brochure outlines an extensive line of PC-based tools available from National Instruments for measurement and automation applications; including hardware and software for analogue, digital, and timing I/O; signal conditioning and connectivity; image acquisition; motion control; and computer-based instruments. The guide offers DAQ solutions for popular buses, including PCI, CompactPCI/PXI, PCMCIA, and the new universal serial bus (USB).

Call National Instruments now for your FREE copy on 01635 523545.

CIRCLE NO.135 ON REPLY CARD

**CABLING SOLUTIONS FROM THE LCD EXPERTS**



Trident Microsystems' new LVDS system, provides the cabling solution to overcome all the problems associated with driving Digital TFT over long distances.

Trident's new LVDS system now allows for digital drive of **up to 20 metres in length.**

For further details call Trident today  
 Tel: 01737 780790  
 Fax: 01737 771908

CIRCLE NO.136 ON REPLY CARD

**LCR & IMPEDANCE METERS**

The 3522 LCR HiTESTER and 3531 Z HiTESTER together provide a wide range of test frequencies. The 3522 offers DC and a range from 1mHz to 100kHz and the 3531 covers the range from 42Hz to 5MHz. Test conditions can now come closer to a component's operating conditions. The high basic accuracy of ±0.08%, combined with ease of use and low price give these impedance meters characteristics.

**TELONIC INSTRUMENTS LTD**

Tel: 0118 9786911  
 Fax: 0118 9792338

CIRCLE NO.137 ON REPLY CARD

**INDUSTRIAL COMPUTER PRODUCTS**

The latest ICP catalogue featuring a comprehensive range of CPU boards and enclosures, complete with price list, is now available from Wordsworth.

**Further details from: Wordsworth**  
 Tel: 01732 861000

CIRCLE NO.138 ON REPLY CARD

# The Affordable Solution for 8051 & AVR™ Microcontroller Support Tools

## DISTRIBUTORS FOR



IAR Microcontroller Development Tools

C-Compilers, Assemblers, Simulators

8051, Atmel AVR, Hitachi H8

## MICRO-PRO DEVICE PROGRAMMER

The complete programming solution!

Supports:

### MICROCONTROLLERS

Atmel 89C, 89S, 90S(AVR),  
Generic 87C, Dallas 87C520

### FLASH MEMORY

Atmel 29C, 49F

### SERIAL/PARALLEL EEPROM

Atmel 24C, 25C, 59C, 93C, 28C

### CONFIGURATORS

Atmel 17C, Xilinx XC17

Not all devices may be supported within each family.



Only ...

£124.95

Order Code: MPW-PLUS

## PROFESSIONAL AVR™ MICROCONTROLLER STARTER SYSTEM

### System Contents

- Combined Serial & Parallel Device Programmer
- Evaluation module for 8, 20 & 40-pin DIL devices
- In-System Programming (ISP) Cable
- Integrated Windows™ Development Environment
- AVR™ Basic LITE (1k bytes code) Compiler
- AVR™ Assembler
- Mains Power Supply Adaptor
- PC Serial Cable (Connects to PC COM Port)
- Atmel CD-ROM Datbook
- One AT90S1200 DIL Microcontroller



Figure 1

Only ...

£99.95

Order Code: AVR2-ST

## WRITE IN BASIC RUN IN A FLASH

# AVR™ BASIC

- Compiled BASIC generates tight AVR™ machine code
- Not a Run-Time Interpreter; NO code overhead!
- Target speeds comparable with assembler
- Breaks the cost barrier for small projects
- Ideal for educational, hobbyist and professional use

Order Codes:  
AVR-BAS-LITE  
AVR-BAS-8K

Only ...

£24.95

and

£149.95

## FLASH 8051 Professional Starter System

### System Contents

- Combined Serial & Parallel Device Programmer
- Evaluation module for 20 & 40-pin DIL devices
- In-System Programming (ISP) Cable
- Keil PK51-2K Integrated Windows™ Development Environment (2K code limit). Includes C-Compiler, Macro Assembler, Linker, Hex Creator, Editor & Simulator
- Mains Power Supply Adaptor
- PC Serial Cable
- Atmel CD-ROM Datbook
- One AT89S8252 40-pin DIL Microcontroller

System layout shown in Fig 1 above

Only ...

£124.95

Order Code: EQ-8051-ST1

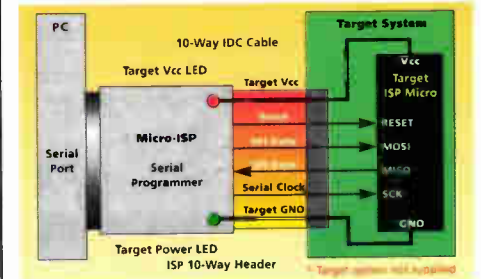
## Micro-ISP Series III

Serial Programming System for the Atmel AVR™ & 89S microcontroller families



Typical In-System Programming (ISP) Scenario shown below:

Supports: Atmel 89S, 89LS, 90S(AVR)



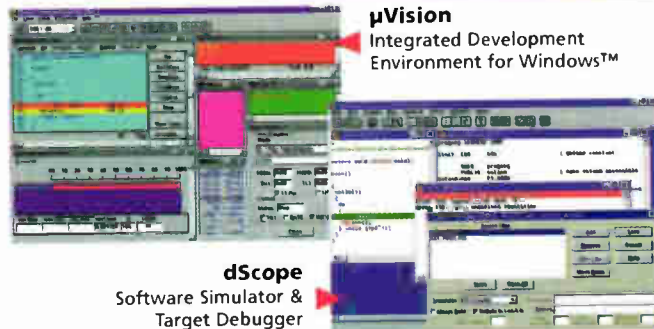
Order Code:  
UISP-S3-SYS

Only ...

£39.95



## THE ULTIMATE 8051 TOOL SET



dScope  
Software Simulator &  
Target Debugger

- Optimising Ansi-C Compiler
- Macro Assembler
- Linker
- Software Simulator
- Integrated Editor
- Hex Creator

Starter Systems supplied with 2K Toolset & Development Systems supplied with 8K Toolset are available for Atmel, Dallas, Siemens, Temic 8051 microcontroller derivatives



The Embedded Solutions Company

3 Atlas House St Georges Square Bolton BL1 2HB England



For sales tel: +44 (0) 1204 529000, fax: +44 (0) 1204 535555, e-mail: sales@equinox-tech.com, Web Site: www.equinox-tech.com

EQUINOX DISTRIBUTORS: AUSTRALIA Farnell +61 2 9645 8888 AUSTRIA Farnell +43 0660 87 75 BELGIUM Alcom Electronics Nvsa +32 3 227 36 47 Farnell +32 03 227 36 47 BRAZIL Hastelec +55 11 522 1799 Anacom +55 11 453 5588 DENMARK Farnell +45 44 53 66 44 EIRE Farnell +353 1 8309277 FINLAND Farnell +358 9 3455 400 FRANCE Farnell +33 474 65 94 66 Newtek +33 1 4687 2200 GERMANY Elektronik Laden +49 52 32 81 71 Farnell +49 89 61 39 39 39 Inetelk GmbH +49 7321 93850, MSC Vertriebs GmbH +49 08 9945532 12 GREECE Microlec +30 1 5395042 4 HONG KONG Farnell 800 968 280 (HK Direct Toll Free) ITALY Farnell +44 113 231 1311 Grilo Italian Technology +39 51 89 20 52, Newtek Italia +39 2 33 10 53 08 MALAYSIA Farnell +60 3 773 8000 NETHERLANDS Alcom Electronics BV +31 10 4519533 Antratek +31 10 450 4949 Farnell +31 30 241 2323 NEW ZEALAND Farnell +64 9 357 0646 NORWAY ACTE NC +47 63898900 Jakob Hatteland Electronic AS +47 53763000 PORTUGAL Anatec +35 119 371 834 Farnell +44 113 289 0040 SINGAPORE Farnell +65 788 0200 SPAIN Anatronc SA +34 1 366 01 59 Farnell +44 113 231 0447 SWEDEN ACTE NC +46 8 445 28 70 Farnell +46 8 730 50 00 SWITZERLAND Anatec Ag +41 41 748 32 41 Farnell +41 1 204 64 64 UNITED KINGDOM Abacus Polar +44 1925 626626, Farnell +44 113 263 6311 Rapid Electronics +44 1206 751166 Quarndon Electronics +44 1332 332651 USA Hitools Inc +1 408 298 9077 Newark Electronics +1 800 718 1997, Peachtree Technology +1 770 898 4002 Pioneer Standard +1 888 832 3976

Equinox reserves the right to change prices & specifications of any of the above products without prior notice. E&OE. All prices are exclusive of VAT & carriage. AVR™ is a trademark of the Atmel Corporation

CIRCLE NO. 102 ON REPLY CARD

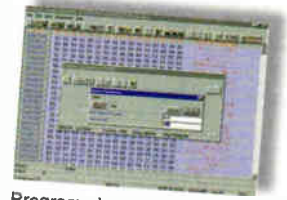
# We make our programmers work harder

## FEATURES

- ◆ Supports EPROMs, EEPROMs, Flash, Serial PROMs, BPROMs, PSDs, PALs, GALs, PEELs, MACH, MAX, EPLDs, and over 200 Microcontrollers including 87C48/51, 89C51/52, PIC, MC705/711, ST6, Z86, COP etc.
- ◆ Hands free programming so you can produce batches of the same chip without pressing a key
- ◆ Correct programming and verification at 1.8, 2.7, 3.3 and 5V
- ◆ Serial number mode supports date/time stamping, unique IDs
- ◆ Progress indicator shows number of devices programmed
- ◆ No adapters required for DIL parts upto 48-pins. Universal adapters for 44-pin PLCC, 44-pin PSOP and 48-pin TSOP parts
- ◆ Programmes and verifies Intel 28F400 in under 15 seconds
- ◆ Connects to parallel port - no PC cards needed
- ◆ Tests 7400, 4000, DRAM and SRAM
- ◆ Mains or battery operation
- ◆ FREE software device support upgrades via bulletin board and www



Easy device selection.



Programming, Emulation, Testing all in one easy to use application.



Full support for device-specific features



Store your favourite projects...

48-pin Universal Programmer  
STILL ONLY

**£695**



SPEEDMASTER GLV32 £695



LV40 PORTABLE £995

## PROGRAMMER MODELS AND PRICES

SINGLE SOCKET PROGRAMMER			EMULATOR OPTIONS FOR ALL PC BASED PROGRAMMERS			GANG PROGRAMMERS		
MICROMASTER LV48	48-pin universal programmer	£695	LVECEMUL8	128Kx8 ROM/RAM emulator with modify on the fly feature Upgradable to 512x8	£125	SPEEDMASTER GLV32	8-way 32-pin EPROM/Flash Gang/Set programmer	£695
SPEEDMASTER/MICROMASTER	40-pin programmer range (see website or call for model details)	FROM £395				SPEEDMASTER GLVCOP	8-way 40-pin gang programmer for National Semiconductor COP micros	£1500
EPMASTER LV	40-pin EPROM/Flash programmer	£295	LVECEMUL16	128x16 ROM/RAM emulator with modify on the fly feature Upgradable to 512x16	£195	SOCKET ADAPTERS	Full range of adapters for PLCC, SOIC, TSOP, PSOP etc...	FROM £65
LV40 PORTABLE	As Micromaster LV, plus completely portable with built in keypad and LCD display.	£995						

All prices exclude VAT and delivery

See for yourself - download a demo from our Website at [www.icetech.com](http://www.icetech.com)

ORDER NOW - ALL PRODUCTS IN STOCK. CREDIT CARD ORDERS: 01226 767404

For a copy of our catalogue giving full details of programmers, emulators, erasers and adapters, call, fax or e-mail us. You can also access our BBS or Home page. All our products are in stock now for next day delivery - call our credit card hotline now.



ICE Technology Ltd. Penistone Court, Sheffield Road, Penistone, Sheffield, UK S36 6HP  
Tel: +44 (0)1226 767404 Fax: +44 (0)1226 370434 BBS: +44 (0)1226 761181 (14400,8N1)  
Web: [www.icetech.com](http://www.icetech.com) Email: [sales@icetech.com](mailto:sales@icetech.com)

CIRCLE NO. 103 ON REPLY CARD

