

THE

RADIO CONSTRUCTOR

Vol. 22 No. 11

JUNE 1969

THREE SHILLINGS

Top Band "Quartet" Transmitter



**NEXT MONTH
A MATCHING
TOP BAND
TRANSISTORISED
SUPERHET RECEIVER**



Special
IN THIS ISSUE

Semiconductor Sound-Operated Switch
Pocket Continuity-Leakage Tester

L.S.T. ELECTRONIC COMPONENTS LTD.

SEMI-CONDUCTORS, BRAND NEW AND FULLY GUARANTEED

1N914	2/-	2N4955	8/6	BC211	10/4	OC19	5/-
15113	3/-	2S018	8/6	BD121	19/6	OC20	33/-
15120	3/6	2S024	25/-	BD123	23/6	OC22	13/-
15130	2/6	2S019	15/6	BD124	15/6	OC23	15/6
15131	2/6	AC107	14/6	BF152	13/6	OC24	10/6
15132	2/6	AC126	4/6	BF164	6/6	OC25	8/6
1G101	4/-	AC127	4/6	BF172	7/6	OC26	12/6
4G302A	3/9	AC128	4/6	BF181	7/6	OC28	22/6
2G339A	5/-	AC129	7/6	BF184	7/6	OC29	15/6
2G374	5/-	AC187	12/6	BF185	8/6	OC30	15/6
2G381	5/-	AC188	12/6	BF185	7/6	OC35	9/6
2G371	5/-	AC179	5/8	BF187	7/6	OC36	13/6
2N185A	15/-	AC118	15/6	BF190	6/6	OC41	6/6
2N188A	15/-	AC119	4/4	BF113	4/6	OC42	4/6
2N496	6/6	AC220	3/8	BF209	8/6	OC44	4/6
2N497	6/6	AC221	3/8	BF250	6/6	OC45	4/6
2N498	4/6	AC222	2/4	BF251	6/6	OC47	3/6
2N506	3/6	AD140	15/6	BF252	6/6	OC72	14/6
2N708	4/6	AD161	6/6	BSX20	3/3	OC73	5/6
2N709A	4/6	AD162	11/6	BSX21	6/6	OC74	5/6
2N711A	7/6	AD170	12/6	BSY27	4/6	OC77	8/8
2N719	5/6	AF102	18/-	BTX39	50	OC810	3/6
2N730	4/6	AF114	4/6	BY10	5/6	OC82	4/6
2N1131	9/6	AF115	4/4	BY150A	3/4	OC83	2/6
2N1132	7/6	AF116	4/4	BY200	5/6	OC84	2/6
2N1302	4/6	AF117	4/4	BYX10	4/9	OC84	4/6
2N1303	4/6	AF118	14/6	BYZ10	9/6	OC123	7/6
2N1304	5/-	AF124	6/6	BYZ12	6/6	OC139	8/6
2N1305	5/-	AF127	4/6	BYZ13	6/6	OC140	8/6
2N1306	6/6	AF139	15/-	GET102	6/6	OC149	6/6
2N1307	6/6	AF186	11/6	GET103	4/6	OC170	4/6
2N1308	8/6	AF189	11/6	GET104	4/6	OC171	4/6
2N1309	8/6	AF212	11/6	GET373	7/6	OC200	6/6
2N1613	8/6	ASV26	5/8	GMO390	10/6	OC201	10/6
2N1617	17/-	ASV27	5/8	GM378B	6/6	OC202	10/6
2N1618	12/6	ASV28	4/4	MAT120	5/6	OC203	8/6
2N1620	14/-	ASV29	4/4	MAT121	5/6	OC204	8/6
2N1368	4/6	AA110	3/6	MPF102	9/6	OC205	10/6
2N1369	5/6	AA110	3/6	MPF103	9/6	OC206	10/6
2N1370	5/6	AA115	2/6	MPF104	9/6	OC207	10/6
2N1646	10/-	BA130	3/6	MPF105	9/6	OC208	10/6
2N1696	6/6	BA371	2/6	NKT216	10/6	ORP61	8/6
2N1924	5/6	BA378	3/6	NKT217	10/6	ORP63	9/6
2N1925	5/6	OC107	2/9	NKT241	4/3	SK43	12/6
2N1926	5/6	OC108	2/9	NKT262	4/3	SK636	12/6
Green	2/-	BC109	2/9	NKT264	4/3	SK638	12/6
Yellow	2/-	BC113	2/9	NKT271	4/3	SK200	12/6
Orange	2/-	BC114	18/-	NKT272	4/3	SKC1	17/4
Red	2/-	BC115	13/6	NKT273	4/3	SKC2	17/4
2N1053	8/6	BC118	5/6	NKT275	3/6	P346A	6/6
2N1054	15/-	BC125	14/6	NKT276	2/6	V405A	9/6
2N1055	15/-	BC136	14/6	NKT277	5/6	EC401	4/6
2N1056	15/-	BC137	14/6	NKT278	5/6	EC402	4/6
2N1057	15/-	BC138	14/6	NKT403	15/-	EC402	4/6
2N1058	15/-	BC141	14/6	NKT405	15/-	C11E	18/6
2N1059	15/-	BC142	14/6	NKT406	15/-	C11E	18/6
2N1060	15/-	BC143	14/6	NKT407	15/-	C11E	18/6
2N1061	15/-	BC144	14/6	NKT408	15/-	C11E	18/6
2N1062	15/-	BC145	14/6	NKT409	15/-	C11E	18/6
2N1063	15/-	BC146	14/6	NKT410	15/-	C11E	18/6
2N1064	15/-	BC147	14/6	NKT411	15/-	C11E	18/6
2N1065	15/-	BC148	14/6	NKT412	15/-	C11E	18/6
2N1066	15/-	BC149	14/6	NKT413	15/-	C11E	18/6
2N1067	15/-	BC150	14/6	NKT414	15/-	C11E	18/6
2N1068	15/-	BC151	14/6	NKT415	15/-	C11E	18/6
2N1069	15/-	BC152	14/6	NKT416	15/-	C11E	18/6
2N1070	15/-	BC153	14/6	NKT417	15/-	C11E	18/6
2N1071	15/-	BC154	14/6	NKT418	15/-	C11E	18/6
2N1072	15/-	BC155	14/6	NKT419	15/-	C11E	18/6
2N1073	15/-	BC156	14/6	NKT420	15/-	C11E	18/6
2N1074	15/-	BC157	14/6	NKT421	15/-	C11E	18/6
2N1075	15/-	BC158	14/6	NKT422	15/-	C11E	18/6
2N1076	15/-	BC159	14/6	NKT423	15/-	C11E	18/6
2N1077	15/-	BC160	14/6	NKT424	15/-	C11E	18/6
2N1078	15/-	BC161	14/6	NKT425	15/-	C11E	18/6
2N1079	15/-	BC162	14/6	NKT426	15/-	C11E	18/6
2N1080	15/-	BC163	14/6	NKT427	15/-	C11E	18/6
2N1081	15/-	BC164	14/6	NKT428	15/-	C11E	18/6
2N1082	15/-	BC165	14/6	NKT429	15/-	C11E	18/6
2N1083	15/-	BC166	14/6	NKT430	15/-	C11E	18/6
2N1084	15/-	BC167	14/6	NKT431	15/-	C11E	18/6
2N1085	15/-	BC168	14/6	NKT432	15/-	C11E	18/6
2N1086	15/-	BC169	14/6	NKT433	15/-	C11E	18/6
2N1087	15/-	BC170	14/6	NKT434	15/-	C11E	18/6
2N1088	15/-	BC171	14/6	NKT435	15/-	C11E	18/6
2N1089	15/-	BC172	14/6	NKT436	15/-	C11E	18/6
2N1090	15/-	BC173	14/6	NKT437	15/-	C11E	18/6
2N1091	15/-	BC174	14/6	NKT438	15/-	C11E	18/6
2N1092	15/-	BC175	14/6	NKT439	15/-	C11E	18/6
2N1093	15/-	BC176	14/6	NKT440	15/-	C11E	18/6
2N1094	15/-	BC177	14/6	NKT441	15/-	C11E	18/6
2N1095	15/-	BC178	14/6	NKT442	15/-	C11E	18/6
2N1096	15/-	BC179	14/6	NKT443	15/-	C11E	18/6
2N1097	15/-	BC180	14/6	NKT444	15/-	C11E	18/6
2N1098	15/-	BC181	14/6	NKT445	15/-	C11E	18/6
2N1099	15/-	BC182	14/6	NKT446	15/-	C11E	18/6
2N1100	15/-	BC183	14/6	NKT447	15/-	C11E	18/6
2N1101	15/-	BC184	14/6	NKT448	15/-	C11E	18/6
2N1102	15/-	BC185	14/6	NKT449	15/-	C11E	18/6
2N1103	15/-	BC186	14/6	NKT450	15/-	C11E	18/6
2N1104	15/-	BC187	14/6	NKT451	15/-	C11E	18/6
2N1105	15/-	BC188	14/6	NKT452	15/-	C11E	18/6
2N1106	15/-	BC189	14/6	NKT453	15/-	C11E	18/6
2N1107	15/-	BC190	14/6	NKT454	15/-	C11E	18/6
2N1108	15/-	BC191	14/6	NKT455	15/-	C11E	18/6
2N1109	15/-	BC192	14/6	NKT456	15/-	C11E	18/6
2N1110	15/-	BC193	14/6	NKT457	15/-	C11E	18/6
2N1111	15/-	BC194	14/6	NKT458	15/-	C11E	18/6
2N1112	15/-	BC195	14/6	NKT459	15/-	C11E	18/6
2N1113	15/-	BC196	14/6	NKT460	15/-	C11E	18/6
2N1114	15/-	BC197	14/6	NKT461	15/-	C11E	18/6
2N1115	15/-	BC198	14/6	NKT462	15/-	C11E	18/6
2N1116	15/-	BC199	14/6	NKT463	15/-	C11E	18/6
2N1117	15/-	BC200	14/6	NKT464	15/-	C11E	18/6
2N1118	15/-	BC201	14/6	NKT465	15/-	C11E	18/6
2N1119	15/-	BC202	14/6	NKT466	15/-	C11E	18/6
2N1120	15/-	BC203	14/6	NKT467	15/-	C11E	18/6
2N1121	15/-	BC204	14/6	NKT468	15/-	C11E	18/6
2N1122	15/-	BC205	14/6	NKT469	15/-	C11E	18/6
2N1123	15/-	BC206	14/6	NKT470	15/-	C11E	18/6
2N1124	15/-	BC207	14/6	NKT471	15/-	C11E	18/6
2N1125	15/-	BC208	14/6	NKT472	15/-	C11E	18/6
2N1126	15/-	BC209	14/6	NKT473	15/-	C11E	18/6
2N1127	15/-	BC210	14/6	NKT474	15/-	C11E	18/6
2N1128	15/-	BC211	14/6	NKT475	15/-	C11E	18/6
2N1129	15/-	BC212	14/6	NKT476	15/-	C11E	18/6
2N1130	15/-	BC213	14/6	NKT477	15/-	C11E	18/6
2N1131	15/-	BC214	14/6	NKT478	15/-	C11E	18/6
2N1132	15/-	BC215	14/6	NKT479	15/-	C11E	18/6
2N1133	15/-	BC216	14/6	NKT480	15/-	C11E	18/6
2N1134	15/-	BC217	14/6	NKT481	15/-	C11E	18/6
2N1135	15/-	BC218	14/6	NKT482	15/-	C11E	18/6
2N1136	15/-	BC219	14/6	NKT483	15/-	C11E	18/6
2N1137	15/-	BC220	14/6	NKT484	15/-	C11E	18/6
2N1138	15/-	BC221	14/6	NKT485	15/-	C11E	18/6
2N1139	15/-	BC222	14/6	NKT486	15/-	C11E	18/6
2N1140	15/-	BC223	14/6	NKT487	15/-	C11E	18/6
2N1141	15/-	BC224	14/6	NKT488	15/-	C11E	18/6
2N1142	15/-	BC225	14/6	NKT489	15/-	C11E	18/6
2N1143	15/-	BC226	14/6	NKT490	15/-	C11E	18/6
2N1144	15/-	BC227	14/6	NKT491	15/-	C11E	18/6
2N1145	15/-	BC228	14/6	NKT492	15/-	C11E	18/6
2N1146	15/-	BC229	14/6	NKT493	15/-	C11E	18/6
2N1147	15/-	BC230	14/6	NKT494	15/-	C11E	18/6
2N1148	15/-	BC231	14/6	NKT495	15/-	C11E	18/6
2N1149	15/-	BC232	14/6	NKT496	15/-	C11E	18/6
2N1150	15/-	BC233	14/6	NKT497	15/-	C11E	18/6
2N1151	15/-	BC234	14/6	NKT498	15/-	C11E	18/6
2N1152	15/-	BC235	14/6	NKT499	15/-	C11E	18/6
2N1153	15/-	BC236	14/6	NKT500	15/-	C11E	18/6
2N1154	15/-	BC237	14/6	NKT501	15/-	C11E	18/6
2N1155	15/-	BC238	14/6	NKT502	15/-	C11E	18/6
2N1156	15/-	BC239	14/6	NKT503	15/-	C11E	18/6
2N1157	15/-	BC240	14/6	NKT504	15/-	C11E	18/6
2N1158	15/-	BC241	14/6	NKT505	15/-	C11E	18/6
2N1159	15/-	BC242	14/6	NKT506	15/-	C11E	18/6
2N1160	15/-	BC243	14/6	NKT507	15/-	C11E	18/6
2N1161	15/-	BC244	14/6	NKT508	15/-	C11E	18/6
2N1162	15/-	BC245	14/6	NKT509	15/-	C11E	18/6
2N1163	15/-	BC246	14/6	NKT510	15/-	C11E	18/6
2N1164	15/-	BC247	14/6	NKT511	15/-	C11E	18/6
2N1165	15/-	BC248	14/6	NKT512	15/-	C11E	18/6
2N1166							

FOLLOW THE LEADERS

KING SIZE QUALITY-TESTED PAKS

- 2 Drift Trans 2N1225 Germ PNP 100 Mc/s. 10/-
- 6 Matched Trans. OC44/45/81/81D. 10/-
- 20 Red Spot AF Trans. PNP. 10/-
- 16 White Spot RF Trans. PNP. 10/-
- 5 Silicon Rects. 3 A 100-400 PIV. 10/-
- 10 1A Silicon Rects. 100 PIV. 10/-
- 2 OC140 Trans. NPN Switching. 10/-
- 1 12 A SCR 100 PIV. 10/-
- 3 Sil. Trans. 25303 PNP. 10/-
- 4 Zener Diodes 250mW. 3-12V. 10/-
- 3 200Mc/s. Sil. Trans. NPN BS726/27. 10/-
- 3 Zener Diodes 400mW. 33V 5% Tol. 10/-
- 4 High Current Trans. OC42 Eqt. 10/-
- 2 Power Transistors 1 OC26 1 OC35. 10/-
- 5 Silicon Rects. 400 PIV 250mA. 10/-
- 4 OC75 Transistors. 10/-
- 10 Power Trans. OC20 100V. 10/-
- 10 CA202 Sil. Diodes Sub-min. Marked. 10/-
- 2 Low Noise Trans. NPN 2N929/30. 10/-
- 1 Sil. Trans. NPN VCB 100 ZT86. 10/-
- 8 OA81 Diodes. 10/-
- 4 OC72 Transistors. 10/-
- 4 OC77 Transistors. 10/-
- 3 Sil. Rects. 400 PIV 500mA. 10/-
- 5 GET884 Trans. Eqt. OC44. 10/-
- 5 GET883 Trans. Eqt. OC45. 10/-
- 2 2N708 Sil. Trans. 300Mc/s. NPN. 10/-
- 5 GT41/45 Germ. Trans. PNP. 10/-
- 3 GT31 LF Low Noise Sil. Trans. 10/-
- 6 IN914 Sil. Diodes 75 PIV 75mA. 10/-
- 8 OA95 Germ. Diodes Sub-min. IN69. 10/-
- 3 NPN Germ. Trans. NKT773. 10/-
- 2 OC22 Power Trans. Germ. 10/-
- 2 OC25 Power Trans. Germ. 10/-
- 4 AC128 Trans. PNP High Gain. 10/-
- 7 OC71 1/2W Trans. PNP. 10/-
- 3 2N1307 PNP Switching Trans. 10/-
- 10 CG62H Germ. Diodes Eqt. OA71. 10/-
- 3 AF116 Trans. VHF. 10/-

One 10/- Pak of your own choice free with order value £4 or over.

- FREE**
- 12 Assorted Germ. Diodes Marked. 10/-
 - 4 AC126 Germ. PNP Trans. 10/-
 - 4 Silicon Rects. 100 PIV 750mA. 10/-
 - 3 AF117 Trans. VHF. 10/-
 - 7 OC81 Type Trans. 10/-
 - 3 OC171 Trans. VHF. 10/-
 - 5 2N2926 Sil. Epoxy Trans. 10/-
 - 7 OC71 1/2W Trans. PNP. 10/-
 - 25 Trans. Heatsinkfit TO18, SO12, etc. 10/-
 - 2 25701 Sil. Trans. Texas NPN. 10/-
 - 3 12V Zener 400mW. 10/-
 - 2 10A 600 PIV Sil. Rects. 1.5A 5R. 10/-
 - 3 BC108 Sil. Trans. High Gain. 10/-
 - 1 2N1307 NPN Sil. Trans. VCB 100. 15/-
 - 2 1000 PIV Sil. Rect. 1.5A RS3310 AF. 15/-
 - 3 BS795A Sil. Trans. NPN 200Mc/s. 15/-
 - 3 OC200 Sil. Trans. Mullard. 15/-
 - 2 Sil. Power Rects. BY213. 15/-
 - 1 Sil. Power Trans. NPN 100Mc/s. TK201A. 15/-
 - 6 Zener Diodes 3-15V Sub-min. 15/-
 - 1 2N1132 PNP Epitaxial Planar Sil. 15/-
 - 3 2N697 Epitaxial Planar Trans. Sil. 15/-
 - 4 Germ. Power Trans. Eqt. OC16. 15/-
 - 1 Uniunicon Trans. 2N2646. 15/-
 - 2 Sil. Trans. 200Mc/s. 60Vcb ZT83/84. 15/-
 - 1 Sil. Planar Trans. NPN 100Mc/s. BS25. 15/-
 - 1 Uniunicon Trans. 2N2160 TO-5. 15/-
 - 2 Sil. Rects. 5A 500 PIV Stud Type. 15/-
 - 2 Germ. Power Trans. Eqt. OC28/29. 15/-
 - 1 10A Sil. Stud Rect. 800 PIV. 15/-
 - 1 Tunnel Diode AEY11 1050Mc/s. 15/-
 - 2 2N2712 Sil. Epoxy Planar HFE225. 15/-
 - 8 BY 100 Type Sil. Rects. 20/-
 - 25 Sil. and Germ. Trans. Mixed, all marked New. 30/-
 - 2 GET880 Low Noise Germ. Trans. 10/-
 - 1 AF139 PNP High Freq. Trans. 10/-
 - 3 NPN Trans. 1 ST141 & 2 ST140. 10/-
 - 4 Mads's 2 MAT100 & 2 MAT120. 10/-
 - 3 Mads's 2 MAT101 & 1 MAT121. 10/-
 - 4 OC44 Germ. Trans. AF. 10/-
 - 3 AC127 NPN Germ. Trans. 10/-
 - 1 2N3906 Sil. PNP Trans. Motorola. 10/-

Code Nos. mentioned above are given as a guide to the type of device in the Pak. The devices themselves are normally unmarked

- CADMIUM CELLS**
ORP60 ORP61 8/- each
ORP12 8/6 each
- MANY NEW PAK ITEMS**
- FULL RANGE OF ZENER DIODES**
VOLTAGE RANGE 2-16V.
400mW (DO-7 Case) 2/6 each
1.5W (Top-Hat) 3/6 each
10W (SO-10 Stud) 5/- each
All fully tested 5% tol. and marked. Please state voltage required. Full range eqvt. to OA44 Mullard Type Z. Range of STC. T.R. Texas and IN types.

TRANSISTOR EQVT. BOOK
52 pages of cross references for trans. and diodes. types include British, European, American and Japanese. Specially imported by BI-PAK 10/- each

ANOTHER CROWNING SUCCESS—

2N2060 NPN. SIL. DUAL TRANSISTOR CODE D1699 TEXAS. OUR PRICE 5s. EACH.

GERM. RECTIFIER SINGLE-PHASE BRIDGE MULLARD TYPE GEX541-BIPI, OUTPUT VLTS 48V, OUTPUT I.C. 5A. LIST PRICE 58s. OUR PRICE 12/6d. EACH.

SILICON NPN 120V Nixie DRIVER TRANS. SIM. C407; BSX21 and 2N1893, TO-5 CAN. OUR PRICE 3/6d. EACH, 25 OFF 3s. EACH.

SILICON UNILATERAL SWITCH. A Silicon Planar monolithic integrated circuit having thyristor electrical characteristics with an anode gate and a built in Zener between gate and cathode. Type D13D1 10s. each. Full data and application circuits available.

NPN DIFFUSED SILICON PHOTO-DUO-DIODE TYPE IS701 (2N2175) for Tape Readout, high switching and measurement indicators. 50V, 250mW. OUR PRICE 10s. EACH, 50 OR OVER 8/6d. EACH, FULL DETAILS.

KING OF THE PAKS SUPER PAKS

Unequaled Value and Quality
BRAND NEW—UNTESTED SEMICONDUCTORS

Satisfaction GUARANTEED in Every Pak, or money back.

- Pak No
- U1 120 Glass Sub-min General Purpose Germanium Diodes. 10/-
 - U2 60 Mixed Germanium Transistors AF/RF. 10/-
 - U3 75 Germanium Gold Bonded Diodes sim. OAS, PA47. 10/-
 - U4 40 Germanium Transistors like OC81, AC128. 10/-
 - U5 60 200mA Sub-min. Sil. Diodes. 10/-
 - U6 40 Silicon Planar Transistors NPN sim. BS795A, 2N706. 10/-
 - U7 16 Silicon Rectifiers Top-Hat 750mA up to 1000V. 10/-
 - U8 50 Sil Planar Diodes 250mA OA/200/202. 10/-
 - U9 20 Mixed Volts 1 watt Zener Diodes. 10/-
 - U11 30 PNP Silicon Planar Transistors TO-5 sim. 2N1132. 10/-
 - U12 12 Silicon Rectifiers EPOXY 500mA up to 800 PIV. 10/-
 - U13 30 PNP-NPN Sil Transistors OC200 & 2S104. 10/-
 - U14 150 Mixed Silicon and Germanium Diodes. 10/-
 - U15 30 NPN Silicon Planar Transistors TO-5 sim 2N697. 10/-
 - U16 10 3-Amp Silicon Rectifiers Stud Type up to 1000 PIV. 10/-
 - U17 30 Germanium PNP AF Transistors TO-5 like ACY 17-22. 10/-
 - U18 8-6 Amp Silicon Rectifiers BYZ13 Type up to 600 PIV. 10/-
 - U19 30 Silicon NPN Transistors like BC108. 10/-
 - U20 12 1.5-amp Silicon Rectifiers Top-Hat up to 1,000 PIV. 10/-
 - U21 30 A.F. Germanium alloy Transistors 2G300 Series & OC71. 10/-
 - U22 10 1-amp Glass Min. Silicon Rectifiers High Volts. 10/-
 - U23 30 Mads's like MAT Series PNP Transistors. 10/-
 - U24 20 Germanium 1-amp Rectifiers GJM up to 300 PIV. 10/-
 - U25 25 300Mc/s NPN Silicon Transistors 2N708, BSY27. 10/-
 - U26 30 Fast Switching Silicon Diodes like IN914 Micro-min. 10/-
 - U28 Experimenters' Assortment of Integrated Circuits, untested, Gates, Flip-Flops, Registers, etc., 8 Assorted Pieces. 20/-
 - U29 10 1 amp SCR's TO-5 can up to 600 PIV CRS1/25-600. 20/-
 - U30 15 Plastic Silicon Planar trans. NPN 2N2924-2N2926. 10/-
 - U31 20 Sil. Planar NPN trans. low noise Amp 2N3707. 10/-
 - U32 25 Zener diodes 400mW Dv7 case mixed Vlt. 3-18. 10/-
 - U33 15 Plastic case 1 amp silicon rectifiers IN4000 series. 10/-

Code Nos. mentioned above are given as a guide to the type of device in the Pak. The devices themselves are normally unmarked

ADI61 NPN ADI62 PNP HIGH POWER SILICON PLANAR TRANSISTORS. TEXAS 2S034. NPN TO-3

MATCHED COMPLIMENTARY PAIRS OF GERM. POWER TRANSISTORS.

VCE100 1c 4A (T. 15M/cs)
VCE100 Ptot. 40W
VEB8 hFE(min.) 60 Price 15/- each

For mains driven output stages of Amplifiers and Radio receivers. OUR LOWEST PRICE OF 12/6 PER PAIR

NEW SILICON RECTIFIERS TESTED				SCR'S			
PIV	400mA	750mA 1.5A	3A	10A	30A	LARGEST RANGE	
50	1d	1/-	1/6	2/9	4/3	9/6	
100	1/-	1/3	2/6	3/3	4/6	15/-	
200	1/3	1/9	2/6	4/-	4/9	20/-	
300	—	2/3	3/9	4/6	6/6	22/-	
400	2/-	2/6	4/-	5/6	7/6	25/-	
500	—	3/-	—	6/-	8/6	30/-	
600	2/9	3/3	4/3	6/9	9/-	37/-	
800	—	3/6	4/9	7/6	11/-	40/-	
1,000	—	5/-	6/-	9/3	12/6	50/-	
1,200	—	6/6	7/6	11/6	15/-	—	

PLEASE NOTE. To avoid any further Increased Postal Charges to our Customers and enable us to keep our "By Return Postal service" which is second to none, we have re-organized and streamlined our Despatch Order Department and we now request you to send all your orders together with your remittance, direct to our Warehouse and Despatch Department, postal address: BI-PAK SEMICONDUCTORS, Despatch Dept., P.O. BOX 6 WARE, HERTS. Postage and packing still 1/- per order. Minimum order 10/-



FET'S

- 2N 3819 10/-
- 2N 3820 25/-
- MPPI05 8/-

OCPT1 8/6

UNIUNION

UT46, Eqt. 2N2646, Eqt. TIS43. BEN3000

7/6 EACH

25-99 5/- 100 UP 4/-

INTEGRATED CIRCUITS

I.C. Operational Amplifier with Zener output. Type 701C. Ideal for P.E. Projects. 8 Lead TO-5 case. Full data

Our price 12/6 each
5 off 11/- each. Large Qty. Prices quoted for.

FAIRCHILD EPOXY TO-5

- 8 Lead I.C. 10/6
 - μL900 Buffer 10/6
 - μL914 Dual Gate 10/6
 - μL923 J.K. Flip-Flop. 14- I.C. Data Circuits, etc. 1/6
- MULLARD I.C. AMPLIFIERS**
- TAA243 ORP. Amp. 70/-
 - TAA263 Min AF Amp. 18/6
 - TAA293 G.P. Amp. 26/-
 - RCA CA3020 Audio Amp. 30/-

PRINTED CIRCUITS

EX-COMPUTER
Packed with semiconductor components, 10 boards give a guaranteed 30 trans. and 30 diodes. Our price 10 boards 10/-, Plus 2/- P. & P.

SOLID STATE DIGITAL CLOCK
Price List of Components available FREE on request. S.A.E. PLEASE.

SIL. G.P. DIODES

- 300mW V 300 ... 10/-
 - 25PIV (Min.) 100 ... 25/-
 - Sub-Min. 500 ... £5
 - Fully Tested 1,000 ... £9
- Ideal for Organ Builders.



500, Chesham House,
150 Regent Street,
LONDON, W.1.

KING OF THE PAKS BI-PAK GUARANTEE SATISFACTION OR MONEY BACK

TOP TRANSISTORS

AD161-215/-	HK041	2/6	2N3707	4/3	
(Comp. pair)	HK101	2/-	2N3794	2/10	
AF239	10/-	HK601	2/6	2N3983	5/8
BS000	11/3	IS44	1/4	2N4058	4/7
BD121	18/-	IS557	3/-	2N4285	2/10
BC107B	2/8	MEM554C	15/-	2N4289	2/10
BC168B	2/-	SF115	2/10	2N4291	2/10
BC168C	2/-	TIS18	7/-	2N4292	2/10
BC169C	2/3	TIS60M	4/8	2SB187	2/-
BF178	9/-	TIS61M	4/11	2SB405	5/-
BF225	4/-	2N706	2/7	2SD72	5/-
BFY51	4/-	2N2926G	2/6	40468A	7/6
GET693	1/3	2N3055	16/6		

New Data & Circuits

Our new list includes data on all our transistors and components, plus circuits and brief notes on our 'AX' kits.

6d. FREE WITH ALL ORDERS

INTEGRATED CIRCUITS

PA234. Transformerless amplifier in dual-in-line package, by U.S. General Electric. Few external components needed. Our data sheet (free with PA234) gives a choice of operating conditions: 22V (1W in 22Ω); 18V (1W in 15Ω); 12V (0.6W in 10Ω); 9V (0.25W in 8Ω). Price 24/-

MULLARD I.Cs. TAA320 (impedance converter with f.e.t. input), 15/-; TAA263. 3-stage a.f. pre-amp, 16/8; TAB101 ring modulator, 21/-; R.C.A. CA3020 mini. a.f. push-pull amp, 28/- (Data sheets 1/- extra).

All new, first grade, guaranteed to specification

Mail order only. Prompt service. Orders over 10/- U.K. post paid

AMPLIFIER PACKS

Component packages for Class B transformerless amplifiers. Low standby current. Reversible polarity. Simple but effective circuitry. No adjustments. All components are new, small, and top grade.

AX2. 9V, 300mW in 10-20 ohms 12/6

AX3. 9V, 800mW in 8 ohms 22/6

AX4. 24V, 5W in 8 ohms, 4W in 15 ohms 30/-

All these may be used with speakers of higher impedance. The AX4 may be operated from 18V at reduced output.

COMPONENTS

Ferrite Rods. BLANK: Round, 4" x 3/8", 2/-; 4 1/2" x 3/8", 2/-; Oval, 2" x 1/2" x 1/4", with data, 2/6. Slab, 2 1/2" x 3/4" x 1/8", 2/-; WOUND for MW coverage with 300pF, 4" x 3/8" or 4 1/2" x 3/8", 5/-.

Tuning Capacitors (Jackson) 300pF Dilemim 10/-; **Loudspeakers.** 2 1/2" round, 75Ω, British made, 10/-

NEW MOSFETS

Improved, ruggedised versions of our N channel depletion mode mosfets. The RCA 40468A (7/6) is an exact replacement for 40468, with increased dissipation, lower noise.

The MEM554C is a ruggedised industrial version of the 3N140, at a lower price (15/-). This is a tetrode fet with 2 gates, for use as r.f. amplifier or frequency changer.



MINI 9V MAINS PACK
Can be built to size of PP6 battery. Nominal output 9V, 80mA. All parts. 17/6

MINI MAINS TRANS.
All 1" x 1" x 1 1/2". 240V Primaries. Osmor MT9, 9.0-9V, 80mA, 11/-; Eagle MT6, 6-0-6V, 100mA, 13/6; Eagle MT12, 12-0-12V, 50mA, 13/6. Our GEN. SHEET gives outputs, regulation curves, ripple levels for all these, with push-pull, bridge, and voltage doubling rectifier circuits giving 6-80V d.c. Price 6d, FREE WITH TRANSFORMERS.

AMATRONIX LTD.

396 Selsdon Road,
South Croydon,
Surrey, CR2 0DE

THE MODERN BOOK CO

FET Principles, Experiments and Projects by E. M. Noll. 40s. Postage 1s.

Radio Communication Handbook by R.S.G.B. 63s. Postage 4s. 6d.

Understanding Television by J. R. Davies. 37s. 6d. Postage 2s. 6d.

Solid State Hobby Circuits Manual by R.C.A. 17s. 6d. Postage 1s.

Mullard Data Book 1969. 3s. 6d. Postage 6d.

Beginner's Guide to Television by Gordon J. King. 18s. Postage 1s.

Television Engineers' Pocket Book by J. P. Hawker. 21s. Postage 1s.

World Radio-TV Handbook 1969. 35s. Postage 1s.

Radio Valve Data by W.W. 9s. 6d. Postage 1s.

The Radio Amateur's Handbook 1969 by A.R.R.L. 45s. Postage 4s.

101 Easy Audio Projects by Robert Brown and Tom Kneitel. 28s. Postage 1s.

Having Fun in Electronics by Leo G. Sands. 25s. Postage 1s.

TV Fault Finding, edited by J. R. Davies. 8s. 6d. Postage 9d.

Principles of Colour Television Systems by C. R. G. Reed. 50s. Postage 1s.

Tape Recording Yearbook. 10s. 6d. Postage 1s.

Principles of Transistor Circuits by S. W. Amos. 25s. Postage 1s.

G.E.C. Transistor Manual. 21s. Postage 2s.

SCR Manual by General Electric Company. 25s. Postage 2s.

We have the Finest Selection of English and American Radio Books in the Country

19-21 PRAED STREET (Dept RC) LONDON W2

Telephone PADdington 4185

RADIO CONTROL FOR MODELS



RADIO CONTROL FOR MODELS

SHIPS, BOATS and AIRCRAFT

By **F. C. JUDD**

With sections on servo-mechanisms by

RAYMOND F. STOCK

More than 200 illustrations—circuits, working diagrams, photographs & tables. Each page is packed with information.

192 Pages

15s.

Postage 9d.

This book is basically an amalgamation of "Radio Control for Model Ships, Boats and Aircraft" and "Radio Control Mechanisms". Additional material has been added on Multi-Channel Operation; Transistorised Radio Control Receivers—Simple and Three-Channel; A Compact Efficiency Aerial; Deac Battery Information; Licence Conditions, etc.

To **Data Publication Ltd., 57 Maida Vale, London, W.9**

Please supply.....copy(ies) of your publication "RADIO CONTROL FOR MODELS" DATA BOOK No. 16.

I enclose cheque/crossed postal order for.....

NAME.....

ADDRESS.....

BLOCK LETTERS PLEASE

Lasky's Radio



The 1969 edition of Lasky's "Audio-Tronics Pictorial" (celebrating our 36th anniversary) is now available free on request. The 16 tabloid format pages are packed with 1000's of items from the largest stocks in Great Britain of everything for the Radio and Hi-Fi enthusiast. Electronics Hobbyist, Serviceman and Communications Ham. Over half the pages are devoted exclusively to every aspect of Hi-Fi (including Lasky's budget Stereo Systems), Tape recording and Audio accessories. All goods are available from any of our branches or by Mail Order to any address in the U.K. or Overseas.

FREE Just send 1/- for post only and inclusion of your name and address on our regular mailing list.

ALL MAIL ORDERS AND CORRESPONDENCE TO:

DEPARTMENT R.C.1.

3-15 CAVELL ST., TOWER HAMLETS, LONDON, E.1

Tel.: 01-790 4821



Around the World



with HEATHKIT SW RECEIVERS

The GR-64 Kit (pictured above) can take you on a round-the-world trip for only £22.8.0 in the comfort of your own armchair.

See details of our full range of SW receivers and other models for leisure enjoyment, Home workshop, Education and Industry in our FREE full-colour catalogue.



DAYSTROM LTD., Dept. RC-6, GLOUCESTER, GL2 6EE, ENGLAND.

Please send me my FREE Heathkit Catalogue.

NAME.....

ADDRESS.....

DENCO (CLACTON) LIMITED

355-7-9 OLD ROAD, CLACTON-ON-SEA, ESSEX

Our components are chosen by Technical Authors and Constructors throughout the World for their performance and reliability, every coil being inspected twice, plus a final test and near spot-on alignment as a final check.

Our General Catalogue showing full product range	2s. 6d.
DTB4 Transistor & Valve circuitry for D.P. Coils	2s. 6d.
DTB9 Valve Type Coil Pack Application circuitry	2s. 6d.
MD.1 Decoder Circuitry for Stereo Reception	4s. 0d.

All post paid, but please enclose S.A.E. with all other requests in the interests of retaining lowest possible prices to actual consumers.

BOUND VOLUME No. 21

of "The Radio Constructor" FOR YOUR LIBRARY



AUGUST 1967 to JULY 1968
Comprising 792 pages plus index

PRICE 35/- Postage 4/6

Special discount of 10/- for regular readers

Just cut the heading from each month's contents page, including title and month of issue, and this will be sufficient evidence of readership to qualify for the discount.

Thus regular readers will still retain their copies for workbench use, while having a splendid bound volume containing issues in mint condition.

PRICE 25/- Postage 4/6

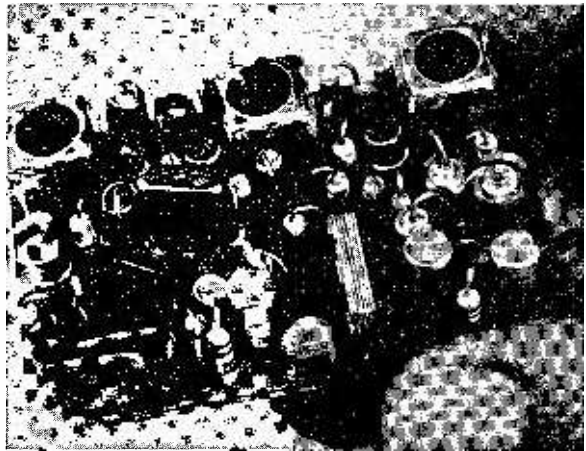
Limited Number of Volume 20 - Price 32/6 Postage 4/6

(August 1966 to July 1967) still available

Available only from

DATA PUBLICATIONS LTD., 57 MAIDA VALE, LONDON, W.9

build the
 RM 'SINGLET'
**SUPERHET
 RECEIVER**
 for RADIO CONTROL!



SPECIAL OFFER: Two issues of "RADIO MODELLER"
 containing fully illustrated constructional features
both for ONLY 5/- (normally 3/6 each)

Also available: reprints of suitable transmitter - 1/- extra
 Send P.O. to: "RADIO MODELLER" (Dept. SO),
64 WELLINGTON ROAD, HAMPTON HILL, MIDDLESEX

**NEW SHOP
 NOW OPEN**

38, Meadow Lane Bridge
 End, Leeds 1. Open 9-6
 pm. Weekdays & Sats.

19 SET ACCESSORIES

19 Set Headphones &
 Mike. Not new but
 working, 7/6 per pair,
 p.p. 3/6. 2 sets 15/-
 post free.

19 Set Control Boxes
 brand new and boxed.
 12/6 each, p.p. 2/6.

**RUN YOUR 19
 SET TX/RX FROM
 AC MAINS**

We make a brand new
 unit ready to plug in,
 complete with full leads
 and connections. Contained
 in handsome steel
 cabinet of robust construction.
 Ideal for the amateur
 transmitter. Price only
 £6.10.0, carriage 10/-.

**MINIATURE
 MOVING COIL
 SPEAKERS**

1 3/4" dia. Only 3/6 each, pp. 1/6.
 Two for 8/6 post free.

**MINIATURE
 B.F.O. UNIT**

A miniature fully transistorised
 tunable B.F.O. that will be a
 valuable addition to any receiver.
 A compact unit with single hole
 fixing that will fit anywhere.
 Ideal for all ex-Govt. and commercial
 receivers. Complete with
 installation instructions. 49/6
 post free.

TRANSFORMER SALE. Fully tested and
 guaranteed. Charger transformers, 0-9-
 15V 2A, 9/6 each, p.p. 2/6. Two for
 17/6, post free. Transistor Power Pack
 Types, 6.3V at 2A, 7/6 each, p.p. 2/6
 12V at 2A, 12/6 each, p.p. 2/6.

**TOP BAND
 SPECIAL**

These well made superhet Radios were
 made for the Govt. by a well known
 manufacturer. Valve line up: 6K8, 6K7,
 6X7 and 6V6. Freq. coverage brings in
 Top Band Amateurs, Marine, Aircraft,
 etc. Slow motion tuning. Built Power
 Pack for 6 volt operation, but easily
 adapted for mains use. Contained in a
 robust cabinet with a built in high
 quality loudspeaker. Few only as new.
 Price £4.19.6 carr. & insurance 10/6.

TANK AERIALS

Fully interlocking copper plated rods.
 One foot sections. Ideal for car or
 scooter aerials. Will make excellent
 dipoles. Six sections for only 4/6, p. &
 p. 1/6. 12 sections for 10/- post free.

**AIRCRAFT
 PLUS GENERAL
 V.H.F.
 TELECOMMUNICATIONS
 BAND REC.**

Listen to the thrills of
 Aircraft. Pilots and
 Airports at work. Also Civil Depts., Fire
 and Ambulance services. Gas and Electricity Depts.
 Ideal for receiving 2 metre amateurs. Gives
 superb reception within the range of all trans-
 missions. A fully transistorised receiver cover-
 ing 97-147mc/s VHF broadcasts. Robust
 attractive 2-tone finish metal cabinet size
 approx. 7" x 4" x 4". Operates from a 9-volt
 internal battery. Speaker or earphone output
 plus chrome telescopic aerial. Only £8.19.6
 carr. & insurance 10/6. C.W.O. or C.O.D.
 Callers welcome for a demonstration.

GLOBE SCIENTIFIC LTD.

Dept. R.C., 24 Cawoods Yard
 Mill Street, Marsh Lane, Leeds 9
 All mail orders to this address.

**TECHNICAL TRAINING by
 ICS IN RADIO, TELEVISION
 AND ELECTRONIC
 ENGINEERING**

First class opportunities in Radio and Electronics await the ICS
 trained man. Let ICS train YOU for a well-paid post in this expanding
 field.

ICS courses offer the keen, ambitious man the opportunity to acquire,
 quickly and easily, the specialized training so essential to success.
 Diploma courses in Radio/TV Engineering and Servicing Electronics,
 Computers, etc. Expert coaching for:

- * C. & G. TELECOMMUNICATION TECHNICIANS CERTS.
- * C. & G. ELECTRONIC SERVICING
- * R.T.E.B. RADIO AND TV SERVICING CERTIFICATE
- * RADIO AMATEURS EXAMINATION
- * P.M.G. CERTIFICATES IN RADIOTELEGRAPHY

Examination Students Coached until Successful.

NEW SELF-BUILD RADIO COURSES

Build your own 5-valve receiver, transistor portable, signal generator,
 multi-test meter and professional-type valve voltmeter—all under
 expert guidance

POST THIS COUPON TODAY and find out how ICS can help YOU in
 your career. Full details of ICS courses in Radio, Television and
 Electronics will be sent to you by return mail.

MEMBER OF ASSOC. OF BRITISH CORRESPONDENCE COLLEGES.

INTERNATIONAL CORRESPONDENCE SCHOOLS

Dept. 248, Intertext House, Stewarts Road, London, S.W.8.

NAME

ADDRESS

Block Capitals Please

6.69



Happy Families

These are the times when Simon and Clare know that it has all been worthwhile. But they know too that such moments of happiness are only complete when there is also a feeling of security for the future. And Simon's "Family Unit" Policy with the "Yorkshire" guarantees them *all* a future — if the worst should happen.

Happiness in *your* family too — but for how long? If you or *your wife* should die, how would the rest of the family fare? A Yorkshire "Family Unit" policy provides for both these eventualities in a comprehensive way at a sensible premium. Just ask for a leaflet at your local "Yorkshire" branch and then see the manager. He'll be glad to tell you why...

it's **YORKSHIRE** for
INSURANCE

THE YORKSHIRE INSURANCE COMPANY LIMITED

Chief Offices: Rougier Street, YORK
and Becket House, 36-37 Old Jewry, LONDON, E.C.2.

Please send me details of the Family Unit Policy, without obligation.

Name.....

Address.....

J.B.

Branches and Agencies throughout the world.

BI-PRE-PAK LIMITED

FULLY TESTED AND MARKED

AC107	3/-	OC170	3/-
AC126	2/6	OC171	4/-
AC127	2/6	OC200	3/6
AC128	2/6	OC201	7/-
AC176	5/-	2G301	2/6
AC177	3/-	2G303	2/6
AF114	4/-	2N711	10/-
AF115	3/6	2N1302-3	4/-
AF116	3/6	2N1304-S	5/-
AF117	3/6	2N1306-7	6/-
AF186	10/-	2N1308-9	8/-
AF139	10/-	2N3844A	5/-
AF239	12/6	Power Transistors	
BFY50	4/-	OC20	10/-
BSY25	7/6	OC23	10/-
BSY26	3/-	OC25	8/-
BSY27	3/-	OC26	5/-
BSY28	3/-	OC28	7/6
BSY29	3/-	OC35	5/-
BSY95A	3/-	OC36	7/6
OC41	2/6	AD149	10/-
OC44	1/11	AJY10	30/-
OC45	1/9	2N3055	15/-
OC71	2/6	Diodes	
OC72	2/6	AAV42	2/-
OC73	3/6	OA95	2/-
OC81	2/6	OA70	1/9
OC81D	2/6	OA79	1/9
OC83	4/-	OA81	1/9
OC139	2/6	IN914	1/6
OC140	3/6		

FREE!

PACKS OF YOUR OWN CHOICE UP TO THE VALUE OF 10/- WITH ORDERS OVER £4

TRY OUR X PACKS FOR UNEQUALLED VALUE

XA PAK
Germanium PNP type transistors, equivalents to a large part of the OC range, i.e. 44, 45, 71, 72, 81, etc.
PRICE £5 PER 1000
POST & PACKING 4/6 U.K.

XB PAK
Silicon TO-18 CAN type transistors NPN/PNP mixed lots, with equivalents to OC200-1, 2N706a, BSY27/29, BSY95A.
PRICE £5.50 PER 500 £10 PER 1000
POST & PACKING 2/6 U.K.

XC PAK
Silicon diodes miniature glass types, finished black with polarity marked, equivalents to OA200, OA202, BAY31-39 and DK10, etc.
PRICE £5 PER 1000
POST & PACKING 2/6 U.K.

ALL THE ABOVE UNTESTED PACKS HAVE AN AVERAGE OF 75% OR MORE GOOD SEMI-CONDUCTORS. FREE PACKS SUSPENDED WITH THESE ORDERS. ORDERS MUST NOT BE LESS THAN THE MINIMUM AMOUNTS QUOTED PER PAK.

NEW TESTED & GUARANTEED PAKS

B2	4	Photo Cells, Sun Batteries, Inc. book of instructions.	10/-
B77	2	AD161-AD162 NPN/PNP Trans. Comp. output. Pair	10/-
B79	4	1N4007 Sil. Rec. Diodes, 1000 Piv. 1 amp Miniature.	10/-
B81	10	Reed Switches comp. with coils and magnets.	10/-
B85	24	Integrated Circuits on Panels. Data supplied with orders.	10/-
B89	2	SSP5 Light Sensitive Cells. Light res. 400Ω, Dark 1MΩ.	10/-
B90	8	Latest type Reed Switches. Green glass G.P.O. type.	10/-
B91	8	NKT163/164 PNP Germ. to -5. Equiv. to OC44, OC45.	10/-
B92	4	NPN Sil. Trans. A06=BSX 20, 2N2369, 500 MHz, 360 mV.	10/-
B93	5	GET13 Trans. equivalent to ACY17-21 PNP Germ.	10/-
B94	6	NPN Sil. Planar Epitaxial Trans. CS4 similar to BSY38 or BC108.	10/-
B96	5	2N3136 PNP Sil. Trans. TO-18. HFE100-300. IC.600mA. 200 MHz.	10/-
B98	10	XB112 & XB102 equiv. to AC126, AC156, OC81/2, OC71/2, NKT271, etc.	10/-

RETURN OF THE UNBEATABLE P.1. PAK. NOW GREATER VALUE THAN EVER

Full of short lead semiconductors and electronic components, approx. 170. We guarantee at least 30 really high quality factory marked Transistors PNP and NPN, and a host of diodes and rectifiers. Mounted on printed circuit panels. Identification chart supplied to give some information on the transistors.

P.1 PLEASE ASK FOR PAK P.1. ONLY 10/-
2/- P & P on this Pak.

Make a Rev. Counter for your Car. The 'TACHO BLOCK'. This encapsulated block will turn any 0-1mA meter into a perfectly linear and accurate rev. counter for any car. State 4 or 6 cylinder. **20/- each**

FREE CATALOGUE AND LISTS for:—

**ZENER DIODES
TRANSISTORS, RECTIFIERS
FULL PRE-PAK LISTS
& SUBSTITUTION CHART**

MINIMUM ORDER 10/- CASH WITH ORDER PLEASE. Add 1/- post and packing per order. OVERSEAS ADD EXTRA FOR AIRMAIL.

**THERE IS ONLY ONE
BI-PRE-PAK LTD
BEWARE OF IMITATIONS**

TRANSISTORS ONLY 1/- EACH

SILICON • PLANAR • N.P.N. • P.N.P.

All these types available
2N929 2N706 2S131 2S103 2N696 2N1613 2S733 BFY10
2S501 2N706A 2S512 2S104 2N697 2N1711 2N726 2S731
BSY38 2N3011 2S102 2N2220 2N1507 2N1893 2N2484 2S732

All tested and guaranteed for gain and leakage—unmarked. Manufacturers' fall outs from the new PRE-PAK range.

NEW UNMARKED UNTESTED PAKS

B78	12	Integrated Circuits, Data & Circuits of types, supplied with orders.	10/-
B80	8	Dual Trans. Matched O/P pairs NPN. Sil. in TO-5 can.	10/-
B82	10	OC45, OC810 & OC81 Trans. Mullard glass type.	10/-
B83	200	Trans. Newmarket reject & other types NPN & PNP.	10/-
B84	100	Silicon Diodes DO-7 glass equiv. to OA200, OA202.	10/-
B66	150	High quality Germ. Diodes. Min. glass type.	10/-
B86	50	Sil. Diodes sub. min. IN914 & IN916 types.	10/-
B87	100	Germ. PNP Trans. equiv. to OC44, OC45, OC81, etc.	10/-
B88	50	Sil. Trans. NPN PNP, equivalent to OC200/1, 2N706A, BSY95A, etc.	10/-
B60	10	7 Watt Zener Diodes. 10/- Mixed voltages.	10/-

PRE-PAK N.605 POWER TRANSISTOR EQUIVALENT TO NKT301-2-3-4 **5/- each**
COMPLEMENTARY SET NPN/PNP GERM. TRANS. **2/6 pair**

SPECIAL OFFER

Stock clearance of Manufacturer's Rejects. Limited Number. UHF/VHF Tuner Units. Consisting of: 2 AF186, 2 AF178. Tuning Coils and Compens. Coils and Comps etc.

Price 10/- each
Post & packing. U.K. 2/6d.

FREE! A WRITTEN GUARANTEE WITH ALL OUR TESTED SEMICONDUCTORS

BI-PRE-PAK LTD DEPT. C. 222-224 WEST ROAD, WESTCLIFF-ON-SEA, ESSEX
TELEPHONE: SOUTHEND (0702) 46344

THE Radio Constructor



Incorporating THE RADIO AMATEUR

JUNE 1969

Vol. 22 No 11

CONTENTS

Published Monthly (1st of Month)
First Published 1947

Editorial and Advertising Offices
57 MAIDA VALE LONDON W9

Telephone 01-286 6141 Telegrams Databux, London

© Data Publications Ltd., 1969. Contents may only be reproduced after obtaining prior permission from the Editor. Short abstracts or references are allowable provided acknowledgement of source is given.

Annual Subscription 42s. (U.S.A. and Canada \$5) including postage. Remittances should be made payable to "Data Publications Ltd". Overseas readers please pay by cheque or International Money Order.

Queries. We regret that we are unable to answer queries other than those arising from articles appearing in this magazine nor can we advise on modifications to equipment described. Queries should be submitted in writing and accompanied by a stamped addressed envelope for reply.

Correspondence should be addressed to the Editor, Advertising Manager, Subscription Manager or the Publishers as appropriate.

Opinions expressed by contributors are not necessarily those of the Editor or proprietors.

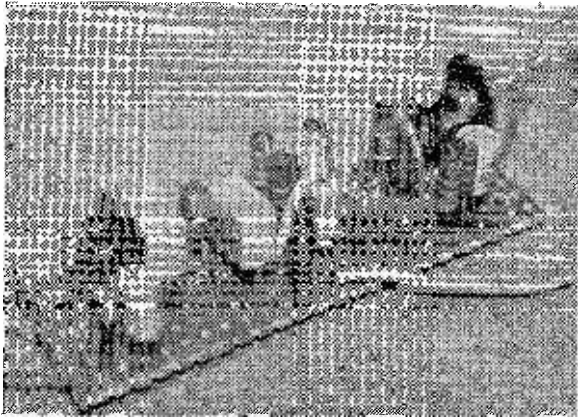
Production.—Letterpress.

Published in Great Britain by the Proprietors and Publishers, Data Publications Ltd, 57 Maida Vale, London, W.9.

The Radio Constructor is printed by Kent Paper Company Ltd, London and Ashtord, Kent.

JUNE 1969

Semiconductor Sound-Operated Switch	686
Can Anyone Help?	690
Pocket Continuity-Leakage Tester (Suggested Circuit No. 223)	691
The Posistor	693
News and Comment	694
Cascode Record-Player Amplifier	696
The "Spontaflex" F.M. Portable Receiver	701
Resonant Gate Transistors	706
Top Band "Quartet" Transmitter	708
"Radio 2" Modification for M.W. Transistor Radios	713
Suggestions for your 'Easy-View' Diary	716
The Radio Constructor's 'Easy-View' Diary (Third Quarter 1969)	717
Trade News	718
The Beat Frequency Oscillator (Understanding Radio)	719
In Your Workshop	723
For the SWL	730
Radio Topics	731
Radio Constructor Data Sheet No. 27 (Inch/Millimetre Conversion Table)	iii
	685



SEMICONDUCTOR SOUND-OPERATED SWITCH

by
W. KEMP

The components of this versatile sound-operated electronic switch may be neatly assembled on a small piece of Veroboard. The circuit operates from a low to medium impedance moving-coil microphone (or loudspeaker) and offers a wide range of applications

THIS SOUND OPERATED ELECTRONIC SWITCH REQUIRES an input signal of only 0.3mV r.m.s. to give operation of its output relay, and is mainly intended for such applications as the automatic switching of a tape recorder or amateur transmitter. It could also be used as a burglar alarm, but a simple pre-amplifier might, in this case, be necessary. Although

the unit is described as being "sound-operated" it is in fact activated by the a.c. signal generated by a microphone at its input terminals, and the device can therefore be made to operate by *any* quantity that can be converted to a.c. simply by using a suitable transducer. It can, for example, be made to operate from air pressure, velocity, light intensity, heat, humidity, etc.,

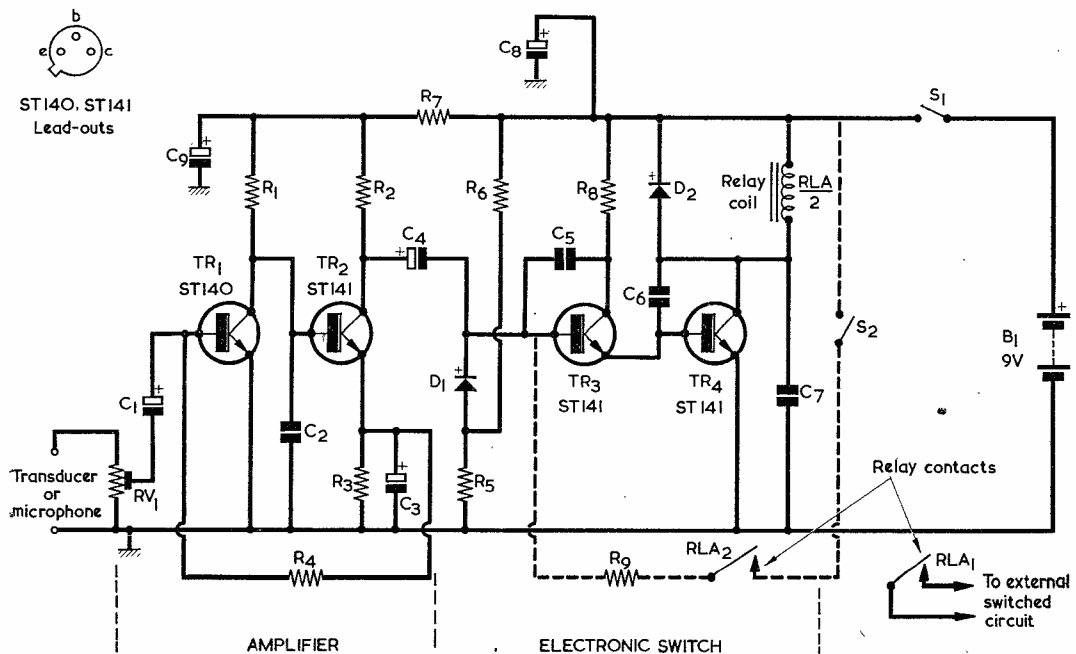


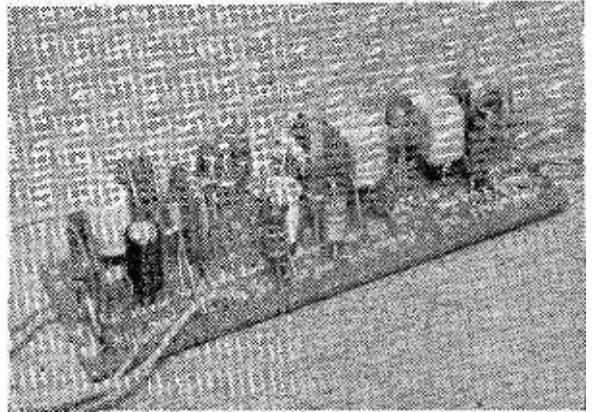
Fig. 1. The circuit of the sound-operated electronic switch

if the correct type of transducer or converter is employed.

The circuit employs four transistors and one relay, operates from a 9 volt supply and, excluding the relay and battery, measures approximately $3\frac{1}{2}$ by $1\frac{1}{4}$ by 1 in.

CIRCUIT OPERATION

The full circuit diagram of the unit is shown in Fig. 1. The input transducer or microphone is connected across the $5k\Omega$ variable resistor, RV1, which acts as a sensitivity control, a portion of the input signal being taken from RV1 slider and fed to the base of TR1 via C1. TR1 and TR2 are both wired as common emitter amplifiers, using direct coupling between TR1 collector and TR2 base. A standing d.c. bias voltage is provided at TR2 emitter via R3, which is decoupled to a.c. by C3, and this bias voltage also provides the base bias for TR1 by way of R4. A d.c.



Side view of the components mounted on the Veroboard, with VR1 to the left

COMPONENTS

Resistors

(All fixed values $\frac{1}{4}$ watt 10%)

R1	$5.6k\Omega$
R2	$2.2k\Omega$
R3	680Ω
R4	$12k\Omega$
R5	$2.2k\Omega$
R6	$18k\Omega$
R7	470Ω
R8	$5.6k\Omega$
R9	$18k\Omega$ (optional—see text)
RV1	$5k\Omega$ skeleton preset

Capacitors

(All capacitors sub-miniature types)

C1	$16\mu\text{F}$ electrolytic, 12V wkg.
C2	$0.01\mu\text{F}$
C3	$30\mu\text{F}$ electrolytic, 6V wkg.
C4	$16\mu\text{F}$ electrolytic, 12V wkg.
C5	$0.1\mu\text{F}$
C6	$0.1\mu\text{F}$
C7	$0.05\mu\text{F}$
C8	$50\mu\text{F}$ electrolytic, 12V wkg.
C9	$50\mu\text{F}$ electrolytic, 12V wkg.

Semiconductors

TR1	ST140 (Sinclair)
TR2, 3, 4	ST141 (Sinclair)
D1, 2	OA200

Switches

S1	s.p.s.t., on-off
S2	s.p.s.t. (optional—see text)

Battery

B1	9-volt battery
----	----------------

Miscellaneous

- Relay (see text)
 - Low or medium impedance microphone (see text)
 - Veroboard, 0.15 in. matrix, $3\frac{1}{2}$ by $1\frac{1}{8}$ in. (see Fig. 2)
 - Wire, sleeving, etc.
- (N.B. A crystal earphone is required for circuit testing)

negative feedback link is thus provided via the bias network, TR1 and TR2, and the d.c. levels of the circuit are thus well stabilised against variations in transistor characteristics and in the potential of the positive supply line.

C2 decouples TR1 for very high frequency signals, and thus restricts the bandwidth of the amplifier to the audio frequency range. TR1 and TR2 provide a high degree of amplification, and the output signal of the amplifier is taken from TR2 collector and fed to the "electronic switch" part of the unit via C4.

The operation of the TR3-TR4 electronic switch circuit is fairly involved, and explanations are best made by first ignoring TR4 and assuming that TR3 emitter is connected directly to the negative chassis line. In this case, the values of R5 and R6 (the TR3 base bias resistors) are chosen so that TR3 draws only a negligible collector current, but is not entirely cut off. The base of TR3 is connected to the junction of R5 and R6 via D1.

The amplified input signal from TR2 collector is fed to TR3 base via C4 and, since TR3 is wired in the common emitter mode with collector load R8, an amplified version of this signal appears at TR3 collector. This is then fed back to D1 and TR3 base via C5, where it is rectified by D1. The rectifying action causes an increase in the positive bias to TR3 base, drives the transistor forward and gives an increase in its mean collector current. Under the present conditions, the gain in this transistor increases as collector current increases. This increase in gain results in an increase in the magnitude of the feedback signal from TR3 collector and a consequent further increase in the base-bias current from D1. What is virtually a regenerative action takes place, causing TR3 to switch hard on once a signal of sufficient amplitude is made available from TR2 collector.

Returning now to the actual circuit of the "electronic switch" section, TR3 operates in the manner already outlined above, with the exception that its emitter is connected to the negative chassis line via TR4 base. In this case, both TR3 and TR4 are normally biased to near cut-off, but when TR3 is switched on by an input signal the resulting increase in its emitter current is fed directly to TR4 base and so drives TR4 on as well. TR4 is wired in the common emitter mode with the relay coil as its collector load. Any a.c. signal that

A = mounting holes drill 6BA clear

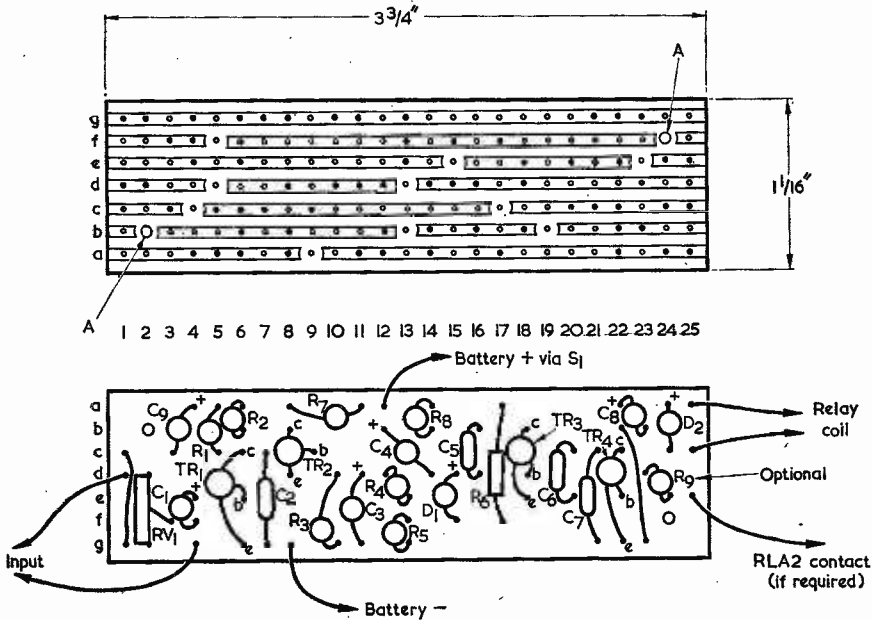


Fig. 2. Illustrating the copper and component sides of the Veroboard panel

breaks through from TR3 emitter then appears in amplified form at TR4 collector, this being then fed back to the junction of TR3 emitter and TR4 base via C6. This second feedback signal is next rectified by the emitter-base junction of TR3 in such a way that it gives an even further increase in the positive bias to TR3 base. The result is that the transistors are driven on even harder, and the regenerative effect in TR3 on its own is further enhanced. Thus, both TR3 and TR4 switch on very sharply when driven by a signal of sufficient amplitude from TR2 collector.

D2 is wired across the relay coil and C7 is wired across TR4 in such a way that any transients resulting from the sharp switching action of the relay will be damped, thereby preventing possible damage to the transistors which might otherwise occur. An on-off switch (S1) can be wired in series with the positive supply line as shown, if required.

The circuit is basically designed so that the relay switches *on* (i.e. energises) when an output signal is applied, and switches *off* again when the signal is removed. In some applications, however, it may be desirable that the relay should *lock* on once it has been initially switched. In this case one of its contacts should be wired in series with switch S2 between the positive supply line and R9, as shown in the diagram.

If, now, S2 is closed, R9 will be connected to the positive supply line when the relay operates, and will then provide sufficient positive bias to TR3 base to hold the relay on even though the a.c. input signal to the unit may be completely removed. This type of operation will be required if the unit is to be used as, say, a burglar alarm.

CONSTRUCTION

The unit is wired up on a small piece of Veroboard panel with 0.15in. hole spacing as shown in Fig. 2. Construction should be started by cutting this panel to size and drilling the two small mounting holes to clear 6BA screws. Next, break the copper strips, with the aid of a small drill or the special cutting tool that is available, in the positions shown.

The components and leads can now be soldered to the panel, as shown in the lower view. Note that all resistors and capacitors other than R6 are mounted vertically on the panel, and that insulated sleeving should be used where there is any danger of component leads short-circuiting against one another. It should be remembered, here, that the collector of an ST140 or ST141 transistor is common to its metal case.

Start assembly by wiring the following components in place; RV1, C1, TR1, TR2, R1, R2, R3, R4, C2, C3, C4, C8, C9, R7, the input leads, and the positive and negative supply leads. Ensure that electrolytic capacitors are connected into circuit with correct polarity, and note that the legs of RV1 will need to be filed down slightly so as to fit the Veroboard holes.

This part of the unit can now be given a functional check by wiring a crystal earpiece between TR2 collector and emitter. An input signal is applied across the input leads and the unit is connected to a 9 volt supply, whereupon a strong signal should be heard in the earpiece. TR2 collector should be at approximately half the supply potential above the negative supply line.

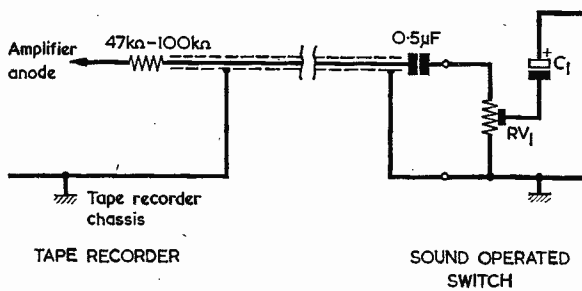


Fig. 3. Coupling the switch to an anode in a tape recorder amplifier

If the above tests are satisfactory, the rest of the components and leads should now be wired in position and a suitable relay connected in place at the output. The unit can now be given a final functional check by connecting a low or medium impedance microphone at the input terminals, connecting the 9 volt supply to the unit, and checking that the relay operates when a noise is made at the microphone. Note that the relay may energise at the moment that the supply is connected, even though no input is applied from the microphone. It will de-energise again after a delay of a second or so and then operate only when a sound input is applied.

USING THE UNIT

The unit, complete with relay and battery, etc., may be mounted in a small container or case, the Vero-board panel being secured in position via the two small mounting holes that are provided. If the board is secured to a metal surface, small rubber or p.v.c. grommets should be fitted over the 6BA mounting screws at the underside of the board, these functioning both as spacers and insulators. Ensure that the inside copper strips at the two 6BA clear holes in the board are cleaned well away from the hole edges to prevent possible short-circuits to the mounting screws.

Under no-signal conditions the circuit draws a current of a few milliamps. When the relay is energised the battery current is several milliamps greater than the current drawn by the relay.

When used for automatically switching a tape recorder on and off during speech recording, the recording microphone can be jointly connected to the input of both the recorder and the sound switch, or, alternatively, separate microphones may be used for both units. In either case, RV1 should be pre-set to the required sensitivity level. The relay output connections of the unit should be wired in series with the tape drive circuit. (Some further notes concerning the relay are given at the end of this article.)

If it is required that the unit be operated by very weak signals, such as bird calls, etc., the input signal to the sound switch should be applied via some form of pre-amplifier, and the amplifier circuit of the actual tape recorder may in many cases be used for this purpose. In this instance, the input terminals of the sound switch should be connected, via a $5\mu\text{F}$ capacitor with transistorised recorders, to a point in the tape amplifier at which the very weak sound signals have been amplified to a degree at which they will give positive operation of the sound switch.

If the tape recorder employs valves (as opposed to transistors) it will be necessary to insert a series resistor of some $47\text{k}\Omega$ to $100\text{k}\Omega$ and take the drive from a suitable anode in the recorder amplifier. The series resistor is mounted inside the tape recorder and connections should be made via screened lead, as in Fig. 3. In this case the coupling capacitance may be reduced to $0.5\mu\text{F}$ (The $5\mu\text{F}$ value mentioned previously is applicable to the low impedance a.f. circuits encountered in transistorised recorders). It must be emphasised that this particular method of operation requires some experiment and that it should not be undertaken if the constructor is not familiar with tape recorder circuitry.

Rather the same techniques apply if the switch is employed with an amateur transmitter. When the latter has a high impedance microphone, a suitable signal could similarly be taken off at a convenient point in the modulation amplifier.

If the switch is to be used to activate a burglar alarm, the circuit should be wired to give self latching of the relay, as shown by the dotted connections of Fig. 1. In such applications, the input microphone should either be placed close to probable points of burglar entry, such as doors or windows, or close to probable points of violation, such as safes or cabinets,

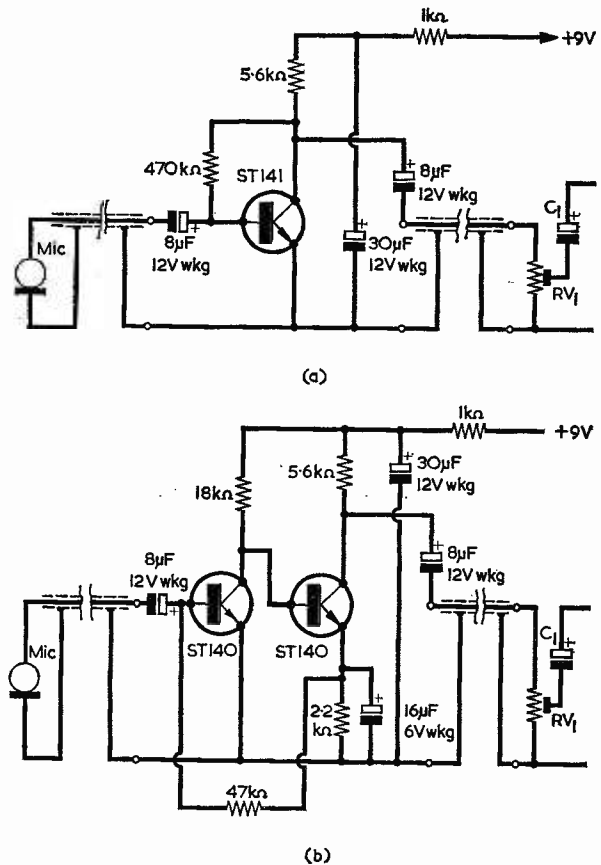


Fig. 4(a). A simple pre-amplifier, which offers increased sensitivity

(b). A high gain pre-amplifier. Both these pre-amplifiers obtain their supply from the battery which powers the electronic switch

etc. For this application an increase in sensitivity may be desirable, whereupon a simple pre-amplifier such as that shown in Fig. 4(a) can be used. An alternative pre-amplifier circuit is illustrated in Fig. 4(b). This second circuit gives a very high degree of gain, probably more than will normally be required. Screened lead input and output connections are required with both the circuits of Figs 4(a) and (b), and both may employ the same type of microphone as is normally used for the Fig. 2 circuit on its own.

SENSITIVITY AND RELAY DETAILS

The unit has an overall sensitivity of 0.3mV, but has been so designed that sensitivity falls rapidly at frequencies of less than 100c/s, thus preventing unwanted operation due to mains hum pick-up or tape motor noise. If required, however, the frequency response can be extended downwards by simply increasing the values of C3, C5, and C6.

The microphone may be any moving-coil speaker or microphone with an impedance in the range 3Ω to $5k\Omega$. Sensitivity will tend to increase as the impedance presented to RV1 is increased, and it may prove helpful to use a step-up transformer here, remembering that the impedance presented to the input of the switch is multiplied by the square of its secondary-to-primary turns ratio. Thus, a 1:10 transformer will effectively multiply impedance 100 times.

As an example of circuit performance when employing a microphone near the low impedance end of the range just mentioned, checks with a 25Ω 3in. speaker showed that the circuit could be activated by normal speech up to a range of 2ft. and by a loud whistle up to about 15ft.

The primary requirements of the relay are that it

should be capable of energising at 6 volts and that its coil resistance should, preferably, be 500Ω or more. If the coil resistance is less than 500Ω (to a minimum limit of 250Ω) the value of R8 should be reduced so that it is approximately 8 to 10 times the coil resistance. Incidentally, a P.O. 600 relay with a 500Ω coil and two contact sets will be just sensitive enough for use in the circuit. Contact insulation and rating must, of course, be suitable for the external circuits which are to be switched. (P.O. 600 relays made up to customer's specification are available from L. Wilkinson (Croydon) Ltd., Longley House, Longley Road, West Croydon, Surrey. A relay having an energising voltage slightly in excess of 6 volts could also be employed if the battery voltage were increased from 9 to 12 volts.—Editor.)

OTHER APPLICATIONS

As mentioned in the introduction, the unit may be activated by any quantity that can be represented by an a.c. signal, provided that a suitable transducer is used at the input terminals. In this context a d.c. sensor such as, for example, a thermistor (for temperature operation) may be wired in a Wheatstone bridge circuit which is energised by an a.c. signal. When the bridge is balanced no output signal will be available from the bridge, but when the bridge goes out of balance (due to a temperature shift), an a.c. signal will be made available at the bridge output terminals, and this signal can then be used to activate the switch unit. The same technique may be used to give operation from a number of other sensor types. A typical example would be given by employing a cadmium sulphide photocell to indicate changes in light intensity. ■

CAN ANYONE HELP ?

Requests for information are inserted in this feature free of charge, subject to space being available. Users of this service undertake to acknowledge all letters, etc., received and to reimburse all reasonable expenses incurred by correspondents. Circuits, manuals, service sheets, etc., lent by readers must be returned in good condition within a reasonable period of time

52 Sets.—R. Brown, 15 Daleview Road, Carlton Hill, Nottingham—loan of manual or other circuit information on this receiver.

Dynaport Receiver Model AG50.—L. C. Oxlade, 25 Bradley Close, Thundersley, Benfleet, Essex—purchase of circuit or wiring diagram.

Philco Radiogram Model 245.—P. Bolger, 11 South Road, Hanworth, Middx.—purchase of circuit diagram or any data.

Vintage Receiver Data.—D. M. Field, 116 Tanhouse Lane, Malvern Link, Worcs.—handbook, circuit diagram, photograph of BTH VR3 Form 8A receiver (circa 1926). Also range blocks and regeneration units for Marconi V2A (circa 1923).

Elliott Multiversal Test Set.—L. O. Tully, 120 Victoria Street, Fairfield 4103, Brisbane, Australia—manual or circuit wanted.

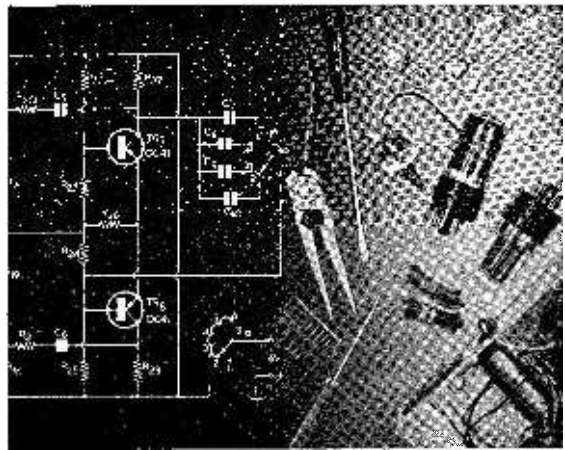
Solartron Monitor Oscilloscope Type 101.—P. Hitchens, The Villa, Church Hill, Ludgvan, Penzance, Cornwall—loan or purchase of circuit, manual or any other information.

WS 19 MkIII.—M. Catterall, 80 John Street, Chads-moor, Cannock, Staffs—loan or purchase of handbook or complete circuit with component values.

Electronics World.—J. Partington, 30 Ings Way, Fair-weather Green, Bradford, 8—loan or purchase of a copy of this American magazine containing an article describing an electronic percussion unit—believed February 1967 or thereabouts.

POCKET CONTINUITY-LEAKAGE TESTER

by G. A. FRENCH



SIMPLE AND INEXPENSIVE ITEMS of test gear are always popular subjects for constructional articles, and they appear to be particularly appreciated by beginners. In consequence, the writer includes circuits for such items from time to time in the "Suggested Circuit" series.

A typical instance appeared some four years ago,¹ and the article published at that time described a simple two-transistor design which was capable of indicating leakage resistances up to 500k Ω . The existence of leakage resistance was shown by the glowing of a bulb and, since the device comprised only this bulb, a 6 volt battery and two small transistors, it could carry out the secondary function of acting as a torch during servicing. Those who have probed around the shadowy recesses of ill-lit TV receiver cabinets will certify how useful a torch can be for such work.

THE CIRCUIT

This month's "Suggested Circuit" is for a unit offering the same facilities. However, due to the use of a more modern silicon transistor having very high gain, the present design gives considerably enhanced sensitivity (greater than 10M Ω with the prototype) for the leakage test. There is, also, a different circuit approach. The new tester requires a 6 volt battery, a bulb, two test sockets, two small transistors, an $\frac{1}{8}$ watt resistor and a single-pole 2-way switch. As the components other than the bulb and battery take up very little space the tester can, as with the earlier design, be made up in the form of a torch.

The circuit of the unit appears in the accompanying diagram. TR1 is a germanium p.n.p. transistor type

ACY19 offering a medium degree of current gain, whilst TR2 is a silicon n.p.n. transistor type BC168C offering a very high current gain of the order of 450 to 900. The two transistors are coupled together in such a manner that the overall gain is approximately equal to the product of their individual gains. The manner in which the two transistors operate was described in detail in last month's "Suggested Circuit",² where the combination was used for the same purpose as is required here, that of providing an extremely high level of current gain.

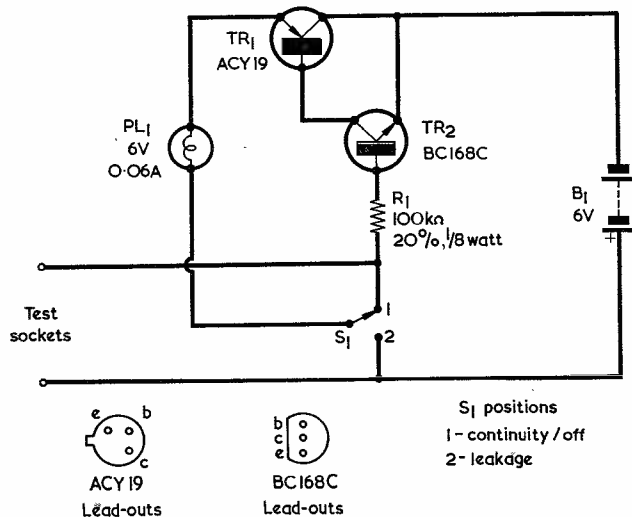
Also appearing in the circuit are two test sockets. These should be of the insulated type, and it is intended that two external test leads terminated in test prods or clips be plugged

into them. The bulb, PL1, is a 6 volt 0.06 amp pilot lamp.

When S1 in the diagram is set to position 2 it selects the "Leakage" function. The positive terminal of the battery connects via S1 to the lower side of PL1, whilst its negative terminal connects to the upper side of PL1 via TR1. TR1 can be made conductive by passing a small current from the positive terminal of the battery to the base of TR2. Thus, if a short-circuit or resistance of suitable value is connected across the test sockets, the resulting base current in TR2 will cause TR1 to become conductive and PL1 to light up. The presence of leakage resistance across the test sockets is, in consequence, indicated by illumination in PL1.

Setting S1 to position 1 selects the "Continuity" function. In this instance both the lower ends of PL1 and R1 connect to the upper test socket,

² Suggested Circuit No. 222, "Light-Operated Radio Switch", "The Radio Constructor", May 1969.



The circuit diagram of the pocket continuity-leakage tester. As may be seen, very few components are required

¹ Suggested Circuit No. 176, "Combined Torch and Leakage-Continuity Tester", "The Radio Constructor", July 1965.

with the positive terminal of the battery connecting to the lower test socket. Only a very small current is required to flow to the base of TR2 to make TR1 fully conductive, whereupon the combination of PL1, TR1, TR2 and R1 gives the same results as if TR1 were short-circuited and the upper side of PL1 connected direct to the negative terminal of the battery. The device then functions as a continuity indicator in the same manner as any battery and bulb in series.

Putting S1 to position 1 also switches the device off. No current then flows from the battery until an external circuit is connected to the test sockets. It is for this reason that it is recommended that the sockets be of the insulated type. Otherwise, accidental short-circuits might appear across them as could happen if, for example, the device were carried in a tool-bag, and the battery would run down prematurely.

Resistor R1 is merely a limiter resistor. It prevents excessive current flow to TR2 base when the test sockets are short-circuited.

RESULTS WITH THE PROTOTYPE

The current gain offered by TR1 and TR2 in combination depends upon the individual gains of the actual transistors employed. The transistors used in the prototype offered a gain which enabled TR1 to

be hard on at an emitter current of 60mA (that required for full illumination of the bulb) when TR2 base current was slightly in excess of 1 μ A.

The prototype was checked with S1 at position 2, and it was found that the bulb was fully lit for all resistances across the test sockets from zero to 5.5M Ω . Brilliance dropped to about half for a test resistance of 10M Ω , and there was still a perceptible glow in the filament for a test resistance of 14M Ω . The bulb gave no indication for higher test resistances. Other units made up to the circuit may offer increases or decreases in sensitivity according to the individual gains of the actual transistors employed, but it would seem reasonable to expect that sensitivity should always be well in excess of 5M Ω .

The prototype was also used to check capacitors, whereupon it indicated any leakage of the order of 14M Ω or less. As an incidental note, the bulb flashed momentarily when capacitors of 0.03 μ F or more were connected across the test sockets, just as occurs when such capacitors are checked with a neon bulb tester! The device cannot be used for checking electrolytic capacitors as their leakage resistance is too low.

With S1 at position 1 the bulb was, of course, fully illuminated when a short-circuit was put across the test sockets. It lit at about half brilliance for a test resistance of 50 Ω , and gave

a perceptible glow with a test resistance of 100 Ω .

When TR1 was fully conductive, the voltage drop across its collector and emitter was 0.3 volts only. This transistor is used well within its power rating and does not require a heat sink.

COMPONENTS

The transistors employed in the circuit should be as specified. The BC168C used in the TR2 position was obtained from Amatronic Ltd. The bulb must be a 6 volt 0.06 amp type, and it is available from Home Radio under Cat. No. PL7. It has a standard M.E.S. base. A bulb drawing a current greater than 0.06 amp must *not* be used. The two test sockets can be Home Radio Cat. No. PK4 or similar. The battery may be of small size, because the current it provides is only 60mA even when the bulb is fully illuminated. It could consist, conveniently, of four "pen-light" cells in series.

The whole unit may be assembled in a small case, with the bulb at one end. The light given by the bulb specified is somewhat less than that offered by a standard torch, but it should be adequate for normal purposes. A stronger light will be provided if the bulb is fitted with a reflector. When the unit is used as a torch the two test sockets are short-circuited, and S1 can be in either position for this application. ■

THE GEC ELECTRONIC TUBE COMPANY LIMITED

An important move bringing together the M-O Valve Company Ltd. and English Electric Valve Company Ltd. was announced recently with the formation of a new management company, the GEC Electronic Tube Co. Ltd. With a turnover of some £11,000,000, representing about 50% of the total U.K. manufacture, main factories at Hamersmith, Chelmsford and Lincoln, and with a total of 4,000 employees, the GEC Electronic Tube Co. Ltd. is Britain's largest manufacturer of professional and industrial electronic tubes, and probably the largest manufacturer in its specialised field in the world outside the United States.

The comprehensive product range of the new company comprises microwave tubes and devices and ferrite components; high power vacuum and gas-filled valves; special lower power valves; instrument, radar and TV monitor cathode ray tubes; TV camera tubes; gas lasers; flash tubes; vacuum capacitors; reed switches and telephone line protectors.

MOV is already Europe's largest manufacturer of instrument and radar cathode ray tubes, while EEV has the same distinction in its TV camera tube business, supplying these tubes to sixty-five countries. The new grouping will enhance the strength of the individual companies, particularly overseas, in supplying components to makers and users of airborne, land-based and marine radar and military systems; television, radio and communications transmitters; television cameras and studio monitors; electronic instruments; heating and welding equipment; and equipment used in nuclear research, medicine and electro-optics.

Both MOV and EEV will continue to manufacture and market under their existing trade names in order to secure the maximum advantage from their established trading connections in world markets.

The Chairman of the GEC Electronic Tube Co. Limited is Mr. A. J. Young, managing director of English Electric Valve Co. Limited; and Mr. V. A. Cheeseman, managing director of the M-O Valve Co. Limited will be managing director. Both Mr. Young and Mr. Cheeseman will continue as managing directors of their respective companies.

THE POSISTOR

by

J. B. DANCE, M.Sc.

The posistor represents yet a further weapon in the armoury of the electronic or electrical engineer. This new device offers very high change in resistance over a narrow range of temperature and lends itself, in particular, to temperature monitoring applications

THE POSISTOR IS A SPECIAL TYPE OF RESISTOR WHICH has a very high positive temperature coefficient of resistance over a relatively narrow range of temperature. The particular temperature range over which this rapid increase of resistance occurs can be controlled by a suitable choice of the ceramic material used in manufacture. The variation of the resistance with temperature for a range of 3 mm diameter posistors is shown in Fig. 1.

CONSTRUCTION

The posistor is normally produced in the form of a small disc of a few mm. diameter. The leads of the device are usually covered with p.t.f.e. heat resistant insulation which may be colour coded to indicate the "characteristic temperature" at which the resistance of the device changes most rapidly.

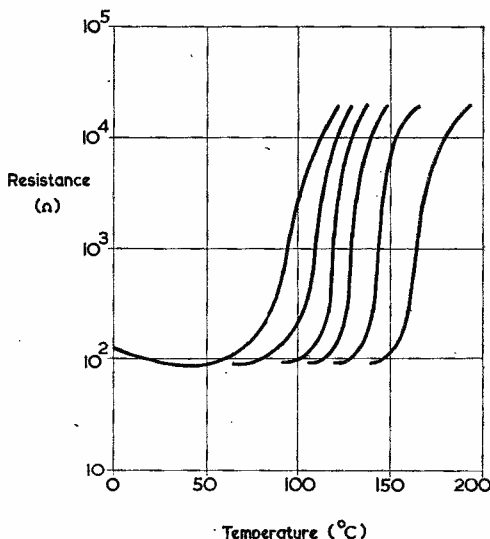


Fig. 1. Typical resistance-temperature characteristics for a range of 3mm diameter posistors

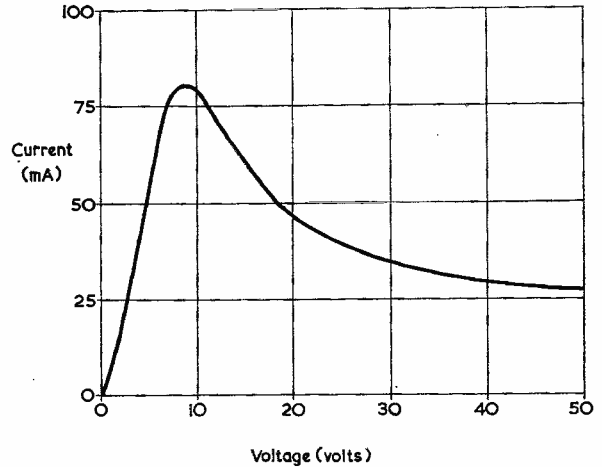


Fig. 2. Typical voltage-current characteristic of a 3mm diameter posistor

The resistance of the posistor is dependent on the size of the piece of ceramic material used in its construction. In many devices the resistance is about 1k Ω at the characteristic temperature, as in Fig. 1. Increasing the diameter of the material or reducing its thickness will produce a posistor of lower resistance.

The variation of resistance with applied voltage is small when the latter is below 10 volts. The current—voltage characteristic of a typical 3 mm diameter posistor is shown in Fig. 2.

APPLICATIONS

Posistors can be used to measure temperatures and may, for example, be used as the temperature sensing elements in thermostats. Their thermal capacity is low (owing to their small size) and therefore the temperature of a posistor rapidly follows that of the surroundings.

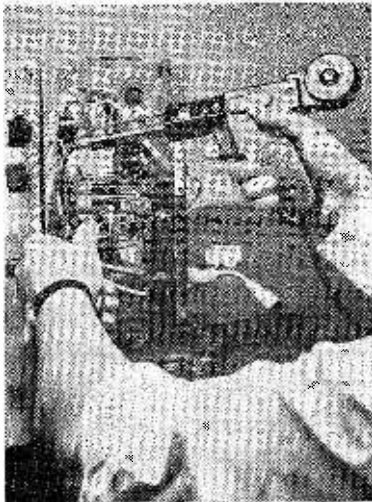
Several posistors may be employed if it is desired to monitor a range of temperatures. Each posistor may be used to actuate its own warning device when the temperature rises above (or falls below) the characteristic temperature of that device. Currently available materials enable posistors to be manufactured with a large positive temperature coefficient anywhere in the range of 95°C to 170°C.

Other applications include water cooled engine over-heat warning systems and a.c. induction motor over-heat protection (where each phase winding of the motor is monitored).

In another type of application the posistor is deliberately heated (either indirectly or directly by an electric current) to a temperature above that of the environment. As the heat transfer properties of the surroundings change, so does the temperature of the device—and hence its resistance. A liquid level monitor may be made in this way, the heated posistor being kept cooler when the liquid level is high enough to submerge the device.

Further details about the posistor can be obtained from the manufacturers, Thorn Parsons Company Ltd., 40 Broadway, London, S.W.1.

SELF-FEEDING SOLDERING GUN



An entirely new electric soldering gun has just been introduced by SKIL. This new tool features automatic trigger feed control which enables the operator to feed solder directly on to the work. The tool has been so designed that control is very simple. At the end of the high impact plastic housing there is a built-in spool which carries up to 10in. x $\frac{1}{8}$ in. solder. The solder is fed through a tube and when the operator presses the trigger, a length of solder is fed on to the hot soldering tip. This length of solder can be adjusted up to $\frac{3}{8}$ in. with a simple control knob.

One hand guides the tool and controls the solder feed and the other hand is free to hold the work in place. Problems of the work moving away, or a blob of solder landing on the wrong spot, are overcome.

This new soldering gun has an element of 0.2 amps. Standard equipment includes a spool of 10in. x $\frac{1}{8}$ in. solder and a medium size soldering tip. Small and large size soldering tips are available. The tool is packed in a polystyrene display pack and sells in the U.K. for £4 2s. 0d.

Enquiries to: Skil (Great Britain) Ltd., 59 High Street, Hounslow, Middlesex.

AN INTERNATIONAL CONGRESS OF AMATEUR TELEVISION

An International Congress of Amateur Television organised by the Club Français de Télévision d'Amateur was held on Saturday 19th and Sunday 20th April in the Salle des Sports at Armentières in Northern France. This highly successful event was attended by over 300 amateurs from France, Belgium, West Germany, Switzerland, the United Kingdom and other countries.

The programme comprised:

(1) A technical conference in which the state of amateur TV activity in various countries was described, and papers read on a number of technical aspects.

(2) An exhibition of amateur television equipment and photographs from several countries.

(3) An exhibition of historic radio and television equipment.

A working amateur television station under the call F9MF/T maintained a two-way vision and sound QSO on 70 cm with ON4RT/T, a station specially set up by the Belgian ATA at Mont Rouge in that country.

On the Saturday evening the proceedings were enlivened by a dance at which was held an election for "Miss Amateur Television", and on the Sunday the delegates were received by the Mayor and civic leaders in the Town Hall.

The programme closed with a banquet and a draw for prizes.

Talk-in for mobiles was provided during the period of the Congress by stations on 3.5 and 144 MHz operated under the call signs F8REF and FØTV.

Congratulations are due to F3DD, the President of the C.F.T.A., for organising this first venture in such an excellent manner.

NEW EAGLE PRODUCT All-Silicon 10-Transistor Stereo Headphone Amplifier

Powered by a single 9V. battery, this all-silicon 10-transistor stereo headphone amplifier can be used with any record deck and cartridge to give high fidelity results at headphone level.

Specification:

Outputs: 2 x 2 @ 50mW per channel
Inputs: Magnetic 5mV (Equalised)
Ceramic 100mV (Flat)
Tuner 100mV (Flat)

List Price: £11. 0s. 6d.



COMMENT

RADIATOR WATER LEVEL ALARM TO BE NATIONALLY PROMOTED

With today's high performance engines, it is of paramount importance that the correct level of cooling water is maintained. Yet how many drivers take the trouble to check water level regularly? Now this all-important function may be carried out automatically with the unique "Watercheck" instrument. "Watercheck" is an all solid-state liquid level indicator which maintains a constant surveillance within your radiator.

Although many vehicles are fitted with a temperature gauge, this instrument is slow to react and does not usually give an alarm or sufficiently early warning of loss of water. "Watercheck", however, has a small probe which is easily fitted into the radiator header tank at a predetermined level. Whenever the water level falls to the level of the probe, the latter passes a signal to the "Watercheck" instrument at the dashboard and an amber lamp flashes.

The instrument could be fitted by the average driver within 20 minutes, there being only three electrical connections.

Two models are available — one for positive and one for negative earth vehicles; 12V. systems only.

Retail Price: £3. 15s. 0d.

Manufactured by Automets Ltd., New Street, Oadby, Leicester.



BETTER AND CHEAPER TELEVISION

In many parts of the world, if you watch on television a relay from studios a long distance away, you may notice that, whilst the picture is of good quality, the sound has a noisy background and seems almost telephonic. As Richard Oliver pointed out in a BBC broadcast, this is not surprising, because an ordinary telephone circuit sometimes has to be used for the sound channel. BBC engineers have now found a way round the problem. They convert the sound signal into an electronic code—called pulse code modulation—and then transmit this on the picture circuit together with the picture. How does it fit in? Well, between each line of the television picture there is a slight gap—just a mere 3.8 millionths of a second—and the sound, as a burst of electronic code, goes in here. At the transmitters, this code is re-converted to ordinary sound.

The new system gives a clean, live, sparkling quality of sound indistinguishable from the original. And it is cheaper, too. The extra equipment for the BBC's extensive networks will pay for itself, by saving rented sound lines, in two or three years. It will probably be manufactured commercially under BBC patent licence, so broadcasters—and viewers—everywhere may benefit.

WAVEMASTER VARIABLE CAPACITORS

Jackson Brothers (London) Ltd., have recently purchased the Trade Mark and manufacturing rights of "Wavemaster" variable capacitor range from the Webb Condenser Company.

Most of the "Wavemaster" range will continue to be produced by Jackson Brothers (London) Ltd., and new lines will be added as opportunity offers.

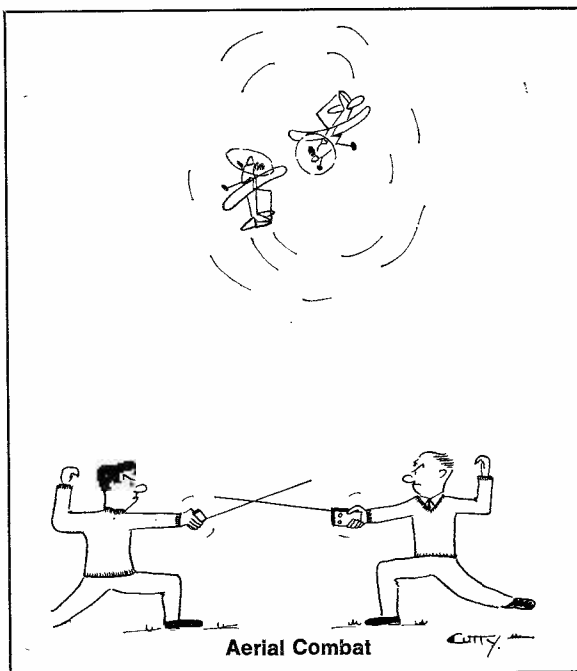
JUNE 1969

NEW B.A.T.C. CHAIRMAN

The British Amateur Television Club recently announced the election of Mr. Gordon Sharpley, G6LEE/T to the post of Chairman.

The retiring Chairman, Mr. Ian Waters, G6KKD/T, to whom the club expressed appreciation for his wise and efficient guidance, will continue his support by serving on the Committee.

Incidentally, we are indebted to the P.R.O. of the B.A.T.C. for the information on the International Congress.



CASCADE RECORD-PLAYER AMPLIFIER

by
D. G. HUGHES

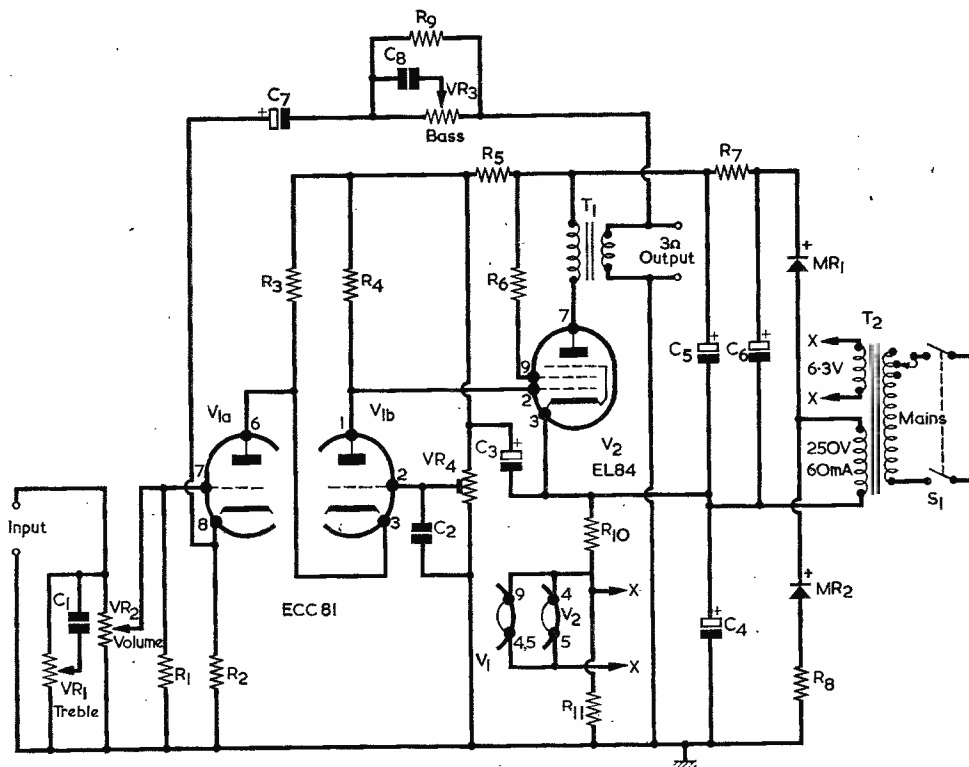
This unusual 5-watt a.f. amplifier design incorporates a cascode input stage, heavy negative feedback, and separate bass and treble controls. A voltage doubling power supply enables an inexpensive mains transformer to provide 500 volts h.t. for the cascode valve

ONE OF THE CONTRIBUTING FACTORS TO THE UN-remarkable reproduction of many record-players is a poorly damped loudspeaker. This results in lack of 'crispness' in the reproduced sound, and a general muddling of the individual themes of the music.

For a speaker to be effectively damped, the output

impedance of the amplifier must be low compared with that of the speaker. This can be achieved by the application of large amounts of negative feedback taken from the secondary of the output transformers.¹

¹ See, for instance, "Understanding Radio" in "The Radio Constructor" for December 1967, January, February and March 1968.



The circuit of the cascode record-player amplifier. Note the unusual power supply circuit, which provides a doubled h.t. voltage for the cascode

Two main drawbacks can result from this, however, these being:

1. Instability due to phase shifts in the amplifier and feedback loop,
2. Serious loss of gain, resulting in the need for an uneconomical number of amplifying stages.

The circuit to be described has considerable negative feedback applied, and attempts to overcome both the drawbacks just mentioned by providing direct couplings where possible and a high level of gain within the loop. At the same time, it is very sparing of components.

DESCRIPTION OF CIRCUIT

A quick glance at the accompanying diagram shows that the circuit consists of a cascode² voltage amplifier stage V1 (ECC81), followed by a pentode output stage V2 (EL84). A closer look reveals that the cathode of V2 is supplied from the centre-tap of a voltage doubling rectifier circuit. The h.t. supply for this valve is thus 250V. On the other hand the cascode stage, V1, is supplied from the full 500V of the voltage doubler, thereby enhancing its inherently high gain with a high h.t. voltage.

It will be noted that the cathode of V1(a) is 250V more negative than the cathode of V2, and it is therefore an easy matter to arrange for the anode of V1(b) to be sufficiently negative of V2 cathode to provide the negative grid bias for the latter valve. The anode of V1(b) can hence be directly coupled to the control grid of V2. This has the advantages that the anode load of the cascode is not shunted by the grid leak of V2, which could result in a slight loss of gain, and that no phase shift is introduced, as would occur with a coupling capacitor and grid leak.

R6 has been included as a safety measure. Also, and to ensure that V2 is not operated without bias, V1 should not be removed whilst the amplifier is switched on.

A simple, but efficient, treble cut control has been included, and is provided by VR1. The circuit for this control presented no difficulty, but it is a more complicated matter to design a bass control operating on fairly similar principles which does not introduce serious loss of gain, because bass boost can then only be realised by cutting down the treble and middle frequencies.

It was finally decided to place the bass boost control in the feedback loop. When the slider of VR3 is fully to the end of the track which connects to C7, all frequencies are fed back equally. As the slider is moved towards the output transformer secondary, treble and middle frequencies are fed through C8, but bass frequencies are not fed back in the same proportion. Thus, bass boost is achieved.

The 50 μ F capacitor, C7, is included in the loop to block direct current. If it were not in circuit the varying value of VR3 would alter the bias on V1(a) and this, with the present direct coupling between V1 and V2, could cause the grid of V2 to run positive. If a bass control is not required, R2 may be replaced by a 2.2k Ω resistor, and all the components in the feedback network (C7, C8, R9 and VR3) replaced by a single 2.2k Ω resistor.

It will be noted that the heaters of the valves are maintained at about 150V positive of chassis by

COMPONENTS

Resistors

(All fixed resistors $\frac{1}{2}$ watt 5% unless otherwise stated)

R1	4.7M Ω
R2	1k Ω
R3	220k Ω
R4	220k Ω
R5	27k Ω
R6	100 Ω
R7	330 Ω 2 watt
R8	2.2k Ω
R9	2.2k Ω
R10	100k Ω
R11	150k Ω
VR1	2M Ω variable, log
VR2	2M Ω variable, log
VR3	25k Ω variable, log
VR4	2M Ω or 2.5M Ω preset, linear

Capacitors

C1	0.003 μ F paper or plastic foil
C2	0.2 μ F paper or plastic foil, 350V wkg
C3	32 μ F electrolytic, 350V wkg.
C4	32 μ F electrolytic, 350V wkg.
C5	16 μ F electrolytic, 350V wkg.
C6	16 μ F electrolytic, 350V wkg.
C7	50 μ F electrolytic, 6V wkg.
C8	0.25 μ F paper or plastic foil

Valves

V1	ECC81
V2	EL84

Rectifiers

MR1, MR2	selenium or silicon rectifiers (see text)
----------	--

Transformers

T1	Speaker transformer, approx 5,000 Ω to 3 Ω (see text)
T2	Mains transformer. Secondaries: 250V 60mA, 6.3V 1.06A minimum (see text)

Switch

S1	d.p.s.t. on-off, toggle
----	-------------------------

Miscellaneous

2 B9A	valveholders
	Input and output sockets
	Chassis, knobs, etc.

means of the fixed potential divider given by R10 and R11 in series. This is done in order to keep the heaters close to the maximum heater-cathode voltage ratings for the valves concerned. In practice these ratings are liable to be slightly exceeded, and this point, together with the consequent small risk of cathode-heater breakdown, has to be accepted by the constructor building up the amplifier. The writer would add that, during initial experimental work, he has had the heaters tied direct to the central power supply line and has had no trouble due to breakdown even with voltages exceeding 700 across the complete voltage doubler output.

2 G. A. Stevens, "A.F. Amplification With The Cascode", "Wireless World", May 1966.

The use of a voltage doubler circuit enables a low-cost mains transformer with a half-wave h.t. secondary to be employed. The potential difference between the transformer h.t. secondary and its laminations and mounting clamp are greater than in normal service, and it is recommended that its metal frame be insulated from chassis. This can be achieved by means of a simple mounting incorporating Paxolin sheet, or a similar material. The heater consumption of the two valves is 1.06A at 6.3V, and this can be readily supplied by any conventional mains transformer. (A suitable transformer is available from R.S.C. Hi-Fi Centres, Ltd., 102-106 Henconner Lane, Bramley, Leeds 13.—Editor.)

Output transformer T1 should be capable of operating with a primary current of 40mA or more, and should match 5k Ω to the 3 Ω output impedance. It requires a ratio of the order of 40:1. Like the mains transformer, its mounting clamp and laminations can be insulated from chassis. (An inexpensive 5 watt transformer offering 5,000 to 3.75 Ω is available from Home Radio (Components) Ltd., Under Cat. No. TO44.—Editor.)

The author used finned selenium rectifiers for MR1 and MR2. A contact-cooled selenium rectifier is suitable for MR2, but should not be used for MR1 if it is to be bolted to the chassis. Silicon rectifiers having a p.i.v. of 800 or more, such as the BY100, can also be used. It is possible that the low forward resistance of a silicon rectifier may cause the h.t. voltage in the upper section to exceed 250V. If this occurs, a resistor, whose value is found experimentally, should be inserted between the positive terminal of MR1 and the junction of R7 and C6.

Due to the unusual power supply circuit, the negative terminals of C3, C5 and C6 are not at chassis potential. If capacitors in metal cans are used for these components, the cans must be reliably insulated from chassis.

If desired, R7 could be replaced by an l.f. choke of 5 Henrys or more. However, such a choke adds considerable bulk to the amplifier.

The resistive components at the input are given high values and the circuit is suitable for use with a crystal pick-up. R1 ensures that the grid of V1(a) remains at chassis potential if, due to a worn track, there are momentary disconnections between the slider of VR2 and its track. It was found in practice, incidentally, that operation of VR2, even with a new control, tended to be "scratchy" if R1 was omitted from circuit.

CONSTRUCTION

The construction of the amplifier should raise few problems, since the layout is not at all critical. As in all amplifiers, control grid wiring must be kept reasonably short, whereupon it is desirable to have V1 and V2 mounted fairly close together, and to have V1 close to the treble and volume controls. The components in the feedback loop couple into low impedance points in the circuit, and lead length here is less important.

Due to the high h.t. voltages provided, care should be taken to prevent accidental shock both when checking the amplifier and using it later.

After the amplifier has been constructed and the wiring carefully checked it is necessary for the phasing of the negative feedback connection to T1 secondary to be checked, and for VR4 to be set up.

Insert a 0—100mA meter in series between R7 and its connection to C5 and the amplifier circuits, then set VR4 to approximately central position and VR2 to the minimum volume position. Connect up a loudspeaker and switch on. If the amplifier oscillates, reverse the connections to T1 secondary.

If nothing happens after warming up and the meter indicates either a very low or a very high current, adjust VR4 by moving its slider towards the chassis end of its track until the meter reads 35 to 40mA. If this process causes the amplifier to oscillate, reverse the connections to T1 secondary. Then, finally set up VR4 to a reading of 35 to 40mA. Take the meter out of circuit, and the amplifier is ready for use.

If, however, a silicon rectifier has been employed for MR2, next check the h.t. voltage across C5. Should this be in excess of 250V, insert a resistor in series with the rectifier as described earlier until a 250V reading is obtained. After this, VR4 may be adjusted for the final current of 35 to 40mA.

The reason for the apparently anomalous statement that VR4 slider should be adjusted towards the chassis end of its track when the initial current is either low or high is that V1 operates in a cascade circuit. With VR4 at the centre of its track V1(b) should, normally, be drawing a relatively heavy anode current, thereby causing V2 control grid to be well negative of its cathode, possibly beyond cut-off. As the slider of VR4 approaches chassis, V1(b) draws less anode current until a point is reached where the bias on V2 grid enables this valve to pass the requisite 35 to 40mA current. This is the correct operating point for VR4.

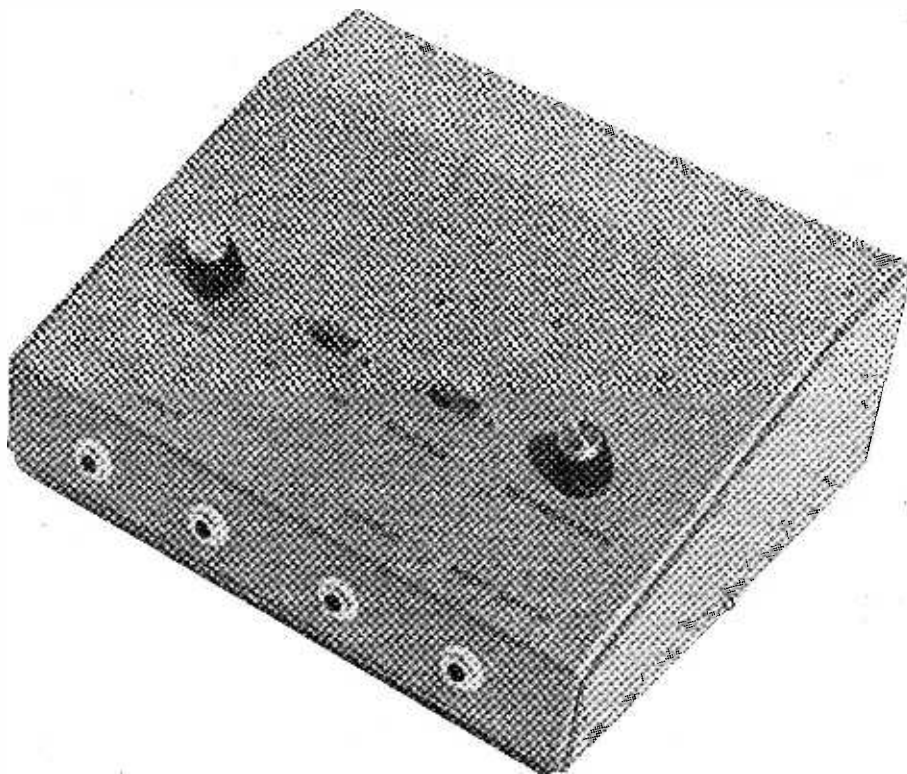
If, on the other hand, the slider of VR4 is moved towards the h.t. positive end of its track, the grid of V1(b) becomes more and more positive, whereupon this grid starts to pass an increasing amount of the cathode current available from V1(a). V1(b) anode current then falls and, again, a point can be reached where V2 draws 35 to 40mA. This is a *false* operating point since, although V2 is correctly biased, V1(b) is not. The situation is misleading because some amplification is still provided (accompanied, in the prototype, by a loud hum) and it might be assumed that a fault lies elsewhere.

To sum up, VR4 offers two settings at which current in V2 is 35 to 40mA. The correct setting is that where the slider of VR4 is nearer the chassis end of its track. The incorrect setting should, if possible, be avoided.

(To ensure that the bias on V2 grid does not vary excessively due to aging in V1, it would be desirable to re-check the setting of VR4 from time to time after the amplifier has been put into use. These later checks could be facilitated if, when carrying out the initial setting up process, a note were made of the measured voltage across R7 which corresponds to the desired current of 35 to 40mA. This will be of the order of 12V, varying according to the actual value, within its tolerance, of the resistor. These subsequent checks would then merely require the connection of a voltmeter across R7 instead of the insertion into circuit or a current-reading meter.—Editor.)

RADIO CONSTRUCTOR

— Next Month



TRANSISTORISED REVERBERATION UNIT

Add a "third dimension" to reproduced music with the aid of this simple-to-build reverberation unit, which can take its input from electric guitars, medium or high impedance microphones, or any other normal sound source. The output of this unit can feed into a standard amplifier or tape recorder, and results are particularly impressive when it is employed with an electronic organ. Construction time is considerably reduced by taking advantage of a ready-assembled transistor amplifier.

ALSO:

- ★ **COIL COVERAGE TEST UNIT**
- ★ **TRANSISTOR SUPERHET FOR TOP BAND**
- ★ **SIMPLE VOLTAGE AND FREQUENCY CONVERTER**

ON SALE JULY 2nd

Scottish Insurance Corporation Ltd

66-67 CORNHILL · LONDON · EC3



*TELEVISION
SETS,
RECEIVERS
AND
TRANSMITTERS*

Television Sets, Receivers and Short Wave Transmitters are expensive to acquire and you no doubt highly prize your installation. Apart from the value of your Set, you might be held responsible should injury be caused by a fault in the Set, or injury or damage by your Aerial collapsing.

A "Scottish special policy for Television Sets, Receivers and Short Wave Transmitters provides the following cover:

- (a) Loss or damage to installation (including in the case of Television Sets the Cathode Ray Tube) by Fire, Explosion, Lightning, Theft or Accidental External Means at any private dwelling-house.
- (b) (i) Legal Liability for bodily injury to Third Parties or damage to their property arising out of the breakage or collapse of the Aerial Fittings or Mast, or through any defect in the Set. Indemnity £10,000 any one accident.
- (ii) Damage to your property or that of your landlord arising out of the breakage or collapse of the Aerial Fittings or Mast, but not exceeding £500.

Why not BE PRUDENT AND INSURE your installation—it is well worthwhile AT THE VERY LOW COST INVOLVED. If you write to the Corporation's Office a proposal will be submitted for completion.

Write for full details, quoting reference 5304, to:—

**THE MANAGER
SCOTTISH INSURANCE CORPORATION LTD.
66-67 CORNHILL, LONDON E.C.3**

THE "SPONTAFLEX" F.M. PORTABLE RECEIVER

by

SIR DOUGLAS HALL, K.C.M.G., M.A. (Oxon)

By combining a synchronous oscillator method of detection with the author's "Spontaflex" circuit, this 4-transistor receiver offers loudspeaker reception of all three local f.m. transmissions

DURING THE COURSE OF SOME recent experiments the author found that certain silicon transistors would oscillate happily at 100 Mc/s, or over, in the "Spontaflex" configuration. This clearly led the way to a new f.m. design, and the present article is concerned with the result—a result which is very satisfactory as it enables an f.m. tuner to be built with the use of only two inexpensive transistors and a handful of cheap, easily obtainable components. What is more, the two transistors also provide two stages of audio frequency amplification and the sensitivity of the tuner is such that it gives excellent results on a telescopic aerial in a somewhat shielded position about 18 miles from North Hessary Tor. Furthermore, the tuner is stable. Assuming constant battery voltage, there is virtually no frequency drift.

CIRCUIT OPERATION

The circuit is shown in Fig 1, and for the time being only that part to the left of the dashed line will be considered. The part to the right of the line is merely a simple audio frequency amplifier to enable the tuner to be heard at reasonable room strength on a speaker. It will be seen that the tuner shows a close resemblance to the author's short wave receiver described in the January 1968 issue, though it functions in rather a different manner.*

The signal is applied by a 36in. telescopic aerial to the emitter of TR1 which works as a common base radio frequency amplifier. It then appears, in amplified form,

across the choke L1 which has the high value, for an f.m. design, of 2.5mH. If a more usual v.h.f. choke is substituted the receiver may fail to function.

TR2 is the "Spontaflex" amplifier and it is adjusted to oscillate gently

at the central frequency of the incoming signal. This signal, being frequency modulated, has a varying frequency depending on the modulation. The local oscillation will lock to this signal and the amplitude of the local oscillation will therefore vary, becoming less as the incoming signal becomes out of tune with the fixed tuned circuit. The frequency modulation is therefore changed to amplitude modulation, and from this point onwards TR2 functions as a normal "Spontaflex" amplifier. That is to say, it amplifies the now amplitude modulated signal as a common collector radio frequency amplifier, the amplified signal being applied to D1 which demodulates it. TR2 then performs yet another function and offers audio frequency amplification in the common base mode, the result appearing across R4 and passing back to TR1 again, which now amplifies as a common collector audio frequency amplifier. This finally amplified signal appears across the volume control, VR3, where it is available for such further amplification as may seem desirable. Good phone signals will be heard in a pair of sensitive, fairly low impedance phones across C9. The easily obtainable DLR5 headset

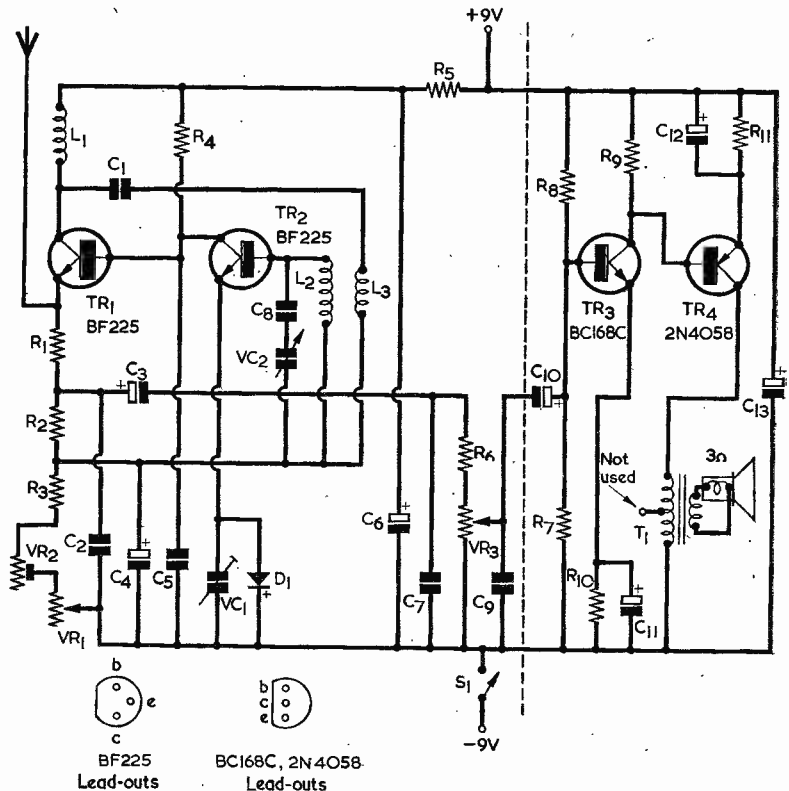


Fig. 1. The circuit of the "Spontaflex" f.m. portable receiver. The components to the left of the dashed line constitute a complete f.m. tuner

* Sir Douglas Hall, "The 'Spontaflex' Transistor Short Wave Receiver", 'The Radio Constructor, January 1968.

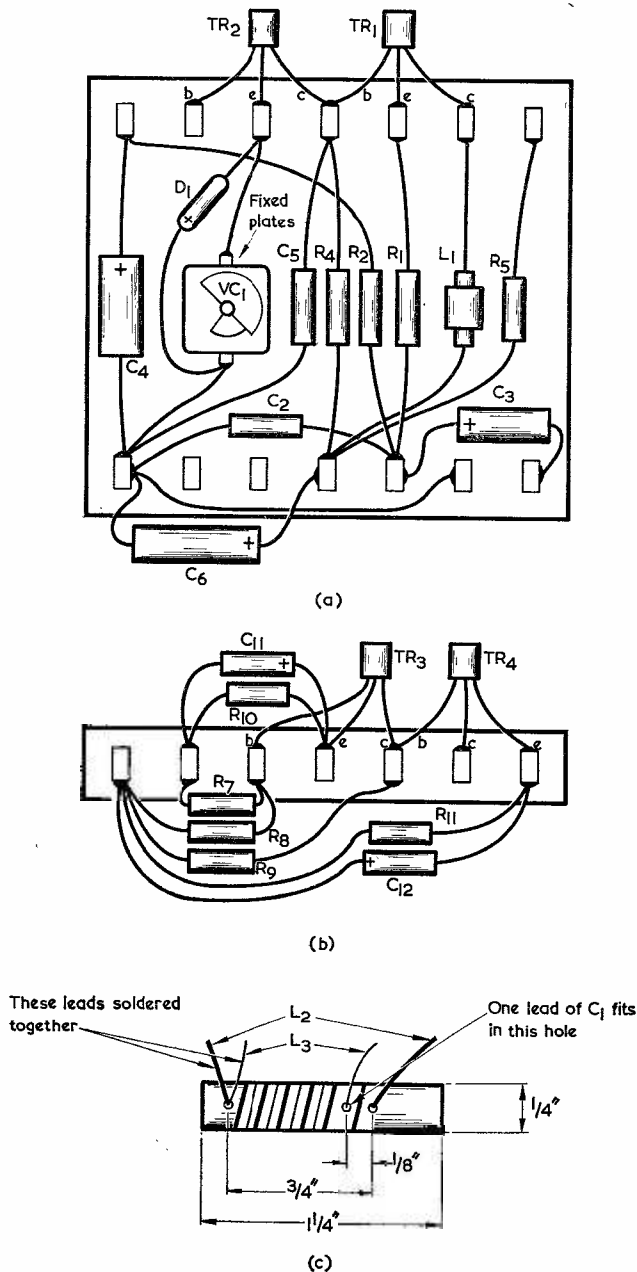


Fig. 2(a). Most of the tuner section is accommodated on this 7-pair groupboard

(b). The a.f. amplifier section is mounted on a 7-way tagstrip

(c). Details of the coil unit

(available from Henry's Radio Ltd.) is ideal.

This basic means of changing the frequency modulated signal to amplitude modulation is not new, and is known as the synchronous method.

The functions of TR2 in the author's circuit bear repetition. First,

TR2 amplifies the frequency modulated signal by regeneration. Next, it changes the frequency modulation to amplitude modulation. Third, it amplifies this amplitude modulated radio frequency signal and finally it amplifies the audio signal produced across D1. TR1 also provides two stages of amplification.

Oscillation is produced by the capacitance tap (Colpitts) method, but whereas in the earlier short wave receiver reaction was controlled by varying the capacitance across D1, and the base bias of TR2 was preset, in the present design the amplitude of oscillation is controlled by varying the base bias of TR2, the capacitance across D1 being preset.

When the receiver is first wired up, C8 should be omitted and replaced by a direct connection. In most instances, it can later be introduced to reduce the range offered by the 15pF tuning capacitor, VC2, and consequently make tuning easier. C8 also reduces the chance of microphonic howling which can be caused by the sound waves from the speaker causing the vanes of VC2 to vibrate, since it reduces the effect which that component has on resonant frequency.

It will be seen that there is elaborate filtering of the radio frequency signal by means of R1, C2, C7, R6 and C9. This may seem excessive, and the presence of C7 and C2, particularly so. But the lead between C3 and the volume control is quite long, at v.h.f., and if C7 is omitted the volume control may have an r.f. voltage across it.

It should be noted that the electrolytic capacitor, C4, needs to bypass v.h.f. as well as audio frequency signals. The author found that modern electrolytic capacitors were satisfactory for this function but that some older components offered quite a high impedance at these frequencies. If any difficulty is experienced in persuading TR2 to oscillate it is advisable to place a silver-mica capacitor of about 2,000pF across C4.

So much for the theoretical description of the tuner section which is, as has been said, a complete headphone receiver in itself.

The a.f. amplifier section, to the right of the dashed line, is a simple affair which needs little comment. Two high gain transistors are used in the common emitter mode, the first being n.p.n. and the output p.n.p. It will give good loudspeaker results at ample volume for a normal room. If a more powerful amplifier is substituted for the one specified, it may well prove necessary to screen the leads to VR3 and there is a strong possibility of microphonic howling due to feedback to the vanes of VC2. In fact, if a powerful amplifier is to be used it would be wise to employ a separate speaker.

The volume control, VR3, is part of the tuner section and should remain so if separate units are constructed. Any tone control required may be incorporated with the amplifier section. The complete circuit, as shown in Fig. 1, draws

about 16mA from the battery, and the design will only remain free from frequency drift so long as the battery voltage remains constant. In consequence a fairly large battery should be used. The tuner section passes only about 1mA or less.

CONSTRUCTION

When the reader is ready to start construction, Fig. 2 should be examined and the tagboard and tagstrip assemblies made first. A section with 7 tag pairs cut from a standard (not miniature) 18-pair Radiospares tagboard is suitable for the tuner unit components, and a simple single-line 7-way tagstrip for the amplifier components. The tuner unit tagboard should have a piece of Paxolin cemented to its underside so that the bottoms of the tags do not come into contact with the plywood panel to which it is later fitted. Component layouts on the tagboard and tagstrip are illustrated in Figs. 2(a) and (b) respectively. The components are shown parallel to each other in these diagrams for clarity, but there is no need for this example to be followed, and components may cross each other in the interests of short wiring provided that there are no possibilities of short-circuits.

Fig. 2(c) illustrates the coil unit, L2 L3. A piece of $\frac{1}{4}$ in. diameter Perspex rod about 1 $\frac{1}{2}$ in. long is used. Two 1/16th inch holes are drilled, $\frac{1}{4}$ in. apart, and a third hole about $\frac{1}{2}$ in. on the inside of one of these holes. Six turns of 24 s.w.g. enamelled wire are wound, starting through one outside hole and finishing through the other. The turns are spaced out as evenly as possible, and about 1in. of wire is left protruding through each hole for connections. A length of 32 s.w.g. enamelled wire is then soldered to one of the thicker wire ends as shown, and passed through the appropriate hole. Five turns are then wound, in between the turns of the other winding. The end of the 32 s.w.g. wire is passed through the intermediate hole and the wire end of a 2pF capacitor (C1) is also passed through this hole and wedged into place with a sharpened matchstick. The end of the five turn winding is then soldered to the lead of the capacitor which had been wedged into position. The coil unit is now complete.

Next, a piece of $\frac{1}{4}$ in. plywood measuring 12in. by 12in. is cut out and a suitable hole made in it at one end to take the 10in. by 6in. speaker. This rather large speaker is recommended because of the good quality it provides. Also, it will make maximum use of the rather small a.f. output. The speaker should be fitted so that one long edge is flush with one edge of the board. Flush with the opposite edge of the

COMPONENTS	
<i>Resistors</i>	
(All fixed values $\frac{1}{4}$ watt 10%)	
R1	390 Ω
R2	3.9k Ω
R3	390 Ω
R4	22k Ω
R5	1k Ω
R6	330 Ω
R7	3.9k Ω
R8	18k Ω
R9	2.7k Ω
R10	1.2k Ω
R11	100 Ω
VR1	500 Ω pot., wirewound
VR2	1k Ω preset pot., standard size (not miniature)
VR3	5k Ω pot., log track, with switch S1
<i>Capacitors</i>	
C1	2pF ceramic
C2	0.05 μ F ceramic
C3	100 μ F electrolytic, 6V wkg.
C4	100 μ F electrolytic, 2.5V wkg.
C5	1,000pF ceramic
C6	100 μ F electrolytic, 9V wkg.
C7	0.01 μ F ceramic
C8	30 or 33pF (see text) silver-mica
C9	0.01 μ F ceramic
C10	100 μ F electrolytic, 2.5V wkg.
C11	100 μ F electrolytic, 2.5V wkg.
C12	100 μ F electrolytic, 2.5V wkg.
C13	640 to 1,000 μ F electrolytic, 9V wkg.
VC1	20pF trimmer, air-spaced
VC2	15pF variable, air-spaced (see text)
<i>Inductors</i>	
L1	2.5mH r.f. choke type CH1 (Repanco)
L2,3	See text
T1	15:1 (approx) output transformer type TT5 (Repanco) or similar. (Type TT5 is available from Home Radio)
<i>Semiconductors</i>	
TR1	BF225 (Texas)
TR2	BF225 (Texas)
TR3	BC168C
TR4	2N4058
D1	OA81 (Mullard)
<i>Switch</i>	
S1	Part of VR3
<i>Aerial</i>	
	Panorama type TR6 (Panorama Radio Ltd., 73 Wadham Road, London, S.W.15.)
<i>Speaker</i>	
	3 Ω elliptical, 10in. by 6in.
<i>Battery</i>	
	2-off No. 126, or single PP9 (Ever Ready)
<i>Miscellaneous</i>	
	18-way tagboard (from which a 7-tag section is cut) Cat. No. BTS10 (Home Radio)
	7-way tagstrip
	2-way tagstrip
	Epicyclic tuning drive
	Flexible spindle coupler
	Car aerial socket
	$\frac{1}{4}$ in. Perspex rod
	3 knobs
	Paxolin, plywood, etc.

board is a piece of wood, 7in. by 1 $\frac{1}{2}$ in. and not less than $\frac{3}{8}$ in. thick. See Figs. 3 and 4. Next a piece of Paxolin or Perspex is cut, 7in. by 4in. by about $\frac{1}{4}$ to $\frac{1}{2}$ in. and three holes are drilled in it to take the three controls. The hole for VC2 should be in the exact centre and the other two holes 2 $\frac{1}{2}$ in. on either side. VC2, VR1 and VR3 are now fitted in place, and the bottom edge of the panel is screwed to the appropriate edge of the 7in. by 1 $\frac{1}{2}$ in. piece of wood.

A plywood top panel is next cut, 12in. by 4 $\frac{1}{2}$ in., and holes are drilled in it to coincide with the three holes in the Paxolin or Perspex panel, and a fourth hole for the aerial socket as shown in Fig. 3. Note that the top panel is fitted such that its front edge covers the edge of the 12in. by 12in. panel, so that its holes for the controls will

need to be 2 $\frac{1}{2}$ in. rather than 2in. from the front edge. An epicyclic ball drive is fitted to the hole for VC2 and its spindle is linked up by means of a flexible coupler and a short length of Perspex rod. The spindles of VR1 and VR3 should be long enough not to require any extension. The top panel may now be screwed to the 7in. by 1 $\frac{1}{2}$ in. piece of wood, and the grub screws of the flexible coupler tightened up. The aerial socket should also be fitted.

Finally, a piece of plywood having the same dimensions as the top panel may be fitted at the lower end of the 12in. by 12in. panel with the aid of suitable brackets. This forms a base and enables the assembly, in its present condition, to be set up with the controls at the top.

The tagboard and tagstrip should

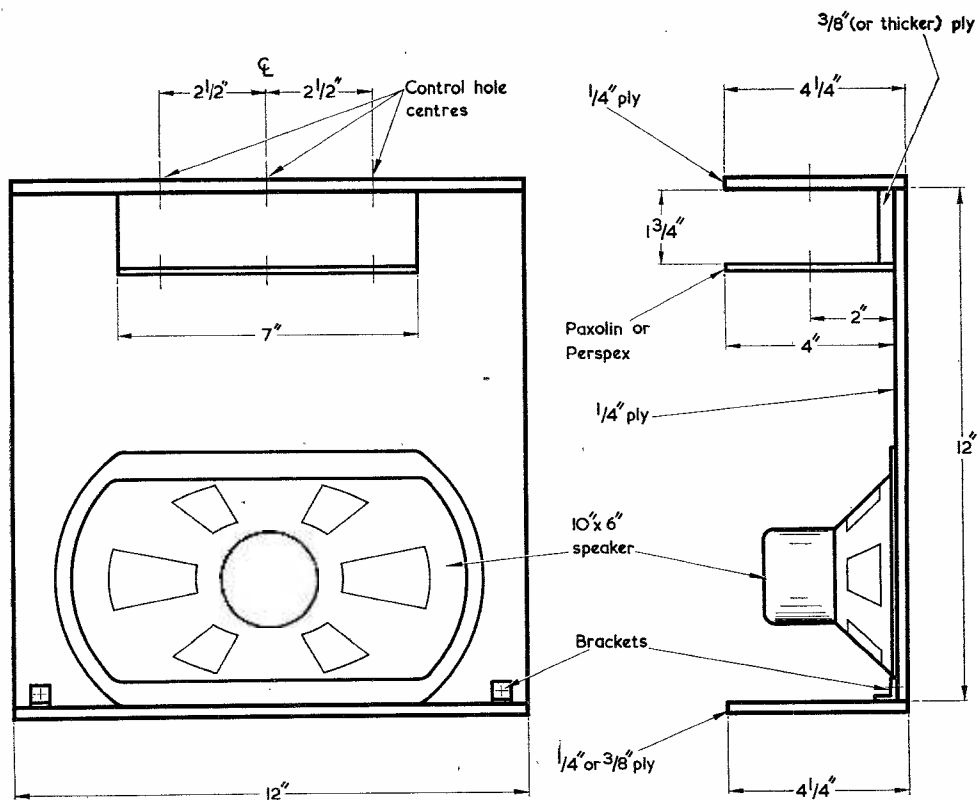


Fig. 3. Illustrating the assembly of the panels on which the receiver is built

be screwed to the main panel such that C8 leads, when this component is later fitted, will be as short as possible. As was mentioned earlier, this capacitor is replaced by a direct connection during initial testing. The components and leads shown in Fig. 4 should be connected up. Finally, the speaker can be mounted in place over a suitable piece of speaker fabric. It is convenient to connect the secondary leads of T1 to a small 2-way tagstrip.

TESTING

To test the receiver, the aerial should be fitted such that it lies horizontally and can therefore be swivelled broadside on to the direction of the station to be received. The aerial specified is very suitable, but any other can be substituted provided it is jointed, can be plugged in, and can offer a length of about 36in. Variation in aerial length alters the load on the input of TR1 and consequently its output impedance, and the load offered to TR2, is also altered. A variation of the length of the aerial will therefore require a different setting for VR1 or VR2. However, it is per-

missible, and indeed sensible, to try different lengths for best results on the three B.B.C. stations, and then mark the aerial so that it can be extended to the same point each time the receiver is used. In the author's locality, a fully extended aerial gave good results on all stations.

Adjust VC1 so that its vanes are about one-quarter to one-third closed, and VC2 so that its vanes are about two-thirds to three-quarters closed. Set VR1 to a central position and leave it alone for the time being. VR2 should be set with its slider at the end connected to R3. This is fully anti-clockwise as shown in Fig. 4. Switch on with VR3 and turn this control fully clockwise. Make sure a 9-volt battery has been connected up!

There should now be a gentle hiss from the speaker. If there is not, something is wrong and the wiring, etc., should be inspected again. Assuming the hiss to be present, turn VR2 clockwise and at a point which may be half-way, or before, a louder hiss should start. This denotes oscillation. Now turn VC2, first one way and then the other, keeping VR2 adjusted so that the louder hiss is just starting. The three

B.B.C. stations should then be received. If the louder hiss has not come in, try different settings for VC1 and repeat the process described. Once the stations have been initially received, various combinations of settings of VC1 and VR2 can be tried for best results. It should be possible to find a setting which is just right for all three stations, without the necessity of altering the setting of VR1 when tuning from one to another. Nevertheless, VR1 is still there to be used, as required, during normal reception. When the best combination of settings for VC1 and VR2 have been found, they should be left alone.

The proper use of VR1 will soon be found in practice. Set too far in a clockwise direction will cause distortion, or violent oscillation. Set too far anti-clockwise will result in weak signals, or a complete disappearance of signals if the setting is badly out. The use of VR1 is no more critical than the use of a reaction control with a simple short wave receiver.

It will probably be found that stations are received with VC2 about half closed. In this case, C8 should be wired into position in-

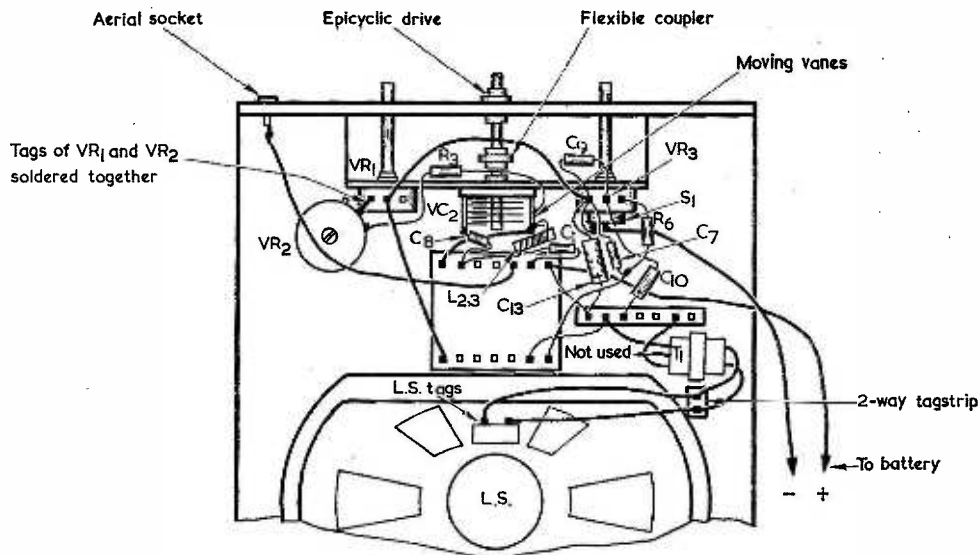


Fig. 4. Final details of the wiring

stead of the direct connection. If the stations can now no longer be received with C8 in circuit a higher value of, say, 47pF may be tried. Do not use two capacitors in parallel.

The author leaves the reader to design his own cabinet.

TRANSISTORS

A final but important word about components. Many transistors were tried for TR2, but a large number would not oscillate in the rather stringent conditions imposed by common collector configuration, together with a collector current of only about 100 μ A. Some others worked well but are not easily available. The one specified worked very well and is easily available. It is also the transistor most suitable for TR1. Do not be tempted to buy a substitute unless it has been tested in this actual circuit and found to be satisfactory. Many transistors which are said to oscillate, at, say, 700Mc/s, or higher, will only do so when passing about 10mA current — and only one-hundredth of that current is available in this circuit. TR3 and TR4 are not critical, but the ones selected give good results. The author obtained all his transistors from Amatronic Ltd.

D1 is very important. Use the easily obtainable OA81, and not a substitute. As a matter of interest the author tried many surplus diodes, but only one type would allow the receiver to function, and even then not very well.

VC1 should be air spaced. Although a mica dielectric component will work in this position, it is less satisfactory.

VC2 must be a good v.h.f component, with widely spaced vanes, first class insulation, and a good quiet contact to the moving vanes. Closely spaced vanes will result in a horrid howl. TR2 gets all the frequency modulation it wants from the aerial, without any unwelcome addition from the speaker! The prototype uses an ex-Government capacitor, many of which are beautifully made and reasonably priced. A Jackson type C804 would be a very suitable alternative. (This would be available from Home Radio under Cat. No. VC26D. — Editor.)

The prototype has been built with three different layouts, and with different components including

several specimens of the transistors specified. It has proved perfectly reliable in all cases. In addition, a friend and fellow reader who lives close to the author has made up a receiver working from the draft of this article. This receiver gives equally good results from the B.B.C. stations, and in addition he has received the French f.m. transmissions, all on a short length of flex as an aerial. Incidentally, this reader demonstrated to the author the use of a pair of Hi-Fi moving coil headphones, with an overall impedance of 800 Ω , connected in series with an isolating electrolytic capacitor across R9. TR4 was removed from the circuit. Reception can only be described as superb.

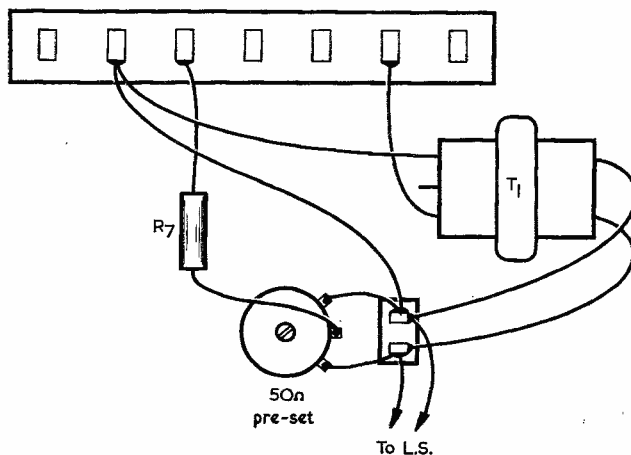


Fig. 5. A simple method of adding negative feedback to the a.f. amplifier section

NEGATIVE FEEDBACK

As a non-essential refinement, some readers may like to add negative feedback to the amplifier section. This can be done by connecting the outside tags of a 50Ω preset potentiometer across the secondary of T1, one side being also con-

nected to the negative supply line of the amplifier. The lead from R7 which at present goes to the negative supply line is taken instead to the slider of the potentiometer. See Fig. 5. Only a small movement of the slider away from the negative end of its track is needed to provide sufficient feedback to give a

useful improvement in quality. Too large a movement will cause excessive attenuation. If a different transformer is employed, and oscillation instead of attenuation results, reverse the secondary leads of T1.

RESONANT GATE TRANSISTORS

by

J. B. DANCE, M.Sc.

The phenomenon of mechanical resonance can be employed in the provision of tuning elements for integrated circuits

MECHANICAL RESONANCE IN AN ELECTRONIC COMPONENT (such as microphony in a thermionic valve) is usually a very undesirable phenomenon. In a few special cases it can, however, have useful applications, such as in mechanical filters and in quartz crystal resonators. Both of these employ mechanical resonance to produce oscillating systems of very high Q factors. A new device which utilises mechanical resonance for frequency selectivity is the Westinghouse resonant gate transistor. It can be employed as part of an integrated circuit.

The resonant gate transistor uses a minute metal cantilever as a mechanical resonator which normally operates in the range of 500 c/s to 50kc/s. The device is essentially a fixed tuned one, the resonant frequency being determined by the mechanical dimensions of the cantilever. However, it is possible to make some slight adjustment to the resonant frequency by a suitable variation of the applied voltage. The uppermost frequency for a device of this type is determined by the smallest size of the cantilever which can be made by the photoresist technique, although frequencies higher than the normal maximum can be obtained by operating the device in an overtone mode. The lower frequency limit is determined by the sensitivity of the device to vibration, this sensitivity increasing in inverse proportion to the square of the frequency.

The construction of the device is similar to that of a metal-oxide-silicon transistor (MOST), except that the normal gate electrode is replaced by the cantilever—hence the name, resonant gate transistor. An input signal will produce an electrostatic force on the cantilever. For linear operation, however, the input signal must be superimposed on a polarising voltage, since the electrostatic force is proportional to the square of the applied voltage.

When using the device, care must be taken to ensure that a suitable current limiting resistor is employed in series with the polarising supply voltage, or the device will probably be destroyed.

The Q of the resonant gate transistor is typically in the range 30-150 at atmospheric pressure, but may increase to over 1,000 at very low pressures. The damping effect of the atmosphere on the moving cantilever causes a considerable reduction in the Q factor.

The resonant gate transistor can be employed to increase the range of applications of integrated circuits. The mechanical oscillator has a relatively good stability and this results in the device showing less drift than that obtained from integrated circuits using conventional tuning techniques.

SPECIAL AMATEUR RADIO STATION

A special amateur radio station (GB3SUA) will be operated by the Stratford Radio Club from July 11th to 13th, 1969, to celebrate the 700th Anniversary of the Guild of the Holy Cross in the town. This Guild was the start of local government in Stratford, whose Charter was granted in 1553.

The station will operate on the 10, 15, 20 and 80 metre bands in the s.s.b./a.m./c.w. modes and a special QSL card will be issued via the RSGB Bureau. The station will be situated opposite the Royal Shakespeare Theatre and will be open to the public.

Other attractions in the town during the above period will include a boat rally, a midnight water carnival and public dancing in the streets.

ELECTRICAL ENGINEERS EXHIBITION

A massive campaign to attract a record overseas participation and attendance at the 15th International Electrical Engineers Exhibition, to be held at Earls Court, London, from 8th to 15th April, 1970, has been launched by the organisers.

The Exhibition is sponsored by the Association of Supervising Electrical Engineers.

A mailing of invitations and brochures to 37,500 addresses in 164 countries has just been completed. Already, nearly 1,000 replies have been received from prospective overseas exhibitors and visitors.

The mailing covered manufacturers in the electrical industries, Chambers of Commerce, Trade Associations and the technical press.

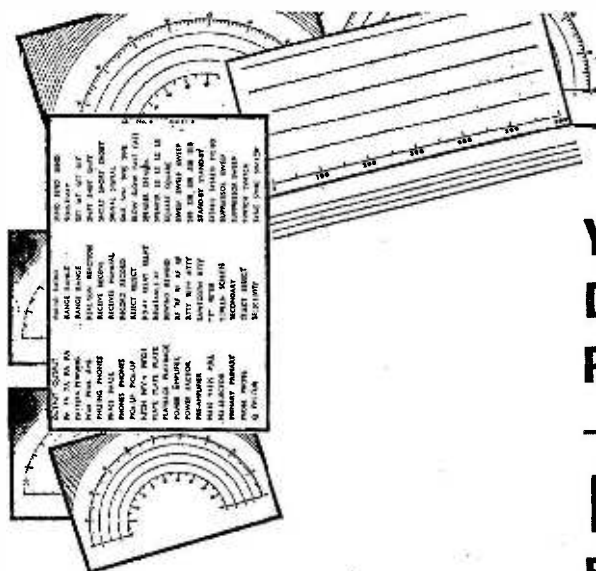
Arrangements have been made for parties of visitors from Europe to have combined travel and hotel accommodation facilities at special rates. This is being organised through Thomas Cook and B.E.A.

"This is designed to encourage educational bodies and professional and trade associations to send parties of delegates," said Mr. P. A. Thorogood, General Manager of the Exhibition. "It will give them the opportunity of obtaining technical information about products and equipment shown at the Exhibition, such as the new metric standards now being introduced by British manufacturers."

Later this year there will be a follow-up publicity campaign in 164 countries, directed mainly through technical and industrial journals. The organisers are in contact with more than 4,000 such journals throughout the world.

During the 1970 Exhibition the British Electrical and Allied Manufacturers' Association is sponsoring a three-day international conference on electrical insulation. This will cover developments in and evaluations of insulation materials for a wide range of applications in power supply and in industry.

To date, more than 200 companies and governmental bodies have provisionally booked space totalling 120,000 square feet.



- ★ Set 3 Wording—WHITE
- ★ Set 4 Wording—BLACK
- 6 Sheets, over 1,000 words, etc.
- ★ Set 5 DIALS—clear background
- ★ Set 6 DIALS—black background

**YOUR FINISHED ASSEMBLY
DESERVES A REALLY
PROFESSIONAL FINISH
—USE 'CONSTRUCTOR'
PANEL SIGNS
PERMANENT PAINT
TRANSFERS**

4/6 per set (postage 3d)

Send to:
DATA PUBLICATIONS LTD., 57 MAIDA VALE, LONDON, W.9



Cover Feature

TOP BAND "QUARTET" TRANSMITTER

by

A. S. CARPENTER, G3TYJ

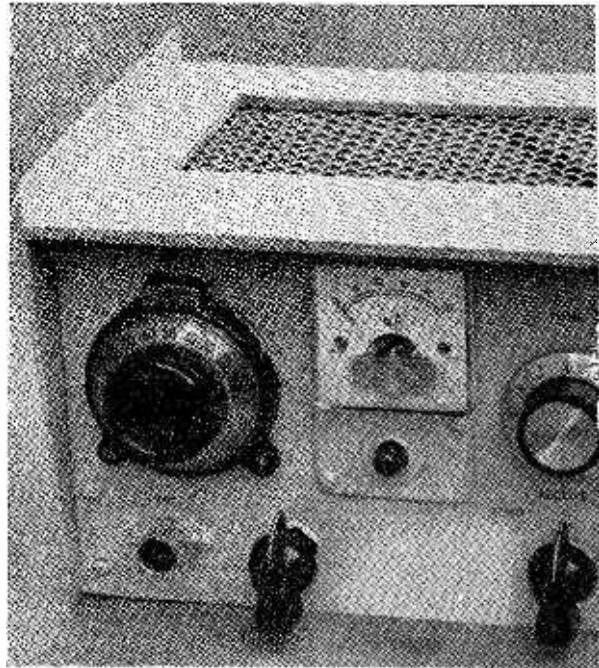
An easily built little transmitter using reliable circuitry which can be operated fixed or mobile on either Phone or CW. This transmitter must not, of course, be used without the appropriate Post Office licence. A companion receiver, similarly designed for Top Band, will be described in next month's issue

SEMI-MINIATURE TRANSMITTERS SUITABLE FOR TOP Band/M working are usually of interest to the licensed Amateur fraternity, this being particularly true when 'sure-fire' circuitry is employed. Fixed station operators may also find the neat pocket-handkerchief-sized rig of interest—at least it is hoped so. Optional phone/c.w. facilities are a worthwhile inclusion and are incorporated in the little rig to be described. Using valves in the transmitter simplifies a design which cannot yet be made less expensively 'sure-fire' with transistors as the r.f. active components.

CIRCUITRY

The complete transmitter circuit, which can be powered either by an external mains power supply unit or by a transistorised d.c.—d.c. inverter delivering 100mA at 300V, is given in Fig. 1.

Only four valves (plus a stabiliser tube) are used, with V1, operating as v.f.o. and multiplier, feeding V2, the final r.f. amplifier. The remainder of the circuit consists of a 2-stage speech amplifier feeding V4 which effectively anode/screen modulates the r.f. stage when Function switch S2 is in the 'Phone' position. When S2 is at the 'CW' position any charge left on the modulator h.t. line is leaked away via resistor R20.



RF STAGES

The v.f.o. circuitry around V1(a) is reliable, and in the interests of obtaining a good c.w. note operates at a division frequency. This may be either over the range 600-666 kc/s, or 900-1,000 kc/s to give final output in the Amateur frequency band of 1,800-2,000 kc/s. Frequency multiplication is taken care of by V1(b) and coil L2 is pre-tuned to afford maximum output at approximately 1,900 kc/s; v.f.o. tuning is panel-controlled via a small vernier reduction drive scaled 0 to 100. In the prototype, the v.f.o. ran at 600-666 kc/s, but the range 900-1,000 kc/s is equally satisfactory in practice.

The stabiliser tube, V5, provides stabilised h.t. for V1. The ECF80 triode chosen as oscillator is able to work satisfactorily from an applied d.c. potential of 150V, as supplied by the stabiliser. Stabilising the triode section of the valve alone seems less effective than when both sections are similarly treated. Additionally, both sections of V1 are allowed to run continuously when the transmitter is 'On' and drift is thus virtually eliminated once the rig has reached its normal operating temperature. On 'Receive' the v.f.o. does not interfere with reception in any way provided the value assigned to the detuning capacitor, C21, is so chosen that harmonics do not fall in the frequency range of 1,800-2,000 kc/s. It will be appreciated that the associated power supply unit will 'see' differing load currents as the transmitter is operated. The lightest load is presented to the supply during 'Receive' when only V1 and V5 are operating but to prevent the applied h.t. potential from rising excessively a swamping resistor, R19, is included as a dummy bleeder.

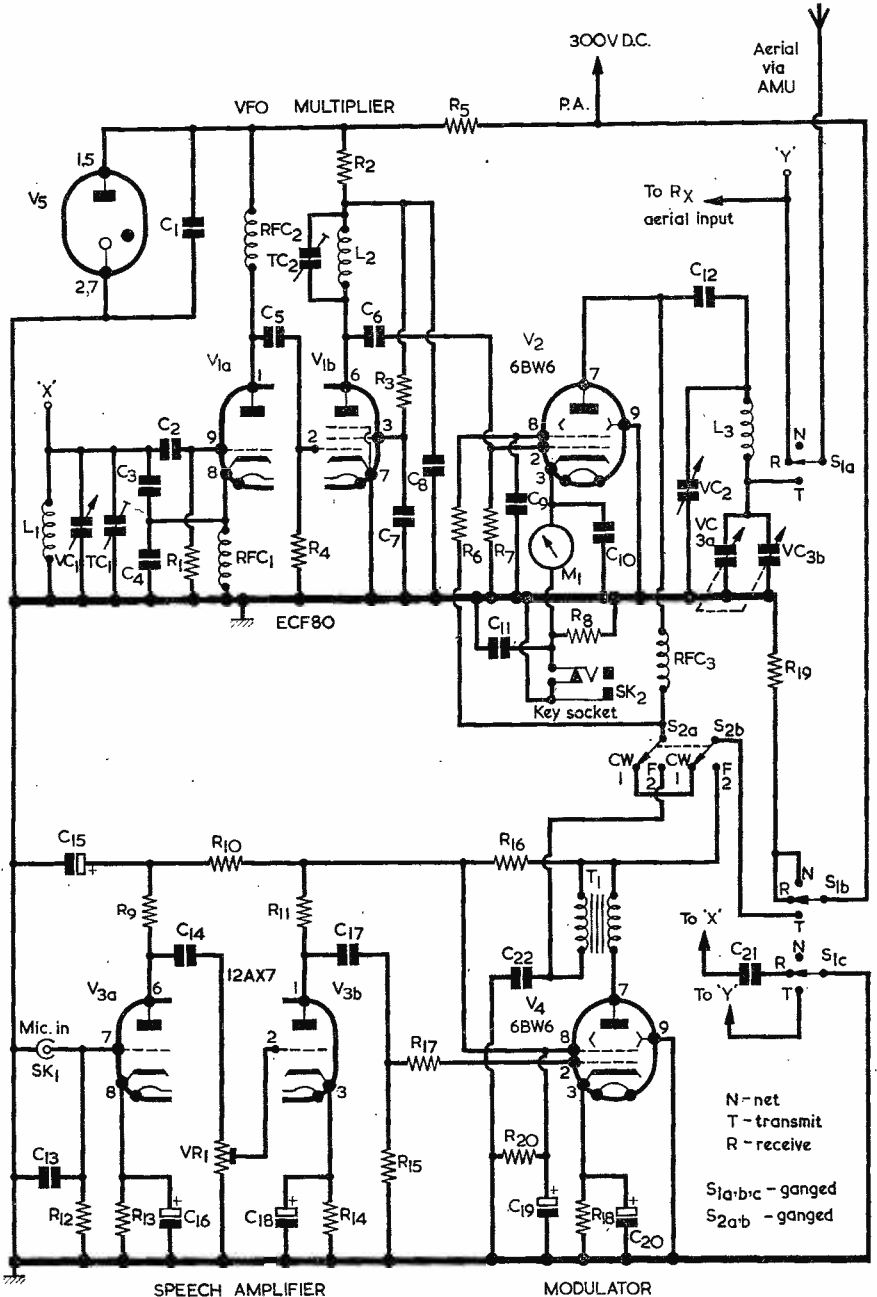
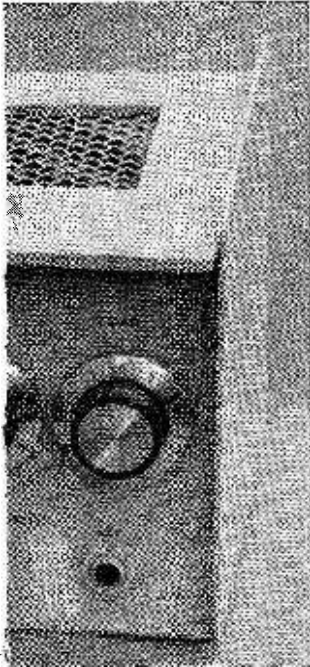
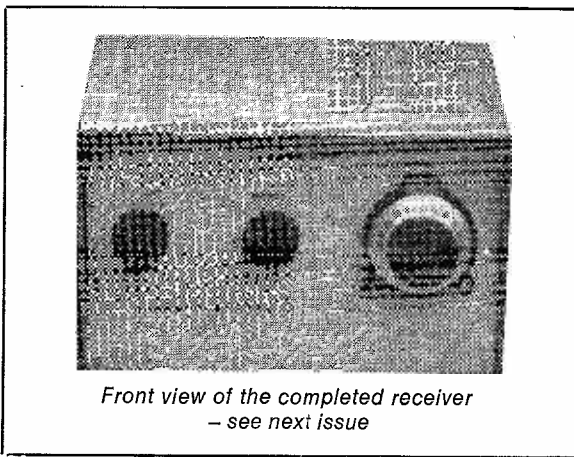


Fig. 1. Complete circuit of the Top Band "Quartet" transmitter

AUDIO STAGES

The p.a. stage is conventional pi-tank output with cathode keying. The meter is also included in the cathode circuit of V2 and thus enables the user to check that drive is present prior to going over to 'Transmit'. To check for drive, S1 is placed at 'Net' and in this position some 1.5 to 2mA should be just detectable in the meter.

Use of a crystal microphone is assumed, this being connected to socket SK1. The modulator looks simple enough but care is needed during construction if the full potential gain is to be realised. To adequately modulate the transmitter at least 5 watts of audio



must be developed and this is not over-easy using a single 6BW6 valve for the output stage. This means that the whole modulator must operate at maximum efficiency and to this end high value anode and grid return resistors are fitted. The speech amplifier valve, V3, is an excellent choice for the work, but it does tend in common with all high gain devices to become unstable when pressed hard. All grid leads *must* therefore be short, carefully oriented and run in screened cabling whilst unwanted capacitive positive feedback must be eliminated by keeping anode and grid circuits well apart.

A variable modulator gain control is unnecessary and the preset control VR1 may be fitted to the rear chassis apron. An anti-parasitic 'stopper' resistor, R17, was also found essential in the prototype, one end of this component being soldered direct to V4 valveholder at pin 2.

Audio modulation of the p.a. stage is achieved via T1 which, in the prototype, is a half-wave mains transformer. This is of the type having a mains voltage primary and an h.t. secondary offering 230 to 250 volts at a current of 25mA or more, a typical example being the Elstone MT11. The primary is in the V4 anode circuit. The heater windings are ignored and their connecting lead-outs are merely taped up and placed safely out of the way. It is appreciated that a proper modulation transformer might perform slightly better but, in the present instance, operation is only at 10 watts maximum d.c. input and the mains transformer works, in practice, very well. (Since a mains transformer has interleaved laminations instead of the butt-jointed laminations normally associated with modulation transformers, it might be worth-while checking whether modulation is improved if the leads to either the primary or secondary are experimentally transposed. If the magnetising force due to V2 opposes that due to V4, there is less risk of approaching core saturation.—Editor.)

SWITCHING

The Phone/c.w. switch S2 simply removes or connects h.t. to the modulator as required, the T1 secondary being bypassed when c.w. is the desired operating mode.

The main operating switch is S1 and is a 3-pole 3-way rotary Yaxley type, the central position being assigned to 'Receive'. In this position, the modulator

and p.a. are inoperative whilst the v.f.o. and multiplier are running but thrown off-tune due to capacitor C21. The aerial is also connected through to the associated receiver. At the 'Net' position, to right of centre, capacitor C21 is disconnected and the v.f.o. signal may be sought on the receiver or may be tuned to the receiver as required, anywhere in Top Band. Moving the operating switch to its remaining position, 'Transmit', brings the p.a. to life and also the modulator provided S2 is at the Phone position; normal tuning and loading of the p.a. using the meter as a guide is then possible.

(A 3-pole 3-way switch is specified for S1. If, however, the transmitter is to be used with the receiver which will be described next month and if no external aerial switching or receiver disabling facilities are provided, it would be preferable to use a 4-pole 3-way switch. The spare pole may then be used to switch off the receiver when transmitting.—Editor.)

COILS

L1 may be a small medium wave coil provided that it is a robust and well-made component. If the coil has an r.f. coupling winding (i.e. a coupling winding which is intended for connection to the anode of a preceding r.f. amplifier) this coupling winding may be ignored. It is best to avoid using a medium wave coil with a coupling winding intended for connection to an aerial, as such coupling windings sometimes resonate with their own self-capacitance at a point in the medium wave band and cause unwanted absorption effects. Although an air cored coil may be preferred, an iron-dust cored coil has the advantage that it can simplify initial setting up, since its core may be adjusted to permit Top Band to be spread over the whole length of the v.f.o. tuning scale. For L2 another

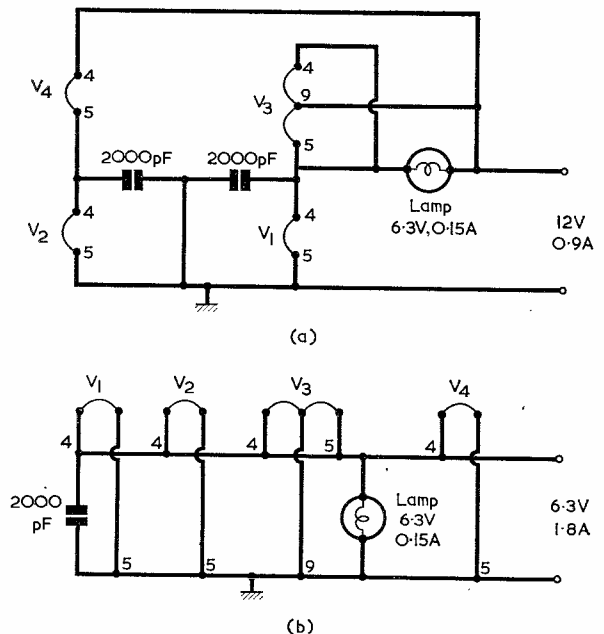


Fig. 2(a). How the heaters and panel lamp are connected for 12 volt operation
(b). The heaters and lamp are wired in parallel for 6.3 volt operation

COMPONENTS

Resistors

(All fixed values $\frac{1}{2}$ watt 10% unless otherwise stated)

R1	47k Ω
R2	470 Ω
R3	6.8k Ω
R4	47k Ω
R5	6.8k Ω 10 watts
R6	6.8k Ω 1 watt
R7	22k Ω
R8	100k Ω
R9	470k Ω
R10	18k Ω
R11	330k Ω
R12	3.3M Ω
R13	3.3k Ω
R14	2.2k Ω
R15	1M Ω
R16	1.5k Ω
R17	10k Ω
R18	330 Ω
R19	27k Ω 5 watts
R20	470k Ω
VR1	2M Ω potentiometer, log, pre-set

Capacitors

(All fixed capacitors 350V wkg. unless otherwise stated)

C1	0.01 μ F ceramic
C2	100pF silver mica
C3	1,000pF silver mica
C4	1,000pF silver mica
C5	100pF silver mica
C6	330pF silver mica
C7	0.01 μ F ceramic
C8	0.01 μ F ceramic
C9	2,000pF ceramic
C10	2,000pF ceramic, 100V wkg.
C11	2,000pF ceramic, 100V wkg.
C12	1,000pF paper, 1,000V wkg.
C13	100pF ceramic, 100V wkg.
C14	1,000pF ceramic
C15	8 μ F electrolytic
C16	50 μ F electrolytic, 6V wkg.
C17	2,000pF ceramic
C18	50 μ F electrolytic, 6V wkg.
C19	32 μ F electrolytic
C20	50 μ F electrolytic, 25V wkg.
C21	200pF silver mica

C22 1,000pF paper, 1,000V wkg.

VC1 100pF variable, type C804 (Jackson Bros.)

VC2 250pF variable (see text)

VC3 410+410pF twin-gang variable (see text)

TC1 56pF trimmer, Mullard concentric

TC2 56pF trimmer, Mullard concentric
(N.B. Also required are ceramic capacitors, 2,000pF 100V wkg., as shown in Fig. 2.)

Inductors

L1, L2, L3 see text

RFC1 R.F. choke, 2.5mH

RFC2 R.F. choke, 1.5mH

RFC3 R.F. choke, 2.5mH

T1 Modulation transformer, see text

Valves

V1 ECF80

V2 6BW6

V3 12AX7

V4 6BW6

V5 OA2

Switches

S1 3-pole, 3-way, Yaxley (see text)

S2 2-pole, 2-way, Yaxley or toggle

Meter

M1 0-50mA type MR38P (SEW)

Sockets and Screening Cans

SK1 Coaxial socket

SK2 Closed-circuit jack socket

1 B7G valveholder

2 B9A valveholders without skirts

2B9A valveholders with skirts

2 B9A screening cans (for V1 and V3)

2 coaxial sockets (for transmitter and receiver aerial connections)

Lamp

6.3V 0.15A panel lamp and holder

Miscellaneous

1 Vernier dial drive type T502 (Eagle)

Knobs, as required

1 $\frac{1}{2}$ in. insulated spindle coupler, extension shaft and panel bush (for VC1)

Material for chassis, panel and case

medium wave coil (meeting the same requirements so far as any coupling winding it may have is concerned) can be used but preferably with some 20 turns removed. The use of a grid-dip oscillator enables one to find the required resonances quickly but if such an instrument is not available a receiver may be used together with the transmitter itself. The receiver is tuned to around 1,900 kc/s and with the transmitter operation switch at the 'Net' position the VC1/L1/TC1 combination is manipulated until a beat note is heard. Coil L2 is then peaked for maximum output as shown either by the panel meter or, more clearly, by an externally con-

nected meter set to read 0.5mA and inserted between the 'cold' end of R7 and chassis.

If no beat note can be found, a meter set to read 0-50mA should be inserted in series with the h.t. end of RFC2. At switch-on a reading should be obtained—say 5mA—whereupon L1 should be momentarily short-circuited whilst watching the meter closely. If no current change is detected the v.f.o. circuit is inoperative and must be checked; when functioning correctly the oscillator current should increase briskly when L1 is short-circuited.

Coil L3 consists of 60 turns of 28 s.w.g. enamelled

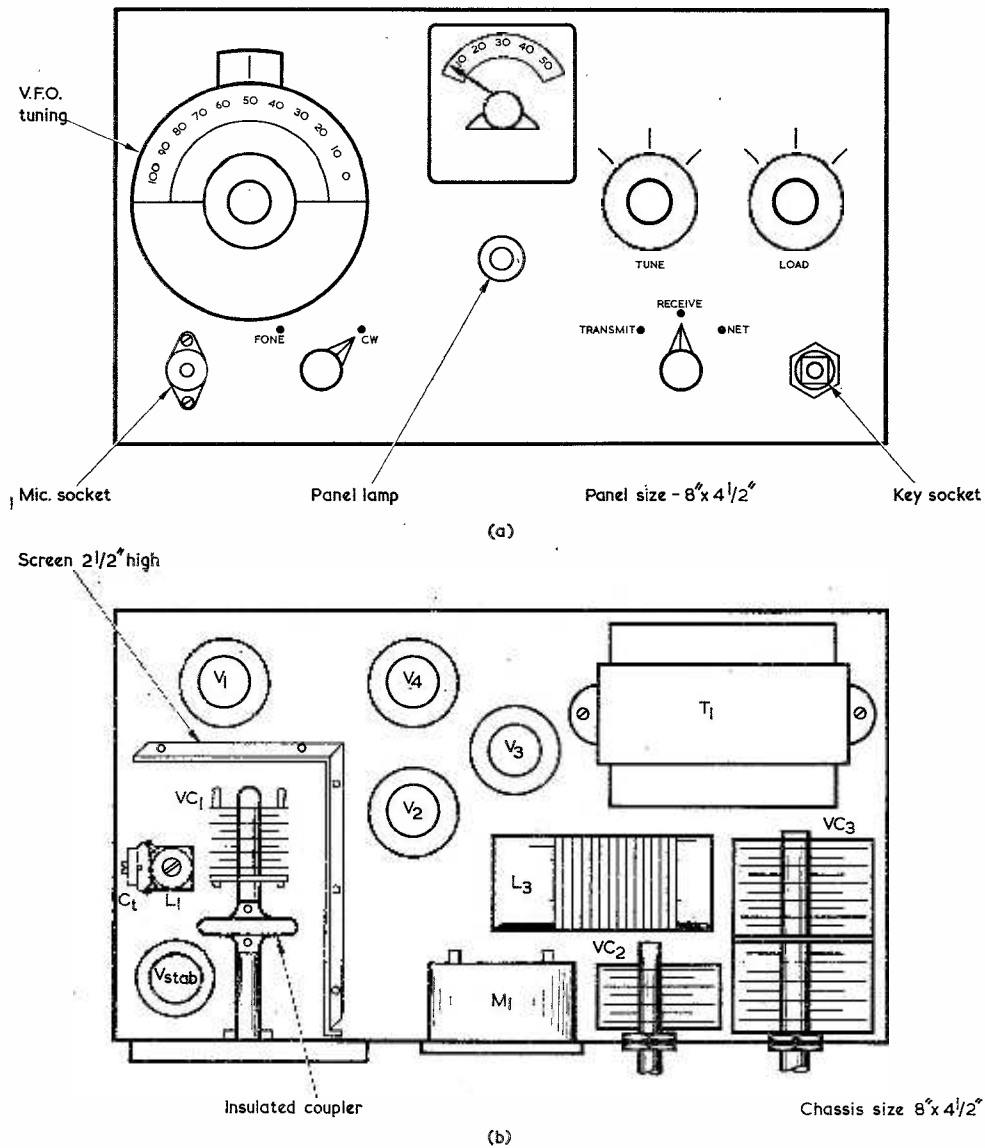


Fig. 3(a). The front panel layout employed for the prototype. Note the small overall dimensions
 (b). View above the chassis. VC1 is mounted on a small bracket

copper wire close-wound on a 1in. diameter former and mounted horizontally.

HEATER WIRING

This depends on the type of service required of the transmitter and for /M working a 12V heater supply will doubtless be used. Connections for both 6V and 12V heater supplies are shown in Fig. 2; a panel lamp is also included and is essential with 12V connections to act as a bypass due to dissimilar heater current ratings in V1 and V3.

LAYOUT

The layout used in the prototype is shown in Figs. 3(a) and (b). This layout need not be followed, although it is doubtful whether any significant improvement can be made. Due to possible variations in size between different components employed for T1, VC2 and VC3, all the parts should be obtained first before deciding on dimensions for the front panel and chassis. In the writer's transmitter both the panel and the chassis surface measured 8 by 4 1/2 in., these small dimensions being achieved whilst using standard compon-

ents. When the transmitter is fitted in a case, adequate ventilation should be provided.

VC2 and VC3 may be of small size but should not be "miniature" types. In the prototype VC3 was 410 plus 410pF, Jackson type O2, and VC2 was of similar type.

The aerial sockets may be located, with VR1, on the rear chassis apron. The power supply cable may be fed in at the rear of the chassis also.

It should be noted that V1 and V3 are fitted with screening cans.

TESTS

Initial tests consist of the usual current and voltage measurements, checking v.f.o. coverage and so on. The stabiliser tube should glow whenever power is applied to the transmitter; should it not do so at any position of S1 or S2, R5 may require to be reduced slightly in

value to obtain the required 185V striking voltage. It is important to check the current flowing through the stabilizer tube; this should not be allowed to exceed 30mA at any position of switches S1 and S2.

No aerial should be connected initially, just a 15 watt lamp as an artificial load. On "Transmit" the lamp should glow quite brightly when tuning and loading have been carried out correctly, and speaking into the microphone on Phone should cause the lamp to brighten on peaks.

Prior to air-testing the transmitter a wavemeter must be brought into use with which to prove that radiation is taking place in the correct frequency band, viz. 1,800-2,000 kc/s. Subsequently the dummy load may be exchanged for the station or car aerial, perhaps through an aerial matching unit, and contacts sought. In next month's issue, the author will describe a companion receiver similarly intended for operation on Top Band. ■

"RADIO 2" MODIFICATION FOR M.W. TRANSISTOR RADIOS

by

B. R. HEWITT

Many of the less expensive transistor radios now in use cover medium waves only. This article describes a simple modification for the reception of Radio 2 on long waves, and continues with a practical example as carried out with a typical imported receiver

THERE MUST BE MANY OWNERS OF SMALL MEDIUM-wave-only transistor superhet radios who, with the introduction of separate programme schedules for Radios 1 and 2, are now restricted in their choice of listening—being unable to receive Radio 2 on 1,500 metres. However, with the author's set, which has a standard i.f. of 470kc/s, it was found possible to make the modification described in this article, this remedying the situation very satisfactorily. It should be possible to carry out a similar modification on most other medium-wave-only transistor receivers, provided that the associated mechanical problems can be overcome.

Some radios on the market have an integral switch on the tuning capacitor which, at one end of its travel, connects additional parallel capacitors into the aerial and oscillator tuned circuits. By suitable choice of values, 1,500 metres may then be accurately obtained.

RADIO 2 SWITCHING

It was decided to take advantage of this approach with the writer's radio. The basic switching scheme appears in Fig. 1, which shows typical ferrite aerial and oscillator tuned circuits for a medium-wave-only receiver.

Additional components introduced by the modification are switches S1(a) and S1(b), and capacitors C1

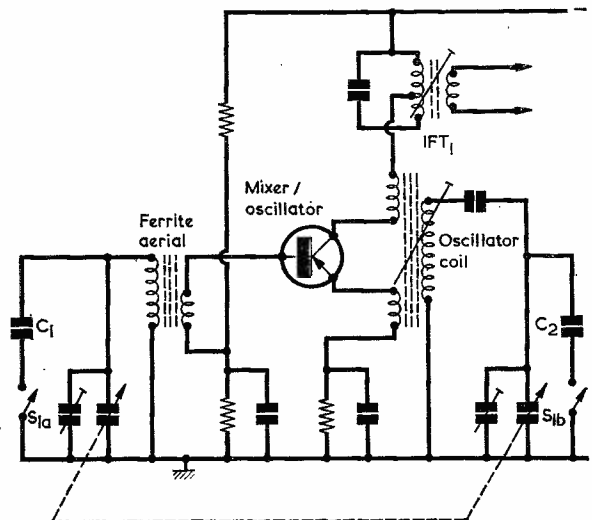


Fig. 1. Basic mixer/oscillator circuit for a medium-wave-only transistor radio, with C1, C2, S1(a) and S1(b) added. These components enable Radio 2 on 1,500 metres to be received

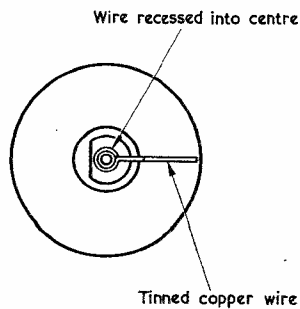


Fig. 2. Recessing the tinned copper contact wire into the underside of the tuning knob

and C2. When S1(a)(b) is closed, capacitor C1 causes the ferrite aerial to resonate at 200kc/s (1,500 metres) and the oscillator to operate at a frequency which is higher than 200kc/s by the intermediate frequency of the radio. In consequence, the oscillator now "selects" the Radio 2 transmission for amplification by the i.f. strip, whilst the ferrite aerial tuned circuit is resonant at Radio 2 signal frequency. This modification, therefore, enables Radio 2 to be received on what was previously a medium-wave-only radio.

A simple method of adding the Radio 2 components is to install a suitable panel mounted switch close to the mixer/oscillator stage, this being operated when Radio 2 is required. The values of the additional capacitors may then be found experimentally, being such that Radio 2 is tuned in with the tuning capacitor at approximately mid travel. The additional wiring must be kept short, and it may be necessary to slightly re-trim the medium wave circuits after the components have been added.

An alternative idea is to add switch contacts to the tuning capacitor itself, these bringing C1 and C2 into circuit when the capacitor is set to the low frequency end of the medium wave range. In this case the value required for C2 will probably lie between 100 and 250 pF for normal receivers having an i.f. of the order

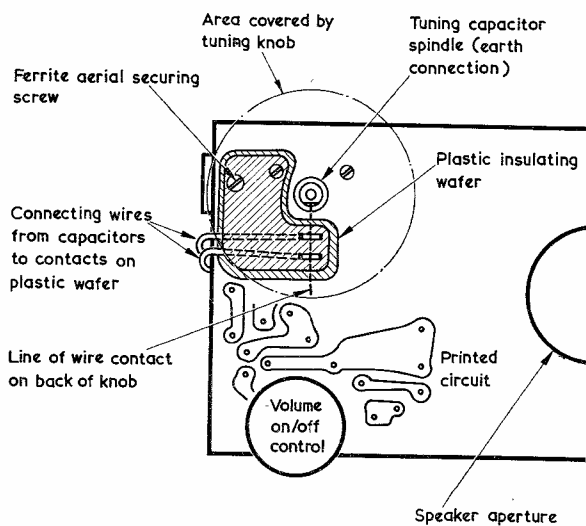


Fig. 3. Top view, with the tuning capacitor body below the board

of 470kc/s, whilst the value for C1 will be approximately 1,250pF. The writer decided to employ this second method, using home-constructed contacts added to the tuning capacitor. It must be pointed out that the particular procedure he used is not applicable to all receivers, but that it should, nevertheless, give ideas for a similar approach with other radios. A few 2-gang tuning capacitors fitted with "long wave switches" are incidentally, available from home-constructor retailers, but difficulty may be experienced in obtaining one with the correct capacitance values and mechanical dimensions.

Two points need to be made before carrying on to details of the author's modification. Firstly, a check should be made that the oscillator of the receiver still continues to run satisfactorily when the requisite parallel capacitance across its tuning capacitor is added. If the additional capacitance causes it to stop oscillating, then the modification cannot be carried out. Secondly, the L/C ratio of the ferrite aerial tuned circuit is lower, with C1 in circuit, than it would be if a separate long wave winding were tuned in the normal way. The sensitivity of the receiver at 1,500 metres is therefore a little lower than would be given when a ferrite aerial with a proper long wave winding is used.

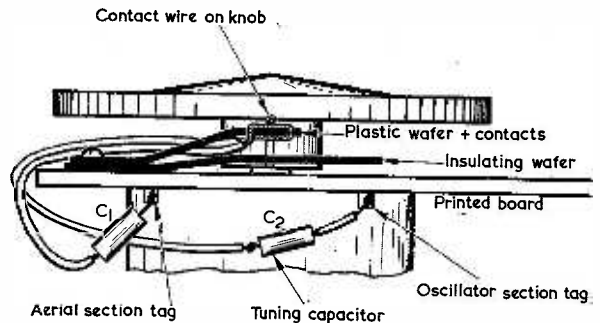


Fig. 4. Side view, showing the wire on the knob connecting to the two fixed contacts

In practice, it is doubtful whether much difficulty will be caused by either of these two points. As already mentioned, the general idea used here has been successfully employed in a large number of commercially made transistor radios.

THE MODIFICATION

The writer's transistor radio is an imported Japanese "Glaxie" receiver, model 661. The switch was improvised satisfactorily, using the reverse of the edge-operated tuning knob. Since an earth connection is common to both S1(a) and S1(b) and, also, to the centre spindle of the tuning capacitor, the method to be described is an ideal way of switching the additional capacitors into circuit.

Firstly, the set was removed from its case, and the two sections of the tuning capacitor were identified by tracing the connections from the primary winding of the ferrite aerial, and from the oscillator coil. The two additional capacitors could then be temporarily soldered to the appropriate tags on the tuning capacitor and wired across to an adjacent earth point on the circuit board. Component values were next determined experimentally.

Initially, a capacitor was added in the C2 position which allowed Radio 2 on 1,500 metres to be tuned in. It was found that a value between 100 and 180pF was necessary with the writer's receiver to bring in this signal at low strength. Tuning of the aerial circuit was accomplished by adding a 1,250pF capacitor in the C1 position, whereupon signal strength increased enormously. The correct values were then finally found for both capacitors, and close-tolerance polystyrene components selected. These, suitably sleeved, slipped in easily amongst existing components. Remember that the value of C2 must be *exactly* correct, as there is little variation in capacitance available from the tuning capacitor. The latter is at maximum capacitance when C2 is switched in.

It was next necessary to engineer the switching of both capacitors to earth. The tuning knob was removed, its securing screw being revealed by prising off a decorative centre dome. The capacitor spindle was of the tapped and threaded variety. As the knob was made of a thermoplastic material it was possible to slightly "melt" some 26 s.w.g. tinned copper wire into the back of the knob, using the heat from a soldering iron. Alternatively, a slight groove could have been cut, and the contact wire secured with epoxy resin. The wire was taken right into the centre of the knob, into the recess made to accept the fluted capacitor spindle, and was formed into a loop there as shown in

Fig. 2. The wire would then make contact with the spindle when the knob was replaced.

Next, the p.v.c. insulation was stripped from $\frac{3}{4}$ in. of two 4in. lengths of stranded connecting wire. The bared wires were to form the two contacts for C1 and C2, and were fitted as shown in Figs. 3 and 4 to a plastic "wafer". This was carefully shaped from part of a yoghurt carton, and pierced to receive the wire contacts by means of a hot needle. The wires were pushed through the holes and secured underneath. A second "wafer" was fitted beneath the contacts to prevent them touching the printed side of the circuit board, and epoxy resin was used to make the contact positions firm. With the writer's receiver it was found possible to secure the "wafers" using the ferrite aerial clamp bolt, which proved to be of sufficient length.

The two new capacitors had their free ends trimmed off, and were soldered to the insulated wires (shortened as necessary) leading to the contacts. The tuning knob was now replaced, secured with its screw, and checked for free movement. At the low frequency end of the tuning scale an agreeably positive "click" was felt, due no doubt to the springy characteristics of the plastic "wafers". Radio 2 was received at excellent strength. To finally complete the modification, the medium wave band was slightly re-trimmed at the high frequency end to bring it back to its previous condition. ■

CONFERENCE

EARTH STATION TECHNOLOGY

An international conference on earth station technology for satellite communication is to be held at the Institution of Electrical Engineers, Savoy Place, London WC2, during October 1970.

The effect of using higher frequencies and different modulation methods in future systems will be discussed, and it is envisaged that the conference programme will also include: the earth segment/space segment interface and the resulting earth station per-

formance requirements; earth station configuration; electrical, mechanical and structural aspects of earth station aeriels; servo control systems; aerial feed systems; tracking systems; high-power transmitters; low-noise amplifiers; frequency conversion equipment.

Further details of the conference, which will be co-sponsored by the Institution of Electronic and Radio Engineers and others, may be obtained from the Conference Department, IEE, Savoy Place, London WC2.

EXPOSITION

CURRENT CONTROL THEORY

An exposition on current control theory is to be held at the University of Warwick from the 7th to the 11th July, 1969. It is being organised by the IEE in association with the Institute of Mathematics and its Applications, and the Institution of Electronic and Radio Engineers.

This year the University of Warwick, with the support of the Science Research Council, the Nuffield Foundation and Shell International Petroleum, is bringing a number of distinguished workers in control theory to Britain. The object of the exposition is to enable European control engineers and

mathematicians to hear state-of-the-art lectures on control theory from world authorities.

It is hoped to attract British pure and applied mathematicians and statisticians to research and teaching activities in this field. At the exposition, lectures will be arranged on: optimal control; stability; stochastic problems; multivariable systems; general systems theory.

Also there will be periods for informal seminars and discussions, one of which will be devoted to a report of the IFAC congress in Warsaw.

HOW TO MAKE FULL USE OF YOUR DIARY

Underline the dates of both personal and radio events in which you are interested or concerned, as shown in the illustration below, and enter brief details of these in the Diary Notes. A list of forthcoming events of radio interest taking place during the third quarter (July to September inclusive) is shown alongside. Detach your Diary from the magazine and affix to the workshop wall.

An Easy-View diary for the next quarter (Sept. to December '69 inclusive) will be published in the September issue.

Tues	2				
Wed	3				
Thur	4	11			
Fri	5	12			
Sat	6	13	20		

3	<i>To Birthday 21</i>
6	<i>R.S.G.B. July 24</i>
7	<i>Band 10.15</i>
12	<i>School A.C.H.</i>
14	<i>Match rally 18</i>

SUGGESTIONS FOR YOUR EASY-VIEW DIARY

JULY

- 5-6 RSGB Summer 1.8 Mc/s Contest.
- 5-6 RSGB Fifth 144 Mc/s (Open) Contest.
- 6 South Shields Mobile Rally.
- 13 Worcester Mobile Rally.
- 12-13 RSGB High Power Field Day.
- 20 RSGB Second 432 Mc/s (Portable) Contest.
- 27 Cornish Radio Amateur Club Mobile Rally, Truro.
- 27 White Rose Mobile Rally, Allerton High School, Leeds.

AUGUST

- 4 RSGB Sixth 144 Mc/s (SSB) Contest.
- 10 RSGB National Mobile Rally, Woburn Abbey.
- 10 RSGB Third 432 Mc/s (Open) Contest.
- 17 RSGB Fourth 70 Mc/s (CW) Contest.
- 17 Derby & District Mobile Rally.
- 24 Swindon Mobile Rally.
- 24 ARMS/RSARS Rally, Blandford Camp, Dorset. (Members only).
- 24 Torbay ARS Mobile Rally.
- 31 Bromsgrove & District ARC Mobile Picnic.
- 31 Preston Amateur Radio Society Mobile Rally, Kimberley Barracks, Deepdale Road, Preston.

SEPTEMBER

- 6-7 RSGB VHF National Field Day.
- 14 RSGB 3.5 Mc/s Field Day.
- 21 RSGB Seventh 144 Mc/s (CW) Contest.
- 22 RSGB Scottish Mobile Rally, Cartland Bridge Hotel, Lanark.
- 29 Harlow Mobile Rally, Magdalen Laver Village Hall, Nr. Harlow. East of A11.

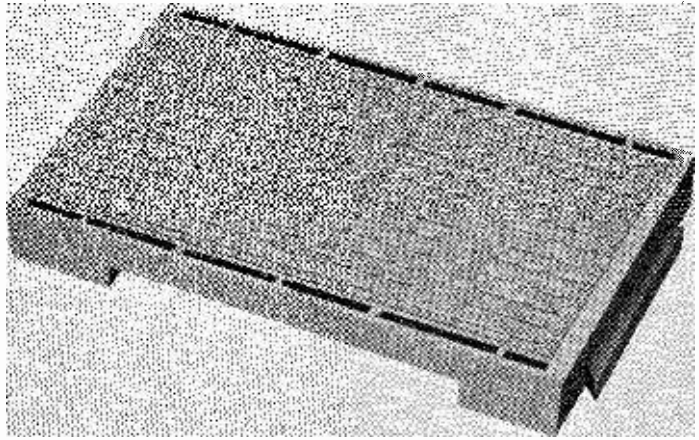
TRADE NEWS

● New Solderless Breadboards from S.D.C.

S.D.C. Products (Electronics) Limited have extended their range of modular, solderless breadboarding systems to include two new DeCs specifically designed to accommodate integrated circuits as well as discrete components and to have an increased contact capacity—208 contact points per DeC—as compared to the original S-DeC.

The new μ -DeCs, primarily for integrated circuits, can accommodate two 16 lead DIL stations or four 10 lead T05 stations. The new T-DeCs, primarily for discrete components, can also accommodate one DIL station or two T05 stations.

The layout of the contacts consists of two panels of parallel rows of electrically linked contacts spaced 5 mm apart. This spacing enables short lead devices to be inserted directly into the boards. The new DeCs may be interlocked to give a stable area of breadboard of any desired size and each DeC has slots to accommodate two control panels.



μ -DeC, a versatile new breadboard from S.D.C. Products (Electronics) Ltd., Corn Exchange, Chelmsford.

The DeCs are formed from glass filled nylon enabling temperature cycling tests to be carried out and contacts are of heavy gauge phosphor bronze in natural finish, in either silver plated or gold over nickel plated finished.

DeCs are supplied in two packs. The single pack contains one DeC,

one control panel (with bushes for reducing the diameter of drilled holes in the panel) and a jig (for pre-forming components). The 6-DeC pack contains six DeCs, six control panels, sets of bushes and jigs, 50 x 1 mm plugs and 8 links for joining power rails in neighbouring DeCs.

● Mobile Exhibition

A. F. Bulgin & Co. Ltd., Bye Pass Road, Barking, Essex, have recently put into commission a new Sales/Service project—see illustration.

This is in the form of a Mobile Exhibition Vehicle, staffed by Senior Technical Sales Engineers and providing excellent opportunities for Executives, Buyers, Designers, Draughtsmen and young Engineers, throughout the country, to see complete ranges of Bulgin Electrical and Electronic Components, as well as keeping abreast of the latest 'New Line' developments.

A programme of visits will be made by this Sales Team and a number of bookings have been made with various companies throughout the British Isles.

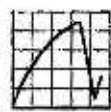
However, there are several vacant dates still available and they will be pleased to hear from other companies who may be interested in arranging set dates for this vehicle to visit their premises.



UNDERSTANDING RADIO

THE B.F.O.

$$f = \frac{1}{2\pi\sqrt{LC}}$$



by W. G. Morley

IN LAST MONTH'S CONTRIBUTION TO THIS SERIES WE completed our examination of tuning meters and then turned our attention to the beat frequency oscillator, as employed in a.m. superhet receivers intended for communications work. We saw that the function of the beat frequency oscillator, or b.f.o., is to produce an audible tone when a c.w. transmission is being received. The b.f.o. runs at a frequency that differs from the intermediate frequency of the receiver by an audio frequency, and its output is coupled to the signal detector of the receiver. In consequence the received transmission (converted to the intermediate frequency by the frequency changer) causes an audible tone to be passed to the a.f. stages of the receiver whenever it is present. The b.f.o. thereby enables Morse transmissions to be conveniently "read" by the receiver operator.

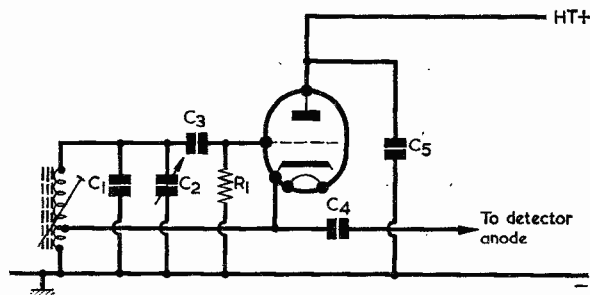
CHOICE OF OSCILLATOR

Several conflicting requirements have to be catered for if a beat frequency oscillator is to function satisfactorily. Fortunately, these requirements do not raise any considerable difficulties in b.f.o. design, but they nevertheless have to be taken into account.

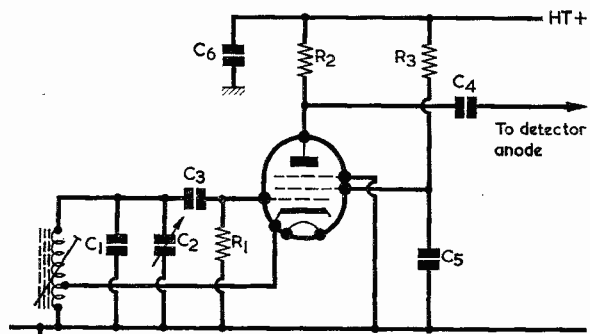
For general c.w. reception it is desirable that the b.f.o. should feed a signal to the receiver detector whose amplitude is greater than that of the strongest received signal it is anticipated will be passed to that detector from the i.f. amplifier. This method of operation ensures that the amplitude of the a.f. tone produced by the detector is very nearly directly proportional to the amplitude of the signal from the i.f. amplifier. The advantage conferred by having a strong b.f.o. signal can be more readily understood by considering the reverse situation. If a weak b.f.o. signal is applied to the detector a consequently higher overall gain is required in the preceding r.f. and i.f. amplifier stages to produce an a.f. tone of the same strength as would be given with the strong b.f.o. signal. The result is that the receiver signal-to-noise ratio then falls.¹ The fact that a strong b.f.o. signal is required

infers that the coupling between the b.f.o. and the signal detector circuits needs to be relatively tight.

A conflicting factor is that if an oscillator has applied to its tuned circuit a signal whose frequency is close to that of the oscillator, the oscillator frequency tends to "pull" towards the signal frequency. This "pulling" effect becomes more noticeable as the coup-



(a)



(b)

Fig. 1 (a). An oscillator circuit suitable for use as a b.f.o. in a communications receiver

(b). An alternative b.f.o. which exhibits greater freedom from frequency "pulling"

1. In this context, signal-to-noise ratio is the ratio between the amplitude of the a.f. tone and that of the noise accompanying it. The latter is noise generated in the early receiver stages (particularly the first stage) and the aerial.

ling between the signal and the oscillator tuned circuit becomes tighter (and, also, as the amplitude of the signal increases).

It follows from these two points that, if a b.f.o. is to be a simple oscillator coupling direct to the signal detector of the receiver, the coupling must be tight enough to ensure that a high amplitude b.f.o. signal is given, but not so tight that the b.f.o. is "pulled" towards the signal frequency applied to that detector. For most general receiver applications, a practicable compromise solution is provided by the Hartley oscillator circuit shown in Fig. 1(a). The cathode tap into the tuned coil has a relatively low impedance to chassis and "pulling" of tuned circuit frequency by the signal frequency is normally of a sufficiently low nature to give negligible trouble in practice. At the same time there is sufficient oscillator signal amplitude at the cathode tap to meet normal requirements for c.w. reception. The cathode tap couples direct to the signal detector anode via C4, this having a value of the order of 2 to 10pF.

Fig. 1(b) shows the Hartley oscillator of Fig. 1(a) incorporated in an *electron coupled oscillator*. The oscillator circuit functions in the same manner as does that of Fig. 1(a), the screen-grid of the pentode replacing the anode of the triode. The output is, however, taken from the pentode anode, this being coupled direct to the anode of the detector diode via C4, which may have a value of several picofarads. Since the electrodes coupling into the tuned circuit, i.e. the grid and cathode, are screened from the anode by the screen-grid, the coupling between the anode circuit and the tuned circuit is negligibly low and the "pulling" effect on oscillator frequency is very much reduced. At the same time it is possible to obtain a high amplitude output at oscillator frequency by suitable choice of anode load resistor and electrode potentials. In general, the anode resistor, R2, in Fig. 1(b) could have a value of some 5 to 20kΩ and the screen-grid resistor, R3, one of 47kΩ. The use of the term "electron coupled oscillator" for the circuit of Fig. 1(b) is apparent from its mode of operation. The output is obtained by

means of coupling via the electron stream inside the valve.

A receiver b.f.o. is required to tune over a limited range only, say some 4 to 5kc/s on either side of the receiver intermediate frequency. In consequence, in both Figs. 1(a) and (b) (and assuming a b.f.o. frequency around 470 kc/s) C1 may have a large value, of the order of 300pF and C2 a maximum capacitance of some 15 to 20pF. C2 is a panel-mounted variable capacitor which is adjusted by the receiver operator to produce a beat note of the desired frequency. The oscillator tuned circuit is set up by an iron-dust core in the coil so that the b.f.o. frequency is equal to the intermediate frequency (thereby giving a "zero-beat") when C2 is set to half-capacitance. The b.f.o. frequency can then be set either above or below the intermediate frequency by adjusting C2. In both diagrams C3 and R1 may be of the order of 50pF and 47kΩ respectively. C5 is a bypass capacitor with a typical value of 0.01μF. C6 in Fig 1(b) may also have the same value.

It is desirable that the b.f.o. should have a high level of frequency stability. The use of a large value in C1 helps to maintain frequency stability because it reduces the effect of varying inter-electrode capacitance in the b.f.o. valve as it warms up. C1 should be a capacitor having a low temperature coefficient, such as a silvered mica component. It is helpful, also, to feed the b.f.o. from a stabilised h.t. supply.²

The b.f.o. circuit of Fig. 1(b), with its freedom from "pulling" and its ability to provide a high amplitude output, is preferable to that of Fig. 1(a), which merely offers a compromise between these two conflicting factors. Nevertheless, it is usual to find that the Fig. 1(a) circuit is employed more frequently, if only because of its simplicity and because of it offers adequate results in practice. Any other standard oscillator circuit — tuned grid, tuned anode, etc. — could be

2. Oscillators in general, including the Hartley oscillator of Fig. 1(a), were dealt with in "Understanding Radio" in the issues for May to August 1966. These earlier articles also discussed oscillator frequency stability and the design of voltage stabilised h.t. supplies.

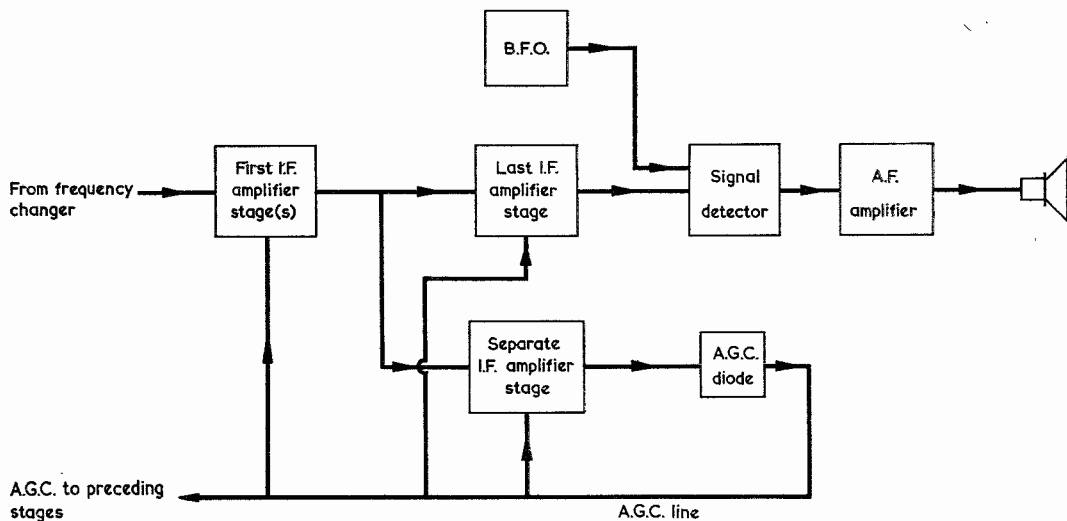


Fig. 2. A stage line-up which enables a normal a.g.c. voltage to be produced whilst the b.f.o. is switched on

employed as a b.f.o., but it would be necessary for such a circuit to offer an output at relatively low impedance, say from a tap in a tuned or coupling coil, to reduce "pulling". Alternatively, it could be coupled to the signal detector via a separate amplifier valve acting as a "buffer" between the oscillator and detector circuits. Neither of these approaches are as attractive as those illustrated in Figs. 1(a) and (b).

An interesting alternative method of injecting the b.f.o. signal consists of applying it to a point in the i.f. amplifier instead of to the signal detector. It could, for instance, be fed into the control grid of the last i.f. amplifier valve, whereupon a lower b.f.o. input amplitude is required and the risk of "pulling" is reduced since signal amplitude is smaller than at the signal detector. Despite its possible advantages, this method of b.f.o. application is not commonly employed in practical receivers.

A further point is that it is possible for the beat frequency oscillator to run at a sub-multiple of the desired frequency. To take an example, if the required b.f.o. signal needed at the signal detector were 471 kc/s (to produce a 1 kc/s a.f. tone with a 470 kc/s i.f. signal) the b.f.o. could actually run at 235.5 kc/s. The a.f. beat note would then be produced by the second harmonic of the oscillator. This alternative method of operation reduces "pulling" and can assist marginally in improving frequency stability due to the lower oscillator frequency, but it is not encountered very often in practice.

EFFECT ON A.G.C.

It is normal practice to obtain the a.g.c. voltage in an a.m. valve superhet from the signal detector diode or from a separate a.g.c. diode coupled to the last i.f. transformer. Regardless of which of these two circuits is employed the application of a b.f.o. signal will, due to rectification by the signal or a.g.c. diode, cause the appearance of a high negative voltage on the a.g.c. line. Unless precautionary steps are taken, the result will be a corresponding reduction in receiver sensitivity.

It would be possible to overcome this difficulty by incorporating a special a.g.c. circuit consisting of a separate stage of i.f. amplification following the grid of the last i.f. amplifier valve, as shown in block form in Fig. 2. Systems of this kind are not normally used, however, and the usual method of preventing the b.f.o. signal from producing a high a.g.c. voltage consists, quite simply, of short-circuiting the a.g.c. line (after its filter components) to chassis when the b.f.o. is switched on. A typical switching circuit is illustrated in Fig. 3, in which S1(a) and S1(b) are sections of a double-pole single-throw switch. When this is in the "Off" position no h.t. voltage is applied to the b.f.o. stage and the a.g.c. system functions in its normal manner. When S1(a) and S1(b) are set to "On", an h.t. supply is fed to the b.f.o. via S1(a) and the a.g.c. line is short-circuited to chassis via S1(b). The receiver now functions without a.g.c., its gain being controlled by manual gain controls in the r.f. and i.f. amplifier stages. The absence of a.g.c. does not seriously detract from the usefulness of the receiver for the reception of c.w. signals. The lack of a.g.c. can indeed be an advantage, this being particularly true for such instances as occur when the desired signal is close in frequency to a more powerful unwanted signal, which

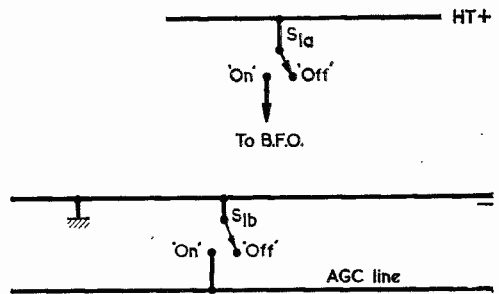


Fig. 3. A common technique consists of short-circuiting the a.g.c. line to chassis when the receiver b.f.o. is switched on

would cause receiver sensitivity to be reduced due to a.g.c. action.

If the receiver is fitted with a tuning indicator, or S-meter which is operated from the voltage on the a.g.c. line or the signal detector load, this meter will also be affected by the high-level b.f.o. signal. To prevent this, the meter is usually taken out of circuit when the b.f.o. is switched on, this process being carried out automatically when the meter takes its control voltage from the a.g.c. line. The correct method of tuning in a c.w. signal on a receiver fitted with a tuning indicator is to initially tune for greatest deflection in the tuning indicator with the b.f.o. switched off, then switch on the b.f.o. and adjust its frequency control for the desired a.f. beat frequency. Subsequent tuning to other c.w. signals does not normally necessitate the use of the tuning indicator, as all that is then required is that a tone of the same audio frequency be produced with the tuning control turning in the correct "sense". That is, if the a.f. tone originally increased in frequency as the tuning control was turned clockwise, the tone produced by other signals, when correctly tuned in, should similarly increase in frequency as the tuning control is turned clockwise.

Whilst dealing with the question of the b.f.o. and its effect on a.g.c. systems, it should be mentioned that some circuits have been developed which enable an a.g.c. voltage to be produced from the audio frequency signal obtained after detection. The circuits employed are more complex than the simple a.g.c. system we have discussed and are designed such that an a.g.c. voltage is developed extremely quickly after the appearance of the detected a.f. signal. The a.g.c. voltage is then maintained at the same level until a short period after the cessation of the a.f. signal.

An important feature of practical b.f.o. design is that the b.f.o. stage must be reliably screened and that its h.t. supply feed should be adequately decoupled. Failure to attend to these details can result in radiation of the b.f.o. signal. The usual effect is that harmonics of the b.f.o. signal are picked up in the early stages of the receiver, where they cause interference with received signals.

INCREASING SELECTIVITY

A number of circuit devices are employed in communications receivers to provide a level of selectivity

3. A different mode of tuning is required if the receiver is fitted with a crystal or mechanical i.f. filter. These filters will be discussed in a later article.

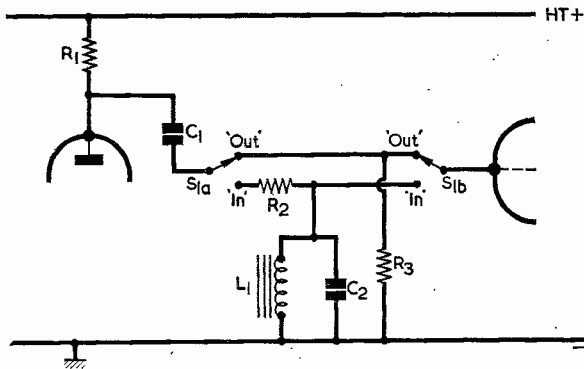


Fig. 4. A simple a.f. filter which can be employed to improve selectivity for c.w. reception. The filter is inserted between any two a.f. amplifying valves in the a.f. section of the receiver

which is greater than can be achieved by the use of i.f. transformer tuned circuits on their own. We shall discuss these in detail next month, and we now conclude the present article by describing a very simple method of improving selectivity for the reception of c.w. signals.

As we have noted, the desired c.w. signal is converted to the intermediate frequency of the receiver by the frequency changer, after which an a.f. beat note is produced at the detector, the frequency of the a.f. note being equal to the difference between the frequency of the b.f.o. and the intermediate frequency. An interfering c.w. signal close in frequency to the desired signal can also pass through the receiver i.f. amplifier, and this will reach the detector at a different converted frequency. In consequence the a.f. beat note it produces at the detector will also be different.

Fig. 4 shows a circuit which enables the desired c.w.

signal to be given greater a.f. amplification after detection than the interfering signal. In this diagram L1 and C2 form a parallel tuned circuit resonant at the audio frequency produced by the desired signal, and are switched into circuit between any two a.f. amplifying valves in the a.f. section of the receiver. The tuned circuit offers maximum impedance at its resonant frequency, with the result that a.f. tones removed from that frequency suffer attenuation. The coil, L1, is an iron-cored component. To give an idea of the component values required, an inductance in the coil of 10H together with a capacitance in C2 of $0.0025\mu\text{F}$ will provide a resonant frequency of about 1 kc/s. Resistor R2 has a value sufficiently high to enable a pronounced peak in a.f. output at the resonant frequency to be obtained. Its value is found experimentally and will normally be in the range of 10 to 200k Ω . Resistor R1 is an anode load resistor, R3 a grid resistor and C1 an a.f. coupling capacitor. These components have the same values as would be employed for normal a.f. intervalve coupling. Switch S1(b) should have contacts which, as it is adjusted, complete the new circuit to be selected before breaking the old one. This ensures that the grid of the following valve always has a d.c. circuit to chassis.

To use the filter the desired c.w. signal is tuned in in the usual manner with the aid of the receiver tuning indicator. Both the b.f.o. and the filter of Fig. 4 are then switched into circuit and the b.f.o. adjusted so that the a.f. tone produced by the signal is at the resonant frequency of L1 and C2. This a.f. tone then receives greater amplification in the a.f. section of the receiver than do the beat notes produced by interfering signals of different frequency.

NEXT MONTH

In next month's issue we shall examine more sophisticated methods of improving selectivity in communications receivers. ■

LASKY'S RADIO "1969 AUDIO-TRONICS PICTORIAL"

The latest edition of this pictorial production has been increased in size to a total of 16 pages (11½ in. x 16½ in.), and in content it covers every sphere of audio and electronics for the hobbyist, enthusiast and the service engineer.

The first edition (12 pages published in 1967/8) was an immediate success, and demand soon necessitated a reprint, making a total circulation of some 55,000 copies. Of the new edition, well over 100,000 copies have already been despatched to customers all over the world.

The sections dealing with both high fidelity and communication equipments have been considerably enlarged to meet both popular request and demand for these items. To ensure the shortest possible delay in despatch, Lasky's Radio have installed a mechanised mailing system capable of sending up to 30,000 copies per day, and their mail order department has been trebled in size to cope with the increased demand for goods described and illustrated in the *Pictorial*.

The 1969 *Audio-Tronics Pictorial* is available to readers by writing to Lasky's Radio, 3-15 Cavell Street, Tower Hamlets, London, E.1. There is no cover charge for the *Pictorial*, but a remittance for 1/- is requested to cover both postage and inclusion of the customers on their regular mailing list.

The *Pictorial* is both a colourful and informative publication. Well planned and designed, it provides much information on the latest equipments and components available by direct mail service from Lasky's Radio. Lavishly illustrated, it comes complete with an order form and an introductory letter from the company.

In your work -shop



Like many service engineers, Smithy normally employs an oscilloscope only when its use is specifically called for. In this episode he takes advantage of the Workshop oscilloscope to set up output stage balance in a mains-driven transistor radio, after which he introduces Dick to some of the more unusual applications offered by the instrument when it is employed without its timebase

“WHERE’S THE WHAT?”
“The ‘scope,” snorted Smithy. “Dash it all, Dick, I’ve been searching all over the Workshop for it.”

“Oh,” replied Dick uneasily “it’s the ‘scope you want, is it?”

“Of course it is,” returned Smithy irately. “I’ve just said so.”

Dick assumed a defensive attitude. “As a matter of fact,” he said, “it happens to be under my bench.”

“What on earth is it doing there?”

“Well,” continued Dick hesitantly, “I think I should first explain that I’m going to a dance tonight. It’s a special dance and the dress will be rather more formal than usual.”

“What has the ‘scope got to do with your dress?”

“I’m using it,” explained Dick, “to press my trousers!”

“Our oscilloscope?” exploded Smithy incredulously. “To press your trousers?”

“Well, yes,” confirmed Dick, his confidence returning now that his guilty secret was out. “Also, seeing that the oscilloscope we have in here is a pretty weighty old thing, it’s just right for the job, too. I put the trousers between two pieces of hardboard on the floor, spread a load of mains trannies all over the top piece and then put the ‘scope just above the knees. After a day of that I get trouser creases that are sharper than a knacker’s knife, mate!”

“I’ve never before heard,” stated Smithy censoriously, “of such shocking treatment for valuable test equipment. Bring out that oscilloscope immediately.”

Subdued by the authoritative tone in the Serviceman’s voice, Dick bent down and proceeded to remove some of the empty cardboard cartons and

packing cases which always seemed to accumulate under his bench. He soon revealed the Workshop oscilloscope, positioned strategically over what was presumably the most bagginess-prone section of his trousers. He carefully hauled the oscilloscope out onto the floor in front of his bench, then proceeded to rearrange the transformers which had previously flanked it on the top sheet of hardboard.

OUTPUT BALANCE

“Never mind about those flaming pants of yours,” fumed Smithy “Bring that ‘scope over to my bench.”

Obediently, a temporarily crushed Dick carried the oscilloscope to Smithy’s bench and placed it on its surface alongside the chassis of a mains-driven transistor a.m.-f.m. radio.

“That’s a bit more like it,” grunted Smithy, as he blew the dust off the top of the oscilloscope, plugged it into the mains and switched it on.

“What,” asked Dick, “do you want the ‘scope for, anyway? You normally go for weeks or even months without using it.”

“I suppose that’s true enough,” admitted Smithy, his irritability easing now that he was able to proceed with the job on his bench. “And perhaps that’s because I’m not quite as oscilloscope-minded as some service engineers are. A testmeter and signal genny seem to be all I need for the majority of the snags that come my way. However, the particular job I’m doing here *does* require an oscilloscope.”

“An ordinary table radio?”

“An ordinary table radio,” confirmed Smithy. “As it happens, this radio has got two output transistors in a transformerless output stage, and I’ve just finished replacing one of them. In consequence I now have to re-set the d.c. balance for the output transistors and then finally set up their quiescent current. If you take a shuffi at this service manual you’ll see what I’m talking about.”

Smithy pulled the manual over and indicated the a.f. section of the receiver circuit. (Fig. 1).

“Do you see,” he continued, “that 1kΩ preset pot in the emitter circuit of the driver transistor? Well, that’s the one that sets up the output stage for balance between the output transistors. When it’s adjusted it causes the direct voltage at the junction of the two output emitters to vary, and its final setting is such that about half the supply voltage appears across each output transistor. In some cases where you have an output circuit of this type you can adjust the balance pot so that a specified direct voltage above chassis appears at the junction of the two output emitters under quiescent conditions, but it’s usually better to balance the output transistors under signal conditions with an oscilloscope. Since the service manual for this particular set definitely states that a ‘scope should be used, that’s what I’m now going to do.”

“How do you use the ‘scope for this job?”

“You couple it’s Y input across the speaker,” replied Smithy. “After which you inject an a.f. sine wave at some convenient point, such as at the volume control. Since, in this case, I’ll be checking quiescent current as well, I’ve also slapped my test meter in series with the collector supply to the upper output transistor.”

“Blimey,” said Dick. “you’ve got your testmeter switched to the 1 amp range!”

“I know,” chuckled Smithy. “But don’t forget that this is a mains-operated receiver and not a battery job, and that these AC128-AC176 output stages take a fair old bit of current when there’s a high input signal level. Right now, the ‘scope seems to be all warmed up and ticking over nicely, so lets switch on the receiver and the signal generator.”

After a short wait, a 400c/s tone became audible from the speaker. Simultaneously the green horizontal trace of the oscilloscope opened out to give a confused running pattern. Smithy adjusted timebase speed, whereupon four cycles of impeccable sine wave quality formed up on the screen. (Fig. 2(a)).

“Excellent,” said Smithy, pleased. “All I’ve now got to do is to increase

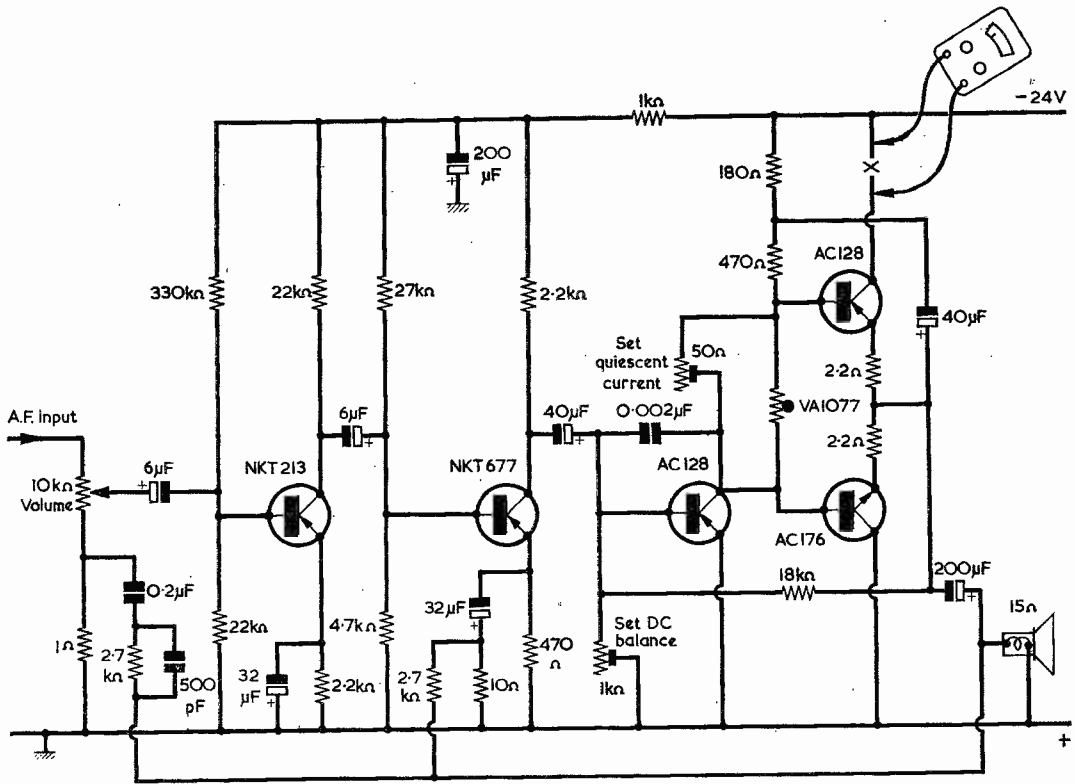


Fig. 1. The a.f. section of the radio receiver serviced by Smithy. The testmeter is inserted in series with the collector supply to the upper output transistor. The two output transistors are coupled to an ample heat sink. The component in parallel with the preset 50Ω potentiometer is a thermistor. (This is a slightly simplified version of the a.f. circuitry employed in the Ferranti Model A1143)

the a.f. sine wave input until the output stage starts to clip on output peaks. Which will, of course, mean that I'll have to reduce the Y gain of the 'scope correspondingly."

There was no reply from Dick. Smithy's assistant had suddenly become completely absorbed in the oscilloscope trace. He watched the screen with avid interest whilst Smithy increased the sine wave input to the amplifier. The Serviceman soon achieved a condition where clipping became visible on one set of half-cycles. (Fig. 2(b)).

"There we are," called out Smithy over the now very loud 400c/s note reproduced by the speaker. "What I do next is to adjust the 1kΩ pot so that the clipping is symmetrical on either side."

Smithy quickly found the desired setting in the potentiometer (Fig. 2(c)), then turned to his assistant.

"All that's now left to do," he remarked, "is to check the quiescent current."

The Serviceman switched off the signal generator, and Dick regretfully watched the output trace displayed by the oscilloscope collapse and merge into the single horizontal line produced by the timebase. Smithy set his testmeter to its 100mA

range and checked its reading.

"Humph," he remarked. "The quiescent current with that new transistor I put in is 15mA. The service manual says the quiescent current should be 10mA, so let's have a stab at that 50Ω pot. Ah, here we are - no trouble at all! The output stage is now drawing a nice quiescent current of 10mA.

"Since you've readjusted the 50Ω pot," put in Dick, "shouldn't you next re-check the setting of the 1kΩ pot?"

"Not really," replied Smithy. "The adjustment to the 50Ω pot shouldn't upset the output balance setting to any significant degree. Still, no harm would be done if we *did* repeat the exercise, just to make sure."

Whilst Dick's attention again became centred on the oscilloscope screen, Smithy quickly returned his testmeter to its 1 amp range, switched on the signal generator and brought the a.f. output from the receiver up to clipping level. The same waveform, with symmetrical clipping, was displayed once more.

OSCILLOSCOPE TRACES

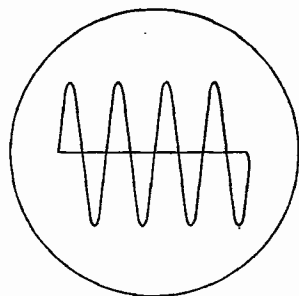
Transfixed, Dick watched the trace on the oscilloscope.

"Do you know, Smithy," he remarked, as the Serviceman switched off the signal generator and the receiver, and the oscilloscope display once again settled down to a horizontal line, "there's something completely fascinating about these oscilloscope traces. I wonder why it is that we don't employ that oscilloscope more in this place."

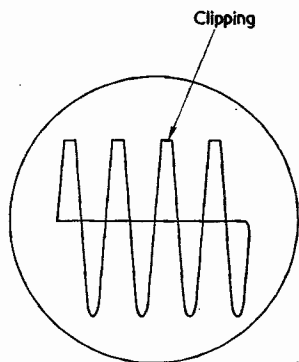
"Probably," replied Smithy, "because we've got used to doing most of our work without it. Also our 'scope is rather an old-fashioned weighty affair too, which means that we tend to think twice before lugging it around and on to the bench and connecting it up. Anyway in your case it's probably a good thing we *don't* use the 'scope too much. You'd be spending far more time fiddling around with its controls than you would fixing the sets you're supposed to be servicing."

After which statement, Smithy switched off the oscilloscope, disconnected his testmeter, and proceeded to check the receiver on broadcast signals. It produced a satisfactory response and Smithy gave a grunt of satisfaction.

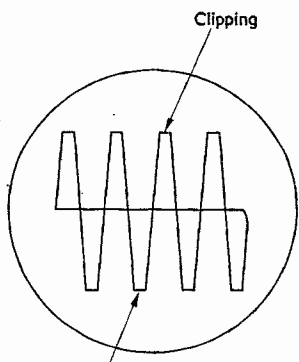
"Another job done," he remarked. "Incidentally I think I'd better mention that the balancing adjustments



(a)



(b)



(c)

Fig. 2(a). Four sine waves, reproduced on the screen of an oscilloscope

(b). Class B transistor output stage unbalance, as indicated by asymmetric clipping on a high level signal

(c). Symmetrical clipping, as shown here, indicates a balanced output stage

we've been carrying out should always be done strictly in accordance with the service manual for the particular set."

"Why's that?" queried Dick, tearing his eyes at last from the now blank screen of the oscilloscope.

"Because mains-supplied output stages with physically small output transistors," replied Smithy, "are frequently run very close to the bone so far as dissipation with high level signals is concerned, and you can't afford to make mistakes. Also, you must never use an output load impedance lower than that for which the stage is designed and you must always ensure, when fitting replacement output transistors, that adequate coupling to the heat sink is provided."

"Fair enough," said Dick. "But let's get back to oscilloscopes! Can they be used to give you anything different from waveforms built up on a horizontal trace?"

"Of course they can," replied Smithy absently, as he fitted the back to the receiver. "If you disconnect the X timebase and couple your input signals straight into the X and Y inputs, you can get traces which, for instance, show the phase difference between two signals of the same frequency."

"Blimey," said Dick, impressed at this information. "That's something I didn't know before."

"There are lots of other things you can do with a 'scope," continued Smithy, carelessly. "You can, for example, compare frequencies as well."

"How d'you mean? With Lissajous figures?"

"That's right."

"So far as Lissajous figures are concerned," commented Dick, "I've always been able to follow how they're used, but I've never quite understood how they're formed."

Smithy put the final screw into the back of the receiver and glanced at the clock.

"It's about time," he remarked, putting down his screwdriver, "that we had a break for tea, so whilst you're putting the kettle on I'll sort out my thoughts and see if I can give you a bit of gen. on using an oscilloscope for functions other than the display of simple waveforms."

"Good show," said Dick enthusiastically. "I'll get that kettle on in next to no time!"

When Dick returned from the Workshop sink, near which the kettle was sited, Smithy had already pulled his note-pad towards him and had started scribbling out a few sketches. The Serviceman motioned to his assistant to bring his stool over.

"Right," said Smithy, after Dick had settled himself comfortably. "To start off with, I think I'm safe in saying that you should be fully aware of the way in which we normally use an oscilloscope. We have a timebase which applies a sawtooth voltage to

the X plates and thereby causes the beam spot to trace out a horizontal line. If we apply a signal to the Y input terminals, the spot is deflected vertically according to the voltage amplitude of that signal. Provided we get the horizontal timebase running at the correct frequency it is then possible to reproduce one or more of the input cycles on the screen of the tube. Okay?"

"Sure," replied Dick. "That's what we did just now when we checked that a.f. output signal for clipping on cycle tips."

"Exactly," said Smithy. "And so I don't need to spend any more time on that aspect of the oscilloscope. Now let's press on to the other types of trace we can get from the oscilloscope when its horizontal timebase is switched off and out of circuit. For these we apply our input signals directly to the X and Y plates of the oscilloscope tube or to an X amplifier and a Y amplifier which precede these plates. A Y amplifier will, of course, be part and parcel of a standard oscilloscope, but an X amplifier will probably not be included unless the oscilloscope is an expensive bit of goods. Frequently, however, it is possible to couple directly into the X and Y plates of the oscilloscope c.r.t. by means of sockets provided in a convenient place, usually at the rear, these also enabling the timebase to be uncoupled. Since we're now going to examine in theoretical fashion how the traces I mentioned are formed, I'm going to assume that we have an oscilloscope which provides direct access to the X and Y plates. Also, that such commonsense requirements as coupling capacitors which isolate the input signals from the supply voltages applied to the X and Y plates are fitted, and so on. In practice, we could well employ X and Y amplifiers, but for our theoretical discussion we'll assume that the input signals go straight into the X and Y plates."

DIRECT COUPLING

"I see what you mean," said Dick. "What we're really getting down to

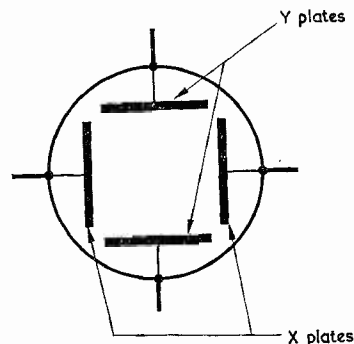
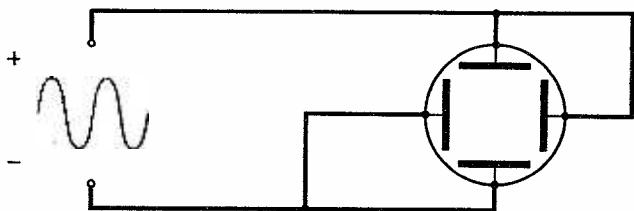
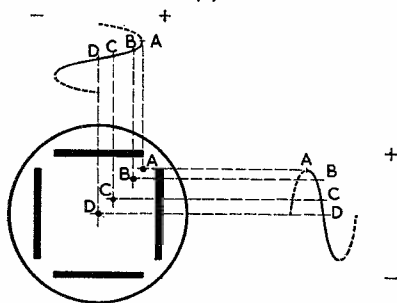


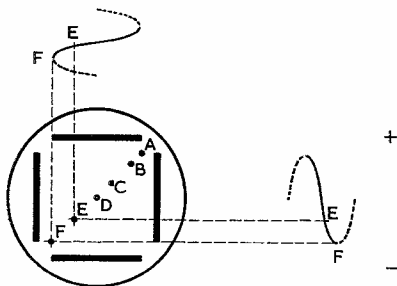
Fig. 3. The X and Y plates, of the oscilloscope tube



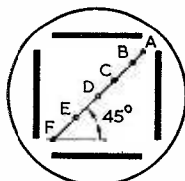
(a)



(b)



(c)



(d)

Fig. 4(a). A sine wave is applied to the X and Y plates, these being connected as shown here

(b). The deflection afforded by the X and Y plates can be shown graphically by drawing the sine waves above and alongside the c.r.t. symbol, and producing vertical and horizontal lines to the screen. The corresponding beam spot appears at the points where the produced lines cross

(c). Completing the process started in (b)

(d). The points A to F inside the c.r.t. symbol all lie on a straight line having an angle of 45° to the horizontal

now is an oscilloscope c.r.t. with all the necessary anode, grid and cathode voltages applied, and with the ability to couple directly to the X and Y plates."

"Exactly," confirmed Smithy, picking up his pen. "And we can now look upon the oscilloscope like this. (Fig. 3). All I've shown in this sketch are two X plates and two Y plates

and all we need to know about these is that when any plate is positive it attracts the c.r.t. beam towards it and that, when it is negative, it repels the c.r.t. beam away from it. Without any deflection voltage on the plates the beam stays in the centre. We'll further assume that each set of plates has the same deflection sensitivity, which means that it offers equal beam deflection for the same deflection voltage."

Dick looked a little worried.

"We seem," he remarked, "to be making rather a lot of these assumptions."

"We have to," replied Smithy. "But, as you'll see soon enough, they're necessary if we are to understand how the traces are formed. Well, let's take a look at the first trace we're going to examine. We'll couple the right-hand X plate and top Y plate together, and the left-hand X plate and bottom Y plate together. After that we'll apply a sine wave to them. (Fig. 4(a)). What happens?"

"Gosh," said Dick, shaken at this sudden question. "Don't ask me, Smithy. You're the geyser with all the answers here!"

"Well, I'll tell you," stated Smithy.

"It will make things easy if we examine the deflection given during a single half-cycle, and we'll choose a half-cycle which, at its start, causes the right-hand X plate and top Y plate to be at peak positive. I'll draw the half-cycle alongside the plates both horizontally and vertically so that you can see how the beam is deflected. (Fig. 4(b)). Let's say the peak positive starting point on both the waveforms is point A. As you can see from the top waveform, this corresponds to the beam being deflected most to the right. Similarly, from the waveform at the side, we can see that point A corresponds to the beam being at its highest. So the beam spot will come out, on the c.r.t. screen, at a position which is both most to the right and highest. We can draw in point A inside the X and Y plates to illustrate this."

"That seems fair enough," commented Dick. "Let's try the same thing a bit further along the half-cycle."

"Okey-doke," said Smithy obligingly, picking up his pen again. "We'll choose a point B at random on both the waveforms which is a little further along. If we judge the effect on beam deflection, we'll see that it causes the spot to appear a little less to the right than did point A and a little lower down. So we can mark a corresponding point B on the c.r.t. screen."

"This is getting interesting," said Dick enthusiastically. "Try a few more points."

"All right" returned Smithy. "We'll take point C, which is a bit further along again. The resultant spot on the c.r.t. screen is, in its turn, a little less to the right than was point B

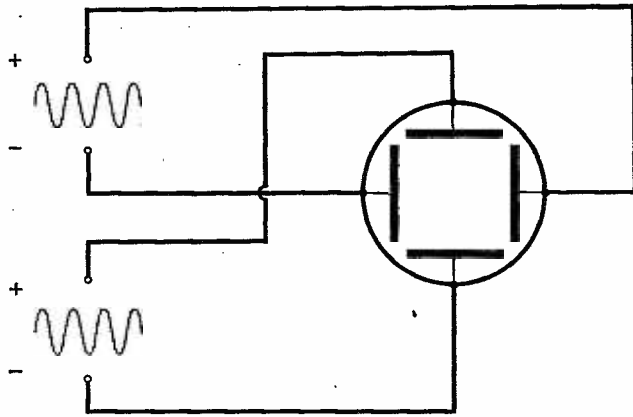


Fig. 5. When two sine waves of equal frequency, amplitude and phase are applied in the manner illustrated here, the deflecting voltages are the same as occur in Fig. 4(a), and the resulting trace is once more a straight line extending from top right to bottom left

and again a little lower down. The next point is D and I'm making this the exact centre of the half-cycle, where there is zero voltage. Since there is, in consequence, no deflecting voltage on either the X or Y plates the corresponding spot from the c.r.t. beam is dead central between the plates. Two more points are enough to complete this little exercise, and these are E and F. (Fig. 4(c)). Point F, incidentally, is the most negative part of the half-cycle and it deflects the c.r.t. beam furthest to the left and furthest downwards."

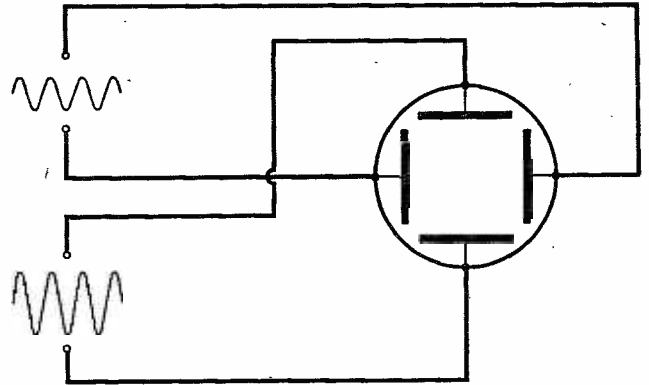
With a flourish, Smithy placed his pen on the bench and turned to his assistant. That worthy was examining Smithy's sketch with an expression of enormous concentration.

"Do you know, Smithy," Dick remarked after a moment, "those points A to F on the screen seem to be tracing out a straight line."

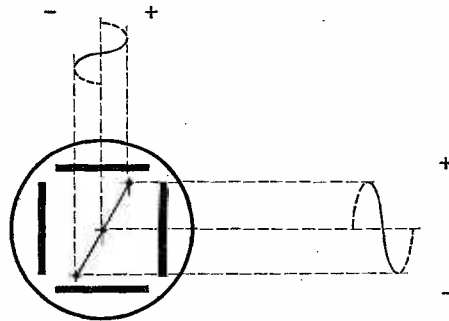
"I was wondering," chuckled Smithy, "how long it would take you to tumble to that fact! The line through points A to F is, indeed, a straight line, and it has an angle of 45° to the horizontal. (Fig. 4(d)). When you think about it, you'll realise that the formation of a straight line by that sine wave was bound to happen. If you took *any* corresponding points on those two half-cycles I drew in you would have the case where the c.r.t. beam suffers the same amount of deflection in the vertical sense as it does in the horizontal sense. The result *must* be a straight

line with an inclination of 45° . Now, what would happen if we were to examine the deflection given over the following half-cycle?"

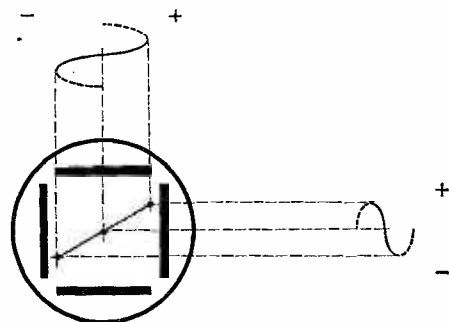
"Why, we'd get the straight line repeated," replied Dick. "Only this time it would start at the bottom left-hand corner and end up at the top right-hand corner."



(a)



(b)



(c)

Fig. 6(a). Here, the sine wave applied to the X plates is lower in amplitude than that applied to the Y plates

(b). The resultant sloping line has an angle to the horizontal which is greater than 45°

(c). The angle to the horizontal is less than 45° if the signal with smaller amplitude is applied to the Y plates

"Exactly," confirmed Smithy. "With the result that the c.r.t. beam spot would traverse exactly the same line going up as it did going down. An observer looking at the c.r.t. screen will see a single straight line sloping at 45° , and there will be no visual indication that the beam spot has traced out the line twice in both directions. Actually, of course, the spot will be tracing out the line continually, at the same frequency as that of the applied sine wave."

Smithy tore out the top sheet of his note-pad.

"That disposes," he remarked, "of the first oscilloscope trace you can get when you're coupling an input signal directly to the deflector plates. Let's next see what happens if we apply two separate sine waves to the X and Y plates. Both of these sine waves have exactly the same frequency and amplitude and they are both exactly in phase."

Dick studied the circuit condition

Smithy had sketched out. (Fig. 5).

"Is there," he remarked suspiciously, "a catch here?"

"There is," confirmed Smithy sweetly.

Suddenly, Dick's frown disappeared.

"Stop me," he ejaculated. "It's obvious! Since the two sine waves are identical and are in phase, the deflection will be just the same as if you'd applied a single sine wave in the manner you described previously."

"You've got it," said Smithy. "In fact, the theoretical circuit conditions are such that if we were to put shorting links between the top Y plate and right-hand X plate, and between the bottom Y plate and left-hand X plate, no current would flow through the shorting links! This is because the top Y plate and right-hand X plate always have the same potential, as also do the bottom Y plate and left-hand X plate. In con-

sequence, the resultant trace is a straight line sloping at 45° , exactly the same as we had before."

"This is rather a useful bit of information," remarked Dick musingly. "It means that, if you apply two sine waves to the X and Y plates in the way we have, and if you get a sloping line from top right to bottom left, those two sine waves *must* be in phase."

"You're learning," commented Smithy approvingly. "For the record, you'd get the straight line for two identical waveforms other than a sine wave if they happened to be in phase. But you don't need to bother about that, apart from just remembering the fact, because most of the other displays that are possible with an oscilloscope used in this fashion do need sine wave inputs."

DISSIMILAR INPUTS

Smithy busied himself with his pen.

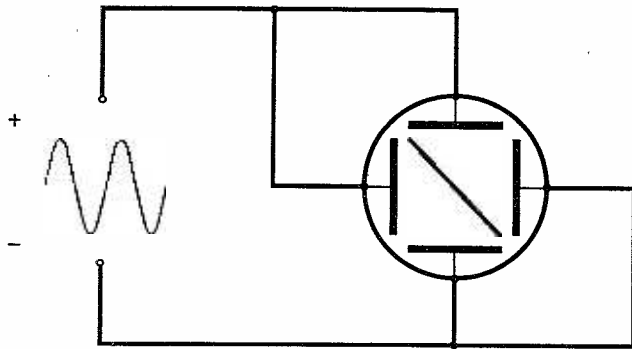
"Now here," he remarked, "are two sine waves having different amplitudes, although they are still exactly in phase. The amplitude of the sine wave applied to the X plates is the smaller. (Fig. 6(a)). I'll next draw the waveforms alongside the X and Y plates in the same manner as I did for the first sine wave we considered. If we check spot deflection through a half-cycle in a similar way we will once more get a sloping straight line, as we did before. But because, in this case, there is a lower amplitude signal on the X plates there is less deflection to right and left, with the consequence that the line slopes at an angle greater than 45° to the horizontal. (Fig. 6(b)). If the signal applied to the X plates had had greater amplitude than the one applied to the Y plates, the sloping line would have had an angle to the horizontal of less than 45° ." (Fig. 6(c)).

"Well, I'm blown," gasped Dick. "Not only does the sloping line tell you that the two sine waves are in phase but its angle to the horizontal also indicates their relative amplitudes as well."

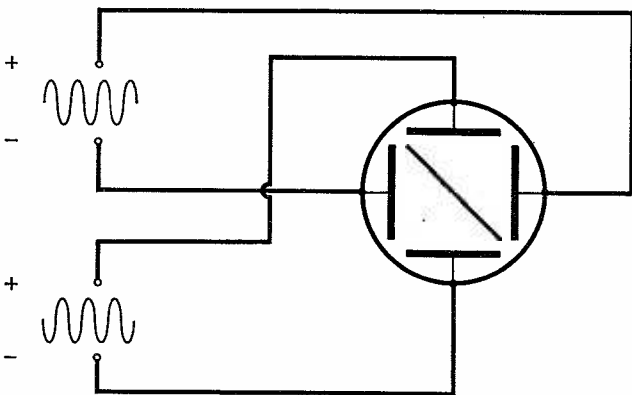
"True enough," agreed Smithy. "But, whilst it's O.K. to say that the sloping straight line indicates that the two signals are in phase, you've got to be very cautious, *in practice*, before making assumptions about their relative amplitudes according to the angle which that line makes to the horizontal. We've assumed equal deflection sensitivities in the X and Y plates for this theoretical discussion but, with a practical oscilloscope tube, they may well have slightly different deflection sensitivities."

"Then you can't," objected Dick, "rely on the angle being 45° for equal amplitudes after all."

"If *in practice* you want to ensure



(a)



(b)

Fig. 7(a). If the X plate connections of Fig. 4(a) are reversed, the resulting line on the c.r.t. screen slopes from top left to bottom right

(b). A similar trace is given if two signals 180° out of phase are applied to the X and Y plates, using normal connections

that signals of equal amplitude give the 45° slope," replied Smithy, "you must first of all put in a single signal to the X and Y plates coupled together in the manner I first described. If it is necessary, you then *make* the angle 45° by judiciously adjusting an external attenuator circuit of some sort in either one or both of the X and Y inputs. As I said just now we may well have X and Y amplifiers between the input signals and the deflector plates. We could then alternatively adjust the gain of these amplifiers to give us the 45° angle with the single signal. After having set things up in this manner we *could* then rely on the oscilloscope to give us an indication of relative amplitude by way of slope angle."

"This setting up business," remarked Dick doubtfully, sounds a bit complicated."

"It isn't really," replied Smithy cheerfully. "We're using the simple theoretical concept of coupling direct to X and Y plates to explain how these traces we are considering are formed, but I don't want you to forget the practical side as well. Anyway, let's return to our theoretical discussion, where our input signals are going straight into X and Y plates of equal deflection sensitivity. What happens if I connect the top Y plate to the *left-hand* X plate and the bottom Y plate to the *right-hand* X plate and once more apply a single sine wave?"

"Well," said Dick, thoughtfully. "The vertical deflection remains unaltered, but the horizontal deflection is reversed. So far as I can see, you'll get the same sloping line as you had before, but this time it will go from top left to bottom right." (Fig. 7(a)).

"Correct," said Smithy. "Now, what my revised method of connec-

tion has done has been to reverse the phase of the signal applied to the X plates. It follows from this that, if I revert to my original method of connection and apply two sine waves which are *exactly* out of phase, I'll similarly get a sloping line going from top left to right bottom." (Fig. 7(b)).

"Why, so you will," remarked Dick, surprised by this sudden revelation. "You'll also get the same sort of variations in slope angle according to relative amplitudes, won't you?"

"You will," confirmed Smithy. "Well now, I reckon that we've had a short but quite useful introduction into what you can do with an oscilloscope when you couple direct to the X and Y plates. What we've learned is that, if we have two input signals which are exactly in phase, the c.r.t. displays a straight line going from top right to bottom left. And if we have two input signals which are exactly out of phase the c.r.t. displays a straight line going from top left to bottom right."

MORE TO COME

It was at that instant that the Workshop kettle informed the world that its contents had acquired their latent heat of evaporation by giving voice to an ear-splitting whistle. Dick rose quickly, and using the sketchy culinary implements available in the Workshop, measured out the tea (one and a half Denco coil can lids-full). He next poured the boiling fluid from the kettle into the tea-pot, stirring vigorously with a 12 inch steel rule. Returning, he placed Smithy's disreputable tin mug alongside him and then proceeded to sip from his own cup.

"If those two sine waves are *exactly* out of phase," he remarked,

"They've got a phase difference of 180°, haven't they?"

"That's right," confirmed Smithy.

"What trace do you get if they're 90° out of phase?"

"The oscilloscope tube displays a circle."

"It displays a *what*?"

"A circle," repeated Smithy.

"Blimey," gasped Dick. "How on earth does that happen?"

"I'll tell you all about it," said Smithy, "the next time we have a gen session together. But, just for once, I'm now going to have a tea-break which is free from technical topics. So let's change the subject. Tell me about this dance you're going to tonight."

"Will you *promise* to deal with that circular trace during our next session?"

"I promise," confirmed Smithy gravely.

"Fair enough, then," replied Dick. "Well, this dance is to be held at Joe's Cuff and its going to be a really big scene. He's cleared out all the chairs and tables from the middle to give us a bit of space, and we're devoting the whole evening to Old Tyme dancing."

"Like the one-step?"

"I wouldn't," said Dick dubiously, "know about that one. The dances we'll be doing are the *real* oldies, like the Frug and the Twist. Why don't you come along, Smithy? It will be real Squaresville, man!"

But it must regretfully be recorded that the Serviceman, normally the pillar of veracity, responded to his youthful assistant with a blatant and manifest falsehood when he stated very firmly that he already had an alternative engagement.

LOCATING SHORT CIRCUITS QUICKLY

An ITT Short Circuit Detector now available in the United Kingdom permits rapid localisation of short circuits in telephone and signalling cables, distribution wires and power cables.

It also enables particular cables to be identified from among many others, concealed wiring to be traced, and the run of cable pairs to be followed – even buried in concrete to a depth of 30 cms.

The detector itself comprises a probe, transistorised amplifier and headphones. It operates in conjunction with a transistorised oscillator generating a fixed frequency about 1400 c/s. The short-circuited loop is energised by the oscillator. The probe is then moved along the cable – being kept as close as possible and with its axis in the direction of the magnetic field.

Initially a tone is heard in the headphones, but when the short circuit is reached it drops away practically to zero. Two output voltages are available from the oscillator, for use as required by the nature of the short circuit. The loudness of the tone in the headphones is easily adjusted.

The ITT Short Circuit Detector is available through ITT Electronic Services, Edinburgh Way, Harlow, Essex.

Principles of Metal Detection

Part 2 of this article, and conclusion, will be published in our next issue (July – due to be published on the 2nd).

FOR THE SWL . . .

by
L. SAXHAM

Several requests have been received from interested readers requiring advice on the necessary constant stream of information that is required to keep abreast of events in the Broadcast band listening world. It would appear that these lone operators experience the greatest difficulty in obtaining even the slightest morsel of information due to the utter lack of knowing where to gain this knowledge. To successfully operate a Broadcast band listening post, a constant stream of information is required. Such items as frequency changes, time schedules, English or other language transmission times, directional bearings of station beams, interval signals, primary language used and frequencies used in parallel are some of the details which are required. To satisfy these requirements, information is provided here on those publications easily obtainable in this country.

First things first, the prime requirement is a book providing the information outlined in the above paragraph. Such a publication is the *World Radio TV Handbook*, published annually during December. This publication is virtually the "Bible" of the Broadcast world and it contains every conceivable item of information that the enthusiast could possibly require with respect to world-wide Broadcast stations. In addition to complete short wave coverage, long and medium stations of the world are also listed — additionally TV stations are also included. A summer supplement to this handbook is published during June of each year, thus the enthusiast can acquire a complete fresh

listing of short wave stations every six months. This Handbook and supplement are available from several sources, two of these being the International Short Wave League, 60 White Street, Derby, and the Modern Book Co., 19 Praed Street, London, W.2.

A further commercial publication which is of considerable interest to the operator is *Guide to Broadcasting Stations*, published annually by Iliffe Books Ltd., and is available from most bookshops at a very reasonable price. It contains long, medium and s.w. stations, listed both in order of frequency and geographically; much other information is also included.

A great deal may be culled from a good Broadcast station list if a careful perusal of the listings are made. For instance, the latest list, at the time of writing, includes the following stations, with powers, operating on 7170kHz.

250	Woofterton, U.K.
120	Moscow, U.S.S.R.
50	Algiers, Algeria
20/240	Peking, China
2	AIR Kohima, India
10	Peshawar, Pakistan
10	Singapore
4	Noumea, New Caledonia

A study of this list and the associated information published will show that the stations have broadcasting time schedules that only slightly overlap. Not only separated with respect to distance, each have differing clock times and cater for listeners in various parts of the world in which local times are of importance at the transmitting end. Radiating a programme at the wrong time would possibly result in the broadcast being receivable when the majority of the population are asleep in bed!

Radiated powers are of interest in that some stations have variable power ratings (R. Peking), these being varied according to the aerial used, the prevailing conditions and the target area, etc. Most stations, however, have fixed value radiated powers.

From the list it will be noted that Kohima, India, has the comparatively low power rating of 2 kilo-

watt. From this fact, it is obvious that this station is catering in the main for local listeners only, and for the enthusiast in this country to receive this transmission would be a Dx feat of a high order — particularly when a more powerful station may be operating at the same time on this or an adjacent channel. The same remarks apply, even more so, despite the 4kW rating, to Noumea, New Caledonia, bearing in mind the additional distance this signal must travel.

A station list can, however, provide traps for the unwary! Merely to hear a transmission in Arabic on 7170kHz does not automatically imply reception of Algiers — it could be a broadcast in that language from another station on the same channel being beamed to the Middle East! Moral — wait for the station announcement and/or interval signal prior to positive identification.

An additional task for the Broadcast bands operator is that of keeping the list up-to-date, and this inevitably involves some 'office work'.

An extremely useful and necessary monthly supply of information is contained in the I.S.W.L. publication *Monitor*. This is available to members of the League and, among other interesting features, includes several quarto sized pages packed with information on Broadcast stations, etc., and the section invariably contains an article of interest. Membership costs, at the time of writing, 35/- per annum — this fee including many services, Dx certificates, contests, etc. Membership is recommended.

Another organisation worthy of note is the World Dx Club, whose monthly bulletin — *Contact* — contains many items of great interest to the Broadcast bands operator, frequency listings of stations, times, schedules and news, etc., are all featured in this publication. Membership to the WDXC costs 25/- per annum (at present) and this includes receipt of the monthly *Contact*. Enquiries should be directed to the Secretary: R. Rogers, 17 Taunton Road, Bridgwater, Somerset..

With all the above publications in the shack, the operator will have readily to hand most of the information that is required for Broadcast band operation. ■

"Mains Power for Transistor Equipment"

As our regular readers will appreciate, we take the greatest care when checking both the text and circuit diagrams; but it will be noted, since it was apparent on reading the text, that the two diagrams for the article "Mains Power for Transistor Equipment", published in the May issue, were transposed. This error is regretted.

Radio Topics

By Recorder

THERE AIN'T, MAYBE, NO SUCH thing as infinity, but the Marconi Company Ltd. seems to be aspiring towards it.

What prompts my comment is that the Marconi Company has just produced an entirely new type of waveguide load whose power dissipation is virtually unlimited, to the extent that Marconi engineers have so far been unable to generate sufficient microwave power to define the upper limits of its energy dissipation curve!

WATER AS ABSORBENT

The secret of the new loading device is that water absorbs the microwave energy directly, rather than being employed as a cooling medium for a solid state energy sink.

There are no fragile parts in the new Marconi loads, and the bandwidth and power range are greater than with solid state dielectric slabs or windows where the energy absorbed is carried away by conduction, with consequent severe load limitations. The devices use either one or two tubes, made of p.t.f.e., which run through the end of a waveguide section at an angle of about 15° to the axis of the waveguide. Water is passed through

the tubes, and the radio energy is absorbed directly into the water. A small percentage is dissipated in the plastic tubes, but this is rapidly transferred to the water by conduction.

In a typical application, with a dissipation of 5kW continuous wave and with 273 litres (60 gallons) per hour water flow, the temperature rise in the water passing through the load was 16°C only. No specific purity of the water is needed, and glycol can be added for low temperature applications if required.

This new device, with its limitless (for the present state of the art) upper range, can certainly be said to form a watershed in the development of microwave waveguide energy loads.

PROFESSIONAL COAX ENDS

It isn't always an easy matter to terminate coaxial cables neatly. I am, in consequence, indebted to Mr. P. A. Graves of Westcliff on Sea, Essex, who has sent us some useful information on this subject, together with the diagrams which are reproduced here as Figs. 1 and 2.

It is often a difficult job (writes Mr. Graves) to produce neat, strong connections with coaxial cable, and

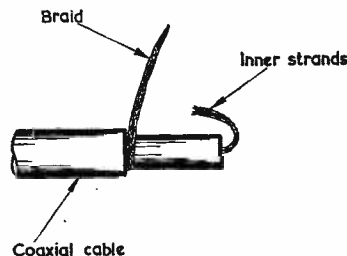


Fig. 1. First step in terminating a coaxial cable

Your Local Supplier

LONDON

Established 1910

**H. L. SMITH
& CO. LTD.**

*Comprehensive stocks of
components by
all leading makers.*

287-9 EDGWARE ROAD
LONDON W.2

Tel: 01-723 5891

**THE
MODERN BOOK CO.**

*Largest selection of English &
American radio and technical
books in the country.*

19-21 PRAED STREET,
LONDON, W.2

Tel: PADDington 4185/2926

ST. HELEN'S RADIO

Hi-Fi Equipment
Tape Recorders
Radio Receivers
Television

**SPECIALISTS IN RADIO
& ELECTRONIC TEXTBOOKS**

ST. HELEN'S GARDENS
LONDON W.10

Tel: 01-969 3657

ESSEX

**ELECTRONIC
COMPONENTS**

*Valves, transistors, capacitors,
transformers, amplifiers,
tuners, etc., etc.*

335 GREEN LANE,
SEVEN KINGS,
ILFORD, ESSEX.

Telephone: 599-1826

Your Local Supplier

HAMPSHIRE

BOURNEMOUTH

LARGEST HI-FI AND
RADIO COMPONENT
STORE IN THE SOUTH

**FORRESTERS NATIONAL
RADIO SUPPLIES LTD.**

70-72 Holdenhurst Road
Bournemouth
Telephone 25232

SURREY

Portable Transistor Amplifier plus Dynamic Microphone

A self-contained fully portable mini p.a. system. Many uses ideal for Parties, or as a Baby Alarm, Intercom, Telephone or Record Player, Amplifier, etc. Attractive rexine covered cabinet, size 12 x 9 x 4in., with powerful 7 x 4in. speaker and four transistor one watt power amplifier plus dynamic microphone. Uses PP9 battery. Brand new in Makers' carton with full makers' guarantee. World famous make. **90/** Post Full List 1/- Only **Free**

RADIO COMPONENT SPECIALISTS
337 Whitehorse Road, West Croydon,
Surrey. Phone 01-684-1665

SUSSEX

E. JEFFRIES

For your new television set,
tape recorder, transistor radio,
and hi-fi equipment.

PHILIPS, ULTRA, INVICTA,
DANSETTE, MASTERADIO, PERDIO,
MARCONI, PHILCO, FIDELITY.

6A Albert Parade,
Victoria Drive,
EASTBOURNE SUSSEX

WORCESTERSHIRE

Dept. C1, 176 HAGLEY ROAD HALESOWEN

021-550 3210

WORCS.

Hi-Fi Equipment
Transistors and
Radio Components
Public Address Amplifiers

MARLISON
Electronics

the inner wires seem to break off with annoying frequency. A method of termination which is used in many factories, but which may not be known to the amateur enthusiast, prevents this sort of failure. The operations required for making off the end proceed in the following sequence.

1. With a sharp knife cut round and remove the outer insulation of the cable about an inch back from the end, taking care not to score or nick the copper braid.

2. With a spike or small screw-driver tease out the braid strands and twist them together to form an earth 'tail', leaving the inner insulation revealed.

3. Strip off about $\frac{1}{2}$ in. of inner insulation. One way of doing this without fear of damaging the inner strands of the wire is to run the tip of a hot soldering iron round the insulation—a rather smelly but effective method!

4. Fold the inner strands back down the insulation. The cable end should now be as in Fig. 1.

5. Take a length of tinned copper wire (20 or 22 s.w.g.) and wrap it tightly round the strands and insulation, leaving a piece projecting to provide the inner connections. See Fig. 2.

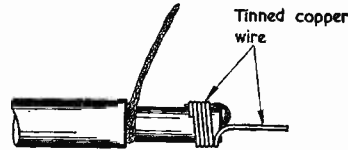


Fig. 2. The cable end before soldering the inner wire

6. With a clean hot iron run solder round the tinned copper wire and inner strands.

7. Leave to cool, after which it will be found that the tinned copper wire has been soldered on to the inner strands and has also melted into the inner polythene insulation.

8. For additional protection a rubber sleeve can, if desired, be put over the inner connections to prevent any danger of the braid connection short-circuiting against it.

DECIMAL, OCTAL AND BINARY

Another reader, Mr. E. W. Fothergill of Lowton, Lancs, has also sent in some useful information, this having to do with the conversion of large decimal numbers to binary. A very effective short-cut is given here by converting to octal (i.e. to numbers based on 8 instead of 10) as an intermediate step.

An example of the method appears in Fig. 3, which shows how decimal 6789 is converted to binary

by way of an intermediate conversion to octal. The decimal number is first changed to octal by successive division by 8, taking a note of each remainder. Reading the remainders in the example from bottom to top then gives 15205 as the octal equivalent of decimal 6789. This process is carried out in Fig. 3(a).

Octal is very easily converted to binary by replacing each digit by its binary equivalent, as in the upper line in Fig. 3(b). The lower line then gives the binary equivalent of decimal 6789, as obtained via the intermediate step of converting into octal.

ALPHABETICAL ORDER

Like most people I find that mnemonics are a great help in remembering some of the facts, figures and formulae that appear so frequently in electronics. A little shamefacedly I must confess that, when dealing with Ohm's Law problems in my early days, I used to rely continually on the statement that "rain is 'eavy over India". I found that I could mentally recall this nonsensical phrase far more readily than the "R is E over I"

which truly represented the Ohm's Law equation.

Sometimes, matters arrange themselves in such an accommodating manner that suitable mnemonics are virtually ready-made. For instance, that trusty trio of twin-triodes, the 12AT7, 12AU7 and 12AX7, have the T, U and X obviously in alphabetical order. Their direct equivalents, the ECC81, ECC82 and ECC83 respectively, conveniently appear in numerical order.

I have just now noticed another helpful choice of identifying letters, this occurring in the British PAL television specification. After weighting (i.e. being reduced in amplitude preparatory to transmission) the B-Y signal is referred to as the U-chroma signal, and the R-Y signal as the V-chroma signal. Since B and R are in alphabetical order this useful selection of letters ensures that I, at any rate, will not ascribe the wrong colour-difference signals to the similarly alphabetically-ordered U and V.

THE RADIO CONSTRUCTOR

	<u>Remainder</u>
6789	5
848	0
106	2
13	5
1	1
0	

6789 (DECIMAL) = 15205 (OCTAL)

(a)

15205 (OCTAL) = 001 101 010 000 101
(BINARY)

6789 (DECIMAL) = 1101010000101
(BINARY)

(b)

Fig. 3. Example illustrating a quick means of converting a large decimal number to binary. In (a) the number is changed to octal. The octal version is then directly converted, in (b), to binary notation

DRY JOINT LOCATOR

Dry soldered joints are always a problem, this being particularly true when they occur on a printed circuit flow-soldering production line. To assist technicians and engineers, Davian Instruments Ltd. have introduced a continuity measuring device which is specifically intended for the detection of dry joints. Features of the Davian Instruments Dry Joint Locator are that it applies a low voltage to its two test points (to protect in-circuit transistors) and that it operates at a high current (to persuade potential dry joints to fail). The instrument is capable of measuring from 0.005Ω to 5Ω and the maximum preset current which can be applied to the joint under test is 250mA. The test current reduces automatically if the resistance presented to the test points is greater than four times f.s.d. for the particular range of resistances being checked, there-

by protecting the meter, the circuit under test and also, for the battery version of the Locator, prolonging the life of the battery. As may be inferred from this last statement, there is both a mains version and a battery-powered version. Other uses for the instrument include the checking of relay and switch contacts, and the determination of wire length for inductor re-winding services. Further details on the Davian Instruments Dry Joint Locator may be obtained from Techmaton Ltd., 58 Edgware Way, Edgware, Middlesex.

An interesting note which is concerned with the operation of the Locator deals with the resistance of dry joints. A good soldered joint should have a resistance of less than 0.05Ω, whilst dry joints normally have a resistance higher than 0.5Ω. Any joint exhibiting a greater resistance than 0.1Ω is a potential source of trouble and should be re-soldered.

NEW LOGIC KIT

To meet the needs of electronic project work in schools amongst students of all ages, GEATRONIX LTD. have developed the NORKIT range of electronic kits.

The basic building brick of NORKIT is a NOR logic module which, together with the other components supplied, enables one to rapidly assemble a sequential control system for any automatic device. Handbooks supplied with the kits clearly outline the fundamentals of logic and automation and give a sound introduction to computer work.

Experiments in and demonstration of the principles of logic, Boolean algebra, binary codes, digital control, automation and electronic brains, etc., can be easily carried out with this low-cost kit.

As a further teaching aid GEATRONIX LTD. produce a versatile logic simulator and demonstration unit.

Further details can be obtained from GEATRONIX LTD., 28 Redstock Road, SOUTHEND-ON-SEA, Essex.

GOVT. SURPLUS WIRELESS EQUIPMENT HANDBOOK

This useful Handbook gives detailed information and circuit diagrams for British and American Government Surplus Receivers, transmitters and test equipment etc., also contained are some suggested modification details and improvements for the equipment. Incorporated in this revised edition is a surplus/commercial cross referenced valve and transistor guide. This book is invaluable to radio enthusiasts, radio clubs, universities and laboratories. The latest edition Vol. III 45/- per volume, plus 5/- p & p. C.O.D. a pleasure. Only obtainable from us at: Dept. R.C.

GEATRONIX LTD

24 Stansfield Chambers, Great George Street, Leeds, 1.

Stella Nine Range Cases

Manufactured in Black, Grey, Lagoon or Blue Stelvetite and finished in Plastic-coated Steel, Morocco Finish with Aluminium end plates. Rubber feet are attached and there is a removable back plate. There is also a removable front panel in 18 s.w.g. Alloy.

Now all Aluminium surfaces are coated with a strippable plastic for protection during manufacture and transit. All edges are polished.

LIST OF PRICES AND SIZES					
which are made to fit Standard Alloy Chassis					
Width	Depth	4" Height	6" Height	7 1/2" Height	
		£ s. d.	£ s. d.	£ s. d.	£ s. d.
6 1/2"	3 3/4"	12 6	15 0	18 0	
6 1/2"	4 1/4"	13 6	18 0	1 0 0	
8 1/2"	3 3/4"	15 0	1 0 0	1 1 0	
8 1/2"	6 1/4"	1 1 0	1 6 6	1 11 3	
10 1/2"	7 1/4"	1 8 6	1 15 6	1 18 9	
12 1/2"	3 3/4"	1 1 0	1 6 6	1 11 0	
12 1/2"	5 3/4"	1 8 0	1 14 0	1 17 0	
12 1/2"	8 1/4"	1 16 0	2 3 0	2 7 3	
14 1/2"	3 3/4"	1 5 0	1 11 6	1 14 0	
14 1/2"	9 1/4"	2 3 0	2 15 9	2 18 6	
16 1/2"	6 1/4"	1 18 6	2 6 3	2 11 6	
16 1/2"	10 3/4"	2 10 0	3 5 0	3 11 9	

Cases—Post 4s. 6d. per Order.
Discounts available on quantities.

CHASSIS IN ALUMINIUM, Standard Sizes, with Gusset Plates

Sizes to fit Cases All 2 1/2" Walls

6" x 3"	s. d.	10" x 7"	s. d.	14" x 3"	s. d.
6" x 3"	5 6	10" x 7"	8 6	14" x 3"	7 3
6" x 4"	5 9	12" x 3"	6 9	14" x 9"	14 6
6" x 3"	6 6	12" x 5"	7 6	16" x 6"	10 9
8" x 6"	7 9	12" x 8"	10 9	16" x 10"	16 0

Chassis—Post 3s. 0d. per Order.
Discounts available on quantities.

E. R. NICHOLLS

MANUFACTURER OF ELECTRONIC INSTRUMENT CASES

(DEPT. R.C.) 46 LOWFIELD ROAD

STOCKPORT - CHESHIRE

Tel: 061-480 2179

Your Local Supplier

EIRE

PEATS for PARTS

ELECTRONIC COMPONENTS RADIO & TELEVISION

For the convenience of IRISH enthusiasts we supply:

The Radio Constructor,
Data Books and
Panel-Signs Transfers

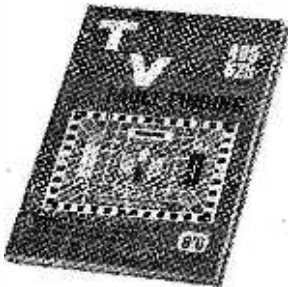
Also a postal service

Wm. B. PEAT & Co. Ltd.

28 PARNELL STREET
DUBLIN 1

TV

FAULT FINDING MANUAL for 405/625 LINES



8/6

POSTAGE 8d.

REVISED & ENLARGED

EDITED BY J. R. DAVIES

124 pages

Over 100 illustrations, including 60 photographs of a television screen after the appropriate faults have been deliberately introduced.

Comprehensive Fault Finding Guide cross-referenced to methods of fault rectification described at greater length in the text.

UNDERSTANDING TELEVISION



by
J. R. DAVIES

Over 50 pages
300 diagrams

37/6

POSTAGE 3/-

UNDERSTANDING TELEVISION deals with:

- Principles of 405 line reception
- Principles of 625 line reception
- Nature of the television signal
- Receiver tuner units
- A.F. and video amplifiers
- Deflector coil assemblies
- Automatic gain and contrast control
- Receiver aerials
- The cathode ray tube
- Receiver i.f. amplifiers
- Vertical and horizontal timebases
- Synchronising
- Power supply circuits
- Colour television
- **COLOUR TELEVISION – 80 page section deals comprehensively with this subject**

The reader is required to have only a basic knowledge of elementary radio principles. The treatment is non-mathematical throughout, and there is no necessity for any previous experience in television whatsoever. At the same time, UNDERSTANDING TELEVISION is of equal value to the established engineer because of the very extensive range it covers and the factual information it provides.

To Data Publications Ltd., 57 Maida Vale, London, W.9

Please supply the 4th revised edition of TV FAULT FINDING, Data Book No. 5.....

Please supply UNDERSTANDING TELEVISION, Data Book No. 17.....

I enclose cheque/crossed postal order for..... (Tick which book is required)

NAME.....

ADDRESS.....

(BLOCK LETTERS PLEASE)

SMALL ADVERTISEMENTS

Rate: 9d. per word

Minimum charge 12/-

Box No. 2/- extra.

Advertisements must be prepaid and all copy must be received by the 4th of the month for insertion in the following month's issue. The Publishers cannot be held liable in any way for printing errors or omissions, nor can they accept responsibility for the *bona fides* of advertisers. (Replies to Box Numbers should be addressed to: Box No. —, The Radio Constructor, 57 Maida Vale, London, W.9.)

SERVICE SHEETS. Radio. Television. Transistors. Tape Recorders. Record Players (1925-1969). S.A.E. enquiries.—Hamilton Radio, 54 London Road, Bexhill, Sussex.

BUILD IT in a DEWBOX robust quality plastic cabinet. 2in. x 2½in. x any length. S.A.E. for details. D.E.W. Ltd., 254 Ringwood Road, Ferndown, Dorset. Write now—right now.

UFO DETECTOR CIRCUITS. Data, 10s. (refundable). Para-physical Laboratory (UFO Observatory), Downton, Wilts.

TO CLEAR. 300V d.c. 0.5µF capacitors, 2½in. x 1½in. x 6in. with porcelain insulators, 3/6d. each. 88H toroid coils, new, wax covered, 5/- each. Heathkit Balun Coil set, B-1U, assembled, £5. "Ful-Fi" pick-up, mono crystal cartridge, Type TC8M, 10/-. Box No. F352.

"MEDIUM WAVE NEWS" Monthly during DX season.—Details from: K. Brownless, 7 The Avenue, Clifton, York.

FOR SALE: 88mH toroid coils, 5/- each. Cover for Siemens Teleprinter, 50/-. Ink rollers for Creed type 3 teleprinter, 5/- per bottle. EMI Fisk Solariscope, 7/6d. Prices include p. & p. Box No. F356.

FOR SALE: Newnes *Radio & TV Servicing*. Volumes 1 to 5. £7 10s. Marchant, 27 Long Street, Tetbury, Glos.

RECHARGEABLE NI-CAD CELLS. 1.22V, 5 A.H. 3.625in. x 1.25in. diameter. 12/6d. each. 3 with case 35/- Galpin, 37 Canfield Road, Rainham, Essex.

FOR SALE: Brand new Heathkit RA-1 ham receiver. Factory aligned, unused since. Best offer secures (Cost £40). Gowers, 6 Common Lane, Sawston, Cambs. (Telephone: 3093).

900 SPARE TIME BUSINESSES. S.A.E. please for full details, no obligation. KMS (RC1), Box 194, Leyton, London, E.10.

JOIN THE INTERNATIONAL S.W. LEAGUE. Free Services to members including Q.S.L. Bureau, Amateur and Broadcast Translation, Technical and Identification Dept.—both Broadcast and Fixed Stations, DX Certificates, contests and activities for the SWL and transmitting members. Monthly magazine, *Monitor*, containing articles of general interest to Broadcast and Amateur SWLs, Transmitter Section and League affairs, etc. League supplies such as badges, headed notepaper and envelopes, QSL cards, etc., are available at reasonable cost. Send for League particulars. Membership including monthly magazine, etc., 35s. per annum. Secretary ISWL, 60 White Street, Derby.

FOR SALE: *Practical Wireless*, Jan. 1967 to March 1969, 25/-; *Practical Television*, same, 25/-; *Practical Householder*—20 copies 10/-; 17in. Bush TV—81R, needs overhaul, £4 10s. 80 valves—various, £1. Ancient typewriter, usable. £2. Please collect or add for postage. Wanted: Cheap 2 or 4 metre tuner/receiver. King, Point Cottage, Dale Hill, Ticehurst, Sussex. Telephone: 522.

Continued on page 737

BENTLEY ACOUSTIC CORPORATION LTD.

38 Chalcot Road, Chalk Farm,
LONDON, N.W.1.
PR1rmose 9090

The Old Police Station
Gloucester Road

LITTLEHAMPTON, Sussex
PHONE 6743

Please forward all mail orders to Littlehampton

5V4G	7/6	EBF89	6/3	EY87	6/-	PY82	5/-	X41	10/-	BYZ11	5/-
5Z4G	6/9	EC92	6/6	EZ40	4/3	PY83	5/6	AC113	5/-	BYZ12	5/-
6A76	4/-	ECC81	3/9	EZ80	7/3	PY88	6/3	AC126	2/-	BYZ13	5/-
6/30L2	12/6	ECC82	4/6	EZ81	6/6	PY89	6/6	AC127	2/-	OA83	1/9
6BW6	12/9	ECC83	4/6	HVR2	8/9	PY801	6/6	AC128	2/-	OA85	1/9
6BW7	11/-	ECC84	5/6	KT88	29/-	U19	34/6	AC154	5/-	OA182	2/-
6F1	8/9	ECC85	5/6	KTW52	10/-	U25	13/-	AC156	4/-	OA200	1/-
6F23	13/3	ECC88	7/-	PABC80	7/3	U26	11/9	AC157	5/-	OC22	5/-
6L6GT	7/9	ECC189	9/6	PC86	9/6	U33	29/6	AD140	7/6	OC23	5/-
10P1	15/-	ECC80	6/6	PC88	9/6	U35	16/6	AD149	8/-	OC24	5/-
10P13	13/6	ECC82	4/6	PC95	8/3	U37	34/11	AC127	9/6	OC25	5/-
20D1	13/-	ECC86	9/-	PC97	8/6	U45	15/6	AF114	4/-	OC26	5/-
20L1	13/-	ECH42	10/-	PC900	8/3	U191	12/6	AF115	3/-	OC28	5/-
20P4	18/6	ECH81	5/9	PCC84	6/-	U251	16/-	AF116	3/-	OC30	5/-
30C15	13/6	ECH83	8/-	PCC85	6/6	U301	11/-	AF117	2/9	OC35	5/-
30C17	12/6	ECH84	7/-	PCC88	9/9	U404	7/6	AF119	3/-	OC36	7/6
30C18	8/9	ECL80	6/6	PCC89	9/6	U801	18/-	AF125	3/6	OC38	11/6
30F5	13/6	ECL82	4/6	PC189	9/6	U4020	6/9	AF127	3/6	OC41	10/-
30FL1	15/-	ECL83	9/-	PCF80	6/6	UABC80	5/9	AF139	11/-	OC44	2/-
30FL12	16/-	ECL86	8/-	PCF82	6/6	UBC81	7/-	AF180	9/6	OC45	1/9
30FL14	12/6	EF22	12/6	PCF84	8/-	UBF80	5/9	AF12	5/-	OC46	3/-
30L15	13/9	EF37A	7/-	PCF86	7/-	UBF89	6/9	ASY29	10/-	OC70	2/3
30L17	13/-	EF41	9/6	PCF801	7/-	UC92	5/6	BA115	2/8	OC71	2/-
30P4	12/-	EF80	4/6	PCF802	9/-	UC84	8/-	BA125	2/6	OC72	2/-
10P4MR	17/6	EF85	5/6	PCL83	9/6	UC85	9/6	BC107	4/-	OC75	2/9
30P12	13/-	EF86	6/-	PCL83	9/6	UCF80	8/3	BC107	4/-	OC76	2/6
30P19	12/-	EF89	4/9	PCF84	7/6	UCH21	9/9	BC108	3/6	OC77	2/6
30P11	15/-	EF91	3/3	PCL85	8/3	UCH42	9/9	BC109	4/3	OC78	3/-
30P13	15/-	EF183	6/-	PCL86	8/6	UCH81	6/6	BCY10	5/-	OC78D	3/-
30P14	15/-	EF184	6/-	PEN45DD	12/-	UCL82	7/-	BCY12	5/-	OC81	2/-
ACP2EN	19/6	EH90	5/6	PL200	12/-	UCL83	10/6	BCY34	4/6	OC82	2/3
ACP2ENDD	19/6	EL32	3/6	PL36	9/6	UF41	9/6	BCY38	5/-	OC82	2/3
CL33	18/6	EL33	12/-	PL81	7/3	UF42	9/-	BCY38	5/-	OC83	2/3
CY31	7/6	EL41	9/3	PL82	6/6	UF80	6/9	BCY39	4/6	OC84	3/-
DY87	5/9	EL84	4/6	PL83	6/6	UF85	6/9	BFY50	4/-	OC123	4/6
E88CC	12/-	EL95	5/-	PL84	6/3	UF86	9/-	BFY51	4/-	OC169	3/6
EABCB0	6/-	EM00	5/9	PL500	12/-	UF89	6/3	BFY52	4/6	OC170	2/6
EA42	8/9	EM81	6/9	PL504	12/6	UL41	9/6	BF163	4/6	OC171	3/4
EB91	2/3	EM84	6/-	PL509	28/9	UL84	6/6	BY100	3/6	OC172	4/6
EBC41	8/6	EM85	11/-	PL802	15/-	UM80	5/-	BY126	6/6	OC200	4/4
EBG81	5/9	EM87	7/3	PY32	9/6	UY41	6/9	BY234	4/-	OC202	4/6
EBF80	6/-	EY51	6/9	PY33	9/6	UY85	5/6	BY236	4/-	OC203	4/6
EBF83	8/-	EY86	6/-	PY81	5/3	VP48	10/6	BY238	4/-	OC205	7/6

Terms of business: Cash with order only. No C.O.D. Post/Packing 6d. per item. Orders over £5 post free. All orders despatched same day as received. Complete catalogue including transistor section and components with terms of business 10d. Any parcel insured against damage in transit for 6d. extra. Business hours 9 a.m.—5.30 p.m. Saturdays 9 a.m.—1 p.m.

INTERNATIONAL SHORT WAVE LEAGUE



Membership 35s. 0d. per annum (U.S.A. \$5.00) including 12 monthly issues of *Monitor* — the League journal. Including free use of all Services, QSL Bureau, etc.

THE LARGEST S.W.L. ORGANISATION IN THE WORLD

For full details write to:

The Secretary,
I.S.W.L.,

60 WHITE STREET, DERBY

GEC-Marconi Electronics

Are you a skilled and experienced electronics technician?

Have you been a wireless or radar fitter in the Armed Forces?

Can you do a professional repair job on a TV?

If you can answer "YES" to at least one of these questions, then we should like to hear from you. We need test and calibration engineers to work on a wide range of telecommunications measuring instruments, which includes F.M. and A.M. Signal Generators, R.F. Power Meters, Valve Voltmeters, Radar Test Sets, Digital Counters, Deviation Meters, Spectrum Analysers and White Noise Test Sets.

The work requires the understanding of the most modern and varied circuit techniques and embraces all frequencies up to u.h.f.

This is an opportunity to work for an expanding company with a world-wide reputation for technical progress in the design of test equipment. The posts are permanent and pensionable; they offer first-class conditions of service in a key export company, including substantial superannuation and life assurance benefits. Financial assistance may be given with removal expenses.

Write in confidence, stating briefly age, experience, qualification and present salary, to:



**The Recruitment Manager,
Marconi Instruments Ltd.,
Longacres, St. Albans, Herts.**

Member of GEC-Marconi Company Limited.

SCIENTIFIC ASSISTANT

Applications are invited from candidates (Boys and Girls) with passes in at least four G.C.E. 'O' Level subjects, including English Language, Mathematics and/or a Science subject. Duties concerned with physics and electronics applied to communications.

Age limits 16 to 20. Salary at 16: £430, rising by birthday increments to £630 at 20, £880 at 25, and then by further increments to £1,100.

Day release facilities given to students wishing to study for additional qualifications.

Prospects of promotion to Experimental Officer Grade in salary ranges £650-£1,385 and £1,514-£1,910.

Application forms available from:-

**Recruitment Officer (SA/63),
Government Communications
Headquarters,
"Oakley", Priors Road,
CHELTENHAM, Glos. GL52 5AJ**

TEST ENGINEERS

Engineers are required for final test of solid state R/F prototype and pre-production equipment operating at U.H.F. and microwave frequencies.

These positions would be ideally suitable to ex-service radio/radar personnel, television service engineers, etc., with experience of transistorised circuitry.

*The Company offers first-class holiday, sick payment and welfare facilities, including an excellent group pension and insurance scheme. The two modern establishments are located at Bushey and Hemel Hempstead, Herts, within easy access of the M.1.



Apply in writing,
quoting reference RC RM2 to:
Personnel Officer:
Ether Engineering Ltd.,
Park Avenue, Bushey, Herts.

Ether Engineering Ltd

SMALL ADVERTISEMENTS

Continued from page 735

TECHNICAL DRAWINGS, Artwork, etc. Electronic and Radio Circuits a speciality. Moderate charges. B. P. Meaney, 43 Forest Road, Worthing, Sussex.

LARGEST SUPPLIERS OF SERVICE SHEETS: TV, Radio, Tape, Recorders, Record Players, Transistors, Stereograms, Radiograms. Only 5/- each, plus s.a.e. Uncrossed P.O.'s please, returned if service sheets not available. We have the largest supplies of service sheets (strictly by return of post). Please state make and model number alternative. Mail order only. Please mention *The Radio Constructor* when answering this advert. Mr. C. Caranna, 71 Beaufort Park, London N.W.11.

BOOKS FOR SALE: *Radio Astronomy*, Bernard Lovell & J. Clegg 12/6d. *Earth's Envelope*, Theo Lobsack 10/-. *Space Research & Exploration*, D. R. Bates 15/-. *Practical Yacht Racing*, Schiottz 15/-. *Yacht Racing*, Sturgess £1. *Faster Sailing*, Bavier 10/-. *The Story of Atomic Energy*, Soddy 7/6d. *Radioisotope Laboratory Techniques*, Faires 7/6d. *Atomic Medecine*, Behrens 15/-. *Medical Radiation Biology*, Ellinger £1. *Sunday Times & Life World Library Volumes: Brazil, S.E. Asia, Israel, Italy, Russia, Mexico, Greece, Africa, Germany, France, India, Britain, Japan, Scandinavia*, 12/6d. each. *Life Science Library: Wheels, Mathematics, Man & Space, Planets, Energy*, 12/6d. each. *The Colour of Canada*, £1. *Science Survey 3*, Vista Books £1. *Science Today & Tomorrow* 10/-. Box No. F364.

WORLD DX CLUB covers all aspects of SWLing on Amateur and Broadcast Bands through its monthly bulletin "Contact". Membership costs 25s. a year. Enquiries to Secretary, WDXC, 17 Taunton Road, Bridgewater, Somerset.

POSTAL ADVERTISING? This is the Holborn Service. Mailing lists, addressing, enclosing, wrapping, facsimile letters, automatic typing, copy service, campaign planning, design and artwork, printing and stationery. Please ask for price list.—The Holborn Direct Mail Company, Capacity House, 2-6 Rothsay Street, Tower Bridge Road, London, S.E.1. Telephone: 01-407-1495.

WANTED. Glass paperweights. Please send details and price to Box No. F365.

GREEN ELECTRONICS FOR COILS & TRANSFORMERS wound to your specification, assembly and wiring of circuits. S.A.E. for details. "Templecombe", Cleveland Road, Worcester Park, Surrey.

FOR SALE: Disposing of small collection of 78 r.p.m. records. Classical, semi-classical and light music (some musicals). Many collector's items. S.A.E. for list. Box No. F369.

Continued on page 738



We have Vacancies for Experienced Test Engineers in our Production Test Department. Applicants are preferred who have Experience of Fault Finding and

Testing of Mobile VHF and UHF Mobile Equipment. Excellent Opportunities for promotion due to Expansion Programme.

Please apply to Personnel Manager,

Pye Telecommunications Ltd.,
Cambridge Works, Haig Road, Cambridge.
Tel. Cambridge 51351, Extn. 327.

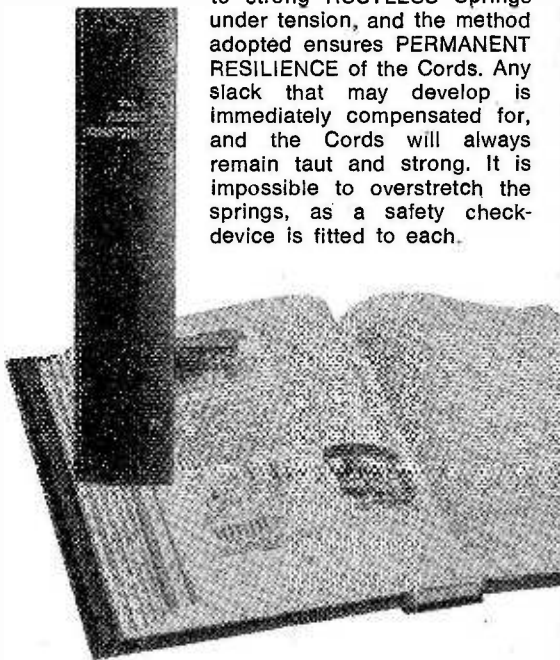
NEW STYLE SELF-BINDER

for "The Radio Constructor"

The "CORDEX" Patent Self-Binding Case will keep your issues in mint condition. Copies can be inserted or removed with the greatest of ease. Rich maroon finish, gold lettering on spine.

Specially constructed Binding Cords are made from Super Linen of great strength, very hard twisted and twice doubled. They are attached

to strong RUSTLESS Springs under tension, and the method adopted ensures PERMANENT RESILIENCE of the Cords. Any slack that may develop is immediately compensated for, and the Cords will always remain taut and strong. It is impossible to overstretch the springs, as a safety check-device is fitted to each.



PRICE **14/-** Postage 1/6

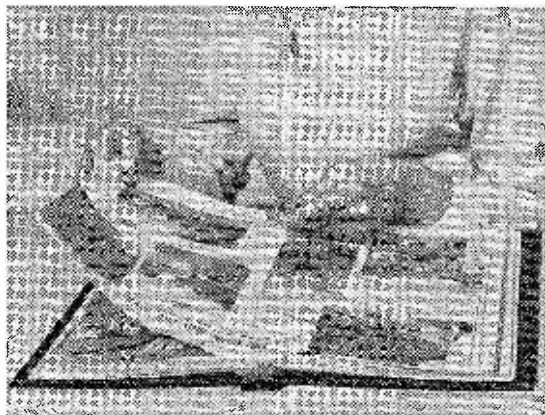
Available only from:—

Data Publications Ltd.
57 Maida Vale London W9

PLAIN-BACKED NEW STYLE SELF-BINDERS

for your other magazines

(max. format 7½" x 9½")



The "CORDEX" Patent Self-Binding Case will keep your copies in mint condition. Issues can be inserted or removed with the greatest of ease. Specially constructed Binding cords are made from Super Linen of great strength, very hard twisted and twice doubled. They are attached to strong RUSTLESS Springs under tension, and the method adopted ensures PERMANENT RESILIENCE of the Cords. Any slack that may develop is immediately compensated for, and the Cords will always remain taut and strong. It is impossible to overstretch the springs, as a safety check-device is fitted to each.

COLOURS: MAROON OR GREEN

(Please state choice)

PRICE 13/6 Postage 1/6

Available only from:-

Data Publications Ltd.
57 Maida Vale London W9

SMALL ADVERTISEMENTS

Continued from page 737

MAGAZINES FOR SALE: *Wireless World* July to September 1965 inc., March, July and September 1966, 1967-January & February, May, June, August and September. *Radio Constructor* January 1966 to March 1968 inclusive. *Practical Wireless* 1964 February to April inc., June, 1965-March to September inc. plus November & December; 1966-January to April inc. *Practical Television* 1965-January, April, July & August; 1966-January to July inc., plus September & October. *Short Wave Magazine* 1965-March, July, September to December inc.; 1966-January to November inc. *R.S.G.B. Bulletin* 1965-January, March, June, August, September, November & December; 1966-January to September inc., plus November. *Hi-Fi News* 1965-May, August to October inc., November & December; 1966-January to October inc. *Amateur Tape Recording* 1965-May, August, September, October & December; 1966-January to April inc., June to August inc.; 1967-April, May, June to September inc. What offers? Will sell in lots or separately. Can be collected in London. Box No. F370.

ESSEX GARDENERS. Buy your bedding and rock plants, shrubs, etc., also cacti from May's Nurseries, 608 Rayleigh Road, Hutton, Brentwood, Essex. Callers only. Monday to Saturday.

FOR SALE: Radio Control model M.T.B. Aerokit Patrol Torpedo Boat, 40in. x 11in. Good detail. Taplin Twin engine. Twin rudders. Steering and speed control on throttle fitted. Raven Flight Electronics new R/C equipment, needs installing. £50 o.n.o. Box No. F372.

FOR SALE: Two re-entrant type loudspeakers, fitted back to back on common base. Suitable public address or pop group. Powerful. 15 ohm input. Spare diaphragms. £5. Box No. F373.

PROPERTIES for sale and to let in London and suburbs. Apply to Maggs & Stephens, Estate Agents, 229 Maida Vale, London, W.9. MAIDA Vale 8123.

FOR SALE: *The Radio Constructor*, Volume 15 bound, Volumes 16 and 17 unbound. Postage 7/6d. Offers to Box No. F374.

FOR SALE: "Premier" Cine Film storage cases, grey hammer enamel finish, carrying handle, lock. Size 12in. x 7½in. x 7½in. to take 10 400ft. reels and cans at £1. Size 11in. x 6in. x 6in. to take 11 200ft. reels and cans at 15/-. Box No. F375.

FOR SALE: H.T./L.T. Transformer. Outputs up to 1050V, 0.5A. Ex-computer, excellent condition. £6 o.n.o. Box No. F376.

PROFESSIONALLY MADE CONTROL PANELS from 4d. sq. inch. 16/18 gauge aluminium, cut, drilled, spray painted and legend. Send full size drawing for quotation. C. S. Conduit, 7 Millbrook, Salisbury, Wilts.

G2DAF TYPE RECEIVER for sale. Kokusai filter, 11 xtals, stabcoils, built in low profile Imhof case. £50 o.n.o. Box No. F377.

INNOVATION IN DX CLUBS ANNOUNCED! Formed in October, 1965, the Radio New York Worldwide Listeners Club now has 3,600 members in 86 countries! A unique club offering shortwave-listeners monthly magazines containing listening tips and technical features, numbered wallet-sized membership cards and gold 8½in. by 11in. membership certificates. Multi-lingual report forms available for cost of postage. "We must be doing something right!" Find out... join now!" Send 7s. 2d. (crossed domestic money order) for one year's membership to: The Radio New York Worldwide Listeners Club, 485 Madison Avenue, New York 10022, U.S.A.

THE RADIO CONSTRUCTOR

Price 3/- each, postage 6d.

Annual Subscription 42/-, post free.

Bound Volumes Vol. 20 August 1966 to July 1967 32/6, postage 4/6.
Vol. 21 August 1967 to July 1968 35/-, postage 4/6.

Cordex Self-Binders With title "The Radio Constructor" on spine,
maroon, 14/-, postage 1/6.
With no title on spine, maroon or green. 13/6,
postage 1/6.

DATA BOOK SERIES

- DB5 TV FAULT FINDING**
124 pages. Price 8/6, postage 8d.
- DB6 THE RADIO AMATEUR OPERATOR'S HANDBOOK**
64 pages. Price 6/-, postage 6d.
- DB15 TWENTY SUGGESTED CIRCUITS**
48 pages. Price 3/6, postage 5d.
- DB16 RADIO CONTROL FOR MODELS**
192 pages. Price 15/-, postage 1/-.
- DB17 UNDERSTANDING TELEVISION**
512 pages. Price 37/6, postage 3/-
- DB18 AUDIO AMPLIFIERS**
128 pages. Price 10/6, postage 8d.

PANEL-SIGNS TRANSFERS

Six sheets in each set

Set 3: WORDING—White

Set 4: WORDING—Black

Set 5: DIALS—Control Panels have a clear background

Set 6: DIALS—Control Panels have a black background

Price per set 4/6, postage 4d.

I enclose Postal Order/Cheque for.....in payment for.....

NAME

ADDRESS

(Please use Block Capitals for both name and address)

Postal Orders should be crossed and made payable to Data Publications Ltd.

Overseas customers please pay by International Money Order

All publications are obtainable from your local bookseller

Data Publications Ltd., 57 Maida Vale, London W.9

RADIO CONSTRUCTORS DATA SHEET

27

INCH/MILLIMETRE CONVERSION TABLE

Conversions from inches to millimetres and vice versa are tedious when using the relations 1 inch = 25.4 millimetres or 1 millimetre = 0.03937 inch. Fortunately, most dimensions in electronic work are small and the Table (which lists millimetre equivalents for inches in $\frac{1}{16}$ -inch steps up to 3 inches and in $\frac{1}{2}$ -inch steps up to 5 inches) will enable quick approximations to be made in converting from one set of units to the other. Also given are decimal equivalents of the inch fractions.

Inches (Fractions)	Inches (Decimal)	Millimetres	Inches (Fractions)	Inches (Decimal)	Millimetres	Inches (Fractions)	Inches (Decimal)	Millimetres	Inches (Decimal)	Millimetres
$\frac{1}{16}$	0.0625	1.59	$1\frac{3}{16}$	1.1875	30.2	$2\frac{1}{4}$	2.25	57.2		
$\frac{1}{8}$	0.125	3.18	$1\frac{1}{4}$	1.25	31.8	$2\frac{5}{16}$	2.3125	58.8		
$\frac{3}{16}$	0.1875	4.76	$1\frac{5}{16}$	1.3125	33.3	$2\frac{7}{8}$	2.375	60.3		
$\frac{1}{4}$	0.25	6.35	$1\frac{3}{8}$	1.375	34.9	$2\frac{1}{2}$	2.4375	61.9		
$\frac{5}{16}$	0.3125	7.94	$1\frac{7}{16}$	1.4375	36.5	$2\frac{1}{2}$	2.5	63.5		
$\frac{3}{8}$	0.375	9.53	$1\frac{1}{2}$	1.5	38.1	$2\frac{9}{16}$	2.5625	65.1		
$\frac{7}{16}$	0.4375	11.1	$1\frac{5}{8}$	1.5625	39.7	$2\frac{5}{8}$	2.625	66.7		
$\frac{1}{2}$	0.5	12.7	$1\frac{3}{4}$	1.625	41.3	$2\frac{11}{16}$	2.6875	68.3		
$\frac{9}{16}$	0.5625	14.3	$1\frac{7}{8}$	1.6875	42.9	$2\frac{3}{4}$	2.75	69.9		
$\frac{5}{8}$	0.625	15.9	$1\frac{11}{16}$	1.75	44.5	$2\frac{13}{16}$	2.8125	71.4		
$1\frac{1}{16}$	0.6875	17.5	$1\frac{3}{4}$	1.8125	46.0	$2\frac{7}{8}$	2.875	73.0		
$\frac{3}{4}$	0.75	19.1	$1\frac{13}{16}$	1.875	47.6	$2\frac{15}{16}$	2.9375	74.6		
$1\frac{1}{8}$	0.8125	20.6	$1\frac{7}{8}$	1.9375	49.2	3	3.0	76.2		
$\frac{7}{8}$	0.875	22.2	$1\frac{15}{16}$	2.0	50.8	$3\frac{1}{2}$	3.5	88.9		
$1\frac{1}{4}$	0.9375	23.8	2	2.0625	52.4	4	4.0	102.0		
1	1.0	25.4	$2\frac{1}{16}$	2.125	54.0	$4\frac{1}{2}$	4.5	114.0		
$1\frac{1}{8}$	1.0625	27.0	$2\frac{1}{8}$	2.1875	55.6	5	5.0	127.0		
$1\frac{1}{4}$	1.125	28.6	$2\frac{3}{16}$							

ENGLANDS LEADING COMPONENT & EQUIPMENT CENTRES

SOLID STATE-HIGH FIDELITY

AUDIO EQUIPMENT

Mono or Stereo Audio. Equipment developed from Dinsdale Mk II—each unit or system will compare favourably with other professional equipment selling at much higher prices.

COMPLETE SYSTEMS FROM

£15.50

THE FINEST VALUE IN HIGH FIDELITY—CHOOSE A SYSTEM TO SUIT YOUR NEEDS AND SAVE POUNDS

All units available separately.

SEND FOR FREE BROCHURE (No. 21) TODAY!
DEMONSTRATIONS DAILY AT '303' EDGWARE ROAD



INTEGRATED TRANSISTOR AMPLIFIERS



For complete listening satisfaction choose either the—

4 WATTS MONO MA66 12 WATTS STEREO

We are pleased to offer two new designs with the choice of either mono or stereo systems. These BRITISH DESIGNED UNITS favour the user in so many ways—with fantastic power and quality with far greater adaptability, with freedom for battery or mains operation.

MA7 MONO OR STEREO £8.10.0
POST PACKING 5/- EITHER MODEL

MA66 OPTIONAL MAINS UNIT £16.10.0 PS20 62/6d, pp. 4/- Illustrated leaflets 12 and 14 FREE on request



DO IT YOURSELF MW/LW PORTABLE

New printed circuit design with full power output. Fully tunable on both mw/lw bands. 7 transistors plus diode, push-pull circuit. Fitted 5 inch speaker, large ferrite aerial and Mullard transistors. Easy to build with terrific results. All local and Continental stations.

TOTAL COST **£6.19.6** P.P. 4/6
TO BUILD Send for Brochure 1



NEW MODELS NOMBREX TRANSISTORISED Test Equipment

PRICE Leaflet

MODEL	Power Supply	14	0	22
22	Power Supply	14	0	22
30	Audio Generator	19	10	24
31	R.F. Generator	12	10	25
32	C.R. Bridge	10	10	26
33	Inductance Bridge	20	0	29

Send for descriptive illustrated Brochure.

ELECTRONIC ORGANS KITS TO BUILD YOURSELF AND COMPLETE UNITS

THE MAYFAIR *Acclaimed by everyone*

A completely new development in portable electronic musical instruments and a new field for the home constructor. The 'MAYFAIR' produces a multitude of the most pleasing sounds with a wide range of tone colours suitable for classic or popular music. The organ is fully polyphonic, that is full chords can be played over the entire keyboard.

COMPLETE KIT Deposit £29.19.0 Deferred terms available 12 monthly payments of £7. Total £113.10.0 BUILT AND TESTED Deposit £36.8.0 and 12 monthly payments of £9. Total £144.8.0



THE MAYFAIR 99 GNS. BROCHURE 9

fully polyphonic, that is full chords can be played over the entire keyboard. Supplied as a kit of parts which includes 165 transistors, printed circuit panels, special fly spring and depth of touch adjusted keyboard, attractive vinyl covered cabinet with carry handle.

A complete detailed and illustrated construction manual is provided. covered circuits and full parts list. All items may be purchased separately. All parts supplied are fully guaranteed. Full after sales service.

THE GROSVENOR

THE GROSVENOR is designed for the more ambitious musician and has a much wider range than most commercial organs. It comprises two four-octave (49 note) keyboards and a thirteen note pedal board. It has four pitches (i.e. 8ft., 4ft., 2ft., 1ft.) on the upper or solo keyboard, three pitches (i.e. 16ft., 8ft., 4ft.) on the lower or accompaniment keyboard, two pitches (i.e. 16ft., 8ft.) on the pedal board. Variable sustain on the solo keyboard and variable vibrato on both keyboards. It has 15 voices in the solo tone-forming unit, 10 voices in the accompaniment one forming unit and 4 voices in the pedal tone-forming unit. All components and kit sections are available separately including the Oak Console at £65.18.0.



THE GROSVENOR KITS FROM £220 terms BROCHURE 9B available

A complete detailed and illustrated construction manual is provided with full circuit and full parts list. All items may be purchased separately. All parts supplied are fully guaranteed. Full after sales service and advice freely available.

Once built the 'MAYFAIR' or 'GROSVENOR' will then provide years of enjoyable entertainment. Call in—See them for yourself!

PRACTICAL ELECTRONICS—ELECTRONIC ORGAN KIT

We are able to supply Parts as described in this series. Details on request

ORGAN COMPONENTS: COMPLETE RANGE IN STOCK = 49 AND 61 NOTE KEYBOARDS * 2 TO 5 AMP GOLD CONTACTS * COILS AND CHOKES * REVERBERATION SPRINGS & UNITS * STOP TABS & ASSEMBLIES * PEDAL BOARDS * RHODIUM & GOLD CLAD WIRE. ALSO PRINTED CIRCUITS ETC. COMPLETE RANGES FOR TRANSISTORISED ORGANS. ASK FOR NEW PRICE LISTS WITH DETAILS. LEAFLET 9B. All enquiries to: ORGAN DEPT.—MR. ELVINS

BUILD A QUALITY TAPE RECORDER

To get the best out of your MAGNAVOX DECK you need a MARTIN RECORDAKIT. This comprises a special high quality 6 valve amplifier and pre-amplifier which comes to you assembled on its printed circuit board—in fact everything you need down to the last screw FOR MAKING A SUPERB TAPE RECORDER, which, when built, will compare favourably with instruments costing twice as much, yet you need no experience or technical skills to bring this about. THE INSTRUCTIONS MANUAL MAKES BUILDING EASY AND SUCCESS ASSURED



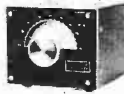
4 Track 39 gns.
P.P. 22/6 ASK FOR BROCHURE 6.
Kit comprises: Deck, Amplifier, Cabinet and speaker, with MICROPHONE 7 in 1 200 ft. tape, spare spool. ALL UNITS AVAILABLE SEPARATELY. Today's Value £60. "Nothing more to buy"

VHF FM SUPERHET TUNER MKII

* 5 MULLARD TRANSISTORS & 4 DIODES * 300 KHz BANDWIDTH * PRINTED CIRCUIT CONSTRUCTION * HIGH FIDELITY REPRODUCTION MONO AND STEREO

A popular VHF FM Tuner now used throughout the country for quality reception of monophonic and, with the decoder stereophonic broadcasts. There is no doubt about it—VHF FM gives the the real sound. Excellent stability, economically priced.

PARTS TOTAL COST £6.19.6 & DECODER £5.19.6 (CABINET 20/- EXTRA) ASK FOR LEAFLET 3.



NEW—MALLORY LONG LIFE MERCURY BATTERIES

50% OFF LIST PRICES

*RM12 1.35 volts 2400 m/AH. Size 271 dia. OUR PRICE 5/- each

*RM425 10.35 volts 350 m/AH. Pack of 8. Size 21 x 1 1/2 dia. OUR PRICE 10/- each

Easily spilt into eight 1.35v. cells. These cells are ideal for any application where SHARPE SIZE HIGH CAPACITY and LONG QUANTITIES AVAILABLE

TRANSISTORS—SEMICONDUCTORS

COMPLETELY NEW 1969 LIST OF 1000 types. Send for your FREE COPY TODAY. (list 36)

S.C.R.'s from 5/-
Field Effect Transistors from 9/6
Power Transistors from 5/-
Diodes and Rectifiers from 1/6

GARRARD RECORD DECKS

BRAND NEW All below list price

2025 Mono/Stereo	GK5 25	7	19	6
3000 LM Mono/Stereo	9 TAHG	9	19	6
SP25 Mk II		11	19	6
AT60 Mk II		13	0	0
AP70		19	0	0
SL55		11	19	6
SL65		14	14	0
SL75		26	0	0
SL95		35	0	0
A70 Mk II		12	12	0
B.S.R. UA25 Mono		5	19	6
.. MA65		5	19	6
.. MA70		12	12	0
.. MA75		15	5	0
401 Garrard		28	10	0

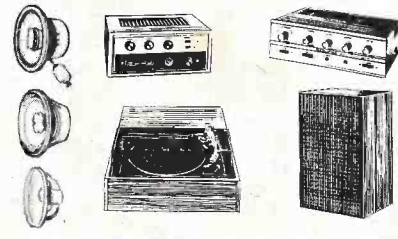
Carriage/Packing 7/6d. all models
Complete range of accessories available
Send for New 8 page brochures 16, 17.



HI-FI equipment to suit EVERY POCKET

VISIT OUR NEW HI-FI CENTRE at 309 EDGWARE ROAD AND SAVE UP TO £25 ON SEPARATE UNITS OR THE SYSTEM OF YOUR CHOICE for all leading makes

- AMPLIFIERS
 - TUNERS
 - DECKS
 - SPEAKERS
 - MICROPHONES
 - TEST EQUIPMENT
 - HEADPHONES
 - CARTRIDGES, etc.
- All with Terrific Savings
It will PAY YOU to pay us a VISIT!



COMPLETE SYSTEMS from £46—Saves £12.10.0!
Send for new 8-page Illustrated Hi-Fi List 16/17

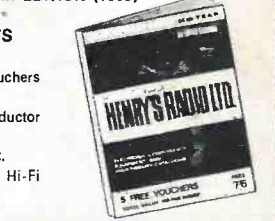
Fully Illustrated CATALOGUE

COMPLETELY NEW 9th. EDITION (1969)

The most COMPREHENSIVE—CONCISE—CLEAR COMPONENTS CATALOGUE

Complete with 10/- worth discount vouchers FREE WITH EVERY COPY

- * 32 pages of transistors and semi-conductor devices, valves and crystals.
- * 210 pages of components and equipment.
- * 70 pages of microphones, decks and Hi-Fi equipment.



6,500 ITEMS
320 BIG PAGES
Send today 7/6 Post etc 2/-

HENRY'S RADIO LTD

303 Edgware Road, London, W.2. Mail Order Dept. all types of Components, Organ Dept. (01) 723 1008/9
309 Edgware Road, London, W.2. High Fidelity Sales, P.A. and Test Equipment, Record Decks (01) 723 5963

OPEN MON-SAT. 9 a.m.-6 p.m. THURS. 9 a.m.-1 p.m.