

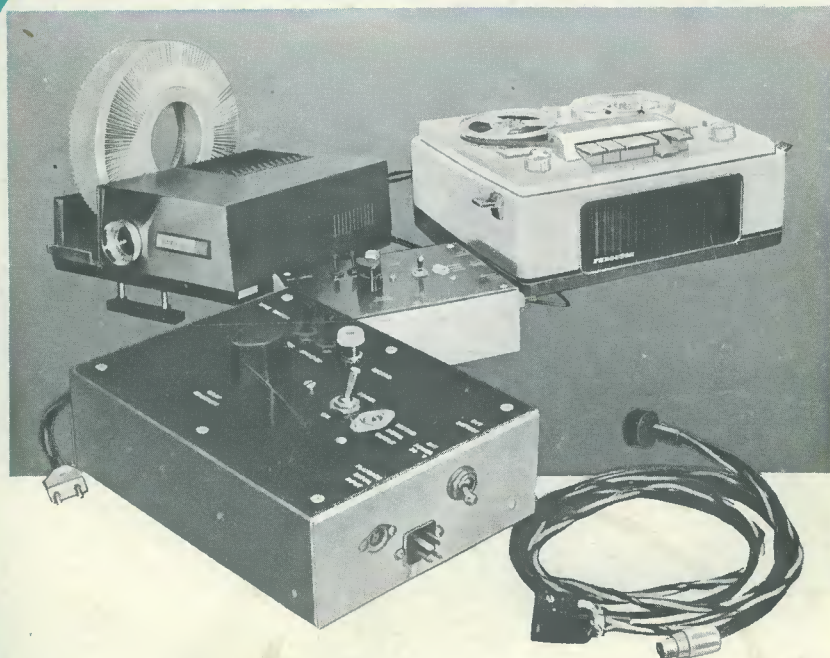
# THE RADIO CONSTRUCTOR

JANUARY 1969

3/-

A DATA PUBLICATION

RADIO · TELEVISION · ELECTRONICS · AUDIO



**SLIDE  
PROJECTOR  
SYNCHRONISER**  
for  
**HOME  
ENTERTAINMENT**

*Also featured*

**High-Gain  
Amplifier**

**Variable Voltage  
Power Supply**

**Ohm's Law  
Ready Reckoner**

# Scottish Insurance Corporation Ltd

66-67 CORNHILL · LONDON · EC3



## TELEVISION SETS, RECEIVERS AND TRANSMITTERS

Television Sets, Receivers and Short Wave Transmitters are expensive to acquire and you no doubt highly prize your installation. Apart from the value of your Set, you might be held responsible should injury be caused by a fault in the Set, or injury or damage by your Aerial collapsing.

A "Scottish" special policy for Television Sets, Receivers and Short Wave Transmitters provides the following cover:

- (a) Loss or damage to installation (including in the case of Television Sets the Cathode Ray Tube) by Fire, Explosion, Lightning, Theft or Accidental External Means at any private dwelling-house.
- (b) (i) Legal Liability for bodily injury to Third Parties or damage to their property arising out of the breakage or collapse of the Aerial Fittings or Mast, or through any defect in the Set. Indemnity £10,000 any one accident.
- (ii) Damage to your property or that of your landlord arising out of the breakage or collapse of the Aerial Fittings or Mast, but not exceeding £500.

Why not BE PRUDENT AND INSURE your installation—it is well worthwhile AT THE VERY LOW COST INVOLVED. If you write to the Corporation's Office a proposal will be submitted for completion.

---

Write for full details, quoting reference 5304, to:—

**THE MANAGER**  
**SCOTTISH INSURANCE CORPORATION LTD.,**  
**66-67 CORNHILL, LONDON E.C.3**

---



# FOLLOW THE LEADERS

## KING SIZE QUALITY-TESTED PAKS

2	Drift Trans. 2N1225 Germ. PNP	10/-
100	Mc/s.	10/-
6	Matched Trans. OC44/45/81/81D	10/-
20	Red Spot AF Trans. PNP	10/-
16	White Spot BF Trans. PNP	10/-
5	Silicon Rects. 3 A 100-400 PIV	10/-
2	10 A Silicon Rects. 100 PIV	10/-
2	OC140 Trans. NPN Switching	10/-
1	12 A SCR 100 PIV	10/-
3	Sil. Trans. 2N3033 PNP	10/-
4	Zener Diodes 250mW 3-12V	10/-
2	200Mc/s. Sil. Trans. NPN BSY26/27	10/-
3	Zener Diodes: 400mW 33V 5% Tol.	10/-
4	High Current Trans. OC42 Eqty.	10/-
2	Power Transistors 1 OC20 1 OC35	10/-
5	Silicon Rects. 400 PIV 250mA	10/-
1	OC75 Transistors	10/-
1	Power Trans. OC20 100V	10/-
10	OA202 Sil. Diodes Sub-min. Market	10/-
2	Low Noise Trans. NPN 2N929/30	10/-
1	Sil. Trans. NPN VCB 100 ZT80	10/-
8	OA51 Diodes	10/-
4	OC72 Transistors	10/-
4	OC77 Transistors	10/-
4	Sil. Rects. 400 PIV 100mA	10/-
3	GET884 Trans. Eqty. OC44	10/-
5	GET883 Trans. Eqty. OC45	10/-
2	2N708 Sil. Trans. 300Mc/s. NPN	10/-
6	CT4145 Germ. Trans. PNP	10/-
3	GT31 LF Low Noise PNP Trans.	10/-
6	1N914 Sil. Diodes 75 PIV 70mA	10/-
8	OA95 Germ. Diodes Sub-min. IN69	10/-
3	NPN Germ. Trans. NKT773	10/-
2	OC22 Power Trans. Germ.	10/-
2	OC25 Power Trans. Germ.	10/-
4	AC128 Trans. PNP High Gain	10/-
2	AC127/128 Comp. pair PNP/NPN	10/-
3	2N1307 PNP Switching Trans.	10/-
10	CG28H Germ. Diodes Eqty. OA71	10/-
3	AF116 Trans VHF	10/-

**FREE** One 10/- Pack of your own choice free with orders value £4 or over.

12	Assorted Germ. Diodes Marked	10/-
4	AC126 Germ. PNP Trans.	10/-
4	Silicon Rects. 100 PIV 750mA	10/-
3	AF117 Trans. VHF	10/-
7	OC81 Type Trans.	10/-
3	OC171 Trans. VHF	10/-
5	2N2926 Sil. Epoxy Trans.	10/-
7	OC71 Type Trans.	10/-
25	Trans. Heatstinks fit TO18, 8012, etc.	10/-
2	2S701 Sil. Trans. Texas NPN	10/-
3	1N9 Vener 400mW	10/-
2	10A 600 PIV Sil. Rects. IS45R	10/-
3	BC108 Sil. NPN High Gain Trans.	15/-
1	2N910 NPN Sil. Trans. VCB100	15/-
2	1000 PIV Sil. Rect. 1.6A R5310 AP	15/-
3	BSY95A Sil. Trans. NPN 200Mc/s.	15/-
3	OC209 Sil. Trans. Mullard	15/-
2	Sil. Power Rects. BYZ13	15/-
1	Sil. Power Trans. NPN 100Mc/s. TK201A	15/-
6	Zener Diodes 3-15V Sub-min.	15/-
1	2N132 PNP Epitaxial Planar Sil.	15/-
1	2N697 Epitaxial Planar Sil.	15/-
4	Germ. Power Trans. Eqty. OC16	15/-
1	Unijunction Trans. 2N2845	15/-
2	Sil. Trans. 200Mc/s. 60Veb ZT83/84	15/-
1	Sil. Planar Trans. NPN 100Mc/s. BSY26	15/-
1	Unijunction Trans. 2N180 TO-5	15/-
2	Sil. Rects. 5A 500 PIV Stud Type	15/-
2	Germ. Power Trans. OC28/29	15/-
1	10A Sil. Stud Rect. 800 PIV	15/-
1	Tunnel Diode ABEY11 1050Mc/s.	15/-
2	2N2712 Sil. Epoxy Planar HFE225	15/-
8	BY 100 Type Sil. Rects.	20/-
25	Sil. and Germ. Trans. Mixed, all marked, New	30/-
2	GET880 Low Noise Germ. Trans.	10/-
1	AF139 PNP High Freq. Trans.	10/-
3	NPN Trans. 1 ST141 & 2 ST140	10/-
4	Mad's 2 MAT100 & 2 MAT120	10/-
3	Mad's 2 MAT101 & 1 MAT121	10/-
4	OC44 Germ. Trans. AP	10/-
3	AC127 NPN Germ. Trans.	10/-
1	2N3906 Sil. PNP Trans. Motorola	10/-

### CADMIUM CELLS

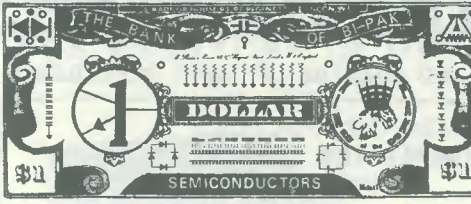
ORP60	ORP61	8/- each
ORP12		8/6 each

### MANY NEW PAK ITEMS

**FULL RANGE OF ZENER DIODES**  
VOLTAGE RANGE 2-16V.  
400mW (DO-7 Case) 2/6 each  
1.5W (Top-Hat) 2/6 each  
10W (SO-10 Stud) 5/- each

All fully tested 5% tol. and marked. Please state voltage required. Full range eqvt. to OAZ Mullard Type Z and range of STC. 1.R. Texas and IN types.  
**TRANSISTOR EQVT. BOOK**  
62 pages of cross references for trans. and diodes. Types include British, European, American and Japanese. Specially imported by BI-PAK 10/- each

Seasons Greetings from BI-PAK SEMICONDUCTORS and a Xmas "GIFT DOLLAR" value 5/- redeemable with all orders of One Pound or over. Cash in now and save 5/- on your next order. Not valid after 31st January 1969.



## KING OF THE PAKS Unequalled Value and Quality SUPER PAKS BRAND NEW—UNTESTED SEMICONDUCTORS ★

Satisfaction GUARANTEED in Every Pak, or money back.

Pak No.		
U1	120 Glass Sub-min. General Purpose Germanium Diodes	10/-
U2	60 Mixed Germanium Transistors AF/RF	10/-
U3	75 Germanium Gold Bonded Diodes sim. OA5, PA47	10/-
U4	40 Germanium Transistors like OC81, AC128	10/-
U5	60 200mA Sub-min. Sil. Diodes	10/-
U6	40 Silicon Planar Transistors NPN sim. BSY95A, 2N706	10/-
U7	16 Silicon Rectifiers Top-Hat 750mA up to 1000V	10/-
U8	50 Sil. Planar Diodes 250mA OA/200/902	10/-
U9	20 Mixed Volta 1 watt Zener Diodes	10/-
U11	30 PNP Silicon Planar Transistors TO-5 sim. 2N1132	10/-
U12	12 Silicon Rectifiers EPOXY 500mA up to 800 PIV	10/-
U13	30 PNP-NPN Sil. Transistors OC200 & 2S104	10/-
U14	150 Mixed Silicon and Germanium Diodes	10/-
U15	30 NPN Silicon Planar Transistors TO-5 sim. 2N697	10/-
U16	10 3-Amp Silicon Rectifiers Stud Type up to 1000 PIV	10/-
U17	30 Germanium PNP AF Transistors TO-5 like ACY 17-22	10/-
U18	8 6-Amp Silicon Rectifiers BYZ13 Type up to 600 PIV	10/-
U19	30 Silicon NPN Transistors like BC108	10/-
U20	12 1.5-amp Silicon Rectifiers Top-Hat up to 1,000 PIV	10/-
U21	30 A.F. Germanium alloy Transistors 2G300 Series & OC71	10/-
U22	19 1-amp Glass Min. Silicon Rectifiers High Volts	10/-
U23	30 Mad's like MAT Series PNP Transistors	10/-
U24	20 Germanium 1-amp Rectifiers GJM up to 350 PIV	10/-
U25	25 300Mc/s NPN Silicon Transistors 2N708, BSY27	10/-
U26	30 Fast Switching Silicon Diodes like 1N914 Micro-min	10/-
U28	Experimenters' Assortment of Integrated Circuits, untested. Gates, Flip-Flops, Registers, etc., 8 Assorted Pieces	20/-
U29	10 1 amp SCR's TO-5 can up to 600 PIV CRS1/25-800	20/-
U30	15 Plastic Silicon Planar trans. NPN 2N2927-2N2926	10/-
U31	20 Sil Planar NPN trans. low noise AMP 2N3707	10/-
U32	25 Zener diodes 400mW D07 case mixed Volts. 3-18	10/-
U33	15 Plastic case 1 amp silicon rectifiers 1N4000 series	10/-

Code Nos. mentioned above are given as a guide to the type of device in the Pak. The devices themselves are normally unmarked

**AD161 NPN. AD162 PNP**  
MATCHED COMPLEMENTARY PAIRS OF GERM. POWER TRANSISTORS.  
For mains driven output stages of Amplifiers and Radio receivers.  
OUR LOWEST PRICE OF 12/6 PER PAIR

**HIGH POWER SILICON PLANAR TRANSISTORS.**  
TEXAS 28034. NPN TO-3.  
VCB100 1c 4A (T. 15M/c/s)  
VCE100 Ptot. 40W  
VEB8 hFE(min.) 60  
Price 15/- each

**NEW SILICON RECTIFIERS TESTED**

PIV 400mA	750mA 1.5A	3A	10A	30A
50 10d	1/-	1/6	2/3	4/3
100 1/-	1/3	2/3	4/3	9/6
200 1/3	1/3	2/3	4/-	9/6
300	2/3	3/3	4/-	9/6
400 2/-	2/6	4/-	5/6	7/6
500	3/-	4/-	6/-	8/6
600 2/9	3/3	4/3	6/9	9/-
800	3/6	4/3	7/6	11/-
1,000	5/-	6/-	9/3	12/6
1,200	6/6	7/6	11/6	13/-

**SCR's LOWEST PRICE LARGEST RANGE**

PIV 1A	7A	16A	30A
25	7/6	8/6	8/6
50	7/6	8/6	10/6
100	8/6	10/6	15/-
200	12/6	15/-	20/-
300	15/-	20/-	25/-
400	17/6	25/-	35/-
500	30/-	40/-	45/-
600	40/-	50/-	50/-

**PLEASE NOTE.** To avoid any further increased Postal Charges to our Customers and enable us to keep our "By Return Postal service" which is second to none, we have re-organized and streamlined our Despatch Order Department and we now request you to send all your orders together with your remittance, direct to our Warehouse and Despatch Department, postal address: **BI-PAK SEMICONDUCTORS, Despatch Dept., P.O. BOX 6, WARE, HERTS.** Postage and packing still 1/- per order. Minimum order 10/-.



**FET'S**

2N 3819	10/-
2N 3820	25/-
MPF105	8/-

OCPT1 ..... 8/6

**UNIUNCTION**  
UT40, Eqty. 2N2046, Eqty. TI843. BEN3000  
**7/6 EACH**  
25-99 5/- 100 UP 4/-

**INTEGRATED CIRCUITS**  
I.C. Operational Amplifier with Zener output. Type 701C. Ideal for P.E. Projects. 8 Lead TO-5 case. Full data  
Our price 12/6 each  
5 off 11/- each. Large Qty. Prices quoted for.

**FAIRCHILD EPOXY TO-5**  
μL800 Buffer ..... 10/6  
μL914 Dual Gate ..... 10/6  
μL923 J.K.Flip-Flop ..... 14/-  
I.C. Data Circuits, etc. 1/6  
**MULLARD I.C. AMPLIFIERS**  
TAA243 ORP. Amp. .... 70/-  
TAA263 Min AF Amp. 18/6  
TAA293 G.P. Amp. .... 26/-  
RCA CA3020 Audio Amp. .... 30/-

**PRINTED CIRCUITS EX-COMPUTER**  
Packed with semiconductors and components, 10 boards give a guaranteed 30 trans and 30 diodes. Our price 10 boards 10/- Plus 2/- P. & P.

**SOLID STATE DIGITAL CLOCK**  
Price List of Components available FREE on request. S.A.E. PLEASE.

**SIL. G.P. DIODES**  
800mW 30 ..... 10/-  
25PIV (Min.) 100 ..... 25/-  
Sub-Min. 500 ..... 25/-  
Fully Tested 1,000 ..... 29/-  
Ideal for Organ Builders.

# BI-PAK



500, Chesham House, 150 Regent Street, LONDON, W.1.

## KING OF THE PAKS BI-PAK GUARANTEED SATISFACTION OR MONEY BACK



# ELECTROVALUE

rapid  
mail-order  
service

EVERYTHING BRAND NEW . NO SURPLUS . PROMPT DEPENDABLE SERVICE . VERY LARGE STOCKS

## ★ Unbeatable value in SEMI-CONDUCTORS

### 30 watt BAILEY AMPLIFIER

MJ481 } matched pair output £2/19/-  
MJ49 }  
40361 } matched pair driver £1/10/3.  
40362 }

40361 12/6 ; 40362 16/9 ; BC125 12/- ; BC125 12/- ;  
BC107 2/9 ; BC109 2/9.

Main amp. PC board 12/6 each but FREE with each complete transistor set.

Total for one channel £7/8/0 list ; with 10% discount only £6/13/3.  
Total for two channels £14/16/0 ; with 15% discount only £12/11/8.  
Complete power supply kit £4/5/0 list. Circuit reprints 1/- each.

## ★ G.E. 2N2926 PLASTIC range. ABSOLUTELY BRAND NEW

Red spot  $\beta$  = 55 to 110 2 3  
Orange spot  $\beta$  = 90 to 180 2 3

Yellow spot  $\beta$  = 150 to 300 1/9  
Green spot  $\beta$  = 235 to 470 2/3

## ★ TEXAS SILECT range. PRICES REDUCED !

30V 600mA npn  
2N3704  $\beta$  90 to 330 3 9  
2N3705  $\beta$  45 to 165 3 5  
25V 200mA npn  
2N3702  $\beta$  60 to 300 3 6  
2N3703  $\beta$  30 to 150 3 3  
Small signal npn  
2N3707 low noise 4 -  
2N3711 = 180 to 660 3 11.

Small signal pnp  
2N4058 low noise 4 9.  
2N4062  $\beta$  180 to 660 4 3.

BC109 20V  $\beta$  = 125 to 900 2/9.

BC107 series  
300mA 300MHz fT, 1018  
BC107 45V  $\beta$  125 to 500 2 9.  
BC108 20V  $\beta$  125 to 900 2 6.

BC167 series  
180mV 300 MHz fT, T092  
BC167 45V  $\beta$  125 to 500 2 3.  
BC168 20V  $\beta$  = 125 to 900 2 -  
BC169 20V  $\beta$  = 240 to 900 2 3.  
BC109 and BC169 are low noise.  
BC167, BC168 and BC169 are plastic.

## ★ FETS. PRICES REDUCED ! MPE105 25V max., gm 2 to 6mA V, low noise 7/6.

2N3819 25V max., gm 2 to 6 mA V, low noise 9 6. A brand new FET 2N5163 1.8mA V minimum 5/- only.

## ★ MINI TRANSISTORS. PRICES REDUCED !

2N4285 npn hFE 35 to 150 at 10mA fT 7MHz min. Veb 35V max.  
2N4286 npn 30V hFE over 100 at 10 $\mu$ A to 1mA fT 280MHz typ  
2N4289 npn 60V hFE over 100 at 10 $\mu$ A to 1mA fT 170MHz typ  
2N4291 pnp 40V hFE over 100 at 100mA  
2N3794 npn 40V hFE over 100 at 100mA complementary driver/output.  
2N4292 npn 30V UHF N.F. 6dB max at 100MHz, fT 570MHz typ.  
B5041 Power 1403W at 100°C base temp. 35V, hFE over 100 at 0.5A, Insulated T066 size mounting surface  
Prices : 2N4285 to 2N4292, 2N3794 2/11 ; B5041 13/6.

1000 volt 1.5A GENERAL PURPOSE RECTIFIER  
type 1N5054 3/6d. only.  
100V 0.75A miniature rectifier type TS1 1 9d. ;  
400V type TS4 2 3d.

ZENER DIODES  
3V to 27V 5% 400mW all preferred voltages,  
4/6 each.

## ★ NEW TRANSISTOR BARGAINS WITH FREE INSULATING SETS

2N696 5/6	2N1613 6/6	2N4060 4/3	BC147 4/3
2N697 6/-	2N1711 7/4	40250 15/-	BC148 3/6
2N706 3/5	2N2147 16/9	40406 16/3	BC149 4/3
2N1132 13/	2N2369A 6/9	40408 14/6	BD123 24/3
2N1302 4/-	2N2646 9/6	AC126 6/6	BF194 7/-
2N1303 4/-	2N2924 5/-	AC128 6/-	BFX29 12/6.
2N1304 4/-	2N2925 5/9	AC176 11/-	BFX84 7/5
2N1305 4/-	2N3053 5/6	ACY17 8/-	BFX85 8/3
2N1306 6/9	2N3054 15/6	AD161 7/-	BFX88 7/9
2N1307 6/9	2N3055 16/6	AD162 7/-	BFY51 4/-
2N1308 8/9	2N3391A 5/6	AF114 7/-	BSX20 4/6
2N1309 8/9	2N3706 3/3	AF124 7/6	NKT403 14/10

### Peak Sound PA.12-15 Amplifier

This remarkable new power amplifier module delivers 11.5 watts R.M.S. into 15 ohms and has a maximum distortion level of only 0.1%. In Kit Form as advertised £3/19/6., plus 12/- for heat sink assembly and matrix board: PS-45 Power Supply Unit Kit £4/19/0: Pre-amp kit £1/7/0., plus 6/3 for mono controls, or £1/9/0 for stereo: Active Tone-filter kit only 19/6 plus mono controls 5/- or stereo 16/- . Discounts not available on basic kits only.

### DISCOUNTS

10% on orders for components for £3 or more ;  
15% on orders for components for £10 or more.  
POSTAGE and packing up to order for £1, add 1/1.  
FREE on orders for £10 or over.  
Overseas orders welcome—Carriage charged at cost

### CATALOGUE

Send 1/6d. for our comprehensive 1969 Catalogue. Invaluable to every serious experimenter, designer and Constructor

## ★ RESISTORS

METAL OXIDE type TR5. 0.5 watt 2% tolerance. Very low noise, low temperature coefficient, low drift. A PROFESSIONAL resistor.

All E24 preferred values 10  $\Omega$  to 1M  $\Omega$ .

Price: 1 to 11, 10d. ; 12 to 24, 9d. ; 25 up, 8d.

CARBON FILM high stab low noise.

W 10% 1  $\Omega$  to 3.3  $\Omega$   
W 5% 3.9  $\Omega$  to 1M  $\Omega$  1/10 doz., 14/6 100.  
W 10% 4.7  $\Omega$  to 10M  $\Omega$  1/9 doz., 13/6 100.  
W 5% 4.7  $\Omega$  to 10M  $\Omega$  2/2 doz., 17/- 100.  
1W 10% 4.7  $\Omega$  to 10M  $\Omega$  3/3 doz., 25/10 100.

1/6 less per 100 if ordered in complete 100's of one ohmic value. Please state resistance values required.

CARBON SKELETON pre-sets : 100  $\Omega$ , 250  $\Omega$ , 500  $\Omega$ , 1k  $\Omega$ , 2k  $\Omega$ , 2.5k  $\Omega$ , 5k  $\Omega$ , 10k  $\Omega$ , 20k  $\Omega$ , 25k  $\Omega$ , 50k  $\Omega$ , 100k  $\Omega$ , 200k  $\Omega$ , 250k  $\Omega$ , 500k  $\Omega$ , 1M  $\Omega$ , 2M  $\Omega$ , 2.5M  $\Omega$ , 5M  $\Omega$ , 10M  $\Omega$ . Vertical or horizontal mounting. Small high quality, 1/- each; Sub-min type 11d. each.

## ★ ELECTROLYTICS

SUB-MIN., C426 range ( $\mu$ F/V) : 0.64/64 ; 1/40 ; 1.6/25 ; 2.5/16 ; 2.5/64 ; 4/10 ; 4/40 ; 5/64 ; 6.4/6.4 ; 6.4/25 ; 8/4 ; 10/2.5 ; 10/16 ; 10/64 ; 12.5/25 ; 16/10 ; 16/40 ; 20/16 ; 20/64 ; 25/6.4 ; 25/25 ; 32/4 ; 32/10 ; 32/40 ; 32/64 ; 40/2.5 ; 40/16 ; 50/6.4 ; 50/25 ; 50/40 ; 64/10 ; 80/2.5 ; 80/16 ; 80/25 ; 100/6.4 ; 125/4 ; 125/10 ; 125/16 ; 160/2.5 ; 200/6.4 ; 200/10 ; 250/4 ; 320/2.5 ; 320/6.4 ; 400/4 ; 500/2.5 ; \*\*Price reduction 1/3 each.

MINIATURE ( $\mu$ F/V) : 5/10 ; 10/10 ; 25/10 ; 50/10, 9d. each ; 25/25 ; 50/25 ; 100/10 ; 200/10 ; 1/- each ; 50/50 ; 100/25, 1/6 each ; 100/50 ; 250/25, 2/- each.

LARGE ( $\mu$ F/V) : 1000/50 7/- ; 2000/50 9/3 ; 5000/50 17/6 ; 5000/25 10/3 ; 2500/64 15/- . Vertical clips for above types 9d. each.

## ★ CAPACITORS

Ceramic disc : 20% 500V ; 1000pF, 2000pF, 5000pF ; 50V 0.01 $\mu$ F, 0.02 $\mu$ F, 0.05 $\mu$ F. Mylar film 10% 100V ; 1000pF, 2000pF, 0.01 $\mu$ F, 0.02 $\mu$ F, 0.03 $\mu$ F, 0.05 $\mu$ F. Polystyrene 5% 160V ; 22pF and preferred values to 820pF. ALL at 5d. each.

Polyester 250V 20% : 0.01, 0.015, 0.022, 0.033, 0.047, 0.068 $\mu$ F, 7d. each ; 0.1 $\mu$ F 8d.  
Polyester 250V 10% : 0.15, 0.22, 9d. ; 0.33, 1/2 ; 0.47 1/6 ; 1 $\mu$ F 2/3 ; 2.2 $\mu$ F 4/-.

## ★ POTENTIOMETERS

Short spindle 100  $\Omega$  to 10M  $\Omega$  lin., 5K  $\Omega$  to 5M  $\Omega$  log, std. values only 2/- each. Long spindle 4.7K, 10K, 22K, 47K, 100K, 220K  $\epsilon$  lin. or log.—ONLY 2/6 each. Long spindle dual stereo: 10K, 22K, 47K, 100K, 220K  $\Omega$  lin. or log.—ONLY 8/6d. each.

EVERYTHING BRAND NEW . NO SURPLUS . PROMPT DEPENDABLE SERVICE . VERY LARGE STOCKS

# ELECTROVALUE

DEPT. RC.19, 32a, ST. JUDES ROAD,  
ENGLEFIELD GREEN, EGHAM, SURREY.  
Telephone: Egham 5533 (STD 0784-3)

# HEATHKIT WORLD LEADER IN TOP-QUALITY ELECTRONIC KITS

OFFER SOMETHING FOR EVERYONE IN OUR WIDE RANGE

For example . . . .



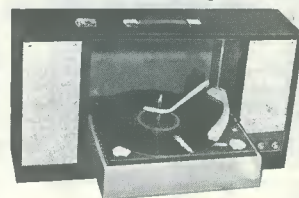
### LOW-COST FM STEREO RECEIVER, AR-17

For the best cool up-to-date sound.  
Kit K/AR-17 £39-0-0 pp 10/6  
(less cabinet)



### CAR RADIO, CR-1

Powerful sound at low price.  
Kit K/CR-1 (incl. Spkr) £14-12-0  
pp 4/6



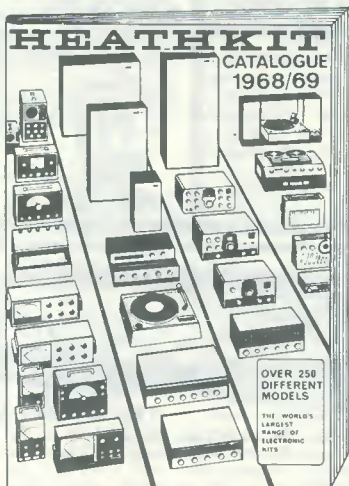
### PORTABLE STEREO RECORD PLAYER SRP-1

A complete stereo sound system.  
Kit K/SRP-1 £28-6-0 pp 10/6



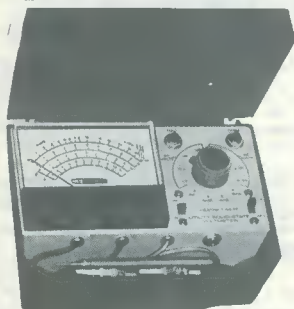
### SHORTWAVE RECEIVER, GR-64

Introduce yourself to the world of short-wave at lowest cost.  
Kit K/GR-64 £22-8-0 pp 9/-



### TRANSISTOR PORTABLE RADIO, UXR-1

Choice of leather or colours.  
Kits from £12-8-0 pp 4/6



### PORTABLE SOLID STATE VOM, IM-17

Just right for homeowners, hobbyists, Radio/TV servicing.  
Kit K/IM-17 £13-12-0 pp 6/-



SERVICE OSCILLOSCOPES AND MANY OTHER TEST INSTRUMENTS.

## Send for FREE CATALOGUE

### SEE HOW EASY IT IS TO BUILD ANY HEATHKIT MODEL

1. Make your selection from wide range in catalogues.
2. Purchase a manual, British 10/-; American £1. Examine it. Order the kit and have the manual price refunded.

**DAYSTROM LTD.**  
Dept. RC-1 GLOUCESTER GL2-6EE

Please send the FREE CATALOGUE  
Name.....

ADDRESS .....

(Prices and specifications subject to change without prior notice)





# L.S.T. ELECTRONIC COMPONENTS LTD.

2N3854	18/-	2C3718	4/-	4AU15	20/8	2-0A79M	4/-	OC123	7/-
2N3854	18/-	2C3718	4/-	8A115	2/8	0A83	4/8	OC139	8/-
2N695	6/-	2C381	6/-	8AY38	3/-	0A85	4/8	OC140	12/-
2N697	6/-	2C382	6/-	8C107	4/3	0A89	4/8	OC169	12/-
2N706	6/-	2S02	6/-	8C108	4/-	0A81	1/8	OC189	8/-
2N706A	6/-	2S01	15/-	8C109	4/3	0A85	4/8	OC170	8/-
2N711	7/8	2S018	8/8	8C130	7/-	0A200	1/8	OC171	8/-
2N711A	7/8	2S024	15/-	8C131	7/-	0A201	1/8	OC209	8/-
2N1131	8/8	2S034	25/-	8C132	18/-	0A210	9/4	OC201	10/8
2N1132	7/8	2S021	25/-	8C133	18/-	0A211	9/4	OC202	10/8
2N1302	8/-	2S022	25/-	8C134	18/-	0A212	9/4	OC203	10/8
2N1303	8/-	2S023	25/-	8C135	18/-	0A213	9/4	OC204	10/8
2N1304	8/-	2S024	25/-	8C136	18/-	0A214	9/4	OC205	10/8
2N1305	8/-	2S025	25/-	8C137	18/-	0A215	9/4	OC206	10/8
2N1306	8/-	2S026	25/-	8C138	18/-	0A216	9/4	OC207	10/8
2N1307	8/-	2S027	25/-	8C139	18/-	0A217	9/4	OC208	10/8
2N1308	10/8	2S028	25/-	8C140	18/-	0A218	9/4	OC209	10/8
2N1309	10/8	2S029	25/-	8C141	18/-	0A219	9/4	OC210	10/8
2N2368	8/8	2S030	25/-	8C142	18/-	0A220	9/4	OC211	10/8
2N2369	8/8	2S031	25/-	8C143	18/-	0A221	9/4	OC212	10/8
2N2370	8/8	2S032	25/-	8C144	18/-	0A222	9/4	OC213	10/8
2N2371	8/8	2S033	25/-	8C145	18/-	0A223	9/4	OC214	10/8
2N2372	8/8	2S034	25/-	8C146	18/-	0A224	9/4	OC215	10/8
2N2373	8/8	2S035	25/-	8C147	18/-	0A225	9/4	OC216	10/8
2N2374	8/8	2S036	25/-	8C148	18/-	0A226	9/4	OC217	10/8
2N2375	8/8	2S037	25/-	8C149	18/-	0A227	9/4	OC218	10/8
2N2376	8/8	2S038	25/-	8C150	18/-	0A228	9/4	OC219	10/8
2N2377	8/8	2S039	25/-	8C151	18/-	0A229	9/4	OC220	10/8
2N2378	8/8	2S040	25/-	8C152	18/-	0A230	9/4	OC221	10/8
2N2379	8/8	2S041	25/-	8C153	18/-	0A231	9/4	OC222	10/8
2N2380	8/8	2S042	25/-	8C154	18/-	0A232	9/4	OC223	10/8
2N2381	8/8	2S043	25/-	8C155	18/-	0A233	9/4	OC224	10/8
2N2382	8/8	2S044	25/-	8C156	18/-	0A234	9/4	OC225	10/8
2N2383	8/8	2S045	25/-	8C157	18/-	0A235	9/4	OC226	10/8
2N2384	8/8	2S046	25/-	8C158	18/-	0A236	9/4	OC227	10/8
2N2385	8/8	2S047	25/-	8C159	18/-	0A237	9/4	OC228	10/8
2N2386	8/8	2S048	25/-	8C160	18/-	0A238	9/4	OC229	10/8
2N2387	8/8	2S049	25/-	8C161	18/-	0A239	9/4	OC230	10/8
2N2388	8/8	2S050	25/-	8C162	18/-	0A240	9/4	OC231	10/8
2N2389	8/8	2S051	25/-	8C163	18/-	0A241	9/4	OC232	10/8
2N2390	8/8	2S052	25/-	8C164	18/-	0A242	9/4	OC233	10/8
2N2391	8/8	2S053	25/-	8C165	18/-	0A243	9/4	OC234	10/8
2N2392	8/8	2S054	25/-	8C166	18/-	0A244	9/4	OC235	10/8
2N2393	8/8	2S055	25/-	8C167	18/-	0A245	9/4	OC236	10/8
2N2394	8/8	2S056	25/-	8C168	18/-	0A246	9/4	OC237	10/8
2N2395	8/8	2S057	25/-	8C169	18/-	0A247	9/4	OC238	10/8
2N2396	8/8	2S058	25/-	8C170	18/-	0A248	9/4	OC239	10/8
2N2397	8/8	2S059	25/-	8C171	18/-	0A249	9/4	OC240	10/8
2N2398	8/8	2S060	25/-	8C172	18/-	0A250	9/4	OC241	10/8
2N2399	8/8	2S061	25/-	8C173	18/-	0A251	9/4	OC242	10/8
2N2400	8/8	2S062	25/-	8C174	18/-	0A252	9/4	OC243	10/8
2N2401	8/8	2S063	25/-	8C175	18/-	0A253	9/4	OC244	10/8
2N2402	8/8	2S064	25/-	8C176	18/-	0A254	9/4	OC245	10/8
2N2403	8/8	2S065	25/-	8C177	18/-	0A255	9/4	OC246	10/8
2N2404	8/8	2S066	25/-	8C178	18/-	0A256	9/4	OC247	10/8
2N2405	8/8	2S067	25/-	8C179	18/-	0A257	9/4	OC248	10/8
2N2406	8/8	2S068	25/-	8C180	18/-	0A258	9/4	OC249	10/8
2N2407	8/8	2S069	25/-	8C181	18/-	0A259	9/4	OC250	10/8
2N2408	8/8	2S070	25/-	8C182	18/-	0A260	9/4	OC251	10/8
2N2409	8/8	2S071	25/-	8C183	18/-	0A261	9/4	OC252	10/8
2N2410	8/8	2S072	25/-	8C184	18/-	0A262	9/4	OC253	10/8
2N2411	8/8	2S073	25/-	8C185	18/-	0A263	9/4	OC254	10/8
2N2412	8/8	2S074	25/-	8C186	18/-	0A264	9/4	OC255	10/8
2N2413	8/8	2S075	25/-	8C187	18/-	0A265	9/4	OC256	10/8
2N2414	8/8	2S076	25/-	8C188	18/-	0A266	9/4	OC257	10/8
2N2415	8/8	2S077	25/-	8C189	18/-	0A267	9/4	OC258	10/8
2N2416	8/8	2S078	25/-	8C190	18/-	0A268	9/4	OC259	10/8
2N2417	8/8	2S079	25/-	8C191	18/-	0A269	9/4	OC260	10/8
2N2418	8/8	2S080	25/-	8C192	18/-	0A270	9/4	OC261	10/8
2N2419	8/8	2S081	25/-	8C193	18/-	0A271	9/4	OC262	10/8
2N2420	8/8	2S082	25/-	8C194	18/-	0A272	9/4	OC263	10/8
2N2421	8/8	2S083	25/-	8C195	18/-	0A273	9/4	OC264	10/8
2N2422	8/8	2S084	25/-	8C196	18/-	0A274	9/4	OC265	10/8
2N2423	8/8	2S085	25/-	8C197	18/-	0A275	9/4	OC266	10/8
2N2424	8/8	2S086	25/-	8C198	18/-	0A276	9/4	OC267	10/8
2N2425	8/8	2S087	25/-	8C199	18/-	0A277	9/4	OC268	10/8
2N2426	8/8	2S088	25/-	8C200	18/-	0A278	9/4	OC269	10/8
2N2427	8/8	2S089	25/-	8C201	18/-	0A279	9/4	OC270	10/8
2N2428	8/8	2S090	25/-	8C202	18/-	0A280	9/4	OC271	10/8
2N2429	8/8	2S091	25/-	8C203	18/-	0A281	9/4	OC272	10/8
2N2430	8/8	2S092	25/-	8C204	18/-	0A282	9/4	OC273	10/8
2N2431	8/8	2S093	25/-	8C205	18/-	0A283	9/4	OC274	10/8
2N2432	8/8	2S094	25/-	8C206	18/-	0A284	9/4	OC275	10/8
2N2433	8/8	2S095	25/-	8C207	18/-	0A285	9/4	OC276	10/8
2N2434	8/8	2S096	25/-	8C208	18/-	0A286	9/4	OC277	10/8
2N2435	8/8	2S097	25/-	8C209	18/-	0A287	9/4	OC278	10/8
2N2436	8/8	2S098	25/-	8C210	18/-	0A288	9/4	OC279	10/8
2N2437	8/8	2S099	25/-	8C211	18/-	0A289	9/4	OC280	10/8
2N2438	8/8	2S100	25/-	8C212	18/-	0A290	9/4	OC281	10/8
2N2439	8/8	2S101	25/-	8C213	18/-	0A291	9/4	OC282	10/8
2N2440	8/8	2S102	25/-	8C214	18/-	0A292	9/4	OC283	10/8
2N2441	8/8	2S103	25/-	8C215	18/-	0A293	9/4	OC284	10/8
2N2442	8/8	2S104	25/-	8C216	18/-	0A294	9/4	OC285	10/8
2N2443	8/8	2S105	25/-	8C217	18/-	0A295	9/4	OC286	10/8
2N2444	8/8	2S106	25/-	8C218	18/-	0A296	9/4	OC287	10/8
2N2445	8/8	2S107	25/-	8C219	18/-	0A297	9/4	OC288	10/8
2N2446	8/8	2S108	25/-	8C220	18/-	0A298	9/4	OC289	10/8
2N2447	8/8	2S109	25/-	8C221	18/-	0A299	9/4	OC290	10/8
2N2448	8/8	2S110	25/-	8C222	18/-	0A300	9/4	OC291	10/8
2N2449	8/8	2S111	25/-	8C223	18/-	0A301	9/4	OC292	10/8
2N2450	8/8	2S112	25/-	8C224	18/-	0A302	9/4	OC293	10/8
2N2451	8/8	2S113	25/-	8C225	18/-	0A303	9/4	OC294	10/8
2N2452	8/8	2S114	25/-	8C226	18/-	0A304	9/4	OC295	10/8
2N2453	8/8	2S115	25/-	8C227	18/-	0A305	9/4	OC296	10/8
2N2454	8/8	2S116	25/-	8C228	18/-	0A306	9/4	OC297	10/8
2N2455	8/8	2S117	25/-	8C229	18/-	0A307	9/4	OC298	10/8
2N2456	8/8	2S118	25/-	8C230	18/-	0A308	9/4	OC299	10/8
2N2457	8/8	2S119	25/-	8C231	18/-	0A309	9/4	OC300	10/8
2N2458	8/8	2S120	25/-	8C232	18/-	0A310	9/4	OC301	10/8
2N2459	8/8	2S121	25/-	8C233	18/-	0A311	9/4	OC302	10/8
2N2460	8/8	2S122	25/-	8C234	18/-	0A312	9/4	OC303	10/8
2N2461	8/8	2S123	25/-	8C235	18/-	0A313	9/4	OC304	10/8
2N2462	8/8	2S124	25/-	8C236	18/-	0A314	9/4	OC305	10/8
2N2463	8/8	2S125	25/-	8C237	18/-	0A315	9/4	OC306	10/8
2N2464	8/8	2S126	25/-	8C238	18/-	0A316	9/4	OC307	10/8
2N2465	8/8	2S127	25/-	8C239	18/-	0A317	9/4	OC308	10/8
2N2466	8/8	2S128	25/-	8C240	18/-	0A318	9/4	OC309	10/8
2N2467	8/8	2S129	25/-	8C241	18/-	0A319	9/4	OC310	10/8
2N2468	8/8	2S130	25/-	8C242	18/-	0A320	9/4	OC311	10/8
2N2469	8/8	2S131	25/-	8C243	18/-	0A321	9/4	OC312	10/8
2N2470	8/8	2S132	25/-	8C244	18/-	0A322	9/4	OC313	10/8
2N2471	8/8	2S133	25/-	8C245	18/-	0A323	9/4	OC314	10/8
2N2472	8/8	2S134	25/-	8C246	18/-	0A324	9/4	OC315	10/8
2N2473	8/8	2S135	25/-	8C247	18/-	0A325	9/4	OC316	10/8
2N2474	8/8	2S136	25/-	8C248	18/-	0A326	9/4	OC317	10/8
2N2475	8/8	2S137	25/-	8C249	18/-	0A327	9/4	OC318	10/8
2N2476	8/8	2S138	25/-	8C250	18/-	0A328	9/4	OC319	10/8
2N2477	8/8								



# NOW— Knight-Kits quality at new lower prices!

... and anyone can build them

Simple, step by step instructions enable you to build these right-up-to-date Knight-Kits hi-fi units at a much lower price than similar made-up units. Acclaimed by reviewers, the Knight-Kits range offers equipment to everyone's standards and specifications using professional components. Get your free Knight-Kit booklet now showing hi-fi units, 'scopes and test equipment, plus car tuning, photographic and other interesting electronic kits. Here are some typical examples.



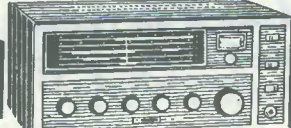
**KG 865 50 Watts Stereo Amplifier**  
25 watts IHF per channel. Response  $\pm 1$  dB, 18 to 30,000 Hz. All silicon transistors for stability and cleaner sounds. Wide power band width 20 to 20,000 Hz at 1% harmonic distortion. £20 19s. 6d. Teak case extra £4 14s. 5d. plus 13s. 1d. tax.  
Postage 10s 0d complete kit, 5s 0d case



**KG 795 Stereo Tuner** All Silicon transistor Stereo F.M. Tuner. Frequency response  $\pm 1$  dB, 30 to 15,000 Hz. Harmonic distortion less than 1%. 88 to 108 MHz tuning range. Matches KG 865 or other amplifiers. Automatic stereo switch. £20 18s. 2d. Teak case extra £4 14s. 5d. plus 13s. 0d. tax. Tuning Heart £6 3s. 4d. plus £1 12s. 8d. tax.  
Postage 10s 0d complete kit, 5s 0d case



**KG 980 Stereo F.M. Receiver**  
Combined Stereo F.M. Receiver and amplifier with 25 watts I.H.F. channel. Frequency response  $\pm 1$  dB, 18 to 30,000 Hz. Tuning range 88 to 108 MHz. Speaker outputs for 4 - 16 ohms. £55 3s. 6d. Teak case extra £5 1s. 6d. plus 14s. 0d. tax. Tuning Heart £6 6s. 4d. plus £1 12s. 8d.  
Postage 10s 0d complete kit, 5s 0d case



**Star Roamer 5 band shortwave receiver**  
A deluxe A.M. receiver able to cover world Ham and R.T. conversations plus all the usual A.M. programmes. Covers 200 to 400 KHz and 550 KHz to 30 MHz in 5 band-switched ranges with special features for needle sharp separation and maximum sensitivity (10 microvolts for 10 dB signal to noise ratio). Automatic volume control and noise limiter. £21 19s. 0d.  
Postage 10s 0d

KG 376A



### Auto Analyzer

**Kit** This simple to assemble kit makes car tune-ups and trouble shooting fast and easy with professional results. To get more power, better performance and more miles per gallon. You can perform actual road tests too. Self powered with lots of special features. £23 17s. 6d.  
Postage 10s 0d

results. To get more power, better performance and more miles per gallon. You can perform actual road tests too. Self powered with lots of special features. £23 17s. 6d.  
Postage 10s 0d

Postage 10s 0d



### Timing Light Kit

**Kit** By checking ignition timing, synchronization of double-breaker arms and sparking-advance your car gets better performance, reliability and more miles to the gallon. This high-intensity type of timing light enables accurate checks to be made, especially in conjunction with the auto analyzer kit, KG 376A. £9 19s. 6d.  
Postage 7s 0d

Postage 7s 0d

**New 960 page Hobbies Manual**  
12 Hobbies Sections over 12,000 units & components for dozens of Hobbies 16/6

Please send me: Free Knight-Kits brochure   
The new Electronics Hobbies Manual, (16/6)   
Enclosed is a cheque/postal order for 16/6 (which includes the 5/- pp) made payable to Electronics (Prop. STC) Ltd.

Name .....

Address .....

**knight-kit** RC.6 Quality built-in, built up by you.

Electronics (Prop. STC) Ltd., Edinburgh Way, Harlow, Essex.



electronics

# Now! A FAST EASY WAY TO LEARN BASIC RADIO AND ELECTRONICS



Build as you learn with the exciting new **TECHNATRON** Outfit! No mathematics. No soldering—but you learn the *practical* way.

Now you can learn basic Radio and Electronics at home—the fast, modern way. You can give yourself the essential technical 'know-how' sooner than you would have thought possible—read circuits, assemble standard components, experiment, build . . . and enjoy every moment of it. B.I.E.T.'s Simplified Study Method and the remarkable new **TECHNATRON** Self-Build Outfit take the mystery out of the subject—make learning *easy and interesting*.

Even if you don't know the first thing about Radio now, you'll build your own Radio set within a month or so!

and what's more, **YOU'LL UNDERSTAND EXACTLY WHAT YOU ARE DOING.** The Technatron Outfit contains everything you need, from tools to transistors . . . even a versatile Multimeter which we teach you how to use. You need only a little of your spare time, the cost is surprisingly low and the fee may be paid by convenient monthly instalments. You can use the equipment again and again—and it remains your own property.

You **LEARN**—but it's as fascinating as a hobby.

Among many other interesting experiments, the Radio set you build—and it's a good one—is really a bonus; this is first and last a *teaching* Course. But the training is as rewarding and interesting as any hobby. It could be the springboard for a career in Radio and Electronics or provide a great new, spare-time interest.

A 14-year-old could understand and benefit from this Course—but it teaches the real thing. Bite-size lessons—wonderfully clear and easy to understand, practical projects from a burglar-alarm to a sophisticated Radio set . . . here's your chance to master basic Radio and Electronics, even if you think you're a 'non-technical' type. And, if you want to carry on to more advanced work, B.I.E.T. has a fine range of Courses up to A.M.I.E.R.E. and City and Guilds standards.

Send now for free 132-page book. Like to know more about this intriguing new way to learn Radio and Electronics? Fill in the coupon and post it today. We'll send you full details and a 132-page book—'ENGINEERING OPPORTUNITIES'—Free and without any obligation.



## BRITISH INSTITUTE OF ENGINEERING TECHNOLOGY

Dept. 370B Aldermaston Court, Aldermaston, Berkshire.

To: B.I.E.T., Dept. 370B, ALDERMASTON COURT, ALDERMASTON, BERKS.

I would like to know more about your Practical Radio & Electronics Course. Please send me full details and FREE 132-page book.

name .....

address .....

age .....

POST THIS COUPON NOW!

# Fast Mail Order for the Amateur Radio Enthusiast!

## AERIAL EQUIPMENT

**TWIN FEEDER.** 300 ohm twin ribbon feeder similar K25, 8d. per yard. 75 ohm twin feeder, 6d. per yard. Post on above feeders and cable, 2/- any length.

**COPPER WIRE.** 14G, H/D, 140 ft., 30/-; 70ft., 16/-. Post and packing 3/3. Lengths are only approx. Actually sold by weight.

**FEEDER SPREADERS.** 6" Ceramic type F.S., 10d. each. Postage 2/6 up to 12.

**CERAMIC CENTRE PIECE** for dipoles, Type AT, 1/6 each. P. & P. 1/-. Ribbed insulators, ceramic, 2/6 each. P. & P. extra.

**2 METRE BEAM, 5 ELEMENT W.S. YAGI.** Complete in box with 1" to 2 1/2" masthead bracket. Price £37.0. Carriage 5/-.

**SUPER AERAXIAL.** 70/80 ohm coax. 300 watt very low loss, 2/3 per yard. 50 ohm 300 watt, 2/6 per yard. P. & P. 2/6.

**TOUGH POLYTHENE LINE,** type ML1 (100lb.), 2d. per yd. or 12/6 per 100 yds. Type ML2 (220lb.), 4d. per yd. or 25/- per 100 yds., ML4 (400lb.), 6d. per yd. ideal for Guys, L.V. Supports, Halyards, etc. Postage 1/6 on all line.

## Midland Agents for

- Eddystone
- K. W. Electronics
- Trio
- Ferrograph

## NEW BOXED VALVES

3/6 each, 4 for 10/-. P. & P. 2/-.

### TYPES

6N7GT	6SF7	6AB7	6SH7	X22
6AC7	MSP4	6SK7	956	Z21
U.10	R10	6G6G	IU5	Z22
958A	R18			

## LARGE CERAMIC COIL FORMERS.

4 1/2" long x 2 1/2" in diameter, grooved and threaded 9 TPI. Ideal for linears. 12/6 each. P. & P. 1/6.

**SHORT WAVE KIT,** 1 valve only, 45/--. Phones, Ant. and Batteries 40/- extra if required. Ideal for junior operator.

**VARIABLE CONDENSERS.** All with ceramic end plate, ball bearings and ganging extension. 50 pF 5/9; 100 pF 6/6; 160 pF 7/6; 240 pF 8/6 and 300 pF 10/6. P. & P. 2/-.

**SEALED RELAYS,** 12v. 105Ω Coil Type A. 4 Pole, C.O. 15/--. Type B.2 Pole, C.O. + 2 Pole Norm. on, 12/6. P. & P. 1/6.



The Widest Range in the Midlands

- ★ HIRE PURCHASE
- ★ PART EXCHANGE

## Chas. H. YOUNG Ltd.

At your service G2AK, G3LAY, G3VVF

Please print your address. No. C.O.D. under £1.

'phone 021-236 1635

170-172 Corporation Street,  
Birmingham 4

## TOP TRANSISTORS

AD161/2	12/8	HK041	2/6	2N3707	4/3
(Comp. pair)		HK101	2/-	2N3794	2/6
AF239	8/6	HK601	2/6	2N3983	5/8
B5000	10/-	IS44	1/4	2N4058	4/7
BD121	18/-	IS557	3/-	2N4285	2/6
BC107B	2/8	SF115	2/6	2N4289	2/6
BC168B	2/-	TI3028	16/7	2N4291	2/6
BC168C	2/-	TI518	7/-	2N4292	2/6
BC169C	2/3	TIS60M	4/8	2SB187	2/-
BF224	4/-	TIS61M	4/11	2SB405	5/-
BF225	4/-	2N706	2/7	2SD72	5/-
BFV51	4/-	2N2926G	2/6	3N140	17/-
GET693	1/3	2N3055	16/6	40468	7/6

### ROCK BOTTOM PRICES!

Buy now, before the  
Import Deposit Rule  
forces prices up!

## EQUIVALENTS LIST

Save yourself £££'s by using  
these substitutions!

BC148-BC168	BF115-SF115	2N3702-2N4291
BC149-BC169	BF167-BF225	2N3704-2N3794
BC151-BC169	BF173-BF224	2N1308-2SD72
BC154-BC169	2N3391A-BC169	2N1309-2SB405

## INTEGRATED CIRCUITS

NEW! PA234, 1W a.f. amp., transformerless, 22V, 22 ohm load, 24/-  
Mullard TAA320, 15/-; TAA263, 16/8; TAB101, 21/-  
RCA CA3011, 18/-; CA3020, 28/-; National LM703L, 10/6.

All new, first grade, guaranteed to specification.

Mail order only. Prompt service. Orders over 10/- U.K. post paid.

## NEW 4W AMPLIFIER PACKAGE

Component Kit AX4 for medium-fi 4W r.m.s. (8W peak) audio power amplifier for 15 ohm load. Advanced circuit uses AD161/AD162 output pair, silicon front end, a.c. and d.c. negative feedback. Requires 24V, 200mA supply, but can be operated from 18V at reduced output with low standby current (12mA). The AX4 kit contains all resistors, capacitors and semiconductor components of course!

- High sensitivity—100mV in 40K for full output.
- Full treble response.
- Low distortion; 2% typ. at full output.

PRICE ONLY 30/- . (Circuit available separately—Price 1/-)

## GEN SHEETS—

### Design Data & Parts Lists

**3V T.R.F. RX.** Low consumption front end plus transformerless class B a.f. amp. for 3-8 ohm speakers. (Described in R.C. Oct., 68) Price 6d.

**9V Silicon Reflex T.R.F.** (R.C. Jan., 68) Simple and sensitive. Price 1/-.

**AX9 High Performance T.R.F.** (9V) Amplified a.g.c. Printed circuit available. The best M.W./L.W. t.r.f. design yet produced. Price 6d.

**AX2 Miniature Amplifier:** 9V (either polarity), 300mW in 10-20 ohms, 6d.

**AX3 Miniature 800 MW Amplifier,** 9V (either pol.) 8 ohm load, 6d.

**AX4 4W Medium-Fidelity Amp.,** 1/-.

N.B. All the above amplifiers are transformerless class B



### MINI 9V MAINS PACK

Can be built to size of PP6 battery. Nominal output 9V, 80mA. All parts, 17/6. MT9 Osmor submin. mains trans. only, with data sheet, 11/-.

### BEST BUY MOSFET

R.C.A. 40468, as used in 'R.C.' F.E.T. Voltmeter, Crystal Mic. Matching Unit, Low Capacitance Meter . . . **NOW ONLY 7/6!** A superb high slope, h.f., insulated gate, N-channel depletion mode mosfet.

# AMATRONIX LTD.

396 Selsdon Road,  
South Croydon,  
Surrey, CR2 0DE



# BI-PRE-PAK LIMITED

## TRANSISTORS PRICE

AC107	3/-	OC170	3/-
AC126	2/4	OC171	4/-
AC127	2/4	OC200	3/6
AC128	2/4	OC201	7/-
AC117	3/-	2G301	2/6
AF114	4/-	2G303	2/6
AF115	3/6	2N711	10/-
AF116	3/6	2N1302-3	4/-
AF117	3/6	2N1304-5	5/-
AF118	3/6	2N1306-7	6/-
AF186	10/-	2N1308-9	8/-
AF139	10/-	2N3844A	5/-
AF239	12/6		
BFY50	4/-	<b>Power Transistors</b>	
BSY25	7/6	OC20	10/-
BSY26	3/-	OC23	10/-
BSY27	3/-	OC25	8/-
BSY28	3/-	OC26	5/-
BSY29	3/-	OC28	7/6
BSY95A	3/-	OC35	5/-
OC41	2/6	OC36	7/6
OC44	1/11	AD149	10/-
OC45	1/9	AUY10	30/-
OC71	2/6	<b>Diodes</b>	
OC72	2/6	AA42	2/-
OC73	3/6	OA95	2/-
OC81	2/6	OA70	1/9
OC81D	2/6	OA79	1/9
OC83	4/-	OA81	1/9
OC139	2/6	OA73	2/-
OC140	3/6	IN914	1/6

# FREE!

PACKS OF YOUR OWN CHOICE UP TO THE VALUE OF 10/- WITH ORDERS OVER £4

## SPECIAL OFFER!!

Exclusive to *Radio Constructor* readers

### ELECTRONIC DIGITAL CLOCK PAK CL1

This pack is approved by the author of the project, in this issue. This pack consists of all the Semiconductors needed to build the Digital Clock.

#### Contents:

- 110 Silicon Transistors
- 1 OC36 Power Transistor
- 132 Silicon Diodes
- 1 Zener Diode

All the Components are tested and fully guaranteed

## PAK CL.1. All this £6

N.B.—Please add 1/- post and packing with order. We very much regret that the "Free Choice" offer is suspended with this pak.

## PRE-PAKS

Selection from our lists

No.	Description	Price
B1	50 Unmarked Trans. Untested	- 10/-
B2	4 Photo Cells inc. Book of Instructions	- 10/-
B6	17 Red Spot AF Transistors	- 10/-
B6A	17 White Spot RF Transistors	- 10/-
B9	1 ORP 12 Light Sensitive Cell	- 9/-
B53	25 Sil. Trans. 400 Mc/s Brand New	- 10/-
B54	40 " " NPN to 5 Trans Voltage	- 10/-
B55	" " " NPN to 18 & Gain Fallouts	- 10/-
B56	" " " NPN/PNP All Tested	- 10/-
B68	10 Top Hat Recs. 750 M/A 100-800 PIV	- 10/-
B69	20 Diodes. Gld-Bnd. Germ Sil. Planer	- 10/-
B74	5 Gld-Bnd. Diodes. 2-OA9, 3-OA5	- 10/-
B75	3 Comp. Set. 2G371, 2G381, 2G339A	- 10/-
C2	6 Unijunction Transistor 2N2160	- 15/-
C32	6 Top Hat Recs. IS100 Type	- 15/-
5	3 Unijunction Trans. = to 2N2160	- 15/-
A1	7 Silicon Rectifiers BY100 Type	- 20/-
A3	25 Mixed Marked and Tested Transistors	- 20/-
A21	5 Power Transistors 1-AD149/1-OC26 and 3 others	- 20/-

AND MANY MORE

## TRANSISTORS ONLY 1/- EACH

SILICON • PLANAR • N.P.N. • P.N.P.

All these types available

2N929 2N706 2S131 2S103 2N696 2N1613 2S733 BFY10  
2S501 2N706A 2S512 2S104 2N697 2N1711 2N726 2S731  
BC108 2N3011 2S102 2N2220 2N1507 2N1893 2N2484 2S732

All tested and guaranteed for gain and leakage—unmarked. Manufacturers fall outs from the new PRE-PAK range.

### NEW UNMARKED UNTESTED PAKS

25	BSY95A NPN Silicon	TRANSISTORS 10/-
10	OC45—OC81 Mull. Glass Type	TRANSISTORS 10/-
25	BSY26-27 NPN Silicon	TRANSISTORS 10/-
10	10 Watt Silicon All Voltages	ZENERS 10/-
25	BFY50-1-2 NPN Silicon	TRANSISTORS 10/-
10	4 amp. Stud. Silicon	RECTIFIERS 10/-
25	BC107-8-9 NPN Silicon	TRANSISTORS 10/-
40	1N914-6 OA200/202 Sub. Min. Silicon	DIODES 10/-
150	Min. Germ. High Quality	DIODES 10/-
25	2N706 A NPN Silicon	TRANSISTORS 10/-

PRE-PAK. N.605 POWER TRANSISTOR EQUIVALENT TO NKT301-2-3-4 **5/- each**

COMPLEMENTARY SET NPN/PNP GERM. TRANS. **pair 2/6**

## BRAND NEW PAK !!! JUST RELEASED !!!

REPLACES OUR VERY POPULAR B39 PAK Short Lead Components, all Brand New and Factory Marked, mounted on Printed Circuit Panels.

Approximately:

80 TRANSISTORS AND DIODES  
50 HIGH TOLERANCE RESISTORS  
20 VARIOUS CAPACITORS  
Please state when ordering Pak. P.1. 2/6 Post and Packing with this pak. **10/-**

Make a Rev. Counter for your Car. The "TACHO BLOCK". This encapsulated block will turn any 0-1mA meter into a perfectly linear and accurate rev. counter for any car. State 4 or 6 cylinder. **20/- each**

FREE CATALOGUE AND LISTS for:—

ZENER DIODES  
TRANSISTORS, RECTIFIERS  
FULL PRE-PAK LISTS  
& SUBSTITUTION CHART

MINIMUM ORDER 10/- CASH WITH ORDER PLEASE. Add 1/- post and packing per order. OVERSEAS ADD EXTRA FOR AIRMAIL.

THERE IS ONLY ONE BI-PRE-PAK LTD BEWARE OF IMITATIONS

**SPECIAL OFFER**  
Stock Clearance of Manufacturers Rejects. Limited Number. UHF/VHF Tuner Units Consisting of: 2 AF186, 2 AF178, Tuning Condensers Coils and Comps etc.  
**Price 10/- each.**  
Post & packing U.K. 2/6d.

FREE! A WRITTEN GUARANTEE WITH ALL OUR TESTED SEMICONDUCTORS

**BI-PRE-PAK LTD** DEPT. A, 222-224 WEST ROAD, WESTCLIFF-ON-SEA, ESSEX TELEPHONE: SOUTHEND (0702) 46344

# THE ELECTRONIC COMPONENTS CATALOGUE THAT SETS THE STANDARD

Used and  
acclaimed by:—

**SCIENTISTS  
ENGINEERS  
TECHNICIANS  
TEACHERS &  
STUDENTS**

The latest edition of the famous Home Radio Catalogue is the result of eleven years of most careful selecting, compiling and indexing.



Of course, no catalogue is ever really finalised. As soon as we have one edition off the press, our researchers get busy finding out what is the latest and best in the world of Radio and Electronics—ready for the next printing.

This edition is without doubt the finest, most comprehensive we have ever produced—it has 300 pages, over 8,000 items listed, over 1,500 illustrations. It really is a *must* for anyone interested in radio and electronics.

With each catalogue we supply a Book Mark giving Electronic Abbreviations, an Order Form and an addressed envelope. All this for only 8/6 plus 3/6 post, packing and insurance. By the way, every catalogue contains 6 vouchers, each worth 1/- when used as directed. *Send the attached coupon today, with your cheque or P.O. for 12/-.* You'll be glad you did!

*Please write your Name and Address in block capitals*

NAME \_\_\_\_\_

ADDRESS \_\_\_\_\_  
\_\_\_\_\_  
\_\_\_\_\_

Home Radio (Mitcham) Ltd., Dept. RC, 187 London Rd., Mitcham, CR4 2YQ



# THE Radio Constructor



Incorporating THE RADIO AMATEUR

JANUARY 1969

Vol. 22 No. 6

Published Monthly (1st of Month)  
First Published 1947

Editorial and Advertising Offices  
57 MAIDA VALE LONDON W9

Telephone                      Telegrams  
CUNningham 6141              Databux, London

© Data Publications Ltd., 1969. Contents may only be reproduced after obtaining prior permission from the Editor. Short abstracts or references are allowable provided acknowledgement of source is given.

**Annual Subscription** 42s. (U.S.A. and Canada \$5) including postage. Remittances should be made payable to "Data Publications Ltd". Overseas readers please pay by cheque or International Money Order.

**Queries.** We regret that we are unable to answer queries other than those arising from articles appearing in this magazine nor can we advise on modifications to equipment described. Queries should be submitted in writing and accompanied by a stamped addressed envelope for reply.

**Correspondence** should be addressed to the Editor, Advertising Manager, Subscription Manager or the Publishers as appropriate.

**Opinions** expressed by contributors are not necessarily those of the Editor or proprietors.

**Production.**—Lithography.

The *Radio Constructor* is printed by Allens Printers (Wales) Ltd., Apex Works, Pontygwindy Industrial Estate, Caerphilly in conjunction with Godfrey Lang Ltd. London Office: Cliffords Inn, Fleet Street, London EC4

JANUARY 1969

<b>General Purpose High-Gain Amplifier,</b>	<b>350</b>
<i>by A. Foord</i>	
<b>Ohm's Law Ready Reckoner</b>	<b>356</b>
<i>by R. M. Blackall</i>	
<b>Variable Voltage Power Supply</b>	<b>357</b>
(Suggested Circuit No. 218)	
<i>by G. A. French</i>	
<b>Recent Publications</b>	<b>360</b>
<b>QSX</b>	<b>361</b>
<i>by L. Saxham</i>	
<b>News and Comment</b>	<b>362</b>
<b>Automatic Radar Plotting</b>	<b>364</b>
<b>Radio Constructor Data Sheet No. 19</b>	<b>365</b>
<b>Looking into Europe</b>	<b>368</b>
<i>by M. N. Corbett</i>	
<b>150 Watt Amateur Bands Transmitter, Part 3</b>	<b>371</b>
<i>by F. G. Rayer, G3OGR</i>	
<b>Slide Projector Synchroniser</b>	<b>374</b>
<i>by D. A. Rhys-James</i>	
<b>Solid-State Digital Clock, Part 2</b>	<b>381</b>
<i>by A. J. Ewins</i>	
<b>Radio Constructor Data Sheet No. 20</b>	<b>383</b>
<b>Electronic News</b>	<b>384</b>
<b>Understanding Radio</b>	<b>388</b>
(Delayed A.G.C. Circuits)	
<i>by W. G. Morley</i>	
<b>In Your Workshop</b>	<b>392</b>
<b>Radio Topics</b>	<b>398</b>
	<b>399</b>

# GENERAL PURPOSE HIGH-GAIN AMPLIFIER

by  
**A. FOORD**

The usual approach towards developing amplifiers consists of designing them for the specific function they are intended to provide. In this article, however, our contributor describes an alternative technique. A basic amplifier (which is simple to construct) is first assembled, after which it can be made to carry out a very wide variety of applications by merely adding external components to its terminals

THERE ARE OFTEN TIMES WHEN A multi-purpose amplifier is required, for functions such as acting as a scratch filter or meter amplifier, or for boosting the output of a tuner or preamplifier.

In the present instance a single amplifier capable, with suitable additional components, of carrying out a wide range of functions was constructed, this taking advantage of readily available inexpensive silicon transistors. The circuit of the basic

amplifier is shown in Fig. 1, and it consists of a differential pair input stage, TR<sub>1</sub> and TR<sub>2</sub>, followed by a common emitter stage, TR<sub>3</sub>, and emitter follower output, TR<sub>4</sub>. D.C. conditions are arranged so that inputs and outputs are at earth potential, and external negative feedback can be used from the output back to the inverting input to set gain and d.c. conditions. Since the amplifier has unity gain at 10 Mc/s it is advisable to decouple the supply lines at the board (or chassis) on which it

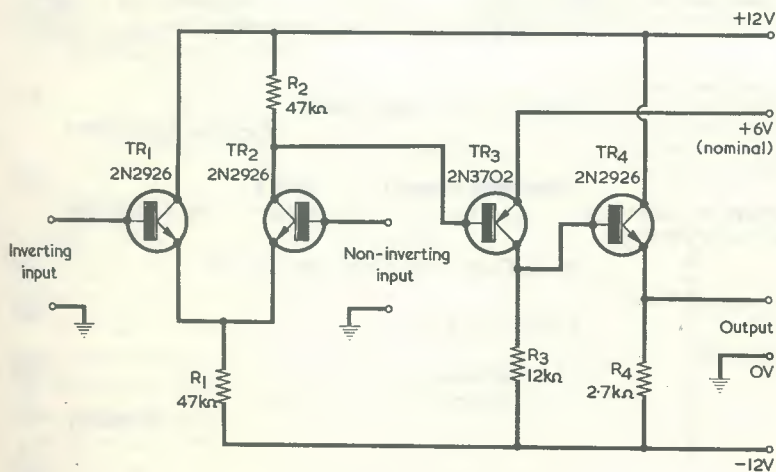


Fig. 1. The basic amplifier circuit diagram

is assembled with both ceramic and electrolytic capacitors. The nominal 6V positive supply can be fed from a zener diode and should lie between 6V and 7.5V positive. TR<sub>1</sub> and TR<sub>2</sub> each pass about 100μA, and TR<sub>3</sub> passes 1mA.

## PRACTICAL AMPLIFIER

The practical version of Fig. 1 is shown in Fig. 2, and this incorporates the nominal 6V supply and decoupling components just mentioned. All the circuits which follow in this article are based on the amplifier of Fig. 2. It will be noted that a single 12V supply is required, and that this is "floating" with respect to earth. Total consumption from the 12V supply is of the order of 5mA.

The collector of TR<sub>2</sub> is taken out to terminal 5 so that additional components can be added to this point, if necessary, to modify the frequency response. This facility would be required for instance in a meter amplifier, where an audio response might prove embarrassing.

The open loop gain (i.e. gain without feedback) is shown in Fig. 3, and was measured with a low source impedance. The gain/frequency characteristic is flat up to about 10 kc/s and then falls at 6dB per octave until 4 Mc/s, where the second break point occurs and the slope changes to 12dB per octave. The first break point at 10 kc/s is due to TR<sub>1</sub> and TR<sub>2</sub> operating at low current, and the second break point at 4 Mc/s is due to TR<sub>3</sub> (which operates at 1mA). Since TR<sub>4</sub> is an emitter follower it has no effect on frequency response up to 20 or 30 Mc/s, and we need not concern ourselves with it at all.

Typical performance figures for the amplifier of Fig. 2 are:—

Open loop gain = 68dB

Input impedance = 6kΩ

Output impedance = less than 100Ω

Maximum output = 4V p-p into 1kΩ load, or 8V p-p into open circuit load.

## GAIN SETTING

Gain and d.c. conditions are set by negative feedback from output (3) back to the inverting input (1), and we can apply our signal to (1) to obtain an inverting amplifier or to (2) for a non-inverting amplifier, as we require. These points are dealt with in the application details, given later. The use of negative feedback to give a predictable mid-band gain and to reduce distortion is well known, and the general management is shown in Fig. 4.

In this diagram a fraction,  $\beta$ , of the output is fed back to the input in such a way as to reduce the overall gain, so that  $\frac{V_o}{V_i}$  is less than A. For such an



# COMPONENTS

## Resistors

(All resistors  $\frac{1}{10}$  watt 10%)

R <sub>1</sub>	47k $\Omega$
R <sub>2</sub>	47k $\Omega$
R <sub>3</sub>	12k $\Omega$
R <sub>4</sub>	2.7k $\Omega$
R <sub>5</sub>	1.2k $\Omega$

## Capacitors

C <sub>1</sub>	10 $\mu$ F electrolytic, 15V wkg.
C <sub>2</sub>	0.01 $\mu$ F ceramic
C <sub>3</sub>	10 $\mu$ F electrolytic, 15V wkg.
C <sub>4</sub>	0.01 $\mu$ F ceramic
C <sub>5</sub>	0.01 $\mu$ F ceramic

## Semiconductors

TR <sub>1</sub>	2N2926, green spot (Amatronic)
TR <sub>2</sub>	2N2926, green spot (Amatronic)
TR <sub>3</sub>	2N3702, high gain version (Electrovalue, 6 Mansfield Place, Ascot, Berkshire)
TR <sub>4</sub>	2N2926, orange spot (Amatronic)
ZD <sub>1</sub>	5.6V zener diode (5mA rating), SX56 or OAZ201

## Battery

12-volt battery

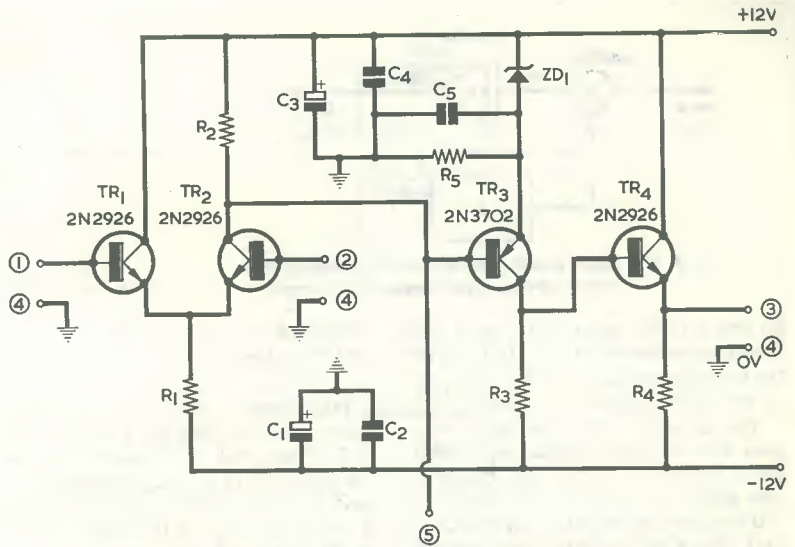


Fig. 2. The complete practical circuit for the amplifier. This is the diagram referred to in subsequent amplifier circuit arrangements

arrangement the overall gain is given by:

$$\frac{V_o}{V_i} = 'G$$

$$= -\frac{A}{1+A\beta}$$

The minus sign indicates the phase reversal between input and output. A is the forward or open loop gain (about 68dB in our case), and  $\beta$  is the fraction of the output fed back to the input. If we take an example where  $A = 1,000$  times and  $\beta = 0.1$  then,

$$'G = -\frac{1,000}{1+1,000 \times 0.1}$$

$$= -\frac{1,000}{1+100}$$

$$\therefore 'G \approx -\frac{1,000}{100}$$

$$\approx -10 \text{ times}$$

We can see that 'G is approximately  $\frac{1}{\beta}$ , so that we can see that the gain with feedback is given by

$$'G = -\frac{1}{\beta}$$

JANUARY 1969

This will be so provided that the gain we aim for is much less than the open loop gain  $-A$ .\*

In our case the feedback network will take the form of a voltage divider to the inverting input, and Fig. 5 shows the arrangements for (a) inverting amplifiers, (b) non-inverting amplifiers, and (c) differential amplifiers. In each instance the amplifier of Fig. 2 is indicated by the amplifier block symbol, the numbers in the block indicating the connections to terminals (1), (2), (3) and (4).

In the inverting arrangement of Fig.

\* This relationship was explained, in detail, in "Understanding Radio" in the issue for December, 1967.—Editor.

5 (a), gain is  $\frac{R_2}{R_1}$  and input impedance is  $R_1$ . Fig. 5 (b) shows the non-inverting arrangement and gain is  $\frac{R_2}{R_1} + 1$ . The differential input amplifier arrangement of Fig. 5 (c) gives a gain of  $\frac{R_2}{R_1}$ .

## PRACTICAL APPLICATIONS

We can now take some practical applications, starting with inverting amplifiers.

A whole range of inverting amplifiers appears in Fig. 6. That in Fig. 6 (a) gives a gain of 100 times and has an input impedance of 1k $\Omega$ . The bandwidth is 100 kc/s. Both the amplifiers of Figs. 6

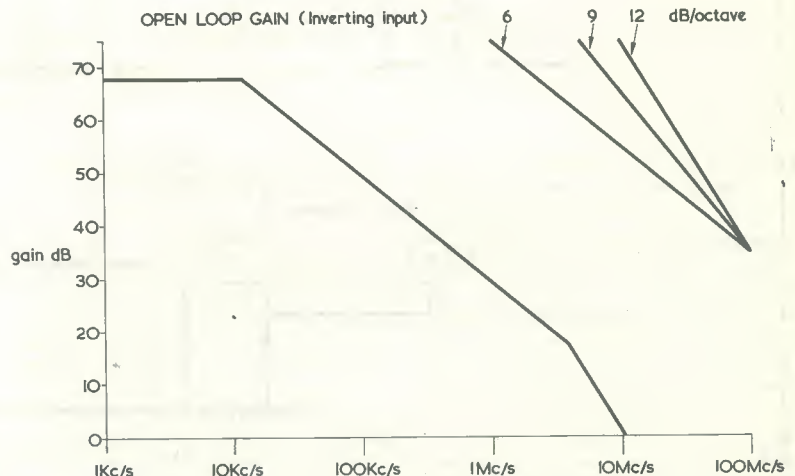


Fig. 3. Open loop gain of the amplifier of Fig. 2. Also shown are slopes for 6, 9 and 12dB per octave

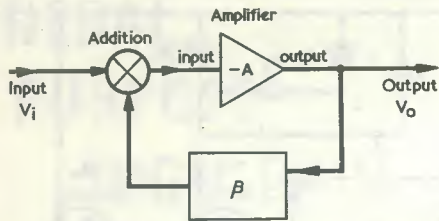


Fig. 4. The basic block diagram demonstrating the effect of negative feedback

(b) and (c) offer gains of 10 times and have bandwidths of 500 kc/s. In Fig. 6 (b) the input impedance is  $1k\Omega$ , and in Fig. (c) the input impedance is  $10k\Omega$ .

The amplifier of Fig. 6 (d) offers unity gain with an input impedance of  $10k\Omega$  and a bandwidth of 500 kc/s. Fig. 6 (e) also gives unity gain at a bandwidth of 500 kc/s, and has an input impedance of  $1k\Omega$ . The  $47pF$  capacitor was included in the arrangement of Fig. 6 (e) as a precaution against instability, but it was not in fact found to be necessary with the amplifiers constructed by the writer.

Because of the feedback, all the amplifiers of Fig. 6 have low output impedance.

Non-inverting amplifiers are illustrated in Fig. 7. That in Fig. 7 (a) has a gain of 100 times and that in Fig. 7 (b) a gain of 11 times. The bandwidth in Fig. 7 (a) is 100 kc/s, and in Fig. 7 (b) it is greater than 100 kc/s.

#### DIFFERENTIAL METER AMPLIFIER

Fig. 8 gives a circuit for a differential meter amplifier. This has a current gain of 100 times, and can be used to increase the sensitivity of a  $1mA$  f.s.d. meter from  $1k\Omega$  per volt to  $100k\Omega$  per volt. On the 0-1V range there is a very small change in balance with the input open or short-circuit (less than  $20\mu A$  change on the  $1mA$  scale) so this range should be used with the balance control set up under short-circuit conditions. Accuracy is limited by the meter movement rather than by amplifier non-linearity.

Note that use is made in this circuit of terminal (5) of the amplifier. The  $1.5\mu F$  capacitor connecting this terminal to earth limits the frequency response of the amplifier. Since this capacitor is in the collector of  $TR_2$  it should be a low leakage type, preferably tantalum.

#### INTEGRATING AMPLIFIER

An integrating amplifier is shown in Fig. 9. This can be used to produce a sawtooth from a square wave. It is particularly useful for checking crossover distortion in Class B output stages, since the distortion is very evident on a linear ramp.

#### SCRATCH FILTER

The basic arrangement for a scratch filter, or low pass filter, is given in Fig. 10 (a). The frequency at which roll off commences is given, in c/s, by

$$f = \frac{1}{2\pi CR}$$

Note that all three resistors have the same value, R, and that one capacitor has a value of  $3C$  and the other one of  $\frac{C}{3}$ .

Thus the two capacitors should have a ratio of 9:1, or 10:1 in a practical circuit. Roll off is at 12dB per octave.

A practical version appears, with component values, in Fig. 10 (b). This is ideally suited to removing surface noise from old recordings and gives the 12dB per octave roll off above 7.8 kc/s. The gain is unity up to this frequency, apart from a 1.5dB peak just below the roll off point. The turnover frequency can be altered by changing the capacitors (whilst still maintaining the 10:1 ratio) or the resistors, working from the equation just given.

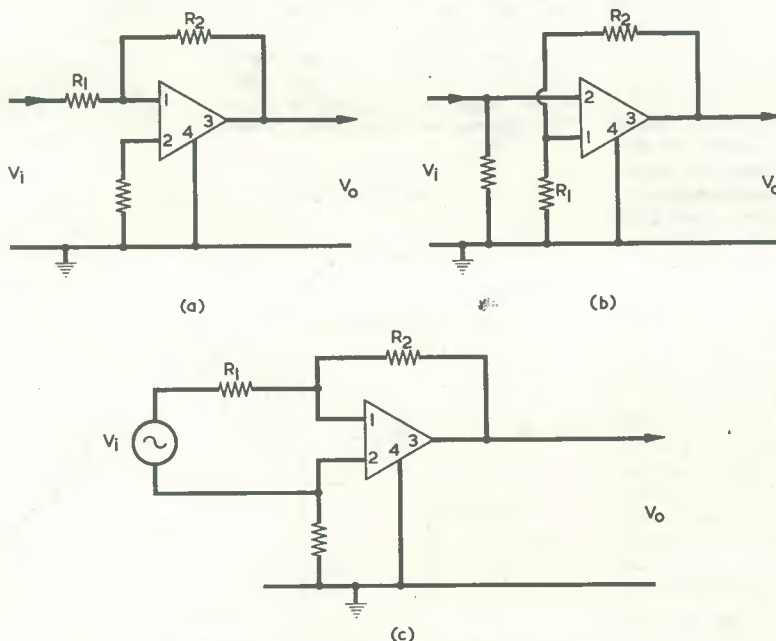


Fig. 5 (a). Inverting amplifier circuit  
(b). Non-inverting amplifier circuit  
(c). Differential input amplifier



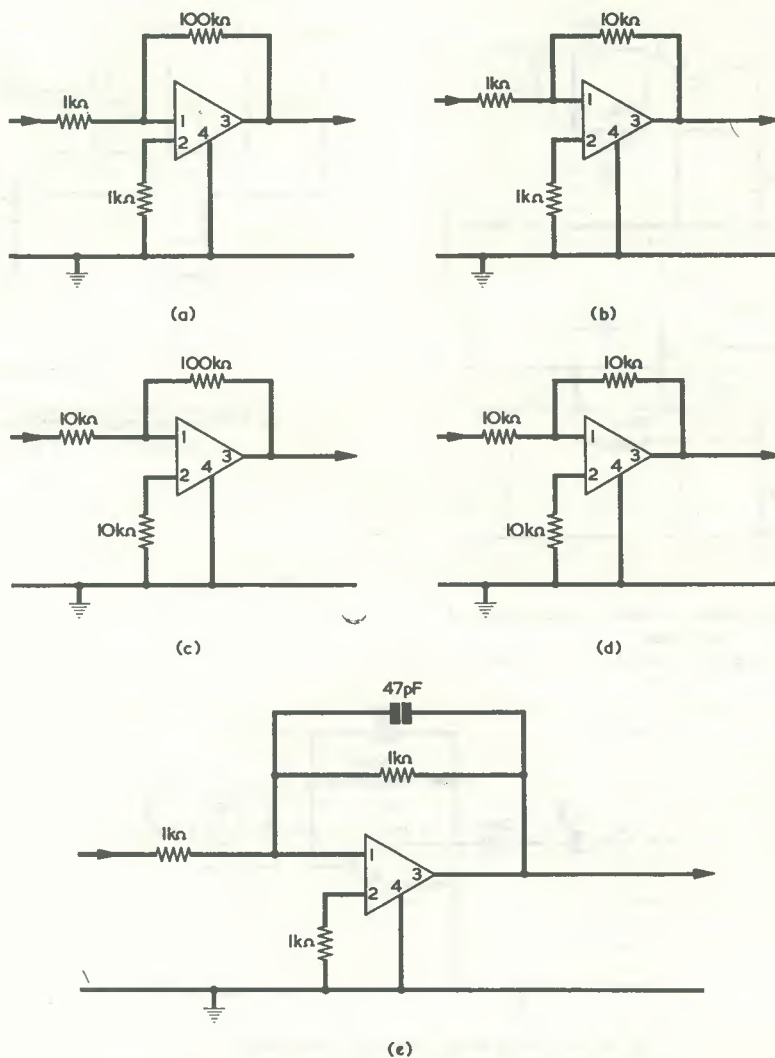


Fig. 6. A group of five inverting amplifiers with different external feedback circuits. Their performance is discussed in the text

### PARALLEL-T SINE WAVE OSCILLATOR

The amplifier may also be employed as a sine wave oscillator in conjunction with a parallel-T network. Although this is more often employed as a notch filter it provides 180° phase shift at the notch frequency (and a large signal attenuation) so that the amplifier can be used to complete the oscillator, as in Fig. 11 (a).

Here, positive feedback occurs by way of the network, whilst negative feedback via the silicon diode limits the gain to provide an output level of about 0.5V p-p. Because of the high Q of the network the output is a good sine wave.

The frequency of oscillation, in c/s, is

$$f = \frac{1}{2\pi CR}$$

using the component values of Fig. 11 (a). This type of oscillator is more suitable for fixed frequency operation, because the 2:1 ratio of component values makes variable frequency operation difficult.

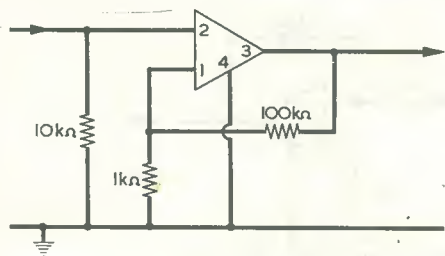
A practical circuit for 1 kc/s is given in Fig. 11 (b). The 10kΩ potentiometer in this diagram acts as variable damping on the circuit, and should be adjusted from maximum towards minimum resistance until the circuit oscillates reliably. In this particular version the diode is tapped down the output to

increase the output to 1V p-p. 0.5V p-p is still maintained across the diode.

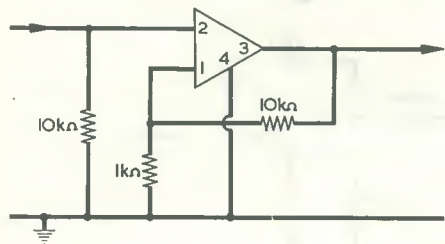
### CONCLUSION

For the a.c. amplifier applications, no input or output coupling capacitors have been shown. These can be added, if desired, remembering that both the inputs and the output are nominally at earth potential, and that electrolytic capacitors should be connected up with the corresponding polarity.

If it is desired to use two of the amplifiers in cascade with a direct coupling between them a difficulty may arise since, although the output of the first amplifier will be nominally at earth potential, it could still have a small



(a)



(b)

Fig. 7 (a). A non-inverting amplifier with a gain of 100 times  
(b). Altering the feedback values gives a gain of 11 times

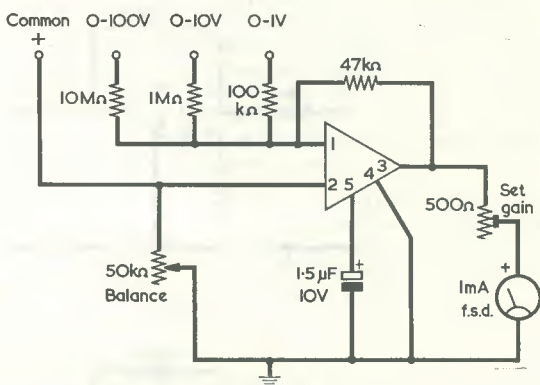


Fig. 8. Differential meter amplifier. This circuit has a sensitivity of 100kΩ per volt

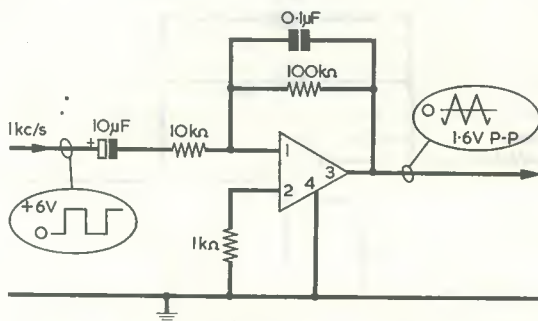
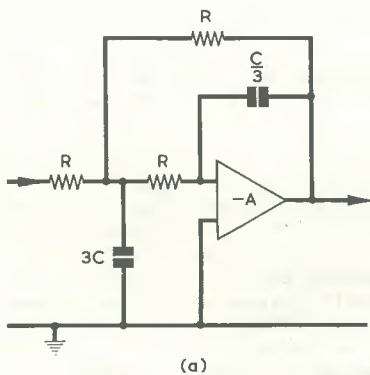
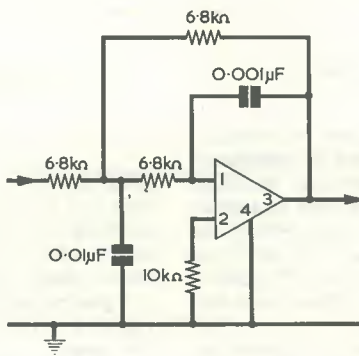


Fig. 9. An integrating amplifier. Amongst other applications this may be used to check for cross-over distortion in Class B a.f. output stages



(a)



(b)

Fig. 10 (a). Basic requirements for a low pass filter  
(b). A practical version which is intended for use as a scratch filter for record reproduction



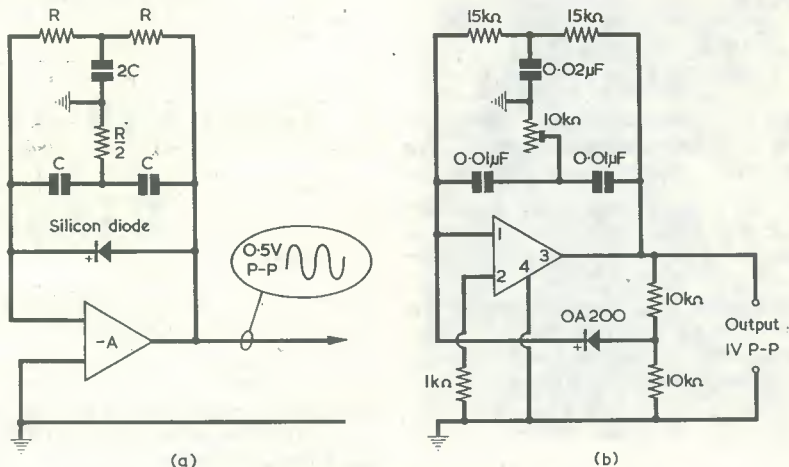


Fig. 11 (a). Adding a parallel-T network from output to input allows the amplifier to function as an oscillator giving a sine wave of good waveform  
 (b). A practical parallel-T sine wave oscillator circuit with worked component values. Oscillator frequency is 1 kc/s

offset (i.e. difference from earth potential) which may be sufficient to bias the second amplifier into cut-off or saturation. A solution here is to balance the first amplifier in the manner that was shown in Fig. 8. Thus, the input could be applied to terminal (1) of the first amplifier and a variable balance resistor connected between terminal (2) and earth. The balance resistor is adjusted

until the output terminal of the second amplifier has zero offset.

A possible alternative approach could be to apply a bias which can be varied from positive to negative of earth to the input terminal of the first amplifier. This bias could be applied via a resistor having a value considerably higher than the amplifier input impedance. The bias would then be adjusted for zero offset at

the output terminal of the following amplifier.

The accompanying photograph shows an amplifier made up to the circuit of Fig. 2, the components being mounted on a Paxolin board. This amplifier was actually fitted inside an old Carpenter Relay case, and the board is approximately 2in long and 1½in wide.



## MARCONI COLOUR CONVERSION FOR TYNE TEES

Tyne Tees Television, the Independent television contractor for North East England, will shortly have their existing black and white Marconi outside broadcast vehicle converted to full colour operation by The Marconi Company. Tyne Tees, major users of Marconi television equipment at their headquarters in Newcastle upon Tyne, took delivery of the O.B. unit in October 1967. Marconi originally supplied the van to a design based on the premise that a colour conversion would follow, and this has now materialised under a contract worth nearly £100,000.

The four existing Marconi Mark V black and white cameras will be replaced by a similar number of colour camera channels comprising a Mark VII camera, a camera control unit and an operational control panel. The Mark VII, with the famous Marconi 'hands-off' operation, is highly stable and therefore particularly suitable for outside broadcast work. Other modifications to the van include the introduction of colour balance controls and vertical aperture correctors, a dual synchronising generator, genlock and colour lock units, and colour synchronising equipment. The existing vision mixing equipment will be modified to enable the switching and fading of colour signals with separate preview facilities, and will include an output processing amplifier and a PAL colour caption module.

# OHM'S LAW READY RECKONER

## by R. M. BLACKALL

A diagram which enables any one of voltage, current and resistance to be found when the remaining two are known

THE ACCOMPANYING DIAGRAM HAS BEEN DESIGNED primarily for use with valve circuits, but it can be easily modified for lower voltages and lower or higher currents.

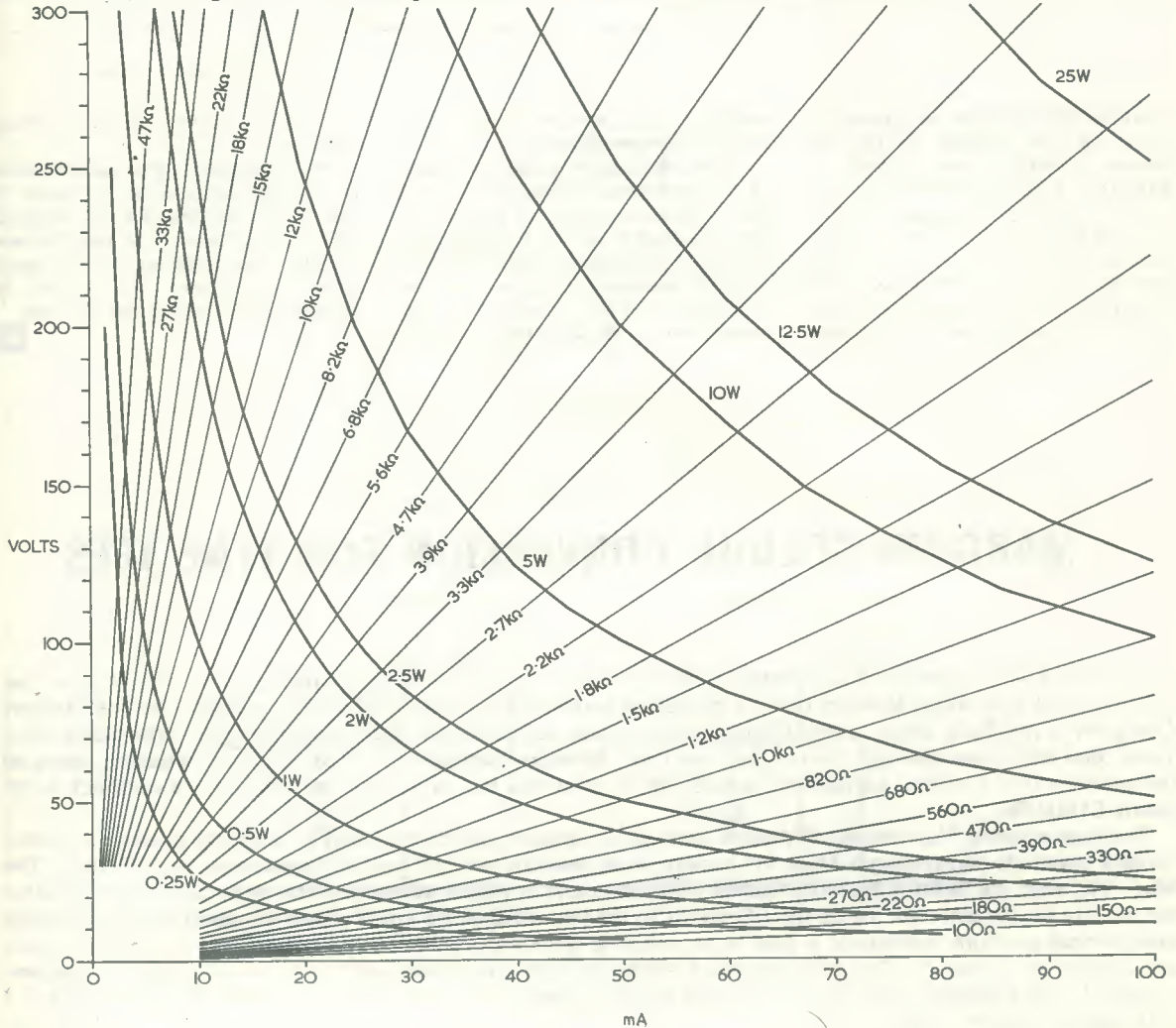
Given any two of voltage, current and resistance, the diagram immediately gives the third as well as the wattage dissipated. This is *not* the wattage rating the resistor should exhibit—the resistor should have a higher wattage rating than the figure indicated. The diagram will be found particularly useful in designing potential dividers and voltage droppers.

To take an example, let us assume that we wish to drop 100 volts at 50mA. These two quantities cross at a point central between the 1.8kΩ and 2.2kΩ lines, indicating that the resistance should be 2kΩ. Also, the quantities cross on the 5 watt line, showing that this is the dissipation that will

	0-30 volts	0-300 volts
0-10mA	$R \times 1$ Watts $\times 10^{-2}$	$R \times 10$ Watts $\times 10^{-1}$
1-100mA	$R \times 10^{-1}$ Watts $\times 10^{-1}$	$R \times 1$ Watts $\times 1$
0-1 Amp	$R \times 10^{-2}$ Watts $\times 1$	$R \times 10^{-1}$ Watts $\times 10$

occur in the 2kΩ resistor.

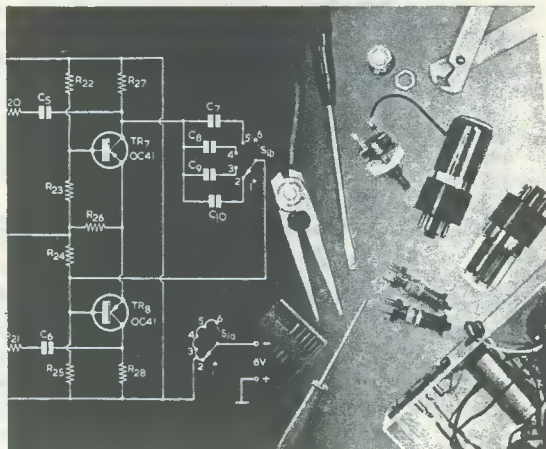
The Table gives conversion factors for voltages and currents other than those shown in the diagram. If, for instance, we want to use a voltage scale of 0-30 (instead of 0-300) and a current scale of 0-10mA (instead of 0-100) the Table indicates that R values remain the same but that watts are multiplied by  $10^{-2}$  (i.e. divided by 100). Thus, the 2 watt line now corresponds to 0.02 watts, the 5 watt line to 0.05 watts, and so on. Again, for 0-300 volts and a current scale of 0-1 amp, the watts are multiplied by 10 whilst resistance is multiplied by  $10^{-1}$  (i.e. divided by 10).





# VARIABLE VOLTAGE POWER SUPPLY

by G. A. FRENCH



FOR EXPERIMENTAL AND constructional work with transistor equipment it is frequently desirable to have available a power supply whose d.c. output voltage is continuously variable. This output may then be set at any desired level as required. It is also possible for the output of a variable voltage power supply to be initially set to zero when using it with newly constructed and untested equipment, the output voltage then being gradually increased to the final design level whilst monitoring the output current by a suitable meter. This procedure ensures that any tendency, due to fault conditions, for the new equipment to draw excess current can be discovered at an early stage, and without the risk of damage to components.

Frequently, variable voltage power supplies incorporate voltage stabilising circuits which necessitate the use of a large quantity of components and a complex circuit. This month's "Suggested Circuit" is for a power supply whose output voltage, whilst still being variable, is *not* stabilised. Nevertheless, the supply offers good voltage regulation and should be adequate for most applications which can be envisaged. In the interests of circuit simplicity and economy in components the power supply employs half-wave rectification only. Because of this, a small ripple is present on the output at the higher voltages and currents. The ripple may be easily removed by a simple filter following the output terminals but in most cases such a filter should not be necessary. Even if the power supply is employed with an a.f. amplifier the ripple will probably be cleared before the supply voltage reaches the earlier stages, which are those most likely to be affected, due to the a.f. decoupling in the amplifier itself.

The power supply to be described offers an output voltage continuously variable from zero to more than 15 volts at currents up to 300mA.

### BASIC CIRCUIT

To appreciate the operation of the complete unit it will be of assistance to examine, first of all, the basic power supply circuit shown in Fig. 1.

In this diagram the upper terminal of a mains transformer secondary offering between 12 and 15 volts r.m.s. is applied to the "cathode" of  $D_1$ , a silicon rectifier type DD000. Alternate negative half-cycles appear at the "anode" of  $D_1$  and are applied to the top end of potentiometer  $R_1$  and to the collectors of p.n.p. transistors  $TR_1$  and  $TR_2$ .  $TR_1$  and  $TR_2$  are in a compound emitter follower circuit offering a high degree of current amplification whereupon (assuming the requisite negative collector potential) the voltage at the emitter of  $TR_2$  is the same as that at the base of  $TR_1$  less the small voltage dropped in the base-emitter junctions of the two transistors.  $R_1$  is the output

voltage control for the power supply circuit.

The voltage at the emitter of  $TR_2$  is next applied to limiter resistor  $R_4$  and thence to the negative plate of the large value capacitor  $C_1$ .  $R_5$ , connected across  $C_1$ , is included merely to ensure that the voltage across this component reduces quickly when, with no external load,  $R_5$  slider is set for a lower output voltage. Without  $R_5$  the supply across  $C_1$  falls slowly, and this can be irritating when work with the supply is in progress.

Let us examine circuit operation when the slider of  $R_1$  is at a mid-way position on its track. For the moment, we shall assume that  $C_1$  is out of circuit. During a positive half-cycle at the upper end of  $T_1$  secondary diode  $D_1$  does not conduct, and the components which follow it are inactive. As soon as a negative half-cycle appears at the upper end of the secondary a correspondingly lower negative voltage is passed, via the slider of  $R_1$ , to the base of  $TR_1$ , and a similar voltage (less the voltage drop in the base-emitter junctions of the two transistors) appears

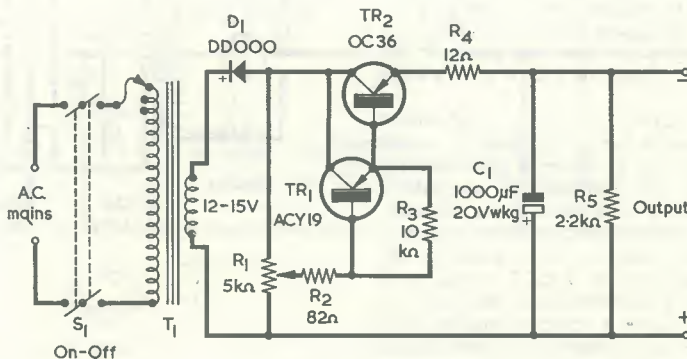


Fig. 1. Basic circuit employed in the power supply

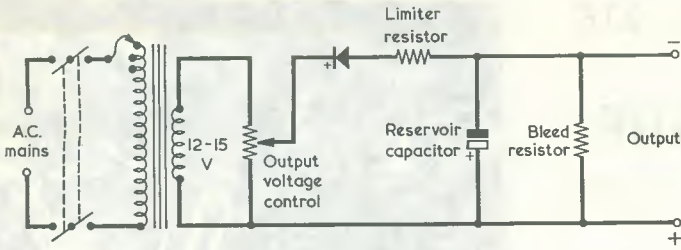


Fig. 2. The circuit of Fig. 1 functions effectively in the manner shown here

at the emitter of TR<sub>2</sub>. As the amplitude of the negative half-cycle increases, so also does the voltage at R<sub>1</sub> slider and at TR<sub>2</sub> emitter. When the half-cycle amplitude is at its peak the same happens with the voltage at TR<sub>2</sub> emitter, and when the half-cycle amplitude commences to fall so also does the voltage at TR<sub>2</sub> emitter.

It may thus be seen that the voltage at TR<sub>2</sub> emitter consists of a half-cycle having the same sine wave form as that from T<sub>1</sub> secondary but with a reduced voltage amplitude. Indeed, the output at TR<sub>2</sub> emitter is that which would be given by a half-wave rectifier coupled to a transformer secondary giving a lower voltage than does the secondary of T<sub>1</sub>. It is obvious that, if we now set the slider of R<sub>1</sub> higher, the output at TR<sub>2</sub> emitter will still consist of sine wave half-cycles but that these will have a correspondingly greater amplitude. Thus, R<sub>1</sub> functions as an output voltage control and can vary the voltage amplitude of the half-cycles at TR<sub>2</sub> emitter from zero to very nearly the full voltage available from D<sub>1</sub>. It might be thought that when R<sub>1</sub> slider is at the top of its track there would be insufficient base-collector voltage for TR<sub>1</sub> and TR<sub>2</sub> to operate satisfactorily. In practice, however, TR<sub>2</sub> presents about the same output impedance for this setting of R<sub>1</sub> as it does for lower settings.

If we now re-introduce C<sub>1</sub> we will find that this functions in the same manner as does the reservoir capacitor in any half-wave rectifier circuit, charging on peaks from the emitter of TR<sub>2</sub> and discharging between these peaks. In the interests of regulation C<sub>1</sub> is given a large value.

The circuit of Fig. 1 effectively functions in the same manner as would that in Fig. 2, where a potentiometer across the transformer secondary supplies a half-wave diode directly. However, to enable the same degree of voltage regulation to be achieved, the potentiometer in Fig. 2 would need to have a very low value, whereupon it would draw a proportionately high current and dissipate a considerable amount of heat. In Fig. 1 the high current amplification offered by TR<sub>1</sub> and TR<sub>2</sub> in tandem enables the actual

voltage control used to have the comfortably high value of 5kΩ.

#### LIMITING RESISTORS

Returning to Fig. 1 it will be seen that the transistor specified for TR<sub>2</sub> is an OC36. This is a power transistor capable of operating at collector currents up to 8 amps and is considerably under-run in the present application. The fact that it is under-run represents no great disadvantage as it still provides the low output impedance required of the circuit; also, the fact that it is a fairly large and bulky transistor is counterbalanced by the point that the other components in the circuit—the mains transformer and reservoir capacitor—are similarly of a bulky nature. The main reason for using the OC36 is that it has the high maximum reverse base-emitter voltage rating of 40 volts. A high reverse base-emitter voltage rating is necessary because, if R<sub>1</sub> slider were suddenly moved from the upper to the lower end of its track, the reverse base-emitter voltage applied to TR<sub>2</sub> could approach 21 volts. This would occur with no load connected and

C<sub>1</sub> charged to peak potential from a 15 volt transformer secondary.

The transistor specified for TR<sub>1</sub>, an ACY19, has the more commonly encountered (with germanium transistors) reverse base-emitter voltage rating of 12 volts. Resistor R<sub>3</sub> is connected across its base and emitter to ensure that, in the circumstances just described, most of the reverse voltage appears across the base-emitter junction of TR<sub>2</sub>. R<sub>3</sub> serves no other function.

Resistor R<sub>2</sub> is a limiting resistor, and it limits base current in TR<sub>1</sub> to a safe value should the power supply be switched on with R<sub>1</sub> slider at the top of its track and C<sub>1</sub> fully discharged. Resistor R<sub>4</sub> is also a limiting resistor and, for the same circumstances, limits the forward current in D<sub>1</sub> and the initial charging current in C<sub>1</sub>.

As it stands, the basic supply circuit of Fig. 1 is quite practicable, but it suffers from poor regulation due to the presence of R<sub>4</sub>. If R<sub>4</sub> is short-circuited the regulation improves considerably but there is then the risk of excessive surge current when initially switching on.

As a matter of interest R<sub>4</sub> could be short-circuited provided that the slider of R<sub>1</sub> was *always* at the bottom end of its track when the mains input was switched on. After switching on there would then be no initial surge and R<sub>1</sub> could be adjusted for whatever output voltage was required. The writer did, in fact, toy with the idea of ganging on-off switch S<sub>1</sub> with R<sub>1</sub> such that R<sub>1</sub> slider would automatically be at the lower end of its track when switching on, whereupon R<sub>4</sub> could be short-circuited and taken out of circuit. Although attractive at first sight, this method of operation cannot be recommended as

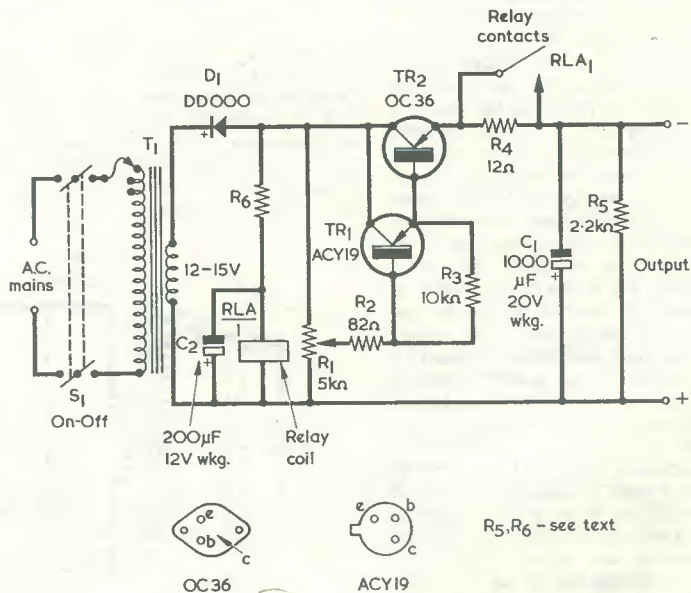


Fig. 3. The complete circuit of the variable voltage power supply



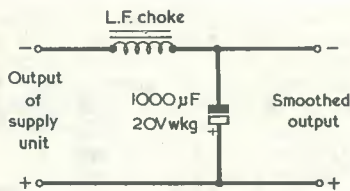


Fig. 4. A simple filter which may be added to remove ripple

there is always the risk of the mains supply to the power unit being broken and then reconnected externally, say by the removal and reinsertion of the mains plug in its socket. Damage could then occur to  $D_1$  or  $C_1$  under this condition.

#### FINAL CIRCUIT

The final arrangement, and that which forms this month's "Suggested Circuit", appears in Fig. 3. This is the same as Fig. 1 with the exception that  $R_6$ ,  $C_2$  and relay RLA have been added.

When, now, the mains supply is switched on the basic power supply circuit functions as before and causes  $C_1$  to be charged to a voltage depending on the setting of  $R_1$ . At the same time, capacitor  $C_2$  commences to charge via  $R_6$  with the result that, after a short period, relay RLA energises. Its normally-open contacts, RLA1, then short-circuit  $R_4$ , enabling the circuit to provide good regulation.

Even if  $R_1$  slider is initially at the top end of its track when the mains supply is switched on, the momentary surge in the  $D_1C_1$  circuit when, later, contacts RLA1 close is that associated with an a.c. supply of several volts only. It is far lower than would occur if the short-circuiting of  $R_4$  were not delayed.

The accompanying table shows results obtained with the prototype circuit and indicates the regulation achieved. In general there is a drop of about 2 volts for a current of 300mA, thereby indicating a regulation resistance of some 6 to 7Ω. The uppermost line of figures in the Table corresponds to the slider of  $R_1$  being right at the top of its track.

A ripple of about 0.4 volts peak-to-peak was given when the supply was checked at maximum output voltage at an output current of 150mA. This reduced to negligible proportions for output voltages below around 10 volts. It also reduced with lower output currents at the higher voltages. If the ripple is troublesome it can be readily cleared by adding the simple filter shown in Fig. 4. An inductance of only 1H in the choke (giving a reactance of 628Ω at 100 c/s) should be adequate.

If desired, a voltmeter could be permanently connected across the output terminals and a milliammeter in series, as in Fig. 5 (a). The milliammeter could have a full-scale deflection corresponding to

the range of currents (up to 300mA) it is intended that the power supply should provide. No short-circuit protection is given with the circuit of Fig. 3. Again if desired, a 500mA fuse could be added, after  $C_1$ , as in Fig. 5 (b).

#### COMPONENTS AND RELAY SETTING

Many of the components of Fig. 3 have already been discussed.

As already stated,  $TR_2$  is under-run and it hardly requires a heat-sink. Nevertheless, a heat-sink is convenient for mounting purposes, and could consist of a flat sheet of metal some 2in square. It should be remembered that the collector of  $TR_2$  is common to its metal case.

Resistors  $R_2$ ,  $R_3$ ,  $R_4$  and  $R_5$  may be  $\frac{1}{4}$  watt components, the first three of these having a tolerance of 10%. Resistor  $R_5$  is not at all critical and could, in practice, have any value between 1.5kΩ and 4.7kΩ.  $R_5$  may be a carbon track potentiometer of standard size.

Relay RLA should have an energising current of the order of 10 to 15mA at some 5 to 7 volts. The writer used a P.O. 3000 relay having a 500Ω coil and two sets of changeover contacts (of which only the make contacts of one set were employed), this functioning very satisfactorily. It is of course necessary to use a relay of reliable operation, such as a Post Office type, here. (P.O. 3000 relays are available from L. Wilkinson (Croydon) Ltd., Longley House, Longley Road, West Croydon, Surrey).

The value of  $R_6$  is found experimentally. First, the whole power supply should be completed with the exceptions that  $R_6$  is not fitted and that the relay contacts are *not* connected across  $R_4$ . Next, using a variable resistor of some 1kΩ to 5kΩ, find a value for  $R_6$  which causes a marked delay in the energising of the relay after  $S_1$  is closed. Then replace the variable resistor with a fixed component of the appropriate value. The delay may be less than a second but should still be very perceptible. With the prototype it was

TABLE  
POWER SUPPLY REGULATION

The table shows observed output voltages (rounded off to the nearest quarter-volt) at currents of zero, 100mA, 200mA and 300mA for three settings of  $R_1$ .

Zero Current	100mA	200mA	300mA
17.5V	16.5V	15.75V	15V
12V	11.25V	10.75V	10.25V
6V	5.0V	4.5V	4V

found that the final value required in  $R_6$  was 270Ω. If difficulty is experienced in obtaining the required delay it may be necessary to increase the value of  $C_2$ . However the writer found, with the relay used by himself, that there was an adequate delay when  $C_2$  was 100µF only. The 200µF value specified gives added insurance.

When relay operation is satisfactory, its normally open contacts may be connected across  $R_4$  as shown in Fig. 3. If the output voltage for a load of some 100mA is next checked with a voltmeter whose movement is not excessively damped it will be found that, after switching on, the output voltage rises quickly to a level dependent upon the setting of  $R_1$ , then finally increases by a volt or two as the relay contacts close.

A final point with respect to components concerns mains transformer  $T_1$ . The transformer used with the prototype circuit was a standard component having two 6.3 volt windings which were connected in series to provide a nominal 12.6 volts. A number of different transformers could be employed and a suitable component would be the Radiospares "Standard" type offering a secondary voltage of 13V at 0.5 amp. This is available from Home Radio (Components) Ltd. under Cat. No. TH5D.

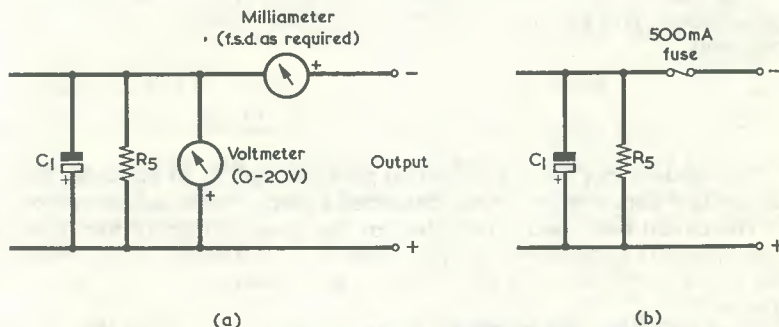


Fig. 5 (a). Either an output voltmeter and/or milliammeter may be incorporated, if desired.  
(b). If a fuse is fitted it should appear after  $C_1$ , and after the milliammeter of (a) if this is fitted

It will be noted that no chassis connection is made, in Fig. 3, to either side of the power supply output, since in most cases it will be preferable to have the output terminals "floating". Should a chassis connection be considered desirable it may be made to either the negative or the positive output terminal.

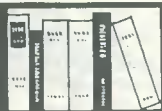
#### "SUGGESTED CIRCUIT" No. 216

Before concluding this month, the writer would like to refer back to Suggested Circuit No. 216, "Low-Value Capacitance Bridge", which appeared in the last November issue. This article stated that if a charged capacitor happened to be connected to the Test

terminals of the bridge an internal resistive path existed through which it would discharge. It should be pointed out that, even so, capacitors should always be discharged before being connected to the bridge described in the article as excessive voltages could otherwise be applied to the gate of TR<sub>2</sub>.



## RECENT PUBLICATIONS



**RADIO COMMUNICATION HANDBOOK.** 832 Pages, 7½ x 10 in. Published by the Radio Society of Great Britain, 35 Doughty Street, London, W.C.1. Price 63/—, 6s. postage and packing.

This is the Fourth Edition of the famous British Amateur Radio Handbook published by the National Society. It is fittingly dedicated to the memory of John A. Rouse, G2AHL, who was General Manager of the RSGB and responsible for much of the preparatory work in connection with this volume and who died in May 1967.

This well known Handbook was first published in December 1938 and supplied in very large quantities to the Armed Forces during the last war where it was used as a standard training manual.

The present edition is the largest yet produced and between its covers will be found many designs for receivers, transmitters, test equipment, VHF equipment, aerials, and filters etc. The book is lavishly illustrated with circuit diagrams and included are also special fold-out sheets on which are reproduced large circuits of a receiver and transceiver respectively. The early Chapters, cover both the theory of radio and the designing of equipment.

This well-produced Handbook deals with the many varied aspects of amateur radio communications and will be found invaluable to the amateur enthusiast and professional radio engineer alike. The theory and practice of modern techniques have been blended together in a book essential to both the home constructor and the electronics student.

The Chapter titles themselves alone convey the comprehensive coverage. Principles, Valves, Semiconductors, HF Receivers, VHF/UHF Receivers, HF Transmitters, VHF/UHF Transmitters, Keying and Break-in, Modulation Systems, SSB Transmission, RTTY, Propagation, HF Aerials, VHF/UHF Aerials, Noise, Mobile Equipment, Power Supplies, Interference, Measurements, Operating Technique, Station Layout and The RSGB and the Radio Amateur.

The Handbook is bound within very substantial rich blue linen board covers having a gold blocked spine and cover, this being covered by a quality art paper dust jacket of distinctive design.

The postage charge also includes packaging of the Handbook within a tough cardboard container ensuring safe postal delivery without damage.

This Handbook is highly recommended for all those engaged in radio communication whether amateur or professional, and for those interested in the art of electronics. For those studying for the RAE, it is virtually a necessity.

Our readers may care to know that pamphlet No. 21 in the series Educational Electronic Experiments issued by Mullard Educational Service describes a simple motor speed controller using a thyristor.

The circuit described is intended for the speed control of fractional horse power, a.c. series motors of the type normally used in electric hand drills and food mixers (½ h.p. maximum). The controller not only enables the speed of the motor to be varied but also maintains a reasonably constant speed under varying load conditions.

Also available from Mullard Educational Service is a pamphlet entitled "Introducing Silicon Planar Transistors". Its description of how silicon planar transistors are manufactured will be of use to teachers and students of electronics, and of interest to engineers using semiconductor devices.

Copies of these two pamphlets can be obtained from Mullard Educational Service, Mullard Limited, Mullard House, Torrington Place, London, W.C.1.





**L. SAXHAM**

(All times GMT)

Topic has been held over in view of the large amount of Dx listed. The subject of receiver ancillary equipments will be dealt with next time round—March issue.

#### AMATEUR BANDS

Although the writer spent comparatively little time on these bands, it was noted that plenty of Dx was there provided one searched for it. Unable to operate during the recent contest times, the following were however noted on the various bands.

##### 21 Mc/s

**CW:** CR6FU, 6FW, CX4CO, EL2NJ, HI3PC, KP4UW, TJ1AJ, ZS5SY, and 9X5MF/P.  
**SSB:** CR6LX, 6YL, KP4BCL and 5H5TH.

##### 14 Mc/s

**CW:** CE2PI, 9AT, CM2HA, CO2KG, 6AH, CR6AI, 6IV, LU2AEU/MM, 6FBR, 8OI, PY2DN, 4BCX, 5ASN, 5WL, 7AH, ZL2BCW, ZS1AX, 6GG, 8J and 9Y4KK.

**SSB:** CE6EW, JA2CLI, 2JKV, OA4GQ, PJ3CL, TI2CAP, 2CEF, VK1GD, 2AFB, 3VK, 5FQ, 7GK, 7RX, YV5CDK, ZL2ABY, 3LE, 3TD, 4BO, ZP3AL and 8P6CC.

##### 7 Mc/s

**CW:** CE2DI, CO2BB, PY2NE, VE2UN, 7ASV, VP1GB and W4BXB.

**SSB:** PJ0MM and YV4UA.

##### 3.5 Mc/s

**CW:** VE1LX, W2SZ, 4EZ and ZL4IF.

**SSB:** W1EBC, 1FZJ/KP4, 3BMS and 4IHK.

##### 1.8 Mc/s

Always the favourite haunt of the writer, especially the c.w. end, this band has certainly provided some Dx of late—

**CW:** DJ7YR, EI5BD, 6BC, GI3LSM, 3OIC, GM3FGJ, GW3TOW, 3XJC, OK1JIL, 1JIM, 1JOE, 1MSS, 3CHX, 3KIC, OL2AIO, 2AIQ, 2AKS, 6ACG, 6AJN, 6AJT, 7AJB, OM1AWO, 2AJQ, 2BOL, 2DW, 3KYQ, PA0AHQ and 0PN. On SSB the only station of Dx note was EI4AL.

This completes the Amateur bands roundup and we now turn to the—

#### BROADCAST BANDS

**3225kc/s 1952** R. St. Elwa, Liberia—with music prog. Heavy CW QRM.

**3240kc/s 1910** Baghdad, Iraq—with Arabic songs.

**3346kc/s 1925** Lusaka, Zambia—with African chants and drums.

**3365kc/s 0424** HIRL "R. Exitos", Dominican Rep.—with identification.

**3970kc/s 1955** Buea, Cameroon—with African drums and songs. Fairly clear channel at this time.

**4735kc/s 0517** HCEH3 "R. El Progreso", Loja, Ecuador—taped with Latin American music, 1 chime and identification.

**4760kc/s 1655** VUD Delhi, India—with sitar music in typical Indian manner. 6 'pips' at 1530 and announcements in dialect.

**4772kc/s 0450** YVMW "Ondas del Caribe", Punto Fijo, Venezuela—with National Anthem and closing down at 0453.

**4775kc/s 1525** AIR Gauhati, India—with songs by female singer. 6 'pips' at 1530.

**4777kc/s 2055** R. Gabon, Gabon—with talk in French.

**4790kc/s 0530** YVQN Puerto le Cruz, Venezuela—with Latin American music in typical manner and station identification.

**4795kc/s 2145** R. Commercial de Angola—with station identification.

**4800kc/s 1540** AIR Hyderabad, India—with news in English read by female announcer.

**4820kc/s 0355** HRVC R. Evangelica, Honduras Rep.—with hymn singing. Channel suffers from CW QRM.

**4860kc/s 0630** YVQE R. Mundo, Maracaibo, Venezuela—with station identification (every ¼ hour).

**4872kc/s 0345** TGQH R. Santa Cruz, Guatemala—with station identification.

**4875kc/s 2150** Dahomey, Africa—with African drums, chants and trilling female cries—most impressive!

**4885kc/s 0343** HJIG "Ondas del Meta", Columbia—with identification.

**4900kc/s 2040** R. Conakry, Guinea—with talk in vernacular. Clear channel at this time.

**4910kc/s 0520** HCMJ1 Quito, Ecuador—with identification "Emisora Gran Columbia" and trumpet fanfares.

**4920kc/s 1650** VUM Madras, India—with typical Indian music.

**4925kc/s 0403** ZYV32 "R. Industrial", Brazil—with identification.

**4938kc/s 1840** R. Sanaa, Yemen—with talk in Arabic.

**4955kc/s 0315** HJCQ R. Nacional, Columbia—with identification.

**4960kc/s 0338** YVQA "R. Sucre", Cumana, Venezuela—with Latin American music.

**4976kc/s 1825** Kampala, Uganda—with talk in vernacular.

**5030kc/s 0335** YVKM "R. Continente", Caracas, Venezuela—with Latin American songs.

**5033kc/s 2020** CR6RW R. Clube de Cabinda, Angola—with song programme.

**5041kc/s 2315** Emis. de Ginea, Bissau—with male choir.

**5043kc/s 2025** CR6RF R. Clube de Benguala, Angola—with music programme.

**5047kc/s 2033** Lome, Togo—with talk in dialect.

**5050kc/s 0430** "R. Cultura", Venezuela—with identification.

**5050kc/s 1950** Dar-es-Salaam, Tanzania—with song programme.

**6145kc/s 2200** PRL9 "R. Nacional", Rio de Janeiro, Brazil—with station identification.

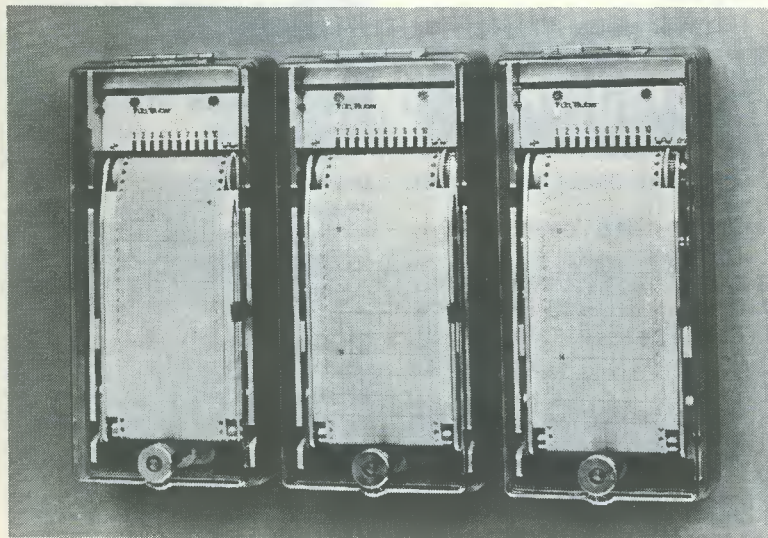
**6160kc/s 0415** HJKJ Emisora Nueva Granada, Colombia, with news in Spanish and station identification.

**6600kc/s 2030** Pyongyang, Korea—with talk in dialect.

**7180kc/s 2020** AIR Bhopal, India—with sitar music.

**7215kc/s 1945** VUD Delhi, India—with English programme and identification.

## TEN-CHANNEL EVENT RECORDER



*Trub Tauber Ten-Channel Event Recorder*

Radiatron Limited announce the introduction of their new Trub Tauber ten-channel event recorder.

This compact instrument, with a front panel size of only 212mm × 96mm, is equipped with ten independently operated continuous line recording channels. Each channel can indicate two different "on" conditions by means of a pen deflection from the central position to either the right-hand or left-hand side. In addition, each channel can be provided with an extra chopper type of operation which allows each of the ten channels to record up to four different conditions simultaneously.

Recording is inkless—using a wax coated pressure sensitive recording chart.

Typical applications for this type of recorder are for the survey of switching conditions; production machines; and most types of industrial continuous processes. It also enables programming and optimisation of production.

The Trub Tauber recorder can be supplied for panel mounting or for portable applications; it is available with two-speed chart drive, built in power supply and many other special features. The signal response time of each channel is 30 milliseconds.

Further information may be obtained from Radiatron Limited, 7 Sheen Park, Richmond, Surrey.

## PRODUCTIVITY ON THE SEA-BED

Never before in world history have the leading nations of the world spent so much time or money in exploration of the bed of the world's seas. Although Britain, as compared with Russia and America has spent little in space research, she is certainly participating in the sea-bed explorations stakes.

The big need has always been for man to be able to see what is happening well below the surface and until the advent of underwater TV his knowledge was limited in this respect.

Hitherto problems have been that of lighting, which has to be robust to say the least and in the case of deep-water, particularly so.

However, Group 70 Limited of Manchester are now operating with lighting equipment which together with the TV camera and ancillary equipment, can be fitted quite comfortably, together with two operators, in an ordinary rowing boat!

Although the camera is diver-operated, all the essential control equipment is housed in a special unit on the surface.

Mr. Richard A. E. Young, Chairman of Group 70 Limited believes that the future Underwater TV will be channelled into:

- (a) application in connection with fish farms.
- (b) commercial civil engineering: the exploitation of underwater oil and gas.
- (c) Oceanography work generally (i.e. currents, marine life, composition of the sea-bed and things of that kind).
- (d) Marine engineering directed towards the commercial development of the sea-bed.
- (e) Location of wrecks.

The underwater television unit of Group 70 Limited comprises camera, housing pressure tested to any depth, together with individually designed lighting system which can be boosted up to 800 watts, camera control unit, picture monitor, together with high quality 1 inch helical scan videotape recorder.

One example of recent work done by Group 70 was in the Solent. The camera was left working underwater continuously for 24 hours and as a result the tidal race in the bed of the Solent was seen and plotted for the first time.



# COMMENT

## THE END OF WIRES AND PLUGS

How would you like a full-size electric vacuum cleaner—but without a cord and plug to fall over? What about a cordless electric drill which runs not just for an hour on its internal battery, but for a whole day? And a truly silent outboard motor for your boat, so that powered progress up-river is as effortless and quiet as the idle drift downstream? As Richard Oliver reported in a BBC broadcast, all these things are on the way—indeed the out-board motor and the drill have already been demonstrated in London. The secret is a new kind of electric battery, called the zinc-air cell, which can pack away four times more power than a car battery into less than a quarter of the space, and about a seventh of the weight. These demonstrations were arranged by Britain's Energy Conversion Ltd., who claim that their zinc-cells have greater capacity and endurance than any announced elsewhere in the world.

How long do we have to wait for this new age of cordless electrical appliances and silent motive power? It is likely to be a little later than tomorrow, because none of these is a necessity. Essentials come first. Energy Conversion are about to go into production with a zinc-air battery specially designed for portable communications equipment—radio-telephones and so on—and are fully committed to supplying them to bodies like Britain's Royal Aircraft Establishment for evaluation, and to authorities in Australia, where communications in the "outback" at the moment can mean carrying an engine and fuel for recharging batteries, or pedalling a dynamo with your feet each time you want to use the radio-telephone. The zinc-air battery is recharged simply by replacing its zinc plates, which weigh just over 1lb a set. The cost in initial production is expected to be about £25 for a battery equivalent to the much heavier and bulkier accumulator. But this will come down, and there is no basic reason why eventually the zinc-air cell should not be as cheap a source of electricity as torch batteries, and a lot more powerful and convenient.

## "BOOKED TO THE HILT"

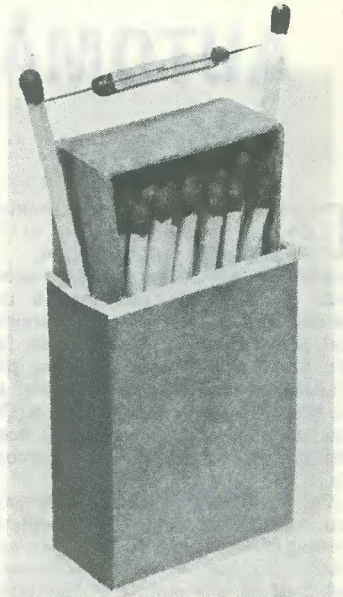
The 21st London Electronic Component Show celebrates its majority in 1969 by going fully international. Space for the exhibition at Olympia, London, in May, is now completely booked up.

The Organisers, Industrial Exhibitions Limited, report that a substantial influx of foreign exhibitors, added to the fact that many of the UK firms taking part have increased their stand space, means that the show is 25% bigger than before.

There are 400 exhibitors, 70 of which are from overseas. "Olympia is booked to the hilt," said an Industrial Exhibitions spokesman.

The ballot for stand space at the International London Electronic Component Show took place at Grosvenor House, London, on December 12th.

JANUARY 1969



### The M-O Valve Co. Ltd. Dry Reed Switch Type RCX

The M-O Valve Co. Ltd., has introduced a new low-cost dry reed switch, type RCX, suitable for fast low level switching applications where reliability and long life are required.

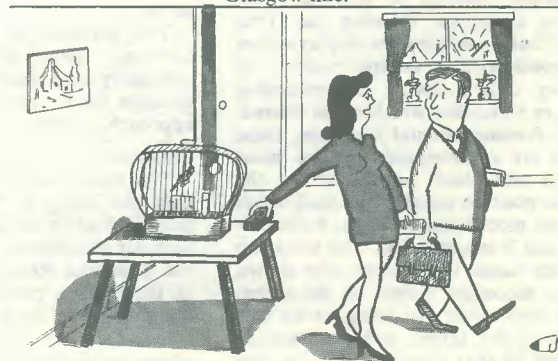
Priced at 6d. each in bulk quantities, the RCX is rated to switch 5 watts resistive loading and has a contact resistance of not greater than 150MΩ.

This reed is suitable for general industrial applications and is being produced by the same automated production techniques as used for the company's telephone exchange reeds.

### QUESTIONS IN PARLIAMENT

MR. EMERYS HUGHES (South Ayrshire, Lab.)—What does piped music mean? Does it mean music from the bagpipes? (Laughter).

MR. MARSH.—Should that problem arise, it would only be on the London to Glasgow line.



"Yes, I am leaving the radio on all day—he might get lonely!"



# AUTOMATIC RADAR PLOTTING

THE MARCONI INTERNATIONAL MARINE Co., Ltd., recently displayed, at the Ships' Gear Exhibition, a completely new departure in marine radar which, while retaining all the normal functions of a conventional high-performance set, also affords, for the first time, unique facilities not available in any other marine radar in the world. The Marconi Predictor, as the new radar has been named, has been designed and developed by the Marconi Co., Ltd.

The new Marconi Predictor is the only marine radar to provide fully automatic plotting of *all* targets visible on the radar screen. It has a bright, compass-stabilised relative motion display upon which can be superimposed—merely by pressing a switch, and without the need for any prior action or calculation—the tracks of all fixed and moving targets, in either true or relative motion, covering a specific immediate past period. True motion presentation of fixed targets appropriately produces a track having no length for each such target. The basic display being one of relative motion, own ship's position remains always at the centre of the screen. No loss of 'radar vision' occurs even when the Predictor is displaying true motion tracks, and the need for re-setting, with consequent interruptions to tracking, is completely eliminated.

## FOUR DISPLAY MODES

The Marconi Predictor provides four modes of display, selected by illuminated push buttons. The 'Targets' mode presents a conventional relative motion radar picture of the present position of all targets, moving or stationary, including coastlines. Pressing the 'True Track' button switches the display within 10 seconds to show the true tracks of all moving targets during the preceding  $1\frac{1}{2}$ , 3, or 6 minutes, whichever is desired. If the 6-minute period is chosen, these tracks are superimposed on the 'now' picture and show on the screen the precise position occupied by each target in three plots 6 minutes ago, 4 minutes ago, and 2 minutes ago. The track for any one target is therefore now shown as four successive 'paints' on the screen, up to 'now', their line being on the true course of that target, and their spacing dictated by that target's speed, i.e., the greater the speed the greater the distance

between 'paints' and the greater the overall length of the displayed track. With stationary targets the four 'paints', of course, appear successively in the same position.

The 'four-paints' picture applies to every target, moving or stationary, within the radar range in use, and the information on all targets is automatically updated every 10 seconds. Moreover, whatever mode of display is in use, this track information is continuously stored within the installation and is produced on the screen within 10 seconds of pressing the appropriate button. The observer switching from 'Targets' to 'True Tracks' does not, therefore, have to wait for a 6-minute picture to build up from 'now'. When he presses the button to change mode the stored past information, up to 'now', is traced out on the screen within 10 seconds, and is continually updated from then on.

This is truly automatic plotting, with the course and speed of every moving target clearly indicated, and changes of course or speed plainly apparent almost as soon as they take place.

The third mode of display available is 'Relative Tracks', providing all the past and current information described above, but in relative instead of true motion presentation. Again, switching from one mode to another means a time-lag of no more than 10 seconds before the new presentation, covering the previous  $1\frac{1}{2}$ , 3 or 6 minutes, is shown. The tracks are built up as before but this time they are relative motion tracks. The triangles of velocities are worked out and the answers presented within 10 seconds.

This presentation of relative tracks covering a specific time provides a clear and easily appreciated indication of the distance and imminence of closest approach of every target.

## Prediction

The fourth mode of display, which gave the Marconi Predictor its name, actually enables the observer to make an accurate prediction, merely by pressing the 'Predicted Relative Tracks' button, of the effect a contemplated action by own ship would have on the entire radar scene—before he in fact orders any alteration of course or speed.

In this mode the user, observing a

danger situation developing, and considering that, for example, an alteration of 30 degrees to starboard, accompanied by change of speed, would clear it, feeds this information into the Marconi Predictor by setting the Proposed Turn and Proposed Speed control knobs. On four successive sweeps of the PPI trace (10 seconds in time) the relative motion tracks of all targets are then built up as if own ship were already on the proposed new course and speed. The effectiveness of the proposed manoeuvre is then immediately evident. Only a quick inspection is needed to see whether (a) the proposed manoeuvre would clear the danger target previously observed and (b) would not introduce a new danger situation in relation to other targets previously safe. If, in clearing one danger, the proposed manoeuvre is seen to introduce another, the contemplated alteration can be adjusted on the screen, and the new effect on the collision situation shown in 10 seconds. Then, and only then, would the appropriate orders be given to wheel and engines in the confident knowledge that the course and speed decided upon will bring the ship safely through the situation.

It is worth noticing that, to cater for the fact that a ship does not turn smartly on its heel immediately an alteration of course is ordered, a ring is displayed round own ship in the 'Predicted Relative Tracks' mode. The radius of this ring indicates the amount of overshoot corresponding to the rate of turn of the vessel in which the Marconi Predictor is installed.

Another point worthy of note is that in this mode the prediction, like all other information on the screen, is kept up-to-date both before and during any manoeuvres of own ship. Thus, when a manoeuvre is initiated and completed, and the vessel is on her new course, the predicted heading becomes the actual heading unless and until another prediction becomes necessary. Meantime, the effectiveness of the manoeuvre has been monitored throughout.

With facilities never before available in marine radar, the Marconi Predictor out the work-load—and the dangerous time-lapse—imposed by manual plotting; it copes equally well with a multi-ship situation as with a few

(continued on page 367)

THE RADIO CONSTRUCTOR



# RADIO CONSTRUCTORS DATA SHEET

## 19

### IR DISSIPATION CURRENTS BELOW 50mA

The Table gives dissipation in watts, from  $W = I^2R$ , for resistance at commonly encountered current values below 50mA. For intermediate resistances multiply up from the most convenient lower value. Thus, the dissipation in 68kΩ at 6mA is about 3 times that in 22kΩ at this current and equals  $3 \times 0.79$  approximately, or 2.4 watts. (See Data Sheet No. 20 for further details.)

Resistance	1mA	2mA	3mA	4mA	6mA	8mA	10mA	15mA	20mA	30mA	40mA
47Ω							0.01	0.011	0.019	0.042	0.075
100Ω							0.022	0.022	0.04	0.09	0.16
220Ω							0.047	0.05	0.088	0.2	0.35
470Ω					0.017	0.014	0.1	0.11	0.19	0.42	0.75
1kΩ			0.02	0.016	0.036	0.064	0.1	0.22	0.4	0.9	1.6
2.2kΩ			0.042	0.035	0.079	0.14	0.22	0.5	0.88	2.0	3.5
4.7kΩ		0.019	0.09	0.075	0.17	0.3	0.47	1.1	1.9	4.2	7.5
10kΩ	0.01	0.04	0.20	0.16	0.36	0.64	1.0	2.2	4.0	9.0	16
22kΩ	0.022	0.088	0.42	0.35	0.79	1.4	2.2	5.0	8.8	20	
47kΩ	0.47	0.19	0.9	0.75	1.7	3.0	4.7	11	19		
100kΩ	0.1	0.4	2.0	1.6	3.6	6.4	10	22			
220kΩ	0.22	0.88	4.2	3.5	7.9	14	22				
470kΩ	0.47	1.9	9.0	7.5	17						
1MΩ	1.0	4.0	20	16							
2.2MΩ	2.2	8.8									





# AUTOMATIC RADAR PLOTTING

(Continued from page 364)

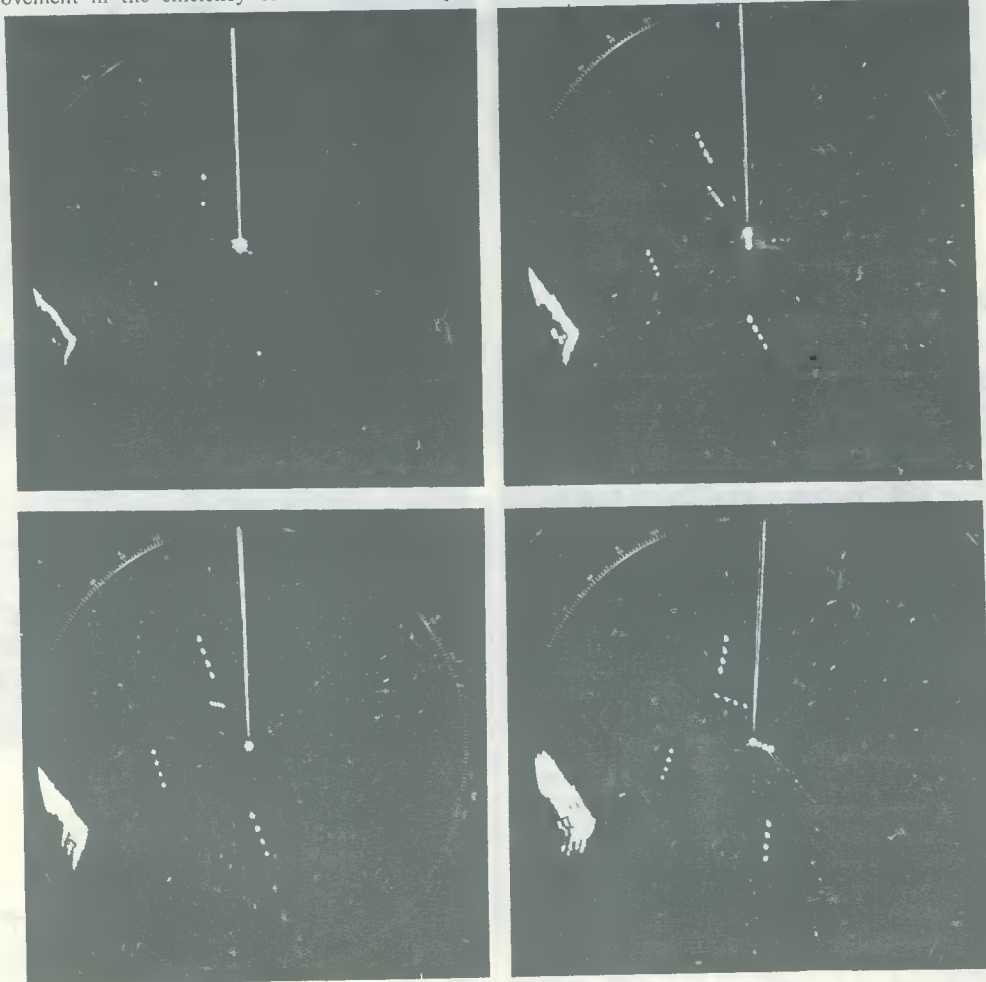
targets, and eliminates the need for arbitrary preselection of those which seem to present danger; it provides a vast improvement in the efficiency of

anti-collision radar; and yet carries out all the normal functions of a conventional high-performance set.

No chemicals are employed—all functions are performed electronically. No manual operation is necessary beyond the pressing of buttons and the turning of knobs. The entire equipment incorporates only two thermionic valves—the magnetron and the cathode ray tube—and represents the world's most

complete application of solid state techniques to marine radar. What are generally known as transistorised radars still employ ordinary klystrons and valve modulators, both of which are expensive items with a relatively short working life of approximately 1,000 hours.

The whole display, on an extra-bright 16in screen, can be presented either ship's head up or north up by push button selection. The display unit is



The four modes of the Marconi Predictor, set to 12 miles range with ship's head up. Own ship (at centre of screen) is on 125 degrees approximately at 9 knots.

*Targets* (top left) shows a conventional radar picture of the now positions of four other ships and land on the port quarter. Switching to *True Tracks* of 6 minutes length (top right) portrays own ship stepping forward whilst those astern are seen to be steaming away. The nearer ship on our port bow is also steaming away but the further ship is closing rapidly on an approaching course and could present danger. (In practice, the direction of progress is clearly seen from the stepping forward action of successive paints, which unfortunately cannot be reproduced in a static photograph.)

Changing to *Relative Tracks* (lower left) immediately shows that the closest approach of the possible danger ship is about  $\frac{1}{3}$  mile on the port hand and that, since the display is set to 6 minute tracks, this point will be reached in about 10 minutes unless avoiding action is taken

We now propose a starboard alteration to 171 degrees and feed this proposal into the radar display while switching to *Predicted Relative Tracks* (lower right). Within 10 seconds, although no actual helm order has yet been given, the dashed radial line now indicates our proposed new course and the relative tracks of all targets are presented as they will be if the contemplated alteration is carried out. On our proposed course, the closest approach of the danger target will be about two miles away on our port quarter; and it is clearly seen that the contemplated alteration can now be made without introducing a new hazard situation. (In practice the apparent track of own ship, seen in the last photograph, is not displayed on the screen.)—Courtesy The Marconi International Marine Co., Ltd.

smaller than that of most conventional 16in radars, with a total height of 40 inches, width of 30 inches, and a depth of 21 inches. The complete system comprises the display unit, an 8ft slotted waveguide scanner; the transceiver unit; a servo unit; and the track information

storage unit. Operation is normally direct from ship's a.c. mains, and no inverter is required. For ships with d.c. mains an inverter or rotary converter is necessary.

Display unit ranges, operating in the 'Targets' mode (i.e., as a conventional

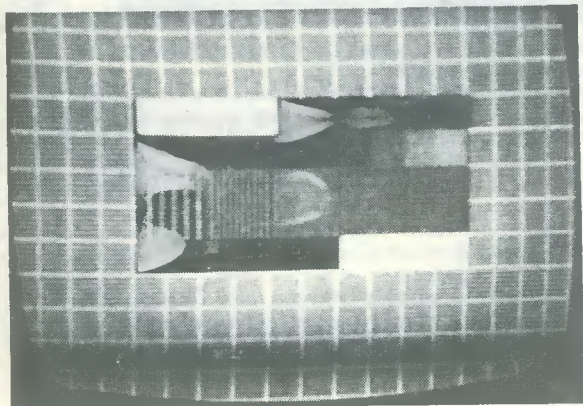
radar) are eight in number covering  $\frac{3}{8}$ ,  $\frac{3}{4}$ ,  $1\frac{1}{2}$ , 3, 6, 12, 24, and 48 miles. In the 'Tracks' modes push-button superimposition of  $1\frac{1}{2}$ , 3 or 6 minute tracks is available on the  $1\frac{1}{2}$ , 3, 6, 12, and 24 mile ranges.



## LOOKING INTO EUROPE by M. N. CORBETT

**Are you interested in obtaining some really outstanding Dx? Then try searching for Continental TV and Bands IV and V! Our contributor describes the results he obtained in 1968 using a standard 625 line receiver with modifications, together with a sensitive aerial system. Some knowledge and experience with TV receivers is required if the suggested modifications are to be carried out**

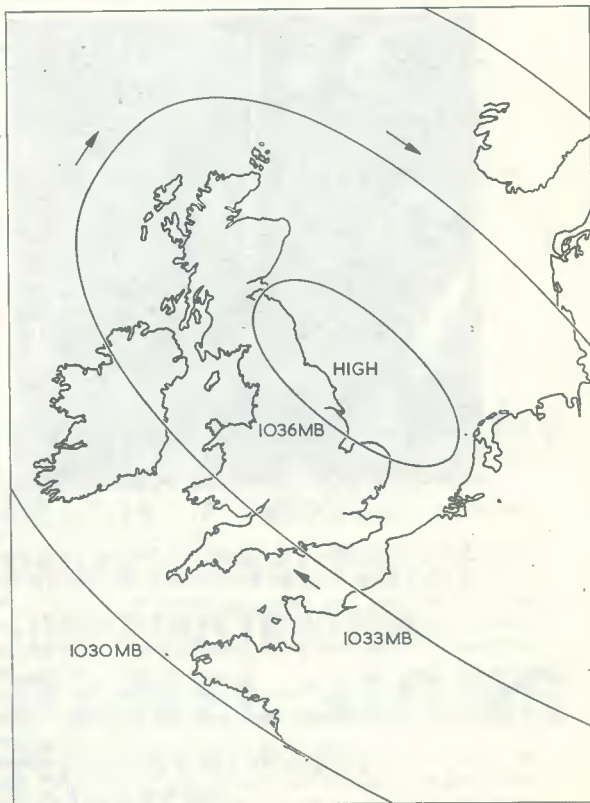
**A**S THE FREQUENCIES USED FOR TV HAVE INCREASED OVER the years so the effective service area of the stations has been reduced to the more stringent line-of-sight effect at the higher frequencies. Therefore many will be surprised to know that quite spectacular Dx can occur on the new u.h.f. Bands IV and V used for B.B.C. 2, and can include reception of European stations in colour. There are, however, a number of things to be taken into account and the main one is the weather.



*German cross-hatch and bars*

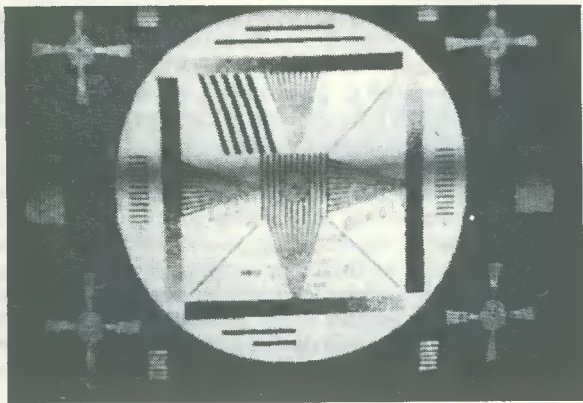


*French colour test transmission*

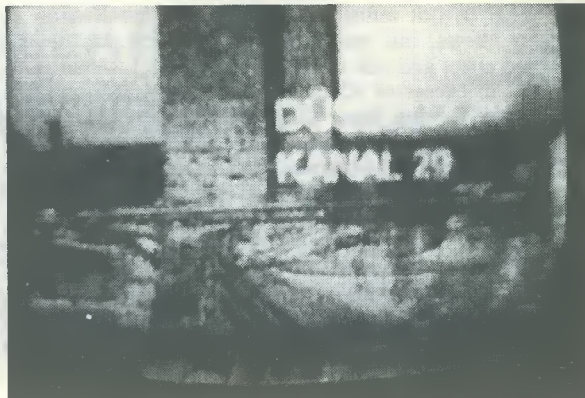


*Typical weather chart for extended v.h.f. reception. Winter anticyclones often produce longer range reception, but those in the Summer can give extra-strong Dutch reception*

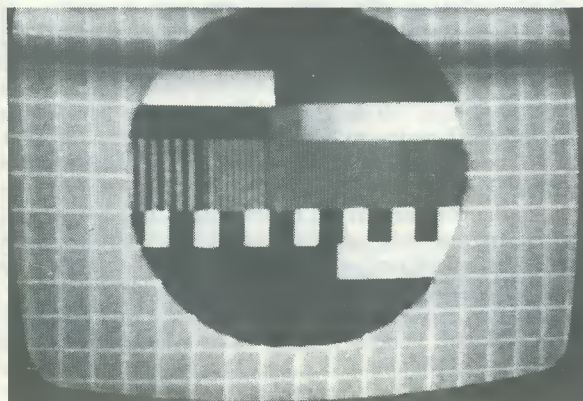




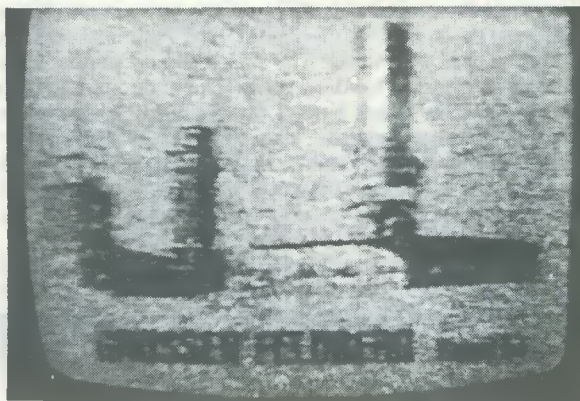
*German test card*



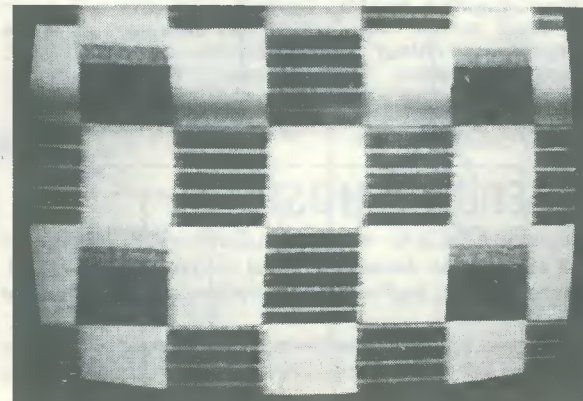
*Dusseldorf transmission on Channel 29*



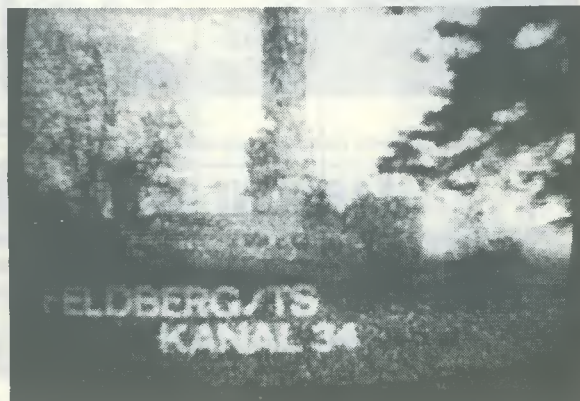
*Dutch test card*



*German station identification*



*Dutch chequer board*



*Channel 34 transmission*

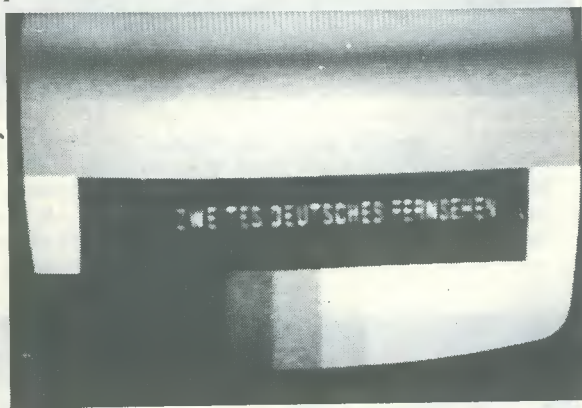


U.H.F. is not influenced by sporadic-E reflection or similar effects, but major weather patterns can have a marked effect and can at times cause a u.h.f. signal to be pushed in excess of 450 miles. Many TV pioneers will remember the fog being their best ally when struggling in the outer fringe. To a certain extent fog will extend u.h.f. reception, but observation has shown that it is high pressure belts which "open up the bands". A large anticyclone of 1034 millibars extending from the Midlands through Holland and into Germany has in the writer's area of Ipswich resulted in the reception of a host of stations, some of which have remained steady throughout the day. It must be emphasised that this reception cannot be relied on. Nevertheless, for those who are interested in u.h.f. propagation, chasing Dx can be very interesting.

### FIELD STRENGTH

In order to achieve the same field strength per metre as is given by Band I and III transmitters, u.h.f. stations require a much greater e.r.p. This can be in excess of 1,000kW so it is easy to see that, with this and a high gain receiver aerial, once a reception path is formed the station will break through. A rotating mast is essential for Continental reception as there may be two signals from different parts on the same channel and a few degrees turn will tune one or the other. The aërials should be double 18 element with mast-head boosters. The main activity is in group "A", the lower part of the band, but to complete the coverage groups "B" and "C" can be added. The South and East of the country will have the best chance of seeing some of this reception, but as the writer has logged stations as far into Germany as Bonn, who knows what might turn up? Records are always there to be broken!

Any 625 line set can be used for the receiver and will produce German and Dutch pictures without further



*Second German programme*

alteration. The sound is intercarrier at 5.5 Mc/s so some adjustment will be required to the 6 Mc/s i.f. amplifier and f.m. discriminator. To avoid leaving the family with a receiver silent on B.B.C. 2 a small switch could be mounted near the sound i.f. circuits to cut in the required trimmers for Continental reception.

French transmissions on Channel 21 are very strong at times in the South-East, but a video diode reversing switch has to be fitted as they are running positive modulation. If the TV set is transistorised some difficulty may be experienced due to the diode cutting off the following stage when reversed but it might be possible to reverse phase by adding another stage. The easiest way to switch the detector is to use two diodes and a simple changeover switch. The French sound, unfortunately, is adjacent channel a.m. Possibly, an old i.f. strip could be pressed into service and switched in to provide sound for these transmissions.

### COLOUR RECEPTION

Colour pictures from Holland and Germany will be received with no alteration to the receiver as the PAL system is used by these countries. The signal will have to be at reasonable strength before the colour-killer will operate, but the ruggedness of the PAL system will be demonstrated by the faithful colour rendering. At the time of writing, Holland broadcasts colour bars in the afternoons Tuesday to Saturday, and both Nederland 1 and 2 have some evening programmes in colour, some with English sound and subtitles. Germany has a colour test in the mornings at 9 a.m. and again in the afternoon with bars and cartoon films. The French appear to be broadcasting a lot of colour on Channel 21 but the system is SECAM so a special decoder would be needed.

The best reception the writer has had to date was on 27th and 28th February, 1968, when a large anticyclone settled over Holland. This had taken about a week to come down the North Sea and on the morning of the 28th was filling the u.h.f. band with German transmissions. An interesting feature was the sharing of Channel 55 between Tacolneston B.B.C. 2 and Dusseldorf and the ability to switch from one to the other just by turning the aerial.

### EDITOR'S NOTE

The accompanying illustrations show pictures photographed by Mr. Corbett from the television receiver screen. Mr. Corbett has also sent us some impressive colour transparencies of Dutch and German colour transmissions, these showing extremely good resolution and colour rendering. Unfortunately we cannot, of course, reproduce these colour pictures. \*

## MARCONI TV FOR UNIVERSITY HOSPITAL

The Marconi Company recently installed and commissioned a £4,000 closed-circuit television system for the University Department of Obstetrics and Gynaecology and for the Jessop Hospital for Women, Sheffield. The system is used to facilitate undergraduate, postgraduate, nursing and midwifery training, and to improve the quality of care offered to patients.

The television camera, with a video tape recorder and its own monitor, has been so housed as to be fully mobile. The five labour wards, two operating theatres and lecture theatre projection room are all linked by a vision, sound and talk-back system so that recorded or live programmes can be shown in the lecture theatre.

The camera used in the system, the Marconi V322B, has been designed specifically to meet the needs of educational closed circuit television. For the Jessop Hospital application the camera is fitted with a tripod and a 4-1 zoom lens.





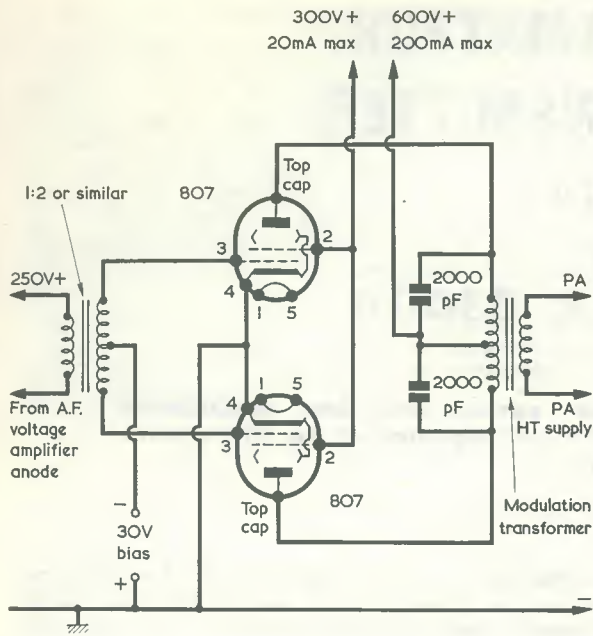


Fig. 2. Using two 807's in an 80W modulator stage

remaining unchanged. With full sine-wave modulation, the sidebands contain one-half the r.f. power, or 22.5W. Total r.f. output is now  $45 + 22.5W = 67.5W$ . Efficiency with 150W input is thus  $67.5 \times 100/150 = 45\%$ .

The circuit in Fig. 1 has been found to modulate the 813 well. As with all screen grid modulators, the p.a. should be loaded heavily by the aerial. P.A. anode voltage remains at that of the supply (say 1,000V) and anode current (as shown by a meter) is unchanged by modulation.

Speech quality of the radiated signal was checked by using a semiconductor diode and tape recorder during transmission. Later, high-level modulation signals were taken on the same tape. When playing both back, the loss of speech quality from the screen grid modulation system was only just apparent. It is necessary that some excess audio power is available, here dissipated in the  $4.7k\Omega$  resistor  $R_8$ , which helps to equalise the load.

In the circuit of Fig. 1,  $T_1$  is a standard speaker transformer whose primary is capable of carrying 50mA. No connection is made to its secondary. Resistor  $R_{11}$  may, if desired, be replaced by a smoothing choke.

(The circuit of Fig. 1 is not compatible with the 6L6 clamp circuit for the driver/p.a. unit published in the first article in this series. If it is used, drive to the 813 should always be maintained when anode voltage is present.—EDITOR).

### HIGH-LEVEL MODULATOR

With the high-level modulation system, efficiency in the p.a. should exceed 60%, as optimum screen grid voltage can be used. A large modulator is required. At 100% positive modulation peaks the p.a. supply (to anode and screen grid) is swung to twice its non-modulated or resting value—e.g. 2,000V with a 1,000V h.t. line. At 100% negative peaks, the p.a. supply is zero. Average d.c. input, as shown by a meter, thus remains unchanged.

Assuming an input of 150W with 60% efficiency, r.f. output is 90W. At full modulation 45W appear in the sidebands, r.f. output being 135W, and this extra power comes from the audio section or high-level modulator. Since the d.c. input to the p.a. is modulated, it is usually considered that the high-level modulator should be capable of supplying one-half this figure. That is 75 watts. The peaky nature of speech allows some extra power to be obtained from the modulator but losses; and the need to supply power to the screen grid also, make it unwise to rely on too small a modulator.

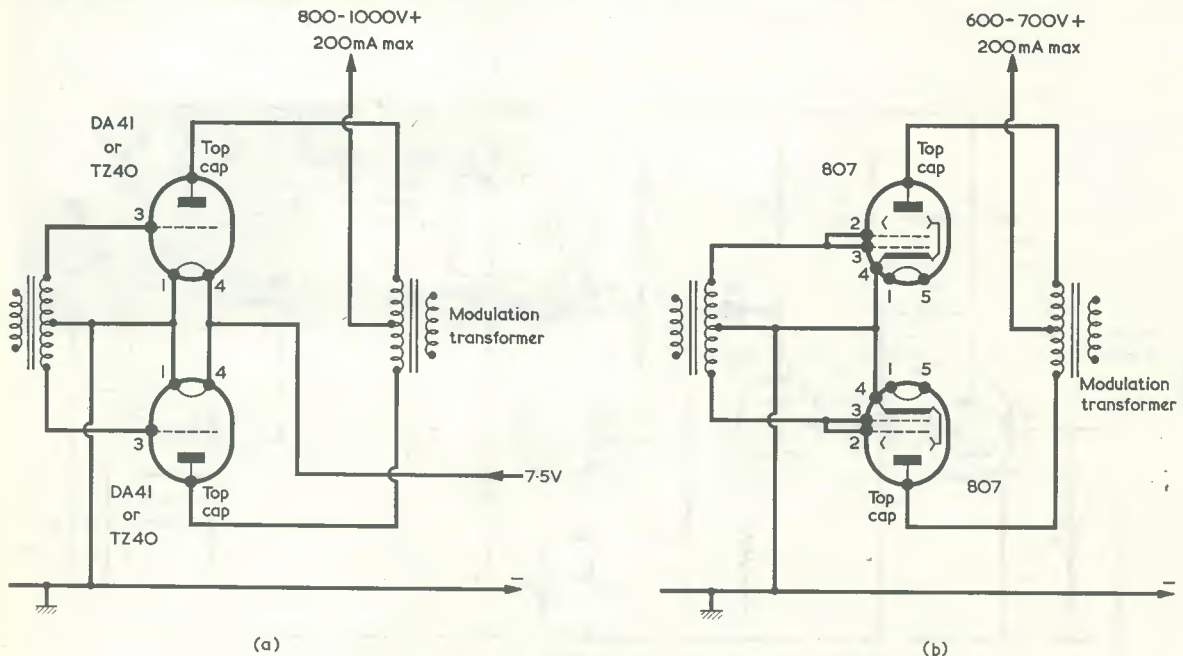


Fig. 3 (a). A zero-bias modulator power output stage using two DA41 or TZ40 triodes  
(b). Two 807's may be similarly incorporated in a zero-bias stage



In addition to the extra power given by high-level modulation, the speech quality will not degenerate badly with incorrect aerial loading.

The 813 p.a. in the writer's transmitter has been fully and continuously modulated at high level for long periods by employing a small 6 to 8W amplifier to drive two modulator valves operating in the zero-bias condition. Advantages of this system are that no bias or screen grid supplies are needed. A disadvantage, compared with a pair of pentodes or tetrodes operated in the usual manner, is that several watts drive must be available.

The load or modulating impedance of the p.a. is  $V/I$ . If this valve draws 150mA at 1,000V,  $1,000/0.15$  then equals 6,600 $\Omega$ . Optimum load for the modulator valves can be found from the valve maker's data. The modulation transformer ratio can then be found from

$$\sqrt{\frac{\text{Optimum Load}}{\text{Modulating Impedance}}}$$

following the same principle as with a speaker output transformer.

#### USING 807's

Among the cheapest valves capable of sufficient power is the 807. With 600V at anodes, 300V for screen grids and 30V negative fixed bias, a pair will supply 80W of audio, anode-to-anode optimum load being 6,400 $\Omega$ . This is sufficiently near to 6,600 $\Omega$  for the modulation transformer to have a 1:1 ratio. Woden modulation transformers of sufficient size with multi-ratio tapings are readily obtained, and the Woden type UM3, with an audio power rating of 120W would be suitable for the present application. Fig. 2 shows a pair of 807's operating under the conditions just described.

#### ZERO-BIAS WORKING

Fig. 3 (a) gives the circuit for zero-bias DA41 (or TZ40) triodes, which easily supply enough audio output, and have been used for a long time without snags. Fig. 3 (b) has 807's connected for zero-bias working, and giving similar power to Fig. 2, but needing more drive. A 5-10W amplifier will drive the zero-bias stage, and a 5-10W Woden or similar transformer is suitable for input, with a ratio of about 1:1. Sundry surplus, ex-service and other transformers have been used in these and similar circuits with satisfactory results.

(It is a common practice to insert fixed resistors of around 20k $\Omega$  in series with the control grids for zero-bias operation, and such resistors may be added to the circuits of Figs. 3 (a) and (b) if it is desired to reduce grid dissipation.—EDITOR).

#### POWER SUPPLIES

Suitable power supplies were described by the author in *The Radio Constructor* for June, 1967. Supplies in the 350 to 500V range for early audio and r.f. stages present no difficulty, since they are similar to those used for receivers and audio amplifiers.

For rather higher voltages, such as will be required by the modulator output stage, 5R4GY rectifiers are convenient. A pair of these rectifiers employed with capacitor input have a maximum rating of 500mA rectified current output, with 750V r.m.s. input each anode. With choke input, maximum ratings for a pair are 350mA output at 870V when receiving 1,000V r.m.s. each

JANUARY 1969

## COMPONENTS

#### Resistors

(All fixed values  $\frac{1}{2}$  watt 10% unless otherwise stated)

- R<sub>1</sub> 1M $\Omega$
- R<sub>2</sub> 270k $\Omega$
- R<sub>3</sub> 1M $\Omega$  potentiometer, log track
- R<sub>4</sub> 220k $\Omega$
- R<sub>5</sub> 22k $\Omega$
- R<sub>6</sub> 2.2k $\Omega$
- R<sub>7</sub> 470k $\Omega$
- R<sub>8</sub> 4.7k $\Omega$  2 watt
- R<sub>9</sub> 270 $\Omega$  1 watt
- R<sub>10</sub> 2k $\Omega$  1 watt
- R<sub>11</sub> 100 $\Omega$  1 watt (see text)

#### Capacitors

(All 350V wkg. unless otherwise stated)

- C<sub>1</sub> 5,000pF paper or plastic foil
- C<sub>2</sub> 8 $\mu$ F electrolytic
- C<sub>3</sub> 5,000pF paper or plastic foil
- C<sub>4</sub> 50 $\mu$ F electrolytic, 25V wkg.
- C<sub>5</sub> 2,000pF paper or plastic foil, 500V wkg.
- C<sub>6</sub> 2 $\mu$ F paper
- C<sub>7</sub> 32 $\mu$ F electrolytic
- C<sub>8</sub> 16 $\mu$ F electrolytic

#### Inductors

- T<sub>1</sub> speaker transformer (see text)
- T<sub>2</sub> Mains transformer. Secondaries: 250-0-250V at 60mA; 5V at 2A; 6.3V at 0.75A (minimum)

#### Valves

- V<sub>1</sub> 6SL7GT
- V<sub>2</sub> 6V6G or 6V6GT
- V<sub>3</sub> 5Z4G

#### Switch

- S<sub>1</sub> s.p.s.t. toggle

#### Miscellaneous

- Crystal microphone
- Coaxial input plug and socket
- 3 octal valveholders

anode. With these characteristics a 700V or 750V r.m.s. supply to each anode will give a well regulated output around 600V.

For the very high voltage supply, a pair of 866A rectifiers has been found trouble-free, giving 1000V at 450mA, with 1,250V r.m.s. to each anode and using choke input. (See the June, 1967 issue). High voltage and other supplies should have safety bleeders, a suitable h.t. fuse in the h.t. positive line, and *must* be constructed for adequate safety.

The modulator stage shown in Fig. 3 (a) has been run from its own separate 1,000V supply, and also from the same 1,000V supply as used for the 813. With an adequate 1,000V pack (such as was described in the June, 1967 issue) the single supply is perfectly satisfactory for both modulator and power amplifier.

(Concluded)





Cover Feature

# SLIDE PROJECTOR SYNCHRONISER

for HOME ENTERTAINMENT

by

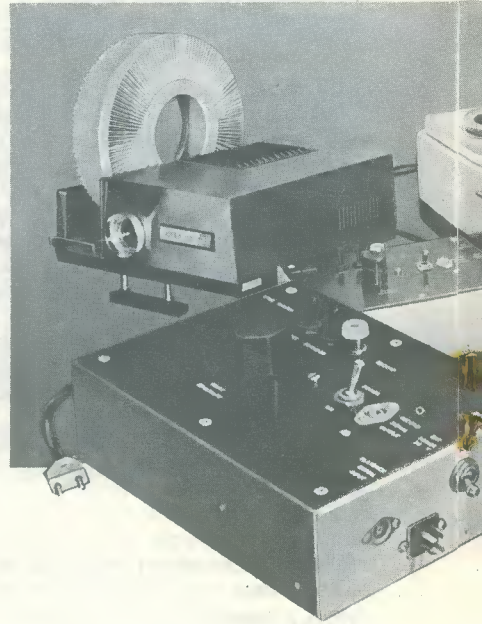
D. A. RHYS-JAMES

**How to synchronise your projector slides with a pre-recorded commentary from your tape recorder. The synchroniser unit may be coupled to most 4-track recorders and it controls a projector having a remote slide changing circuit**

## INTRODUCTORY NOTES

The projector synchroniser described in this article functions with synchronising signals recorded via the unused (i.e., unselected) record/playback head of a 4-track recorder when making the commentary. The projector requires a remote slide changing circuit and this is actuated on playback by the synchronising signals from the unused record/playback head. The tape recorder employed by the writer is fitted with an accessory socket allowing direct connection to the unused record/playback head (together with a 32 volt supply for auxiliary equipment) but many 4-track machines do not provide this facility. It then becomes necessary for the constructor to add the requisite internal connections himself if he wishes to use the synchroniser unit.

This project is intended for the more experienced constructor who is conversant with tape recorder functioning and who fully understands the principles involved. It should not be embarked on without a circuit diagram of the tape recorder to be used in order that the connections to the unused head may be reliably located. In this respect we cannot advise on the connections which need to be made to any specific recorder; this information must be obtained from its circuit diagram. It should be remembered that the projector switching circuit may be at mains potential.—Editor.



**T**HE DEVICE TO BE DESCRIBED ENABLES A 4-TRACK TAPE recorder to control an automatic slide projector and also reproduce a synchronised recorded commentary, with or without background music as preferred.

## APPLICATION

The prototype gives a completely reliable performance when used with a Hanimex "La Ronde" Auto Slide Projector and a Ferguson (Model 3202) tape recorder. There is no apparent reason why any other projector having a remote switch for slide changing could not be used, providing a connection to the switch can be made without upsetting any remote focusing arrangements that may also be incorporated. The tape recorder employed, in common with other British Radio Corporation 4-track models, has an accessory socket (B9A valveholder) at the rear of the chassis which provides a connection to the unselected record/playback head and this is required for the signals used for slide changing. Also a 32 volt d.c. supply is available at the socket and this has been made use of, although provision is made for the synchroniser to be alternatively supplied by a type PP6 9 volt battery.

It is possible that a 2-track tape recorder could be employed, but it would require an extra head fitting so that both tracks can be used simultaneously, or the type of head used in a 4-track tape recorder could be substituted for the original. Stereo tape recorders and those having separate record and playback heads and amplifiers would require different treatment in that the synchroniser could be more simple.

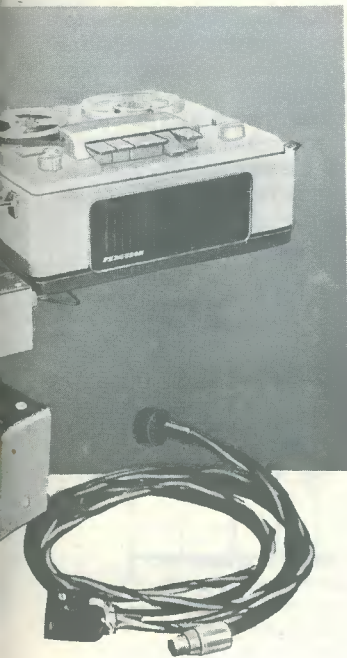
## THE SYSTEM

Fig. 1 gives a block diagram for the system, illustrating the various stages in the synchroniser unit.

Returning to 4-track tape recorders, the selected track is used for sound in the usual way, but the unselected track is used exclusively to record and playback the slide

THE RADIO CONSTRUCTOR





providing the slide changing signal is shown in its normal condition, whereupon it allows the electrolytic capacitor to become charged via the  $10k\Omega$  resistor. When it is desired to generate a slide changing signal the switch is moved to the position illustrated in Fig. 2 (b), with the result that the capacitor provides a supply for the oscillator until it becomes discharged. The signal from the oscillator then decays in the required manner, as shown in simplified form in Fig. 2 (c).

When a programme is to be recorded, the oscillator (an astable multivibrator) gives a signal when the Record button is depressed and this is amplified to a suitable level for the record head. At the same time the signal is passed to an amplifier which operates a relay, via a rectifier and a switching transistor in the manner of the sound operated switch described in *The Radio Constructor* for April 1967.\* The contacts on the relay close for about 0.5 second and the slide is changed. The commentary is recorded, or superimposed, on the selected track at the same time. Background music can be pre-recorded, mixed, or superimposed.

On playback, the signal from the playback head operates the relay in the same way, but the signal is weaker than before and therefore a pre-amplifier is used to bring it to a suitable level. Switches are included to advance, or arrest the slide changing to restore synchronisation, if this becomes necessary.

During development some difficulty was experienced when the tape recorder was recording the commentary. The signal due to the tape recorder's bias oscillator (55 kc/s) found its way into the synchroniser and operated the relay. To prevent this, the higher frequencies had to be attenuated in the pre-amplifier and amplifier that operate

changing signals. These signals are not exacting so far as waveform and frequency are concerned (a near square wave of about 300 c/s is used), but they must be of short duration to avoid several slides being changed in quick succession. Also the amplitude of the signals should decay to reduce the risk of leaving the record head magnetised, as would happen if the signals were terminated at peak voltage. In this system the last two points are controlled automatically by the method shown in Fig. 2.

In Fig. 2 (a) the switch which controls the oscillator

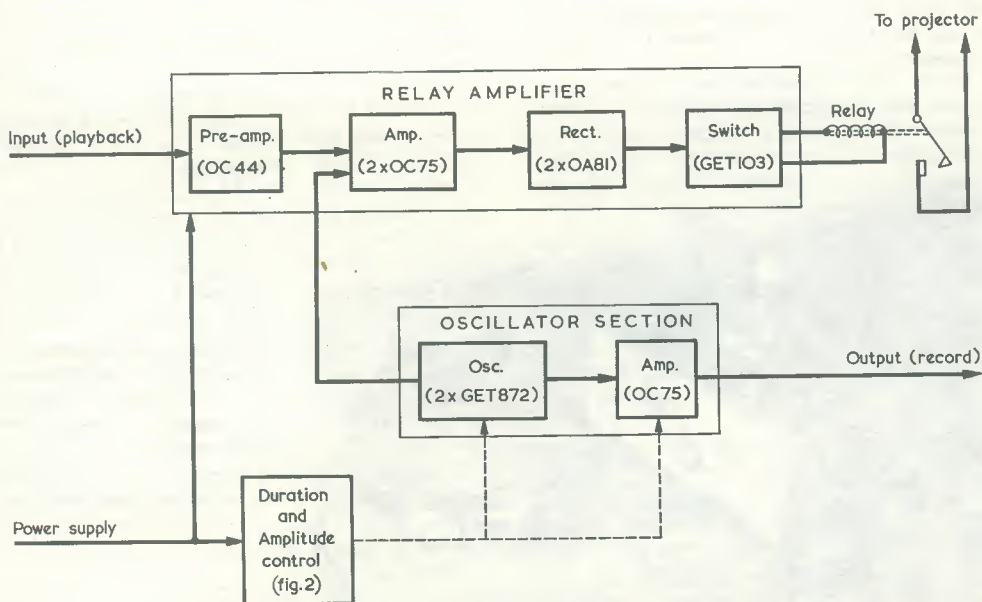
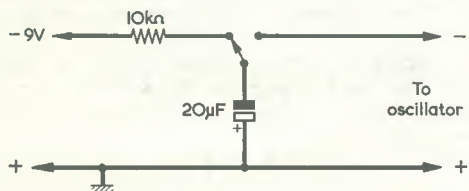


Fig. 1. Block diagram illustrating the individual stages in the slide synchroniser unit

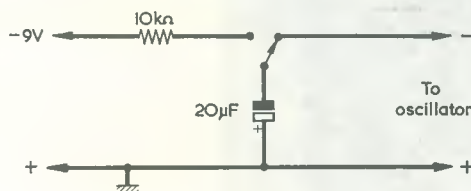
\*J. Roberts, "Sound Operated Switch", *The Radio Constructor*, April, 1967.

the relay. Interferences from the relay contacts also gave this trouble until suppression was provided.

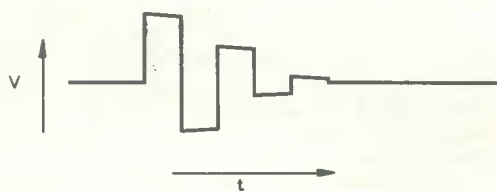
Provision is made for both 9 volt battery and external (32 volt) power supplies, but a requirement for one only would simplify the switching. If a tape recorder provides an external supply at some other voltage, it would not be difficult to adjust the synchroniser to suit it. Equally, a mains unit could easily be devised.



(a)



(b)



(c)

$C_3$  has a low reactance (about  $30\Omega$ ) at the bias oscillator frequency of 55 kc/s and helps to prevent this operating the relay when recording.  $C_7$  is fitted for the same purpose between  $TR_2$  and  $TR_3$ . The amplified signal is rectified by  $D_1$  and  $D_2$  and the resulting d.c. potential is developed across  $C_{11}$ . This causes  $TR_4$  to conduct and the relay is energised for the duration of the signal.  $VR_2$  must be adjusted so that the relay opens at the termination of the

Fig. 2. How the slide changing signal is produced. In (a) the control switch causes the capacitor to charge, whilst in (b) the capacitor provides power for the oscillator until it becomes discharged. The resultant decaying oscillator waveform is shown, in amplified form, in (c)

## RELAY AMPLIFIER

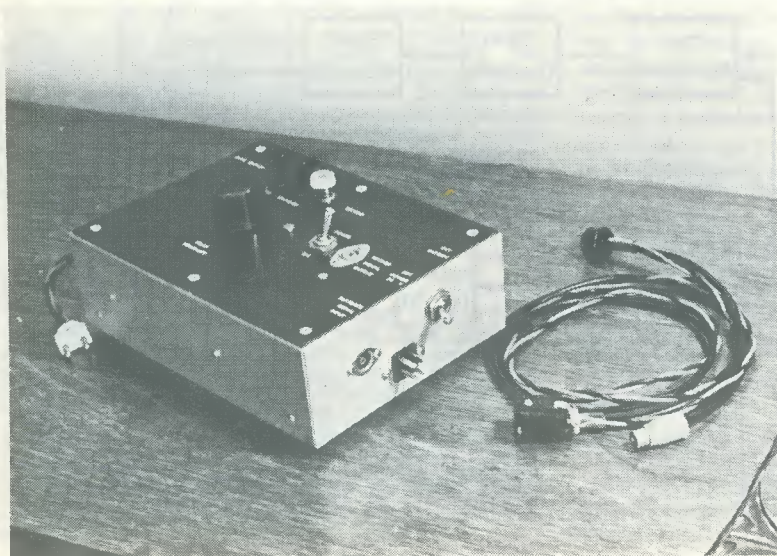
The full circuit diagram of the unit is given in Fig. 3, the relay amplifier being provided by  $TR_1$  to  $TR_4$ .

During playback, the unselected playback head is connected to  $Skt_1$  and the signals are fed to the base of the pre-amplifier ( $TR_1$ ) via  $C_1$  and  $C_2$ . The operating conditions of this stage are adjusted by  $VR_1$ , which could be replaced by a fixed component later. ( $VR_1$  and  $R_5$ , in series, amount to about  $1.2k\Omega$ .)  $C_1$  isolates the head from any leakage current through  $C_2$ , reduces low frequency interference, and provides a not too unreasonable match to the head which has an impedance of about  $8k\Omega$  at 300 c/s. This last point is not exacting since Hi-Fi standards are not required!

signal, although there will still be a slight delay while  $C_{11}$  discharges.  $D_3$  prevents a high reverse voltage developing in the relay coil when the current falls. The relay used has a resistance of  $600\Omega$  and a P.O. type is suitable. All unused contacts were removed from the relay used by the writer, giving some improvement in sensitivity. The contacts on the relay, which make when it is energised, replace, or are connected in parallel with, the slide changing switch on the projector.  $C_{13}$  and  $R_{15}$  are interference suppressors which were found to be necessary. (The relay contact insulation should be suitable for mains voltage and increased insulation between the contacts and the metal case of the synchroniser unit may be provided by mounting the relay metalwork on a Paxolin panel. For complete

safety, the synchroniser case should be carried via the appropriate contact of a 3-way mains socket.—EDITOR).

If synchronisation is lost, opening  $S_3$  will stop the slides advancing, while a brief closure of the biased switch  $S_4$  will cause an extra slide change.  $S_5$  (which operates the oscillator in the manner illustrated in Fig. 2) could alternatively be used for this latter function, in which case  $S_4$  would not be really necessary.  $S_5$  must not be used for this purpose if separate heads for record and playback are permanently connected because the signal would be recorded.



The completed synchroniser, with external connecting leads



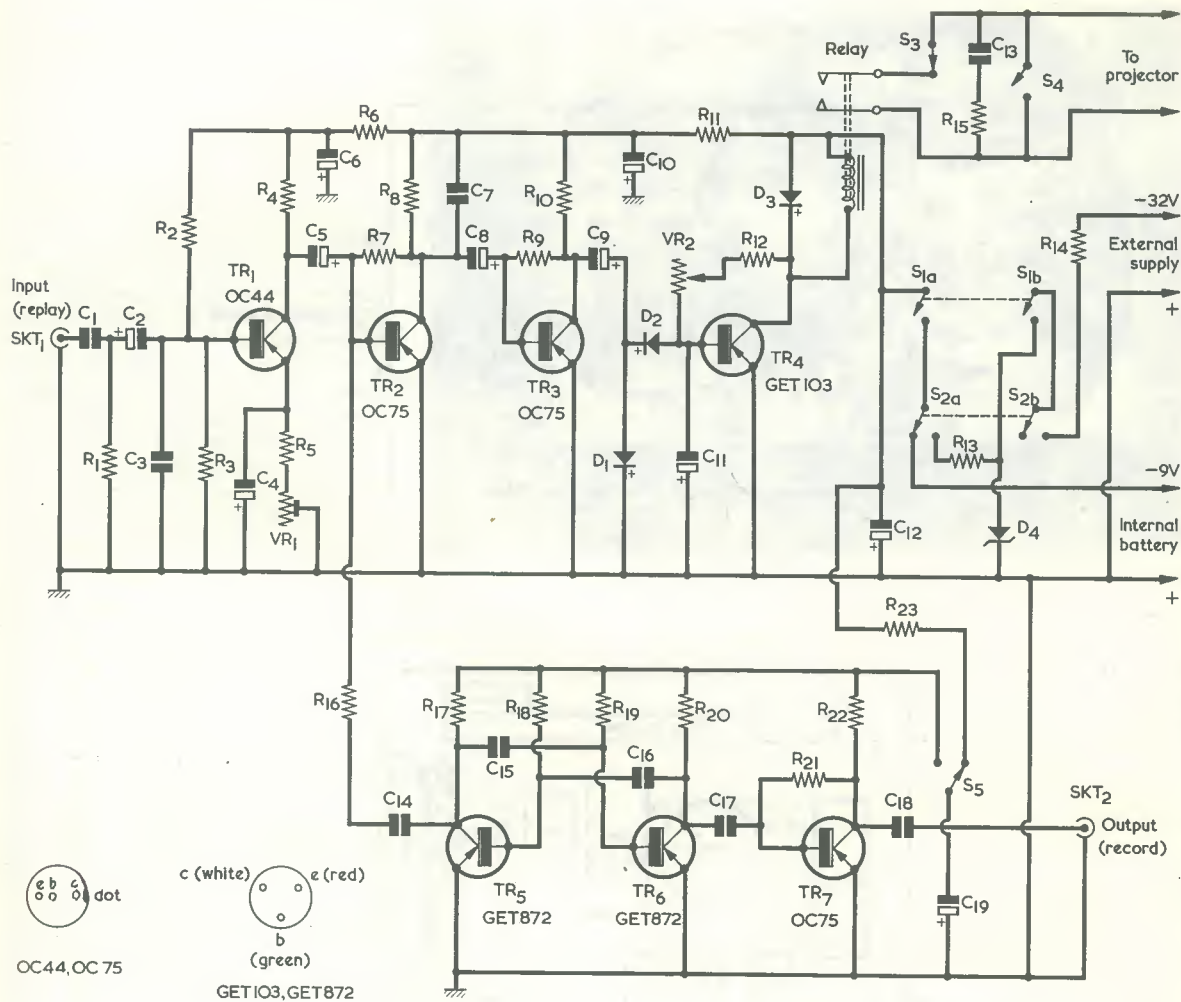


Fig. 3. The complete circuit of the synchroniser unit

### OSCILLATOR

The slide changing signal for recording is provided by the astable multivibrator (TR<sub>5</sub> and TR<sub>6</sub>) which gives a near square wave output in the region of 300 c/s. An output is taken from the collector of TR<sub>6</sub> and this is coupled by C<sub>17</sub> to the amplifier TR<sub>7</sub>. The amplified signal is then passed by C<sub>18</sub> to the record head of the tape recorder via Skt<sub>2</sub>. A coaxial lead should be used for this purpose and it is transferred to Skt<sub>1</sub> during playback (except when separate heads are used, requiring separate leads).

Another output is taken from the collector of TR<sub>5</sub> and this is fed via C<sub>14</sub> and R<sub>16</sub> to the base of TR<sub>2</sub>. This signal causes the relay to operate, as previously described, causing the slide to be changed. R<sub>16</sub> in conjunction with the total base/emitter impedance of TR<sub>2</sub> forms a potentiometer to attenuate the oscillator signal to a suitable level. If separate record and playback heads are used, the signal path through C<sub>14</sub> and R<sub>16</sub> should be omitted because the signal would be picked up by the replay head and passed to Skt<sub>1</sub> after a small delay dependent on the tape velocity and the distance between the heads.

C<sub>19</sub> controls the duration of the signal as well as causing its amplitude to decay, as was shown in Fig. 2. Its capacitance should be increased if the duration of the signal is too short and vice versa. The final value is chosen to suit the projector's slide changing mechanism and steps of 10μF are suggested for valve adjustment purposes. R<sub>23</sub> limits the charging current of C<sub>19</sub> to a level that can safely be ignored.

### POWER SUPPLIES

S<sub>1</sub> is the main on/off switch and S<sub>2</sub> selects either the internal battery or the external supply from the tape recorder. If battery power only is required, S<sub>1(a)</sub> is the only switch necessary. The external supply is stabilised by the Zener diode D<sub>4</sub> in conjunction with R<sub>14</sub>, whilst R<sub>13</sub> ensures that just over 9 volts is applied to the main bypass capacitor, C<sub>12</sub>. The rather complex switching ensures that the zener diode is not connected when it is not in use. It is possible for sound signals to reach the synchroniser via the external supply leads. The cause may be due to earth loops being formed and in the case of the prototype it was necessary to join the signal earth to the supply positive at the tape recorder accessory plug. (See Fig. 5).

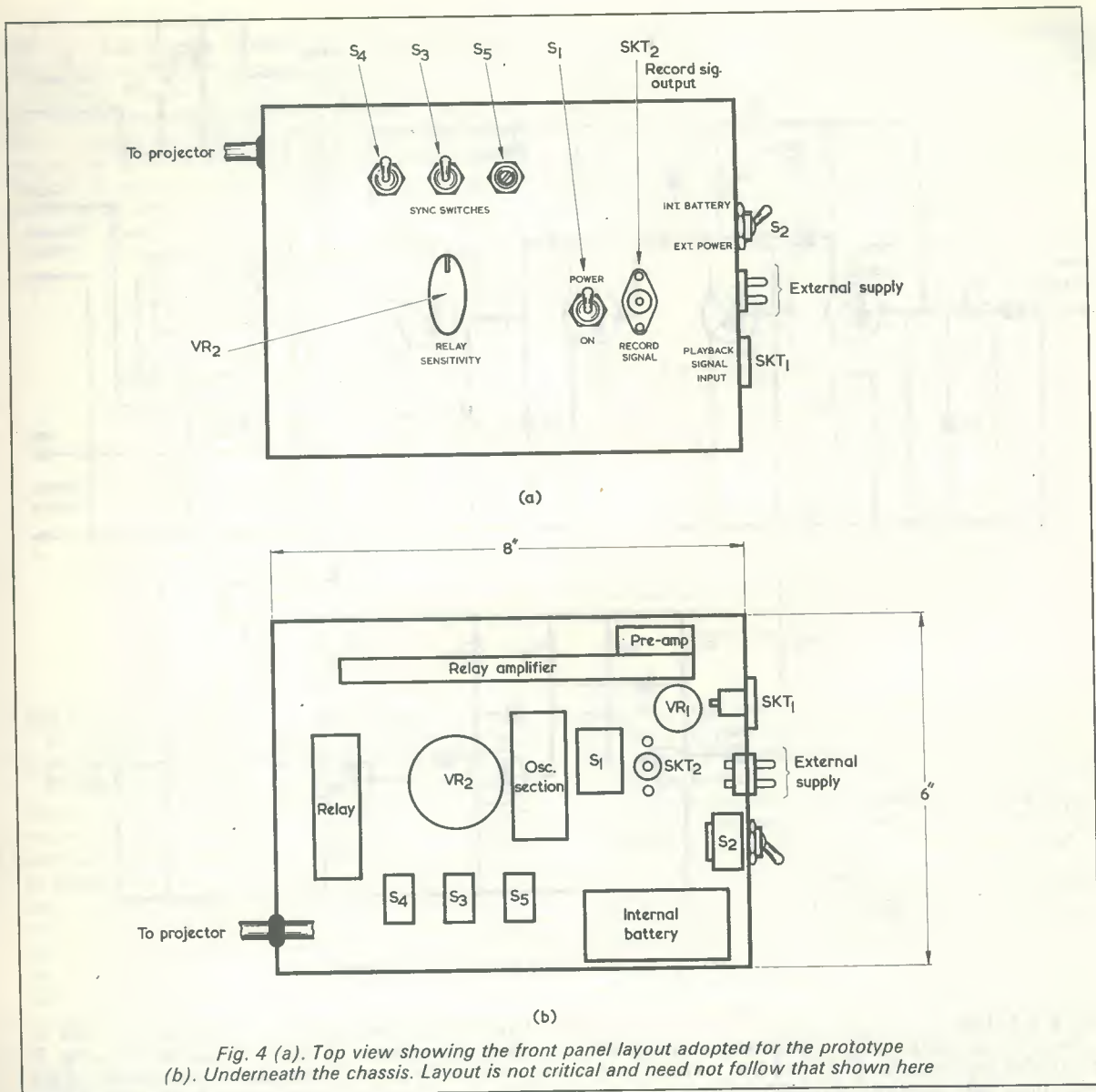


Fig. 4 (a). Top view showing the front panel layout adopted for the prototype  
 (b). Underneath the chassis. Layout is not critical and need not follow that shown here

**CONSTRUCTION**

A blank chassis measuring 8in x 6in x 2½in was used as a case for the prototype (see Fig. 4) and this was given a "satin" finish by wire brushing with an electric drill. A Paxolin panel was then fitted with pop rivets for the controls. An aluminium base plate, fitted with plastic feet,

was secured underneath with self-tapping screws and the controls were marked with "Panel Sign" transfers.

The relay amplifier is built on a large tagboard and the oscillator with its amplifier is on a smaller one. The layout is not very critical except that precautions should be taken to ensure that unwanted signals do not reach the pre-amplifier (TR<sub>1</sub>). This stage should therefore be kept away from stages operating at a high signal level. Screening may be required and leads should be as short as possible.

A neater appearance and layout than is apparent in the "much modified" prototype should be obtainable and printed circuitry could be used with advantage. There appears, however, to be no merit in excessive miniaturisation.

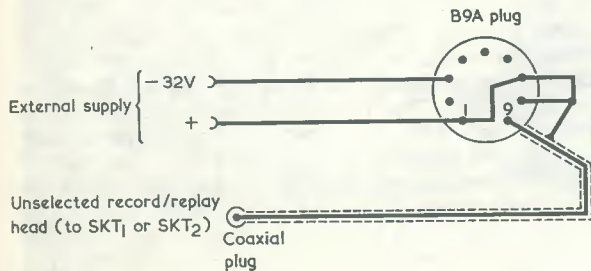
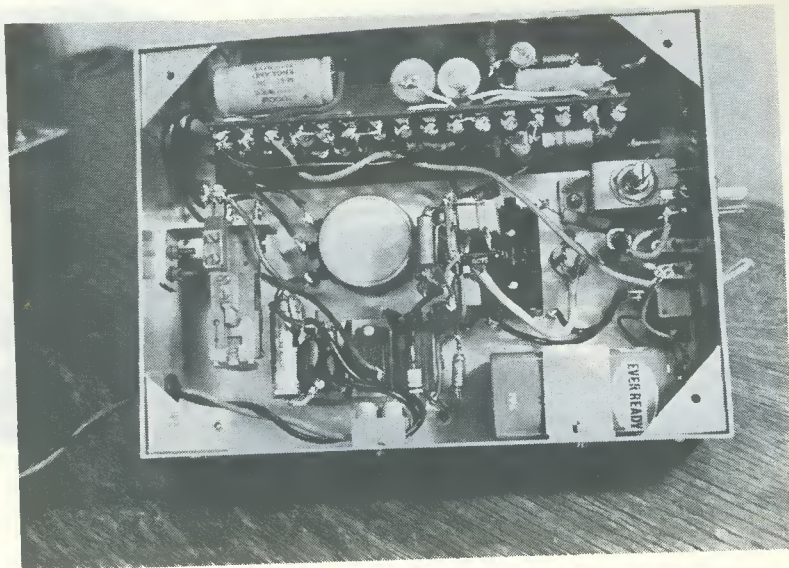


Fig. 5. Connections to the accessory socket of the Ferguson tape recorder used by the writer



Internal view of the synchroniser



**OPERATING**

The notes which follow apply for tape recorders having combined record/playback heads.

*Recording.* It is perhaps preferable to pre-record any background music at a suitable level on the selected track unless a mixer unit is in use. The commentary is then superimposed while the slides are changed.

- a. Connect the unselected record/playback head to Skt<sub>2</sub>.
- b. Connect the relay contacts to the projector, which should have a magazine in position.

**COMPONENTS**

*Resistors*

(All fixed values  $\frac{1}{4}$  watt 10% unless otherwise stated)

- R<sub>1</sub> 47k $\Omega$
- R<sub>2</sub> 47k $\Omega$
- R<sub>3</sub> 4.7k $\Omega$
- R<sub>4</sub> 18k $\Omega$
- R<sub>5</sub> 470 $\Omega$
- R<sub>6</sub> 4.7k $\Omega$
- R<sub>7</sub> 220k $\Omega$
- R<sub>8</sub> 4.7k $\Omega$
- R<sub>9</sub> 220k $\Omega$
- R<sub>10</sub> 2.2k $\Omega$
- R<sub>11</sub> 470 $\Omega$
- R<sub>12</sub> 56k $\Omega$
- R<sub>13</sub> 68 $\Omega$
- R<sub>14</sub> 1k $\Omega$  2 watt
- R<sub>15</sub> 100 $\Omega$
- R<sub>16</sub> 47k $\Omega$
- R<sub>17</sub> 1.2k $\Omega$
- R<sub>18</sub> 22k $\Omega$
- R<sub>19</sub> 22k $\Omega$
- R<sub>20</sub> 1.2k $\Omega$
- R<sub>21</sub> 220k $\Omega$
- R<sub>22</sub> 2.2k $\Omega$
- R<sub>23</sub> 10k $\Omega$
- VR<sub>1</sub> 2.5k $\Omega$  variable preset, linear
- VR<sub>2</sub> 250k $\Omega$  variable, linear

*Capacitors*

- C<sub>1</sub> 0.25 $\mu$ F
- C<sub>2</sub> 10 $\mu$ F electrolytic, 15V wkg.
- C<sub>3</sub> 0.1 $\mu$ F
- C<sub>4</sub> 100 $\mu$ F electrolytic, 6V wkg.
- C<sub>5</sub> 10 $\mu$ F electrolytic, 15V wkg.
- C<sub>6</sub> 100 $\mu$ F electrolytic, 15V wkg.
- C<sub>7</sub> 0.1 $\mu$ F
- C<sub>8</sub> 10 $\mu$ F electrolytic, 15V wkg.
- C<sub>9</sub> 10 $\mu$ F electrolytic, 15V wkg.
- C<sub>10</sub> 100 $\mu$ F electrolytic, 15V wkg.
- C<sub>11</sub> 100 $\mu$ F electrolytic, 6V wkg.
- C<sub>12</sub> 1,000 $\mu$ F electrolytic, 15V wkg.
- C<sub>13</sub> 0.01 $\mu$ F, paper, 1,000V wkg.

- C<sub>14</sub> 0.005 $\mu$ F
- C<sub>15</sub> 0.1 $\mu$ F
- C<sub>16</sub> 0.1 $\mu$ F
- C<sub>17</sub> 0.005 $\mu$ F
- C<sub>18</sub> 0.1 $\mu$ F
- C<sub>19</sub> 20 $\mu$ F (2  $\times$  10 $\mu$ F—see text) electrolytic, 15V wkg.

*Semiconductors*

- TR<sub>1</sub> OC44
- TR<sub>2</sub> OC75
- TR<sub>3</sub> OC75
- TR<sub>4</sub> GET 103
- TR<sub>5</sub> GET 872
- TR<sub>6</sub> GET 872
- TR<sub>7</sub> OC75
- D<sub>1</sub>, D<sub>2</sub>, D<sub>3</sub> OA81
- D<sub>4</sub> 9.1V, 5%, 250mW zener diode, Radiospares or similar

*Switches*

- S<sub>1(a)(b)</sub> d.p.s.t., toggle
- S<sub>2(a)(b)</sub> d.p.d.t., toggle
- S<sub>3</sub> s.p.s.t., toggle
- S<sub>4</sub> s.p.s.t., toggle, biased to open (or push button)
- S<sub>5</sub> s.p.d.t., toggle, biased (or push button)

*Relay*

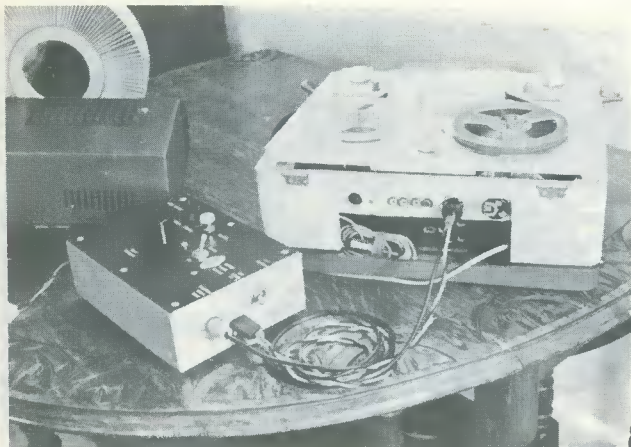
P.O. type, 600 $\Omega$  coil, with s.p.s.t. contacts normally open

*Plugs and Sockets*

Skt<sub>1</sub>, Skt<sub>2</sub> Coaxial sockets, TV or phono types, with plugs  
 Connectors for external power supply and projector slide change switch  
 Connections for battery and tape recorder

*Miscellaneous*

Chassis (see text)  
 Knob (for VR<sub>2</sub>)  
 Tagboards, etc.  
 Battery 9V, type PP6 (Ever Ready)



Another view of the synchroniser whilst in operation, and illustrating the connections to the tape recorder

Note.—The relay may operate once, or twice, when the synchroniser is first switched on. To prevent the unwanted slide changing that this would cause either:

- (i) Always switch on the synchroniser *before* the projector, or
- (ii) Open  $S_1$  until everything is switched on,  $S_3$  must, however, be closed before commencing to operate the equipment.

#### CONCLUSION

The construction of the synchroniser should not be difficult for the fairly experienced and this is why no detailed layout, or point-to-point wiring information is included.

c. Connect the external power supply and/or battery. Switch on the synchroniser and adjust  $VR_2$  to leave the delay de-energised, if necessary. (Normally, the setting of  $VR_2$  should not need to be varied for successive periods of use).

d. Switch on the projector and switch the tape recorder to record, or superimpose, as required.

e. Operate  $S_5$  to bring on the slides, one at a time, and use the microphone to record the commentary on the selected track.

*Playback.* After rewinding the tape and repositioning the slide magazine, proceed in the following manner.

a. Connect the record/playback head to  $Skt_1$ .

b. Switch on the tape recorder (with external power lead connected, if fitted), and the synchroniser. (See note at the end of this section).

d. Switch the tape recorder to playback, whereupon the slides should change automatically in synchronisation with the commentary.

There is plenty of scope for further development in this project. In particular, the amplifier section ( $TR_1$ ,  $TR_2$  and  $TR_3$ ) might be made frequency selective so that only the oscillator frequency is accepted. A negative feedback loop incorporating a parallel-“T” network might be tried for this purpose. Lastly, those who like a problem worthy of their talents might try to use one track for both sound and slide changing.

As a final point, Fig. 5 gives details of the connections to the necessary plug for the Ferguson 3202 recorder employed by the writer. Pins 8 and 9 connect, inside the recorder, to the unselected record/playback head. It is important to note that the pin numbers in the diagram only apply to this recorder and to other similar models in the British Radio Corporation range. ✪

## MARCONI TV FOR EUROPEAN GAMES

The Greek Amateur Athletic Association (SEGAS) has placed an order worth some £700,000 with English Electric's Marconi Company, for three outside broadcast television units, and a range of cameras and studio equipment to provide full television coverage of the European Games in Athens for the Eurovision network.

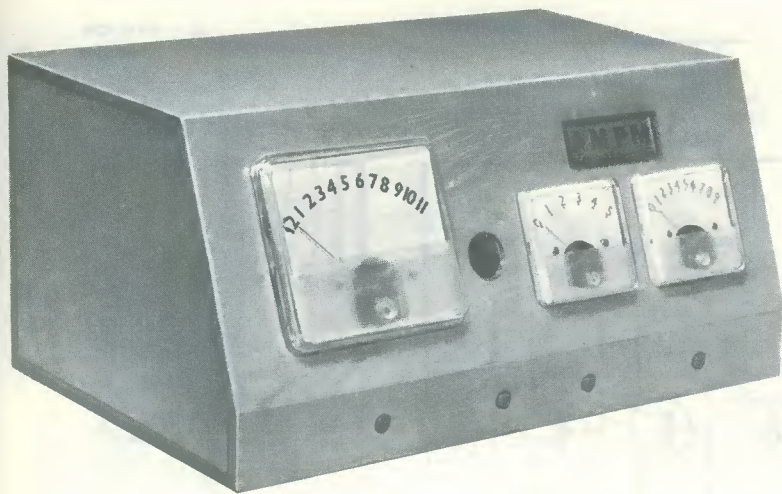
A total of 14 of the very advanced Marconi Mark V black-and-white cameras are to be supplied. This camera is fully transistorised, and provides a remarkable degree of stability and reliability in the operation. Both of these features will be particularly important as one of the cameras will be installed in a small car, to provide coverage of the marathon event. A microwave link will also be supplied by Marconi to bring the picture via a helicopter to one of the outside broadcast units.

A total of thirty separate sound and thirty television commentary positions will be installed to cater for all the nations competing in the European Games. Two of the outside broadcast units will be equipped with four Mark V cameras, in addition to full production facilities—the third will have 5 cameras and will provide the basis of the studio facilities at the new stadium.

In addition to the cameras, a range of studio control and switching equipment will be supplied, together with three Ampex Videotape recorders. One of these will be a special effects recorder, capable of providing slow motion playback facilities.

The Marconi equipment has to be delivered to Athens by March, and then installed by Marconi engineers in time for acceptance trials in April. SEGAS personnel will then be trained by Marconi in the operation and maintenance of the equipment, to ensure that they are completely familiar with it by September, when the Games are due to start.





# SOLID STATE DIGITAL CLOCK

## Part 2

by

A. J. EWINS

**I**N LAST MONTH'S ISSUE THE FUNCTIONS PROVIDED BY THE digital clock were discussed, as also was the operation of the basic circuit and the chime circuit. The next section of the clock to be dealt with is the circuit controlling the read-out meters.

### DIGITAL TO ANALOGUE READ-OUT CIRCUIT

The read-out circuit is shown in Fig. 4. Only the 0-59 seconds read-out is shown in detail, the design of the other read-outs being identical in principle.

The outputs from binaries B7 to B13 feed into the bases of transistors TR<sub>1</sub> and TR<sub>7</sub> of the read-out circuit via 100kΩ resistors. When the output of a binary is a one its output is up at nearly the full positive rail potential with the result that the associated read-out transistor is switched hard on, i.e., fully conducting. Let us consider that the output of B7 is a one, in which case TR<sub>1</sub> of the read-out circuit is fully conducting. This means that the collector voltage of TR<sub>1</sub> will be about 0.2 volts, thus the collector current, I<sub>c1</sub>, will be equal to (V<sub>s</sub>-0.2)/RC<sub>1</sub>, which to all intents and purposes, equals V<sub>s</sub>/RC<sub>1</sub>. Similarly, the collector currents of transistors TR<sub>2</sub>, to TR<sub>7</sub>, when they are fully conducting, will be V<sub>s</sub>/RC<sub>2</sub>, V<sub>s</sub>/RC<sub>3</sub>, V<sub>s</sub>/RC<sub>4</sub>, V<sub>s</sub>/RC<sub>5</sub>, V<sub>s</sub>/RC<sub>6</sub> and V<sub>s</sub>/RC<sub>7</sub> respectively. Now the outputs from binaries B7 to B13 represent 1, 2, 4, 8, 10, 20, and 40 counts respectively, since it takes 1, 2, 4, 8, 10, 20, and 40 pulses before the appropriate binary is switched on. Thus if we choose RC<sub>1</sub> such that I<sub>c1</sub> =  $\frac{1}{59}$  of a milliampere, then full scale deflection on the 1mA meter will be 59 seconds (0 and 60 are the same). As I<sub>c2</sub> represents two counts or two seconds, V<sub>s</sub>/RC<sub>2</sub> must be equal to  $\frac{2}{59}$  of 1mA, i.e., RC<sub>2</sub> = RC<sub>1</sub>/2. Similarly, RC<sub>3</sub> = RC<sub>1</sub>/4, RC<sub>4</sub> = RC<sub>1</sub>/8, RC<sub>5</sub> = RC<sub>1</sub>/10, RC<sub>6</sub> = RC<sub>1</sub>/20 and RC<sub>7</sub> = RC<sub>1</sub>/40. 59 seconds will have been counted by binaries B7 to B13 when there is a one output from binaries B13 (=40), B11 (=10), B10 (=8) and B7 (=1). Thus transistors TR<sub>1</sub>, TR<sub>4</sub>, TR<sub>5</sub> and TR<sub>7</sub> of the read-out circuit will be fully conducting. The current flowing through the 1mA meter will be:

$$V_s/RC_1 + V_s/RC_4 + V_s/RC_5 + V_s/RC_7 = I$$

Substituting RC<sub>1</sub> for RC<sub>4</sub>, RC<sub>5</sub>, and RC<sub>7</sub> we have:

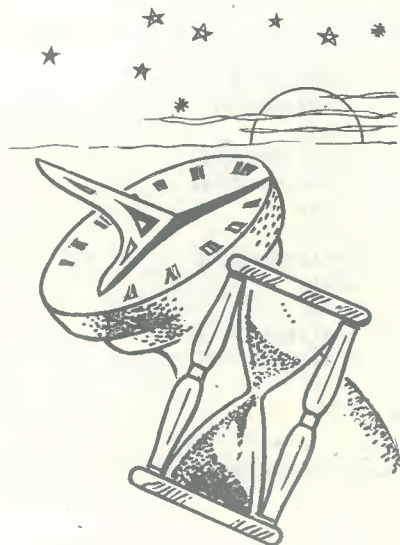
$$I = V_s/RC_1 + 8V_s/RC_1 + 10V_s/RC_1 + 40V_s/RC_1 \\ = 59V_s/RC_1.$$

**In last month's issue the functions provided by the digital clock were described, as also was the basic operation of its time-keeping circuit and the chime circuit. The next sections of the clock to be dealt with, and which are discussed this month, are the read-out circuit, power supply, 50 c/s Schmitt trigger, bistables, reset monostables, comparators and gates**

But we already know that  $V_s/RC_1 = \frac{1}{59}$  mA, therefore  $I = 1$  mA.

The read-out circuits for the minutes, tens-of-minutes and the hours all operate in a similar way to that described above.

The 820kΩ resistors connected between the bases of transistors TR<sub>1</sub> to TR<sub>18</sub> and the negative rail ensure that



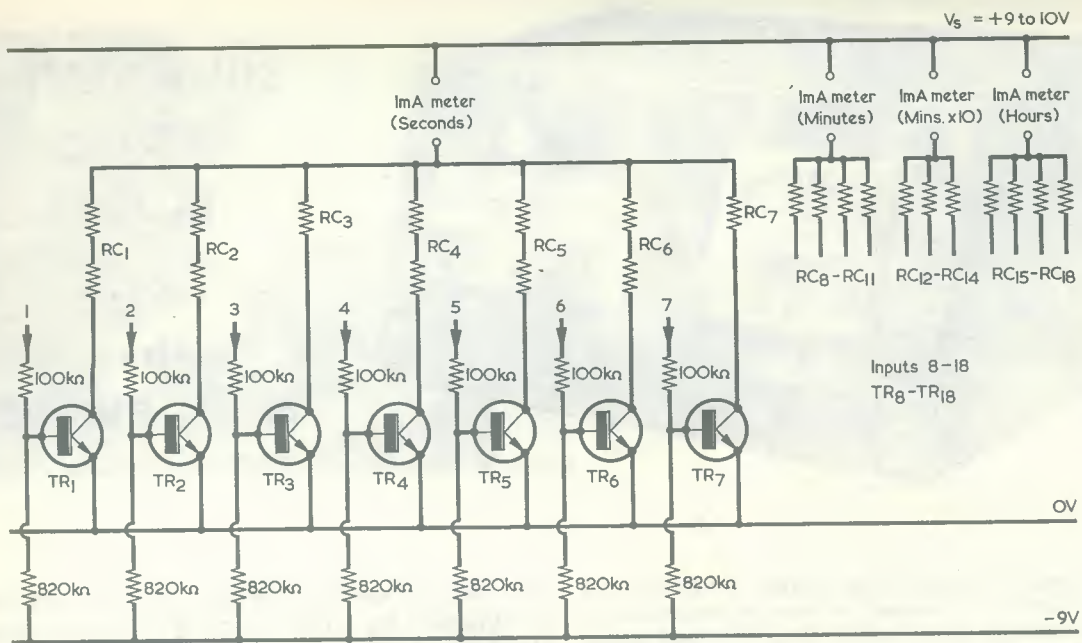


Fig. 4. The read-out section of the clock circuit

a negative voltage of about 1 volt is applied to the transistor bases, thus holding them non-conducting when the outputs from the appropriate binaries are zero's. As the transistors are silicon planar their leakage currents will be negligibly small. High stability 5% resistors were used for all the collector resistors, additional ones being connected

in series or parallel to correct the output readings where necessary. With a positive rail voltage of between 9 and 10 volts and the values of  $RC_1$  to  $RC_{18}$  as given, the outputs of all four read-out meters will be more than 1mA when reading f.s.d. A suitable resistor should, therefore, be shunted across each meter to bring the f.s.d. to 1mA.

N.B. A few additional resistors may be required for trimming. In some cases a single identifying number is given to two resistors in series.

#### Resistors

18	100kΩ resistors
18	820kΩ resistors
$RC_1$	510kΩ plus 10kΩ
$RC_2$	240kΩ plus 20kΩ
$RC_3$	130kΩ
$RC_4$	62kΩ plus 3kΩ
$RC_5$	47kΩ plus 5.1kΩ
$RC_6$	24kΩ plus 2kΩ
$RC_7$	13kΩ
$RC_8$	47kΩ plus 33kΩ
$RC_9$	20kΩ plus 20kΩ
$RC_{10}$	20kΩ
$RC_{11}$	10kΩ
$RC_{12}$	24kΩ plus 20kΩ
$RC_{13}$	22kΩ
$RC_{14}$	11kΩ
$RC_{15}$	91kΩ plus 5.1kΩ
$RC_{16}$	43kΩ plus 5.1kΩ
$RC_{17}$	24kΩ
$RC_{18}$	12kΩ

#### Transistors

18 silicon planar transistors

#### Meters

4 1mA meters

#### POWER SUPPLY AND SCHMITT TRIGGER

Details of the power supply and the Schmitt trigger are shown clearly in Fig. 5. Both circuits are variants of well known designs.

The Schmitt trigger will operate with a peak-to-peak input voltage of just over 600mV. The input is provided from a 3 volt tapping of the mains transformer,  $T_1$ , via a potential divider network,  $R_5$  and  $R_{13}$ .  $RV_1$  sets the d.c. bias to  $TR_5$  and it is adjusted to provide a 1:1 mark-space ratio of the square wave output from the Schmitt trigger.  $C_6$ ,  $C_7$  and  $R_{14}$  help to reduce any unwanted interference from unsuppressed electrical equipment. (They were, unfortunately, ineffective against the author's refrigerator switch contacts, which are so bad that great "plops" are transmitted over the Hi-Fi system. The solution here must be to suppress the refrigerator contacts). The output from the Schmitt trigger is a square wave of approximately 2.7 volts peak-to-peak.

The voltage output from the power supply is adjusted by varying the values of  $R_3$  and/or  $R_4$  to be within the range 9 to 10 volts. The author's was 9.6 volts. The negative supply rail is adjusted to -9 volts approximately by alteration of the value of  $R_6$ . A drain of about 1mA is all that is taken from the negative supply rail.

The power requirement of the AM/PM light circuit is over 40mA at 12 volts. This is provided as a separate, unsmoothed, full-wave rectified supply by diodes  $D_1$  and  $D_6$ . This is perfectly satisfactory for the circuit. (As will be explained in Part 3, one of the diodes for the 12 volt unsmoothed supply in the prototype clock is mounted on

(Continued on page 385)



RADIO CONSTRUCTORS DATA SHEET

RC/DS/20

**IR DISSIPATION  
50mA  
AND ABOVE**

The Table gives dissipation in watts, from  $W = I^2R$ , for resistance at commonly encountered current values from 50mA to 1A. Dissipation for intermediate resistances can be found by multiplying up, as described in Data Sheet No. 19. For reliable working, use carbon resistors with ratings at least 1.5 times the wattage figure given here or in Data Sheet No. 19.

Resistance	50mA	60mA	80mA	100mA	120mA	140mA	160mA	200mA	300mA	500mA	1A
1Ω				0.01	0.014	0.02	0.026	0.04	0.09	0.25	1.0
2.2Ω			0.014	0.022	0.032	0.043	0.056	0.088	0.2	0.55	2.2
4.7Ω	0.012	0.017	0.03	0.047	0.068	0.092	0.12	0.19	0.42	1.2	4.7
6.8Ω	0.017	0.024	0.044	0.068	0.098	0.13	0.17	0.27	0.61	1.7	6.8
10Ω	0.025	0.036	0.064	0.1	0.14	0.2	0.26	0.4	0.9	2.5	10
22Ω	0.055	0.079	0.14	0.22	0.32	0.43	0.56	0.88	2.0	5.5	22
47Ω	0.12	0.17	0.3	0.47	0.68	0.92	1.2	1.9	4.2	12	
68Ω	0.17	0.24	0.44	0.68	0.98	1.3	1.7	2.7	6.1	17	
100Ω	0.25	0.36	0.64	1.0	1.4	2.0	2.6	4.0	9.0		
220Ω	0.55	0.79	1.4	2.2	3.2	4.3	5.6	8.8	20		
470Ω	1.2	1.7	3.0	4.7	6.8	9.2	12	19			
680Ω	1.7	2.4	4.4	6.8	9.8	13	17				
1kΩ	2.5	3.6	6.4	10	14	20					
2.2kΩ	5.5	7.9	14	22							
4.7kΩ	12										

# ELECTRONIC NEWS

## OMEGA SYSTEM EXTENSION

The United States Secretary of Defence, as announced by a Defence Department statement, has approved a request to establish four more transmitting stations for the Omega navigation system which, with four transmitters operating at present, provides coverage of all of the North Atlantic and the Eastern North Pacific to give ships position fixes accurate to within one mile. When the other four transmitters are on the air the total of eight stations will provide complete global coverage. It is hoped that this will be achieved before the end of 1972.

The additional four stations will be sited in the areas of the Western Pacific, the Tasman Sea, the Indian Ocean, and Southern South America. Rather than seek permission to erect and operate U.S. stations on the territory of other countries, the intention is to enlist those countries in joint operation of the world-wide system to the advantages of navigators of all nations.

During the past year United States representatives have been engaged in informal discussions with officials in countries in which the new Omega stations might be located. These discussions have revealed a general enthusiasm for Omega and a consequent prospect that a truly international partnership of six contributing nations can be formed to establish the system on a world-wide basis. The United States Secretaries of State and of Defence have now authorised the progress of formal negotiations with prospective partner nations in this enterprise.

In the United Kingdom and the Republic of Ireland Marconi Marine market the Omega 1 position-fixing receiver manufactured by the Northrop Corporation of California, who also produced the military version of this equipment for the U.S. Navy Department. The first merchant ship installations are in the new *Manchester Challenge* and the new Cunard liner, *Queen Elizabeth 2*.

## MULLARD MEMORY SYSTEM

Mullard Ltd. are to supply a special memory system for a unique aircraft project devised by the Slingsby Aircraft Co. Ltd., of Kirby Moorside, Yorks.

Under contract to the Central Aircraft Manufacturing Company, Washington D.C., Slingsby have developed a 378 ft. long aircraft carrying on its sides illuminated panels, consisting of a matrix of special tungsten lamps, which will reproduce advertising or other messages while the plane is airborne.

The memory system has been designed and built by the Industrial Assemblies Division of the company's Mitcham plant. This division specialises in the design and manufacture of magnetic memory systems, core matrix stacks and custom built modules, particularly those employing thyristors or concerned with thyristor control.

The memory system for the Slingsby Aircraft accepts alpha/numeric characters from an electric typewriter, storing these in such a way that messages nominally 50 words in length can be reproduced at will.

Logic circuitry converts the memory output into a form where it can drive the thyristors which provide the lamp current required.

To minimise power consumption messages are flashed on alternate sides of the aircraft. The means of switching the power from port to starboard is provided by standard Mullard thyristor trigger modules and special thyristor control circuitry.



# SOLID - STATE DIGITAL CLOCK (Continued from page 382)

the Veroboard which carries the AM/PM light circuit. It is suggested that both the diodes in this circuit—D<sub>1</sub> and D<sub>6</sub>—could be mounted on the board carrying the AM/PM light circuit rather than on the power supply Veroboard.)

A suitable mains transformer for T<sub>1</sub> is the Douglas MT112AT (available from G. W. Smith & Co. (Radio) Ltd., 3 Lisle Street, London, W.C.2). This has a 500mA

secondary with tapings at 0-12-15-20-24-30 volts. For the present circuit, connections are made to the 0, 12, 15 and 24 volt taps.

## THE BISTABLE DIVIDER

The bistable divider of Fig. 6 is a conventional bistable of the multivibrator family suitably connected for binary division. Consider that initially TR<sub>1</sub> is conducting and TR<sub>2</sub> is non-conducting. The collector of TR<sub>1</sub> will be effectively down at ground potential whilst that of TR<sub>2</sub> will be up at almost the full rail potential. This means that the base of TR<sub>1</sub> will be sufficiently positive to keep TR<sub>1</sub> conducting and the base of TR<sub>2</sub> will be negative, keeping TR<sub>2</sub> non-conducting. D<sub>2</sub> will be reversed biased via R<sub>6</sub>

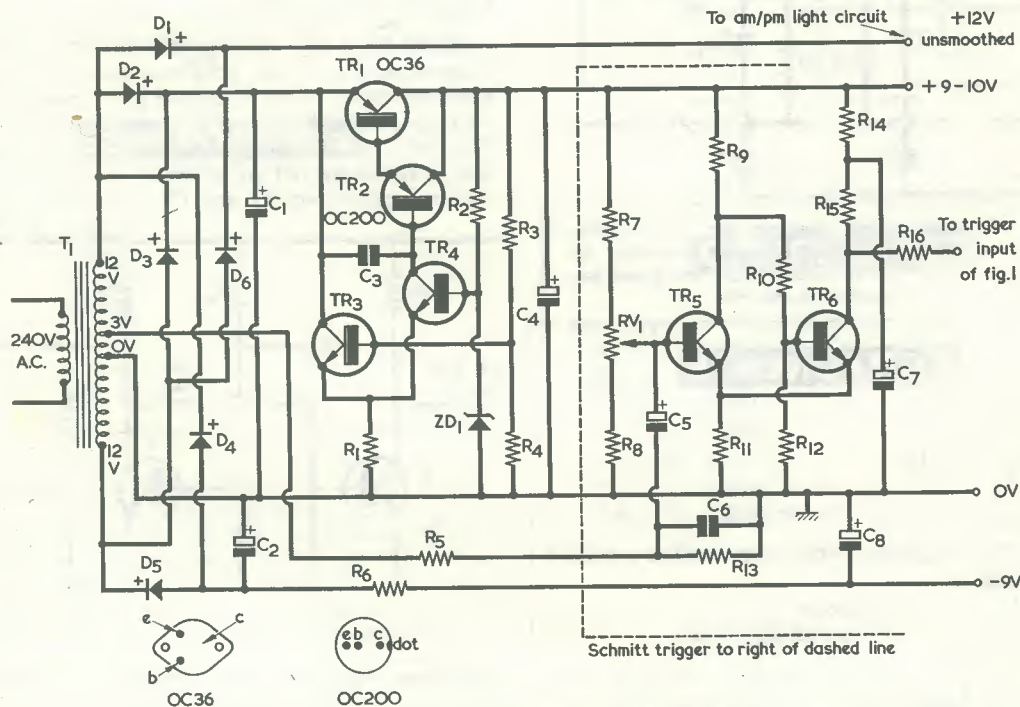


Fig. 5. The power supply and Schmitt trigger. The latter passes pulses at 50 c/s to the binary dividers of Fig. 1 (published last month)

### Resistors

(R<sub>3</sub>, R<sub>4</sub> or R<sub>6</sub> may require adjustment)

- R<sub>1</sub> 3.3kΩ
- R<sub>2</sub> 680Ω
- R<sub>3</sub> 820Ω
- R<sub>4</sub> 1.5kΩ
- R<sub>5</sub> 10kΩ
- R<sub>6</sub> 8.2kΩ
- R<sub>7</sub> 10kΩ
- R<sub>8</sub> 10kΩ
- R<sub>9</sub> 3.3kΩ
- R<sub>10</sub> 10kΩ
- R<sub>11</sub> 4.7kΩ
- R<sub>12</sub> 15kΩ
- R<sub>13</sub> 2.2kΩ
- R<sub>14</sub> 2.7kΩ
- R<sub>15</sub> 2.7kΩ
- R<sub>16</sub> 10kΩ
- RV<sub>1</sub> 2kΩ potentiometer, linear

### Capacitors

- C<sub>1</sub> 500μF electrolytic, 20V wkg.
- C<sub>2</sub> 10μF electrolytic, 12V wkg.
- C<sub>3</sub> 0.01μF disc ceramic
- C<sub>4</sub> 25μF electrolytic, 12V wkg.
- C<sub>5</sub> 10μF electrolytic, 12V wkg.
- C<sub>6</sub> 0.47μF
- C<sub>7</sub> 25μF electrolytic, 12V wkg.
- C<sub>8</sub> 10μF electrolytic, 12V wkg.

### Transformer

T<sub>1</sub> Mains transformer. Douglas type MT112AT

### Semiconductors

- D<sub>1</sub>-D<sub>6</sub> Silicon rectifiers, 250mA, p.i.v. greater than 40V (e.g. Lucas DD000)
- ZD<sub>1</sub> Zener diode, 6.2 volts, 250mW
- TR<sub>1</sub> OC36
- TR<sub>2</sub> OC200
- TR<sub>3</sub>-TR<sub>6</sub> silicon planar transistors

COMPONENTS

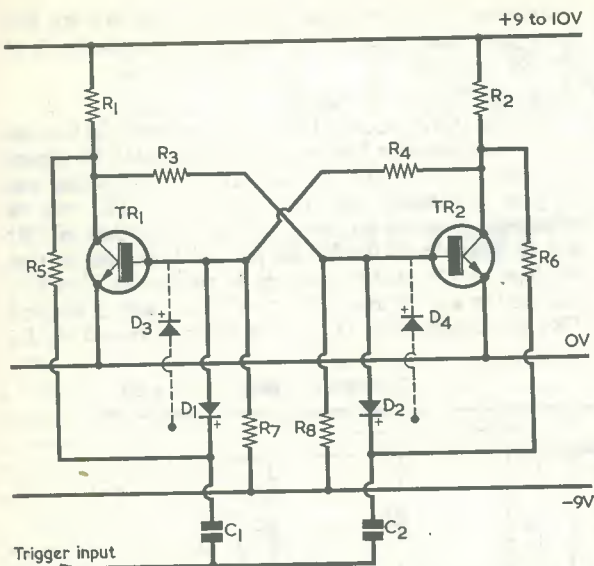


Fig. 6. Basic circuit diagram for the bistable dividers. There are slight changes according to position in the overall clock circuit, and these are described in the text

### COMPONENTS

#### Resistors

- R<sub>1</sub>, R<sub>2</sub> 10kΩ
- R<sub>3</sub>-R<sub>6</sub> 100kΩ
- R<sub>7</sub>, R<sub>8</sub> 820kΩ

#### Capacitors

- C<sub>1</sub>, C<sub>2</sub> 0.01μF disc ceramic (as small as possible)

#### Semiconductors

- D<sub>1</sub>, D<sub>2</sub> silicon diodes
- TR<sub>1</sub>, TR<sub>2</sub> silicon planar transistors

by almost the full rail potential and D<sub>2</sub>, via R<sub>5</sub>, will be just conducting.

When a negative going pulse arrives at the trigger input, it is directed by D<sub>1</sub> to the base of TR<sub>1</sub>; it is held off from the base of TR<sub>2</sub> by the reverse biased diode D<sub>2</sub>. The negative voltage pulse draws current from the base of TR<sub>1</sub>, turning it "off" (i.e., making it non-conductive). As it becomes non-conducting TR<sub>1</sub> collector rises to almost the full rail potential, raising the base of TR<sub>2</sub> sufficiently positive for it to be turned "on" (i.e., become conducting). The collector of TR<sub>2</sub> drops to near zero potential, with the result that the base of TR<sub>1</sub> goes negative holding TR<sub>1</sub> "off". On receipt of a second negative pulse at the trigger input to TR<sub>1</sub> and TR<sub>2</sub>, these revert to their original states. Thus an output pulse is obtained from the collectors of either TR<sub>1</sub> or TR<sub>2</sub> for every two pulses that are received at the trigger input. The length of time that a negative pulse is present at the bases of TR<sub>1</sub> or TR<sub>2</sub> is determined by the time constants R<sub>5</sub>, C<sub>1</sub> and R<sub>6</sub>, C<sub>2</sub>. The diodes, D<sub>3</sub> and D<sub>4</sub> (shown in dashed line), pass the d.c. set and reset connections to the binary dividers. For binaries, such as B<sub>10</sub> and B<sub>13</sub>, which require separate input connections to the two transistor bases, the connection between C<sub>1</sub> and C<sub>2</sub> is broken, providing

the two inputs. Theoretically, in such circumstances, the diodes D<sub>1</sub> and D<sub>2</sub> and the resistors R<sub>5</sub> and R<sub>6</sub> become redundant. However, for some unknown reason the binaries refused to operate satisfactorily without them so that the diodes and resistors were retained in the circuits of binaries of B<sub>10</sub> and B<sub>13</sub> and all other such binaries.

In Figs. 1 and 2, inputs were shown passing inside the block representing each bistable. It may now be seen that these correspond, in position, to the input to C<sub>1</sub> and C<sub>2</sub> and the transistor bases (via D<sub>3</sub> and D<sub>4</sub>) as applicable. Outputs are taken from the collectors of TR<sub>1</sub> and TR<sub>2</sub>. (D<sub>3</sub> and D<sub>4</sub> are included in Fig. 6 to indicate the circuit position of the external set and reset diodes).

### RESET MONOSTABLE

The reset monostable (Fig. 7) is a conventional monostable of the multivibrator family. Its normally stable state is with TR<sub>2</sub> fully conducting and with TR<sub>1</sub> non-conducting. Upon a negative going pulse arriving at the trigger input the base of TR<sub>2</sub> goes negative, switching TR<sub>2</sub> "off." As TR<sub>2</sub> becomes non-conducting, its collector rises to almost the full rail potential, thus the base of TR<sub>1</sub> is taken positive, via R<sub>4</sub>, and TR<sub>1</sub> is switched "on." The

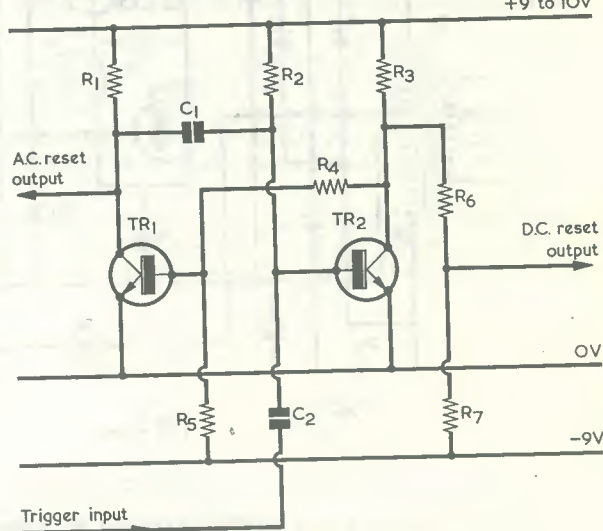


Fig. 7. The monostable reset stage, as used in Figs. 1 and 2

### COMPONENTS

#### Resistors

- R<sub>1</sub> 10kΩ
- R<sub>2</sub> 100kΩ
- R<sub>3</sub> 10kΩ
- R<sub>4</sub> 100kΩ
- R<sub>5</sub> 820kΩ
- R<sub>6</sub> 10kΩ
- R<sub>7</sub> 100kΩ

#### Capacitors

- C<sub>1</sub> 0.1μF (as small as possible)
- C<sub>2</sub> 0.01μF disc ceramic (as small as possible)

#### Transistors

- TR<sub>1</sub>, TR<sub>2</sub> silicon planar transistors



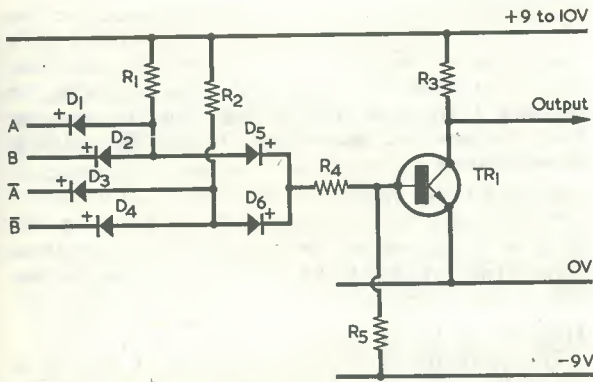


Fig. 8. Circuit diagram for the comparator stages of Fig. 2

### COMPONENTS

#### Resistors

- R<sub>1</sub>, R<sub>2</sub> 47kΩ
- R<sub>3</sub> 10kΩ
- R<sub>4</sub> 47kΩ
- R<sub>5</sub> 330kΩ

#### Semiconductors

- D<sub>1</sub>-D<sub>6</sub> silicon diodes
- TR<sub>1</sub> silicon planar transistor

collective side of C<sub>1</sub> is now at zero volts and the R<sub>2</sub> side of C<sub>1</sub> is at a negative voltage of about 8 volts. C<sub>1</sub> now charges up through R<sub>2</sub> and when the junction of C<sub>1</sub>, R<sub>2</sub> and the base of TR<sub>2</sub> reaches approximately 0.6 volts TR<sub>2</sub> will again become fully conducting and TR<sub>1</sub> will be switched "off." The time that the monostable is out of its normally stable state is approximately determined by the time constant, R<sub>2</sub>C<sub>1</sub>.

The output from the collector of TR<sub>1</sub> is normally up at nearly the full rail potential. When the monostable is triggered, TR<sub>1</sub> collector goes down to nearly zero volts producing a negative going pulse of approximately R<sub>2</sub>C<sub>1</sub> seconds duration.

The output from the collector of TR<sub>2</sub> is normally at about 0.2 volts hence the output at the junction of R<sub>6</sub> and R<sub>7</sub> will be about 1 volt negative. When the monostable is triggered, the collector of TR<sub>2</sub> will rise to almost the full rail potential and the junction of R<sub>6</sub> and R<sub>7</sub> will also rise to some positive potential, the precise value of which will depend upon the amount of current passed through R<sub>6</sub>.

The negative going output pulse from the collector of TR<sub>1</sub> is used as an a.c. reset signal to binaries BC1 and BC2 in the chime circuit of Fig. 2. The positive going output pulse from the junction of R<sub>6</sub> and R<sub>7</sub> is used to reset binaries B1 to B4 of the clock's basic circuit (Fig. 1), and the binaries BS1 to BS4 of the chime circuit of Fig. 2.

It is important that the d.c. set and reset diodes for the binaries B1 to B4 and BS1 to BS4 should be normally reverse biased. This is why the output from the monostables is taken from the junction of R<sub>6</sub> and R<sub>7</sub> instead of the collector of TR<sub>2</sub>.

### THE COMPARATORS

The comparators are used to determine when the  
JANUARY 1969

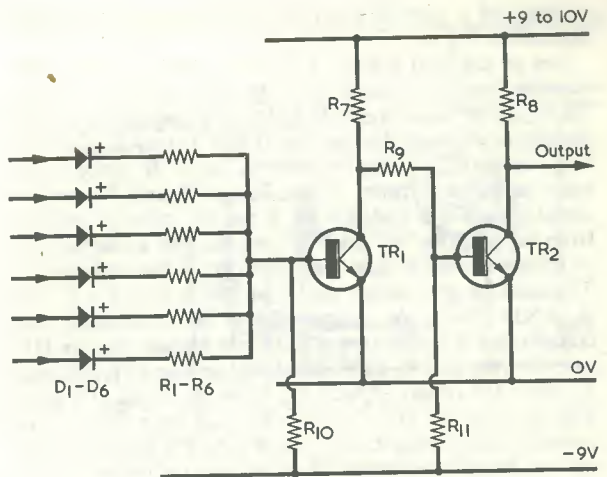


Fig. 9. The six-input OR gate is connected up as shown here

### COMPONENTS

#### Resistors

- R<sub>1</sub>-R<sub>6</sub> 100kΩ
- R<sub>7</sub>, R<sub>8</sub> 10kΩ
- R<sub>9</sub> 100kΩ
- R<sub>10</sub>, R<sub>11</sub> 820kΩ

#### Semiconductors

- D<sub>1</sub>-D<sub>6</sub> silicon diodes
- TR<sub>1</sub>, TR<sub>2</sub> silicon planar transistors

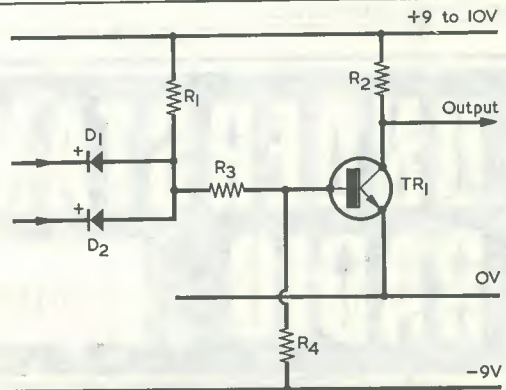


Fig. 10. The simple circuit employed for the NAND gate

### COMPONENTS

#### Resistors

- R<sub>1</sub> 47kΩ
- R<sub>2</sub> 10kΩ
- R<sub>3</sub> 47kΩ
- R<sub>4</sub> 330kΩ

#### Semiconductors

- D<sub>1</sub>, D<sub>2</sub> silicon diodes
- TR<sub>1</sub> silicon planar transistor

outputs of a pair of binaries are the same. The circuit appears in Fig. 8.

Let us consider a pair of binaries, "A" and "B." The outputs from the collectors of the transistors of binaries "A" and "B" we will call A,  $\bar{A}$ , B and  $\bar{B}$  respectively. It is a feature of a binary divider that if A = 1 then A must = 0, and vice-versa. For the binaries "A" and "B" to be in the same state the outputs A and B, and  $\bar{A}$  and  $\bar{B}$  must be equal (i.e., A = B and  $\bar{A} = \bar{B}$ ). If the two pairs of outputs from the binaries "A" and "B" are fed into a comparator as shown in Fig. 8 then the output from the collector of TR<sub>1</sub> will be zero when the inputs A AND B = 1, OR  $\bar{A}$  AND  $\bar{B}$  = 1. As suggested by the conditions, the comparator is in fact two AND gates feeding into an OR gate. D<sub>1</sub>, D<sub>2</sub> and R<sub>1</sub> form one AND gate and D<sub>3</sub>, D<sub>4</sub> and R<sub>2</sub> form the other. D<sub>5</sub> and D<sub>6</sub> form the diode OR gate. The junction of D<sub>1</sub>, D<sub>2</sub> and R<sub>1</sub> will be at a positive potential only when the inputs A AND B are ones, i.e., up at a positive potential. If either input is down at zero volts then the junction must also be down at zero volts. The same is true about the junction of D<sub>3</sub>, D<sub>4</sub> and R<sub>2</sub>, except in this case the inputs are  $\bar{A}$  AND  $\bar{B}$ . However, if either the junction of D<sub>1</sub>, D<sub>2</sub> and R<sub>1</sub> OR D<sub>3</sub>, D<sub>4</sub> and R<sub>2</sub> is up at a positive potential then the junction of D<sub>5</sub>, D<sub>6</sub> and

R<sub>4</sub> must also be at a positive potential, and hence the base of TR<sub>1</sub> is sufficiently positive for TR<sub>1</sub> to be fully conducting and the collector to be at zero potential. Thus the output from the comparator is zero if either the inputs A AND B OR  $\bar{A}$  AND  $\bar{B}$  are ones, i.e., positive. For either condition the binaries "A" and "B" will be in identical states.

#### SIX-INPUT OR GATE

The circuit of the OR gate is given in Fig. 9. As the name of the gate implies, an output is "up" at a positive potential at the collector of TR<sub>2</sub> if an input is "up" at one OR more of the inputs.

#### THE NAND GATE

The operation of this circuit (shown in Fig. 10) is self-explanatory; an output from the collector of the transistor being NOT "up" when inputs 1 AND 2 are "up".

#### NEXT MONTH

The only circuits not so far described in detail are the AM/PM light switching circuit and the chime oscillator. These will be dealt with in Part 3, after which constructional details will commence.

(To be continued)


#### DELAYED A.G.C. CIRCUITS


**I**N LAST MONTH'S ARTICLE IN THIS SERIES WE INTRODUCED the subject of automatic gain control in a.m. radio receivers, and saw that an a.g.c. voltage is obtained by rectifying the output signal from the i.f. amplifier. The resultant direct voltage is then fed back to the preceding valves as a negative bias voltage. These valves are the r.f. amplifier (if fitted), the frequency changer, and the valve or valves in the i.f. amplifier, and they are all types having a variable-mu characteristic.

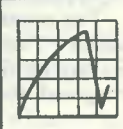
at a.f., passes the detected signal to the triode a.f. amplifier. R<sub>3</sub> has a high value, allowing the triode to operate with grid current bias. When an i.f. signal is passed to the diode its rectifying action causes the upper end of the diode load (R<sub>2</sub>, plus the relatively low-value resistor R<sub>1</sub>) to take up a negative potential with respect to chassis, the amplitude of this negative potential being proportional to the amplitude of the i.f. signal. A direct a.g.c. voltage is then available after the filter given by R<sub>4</sub> and C<sub>4</sub>. In the circuit of Fig. 1 (a) R<sub>4</sub> and C<sub>4</sub> prevent both i.f. and

# UNDERSTANDING RADIO

## DELAYED A.G.C. CIRCUITS

$$f = \frac{1}{2\pi\sqrt{LC}}$$






by W. G. Morley

We also examined a simple a.g.c. diode circuit in which a single diode carries out the functions of both signal detector and a.g.c. diode.

#### SEPARATE A.G.C. DIODE

For purposes of comparison with other a.g.c. circuits, the single diode circuit given last month is reproduced here in Fig. 1 (a). R<sub>1</sub>, R<sub>2</sub>, C<sub>1</sub> and C<sub>2</sub> appear in a standard signal detector circuit, whilst C<sub>3</sub>, which has a low reactance

detected a.f. signals from appearing on the a.g.c. voltage. A common variant on this circuit consists of taking the a.g.c. voltage from the upper end of R<sub>2</sub>, whereupon R<sub>4</sub> and C<sub>4</sub> have to prevent a.f. signals only from appearing on the a.g.c. voltage. The double diode triode in Fig. 1 (a) has its cathode (common to both diodes and the triode) connected to chassis.

An important feature of the circuit of Fig. 1 (a) is that, so far as a.c. is concerned, R<sub>4</sub> is in parallel with the diode



lead, whereupon it provides additional a.c. loading. This point was dealt with in detail last month.

An alternative type of a.g.c. circuit is shown in Fig. 1 (b). Here, the left hand diode of the double triode functions as the signal detector and provides a detected a.f. signal in conventional manner. The i.f. signal is also applied, via capacitor  $C_5$ , to the right hand diode. This functions as the a.g.c. diode. A negative rectified voltage proportional to the amplitude of the i.f. signal appears at the upper end of the a.g.c. diode load  $R_5$ , and this is then applied to the filter given by  $R_4$  and  $C_4$ , which removes the i.f. component of the rectified voltage.

(Newcomers who are puzzled by the fact that a negative rectified voltage appears at the right hand diode anode should assume that an "a.c. generator" connected between the left hand plate of  $C_5$  and chassis provides the i.f. signal. Capacitor  $C_5$  then becomes charged via the diode to nearly the peak alternating voltage potential, with its right hand plate negative. The capacitor thus provides the negative voltage—actually, negative half-cycles of the alternating voltage—at the diode anode. Filter components  $R_4$  and  $C_4$  ensure that a steady direct voltage, equal to the average direct voltage of the half cycles, becomes available on the lower plate of  $C_4$ . In practice the "a.c. generator" is the secondary of the i.f. transformer, its lower end being coupled to chassis via  $C_1$ , which has a low reactance at i.f.).

The arrangement of Fig. 1 (b) has the advantage that the a.g.c. diode circuit is separate from the detector circuit and that none of the a.g.c. components cause a.c. loading across the detector load. The value of the coupling capacitor,  $C_5$ , is normally around 20 to 50pF.

Another a.g.c. diode circuit is illustrated in Fig. 1 (c). Here the detector circuit remains unaltered and the right hand diode now receives an i.f. signal from the anode of the i.f. amplifier valve preceding the last i.f. transformer. Again, the a.g.c. diode circuit is separate from the signal detector circuit and it similarly adds no a.c. loading across the signal detector load. The circuit of Fig. 1 (c) has a particular advantage when used in domestic a.m. receivers, this arising from the fact that the overall receiver selectivity at the i.f. amplifier anode is less than it is—one i.f. tuned circuit later—at the signal detector. With the circuits of Figs. 1 (a) and (b) a.g.c. voltage rises relatively sharply when the receiver tuning approaches its correct setting, as is indicated by the sharp curve of Fig. 2. When the circuit of Fig. 1 (c) is used a high a.g.c. voltage is provided even when the receiver tuning is some way removed from its correct setting, this state of affairs being illustrated by the broader curve in Fig. 2. The result is that tuning, close to the correct tuning position, becomes somewhat easier for a non-technical person to carry out, since the correct tuning position corresponds to a small increase in a.f. output. Also, since the receiver gain is kept at a reduced level on either side of the correct tuning position, there is less tendency for the receiver to offer a shrill distorted output when slightly off-tune, as can occur when the a.g.c. circuits of Figs. 1 (a) and (b) are used. Care has to be taken, when designing a receiver using the a.g.c. circuit of Fig. 1 (c) to ensure that the a.g.c. voltage/frequency response (as illustrated by the broad curve of Fig. 2) is not so broad that the a.g.c. voltage generated by a powerful signal can reduce sensitivity for a weak adjacent signal. However, this requirement is normally met quite satisfactorily in standard a.m. receivers employ-

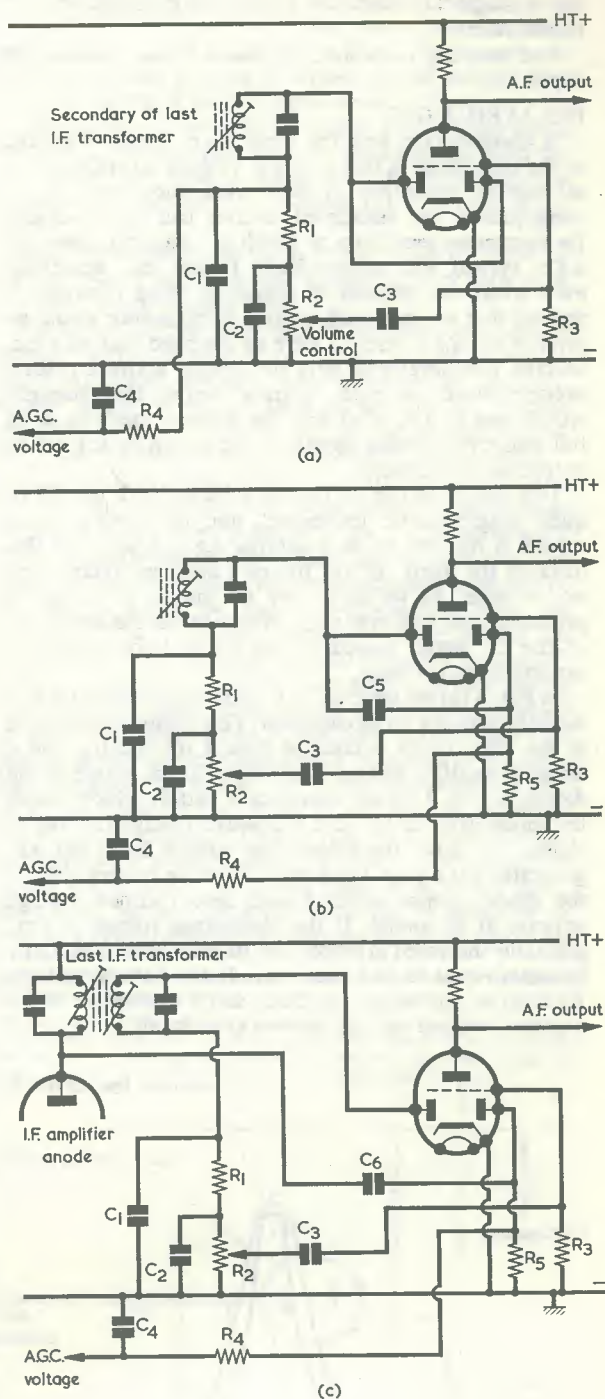


Fig. 1 (a). A circuit in which an a.g.c. voltage is taken from the upper end of the signal detector load  
 (b). Here, a separate diode functions as a.g.c. diode  
 (c). Supplying a separate a.g.c. diode from the anode of the last i.f. amplifier valve

ing a single i.f. amplifier valve and good quality i.f. transformers.

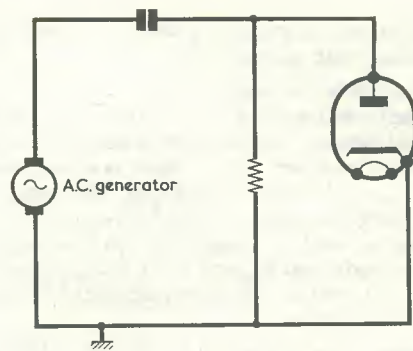
The coupling capacitor,  $C_6$ , has a value, typically of 50pF.

### DELAYED A.G.C.

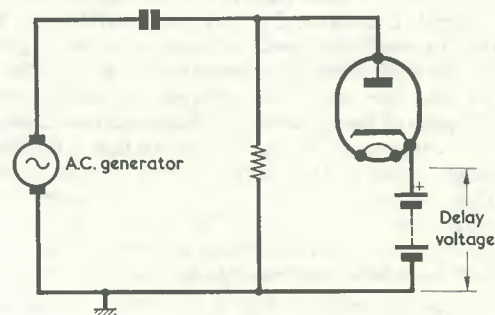
A disadvantage with the three a.g.c. circuits we have so far considered is that an a.g.c. voltage is produced for *all* signals, regardless of how weak they may be. In consequence, the associated receiver can never achieve the maximum sensitivity of which it is capable, since the a.g.c. system will automatically reduce that sensitivity even when the weakest of signals is being received. It follows that an improved receiver performance would be given if the a.g.c. circuits were so designed that an a.g.c. voltage was developed only for signals above a certain predetermined strength. Signals below this strength would then be amplified with the receiver operating at its full sensitivity, whilst signals above would be subject to automatic gain control.

This condition can be readily achieved with the aid of quite simple circuit techniques, and the system which results is referred to as a *delayed a.g.c.* system. In this instance the word "delay" means a delay in voltage, and not in time. As we shall now see, no a.g.c. voltage is produced with a delayed a.g.c. system unless the amplitude of the i.f. signal passed to the a.g.c. diode exceeds a predetermined voltage.

In Fig. 3 (a) we have an "a.c. generator" which feeds a diode by way of a series capacitor. This circuit is equivalent to the a.g.c. diode circuits of Figs. 1 (b) and (c), and a negative rectified voltage is produced at the anode of the diode. In Fig. 3 (b) we introduce a battery which causes the diode cathode to have a positive voltage relative to chassis. If, now, the alternating voltage from the a.c. generator has a peak value lower than the battery voltage the diode cannot conduct and zero rectified voltage appears at its anode. If the alternating voltage is next gradually increased in amplitude, its peak value eventually becomes equal to and then exceeds the battery voltage. As soon as this occurs the diode starts to conduct and a negative rectified voltage appears at its anode.



(a)



(b)

Fig. 3 (a). A basic diode circuit, as is employed in a.g.c. circuits

(b). Adding a battery as shown here, introduces a delay voltage

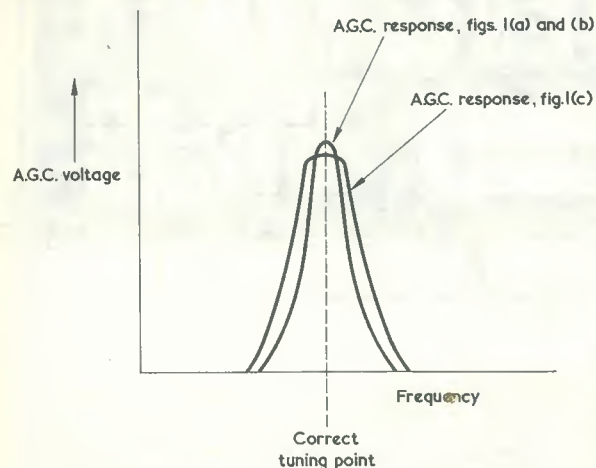
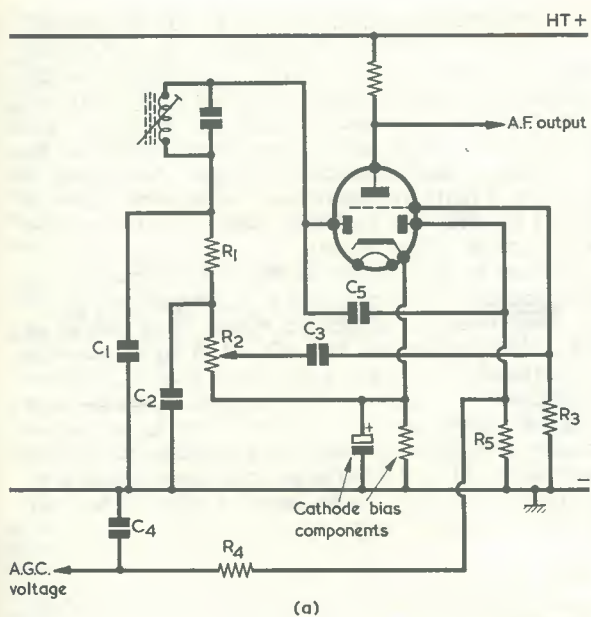


Fig. 2. The circuit of Fig. 1 (c) allows a high a.g.c. voltage to be provided for a wider range of tuning control settings than do the circuits of Figs. 1 (a) and (b)

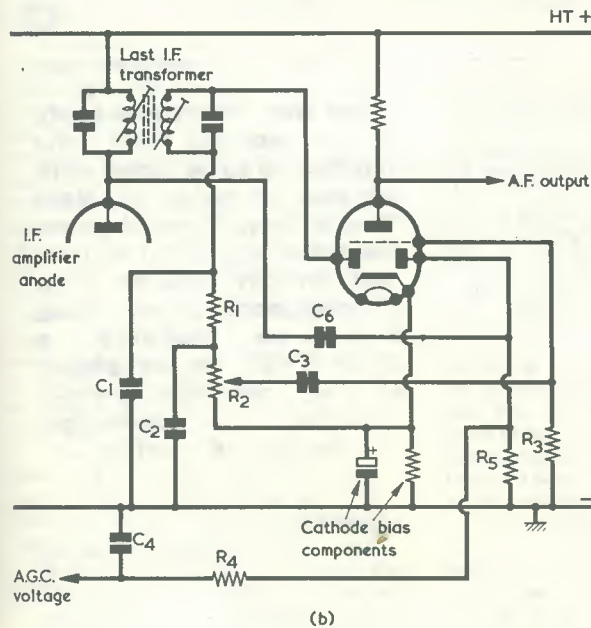
Thus, the circuit of Fig. 3 (b) offers no rectified output when the peak value of the alternating voltage is less than the battery voltage. If, on the other hand, the peak value of the alternating voltage is greater than the battery voltage a rectified output is given, this increasing as the alternating voltage increases. A diode circuit of this nature is described as being "delayed", the voltage provided by the battery being the *delay voltage*. It will be seen that the rectified voltage obtained in Fig. 3 (b) for alternating voltages which "overcome the delay" is less (by the battery voltage) than would be given for the same voltages by the circuit of Fig. 3 (a). This effect is relatively unimportant so far as an a.g.c. diode circuit is concerned because most of the alternating voltages (that is, i.f. signal voltages) fed to it are considerably greater than the delay voltage. The rectified voltage obtained is, in consequence, only slightly less, proportionally, than if a diode without a delay were used.

Since the a.g.c. diodes in Figs. 1 (b) and (c) are separate from the signal detector diodes, either of these two circuits may be modified so that the a.g.c. diode becomes delayed in the same manner as occurs in Fig. 3 (b). For an a.m. broadcast receiver the delay required for the a.g.c. diode is of the order of several volts only, whereupon it becomes very convenient to obtain this delay voltage by using cathode bias for the triode section of a double diode triode. This bias voltage also provides the delay voltage.





(a)



(b)

Fig. 4 (a). The circuit of Fig. 1 (b) modified for delayed a.g.c. operation  
 (b). The circuit of Fig. 1 (c) similarly modified

Fig. 4 (a) shows Fig. 1 (b) modified to provide a delayed a.g.c. voltage. Conventional cathode bias components appear between chassis and the cathode of the valve, a cathode bias voltage being produced across them in the usual manner due to the current passed by the triode. The signal detector load,  $R_2$ , now has its lower end returned to cathode instead of to chassis. In consequence, the signal detector circuit functions in the same manner as it did previously, with the exception that the lower end of the load now happens to be a few volts positive of chassis. (This is the same signal detector circuit as was illustrated in Fig. 1 (d) of last month's article). The a.g.c. diode is

once more on the right and its load resistor,  $R_5$ , connects to chassis, whereupon this diode enters into the same circuit configuration as did that of Fig. 3 (b), the cathode being maintained positive of chassis by the cathode bias potential. In Fig. 4 (a) the signal detector functions with all signals, regardless of their strength. On the other hand, the a.g.c. diode provides an a.g.c. voltage only when the peak amplitude of the i.f. signal from the i.f. transformer secondary exceeds the delay voltage at the cathode of the valve.

Incidentally, since the triode in Fig. 4 (a) is biased by cathode bias,  $R_3$  does not now require the very high value needed with grid current bias.

The circuit of Fig. 1 (c) may be modified in a similar manner, giving us the delayed a.g.c. circuit shown in Fig. 4 (b). Again, the same conditions prevail, an a.g.c. voltage being produced only when the i.f. voltage amplitude at the i.f. amplifier anode is sufficiently high to overcome the delay voltage at the cathode of the valve.

A disadvantage with both the circuits of Figs. 4 (a) and (b) is that distortion can occur with signals whose average amplitude is very close to the delay level. The modulation of such signals causes their amplitude to vary, with the result that the a.g.c. diode may be conducting over part of the modulating cycle and non-conducting over the remainder. The i.f. transformer tuned circuit feeding the a.g.c. diode is slightly damped when the diode conducts.<sup>1</sup> Since this damping occurs only over part of the modulating cycle, the modulated signal passed to the signal detector carries a distorted version of the true modulation. This effect is much more in evidence with the circuit of Fig. 4 (a) than it is with that of Fig. 4 (b),<sup>2</sup> and the circuit of Fig. 4 (b) is on this score preferable. In practice, the distortion offered by the circuit of Fig. 4 (b) is not excessively high and it is only in evidence with a relatively narrow range of signals whose amplitudes bring them close to the a.g.c. delay level. Signals which will normally be relied on to provide a detected signal of good quality should have an

<sup>1</sup> Damping of a parallel tuned circuit occurs when an external resistive load is connected across it, causing its effective Q factor to become reduced.

<sup>2</sup> This is largely because, when the a.g.c. diode of Fig. 4 (a) conducts, a capacitive potentiometer is set up with  $C_2$  and  $C_1$  in series.  $C_1$  has a value which would normally only be about 5 to 10 times higher than  $C_2$ , whereupon an appreciable voltage can appear across it, reducing the voltage fed to the signal detector diode.

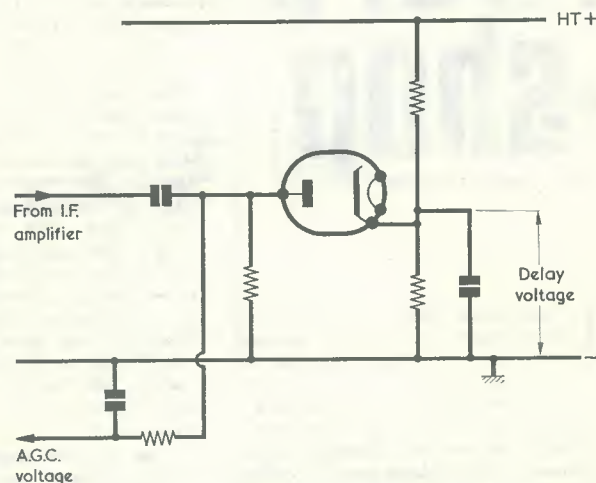


Fig. 5. A common method of providing the a.g.c. diode delay voltage in more complex receivers

amplitude well above the delay level, and are not subject to the distortion. Before concluding on this point it should be mentioned that distortion due to a delayed a.g.c. diode being non-conductive over part of the modulating cycle is inevitable if the signal is modulated 100%, because the carrier then drops to zero once for each modulating cycle. Broadcast transmissions have a much lower modulation depth and are not liable to give rise to this effect. Nevertheless, it is still advisable to keep the delay voltage on the a.g.c. diode sufficiently low to prevent distortion with the more heavily modulated transmissions of reasonable strength; and it may be stated that the circuit of Fig. 4 (b) offers acceptable results for domestic listening provided that the delay voltage at the cathode is kept at around 2 to 3 volts.

The distortion just discussed is not evident in the non-delayed a.g.c. circuits of Figs. 1 (b) and (c). Also, the circuit of Fig. 4 (b) has the same advantage with respect to ease of tuning as has that of Fig. 1 (c).


The delayed a.g.c. diode circuit of Fig. 4 (b) has been widely used in commercially manufactured a.m. valve receivers and, since the cathode bias components carry out the secondary function of producing an a.g.c. delay voltage, it presents a useful economy in valves and components. This circuit could also be used with a double

diode pentode if the pentode were an a.f. voltage amplifier.

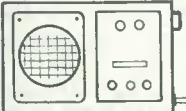
Despite the fact that it provides no delay and that care has to be taken to prevent excessive a.c. loading of the detector, the basic circuit shown in Fig. 1 (a) has also been widely used in commercially made receivers, the a.g.c. voltage being taken from the upper end of  $R_1$  or  $R_2$  according to individual circuit design. The circuit of Fig. 1 (c) is fairly frequently encountered, whilst those of Figs. 1 (b) and 4 (a) are less popular (the latter because of distortion, as just stated).

In more specialised a.m. receivers, where economy in components is not so important as in competitively priced domestic receivers, alternative means of providing an a.g.c. delay voltage may be employed. A typical instance is illustrated in Fig. 5, where a single a.g.c. diode is shown, its cathode being taken to the junction of two resistors connected across the h.t. supply lines. The junction of the resistors is bypassed to chassis via a capacitor having low reactance at i.f. and a.f. The standing current drawn by the two resistors from the h.t. supply need be of the order of several milliamps only.

#### NEXT MONTH

In next month's issue we shall see how the a.g.c. voltage is applied to the controlled valves. 

# In your workshop



"We've got a New Year's Day party on tonight," wailed Dick, "and I've been detailed to provide the music. But all I can dig out is this record-player I've got here."

"I recognise the model," said Smithy. "It's one of those low-cost jobs with just a UL84 output pentode and a UY85 rectifier in them. All the a.f. gain is provided by the UL84 on its own."

#### RECORD-PLAYER

"Exactly," returned Dick in disgust. "And that's my problem. The output from this record-player just isn't loud enough, particularly for the sort of party we'll be having tonight. I've checked all the voltages in it at home, and I've tried a new UL84 which I happened to have on hand, but everything is all right."

"Put it on," said Smithy.

Dick removed his mackintosh then carried the record-player over to his bench, plugged it into the mains and switched it on. He next set one of his 45 r.p.m. test records on the changer spindle and started the turntable running. Smithy listened attentively to the output. The volume level was adequate enough for domestic listening.

"It seems about normal for this class of record-player," he commented. "You could try another pick-up cartridge. One hears tales of these crystal cartridges losing their output over the years and there's a new one of the type employed in that record-player in the spares cupboard."

Eagerly, Dick searched through the spares cupboard and located the new cartridge. He fitted it to the record-player tone arm and played the test record once more. There was no discernable

**After the Christmas rush, it is normal for the Workshop to be faced with no sets to repair on New Year's Day. Nevertheless, the time is still put to use, and Smithy spends it in demonstrating to Dick how to modify a UL84-UY85 record-player so that it produces greater output at considerably enhanced quality**

difference in volume.

"Oh well," remarked Smithy, shrugging his shoulders. "You've got to face up to it, Dick. That record-player is operating just about as well as you can expect it to!"

"Is it possible," asked Dick, "to add another a.f. stage and get a bit more gain out of it?"

"Oh yes," said Smithy. "Provided, that is, that there's enough room for the extra parts that will be required. Seeing that we've got nothing else in hand today, we'll have a stab at doing just that if you like."

"Good old Smithy," returned Dick warmly. "I knew you'd come up with something. Will there be any snags?"

"Not really," replied Smithy. "Provided, as I say, that there's sufficient room for the extra components needed it's not at all difficult to add another stage of amplification to a single-pentode record-player of the type you have here.

"I," announced Dick, as he carried a record player in a battered wooden cabinet into the Workshop, "am in dead trouble, mate!"

Sipping tea from his disgraceful tin mug, Smithy looked up at his assistant.

"Well," he remarked heavily after a moment, "I won't blame you for coming in late this morning because this is New Year's Day and there's no work for us to do in any case. So, what's your trouble?"





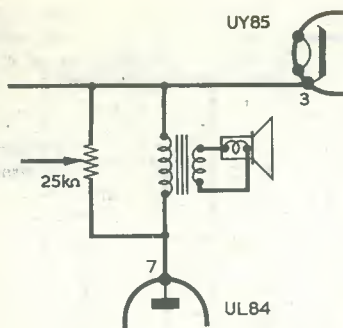


Fig. 3. In modifying the amplifier, the 0.05μF tone control capacitor of Fig. 1 is removed and the 25kΩ potentiometer connected directly across the speaker transformer primary

consists of leaving the UL84 pretty well the same as it is now and adding an external triode mounted on a little metal bracket and with its filament run from a heater transformer. The second approach is usually the easier, even if it *does* incur some extra metal-bashing in making up the bracket and any other incidentals that are required. This is because most of these UL84 amplifier chassis are too small to take the extra components needed for a triode-pentode."

"We'll add the extra triode on a bracket," said Dick decisively. "There's plenty of room inside the cabinet for it, and for a small heater transformer."

#### MODIFICATION BEGINS

"Fair enough," said Smithy. "Well, you can start on the bracket for the triode straight away. Design it to take a B9A valveholder and a couple of small 4 or 5-way tagstrips, and so that it can be secured with at least one nut and bolt, at some convenient point, to the existing chassis."

"Why's that?"

"Because," explained Smithy, "the wooden sides of this cabinet are sure to be pretty thin and you can't rely on being able to mount extra assemblies on them securely with woodscrews. All the existing metalwork will be reliably bolted down."

Smithy returned to his mug of tea, and scribbled out a circuit whilst Dick picked up a sheet of aluminium. It was not long before he produced a small bracket which met Smithy's requirements.

"Excellent," said Smithy. "I think the best triode we can use here is one half of an ECC83. This is a high-gain valve and will give us quite a good bit of amplification before we add the feedback. Now, whilst you were making that bracket I was working out a circuit for the triode. Before you fit the bracket

in place, mount the tagstrips and valveholder on it, and then wire it up like this." (Fig. 2).

Dick soon mounted the components in Smithy's circuit to the metal bracket, and passed it over to the Serviceman for his approval.

"Very nice," said Smithy, examining Dick's handiwork carefully. "The next thing is to fix that bracket into position in the record-player cabinet. Whilst you're doing that I'll get myself a spot more tea."

Smithy refilled his mug whilst Dick fitted the bracket into position.

"All done," called out Dick cheerfully some minutes later. "What's the next thing to do?"

"Some minor circuit mods to the existing amplifier," replied Smithy. "First of all whip out that 0.05μF capacitor in the tone control circuit, and connect the track of the tone control pot directly across the speaker transformer primary." (Fig. 3).

"What about the slider of the tone control pot?"

"Just leave that disconnected for the moment."

Smithy sipped contentedly at his replenished mug of tea whilst Dick set to work with his soldering iron. Lucky are those, it may be said in passing, who due to their greater intellect are capable of taking life easy whilst the rest of us mugs labour away at their bidding.

"That's done," announced Dick. "Next?"

"Disconnect," pronounced he of the superior intellect, "the existing lead between the volume control slider and the control grid of the UL84. Then run a screened lead from that grid to the coupling capacitor from the ECC83 anode, earthing the screening at the ECC83 end. Next, run a screened lead from the slider of the volume control to

the grid of the ECC83, earthing *that* at the ECC83 end, too." (Fig. 4).

Again, there was silence in the Workshop, broken only by the clatter of Dick's tools as he prepared the lengths of screened cable and the smacking of Smithy's lips after what were patently very gratifying intakes of tea.

"I've done all that," announced Dick. "But I've just spotted something that's got me worried."

"What's that?"

"Both the grid leads I've fitted are screened," said Dick. "But there's no screening on the lead-outs of the existing 0.002μF isolating capacitor between the pick-up and the top end of the volume control track. Isn't there liable to be some hum pick-up on those lead-outs?"

"We'll have to see what happens there when we start testing," replied Smithy. "As a matter of fact, the only reason I recommended screening those two grid leads you've just now fitted is because they travel over fairly long distances. The screening is purely a precaution and wouldn't be necessary if we had a proper layout instead of the rather haphazard layout imposed on us here. If after completing the mod we find that, because of the increased amplification, hum picked up by that 0.002μF capacitor is troublesome, we'll either have to re-position it or, preferably, move any mains or heater wiring that's near it further away. Whatever we do here, though, we *must* take great care not to reduce its efficiency as a mains isolating capacitor."

"Righty-ho," said Dick. "Well, we'll cross that bridge when we come to it! What do I do next?"

"Pick up an h.t. positive supply for the ECC83," replied Smithy. "You can get this direct from the screen-grid of the UL84. Just run a lead from the

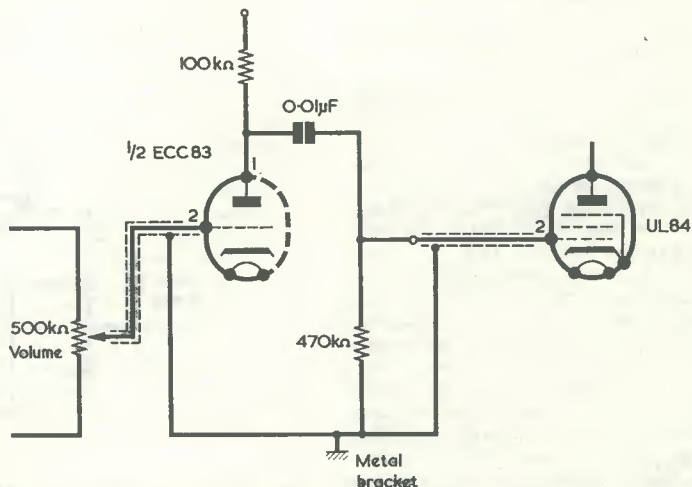


Fig. 4. The volume control slider is transferred from the grid of the UL84 to the grid of the ECC83; and the grid of the UL84 now connects to the anode coupling capacitor from the ECC83



screen-grid to the top of the ECC83 anode load resistor. (Fig. 5). Since the chassis and the bracket are bolted together, we don't need to worry about the h.t. negative connection. If they weren't bolted together they'd need, of course, to be bonded together with a length of wire."

Again, silence fell on the Workshop. "Job done!" announced Dick after a few moments. "Anything else?"

Smithy rose and looked inside the spares cupboard. He returned and handed a small transformer to his assistant.

"Seeing that it's New Year's Day," he remarked, "you can have this as a present! It's a nice wee little 6.3 volt heater transformer for the ECC83. Mount it at any convenient point inside the cabinet remembering, once again, not to rely on woodscrews for a secure fitting. Then wire it up to provide a heater supply for the ECC83." (Fig. 6).

Dick took the transformer from Smithy, and tried it out in different positions in the record-player cabinet.

"This will be easy enough to fit in," he called out. "One end can share the same bolt that's used for the existing speaker transformer."

"Good show," said Smithy. "Make up another small bracket, so that the transformer can be secured to the cabinet by the same bolts as the speaker transformer. Something like this."

Smithy sketched out a bracket suitable for this application. (Fig. 7).

"No sooner asked for," remarked Dick keenly, "than done! Gosh, Smithy, we should be getting near the end of this job."

"We're approaching the interesting part now," Smithy told him. "As soon as you've got that heater transformer in place and wired up, we'll start checking performance."

### CIRCUIT TESTING

Smithy had nearly finished his second mug of tea when a perspiring Dick announced that all was now completed.

"Excellent," said Smithy, placing his mug on his bench and rising. "Let's now see how things work out in practice. First of all, put the cabinet in a position that enables the gram deck to be horizontal and capable of playing a record."

Dick did as he was bid. Smithy then took the record-player mains lead and plugged it into the mains socket at the rear of Dick's bench. He switched on, taking care to keep the volume control at a low setting.

Obligingly, the valve heaters commenced to glow. After a while, a low hum became audible from the speaker.

"Hmm," commented Smithy. "Not too bad."

He turned the volume control up and the hum level increased, accompanied by a slight background hiss. With the

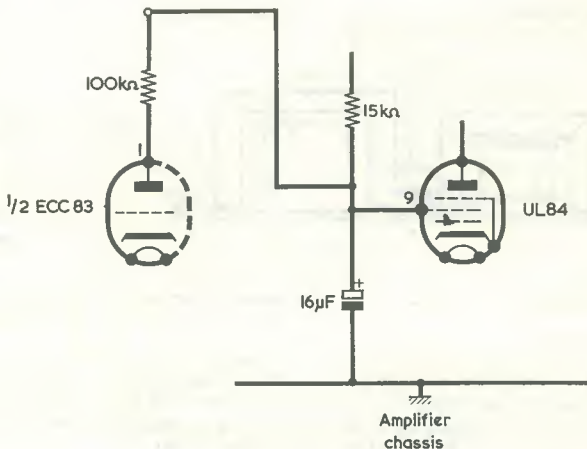


Fig. 5. The h.t. supply for the ECC83 is taken direct from the screen-grid of the UL84

volume control near its maximum setting a shrill metallic howl became evident.

"Acoustic feedback from the speaker to the pick-up," commented Smithy laconically, as he turned the volume control back sufficiently far for the howl to cease. "Just listen to this."

The Serviceman picked up a small screwdriver and lightly tapped the pick-up head with its blade. The familiar jangle given by a microphonic component became audible from the speaker.

"Gosh," said Dick. "We've certainly got stacks of gain now. Let's try the amplifier with a record."

"Okey-doke," said Smithy, "but don't turn the volume up too high."

Dick placed the test record on the changer and set it in motion. At low settings of the volume control reproduction had about the same quality level as existed before the triode had been added, but the available audible output was obviously greater. Impulsively, Dick set the volume control to its full setting. The result was an ear-splitting cacophony of noise consisting of the music reproduced by a grossly overloaded speaker accompanied by the feedback howl. Angrily, Smithy jerked forward and turned the volume down again.

"But I just wanted to hear," protested Dick, "what it sounded like when it was going full blast."

"If the output of that amplifier," returned Smithy censoriously, "had been coupled to a decent-sized speaker capable of handling a high level of audio power, then your action would have been forgiveable. But it isn't. The amplifier is coupled instead to a small speaker which could quite possibly be damaged by an input as high as the one you just fed to it. Fortunately, no harm seems to have been done this time, so let's press on to the next step. Which is

to slightly attenuate the output from the pick-up."

"How," asked a contrite Dick, "do we set about that?"

"With the input circuit in its unmodified state," said Smithy in reply, as he pulled Dick's note-pad towards him, "the output of that pick-up goes straight into the 500kΩ volume control. (Fig. 8 (a)). But, for good bass reproduction a crystal pick-up needs to work into a load of 2MΩ or more. So, what we do next is to insert a 1.5MΩ resistor in series with the volume control. Like this, for instance. (Fig. 8 (b)). We'll also add a 75pF capacitor across the 1.5MΩ resistor to ensure that there isn't excessive loss of the higher frequencies. An alternative position for the 1.5MΩ series resistor is at the pick-up end of the screened lead and isolating capacitors (Fig. 8 (c)), in which case the parallel capacitor should be a bit higher, say 100pF, to take up the self-capacitance in the screened cable. This second position will be the easier to wire up if, like many gram decks, this one has a convenient tagstrip on the underside near the pick-up arm pivot, the tagstrip

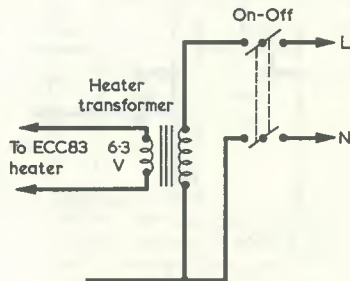


Fig. 6. Connecting up the heater transformer for the ECC83

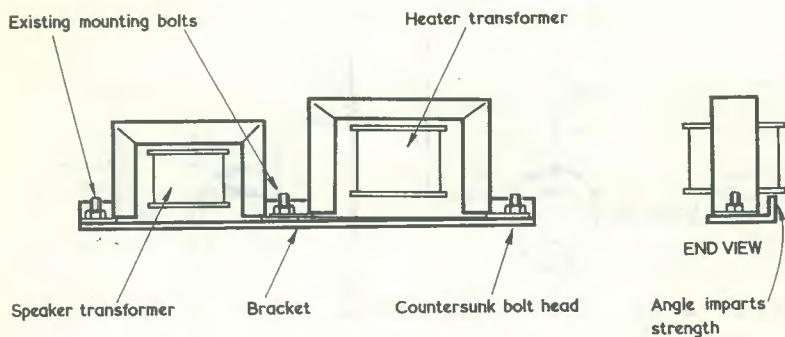
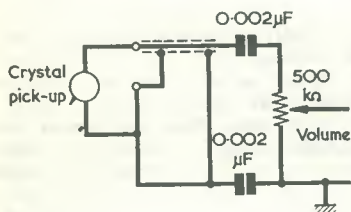


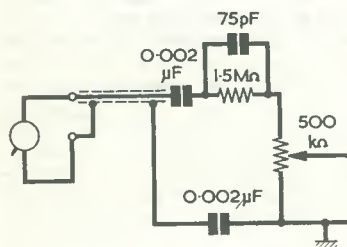
Fig. 7. A mounting bracket such as the example shown here may be necessary for mounting the heater transformer. This enables the heater transformer to be secured to the record-player cabinet by the existing bolts for the speaker transformer

taking the thin flexible wires from the pick-up itself."

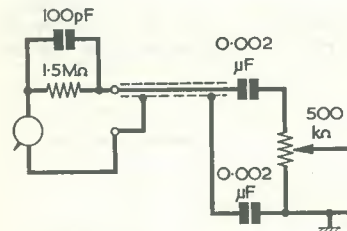
Whilst Smithy was speaking, Dick



(a)



(b)



(c)

Fig. 8 (a). In the unmodified circuit the pick-up fed directly into a 500kΩ volume control (b). Response is improved if an additional resistor and capacitor are wired in, as here (c). An alternative circuit position for the added resistor and capacitor

had already returned the pick-up arm to its rest and switched off the record-player. He next turned its cabinet on its side to examine the underside of the gram deck.

"There's just such a tagstrip here," he announced excitedly. "And it's got a couple of spare tags."

"Fine," said Smithy. "Those would have been used if the deck were fitted with a stereo cartridge."

Dick soon soldered the resistor and capacitor into place and the pair listened once more to the output of the record-player.

"Don't forget," Smithy warned Dick, "that we haven't provided a great deal of attenuation, so still keep that volume control at a reasonably low setting."

"The reproduction," remarked Dick, listening critically, "seems to be noticeably smoother."

"There should be some improvement,"

confirmed Smithy. "The response isn't now quite as peaky in the middle of the frequency range as it was before. I should add, by the way, that some record-players will already have volume controls with values around 2MΩ or so. This last mod we've done wouldn't be needed with these."

"What's the next job?"

"Negative feedback!" said Smithy briskly. "And we'll have to do a bit of experimental design work as well for this. So, using temporary connections only, wire up one side of the speaker transformer secondary to chassis, and the other side to the 270Ω resistor in the cathode circuit of the ECC83 via a 100kΩ pot. Keep the leads to the pot just long enough to enable me to adjust it when the gram deck is horizontal and is playing a record." (Fig. 9).

Once more, Dick quickly carried out Smithy's instructions.

"Don't bother to get that gram deck horizontal yet," remarked Smithy, as Dick completed the last of the temporary connections. "I'll check first to see if we're connected right way round to the speaker transformer secondary."

He adjusted the 100kΩ potentiometer to insert full resistance then switched on the record-player, keeping the volume control at a low setting. Carefully, he reduced the resistance inserted by the potentiometer. Almost immediately, the loudspeaker gave voice to a loud squawk. Smithy switched the record-player off hastily.

"Reverse the connections to the speaker transformer secondary," he said. "We were getting positive feedback that time!"

Dick quickly transposed the connections, and Smithy switched on

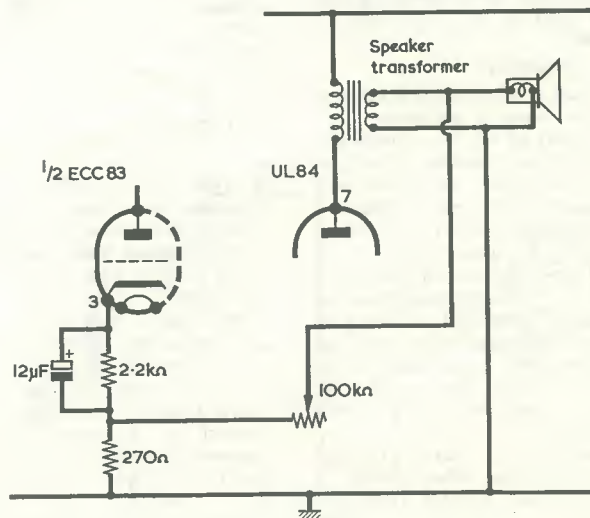


Fig. 9 A temporary circuit employed for finding the degree of feedback required. The chassis symbol here and in subsequent drawings applies to both the amplifier chassis and the metal ECC83 bracket, which are bolted together



once more. This time there was no oscillation as he reduced the resistance offered by the potentiometer. Gradually, the hum level dropped down to an inaudible level. When the potentiometer was inserted almost zero resistance, the amplifier broke into a quiet motor-boating. Smythy returned the potentiometer spindle to the position it had held just before the motor-boating commenced, and switched off again.

"Things are going very nicely, Dick," he announced cheerfully. "What this last check has told me is that the amplifier can stand a really high level of feedback before its phase-shifts make the feedback go positive. Most of these phase-shifts will be in the speaker transformer, of course. Anyway, let's now get the record-player in a position where we can play a record."

When, several minutes later, the test record once more revolved on the turntable, Smythy turned the volume control to full. The output now was very much lower than it had been previously, even with the single valve. Cautiously, Smythy adjusted the 100kΩ potentiometer so that it inserted more resistance. At once the output increased in amplitude. Smythy turned the potentiometer spindle slowly and carefully until the audible output, on peaks from the record, was just at the

point where the speaker gave evidence of being overloaded. This was well below the output level which had previously caused the acoustic feedback.

"Is this output loud enough for you?" asked Smythy.

"I'll say it is," replied Dick, his eyes shining. "There's far more volume than there was originally, and the quality is a darned sight better, too. Blimey, Smythy,

you've done a smashing job on this record-player!"

"Well, it *should* sound a little better," commented Smythy modestly, "after all we've done to it. Now, the next job for you is to make those temporary connections to the speaker transformer secondary permanent."

"What about the 100kΩ pot?"

"Measure the resistance it's set to,"

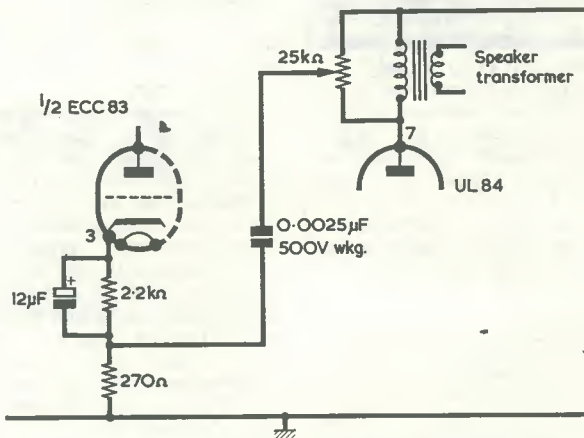


Fig. 10. The simple tone control circuit used by Smythy. This incorporates the original tone control potentiometer

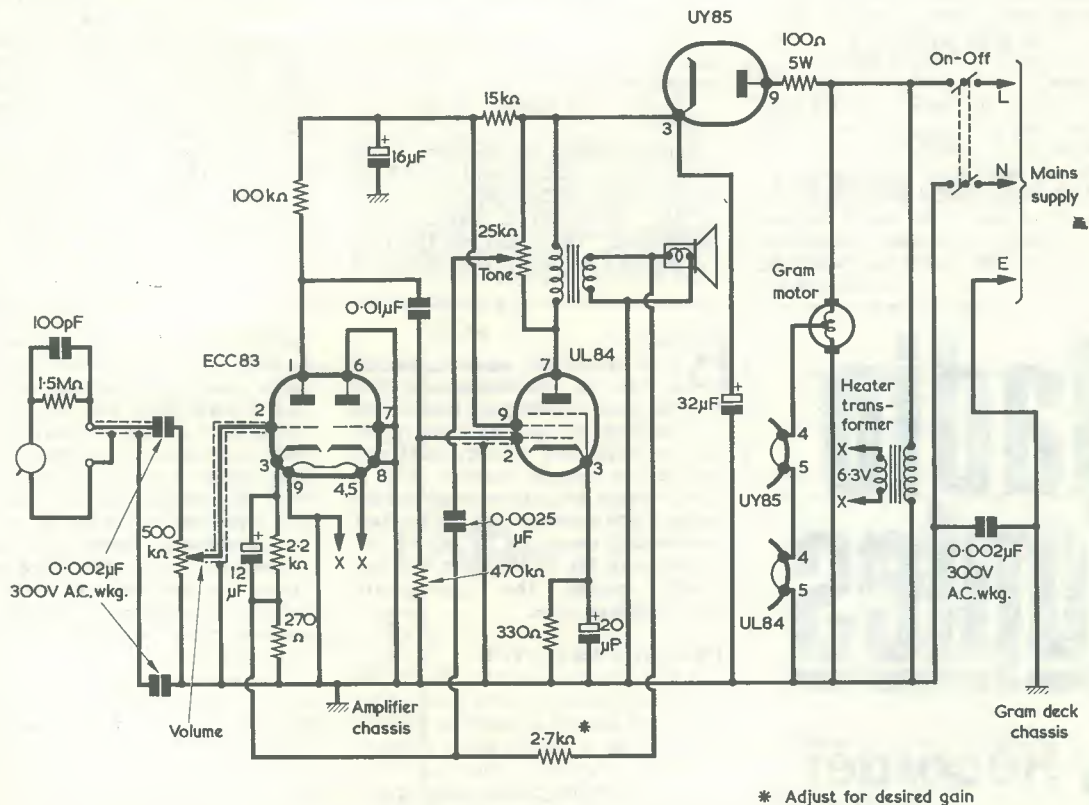


Fig. 11. Complete circuit of the modified amplifier. Screening on the two leads to the control grids is required because of the layout imposed by the modification

said Smithy, "and replace it with a fixed resistor of the same value. And be careful you don't alter its setting when you disconnect it. It's very critical."

Dick quickly unsoldered one of the leads to the potentiometer and applied his test meter prods to it.

"It's measuring just a bit higher," he announced, "than two and a half kilohm."

"Right," said Smithy. "Then pop in a 2.7k $\Omega$  fixed resistor. This can be either a quarter or a half-watt component."

### TONE CONTROL

Whilst Dick searched for a 2.7k $\Omega$  resistor amongst the spares on his bench, a thought occurred to him.

"I've just realised," he remarked, "that that pot was connected into circuit by way of fairly long wires. Is that O.K. when they're carrying a.f., as these ones were?"

"In the present case, yes," replied Smithy. "The circuits on either side of the pot are at quite low impedance and, in any case, I only wanted to find the feedback resistance that would give the desired gain in practice. Incidentally, if you were carrying out this trick with another amplifier you might find that you get best results with a somewhat different value of feedback resistance. The 2.7k $\Omega$  value we're using here just happens to suit our own particular circumstances. Have you got those connections done yet?"

"Just finishing," replied Dick.

"Good," said Smithy. "Well, we'll quickly check the results with the fixed resistor, then press on to the last part of the mod."

"What's that?"

"A new tone control circuit."

Dick soon had the test record spinning on the turntable once again. The audible output was the same as with the

temporary feedback circuit.

"There's another thing I've just noticed," commented Dick in a pleased tone of voice.

"What's that?"

"The hum level is almost negligible," continued Dick. "It's certainly more than low enough to be completely masked by the music from the record."

"The feedback knocked the hum down so far as the circuitry within the feedback loop is concerned," explained Smithy. "And it looks as though the hum picked up by that 0.002 $\mu$ F isolating capacitor we were worrying about earlier isn't so bad in practice, after all. Right, Dick, let's now get down to the tone control."

"What are you going to do there?"

"Add a bit of frequency-selective n.f.b.," replied Smithy.

"Gosh, that sounds complicated!"

"It won't be in this case," replied Smithy, "because all I'm going to do is to add a capacitor between the slider of the 25k $\Omega$  pot across the speaker transformer primary and the top of the 270 $\Omega$  resistor in the ECC83 cathode circuit (Fig. 10). This capacitor will require a value of 0.002 to 0.003 $\mu$ F, and it should be 500 working volts. Both sides of the capacitor are at fairly low impedance, so that it can be connected into circuit with screened leads. To be on the safe side, though, its body should be closer to the pot than it is to the 270 $\Omega$  resistor."

"I've got a 0.0025 $\mu$ F capacitor here," said Dick, triumphantly holding up the component.

"Right," said Smithy. "Solder it in, then!"

Smithy checked the operation of the record-player tone control after Dick had fitted the 0.0025 $\mu$ F capacitor.

"Ah," he remarked, with complete satisfaction. "That's just exactly right. I'm getting a beautifully smooth top-cut

control which is linearly spread out over all the travel of this tone control pot."

### FINAL STEPS

"I think," said Dick, beaming, "it sounds marvellous. I'd never have believed it possible that this record-player could offer as improved a performance as it's giving now."

"I'm glad you're pleased," said Smithy cheerfully. "Well, that's it then! We've now got this record-player completely sorted out so far as the modification for increased output and enhanced quality is concerned."

"Smithy," said Dick enthusiastically, "so far as electronics is concerned you're a genuine Bedouin wizard!"

"On, well," said Smithy. "I suppose it *does* show through at times. Anyway whilst you're putting the covers back on, I'll scribble out the modified circuit diagram for future reference. (Fig. 11). By the way, don't forget to put your old cartridge back into it again! In the meantime, it's worth mentioning, as a form of summing-up, that the improvements we've carried out on this record-player can be made to any other player using a single pentode as a.f. amplifier, provided that there is room for the additional components and that it is remembered that negative feedback *must* be applied to hold the gain down after the added triode has been wired in. And, in all cases, it is *essential* to ensure that the existing mains isolating arrangements to the gram deck and any other exposed metalwork are not in any way altered, and that no additional metalwork at mains potential remains exposed in the modified unit."

With which final words Smithy turned away, to fill his mug yet once more with tea and, momentarily, to look forward with satisfaction to a New Year which had commenced very auspiciously indeed.



# Radio Topics

By Recorder

**B**<sup>RRR!</sup> Real pawnbroker weather, isn't it? If, like me, you occasionally find that the gales outside your house seem to be finding their way into your rooms via the bricks and plaster, what you require is a draught detector. This is quite a simple device to make up and the design which is now about to be described was initially developed by one of our contributors, Mr. G. W. Short, who has kindly passed the appropriate information on to us.

### DRAUGHT DETECTOR

Whilst (points out Mr. Short) the back of one's hand is fairly sensitive for the winter task of discovering where a cold draught is coming from, a simple electronic detector is more sensitive. Also, it can be poked into small spaces and saves a lot of crawling about.

The sensing element is the filament of a low consumption bulb such as an 0.04A

cycle dynamo lamp. The glass is removed by filing round the neck with a triangular file or crushing the bulb very slowly in a vice. A few loops of wire are soldered to the body to form a protective cage for the fragile exposed filament, and two long flexible wires are soldered to the bulb for connections. See Fig. 1 (a). It is then taped to the end of a cane or stick, as shown in Fig. 1 (b), this assembly forming the probe. The probe can, of course, be used to explore the space behind the wardrobe or the top of the window frame with minimum trouble to the user.

The electronics are simple, and the circuit is shown in Fig. 2.  $R_1$  in this diagram is used to set the meter pointer to about half-scale deflection.  $R_2$  limits collector current to the f.s.d. of the meter and its value is equal to  $V_{cc}$  divided by the meter f.s.d. current. Thus, if the supply is 6 volts and the meter has a 0-1mA movement,  $R_2$  should be 6k $\Omega$

THE RADIO CONSTRUCTOR



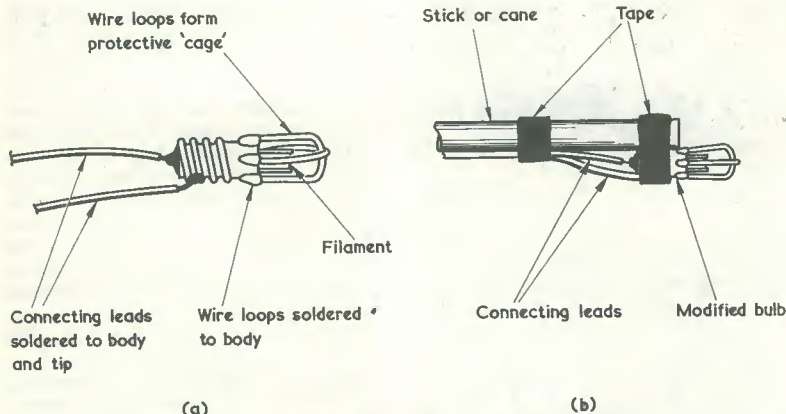


Fig. 1 (a). Adding protective loops of wire to the draught detector probe bulb after the glass has been removed  
 (b). The bulb and its connecting leads are taped to the end of a stick or cane

(or the nearest preferred value).

The supply voltage depends on the bulb; something approaching the normal rated voltage should be used, so that the bulb runs at black heat. The meter f.s.d. is not at all important, and 1 to 10mA will do with most transistors. Below 1mA, select a transistor with high gain at low currents; above 10mA keep an eye on collector dissipation.  $R_2$  helps here. The detector is extremely sensitive, the slightest air current making the needle flicker.

$R_1$  will have to be wirewound to take the current. Its track value can be calculated from  $2(V_{be}/I)$  where  $I$  is about three-quarters of the nominal current rating of the bulb. Thus, for a silicon planar transistor and a 0.04A bulb,  $R_1$  will require a value of about  $2(700\text{mV}/30\text{mA})$ —say  $50\Omega$ . Make certain that  $R_1$  inserts ~~maximum~~ resistance when the device is switched on for the first time.

Happy draught-hunting!

### LUCKY 37

You may recall that, in last month's issue, I remarked on the apparently peculiar behaviour of the number 37. When this number is first multiplied by any figure lower than 10 and the result then multiplied by 3, the final three-figure answer is always made up of the original multiplier. Thus, 37 multiplied by 7 gives 259 which, when multiplied in its turn by 3, gives 777. If the initial multiplier were 4 then the final answer is 444; and so on.

The reason for these somewhat surprising answers becomes apparent, of course, if the multipliers are changed round, so that you initially multiply by 3 and then by the number lower than 10. 37 multiplied by 3 is 111, whereupon further multiplication by any number lower than 10 is bound to result in that number appearing three times!

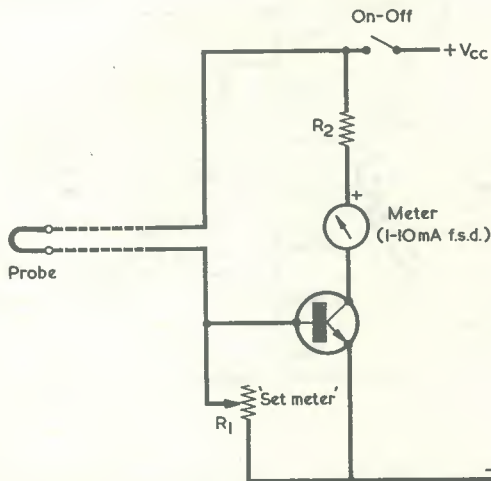


Fig. 2 The circuit of the draught detector. If a p.n.p. transistor is used reverse the supply and meter polarities

## Your Local Supplier

LONDON

Established 1910

### H. L. SMITH & CO. LTD.

Comprehensive stocks of components by all leading makers.

287-9 EDGWARE ROAD  
 LONDON W.2

Tel: 01-723 5891

### TELERADIO ELECTRONICS

For Radio Control Devices, Miniature components, Special Transistors, Circuits and data on boat and aircraft control.

QUOTATIONS GLADLY FOR PARTS USED IN MAGAZINE ARTICLES

(S.A.E. Enquiries REF. D/P)

325/7 FORE STREET,  
 EDMONTON (3719)  
 LONDON, N.9.

### THE MODERN BOOK CO.

Largest selection of English and American radio and technical books in the country.

19-21 PRAED STREET,  
 LONDON, W.2

Tel: PADDington 4185/2926

### ELECTRONICS GALORE!

in the NEW  
**dca CATALOGUE**  
 Send 1/6 now for your copy to: DEPT. R/C

**dca ELECTRONICS LIMITED**

28 UXBRIDGE ROAD,  
 EALING, W.5

## Your Local Supplier

LONDON

### ST. HELEN'S RADIO

Hi-Fi Equipment  
Tape Recorders  
Radio Receivers  
Television

SPECIALISTS IN RADIO  
& ELECTRONIC TEXTBOOKS

ST. HELEN'S GARDENS  
LONDON W.10

Tel: 01-969 3657

ESSEX

### ELECTRONIC COMPONENTS

Valves, transistors, capacitors,  
transformers, amplifiers,  
tuners, etc., etc.

335 GREEN LANE,  
SEVEN KINGS,  
ILFORD, ESSEX.

Telephone: 599-1826

### MARKET CENTRE For Semiconductors

Prompt, efficient mail order service for Mullard, Newmarket, Texas, Sinclair, S.T.C., Fairchild Semiconductors. We also offer a comprehensive selection of miniature components for transistor circuitry. Catalogue 1s.

### L.S.T COMPONENTS

23 New Rd., Brentwood, Essex

HAMPSHIRE

### BOURNEMOUTH

LARGEST HI-FI AND  
RADIO COMPONENT  
STORE IN THE SOUTH

FORRESTERS NATIONAL  
RADIO SUPPLIES LTD.

70-72 Holdenhurst Road

Bournemouth

Telephone 25232

### F.E.T. VOLTMETER SWITCHING

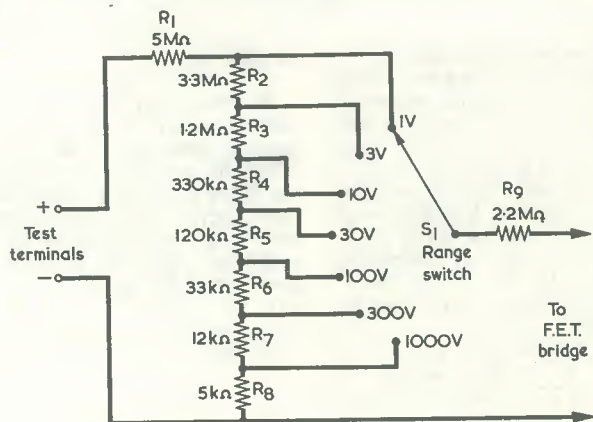
G. A. French's "Simple F.E.T. Voltmeter" (Suggested Circuit No. 212 — published in the last July issue) has proved to be very popular with readers. The accompanying Fig. 3 (a) shows the range switching employed and it will be seen that the test terminals always present an internal resistance of  $10M\Omega$ . The range voltages shown at each contact of the range switch correspond to f.s.d. in the bridge meter, this occurring when the voltage at the right of the  $2.2M\Omega$  resistor,  $R_9$ , goes 0.5 volt positive. It is assumed that the f.e.t. bridge presents infinite input resistance.

The range voltages selected in the voltmeter follow the 1, 3, 10, 30 progression commonly employed in modern test instruments, and which is catered for by such panel meters as the

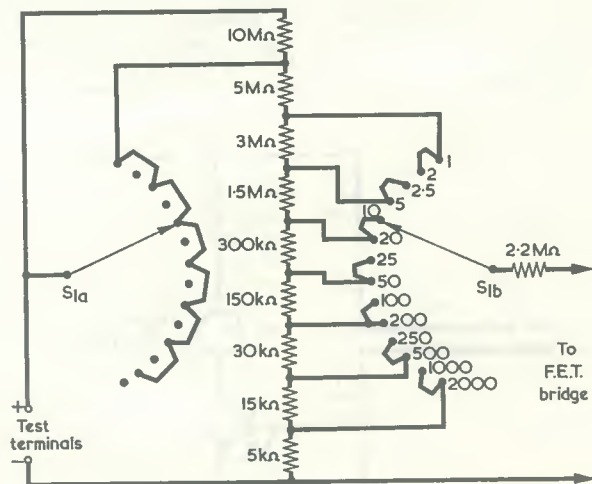
Radiospares MR22, MR26 and MR31. These meters are calibrated 0-3 and 0-10, and have basic  $100\mu A$  movements.

A reader, H. S. Bailey of Bolton, Lancs., has sent us an alternative range switching circuit, and this is reproduced in Fig. 3 (b). Switches  $S_{1(a)}$  and  $S_{1(b)}$  are ganged and offer the ranges 1V, 2V, 2.5V, 5V, 10V, 20V, 25V, 50V, 100V, 200V, 250V, 500V, 1000V, 2000V. Mr. Bailey states that readings on these ranges are easier to interpret from a meter having a single scale calibrated 0-1000.

In the 1V position, in Fig. 3 (b), the positive test terminal connects via  $S_{1(a)}$  to the upper end of the  $5M\Omega$  resistor, the  $10M\Omega$  resistor above it being short-circuited. In the 2V position the  $10M\Omega$  resistor comes into circuit whereupon the internal resistance at the test



(a)



(b)

Fig. 3 (a). The voltage range switching circuit employed in the Suggested Circuit "Simple F.E.T. Voltmeter"

(b). An alternative range switch circuit. In this,  $S_{1(a)}$  functions as a "multiplier" switch



terminals becomes 20MΩ and the 1V range is "multiplied" by 2. The same process continues over all the 14 ranges covered.

Difficulty may be experienced in obtaining the 2-pole 14-way switch required in Fig. 3 (b), although suitable components may be available in some surplus equipment if you're prepared to search around a bit. Alternatively, by sacrificing two of the ranges, a standard 2-pole 12-way switch could be used instead. Another idea would consist of using a single pole 7-way switch for S<sub>1(b)</sub> and by replacing S<sub>1(a)</sub> with an s.p.s.t. switch which acts as a multiplier by short-circuiting the top 10MΩ resistor.

### CONVERSION TABLES

Now that we are on the verge of going metric, quite a few of us will be tackling the problem of converting British units to metric units and vice versa. To hand are four "Easy-Way Calculators" which set out to ease this problem, these being published by Easy-Way Publications, Easy-Way Business Methods Limited, 77 New Bond Street, London, W.1. The Calculators provide conversion tables with units running down the centre and the new quantities to be determined on either side. Thus, if one wishes to convert 87 centimetres to inches one finds the 87 in the centre column and notes the inches equivalent under the "inches" heading. Similarly, to change 87 inches to centimetres one finds the 87 in the centre column and notes the centimetres equivalent under the "centimetres" heading.

The Easy-Way Calculators measure 5½ by 8½in and comprise three tables each, with each table having centre value units from 1 to 100. The conversion equivalents are worked out, in some cases, to as much as 8 significant figures. The four Calculators are titled "Volume Measures," "Length Measures," "Weight Measures" and "Area Measures," and are available from Easy-Way Publications at 2s. 6d. each post-free, or 2s. each post-free for five or more copies of any one Calculator.

### RADIO LOVE

**B**Y THE TIME THESE NOTES APPEAR, "Radio Love" could well be on the air in London. "Radio Love" is to be run by the younger members of our community whose main outlook is, as I understand it, based on the aphorism "Make love, not war". Programmes to be broadcast will be designed to have a particularly local appeal and usefulness, because the range of a single "Radio Love" transmitter will be of the order of 2 to 3 miles only. "Radio Love", I must

hasten to add, will broadcast by way of modulated light, whereupon it falls outside the licensing requirements of the Post Office.

The radiating element at the transmitter will be a gallium arsenide device, which functions as a laser although its radiation is not very coherent. Gallium arsenide devices produce an emission just below the red end of the visible spectrum, and this can be amplitude modulated at frequencies up to hundreds of Mc/s simply by varying the power supply. In the "Radio Love" system the radiating devices will be modulated by subcarrier frequencies in the medium wave band, these in turn being modulated by the a.f. programme material. A single radiating device can be modulated by several subcarrier frequencies simultaneously, whereupon it becomes possible to transmit two or more programmes from one transmitter. This system of operation is to be used by "Radio Love" in order to keep down the capital cost per programme.

The emission of the gallium arsenide device at the transmitter is radiated upwards towards the apex of a reflector shaped like a cone with its axis vertical and the apex "pointing" directly at the gallium arsenide device. The apex angle is 90°, whereupon the reflected radiation becomes unidirectional in the horizontal plane. Some slight rounding at the apex tip causes further reflection downwards, towards nearby receivers. The radiating transmitter will be housed on a tall building with relay receiver-transmitters on other buildings to carry the signal to areas in shadow.

Various designs of receiver are possible and amateur constructors will be free to experiment here. The basic essentials are a parabolic reflector directed at the transmitter, with a photo-electric device having a response time of less than a microsecond at its focus. The subcarrier or subcarriers recovered by way of the photo-electric device are then fed to the aerial socket of a standard medium wave receiver where they are tuned in in normal fashion. In practice, satisfactory modulated light receivers have been built consisting simply of silicon photo-diodes in conjunction with reflectors taken from car headlamps. Various additional features may be built into the receiver, such as an r.f. amplifier and filters to select the right frequency.

This, at the time of writing, is the "Radio Love" story to date. As I say, "Radio Love" could well be on the air by the time this report appears. Or it may be delayed. At any event, it is a venture to be followed with great interest.

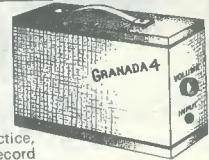


(As readers may have gathered, these notes were written before the new clauses in the Post Office Bill were made public.—Editor.)

## Your Local Supplier

SURREY

### Portable Transistor Amplifier



Many uses, Inter-coms, Baby Alarms, Guitar Practice, Telephone or Record Player Amplifier. ONE WATT OUTPUT. Wooden cabinet 12 x 9 x 4in. Rexine covered two tone grey. Four transistors, 7 x 4in. speaker. Volume control: Jack socket. Uses PP9 battery.

Worth double our price

79/6

Post 5/6

### Radio Component Specialists

337, WHITEHORSE ROAD, WEST CROYDON, SURREY.  
Phone 01-684-1665 FULL LIST 1/-

SUSSEX

## E. JEFFRIES

For your new television set, tape recorder, transistor radio, and hi-fi equipment.

PHILIPS, ULTRA, INVICTA, DANSETTE, MASTERADIO, PERDIO, MARCONI, PHILCO, FIDELITY.

6A Albert Parade,  
Victoria Drive,  
EASTBOURNE SUSSEX

WORCESTERSHIRE

Dept. C1, 176 HAGLEY ROAD  
**HALESOWEN**  
021-550 3210 WORCS.

Hi-Fi Equipment  
Transistors and  
Radio Components  
Public Address Amplifiers

**MARLISON**  
Electronics

EIRE

## PEATS for PARTS

ELECTRONIC COMPONENTS  
RADIO & TELEVISION

For the convenience of IRISH enthusiasts we supply:

The Radio Constructor,  
Data Books and  
Panel-Signs Transfers

Also a postal service

Wm. B. PEAT & Co. Ltd.  
28 PARNELL STREET  
DUBLIN 1

# DENCO (CLACTON) LIMITED.

355-7-9 OLD ROAD, CLACTON-ON-SEA, ESSEX

Our components are chosen by Technical Authors and Constructors throughout the World for their performance and reliability, every coil being inspected twice, plus a final test and near spot-on alignment as a final check.

Our General Catalogue showing full product range	..	..	..	2s. 6d.
DTB4 Transistor & Valve circuitry for D.P. Coils	..	..	..	2s. 6d.
DTB9 Valve Type Coil Pack Application circuitry	..	..	..	2s. 6d.
MD.1 Decoder Circuitry for Stereo Reception	..	..	..	4s. 0d.

All post paid, but please enclose S.A.E. with all other requests in the interests of retaining lowest possible prices to actual consumers.

## TRAINEE RADIO TECHNICIANS

A PROGRESSIVE CAREER IN THE FIELD  
OF RADIO AND ELECTRONICS

Applications are now invited for an intensive training course of 3 years, leading to appointment as a fully qualified RADIO TECHNICIAN, with further prospects of progression to the Telecommunication Technical Officer Class.

Generous Pay and Contributions while under training.

Candidates must be over 16 and under 21 years of age as at 8th September, 1969, on which date training commences.

Minimum educational qualifications required are passes at G.C.E. 'O' Level in English Language, Mathematics and Physics (already held or expected to be obtained in the Summer 1969). Equivalent passes in Scottish or Northern Ireland Certificates and C.S.E. Grade I passes are also acceptable.

Closing date for applications 31st March, 1969. Interviews will be commenced about end of April.

Apply for full details and application form to:-

**The Recruitment Officer (TRT/63),  
Government Communications  
Headquarters,  
Oakley, Priors Road, Cheltenham, Glos.,  
GL52 5AJ**



An English Electric Company

**MARCONI INSTRUMENTS  
LIMITED**

## TEST TECHNICIANS

required to carry out electrical tests and fault-finding procedures on a variety of printed circuit boards of fairly high complexity. These printed circuits form part of our wide range of high quality r.f. measuring equipment.

Technical comprehension to the standard of third year City & Guilds Telecommunications is desirable although appropriate experience may compensate for the lack of formal technical educational qualifications.

Prospects of advancement and conditions of work are good and salaries are attractive. Working hours are 38½ per week, reducing in 1969 to 37½.

Some assistance with costs of relocation may be given in appropriate cases.



Please apply in writing, giving brief details including age, experience, qualifications and salary to:  
**The Recruitment Manager,  
Marconi Instruments Limited,  
Longacres, ST. ALBANS, Herts.**

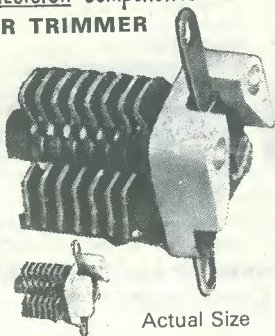


# JACKSON



the big name in **PRECISION** components  
**MINIATURE AIR TRIMMER**

Jackson Type C16 is a robust air di-electric trimmer of very small size. Suitable for use in high grade equipment. The standard component is designed for mounting on its base by two 10 BA (.07") clearance holes; two others forms provide for printed-circuit mounting. 9/6.



Actual Size

- Capacitances: 2.7-7.5 pF., 3-8 pF., 3-11.5 pF.
- Air gap 0.0075 in.
- Length back to front 0.4 in. to 0.58 in.
- End area 0.375 in. square
- Silver-plated brass vanes
- Siliconed ceramic insulation
- Beryllium copper rotor spring
- Temperature coefficient . . . 50 p.p.m. per deg. C.

**Made in England**

**JACKSON BROS. (LONDON), LTD.**  
(Dept. R.C.) **KINGSWAY-WADDON, CROYDON,**  
**CR9 4DG.**

Phone: Croydon 2754-5 (01-688). Grams: Walfilco, Croydon.  
U.S. Office: M. Swedgal, 258 Broadway, N. York.  
N.Y. 10007

## TECHNICAL TRAINING by **ICS** IN RADIO, TELEVISION AND ELECTRONIC ENGINEERING

First-class opportunities in Radio and Electronics await the ICS trained man. Let ICS train YOU for a well-paid post in this expanding field.

ICS courses offer the keen, ambitious man the opportunity to acquire, quickly and easily, the specialized training so essential to success. Diploma courses in Radio/TV Engineering and Servicing, Electronics, Computers, etc. Expert coaching for:

- \* C. & G. TELECOMMUNICATION TECHNICIANS CERTS.
- \* C. & G. ELECTRONIC SERVICING
- \* R.T.E.B. RADIO AND TV SERVICING CERTIFICATE
- \* RADIO AMATEURS EXAMINATION
- \* P.M.G. CERTIFICATES IN RADIOTELEGRAPHY

Examination Students Coached until Successful.

### NEW SELF-BUILD RADIO COURSES

Build your own 5-valve receiver, transistor portable, signal generator, multi-test meter and professional-type valve voltmeter—all under expert guidance

POST THIS COUPON TODAY and find out how ICS can help YOU in your career. Full details of ICS courses in Radio, Television and Electronics will be sent to you by return mail.

MEMBER OF ASSOC. OF BRITISH CORRESPONDENCE COLLEGES.

### INTERNATIONAL CORRESPONDENCE SCHOOLS

Dept. 248, Intertext House, Parkgate Road, London, S.W.11.

NAME .....

ADDRESS .....

Block Capitals Please

.169

## THE MODERN BOOK CO

### RADIO COMMUNICATION HANDBOOK

The Radio Society of Great Britain

63/- Postage 4/6

**Amateur Radio Techniques.** Pub. R.S.G.B. **12s. 6d.**  
Postage 9d.

**Radio & Electronic Handbook.** By G. R. Wilding.  
**17s. 6d.** Postage 1s.

**Colour Television.** Pal System. By G. N. Patchett.  
**40s.** Postage 1s.

**Amateur Radio Circuit Book.** Pub. R.S.G.B. **10s. 6d.**  
Postage 9d.

**Rapid Servicing of Transistor Equipment.** By G. J. King. **30s.** Postage 1s. 6d.

**Introduction to Semiconductor Devices.** By M. J. Morant. **18s.** Postage 1s.

**The All-In-One Tape Recorder Book.** By J. M. Lloyd. **15s. 6d.** Postage 9d.

**Inter GEC Transistor Manual.** 7th edition. **21s.**  
Postage 2s.

**Designer's Guide to British Transistors.** By I. J. Kampel. **25s.** Postage 1s.

**Beginner's Guide to Transistors.** By J. A. Reddihough. **15s.** Postage 1s.

**Transistors for Technical Colleges.** By L. Barnes. **25s.** Postage 1s.

**Everyday Electronics.** By T. Roddam. **22s. 6d.**  
Postage 1s.

**Transistor Pocket Book.** By R. G. Hibbard. **25s.**  
Postage 1s.

**Radio and Audio Servicing Handbook.** By G. J. King. **30s.** Postage 1s. 6d.

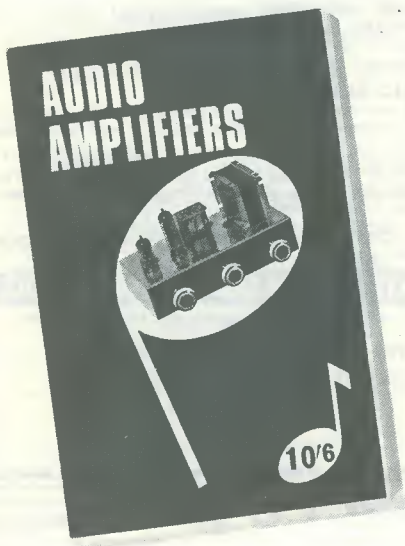
We have the Finest Selection of English and American Radio Books in the Country

**19-21 PRAED STREET (Dept RC) LONDON W2**

Telephone PADDington 4185

**NOW AVAILABLE . . .**

# AUDIO AMPLIFIERS



**16 Transistor and Valve Designs for the Home Constructor**

*Amplifiers for Tuner Units, Record Players, Tape Recorders, Public Address, etc., etc.*

---

Includes contributions by such well know authors as A. S. Carpenter, A. Kinloch, E. Govier, G. A. French, F. G. Rayer, P. F. Bretherick, K. Jones, D. Aldous, R. Murray-Shelley, C. Swires, G. A. Stevens and V. E. Holley.

---

Edited by J. R. Davies

*Specially selected from The Radio Constructor*

**PRICE 10s. 6d.**

124 pages

Postage 8d.

---

**TO DATA PUBLICATIONS LTD 57 Maida Vale London W9**

Please supply . . . . . copy(ies) of "Audio Amplifiers," Data Book No. 18

I enclose cheque/crossed postal order for . . . . .

NAME . . . . .

ADDRESS . . . . .

. . . . .  
. . . . .  
. . . . .  
. . . . .

**BLOCK LETTERS PLEASE**



# SMALL ADVERTISEMENTS

Rate: 9d. per word. Minimum charge 12/-.  
Box No. 2/- extra.

Advertisements must be prepaid and all copy must be received by the 4th of the month for insertion in the following month's issue. The Publishers cannot be held liable in any way for printing errors or omissions, nor can they accept responsibility for the bona fides of advertisers. (Replies to Box numbers should be addressed to: Box No.—, The Radio Constructor, 57 Maida Vale, London, W.9.)

**SERVICE SHEETS.** Radio, Television, Tape Recorders 1925-1968, by return post, from 1s. with free fault-finding guide. Catalogue 6,000 models 2s. 6d. S.A.E. enquiries.—Hamilton Radio, 54c London Road, Bexhill, Sussex.

**ILLUSTRATED CATALOGUE No. 17.** Manufacturers Surplus and New Electronic Components including Semiconductors. 3/- Post Free. Arthur Sallis Ltd., 28 Gardner Street, Brighton.

**WHY PAY MORE!!** PM Loudspeakers, all shapes & sizes. Ideal for room to room extensions, car radios, etc. Equipment. Tested & Guaranteed. 10/6d., 15/6d., or 23/-. Well packed. 4/6d. postage. E. & J. Wild (Loudspeakers). Square Street, Ramsbottom, Lancs.

**BUILD IT** in a DEWBOX robust quality plastic cabinet. 2 in. x 2½ in. x any length. S.A.E. for details. D.E.W. Ltd., 254 Ringwood Road, Ferndown, Dorset. Write now - right now.

**BRIGHTEN UP YOUR ADVERTISING!** Break the ice with a cartoon, "tailor made" for your product. Reasonable charges.—Box No. F294.

**5 TON FACTORY CLEARANCE.** Radio, T.V., elec. components in 27s. 6d. mixed parcels. Post free. Example: resistors, condensers, pots, speakers, coax, coils, fibre washers, valves, over a dozen different types, tuning knobs, grommets, sleeving, IFS, Paxalin, wire, rectifiers. Lots of other items. Pot Luck. Postal orders to: P. L. Newton, 16 Shallcross Crescent, Hatfield, Herts.

**POLY PLANAR WAFER THIN SPEAKERS.** P-5 - 4 gns. and P-20 - 5 gns. Details of these lightweight speakers from: Dept. F, The Oakland Trading Company, 68 Lupus Street, London, S.W.1. Telephone: 01-828 3160.

**UFO DETECTOR CIRCUITS.** Data, 10s. (refundable). Paraphysical Laboratory (UFO Observatory), Downton, Wilts.

**BOOKS FOR SALE.** Alfred Nobel E. Bergengren £1, *Radio-isotope Laboratory Techniques* R. A. Faires, 10s. *Atomic Medicine* Behrens, £1. *Medical Radiation Biology* Ellinger, 30s. *Physics in Medical Radiology* Russ, Clark & Pelc, 7s. 6d. *Disease & its Conquest* Hollis, 7s. 6d. *Earth's Envelope* T. Lobsack, 15s. *The Atomic Submarine* C. Blair, 7s. 6d. *Astro-and exploration* D. R. Bates, £1. *Once round the Sun* Story of the I.G.Y., Fraser, 10s. *Earth Satellite* P. Moore, 7s. 6d. *Frontier to Space* E. Burgess, 5s.—Box No. F316.

**FOR SALE:** 1 cwt. electronic components, chassis, (resistors, capacitors, pots, etc.). View London W.2. £3. Buyer collects. Telephone: Mr. Fowler, 01-723-9584. 9 a.m. to 6 p.m.

**FOR SALE:** Several sets of Ex. Gov. moving iron headphones. brand new, 10/- inc. post. Quantities of miniature printed circuit electrolytics, 5, 10, 30, 50, 100µF at 3 to 15 volt, 10d. each. Miniature I.F. & osc. coils, transistor, 2/- each. 3 in. 8Ω speakers 6/6d. All post extra. Other items for disposal. Enquiries: Felton, 32 Bragg Road, Perry Barr, Birmingham.

# BENTLEY ACOUSTIC CORPORATION LTD.

38 Chalcot Road, Chalk Farm, The Old Police Station  
LONDON, N.W.1. Gloucester Road  
LITTLEHAMPTON, Sussex  
PR1mrose 9090 LITTLEHAMPTON, Sussex  
PHONE 6743

Please forward all mail orders to Littlehampton

5VAG 7/6	EC92 6/6	E280 4/3	Py88 6/3	ACT13 6/-	BY212 5/-
5ZAG 9/6	ECC81 3/3	GR1 4/3	Py800 6/3	ACT26 2/-	BY213 5/-
6A7E 4/-	ECC82 4/6	HVR2 2/6	Py801 6/3	ACT27 2/-	OAB1 1/9
6/30L2 12/6	ECC83 4/6	KT88 25/-	U19 34/6	ACT28 2/-	OAB5 1/9
6B7E 12/3	ECC84 5/6	KTW62 10/-	U25 13/-	ACT54 5/-	OAI82 2/-
6BW7 11/-	ECC85 5/-	PABCB0 7/3	U26 11/9	ACT156 4/-	OAZ200 1/-
6F1 8/3	ECC88 7/-	PC86 9/6	U33 23/6	ACT157 5/-	OC22 5/-
6F23 12/3	ECC189 9/6	PC88 9/6	U36 16/6	AD140 3/-	OC23 5/-
6L6GT 7/9	ECF80 6/6	PC89 7/3	U45 15/6	AD149 3/-	OC24 5/-
10F1 15/-	ECF82 6/6	PC90 8/3	U191 12/6	AD162 9/-	OC25 5/-
10P13 12/-	ECF86 9/6	PCC84 6/-	U251 16/-	AF114 4/-	OC26 5/-
20P12 13/-	ECH42 9/6	PCC85 6/6	U301 11/-	AF115 3/-	OC28 5/-
20LP 13/-	ECH81 5/3	PCC86 9/9	U404 7/6	AF116 3/-	OC30 5/-
20P4 18/6	ECH83 8/-	PCC88 9/9	U801 17/6	AF117 2/3	OC35 5/-
30C15 13/6	ECH84 7/-	PCC89 9/6	U802 17/6	AF119 3/-	OC36 7/6
30C17 12/6	ECL80 6/6	PC189 9/6	U4020 6/9	AF125 3/6	OC38 11/6
30C18 8/9	ECL82 6/6	PCF80 8/6	UABCB0 9/6	AF127 3/6	OC41 10/-
30F5 11/9	ECL86 3/-	PCF82 6/-	UBCB1 7/-	AF139 11/-	OC44 2/-
30F11 13/-	ECL86 3/-	PCF84 8/-	UBF80 5/9	AF180 9/6	OC45 1/9
30FL12 16/-	EF22 12/6	PCF86 8/6	UBF89 6/9	AF212 5/6	OC46 3/-
30FL14 12/6	EF37A 7/-	PCF89 9/6	UC32 8/6	ASV29 10/-	OC70 2/3
30FL15 13/9	EF41 9/6	PCF92 7/-	UC34 8/6	BA129 2/6	OC71 2/-
30L17 13/9	EF80 4/6	PLC82 7/6	UCC84 8/-	BA130 2/-	OC72 2/-
30P4 12/-	EF85 5/3	PCL83 6/6	UCC85 6/6	BA130 2/-	OC75 2/-
30P4MR 17/6	EF86 6/-	PCL84 7/6	UCF80 8/3	BC107 4/-	OC76 2/6
30P9 12/6	EF89 4/9	PCL85 8/3	UCH21 9/6	BC108 3/6	OC77 2/6
30P19 12/-	EF91 3/3	PCL88 8/3	UCH42 9/6	BC109 4/3	OC78 3/6
30PL1 15/6	EF183 5/9	PEN45DD 12/-	UCH81 6/6	BCY10 6/-	OC8 3/6
30PL13 15/6	EF184 5/9	PFL200 12/-	UCL82 7/-	BCY11 5/-	OC81 2/6
30PL14 15/6	EH90 6/6	PL36 9/6	UCL83 9/6	BCY33 5/-	OC81 2/6
AC2PEN 19/6	EL32 9/6	PL81 7/3	UF41 9/6	BCY34 4/6	OC82 2/3
AC2PENDD 19/6	EL33 12/-	PL82 6/6	UF42 9/6	BCY36 5/-	OC83 2/6
CL3 8/6	EL41 9/3	PL83 6/6	UF80 6/9	BCY39 4/6	OC84 3/6
DY7 3/6	EL84 4/6	PL84 6/3	UF85 6/9	BFY50 4/-	OC18 3/6
DY81 5/9	EL95 5/-	PL90 12/-	UF86 9/-	BFY51 4/-	OC23 4/6
EB8CC 12/-	EM80 5/9	PL504 12/6	UF89 6/3	BFY52 4/6	OC169 3/6
EB8CB0 6/6	EM81 6/9	PL509 22/9	UL41 9/6	BF163 4/-	OC170 2/6
EAF42 8/3	EM84 6/6	PL802 15/-	UL84 6/6	BY100 3/6	OC171 3/4
EBP1 2/3	EM85 11/-	PL802 15/-	UL84 6/6	BY126 6/6	OC172 4/6
EBP3 8/6	EM87 7/8	PY32 9/6	UM80 5/-	BY234 4/-	OC200 4/6
EBCB1 5/9	EY51 6/-	PY33 9/6	UY41 8/9	BY236 4/-	OC202 4/6
EBFB0 5/9	EY86 6/-	PY81 5/3	UY85 5/6	BY238 4/-	OC203 4/6
EBFB3 8/-	EY87 6/-	PY82 5/3	VP48 10/6	BY238 4/-	OC205 4/6
EBF89 6/3	EZ40 7/3	PY83 5/3	X41 10/-	BY211 5/-	OC205 7/6

Terms of business: Cash with order only. No C.O.D. Post/Packing 6d. per item. Orders over £5 post free. All orders despatched same day as received. Complete catalogue including transistor section and components with terms. of business 6d. Any parcel insured against damage in transit for 6d. extra. Business hours: 9 a.m. - 5.30 p.m. Saturdays 9 a.m. - 1 p.m.

## FREE TO AMBITIOUS ENGINEERS

—THE LATEST EDITION OF ENGINEERING OPPORTUNITIES

Have you sent for your copy?

ENGINEERING OPPORTUNITIES is a highly informative 132 page guide to the best paid engineering posts. It tells you how you can quickly prepare at home for a recognised engineering qualification and outlines a wonderful range of modern Home Study Courses in all branches of Engineering. This unique book also gives full details of the Practical Radio & Electronic Courses, administered by our Specialist Electronics Training Division - explains the benefits of our Appointments Dept. and shows you how to qualify for five years promotion in one year.

"Satisfaction or refund of fee" terms

Whatever your age or experience you cannot afford to miss reading this famous book. If you are earning less than £30 a week send for your copy of "ENGINEERING OPPORTUNITIES" today - FREE.

Practical Equipment including Tools

The Specialist Electronics Division of B.I.E.T. NOW offers you a real laboratory training at home with practical equipment.

Basic Practice and Theoretical Courses for beginners in Radio, T.V.; Electronics, etc. Ask for details.

Which is your pet subject

A.M.I.E.R.E. City & Guilds  Radio Amateur's Exam.  R.T.E.B. Certificate  
P.M.G. Certificate  Practical Radio  Radio & Television Servicing   
Practical Electronics  Electronics Engineering  Automation  
The B.I.E.T. is the leading institute of its kind in the world.

Please send Free Books and Full Information

British Institute of Engineering Technology

NAME.....

ADDRESS.....

.....

Subject of Interest.....

Age.....



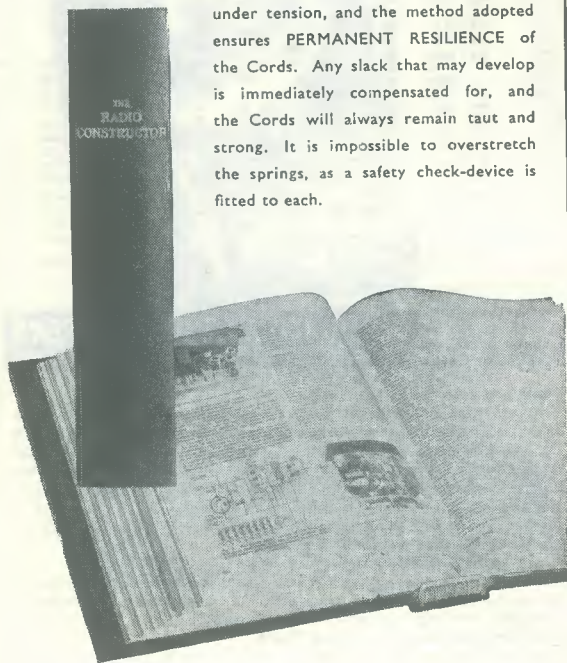
ALDERMASTON COURT, Dept. 480D.

Aldermaston, Berks.

# NEW STYLE SELF-BINDER for "The Radio Constructor"

The "CORDEX" Patent Self-Binding Case will keep your issues in mint condition. Copies can be inserted or removed with the greatest of ease. Rich maroon finish, gold lettering on spine.

Specially constructed Binding Cords are made from Super Linen of great strength, very hard twisted and twice doubled. They are attached to strong RUSTLESS Springs under tension, and the method adopted ensures PERMANENT RESILIENCE of the Cords. Any slack that may develop is immediately compensated for, and the Cords will always remain taut and strong. It is impossible to overstretch the springs, as a safety check-device is fitted to each.



PRICE **14/-**

Postage 1/6

Available only from:—

**Data Publications Ltd.**  
57 Maida Vale London W9

## SMALL ADVERTISEMENTS

*continued from page*

**ARE YOU A MOTORING ENTHUSIAST?** The Seven Fifty Motor Club caters for all types of motor sport—racing, rallies, hill climbs, etc. Monthly Bulletin free to members. For full details write to: The General Secretary, Colin Peck, "Dancer's End," St. Winifred's Road, Biggin Hill, Kent.

**JOIN THE INTERNATIONAL S.W. LEAGUE.** Free Services to members including Q.S.L. Bureau. Amateur and Broadcast Translation. Technical and Identification Dept.—both Broadcast and Fixed Stations, DX Certificates, contests and activities for the SWL and transmitting members. Monthly magazine, *Monitor*, containing articles of general interest to Broadcast and Amateur SWLs, Transmitter Section and League affairs, etc. League supplies such as badges, headed notepaper and envelopes. QSL cards, etc., are available at reasonable cost. Send for League particulars. Membership including monthly magazine, etc. 35s. per annum.—Secretary, ISWL, 60 White Street, Derby.

**COILS WOUND TO YOUR SPECIFICATION.** Also transformers, toroids, etc. Reasonable cost. For full details please send s.a.e. to: Green Electronics, "Templecombe", Cleveland Road, Worcester Park, Surrey.

**TECHNICAL DRAWINGS, Artwork, etc.** Electronic and Radio Circuits a speciality. Moderate charges.—B. P. Meaney, 43 Forest Road, Worthing, Sussex.

**"MEDIUM WAVE NEWS"** Monthly during DX season—Details from: K. Brownless, 7 The Avenue, Clifton, York.

**FOR SALE: MORSE OSCILLATOR SET.** Transistorised, type D, key, on base 8½ in. x 9½ in., with headphones. £3. Box No. F347.

**BOOK BARGAINS TO CLEAR.** "*The Yachtman's Bedside Book*", Snoxell, 25/-. "*The Story of Atomic Energy*", Soddy, 12/6d. "*Invitation to Skiing*", Iselin and Sectorsky, 20/-. "*The Upper Atmosphere*", Massey and Boyd, 50/-. "*Outlook*"—simple weather forecasting, White, 7/6d. "*Basic Principles of Marine Navigation*", Moore, 7/6d. "*The Book about Weather*", Mee, 7/6d. Box No. F348.

**BARGAIN TRANSISTORS.** Good Audio types. 5 for 5/-, 10 for 8/-. All new, tested. Post 6d. J. Blacker, 32A Mill Hill, Vicarage Lane, Leicester.

**POSTAL ADVERTISING?** This is the Holborn Service. Mailing lists, addressing, enclosing, wrapping, facsimile letters, automatic typing, copy service campaign planning, design and artwork, printing and stationery. Please ask for price list.—The Holborn Direct Mail Company, Capacity House, 2-6 Rothsay Street, Tower Bridge Road, London, S.E.1. Telephone: 01-407-1495.

**WANTED TO PURCHASE.** Set of 6 coils for Jason Everest-7 receiver kit. 43 Ashbrook Road, Old Windsor, Berkshire.

**WORLD DX CLUB** covers all aspects of SWLing on Amateur and Broadcast Bands through its monthly bulletin "*Contact*". Membership costs 25s. a year. Enquiries to Secretary, WDXC, 17 Taunton Road, Bridgwater, Somerset.

**FOR SALE.** Golay Lever Escapement Navigation watch, with external, rotatable, navigation ring, graduated to 360°. In wooden case, 4 in. x 3½ in. x 2½ in. £10. Box No. F350.

**FOR SALE: Radio Constructor** Sept. 1967 to October 1968. *Practical Wireless* 1955 to 1961. *Bulletin* 1959 to 1968. Offers for any year. Some bound. L. Tarr, 11 Oakwood Avenue, Wilmslow, Cheshire.



## SMALL ADVERTISEMENTS

continued from page

**TO CLEAR.** 3000V d.c. 0.5 $\mu$ F capacitors, 2 $\frac{1}{2}$ in. x 1 $\frac{1}{2}$ in. x 6in. with porcelain insulators, 3/6d. each. 88Htoroid coils, new, wax covered, 5/- each. Heathkit Balun Coil set, B-1U, assembled, £5. Box No. F352.

**ESSEX GARDENERS.** Buy your bedding and rock plants, shrubs, etc., also cacti from May's Nurseries, 608 Rayleigh Road, Hutton, Brentwood, Essex. Callers only. Monday to Saturday.

**RADIO HAMS.** For sale, R.107 set, Good condition, £30 or nearest; Single and twin Tannoy speakers; power generator (converter) S.E.R.70; 2 converter units type S454B; carbon microphones; radio receiver VC 453B; Offers? Box No. F353.

**WANTED:** Copy of "The Radio Constructor" for May, 1962. C. B. Smith, 7 Clarence Road, Harpenden, Hertfordshire.

**INNOVATION IN DX CLUBS ANNOUNCED!** Formed in October, 1965, the Radio New York Worldwide Listeners Club now has 3,600 members in 86 countries! A unique club offering shortwave listeners monthly magazines containing listening tips and technical features, numbered wallet-sized membership cards and gold 8 $\frac{1}{2}$ in. by 11in. membership certificates. Multi-lingual report forms available for cost of postage. "We must be doing something right!" Find out... join now!" Send 7s. 2d. (crossed domestic money order) for one year's membership to: The Radio New York Worldwide Listeners Club, 485 Madison Avenue, New York 10022, U.S.A.

**VALVES FOR SALE TO CLEAR.** Early radio valves, would suit collector. LS5, P625, DE5, DEL610. Cossor 41MP, HP4106, HL610, HL8, ACS2/PEN, Mullard TDD4, IW4 350. All at 3/6d. each. Wartime types: VT62, U14, 6B4G, VT136, CV1075, 801-A, VR91. All at 2/6d. each. EF40, EL91, EB91, DL92, DK81, 3ML, IS5, 6AG5. All at 5/- each. 5B/254M. 10/-, Box No. F355.

**RECITALS OF RECORDED MUSIC.** The second Saturday evening of each winter month. Next recital: January 11th, 1969, 8 p.m. Woodford Green United Free Church, Woodford Green, Essex. Bus routes 20, 20A, 38A and 179—alight at "The Castle" stop.

**FOR SALE:** 88mH toroid coils, 5/- each. Cover for Siemens Teleprinter, 50/-, Ink rollers for Creed type 3 teleprinter, 5/- per bottle. EMI Fisk Solariscope, 7/6d. Prices include p. & p. Box No. F356.

**FOR SALE:** *The Radio Constructor*, January 1954 to February 1968, most as new, all indexed. Half price, minimum one volume. Box No. F357.

**PROPERTIES** for sale and to let in London and suburbs. Apply to Maggs & Stephens, Estate Agents, 229 Maida Vale, London. W 9, Maida Vale 8123.

### SITUATIONS VACANT



We have Vacancies for Four Experienced Test Engineers in our Production Test Department. Applicants are preferred who have Experience of Fault Finding and

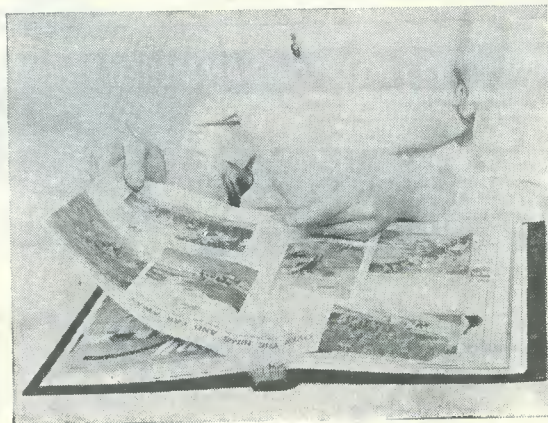
Testing of Mobile VHF and UHF Mobile Equipment. Excellent Opportunities for promotion due to Expansion Programme.

Please apply to Personnel Manager,  
**Pye Telecommunications Ltd.,**  
Cambridge Works, Haig Road, Cambridge.  
Tel. Cambridge 51351, Extn, 327.

# PLAIN-BACKED NEW STYLE SELF-BINDERS

## for your other magazines

(max. format 7 $\frac{1}{2}$ " x 9 $\frac{1}{2}$ " )



The "CORDEX" Patent Self-Binding Case will keep your copies in mint condition. Issues can be inserted or removed with the greatest of ease. Specially constructed Binding cords are made from Super Linen of great strength, very hard twisted and twice doubled. They are attached to strong RUSTLESS Springs under tension, and the method adopted ensures PERMANENT RESILIENCE of the Cords. Any slack that may develop is immediately compensated for, and the Cords will always remain taut and strong. It is impossible to overstretch the springs, as a safety check-device is fitted to each.

**COLOURS : MAROON OR GREEN**

(Please state choice)

**PRICE 13/6** Postage 1/6

Available only from:—

## Data Publications Ltd.

**57 Maida Vale London W9**

# CHASSIS and CASES by



H. L. SMITH & CO. LTD.  
287/9 Edgware Road  
London W2  
TEL: 01-723 5891

## BLANK CHASSIS—Same day Service

Of over 20 different forms made up to YOUR SIZE.  
(Maximum length 35", depth 5".)

SEND FOR ILLUSTRATED LEAFLETS or order straight away, working out total area of material required (including waste) and referring to table below which is for four-sided chassis in 16 s.w.g. aluminium.

48 sq. in.	5/-	176 sq. in.	10/4	304 sq. in.	15/8
80 sq. in.	6/4	208 sq. in.	11/8	336 sq. in.	17/-
112 sq. in.	7/9	240 sq. in.	13/-	368 sq. in.	18/4
144 sq. in.	9/-	272 sq. in.	14/4	and pro rata	
P. & P. 3/-		P. & P. 3/6		P. & P. 4/6	

Discounts for quantities. More than 20 different sizes kept in stock for callers.

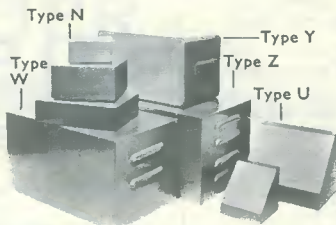
FLANGES (1/2" or 3/8"). 6d. per bend.

STRENGTHENED CORNERS, 1/- each corner. PANELS

Any size up to 3ft at 6/- sq. ft. 16 s.w.g. (18 s.w.g. 5/3).  
Plus postage and packing

SILVER HAMMERED FINISH			ALUMINIUM, HAMMERED FINISH		
Type	Size	Price	Type	Size	Price
N	8 x 6 x 2"	18/-	W	12 x 7 x 7"	37/6
N	6 x 6 x 3"	17/6	W	15 x 9 x 8"	48/6
N	4 x 4 x 2"	11/-	Y	8 x 6 x 6"	29/-
U	4 x 4 x 4"	11/-	Y	12 x 7 x 7"	45/-
U	5 1/2 x 4 1/2 x 4 1/2"	17/-	Y	13 x 7 x 9"	50/6
U	8 x 6 x 6"	23/-	Y	15 x 9 x 7"	53/6
U	9 1/2 x 7 1/2 x 3 1/2"	24/-	Z	17 x 10 x 9"	72/6
U	15 x 9 x 9"	49/-	Z	19 x 10 x 8 1/2"	78/-
W	8 x 6 x 6"	23/-			*Height

Type N has removable bottom, Type U removable bottom or back, Type W removable front, Type Y all screwed construction, Type Z removable back and front.



## HIGH GLOSS METALLIC HAMMERED ENAMEL

'Makes fantastic difference to Panels' so say

hundreds of enthusiastic users. 'Crackle' pattern appears like magic. Dries hard glossy finish. Scratch-proof, resists heat and liquid. Simply brush-on. No undercoat. Air dries 15 mins. Lt. & Dk. Blue; Bronze; Silver; Green; Black. Send for details or send 8/- (plus 1/9 post.) for 3pt. Trial Tin, colour samples and instructions.

FINNIGAN SPECIALITY PAINT MANUFACTURERS,  
DEPT. RC, STOCKSFIELD, NORTHUMBERLAND. Tel. 2280.



BRUSH  
OR SPRAY-ON  
QUICK DRYING

**YUKAN SO PROFESSIONAL THE**  
**SELF-SPRAY YUKAN AEROSOL WAY-**

*Get these air drying GREY HAMMER NOW! OR BLACK WRINKLE (CRACKLE) finishes*

Yukan Aerosol spraykit contains 16 ozs. fine quality, durable easy instant spray. No stove baking required. Hammers available in grey, blue, gold, bronze. Modern Eggshell Black Wrinkle (Crackle) all at 15/11 at our counter or 16/11, carriage paid, per push-button self-spray can. Also Durable, heat and water resistant Black Matt finish (12 ozs self-spray cans only) 13/11 carriage paid.

**SPECIAL OFFER:** 1 can plus optional transferable snap-on trigger handle (value 5/-) for 18/11, carriage paid. Choice of 13 self-spray plain colours and primer (Motor car quality) also available.

Please enclose cheque or crossed P.O. for total amount direct to:  
**DEPT. N/1 YUKAN, 307a, EDGWARE ROAD, LONDON, W.2.**

We supply many Government Departments, Municipal Authorities, Institutes and Leading Industrial Organisations - We can supply you too.

Open all day Saturday. Closed Thursday afternoons.

Other Yukan Air Drying Aerosols, 16 ozs. at 15/11 each, per can, include Zinc Chromate Clear Lacquer Medals: Grey, Blue, Bronze and Gold.

## WANTED

This and similar scrap relays  
**BEST PRICES PAID**

S.a.e. to "Lanco," 76 Sedgemoor Road,  
Willenhall, Coventry, Warwickshire

# NOW AVAILABLE ...

## BOUND VOLUME No. 21

### of "The Radio Constructor"

— AUGUST 1967 to JULY 1968 —

Comprising 792 pages plus index

➔

### FOR YOUR LIBRARY

## PRICE 35/- Postage 4/6

**Special discount of 10/- for regular readers**

As a further service to regular readers, it is no longer necessary to return the complete issues making up a volume, to qualify for the special discount.

Just cut the heading from each month's contents page, including title and month of issue, and this will be sufficient evidence of readership to qualify for the discount.

Thus regular readers will still retain their old copies for workbench use, while having a splendid bound volume containing issues in mint condition.

**PRICE 25/- Postage 4/6**

**Limited Number of Volume 20 (August 1966-July 1967) still available. Price: 32/6, postage 4/6.**

Available only from:  
**DATA PUBLICATIONS LTD., 57 MAIDA VALE, LONDON, W9**



# THE RADIO CONSTRUCTOR

Price 3/- each, postage 6d.

Annual Subscription 42/-, post free.

Bound Volumes Vol. 20 August 1966 to July 1967 32/6, postage 4/6.

Vol. 21 August 1967 to July 1968 35/-, postage 4/6.

Cordex Self-Binders With title "The Radio Constructor" on spine, maroon, 14/-, postage 1/6.  
With no title on spine, maroon or green, 13/6, postage 1/6.

## DATA BOOK SERIES

### DB5 TV FAULT FINDING

124 pages. Price 8/6, postage 8d.

### DB6 THE RADIO AMATEUR OPERATOR'S HANDBOOK

64 pages. Price 5/-, postage 5d. New edition available mid-January 1969.

### DB15 TWENTY SUGGESTED CIRCUITS

48 pages. Price 3/6, postage 5d.

### DB16 RADIO CONTROL FOR MODELS

192 pages. Price 15/-, postage 1/-.

### DB17 UNDERSTANDING TELEVISION

512 pages. Price 37/6, postage 3/-

### DB18 AUDIO AMPLIFIERS

128 pages. Price 10/6, postage 8d.

## PANEL-SIGNS TRANSFERS

Six sheets in each set

Set 3: WORDING—White

Set 4: WORDING—Black

Set 5: DIALS—Control Panels have a clear background

Set 6: DIALS—Control Panels have a black background

Price per set 4/6, postage 4d.

I enclose Postal Order/Cheque for..... in payment for.....

NAME .....

ADDRESS .....

(Please use Block Capitals for both name and address)

Postal Orders should be crossed and made payable to Data Publications Ltd.

Overseas customers please pay by International Money Order

All publications are obtainable from your local bookseller

Data Publications Ltd., 57 Maida Vale, London W.9

# ENGLANDS LEADING COMPONENT & EQUIPMENT CENTRES

## SOLID STATE-HIGH FIDELITY AUDIO EQUIPMENT

Mono or Stereo Audio. Equipment developed from Dinsdale Mk.II—each unit or system will compare favourably with other professional equipment selling at much higher prices.

COMPLETE SYSTEMS FROM **£15.5.0**

THE FINEST VALUE IN HIGH FIDELITY—CHOOSE A SYSTEM TO SUIT YOUR NEEDS AND SAVE POUNDS

All units available separately.

SEND FOR FREE BROCHURE (No. 21) TODAY!  
DEMONSTRATIONS DAILY AT '303' EDGWARE ROAD



## Acclaimed by everyone MAYFAIR ELECTRONIC ORGAN

A completely new development in portable electronic musical instruments and a new field for the home constructor. The 'MAYFAIR' produces a multitude of the most pleasing sounds with a wide range of tone colours suitable for classic or popular music. The organ is fully polyphonic, that is full chords can be played over the entire keyboard. Supplied as a kit of parts which includes 165 transistors, printed circuit panels, special fully sprung and depth of touch adjusted keyboard, attractive vinyl covered cabinet with carry handle. A complete detailed and illustrated construction manual is provided with circuits and full parts list. All items may be purchased separately. All parts supplied are fully guaranteed. Full after sales service.

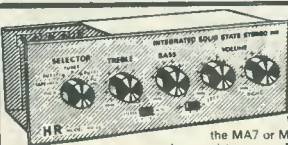


Once built the 'MAYFAIR' will then provide years of enjoyable entertainment. **ONLY 99 Gns.** Call in. See it and play it yourself.

ORGAN COMPONENTS: We carry a comprehensive stock of organ components for £2.95. TRANSISTOR AND VALVE FREE PHASE designs. Ask for BROCHURE 9

Deferred terms available. COMPLETE KIT Deposit £29.19.0. 12 monthly payments of £7. TOTAL £113.19.0. EXPORT ENQUIRIES INVITED

BUILT AND TESTED Deposit £36.8.0 & 12 monthly payments of £9. Total £144.8.0. RHYTHM UNIT £59.10.0 pp. 10/-



## INTEGRATED SOLID STATE TRANSISTOR POWER AMPLIFIERS

Complete with full Bass Treble, Volume and Selector Controls

**MA66 12 WATTS STEREO**  
We are pleased to offer two new designs with the choice of either mono or stereo systems. These BRITISH DESIGNED UNITS favour the user in so many ways, being suitable for use with all types of PICK-UPS, TUNERS, DECKS and MICROPHONES—with fantastic power and quality with far greater adaptability with freedom for battery or mains operation. Output is from 3-16 OHMS. Whether you require a home or portable Hi-Fi installation, electronic guitar, P.A. System, Intercom.

for complete listening satisfaction choose either the —

MA7 MONO	£8.10.0	OR THE STEREO	£16.10.0
MA66		OPTIONAL MAINS UNIT PS20 62 8d pp.4/-	

Illustrated leaflets 12 and 14 FREE on request. Demonstrations Daily at our 309 Edgware Rd, Branch.

### SINCLAIR EQUIPMENT

IC10 Integrated Circuit Amplifier	59/8
Z12 Amplifier	89/8
Micromatic (Kit)	49/8
Micromatic (Built)	59/8
P24 Power Unit	99/8
Stereo 25	£9.19.8
Q14 Speaker System	£7.19.8

ALL POST PAID. Delivery from stock.

### DO IT YOURSELF MW/LW PORTABLE

New printed circuit design with full power output. Fully tunable on both mw/lw bands. 7 transistors plus diode, push-pull circuit. Fitted 5 inch speaker, large ferrite aerial and Mullard transistors. Easy to build with terrific results. All local and Continental stations.

**TOTAL COST £6.19.6.** P.P. 4/6  
**TO BUILD** Send for Brochure 1

### NOMBREX TEST EQUIPMENT

MODEL	£ s. d.	No.
22	14 0 0	22
30	19 10 0	24
31	12 10 0	25
32	10 10 0	26
33	20 0 0	29

Send for descriptive illustrated Brochure.

### QUALITY CAR RADIOS

A precision engineered car radio that's perfect company for long hours on the road. Has quick push-button operation for immediate station selection and choice of Medium or Long wave frequency. Output of 3½ watts ensures crisp, top quality sound even at high motoring speeds. Includes full accessories and instructions.

POSITIVE/NEGATIVE EARTH PRICE £12.10.0 pp. 4/6  
MANUAL as above £8.19.6. but with single MW/LW Push Button.

### MULLARD 1 WATT AMPLIFIER

PORTABLE TRANSISTOR UNIT with volume control. Many uses. Intercom., Baby Alarms, Guitar Practice, Telephone or Record Player Amplifier. Optional Resine covered Wood cabinet 12 x 9 x 4. 12/6. 7 x 4 in. speaker. 17/6. pp. 2/6. Uses PP9 battery.

**45/-** pp. 2/6. Ask for Leaflet 2.

### BUILD A QUALITY TAPE RECORDER

To get the best out of your MAGNAVOX DECK, you need a MARTIN RECORDAKIT. This comprises a special high quality 6 valve amplifier and pre-amplifier which comes to you assembled on its printed circuit board—in fact everything needed down to the last screw FOR MAKING A SUPERB TAPE RECORDER, which, when built, will compare favourably with instruments costing twice as much, yet you need no experience or technical skill to bring this about. THE INSTRUCTIONS MANUAL MAKES BUILDING EASY AND SUCCESS ASSURED

2 Track 36 gns. P.P. 22/6 either model  
4 Track 39 gns.

Kit comprises: Deck, Amplifier, Cabinet and speaker, with MICROPHONE 7 in. 1,200 Hz. tape, spare spool. ALL UNITS AVAILABLE SEPARATELY. Today's Value £60. ASK FOR BROCHURE 6

### VHF FM SUPERHET TUNER MKII

5-MULLARD TRANSISTORS & 4 DIODES \* 300 Kcs BANDWIDTH \* PRINTED CIRCUIT CONSTRUCTION \* HIGH FIDELITY REPRODUCTION MONO AND STEREO

A popular VHF FM Tuner now used throughout the country for quality reception of monophonic and, with the decoder stereophonic broadcasts. There is no doubt about it—VHF FM gives the real sound. Excellent stability economically priced.

**TOTAL COST £6.19.6. DECODER £5.19.6. (CABINET 20/- EXTRA) ASK FOR LEAFLET 3.**

MANUFACTURERS—DISTRIBUTORS  
We publish a QUANTITY, SEMI-CONDUCTOR BULLETIN listing over 500 different devices available FROM STOCK in medium to large quantities at KEEN PRICES coupled with PROMPT DELIVERIES. TO OBTAIN YOUR COPY, WRITE TO US (on Company headed Notepaper please) requesting our SEMI-CONDUCTOR BULLETIN FOR TELEPHONE QUOTATIONS, PHONE (01) 723 1008/9 Extn. 4 (01) 723 0401 Extn. 4.

We purchase medium to large quantities of Transistors and Devices exact to Manufacturers and Distributors requirements.

### NEW—MALLORY LONG LIFE MERCURY BATTERIES

50% OFF LIST PRICES

\*RM12 1.35 volts 3600 mAh OUR PRICE 5/- each size 2" x 4" dia.  
\*RM25 1.35 volts 350 mAh Pack of 5. Size 2 1/2 x 1 1/2 dia. OUR PRICE 10/- each

Easily split into eight 1.35v cells. These cells are ideal for any application where SMALL SIZE HIGH CAPACITY and LONG LIFE are required. QUANTITIES AVAILABLE.

### TRANSISTORS—SEMICONDUCTORS

COMPLETELY NEW 1969 LIST OF 1000 types. Send for your FREE COPY TODAY. (list 36)

S.C.R.'s from 5/-  
Field Effect Transistors from 6/6  
Power Transistors from 5/-  
Diodes and Rectifiers from 1/6

### GARRARD RECORD DECKS

BRAND NEW. All below list price

2025 Mono/Stereo	£ 8. 0.
300 LM with STAHC	9 9 0
SP25 Mk II	12 19 6
LA889 Mk II	25 0 0
AT60 Mk II	14 10 0
3500 Mono/Stereo	12 19 8
401	28 10 0
AP75	21 10 0
SL95	12 10 0
SL55	16 10 0
SL75	32 10 0
SL95	41 10 0
ATD Mk II	12 12 0

Send for illustrated brochures 16, 17 Complete range of accessories available

## Hi-Fi equipment to suit EVERY POCKET

VISIT OUR NEW HI-FI CENTRE at 309 EDGWARE RD.

for all leading makes AMPLIFIERS TUNERS DECKS SPEAKERS MICROPHONES TEST EQUIPMENT SYSTEMS ALL WITH DISCOUNTS Ask for Hi-Fi- Stock List Leaflet 16.17 IT WILL PAY YOU TO PAY US A VISIT!

## Fully Illustrated CATALOGUE

COMPLETELY NEW 9th EDITION (1969)

The most COMPREHENSIVE—CONCISE—CLEAR COMPONENTS CATALOGUE

Complete with 10/- worth discount vouchers FREE WITH EVERY COPY

- \* 32 pages of transistors and semi-conductor devices, valves and crystals.
- \* 210 pages of components and equipment.
- \* 70 pages of microphones, decks and Hi-Fi equipment.

**5,320 ITEMS** **320 BIG PAGES** **Send today 7'6** Post etc. 2/-

**HENRY'S RADIO LTD** (HR)  
OPEN MON-SAT, 9 a.m.-6 p.m. THURS. 9 a.m.-1 p.m.

303 Edgware Road, London, W.2. Mail Order Dept. all types of Components, Organ Dept. (01) 723-1008 9  
309 Edgware Road, London, W.2. High Fidelity Sales, P.A. and Test Equipment, Record Decks (01) 723 6963