

**JOURNAL OF THE
Q R P
RESEARCH SOCIETY**



EDITED BY: - J. WHITEHEAD
THE RETREAT, RYDENS AVENUE
WALTON-ON-THAMES, SURREY
Telephone: - - WALTON 1619

.....

JOURNAL OF THE
Q R P
RESEARCH SOCIETY

Q R P

.....

ISSUE No 44
MAY 1953

.....

.....

PRESIDENT: Mr A.O.Milne, G2MI. CHAIRMAN: Capt A.M.H.Fergus, G2ZC
HON-SECRETARY, TREASURER, EDITOR:
John Whitehead, 92 Ryden's Avenue, Walton-on-Thames, Surrey.

..... EDITORIAL

I expect that most of you subscribe to Wireless World or at least borrow it for a quick perusal. The May issue is of particular interest to us. On page 235 there is a description by H.F.Styles, B.Sc. of a "Sensitive Two-Valve Receiver" which appears very worthy of attention. The circuit employs a pentode detector with a low screen potential and a very high anode load resistance, resulting in an exceptionally high stage gain being fed to the audio stage. The circuit described is designed for medium wave reception but it presents a basis for much very interesting experiment on a similar S W layout.

And then, on page 239, we have the first really concrete evidence that QRP, far from being a half dead hang over from obsolete practice, is (as I have always steadfastly maintained against the arguments of all the QRO boys) the certain medium of the future, not only for normal short wave use, but for VHF as well. On that page is the first description of a "Transistor Transmitter" which has actually been air-tested. With 24 milliwatts input to the oscillator (giving an estimated 50 microwatts to the aerial) this transmitter gained RST559 reports for it's CW signals over a distance of 25 miles. This is the beginning!
QRP, THE MEDIUM OF THE FUTURE, IS, AS YET, IN IT'S VERY INFANCY.

.....: VE7BS CALLING :.....

(Ed:-- We had one of our rare inspirations last month and dashed off an air-mail letter to reach Vancouver before Bob Eldridge who, as G3AGQ, became a personal friend of many of our members as well as of your editor himself. Bob's reply has just reached us)

"...You certainly were the first to greet me in my new country, and very pleasant it was too. This is surely the most wonderful country in the world! The trip through the Rocky Mountains was indescribably beautiful, and at times I was so satiated with sheer awe that I just couldn't bear to look out of the window. Vancouver itself is also a wonderful city, and the people are kindness itself everywhere I go. I only got in a couple of days ago, and today is the first normal working day since I arrived, so I haven't found a job yet, though I think I have made a good impression on a radio firm here and have to go back tomorrow for further gen."

"What do you think of the old-timer call! Makes me look like the 45th ham to be licenced in B.C! I called in the radio office today to ask about the conditions of issue of licences, took a code test and technical exam on the spot, paid the fee (50c code test and \$2.50 licence), was adjudged fully qualified for Class A facilities, granted a phone endorsement, given a call chosen because it sends easy on the key (about the only two letter call left, though), was congratulated on my code, and given an introduction to go for a job in radio. ALL BETWEEN 10.30 AND 12.00. In the exam I had to draw a superhet Rx for CW and fone, a VFO-PA Tx for fone and CW, an serial system, BCL and TVI preventatives, and a modulation indicator, and answer several questions on Canadian regulations."

"I shall keep in regular touch with you, never fear, John, and will try to give you some interesting news. Whether I shall get over those Rockies with QRP is debatable tho!"

"Being advertised here currently in Vancouver is something in-

teresting. I quote the advert: 'As much as 2000 hrs of hearing on a single tiny 'A' battery! The new all-transistor all-magnetic RADIO-EAR hearing aid. Wallace Electric Ltd, 427 Seymour St, Vancouver.' Today I bought a 1952 Amateur Radio Handbook for \$2.00, reduced to this price because the 1953 one is now on sale. TV has not yet hit this Province in a big way. There are a few very high poles with TV antennas atop, usually with about six or eight directors, and sometimes an 8 over 8, but the nearest transmitter is in Seattle, and reception is not so good at this distance. The local Tx is supposed to be ready this winter."

(Thanks for a fine letter, Bob. There's a regular page for you here whenever you can give us some gen. Will you please try and contact VE3OM, up in Hudson's Bay, who was our first VE member and from whom we have not heard for a very long time now? Vy 73, John.)

.....: RECORD "200" SCORE :.....

"Monty" Banks, GC2CNC, who made a bit of QRP history by winning a "200" Contest certificate within twelve months, is still adding to his score. He has just accomplished a new Top Band aerial -- a full wave, end fed job, with 528 feet (yes, all in one piece!) of wire. The result has been an RST 449 contact with G4NS on Sunday, May 3rd (county, Cumberland), and another 449 contact, later, with GW8WJ, giving him Flintshire.

.....: SOCIETY NEWS & ACTIVITY :.....

L.G.Young, G5GG (Bournemouth) complains that the Q R P Net does not seem to extend as far south as his QTH. He is still managing to make contacts over 400 to 500 miles on Top Band with less than one watt input, however. (Shall be in the Wight July 25th / Aug 8th, OM. Can we arrange personal QSO during that time? Shd like meet you.)

Geof R. Haynes, G3CWL (Sutton, Surrey) runs a completely portable QRP station consisting of 384 CO Tx, 2 x 185 straight Rx, CW monitor, phones, crystals, aerial, Avomitor, the total weight being only 13½ lb. The Tx input is about .9 watt and the Rx under 1 watt. Geof has a habit of going /P in out of the way places like the Scilly Isles where he had several very successful QSO's last year and where he hopes to be again later this year.

G.H.M. Yule, G3JED (Neasden, NW 10) started in a new job in January and has had so little spare time since that he has still not managed to put out his first call after collecting his ticket. He has just completed calibrating his Rx with a borrowed BC221, however, so that looks like business shortly.

Cliff Leal, G3JSX (Welling, Kent) who is secretary of the North Kent Society, runs 8 watts to an EF91 (VFO, ECO)-EF91 BA-807 PA on 1.8 and 3.5 Mc/s (Shocking QRO, OM, hi!). He has, however, got a vq QRP rig in the planning stage. (Hope to persuade the Kingston boys to challenge North Kent to a QRP battle shortly, OM. What say?)

D.J. Williams (Blaenavon, Mon) is a keen SWL using O-V-0 and O-V-2 receivers, and has the unusual "special interest" of watch-keeping on aircraft channels.

David Mainhood, G3HZW (Ramsgate) is stationed at Chelmsford so that he only manages to get on the air (mainly 3.5 and 7 Mc/s) at week ends when he is home. He owes his interest in radio to George G3CED of nearby Broadstairs.

Bob Arizer, 4X4CJ (Tel-Aviv, Israel) who has been in France for quite a long while is back in 4X4, but is uncertain how long he may remain there and is still without a station.

George Haylock, G2DHV (Lewisham, SE 13) has recently had a QSO with G3MCP on the South Downs, a distance of 43 miles, RST 539, using 2 watts to an INDOOR 6 element yagi on 145 Mc/s. George would appreciate QSOs and SWL reports on his (erratic!) transmissions on 144720, 144990, 145205 and 145314 Kc/s.

Den Auton, G3IHI (Swindon) is back in hospital -- Ward 'B', Isolation Hospital, Swindon, Wilts, incase anyone would like to drop him a line. (Vy bad luck indeed, Den, and we all wish you a speedy and per-

manent recovery, OM). Den says he doesn't think it will be for long -- "not more than six months"! He has shown a grand spirit in spite of his troubles by taking with him his B2 Tx/Rx/PP, an FL8 audio filter and an SP61 clamp modulator. He is Xtal on 3504/3508, fone 3632, also 7008, 7016, 7022, 7028, 7033 and 7043. At the moment he is not QRP as he finds that reports are poor from his "bit of wire over the bed" antenna but we'll willingly forgive him this temporary lapse (and please do ur best to give him a QSO, OMs)

Ron Wilkinson (Hull) had his last shore leave converted at short notice into a 3-week course on the latest Marconi Radar Mk 4 and is now doing a month with the RNR, so we shan't be able to expect much amateur activity from him until July. Ron is keen to get a "200" certificate.

G.H. Tillett (Hornchurch) has had to swap his soldering iron for a spade following his move to a new house. Now that he has made a garden out of the builder's rubble, however, he hopes to get back to the QRP SH4 which still needs initial troubles sorting out.

Ray Butcher, GC3FSN (Jersey) has got several ideas on the subject of our HQ Rx which he has promised to pass along as soon as possible, but Ray is getting married shortly! (All the very best to you and the soon-to-be-XYL, Ray.)

Peter Huntsman (Hexham-on-Tyne) has not had too good luck lately. His O-V-1 field-day "special" has flopped with no reaction and hardly any power and, anticipating normal results with that, he had pulled down his O-V-2. So he has had to fall back on a 348 Rx for the odd bit of listening. This has resulted in finding KH6, KL7 and ZL most mornings and CE, PV, LU, VP, YV on 20 all jamming up in the evenings until about 2400 hrs. (Hope you clear the constructional troubles, OM.)

Sam Hall, G2AOL (Otford, Kent) very much enjoyed a QSO with 3HJL this month on 80, both running 2 watts. Sam offers sincere congratulations to 2BOF on his "200" scoring and admits that he is still finding the going very hard. He reckons that each of his 7 Mc/s contacts represents three hours concentrated effort.

Norman Bason (Peel, I.O. Man) is so determined to chase Messrs Huntsman and Gardiner up the C-Z Panel that he has added a front end to his O-V-1 and is wondering how he can improve the aerial situation. The XYLs cloths lines are in danger at the moment!

Ted Stonestreet (Willesden, NW 2) is QRT for the first time since this mag was born (Your beard wasn't white then was it, Ted?). He has heard so many people preaching re-radiation from super-regens lately that he has put a spanner through "old faithful" and his several other rigs all got damaged in the atomic explosion which followed. Ted himself was blown through the door and landed Stratford way where he ran into Vic Cundall who has promised to help him patch up the pieces.

R.F. Hawksley, G3GBP (London, NW 11) is in the middle of settling down here after his ZB1 / MD1 tour, and we hope to see him in Walton before long. (Bring the YL along aswell, OM, and we'll help to get her radio-minded.)

"Monty" Banks, GC2CNC (Jersey), besides his recent expeditions on Top already mentioned, is getting busy with two entries for the Carter Shield. We are hoping he may be able to pay us a visit here during the summer and again in December when it may be possible for one of the Carter entries to get GC2CNC/A on the air from Walton.

E.W. Gardiner (Diss, Norfolk) sends an imposing log for 14 Mc/s including VS2, ZP, VP4, FM7, ZL, CR4, VP7, ZA, SVØ Rhode Island, MI, OY, VS1, HH, TG, VP5, VS7 and, on 21 Mc/s, CP5.

Bob Fowler, G3IQF (Marlow, Bucks) is one of our older members who has rejoined us after a spell of QRT, though the call is new. He mentions that the first contact he made was with a quarter watt to a 1C5 on an indoor aerial! At the moment he is stationed at Newquay in Cornwall and remarks that there isn't a ham within ten miles (No wonder the air is so fresh!)

Arthur Looney (Liverpool 14) asks me to say he always has "open house" for any QRP member -- write, wire or just roll up, OMs. You'll be given a real welcome. QRA is 81 Alstonfield Rd, Knotty Ash. (Tnx, Arthur, and we shall be looking forward to ur visit here too, OM).

.....: THE 1953 QRP C-Z PANEL :.....

	COUNTRIES					C Total	Zones	Grand Total
	3.5	7	14	21	28			
1: P.Huntsman	12	34	101	7	-	104	31	135
2: E.W.Gardiner	25	8	87	29	-	99	27	126
3: B.J.Read	6	24	85	-	-	95	31	126
4: A.E.Stonestreet	18	25	65	-	2	82	24	103
5: R.Whitfield	21	6	58	6	-	72	23	95
6: N.Bason	12	17	65	1	-	70	21	91

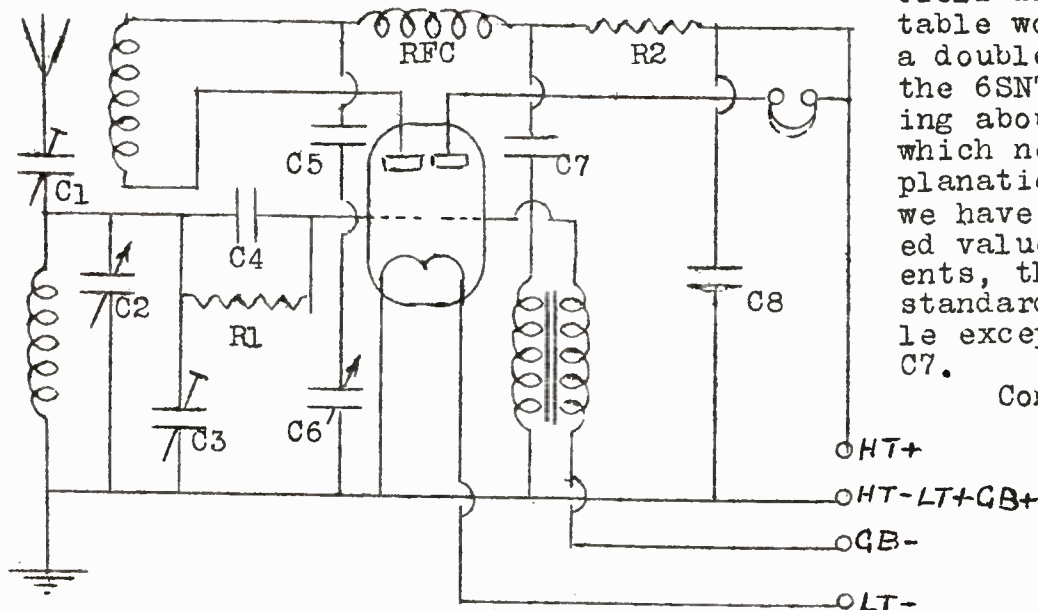
It has always been a real pleasure to record this contest, not because it draws a large number of entrants, but because those who do enter it show real and consistent enthusiasm and send along regular monthly returns. Looking back at last year's May report, however, does show a sad falling off. Then we had ten members sending in entries and Peter Huntsman leading the field with 127 countries and 34 zones. In May 1951, too, the scoring was better for Peter was away out in front with 116 countries and 35 zones.

.....: STATION G3JNB :.....

The latest QRP Society member to collect a call, Vic Brand of Surbiton, has lost no time in getting out. He is using a Franklin VFO built into a TU5B - EF50 cathode follower - EF50 buffer - 6V6 PA for Top (doubler for 80) and is at present testing to iron out the few initial faults such as a slight chirp on make under load. There is also an experiment on hand for a Franklin - buffer - buffer - PA for Top Band. The most outstanding feature of the whole rig is the stability of the oscillator -- it can be treated with real malice without shifting even a shade. We hope to give a complete report very shortly.

.....: A BASIS FOR EXPERIMENT :.....

Some two years ago we reproduced a number of circuits from the "Worth-experimenting-with" note book which we always keep handy. Of late, however, we have had so little space to spare for untried types that the series was forced into abeyance. The example shown here looks interesting and, with careful development might prove a handy job for field days or other portable work. The valve is a double triode such as the 6SN7. There is nothing about the circuit which needs special explanation and, although we have included suggested values for all components, they are all quite standard with the possible exception of C5 and C7.



Component values:-

C1,	3/38 pF
C2,	50 pF
C3,	15 pF
C4,	100 pF
C5,	.001 uF
C6,	200 pF
C7,	0.1 uF

C8, .001 uF; R1, 5 meg; R2, 20 K; HT, 250v max; GB, -3v approx.

If any member does try out this rig we should like to have a note on results as it is a case of no "Q, R P" if we start tinkering with the iron here.

.....: THE QRP "200" CONTEST :.....

	COUNTIES WORKED (Mc/s):-			Total
	1.8	3.5	7	
1: G2AOL	61 (58)	47 (30)	6 (4)	114 (92)
2: G2BOF	50 (50)	37 (37)	18 (18)	105 (105)
3: G3HJL	- (-)	35 (16)	- (-)	35 (16)
4: G3FAU	16 (-)	- (-)	- (-)	16 (-)
5: G3HCW	12 (-)	- (-)	- (-)	12 (-)

Thank you, Sam Hall, that was a nice report, OM, and as it puts you ahead of the previous leader, G3AGQ, who cannot now hope to improve his score (having become a VE7) we have deleted AGQ's score from the list. I do hope that G2BOF will be able to keep up his reports and so give 2AOL a bit of competition. And I'd like to see 3HJL come in again before too long. As to 3FAU and 3HCW, as we have had no report from them for over five months now, we propose to remove their scores from the list next month unless they send in an entry in the mean time or, alternatively, a request to be kept in the contest with a view to re-opening their monthly reports.

Last year this contest was sagrely followed, thanks, perhaps, to the magnificent pioneering effort of GC2CNC who achieved the requisite total of "200" within the twelve months. This year the contest, without Monty's leadership and with Bob Eldridge now beyond the realms of possible scoring, the contest appears to be in imminent danger of flopping.

It would appear, therefore, that it is high time we reprinted the rules for the benefit of our many new members who may not be aware of how this contest is run. The present entry is all the more deplorable in view of the fact that GC2CNC, "Monty" Banks, has been good enough to promise a cup for the leader in each year's placing .

.....: THE H-Q. Rx :.....

Well, apparently no one wants a year's free subscription to the Society. I made this offer last month as a reward for the best suggestion for secondary and tertiary IF circuits for the proposed Rx, but the response has been exactly nil. I cannot imagine that no one KNOWS anything about IF circuitry, therefore I can only assume that everyone is most anxious to pay up the full sub. Seriously, though, I am very disappointed that experienced QRP super-het constructors like, for example, Den Auton, have not come forward with any suggestions of a practical nature after their apparent interest in the early, theoretical discussions. Perhaps, after all, it was a mistake to publish reports on the progress of this receiver from stage to stage instead of waiting until it was an accomplished fact, built and tested and "ready to go". I had expected that many members would have been keen to "lend a hand" in designing what we hope to be a most outstanding QRP receiver and that the rather novel idea of publishing monthly "progress reports" would have met with enthusiastic response. A large number have expressed great interest -- and that's that!

Last month we recorded the making of an 8" x 10 $\frac{1}{2}$ " chassis with an 8" x 7 $\frac{1}{2}$ " panel and we now have nearly all our components mounted atop this magnificent structure which is finished in a mixture of battleship grey, olive green and scratched aluminium. However, as we explained, it a purely experimental rig as yet, and will probably look still worse for wear before it is finished!

We have made two discoveries this month. First, looking around for some screening cans for the aerial and oscillator coils we hit upon the aluminium containers for 120 millimetre colour film. These can be had with either screw or push fitting lids in 1 $\frac{1}{4}$ " inside diameter x 2" high. Used upside down, ie, with the lid screwed to the chassis these make excellent screening cans for miniature coils. They were, however, a shade on the small side for our purpose. A further sort round turned

their reports in our mag.

And local clubs, like Kingston, Sutton, Enfield and North Kent, could combine to influence the future of QRP just as much from other aspects. We already have the NFD which should gather even greater support than it already has, and the RSGB's QRP Contests, but surely it is not beyond the realms of possibility that QRP field days might be an outstanding success organised by such local clubs on their own behalf. And, apart from the general run of QRP portable events, there is an allied field in the form of DF contests which could provide a lot of valuable information and a great deal of good fun. DF equipment is sometimes regarded as a completely separate technique to normal radio communication, and so, maybe, it is in it's most complex forms, but there is no reason why, for the purpose in mind, more or less normal equipment should not be adapted with little trouble. And one aspect much in it's favour is that it does offer special encouragement to the QRP SWL who is a long suffering species completely forgotten in the more usual field day events.

Finally, dare I mention once again an outdoor aspect of the radio hobby which must always be essentially the province of the QRP enthusiast? I know that many of our members are already interested in the Radio Control of Models. A good deal of work outside the realms of pure radio is required by this "side-line", but the results can be extremely fascinating, and it does offer the SWL an opportunity to try his hand at transmitter construction and use with the full blessing of the GPO.

But, I believe that one and all of these points do require the co-operation of several clubs together if they are to succeed or to maintain their appeal. Their expansion lies with the local clubs to follow up and organize. Therefore, we do very strongly appeal to all Secretaries of clubs in which two or more members may have a leaning towards QRP to get in touch with us. Don't leave it for someone else to start the ball rolling -- they're probably doing that themselves!

.....: LATE EXTRA ! :.....

Since closing the pages containing the "200" and other contest reports we have had some extra entries sent in. Unfortunately we cannot now do anything but add them to next month's reports. Sorry, GMS! Do try and get your gen in a bit earlier.

.....: GEP DIRECTORY :.....

FULLY ACTIVE MEMBERS (continued): --

RADLEY, A.J. (G3EEX), 4 Mayfair Avenue, Worcester Park, Surrey.
 HALL, W.S. (G2AOL), "Pensacola", 49 Sidney Gardens, Otford, Kent.
 G3JNH HANCOCK, J.N., "Coachman's Cottage", High Road, Byfleet, Surrey. 3JNH
 HANSEN, R.P. (OZ5U), Nymarksvej 34 1 Flat, Nyberg, Tyn, Denmark.
 HARDIE, W., 10 Moat Crescent, Hawick, Roxburghshire.
 HARRIS, F.J. (G2BOF), 143 Collingwood Rd, Sutton, Surrey.
 HARPIS, W.H., Bridge Cottage, Great Bealings, Woodbridge, E.Suffolk.
 HARRISON, L.P., 5 Una Place, Birkby Lodge Rd, Huddersfield.
 HAWKESLEY, R.F. (G3GBF), Bulmer, Sudbury, Suffolk.
 HAYLOCK, G.V. (G3DHV), 63 Lewisham Hill, London SW 13.
 HAYNES, G.R. (G5CWL), 89 Ash Road, Sutton, Surrey.
 HERRIDGE, F.A. (G3IDG), 95 Ramsden Rd, Balham, London SW 12.
 HENSON, T.R., 79 Surbiton Rd, Kingston-on-Thames.
 HEJNRICHSONS, J., 3 Moffat Road, Dumfries.
 HILL, V., 102 Charminster Rd, Bournemouth.
 HUNTSMAN, P., 2 Lincoln Terrace, Hexham-on-Tyne, Northumberland.
 HUNTSMAN, R., 2 Lincoln Terrace, Hexham-on-Tyne, Northumberland.
 JONES, S.L., 4 College Street, Salisbury, Wilts.
 JOTHAM, A., 119 Exeter Road, Dawlish, Devon.

XX

GET YOUR GEN IN EARLY NEXT MONTH, PLEASE, GMS. We particularly want entries for the Carter Shield, or any technical articles.