

**JOURNAL OF THE  
Q R P  
RESEARCH SOCIETY**

EDITED BY: - J. WHITEHEAD  
THE RETREAT, RYDENS AVENUE  
WALTON-ON-THAMES, SURREY  
Telephone: - - WALTON 1619



.....

JOURNAL OF THE  
Q R P  
RESEARCH SOCIETY



.....

ISSUE No 32  
MAY 1952

.....

.....

EDITORIAL.

Someday, if I should ever need to find some "padding" to fill a couple of spare pages (an emergency which seems most unlikely), I intend to publish a letter which reached me a month or two back. It was written by a gentleman who described himself as one of Britain's leading journalists and expressed, in typical journalese, his opinion that this magazine was quite the worst written and most uninteresting "blurb" that he had ever read. The letter was written in all seriousness, I believe, but it gave us half an hour of real amusement in reading aloud the florid phrases which, no doubt, the writer considered should be adopted in the pages of "Q R P". Despite this "authoritative" advice I have no intention of changing our style unduly as every other letter which has touched upon this subject has expressed entire satisfaction with our style and presentation. One such arrived this week and said: "When I get 'Q R P' it always feels as though you were sitting in the room talking to me instead of my being alone there reading". Now that is a most pleasing thought for it sums up my whole aim in editing this mag. I lay no claims to ability as an editor nor do I profess to be an authority on any aspect of radio. My only assets are an unbounded enthusiasm and a great desire to pass my enjoyment of our radio hobby on to others. If I can "talk to you" through these pages my object will have been achieved in full.

..... SOCIETY BADGES .....

We are expecting deliveries of badges about the middle of the month. As received they will be of the buttonhole type (since the pin mounting increases the cost considerably), but anyone who is at all handy with a soldering iron (and this must, surely, apply to all our members) can very easily achieve a conversion. I propose to carry out this conversion here before delivery on a small quantity to meet the requirements of those members who are particularly keen to have pin type and do not wish to do the job themselves. There will, of course, be no extra charge. If you REQUIRE PIN TYPE will you please let me know?

..... SOCIETY NEWS AND ACTIVITY .....

ARTHUR LOONEY (Liverpool) who, besides being the Society's Northern Counties representative, is also Hon Sec of the Liverpool club, has had a letter from VS1EV asking for SWL reports. 1EV will QSL any USEFUL reports on his 14 Mc/s sigs (1600-1800 GMT). His QTH is Temple Hill Officer's Mess, RAF, Changi, Singapore 17.

E. W. GARDINER (Diss, Norfolk) found the bands good "at times" during the month, especially during the Easter holidays. He added 10 new zones to his score and heard his first W and KP4 on 3.5

GI2DZG. WALTER CAUGHEY (Belfast) has moved into his new home though he has not had time to get the shack laid out yet. It has antenna feed through tubes built into the walls and the 42 ft masts are ready for erection in the garden.

JOE O'HANLON (Inverkeithing) has found himself a most unusual shack. He had occasion to lift a floorboard in the living room to repair a wall plug and found himself looking into a "cellar" 6 ft high and of similar size to the living room. A trap door in the

corner now gives access to a flight of steps and the unexpected shack has acquired lighting, plug points and all the necessary fittings. (The trouble you have experienced with Eddystone coils is not unusual, Joe. Try winding a set of your own. I am collecting the gen you require on the O-V-1).

GC3IDP, PETER AMY (Jersey) has only just got his call through and is already on embarkation leave before going out to ZE. It is a shame that he couldn't make longer use of the GC call, but we hope that he will interest the ZE, VQ and ZS bods in QRP.

G3IDG, F.A.HERRIDGE (Balham, SW 12) has had to restrict his reconstruction as he is suffering from what the doctors call 'drop wrist'. In the mean time he has been strictly QRO. (Speedy recovery, OM, and let's have that gen when you can get round to it).

G.M.SUTCLIFFE (Halifax, Yorks) has been laying out a portable Rx rig using 1.4 v valves. He would be glad to have any data on this type of gear if other members could help.

ERLAND LARSSON (Hagge, Sweden) has been QRT for some time as he has been doing army training. He has however tried out a 3S4 in a super-regen rig for ten -- so far without great success though he has had the Civil Aviation Bureau in Paris on about 13 metres.

NORMAN BASON (Peel, Isle of Man) has recently had an ultimatum from the XYL regarding 'radio litter', so he has spent some time in a general tidy up, resulting in a neat rack layout. There is a 30 ft pole waiting to raise the long wire still further, so we are hoping to have some Dx to report next month.

G3BII, ALEC CLARK (Beaconsfield) who has joined us during the month, comments on the real Ham Spirit, so seldom found these days, which seems to exist in our ranks and is so often displayed in the pages of our journal.

J.I.MEARDON (Newton Abbot), despite impending examinations, has completed a new Top Band Rx which is now under test. He has submitted some very helpful suggestions for SWL contests.

IAN GLEN (Locking RAF Camp, Somerset) is certainly in luck's way. He has "acquired" one of about six small shacks set aside for the use of the camp's Amateur Radio Club. It is an ex-office, about 12' x 8', and contains quite a lot of junk jettisoned by previous tenants. Ian will be due for 48 hours leave before this issue is complete and we hope to see something of him here in Walton.

TED STONESTREET (London NW 2) has made another two visits to local shacks this month, bringing his total to 11. It is always encouraging to hear that the bulk of local hams are so SWL-conscious. Ted has just received a QSL from I which has been "pending" nearly two years. He finds QSL returns highest from Spain and practically nil from USA. He has only had one W card and that was a /MM.

W. F. POTHECARY (Kettering) has completed a plug in RF stage for the O-V-1 which improves results on 160. He has become second op at G3ICK and is gaining valuable experience. He has been elected an RSGB member. A new QRP Rx, now under test, sounds rather interesting, having 2 x XH1.5 valves and measuring 6" x 4" x 3" including battery space.

B. J. READ (Liverpool) has come up again with a fine phone log on 14 Mc/s which includes CE, CO, CR6, CT3, DU, EL, FQ8, HI, HR, HZ, KP4, KP6, KV4, KZ5, MI, MP4, OD, OQ5, VP6, VP9, VQ4, VS1, VS7, VU, YI, YK, ZC6, ZD4, ZE, ZS2MI (Marianne Is), ZS6 and 3A2. Bryan replies to Ted Stonestreet's query on AJ2 that "...this prefix is used by the M.A.R.S. stations, generally heard working a station called A.I.R. Most of these stations are also licenced amateurs and, I believe, will QSL..."

H. G. WELLS (Waltham Cross) and his second op, Andrew, record yet another pleasant personal contact with a local ham, in the course of which they met Bob Kenny, G3AAU. I am very pleased to hear, also, that his membership of this Society afforded Harry a little extra welcome at the RSGB monthly meeting which he attended. There is an antenna coupling unit and a RF/super-regen Rx taking shape in the shack of which we hope to hear more before long.

G2HAW, T.C. TURNER (Hounslow) gets a welcome to our Society this month and, though he has not given us a lot of gen on his activities yet, we do know that he has been doing remarkably well on Top Band with an input of one watt (Let's hear more, OM.).

BOB KENYON (Liverpool) spent a very enjoyable time with Arthur Looney at the Manchester Radio Exhibition looking for a QRP TV receiver (You may joke now, Bob, but even that will be with us in ten years!) He has built an improved version of the rig described last month and now has plans for utilising a separate valve for reaction.

PETER HUNTSMAN (Hexham-on-Tyne) found condx during the month exceptionally good on 20. The band has been open for him late into the night and in a single evening he logged VQ8, CR4, KJ6, ZS7, AC3, ST, ZM6, HK, ZP, VQ5 and HP -- all new countries for him and mostly CW

G3GZA, DUDLEY WEST (Bristol, 4.) has been QRP fone lately on Top Band, running 3 to 4 watts. He is on most week ends and would appreciate any SWL reports. He is hoping to go /P several times this month and will be looking for QRP members. Following my para about Ian Glen last month, Dudley has made a very fine offer of hospitality to the boys at Locking which I am passing on elsewhere in this issue (Many thanks, Dudley).

4X4CJ, BOB AVIGOR (Orleans, France) is on a visit to France until the end of August. He is yet another to whom we offer a very sincere welcome this month and he should be a great asset to us as he has done extensive work with QRP in the past. Top Band is "out of bounds" in 4X4 but Bob is very active on 3.5 and 7 Mc/s.

G3AAU, BOB KENNY (Enfield) will, we understand, be moving to GM very shortly. I had been hoping to meet Bob personally and had, infact, arranged a date which I was unable to keep owing to condx at this end, so his move is rather a blow to me. (Best of luck in the new QTH, OM).

-----  
DEADLINE DATE FOR NEXT MONTH'S NEWS . . . . . Tuesday, June 3rd.

32/6

..... "GOING PORTABLE THIS SUMMER ?" .....  
Asks George Partridge, G3CED.

As a /P enthusiast the writer is acutely aware of the chief limitations on portable activity, namely overall weight and size of both equipment and power supply, and the heavy cost of the latter even for QRP purposes. This last point has prompted the writer to investigate the use of hand operated generators. The ex-WD "Generator, hand, Mark 2" was selected from those available on the surplus market, being chosen for it's ability to supply 2v and 1.4v valves with the minimum effort (it was actually designed to supply the types 18 and 48 sets). The equipment was purchased from (and is still offered by) Messrs Lyons Radio Ltd, Dept Q, 3 Goldhawk Rd, Shepherds Bush, London W12 at a cost of 25/- plus 7/6 carriage. It is brand new and the canvas carrying satchel, reinforced in heavy leather is alone worth the price asked. The official handbook is included. The equipment is assembled in a matter of seconds and the operator works two handles whilst sitting on a seat which is attached to the equipment. The outputs are: HT, 162 volts 60 mA, LT, 3.1 volts .3 A. The odd voltages are accounted for by the fact that in the case of the HT 12 volts were used by the 18 set for grid bias purposes, leaving 150v for anode and screens. The LT voltage drop in the power supply leads in series with a 6 ohm pot enabled the full 2 volts to reach the valve filaments of the 18 set. The equipment could be left out in the rain without damage. Adequate smoothing and suppression is incorporated in the generator compartment. In the writer's opinion the price asked for this superb equipment is ridiculously low.

- - - - -

(If you are writing to Messrs Lyons Radio re the above it would help to mention your membership of this Society -- Ed.)

::::: A PEAK NOISE CLIPPER, by David White. :::::::::::::::::::::::

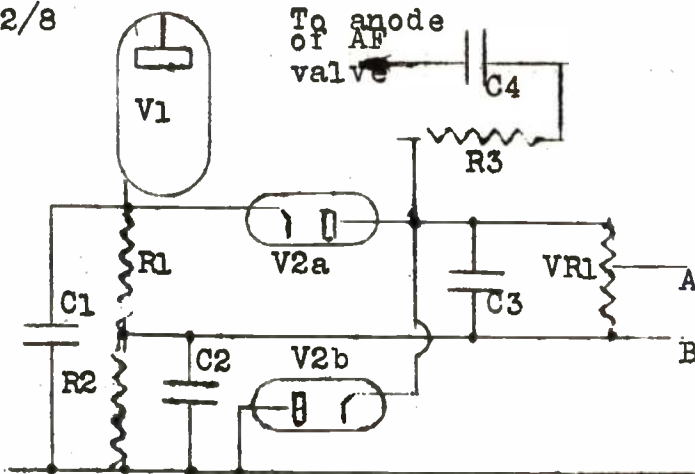
This peak noise limiter works on the principle of clipping noise peaks greater than a certain predetermined level. The diodes V2a and V2b are normally biased with respect to point B so as to be nonconducting. The biasing voltage is that appearing across R1 and R2. When a peak to peak signal voltage greater than the voltage across R1 & R2 appears across C3 then the diodes will conduct, clipping the peaks of the signal. C3 serves to attenuate the higher frequencies as the clipping action of the diodes tends to produce unwanted high frequencies. VR1 serves to regulate the output voltage to the earphones which should be attached to A and B. Thus the output does not have one side earthed and care should be taken not to short point B to earth.

V1 should normally be an audio valve requiring about 3 volts bias and the value of R1 and R2 should be chosen to give this. In this case the output voltage at the last valve anode should have a mean level of 2 - 3 volts, peak to peak, that is approximately one volt RMS.

Generally speaking the greater the bias and the greater the applied signal, the more efficient this device becomes, but values of bias down to  $\frac{1}{2}$  volt have been used with success.

This is strictly a noise limiter and not a noise eliminator and, though it's design enables it to be added to a TRF circuit just as easily as to a super-het, it will not usually eliminate noise in a TRF layout because it can do nothing about overloading which may occur in the circuits before it. In a TRF set the reacting detector, if used anywhere near the point of oscillation, is extremely susceptible to overloading. Despite all this it is a great relief to know that motorists can accelerate as hard as they like under your aerial with no risk of producing a temporary deafness in the operator.





## COMPONENT VALUES:-

R1 and R2, see text.

R3, 15 K.

VR1, 20 K pot.

C1, C2, 50  $\mu$ F 50 v.C3, .002  $\mu$ F.C4, .1  $\mu$ F (not critical)

V1, see text.

V2a, V2b, 6H6.

.....

===== THE V H F SECTION =====

This project, which was first suggested in the March issue, has roused even greater interest than I anticipated. Support has been particularly enthusiastic from SWL members, among whom little VHF work has yet been attempted. I feel that the Section has been opened at a propitious moment and that, under the managership of GC2CNC, a profitable future is assured. Finally, a word of thanks to "Monty" on behalf of all our members for his willingness to accept this extra load. He is not the pushing type who would go out of their way to seek leadership, but (despite what he says himself) he has a background of experience and a grand store of enthusiasm

Don't forget his address:-

Mr E. Banks, "The Ripples", La Rocque, JERSEY, Channel Islands.  
(Editor and Hon Sec).

-----

A MESSAGE ON V H F , by GC2CNC.

Those of you who have read the Editorial in the April issue will have seen that somehow or other the job of VHF 'manager' has fallen upon my shoulders. Believe me I did not seek the post, and I would willingly bestow it upon the first enthusiast who would be agreeable to take it. I have always believed in being honest, even at the expense of being termed "tactless", so you must forgive me if this first sentence seems curt. You may, however, rest assured that I will do my best for you all.

Now...to business - and a request! In order to make this new Section a success it will be necessary to enlist YOUR help. Do please send frequent information as to what you have heard, seen or made. Send in details of jobs you have done, even if they have not proved successful.

In order to remove any chances of doubt as to my intentions, let me make it clear that I am not a party to any of the "free fights" that are going on at present between certain groups, etc. Whilst I have my own opinions about these differences, I do not propose to discuss them here. Suffice it to say that I subscribe to the RSGB, SWM, SWL, Radio Amateur and an American magazine, and am a member of FOC and TOPS.

On the subject of journalism I confess to being very ignorant, whilst my knowledge of radio is nowhere near the standard of many enthusiasts. In other words, radio is my hobby, and all articles will be treated from that angle. Therefore please bear with me and forgive any errors.

The QRP Society believes that VHF will be the "region" of the future, and we hope that we may be able to contribute something, however small, to the science as a whole. VHF offers more scope to the listener than does any other band and, whilst it is true that far more effort is needed to construct a VHF receiver or convertor, it is also true that far better results can be obtained from

32/10

highly directional antennae which are much easier to make and assemble than their counterparts in the LF regions. Readers must get the idea out of their heads that VHF constitutes a mysterious part of the spectrum. When once you have got going you will realise that, whilst more attention must be paid to small matters, the bands do NOT offer unsurmountable barriers. As far as the QSL collectors are concerned, it is a safe bet that the chances of getting a card out of a station 200 miles away are greater than on any of the LF bands.

Therefore the request of the month is for information on gear, ideas and activity - and a plea for receiver, convertor and transmitter details relative to the frequencies over 435 Mc/s.

- GC2CNC -

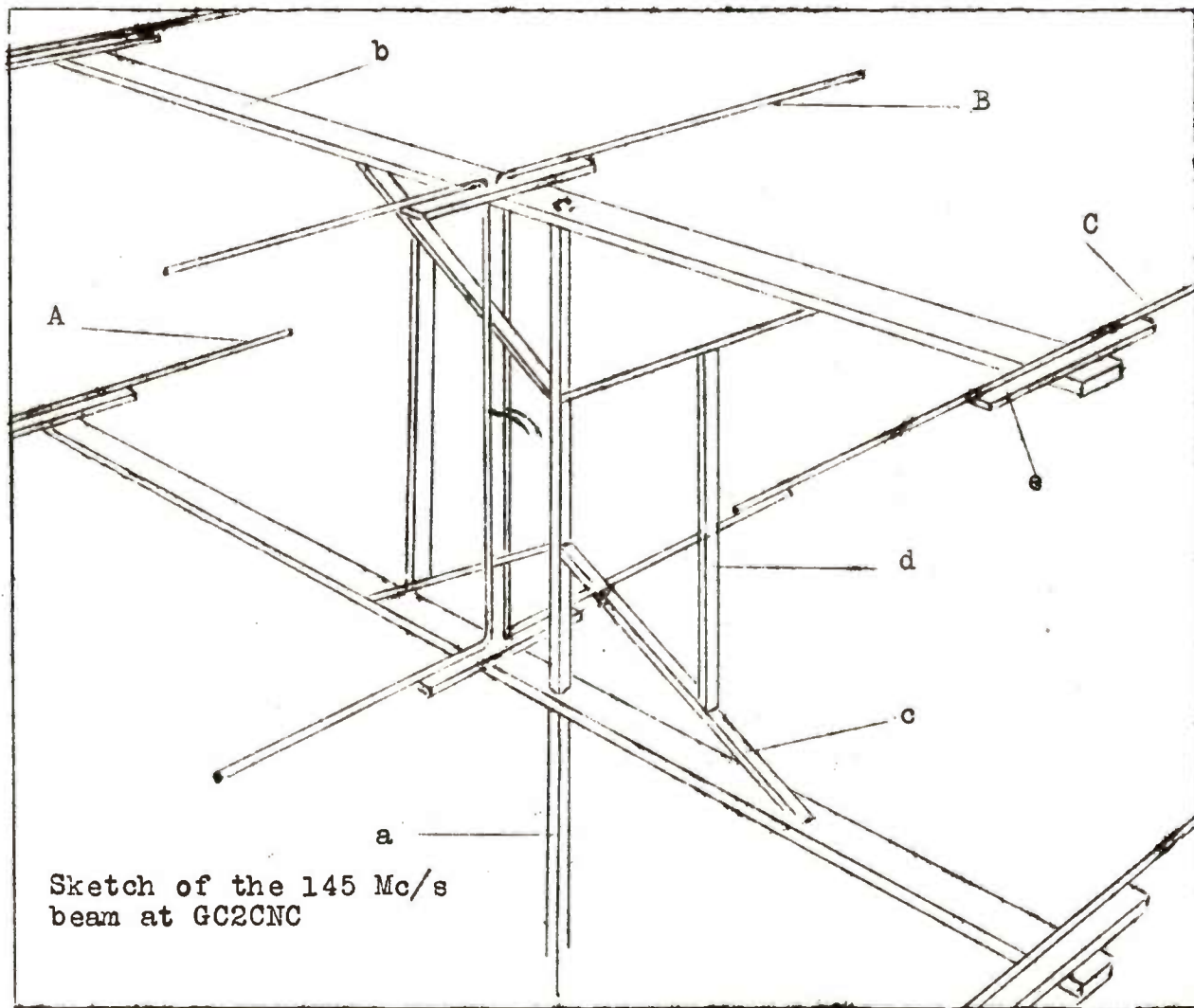
.....

A 145 Mc/s BEAM.

The layout of the beam shown in the sketch, which is equally useful to listener and transmitter alike, has been arrived at after much experiment and is now in use at GC2CNC.

The upper and lower arrays are identical, but it should be noticed that they are set at a slight angle to one another so that they focus towards the "line of fire" by a difference of two inches in the height between them from back to front. The elements themselves are made of 3/16" copper tube, sandpapered and painted, and with the ends plugged to prevent entry of moisture. The measurements for 145 Mc/s are:-

|                                  |                        |        |
|----------------------------------|------------------------|--------|
| Length of reflectors (A)         | $\lambda/\sqrt{2}$     | 38.17" |
| " " radiator (B)                 | $0.94\lambda/\sqrt{2}$ | 35.88" |
| " " director (C)                 | $0.9\lambda/\sqrt{2}$  | 34.35" |
| Spacing of reflector to radiator | $0.25\lambda$          | 19.08" |
| " " radiator to director         | $0.30\lambda$          | 22.02" |



Distance between upper & lower array (back)  $\lambda/2$  . . . . .38.17"  
 " " " " " " (front)  $\lambda/2 - 2"$  . . .36.17"

The wooden supporting structure, which may be mounted on a lattice tower, conduit piping, or in any way suitable to individual requirements, is made up as follows:-

The main mast (a) is 1" x 1" section, carrying the two main spars (b) of 1" x 2" section, which are supported by four struts (c) of  $\frac{1}{2}$ " x 1" section, these being strengthened by additional supports (d) of  $\frac{1}{2}$ " x 1". All joints between supports should be glued as well as screwed. On top of the main spars and under each element are  $\frac{1}{2}$ " x 1" x 9" long supports (e).

The beam is fed by 300 ohm flat line at the centre of the vertical sections and a certain amount of matching is possible by varying the distance between these sections.

In assembling the radiators a U slot should be cut in the sides of the main spars, the elements fitted into these and part of the U cutout replaced thereafter by glueing

The total cost of the prototype beam was £1.10.0 which makes an amazing comparison with the cost of a equivalent commercial array.

.....

THE STATUS OF THE SOCIETY.

Some confusion appears to exist among some of our members as to the precise standing of the Society in relationship to other radio bodies. Let me hasten to assure all who may feel any doubt, that we are an entirely independent, self-contained and self-supporting organisation. Our Society is fully affiliated to the RSGB and, while we owe no allegiance to any other body whatsoever, it is our desire to maintain the closest cooperation and the most

32/13

Friendly relationship with ALL other amateur radio endeavours. We are happy to have in our ranks members of every major radio body in this country, and several overseas ones as well, but such is not in any way an essential to membership of this Society. Our annual subscription of 8/- is the total and only amount involved in such membership, subscriptions to any other organisation being a matter entirely in the hands of the individual. (Hon Sec)

.....

THE QRP C - Z PANEL.

|                     | COUNTRIES |    |     |    | C     |       | GRAND |
|---------------------|-----------|----|-----|----|-------|-------|-------|
|                     | 3.5       | 7  | 14  | 28 | TOTAL | ZONES | TOTAL |
| 1: Huntsman, P.     | 12        | 37 | 120 | -  | 127   | 34    | 161   |
| 2: Read, B. J.      | 12        | 8  | 95  | 7  | 97    | 29    | 126   |
| 3: Gardiner, E.W.   | 26        | 16 | 72  | 16 | 86    | 31    | 117   |
| 4: Gordon, D.G.     | 20        | 16 | 70  | 12 | 80    | 28    | 108   |
| 5: Huntsman R.      | 1         | 28 | 65  | -  | 78    | 24    | 102   |
| 6: Stonestreet, A.  | 17        | 19 | 57  | -  | 77    | 21    | 98    |
| 7: Kenyon, R.L.     | 2         | -  | 53  | -  | 53    | 21    | 74    |
| 8: Garrard, "Deck". | 9         | 3  | 44  | -  | 56    | 17    | 73    |
| 9: Wells, H.G.      | -         | 16 | 39  | 9  | 50    | 18    | 68    |
| 10: Bason, N.       | -         | 5  | 30  | -  | 33    | 15    | 48    |

For the benefit of the many new members who may not be aware of the "workings" of this consistently popular SWL feature we feel it is time we had a recap on the rules. The C-Z Panel is open to any SWL member and constitutes the countries and zones heard during the year from Jan 1st, covering the four bands indicated. The



32/15

..... THE QRP "200" CONTEST .....

| Returns for<br>APRIL 1952 | 1.7   |     | 3.5   |     | 7     |     | GRAND<br>TOTAL |
|---------------------------|-------|-----|-------|-----|-------|-----|----------------|
|                           | April | TOT | April | TOT | April | TOT |                |
| 1: GC2CNC                 | -     | 32  | 2     | 26  | 15    | 30  | 88             |
| 2: G3EDW                  | -     | 30  | -     | 10  | -     | 5   | 45             |
| 3: G3AGQ                  | -     | 36  | -     | 6   | -     | -   | 42             |
| 4: G3HJL                  | -     | -   | 1     | 18  | -     | -   | 18             |
| 5: G3FAU                  | -     | 16  | -     | -   | -     | -   | 16             |
| 6: G3HCW                  | -     | 12  | -     | -   | -     | -   | 12             |

Conditions seem to have hit this contest very hard this month, though they are not related to atmospheric condx so much as to a general tendency to reconstruction and also a heavy increase in the demands of work upon our members. Only "Monty" Banks has managed to struggle on and he has built himself a nice lead for the moment. I have no doubt, however, that, as soon as soon as some of the others are able to return to activity they will give him a hot chase

.....

P O S T S C R I P T .

Letters which have arrived since the official "deadline" give us the following interesting news -

ZB1GBP. R.F.Hawksley has got his call through and becomes our first ZB1 member. He is still having trouble with the Rx, but snags are being overcome and he hopes to be active any time now. He says the Mediteranian weather is really fb (It wasn't too bad here yesterday, OM!).



"TOPSFEST": With very great pleasure indeed we have received an invitation for any QRP Research Society member to attend the annual "Topsfest" of the TOPS CW Club, to be held at Chester on August 16th 1952. Any member desiring to attend should write to their Hon Sec (Mr J.P.Evans, GW8WJ, Westcroft, Meliden Road, Prestatyn, Flints), enclosing a s.a.e. not later than August 1st, when he will receive details and an official invitation.

435 Mc/s: GC2CNC hopes to be active on this band in the near future with about 5 watts. The PA stage will be a tripler from the 145 Mc/s rig, while the convertor will be a copy of the circuit described by G2XC in the SWMag. The antenna will be a wide-spaced 6 element Yagi, GC3FSN is also interested.

GC2CNC: In the March issue I mentioned that "Monty" would be visiting Sark on July 14th and will use the call GC2CNC/P. That is a date to note very carefully as it will be the first ever ham transmission from the Island. Prior to this occasion "Monty" will be paying a visit to Bristol (July 11th) and would very much like to meet some of the Bristol lads. I am hoping that G3GZA may be able to organise some small "gathering of the clans" for him.

AN INVITATION TO LOCKING HAMS: G3CZA, Dudley West of 9 Novers Park Drive, Novers Park, Bristol 4, writes - "If Ian Glen, who has been posted to Weston-super-Mare, will get in touch with me, I will arrange a visit to some Ham shacks and local clubs if he is interested. Anyone in the RAF at Locking or other local aerodromes is vey welcome here provided they drop me a p c to let me know they are coming (any day except Tuesday)." Thank you, Dudley. I am sure Ian will pass that on to G3IRS and G8FC members.

DEN AUTON, we are very pleased to report, is now out of hospital and settling down at home again. His call, G3IHI, has just come through and he has already put out a couple of calls though at present his aerial consists only of a few feet of wire from the bedroom window. (Good news, Den, and all the best, OM)

32/17

::::: THE QRP "100" CONTEST :::::::::::::::::::::::::::::::::::::::

|        | COUNTRIES |    | WORKED |    | TOTAL |
|--------|-----------|----|--------|----|-------|
|        | 3.5       | 7  | 14     | 28 |       |
| GC2CNC | 8         | 16 | 12     | -  | 36    |
| G3HJL  | 1         | -  | -      | -  | 1     |

Here again we have had to rely on "Monty" for any activity this month. He has added I1, UB5, W2, CT1 and PY5 to his 7 Mc/s score and EA9, FA3 and SU5 on 14.

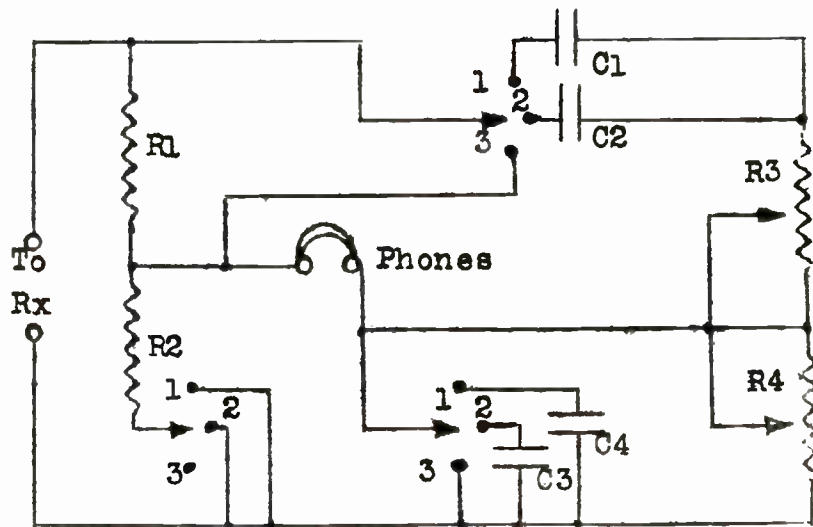
::::: INTER - SOCIETY CONTEST :::::::::::::::::::::::::::::::::::::::

The rules for this contest, which were published last month in proposal form, are still under consideration. The main snag appears to be that, while a sufficient number of clubs are interested, most of them find it difficult to nominate three QRP enthusiasts to form a team. The 100% "never-use-anything-else" QRP amateur is, as we have always been fully aware, in a very small minority; on the other hand there are many more hams who are genuinely interested in low power but work it only in the intervals of their more normal QRO activities. We, of course, fully endorse this attitude and have never adopted any dogmatic ruling that that QRP should be the sole medium although we should, for a great number of reasons, be happy to see an increase in low power working. Therefore, before finalising the rules of this contest, we want to mould them into a form which will be acceptable to the majority but will, at the same time encourage a reduction in power among an ever increasing number of stations. We shall try to achieve this rather difficult task as soon as possible.

A HOMEMADE FL8A FILTER

We are indebted to Peter Hansen, OZ5U, for this very useful gen. I understand that it is actually the work of OZ7BF, but 5U has used it himself and says that it does function very well indeed.

The switching is carried out by a three-way three wafer rotary



and the output is designed to match into 2 x 2000 ohm phones. R3 and R4 are both 10 K, mounted in tandem, the balance of component values being : R1, 2000 ohms, R2, 1000 ohms; C2 and C3, 0.5 uF; C1 and C4, 0.1 uF.

.....

YOU MAY HAVE HEARD --

G3HJL, the station run by F.R. Bailey of 41 Drayton Road, Boreham Wood, Herts. The QRP Tx here is a simple 6V6 CO, operated mainly in the 3.5 Mc/s band and occasionally on 7 Mc/s. Coupling to the antenna is effected by means of a "Pi-section" filter and all generation is at crystal frequency. Keying is in the negative HT line and power is obtained from a self-contained power pack with a 165/30 stabiliser. Max input with the present circuit constants is 1.2 watts, but the normal level is .8 to .9 watt

32/19

(counted as 1 watt for contest purposes). An end-fed antenna of 95' length (measured to the antenna terminal of the Tx) is used for Tx and Rx, this unusual length being preferred as it offers an impedance of approximately the same order of magnitude at all the LF frequencies to the Tx (low Z) and prevents current or voltage nodes from occurring upon the section of the antenna adjacent to the shack

G3IDG, the station operated by Allen Herridge of 95 Ramsden Rd, Balham, SW 12, where all activity is on 160 and, although not exclusively QRP, can be switched from QRO to QRP at will. The Tx is a 6AG7 CO and 807 PA, into a half-wave end-fed wire bent into a "W" to fit the 66' garden. Allan may be found, with a strict three watts, every Friday evening between 1800 and 2300 GMT on 1733 Kc/s.

::::: SELOTAPE AS AN INSULATOR :::::::::::::::::::::::::::::::

An article which we published recently suggested that Selotape might be used as a medium for insulation between the turns of tuning coils. It was pointed out to me that there is a tendency for chemical action to take place after a period between the tape and copper wire with very detrimental results. On the strength of that warning I have carried out tests on such applications and I am forced to the conclusion that, while I have found no signs of any such chemical action, I am satisfied that it is not sufficiently durable to be trusted with insulating duties over any lengthy time.

::::: PROPOSED LONDON MEMBER'S FIELD DAY :::::::::::::::::::::::

How many London or Home Counties members would be interested in a day in the country with plenty of picnic provisions and some portable gear (as an excuse) for a strictly free and easy, friendly get-together. Let me know if you are interested, OM.